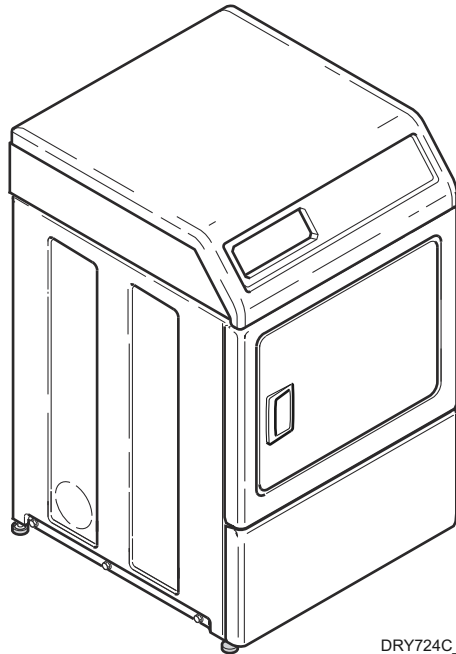


Non-Vend Dryer

Models Through Serial No. 1912999999

Refer to Page 5 for Model Numbers



DRY724C_515154

Table of Contents

Title	Page
Parts Ordering Information.....	3
Serial Plate Location	3
Model Identification	5
Control Panel and Controls - Rear Control Models (Drawing 1 of 3)	6
Control Panel and Controls - Rear Control Models (Drawing 2 of 3)	8
Control Panel and Controls - Rear Control Models (Drawing 3 of 3)	10
Control Cabinet and Control - Front Control Models (Drawing 1 of 2)	12
Control Cabinet and Control - Front Control Models (Drawing 2 of 2)	14
Loading Door (Drawing 1 of 2).....	16
Loading Door (Drawing 2 of 2).....	18
Front Panel and Seal	20
Access Panel	22
Motor, Exhaust Fan and Belt (Drawing 1 of 2).....	24
Motor, Exhaust Fan and Belt (Drawing 2 of 2).....	26
Thermistor.....	28
Front Bulkhead and Seal - Without Light	30
Front Bulkhead and Seal - With Light	32
Air Duct	34
Cylinder and Baffles.....	36
Rear Bulkhead, Felt Seal and Cylinder Roller	38
Terminal Block and Shield (Drawing 1 of 2).....	40
Terminal Block and Shield (Drawing 2 of 2).....	42
Ground Wire.....	44
Heater Duct and Element Assembly - 1 Phase Models (Drawing 1 of 2)	46
Heater Duct and Element Assembly - 1 Phase Models (Drawing 2 of 2)	48
Heater Duct and Element Assembly - 3 Phase Models	50
Heater Duct Assembly	52
Gas Valve and Igniter Through Serial No. 1908000001	54
Gas Valve and Igniter Starting Serial No. 1908000001	56
Gas Valve Through Serial No. 1908000001	58
Gas Valve Starting Serial No. 1908000001	60
Gas Conversion Kits	62
Burner Orifice Spuds - For Higher Elevations.....	64
Cabinet, Exhaust Duct and Base (Drawing 1 of 2)	66
Cabinet, Exhaust Duct and Base (Drawing 2 of 2)	68
Contactors and Transformer.....	70
Ignition Control Module	72
Power Cord (Drawing 1 of 2)	74
Power Cord (Drawing 2 of 2)	76

© Copyright 2023, Alliance Laundry Systems LLC

All rights reserved. No part of the contents of this book may be reproduced or transmitted in any form or by any means without the expressed written consent of the publisher.

Junction Box	78
Junction Box Filter and Harnesses (Drawing 1 of 3).....	80
Junction Box Filter and Harnesses (Drawing 2 of 3).....	82
Junction Box Filter and Harnesses (Drawing 3 of 3).....	84
Terminal Block and Terminals	86
Terminals	88
Motor Connection Block, Terminal Extractor Tools.....	90
Wire Harnesses and Wires - Front Control Models.....	92
Wire Harnesses and Wires - Rear Control Models	94
Parts Index.....	97

Parts Ordering Information

If literature or replacement parts are required, contact the source from whom the machine was purchased or contact Alliance Laundry Systems at (920) 748-3950 for the name and address of the nearest authorized parts distributor.

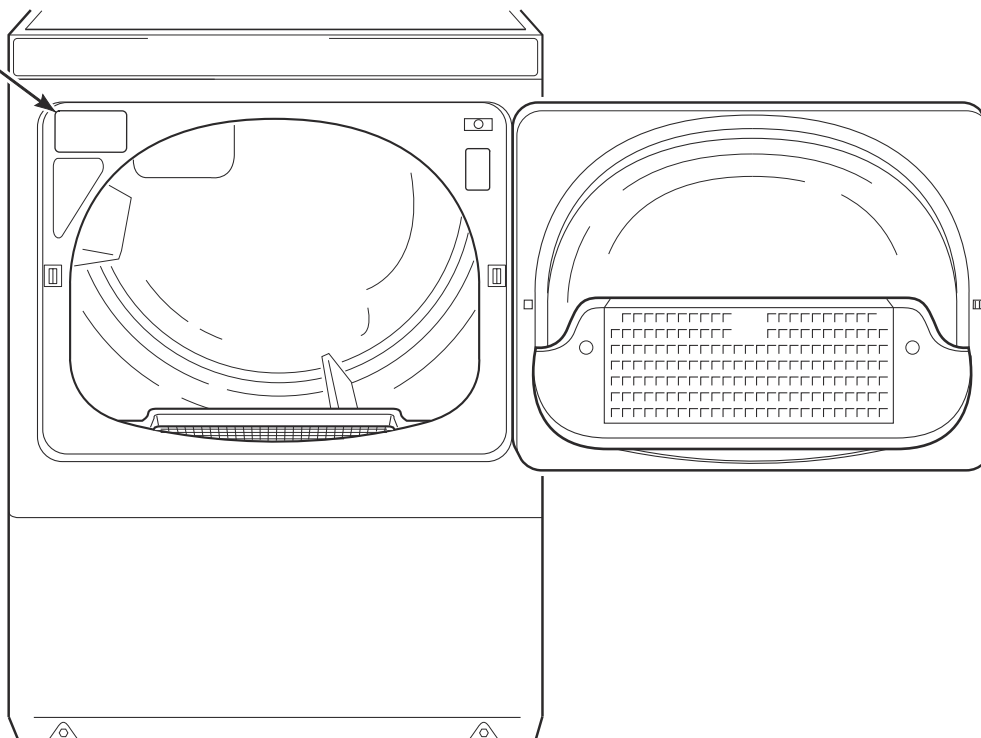
For technical assistance, call the number listed below:

(920) 748-3121 Ripon, Wisconsin

Serial Plate Location

When calling or writing about your product, be sure to mention model and serial numbers. Model and serial numbers are located on serial plate(s) as shown.

SERIAL PLATE



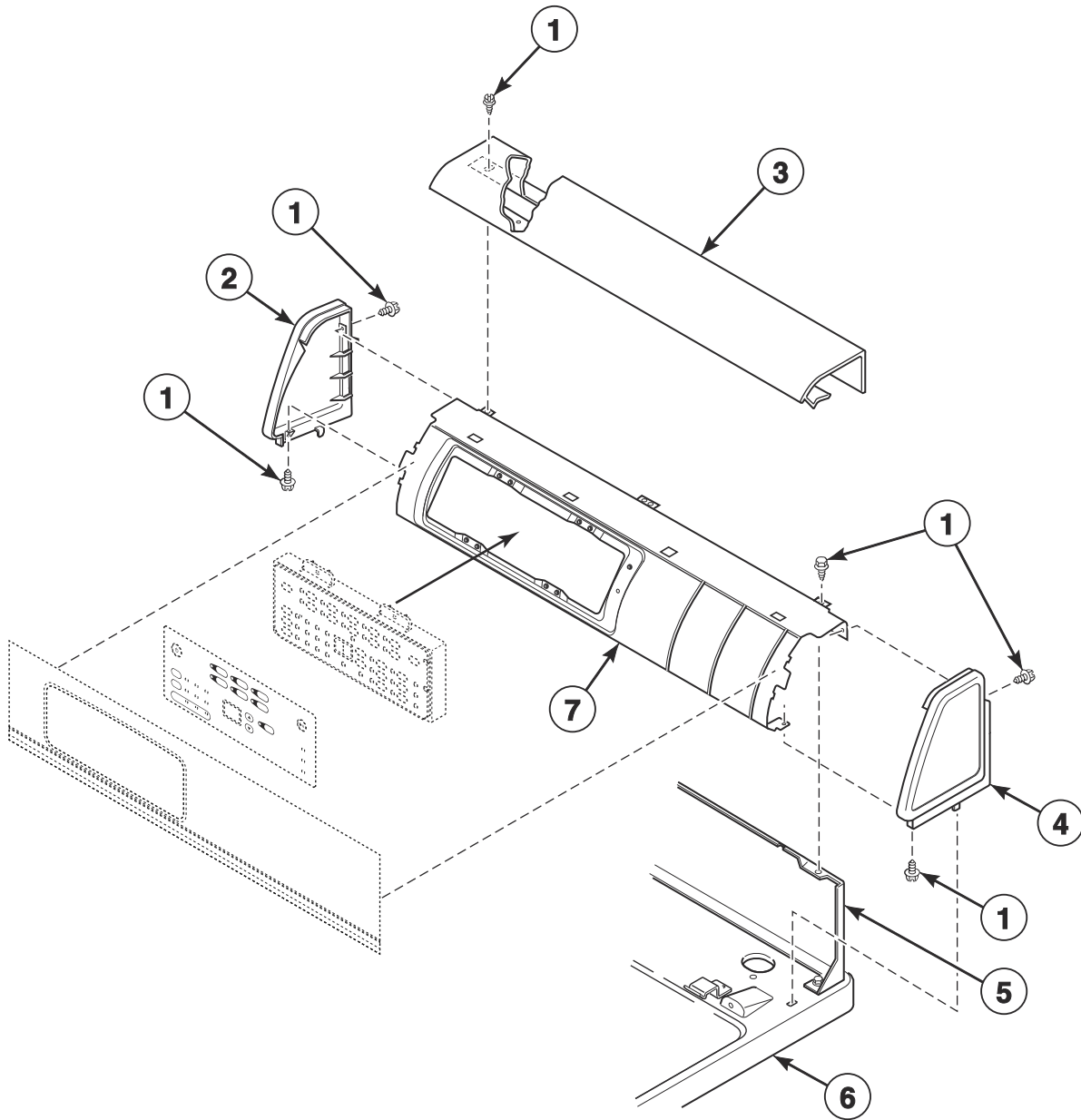
DRY2283P_515154

Model Identification

Information in this manual is applicable to these dryer models:

ADEE8BWS433AW01	LDEE5BGS303ZW30	LDGE5BGS113FW01	PDEE4RGS303UG01
ADEE8RWS433AW01	LDEE5BGS333ZW01	LDGE5BGS303AW01	PDEE4RGS403UG01
ADEE9BGS433AN01	LDEE5BGS433AW01	LDGE7RGS113FW01	PDEE4RGS433AG01
ADEE9BGS433NN29	LDEE5BGS543FW01	LDGE7RGS303AW01	PDEE4RGS443UG16
ADEE9BGS433NW29	LDEE5BGS543RW01	LDGE7RGS303BW80	PDEE7RGS303UG01
ADEE9BGS433XW34	LDEE5BGS553KW01	LDGE7RGS303EW01	PDEE7RGS403UG01
ADEE9BGS543DW01	LDEE5BSS553KN01	LDGE7RGS303EW80	PDGE4RGS303AG01
ADEE9BSS433AN01	LDEE5RGS303ZW01	LDGE7RGS303UW01	YDEE7RGS303EW01
ADEE9BSS433LN01	LDEE5RGS453UW01	LDGE7RSS303UW01	YDEE7RGS303UW01
ADEE9BSS433NN22	LDEE7RGS303BW01	LDGE7RWS303AW01	YDEE7RGS303WW01
ADEE9BSS433NN29	LDEE7RGS303EW01	LDGE7RWS303BW80	YDEE7RGS303ZW01
ADEE9BSS433XN34	LDEE7RGS303UW01	LDGE7RWS303UW01	YDEE7RGS403UW01
ADEE9BSS455LN01	LDEE7RGS303WW01	LDGE7RWS303ZW80	YDEE7RWS543RW01
ADEE9BSS543DN01	LDEE7RGS303ZW01	LDGE7RWS543KW01	YDGE7RGS303EW01
ADEE9RGS433XW34	LDEE7RGS403UW01	LDLE5RGS303NW35	YDLE7RGS303NW26
ADEE9RGS453NW29	LDEE7RGS433AW01	LDLE5RGS303UW01	
ADEE9RGS543DW01	LDEE7RGS443UG16	LDLE7RGS303NW26	
ADEE9RGS563XW01	LDEE7RGS453UW01	LDME5BGS543KW01	
ADEE9RGS563XW26	LDEE7RGS543FW01	LDME5BSS543KN01	
ADEE9RWS433AW01	LDEE7RGS543KW01	LDME7RGS543KW01	
ADEE9RWS463AW01	LDEE7RGS543ZW01	LDME7RWS543KW01	
ADGE8BWS303AW01	LDEE7RWS303BW01		
ADGE8RWS303AW01	LDEE7RWS303ZW01		
ADGE9BGS123DW01	LDEE7RWS433AW01		
ADGE9BGS303AN01	LDEE7RWS453SW01		
ADGE9BGS543DW01	LDEE7RWS543FQ01		
ADGE9BSS123DN01	LDEE7RWS543KW01		
ADGE9BSS303AN01	LDEE7RWS543RW01		
ADGE9BSS303XN01	LDEE7RWS543ZW01		
ADGE9BSS303XN26			
ADGE9BSS543DN01			
ADGE9RGS123DW01			
ADGE9RGS303XW26			
ADGE9RWS303AW01			
ADLE9BGS303XW34			
ADLE9BSS303XN34			
ADLE9RGS303XW34			
FDEE5BGS303UW01			
FDEE5BGS403UW01			
FDEE7RGS303UG01			
FDEE7RGS303UW01			
FDEE7RGS303WW01			
FDEE7RGS403UW01			
FDEE7RGS443UW16			
FDGE5BGS303UW01			
FDGE7RGS303EW01			
FDGE7RGS303UW01			
FDLE7RGS303NW26			

Control Panel and Controls - Rear Control Models (Drawing 1 of 3)

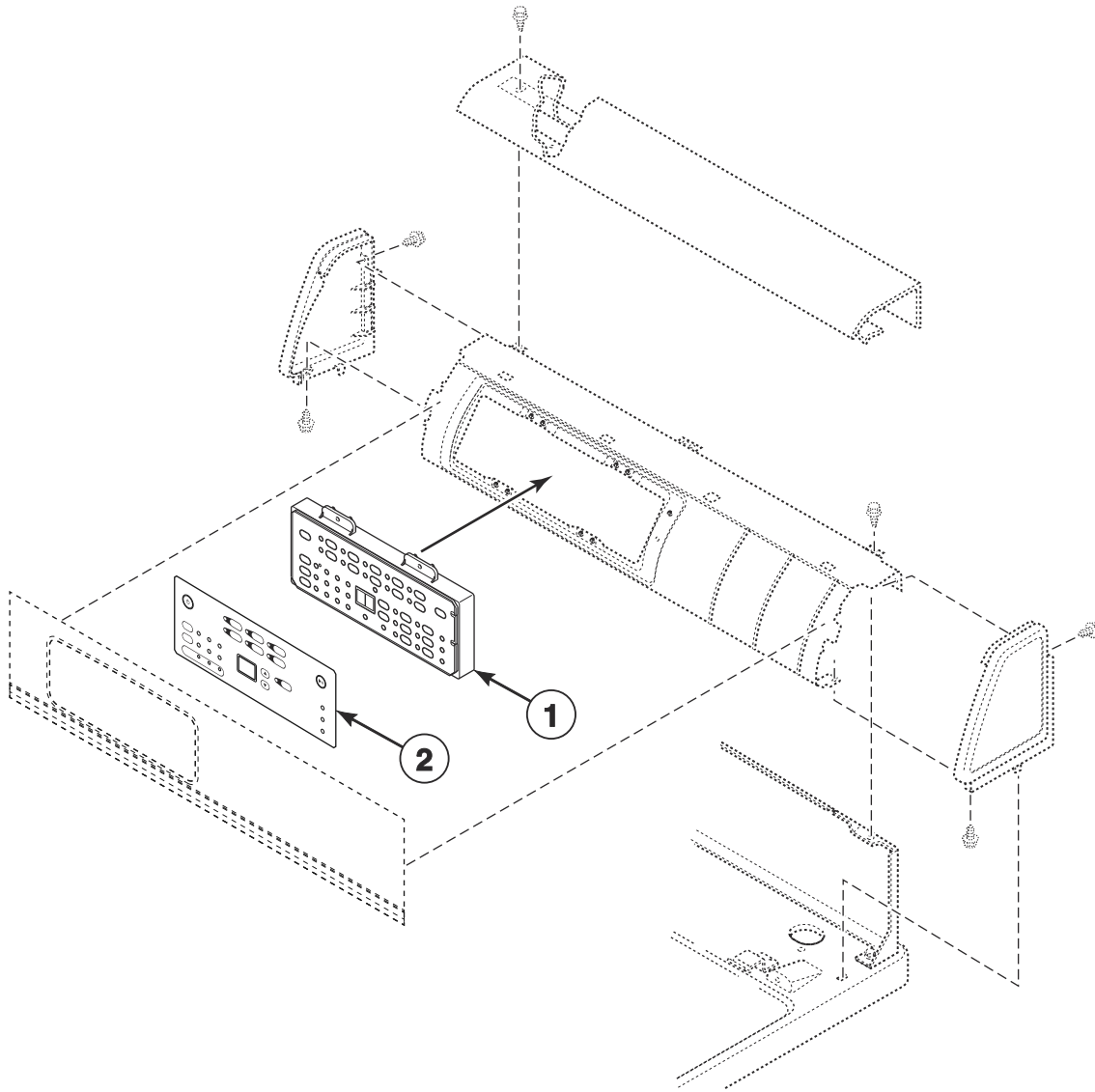


DRY2323P_515154

Control Panel and Controls - Rear Control Models (Drawing 1 of 3)

REF	PART NO.	DESCRIPTION	COMMENTS
1	D501086	Screw	
2	D504009QP	End Panel	Left; Model LDEE7RWS543FQ01
	D504007P	End Panel	Left; Models PDEE4RGS303UG01, PDEE4RGS403UG01, PDEE4RGS433AG01, PDEE4RGS443UG16, PDEE7RGS303UG01 and PDEE7RGS403UG01
	D516858	End Panel	Left; Models FDEE7RGS303UG01 and LDEE7RGS443UG16
	D504009WP	End Panel	Left; All other models
3	D505808Q	Top Cover	Model LDEE7RWS543FQ01
	D505808DG	Top Cover	Models FDEE7RGS303UG01, LDEE7RGS443UG16, PDEE4RGS303UG01, PDEE4RGS403UG01, PDEE4RGS433AG01, PDEE4RGS443UG16, PDEE7RGS303UG01 and PDEE7RGS403UG01
	D505808W	Top Cover	All other models
4	D504008QP	End Panel	Right; Model LDEE7RWS543FQ01
	D504006P	End Panel	Right; Models PDEE4RGS303UG01, PDEE4RGS403UG01, PDEE4RGS433AG01, PDEE4RGS443UG16, PDEE7RGS303UG01 and PDEE7RGS403UG01
	D516857	End Panel	Right; Models FDEE7RGS303UG01 and LDEE7RGS443UG16
	D504008WP	End Panel	Right; All other models
5	804169	Hood Back Panel	
6	D510029Q	Top Panel	Model LDEE7RWS543FQ01
	D510029DG	Top Panel	Models FDEE7RGS303UG01, LDEE7RGS443UG16, PDEE4RGS303UG01, PDEE4RGS403UG01, PDEE4RGS433AG01, PDEE4RGS443UG16, PDEE7RGS303UG01 and PDEE7RGS403UG01
	D510029WP	Top Panel Kit	All other models
7	804836	Control Support Panel	

Control Panel and Controls - Rear Control Models (Drawing 2 of 3)

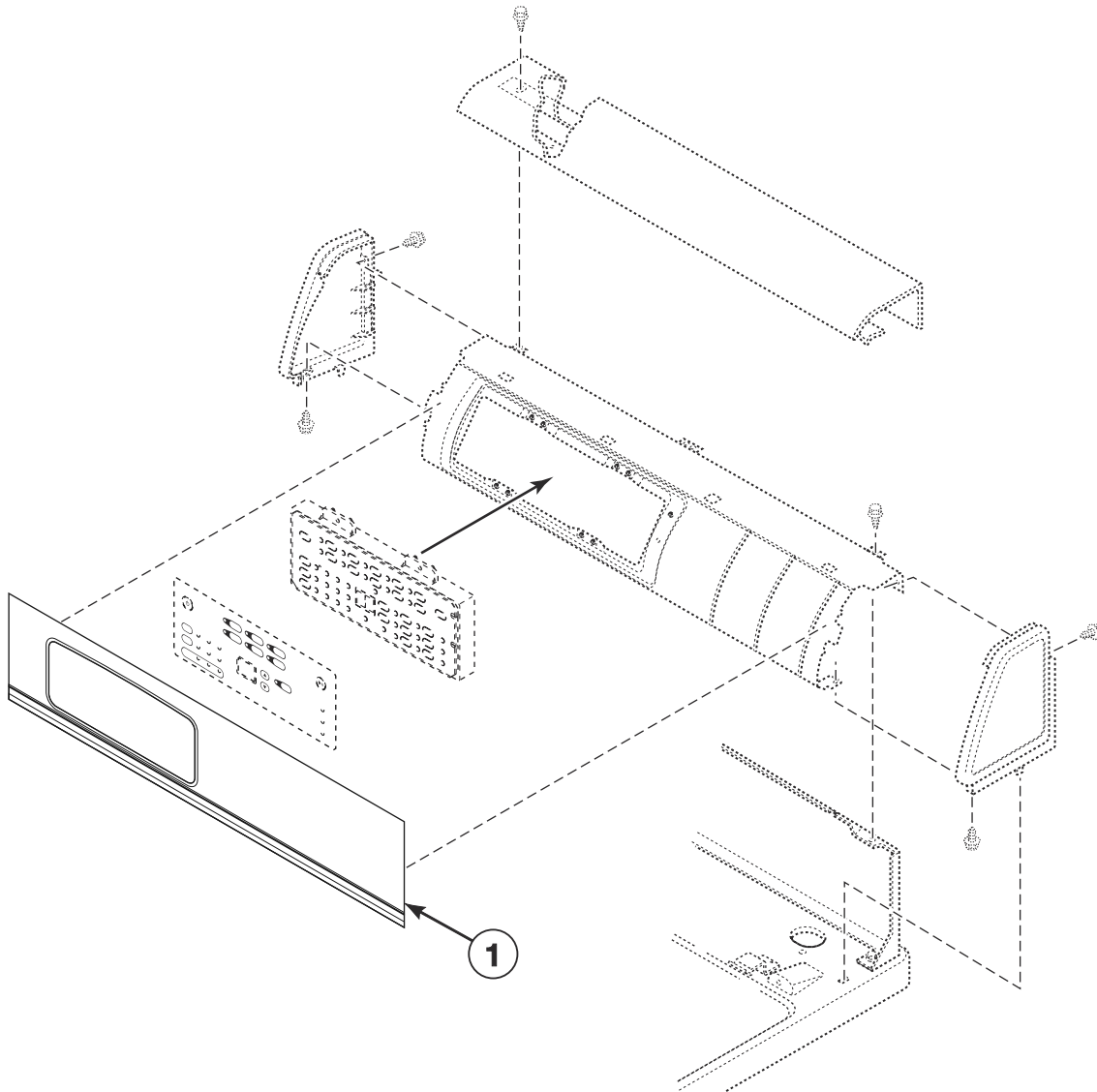


DRY2323PA_515154

Control Panel and Controls - Rear Control Models (Drawing 2 of 3)

REF	PART NO.	DESCRIPTION	COMMENTS	
1	D514338P	Control	Models ADEE8RWS433AW01 and ADGE8RWS303AW01	
	D515800	Control	Models PDEE4RGS303UG01, PDEE4RGS403UG01, PDEE4RGS433AG01, PDEE4RGS443UG16 and PDEE7RGS303UG01	
	D514567P	Control	Models ADEE9RGS433XW34, ADEE9RGS453NW29, ADEE9RGS543DW01, ADEE9RGS563XW01, ADEE9RGS563XW26, ADEE9RWS433AW01, ADEE9RWS463AW01, ADGE9RGS123DW01, ADGE9RGS303XW26, ADGE9RWS303AW01 and ADLE9RGS303XW34	
	D514336P	Control Assembly	Models FDEE7RGS303UG01, FDEE7RGS303UW01, FDEE7RGS303WW01, FDEE7RGS403UW01, FDEE7RGS443UW16, FDGE7RGS303EW01, FDGE7RGS303UW01, FDLE7RGS303NW26, LDEE7RGS303BW01, LDEE7RGS303EW01, LDEE7RGS303UW01, LDEE7RGS303WW01, LDEE7RGS303ZW01, LDEE7RGS403UW01, LDEE7RGS433AW01, LDEE7RGS443UG16, LDEE7RGS453UW01, LDEE7RGS543FW01, LDEE7RGS543KW01, LDEE7RGS543ZW01, LDEE7RWS303BW01, LDEE7RWS303ZW01, LDEE7RWS433AW01, LDEE7RWS453SW01, LDEE7RWS543FQ01, LDEE7RWS543KW01, LDEE7RWS543RW01, LDEE7RWS543ZW01, LDGE7RGS113FW01, LDGE7RGS303AW01, LDGE7RGS303BW80, LDGE7RGS303EW01, LDGE7RGS303EW80, LDGE7RGS303UW01, LDGE7RSS303UW01, LDGE7RWS303AW01, LDGE7RWS303BW80, LDGE7RWS303UW01, LDGE7RWS303ZW80, LDGE7RWS543KW01, LDLE7RGS303NW26, LDME7RGS543KW01, LDME7RWS543KW01, PDEE7RGS303UG01, PDEE7RGS403UG01, YDEE7RGS303EW01, YDEE7RGS303UW01, YDEE7RGS303WW01, YDEE7RGS303ZW01, YDEE7RGS403UW01, YDEE7RWS543RW01, YDGE7RGS303EW01 and YDLE7RGS303NW26	
	D517582	Control Assembly	Models FDEE7RGS303UG01 and LDEE7RGS443UG16	
	D514565P	Control Assembly	Models LDEE5RGS303ZW01, LDEE5RGS453UW01, LDLE5RGS303NW35 and LDLE5RGS303UW01	
	2	D513779	Overlay	Models ADEE9RGS433XW34, ADEE9RGS563XW01, ADEE9RGS563XW26, ADEE9RWS433AW01, ADEE9RWS463AW01, ADGE9RGS303XW26, ADGE9RWS303AW01 and ADLE9RGS303XW34
		D514189	Control Overlay	Models ADEE8RWS433AW01, ADGE8RWS303AW01, FDEE7RGS303WW01, FDLE7RGS303NW26, LDEE7RGS303EW01, LDEE7RGS303WW01, LDEE7RGS433AW01, LDEE7RGS543FW01, LDEE7RWS433AW01, LDEE7RWS453SW01, LDEE7RWS543RW01, LDGE7RGS113FW01, LDGE7RGS303AW01, LDGE7RGS303EW01, LDGE7RGS303EW80, LDGE7RSS303UW01, LDGE7RWS303AW01, LDGE7RWS303ZW80, YDEE7RGS303EW01, YDEE7RGS303WW01, YDEE7RWS543RW01, YDGE7RGS303EW01 and YDLE7RGS303NW26
		D515055	Control Overlay	Models PDEE4RGS303UG01, PDEE4RGS403UG01, PDEE4RGS433AG01, PDEE4RGS443UG16, PDEE7RGS303UG01 and PDEE7RGS403UG01
		D514190	Control Overlay	Models LDEE5RGS303ZW01, LDEE5RGS453UW01 and LDLE5RGS303UW01
D514191		Control Overlay	Models FDEE7RGS303UG01, FDEE7RGS303UW01, FDEE7RGS403UW01, FDEE7RGS443UW16, FDGE7RGS303EW01, FDGE7RGS303UW01, LDEE7RGS303BW01, LDEE7RGS303UW01, LDEE7RGS303ZW01, LDEE7RGS403UW01, LDEE7RGS443UG16, LDEE7RGS453UW01, LDEE7RGS543KW01, LDEE7RGS543ZW01, LDEE7RWS303BW01, LDEE7RWS303ZW01, LDEE7RWS543FQ01, LDEE7RWS543KW01, LDEE7RWS543ZW01, LDGE7RGS303BW80, LDGE7RGS303UW01, LDGE7RWS303BW80, LDGE7RWS303UW01, LDGE7RWS543KW01, LDLE7RGS303NW26, LDME7RWS543KW01, YDEE7RGS303UW01, YDEE7RGS303ZW01 and YDEE7RGS403UW01	
D514188		Control Overlay	Model LDLE5RGS303NW35	
D514192		Control Overlay	Models ADEE9RGS543DW01 and ADGE9RGS123DW01	
D515683		Control Overlay	Model ADEE9RGS453NW29	
D515678		Control Overlay	Model PDGE4RGS303AG01	

Control Panel and Controls - Rear Control Models (Drawing 3 of 3)

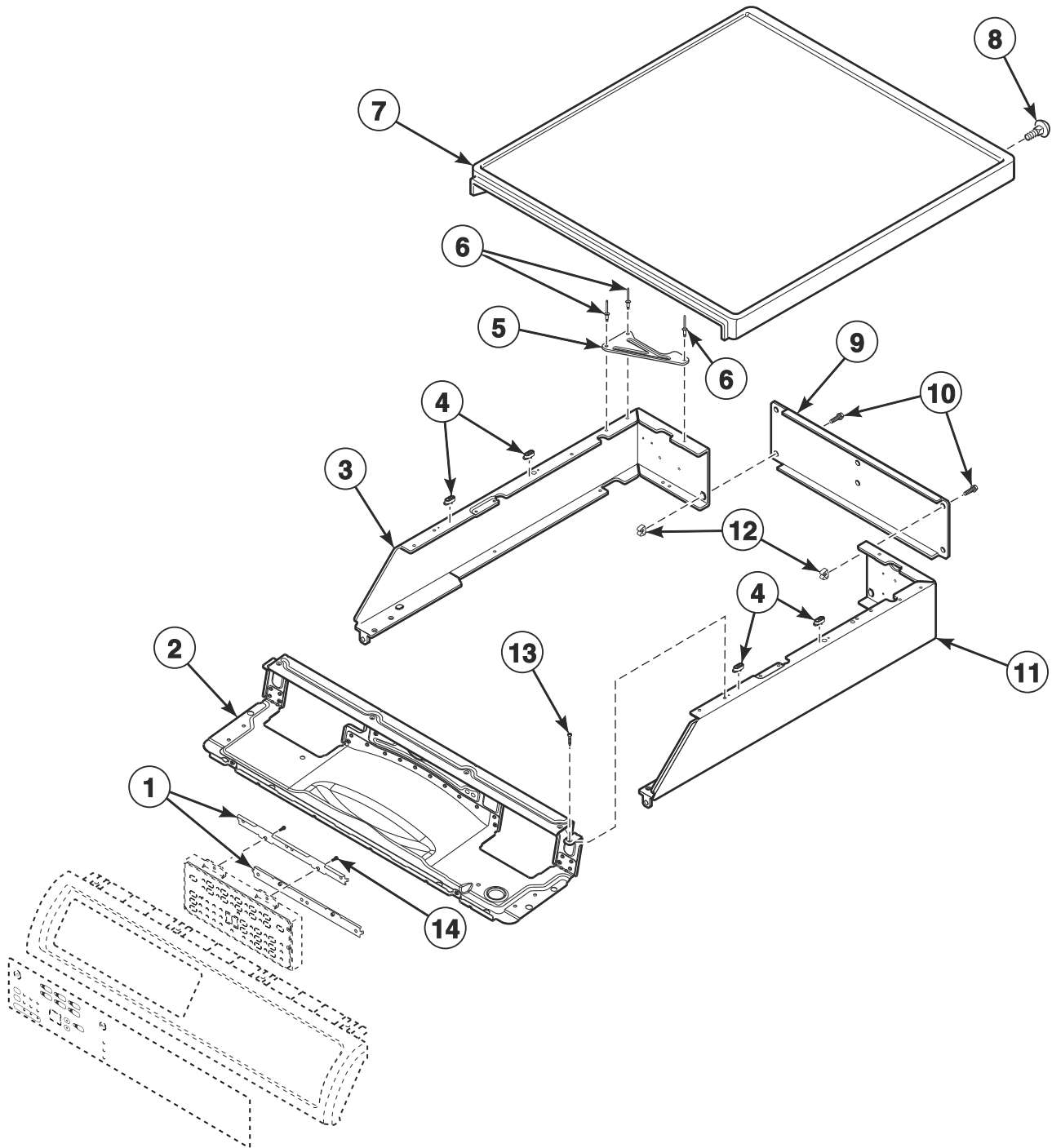


DRY2323PB_515154

Control Panel and Controls - Rear Control Models (Drawing 3 of 3)

REF	PART NO.	DESCRIPTION	COMMENTS
1	804565	Graphic Panel	Models ADEE8RWS433AW01, ADEE9RGS433XW34, ADEE9RGS453NW29, ADEE9RGS563XW01, ADEE9RGS563XW26, ADEE9RWS433AW01, ADEE9RWS463AW01, ADGE8RWS303AW01, ADGE9RGS303XW26, ADGE9RWS303AW01, ADLE9RGS303XW34 and LDEE7RGS443UG16
	805608	Graphic Panel	Models PDEE4RGS303UG01, PDEE4RGS403UG01, PDEE4RGS433AG01, PDEE4RGS443UG16, PDEE7RGS303UG01 and PDEE7RGS403UG01
	805449	Graphic Panel	Models FDEE7RGS303UG01, FDEE7RGS303UW01, FDEE7RGS303WW01, FDEE7RGS403UW01, FDEE7RGS443UW16, FDGE7RGS303EW01, FDGE7RGS303UW01 and FDLE7RGS303NW26
	805448	Graphic Panel	Models YDEE7RGS303UW01, YDEE7RGS303WW01, YDEE7RGS303ZW01, YDEE7RGS403UW01, YDEE7RWS543RW01, YDGE7RGS303EW01 and YDLE7RGS303NW26
	805406	Graphic Panel	All other models

Control Cabinet and Control - Front Control Models (Drawing 1 of 2)

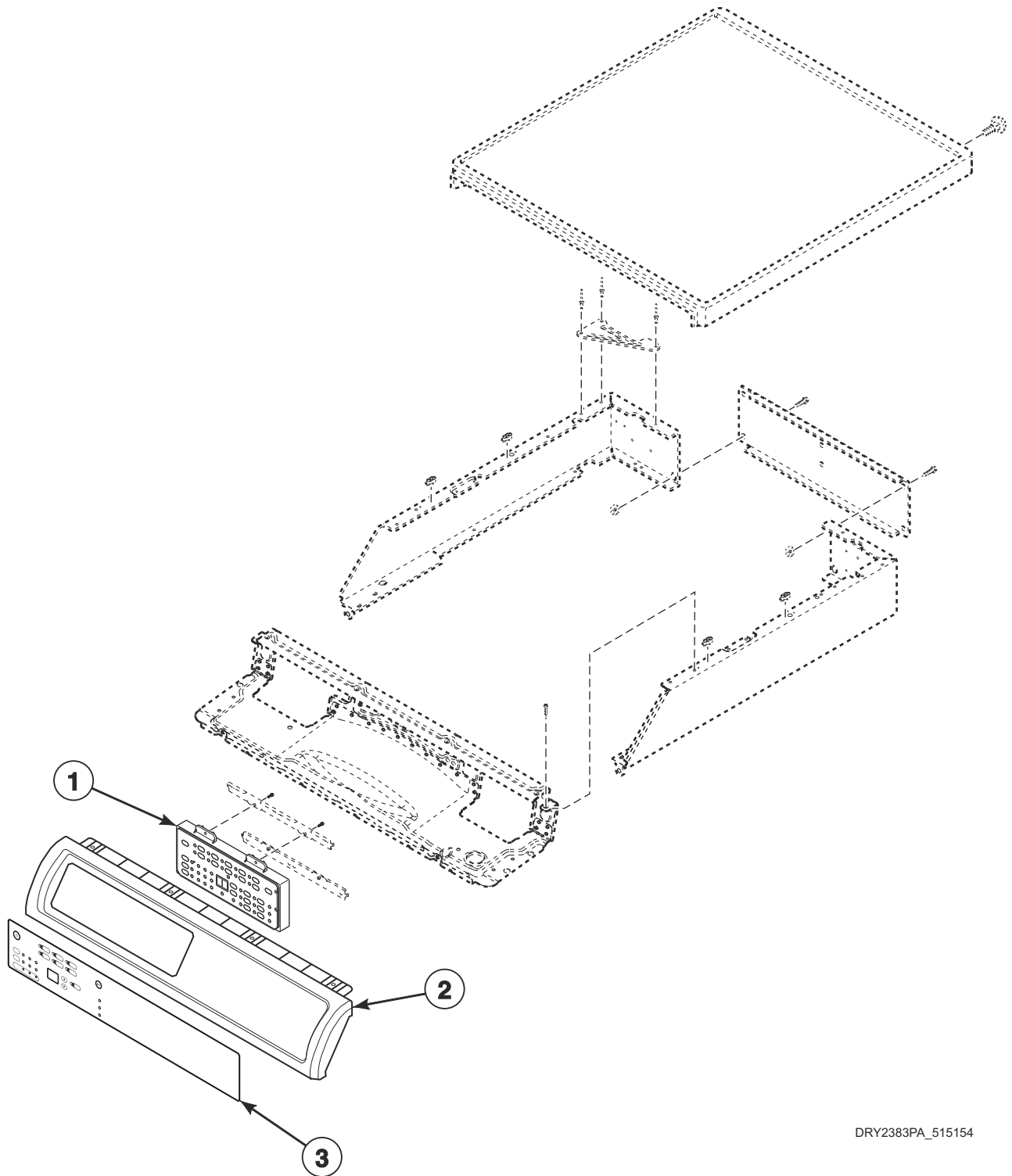


DRY2383P_515154

Control Cabinet and Control - Front Control Models (Drawing 1 of 2)

REF	PART NO.	DESCRIPTION	COMMENTS
1	804611	Control Bracket	2 required
2	804613	Top Panel Brace Assembly	
3	804627B	Control Wrapper	Left; Models ADEE9BGS433AN01, ADEE9BGS433NN29, ADEE9BGS543DW01, ADEE9BSS433AN01, ADEE9BSS433LN01, ADEE9BSS433NN22, ADEE9BSS433NN29, ADEE9BSS433XN34, ADEE9BSS455LN01, ADGE9BGS303AN01, ADGE9BSS123DN01, ADGE9BSS303AN01, ADGE9BSS303XN01, ADGE9BSS303XN26, ADGE9BSS543DN01, ADLE9BGS303XW34, ADLE9BSS303XN34, LDEE5BSS553KN01 and LDME5BSS543KN01
	804627W	Control Wrapper	Left; All other models
4	803761	Top Panel Guide	4 required; Use 39733 Screw to attach
5	805345	Rear Wrapper Brace	
6	685847	Pop Rivet	
7	804684	Top Panel	Models ADEE9BGS433AN01, ADEE9BGS433NN29, ADEE9BGS543DW01, ADEE9BSS433AN01, ADEE9BSS433LN01, ADEE9BSS433NN22, ADEE9BSS433NN29, ADEE9BSS433XN34, ADEE9BSS455LN01, ADGE9BGS303AN01, ADGE9BSS123DN01, ADGE9BSS303AN01, ADGE9BSS303XN01, ADGE9BSS303XN26, ADGE9BSS543DN01, ADLE9BGS303XW34, ADLE9BSS303XN34, LDEE5BSS553KN01 and LDME5BSS543KN01
	804685WP	Top Panel	All other models
8	D503661	Screw	2 required
9	804614	Rear Access Panel	
10	70240301	Screw	4 required
11	804630B	Control Wrapper	Right; Models ADEE9BGS433AN01, ADEE9BGS433NN29, ADEE9BGS543DW01, ADEE9BSS433AN01, ADEE9BSS433LN01, ADEE9BSS433NN22, ADEE9BSS433NN29, ADEE9BSS433XN34, ADEE9BSS455LN01, ADGE9BGS303AN01, ADGE9BSS123DN01, ADGE9BSS303AN01, ADGE9BSS303XN01, ADGE9BSS303XN26, ADGE9BSS543DN01, ADLE9BGS303XW34, ADLE9BSS303XN34, LDEE5BSS553KN01 and LDME5BSS543KN01
	804630W	Control Wrapper	Right; All other models
12	70030501	Expansion Clip	
13	D503688	Screw	
14	804608	Screw	

Control Cabinet and Control - Front Control Models (Drawing 2 of 2)

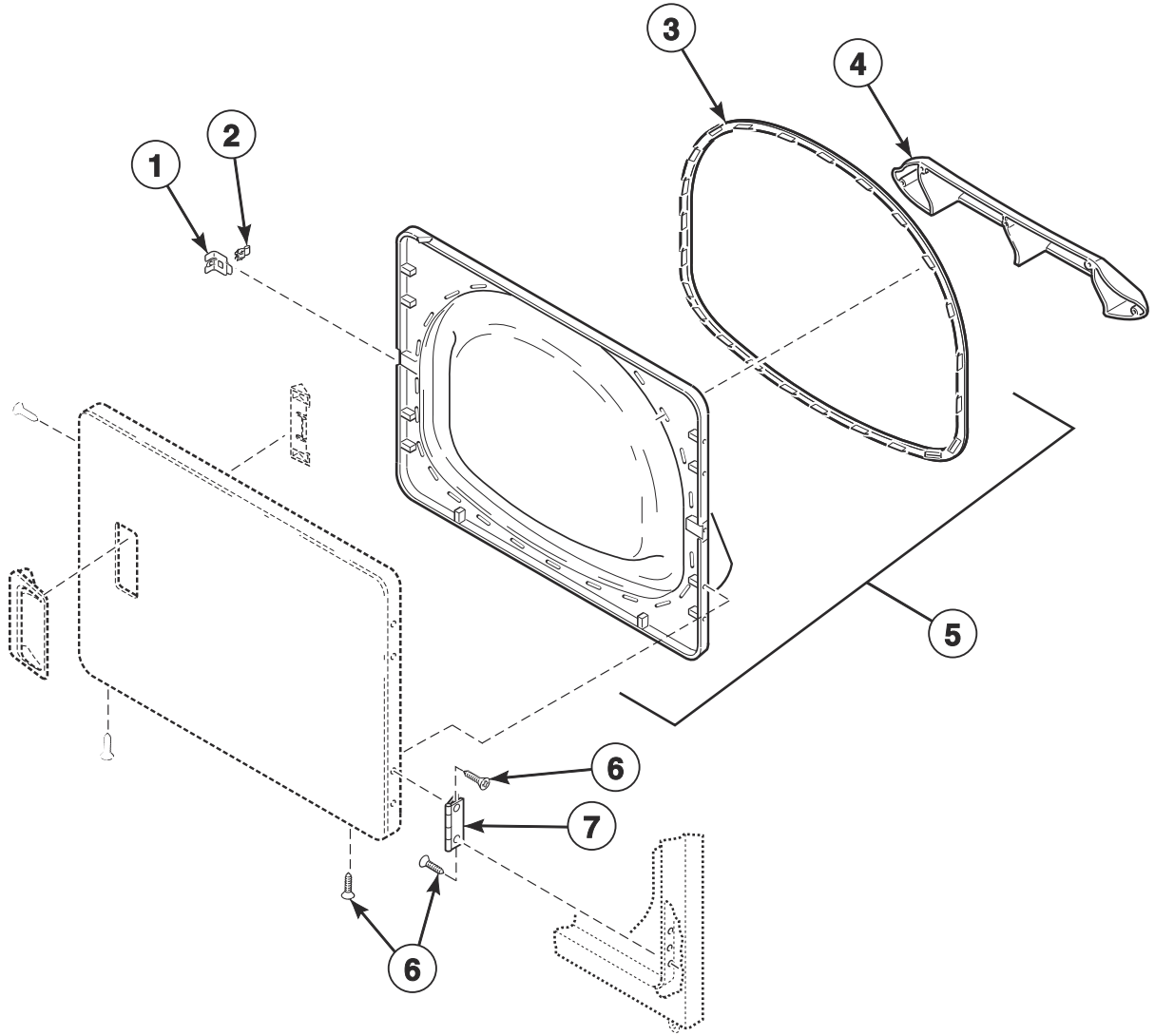


DRY2383PA_515154

Control Cabinet and Control - Front Control Models (Drawing 2 of 2)

REF	PART NO.	DESCRIPTION	COMMENTS
1	D514338P	Control	Models ADEE8BWS433AW01 and ADGE8BWS303AW01
	D514567P	Control	Models ADEE9BGS433AN01, ADEE9BGS433NN29, ADEE9BGS433NW29, ADEE9BGS433XW34, ADEE9BGS543DW01, ADEE9BSS433AN01, ADEE9BSS433LN01, ADEE9BSS433NN22, ADEE9BSS433NN29, ADEE9BSS433XN34, ADEE9BSS455LN01, ADEE9BSS543DN01, ADGE9BGS123DW01, ADGE9BGS303AN01, ADGE9BGS543DW01, ADGE9BSS123DN01, ADGE9BSS303AN01, ADGE9BSS303XN01, ADGE9BSS303XN26, ADGE9BSS543DN01, ADLE9BGS303XW34 and ADLE9BSS303XN34
	D514565P	Control Assembly	All other models
2	804961	Control Panel Assembly	Use 804667 Screw to attach; Models ADEE9BGS433AN01, ADEE9BGS433NN29, ADEE9BSS433AN01, ADEE9BSS433LN01, ADEE9BSS433NN22, ADEE9BSS433NN29, ADEE9BSS433XN34, ADEE9BSS455LN01, ADEE9BSS543DN01, ADGE9BGS303AN01, ADGE9BSS123DN01, ADGE9BSS303AN01, ADGE9BSS303XN01, ADGE9BSS303XN26, ADGE9BSS543DN01, ADLE9BGS303XW34 and ADLE9BSS303XN34
	804960	Control Panel Assembly	Use 804667 Screw to attach; All other models
3	D514682	Control Overlay	Models ADEE8BWS433AW01 and ADGE8BWS303AW01
	D515538	Control Overlay	Model ADEE9BGS433NW29
	D515539	Control Overlay	Models ADEE9BGS433NN29 and ADEE9BSS433NN29
	D514186	Control Overlay	Model ADEE9BGS433XW34
	D514482	Control Overlay	Models FDEE5BGS303UW01, FDEE5BGS403UW01 and FDGE5BGS303UW01
	805406	Graphic Panel	Model LDEE5BGS333ZW01
	D514316	Control Overlay	Models ADEE9BGS543DW01, ADGE9BGS123DW01 and ADGE9BGS543DW01
	D515633	Control Overlay	Models ADEE9BSS433NN22, ADEE9BSS543DN01, ADGE9BSS123DN01 and ADGE9BSS543DN01
	D515630	Control Overlay	Models ADEE9BGS433AN01, ADEE9BSS433AN01, ADEE9BSS433LN01, ADEE9BSS433XN34, ADEE9BSS455LN01, ADGE9BGS303AN01, ADGE9BSS303AN01, ADLE9BGS303XW34 and ADLE9BSS303XN34
	D514925	Control Overlay	Models LDEE5BGS303ZW30, LDEE5BGS433AW01, LDEE5BGS543FW01, LDEE5BGS543RW01, LDGE5BGS113FW01 and LDGE5BGS303AW01
	D516609	Control Overlay	Models LDEE5BGS553KW01 and LDME5BGS543KW01
D516610	Control Overlay	Models LDEE5BSS553KN01 and LDME5BSS543KN01	

Loading Door (Drawing 1 of 2)

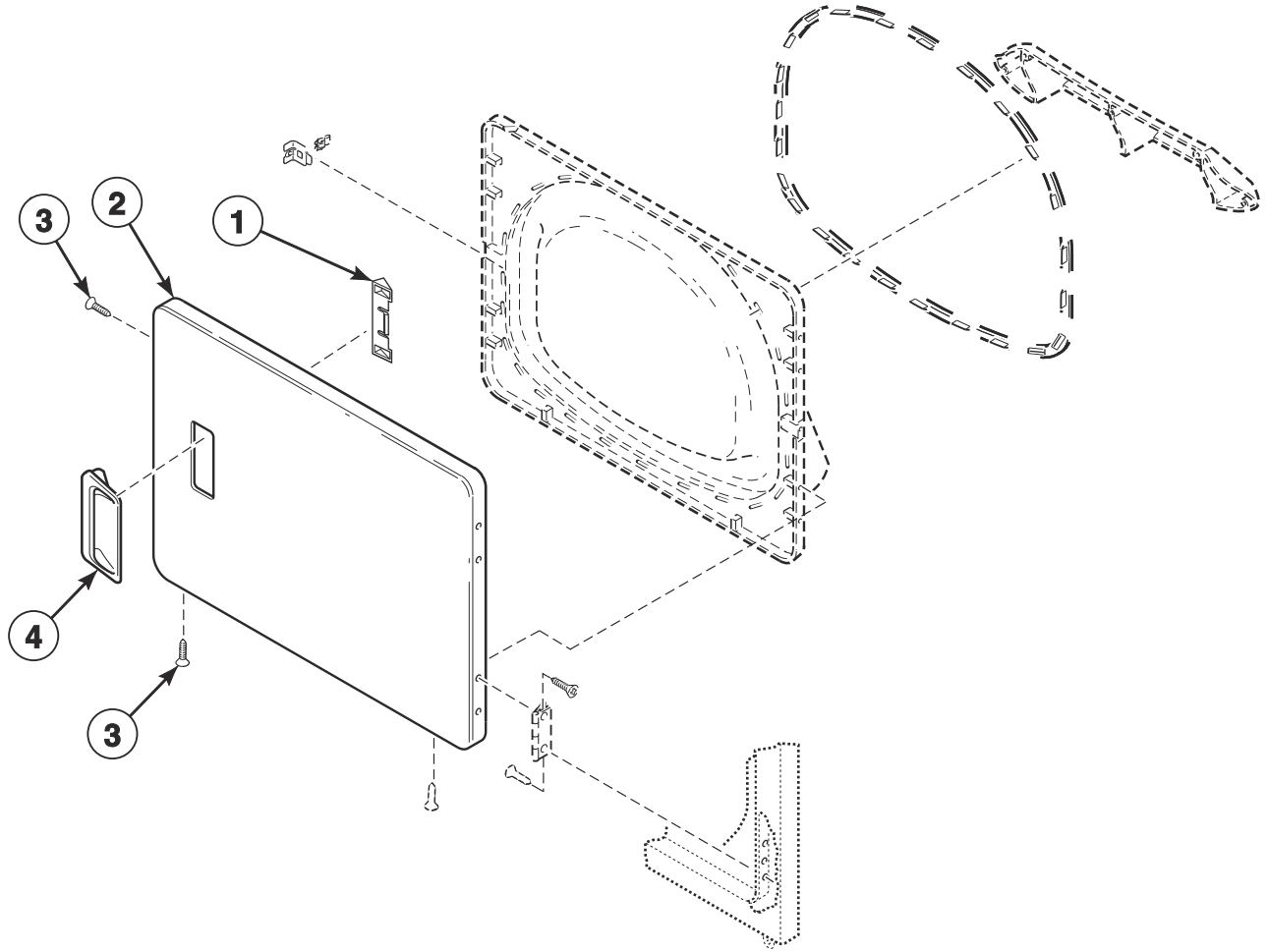


DRY2468P

Loading Door (Drawing 1 of 2)

REF	PART NO.	DESCRIPTION	COMMENTS
1	D510127	Door Strike Mount	
2	D510181	Door Strike	
3	D510097W	Door Liner	White; Models ADGE9BGS123DW01, ADGE9BGS543DW01 and ADGE9RGS123DW01
	D516508	Door Liner Assembly	Gray; Model ADEE9BSS543DN01
	D510147P	Liner Door Seal	All other models
4	D503870W	Door Liner Grill	White; Models ADGE9BGS123DW01, ADGE9BGS543DW01 and ADGE9RGS123DW01
	D503870LG	Door Liner Grill	Gray; Models ADEE9BSS543DN01, LDEE5BSS553KN01 and LDME5BSS543KN01
5	D516510WP	Door Assembly	Gray; Models ADEE9BGS433AN01, ADEE9BGS433NN29, ADEE9BGS543DW01, ADEE9BSS433AN01, ADEE9BSS433LN01, ADEE9BSS433NN22, ADEE9BSS433NN29, ADEE9BSS433XN34, ADEE9BSS455LN01, ADEE9RGS543DW01, ADEE9RWS463AW01, ADGE9BGS123DW01, ADGE9BGS303AN01, ADGE9BGS543DW01, ADGE9BSS123DN01, ADGE9BSS303AN01, ADGE9BSS303XN01, ADGE9BSS303XN26, ADGE9BSS543DN01, ADGE9RGS123DW01, ADLE9BGS303XW34 and ADLE9BSS303XN34
	D516508	Door Liner Assembly	Gray; Models ADEE9BSS543DN01, FDEE7RGS303UG01 and LDEE7RGS443UG16
	D510163WP	Liner, Seal and Grill Assembly	All other models
6	D500226	Screw	
7	D511036	Hinge	

Loading Door (Drawing 2 of 2)

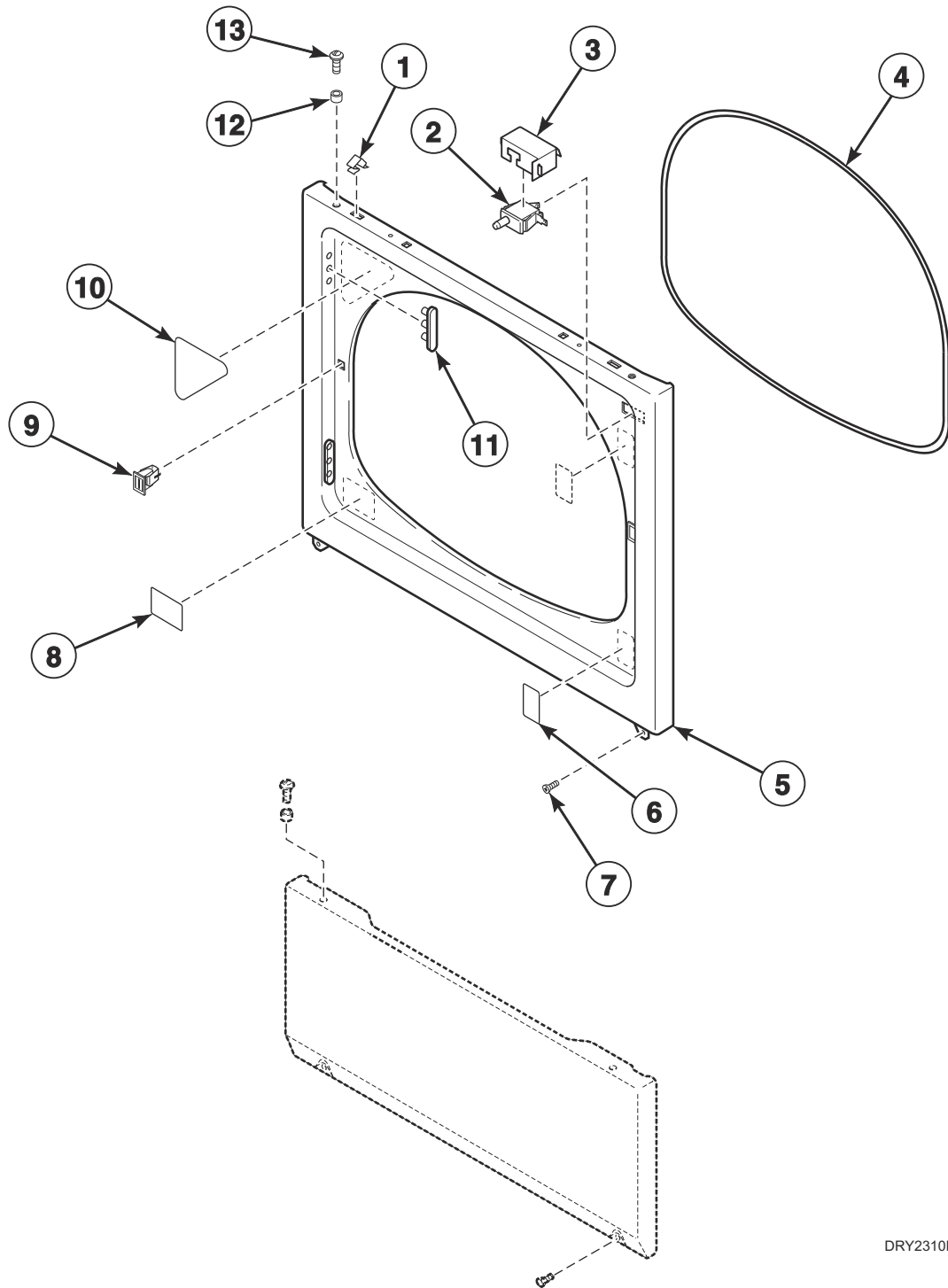


DRY2468PA

Loading Door (Drawing 2 of 2)

REF	PART NO.	DESCRIPTION	COMMENTS
1	D510103WP	Door Pull and Wedge Kit	Gray; Models ADEE9BGS433AN01, ADEE9BGS433NN29, ADEE9BSS433AN01, ADEE9BSS433LN01, ADEE9BSS433NN22, ADEE9BSS433NN29, ADEE9BSS433XN34, ADEE9BSS455LN01, ADGE9BGS303AN01, ADGE9BSS123DN01, ADGE9BSS303AN01, ADGE9BSS303XN01, ADGE9BSS303XN26, ADGE9BSS543DN01, ADLE9BGS303XW34 and ADLE9BSS303XN34
	D510129W	Door Handle Wedge	White; All other models
2	D512969	Dryer Door	Stainless steel; Models ADEE9BGS433AN01, ADEE9BGS433NN29, ADEE9BSS433AN01, ADEE9BSS433LN01, ADEE9BSS433NN22, ADEE9BSS433NN29, ADEE9BSS433XN34, ADEE9BSS455LN01, ADGE9BGS303AN01, ADGE9BSS123DN01, ADGE9BSS303AN01, ADGE9BSS303XN01, ADGE9BSS303XN26, ADGE9BSS543DN01, ADLE9BGS303XW34 and ADLE9BSS303XN34
	D515963	Dryer Door	Stainless steel; Models LDEE5BSS553KN01 and LDME5BSS543KN01
	D510013DG	Dryer Door	Gray; Models PDEE4RGS303UG01, PDEE4RGS403UG01, PDEE4RGS433AG01, PDEE4RGS443UG16, PDEE7RGS303UG01, PDEE7RGS403UG01 and PDGE4RGS303AG01
	D510013QP	Dryer Door	Bisque; Model LDEE7RWS543FQ01
	D510013WP	Dryer Door	White; All other models
3	D500226	Screw	
4	D511213P	Door Pull and Wedge Kit	Black; Includes item 10; Models ADEE9BGS433AN01, ADEE9BGS433NN29, ADEE9BSS433AN01, ADEE9BSS433LN01, ADEE9BSS433NN22, ADEE9BSS433NN29, ADEE9BSS433XN34, ADEE9BSS455LN01, ADGE9BGS303AN01, ADGE9BSS123DN01, ADGE9BSS303AN01, ADGE9BSS303XN01, ADGE9BSS303XN26, ADGE9BSS543DN01, ADLE9BGS303XW34, ADLE9BSS303XN34, FDEE7RGS303UG01, LDEE5BSS553KN01, LDEE7RGS403UW01, LDEE7RGS443UG16, LDME5BSS543KN01, PDEE4RGS303UG01, PDEE4RGS403UG01, PDEE4RGS433AG01, PDEE7RGS303UG01, PDEE7RGS403UG01 and PDGE4RGS303AG01
	D510103QP	Door Pull and Wedge Kit	Bisque; Includes item 10; Model LDEE7RWS543FQ01
	D510103WP	Door Pull and Wedge Kit	White; Includes item 10; All other models

Front Panel and Seal

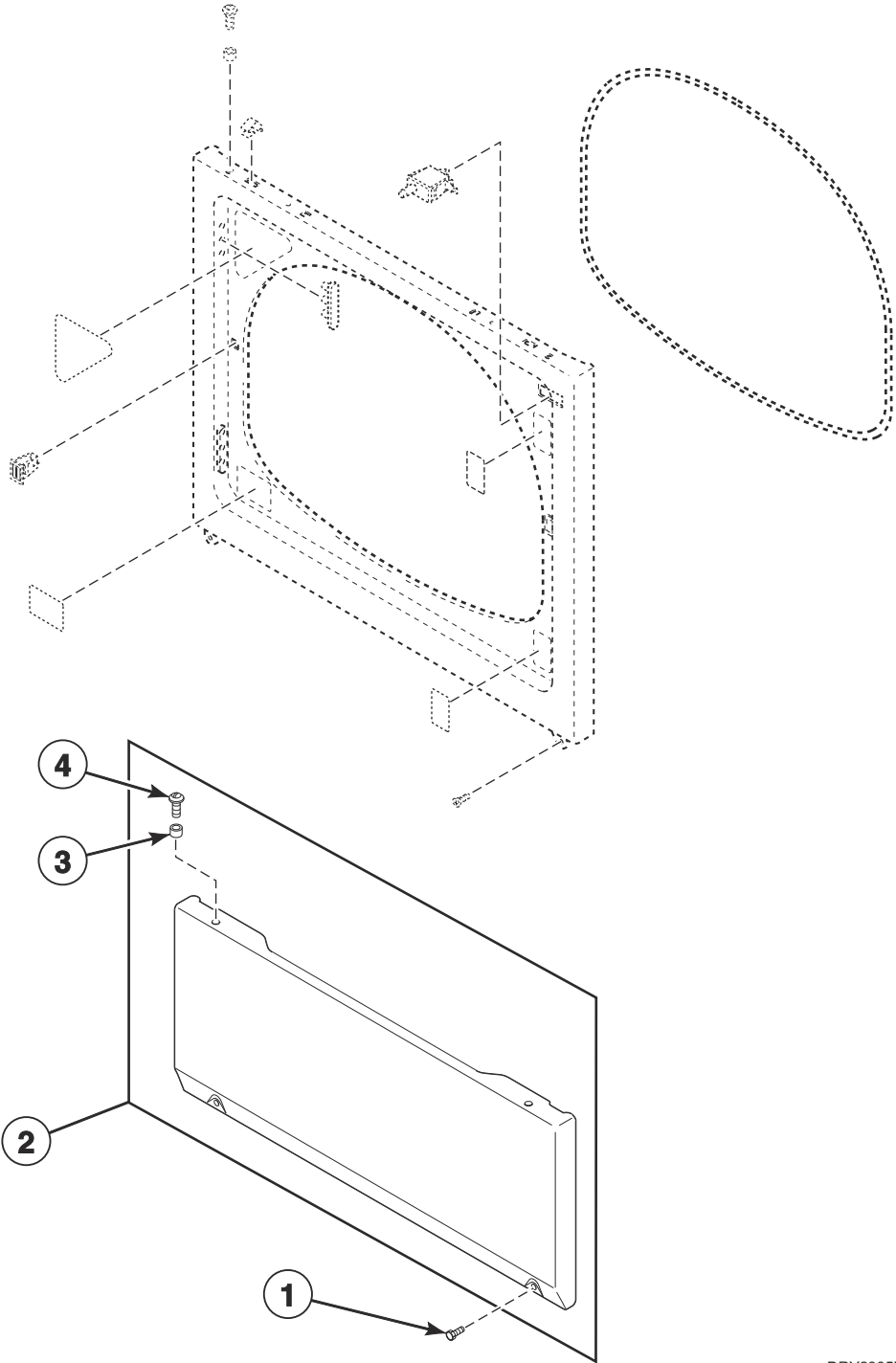


DRY2310P_515154

Front Panel and Seal

REF	PART NO.	DESCRIPTION	COMMENTS
1	28835	Speed Clip	All models except ADEE8BWS433AW01, ADEE9BGS433AN01, ADEE9BGS433NN29, ADEE9BGS433NW29, ADEE9BGS543DW01, ADEE9BSS433AN01, ADEE9BSS433LN01, ADEE9BSS433NN22, ADEE9BSS433NN29, ADEE9BSS455LN01, ADEE9BSS543DN01, ADEE9RGS543DW01, ADGE8BWS303AW01, ADGE9BGS123DW01, ADGE9BGS303AN01, ADGE9BGS543DW01, ADGE9BSS123DN01, ADGE9BSS303AN01, ADGE9BSS543DN01, ADGE9RGS123DW01, ADLE9BGS303XW34, ADLE9BSS303XN34, FDEE5BGS303UW01, FDEE5BGS403UW01, FDGE5BGS303UW01, LDEE5BGS303ZW30, LDEE5BGS333ZW01, LDEE5BGS433AW01, LDEE5BGS543FW01, LDEE5BGS543RW01, LDEE5BGS553KW01, LDEE5BSS553KN01, LDGE5BGS113FW01, LDGE5BGS303AW01, LDME5BGS543KW01 and LDME5BSS543KN01
2	D512973	Switch	
3	D514327	Drip Shield	All models except ADEE9BGS433NN29, ADEE9BGS433NW29, ADEE9BSS433NN22 and ADEE9BSS433NN29
4	D511056	Front Panel Seal	
5	D512542	Front Panel	Stainless steel; Models ADEE9BGS433AN01, ADEE9BGS433NN29, ADEE9BSS433AN01, ADEE9BSS433LN01, ADEE9BSS433NN22, ADEE9BSS433NN29, ADEE9BSS455LN01, ADGE9BGS303AN01, ADGE9BSS123DN01, ADGE9BSS303AN01, ADGE9BSS543DN01, ADLE9BSS303XN34, FDEE7RGS303UG01, LDEE5BSS553KN01, LDEE7RGS443UG16 and LDME5BSS543KN01
	D510066QP	Front Panel	Bisque; Model LDEE7RWS543FQ01
	D510066DG	Front Panel	Gray; Models FDEE7RGS303UG01, LDEE7RGS443UG16, PDEE4RGS303UG01, PDEE4RGS403UG01, PDEE4RGS433AG01, PDEE4RGS443UG16, PDEE7RGS303UG01, PDEE7RGS403UG01 and PDGE4RGS303AG01
	D510066WP	Front Panel	White; All other models
6	D512263	Warning Label	Australian; Models ADEE8BWS433AW01, ADEE8RWS433AW01, ADEE9BGS433AN01, ADEE9BSS433AN01, ADEE9RGS563XW01, ADEE9RGS563XW26, ADEE9RWS433AW01, ADEE9RWS463AW01, ADGE8BWS303AW01, ADGE8RWS303AW01, ADGE9BGS303AN01, ADGE9BSS303AN01, ADGE9RWS303AW01, ADLE9BGS303XW34, ADLE9BSS303XN34, ADLE9RGS303XW34, LDEE5BGS433AW01, LDEE7RGS433AW01, LDEE7RWS433AW01, LDGE5BGS303AW01, LDGE7RGS303AW01, LDGE7RWS303AW01 and PDGE4RGS303AG01
7	D503688	Screw	
8	D502804	Lint Filter Label	Australian; Models ADEE8BWS433AW01, ADEE8RWS433AW01, ADEE9BGS433AN01, ADEE9BSS433AN01, ADEE9RGS563XW01, ADEE9RGS563XW26, ADEE9RWS433AW01, ADEE9RWS463AW01, ADGE8BWS303AW01, ADGE8RWS303AW01, ADGE9BGS303AN01, ADGE9BSS303AN01, ADGE9RWS303AW01, ADLE9BGS303XW34, ADLE9BSS303XN34, ADLE9RGS303XW34, LDEE5BGS433AW01, LDEE7RGS433AW01, LDEE7RWS433AW01, LDGE5BGS303AW01, LDGE7RGS303AW01, LDGE7RWS303AW01 and PDGE4RGS303AG01
	D502781	Lint Filter Label	All other models
9	D510177	Door Catch Assembly	
10	D514410	Warning Label	Arabic
	D502825	Warning Label	Spanish
	D514866	Warning Label	Japanese
	D514863	Front Panel Label	Chinese
	D514864	Front Panel Label	Korean
	D514867	Warning Label	Thai
	D500281	Warning/Caution Label	English
11	D510186	Hinge Hole Plug	
12	56079	Panel Locator	
13	39733	Screw	Use with painted panels
	D512921	Screw	Use with stainless steel panels

Access Panel

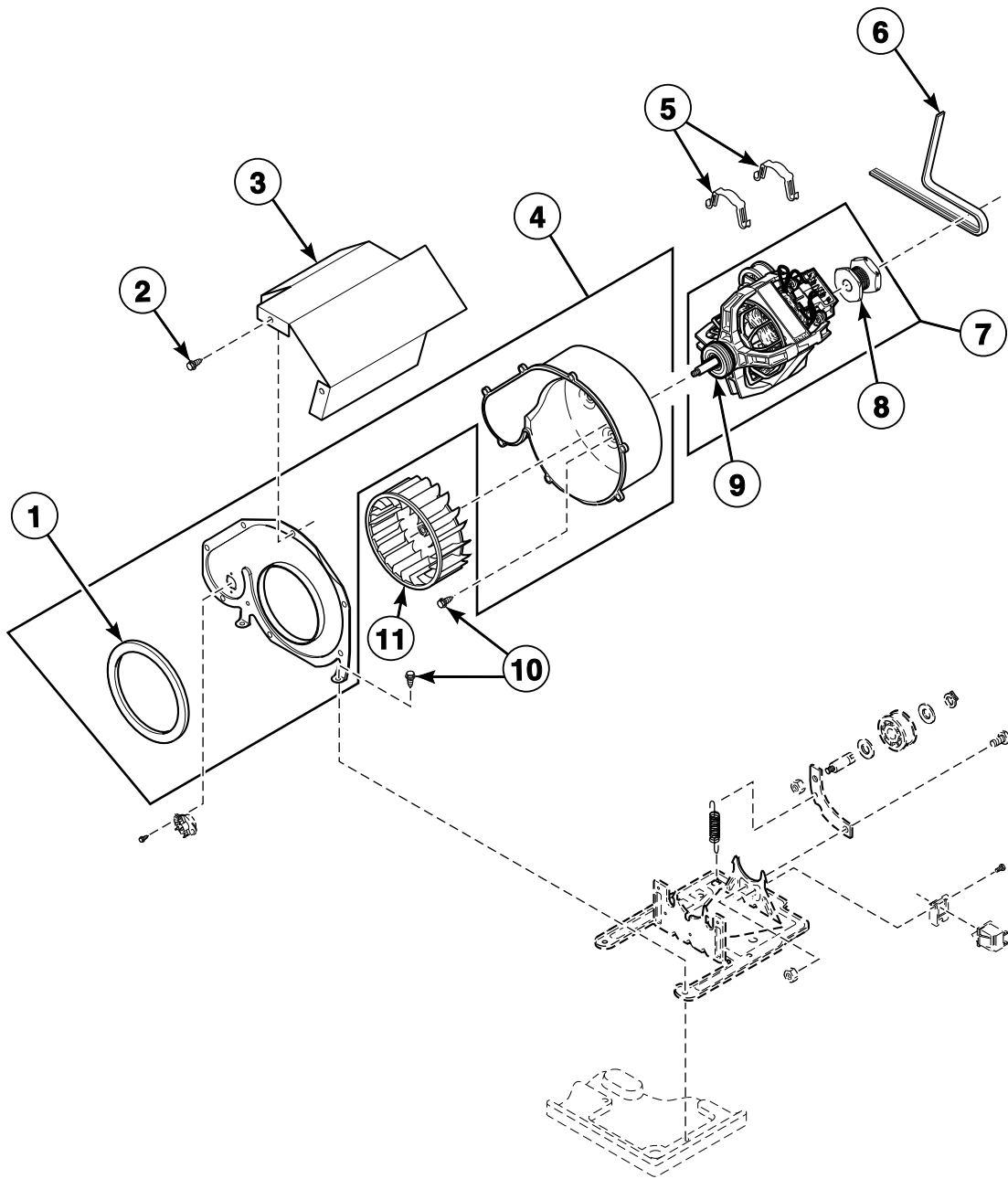


DRY2305PA_515154

Access Panel

REF	PART NO.	DESCRIPTION	COMMENTS
1	33562	Screw	Slotted hex head
2	D514251	Access Panel Assembly	Stainless steel; Models ADEE9BGS433AN01, ADEE9BGS433NN29, ADEE9BSS433AN01, ADEE9BSS433LN01, ADEE9BSS433NN22, ADEE9BSS433NN29, ADEE9BSS433XN34, ADEE9BSS455LN01, ADEE9BSS543DN01, ADGE9BGS303AN01, ADGE9BSS123DN01, ADGE9BSS303AN01, ADGE9BSS303XN01, ADGE9BSS303XN26, ADGE9BSS543DN01, ADLE9BSS303XN34 and LDEE5BSS553KN01
	D517014	Access Panel Assembly	Stainless steel; Model LDME5BSS543KN01
	D514250Q	Access Panel Assembly	Bisque; Model LDEE7RWS543FQ01
	D514250DG	Access Panel Assembly	Gray; Models FDEE7RGS303UG01, LDEE7RGS443UG16, PDEE4RGS303UG01, PDEE4RGS403UG01, PDEE4RGS433AG01, PDEE4RGS443UG16, PDEE7RGS303UG01, PDEE7RGS403UG01 and PDGE4RGS303AG01
	D517012W	Access Panel Assembly	White; Model LDME5BGS543KW01
	D514250WP	Access Panel Assembly	White; All other models
3	56079	Panel Locator	
4	39733	Screw	

Motor, Exhaust Fan and Belt (Drawing 1 of 2)

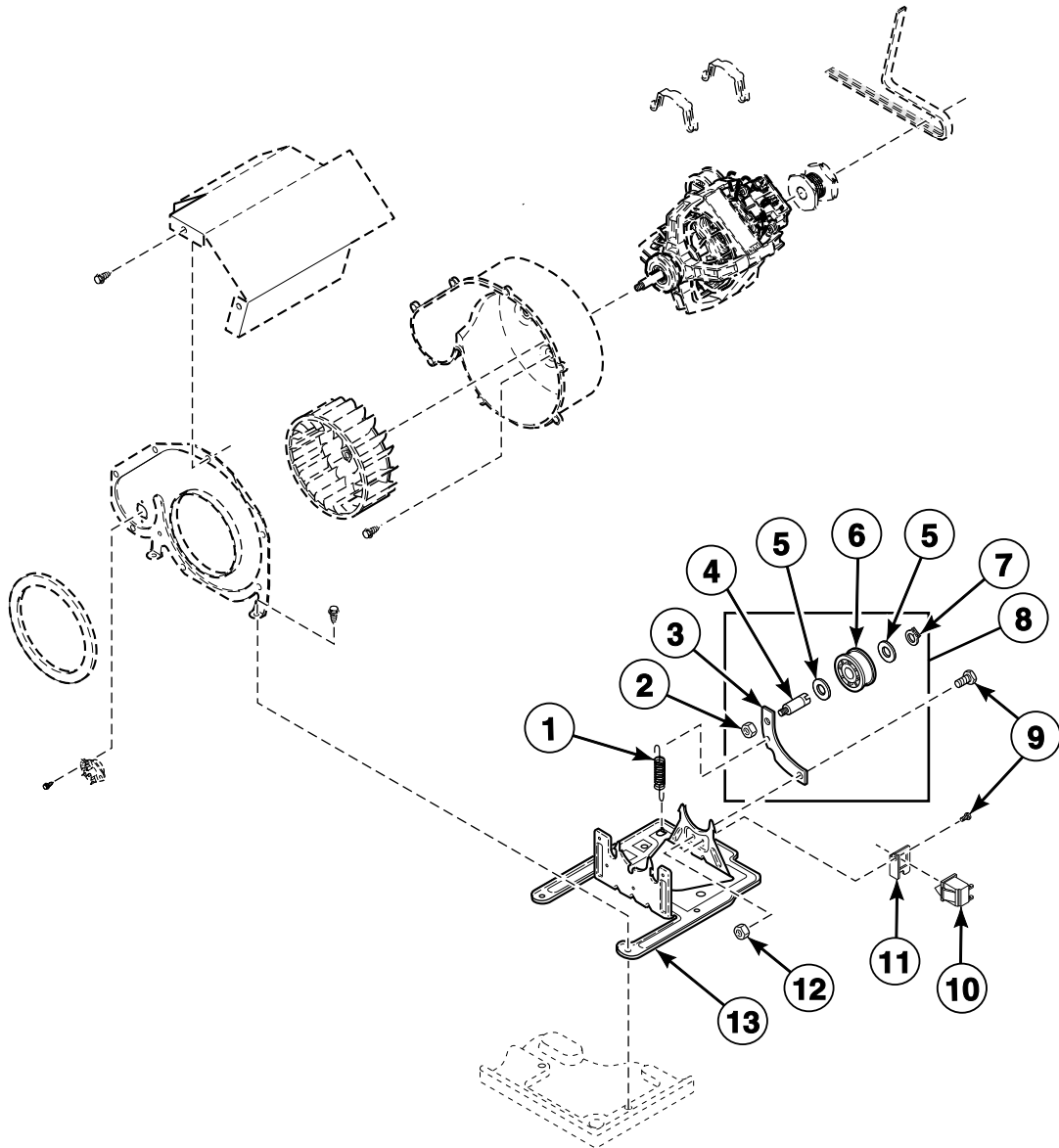


DRY2558P_515154

Motor, Exhaust Fan and Belt (Drawing 1 of 2)

REF	PART NO.	DESCRIPTION	COMMENTS
	27604P	Anti-Seize Compound	Apply to motor shaft when installing blower fan assembly
1	D510238P	Blower Housing Seal	
2	31260	Screw	
3	D514602	Motor Shield	All models except ADEE9BGS433NN29, ADEE9BGS433NW29, ADEE9BSS433NN22, ADEE9BSS433NN29, ADEE9RGS453NW29, FDEE7RGS303UG01 and LDEE7RGS443UG16
4	D511969WP	Blower Housing	Includes items 1 and 2
5	D510180	Motor Mount Clamp	
6	D511255P	Cylinder Belt	
7	D505869P	Motor and Pulley Assembly	240 Volt/60 Hertz; Includes item 8; Apply anti-seize compound to motor shaft when installing blower fan assembly; Models ADEE9BGS543DW01, ADEE9BSS543DN01, ADEE9RGS543DW01, ADGE9BGS543DW01, ADGE9BSS543DN01, FDEE7RGS443UW16, LDEE5BGS333ZW01, LDEE5BGS543FW01, LDEE5BGS543RW01, LDEE5BGS553KW01, LDEE5BSS553KN01, LDEE7RGS443UG16, LDEE7RGS543FW01, LDEE7RGS543KW01, LDEE7RGS543ZW01, LDEE7RWS543FQ01, LDEE7RWS543KW01, LDEE7RWS543RW01, LDEE7RWS543ZW01, LDGE7RWS543KW01, LDME5BGS543KW01, LDME5BSS543KN01, LDME7RGS543KW01, LDME7RWS543KW01, PDEE4RGS443UG16 and YDEE7RWS543RW01
	D511629P	Motor and Pulley Assembly	120 Volt/60 Hertz; Includes item 8; Apply anti-seize compound to motor shaft when installing blower fan assembly; Models ADGE9BGS123DW01, ADGE9BSS123DN01, ADGE9RGS123DW01, LDGE5BGS113FW01 and LDGE7RGS113FW01
	D505843P	Motor and Pulley Assembly	240 Volt/50 Hertz; Includes item 8; Apply anti-seize compound to motor shaft when installing blower fan assembly; All other models
8	D500011	Motor Pulley	60 Hertz; Use with D505869P Motor and Pulley Assembly; Models ADEE9BGS543DW01, ADEE9BSS543DN01, ADEE9RGS543DW01, ADGE9BGS123DW01, ADGE9BGS543DW01, ADGE9BSS123DN01, ADGE9BSS543DN01, ADGE9RGS123DW01, FDEE7RGS443UW16, LDEE5BGS333ZW01, LDEE5BGS543FW01, LDEE5BGS543RW01, LDEE5BGS553KW01, LDEE5BSS553KN01, LDEE7RGS443UG16, LDEE7RGS543FW01, LDEE7RGS543KW01, LDEE7RGS543ZW01, LDEE7RWS543FQ01, LDEE7RWS543KW01, LDEE7RWS543RW01, LDEE7RWS543ZW01, LDGE5BGS113FW01, LDGE7RGS113FW01, LDGE7RWS543KW01, LDME5BGS543KW01, LDME5BSS543KN01, LDME7RGS543KW01, LDME7RWS543KW01, PDEE4RGS443UG16 and YDEE7RWS543RW01
	D500222	Motor Pulley	50 Hertz; Use with D505843P Motor and Pulley Assembly; All other models
9	590P3	Motor Hub Ring Kit	
10	D503688	Screw	
11	D510139P	Blower Fan Assembly	Apply anti-seize compound to motor shaft when installing blower fan assembly

Motor, Exhaust Fan and Belt (Drawing 2 of 2)

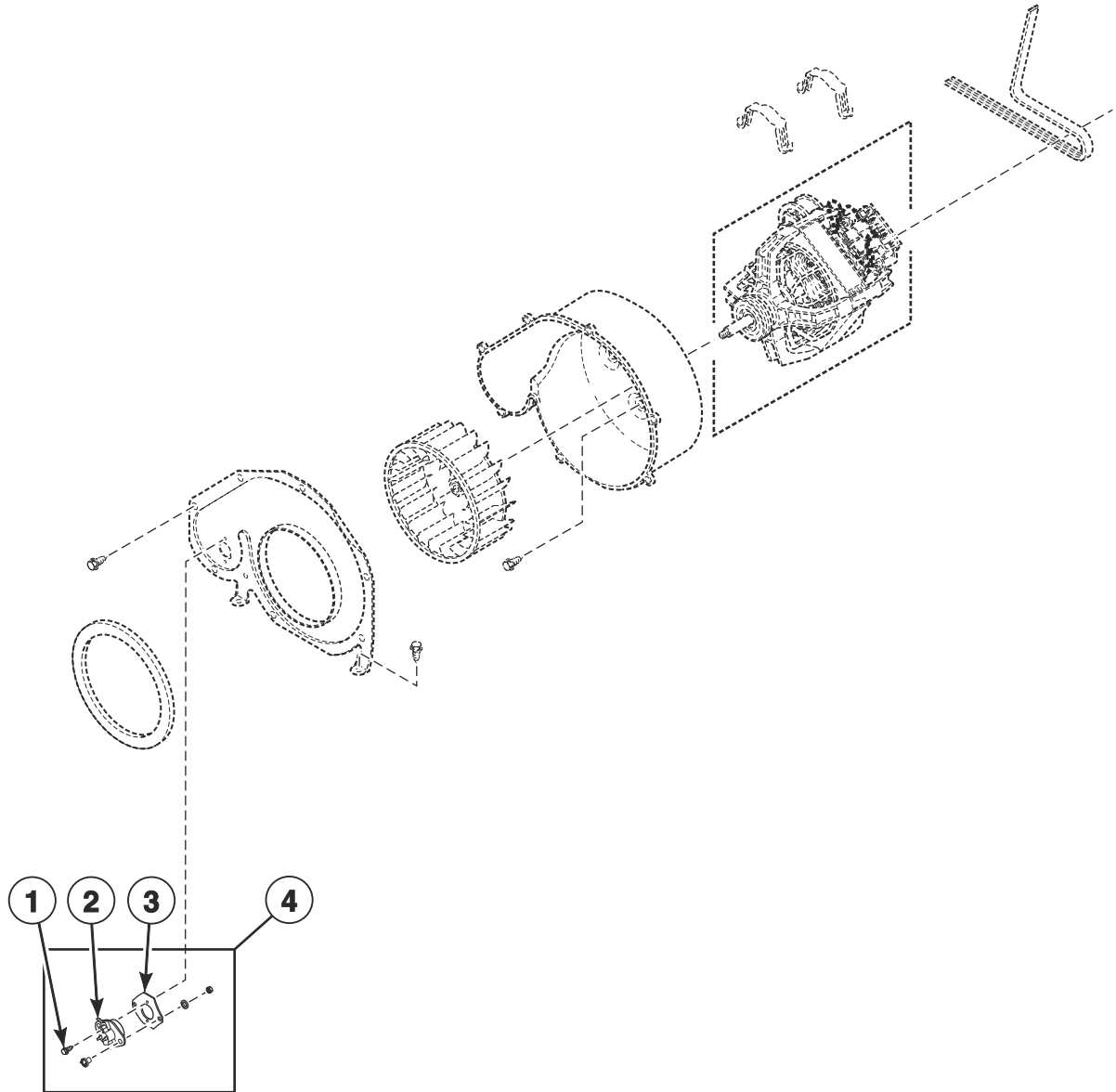


DRY2558PA_515154

Motor, Exhaust Fan and Belt (Drawing 2 of 2)

REF	PART NO.	DESCRIPTION	COMMENTS
1	D510185	Idler Spring	
2	56156	Nut	
3	D516310	Idler Lever	
4	56461P	Shaft	
5	52549	Washer	
6	D510142P	Idler Wheel and Bearing Assembly	
7	23748	Retaining Ring	
8	D516792	Idler Lever and Wheel Assembly	Includes items 2-7
9	D500824	Screw	
10	D516391	Switch	Models ADEE9BGS433AN01, ADEE9BGS433NN29, ADEE9BSS433AN01, ADEE9BSS433LN01, ADEE9BSS433NN22, ADEE9BSS433NN29, ADEE9BSS433XN34, ADEE9BSS455LN01, ADEE9BSS543DN01, ADGE9BGS303AN01, ADGE9BSS123DN01, ADGE9BSS303AN01, ADGE9BSS303XN01 and ADGE9BSS543DN01
11	D516311	Motor Switch Bracket	Models ADEE9BGS433AN01, ADEE9BGS433NN29, ADEE9BSS433AN01, ADEE9BSS433LN01, ADEE9BSS433NN22, ADEE9BSS433NN29, ADEE9BSS433XN34, ADEE9BSS455LN01, ADEE9BSS543DN01, ADGE9BGS303AN01, ADGE9BSS123DN01, ADGE9BSS303AN01, ADGE9BSS303XN01 and ADGE9BSS543DN01
12	52566	Nut	
13	D518517	Motor Mount	

Thermistor



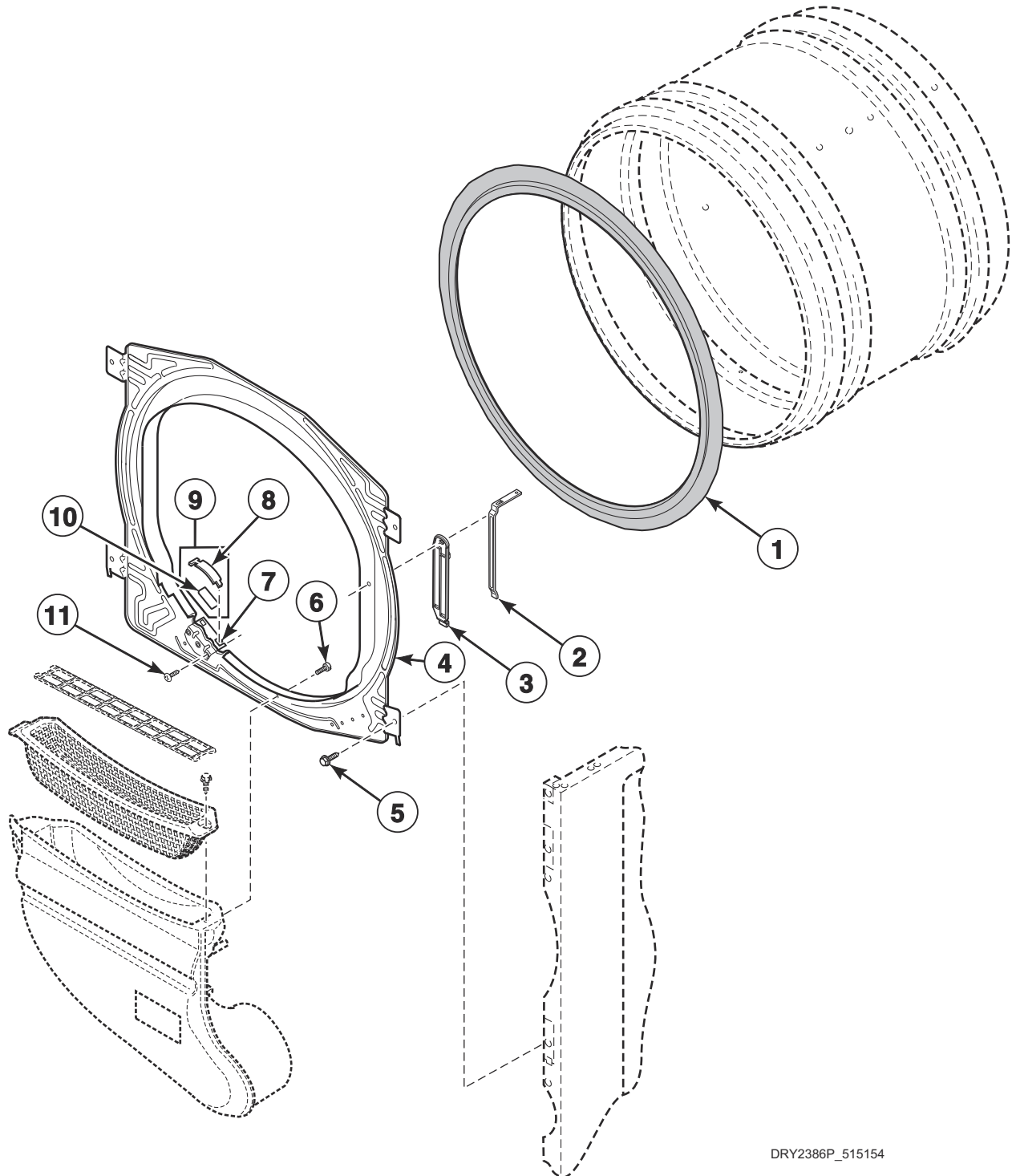
DRY2486P_515154

Thermistor

REF	PART NO.	DESCRIPTION	COMMENTS
	29443	Washer	
	56156	Nut	
1	D502535	Screw	
2	M414704	Thermistor	
3	D502194	Thermostat Cover	
4	D510523	Thermistor Assembly	Models ADEE9BGS543DW01, ADEE9BSS543DN01, ADEE9RGS543DW01, ADGE9BGS123DW01, ADGE9BGS543DW01, ADGE9BSS123DN01, ADGE9BSS543DN01, ADGE9RGS123DW01, ADGE9BSS543DN01, ADGE9RGS123DW01, FDEE7RGS443UW16, LDEE5BGS333ZW01, LDEE5BGS543FW01, LDEE5BGS543RW01, LDEE5BGS553KW01, LDEE5BSS553KN01, LDEE7RGS443UG16, LDEE7RGS543FW01, LDEE7RGS543KW01, LDEE7RGS543ZW01, LDEE7RWS543FQ01, LDEE7RWS543KW01, LDEE7RWS543RW01, LDEE7RWS543ZW01, LDGE5BGS113FW01, LDGE7RGS113FW01, LDGE7RWS543KW01, LDME5BGS543KW01, LDME5BSS543KN01, LDME7RGS543KW01, LDME7RWS543KW01, PDEE4RGS443UG16 and YDEE7RWS543RW01
	D502366	Thermistor Assembly	All other models; Includes items 1-3

Front Bulkhead and Seal - Without Light

All Models Except ADEE8BWS433AW01, ADEE8RWS433AW01, ADEE9BGS433AN01, ADEE9BGS433NN29, ADEE9BGS433NW29, ADEE9BGS433XW34, ADEE9BGS543DW01, ADEE9BSS433AN01, ADEE9BSS433LN01, ADEE9BSS433NN22, ADEE9BSS433NN29, ADEE9BSS433XN34, ADEE9BSS455LN01, ADEE9BSS543DN01, ADEE9RGS433XW34, ADEE9RGS453NW29, ADEE9RGS543DW01, ADEE9RGS563XW01, ADEE9RGS563XW26, ADEE9RWS433AW01, ADEE9RWS463AW01, ADGE8BWS303AW01, ADGE8RWS303AW01, ADGE9BGS123DW01, ADGE9BGS303AN01, ADGE9BGS543DW01, ADGE9BSS123DN01, ADGE9BSS303AN01, ADGE9BSS303XN01, ADGE9BSS303XN26, ADGE9BSS543DN01, ADGE9RGS123DW01, ADGE9RGS303XW26, ADGE9RWS303AW01, ADLE9BGS303XW34, ADLE9BSS303XN34, ADLE9RGS303XW34, LDEE7RGS403UW01, LDGE7RGS303AW01, LDGE7RGS303UW01, LDGE7RSS303UW01, LDGE7RWS303AW01, LDGE7RWS303UW01 and PDGE4RGS303AG01



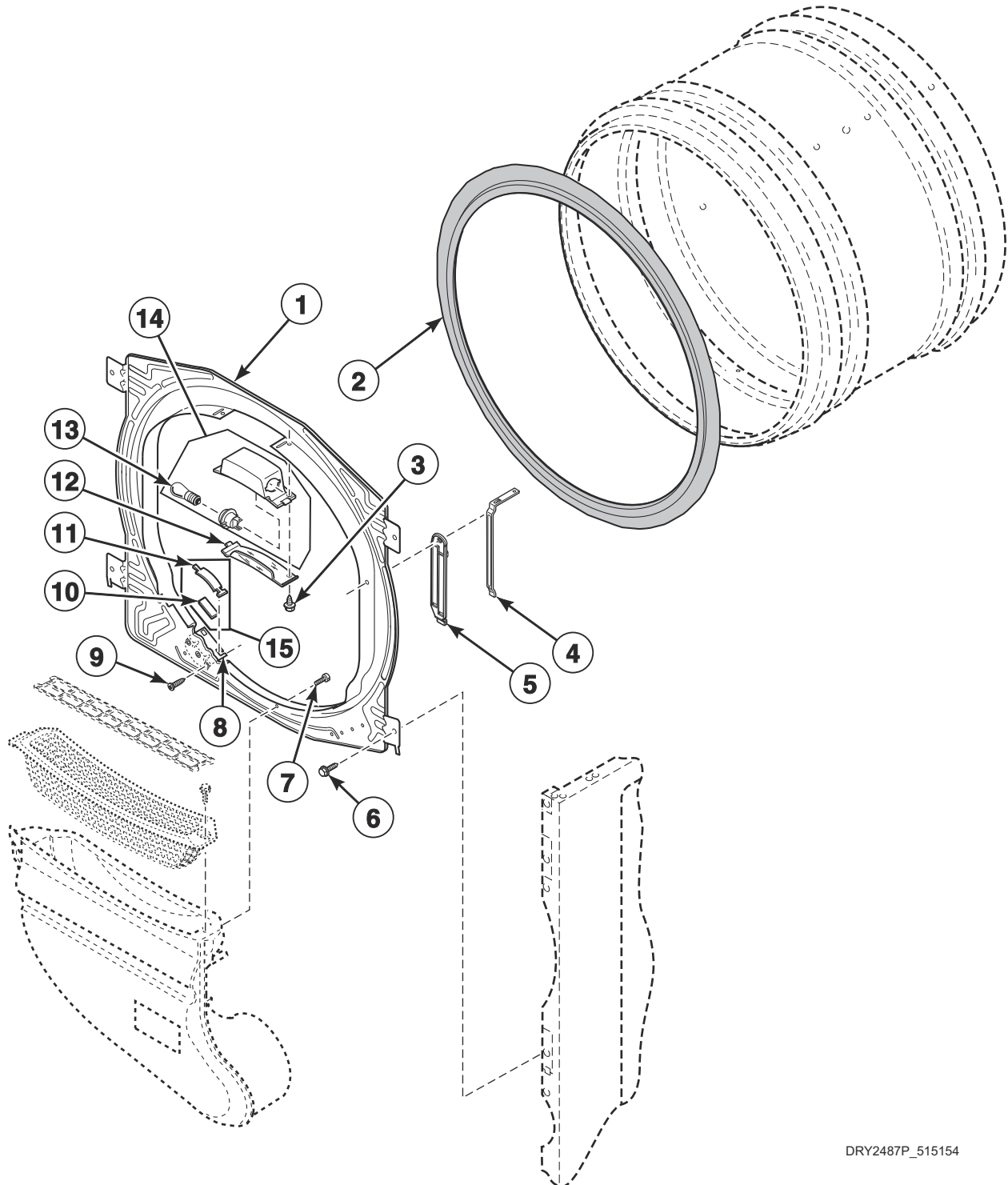
DRY2386P_515154

Front Bulkhead and Seal - Without Light

REF	PART NO.	DESCRIPTION	COMMENTS
1	D510207P	Cylinder Seal Assembly	
	D511637P	Adhesive	For cylinder seal
	RB170001	Seal Kit	Includes 2 cylinder seals, D510238P Blower Housing Seal and D511637P Adhesive
2	D513737	Bar Sensor	2 required
3	D513738	Moisture Sensor Base	
4	D515535WP	Front Bulkhead	White; Models LDEE7RGS443UG16, LDEE7RWS303BW01, LDEE7RWS303ZW01, LDEE7RWS433AW01, LDEE7RWS453SW01, LDEE7RWS543FQ01, LDEE7RWS543KW01, LDEE7RWS543RW01, LDEE7RWS543ZW01, LDGE7RWS303BW80, LDGE7RWS303ZW80, LDGE7RWS543KW01, LDME7RWS543KW01 and YDEE7RWS543RW01
	D515532P	Front Bulkhead Assembly	All other models
5	D503688	Screw	
6	D500226	Screw	
7	D510145	Cylinder Glide Bracket	
8	D513710	Cylinder Glide	2 required
9	RB170003	Glide Kit	Includes two of items 8 and 10
10	D510189	Felt Pad	2 required
11	52864	Screw	

Front Bulkhead and Seal - With Light

Models ADEE8BWS433AW01, ADEE8RWS433AW01, ADEE9BGS433AN01, ADEE9BGS433NN29, ADEE9BGS433NW29, ADEE9BGS433XW34, ADEE9BGS543DW01, ADEE9BSS433AN01, ADEE9BSS433LN01, ADEE9BSS433NN22, ADEE9BSS433NN29, ADEE9BSS433XN34, ADEE9BSS455LN01, ADEE9BSS543DN01, ADEE9RGS433XW34, ADEE9RGS453NW29, ADEE9RGS543DW01, ADEE9RGS563XW01, ADEE9RGS563XW26, ADEE9RWS433AW01, ADEE9RWS463AW01, ADGE8BWS303AW01, ADGE8RWS303AW01, ADGE9BGS123DW01, ADGE9BGS303AN01, ADGE9BGS543DW01, ADGE9BSS123DN01, ADGE9BSS303AN01, ADGE9BSS303XN01, ADGE9BSS303XN26, ADGE9BSS543DN01, ADGE9RGS123DW01, ADGE9RGS303XW26, ADGE9RWS303AW01, ADLE9BGS303XW34, ADLE9BSS303XN34, ADLE9RGS303XW34, LDEE7RGS403UW01, LDGE7RGS303AW01, LDGE7RGS303UW01, LDGE7RSS303UW01, LDGE7RWS303AW01, LDGE7RWS303UW01 and PDGE4RGS303AG01

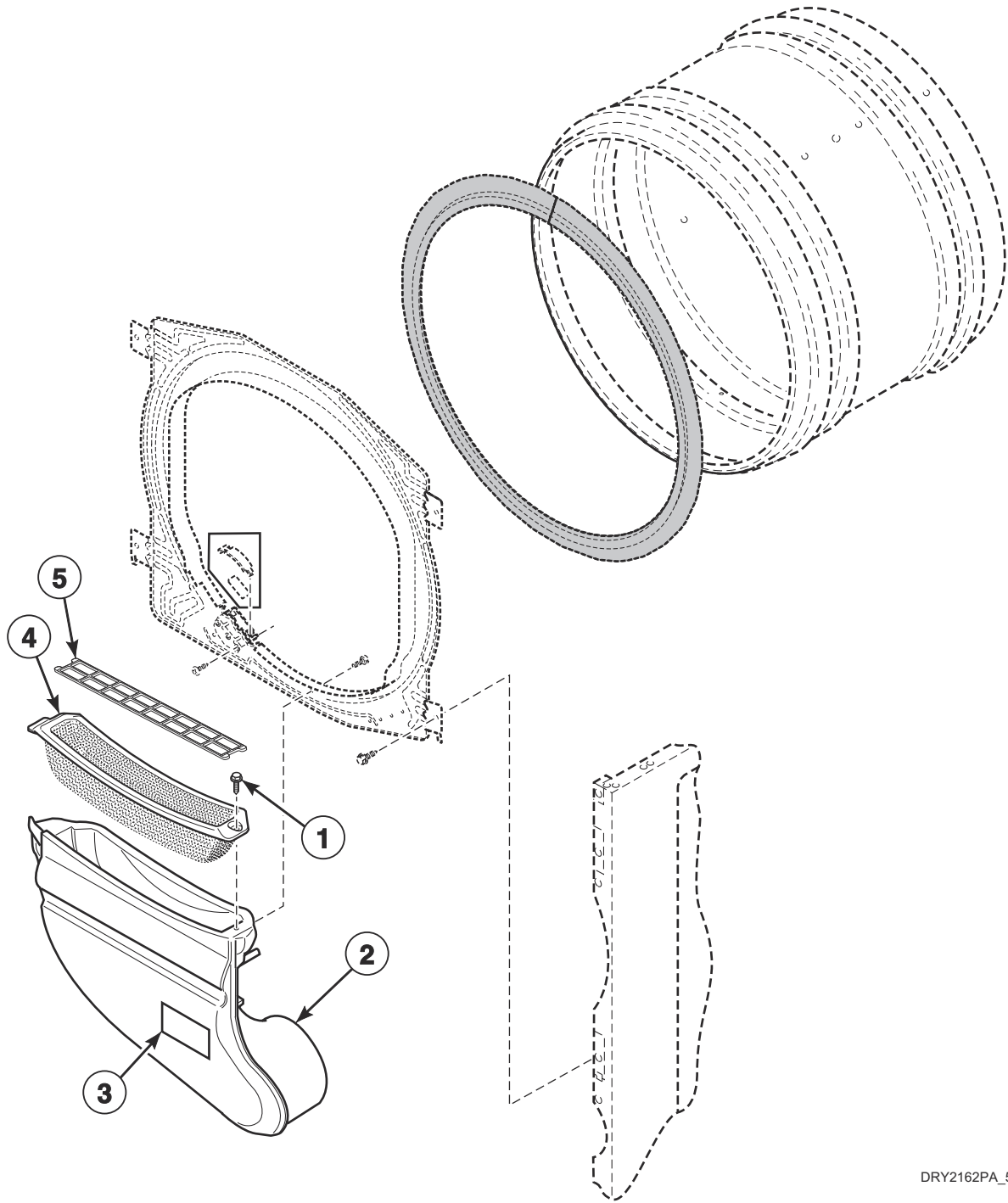


DRY2487P_515154

Front Bulkhead and Seal - With Light

REF	PART NO.	DESCRIPTION	COMMENTS
1	D515533P	Front Bulkhead Assembly	Models ADEE9BGS433AN01, ADEE9BGS433NN29, ADEE9BGS433NW29, ADEE9BGS433XW34, ADEE9BGS543DW01, ADEE9BSS433AN01, ADEE9BSS433LN01, ADEE9BSS433NN22, ADEE9BSS433NN29, ADEE9BSS433XN34, ADEE9BSS455LN01, ADEE9BSS543DN01, ADEE9RGS433XW34, ADEE9RGS543DW01, ADEE9RGS563XW01, ADEE9RGS563XW26, ADGE9BGS123DW01, ADGE9BGS303AN01, ADGE9BGS543DW01, ADGE9BSS123DN01, ADGE9BSS303AN01, ADGE9BSS303XN01, ADGE9BSS303XN26, ADGE9BSS543DN01, ADGE9RGS123DW01, ADGE9RGS303XW26, ADLE9BGS303XW34, ADLE9BSS303XN34, ADLE9RGS303XW34, LDEE7RGS403UW01, LDGE7RGS303AW01, LDGE7RGS303UW01, LDGE7RSS303UW01 and PDGE4RGS303AG01
	D513640W	Front Bulkhead	Painted; Models ADEE8BWS433AW01, ADEE8RWS433AW01, ADEE9RWS433AW01, ADEE9RWS463AW01, ADGE8BWS303AW01, ADGE8RWS303AW01, ADGE9RWS303AW01, LDGE7RWS303AW01 and LDGE7RWS303UW01
	D517573	Front Bulkhead	Model ADEE9RGS453NW29
2	D510207P	Cylinder Seal Assembly	
	D511637P	Adhesive	For cylinder seal
	RB170001	Seal Kit	Includes 2 cylinder seals, D510238P Blower Housing Seal and D511637P Adhesive
3	D500227	Screw	
4	D513737	Bar Sensor	2 required; All models except ADEE9RGS453NW29
	D518564	Moisture Bar Assembly	Model ADEE9RGS453NW29
5	D513738	Moisture Sensor Base	All models except ADEE9RGS453NW29
6	D503688	Screw	
7	D500226	Screw	
8	D510145	Cylinder Glide Bracket	
9	D501086	Screw	
10	D510189	Felt Pad	2 required
11	D513710	Cylinder Glide	2 required
12	D518805	Cylinder Light Lens	Model ADEE9RGS453NW29
	D512106	Cylinder Light Lens	All other models
13	60954	Drum Light Lamp	120 Volt; ; Models ADGE9BGS123DW01, ADGE9BSS123DN01 and ADGE9RGS123DW01
	D517763	Cylinder Light Assembly	240 Volt; Model ADEE9RGS453NW29
	D503579	Drum Light Lamp	240 Volt; All other models
14	D512108	Light Housing Assembly	Includes 120 Volt bulb, lamp holder and housing; Models ADGE9BGS123DW01, ADGE9BSS123DN01 and ADGE9RGS123DW01
	D518796	Cylinder Light Assembly	Model ADEE9RGS453NW29; Includes items 12 and 13
15	RB170003	Glide Kit	Includes two of items 10 and 11

Air Duct

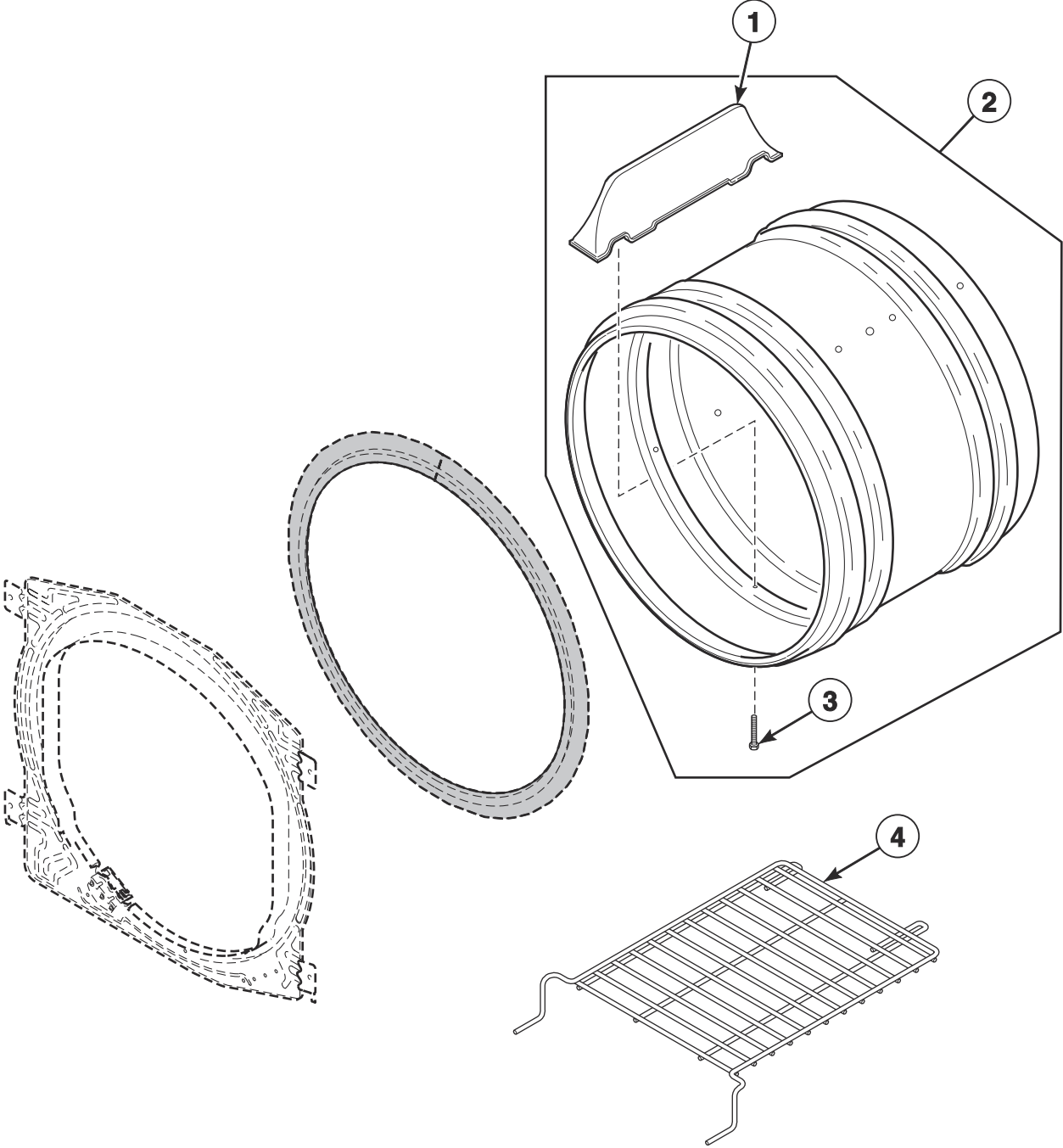


DRY2162PA_515154

Air Duct

REF	PART NO.	DESCRIPTION	COMMENTS
1	D501285	Screw	
2	D518433	Air Duct Assembly	Models ADEE9BGS433AN01, ADEE9BGS433NN29, ADEE9BSS433AN01, ADEE9BSS433LN01, ADEE9BSS433NN22, ADEE9BSS433NN29, ADEE9BSS433XN34, ADEE9BSS455LN01, ADEE9BSS543DN01, ADGE9BGS303AN01, ADGE9BSS123DN01, ADGE9BSS303AN01, ADGE9BSS303XN01, ADGE9BSS303XN26, ADGE9BSS543DN01, ADLE9BGS303XW34, ADLE9BSS303XN34, LDEE5BSS553KN01 and LDME5BSS543KN01
	D518431	Air Duct Assembly	Model ADEE9RGS453NW29
	D518432	Air Duct Assembly	All other models
3	202256	Warning Label	Models FDLE7RGS303NW26, LDEE7RGS303BW01, LDEE7RWS303BW01, LDGE7RGS303BW80, LDGE7RWS303BW80, LDLE7RGS303NW26 and YDLE7RGS303NW26
	F8211201	Electrical Shock Label	All other models
	F8615701	Pinch Warning Label	All other models
4	D503980LG	Lint Filter	Models ADEE9BGS433AN01, ADEE9BGS433NN29, ADEE9BSS433AN01, ADEE9BSS433LN01, ADEE9BSS433NN22, ADEE9BSS433NN29, ADEE9BSS433XN34, ADEE9BSS455LN01, ADEE9BSS543DN01, ADGE9BGS303AN01, ADGE9BSS123DN01, ADGE9BSS303AN01, ADGE9BSS303XN01, ADGE9BSS303XN26, ADGE9BSS543DN01, ADLE9BGS303XW34, ADLE9BSS303XN34, LDEE5BSS553KN01 and LDME5BSS543KN01
	D503980W	Lint Filter	All other models
5	D510502LG	Lint Filter Cover	Models ADEE9BGS433AN01, ADEE9BGS433NN29, ADEE9BSS433AN01, ADEE9BSS433LN01, ADEE9BSS433NN22, ADEE9BSS433NN29, ADEE9BSS433XN34, ADEE9BSS455LN01, ADEE9BSS543DN01, ADGE9BGS303AN01, ADGE9BSS123DN01, ADGE9BSS303AN01, ADGE9BSS303XN01, ADGE9BSS303XN26, ADGE9BSS543DN01, ADLE9BGS303XW34 and ADLE9BSS303XN34
	D510502W	Lint Filter Cover	All other models

Cylinder and Baffles

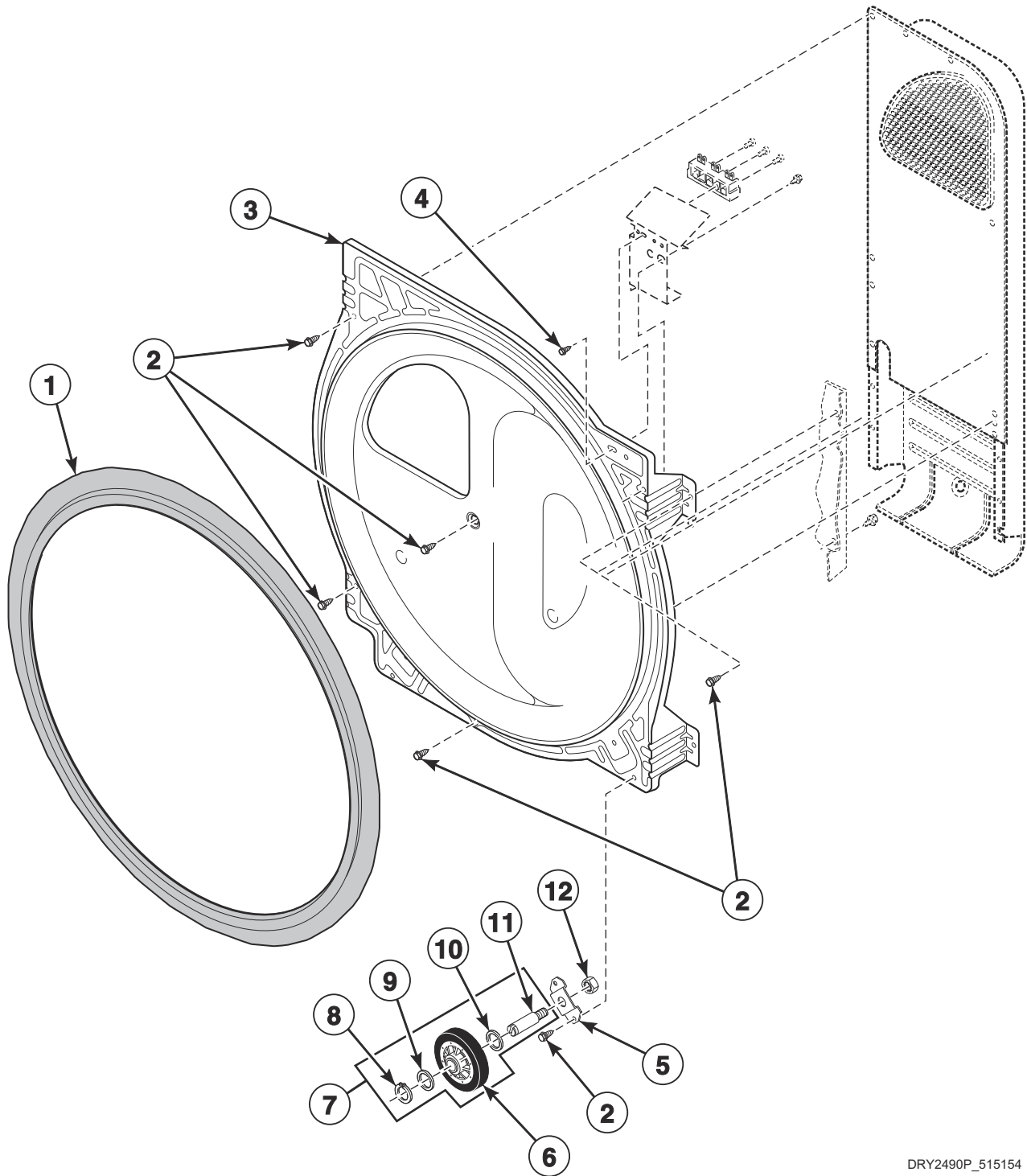


DRY2488P_515154

Cylinder and Baffles

REF	PART NO.	DESCRIPTION	COMMENTS
1	D510102LG	Cylinder Baffle	3 required; Light gray; Models ADEE9BGS433AN01, ADEE9BGS433NN29, ADEE9BSS433AN01, ADEE9BSS433LN01, ADEE9BSS433NN22, ADEE9BSS433NN29, ADEE9BSS433XN34, ADEE9BSS455LN01, ADEE9BSS543DN01, ADGE9BGS303AN01, ADGE9BSS123DN01, ADGE9BSS303AN01, ADGE9BSS303XN01, ADGE9BSS303XN26, ADGE9BSS543DN01, ADLE9BGS303XW34, ADLE9BSS303XN34, LDEE5BSS553KN01 and LDME5BSS543KN01
	D510102W	Cylinder Baffle	All other models
2	D510265WP	Cylinder Assembly	Galvanized; Includes (3) of item 1 and (6) of item 3; Models ADEE9BGS433NW29, ADEE9BGS433XW34, ADEE9RGS433XW34, ADEE9RGS453NW29, ADEE9RGS543DW01, ADEE9RGS563XW01, ADEE9RGS563XW26, ADGE9BGS123DW01, ADGE9BGS543DW01, ADGE9RGS123DW01, ADGE9RGS303XW26, ADLE9BGS303XW34, ADLE9RGS303XW34, FDEE5BGS303UW01, FDEE5BGS403UW01, FDEE7RGS303UG01, FDEE7RGS303UW01, FDEE7RGS303WW01, FDEE7RGS403UW01, FDEE7RGS443UW16, FDGE5BGS303UW01, FDGE7RGS303EW01, FDGE7RGS303UW01, FDLE7RGS303NW26, LDEE5BGS303ZW30, LDEE5BGS333ZW01, LDEE5BGS433AW01, LDEE5BGS543FW01, LDEE5BGS543RW01, LDEE5BGS553KW01, LDEE5RGS303ZW01, LDEE5RGS453UW01, LDEE7RGS303BW01, LDEE7RGS303EW01, LDEE7RGS303UW01, LDEE7RGS303WW01, LDEE7RGS303ZW01, LDEE7RGS403UW01, LDEE7RGS433AW01, LDEE7RGS443UG16, LDEE7RGS453UW01, LDEE7RGS543FW01, LDEE7RGS543KW01, LDEE7RGS543ZW01, LDGE5BGS113FW01, LDGE5BGS303AW01, LDGE7RGS113FW01, LDGE7RGS303AW01, LDGE7RGS303BW80, LDGE7RGS303EW01, LDGE7RGS303EW80, LDGE7RGS303UW01, LDGE7RWS303UW01, LDLE5RGS303NW35, LDLE5RGS303UW01, LDLE7RGS303NW26, LDME5BGS543KW01, LDME7RGS543KW01, PDEE4RGS303UG01, PDEE4RGS403UG01, PDEE4RGS433AG01, PDEE4RGS443UG16, PDEE7RGS303UG01, PDEE7RGS403UG01, PDGE4RGS303AG01, YDEE7RGS303EW01, YDEE7RGS303UW01, YDEE7RGS303WW01, YDEE7RGS303ZW01, YDEE7RGS403UW01, YDGE7RGS303EW01 and YDLE7RGS303NW26
	D510265LGP	Cylinder Assembly	Galvanized; Includes (3) of item 1 and (6) of item 3; Models ADEE9BGS433AN01, ADEE9BGS433NN29 and ADGE9BGS303AN01
	D505929WP	Cylinder Assembly	Stainless steel; Includes (3) of item 1 and (6) of item 3; Model LDGE7RSS303UW01
	D505929LGP	Cylinder Assembly	Stainless steel; Includes (3) of item 1 and (6) of item 3; Models ADEE9BSS433AN01, ADEE9BSS433LN01, ADEE9BSS433NN22, ADEE9BSS433NN29, ADEE9BSS433XN34, ADEE9BSS455LN01, ADEE9BSS543DN01, ADGE9BSS123DN01, ADGE9BSS303AN01, ADGE9BSS303XN01, ADGE9BSS303XN26, ADGE9BSS543DN01, ADLE9BSS303XN34, LDEE5BSS553KN01 and LDME5BSS543KN01
	D510159WP	Cylinder Assembly	White; Includes (3) of item 1 and (6) of item 3; Models ADEE8BWS433AW01, ADEE8RWS433AW01, ADEE9RWS433AW01, ADEE9RWS463AW01, ADGE8BWS303AW01, ADGE8RWS303AW01, ADGE9RWS303AW01, LDEE7RWS303BW01, LDEE7RWS303ZW01, LDEE7RWS433AW01, LDEE7RWS453SW01, LDEE7RWS543KW01, LDEE7RWS543RW01, LDEE7RWS543ZW01, LDGE7RWS303AW01, LDGE7RWS303BW80, LDGE7RWS303UW01, LDGE7RWS303ZW01 and YDEE7RWS543RW01
3	62588	Screw	6 required
4	D512082P	Drying Rack	

Rear Bulkhead, Felt Seal and Cylinder Roller

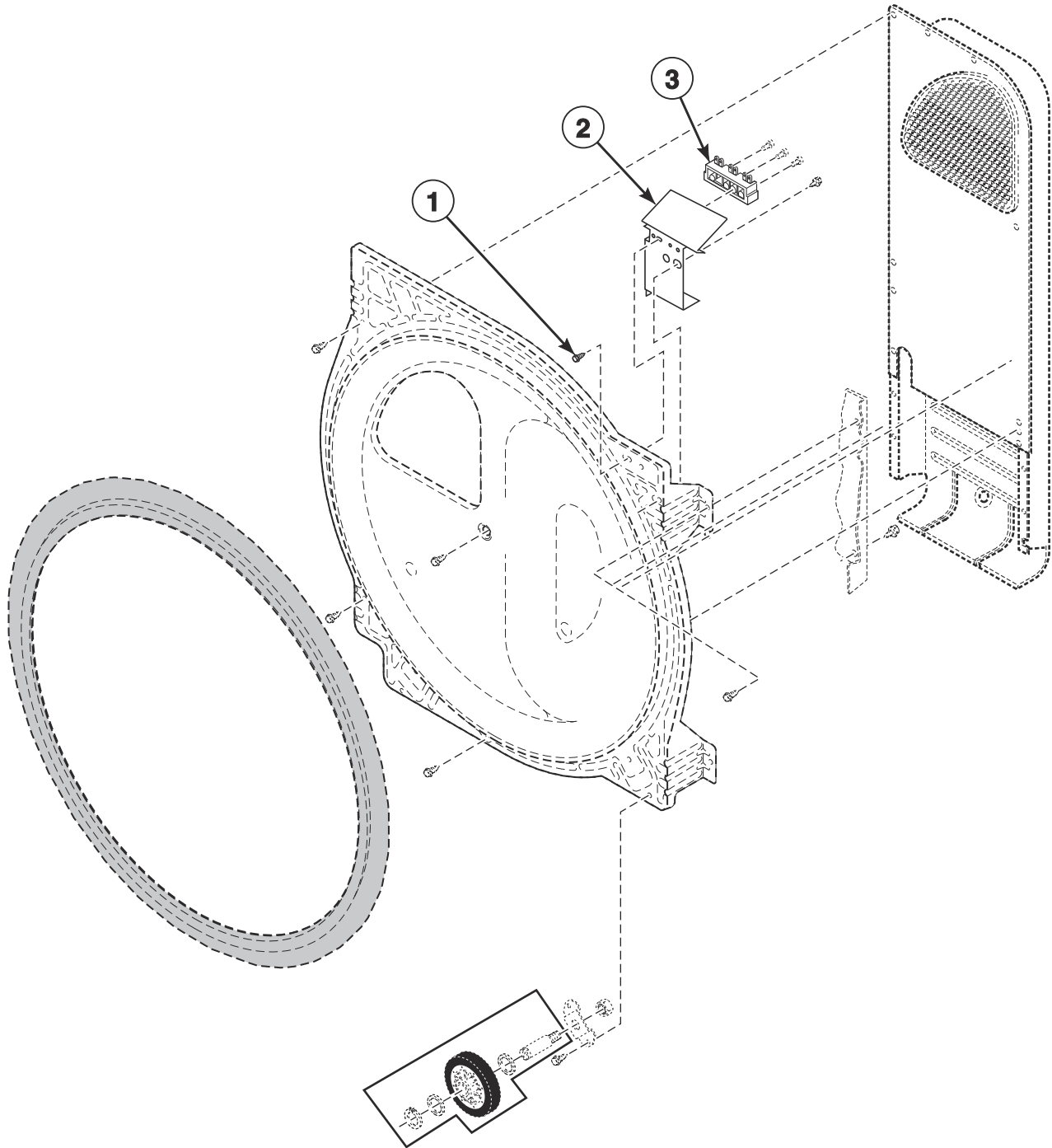


DRY2490P_515154

Rear Bulkhead, Felt Seal and Cylinder Roller

REF	PART NO.	DESCRIPTION	COMMENTS
	D511637P	Adhesive	For cylinder seal
	RB170001	Seal Kit	Includes 2 cylinder seals, D510238P Blower Housing Seal and D511637P Adhesive
1	D510207P	Cylinder Seal Assembly	
2	D503688	Screw	Use with painted panels
	M405188	Screw	Use with stainless steel panels
3	D518128	Rear Bulkhead Assembly	Stainless steel; Includes item 1; Models ADEE9BSS433AN01, ADEE9BSS433LN01, ADEE9BSS433NN22, ADEE9BSS433NN29, ADEE9BSS433XN34, ADEE9BSS455LN01, ADGE9BSS123DN01, ADGE9BSS303AN01, ADGE9BSS303XN01, ADGE9BSS303XN26, ADGE9BSS543DN01, ADLE9BSS303XN34, LDEE5BSS553KN01, LDGE7RSS303UW01 and LDME5BSS543KN01
	D510905WP	Rear Bulkhead Assembly	White; Includes item 1; Models ADEE8BWS433AW01, ADEE8RWS433AW01, ADEE9RGS453NW29, ADEE9RWS433AW01, ADEE9RWS463AW01, ADGE8BWS303AW01, ADGE8RWS303AW01, ADGE9RWS303AW01, LDEE7RWS303BW01, LDEE7RWS303ZW01, LDEE7RWS433AW01, LDEE7RWS453SW01, LDEE7RWS543FQ01, LDEE7RWS543KW01, LDEE7RWS543RW01, LDEE7RWS543ZW01, LDGE7RWS303AW01, LDGE7RWS303BW80, LDGE7RWS303UW01, LDGE7RWS303ZW80, LDGE7RWS543KW01 and YDEE7RWS543RW01
	D511082P	Rear Bulkhead Assembly	Galvanized; Includes item 1; All other models
4	D501285	Screw	
5	D510100	Cylinder Roller Bracket	
6	D510708P	Cylinder Roller	
7	RB170002	Roller Kit	Includes items 6-11
8	23748	Retaining Ring	
9	52549	Washer	
10	D504082	Washer	
11	56461P	Shaft	
12	56156	Nut	

Terminal Block and Shield (Drawing 1 of 2)

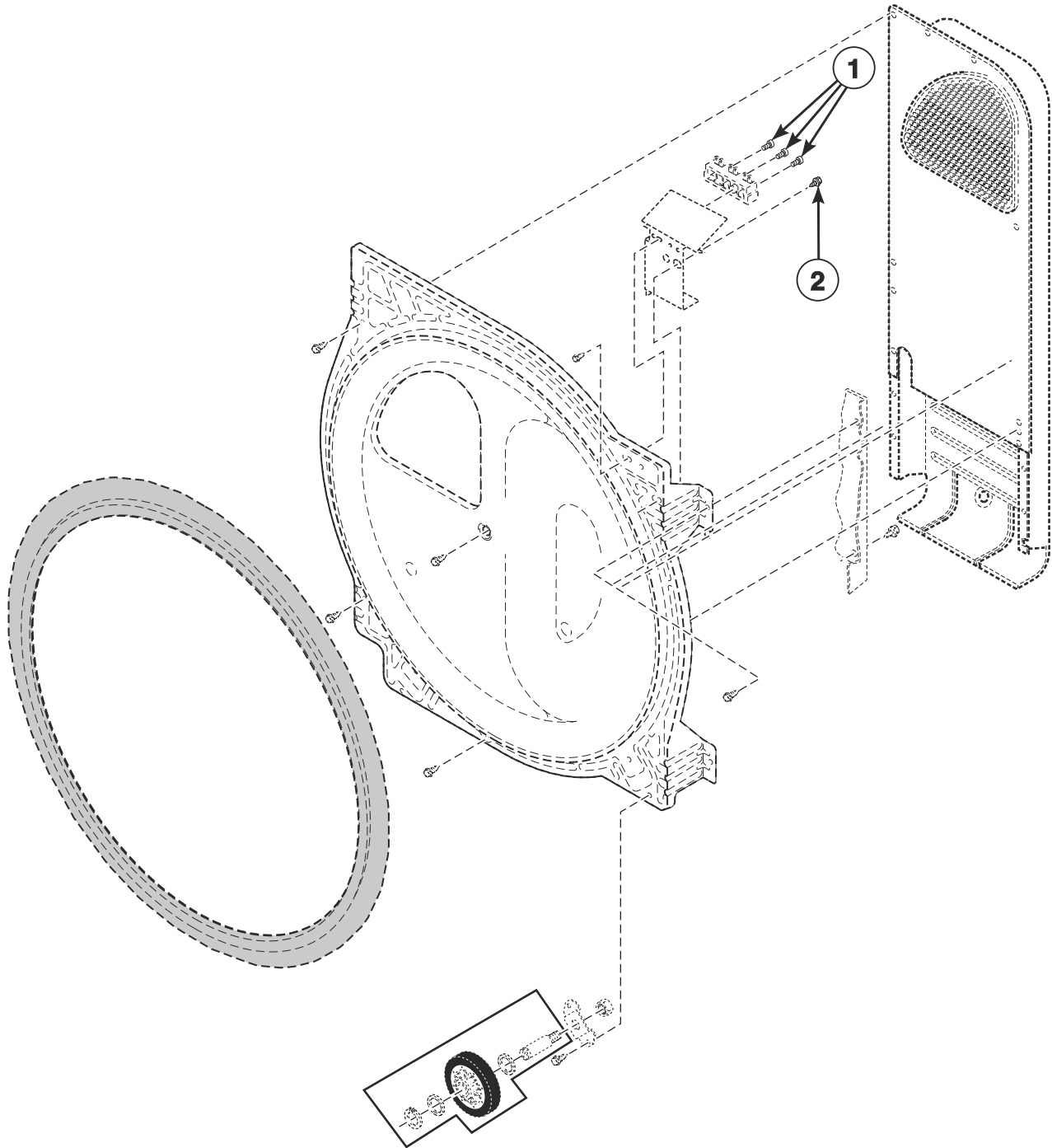


DRY2490PA_515154

Terminal Block and Shield (Drawing 1 of 2)

REF	PART NO.	DESCRIPTION	COMMENTS
	D505329	Terminal Block Label	N-L; Models ADEE9BSS433LN01 and ADEE9BSS455LN01
1	D501285	Screw	
2	D517715	Terminal Block Shield	Models ADEE8BWS433AW01, ADEE8RWS433AW01, ADEE9BGS433AN01, ADEE9BGS433NN29, ADEE9BGS433NW29, ADEE9BGS433XW34, ADEE9BGS543DW01, ADEE9BSS433AN01, ADEE9BSS433LN01, ADEE9BSS433NN29, ADEE9BSS433XN34, ADEE9BSS455LN01, ADEE9BSS543DN01, ADEE9RGS433XW34, ADEE9RGS453NW29, ADEE9RGS543DW01, ADEE9RGS563XW01, ADEE9RGS563XW26, ADEE9RWS433AW01, ADEE9RWS463AW01, FDEE5BGS303UW01, FDEE7RGS303UG01, FDEE7RGS303UW01, FDEE7RGS303WW01, FDEE7RGS443UW16, LDEE5BGS303ZW30, LDEE5BGS333ZW01, LDEE5BGS433AW01, LDEE5BGS543FW01, LDEE5BGS543RW01, LDEE5BGS553KW01, LDEE5BSS553KN01, LDEE5RGS303ZW01, LDEE5RGS453UW01, LDEE7RGS303BW01, LDEE7RGS303EW01, LDEE7RGS303UW01, LDEE7RGS303WW01, LDEE7RGS303ZW01, LDEE7RGS433AW01, LDEE7RGS443UG16, LDEE7RGS453UW01, LDEE7RGS543FW01, LDEE7RGS543KW01, LDEE7RGS543ZW01, LDEE7RWS303BW01, LDEE7RWS303ZW01, LDEE7RWS433AW01, LDEE7RWS453SW01, LDEE7RWS543FQ01, LDEE7RWS543KW01, LDEE7RWS543RW01, LDEE7RWS543ZW01, PDEE4RGS303UG01, PDEE4RGS433AG01, PDEE4RGS443UG16, PDEE7RGS303UG01, YDEE7RGS303EW01, YDEE7RGS303UW01, YDEE7RGS303WW01, YDEE7RGS303ZW01 and YDEE7RWS543RW01
3	D505875	Terminal Block Support Bracket	Models FDEE7RGS443UW16, LDEE7RGS443UG16 and PDEE4RGS443UG16
	D505876	Terminal Block Assembly	Models FDEE7RGS443UW16, LDEE7RGS443UG16 and PDEE4RGS443UG16
	D510190P	Terminal Block Assembly	Models ADEE8BWS433AW01, ADEE8RWS433AW01, ADEE9BGS433AN01, ADEE9BGS433NN29, ADEE9BGS433NW29, ADEE9BGS433XW34, ADEE9BGS543DW01, ADEE9BSS433AN01, ADEE9BSS433LN01, ADEE9BSS433NN29, ADEE9BSS433XN34, ADEE9BSS455LN01, ADEE9BSS543DN01, ADEE9RGS433XW34, ADEE9RGS453NW29, ADEE9RGS543DW01, ADEE9RGS563XW01, ADEE9RGS563XW26, ADEE9RWS433AW01, ADEE9RWS463AW01, FDEE5BGS303UW01, FDEE7RGS303UG01, FDEE7RGS303UW01, FDEE7RGS303WW01, FDEE7RGS443UW16, LDEE5BGS303ZW30, LDEE5BGS333ZW01, LDEE5BGS433AW01, LDEE5BGS543FW01, LDEE5BGS543RW01, LDEE5BGS553KW01, LDEE5BSS553KN01, LDEE5RGS303ZW01, LDEE5RGS453UW01, LDEE7RGS303BW01, LDEE7RGS303EW01, LDEE7RGS303UW01, LDEE7RGS303WW01, LDEE7RGS303ZW01, LDEE7RGS433AW01, LDEE7RGS443UG16, LDEE7RGS453UW01, LDEE7RGS543FW01, LDEE7RGS543KW01, LDEE7RGS543ZW01, LDEE7RWS303BW01, LDEE7RWS303ZW01, LDEE7RWS433AW01, LDEE7RWS453SW01, LDEE7RWS543FQ01, LDEE7RWS543KW01, LDEE7RWS543RW01, LDEE7RWS543ZW01, LDLE5RGS303NW35, PDEE4RGS303UG01, PDEE4RGS433AG01, PDEE4RGS443UG16, PDEE7RGS303UG01, YDEE7RGS303EW01, YDEE7RGS303UW01, YDEE7RGS303WW01, YDEE7RGS303ZW01 and YDEE7RWS543RW01

Terminal Block and Shield (Drawing 2 of 2)



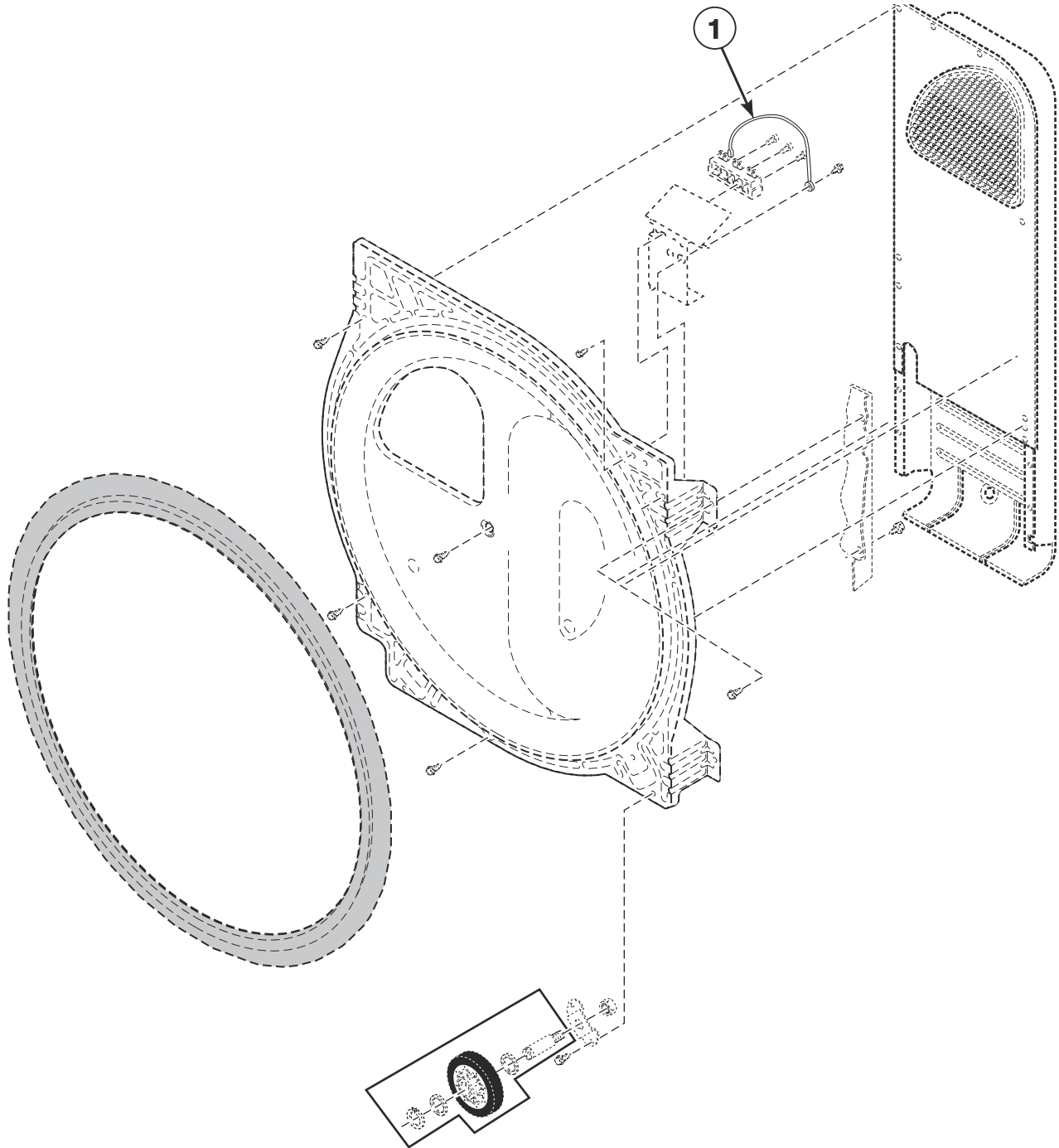
DRY2490PB_515154

Terminal Block and Shield (Drawing 2 of 2)

REF	PART NO.	DESCRIPTION	COMMENTS
1	D503661	Screw	Models FDEE7RGS443UW16 and PDEE4RGS443UG16
	61199	Screw	Models ADEE8BWS433AW01, ADEE8RWS433AW01, ADEE9BGS433AN01, ADEE9BGS433NN29, ADEE9BGS433NW29, ADEE9BGS433XW34, ADEE9BGS543DW01, ADEE9BSS433AN01, ADEE9BSS433LN01, ADEE9BSS433NN29, ADEE9BSS433XN34, ADEE9BSS455LN01, ADEE9BSS543DN01, ADEE9RGS433XW34, ADEE9RGS453NW29, ADEE9RGS543DW01, ADEE9RGS563XW01, ADEE9RGS563XW26, ADEE9RWS433AW01, ADEE9RWS463AW01, FDEE5BGS303UW01, FDEE7RGS303UG01, FDEE7RGS303UW01, FDEE7RGS303WW01, FDEE7RGS443UW16, LDEE5BGS303ZW30, LDEE5BGS333ZW01, LDEE5BGS433AW01, LDEE5BGS543FW01, LDEE5BGS543RW01, LDEE5BGS553KW01, LDEE5BSS553KN01, LDEE5RGS303ZW01, LDEE5RGS453UW01, LDEE7RGS303BW01, LDEE7RGS303EW01, LDEE7RGS303UW01, LDEE7RGS303WW01, LDEE7RGS303ZW01, LDEE7RGS433AW01, LDEE7RGS443UG16, LDEE7RGS453UW01, LDEE7RGS543FW01, LDEE7RGS543KW01, LDEE7RGS543ZW01, LDEE7RWS303BW01, LDEE7RWS303ZW01, LDEE7RWS433AW01, LDEE7RWS453SW01, LDEE7RWS543FQ01, LDEE7RWS543KW01, LDEE7RWS543RW01, LDEE7RWS543ZW01, PDEE4RGS303UG01, PDEE4RGS433AG01, PDEE4RGS443UG16, PDEE7RGS303UG01, YDEE7RGS303EW01, YDEE7RGS303UW01, YDEE7RGS303WW01, YDEE7RGS303ZW01 and YDEE7RWS543RW01
2	D503688	Screw	

Ground Wire

Models ADEE9BSS455LN01



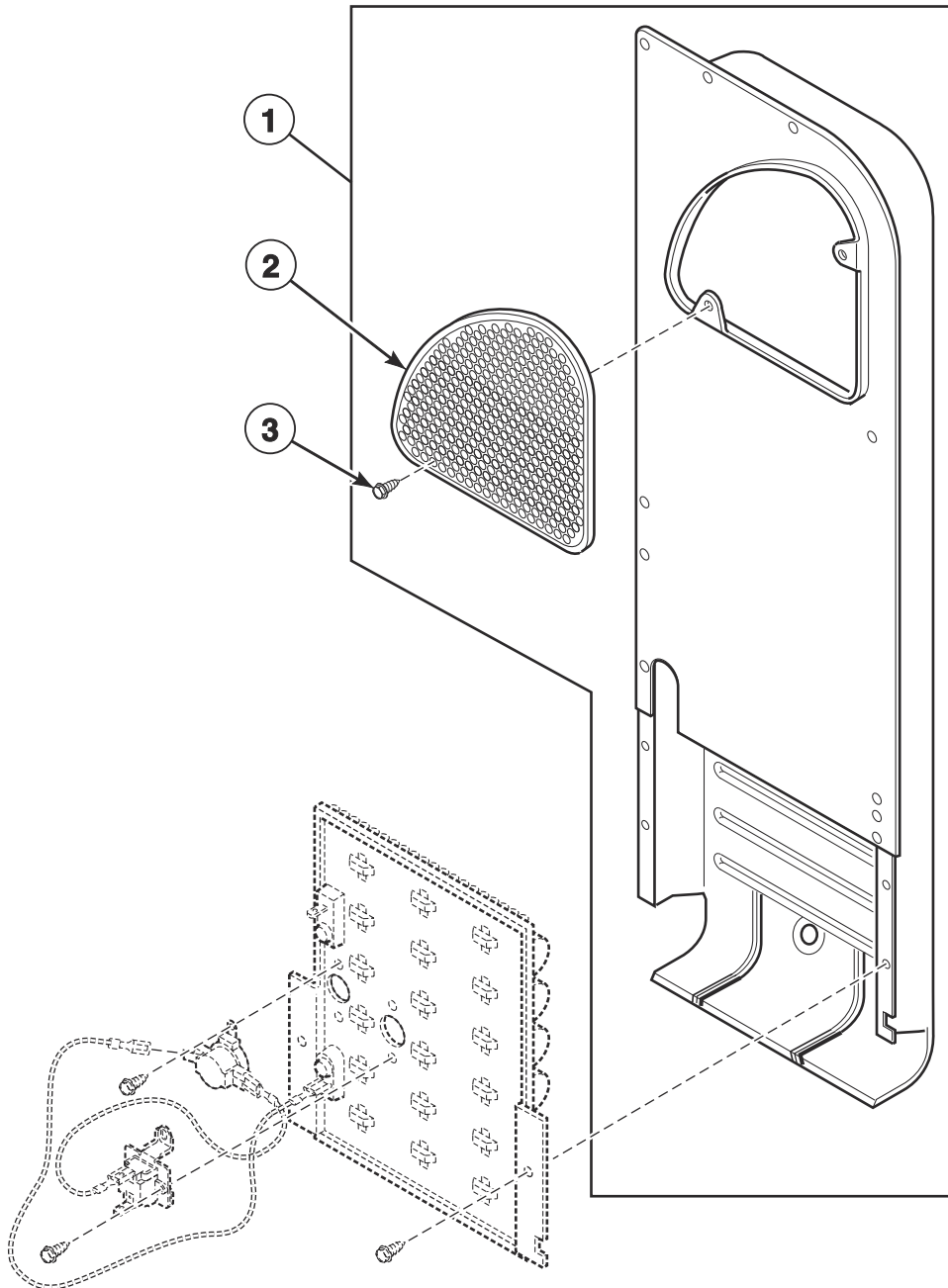
DRY2555P

Ground Wire

REF	PART NO.	DESCRIPTION	COMMENTS
	D516100	Label	Earth ground
1	D518257	Ground Wire Assembly	

Heater Duct and Element Assembly - 1 Phase Models (Drawing 1 of 2)

Models ADEE8BWS433AW01, ADEE8RWS433AW01, ADEE9BGS433AN01, ADEE9BGS433NN29, ADEE9BGS433NW29, ADEE9BGS433XW34, ADEE9BGS543DW01, ADEE9BSS433AN01, ADEE9BSS433LN01, ADEE9BSS433NN22, ADEE9BSS433NN29, ADEE9BSS433XN34, ADEE9BSS455LN01, ADEE9BSS543DN01, ADEE9RGS433XW34, ADEE9RGS453NW29, ADEE9RGS543DW01, ADEE9RGS563XW01, ADEE9RGS563XW26, ADEE9RWS433AW01, ADEE9RWS463AW01, FDEE5BGS303UW01, FDEE7RGS303UG01, FDEE7RGS303UW01, FDEE7RGS303WW01, LDEE5BGS303ZW30, LDEE5BGS333ZW01, LDEE5BGS433AW01, LDEE5BGS543FW01, LDEE5BGS543RW01, LDEE5BGS553KW01, LDEE5BSS553KN01, LDEE5RGS303ZW01, LDEE5RGS453UW01, LDEE7RGS303BW01, LDEE7RGS303EW01, LDEE7RGS303UW01, LDEE7RGS303WW01, LDEE7RGS303ZW01, LDEE7RGS433AW01, LDEE7RGS453UW01, LDEE7RGS543FW01, LDEE7RGS543KW01, LDEE7RGS543ZW01, LDEE7RWS303BW01, LDEE7RWS303ZW01, LDEE7RWS433AW01, LDEE7RWS453SW01, LDEE7RWS543FQ01, LDEE7RWS543KW01, LDEE7RWS543RW01, LDEE7RWS543ZW01, PDEE4RGS303UG01, PDEE4RGS433AG01, PDEE7RGS303UG01, YDEE7RGS303EW01, YDEE7RGS303UW01, YDEE7RGS303WW01, YDEE7RGS303ZW01 and YDEE7RWS543RW01



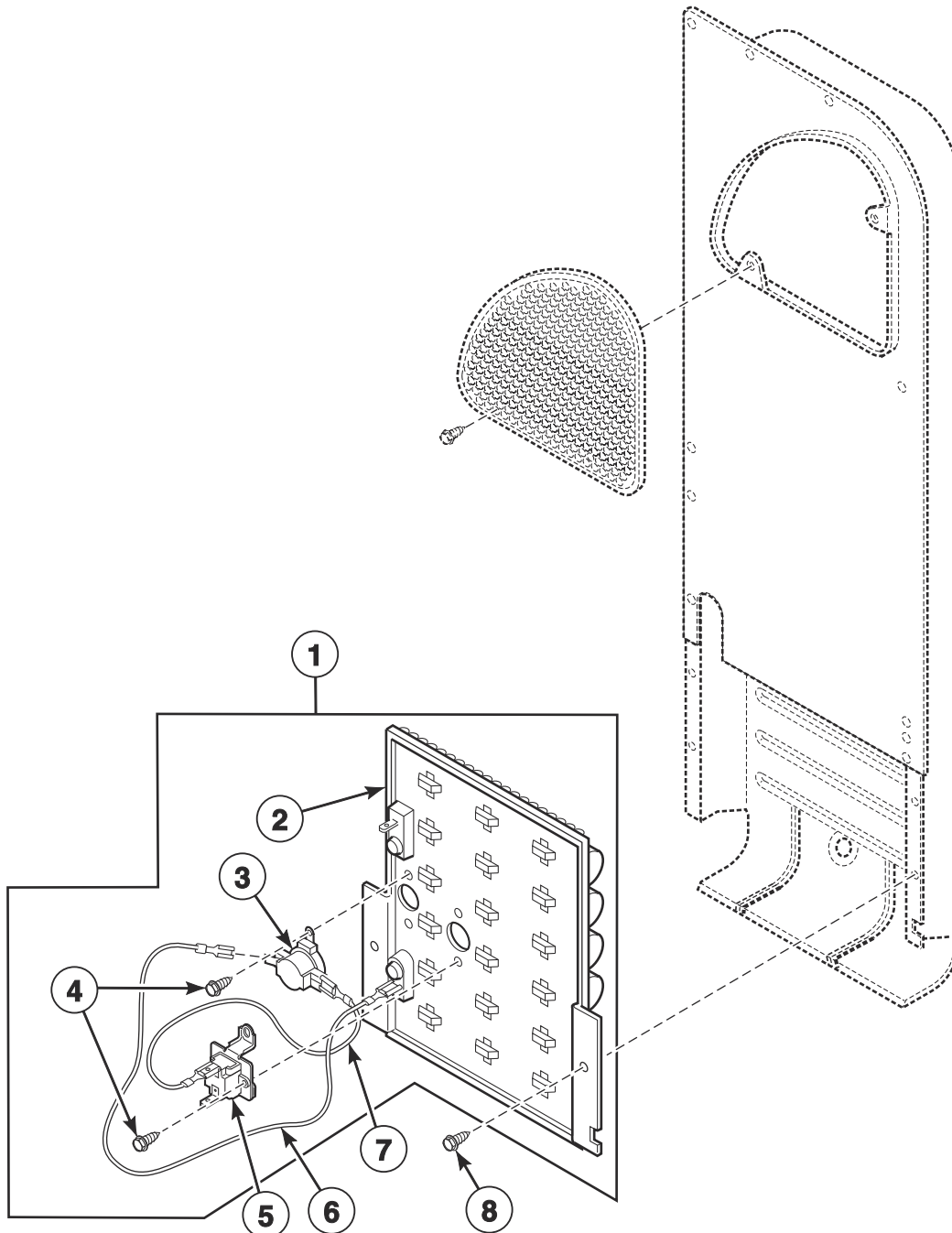
DRY1789P

Heater Duct and Element Assembly - 1 Phase Models (Drawing 1 of 2)

REF	PART NO.	DESCRIPTION	COMMENTS
1	D510705P	Heater Duct Assembly	Includes items 1 and 2
2	D514475	Outlet Cover	Models ADEE8BWS433AW01, ADEE8RWS433AW01, ADEE9BGS433AN01, ADEE9BSS433AN01, ADEE9BSS433LN01, ADEE9RGS453NW29, ADEE9RGS563XW01, ADEE9RGS563XW26, ADEE9RWS433AW01, ADEE9RWS463AW01, LDEE5BGS433AW01, LDEE7RGS433AW01, LDEE7RWS433AW01 and PDEE4RGS433AG01
	D500820	Outlet Cover	All other models
	D518524	Outlet Cover	Black (nitrocarburized)
3	D503661	Screw	2 required

Heater Duct and Element Assembly - 1 Phase Models (Drawing 2 of 2)

Models ADEE8BWS433AW01, ADEE8RWS433AW01, ADEE9BGS433AN01, ADEE9BGS433NN29, ADEE9BGS433NW29, ADEE9BGS433XW34, ADEE9BGS543DW01, ADEE9BSS433AN01, ADEE9BSS433LN01, ADEE9BSS433NN22, ADEE9BSS433NN29, ADEE9BSS433XN34, ADEE9BSS455LN01, ADEE9BSS543DN01, ADEE9RGS433XW34, ADEE9RGS453NW29, ADEE9RGS543DW01, ADEE9RGS563XW01, ADEE9RGS563XW26, ADEE9RWS433AW01, ADEE9RWS463AW01, FDEE5BGS303UW01, FDEE7RGS303UG01, FDEE7RGS303UW01, FDEE7RGS303WW01, LDEE5BGS303ZW30, LDEE5BGS333ZW01, LDEE5BGS433AW01, LDEE5BGS543FW01, LDEE5BGS543RW01, LDEE5BGS553KW01, LDEE5BSS553KN01, LDEE5RGS303ZW01, LDEE5RGS453UW01, LDEE7RGS303BW01, LDEE7RGS303EW01, LDEE7RGS303UW01, LDEE7RGS303WW01, LDEE7RGS303ZW01, LDEE7RGS433AW01, LDEE7RGS453UW01, LDEE7RGS543FW01, LDEE7RGS543KW01, LDEE7RGS543ZW01, LDEE7RWS303BW01, LDEE7RWS303ZW01, LDEE7RWS433AW01, LDEE7RWS453SW01, LDEE7RWS543FQ01, LDEE7RWS543KW01, LDEE7RWS543RW01, LDEE7RWS543ZW01, PDEE4RGS303UG01, PDEE4RGS433AG01, PDEE7RGS303UG01, YDEE7RGS303EW01, YDEE7RGS303UW01, YDEE7RGS303WW01, YDEE7RGS303ZW01 and YDEE7RWS543RW01



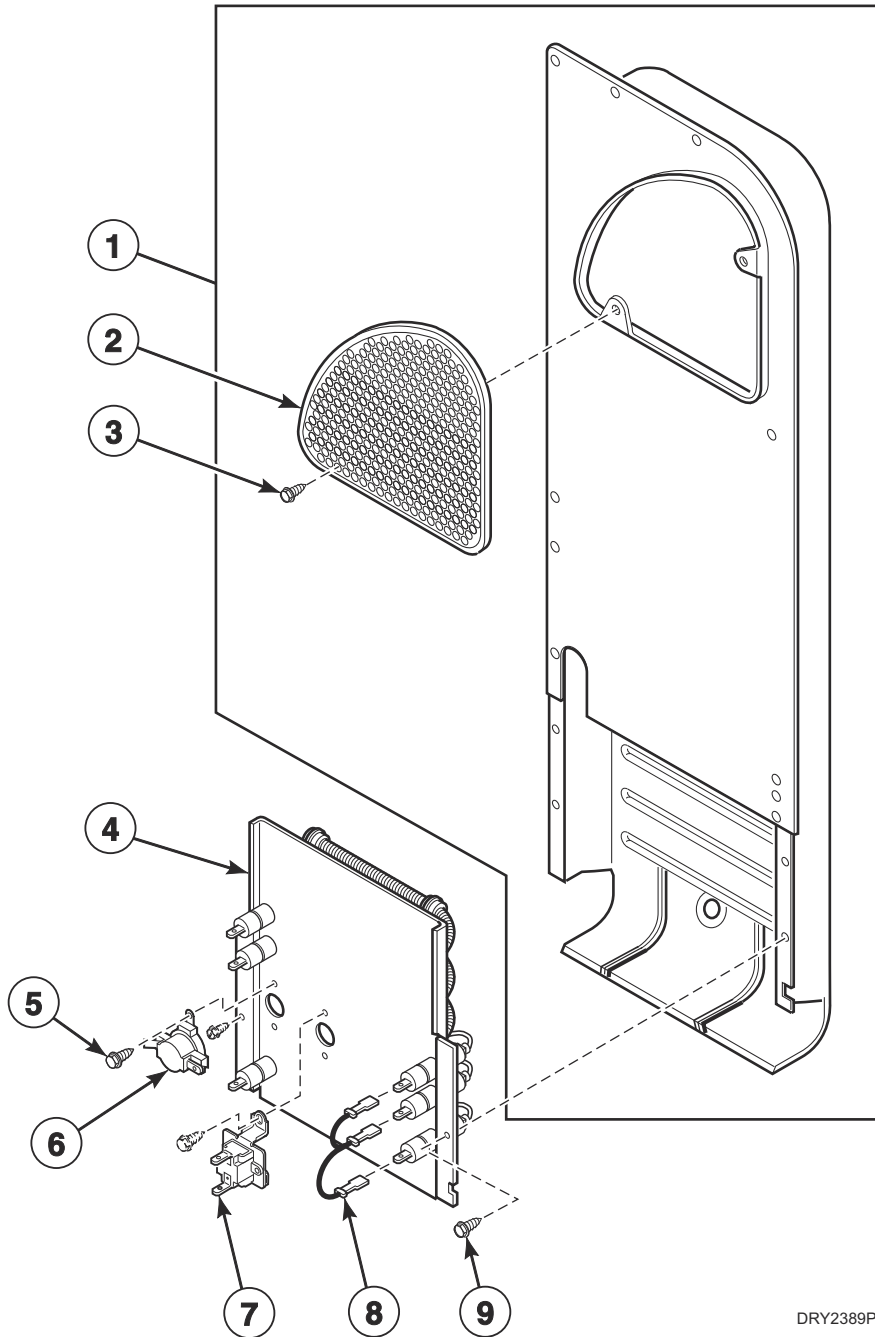
DRY1789PA

Heater Duct and Element Assembly - 1 Phase Models (Drawing 2 of 2)

REF	PART NO.	DESCRIPTION	COMMENTS
1	61930	Heater Kit Assembly	240 Volt; 4 kW; Includes thermostat, fuse and wiring; Models ADEE8BWS433AW01, ADEE8RWS433AW01, ADEE9BGS433AN01, ADEE9BGS433NN29, ADEE9BGS433NW29, ADEE9BGS433XW34, ADEE9BSS433AN01, ADEE9BSS433LN01, ADEE9BSS433NN22, ADEE9BSS433NN29, ADEE9BSS433XN34, ADEE9RGS433XW34, ADEE9RGS563XW01, ADEE9RGS563XW26, ADEE9RWS433AW01, LDEE5BGS433AW01, LDEE7RGS433AW01, LDEE7RWS433AW01 and PDEE4RGS433AG01
	61931	Heater Kit Assembly	240 Volt; 3.1 kW; Includes thermostat, fuse and wiring; Models ADEE9BSS455LN01, ADEE9RGS453NW29, LDEE5BGS553KW01, LDEE5BSS553KN01, LDEE5RGS453UW01, LDEE7RGS453UW01 and LDEE7RWS453SW01
	61927	Heater Kit Assembly	240 Volt; 5 kW; Includes thermostat, fuse and wiring; Model LDEE5BGS333ZW01
	964P3	Heater Kit	240 Volt; 5.35 kW; Includes thermostat, fuse and wiring; Models ADEE9BGS543DW01, ADEE9BSS543DN01, ADEE9RGS543DW01, LDEE5BGS543FW01, LDEE5BGS543RW01, LDEE7RGS543FW01, LDEE7RGS543KW01, LDEE7RGS543ZW01, LDEE7RWS543FQ01, LDEE7RWS543KW01, LDEE7RWS543RW01, LDEE7RWS543ZW01 and YDEE7RWS543RW01
	61929	Heater Kit Assembly	240 Volt; 4.8 kW; Includes thermostat, fuse and wiring; All other models
2	D510327P	Heater Assembly	240 Volt; 4 kW; Models ADEE8BWS433AW01, ADEE8RWS433AW01, ADEE9BGS433AN01, ADEE9BGS433NN29, ADEE9BGS433NW29, ADEE9BGS433XW34, ADEE9BSS433AN01, ADEE9BSS433LN01, ADEE9BSS433NN22, ADEE9BSS433NN29, ADEE9BSS433XN34, ADEE9RGS433XW34, ADEE9RGS563XW01, ADEE9RGS563XW26, ADEE9RWS433AW01, LDEE5BGS433AW01, LDEE7RGS433AW01, LDEE7RWS433AW01 and PDEE4RGS433AG01
	D510328P	Heater Assembly	240 Volt; 3.1 kW; Models ADEE9BSS455LN01, ADEE9RGS453NW29, LDEE5BGS553KW01, LDEE5BSS553KN01, LDEE5RGS453UW01, LDEE7RGS453UW01 and LDEE7RWS453SW01
	D510329P	Heater Assembly	240 Volt; 5.35 kW; Models ADEE9BGS543DW01, ADEE9BSS543DN01, LDEE5BGS543FW01, LDEE5BGS543RW01, LDEE7RGS543FW01, LDEE7RGS543KW01, LDEE7RGS543ZW01, LDEE7RWS543FQ01, LDEE7RWS543KW01, LDEE7RWS543RW01, LDEE7RWS543ZW01 and YDEE7RWS543RW01
	D510324P	Heater Assembly	240 Volt; 5 kW; Model LDEE5BGS333ZW01
	D516123	Heater Assembly	1.9 kW; 240 Volt; Model ADEE9RWS463AW01
	D510326P	Heater Assembly	240 Volt; 4.8 kW; All other models
3	D510700	Limit Thermostat	Models ADEE9BSS455LN01, ADEE9RGS453NW29, LDEE5BGS553KW01, LDEE5BSS553KN01, LDEE5RGS453UW01, LDEE7RGS453UW01 and LDEE7RWS453SW01
	D516193	Limit Thermostat	Manual reset 165°F; Model ADEE9RWS463AW01
	D516192	Limit Thermostat	Model ADEE9RWS463AW01
	D515873	Limit Thermostat	Models FDEE7RGS303WW01, LDEE7RGS303WW01 and YDEE7RGS303WW01
	44253901	Manual Reset Thermostat	Models ADEE9RGS563XW01 and ADEE9RGS563XW26
	D510701	Limit Thermostat	All other models
4	23222	Screw	
5	D518649	Thermal Fuse Assembly	
6	D518255	Wire Assembly	Black; Fuse jumper; Attaches to heater assembly
7	D518256	Wire Assembly	Orange; Thermostat jumper; Attaches to heater assembly
8	D503688	Screw	

Heater Duct and Element Assembly - 3 Phase Models

Models FDEE5BGS403UW01, FDEE7RGS403UW01, FDEE7RGS443UW16, LDEE7RGS403UW01, LDEE7RGS443UG16, PDEE4RGS403UG01, PDEE4RGS443UG16, PDEE7RGS403UG01 and YDEE7RGS403UW01



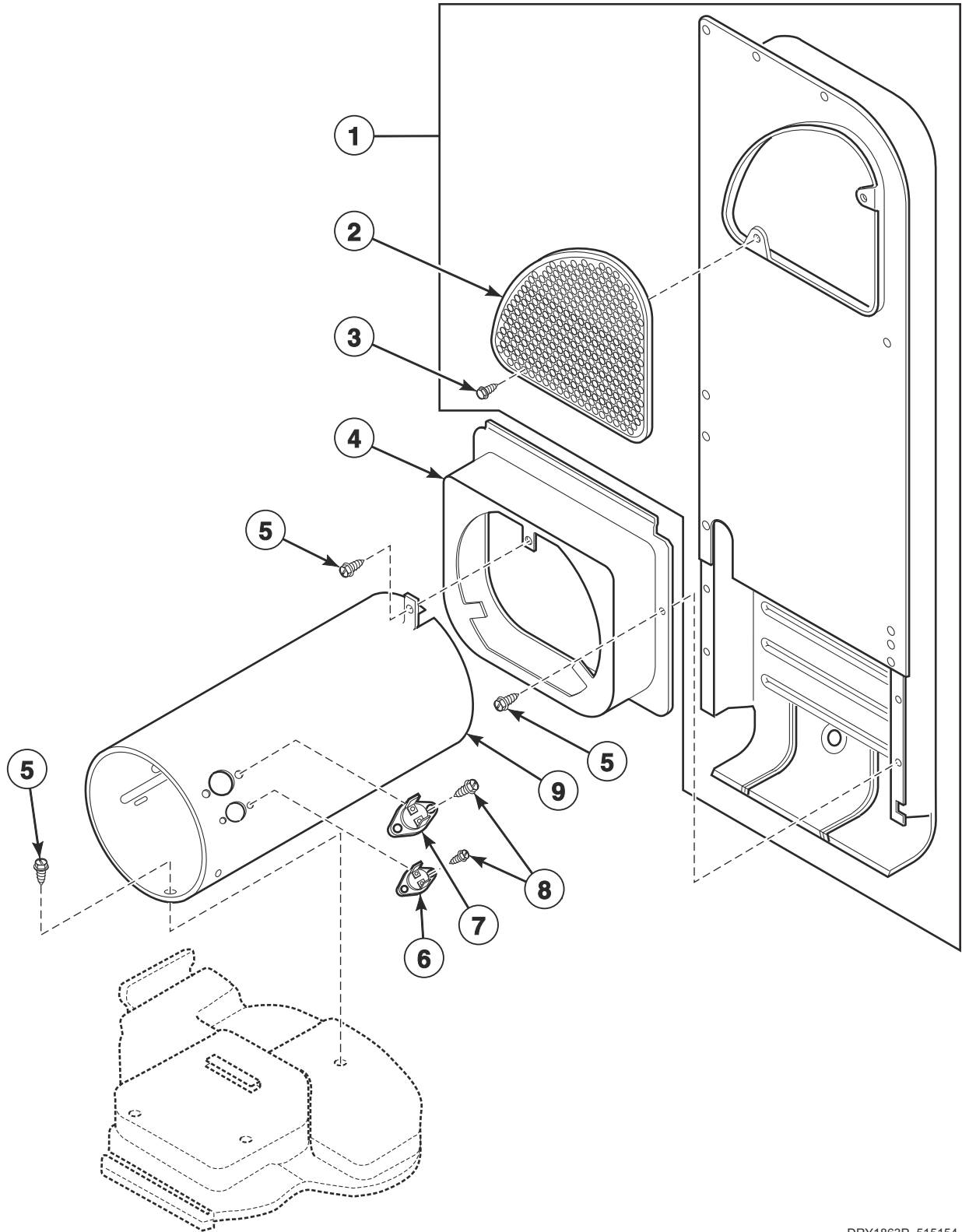
DRY2389P_515154

Heater Duct and Element Assembly - 3 Phase Models

REF	PART NO.	DESCRIPTION	COMMENTS
	756P3	Conversion Kit	400 Volt, 4 wire WYE to 240 Volt, 3 wire Delta
1	D510705P	Heater Duct Assembly	Includes items 2 and 3
2	D500820	Outlet Cover	
	D518524	Outlet Cover	Black (nitrocarburized)
3	D503661	Screw	2 required
4	D511014P	Heater	380 Volt; 4.5 kW; 3 Phase; Models FDEE5BGS403UW01, FDEE7RGS403UW01, LDEE7RGS403UW01, PDEE4RGS403UG01, PDEE7RGS403UG01 and YDEE7RGS403UW01
	D515647	Heater Assembly	380 Volt; 3.7 kW; 3 Phase; Models FDEE7RGS443UW16, LDEE7RGS443UG16 and PDEE4RGS443UG16
5	23222	Screw	
6	D510701	Limit Thermostat	225°F; Red; Models FDEE5BGS403UW01, FDEE7RGS403UW01, LDEE7RGS403UW01, PDEE4RGS403UG01, PDEE7RGS403UG01 and YDEE7RGS403UW01
	D515873	Limit Thermostat	205°F; Green; Models FDEE7RGS443UW16, LDEE7RGS443UG16 and PDEE4RGS443UG16
7	D518649	Thermal Fuse Assembly	
8	D518529	Jumper Wire Assembly	3 Phase
9	D503688	Screw	

Heater Duct Assembly

Gas Models



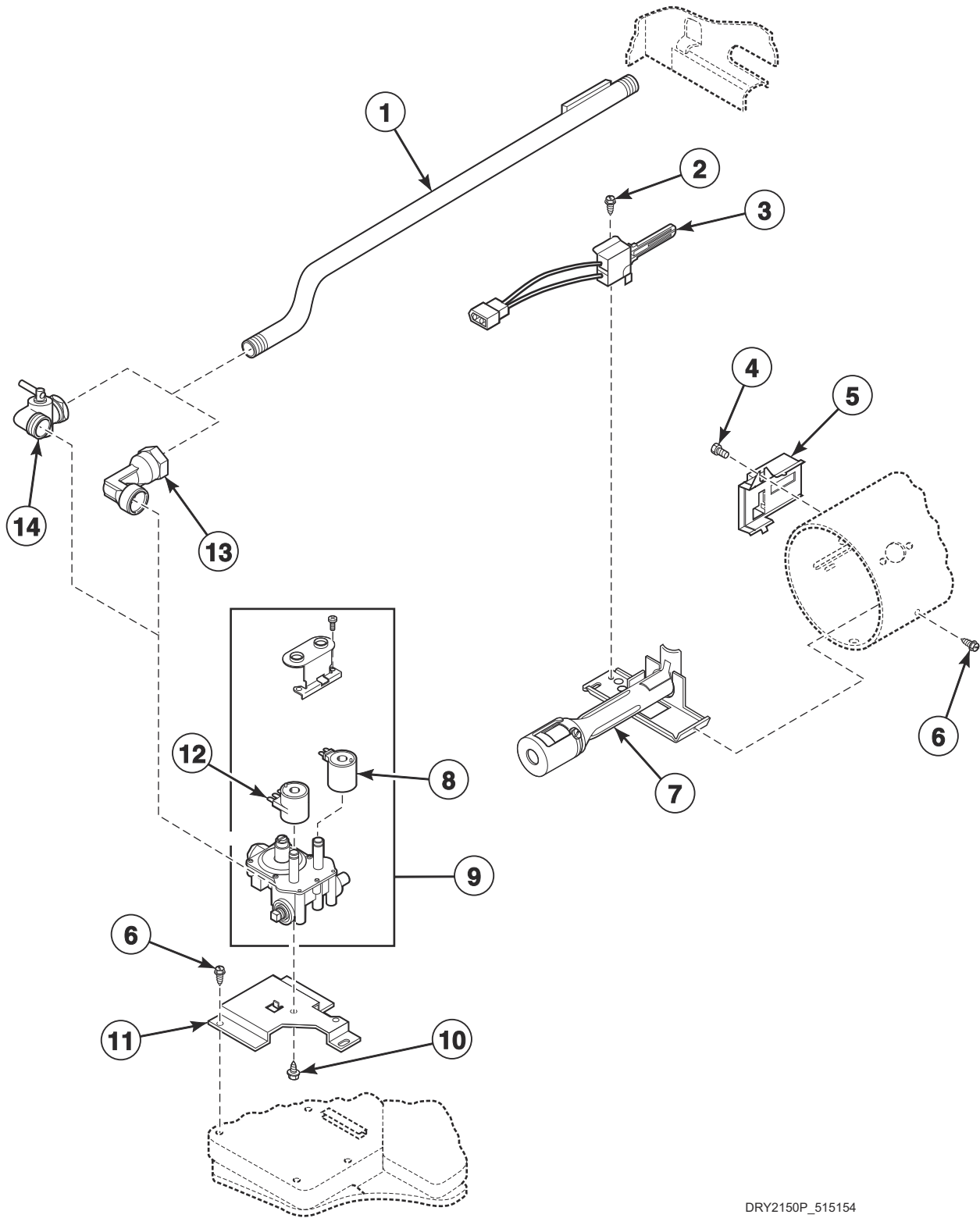
DRY1863P_515154

Heater Duct Assembly

REF	PART NO.	DESCRIPTION	COMMENTS
1	D510705P	Heater Duct Assembly	Includes items 2 and 3
2	D500820	Outlet Cover	
	D518524	Outlet Cover	Black (nitrocarburized)
3	D503661	Screw	
4	D510101	Heat Duct Shroud	
5	D503688	Screw	
6	D510703	Thermostat	Manual reset; Models ADGE8BWS303AW01, ADGE8RWS303AW01, ADGE9BGS303AN01, ADGE9BSS303AN01, ADGE9BSS303XN01, ADGE9BSS303XN26, ADGE9RGS303XW26, ADGE9RWS303AW01, ADLE9BGS303XW34, ADLE9BSS303XN34, ADLE9RGS303XW34, FDLE7RGS303NW26, LDGE5BGS113FW01, LDGE5BGS303AW01, LDGE7RGS113FW01, LDGE7RGS303AW01, LDGE7RGS303BW80, LDGE7RGS303EW01, LDGE7RGS303EW80, LDGE7RGS303UW01, LDGE7RSS303UW01, LDGE7RWS303AW01, LDGE7RWS303BW80, LDGE7RWS303UW01, LDGE7RWS303ZW80, LDGE7RWS543KW01, LDLE5RGS303NW35, LDLE5RGS303UW01, LDLE7RGS303NW26, LDME5BGS543KW01, LDME5BSS543KN01, LDME7RGS543KW01, LDME7RWS543KW01, PDGE4RGS303AG01, YDGE7RGS303EW01 and YDLE7RGS303NW26
7	D510702	Limit Thermostat	Auto reset; Black
8	51782	Screw	
9	D510132	Combustion Duct	

Gas Valve and Igniter Through Serial No. 190800001

All Gas Models Except LDME5BGS543KW01, LDME5BSS543KN01, LDME7RGS543KW01 and LDME7RWS543KW01



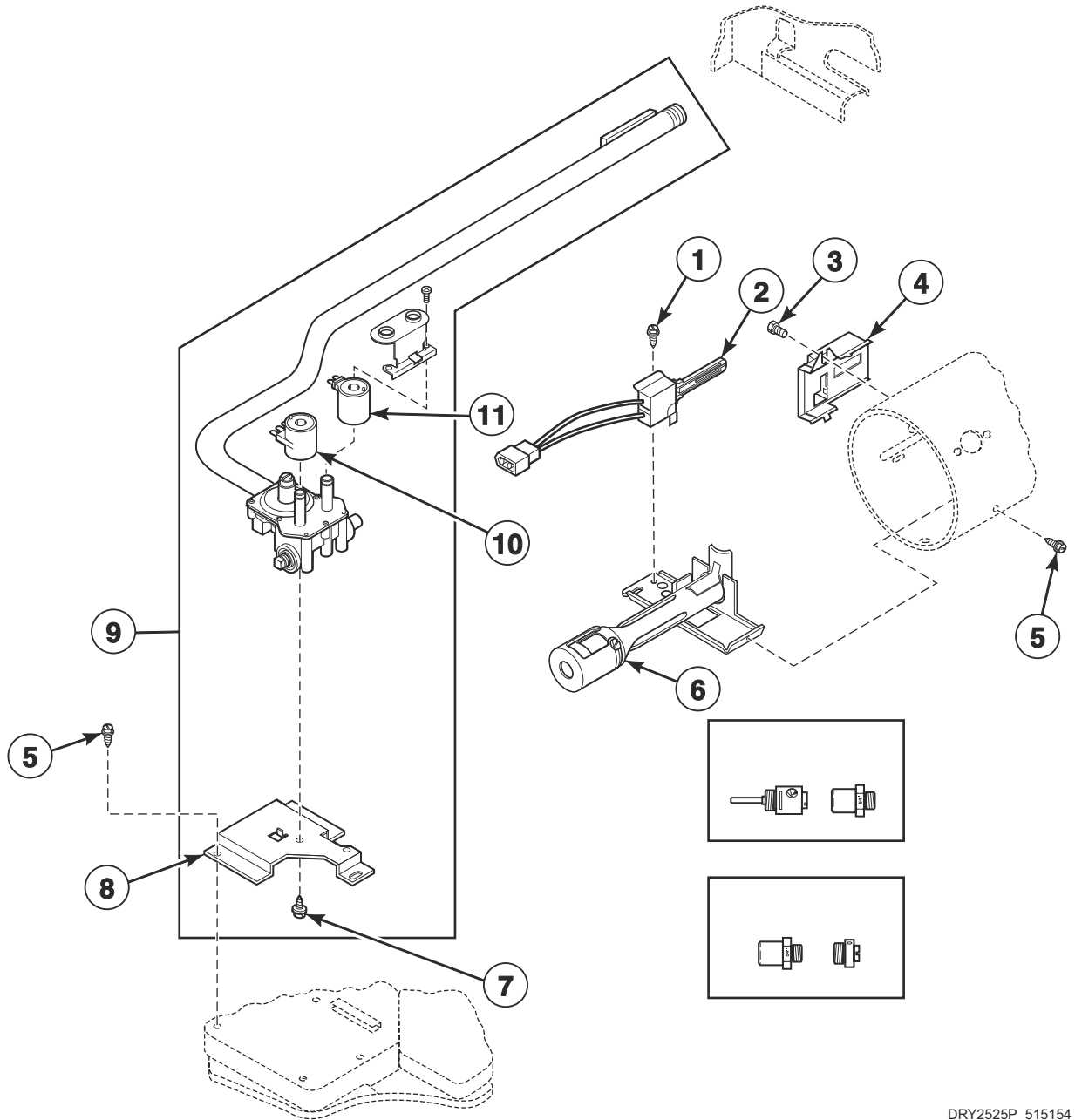
DRY2150P_515154

Gas Valve and Igniter Through Serial No. 1908000001

REF	PART NO.	DESCRIPTION	COMMENTS
1	D510204	Lead-In Pipe Assembly	
2	51782	Screw	
3	D510184P	Igniter and Bracket Assembly	
4	23222	Screw	
5	D510213	Sensor	
6	D503688	Screw	
7	D510149P	Burner Assembly	
8	58804B	Secondary Coil	60 Hertz; Models ADGE9BGS123DW01, ADGE9BGS543DW01, ADGE9BSS123DN01, ADGE9BSS543DN01, ADGE9RGS123DW01, LDGE5BGS113FW01, LDGE7RGS113FW01 and LDGE7RWS543KW01
	59063B	Secondary Coil	50 Hertz; All other models
9	D510506P	Gas Valve Assembly	60 Hertz; 22,500 Btu; Natural Gas (N.G); Includes items 8 and 12; Models ADGE9BGS123DW01, ADGE9BGS543DW01, ADGE9BSS123DN01, ADGE9BSS543DN01, ADGE9RGS123DW01, LDGE5BGS113FW01, LDGE7RGS113FW01 and LDGE7RWS543KW01
	59063P	Gas Valve Assembly	50 Hertz; 20,000 Btu; N.G.; Includes 8 and 12; Order 401P3 L.P. Conversion Kit when ordering gas valve assembly; Models ADGE8BWS303AW01, ADGE8RWS303AW01, ADGE9BGS303AN01, ADGE9BSS303AN01, ADGE9RWS303AW01, FDGE5BGS303UW01, FDGE7RGS303EW01, FDGE7RGS303UW01, LDGE5BGS303AW01, LDGE7RGS303AW01, LDGE7RGS303BW80, LDGE7RGS303EW01, LDGE7RGS303EW80, LDGE7RGS303UW01, LDGE7RSS303UW01, LDGE7RWS303AW01, LDGE7RWS303BW80, LDGE7RWS303UW01, LDGE7RWS303ZW80, LDLE5RGS303NW35, LDLE5RGS303UW01, PDGE4RGS303AG01 and YDGE7RGS303EW01
	D513630	Gas Valve Assembly	50 Hertz; 20,000 Btu; Liquid Petroleum Gas (L.P.); Includes items 8 and 12; Models ADLE9BGS303XW34, ADLE9BSS303XN34, ADLE9RGS303XW34, FDLE7RGS303NW26, LDLE7RGS303NW26 and YDLE7RGS303NW26
10	56124	Screw	
11	D510128	Gas Valve Mounting Bracket	
12	58804A	Booster and Holding Coil	60 Hertz; Models ADGE9BGS123DW01, ADGE9BGS543DW01, ADGE9BSS123DN01, ADGE9BSS543DN01, ADGE9RGS123DW01, LDGE5BGS113FW01, LDGE7RGS113FW01 and LDGE7RWS543KW01
	59063A	Booster and Holding Coil	50 Hertz; All other models
13	D513072	Elbow	Model LDGE7RWS543KW01
14	D510205	Elbow Shut-Off Valve	All models except LDGE7RWS543KW01

Gas Valve and Igniter Starting Serial No. 1908000001

All Gas Models Except LDME5BGS543KW01, LDME5BSS543KN01, LDME7RGS543KW01 and LDME7RWS543KW01



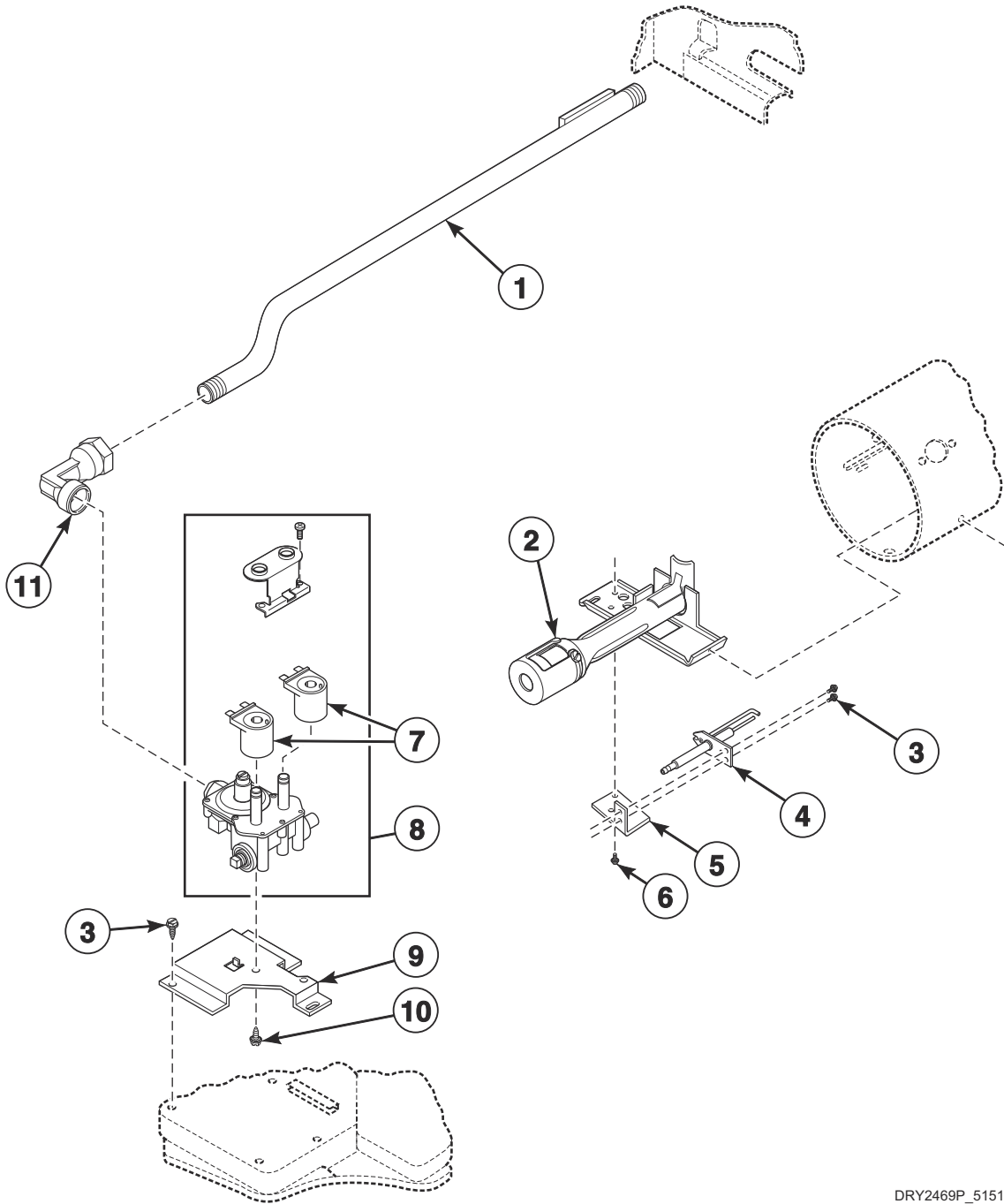
DRY2525P_515154

Gas Valve and Igniter Starting Serial No. 1908000001

REF	PART NO.	DESCRIPTION	COMMENTS
1	51782	Screw	
2	D510184P	Igniter and Bracket Assembly	
3	23222	Screw	
4	D510213	Sensor	
5	D503688	Screw	
6	D510149P	Burner Assembly	
7	56124	Screw	
8	D510128	Gas Valve Mounting Bracket	
9	D517609	Gas Valve, Bracket and Pipe Assembly	60 Hertz; 22,500 Btu; Natural Gas (N.G); Includes items 7, 8, 10 and 11; Models ADGE9BGS123DW01, ADGE9BGS543DW01, ADGE9BSS123DN01, ADGE9BSS543DN01, ADGE9RGS123DW01, LDGE5BGS113FW01, LDGE7RGS113FW01 and LDGE7RWS543KW01
	D517607	Gas Valve, Bracket and Pipe Assembly	50 Hertz; 20,000 Btu; N.G.; Includes items 7, 8, 10 and 11; Order 401P3 L.P. Conversion Kit when ordering gas valve assembly; Models ADGE8BWS303AW01, ADGE8RWS303AW01, ADGE9BGS303AN01, ADGE9BSS303AN01, ADGE9RWS303AW01, FDGE5BGS303UW01, FDGE7RGS303EW01, FDGE7RGS303UW01, LDGE5BGS303AW01, LDGE7RGS303AW01, LDGE7RGS303BW80, LDGE7RGS303EW01, LDGE7RGS303EW80, LDGE7RGS303UW01, LDGE7RSS303UW01, LDGE7RWS303AW01, LDGE7RWS303BW80, LDGE7RWS303UW01, LDGE7RWS303ZW80, LDLE5RGS303NW35, LDLE5RGS303UW01, PDGE4RGS303AG01 and YDGE7RGS303EW01
	D517611	Gas Valve, Bracket and Pipe Assembly	50 Hertz; 20,000 Btu; N.G.; Includes items 7, 8, 10 and 11; Models ADLE9BGS303XW34, ADLE9BSS303XN34, ADLE9RGS303XW34, FDLE7RGS303NW26, LDLE7RGS303NW26 and YDLE7RGS303NW26
10	58804A	Booster and Holding Coil	60 Hertz; Models ADGE9BGS123DW01, ADGE9BGS543DW01, ADGE9BSS123DN01, ADGE9BSS543DN01, ADGE9RGS123DW01, LDGE5BGS113FW01, LDGE7RGS113FW01 and LDGE7RWS543KW01
	59063A	Booster and Holding Coil	50 Hertz; All other models
11	58804B	Secondary Coil	60 Hertz; Models ADGE9BGS123DW01, ADGE9BGS543DW01, ADGE9BSS123DN01, ADGE9BSS543DN01, ADGE9RGS123DW01, LDGE5BGS113FW01, LDGE7RGS113FW01 and LDGE7RWS543KW01
	59063B	Secondary Coil	50 Hertz; All other models

Gas Valve Through Serial No. 1908000001

Models LDME5BGS543KW01, LDME5BSS543KN01, LDME7RGS543KW01 and LDME7RWS543KW01



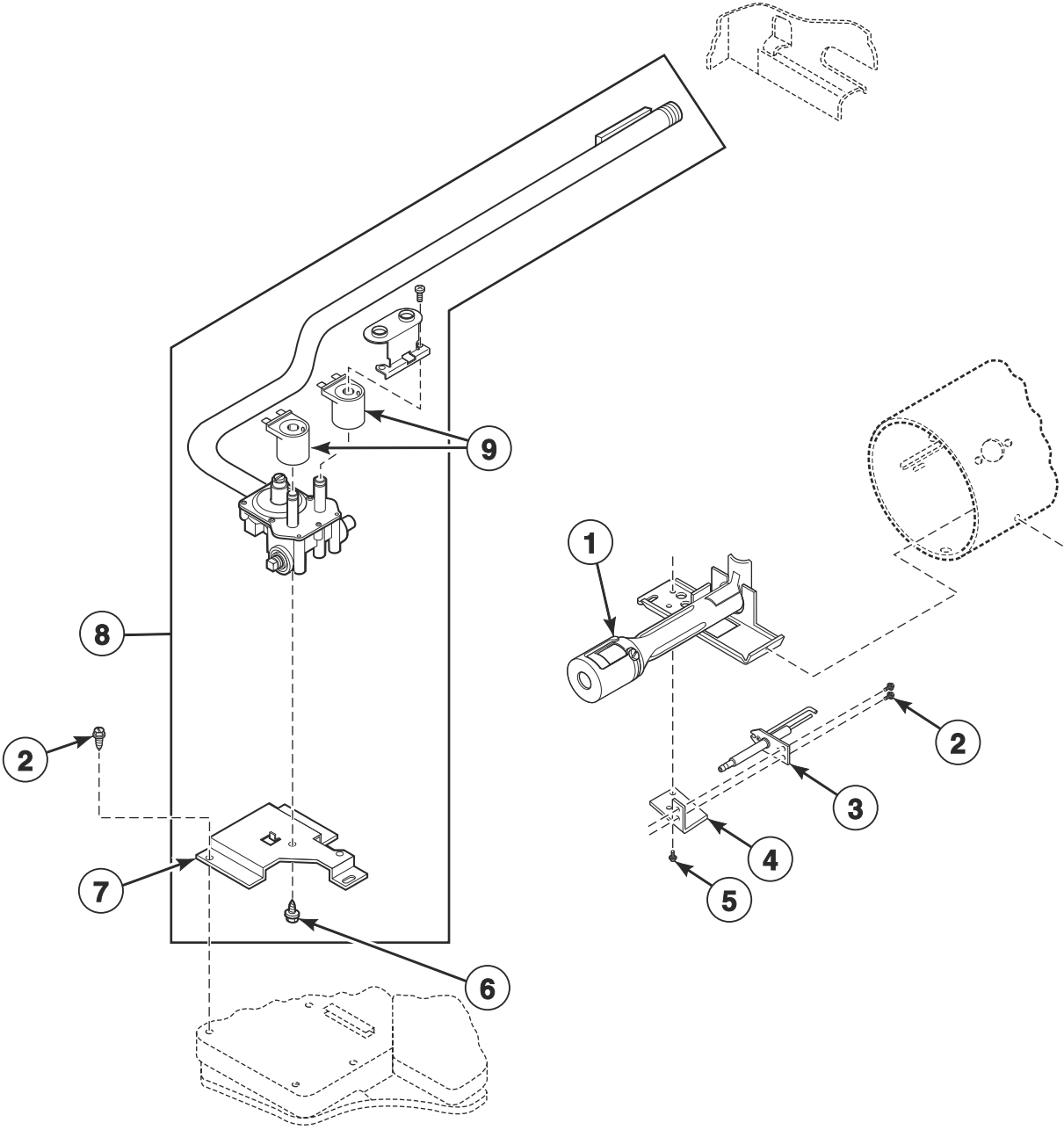
DRY2469P_515154

Gas Valve Through Serial No. 1908000001

REF	PART NO.	DESCRIPTION	COMMENTS
1	D510204	Lead-In Pipe Assembly	
2	D510149P	Burner Assembly	
3	D503688	Screw	
4	44328701P	Spark Electrode	
5	D516238	Bracket	
6	51782	Screw	
7	D516699	Gas Valve Coil	24 Vac; 50-60 Hertz
8	D516182	Gas Valve Assembly	50-60 Hertz; 22,500 Btu; Natural Gas (N.G); Includes item 7
9	D510128	Gas Valve Mounting Bracket	
10	56124	Screw	
11	D513072	Elbow	

Gas Valve Starting Serial No. 1908000001

Models LDME5BGS543KW01, LDME5BSS543KN01, LDME7RGS543KW01 and LDME7RWS543KW01



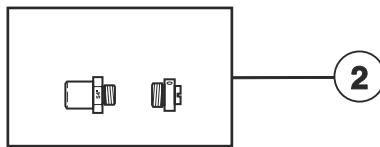
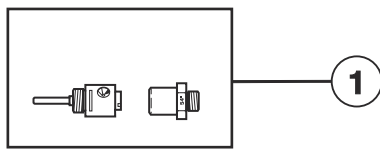
DRY2526P_515154

Gas Valve Starting Serial No. 1908000001

REF	PART NO.	DESCRIPTION	COMMENTS
1	D510149P	Burner Assembly	
2	D503688	Screw	
3	44328701P	Spark Electrode	
4	D516238	Bracket	
5	51782	Screw	
6	56124	Screw	
7	D510128	Gas Valve Mounting Bracket	
8	D517610	Gas Valve, Bracket and Pipe Assembly	50-60 Hertz; 22,500 Btu; Natural Gas (N.G); Includes items 6, 7 and 9
9	D516699	Gas Valve Coil	24 Vac; 50-60 Hertz

Gas Conversion Kits

Gas Models



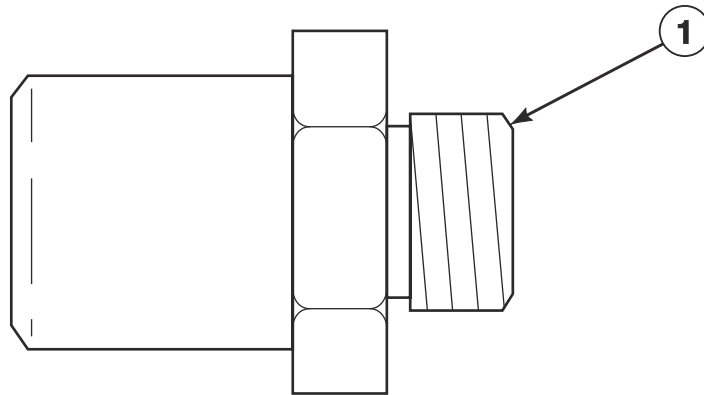
DRY2151P_515154

Gas Conversion Kits

REF	PART NO.	DESCRIPTION	COMMENTS
1	599P3	L.P. Conversion Kit	GAD; Used to convert dryers from Natural Gas (N.G.) or Mixed Gas to Liquid Petroleum Gas (L.P.) for 20,000 Btu; Models FDGE5BGS303UW01, FDGE7RGS303EW01, FDGE7RGS303UW01, LDGE7RGS303EW01, LDGE7RGS303EW80, LDGE7RGS303UW01, LDGE7RSS303UW01, LDGE7RWS303UW01, LDLE5RGS303NW35, LDLE5RGS303UW01 and YDGE7RGS303EW01
	401P3	L.P. Conversion Kit	Used to convert dryers from N.G. or Mixed Gas to L.P. for 20,000 Btu; Models ADGE8BWS303AW01, ADGE8RWS303AW01, ADGE9BGS303AN01, ADGE9BSS303AN01, ADGE9BSS303XN01, ADGE9BSS303XN26, ADGE9RGS303XW26, ADGE9RWS303AW01, ADLE9BGS303XW34, ADLE9BSS303XN34, ADLE9RGS303XW34, FDLE7RGS303NW26, LDGE5BGS303AW01, LDGE7RGS303AW01, LDGE7RGS303BW80, LDGE7RWS303AW01, LDGE7RWS303BW80, LDGE7RWS303ZW80, LDLE7RGS303NW26, PDGE4RGS303AG01 and YDLE7RGS303NW26
	649P3	L.P. Conversion Kit	Used to convert dryers from N.G. or Mixed Gas to L.P. for 22,500 Btu; Models ADGE9BGS123DW01, ADGE9BGS543DW01, ADGE9BSS123DN01, ADGE9BSS543DN01, ADGE9RGS123DW01, LDGE5BGS113FW01, LDGE7RGS113FW01, LDME5BGS543KW01 and LDME5BSS543KN01
2	402P3	N.G. Conversion Kit	Used to convert dryers from L.P. to N.G. or Mixed Gas for 20,000 Btu; Models ADGE8BWS303AW01, ADGE8RWS303AW01, ADGE9BGS303AN01, ADGE9BSS303AN01, ADGE9BSS303XN01, ADGE9BSS303XN26, ADGE9RGS303XW26, ADGE9RWS303AW01, ADLE9BGS303XW34, ADLE9BSS303XN34, ADLE9RGS303XW34, FDGE5BGS303UW01, FDGE7RGS303EW01, FDGE7RGS303UW01, FDLE7RGS303NW26, LDGE5BGS303AW01, LDGE7RGS303AW01, LDGE7RGS303BW80, LDGE7RGS303EW01, LDGE7RGS303EW80, LDGE7RGS303UW01, LDGE7RSS303UW01, LDGE7RWS303AW01, LDGE7RWS303BW80, LDGE7RWS303UW01, LDGE7RWS303ZW80, LDLE5RGS303NW35, LDLE5RGS303UW01, LDLE7RGS303NW26, PDGE4RGS303AG01, YDGE7RGS303EW01 and YDLE7RGS303NW26
	650P3	N.G. Conversion Kit	Used to convert dryers from L.P. to N.G. or Mixed Gas for 22,500 Btu; Models ADGE9BGS123DW01, ADGE9BGS543DW01, ADGE9BSS123DN01, ADGE9BSS543DN01, ADGE9RGS123DW01, LDGE5BGS113FW01, LDGE7RGS113FW01, LDGE7RWS543KW01, LDLE5RGS303NW35, LDLE5RGS303UW01, LDME5BGS543KW01, LDME5BSS543KN01 and LDME7RWS543KW01

Burner Orifice Spuds - For Higher Elevations

Gas Models

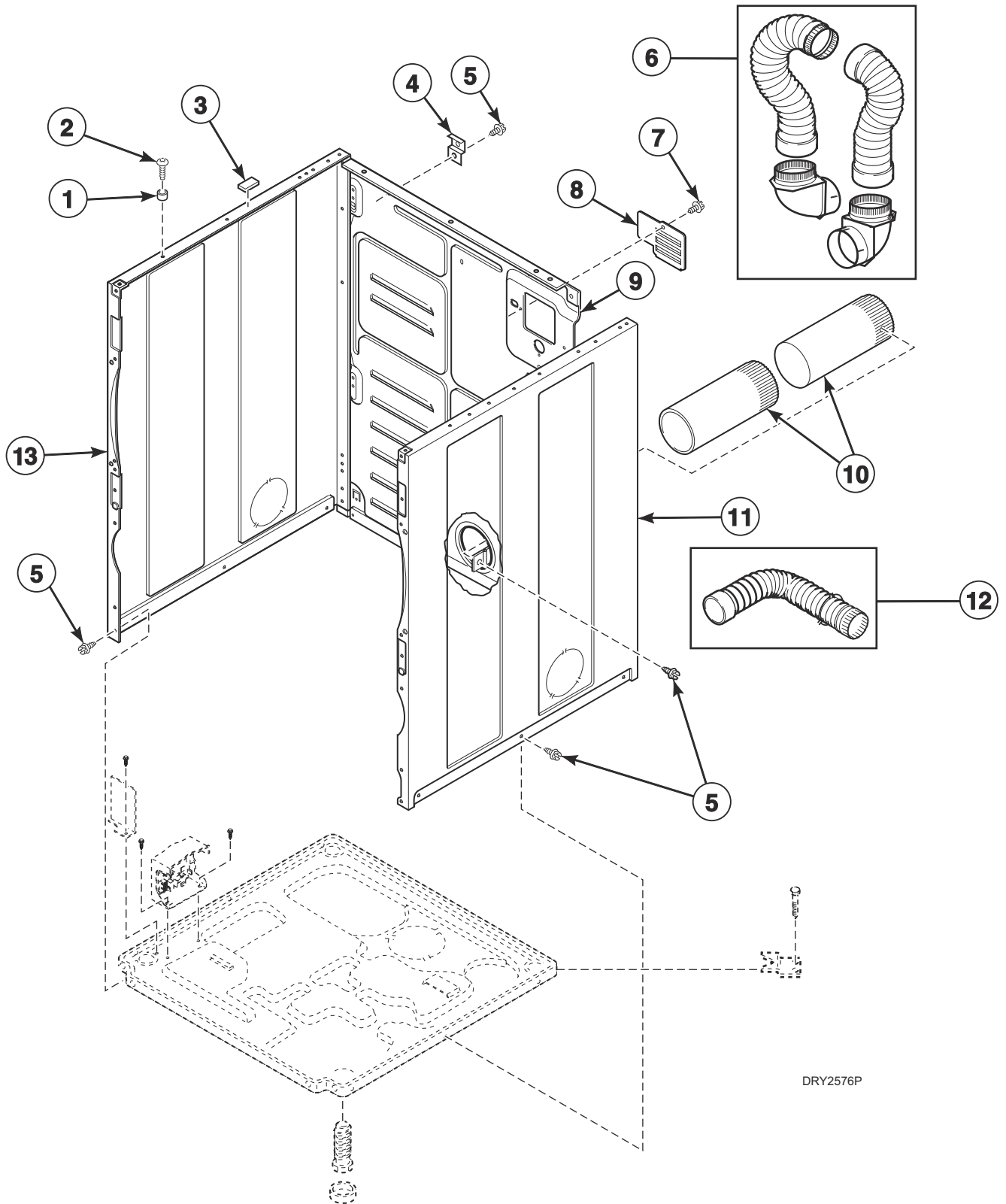


DRY2266P_515154

Burner Orifice Spuds - For Higher Elevations

REF	PART NO.	DESCRIPTION	COMMENTS
1	58755	L.P. Orifice	#55 (1.3mm); 22,500 Btu; 3000-7999 feet (915-2439 m); Models LDGE7RWS543KW01, LDME7RGS543KW01 and LDME7RWS543KW01
	D503786	L.P. Orifice	#56 (1.2mm); 22,500 Btu, 8000 feet (2440 m) and higher for models ADGE9BGS123DW01, ADGE9BGS543DW01, ADGE9BSS123DN01, ADGE9BSS543DN01, ADGE9RGS123DW01, LDGE5BGS113FW01, LDGE7RGS113FW01, LDGE7RWS543KW01, LDME5BGS543KW01, LDME5BSS543KN01, LDME7RGS543KW01 and LDME7RWS543KW01; 20,000 Btu, 4500-9499 feet (1370-2999 m) for all other models
	60941	L.P. Orifice	#57 (1.1mm); 20,000 Btu; 9500 feet (3000 m) and higher; Models ADGE8BWS303AW01, ADGE8RWS303AW01, ADGE9BGS303AN01, ADGE9BSS303AN01, ADGE9BSS303XN26, ADGE9RGS303XW26, ADGE9RWS303AW01, FDGE5BGS303UW01, FDGE7RGS303EW01, FDGE7RGS303UW01, FDLE7RGS303NW26, LDGE5BGS303AW01, LDGE7RGS303AW01, LDGE7RGS303BW80, LDGE7RGS303EW01, LDGE7RGS303EW80, LDGE7RGS303UW01, LDGE7RSS303UW01, LDGE7RWS303AW01, LDGE7RWS303BW80, LDGE7RWS303UW01, LDGE7RWS303ZW80, LDLE5RGS303NW35, LDLE5RGS303UW01, LDLE7RGS303NW26, YDGE7RGS303EW01 and YDLE7RGS303NW26
	D503778	N.G. Orifice	#43; 22,500 Btu; 3000-5999 feet (915-1829 m); Models ADGE9BGS123DW01, ADGE9BGS543DW01, ADGE9BSS123DN01, ADGE9BSS543DN01, ADGE9RGS123DW01, LDGE5BGS113FW01, LDGE7RGS113FW01, LDGE7RWS543KW01, LDME5BGS543KW01, LDME5BSS543KN01, LDME7RGS543KW01 and LDME7RWS543KW01
	58719	Screw Orifice	#44; 22,500 Btu; 6000-7999 feet (1830-2439 m); Models ADGE9BGS123DW01, ADGE9BGS543DW01, ADGE9BSS123DN01, ADGE9BSS543DN01, ADGE9RGS123DW01, LDGE5BGS113FW01, LDGE7RGS113FW01, LDGE7RWS543KW01, LDME5BGS543KW01, LDME5BSS543KN01, LDME7RGS543KW01 and LDME7RWS543KW01
	D503779	N.G. Orifice	#45; 22,500 Btu, 8000-8999 feet (2440-2739 m) for models ADGE9BGS123DW01, ADGE9BGS543DW01, ADGE9BSS123DN01, ADGE9BSS543DN01, ADGE9RGS123DW01, LDGE5BGS113FW01, LDGE7RGS113FW01, LDGE7RWS543KW01, LDME5BGS543KW01, LDME5BSS543KN01, LDME7RGS543KW01 and LDME7RWS543KW01; 20,000 Btu, 2500-4499 feet (760-1369 m) for all other models
	D503780	N.G. Orifice	#46; 22,500 Btu, 9000-9999 feet (2740-3049 m) for models ADGE9BGS123DW01, ADGE9BGS543DW01, ADGE9BSS123DN01, ADGE9BSS543DN01, ADGE9RGS123DW01, LDGE5BGS113FW01, LDGE7RGS113FW01, LDGE7RWS543KW01, LDME5BGS543KW01, LDME5BSS543KN01, LDME7RGS543KW01 and LDME7RWS543KW01; 20,000 Btu, 4500-5999 feet (1370-1829 m) for all other models
	D503781	N.G. Orifice	#47; 22,500 Btu, 10,000 feet (3050 m) and higher for models ADGE9BGS123DW01, ADGE9BGS543DW01, ADGE9BSS123DN01, ADGE9BSS543DN01, ADGE9RGS123DW01, LDGE5BGS113FW01, LDGE7RGS113FW01, LDGE7RWS543KW01, LDME5BGS543KW01, LDME5BSS543KN01, LDME7RGS543KW01 and LDME7RWS543KW01; 20,000 Btu, 6000-7499 feet (1830-2289 m) for all other models
	D503782	N.G. Orifice	#48; 20,000 Btu; 7500-9499 feet (2290-2899 m); Models ADGE8BWS303AW01, ADGE8RWS303AW01, ADGE9BGS303AN01, ADGE9BSS303AN01, ADGE9BSS303XN01, ADGE9BSS303XN26, ADGE9RGS303XW26, ADGE9RWS303AW01, ADLE9BGS303XW34, ADLE9BSS303XN34, ADLE9RGS303XW34, FDGE5BGS303UW01, FDGE7RGS303EW01, FDGE7RGS303UW01, FDLE7RGS303NW26, LDGE5BGS303AW01, LDGE7RGS303AW01, LDGE7RGS303BW80, LDGE7RGS303EW01, LDGE7RGS303EW80, LDGE7RGS303UW01, LDGE7RSS303UW01, LDGE7RWS303AW01, LDGE7RWS303BW80, LDGE7RWS303UW01, LDGE7RWS303ZW80, LDLE5RGS303NW35, LDLE5RGS303UW01, LDLE7RGS303NW26, PDGE4RGS303AG01, YDGE7RGS303EW01 and YDLE7RGS303NW26

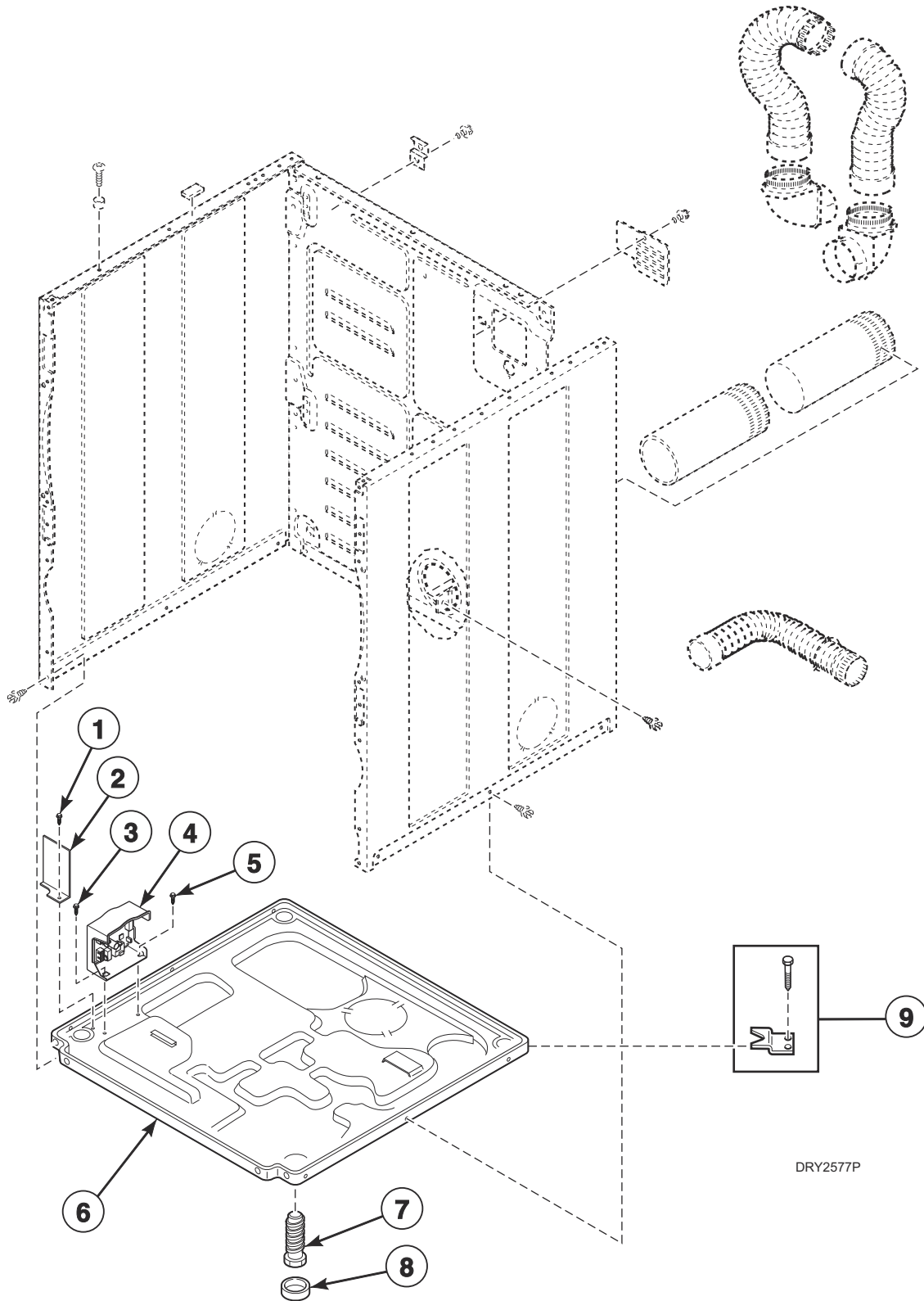
Cabinet, Exhaust Duct and Base (Drawing 1 of 2)



Cabinet, Exhaust Duct and Base (Drawing 1 of 2)

REF	PART NO.	DESCRIPTION	COMMENTS
	D510903	Access Panel Plate	Models FDEE7RGS303WW01, LDEE7RGS303WW01, LDLE5RGS303NW35 and YDEE7RGS303WW01
	122P4P	Porcelain Touch-Up Paint	White
	370P4P	Porcelain Touch-Up Paint	Bisque
	526P3	Hold Down Kit	For mobile home installations
1	56079	Panel Locator	
2	D512921	Screw	Use with stainless steel panels
	39733	Screw	Use with painted panels
3	56128	Bumper Pad	
4	D510136	Top Hinge	
5	D503688	Screw	
6	521P3	Flexible Venting Kit	
7	D503688	Screw	Model ADEE9RGS453NW29
8	D514356	Access Cover Plate	Models ADEE9BSS455LN01 and ADEE9RGS453NW29
9	D514632P	Cabinet Rear Panel	
10	D516196	Exhaust Duct	
11	D512539	Cabinet Side Panel	Stainless steel; Right; Models ADEE9BGS433AN01, ADEE9BGS433NN29, ADEE9BSS433AN01, ADEE9BSS433LN01, ADEE9BSS433NN22, ADEE9BSS433NN29, ADEE9BSS433XN34, ADEE9BSS455LN01, ADEE9BSS543DN01, ADGE9BGS303AN01, ADGE9BSS123DN01, ADGE9BSS303AN01, ADGE9BSS303XN01, ADGE9BSS303XN26, ADGE9BSS543DN01, ADLE9BSS303XN34, LDEE5BSS553KN01 and LDME5BSS543KN01
	D510002QP	Cabinet Side Panel	Bisque; Right; Model LDEE7RWS543FQ01
	D510002DGP	Cabinet Side Panel	Gray; Right; Models FDEE7RGS303UG01, LDEE7RGS443UG16, PDEE4RGS303UG01, PDEE4RGS403UG01, PDEE4RGS433AG01, PDEE4RGS443UG16, PDEE7RGS303UG01, PDEE7RGS403UG01 and PDGE4RGS303AG01
	D510002WP	Cabinet Side Panel	White; Right; All other models
12	528P3	Directional Exhaust Kit	Used to vent dryer out the sides or bottom
13	D512538	Cabinet Side Panel	Stainless steel; Left; Models ADEE9BGS433AN01, ADEE9BGS433NN29, ADEE9BSS433AN01, ADEE9BSS433LN01, ADEE9BSS433NN22, ADEE9BSS433NN29, ADEE9BSS433XN34, ADEE9BSS455LN01, ADEE9BSS543DN01, ADGE9BGS303AN01, ADGE9BSS123DN01, ADGE9BSS303AN01, ADGE9BSS303XN01, ADGE9BSS303XN26, ADGE9BSS543DN01, ADLE9BSS303XN34, LDEE5BSS553KN01 and LDME5BSS543KN01
	D510001QP	Cabinet Side Panel	Bisque; Left; Model LDEE7RWS543FQ01
	D510001DGP	Cabinet Side Panel	Gray; Left; Models FDEE7RGS303UG01, LDEE7RGS443UG16, PDEE4RGS303UG01, PDEE4RGS403UG01, PDEE4RGS433AG01, PDEE4RGS443UG16, PDEE7RGS303UG01, PDEE7RGS403UG01 and PDGE4RGS303AG01
	D510001WP	Cabinet Side Panel	White; Left; All other models

Cabinet, Exhaust Duct and Base (Drawing 2 of 2)

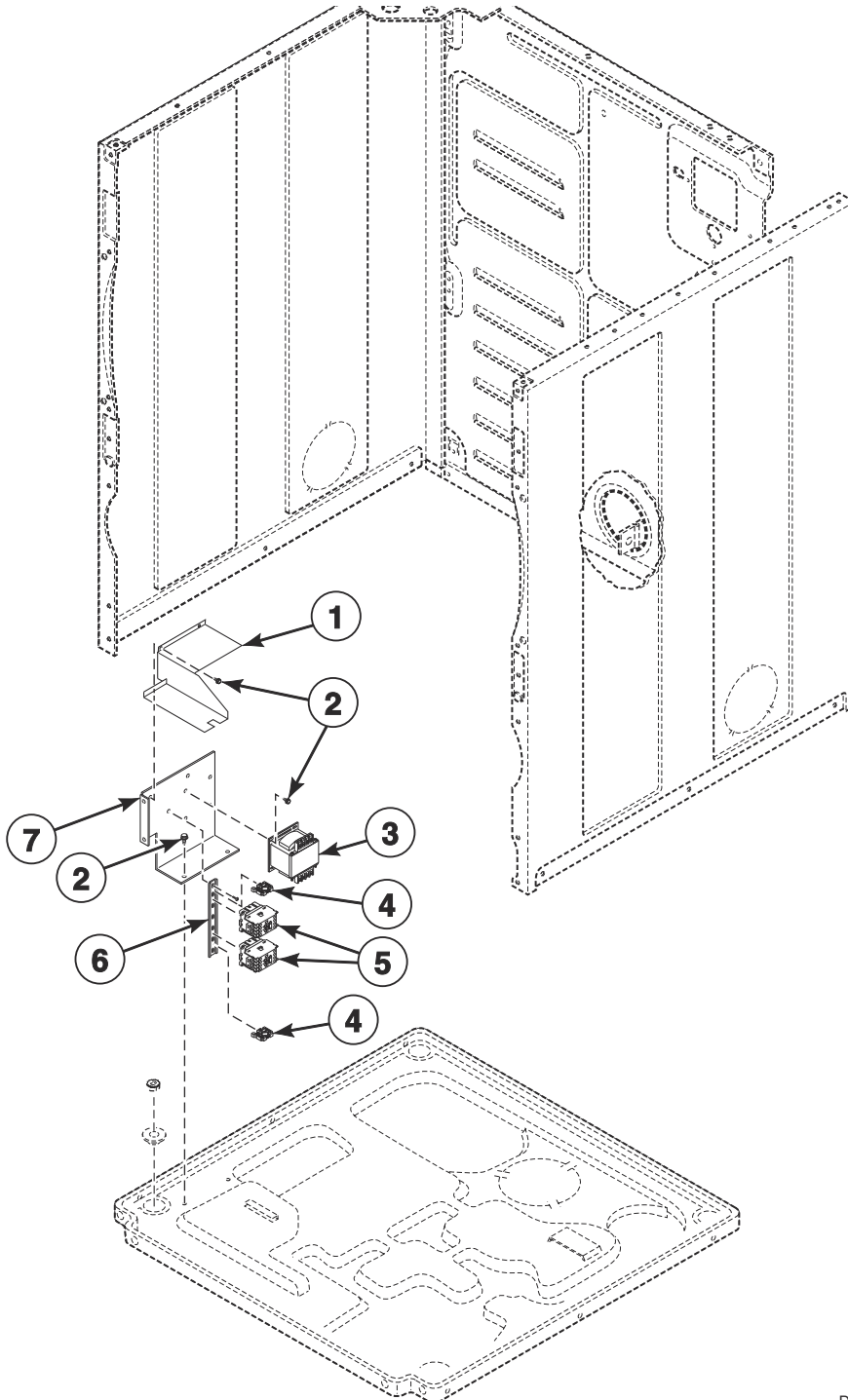


Cabinet, Exhaust Duct and Base (Drawing 2 of 2)

REF	PART NO.	DESCRIPTION	COMMENTS
1	D503688	Screw	
2	D514420	Output Board Shield	Models ADEE8BWS433AW01, ADEE8RWS433AW01, ADEE9BGS433AN01, ADEE9BGS433NN29, ADEE9BGS433NW29, ADEE9BGS433XW34, ADEE9BGS543DW01, ADEE9BSS433AN01, ADEE9BSS433LN01, ADEE9BSS433NN22, ADEE9BSS433NN29, ADEE9BSS433XN34, ADEE9BSS455LN01, ADEE9BSS543DN01, ADEE9RGS433XW34, ADEE9RGS453NW29, ADEE9RGS543DW01, ADEE9RGS563XW01, ADEE9RGS563XW26, ADEE9RWS433AW01, ADEE9RWS463AW01, ADGE9BGS123DW01, ADGE9BSS123DN01, ADGE9BSS303XN01, ADGE9BSS303XN26, ADGE9RGS123DW01, ADGE9RGS303XW26, FDEE5BGS303UW01, FDEE5BGS403UW01, FDEE7RGS303UG01, FDEE7RGS303UW01, FDEE7RGS403UW01, FDEE7RGS443UW16, LDEE5BGS303ZW30, LDEE5BGS333ZW01, LDEE5BGS433AW01, LDEE5BGS543FW01, LDEE5BGS543RW01, LDEE5BGS553KW01, LDEE5BSS553KN01, LDEE5RGS303ZW01, LDEE5RGS453UW01, LDEE7RGS303BW01, LDEE7RGS303EW01, LDEE7RGS303UW01, LDEE7RGS303ZW01, LDEE7RGS403UW01, LDEE7RGS433AW01, LDEE7RGS443UG16, LDEE7RGS453UW01, LDEE7RGS543FW01, LDEE7RGS543KW01, LDEE7RGS543ZW01, LDEE7RWS303BW01, LDEE7RWS303ZW01, LDEE7RWS433AW01, LDEE7RWS453SW01, LDEE7RWS543FQ01, LDEE7RWS543KW01, LDEE7RWS543RW01, LDEE7RWS543ZW01, LDGE5BGS113FW01, LDGE7RGS113FW01, LDME5BGS543KW01, LDME5BSS543KN01, LDME7RGS543KW01, LDME7RWS543KW01, PDEE4RGS303UG01, PDEE4RGS403UG01, PDEE4RGS433AG01, PDEE4RGS443UG16, PDEE7RGS303UG01, PDEE7RGS403UG01, YDEE7RGS303EW01, YDEE7RGS303UW01, YDEE7RGS303ZW01, YDEE7RGS403UW01 and YDEE7RWS543RW01
3	804667	Screw	
4	D517269	Output Control Assembly	Models ADEE9BGS433NN29, ADEE9BSS433NN22, ADEE9BSS433NN29, FDLE7RGS303NW26, LDLE5RGS303NW35, LDLE7RGS303NW26 and YDLE7RGS303NW26
	D517191P	Output Control Assembly	Model ADEE9BSS433LN01
	D513797P	Output Control Assembly	All other models
5	D514428	Screw	
6	D514245	Dryer Base	
7	D510135	Leveling Leg	
8	D501855	Rubber Foot	
9	526P3	Hold Down Kit	For mobile home installations

Contactor and Transformer

Models ADGE8BWS303AW01, ADGE8RWS303AW01, ADGE9BGS303AN01, ADGE9BGS543DW01, ADGE9BSS303AN01, ADGE9BSS303XN01, ADGE9BSS303XN26, ADGE9BSS543DN01, ADGE9RGS303XW26, ADGE9RWS303AW01, ADLE9BGS303XW34, ADLE9BSS303XN34, ADLE9RGS303XW34, FDEE5BGS403UW01, FDEE7RGS403UW01, FDEE7RGS443UW16, FDGE5BGS303UW01, FDGE7RGS303EW01, FDGE7RGS303UW01, FDLE7RGS303NW26, LDEE7RGS403UW01, LDEE7RGS443UG16, LDGE5BGS303AW01, LDGE7RGS303AW01, LDGE7RGS303BW80, LDGE7RGS303EW01, LDGE7RGS303EW80, LDGE7RGS303UW01, LDGE7RSS303UW01, LDGE7RWS303AW01, LDGE7RWS303BW80, LDGE7RWS303UW01, LDGE7RWS303ZW80, LDGE7RWS543KW01, LDLE5RGS303NW35, LDLE5RGS303UW01, LDLE7RGS303NW26, LDME7RGS543KW01, LDME7RWS543KW01, PDEE4RGS403UG01, PDEE4RGS443UG16, PDEE7RGS403UG01, PDGE4RGS303AG01, YDEE7RGS403UW01, YDGE7RGS303EW01 and YDLE7RGS303NW26



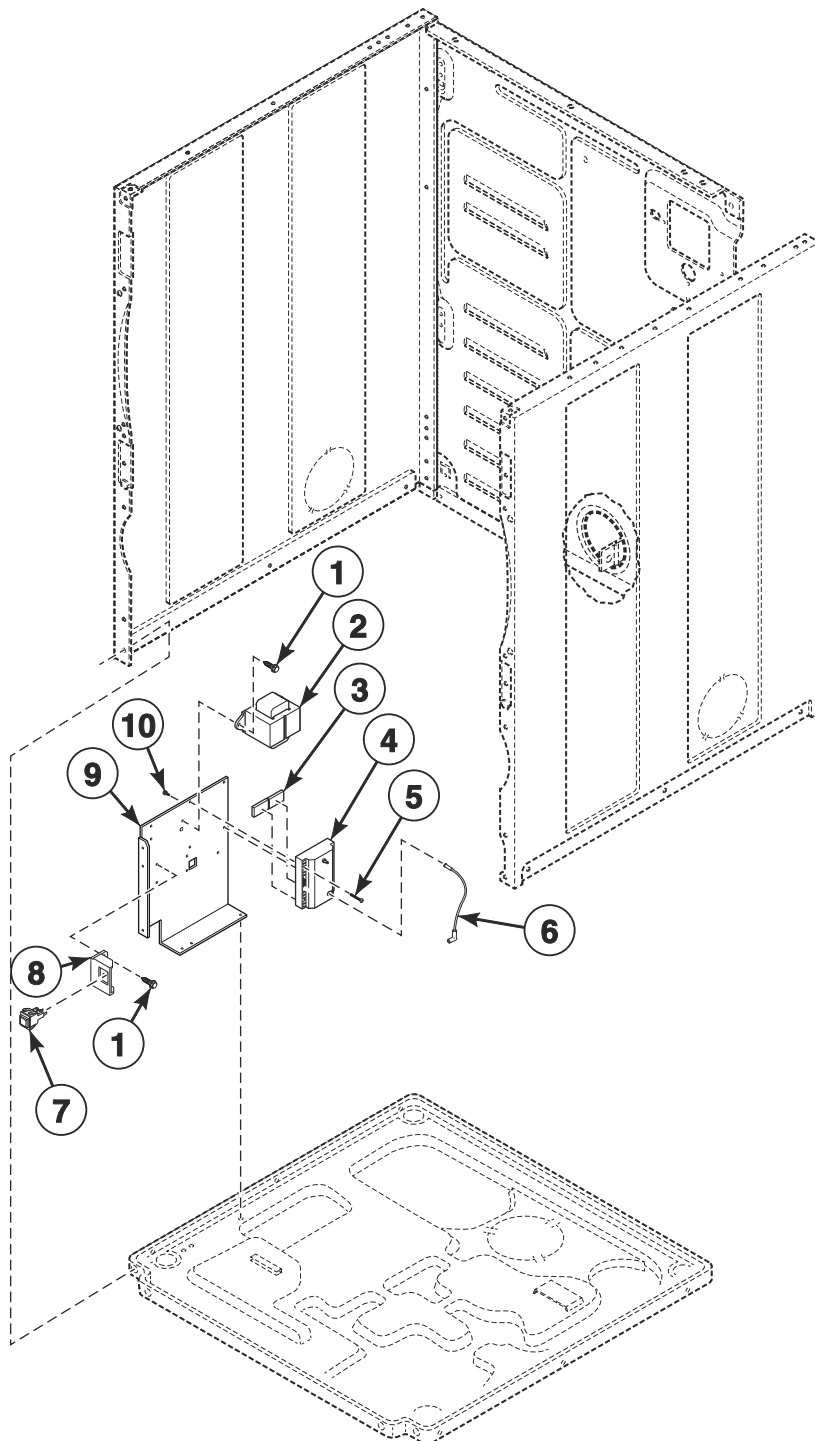
DRY2493P_515154

Contactor and Transformer

REF	PART NO.	DESCRIPTION	COMMENTS
	D514000	Power Harness	3 Phase; Used between item 5 and 804844, 804864 or D514834P Filter; Models FDEE5BGS403UW01, FDEE7RGS403UW01, LDEE7RGS403UW01, PDEE4RGS403UG01, PDEE7RGS403UG01 and YDEE7RGS403UW01
	D515703	Power Harness	3 Phase; Used between item 5 and D505876 Terminal Block; Models FDEE7RGS443UW16 and PDEE4RGS443UG16
	D517784	Power Harness	3 Phase; Model LDEE7RGS443UG16
	D518531	Heater Harness	Used between item 5 and heating element; Models FDEE5BGS403UW01, FDEE7RGS403UW01, FDEE7RGS443UW16, LDEE7RGS403UW01, PDEE4RGS403UG01, PDEE4RGS443UG16, PDEE7RGS403UG01 and YDEE7RGS403UW01
	D518531	Heater Harness	3 Phase; Model LDEE7RGS443UG16
	D514054	Dual Contactor Harness	Used with item 5; Models FDEE5BGS403UW01, FDEE7RGS403UW01, FDEE7RGS443UW16, LDEE7RGS403UW01, PDEE4RGS403UG01, PDEE4RGS443UG16, PDEE7RGS403UG01 and YDEE7RGS403UW01
	D518535	Dual Contactor Harness	Model LDEE7RGS443UG16
	D515812	Bolt	Models FDEE7RGS443UW16, LDEE7RGS443UG16 and PDEE4RGS443UG16
	D515702	Transformer	Models FDEE7RGS443UW16, LDEE7RGS443UG16 and PDEE4RGS443UG16
	26509	Washer	Models FDEE7RGS443UW16, LDEE7RGS443UG16 and PDEE4RGS443UG16
	687500	Wire Clip	Model LDEE7RGS443UG16
	44087101	Nut	Models FDEE7RGS443UW16, LDEE7RGS443UG16 and PDEE4RGS443UG16
1	D514334	Transformer Shield	Models ADGE8BWS303AW01, ADGE8RWS303AW01, ADGE9BGS303AN01, ADGE9BGS543DW01, ADGE9BSS303AN01, ADGE9BSS303XN01, ADGE9BSS303XN26, ADGE9BSS543DN01, ADGE9RGS303XW26, ADGE9RWS303AW01, ADLE9BGS303XW34, ADLE9BSS303XN34, ADLE9RGS303XW34, FDGE5BGS303UW01, FDGE7RGS303EW01, FDGE7RGS303UW01, FDLE7RGS303NW26, LDGE5BGS303AW01, LDGE7RGS303AW01, LDGE7RGS303BW80, LDGE7RGS303EW01, LDGE7RGS303EW80, LDGE7RGS303UW01, LDGE7RSS303UW01, LDGE7RWS303AW01, LDGE7RWS303BW80, LDGE7RWS303UW01, LDGE7RWS303ZW80, LDGE7RWS543KW01, LDLE5RGS303NW35, LDLE5RGS303UW01, LDLE7RGS303NW26, LDME7RGS543KW01, LDME7RWS543KW01, PDGE4RGS303AG01, YDGE7RGS303EW01 and YDLE7RGS303NW26
2	D503688	Screw	
3	D513763P	Transformer	Models ADGE8BWS303AW01, ADGE8RWS303AW01, ADGE9BGS303AN01, ADGE9BGS543DW01, ADGE9BSS303AN01, ADGE9BSS303XN01, ADGE9BSS303XN26, ADGE9BSS543DN01, ADGE9RGS303XW26, ADGE9RWS303AW01, ADLE9BGS303XW34, ADLE9BSS303XN34, ADLE9RGS303XW34, FDGE5BGS303UW01, FDGE7RGS303EW01, FDGE7RGS303UW01, FDLE7RGS303NW26, LDGE5BGS303AW01, LDGE7RGS303AW01, LDGE7RGS303BW80, LDGE7RGS303EW01, LDGE7RGS303EW80, LDGE7RGS303UW01, LDGE7RSS303UW01, LDGE7RWS303AW01, LDGE7RWS303BW80, LDGE7RWS303UW01, LDGE7RWS303ZW80, LDGE7RWS543KW01, LDLE5RGS303NW35, LDLE5RGS303UW01, LDLE7RGS303NW26, LDME7RGS543KW01, LDME7RWS543KW01, PDGE4RGS303AG01, YDGE7RGS303EW01 and YDLE7RGS303NW26
4	F8449801	End Stop	Models FDEE5BGS403UW01, FDEE7RGS403UW01, FDEE7RGS443UW16, LDEE7RGS403UW01, LDEE7RGS443UG16, PDEE4RGS403UG01, PDEE4RGS443UG16, PDEE7RGS403UG01 and YDEE7RGS403UW01
5	70482603	Contactor	Models FDEE5BGS403UW01, FDEE7RGS403UW01, FDEE7RGS443UW16, LDEE7RGS403UW01, LDEE7RGS443UG16, PDEE4RGS403UG01, PDEE4RGS443UG16, PDEE7RGS403UG01 and YDEE7RGS403UW01
6	M412693	Din Rail	Models FDEE5BGS403UW01, FDEE7RGS403UW01, LDEE7RGS403UW01, LDEE7RGS443UG16, PDEE4RGS403UG01, PDEE4RGS443UG16, PDEE7RGS403UG01 and YDEE7RGS403UW01
7	D511859	Contactor Bracket	

Ignition Control Module

Models LDME5BSS543KN01, LDME7RGS543KW01 and LDME7RWS543KW01



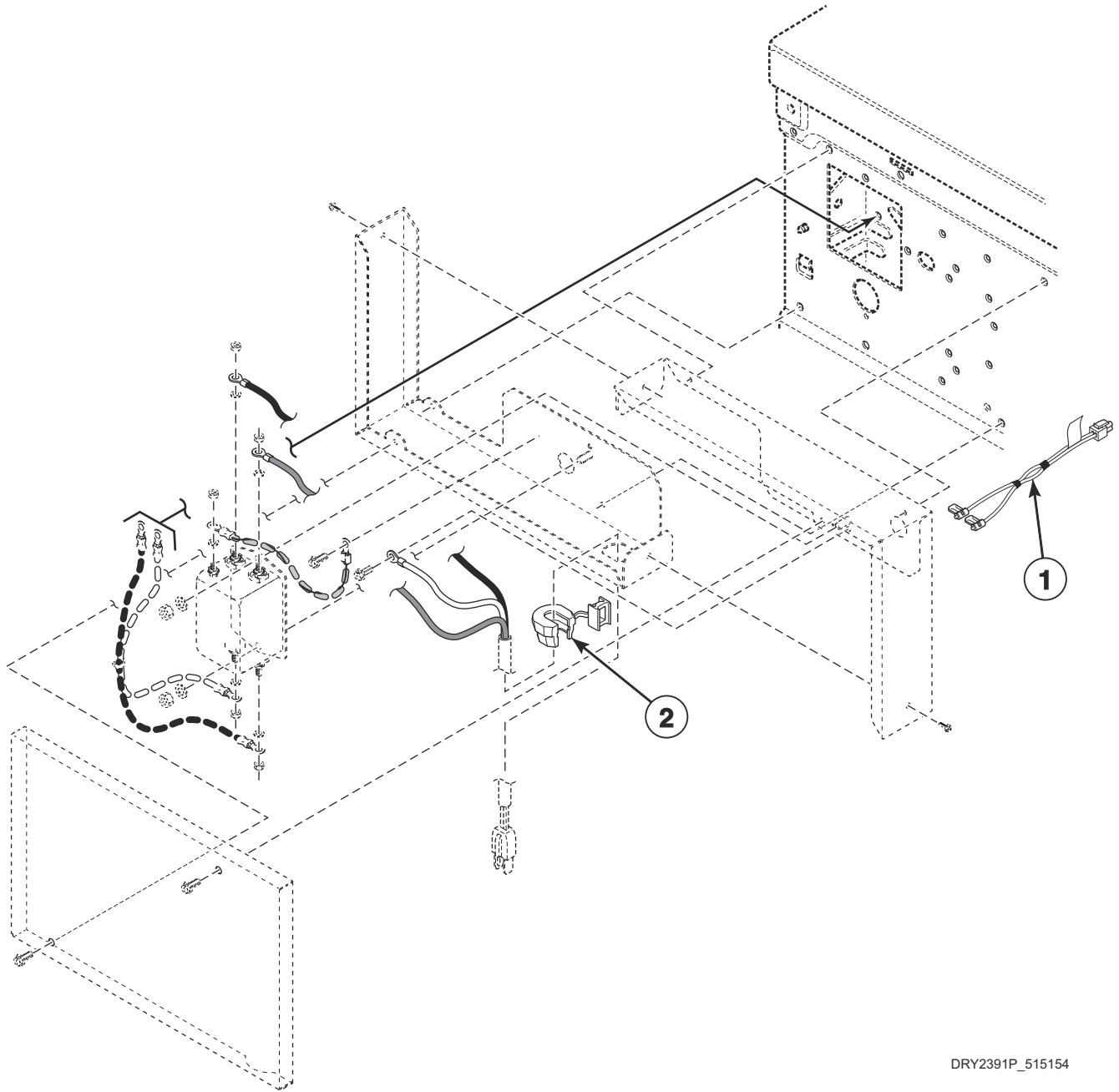
DRY2483P_515154

Ignition Control Module

REF	PART NO.	DESCRIPTION	COMMENTS
	D516881	ICM Gas Harness	
1	D503688	Screw	
2	202758	Transformer	
3	56128	Bumper Pad	
4	70483201P	Ignition Control	
5	D516261	Screw	
6	44239706	High Voltage Suppression Cable	
7	M413431	Pushbutton Switch	Lighted
8	D516237	Switch Bracket	
9	D511859	Contacto Bracket	
10	38272	Screw	

Power Cord (Drawing 1 of 2)

All Models Except ADEE9BSS433NN22



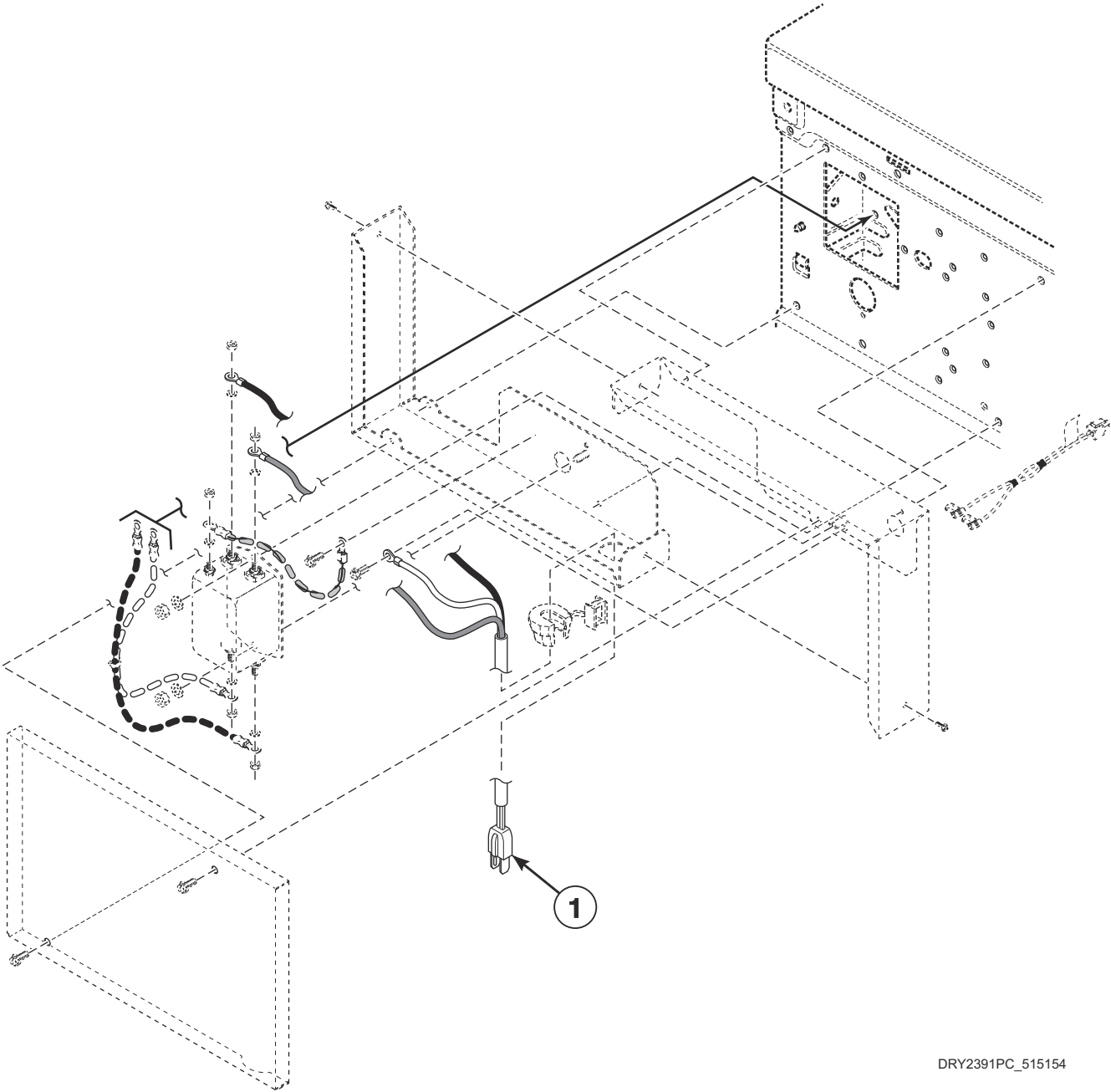
DRY2391P_515154

Power Cord (Drawing 1 of 2)

REF	PART NO.	DESCRIPTION	COMMENTS
1	D515039	Power Harness	Model LDLE5RGS303NW35
2	52113	Strain Relief	For 0.370-.430 power cord; Models ADEE8BWS433AW01, ADEE8RWS433AW01, ADEE9BGS433AN01, ADEE9BGS433NN29, ADEE9BGS433NW29, ADEE9BGS433XW34, ADEE9BGS543DW01, ADEE9BSS433AN01, ADEE9BSS433LN01, ADEE9BSS433NN29, ADEE9BSS433XN34, ADEE9BSS543DN01, ADEE9RGS433XW34, ADEE9RGS543DW01, ADEE9RWS433AW01, FDEE5BGS303UW01, FDEE7RGS303UG01, FDEE7RGS303UW01, FDEE7RGS303WW01, LDEE5BGS303ZW30, LDEE5BGS333ZW01, LDEE5BGS433AW01, LDEE5BGS543FW01, LDEE5BGS543RW01, LDEE5RGS303ZW01, LDEE5RGS453UW01, LDEE7RGS303BW01, LDEE7RGS303EW01, LDEE7RGS303UW01, LDEE7RGS303WW01, LDEE7RGS303ZW01, LDEE7RGS433AW01, LDEE7RGS443UG16, LDEE7RGS453UW01, LDEE7RGS543FW01, LDEE7RGS543KW01, LDEE7RGS543ZW01, LDEE7RWS303BW01, LDEE7RWS303ZW01, LDEE7RWS433AW01, LDEE7RWS453SW01, LDEE7RWS543FQ01, LDEE7RWS543KW01, LDEE7RWS543RW01, LDEE7RWS543ZW01, PDEE4RGS303UG01, PDEE4RGS433AG01, PDEE7RGS303UG01, YDEE7RGS303EW01, YDEE7RGS303UW01, YDEE7RGS303WW01, YDEE7RGS303ZW01 and YDEE7RWS543RW01
60298	Strain Relief	For 0.325-.360 power cord; Models ADEE9BSS455LN01, ADEE9RGS563XW01, ADEE9RGS563XW26, ADEE9RWS463AW01, ADGE8BWS303AW01, ADGE8RWS303AW01, ADGE9BGS123DW01, ADGE9BGS303AN01, ADGE9BGS543DW01, ADGE9BSS123DN01, ADGE9BSS303AN01, ADGE9BSS303XN01, ADGE9BSS303XN26, ADGE9BSS543DN01, ADGE9RGS123DW01, ADGE9RGS303XW26, ADGE9RWS303AW01, ADLE9BGS303XW34, ADLE9BSS303XN34, ADLE9RGS303XW34, FDEE7RGS443UW16, FDGE5BGS303UW01, FDGE7RGS303EW01, FDGE7RGS303UW01, FDLE7RGS303NW26, LDEE5BGS553KW01, LDEE5BSS553KN01, LDGE5BGS113FW01, LDGE5BGS303AW01, LDGE7RGS113FW01, LDGE7RGS303AW01, LDGE7RGS303BW80, LDGE7RGS303EW01, LDGE7RGS303EW80, LDGE7RGS303UW01, LDGE7RSS303UW01, LDGE7RWS303AW01, LDGE7RWS303BW80, LDGE7RWS303UW01, LDGE7RWS303ZW80, LDME5BGS543KW01, LDLE5RGS303UW01, LDLE7RGS303NW26, LDME5BGS543KN01, LDME5BSS543KN01, LDME7RGS543KW01, LDME7RWS543KW01, PDEE4RGS443UG16, PDGE4RGS303AG01, YDGE7RGS303EW01 and YDLE7RGS303NW26	
52151	Strain Relief	For 0.530-.600 power cord; Models FDEE5BGS403UW01, FDEE7RGS403UW01, LDEE7RGS403UW01, PDEE4RGS403UG01, PDEE7RGS403UG01 and YDEE7RGS403UW01	
D511628	Strain Relief Connector	For 0.460-.720 power cord; Models FDEE7RGS443UW16 and PDEE4RGS443UG16	
D517492	Strain Relief	Model ADEE9RGS453NW29	
38384	Strain Relief	Model LDLE5RGS303NW35	

Power Cord (Drawing 2 of 2)

All Models Except ADEE9BSS433NN22



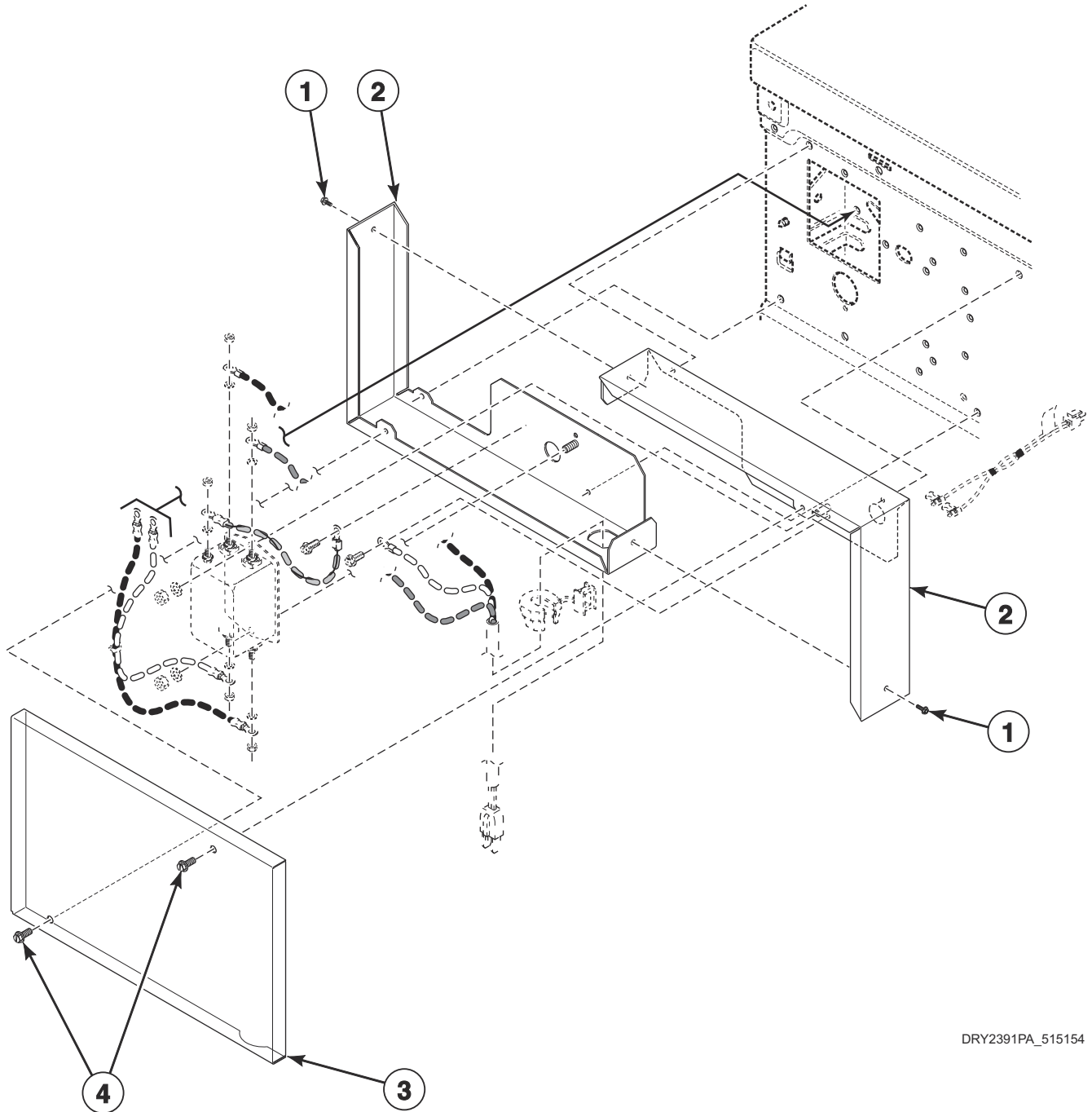
DRY2391PC_515154

Power Cord (Drawing 2 of 2)

REF	PART NO.	DESCRIPTION	COMMENTS
1	61605P	Lead-In Cord Kit	Models ADEE8BWS433AW01, ADEE9BGS433AN01, ADEE9BSS433AN01, ADEE9RWS433AW01, ADGE9BSS303XN01, ADGE9BSS303XN26, ADGE9RGS303XW26, LDEE5BGS433AW01, LDEE7RGS433AW01, LDEE7RWS433AW01 and PDEE4RGS433AG01
	D516747	Lead-In Cord Assembly	Models ADEE9BGS433NN29, ADEE9BGS433NW29, ADEE9BGS433XW34, ADEE9BGS543DW01, ADEE9BSS433LN01, ADEE9BSS433NN29, ADEE9BSS433XN34, ADEE9BSS543DN01, ADEE9RGS433XW34, ADEE9RGS543DW01, FDEE5BGS303UW01, FDEE7RGS303UG01, FDEE7RGS303UW01, LDEE5BGS303ZW30, LDEE5BGS333ZW01, LDEE5BGS543FW01, LDEE5BGS543RW01, LDEE5RGS303ZW01, LDEE5RGS453UW01, LDEE7RGS303BW01, LDEE7RGS303EW01, LDEE7RGS303UW01, LDEE7RGS303ZW01, LDEE7RGS443UG16, LDEE7RGS453UW01, LDEE7RGS543FW01, LDEE7RGS543KW01, LDEE7RGS543ZW01, LDEE7RWS303BW01, LDEE7RWS303ZW01, LDEE7RWS543FQ01, LDEE7RWS543KW01, LDEE7RWS543RW01, LDEE7RWS543ZW01, PDEE4RGS303UG01, PDEE7RGS303UG01, YDEE7RGS303EW01, YDEE7RGS303UW01, YDEE7RGS303ZW01 and YDEE7RWS543RW01
	D514953	Lead-In Cord	Models LDGE5BGS113FW01 and LDGE7RGS113FW01
	D513632	Lead-In Cord	Model LDEE7RWS453SW01
	D502599	Lead-In Cord	Models ADEE9BGS433NW29, ADEE9BGS433XW34, ADEE9BGS543DW01, ADEE9BSS433XN34, ADEE9BSS543DN01, ADEE9RGS433XW34, ADEE9RGS543DW01, FDEE5BGS303UW01, FDEE7RGS303UW01, LDEE5BGS303ZW30, LDEE5BGS333ZW01, LDEE5BGS543FW01, LDEE5BGS543RW01, LDEE5RGS303ZW01, LDEE5RGS453UW01, LDEE7RGS303BW01, LDEE7RGS303EW01, LDEE7RGS303UW01, LDEE7RGS453UW01, LDEE7RGS543FW01, LDEE7RGS543KW01, LDEE7RGS543ZW01, LDEE7RWS303BW01, LDEE7RWS303ZW01, LDEE7RWS543FQ01, LDEE7RWS543KW01, LDEE7RWS543RW01, LDEE7RWS543ZW01, PDEE4RGS303UG01, PDEE7RGS303UG01, YDEE7RGS303EW01, YDEE7RGS303UW01, YDEE7RGS303ZW01 and YDEE7RWS543RW01
	D514061	Lead-In Cord	Models ADGE9BGS123DW01, ADGE9BGS543DW01, ADGE9BSS123DN01, ADGE9BSS543DN01 and ADGE9RGS123DW01
	D516389	Lead-In Cord	Model ADEE9RWS463AW01
	202925	Lead-In Cord	Models FDGE5BGS303UW01, FDGE7RGS303UW01, FDLE7RGS303NW26, LDGE7RGS303UW01, LDGE7RSS303UW01, LDGE7RWS303UW01, LDGE7RWS543KW01, LDLE5RGS303UW01, LDLE7RGS303NW26, LDME5BGS543KW01, LDME5BSS543KN01 and YDLE7RGS303NW26
	D514063	Power Cord Assembly	Models LDGE7RGS303BW80 and LDGE7RWS303BW80
	202926	Lead-In Cord	Models ADGE8BWS303AW01, ADGE8RWS303AW01, ADGE9BGS303AN01, ADGE9BSS303AN01, ADGE9RWS303AW01, LDGE5BGS303AW01, LDGE7RGS303AW01, LDGE7RWS303AW01 and PDGE4RGS303AG01
	D506106	Lead-In Cord Assembly	Models FDEE5BGS403UW01, FDEE7RGS403UW01, LDEE7RGS403UW01, PDEE4RGS403UG01, PDEE7RGS403UG01 and YDEE7RGS403UW01 through Serial Nos. beginning 1705
	D516112	Lead-In Cord	Models FDEE5BGS403UW01, FDEE7RGS403UW01, LDEE7RGS403UW01, PDEE4RGS403UG01, PDEE7RGS403UG01 and YDEE7RGS403UW01 starting Serial Nos. beginning 1705
	203119	Power Cord Assembly	Models ADLE9BGS303XW34, ADLE9BSS303XN34, ADLE9RGS303XW34, FDGE7RGS303EW01, LDGE7RGS303EW01, LDGE7RGS303EW80 and YDGE7RGS303EW01
	203208	Lead-In Cord	Model LDGE7RWS303ZW80
	D515700	Lead-In Cord	Models FDEE7RGS443UW16 and PDEE4RGS443UG16
	59373	Lead-In Cord	Models LDEE5BGS553KW01 and LDEE5BSS553KN01
	D506081	Power Cord Assembly	Model LDLE5RGS303NW35
	D516162	Lead-In Cord	Model ADEE9BSS455LN01
	D515971	Lead-In Cord	Model ADEE9RGS453NW29
	D516390	Lead-In Cord	Models ADEE9RGS563XW01 and ADEE9RGS563XW26

Junction Box

All Models Except ADEE9BGS433NN29, ADEE9BGS433NW29, ADEE9BSS433NN22, ADEE9BSS433NN29, ADEE9RGS453NW29, FDEE7RGS443UW16, LDLE5RGS303NW35 and PDEE4RGS443UG16



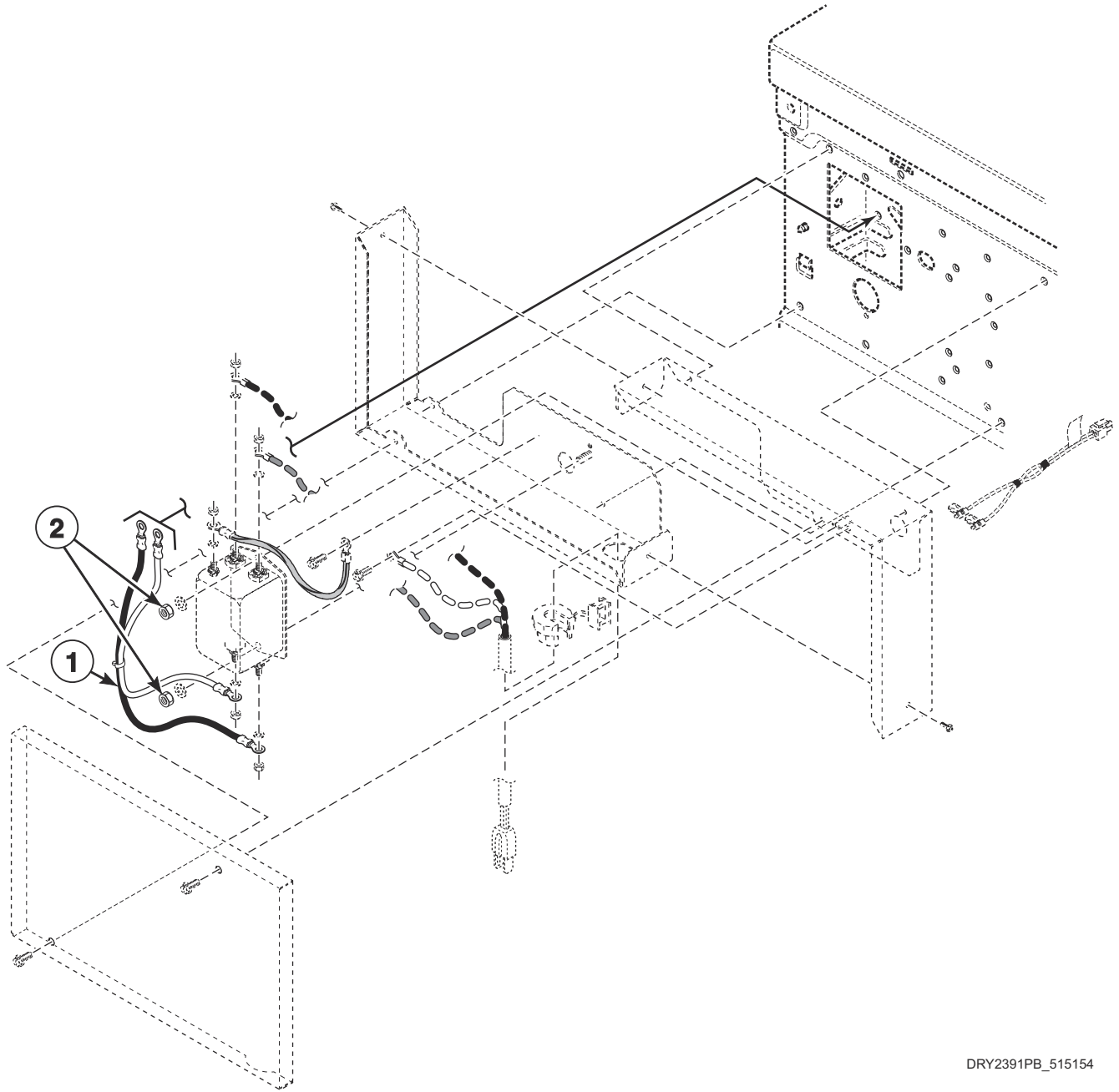
DRY2391PA_515154

Junction Box

REF	PART NO.	DESCRIPTION	COMMENTS
	D503688	Screw	4 required
	D514379P	Junction Box Seal	4 required
	D514394P	Junction Box Assembly	With 3 Phase filter; Models FDEE5BGS403UW01, FDEE7RGS403UW01, LDEE7RGS403UW01, PDEE7RGS403UG01 and YDEE7RGS403UW01
	D514390	Junction Box Assembly	With 10 Amp filter; Models ADGE8BWS303AW01, ADGE8RWS303AW01, ADGE9BGS123DW01, ADGE9BGS303AN01, ADGE9BGS543DW01, ADGE9BSS123DN01, ADGE9BSS303AN01, ADGE9BSS543DN01, ADGE9RGS123DW01, ADGE9RWS303AW01, ADLE9BGS303XW34, ADLE9BSS303XN34, ADLE9RGS303XW34, FDGE5BGS303UW01, FDGE7RGS303EW01, FDGE7RGS303UW01, FDLE7RGS303NW26, LDGE5BGS113FW01, LDGE5BGS303AW01, LDGE7RGS113FW01, LDGE7RGS303AW01, LDGE7RGS303BW80, LDGE7RGS303EW01, LDGE7RGS303EW80, LDGE7RGS303UW01, LDGE7RSS303UW01, LDGE7RWS303AW01, LDGE7RWS303BW80, LDGE7RWS303UW01, LDGE7RWS303ZW80, LDGE7RWS543KW01, LDLE5RGS303UW01, LDLE7RGS303NW26, LDME5BGS543KW01, LDME5BSS543KN01, LDME7RGS543KW01, LDME7RWS543KW01, PDGE4RGS303AG01, YDGE7RGS303EW01 and YDLE7RGS303NW26
	D514389P	Junction Box Assembly	With 30 Amp filter; All other models
1	D503688	Screw	2 required
2	D516154	Junction Box Assembly	Without filter; Models FDEE5BGS403UW01, FDEE7RGS403UW01, LDEE7RGS403UW01, PDEE4RGS403UG01, PDEE7RGS403UG01 and YDEE7RGS403UW01
	D516152	Junction Box Assembly	Without filter; Models ADGE8BWS303AW01, ADGE8RWS303AW01, ADGE9BGS123DW01, ADGE9BGS303AN01, ADGE9BGS543DW01, ADGE9BSS123DN01, ADGE9BSS303AN01, ADGE9BSS543DN01, ADGE9RGS123DW01, ADGE9RWS303AW01, ADLE9BGS303XW34, ADLE9BSS303XN34, ADLE9RGS303XW34, FDGE5BGS303UW01, FDGE7RGS303EW01, FDGE7RGS303UW01, FDLE7RGS303NW26, LDGE5BGS113FW01, LDGE5BGS303AW01, LDGE7RGS113FW01, LDGE7RGS303AW01, LDGE7RGS303BW80, LDGE7RGS303EW01, LDGE7RGS303EW80, LDGE7RGS303UW01, LDGE7RSS303UW01, LDGE7RWS303AW01, LDGE7RWS303BW80, LDGE7RWS303UW01, LDGE7RWS303ZW80, LDGE7RWS543KW01, LDLE5RGS303UW01, LDLE7RGS303NW26, LDME5BGS543KW01, LDME5BSS543KN01, LDME7RGS543KW01, LDME7RWS543KW01, PDGE4RGS303AG01, YDGE7RGS303EW01 and YDLE7RGS303NW26
	D516153	Junction Box Assembly	Without filter; Models ADEE8BWS433AW01, ADEE8RWS433AW01, ADEE9BGS433AN01, ADEE9BGS433XW34, ADEE9BGS543DW01, ADEE9BSS433AN01, ADEE9BSS433XN34, ADEE9BSS543DN01, ADEE9RGS433XW34, ADEE9RGS543DW01, ADEE9RGS563XW01, ADEE9RGS563XW26, ADEE9RWS433AW01, ADEE9RWS463AW01, FDEE5BGS303UW01, FDEE5BGS403UW01, FDEE7RGS303UG01, FDEE7RGS303UW01, LDEE5BGS303ZW30, LDEE5BGS333ZW01, LDEE5BGS433AW01, LDEE5BGS543FW01, LDEE5BGS543RW01, LDEE5BGS553KW01, LDEE5BSS553KN01, LDEE5RGS303ZW01, LDEE5RGS453UW01, LDEE7RGS303BW01, LDEE7RGS303EW01, LDEE7RGS303UW01, LDEE7RGS303ZW01, LDEE7RGS403UW01, LDEE7RGS433AW01, LDEE7RGS443UG16, LDEE7RGS453UW01, LDEE7RGS543FW01, LDEE7RGS543KW01, LDEE7RGS543ZW01, LDEE7RWS303BW01, LDEE7RWS303ZW01, LDEE7RWS433AW01, LDEE7RWS453SW01, LDEE7RWS543FQ01, LDEE7RWS543KW01, LDEE7RWS543RW01, LDEE7RWS543ZW01, PDEE4RGS303UG01, PDEE4RGS433AG01, PDEE7RGS303UG01, YDEE7RGS303EW01 and YDEE7RWS543RW01
3	D516186	Junction Box Cover	Models FDEE7RGS303WW01, LDEE7RGS303WW01 and YDEE7RGS303WW01
	D514363	Junction Box Cover	All other models
4	D503661	Screw	2 required

Junction Box Filter and Harnesses (Drawing 1 of 3)

All Models Except ADEE9BGS433NN29, ADEE9BGS433NW29, ADEE9BSS433NN22, ADEE9BSS433NN29, ADEE9RGS453NW29, FDEE7RGS443UW16, LDLE5RGS303NW35 and PDEE4RGS443UG16



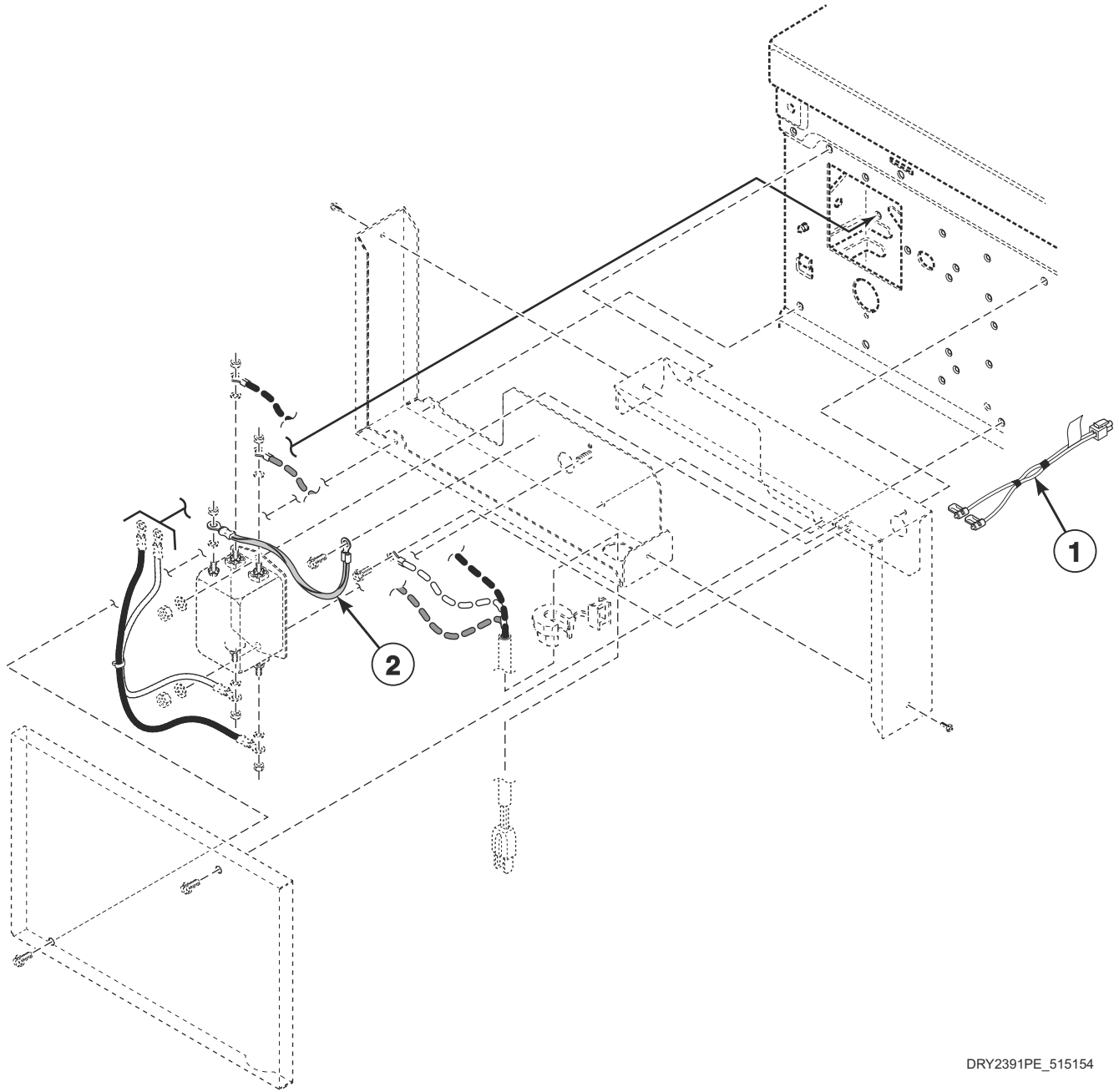
DRY2391PB_515154

Junction Box Filter and Harnesses (Drawing 1 of 3)

REF	PART NO.	DESCRIPTION	COMMENTS
	D503688	Screw	
1	D514040	Filter Harness	3 Phase; Models FDEE5BGS403UW01, FDEE7RGS403UW01, LDEE7RGS403UW01, PDEE4RGS403UG01, PDEE7RGS403UG01 and YDEE7RGS403UW01 through Serial No. 1705
	D516110	Filter Harness	3 Phase; Models FDEE5BGS403UW01, FDEE7RGS403UW01, LDEE7RGS403UW01, PDEE4RGS403UG01, PDEE7RGS403UG01 and YDEE7RGS403UW01 starting Serial No. 1705
	D518533	Filter Harness	Models ADGE8BWS303AW01, ADGE8RWS303AW01, ADGE9BGS123DW01, ADGE9BGS303AN01, ADGE9BGS543DW01, ADGE9BSS123DN01, ADGE9BSS303AN01, ADGE9BSS543DN01, ADGE9RGS123DW01, ADGE9RWS303AW01, FDGE5BGS303UW01, FDGE7RGS303EW01, FDGE7RGS303UW01, FDLE7RGS303NW26, LDGE5BGS113FW01, LDGE5BGS303AW01, LDGE7RGS113FW01, LDGE7RGS303AW01, LDGE7RGS303BW80, LDGE7RGS303EW01, LDGE7RGS303EW80, LDGE7RGS303UW01, LDGE7RGS303UW01, LDGE7RWS303AW01, LDGE7RWS303BW80, LDGE7RWS303UW01, LDGE7RWS303ZW80, LDGE7RWS543KW01, LDLE5RGS303UW01, LDLE7RGS303NW26, LDME5BGS543KW01, LDME5BSS543KN01, LDME7RGS543KW01, LDME7RWS543KW01, PDGE4RGS303AG01, YDGE7RGS303EW01 and YDLE7RGS303NW26; 10A
	D518532	Filter Harness	30A; Models ADEE8BWS433AW01, ADEE8RWS433AW01, ADEE9BGS433AN01, ADEE9BGS433XW34, ADEE9BGS543DW01, ADEE9BSS433AN01, ADEE9BSS433LN01, ADEE9BSS433XN34, ADEE9BSS455LN01, ADEE9BSS543DN01, ADEE9RGS433XW34, ADEE9RGS543DW01, ADEE9RGS563XW01, ADEE9RGS563XW26, ADEE9RWS433AW01, ADEE9RWS463AW01, FDEE5BGS303UW01, FDEE5BGS403UW01, FDEE7RGS303UG01, FDEE7RGS303UW01, FDEE7RGS303WW01, LDEE5BGS303ZW30, LDEE5BGS333ZW01, LDEE5BGS433AW01, LDEE5BGS543FW01, LDEE5BGS543RW01, LDEE5BGS553KW01, LDEE5BSS553KN01, LDEE5RGS303ZW01, LDEE5RGS453UW01, LDEE7RGS303BW01, LDEE7RGS303EW01, LDEE7RGS303UW01, LDEE7RGS303WW01, LDEE7RGS303ZW01, LDEE7RGS403UW01, LDEE7RGS433AW01, LDEE7RGS443UG16, LDEE7RGS453UW01, LDEE7RGS543FW01, LDEE7RGS543KW01, LDEE7RGS543ZW01, LDEE7RWS303BW01, LDEE7RWS303ZW01, LDEE7RWS433AW01, LDEE7RWS453SW01, LDEE7RWS543FQ01, LDEE7RWS543KW01, LDEE7RWS543RW01, LDEE7RWS543ZW01, PDEE4RGS303UG01, PDEE4RGS433AG01, PDEE7RGS303UG01, YDEE7RGS303EW01, YDEE7RGS303WW01 and YDEE7RWS543RW01
	804396	Filter Harness	Models ADLE9BGS303XW34, ADLE9BSS303XN34 and ADLE9RGS303XW34
2	29787	Nut	2 required
	44071201	Nut	4 required; Models FDEE5BGS403UW01, FDEE7RGS403UW01, LDEE7RGS403UW01, PDEE4RGS403UG01, PDEE7RGS403UG01 and YDEE7RGS403UW01

Junction Box Filter and Harnesses (Drawing 2 of 3)

All Models Except ADEE9BGS433NN29, ADEE9BGS433NW29, ADEE9BSS433NN22, ADEE9BSS433NN29, ADEE9RGS453NW29, FDEE7RGS443UW16, LDLE5RGS303NW35 and PDEE4RGS443UG16



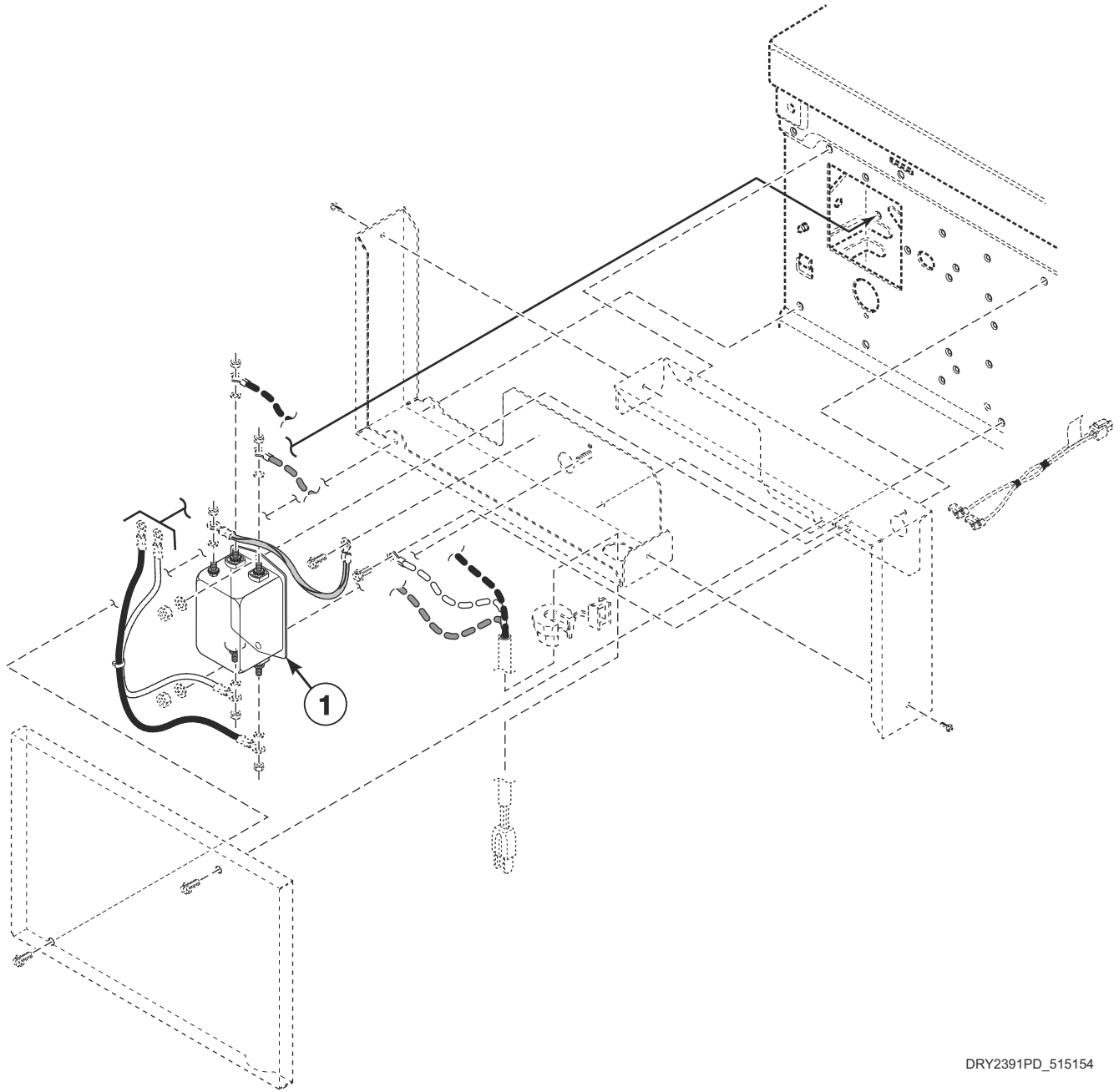
DRY2391PE_515154

Junction Box Filter and Harnesses (Drawing 2 of 3)

REF	PART NO.	DESCRIPTION	COMMENTS
1	804396	Filter Harness	Models FDGE7RGS303EW01, LDGE7RGS303EW01, LDGE7RGS303EW80 and LDGE7RWS303ZW80
2	D514039	Ground Filter Harness	10A; Models ADGE8BWS303AW01, ADGE8RWS303AW01, ADGE9BGS123DW01, ADGE9BGS303AN01, ADGE9BGS543DW01, ADGE9BSS123DN01, ADGE9BSS303AN01, ADGE9BSS543DN01, ADGE9RGS123DW01, ADGE9RWS303AW01, ADLE9BGS303XW34, ADLE9BSS303XN34, ADLE9RGS303XW34, FDGE5BGS303UW01, FDGE7RGS303EW01, FDGE7RGS303UW01, FDLE7RGS303NW26, LDGE5BGS113FW01, LDGE5BGS303AW01, LDGE7RGS113FW01, LDGE7RGS303AW01, LDGE7RGS303BW80, LDGE7RGS303EW01, LDGE7RGS303EW80, LDGE7RGS303UW01, LDGE7RGS303UW01, LDGE7RWS303AW01, LDGE7RWS303BW80, LDGE7RWS303UW01, LDGE7RWS303ZW80, LDGE7RWS543KW01, LDLE5RGS303UW01, LDLE7RGS303NW26, LDME5BGS543KW01, LDME5BSS543KN01, LDME7RGS543KW01, LDME7RWS543KW01, PDGE4RGS303AG01, YDGE7RGS303EW01 and YDLE7RGS303NW26
	D518534	Ground Filter Harness	30A; Models ADEE8BWS433AW01, ADEE8RWS433AW01, ADEE9BGS433AN01, ADEE9BGS433XW34, ADEE9BGS543DW01, ADEE9BSS433AN01, ADEE9BSS433LN01, ADEE9BSS433XN34, ADEE9BSS455LN01, ADEE9BSS543DN01, ADEE9RGS433XW34, ADEE9RGS543DW01, ADEE9RGS563XW01, ADEE9RGS563XW26, ADEE9RWS433AW01, ADEE9RWS463AW01, FDEE5BGS303UW01, FDEE5BGS403UW01, FDEE7RGS303UW01, FDEE7RGS303WW01, LDEE5BGS303ZW30, LDEE5BGS333ZW01, LDEE5BGS433AW01, LDEE5BGS543FW01, LDEE5BGS543RW01, LDEE5BGS553KW01, LDEE5BSS553KN01, LDEE5RGS303ZW01, LDEE5RGS453UW01, LDEE7RGS303BW01, LDEE7RGS303EW01, LDEE7RGS303UW01, LDEE7RGS303WW01, LDEE7RGS303ZW01, LDEE7RGS403UW01, LDEE7RGS433AW01, LDEE7RGS453UW01, LDEE7RGS543FW01, LDEE7RGS543KW01, LDEE7RGS543ZW01, LDEE7RWS303BW01, LDEE7RWS303ZW01, LDEE7RWS433AW01, LDEE7RWS453SW01, LDEE7RWS543FQ01, LDEE7RWS543KW01, LDEE7RWS543RW01, LDEE7RWS543ZW01, PDEE4RGS303UG01, PDEE4RGS433AG01, PDEE7RGS303UG01, YDEE7RGS303EW01, YDEE7RGS303WW01 and YDEE7RWS543RW01

Junction Box Filter and Harnesses (Drawing 3 of 3)

All Models Except ADEE9BGS433NN29, ADEE9BGS433NW29, ADEE9BSS433NN22, ADEE9BSS433NN29, ADEE9RGS453NW29, FDEE7RGS443UW16, LDLE5RGS303NW35 and PDEE4RGS443UG16

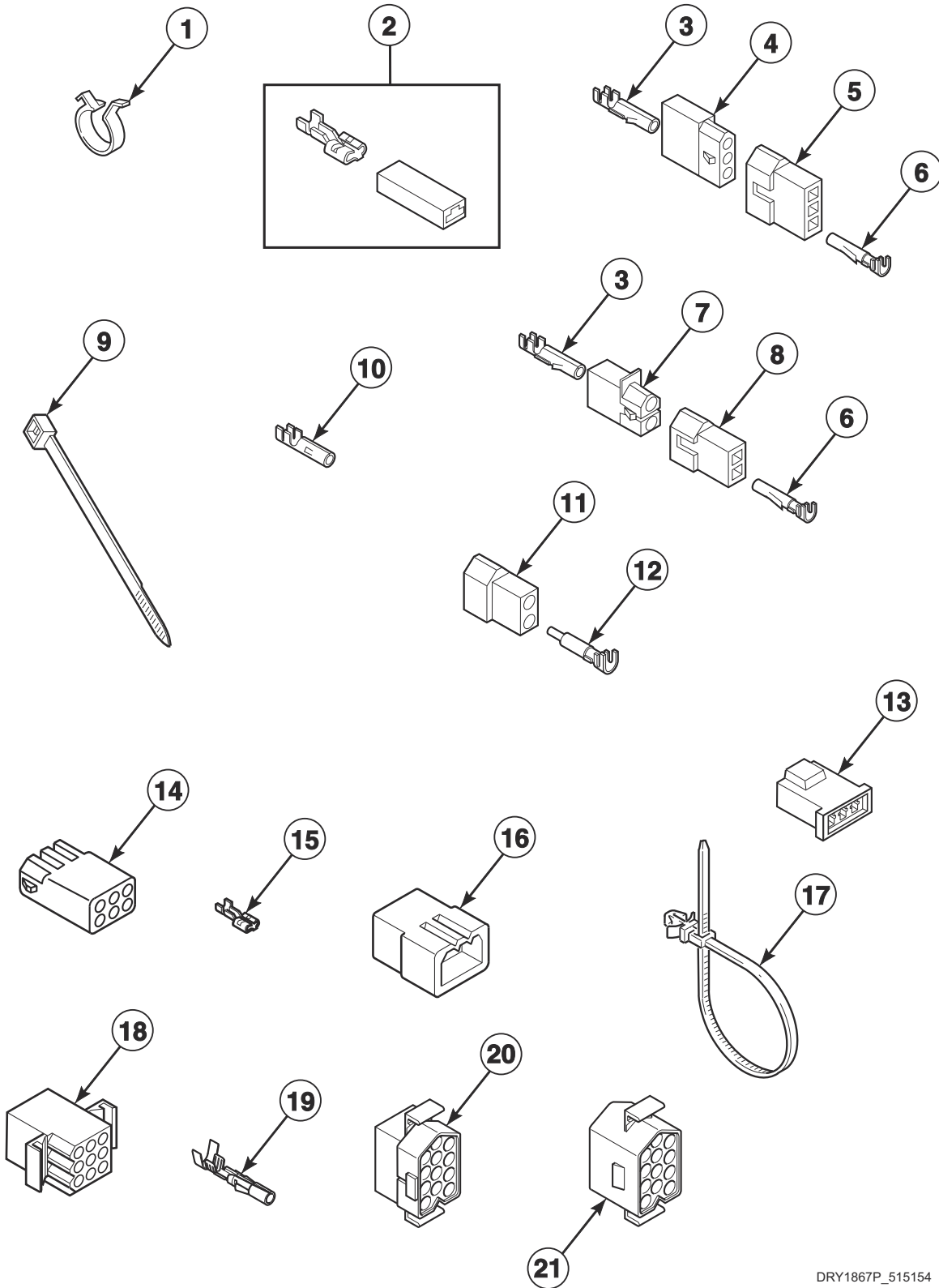


DRY2391PD_515154

Junction Box Filter and Harnesses (Drawing 3 of 3)

REF	PART NO.	DESCRIPTION	COMMENTS
1	D514384P	Filter	3 Phase; With stud terminals; Models FDEE5BGS403UW01, FDEE7RGS403UW01, LDEE7RGS403UW01, PDEE4RGS403UG01, PDEE7RGS403UG01 and YDEE7RGS403UW01 through Serial No. 1705
	D515813	Filter	3 Phase; With faston terminals; Models FDEE5BGS403UW01, FDEE7RGS403UW01, LDEE7RGS403UW01, PDEE4RGS403UG01, PDEE7RGS403UG01 and YDEE7RGS403UW01 starting Serial No. 1705
	804864	Line Filter	10A; Models ADGE8BWS303AW01, ADGE8RWS303AW01, ADGE9BGS123DW01, ADGE9BGS303AN01, ADGE9BGS543DW01, ADGE9BSS123DN01, ADGE9BSS303AN01, ADGE9BSS543DN01, ADGE9RGS123DW01, ADGE9RWS303AW01, ADLE9BGS303XW34, ADLE9BSS303XN34, ADLE9RGS303XW34, FDGE5BGS303UW01, FDGE7RGS303EW01, FDGE7RGS303UW01, FDLE7RGS303NW26, LDGE5BGS113FW01, LDGE5BGS303AW01, LDGE7RGS113FW01, LDGE7RGS303AW01, LDGE7RGS303BW80, LDGE7RGS303EW01, LDGE7RGS303EW80, LDGE7RGS303UW01, LDGE7RSS303UW01, LDGE7RWS303AW01, LDGE7RWS303BW80, LDGE7RWS303UW01, LDGE7RWS303ZW80, LDGE7RWS543KW01, LDLE5RGS303UW01, LDLE7RGS303NW26, LDME5BGS543KW01, LDME5BSS543KN01, LDME7RGS543KW01, LDME7RWS543KW01, PDGE4RGS303AG01, YDGE7RGS303EW01 and YDLE7RGS303NW26
	804844	Line Filter	30A; Models ADEE8BWS433AW01, ADEE8RWS433AW01, ADEE9BGS433AN01, ADEE9BGS433XW34, ADEE9BGS543DW01, ADEE9BSS433AN01, ADEE9BSS433LN01, ADEE9BSS433XN34, ADEE9BSS455LN01, ADEE9BSS543DN01, ADEE9RGS433XW34, ADEE9RGS543DW01, ADEE9RGS563XW01, ADEE9RGS563XW26, ADEE9RWS433AW01, ADEE9RWS463AW01, FDEE5BGS303UW01, FDEE5BGS403UW01, FDEE7RGS303UG01, FDEE7RGS303UW01, FDEE7RGS303WW01, LDEE5BGS303ZW30, LDEE5BGS333ZW01, LDEE5BGS433AW01, LDEE5BGS543FW01, LDEE5BGS543RW01, LDEE5BGS553KW01, LDEE5BSS553KN01, LDEE5RGS303ZW01, LDEE5RGS453UW01, LDEE7RGS303BW01, LDEE7RGS303EW01, LDEE7RGS303UW01, LDEE7RGS303WW01, LDEE7RGS303ZW01, LDEE7RGS403UW01, LDEE7RGS433AW01, LDEE7RGS443UG16, LDEE7RGS453UW01, LDEE7RGS543FW01, LDEE7RGS543KW01, LDEE7RGS543ZW01, LDEE7RWS303BW01, LDEE7RWS303ZW01, LDEE7RWS433AW01, LDEE7RWS453SW01, LDEE7RWS543FQ01, LDEE7RWS543KW01, LDEE7RWS543RW01, LDEE7RWS543ZW01, PDEE4RGS303UG01, PDEE4RGS433AG01, PDEE7RGS303UG01, YDEE7RGS303EW01, YDEE7RGS303WW01 and YDEE7RWS543RW01

Terminal Block and Terminals

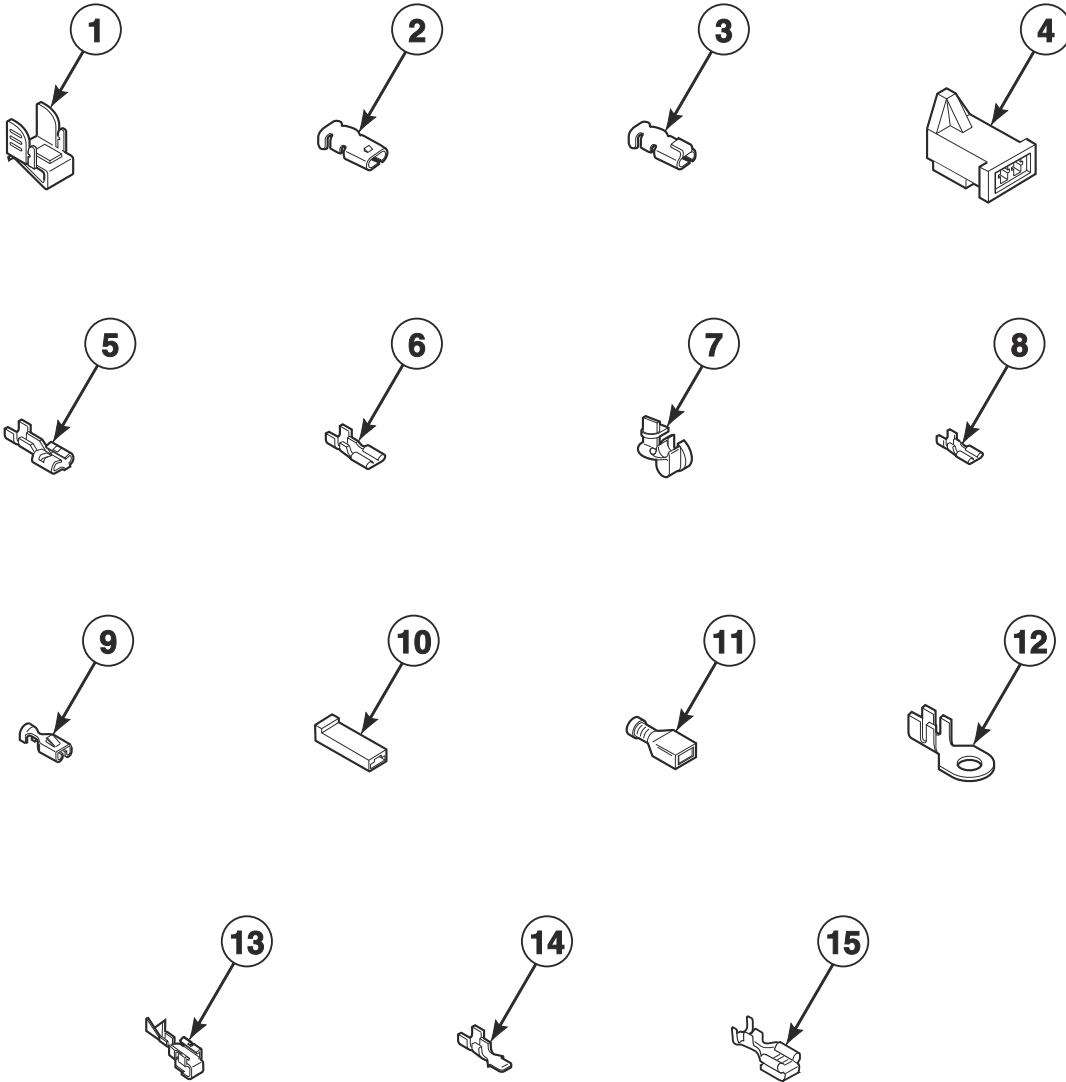


DRY1867P_515154

Terminal Block and Terminals

REF	PART NO.	DESCRIPTION	COMMENTS
1	D504034	Wire Clip	11/16 inch
	687500	Wire Clip	1 inch
2	00360	Insulated Female Spade Terminal	(1) 12 gauge wire or (2) 18 gauge wires
3	00117	Female Pin Terminal	
4	23039	3 Circuit Receptacle	
5	23040	Plug	
6	00116	Male Pin Terminal	
7	56451	2 Circuit Receptacle	
8	56448	2 Circuit Plug	
9	55881	Harness Strap	
10	00130	Female Pin Terminal	1/8 inch
11	56266	2 Circuit Plug	
12	00127	Male Pin Terminal	1/8 inch
13	58800	3 Circuit Connector	
14	26708	6 Circuit Receptacle	
15	00222	Female Spade Terminal	1/4 inch
16	23033	9 Circuit Plug	
17	38663	Wire Tie	
18	26163	9 Circuit Receptacle	
19	00128	Female Pin Terminal	1/8 inch
	00129	Male Pin Terminal	1/8 inch
20	54522	Plug	
21	56855	12 Circuit Receptacle	

Terminals

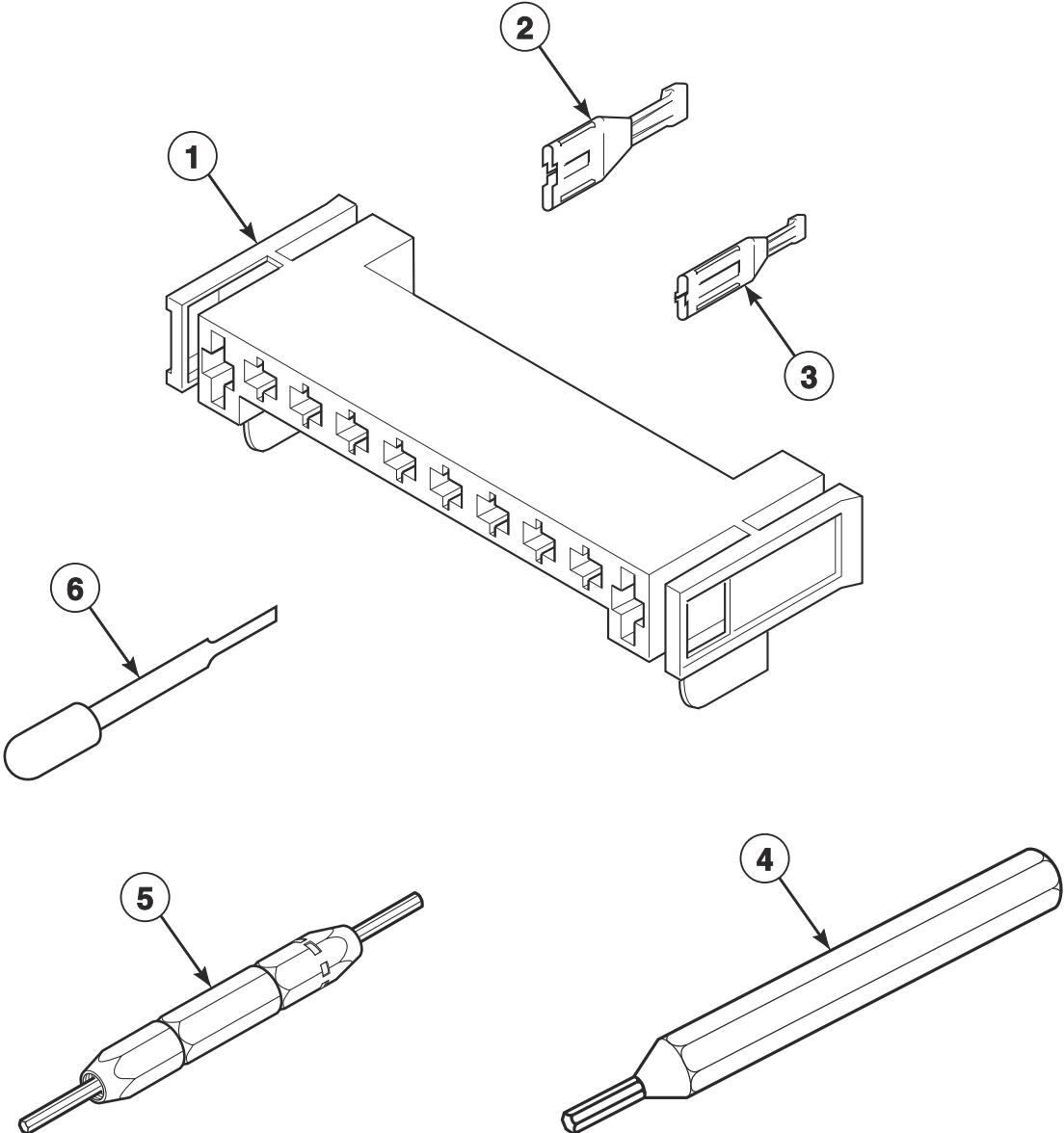


DRY2392P_515154

Terminals

REF	PART NO.	DESCRIPTION	COMMENTS
1	00161	Grounding Clip	
2	00189	Female Spade Terminal	
3	00361	Female Piggyback Terminal	Receptacle connector
4	58799	2 Circuit Connector	
5	00223	Female Spade Terminal	1/4 inch; (1) 18 gauge wire
	00121	Female Spade Terminal	1/4 inch; (2) 18 gauge wires or (1) 12 gauge wire
	00245	Spade Terminal	1/4 inch; (1) 22 gauge wire
6	00124	Female Spade Terminal	3/16 inch; (1) 18 gauge wire; .020 tab
	00156	Female Spade Terminal	3/16 inch; Thermostat wire; .032 tab
7	38384	Strain Relief	
8	00347	Terminal	
9	00115	Female Spade Terminal	1/4 inch; (1) 18 gauge wire
10	90789	Receptacle Housing	
11	00359	Insulated Female Spade Terminal	1/4 inch
	00165	Insulated Female Terminal	3/16 inch
12	00110	Ring Terminal	10 stud; (1) 18 gauge wire
	00111	Ring Terminal	10 stud; (2) 18 gauge wires or (1) 12 gauge wire
13	00114	Female Spade Terminal	1/4 inch; Double connector
14	00139	Male Tab Terminal	1/4 inch; (2) 18 gauge wires or (1) 12 gauge wire
15	00344	Female Tab Terminal	

Motor Connection Block, Terminal Extractor Tools



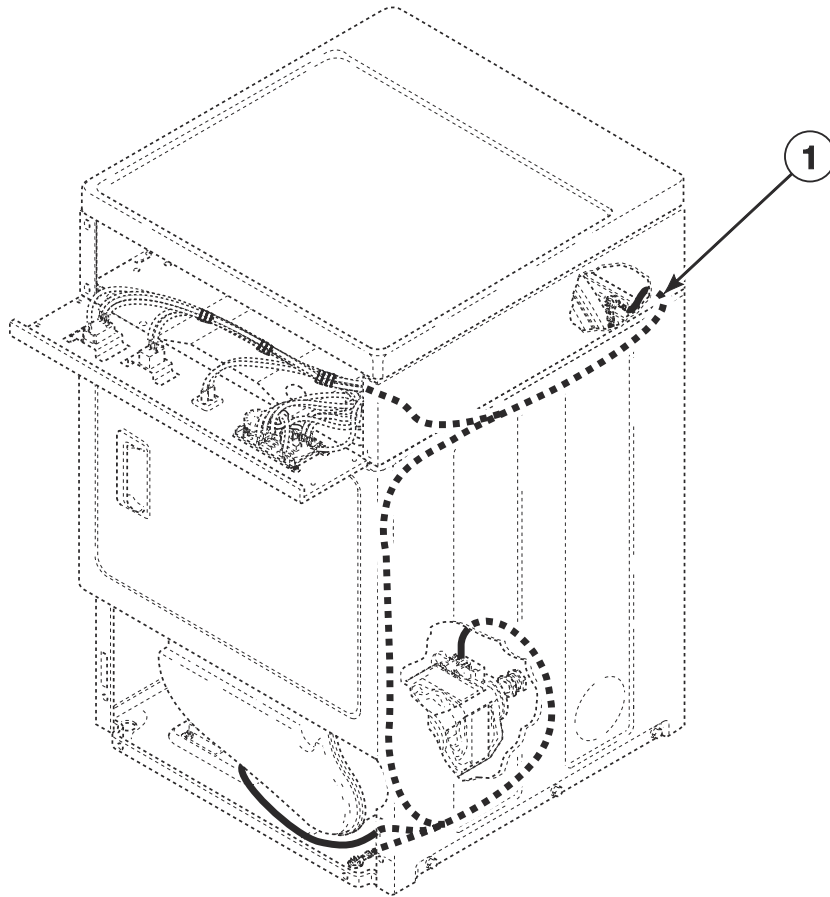
DRY1877P_515154

Motor Connection Block, Terminal Extractor Tools

REF	PART NO.	DESCRIPTION	COMMENTS
1	D500338	10 Position Housing	
2	00255	Female Terminal	1/4 inch; For (1) 12 gauge wire
	00256	Female Terminal	1/4 inch; For (1) or (2) 18 gauge wires
3	00188	Female Terminal	For 1 or 2 wire application
4	128P4	Extractor Tool	For use on gas dryer terminals
5	190P4	Extractor Tool	For use on electric dryer terminals
6	283P4	Terminal Extractor Tool	For use on Molex connectors

Wire Harnesses and Wires - Front Control Models

Models ADEE8BWS433AW01, ADEE9BGS433AN01, ADEE9BGS433NN29, ADEE9BGS433NW29, ADEE9BGS433XW34, ADEE9BGS543DW01, ADEE9BSS433AN01, ADEE9BSS433LN01, ADEE9BSS433NN22, ADEE9BSS433NN29, ADEE9BSS433XN34, ADEE9BSS455LN01, ADEE9BSS543DN01, ADGE8BWS303AW01, ADGE9BGS123DW01, ADGE9BGS303AN01, ADGE9BGS543DW01, ADGE9BSS123DN01, ADGE9BSS303AN01, ADGE9BSS303XN01, ADGE9BSS303XN26, ADGE9BSS543DN01, ADLE9BGS303XW34, ADLE9BSS303XN34, FDEE5BGS303UW01, FDEE5BGS403UW01, FDGE5BGS303UW01, LDEE5BGS303ZW30, LDEE5BGS333ZW01, LDEE5BGS433AW01, LDEE5BGS543FW01, LDEE5BGS543RW01, LDEE5BGS553KW01, LDEE5BSS553KN01, LDGE5BGS113FW01, LDGE5BGS303AW01, LDME5BGS543KW01 and LDME5BSS543KN01



DRY2046P_515154

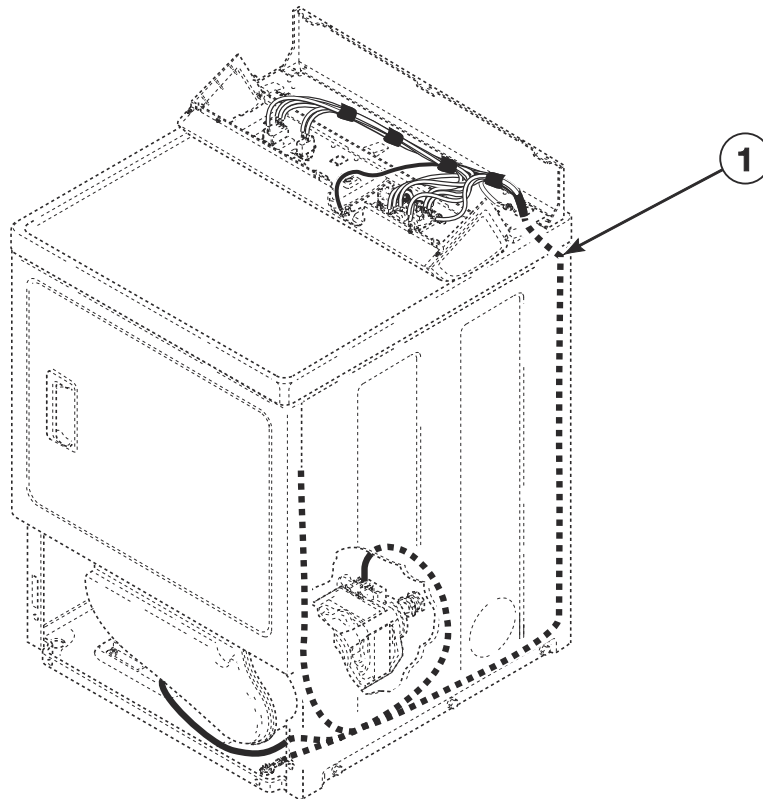
Wire Harnesses and Wires - Front Control Models

REF	PART NO.	DESCRIPTION	COMMENTS
	45380	12 Gauge Wire	Orange; Order wire by the foot; Order terminals and connectors as required
	45001	18 Gauge Wire	Black; Order wire by the foot; Order terminals and connectors as required
1	D517248	Lower Front Harness	Model FDEE5BGS403UW01
	D517244	Electric Harness	With cylinder light; Models ADEE8BWS433AW01, ADEE9BGS433AN01, ADEE9BGS433NN29, ADEE9BGS433NW29, ADEE9BGS433XW34, ADEE9BGS543DW01, ADEE9BSS433AN01, ADEE9BSS433NN22, ADEE9BSS433NN29, ADEE9BSS433XN34 and ADEE9BSS543DN01
	D513981	Wire Harness Assembly	240 Volt; With cylinder light; Models ADGE8BWS303AW01, ADGE9BGS303AN01, ADGE9BGS543DW01, ADGE9BSS303AN01, ADGE9BSS303XN01, ADGE9BSS303XN26, ADGE9BSS543DN01, ADLE9BGS303XW34 and ADLE9BSS303XN34
	D517240	Electronic Harness	Models FDEE5BGS303UW01, LDEE5BGS303ZW30, LDEE5BGS333ZW01, LDEE5BGS433AW01, LDEE5BGS543FW01, LDEE5BGS543RW01, LDEE5BGS553KW01 and LDEE5BSS553KN01
	D516760	Electric Harness	Model ADEE9BSS433LN01
	D517478	Electric Harness	With cylinder light; Model ADEE9BSS455LN01
	D517099	Gas Harness	240 Volt; Models FDGE5BGS303UW01 and LDGE5BGS303AW01
	D517097	Gas Harness	120 Volt; Models ADGE9BGS123DW01 and ADGE9BSS123DN01
	D517095	Gas Harness	120 Volt; Models LDGE5BGS113FW01, LDME5BGS543KW01 and LDME5BSS543KN01

NOTE: Individual wires are not available separately. Order complete harness, or order wire by the foot. When applying terminals to wires, it is recommended that the terminals be soldered to the wires.

Wire Harnesses and Wires - Rear Control Models

All Models Except ADEE8BWS433AW01, ADEE9BGS433AN01, ADEE9BGS433NN29, ADEE9BGS433NW29, ADEE9BGS433XW34, ADEE9BGS543DW01, ADEE9BSS433AN01, ADEE9BSS433LN01, ADEE9BSS433NN22, ADEE9BSS433NN29, ADEE9BSS433XN34, ADEE9BSS455LN01, ADEE9BSS543DN01, ADGE8BWS303AW01, ADGE9BGS123DW01, ADGE9BGS303AN01, ADGE9BGS543DW01, ADGE9BSS123DN01, ADGE9BSS303AN01, ADGE9BSS303XN26, ADGE9BSS543DN01, FDEE5BGS303UW01, FDEE5BGS403UW01, FDGE5BGS303UW01, LDEE5BGS303ZW30, LDEE5BGS333ZW01, LDEE5BGS433AW01, LDEE5BGS543FW01, LDEE5BGS543RW01, LDEE5BGS553KW01, LDEE5BSS553KN01, LDGE5BGS113FW01, LDGE5BGS303AW01, LDME5BGS543KW01 and LDME5BSS543KN01



DRY2268P_515154

Wire Harnesses and Wires - Rear Control Models

REF	PART NO.	DESCRIPTION	COMMENTS
	45380	12 Gauge Wire	Orange; Order wire by the foot; Order terminals and connectors as required
	45477	12 Gauge Wire	Green/yellow stripe; Order wire by the foot; Order terminals and connectors as required
	45001	18 Gauge Wire	Black; Order wire by the foot; Order terminals and connectors as required
1	D517256	Electric Harness	240 Volt; With cylinder light; Models ADEE8RWS433AW01, ADEE9RGS433XW34, ADEE9RGS453NW29, ADEE9RGS543DW01, ADEE9RGS563XW01, ADEE9RGS563XW26, ADEE9RWS433AW01 and ADEE9RWS463AW01
	D517102	Gas Harness	120 Volt; Model LDGE7RGS113FW01
	D517104	Harness Assembly	240 Volt; Models FDGE7RGS303EW01, FDGE7RGS303UW01, FDLE7RGS303NW26, LDGE7RGS303AW01, LDGE7RGS303BW80, LDGE7RGS303EW01, LDGE7RGS303EW80, LDGE7RWS303AW01, LDGE7RWS303BW80, LDGE7RWS303ZW80, LDGE7RWS543KW01, LDLE5RGS303NW35, LDLE5RGS303UW01, LDLE7RGS303NW26, LDME7RGS543KW01, LDME7RWS543KW01, PDGE4RGS303AG01, YDGE7RGS303EW01 and YDLE7RGS303NW26
	D517103	Gas Harness Assembly	120 Volt; Model ADGE9RGS123DW01
	D517258	Electric Harness Assembly	3 Phase; Models FDEE7RGS403UW01, FDEE7RGS443UW16, LDEE7RGS403UW01, PDEE4RGS403UG01, PDEE4RGS443UG16, PDEE7RGS403UG01 and YDEE7RGS403UW01
	D513989	Wire Harness Assembly	240 Volt; With cylinder light; Models ADGE8RWS303AW01, ADGE9RWS303AW01, ADLE9RGS303XW34, LDGE7RGS303AW01, LDGE7RGS303UW01, LDGE7RGS303UW01, LDGE7RWS303AW01, LDGE7RWS303UW01 and PDGE4RGS303AG01
	D517254	Electric Harness	240 Volt; Models FDEE7RGS303UG01, FDEE7RGS303UW01, FDEE7RGS303WW01, LDEE5RGS303ZW01, LDEE5RGS453UW01, LDEE7RGS303BW01, LDEE7RGS303EW01, LDEE7RGS303UW01, LDEE7RGS303WW01, LDEE7RGS303ZW01, LDEE7RGS403UW01, LDEE7RGS443UG16, LDEE7RGS453UW01, LDEE7RGS543FW01, LDEE7RGS543KW01, LDEE7RGS543ZW01, LDEE7RWS303BW01, LDEE7RWS303ZW01, LDEE7RWS453SW01, LDEE7RWS543FQ01, LDEE7RWS543KW01, LDEE7RWS543RW01, LDEE7RWS543ZW01, PDEE4RGS303UG01, PDEE4RGS433AG01, PDEE7RGS303UG01, YDEE7RGS303EW01, YDEE7RGS303UW01, YDEE7RGS303WW01, YDEE7RGS303ZW01 and YDEE7RWS543RW01

NOTE: Individual wires are not available separately. Order complete harness, or order wire by the foot. When applying terminals to wires, it is recommended that the terminals be soldered to the wires.

Parts Index

A

Access Cover Plate	
D514356	67
Access Panel Assembly	
D514250DG	23
D514250Q	23
D514250WP	23
D514251	23
D517012W	23
D517014	23
Access Panel Plate	
D510903	67
Adhesive	
D511637P	31, 33, 39
Air Duct Assembly	
D518431	35
D518432	35
D518433	35
Anti-Seize Compound	
27604P	25

B

Bar Sensor	
D513737	31, 33
Blower Fan Assembly	
D510139P	25
Blower Housing	
D511969WP	25
Blower Housing Seal	
D510238P	25
Bolt	
D515812	71
Booster and Holding Coil	
58804A	55, 57
59063A	55, 57
Bracket	
D516238	59, 61
Bumper Pad	
56128	67, 73
Burner Assembly	
D510149P	55, 57, 59, 61

C

Cabinet Rear Panel	
D514632P	67
Cabinet Side Panel	
D510001DGP	67
D510001QP	67
D510001WP	67
D510002DGP	67
D510002QP	67
D510002WP	67
D512538	67
D512539	67

Combustion Duct	
D510132	53
Connector, 2 Circuit	
58799	89
Connector, 3 Circuit	
58800	87
Contactora	
70482603	71
Contactora Bracket	
D511859	71, 73
Control	
D514338P	9, 15
D514567P	9, 15
D515800	9
Control Assembly	
D514336P	9
D514565P	9, 15
D517582	9
Control Bracket	
804611	13
Control Overlay	
D514186	15
D514188	9
D514189	9
D514190	9
D514191	9
D514192	9
D514316	15
D514482	15
D514682	15
D514925	15
D515055	9
D515538	15
D515539	15
D515630	15
D515633	15
D515678	9
D515683	9
D516609	15
D516610	15
Control Panel Assembly	
804960	15
804961	15
Control Support Panel	
804836	7
Control Wrapper	
804267B	13
804267W	13
804630B	13
804630W	13
Conversion Kit	
756P3	51
Cylinder Assembly	
D505929LGP	37
D505929WP	37
D510159WP	37
D510265LGP	37
D510265WP	37
Cylinder Baffle	
D510102LG	37
D510102W	37
Cylinder Belt	
D511255P	25

N/A items do not appear in index.

Cylinder Glide	
D513710	31, 33
Cylinder Glide Bracket	
D510145	31, 33
Cylinder Light Assembly	
D517763	33
D518796	33
Cylinder Light Lens	
D512106	33
D518805	33
Cylinder Roller	
D510708P	39
Cylinder Roller Bracket	
D510100	39
Cylinder Seal Assembly	
D510207P	31, 33, 39

D

Din Rail	
M412693	71
Directional Exhaust Kit	
528P3	67
Door Assembly	
D516510WP	17
Door Catch Assembly	
D510177	21
Door Handle Wedge	
D510129W	19
Door Liner	
D510097W	17
Door Liner Assembly	
D516508	17
Door Liner Grill	
D503870LG	17
D503870W	17
Door Pull and Wedge Kit	
D510103QP	19
D510103WP	19
D511213P	19
Door Strike	
D510181	17
Door Strike Mount	
D510127	17
Drip Shield	
D514327	21
Drum Light Lamp	
D503579	33
60954	33
Dryer Base	
D514245	69
Dryer Door	
D510013DG	19
D510013QP	19
D510013WP	19
D512969	19
D515963	19
Drying Rack	
D512082P	37
Dual Contactor Harness	
D514054	71
D518535	71

E

Elbow	
D513072	55, 59
Elbow Shut-Off Valve	
D510205	55
Electric Harness	
D516760	93
D517244	93
D517254	95
D517256	95
D517478	93
Electric Harness Assembly	
D517258	95
Electrical Shock Label	
F8211201	35
Electronic Harness	
D517240	93
End Panel	
D504006P	7
D504007P	7
D504008QP	7
D504008WP	7
D504009QP	7
D504009WP	7
D516857	7
D516858	7
End Stop	
F8449801	71
Exhaust Duct	
D516196	67
Expansion Clip	
70030501	13
Extractor Tool	
128P4	91
190P4	91

F

Felt Pad	
D510189	31, 33
Female Piggyback Terminal	
00361	89
Female Pin Terminal	
00117	87
00128	87
00130	87
Female Spade Terminal	
00114	89
00115	89
00121	89
00124	89
00156	89
00189	89
00222	87
00223	89
Female Tab Terminal	
00344	89
Female Terminal	
00188	91
00255	91
00256	91

N/A items do not appear in index.

Filter	
D514384P	85
D515813	85
Filter Harness	
D514040	81
D516110	81
D518532	81
D518533	81
804396	81, 83
Flexible Venting Kit	
521P3	67
Front Bulkhead	
D513640W	33
D515535WP	31
D517573	33
Front Bulkhead Assembly	
D515532P	31
D515533P	33
Front Panel	
D510066DG	21
D510066QP	21
D510066WP	21
D512542	21
Front Panel Label	
D514863	21
D514864	21
Front Panel Seal	
D511056	21

G

Gas Harness	
D517095	93
D517097	93
D517099	93
D517102	95
Gas Harness Assembly	
D517103	95
Gas Valve Assembly	
D510506P	55
D513630	55
D516182	59, 61
59063P	55
Gas Valve Coil	
D516699	59, 61
Gas Valve Mounting Bracket	
D510128	55, 57
510128	59, 61
Gas Valve, Bracket and Pipe Assembly	
D517607	57
D517609	57
D517611	57
Glide Kit	
RB170003	31, 33
Graphic Panel	
804565	11
805406	11, 15
805448	11
805449	11
805608	11
Ground Filter Harness	
D514039	83
D518534	83

Ground Wire Assembly	
D518527	45
Grounding Clip	
00161	89

H

Harness Assembly	
D517104	95
Harness Strap	
55881	87
Heat Duct Shroud	
D510101	53
Heater	
D511014P	51
Heater Assembly	
D510324P	49
D510326P	49
D510327P	49
D510328P	49
D510329P	49
D515647	51
D516123	49
Heater Duct Assembly	
D510705P	47, 51, 53
Heater Harness	
D518531	71
Heater Kit	
964P3	49
Heater Kit Assembly	
61927	49
61929	49
61930	49
61931	49
High Voltage Suppression Cable	
44239706	73
Hinge	
D511036	17
Hinge Hole Plug	
D510186	21
Hold Down Kit	
526P3	67, 69
Hood Back Panel	
804169	7
Housing, 10 Position	
D500338	91

I

ICM Gas Harness	
D516881	73
Idler Lever	
D516310	27
Idler Lever and Wheel Assembly	
D516792	27
Idler Spring	
D510185	27
Idler Wheel and Bearing Assembly	
D510142P	27
Igniter and Bracket Assembly	
D510184P	55, 57

N/A items do not appear in index.

Ignition Control	
70483201P	73
Insulated Female Spade Terminal	
00359	89
00360	87
Insulated Female Terminal	
00165	89

J

Jumper Wire Assembly	
D518529	51
Junction Box Assembly	
D514389P	79
D514390	79
D514394P	79
D516152	79
D516153	79
D516154	79
Junction Box Cover	
D514363	79
D516186	79
Junction Box Seal	
D514379P	79

L

Label	
D516100	45
Lead-In Cord	
D502599	77
D513632	77
D514061	77
D514953	77
D515700	77
D515971	77
D516112	77
D516162	77
D516389	77
D516390	77
202925	77
202926	77
203208	77
59373	77
Lead-In Cord Assembly	
D506106	77
D516747	77
Lead-In Cord Kit	
61605P	77
Lead-In Pipe Assembly	
D510204	55, 59
Leveling Leg	
D510135	69
Light Housing Assembly	
D512108	33
Limit Thermostat	
D510700	49
D510701	49, 51
D510702	53
D515873	49, 51
D516192	49
D516193	49

Line Filter	
804844	85
804864	85
Liner Door Seal	
D510147P	17
Liner, Seal and Grill Assembly	
D510163WP	17
Lint Filter	
D503980LG	35
D503980W	35
Lint Filter Cover	
D510502LG	35
D510502W	35
Lint Filter Label	
D502781	21
D502804	21
Lower Front Harness	
D517248	93
L.P. Conversion Kit	
401P3	63
599P3	63
649P3	63
L.P. Orifice	
D503786	65
58755	65
60941	65

M

Male Pin Terminal	
00116	87
00127	87
00129	87
Male Tab Terminal	
00139	89
Manual Reset Thermostat	
44253901	49
Moisture Bar Assembly	
D518564	33
Moisture Sensor Base	
D513738	31, 33
Motor and Pulley Assembly	
D505843P	25
D505869P	25
D511629P	25
Motor Hub Ring Kit	
590P3	25
Motor Mount	
D518517	27
Motor Mount Clamp	
D510180	25
Motor Pulley	
D500011	25
D500222	25
Motor Shield	
D514602	25
Motor Switch Bracket	
516311	27

N/A items do not appear in index.

N

Nut	
29787	81
44071201	81
44087101	71
52566	27
56156	27, 39
N.G. Conversion Kit	
402P3	63
650P3	63
N.G. Orifice	
D503778	65
D503779	65
D503780	65
D503781	65
D503782	65

O

Outlet Cover	
D500820	47, 51, 53
D514475	47
D518524	47, 51, 53
Output Board Shield	
D514420	69
Output Control Assembly	
D513797P	69
D517191P	69
D517269	69
Overlay	
D513779	9

P

Panel Locator	
56079	21, 23, 67
Pinch Warning Label	
F8615701	35
Plug	
23040	87
54522	87
Plug, 2 Circuit	
56266	87
56448	87
Plug, 9 Circuit	
23033	87
Pop Rivet	
685847	13
Porcelain Touch-Up Paint	
122P4P	67
370P4P	67
Power Cord Assembly	
D506081	77
D514063	77
203119	77
Power Harness	
D514000	71
D515039	75
D515703	71
D517784	71

Pushbutton Switch	
M413431	73

R

Rear Access Panel	
804614	13
Rear Bulkhead Assembly	
D510905WP	39
D511082P	39
D518128	39
Rear Wrapper Brace	
805345	13
Receptacle Housing	
90789	89
Receptacle, 12 Circuit	
56855	87
Receptacle, 2 Circuit	
56451	87
Receptacle, 3 Circuit	
23039	87
Receptacle, 6 Circuit	
26708	87
Receptacle, 9 Circuit	
26163	87
Retaining Ring	
23748	27, 39
Ring Terminal	
00110	89
00111	89
Roller Kit	
RB170002	39
Rubber Foot	
D501855	69

S

Screw	
D500226	17, 19, 31, 33
D500227	33
D500824	27
D501086	7, 33
D501285	35, 39, 41
D502535	29
D503661	13, 43, 47, 51, 53, 79
D503688	13, 21, 25, 31, 33, 39, 43, 49, 51, 53, 55, 57, 59, 61, 67, 69, 71, 73, 79, 81
D512921	21, 67
D514428	69
D516261	73
M405188	39
23222	49, 51, 55, 57
31260	25
33562	23
38272	73
39733	21, 23, 67
51782	53, 55, 57, 59, 61
52864	31
56124	55, 57, 59, 61
61199	43
62588	37
70240301	13
804608	13

N/A items do not appear in index.

804667	69
Screw Orifice 58719	65
Seal Kit RB170001	31, 33, 39
Secondary Coil 58804B	55, 57
59063B	55, 57
Sensor D510213	55, 57
Shaft 56461P	27, 39
Spade Terminal 00245	89
Spark Electrode 44328701P	59, 61
Speed Clip 28835	21
Strain Relief D517492	75
38384	75, 89
52113	75
52151	75
60298	75
Strain Relief Connector D511628	75
Switch D512973	21
D516391	27
Switch Bracket D516237	73

T

Terminal 00347	89
Terminal Block Assembly D505876	41
D510190P	41
Terminal Block Label D505329	41
Terminal Block Shield D517715	41
Terminal Block Support Bracket D505875	41
Terminal Extractor Tool 283P4	91
Thermal Fuse Assembly D518649	49, 51
Thermistor M414704	29
Thermistor Assembly D502366	29
D510523	29
Thermostat D510703	53
Thermostat Cover D502194	29
Top Cover D505808DG	7
D505808Q	7
D505808W	7

Top Hinge D510136	67
Top Panel D510029DG	7
D510029Q	7
804684	13
804685WP	13
Top Panel Brace Assembly 804613	13
Top Panel Guide 803761	13
Top Panel Kit D510029WP	7
Transformer D513763P	71
D515702	71
202758	73
Transformer Shield D514334	71

W

Warning Label D502825	21
D512263	21
D514410	21
D514866	21
D514867	21
202256	35
Warning/Caution Label D500281	21
Washer D504082	39
26509	71
29443	29
52549	27, 39
Wire Assembly D518255	49
D518256	49
Wire Clip D504034	87
687500	71, 87
Wire Harness Assembly D513981	93
D513989	95
Wire Tie 38663	87
Wire, 12 Gauge 45380	93, 95
45477	95
Wire, 18 Gauge 45001	93, 95

N/A items do not appear in index.