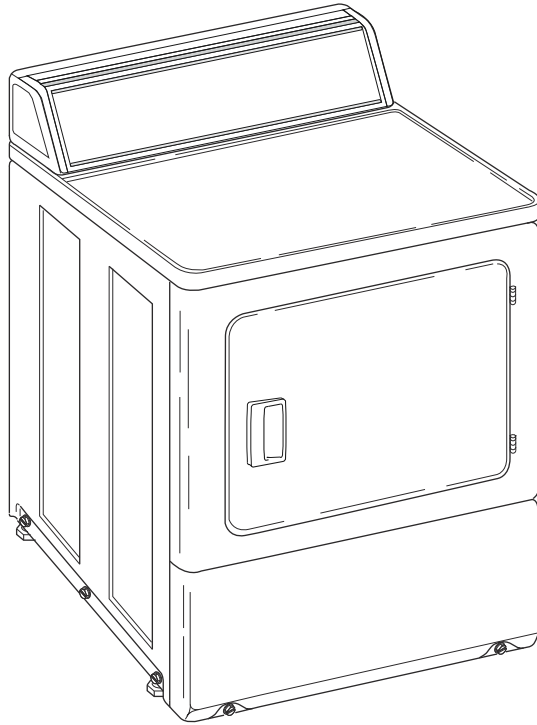


Homestyle Dryers

Models Through Serial No. 1912999999

Refer to Page 5 for Model Numbers



D715I_506054

Table of Contents

Title	Page
Parts Ordering Information.....	3
Serial Plate Location	3
Model Identification	5
Graphic Panel - Rear Control Models (Drawing 1 of 2).....	6
Graphic Panel - Rear Control Models (Drawing 2 of 2).....	8
Control Panel and Knobs - Rear Control Models	10
Controls - Rear Control Models	12
Timer - Rear Control Models (Drawing 1 of 2)	14
Timer - Rear Control Models (Drawing 2 of 2)	16
Control Cabinet - Front Control Models (Drawing 1 of 2).....	18
Control Cabinet - Front Control Models (Drawing 2 of 2).....	20
Control Panel and Controls - Front Control.....	22
Control Cabinet and Controls.....	24
Cabinet Top and Control Hood Rear Panel - Rear Control Models	26
Loading Door (Drawing 1 of 2).....	28
Loading Door (Drawing 2 of 2).....	30
Loading Door with Window	32
Front Panel and Seal	34
Access Panel	36
Motor, Exhaust Fan and Belt (Drawing 1 of 2).....	38
Motor, Exhaust Fan and Belt (Drawing 2 of 2).....	42
Thermostat.....	44
Front Bulkhead and Seal - Without Light	46
Air Duct - Without Front Bulkhead Light.....	48
Front Bulkhead and Seal - With Light	50
Air Duct	52
Cylinder, Baffles and Drying Rack	54
Rear Bulkhead, Felt Seal and Cylinder Roller - 1 Phase Models.....	56
Terminal Block - 1 Phase Models	58
Rear Bulkhead, Felt Seal, Cylinder Roller and Terminal Block - 3 Phase Models.....	60
Heater Duct and Element Assembly - 1 Phase Models	62
Heater Kit Assembly - 1 Phase Models	64
Heater Duct and Element Assembly - 3 Phase Models	66
Heater Duct Assembly	68
Gas Valve and Igniter Through Serial No. 1908000001	70
Gas Valve and Igniter Starting Serial No. 1908000001	72
Gas Conversion Kits	74
Gas Valve, Igniter, Ignition Control and Gas Conversion Kits.....	76
Burner Orifice Spuds - For Higher Elevations (Drawing 1 of 2)	78
Burner Orifice Spuds - For Higher Elevations (Drawing 2 of 2)	80
Cabinet, Exhaust Duct and Base	82

© Copyright 2023, Alliance Laundry Systems LLC

All rights reserved. No part of the contents of this book may be reproduced or transmitted in any form or by any means without the expressed written consent of the publisher.

Cabinet Labels	84
Power Cord	86
Strain Relief	88
Terminal Block and Terminals	90
Terminals	92
Motor Connection Block, Terminal Extractor Tools.....	94
Wire Harnesses and Wires - Front Control Models (Drawing 1 of 5).....	96
Wire Harnesses and Wires - Front Control Models (Drawing 2 of 5).....	98
Wire Harnesses and Wires - Front Control Models (Drawing 3 of 5).....	100
Wire Harnesses and Wires - Front Control Models (Drawing 4 of 5).....	102
Wire Harnesses and Wires - Front Control Models (Drawing 5 of 5).....	104
Wire Harnesses and Wires - Rear Control Models Through Serial No. 1207	106
Wire Harnesses and Wires - Rear Control Models Starting Serial No. 1207 (Drawing 1 of 2)	110
Wire Harnesses and Wires - Rear Control Models Starting Serial No. 1207 (Drawing 2 of 2)	112
Parts Index.....	115

Parts Ordering Information

If literature or replacement parts are required, contact the source from whom the machine was purchased or contact Alliance Laundry Systems at (920) 748-3950 for the name and address of the nearest authorized parts distributor.

For technical assistance, call the number listed below:

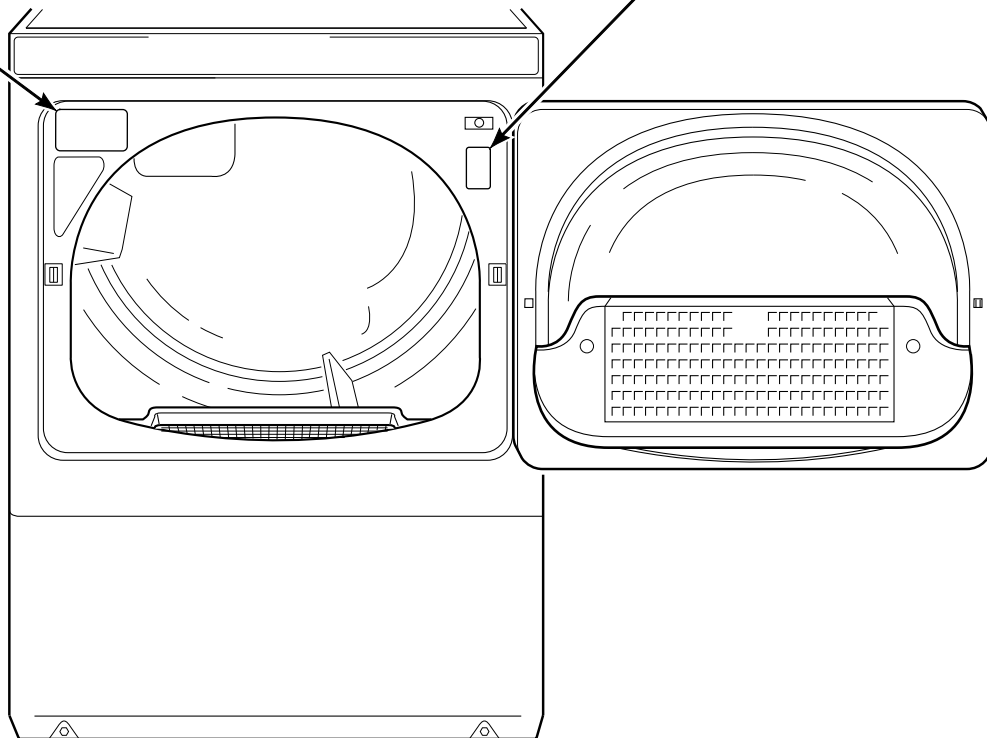
(920) 748-3121 Ripon, Wisconsin

Serial Plate Location

When calling or writing about your product, be sure to mention model and serial numbers. Model and serial numbers are located on serial plate(s) as shown.

SERIAL PLATE
(Models starting Serial No. 1206025810)

SERIAL PLATE
(Models through Serial No. 1206025809)



DRY2283P_506054

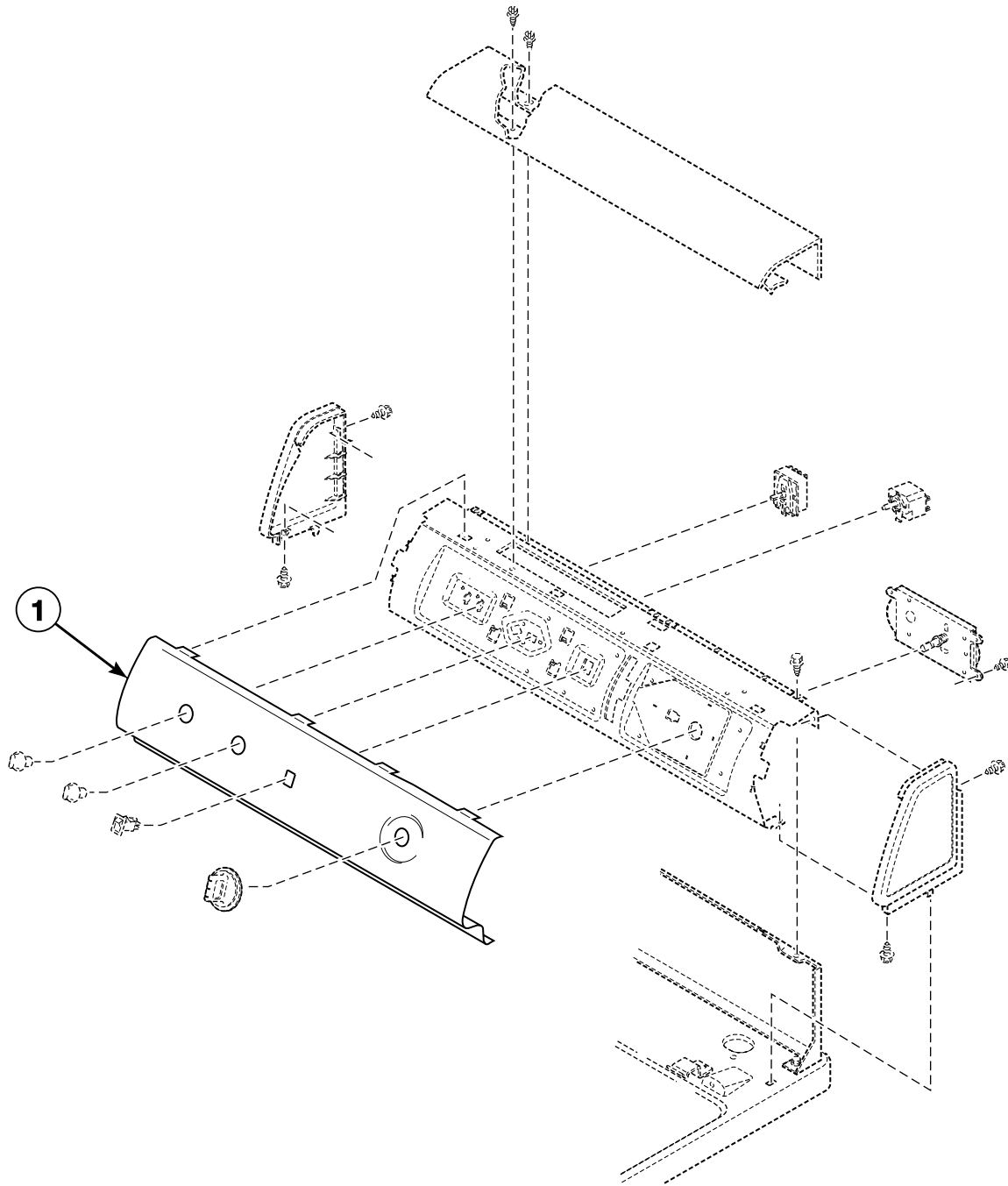
Model Identification

Information in this manual is applicable to these dryer models:

ADE3TFWS431AW01	LDE30RGS173MW33	LES17A*F3000	LGS17A*F3020
ADE3TRGS431NW29	LDE3TRGS171CW01	LES17A*F3007	LGS17A*F3081
ADE3TRGS451LW22	LDE3TRGS431AW01	LES17A*F3022	LGS17A*K1180
ADE3TRWS431AW01	LDE3TRGS451NW22	LES17A*F4500	LGS17A*M3020
ADE3TRWS431NW22	LDE3TRGS451SW01	LES17A*M4588	LGS17A*M3082
ADE3TRWS431NW29	LDE3TRGS461NW22	LES27A*G3018	LGS27A*M3013
ADE3TRWS461AW01	LDE3TRGS541NW22	LES27A*G4000	LGS27A*M3080
ADE32FSS431AN01	LDE3TRGS551NW22	LES27A*G4500	LGS37A*F3000
ADE32FSS431NN22	LDE3TRWS331TW05	LES27A*G4518	LGS37A*F3022
ADE32FSS541RN01	LDE3TRWS541NW22	LES27A*G4018	LGS37A*F3028
ADE41FSS171TN03	LDG3TRGS111CW01	LES28A*G4018	LGS37A*F3058
ADG3TFWS301AW01	LDG3TRGS301AW01	LES33A*F4562	LGS37A*F3060
ADG3TRWS301AW01	LDG3TRGS301NW22	LES37A*F3000	LGS37A*F3080
ADG32FSS301AN01	LDG3TRWS111TW05	LES37A*F3028	LGS37A*F5412
ADG41FSS111TN03	LDL30RGS113MW33	LES37A*F3300	LGS37A*F5423
AEZ17A*F1702	LDL3TRGS541NW22	LES37A*F3327	LGS37A*G3013
AEZ28A*F1702	LDL3TRGW301NW22	LES37A*F4350	LGS37A*G3080
AEZ68A*F1702	LDL3TRWW301NW22	LES37A*F5412	LGS37A*M3013
AGZ17A*F1102	LEB07A*F1709	LES37A*G3018	LGS37A*M3080
AGZ28A*F1102	LED17A*F1700	LES37A*G4018	LGS38A*M3013
AGZ68A*F1102	LEG37A*F4350	LET57A*F1700	LGS38A*M3020
BDE30FGS171CW01	LEH37A*F3300	LET67A*F1700	LGS40A*M3020
BDG30FGS111CW01	LEK37A*F4350	LET68A*F1700	LGT57A*F1100
CDE3LRGS171CW01	LEN27A*G3008	LEY47A*F1709	LGT68A*F1100
CDE4BFGS171CW01	LEN27A*G3018	LEZ27A*F1502	LGY47A*F1109
CDG3LRGS111CW01	LEN27A*G4008	LEZ27A*F1702	LGZ27A*F1102
CDG4BFGS111CW01	LEN27A*G4018	LEZ27A*G3018	LGZ27A*M3013
CEZ68A*F1702	LEN27A*G99M3	LEZ27A*G4018	LGZ37A*F1102
CGZ68A*F1102	LEN37A*G3018	LEZ37A*F1702	LGZ37A*F3000
DDE30RGS173CW01	LEN37A*G4018	LEZ37A*F3000	LGZ37A*G3013
EDE3TRGS543PW01		LEZ37A*F3300	LGZ37A*M3013
EDE3TRWS543PW01		LEZ37A*G3018	LGZ57A*F1102
EDL3TRGS541NW23		LEZ37A*G4018	LGZ67A*F1102
FDE3TRGS301NW10		LEZ37A*G5618	MDE3TRWS331TW06
FDE3TRGS401NW22		LEZ57A*F1702	MDG3TRWS111TW06
FDE3TRGS433LW01		LEZ67A*F1702	YDE3TRGS171CW01
FDG3TRGS301NW10		LGG37A*F3058	YDE3TRGS301NW10
FEN16A*G4018		LGH37A*F1182	YDG30RGS301NW21
FEN17A*G3018		LGH37A*F5423	YDG3TRGS111CW01
FEN17A*G4018		LGK37A*F3058	ZDE30RGS171CW01
FES16A*G4018		LGK37A*F3060	ZDE3LRGS171CW01
FES17A*F3300		LGN27A*F3060	ZDE41FSS171CN01
FES17A*F4350		LGN27A*M3008	ZDE4BFGS171CW01
FEU17A*F1702		LGN27A*M3013	ZDE4BRGS171CW01
FEZ17A*F1702		LGN37A*M3013	ZDG30RGS111CW01
FGN16A*M3013			ZDG3LRGS111CW01
FGN17A*M3013			ZDG41FSS111CN01
FGS17A*F3060			ZDG4BFGS111CW01
FGZ17A*F1102			ZDG4BRGS111CW01

* Add Letter To Designate Color. G - Gray L - Almond Q - Bisque W - White

Graphic Panel - Rear Control Models (Drawing 1 of 2)



DRY1868P_506054

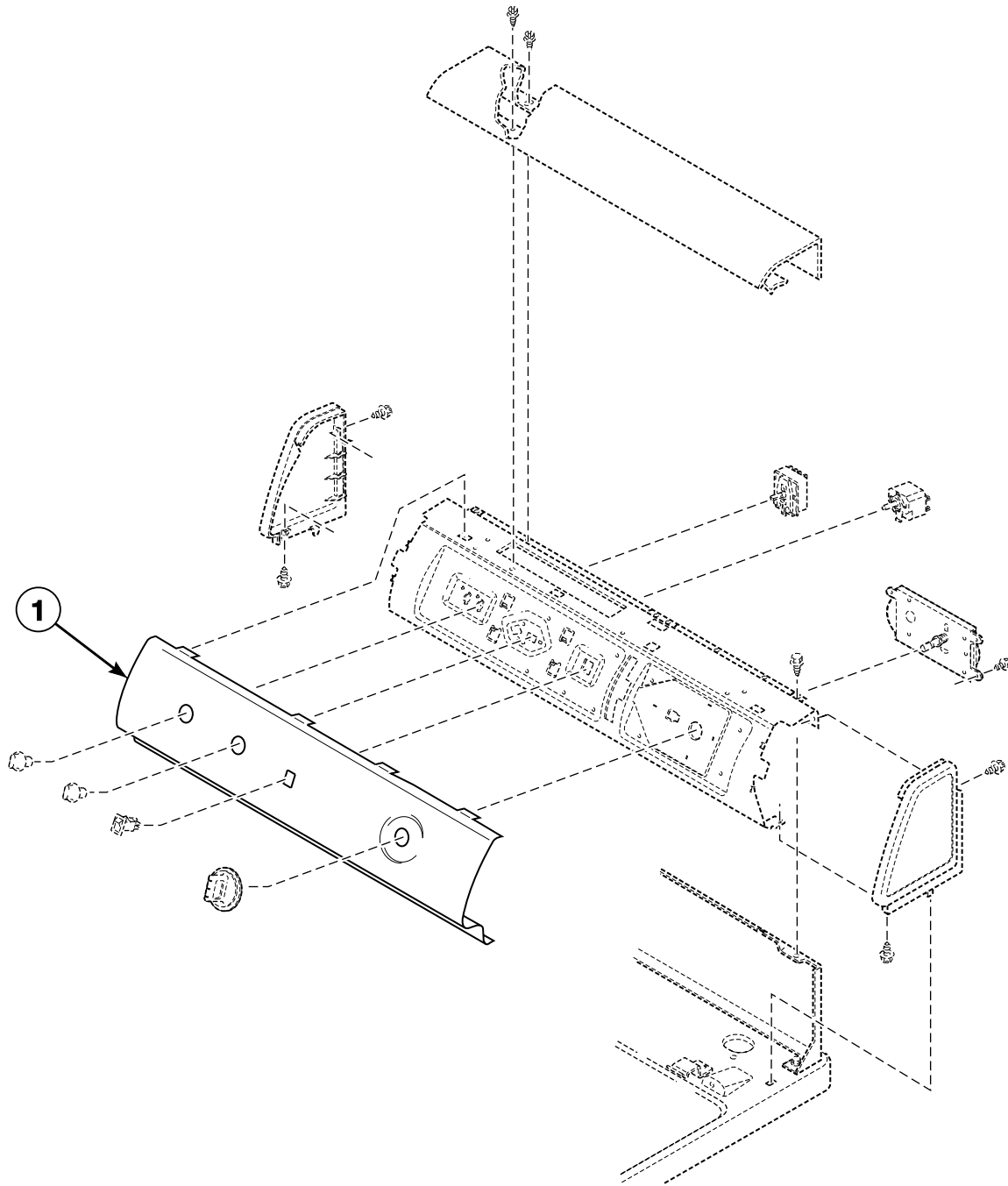
Graphic Panel - Rear Control Models (Drawing 1 of 2)

REF	PART NO.	DESCRIPTION	COMMENTS
1	D503394	Graphic Panel	Model LES33A*F4562
	D504020W	Graphic Panel	Models LDE3TRGS431AW01, LDE3TRGS451NW22, LDE3TRGS461NW22, LDE3TRGS551NW22, LDE3TRWS331TW05, LDE3TRWS541NW22, LDG3TRGS301AW01, LES37A*F3000, LES37A*F3300, LES37A*F3327, LES37A*F4350, LES37A*F5412, LGS37A*F3000, LGS37A*F3022, LGS37A*F3058, LGS37A*F3060, LGS37A*F3080, LGS37A*F5412 and LGS37A*F5423
	D504020W	Graphic Panel	Models LDE3TRGS171CW01 and LDG3TRGS111CW01 through Serial No.1903000001
	D517328	Graphic Panel	Models LDE3TRGS171CW01 and LDG3TRGS111CW01 starting Serial No.1903000001
	D504072WP	Graphic Panel	White; Models LEZ37A*F3000, LEZ37A*F3300 and LGZ37A*F3000
	D504072QP	Graphic Panel	Bisque; Models LEZ37A*F3000, LEZ37A*F3300 and LGZ37A*F3000
	D504107W	Graphic Panel	Models LEZ27A*G3018, LEZ27A*G4018, LEZ37A*G3018, LEZ37A*G4018, LEZ37A*G5618, LGZ27A*M3013, LGZ37A*G3013 and LGZ37A*M3013
	D504197W	Graphic Panel	White; Models LES17A*F3000, LES17A*F3007, LES17A*F3022, LES17A*F4500, LES17A*M4588, LGS17A*F3020, LGS17A*F3081, LGS17A*M3020 and LGS17A*M3082
	D504197Q	Graphic Panel	Bisque; Models LES17A*F3000, LES17A*F3007, LES17A*F3022, LES17A*F4500, LES17A*M4588, LGS17A*F3020, LGS17A*F3081, LGS17A*M3020 and LGS17A*M3082
	D505157WP	Graphic Panel	Model LGK37A*F3058
	D505850	Graphic Panel	Models EDE3TRGS543PW01, EDE3TRWS543PW01, EDL3TRGS541NW23, LEH37A*F3300, LGH37A*F1182 and LGH37A*F5423
	D505911	Graphic Panel	Models LEZ67A*F1702 and LGZ67A*F1102
	D505912	Graphic Panel	Models LEZ57A*F1702 and LGZ57A*F1102
	D505913	Graphic Panel	Models LEZ27A*F1502, LEZ27A*F1702, LEZ37A*F1702, LGZ27A*F1102 and LGZ37A*F1102
	N/A	Graphic Panel	Model LGS17A*K1180 through Serial No. 0503001144; Models LEB07A*F1709, LEG37A*F4350, LET67A*F1700, LEY47A*F1709, LGG37A*F3058 and LGY47A*F1109

* Add Letter To Designate Color. **G** - Gray **L** - Almond **Q** - Bisque **W** - White

N/A = Part no longer available

Graphic Panel - Rear Control Models (Drawing 2 of 2)



DRY1868P_506054

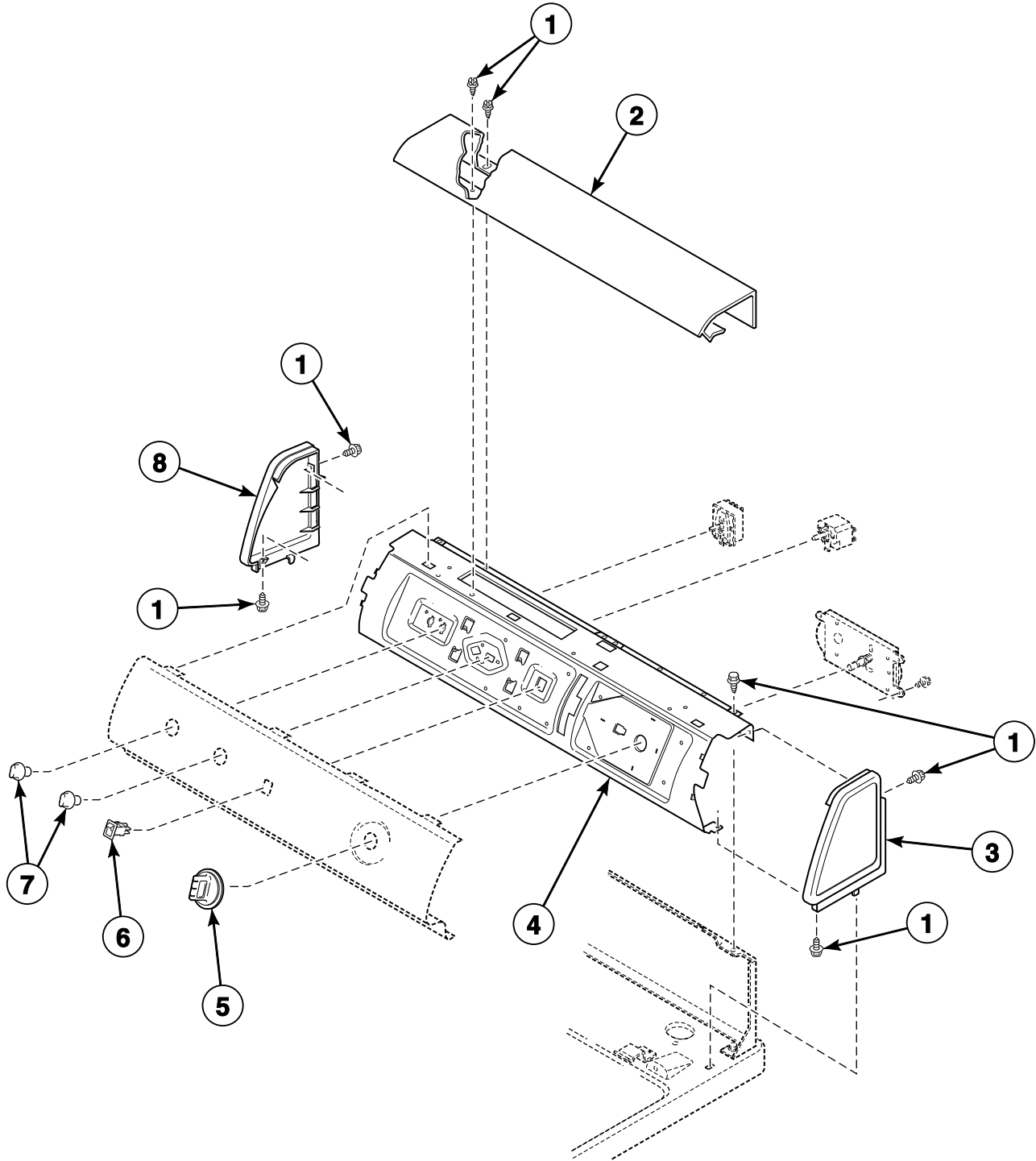
Graphic Panel - Rear Control Models (Drawing 2 of 2)

REF	PART NO.	DESCRIPTION	COMMENTS
1	D512622W	Graphic Panel	Model LGS17A*K1180 starting Serial No. 0503001145
	D511437	Graphic Panel	Models LEN27A*G3008, LEN27A*G4008, LEN27A*G99M3, LGN27A*F3060 and LGN27A*M3008
	D511639	Graphic Panel	Models DDE30RGS173CW01 and LED17A*F1700 through Serial No. 0701
	D512168W	Graphic Panel	Models DDE30RGS173CW01 and LED17A*F1700 starting Serial No. 0702
	D511882	Graphic Panel	Models LET57A*F1700, LET68A*F1700, LGT57A*F1100 and LGT68A*F1100
	D511902W	Graphic Panel	Models LEK37A*F4350 and LGK37A*F3060
	D512166W	Graphic Panel	Models AEZ17A*F1702 and AGZ17A*F1102
	D512167W	Graphic Panel	Models AEZ68A*F1702 and AGZ68A*F1102
	D512370	Graphic Panel	Models FDE3TRGS401NW22, LEN27A*G3018, LEN27A*G4018, LEN37A*G3018, LEN37A*G4018, LGN27A*M3013 and LGN37A*M3013
	D512752W	Graphic Panel	Models AEZ28A*F1702 and AGZ28A*F1102
	D511914W	Graphic Panel	Models CDE3LRGS171CW01 and CDG3LRGS111CW01
	D513523W	Graphic Panel	Models LDE3TRWS331TW05, LDG3TRWS111TW05, MDE3TRWS331TW06 and MDG3TRWS111TW06
	D513016W	Graphic Panel	Models ZDE30RGS171CW01 and ZDG30RGS111CW01
	D513017W	Graphic Panel	Models ZDE3LRGS171CW01 and ZDG3LRGS111CW01
	D513018W	Graphic Panel	Models ZDE4BRGS171CW01 and ZDG4BRGS111CW01
	D513244W	Graphic Panel	Models ADE3TRGS451LW22, ADE3TRWS431AW01, ADE3TRWS431NW22, ADE3TRWS461AW01 and ADG3TRWS301AW01
	D515439W	Graphic Panel	White; Models ADE3TRGS431NW29 and ADE3TRWS431NW29
	D513764W	Graphic Panel	Models FDE3TRGS301NW10, FDE3TRGS433LW01, FDG3TRGS301NW10 and YDE3TRGS301NW10
	D516138W	Graphic Panel	Models YDE3TRGS171CW01 and YDG3TRGS111CW01
	D517079	Graphic Panel	Models LDE30RGS173MW33 and LDL30RGS113MW33
	D517529	Graphic Panel	Model YDG30RGS301NW21
	D517798	Graphic Panel	Model LDE3TRGS451SW01
	D504070W	Graphic Panel	All other models

* Add Letter To Designate Color. G - Gray L - Almond Q - Bisque W - White

N/A = Part no longer available

Control Panel and Knobs - Rear Control Models



DRY1858P_506054

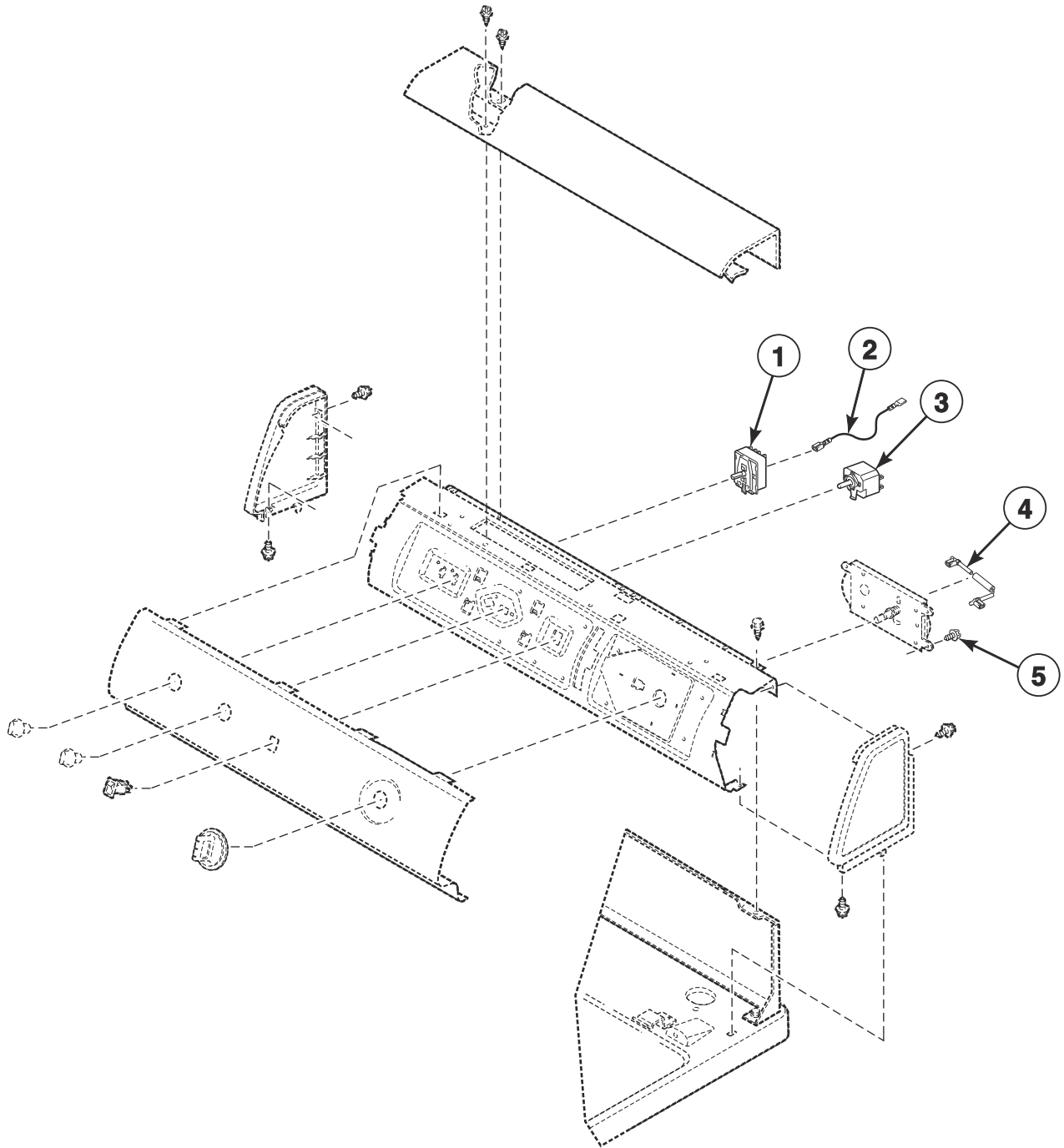
Control Panel and Knobs - Rear Control Models

REF	PART NO.	DESCRIPTION	COMMENTS
	D511148	Wire Assembly	Extra tumble; Use with item 6; Models AEZ68A*F1702, AGZ68A*F1102, ZDE4BRGS171CW01 and ZDG4BRGS111CW01
1	D501086	Screw	
2	D505808W	Top Cover	White
	D505808G	Top Cover	Gray
	N/A	Top Cover	Almond
	D505808Q	Top Cover	Bisque
3	D504006P	End Panel	Right; Black; Models LEN27A*G3008, LEN27A*G4008, LEN27A*G99M3, LGN27A*F3060 and LGN27A*M3008
	D504008WP	End Panel	White; Right; All other models
	D504008L	End Panel	Almond; Right; All other models
	D504008QP	End Panel	Bisque; Right; All other models
4	D503901	Control Support Panel	
5	D512118	Timer Knob Assembly	Black; Models LEN27A*G3008, LEN27A*G4008, LEN27A*G99M3, LGN27A*F3060 and LGN27A*M3008
	803168P	Knob Assembly	Models ADE3TRGS431NW29, ADE3TRGS451LW22, ADE3TRWS431AW01, ADE3TRWS431NW22, ADE3TRWS431NW29, ADE3TRWS461AW01, ADG3TRWS301AW01, ZDE30RGS171CW01, ZDE3LRGS171CW01, ZDE4BRGS171CW01, ZDG30RGS111CW01, ZDG3LRGS111CW01 and ZDG4BRGS111CW01
	D517774W	Timer Knob Assembly	Model LES17A*F3022
	D512117W	Timer Knob Assembly	White; All other models
	D512117Q	Timer Knob Assembly	Bisque; All other models
6	38424W	Rocker Switch	White; Models AEZ68A*F1702, AGZ68A*F1102, LET57A*F1700, LET67A*F1700, LET68A*F1700, LEZ57A*F1702, LEZ67A*F1702, LGT57A*F1100, LGT68A*F1100, LGZ57A*F1102, LGZ67A*F1102, ZDE4BRGS171CW01 and ZDG4BRGS111CW01
	38424L	Rocker Switch	Almond; Models AEZ68A*F1702, AGZ68A*F1102, LET57A*F1700, LET67A*F1700, LET68A*F1700, LEZ57A*F1702, LEZ67A*F1702, LGT57A*F1100, LGT68A*F1100, LGZ57A*F1102 and LGZ67A*F1102
	38424Q	Rocker Switch	Bisque; Models AEZ68A*F1702, AGZ68A*F1102, LET57A*F1700, LET67A*F1700, LET68A*F1700, LEZ57A*F1702, LEZ67A*F1702, LGT57A*F1100, LGT68A*F1100, LGZ57A*F1102 and LGZ67A*F1102
7	D511439	Knob Assembly	Black; Models LEN27A*G3008, LEN27A*G4008, LEN27A*G99M3, LGN27A*F3060 and LGN27A*M3008
	803119P	Control Knob Assembly	Models ADE3TRGS431NW29, ADE3TRGS451LW22, ADE3TRWS431AW01, ADE3TRWS431NW22, ADE3TRWS431NW29, ADE3TRWS461AW01, ADG3TRWS301AW01, ZDE30RGS171CW01, ZDE3LRGS171CW01, ZDE4BRGS171CW01, ZDG30RGS111CW01, ZDG3LRGS111CW01 and ZDG4BRGS111CW01
	36701W	Knob Assembly	White; All other models
	36701L	Knob Assembly	Almond; All other models
	36701Q	Knob Assembly	Bisque; All other models
8	D504007P	End Panel	Left; Black; Models LEN27A*G3008, LEN27A*G4008, LEN27A*G99M3, LGN27A*F3060 and LGN27A*M3008
	D504009WP	End Panel	White; Left; All other models
	N/A	End Panel	Almond; Left; All other models
	D504009QP	End Panel	Bisque; Left; All other models

* Add Letter To Designate Color. G - Gray L - Almond Q - Bisque W - White

N/A = Part no longer available

Controls - Rear Control Models



DRY2279PC

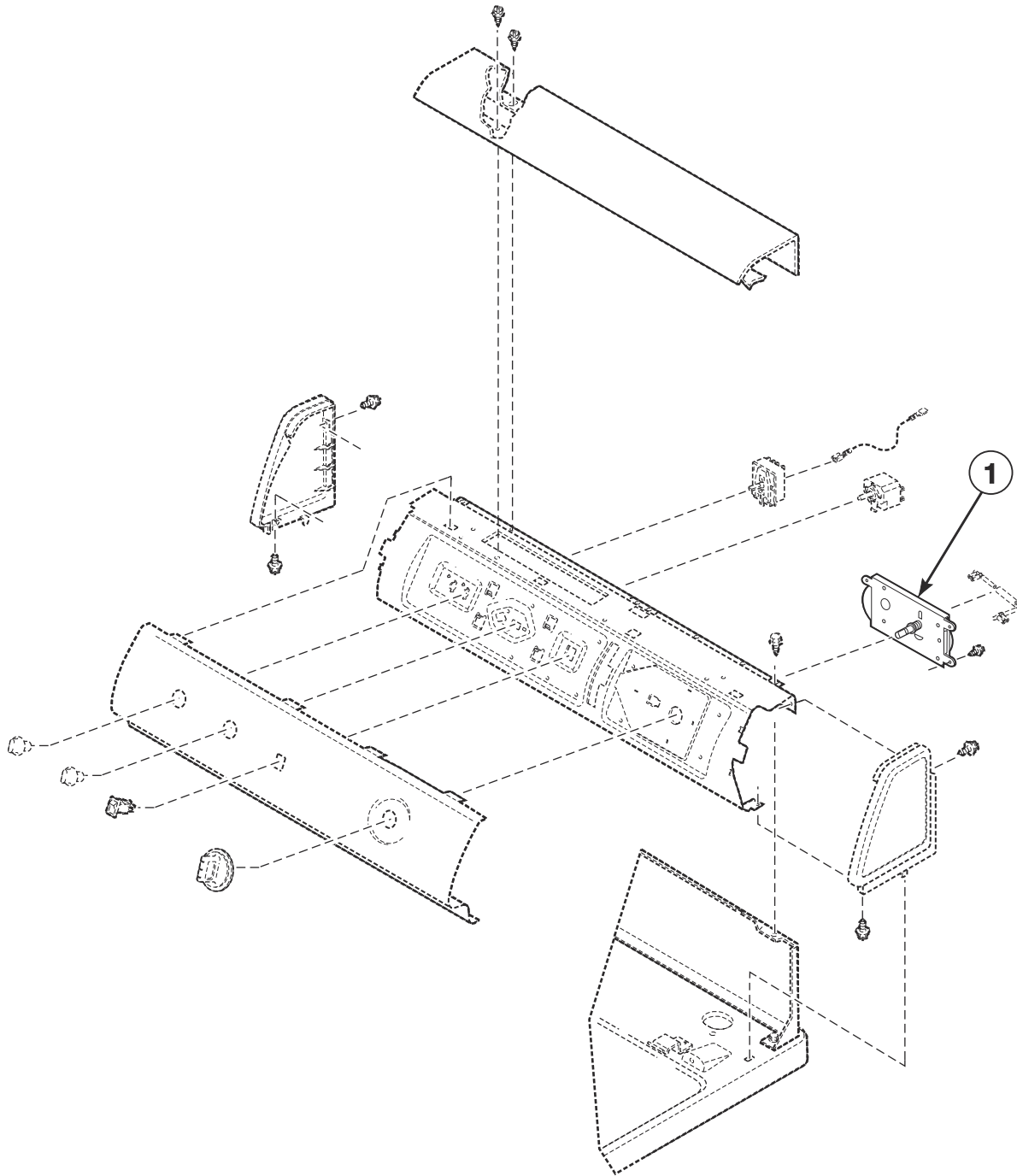
Controls - Rear Control Models

REF	PART NO.	DESCRIPTION	COMMENTS
1	D513504	Fabric Selector Switch	Model LES33A*F4562
	D513506	Fabric Selector Switch	Models AEZ68A*F1702, AGZ68A*F1102, LET57A*F1700, LET67A*F1700, LET68A*F1700, LEY47A*F1709, LEZ57A*F1702, LEZ67A*F1702, LGT57A*F1100, LGT68A*F1100, LGY47A*F1109, LGZ57A*F1102, LGZ67A*F1102, ZDE4BRGS171CW01 and ZDG4BRGS111CW01
	D513505	Fabric Selector Switch	All other models
2	D518708	Wire Assembly	Fabric selector switch to timer; Electric models
3	D510211	Buzzer	Models ADE3TRGS451LW22, AEZ68A*F1702, AGZ68A*F1102, LDE3TRGS171CW01, LDG3TRGS111CW01, LDG3TRWS111TW05, LET57A*F1700, LET67A*F1700, LET68A*F1700, LEY47A*F1709, LEZ27A*F1502, LEZ27A*F1702, LEZ37A*F1702, LEZ57A*F1702, LEZ67A*F1702, LGH37A*F1182, LGT57A*F1100, LGT68A*F1100, LGY47A*F1109, LGZ27A*F1102, LGZ37A*F1102, LGZ57A*F1102, LGZ67A*F1102, MDG3TRWS111TW06, YDE3TRGS171CW01, YDG3TRGS111CW01, ZDE4BRGS171CW01 and ZDG4BRGS111CW01
	D505447	Adjustable Buzzer	Models LGS37A*G3013, LGS37A*G3080 and LGZ37A*G3013
	D504103	Adjustable Buzzer	All models except AEZ17A*F1702, AEZ28A*F1702, AEZ68A*F1702, AGZ17A*F1102, AGZ28A*F1102, AGZ68A*F1102, CDE3LRGS171CW01, CDG3LRGS111CW01, DDE30RGS173CW01, LDE30RGS173MW33, LDG3TRWS111TW05, LDL30RGS113MW33, LDL3TRGS541NW22, LDL3TRGW301NW22, LDL3TRWW301NW22, LEB07A*F1709, LED17A*F1700, LES17A*F3000, LES17A*F3007, LES17A*F3022, LES17A*F4500, LES17A*M4588, LET57A*F1700, LET67A*F1700, LET68A*F1700, LEY47A*F1709, LEZ27A*F1502, LEZ27A*F1702, LEZ37A*F1702, LEZ57A*F1702, LEZ67A*F1702, LGH37A*F1182, LGS17A*F3020, LGS17A*F3081, LGS17A*K1180, LGS17A*M3020, LGS17A*M3082, LGS37A*G3013, LGS37A*G3080, LGT57A*F1100, LGT68A*F1100, LGY47A*F1109, LGZ27A*F1102, LGZ37A*F1102, LGZ37A*G3013, LGZ57A*F1102, LGZ67A*F1102, MDG3TRWS111TW06, YDG30RGS301NW21, ZDE30RGS171CW01, ZDE3LRGS171CW01, ZDE4BRGS171CW01, ZDG30RGS111CW01, ZDG3LRGS111CW01 and ZDG4BRGS111CW01
4	D511277	Resistor Assembly	
5	D501086	Screw	

* Add Letter To Designate Color. G - Gray L - Almond Q - Bisque W - White

N/A = Part no longer available

Timer - Rear Control Models (Drawing 1 of 2)



DRY2279PA_506054

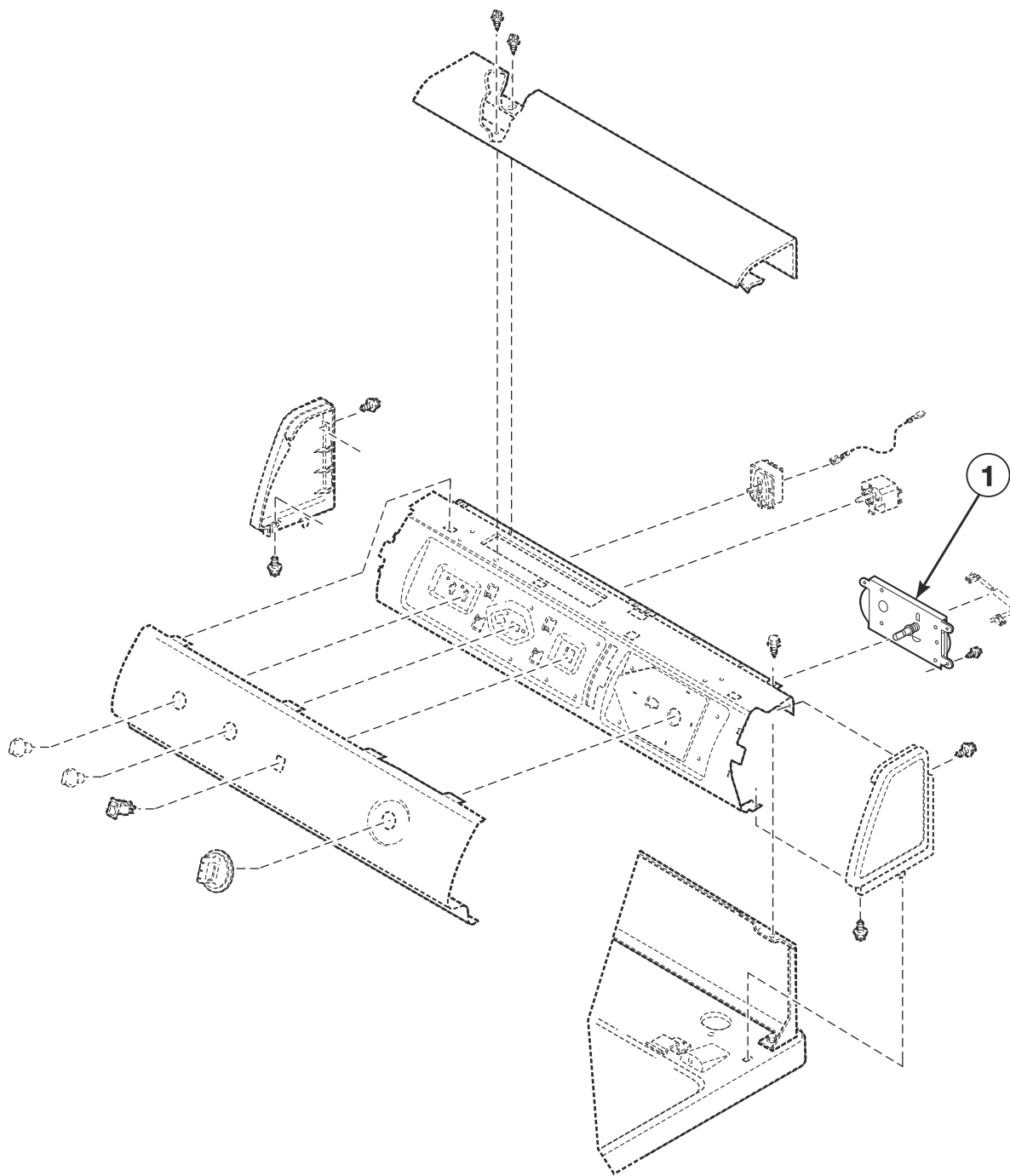
Timer - Rear Control Models (Drawing 1 of 2)

REF	PART NO.	DESCRIPTION	COMMENTS
1	D502966P	Timer	Models LGS37A*G3013, LGS37A*G3080 and LGZ37A*G3013
	D505795P	Timer	Models FDE3TRGS301NW10, LDE3TRGS451NW22, LDE3TRGS451SW01, LDL3TRGS541NW22, LDL3TRWW301NW22, LES17A*F3000, LES17A*F3007, LES17A*F4500, LES17A*M4588, LES37A*F3000, LES37A*F4350, LEZ37A*F3000, LEZ37A*F3300, LGN27A*F3060, LGS17A*F3020, LGS17A*F3081, LGS17A*M3020, LGS17A*M3082, LGS37A*F3000, LGS37A*F3022, LGS37A*F3058, LGS37A*F3060, LGS37A*F3080, LGZ37A*F3000, YDE3TRGS301NW10 and YDG30RGS301NW21
	D517558	Timer	Models FDG3TRGS301NW10, LDE3TRGS431AW01, LDE3TRGS461NW22, LDG3TRGS301AW01, LDL3TRGW301NW22 and LES17A*F3022
	D505796P	Timer	Models EDE3TRWS543PW01, LDE3TRGS551NW22, LDE3TRWS331TW05, LDE3TRWS541NW22, LEH37A*F3300, LES37A*F3300, LES37A*F3327, LES37A*F5412, LGS37A*F5412, LGS37A*F5423 and MDE3TRWS331TW06
	D518124	Timer	Models AGZ68A*F1102, LGT57A*F1100, LGT68A*F1100, LGZ57A*F1102, LGZ67A*F1102 and ZDG4BRGS111CW01
	D511150P	Timer	Models AEZ68A*F1702, LET57A*F1700, LET67A*F1700, LET68A*F1700, LEZ57A*F1702, LEZ67A*F1702 and ZDE4BRGS171CW01
	N/A	Timer and Harness Kit	Model LEB07A*F1709
	N/A	Timer	Models LEY47A*F1709 and LGY47A*F1109
	D502964P	Timer	Models ADE3TRGS431NW29, ADE3TRWS431AW01, ADE3TRWS431NW22, ADE3TRWS431NW29, ADE3TRWS461AW01, ADG3TRWS301AW01, EDE3TRGS543PW01, EDL3TRGS541NW23, FDE3TRGS401NW22, FDE3TRGS433LW01, LDE3TRGS451SW01, LDE3TRGS541NW22, LDG3TRGS301NW22, LEG37A*F4350, LEK37A*F4350, LEN27A*G3008, LEN27A*G3018, LEN27A*G4008, LEN27A*G4018, LEN27A*G99M3, LEN37A*G3018, LEN37A*G4018, LES27A*G3018, LES27A*G4000, LES27A*G4018, LES27A*G4500, LES27A*G4518, LES33A*F4562, LES37A*F3028, LES37A*G3018, LES37A*G4018, LEZ27A*G3018, LEZ27A*G4018, LEZ37A*G3018, LEZ37A*G4018, LEZ37A*G5618, LGG37A*F3058, LGH37A*F5423, LGK37A*F3058, LGK37A*F3060, LGN27A*M3008, LGN27A*M3013, LGN37A*M3013, LGS27A*M3013, LGS27A*M3080, LGS37A*F3028, LGS37A*M3013, LGS37A*M3080, LGS38A*M3013, LGS38A*M3020, LGS40A*M3020, LGZ27A*M3013 and LGZ37A*M3013

* Add Letter To Designate Color. G - Gray L - Almond Q - Bisque W - White

N/A = Part no longer available

Timer - Rear Control Models (Drawing 2 of 2)



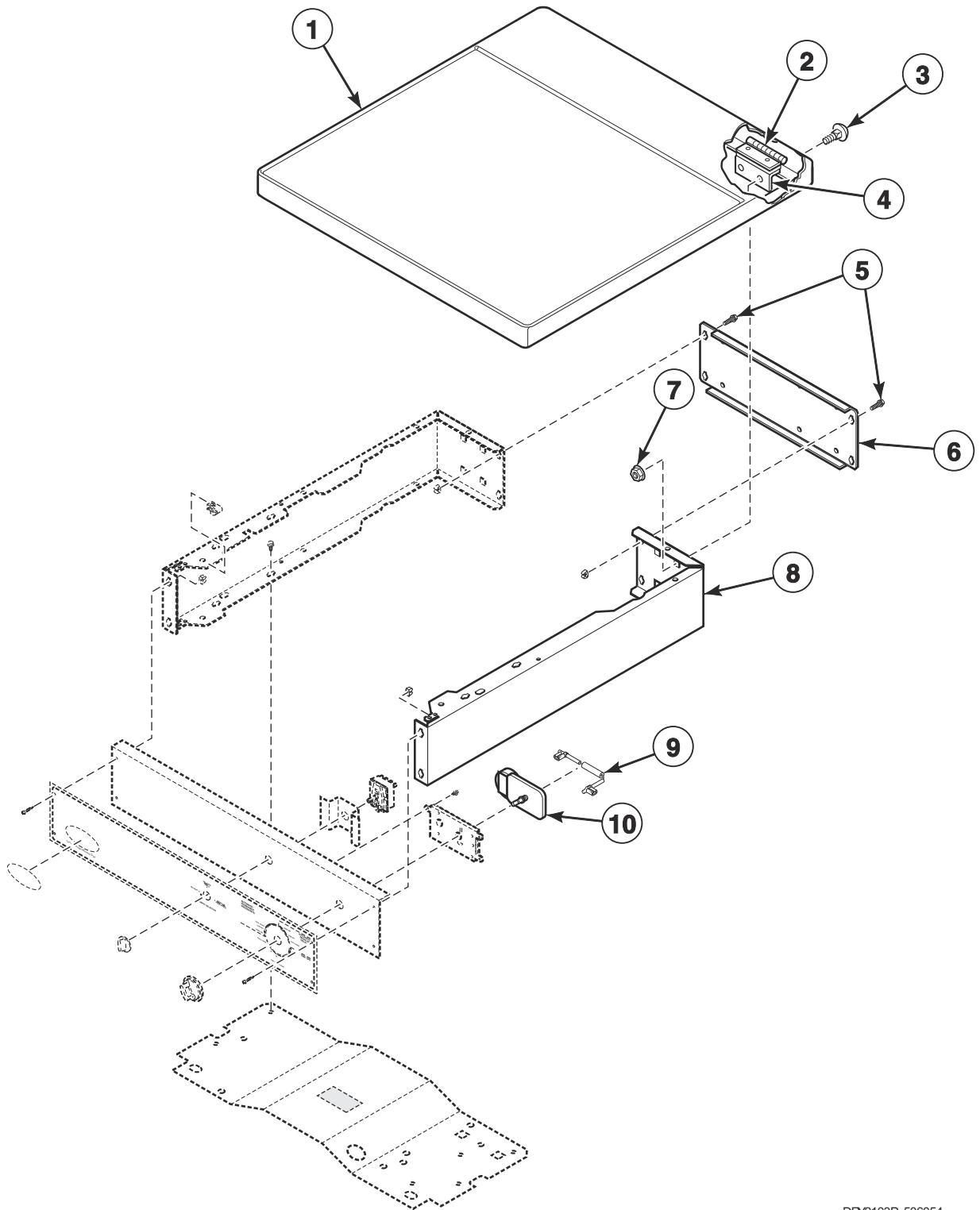
DRY2279PA_506054

Timer - Rear Control Models (Drawing 2 of 2)

REF	PART NO.	DESCRIPTION	COMMENTS
1	D505797P	Timer and Harness Kit	Models ADE3TRGS451LW22, AEZ17A*F1702, AEZ28A*F1702 and LEZ37A*F1702 through Serial No. 1903000001; Models DDE30RGS173CW01, LED17A*F1700 and ZDE30RGS171CW01 through Serial No. 1903000001 replaced by D519030 Timer Replacement Kit; Models CDE3LRGS171CW01, LDE3TRGS171CW01, LEZ27A*F1502, LEZ27A*F1702, YDE3TRGS171CW01 and ZDE3LRGS171CW01 through Serial No. 1903000001 replaced by D519031 Timer Replacement Kit; Model LDE30RGS173MW33 replaced by D519030 Timer Replacement Kit
	D517387	Timer	Starting Serial No. 1903000001; Models DDE30RGS173CW01, LED17A*F1700 and ZDE30RGS171CW01 replaced by D519030 Timer Replacement Kit; Models CDE3LRGS171CW01, LDE3TRGS171CW01, LEZ27A*F1502, LEZ27A*F1702, YDE3TRGS171CW01 and ZDE3LRGS171CW01 replaced by D519031 Timer Replacement Kit
	D519030	Timer Replacement Kit	Replaces D505797P Timer and Harness Kit, D517387 Timer, D518950 Timer Kit and D518951 Timer Kit; Models DDE30RGS173CW01, LDE30RGS173MW33, LED17A*F1700 and ZDE30RGS171CW01
	D519031	Timer Replacement Kit	Replaces D505797P Timer and Harness Kit, D517387 Timer, D518952 Timer Kit and D518953 Timer Kit; Models CDE3LRGS171CW01, LDE3TRGS171CW01, LEZ27A*F1502, LEZ27A*F1702, YDE3TRGS171CW01 and ZDE3LRGS171CW01
	D505794P	Timer	Through Serial No. 1903000001; Models AGZ17A*F1102, AGZ28A*F1102, LDG3TRWS111TW05, LGS17A*K1180 and LGZ37A*F1102; Models CDG3LRGS111CW01, LDL30RGS113MW33, ZDG30RGS111CW01 and ZDG3LRGS111CW01 replaced by D519034 Timer Replacement Kit; Models LDG3TRGS111CW01, LGH37A*F1182, LGZ27A*F1102, MDG3TRWS111TW06 and YDG3TRGS111CW01 replaced by D519035 Timer Replacement Kit
	D517386	Timer	Starting Serial No. 1903000001; Models CDG3LRGS111CW01, LDL30RGS113MW33, ZDG30RGS111CW01 and ZDG3LRGS111CW01 replaced by D519034 Timer Replacement Kit; Models LDG3TRGS111CW01, LGH37A*F1182, LGZ27A*F1102, MDG3TRWS111TW06 and YDG3TRGS111CW01 replaced by D519035 Timer Replacement Kit
	D519034	Timer Replacement Kit	Replaces D505794P Timer and D517386 Timer; Models CDG3LRGS111CW01, LDL30RGS113MW33, ZDG30RGS111CW01 and ZDG3LRGS111CW01
	D519035	Timer Replacement Kit	Replaces D505794P Timer and D517386 Timer; Models LDG3TRGS111CW01, LGH37A*F1182, LGZ27A*F1102, MDG3TRWS111TW06 and YDG3TRGS111CW01
	D518950	Timer Conversion Kit	Model LDE30RGS173MW33; Replaced by D519030 Timer Replacement Kit

Control Cabinet - Front Control Models (Drawing 1 of 2)

Models BDE30FGS171CW01, BDG30FGS111CW01, FEN16A*G4018, FEN17A*G3018,
FEN17A*G4018, FES16A*G4018, FES17A*F3300, FES17A*F4350, FEU17A*F1702,
FEZ17A*F1702, FGN16A*M3013, FGN17A*M3013, FGS17A*F3060 and FGZ17A*F1102



DRY2103P_506054

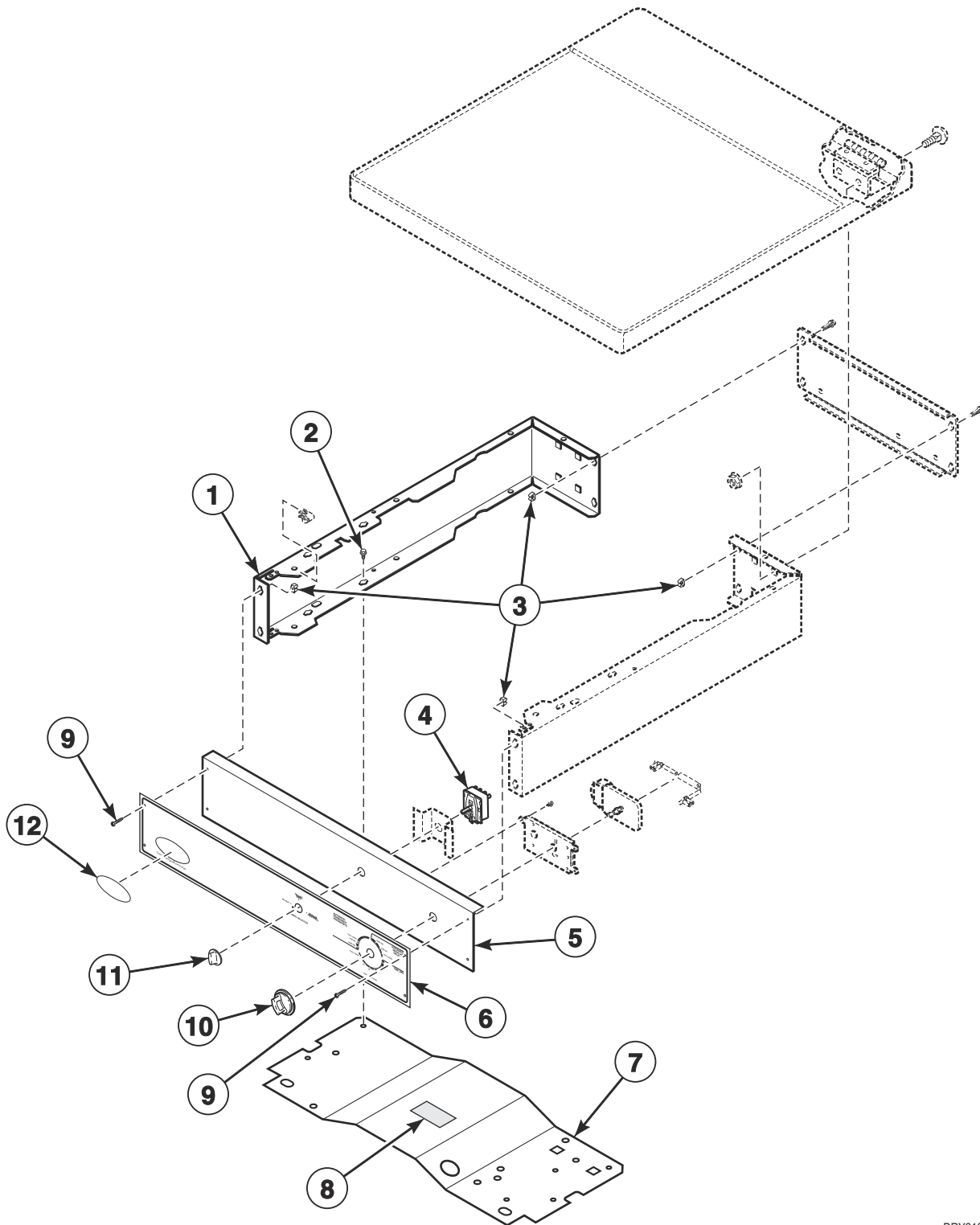
Control Cabinet - Front Control Models (Drawing 1 of 2)

REF	PART NO.	DESCRIPTION	COMMENTS
1	D511631P	Stainless Steel Top	Models FEN16A*G4018, FES16A*G4018 and FGN16A*M3013
	D510032LP	Top Kit	Almond; All other models
	802247QP	Top and Gusset Assembly	Bisque; All other models
	802247WP	Top and Gusset Assembly	White; All other models
2	D511036	Hinge	
3	29651	Bolt	4 required
4	D504228	Top Mounting Bracket	
5	D503688	Screw	
6	801058	Rear Control Cabinet	
7	44087201	Nut	
8	800915W	Right Control Cabinet Side	White
	800915L	Right Control Cabinet Side	Almond
	800915Q	Right Control Cabinet Side	Bisque
9	D511277	Resistor Assembly	Models BDE30FGS171CW01, FEN16A*G4018, FEU17A*F1702 and FEZ17A*F1702
10	D502964P	Timer	Models FEN16A*G4018, FEN17A*G3018, FEN17A*G4018, FES16A*G4018, FGN16A*M3013 and FGN17A*M3013
	D505794P	Timer	Models BDG30FGS111CW01 and FGZ17A*F1102; Replaced by D519036 Timer Replacement Kit
	D519036	Timer Replacement Kit	Replaces D505794P Timer; Models BDG30FGS111CW01 and FGZ17A*F1102
	D505795P	Timer	Models FES17A*F4350 and FGS17A*F3060
	D505796P	Timer	Model FES17A*F3300
	D505797P	Timer and Harness Kit	Model BDE30FGS171CW01 replaced by D519030 Timer Replacement Kit; Models FEU17A*F1702 and FEZ17A*F1702 replaced by D519032 Timer Replacement Kit
	D519030	Timer Replacement Kit	Replaces D505797P Timer and Harness Kit; Model BDE30FGS171CW01
	D519032	Timer Replacement Kit	Replaces D505797P Timer and Harness Kit; Models FEU17A*F1702 and FEZ17A*F1702

* Add Letter To Designate Color. G - Gray L - Almond Q - Bisque W - White

Control Cabinet - Front Control Models (Drawing 2 of 2)

Models BDE30FGS171CW01, BDG30FGS111CW01, FEN16A*G4018, FEN17A*G3018, FEN17A*G4018, FES16A*G4018, FES17A*F3300, FES17A*F4350, FEU17A*F1702, FEZ17A*F1702, FGN16A*M3013, FGN17A*M3013, FGS17A*F3060 and FGZ17A*F1102



DRY2103PA_506054

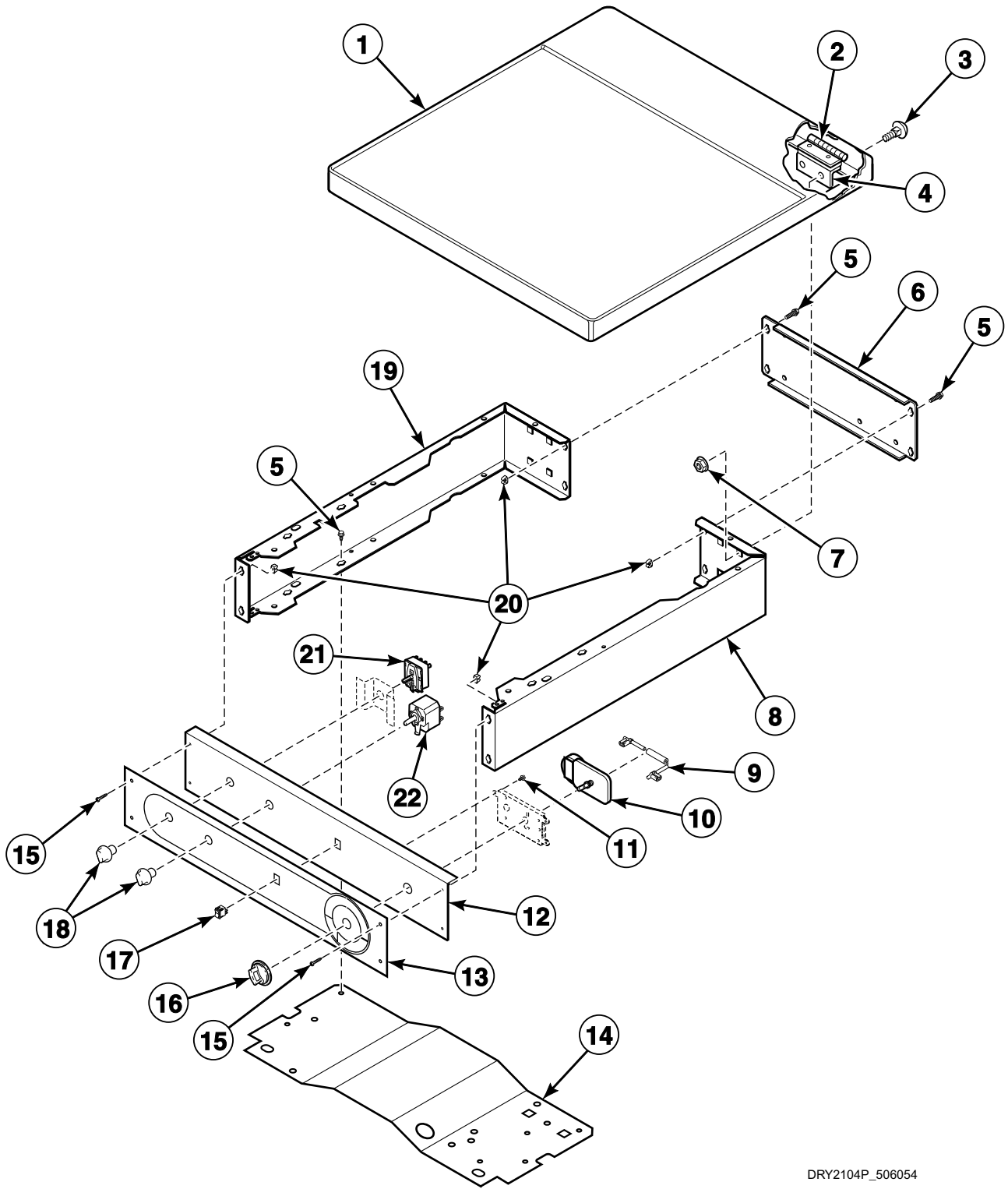
Control Cabinet - Front Control Models (Drawing 2 of 2)

REF	PART NO.	DESCRIPTION	COMMENTS
1	800900WP	Left Control Cabinet Side	White
	800900LP	Left Control Cabinet Side	Almond
	800900QP	Left Control Cabinet Side	Bisque
2	70240301	Screw	8 required
3	70030501	Expansion Clip	12 required
4	D513505	Fabric Selector Switch	
5	D511421W	Control Panel Assembly	
6	D511656	Graphic Overlay	Models FEN16A*G4018, FEN17A*G3018, FEN17A*G4018, FES16A*G4018, FGN16A*M3013 and FGN17A*M3013
	D511406	Graphic Overlay	All other models
7	801777	Control Cabinet Bottom	
8	D505281	Disconnect Power Warning Label	Model FGS17A*F3060
	D502511	Electrical Shock Label	Models FGN16A*M3013 and FGN17A*M3013
9	800930	Screw	4 required
10	D512117W	Timer Knob Assembly	White
	D512117Q	Timer Knob Assembly	Bisque
11	36701W	Knob Assembly	White
	36701L	Knob Assembly	Almond
	36701Q	Knob Assembly	Bisque
12	202128	Domed Label	Models BDE30FGS171CW01 and BDG30FGS111CW01
	800921	Domed Label	Models FES16A*G4018, FES17A*F3300, FES17A*F4350 and FGS17A*F3060
	800922	Domed Label	Models FEZ17A*F1702 and FGZ17A*F1102
	800923	Domed Label	Model FEU17A*F1702

* Add Letter To Designate Color. G - Gray L - Almond Q - Bisque W - White

Control Panel and Controls - Front Control

Models ADE3TFWS431AW01, ADG3TFWS301AW01, CDE4BFGS171CW01, CDG4BFGS111CW01, CEZ68A*F1702, CGZ68A*F1102, ZDE4BFGS171CW01 and ZDG4BFGS111CW01



DRY2104P_506054

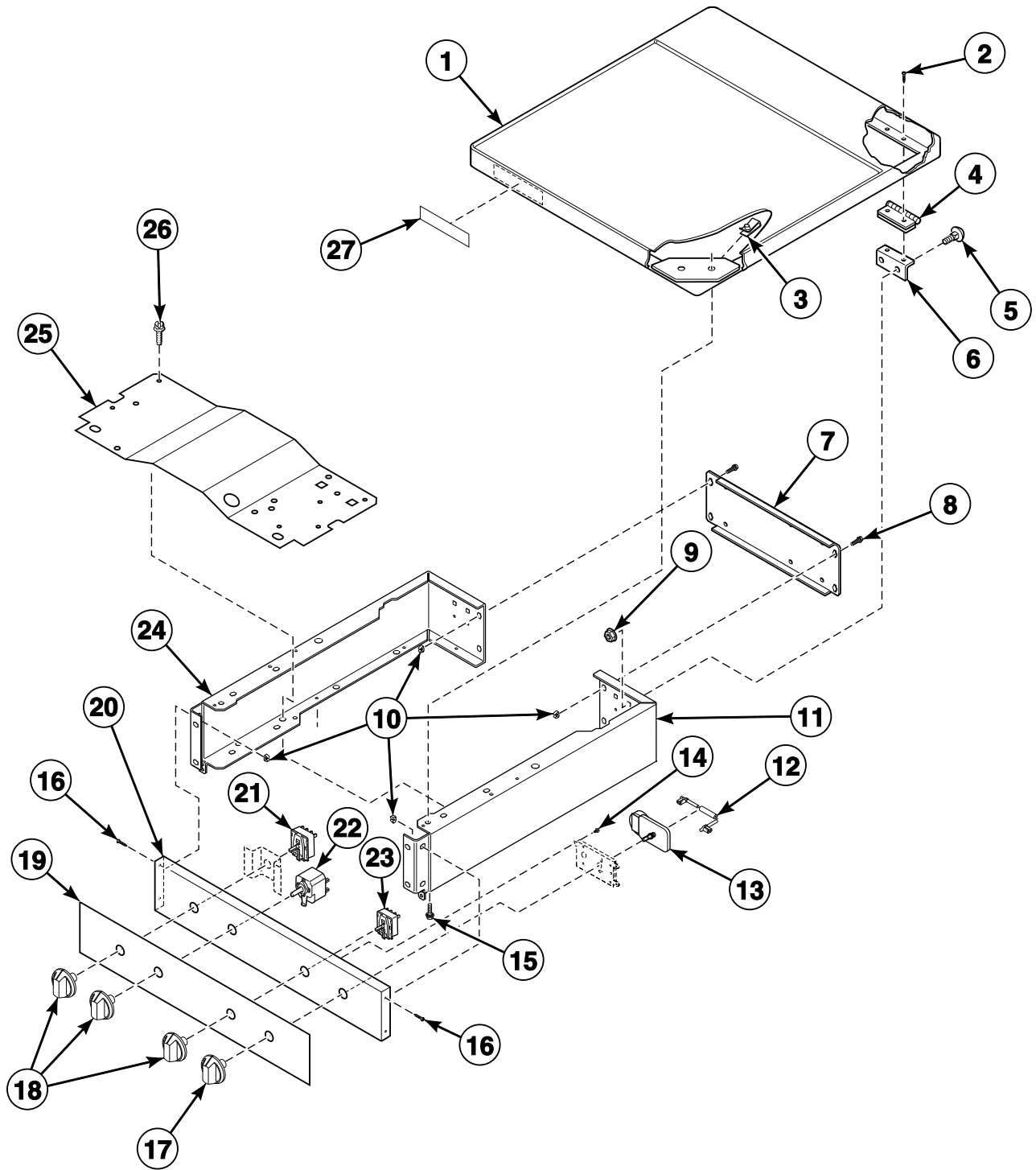
Control Panel and Controls - Front Control

REF	PART NO.	DESCRIPTION	COMMENTS
1	802247WP	Top and Gusset Assembly	White
	802247QP	Top and Gusset Assembly	Bisque
2	D511036	Hinge	
3	29651	Bolt	4 required
4	D504228	Top Mounting Bracket	
5	70240301	Screw	8 required
6	801058	Rear Control Cabinet	
7	29796	Nut	4 required
8	800915W	Right Control Cabinet Side	White
	800915Q	Right Control Cabinet Side	Bisque
9	D511277	Resistor Assembly	Use with 511150 4 Cycle Timer; Models CDE4BFGS171CW01, CEZ68A*F1702 and ZDE4BFGS171CW01
10	D502964P	Timer	Models ADE3TFWS431AW01 and ADG3TFWS301AW01
	D518124	Timer	Models CDG4BFGS111CW01, CGZ68A*F1102 and ZDG4BFGS111CW01
	D511150P	Timer	Models CDE4BFGS171CW01, CEZ68A*F1702 and ZDE4BFGS171CW01
11	D501086	Screw	
12	D512067W	Control Panel Assembly	
13	D513245	Graphic Overlay	Models ADE3TFWS431AW01 and ADG3TFWS301AW01
	D512751	Graphic Overlay	Models CEZ68A*F1702 and CGZ68A*F1102
	D511913	Graphic Overlay	Models CDE4BFGS171CW01 and CDG4BFGS111CW01
	D513019	Graphic Overlay	Models ZDE4BFGS171CW01 and ZDG4BFGS111CW01
14	801777	Control Cabinet Bottom	
15	800930	Screw	4 required
16	803118P	Knob Assembly	Models ADE3TFWS431AW01, ADG3TFWS301AW01, ZDE4BFGS171CW01 and ZDG4BFGS111CW01
	D512117W	Timer Knob Assembly	White; All other models
	D512117Q	Timer Knob Assembly	Bisque; All other models
17	38424W	Rocker Switch	White; All models except ADE3TFWS431AW01 and ADG3TFWS301AW01
	38424Q	Rocker Switch	Bisque; All models except ADE3TFWS431AW01 and ADG3TFWS301AW01
18	803119P	Control Knob Assembly	Models ADE3TFWS431AW01, ADG3TFWS301AW01, ZDE4BFGS171CW01 and ZDG4BFGS111CW01
	36701W	Knob Assembly	White; All other models
	36701Q	Knob Assembly	Bisque; All other models
19	800900WP	Left Control Cabinet Side	White
	800900QP	Left Control Cabinet Side	Bisque
20	70030501	Expansion Clip	12 required
21	D513505	Fabric Selector Switch	
22	D504103	Adjustable Buzzer	Models ADE3TFWS431AW01 and ADG3TFWS301AW01
	D510211	Buzzer	All other models

* Add Letter To Designate Color. G - Gray L - Almond Q - Bisque W - White

Control Cabinet and Controls

Models ADE32FSS431AN01, ADE32FSS431NN22, ADE32FSS541RN01, ADE41FSS171TN03, ADG32FSS301AN01, ADG41FSS111TN03, ZDE41FSS171CN01 and ZDG41FSS111CN01

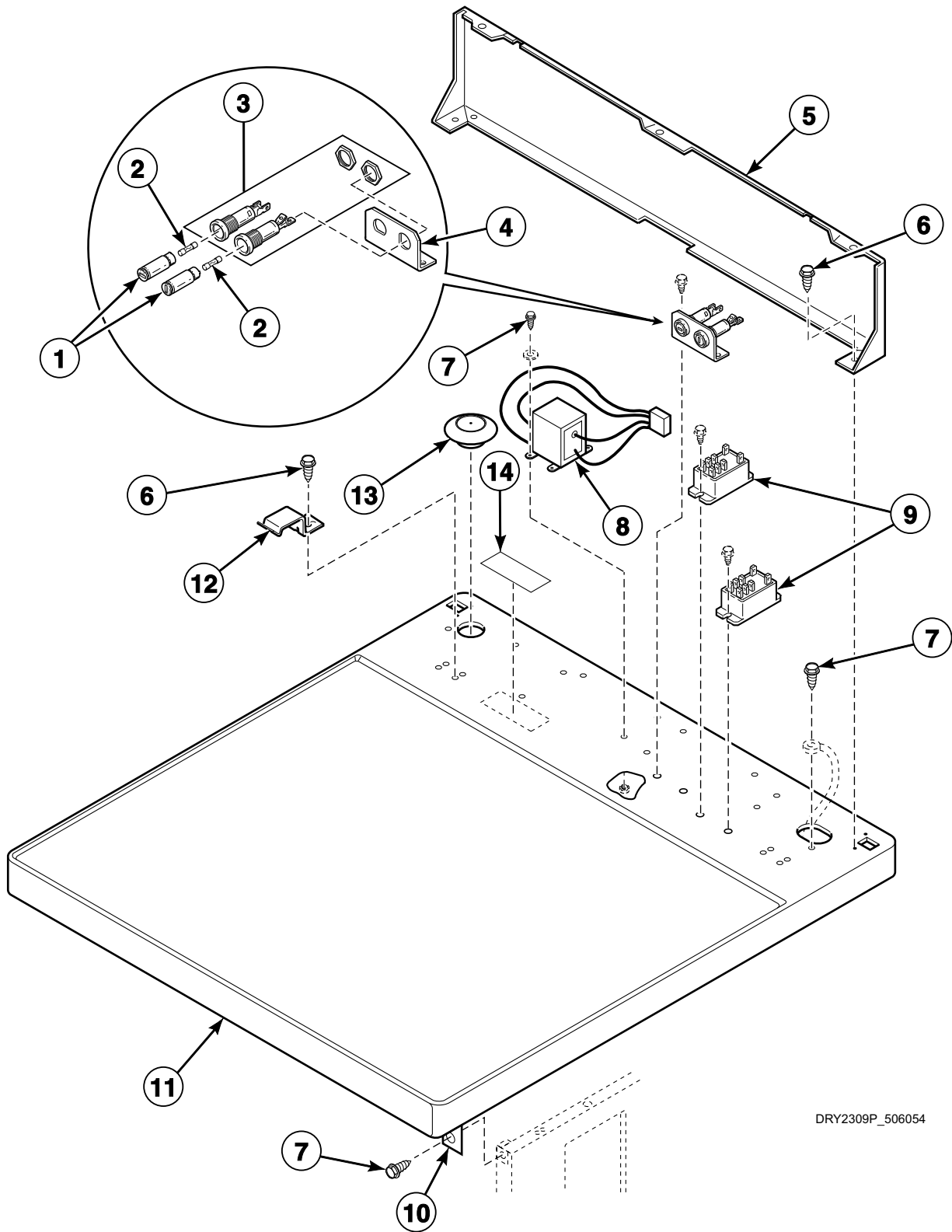


DRY2240P_506054

Control Cabinet and Controls

REF	PART NO.	DESCRIPTION	COMMENTS
	D513170P	Wire Assembly	Extra tumble
1	803144P	Top Kit	Includes items 2, 6, 9 and 4 each of 22649 Screw and 51236 Nut
2	685847	Pop Rivet	
3	36020	Nut	
4	D511036	Hinge	
5	29651	Bolt	
6	D504228	Top Mounting Bracket	
7	801058	Rear Control Cabinet	
8	70240301	Screw	
9	44087201	Nut	
10	70030501	Expansion Clip	
11	803141	Control Cabinet	Right; Stainless steel
	D513701G	Control Cabinet	Right; Gray
12	D511277	Resistor Assembly	Use with D511150 4 Cycle Timer; Models ADE41FSS171TN03 and ZDE41FSS171CN01
13	D505795P	Timer	Models ADE32FSS431AN01, ADE32FSS431NN22 and ADG32FSS301AN01
	D505796P	Timer	Model ADE32FSS541RN01
	D518124	Timer	Models ADG41FSS111TN03 and ZDG41FSS111CN01
	D511150P	Timer	Models ADE41FSS171TN03 and ZDE41FSS171CN01
14	D501086	Screw	
15	23008	Screw	
16	F430956	Screw	
17	803098P	Timer Knob Assembly	
18	803099P	Control Knob Assembly	
19	D513443	Panel	Models ADE32FSS431AN01, ADE32FSS431NN22, ADE32FSS541RN01 and ADG32FSS301AN01
	D513112	Panel	Models ADE41FSS171TN03 and ADG41FSS111TN03
	D513093	Panel	Models ZDE41FSS171CN01 and ZDG41FSS111CN01
20	D513161	Control Panel Assembly	
21	D513506	Fabric Selector Switch	
22	D504103	Adjustable Buzzer	Models ADE32FSS431AN01, ADE32FSS431NN22, ADE32FSS541RN01 and ADG32FSS301AN01
	D510211	Buzzer	All other models
23	803568	Selector Switch	Models ADE41FSS171TN03, ADG41FSS111TN03, ZDE41FSS171CN01 and ZDG41FSS111CN01
24	803142	Control Cabinet	Left; Stainless steel
	D513702G	Control Cabinet	Left; Gray
25	801777	Control Cabinet Bottom	
26	M405188	Screw	Use with stainless steel cabinet
	D503688	Screw	
27	803013	Badge	Models ADE32FSS431AN01, ADE32FSS431NN22, ADE32FSS541RN01, ADE41FSS171TN03, ADG32FSS301AN01 and ADG41FSS111TN03
	803101	Badge	Models ZDE41FSS171CN01 and ZDG41FSS111CN01

Cabinet Top and Control Hood Rear Panel - Rear Control Models



DRY2309P_506054

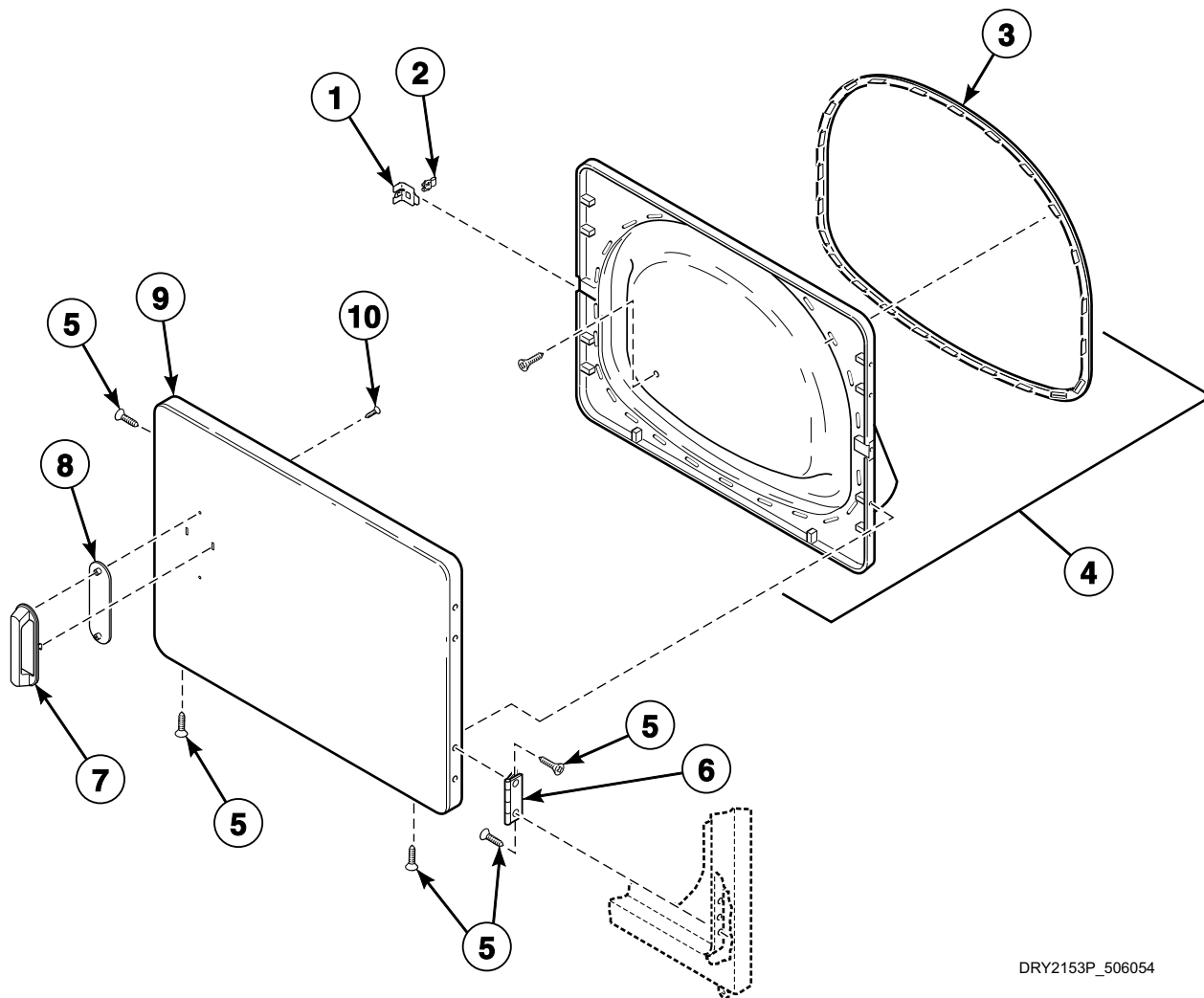
Cabinet Top and Control Hood Rear Panel - Rear Control Models

REF	PART NO.	DESCRIPTION	COMMENTS
	D511303	Wire Harness Assembly	Transformer adapter; Includes D502592 Fuse (3.15 Amp, 250 Volt); Models ADG3TRWS301AW01, EDL3TRGS541NW23, LGH37A*F5423, LGK37A*F3060, LGN27A*F3060, LGN27A*M3008, LGN27A*M3013, LGN37A*M3013, LGS17A*M3020, LGS17A*M3082, LGS27A*M3013, LGS27A*M3080, LGS37A*F3022, LGS37A*F3060, LGS37A*F3080, LGS37A*F5412, LGS37A*F5423, LGS37A*M3013, LGS37A*M3080, LGS38A*M3013, LGS38A*M3020, LGS40A*M3020, LGZ27A*M3013 and LGZ37A*M3013
1	D502811	Fuse Carrier	Models LGS37A*G3013, LGS37A*G3080 and LGZ37A*G3013
2	D502593	Fuse	400 mA; 1 required; Models LGS37A*G3013, LGS37A*G3080 and LGZ37A*G3013
	D502592	Fuse	3.15 Amp; 1 required; Models LGS37A*G3013, LGS37A*G3080 and LGZ37A*G3013
3	D502591P	Fuse Holder Kit	Models LGS37A*G3013, LGS37A*G3080 and LGZ37A*G3013
4	D502589	Fuse Holder Bracket	Models LGS37A*G3013, LGS37A*G3080 and LGZ37A*G3013
5	804169	Hood Back Panel	Models LGN27A*F3060 and YDE3TRGS301NW10
	D510099	Hood Back Panel	All other models
6	D501086	Screw	
7	D503688	Screw	
8	D511658P	Transformer Kit	Models ADG3TRWS301AW01, FDG3TRGS301NW10, LGH37A*F5423, LGK37A*F3060, LGN27A*F3060, LGN27A*M3008, LGN27A*M3013, LGN37A*M3013, LGS17A*F3020, LGS17A*F3081, LGS17A*M3020, LGS17A*M3082, LGS27A*M3013, LGS27A*M3080, LGS37A*F3000, LGS37A*F3022, LGS37A*F3028, LGS37A*F3060, LGS37A*F3080, LGS37A*F5412, LGS37A*F5423, LGS37A*G3013, LGS37A*G3080, LGS37A*M3013, LGS37A*M3080, LGS38A*M3013, LGS38A*M3020, LGS40A*M3020, LGZ27A*M3013, LGZ37A*F3000, LGZ37A*G3013 and LGZ37A*M3013
9	D502501P	Relay	All models except ZDE30RGS171CW01
10	D510146	Bracket	
11	D510029WP	Top Panel Kit	White; Includes 2 of item 7
	D510029G	Top Panel	Gray
	D510029LP	Top Panel Kit	Almond; Includes 2 of item 7
12	35358	Hold-Down Clip	
13	D514374	Top Plug	Models ADE3TRGS431NW29, ADE3TRWS431NW29 and LGN27A*F3060
14	D505281	Disconnect Power Warning Label	English
	F8614201	Shock Warning Label	Icon

* Add Letter To Designate Color. G - Gray L - Almond Q - Bisque W - White

Loading Door (Drawing 1 of 2)

Models ADE32FSS431AN01, ADE32FSS431NN22, ADE32FSS541RN01, ADE41FSS171TN03, ADG32FSS301AN01, ADG41FSS111TN03, ZDE41FSS171CN01 and ZDG41FSS111CN01



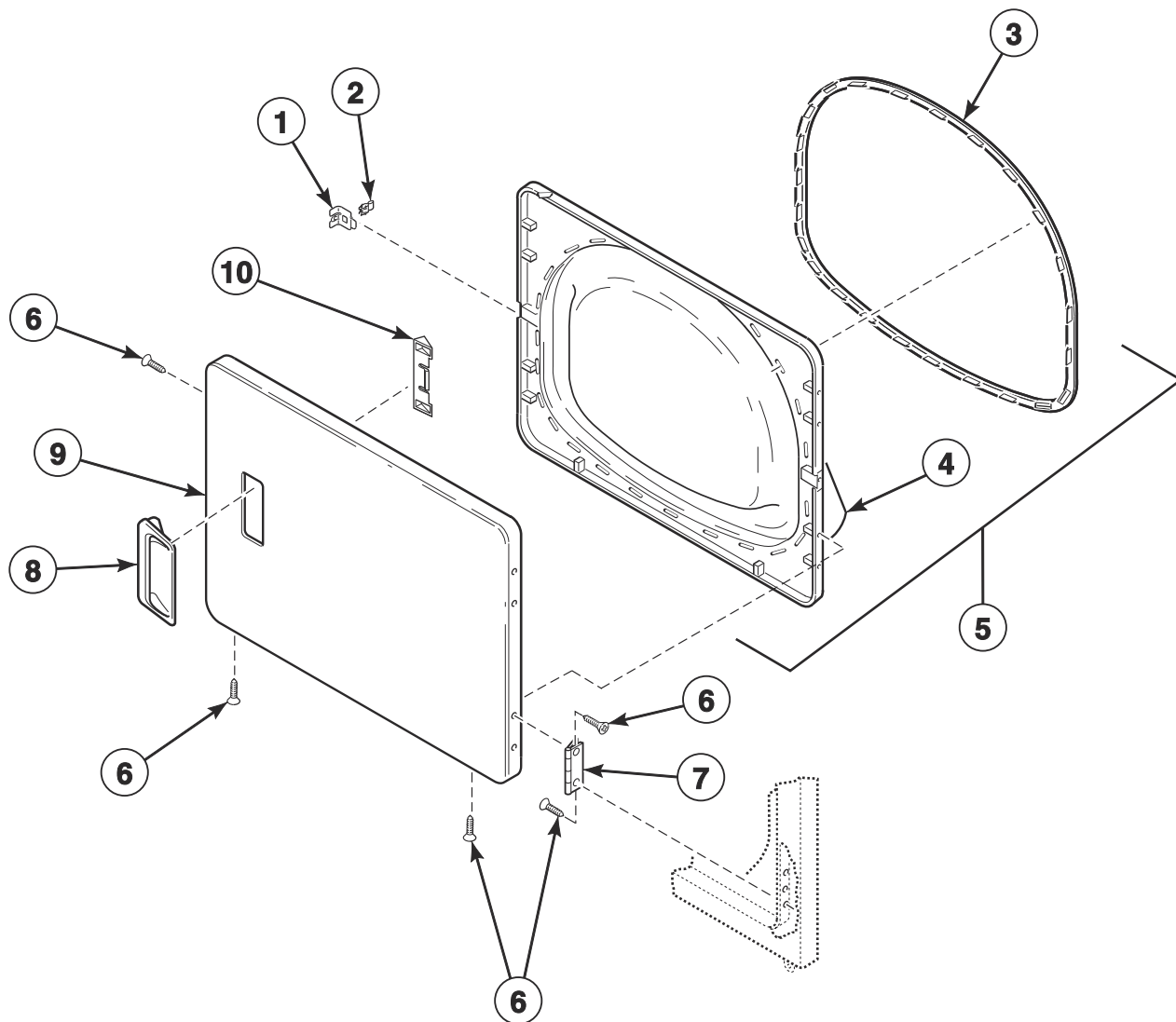
DRY2153P_506054

Loading Door (Drawing 1 of 2)

REF	PART NO.	DESCRIPTION	COMMENTS
1	D510127	Door Strike Mount	Through Serial No. beginning 1707
2	D510181	Door Strike	Through Serial No. beginning 1707
3	D510147P	Liner Door Seal	Through Serial No. beginning 1707
4	D516510WP	Door Assembly	Gray
5	D500226	Screw	
6	D511036	Hinge	
7	803095	Door Handle	
8	803094P	Handle Cover	
9	D513156	Dryer Door	
10	800548	Screw	

Loading Door (Drawing 2 of 2)

All Models Except ADE32FSS431AN01, ADE32FSS431NN22, ADE32FSS541RN01, ADE41FSS171TN03, ADG32FSS301AN01, ADG41FSS111TN03, LDL3TRGW301NW22, LDL3TRWW301NW22, ZDE41FSS171CN01 and ZDG41FSS111CN01



DRY1874P_506054

Loading Door (Drawing 2 of 2)

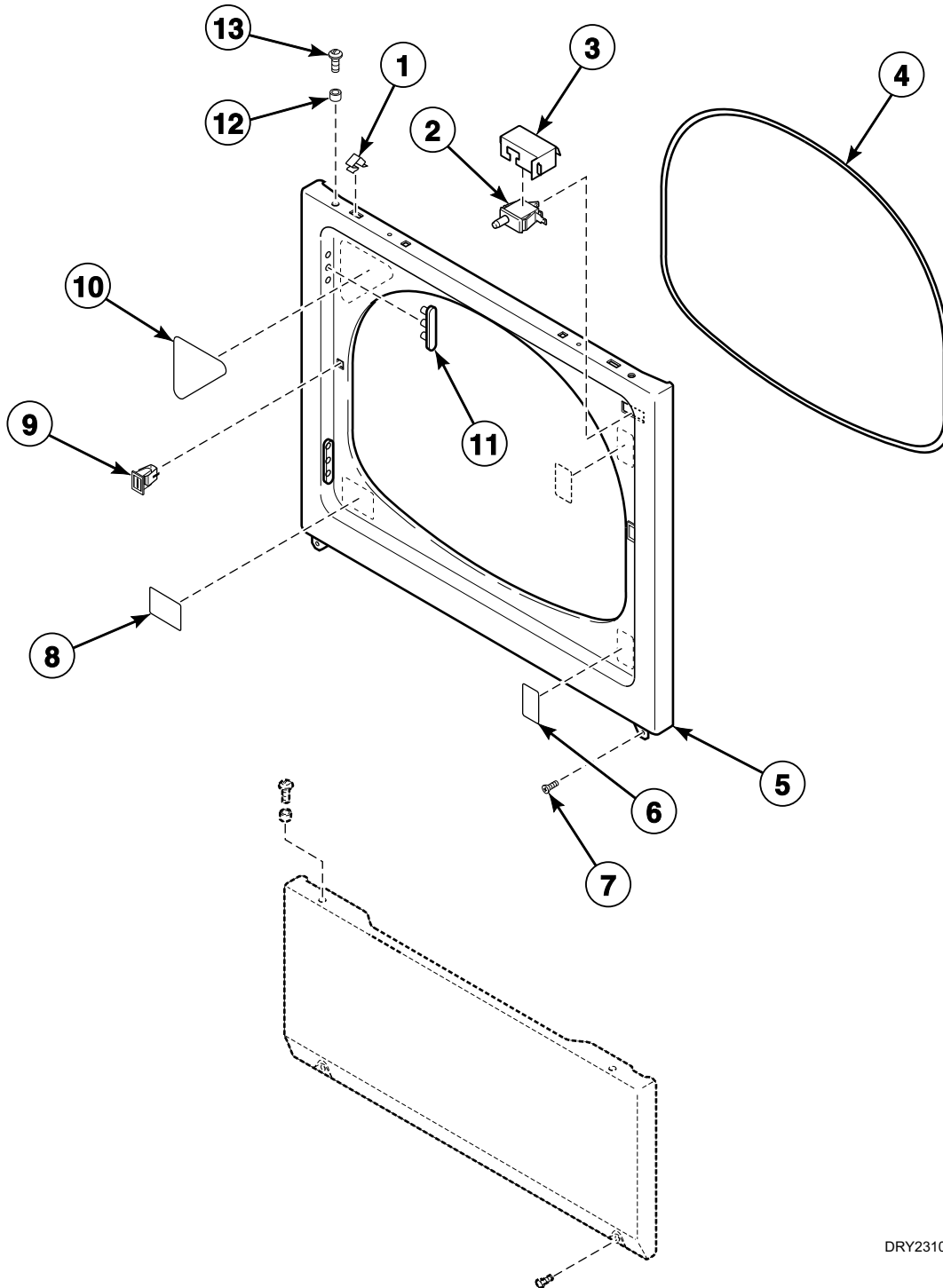
REF	PART NO.	DESCRIPTION	COMMENTS
1	D510127	Door Strike Mount	
2	D510181	Door Strike	
3	D510147P	Liner Door Seal	
4	D503870LG	Door Liner Grill	Models ADE3TRGS451LW22, BDE30FGS171CW01, LDE3TRGS451NW22, LDE3TRGS461NW22, LDE3TRGS551NW22, LDE3TRWS541NW22, LDL3TRGS541NW22, LES37A*F3300, MDE3TRWS331TW06, ZDE30RGS171CW01, ZDE3LRGS171CW01, ZDE4BFGS171CW01 and ZDE4BRGS171CW01; Models starting Serial No. 1303025315
	D503870W	Door Liner Grill	Models ADE3TRGS451LW22, BDE30FGS171CW01, LDE3TRGS451NW22, LDE3TRGS461NW22, LDE3TRGS551NW22, LDE3TRWS541NW22, LES37A*F3300, MDE3TRWS331TW06, ZDE30RGS171CW01, ZDE3LRGS171CW01, ZDE4BFGS171CW01 and ZDE4BRGS171CW01 through Serial No. 1303025314; All other models
5	D516510WP	Door Assembly	Includes items 2, 3, 4 and 6-10; Models ADE3TRGS451LW22, BDE30FGS171CW01, LDE3TRGS451NW22, LDE3TRGS461NW22, LDE3TRGS551NW22, LDE3TRWS541NW22, LDL3TRGS541NW22, LES37A*F3300, MDE3TRWS331TW06, ZDE30RGS171CW01, ZDE3LRGS171CW01, ZDE4BFGS171CW01 and ZDE4BRGS171CW01; Models starting Serial No. 1303025315
	D516508	Door Liner Assembly	Models ADE3TRGS451LW22, BDE30FGS171CW01, LDE3TRGS451NW22, LDE3TRGS461NW22, LDE3TRGS551NW22, LDE3TRWS541NW22, LES37A*F3300, MDE3TRWS331TW06, ZDE30RGS171CW01, ZDE3LRGS171CW01, ZDE4BFGS171CW01 and ZDE4BRGS171CW01 through Serial No. 1303025314; All other models through Serial No. 1901000001
	D516508	Door Liner Assembly	All other models starting Serial No. 1901000001
6	D500226	Screw	
7	D511036	Hinge	
8	D511213P	Door Pull and Wedge Kit	Black; Includes item 9; Models LEN27A*G3008, LEN27A*G4008, LEN27A*G99M3, LES28A*G4018, LGN27A*F3060 and LGN27A*M3008
	D510103WP	Door Pull and Wedge Kit	White; Includes item 9; All other models
	D510103LP	Door Pull and Wedge Kit	Almond; Includes item 9; All other models
	D510103QP	Door Pull and Wedge Kit	Bisque; Includes item 9; All other models
9	D515960W	Dryer Door	White; Starting Serial No. 1901000001
	D510013WP	Dryer Door	White; Through Serial No. 1901000001
	D510013GP	Dryer Door	Gray
	D510013LP	Dryer Door	Almond
	D510013QP	Dryer Door	Bisque
10	D510129W	Door Handle Wedge	

* Add Letter To Designate Color. G - Gray L - Almond Q - Bisque W - White

Loading Door with Window

REF	PART NO.	DESCRIPTION	COMMENTS
	D516508	Door Liner Assembly	White
1	D513225	Dryer Door	Stainless steel
	D510082	Dryer Door	
2	D510103WP	Door Pull and Wedge Kit	
	D510129W	Door Handle Wedge	
3	D503982P	Dryer Door Window	
4	D510127	Door Strike Mount	
5	D510181	Door Strike	
6	D500226	Screw	
7	D510147P	Liner Door Seal	
	D510097W	Door Liner	White
8	D503870LG	Door Liner Grill	
	D503870W	Door Liner Grill	
9	D516737W	Door Assembly	Includes item 7
	D516509	Liner and Seal Assembly	Includes item 7
10	D505870	Screw	
11	D516510WP	Door Assembly	Gray; Includes items 7-10
12	D511036	Hinge	
13	D512633	Window Trim	Gray
	D503981W	Window Trim	
14	D511213P	Door Pull and Wedge Kit	Black
	D512947	Door Pull	

Front Panel and Seal



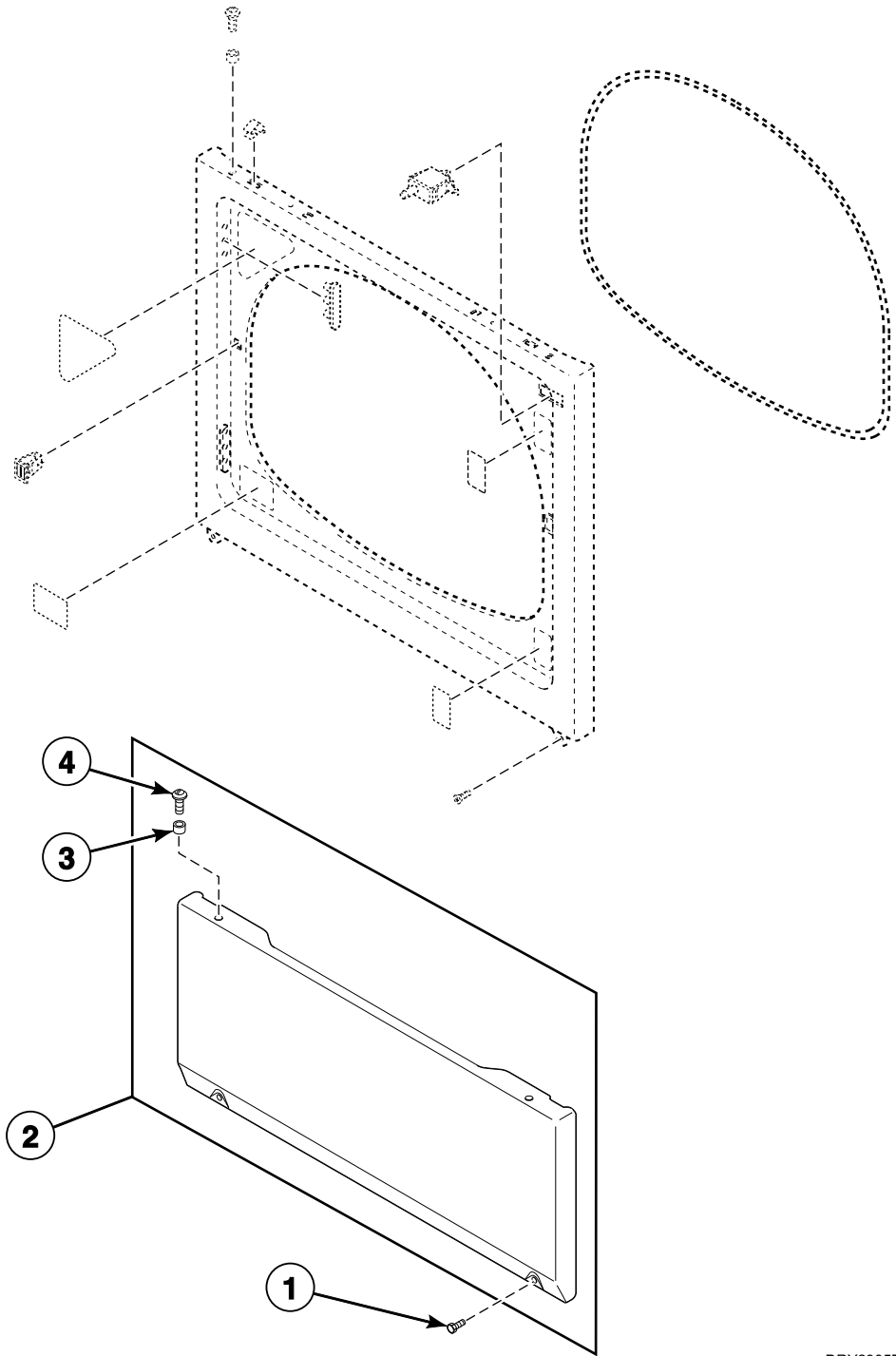
DRY2310P_506054

Front Panel and Seal

REF	PART NO.	DESCRIPTION	COMMENTS
1	28835	Speed Clip	All models except ADG32FSS301AN01, BDG30FGS111CW01, FEN16A*G4018, FEN17A*G3018, FEN17A*G4018, FES16A*G4018, FES17A*F3300, FES17A*F4350, FEU17A*F1702, FEZ17A*F1702, FGN16A*M3013, FGN17A*M3013, FGS17A*F3060 and FGZ17A*F1102
2	D512973	Switch	
3	D514327	Drip Shield	Models ADE3TRGS431NW29, ADE3TRGS451LW22, ADE3TRWS431NW29, LDE3TRGS431AW01, LDE3TRGS451SW01, LDG3TRGS301AW01 and LGN27A*F3060
4	D511056	Front Panel Seal	
5	D512542	Front Panel	Stainless steel; Models ADE32FSS431AN01, ADE32FSS431NN22, ADE32FSS541RN01, ADE41FSS171TN03, ADG32FSS301AN01, ADG41FSS111TN03, ZDE41FSS171CN01 and ZDG41FSS111CN01
	D510066WP	Front Panel	White; All other models
	D510066LP	Front Panel	Almond; All other models
	D510066QP	Front Panel	Bisque; All other models
	D510066GP	Front Panel	Gray; All other models
6	D512263	Warning Label	Models ADE32FSS431AN01, ADE3TFWS431AW01, ADE3TRWS431AW01, ADE3TRWS461AW01, ADG32FSS301AN01, ADG3TFWS301AW01, ADG3TRWS301AW01, FES17A*F4350, FGS17A*F3060, LDE3TRGS431AW01, LDG3TRGS301AW01, LEG37A*F4350, LEK37A*F4350, LES37A*F4350, LGG37A*F3058, LGK37A*F3058, LGK37A*F3060, LGN27A*F3060, LGS37A*F3058 and LGS37A*F3060
7	D503688	Screw	
8	D502804	Lint Filter Label	Models ADE32FSS431AN01, ADE3TFWS431AW01, ADE3TRWS431AW01, ADE3TRWS461AW01, ADG32FSS301AN01, ADG3TFWS301AW01, ADG3TRWS301AW01, FES17A*F4350, FGS17A*F3060, LDE3TRGS431AW01, LDG3TRGS301AW01, LEG37A*F4350, LEK37A*F4350, LES37A*F4350, LGG37A*F3058, LGK37A*F3058, LGK37A*F3060, LGN27A*F3060, LGS37A*F3058 and LGS37A*F3060
	D502781	Lint Filter Label	Models ADE3TRGS431NW29, ADE3TRGS451LW22, ADE3TRWS431NW29, FDE3TRGS433LW01, LDE30RGS173MW33, LDL30RGS113MW33, LDL3TRGS541NW22, LDL3TRGW301NW22, LDL3TRWW301NW22 and LES17A*M4588
9	D510177	Door Catch Assembly	
10	D500253	Caution Label	French
	D505825	Warning Label	Spanish
	D514863	Front Panel Label	Chinese
	D514867	Warning Label	Thai
	D500281	Warning/Caution Label	English
11	D510186	Hinge Hole Plug	
12	56079	Panel Locator	
13	39733	Screw	

* Add Letter To Designate Color. **G** - Gray **L** - Almond **Q** - Bisque **W** - White

Access Panel



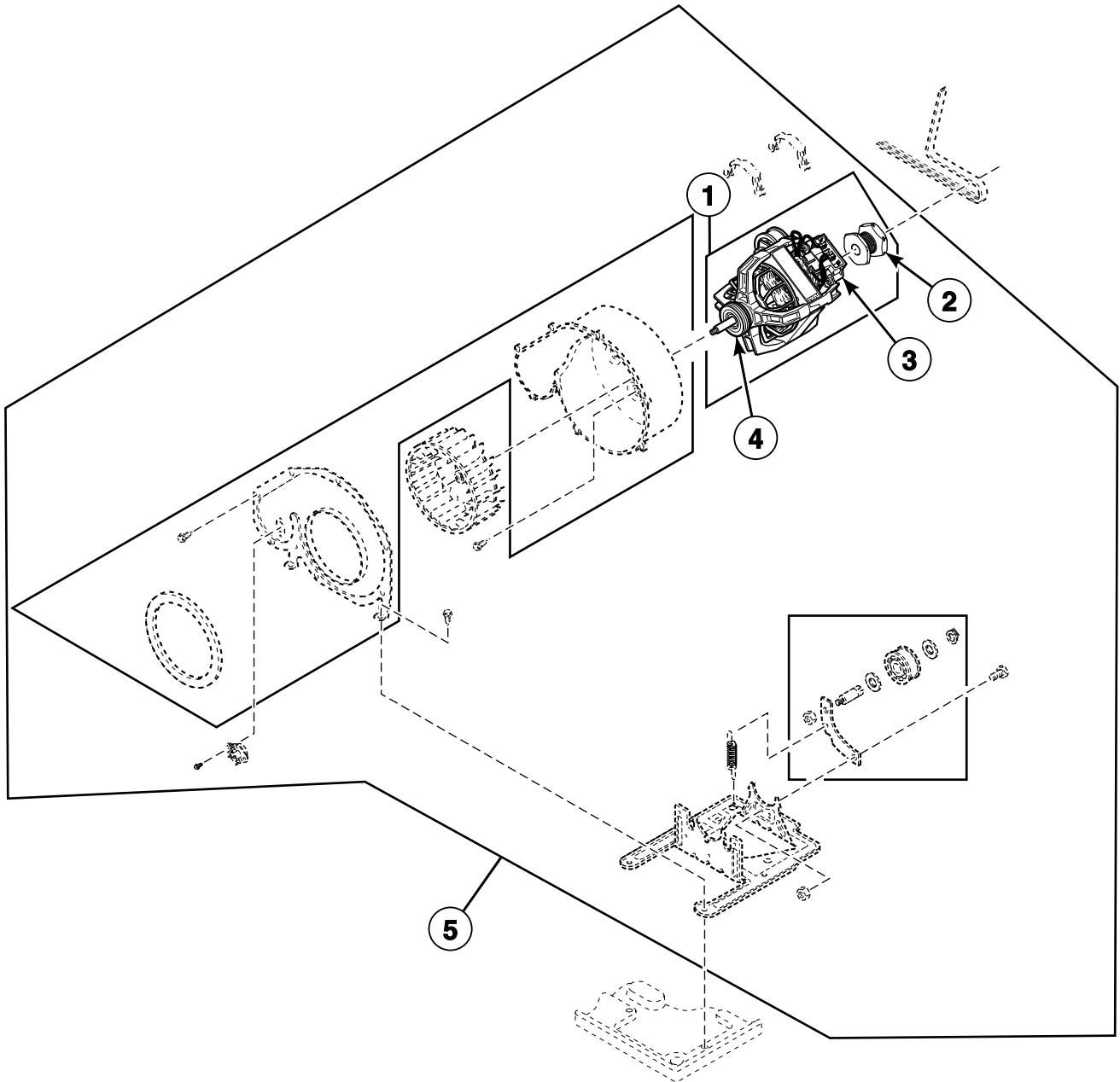
DRY2305PA_506054

Access Panel

REF	PART NO.	DESCRIPTION	COMMENTS
1	33562	Screw	Slotted hex head
2	D514251	Access Panel Assembly	Stainless steel; Models ADE32FSS431AN01, ADE32FSS431NN22, ADE32FSS541RN01, ADE41FSS171TN03, ADG32FSS301AN01, ADG41FSS111TN03, ZDE41FSS171CN01 and ZDG41FSS111CN01
	D514250WP	Access Panel Assembly	White; All other models
	D514250Q	Access Panel Assembly	Bisque; All other models
	D510069LP	Access Panel	Almond; All other models
	D514250DG	Access Panel Assembly	Gray; All other models
3	56079	Panel Locator	
4	39733	Screw	

* Add Letter To Designate Color. G - Gray L - Almond Q - Bisque W - White

Motor, Exhaust Fan and Belt (Drawing 1 of 2)



DRY2105P_506054

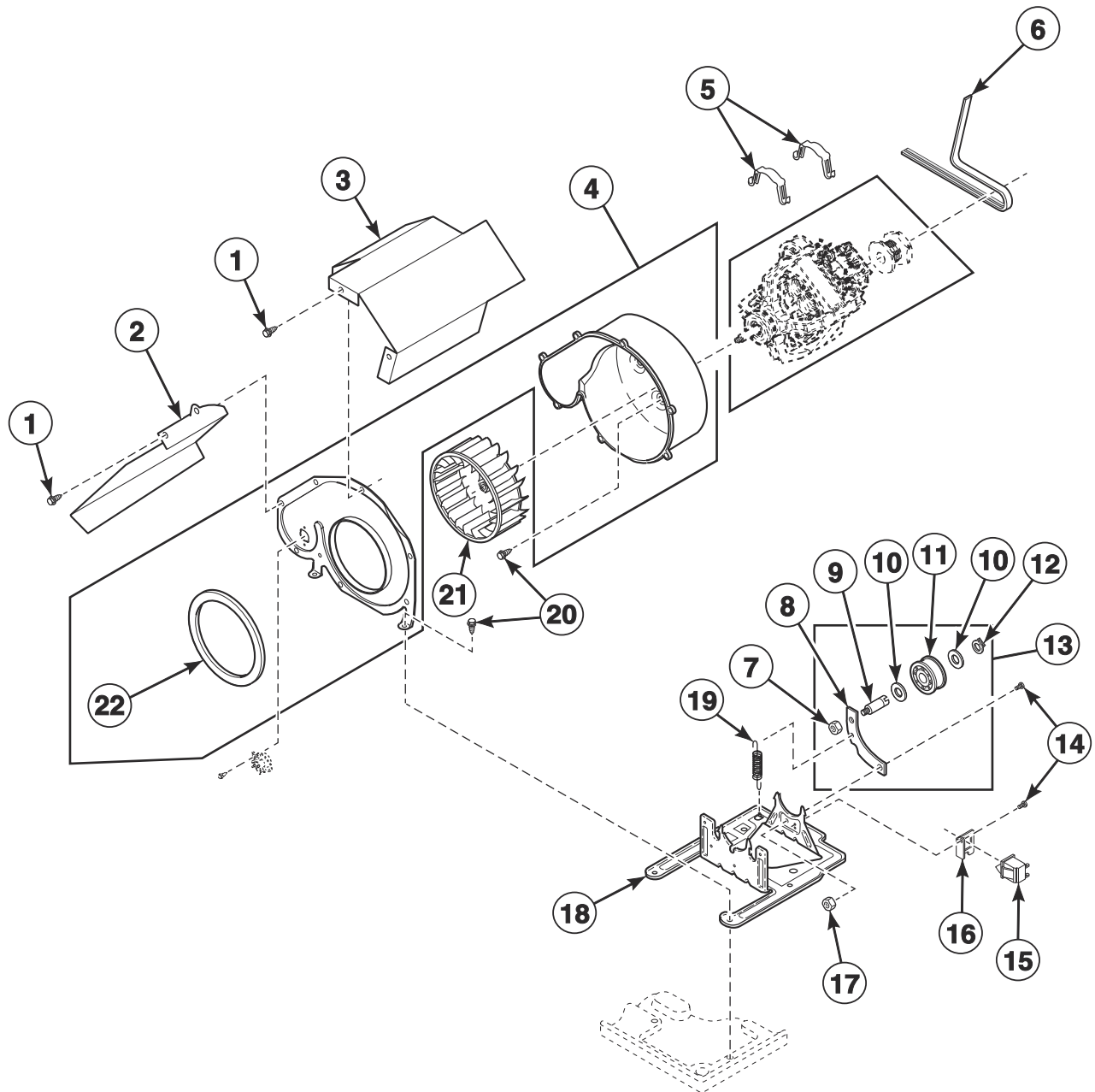
Motor, Exhaust Fan and Belt (Drawing 1 of 2)

REF	PART NO.	DESCRIPTION	COMMENTS
	27604P	Anti-Seize Compound	Apply to motor shaft when installing blower fan assembly
1	D511629P	Motor and Pulley Assembly	120 Volt/60 Hertz; Includes items 2 and 3; Apply anti-seize compound to motor shaft when installing blower fan assembly; Models ADE41FSS171TN03, ADG41FSS111TN03, AEZ17A*F1702, AEZ28A*F1702, AEZ68A*F1702, AGZ17A*F1102, AGZ28A*F1102, AGZ68A*F1102, BDE30FGS171CW01, BDG30FGS111CW01, CDE3LRGS171CW01, CDE4BFGS171CW01, CDG3LRGS111CW01, CDG4BFGS111CW01, CEZ68A*F1702, CGZ68A*F1102, FEU17A*F1702, FEZ17A*F1702, FGZ17A*F1102, LDE30RGS173MW33, LDE3TRGS171CW01, LDG3TRGS111CW01, LDG3TRWS111TW05, LDL30RGS113MW33, LEB07A*F1709, LED17A*F1700, LET57A*F1700, LET67A*F1700, LET68A*F1700, LEY47A*F1709, LEZ27A*F1502, LEZ27A*F1702, LEZ37A*F1702, LEZ57A*F1702, LEZ67A*F1702, LGH37A*F1182, LGS17A*K1180, LGT57A*F1100, LGT68A*F1100, LGY47A*F1109, LGZ27A*F1102, LGZ37A*F1102, LGZ57A*F1102, LGZ67A*F1102, MDG3TRWS111TW06, YDE3TRGS171CW01, YDG3TRGS111CW01, ZDE30RGS171CW01, ZDE3LRGS171CW01, ZDE41FSS171CN01, ZDE4BFGS171CW01, ZDE4BRGS171CW01, ZDG30RGS111CW01, ZDG3LRGS111CW01, ZDG41FSS111CN01, ZDG4BFGS111CW01 and ZDG4BRGS111CW01
	D505869P	Motor and Pulley Assembly	240 Volt/60 Hertz; Includes items 2 and 3; Apply anti-seize compound to motor shaft when installing blower fan assembly; Models ADE32FSS541RN01, EDE3TRGS543PW01, EDL3TRGS541NW23, FES17A*F3300, LDE3TRGS541NW22, LDE3TRGS551NW22, LDE3TRWS331TW05, LDE3TRWS541NW22, LEH37A*F3300, LES37A*F3300, LES37A*F3327, LES37A*F5412, LEZ37A*F3300, LGH37A*F5423, LGS37A*F5412, LGS37A*F5423 and MDE3TRWS331TW06
	D505843P	Motor and Pulley Assembly	240 Volt/50 Hertz; Includes items 2 and 3; Apply anti-seize compound to motor shaft when installing blower fan assembly; All other models
2	D500011	Motor Pulley	60 Hertz; Use with D511629P, D505869P or D511574 Motor and Pulley Assemblies; Models ADE32FSS541RN01, ADE41FSS171TN03, ADG41FSS111TN03, AEZ17A*F1702, AEZ28A*F1702, AEZ68A*F1702, AGZ17A*F1102, AGZ28A*F1102, AGZ68A*F1102, BDE30FGS171CW01, BDG30FGS111CW01, CDE3LRGS171CW01, CDE4BFGS171CW01, CDG3LRGS111CW01, CDG4BFGS111CW01, CEZ68A*F1702, CGZ68A*F1102, EDE3TRGS543PW01, EDL3TRGS541NW23, FES17A*F3300, FEU17A*F1702, FEZ17A*F1702, FGZ17A*F1102, LDE30RGS173MW33, LDE3TRGS171CW01, LDE3TRGS451NW22, LDE3TRGS461NW22, LDE3TRGS541NW22, LDE3TRGS551NW22, LDE3TRWS331TW05, LDE3TRWS541NW22, LDG3TRGS111CW01, LDG3TRWS111TW05, LDL30RGS113MW33, LDL3TRGS541NW22, LDL3TRGW301NW22, LDL3TRWW301NW22, LEB07A*F1709, LED17A*F1700, LEH37A*F3300, LES37A*F3300, LES37A*F3327, LES37A*F5412, LET57A*F1700, LET67A*F1700, LET68A*F1700, LEY47A*F1709, LEZ27A*F1502, LEZ27A*F1702, LEZ37A*F1702, LEZ57A*F1702, LEZ67A*F1702, LGH37A*F1182, LGH37A*F5423, LGS17A*K1180, LGS37A*F5412, LGS37A*F5423, LGT57A*F1100, LGT68A*F1100, LGY47A*F1109, LGZ27A*F1102, LGZ37A*F1102, LGZ57A*F1102, LGZ67A*F1102, MDE3TRWS331TW06, MDG3TRWS111TW06, YDE3TRGS171CW01, YDG3TRGS111CW01, ZDE30RGS171CW01, ZDE3LRGS171CW01, ZDE41FSS171CN01, ZDE4BFGS171CW01, ZDE4BRGS171CW01, ZDG30RGS111CW01, ZDG3LRGS111CW01, ZDG41FSS111CN01, ZDG4BFGS111CW01 and ZDG4BRGS111CW01
	D500222	Motor Pulley	50 Hertz; Use with Motor and Pulley Assembly; All other models
3	N/A	Motor Switch Kit	Does not include thermal protector
4	590P3	Motor Hub Ring Kit	
5	D510717P	Blower and Fan Kit	120 Volt/60 Hertz; Includes items 1-4, and 1-4 and 6-18 on <i>Motor, Exhaust Fan and Belt (Drawing 2 of 2)</i> ; For models that use D511629P or D511574 Motor and Pulley Assemblies

* Add Letter To Designate Color. G - Gray L - Almond Q - Bisque W - White

N/A = Part no longer available

Motor, Exhaust Fan and Belt (Drawing 2 of 2)



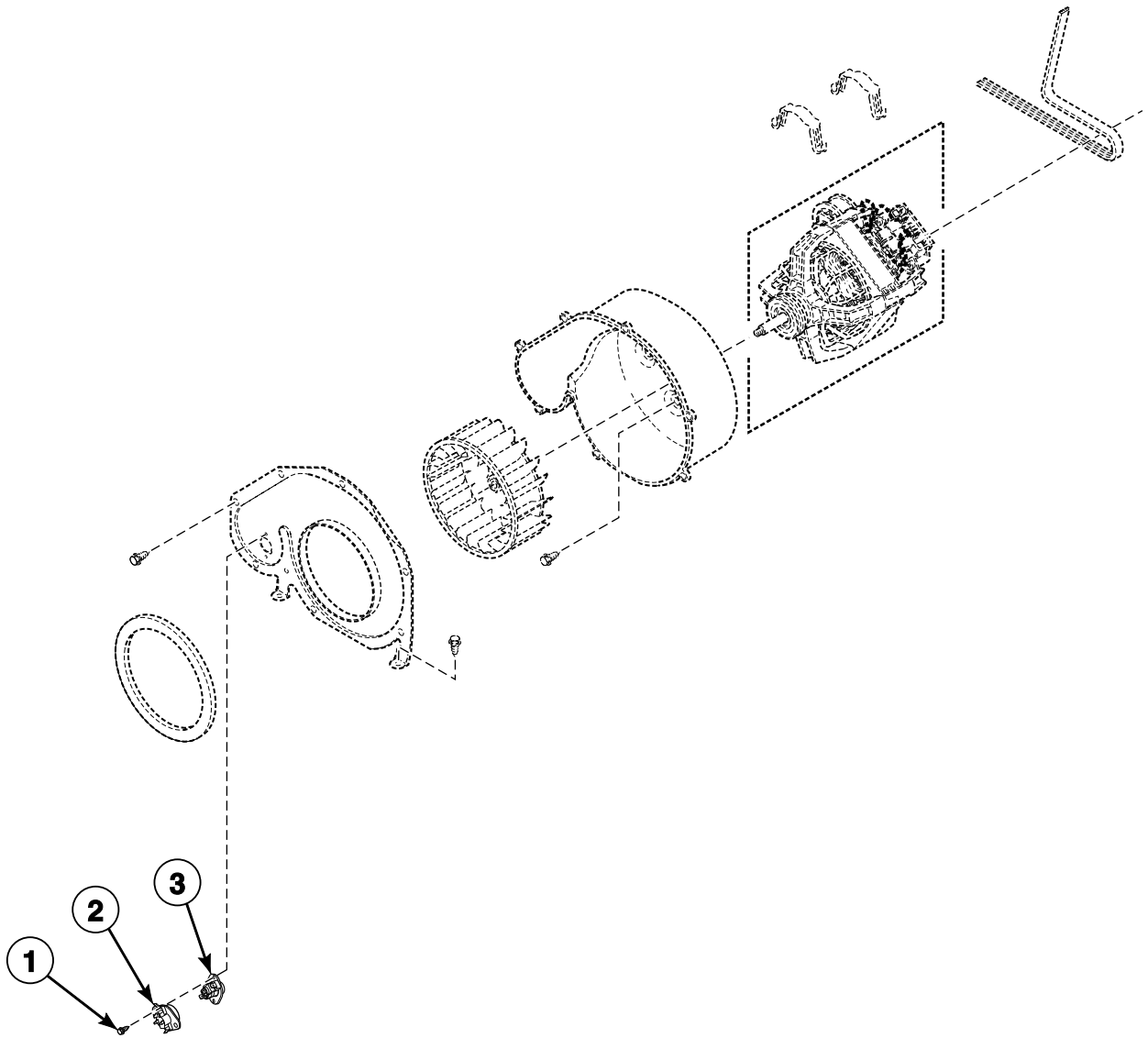
DRY2519P_506054

Motor, Exhaust Fan and Belt (Drawing 2 of 2)

REF	PART NO.	DESCRIPTION	COMMENTS
	27604P	Anti-Seize Compound	Apply to motor shaft when installing blower fan assembly
1	31260	Screw	
2	D514325	Thermostat Shield	Models ADE3TRGS431NW29, ADE3TRWS431NW29, LDE3TRGS431AW01, LDE3TRGS451SW01, LDG3TRGS301AW01, LEZ37A*F3300 and LGN27A*F3060
3	D514602	Motor Shield	Models ADE3TRGS431NW29, ADE3TRWS431NW29, LDE3TRGS431AW01, LDE3TRGS451SW01, LDG3TRGS301AW01, LEZ37A*F3300 and LGN27A*F3060
4	D511969WP	Blower Housing	Includes items 1 and 22
	D511969LG	Blower Housing	Includes items 1 and 22
5	D510180	Motor Mount Clamp	
6	D511255P	Cylinder Belt	
7	56156	Nut	
8	D516310	Idler Lever	
9	56461P	Shaft	
10	52549	Washer	
11	D510142P	Idler Wheel and Bearing Assembly	
12	23748	Retaining Ring	
13	D516792	Idler Lever and Wheel Assembly	Includes items 7-12
14	D500824	Screw	
15	D516391	Switch	Models LDE30RGS173MW33, LDL30RGS113MW33 and YDG30RGS301NW21
16	D516311	Motor Switch Bracket	Models LDE30RGS173MW33, LDL30RGS113MW33 and YDG30RGS301NW21
17	52566	Nut	
18	D518517	Motor Mount	
19	D510185	Idler Spring	
20	D503688	Screw	
21	D510139P	Blower Fan Assembly	Apply anti-seize compound to motor shaft when installing blower fan assembly
22	D510238P	Blower Housing Seal	

* Add Letter To Designate Color. G - Gray L - Almond Q - Bisque W - White

Thermostat



DRY1850P_506054

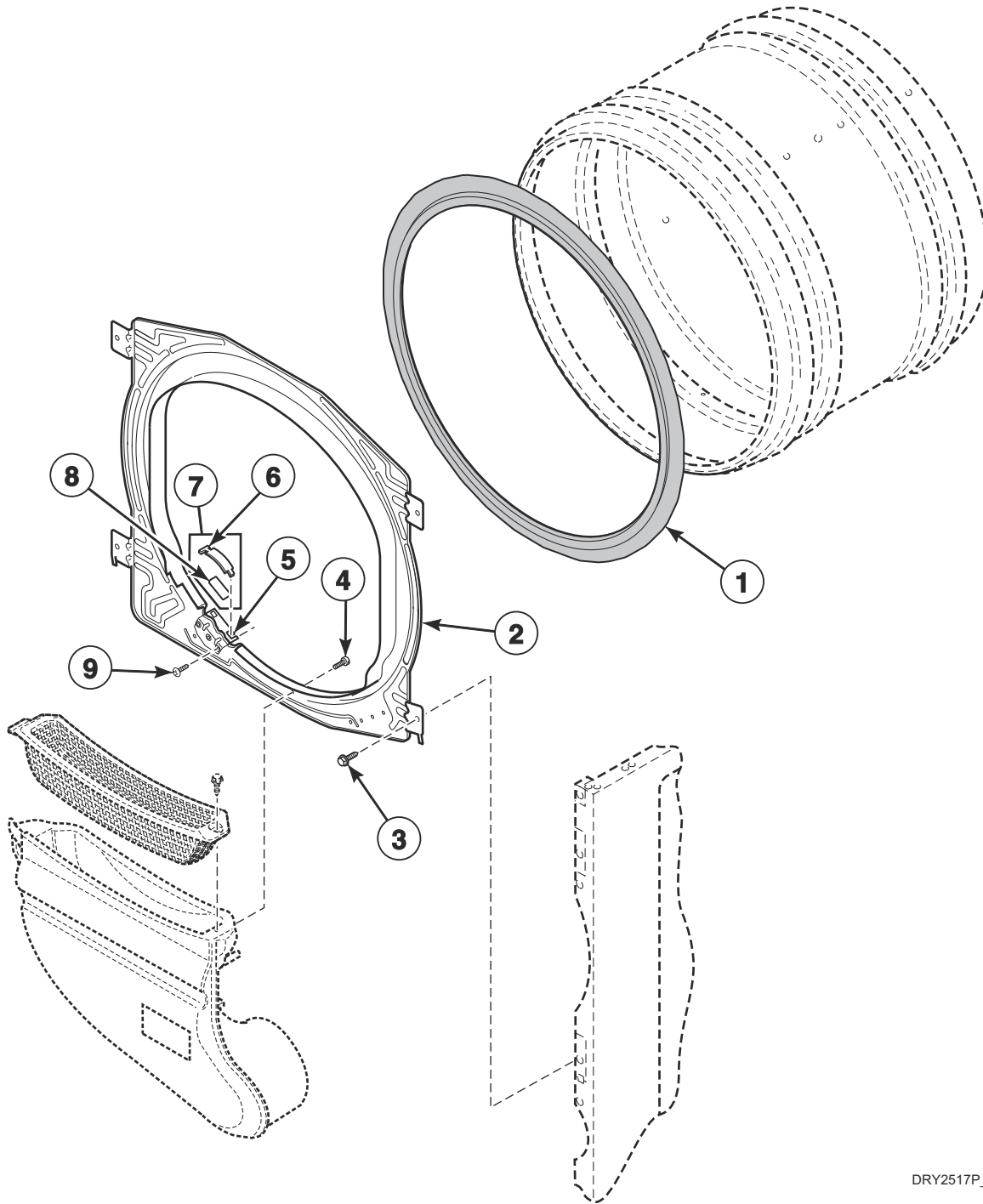
Thermostat

REF	PART NO.	DESCRIPTION	COMMENTS
1	D502535	Screw	
2	D504515	Thermostat	Green; Models ADE41FSS171TN03, AEZ17A*F1702, AEZ28A*F1702, AEZ68A*F1702, BDE30FGS171CW01, CDE3LRGS171CW01, CDE4BFGS171CW01, CEZ68A*F1702, DDE30RGS173CW01, FEU17A*F1702, FEZ17A*F1702, LDE30RGS173MW33, LDE3TRGS171CW01, LED17A*F1700, LET57A*F1700, LET67A*F1700, LET68A*F1700, LEZ27A*F1502, LEZ27A*F1702, LEZ37A*F1702, LEZ57A*F1702, LEZ67A*F1702, YDE3TRGS171CW01, ZDE30RGS171CW01, ZDE3LRGS171CW01, ZDE41FSS171CN01, ZDE4BFGS171CW01 and ZDE4BRGS171CW01
	D504519	Thermostat	Gray; Models LGS37A*G3013, LGS37A*G3080 and LGZ37A*G3013
	D504520	Thermostat	Pink; Model LES33A*F4562
	D504521	Thermostat	Yellow/White; Model LES33A*F4562
	D510700	Limit Thermostat	Blue; Model ADE3TRGS451LW22
	D510707P	Thermostat	Pink/White; Models ADG41FSS111TN03, AGZ17A*F1102, AGZ28A*F1102, AGZ68A*F1102, BDG30FGS111CW01, CDG3LRGS111CW01, CDG4BFGS111CW01, CGZ68A*F1102, FGZ17A*F1102, LDG3TRGS111CW01, LDG3TRWS111TW05, LDL30RGS113MW33, LGH37A*F1182, LGS17A*K1180, LGT57A*F1100, LGT68A*F1100, LGZ27A*F1102, LGZ37A*F1102, LGZ57A*F1102, LGZ67A*F1102, MDG3TRWS111TW06, YDG3TRGS111CW01, ZDG30RGS111CW01, ZDG3LRGS111CW01, ZDG41FSS111CN01, ZDG4BFGS111CW01 and ZDG4BRGS111CW01
	D511957	Thermostat	White; All other models
3	M411941	Manual Reset Thermostat	Models ADG32FSS301AN01, ADG3TFWS301AW01, ADG3TRWS301AW01, FGS17A*F3060, LDE3TRGS431AW01, LDG3TRGS301AW01, LGK37A*F3060, LGN27A*F3060 and LGS37A*F3060

* Add Letter To Designate Color. G - Gray L - Almond Q - Bisque W - White

Front Bulkhead and Seal - Without Light

All Models Except ADE32FSS431AN01, ADE32FSS431NN22, ADE32FSS541RN01, ADE41FSS171TN03, ADG32FSS301AN01, ADG41FSS111TN03, AEZ28A*F1702, AEZ68A*F1702, AGZ28A*F1102, AGZ68A*F1102, CDE3LRGS171CW01, CDE4BFGS171CW01, CDG3LRGS111CW01, CDG4BFGS111CW01, CEZ68A*F1702, CGZ68A*F1102, LDE3TRGS171CW01, LDG3TRGS111CW01, LDL3TRGS541NW22, LDL3TRGW301NW22, LDL3TRWW301NW22, LES28A*G4018, LET57A*F1700, LET67A*F1700, LET68A*F1700, LEY47A*F1709, LEZ57A*F1702, LEZ67A*F1702, LGS38A*M3013, LGS38A*M3020, LGS40A*M3020, LGT57A*F1100, LGT68A*F1100, LGY47A*F1109, LGZ57A*F1102, LGZ67A*F1102, YDE3TRGS171CW01, YDG3TRGS111CW01, ZDE3LRGS171CW01, ZDE41FSS171CN01, ZDE4BFGS171CW01, ZDE4BRGS171CW01, ZDG3LRGS111CW01, ZDG41FSS111CN01, ZDG4BFGS111CW01 and ZDG4BRGS111CW01



DRY2517P_506054

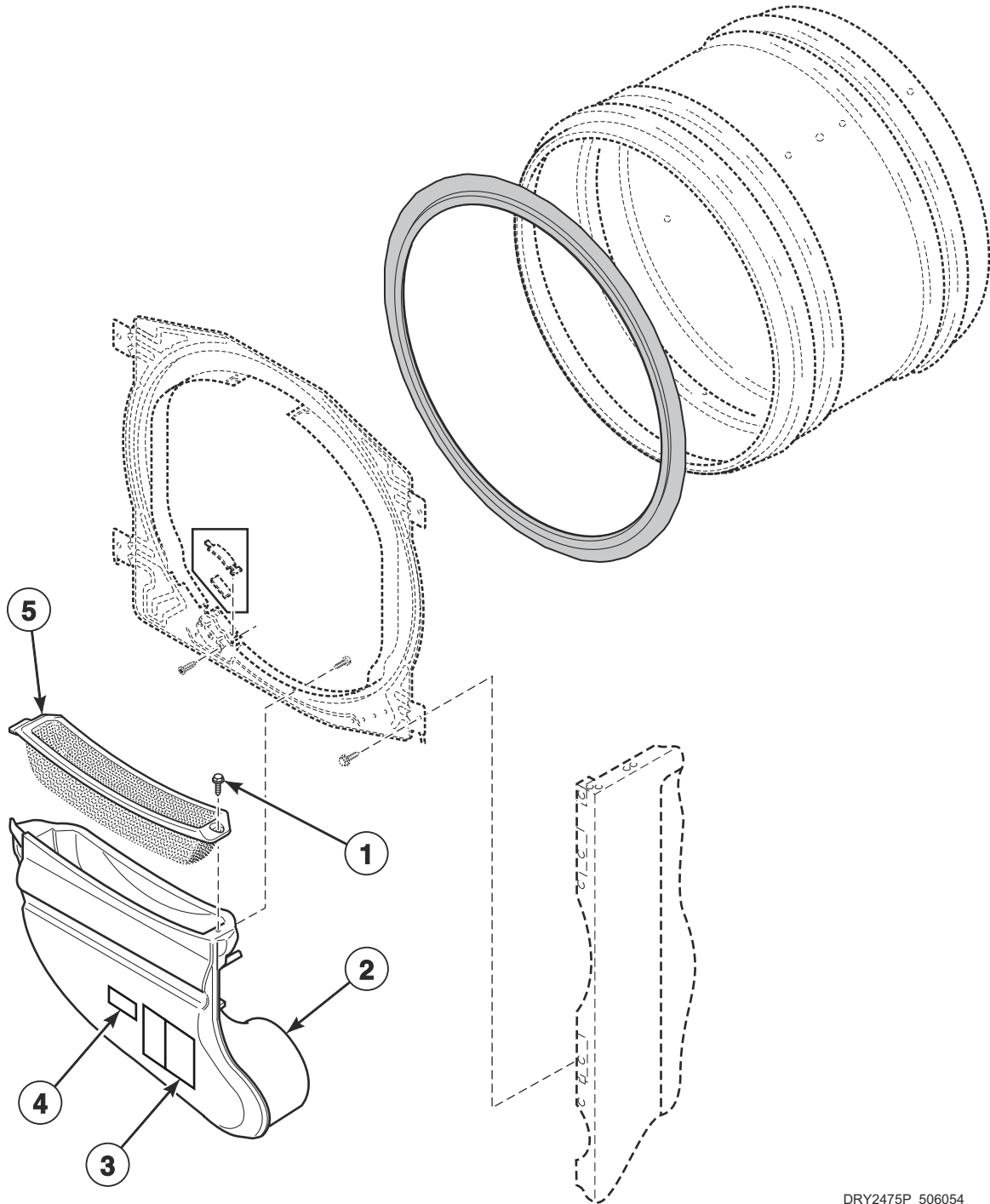
Front Bulkhead and Seal - Without Light

REF	PART NO.	DESCRIPTION	COMMENTS
1	D510207P	Cylinder Seal Assembly	
	D511637P	Adhesive	For cylinder seal
	RB170001	Seal Kit	Includes 2 cylinder seals, D510238P Blower Housing Seal and Adhesive
2	D510266P	Front Bulkhead Assembly	Unpainted; Includes items 2 and 9-12; Models ADE3TRGS431NW29, ADE3TRGS451LW22, AEZ17A*F1702, AGZ17A*F1102, BDE30FGS171CW01, BDG30FGS111CW01, DDE30RGS173CW01, EDE3TRGS543PW01, EDL3TRGS541NW23, FDE3TRGS401NW22, FDE3TRGS433LW01, FEN16A*G4018, FEN17A*G3018, FEN17A*G4018, FES16A*G4018, FES17A*F3300, FES17A*F4350, FEU17A*F1702, FEZ17A*F1702, FGN16A*M3013, FGN17A*M3013, FGS17A*F3060, FGZ17A*F1102, LDE30RGS173MW33, LDE3TRGS431AW01, LDE3TRGS451NW22, LDE3TRGS451SW01, LDE3TRGS461NW22, LDE3TRGS541NW22, LDE3TRGS551NW22, LDG3TRGS301AW01, LDG3TRGS301NW22, LDL30RGS113MW33, LED17A*F1700, LEN27A*G3008, LEN27A*G3018, LEN27A*G4008, LEN27A*G4018, LEN27A*G99M3, LES17A*F3000, LES17A*F3007, LES17A*F3022, LES17A*F4500, LES17A*M4588, LES27A*G3018, LES27A*G4000, LES27A*G4018, LES27A*G4500, LES27A*G4518, LEZ27A*F1502, LEZ27A*F1702, LEZ27A*G3018, LEZ27A*G4018, LGN27A*F3060, LGN27A*M3008, LGN27A*M3013, LGS17A*F3020, LGS17A*F3081, LGS17A*K1180, LGS17A*M3020, LGS17A*M3082, LGS27A*M3013, LGS27A*M3080, LGZ27A*F1102, LGZ27A*M3013, YDG30RGS301NW21, ZDE30RGS171CW01 and ZDG30RGS111CW01
	D511033WP	Front Bulkhead Assembly	White; Includes items 2 and 9-12; All other models
3	D503688	Screw	
4	D500226	Screw	
5	D510145	Cylinder Glide Bracket	
6	D513710	Cylinder Glide	
7	RB170003	Glide Kit	Includes items 9 and 10
8	D510189	Felt Pad	
9	52864	Screw	

* Add Letter To Designate Color. G - Gray L - Almond Q - Bisque W - White

Air Duct - Without Front Bulkhead Light

All Models Except ADE3TRGS451LW22, ADE32FSS431AN01, ADE32FSS431NN22, ADE32FSS541RN01, ADE41FSS171TN03, ADG32FSS301AN01, ADG41FSS111TN03, AEZ28A*F1702, AEZ68A*F1702, AGZ28A*F1102, AGZ68A*F1102, CDE3LRGS171CW01, CDE4BFGS171CW01, CDG3LRGS111CW01, CDG4BFGS111CW01, CEZ68A*F1702, CGZ68A*F1102, LES28A*G4018, LET57A*F1700, LET67A*F1700, LET68A*F1700, LEY47A*F1709, LEZ57A*F1702, LEZ67A*F1702, LGS38A*M3013, LGS38A*M3020, LGS40A*M3020, LGT57A*F1100, LGT68A*F1100, LGY47A*F1109, LGZ57A*F1102, LGZ67A*F1102, ZDE3LRGS171CW01, ZDE41FSS171CN01, ZDE4BFGS171CW01, ZDE4BRGS171CW01, ZDG3LRGS111CW01, ZDG41FSS111CN01, ZDG4BFGS111CW01 and ZDG4BRGS111CW01



DRY2475P_506054

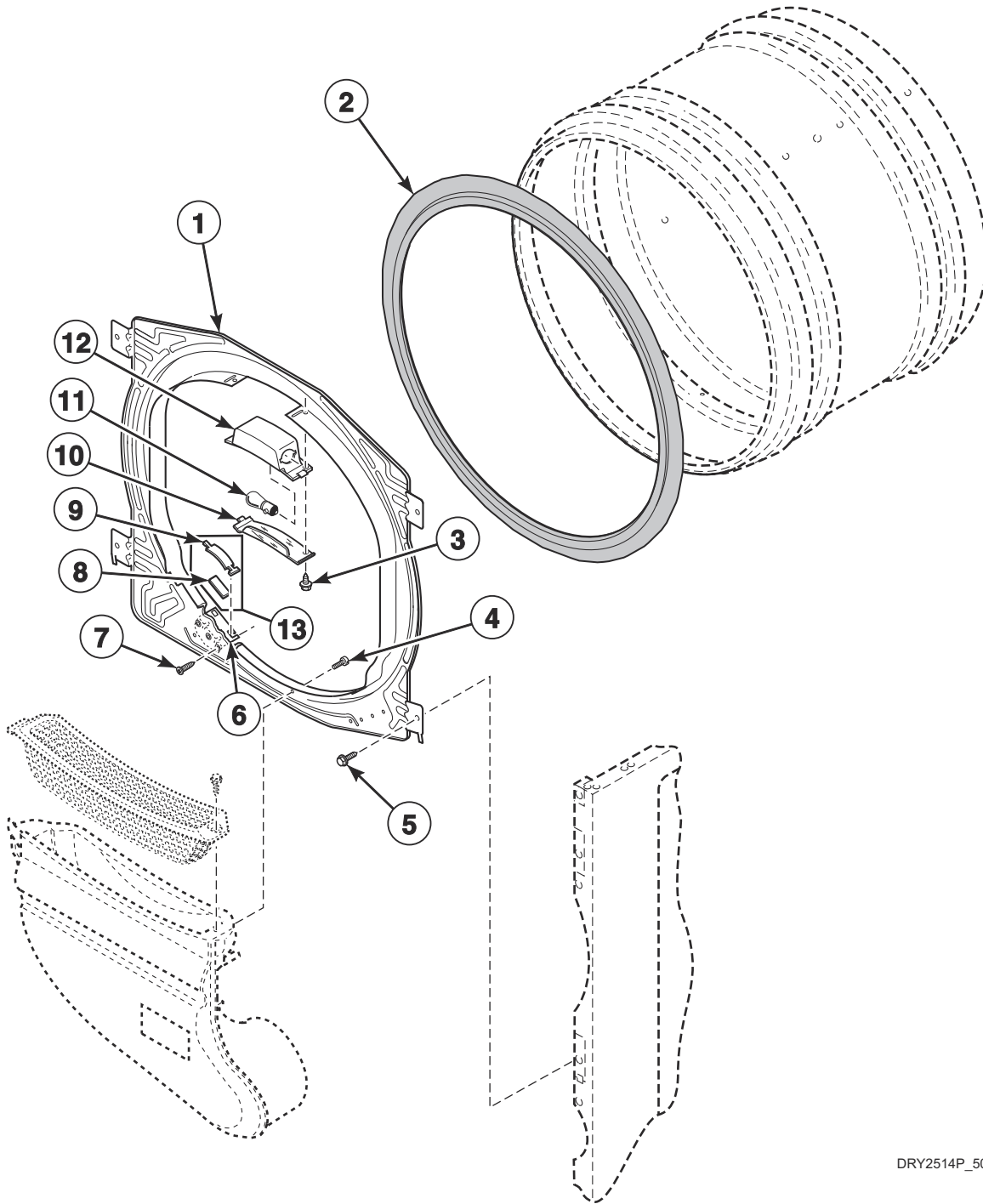
Air Duct - Without Front Bulkhead Light

REF	PART NO.	DESCRIPTION	COMMENTS
1	D501285	Screw	
2	D518433	Air Duct Assembly	Light gray; Models BDE30FGS171CW01, LDE30RGS173MW33, LDE3TRGS171CW01, LDE3TRGS451NW22, LDE3TRGS461NW22, LDE3TRGS551NW22, LDE3TRWS541NW22, LDG3TRGS111CW01, LDL30RGS113MW33, LDL3TRGS541NW22, LDL3TRGW301NW22, LDL3TRWW301NW22, LES37A*F3300, MDE3TRWS331TW06, YDE3TRGS171CW01, YDG3TRGS111CW01 and ZDE30RGS171CW01; Models starting Serial No. 1303025315
	D518432	Air Duct Assembly	Models BDE30FGS171CW01, LDE3TRGS451NW22, LDE3TRGS461NW22, LDE3TRGS551NW22, LDE3TRWS541NW22, LDL3TRWW301NW22, LES37A*F3300, MDE3TRWS331TW06 and ZDE30RGS171CW01 BDE30FGS171CW01, LDE3TRGS451NW22, LDE3TRGS461NW22, LDE3TRGS551NW22, LDE3TRWS541NW22, LDL3TRGS541NW22, LDL3TRGW301NW22, LDL3TRWW301NW22, LES37A*F3300, MDE3TRWS331TW06 and ZDE30RGS171CW01 through Serial No. 1303025314; All other models
3	D500314	Warning Label	Models AEZ17A*F1702, AGZ17A*F1102, BDE30FGS171CW01, BDG30FGS111CW01, FEU17A*F1702, FEZ17A*F1702, FGZ17A*F1102, LEB07A*F1709, LED17A*F1700, LEZ27A*F1502, LEZ27A*F1702, LEZ37A*F1702, LGZ27A*F1102, LGZ37A*F1102, ZDE30RGS171CW01 and ZDG30RGS111CW01
	D502506	Pinched Fingers Label	Model LES17A*M4588
4	F8211201	Electrical Shock Label	Models ADE3TRWS461AW01, LDL3TRGS541NW22, LDL3TRGW301NW22 and LDL3TRWW301NW22
	F8615701	Pinch Warning Label	Models ADE3TRWS461AW01, LDL3TRGS541NW22, LDL3TRGW301NW22 and LDL3TRWW301NW22
5	D503980LG	Lint Filter	Light gray; Models BDE30FGS171CW01, LDE30RGS173MW33, LDE3TRGS171CW01, LDE3TRGS451NW22, LDE3TRGS461NW22, LDE3TRGS551NW22, LDE3TRWS541NW22, LDG3TRGS111CW01, LDL30RGS113MW33, LDL3TRGS541NW22, LDL3TRGW301NW22, LDL3TRWW301NW22, LED17A*F1700, LES37A*F3300, MDE3TRWS331TW06, YDE3TRGS171CW01, YDG3TRGS111CW01 and ZDE30RGS171CW01; Models starting Serial No. 1303025315
	D503980W	Lint Filter	Models BDE30FGS171CW01, LDE3TRGS451NW22, LDE3TRGS461NW22, LDE3TRGS551NW22, LDE3TRWS541NW22, LES37A*F3300, MDE3TRWS331TW06 and ZDE30RGS171CW01 through Serial No. 1303025314; All other models

* Add Letter To Designate Color. G - Gray L - Almond Q - Bisque W - White

Front Bulkhead and Seal - With Light

Models ADE32FSS431AN01, ADE32FSS431NN22, ADE32FSS541RN01, ADE41FSS171TN03, ADG32FSS301AN01, ADG41FSS111TN03, AEZ28A*F1702, AEZ68A*F1702, AGZ28A*F1102, AGZ68A*F1102, CDE3LRGS171CW01, CDE4BFGS171CW01, CDG3LRGS111CW01, CDG4BFGS111CW01, CEZ68A*F1702, CGZ68A*F1102, LES28A*G4018, LET57A*F1700, LET67A*F1700, LET68A*F1700, LEY47A*F1709, LEZ57A*F1702, LEZ67A*F1702, LGS38A*M3013, LGS38A*M3020, LGS40A*M3020, LGT57A*F1100, LGT68A*F1100, LGY47A*F1109, LGZ57A*F1102, LGZ67A*F1102, ZDE3LRGS171CW01, ZDE41FSS171CN01, ZDE4BFGS171CW01, ZDE4BRGS171CW01, ZDG3LRGS111CW01, ZDG41FSS111CN01, ZDG4BFGS111CW01 and ZDG4BRGS111CW01



DRY2514P_506054

Front Bulkhead and Seal - With Light

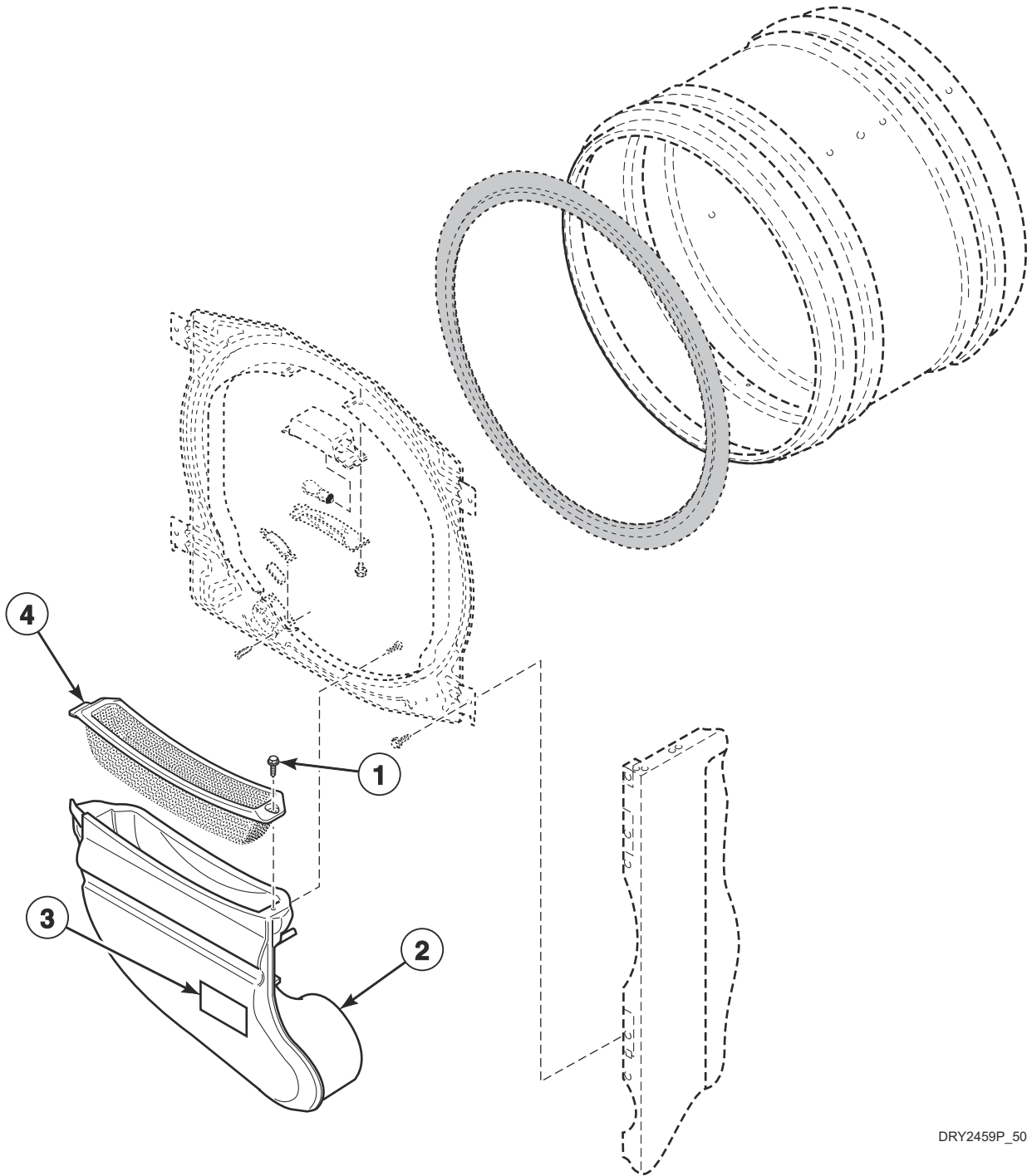
REF	PART NO.	DESCRIPTION	COMMENTS
1	D512476P	Front Bulkhead Assembly	Galvanized; Includes items 2, 3, and 5-12; 240 Volt Cylinder Light Assembly and Lamp must be ordered separately; Drum Light Lens must be ordered separately for model LES28A*G4018; Models ADE41FSS171TN03, ADG41FSS111TN03, AEZ28A*F1702, AEZ68A*F1702, AGZ28A*F1102, AGZ68A*F1102, CDE3LRGS171CW01, CDE4BFGS171CW01, CDG3LRGS111CW01, CDG4BFGS111CW01, CEZ68A*F1702, CGZ68A*F1102, LES28A*G4018, ZDE3LRGS171CW01, ZDE41FSS171CN01, ZDE4BFGS171CW01, ZDE4BRGS171CW01, ZDG3LRGS111CW01, ZDG41FSS111CN01, ZDG4BFGS111CW01 and ZDG4BRGS111CW01
	D505899WP	Bulkhead Assembly	Painted; Includes items 2, 3, and 5-12; Models ADE32FSS431AN01, ADE32FSS431NN22, ADE32FSS541RN01, ADG32FSS301AN01, LET57A*F1700, LET67A*F1700, LET68A*F1700, LEY47A*F1709, LEZ57A*F1702, LEZ67A*F1702, LGS38A*M3013, LGS38A*M3020, LGS40A*M3020, LGT57A*F1100, LGT68A*F1100, LGY47A*F1109, LGZ57A*F1102, LGZ67A*F1102, ZDE3LRGS171CW01, ZDE41FSS171CN01, ZDE4BFGS171CW01, ZDE4BRGS171CW01, ZDG3LRGS111CW01, ZDG41FSS111CN01, ZDG4BFGS111CW01 and ZDG4BRGS111CW01
2	D510207P	Cylinder Seal Assembly	
	D511637P	Adhesive	For cylinder seal
	RB170001	Seal Kit	Includes 2 cylinder seals, D510238P Blower Housing Seal and Adhesive
3	D500227	Screw	
4	D500226	Screw	
5	D503688	Screw	
6	D510145	Cylinder Glide Bracket	
7	D501086	Screw	
8	D510189	Felt Pad	
9	D513710	Cylinder Glide	
10	D512106	Cylinder Light Lens	
11	D503579	Drum Light Lamp	240 Volt; Models ADE32FSS431AN01, ADE32FSS431NN22, ADE32FSS541RN01, ADG32FSS301AN01, LES28A*G4018, LGS38A*M3013, LGS38A*M3020 and LGS40A*M3020
	60954	Drum Light Lamp	120 Volt; All other models
12	D512109	Cylinder Light Assembly	240 Volt; Models ADE32FSS431AN01, ADE32FSS431NN22, ADE32FSS541RN01, ADG32FSS301AN01, LES28A*G4018, LGS38A*M3013, LGS38A*M3020 and LGS40A*M3020
	D512108	Light Housing Assembly	120 Volt; Includes lamp; All other models
13	RB170003	Glide Kit	Includes items 8 and 9

* Add Letter To Designate Color. G - Gray L - Almond Q - Bisque W - White

N/A = Part no longer available

Air Duct

Models ADE32FSS431AN01, ADE32FSS431NN22, ADE32FSS541RN01, ADE41FSS171TN03, ADG32FSS301AN01, ADG41FSS111TN03, AEZ28A*F1702, AEZ68A*F1702, AGZ28A*F1102, AGZ68A*F1102, CDE3LRGS171CW01, CDE4BFGS171CW01, CDG3LRGS111CW01, CDG4BFGS111CW01, CEZ68A*F1702, CGZ68A*F1102, LES28A*G4018, LET57A*F1700, LET67A*F1700, LET68A*F1700, LEY47A*F1709, LEZ57A*F1702, LEZ67A*F1702, LGS38A*M3013, LGS38A*M3020, LGS40A*M3020, LGT57A*F1100, LGT68A*F1100, LGY47A*F1109, LGZ57A*F1102, LGZ67A*F1102, ZDE3LRGS171CW01, ZDE41FSS171CN01, ZDE4BFGS171CW01, ZDE4BRGS171CW01, ZDG3LRGS111CW01, ZDG41FSS111CN01, ZDG4BFGS111CW01 and ZDG4BRGS111CW01



DRY2459P_506054

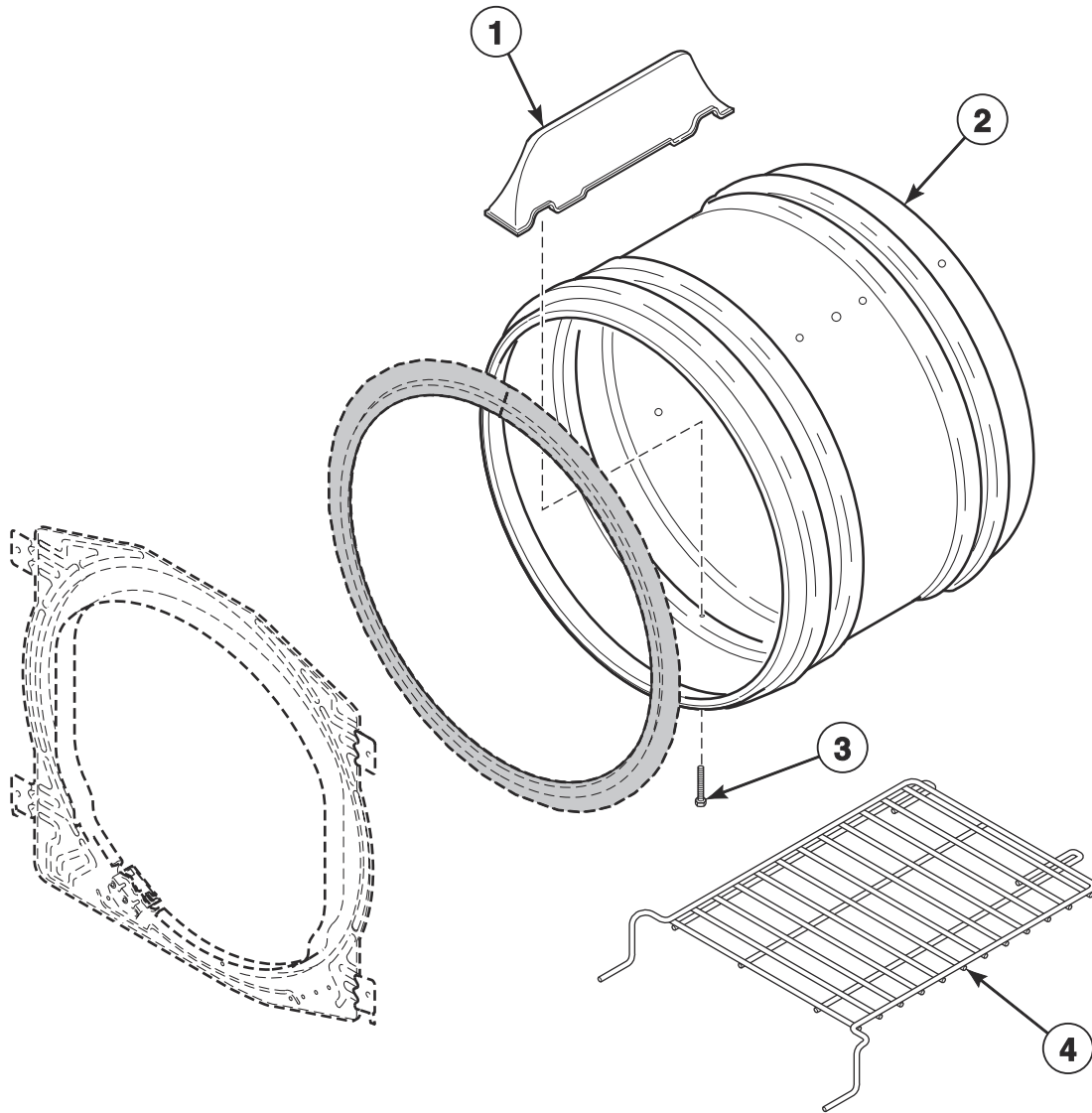
Air Duct

REF	PART NO.	DESCRIPTION	COMMENTS
1	D501285	Screw	
2	D518433	Air Duct Assembly	Models ZDE3LRGS171CW01, ZDE4BFGS171CW01 and ZDE4BRGS171CW01 starting Serial No. 1303025315; Models ADE32FSS431AN01, ADE32FSS431NN22, ADE32FSS541RN01, ADE41FSS171TN03, ADG32FSS301AN01, ADG41FSS111TN03, ZDE41FSS171CN01 and ZDG41FSS111CN01
	D518432	Air Duct Assembly	Models ZDE3LRGS171CW01, ZDE4BFGS171CW01 and ZDE4BRGS171CW01 through Serial No. 1303025314; All other models
3	D500314	Warning Label	English/French
	F8615701	Pinch Warning Label	Icon
4	D503980LG	Lint Filter	Light gray; Models ZDE3LRGS171CW01, ZDE4BFGS171CW01 and ZDE4BRGS171CW01 starting Serial No. 1303025315; Models ADE32FSS431AN01, ADE32FSS431NN22, ADE32FSS541RN01, ADE41FSS171TN03, ADG32FSS301AN01, ADG41FSS111TN03, ZDE41FSS171CN01 and ZDG41FSS111CN01
	D503980W	Lint Filter	Models ZDE3LRGS171CW01, ZDE4BFGS171CW01 and ZDE4BRGS171CW01 through Serial No. 1303025314; All other models

* Add Letter To Designate Color. G - Gray L - Almond Q - Bisque W - White

N/A = Part no longer available

Cylinder, Baffles and Drying Rack



DRY2161P_506054

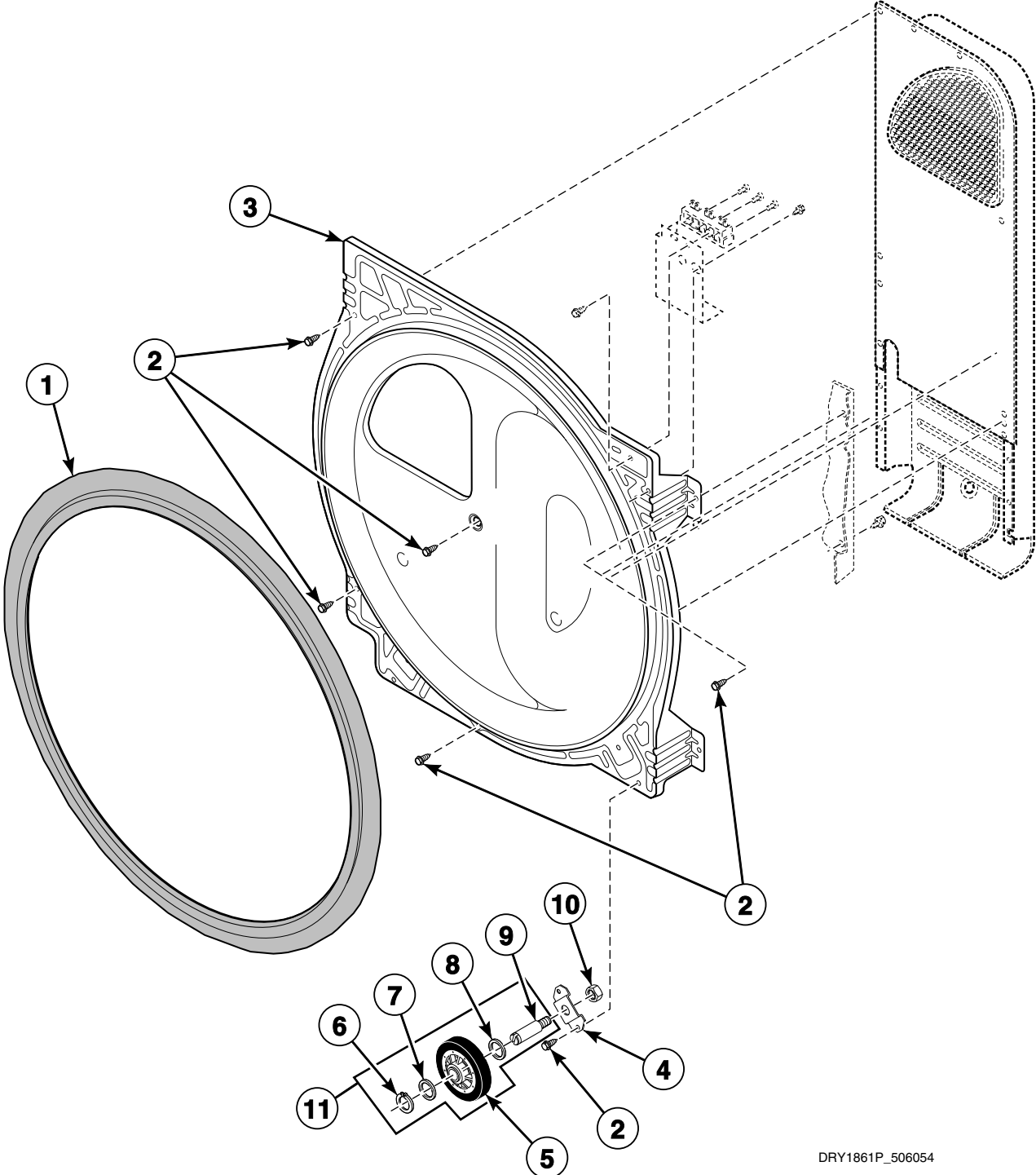
Cylinder, Baffles and Drying Rack

REF	PART NO.	DESCRIPTION	COMMENTS
1	D510102LG	Cylinder Baffle	3 required; Light gray; Models BDE30FGS171CW01, LDE3TRGS451NW22, LDE3TRGS461NW22, LDE3TRGS551NW22, LDE3TRWS541NW22, LES37A*F3300, MDE3TRWS331TW06, ZDE30RGS171CW01, ZDE3LRGS171CW01, ZDE4BFGS171CW01 and ZDE4BRGS171CW01 starting Serial No. 1303025315; Models ADE3TRGS451LW22, ADE32FSS431AN01, ADE32FSS431NN22, ADE32FSS541RN01, ADE41FSS171TN03, ADG32FSS301AN01, ADG41FSS111TN03, ZDE41FSS171CN01 and ZDG41FSS111CN01
	D510102W	Cylinder Baffle	Models BDE30FGS171CW01, LES37A*F3300, MDE3TRWS331TW06, ZDE30RGS171CW01, ZDE3LRGS171CW01, ZDE4BFGS171CW01 and ZDE4BRGS171CW01 through Serial No. 1303025314; All other models
2	D510265WP	Cylinder Assembly	Galvanized; Includes (3) of item 1 and (6) of item 3; Models BDE30FGS171CW01, LEZ27A*F1502, ZDE30RGS171CW01, ZDE3LRGS171CW01, ZDE4BFGS171CW01 and ZDE4BRGS171CW01 through Serial No. 1303025314; Models ADE3TRGS431NW29, ADE3TRGS451LW22, AEZ17A*F1702, AEZ28A*F1702, AEZ68A*F1702, AGZ17A*F1102, AGZ28A*F1102, AGZ68A*F1102, BDG30FGS111CW01, CDE3LRGS171CW01, CDE4BFGS171CW01, CDG3LRGS111CW01, CDG4BFGS111CW01, CEZ68A*F1702, CGZ68A*F1102, DDE30RGS173CW01, EDE3TRGS543PW01, EDL3TRGS541NW23, FDE3TRGS401NW22, FDE3TRGS433LW01, FDG3TRGS301NW10, FEN16A*G4018, FEN17A*G3018, FEN17A*G4018, FES16A*G4018, FES17A*F3300, FES17A*F4350, FEU17A*F1702, FEZ17A*F1702, FGN16A*M3013, FGN17A*M3013, FGS17A*F3060, FGZ17A*F1102, LDE30RGS173MW33, LDE3TRGS171CW01, LDE3TRGS431AW01, LDE3TRGS451NW22, LDE3TRGS451SW01, LDE3TRGS461NW22, LDE3TRGS541NW22, LDG3TRGS301AW01, LDG3TRGS301NW22, LDL30RGS113MW33, LDL3TRGS541NW22, LDL3TRGW301NW22, LED17A*F1700, LEN27A*G3008, LEN27A*G3018, LEN27A*G4008, LEN27A*G4018, LES17A*F3000, LES17A*F3007, LES17A*F3022, LES17A*F4500, LES17A*M4588, LES27A*G3018, LES27A*G4000, LES27A*G4018, LES27A*G4500, LES27A*G4518, LES28A*G4018, LET68A*F1700, LEZ27A*F1502, LEZ27A*F1702, LEZ27A*G3018, LEZ27A*G4018, LGN27A*F3060, LGN27A*M3008, LGN27A*M3013, LGS17A*F3020, LGS17A*F3081, LGS17A*K1180, LGS17A*M3020, LGS17A*M3082, LGS27A*M3013, LGS27A*M3080, LGT68A*F1100, LGZ27A*F1102, LGZ27A*M3013, YDG30RGS301NW21, ZDG30RGS111CW01, ZDG3LRGS111CW01, ZDG4BFGS111CW01 and ZDG4BRGS111CW01
	D510265LGP	Cylinder Assembly	Models BDE30FGS171CW01, ZDE30RGS171CW01, ZDE3LRGS171CW01, ZDE4BFGS171CW01 and ZDE4BRGS171CW01 starting Serial No. 1303025315
	D505929WP	Cylinder Assembly	Stainless steel; Includes (3) of item 1 and (6) of item 3; Models LEN27A*G99M3, LET67A*F1700, LEZ67A*F1702, LGS40A*M3020 and LGZ67A*F1102
	D505929LGP	Cylinder Assembly	Stainless steel; Includes (3) of item 1 and (6) of item 3; Models ADE32FSS431AN01, ADE32FSS431NN22, ADE32FSS541RN01, ADE41FSS171TN03, ADG32FSS301AN01, ADG41FSS111TN03, ZDE41FSS171CN01 and ZDG41FSS111CN01
	D510159LGP	Cylinder Assembly	Models LDE3TRGS451NW22, LDE3TRGS461NW22, LDE3TRGS551NW22, LDE3TRWS541NW22, LES37A*F3300 and MDE3TRWS331TW06 starting Serial No. 1303025315
	D510159WP	Cylinder Assembly	White; Includes (3) of item 1 and (6) of item 3; Models LES37A*F3300 and MDE3TRWS331TW06 through Serial No. 1303025314; ZDE and ZDG models; All other models
3	62588	Screw	
4	D512082P	Drying Rack	

* Add Letter To Designate Color. G - Gray L - Almond Q - Bisque W - White

Rear Bulkhead, Felt Seal and Cylinder Roller - 1 Phase Models

All Models Except FDE3TRGS401NW22, FEN16A*G4018, FEN17A*G4018, FES16A*G4018, LEN27A*G4008, LEN27A*G4018, LEN27A*G99M3, LEN37A*G4018, LES27A*G4000, LES27A*G4018, LES28A*G4018, LES37A*G4018, LEZ27A*G4018 and LEZ37A*G4018



DRY1861P_506054

Rear Bulkhead, Felt Seal and Cylinder Roller - 1 Phase Models

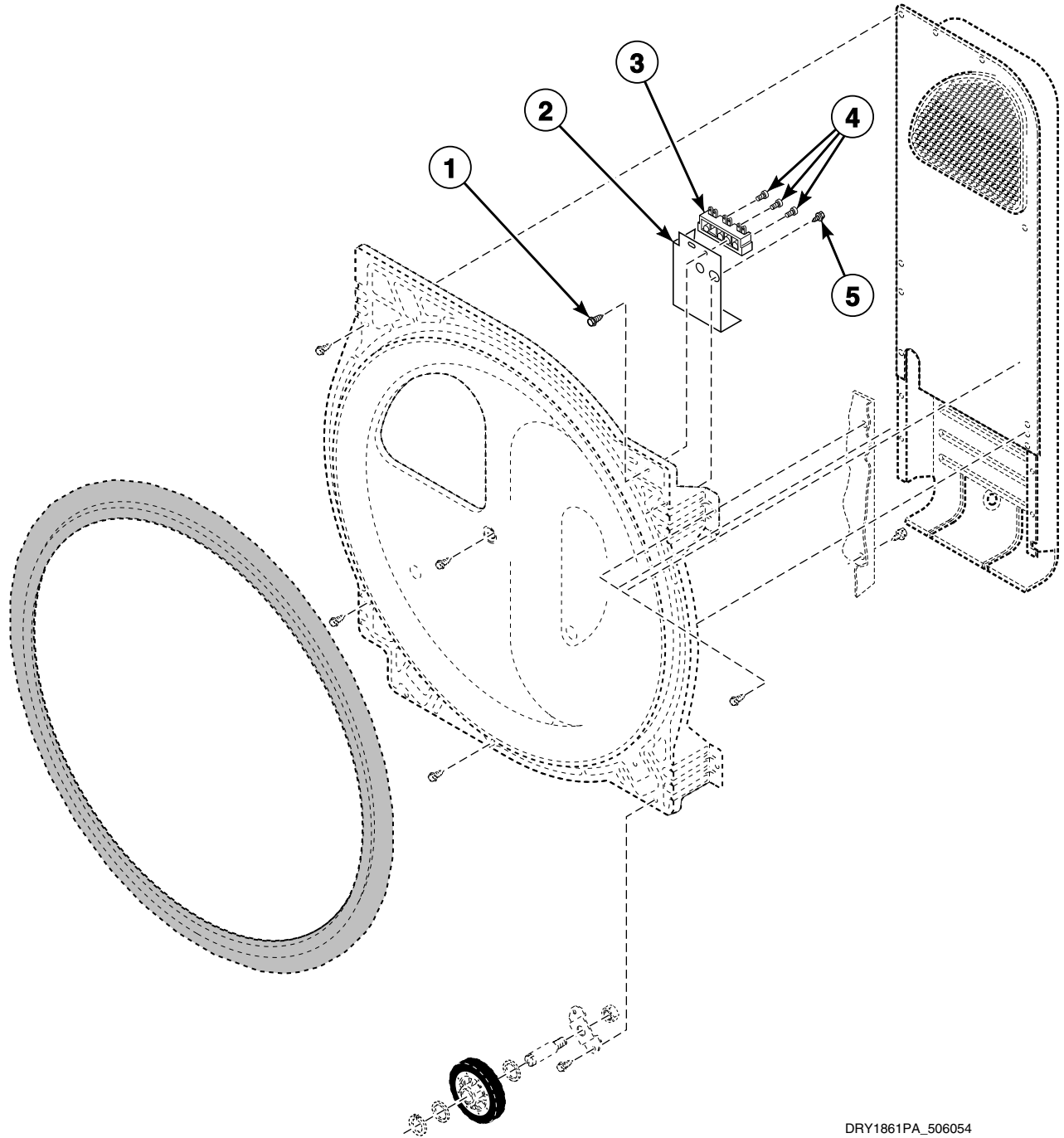
REF	PART NO.	DESCRIPTION	COMMENTS
1	D510207P	Cylinder Seal Assembly	
	D511637P	Adhesive	For cylinder seal
	RB170001	Seal Kit	Includes 2 cylinder seals, D510238P Blower Housing Seal and Adhesive
2	D503688	Screw	
3	D511082P	Rear Bulkhead Assembly	Galvanized; Includes item 1; Models ADE3TRGS431NW29, ADE3TRGS451LW22, AEZ17A*F1702, AEZ28A*F1702, AEZ68A*F1702, AGZ17A*F1102, AGZ28A*F1102, AGZ68A*F1102, BDE30FGS171CW01, BDG30FGS111CW01, CDE3LRGS171CW01, CDE4BFGS171CW01, CDG3LRGS111CW01, CDG4BFGS111CW01, CEZ68A*F1702, CGZ68A*F1102, DDE30RGS173CW01, EDE3TRGS543PW01, EDL3TRGS541NW23, FDE3TRGS301NW10, FDE3TRGS433LW01, FDG3TRGS301NW10, FES17A*F3300, FES17A*F4350, FEU17A*F1702, FEZ17A*F1702, FGN16A*M3013, FGN17A*M3013, FGS17A*F3060, FGZ17A*F1102, LDE30RGS173MW33, LDE3TRGS171CW01, LDE3TRGS431AW01, LDE3TRGS451NW22, LDE3TRGS451SW01, LDE3TRGS461NW22, LDE3TRGS541NW22, LDE3TRGS551NW22, LDG3TRGS111CW01, LDG3TRGS301AW01, LDG3TRGS301NW22, LDL30RGS113MW33, LDL3TRGS541NW22, LDL3TRGW301NW22, LDL3TRWWW301NW22, LED17A*F1700, LEN27A*G3008, LEN27A*G3018, LES17A*F3000, LES17A*F3007, LES17A*F3022, LES17A*F4500, LES17A*M4588, LES27A*G3018, LES27A*G4500, LES27A*G4518, LES37A*F4350, LET68A*F1700, LEZ27A*F1502, LEZ27A*F1702, LEZ27A*G3018, LGN27A*F3060, LGN27A*M3008, LGN27A*M3013, LGS17A*F3020, LGS17A*F3081, LGS17A*K1180, LGS17A*M3020, LGS17A*M3082, LGS27A*M3013, LGS27A*M3080, LGT68A*F1100, LGZ27A*F1102, LGZ27A*M3013, YDE3TRGS171CW01, YDE3TRGS301NW10, YDG30RGS301NW21, YDG3TRGS111CW01, ZDE30RGS171CW01, ZDE3LRGS171CW01, ZDE4BFGS171CW01, ZDE4BRGS171CW01, ZDG30RGS111CW01, ZDG3LRGS111CW01, ZDG4BFGS111CW01 and ZDG4BRGS111CW01
	N/A	Rear Bulkhead Assembly	Stainless steel; Includes item 1; Models LET67A*F1700, LEZ67A*F1702, LGS40A*M3020 and LGZ67A*F1102
	D518128	Rear Bulkhead	Stainless steel; Includes item 1; Models ADE32FSS431AN01, ADE32FSS431NN22, ADE32FSS541RN01, ADE41FSS171TN03, ADG32FSS301AN01, ADG41FSS111TN03, ZDE41FSS171CN01 and ZDG41FSS111CN01
	D510905WP	Rear Bulkhead Assembly	White; Includes item 1; ZDE and ZDG models; All other models
	4	D510100	Cylinder Roller Bracket
5	D510708P	Cylinder Roller	
6	23748	Retaining Ring	
7	52549	Washer	
8	D504082	Washer	
9	56461P	Shaft	
10	56156	Nut	
11	RB170002	Roller Kit	Includes items 5-9; (Quantity: 2 of each item)

* Add Letter To Designate Color. G - Gray L - Almond Q - Bisque W - White

N/A = Part no longer available

Terminal Block - 1 Phase Models

All Models Except FDE3TRGS401NW22, FEN16A*G4018, FEN17A*G4018, FES16A*G4018, LEN27A*G4008, LEN27A*G4018, LEN27A*G99M3, LEN37A*G4018, LES27A*G4000, LES27A*G4018, LES28A*G4018, LES37A*G4018, LEZ27A*G4018 and LEZ37A*G4018



DRY1861PA_506054

Terminal Block - 1 Phase Models

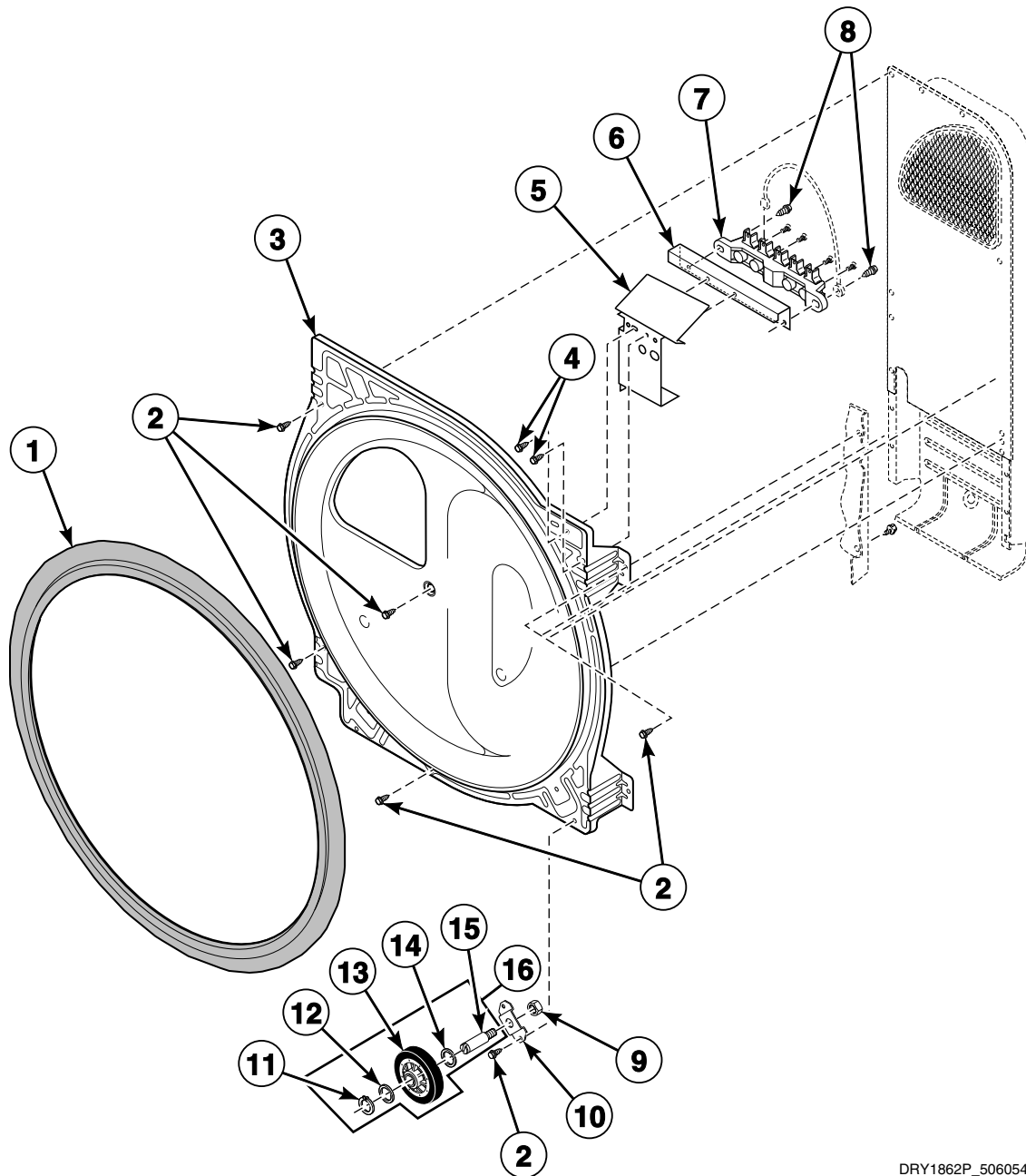
REF	PART NO.	DESCRIPTION	COMMENTS
1	D501285	Screw	
2	D517715	Terminal Block Shield	Models ADE3TRGS431NW29, ADE3TRWS431NW29, LDL3TRGS541NW22 and LGN27A*F3060
	D510237	Terminal Block Shield	Models ADE41FSS171TN03, AEZ17A*F1702, AEZ28A*F1702, AEZ68A*F1702, BDE30FGS171CW01, CDE3LRGS171CW01, CDE4BFGS171CW01, CEZ68A*F1702, DDE30RGS173CW01, FEU17A*F1702, FEZ17A*F1702, LDE30RGS173MW33, LDE3TRGS171CW01, LEB07A*F1709, LED17A*F1700, LET57A*F1700, LET67A*F1700, LET68A*F1700, LEY47A*F1709, LEZ27A*F1502, LEZ27A*F1702, LEZ37A*F1702, LEZ57A*F1702, LEZ67A*F1702, YDE3TRGS171CW01, ZDE30RGS171CW01, ZDE3LRGS171CW01, ZDE41FSS171CN01, ZDE4BFGS171CW01 and ZDE4BRGS171CW01; Through Serial No. 1902000001
	D505768	Terminal Block Shield	Models ADE32FSS431AN01, ADE32FSS431NN22, ADE32FSS541RN01, ADE3TRGS451LW22, ADE3TRWS431AW01, ADE3TRWS431NW22, ADE3TRWS461AW01, ADG32FSS301AN01, ADG3TRWS301AW01, EDE3TRGS543PW01, EDE3TRWS543PW01, EDL3TRGS541NW23, FDG3TRGS301NW10, FGN16A*M3013, FGN17A*M3013, LDE3TRWS331TW05, LDG3TRGS111CW01, LEG37A*F4350, LEH37A*F3300, LEK37A*F4350, LEN27A*G3008, LEN27A*G3018, LEN37A*G3018, LES17A*F3000, LES17A*F3007, LES17A*F3022, LES17A*F4500, LES17A*M4588, LES27A*G3018, LES27A*G4500, LES27A*G4518, LES33A*F4562, LES37A*F3000, LES37A*F3028, LES37A*F3300, LES37A*F3327, LES37A*F4350, LES37A*F5412, LES37A*G3018, LEZ27A*G3018, LEZ37A*F3000, LEZ37A*F3300, LEZ37A*G3018, LEZ37A*G5618, LGG37A*F3058, LGH37A*F5423, LGK37A*F3058, LGK37A*F3060, LGN27A*M3008, LGN27A*M3013, LGN37A*M3013, LGS17A*F3020, LGS17A*F3081, LGS17A*M3020, LGS17A*M3082, LGS27A*M3013, LGS27A*M3080, LGS37A*F3000, LGS37A*F3022, LGS37A*F3028, LGS37A*F3058, LGS37A*F3060, LGS37A*F3080, LGS37A*F5412, LGS37A*F5423, LGS37A*G3013, LGS37A*G3080, LGS37A*M3013, LGS37A*M3080, LGS38A*M3013, LGS38A*M3020, LGS40A*M3020, LGZ27A*M3013, LGZ37A*F3000, LGZ37A*G3013, LGZ37A*M3013, MDE3TRWS331TW06, YDE3TRGS301NW10 and YDG3TRGS111CW01
3	D510190P	Terminal Block Assembly	Includes 3 of item 4; All models except ADG41FSS111TN03, AGZ17A*F1102, AGZ28A*F1102, AGZ68A*F1102, BDG30FGS111CW01, CDG3LRGS111CW01, CDG4BFGS111CW01, CGZ68A*F1102, FGZ17A*F1102, LGH37A*F1182, LGS17A*K1180, LGS37A*G3013, LGS37A*G3080, LGT57A*F1100, LGT68A*F1100, LGY47A*F1109, LGZ27A*F1102, LGZ37A*F1102, LGZ37A*G3013, LGZ57A*F1102, LGZ67A*F1102, ZDG30RGS111CW01, ZDG3LRGS111CW01, ZDG41FSS111CN01, ZDG4BFGS111CW01 and ZDG4BRGS111CW01
	N/A	Terminal Block	Models LGS37A*G3013, LGS37A*G3080 and LGZ37A*G3013
4	61199	Screw	All models except AGZ17A*F1102, AGZ28A*F1102, AGZ68A*F1102, BDG30FGS111CW01, CDG3LRGS111CW01, CDG4BFGS111CW01, CGZ68A*F1102, FGZ17A*F1102, LGH37A*F1182, LGS17A*K1180, LGS37A*G3013, LGS37A*G3080, LGT57A*F1100, LGT68A*F1100, LGY47A*F1109, LGZ27A*F1102, LGZ37A*F1102, LGZ37A*G3013, LGZ57A*F1102, LGZ67A*F1102, ZDG30RGS111CW01, ZDG3LRGS111CW01, ZDG41FSS111CN01, ZDG4BFGS111CW01 and ZDG4BRGS111CW01
5	D503688	Screw	

* Add Letter To Designate Color. G - Gray L - Almond Q - Bisque W - White

N/A = Part no longer available

Rear Bulkhead, Felt Seal, Cylinder Roller and Terminal Block - 3 Phase Models

Models FDE3TRGS401NW22, FEN16A*G4018, FEN17A*G4018, FES16A*G4018, LEN27A*G4008,
LEN27A*G4018, LEN27A*G99M3, LEN37A*G4018, LES27A*G4000, LES27A*G4018, LES28A*G4018,
LES37A*G4018, LEZ27A*G4018 and LEZ37A*G4018



DRY1862P_506054

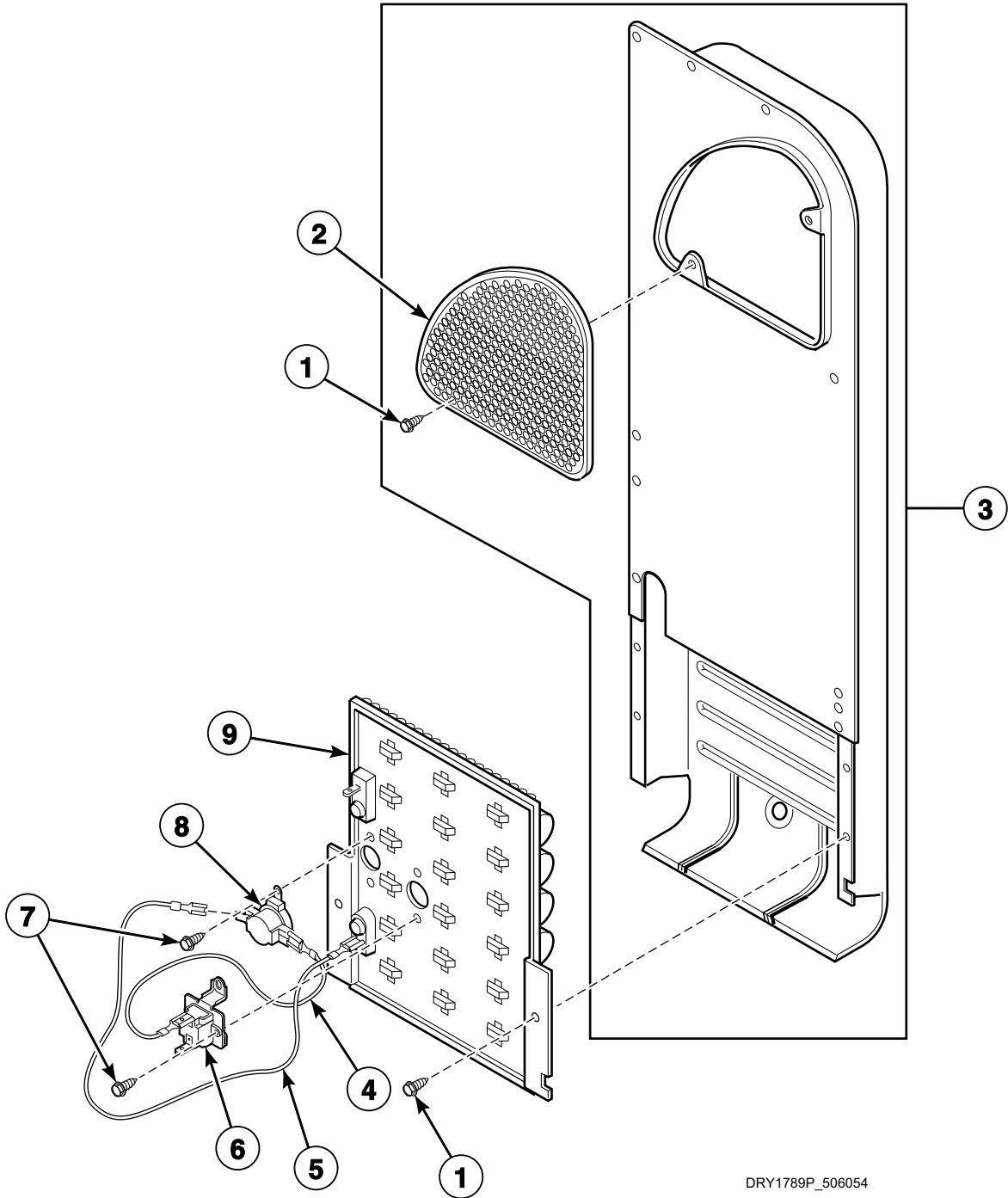
Rear Bulkhead, Felt Seal, Cylinder Roller and Terminal Block - 3 Phase Models

REF	PART NO.	DESCRIPTION	COMMENTS
1	D510207P	Cylinder Seal Assembly	
	D511637P	Adhesive	For cylinder seal
	RB170001	Seal Kit	Includes 2 cylinder seals, D510238P Blower Housing Seal and Adhesive
2	D503688	Screw	
3	D510905WP	Rear Bulkhead Assembly	White; Includes item 1; Models LEN37A*G4018, LES37A*G4018 and LEZ37A*G4018
	D518128	Rear Bulkhead Assembly	Stainless steel; Includes item 1; Model LEN27A*G99M3
	D511082P	Rear Bulkhead Assembly	Galvanized; Includes item 1; All other models
4	D501285	Screw	
5	D505768	Terminal Block Shield	
6	D505875	Terminal Block Support Bracket	
7	D505876	Terminal Block Assembly	
8	D503661	Screw	
9	56156	Nut	
10	D510100	Cylinder Roller Bracket	
11	23748	Retaining Ring	
12	52549	Washer	
13	D510708P	Cylinder Roller	
14	D504082	Washer	
15	56461P	Shaft	
16	RB170002	Roller Kit	Includes items 11-15; (Quantity: 2 of each item)

* Add Letter To Designate Color. G - Gray L - Almond Q - Bisque W - White

Heater Duct and Element Assembly - 1 Phase Models

All Electric Models Except FDE3TRGS401NW22, FEN16A*G4018, FEN17A*G4018, FES16A*G4018, LEN27A*G4008, LEN27A*G4018, LEN27A*G99M3, LEN37A*G4018, LES27A*G4000, LES27A*G4018, LES28A*G4018, LES37A*G4018, LEZ27A*G4018 and LEZ37A*G4018



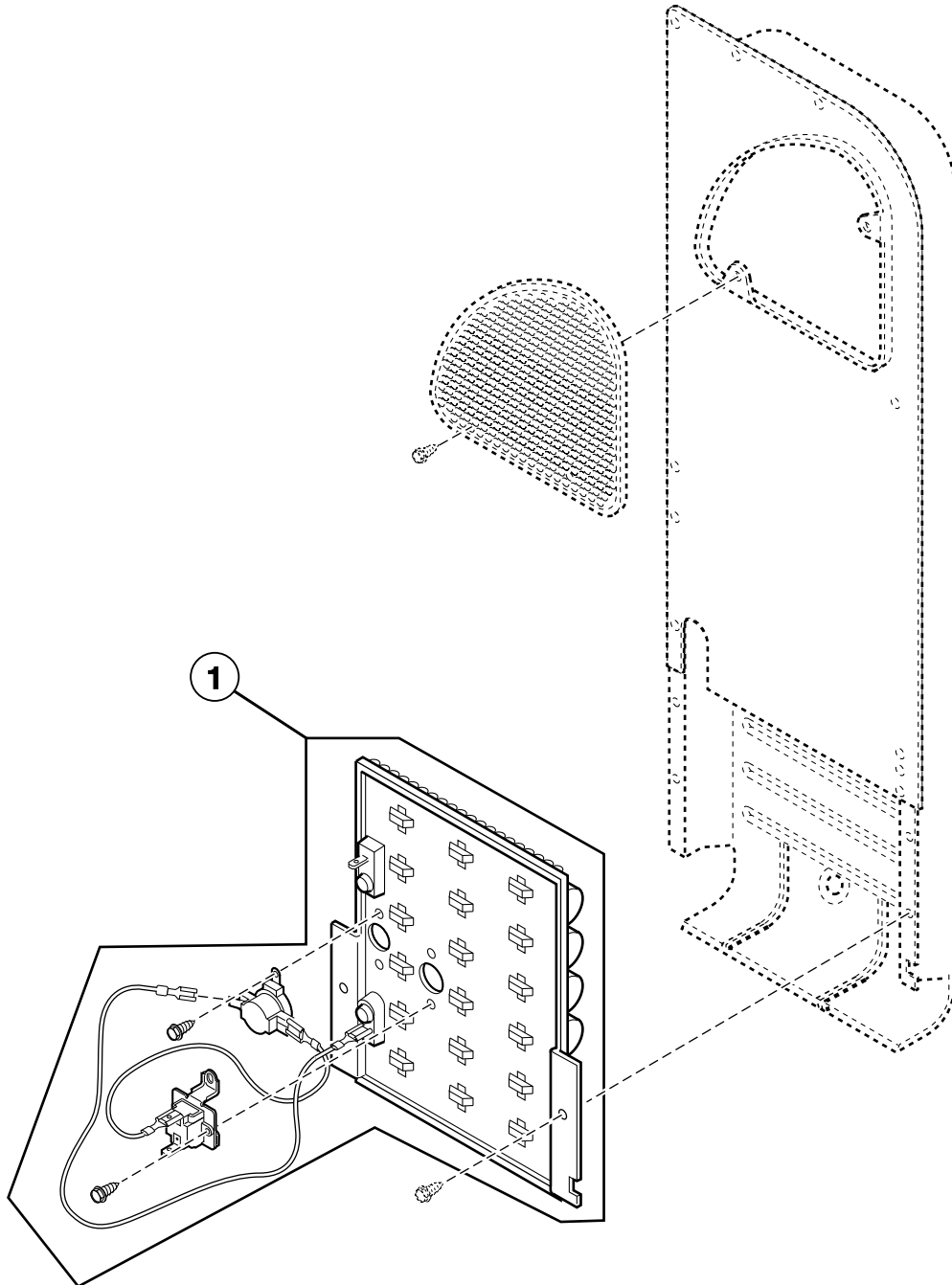
Heater Duct and Element Assembly - 1 Phase Models

REF	PART NO.	DESCRIPTION	COMMENTS
1	D503688	Screw	
2	D500820	Outlet Cover	
3	D510025P	Heater Duct Assembly	Includes items 1 and 2
4	D518256	Wire Assembly	Orange; Thermostat jumper; Attaches to heater assembly
5	D518255	Wire Assembly	Black; Fuse jumper; Attaches to heater assembly
6	D518649	Thermal Fuse Assembly	
	D516193	Limit Thermostat	Models LDE3TRGS461NW22 and YDE3TRGS301NW10
7	23222	Screw	
8	D510700	Limit Thermostat	Models LDE3TRGS451NW22, LDE3TRGS551NW22, LES17A*F4500, LES17A*M4588, LES27A*G4500, LES27A*G4518, LES33A*F4562 and LEZ37A*G5618
	D516192	Limit Thermostat	Pink; Models LDE3TRGS461NW22 and YDE3TRGS301NW10
	D510701	Limit Thermostat	All other models
9	D516123	Heater Assembly	240 Volt; 1900 W; Models ADE3TRWS461AW01, LDE3TRGS461NW22 and YDE3TRGS301NW10
	D510326P	Heater Assembly	240 Volt/50 Hertz; 4.8 kW; Models FDE3TRGS301NW10, FEN17A*G3018, LEN27A*G3008, LEN27A*G3018, LEN37A*G3018, LES17A*F3000, LES17A*F3007, LES17A*F3022, LES27A*G3018, LES37A*F3000, LES37A*F3028, LES37A*G3018, LEZ27A*G3018, LEZ37A*F3000, LEZ37A*F3300 and LEZ37A*G3018
	D510327P	Heater Assembly	240 Volt/50 Hertz; 4 kW; Models ADE32FSS431AN01, ADE32FSS431NN22, ADE3TFWS431AW01, ADE3TRGS431NW29, ADE3TRWS431AW01, ADE3TRWS431NW22, ADE3TRWS431NW29, FDE3TRGS433LW01, FES17A*F4350, LDE3TRGS431AW01, LDE3TRGS451SW01, LEG37A*F4350, LEK37A*F4350 and LES37A*F4350
	D510328P	Heater Assembly	240 Volt/50 or 60 Hertz; 3.1 kW; Models ADE3TRGS451LW22, LDE3TRGS451NW22, LDE3TRGS551NW22, LES17A*F4500, LES17A*M4588, LES27A*G4500, LES27A*G4518 and LES33A*F4562
	D511503P	Heater Assembly	240 Volt/60 Hertz; 2.8 kW; Model LEZ37A*G5618
	D510329P	Heater Assembly	240 Volt/60 Hertz; 5.35 kW; Models ADE41FSS171TN03 and LDE30RGS173MW33
	D510330P	Heater Assembly	208 Volt/60 Hertz; 4.25 kW; Model LEZ27A*F1502
	D510324P	Heater Assembly	240 Volt/60 Hertz; 5 kW; All other models

* Add Letter To Designate Color. G - Gray L - Almond Q - Bisque W - White

Heater Kit Assembly - 1 Phase Models

All Electric Models Except FDE3TRGS401NW22, FEN16A*G4018, FEN17A*G4018, FES16A*G4018, LEN27A*G4008, LEN27A*G4018, LEN27A*G99M3, LEN37A*G4018, LES27A*G4000, LES27A*G4018, LES28A*G4018, LES37A*G4018, LEZ27A*G4018 and LEZ37A*G4018



DRY1789PA_506054

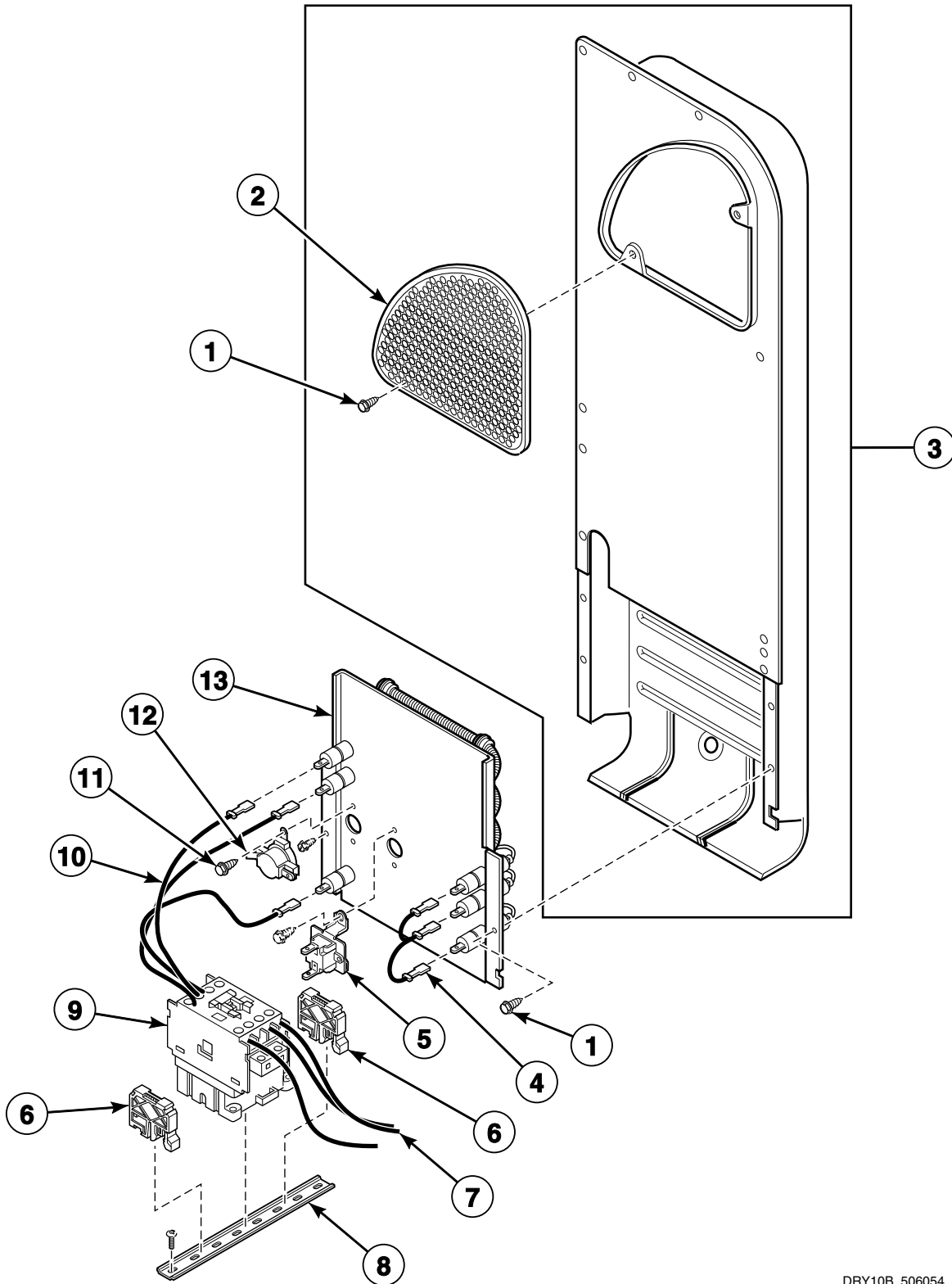
Heater Kit Assembly - 1 Phase Models

REF	PART NO.	DESCRIPTION	COMMENTS
1	61929	Heater Kit Assembly	240 Volt/50 Hertz; 4.8 kW; Includes thermostat, fuse and wiring; Models FDE3TRGS301NW10, FEN17A*G3018, LEN27A*G3008, LEN27A*G3018, LEN37A*G3018, LES17A*F3000, LES17A*F3007, LES17A*F3022, LES27A*G3018, LES37A*F3000, LES37A*F3028, LES37A*G3018, LEZ27A*G3018, LEZ37A*F3000, LEZ37A*F3300, LEZ37A*G3018, YDE3TRGS171CW01 and YDE3TRGS301NW10
	61930	Heater Kit Assembly	240 Volt/50 Hertz; 4 kW; Includes thermostat, fuse and wiring; Models ADE32FSS431AN01, ADE32FSS431NN22, ADE3TFWS431AW01, ADE3TRGS431NW29, ADE3TRGS451LW22, ADE3TRWS431AW01, ADE3TRWS431NW22, ADE3TRWS431NW29, FDE3TRGS433LW01, FES17A*F4350, LDE3TRGS431AW01, LDE3TRGS451SW01, LEG37A*F4350, LEK37A*F4350 and LES37A*F4350
	61931	Heater Kit Assembly	240 Volt/50 or 60 Hertz; 3.1 kW; Includes thermostat, fuse and wiring; Models LES17A*F4500, LES17A*M4588, LES27A*G4500, LES27A*G4518 and LES33A*F4562
	966P3	Heater Kit	240 Volt/60 Hertz; 2.8 kW; Includes thermostat, fuse and wiring; Models ADE32FSS541RN01, AEZ17A*F1702, AEZ28A*F1702, AEZ68A*F1702, BDE30FGS171CW01, CDE3LRGS171CW01, CDE4BFGS171CW01, CEZ68A*F1702, DDE30RGS173CW01, EDE3TRWS543PW01, FES17A*F3300, FEU17A*F1702, FEZ17A*F1702, LDE3TRWS331TW05, LEB07A*F1709, LED17A*F1700, LEH37A*F3300, LES37A*F3300, LES37A*F3327, LES37A*F5412, LET57A*F1700, LET67A*F1700, LET68A*F1700, LEY47A*F1709, LEZ27A*F1502, LEZ27A*F1702, LEZ37A*F1702, LEZ57A*F1702, LEZ67A*F1702, MDE3TRWS331TW06, ZDE30RGS171CW01, ZDE3LRGS171CW01, ZDE41FSS171CN01, ZDE4BFGS171CW01 and ZDE4BRGS171CW01
	61927	Heater Kit Assembly	240 Volt/60 Hertz; 5 kW; Includes thermostat, fuse and wiring; Models ADE32FSS541RN01, AEZ17A*F1702, AEZ28A*F1702, AEZ68A*F1702, BDE30FGS171CW01, CDE3LRGS171CW01, CDE4BFGS171CW01, CEZ68A*F1702, EDE3TRGS543PW01, FES17A*F3300, FEU17A*F1702, FEZ17A*F1702, LDE3TRGS171CW01, LDE3TRGS541NW22, LDE3TRWS331TW05, LEB07A*F1709, LED17A*F1700, LEH37A*F3300, LES37A*F3300, LES37A*F3327, LES37A*F5412, LET57A*F1700, LET67A*F1700, LET68A*F1700, LEY47A*F1709, LEZ27A*F1502, LEZ27A*F1702, LEZ37A*F1702, LEZ57A*F1702, LEZ67A*F1702, MDE3TRWS331TW06, ZDE30RGS171CW01, ZDE3LRGS171CW01, ZDE41FSS171CN01, ZDE4BFGS171CW01 and ZDE4BRGS171CW01
	964P3	Heater Kit	240 Volt/60 Hertz; 5.35 kW; Includes thermostat, fuse and wiring; Models ADE41FSS171TN03 and LDE30RGS173MW33

* Add Letter To Designate Color. **G** - Gray **L** - Almond **Q** - Bisque **W** - White

Heater Duct and Element Assembly - 3 Phase Models

Models FDE3TRGS401NW22, FEN16A*G4018, FEN17A*G4018, FES16A*G4018, LEN27A*G4008, LEN27A*G4018, LEN27A*G99M3, LEN37A*G4018, LES27A*G4000, LES27A*G4018, LES28A*G4018, LES37A*G4018, LEZ27A*G4018 and LEZ37A*G4018



DRY10B_506054

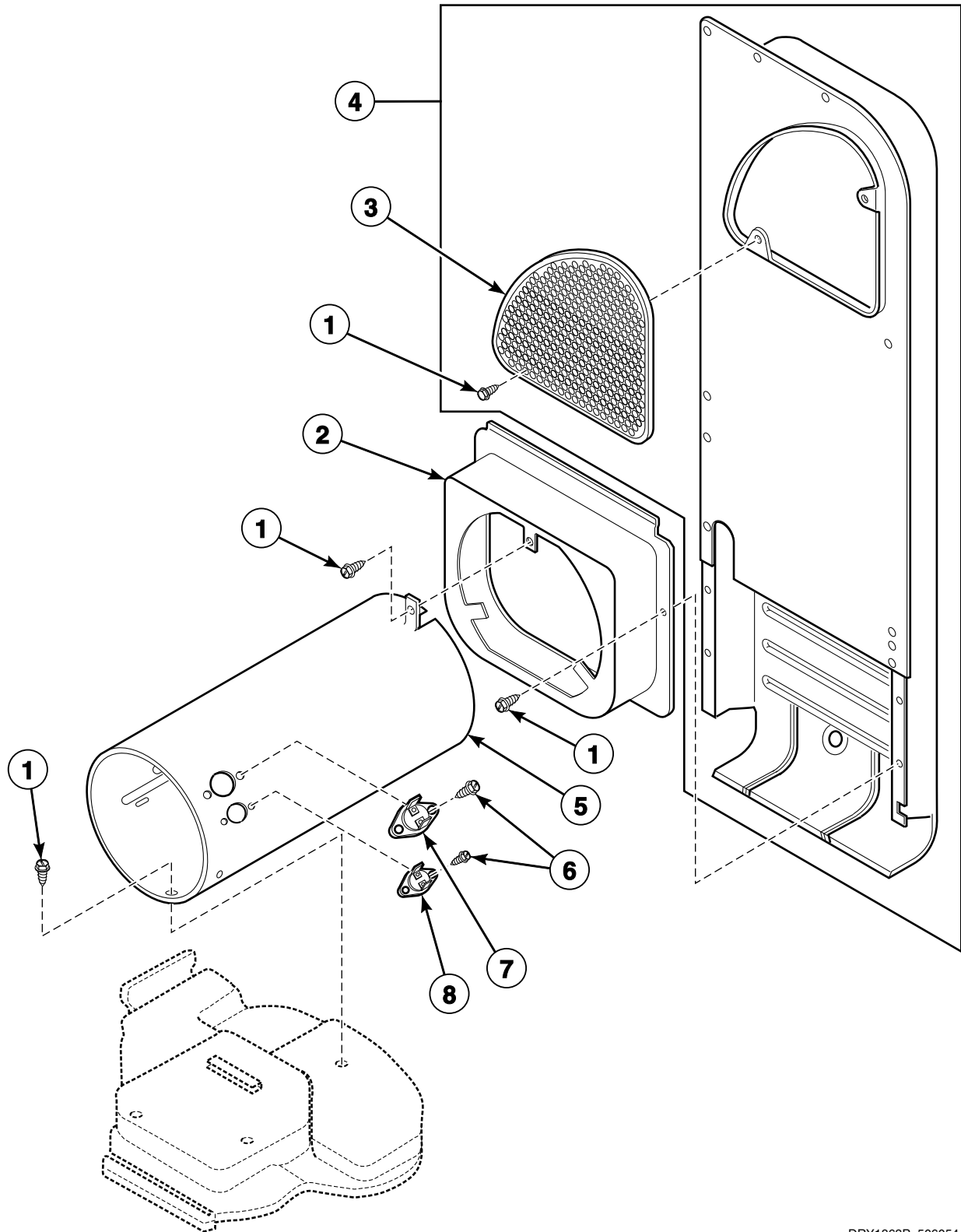
Heater Duct and Element Assembly - 3 Phase Models

REF	PART NO.	DESCRIPTION	COMMENTS
	756P3	Conversion Kit	400 Volt, 4 wire WYE to 240 Volt, 3 wire Delta
1	D503688	Screw	
2	D500820	Outlet Cover	
3	D510025P	Heater Duct Assembly	Includes items 1 and 2
4	D518529	Jumper Wire Assembly	3 Phase
5	D518649	Thermal Fuse Assembly	
6	70121001	End Stop	
7	D514918	Relay Harness	Model LEN27A*G4008
	D514920	Dual Contactor Harness	Model LEN27A*G4008
	D511112P	Block to Relay Harness	All other models
8	M412693	Din Rail	
9	F330177P	Contactor	
10	D511114P	Relay to Heater Harness	
11	23222	Screw	
12	D510701	Limit Thermostat	
13	D511014P	Heater	400 Volt/3 Phase

* Add Letter To Designate Color. **G - Gray** **L - Almond** **Q - Bisque** **W - White**

Heater Duct Assembly

Gas Models



DRY1863P_506054

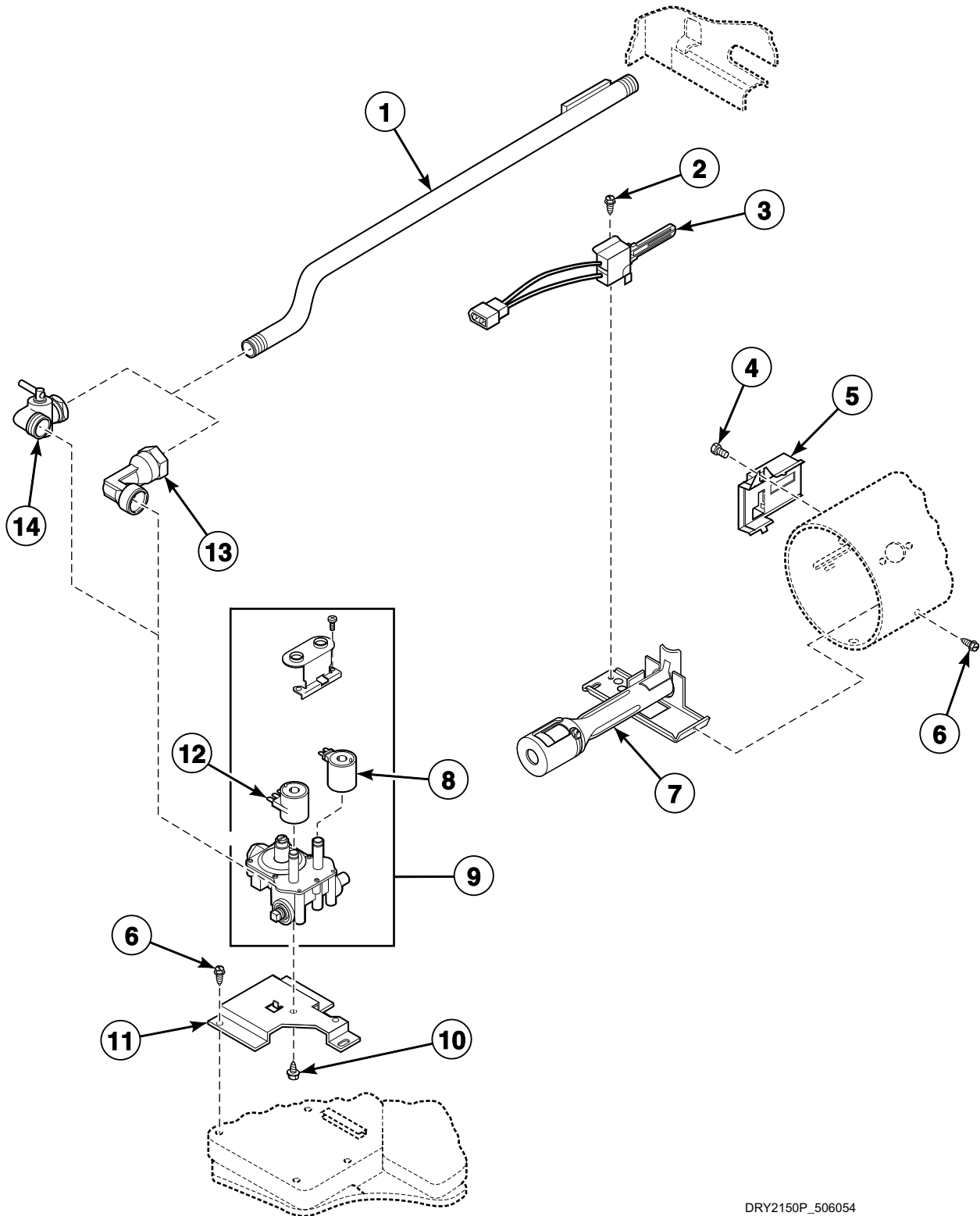
Heater Duct Assembly

REF	PART NO.	DESCRIPTION	COMMENTS
1	D503688	Screw	
2	D510101	Heat Duct Shroud	
3	D500820	Outlet Cover	
4	D510025P	Heater Duct Assembly	Includes items 1 and 3
5	D510132	Combustion Duct	Models LDL3TRGS541NW22, LDL3TRGW301NW22, LDL3TRWW301NW22, LGG37A*F3058, LGK37A*F3058 and LGS37A*F3058; Model LGS37A*F5412 starting Serial Nos. beginning 1302
	D510131	Combustion Duct	All other models
6	51782	Screw	
7	D510702	Limit Thermostat	Auto reset; Black
8	D510703	Thermostat	Manual reset; Models LDL3TRGS541NW22, LDL3TRGW301NW22, LDL3TRWW301NW22, LGG37A*F3058, LGK37A*F3058 and LGS37A*F3058; Model LGS37A*F5412 starting Serial Nos. beginning 1302

* Add Letter To Designate Color. G - Gray L - Almond Q - Bisque W - White

Gas Valve and Igniter Through Serial No. 1908000001

All Gas Models Except LGG37A*F3058, LGK37A*F3058, LGS37A*F3058,
LGS37A*G3013, LGS37A*G3080 and LGZ37A*G3013



DRY2150P_506054

Gas Valve and Igniter Through Serial No. 1908000001

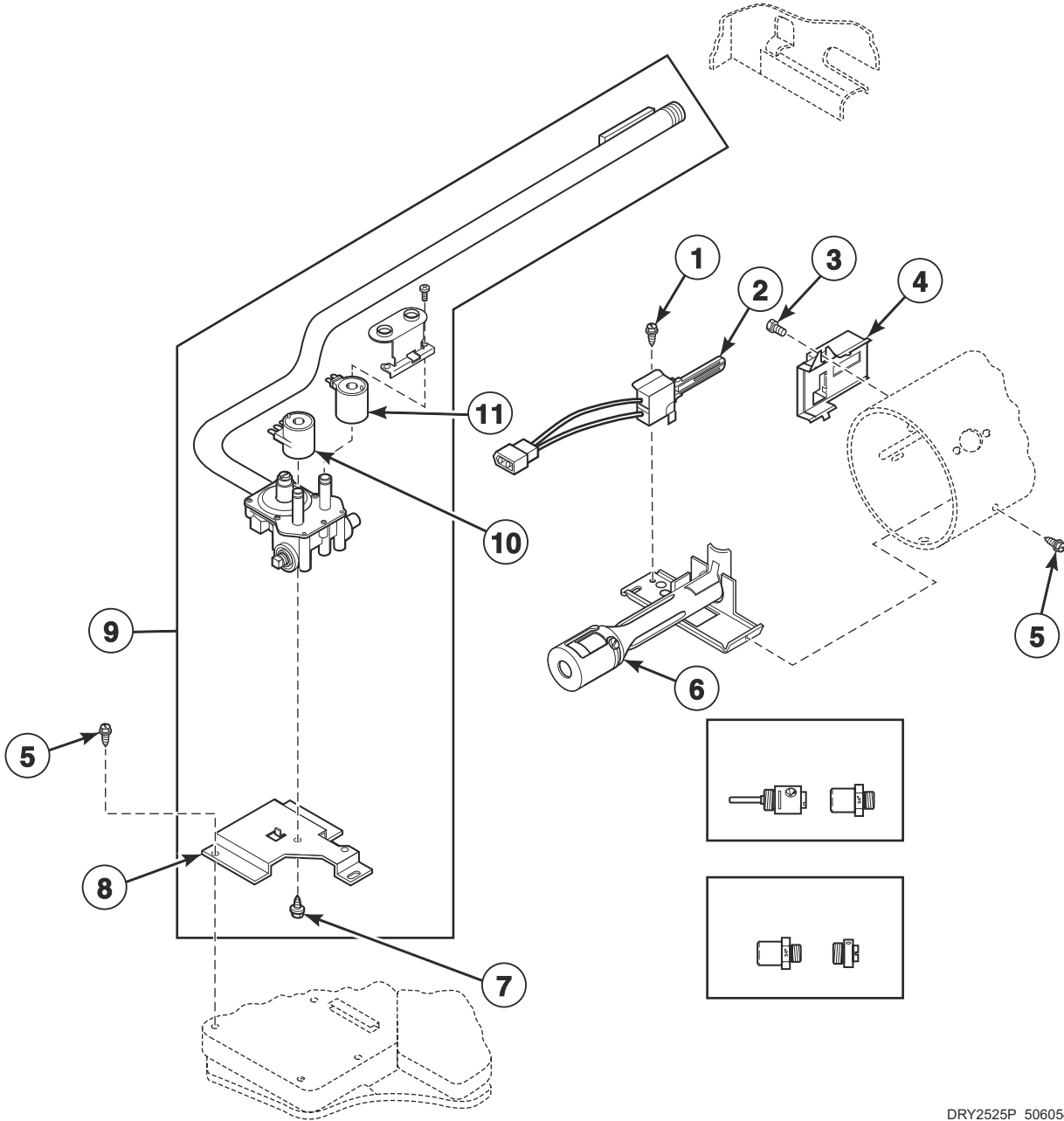
REF	PART NO.	DESCRIPTION	COMMENTS
1	D510204	Lead-In Pipe Assembly	
2	51782	Screw	
3	D510184P	Igniter and Bracket Assembly	
4	23222	Screw	
5	D510213	Sensor	
6	D503688	Screw	
7	D510149P	Burner Assembly	
8	58804B	Secondary Coil	60 Hertz; Models ADG41FSS111TN03, AGZ17A*F1102, AGZ28A*F1102, AGZ68A*F1102, BDG30FGS111CW01, CDG3LRGS111CW01, CDG4BFGS111CW01, CGZ68A*F1102, EDL3TRGS541NW23, FGZ17A*F1102, LDG3TRWS111TW05, LDL30RGS113MW33, LGH37A*F1182, LGH37A*F5423, LGS17A*K1180, LGS37A*F5412, LGS37A*F5423, LGT57A*F1100, LGT68A*F1100, LGY47A*F1109, LGZ27A*F1102, LGZ37A*F1102, LGZ57A*F1102, LGZ67A*F1102, MDG3TRWS111TW06, ZDG30RGS111CW01, ZDG3LRGS111CW01, ZDG41FSS111CN01, ZDG4BFGS111CW01 and ZDG4BRGS111CW01
	59063B	Secondary Coil	50 Hertz; All other models
9	D510506P	Gas Valve Assembly	60 Hertz; 22,500 Btu; Natural Gas (N.G.); Models ADG41FSS111TN03, AGZ17A*F1102, AGZ28A*F1102, AGZ68A*F1102, BDG30FGS111CW01, CDG3LRGS111CW01, CDG4BFGS111CW01, CGZ68A*F1102, FGZ17A*F1102, LDG3TRGS111CW01, LDG3TRWS111TW05, LGS17A*K1180, LGS37A*F5412, LGT57A*F1100, LGT68A*F1100, LGY47A*F1109, LGZ27A*F1102, LGZ37A*F1102, LGZ57A*F1102, LGZ67A*F1102, MDG3TRWS111TW06, YDG3TRGS111CW01, ZDG30RGS111CW01, ZDG3LRGS111CW01, ZDG41FSS111CN01, ZDG4BFGS111CW01 and ZDG4BRGS111CW01
	D510506P	Gas Valve Assembly	60 Hertz; 22,500 Btu; Models EDL3TRGS541NW23, LGH37A*F1182, LGH37A*F5423 and LGS37A*F5423; Must also order 649P3 L.P. Conversion Kit
	D513631	Gas Valve Assembly	60 Hertz; 22,500 Btu; Liquid Petroleum Gas (L.P.); Models LDL30RGS113MW33 and LDL3TRGS541NW22
	D513630	Gas Valve Assembly	50 Hertz; 20,000 Btu; L.P.; Includes items 8 and 12; Models LDL3TRGW301NW22 and LDL3TRWW301NW22
	59063P	Gas Valve Assembly	50 Hertz; 20,000 Btu; For L.P. models, order 401P3 L.P. Conversion Kit when ordering gas valve assembly; All other models
10	56124	Screw	
11	D510128	Gas Valve Mounting Bracket	
12	58804A	Booster and Holding Coil	60 Hertz; Models ADG41FSS111TN03, AGZ17A*F1102, AGZ28A*F1102, AGZ68A*F1102, BDG30FGS111CW01, CDG3LRGS111CW01, CDG4BFGS111CW01, CGZ68A*F1102, EDL3TRGS541NW23, FGZ17A*F1102, LDG3TRWS111TW05, LDL30RGS113MW33, LGH37A*F1182, LGH37A*F5423, LGS17A*K1180, LGS37A*F5412, LGS37A*F5423, LGT57A*F1100, LGT68A*F1100, LGY47A*F1109, LGZ27A*F1102, LGZ37A*F1102, LGZ57A*F1102, LGZ67A*F1102, MDG3TRWS111TW06, ZDG30RGS111CW01, ZDG3LRGS111CW01, ZDG41FSS111CN01, ZDG4BFGS111CW01 and ZDG4BRGS111CW01
	59063A	Booster and Holding Coil	50 Hertz; All other models
13	D513072	Elbow	
14	D510205	Elbow Shut-Off Valve	

* Add Letter To Designate Color. G - Gray L - Almond Q - Bisque W - White

N/A = Part no longer available

Gas Valve and Igniter Starting Serial No. 1908000001

All Gas Models Except LGG37A*F3058, LGK37A*F3058, LGS37A*F3058,
LGS37A*G3013, LGS37A*G3080 and LGZ37A*G3013



DRY2525P_506054

Gas Valve and Igniter Starting Serial No. 1908000001

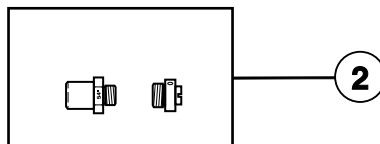
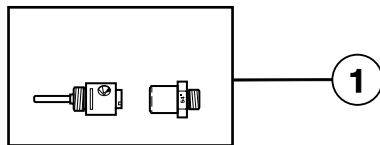
REF	PART NO.	DESCRIPTION	COMMENTS
1	51782	Screw	
2	D510184P	Igniter and Bracket Assembly	
3	23222	Screw	
4	D510213	Sensor	
5	D503688	Screw	
6	D510149P	Burner Assembly	
7	56124	Screw	
8	D510128	Gas Valve Mounting Bracket	
9	D517609	Gas Valve, Bracket and Pipe Assembly	60 Hertz; 22,500 Btu; Natural Gas (N.G.); Includes items 7-11; Models ADG41FSS111TN03, AGZ17A*F1102, AGZ28A*F1102, AGZ68A*F1102, BDG30FGS111CW01, CDG3LRGS111CW01, CDG4BFGS111CW01, CGZ68A*F1102, EDL3TRGS541NW23, FGZ17A*F1102, LDG3TRGS111CW01, LDG3TRWS111TW05, LGH37A*F1182, LGH37A*F5423, LGS17A*K1180, LGS37A*F5412, LGS37A*F5423, LGT57A*F1100, LGT68A*F1100, LGY47A*F1109, LGZ27A*F1102, LGZ37A*F1102, LGZ57A*F1102, LGZ67A*F1102, MDG3TRWS111TW06, YDG3TRGS111CW01, ZDG30RGS111CW01, ZDG3LRGS111CW01, ZDG41FSS111CN01, ZDG4BFGS111CW01 and ZDG4BRGS111CW01
	D517612	Gas Valve, Bracket and Pipe Assembly	60 Hertz; 22,500 Btu; Liquid Petroleum gas (L.P.); Includes items 7-11; Models LDL30RGS113MW33 and LDL3TRGS541NW22
	D517611	Gas Valve, Bracket and Pipe Assembly	50 Hertz; 20,000 Btu; L.P.; Includes items 7-11; Models LDL3TRGW301NW22 and LDL3TRWW301NW22
	D517607	Gas Valve, Bracket and Pipe Assembly	50 Hertz; 20,000 Btu; N.G.; Includes items 7-11; For L.P. models, order 401P3 L.P. Conversion Kit when ordering gas valve assembly; All other models
10	58804A	Booster and Holding Coil	60 Hertz; Models ADG41FSS111TN03, AGZ17A*F1102, AGZ28A*F1102, AGZ68A*F1102, BDG30FGS111CW01, CDG3LRGS111CW01, CDG4BFGS111CW01, CGZ68A*F1102, EDL3TRGS541NW23, FGZ17A*F1102, LDG3TRWS111TW05, LDL30RGS113MW33, LGH37A*F1182, LGH37A*F5423, LGS17A*K1180, LGS37A*F5412, LGS37A*F5423, LGT57A*F1100, LGT68A*F1100, LGY47A*F1109, LGZ27A*F1102, LGZ37A*F1102, LGZ57A*F1102, LGZ67A*F1102, MDG3TRWS111TW06, ZDG30RGS111CW01, ZDG3LRGS111CW01, ZDG41FSS111CN01, ZDG4BFGS111CW01 and ZDG4BRGS111CW01
	59063A	Booster and Holding Coil	50 Hertz; All other models
11	58804B	Secondary Coil	60 Hertz; Models ADG41FSS111TN03, AGZ17A*F1102, AGZ28A*F1102, AGZ68A*F1102, BDG30FGS111CW01, CDG3LRGS111CW01, CDG4BFGS111CW01, CGZ68A*F1102, EDL3TRGS541NW23, FGZ17A*F1102, LDG3TRWS111TW05, LDL30RGS113MW33, LGH37A*F1182, LGH37A*F5423, LGS17A*K1180, LGS37A*F5412, LGS37A*F5423, LGT57A*F1100, LGT68A*F1100, LGY47A*F1109, LGZ27A*F1102, LGZ37A*F1102, LGZ57A*F1102, LGZ67A*F1102, MDG3TRWS111TW06, ZDG30RGS111CW01, ZDG3LRGS111CW01, ZDG41FSS111CN01, ZDG4BFGS111CW01 and ZDG4BRGS111CW01
	59063B	Secondary Coil	50 Hertz; All other models

* Add Letter To Designate Color. G - Gray L - Almond Q - Bisque W - White

N/A = Part no longer available

Gas Conversion Kits

All Gas Models Except LGG37A*F3058, LGK37A*F3058, LGS37A*F3058,
LGS37A*G3013, LGS37A*G3080 and LGZ37A*G3013



DRY2151P_506054

Gas Conversion Kits

REF	PART NO.	DESCRIPTION	COMMENTS
1	599P3	L.P. Conversion Kit	Used to convert dryers from Natural Gas (N.G.) or Mixed Gas to Liquid Petroleum Gas (L.P.) for 20,000 Btu; Models FGN16A*M3013, FGN17A*M3013, LGN27A*M3008, LGN27A*M3013, LGN37A*M3013, LGS17A*F3020, LGS17A*M3020, LGS17A*M3082, LGS27A*M3013, LGS27A*M3080, LGS37A*M3013, LGS37A*M3080, LGS38A*M3013, LGS38A*M3020, LGS40A*M3020, LGZ27A*M3013 and LGZ37A*M3013
	401P3	L.P. Conversion Kit	Used to convert dryers from N.G. or Mixed Gas to L.P. for 20,000 Btu; Models ADG32FSS301AN01, ADG3TFWS301AW01, ADG3TRWS301AW01, FDG3TRGS301NW10, FGS17A*F3060, LDG3TRGS111CW01, LDG3TRGS301AW01, LDL3TRGW301NW22, LDL3TRWW301NW22, LGK37A*F3060, LGN27A*F3060, LGS17A*F3081, LGS37A*F3000, LGS37A*F3022, LGS37A*F3028, LGS37A*F3060, LGS37A*F3080, LGZ37A*F3000 and YDG3TRGS111CW01
	649P3	L.P. Conversion Kit	Used to convert dryers from N.G. or Mixed Gas to L.P. for 22,500 Btu; All other models
2	402P3	N.G. Conversion Kit	Used to convert dryers from L.P. to N.G. or Mixed Gas for 20,000 Btu; Models ADG32FSS301AN01, ADG3TFWS301AW01, ADG3TRWS301AW01, FDG3TRGS301NW10, FGS17A*F3060, LDG3TRGS111CW01, LDG3TRGS301AW01, LDL3TRGW301NW22, LDL3TRWW301NW22, LGK37A*F3060, LGN27A*F3060, LGS17A*F3081, LGS37A*F3000, LGS37A*F3022, LGS37A*F3028, LGS37A*F3060, LGS37A*F3080, LGZ37A*F3000 and YDG3TRGS111CW01
	650P3	N.G. Conversion Kit	Used to convert dryers from L.P. to N.G. or Mixed Gas for 22,500 Btu; Models ADG41FSS111TN03, AGZ17A*F1102, AGZ28A*F1102, AGZ68A*F1102, BDG30FGS111CW01, CDG3LRGS111CW01, CDG4BFGS111CW01, CGZ68A*F1102, EDL3TRGS541NW23, FGZ17A*F1102, LDG3TRGS301NW22, LDG3TRWS111TW05, LDL30RGS113MW33, LDL3TRGS541NW22, LGH37A*F1182, LGH37A*F5423, LGS17A*K1180, LGS37A*F5412, LGS37A*F5423, LGT57A*F1100, LGT68A*F1100, LGY47A*F1109, LGZ27A*F1102, LGZ37A*F1102, LGZ57A*F1102, LGZ67A*F1102, MDG3TRWS111TW06, YDG30RGS301NW21, ZDG30RGS111CW01, ZDG3LRGS111CW01, ZDG41FSS111CN01, ZDG4BFGS111CW01 and ZDG4BRGS111CW01

* Add Letter To Designate Color. G - Gray L - Almond Q - Bisque W - White

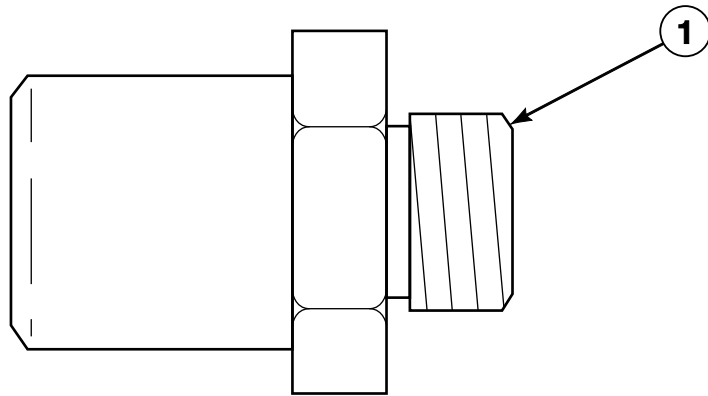
Gas Valve, Igniter, Ignition Control and Gas Conversion Kits

REF	PART NO.	DESCRIPTION	COMMENTS
1	D510205	Elbow Shut-Off Valve	
2	D510204	Lead-In Pipe Assembly	
3	51782	Screw	
4	D502995P	Igniter and Sensor Assembly	
5	D503688	Screw	
6	D510149P	Burner Assembly	
7	599P3	L.P. Conversion Kit	Natural Gas (N.G.) to Liquid Petroleum Gas (L.P.); Models LGS37A*G3013, LGS37A*G3080 and LGZ37A*G3013
	401P3	L.P. Conversion Kit	N.G. to L.P.; 20,000 Btu; Models LGG37A*F3058, LGK37A*F3058 and LGS37A*F3058
8	402P3	N.G. Conversion Kit	L.P. to N.G.; 20,000 Btu; Models LGG37A*F3058, LGK37A*F3058 and LGS37A*F3058
9	D502423P	Gas Valve Assembly	Includes D502423A Main and Redundant Coil
10	D510128	Gas Valve Mounting Bracket	
11	56124	Screw	
12	D502535	Screw	
13	D502425	Ignition Control Bracket	
14	D502994P	Igniter Control	

* Add Letter To Designate Color. G - Gray L - Almond Q - Bisque W - White

Burner Orifice Spuds - For Higher Elevations (Drawing 1 of 2)

Liquid Petroleum Gas Models



DRY2266P_506054

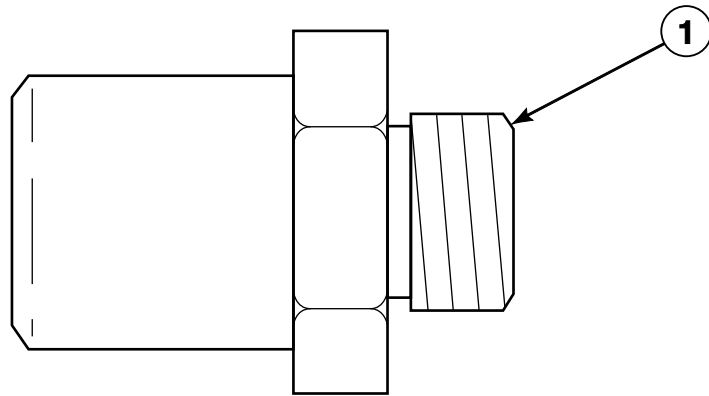
Burner Orifice Spuds - For Higher Elevations (Drawing 1 of 2)

REF	PART NO.	DESCRIPTION	COMMENTS
1	58755	L.P. Orifice	22,500 Btu; 3000-7999 feet (915-2439 m); Models ADG41FSS111TN03, AGZ17A*F1102, AGZ28A*F1102, AGZ68A*F1102, BDG30FGS111CW01, CDG3LRGS111CW01, CDG4BFGS111CW01, CGZ68A*F1102, EDL3TRGS541NW23, FGZ17A*F1102, LDG3TRWS111TW05, LGH37A*F1182, LGH37A*F5423, LGS17A*K1180, LGS37A*F5412, LGS37A*F5423, LGT57A*F1100, LGT68A*F1100, LGY47A*F1109, LGZ27A*F1102, LGZ37A*F1102, LGZ57A*F1102, LGZ67A*F1102, MDG3TRWS111TW06, ZDG30RGS111CW01, ZDG3LRGS111CW01, ZDG41FSS111CN01, ZDG4BFGS111CW01 and ZDG4BRGS111CW01
	D503786	L.P. Orifice	22,500 Btu; 8000 feet (2440 m) and higher; Models ADG41FSS111TN03, AGZ17A*F1102, AGZ28A*F1102, AGZ68A*F1102, BDG30FGS111CW01, CDG3LRGS111CW01, CDG4BFGS111CW01, CGZ68A*F1102, EDL3TRGS541NW23, FGZ17A*F1102, LDG3TRWS111TW05, LGH37A*F1182, LGH37A*F5423, LGS17A*K1180, LGS37A*F5412, LGS37A*F5423, LGT57A*F1100, LGT68A*F1100, LGY47A*F1109, LGZ27A*F1102, LGZ37A*F1102, LGZ57A*F1102, LGZ67A*F1102, MDG3TRWS111TW06, ZDG30RGS111CW01, ZDG3LRGS111CW01, ZDG41FSS111CN01, ZDG4BFGS111CW01 and ZDG4BRGS111CW01; All other models; 20,000 Btu; 4500-9499 feet (1370-2999 m)
	60941	L.P. Orifice	20,000 Btu; 9500 feet (3000 m) and higher; All models except ADG41FSS111TN03, AGZ17A*F1102, AGZ28A*F1102, AGZ68A*F1102, BDG30FGS111CW01, CDG3LRGS111CW01, CDG4BFGS111CW01, CGZ68A*F1102, EDL3TRGS541NW23, FGZ17A*F1102, LDG3TRWS111TW05, LGH37A*F1182, LGH37A*F5423, LGS17A*K1180, LGS37A*F5412, LGS37A*F5423, LGT57A*F1100, LGT68A*F1100, LGY47A*F1109, LGZ27A*F1102, LGZ37A*F1102, LGZ57A*F1102, LGZ67A*F1102, MDG3TRWS111TW06, ZDG30RGS111CW01, ZDG3LRGS111CW01, ZDG41FSS111CN01, ZDG4BFGS111CW01 and ZDG4BRGS111CW01

* Add Letter To Designate Color. G - Gray L - Almond Q - Bisque W - White

Burner Orifice Spuds - For Higher Elevations (Drawing 2 of 2)

Natural Gas Models



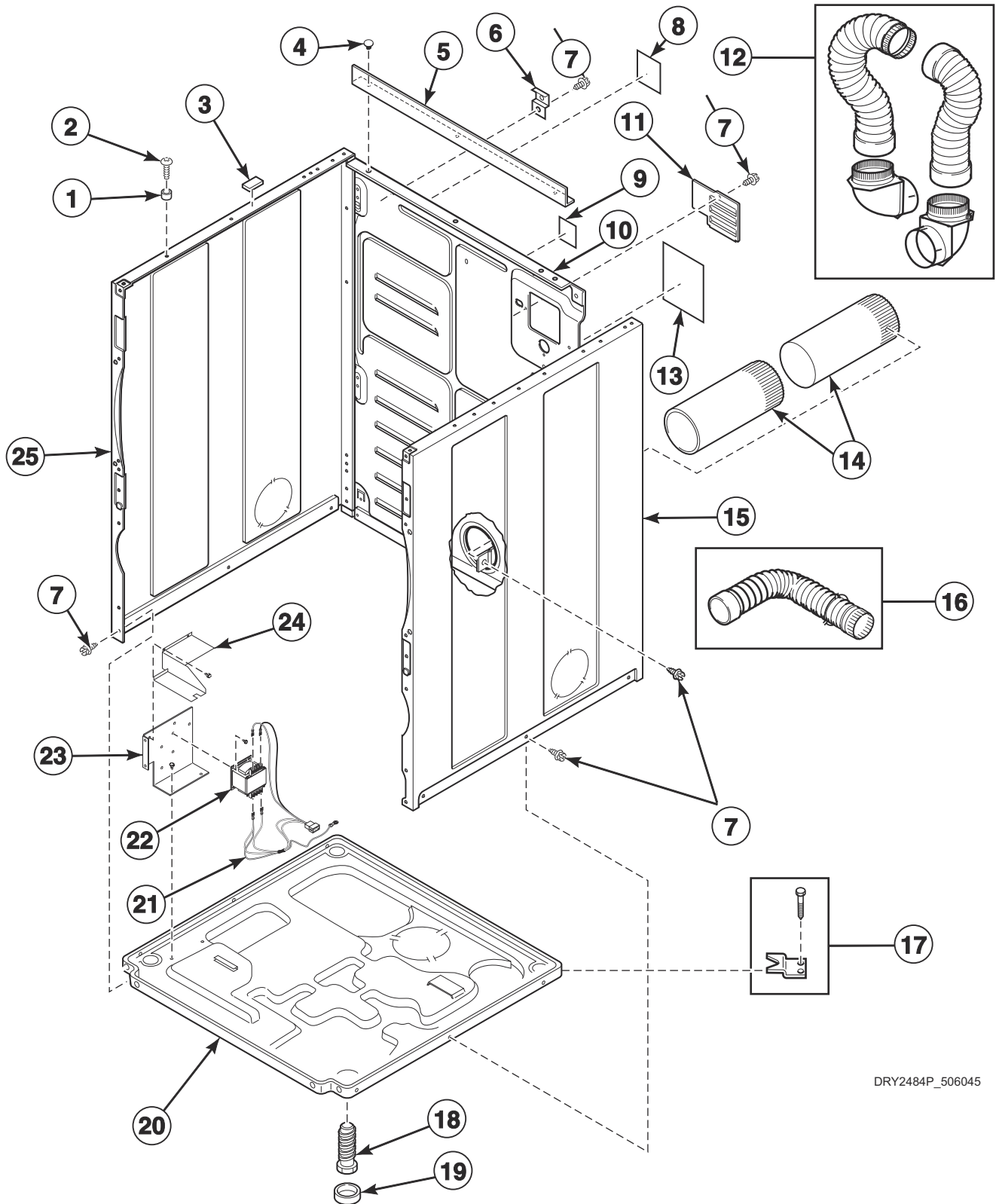
DRY2266P_506054

Burner Orifice Spuds - For Higher Elevations (Drawing 2 of 2)

REF	PART NO.	DESCRIPTION	COMMENTS
1	D503778	N.G. Orifice	22,500 Btu; 3000-5999 feet (915-1829 m); Models ADG41FSS111TN03, AGZ17A*F1102, AGZ28A*F1102, AGZ68A*F1102, BDG30FGS111CW01, CDG3LRGS111CW01, CDG4BFGS111CW01, CGZ68A*F1102, FGZ17A*F1102, LDG3TRWS111TW05, LGH37A*F1182, LGH37A*F5423, LGS17A*K1180, LGS37A*F5412, LGS37A*F5423, LGT57A*F1100, LGT68A*F1100, LGY47A*F1109, LGZ27A*F1102, LGZ37A*F1102, LGZ57A*F1102, LGZ67A*F1102, MDG3TRWS111TW06, ZDG30RGS111CW01, ZDG3LRGS111CW01, ZDG41FSS111CN01, ZDG4BFGS111CW01 and ZDG4BRGS111CW01
58719	Screw Orifice	Screw Orifice	22,500 Btu; 6000-7999 feet (1830-2439 m); Models ADG41FSS111TN03, AGZ17A*F1102, AGZ28A*F1102, AGZ68A*F1102, BDG30FGS111CW01, CDG3LRGS111CW01, CDG4BFGS111CW01, CGZ68A*F1102, FGZ17A*F1102, LDG3TRWS111TW05, LGH37A*F1182, LGH37A*F5423, LGS17A*K1180, LGS37A*F5412, LGS37A*F5423, LGT57A*F1100, LGT68A*F1100, LGY47A*F1109, LGZ27A*F1102, LGZ37A*F1102, LGZ57A*F1102, LGZ67A*F1102, MDG3TRWS111TW06, ZDG30RGS111CW01, ZDG3LRGS111CW01, ZDG41FSS111CN01, ZDG4BFGS111CW01 and ZDG4BRGS111CW01
D503779	N.G. Orifice	N.G. Orifice	22,500 Btu; 8000-8999 feet (2440-2739 m); ADG41FSS111TN03, AGZ17A*F1102, AGZ28A*F1102, AGZ68A*F1102, BDG30FGS111CW01, CDG3LRGS111CW01, CDG4BFGS111CW01, CGZ68A*F1102, FGZ17A*F1102, LDG3TRWS111TW05, LGH37A*F1182, LGH37A*F5423, LGS17A*K1180, LGS37A*F5412, LGS37A*F5423, LGT57A*F1100, LGT68A*F1100, LGY47A*F1109, LGZ27A*F1102, LGZ37A*F1102, LGZ57A*F1102, LGZ67A*F1102, MDG3TRWS111TW06, ZDG30RGS111CW01, ZDG3LRGS111CW01, ZDG41FSS111CN01, ZDG4BFGS111CW01 and ZDG4BRGS111CW01; All other models; 20,000 Btu; 2500-4499 feet (760-1369 m)
D503780	N.G. Orifice	N.G. Orifice	22,500 Btu; 9000-9999 feet (2740-3049 m); ADG41FSS111TN03, AGZ17A*F1102, AGZ28A*F1102, AGZ68A*F1102, BDG30FGS111CW01, CDG3LRGS111CW01, CDG4BFGS111CW01, CGZ68A*F1102, FGZ17A*F1102, LDG3TRWS111TW05, LGH37A*F1182, LGH37A*F5423, LGS17A*K1180, LGS37A*F5412, LGS37A*F5423, LGT57A*F1100, LGT68A*F1100, LGY47A*F1109, LGZ27A*F1102, LGZ37A*F1102, LGZ57A*F1102, LGZ67A*F1102, MDG3TRWS111TW06, ZDG30RGS111CW01, ZDG3LRGS111CW01, ZDG41FSS111CN01, ZDG4BFGS111CW01 and ZDG4BRGS111CW01; All other models; 20,000 Btu; 4500-5999 feet (1370-1829 m)
D503781	N.G. Orifice	N.G. Orifice	22,500 Btu; 10,000 feet (3050 m) and higher; ADG41FSS111TN03, AGZ17A*F1102, AGZ28A*F1102, AGZ68A*F1102, BDG30FGS111CW01, CDG3LRGS111CW01, CDG4BFGS111CW01, CGZ68A*F1102, FGZ17A*F1102, LDG3TRWS111TW05, LGH37A*F1182, LGH37A*F5423, LGS17A*K1180, LGS37A*F5412, LGS37A*F5423, LGT57A*F1100, LGT68A*F1100, LGY47A*F1109, LGZ27A*F1102, LGZ37A*F1102, LGZ57A*F1102, LGZ67A*F1102, MDG3TRWS111TW06, ZDG30RGS111CW01, ZDG3LRGS111CW01, ZDG41FSS111CN01, ZDG4BFGS111CW01 and ZDG4BRGS111CW01; All other models; 20,000 Btu; 6000-7499 feet (1830-2289 m)
D503782	N.G. Orifice	N.G. Orifice	20,000 Btu; 7500-9499 feet (2290-2899 m); All other models

* Add Letter To Designate Color. G - Gray L - Almond Q - Bisque W - White

Cabinet, Exhaust Duct and Base



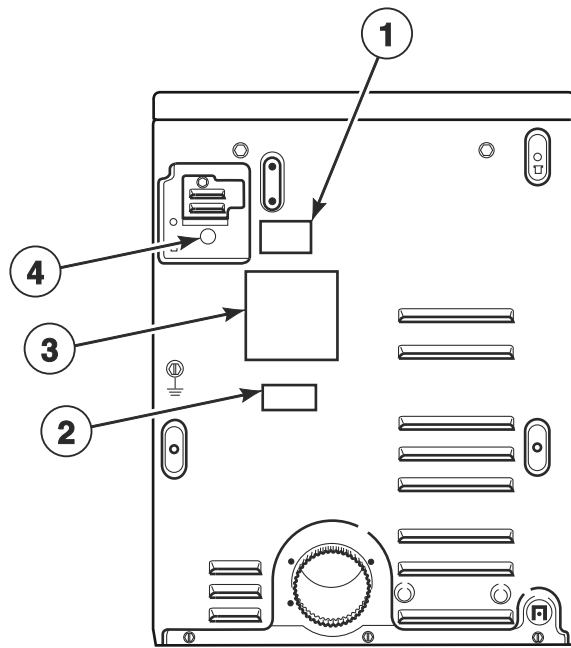
DRY2484P_506045

Cabinet, Exhaust Duct and Base

REF	PART NO.	DESCRIPTION	COMMENTS
	122P4P	Porcelain Touch-Up Paint	White
	370P4P	Porcelain Touch-Up Paint	Bisque
	215P4P	Porcelain Touch-Up Paint	Almond
1	56079	Panel Locator	
2	D512921	Screw	Use with stainless steel panels
	39733	Screw	
3	56128	Bumper Pad	
4	D514375	Rivet	Models ADE3TRGS431NW29, ADE3TRWS431NW29 and LGN27A*F3060
5	D514335	Rear Shield	Models ADE3TRGS431NW29, ADE3TRWS431NW29 and LGN27A*F3060
6	D510136	Top Hinge	
7	D503688	Screw	
8	D511004	Gas Clearance Label	Gas models
9	803260	Warning Label	Disconnect power
10	D514632P	Cabinet Rear Panel	
11	D514356	Access Cover Plate	Models ADE3TRGS431NW29, ADE3TRWS431NW29, LGN27A*F3060 and YDG30RGS301NW21
	D510903	Access Panel Plate	All other models
12	521P3	Flexible Venting Kit	
13	D511005	Electric Clearance Label	Electric models
14	D516196	Exhaust Duct	Each dryer requires 2 pieces
15	D512539	Cabinet Side Panel	Stainless steel; Right; Models ADE32FSS431AN01, ADE32FSS431NN22, ADE32FSS541RN01, ADE41FSS171TN03, ADG32FSS301AN01, ADG41FSS111TN03, ZDE41FSS171CN01 and ZDG41FSS111CN01
	D510002WP	Cabinet Side Panel	White; Right; All other models
	D510002LP	Cabinet Side Panel	Almond; Right; All other models
	D510002QP	Cabinet Side Panel	Bisque; Right; All other models
	D510002GP	Cabinet Side Panel	Gray; Right; All other models
16	528P3	Directional Exhaust Kit	Used to vent dryer out the sides or bottom
17	526P3	Hold Down Kit	For mobile home installations
18	D510135	Leveling Leg	
19	D501855	Rubber Foot	
20	D514245	Dryer Base	
21	D511303	Wire Harness Assembly	Transformer adapter; Includes D502592 Fuse (3.15 Amp, 250 Volt); Models ADG3TFWS301AW01, ADG32FSS301AN01, FGN16A*M3013, FGN17A*M3013 and FGS17A*F3060
22	D511658P	Transformer Kit	Includes item 18; Models ADG3TFWS301AW01, ADG32FSS301AN01, FGN16A*M3013, FGN17A*M3013 and FGS17A*F3060
	D513763P	Transformer	Models EDL3TRGS541NW23, LDL3TRGS541NW22, LDL3TRGW301NW22 and LDL3TRWW301NW22
23	D511859	Contactoer Bracket	Models ADG32FSS301AN01, ADG3TFWS301AW01, FGN16A*M3013, FGN17A*M3013, FGS17A*F3060 and LDL3TRWW301NW22
	D518062	Bracket Assembly	Models EDL3TRGS541NW23, LDL3TRGS541NW22, LDL3TRGW301NW22 and LDL3TRWW301NW22
24	D514334	Transformer Shield	Models EDL3TRGS541NW23, LDL3TRGS541NW22, LDL3TRGW301NW22 and LDL3TRWW301NW22
25	D512951	Cabinet Side Panel	Stainless steel; Left; Models ADE32FSS431AN01, ADE32FSS431NN22, ADE32FSS541RN01, ADE41FSS171TN03, ADG32FSS301AN01, ADG41FSS111TN03, ZDE41FSS171CN01 and ZDG41FSS111CN01
	D510001WP	Cabinet Side Panel	White; Left; All other models
	D510001LP	Cabinet Side Panel	Almond; Left; All other models
	D510001QP	Cabinet Side Panel	Bisque; Left; All other models
	D510001GP	Cabinet Side Panel	Gray; Left; All other models

* Add Letter To Designate Color. **G** - Gray **L** - Almond **Q** - Bisque **W** - White

Cabinet Labels



DRY2474P_506054

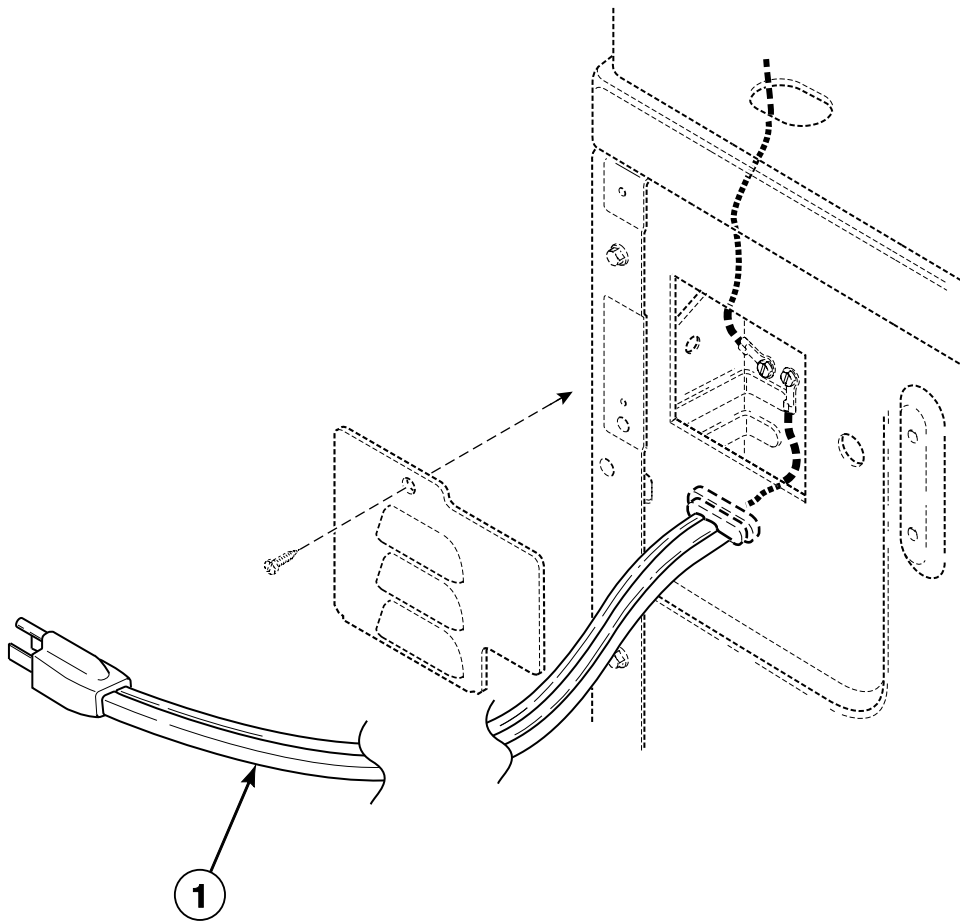
Cabinet Labels

REF	PART NO.	DESCRIPTION	COMMENTS
1	803260	Warning Label	Models ADE32FSS431AN01, ADE32FSS431NN22, ADE32FSS541RN01, ADE3TFWS431AW01, ADE3TRGS451LW22, ADE3TRWS431AW01, ADE3TRWS431NW22, ADE3TRWS431NW29, ADE41FSS171TN03, BDE30FGS171CW01, CDE3LRGS171CW01, CDE4BFGS171CW01, DDE30RGS173CW01, EDE3TRWS543PW01, FDE3TRGS301NW10, FDE3TRGS401NW22, FEN17A*G3018, FEN17A*G4018, FES17A*F3300, FES17A*F4350, FEU17A*F1702, FEZ17A*F1702, LDE3TRGS171CW01, LDE3TRWS331TW05, LDE3TRWS541NW22, LED17A*F1700, LEH37A*F3300, LEN27A*G3008, LEN27A*G3018, LEN27A*G4008, LEN27A*G4018, LES17A*F3000, LES17A*F3007, LES17A*F3022, LES17A*F4500, LES27A*G3018, LES27A*G4018, LES27A*G4500, LES27A*G4518, LES28A*G4018, LES33A*F4562, LES37A*F3000, LES37A*F3300, LES37A*F4350, LES37A*F5412, LEZ27A*F1702, LEZ27A*G3018, LEZ27A*G4018, LEZ37A*F3000, LEZ37A*F3300, MDE3TRWS331TW06, YDE3TRGS171CW01, ZDE30RGS171CW01, ZDE3LRGS171CW01, ZDE41FSS171CN01, ZDE4BFGS171CW01 and ZDE4BRGS171CW01
2	D502507	Exhaust Warning Label	Models ADE3TRWS461AW01, LDE30RGS173MW33, LDL30RGS113MW33, LDL3TRGS541NW22, LDL3TRGW301NW22 and LDL3TRWW301NW22
	44321601	Warning Label	Risk of fire; Models ADE3TRWS461AW01, LDE30RGS173MW33, LDL30RGS113MW33, LDL3TRGS541NW22, LDL3TRGW301NW22 and LDL3TRWW301NW22
3	D511005	Electric Clearance Label	All models except LDL3TRGS541NW22, LDL3TRGW301NW22 and LDL3TRWW301NW22
4	D516073	Notice Label	Read Instructions

* Add Letter To Designate Color. **G - Gray** **L - Almond** **Q - Bisque** **W - White**

Power Cord

All Models Except EDE3TRGS543PW01, EDE3TRWS543PW01, LDE3TRGS541NW22, LDE3TRWS541NW22 and LDG3TRGS301NW22



DRY1866PA_506054

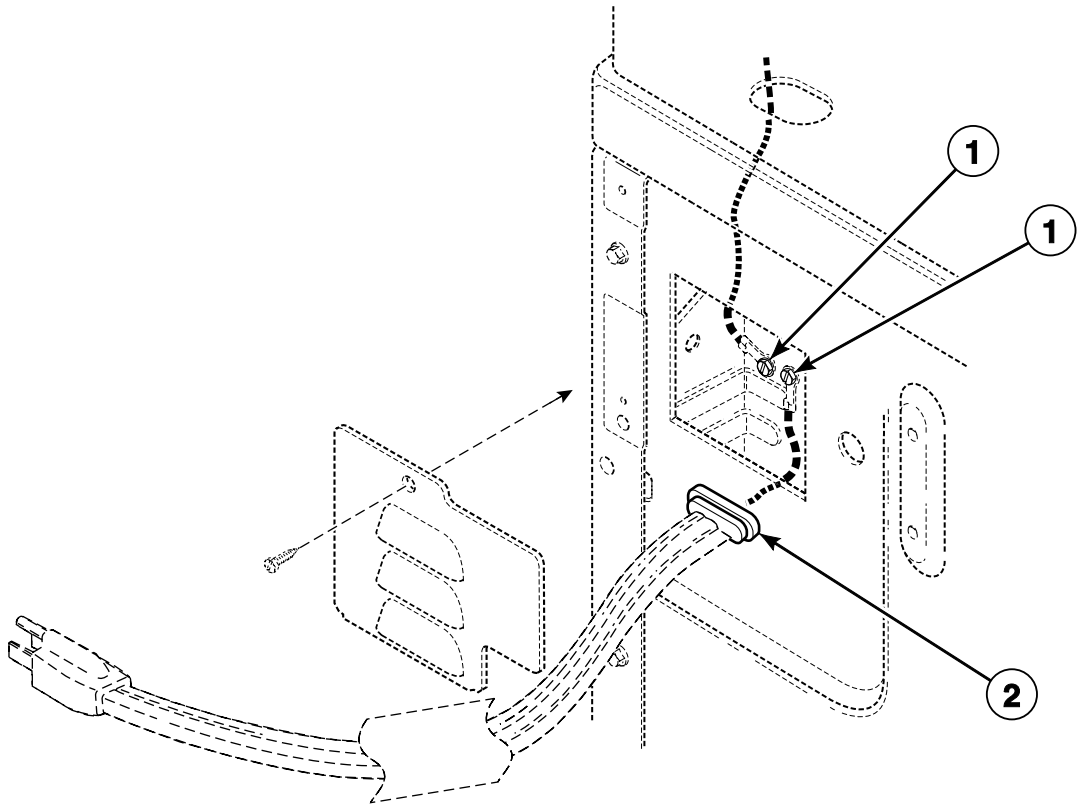
Power Cord

REF	PART NO.	DESCRIPTION	COMMENTS
1	D510505P	Lead-In Cord Assembly	Models ADE3TRGS451LW22, AEZ17A*F1702, AEZ28A*F1702, AEZ68A*F1702, BDE30FGS171CW01, CDE3LRGS171CW01, CDE4BFGS171CW01, CEZ68A*F1702, DDE30RGS173CW01, FEU17A*F1702, FEZ17A*F1702, LDE30RGS173MW33, LDE3TRGS171CW01, LEB07A*F1709, LED17A*F1700, LET57A*F1700, LET67A*F1700, LET68A*F1700, LEY47A*F1709, LEZ27A*F1502, LEZ27A*F1702, LEZ37A*F1702, LEZ57A*F1702, LEZ67A*F1702, YDE3TRGS171CW01, ZDE30RGS171CW01, ZDE3LRGS171CW01, ZDE41FSS171CN01, ZDE4BFGS171CW01 and ZDE4BRGS171CW01
	61605P	Lead-In Cord Kit	Models ADE32FSS431AN01, ADE3TFWS431AW01, ADE3TRWS431AW01, ADE3TRWS461AW01, FES17A*F4350, LDE3TRGS431AW01, LEG37A*F4350, LEK37A*F4350 and LES37A*F4350
	N/A	Lead-In Cord	Models LGG37A*F3058, LGK37A*F3058, LGK37A*F3060, LGS37A*F3022, LGS37A*F3058, LGS37A*F3080, LGS37A*G3013, LGS37A*G3080 and LGZ37A*G3013
	D516747	Lead-In Cord Assembly	Models ADE32FSS431NN22, ADE3TRGS431NW29, ADE3TRWS431NW22, ADE3TRWS431NW29, FEN17A*G3018, LEN27A*G3008, LEN27A*G3018, LEN37A*G3018, LES27A*G3018, LES27A*G4518, LES37A*G3018, LEZ27A*G3018, LEZ37A*F3000, LEZ37A*F3300, LEZ37A*G3018, LEZ37A*G5618 and LGN27A*M3008
	56222	Lead-In Cord	Models ADG41FSS111TN03, AGZ17A*F1102, AGZ28A*F1102, AGZ68A*F1102, BDG30FGS111CW01, CDG3LRGS111CW01, CDG4BFGS111CW01, CGZ68A*F1102, FGZ17A*F1102, LDG3TRGS111CW01, LDG3TRWS111TW05, LDL30RGS113MW33, LGH37A*F1182, LGS17A*K1180, LGT57A*F1100, LGT68A*F1100, LGY47A*F1109, LGZ27A*F1102, LGZ37A*F1102, LGZ57A*F1102, LGZ67A*F1102, MDG3TRWS111TW06, YDG3TRGS111CW01, ZDG30RGS111CW01, ZDG3LRGS111CW01, ZDG41FSS111CN01, ZDG4BFGS111CW01 and ZDG4BRGS111CW01
	D513632	Lead-In Cord	Models LDE3TRGS451SW01 and LES33A*F4562
	59373	Lead-In Cord	Models EDL3TRGS541NW23, LDE3TRGS451NW22, LDE3TRGS461NW22, LDE3TRGS551NW22, LES17A*M4588, LGH37A*F5423, LGS17A*F3020, LGS17A*F3081, LGS17A*M3020, LGS17A*M3082, LGS37A*F5412, LGS37A*F5423, LGS38A*M3020 and LGS40A*M3020
	D506081	Power Cord Assembly	Models FGN16A*M3013, FGN17A*M3013, LGN27A*M3008, LGN27A*M3013, LGN37A*M3013, LGS27A*M3013, LGS27A*M3080, LGS37A*M3013, LGS37A*M3080, LGS38A*M3013, LGZ27A*M3013 and LGZ37A*M3013
	D518705	Lead-In Cord Assembly	Model LGS37A*F3028
	D506106	Lead-In Cord Assembly	Models LEN27A*G4008, LEN27A*G99M3 and LES27A*G4000
	D512019	Lead-In Cord	Models ADG32FSS301AN01, ADG3TFWS301AW01, ADG3TRWS301AW01, FGS17A*F3060, LDG3TRGS301AW01, LGN27A*F3060 and LGS37A*F3060
	D502599	Lead-In Cord	Model YDE3TRGS301NW10
	D516389	Lead-In Cord	Models ADE3TRWS461AW01 and YDG30RGS301NW21
	203344	Lead-In Cord	Models LDL3TRGS541NW22, LDL3TRGW301NW22 and LDL3TRWW301NW22
	D516747	Lead-In Cord Assembly	Model FDE3TRGS433LW01

* Add Letter To Designate Color. G - Gray L - Almond Q - Bisque W - White

N/A = Part no longer available

Strain Relief



DRY1866PB_506054

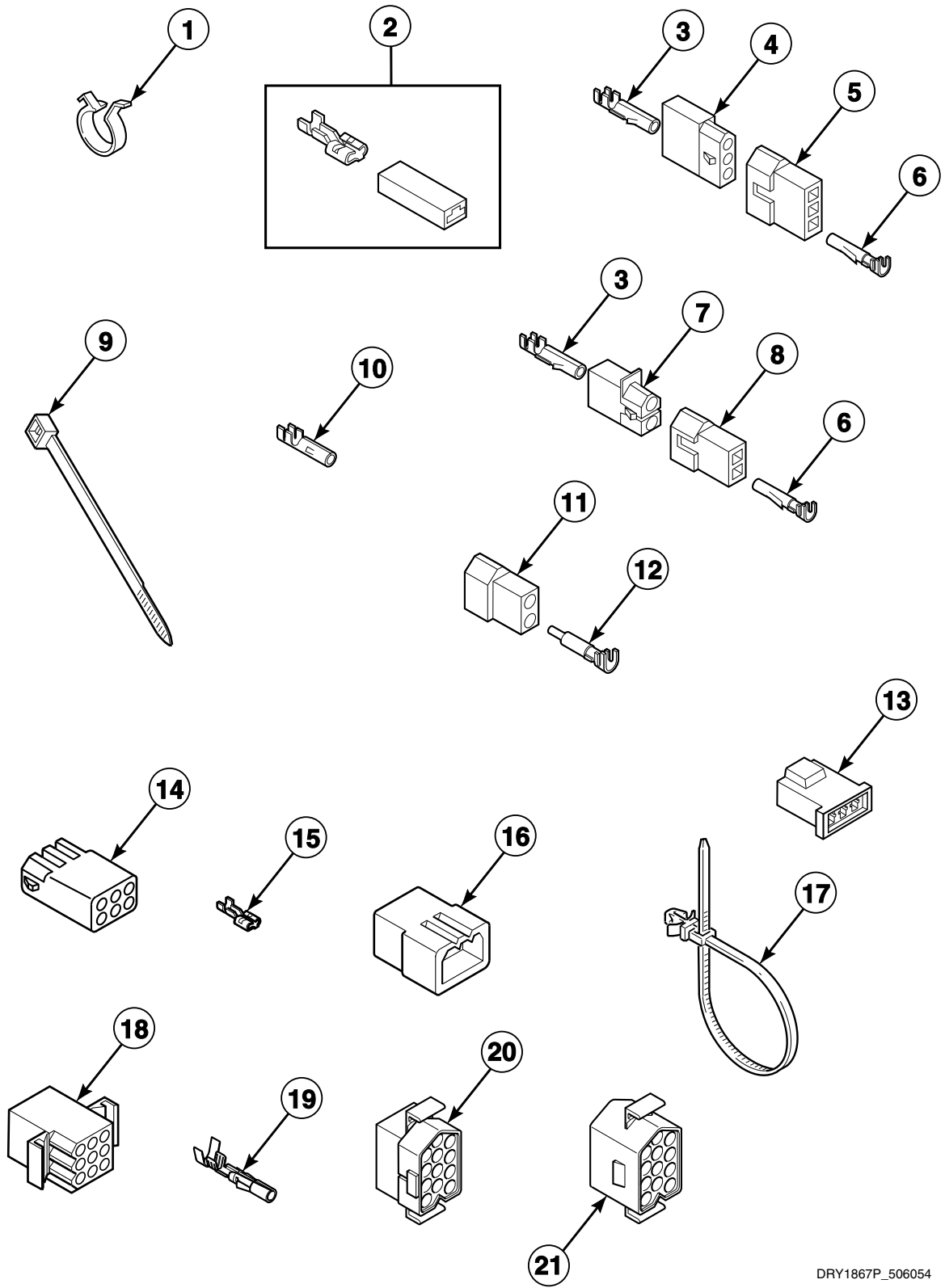
Strain Relief

REF	PART NO.	DESCRIPTION	COMMENTS
	D502496	Strain Relief Adapter	Models LDE3TRGS451NW22, LDE3TRGS461NW22, LDE3TRGS551NW22, YDE3TRGS301NW10 and YDG30RGS301NW21
1	D513071	Screw	Models ADE32FSS431AN01, ADE32FSS431NN22, ADE32FSS541RN01, ADG32FSS301AN01 and LGS40A*M3020
	20530	Screw	All other models
2	52113	Strain Relief	Models ADE32FSS431AN01, ADE32FSS431NN22, ADE3TFWS431AW01, ADE3TRGS431NW29, ADE3TRGS451LW22, ADE3TRWS431AW01, ADE3TRWS431NW22, ADE3TRWS431NW29, ADE3TRWS461AW01, EDL3TRGS541NW23, FDE3TRGS433LW01, FEN17A*G3018, FES17A*F4350, LDE3TRGS171CW01, LDE3TRGS431AW01, LEG37A*F4350, LEK37A*F4350, LEN27A*G3008, LEN27A*G3018, LEN37A*G3018, LES27A*G3018, LES27A*G4518, LES33A*F4562, LES37A*F4350, LES37A*G3018, LEZ27A*G3018, LEZ37A*G3018, LEZ37A*G5618, LGH37A*F5423, LGS17A*F3020, LGS17A*F3081, LGS37A*F5412, LGS37A*F5423, YDE3TRGS171CW01 and YDE3TRGS301NW10
	60298	Strain Relief	Models ADG3TRWS301AW01, LDG3TRGS301AW01, LGK37A*F3060, LGN27A*F3060, LGS37A*F3060, YDE3TRGS301NW10 and YDG30RGS301NW21
	N/A	Strain Relief	Models LGG37A*F3058, LGK37A*F3058 and LGS37A*F3058
	38384	Strain Relief	Models ADG41FSS111TN03, AGZ17A*F1102, AGZ28A*F1102, AGZ68A*F1102, BDG30FGS111CW01, CDG3LRGS111CW01, CDG4BFGS111CW01, CGZ68A*F1102, FGZ17A*F1102, LDG3TRGS111CW01, LDG3TRWS111TW05, LDL30RGS113MW33, LDL3TRGS541NW22, LDL3TRGW301NW22, LDL3TRWW301NW22, LGH37A*F1182, LGS17A*K1180, LGS37A*F3028, LGT57A*F1100, LGT68A*F1100, LGY47A*F1109, LGZ27A*F1102, LGZ37A*F1102, LGZ57A*F1102, LGZ67A*F1102, MDG3TRWS111TW06, YDG3TRGS111CW01, ZDG30RGS111CW01, ZDG3LRGS111CW01, ZDG41FSS111CN01, ZDG4BFGS111CW01 and ZDG4BRGS111CW01
	D502500	Strain Relief	Models FGN16A*M3013, FGN17A*M3013, LDE3TRGS451NW22, LDE3TRGS461NW22, LDE3TRGS551NW22, LES17A*M4588, LGN27A*M3013, LGN37A*M3013, LGS17A*M3020, LGS17A*M3082, LGS27A*M3013, LGS27A*M3080, LGS37A*G3013, LGS37A*G3080, LGS37A*M3013, LGS37A*M3080, LGS38A*M3013, LGS38A*M3020, LGS40A*M3020, LGZ27A*M3013, LGZ37A*G3013 and LGZ37A*M3013

* Add Letter To Designate Color. G - Gray L - Almond Q - Bisque W - White

N/A = Part no longer available

Terminal Block and Terminals

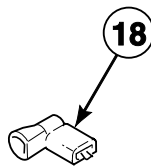
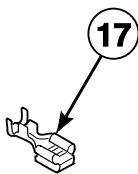
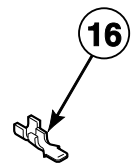
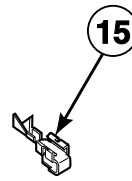
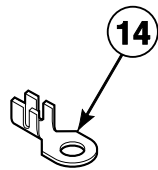
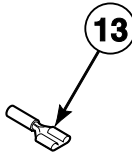
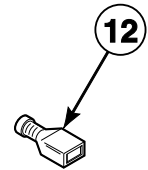
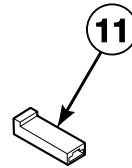
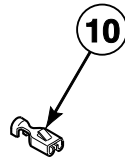
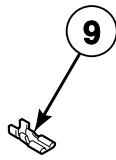
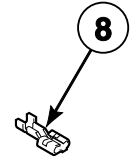
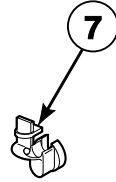
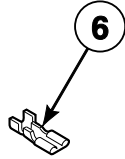
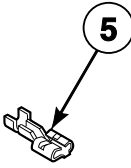
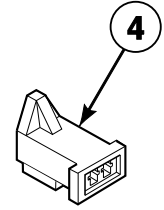
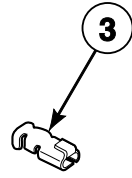
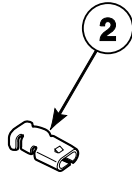
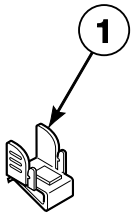


DRY1867P_506054

Terminal Block and Terminals

REF	PART NO.	DESCRIPTION	COMMENTS
1	D504034	Wire Clip	11/16 inch
	687500	Wire Clip	1 inch
2	00360	Insulated Female Spade Terminal	(1) 12 gauge wire or (2) 18 gauge wires
3	00117	Female Pin Terminal	
4	23039	3 Circuit Receptacle	
5	23040	Plug	
6	00116	Male Pin Terminal	
7	56451	2 Circuit Receptacle	
8	56448	2 Circuit Plug	
9	55881	Harness Strap	
10	00130	Female Pin Terminal	1/8 inch
11	56266	2 Circuit Plug	
12	00127	Male Pin Terminal	1/8 inch
13	58800	3 Circuit Connector	
14	26708	6 Circuit Receptacle	
15	00222	Female Spade Terminal	1/4 inch
16	23033	9 Circuit Plug	
17	38663	Wire Tie	
18	26163	9 Circuit Receptacle	
19	00128	Female Pin Terminal	1/8 inch
	00129	Male Pin Terminal	1/8 inch
20	54522	Plug	
21	56855	12 Circuit Receptacle	

Terminals



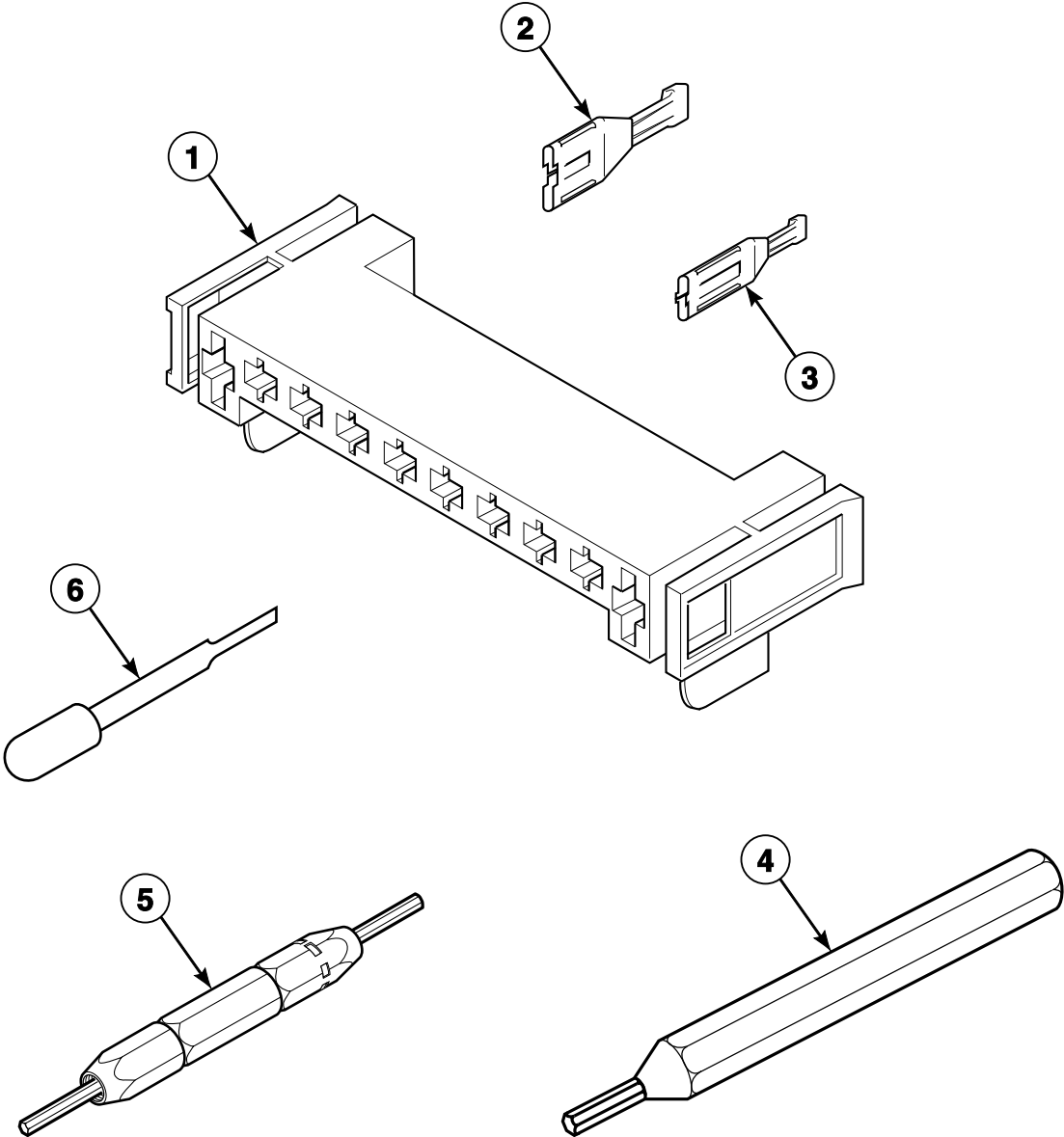
D322P_506054

Terminals

REF	PART NO.	DESCRIPTION	COMMENTS
1	00161	Grounding Clip	
2	00189	Female Spade Terminal	
3	00361	Female Piggyback Terminal	Receptacle connector
4	58799	2 Circuit Connector	
5	00223	Female Spade Terminal	1/4 inch; (1) 18 gauge wire
	00121	Female Spade Terminal	1/4 inch; (2) 18 gauge wires or (1) 12 gauge wire
	00245	Spade Terminal	1/4 inch; (1) 22 gauge wire
6	00124	Female Spade Terminal	3/16 inch; (1) 18 gauge wire; .020 tab
	00156	Female Spade Terminal	3/16 inch; Thermostat wire; .032 tab
	N/A	Female Spade Terminal	3/16 inch; (2) 18 gauge wires; .020 tab
7	38384	Strain Relief	
8	N/A	Terminal	
9	00347	Terminal	
10	00115	Female Spade Terminal	1/4 inch; (1) 18 gauge wire
	N/A	Female Spade Terminal	1/4 inch; (2) 18 gauge wires or (1) 12 gauge wire
11	90789	Receptacle Housing	
12	00359	Insulated Female Spade Terminal	1/4 inch
	00165	Insulated Female Terminal	3/16 inch
13	N/A	Pre-Insulated Spade Terminal	1/4 inch; 12 gauge and 18 gauge wire
14	00110	Ring Terminal	10 stud; (1) 18 gauge wire
	00111	Ring Terminal	10 stud; (2) 18 gauge wires or (1) 12 gauge wire
15	00114	Female Spade Terminal	1/4 inch; Double connector
16	00139	Male Tab Terminal	1/4 inch; (2) 18 gauge wires or (1) 12 gauge wire
17	00344	Female Tab Terminal	
18	N/A	Flag Insulated Terminal	

N/A = Part no longer available

Motor Connection Block, Terminal Extractor Tools



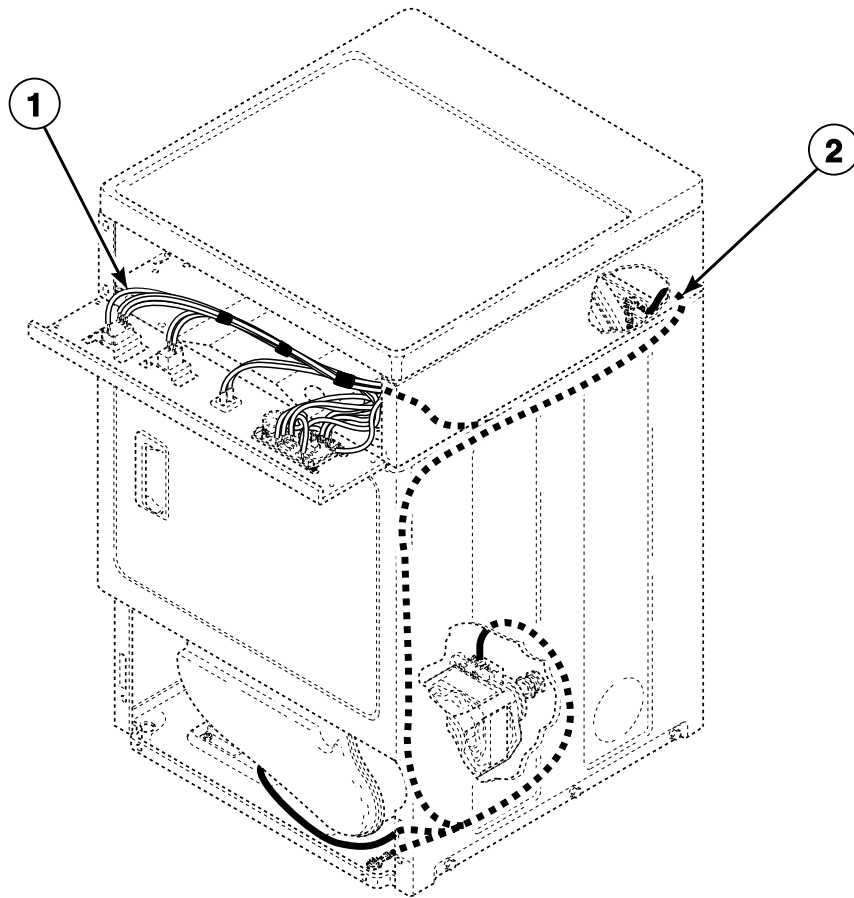
DRY1877P_506054

Motor Connection Block, Terminal Extractor Tools

REF	PART NO.	DESCRIPTION	COMMENTS
1	D500338	10 Position Housing	
2	00255	Female Terminal	1/4 inch; For (1) 12 gauge wire
	00256	Female Terminal	1/4 inch; For (1) or (2) 18 gauge wires
3	00188	Female Terminal	For 1 or 2 wire application
4	128P4	Extractor Tool	For use on gas dryer terminals
5	190P4	Extractor Tool	For use on electric dryer terminals
6	283P4	Terminal Extractor Tool	For use on Molex connectors

Wire Harnesses and Wires - Front Control Models (Drawing 1 of 5)

Models CDE4BFGS171CW01, CEZ68A*F1702, FGN16A*M3013 and FGN17A*M3013



DRY2046P_506054

Wire Harnesses and Wires - Front Control Models (Drawing 1 of 5)

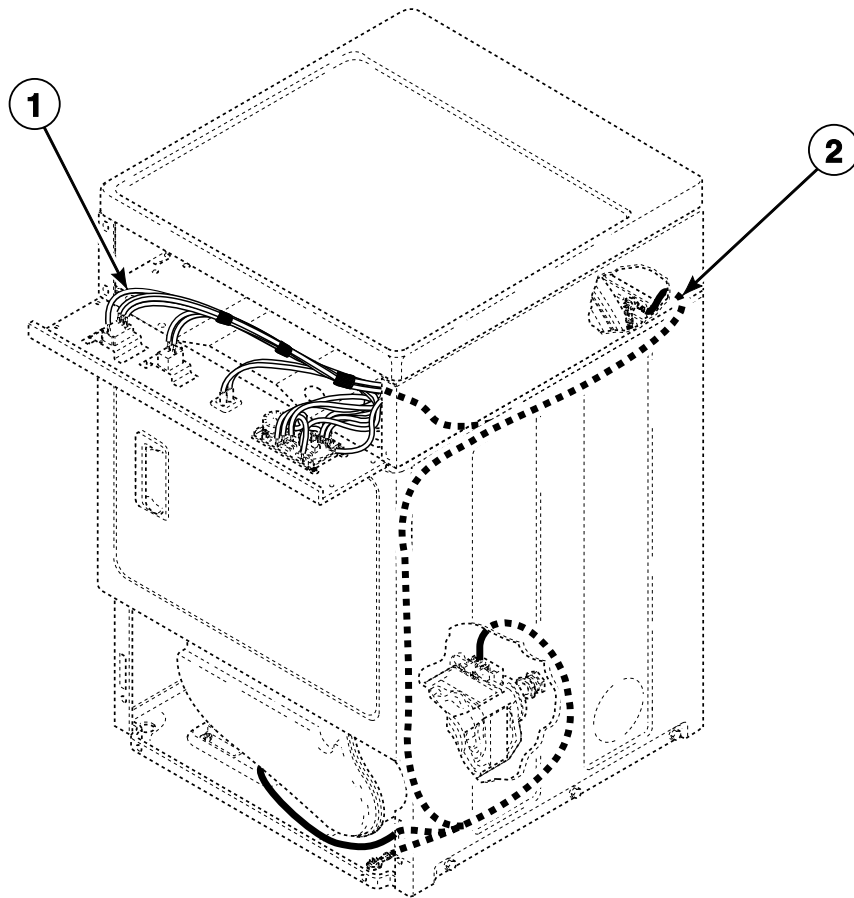
REF	PART NO.	DESCRIPTION	COMMENTS
	45380	12 Gauge Wire	Orange; Order wire by the foot; Order terminals and connectors as required
	45001	18 Gauge Wire	Black; Order wire by the foot; Order terminals and connectors as required
1	D511306P	Security Cabinet Harness Assembly	Models FGN16A*M3013 and FGN17A*M3013
	D511770	Security Cabinet Harness Assembly	Models CDE4BFGS171CW01 and CEZ68A*F1702
2	D511773P	Wire Harness Assembly	Models FGN16A*M3013 and FGN17A*M3013
	D511768P	Wire Harness Assembly	Models CDE4BFGS171CW01 and CEZ68A*F1702

* Add Letter To Designate Color. G - Gray L - Almond Q - Bisque W - White

NOTE: Individual wires are not available separately. Order complete harness, or order wire by the foot. When applying terminals to wires, it is recommended that the terminals be soldered to the wires.

Wire Harnesses and Wires - Front Control Models (Drawing 2 of 5)

All Front Control Models through Serial Nos. beginning 1401 Except ADE41FSS171TN03, BDE30FGS171CW01, CDE4BFGS171CW01, CEZ68*F1702, FGN16A*M3013, FGN17A*M3013, ZDE41FSS171CN01 and ZDE4BFGS171CW01



DRY2046P_506054

Wire Harnesses and Wires - Front Control Models (Drawing 2 of 5)

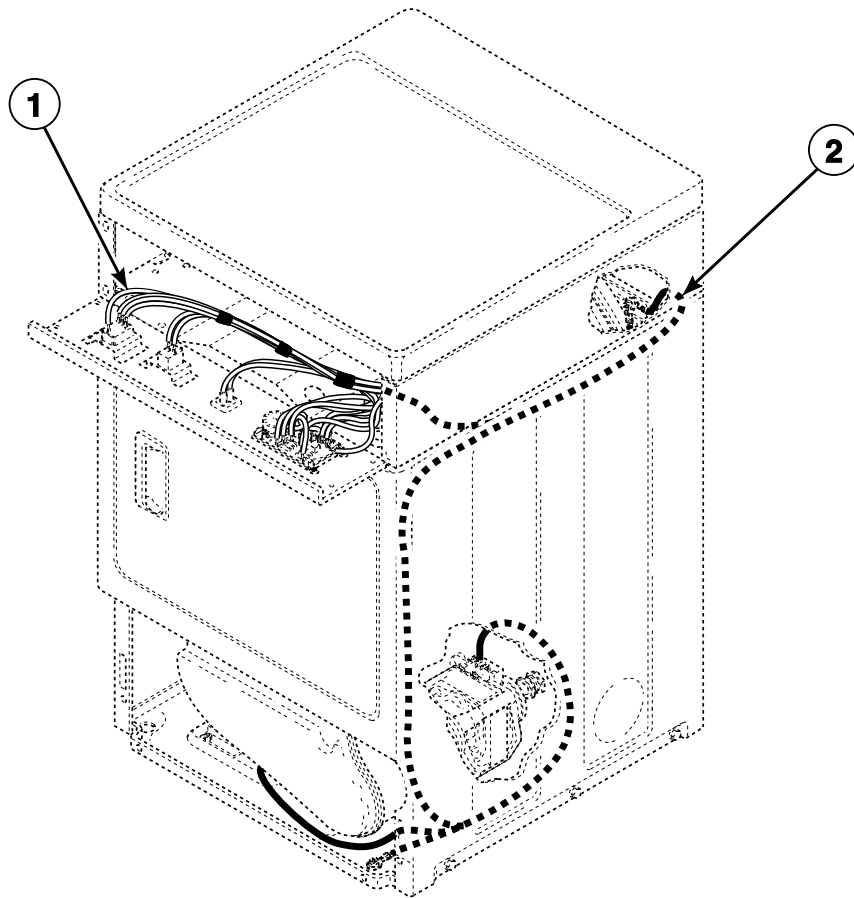
REF	PART NO.	DESCRIPTION	COMMENTS
	45380	12 Gauge Wire	Orange; Order wire by the foot; Order terminals and connectors as required
	45001	18 Gauge Wire	Black; Order wire by the foot; Order terminals and connectors as required
1	D511323	Security Cabinet Harness Assembly	Models BDG30FGS111CW01 and FGZ17A*F1102
	D511324P	Security Cabinet Harness	Models FEU17A*F1702 and FEZ17A*F1702
	D511752P	Security Cabinet Harness Assembly	Models FEN17A*G3018, FES17A*F3300 and FES17A*F4350
	D511767	Security Cabinet Harness Assembly	Models ADG3TFWS301AW01 and FGS17A*F3060
	D511306P	Security Cabinet Harness Assembly	Models FEN16A*G4018, FEN17A*G4018 and FES16A*G4018
	D511770	Security Cabinet Harness Assembly	Models ADE32FSS431AN01, ADE32FSS431NN22, ADE32FSS541RN01 and ADG32FSS301AN01
	D511771	Security Cabinet Harness Assembly	Models ADG32FSS301AN01, ADG41FSS111TN03, CDG4BFGS111CW01, CGZ68A*F1102, ZDG41FSS111CN01 and ZDG4BFGS111CW01
	D513384	Security Cabinet Harness Assembly	Model ADE3TFWS431AW01
2	D511304	Wire Harness Assembly	Models FEN16A*G4018, FEN17A*G4018 and FES16A*G4018
	D511329	Wire Harness Assembly	Models BDG30FGS111CW01 and FGZ17A*F1102
	D511330	Wire Harness Assembly	Models FEU17A*F1702 and FEZ17A*F1702
	D511754	Wire Harness Assembly	Models ADE3TFWS431AW01, FEN17A*G3018, FES17A*F3300 and FES17A*F4350
	D511779	Wire Harness Assembly	Models ADG3TFWS301AW01 and FGS17A*F3060
	D511769P	Wire Harness Assembly	Models ADG41FSS111TN03, CDG4BFGS111CW01, CGZ68A*F1102, ZDG41FSS111CN01 and ZDG4BFGS111CW01
	D513451	Wire Harness Assembly	Model ADG32FSS301AN01
	D513452	Wire Harness Assembly	Models ADE32FSS431AN01, ADE32FSS431NN22 and ADE32FSS541RN01

* Add Letter To Designate Color. G - Gray L - Almond Q - Bisque W - White

NOTE: Individual wires are not available separately. Order complete harness, or order wire by the foot. When applying terminals to wires, it is recommended that the terminals be soldered to the wires.

Wire Harnesses and Wires - Front Control Models (Drawing 3 of 5)

Models ADE41FSS171TN03, BDE30FGS171CW01, ZDE41FSS171CN01 and ZDE4BFGS171CW01
Models Through Serial No. 1303025314



DRY2046P_506054

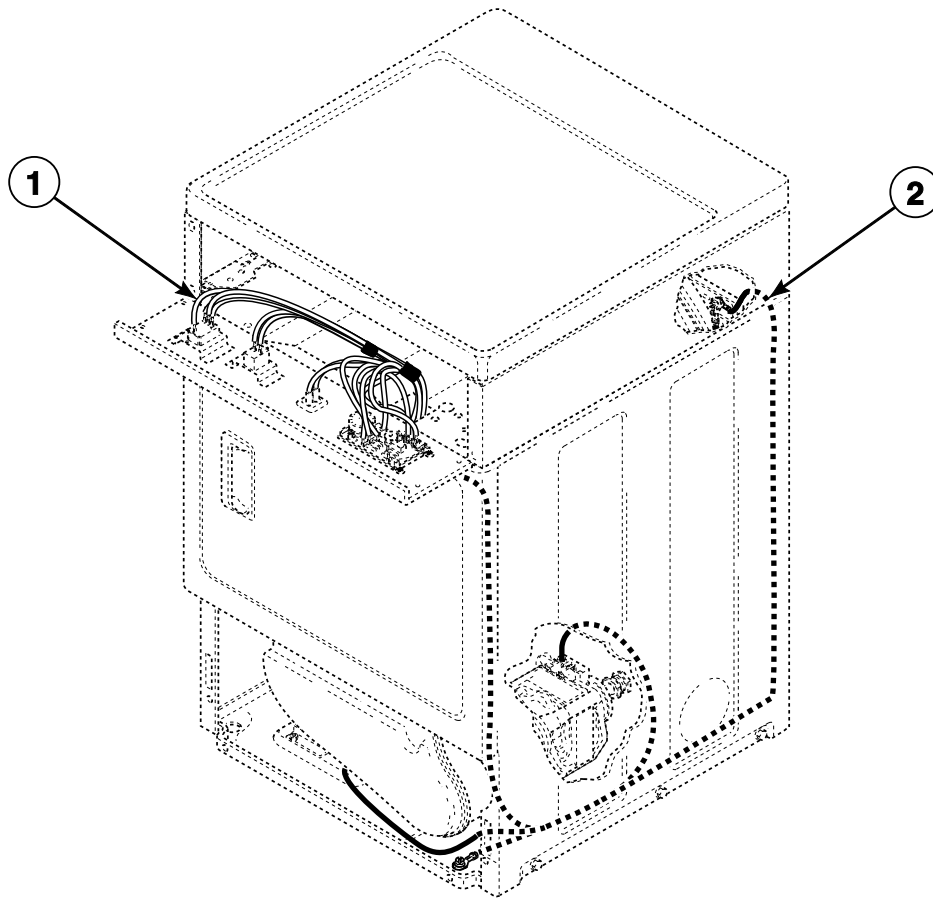
Wire Harnesses and Wires - Front Control Models (Drawing 3 of 5)

REF	PART NO.	DESCRIPTION	COMMENTS
	45380	12 Gauge Wire	Orange; Order wire by the foot; Order terminals and connectors as required
	45001	18 Gauge Wire	Black; Order wire by the foot; Order terminals and connectors as required
1	D511324P	Security Cabinet Harness	Model BDE30FGS171CW01
	D511770	Security Cabinet Harness Assembly	Models ADE41FSS171TN03, ZDE41FSS171CN01 and ZDE4BFGS171CW01
2	D511330	Wire Harness Assembly	Model BDE30FGS171CW01
	D511768P	Wire Harness Assembly	Models ADE41FSS171TN03, ZDE41FSS171CN01 and ZDE4BFGS171CW01

NOTE: Individual wires are not available separately. Order complete harness, or order wire by the foot. When applying terminals to wires, it is recommended that the terminals be soldered to the wires.

Wire Harnesses and Wires - Front Control Models (Drawing 4 of 5)

All Front Control Models Starting Serial Nos. beginning 1401 Except ADE41FSS171TN03, BDE30FGS171CW01, CDE4BFGS171CW01, CEZ68*F1702, FGN16A*M3013, FGN17A*M3013, ZDE41FSS171CN01 and ZDE4BFGS171CW01



DRY2290P_506054

Wire Harnesses and Wires - Front Control Models (Drawing 4 of 5)

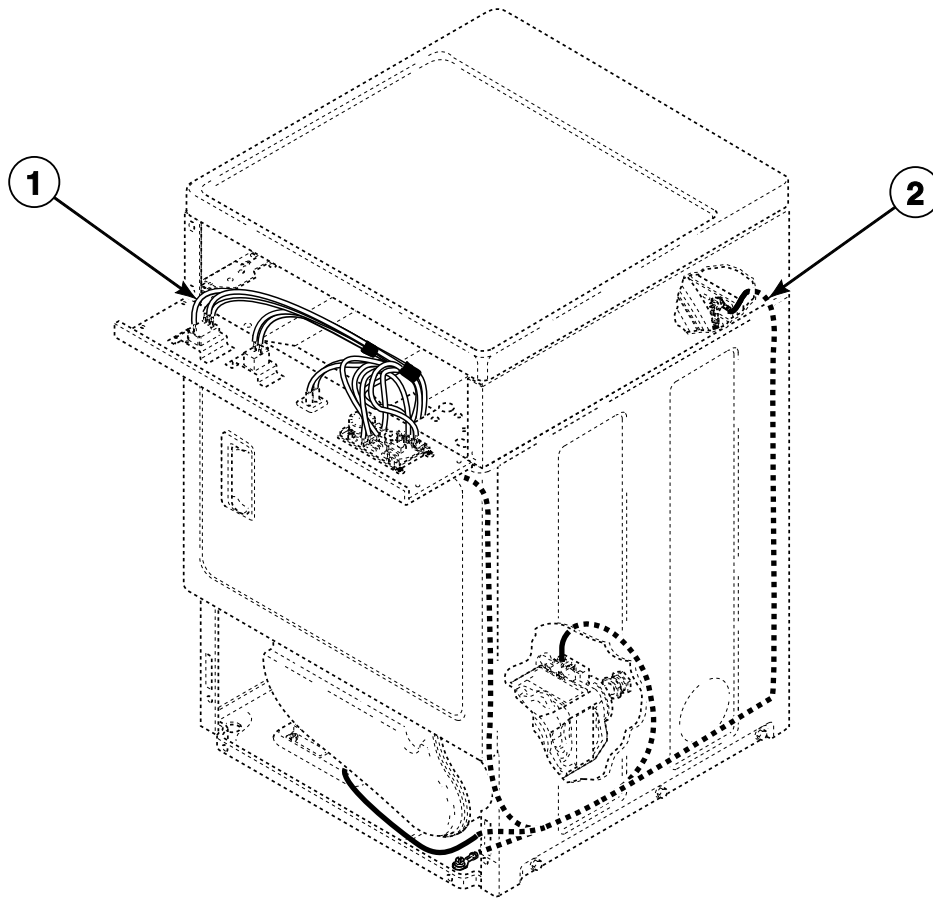
REF	PART NO.	DESCRIPTION	COMMENTS
	45380	12 Gauge Wire	Orange; Order wire by the foot; Order terminals and connectors as required
	45001	18 Gauge Wire	Black; Order wire by the foot; Order terminals and connectors as required
1	D511323	Security Cabinet Harness Assembly	Models BDG30FGS111CW01 and FGZ17A*F1102
	D511324P	Security Cabinet Harness	Models FEU17A*F1702 and FEZ17A*F1702
	D511752P	Security Cabinet Harness Assembly	Models FEN17A*G3018, FES17A*F3300 and FES17A*F4350
	D511767	Security Cabinet Harness Assembly	Models ADG3TFWS301AW01 and FGS17A*F3060
	D511306P	Security Cabinet Harness Assembly	Models FEN16A*G4018, FEN17A*G4018 and FES16A*G4018
	D511770	Security Cabinet Harness Assembly	Models ADE32FSS431AN01, ADE32FSS431NN22, ADE32FSS541RN01 and ADG32FSS301AN01
	D511771	Security Cabinet Harness Assembly	Models ADG32FSS301AN01, ADG41FSS111TN03, CDG4BFGS111CW01, CGZ68A*F1102, ZDG41FSS111CN01 and ZDG4BFGS111CW01
	D513384	Security Cabinet Harness Assembly	Model ADE3TFWS431AW01
2	D513804	Wire Harness Assembly	Models FEN16A*G4018, FEN17A*G4018 and FES16A*G4018
	D513823	Wire Harness Assembly	Models BDG30FGS111CW01 and FGZ17A*F1102
	D513826	Wire Harness Assembly	Models FEU17A*F1702 and FEZ17A*F1702
	D513806	Wire Harness Assembly	Models ADE3TFWS431AW01, FEN17A*G3018, FES17A*F3300 and FES17A*F4350
	D513805	Wire Harness Assembly	Models ADG3TFWS301AW01 and FGS17A*F3060
	D513803	Wire Harness Assembly	Models ADG41FSS111TN03, CDG4BFGS111CW01, CGZ68A*F1102, ZDG41FSS111CN01 and ZDG4BFGS111CW01
	D513815	Wire Harness Assembly	Model ADG32FSS301AN01
	D513822	Wire Harness Assembly	Models ADE32FSS431AN01, ADE32FSS431NN22 and ADE32FSS541RN01

* Add Letter To Designate Color. **G** - Gray **L** - Almond **Q** - Bisque **W** - White

NOTE: Individual wires are not available separately. Order complete harness, or order wire by the foot. When applying terminals to wires, it is recommended that the terminals be soldered to the wires.

Wire Harnesses and Wires - Front Control Models (Drawing 5 of 5)

Models ADE41FSS171TN03, BDE30FGS171CW01, ZDE41FSS171CN01 and ZDE4BFGS171CW01
Models Starting Serial No. 1303025315



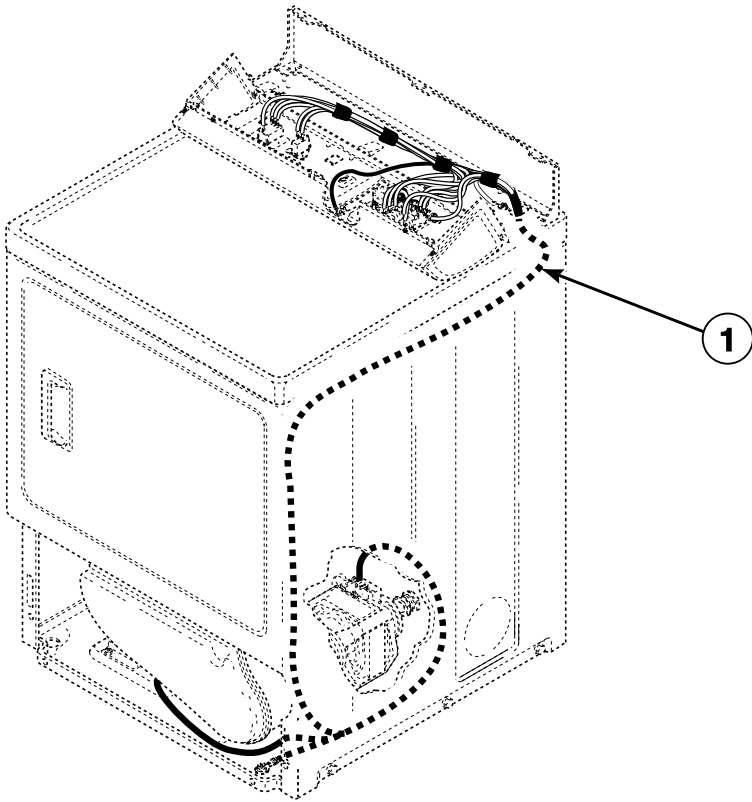
DRY2290P_506054

Wire Harnesses and Wires - Front Control Models (Drawing 5 of 5)

REF	PART NO.	DESCRIPTION	COMMENTS
	45380	12 Gauge Wire	Orange; Order wire by the foot; Order terminals and connectors as required
	45001	18 Gauge Wire	Black; Order wire by the foot; Order terminals and connectors as required
1	D511324P	Security Cabinet Harness	Model BDE30FGS171CW01
	D511770	Security Cabinet Harness Assembly	Models ADE41FSS171TN03, ZDE41FSS171CN01 and ZDE4BFGS171CW01
2	D513826	Wire Harness Assembly	Model BDE30FGS171CW01
	D513808	Wire Harness Assembly	Models ADE41FSS171TN03, ZDE41FSS171CN01 and ZDE4BFGS171CW01

NOTE: Individual wires are not available separately. Order complete harness, or order wire by the foot. When applying terminals to wires, it is recommended that the terminals be soldered to the wires.

Wire Harnesses and Wires - Rear Control Models Through Serial No. 1207



DRY2047P_506054

Wire Harnesses and Wires - Rear Control Models Through Serial No. 1207

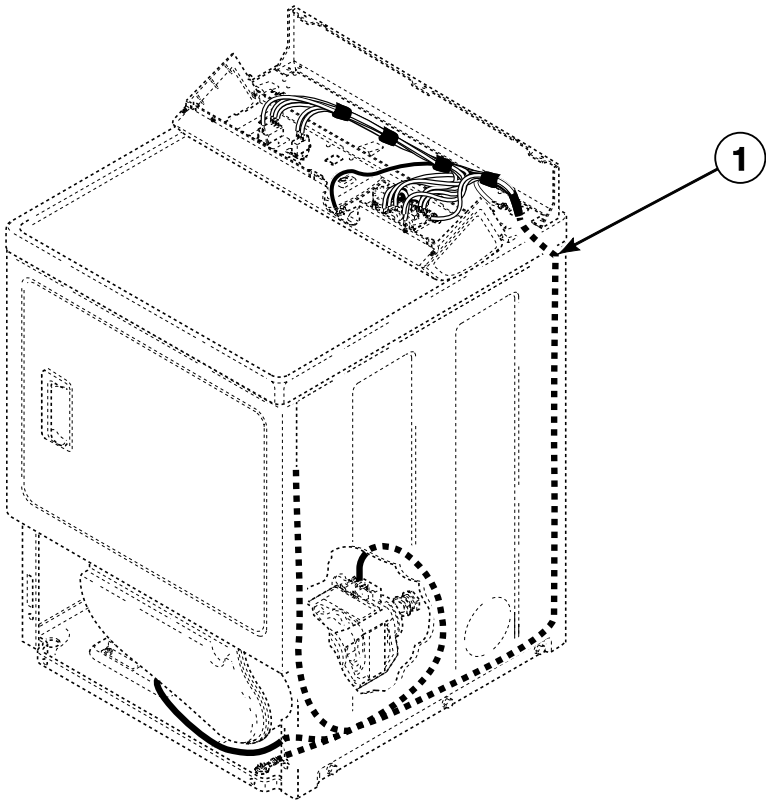
REF	PART NO.	DESCRIPTION	COMMENTS
	45380	12 Gauge Wire	Orange; Order wire by the foot; Order terminals and connectors as required
	45477	12 Gauge Wire	Green/yellow stripe; Order wire by the foot; Order terminals and connectors as required
	45001	18 Gauge Wire	Black; Order wire by the foot; Order terminals and connectors as required
1	D510420P	Wire Harness Assembly	Models ADE3TRWS431AW01, ADE3TRWS431NW22, EDE3TRWS543PW01, FDE3TRGS301NW10, LDE3TRWS331TW05, LEG37A*F4350, LEH37A*F3300, LEK37A*F4350, LES17A*F3000, LES17A*F3007, LES17A*F3022, LES17A*F4500, LES17A*M4588, LES37A*F3000, LES37A*F3028, LES37A*F3300, LES37A*F3327, LES37A*F4350, LES37A*F5412, LEZ37A*F3000, LEZ37A*F3300 and MDE3TRWS331TW06
	D510460	Wire Harness Assembly	Models LEN27A*G3008, LEN27A*G3018, LEN37A*G3018, LES27A*G3018, LES37A*G3018, LEZ27A*G3018, LEZ37A*G3018 and LEZ37A*G5618
	D510444	Wire Harness Assembly	Models AEZ28A*F1702, AEZ68A*F1702, CDE3LRGS171CW01, LET57A*F1700, LET67A*F1700, LET68A*F1700, LEZ57A*F1702, LEZ67A*F1702, ZDE3LRGS171CW01 and ZDE4BRGS171CW01
	D511301P	Wire Harness Assembly	Models LGN27A*M3008, LGN27A*M3013, LGN37A*M3013, LGS27A*M3013, LGS27A*M3080, LGS37A*F3028, LGS37A*M3013, LGS37A*M3080, LGZ27A*M3013 and LGZ37A*M3013
	N/A	Wire Harness Assembly	Models LEB07A*F1709, LEY47A*F1709, LGG37A*F3058, LGK37A*F3058, LGS17A*F3020, LGS17A*F3081, LGS17A*M3020, LGS17A*M3082, LGS37A*F3058, LGT57A*F1100, LGT68A*F1100, LGY47A*F1109, LGZ37A*G3013, LGZ57A*F1102 and LGZ67A*F1102
	D510425P	Wire Harness Assembly	Models AGZ17A*F1102, LGS17A*K1180 and ZDG30RGS111CW01
	D510423	Wire Harness Assembly	Models FDG3TRGS301NW10, LGH37A*F5423, LGS37A*F3000, LGS37A*F3022, LGS37A*F3080, LGS37A*F5412, LGS37A*F5423 and LGZ37A*F3000
	D510403	Wire Harness Assembly	Models LDG3TRWS111TW05, LGH37A*F1182, LGZ27A*F1102, LGZ37A*F1102 and MDG3TRWS111TW06
	D510402P	Wire Harness Assembly	Models AEZ17A*F1702, LED17A*F1700, LEZ27A*F1502, LEZ27A*F1702, LEZ37A*F1702 and ZDE30RGS171CW01
	D510478	Wire Harness Assembly	Models FDE3TRGS401NW22, LEN27A*G4008, LEN27A*G4018, LEN27A*G99M3, LEN37A*G4018, LES27A*G4000, LES27A*G4018, LES37A*G4018, LEZ27A*G4018 and LEZ37A*G4018
	D511342	Wire Harness Assembly	Model LES28A*G4018
	D511785	Wire Harness Assembly	Models LGS38A*M3013, LGS38A*M3020 and LGS40A*M3020
	D511777	Wire Harness Assembly	Models AGZ28A*F1102, CDG3LRGS111CW01 and ZDG3LRGS111CW01
	D510443P	Wire Harness Assembly	Models AGZ68A*F1102 and ZDG4BRGS111CW01
	D511335	Wire Harness Assembly	Models ADG3TRWS301AW01, LGK37A*F3060 and LGS37A*F3060

* Add Letter To Designate Color. **G** - Gray **L** - Almond **Q** - Bisque **W** - White

N/A = Part no longer available

NOTE: Individual wires are not available separately. Order complete harness, or order wire by the foot. When applying terminals to wires, it is recommended that the terminals be soldered to the wires.

**Wire Harnesses and Wires - Rear Control Models
Starting Serial No. 1207 (Drawing 1 of 2)**



DRY2268P_506054

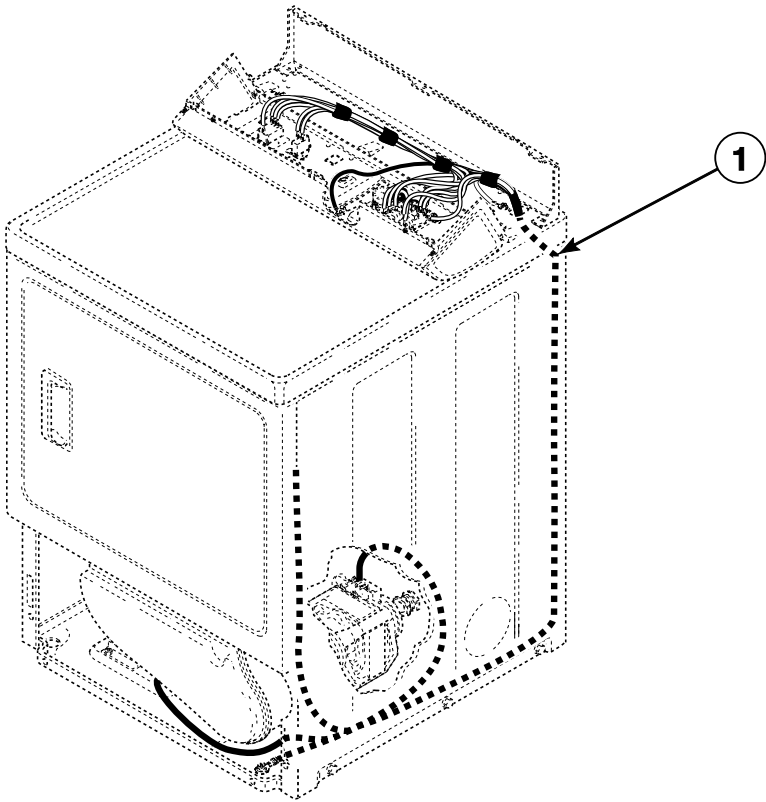
Wire Harnesses and Wires - Rear Control Models Starting Serial No. 1207 (Drawing 1 of 2)

REF	PART NO.	DESCRIPTION	COMMENTS
	45380	12 Gauge Wire	Orange; Order wire by the foot; Order terminals and connectors as required
	45477	12 Gauge Wire	Green/yellow stripe; Order wire by the foot; Order terminals and connectors as required
	45001	18 Gauge Wire	Black; Order wire by the foot; Order terminals and connectors as required
	D515039	Power Harness	Model LDL3TRGS541NW22
1	D513651	Wire Harness Assembly	Models LDG3TRWS111TW05, LDL3TRGW301NW22, LDL3TRWW301NW22, LGH37A*F1182, LGZ27A*F1102, LGZ37A*F1102, MDG3TRWS111TW06 and YDG3TRGS111CW01; Model LDG3TRGS111CW01 through Serial No.1903000001
	D513652	Wire Harness Assembly	Models AEZ17A*F1702, DDE30RGS173CW01, LED17A*F1700, LEZ27A*F1502, LEZ27A*F1702, LEZ37A*F1702 and YDE3TRGS171CW01; Model ZDE30RGS171CW01 through Serial No. 1303025314
	D513652	Wire Harness Assembly	Model ZDE30RGS171CW01 starting Serial No. 1303025315
	D513652	Wire Harness Assembly	Model LDE3TRGS171CW01 through Serial No. 1903000001
	D517446	Harness Assembly	Model LDE3TRGS171CW01 starting Serial No. 1903000001
	D517445	Harness Assembly	Models LDG3TRGS111CW01 and LDL30RGS113MW33 starting Serial No. 1903000001
	D513664	Wire Harness Assembly	Models FDE3TRGS401NW22, LEN27A*G4008, LEN27A*G4018, LEN27A*G99M3, LEN37A*G4018, LES27A*G4000, LES27A*G4018, LES37A*G4018, LEZ27A*G4018 and LEZ37A*G4018
	D513666	Wire Harness Assembly	Model LES28A*G4018
	D513656	Wire Harness Assembly	Model LES33A*F4562
	D513667	Wire Harness Assembly	Models LGS38A*M3013, LGS38A*M3020 and LGS40A*M3020
	D513665	Wire Harness Assembly	Models AGZ28A*F1102, CDG3LRGS111CW01 and ZDG3LRGS111CW01
	D513659	Wire Harness Assembly	Models AGZ68A*F1102 and ZDG4BRGS111CW01
	D513663	Wire Harness Assembly	Models ADG3TRWS301AW01, LDG3TRGS301AW01, LGK37A*F3060, LGN27A*F3060 and LGS37A*F3060
	D510420P	Wire Harness Assembly	Models ADE3TRWS461AW01, LDE3TRGS431AW01 and YDE3TRGS301NW10

* Add Letter To Designate Color. G - Gray L - Almond Q - Bisque W - White

NOTE: Individual wires are not available separately. Order complete harness, or order wire by the foot. When applying terminals to wires, it is recommended that the terminals be soldered to the wires.

**Wire Harnesses and Wires - Rear Control Models
Starting Serial No. 1207 (Drawing 2 of 2)**



DRY2268P_506054

Wire Harnesses and Wires - Rear Control Models Starting Serial No. 1207 (Drawing 2 of 2)

REF	PART NO.	DESCRIPTION	COMMENTS
	45380	12 Gauge Wire	Orange; Order wire by the foot; Order terminals and connectors as required
	45477	12 Gauge Wire	Green/yellow stripe; Order wire by the foot; Order terminals and connectors as required
	45001	18 Gauge Wire	Black; Order wire by the foot; Order terminals and connectors as required
	D515039	Power Harness	Model LDL3TRGS541NW22
1	D516778	Wire Harness Assembly	Model FDE3TRGS433LW01
	D516777	Wire Harness Assembly	Model YDG30RGS301NW21
	D517446	Harness Assembly	Model LDE30RGS173MW33
	D516451	Wire Harness Assembly	Model LDG3TRGS301NW22
	D513662	Wire Harness Assembly	Models LEN27A*G3008, LEN27A*G3018, LEN37A*G3018, LES27A*G3018, LES27A*G4500, LES27A*G4518, LES37A*G3018, LEZ27A*G3018, LEZ37A*G3018 and LEZ37A*G5618
	D513660	Wire Harness Assembly	Models ZDE3LRGS171CW01 and ZDE4BRGS171CW01 starting Serial No. 1303025315; Models AEZ28A*F1702, AEZ68A*F1702, CDE3LRGS171CW01, LET57A*F1700, LET67A*F1700, LET68A*F1700, LEZ57A*F1702 and LEZ67A*F1702
	D513661	Wire Harness Assembly	Models LGN27A*M3008, LGN27A*M3013, LGN37A*M3013, LGS27A*M3013, LGS27A*M3080, LGS37A*F3028, LGS37A*M3013, LGS37A*M3080, LGZ27A*M3013 and LGZ37A*M3013
	D517445	Harness Assembly	Models AGZ17A*F1102, LDL30RGS113MW33, LGS17A*K1180 and ZDG30RGS111CW01
	D513653	Wire Harness Assembly	Models EDL3TRGS541NW23, FDG3TRGS301NW10, LGH37A*F5423, LGS37A*F3000, LGS37A*F3022, LGS37A*F3080, LGS37A*F5412, LGS37A*F5423 and LGZ37A*F3000
	D513654	Wire Harness Assembly	Models ADE3TRGS431NW29, ADE3TRGS451LW22, ADE3TRWS431AW01, ADE3TRWS431NW22, ADE3TRWS431NW29, EDE3TRGS543PW01, EDE3TRWS543PW01, FDE3TRGS301NW10, LDE3TRGS451NW22, LDE3TRGS451SW01, LDE3TRGS461NW22, LDE3TRGS541NW22, LDE3TRGS551NW22, LDE3TRWS331TW05, LDE3TRWS541NW22, LEB07A*F1709, LEG37A*F4350, LEH37A*F3300, LEK37A*F4350, LES17A*F3000, LES17A*F3007, LES17A*F3022, LES17A*F4500, LES17A*M4588, LES37A*F3000, LES37A*F3028, LES37A*F3300, LES37A*F3327, LES37A*F4350, LES37A*F5412, LEZ37A*F3000, LEZ37A*F3300 and MDE3TRWS331TW06

* Add Letter To Designate Color. G - Gray L - Almond Q - Bisque W - White

NOTE: Individual wires are not available separately. Order complete harness, or order wire by the foot. When applying terminals to wires, it is recommended that the terminals be soldered to the wires.

Parts Index

A

Access Cover Plate	
D514356	81
Access Panel	
D510069LP	37
Access Panel Assembly	
D514250DG	37
D514250Q	37
D514250WP	37
D514251	37
Access Panel Plate	
D510903	81
Adhesive	
D511637P	45, 49, 55, 59
Adjustable Buzzer	
D504103	13, 23, 25
D505447	13
Air Duct Assembly	
D518432	47, 51
D518433	47, 51
Anti-Seize Compound	
27604P	39, 41

B

Badge	
803013	25
803101	25
Block to Relay Harness	
D511112P	65
Blower and Fan Kit	
D510717P	39
Blower Fan Assembly	
D510139P	41
Blower Housing	
D511969LG	41
D511969WP	41
Blower Housing Seal	
D510238P	41
Bolt	
29651	19, 23, 25
Booster and Holding Coil	
58804A	69, 71
59063A	69, 71
Bracket	
D510146	27
Bracket Assembly	
D518062	81
Bulkhead Assembly	
D505899WP	49
Bumper Pad	
56128	81
Burner Assembly	
D510149P	69, 71, 75
Buzzer	
D510211	13, 23, 25

C

Cabinet Rear Panel	
D514632P	81
Cabinet Side Panel	
D510001GP	81
D510001LP	81
D510001QP	81
D510001WP	81
D510002GP	81
D510002LP	81
D510002QP	81
D510002WP	81
D512539	81
D512951	81
Caution Label	
D500253	35
Combustion Duct	
D510131	67
D510132	67
Connector, 2 Circuit	
58799	91
Connector, 3 Circuit	
58800	89
Contactora	
F330177P	65
Contactora Bracket	
D511859	81
Control Cabinet	
D513701G	25
D513702G	25
803141	25
803142	25
Control Cabinet Bottom	
801777	21, 23, 25
Control Knob Assembly	
803099P	25
803119P	11, 23
Control Panel Assembly	
D511421W	21
D512067W	23
D513161	25
Control Support Panel	
D503901	11
Conversion Kit	
756P3	65
Cylinder Assembly	
D505929LGP	53
D505929WP	53
D510159LGP	53
D510159WP	53
D510265LGP	53
D510265WP	53
Cylinder Baffle	
D510102LG	53
D510102W	53
Cylinder Belt	
D511255P	41
Cylinder Glide	
D513710	45, 49

N/A items do not appear in index.

Cylinder Glide Bracket	
D510145	45, 49
Cylinder Light Assembly	
D512109	49
Cylinder Light Lens	
D512106	49
Cylinder Roller	
D510708P	55, 59
Cylinder Roller Bracket	
D510100	55, 59
Cylinder Seal Assembly	
D510207P	45, 49, 55, 59

D

Din Rail	
M412693	65
Directional Exhaust Kit	
528P3	81
Disconnect Power Warning Label	
D505281	21, 27
Domed Label	
202128	21
800921	21
800922	21
800923	21
Door Assembly	
D516510WP	31, 33
D5165109WP	29
D516737W	33
Door Catch Assembly	
D510177	35
Door Handle	
803095	29
Door Handle Wedge	
D510129W	31, 33
Door Liner	
D510097W	33
Door Liner Assembly	
D516508	31, 33
Door Liner Grill	
D503870LG	31, 33
D503870W	33
Door Pull	
D512947	33
Door Pull and Wedge Kit	
D510103LP	31
D510103QP	31
D510103WP	31, 33
D511213P	31, 33
Door Strike	
D510181	29, 31, 33
Door Strike Mount	
D510127	29, 31, 33
Drip Shield	
D514327	35
Drum Light Lamp	
D503579	49
60954	49
Dryer Base	
D514245	81
Dryer Door	
D510013GP	31

N/A items do not appear in index.

D510013LP	31
D510013QP	31
D510013WP	31
D510082	33
D513156	29
D513225	33
D515960W	31
Dryer Door Window	
D503982P	33
Drying Rack	
D512082P	53
Dual Contactor Harness	
D514920	65

E

Elbow	
D513072	69
Elbow Shut-Off Valve	
D510205	69, 75
Electric Clearance Label	
D511005	81, 83
Electrical Shock Label	
D502511	21
F8211201	47
End Panel	
D504006P	11
D504007P	11
D504008L	11
D504008QP	11
D504008WP	11
D504009QP	11
D504009WP	11
End Stop	
70121001	65
Exhaust Duct	
D516196	81
Exhaust Warning Label	
D502507	83
Expansion Clip	
70030501	21, 23, 25
Extractor Tool	
128P4	93
190P4	93

F

Fabric Selector Switch	
D513504	13
D513505	13, 21, 23
D513506	13, 25
Felt Pad	
D510189	45, 49
Female Piggyback Terminal	
00361	91
Female Pin Terminal	
00117	89
00128	89
00130	89
Female Spade Terminal	
00114	91
00115	91
00121	91

00124	91
00156	91
00189	91
00222	89
00223	91
Female Tab Terminal	
00344	91
Female Terminal	
00188	93
00255	93
00256	93
Flexible Venting Kit	
521P3	81
Front Bulkhead Assembly	
D510266P	45
D511033WP	45
D512476P	49
Front Panel	
D510066GP	35
D510066LP	35
D510066QP	35
D510066WP	35
D512542	35
Front Panel Label	
D514863	35
Front Panel Seal	
D511056	35
Fuse	
D502592	27
D502593	27
Fuse Carrier	
D502811	27
Fuse Holder Bracket	
D502589	27
Fuse Holder Kit	
D502591P	27

G

Gas Clearance Label	
D511004	81
Gas Valve Assembly	
D502423P	75
D510506P	69
D513630	69
D513631	69
59063P	69
Gas Valve Mounting Bracket	
D510128	69, 71, 75
Gas Valve, Bracket and Pipe Assembly	
D517607	71
D517609	71
D517611	71
D517612	71
Glide Kit	
RB170003	45, 49
Graphic Overlay	
D511406	21
D511656	21
D511913	23
D512751	23
D513019	23
D513245	23

Graphic Panel	
D503394	7
D504020W	7
D504070W	9
D504072QP	7
D504072WP	7
D504107W	7
D504197Q	7
D504197W	7
D505157WP	7
D505850	7
D505911	7
D505912	7
D505913	7
D511437	9
D511639	9
D511882	9
D511902W	9
D511914W	9
D512166W	9
D512167W	9
D512168W	9
D512370	9
D512622W	9
D512752W	9
D513016W	9
D513017W	9
D513018W	9
D513244W	9
D513523W	9
D513764W	9
D515439W	9
D516138W	9
D517079	9
D517328	7
D517529	9
D517798	9
Grounding Clip	
00161	91

H

Handle Cover	
803094P	29
Harness Assembly	
D517445	107, 109
D517446	107, 109
Harness Strap	
55881	89
Heat Duct Shroud	
D510101	67
Heater	
D511014P	65
Heater Assembly	
D510324P	61
D510326P	61
D510327P	61
D510328P	61
D510329P	61
D510330P	61
D511503P	61
D516123	61
Heater Duct Assembly	
D510025P	61, 65, 67
Heater Kit	
964P3	63

N/A items do not appear in index.

966P3.....	63
Heater Kit Assembly	
61927.....	63
61929.....	63
61930.....	63
61931.....	63
Hinge	
D511036.....	19, 23, 25, 29, 31, 33
Hinge Hole Plug	
D510186.....	35
Hold Down Kit	
526P3.....	81
Hold-Down Clip	
35358.....	27
Hood Back Panel	
D510099.....	27
804169.....	27
Housing, 10 Position	
D500338.....	93

I

Idler Lever	
D516310.....	41
Idler Lever and Wheel Assembly	
D516792.....	41
Idler Spring	
D510185.....	41
Idler Wheel and Bearing Assembly	
D510142P.....	41
Igniter and Bracket Assembly	
D510184P.....	69, 71
Igniter and Sensor Assembly	
D502995P.....	75
Igniter Control	
D502994P.....	75
Ignition Control Bracket	
D502425.....	75
Insulated Female Spade Terminal	
00359.....	91
00360.....	89
Insulated Female Terminal	
00165.....	91

J

Jumper Wire Assembly	
D518529.....	65

K

Knob Assembly	
D511439.....	11
36701L.....	11, 21
36701Q.....	11, 21, 23
36701W.....	11, 21, 23
803118P.....	23
803168P.....	11

L

Lead-In Cord	
D502599.....	85
D512019.....	85
D513632.....	85
D516389.....	85
203344.....	85
56222.....	85
59373.....	85
Lead-In Cord Assembly	
D506106.....	85
D510505P.....	85
D516747.....	85
D518705.....	85
Lead-In Cord Kit	
61605P.....	85
Lead-In Pipe Assembly	
D510204.....	69, 75
Left Control Cabinet Side	
800900LP.....	21
800900QP.....	21, 23
800900WP.....	21, 23
Leveling Leg	
D510135.....	81
Light Housing Assembly	
D512108.....	49
Limit Thermostat	
D510700.....	43, 61
D510701.....	61, 65
D510702.....	67
D516192.....	61
D516193.....	61
Liner and Seal Assembly	
D516509.....	33
Liner Door Seal	
D510147P.....	29, 31, 33
Lint Filter	
D503980LG.....	47, 51
D503980W.....	47, 51
Lint Filter Label	
D502781.....	35
D502804.....	35
L.P. Conversion Kit	
401P3.....	73, 75
599P3.....	73, 75
649P3.....	73
L.P. Orifice	
D503786.....	77
58755.....	77
60941.....	77

M

Male Pin Terminal	
00116.....	89
00127.....	89
00129.....	89
Male Tab Terminal	
00139.....	91
Manual Reset Thermostat	
M411941.....	43

N/A items do not appear in index.

Motor and Pulley Assembly	
D505843P	39
D505869P	39
D511629P	39
Motor Hub Ring Kit	
590P3	39
Motor Mount	
D518517	41
Motor Mount Clamp	
D510180	41
Motor Pulley	
D500011	39
D500222	39
Motor Shield	
D514602	41
Motor Switch Bracket	
D516311	41

N

Notice Label	
D516073	83
Nut	
29796	23
36020	25
44087201	19, 25
52566	41
56156	41, 55, 59
N.G. Conversion Kit	
402P3	73, 75
650P3	73
N.G. Orifice	
D503778	79
D503779	79
D503780	79
D503781	79
D503782	79

O

Outlet Cover	
D500820	61, 65, 67

P

Panel	
D513093	25
D513112	25
D513443	25
Panel Locator	
56079	35, 37, 81
Pinch Warning Label	
F8615701	47, 51
Pinched Fingers Label	
D502506	47
Plug	
23040	89
54522	89
Plug, 2 Circuit	
56266	89
56448	89

Plug, 9 Circuit	
23033	89
Pop Rivet	
685847	25
Porcelain Touch-Up Paint	
122P4P	81
215P4P	81
370P4P	81
Power Cord Assembly	
D506081	85
Power Harness	
D515039	107, 109

R

Rear Bulkhead	
D518128	55
Rear Bulkhead Assembly	
D510905WP	55, 59
D511082P	55, 59
D518128	59
Rear Control Cabinet	
801058	19, 23, 25
Rear Shield	
D514335	81
Receptacle Housing	
90789	91
Receptacle, 12 Circuit	
56855	89
Receptacle, 2 Circuit	
56451	89
Receptacle, 3 Circuit	
23039	89
Receptacle, 6 Circuit	
26708	89
Receptacle, 9 Circuit	
26163	89
Relay	
D502501P	27
Relay Harness	
D514918	65
Relay to Heater Harness	
D511114P	65
Resistor Assembly	
D511277	13, 19, 23, 25
Retaining Ring	
23748	41, 55, 59
Right Control Cabinet Side	
800915L	19
800915Q	19, 23
800915W	19, 23
Ring Terminal	
00110	91
00111	91
Rivet	
D514375	81
Rocker Switch	
38424L	11
38424Q	11, 23
38424W	11, 23
Roller Kit	
RB170002	55, 59

N/A items do not appear in index.

Rubber Foot	
D501855	81

S

Screw	
D500226	29, 31, 33, 45, 49
D500227	49
D500824	41
D501086	11, 13, 23, 25, 27, 49
D501285	47, 51, 57, 59
D502535	43, 75
D503661	59
D503688	19, 25, 27, 35, 41, 45, 49, 55, 57, 59, 61, 65, 67, 69, 71, 75, 81
D505870	33
D512921	81
D513071	87
F430956	25
M405188	25
20530	87
23008	25
23222	61, 65, 69, 71
31260	41
33562	37
39733	35, 37, 81
51782	67, 69, 71, 75
52864	45
56124	69, 71, 75
61199	57
62588	53
70240301	21, 23, 25
800548	29
800930	21, 23
Screw Orifice	
58719	79
Seal Kit	
RB170001	45, 49, 55, 59
Secondary Coil	
58804B	69, 71
59063B	69, 71
Security Cabinet Harness	
D511324P	97, 99, 101, 103
Security Cabinet Harness Assembly	
D511306P	95, 97, 101
D511323	97, 101
D511752P	97, 101
D511767	97, 101
D511770	95, 97, 99, 101, 103
D511771	97, 101
D513384	97, 101
Selector Switch	
803568	25
Sensor	
D510213	69, 71
Shaft	
56461P	41, 55, 59
Shock Warning Label	
F8614201	27
Spade Terminal	
00245	91
Speed Clip	
28835	35
Stainless Steel Top	
D511631P	19

Strain Relief	
D502500	87
38384	87, 91
52113	87
60298	87
Strain Relief Adapter	
D502496	87
Switch	
D512973	35
D516391	41

T

Terminal	
00347	91
Terminal Block Assembly	
D505876	59
D510190P	57
Terminal Block Shield	
D505768	57, 59
D510237	57
D517715	57
Terminal Block Support Bracket	
D505875	59
Terminal Extractor Tool	
283P4	93
Thermal Fuse Assembly	
D518649	61, 65
Thermostat	
D504515	43
D504519	43
D504520	43
D504521	43
D510703	67
D510707P	43
D511957	43
Thermostat Shield	
D514325	41
Timer	
D502964P	15, 19, 23
D502966P	15
D505794P	17, 19
D505795P	15, 19, 25
D505796P	15, 19, 25
D511150P	15, 23, 25
D517386	17
D517387	17
D518124	15, 23, 25
Timer and Harness Kit	
D505797P	17, 19
Timer Conversion Kit	
D518950	17
Timer Knob Assembly	
D512117Q	11, 21, 23
D512117W	11, 21, 23
D512118	11
D517774W	11
803098P	25
Timer Replacement Kit	
D519030	17, 19
D519031	17
D519032	19
D519034	17
D519035	17
D519036	19

N/A items do not appear in index.

Top and Gusset Assembly	
802247QP	19, 23
802247WP	19, 23
Top Cover	
D505808G	11
D505808Q	11
D505808W	11
Top Hinge	
D510136	81
Top Kit	
D510032LP	19
803144P	25
Top Mounting Bracket	
D504228	19, 23, 25
Top Panel	
D510029G	27
Top Panel Kit	
D510029LP	27
D510029WP	27
Top Plug	
D514374	27
Transformer	
D513763P	81
Transformer Kit	
D511658P	27, 81
Transformer Shield	
D514334	81

W

Warning Label	
D500314	47, 51
D505825	35
D512263	35
D514867	35
44321601	83
803260	81, 83
Warning/Caution Label	
D500281	35
Washer	
D504082	55, 59
52549	41, 55, 59
Window Trim	
D503981W	33
D512633	33
Wire Assembly	
D511148	11
D513170P	25
D518255	61
D518256	61
D518708	13
Wire Clip	
D504034	89
687500	89
Wire Harness Assembly	
D510402P	105
D510403	105
D510420P	105, 107
D510423	105
D510425P	105
D510443P	105
D510444	105
D510460	105
D510478	105

D511301P	105
D511303	27, 81
D511304	97
D511329	97
D511330	97, 99
D511335	105
D511342	105
D511754	97
D511768P	95, 99
D511769P	97
D511773P	95
D511777	105
D511779	97
D511785	105
D513451	97
D513452	97
D513651	107
D513652	107
D513653	109
D513654	109
D513656	107
D513659	107
D513660	109
D513661	109
D513662	109
D513663	107
D513664	107
D513665	107
D513666	107
D513667	107
D513803	101
D513804	101
D513805	101
D513806	101
D513808	103
D513815	101
D513822	101
D513823	101
D513826	101, 103
D516451	109
D516777	109
D516778	109

Wire Tie	
38663	89
Wire, 12 Gauge	
45380	95, 97, 99, 101, 103, 105, 107, 109
45477	105, 107, 109
Wire, 18 Gauge	
45001	95, 97, 99, 101, 103, 105, 107, 109

N/A items do not appear in index.

