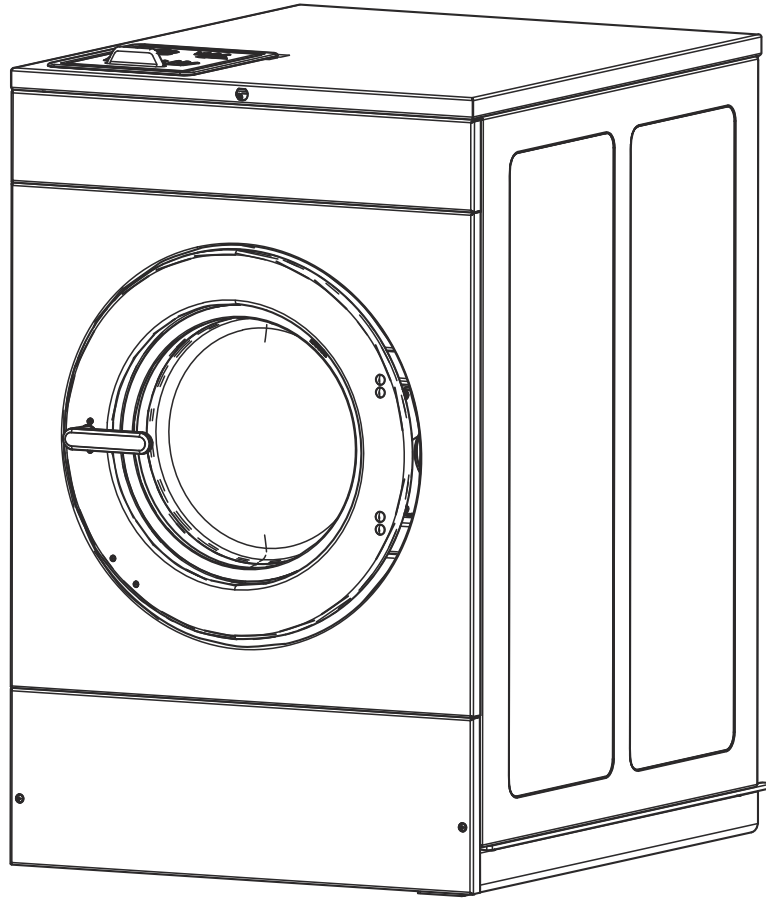


Washer-Extractor

Cabinet Hardmount

Design 4, 6, and 7

Refer to Page 5 for Model Numbers



C-CHM2C3_F8668901

Table of Contents

Title	Page
Parts Ordering Information.....	3
Serial Plate Location	3
Model Identification	5
Product Overview - Galaxy 600 International	6
Labels	8
Control Module and Front Tray Assembly	10
Control Tray Assembly.....	12
Flush Mount Coin Meter Assembly - Single Drop	14
Flush Mount Coin Meter Assembly - Dual Drop.....	16
Electronic Coin Meter Assembly	18
Optional Coin Box.....	20
Inverter Drive Box - 20 and 30 Pound Models with B Voltage	22
Inverter Drive Box - 20 and 30 Pound Models with N, P, Q, W, X and Y Voltage.....	24
Inverter Drive Box - 40 Pound Models with B Voltage	26
Inverter Drive Box - 40 Pound Models with N, P, Q, W, X and Y Voltage.....	28
Inverter Drive Box - 60 Pound Models with Q and X Voltage	30
Inverter Drive Box - 60 Pound Models with N and P Voltage.....	32
External Supply Kit.....	34
Inverter Drive	36
Front Panels and Control Panel - Design 4	38
Front Panels and Control Panel - Design 6	40
Front Panels and Control Panel - Design 7	42
Rear and Top Panels	44
Side Panels.....	46
Door - 20 Pound Models - Design 4.....	48
Door - 20 Pound Models - Design 6 and 7.....	50
Door - 30 Pound Models - Design 4.....	52
Door - 30 Pound Models - Design 6 and 7.....	54
Door - 40 and 60 Pound Models - Design 4.....	56
Door - 40 and 60 Pound Models - Design 6 and 7.....	58
Door Lock.....	60
Shell Front, Basket, Shell and Frame Template	62
Bearing Housing	64
Drain Plumbing	66
Pump Drain Plumbing - 20, 30 and 40 Pound Models.....	68
Fill Plumbing - 20 Pound Models	70
Fill Plumbing - 30 Pound Models	72
Fill Plumbing - 40 Pound Models	74
Fill Plumbing - 60 Pound Models	76
Motor, Pulley and Belt - 20 and 30 Pound Models.....	78
Motor, Pulley and Belt - 40 and 60 Pound Models.....	80

© Copyright 2023, Alliance Laundry Systems LLC

All rights reserved. No part of the contents of this book may be reproduced or transmitted in any form or by any means without the expressed written consent of the publisher.

Electric Heating	82
Steam Heating - 40 and 60 Pound Models	84
Special Tools and Kits	86
Parts Index	89

Parts Ordering Information

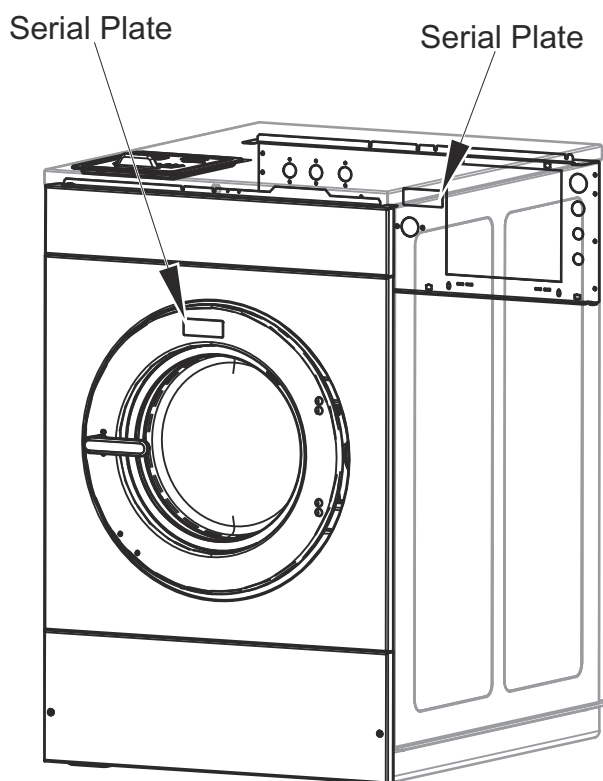
If literature or replacement parts are required, contact the source from whom the machine was purchased or contact Alliance Laundry Systems at (920) 748-3950 for the name and address of the nearest authorized parts distributor.

For technical assistance, call the number listed below:

(920) 748-3121 Ripon, Wisconsin

Serial Plate Location

When calling or writing about your product, be sure to mention model and serial numbers. Model and serial numbers are located on serial plate(s) as shown.



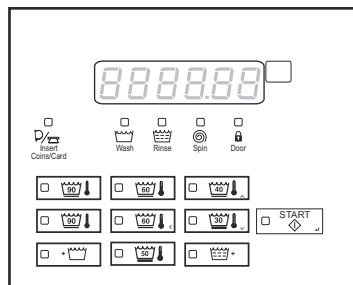
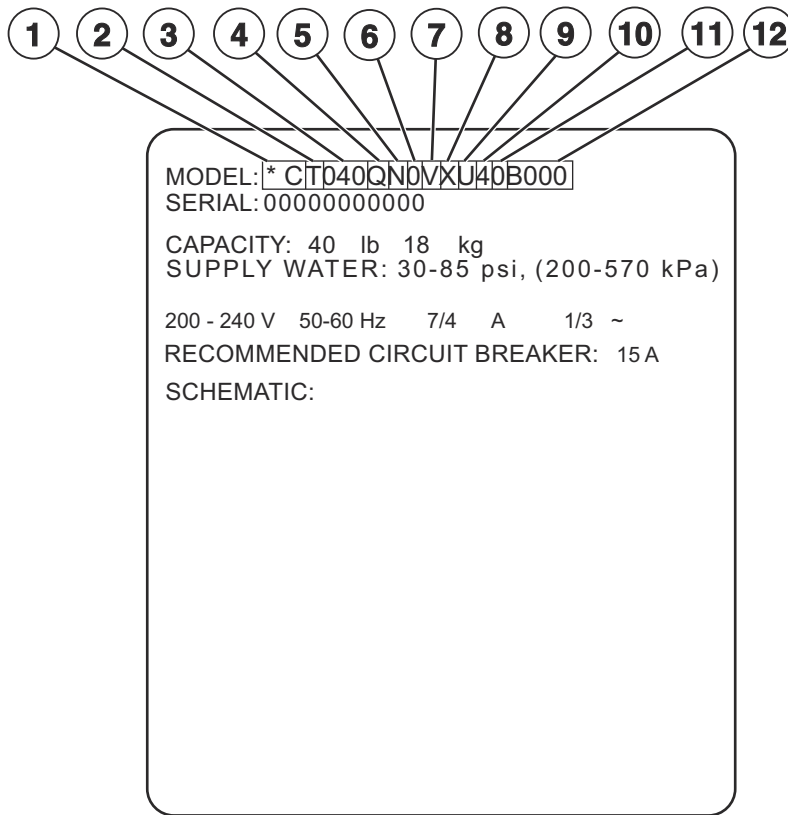
C-CHM2C2_F8668901

Model Identification

Information in this manual is applicable to these washer-extractor models:

HCA020NC	HCD030NQ	HCG020NC	HCH030NQ	HCJ060NC
HCA020ND	HCD030NT	HCG020ND	HCH030NT	HCJ060ND
HCA020NE	HCD030NV	HCG020NE	HCH030NV	HCJ060NE
HCA020NF	HCD030NX	HCG020NF	HCH030NX	HCJ060NF
HCA020NH	HCD040NC	HCG020NH	HCH040NC	HCJ060NH
HCA020NQ	HCD040ND	HCG020NQ	HCH040ND	HCJ060NQ
HCA020NT	HCD040NE	HCG020NT	HCH040NE	HCJ060NT
HCA020NV	HCD040NF	HCG020NV	HCH040NF	HCJ060NV
HCA020NX	HCD040NH	HCG020NX	HCH040NH	HCJ060NX
HCA030NC	HCD040NQ	HCG030NC	HCH040NQ	HCK020NH
HCA030ND	HCD040NT	HCG030ND	HCH040NT	HCK030NH
HCA030NE	HCD040NV	HCG030NE	HCH040NV	HCK040NH
HCA030NF	HCD040NX	HCG030NF	HCH040NX	HCK060NH
HCA030NH	HCE020NC	HCG030NH	HCH060NC	HCU020NC
HCA030NQ	HCE020ND	HCG030NQ	HCH060ND	HCU020ND
HCA030NT	HCE020NE	HCG030NT	HCH060NE	HCU020NE
HCA030NV	HCE020NF	HCG030NV	HCH060NF	HCU020NF
HCA030NX	HCE020NH	HCG030NX	HCH060NH	HCU020NH
HCA040NC	HCE020NQ	HCG040NC	HCH060NQ	HCU020NQ
HCA040ND	HCE020NT	HCG040ND	HCH060NT	HCU020NT
HCA040NE	HCE020NV	HCG040NE	HCH060NV	HCU020NV
HCA040NF	HCE020NX	HCG040NF	HCH060NX	HCU020NX
HCA040NH	HCE030NC	HCG040NH	HCJ020NC	HCU030NC
HCA040NQ	HCE030ND	HCG040NQ	HCJ020ND	HCU030ND
HCA040NT	HCE030NE	HCG040NT	HCJ020NE	HCU030NE
HCA040NV	HCE030NF	HCG040NV	HCJ020NF	HCU030NF
HCA040NX	HCE030NH	HCG040NX	HCJ020NH	HCU030NH
HCA060NC	HCE030NQ	HCG060NC	HCJ020NQ	HCU030NQ
HCA060ND	HCE030NT	HCG060ND	HCJ020NT	HCU030NT
HCA060NE	HCE030NV	HCG060NE	HCJ020NV	HCU030NV
HCA060NF	HCE030NX	HCG060NF	HCJ020NX	HCU030NX
HCA060NH	HCE040NC	HCG060NH	HCJ030NC	HCU040NC
HCA060NQ	HCE040ND	HCG060NQ	HCJ030ND	HCU040ND
HCA060NT	HCE040NE	HCG060NT	HCJ030NE	HCU040NE
HCA060NV	HCE040NF	HCG060NV	HCJ030NF	HCU040NF
HCA060NX	HCE040NH	HCG060NX	HCJ030NH	HCU040NH
HCD020NC	HCE040NQ	HCH020NC	HCJ030NQ	HCU040NQ
HCD020ND	HCE040NT	HCH020ND	HCJ030NT	HCU040NT
HCD020NE	HCE040NV	HCH020NE	HCJ030NV	HCU040NV
HCD020NF	HCE040NX	HCH020NF	HCJ030NX	HCU040NX
HCD020NH	HCE060NC	HCH020NH	HCJ040NC	HCU060NC
HCD020NQ	HCE060ND	HCH020NQ	HCJ040ND	HCU060ND
HCD020NT	HCE060NE	HCH020NT	HCJ040NE	HCU060NE
HCD020NV	HCE060NF	HCH020NV	HCJ040NF	HCU060NF
HCD020NX	HCE060NH	HCH020NX	HCJ040NH	HCU060NH
HCD030NC	HCE060NQ	HCH030NC	HCJ040NQ	HCU060NQ
HCD030ND	HCE060NT	HCH030ND	HCJ040NT	HCU060NT
HCD030NE	HCE060NV	HCH030NE	HCJ040NV	HCU060NV
HCD030NF	HCE060NX	HCH030NF	HCJ040NX	HCU060NX
HCD030NH		HCH030NH		

Product Overview - Galaxy 600 International



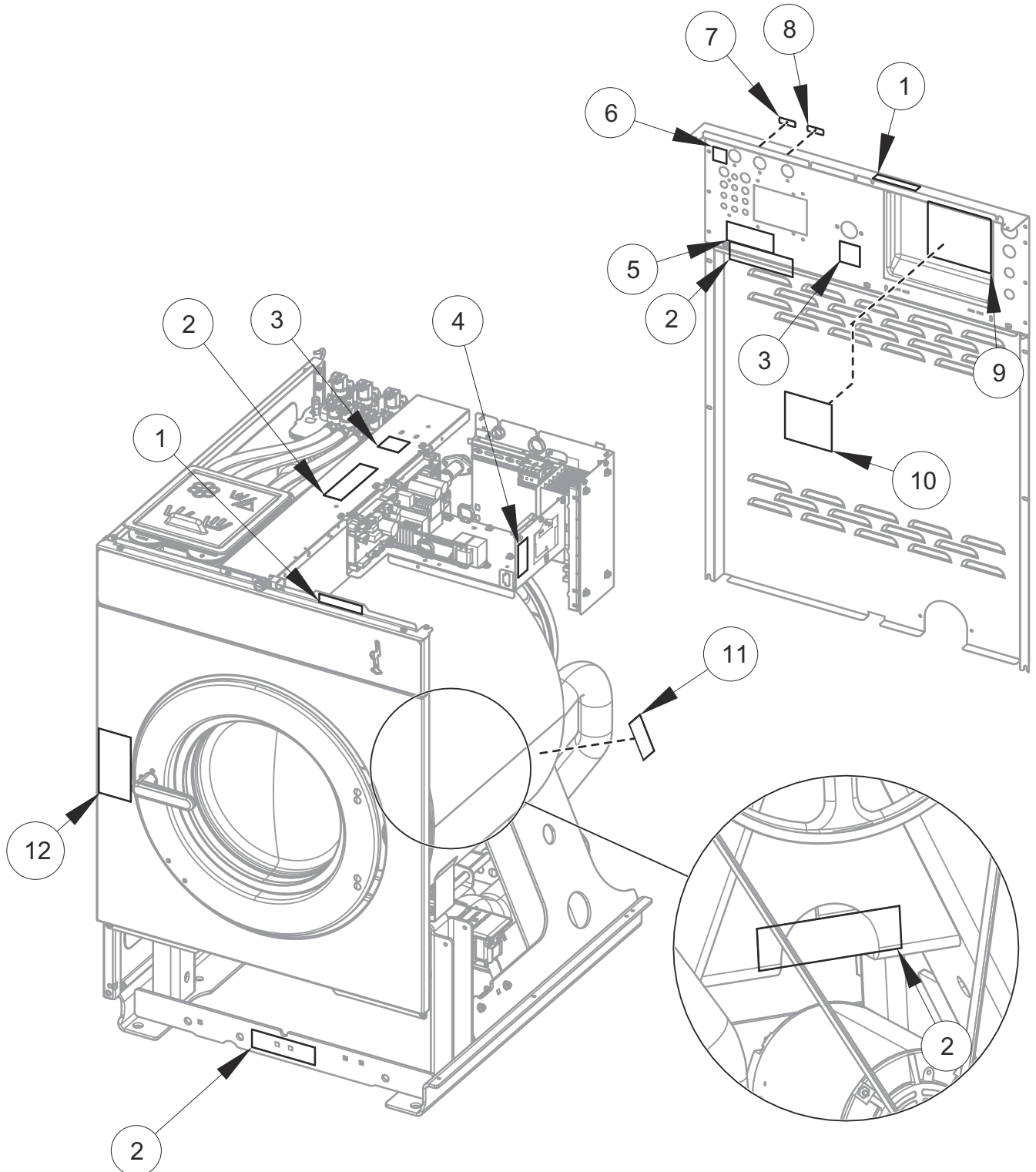
Galaxy 600 International

CHM3489P_F8668901

Product Overview - Galaxy 600 International

REF	PART NO.	DESCRIPTION	COMMENTS
1	-	Product Family	HC
2	-	Market Approvals	A (Australia IEC) D (Brazil IEC) G (International) H (China-ROHS IEC) J (Japan-PSE IEC) K (Korea IEC) L (Thailand-TISI IEC) U (International CE/EAC IEC)
3	-	Capacity (Dry Weight in Pounds)	020 030 040 060
4	-	Control	N
5	-	Actuation	L (Central Pay) X (Prep for Coin) Y (Prep for Card) C (Single Coin) D (Dual Coin) E (Electronic Drop) T (Token) F (Single Coin + CD Lock and Key) Q (Dual Coin + CD Lock and Key) H (Electronic Drop + CD Lock and Key) V (Token + CD Lock and Key)
6	-	Coin Meter	0 (Standard) 1 (CD Lock and Key)
7	-	Speed	F (F-Speed) V (V-Speed)
8	-	Voltage	B (120/60/1) W (200-240/50/1/3) Y (200-240/60/1/3) X (200-240/50-60/1/3) Q (200-240/50-60/3) P (380-415/50-60/3) N (440-480/50-60/3)
9	-	Panel	B (Chrome Door) C (Chrome Door) U (Vinyl) 1 (Stainless Steel Side)
10	-	Design	4 6 7
11	-	Heat	0 (Standard) D (Steam) E (Electric Heat) P (Prep for Steam)
12	-	Features and Options	

Labels

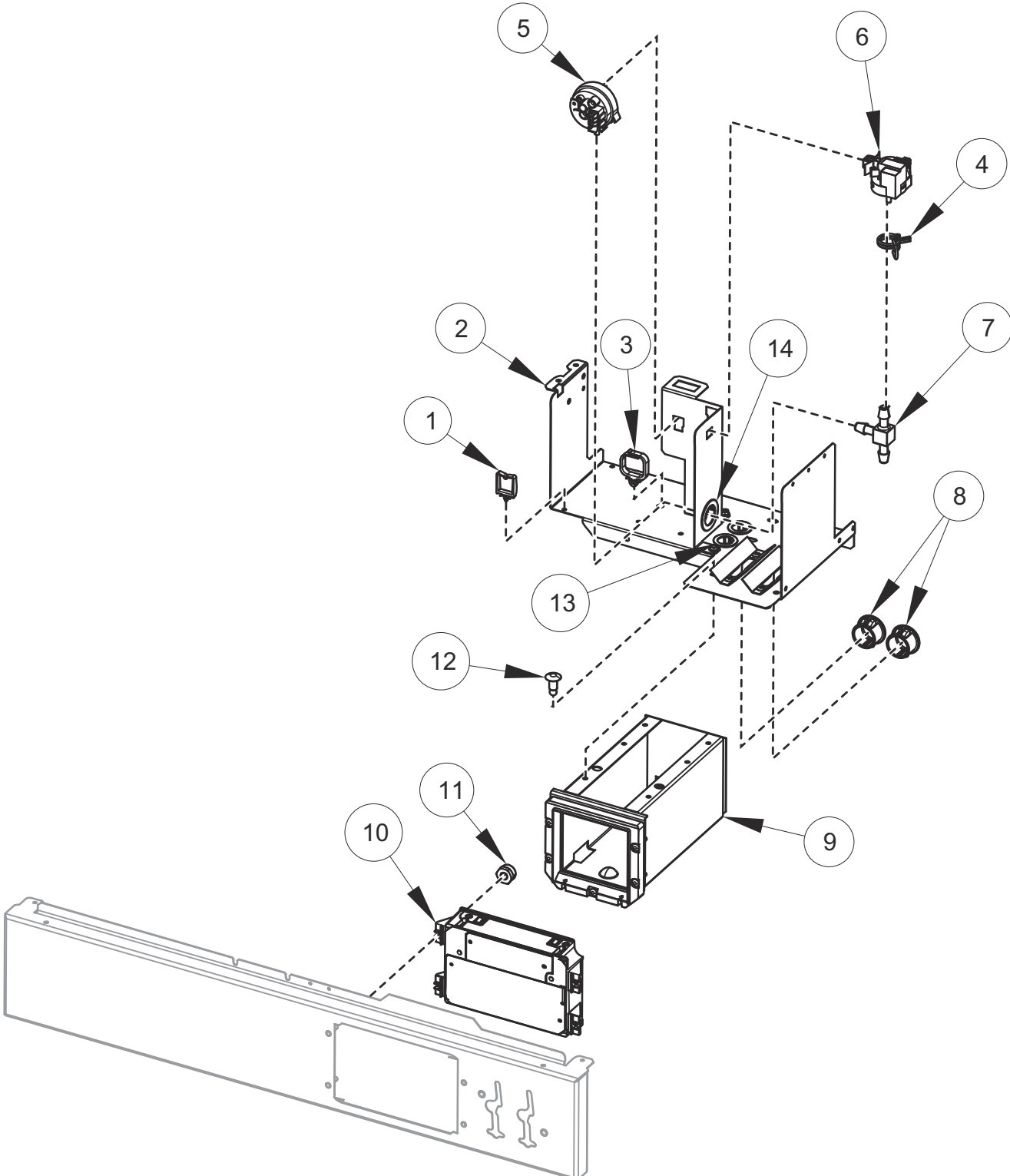


C-CHM2P27_F8668901

Labels

REF	PART NO.	DESCRIPTION	COMMENTS
1	F8614501	Danger Label	English/Quebec/French
2	44324001	Warning Label	Pinch/Shock; English/French
	F8614201	Shock Warning Label	Icon
	F8615701	Pinch Warning Label	Icon
3	F8614301	Hot Surface Warning Label	English/Quebec/French
	F8609001	Hot Surface Warning Label	Icon
4	F8601301	Label	Warning; Underground components
5	F8609401	Label	Notice; Chemical connection
6	203853	Label	ROHS (China)
7	F8611301	Label	Hot water; Icon
8	F8611401	Label	Cold water; Icon
9	F8611601	Warning Label	Warning; English/Quebec/French
10	F8602401	Label	Notice; Large expansion board
11	70538401	Pinch Warning Label	English/French
	F8615701	Pinch Warning Label	Icon
12	F8614801	Label	Warning fire/injury; English/Quebec/French

Control Module and Front Tray Assembly

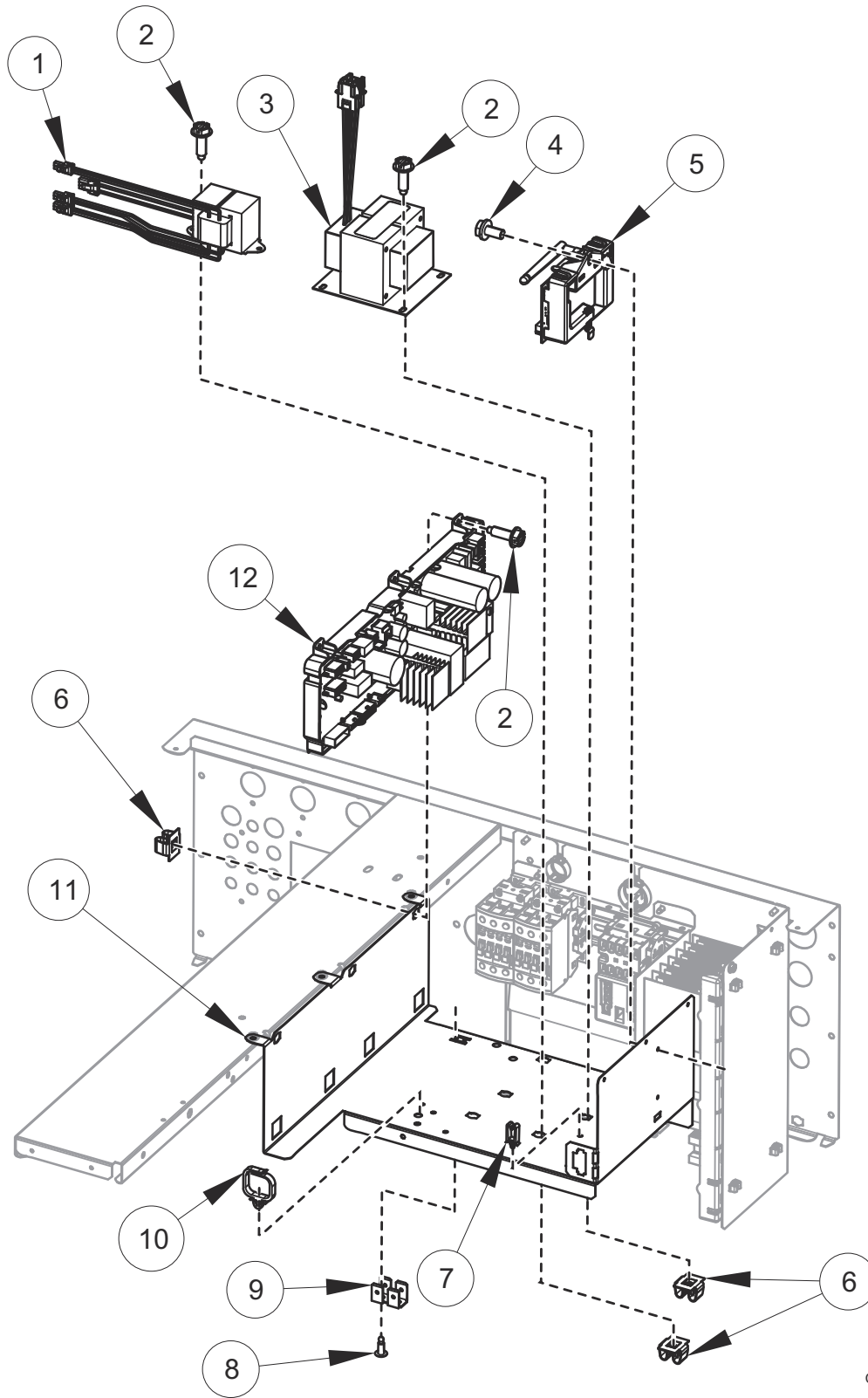


C-CHM5P1_F8668901

Control Module and Front Tray Assembly

REF	PART NO.	DESCRIPTION	COMMENTS
	44374701	App Pay Overlay Kit	
	203361P	Machine ID Control Assembly	
	F8567301	Front Tray Assembly	20 pound models; Includes items 1-3, 6, 8, 9, 12-14, 70413301 Pushbutton Switch and F8519701 Coin Vault Harness
	F8567304	Front Tray Assembly	20 pound models; Steam or electric heat; Includes items 1-9, 12-14, 70413301 Pushbutton Switch and F8519701 Coin Vault Harness
	F8567302	Front Tray Assembly	30 pound models; Includes items 1-3, 6, 8, 9, 12-14, 70413301 Pushbutton Switch and F8519701 Coin Vault Harness
	F8567305	Front Tray Assembly	30 pound models; Steam or electric heat; Includes items 1-9, 12-14, 70413301 Pushbutton Switch and F8519701 Coin Vault Harness
	F8567303	Front Tray Assembly	40 and 60 pound models; Includes items 1-3, 6, 8, 9, 12-14, 70413301 Pushbutton Switch and F8519701 Coin Vault Harness
	F8567306	Front Tray Assembly	40 and 60 pound models; Steam or electric heat; Includes items 1-9, 12-14, 70413301 Pushbutton Switch and F8519701 Coin Vault Harness
	F8519701	Coin Vault Harness	
	F8519301	Harness	Tray power harness
	F8519501	Harness	Communication; 20 and 30 pound models
	F8519502	Harness	Communication; 40 and 60 pound models
	F8519601	Harness	Coin access
	F8519403	Emergency Stop Bypass Harness	
1	70366201	Wire Clip	
2	F8531001	Front Tray Assembly	
3	F8449501	Wire Clip	
4	39282	Hose Clamp	
5	F8609101	Water Level Pressure Switch	Steam or electric heat
	F8405303	Tubing	Electric heat
6	F8623401	Pressure Sensor	
	F8405302	Tubing	Electric heat
7	203464	Barbed Tee	Steam or electric heat
8	M411826	Snap Bushing	
9	F8529101	Coin Vault Assembly	
10	F8493901P	Control Assembly	
11	685846	Nut	
12	70058501	Pop Rivet	
13	F140938	Snap Bushing	
14	M402542	Snap Bushing	

Control Tray Assembly

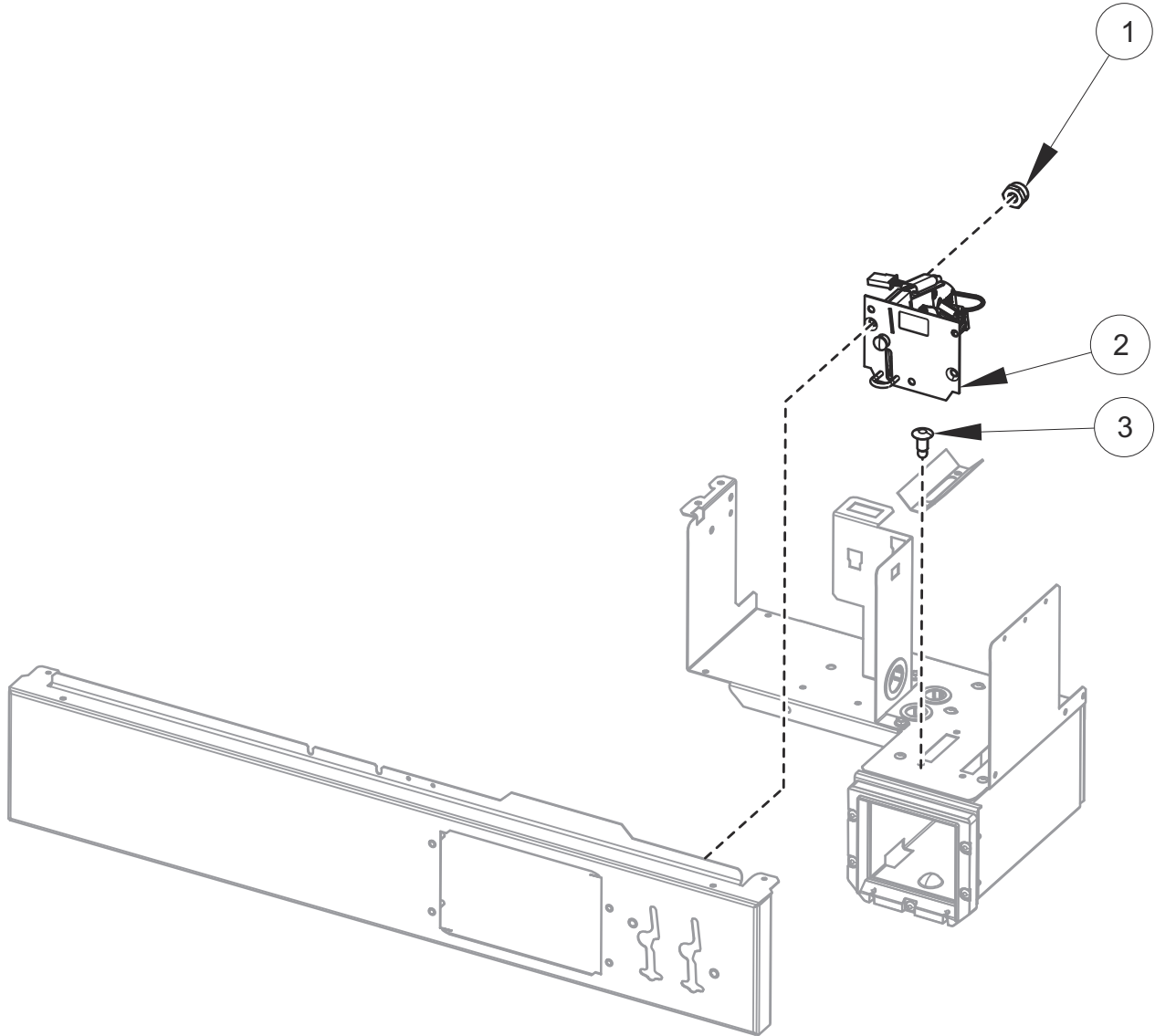


C-CHM5P2_F8668901

Control Tray Assembly

REF	PART NO.	DESCRIPTION	COMMENTS
	205223P	Gateway	
	205391P	Gateway	
	204145P	Gateway	Models starting February 2019
	F8520403	Wireless Harness	20 and 30 pound models through January 2019
	F8674003	Wireless Harness	20 and 30 pound models starting February 2019
	F8520404	Wireless Harness	40 and 60 pound models through January 2019
	F8674004	Wireless Harness	40 and 60 pound models starting February 2019
	F8662401	Wireless Kit	20 and 30 pound models through January 2019; Includes items 4, 5, F8520403 Wireless Harness and labels
	F8676001	Wireless Kit	20 and 30 pound models starting February 2019; Includes items 4, 5, F8674003 Wireless Harness and labels
	F8662402	Wireless Kit	40 and 60 pound models through January 2019; Includes items 4, 5, F8520404 Wireless Harness and labels
	F8676101	Wireless Kit	40 and 60 pound models starting February 2019; Includes items 4, 5, F8674004 Wireless Harness and labels
1	202757	Transformer	B voltage with external supply
	202758	Transformer	N, P, Q, W, X and Y voltage with external supply
2	F8206901	Screw	
3	F8491101	Transformer	N and P voltage
4	430497	Screw	
5	203532	Wireless Network Control Assembly	Models through January 2019
	807211	Wireless Network Control Assembly	Models starting February 2019
6	70030501	Expansion Clip	
7	70347601	Wire Clip	External supply
8	M400003	Pop Rivet	
9	00622SG	Terminal	
10	F8449501	Wire Clip	
11	F8530701	Control Tray	
12	F8494101P	Input and Output Control Assembly	

Flush Mount Coin Meter Assembly - Single Drop

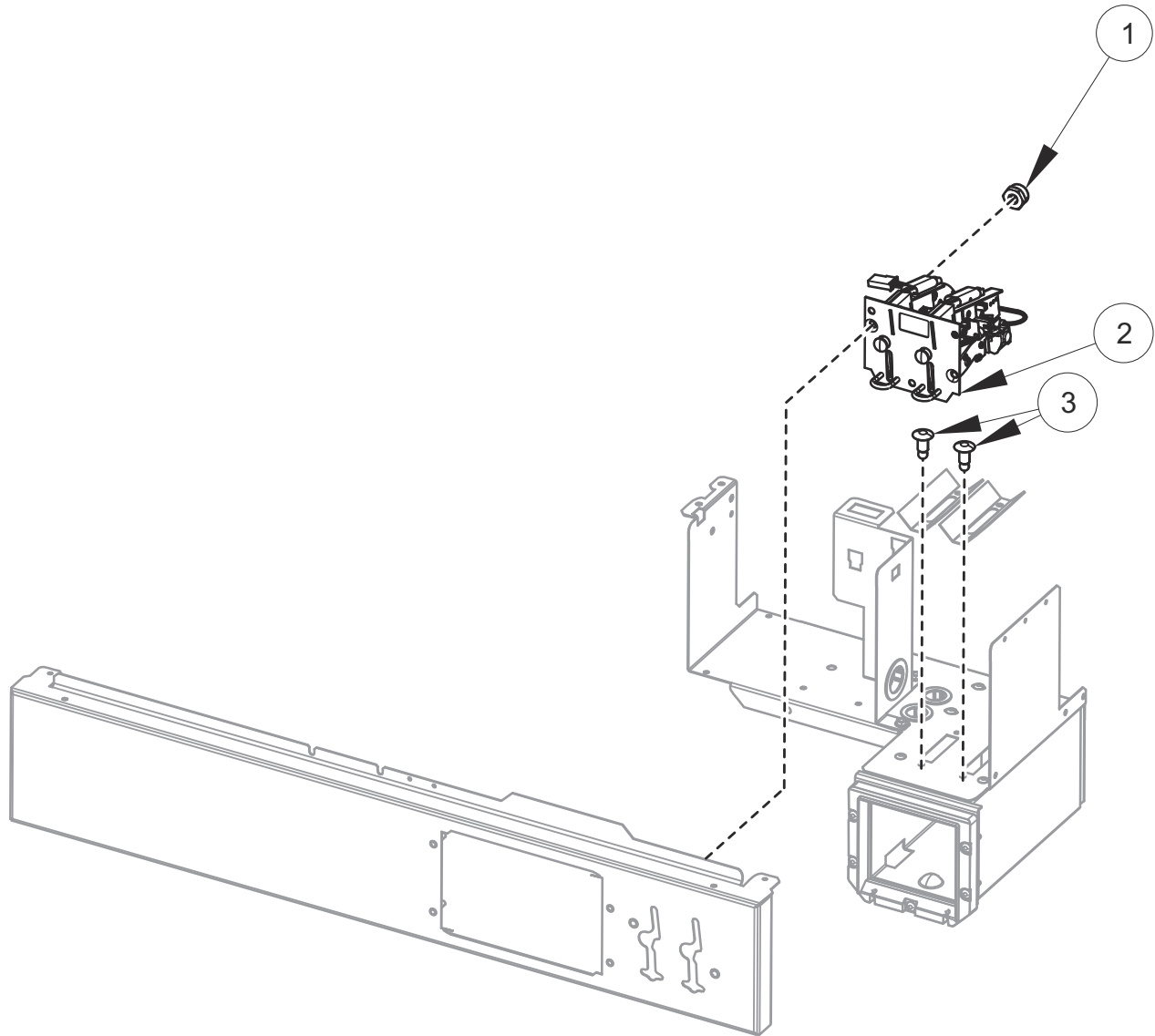


C-CHM6P7_F8668901

Flush Mount Coin Meter Assembly - Single Drop

REF	PART NO.	DESCRIPTION	COMMENTS
	44374701	App Pay Overlay Kit	
	38725	Coin Identification Paper	
	200674P	Opto Coupler	
1	685846	Nut	
2	70441601P	Coin Drop	U.S.A.; \$.25
	38475	Coin Drop Assembly	Japan; 100 yen
	38464P	Coin Drop Assembly	Canada; .25
	CK077	Coin Drop Kit	Taiwan; 10 NT
	70506901	Coin Drop Assembly	Singapore; \$1.00 NEW
	38462P	Coin Drop Assembly	Token; STD 118-1
	38463	Coin Drop Assembly	Token; STD 118-5
	38963P	Coin Drop	Token STD 118-16
	39748	Coin Drop	Jeton 08MS
	201141	Coin Drop Assembly	Token; Jeton wh121
	70471601	Coin Drop Assembly	Token; 7K
3	70058501	Pop Rivet	

Flush Mount Coin Meter Assembly - Dual Drop

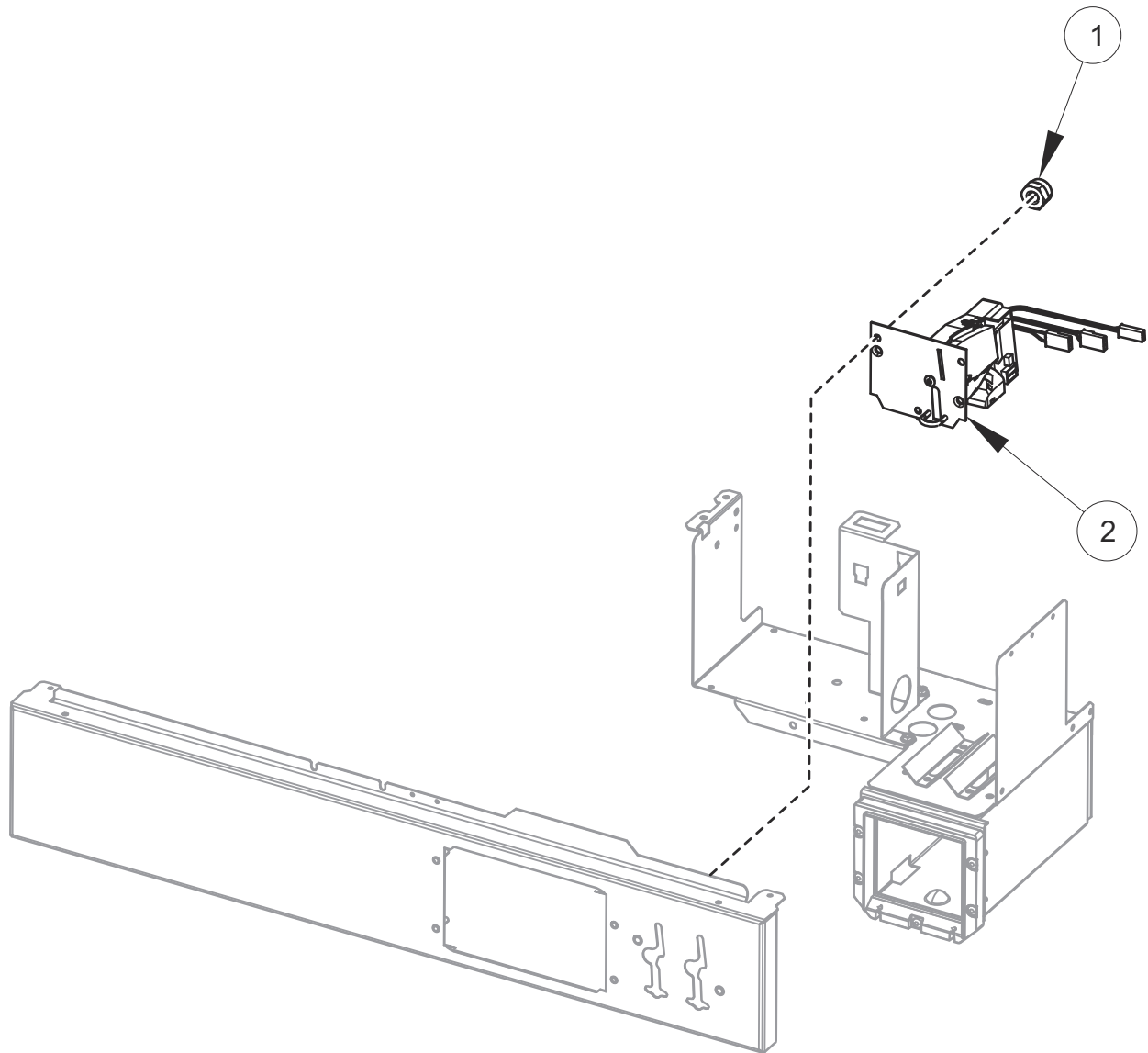


C-CHM6P8_F8668901

Flush Mount Coin Meter Assembly - Dual Drop

REF	PART NO.	DESCRIPTION	COMMENTS
	44374701	App Pay Overlay Kit	
	38725	Coin Identification Paper	
	200674P	Opto Coupler	
1	685846	Nut	
2	70441603	Coin Drop	U.S.A.; \$.25 and \$1.00
	38519	Coin Drop Assembly	Japan; 100 yen and 500 yen
	70441602	Coin Drop Assembly	Canada; .25 and \$1.00
	38467	Coin Drop Assembly	Australia; \$0.20 and \$1.00
	70447301	Coin Drop Assembly	Australia; \$1.00 and \$2.00
	70283102	Coin Drop Assembly	0.20 and 0.50 Euro
	210195	Coin Drop Assembly	0.20 and 1.00 Euro
	210196	Coin Drop Assembly	0.50 and 1.00 Euro
	F0160737-00	Coin Meter	0.50 and 2.00 Euro
	70281102	Coin Drop Assembly	Taiwan; 10 and 50 NT
	70482401	Coin Drop Assembly	New Zealand; \$1.00 and \$2.00
	Ck503	Coin Drop Kit	U.S.A. and Canada; \$.25 and \$1.00
3	70058501	Pop Rivet	

Electronic Coin Meter Assembly

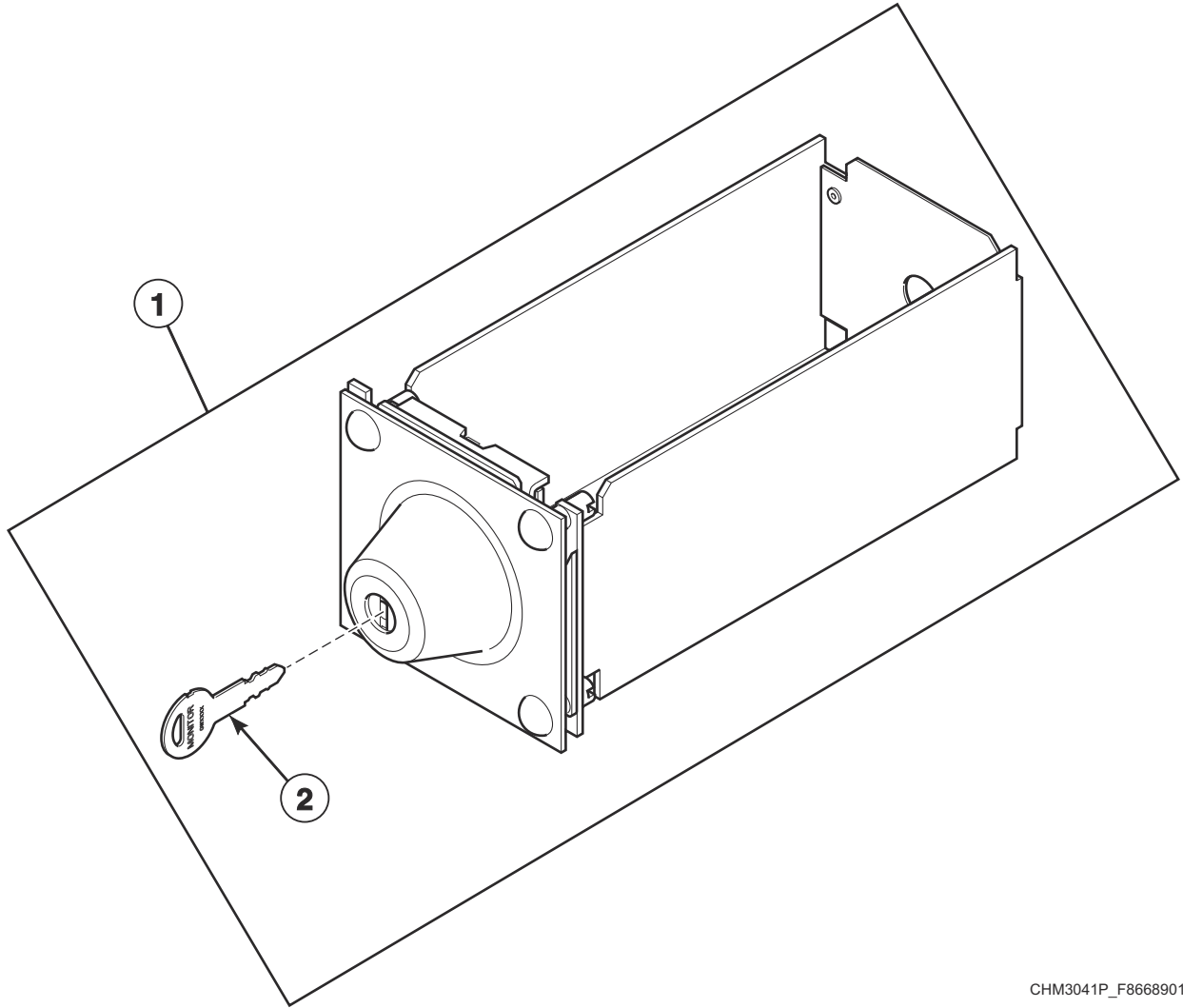


C-CHM6P6_F8668901

Electronic Coin Meter Assembly

REF	PART NO.	DESCRIPTION	COMMENTS
	44374701	App Pay Overlay Kit	
	38725	Coin Identification Paper	
	CK500	Electronic Coin Drop Kit	For use when installing Electronic Coin Drop Kits
	F8034701P	Pulse Expander Assembly	
1	F430215	Nut	
2	70513302	Electronic Coin Drop Assembly	Euro and Great Britain coins
	70513310	Electronic Coin Drop Assembly	Japan and Thailand coins
	70513304	Electronic Coin Drop Assembly	Australia, New Zealand, Hong Kong and South Korea coins
	70513303	Electronic Coin Drop Assembly	Denmark, Norway and Euro coins
	70513306	Electronic Coin Drop Assembly	Mexico, Ecuador and U.S.A. coins
	70294107	Electronic Coin Drop Assembly	Lithuania, Latvia and Euro coins
	70513311	Electronic Coin Drop Assembly	China and Malaysia coins
	70513308	Electronic Coin Drop Assembly	South African 1 and 5 rand coins
	70513309	Electronic Coin Drop Assembly	Euro coins
	70513312	Electronic Coin Drop Assembly	Russia coins
	70513313	Electronic Coin Drop Assembly	Philippines coins
	70513314	Electronic Coin Drop Assembly	Thailand coins
	70513315	Electronic Coin Drop Assembly	Chile coins
	70513316	Electronic Coin Drop Assembly	Singapore coins
	CK115	Electronic Coin Drop Kit	United States and Canada; Includes 38725 Coin Identification Paper
	CK099	Electronic Coin Drop Kit	Australia (default), New Zealand, Hong Kong, South Korea and Malaysia; Includes 38725 Coin Identification Paper
	CK100	Electronic Coin Drop Kit	United Kingdom (default) and Europe; Includes 38725 Coin Identification Paper
	CK101	Electronic Coin Drop Kit	Europe (default), Denmark and Norway; Includes 38725 Coin Identification Paper
	CK108	Electronic Coin Drop Kit	South Africa; Includes 38725 Coin Identification Paper
	CK109	Electronic Coin Drop Kit	Euro; Includes 38725 Coin Identification Paper
	CK110	Electronic Coin Drop Kit	Mexico (default), Ecuador and United States; Includes 38725 Coin Identification Paper
	CK113	Electronic Coin Drop Kit	Japan and Taiwan; Includes 38725 Coin Identification Paper
	CK116	Electronic Coin Drop Kit	Malaysia (default) and China; Includes 38725 Coin Identification Paper
	CK117	Electronic Coin Drop Kit	Russia; Includes 38725 Coin Identification Paper
	CK118	Electronic Coin Drop Kit	Philippine; Includes 38725 Coin Identification Paper
	CK119	Electronic Coin Drop Kit	Thailand; Includes 38725 Coin Identification Paper
	CK120	Electronic Coin Drop Kit	Chile; Includes 38725 Coin Identification Paper
	CK121	Electronic Coin Drop Kit	Singapore; Includes 38725 Coin Identification Paper
	CK122	Coin Drop Kit	New Zealand; 1.00 and 2.00; Includes 38725 Coin Identification Paper

Optional Coin Box

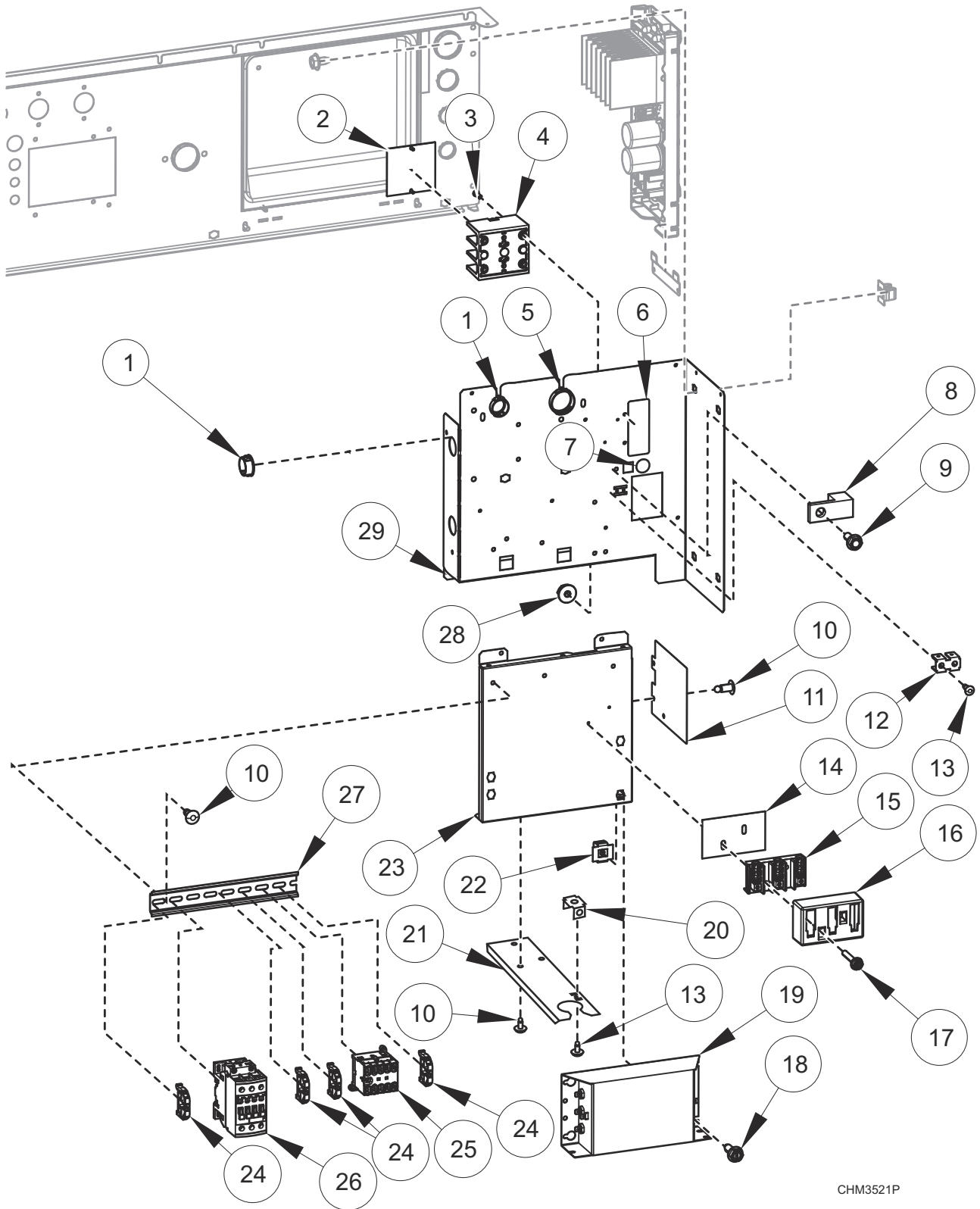


CHM3041P_F8668901

Optional Coin Box

REF	PART NO.	DESCRIPTION	COMMENTS
1	F8182001	Coin Drawer Assembly	
2	F160420	Key	GW0023

Inverter Drive Box - 20 and 30 Pound Models with B Voltage

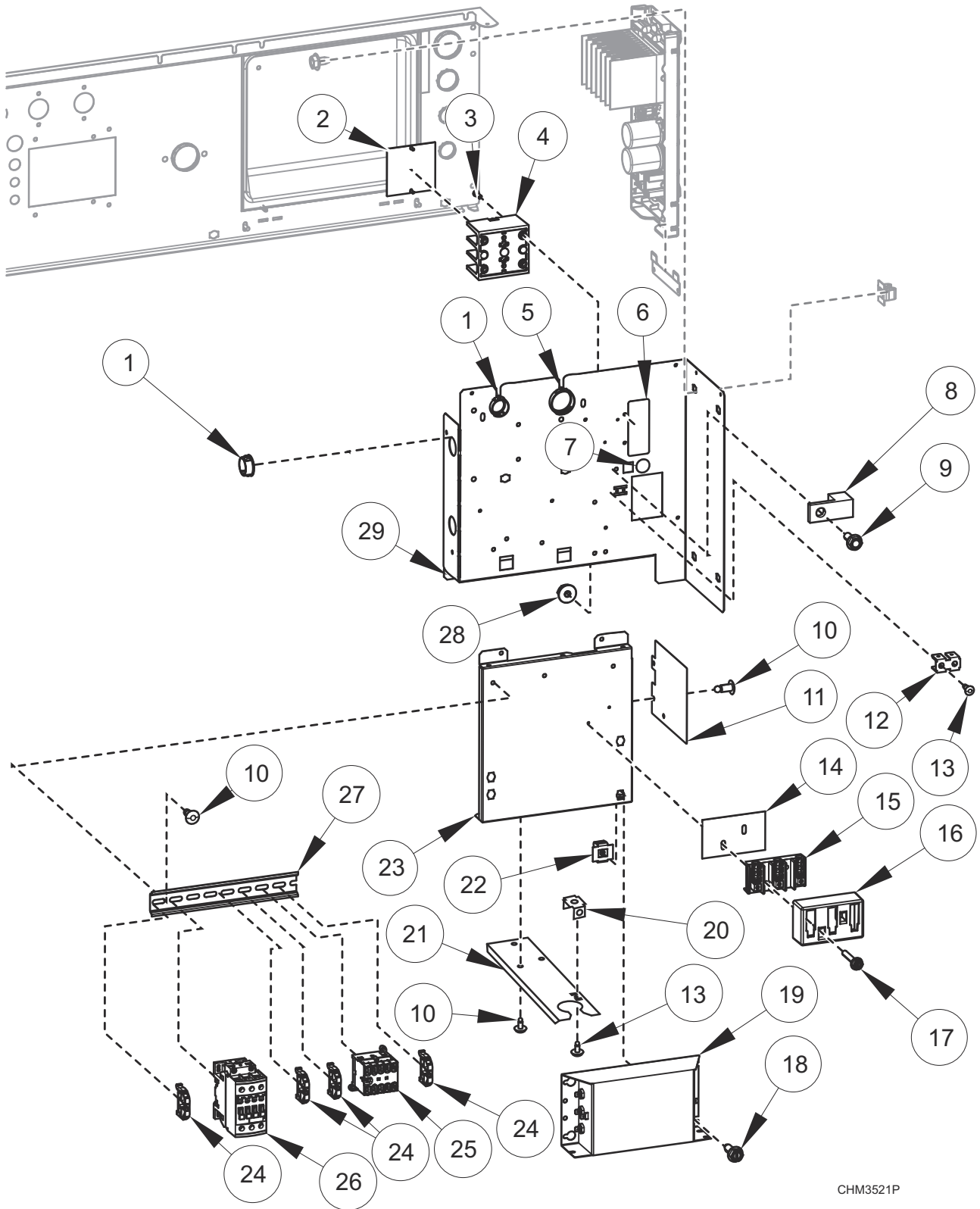


CHM3521P

Inverter Drive Box - 20 and 30 Pound Models with B Voltage

REF	PART NO.	DESCRIPTION	COMMENTS
	F8567001	Drive Panel Base Assembly	Includes items 10-13, 21, 25 and 27
	F8662801	Filter Kit	Includes items 1, 14-20, harnesses and labels
	F8518405	Harness	Power TB1
	F8518604	Harness	Power drive
	F8528001	Harness	TB filter
	F8528002	Harness	PDB filter; Electric heat
	F8528004	Harness	TB Filter
	F8528006	Harness	TB2 Filter
	F8619101	Power Harness	Power contactor; Electric heat
	F8619102	Harness	Power contactor; Electric heat
1	F140938	Snap Bushing	
2	44014901P	Power Distribution Block Cover	Electric heat
3	39733	Screw	Electric heat
4	M413865	Power Distribution Block	Electric heat
5	70346501	Bushing	
6	44286801	Label	Power input; L1, N
7	D516100	Label	
8	M411283	Ground Lug Connector	
9	685837	Screw	
10	70058501	Pop Rivet	
11	F8616901	Drive Shield	
12	00622SG	Terminal	
13	M400003	Pop Rivet	
14	M413862	Insulator	
15	430642	Terminal Block	
16	70333001	Terminal Block Shield	
17	51783	Screw	
18	F8206901	Screw	
19	F8591601	EMI Filter	
20	00621SG	Male Tab Terminal	IEC models
21	F8744301	Harness Support Bracket	IEC models
22	70030501	Expansion Clip	
23	F8530901	Contactory Tray	
24	F8449801	End Stop	
25	70482601	Contactory	5.5kW/500V; 24VDC
26	70482701	Contactory	50A; 24VDC
27	M412689	DIN Rail	7.5 mm x 35 mm x 8.364 inch
28	44088001	Nut	
29	F8530801	Drive Terminal Tray	

Inverter Drive Box - 20 and 30 Pound Models with N, P, Q, W, X and Y Voltage

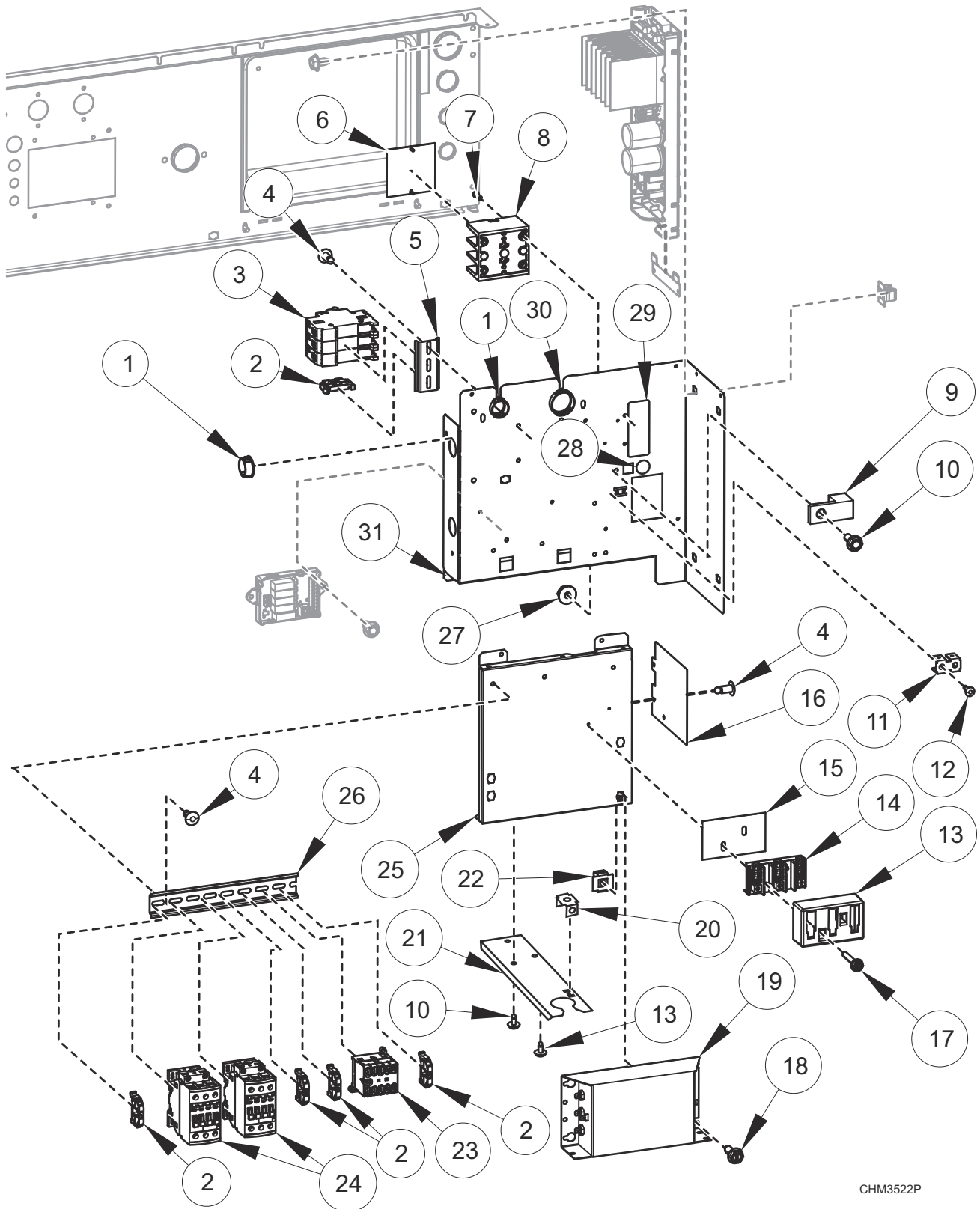


CHM3521P

Inverter Drive Box - 20 and 30 Pound Models with N, P, Q, W, X and Y Voltage

REF	PART NO.	DESCRIPTION	COMMENTS
	F8567001	Drive Panel Base Assembly	Includes items 10-13, 21, 25 and 27
	F8518401	Harness	Power TB1; W, X and Y voltage
	F8518501	Harness	Power TB1; N and P voltage
	F8518502	Harness	Power PDB; N and P voltage; Electric heat
	F8518402	Harness	Power PDB; Q voltage; Electric heat
	F8518404	Harness	Power filter; Q, W, X, and Y voltage
	F8518504	Harness	Power filter; N and P voltage
	F8518605	Harness	Power drive; Q, W, X, and Y voltage
	F8518606	Harness	Power drive; N and P voltage
	F8528001	Harness	TB filter
	F8528002	Harness	PDB filter; Electric heat
	F8528005	Harness	TB2 Filter; N, P, Q, W, X, and Y voltage
	F8619101	Power Harness	Power contactor; Electric heat
	F8619102	Harness	Power contactor; Electric heat
	F8662809	Filter Kit	Includes items 1, 14-20, harnesses and labels; Q voltage; Electric heat
	F8662810	Filter Kit	Includes items 1, 14-20, harnesses and labels; N and P voltage; Electric heat
	F8662803	Filter Kit	Includes items 1, 14-20, harnesses and labels; W, X and Y voltage
	F8662805	Filter Kit	Includes items 1, 14-20, harnesses and labels; N and P voltage
1	F140938	Snap Bushing	
2	44014901P	Power Distribution Block Cover	Electric heat
3	39733	Screw	Electric heat
4	M413865	Power Distribution Block	Electric heat
5	70346501	Bushing	
6	44286803	Label	Power input; L1, L2, L3; N and P voltage
	44286804	Wire Label	Power input; L1, L2/N; L1, L2, L3; W, X and Y voltage
7	D516100	Label	
8	M411283	Ground Lug Connector	
9	685837	Screw	
10	70058501	Pop Rivet	
11	F8616901	Drive Shield	
12	00622SG	Terminal	
13	M400003	Pop Rivet	
14	M413862	Insulator	
15	430642	Terminal Block	
16	70333001	Terminal Block Shield	
17	51783	Screw	
18	F8206901	Screw	
19	F8591801	EMI Filter	
	F8637501	EMI Filter	
20	00621SG	Male Tab Terminal	IEC models
21	F8744301	Harness Support Bracket	IEC models
22	70030501	Expansion Clip	
23	F8530901	Contactory Tray	
24	F8449801	End Stop	
25	70482601	Contactory	5.5kW/500V; 24VDC
26	70482701	Contactory	50A; 24VDC
27	M412689	DIN Rail	7.5 mm x 35 mm x 8.364 inch
28	44088001	Nut	
29	F8530801	Drive Terminal Tray	

Inverter Drive Box - 40 Pound Models with B Voltage

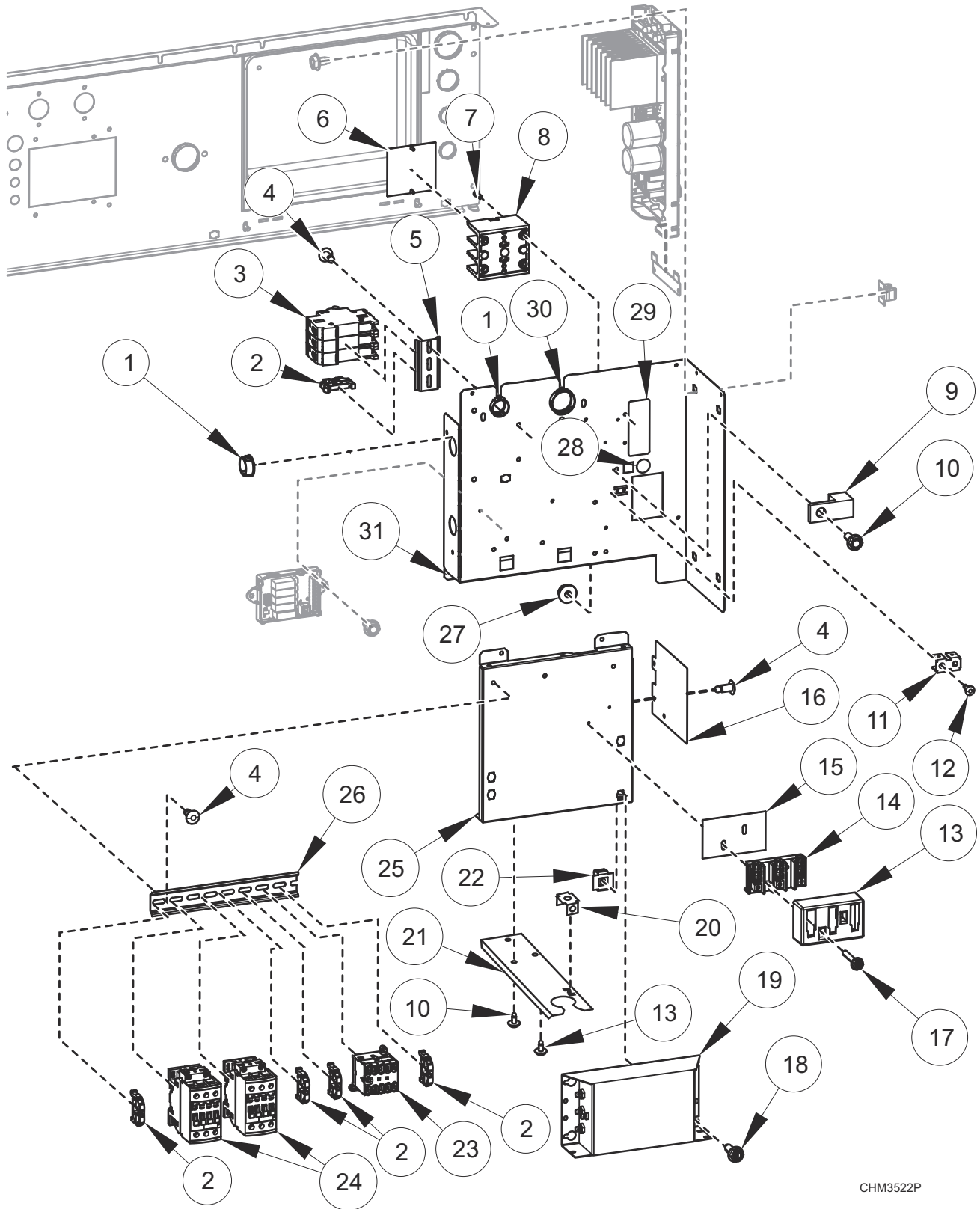


CHM3522P

Inverter Drive Box - 40 Pound Models with B Voltage

REF	PART NO.	DESCRIPTION	COMMENTS
	F8567001	Drive Panel Base Assembly	Includes items 4, 11, 12, 16, 23, 24 and 29
	F8567002	Drive Panel Base Assembly	Electric heat; Includes items 4, 5, 11, 12, 16, 23, 24 and 29
	F8583501	Jumper	Circuit breaker jumper; Electric heat
	F8518405	Harness	Power TB1
	F8518604	Harness	Power drive
	F8528001	Harness	TB filter
	F8528003	Harness	CB filter; Electric heat
	F8528004	Harness	TB filter
	F8528006	Harness	TB2 filter
	F8619101	Power Harness	Power contactor; Electric heat
	F8619102	Harness	Power contactor; Electric heat
	F8662802	Filter Kit	Includes items 1, 14, 15, 17-20, harnesses and labels; B voltage
1	F140938	Snap Bushing	
2	F8449801	End Stop	
3	70488101	Circuit Breaker	3P; 25A; Electric heat
4	70058501	Pop Rivet	
5	B12315401	DIN Rail	7.5 mm x 35 mm x 72 mm; Electric heat
6	44014901P	Power Distribution Block Cover	Electric heat
7	39733	Screw	Electric heat
8	M413865	Power Distribution Block	Electric heat
9	M411283	Ground Lug Connector	
10	685837	Screw	
11	00622SG	Terminal	
12	M400003	Pop Rivet	
13	70333001	Terminal Block Shield	
14	430642	Terminal Block	
15	M413862	Insulator	
16	F8616901	Drive Shield	
17	51783	Screw	
18	F8206901	Screw	
19	F8591601	EMI Filter	
20	00621SG	Male Tab Terminal	IEC models
21	F8744301	Harness Support Bracket	IEC models
22	70030501	Expansion Clip	
23	70482601	Contactors	5.5kW/500V; 24VDC; Electric heat
24	70482701	Contactors	50A; 24VDC
25	F8530901	Contactors Tray	
26	M412689	DIN Rail	7.5 mm x 35 mm x 8.364 inch
27	44088001	Nut	
28	D516100	Label	
29	44286801	Label	Power input; L1, N
30	70346501	Bushing	
31	F8530801	Drive Terminal Tray	

Inverter Drive Box - 40 Pound Models with N, P, Q, W, X and Y Voltage

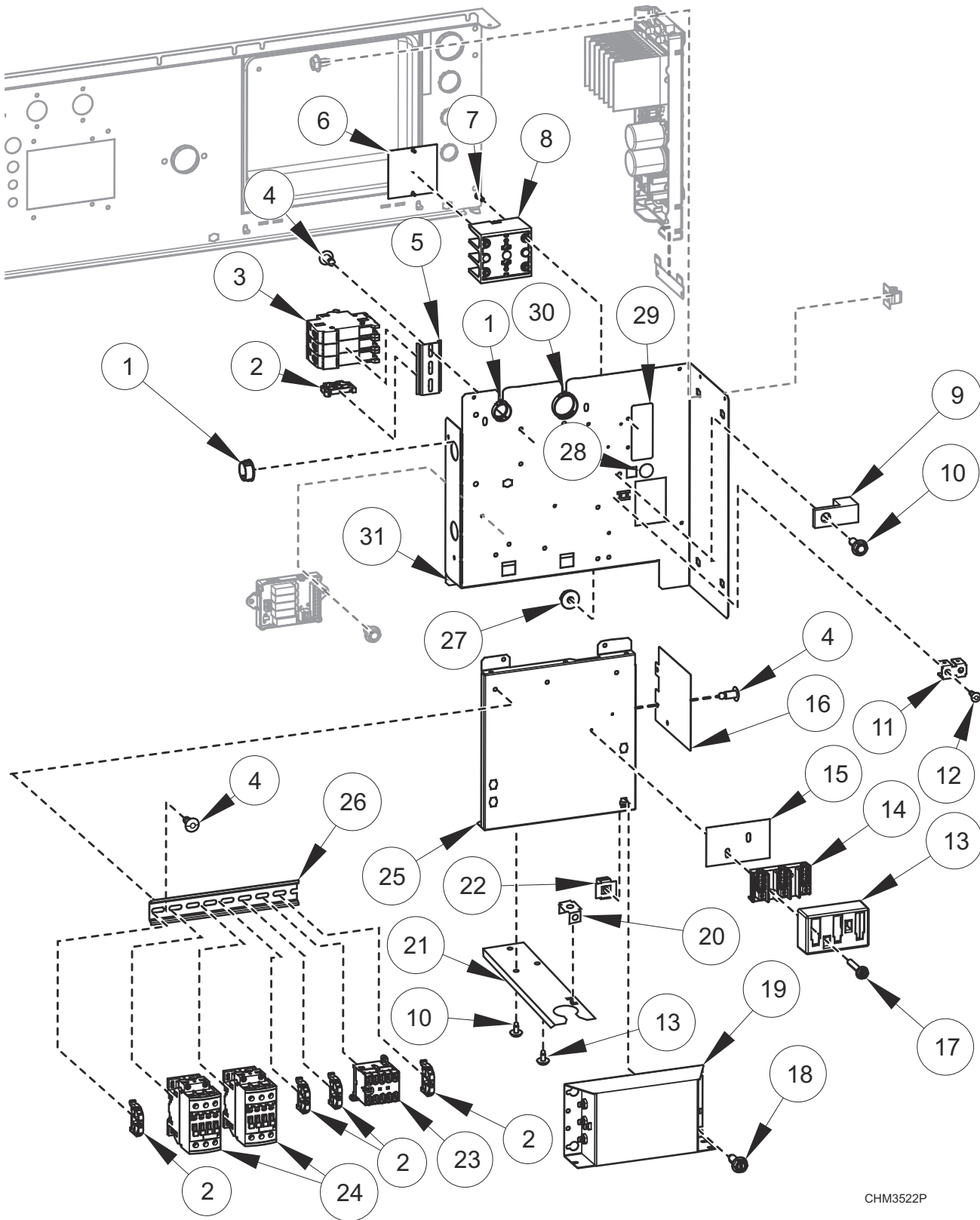


CHM3522P

Inverter Drive Box - 40 Pound Models with N, P, Q, W, X and Y Voltage

REF	PART NO.	DESCRIPTION	COMMENTS
	F8567001	Drive Panel Base Assembly	Includes items 4, 11, 12, 16, 23, 24 and 29
	F8567002	Drive Panel Base Assembly	Electric heat; Includes items 4, 5, 11, 12, 16, 23, 24 and 29
	F8583501	Jumper	Circuit breaker jumper; Electric heat
	F8518401	Harness	Power TB1; W, X and Y voltage
	F8518501	Harness	Power TB1; N and P voltage
	F8518504	Harness	Power filter; N and P voltage
	F8518605	Harness	Power drive; Q, W, X, and Y voltage
	F8518606	Harness	Power drive; N and P voltage
	F8528001	Harness	TB filter
	F8528003	Harness	CB filter; Electric heat
	F8528005	Harness	TB2 Filter; N, P, Q, W, X, and Y voltage
	F8518503	Harness	Power CB; N and P voltage; Electric heat
	F8518403	Harness	Power CB; Q voltage; Electric heat
	F8619101	Power Harness	Power contactor; Electric heat
	F8619102	Harness	Power contactor; Electric heat
	F8662811	Filter Kit	Includes items 1, 14, 15, 17-20, harnesses and labels; Q voltage; Electric heat
	F8662812	Filter Kit	Includes items 1, 14, 15, 17-20, harnesses and labels; N and P voltage; Electric heat
	F8662804	Filter Kit	Includes items 1, 14, 15, 17-20, harnesses and labels; W, X and Y voltage
	F8662806	Filter Kit	Includes items 1, 14, 15, 17-20, harnesses and labels; N and P voltage
1	F140938	Snap Bushing	
2	F8449801	End Stop	
3	70488101	Circuit Breaker	3P; 25A; Electric heat
4	70058501	Pop Rivet	
5	B12315401	DIN Rail	7.5 mm x 35 mm x 72 mm; Electric heat
6	44014901P	Power Distribution Block Cover	Electric heat
7	39733	Screw	Electric heat
8	M413865	Power Distribution Block	Electric heat
9	M411283	Ground Lug Connector	
10	685837	Screw	
11	00622SG	Terminal	
12	M400003	Pop Rivet	
13	70333001	Terminal Block Shield	
14	430642	Terminal Block	
15	M413862	Insulator	
16	F8616901	Drive Shield	
17	51783	Screw	
18	F8206901	Screw	
19	F8591801	EMI Filter	Q, W, X and Y voltage
	F8637501	EMI Filter	N and P voltage
20	00621SG	Male Tab Terminal	IEC models
21	F8744301	Harness Support Bracket	IEC models
22	70030501	Expansion Clip	
23	70482601	Contactors	5.5kW/500V; 24VDC; Electric heat
24	70482701	Contactors	50A; 24VDC
25	F8530901	Contactors Tray	
26	M412689	DIN Rail	7.5 mm x 35 mm x 8.364 inch
27	44088001	Nut	
28	D516100	Label	
29	44286803	Label	Power input; L1, L2, L3; N and P voltage
	44286804	Wire Label	Power input; L1, L2/N; L1, L2, L3; W, X and Y voltage
30	70346501	Bushing	
31	F8530801	Drive Terminal Tray	

Inverter Drive Box - 60 Pound Models with Q and X Voltage

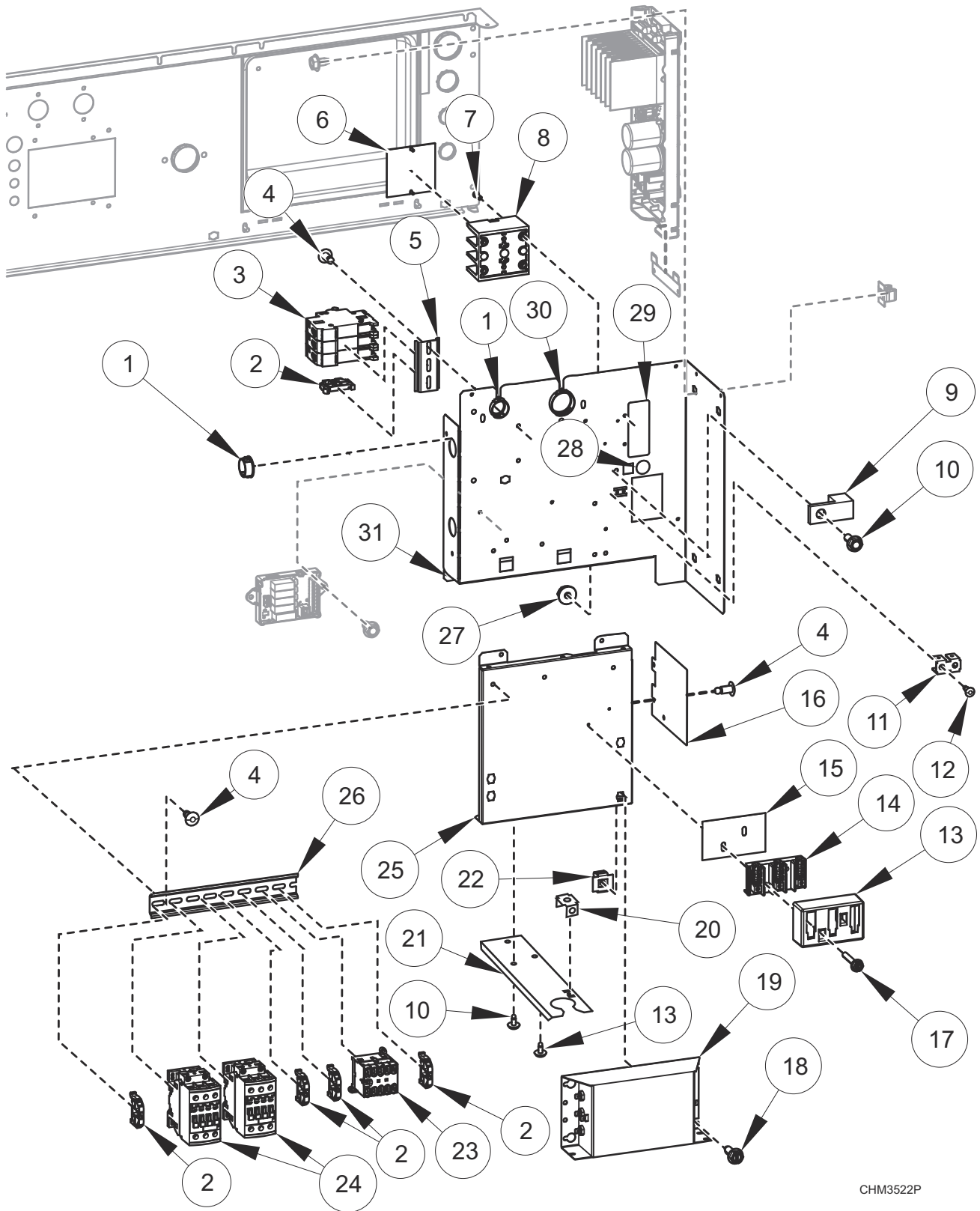


CHM3522P

Inverter Drive Box - 60 Pound Models with Q and X Voltage

REF	PART NO.	DESCRIPTION	COMMENTS
	F8567003	Drive Panel Base Assembly	Includes items 4, 11, 12, 16, 23, 24 and 29
	F8567004	Drive Panel Base Assembly	Electric heat; Includes items 4, 5, 11, 12, 16, 23, 24 and 29
	F8583501	Jumper	Circuit breaker jumper; Electric heat
	F8518401	Harness	Power TB1; X voltage
	F8518404	Harness	Power filter
	F8518607	Harness	Power drive
	F8528001	Harness	TB filter
	F8528003	Harness	CB filter; Electric heat
	F8528005	Harness	TB2 Filter
	F8518403	Harness	Power CB; Q voltage; Electric heat
	F8619101	Power Harness	Power contactor; Electric heat
	F8619102	Harness	Power contactor; Electric heat
	F8662811	Filter Kit	Includes items 1, 14, 15, 17-20, harnesses and labels; Q voltage; Electric heat
	F8662804	Filter Kit	Includes items 1, 14, 15, 17-20, harnesses and labels; X voltage
1	F140938	Snap Bushing	
2	F8449801	End Stop	
3	70488101	Circuit Breaker	3P; 25A; Electric heat
4	70058501	Pop Rivet	
5	B12315401	DIN Rail	7.5 mm x 35 mm x 72 mm; Electric heat
6	44014901P	Power Distribution Block Cover	Electric heat
7	39733	Screw	Electric heat
8	M413865	Power Distribution Block	Electric heat
9	M411283	Ground Lug Connector	
10	685837	Screw	
11	00622SG	Terminal	
12	M400003	Pop Rivet	
13	70333001	Terminal Block Shield	
14	430642	Terminal Block	
15	M413862	Insulator	
16	F8616901	Drive Shield	
17	51783	Screw	
18	F8206901	Screw	
19	F8591801	EMI Filter	
20	00621SG	Male Tab Terminal	IEC models
21	F8744301	Harness Support Bracket	IEC models
22	70030501	Expansion Clip	
23	70482601	Contactora	5.5kW/500V; 24VDC
24	70482701	Contactora	50A; 24VDC
25	F8530901	Contactora Tray	
26	M412689	DIN Rail	7.5 mm x 35 mm x 8.364 inch
27	44088001	Nut	
28	D516100	Label	
29	44286804	Wire Label	Power input; L1, L2/N; L1, L2, L3; X voltage
30	70346501	Bushing	
31	F8530803	Drive Terminal Tray	

Inverter Drive Box - 60 Pound Models with N and P Voltage

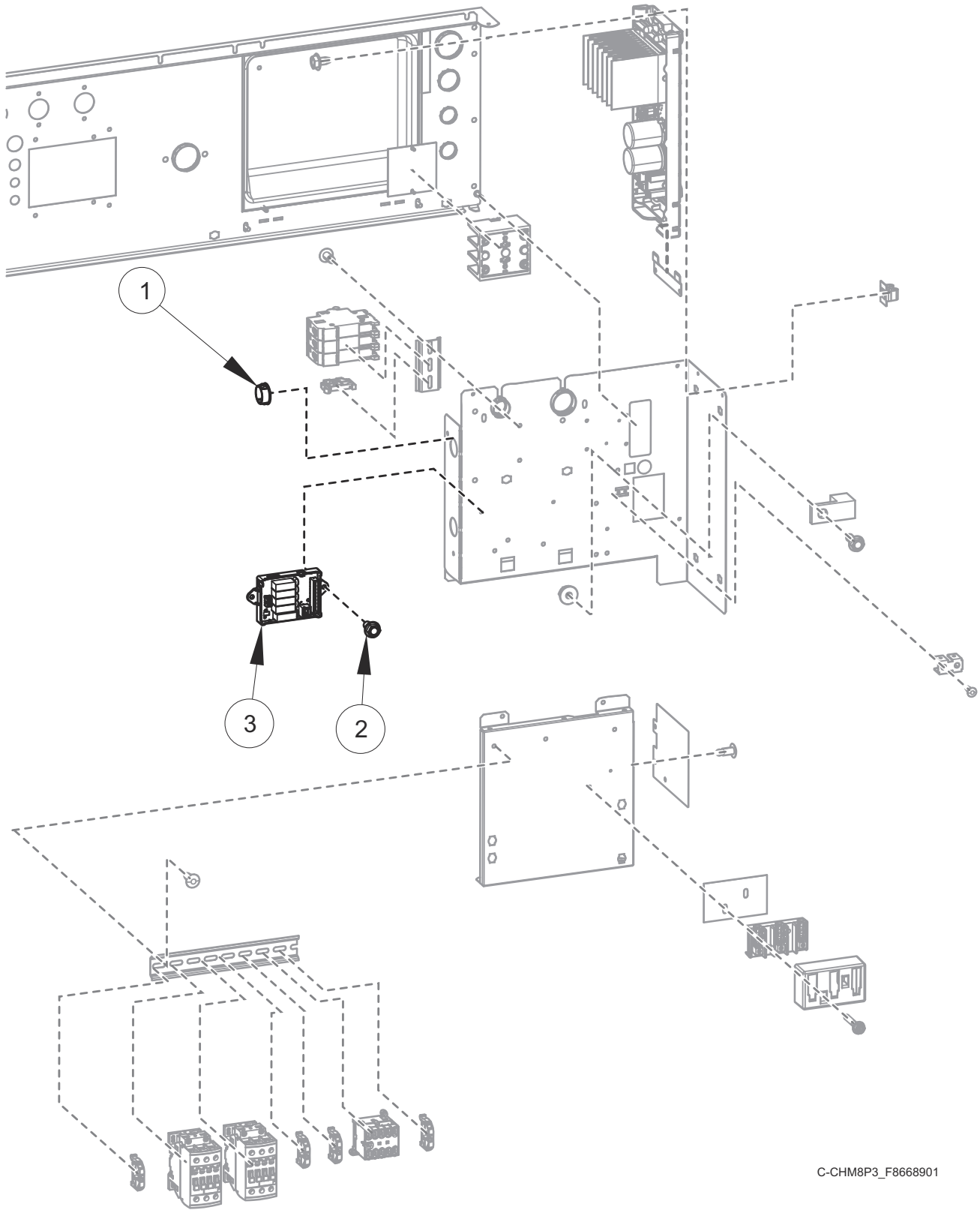


CHM3522P

Inverter Drive Box - 60 Pound Models with N and P Voltage

REF	PART NO.	DESCRIPTION	COMMENTS
	F8567003	Drive Panel Base Assembly	Includes items 4, 11, 12, 16, 23, 24 and 29
	F8567004	Drive Panel Base Assembly	Electric heat; Includes items 4, 5, 11, 12, 16, 23, 24 and 29
	F8583501	Jumper	Circuit breaker jumper; Electric heat
	F8518501	Harness	Power TB1; N and P voltage
	F8518503	Harness	Power CB; Electric heat
	F8518504	Harness	Power filter
	F8518606	Harness	Power drive
	F8528001	Harness	TB filter
	F8528003	Harness	CB filter; Electric heat
	F8528005	Harness	TB2 Filter
	F8619101	Power Harness	Power contactor; Electric heat
	F8619102	Harness	Power contactor; Electric heat
	F8662812	Filter Kit	Includes items 1, 14, 15, 17-20, harnesses and labels; Electric heat
	F8662806	Filter Kit	Includes items 1, 14, 15, 17-20, harnesses and labels
1	F140938	Snap Bushing	
2	F8449801	End Stop	
3	70488101	Circuit Breaker	3P; 25A; Electric heat
4	70058501	Pop Rivet	
5	B12315401	DIN Rail	7.5 mm x 35 mm x 72 mm; Electric heat
6	44014901P	Power Distribution Block Cover	Electric heat
7	39733	Screw	Electric heat
8	M413865	Power Distribution Block	Electric heat
9	M411283	Ground Lug Connector	
10	685837	Screw	
11	00622SG	Terminal	
12	M400003	Pop Rivet	
13	70333001	Terminal Block Shield	
14	430642	Terminal Block	
15	M413862	Insulator	
16	F8616901	Drive Shield	
17	51783	Screw	
18	F8206901	Screw	
19	F8637501	EMI Filter	
20	00621SG	Male Tab Terminal	IEC models
21	F8744301	Harness Support Bracket	IEC models
22	70030501	Expansion Clip	
23	70482601	Contactors	5.5kW/500V; 24VDC
24	70482701	Contactors	50A; 24VDC
25	F8530901	Contactors Tray	
26	M412689	DIN Rail	7.5 mm x 35 mm x 8.364 inch
27	44088001	Nut	
28	D516100	Label	
29	44286803	Label	Power input; L1, L2, L3
30	70346501	Bushing	
31	F8530803	Drive Terminal Tray	

External Supply Kit

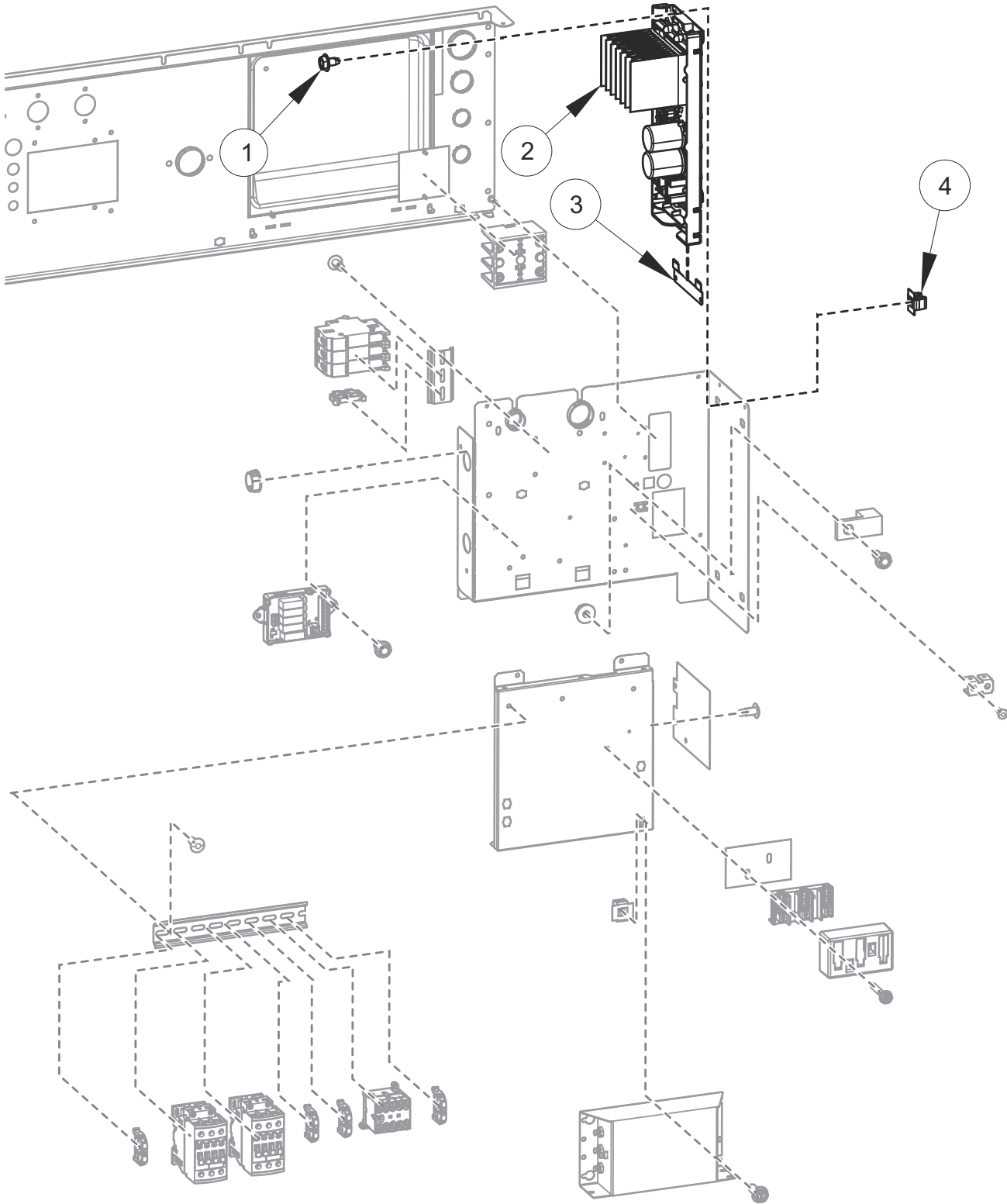


C-CHM8P3_F8668901

External Supply Kit

REF	PART NO.	DESCRIPTION	COMMENTS
	F8520601	Harness	Communication; 20 and 30 pound models
	F8520602	Harness	Communication; 40 and 60 pound models
	F8528203	Harness	Power; B voltage
	F8528204	Harness	Power; N, P, Q, W, X and Y voltage
	F8662505	External Supply Kit	20 and 30 pound models with B voltage; Includes items 1-3, F8520601 Harness, F8528203 Harness, 202758 Transformer and labels; 4 out
	F8662506	External Supply Kit	40 pound models with B voltage; Includes items 1-3, F8520602 Harness, F8528203 Harness, 202758 Transformer and labels; 4 out
	F8662507	External Supply Kit	20 and 30 pound models with N, P, Q and X voltage; Includes items 1-3, F8520601 Harness, F8528204 Harness, 202758 Transformer and labels; 4 out
	F8662508	External Supply Kit	40 and 60 pound models with N, P, Q and X voltage; Includes items 1-3, F8520602 Harness, F8528204 Harness, 202758 Transformer and labels; 4 out
1	F140938	Snap Bushing	
2	430497	Screw	
3	804528	Chemical Injection Control	5 output
	70493102	Connector	9 pin; H2

Inverter Drive

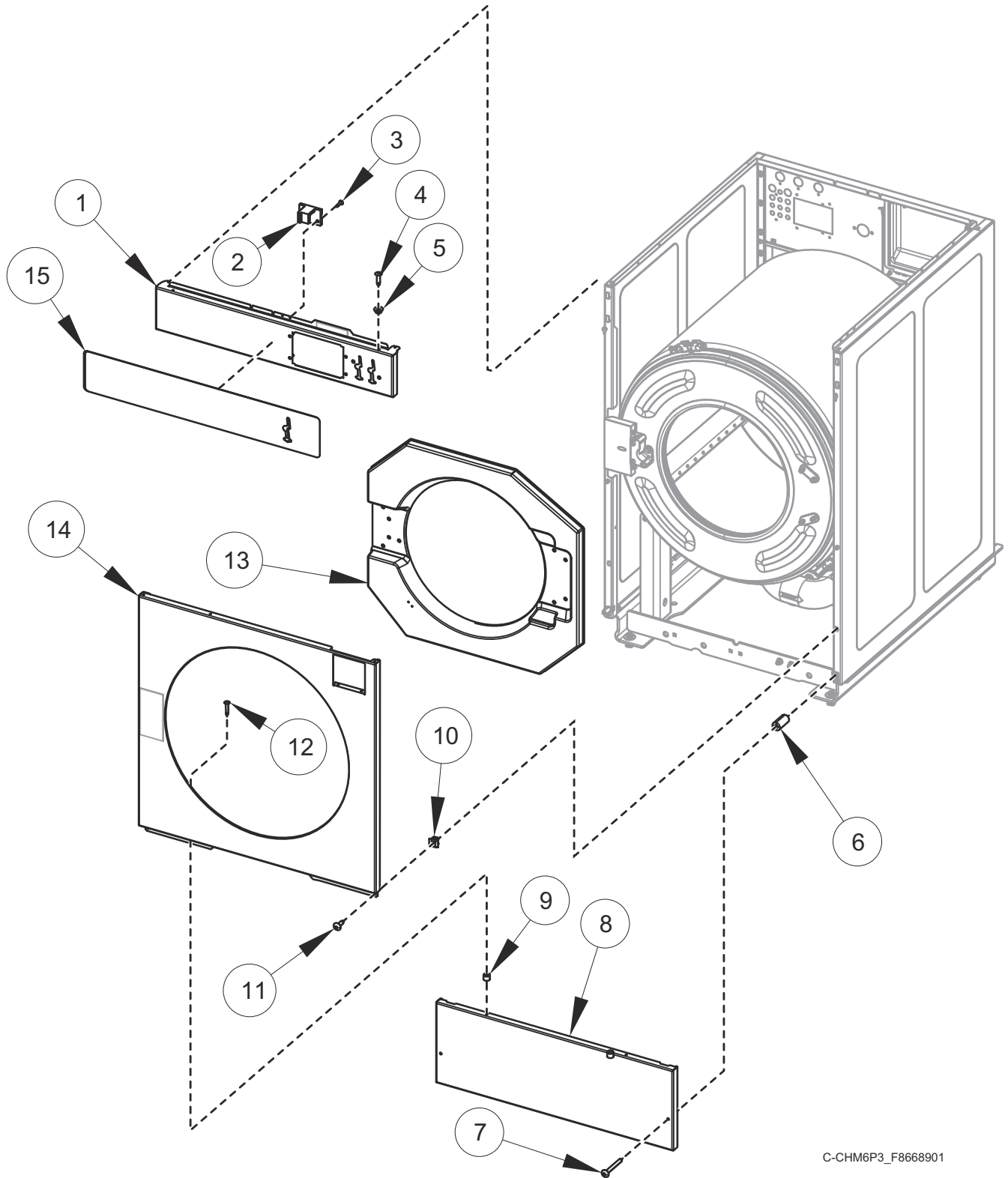


C-CHM2P22_F8668901

Inverter Drive

REF	PART NO.	DESCRIPTION	COMMENTS
	F8519202	Drive Communication Harness	20 and 30 pound models; 40 and 60 pound models with N and P voltage; Electric heat
	F8519203	Drive Communication Harness	40 and 60 pound models with Q voltage; Electric heat
	F8519201	Drive Communication Harness	Standard
	F8519204	Drive Communication Harness	Steam heat
	F8518605	Harness	Power drive; 20, 30 and 40 pound models with Q, W, X and Y voltage; EMI filter
	F8518607	Harness	60 pound models with Q and X voltage; EMI filter
	F8518606	Harness	Power drive; N and P voltage; EMI filter
	F8518602	Drive Power Harness	Q, W, X and Y voltage
	F8518603	Drive Power Harness	N and P voltage
	F8518601	Drive Power Harness	B voltage
1	D503688	Screw	
2	F8496001	Drive Assembly	20, 30 and 40 pound models; N and P-voltage; 2 hp; 480 Volt
	F8495401P	Drive Assembly	20, 30 and 40 pound models; B, Q, W X and Y-voltage; 2 hp; 120/240 Volt
	F8496301P	Drive Assembly	60 pound models; Q and X-voltage; 3 hp; 240 Volt
	F8496901	Drive Assembly	60 pound models; N and P-voltage; 5 hp; 480 Volt
3	F8322401	Drive Mounting Bracket	2 included with N and P voltage
4	70030501	Expansion Clip	

Front Panels and Control Panel - Design 4

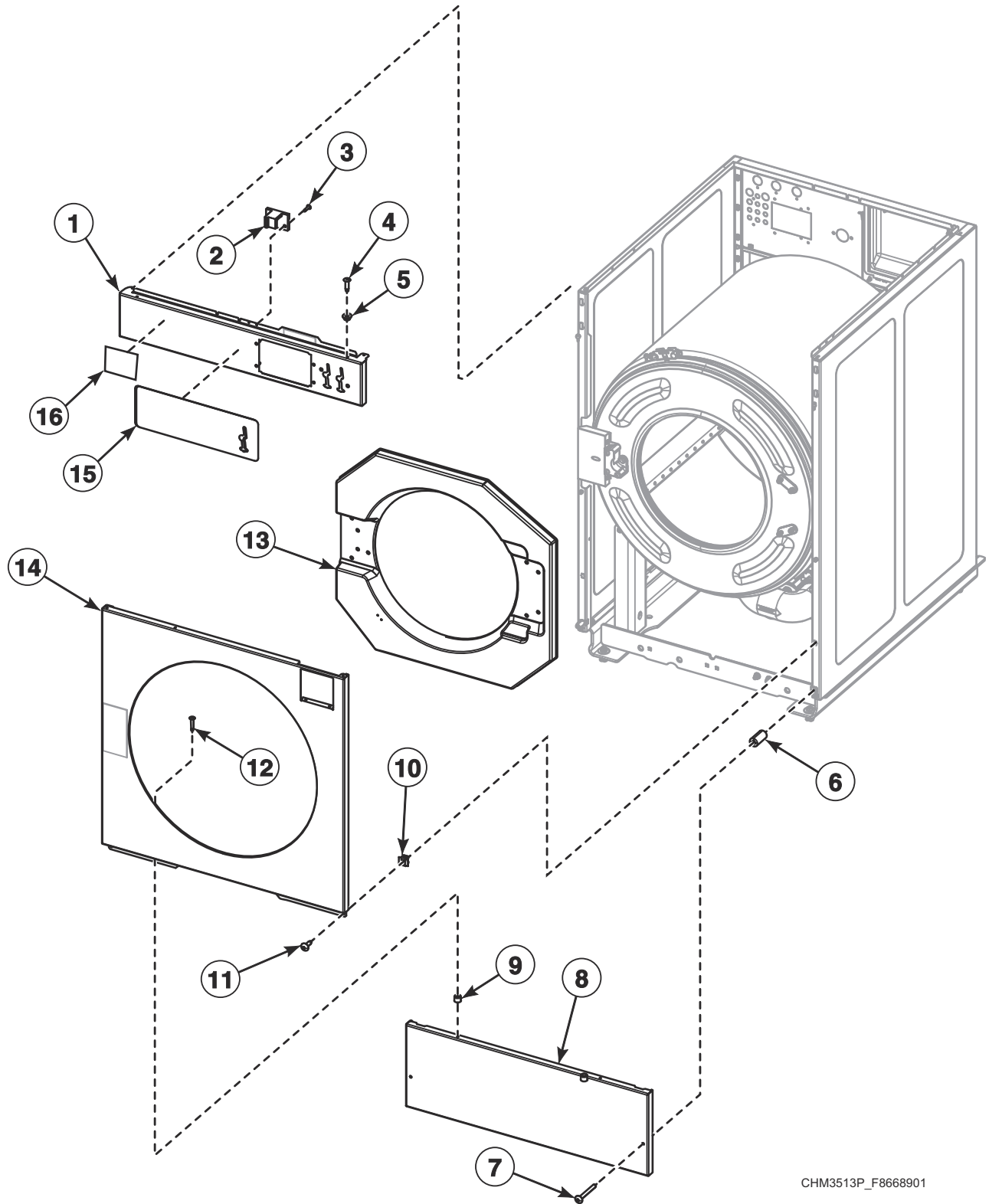


C-CHM6P3_F8668901

Front Panels and Control Panel - Design 4

REF	PART NO.	DESCRIPTION	COMMENTS
	F8535501	Screw	Attaches front panel to coin box
1	F8523701	Control Panel Assembly	20 pound models
	F8523801	Control Panel Assembly	30 pound models
	F8523901	Control Panel Assembly	40 pound models
	F8553701	Control Panel Assembly	60 pound models
2	F8201001	Top Cover Latch	
3	F431215	Pop Rivet	
4	70412601	Pop Rivet	
5	F8201101	Washer	
6	F8609701	Access Panel Retaining Spacer	
7	F8589501	Screw	
8	F8524001	Access Panel	20 pound models
	F8524101	Access Panel	30 pound models
	F8524201	Access Panel	40 pound models
	F8553901	Access Panel	60 pound models
9	56079	Panel Locator	
10	70030501	Expansion Clip	
11	F8117601	Screw	
12	M412763	Rivet	
13	F8658801	Door Bezel	20 pound models
	F8658901	Door Bezel	30 pound models
	F0170426-30	Door Bezel	40 and 60 pound models
14	F8524301	Front Panel	20 pound models
	F8524401	Front Panel	30 pound models
	F8524501	Front Panel	40 pound models
	F8554001	Front Panel	60 pound models
15	F8641605	Overlay	Single coin
	F8641602	Overlay	Dual coin
	F8641601	Overlay	Electronic coin meter

Front Panels and Control Panel - Design 6

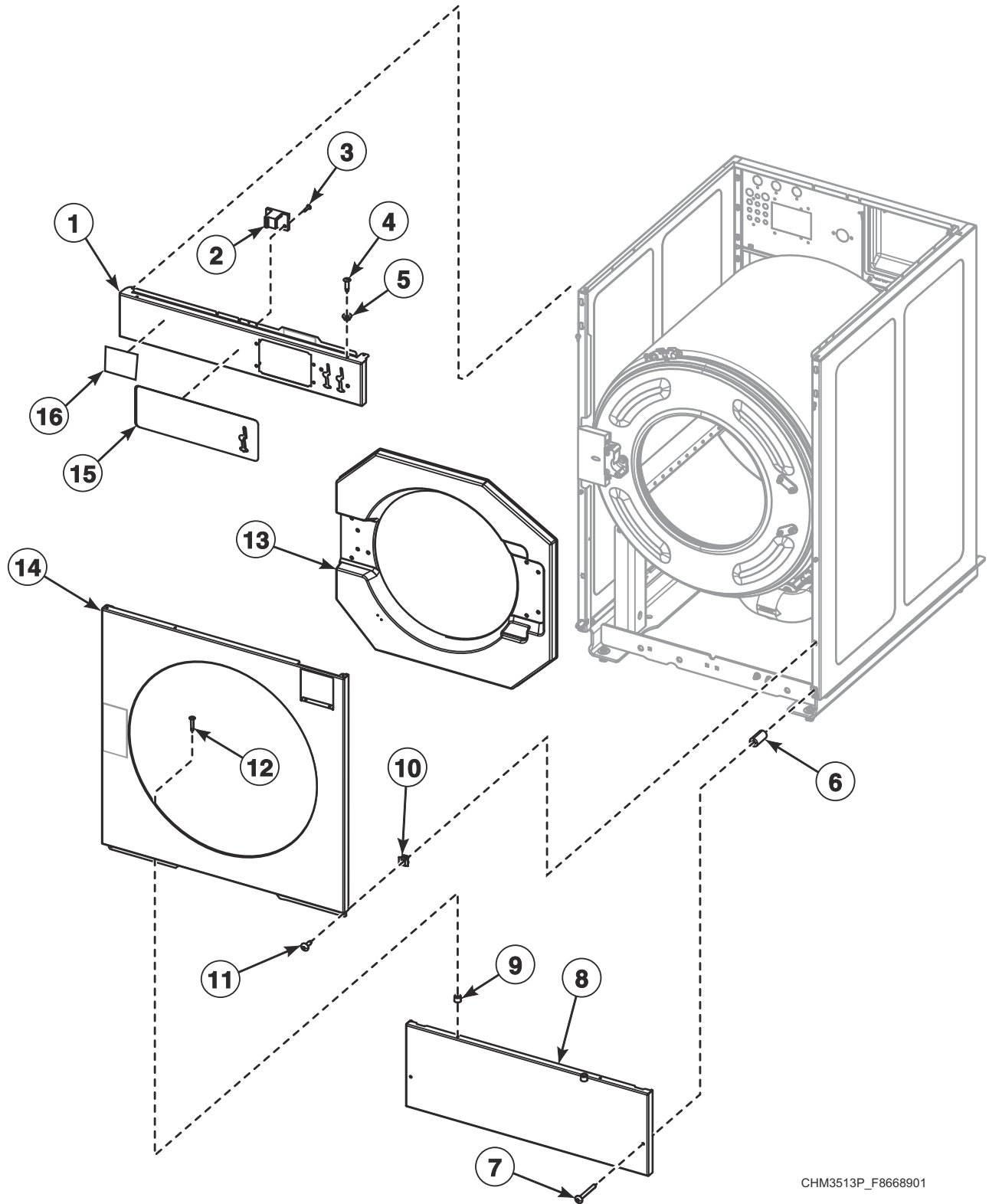


CHM3513P_F8668901

Front Panels and Control Panel - Design 6

REF	PART NO.	DESCRIPTION	COMMENTS
	F8535501	Screw	Attaches front panel to coin box
1	F8697101	Control Panel Assembly	20 pound models
	F8697201	Control Panel Assembly	30 pound models
	F8697301	Control Panel Assembly	40 pound models
	F8697401	Control Panel Assembly	60 pound models
2	F8201001	Top Cover Latch	
3	F431215	Pop Rivet	
4	70412601	Pop Rivet	
5	F8201101	Washer	
6	F8609701	Access Panel Retaining Spacer	
7	F8589501	Screw	
8	F8524001	Access Panel	20 pound models
	F8524101	Access Panel	30 pound models
	F8524201	Access Panel	40 pound models
	F8553901	Access Panel	60 pound models
9	56079	Panel Locator	
10	70030501	Expansion Clip	
11	F8117601	Screw	
12	M412763	Rivet	
13	F8658801	Door Bezel	20 pound models
	F8658901	Door Bezel	30 pound models
	F0170426-30	Door Bezel	40 and 60 pound models
14	F8686001	Front Panel	20 pound models
	F8686101	Front Panel	30 pound models
	F8685301	Front Panel	40 pound models
	F8686201	Front Panel	60 pound models
15	F8693701	Overlay	20 pound models; Single coin
	F8693702	Overlay	20 pound models; Dual coin
	F8693705	Overlay	20 pound models; Electronic coin drop
	F8693801	Overlay	30 pound models; Single coin
	F8693802	Overlay	30 pound models; Dual coin
	F8693805	Overlay	30 pound models; Electronic coin drop
	F8693901	Overlay	40 pound models; Single coin
	F8693902	Overlay	40 pound models; Dual coin
	F8693905	Overlay	40 pound models; Electronic coin drop
	F8694001	Overlay	60 pound models; Single coin
	F8694002	Overlay	60 pound models; Dual coin
	F8694005	Overlay	60 pound models; Electronic coin drop
16	F8688801	Nameplate	

Front Panels and Control Panel - Design 7

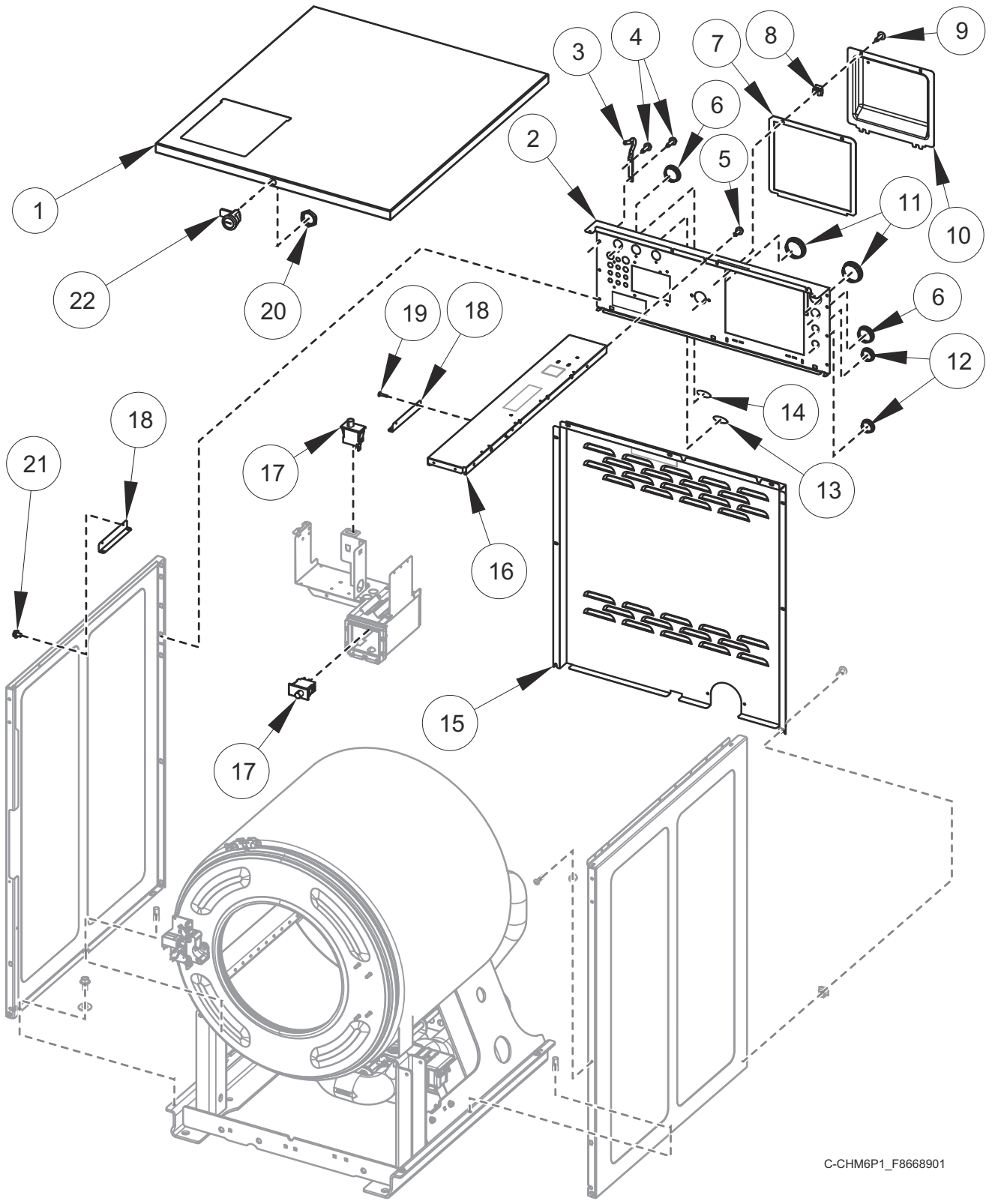


CHM3513P_F8668901

Front Panels and Control Panel - Design 7

REF	PART NO.	DESCRIPTION	COMMENTS
	F8535501	Screw	Attaches front panel to coin box
1	F8697101	Control Panel Assembly	20 pound models
	F8697201	Control Panel Assembly	30 pound models
	F8697301	Control Panel Assembly	40 pound models
	F8697401	Control Panel Assembly	60 pound models
2	F8201001	Top Cover Latch	
3	F431215	Pop Rivet	
4	70412601	Pop Rivet	
5	F8201101	Washer	
6	F8609701	Access Panel Retaining Spacer	
7	F8589501	Screw	
8	F8524001	Access Panel	20 pound models
	F8524101	Access Panel	30 pound models
	F8524201	Access Panel	40 pound models
	F8553901	Access Panel	60 pound models
9	56079	Panel Locator	
10	70030501	Expansion Clip	
11	F8117601	Screw	
12	M412763	Rivet	
13	F8658801	Door Bezel	20 pound models
	F8658901	Door Bezel	30 pound models
	F0170426-30	Door Bezel	40 and 60 pound models
14	F8524303	Front Panel	20 pound models
	F8524403	Front Panel	30 pound models
	F8524503	Front Panel	40 pound models
	F8554003	Front Panel	60 pound models
15	F8727501	Overlay	20 pound models; Single coin
	F8727502	Overlay	20 pound models; Dual coin
	F8727505	Overlay	20 pound models; Electronic coin drop
	F8727601	Overlay	30 pound models; Single coin
	F8727602	Overlay	30 pound models; Dual coin
	F8727605	Overlay	30 pound models; Electronic coin drop
	F8727701	Overlay	40 pound models; Single coin
	F8727702	Overlay	40 pound models; Dual coin
	F8727705	Overlay	40 pound models; Electronic coin drop
	F8727801	Overlay	60 pound models; Single coin
	F8727802	Overlay	60 pound models; Dual coin
	F8727805	Overlay	60 pound models; Electronic coin drop
16	F8688801	Nameplate	

Rear and Top Panels

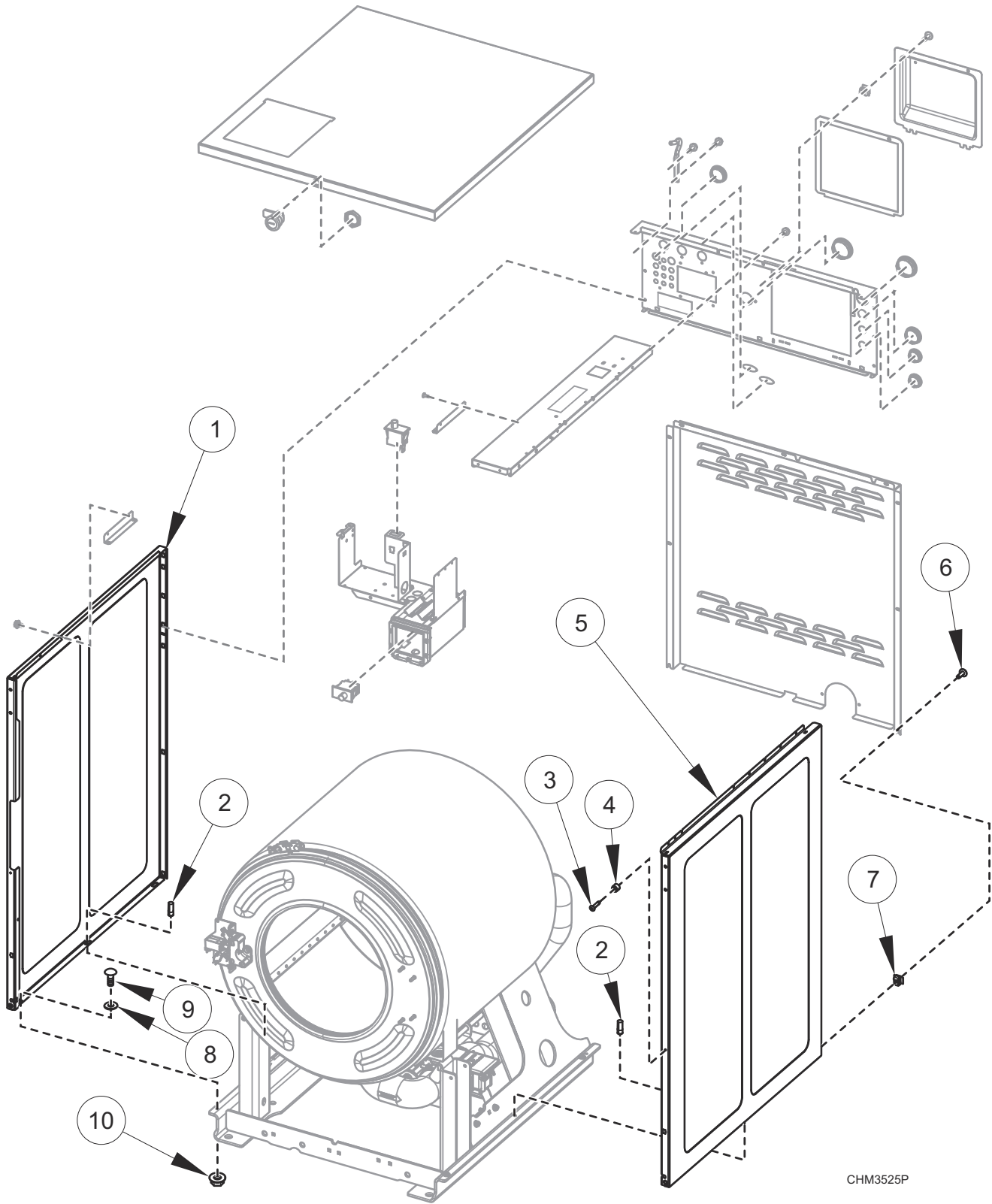


C-CHM6P1_F8668901

Rear and Top Panels

REF	PART NO.	DESCRIPTION	COMMENTS
1	F8525401	Top Cover	20 pound models
	F8525501	Top Cover	30 pound models
	F8525601	Top Cover	40 pound models
	F8554301	Top Cover	60 pound models
2	F8513101	Valve Panel	20 pound models
	F8513201	Valve Panel	30 pound models
	F8513301	Valve Panel	40 pound models
	F8554401	Valve Panel	60 pound models
3	F8258601	Top Cover Hinge	
4	F8206901	Screw	
5	33562	Screw	
6	F8223901	Plug	
7	F8542601	Gasket	
8	70030501	Expansion Clip	
9	F8117601	Screw	
10	F8518301	Terminal Tray Cover	
	F8521301	Cable	
11	F8223801	Hole Plug	
12	M400985	Plug	
13	F8611301	Label	Hot water
14	F8611401	Label	Cold water
15	F8527001	Rear Panel	20 pound models
	F8527101	Rear Panel	30 pound models
	F8527201	Rear Panel	40 pound models
	F8554501	Rear Panel	60 pound models
16	F8527301	Cabinet Brace	20 pound models
	F8527401	Cabinet Brace	30 pound models
	F8527501	Cabinet Brace	40 pound models
	F8553201	Cabinet Brace	60 pound models
17	70413301	Pushbutton Switch	
18	F8525701	Dispenser Bracket	
19	F431215	Pop Rivet	
20	44088801	Nut	
21	51780	Screw	
22	44089303P	Panel Lock	
	70155603	Key	

Side Panels

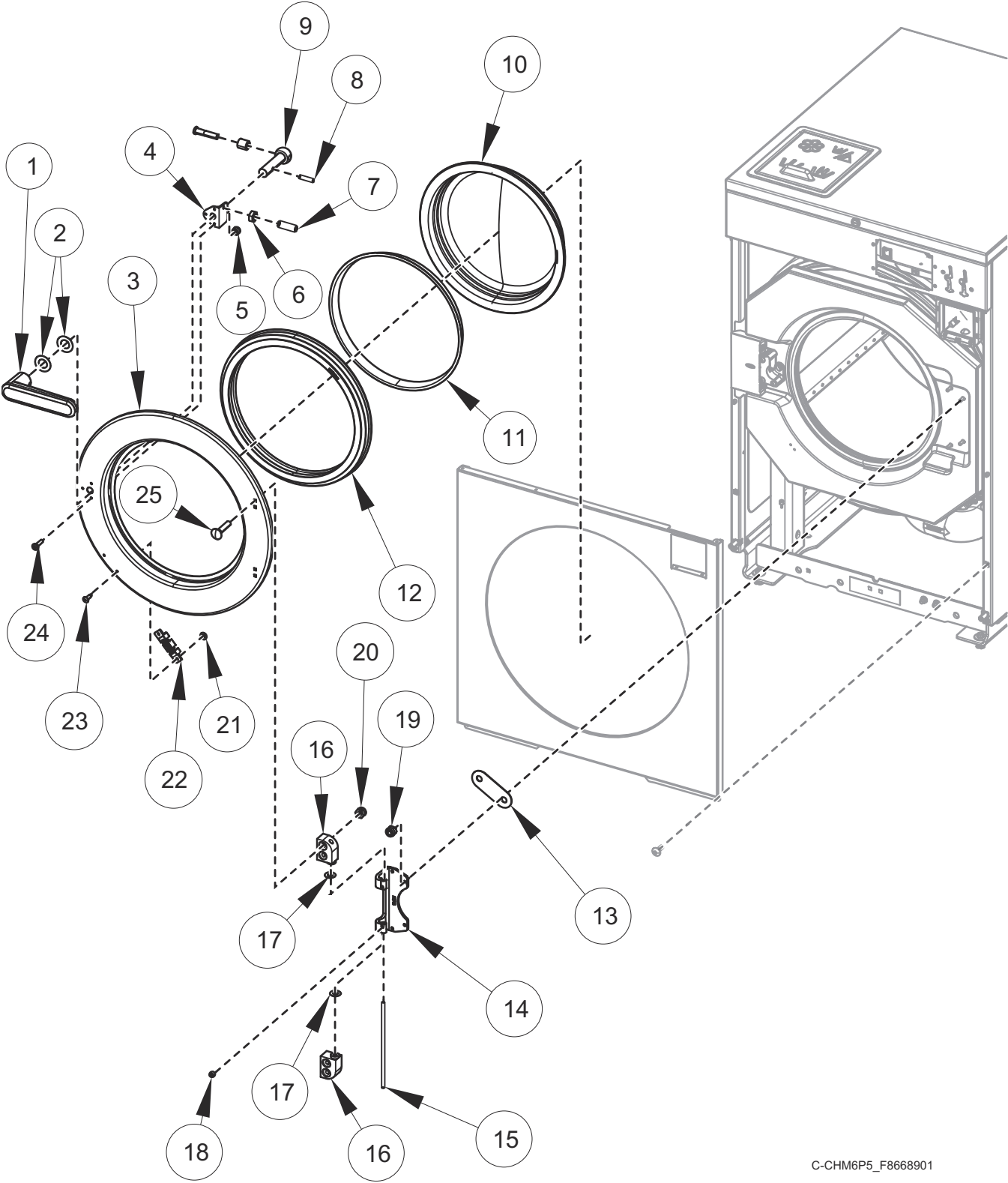


CHM3525P

Side Panels

REF	PART NO.	DESCRIPTION	COMMENTS
1	F8524602	Side Panel	20 pound models; Left
	F8524604	Side Panel	20 pound models; Left; Stainless steel all markets through December 7, 2021; T market models starting December 8, 2021; models with 0 in 5th position of serial number starting December 8, 2021
	F8525606	Side Panel	20 pound models; Left; Painted; All markets except T with 6 in 5th position of serial number starting December 8, 2021
	F8524702	Side Panel	30 pound models; Left
	F8524704	Side Panel	30 pound models; Left; Stainless steel all markets through December 7, 2021; T market models starting December 8, 2021; models with 0 in 5th position of serial number starting December 8, 2021
	F8524706	Side Panel	30 pound models; Left; Painted; All markets except T with 6 in 5th position of serial number starting December 8, 2021
	F8524802	Side Panel	40 pound models; Left
	F8524804	Side Panel	40 pound models; Left; Stainless steel all markets through December 7, 2021; T market models starting December 8, 2021; models with 0 in 5th position of serial number starting December 8, 2021
	F8524806	Side Panel	40 pound models; Left; Painted; All markets except T with 6 in 5th position of serial number starting December 8, 2021
	F8554204	Side Panel	60 pound models; Left
	F8554202	Side Panel	60 pound models; Left; Stainless steel all markets through December 7, 2021; T market models starting December 8, 2021; models with 0 in 5th position of serial number starting December 8, 2021
	F8554206	Side Panel	60 pound models; Left; Painted; All markets except T with 6 in 5th position of serial number starting December 8, 2021
	2	F8502101	Pin
3	M412763	Rivet	
4	56079	Panel Locator	
5	F8524601	Side Panel	20 pound models; Right
	F8524603	Side Panel	20 pound models; Right; Stainless steel all markets through December 7, 2021; T market models starting December 8, 2021; models with 0 in 5th position of serial number starting December 8, 2021
	F8525605	Side Panel	20 pound models; Right; Painted; All markets except T with 6 in 5th position of serial number starting December 8, 2021
	F8524701	Side Panel	30 pound models; Right
	F8524703	Side Panel	30 pound models; Right; Stainless steel all markets through December 7, 2021; T market models starting December 8, 2021; models with 0 in 5th position of serial number starting December 8, 2021
	F8524705	Side Panel	30 pound models; Right; Painted; All markets except T with 6 in 5th position of serial number starting December 8, 2021
	F8524801	Side Panel	40 pound models; Right
	F8524803	Side Panel	40 pound models; Right; Stainless steel all markets through December 7, 2021; T market models starting December 8, 2021; models with 0 in 5th position of serial number starting December 8, 2021
	F8524805	Side Panel	40 pound models; Right; Painted; All markets except T with 6 in 5th position of serial number starting December 8, 2021
	F8554203	Side Panel	60 pound models; Right
	F8554201	Side Panel	60 pound models; Right; Stainless steel all markets through December 7, 2021; T market models starting December 8, 2021; models with 0 in 5th position of serial number starting December 8, 2021
F8554205	Side Panel	60 pound models; Right; Painted; All markets except T with 6 in 5th position of serial number starting December 8, 2021	
6	F8117601	Screw	
7	70030501	Expansion Clip	
8	M405535	Washer	
9	F8402801	Bolt	
10	44087201	Nut	

Door - 20 Pound Models - Design 4

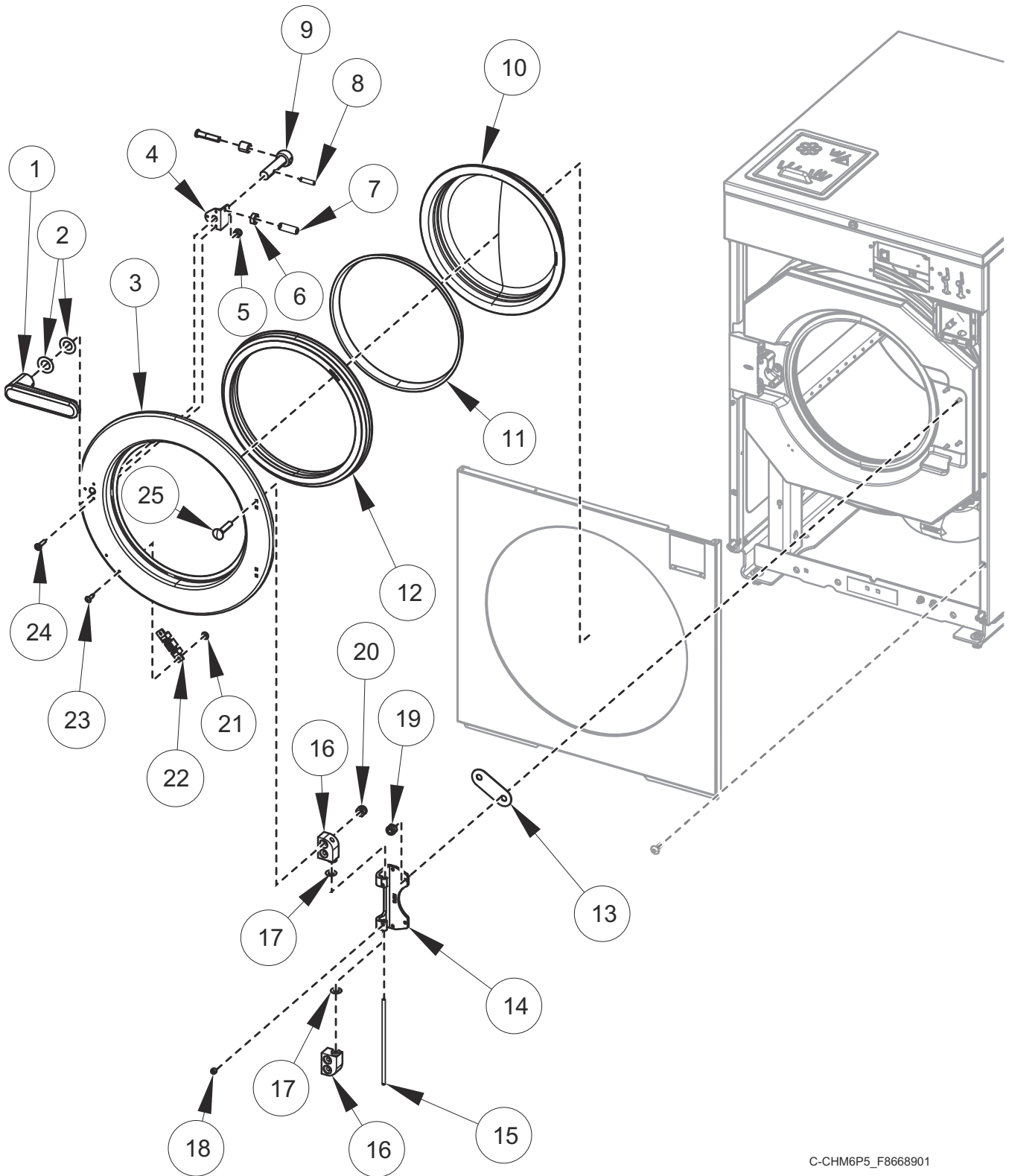


C-CHM6P5_F8668901

Door - 20 Pound Models - Design 4

REF	PART NO.	DESCRIPTION	COMMENTS
	F8617203	Door Assembly	Includes items 1-12, 14-18 and 20-25
	F8617204	Door Assembly	Chrome; Includes items 1-12, 14-18 and 20-25
	F8617206	Door Assembly	Chrome and green; Includes items 1-12, 14-18 and 20-25
	F8617205	Door Assembly	Green; Includes items 1-12, 14-18 and 20-25
1	F8544701	Door Handle	
2	F431916	Washer	
3	F8507502	Door	
	F8507501P	Door	Chrome
4	F8567501	Door Handle Spacer Kit	Includes items 6 and 7
5	F430232	Nut	
6	F431041	Nut	
7	F430532	Screw	
8	F431222	Spring Pin	
9	F8221403	Door Latch Arm Assembly	Includes latch arm shaft, latch arm support and sleeve
10	F8675701P	Door Glass	
11	F8583201	Door Glass Trim	Black
	F8583204	Door Glass Trim	Green
12	F200000202	Door Gasket	
13	F200131000P	Door Hinge Shim Kit	
14	F190216P	Door Hinge	
15	F602813-2	Rod	
16	F150271	Door Mount	
17	F431929	Washer	Non-ferrous
	F431147	Washer	
18	F430536	Screw	
19	C001236	Nut	
20	F430215	Nut	
21	F431133	Washer	
22	F8390801	Magnet	
23	F431223	Pop Rivet	
24	F8535501	Screw	
25	F430974	Bolt	
	F8508101	Bolt	Chrome

Door - 20 Pound Models - Design 6 and 7

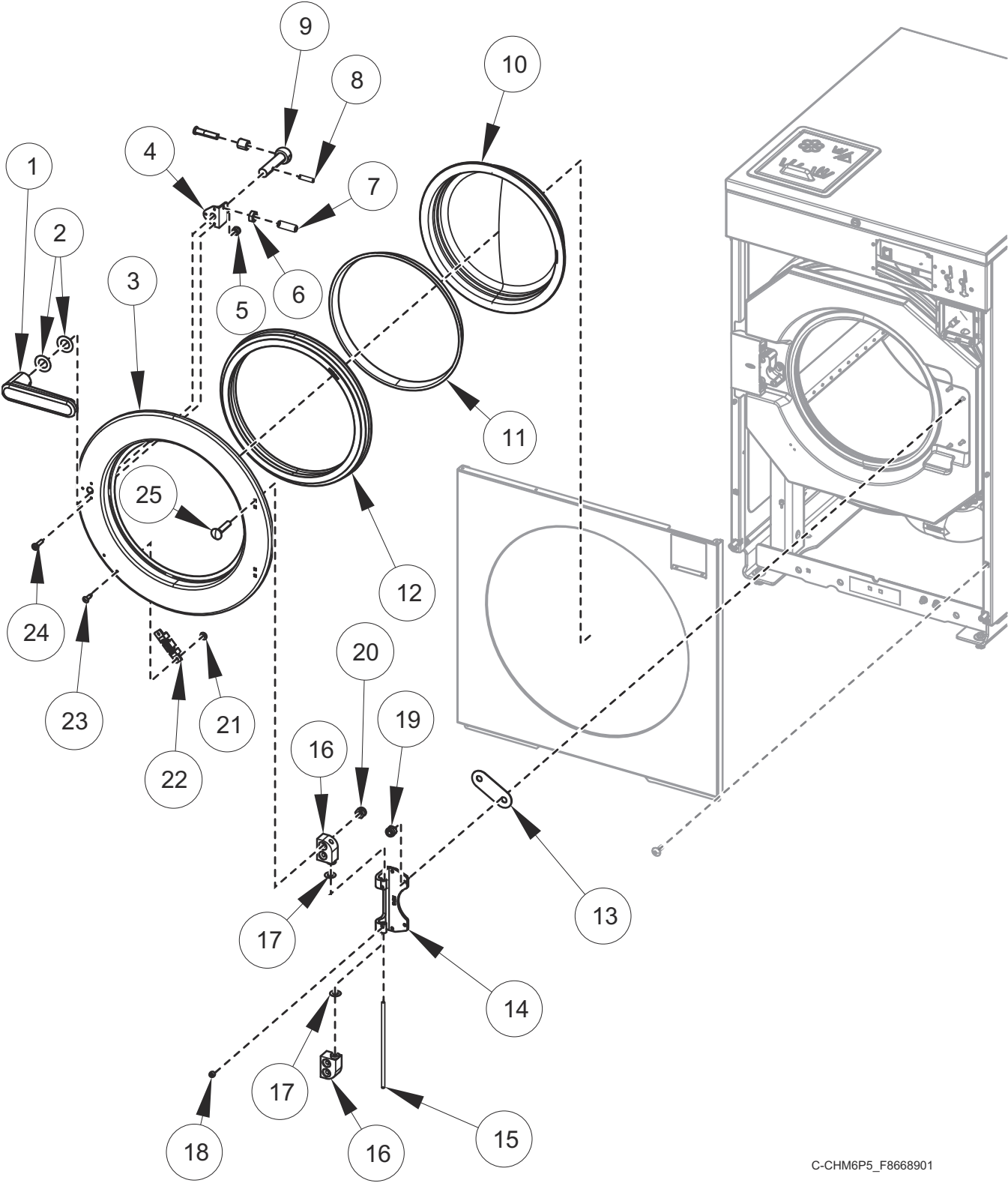


C-CHM6P5_F8668901

Door - 20 Pound Models - Design 6 and 7

REF	PART NO.	DESCRIPTION	COMMENTS
	F8617213	Door Assembly	Includes items 1-12, 14-18 and 20-25
	F8617214	Door Assembly	Chrome; Includes items 1-12, 14-18 and 20-25
	F8617216	Door Assembly	Chrome and green; Includes items 1-12, 14-18 and 20-25
	F8617215	Door Assembly	Green; Includes items 1-12, 14-18 and 20-25
1	F8544701	Door Handle	
2	F431916	Washer	
3	F8507502	Door	
	F8507501P	Door	Chrome
4	F8567501	Door Handle Spacer Kit	Includes items 6 and 7
5	F430232	Nut	
6	F431041	Nut	
7	F430532	Screw	
8	F431222	Spring Pin	
9	F8221403	Door Latch Arm Assembly	Includes latch arm shaft, latch arm support and sleeve
10	F8675701P	Door Glass	
11	F8583201	Door Glass Trim	Black
	F8583204	Door Glass Trim	Green
12	F200000202	Door Gasket	
13	F200131000P	Door Hinge Shim Kit	
14	F190216P	Door Hinge	
15	F602813-2	Rod	
16	F150271	Door Mount	
17	F431929	Washer	Non-ferrous
	F431147	Washer	
18	F430536	Screw	
19	C001236	Nut	
20	F430215	Nut	
21	F431133	Washer	
22	F8390801	Magnet	
23	F431223	Pop Rivet	
24	F8535501	Screw	
25	F430974	Bolt	
	F8508101	Bolt	Chrome

Door - 30 Pound Models - Design 4

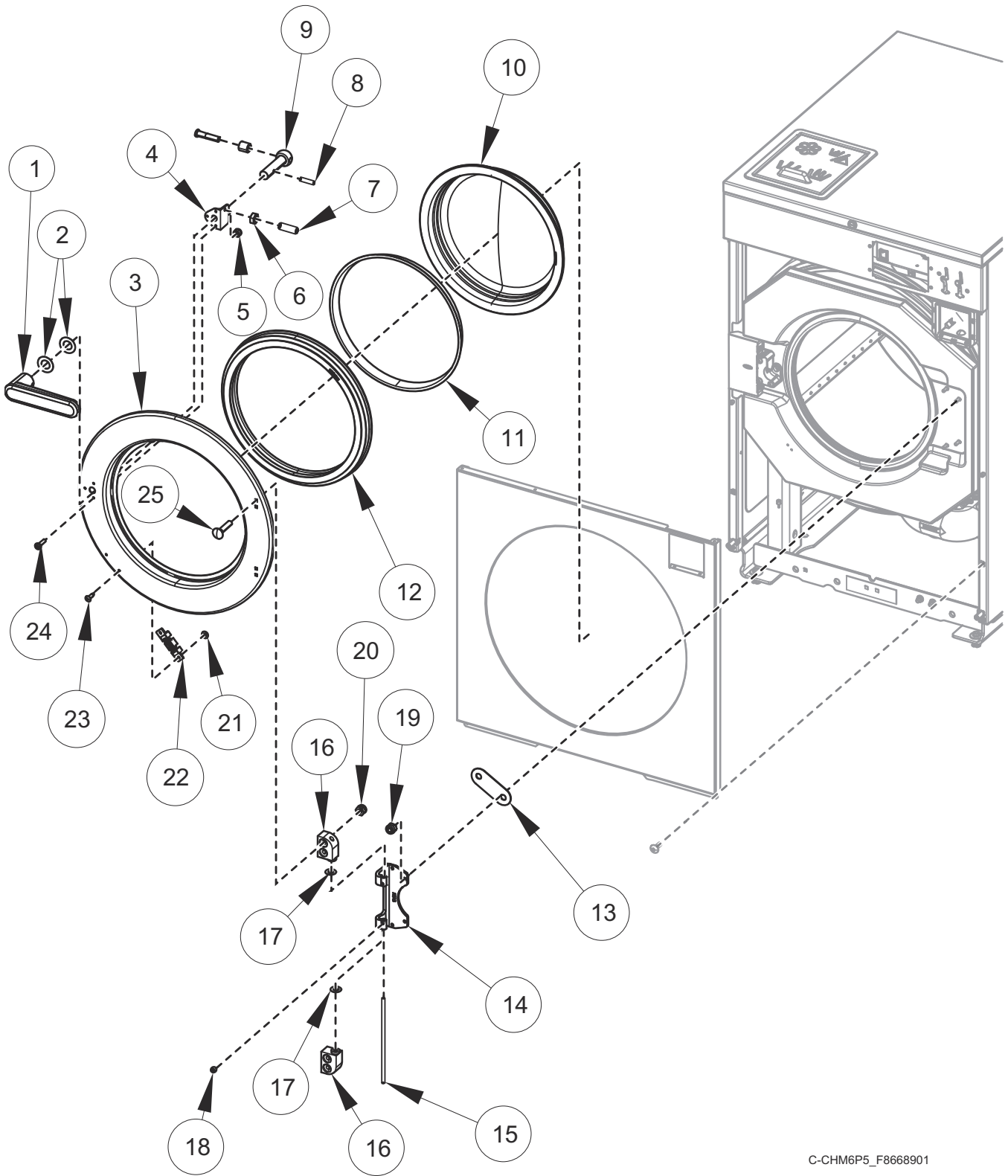


C-CHM6P5_F8668901

Door - 30 Pound Models - Design 4

REF	PART NO.	DESCRIPTION	COMMENTS
	F8617303	Door Assembly	Includes items 1-12, 14-18 and 20-25
	F8617304	Door Assembly	Chrome; Includes items 1-12, 14-18 and 20-25
	F8617306	Door Assembly	Chrome and green; Includes items 1-12, 14-18 and 20-25
	F8617305	Door Assembly	Green; Includes items 1-12, 14-18 and 20-25
1	F8544701	Door Handle	
2	F431916	Washer	
3	F8507602	Door	
	F8752601	Door	Chrome
4	F8567501	Door Handle Spacer Kit	
5	F430232	Nut	
6	F431041	Nut	
7	F430533	Screw	
8	F431222	Spring Pin	
9	F8221403	Door Latch Arm Assembly	Includes latch arm shaft, latch arm support and sleeve
10	F8485305	Door Glass	
11	F8583202	Door Glass Trim	Black
	F8583205	Door Glass Trim	Green
12	F8111602	Door Gasket	
13	F200131000P	Door Hinge Shim Kit	
14	F190216P	Door Hinge	
15	F602813-2	Rod	
16	F150271	Door Mount	
17	F431929	Washer	Non-ferrous
	F431147	Washer	
18	F430536	Screw	
19	C001236	Nut	
20	F430215	Nut	
21	F431133	Washer	
22	F8390801	Magnet	
23	F431223	Pop Rivet	
24	F8535501	Screw	
25	F430974	Bolt	
	F8508101	Bolt	Chrome

Door - 30 Pound Models - Design 6 and 7

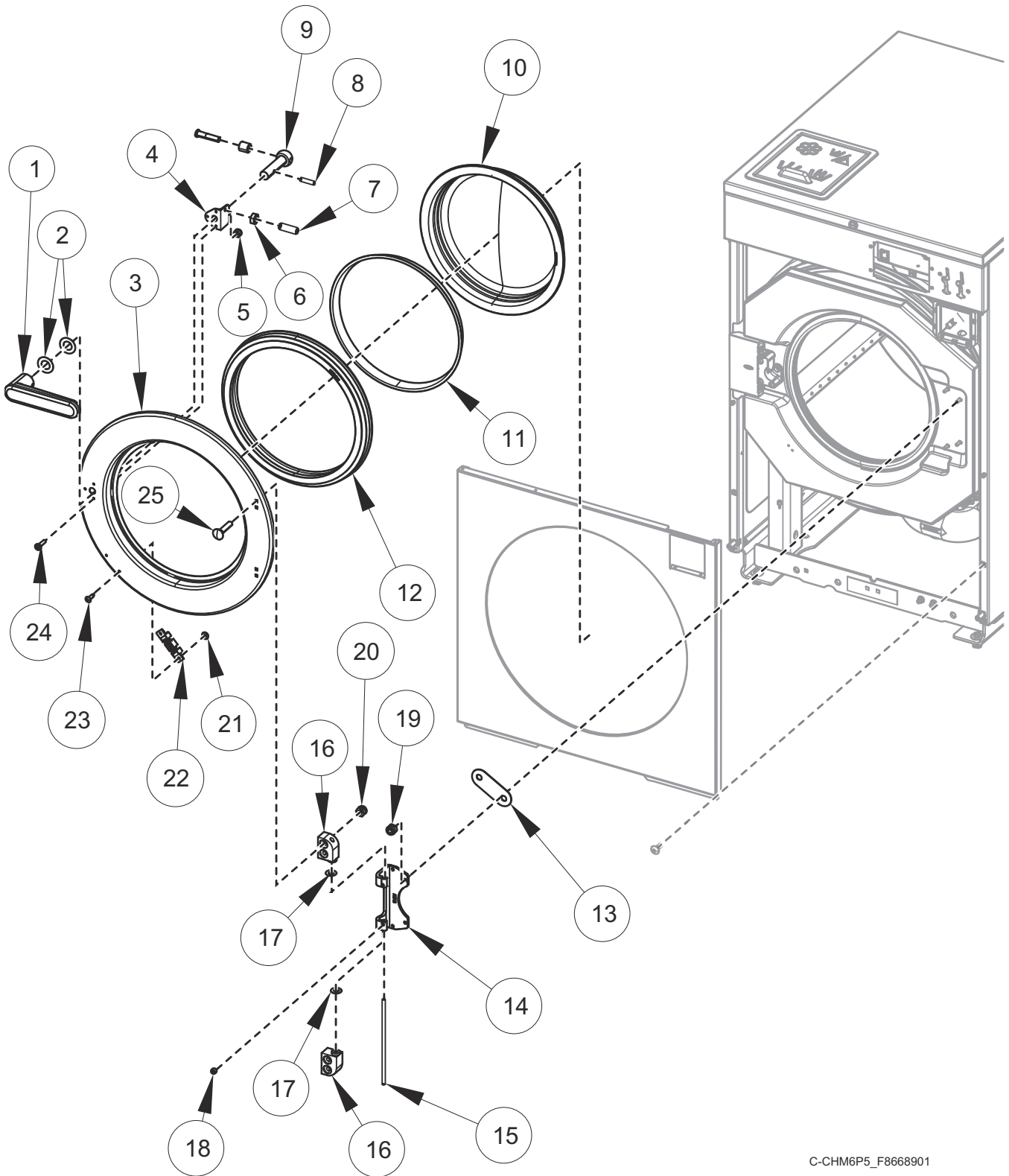


C-CHM6P5_F8668901

Door - 30 Pound Models - Design 6 and 7

REF	PART NO.	DESCRIPTION	COMMENTS
	F8617313	Door Assembly	Includes items 1-12, 14-18 and 20-25
	F8617314	Door Assembly	Chrome; Includes items 1-12, 14-18 and 20-25
	F8617316	Door Assembly	Chrome and green; Includes items 1-12, 14-18 and 20-25
	F8617315	Door Assembly	Green; Includes items 1-12, 14-18 and 20-25
1	F8544701	Door Handle	
2	F431916	Washer	
3	F8507602	Door	
	F8752601	Door	Chrome
4	F8567501	Door Handle Spacer Kit	
5	F430232	Nut	
6	F431041	Nut	
7	F430533	Screw	
8	F431222	Spring Pin	
9	F8221403	Door Latch Arm Assembly	Includes latch arm shaft, latch arm support and sleeve
10	F8485305	Door Glass	
11	F8583202	Door Glass Trim	Black
	F8583205	Door Glass Trim	Green
12	F8111602	Door Gasket	
13	F200131000P	Door Hinge Shim Kit	
14	F190216P	Door Hinge	
15	F602813-2	Rod	
16	F150271	Door Mount	
17	F431929	Washer	Non-ferrous
	F431147	Washer	
18	F430536	Screw	
19	C001236	Nut	
20	F430215	Nut	
21	F431133	Washer	
22	F8390801	Magnet	
23	F431223	Pop Rivet	
24	F8535501	Screw	
25	F430974	Bolt	
	F8508101	Bolt	Chrome

Door - 40 and 60 Pound Models - Design 4

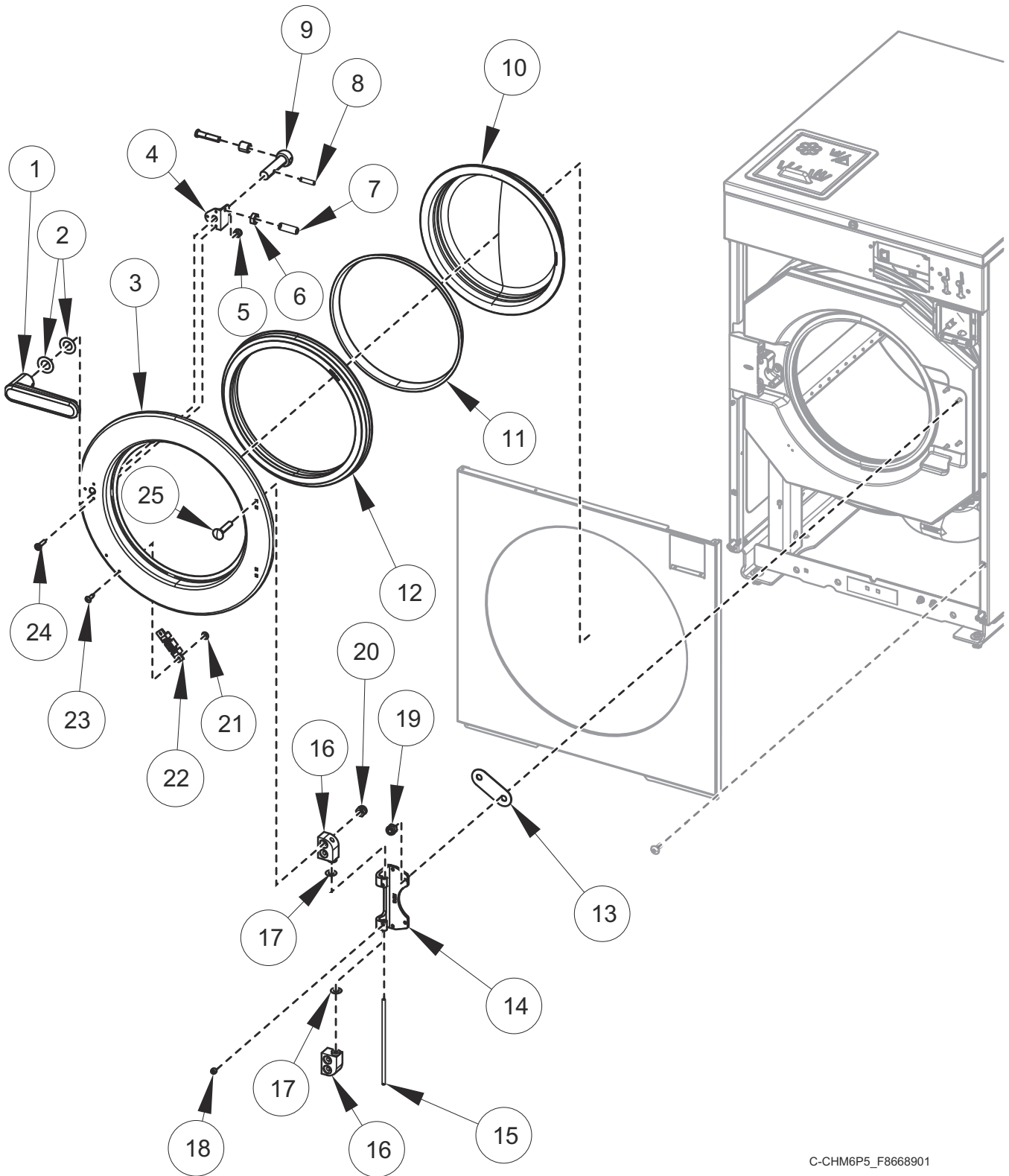


C-CHM6P5_F8668901

Door - 40 and 60 Pound Models - Design 4

REF	PART NO.	DESCRIPTION	COMMENTS
	F8617403	Door Assembly	Includes items 1-12, 14-18 and 20-25
	F8617404	Door Assembly	Chrome; Includes items 1-12, 14-18 and 20-25
	F8617406	Door Assembly	Chrome and green; Includes items 1-12, 14-18 and 20-25
	F8617405	Door Assembly	Green; Includes items 1-12, 14-18 and 20-25
1	F8544701	Door Handle	
2	F431916	Washer	
3	F8507702	Door	
	F8507701	Door	Chrome
4	F8567501	Door Handle Spacer Kit	
5	F430232	Nut	
6	F431041	Nut	
7	F430533	Screw	
8	F431222	Spring Pin	
9	F8221403	Door Latch Arm Assembly	Includes latch arm shaft, latch arm support and sleeve
10	F8485405	Door Glass	
11	F8583203	Door Glass Trim	Black
	F8583206	Door Glass Trim	Green
12	F8111502	Door Gasket	
13	F200131000P	Door Hinge Shim Kit	
14	F190216P	Door Hinge	
15	F602813-3	Rod	
16	F150271	Door Mount	
17	F431929	Washer	Non-ferrous
	F431147	Washer	
18	F430536	Screw	
19	C001236	Nut	
20	F430215	Nut	
21	F431133	Washer	
22	F8390801	Magnet	
23	F431223	Pop Rivet	
24	F8535501	Screw	
25	F430974	Bolt	
	F8508101	Bolt	Chrome

Door - 40 and 60 Pound Models - Design 6 and 7

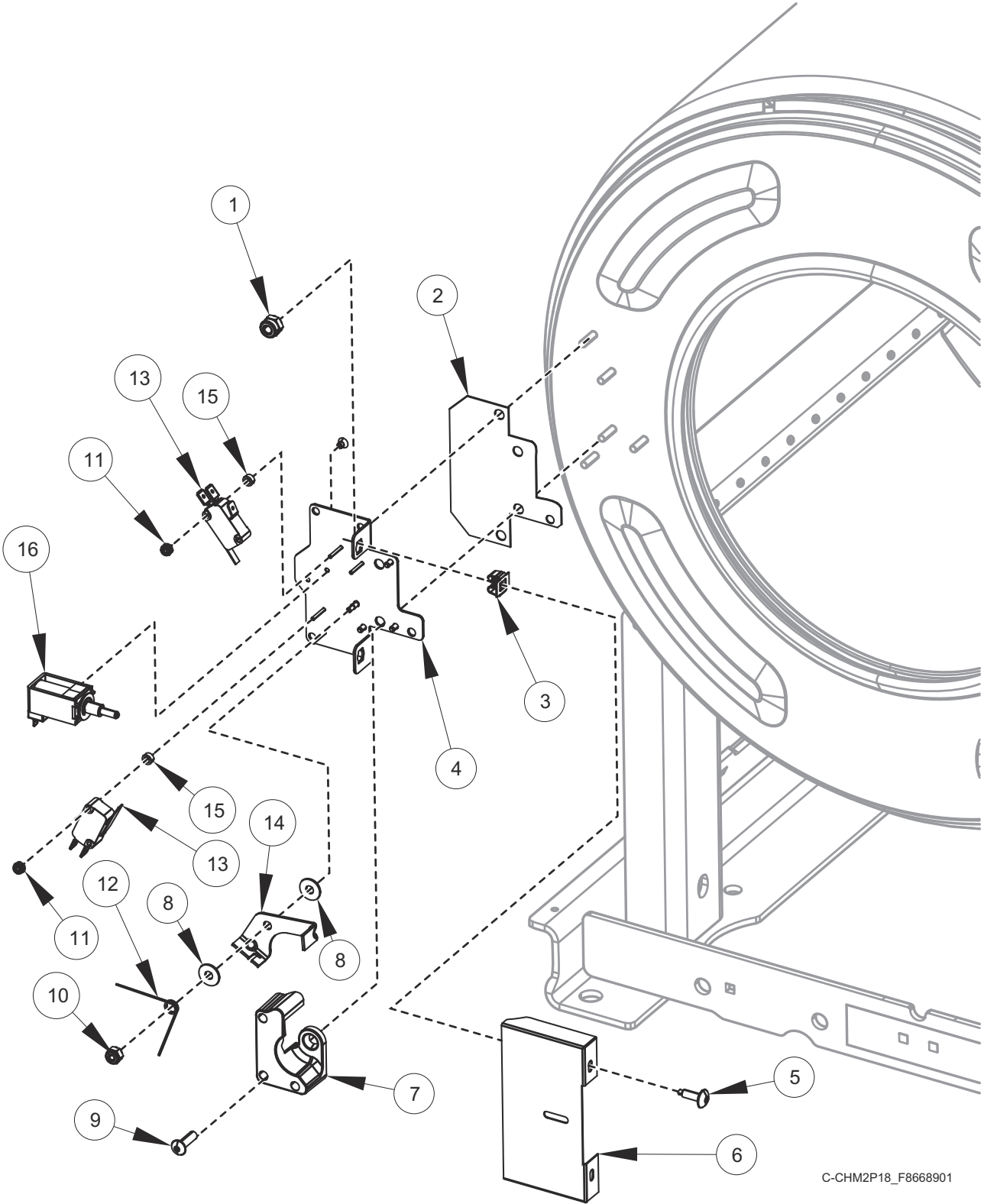


C-CHM6P5_F8668901

Door - 40 and 60 Pound Models - Design 6 and 7

REF	PART NO.	DESCRIPTION	COMMENTS
	F8617413	Door Assembly	Includes items 1-12, 14-18 and 20-25
	F8617414	Door Assembly	Chrome; Includes items 1-12, 14-18 and 20-25
	F8617416	Door Assembly	Chrome and green; Includes items 1-12, 14-18 and 20-25
	F8617415	Door Assembly	Green; Includes items 1-12, 14-18 and 20-25
1	F8544701	Door Handle	
2	F431916	Washer	
3	F8507702	Door	
	F8507701	Door	Chrome
4	F8567501	Door Handle Spacer Kit	
5	F430232	Nut	
6	F431041	Nut	
7	F430533	Screw	
8	F431222	Spring Pin	
9	F8221403	Door Latch Arm Assembly	Includes latch arm shaft, latch arm support and sleeve
10	F8485405	Door Glass	
11	F8583203	Door Glass Trim	Black
	F8583206	Door Glass Trim	Green
12	F8111502	Door Gasket	
13	F200131000P	Door Hinge Shim Kit	
14	F190216P	Door Hinge	
15	F602813-3	Rod	
16	F150271	Door Mount	
17	F431929	Washer	Non-ferrous
	F431147	Washer	
18	F430536	Screw	
19	C001236	Nut	
20	F430215	Nut	
21	F431133	Washer	
22	F8390801	Magnet	
23	F431223	Pop Rivet	
24	F8535501	Screw	
25	F430974	Bolt	
	F8508101	Bolt	Chrome

Door Lock

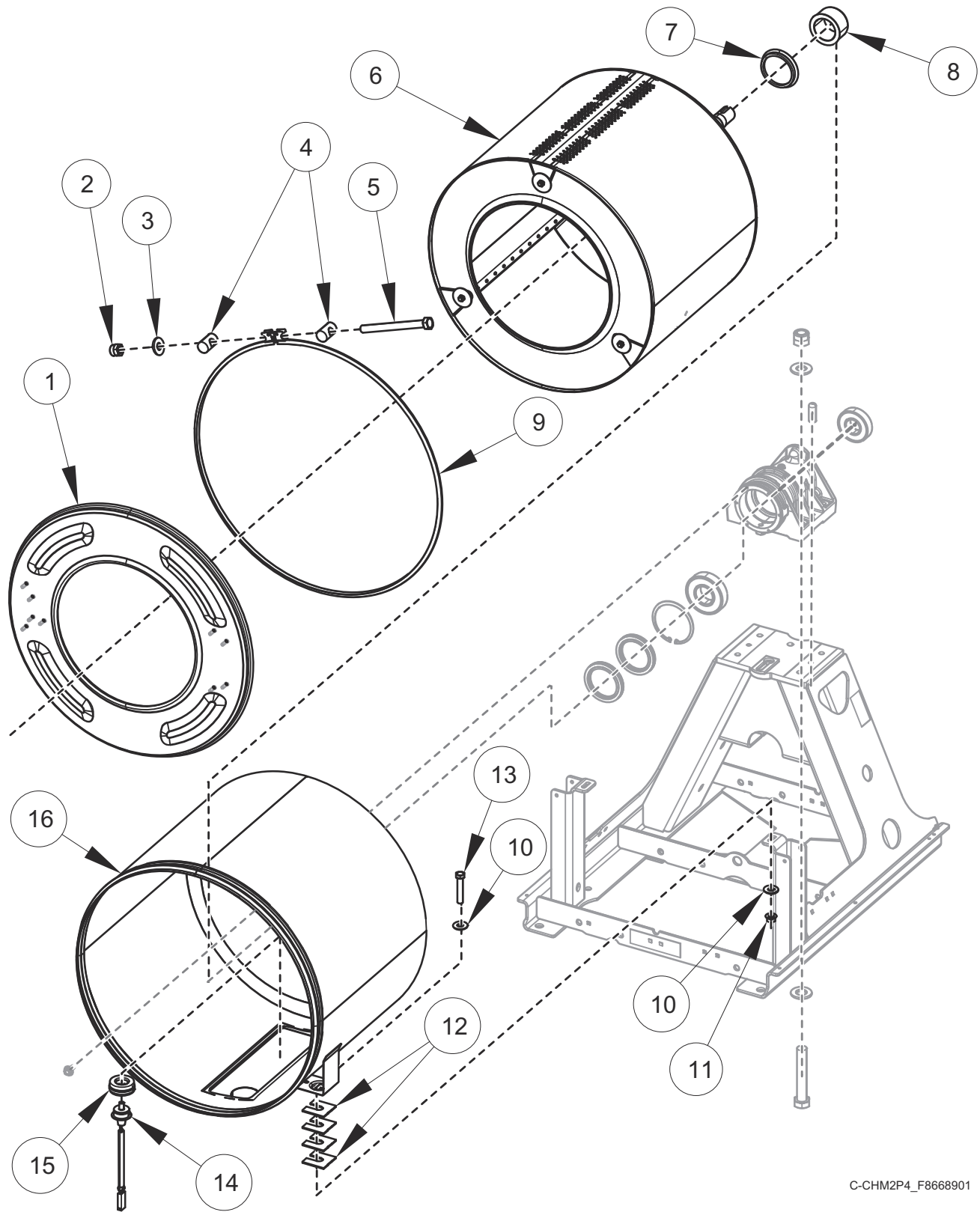


C-CHM2P18_F8668901

Door Lock

REF	PART NO.	DESCRIPTION	COMMENTS
	F8632401	Door Lock Assembly	Includes items 3, 4 and 10-16
	F8520201	Door Lock Harness	20 and 30 pound models
	F8520202	Door Lock Harness	40 and 60 pound models
	F8066804	Reed Switch Assembly	
1	F431024	Nut	
2	F8344401	Door Lock Plate Shim	
3	70030501	Expansion Clip	
4	F8223202	Door Lock Plate Assembly	
5	F8117601	Screw	
6	F8245001	Door Lock Cover	
7	F8344501	Door Lock Catch	
8	F8193101	Washer	
9	F8270701	Bolt	
10	F430232	Nut	
11	F430225	Nut	
12	F8070301	Torsion/Door Lock Spring	
13	F200203200	Door Lock Microswitch	
14	F8223401	Door Lock Switch Lever	
15	F431901	Spacer	
16	F977P3	Door Lock Solenoid Replacement Kit	

Shell Front, Basket, Shell and Frame Template

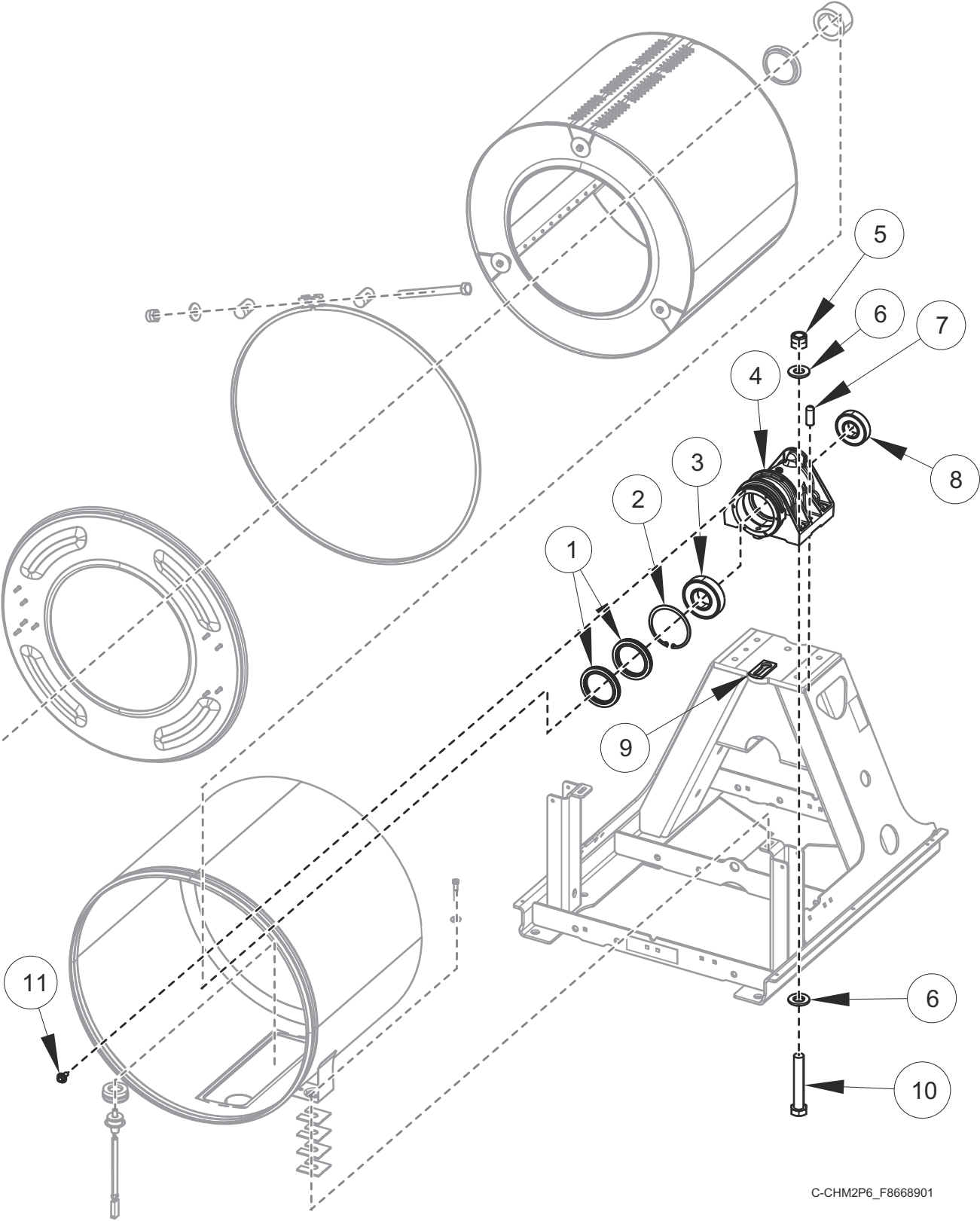


C-CHM2P4_F8668901

Shell Front, Basket, Shell and Frame Template

REF	PART NO.	DESCRIPTION	COMMENTS
	F8598301	Harness	Thermistor; 20 and 30 pound models
	F8598302	Harness	Thermistor; 40 and 60 pound models
1	F8222301	Shell Front	20 pound models
	F8222401	Shell Front	30 pound models
	F8222501	Shell Front	40 pound models
	F8222601	Shell Front	60 pound models
2	F430218	Nut	
3	M400080	Washer	
4	F8302701	Pin	
5	F8673701	Screw	
6	F8391304	Basket	20 pound models; Viton
	F8391302	Basket	20 pound models; Rain
	F8391504	Basket	30 pound models; Viton
	F8391502	Basket	30 pound models; Rain
	F8391704	Basket	40 pound models; Viton
	F8391702	Basket	40 pound models; Rain
	F8502805	Basket	60 pound models; Viton
	F8502802	Basket	60 pound models; Rain
7	F8337002	Excluder Seal	
8	F8343906P	Shaft Seal Sleeve Kit	
9	F8537801	Shell Band Kit	20 pound models; Includes items 2-5
	F8537802	Shell Band Kit	30 pound models; Includes items 2-5
	F8537803	Shell Band Kit	40 pound models; Includes items 2-5
	F8537804	Shell Band Kit	60 pound models; Includes items 2-5
10	M400081	Washer	
11	44087301	Nut	
12	F8402701	Washer	
13	F8621601	Screw	
14	F8538801	Thermistor	
15	2251000400	Temperature Probe Grommet	
16	F8512102	Shell	20 pound models; Electric and dual heat
	F8514002	Shell	30 pound models; Electric and dual heat
	F8512202	Shell	40 pound models; Electric and dual heat
	F8543702	Shell	60 pound models; Electric and dual heat
	F8512202	Shell	40 pound models; Steam Heat
	F8543702	Shell	60 pound models; Steam Heat
	F8512101	Shell	20 pound models; Standard
	F8514001	Shell	30 pound models; Standard
	F8512201	Shell	40 pound models; Standard
	F8543701	Shell	60 pound models; Standard

Bearing Housing

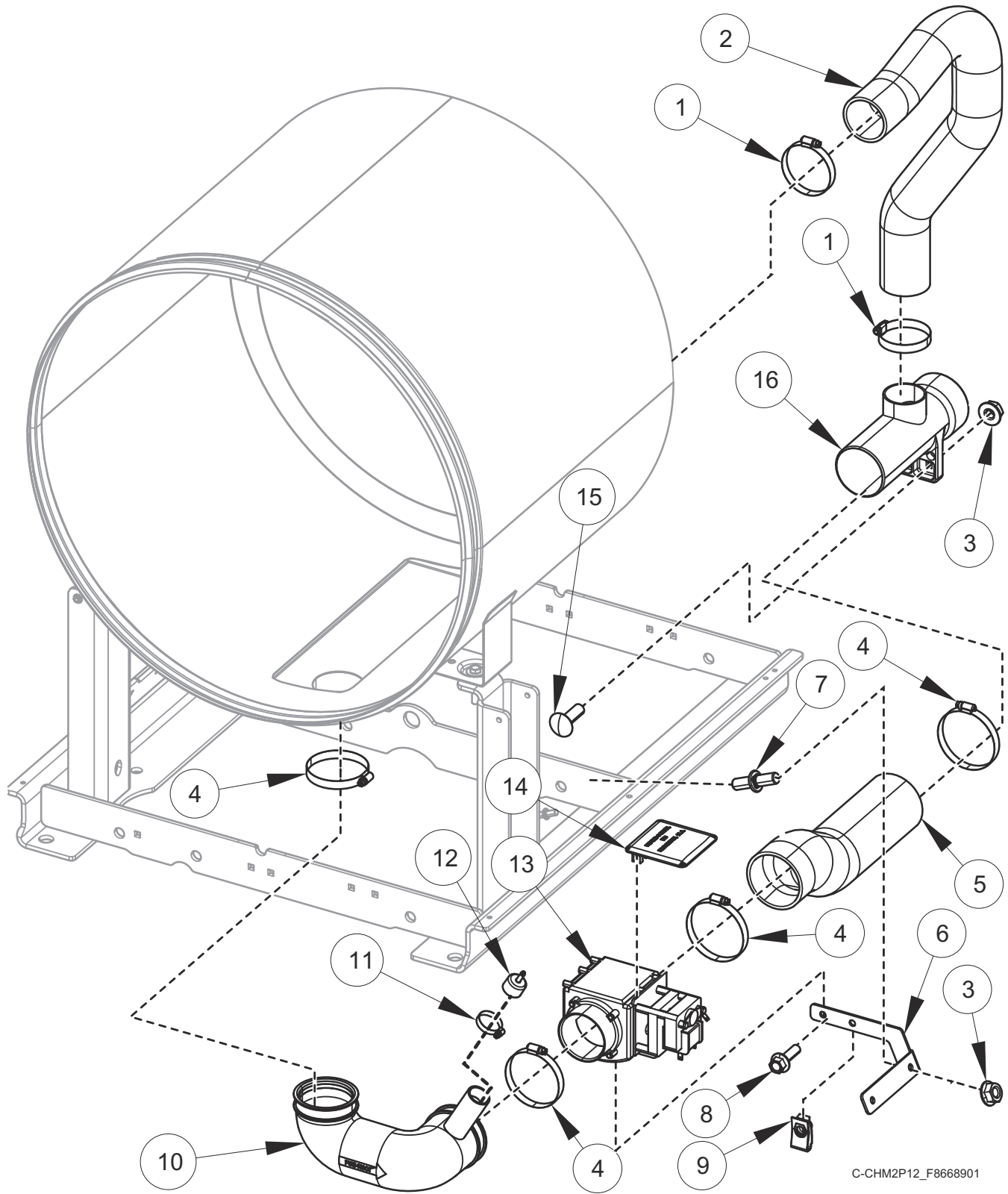


C-CHM2P6_F8668901

Bearing Housing

REF	PART NO.	DESCRIPTION	COMMENTS
	F8271601P	Bearing Housing Assembly	20 pound models; Includes items 1-4 and 8; Standard
	F8271602	Bearing Housing Assembly	20 pound models; Includes items 1-4 and 8; Viton
	F8271701P	Bearing Housing Assembly	30 pound models; Includes items 1-4 and 8; Standard
	F8271702	Bearing Housing Assembly	30 pound models; Includes items 1-4 and 8; Viton
	F8271801P	Bearing Housing Assembly	40 pound models; Includes items 1-4 and 8; Standard
	F8271802	Bearing Housing Assembly	40 pound models; Includes items 1-4 and 8; Viton
	F8271901P	Bearing Housing Assembly	60 pound models; Includes items 1-4 and 8; Standard
	F8271902	Bearing Housing Assembly	60 pound models; Includes items 1-4 and 8; Viton
1	F8203801	Triple Lip Seal	20 pound models; Standard
	F8203813	Triple Lip Seal	20 pound models; Viton
	F8203802	Triple Lip Seal	30 pound models; Standard
	F8203814	Triple Lip Seal	30 pound models; Viton
	F8203803	Triple Lip Seal	40 pound models; Standard
	F8203815	Triple Lip Seal	40 pound models; Viton
	F8203806	Triple Lip Seal	60 pound models; Standard
	F8203816	Radial Lip Seal	60 pound models; Viton
2	F8344901	Retaining Ring	20 pound models
	F8345001	Retaining Ring	30 pound models
	F8337801	Retaining Ring	40 pound models
	F8337901	Retaining Ring	60 pound models
3	F100137P	Bearing	20 and 40 pound models
	F100123P	Bearing	30 pound models
	F100135	Bearing	60 pound models
4	F8247902	Bearing Housing	20 pound models
	F8246802	Bearing Housing	30 pound models
	F8249902	Bearing Housing	40 pound models
	F8250902	Bearing Housing	60 pound models
5	F8387701	Nut	
6	F430339	Washer	
7	F8388201	Dowel Pin	
8	F100136P	Bearing	20 pound models
	F100108	Bearing	30 pound models
	F100134	Bearing	40 and 60 pound models
9	F8350302	Seal Scupper Pad	
10	F8368801	Screw	
11	F8442702	Screw	

Drain Plumbing

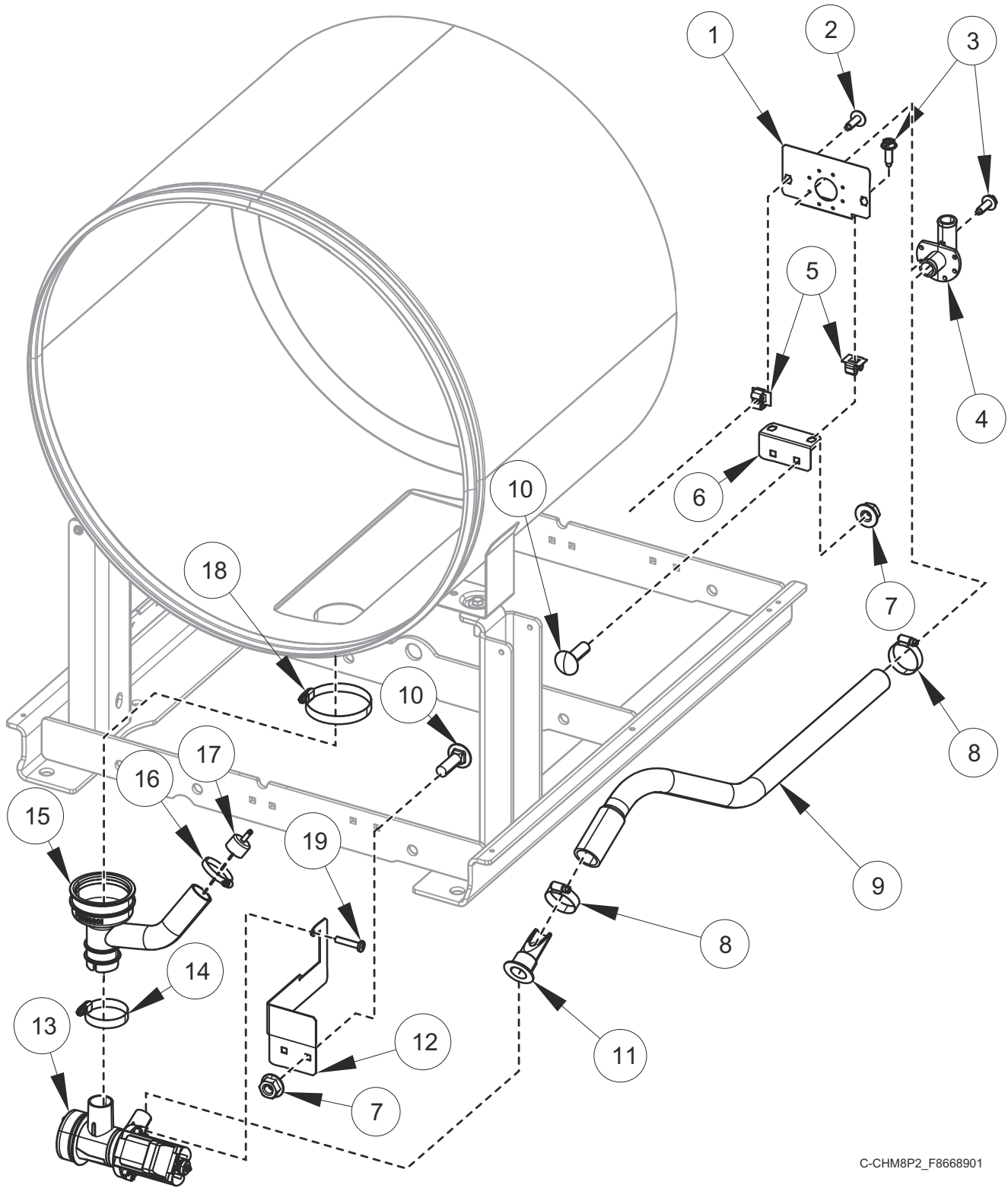


C-CHM2P12_F8668901

Drain Plumbing

REF	PART NO.	DESCRIPTION	COMMENTS
	F200165100	Drain Hose	
	F8520001	Drain Valve Harness	20 and 30 pound models
	F8520002	Drain Valve Harness	40 and 60 pound models
1	F200213	Hose Clamp	
2	F8522401	Overflow Hose	20 pound models
	F8521201	Overflow Hose	30 pound models
	F8522501	Overflow Hose	40 and 60 pound models
3	44087201	Nut	
4	F200201	Hose Clamp	
5	F8587301	Rear Drain Hose	20 pound models
	F8543001	Rear Drain Hose	30 pound models
	F8543201	Rear Drain Hose	40 pound models
	F8543501	Rear Drain Hose	60 pound models
6	F8587701	Drain Valve Bracket	20 pound models
	F8543101	Drain Valve Bracket	30 pound models
	F8543301	Drain Valve Bracket	40 pound models
	F8543401	Drain Valve Bracket	60 pound models
7	70334702	Stud	
8	202175	Screw	
9	70030401	Nut	
10	F8542002	Drain Hose	20 pound models
	F8541901	Drain Hose	30, 40 and 60 pound models
	F8542001	Drain Hose	40 and 60 pound models; Steam and electric heat
11	36802	Hose Clamp	
12	F8579301	Pressure Cap	
13	F200166302	Drain Valve Kit	3 inch; 120 Volt; Left; NO; Includes item 14
	F8406308	Drain Valve	3 inch; 120 Volt; Right; NO
	F200166402	Drain Valve Kit	3 inch; 230 Volt; Left; NO; Includes item 14
	F8577201	Drain Valve Kit	3 inch; 230 Volt; Right; NO; Includes item 14
14	F200133600	Drain Valve Cover	
15	F8402801	Bolt	
16	F8752101	Drain Tee	

Pump Drain Plumbing - 20, 30 and 40 Pound Models

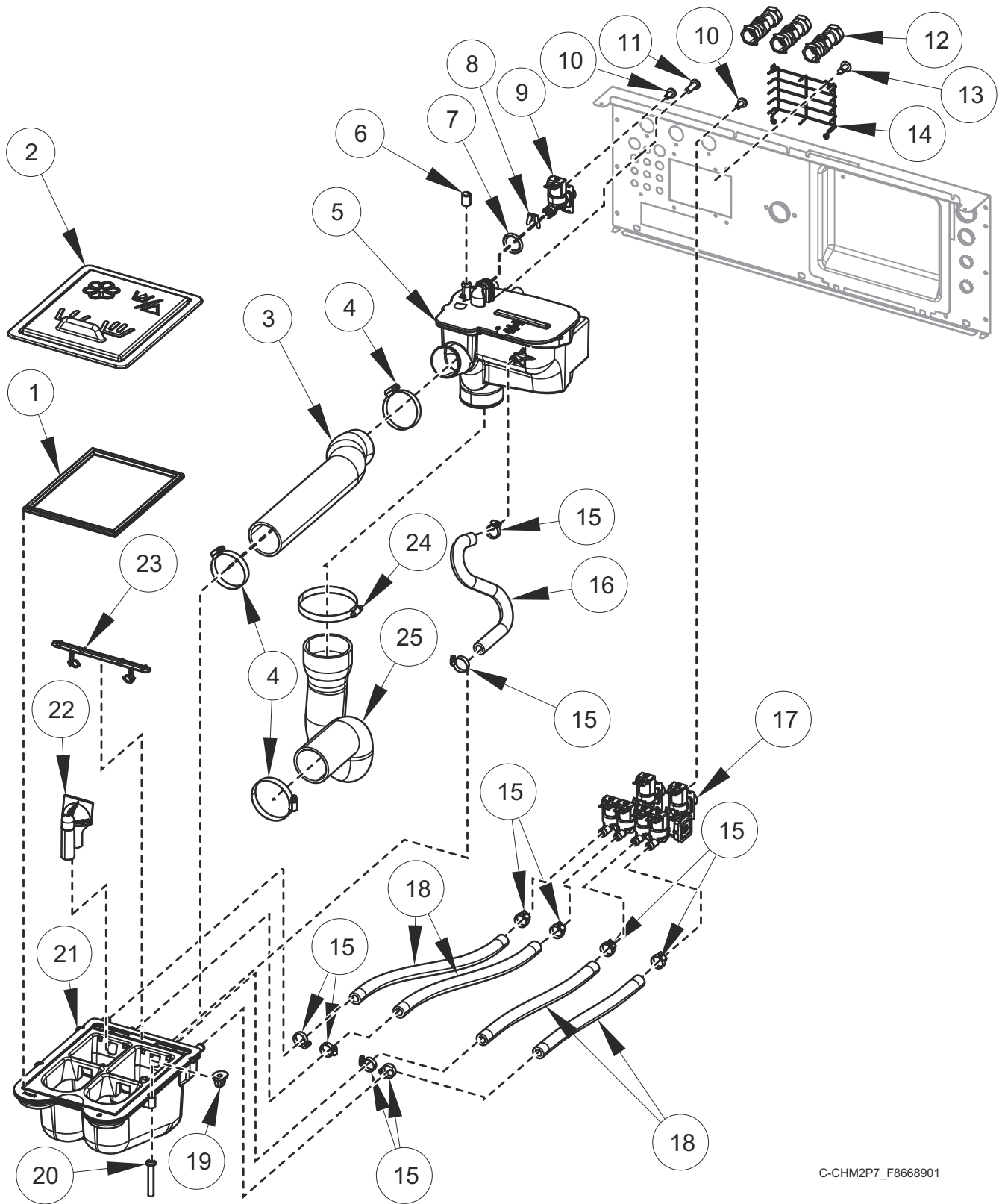


C-CHM8P2_F8668901

Pump Drain Plumbing - 20, 30 and 40 Pound Models

REF	PART NO.	DESCRIPTION	COMMENTS
	27154	Drain Hose	Hose to standpipe
	F150352	Overflow Plug	20 pound models
	F8520001	Drain Valve Harness	20 and 30 pound models
	F8520002	Drain Valve Harness	40 pound models
1	F8571301	Bracket	Upper; Elbow mount
2	F8117601	Screw	
3	F8206901	Screw	
4	35766	Drain Hose Elbow	
5	70030501	Expansion Clip	
6	F8571401	Bracket	Lower; Elbow mount
7	44087201	Nut	
8	F200204	Hose Clamp	
9	F8537001	Pump Drain Rear Hose	20 pound models
	F8557001	Pump Drain Rear Hose	30 pound models
	F8557201	Pump Drain Rear Hose	40 pound models
10	F8402801	Bolt	
11	800310	Backflow Preventer	
12	F8536901	Pump Drain Bracket	20 pound models
	F8557101	Pump Drain Bracket	30 pound models
	F8557301	Pump Drain Bracket	40 pound models
13	805723	Pump Drain and Bracket Assembly	120 Volt/60 Hertz; Green
	805613	Pump Drain and Bracket Assembly	208-240 Volt/60 Hertz; Red
	804038	Pump Drain and Bracket Assembly	220-240 Volt/50 Hertz; Blue
14	F200215	Hose Clamp	
15	F8556601	Pump Drain Hose	
16	36802	Hose Clamp	
17	F8579301	Pressure Cap	
18	F200219	Hose Clamp	
19	F8658501	Screw	

Fill Plumbing - 20 Pound Models

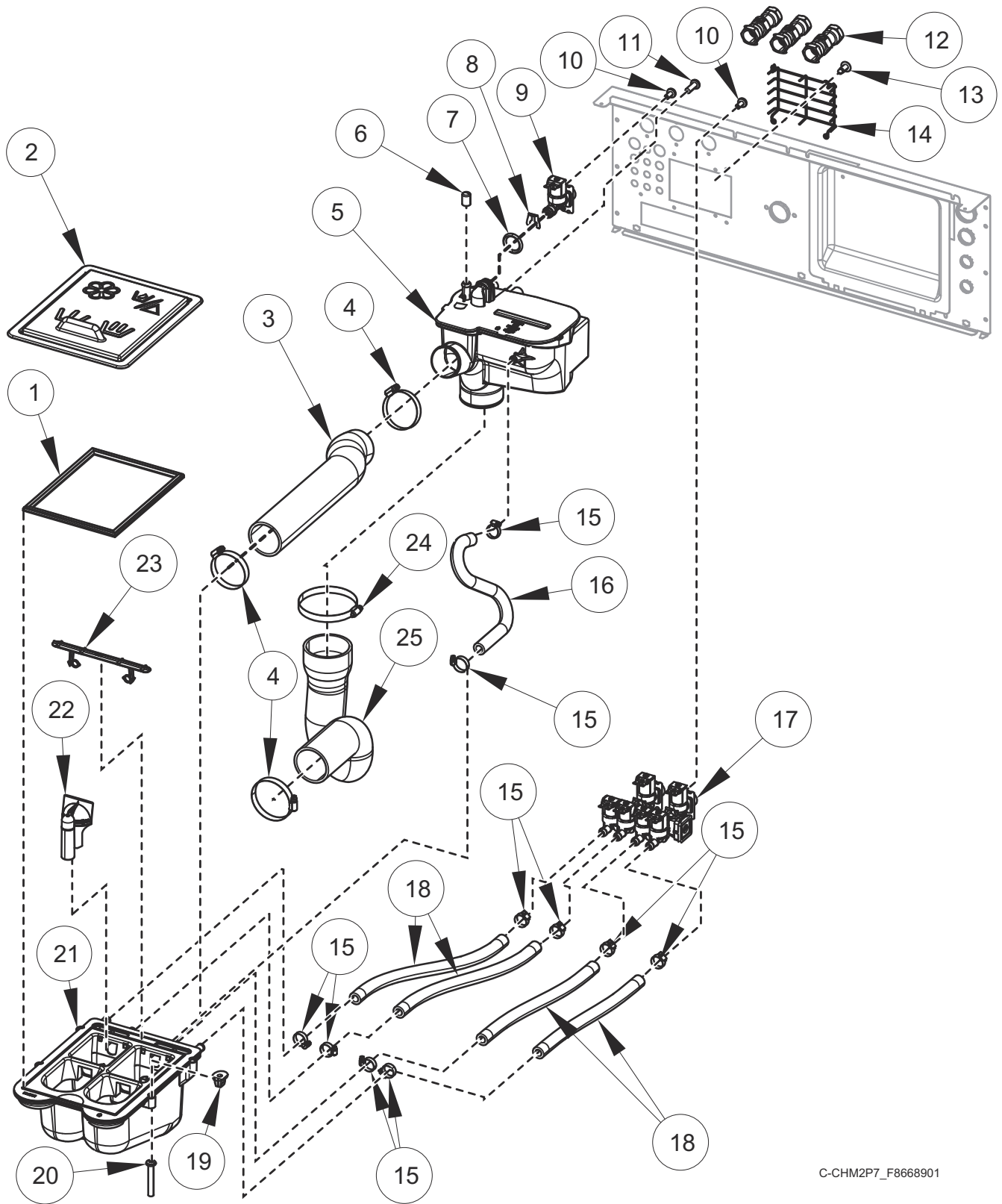


C-CHM2P7_F8668901

Fill Plumbing - 20 Pound Models

REF	PART NO.	DESCRIPTION	COMMENTS
	F8047403	Dispenser	Includes Items 21-23
	F8520101	Fill Valve Harness	
	F8665601	Water Hose Kit	Standard thread; Red (hot); Includes 20290 Washer and 803615 Washer Filter
	F8665603	Water Hose Kit	Standard thread; Blue (cold); Includes 20290 Washer and 803615 Washer Filter
	F8665602	Water Hose Kit	Metric thread; Red (hot); Includes 20290 Washer and 803615 Washer Filter
	F8665604	Water Hose Kit	Metric thread; Blue (cold); Includes 20290 Washer and 803615 Washer Filter
	F8671201	Fill Hose Kit	WRAS; Includes item 12 and F8665602 Water Hose Kit
	F8671202	Fill Hose Kit	WRAS; Includes item 12 and F8665604 Water Hose Kit
	F8671101	Fill Hose Kit	Australian watermark; Includes F8665602 Water Hose Kit and B12543901 Check Valve
	F8671102	Fill Hose Kit	Australian watermark; Includes F8665604 Water Hose Kit and B12543901 Check Valve
1	B12568601	Dispenser Gasket	
2	F8563204	Dispenser Cover	Black; Icons and text
	F8563203	Dispenser Cover	Gray; Icons and text
	F8563202	Dispenser Cover	Black; Icons
	F8563201	Dispenser Cover	Gray; Icons
3	F8529401	Supply Vacuum Hose	
4	F200213	Hose Clamp	
5	F8517503	Vacuum Breaker Assembly	With inlet and fill
	F8517502	Vacuum Breaker Assembly	With inlet
	F8517501	Vacuum Breaker Assembly	With fill
	F8517504	Vacuum Breaker Assembly	
6	F8197701	Cap	WRAS
7	F8569101	O-Ring	
8	F8566801	Clip	
9	F8565201	Valve	Standard
	F8565202	Valve	Metric
10	F8230301	Screw	
11	800548	Screw	
12	F8301201	Double Check Valve	WRAS
13	70058501	Pop Rivet	
14	F8589601	Vacuum Breaker Guard	
15	36801	Hose Clamp	
16	F8616401	Rear Vent Hose	
17	F8529701	Manifold Valve	Standard
	F8529702P	Manifold Valve	Metric
18	F8232007	Hose	
19	F0431807-00	Nut	
20	F8535601	Screw	
21	F8437902	Dispenser Weldment	
22	F8047901	Siphon Cover	
23	F8047801	Access Cover	
24	F200201	Hose Clamp	
25	F8529601	P-Trap Hose	

Fill Plumbing - 30 Pound Models

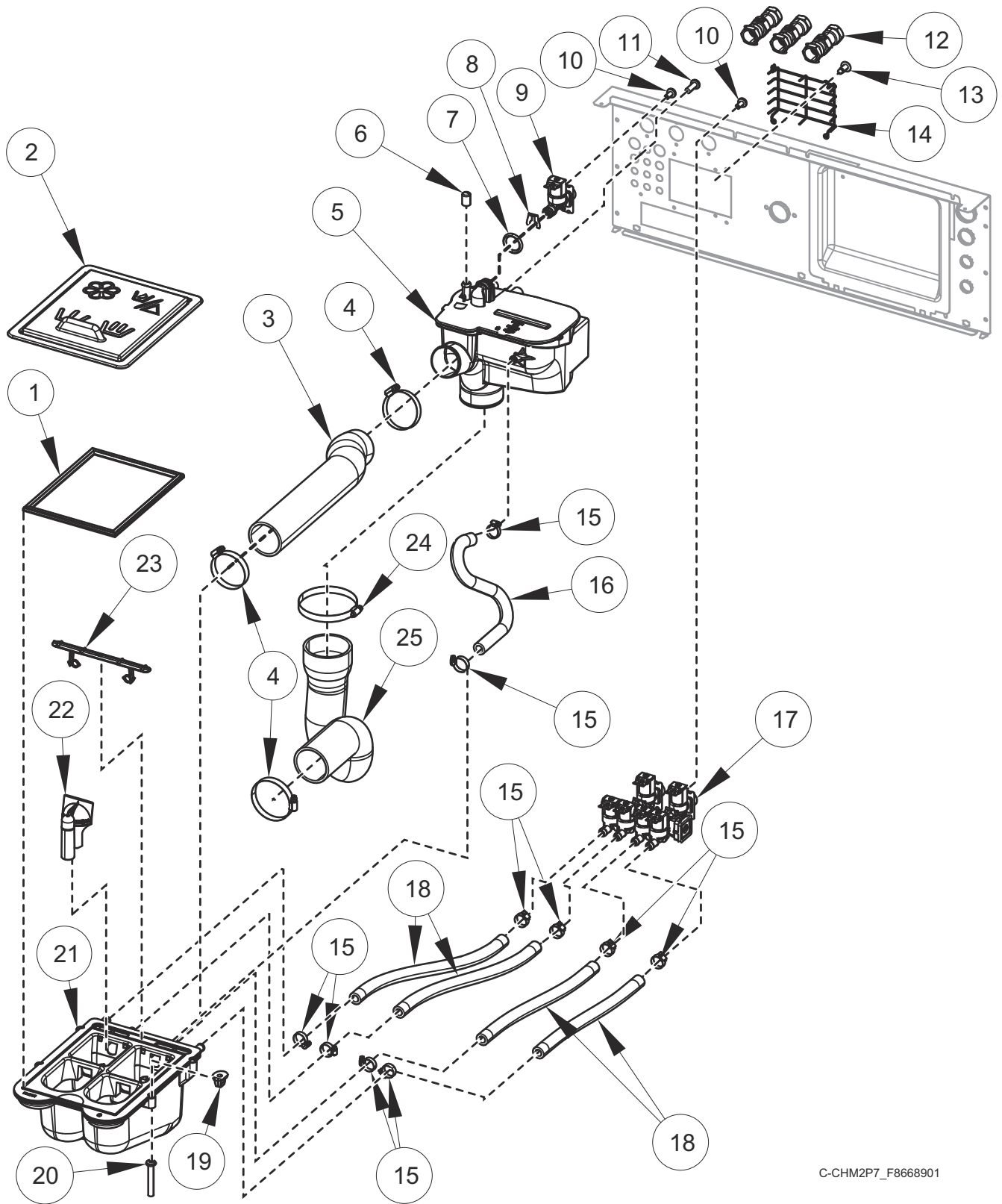


C-CHM2P7_F8668901

Fill Plumbing - 30 Pound Models

REF	PART NO.	DESCRIPTION	COMMENTS
	F8047403	Dispenser	Includes Items 21-23
	F8520101	Fill Valve Harness	
	F8665601	Water Hose Kit	Standard thread; Red (hot); Includes 20290 Washer and 803615 Washer Filter
	F8665603	Water Hose Kit	Standard thread; Blue (cold); Includes 20290 Washer and 803615 Washer Filter
	F8665602	Water Hose Kit	Metric thread; Red (hot); Includes 20290 Washer and 803615 Washer Filter
	F8665604	Water Hose Kit	Metric thread; Blue (cold); Includes 20290 Washer and 803615 Washer Filter
	F8671201	Fill Hose Kit	WRAS; Includes item 12 and F8665602 Water Hose Kit
	F8671202	Fill Hose Kit	WRAS; Includes item 12 and F8665604 Water Hose Kit
	F8671101	Fill Hose Kit	Australian watermark; Includes F8665602 Water Hose Kit and B12543901 Check Valve
	F8671102	Fill Hose Kit	Australian watermark; Includes F8665604 Water Hose Kit and B12543901 Check Valve
1	B12568601	Dispenser Gasket	
2	F8563204	Dispenser Cover	Black; Icons and text
	F8563203	Dispenser Cover	Gray; Icons and text
	F8563202	Dispenser Cover	Black; Icons
	F8563201	Dispenser Cover	Gray; Icons
3	F8529402	Supply Vacuum Hose	
4	F200213	Hose Clamp	
5	F8517503	Vacuum Breaker Assembly	With inlet and fill
	F8517502	Vacuum Breaker Assembly	With inlet
	F8517501	Vacuum Breaker Assembly	With fill
	F8517504	Vacuum Breaker Assembly	
6	F8197701	Cap	WRAS
7	F8569101	O-Ring	
8	F8566801	Clip	
9	F8565201	Valve	Standard
	F8565202	Valve	Metric
10	F8230301	Screw	
11	800548	Screw	
12	F8301201	Double Check Valve	WRAS
13	70058501	Pop Rivet	
14	F8589601	Vacuum Breaker Guard	
15	36801	Hose Clamp	
16	F8616402	Rear Vent Hose	
17	F8529701	Manifold Valve	Standard
	F8529702P	Manifold Valve	Metric
18	F8232011	Hose	
19	F0431807-00	Nut	
20	F8535601	Screw	
21	F8437902	Dispenser Weldment	
22	F8047901	Siphon Cover	
23	F8047801	Access Cover	
24	F200201	Hose Clamp	
25	F8529602	P-Trap Hose	

Fill Plumbing - 40 Pound Models

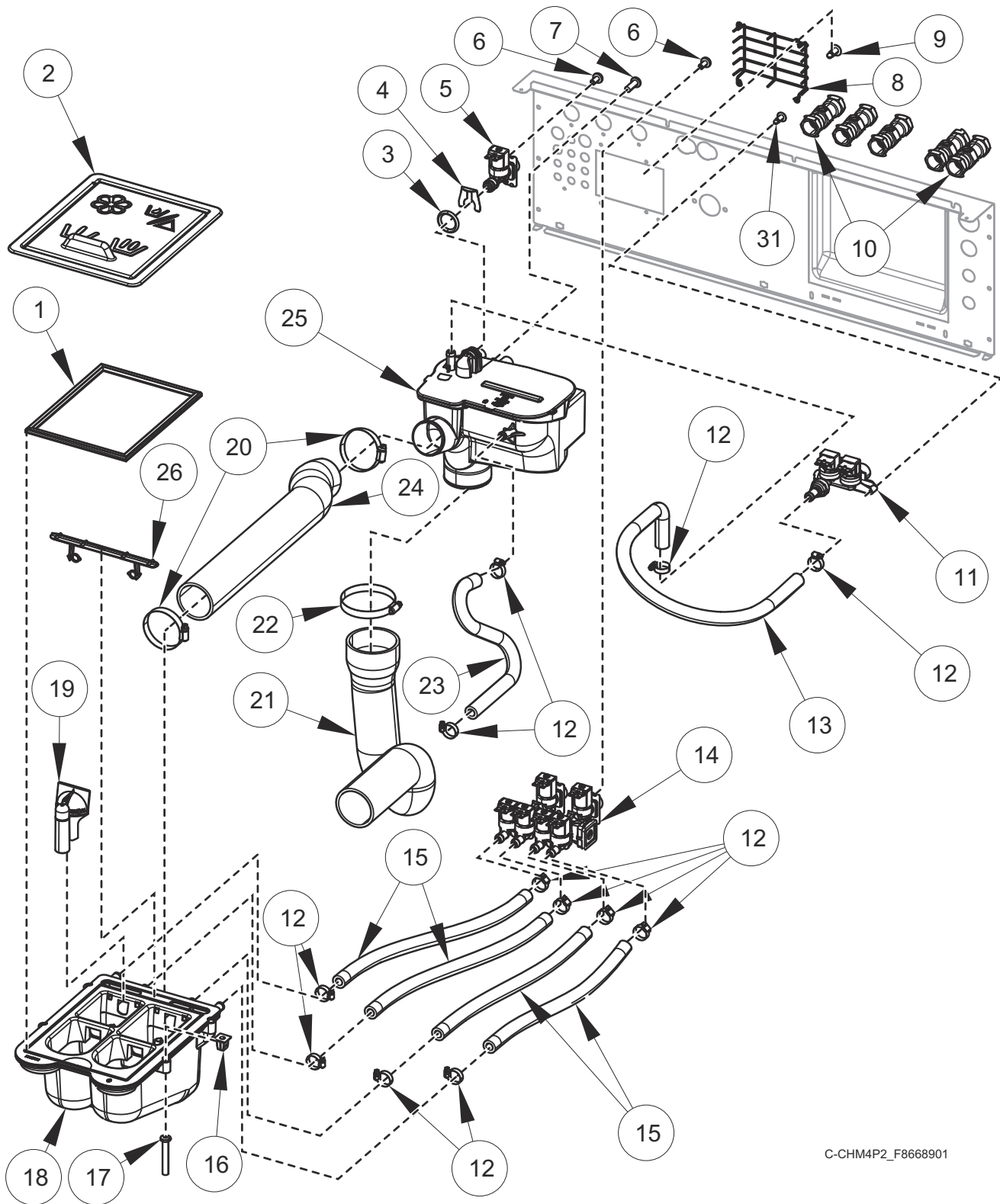


C-CHM2P7_F8668901

Fill Plumbing - 40 Pound Models

REF	PART NO.	DESCRIPTION	COMMENTS
	F8047403	Dispenser	Includes Items 21-23
	F8520101	Fill Valve Harness	
	F8665601	Water Hose Kit	Standard thread; Red (hot); Includes 20290 Washer and 803615 Washer Filter
	F8665603	Water Hose Kit	Standard thread; Blue (cold); Includes 20290 Washer and 803615 Washer Filter
	F8665602	Water Hose Kit	Metric thread; Red (hot); Includes 20290 Washer and 803615 Washer Filter
	F8665604	Water Hose Kit	Metric thread; Blue (cold); Includes 20290 Washer and 803615 Washer Filter
	F8671201	Fill Hose Kit	WRAS; Includes item 12 and F8665602 Water Hose Kit
	F8671202	Fill Hose Kit	WRAS; Includes item 12 and F8665604 Water Hose Kit
	F8671101	Fill Hose Kit	Australian watermark; Includes F8665602 Water Hose Kit and B12543901 Check Valve
	F8671102	Fill Hose Kit	Australian watermark; Includes F8665604 Water Hose Kit and B12543901 Check Valve
1	B12568601	Dispenser Gasket	
2	F8563204	Dispenser Cover	Black; Icons and text
	F8563203	Dispenser Cover	Gray; Icons and text
	F8563202	Dispenser Cover	Black; Icons
	F8563201	Dispenser Cover	Gray; Icons
3	F8529403	Supply Vacuum Hose	
4	F200213	Hose Clamp	
5	F8517503	Vacuum Breaker Assembly	With inlet and fill
	F8517502	Vacuum Breaker Assembly	With inlet
	F8517501	Vacuum Breaker Assembly	With fill
	F8517504	Vacuum Breaker Assembly	
6	F8197701	Cap	WRAS
7	F8569101	O-Ring	
8	F8566801	Clip	
9	F8565201	Valve	Standard
	F8565202	Valve	Metric
10	F8230301	Screw	
11	800548	Screw	
12	F8301201	Double Check Valve	WRAS
13	70058501	Pop Rivet	
14	F8589601	Vacuum Breaker Guard	
15	36801	Hose Clamp	
16	F8616402	Rear Vent Hose	
17	F8529701	Manifold Valve	Standard
	F8529702P	Manifold Valve	Metric
18	F8232010	Hose	
19	F0431807-00	Nut	
20	F8535601	Screw	
21	F8437902	Dispenser Weldment	
22	F8047901	Siphon Cover	
23	F8047801	Access Cover	
24	F200201	Hose Clamp	
25	F8529603	P-Trap Hose	

Fill Plumbing - 60 Pound Models

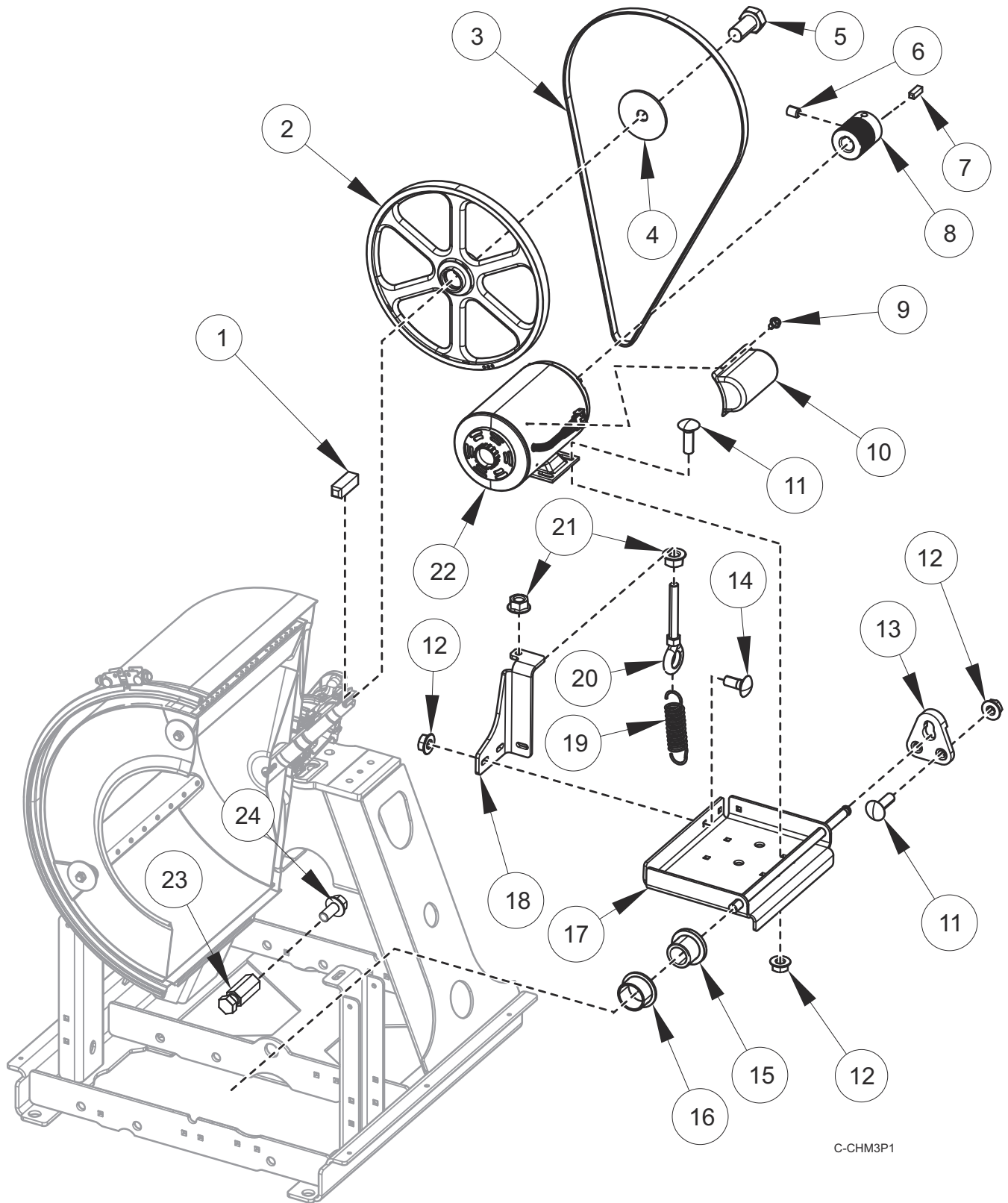


C-CHM4P2_F8668901

Fill Plumbing - 60 Pound Models

REF	PART NO.	DESCRIPTION	COMMENTS
	F8047403	Dispenser	Includes Items 18, 19 and 26
	F8520102	Fill Valve Harness	
	223/00243/00	Y-Connector	
	F8665601	Water Hose Kit	Standard thread; Red (hot); Includes 20290 Washer and 803615 Washer Filter
	F8665603	Water Hose Kit	Standard thread; Blue (cold); Includes 20290 Washer and 803615 Washer Filter
	F8665602	Water Hose Kit	Metric thread; Red (hot); Includes 20290 Washer and 803615 Washer Filter
	F8665604	Water Hose Kit	Metric thread; Blue (cold); Includes 20290 Washer and 803615 Washer Filter
	F8671201	Fill Hose Kit	WRAS; Includes item 11 and F8665602 Water Hose Kit
	F8671202	Fill Hose Kit	WRAS; Includes item 11 and F8665604 Water Hose Kit
	F8671101	Fill Hose Kit	Australian watermark; Includes F8665602 Water Hose Kit and B12543901 Check Valve
	F8671102	Fill Hose Kit	Australian watermark; Includes F8665604 Water Hose Kit and B12543901 Check Valve
	24122	Mixing Valve Screen	Steel mesh
	F8161201	Mixing Valve Screen	Plastic
1	B12568601	Dispenser Gasket	
2	F8563204	Dispenser Cover	Black; Icons and text
	F8563203	Dispenser Cover	Gray; Icons and text
	F8563202	Dispenser Cover	Black; Icons
	F8563201	Dispenser Cover	Gray; Icons
3	F8569101	O-Ring	
4	F8566801	Clip	
5	F8565201	Valve	3/4 inch; Standard
	F8565202	Valve	3/4 inch; Metric
6	F8230301	Screw	
7	800548	Screw	
8	F8589601	Vacuum Breaker Guard	
9	70058501	Pop Rivet	
10	F8301201	Double Check Valve	WRAS
11	F8434003	Mixing Valve	Standard
	F8434004	Mixing Valve	Metric
12	36801	Hose Clamp	
13	F8598501	Auxiliary Fill Hose	
14	F8529701	Manifold Valve	Standard
	F8529702P	Manifold Valve	Metric
15	F8232012	Hose	
16	F0431807-00	Nut	
17	F8535601	Screw	
18	F8437902	Dispenser Weldment	
19	F8047901	Siphon Cover	
20	F200213	Hose Clamp	
21	F8529604	P-Trap Hose	
22	F200201	Hose Clamp	
23	F8616404	Rear Vent Hose	
24	F8529404	Supply Vacuum Hose	
25	F8517503	Vacuum Breaker Assembly	With inlet and fill
	F8517502	Vacuum Breaker Assembly	With inlet; WRAS
	F8517501	Vacuum Breaker Assembly	With fill; WRAS
	F8517504	Vacuum Breaker Assembly	
26	F8047801	Access Cover	

Motor, Pulley and Belt - 20 and 30 Pound Models

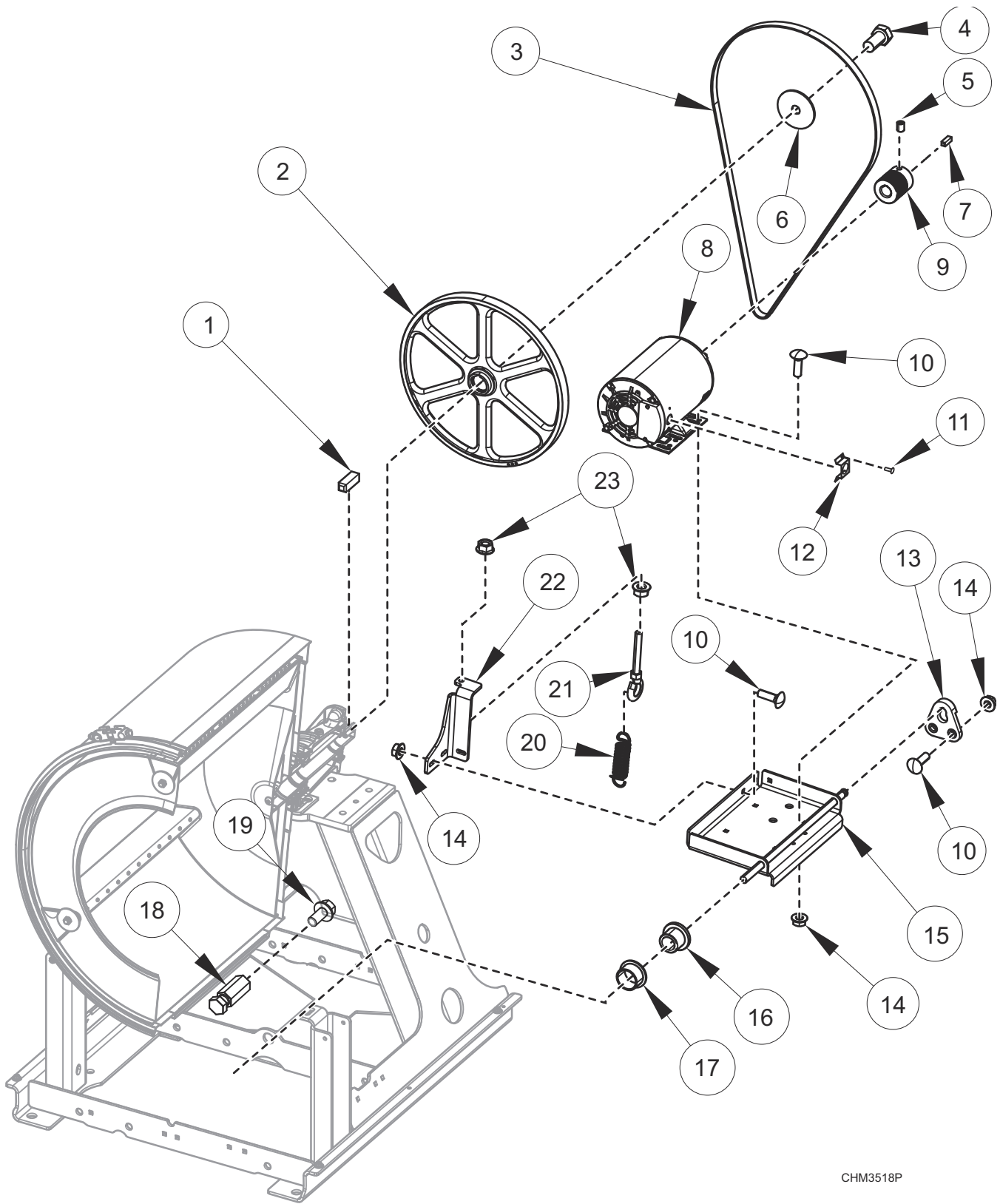


C-CHM3P1

Motor, Pulley and Belt - 20 and 30 Pound Models

REF	PART NO.	DESCRIPTION	COMMENTS
	F8733806	Gasket	EMI 17.8 inch
	F8733801	Gasket	EMI 21 inch
	F8733802	Gasket	EMI 24 inch
	F8519001	Motor Harness	1 hp; 120-240 Volt
	F8719402	Motor Harness	1 hp; 380-480 Volt; IEC shielded models starting September 2021
	F8519006	Motor Harness	1 hp; 120-240 Volt; EMI filter models through August 2021
	F8519002	Motor Harness	1 hp; 380-480 Volt
	F8519007	Motor Harness	1 hp; 380-480 Volt; EMI filter models through August 2021
	F8719402	Motor Harness	1 hp; 120-240 Volt; IEC shielded models starting September 2021
	F8748601	Spring Stud Kit	
1	F430801	Key	
2	F8511601	Basket Pulley	20 pound models
	F8511701	Basket Pulley	30 pound models
3	F8382811	Belt	20 pound models; Poly-V; 560J6
	F8382812	Belt	30 pound models; Poly-V; 690J6
4	F431115	Washer	
5	F8574001	Screw	
6	M400077	Screw	
7	H8752006H	Key	
8	F8525301	Motor Pulley	
9	23222	Screw	
10	70521901	Motor Conduit Mounting Bracket	models through August 2021
	F8732401	Motor Conduit Mounting Bracket	models starting September 2021
11	F8402801	Bolt	
12	44087201	Nut	
13	F8441101	Motor Rod Plate	
14	70062401	Bolt	
15	F8535202	Flanged Isolator	
16	F8333302	Flanged Bushing	
17	F8589001	Motor Bracket Weldment	
18	F8581201	Spring Bracket	
19	F310124	Extension Spring	
20	F8319503	Eye Bolt	
21	44087301	Nut	
22	F8509601P	Motor	1 hp; 230 Volt
	F8509701	Motor	1 hp; 460 Volt
23	F8634701	Stud	
24	70126104	Screw	

Motor, Pulley and Belt - 40 and 60 Pound Models

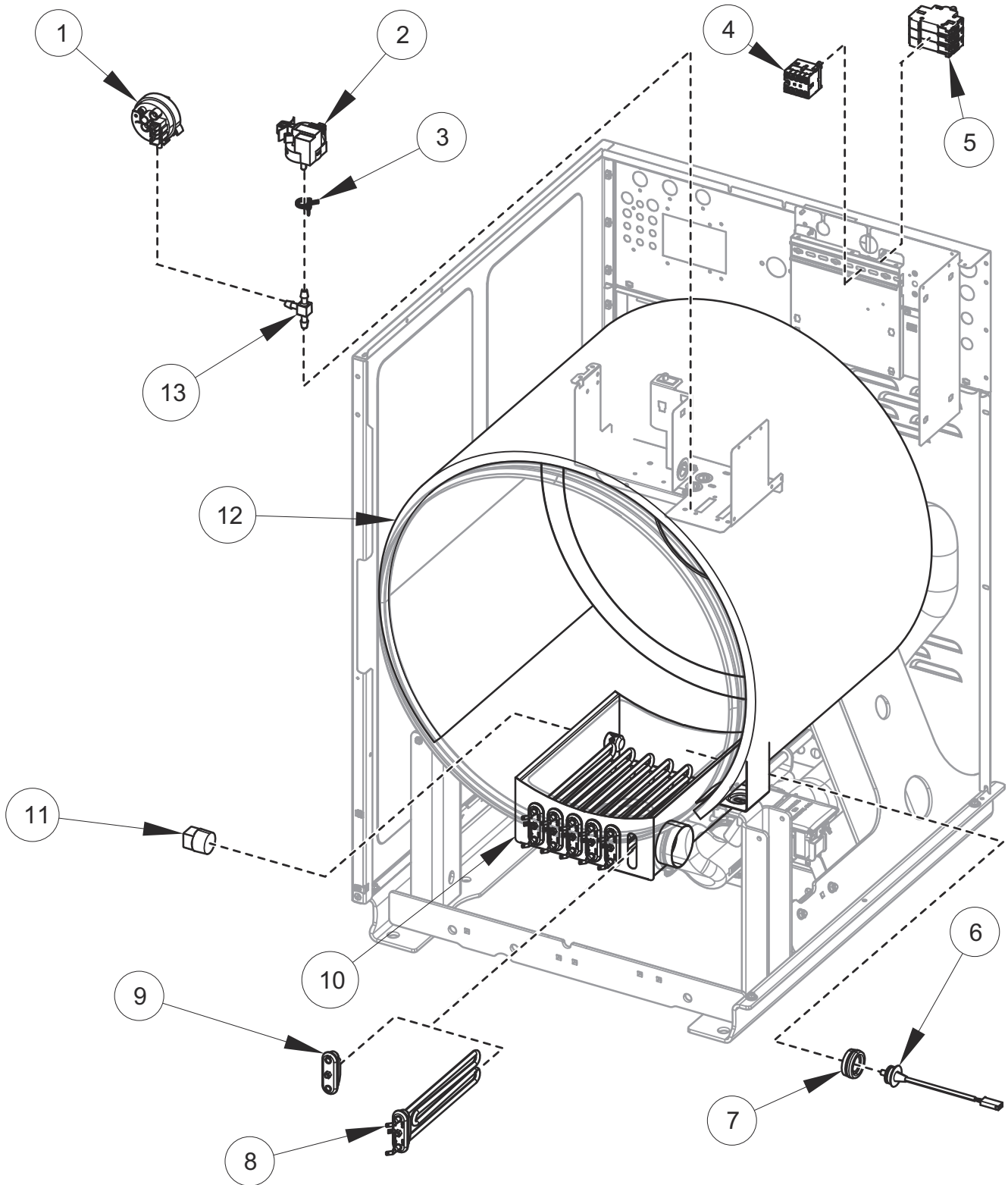


CHM3518P

Motor, Pulley and Belt - 40 and 60 Pound Models

REF	PART NO.	DESCRIPTION	COMMENTS
	F8519003	Motor Harness	2-3 hp; 240 Volt; B, Q, W, X and Y voltage
	F8719403	Motor Harness	2-3 hp; B, Q, W, X and Y voltage; IEC shielded models starting September 2021
	F8719404	Motor Harness	2-3 hp; N and P voltage; IEC shielded models starting September 2021
	F8519004	Motor Harness	2-3 hp; 480 Volt; N and P voltage
	F8519008	Motor Harness	B, Q, W, X and Y voltage; EMI filter models through August 2021
	F8519009	Motor Harness	N and P voltage; EMI filter models through August 2021
	F8733806	Gasket	EMI 17.8 in.
	F8733803	Gasket	EMI 25.6 in.
	F8733804	Gasket	EMI 29 in.
	F8748601	Spring Stud Kit	
1	F430801	Key	
2	F8511701	Basket Pulley	40 pound models
	F8511801	Basket Pulley	60 pound models
3	F8382813	Belt	40 pound models; Poly-V; 717J8
	F8382818	Belt	60 pound models; Poly-V; 765J10
4	F8574001	Screw	
5	M400077	Screw	
6	F431115	Washer	
7	H8752006H	Key	
8	F8564101P	Motor	2 hp; 230/460 Volt; 40 pound models
	F8564102P	Motor	3 hp; 230/460 Volt; 60 pound models
9	F8525301	Motor Pulley	40 pound models
	F8525302	Motor Pulley	60 pound models
10	F8402801	Bolt	
11	23222	Screw	
12	F8732801	Bracket	
13	F8441101	Motor Rod Plate	
14	44087201	Nut	
15	F8589002	Motor Bracket Weldment	
16	F8535202	Flanged Isolator	
17	F8333302	Flanged Bushing	
18	F8634701	Stud	
19	70126104	Screw	
20	F310124	Extension Spring	40 pound models
	F8440701	Extension Spring	60 pound models
21	F8319503	Eye Bolt	
22	F8581201	Spring Bracket	
23	44087301	Nut	

Electric Heating

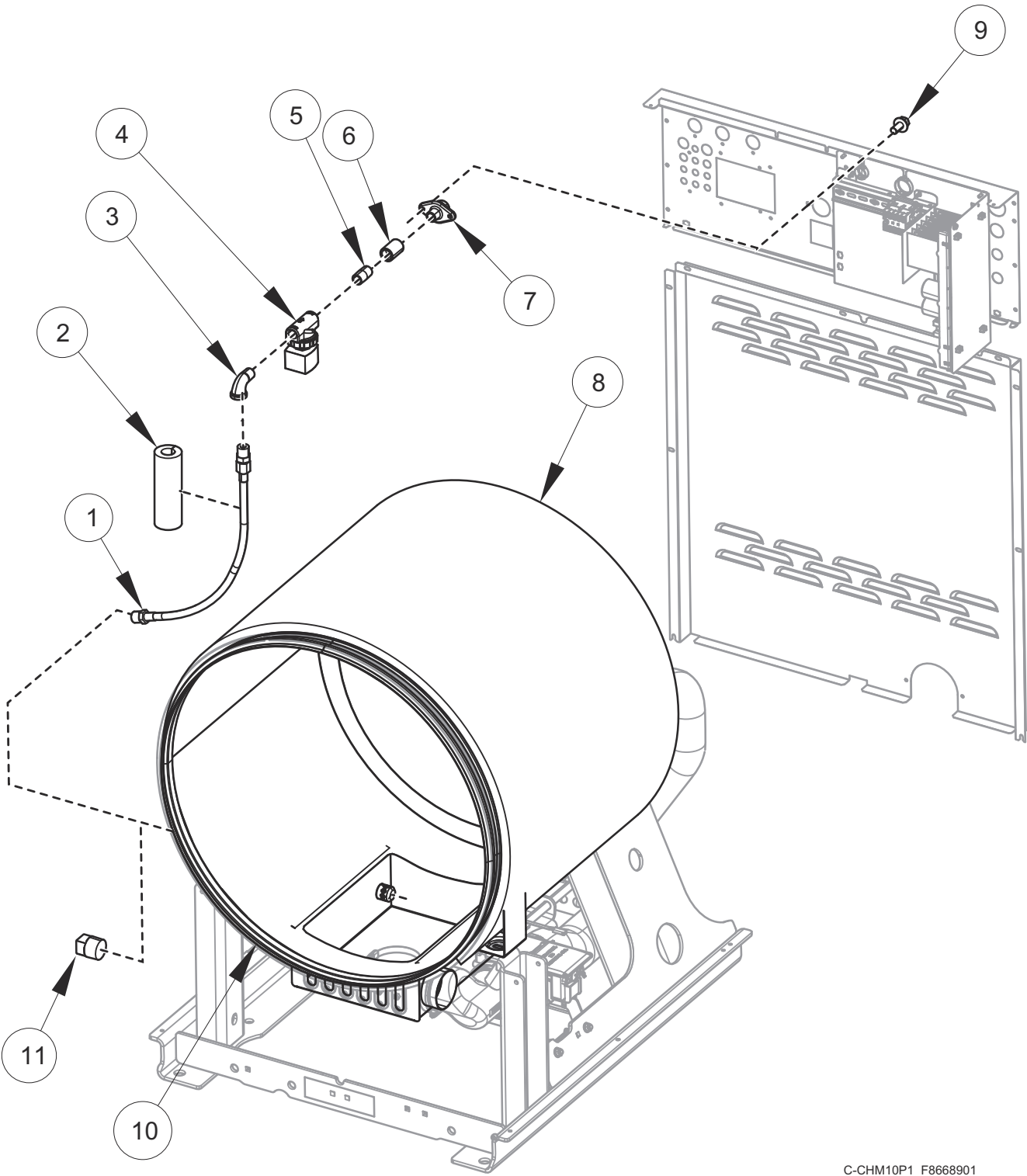


C-CHM8P6_F8668901

Electric Heating

REF	PART NO.	DESCRIPTION	COMMENTS
	F8584801	Electric Heat Element Harness	3 element ground
	F8584802	Electric Heat Element Harness	6 element ground
	F8619101	Power Harness	
	F8564001	Harness	Heater; 20 and 30 pound models; N and P Voltage
	F8564002	Harness	Heater; 20 and 30 pound models; Q Voltage
	F8564003	Harness	Heater; 40 and 60 pound models; N, P and Q Voltage
	F8598301	Harness	Thermistor; 20 and 30 pound models
	F8598302	Harness	Thermistor; 40 and 60 pound models
	F8568901	Jumper	40 and 60 pound models with N voltage
	F8569001	Jumper	40 and 60 pound models with P voltage; 20 and 30 pound models with N and P voltage
1	F8609101	Water Level Pressure Switch	
2	F8623401	Pressure Sensor	
3	39282	Hose Clamp	
4	70482601	Contactora	
5	70488101	Circuit Breaker	
6	F8538801	Thermistor	
7	2251000400	Temperature Probe Grommet	
8	F8568401	Heating Element	2600W; 240 Volt
	F8568402	Heating Element	3400W; 277 Volt
	F8568301	Heating Element	4200W; 230 Volt
9	F360202	Heating Element Plug	
10	F8512102	Shell	20 pound models
	F8514002	Shell	30 pound models
	F8512202	Shell	40 pound models
	F8543702	Shell	60 pound models
11	F420408	Plug	20, 30 and 40 pound models
	F420409	Plug	60 pound models
12	F8209101	Insulation	20 pound models
	F8209102	Insulation	30 pound models
	F8209103	Insulation	40 pound models
	F8209104	Insulation	60 pound models
13	203464	Barbed Tee	

Steam Heating - 40 and 60 Pound Models

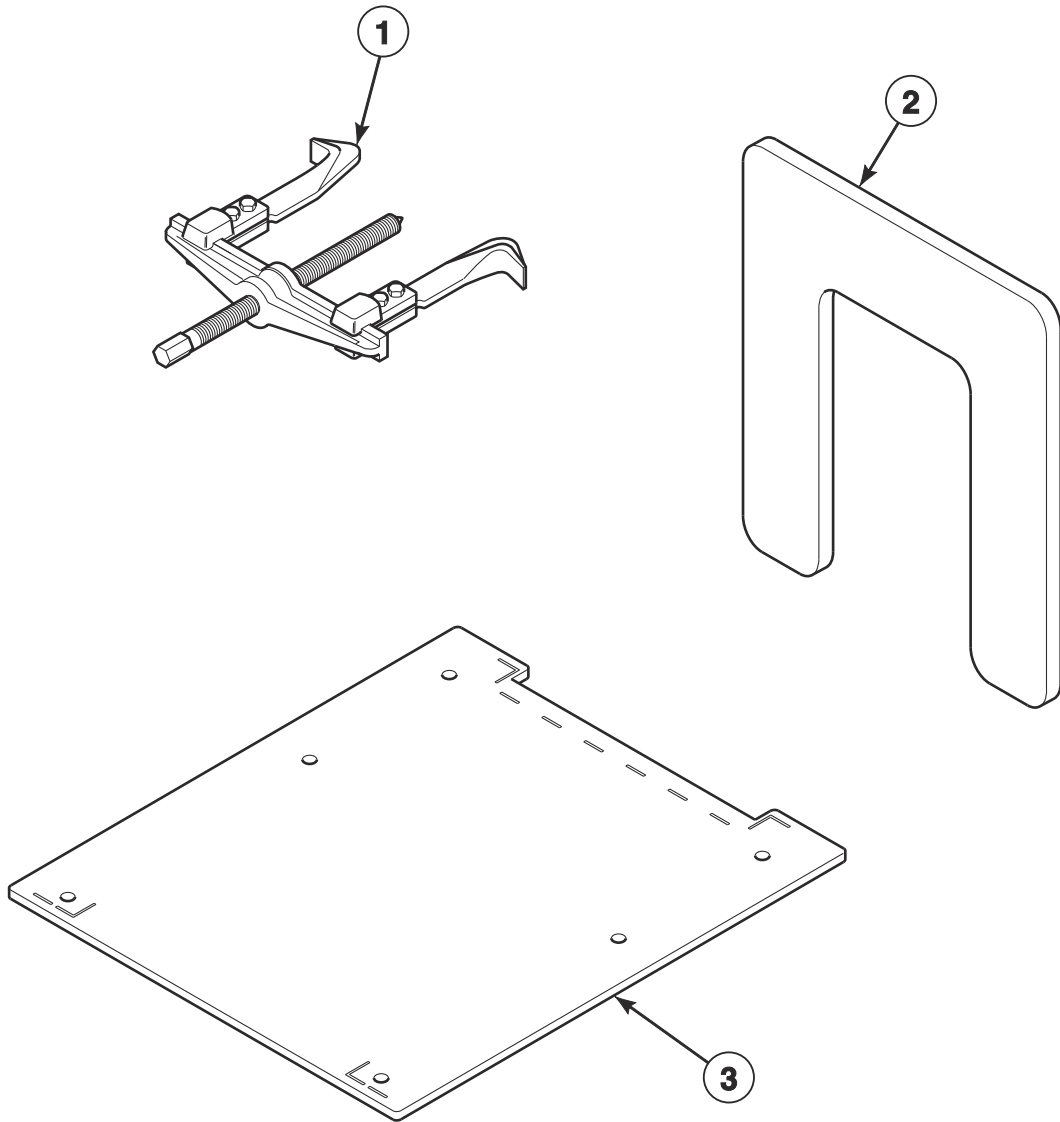


C-CHM10P1_F8668901

Steam Heating - 40 and 60 Pound Models

REF	PART NO.	DESCRIPTION	COMMENTS
	F8662602	Steam Kit	40 pound models; Includes Items 1-7, 9, 11, 901403 Pipe Nipple, F270307 Steam Filter, F8520704 Harness, insulation and labels
	F8662601	Steam Kit	60 pound models; Includes Items 1-7, 9, 11, 901403 Pipe Nipple, 70214101 Pipe Nipple, F270307 Steam Filter, F8520704 Harness, insulation and labels
	F270307	Steam Filter	1/2 inch
	F270308	Steam Filter	3/4 inch
	F8520704	Harness	Steam Valve
	F8233704	Insulation	Steam pipe; 12 inches
	F8233708	Pipe Insulation	Steam pipe; 20 inches
	F410300	Pipe Insulation	Steam pipe; 36 inches
1	F200153P	Steam Hose	40 pound models
	F200197	Steam Hose	60 pound models
2	F8233702	Insulation	Steam pipe; 6 inches
3	H86070034	Street Elbow	
4	F8322805	Valve	
	F8515001	Coil	
5	70435601	Pipe Nipple	
6	F8116301	Coupling	
7	F8362701	Coupling	
8	F8209103	Insulation	40 pound models
	F8209104	Insulation	60 pound models
9	70321501	Screw	
10	F8512202	Shell	40 pound models
	F8543702	Shell	60 pound models
11	F420408	Plug	

Special Tools and Kits



CHM3486P_F8668901

Special Tools and Kits

REF	PART NO.	DESCRIPTION	COMMENTS
	1111P	Concrete Kit	5/8 inch
	389P4	Basket Tool Kit	Purchase; Requires item 1
	390P4-1	Basket Rental Tool Kit	Purchase; Requires item 1
	203346	USB IR Interface Kit	
1	F460129P	Basket Puller Tool	
2	F8608502P	Basket Pulley Puller Tool	Use with item 1
3	F8433301	Frame Template	20 pound models
	F8433401	Frame Template	30 pound models
	F8433501	Frame Template	40 pound models
	F8433601	Frame Template	60 pound models

Parts Index

A

Access Cover	
F8047801	71, 73, 75, 77
Access Panel	
F8524001	39, 41, 43
F8524101	39, 41, 43
F8524201	39, 41, 43
F8553901	39, 41, 43
Access Panel Retaining Spacer	
F8609701	39, 41, 43
App Pay Overlay Kit	
44374701	11, 15, 17, 19
Auxiliary Fill Hose	
F8598501	77

B

Backflow Preventer	
800310	69
Barbed Tee	
203464	11, 83
Basket	
F8391302	63
F8391304	63
F8391502	63
F8391504	63
F8391702	63
F8391704	63
F8502802	63
F8502805	63
Basket Puller Tool	
F460129P	87
Basket Pulley	
F8511601	79
F8511701	79, 81
F8511801	81
Basket Pulley Puller Tool	
F8608502P	87
Basket Rental Tool Kit	
390P4-1	87
Basket Tool Kit	
389P4	87
Bearing	
F100108	65
F100123P	65
F100134	65
F100135	65
F100136P	65
F100137P	65
Bearing Housing	
F8246802	65
F8247902	65
F8249902	65
F8250902	65
Bearing Housing Assembly	
F8271601P	65
F8271602	65
F8271701P	65
F8271702	65

F8271801P	65
F8271802	65
F8271901P	65
F8271902	65
Belt	
F8382811	79
F8382812	79
F8382813	81
F8382818	81
Bolt	
F430974	49, 51, 53, 55, 57, 59
F8270701	61
F8402801	47, 67, 69, 79, 81
F8508101	49, 51, 53, 55, 57, 59
70062401	79
Bracket	
F8571301	69
F8571401	69
F8732801	81
Bushing	
70346501	23, 25, 27, 29, 31, 33

C

Cabinet Brace	
F8527301	45
F8527401	45
F8527501	45
F8553201	45
Cable	
F8521301	45
Cap	
F8197701	71, 73, 75
Chemical Injection Control	
804528	35
Circuit Breaker	
70488101	27, 29, 31, 33, 83
Clip	
F8566801	71, 73, 75, 77
Coil	
F8515001	85
Coin Drawer Assembly	
F8182001	21
Coin Drop	
38963P	15
39748	15
70441601P	15
70441603	17
Coin Drop Assembly	
201141	15
210195	17
210196	17
38462P	15
38463	15
38464P	15
38467	17
38475	15
38519	17
70281102	17
70283102	17
70441602	17
70447301	17

N/A items do not appear in index.

70471601	15
70482401	17
70506901	15
Coin Drop Kit	
CK077	15
CK122	19
CK503	17
Coin Identification Paper	
38725	15, 17, 19
Coin Meter	
F0160737-00	17
Coin Vault Assembly	
F8529101	11
Coin Vault Harness	
F8519701	11
Concrete Kit	
1111P	87
Connector	
70493102	35
Contactora	
F330188P	83
70482601	23, 25, 27, 29, 31, 33
70482701	23, 25, 27, 29, 31, 33
Contactora Tray	
F8530901	23, 25, 27, 29, 31, 33
Control Assembly	
F8493901P	11
Control Panel Assembly	
F8523701	39
F8523801	39
F8523901	39
F8553701	39
F8697101	41, 43
F8697201	41, 43
F8697301	41, 43
F8697401	41, 43
Control Tray	
F8530701	13
Coupling	
F8116301	85
F8362701	85

D

Danger Label	
F8614501	9
DIN Rail	
B12315401	27, 29, 31, 33
M412689	23, 25, 27, 29, 31, 33
Dispenser	
F8047403	71, 73, 75, 77
Dispenser Bracket	
F8525701	45
Dispenser Cover	
F8563201	71, 73, 75, 77
F8563202	71, 73, 75, 77
F8563203	71, 73, 75, 77
F8563204	71, 73, 75, 77
Dispenser Gasket	
B12568601	71, 73, 75, 77
Dispenser Weldment	
F8437902	71, 73, 75, 77
Door	
F8507501P	49, 51

N/A items do not appear in index.

F8507502	49, 51
F8507602	53, 55
F8507701	57, 59
F8507702	57, 59
F8752601	53, 55
Door Assembly	
F8617203	49
F8617204	49
F8617205	49
F8617206	49
F8617213	51
F8617214	51
F8617215	51
F8617216	51
F8617303	53
F8617304	53
F8617305	53
F8617306	53
F8617313	55
F8617314	55
F8617315	55
F8617316	55
F8617403	57
F8617404	57
F8617405	57
F8617406	57
F8617413	59
F8617414	59
F8617415	59
F8617416	59
Door Bezel	
F0170426-30	39, 41, 43
F8658801	39, 41, 43
F8658901	39, 41, 43
Door Gasket	
F200000202	49, 51
F8111502	57, 59
F8111602	53, 55
Door Glass	
F8485305	53, 55
F8485405	57, 59
F8675701P	49, 51
Door Glass Trim	
F8583201	49, 51
F8583202	53, 55
F8583203	57, 59
F8583204	49, 51
F8583205	53, 55
F8583206	57, 59
Door Handle	
F8544701	49, 51, 53, 55, 57, 59
Door Handle Spacer Kit	
F8567501	49, 51, 53, 55, 57, 59
Door Hinge	
F190216P	49, 51, 53, 55, 57, 59
Door Hinge Shim Kit	
F200131000P	49, 51, 53, 55, 57, 59
Door Latch Arm Assembly	
F8221403	49, 51, 53, 55, 57, 59
Door Lock Assembly	
F8632401	61
Door Lock Catch	
F8344501	61
Door Lock Cover	
F8245001	61

Door Lock Harness	
F8520201	61
F8520202	61
Door Lock Microswitch	
F200203200	61
Door Lock Plate Assembly	
F8223202	61
Door Lock Plate Shim	
F83344401	61
Door Lock Solenoid Replacement Kit	
F977P3	61
Door Lock Switch Lever	
F8223401	61
Door Mount	
F150271	49, 51, 53, 55, 57, 59
Double Check Valve	
F8301201	71, 73, 75, 77
Dowel Pin	
F8388201	65
Drain Hose	
F200165100	67
F8541901	67
F8542001	67
F8542002	67
27154	69
Drain Hose Elbow	
35766	69
Drain Tee	
F8752101	67
Drain Valve	
F8406308	67
Drain Valve Bracket	
F8543101	67
F8543301	67
F8543401	67
F8587701	67
Drain Valve Cover	
F200133600	67
Drain Valve Harness	
F8520001	67, 69
F8520002	67, 69
Drain Valve Kit	
F200166302	67
F200166402	67
F8577201	67
Drive Assembly	
F8495401P	37
F8496001	37
F8496301P	37
F8496901	37
Drive Communication Harness	
F8519201	37
F8519202	37
F8519203	37
F8519204	37
Drive Mounting Bracket	
F8322401	37
Drive Panel Base Assembly	
F8567001	23, 25, 27, 29
F8567002	27, 29
F8567003	31, 33
F8567004	31, 33
Drive Power Harness	
F8518601	37
F8518602	37

F8518603	37
Drive Shield	
F8616901	23, 25, 27, 29, 31, 33
Drive Terminal Tray	
F8530801	23, 25, 27, 29
F8530803	31, 33

E

Electric Heat Element Harness	
F8584801	83
F8584802	83
Electronic Coin Drop Assembly	
70294107	19
70513302	19
70513303	19
70513304	19
70513306	19
70513309	19
70513310	19
70513311	19
70513312	19
70513313	19
70513314	19
70513315	19
70513316	19
Electronic Coin Drop Kit	
CK099	19
CK100	19
CK101	19
CK108	19
CK109	19
CK110	19
CK113	19
CK115	19
CK116	19
CK117	19
CK118	19
CK119	19
CK120	19
CK121	19
CK500	19
Emergency Stop Bypass Harness	
F8549403	11
EMI Filter	
F8591601	23, 27
F8591801	25, 29, 31
F8637501	25, 29, 33
End Stop	
F8449801	23, 25, 27, 29, 31, 33
Excluder Seal	
F8337002	63
Expansion Clip	
70030501	13, 23, 25, 27, 29, 31, 33, 37, 39, 41, 43, 45, 47, 61, 69
Extension Spring	
F310124	79, 81
F8440701	81
External Supply Kit	
F8662505	35
F8662506	35
F8662507	35
F8662508	35
Eye Bolt	
F8319503	79, 81

N/A items do not appear in index.

F

Fill Hose Kit	
F8671101	71, 73, 75, 77
F8671102	71, 73, 75, 77
F8671201	71, 73, 75, 77
F8671202	71, 73, 75, 77
Fill Valve Harness	
F8520101	71, 73, 75
F8520102	77
Filter Kit	
F8662801	23
F8662802	27
F8662803	25
F8662804	29, 31
F8662805	25
F8662806	29, 33
F8662809	25
F8662810	25
F8662811	29, 31
F8662812	29, 33
Flanged Bushing	
F8333302	79, 81
Flanged Isolator	
F8535202	79, 81
Frame Template	
F8433301	87
F8433401	87
F8433501	87
F8433601	87
Front Panel	
F8524301	39
F8524303	43
F8524401	39
F8524403	43
F8524501	39
F8524503	43
F8554001	39
F8554003	43
F8685301	41
F8686001	41
F8686101	41
F8686201	41
Front Tray Assembly	
F8531001	11
F8567301	11
F8567302	11
F8567303	11
F8567304	11
F8567305	11
F8567306	11

G

Gasket	
F8542601	45
F8733801	79
F8733802	79
F8733803	81
F8733804	81
F8733806	79, 81
Gateway	
204145P	13
205223P	13
205391P	13

N/A items do not appear in index.

Ground Lug Connector	
M411283	23, 25, 27, 29, 31, 33

H

Harness	
F8518401	25, 29, 31
F8518402	23, 25
F8518403	29, 31
F8518404	23, 25, 31
F8518405	23, 27
F8518501	23, 25, 29, 33
F8518502	25
F8518503	29, 33
F8518504	25, 29
F8518604	27
F8518605	25, 29, 33, 37
F8518606	25, 29, 33, 37
F8518607	31
F8519301	11
F8519501	11
F8519502	11
F8519601	11
F8520601	35
F8520602	35
F8520704	85
F8528001	25, 27, 29, 31, 33
F8528002	25
F8528003	27, 29, 31, 33
F8528004	23, 27
F8528005	25, 29, 31, 33
F8528006	23, 27
F8528203	35
F8528204	35
F8564001	83
F8564002	83
F8564003	83
F8598301	63, 83
F8598302	63, 83
F8619102	23, 25, 27, 29, 31, 33
Harness Support Bracket	
F8744301	23, 25, 27, 29, 31, 33
Heating Element	
F8568301	83
F8568401	83
F8568402	83
Heating Element Plug	
F360202	83
Hole Plug	
F8223801	45
Hose	
F8232007	71
F8232010	75
F8232011	73
F8232012	77
Hose Clamp	
F200201	67, 71, 73, 75, 77
F200204	69
F200213	67, 71, 73, 75, 77
F200215	69
F200219	69
36801	71, 73, 75, 77
36802	67, 69
39282	11, 83
Hot Surface Warning Label	
F8609001	9

F8614301 9

I

Input and Output Control Assembly	
F8494101P	13
Insulation	
F8209101	83
F8209102	83
F8209103	83, 85
F8209104	83, 85
F8233702	85
F8233704	85
Insulator	
M413862	23, 25, 27, 29, 31, 33

J

Jumper	
F8568901	83
F8569001	83
F8583501	27, 29, 31, 33

K

Key	
F160420	21
F430801	79, 81
H8752006H	79, 81
70155603	45

L

Label	
D516100	23, 25, 27, 29, 31, 33
F8601301	9
F8602401	9
F8609401	9
F8611301	9, 45
F8611401	9, 45
F8614801	9
203853	9
44286801	23, 27
44286803	25, 29, 33

M

Machine ID Control Assembly	
203361P	11
Magnet	
F8390801	49, 51, 53, 55, 57, 59
Male Tab Terminal	
00621SG	23, 25, 27, 29, 31, 33
Manifold Valve	
F8529701	71, 73, 75, 77
F8529702P	71, 73, 75, 77
Mixing Valve	
F8434003	77
F8434004	77

Mixing Valve Screen	
F8161201	77
24122	77

Motor	
F8509601P	79
F8509701	79
F8564101P	81
F8564102P	81

Motor Bracket Weldment	
F8589001	79
F8589002	81

Motor Conduit Mounting Bracket	
F8732401	79
70521901	79

Motor Harness	
F8519001	79
F8519002	79
F8519003	81
F8519004	81
F8519006	79
F8519007	79
F8519008	81
F8519009	81
F8719402	79
F8719403	81
F8719404	81

Motor Pulley	
F8525301	79, 81
F8525302	81

Motor Rod Plate	
F8441101	79, 81

N

Nameplate	
F8688801	41, 43

Nut	
C001236	49, 51, 53, 55, 59
F0431807-00	71, 73, 75, 77
F430215	19, 49, 51, 53, 55, 57, 59
F430218	63
F430225	61
F430232	49, 51, 53, 55, 57, 59, 61
F431024	57, 61
F431041	49, 51, 53, 55, 57, 59
F8387701	65
44087201	47, 67, 69, 79, 81
44087301	63, 79, 81
44088001	23, 25, 27, 29, 31, 33
44088801	45
685846	11, 15, 17
70030401	67

O

Opto Coupler	
200674P	15, 17

O-Ring	
F8569101	71, 73, 75, 77

Overflow Hose	
F8521201	67
F8522401	67
F8522501	67

N/A items do not appear in index.

Overflow Plug	
F150352	69
Overlay	
F8641601	39
F8641602	39
F8641605	39
F8693701	41
F8693702	41
F8693705	41
F8693801	41
F8693802	41
F8693805	41
F8693901	41
F8693902	41
F8693905	41
F8694001	41
F8694002	41
F8694005	41
F8727501	43
F8727502	43
F8727505	43
F8727601	43
F8727602	43
F8727605	43
F8727701	43
F8727702	43
F8727705	43
F8727801	43
F8727802	43
F8727805	43

P

Panel Locator	
56079	39, 41, 43, 47
Panel Lock	
44089303P	45
Pin	
F8302701	63
F8502101	47
Pinch Warning Label	
F8615701	9
70538401	9
Pipe Insulation	
F410300	85
F8233708	85
Pipe Nipple	
70435601	85
Plug	
F420408	83, 85
F420409	83
F8223901	45
M400985	45
Pop Rivet	
F431215	39, 41, 43, 45
F431223	49, 51, 53, 55, 57, 59
M400003	13, 23, 25, 27, 29, 31, 33
70058501	11, 15, 17, 23, 25, 27, 29, 31, 33, 71, 73, 75, 77
70412601	39, 41, 43
Power Distribution Block	
M413865	23, 25, 27, 29, 31, 33
Power Distribution Block Cover	
44014901P	23, 25, 27, 29, 31, 33

Power Harness	
F8619101	23, 25, 27, 29, 31, 33, 83
Pressure Cap	
F8579301	67, 69
Pressure Sensor	
F8623401	11, 83
P-Trap Hose	
F8529601	71
F8529602	73
F8529603	75
F8529604	77
Pulse Expander Assembly	
F8034701P	19
Pump Drain and Bracket Assembly	
804038	69
805613	69
805723	69
Pump Drain Bracket	
F8536901	69
F8557101	69
F8557301	69
Pump Drain Hose	
F8556601	69
Pump Drain Rear Hose	
F8537001	69
F8557001	69
F8557201	69
Pushbutton Switch	
70413301	45

R

Radial Lip Seal	
F8203816	65
Rear Drain Hose	
F8543001	67
F8543201	67
F8543501	67
F8587301	67
Rear Panel	
F8527001	45
F8527101	45
F8527201	45
F8554501	45
Rear Vent Hose	
F8616401	71
F8616402	73, 75
F8616404	77
Reed Switch Assembly	
F8066804	61
Retaining Ring	
F8337801	65
F8337901	65
F8344901	65
F8345001	65
Rivet	
M412763	39, 41, 43, 47
Rod	
F602813-2	49, 51, 53, 55, 57, 59

N/A items do not appear in index.

S

Screw

D503688	37
F430532	49, 51
F430533	53, 55, 57, 59
F430536	49, 51, 53, 55, 57, 59
F8117601	39, 41, 43, 45, 47, 61, 69
F8206901	13, 23, 25, 27, 29, 31, 33, 45, 69
F8230301	71, 73, 75, 77
F8368801	65
F8442702	65
F8535501	39, 41, 43, 49, 51, 53, 55, 57, 59
F8535601	71, 73, 75, 77
F8574001	79, 81
F8589501	39, 41, 43
F8621601	63
F8658501	69
F8673701	63
M400077	79
202175	67
23222	79, 81
33562	45
39733	23, 25, 27, 29, 31, 33
403497	35
430497	13
51780	45
51783	23, 25, 27, 29, 31, 33
685837	23, 25, 27, 29, 31, 33
70126104	79, 81
70321501	85
800548	71, 73, 75, 77

Seal Scupper Pad

F8350302	65
----------	----

Set Screw

M400077	81
---------	----

Shaft Seal Sleeve Kit

F8343906P	63
-----------	----

Shell

F8512101	63
F8512102	63, 83
F8512201	63
F8512202	63, 83, 85
F8514001	63
F8514002	63, 83
F8543701	63
F8543702	63, 83, 85

Shell Band Kit

F8537801	63
F8537802	63
F8537803	63
F8537804	63

Shell Front

F8222301	63
F8222401	63
F8222501	63
F8222601	63

Shock Warning Label

F8614201	9
----------	---

Side Panel

F8524601	47
F8524602	47
F8524603	47
F8524604	47
F8524701	47
F8524702	47

F8524703	47
F8524704	47
F8524705	47
F8524801	47
F8524802	47
F8524803	47
F8524804	47
F8524805	47
F8524806	47
F8525605	47
F8525606	47
F8554201	47
F8554202	47
F8554203	47
F8554204	47
F8554205	47
F8554206	47

Siphon Cover

F8047901	71, 73, 75, 77
----------	----------------

Snap Bushing

F140938	11, 23, 25, 27, 29, 31, 33, 35
M402542	11
M411826	11

Spacer

F431901	61
---------	----

Spring Bracket

F8581201	79, 81
----------	--------

Spring Pin

F431222	49, 51, 53, 55, 57, 59
---------	------------------------

Spring Stud Kit

F8748601	79, 81
----------	--------

Steam Filter

F270307	85
F270308	85

Steam Hose

F200153P	85
F200197	85

Steam Kit

F8662601	85
F8662602	85

Street Elbow

H86070034	85
-----------	----

Stud

F8634701	79, 81
70334702	67

Supply Vacuum Hose

F8529401	71
F8529402	73
F8529403	75
F8529404	77

T

Temperature Probe Grommet

2251000400	63, 83
------------	--------

Terminal

00622SG	13, 23, 25, 27, 29, 31, 33
---------	----------------------------

Terminal Block

430642	23, 25, 27, 29, 31, 33
--------	------------------------

Terminal Block Shield

70333001	23, 25, 27, 29, 31, 33
----------	------------------------

Terminal Tray Cover

F8518301	45
----------	----

N/A items do not appear in index.

Thermistor	
F8538801	63, 83
Top Cover	
F8525401	45
F8525501	45
F8525601	45
F8554301	45
Top Cover Hinge	
F8258601	45
Top Cover Latch	
F8201001	39, 41, 43
Torsion/Door Lock Spring	
F8070301	61
Transformer	
F8491101	13
202757	13
202758	13
Triple Lip Seal	
F8203801	65
F8203802	65
F8203803	65
F8203806	65
F8203813	65
F8203814	65
F8203815	65
Tubing	
F8405302	11
F8405303	11

U

USB IR Interface Kit	
203346	87

V

Vacuum Breaker Assembly	
F8517501	71, 73, 75, 77
F8517502	71, 73, 75, 77
F8517503	71, 73, 75, 77
F8517504	71, 73, 75, 77
Vacuum Breaker Guard	
F8589601	71, 73, 75, 77
Valve	
F8322805	85
F8565201	71, 73, 75, 77
F8565202	71, 73, 75, 77
Valve Panel	
F8513101	45
F8513201	45
F8513301	45
F8554401	45

W

Warning Label	
F8611601	9
44324001	9
Washer	
F430339	65
F431115	79, 81
F431133	49, 51, 53, 55, 57, 59

F431147	49, 51, 53, 55, 57, 59
F431916	49, 51, 53, 55, 57, 59
F431929	49, 51, 53, 55, 57, 59
F8193101	61
F8201101	39, 41, 43
F8402701	63
M400080	63
M400081	63
M405535	47

Water Hose Kit	
F8665601	71, 73, 75, 77
F8665602	71, 73, 75, 77
F8665603	71, 73, 75, 77
F8665604	71, 73, 75, 77

Water Level Pressure Switch	
F8609101	11, 83

Wire Clip	
F8449501	11, 13
70347601	13
70366201	11

Wire Label	
44286804	25, 29, 31

Wireless Harness	
F8520403	13
F8520404	13
F8674003	13
F8674004	13

Wireless Kit	
F8662401	13
F8662402	13
F8676001	13
F8676101	13

Wireless Network Control Assembly	
203532	13
807211	13

Y

Y-Connector	
223/00243/00	77

N/A items do not appear in index.