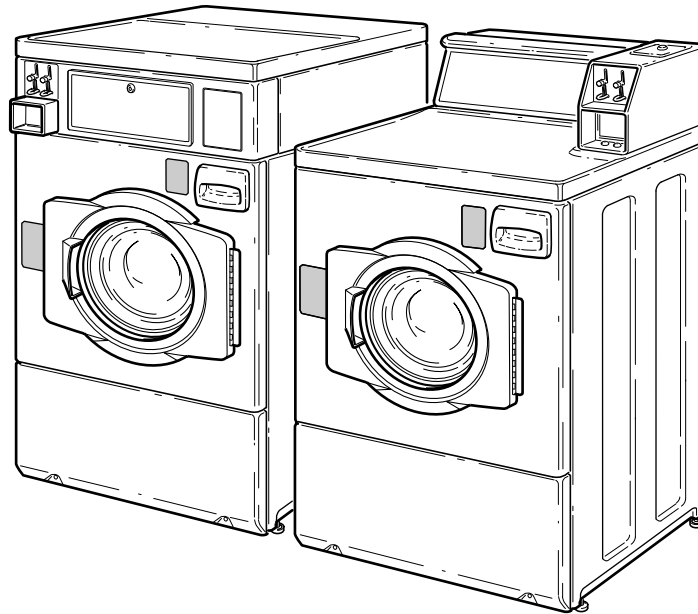


Commercial Frontload Washers

Refer to Page 3 for Model Numbers



FLW1521C_801682

Table of Contents

Title	Page
Parts Ordering Information.....	2
Serial Plate Location	2
Model Identification	3
Control Panel and Controls.....	4
Top Assembly	6
Control Cabinet Controls.....	8
Control Cabinet and Controls.....	10
Electrical Access Panel, Filters and Terminal Block	12
Wrapper Assembly and Coin Drop	14
Electronic Coin Drop	16
Wrapper Assembly and Card Reader	18
Coin Drop, Meter Case, Service Door and Cabinet Top.....	20
Meter Case, Service Door and Cabinet Top.....	22
Control Panel, Control Hood and Controls (Drawing 1 of 3)	24
Control Hood Security Kit.....	26
Control Panel, Control Hood and Controls (Drawing 2 of 3)	28
Control Panel, Control Hood and Controls (Drawing 3 of 3)	30
Front Panel, Door Assembly and Door Seal (Drawing 1 of 2).....	32
Front Panel, Door Assembly and Door Seal (Drawing 2 of 2).....	34
Dispenser Assembly	36
Mixing Valve, Inlet Hose and Dispenser Hose	38
Outer Tub, Front and Clamp Ring.....	40
Heating Element	42
Inner Basket, Trunnion, Bearing Housing and Pulley	44
Motor and Belt.....	46
Drain Hoses and Valve	48
Hoses and Pump	50
Base, Side Panels and Rear Panel.....	52
Junction Box	54
Shipping Materials	56
Wire Ties, Harness Clips and Lead-In Cord.....	58
Special Tools	60
Labels	62
Wire Harnesses and Wires	64
Parts Index.....	67

© Copyright 2020, Alliance Laundry Systems LLC

All rights reserved. No part of the contents of this book may be reproduced or transmitted in any form or by any means without the expressed written consent of the publisher.

Parts Ordering Information

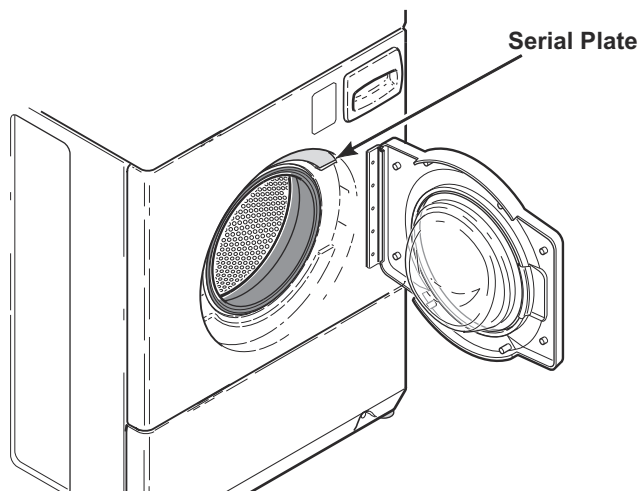
If literature or replacement parts are required, contact the source from whom the machine was purchased or contact Alliance Laundry Systems at (920) 748-3950 for the name and address of the nearest authorized parts distributor.

For technical assistance, call the number listed below:

(920) 748-3121 Ripon, Wisconsin

Serial Plate Location

When calling or writing about your product, be sure to mention model and serial numbers. Model and serial numbers are located on serial plate(s) as shown.



FLW1747S_801682

Model Identification

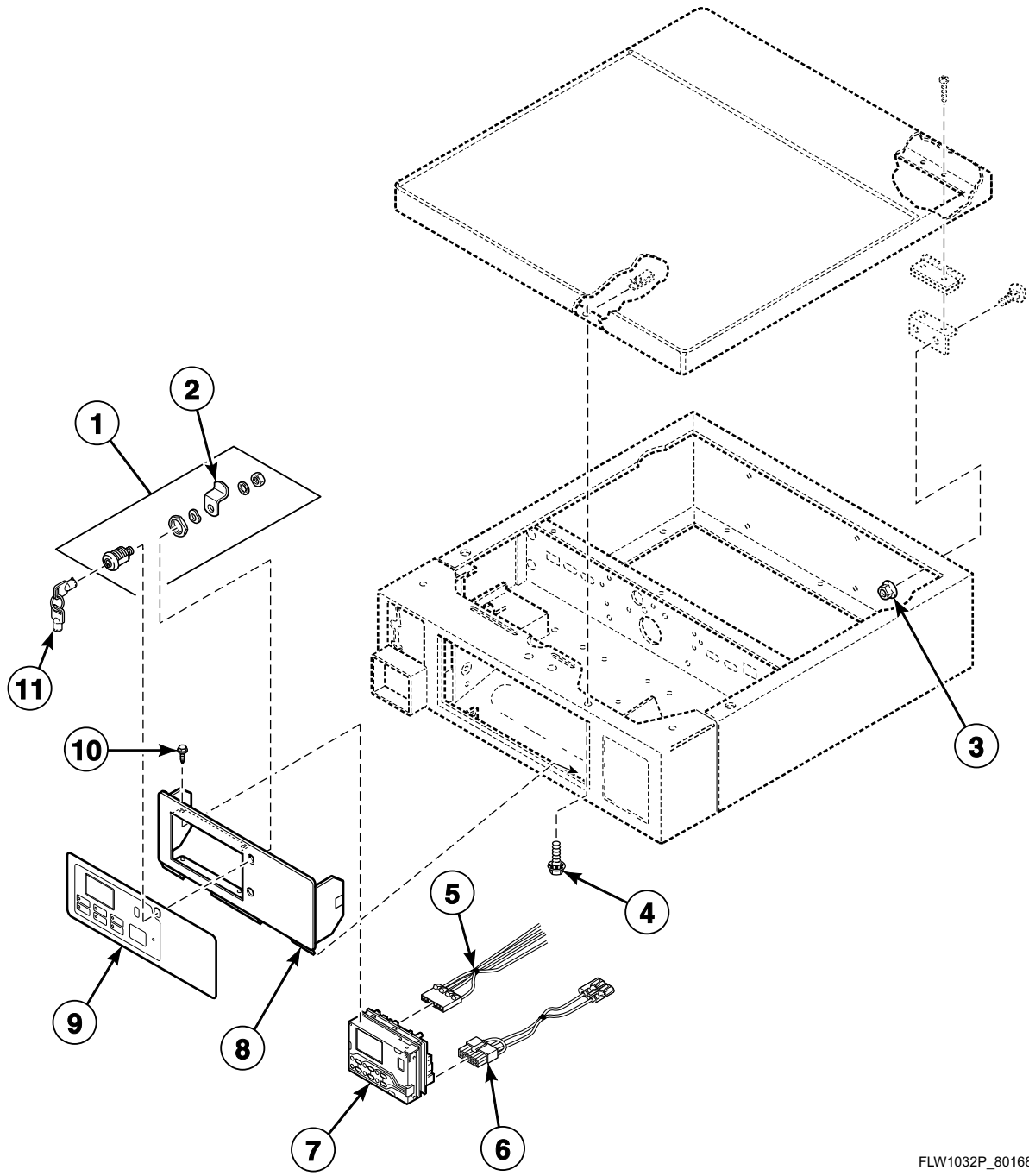
Information in this manual is applicable to these washer models:

BWFLE4*N4000	HWFY63*N1102	HWRX61*N1102	SWFA61*N3069
BWFLE5*N4000	HWFY64*N4000	HWRXE1*N1102	SWFA61*N3300
BWFXE4*N4000	HWFY65*N4000	HWRY61*N1102	SWFF61*N3050
BWFXE5*N4000	HWFZ61*N1102	HWRYE1*N1102	SWFX61*N1127
HWFB61*N1102	HWFZ63*N1102	HWRZ61*N1102	SWFX61*N3000
HWFF61*N1102	HWR961*N1102	NWFL44*N4000	SWFX61*N3020
HWFR61*N1102	HWR961*N1127	NWFL45*N4000	SWFX61*N3050
HWFT61*N1102	HWR963*N1102	NWFL64*N4000	SWFX61*N3300
HWFT63*N1102	HWRR61*N1102	NWFX64*N4000	SWFX64*N4000
HWFX61*N1102	HWRRE1*N1102	NWFX65*N4000	SWFX64*N98K5
HWFX61*N1127	HWRT61*N1102	SWFA61*N3000	SWFX65*N4000
HWFX64*N4000	HWRTE1*N1102	SWFA61*N3050	SWFY64*N4000
HWFY61*N1102			SWFY65*N4000

* Add Letter To Designate Color. Q - Bisque W - White

Control Panel and Controls

Models BWFXE4*N4000, BWFXE5*N4000, HWFB61*N1102, HWFF61*N1102, HWFR61*N1102, HWFT61*N1102, HWFT63*N1102, HWFX61*N1102, HWFX61*N1127, HWFX64*N4000, HWFY61*N1102, HWFY63*N1102, HWFY64*N4000, HWFY65*N4000, HWFZ61*N1102, HWFZ63*N1102, NWF64*N4000, NWF65*N4000, SWFA61*N3000, SWFA61*N3050, SWFA61*N3069, SWFA61*N3300, SWFF61*N3050, SWFX61*N1127, SWFX61*N3000, SWFX61*N3020, SWFX61*N3050, SWFX61*N3300, SWFX64*N4000, SWFX64*N98K5, SWFX65*N4000, SWFY64*N4000 and SWFY65*N4000



FLW1032P_801682

Control Panel and Controls

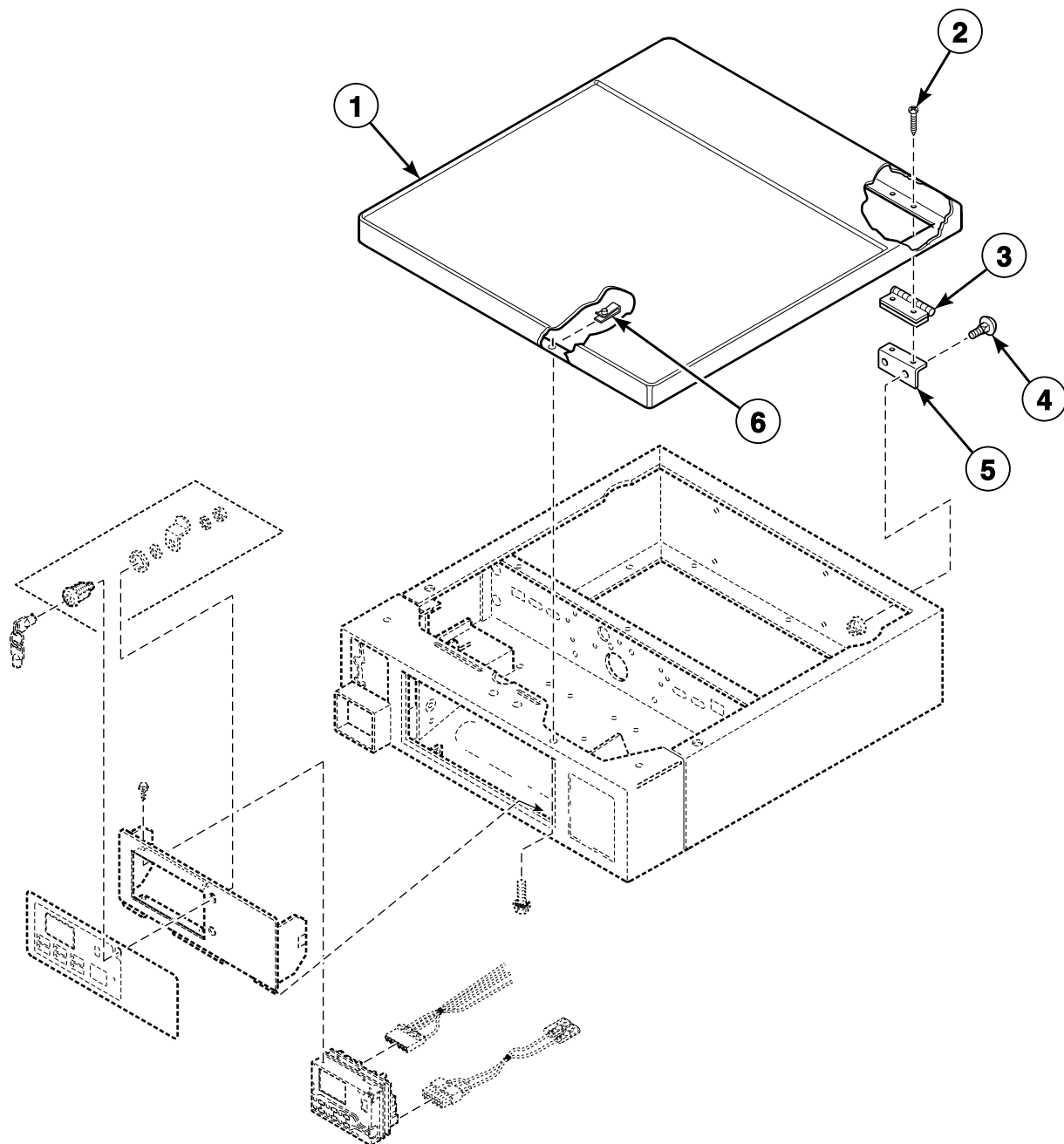
REF	PART NO.	DESCRIPTION	COMMENTS
1	27260P	Lock Kit	
2	27261	Lock Cam	
3	29796	Nut	
4	23008	Screw	
5	D511478	Central Pay Harness	All models except HWFB61*N1102, HWFF61*N1102, SWFA61*N3000, SWFA61*N3050, SWFA61*N3069, SWFA61*N3300 and SWFF61*N3050
6	800374	Diagnostic Wire Harness Assembly	Models HWFF61*N1102, HWFY61*N1102, HWFY63*N1102, HWFY64*N4000, HWFY65*N4000, SWFF61*N3050, SWFY64*N4000 and SWFY65*N4000
7	800772P	Control Kit	Models HWFB61*N1102, HWFF61*N1102, SWFA61*N3000, SWFA61*N3050, SWFA61*N3069, SWFA61*N3300 and SWFF61*N3050
	803146P	Control Assembly	Models HWFR61*N1102, HWFT61*N1102, HWFT63*N1102, HWFX61*N1102, HWFX61*N1127, HWFY61*N1102, HWFY63*N1102, HWFZ61*N1102, HWFZ63*N1102, SWFX61*N1127, SWFX61*N3000, SWFX61*N3020, SWFX61*N3050 and SWFX61*N3300
	802400P	Control Assembly	Models BWFXE4*N4000, BWFXE5*N4000, HWFX64*N4000, HWFY64*N4000, HWFY65*N4000, NWF64*N4000, NWF65*N4000, SWFX64*N4000, SWFX64*N98K5, SWFX65*N4000, SWFY64*N4000 and SWFY65*N4000
	210010P	Membrane Switch	Use with 802400P Control Assembly; Models BWFXE4*N4000, BWFXE5*N4000, HWFX64*N4000, HWFY64*N4000, HWFY65*N4000, NWF64*N4000, NWF65*N4000, SWFX64*N4000, SWFX64*N98K5, SWFX65*N4000, SWFY64*N4000 and SWFY65*N4000
8	800035W	Control Panel and Bracket Assembly	White
	800035Q	Control Panel and Bracket Assembly	Bisque
9	800033	Control Panel Overlay	Model SWFF61*N3050
	800413	Control Panel Overlay	Models SWFA61*N3000, SWFA61*N3050, SWFA61*N3069 and SWFA61*N3300
	800416	Control Panel Overlay	Model HWFB61*N1102
	N/A	Overlay	Model HWFF61*N1102
	801050	Front Overlay	Models SWFX61*N1127, SWFX61*N3000, SWFX61*N3050 and SWFX61*N3300
	801053	Front Overlay	Models HWFR61*N1102, HWFT61*N1102, HWFT63*N1102, HWFX61*N1102, HWFX61*N1127, HWFY61*N1102, HWFY63*N1102, HWFZ61*N1102 and HWFZ63*N1102
	801037	Front Overlay	Models SWFX64*N4000, SWFX64*N98K5, SWFX65*N4000, SWFY64*N4000 and SWFY65*N4000
	N/A	Front Overlay	Model SWFX61*N3020
	801761	Front Overlay	Models HWFX64*N4000, HWFY64*N4000 and HWFY65*N4000
	802510	Overlay	Models NWF64*N4000 and NWF65*N4000
	801872	Overlay	Models BWFXE4*N4000 and BWFXE5*N4000
10	D501524	Screw	
11	54612	Key	GR800

* Add Letter To Designate Color. Q - Bisque W - White

N/A = Part no longer available

Top Assembly

Models BWFXE4*N4000, BWFXE5*N4000, HWFB61*N1102, HWFF61*N1102, HWFR61*N1102, HWFT61*N1102, HWFT63*N1102, HWFX61*N1102, HWFX61*N1127, HWFX64*N4000, HWFY61*N1102, HWFY63*N1102, HWFY64*N4000, HWFY65*N4000, HWFZ61*N1102, HWFZ63*N1102, NWF64*N4000, NWF65*N4000, SWFA61*N3000, SWFA61*N3050, SWFA61*N3069, SWFA61*N3300, SWFF61*N3050, SWFX61*N1127, SWFX61*N3000, SWFX61*N3020, SWFX61*N3050, SWFX61*N3300, SWFX64*N4000, SWFX64*N98K5, SWFX65*N4000, SWFY64*N4000 and SWFY65*N4000



FLW1032PA_801682

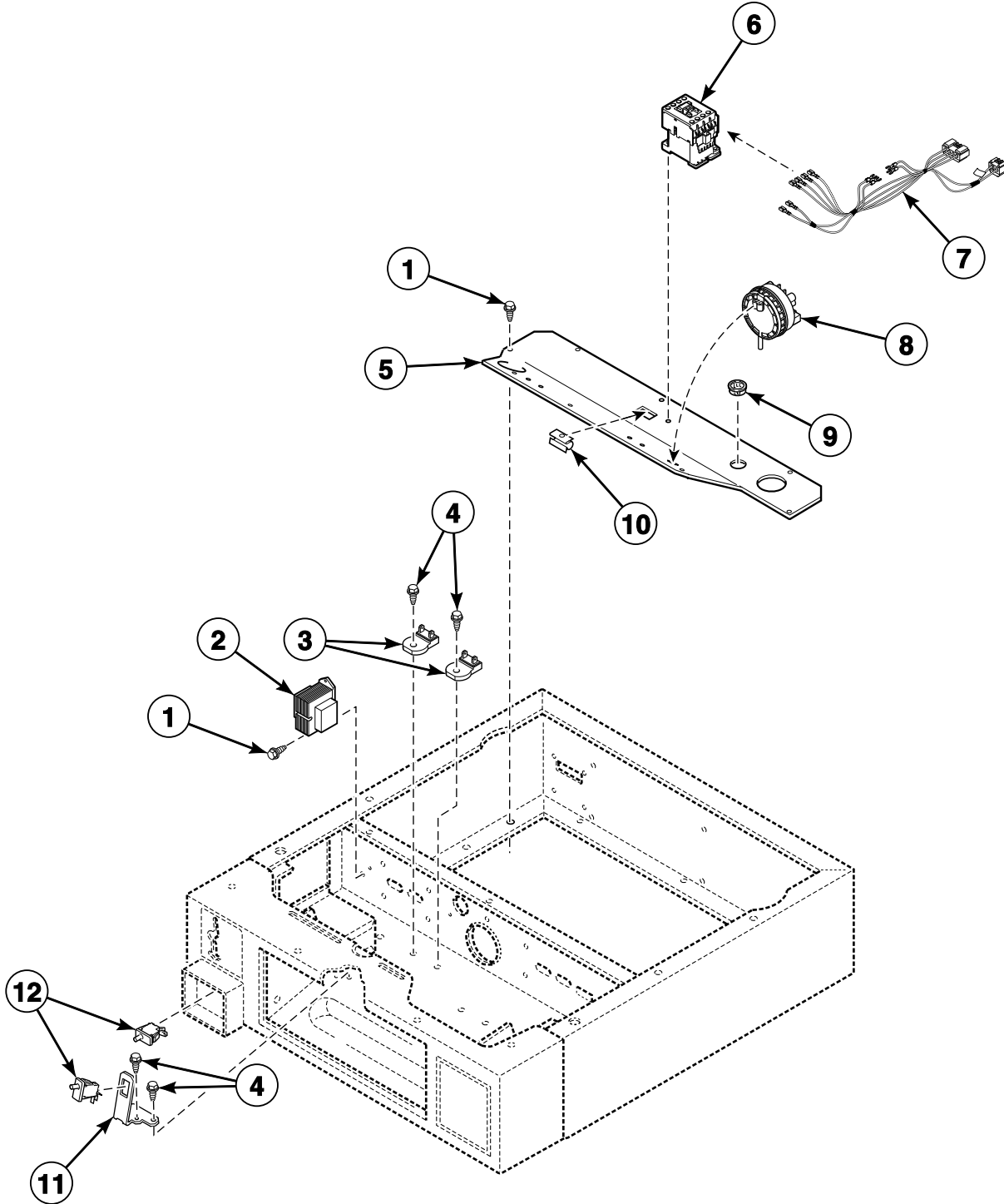
Top Assembly

REF	PART NO.	DESCRIPTION	COMMENTS
1	802247WP	Top and Gusset Assembly	White; Includes 802247W Top and Gusset Assembly, (10) 02788 Nut, (10) 34337 Screw, (2) D510146 Bracket and 2 each items 3 and 5
	802247QP	Top and Gusset Assembly	Bisque; Includes 802247Q Top and Gusset Assembly, (10) 02788 Nut, (10) 34337 Screw, (2) D510146 Bracket and 2 each items 3 and 5
2	685847	Pop Rivet	
3	D511036	Hinge	
4	29651	Bolt	
5	D504228	Top Mounting Bracket	
6	36020	Nut	

* Add Letter To Designate Color. Q - Bisque W - White

Control Cabinet Controls

Models BWFXE4*N4000, BWFXE5*N4000, HWFB61*N1102, HWFF61*N1102, HWFR61*N1102, HWFT61*N1102, HWFT63*N1102, HWFX61*N1102, HWFX61*N1127, HWFX64*N4000, HWFY61*N1102, HWFY63*N1102, HWFY64*N4000, HWFY65*N4000, HWFZ61*N1102, HWFZ63*N1102, NWF64*N4000, NWF65*N4000, SWFA61*N3000, SWFA61*N3050, SWFA61*N3069, SWFA61*N3300, SWFF61*N3050, SWFX61*N1127, SWFX61*N3000, SWFX61*N3020, SWFX61*N3050, SWFX61*N3300, SWFX64*N4000, SWFX64*N98K5, SWFX65*N4000, SWFY64*N4000 and SWFY65*N4000



FLW946P_801682

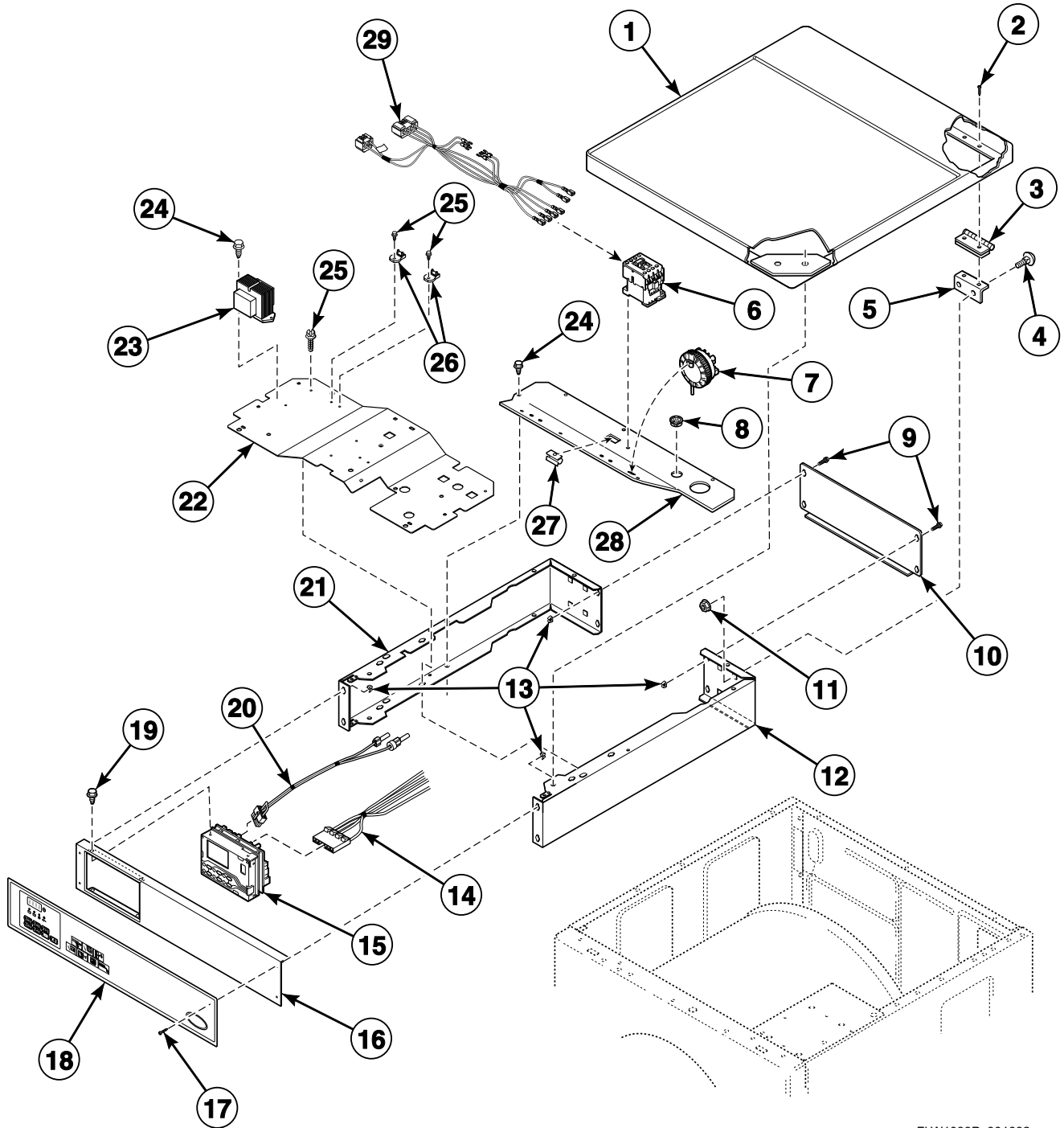
Control Cabinet Controls

REF	PART NO.	DESCRIPTION	COMMENTS
1	D503661	Screw	
2	210018P	Transformer	Models HWFB61*N1102, HWFR61*N1102, HWFT61*N1102, HWFT63*N1102, HWFZ61*N1102 and HWFZ63*N1102
	201375P	Transformer	Some models may have jumper wire attached to transformer. Discard jumper wire when replacing transformer; Models HWFX61*N1102, HWFX61*N1127, HWFY61*N1102, HWFY63*N1102 and SWFX61*N1127 starting Serial No. 0408008369
	803527P	Transformer	Models HWFX61*N1102, HWFX61*N1127, HWFY61*N1102 and HWFY63*N1102 through Serial No. 0408008368; Models BWFXE4*N4000, BWFXE5*N4000, HWFF61*N1102, HWFX64*N4000, HWFY64*N4000, HWFY65*N4000, NWF64*N4000, NWF65*N4000, SWFA61*N3000, SWFA61*N3050, SWFA61*N3069, SWFA61*N3300, SWFF61*N3050, SWFX61*N3000, SWFX61*N3020, SWFX61*N3050, SWFX61*N3300, SWFX64*N4000, SWFX64*N98K5, SWFX65*N4000, SWFY64*N4000 and SWFY65*N4000
3	210100	Resistor	Models BWFXE4*N4000, BWFXE5*N4000, HWFX64*N4000, HWFY64*N4000, HWFY65*N4000, NWF64*N4000, NWF65*N4000, SWFA61*N3000, SWFA61*N3050, SWFA61*N3069, SWFA61*N3300, SWFF61*N3050, SWFX61*N3000, SWFX61*N3020, SWFX61*N3050, SWFX61*N3300, SWFX64*N4000, SWFX64*N98K5, SWFX65*N4000, SWFY64*N4000 and SWFY65*N4000
4	D503688	Screw	
5	801371	Control Shield	
6	F330177P	Contactora	Models BWFXE4*N4000, BWFXE5*N4000, HWFX64*N4000, HWFY64*N4000, HWFY65*N4000, NWF64*N4000, NWF65*N4000, SWFX64*N4000, SWFX64*N98K5, SWFX65*N4000, SWFY64*N4000 and SWFY65*N4000
7	801120P	Contactora Wire Harness Assembly	Models BWFXE4*N4000, BWFXE5*N4000, HWFX64*N4000, HWFY64*N4000, HWFY65*N4000, NWF64*N4000, NWF65*N4000, SWFX64*N4000, SWFX64*N98K5, SWFX65*N4000, SWFY64*N4000 and SWFY65*N4000
8	801297P	Pressure Switch	Models HWFX64*N4000, HWFY64*N4000, HWFY65*N4000, NWF64*N4000, NWF65*N4000, SWFX64*N4000, SWFX64*N98K5, SWFX65*N4000, SWFY64*N4000 and SWFY65*N4000
	801610P	Pressure Switch	Models BWFXE4*N4000 and BWFXE5*N4000
	800468P	Pressure Switch	All other models
9	M402542	Snap Bushing	
10	36985	Hose Clip	
11	800379	Audit Switch Bracket	
12	D512973	Switch	

* Add Letter To Designate Color. Q - Bisque W - White

Control Cabinet and Controls

Models BWFL4*N4000, BWFL5*N4000, NWFL44*N4000, NWFL45*N4000 and NWFL64*N4000



FLW1033P_801682

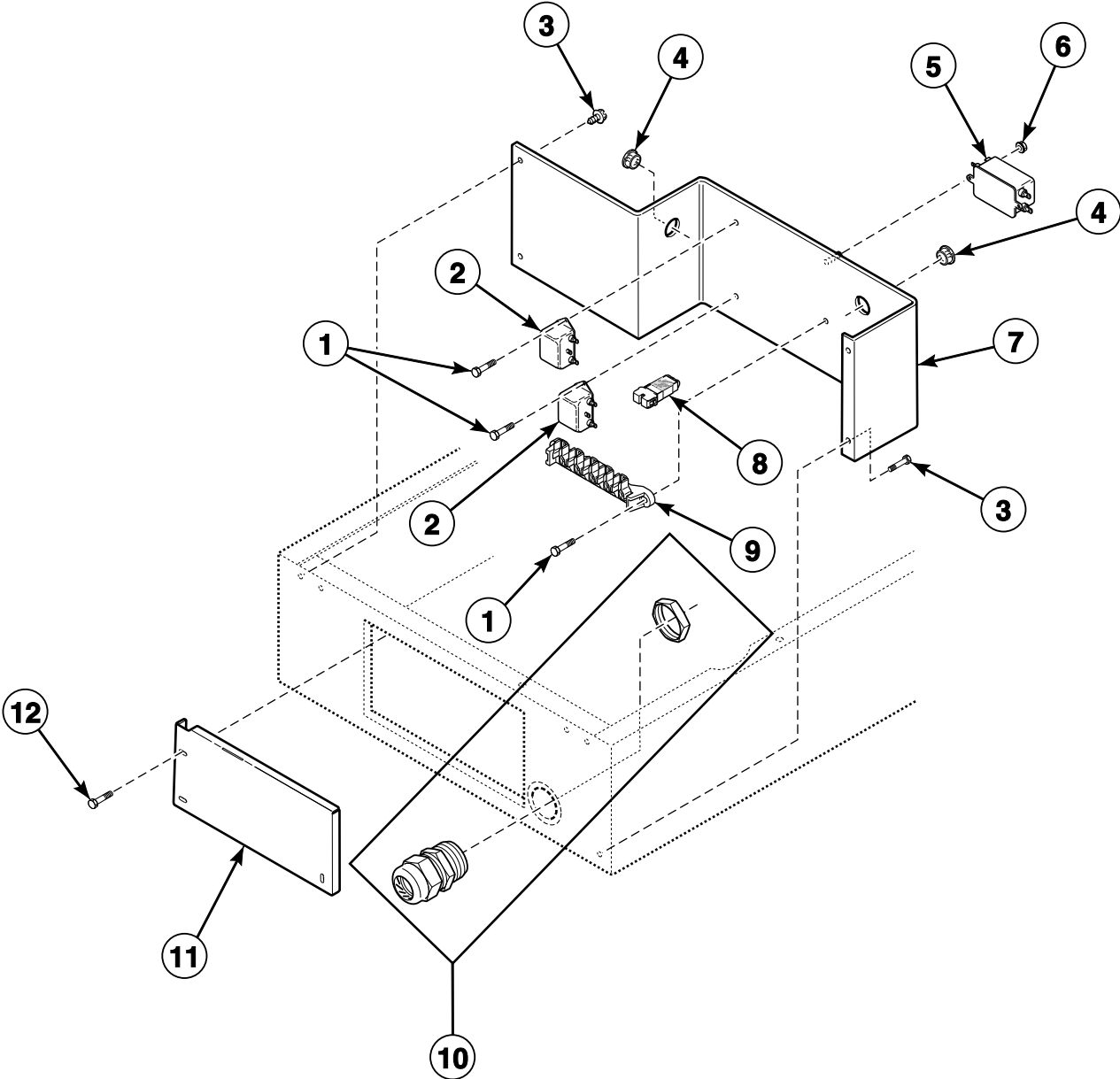
Control Cabinet and Controls

REF	PART NO.	DESCRIPTION	COMMENTS
1	D511631P	Stainless Steel Top	Models NWFL44*N4000 and NWFL45*N4000
	802247WP	Top and Gusset Assembly	White; All other models
	802247QP	Top and Gusset Assembly	Bisque; All other models
2	685847	Pop Rivet	
3	D511036	Hinge	
4	29651	Bolt	
5	D504228	Top Mounting Bracket	
6	F330177P	Contactora	
7	801297P	Pressure Switch	Models NWFL44*N4000, NWFL45*N4000 and NWFL64*N4000
	801610P	Pressure Switch	Models BWFLE4*N4000 and BWFLE5*N4000
8	M402542	Snap Bushing	
9	70240301	Screw	
10	801058	Rear Control Cabinet	
11	29796	Nut	
12	800915W	Right Control Cabinet Side	White
	800915Q	Right Control Cabinet Side	Bisque
13	70030501	Expansion Clip	
14	D511478	Central Pay Harness	
15	802400P	Control Assembly	
	210010P	Membrane Switch	
16	801737W	Control Panel	
17	800930	Screw	
18	801762	Graphic Overlay	Models NWFL44*N4000, NWFL45*N4000 and NWFL64*N4000
	801983	Graphic Overlay	Models BWFLE4*N4000 and BWFLE5*N4000
19	D501524	Screw	
20	800680	Diagnostic Wire Harness Assembly	
21	801738W	Left Control Cabinet Side	
22	801777	Control Cabinet Bottom	
23	803527P	Transformer	
24	D503661	Screw	
25	D503688	Screw	
26	210100	Resistor	
27	36985	Hose Clip	
28	801371	Control Shield	
29	801120P	Contactora Wire Harness Assembly	

* Add Letter To Designate Color. Q - Bisque W - White

Electrical Access Panel, Filters and Terminal Block

Models BWFLE4*N4000, BWFLE5*N4000, BWFXE4*N4000, BWFXE5*N4000,
HWFX64*N4000, HWFY64*N4000, HWFY65*N4000, NWFL44*N4000, NWFL45*N4000,
NWFL64*N4000, NWFX64*N4000, NWFX65*N4000, SWFX64*N4000, SWFX64*N98K5,
SWFX65*N4000, SWFY64*N4000 and SWFY65*N4000



FLW861P_801682

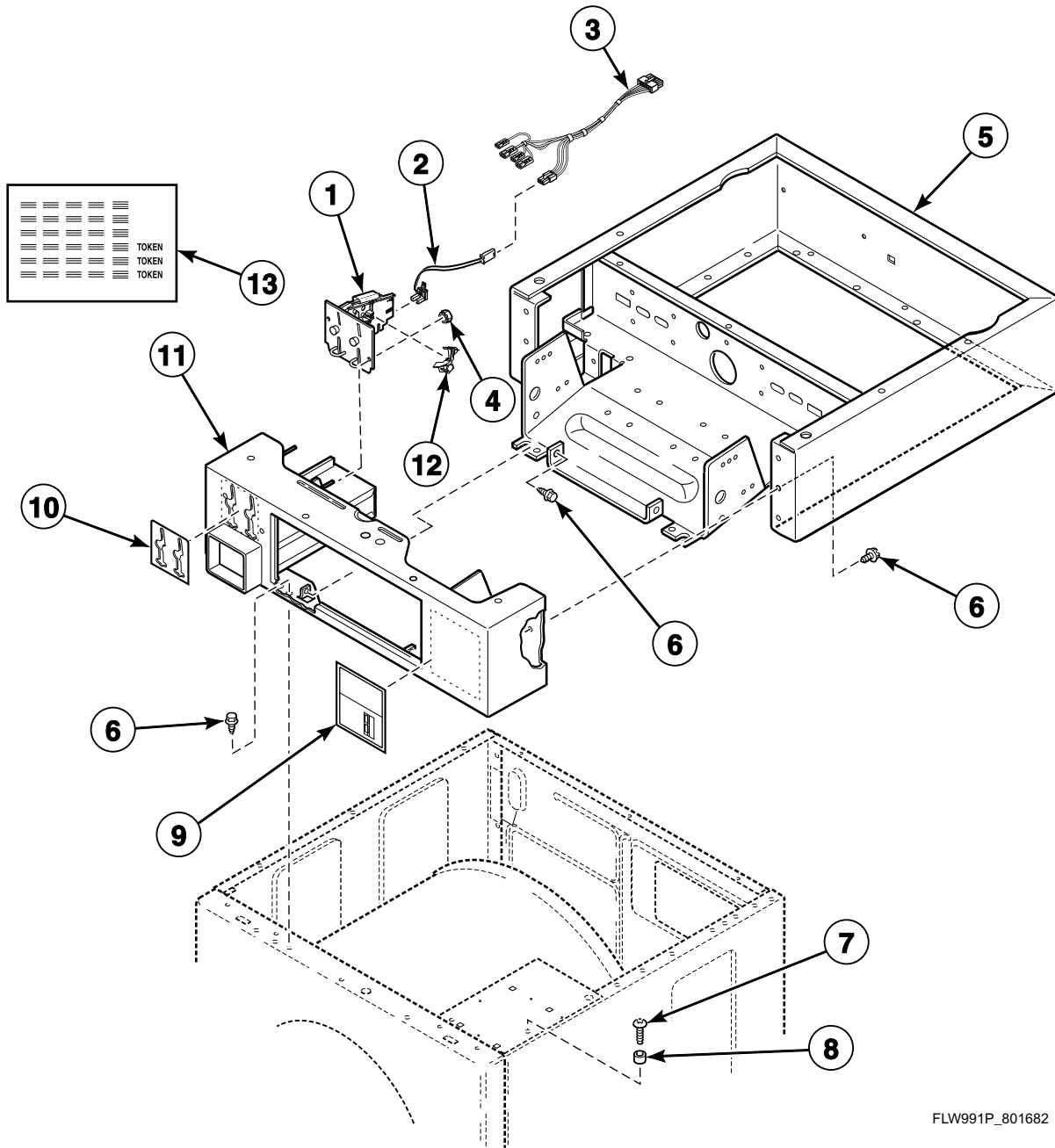
Electrical Access Panel, Filters and Terminal Block

REF	PART NO.	DESCRIPTION	COMMENTS
1	D503661	Screw	
2	801255P	Filter	
3	D503688	Screw	
4	M402542	Snap Bushing	
5	201058	Line Filter	
6	29787	Nut	
7	801756	Terminal Block Assembly	Models BWFLE4*N4000, BWFLE5*N4000, NWFL44*N4000, NWFL45*N4000 and NWFL64*N4000
	801250	Terminal Block Assembly	All other models
8	801311	Network Varistor Assembly	
9	D505876	Terminal Block Assembly	
10	801792P	Fitting	
11	801058	Rear Control Cabinet	Models BWFLE4*N4000, BWFLE5*N4000, NWFL44*N4000, NWFL45*N4000 and NWFL64*N4000
	801134	Electric Access Panel	All other models
12	70240301	Screw	Models BWFLE4*N4000, BWFLE5*N4000, NWFL44*N4000, NWFL45*N4000 and NWFL64*N4000
	D503661	Screw	All other models

* Add Letter To Designate Color. Q - Bisque W - White

Wrapper Assembly and Coin Drop

Models BWFXE4*N4000, BWFXE5*N4000, HWFB61*N1102, HWFR61*N1102, HWFT61*N1102, HWFT63*N1102, HWFX61*N1102, HWFX61*N1127, HWFX64*N4000, HWFZ61*N1102, HWFZ63*N1102, NWF64*N4000, NWF65*N4000, SWFA61*N3000, SWFA61*N3050, SWFA61*N3069, SWFA61*N3300, SWFX61*N1127, SWFX61*N3000, SWFX61*N3020, SWFX61*N3050, SWFX61*N3300, SWFX64*N4000, SWFX64*N98K5 and SWFX65*N4000



FLW991P_801682

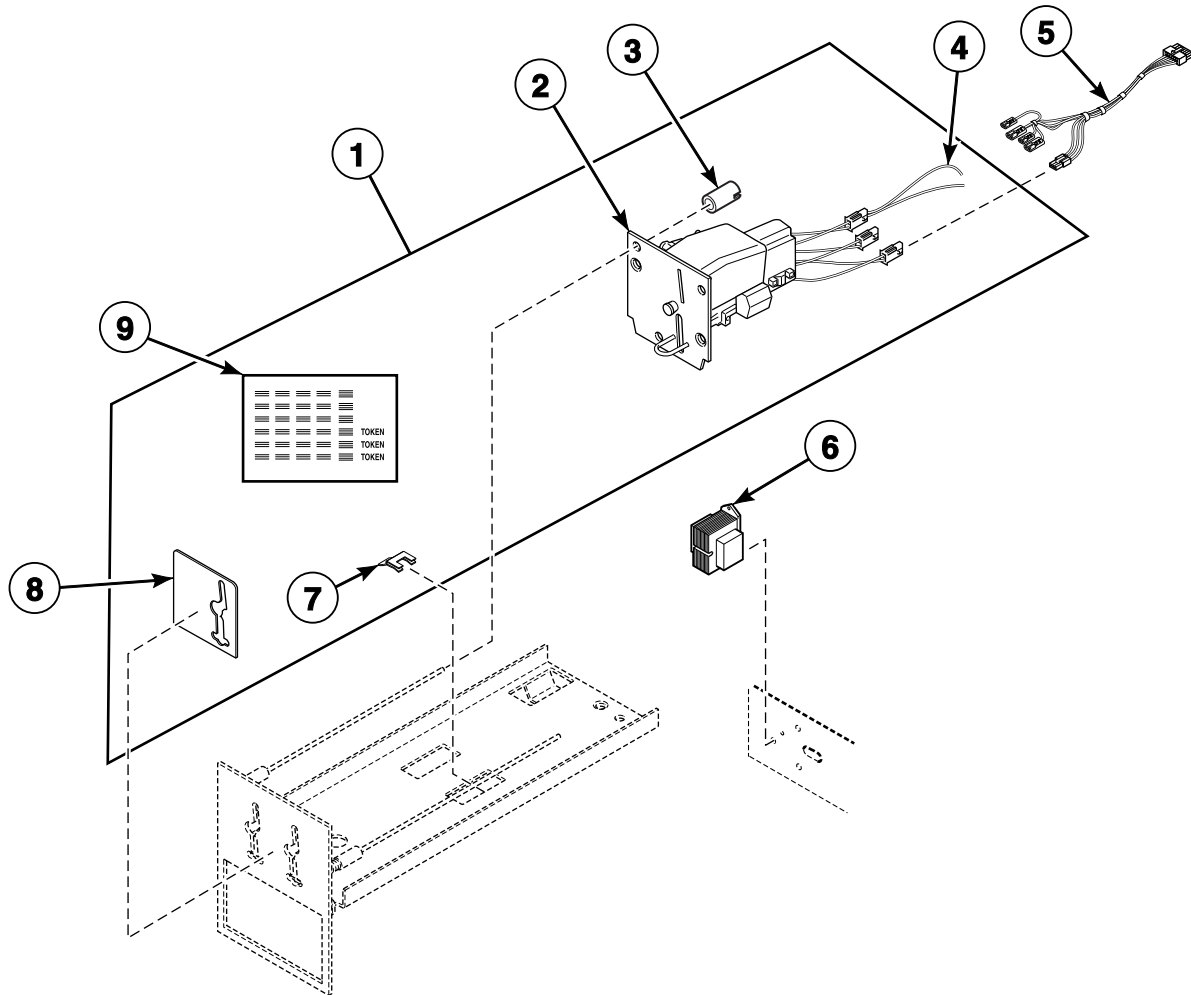
Wrapper Assembly and Coin Drop

REF	PART NO.	DESCRIPTION	COMMENTS
1	70441602	Coin Drop Assembly	Canada; Currency \$.25 and \$1.00
	38464P	Coin Drop Assembly	Canada; Currency \$.25
	38467	Coin Drop Assembly	Australia; Currency \$.20 and \$1.00
	38472	Coin Drop Assembly	England; Currency 20 pence and 1 pound
	38519	Coin Drop Assembly	Japan; Currency 100 yen and 500 yen
	38521	Coin Drop Assembly	Korea; Currency 100 won and 500 won
	38462P	Coin Drop Assembly	Token; Currency STD-118-1; .880 diameter x .079 thick; Brass
	38463	Coin Drop Assembly	Token; Currency STD-118-5; .990 diameter x .081 thick; Silver
	38963P	Coin Drop	Token 118-16 not available; Replacement for 38963P Coin Drop only
2	200674P	Opto Coupler	
3	802905	Harness Assembly	
4	29786	Nut	
5	801235W	Security Cabinet Wrapper Assembly	White; Models BWFxE4*N4000, BWFxE5*N4000, HWFX64*N4000, NWFx64*N4000, NWFx65*N4000, SWFX64*N4000, SWFX64*N98K5 and SWFX65*N4000
	801235Q	Security Cabinet Wrapper Assembly	Bisque; Models BWFxE4*N4000, BWFxE5*N4000, HWFX64*N4000, NWFx64*N4000, NWFx65*N4000, SWFX64*N4000, SWFX64*N98K5 and SWFX65*N4000
	D505753WP	Wrapper and Channel Assembly	White; All other models
	D505753QP	Wrapper and Channel Assembly	Bisque; All other models
6	D503688	Screw	
7	39733	Screw	
8	56079	Panel Locator	
9	801217	Operating Instruction Label	Models BWFxE4*N4000, BWFxE5*N4000, HWFX64*N4000, NWFx64*N4000, NWFx65*N4000, SWFX64*N4000, SWFX64*N98K5 and SWFX65*N4000
	685942	Instruction Label	All other models
10	39073	Dual Overlay	Models HWFB61*N1102, HWFT61*N1102, HWFT63*N1102, HWFZ61*N1102 and HWFZ63*N1102; Dual drop
	38676	Overlay Kit	Dual drop; Includes item 13
11	D511633WP	Security Cabinet Front Assembly	White
	D511633QP	Security Cabinet Front Assembly	Bisque
12	201595P	Wire Guard	Anti-stringing device; Add to coin drops manufactured starting January 2005
13	38725	Coin Identification Paper	

* Add Letter To Designate Color. Q - Bisque W - White

Electronic Coin Drop

Models BWFxE4*N4000, BWFxE5*N4000, HWFB61*N1102, HWFR61*N1102, HWFT61*N1102, HWFT63*N1102, HWFX61*N1102, HWFX61*N1127, HWFX64*N4000, HWFZ61*N1102, HWFZ63*N1102, HWRR61*N1102, HWRRE1*N1102, HWRT61*N1102, HWRTE1*N1102, HWRX61*N1102, HWRXE1*N1102, HWRZ61*N1102, NWFx64*N4000, NWFx65*N4000, SWFA61*N3000, SWFA61*N3050, SWFA61*N3069, SWFA61*N3300, SWFX61*N1127, SWFX61*N3000, SWFX61*N3020, SWFX61*N3050, SWFX61*N3300, SWFX64*N4000, SWFX64*N98K5 and SWFX65*N4000



FLW1005P_801682

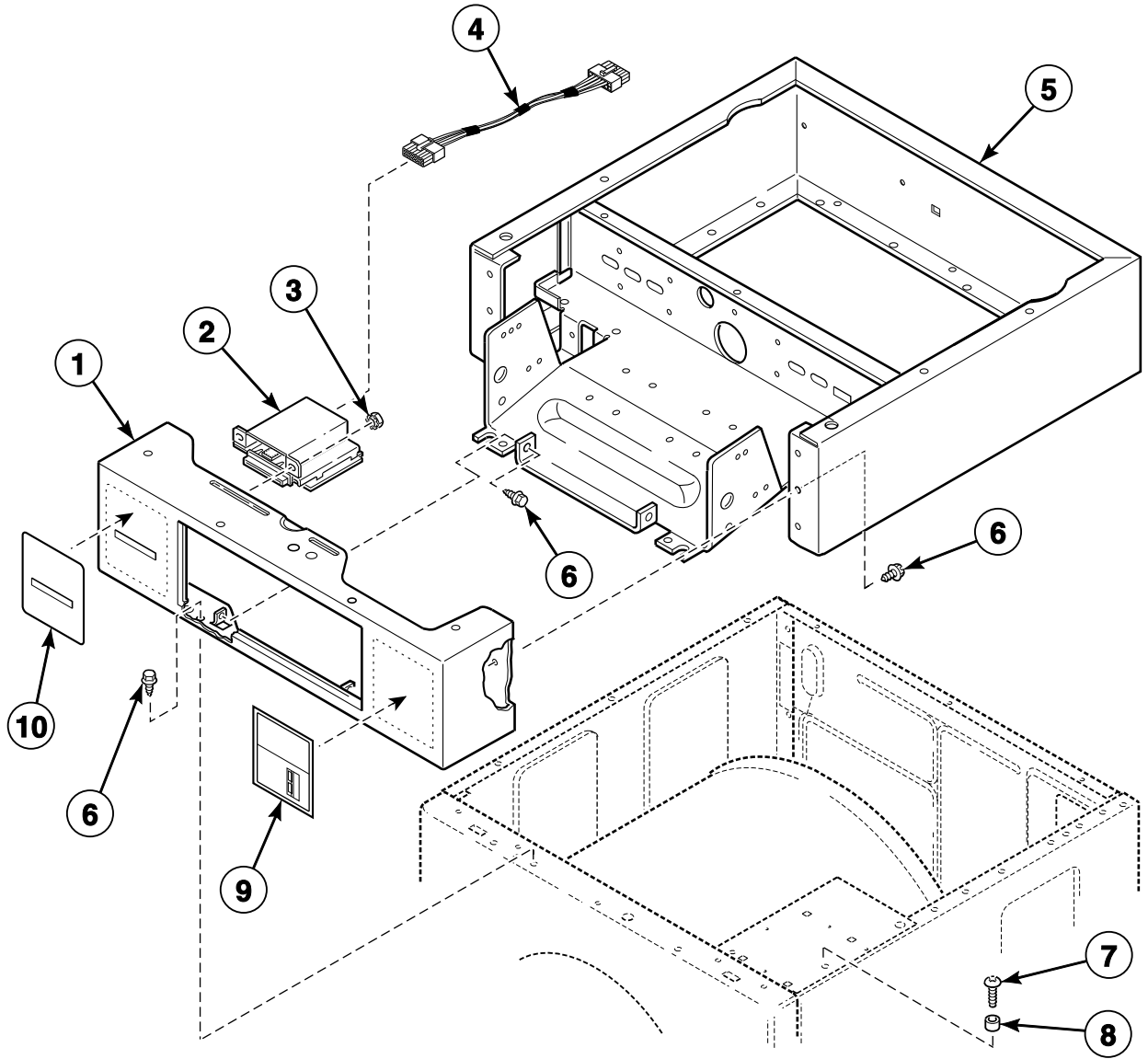
Electronic Coin Drop

REF	PART NO.	DESCRIPTION	COMMENTS
1	CK115	Electronic Coin Drop Kit	Includes items 2-4 and 7-9; United States and Canada coins
	CK099	Electronic Coin Drop Kit	Includes items 2-4 and 7-9; Australia, New Zealand, Hong Kong, South Korea and Malaysia coins
	CK113	Electronic Coin Drop Kit	Includes items 2-4 and 7-9; Japan and Taiwan coins
	CK100	Electronic Coin Drop Kit	Includes items 2-4 and 7-9; Euro and Great Britain coins
	CK101	Electronic Coin Drop Kit	Includes items 2-4 and 7-9; Euro, Denmark and Norway coins
	CK103	Electronic Coin Drop Kit	Includes items 2-4 and 7-9; Euro, Lithuania and Latvia coins
	CK106	Electronic Coin Drop Kit	Includes items 2-4 and 7-9; Malaysia, China, Russia and Singapore coins
	CK108	Electronic Coin Drop Kit	Includes items 2-4 and 7-9; South African 1, 2 and 5 rand coins
	CK109	Electronic Coin Drop Kit	Includes items 2-4 and 7-9; Euro coins
	CK110	Electronic Coin Drop Kit	Includes items 2-4 and 7-9; Mexican, Ecuador and United States coins
2	70294103P	Electronic Coin Drop Assembly	Euro and Great Britain coins
	70294104	Electronic Coin Drop Assembly	Euro, Denmark and Norway coins
	70294107	Electronic Coin Drop Assembly	Euro, Lithuania and Latvia coins
	70294109	Electronic Coin Drop Assembly	Malaysia, China, Russia and Singapore coins
	70294110	Electronic Coin Drop Assembly	South African 1, 2 and 5 rand coins
	70294111	Electronic Coin Drop Assembly	Euro coins
	70294106	Electronic Coin Drop Assembly	Mexican, Ecuador and United States coins
3	201216	Nut	
4	201104	Coin Drop Wire Harness	
5	802905	Harness Assembly	Electronic coin drop requires this harness. If unit is not factory-equipped with this harness, it must be ordered separately.
6	201375P	Transformer	Electronic coin drop requires this transformer. If unit is not factory-equipped with this transformer, it must be ordered separately.
7	201572	Clip	
8	201091	Overlay	
9	38725	Coin Identification Paper	

* Add Letter To Designate Color. Q - Bisque W - White

Wrapper Assembly and Card Reader

Models HWFF61*N1102, HWFY61*N1102, HWFY63*N1102, HWFY64*N4000,
HWFY65*N4000, SWFF61*N3050, SWFY64*N4000 and SWFY65*N4000



FLW898P_801682

Wrapper Assembly and Card Reader

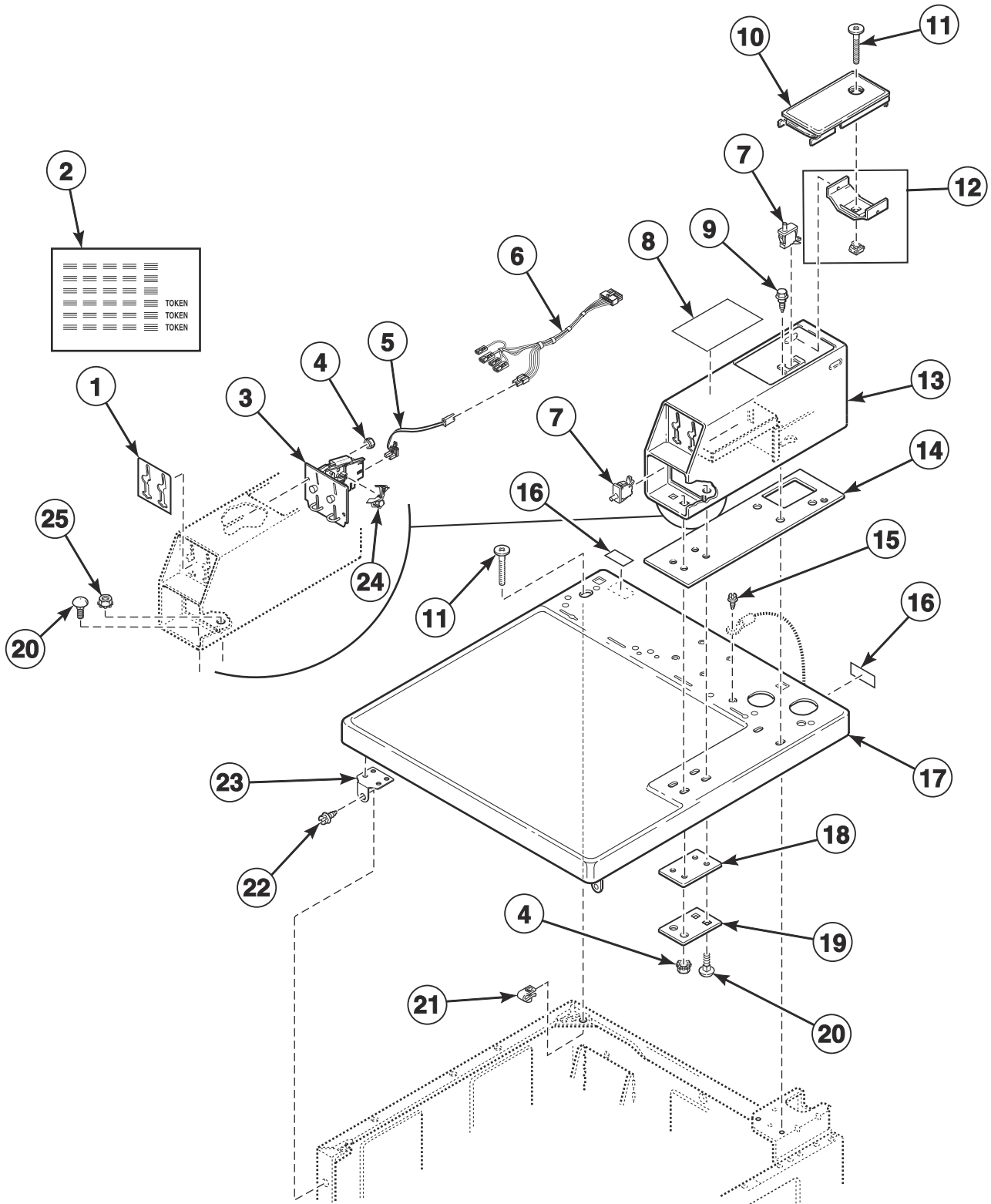
REF	PART NO.	DESCRIPTION	COMMENTS
1	D511209WP	Security Cabinet Front Assembly	White
	D511209Q	Security Cabinet Front Assembly	Bisque
2	D510068P	Card Reader and Bracket Assembly	Models HWFF61*N1102 and SWFF61*N3050
3	70054	Nut	
4	800125P	Card Reader Wire Harness Assembly	Models HWFF61*N1102 and SWFF61*N3050
5	801235W	Security Cabinet Wrapper Assembly	White; Models HWFY64*N4000, HWFY65*N4000, SWFY64*N4000 and SWFY65*N4000
	801235Q	Security Cabinet Wrapper Assembly	Bisque; Models HWFY64*N4000, HWFY65*N4000, SWFY64*N4000 and SWFY65*N4000
	D505753WP	Wrapper and Channel Assembly	White; All other models
	D505753QP	Wrapper and Channel Assembly	Bisque; All other models
6	D503688	Screw	
7	39733	Screw	
8	56079	Panel Locator	
9	801217	Operating Instruction Label	Models HWFY64*N4000, HWFY65*N4000, SWFY64*N4000 and SWFY65*N4000
	685942	Instruction Label	All other models
10	D511548	Card Insert Overlay	Models HWFY61*N1102, HWFY63*N1102, HWFY64*N4000 and HWFY65*N4000
	800230	Card Reader Overlay	Model SWFF61*N3050
	N/A	Card Reader Overlay	Model HWFF61*N1102
	D511561	Card Insert Overlay	Models SWFY64*N4000 and SWFY65*N4000

* Add Letter To Designate Color. Q - Bisque W - White

N/A = Part no longer available

Coin Drop, Meter Case, Service Door and Cabinet Top

Models HWRR61*N1102, HWRRE1*N1102, HWRT61*N1102, HWRTE1*N1102,
HWRX61*N1102, HWRXE1*N1102 and HWRZ61*N1102



FLW992P_801682

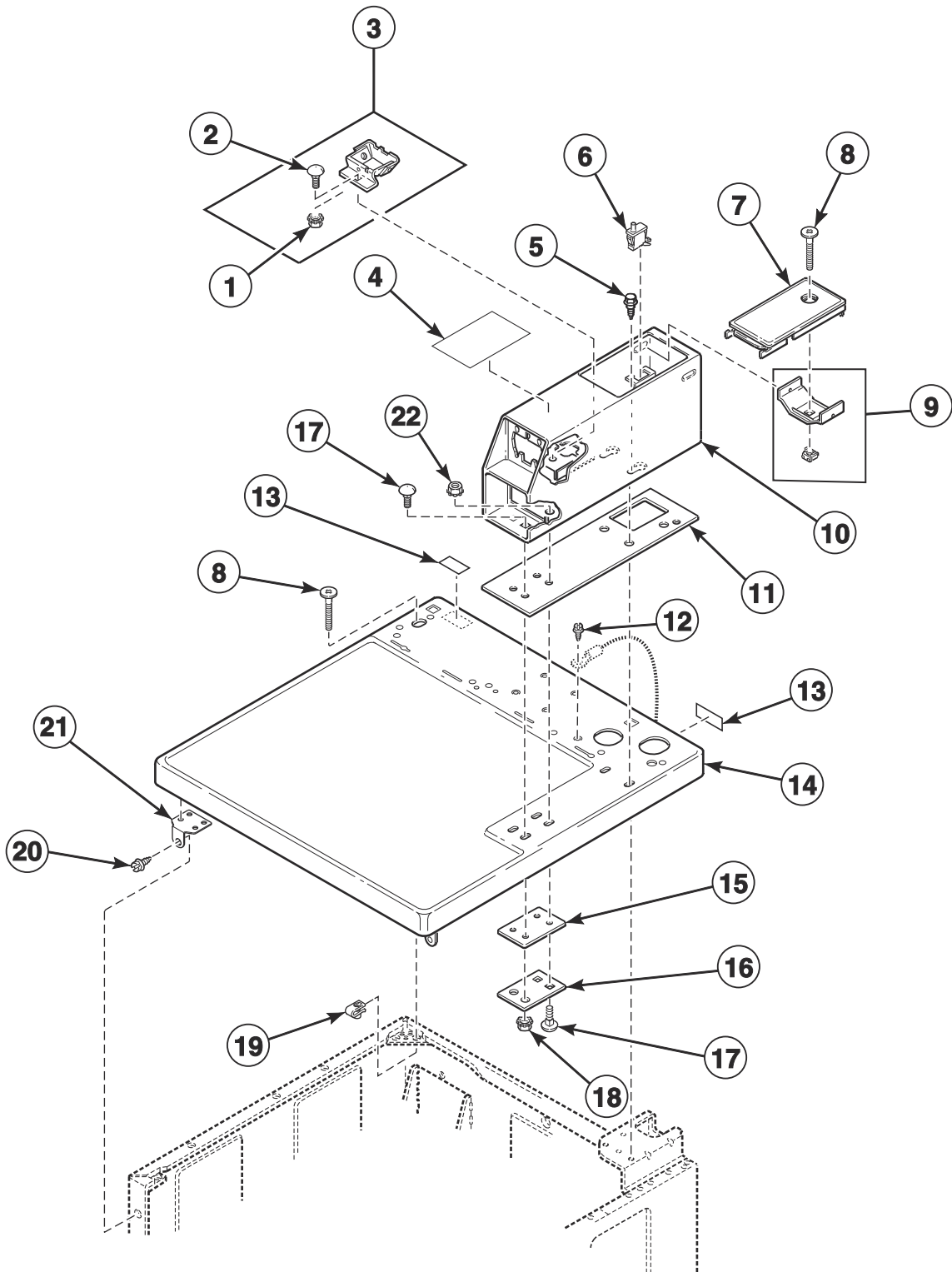
Coin Drop, Meter Case, Service Door and Cabinet Top

REF	PART NO.	DESCRIPTION	COMMENTS
1	39073	Dual Overlay	
2	38725	Coin Identification Paper	
3	70441602	Coin Drop Assembly	
4	29786	Nut	
5	200674P	Opto Coupler	
6	802905	Harness Assembly	
7	D512973	Switch	
8	800137	Rear Control Operating Instruction Label	
	803595	Operating Instruction Label	French/English
9	36048	Screw	
10	39874WP	Service Door Assembly	White
	39874QP	Service Door Assembly	Bisque
11	D503673	Screw	
12	204616	Meter Case Locking Bracket Kit	
13	802505W	Meter Case Assembly	White; Models HWRR61*N1102 and HWRRE1*N1102
	802505Q	Meter Case Assembly	Bisque; Models HWRR61*N1102 and HWRRE1*N1102
	202877W	Meter Case Assembly	White; All other models
	202877Q	Meter Case Assembly	Bisque; All other models
14	26354	Meter Case Gasket	
15	20530	Screw	
16	D500316	Warning Label	
17	D511527WP	Top Kit	White
	D511527QP	Top Kit	Bisque
18	35526	Meter Case Bracket Gasket	
19	35525	Meter Case Lockdown Bracket	
20	203798	Bolt	
21	27222	Nut	
22	D503661	Screw	
23	D510146	Bracket	
24	201595P	Wire Guard	Anti-stringing device; Add to coin drops manufactured starting January 2005
25	802337	Nut	

* Add Letter To Designate Color. Q - Bisque W - White

Meter Case, Service Door and Cabinet Top

Models HWR961*N1102, HWR961*N1127 and HWR963*N1102



FLW812P_801682

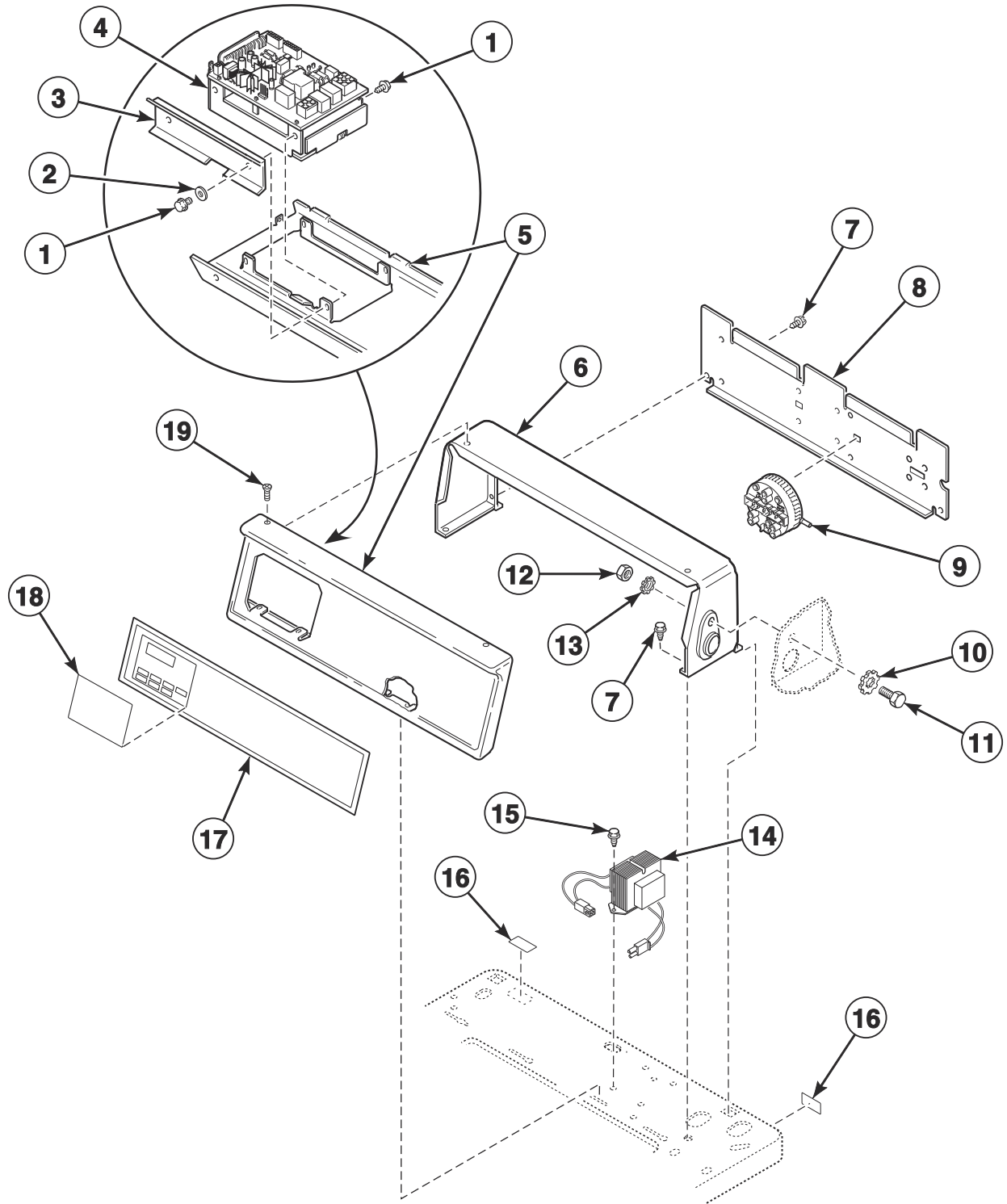
Meter Case, Service Door and Cabinet Top

REF	PART NO.	DESCRIPTION	COMMENTS
1	M412986	Nut	
2	29651	Bolt	
3	523P3	Coin Funnel Kit	
4	800137	Rear Control Operating Instruction Label	
	803595	Operating Instruction Label	French/English
5	36048	Screw	
6	D512973	Switch	
7	39874WP	Service Door Assembly	White
	39874QP	Service Door Assembly	Bisque
8	D503673	Screw	
9	204616	Meter Case Locking Bracket Kit	
10	30647	Nut	
10	801330W	Meter Case Assembly	White
	801330Q	Meter Case Assembly	Bisque
11	26354	Meter Case Gasket	
12	20530	Screw	
13	D505281	Disconnect Power Warning Label	Model HWR961*N1127
	D500316	Warning Label	Models HWR961*N1102 and HWR963*N1102
14	D511527WP	Top Kit	White
	D511527QP	Top Kit	Bisque
15	35526	Meter Case Bracket Gasket	
16	35525	Meter Case Lockdown Bracket	
17	203798	Bolt	
18	29786	Nut	
19	27222	Nut	
20	D503661	Screw	
21	D510146	Bracket	
22	802337	Nut	

* Add Letter To Designate Color. Q - Bisque W - White

Control Panel, Control Hood and Controls (Drawing 1 of 3)

Models HWRR61*N1102, HWRRE1*N1102, HWRT61*N1102, HWRTE1*N1102,
HWRX61*N1102, HWRXE1*N1102 and HWRZ61*N1102



FLW1705P_801682

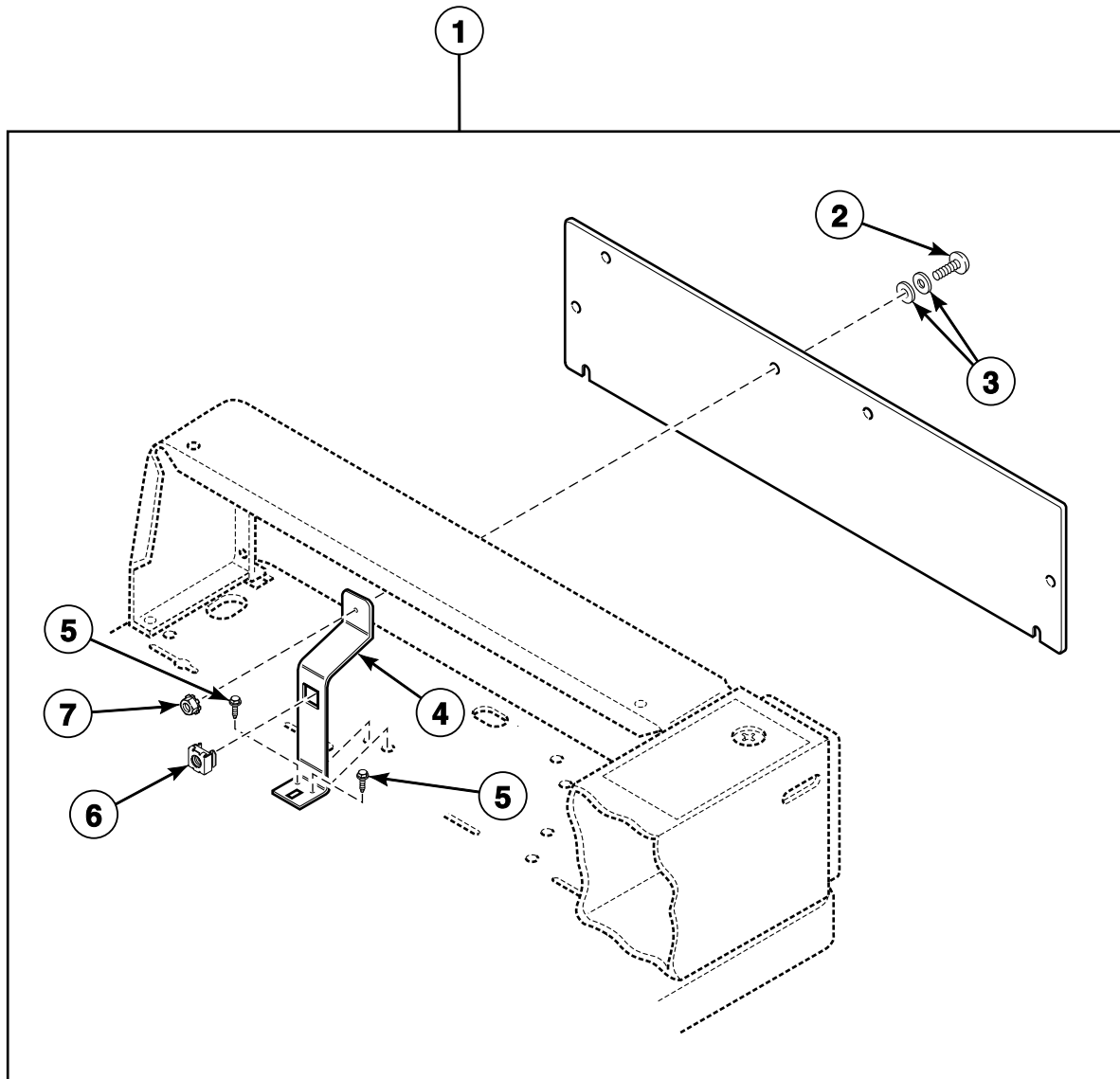
Control Panel, Control Hood and Controls (Drawing 1 of 3)

REF	PART NO.	DESCRIPTION	COMMENTS
1	D501524	Screw	
2	200608	Washer	
3	210053	Control Shield	
4	803146P	Control Assembly	
5	800149W	Control Panel and Bracket Assembly	White
	800149Q	Control Panel and Bracket Assembly	Bisque
6	D502567W	Control Hood	White
	D502567Q	Control Hood	Bisque
7	D501086	Screw	
8	D505798	Hood Back Plate	
9	801610P	Pressure Switch	Models HWRRE1*N1102, HWRTE1*N1102 and HWRXE1*N1102
	800468P	Pressure Switch	All other models
10	M400017	Washer	
11	02916	Screw	
12	52566	Nut	
13	02431	Washer	
14	803527P	Transformer	Models HWRX61*N1102 and HWRXE1*N1102 through Serial No. 0408008368
	201375P	Transformer	Some models may have jumper wire attached to transformer. Discard jumper wire when replacing transformer; Models HWRX61*N1102 and HWRXE1*N1102 starting Serial No. 0408008369
	210018P	Transformer	All other models
15	D503661	Screw	
16	D500316	Warning Label	
17	801055	Rear Overlay	
18	803597	Overlay	French/English
19	52864	Screw	

* Add Letter To Designate Color. Q - Bisque W - White

Control Hood Security Kit

Models HWRR61*N1102, HWRRE1*N1102, HWRT61*N1102, HWRTE1*N1102,
HWRX61*N1102, HWRXE1*N1102 and HWRZ61*N1102



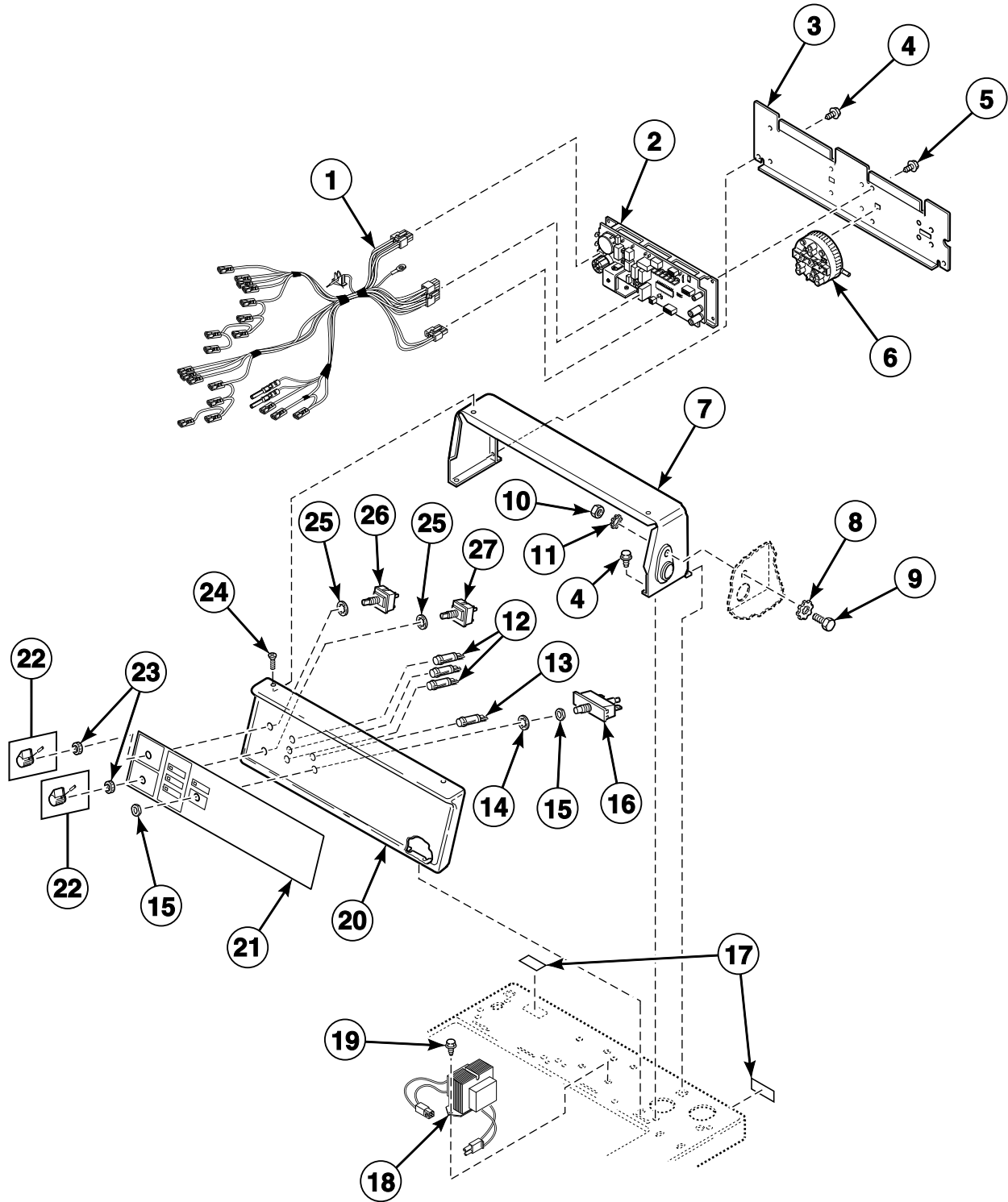
FLW963P_801682

Control Hood Security Kit

REF	PART NO.	DESCRIPTION	COMMENTS
1	905P3	Security Kit	Includes items 2-7 and rear panel
2	32184	Bolt	
3	25100	Washer	
4	201918	Bracket	
5	D503688	Screw	
6	204616	Meter Case Locking Bracket Kit	
7	23951	Nut	

Control Panel, Control Hood and Controls (Drawing 2 of 3)

Models HWR961*N1102, HWR961*N1127 and HWR963*N1102



FLW900P_801682

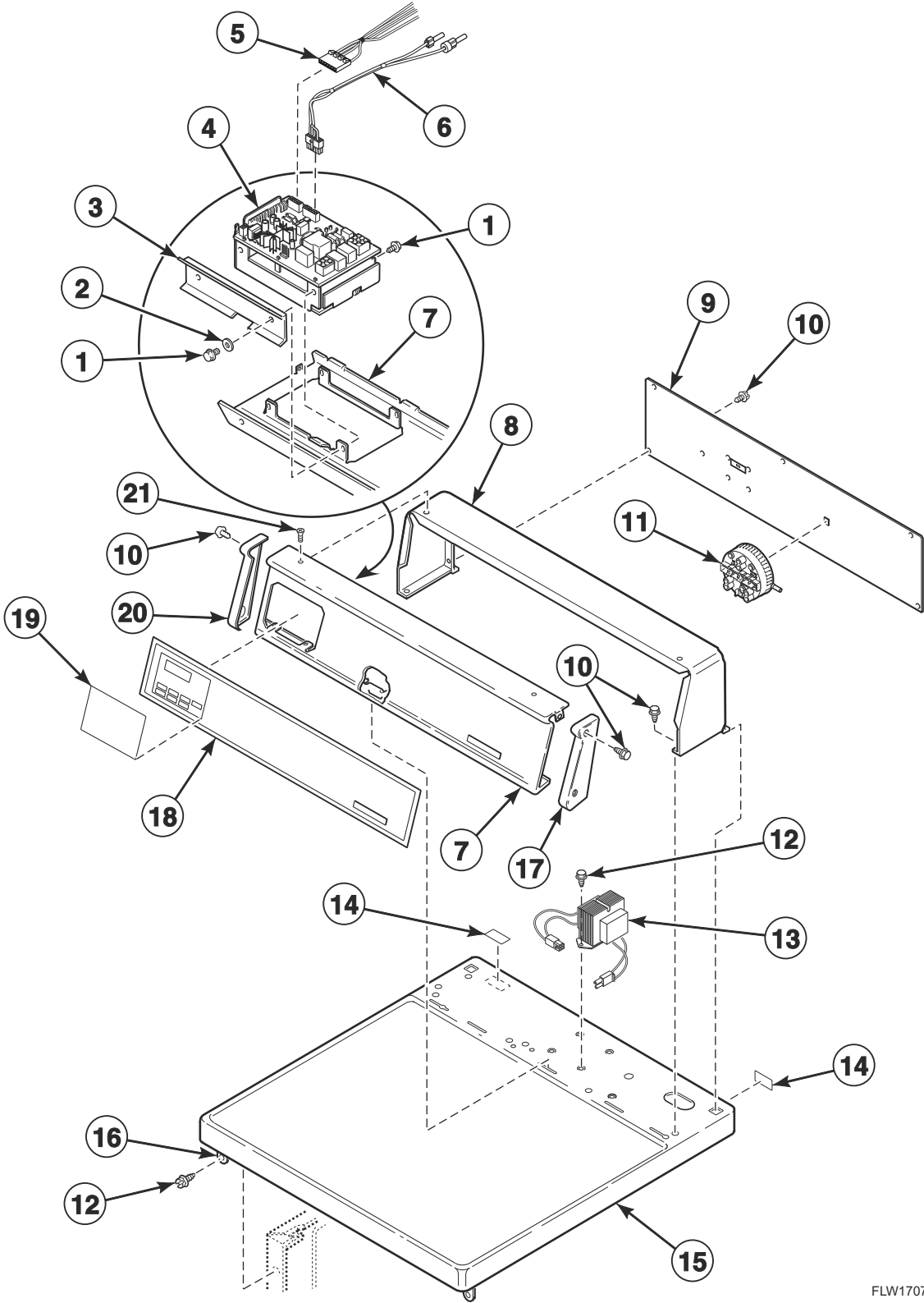
Control Panel, Control Hood and Controls (Drawing 2 of 3)

REF	PART NO.	DESCRIPTION	COMMENTS
1	801300	Rear Control Panel Harness Assembly	
2	802523P	Control Assembly	
3	801735	Control Hood Back Panel	
4	D501086	Screw	
5	D501524	Screw	
6	800468P	Pressure Switch	
7	D502567W	Control Hood	White
	D502567Q	Control Hood	Bisque
8	M400017	Washer	
9	02916	Screw	
10	52566	Nut	
11	02431	Washer	
12	801431	Light	Green
13	801432	Light	Red
14	25820	Washer	
15	52947	Nut	
16	55882	Switch Assembly	
17	D505281	Disconnect Power Warning Label	Model HWR961*N1127
	D500316	Warning Label	Models HWR961*N1102 and HWR963*N1102
18	210018P	Transformer	
19	D503661	Screw	
20	800142W	Control Panel and Bracket Assembly	White
	800142Q	Control Panel and Bracket Assembly	Bisque
21	801523	Control Panel Overlay	
22	39897	Switch Knob	
23	24205	Nut	
24	52864	Screw	
25	91176	Washer	
26	685595	Temperature Switch	
27	800404	Motor Speed Switch	

* Add Letter To Designate Color. Q - Bisque W - White

Control Panel, Control Hood and Controls (Drawing 3 of 3)

Models HWRY61*N1102 and HWRYE1*N1102



FLW1707P_801682

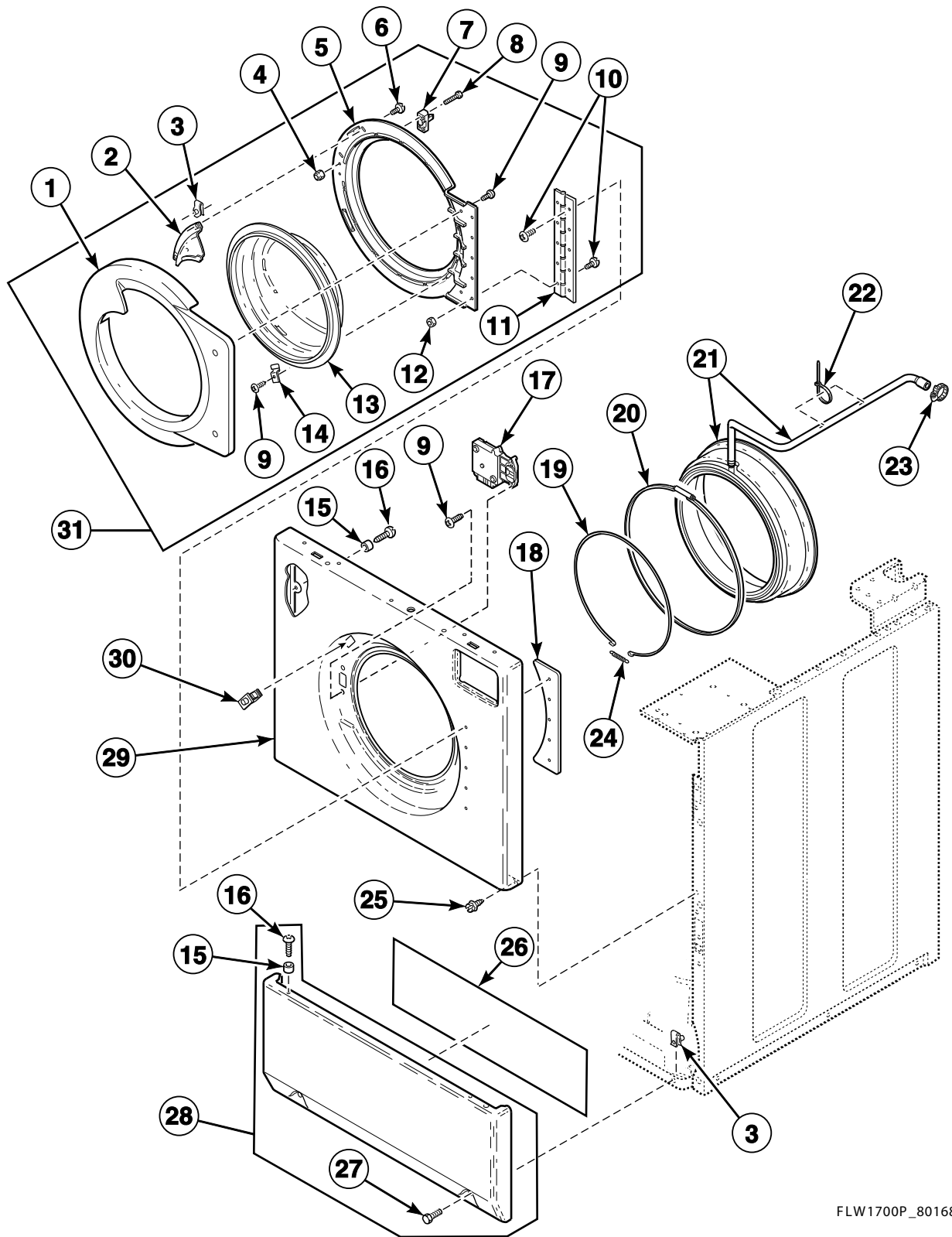
Control Panel, Control Hood and Controls (Drawing 3 of 3)

REF	PART NO.	DESCRIPTION	COMMENTS
1	D501524	Screw	
2	200608	Washer	
3	210053	Control Shield	
4	803146P	Control Assembly	
5	D511478	Central Pay Harness	
6	800680	Diagnostic Wire Harness Assembly	
7	800710W	Control Panel and Stud Assembly	White
	800710Q	Control Panel and Stud Assembly	Bisque
8	D511253W	Control Hood	White
	D511253Q	Control Hood	Bisque
9	801165	Rear Control Hood Panel	
10	D501086	Screw	
11	801610P	Pressure Switch	Model HWRYE1*N1102
	800468P	Pressure Switch	Model HWRY61*N1102
12	D503661	Screw	
13	803527P	Transformer	Models through Serial No. 0408008368
	201375P	Transformer	Models starting Serial No. 0408008369; Some models may have jumper wire attached to transformer. Discard jumper wire when replacing transformer.
14	D500316	Warning Label	
15	D511530WP	Top Panel Kit	
16	D510146	Bracket	
17	210108W	End Cap	Right
18	801191	Control Panel Overlay	
19	803597	Overlay	French/English
20	210109W	End Cap	Left
21	52864	Screw	

* Add Letter To Designate Color. Q - Bisque W - White

Front Panel, Door Assembly and Door Seal (Drawing 1 of 2)

Models BWFL4*N4000, BWFL5*N4000, BWFXE4*N4000, BWFXE5*N4000
and All Other Models through Serial No. 0411000565



FLW1700P_801682

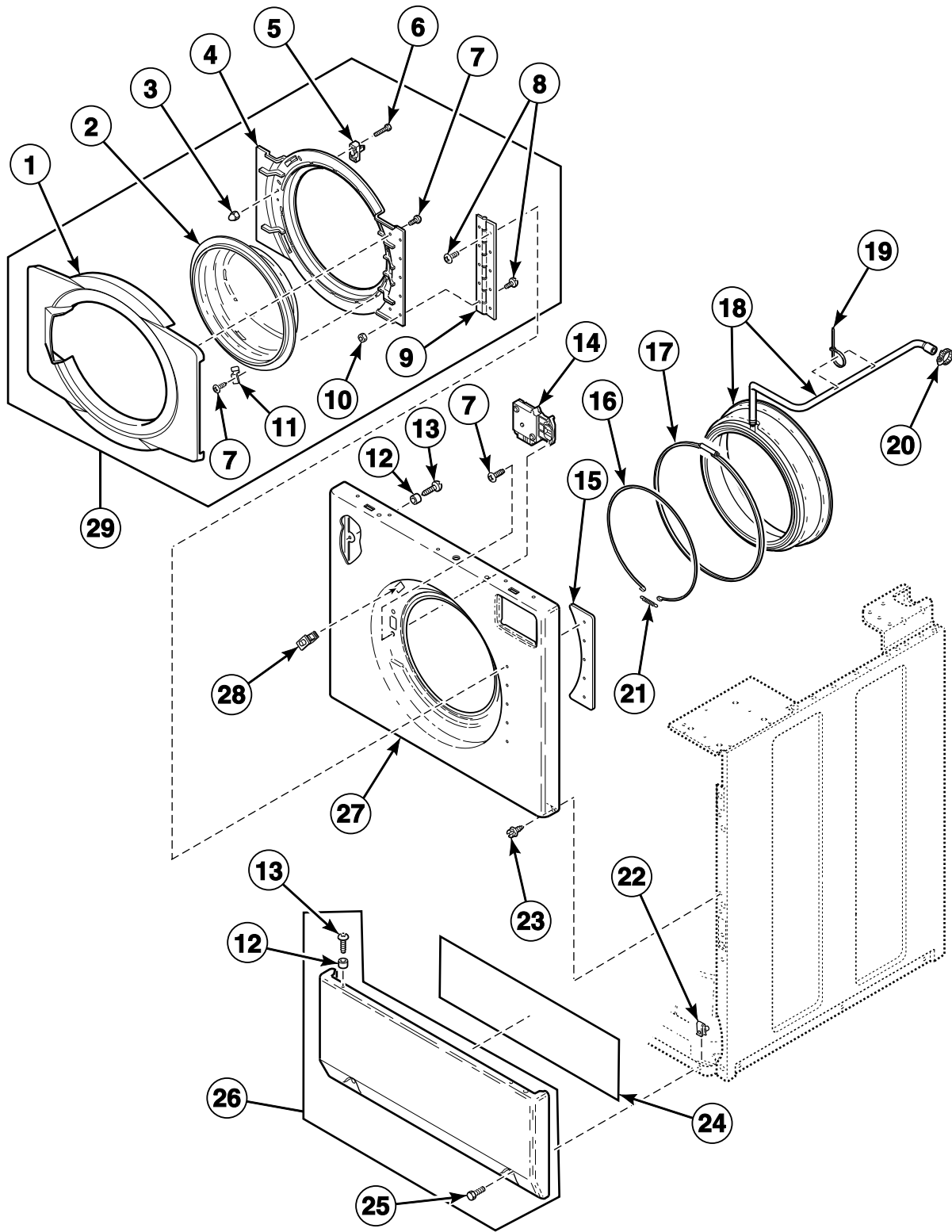
Front Panel, Door Assembly and Door Seal (Drawing 1 of 2)

REF	PART NO.	DESCRIPTION	COMMENTS
1	801868	Outer Door Bezel	Gray; Models BWFLE4*N4000, BWFLE5*N4000, BWFXE4*N4000 and BWFXE5*N4000
	800341W	Door Bezel	White; All other models
	800341Q	Door Bezel	Bisque; All other models
2	800342	Door Handle	
3	36020	Nut	
4	685846	Nut	
5	800340	Inner Door Bezel	
6	800528	Screw	
7	685430	Locking Catch	
8	801993	Screw	
9	800548	Screw	
10	801019	Screw	
11	802934	Door Hinge	
12	23951	Nut	
13	800343P	Door Glass	
14	800906	Hold-Down Clip	
15	56079	Panel Locator	
16	39733	Screw	
17	685429	Door Latch/Switch Assembly	
18	802412	Hinge Plate	
19	800438	Wire Clamp Ring	
20	685743P	Door Seal Clamp	
21	800232P	Door Seal and Hose Assembly Kit	Black
	801784P	Door Seal and Hose Assembly Kit	Gray; Models BWFLE4*N4000, BWFLE5*N4000, BWFXE4*N4000, BWFXE5*N4000, HWFX64*N4000, HWFY64*N4000, HWFY65*N4000, NWFL44*N4000, NWFL45*N4000, NWFL64*N4000, SWFA61*N3000, SWFA61*N3050, SWFA61*N3069, SWFF61*N3050, SWFX61*N3000, SWFX61*N3020, SWFX61*N3050, SWFX64*N4000, SWFX64*N98K5, SWFX65*N4000, SWFY64*N4000 and SWFY65*N4000
22	39037	Cable Tie	
23	802164	Hose Clamp	
24	800346	Extension Spring	
25	D503661	Screw	
26	36204	Front Panel Pad	1 inch by 26 inches
27	801045	Screw	
28	D514250WP	Access Panel Assembly	White
	D514250Q	Access Panel Assembly	Bisque
29	800336WP	Front Panel	White
	800336QP	Front Panel	Bisque
30	801821	Door Switch Assembly	Models HWFX61*N1127, HWR961*N1127, SWFA61*N3050, SWFF61*N3050 and SWFX61*N3050
	800211	Door Switch	All other models
31	801869	Door Assembly	Gray; Includes items 1-14; Models BWFLE4*N4000, BWFLE5*N4000, BWFXE4*N4000 and BWFXE5*N4000
	800436WP	Door Assembly	White; Includes items 1-14; All other models
	800436QP	Door Assembly	Bisque; Includes items 1-14; All other models

* Add Letter To Designate Color. Q - Bisque W - White

Front Panel, Door Assembly and Door Seal (Drawing 2 of 2)

Models Starting Serial No. 0411000566 Except BWFLE4*N4000, BWFLE5*N4000, BWFXE4*N4000 and BWFXE5*N4000



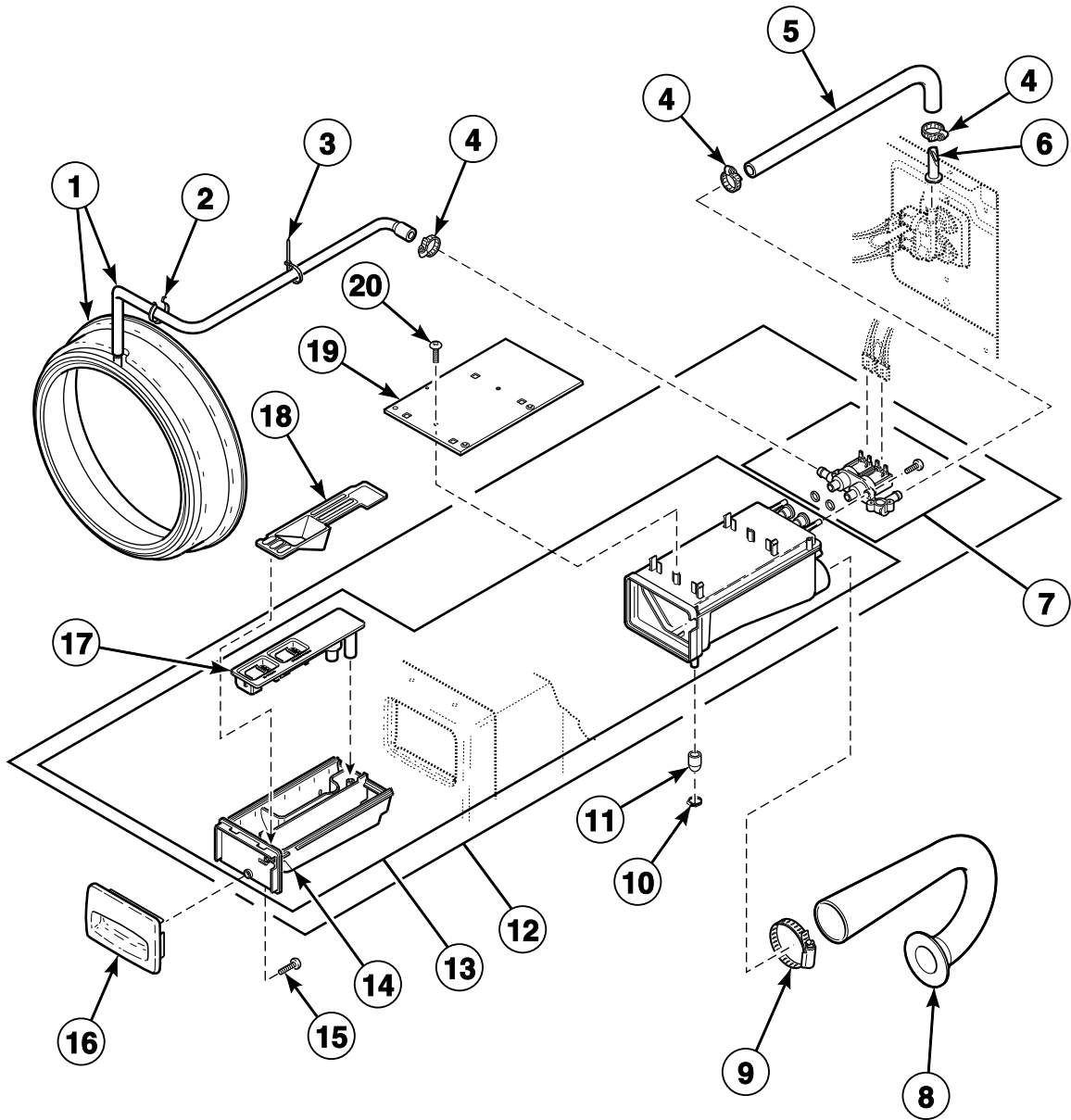
FLW886P_801682

Front Panel, Door Assembly and Door Seal (Drawing 2 of 2)

REF	PART NO.	DESCRIPTION	COMMENTS
1	801904W	Outer Door Bezel	White
	801904Q	Outer Door Bezel	Bisque
2	800343P	Door Glass	
3	801994	Nut	
4	801903	Inner Door Bezel	
5	685430	Locking Catch	
6	801993	Screw	
7	800548	Screw	
8	801019	Screw	
9	802934	Door Hinge	
10	23951	Nut	
11	800906	Hold-Down Clip	
12	56079	Panel Locator	
13	39733	Screw	
14	685429	Door Latch/Switch Assembly	
15	802412	Hinge Plate	
16	800438	Wire Clamp Ring	
17	685743P	Door Seal Clamp	
18	800232P	Door Seal and Hose Assembly Kit	Black
	801784P	Door Seal and Hose Assembly Kit	Gray; Models HWFX64*N4000, HWFY64*N4000, HWFY65*N4000, NWFL44*N4000, NWFL45*N4000, NWFL64*N4000, NWFX64*N4000, NWFX65*N4000, SWFA61*N3000, SWFA61*N3050, SWFA61*N3069, SWFF61*N3050, SWFX61*N3000, SWFX61*N3020, SWFX61*N3050, SWFX64*N4000, SWFX64*N98K5, SWFX65*N4000, SWFY64*N4000 and SWFY65*N4000
19	55881	Harness Strap	
20	802164	Hose Clamp	
21	800346	Extension Spring	
22	36020	Nut	
23	D503661	Screw	
24	36204	Front Panel Pad	1 inch by 26 inches
25	801045	Screw	
26	D514250WP	Access Panel Assembly	White
	D514250Q	Access Panel Assembly	Bisque
27	800336WP	Front Panel	White
	800336QP	Front Panel	Bisque
28	801821	Door Switch Assembly	Models HWFX61*N1127, HWR961*N1127, SWFA61*N3050, SWFF61*N3050, SWFX61*N1127 and SWFX61*N3050
	800211	Door Switch	All other models
29	801928WP	Door Assembly	White; Includes items 1-11
	801928QP	Door Assembly	Bisque; Includes items 1-11

* Add Letter To Designate Color. Q - Bisque W - White

Dispenser Assembly



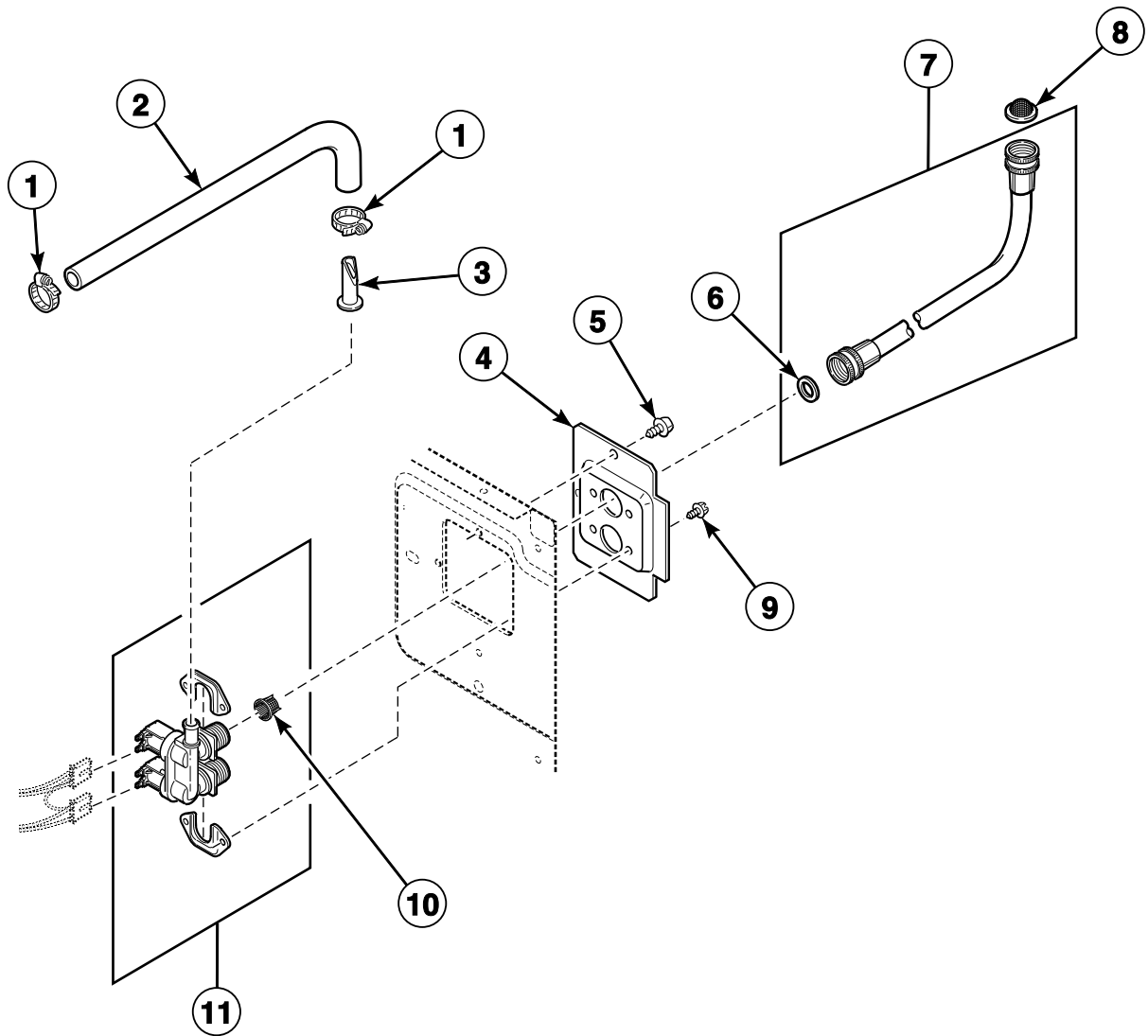
FLW820P_801682

Dispenser Assembly

REF	PART NO.	DESCRIPTION	COMMENTS
1	800232P	Door Seal and Hose Assembly Kit	Black
	801784P	Door Seal and Hose Assembly Kit	Gray; Models BWFLE4*N4000, BWFLE5*N4000, BWFXE4*N4000, BWFXE5*N4000, HWFX64*N4000, HWFY64*N4000, HWFY65*N4000, NWFL44*N4000, NWFL45*N4000, NWFL64*N4000, NWF64*N4000, NWF65*N4000, SWFA61*N3000, SWFA61*N3050, SWFA61*N3069, SWFF61*N3050, SWFX61*N3000, SWFX61*N3020, SWFX61*N3050, SWFX64*N4000, SWFX64*N98K5, SWFX65*N4000, SWFY64*N4000 and SWFY65*N4000
2	687500	Wire Clip	
3	39037	Cable Tie	
4	802164	Hose Clamp	
5	801464	Valve-to-Dispenser Inlet Hose	
6	34500	Backflow Preventer	
7	685766P	Valve Kit	Models HWFB61*N1102, HWFF61*N1102, HWFR61*N1102, HWFT61*N1102, HWFT63*N1102, HWFX61*N1102, HWFX61*N1127, HWFY61*N1102, HWFY63*N1102, HWFZ61*N1102, HWFZ63*N1102, HWR961*N1102, HWR961*N1127, HWR963*N1102, HWRR61*N1102, HWRRE1*N1102, HWRT61*N1102, HWRT61*N1102, HWRX61*N1102, HWRX61*N1102, HWRXE1*N1102, HWRY61*N1102, HWRYE1*N1102, HWRZ61*N1102 and SWFX61*N1127
	801836P	Valve Kit	All other models
8	800331	Dispenser-to-Tub Hose	
9	685725	Hose Clamp	
10	F200206	Hose Clamp	
11	801746	Cap	
12	685756P	Dispenser	Models HWFB61*N1102, HWFF61*N1102, HWFR61*N1102, HWFT61*N1102, HWFT63*N1102, HWFX61*N1102, HWFX61*N1127, HWFY61*N1102, HWFY63*N1102, HWFZ61*N1102, HWFZ63*N1102, HWR961*N1102, HWR961*N1127, HWR963*N1102, HWRR61*N1102, HWRRE1*N1102, HWRT61*N1102, HWRT61*N1102, HWRX61*N1102, HWRX61*N1102, HWRXE1*N1102, HWRY61*N1102, HWRYE1*N1102, HWRZ61*N1102 and SWFX61*N1127
	801090P	Dispenser	All other models
13	801476P	Dispenser Assembly	
14	685757P	Dispenser Drawer	
15	800548	Screw	
16	685715WP	Dispenser Drawer Front	White
	685715QP	Dispenser Drawer Front	Bisque
17	685716	Insert	
18	800899	Detergent Cover	
19	801024	Dispenser Plate	
20	801001	Screw	

* Add Letter To Designate Color. Q - Bisque W - White

Mixing Valve, Inlet Hose and Dispenser Hose



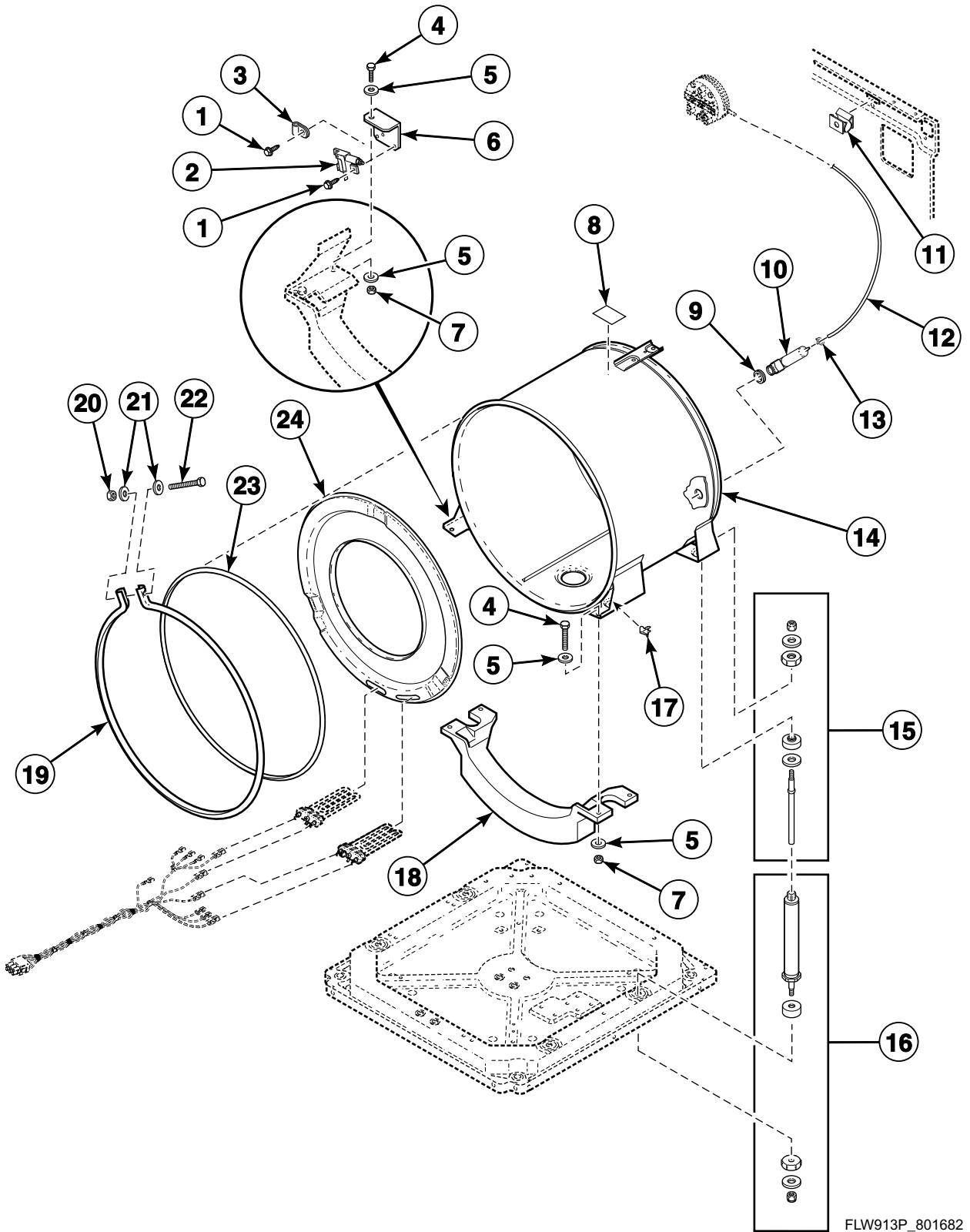
FLW881P_801682

Mixing Valve, Inlet Hose and Dispenser Hose

REF	PART NO.	DESCRIPTION	COMMENTS
1	802164	Hose Clamp	
2	801464	Valve-to-Dispenser Inlet Hose	
3	34500	Backflow Preventer	
4	800323	Mixing Valve Plate	
5	D503661	Screw	
6	20290	Washer	
7	F200116	Water Hose	4 feet; Hose is equipped with 2 standard hose couplings; Includes 2 of item 7
	20617	Fill Hose	8 feet; Optional; Hose is equipped with 2 standard hose couplings
	20618	Fill Hose	10 feet; Optional; Hose is equipped with 2 standard hose couplings
	38349P	Fill Hose Kit	5 feet; Hose is equipped with 1 metric and 1 standard hose coupling; Includes 2 of item 7
	37380	Fill Hose	8 feet; Hose is equipped with 1 metric and 1 standard hose coupling
	37381	Fill Hose	10 feet; Hose is equipped with 1 metric and 1 standard hose coupling
8	803615	Washer	Filter screen
	802254	Washer	Flow restrictor; Water pressure reducer; Available for water pressure up to but not exceeding 120 psi
9	D501086	Screw	
10	802926	Mixing Valve Screen	
11	802220P	Mixing Valve	Models HWFB61*N1102, HWFF61*N1102, HWFR61*N1102, HWFT61*N1102, HWFT63*N1102, HWFX61*N1102, HWFX61*N1127, HWFY61*N1102, HWFY63*N1102, HWFZ61*N1102, HWFZ63*N1102, HWR961*N1102, HWR961*N1127, HWR963*N1102, HWRR61*N1102, HWRRE1*N1102, HWRT61*N1102, HWRT63*N1102, HWRX61*N1102, HWRX61*N1127, HWRXE1*N1102, HWRXE1*N1127, HWRY61*N1102, HWRY61*N1127, HWRYE1*N1102, HWRYE1*N1127, HWRZ61*N1102, HWRZ61*N1127, and SWFX61*N1127
	802222P	Mixing Valve	All other models

* Add Letter To Designate Color. Q - Bisque W - White

Outer Tub, Front and Clamp Ring



FLW913P_801682

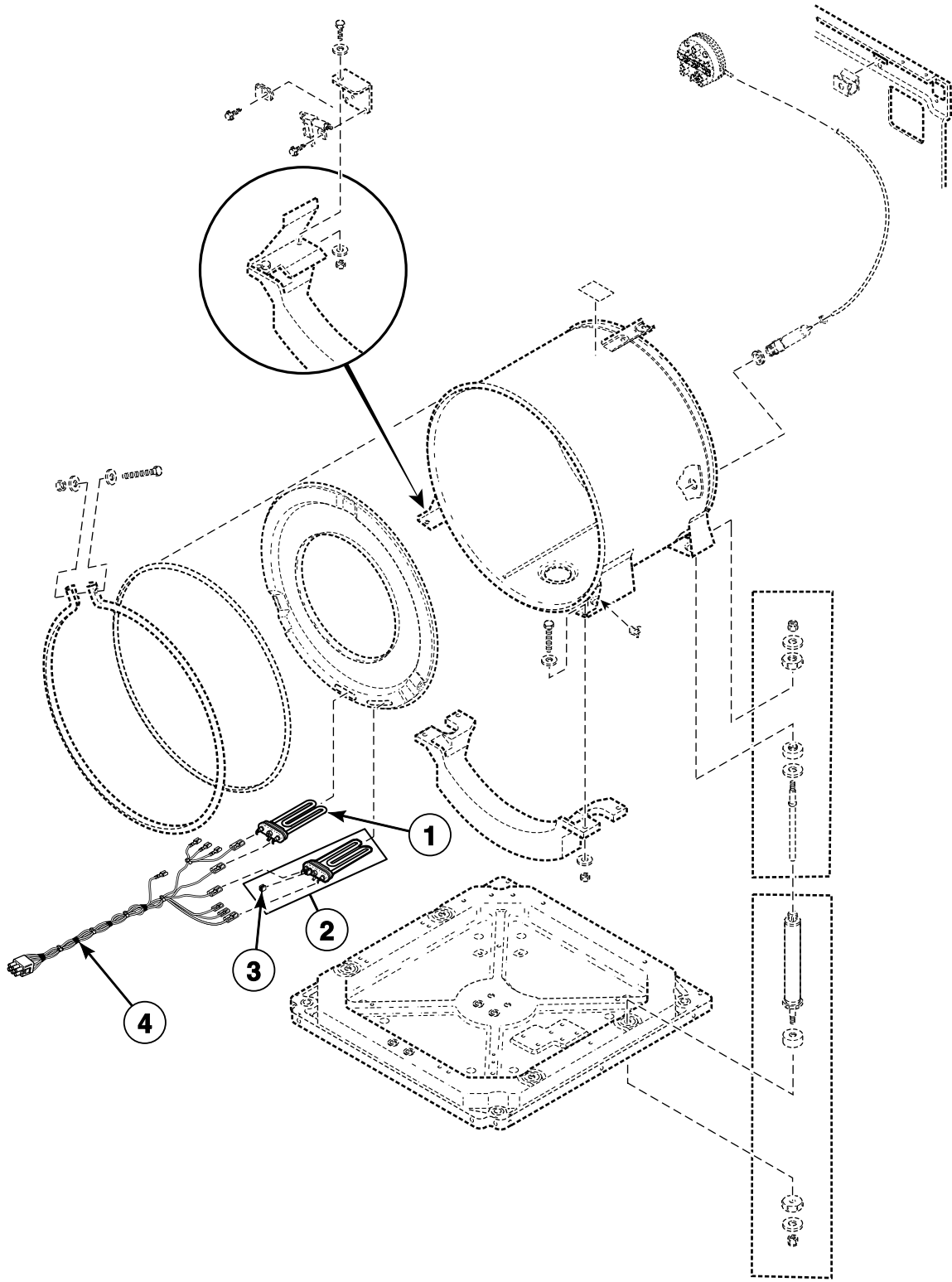
Outer Tub, Front and Clamp Ring

REF	PART NO.	DESCRIPTION	COMMENTS
1	D503661	Screw	
2	806512	Out-of-Balance Switch Assembly Kit	Includes switch, bracket and wire harness
3	800811	Wire Clamp	
4	800461	Screw	
5	M400081	Washer	
6	800663	Switch Mounting Bracket	
7	800452	Nut	
8	D500049	Warning Label	Models HWFX61*N1127, HWR961*N1127 and SWFX61*N1127
	D500314	Warning Label	Models HWFB61*N1102, HWFF61*N1102, HWFR61*N1102, HWFT61*N1102, HWFT63*N1102, HWFX61*N1102, HWFY61*N1102, HWFY63*N1102, HWR961*N1102, HWR963*N1102, HWRR61*N1102, HWRRE1*N1102, HWRT61*N1102, HWRT61*N1102, HWRX61*N1102, HWRXE1*N1102, HWRY61*N1102, HWRYE1*N1102 and HWRZ61*N1102
	D502511	Electrical Shock Label	All other models
	D502506	Pinched Fingers Label	All other models
9	29175	Grommet	
10	30907	Pressure Bulb	
11	36985	Hose Clip	Positioned here on rear control models
12	33324	Tubing	Models HWR961*N1102, HWR961*N1127 and HWR963*N1102
	685751	Tubing	Models HWRR61*N1102, HWRRE1*N1102, HWRT61*N1102, HWRT61*N1102, HWRX61*N1102, HWRXE1*N1102 and HWRZ61*N1102
	800648P	Tubing	All other models
13	39282	Hose Clamp	
14	801291	Outer Tub Assembly	Models BWFLE4*N4000, BWFLE5*N4000, BWFXE4*N4000, BWFXE5*N4000, HWFX64*N4000, HWFY64*N4000, HWFY65*N4000, NWFL44*N4000, NWFL45*N4000, NWFL64*N4000, NWFX64*N4000, NWFX65*N4000, SWFX64*N4000, SWFX64*N98K5, SWFX65*N4000, SWFY64*N4000 and SWFY65*N4000
	801081P	Outer Tub Assembly	All other models
15	800622P	Tub Shock Absorber Kit	Upper
16	800623P	Base Shock Absorber Kit	Lower
17	00161	Grounding Clip	
18	800205	Ballast Weight	
19	800312	Clamp Ring	
20	F430218	Nut	
21	800457	Washer	
22	800462	Screw	
23	800432P	Tub Front Seal	
24	801231	Tub Front Assembly	Models BWFLE4*N4000, BWFLE5*N4000, BWFXE4*N4000, BWFXE5*N4000, HWFX64*N4000, HWFY64*N4000, HWFY65*N4000, NWFL44*N4000, NWFL45*N4000, NWFL64*N4000, NWFX64*N4000, NWFX65*N4000, SWFX64*N4000, SWFX64*N98K5, SWFX65*N4000, SWFY64*N4000 and SWFY65*N4000
	800430	Tub Front Assembly	All other models

* Add Letter To Designate Color. Q - Bisque W - White

Heating Element

Models BWFLE4*N4000, BWFLE5*N4000, BWFXE4*N4000, BWFXE5*N4000, HWFX64*N4000, HWFY64*N4000, HWFY65*N4000, NWFL44*N4000, NWFL45*N4000, NWFL64*N4000, NWFX64*N4000, NWFX65*N4000, SWFX64*N4000, SWFX64*N98K5, SWFX65*N4000, SWFY64*N4000 and SWFY65*N4000



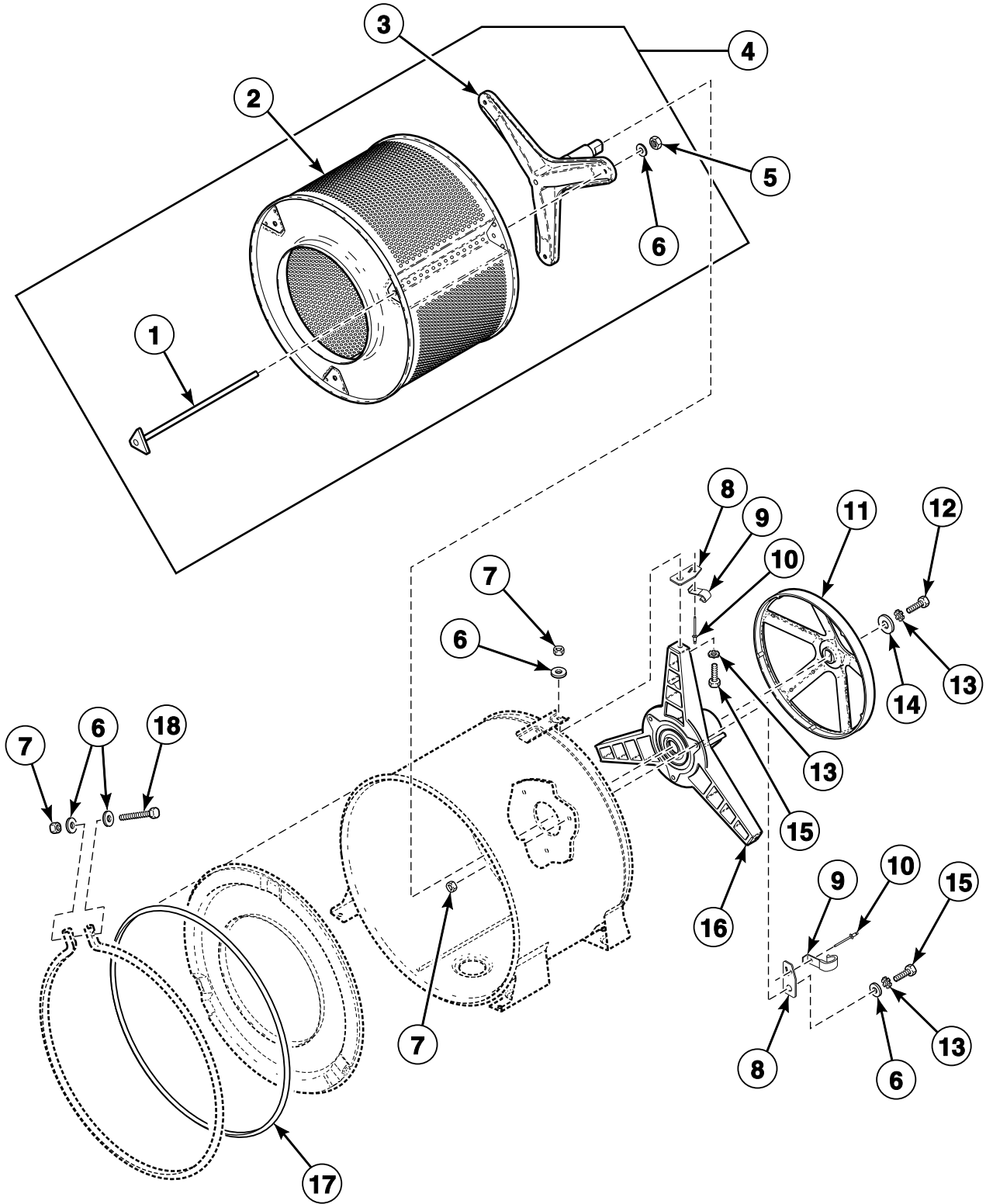
FLW1026P_801682

Heating Element

REF	PART NO.	DESCRIPTION	COMMENTS
1	804778P	Heating Element	
2	804777P	Heating Element	Includes item 3
3	803256	Thermistor	
4	801093P	Element to Contactor Harness	

* Add Letter To Designate Color. Q - Bisque W - White

Inner Basket, Trunnion, Bearing Housing and Pulley

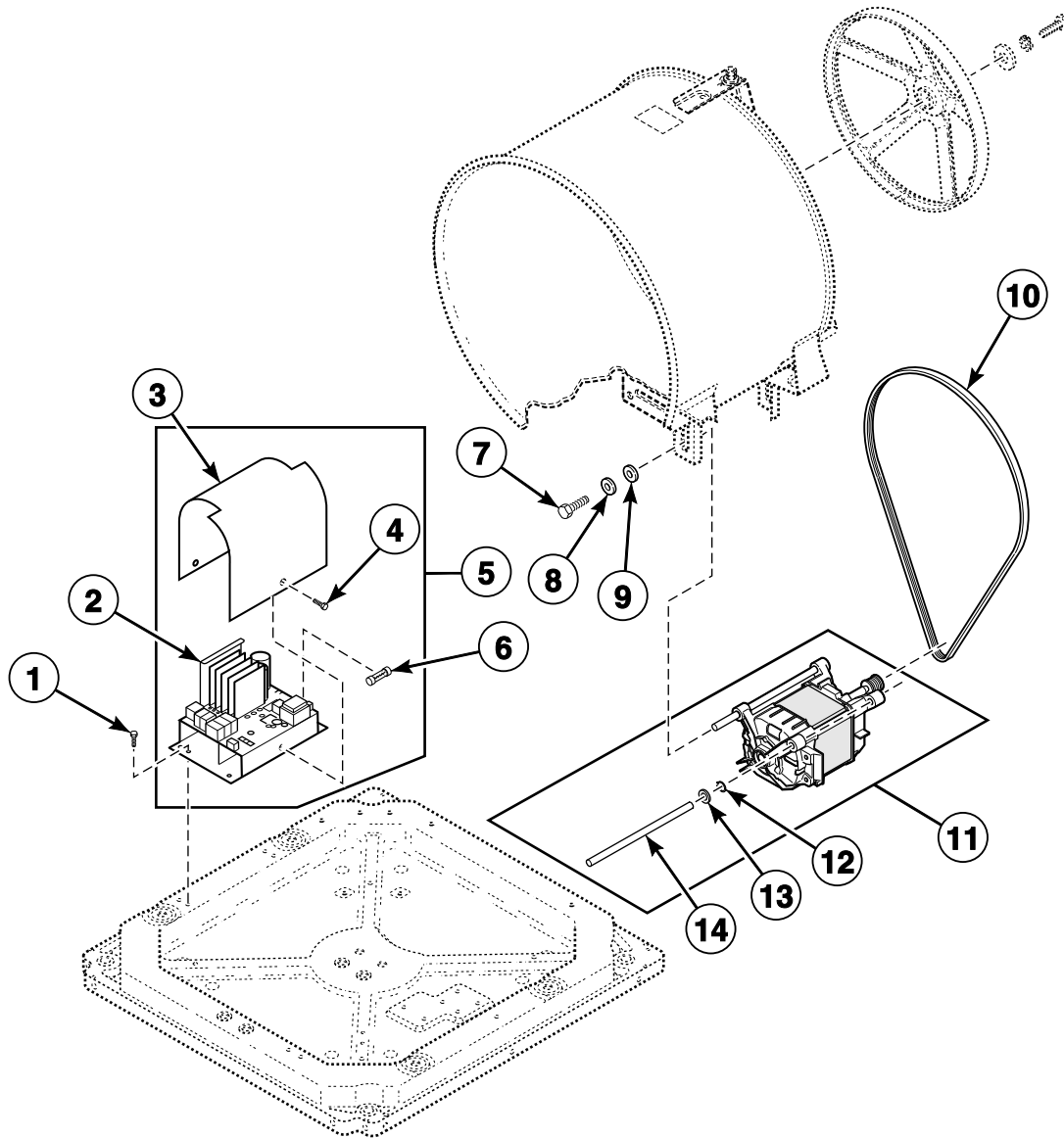


FLW865P_801682

Inner Basket, Trunnion, Bearing Housing and Pulley

REF	PART NO.	DESCRIPTION	COMMENTS
	27604P	Anti-Seize Compound	Pulley to inner basket shaft
	838P3	Hardware Kit	Includes (8) of item 6, (7) each of items 8 and 12, (6) of item 10, (1) each of items 7, 9, 13, 14 and 27604P Anti-Seize Compound
1	800666	Tension Rod Assembly	
2	803007P	Inner Basket Assembly	Includes (3) each of items 1, 5, 6 and 838P3 Hardware Kit
3	800749P	Trunnion Shaft and Hardware Kit	Includes (3) each of items 1, 5, 6 and 838P3 Hardware Kit; If ordering trunnion shaft separately, inner basket and trunnion shaft must be properly aligned to prevent door seal damage. Refer to instructions included in kit
4	800429P	Inner Basket Assembly	Includes items 2, 3, (3) each of items 1, 5, 6 and 838P3 Hardware Kit
5	685844	Nut	
6	800457	Washer	
7	800452	Nut	
8	800552	Hose Mounting Plate	
9	800553	Hose Clip	
10	685847	Pop Rivet	
11	800866	Driven Pulley	
12	685831	Screw	Left hand thread
13	M403958	Washer	
14	807679	Washer	
15	M400043	Screw	
16	800428P	Bearing Housing Kit	Includes 838P3 Hardware Kit
17	800432P	Tub Front Seal	
18	800462	Screw	

Motor and Belt



FLW967P_801682

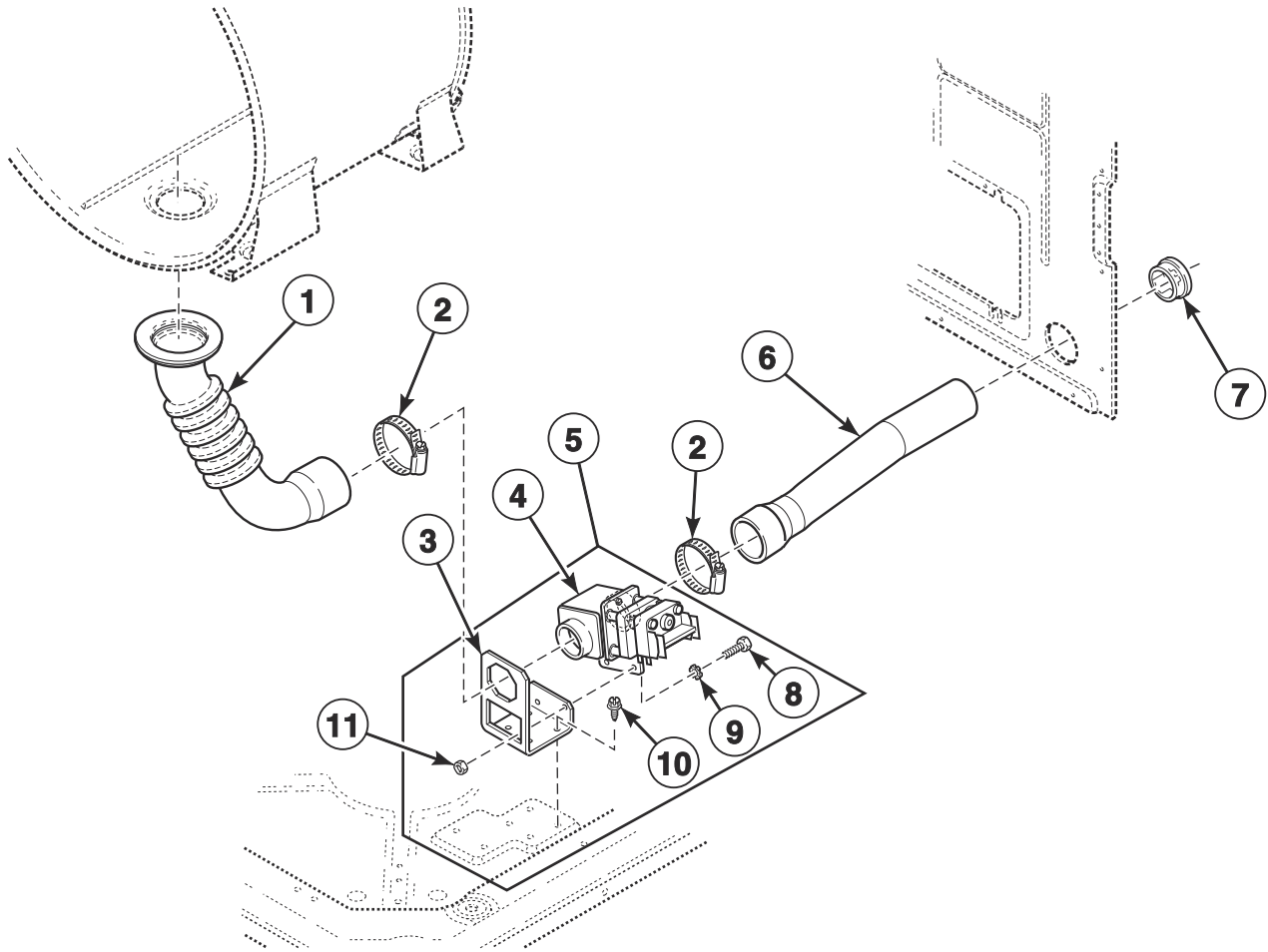
Motor and Belt

REF	PART NO.	DESCRIPTION	COMMENTS
1	D503661	Screw	
2	803254P	Inverter Control Assembly	120 Volt; Models HWFB61*N1102, HWFF61*N1102, HWFR61*N1102, HWFT61*N1102, HWFT63*N1102, HWFX61*N1102, HWFX61*N1127, HWFY61*N1102, HWFY63*N1102, HWFZ61*N1102, HWFZ63*N1102, HWR961*N1102, HWR961*N1127, HWR963*N1102, HWRR61*N1102, HWRRE1*N1102, HWRT61*N1102, HW RTE1*N1102, HWRX61*N1102, HWRXE1*N1102, HWRY61*N1102, HWRYE1*N1102, HWRZ61*N1102 and SWFX61*N1127
	803255P	Inverter Control Assembly	240 Volt; All other models
3	801061	Control Shield	
4	D501524	Screw	
5	801526P	Inverter Assembly Kit	120 Volt; Models HWFB61*N1102, HWFF61*N1102, HWFR61*N1102, HWFT61*N1102, HWFT63*N1102, HWFX61*N1102, HWFX61*N1127, HWFY61*N1102, HWFY63*N1102, HWFZ61*N1102, HWFZ63*N1102, HWR961*N1102, HWR961*N1127, HWR963*N1102, HWRR61*N1102, HWRRE1*N1102, HWRT61*N1102, HW RTE1*N1102, HWRX61*N1102, HWRXE1*N1102, HWRY61*N1102, HWRYE1*N1102, HWRZ61*N1102 and SWFX61*N1127; Includes items 2-4, 801063 Motor Harness Assembly and wire ties
	801527P	Inverter Assembly Kit	240 Volt; All other models; Includes items 2-4, 801063 Motor Harness Assembly and wire ties
6	801755	Fuse	10 Amp
7	M400057	Screw	
8	02834	Washer	
9	M400080	Washer	
10	800319P	Drive Belt	
11	801684P	Motor and Rod Assembly Kit	Includes 2 each of items 10-12 and wire ties
12	23748	Retaining Ring	
13	52549	Washer	
14	801062	Motor Mount Rod	

* Add Letter To Designate Color. Q - Bisque W - White

Drain Hoses and Valve

Models BWFLE5*N4000, BWFXE5*N4000, HWFT63*N1102, HWFY63*N1102, HWFY65*N4000, HWFZ63*N1102, HWR963*N1102, NWFL45*N4000, NWF65*N4000, SWFX65*N4000 and SWFY65*N4000



FLW888P_801682

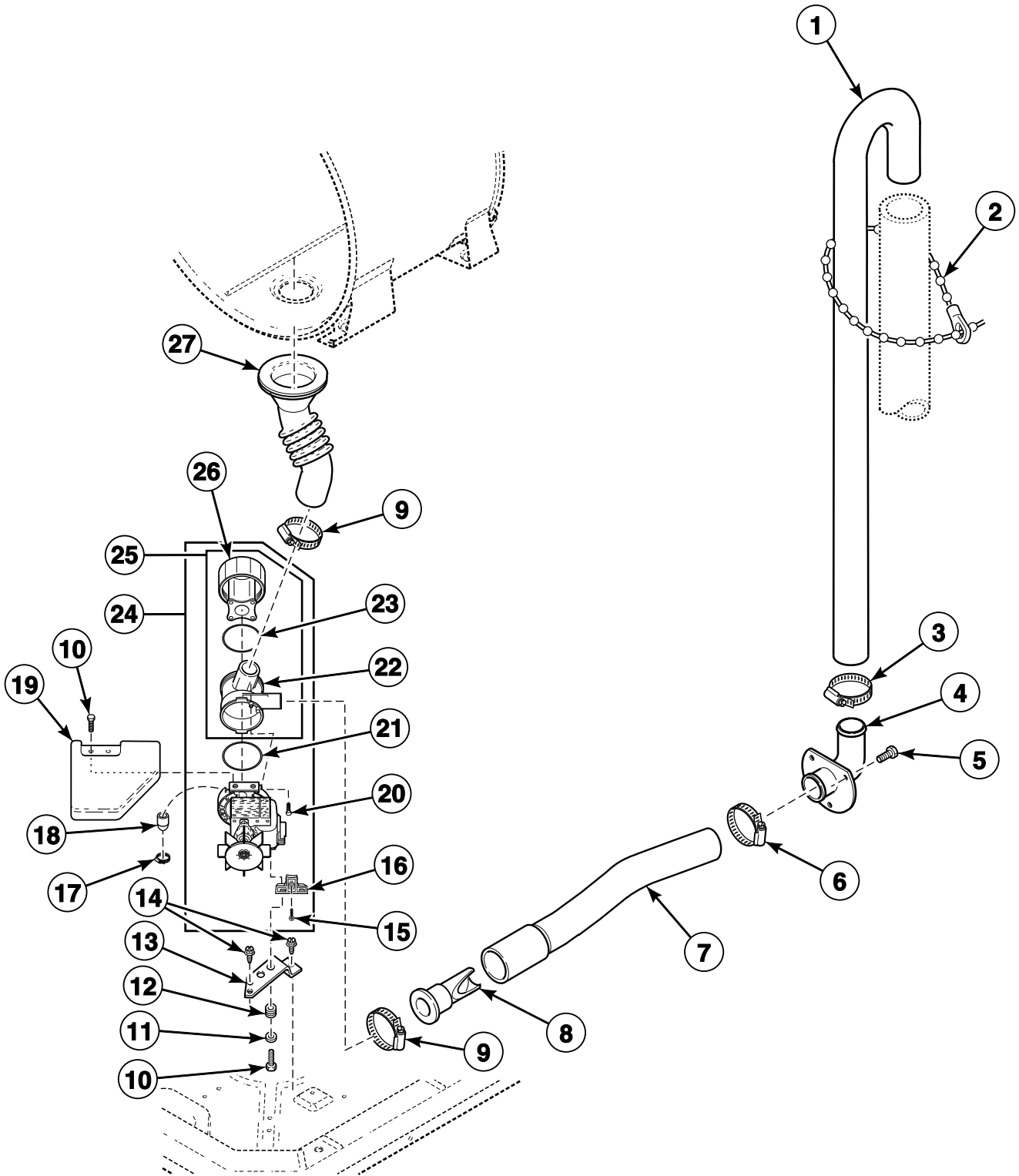
Drain Hoses and Valve

REF	PART NO.	DESCRIPTION	COMMENTS
1	800902	Tub-to-Drain Hose	
	27615P	Sealant	Tub-to-drain hose to outer tub
2	685725	Hose Clamp	
3	803291	Gravity Drain Bracket	
4	803293	Drain Valve	Through Serial No. 0904020485
5	F975P3	Drain Valve Kit	Includes items 3 and 8-11; Models HWFT63*N1102, HWFY63*N1102, HWFZ63*N1102 and HWR963*N1102
	F976P3	Drain Valve Kit	Includes items 3 and 8-11; All other models
6	800903	Drain-to-Cabinet Hose	
7	D503235	Snap Bushing	
8	02916	Screw	
9	M400017	Washer	
10	D503661	Screw	
11	29786	Nut	

* Add Letter To Designate Color. Q - Bisque W - White

Hoses and Pump

All Models Except BWFLE5*N4000, BWFXE5*N4000, HWFT63*N1102, HWFY63*N1102, HWFY65*N4000, HWFZ63*N1102, HWR963*N1102, NWFL45*N4000, NWF65*N4000 and SWFX65*N4000



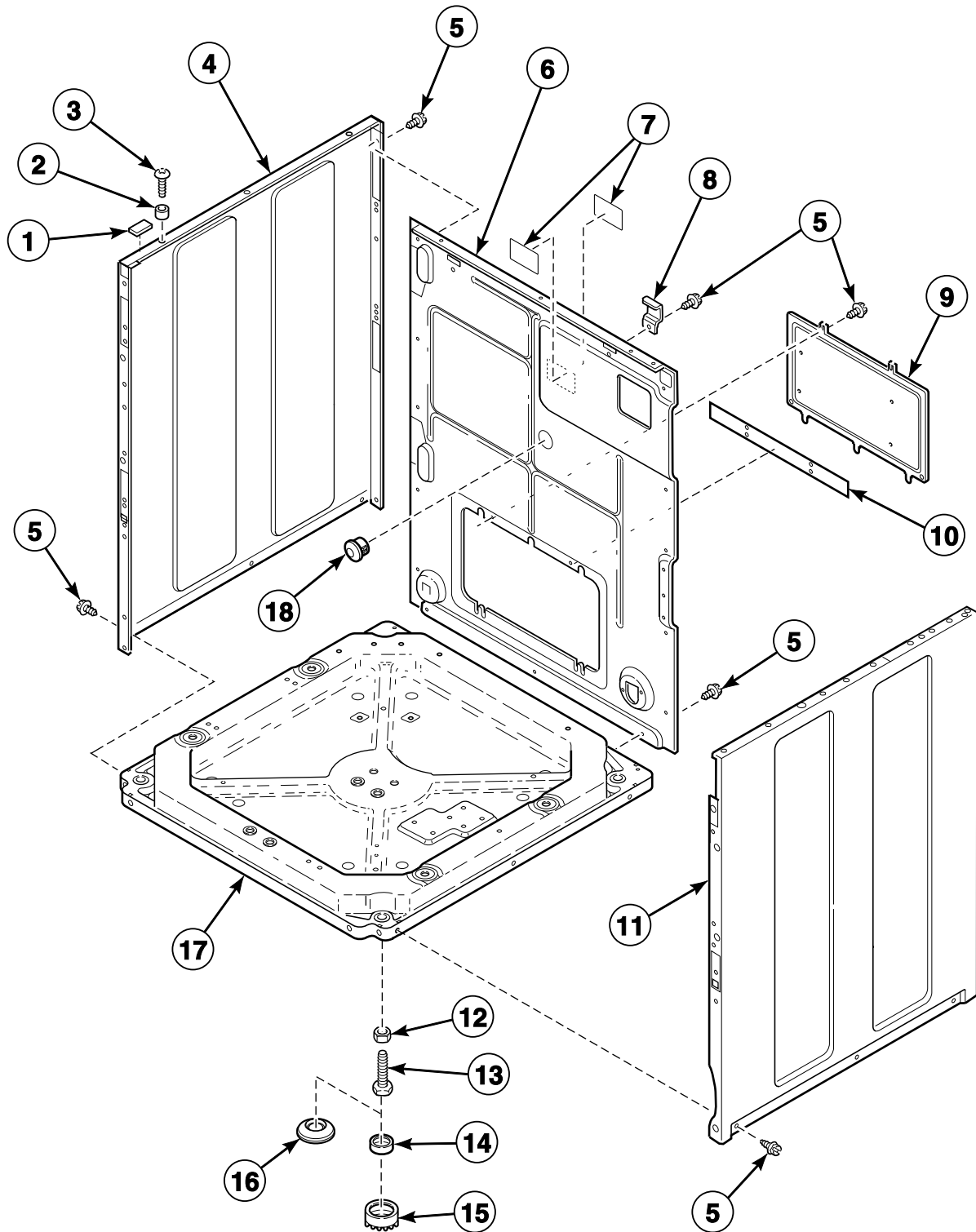
FLW917P_801682

Hoses and Pump

REF	PART NO.	DESCRIPTION	COMMENTS
1	27154	Drain Hose	
2	33489	Standpipe Strap	
3	20211	Hose Clamp	
4	35766	Drain Hose Elbow	
5	52909	Screw	
6	20391	Hose Clamp	
7	685737	Pump-to-Elbow Hose	
8	800310	Backflow Preventer	
9	36802	Hose Clamp	
10	38096	Screw	Metric; Use with 685703, 801267 or 801380 Drain Pump
	D501285	Screw	Use with 801015, 801080 or 802221 Drain Pump
11	800465	Washer	Use with 685703, 801267, 801380, 801015, 801080 or 802221 Drain Pump
12	802218	Grommet	Use with 685703, 801267, 801380, 801015, 801080 or 802221 Drain Pump
13	802219	Pump Bracket	Use with 685703, 801267, 801380, 801015, 801080 or 802221 Drain Pump
	802626	Pump Mount Bracket	Use with 802623, 802624 or 802625 Drain Pump
14	D503661	Screw	
15	802430	Screw	Use with 801015, 801080, 802221, 802623, 802624 or 802625 Drain Pump
16	802432	Pump Mount	Use with 801015, 801080 or 802221 Drain Pump
17	F200206	Hose Clamp	Use with 685703, 801267 or 801380 Drain Pump
18	801112	Nozzle Cap	Use with 685703, 801267 or 801380 Drain Pump
19	38067	Pump Shield	Use with 685703, 801267 or 801380 Drain Pump
20	802431	Screw	Use with 801015, 801080, 802221, 802623, 802624 or 802625 Drain Pump
21	802487	O-Ring	Use with 685703, 801267 or 801380 Drain Pump
	802429P	O-Ring	Use with 801015, 801080, 802221, 802623, 802624 or 802625 Drain Pump
22	801208	Pump Housing	Use with 685703, 801267 or 801380 Drain Pump
	802428	Pump Housing	Use with 801015, 801080, 802221, 802623, 802624 or 802625 Drain Pump
23	801207	O-Ring	Use with 685703, 801267 or 801380 Drain Pump
	802427	Gasket	Use with 801015, 801080, 802221, 802623, 802624 or 802625 Drain Pump
24	802624P	Drain Pump	Models BWFLE4*N4000, BWFXE4*N4000, HWFX64*N4000, HWFY64*N4000, NWFL44*N4000, NWFL64*N4000, NWF64*N4000, SWFA61*N3000, SWFA61*N3050, SWFA61*N3069, SWFF61*N3050, SWFX61*N3000, SWFX61*N3020, SWFX61*N3050, SWFX64*N4000, SWFX64*N98K5 and SWFY64*N4000
	802625P	Drain Pump	Models SWFA61*N3300 and SWFX61*N3300
	802623P	Drain Pump	All other models
25	801209	Pump Housing Assembly	Includes items 22, 23 and 26; Use with 685703, 801267 or 801380 Drain Pump
	802434P	Pump Housing Assembly	Includes items 22, 23 and 26; Use with 801015, 801080, 802221, 802623, 802624 or 802625 Drain Pump
26	801206P	Lid Assembly	Includes filter; Use with 685703, 801267 or 801380 Drain Pump
	802426P	Lid Assembly	Includes filter; Use with 801015, 801080, 802221, 802623, 802624 or 802625 Drain Pump
27	800317	Tub-to-Pump Hose	
	27615P	Sealant	Tub-to-pump hose to outer tub

* Add Letter To Designate Color. Q - Bisque W - White

Base, Side Panels and Rear Panel



FLW987P_801682

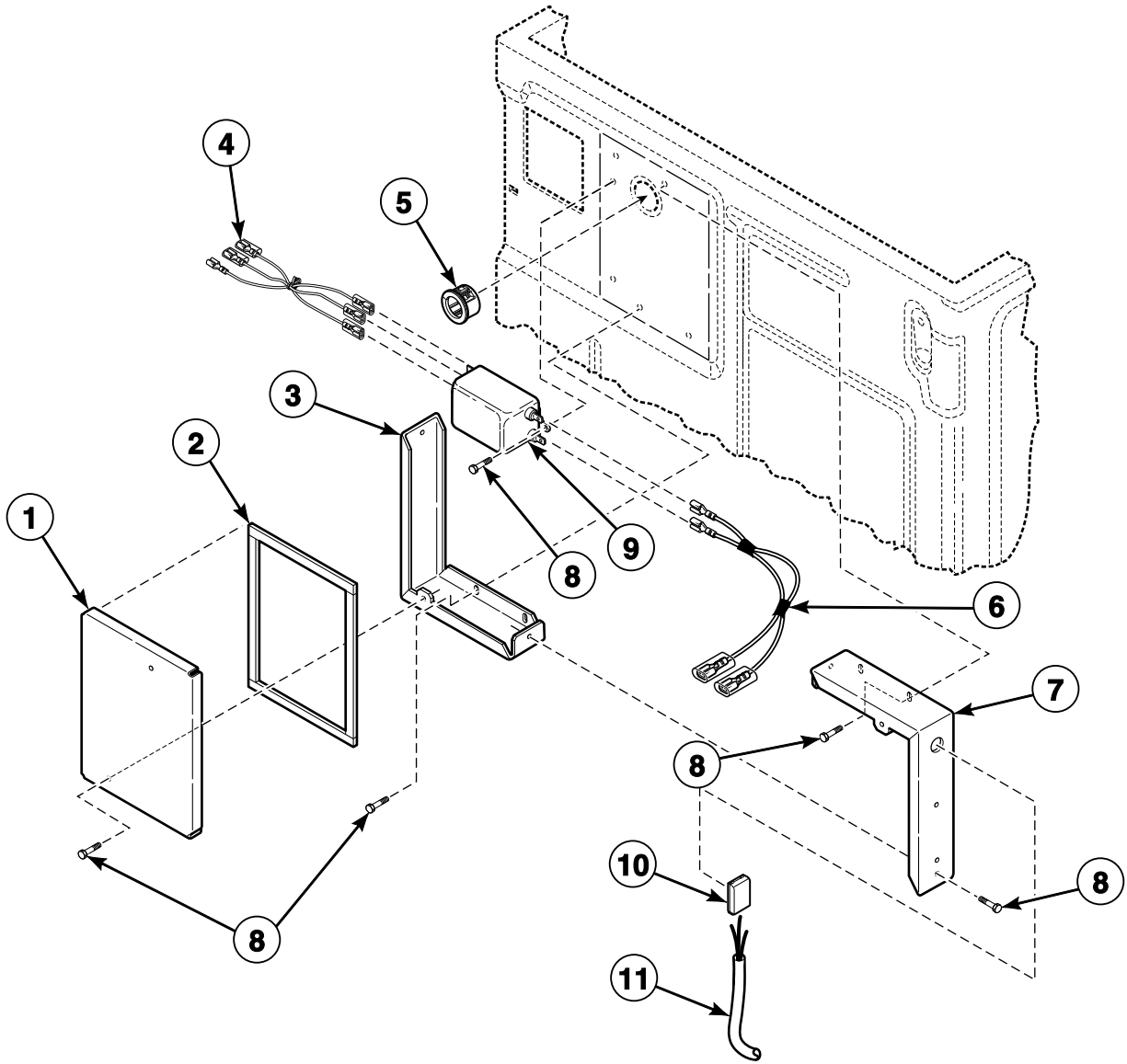
Base, Side Panels and Rear Panel

REF	PART NO.	DESCRIPTION	COMMENTS
1	56128	Bumper Pad	
2	56079	Panel Locator	
3	39733	Screw	
4	800004WP	Cabinet Panel Kit	White; Left; Includes corner gusset with hardware
	800004QP	Cabinet Panel Kit	Bisque; Left; Includes corner gusset with hardware
5	D503661	Screw	
6	801216	Rear Panel	Models BWFLE5*N4000, BWFXE5*N4000, HWFT63*N1102, HWFY63*N1102, HWFY65*N4000, HWFZ63*N1102, HWR963*N1102, NWFL45*N4000, NWF65*N4000, SWFX65*N4000 and SWFY65*N4000
	800010P	Rear Panel	All other models
7	685928	Left Hand Thread Label	
8	D510136	Top Hinge	Rear control models
9	800011	Rear Access Panel	
10	801702	Motor Access Hole Edging	
11	806492	Side Panel Kit	White; Right; Includes 801024 Dispenser Plate with hardware and 547P3 Coin Cabinet Hardware Kit
	800005QP	Side Panel Kit	Bisque; Right; Includes 801024 Dispenser Plate with hardware and 547P3 Coin Cabinet Hardware Kit
12	21899	Nut	
13	34319	Leveling Leg	
14	34318	Rubber Foot	
15	D501855	Rubber Foot	Prevents movement on smooth surfaces. Install over existing rubber feet
16	155P3	Anchor	Includes 4 rubber discs with adhesive backing
17	803876	Base Assembly	
18	M412154	Hole Plug	

* Add Letter To Designate Color. Q - Bisque W - White

Junction Box

Models HWFX61*N1127, HWR961*N1127, SWFA61*N3000, SWFA61*N3050, SWFA61*N3069, SWFA61*N3300, SWFF61*N3050, SWFX61*N1127, SWFX61*N3000, SWFX61*N3020, SWFX61*N3050 and SWFX61*N3300



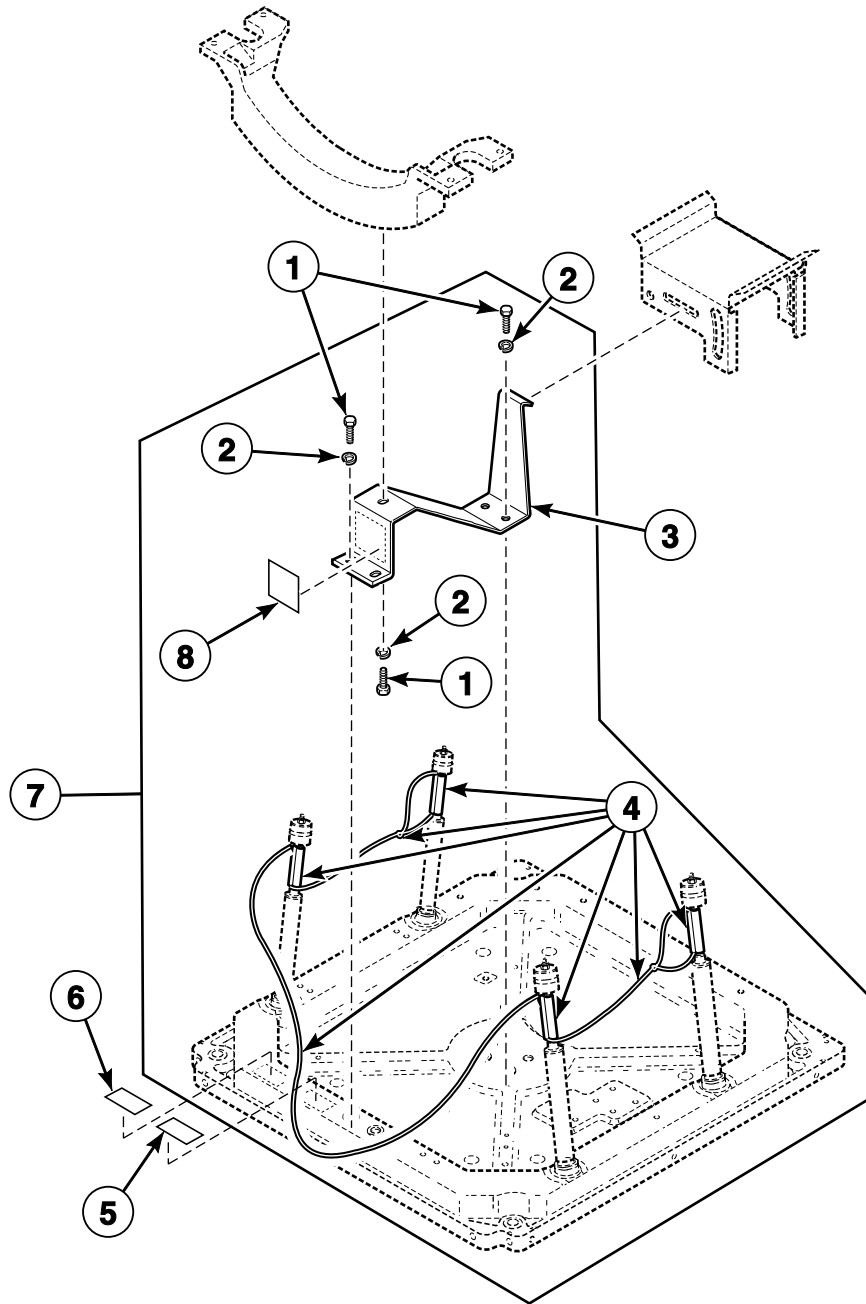
SWD1213P_801682

Junction Box

REF	PART NO.	DESCRIPTION	COMMENTS
1	801404	Junction Box Cover	
2	801425P	Junction Box Seal	4 required
3	801433	Lower Junction Box	
4	801420	Filter Jumper Harness	Line filter to power cord terminal block
5	M402542	Snap Bushing	
6	802013	Wire Harness Assembly	Models HWFX61*N1127, HWR961*N1127 and SWFX61*N1127; Line filter to control harness
	801421	Wire Harness Assembly	All other models; Line filter to control harness
7	801403	Junction Box	Upper
8	D503661	Screw	
9	201058	Line Filter	
10	39922	Cable Connection Box	
11	801450	Power Cord Assembly	Models SWFA61*N3000, SWFA61*N3300, SWFX61*N3000 and SWFX61*N3300
	39931	Power Cord Assembly	Models SWFA61*N3050, SWFF61*N3050 and SWFX61*N3050; Includes plug
	39926	Lead-In Cord	Model SWFX61*N3020; Includes plug
	39925	Power Cord Assembly	Model SWFA61*N3069
	802012	Power Cord Assembly	Models HWFX61*N1127, HWR961*N1127 and SWFX61*N1127

* Add Letter To Designate Color. Q - Bisque W - White

Shipping Materials



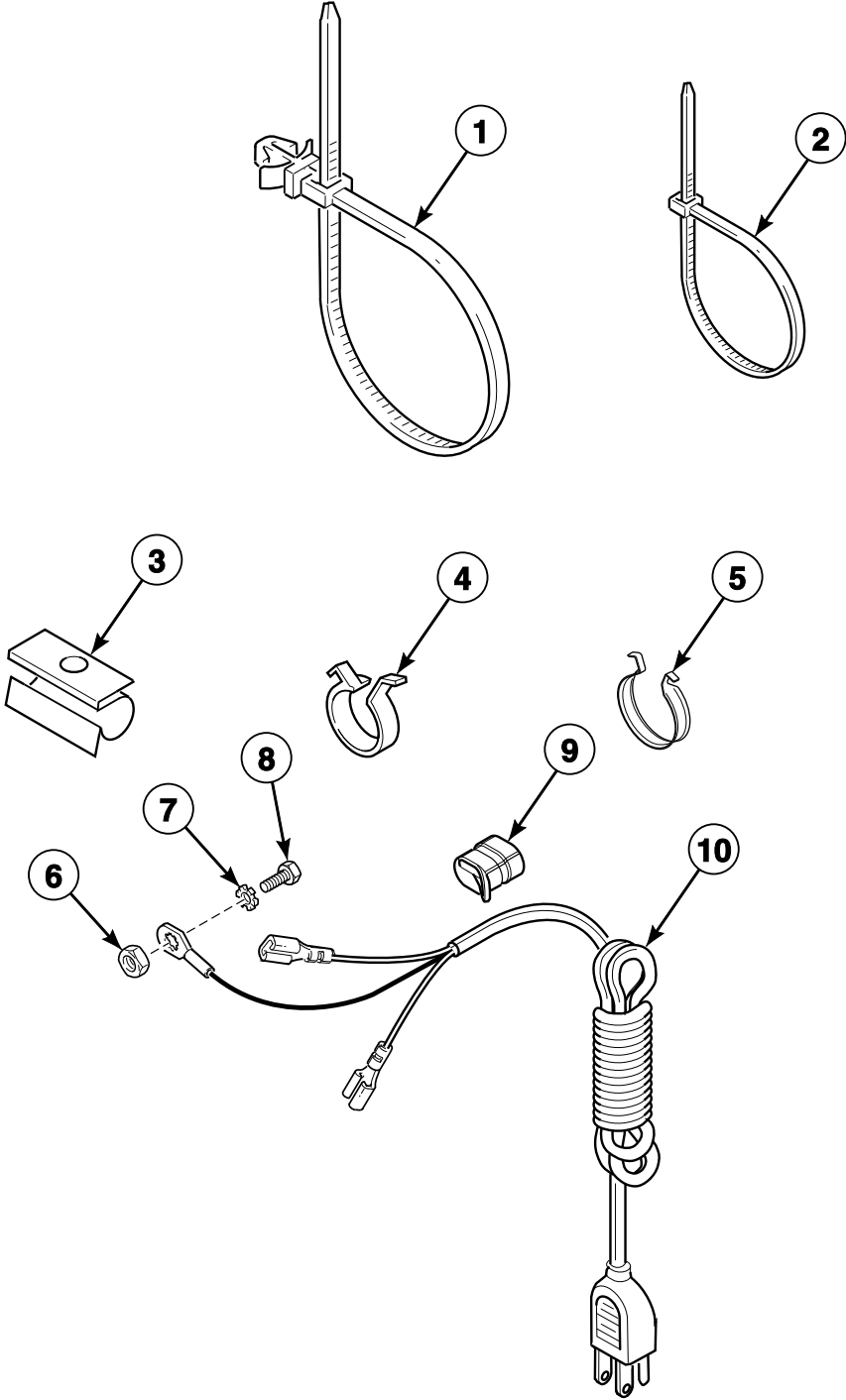
FLW845P_801682

Shipping Materials

REF	PART NO.	DESCRIPTION	COMMENTS
1	M400043	Screw	
2	M400014	Washer	
3	802890	Shipping Bracket	
4	802933P	Shipping Cord and Brace Assembly	
5	800632	Warning Label	Nongrounded part
6	D500049	Warning Label	Models HWFX61*N1127, HWR961*N1127 and SWFX61*N1127
	D500314	Warning Label	Models HWFB61*N1102, HWFF61*N1102, HWFR61*N1102, HWFT61*N1102, HWFT63*N1102, HWFX61*N1102, HWFY61*N1102, HWFY63*N1102, HWFZ61*N1102, HWFZ63*N1102, HWR961*N1102, HWR963*N1102, HWRR61*N1102, HWRRE1*N1102, HWRT61*N1102, HW RTE1*N1102, HWRX61*N1102, HWRXE1*N1102, HWRY61*N1102, HWRYE1*N1102 and HWRZ61*N1102
	D502511	Electrical Shock Label	All other models
	D502506	Pinched Fingers Label	All other models
7	728P3	Shipping Materials Kit	Includes items 1-4 and 8
8	807552	Shipping Bracket Label	

* Add Letter To Designate Color. Q - Bisque W - White

Wire Ties, Harness Clips and Lead-In Cord



FLW823P_801682

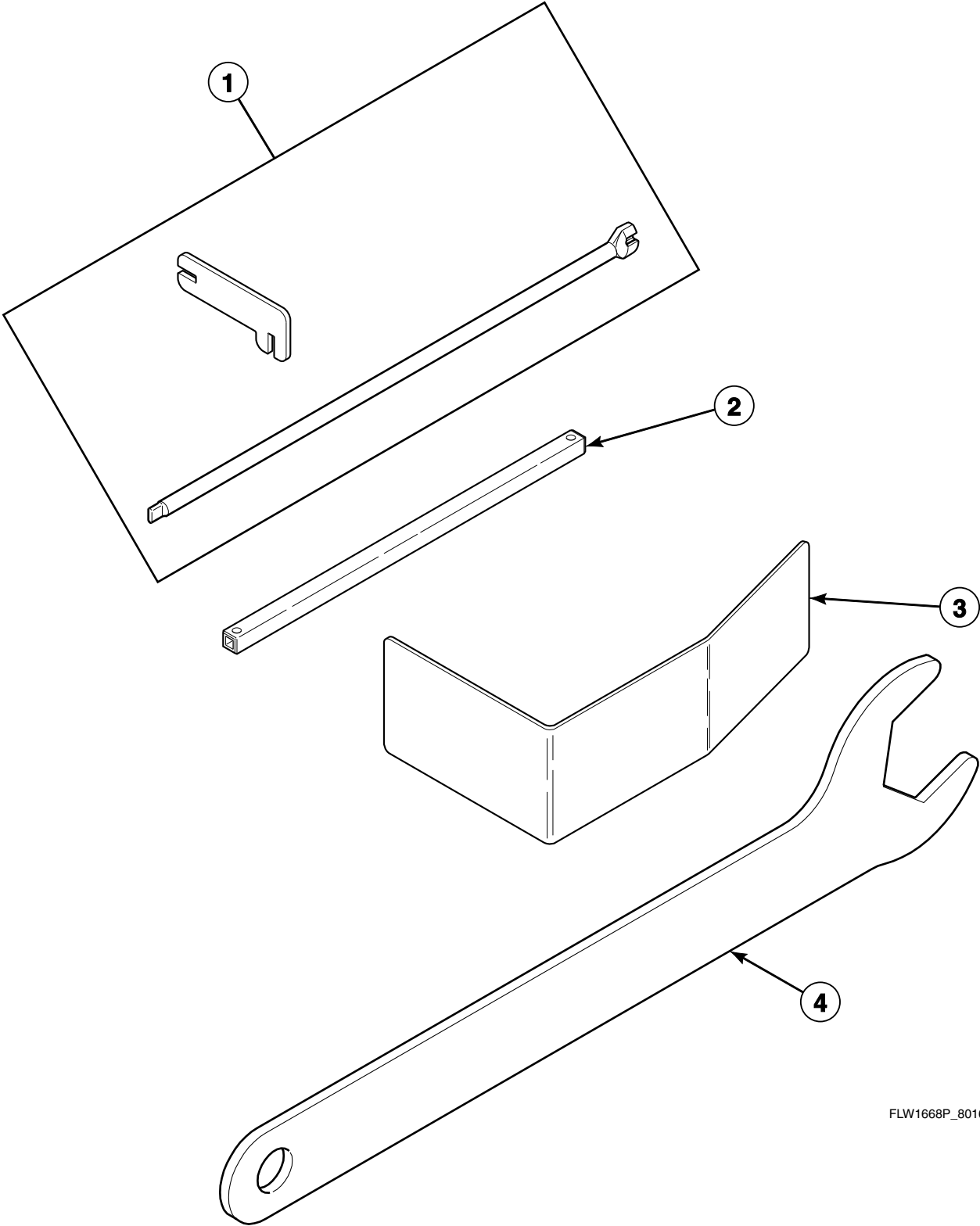
Wire Ties, Harness Clips and Lead-In Cord

REF	PART NO.	DESCRIPTION	COMMENTS
1	38663	Wire Tie	
2	55881	Harness Strap	
3	36985	Hose Clip	
4	D504034	Wire Clip	Small
5	687500	Wire Clip	Large
6	03673	Nut	
7	03815	Washer	
8	N/A	Screw	
9	38384	Strain Relief	
10	34458	Lead-In Cord	Models HWFB61*N1102, HWFF61*N1102, HWFR61*N1102, HWFT61*N1102, HWFT63*N1102, HWFX61*N1102, HWFY61*N1102, HWFY63*N1102, HWFZ61*N1102, HWFZ63*N1102, HWR961*N1102, HWR963*N1102, HWRR61*N1102, HWRRE1*N1102, HWRT61*N1102, HW RTE1*N1102, HWRX61*N1102, HWRXE1*N1102, HWRY61*N1102, HWRYE1*N1102 and HWRZ61*N1102

* Add Letter To Designate Color. Q - Bisque W - White

N/A = Part no longer available

Special Tools

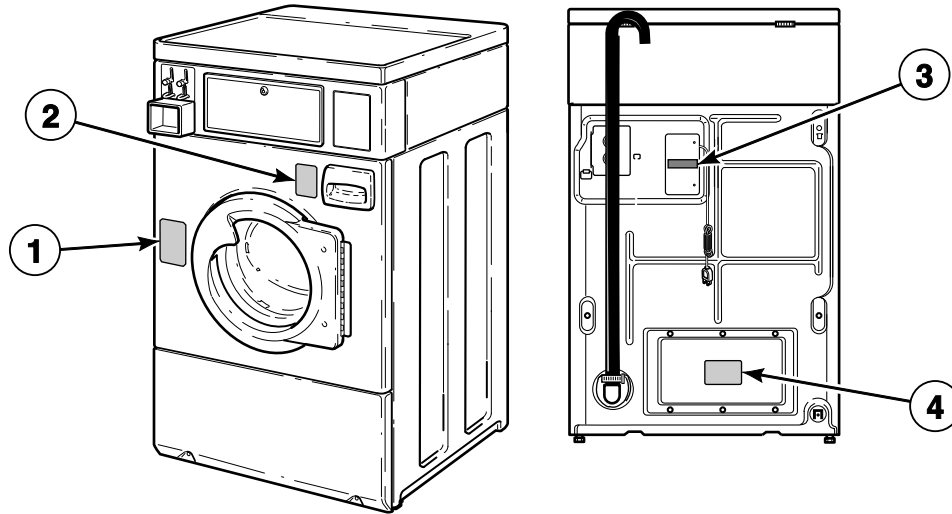


FLW1668P_801682

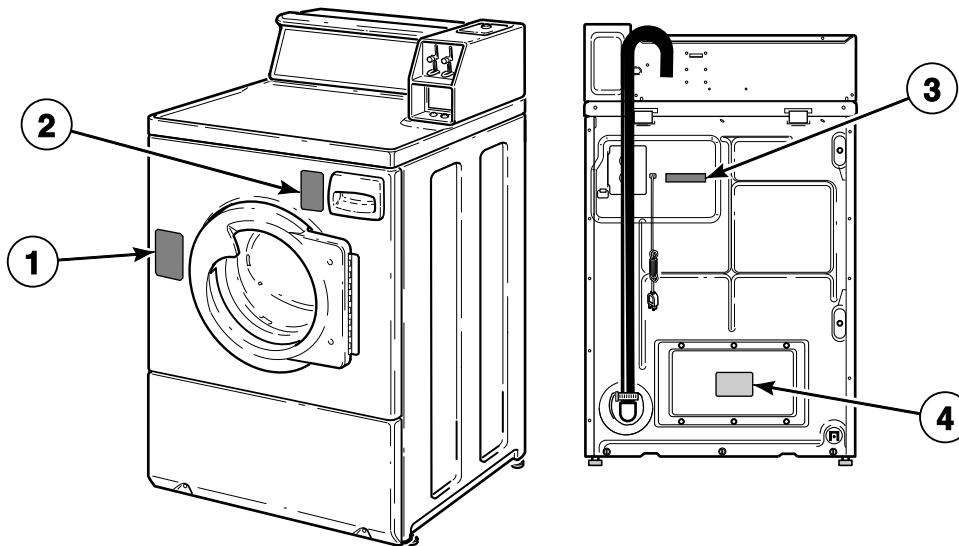
Special Tools

REF	PART NO.	DESCRIPTION	COMMENTS
1	CK096	Mounting Tool Kit	Use to install and remove electronic coin drop kits
2	310P4	Ratchet Extension Tool	1/4 inch; Use to install and remove non-electronic coin drops
3	318P4	Dispenser Drawer Tool	Use to remove dispenser drawer
4	392P4	Wrench	Use to adjust leveling legs

Labels



Front Control Washers



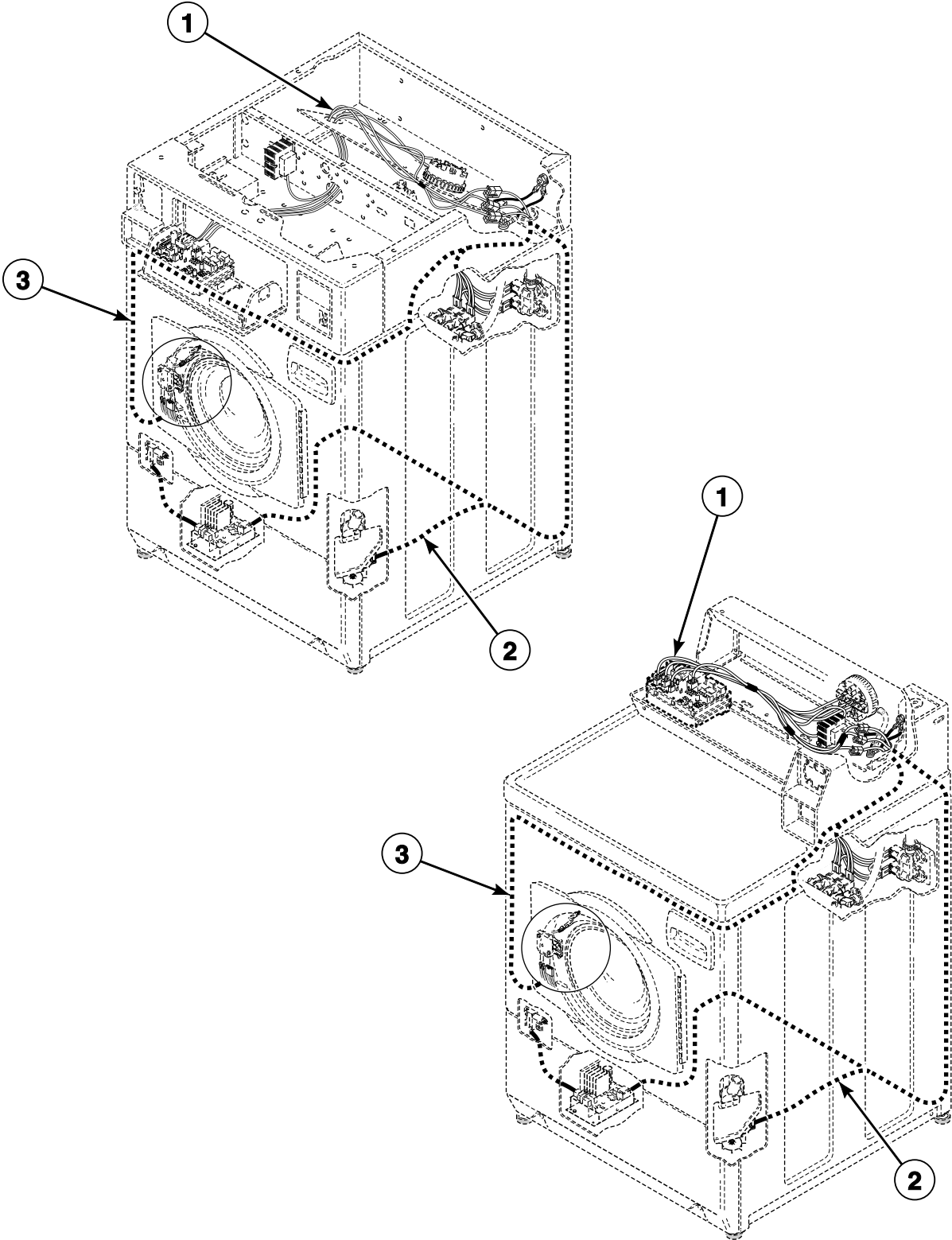
Rear Control Washers

FLW848P_801682

Labels

REF	PART NO.	DESCRIPTION	COMMENTS
1	685947	Door Locked Label	
2	800420	Oversudsing Label	English
	800621	Oversudsing Label	Spanish
3	D505281	Disconnect Power Warning Label	English
	D502511	Electrical Shock Label	Icon
4	D500049	Warning Label	English
	D500314	Warning Label	Quebec French
	D502511	Electrical Shock Label	Icon

Wire Harnesses and Wires



FLW889P_801682

Wire Harnesses and Wires

REF	PART NO.	DESCRIPTION	COMMENTS
	45001	18 Gauge Wire	Black; Order wire by foot and terminals and connectors as required
	45380	12 Gauge Wire	Orange; Order wire by foot and terminals and connectors as required
1	801064P	Front Control Harness Assembly	Models HWFB61*N1102, HWFF61*N1102, HWFR61*N1102, HWFT61*N1102, HWFT63*N1102, HWFX61*N1102, HWFX61*N1127, HWFY61*N1102, HWFY63*N1102, HWFZ61*N1102, HWFZ63*N1102 and SWFX61*N1127
	801324P	Control Harness Assembly	Models HWR961*N1102, HWR961*N1127 and HWR963*N1102
	801117	Control Harness Assembly	Models BWFL4*N4000, BWFL5*N4000, BWFXE4*N4000, BWFXE5*N4000, HWFX64*N4000, HWFY64*N4000, HWFY65*N4000, NWFL44*N4000, NWFL45*N4000, NWFL64*N4000, NWFX64*N4000, NWFX65*N4000, SWFX64*N4000, SWFX64*N98K5, SWFX65*N4000, SWFY64*N4000 and SWFY65*N4000
	801281P	Rear Control Harness Assembly	Models HWRR61*N1102, HWRRE1*N1102, HWRT61*N1102, HWRTE1*N1102, HWRX61*N1102, HWRXE1*N1102, HWRY61*N1102, HWRYE1*N1102, HWRZ61*N1102, SWFA61*N3000 and SWFX61*N3300
	801335	Control Harness Assembly	Models SWFA61*N3000, SWFA61*N3050, SWFA61*N3069, SWFA61*N3300, SWFF61*N3050, SWFX61*N3000, SWFX61*N3020, SWFX61*N3050 and SWFX61*N3300
2	801063P	Motor Harness Assembly	
3	N/A	Base Harness Assembly	Models SWFA61*N3000, SWFA61*N3069, SWFA61*N3300, SWFF61*N3050, SWFX61*N3000, SWFX61*N3020, SWFX61*N3050 and SWFX61*N3300
	801494	Base Harness Assembly	Models BWFL4*N4000, BWFL5*N4000, BWFXE4*N4000, BWFXE5*N4000, HWFX64*N4000, HWFY64*N4000, HWFY65*N4000, NWFL44*N4000, NWFL45*N4000, NWFL64*N4000, NWFX64*N4000, NWFX65*N4000, SWFX64*N4000, SWFX64*N98K5, SWFX65*N4000, SWFY64*N4000 and SWFY65*N4000
	800590P	Base Harness Assembly	All other models

* Add Letter To Designate Color. **Q** - Bisque **W** - White

N/A = Part no longer available

NOTE: Individual wires are not available separately. Order complete harness, or order wire by the foot. When applying terminals to wires, it is recommended that the terminals be soldered to the wires.

Parts Index

A

Access Panel Assembly	
D514250Q.....	33, 35
D514250WP.....	33, 35
Anchor	
155P3.....	53
Anti-Seize Compound	
27604P.....	45
Audit Switch Bracket	
800379.....	9

B

Backflow Preventer	
34500.....	37, 39
800310.....	51
Ballast Weight	
800205.....	41
Base Assembly	
803876.....	53
Base Harness Assembly	
800590P.....	65
801494.....	65
Base Shock Absorber Kit	
800623P.....	41
Bearing Housing Kit	
800428P.....	45
Bolt	
203798.....	21, 23
29651.....	7, 11, 23
32184.....	27
Bracket	
D510146.....	21, 23, 31
201918.....	27
Bumper Pad	
56128.....	53

C

Cabinet Panel Kit	
800004QP.....	53
800004WP.....	53
Cabinet Top Kit	
802247QP.....	7
Cable Connection Box	
39922.....	55
Cable Tie	
39037.....	33, 37
Cap	
801746.....	37
Card Insert Overlay	
D511548.....	19
D511561.....	19
Card Reader and Bracket Assembly	
D510068P.....	19
Card Reader Overlay	
800230.....	19

Card Reader Wire Harness Assembly	
800125P.....	19
Central Pay Harness	
D511478.....	5, 11, 31
Clamp Ring	
800312.....	41
Clip	
201572.....	17
Coin Drop	
38963P.....	15
Coin Drop Assembly	
38462P.....	15
38463.....	15
38464P.....	15
38467.....	15
38472.....	15
38519.....	15
38521.....	15
70441602.....	15, 21
Coin Drop Wire Harness	
201104.....	17
Coin Funnel Kit	
523P3.....	23
Coin Identification Paper	
38725.....	15, 17, 21
Contactora	
F330177P.....	9, 11
Contactora Wire Harness Assembly	
801120P.....	9, 11
Control Assembly	
802400P.....	5, 11
802523P.....	29
803146P.....	5, 25, 31
Control Cabinet Bottom	
801777.....	11
Control Harness Assembly	
801117.....	65
801324P.....	65
801335.....	65
Control Hood	
D502567Q.....	25, 29
D502567W.....	25, 29
D511253Q.....	31
D511253W.....	31
Control Hood Back Panel	
801735.....	29
Control Kit	
800772P.....	5
Control Panel	
801737W.....	11
Control Panel and Bracket Assembly	
800035Q.....	5
800035W.....	5
800142Q.....	29
800142W.....	29
800149Q.....	25
800149W.....	25
Control Panel and Stud Assembly	
800710Q.....	31
800710W.....	31
Control Panel Overlay	
800033.....	5

N/A items do not appear in index.

800413	5
800416	5
801191	31
801523	29
Control Shield	
210053	25, 31
801061	47
801371	9, 11

D

Detergent Cover	
800899	37
Diagnostic Wire Harness Assembly	
800374	5
800680	11, 31
Disconnect Power Warning Label	
D505281	23, 29, 63
Dispenser	
685756P	37
801090P	37
Dispenser Assembly	
801476P	37
Dispenser Drawer	
685757P	37
Dispenser Drawer Front	
685715QP	37
685715WP	37
Dispenser Drawer Tool	
318P4	61
Dispenser Plate	
801024	37
Dispenser-to-Tub Hose	
800331	37
Door Assembly	
800436QP	33
800436WP	33
801869	33
801928QP	35
801928WP	35
Door Bezel	
800341Q	33
800341W	33
Door Glass	
800343P	33, 35
Door Handle	
800342	33
Door Hinge	
802934	33, 35
Door Latch/Switch Assembly	
685429	33, 35
Door Locked Label	
685947	63
Door Seal and Hose Assembly	
800232P	35, 37
801784P	37
Door Seal and Hose Assembly Kit	
800232	33
801784	35
801784P	33
Door Seal Clamp	
685743P	33, 35

Door Switch	
800211	33, 35
Door Switch Assembly	
801821	33, 35
Drain Hose	
27154	51
Drain Hose Elbow	
35766	51
Drain Pump	
802623P	51
802624P	51
802625P	51
Drain Valve	
803293	49
Drain Valve Kit	
F975P3	49
F976P3	49
Drain-to-Cabinet Hose	
800903	49
Drive Belt	
800319P	47
Driven Pulley	
800866	45
Dual Overlay	
39073	15, 21

E

Electric Access Panel	
801134	13
Electrical Shock Label	
D502511	41, 57, 63
Electronic Coin Drop Assembly	
70294103P	17
70294104	17
70294106	17
70294107	17
70294109	17
70294110	17
70294111	17
Electronic Coin Drop Kit	
CK099	17
CK100	17
CK101	17
CK103	17
CK106	17
CK108	17
CK109	17
CK110	17
CK113	17
CK115	17
Element to Contactor Harness	
801093P	43
End Cap	
210108W	31
210109W	31
Expansion Clip	
70030501	11
Extension Spring	
800346	33, 35

N/A items do not appear in index.

F

Fill Hose	
20617	39
20618	39
37380	39
37381	39
Fill Hose Kit	
38349P	39
Filter	
801255P	13
Filter Jumper Harness	
801420	55
Fitting	
801792P	13
Front Control Harness Assembly	
801064P	65
Front Overlay	
801037	5
801050	5
801053	5
801761	5
Front Panel	
800336QP	33, 35
800336WP	33, 35
Front Panel Pad	
36204	33, 35
Fuse	
801755	47

G

Gasket	
802427	51
Graphic Overlay	
801762	11
801983	11
Gravity Drain Bracket	
803291	49
Grommet	
29175	41
802218	51
Grounding Clip	
00161	41

H

Hardware Kit	
838P3	45
Harness Assembly	
802905	15, 17, 21
Harness Strap	
55881	35, 59
Heating Element	
804778P	43
Hinge	
D511036	7, 11
Hinge Plate	
802412	33, 35
Hold-Down Clip	
800906	33, 35

Hole Plug	
M412154	53
Hood Back Plate	
D505798	25
Hose Clamp	
F200206	37, 51
20211	51
20391	51
36802	51
39282	41
685725	37, 49
802164	33, 35, 37, 39
Hose Clip	
36985	9, 11, 41, 59
800553	45
Hose Mounting Plate	
800552	45

I

Inner Basket Assembly	
800429P	45
803007P	45
Inner Door Bezel	
800340	33
801903	35
Insert	
685716	37
Instruction Label	
685942	15, 19
Inverter Assembly Kit	
801526P	47
801527P	47
Inverter Control Assembly	
803254P	47
803255P	47

J

Junction Box	
801403	55
Junction Box Cover	
801404	55
Junction Box Seal	
801425P	55

K

Key	
54612	5

L

Lead-In Cord	
34458	59
39926	55
Left Control Cabinet Side	
801738W	11
Left Hand Thread Label	
685928	53

N/A items do not appear in index.

Leveling Leg 34319	53
Lid Assembly 801206P	51
802426P	51
Light 801431	29
801432	29
Line Filter 201058	13, 55
Lock Cam 27261	5
Lock Kit 27260P	5
Locking Catch 685430	33, 35
Lower Junction Box 801433	55

M

Membrane Switch 210010P	5, 11
Meter Case Assembly 202877Q	21
202877W	21
801330Q	23
801330W	23
802505Q	21
802505W	21
Meter Case Bracket Gasket 35526	21, 23
Meter Case Gasket 26354	21, 23
Meter Case Lockdown Bracket 35525	21, 23
Meter Case Locking Bracket Kit 204616	21, 23, 27
Mixing Valve 802220P	39
802222P	39
Mixing Valve Plate 800323	39
Mixing Valve Screen 802926	39
Motor Access Hole Edging 801702	53
Motor and Rod Assembly Kit 801684P	47
Motor Harness Assembly 801063P	65
Motor Mount Rod 801062	47
Motor Speed Switch 800404	29
Mounting Tool Kit CK096	61

N

Network Varistor Assembly 801311	13
---	----

N/A items do not appear in index.

Nozzle Cap 801112	51
Nut F430218	41
M412986	23
03673	59
201216	17
21899	53
23951	27, 33, 35
24205	29
27222	21, 23
29786	15, 21, 23, 49
29787	13
29796	5, 11
30647	23
36020	7, 33, 35
52566	25, 29
52947	29
685844	45
685846	33
70054	19
800452	41, 45
801994	35
802337	21, 23

O

Operating Instruction Label 801217	15, 19
803595	21, 23
Opto Coupler 200674P	15, 21
O-Ring 801207	51
802429P	51
802487	51
Outer Door Bezel 801868	33
801904Q	35
801904W	35
Outer Tub Assembly 801081P	41
801291	41
Out-of-Balance Switch Assembly Kit 806512	41
Overlay 201091	17
801872	5
802510	5
803597	31
Overlay Kit 38676	15
Oversudsing Label 800420	63
800621	63

P

Panel Locator 56079	15, 19, 33, 35, 53
Pinched Fingers Label D502506	41, 57
Pop Rivet 685847	7, 11, 45

Power Cord Assembly	
39925	55
39931	55
801450	55
802012	55
Pressure Bulb	
30907	41
Pressure Switch	
800468P	9, 25, 29, 31
801297P	9, 11
801610P	9, 11, 25, 31
Pump Bracket	
802219	51
Pump Housing	
801208	51
802428	51
Pump Housing Assembly	
801209	51
802434P	51
Pump Mount	
802432	51
Pump Mount Bracket	
802626	51
Pump Shield	
38067	51
Pump-to-Elbow Hose	
685737	51

R

Ratchet Extension Tool	
310P4	61
Rear Access Panel	
800011	53
Rear Control Cabinet	
801058	11, 13
Rear Control Harness Assembly	
801281P	65
Rear Control Hood Panel	
801165	31
Rear Control Operating Instruction Label	
800137	21, 23
Rear Control Panel Harness Assembly	
801300	29
Rear Control Operating Instruction Label	
Label	23
Rear Overlay	
801055	25
Rear Panel	
800010P	53
801216	53
Resistor	
210100	9, 11
Retaining Ring	
23748	47
Right Control Cabinet Side	
800915Q	11
800915W	11
Rubber Foot	
D501855	53
34318	53

S

Screw	
D501086	25, 29, 31, 39
D501285	51
D501524	5, 11, 25, 29, 31, 47
D503661	9, 11, 13, 21, 23, 25, 29, 31, 33, 35, 39, 41, 47, 49, 51, 53, 55
D503673	21, 23
D503688	9, 11, 13, 15, 19, 27
M400043	45, 57
M400057	47
02916	25, 29, 49
20530	21, 23
23008	5
36048	21, 23
38096	51
39733	15, 19, 33, 35, 53
52864	25, 29, 31
52909	51
685831	45
70240301	11, 13
800461	41
800462	41, 45
800528	33
800548	33, 35, 37
800930	11
801001	37
801019	33, 35
801045	33, 35
801993	33, 35
802430	51
802431	51
Sealant	
27615P	49, 51
Security Cabinet Front Assembly	
D511209Q	19
D511209WP	19
D511633QP	15
D511633WP	15
Security Cabinet Wrapper Assembly	
801235Q	15, 19
801235W	15, 19
Security Kit	
905P3	27
Service Door Assembly	
39874QP	21, 23
39874WP	21, 23
Shipping Bracket	
802890	57
Shipping Bracket Label	
807552	57
Shipping Cord and Brace Assembly	
802933P	57
Shipping Materials Kit	
728P3	57
Side Panel Kit	
800005QP	53
806492	53
Snap Bushing	
D503235	49
M402542	9, 11, 13, 55
Stainless Steel Top	
D511631P	11

N/A items do not appear in index.

Standpipe Strap 33489	51
Strain Relief 38384	59
Switch D512973	9, 21, 23
Switch Assembly 55882	29
Switch Knob 39897	29
Switch Mounting Bracket 800663	41

T

Temperature Switch 685595	29
Tension Rod Assembly 800666	45
Terminal Block Assembly D505876	13
801250	13
801756	13
Thermistor 803256	43
Top and Gusset Assembly 802247QP	7, 11
802247WP	7, 11
Top Hinge D510136	53
Top Kit D511527QP	21, 23
D511527WP	21, 23
Top Mounting Bracket D504228	7, 11
Top Panel Kit D511530WP	31
Transformer 201375P	9, 17, 25, 31
210018P	9, 25, 29
803527P	9, 11, 25, 31
Trunion Shaft and Hardware Kit 800749P	45
Tub Front Assembly 800430	41
801231	41
Tub Front Seal 800432P	41, 45
Tub Shock Absorber Kit 800622P	41
Tubing 33324	41
685751	41
800648P	41
Tub-to-Drain Hose 800902	49
Tub-to-Pump Hose 800317	51

V

Valve Kit 685766P	37
801836P	37
Valve-to-Dispenser Inlet Hose 801464	37, 39

W

Warning Label D500049	41, 57, 63
D500314	41, 57, 63
D500316	21, 23, 25, 29, 31
800632	57
Washer M400014	57
M400017	25, 29, 49
M400080	47
M400081	41
M403958	45
02431	25, 29
02834	47
03815	59
200608	25, 31
20290	39
25100	27
25820	29
52549	47
800457	41, 45
800465	51
802254	39
803615	39
807679	45
91176	29
Water Hose F200116	39
Wire Clamp 800811	41
Wire Clamp Ring 800438	33, 35
Wire Clip D504034	59
687500	37, 59
Wire Guard 201595P	15, 21
Wire Harness Assembly 801421	55
802013	55
Wire Tie 38663	59
Wire, 12 Gauge 45380	65
Wire, 18 Gauge 45001	65
Wrapper and Channel Assembly D505753QP	15, 19
D505753WP	15, 19
Wrench 392P4	61
