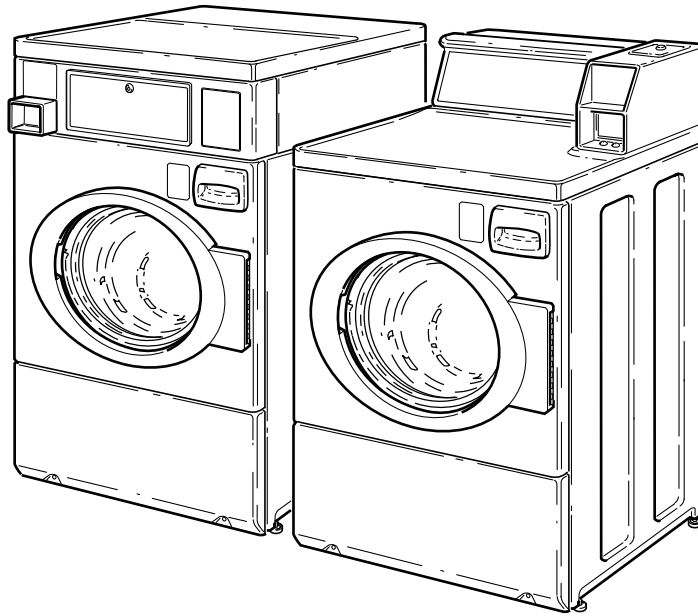


Commercial Frontload Washers

Refer to Page 5 for Model Numbers



FLW1535C_802739

Table of Contents

| Title | Page |
|--|------|
| Parts Ordering Information..... | 3 |
| Serial Plate Location | 3 |
| Model Identification | 5 |
| Control Panel and Controls (Drawing 1 of 2) | 6 |
| Control Panel and Controls (Drawing 2 of 2) | 10 |
| Top Assembly (Drawing 1 of 2)..... | 12 |
| Top Assembly (Drawing 2 of 2)..... | 14 |
| Control Cabinet Controls (Drawing 1 of 2) | 16 |
| Control Cabinet Controls (Drawing 2 of 2) | 18 |
| Control Cabinet and Controls..... | 20 |
| Electrical Access Panel, Filters and Terminal Block | 22 |
| Wrapper Assembly..... | 24 |
| Non-Electronic Coin Drop | 26 |
| Electronic Coin Drop | 28 |
| Wrapper Assembly and Card Reader | 30 |
| Non-Electronic Coin Drop, Meter Case and Service Door | 32 |
| Cabinet Top | 36 |
| Meter Case, Service Door and Cabinet Top | 38 |
| Coin Slide Extension Through Serial No. 1211 | 40 |
| Coin Slide Extension Starting Serial No. 1211 | 42 |
| Control Hood Security Kit..... | 44 |
| Control Panel, Control Hood and Controls (Drawing 1 of 3) | 46 |
| Control Panel, Control Hood and Controls (Drawing 2 of 3) | 48 |
| Control Panel, Control Hood and Controls (Drawing 3 of 3) | 50 |
| Door Assembly..... | 52 |
| Front Panel and Door Seal | 54 |
| Dispenser Assembly and Supply Injection Hoses..... | 56 |
| Dispenser Assembly | 58 |
| Mixing Valve, Inlet Hose and Dispenser Hose..... | 60 |
| Outer Tub, Clamp Ring and Shock Absorbers (Drawing 1 of 2) | 62 |
| Outer Tub, Clamp Ring and Shock Absorbers (Drawing 2 of 2) | 64 |
| Outer Tub, Clamp Ring, Shock Absorbers and Heating Element | 66 |
| Inner Basket, Trunnion, Bearing Housing and Pulley | 68 |
| Motor and Belt..... | 70 |
| Drain Hoses and Valve | 72 |
| Hoses and Pump | 74 |
| Base, Side Panels and Rear Panel..... | 76 |
| Junction Box | 78 |
| Junction Box and Power Cord | 80 |
| Shipping Materials | 82 |
| Wire Ties, Harness Clips and Lead-In Cord..... | 84 |

© Copyright 2023, Alliance Laundry Systems LLC

All rights reserved. No part of the contents of this book may be reproduced or transmitted in any form or by any means without the expressed written consent of the publisher.

| | |
|--|----|
| Special Tools | 86 |
| Labels | 88 |
| Wire Harnesses and Wires (Drawing 1 of 2)..... | 90 |
| Wire Harnesses and Wires (Drawing 2 of 2)..... | 94 |
| Parts Index..... | 97 |

Parts Ordering Information

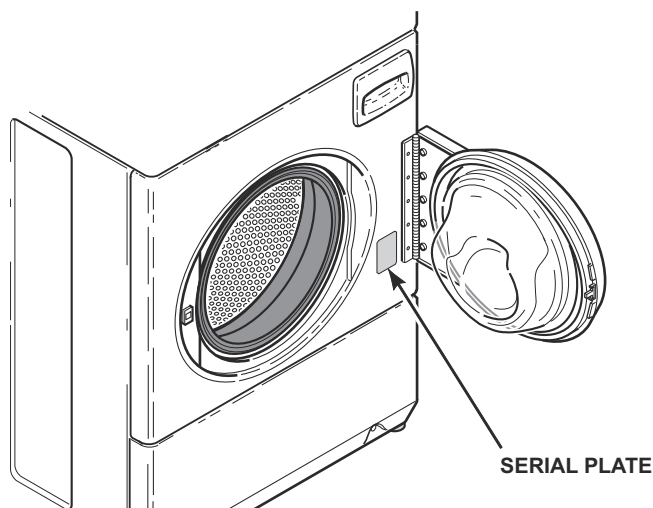
If literature or replacement parts are required, contact the source from whom the machine was purchased or contact Alliance Laundry Systems at (920) 748-3950 for the name and address of the nearest authorized parts distributor.

For technical assistance, call the number listed below:

(920) 748-3121 Ripon, Wisconsin

Serial Plate Location

When calling or writing about your product, be sure to mention model and serial numbers. Model and serial numbers are located on serial plate(s) as shown.



FLW2123N_802739

Model Identification

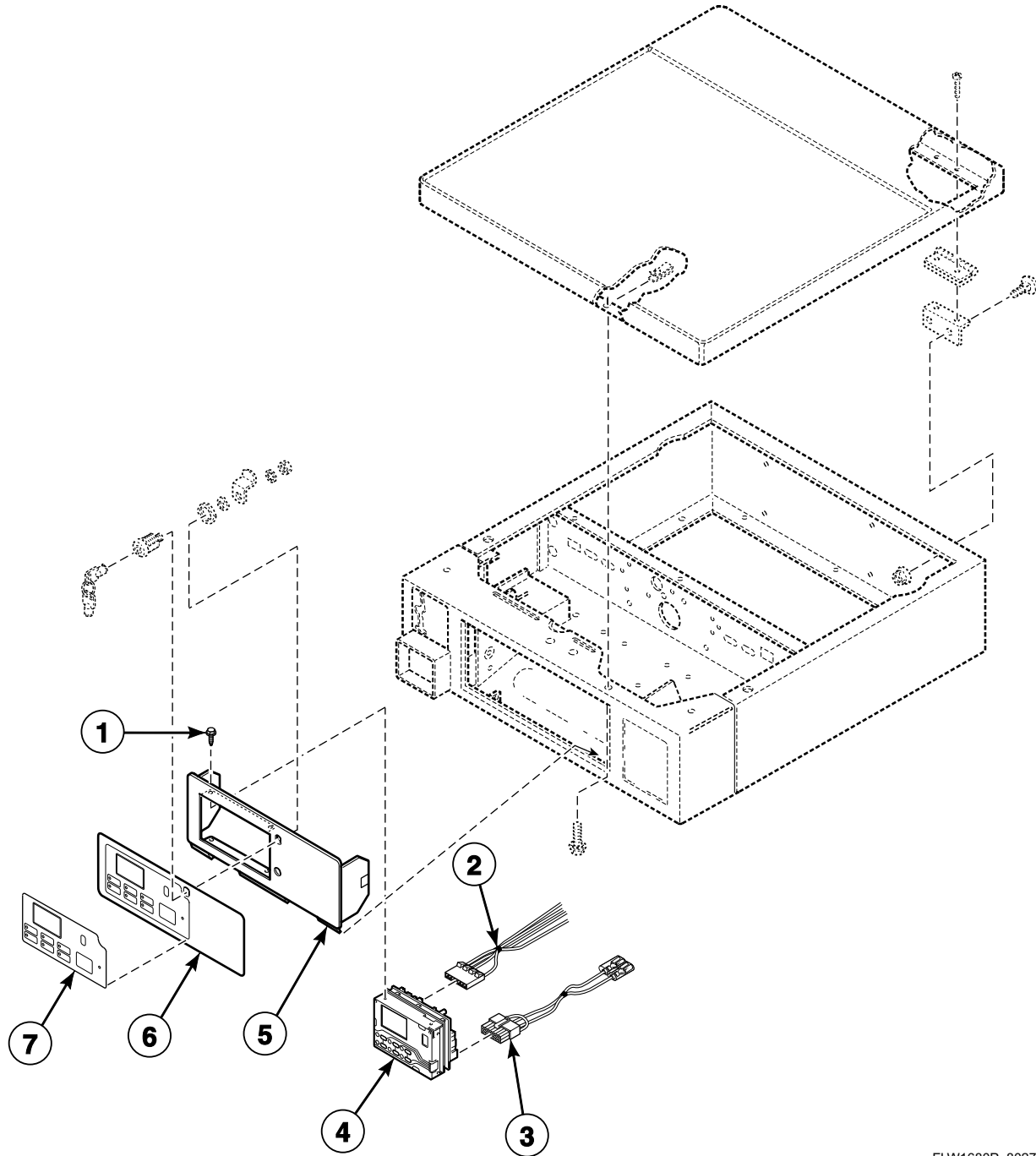
Information in this manual is applicable to these washer models:

| | | |
|------------------|-----------------|-----------------|
| BFNBCFSG111TN01 | HFNCXFSP111CW01 | SFNBYFSG112TW01 |
| BFNBCFSG111TW01 | HFNCXRSP111CW01 | SFNBYFSP112TW01 |
| BFNBCFSG112TN01 | HFNSXRSP112CW01 | SFNBYRSP112TW01 |
| BFNBCFSG112TW01 | HWFB71*N | SFNCCFSP111TW01 |
| BFNBCFSP112TW01 | HWFB71*N1102 | SFNCCRSP111TW01 |
| BFNBEFSP111CN01 | HWFR71*N1102 | SFNCCRSP111TW02 |
| BFNBEFSP111CW01 | HWFT71*N | SFNCCRSP111TW02 |
| BFNBEFSP111TN01 | HWFT71*N1102 | SFNCCRSP111TW02 |
| BFNBEFSP111TW01 | HWFT73*N | SFNCCRSP111TW02 |
| BFNBEFSP112CN01 | HWFT73*N1102 | SFNCCRSP111TW02 |
| BFNBEFSP112CW01 | HWFT73*N1102 | SFNCCRSP111TW02 |
| BFNBLFSP301AW01 | HWFX71*N1102 | SFNCCRSP111TW02 |
| BFNBLFSP302AW01 | HWFX71*N1127 | SFNCCRSP111TW02 |
| BFNBLFSP541NW01 | HWFY71*N1102 | SFNCCRSP111TW02 |
| BFNBLFSP542NW01 | HWFY73*N1102 | SFNCCRSP111TW02 |
| BFNBXFSP112FW01 | HWFY74*N4000 | SFNCCRSP111TW02 |
| BFNBXFSP302AW01 | HWFY75*N4000 | SFNCCRSP111TW02 |
| BFNBYFSP112TW01 | HWR971*N1102 | SFNCCRSP111TW02 |
| BWFL74*N4000 | HWR971*N1127 | SFNCCRSP111TW02 |
| BWFL75*N4000 | HWR973*N1102 | SFNCCRSP111TW02 |
| BWFX71*N1127 | HWR973*N1102 | SFNCCRSP111TW02 |
| BWFX71*N3050 | HWR973*N1102 | SFNCCRSP111TW02 |
| BWFX74*N4000 | HWR973*N1102 | SFNCCRSP111TW02 |
| BWFX75*N4000 | HWR973*N1102 | SFNCCRSP111TW02 |
| HFNBCFSG111TN01 | HWR973*N1102 | SFNCCRSP111TW02 |
| HFNBCFSG112TN01 | HWR973*N1102 | SFNCCRSP111TW02 |
| HFNBCFSG112TQ01 | HWR973*N1102 | SFNCCRSP111TW02 |
| HFNBCFSG112TW01 | HWR973*N1102 | SFNCCRSP111TW02 |
| HFNBCFSP111TN01 | HWR973*N1102 | SFNCCRSP111TW02 |
| HFNBCFSP112TN01 | HWR973*N1102 | SFNCCRSP111TW02 |
| HFNBCFSP112TQ01 | HWR973*N1102 | SFNCCRSP111TW02 |
| HFNBCFSP112TW01 | HWR973*N1102 | SFNCCRSP111TW02 |
| HFNBCRSP112TW01 | HWR973*N1102 | SFNCCRSP111TW02 |
| HFNBDFSG112CW01 | HWR973*N1102 | SFNCCRSP111TW02 |
| HFNBDFSP112CW01 | HWR973*N1102 | SFNCCRSP111TW02 |
| HFNBDRSP112CW01 | HWR973*N1102 | SFNCCRSP111TW02 |
| HFNBEFSP112CW01 | HWR973*N1102 | SFNCCRSP111TW02 |
| HFNBERSP112CW01 | HWR973*N1102 | SFNCCRSP111TW02 |
| HFNBXFSP112CW01 | HWR973*N1102 | SFNCCRSP111TW02 |
| HFNBXFSP112FQ01 | HWR973*N1102 | SFNCCRSP111TW02 |
| HFNBXFSP112DW01 | HWR973*N1102 | SFNCCRSP111TW02 |
| HFNBXFSP302NW22 | HWR973*N1102 | SFNCCRSP111TW02 |
| HFNBXFSP542DW01 | HWR973*N1102 | SFNCCRSP111TW02 |
| HFNBXRSP112FW28 | HWR973*N1102 | SFNCCRSP111TW02 |
| HFNBYFSG112CW01 | HWR973*N1102 | SFNCCRSP111TW02 |
| HFNBYFSP112CW01 | HWR973*N1102 | SFNCCRSP111TW02 |
| HFNBYSRSP112CW01 | HWR973*N1102 | SFNCCRSP111TW02 |
| | NWFL84*N4000 | SWFA71*N |
| | NWFL85*N4000 | SWFA71*N3050 |
| | NWFX74*N4000 | SWFA71*N3069 |
| | NWFX75*N4000 | SWFA73*N |
| | SFNBCFSG112TQ01 | SWFB71*N |
| | SFNBCFSG112TW01 | SWFB72*N |
| | SFNBCFSP112TQ01 | SWFB73*N |
| | SFNBCFSP112TW01 | SWFF71*N |
| | SFNBCRSP111TW02 | SWFF71*N3050 |
| | SFNBCRSP112TW01 | SWFF73*N |
| | SFNBCRSP112TW02 | SWFL74*N4000 |
| | SFNBCRSP112TW02 | SWFT71*N |
| | SFNBXFSG082JW01 | SWFT73*N |
| | SFNBXFSG112TQ01 | SWFX71*N |
| | SFNBXFSG112TW01 | SWFX71*N1127 |
| | SFNBXFSP112TQ01 | SWFX71*N3000 |
| | SFNBXFSP112TW01 | SWFX71*N3050 |
| | SFNBXFSP122DW01 | SWFX71*N3051 |
| | SFNBXFSP301NW22 | SWFX71*N5400 |
| | SFNBXFSP302AW01 | SWFX73*N |
| | SFNBXFSP302NQ01 | SWFX74*N4000 |
| | SFNBXFSP302NW01 | SWFX75*N4000 |
| | SFNBXFSP302NW22 | SWFY71*N |
| | SFNBXFSP542DW01 | SWFY73*N |
| | SFNBXRSP112TW01 | SWR971*N |
| | SFNBXRSP112TW02 | SWR973*N |

* Add Letter To Designate Color. N - Stainless Steel Q - Bisque W - White

Control Panel and Controls (Drawing 1 of 2)

Models BFNBCFSG111TN01, BFNBCFSG111TW01, BFNBEFSP111CN01, BFNBEFSP111CW01, BFNBEFSP111TN01, BFNBEFSP111TW01, BWF71*N1127, BWF71*N3050, BWF74*N4000, BWF75*N4000, HFNBCFSG111TN01, HFNBCFSP111TN01, HFNCXFSP111CW01, HWFB71*N, HWFB71*N1102, HWFR71*N1102, HWFT71*N, HWFT71*N1102, HWFT73*N, HWFT73*N1102, HWFX71*N1102, HWFX71*N1127, HWFY71*N1102, HWFY73*N1102, HWFY74*N4000, HWFY75*N4000, NWF74*N4000, NWF75*N4000, SFNBXFSP301NW22, SFNCCFSP111TW01, SFNCYFSP111TW01, SWFA71*N, SWFA71*N3050, SWFA71*N3069, SWFA73*N, SWFB71*N, SWFB72*N, SWFB73*N, SWFF71*N, SWFF71*N3050, SWFF73*N, SWFT71*N, SWFT73*N, SWFX71*N, SWFX71*N1127, SWFX71*N3000, SWFX71*N3050, SWFX71*N3051, SWFX71*N5400, SWFX73*N, SWFX74*N4000, SWFX75*N4000, SWFY71*N and SWFY73*N



FLW1680P_802739

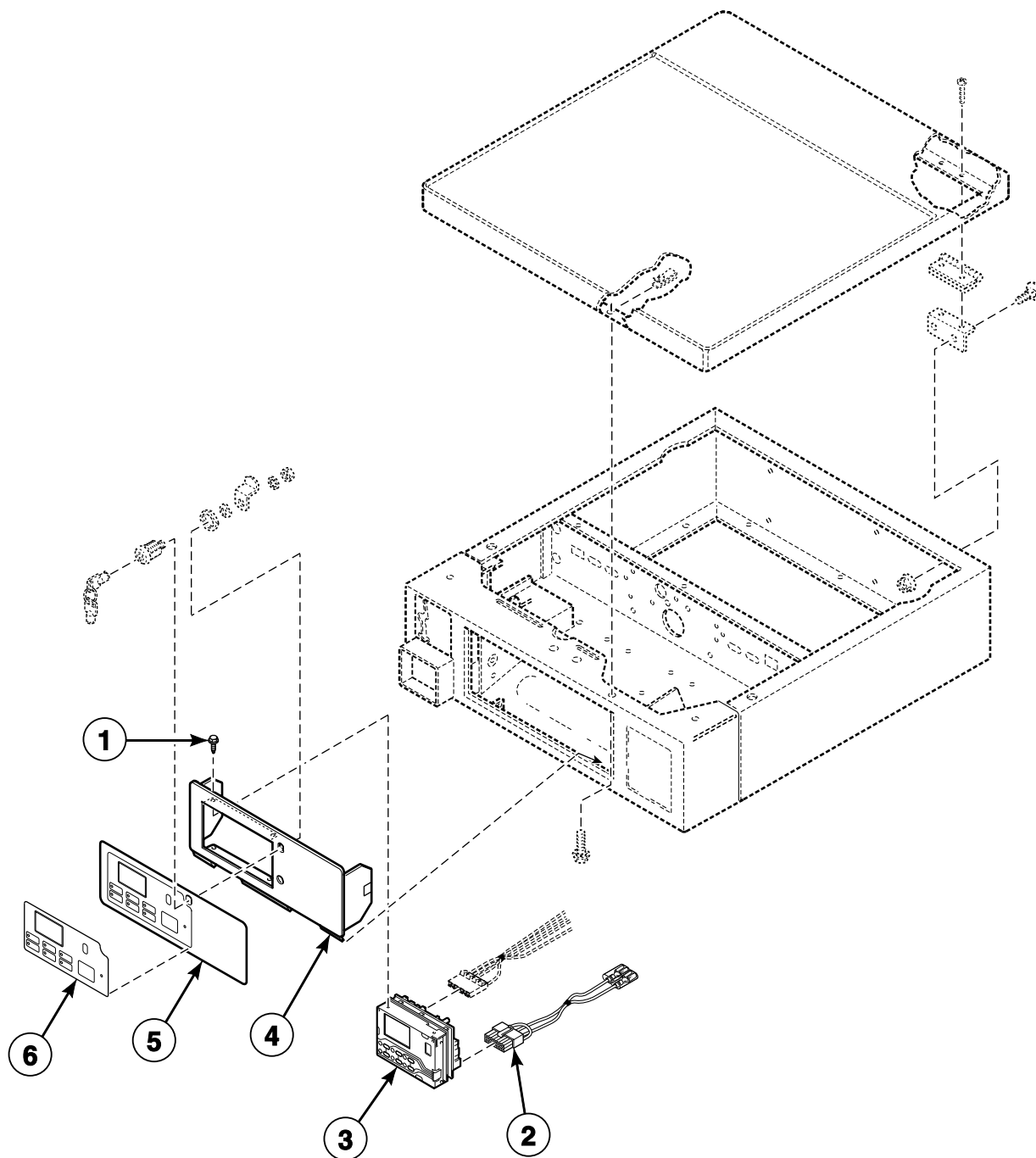
Control Panel and Controls (Drawing 1 of 2)

| REF | PART NO. | DESCRIPTION | COMMENTS |
|-----|----------|------------------------------------|--|
| 1 | D501524 | Screw | |
| 2 | D511478 | Central Pay Harness | Models BFNBCFSG111TN01, BFNBCFSG111TW01, BFNBEFSP111CN01, BFNBEFSP111CW01, BFNBEFSP111TN01, BFNBEFSP111TW01, BWFX71*N1127, BWFX71*N3050, BWFX74*N4000, BWFX75*N4000, HFNBCFSG111TN01, HFNBCFSP111TN01, HFNCXFSP111CW01, HWFR71*N1102, HWFT71*N, HWFT71*N1102, HWFT73*N, HWFT73*N1102, HWFX71*N1102, HWFX71*N1127, HWFY71*N1102, HWFY73*N1102, HWFY74*N4000, HWFY75*N4000, NWF74*N4000, NWF75*N4000, SFNBXFSP301NW22, SFNCCFSP111TW01, SFNCYFSP111TW01, SWFT71*N, SWFT73*N, SWFX71*N, SWFX71*N1127, SWFX71*N3000, SWFX71*N3050, SWFX71*N3051, SWFX71*N5400, SWFX73*N, SWFX74*N4000, SWFX75*N4000, SWFY71*N and SWFY73*N |
| 3 | 800374 | Diagnostic Wire Harness Assembly | Models HWFY71*N1102, HWFY73*N1102, HWFY74*N4000, HWFY75*N4000, SFNCYFSP111TW01, SWFF71*N, SWFF71*N3050, SWFF73*N, SWFY71*N and SWFY73*N |
| 4 | 800772P | Control Kit | Models HWFB71*N, HWFB71*N1102, SWFA71*N, SWFA71*N3050, SWFA71*N3069, SWFB71*N, SWFB72*N, SWFF71*N and SWFF71*N3050 |
| | 802076P | Control Kit | Models SWFA73*N, SWFB73*N and SWFF73*N |
| | 803146P | Control Assembly | Models BFNBCFSG111TN01, BFNBCFSG111TW01, BFNBEFSP111CN01, BFNBEFSP111CW01, BFNBEFSP111TN01, BFNBEFSP111TW01, BWFX71*N1127, BWFX71*N3050, HFNBCFSG111TN01, HFNBCFSP111TN01, HFNCXFSP111CW01, HWFR71*N1102, HWFT71*N, HWFT71*N1102, HWFT73*N, HWFT73*N1102, HWFX71*N1102, HWFX71*N1127, HWFY71*N1102, HWFY73*N1102, SFNBXFSP301NW22, SFNCCFSP111TW01, SFNCYFSP111TW01, SWFT71*N, SWFT73*N, SWFX71*N, SWFX71*N1127, SWFX71*N3000, SWFX71*N3050, SWFX71*N3051, SWFX71*N5400, SWFX73*N, SWFY71*N and SWFY73*N |
| | 802400P | Control Assembly | Models BWFX74*N4000, BWFX75*N4000, HWFY74*N4000, HWFY75*N4000, NWF74*N4000, NWF75*N4000, SWFX74*N4000 and SWFX75*N4000 |
| | 210010P | Membrane Switch | Use with 802400P Control Assembly; Models BWFX74*N4000, BWFX75*N4000, HWFY74*N4000, HWFY75*N4000, NWF74*N4000, NWF75*N4000, SWFX74*N4000 and SWFX75*N4000 |
| 5 | 800035W | Control Panel and Bracket Assembly | White |
| | 800035Q | Control Panel and Bracket Assembly | Bisque |
| | 800035B | Control Panel and Bracket Assembly | Black |
| 6 | 800033 | Control Panel Overlay | Models SWFF71*N, SWFF71*N3050 and SWFF73*N |
| | 800413 | Control Panel Overlay | Models SWFA71*N, SWFA71*N3050, SWFA71*N3069, SWFA73*N, SWFB71*N, SWFB72*N and SWFB73*N |
| | 800416 | Control Panel Overlay | Models HWFB71*N and HWFB71*N1102 |
| | 801050 | Front Overlay | Models SFNBXFSP301NW22, SFNCCFSP111TW01, SFNCYFSP111TW01, SWFT71*N, SWFT73*N, SWFX71*N, SWFX71*N1127, SWFX71*N3000, SWFX71*N3050, SWFX71*N3051, SWFX71*N5400, SWFX73*N, SWFY71*N and SWFY73*N |
| | 801053 | Front Overlay | Models HFNBCFSG111TN01, HFNBCFSP111TN01, HFNCXFSP111CW01, HWFR71*N1102, HWFT71*N, HWFT71*N1102, HWFT73*N, HWFT73*N1102, HWFX71*N1102, HWFX71*N1127, HWFY71*N1102 and HWFY73*N1102 |
| | 801037 | Front Overlay | Models SWFX74*N4000 and SWFX75*N4000 |
| | 801761 | Front Overlay | Models HWFY74*N4000 and HWFY75*N4000 |
| | 802510 | Overlay | Models NWF74*N4000 and NWF75*N4000 |
| | 801872 | Overlay | Models BWFX74*N4000 and BWFX75*N4000 |
| | 803434 | Overlay | Models BFNBCFSG111TN01, BFNBCFSG111TW01, BFNBEFSP111CN01, BFNBEFSP111CW01, BFNBEFSP111TN01, BFNBEFSP111TW01, BWFX71*N1127 and BWFX71*N3050 |
| 7 | 803597 | Overlay | French/English; Models HFNCXFSP111CW01, HWFR71*N1102, HWFT71*N1102, HWFT73*N1102, HWFX71*N1102, HWFY71*N1102 and HWFY73*N1102 |

* Add Letter To Designate Color. N - Stainless Steel Q - Bisque W - White

Control Panel and Controls (Drawing 2 of 2)

Models BFNBCFSG112TN01, BFNBCFSG112TW01, BFNBCFSP112TW01, BFNBEFSP112CN01, BFNBEFSP112CW01, BFNBFSP112FW01, BFNBFSP302AW01, BFNBYFSP112TW01, HFNBCFSG112TN01, HFNBCFSG112TQ01, HFNBCFSG112TW01, HFNBCFSP112TN01, HFNBCFSP112TQ01, HFNBCFSP112TW01, HFNBDFSG112CW01, HFNBDFSP112CW01, HFNBFEFSP112CW01, HFNBXFSP112CW01, HFNBXFSP112FQ01, HFNBXFSP122DW01, HFNBXFSP302NW22, HFNBXFSP542DW01, HFNBYSFG112CW01, HFNBYSFG112CW01, SFNBCFSG112TQ01, SFNBCFSG112TW01, SFNBCFSP112TQ01, SFNBCFSP112TW01, SFNBXFSG082JW01, SFNBXFSG112TQ01, SFNBXFSG112TW01, SFNBXFSP112TQ01, SFNBXFSP112TW01, SFNBXFSP122DW01, SFNBXFSP302AW01, SFNBXFSP302NQ01, SFNBXFSP302NW01, SFNBXFSP302NW22, SFNBXFSP542DW01, SFNBYSFG112TW01 and SFNBYSFG112TW01



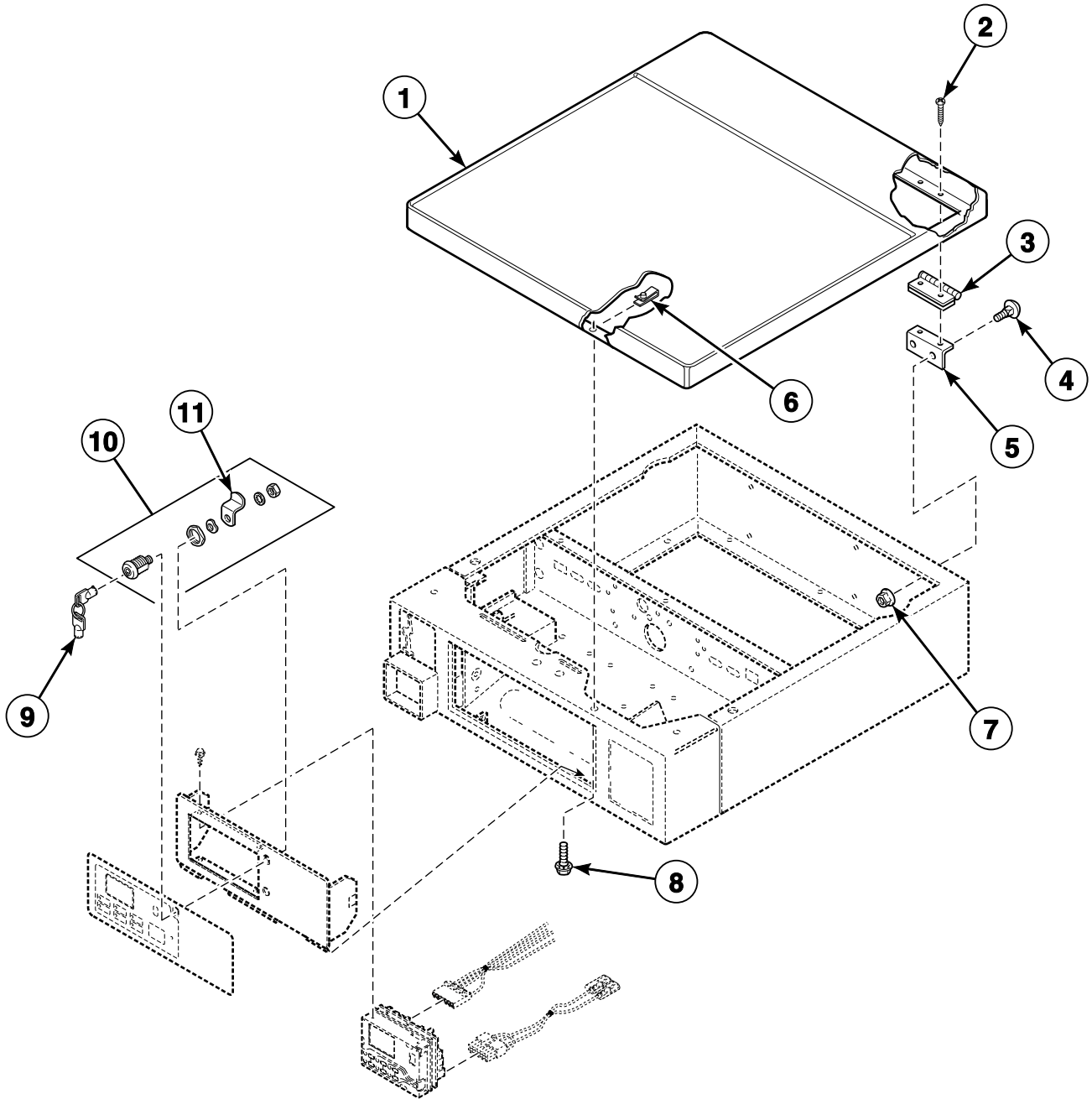
FLW1680PA_802739

Control Panel and Controls (Drawing 2 of 2)

| REF | PART NO. | DESCRIPTION | COMMENTS |
|-----|----------|------------------------------------|--|
| 1 | D501524 | Screw | |
| 2 | 800374 | Diagnostic Wire Harness Assembly | Models HFNBYSFG112CW01 and HFNBYSFSP112CW01 |
| 3 | 803146P | Control Assembly | |
| 4 | 800035W | Control Panel and Bracket Assembly | White |
| | 800035Q | Control Panel and Bracket Assembly | Bisque |
| | 800035B | Control Panel and Bracket Assembly | Black |
| 5 | 801050 | Front Overlay | Models SFNBCFSG112TQ01, SFNBCFSG112TW01, SFNBCFSP112TQ01, SFNBCFSP112TW01, SFNBXFSG082JW01, SFNBXFSG112TQ01, SFNBXFSG112TW01, SFNBXFSP112TQ01, SFNBXFSP112TW01, SFNBXFSP122DW01, SFNBXFSP302AW01, SFNBXFSP302NQ01, SFNBXFSP302NW01, SFNBXFSP302NW22, SFNBXFSP542DW01, SFNBYSFG112TW01 and SFNBYSFSP112TW01 |
| | 801053 | Front Overlay | Models HFNBCFSG112TN01, HFNBCFSG112TQ01, HFNBCFSG112TW01, HFNBCFSP112TN01, HFNBCFSP112TQ01, HFNBCFSP112TW01, HFNBDFSG112CW01, HFNBDFSP112CW01, HFNBDFSP112CW01, HFNBXFSP112CW01, HFNBXFSP112CW01, HFNBXFSP112FQ01, HFNBXFSP122DW01, HFNBXFSP302NW22, HFNBXFSP542DW01, HFNBYSFG112CW01 and HFNBYSFSP112CW01 |
| | 803434 | Overlay | Models BFNBCFSG112TN01, BFNBCFSG112TW01, BFNBCFSP112TW01, BFNBDFSP112CN01, BFNBDFSP112CW01, BFNBXFSP112FW01, BFNBXFSP302AW01 and BFNBYSFSP112TW01 |
| 6 | 803597 | Overlay | French/English; Models HFNBDFSG112CW01, HFNBDFSP112CW01, HFNBDFSP112CW01, HFNBXFSP112CW01, HFNBYSFG112CW01 and HFNBYSFSP112CW01 |

Top Assembly (Drawing 1 of 2)

Models BFNBCFSG111TN01, BFNBCFSG111TW01, BFNBEFSP111CN01, BFNBEFSP111CW01, BFNBEFSP111TN01, BFNBEFSP111TW01, BWF71*N1127, BWF71*N3050, BWF74*N4000, BWF75*N4000, HFNBCFSG111TN01, HFNBCFSP111TN01, HFNCXFSP111CW01, HWFB71*N, HWFB71*N1102, HWFR71*N1102, HWFT71*N, HWFT71*N1102, HWFT73*N, HWFT73*N1102, HWFX71*N1102, HWFX71*N1127, HWFY71*N1102, HWFY73*N1102, HWFY74*N4000, HWFY75*N4000, NWF74*N4000, NWF75*N4000, SFNBXFSP301NW22, SFNCCFSP111TW01, SFNCYFSP111TW01, SWFA71*N, SWFA71*N3050, SWFA71*N3069, SWFA73*N, SWFB71*N, SWFB72*N, SWFB73*N, SWFF71*N, SWFF71*N3050, SWFF73*N, SWFT71*N, SWFT73*N, SWFX71*N, SWFX71*N1127, SWFX71*N3000, SWFX71*N3050, SWFX71*N3051, SWFX71*N5400, SWFX73*N, SWFX74*N4000, SWFX75*N4000, SWFY71*N and SWFY73*N



FLW1032PA_802739

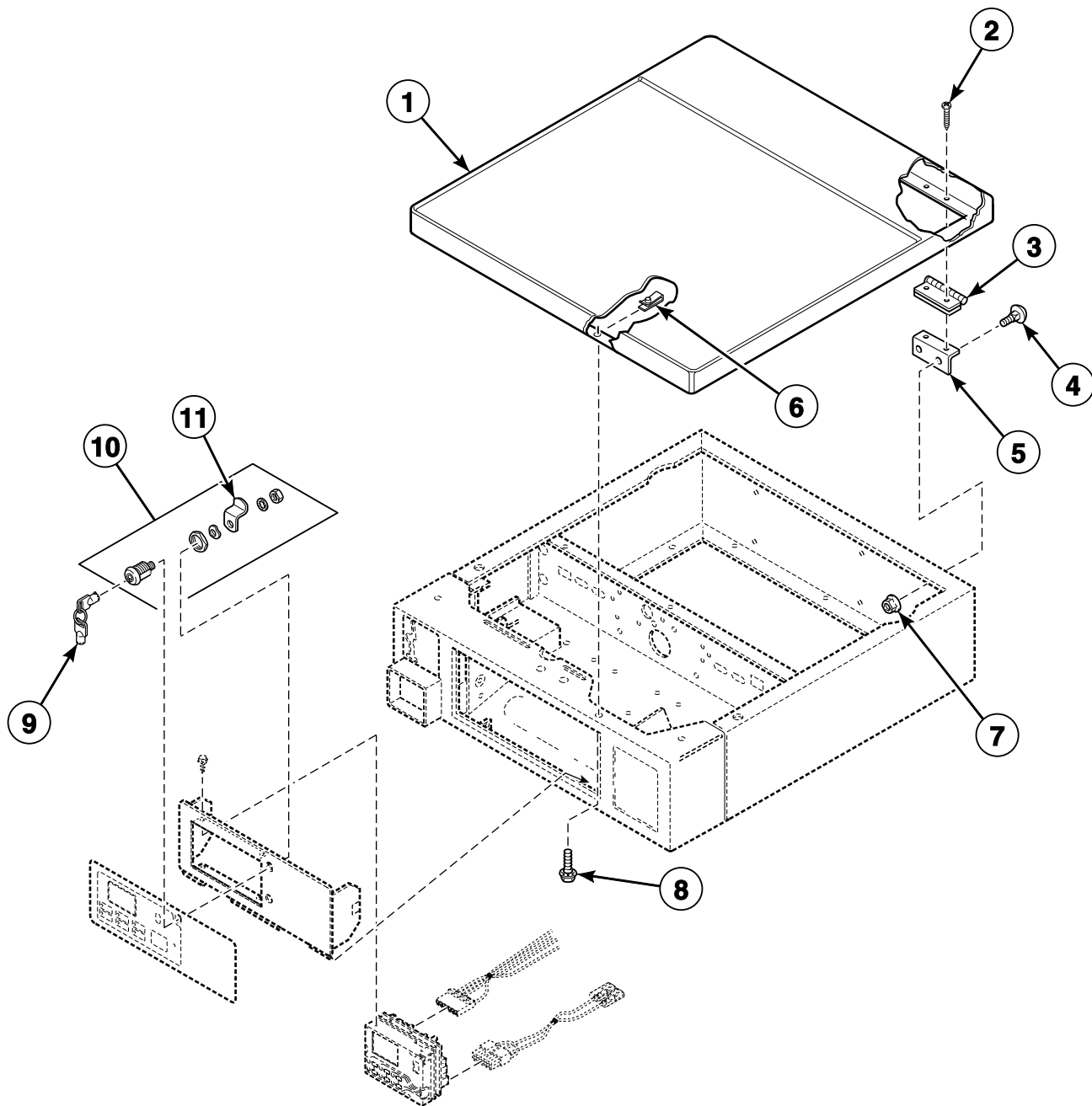
Top Assembly (Drawing 1 of 2)

| REF | PART NO. | DESCRIPTION | COMMENTS |
|-----|----------|-------------------------|---|
| 1 | 802247WP | Top and Gusset Assembly | White; Includes 802247W Top and Gusset Assembly, (10) 02788 Nut, (10) 34337 Screw, (2) D510146 Bracket and 2 each items 3 and 5 |
| | 802247QP | Top and Gusset Assembly | Bisque; Includes 802247Q Top and Gusset Assembly, (10) 02788 Nut, (10) 34337 Screw, (2) D510146 Bracket and 2 each items 3 and 5 |
| | D512967 | Stainless Steel Top | Stainless steel; Models BFNBEFSP111CN01, BFNBEFSP111TN01, HFNBCFSG111TN01 and HFNBCFSP111TN01 through Serial No. 1005018719; All other models |
| | 803144P | Top Kit | Stainless steel; Includes items 3, 4, 6, 7 and 4 each 22649 Screw and 51236 Nut; Model BFNBCFSG111TN01; Models BFNBEFSP111CN01, BFNBEFSP111TN01, HFNBCFSG111TN01 and HFNBCFSP111TN01 starting Serial No. 1005018720 |
| 2 | 685847 | Pop Rivet | |
| 3 | D511036 | Hinge | |
| 4 | 29651 | Bolt | |
| 5 | D504228 | Top Mounting Bracket | |
| 6 | 36020 | Nut | |
| 7 | 44087201 | Nut | |
| 8 | 23008 | Screw | |
| 9 | 54612 | Key | GR800 |
| 10 | 27260P | Lock Kit | |
| 11 | 27261 | Lock Cam | |

* Add Letter To Designate Color. N - Stainless Steel Q - Bisque W - White

Top Assembly (Drawing 2 of 2)

Models BFNBCFSG112TN01, BFNBCFSG112TW01, BFNBCFSP112TW01, BFNBEFSP112CN01, BFNBEFSP112CW01, BFNBFSP112FW01, BFNBFSP302AW01, BFNBYFSP112TW01, HFNBCFSG112TN01, HFNBCFSG112TQ01, HFNBCFSG112TW01, HFNBCFSP112TN01, HFNBCFSP112TQ01, HFNBCFSP112TW01, HFNBDFSG112CW01, HFNBDFSP112CW01, HFNBFEFSP112CW01, HFNBXFSP112CW01, HFNBXFSP112FQ01, HFNBXFSP122DW01, HFNBXFSP302NW22, HFNBXFSP542DW01, HFNBYSFG112CW01, HFNBYSFG112CW01, SFNBCFSG112TQ01, SFNBCFSG112TW01, SFNBCFSP112TQ01, SFNBCFSP112TW01, SFNBXFSG082JW01, SFNBXFSG112TQ01, SFNBXFSG112TW01, SFNBXFSP112TQ01, SFNBXFSP112TW01, SFNBXFSP122DW01, SFNBXFSP302AW01, SFNBXFSP302NQ01, SFNBXFSP302NW01, SFNBXFSP302NW22, SFNBXFSP542DW01, SFNBYSFG112TW01 and SFNBYSFG112TW01



FLW1032PA_802739

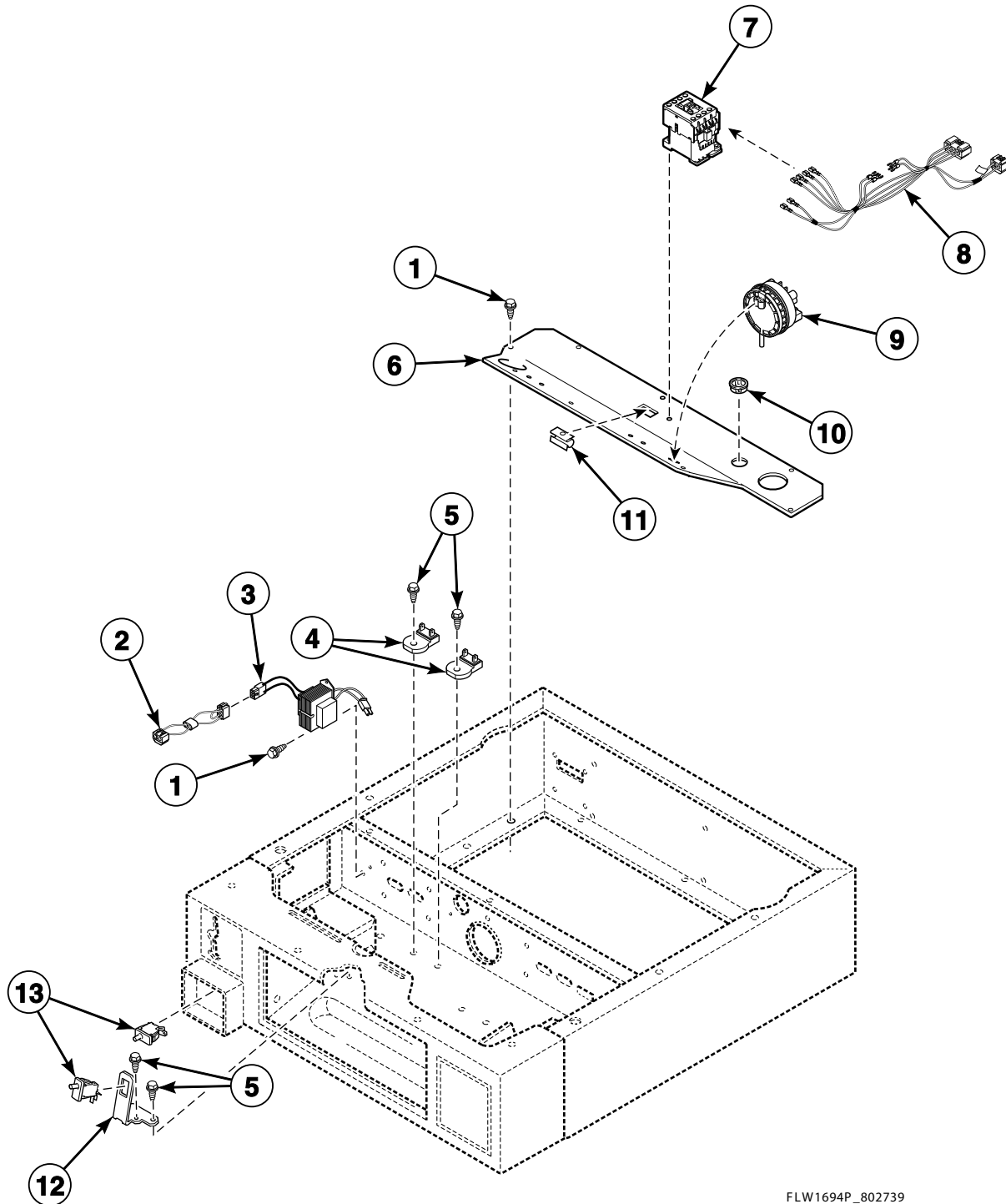
Top Assembly (Drawing 2 of 2)

| REF | PART NO. | DESCRIPTION | COMMENTS |
|-----|----------|-------------------------|---|
| 1 | 802247WP | Top and Gusset Assembly | White; Includes 802247W Top and Gusset Assembly, (10) 02788 Nut, (10) 34337 Screw, (2) D510146 Bracket and 2 each items 3 and 5 |
| | 802247QP | Top and Gusset Assembly | Bisque; Includes 802247Q Top and Gusset Assembly, (10) 02788 Nut, (10) 34337 Screw, (2) D510146 Bracket and 2 each items 3 and 5 |
| | 803144P | Top Kit | Stainless steel; Includes items 3, 4, 6, 7 and 4 each 22649 Screw and 51236 Nut; Models BFNBCFSG112TN01, BFNBEFSP112CN01, HFNBCFSG112TN01 and HFNBCFSP112TN01 |
| 2 | 685847 | Pop Rivet | |
| 3 | D511036 | Hinge | |
| 4 | 29651 | Bolt | |
| 5 | D504228 | Top Mounting Bracket | |
| 6 | 36020 | Nut | |
| 7 | 44087201 | Nut | |
| 8 | 23008 | Screw | |
| 9 | 54612 | Key | GR800 |
| 10 | 27260P | Lock Kit | |
| 11 | 27261 | Lock Cam | |

* Add Letter To Designate Color. N - Stainless Steel Q - Bisque W - White

Control Cabinet Controls (Drawing 1 of 2)

Models BFNBCFSG111TN01, BFNBCFSG111TW01, BFNBEFSP111CN01, BFNBEFSP111CW01, BFNBEFSP111TN01, BFNBEFSP111TW01, BWFX71*N1127, BWFX71*N3050, BWFX74*N4000, BWFX75*N4000, HFNBCFSG111TN01, HFNBCFSP111TN01, HFNCXFSP111CW01, HWFB71*N, HWFB71*N1102, HWFR71*N1102, HWFT71*N, HWFT71*N1102, HWFT73*N, HWFT73*N1102, HWFX71*N1102, HWFX71*N1127, HWFY71*N1102, HWFY73*N1102, HWFY74*N4000, HWFY75*N4000, NWF74*N4000, NWF75*N4000, SFNBXFSP301NW22, SFNCCFSP111TW01, SFNCYFSP111TW01, SWFA71*N, SWFA71*N3050, SWFA71*N3069, SWFA73*N, SWFB71*N, SWFB72*N, SWFB73*N, SWFF71*N, SWFF71*N3050, SWFF73*N, SWFT71*N, SWFT73*N, SWFX71*N, SWFX71*N1127, SWFX71*N3000, SWFX71*N3050, SWFX71*N3051, SWFX71*N5400, SWFX73*N, SWFX74*N4000, SWFX75*N4000, SWFY71*N and SWFY73*N



FLW1694P_802739

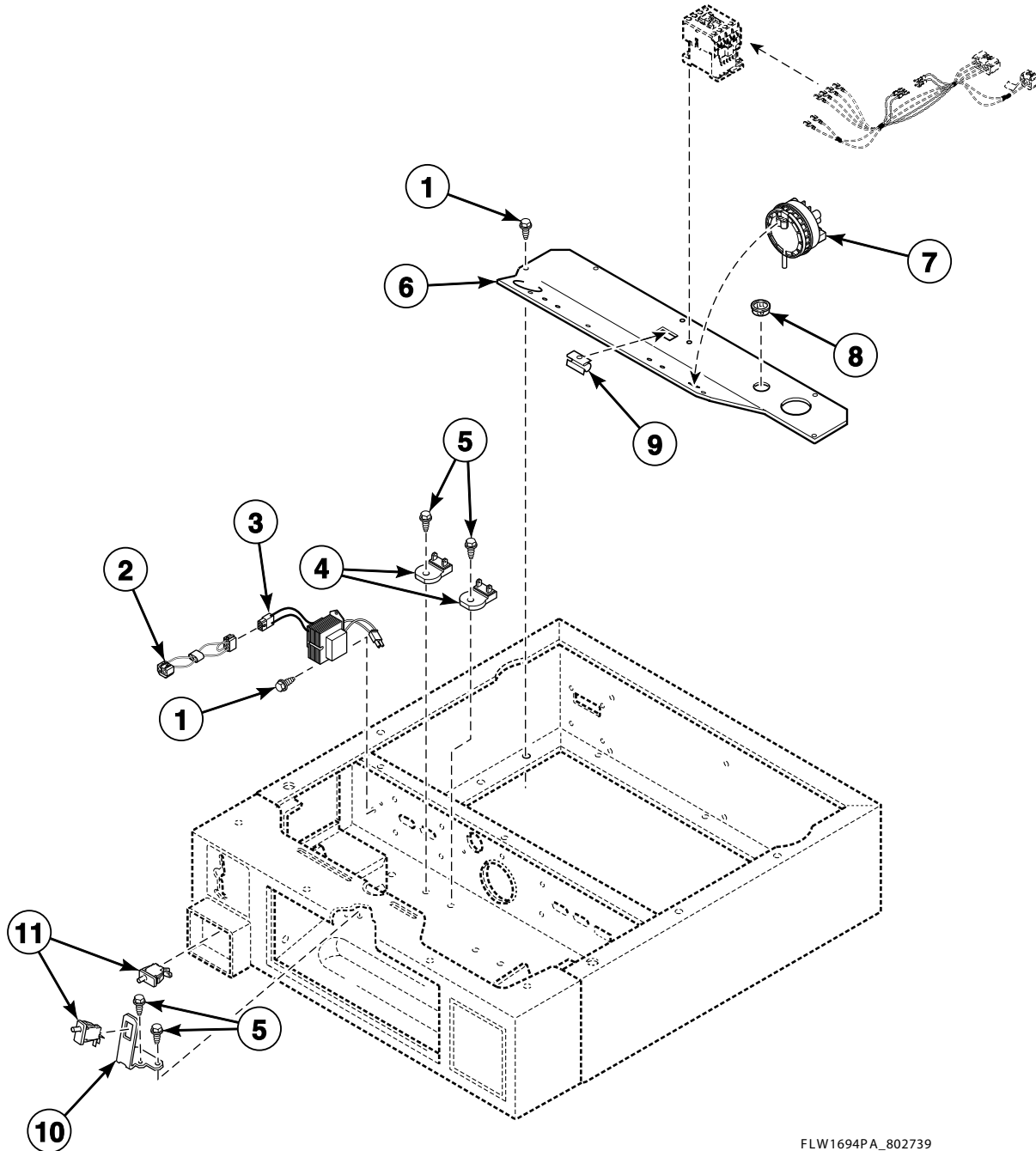
Control Cabinet Controls (Drawing 1 of 2)

| REF | PART NO. | DESCRIPTION | COMMENTS |
|-----|----------|----------------------------------|--|
| 1 | D503661 | Screw | Use with painted panels |
| | M405188 | Screw | Use with stainless steel panels |
| 2 | M413507 | Jumper Configuration Assembly | Models BWFX71*N3050, BWFX74*N4000, BWFX75*N4000, HWFY74*N4000, HWFY75*N4000, NWFY74*N4000, NWFY75*N4000, SFNBXFSP301NW22, SWFA71*N3050, SWFA71*N3069, SWFF71*N3050, SWFX71*N3000, SWFX71*N3050, SWFX71*N3051, SWFX71*N5400, SWFX74*N4000 and SWFX75*N4000 |
| 3 | 210018P | Transformer | Models BFNBCFSG111TN01, BFNBCFSG111TW01, HFNBCFSG111TN01, HFNBCFSP111TN01, HWFB71*N, HWFB71*N1102, HWFT71*N, HWFT71*N1102, HWFT73*N, HWFT73*N1102, SFNCCFSP111TW01, SWFB71*N, SWFB72*N, SWFB73*N, SWFF71*N, SWFF73*N, SWFT71*N and SWFT73*N |
| | 201375P | Transformer | Some models may have jumper wire attached to transformer. Discard jumper wire when replacing transformer; Models BFNBEFSP111CN01, BFNBEFSP111CW01, BFNBEFSP111TN01, BFNBEFSP111TW01, HFNCXFSP111CW01, HWFR71*N1102, HWFX71*N1102, HWFX71*N1127, HWFY71*N1102, HWFY73*N1102, SFNCYFSP111TW01, SWFA71*N, SWFX71*N, SWFX71*N1127, SWFX73*N, SWFY71*N and SWFY73*N |
| | 803527P | Transformer | All other models |
| 4 | 210100 | Resistor | Models BWFX71*N3050, BWFX74*N4000, BWFX75*N4000, HWFY74*N4000, HWFY75*N4000, NWFY74*N4000, NWFY75*N4000, SFNBXFSP301NW22, SWFA71*N3050, SWFA71*N3069, SWFF71*N3050, SWFX71*N3000, SWFX71*N3050, SWFX71*N3051, SWFX71*N5400, SWFX74*N4000 and SWFX75*N4000 |
| 5 | D503688 | Screw | |
| 6 | 801371 | Control Shield | |
| 7 | F330177P | Contactora | Models BWFX74*N4000, BWFX75*N4000, HWFY74*N4000, HWFY75*N4000, NWFY74*N4000, NWFY75*N4000, SWFX74*N4000 and SWFX75*N4000 |
| 8 | 801120P | Contactora Wire Harness Assembly | Models BWFX74*N4000, BWFX75*N4000, HWFY74*N4000, HWFY75*N4000, NWFY74*N4000, NWFY75*N4000, SWFX74*N4000 and SWFX75*N4000 |
| 9 | 802299P | Pressure Switch | |
| 10 | M402542 | Snap Bushing | |
| 11 | 36985 | Hose Clip | |
| 12 | 800379 | Audit Switch Bracket | |
| 13 | D512973 | Switch | |

* Add Letter To Designate Color. N - Stainless Steel Q - Bisque W - White

Control Cabinet Controls (Drawing 2 of 2)

Models BFNBCFSG112TN01, BFNBCFSG112TW01, BFNBCFSP112TW01, BFNBESP112CN01, BFNBESP112CW01, BFNBXFSP112FW01, BFNBXFSP302AW01, BFNBXFSP112TW01, HFNBCFSG112TN01, HFNBCFSG112TQ01, HFNBCFSG112TW01, HFNBCFSP112TN01, HFNBCFSP112TQ01, HFNBCFSP112TW01, HFNBDFSG112CW01, HFNBDFSP112CW01, HFNBESP112CW01, HFNBXFSP112CW01, HFNBXFSP112FQ01, HFNBXFSP122DW01, HFNBXFSP302NW22, HFNBXFSP542DW01, HFNBXFSG112CW01, HFNBXFSP112CW01, SFNBCFSG112TQ01, SFNBCFSG112TW01, SFNBCFSP112TQ01, SFNBCFSP112TW01, SFNBXFSG082JW01, SFNBXFSG112TQ01, SFNBXFSG112TW01, SFNBXFSP112TQ01, SFNBXFSP112TW01, SFNBXFSP122DW01, SFNBXFSP302AW01, SFNBXFSP302NQ01, SFNBXFSP302NW01, SFNBXFSP302NW22, SFNBXFSP542DW01, SFNBXFSG112TW01 and SFNBXFSP112TW01



FLW1694PA_802739

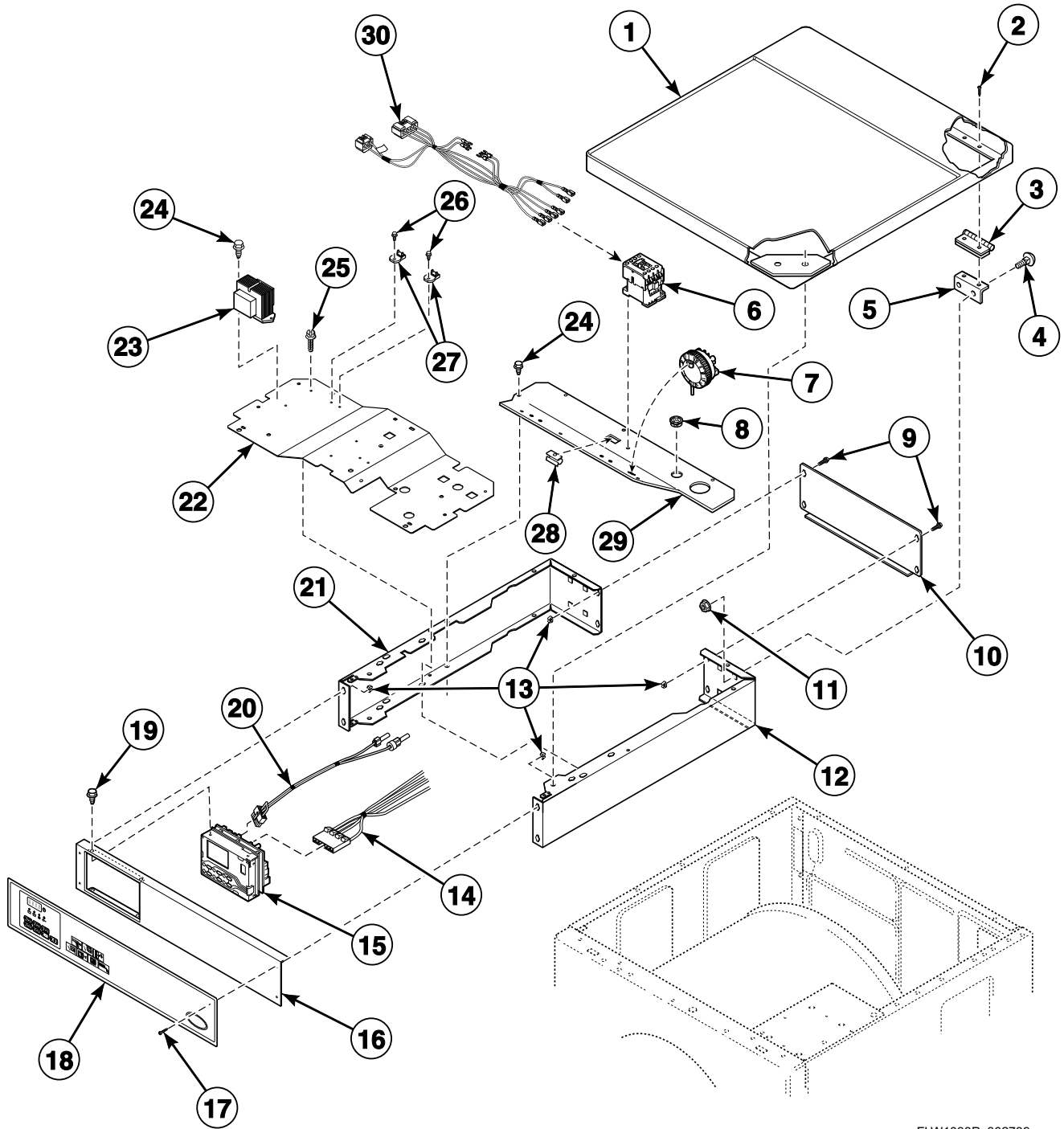
Control Cabinet Controls (Drawing 2 of 2)

| REF | PART NO. | DESCRIPTION | COMMENTS |
|-----|----------|-------------------------------|---|
| 1 | D503661 | Screw | Use with painted panels |
| | M405188 | Screw | Use with stainless steel panels |
| 2 | M413507 | Jumper Configuration Assembly | Models BFNBFSP302AW01, HFNBXFSP302NW22, HFNBXFSP542DW01, SFNBXFSP302AW01, SFNBXFSP302NQ01, SFNBXFSP302NW01, SFNBXFSP302NW22 and SFNBXFSP542DW01 |
| | M413504 | Jumper Harness Assembly | Model SFNBXFSG082JW01 |
| 3 | 210018P | Transformer | Models BFNBCFSG112TN01, BFNBCFSG112TW01, BFNBCFSP112TW01, HFNBFCFSG112TN01, HFNBFCFSG112TQ01, HFNBFCFSG112TW01, HFNBFCFSP112TN01, HFNBFCFSP112TQ01, HFNBFCFSP112TW01, HFNBDFSG112CW01, HFNBDFSP112CW01, SFNBFCFSG112TQ01, SFNBFCFSG112TW01, SFNBFCFSP112TQ01 and SFNBFCFSP112TW01 |
| | 803527P | Transformer | Models BFNBFSP302AW01, HFNBXFSP302NW22, HFNBXFSP542DW01, SFNBXFSG082JW01, SFNBXFSP302AW01, SFNBXFSP302NQ01, SFNBXFSP302NW01, SFNBXFSP302NW22 and SFNBXFSP542DW01 |
| | 201375P | Transformer | Some models may have jumper wire attached to transformer. Discard jumper wire when replacing transformer; All other models |
| 4 | 210100 | Resistor | Models BFNBFSP302AW01, HFNBXFSP302NW22, HFNBXFSP542DW01, SFNBXFSG082JW01, SFNBXFSP302AW01, SFNBXFSP302NQ01, SFNBXFSP302NW01, SFNBXFSP302NW22 and SFNBXFSP542DW01 |
| 5 | D503688 | Screw | |
| 6 | 801371 | Control Shield | |
| 7 | 802299P | Pressure Switch | |
| 8 | M402542 | Snap Bushing | |
| 9 | 36985 | Hose Clip | |
| 10 | 800379 | Audit Switch Bracket | |
| 11 | D512973 | Switch | |

* Add Letter To Designate Color. N - Stainless Steel Q - Bisque W - White

Control Cabinet and Controls

Models BFNBLFSP301AW01, BFNBLFSP302AW01, BFNBLFSP541NW01,
BFNBLFSP542NW01, BWFL74*N4000, BWFL75*N4000, NWFL84*N4000,
NWFL85*N4000 and SWFL74*N4000



FLW1033P_802739

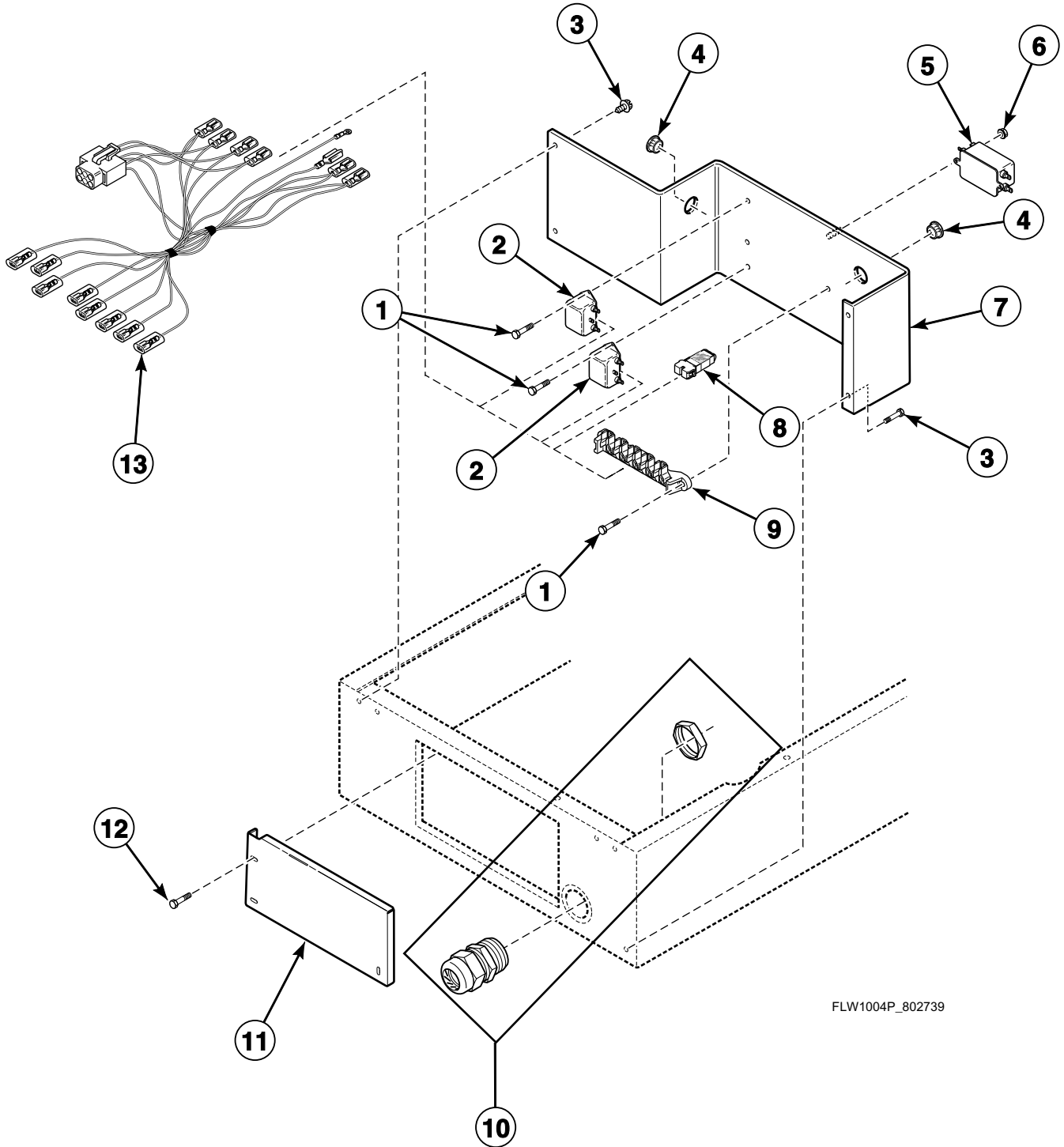
Control Cabinet and Controls

| REF | PART NO. | DESCRIPTION | COMMENTS |
|-----|----------|----------------------------------|---|
| 1 | D512967 | Stainless Steel Top | Models NWFL84*N4000, NWFL85*N4000 and SWFL74*N4000 |
| | 802247WP | Top and Gusset Assembly | White; Models BFNBLFSP301AW01, BFNBLFSP302AW01, BFNBLFSP541NW01, BFNBLFSP542NW01, BWFL74*N4000 and BWFL75*N4000 |
| | 802247QP | Top and Gusset Assembly | Bisque; Models BWFL74*N4000 and BWFL75*N4000 |
| 2 | 685847 | Pop Rivet | |
| 3 | D511036 | Hinge | |
| 4 | 29651 | Bolt | |
| 5 | D504228 | Top Mounting Bracket | |
| 6 | F330177P | Contactora | All models except BFNBLFSP301AW01, BFNBLFSP302AW01, BFNBLFSP541NW01 and BFNBLFSP542NW01 |
| 7 | 802299P | Pressure Switch | |
| 8 | M402542 | Snap Bushing | |
| 9 | 70240301 | Screw | |
| 10 | 801058 | Rear Control Cabinet | |
| 11 | 44087201 | Nut | |
| 12 | 800915W | Right Control Cabinet Side | White |
| | 800915Q | Right Control Cabinet Side | Bisque |
| | 800915B | Right Control Cabinet Side | Black |
| 13 | 70030501 | Expansion Clip | |
| 14 | D511478 | Central Pay Harness | |
| 15 | 803146P | Control Assembly | Models BFNBLFSP301AW01, BFNBLFSP302AW01, BFNBLFSP541NW01 and BFNBLFSP542NW01 |
| | 802400P | Control Assembly | All other models |
| | 210010P | Membrane Switch | Use with 802400P Control Assembly; All other models |
| 16 | 801737W | Control Panel | White |
| | 801737B | Control Panel | Black |
| 17 | 800930 | Screw | |
| 18 | 801762 | Graphic Overlay | Models NWFL84*N4000 and NWFL85*N4000 |
| | 801983 | Graphic Overlay | Models BWFL74*N4000 and BWFL75*N4000 |
| | 802868 | Graphic Overlay | Model SWFL74*N4000 |
| | 803535 | Overlay | Models BFNBLFSP301AW01, BFNBLFSP302AW01, BFNBLFSP541NW01 and BFNBLFSP542NW01 |
| 19 | D501524 | Screw | |
| 20 | 202869 | Wiring Harness Assembly | |
| 21 | 801738W | Left Control Cabinet Side | White |
| | 801738B | Left Control Cabinet Side | Black |
| 22 | 801777 | Control Cabinet Bottom | |
| 23 | 803527P | Transformer | |
| 24 | D503661 | Screw | |
| 25 | D503688 | Screw | Use with painted panels |
| | M405188 | Screw | Use with stainless steel panels |
| 26 | D503688 | Screw | |
| 27 | 210100 | Resistor | |
| 28 | 36985 | Hose Clip | |
| 29 | 801371 | Control Shield | |
| 30 | 801120P | Contactora Wire Harness Assembly | All models except BFNBLFSP301AW01, BFNBLFSP302AW01, BFNBLFSP541NW01 and BFNBLFSP542NW01 |

* Add Letter To Designate Color. N - Stainless Steel Q - Bisque W - White

Electrical Access Panel, Filters and Terminal Block

Models BFNBLFSP301AW01, BFNBLFSP302AW01, BFNBLFSP541NW01, BFNBLFSP542NW01, BWFL74*N4000, BWFL75*N4000, BWF74*N4000, BWF75*N4000, HWFY74*N4000, HWFY75*N4000, NWFL84*N4000, NWFL85*N4000, NWF74*N4000, NWF75*N4000, SWFL74*N4000, SWFX74*N4000 and SWFX75*N4000



FLW1004P_802739

Electrical Access Panel, Filters and Terminal Block

| REF | PART NO. | DESCRIPTION | COMMENTS |
|-----|----------|---------------------------|--|
| 1 | D503661 | Screw | All models except BFNBLFSP301AW01, BFNBLFSP302AW01, BFNBLFSP541NW01 and BFNBLFSP542NW01 |
| 2 | 801255P | Filter | All models except BFNBLFSP301AW01, BFNBLFSP302AW01, BFNBLFSP541NW01 and BFNBLFSP542NW01 |
| 3 | D503688 | Screw | |
| 4 | M402542 | Snap Bushing | |
| 5 | 201058 | Line Filter | All models except BFNBLFSP301AW01, BFNBLFSP302AW01, BFNBLFSP541NW01 and BFNBLFSP542NW01 |
| 6 | 29787 | Nut | All models except BFNBLFSP301AW01, BFNBLFSP302AW01, BFNBLFSP541NW01 and BFNBLFSP542NW01 |
| 7 | 801756 | Terminal Block Assembly | Models BWFL74*N4000, BWFL75*N4000, NWFL84*N4000, NWFL85*N4000 and SWFL74*N4000 |
| | 801250 | Terminal Block Assembly | Models BWFY74*N4000, BWFY75*N4000, NWFY74*N4000, NWFY75*N4000, NWFY74*N4000, NWFY75*N4000, SWFX74*N4000 and SWFX75*N4000 |
| 8 | 801311 | Network Varistor Assembly | All models except BFNBLFSP301AW01, BFNBLFSP302AW01, BFNBLFSP541NW01 and BFNBLFSP542NW01 |
| 9 | D505876 | Terminal Block Assembly | All models except BFNBLFSP301AW01, BFNBLFSP302AW01, BFNBLFSP541NW01 and BFNBLFSP542NW01 |
| 10 | 801792P | Fitting | |
| 11 | 801058 | Rear Control Cabinet | Models BFNBLFSP301AW01, BFNBLFSP302AW01, BFNBLFSP541NW01, BFNBLFSP542NW01, BWFL74*N4000, BWFL75*N4000, NWFL84*N4000, NWFL85*N4000 and SWFL74*N4000 |
| | 801134 | Electric Access Panel | All other models |
| 12 | 70240301 | Screw | Models BFNBLFSP301AW01, BFNBLFSP302AW01, BFNBLFSP541NW01, BFNBLFSP542NW01, BWFL74*N4000, BWFL75*N4000, NWFL84*N4000, NWFL85*N4000 and SWFL74*N4000 |
| | D503661 | Screw | All other models |
| 13 | 801261 | Wire Harness Assembly | 3 Phase power; All models except BFNBLFSP301AW01, BFNBLFSP302AW01, BFNBLFSP541NW01 and BFNBLFSP542NW01 |

* Add Letter To Designate Color. N - Stainless Steel Q - Bisque W - White

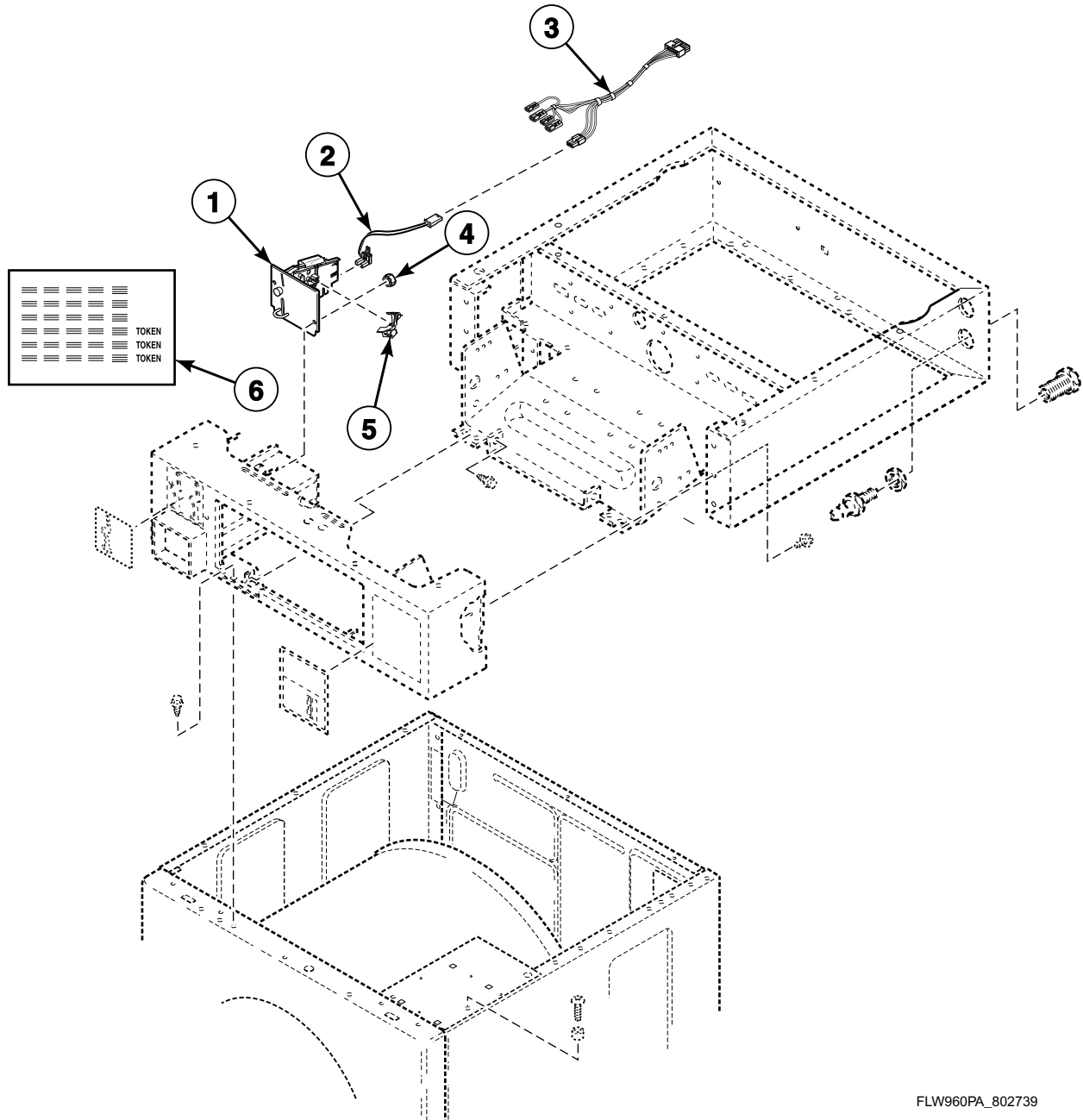
Wrapper Assembly

| REF | PART NO. | DESCRIPTION | COMMENTS |
|-----|-----------|-----------------------------------|--|
| 1 | 801235W | Security Cabinet Wrapper Assembly | White; Models BWFX74*N4000, BWFX75*N4000, NWF74*N4000, NWF75*N4000, SWFX74*N4000 and SWFX75*N4000 |
| | 801235Q | Security Cabinet Wrapper Assembly | Bisque; Models BWFX74*N4000, BWFX75*N4000, NWF74*N4000, NWF75*N4000, SWFX74*N4000 and SWFX75*N4000 |
| | 801235B | Security Cabinet Wrapper Assembly | Black; Models BWFX74*N4000, BWFX75*N4000, NWF74*N4000, NWF75*N4000, SWFX74*N4000 and SWFX75*N4000 |
| | 801780W | Security Cabinet Wrapper Assembly | White; Model SWFB72*N |
| | 801780Q | Security Cabinet Wrapper Assembly | Bisque; Model SWFB72*N |
| | D505753WP | Wrapper and Channel Assembly | White; All other models |
| | D505753QP | Wrapper and Channel Assembly | Bisque; All other models |
| | D505753BP | Wrapper and Channel Assembly | Black; All other models |
| | 2 | 801788 | Union |
| 3 | 801789 | Connector | Model SWFB72*N |
| 4 | D503688 | Screw | |
| 5 | 39733 | Screw | Use with painted panels |
| | D512921 | Screw | Use with stainless steel panels |
| 6 | 56079 | Panel Locator | |
| 7 | 801217 | Operating Instruction Label | Models BWFX74*N4000, BWFX75*N4000, HFNBXFSP122DW01, HFNBXFSP542DW01, NWF74*N4000, NWF75*N4000, SFNBXFSP122DW01, SFNBXFSP542DW01, SWFA71*N3050, SWFX74*N4000 and SWFX75*N4000 |
| | 803594 | Operating Instruction Label | French/English; Models HFNBDFSG112CW01, HFNBDFSP112CW01, HFNBEPSP112CW01, HFNBXFSP112CW01, HFNCXFSP111CW01, HWFR71*N1102, HWFT71*N1102, HWFT73*N1102 and HWFX71*N1102 |
| | 685942 | Instruction Label | All other models |
| 8 | 38717 | Single Overlay | |
| | 39073 | Dual Overlay | Dual drop; Models HFNBDFSG112CW01, HFNBDFSP112CW01, HWFB71*N1102, HWFT71*N1102 and HWFT73*N1102 |
| | 38676 | Overlay Kit | Dual drop |
| 9 | D511633WP | Security Cabinet Front Assembly | White |
| | D511633QP | Security Cabinet Front Assembly | Bisque |
| | D511633B | Security Cabinet Front Assembly | Black |

* Add Letter To Designate Color. N - Stainless Steel Q - Bisque W - White

Non-Electronic Coin Drop

Models BFNBCFSG111TN01, BFNBCFSG111TW01, BFNBCFSG112TN01, BFNBCFSG112TW01, BFNBCFSP112TW01, BFNBEPSP112CN01, BFNBEPSP112CW01, BFNBXFSP112FW01, BFNBXFSP302AW01, BWF71*N1127, BWF71*N3050, BWF74*N4000, BWF75*N4000, HFNBCFSG111TN01, HFNBCFSG112TN01, HFNBCFSG112TQ01, HFNBCFSG112TW01, HFNBCFSP111TN01, HFNBCFSP112TN01, HFNBCFSP112TQ01, HFNBCFSP112TW01, HFNBDFSG112CW01, HFNBDFSP112CW01, HFNBEPSP112CW01, HFNBXFSP112CW01, HFNBXFSP112FQ01, HFNBXFSP122DW01, HFNBXFSP302NW22, HFNBXFSP542DW01, HFNCXFSP111CW01, HWFB71*N, HWFB71*N1102, HWFR71*N1102, HWFT71*N, HWFT71*N1102, HWFT73*N, HWFT73*N1102, HWFX71*N1102, HWFX71*N1127, NWF74*N4000, NWF75*N4000, SFNBCFSG112TQ01, SFNBCFSG112TW01, SFNBCFSP112TQ01, SFNBCFSP112TW01, SFNBXFSG082JW01, SFNBXFSG112TQ01, SFNBXFSG112TW01, SFNBXFSP112TQ01, SFNBXFSP112TW01, SFNBXFSP122DW01, SFNBXFSP301NW22, SFNBXFSP302AW01, SFNBXFSP302NQ01, SFNBXFSP302NW01, SFNBXFSP302NW22, SFNBXFSP542DW01, SFNCCFSP111TW01, SWFA71*N, SWFA71*N3050, SWFA71*N3069, SWFA73*N, SWFB71*N, SWFB72*N, SWFB73*N, SWFT71*N, SWFT73*N, SWFX71*N, SWFX71*N1127, SWFX71*N3000, SWFX71*N3050, SWFX71*N3051, SWFX71*N5400, SWFX73*N, SWFX74*N4000 and SWFX75*N4000



FLW960PA_802739

Non-Electronic Coin Drop

| REF | PART NO. | DESCRIPTION | COMMENTS |
|-----|-----------|---------------------------|--|
| 1 | 70441601P | Coin Drop | U.S.A.; \$.25 |
| | 70441603 | Coin Drop | U.S.A.; \$.25 and 1.00 |
| | CK090 | Coin Drop Kit | U.S.A.; \$.25 and 1.00; Use to convert existing single \$.25 drop to dual \$.25/1.00 drop |
| | 70441602 | Coin Drop Assembly | Canada; .25 and 1.00 |
| | 38464P | Coin Drop Assembly | Canada; .25 |
| | 38467 | Coin Drop Assembly | Australia; .20 and 1.00 |
| | 70447301 | Coin Drop Assembly | Australia; 1.00 and 2.00 |
| | 38472 | Coin Drop Assembly | England; 20 pence and 1 pound |
| | 38519 | Coin Drop Assembly | Japan; 100 yen and 500 yen |
| | 38521 | Coin Drop Assembly | Korea; 100 won and 500 won |
| | N/A | Coin Drop Assembly | New Zealand; .20 and 1.00 |
| | 70482401 | Coin Drop Assembly | New Zealand; 1.00 and 2.00 |
| | CK114 | Coin Drop Assembly | Singapore; Old 1.00 |
| | CK123 | Coin Drop Kit | Singapore; New 1.00 |
| | 38462P | Coin Drop Assembly | Token; STD-118-1; .880 diameter x .079 thick; Brass |
| | 38463 | Coin Drop Assembly | Token; STD-118-5; .990 diameter x .081 thick; Silver |
| | 38963P | Coin Drop | Token 118-16 not available; Replacement for 38963P Coin Drop only |
| 2 | 200674P | Opto Coupler | |
| 3 | 802904P | Harness Assembly | Models BFNBCFSG111TN01, BFNBCFSG111TW01, BFNBCFSG112TN01, BFNBCFSG112TW01, BFNBCFSP112TW01, HFNBCFSG111TN01, HFNBCFSP111TN01, HWFB71*N, HWFT71*N, HWFT73*N, SFNBCFSG112TQ01, SFNBCFSG112TW01, SFNBCFSP112TQ01, SFNBCFSP112TW01, SFNCCFSP111TW01, SWFB71*N, SWFB72*N, SWFB73*N, SWFT71*N and SWFT73*N |
| | 802905 | Harness Assembly | All other models; Use with dual drops |
| 4 | 29786 | Nut | |
| 5 | 201595P | Wire Guard | Anti-stringing security device |
| 6 | 38725 | Coin Identification Paper | |

* Add Letter To Designate Color. N - Stainless Steel Q - Bisque W - White

N/A = Part no longer available

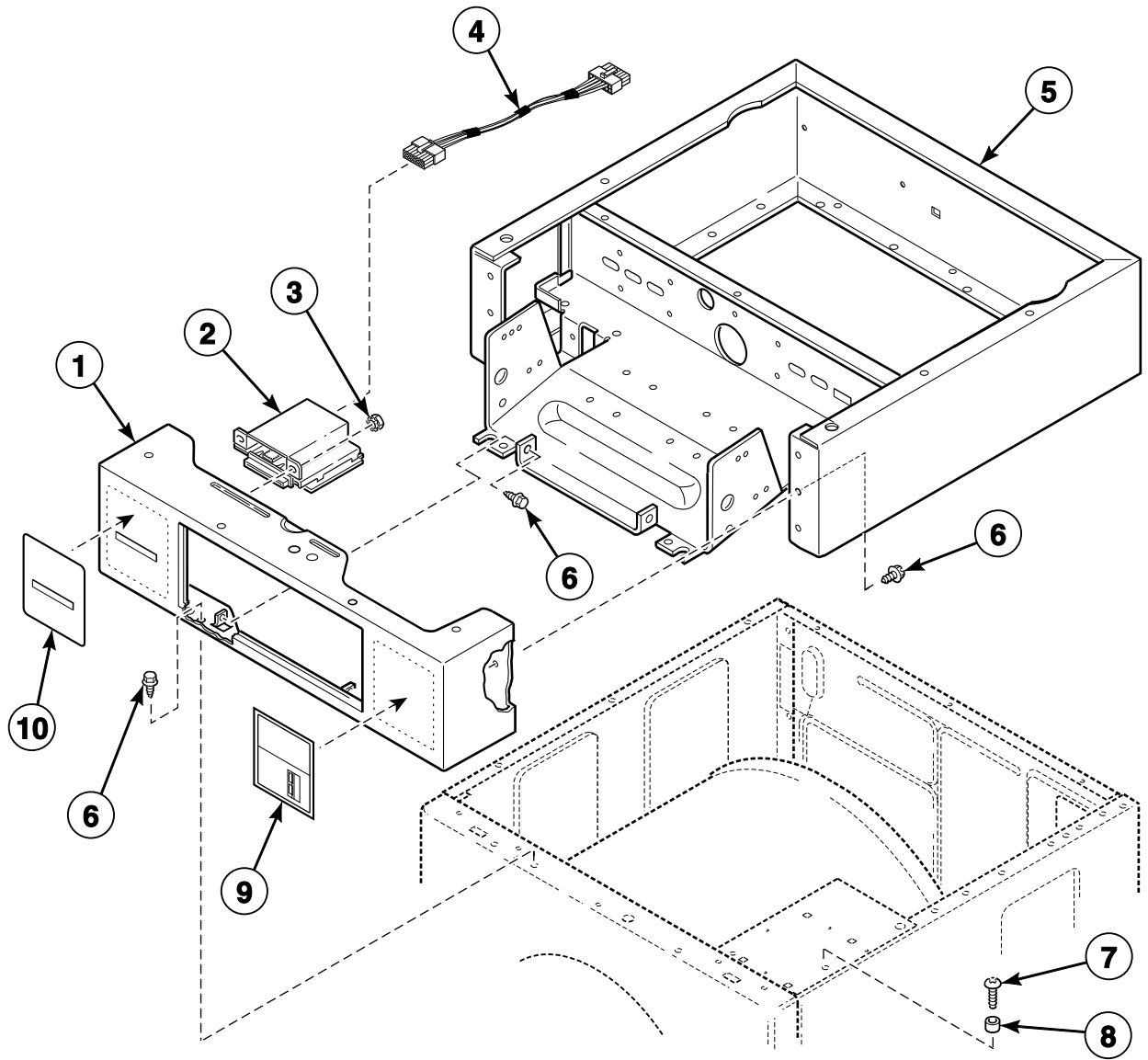
Electronic Coin Drop

| REF | PART NO. | DESCRIPTION | COMMENTS |
|-----|----------|-------------------------------|---|
| 1 | CK115 | Electronic Coin Drop Kit | Includes items 2-4 and 7-9; United States and Canada coins |
| | CK113 | Electronic Coin Drop Kit | Includes items 2-4 and 7-9; Japan and Taiwan coins |
| | CK099 | Electronic Coin Drop Kit | Includes items 2-4 and 7-9; Australia, New Zealand, Hong Kong, South Korea and Malaysia coins |
| | CK100 | Electronic Coin Drop Kit | Includes items 2-4 and 7-9; Euro and Great Britain coins |
| | CK101 | Electronic Coin Drop Kit | Includes items 2-4 and 7-9; Euro, Denmark and Norway coins |
| | CK103 | Electronic Coin Drop Kit | Includes items 2-4 and 7-9; Euro, Lithuania and Latvia coins |
| | CK106 | Electronic Coin Drop Kit | Includes items 2-4 and 7-9; Malaysia, China, Russia and Singapore coins |
| | CK108 | Electronic Coin Drop Kit | Includes items 2-4 and 7-9; South African 1, 2 and 5 rand coins |
| | CK109 | Electronic Coin Drop Kit | Includes items 2-4 and 7-9; Euro coins |
| | CK110 | Electronic Coin Drop Kit | Includes items 2-4 and 7-9; Mexico, Ecuador and United States coins |
| | CK120 | Electronic Coin Drop Kit | Includes items 2-4 and 7-9; Chile coins |
| | CK121 | Electronic Coin Drop Kit | Includes items 2-4 and 7-9; Singapore coins |
| 2 | 70513302 | Electronic Coin Drop Assembly | Euro and Great Britain coins |
| | 70294122 | Electronic Coin Drop Assembly | Great Britain coins |
| | 70294104 | Electronic Coin Drop Assembly | Euro, Denmark and Norway coins |
| | 70294107 | Electronic Coin Drop Assembly | Euro, Lithuania and Latvia coins |
| | 70294109 | Electronic Coin Drop Assembly | Malaysia, China, Russia and Singapore coins |
| | 70294110 | Electronic Coin Drop Assembly | South African 1, 2 and 5 rand coins |
| | 70294111 | Electronic Coin Drop Assembly | Euro coins |
| | 70513306 | Electronic Coin Drop Assembly | Mexico, Ecuador and United States coins |
| | 70294120 | Electronic Coin Drop Assembly | Chile coins |
| | 70294121 | Electronic Coin Drop Assembly | Singapore coins |
| 3 | 201216 | Nut | Slotted nut; Use on front control models with guide rods through Serial No. 1007022688 and all rear control models |
| | 29786 | Nut | Hex nut; Use on front control models with no guide rods; Models starting Serial No. 1007022689 |
| 4 | 201104 | Coin Drop Wire Harness | |
| 5 | 802905 | Harness Assembly | Electronic coin drop requires this harness. If unit is not factory-equipped with this harness, it must be ordered separately. |
| 6 | 201375P | Transformer | Electronic coin drop requires this transformer. If unit is not factory-equipped with this transformer, it must be ordered separately. |
| 7 | 201572 | Clip | |
| 8 | 201091 | Overlay | |
| 9 | 38725 | Coin Identification Paper | |

* Add Letter To Designate Color. N - Stainless Steel Q - Bisque W - White

Wrapper Assembly and Card Reader

Models BFNBYFSP112TW01, HFNBYSFG112CW01, HFNBYSFP112CW01, HWFY71*N1102, HWFY73*N1102, HWFY74*N4000, HWFY75*N4000, SFNBYSFG112TW01, SFNBYSFP112TW01, SFNCYFSP111TW01, SWFF71*N, SWFF71*N3050, SWFF73*N, SWFY71*N and SWFY73*N



FLW898P_802739

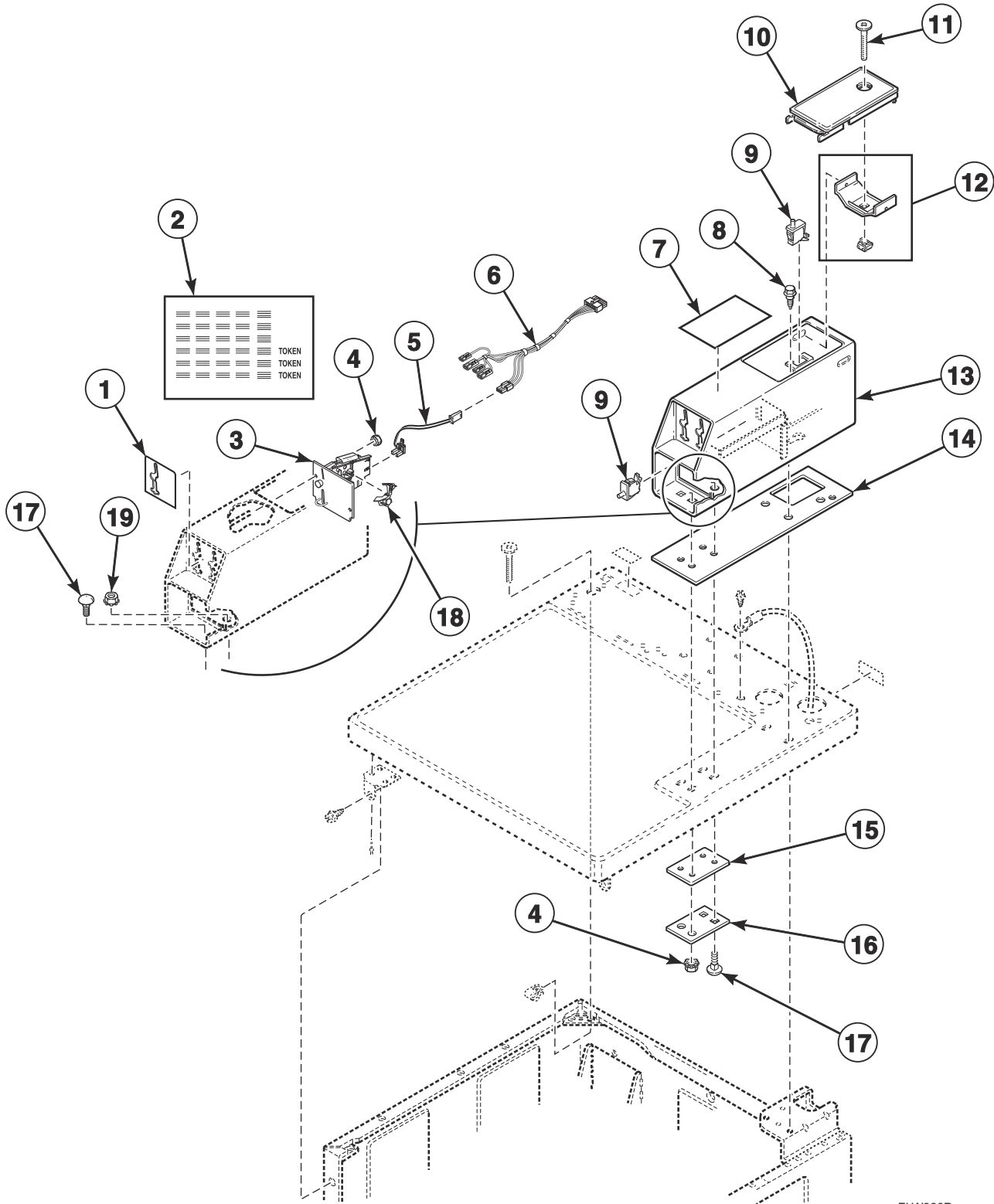
Wrapper Assembly and Card Reader

| REF | PART NO. | DESCRIPTION | COMMENTS |
|-----|-----------|-----------------------------------|---|
| 1 | D511209WP | Security Cabinet Front Assembly | White |
| | D511209Q | Security Cabinet Front Assembly | Bisque |
| 2 | D510068P | Card Reader and Bracket Assembly | Models SWFF71*N, SWFF71*N3050 and SWFF73*N |
| 3 | 70054 | Nut | |
| 4 | 800125P | Card Reader Wire Harness Assembly | Models SWFF71*N, SWFF71*N3050 and SWFF73*N |
| 5 | 801235W | Security Cabinet Wrapper Assembly | White; Models HWFY74*N4000 and HWFY75*N4000 |
| | 801235Q | Security Cabinet Wrapper Assembly | Bisque; Models HWFY74*N4000 and HWFY75*N4000 |
| | D505753WP | Wrapper and Channel Assembly | White; All other models |
| | D505753QP | Wrapper and Channel Assembly | Bisque; All other models |
| 6 | D503688 | Screw | |
| 7 | 39733 | Screw | |
| 8 | 56079 | Panel Locator | |
| 9 | 801217 | Operating Instruction Label | Models HWFY74*N4000, HWFY75*N4000 and SWFF71*N3050 |
| | 803594 | Operating Instruction Label | French/English; Models HFNBYSFG112CW01, HFNBYSFSP112CW01, HWFY71*N1102 and HWFY73*N1102 |
| | 685942 | Instruction Label | All other models |
| 10 | D511548 | Card Insert Overlay | Models HFNBYSFG112CW01, HFNBYSFSP112CW01, HWFY71*N1102, HWFY73*N1102, HWFY74*N4000 and HWFY75*N4000 |
| | 800230 | Card Reader Overlay | Models SWFF71*N, SWFF71*N3050 and SWFF73*N |
| | D511544 | Card Insert Overlay | Models BFNBYSFSP112TW01, SFNBYSFG112TW01, SFNBYSFSP112TW01, SFNCYFSP111TW01, SWFY71*N and SWFY73*N |
| | 210131 | Overlay | Models HWFY74*N4000 and HWFY75*N4000 |

* Add Letter To Designate Color. Q - Bisque W - White

Non-Electronic Coin Drop, Meter Case and Service Door

Models HFNBCRSP112TW01, HFNBDRSP112CW01, HFNBERSP112CW01,
HFNBXRSP112FW28, HFNCXRSP111CW01, HWRR71*N1102, HWRT71*N,
HWRT71*N1102, HWRX71*N1102, SFNBCRSP111TW02, SFNBCRSP112TW01,
SFNBCRSP112TW02, SFNBXRSP112TW01, SFNBXRSP112TW02,
SFNCCRSP111TW01, SFNCCRSP111TW02, SFNCXRSP111TW02, SWRB71*N,
SWRT71*N, SWRT73*N and SWRX71*N



FLW980P

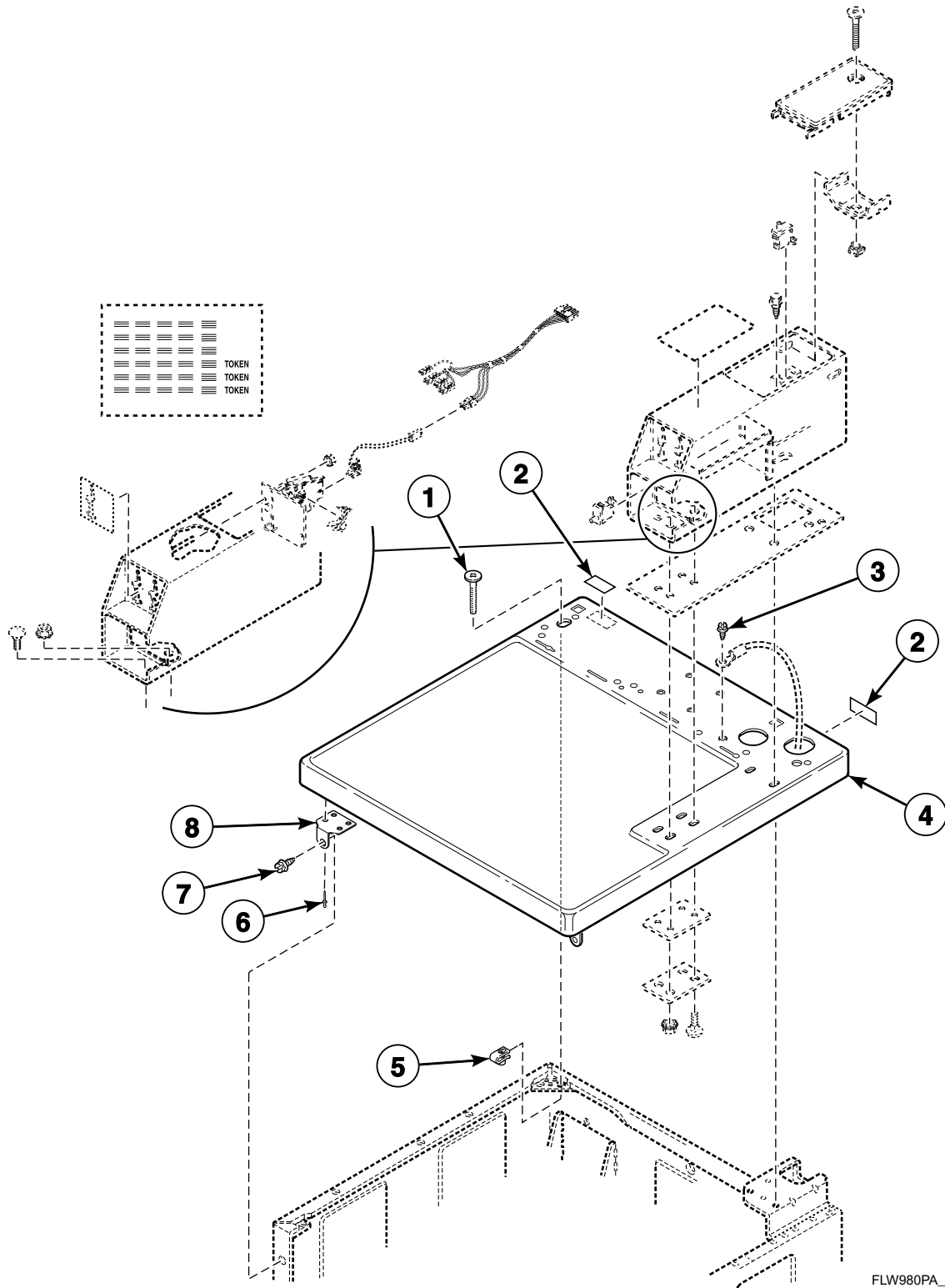
Non-Electronic Coin Drop, Meter Case and Service Door

| REF | PART NO. | DESCRIPTION | COMMENTS |
|-----|-----------|--|--|
| 1 | 202123 | Single Overlay | Models SFNBCRSP111TW02 and SFNCCRSP111TW02; Models through Serial No. 1010011547 |
| | 38717 | Single Overlay | Models HFNBCRSP112TW01, HFNBXRSP112FW28, HWRT71*N, SFNBCRSP112TW01, SFNBCRSP112TW02, SFNBXRSP112TW01, SFNBXRSP112TW02, SFNCCRSP111TW01, SWRB71*N, SWRT71*N, SWRT73*N and SWRX71*N; Models SFNBCRSP111TW02 and SFNCCRSP111TW02 starting Serial No. 1010011548 |
| | 39073 | Dual Overlay | Models HFNBDRSP112CW01, HFNBERSP112CW01, HFNCXRSP111CW01, HWRT71*N1102 and HWRX71*N1102 |
| 2 | 38725 | Coin Identification Paper | |
| 3 | 70441601P | Coin Drop | Models HFNBCRSP112TW01, HFNBXRSP112FW28, HWRT71*N, SFNBCRSP112TW01, SFNBCRSP112TW02, SFNBXRSP112TW01, SFNBXRSP112TW02, SFNCCRSP111TW01, SFNCCRSP111TW02, SFNCXRSP111TW02, SWRB71*N, SWRT71*N, SWRT73*N and SWRX71*N |
| | 70441602 | Coin Drop Assembly | Models HFNBDRSP112CW01, HFNBERSP112CW01, HFNCXRSP111CW01, HWRT71*N1102 and HWRX71*N1102 |
| 4 | 29786 | Nut | |
| 5 | 200674P | Opto Coupler | |
| 6 | 802905 | Harness Assembly | Models HFNBDRSP112CW01, HFNBERSP112CW01, HFNBXRSP112FW28, HFNCXRSP111CW01, HWRR71*N1102, HWRT71*N1102, HWRX71*N1102, SFNBXRSP112TW01, SFNBXRSP112TW02, SFNCXRSP111TW02 and SWRX71*N |
| | 802904P | Harness Assembly | Models HFNBCRSP112TW01, HWRT71*N, SFNBCRSP111TW02, SFNBCRSP112TW01, SFNBCRSP112TW02, SFNCCRSP111TW01, SFNCCRSP111TW02, SWRB71*N, SWRT71*N and SWRT73*N |
| 7 | 803595 | Operating Instruction Label | French/English; Models HFNBDRSP112CW01, HFNBERSP112CW01, HFNCXRSP111CW01, HWRR71*N1102, HWRT71*N1102 and HWRX71*N1102 |
| | 800137 | Rear Control Operating Instruction Label | All other models |
| 8 | 36048 | Screw | |
| 9 | D512973 | Switch | |
| 10 | 803043WP | Service Door Assembly | Models SFNBCRSP111TW02, SFNCCRSP111TW02 and SFNCXRSP111TW02; Models through Serial No. 1010011547 |
| | 39874WP | Service Door Assembly | White; All other models |
| | 39874QP | Service Door Assembly | Bisque; All other models |
| 11 | D503673 | Screw | All models except SFNBCRSP111TW02, SFNCCRSP111TW02 AND SFNCXRSP111TW02 through Serial No. 1010011547 |
| 12 | 204616 | Meter Case Locking Bracket Kit | All models except SFNBCRSP111TW02, SFNCCRSP111TW02 AND SFNCXRSP111TW02 through Serial No. 1010011547 |
| 13 | 807401W | Meter Case Assembly Kit | Models SFNBCRSP111TW02, SFNBCRSP112TW02, SFNBXRSP112TW02, SFNCCRSP111TW02 and SFNCXRSP111TW02 |
| | 803578P | Coin Box Extension Kit | Use with 803063W Meter Case Assembly to extend shorter 7-inch coin boxes; Models SFNBCRSP111TW02, SFNCCRSP111TW02 and SFNCXRSP111TW02 starting Serial No. 1010011548 |
| | 807406W | Meter Case Assembly | White; Model HWRR71*N1102 |
| | 802505Q | Meter Case Assembly | Bisque; Model HWRR71*N1102 |
| | 202877W | Meter Case Assembly | White; All other models |
| | 202877Q | Meter Case Assembly | Bisque; All other models |
| 14 | 26354 | Meter Case Gasket | |
| 15 | 35526 | Meter Case Bracket Gasket | |
| 16 | 35525 | Meter Case Lockdown Bracket | |
| 17 | 203798 | Bolt | |
| 18 | 201595P | Wire Guard | Anti-stringing security device |
| 19 | 802337 | Nut | |

* Add Letter To Designate Color. Q - Bisque W - White

Cabinet Top

Models HFNBCRSP112TW01, HFNBDRSP112CW01, HFNBERSP112CW01, HFNBXRSP112FW28, HFNCXRSP111CW01, HWRR71*N1102, HWRT71*N, HWRT71*N1102, HWRX71*N1102, SFNBCRSP111TW02, SFNBCRSP112TW01, SFNBCRSP112TW02, SFNBXRSP112TW01, SFNBXRSP112TW02, SFNCCRSP111TW01, SFNCCRSP111TW02, SFNCXRSP111TW02, SWRB71*N, SWRT71*N, SWRT73*N and SWRX71*N



FLW980PA_802739

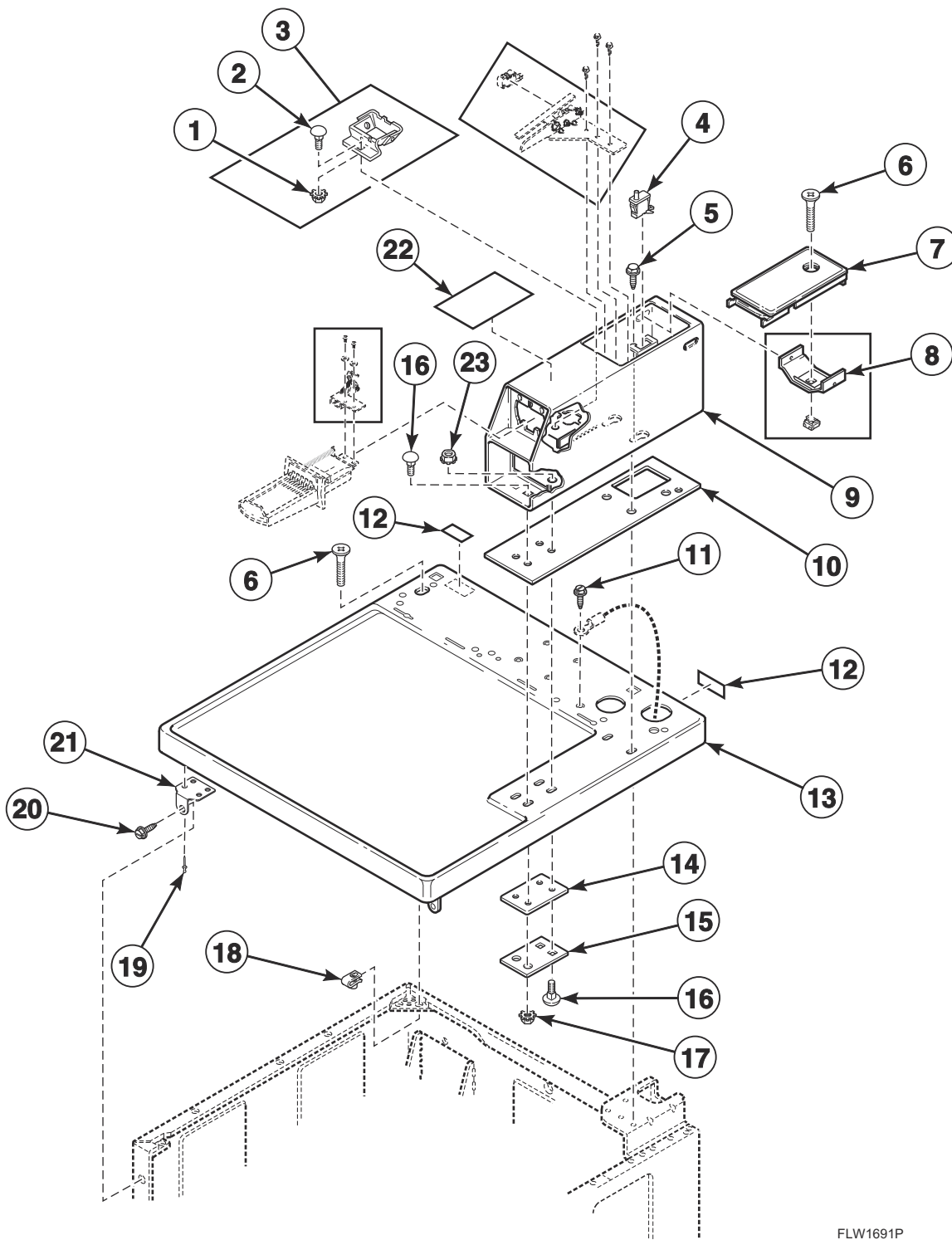
Cabinet Top

| REF | PART NO. | DESCRIPTION | COMMENTS |
|-----|-----------|--------------------------------|--|
| 1 | D503673 | Screw | All models except SFNBCRSP111TW02, SFNBCRSP112TW02, SFNBXRSP112TW02, SFNCCRSP111TW02 and SFNCXRSP111TW02 |
| 2 | D500316 | Warning Label | Models HFNBDRSP112CW01, HFNBERSP112CW01, HFNCXRSP111CW01, HWRR71*N1102, HWRT71*N1102 and HWRX71*N1102 |
| | D505281 | Disconnect Power Warning Label | All other models |
| 3 | 20530 | Screw | |
| 4 | D511527WP | Top Kit | White |
| | D511527QP | Top Kit | Bisque |
| 5 | 27222 | Nut | |
| 6 | 70058501 | Pop Rivet | |
| 7 | D503661 | Screw | |
| 8 | D510146 | Bracket | |

* Add Letter To Designate Color. Q - Bisque W - White

Meter Case, Service Door and Cabinet Top

Models HFNSXRSP112CW01, HWR971*N1102, HWR971*N1127, HWR973*N1102, SFNSXRSP111TW02, SFNSXRSP112TQ01, SFNSXRSP112TW01, SFNSXRSP112TW02, SFNSXRSP541NQ23, SFNSXRSP541NW23, SFNTRSP111TW01, SFNTRSP111TW02, SWR971*N and SWR973*N



FLW1691P

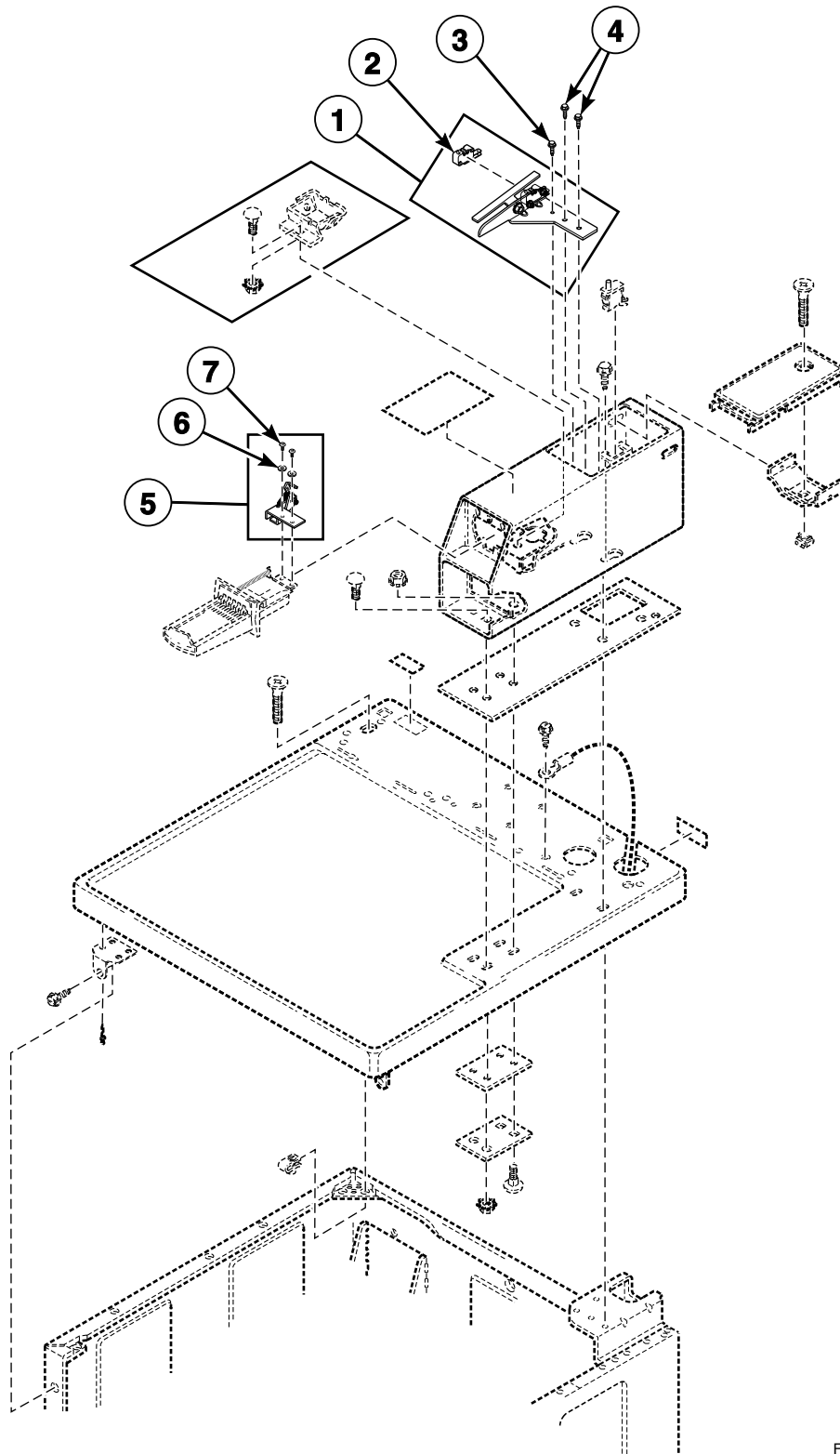
Meter Case, Service Door and Cabinet Top

| REF | PART NO. | DESCRIPTION | COMMENTS |
|-----|-----------|--|--|
| 1 | M412986 | Nut | All models except SFNSXRSP111TW02 and SFNTRSP111TW02 through Serial No. 1010011547 |
| 2 | 29651 | Bolt | All models except SFNSXRSP111TW02 and SFNTRSP111TW02 through Serial No. 1010011547 |
| 3 | 523P3 | Coin Funnel Kit | All models except SFNSXRSP111TW02 and SFNTRSP111TW02 through Serial No. 1010011547 |
| 4 | D512973 | Switch | |
| 5 | 36048 | Screw | |
| 6 | D503673 | Screw | All models except SFNSXRSP111TW02 and SFNTRSP111TW02 through Serial No. 1010011547 |
| 7 | 803043WP | Service Door Assembly | Models SFNSXRSP111TW02 and SFNTRSP111TW02; Models through Serial No. 1010011547 |
| | 39874WP | Service Door Assembly | White; All other models |
| | 39874QP | Service Door Assembly | Bisque; All other models |
| 8 | 204616 | Meter Case Locking Bracket Kit | All models except SFNSXRSP111TW02 and SFNTRSP111TW02 through Serial No. 1010011547 |
| 9 | 803042W | Meter Case Assembly | Models SFNSXRSP111TW02 and SFNTRSP111TW02; Models through Serial No. 1010011547 |
| | 803576W | Meter Case Assembly | Models SFNSXRSP111TW02 and SFNTRSP111TW02; Models starting Serial No. 1010011548 |
| | 801330W | Meter Case Assembly | White; All other models |
| | 801330Q | Meter Case Assembly | Bisque; All other models |
| 10 | 26354 | Meter Case Gasket | |
| 11 | 20530 | Screw | |
| 12 | D500316 | Warning Label | Models HFNSXRSP112CW01, HWR971*N1102 and HWR973*N1102 |
| | D505281 | Disconnect Power Warning Label | All other models |
| 13 | D511527WP | Top Kit | White |
| | D511527QP | Top Kit | Bisque |
| 14 | 35526 | Meter Case Bracket Gasket | |
| 15 | 35525 | Meter Case Lockdown Bracket | |
| 16 | 203798 | Bolt | |
| 17 | 29786 | Nut | |
| 18 | 27222 | Nut | |
| 19 | 70058501 | Pop Rivet | |
| 20 | D503661 | Screw | |
| 21 | D510146 | Bracket | |
| 22 | 803595 | Operating Instruction Label | French/English; Models HFNSXRSP112CW01, HWR971*N1102 and HWR973*N1102 |
| | 800137 | Rear Control Operating Instruction Label | All other models |
| 23 | 802337 | Nut | |

* Add Letter To Designate Color. Q - Bisque W - White

Coin Slide Extension Through Serial No. 1211

Models HWR971*N1102, HWR971*N1127, HWR973*N1102, SFNSXRSP112TW02, SFNSXRSP541NQ23, SFNSXRSP541NW23, SFNTRSP111TW01, SFNTRSP111TW02, SWR971*N and SWR973*N



FLW1691PA_802739

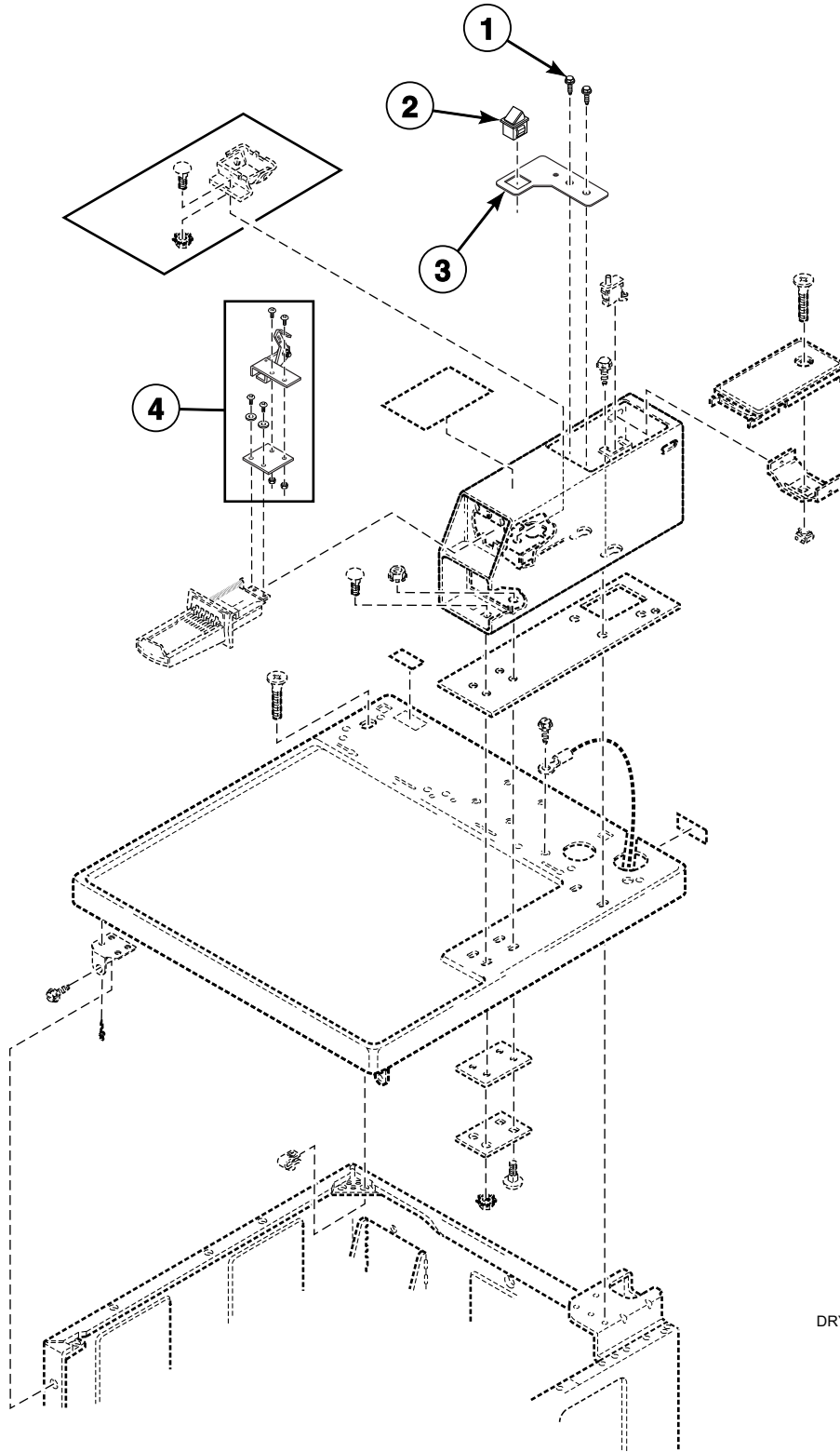
Coin Slide Extension Through Serial No. 1211

| REF | PART NO. | DESCRIPTION | COMMENTS |
|-----|----------|--------------------------|---|
| 1 | D514228 | Coin Slide Extension Kit | Includes item 2; All models except SFNSXRSP111TW02 and SFNTRSP111TW02 through Serial No. 1010011547 |
| 2 | 201952 | Switch | All models except SFNSXRSP111TW02 and SFNTRSP111TW02 through Serial No. 1010011547 |
| 3 | 51782 | Screw | All models except SFNSXRSP111TW02 and SFNTRSP111TW02 through Serial No. 1010011547 |
| 4 | D503688 | Screw | |
| 5 | 200913 | Coin Slide Extension Kit | All models except SFNSXRSP111TW02 and SFNTRSP111TW02 through Serial No. 1010011547 |
| 6 | 03815 | Washer | All models except SFNSXRSP111TW02 and SFNTRSP111TW02 through Serial No. 1010011547 |
| 7 | 27328 | Screw | All models except SFNSXRSP111TW02 and SFNTRSP111TW02 through Serial No. 1010011547 |

* Add Letter To Designate Color. Q - Bisque W - White

Coin Slide Extension Starting Serial No. 1211

Models HFNSXRSP112CW01, HWR971*N1102, HWR971*N1127, HWR973*N1102, SFNSXRSP111TW02, SFNSXRSP112TQ01, SFNSXRSP112TW01, SFNSXRSP112TW02, SFNSXRSP541NQ23, SFNSXRSP541NW23, SFNTRSP111TW01, SFNTRSP111TW02, SWR971*N and SWR973*N



DRY2282P_802739

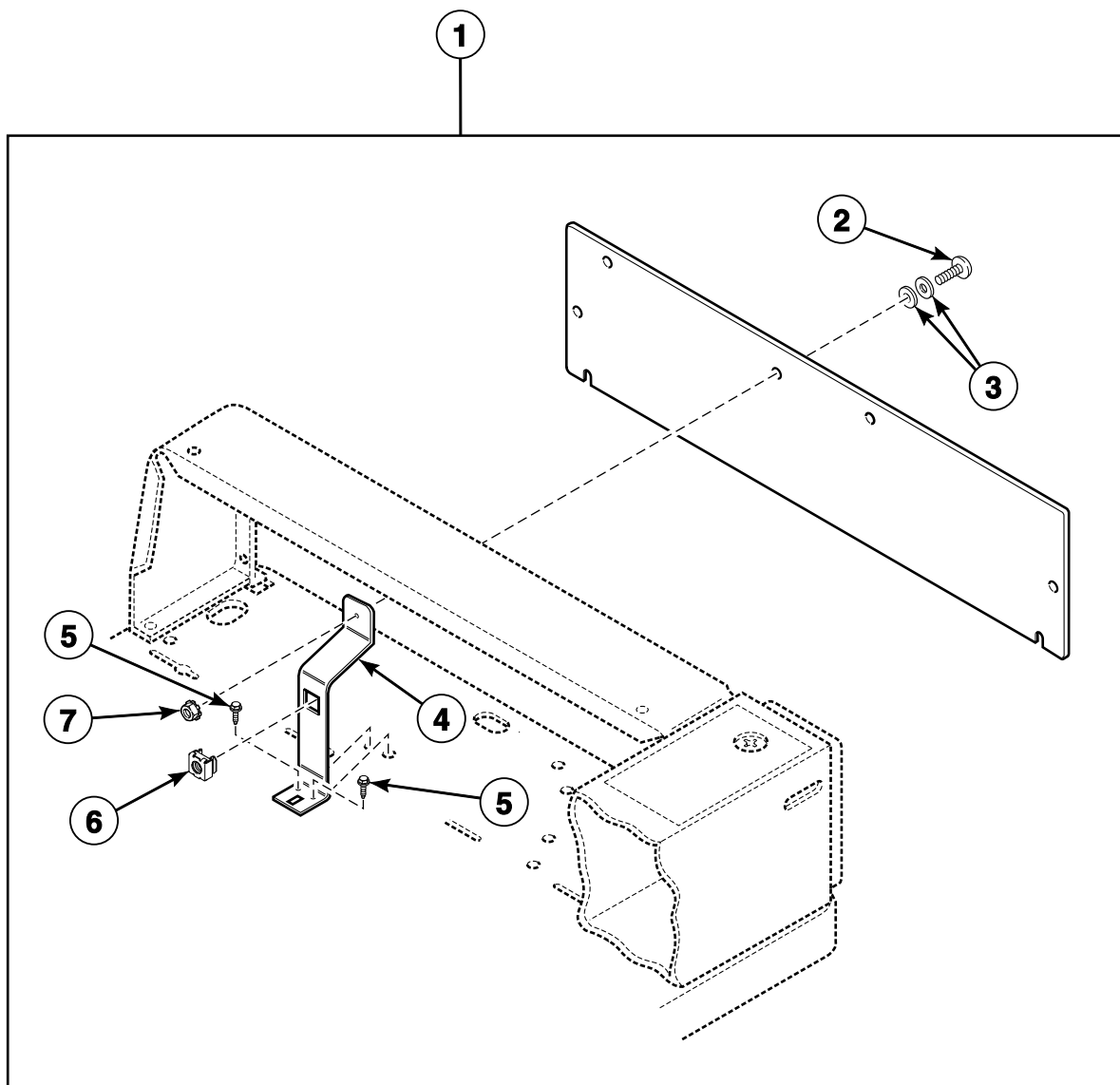
Coin Slide Extension Starting Serial No. 1211

| REF | PART NO. | DESCRIPTION | COMMENTS |
|-----|----------|--------------------------|-----------------------------------|
| 1 | D503688 | Screw | |
| 2 | 431159 | Switch | |
| 3 | 803662 | Bracket | |
| 4 | 200913 | Coin Slide Extension Kit | Includes spring and items 2 and 3 |
| | 804794 | Spring | |

* Add Letter To Designate Color. Q - Bisque W - White

Control Hood Security Kit

Models HFNBCRSP112TW01, HFNBDRSP112CW01, HFNBERSP112CW01, HFNBXRSP112FW28,
HFNCXRSP111CW01, HWRR71*N1102, HWRT71*N, HWRT71*N1102, HWRX71*N1102,
SFNBCRSP111TW02, SFNBCRSP112TW01, SFNBCRSP112TW02, SFNBXRSP112TW01,
SFNBXRSP112TW02, SFNCCRSP111TW01, SFNCCRSP111TW02, SFNCXRSP111TW02, SWRB71*N,
SWRT71*N, SWRT73*N and SWRX71*N



FLW963P_802739

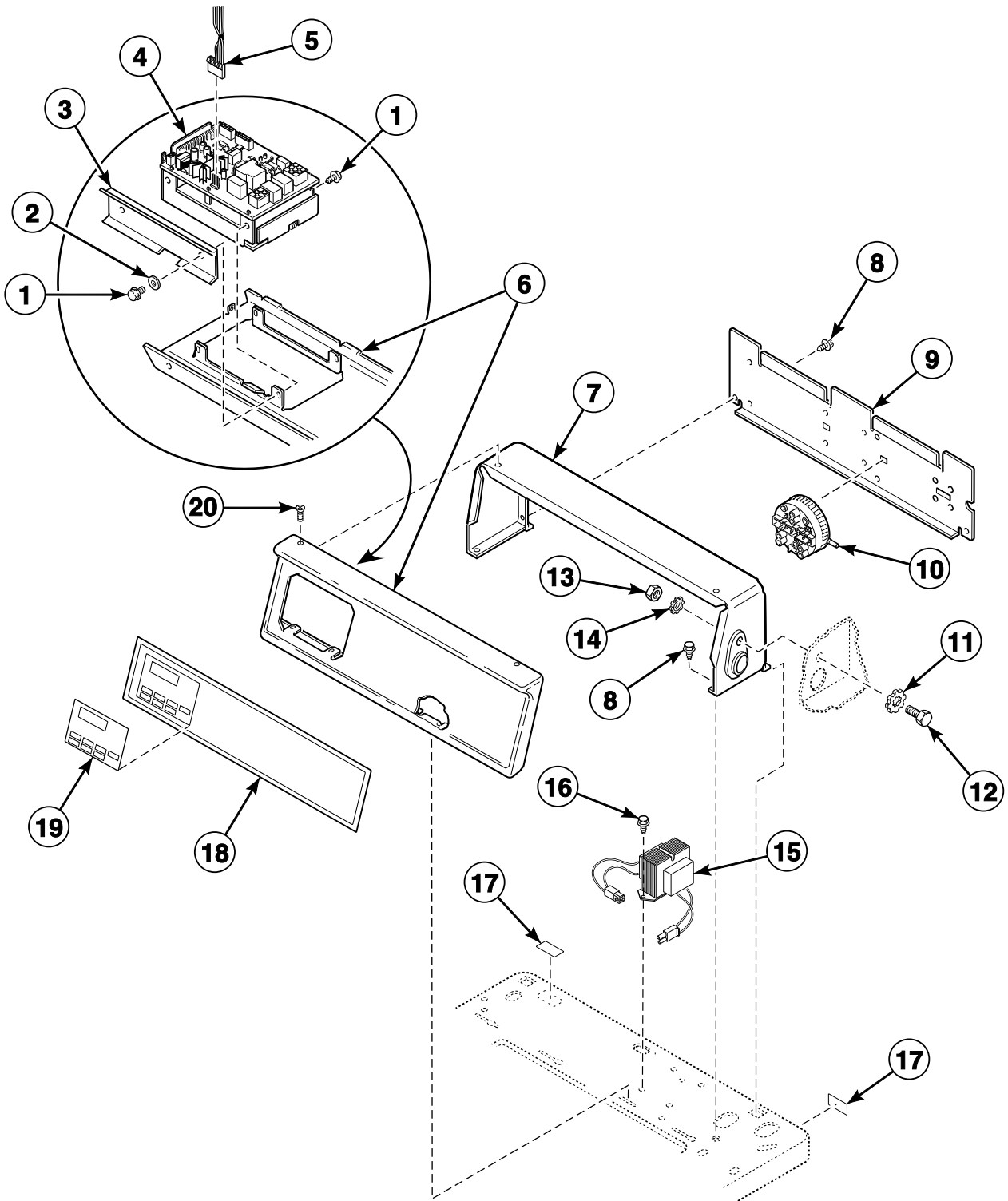
Control Hood Security Kit

| REF | PART NO. | DESCRIPTION | COMMENTS |
|-----|----------|--------------------------------|-----------------------------------|
| 1 | 905P3 | Security Kit | Includes items 2-7 and rear panel |
| 2 | 32184 | Bolt | |
| 3 | 25100 | Washer | |
| 4 | 201918 | Bracket | |
| 5 | D503688 | Screw | |
| 6 | 204616 | Meter Case Locking Bracket Kit | |
| 7 | 23951 | Nut | |

* Add Letter To Designate Color. Q - Bisque W - White

Control Panel, Control Hood and Controls (Drawing 1 of 3)

Models HFNBCRSP112TW01, HFNBDRSP112CW01, HFNBERSP112CW01, HFNBXRSP112FW28, HFNCXRSP111CW01, HWRR71*N1102, HWRT71*N, HWRT71*N1102, HWRX71*N1102, SFNBCRSP111TW02, SFNBCRSP112TW01, SFNBCRSP112TW02, SFNBXRSP112TW01, SFNBXRSP112TW02, SFNCCRSP111TW01, SFNCCRSP111TW02, SFNCXRSP111TW02, SWRB71*N, SWRT71*N, SWRT73*N and SWRX71*N



FLW1681P_802739

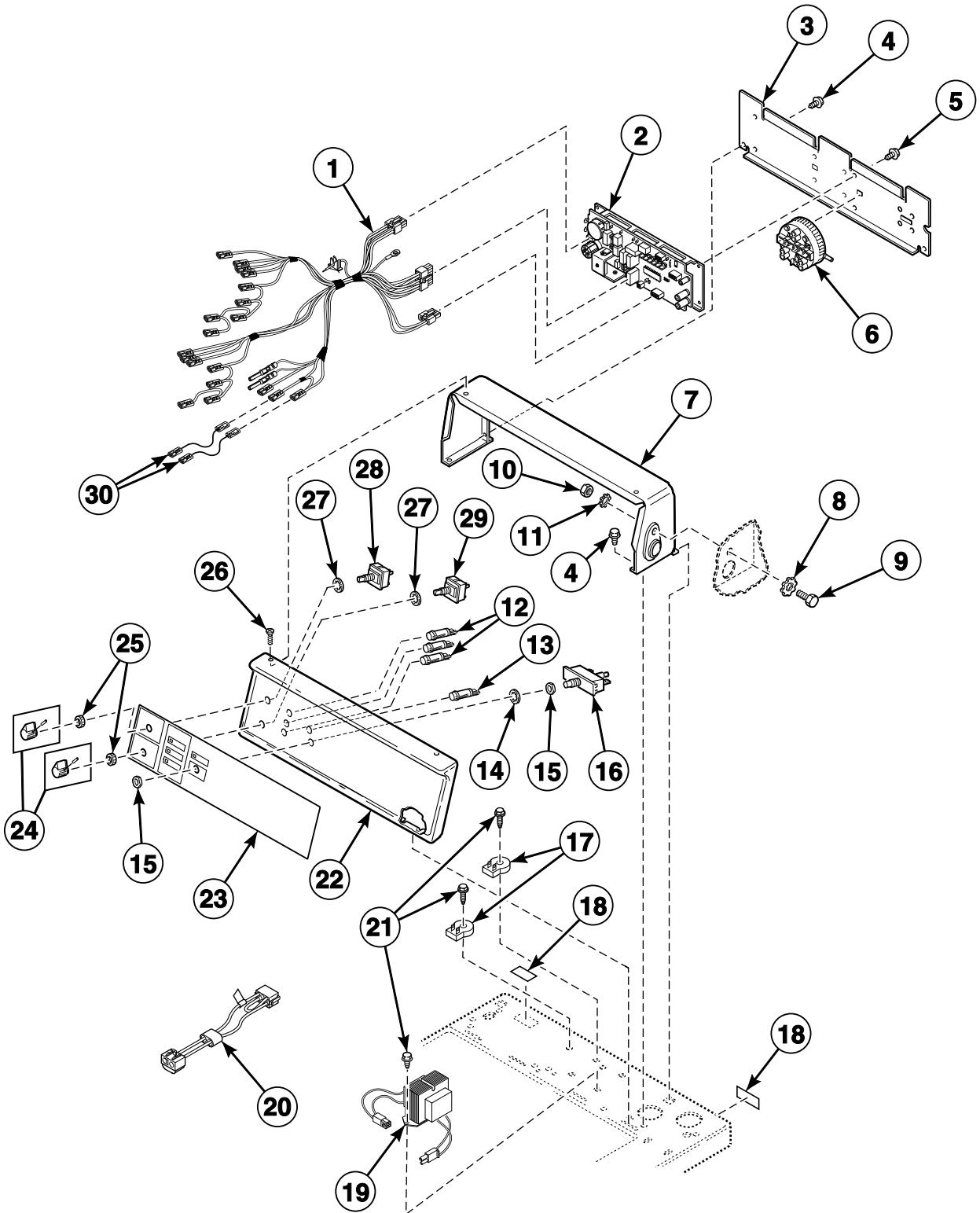
Control Panel, Control Hood and Controls (Drawing 1 of 3)

| REF | PART NO. | DESCRIPTION | COMMENTS |
|-----|----------|------------------------------------|---|
| 1 | D501524 | Screw | |
| 2 | 200608 | Washer | |
| 3 | 210053 | Control Shield | |
| 4 | 800772P | Control Kit | Model SWRB71*N |
| | 803146P | Control Assembly | All other models |
| 5 | D511478 | Central Pay Harness | All models except SWRB71*N |
| 6 | 800149W | Control Panel and Bracket Assembly | White |
| | 800149Q | Control Panel and Bracket Assembly | Bisque |
| 7 | D502567W | Control Hood | White |
| | D502567Q | Control Hood | Bisque |
| 8 | D501086 | Screw | |
| 9 | D505798 | Hood Back Plate | |
| 10 | 802299P | Pressure Switch | |
| 11 | M400017 | Washer | |
| 12 | 02916 | Screw | |
| 13 | 52566 | Nut | |
| 14 | 02431 | Washer | |
| 15 | 201375P | Transformer | Some models may have jumper wire attached to transformer. Discard jumper wire when replacing transformer; Models HFNBDRSP112CW01, HFNBERSP112CW01, HFNBXRSP112FW28, HFNCXRSP111CW01, HWRR71*N1102, HWRX71*N1102, SFNBXRSP112TW01, SFNBXRSP112TW02, SFNCXRSP111TW02 and SWRX71*N |
| | 210018P | Transformer | All other models |
| 16 | D503661 | Screw | |
| 17 | D500316 | Warning Label | Models HFNBDRSP112CW01, HFNBERSP112CW01, HFNCXRSP111CW01, HWRR71*N1102, HWRT71*N1102 and HWRX71*N1102 |
| | D505281 | Disconnect Power Warning Label | All other models |
| 18 | 801055 | Rear Overlay | Models HFNBDRSP112TW01, HFNBDRSP112CW01, HFNBERSP112CW01, HFNBXRSP112FW28, HFNCXRSP111CW01, HWRR71*N1102, HWRT71*N, HWRT71*N1102 and HWRX71*N1102 |
| | 801052 | Rear Overlay | Models SFNBDRSP111TW02, SFNBDRSP112TW01, SFNBDRSP112TW02, SFNBXRSP112TW01, SFNBXRSP112TW02, SFNCCRSP111TW01, SFNCCRSP111TW02, SFNCXRSP111TW02, SWRT71*N, SWRT73*N and SWRX71*N |
| | 800414 | Graphic Overlay | Model SWRB71*N |
| 19 | 803597 | Overlay | French/English; Models HFNBDRSP112CW01, HFNBERSP112CW01, HFNCXRSP111CW01, HWRR71*N1102, HWRT71*N1102 and HWRX71*N1102 |
| 20 | 52864 | Screw | |

* Add Letter To Designate Color. Q - Bisque W - White

Control Panel, Control Hood and Controls (Drawing 2 of 3)

Models HFNSXRSP112CW01, HWR971*N1102, HWR971*N1127, HWR973*N1102, SFNSXRSP111TW02, SFNSXRSP112TQ01, SFNSXRSP112TW01, SFNSXRSP112TW02, SFNSXRSP541NQ23, SFNSXRSP541NW23, SFNTRSP111TW01, SFNTRSP111TW02, SWR971*N and SWR973*N



FLW1679P_802739

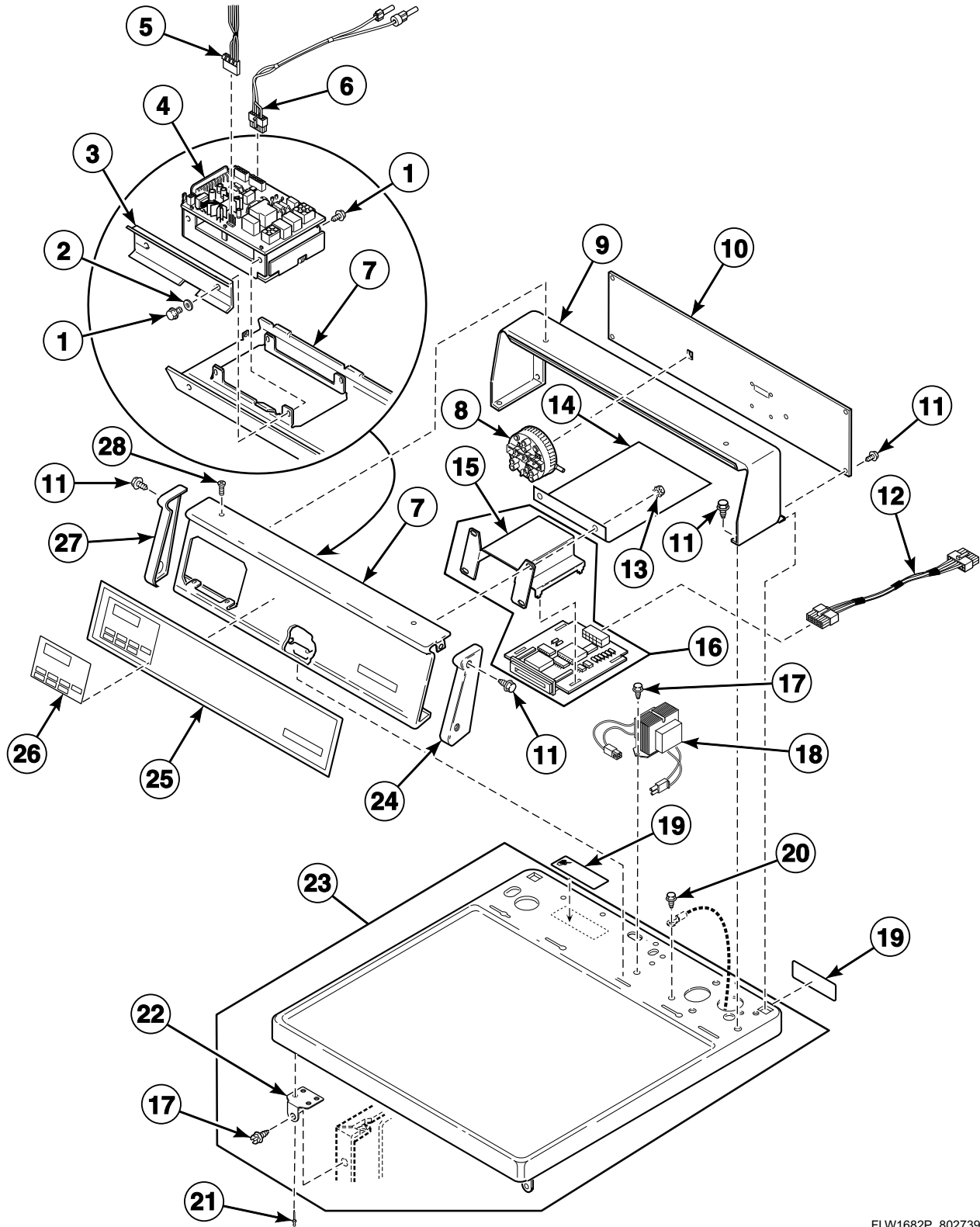
Control Panel, Control Hood and Controls (Drawing 2 of 3)

| REF | PART NO. | DESCRIPTION | COMMENTS |
|-----|----------|-------------------------------------|--|
| 1 | 802786 | Rear Control Panel Harness Assembly | |
| 2 | 802523P | Control Assembly | |
| 3 | 801735 | Control Hood Back Panel | |
| 4 | D501086 | Screw | |
| 5 | D501524 | Screw | |
| 6 | 802299P | Pressure Switch | |
| 7 | D502567W | Control Hood | White |
| | D502567Q | Control Hood | Bisque |
| 8 | M400017 | Washer | |
| 9 | 02916 | Screw | |
| 10 | 52566 | Nut | |
| 11 | 02431 | Washer | |
| 12 | 801431 | Light | Green |
| 13 | 801432 | Light | Red |
| 14 | 25820 | Washer | |
| 15 | 52947 | Nut | |
| 16 | 55882 | Switch Assembly | |
| 17 | 210100 | Resistor | Models SFNSXRSP541NQ23 and SFNSXRSP541NW23 |
| 18 | D500316 | Warning Label | Models HFNSXRSP112CW01, HWR971*N1102 and HWR973*N1102 |
| | D505281 | Disconnect Power Warning Label | All other models |
| 19 | 803527P | Transformer | Models SFNSXRSP541NQ23 and SFNSXRSP541NW23 |
| | 210018P | Transformer | All other models |
| 20 | M413507 | Jumper Configuration Assembly | Models SFNSXRSP541NQ23 and SFNSXRSP541NW23; Attaches to transformer |
| 21 | D503661 | Screw | |
| 22 | 800142W | Control Panel and Bracket Assembly | White |
| | 800142Q | Control Panel and Bracket Assembly | Bisque |
| 23 | 801523 | Control Panel Overlay | Models HFNSXRSP112CW01, HWR971*N1102, HWR971*N1127 and HWR973*N1102 |
| | 801521 | Control Panel Overlay | All other models |
| 24 | 39897 | Switch Knob | |
| 25 | 24205 | Nut | |
| 26 | 52864 | Screw | |
| 27 | 91029 | Washer | |
| 28 | 685595 | Temperature Switch | |
| 29 | 800404 | Motor Speed Switch | |
| 30 | D513131 | Jumper Assembly | Models SFNSXRSP111TW02, SFNSXRSP112TW02 and SFNTRSP111TW02; Control panel harness to coin slide switch |

* Add Letter To Designate Color. Q - Bisque W - White

Control Panel, Control Hood and Controls (Drawing 3 of 3)

Models HFNBYSRSP112CW01, HWRY71*N1102, SFNBYSRSP112TW01, SFNCYSRSP111TW01, SWRF71*N and SWRY71*N



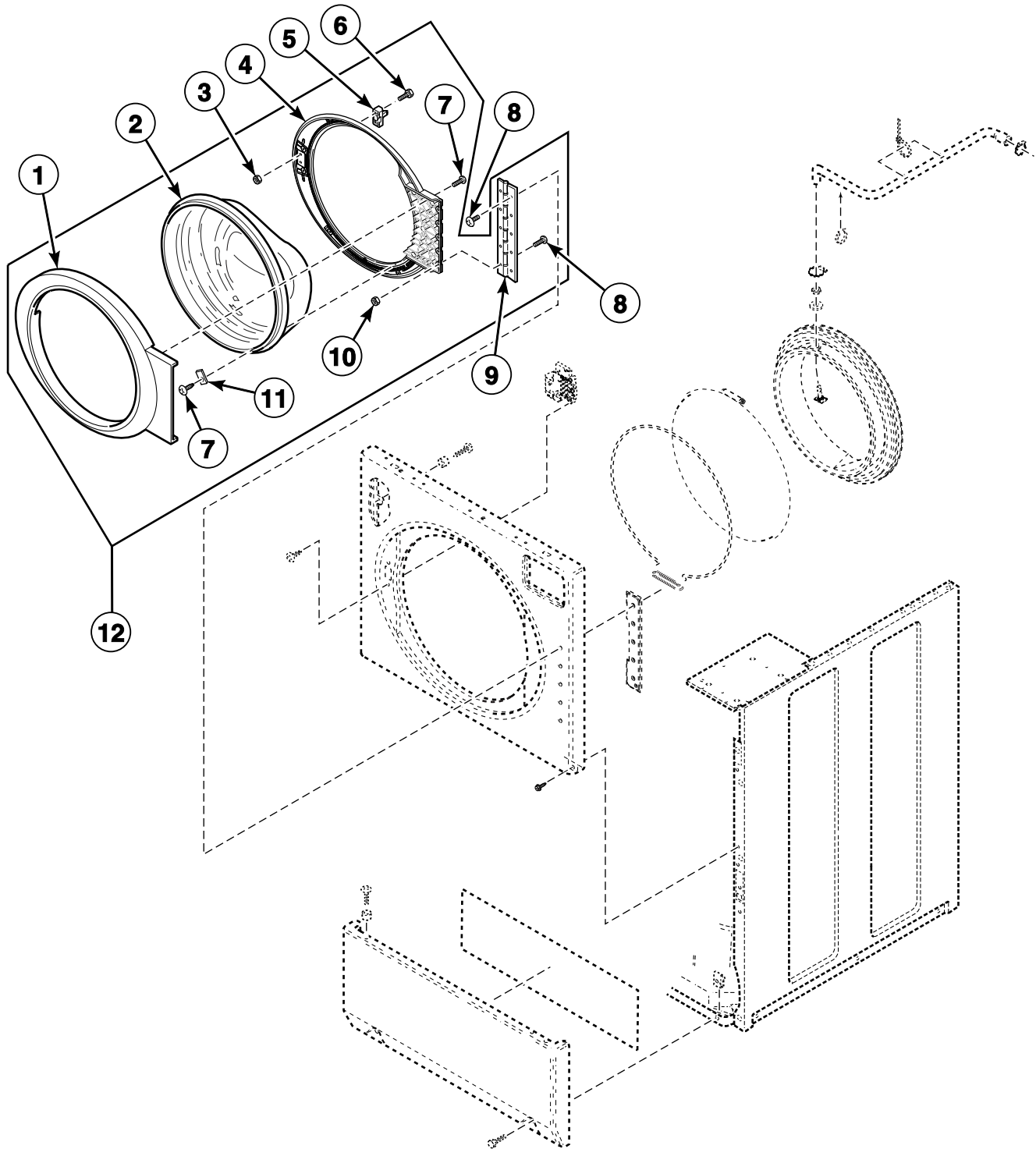
FLW1682P_802739

Control Panel, Control Hood and Controls (Drawing 3 of 3)

| REF | PART NO. | DESCRIPTION | COMMENTS |
|-----|-----------|-----------------------------------|--|
| 1 | D501524 | Screw | |
| 2 | 200608 | Washer | |
| 3 | 210053 | Control Shield | |
| 4 | 800772P | Control Kit | Model SWRF71*N |
| | 803146P | Control Assembly | All other models |
| 5 | D511478 | Central Pay Harness | Models HWRY71*N1102, SFNCYRSP111TW01 and SWRY71*N |
| 6 | 202869 | Wiring Harness Assembly | |
| 7 | 800710W | Control Panel and Stud Assembly | White |
| | 800710Q | Control Panel and Stud Assembly | Bisque |
| 8 | 802299P | Pressure Switch | |
| 9 | D511253W | Control Hood | White |
| | D511253Q | Control Hood | Bisque |
| 10 | 801165 | Rear Control Hood Panel | |
| 11 | D501086 | Screw | |
| 12 | 800125P | Card Reader Wire Harness Assembly | Model SWRF71*N |
| 13 | 70054 | Nut | Model SWRF71*N |
| 14 | 801101 | Card Reader Shield | Model SWRF71*N |
| 15 | 210023 | Card Reader Bracket | Model SWRF71*N |
| 16 | 210045P | Card Reader Assembly | Model SWRF71*N |
| 17 | D503661 | Screw | |
| 18 | 210018P | Transformer | Model SWRF71*N |
| | 201375P | Transformer | Models HFNBYSRSP112CW01, HWRY71*N1102, SFNBYSRSP112TW01 and SWRY71*N |
| 19 | D500316 | Warning Label | Models HFNBYSRSP112CW01 and HWRY71*N1102 |
| | D505281 | Disconnect Power Warning Label | All other models |
| 20 | 20530 | Screw | |
| 21 | 70058501 | Pop Rivet | |
| 22 | D510146 | Bracket | |
| 23 | D511530WP | Top Panel Kit | Includes items 17 and 22 |
| 24 | 210108W | End Cap | Right |
| 25 | 800228 | Control Panel Overlay | Model SWRF71*N |
| | 801190 | Control Panel Overlay | Models SFNBYSRSP112TW01, SFNCYRSP111TW01 and SWRY71*N |
| | 801191 | Control Panel Overlay | Models HFNBYSRSP112CW01 and HWRY71*N1102 |
| 26 | 803597 | Overlay | French/English; Models HFNBYSRSP112CW01 and HWRY71*N1102 |
| 27 | 210109W | End Cap | Left |
| 28 | 52864 | Screw | |

* Add Letter To Designate Color. Q - Bisque W - White

Door Assembly



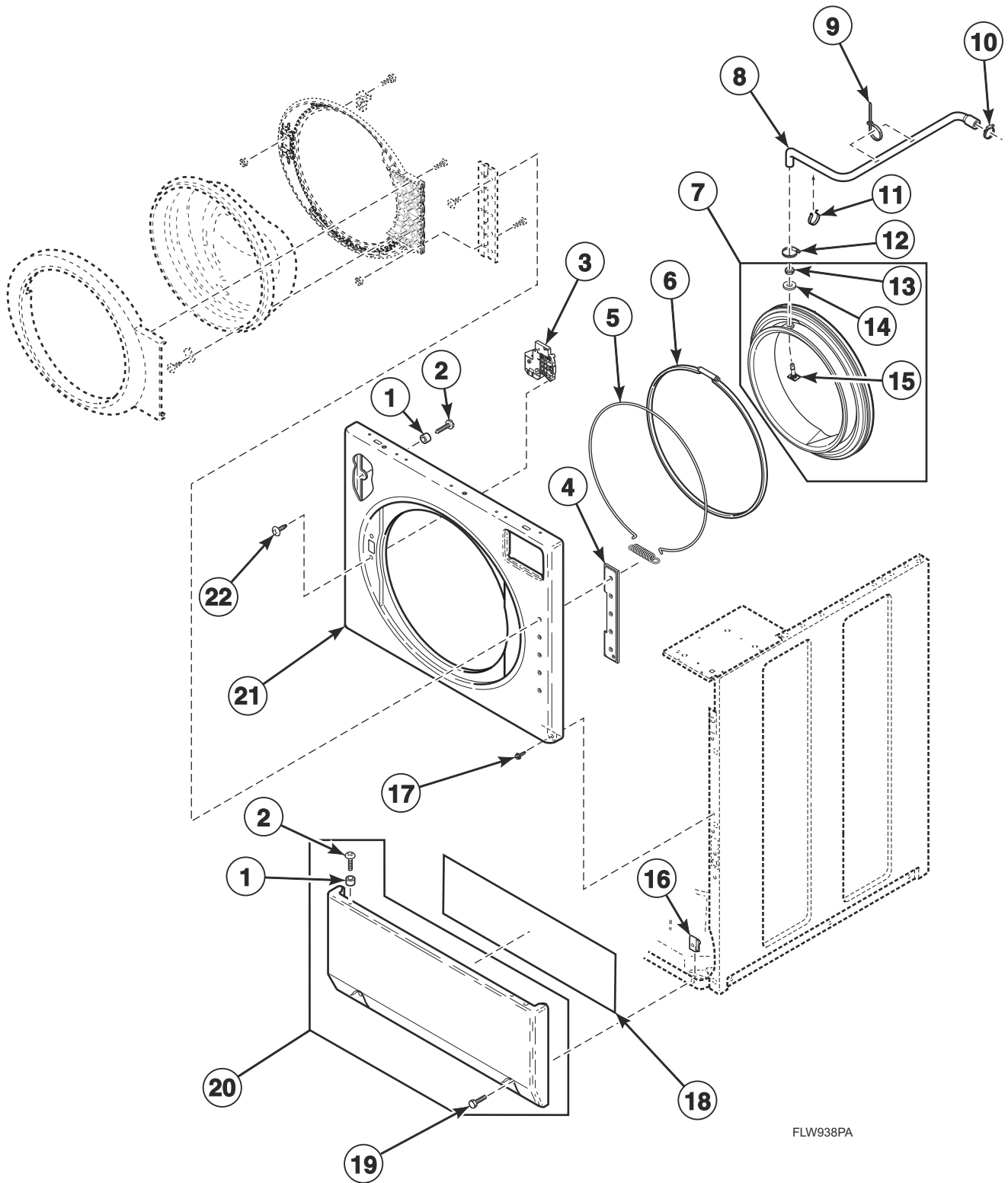
FLW938P_802739

Door Assembly

| REF | PART NO. | DESCRIPTION | COMMENTS |
|-----|----------|----------------------|--|
| | 807865 | Hinge Attachment Kit | |
| 1 | 802314P | Outer Door Bezel Kit | Gray; Models BFNBCFSG111TN01, BFNBCFSG111TW01, BFNBCFSG112TN01, BFNBCFSG112TW01, BFNBEFSP111CN01, BFNBEFSP111CW01, BFNBEFSP111TN01, BFNBEFSP111TW01, BFNBEFSP112CN01, BFNBEFSP112CW01, BFNBLFSP301AW01, BFNBLFSP302AW01, BFNBLFSP541NW01, BFNBLFSP542NW01, BFNBXFSP112FW01, BFNBXFSP302AW01, BFNBYFSP112TW01, BWFL74*N4000, BWFL75*N4000, BWF71*N1127, BWF71*N3050, BWF74*N4000, BWF75*N4000, HFNBCFSG111TN01, HFNBCFSG112TN01, HFNBCFSP111TN01, HFNBCFSP112TN01, SWFL74*N4000 and SWFX74*N4000 |
| | 802313WP | Outer Door Bezel Kit | White; All other models |
| | 802313QP | Outer Door Bezel Kit | Bisque; All other models |
| 2 | 802695P | Door Glass | |
| 3 | 685846 | Nut | |
| 4 | 808096 | Inner Door Bezel Kit | Gray; Models BFNBCFSG111TN01, BFNBCFSG111TW01, BFNBCFSG112TN01, BFNBCFSG112TW01, BFNBEFSP111CN01, BFNBEFSP111CW01, BFNBEFSP111TN01, BFNBEFSP111TW01, BFNBEFSP112CN01, BFNBEFSP112CW01, BFNBLFSP301AW01, BFNBLFSP302AW01, BFNBLFSP541NW01, BFNBLFSP542NW01, BFNBXFSP112FW01, BFNBXFSP302AW01, BFNBYFSP112TW01, BWFL74*N4000, BWFL75*N4000, BWF71*N1127, BWF71*N3050, BWF74*N4000, BWF75*N4000, HFNBCFSG111TN01, HFNBCFSG112TN01, HFNBCFSP111TN01, HFNBCFSP112TN01, SWFL74*N4000 and SWFX74*N4000 |
| | 808095 | Inner Door Bezel Kit | White; All other models |
| 5 | 802803 | Door Catch Assembly | |
| 6 | 801993 | Screw | |
| 7 | 800548 | Screw | |
| 8 | 801019 | Screw | |
| 9 | 802934 | Door Hinge | |
| 10 | 23951 | Nut | |
| 11 | 802700 | Glass Mounting Clip | |
| 12 | 802872P | Door Assembly | Gray; Includes items 1-11; Models BFNBCFSG111TN01, BFNBCFSG111TW01, BFNBCFSG112TN01, BFNBCFSG112TW01, BFNBEFSP111CN01, BFNBEFSP111CW01, BFNBEFSP111TN01, BFNBEFSP111TW01, BFNBEFSP112CN01, BFNBEFSP112CW01, BFNBLFSP301AW01, BFNBLFSP302AW01, BFNBLFSP541NW01, BFNBLFSP542NW01, BFNBXFSP112FW01, BFNBXFSP302AW01, BFNBYFSP112TW01, BWFL74*N4000, BWFL75*N4000, BWF71*N1127, BWF71*N3050, BWF74*N4000, BWF75*N4000, HFNBCFSG111TN01, HFNBCFSG112TN01, HFNBCFSP111TN01, HFNBCFSP112TN01, SWFL74*N4000 and SWFX74*N4000 |
| | 804914WP | Door Assembly | White; Includes items 1-11; All other models |
| | 804914QP | Door Assembly | Bisque; Includes items 1-11; All other models |

* Add Letter To Designate Color. N - Stainless Steel Q - Bisque W - White

Front Panel and Door Seal



FLW938PA

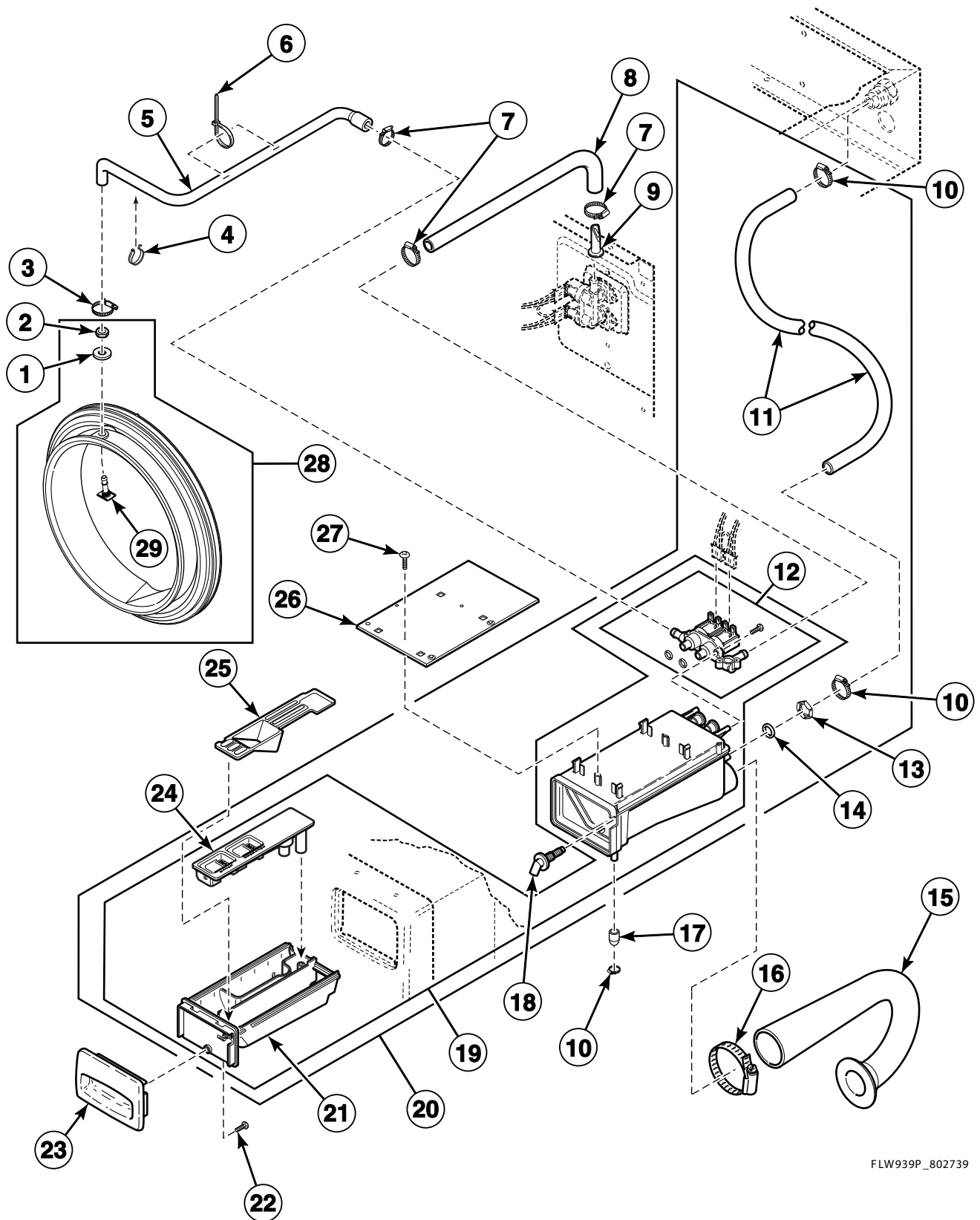
Front Panel and Door Seal

| REF | PART NO. | DESCRIPTION | COMMENTS |
|-----|-----------|-----------------------------|---------------------------------|
| 1 | 56079 | Panel Locator | |
| 2 | 39733 | Screw | Use with painted panels |
| | D512921 | Screw | Use with stainless steel panels |
| 3 | 802317P | Door Latch/Switch Assembly | |
| 4 | 802206 | Hinge Plate | |
| 5 | 806466 | Wire Ring and Spring | Includes spring |
| 6 | 802281 | Hose Clamp | |
| 7 | 802866P | Door Seal Assembly | Black; Includes items 13-15 |
| | 802830P | Door Seal Kit | Gray; Includes items 13-15 |
| 8 | 802256 | Dispenser-to-Door Seal Hose | |
| 9 | 55881 | Harness Strap | |
| 10 | 802164 | Hose Clamp | |
| 11 | 687500 | Wire Clip | |
| 12 | 802698 | Hose Clamp | |
| 13 | 802292 | Nut | |
| 14 | 802293 | Washer | |
| 15 | 802291 | Boot Nozzle | |
| 16 | 36020 | Nut | |
| 17 | D503661 | Screw | |
| 18 | 36204 | Front Panel Pad | 1 inch by 26 inches |
| 19 | 801045 | Screw | |
| 20 | D514250WP | Access Panel Assembly | White |
| | D514250Q | Access Panel Assembly | Bisque |
| | D514251 | Access Panel Assembly | Stainless steel |
| 21 | 802277WP | Front Panel | White |
| | 802277QP | Front Panel | Bisque |
| | 802288P | Front Panel | Stainless steel |
| 22 | 800548 | Screw | |

* Add Letter To Designate Color. N - Stainless Steel Q - Bisque W - White

Dispenser Assembly and Supply Injection Hoses

Model SWFB72*N



FLW939P_802739

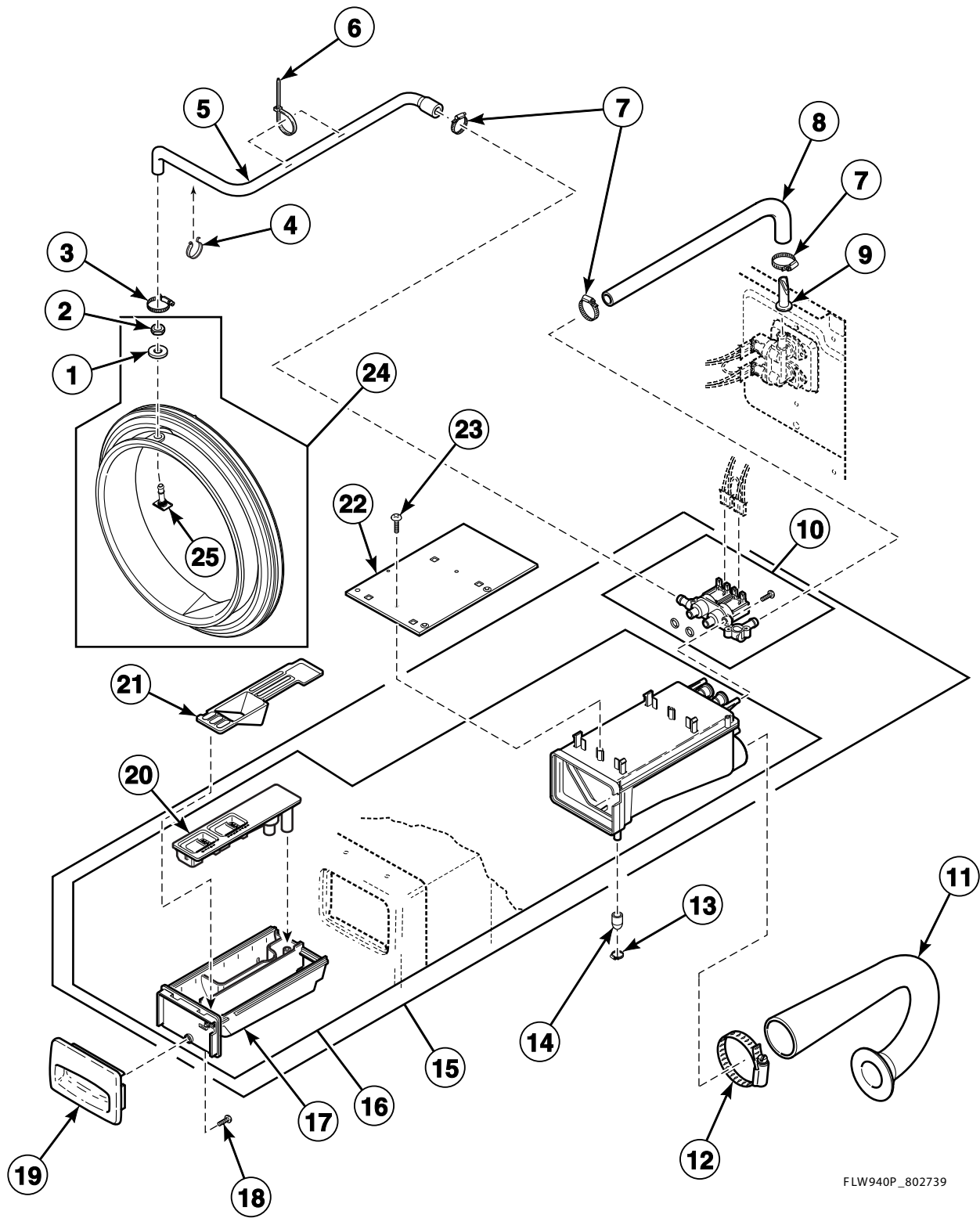
Dispenser Assembly and Supply Injection Hoses

| REF | PART NO. | DESCRIPTION | COMMENTS |
|-----|----------|-------------------------------|---|
| 1 | 802293 | Washer | |
| 2 | 802292 | Nut | |
| 3 | 802698 | Hose Clamp | |
| 4 | 687500 | Wire Clip | |
| 5 | 802256 | Dispenser-to-Door Seal Hose | |
| 6 | 55881 | Harness Strap | |
| 7 | 802164 | Hose Clamp | |
| 8 | 801464 | Valve-to-Dispenser Inlet Hose | |
| 9 | 34500 | Backflow Preventer | |
| 10 | F200206 | Hose Clamp | |
| 11 | 801635 | Tubing | |
| 12 | 685766P | Valve Kit | |
| 13 | 802292 | Nut | |
| 14 | 801632 | O-Ring | |
| 15 | 800331 | Dispenser-to-Tub Hose | |
| 16 | 685725 | Hose Clamp | |
| 17 | 801746 | Cap | |
| 18 | F8322001 | Injection Nozzle | |
| 19 | 801630P | Dispenser Assembly | Includes items 12 and 24 |
| 20 | 801662P | Dispenser Assembly | Includes items 10-14, 18, 19, 24 and 801789 Connector |
| 21 | 685757P | Dispenser Drawer | |
| 22 | 800548 | Screw | |
| 23 | 685715WP | Dispenser Drawer Front | White |
| | 685715QP | Dispenser Drawer Front | Bisque |
| 24 | 685716 | Insert | |
| 25 | 800899 | Detergent Cover | |
| 26 | 801024 | Dispenser Plate | |
| 27 | 801001 | Screw | |
| 28 | 802866P | Door Seal Assembly | Black; Includes items 1, 2 and 29 |
| | 802830P | Door Seal Kit | Gray; Includes items 1, 2 and 29 |
| 29 | 802291 | Boot Nozzle | |

* Add Letter To Designate Color. Q - Bisque W - White

Dispenser Assembly

All Models Except SWFB72*N



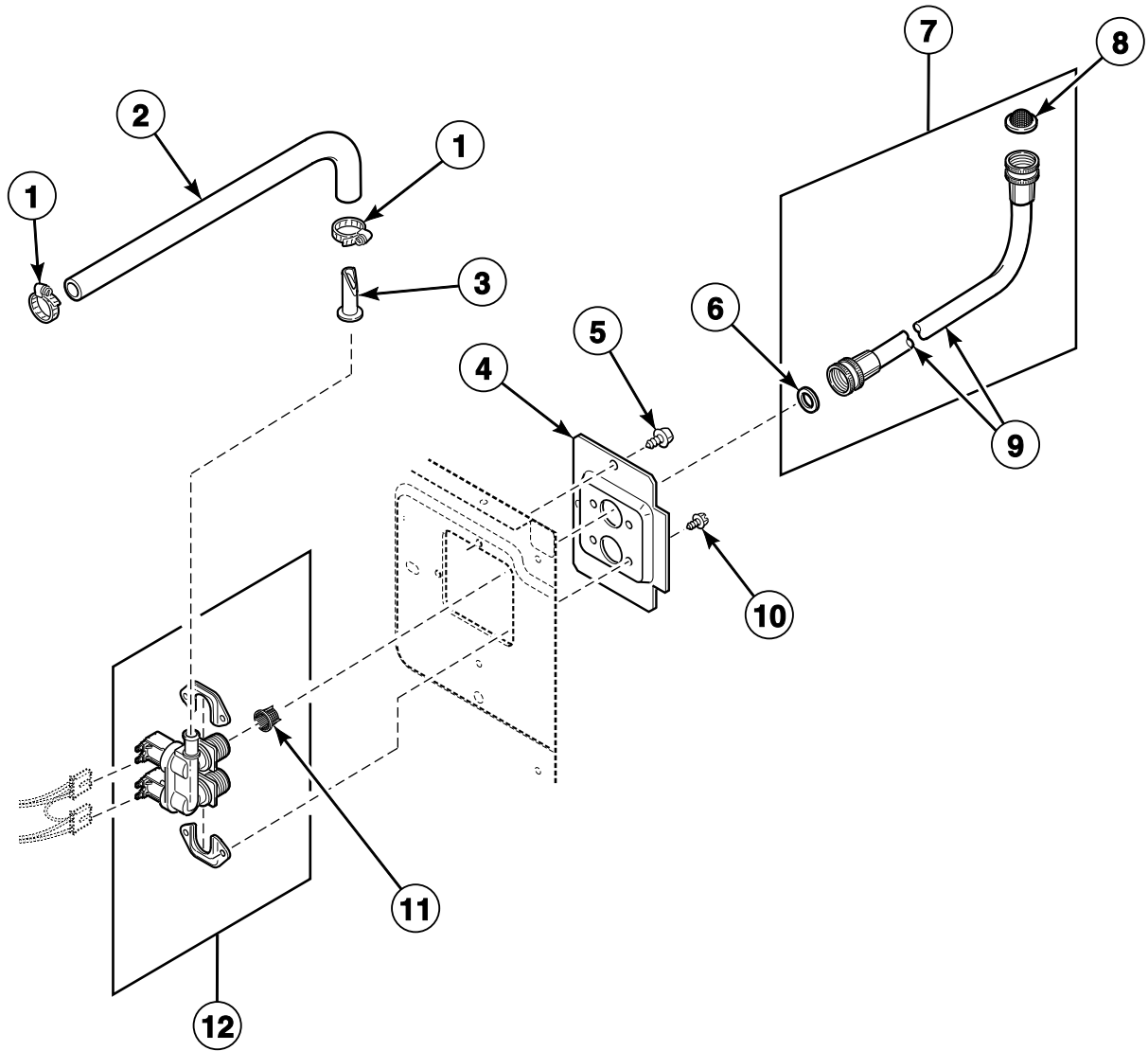
FLW940P_802739

Dispenser Assembly

| REF | PART NO. | DESCRIPTION | COMMENTS |
|-----|----------|-------------------------------|---|
| 1 | 802293 | Washer | |
| 2 | 802292 | Nut | |
| 3 | 802698 | Hose Clamp | |
| 4 | 687500 | Wire Clip | |
| 5 | 802256 | Dispenser-to-Door Seal Hose | |
| 6 | 39037 | Cable Tie | |
| 7 | 802164 | Hose Clamp | |
| 8 | 801464 | Valve-to-Dispenser Inlet Hose | |
| 9 | 34500 | Backflow Preventer | |
| 10 | 801836P | Valve Kit | Models BFNBLFSP301AW01, BFNBLFSP302AW01, BFNBLFSP541NW01, BFNBLFSP542NW01, BFNBXFSP302AW01, BWFL74*N4000, BWFL75*N4000, BWFX71*N3050, BWFX74*N4000, BWFX75*N4000, HFNBXFSP302NW22, HFNBXFSP542DW01, HWFY74*N4000, HWFY75*N4000, NWFL84*N4000, NWFL85*N4000, NWFX74*N4000, NWFX75*N4000, SFNBXFSP301NW22, SFNBXFSP302AW01, SFNBXFSP302NQ01, SFNBXFSP302NW01, SFNBXFSP302NW22, SFNBXFSP542DW01, SFNSXRSP541NQ23, SFNSXRSP541NW23, SWFA71*N3050, SWFA71*N3069, SWFF71*N3050, SWFL74*N4000, SWFX71*N3000, SWFX71*N3050, SWFX71*N3051, SWFX71*N5400, SWFX74*N4000 and SWFX75*N4000 |
| | 685766P | Valve Kit | All other models |
| 11 | 800331 | Dispenser-to-Tub Hose | |
| 12 | 685725 | Hose Clamp | |
| 13 | F200206 | Hose Clamp | |
| 14 | 801746 | Cap | |
| 15 | 801090P | Dispenser | Includes items 10, 16 and 20; Models BFNBLFSP301AW01, BFNBLFSP302AW01, BFNBLFSP541NW01, BFNBLFSP542NW01, BFNBXFSP302AW01, BWFL74*N4000, BWFL75*N4000, BWFX71*N3050, BWFX74*N4000, BWFX75*N4000, HFNBXFSP302NW22, HFNBXFSP542DW01, HWFY74*N4000, HWFY75*N4000, NWFL84*N4000, NWFL85*N4000, NWFX74*N4000, NWFX75*N4000, SFNBXFSP301NW22, SFNBXFSP302AW01, SFNBXFSP302NQ01, SFNBXFSP302NW01, SFNBXFSP302NW22, SFNBXFSP542DW01, SFNSXRSP541NQ23, SFNSXRSP541NW23, SWFA71*N3050, SWFA71*N3069, SWFF71*N3050, SWFL74*N4000, SWFX71*N3000, SWFX71*N3050, SWFX71*N3051, SWFX71*N5400, SWFX74*N4000 and SWFX75*N4000 |
| | 685756P | Dispenser | Includes items 10, 16 and 20; All other models |
| 16 | 801476P | Dispenser Assembly | Includes items 17 and 20 |
| 17 | 685757P | Dispenser Drawer | |
| 18 | 800548 | Screw | |
| 19 | 685715WP | Dispenser Drawer Front | White |
| | 685715QP | Dispenser Drawer Front | Bisque |
| | 802879P | Dispenser Handle | Gray |
| 20 | 685716 | Insert | |
| 21 | 800899 | Detergent Cover | |
| 22 | 801024 | Dispenser Plate | |
| 23 | 801001 | Screw | |
| 24 | 802866P | Door Seal Assembly | Black; Includes items 1, 2 and 25 |
| | 802830P | Door Seal Kit | Gray; Includes items 1, 2 and 25 |
| 25 | 802291 | Boot Nozzle | |

* Add Letter To Designate Color. N - Stainless Steel Q - Bisque W - White

Mixing Valve, Inlet Hose and Dispenser Hose



FLW881P_802739

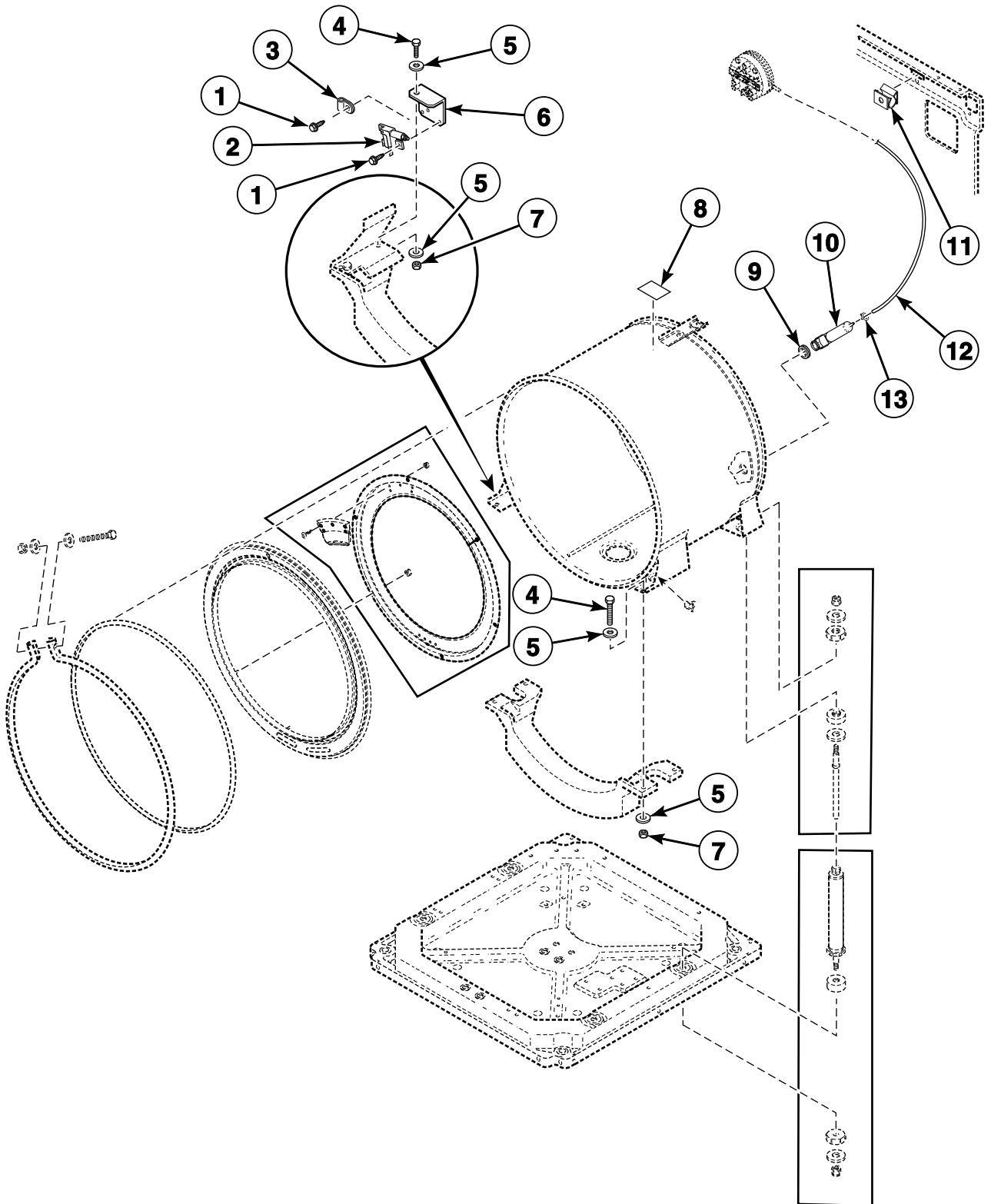
Mixing Valve, Inlet Hose and Dispenser Hose

| REF | PART NO. | DESCRIPTION | COMMENTS |
|-----|----------|-------------------------------|--|
| 1 | 802164 | Hose Clamp | |
| 2 | 801464 | Valve-to-Dispenser Inlet Hose | |
| 3 | 34500 | Backflow Preventer | |
| 4 | 800323 | Mixing Valve Plate | |
| 5 | D503661 | Screw | |
| 6 | 20290 | Washer | |
| 7 | F200116 | Water Hose | 5 feet; Hose is equipped with 2 standard hose couplings; Includes items 6 and 8; All models except HFNBXFSP122DW01, HFNBXFSP542DW01, SFNBXFSP122DW01 and SFNBXFSP542DW01 |
| | 38349P | Fill Hose Kit | 5 feet; Hose is equipped with 1 metric and 1 standard hose coupling; Includes 2 of item 6; All models except HFNBXFSP122DW01, HFNBXFSP542DW01, SFNBXFSP122DW01 and SFNBXFSP542DW01 |
| 8 | 803615 | Washer | Filter screen |
| | 802254 | Washer | Flow restrictor; Water pressure reducer; Available for water pressure up to but not exceeding 120 psi |
| 9 | 202799 | Fill Hose | Models HFNBXFSP122DW01, HFNBXFSP542DW01, SFNBXFSP122DW01 and SFNBXFSP542DW01 |
| | 202800 | Fill Hose | Models BFNBLFSP302AW01, BFNBFSP302AW01, SFNBXFSP302AW01 and SWFX71*N3051 |
| | 20617 | Fill Hose | 8 feet; Optional; Hose is equipped with 2 standard hose couplings; All other models |
| | 20618 | Fill Hose | 10 feet; Optional; Hose is equipped with 2 standard hose couplings; All other models |
| | 37380 | Fill Hose | 8 feet; Hose is equipped with 1 metric and 1 standard hose coupling; All other models |
| | 202931 | Fill Hose | 10 feet; Hose is equipped with 1 metric and 1 standard hose coupling; All other models |
| 10 | D501086 | Screw | |
| 11 | 802926 | Mixing Valve Screen | |
| 12 | 802222P | Mixing Valve | Models BFNBLFSP301AW01, BFNBLFSP302AW01, BFNBLFSP541NW01, BFNBLFSP542NW01, BFNBFSP302AW01, BWFL74*N4000, BWFL75*N4000, BWFX71*N3050, BWFX74*N4000, BWFX75*N4000, HFNBXFSP302NW22, HFNBXFSP542DW01, HWFY74*N4000, HWFY75*N4000, NWFL84*N4000, NWFL85*N4000, NWF74*N4000, NWF75*N4000, SFNBXFSP301NW22, SFNBXFSP302AW01, SFNBXFSP302NQ01, SFNBXFSP302NW01, SFNBXFSP302NW22, SFNBXFSP542DW01, SFNSXRSP541NQ23, SFNSXRSP541NW23, SWFA71*N3050, SWFA71*N3069, SWFF71*N3050, SWFL74*N4000, SWFX71*N3000, SWFX71*N3050, SWFX71*N3051, SWFX71*N5400, SWFX74*N4000 and SWFX75*N4000 |
| | 802220P | Mixing Valve | All other models |

* Add Letter To Designate Color. N - Stainless Steel Q - Bisque W - White

Outer Tub, Clamp Ring and Shock Absorbers (Drawing 1 of 2)

All Models Except BWFL74*N4000, BWFL75*N4000, BWFX74*N4000, BWFX75*N4000, HWFY74*N4000, HWFY75*N4000, NWFL84*N4000, NWFL85*N4000, NWFX74*N4000, NWFX75*N4000, SWFL74*N4000, SWFX74*N4000 and SWFX75*N4000



FLW1013PA_802739

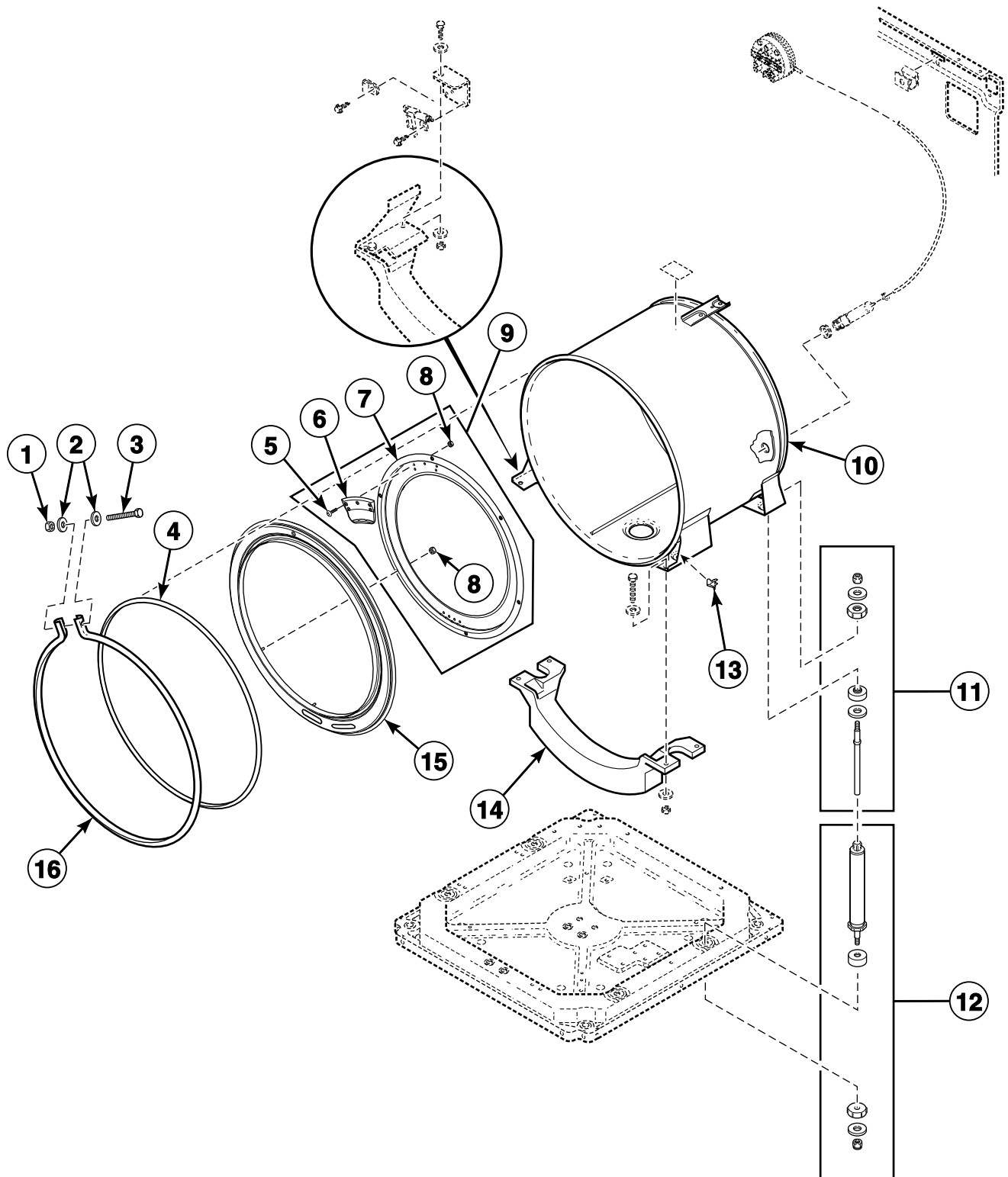
Outer Tub, Clamp Ring and Shock Absorbers (Drawing 1 of 2)

| REF | PART NO. | DESCRIPTION | COMMENTS |
|-----|----------|------------------------------------|---|
| 1 | D503661 | Screw | |
| 2 | 806512 | Out-of-Balance Switch Assembly Kit | Models through Serial No. 1201004551 |
| | 803415 | Out-of-Balance Switch Assembly | Models starting Serial No. 1201004552 |
| 3 | 800811 | Wire Clamp | |
| 4 | 800461 | Screw | |
| 5 | M400081 | Washer | |
| 6 | 800663 | Switch Mounting Bracket | Models through Serial No. 1201004551 |
| | 803388 | Switch Mounting Bracket | Models starting Serial No. 1201004552 |
| 7 | 800452 | Nut | |
| 8 | D500314 | Warning Label | Models BFNBEFSP111CN01, BFNBEFSP111CW01, BFNBEFSP112CN01, BFNBEFSP112CW01, HFNBDFSG112CW01, HFNBDRSP112CW01, HFNBDFSP112CW01, HFNBERSP112CW01, HFNBXFSP112CW01, HFNBYSFG112CW01, HFNBYSFSP112CW01, HFNBYSRSP112CW01, HFNCXFSP111CW01, HFNCXRSP111CW01, HFNSXRSP112CW01, HWFB71*N1102, HWFR71*N1102, HWFT71*N1102, HWFT73*N1102, HWFX71*N1102, HWFY71*N1102, HWFY73*N1102, HWR971*N1102, HWR973*N1102, HWRR71*N1102, HWRT71*N1102, HWRX71*N1102 and HWRY71*N1102 |
| | F8211201 | Electrical Shock Label | Models HFNBXFSP122DW01, HFNBXFSP302NW22, HFNBXFSP542DW01, SFNBXFSP122DW01, SFNBXFSP301NW22, SFNBXFSP302NQ01, SFNBXFSP302NW01, SFNBXFSP302NW22, SFNBXFSP542DW01, SWFA71*N3069, SWFX71*N3000 and SWFX71*N5400 |
| | F8615701 | Pinch Warning Label | Models HFNBXFSP122DW01, HFNBXFSP302NW22, HFNBXFSP542DW01, SFNBXFSP122DW01, SFNBXFSP301NW22, SFNBXFSP302NQ01, SFNBXFSP302NW01, SFNBXFSP302NW22, SFNBXFSP542DW01, SWFA71*N3069, SWFX71*N3000 and SWFX71*N5400 |
| | D500049 | Warning Label | All other models |
| 9 | 29175 | Grommet | |
| 10 | 205241 | Pressure Bulb | |
| 11 | 36985 | Hose Clip | Positioned here on rear control models |
| 12 | 33324 | Tubing | Models HFNSXRSP112CW01, HWR971*N1102, HWR971*N1127, HWR973*N1102, SFNSXRSP111TW02, SFNSXRSP112TQ01, SFNSXRSP112TW01, SFNSXRSP112TW02, SFNSXRSP541NQ23, SFNSXRSP541NW23, SFNTRSP111TW01, SFNTRSP111TW02, SWR971*N and SWR973*N |
| | 685751 | Tubing | Models HFNBDRSP112TW01, HFNBDRSP112CW01, HFNBERSP112CW01, HFNBXRSP112FW28, HFNBYSRSP112CW01, HFNCXRSP111CW01, HWRR71*N1102, HWRT71*N, HWRT71*N1102, HWRX71*N1102, SFNBDRSP111TW02, SFNBDRSP112TW01, SFNBDRSP112TW02, SFNBXRSP112TW01, SFNBXRSP112TW02, SFNBYSRSP112TW01, SFNCCRSP111TW01, SFNCCRSP111TW02, SWRB71*N, SWRT71*N, SWRT73*N and SWRX71*N |
| | 800648P | Tubing | All other models |
| 13 | 39282 | Hose Clamp | |

* Add Letter To Designate Color. Q - Bisque W - White

Outer Tub, Clamp Ring and Shock Absorbers (Drawing 2 of 2)

All Models Except BWFL74*N4000, BWFL75*N4000, BWFX74*N4000, BWFX75*N4000,
HWFY74*N4000, HWFY75*N4000, NWFL84*N4000, NWFL85*N4000, NWFY74*N4000,
NWFY75*N4000, SWFL74*N4000, SWFX74*N4000 and SWFX75*N4000



FLW1013PB_802739

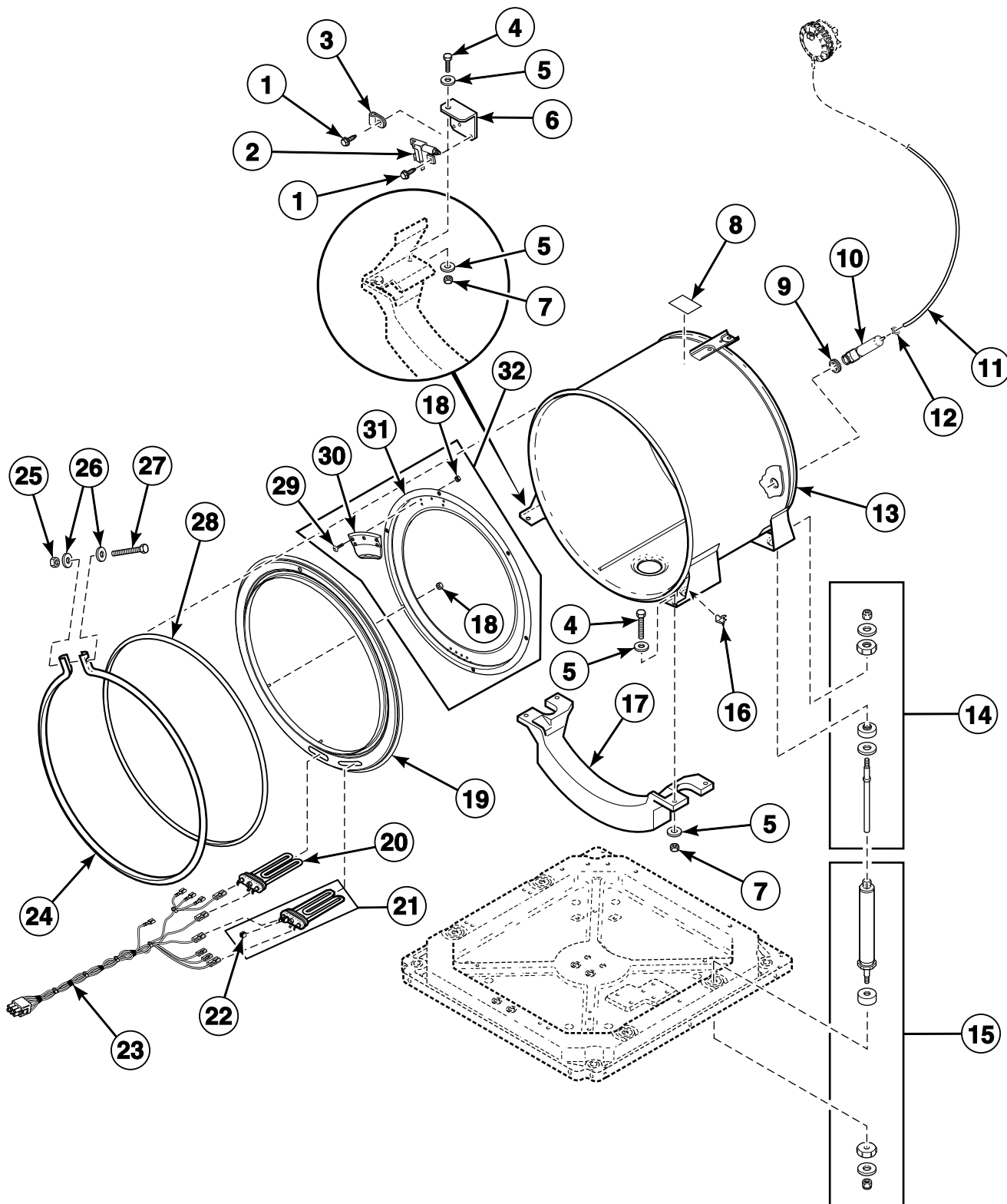
Outer Tub, Clamp Ring and Shock Absorbers (Drawing 2 of 2)

| REF | PART NO. | DESCRIPTION | COMMENTS |
|-----|----------|---------------------------------|---|
| 1 | F430218 | Nut | |
| 2 | 800457 | Washer | |
| 3 | 800462 | Screw | |
| 4 | 800432P | Tub Front Seal | |
| 5 | 802596 | Screw | |
| 6 | 804174P | Clothes Guard Deflector | |
| | 804482 | Clothes Guard Deflector | Heavy duty |
| 7 | 803537 | Clothes Guard | |
| 8 | 802343 | Nut | |
| 9 | 804560P | Clothes Guard and Deflector Kit | Includes items 5-8 and items 7 and 26-28 from <i>Outer Tub, Clamp Ring and Shock Absorbers (Drawing 1 of 2)</i> |
| 10 | 801081P | Outer Tub Assembly | |
| 11 | 800622P | Tub Shock Absorber Kit | Upper |
| 12 | 807875 | Base Shock Absorber Kit | Lower; Must replace all 4 |
| 13 | 00161 | Grounding Clip | |
| 14 | 800205 | Ballast Weight | |
| 15 | 802258 | Tub Front Assembly | |
| 16 | 800312 | Clamp Ring | |

* Add Letter To Designate Color. Q - Bisque W - White

Outer Tub, Clamp Ring, Shock Absorbers and Heating Element

Models BWFL74*N4000, BWFL75*N4000, BWF74*N4000, BWF75*N4000,
 HWFY74*N4000, HWFY75*N4000, NWFL84*N4000, NWFL85*N4000, NWF74*N4000,
 NWF75*N4000, SWFL74*N4000, SWF74*N4000 and SWF75*N4000



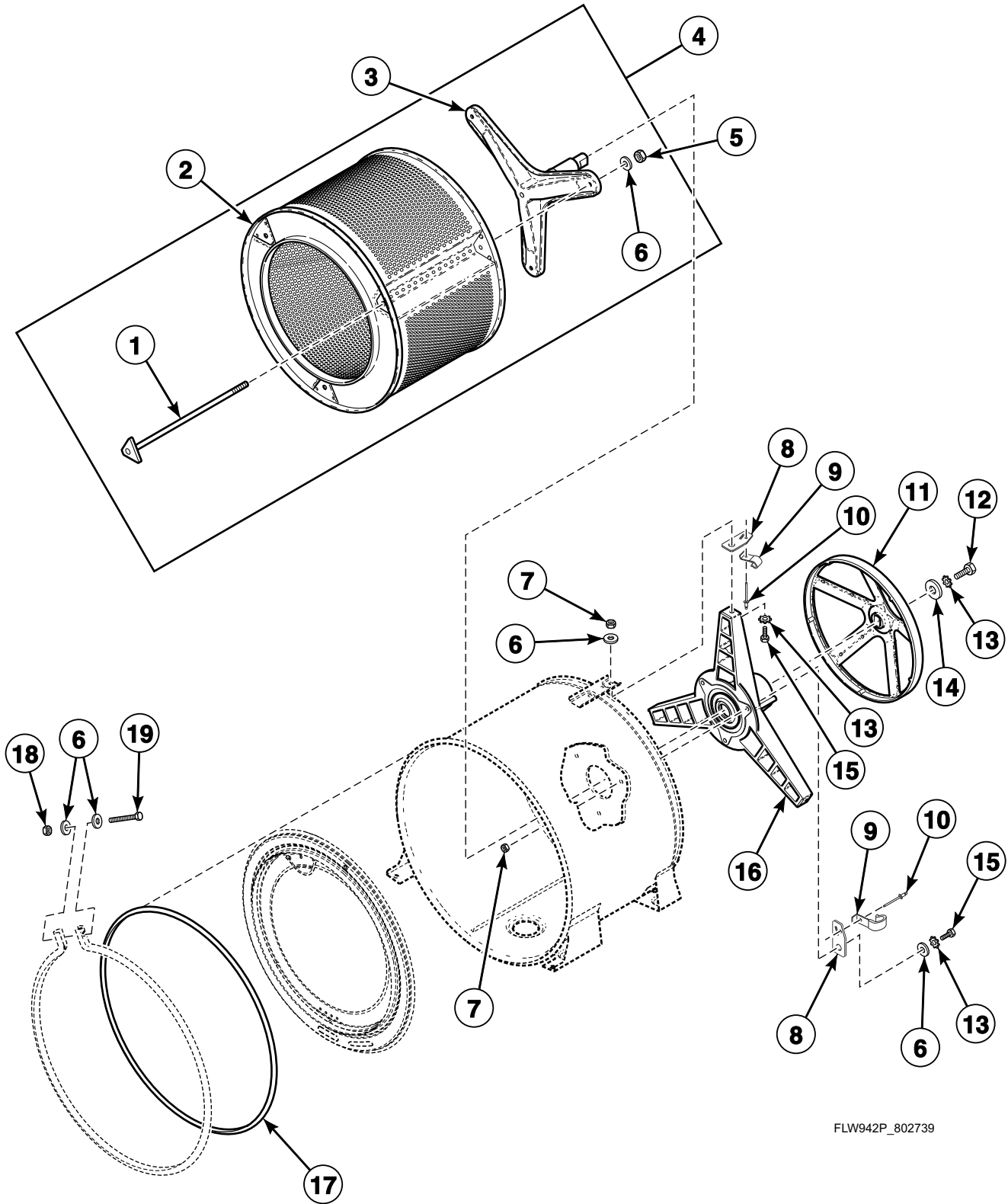
FLW1012P_802739

Outer Tub, Clamp Ring, Shock Absorbers and Heating Element

| REF | PART NO. | DESCRIPTION | COMMENTS |
|-----|----------|------------------------------------|---------------------------------------|
| 1 | D503661 | Screw | |
| 2 | 806512 | Out-of-Balance Switch Assembly Kit | Models through Serial No. 1201004551 |
| | 803415 | Out-of-Balance Switch Assembly | Models starting Serial No. 1201004552 |
| 3 | 800811 | Wire Clamp | |
| 4 | 800461 | Screw | |
| 5 | M400081 | Washer | |
| 6 | 800663 | Switch Mounting Bracket | Models through Serial No. 1201004551 |
| | 803388 | Switch Mounting Bracket | Models starting Serial No. 1201004552 |
| 7 | 800452 | Nut | |
| 8 | D502511 | Electrical Shock Label | |
| | D502506 | Pinched Fingers Label | |
| 9 | 29175 | Grommet | |
| 10 | 205241 | Pressure Bulb | |
| 11 | 800648P | Tubing | |
| 12 | 39282 | Hose Clamp | |
| 13 | 801291 | Outer Tub Assembly | |
| 14 | 800622P | Tub Shock Absorber Kit | Upper |
| 15 | 807875 | Base Shock Absorber Kit | Lower; Must replace all 4 |
| 16 | 00161 | Grounding Clip | |
| 17 | 800205 | Ballast Weight | |
| 18 | 802343 | Nut | |
| 19 | 802260 | Tub Front Assembly | Models through Serial No. 1001000989 |
| | 803494 | Tub Front Assembly | Models starting Serial No. 1001000990 |
| 20 | 804778P | Heating Element | |
| 21 | 804777P | Heating Element | Includes item 22 |
| 22 | 803256 | Thermistor | |
| 23 | 802323P | Heater Harness | Models through Serial No. 1001000989 |
| | 803492 | Heater Harness | Models starting Serial No. 1001000990 |
| 24 | 800312 | Clamp Ring | |
| 25 | F430218 | Nut | |
| 26 | 800457 | Washer | |
| 27 | 800462 | Screw | |
| 28 | 800432P | Tub Front Seal | |
| 29 | 802596 | Screw | |
| 30 | 804174P | Clothes Guard Deflector | |
| | 804482 | Clothes Guard Deflector | Heavy duty |
| 31 | 803537 | Clothes Guard | |
| 32 | 804560P | Clothes Guard and Deflector Kit | Includes items 7, 18 and 26-31 |

* Add Letter To Designate Color. N - Stainless Steel Q - Bisque W - White

Inner Basket, Trunnion, Bearing Housing and Pulley

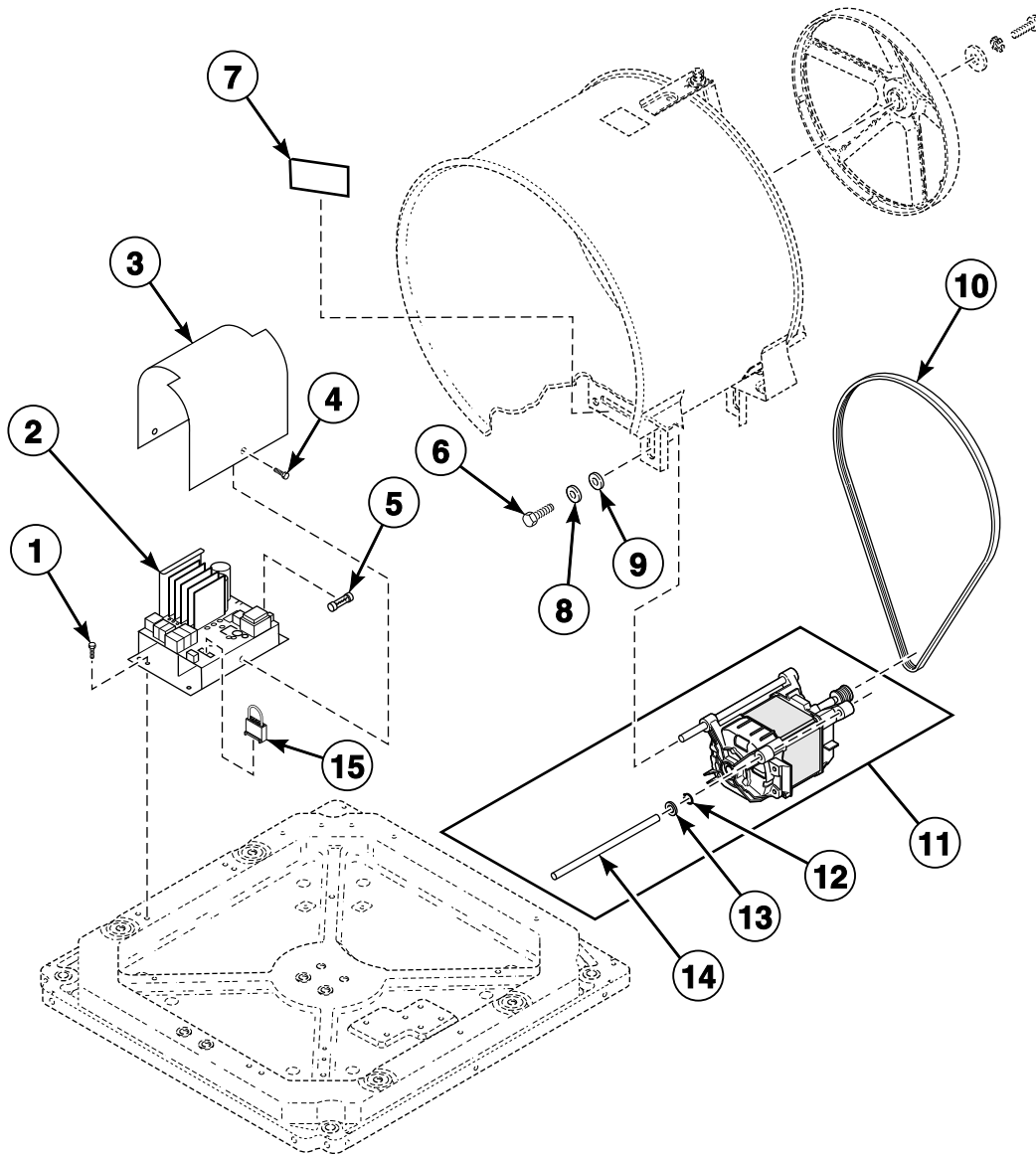


FLW942P_802739

Inner Basket, Trunnion, Bearing Housing and Pulley

| REF | PART NO. | DESCRIPTION | COMMENTS |
|-----------|----------|---------------------------------|---|
| | 27604P | Anti-Seize Compound | Pulley to inner basket shaft |
| | 838P3 | Hardware Kit | Includes (8) of item 6, (7) of item 13, (6) each of items 7 and 15, (1) each of items 12, 14, 17, 18, 19 and 27604P Anti-Seize Compound |
| | RB160001 | Bearing Kit | |
| 1 | 800666 | Tension Rod Assembly | |
| 2 | 803008P | Inner Basket Assembly | |
| 3 | 800749P | Trunnion Shaft and Hardware Kit | Includes (3) each of items 1, 5, 6 and 838P3 Hardware Kit; If ordering trunnion shaft separately, inner basket and trunnion shaft must be properly aligned to prevent door seal damage. Refer to instructions included in kit |
| 4 | 804322 | Inner Basket Assembly | Model SWFX71*N3051 |
| | 802365P | Inner Basket Assembly | All other models |
| 5 | 803017 | Nut | |
| 6 | 800457 | Washer | |
| 7 | 800452 | Nut | |
| 8 | 800552 | Hose Mounting Plate | |
| 9 | 800553 | Hose Clip | |
| 10 | 685847 | Pop Rivet | |
| 11 | 800866 | Driven Pulley | |
| 12 | 685831 | Screw | Left hand thread |
| 13 | M403958 | Washer | |
| 14 | 807679 | Washer | |
| 15 | M400043 | Screw | |
| 16 | 800428P | Bearing Housing Kit | Includes 838P3 Hardware Kit |
| 17 | 800432P | Tub Front Seal | |
| 18 | F430218 | Nut | |
| 19 | 800462 | Screw | |

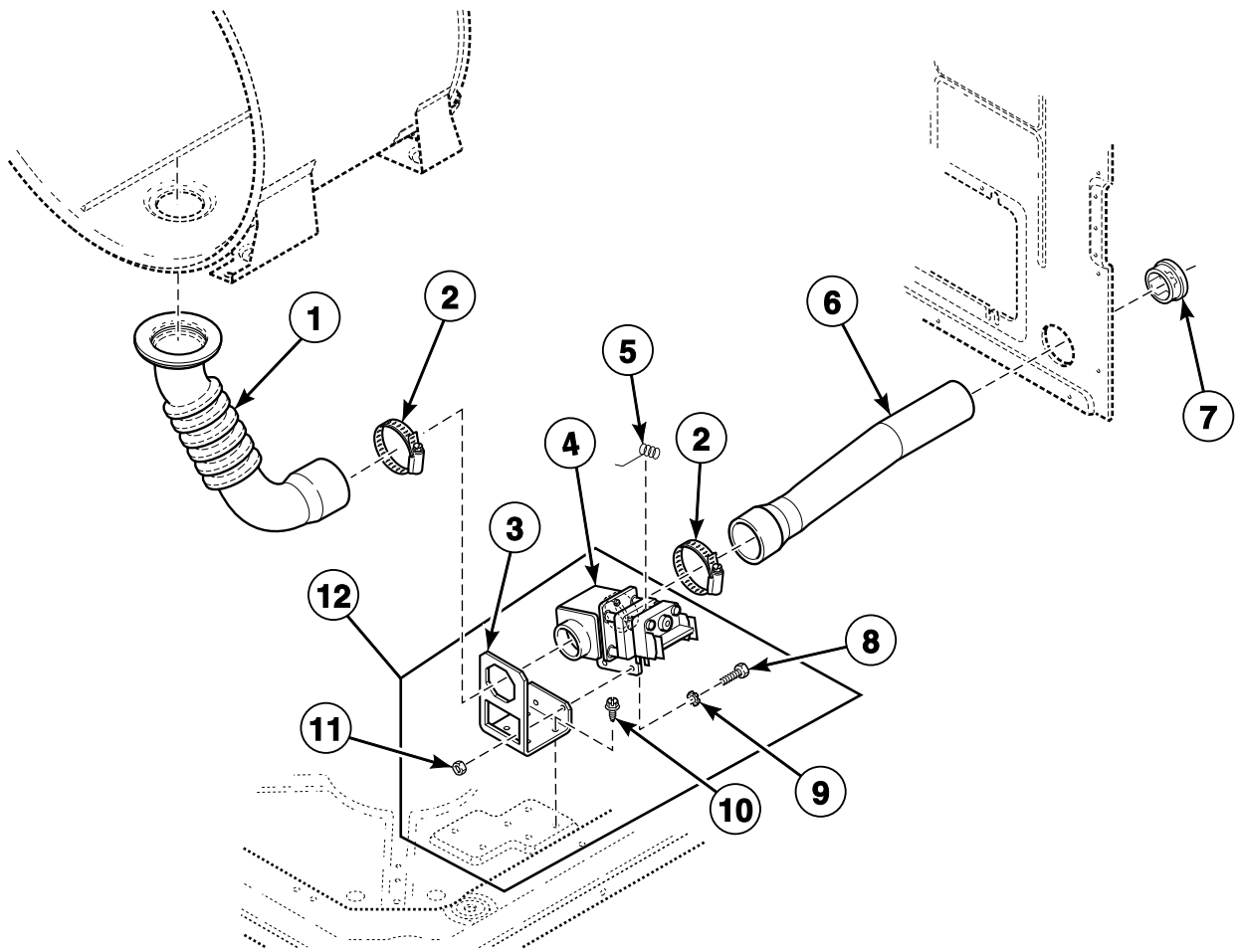
Motor and Belt



FLW1703P_802739

Drain Hoses and Valve

Models BFNBCFSG111TN01, BFNBCFSG111TW01, BFNBCFSG112TN01, BFNBCFSG112TW01, BWFL75*N4000, BWFX75*N4000, HFNBCFSG111TN01, HFNBCFSG112TN01, HFNBCFSG112TQ01, HFNBCFSG112TW01, HFNBDFSG112CW01, HFNBDFSG112CW01, HWFT73*N, HWFT73*N1102, HWFY73*N1102, HWFY75*N4000, HWR973*N1102, NWFL85*N4000, NWFX75*N4000, SFNBCFSG112TQ01, SFNBCFSG112TW01, SFNBXFSG082JW01, SFNBXFSG112TQ01, SFNBXFSG112TW01, SFNBDFSG112TW01, SWFA73*N, SWFB73*N, SWFF73*N, SWFT73*N, SWFX73*N, SWFX75*N4000, SWFY73*N, SWR973*N and SWRT73*N



FLW1702P_802739

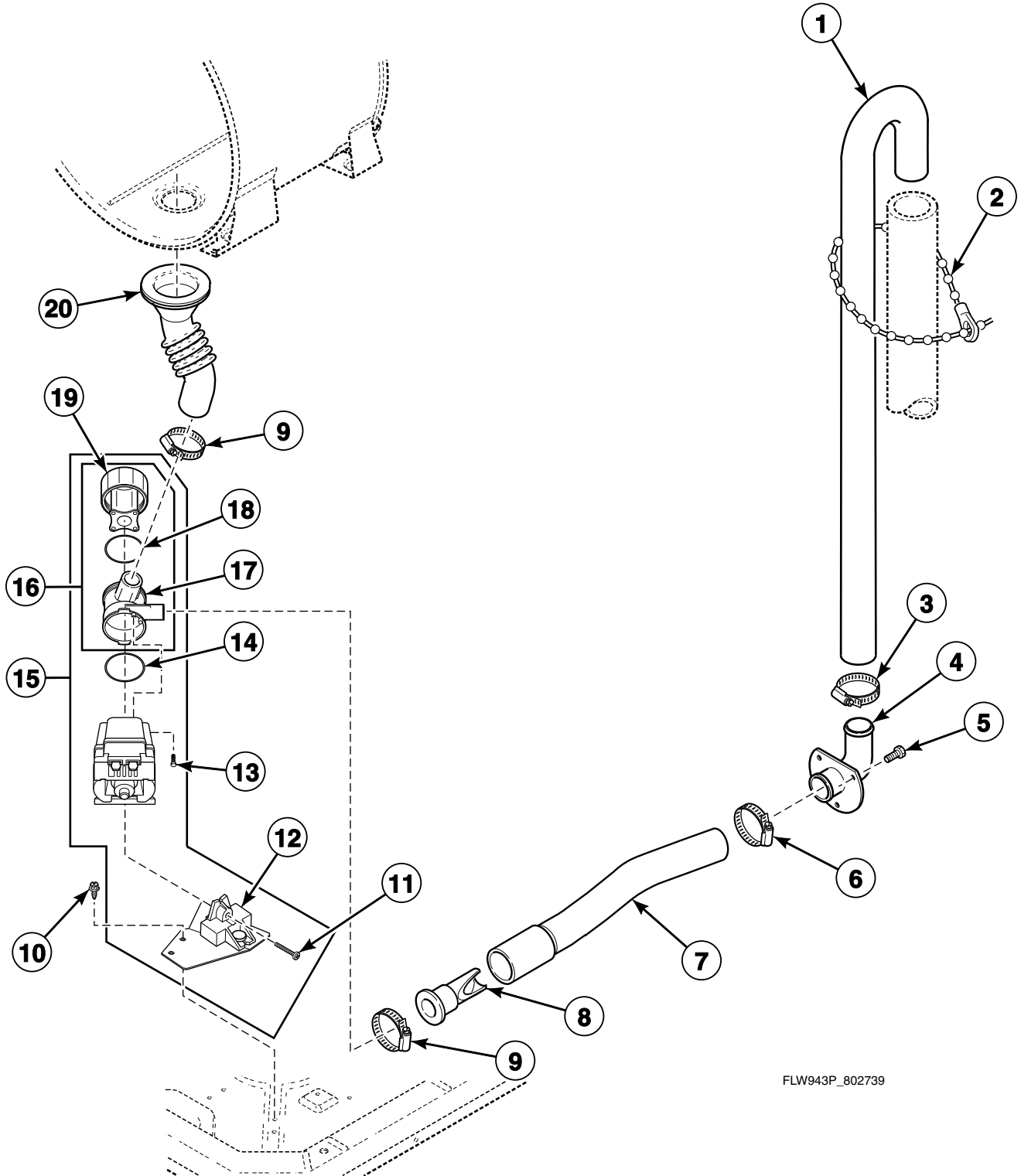
Drain Hoses and Valve

| REF | PART NO. | DESCRIPTION | COMMENTS |
|-----|----------|-----------------------|---|
| 1 | 800902 | Tub-to-Drain Hose | |
| | 27615P | Sealant | Tub-to-drain hose to outer tub |
| 2 | 685725 | Hose Clamp | |
| 3 | 803291 | Gravity Drain Bracket | |
| 4 | 803292P | Gravity Drain Valve | Models BWFL75*N4000, BWFX75*N4000, HWFY75*N4000, NWFL85*N4000, NWF75*N4000 and SWFX75*N4000; Order item 12 for models through Serial No. 0904020485 |
| | 803293P | Drain Valve | All other models; Order item 12 for models through Serial No. 0904020485 |
| 5 | F8504601 | Spring | |
| 6 | 800903 | Drain-to-Cabinet Hose | |
| 7 | D503235 | Snap Bushing | |
| 8 | 02916 | Screw | |
| 9 | M400017 | Washer | |
| 10 | D503661 | Screw | |
| 11 | 29786 | Nut | |
| 12 | F976P3 | Drain Valve Kit | Includes items 3, 4 and 8-11; Models BWFL75*N4000, BWFX75*N4000, HWFY75*N4000, NWFL85*N4000, NWF75*N4000 and SWFX75*N4000 |
| | F975P3 | Drain Valve Kit | Includes items 3, 4 and 8-11; All other models |

* Add Letter To Designate Color. Q - Bisque W - White

Hoses and Pump

All Models Except BFNBCFSG111TN01, BFNBCFSG111TW01, BFNBCFSG112TN01, BFNBCFSG112TW01, BWFL75*N4000, BWFX75*N4000, HFNBCFSG111TN01, HFNBCFSG112TN01, HFNBCFSG112TQ01, HFNBCFSG112TW01, HFNBDFSG112CW01, HFNBDFSG112CW01, HWFT73*N, HWFT73*N1102, HWFY73*N1102, HWFY75*N4000, HWR973*N1102, NWFL85*N4000, NWFX75*N4000, SFNBCFSG112TQ01, SFNBCFSG112TW01, SFNBXFG082JW01, SFNBXFG112TQ01, SFNBXFG112TW01, SFNBDFSG112TW01, SWFA73*N, SWFB73*N, SWFF73*N, SWFT73*N, SWFX73*N, SWFX75*N4000, SWFY73*N, SWR973*N and SWRT73*N



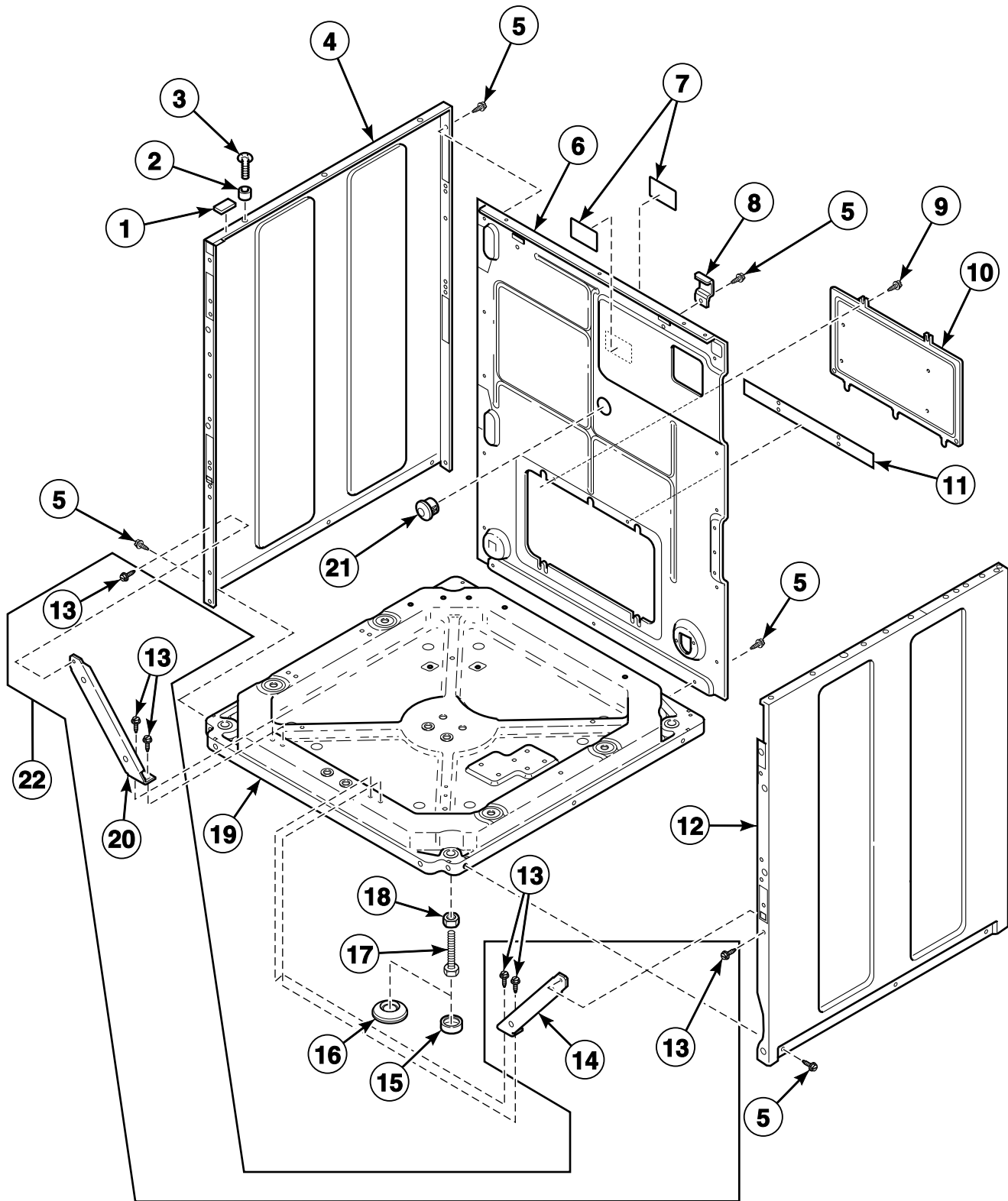
FLW943P_802739

Hoses and Pump

| REF | PART NO. | DESCRIPTION | COMMENTS |
|-----|----------|-----------------------|---|
| 1 | 27154 | Drain Hose | |
| 2 | 33489 | Standpipe Strap | |
| 3 | 20211 | Hose Clamp | |
| 4 | 35766 | Drain Hose Elbow | |
| 5 | 52909 | Screw | |
| 6 | 20391 | Hose Clamp | |
| 7 | 685737 | Pump-to-Elbow Hose | |
| 8 | 800310 | Backflow Preventer | |
| 9 | F200204 | Hose Clamp | |
| 10 | D503661 | Screw | |
| 11 | 802430 | Screw | |
| 12 | 802626 | Pump Mount Bracket | |
| 13 | 802431 | Screw | |
| 14 | 802429P | O-Ring | |
| 15 | 802624P | Drain Pump | Models BFNBLFSP301AW01, BFNBLFSP302AW01, BFNBLFSP542NW01, BFNBXFSP302AW01, BWFL74*N4000, BWFX71*N3050, BWFX74*N4000, HFNBXFSP302NW22, HWFY74*N4000, NWFL84*N4000, NWF74*N4000, SFNBXFSP301NW22, SFNBXFSP302AW01, SFNBXFSP302NQ01, SFNBXFSP302NW01, SFNBXFSP302NW22, SWFA71*N3050, SWFA71*N3069, SWFF71*N3050, SWFL74*N4000, SWFX71*N3000, SWFX71*N3050, SWFX71*N3051, SWFX71*N5400 and SWFX74*N4000 |
| | 802625P | Drain Pump | Models BFNBLFSP541NW01, HFNBXFSP542DW01, SFNBXFSP542DW01, SFNSXRSP541NQ23, SFNSXRSP541NW23 and SWFX71*N5400 |
| | 802623P | Drain Pump | All other models |
| 16 | 802434P | Pump Housing Assembly | Includes items 17-19 |
| 17 | 802428 | Pump Housing | |
| 18 | 802427 | Gasket | |
| 19 | 802426P | Lid Assembly | Includes filter |
| 20 | 800317 | Tub-to-Pump Hose | |
| | 27615P | Sealant | Tub-to-pump hose to outer tub |
| | 985P3 | Drain Kit | Includes 803344 Tub-to-Pump Hose with Trap, 90554 Hose Clamp, 803400 Cap and 27615P Sealant |

* Add Letter To Designate Color. N - Stainless Steel Q - Bisque W - White

Base, Side Panels and Rear Panel



FLW969P_802739

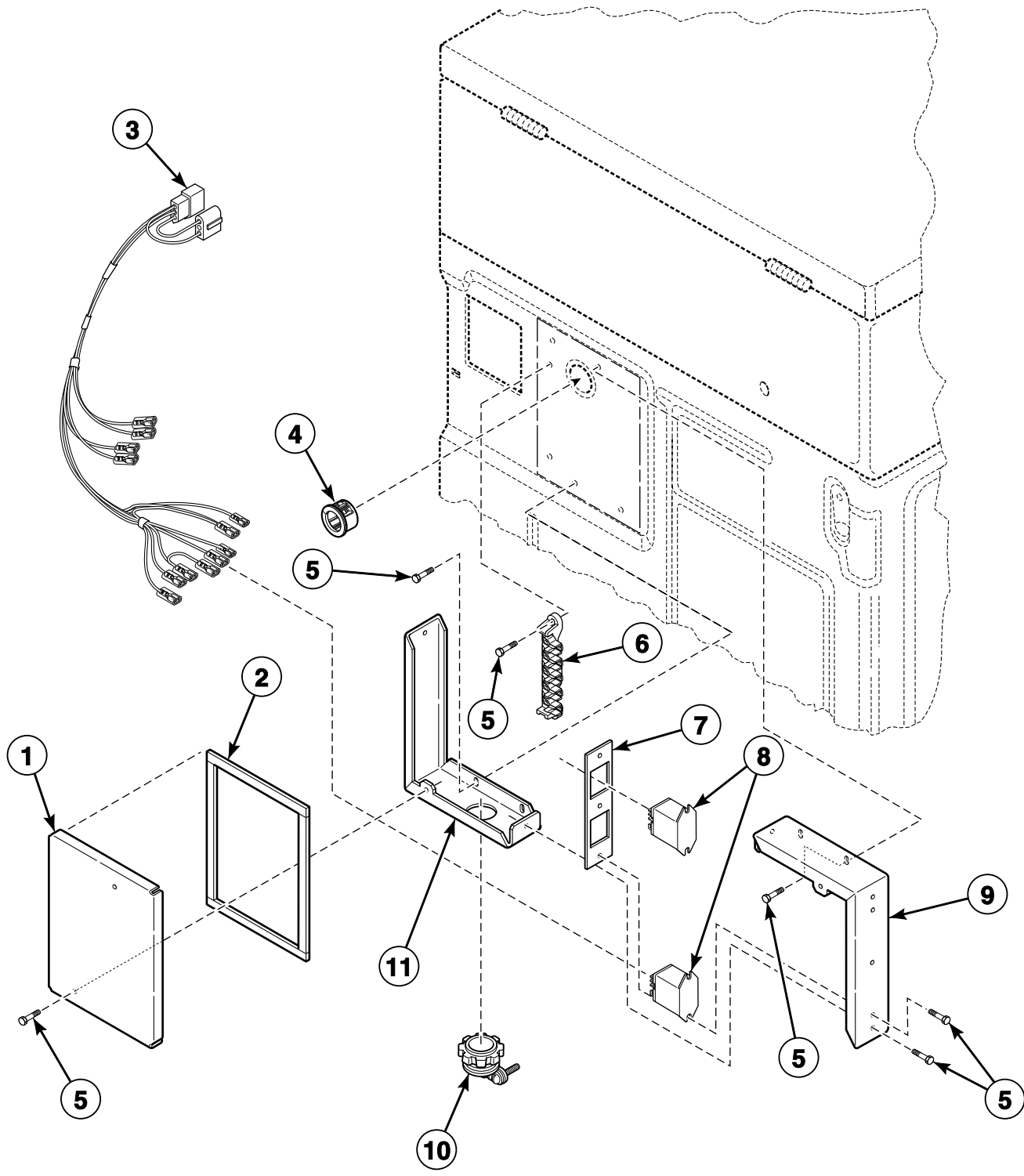
Base, Side Panels and Rear Panel

| REF | PART NO. | DESCRIPTION | COMMENTS |
|-----|----------|-----------------------------|---|
| | 122P4P | Porcelain Touch-Up Paint | White |
| | 370P4P | Porcelain Touch-Up Paint | Bisque |
| 1 | 36226 | Bumper Pad | |
| 2 | 56079 | Panel Locator | |
| 3 | 39733 | Screw | Use with painted panels |
| | D512921 | Screw | Use with stainless steel panels |
| 4 | 800004WP | Cabinet Panel Kit | White; Left; Includes corner gusset with hardware |
| | 800004QP | Cabinet Panel Kit | Bisque; Left; Includes corner gusset with hardware |
| | 800004G | Side Panel | Gray; Left |
| | 802525P | Cabinet Side Panel | Stainless steel; Left |
| 5 | D503661 | Screw | |
| 6 | 801216 | Rear Panel | Models BFNBCFSG111TN01, BFNBCFSG111TW01, BFNBCFSG112TN01, BFNBCFSG112TW01, BWFL75*N4000, BWF75*N4000, HFNBCFSG111TN01, HFNBCFSG112TN01, HFNBCFSG112TQ01, HFNBCFSG112TW01, HFNBDPFG112CW01, HFNBYFSG112CW01, HWFT73*N, HWFT73*N1102, HWFY73*N1102, HWFY75*N4000, HWR973*N1102, NWFL85*N4000, NWF75*N4000, SFNBCFSG112TQ01, SFNBCFSG112TW01, SFNBXFG082JW01, SFNBXFG112TQ01, SFNBXFG112TW01, SFNBYFSG112TW01, SWFA73*N, SWFB73*N, SWFF73*N, SWFT73*N, SWFX73*N, SWFX75*N4000, SWFY73*N, SWR973*N and SWRT73*N |
| | 801629 | Rear Panel | Model SWFB72*N |
| | 800010P | Rear Panel | All other models |
| 7 | 804949 | Left Hand Thread Label | Icon |
| | 685928 | Left Hand Thread Label | Text |
| 8 | D510136 | Top Hinge | Rear control models |
| 9 | 430497 | Screw | |
| 10 | 800011 | Rear Access Panel | |
| 11 | 801702 | Motor Access Hole Edging | |
| 12 | 806492 | Side Panel Kit | White; Right; Includes 801024 Dispenser Plate with hardware and 547P3 Coin Cabinet Hardware Kit |
| | 800005QP | Side Panel Kit | Bisque; Right; Includes 801024 Dispenser Plate with hardware and 547P3 Coin Cabinet Hardware Kit |
| | 800005G | Side Panel | Gray; Right |
| | 802526P | Cabinet Side Panel | Stainless steel; Right |
| 13 | 31645 | Screw | |
| 14 | 801492 | Cabinet Brace | Right |
| 15 | 34318 | Rubber Foot | |
| 16 | 155P3 | Anchor | Includes 4 rubber discs with adhesive backing |
| | 802844P | Anchor Floor Mount Assembly | Includes 2 rubber discs with adhesive backing |
| 17 | 34319 | Leveling Leg | |
| 18 | 21899 | Nut | |
| 19 | 803876 | Base Assembly | |
| 20 | 801491 | Cabinet Brace | Left |
| 21 | M412154 | Hole Plug | |
| 22 | 918P3 | Brace Kit | Includes items 13, 14 and 20 |

* Add Letter To Designate Color. Q - Bisque W - White

Junction Box

Model SWFB72*N



FLW903P_802739

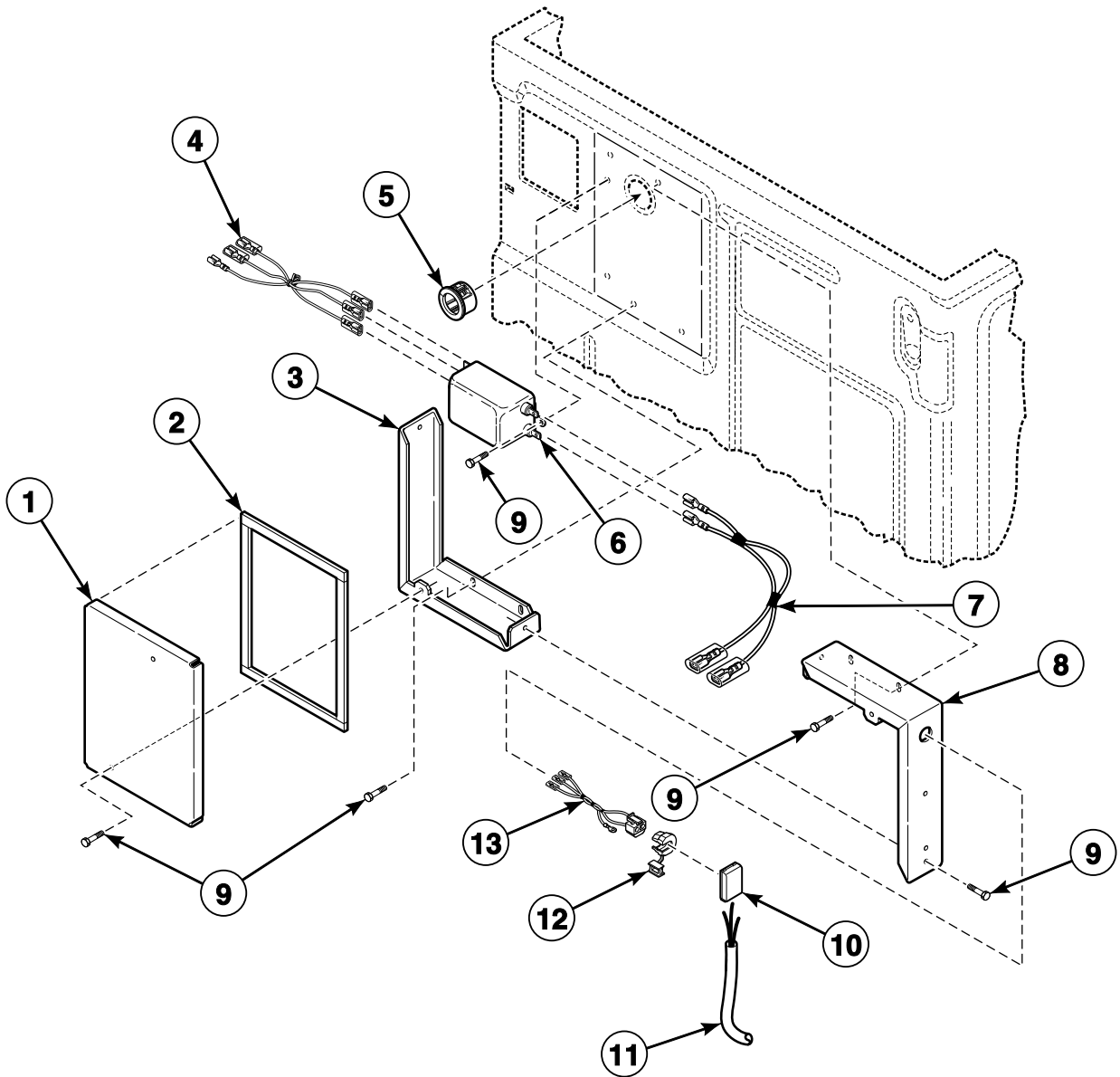
Junction Box

| REF | PART NO. | DESCRIPTION | COMMENTS |
|-----|----------|--|------------|
| 1 | 801498 | Junction Box Cover | |
| 2 | 801425P | Junction Box Seal | 4 required |
| 3 | 801518 | Supply Injection Wire Harness Assembly | |
| 4 | M402542 | Snap Bushing | |
| 5 | D503661 | Screw | |
| 6 | D505876 | Terminal Block Assembly | |
| 7 | 801501 | Relay Mounting Bracket | |
| 8 | 431349 | Relay | |
| 9 | 801497 | Upper Junction Box | |
| 10 | F140312 | Connector | |
| 11 | 801499 | Lower Junction Box | |

* Add Letter To Designate Color. Q - Bisque W - White

Junction Box and Power Cord

Models BFNBLFSP301AW01, BFNBLFSP302AW01, BFNBLFSP541NW01, BFNBLFSP542NW01, BFNBXFSP112FW01, BFNBXFSP302AW01, BWF71*N1127, BWF71*N3050, HFNBXFSP112FQ01, HFNBXFSP122DW01, HFNBXFSP302NW22, HFNBXFSP542DW01, HWF71*N1127, HWR971*N1127, SFNBXFSG082JW01, SFNBXFSP122DW01, SFNBXFSP301NW22, SFNBXFSP302AW01, SFNBXFSP302NQ01, SFNBXFSP302NW01, SFNBXFSP302NW22, SFNBXFSP542DW01, SFNSXRSP541NQ23, SFNSXRSP541NW23, SWFA71*N3050, SWFA71*N3069, SWFF71*N3050, SWFX71*N1127, SWFX71*N3000, SWFX71*N3050, SWFX71*N3051 and SWFX71*N5400



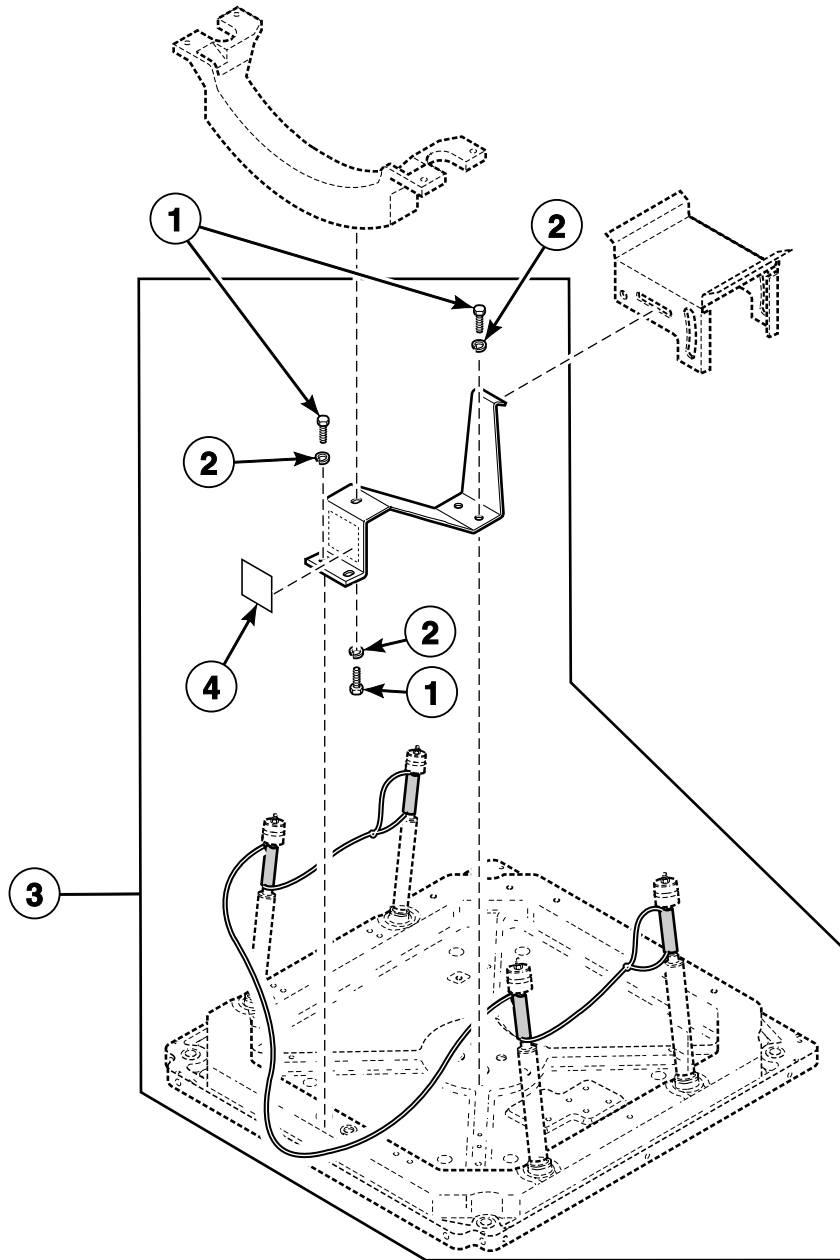
FLW1699P_802739

Junction Box and Power Cord

| REF | PART NO. | DESCRIPTION | COMMENTS |
|-----|----------|-------------------------------|--|
| 1 | 801404 | Junction Box Cover | |
| 2 | 801425P | Junction Box Seal | 4 required |
| 3 | 801433 | Lower Junction Box | |
| 4 | 808048 | Filter Jumper Harness | Line filter to power cord terminal block; All models except HFNBXFSP122DW01, HFNBXFSP542DW01, SFNBXFSG082JW01, SFNBXFSP122DW01 and SFNBXFSP542DW01 |
| 5 | M402542 | Snap Bushing | |
| 6 | 201058 | Line Filter | |
| 7 | 802013 | Wire Harness Assembly | Line filter to control harness; Models BFNBXFSP112FW01, BWFX71*N1127, HFNBXFSP112FQ01, HWFX71*N1127, HWR971*N1127, SFNBXFSG082JW01 and SWFX71*N1127 |
| | 801421 | Wire Harness Assembly | Line filter to control harness; All models except BFNBXFSP112FW01, BWFX71*N1127, HFNBXFSP112FQ01, HFNBXFSP122DW01, HFNBXFSP542DW01, HWFX71*N1127, HWR971*N1127, SFNBXFSG082JW01, SFNBXFSP122DW01, SFNBXFSP542DW01 and SWFX71*N1127 |
| 8 | 804360 | Junction Box | Upper; Model SFNBXFSG082JW01 |
| | 801403 | Junction Box | Upper; All other models |
| 9 | D503661 | Screw | |
| 10 | 39922 | Cable Connection Box | All models except SFNBXFSG082JW01 |
| 11 | 801450 | Power Cord Assembly | Models HFNBXFSP302NW22, SFNBXFSP301NW22, SFNBXFSP302NQ01, SFNBXFSP302NW01, SFNBXFSP302NW22, SWFX71*N3000 and SWFX71*N5400 |
| | 808047 | Power Cord Assembly | Models BFNBFLFSP301AW01, BFNBFLFSP302AW01, BFNBXFSP302AW01, BWFX71*N3050, SFNBXFSP302AW01, SWFA71*N3050, SWFF71*N3050, SWFX71*N3050 and SWFX71*N3051; Includes plug |
| | 802012 | Power Cord Assembly | Models BFNBXFSP112FW01, BWFX71*N1127, HFNBXFSP112FQ01, HWFX71*N1127, HWR971*N1127 and SWFX71*N1127 |
| | 801660 | Power Cord Assembly | Includes plug; Models SFNSXRSP541NQ23 and SFNSXRSP541NW23 |
| | 808045 | Power Cord Assembly | Model SWFA71*N3069 |
| | 808131 | Lead-In Cord | Includes plug; Models BFNBFLFSP541NW01 and BFNBFLFSP542NW01 |
| | 804556 | Lead-In Cord Assembly | Models HFNBXFSP122DW01, HFNBXFSP542DW01, SFNBXFSP122DW01 and SFNBXFSP542DW01 |
| | 204061 | Power Cord Assembly | Includes plug; Model SFNBXFSG082JW01 |
| 12 | 60298 | Strain Relief | Model SFNBXFSG082JW01 |
| 13 | 201405P | Lead-In Wire Harness Assembly | Models HFNBXFSP122DW01 and SFNBXFSP122DW01 |
| | 804680 | Lead-In Wire Harness Assembly | Models HFNBXFSP542DW01 and SFNBXFSP542DW01 |

* Add Letter To Designate Color. Q - Bisque W - White

Shipping Materials

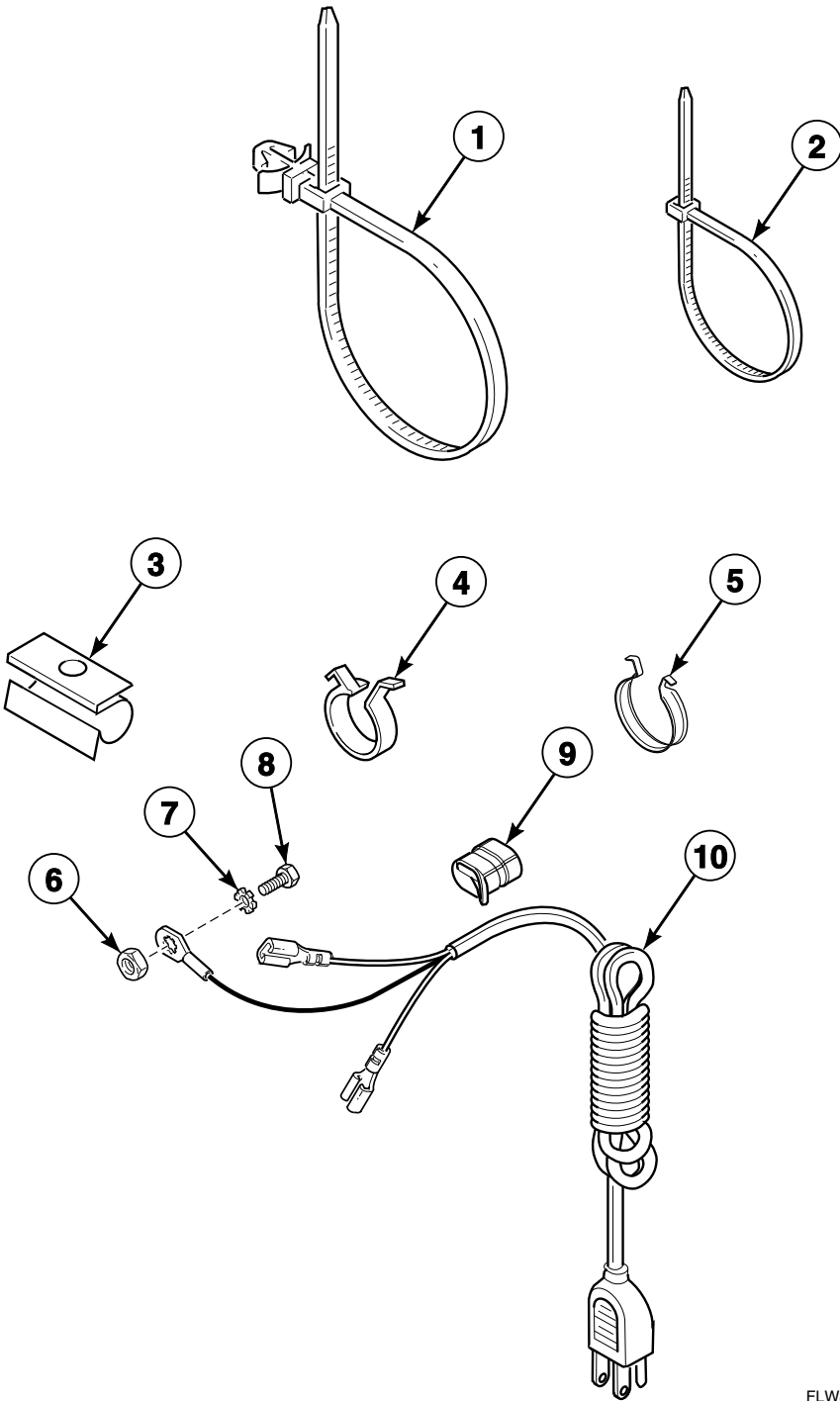


FLW1030P_802739

Shipping Materials

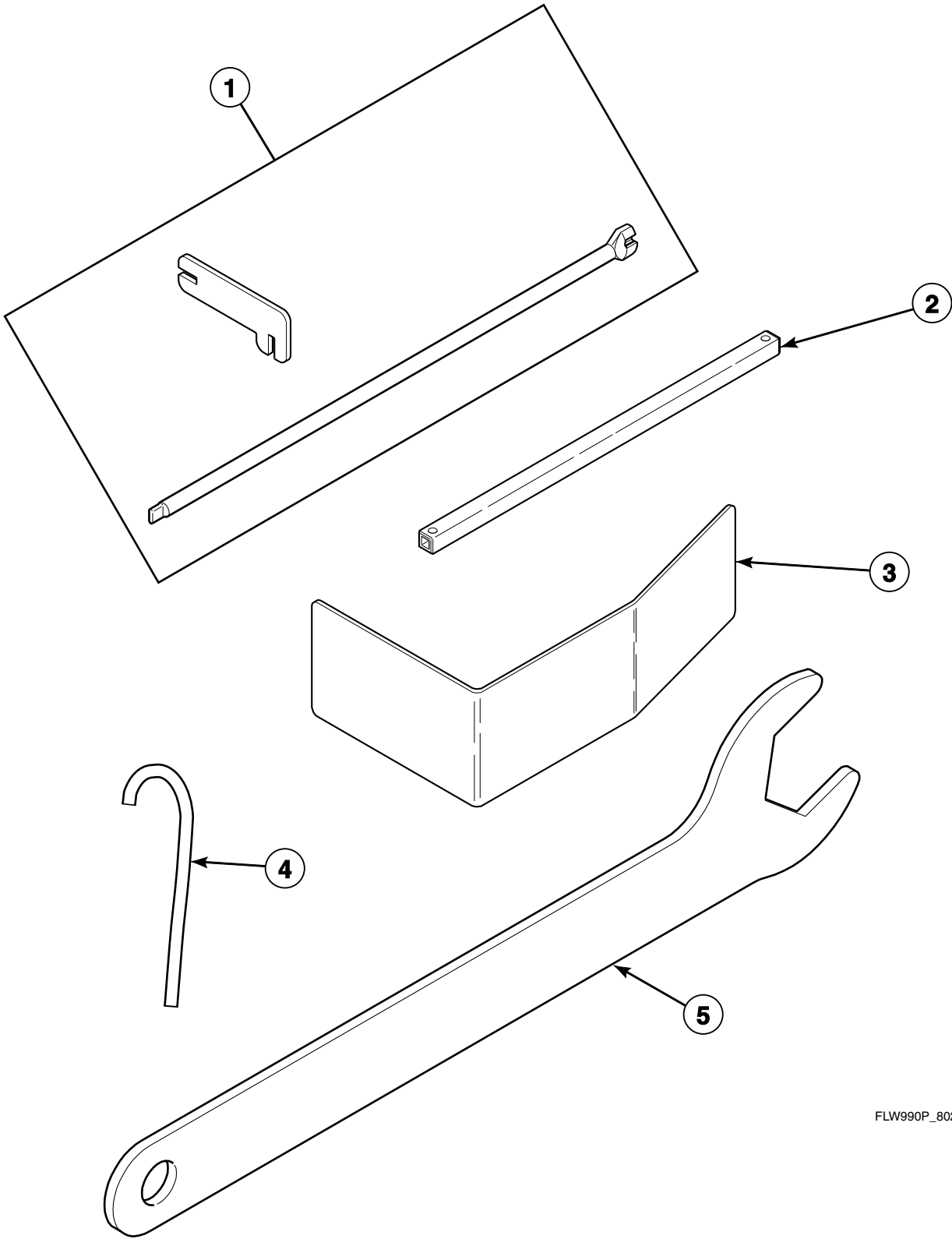
| REF | PART NO. | DESCRIPTION | COMMENTS |
|-----|----------|------------------------|--|
| 1 | M400043 | Screw | |
| 2 | M400014 | Washer | |
| 3 | 930P3 | Shipping Materials Kit | Includes items 1, 2, 4, shipping bracket, and shipping cord and brace assembly |
| 4 | 807552 | Shipping Bracket Label | |

Wire Ties, Harness Clips and Lead-In Cord



FLW823P_802739

Special Tools

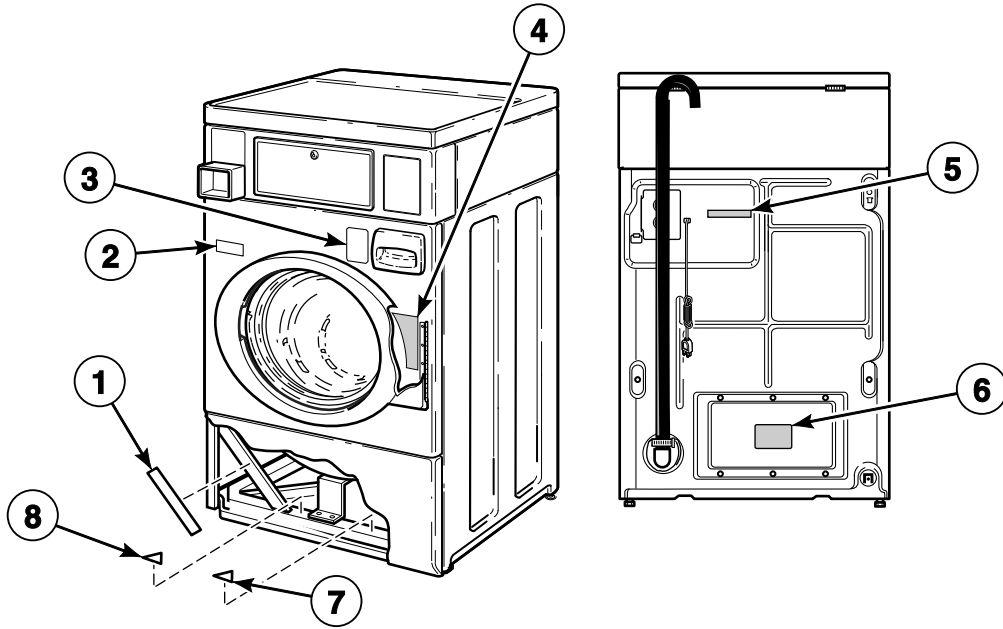


FLW990P_802739

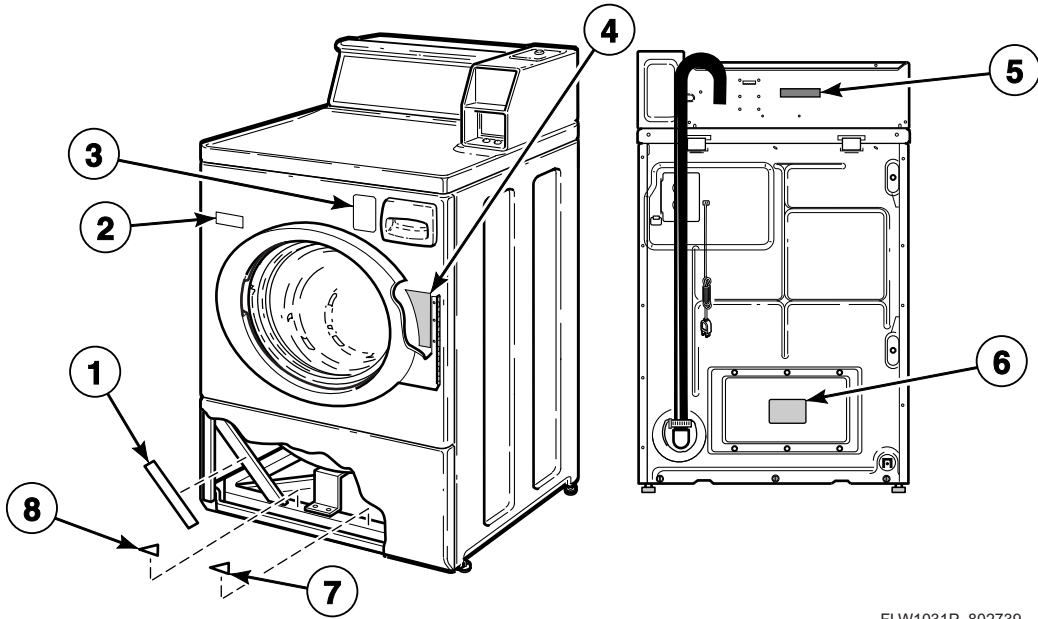
Special Tools

| REF | PART NO. | DESCRIPTION | COMMENTS |
|-----|----------|--------------------------------|---|
| 1 | CK096 | Mounting Tool Kit | Use to install and remove electronic coin drop kits |
| 2 | 310P4 | Ratchet Extension Tool | 1/4 inch; Use to install and remove non-electronic coin drops |
| 3 | 318P4 | Dispenser Drawer Tool | Use to remove dispenser drawer |
| 4 | 802336 | Pulley Bolt Tightening Fixture | Use to install inner basket |
| 5 | 392P4 | Wrench | Use for adjusting leveling leg nuts |

Labels



Front Control Washers



Rear Control Washers

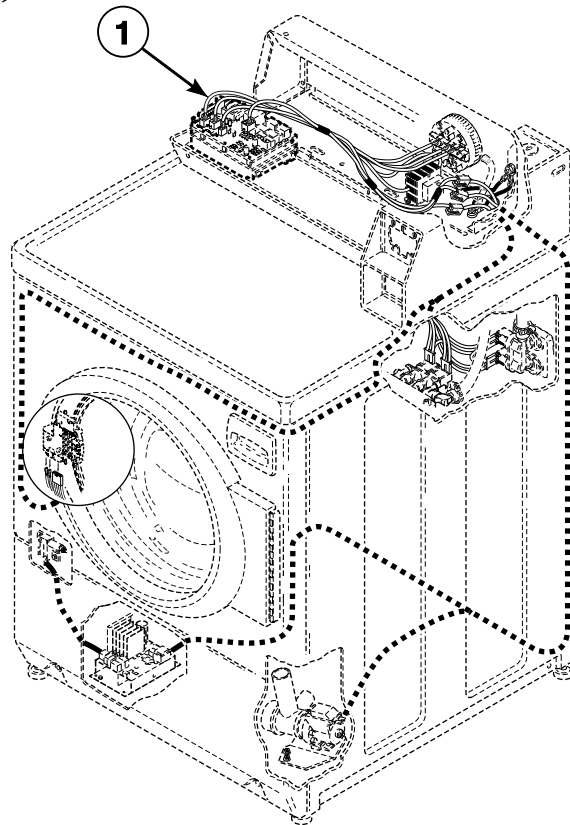
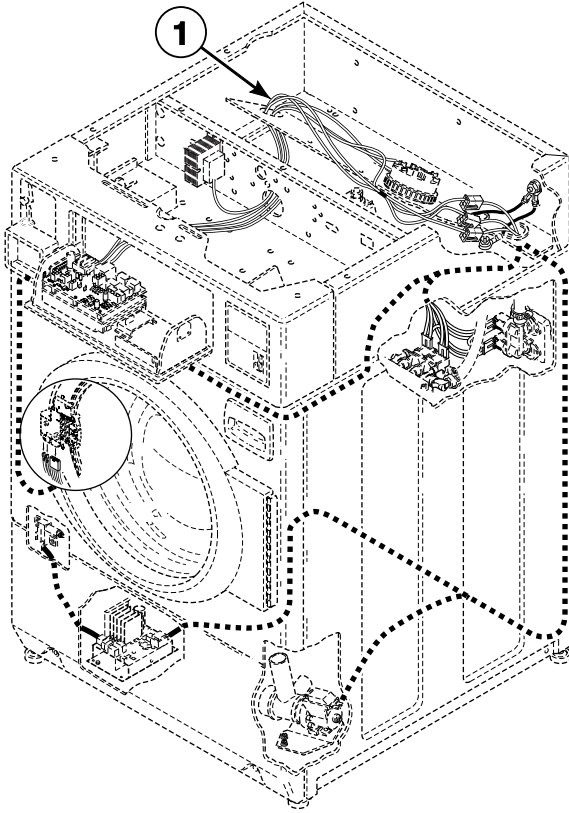
FLW1031P_802739

Labels

| REF | PART NO. | DESCRIPTION | COMMENTS |
|-----|----------|--------------------------------|---|
| 1 | 803522 | Warning Label | All models except BWFL74*N4000, BWFL75*N4000, BWFX74*N4000, BWFX75*N4000, HFNBXFSP302NW22, HWFY74*N4000, HWFY75*N4000, NWFL84*N4000, NWFL85*N4000, NWFX74*N4000, NWFX75*N4000, SFNBXFSP301NW22, SFNBXFSP302NW22, SWFA71*N3069, SWFL74*N4000, SWFX71*N3000, SWFX71*N5400, SWFX74*N4000 and SWFX75*N4000 |
| 2 | 803011 | Notice Label | All models except BWFL74*N4000, BWFL75*N4000, BWFX74*N4000, BWFX75*N4000, HFNBXFSP302NW22, HWFY74*N4000, HWFY75*N4000, NWFL84*N4000, NWFL85*N4000, NWFX74*N4000, NWFX75*N4000, SFNBXFSP301NW22, SFNBXFSP302NW22, SWFA71*N3069, SWFL74*N4000, SWFX71*N3000, SWFX71*N5400, SWFX74*N4000 and SWFX75*N4000 |
| 3 | 802074 | Oversudsing Label | English |
| | 802838 | Oversudsing Label | Spanish |
| | 802839 | Oversudsing Label | Quebec French |
| 4 | 804500 | Warning Label | Models HFNBXFSP122DW01, HFNBXFSP542DW01, SFNBXFSP122DW01 and SFNBXFSP542DW01 |
| | 802367 | Warning Label | All other models |
| 5 | D505281 | Disconnect Power Warning Label | English |
| | D502511 | Electrical Shock Label | Icon |
| | 804582 | Warning Label | Models HFNBXFSP122DW01, HFNBXFSP542DW01, SFNBXFSP122DW01 and SFNBXFSP542DW01 |
| 6 | D500049 | Warning Label | English |
| | D500314 | Warning Label | Quebec French |
| | D502511 | Electrical Shock Label | Icon |
| 7 | F8615701 | Pinch Warning Label | Models BWFL74*N4000, BWFL75*N4000, BWFX74*N4000, BWFX75*N4000, HFNBXFSP122DW01, HFNBXFSP302NW22, HFNBXFSP542DW01, HWFY74*N4000, HWFY75*N4000, NWFL84*N4000, NWFL85*N4000, NWFX74*N4000, NWFX75*N4000, SFNBXFSP122DW01, SFNBXFSP301NW22, SFNBXFSP302NW22, SFNBXFSP542DW01, SWFA71*N3069, SWFL74*N4000, SWFX71*N3000, SWFX71*N5400, SWFX74*N4000 and SWFX75*N4000 |
| 8 | F8211201 | Electrical Shock Label | Models BWFL74*N4000, BWFL75*N4000, BWFX74*N4000, BWFX75*N4000, HFNBXFSP122DW01, HFNBXFSP302NW22, HFNBXFSP542DW01, HWFY74*N4000, HWFY75*N4000, NWFL84*N4000, NWFL85*N4000, NWFX74*N4000, NWFX75*N4000, SFNBXFSP122DW01, SFNBXFSP301NW22, SFNBXFSP302NW22, SFNBXFSP542DW01, SWFA71*N3069, SWFL74*N4000, SWFX71*N3000, SWFX71*N5400, SWFX74*N4000 and SWFX75*N4000 |

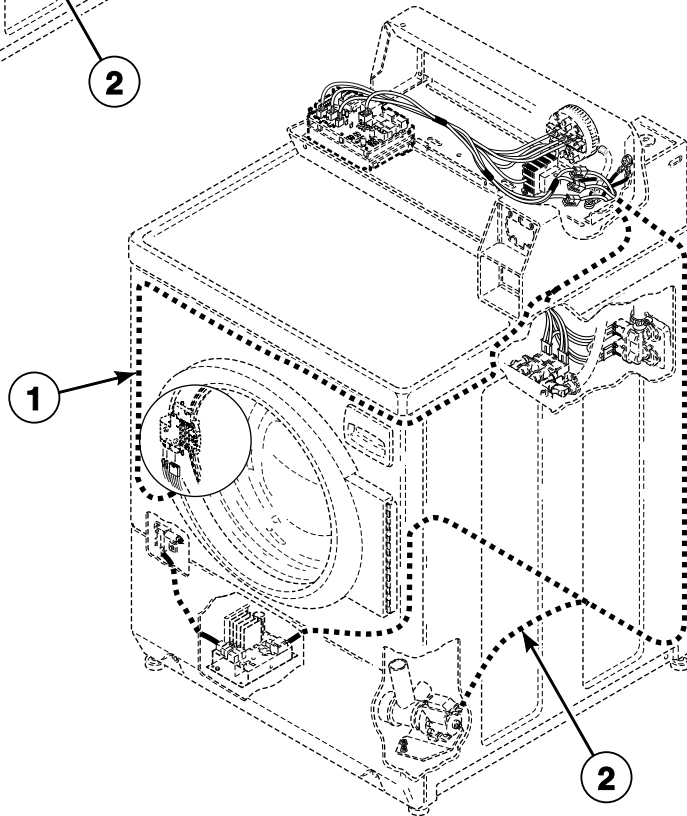
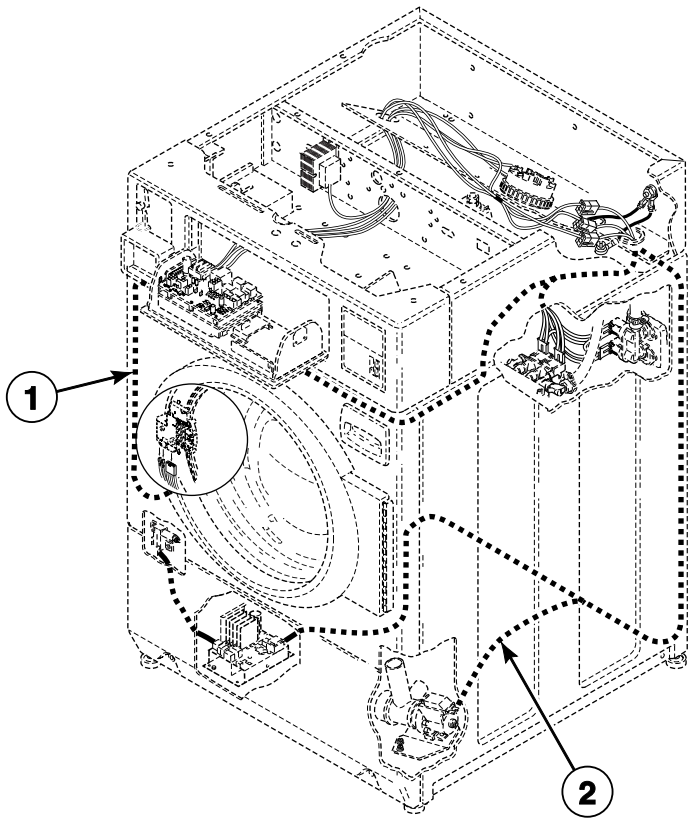
* Add Letter To Designate Color. N - Stainless Steel Q - Bisque W - White

Wire Harnesses and Wires (Drawing 1 of 2)



FLW945P_802739

Wire Harnesses and Wires (Drawing 2 of 2)



FLW945PA_802739

Wire Harnesses and Wires (Drawing 2 of 2)

| REF | PART NO. | DESCRIPTION | COMMENTS |
|----------|----------|----------------------------------|--|
| | 205550 | Laundry IQ Internal Retrofit Kit | Starting Serial No. 1601000001 |
| | 45001 | 18 Gauge Wire | Black; Order wire by foot and terminals and connectors as required |
| | 45380 | 12 Gauge Wire | Orange; Order wire by foot and terminals and connectors as required |
| 1 | 802350P | Base Harness Assembly | Models SWFA71*N3050, SWFA71*N3069, SWFF71*N3050, SWFX71*N3000, SWFX71*N3050 and SWFX71*N5400 through Serial No. 0704017167 |
| | 802833P | Base Harness Assembly | Models BFNBLFSP301AW01, BFNBLFSP302AW01, BFNBLFSP541NW01, BFNBLFSP542NW01, BFNBLFSP302AW01, BWFX71*N3050, HFNBXFSP302NW22, HFNBXFSP542DW01, SFNBXFSP301NW22, SFNBXFSP302AW01, SFNBXFSP302NQ01, SFNBXFSP302NW01, SFNBXFSP302NW22, SFNBXFSP542DW01, SFNSXRSP541NQ23, SFNSXRSP541NW23, SWFA71*N3050, SWFA71*N3069, SWFF71*N3050, SWFX71*N3000, SWFX71*N3050, SWFX71*N3051 and SWFX71*N5400 starting Serial No. 0704017168 |
| | 802349P | Base Harness Assembly | Models BWFL74*N4000, BWFL75*N4000, BWFX74*N4000, BWFX75*N4000, HWFY74*N4000, HWFY75*N4000, NWFL84*N4000, NWFL85*N4000, NWFX74*N4000, NWFX75*N4000, SWFL74*N4000, SWFX74*N4000 and SWFX75*N4000 through Serial No. 0704007393 |
| | 802834P | Base Harness Assembly | Models BWFL74*N4000, BWFL75*N4000, BWFX74*N4000, BWFX75*N4000, HWFY74*N4000, HWFY75*N4000, NWFL84*N4000, NWFL85*N4000, NWFX74*N4000, NWFX75*N4000, SWFL74*N4000, SWFX74*N4000 and SWFX75*N4000 starting Serial No. 0704007394 and continuing through Serial No. 1001000989 |
| | 803470 | Base Harness Assembly | Models BWFL74*N4000, BWFL75*N4000, BWFX74*N4000, BWFX75*N4000, HWFY74*N4000, HWFY75*N4000, NWFL84*N4000, NWFL85*N4000, NWFX74*N4000, NWFX75*N4000, SWFL74*N4000, SWFX74*N4000 and SWFX75*N4000 starting Serial No. 1001000990 |
| | 802351P | Base Harness Assembly | All other models; Models through Serial No. 0709009264 |
| | 802831P | Base Harness Assembly | All other models; Models starting Serial No. 0709009265 |
| 2 | 802274P | Motor Harness Assembly | Models through Serial No. 1201004551 |
| | 803581 | Motor Harness Assembly | Models starting Serial No. 1201004552 |

* Add Letter To Designate Color. N - Stainless Steel Q - Bisque W - White

NOTE: Individual wires are not available separately. Order complete harness, or order wire by the foot. When applying terminals to wires, it is recommended that the terminals be soldered to the wires.

Parts Index

A

| | |
|-----------------------------|--------|
| Access Panel Assembly | |
| D514250Q..... | 51 |
| D514250WP..... | 51 |
| D514251..... | 51 |
| Anchor | |
| 155P3..... | 73 |
| Anchor Floor Mount Assembly | |
| 802844P..... | 73 |
| Anti-Seize Compound | |
| 27604P..... | 65 |
| Audit Switch Bracket | |
| 800379..... | 15, 17 |

B

| | |
|-------------------------|----------------|
| Backflow Preventer | |
| 34500..... | 53, 55, 57 |
| 800310..... | 71 |
| Ballast Weight | |
| 800205..... | 61, 63 |
| Base Assembly | |
| 803876..... | 73 |
| Base Harness Assembly | |
| 802349P..... | 89 |
| 802350P..... | 89 |
| 802351P..... | 89 |
| 802831P..... | 89 |
| 802833P..... | 89 |
| 802834P..... | 89 |
| 803470..... | 89 |
| Base Shock Absorber Kit | |
| 807875..... | 61, 63 |
| Bearing Housing Kit | |
| 800428P..... | 65 |
| Bearing Kit | |
| RB160001..... | 65 |
| Bolt | |
| 203798..... | 31, 35 |
| 29651..... | 11, 13, 19, 35 |
| 32184..... | 41 |
| Boot Nozzle | |
| 802291..... | 51, 53, 55 |
| Brace Kit | |
| 918P3..... | 73 |
| Bracket | |
| D510146..... | 33, 35, 47 |
| 201918..... | 41 |
| 803662..... | 39 |
| Bumper Pad | |
| 36226..... | 73 |

C

| | |
|---------------|----|
| Cabinet Brace | |
| 801491..... | 73 |
| 801492..... | 73 |

| | |
|-----------------------------------|---------------|
| Cabinet Panel Kit | |
| 800004QP..... | 73 |
| 800004WP..... | 73 |
| Cabinet Side Panel | |
| 802525P..... | 73 |
| 802526P..... | 73 |
| Cabinet Top Kit | |
| 802247QP..... | 11, 13 |
| Cable Connection Box | |
| 39922..... | 77 |
| Cable Tie | |
| M405829..... | 81 |
| 39037..... | 55 |
| Cap | |
| 801746..... | 53, 55 |
| Card Insert Overlay | |
| D511544..... | 29 |
| D511548..... | 29 |
| Card Reader and Bracket Assembly | |
| D510068P..... | 29 |
| Card Reader Assembly | |
| 210045P..... | 47 |
| Card Reader Bracket | |
| 210023..... | 47 |
| Card Reader Overlay | |
| 800230..... | 29 |
| Card Reader Shield | |
| 801101..... | 47 |
| Card Reader Wire Harness Assembly | |
| 800125P..... | 29, 47 |
| Central Pay Harness | |
| D511478..... | 7, 19, 43, 47 |
| Clamp Ring | |
| 800312..... | 61, 63 |
| Clip | |
| 201572..... | 27 |
| Clothes Guard | |
| 803537..... | 61, 63 |
| Clothes Guard and Deflector Kit | |
| 804560P..... | 61, 63 |
| Clothes Guard Deflector | |
| 804174P..... | 61, 63 |
| 804482..... | 61, 63 |
| Coin Box Extension Kit | |
| 803578P..... | 31 |
| Coin Drop | |
| 38963P..... | 25 |
| 70441601P..... | 25, 31 |
| 70441603..... | 25 |
| Coin Drop Assembly | |
| CK114..... | 25 |
| 38462P..... | 25 |
| 38463..... | 25 |
| 38464P..... | 25 |
| 38467..... | 25 |
| 38472..... | 25 |
| 38519..... | 25 |
| 38521..... | 25 |
| 70441602..... | 25, 31 |
| 70447301..... | 25 |
| 70482401..... | 25 |

N/A items do not appear in index.

| | |
|------------------------------------|------------------|
| Coin Drop Kit | |
| CK090 | 25 |
| CK123 | 25 |
| Coin Drop Wire Harness | |
| 201104 | 27 |
| Coin Funnel Kit | |
| 523P3 | 35 |
| Coin Identification Paper | |
| 38725 | 25, 27, 31 |
| Coin Slide Extension Kit | |
| D514228 | 37 |
| 200913 | 37, 39 |
| Connector | |
| F140312 | 75 |
| 801789 | 23 |
| Contactora | |
| F330177P | 15, 19 |
| Contactora Wire Harness Assembly | |
| 801120P | 15, 19 |
| Control Assembly | |
| 802400P | 7, 19 |
| 802523P | 45 |
| 803146P | 7, 9, 19, 43, 47 |
| Control Cabinet Bottom | |
| 801777 | 19 |
| Control Harness Assembly | |
| 801117 | 87 |
| 801324P | 87 |
| 801335 | 87 |
| 801346P | 87 |
| 803313 | 87 |
| Control Hood | |
| D502567Q | 43, 45 |
| D502567W | 43, 45 |
| D511253Q | 47 |
| D511253W | 47 |
| Control Hood Back Panel | |
| 801735 | 45 |
| Control Kit | |
| 800772P | 7, 43, 47 |
| 802076P | 7 |
| Control Panel | |
| 801737B | 19 |
| 801737W | 19 |
| Control Panel and Bracket Assembly | |
| 800035B | 7, 9 |
| 800035Q | 7, 9 |
| 800035W | 7, 9 |
| 800142Q | 45 |
| 800142W | 45 |
| 800149Q | 43 |
| 800149W | 43 |
| Control Panel and Stud Assembly | |
| 800710Q | 47 |
| 800710W | 47 |
| Control Panel Overlay | |
| 800033 | 7 |
| 800228 | 47 |
| 800413 | 7 |
| 800416 | 7 |
| 801190 | 47 |
| 801191 | 47 |
| 801521 | 45 |
| 801523 | 45 |
| Control Shield | |
| 210053 | 43, 47 |

| | |
|--------------|------------|
| 801061 | 67 |
| 801371 | 15, 17, 19 |
| 804738 | 67 |

D

| | |
|----------------------------------|------------------------|
| Detergent Cover | |
| 800899 | 53, 55 |
| Diagnostic Wire Harness Assembly | |
| 800374 | 7, 9 |
| Disconnect Power Warning Label | |
| D505281 | 33, 35, 43, 45, 47, 85 |
| Dispenser | |
| 685756P | 55 |
| 801090P | 55 |
| Dispenser Assembly | |
| 801476P | 55 |
| 801630P | 53 |
| 801662P | 53 |
| Dispenser Drawer | |
| 685757P | 53, 55 |
| Dispenser Drawer Front | |
| 685715QP | 53, 55 |
| 685715WP | 53, 55 |
| Dispenser Drawer Tool | |
| 318P4 | 83 |
| Dispenser Handle | |
| 802879P | 55 |
| Dispenser Plate | |
| 801024 | 53, 55 |
| Dispenser-to-Door Seal Hose | |
| 802256 | 51, 53, 55 |
| Dispenser-to-Tub Hose | |
| 800331 | 53, 55 |
| Door Assembly | |
| 802872P | 49 |
| 804914QP | 49 |
| 804914WP | 49 |
| Door Catch Assembly | |
| 802803 | 49 |
| Door Glass | |
| 802695P | 49 |
| Door Hinge | |
| 802934 | 49 |
| Door Latch/Switch Assembly | |
| 802317P | 51 |
| Door Seal Assembly | |
| 802866P | 51, 53, 55 |
| Door Seal Kit | |
| 802830P | 51, 53, 55 |
| Drain Hose | |
| 27154 | 71 |
| Drain Hose Elbow | |
| 35766 | 71 |
| Drain Kit | |
| 985P3 | 71 |
| Drain Pump | |
| 802623P | 71 |
| 802624P | 71 |
| 802625P | 71 |
| Drain Valve | |
| 803293P | 69 |

N/A items do not appear in index.

| | |
|-----------------------|--------|
| Drain Valve Kit | |
| F975P3 | 69 |
| F976P3 | 69 |
| Drain-to-Cabinet Hose | |
| 800903 | 69 |
| Drive Belt | |
| 800319P | 67 |
| Driven Pulley | |
| 800866 | 65 |
| Dual Overlay | |
| 39073 | 23, 31 |

E

| | |
|-------------------------------|--------|
| Electric Access Panel | |
| 801134 | 21 |
| Electrical Shock Label | |
| D502511 | 63, 85 |
| F8211201 | 59, 85 |
| Electronic Coin Drop Assembly | |
| 70294104 | 27 |
| 70294107 | 27 |
| 70294109 | 27 |
| 70294110 | 27 |
| 70294111 | 27 |
| 70294120 | 27 |
| 70294121 | 27 |
| 70294122 | 27 |
| 70513302 | 27 |
| 70513306 | 27 |
| Electronic Coin Drop Kit | |
| CK099 | 27 |
| CK100 | 27 |
| CK101 | 27 |
| CK103 | 27 |
| CK106 | 27 |
| CK108 | 27 |
| CK109 | 27 |
| CK110 | 27 |
| CK113 | 27 |
| CK115 | 27 |
| CK120 | 27 |
| CK121 | 27 |
| End Cap | |
| 210108W | 47 |
| 210109W | 47 |
| Expansion Clip | |
| 70030501 | 19 |

F

| | |
|---------------|----|
| Fill Hose | |
| 202799 | 57 |
| 202800 | 57 |
| 202931 | 57 |
| 20617 | 57 |
| 20618 | 57 |
| 37380 | 57 |
| Fill Hose Kit | |
| 38349P | 57 |
| Filter | |
| 801255P | 21 |

| | |
|--------------------------------|------|
| Filter Jumper Harness | |
| 808048 | 77 |
| Fitting | |
| 801792P | 21 |
| Front Control Harness Assembly | |
| 801064P | 87 |
| Front Overlay | |
| 801037 | 7 |
| 801050 | 7, 9 |
| 801053 | 7, 9 |
| 801761 | 7 |
| Front Panel | |
| 802277QP | 51 |
| 802277WP | 51 |
| 802288P | 51 |
| Front Panel Pad | |
| 36204 | 51 |
| Fuse | |
| 801755 | 67 |

G

| | |
|-----------------------|--------|
| Gasket | |
| 802427 | 71 |
| Glass Mounting Clip | |
| 802700 | 49 |
| Graphic Overlay | |
| 800414 | 43 |
| 801762 | 19 |
| 801983 | 19 |
| 802868 | 19 |
| Gravity Drain Bracket | |
| 803291 | 69 |
| Gravity Drain Valve | |
| 803292P | 69 |
| Grommet | |
| 29175 | 59, 63 |
| Grounding Clip | |
| 00161 | 61, 63 |

H

| | |
|----------------------|------------|
| Hardware Kit | |
| 838P3 | 65 |
| Harness Assembly | |
| 802904P | 25, 31 |
| 802905 | 25, 27, 31 |
| 803107 | 87 |
| 803108P | 87 |
| Harness Strap | |
| 55881 | 51, 53, 81 |
| Heater Harness | |
| 802323P | 63 |
| 803492 | 63 |
| Heating Element | |
| 804777P | 63 |
| 804778P | 63 |
| Hinge | |
| D511036 | 11, 13, 19 |
| Hinge Attachment Kit | |
| 807865 | 49 |

N/A items do not appear in index.

| | |
|---------------------|--------------------|
| Hinge Plate | |
| 802206 | 51 |
| Hole Plug | |
| M412154 | 73 |
| Hood Back Plate | |
| D505798 | 43 |
| Hose Clamp | |
| F200204 | 71 |
| F200206 | 53, 55 |
| 20211 | 71 |
| 20391 | 71 |
| 39282 | 59, 63 |
| 685725 | 53, 55, 69 |
| 802164 | 51, 53, 55, 57 |
| 802281 | 51 |
| 802698 | 51, 53, 55 |
| Hose Clip | |
| 36985 | 15, 17, 19, 59, 81 |
| 800553 | 65 |
| Hose Mounting Plate | |
| 800552 | 65 |

I

| | |
|---------------------------|--------|
| Injection Nozzle | |
| F8322001 | 53 |
| Inner Basket Assembly | |
| 802365P | 65 |
| 803008P | 65 |
| 804322 | 65 |
| Inner Door Bezel Kit | |
| 808095 | 49 |
| 808096 | 49 |
| Insert | |
| 685716 | 53, 55 |
| Instruction Label | |
| 685942 | 23, 29 |
| Inverter Control Assembly | |
| 803254P | 67 |
| 803255P | 67 |

J

| | |
|-------------------------------|------------|
| Jumper Assembly | |
| D513131 | 45 |
| Jumper Configuration Assembly | |
| M413507 | 15, 17, 45 |
| Jumper Harness | |
| D513268 | 67 |
| D513316 | 67 |
| Jumper Harness Assembly | |
| M413504 | 17 |
| Junction Box | |
| 801403 | 77 |
| 804360 | 77 |
| Junction Box Cover | |
| 801404 | 77 |
| 801498 | 75 |
| Junction Box Seal | |
| 801425P | 75, 77 |

K

| | |
|-------------|--------|
| Key | |
| 54612 | 11, 13 |

L

| | |
|----------------------------------|--------|
| Laundry IQ Internal Retrofit Kit | |
| 205550 | 89 |
| Lead-In Cord | |
| 34458 | 81 |
| 808131 | 77 |
| Lead-In Cord Assembly | |
| 804556 | 77 |
| Lead-In Wire Harness Assembly | |
| 201405P | 77 |
| 804680 | 77 |
| Left Control Cabinet Side | |
| 801738B | 19 |
| 801738W | 19 |
| Left Hand Thread Label | |
| 685928 | 73 |
| 804949 | 73 |
| Leveling Leg | |
| 34319 | 73 |
| Lid Assembly | |
| 802426P | 71 |
| Light | |
| 801431 | 45 |
| 801432 | 45 |
| Line Filter | |
| 201058 | 21, 77 |
| Lock Cam | |
| 27261 | 11, 13 |
| Lock Kit | |
| 27260P | 11, 13 |
| Lower Junction Box | |
| 801433 | 77 |
| 801499 | 75 |

M

| | |
|-----------------------------|--------|
| Membrane Switch | |
| 210010P | 7, 19 |
| Meter Case Assembly | |
| 202877Q | 31 |
| 202877W | 31 |
| 801330Q | 35 |
| 801330W | 35 |
| 802505Q | 31 |
| 803042W | 35 |
| 803576W | 35 |
| 807406W | 31 |
| Meter Case Assembly Kit | |
| 807401W | 31 |
| Meter Case Bracket Gasket | |
| 35526 | 31, 35 |
| Meter Case Gasket | |
| 26354 | 31, 35 |
| Meter Case Lockdown Bracket | |
| 35525 | 31, 35 |

N/A items do not appear in index.

| | |
|--------------------------------|------------|
| Meter Case Locking Bracket Kit | |
| 204616 | 31, 35, 41 |
| Mixing Valve | |
| 802220P | 57 |
| 802222P | 57 |
| Mixing Valve Plate | |
| 800323 | 57 |
| Mixing Valve Screen | |
| 802926 | 57 |
| Motor Access Hole Edging | |
| 801702 | 73 |
| Motor and Rod Assembly Kit | |
| 801684P | 67 |
| Motor Harness Assembly | |
| 802274P | 89 |
| 803581 | 89 |
| Motor Mount Rod | |
| 801062 | 67 |
| Motor Speed Switch | |
| 800404 | 45 |
| Mounting Tool Kit | |
| CK096 | 83 |

N

| | |
|---------------------------|--------------------|
| Network Varistor Assembly | |
| 801311 | 21 |
| Notice Label | |
| 803011 | 85 |
| Nut | |
| F430218 | 61, 63, 65 |
| M412986 | 35 |
| 03673 | 81 |
| 201216 | 27 |
| 21899 | 73 |
| 23951 | 41, 49 |
| 24205 | 45 |
| 27222 | 33, 35 |
| 29786 | 25, 27, 31, 35, 69 |
| 29787 | 21 |
| 36020 | 11, 13, 51 |
| 44087201 | 11, 13, 19 |
| 52566 | 43, 45 |
| 52947 | 45 |
| 685846 | 49 |
| 70054 | 29, 47 |
| 800452 | 59, 63, 65 |
| 802292 | 51, 53, 55 |
| 802337 | 31, 35 |
| 802343 | 61, 63 |
| 803017 | 65 |

O

| | |
|-----------------------------|--------|
| Operating Instruction Label | |
| 801217 | 23, 29 |
| 803594 | 23, 29 |
| 803595 | 31, 35 |
| Opto Coupler | |
| 200674P | 25, 31 |
| O-Ring | |
| F170208 | 53 |
| 802429P | 71 |

| | |
|------------------------------------|--------------|
| Outer Door Bezel Kit | |
| 802313QP | 49 |
| 802313WP | 49 |
| 802314P | 49 |
| Outer Tub Assembly | |
| 801081P | 61 |
| 801291 | 63 |
| Out-of-Balance Switch Assembly | |
| 803415 | 59, 63 |
| Out-of-Balance Switch Assembly Kit | |
| 806512 | 59, 63 |
| Overlay | |
| 201091 | 27 |
| 210131 | 29 |
| 801872 | 7 |
| 802510 | 7 |
| 803434 | 7, 9 |
| 803535 | 19 |
| 803597 | 7, 9, 43, 47 |
| Overlay Kit | |
| 38676 | 23 |
| Oversudsing Label | |
| 802074 | 85 |
| 802838 | 85 |
| 802839 | 85 |

P

| | |
|--------------------------------|------------------------|
| Panel Locator | |
| 56079 | 23, 29, 51, 73 |
| Pinch Warning Label | |
| F8615701 | 59, 85 |
| Pinched Fingers Label | |
| D502506 | 63 |
| Pop Rivet | |
| 685847 | 11, 13, 19, 65 |
| 70058501 | 33, 35, 47 |
| Porcelain Touch-Up Paint | |
| 122P4P | 73 |
| 370P4P | 73 |
| Power Cord Assembly | |
| 204061 | 77 |
| 801450 | 77 |
| 801660 | 77 |
| 802012 | 77 |
| 808045 | 77 |
| 808047 | 77 |
| Pressure Bulb | |
| 205241 | 59, 63 |
| Pressure Switch | |
| 802299P | 15, 17, 19, 43, 45, 47 |
| Pulley Bolt Tightening Fixture | |
| 802336 | 83 |
| Pump Housing | |
| 802428 | 71 |
| Pump Housing Assembly | |
| 802434P | 71 |
| Pump Mount Bracket | |
| 802626 | 71 |
| Pump-to-Elbow Hose | |
| 685737 | 71 |

N/A items do not appear in index.

R

| | |
|--|----------------|
| Ratchet Extension Tool 310P4 | 83 |
| Rear Access Panel 800011 | 73 |
| Rear Control Cabinet 801058 | 19, 21 |
| Rear Control Harness Assembly 801281P | 87 |
| Rear Control Hood Panel 801165 | 47 |
| Rear Control Operating Instruction Label 800137 | 31, 35 |
| Rear Control Panel Harness Assembly 802786 | 45 |
| Rear Overlay 801052 | 43 |
| 801055 | 43 |
| Rear Panel 800010P | 73 |
| 801216 | 73 |
| 801629 | 73 |
| Relay 431349 | 75 |
| Relay Mounting Bracket 801501 | 75 |
| Resistor 210100 | 15, 17, 19, 45 |
| Retaining Ring 23748 | 67 |
| Right Control Cabinet Side 800915B | 19 |
| 800915Q | 19 |
| 800915W | 19 |
| Rubber Foot 34318 | 73 |

S

| | |
|---------------|---|
| Screw | |
| D501086 | 43, 45, 47, 57 |
| D501524 | 7, 9, 19, 43, 45, 47, 67 |
| D503661 | 15, 17, 19, 21, 33, 35, 43, 45, 47, 51, 57, 59, 63, 67, 69, 71, 73, 75, 77 |
| D503673 | 31, 33, 35 |
| D503688 | 15, 17, 19, 21, 23, 29, 37, 39, 41 |
| D512921 | 23, 51, 73 |
| M400043 | 65, 79 |
| M400057 | 67 |
| M405188 | 15, 17, 19 |
| 02916 | 43, 45, 69 |
| 20530 | 33, 35, 47, 81 |
| 23008 | 11, 13 |
| 27328 | 37 |
| 31645 | 73 |
| 36048 | 31, 35 |
| 39733 | 23, 29, 51, 73 |
| 430497 | 73 |
| 51782 | 37 |
| 52864 | 43, 45, 47 |
| 52909 | 71 |
| 685831 | 65 |

| | |
|--|------------------------|
| 70240301 | 19, 21 |
| 800461 | 59, 63 |
| 800462 | 61, 63, 65 |
| 800548 | 49, 51, 53, 55 |
| 800930 | 19 |
| 801001 | 53, 55 |
| 801019 | 49 |
| 801045 | 51 |
| 801993 | 49 |
| 802430 | 71 |
| 802431 | 71 |
| 802596 | 61, 63 |
| Sealant 27615P | 69, 71 |
| Security Cabinet Front Assembly D511209Q | 29 |
| D511209WP | 29 |
| D511633B | 23 |
| D511633QP | 23 |
| D511633WP | 23 |
| Security Cabinet Wrapper Assembly 801235B | 23 |
| 801235Q | 23, 29 |
| 801235W | 23, 29 |
| 801780Q | 23 |
| 801780W | 23 |
| Security Kit 905P3 | 41 |
| Service Door Assembly 39874QP | 31, 35 |
| 39874WP | 31, 35 |
| 803043WP | 31, 35 |
| Shipping Bracket Label 807552 | 79 |
| Shipping Materials Kit 930P3 | 79 |
| Side Panel 800004G | 73 |
| 800005G | 73 |
| Side Panel Kit 800005QP | 73 |
| 806492 | 73 |
| Single Overlay 202123 | 31 |
| 38717 | 23, 31 |
| Snap Bushing D503235 | 69 |
| M402542 | 15, 17, 19, 21, 75, 77 |
| Spring F8504601 | 69 |
| 804794 | 39 |
| Stainless Steel Top D512967 | 11, 19 |
| Standpipe Strap 33489 | 71 |
| Strain Relief 38384 | 81 |
| 60298 | 77 |
| Supply Injection Wire Harness Assembly 801518 | 75 |
| Switch D512973 | 15, 17, 31, 35 |
| 201952 | 37 |
| 431159 | 39 |
| Switch Assembly 55882 | 45 |

N/A items do not appear in index.

| | |
|-------------------------|--------|
| Switch Knob | |
| 39897 | 45 |
| Switch Mounting Bracket | |
| 800663 | 59, 63 |
| 803388 | 59, 63 |

T

| | |
|---------------------------------|--------------------|
| Temperature Switch | |
| 685595 | 45 |
| Tension Rod Assembly | |
| 800666 | 65 |
| Terminal Block Assembly | |
| D505876 | 21, 75 |
| 801250 | 21 |
| 801756 | 21 |
| Thermistor | |
| 803256 | 63 |
| Top and Gusset Assembly | |
| 802247QP | 11, 13, 19 |
| 802247WP | 11, 13, 19 |
| Top Hinge | |
| D510136 | 73 |
| Top Kit | |
| D511527QP | 33, 35 |
| D511527WP | 33, 35 |
| 803144P | 11, 13 |
| Top Mounting Bracket | |
| D504228 | 11, 13, 19 |
| Top Panel Kit | |
| D511530WP | 47 |
| Transformer | |
| 201375P | 15, 17, 27, 43, 47 |
| 210018P | 15, 17, 43, 45, 47 |
| 803527P | 15, 17, 19, 45 |
| Trunnion Shaft and Hardware Kit | |
| 800749P | 65 |
| Tub Front Assembly | |
| 802258 | 61 |
| 802260 | 63 |
| 803494 | 63 |
| Tub Front Seal | |
| 800432P | 61, 63, 65 |
| Tub Shock Absorber Kit | |
| 800622P | 61, 63 |
| Tubing | |
| 33324 | 59 |
| 685751 | 59 |
| 800648P | 59, 63 |
| 801635 | 53 |
| Tub-to-Drain Hose | |
| 800902 | 69 |
| Tub-to-Pump Hose | |
| 800317 | 71 |

U

| | |
|--------------------|----|
| Union | |
| 801788 | 23 |
| Upper Junction Box | |
| 801497 | 75 |

V

| | |
|-------------------------------|------------|
| Valve Kit | |
| 685766P | 53, 55 |
| 801836P | 55 |
| Valve-to-Dispenser Inlet Hose | |
| 801464 | 53, 55, 57 |

W

| | |
|------------------------------|--------------------|
| Warning Label | |
| D500049 | 59, 85 |
| D500314 | 59, 85 |
| D500316 | 33, 35, 43, 45, 47 |
| 800632 | 67 |
| 802367 | 85 |
| 803522 | 85 |
| 804500 | 85 |
| 804582 | 85 |
| Washer | |
| M400014 | 79 |
| M400017 | 43, 45, 69 |
| M400080 | 67 |
| M400081 | 59, 63 |
| M403958 | 65 |
| 02431 | 43, 45 |
| 02834 | 67 |
| 03815 | 37, 81 |
| 200608 | 43, 47 |
| 20290 | 57 |
| 25100 | 41 |
| 25820 | 45 |
| 52549 | 67 |
| 800457 | 61, 63, 65 |
| 802254 | 57 |
| 802293 | 51, 53, 55 |
| 803615 | 57 |
| 807679 | 65 |
| 91029 | 45 |
| Water Hose | |
| F200116 | 57 |
| Wire Clamp | |
| 800811 | 59, 63 |
| Wire Clip | |
| D504034 | 81 |
| 687500 | 51, 53, 55, 81 |
| Wire Guard | |
| 201595P | 25, 31 |
| Wire Harness Assembly | |
| 801261 | 21 |
| 801421 | 77 |
| 802013 | 77 |
| Wire Ring and Spring | |
| 806466 | 51 |
| Wire Tie | |
| 38663 | 81 |
| Wire, 12 Gauge | |
| 45380 | 87, 89 |
| Wire, 18 Gauge | |
| 45001 | 87, 89 |
| Wiring Harness Assembly | |
| 202869 | 19, 47 |
| Wrapper and Channel Assembly | |
| D505753BP | 23 |

N/A items do not appear in index.

| | |
|-----------------|--------|
| D505753QP | 23, 29 |
| D505753WP | 23, 29 |
| Wrench | |
| 392P4 | 83 |
