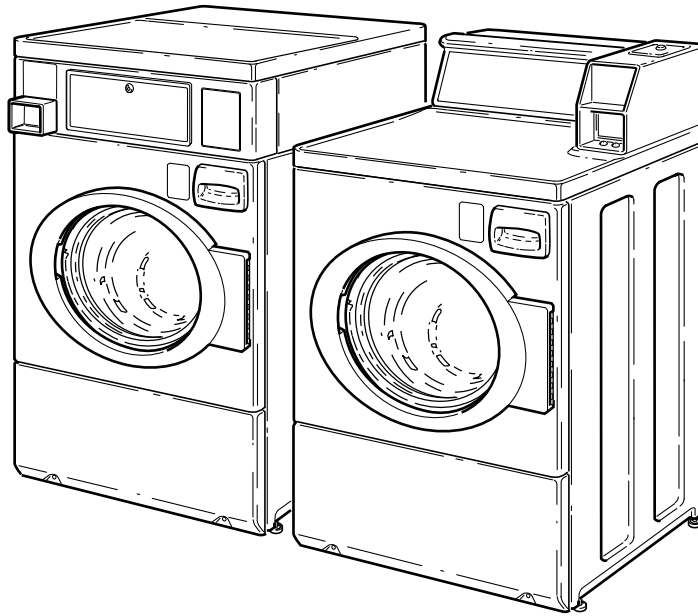


Commercial Frontload Washers

Refer to Page 5 for Model Numbers



FLW1535C_803401

Table of Contents

Title	Page
Parts Ordering Information.....	3
Serial Plate Location	3
Model Identification	5
Control Panel and Controls (Drawing 1 of 3)	6
Control Panel and Controls (Drawing 2 of 3)	8
Control Panel and Controls (Drawing 3 of 3)	10
Top Assembly	12
Control Cabinet Controls (Drawing 1 of 3)	14
Control Cabinet Controls (Drawing 2 of 3)	16
Control Cabinet Controls (Drawing 3 of 3)	18
Network Board Assembly.....	20
Control Cabinet and Controls (Drawing 1 of 2)	22
Control Cabinet and Controls (Drawing 2 of 2)	24
Electrical Access Panel, Filters and Terminal Block	26
Coin Cabinet Front.....	28
Wrapper Assembly.....	30
Non-Electronic Coin Drop	32
Electronic Coin Drop	34
Card Cabinet Front and Wrapper Assembly	36
Non-Electronic Coin Drop, Meter Case and Cabinet Top	38
Control Panel, Control Hood and Controls (Drawing 1 of 2)	40
Control Hood Security Kit.....	42
Control Panel, Control Hood and Controls (Drawing 2 of 2)	44
Door Bezel Kits	46
Door Assembly.....	48
Front Panel and Door Seal (Drawing 1 of 3).....	50
Front Panel and Door Seal (Drawing 2 of 3).....	52
Front Panel and Door Seal (Drawing 3 of 3).....	54
Dispenser Assembly and Supply Injection Hoses.....	56
Dispenser Assembly (Drawing 1 of 3).....	58
Dispenser Assembly (Drawing 2 of 3).....	60
Dispenser Assembly (Drawing 3 of 3).....	62
Mixing Valve.....	64
Inlet Hose and Dispenser Hose	66
Outer Tub, Clamp Ring and Shock Absorbers.....	68
Outer Tub, Clamp Ring, Shock Absorbers and Heating Element	70
Inner Basket, Trunnion, Bearing Housing and Pulley	72
Motor and Belt.....	74
Drain Hoses and Valve	76
Hoses and Pump	78
Side Panels (Drawing 1 of 2)	80

© Copyright 2023, Alliance Laundry Systems LLC

All rights reserved. No part of the contents of this book may be reproduced or transmitted in any form or by any means without the expressed written consent of the publisher.

Side Panels (Drawing 2 of 2)	82
Base and Rear Panel	84
Junction Box	86
Junction Box and Power Cord	88
Shipping Materials	90
Wire Ties, Harness Clips and Lead-In Cord.....	92
Special Tools	94
Option Labels	96
Labels (Drawing 1 of 3).....	98
Labels (Drawing 2 of 3).....	100
Labels (Drawing 3 of 3).....	102
Wire Harnesses and Wires	104
Base Base Harness	106
Parts Index.....	109

Parts Ordering Information

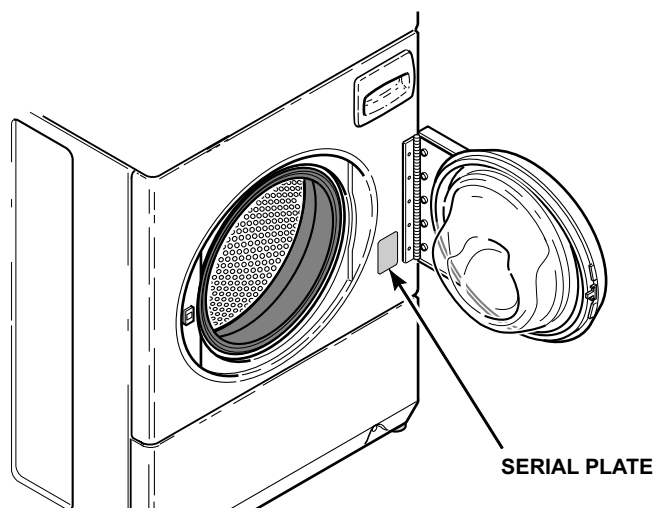
If literature or replacement parts are required, contact the source from whom the machine was purchased or contact Alliance Laundry Systems at (920) 748-3950 for the name and address of the nearest authorized parts distributor.

For technical assistance, call the number listed below:

(920) 748-3121 Ripon, Wisconsin

Serial Plate Location

When calling or writing about your product, be sure to mention model and serial numbers. Model and serial numbers are located on serial plate(s) as shown.



FLW2123N_803401

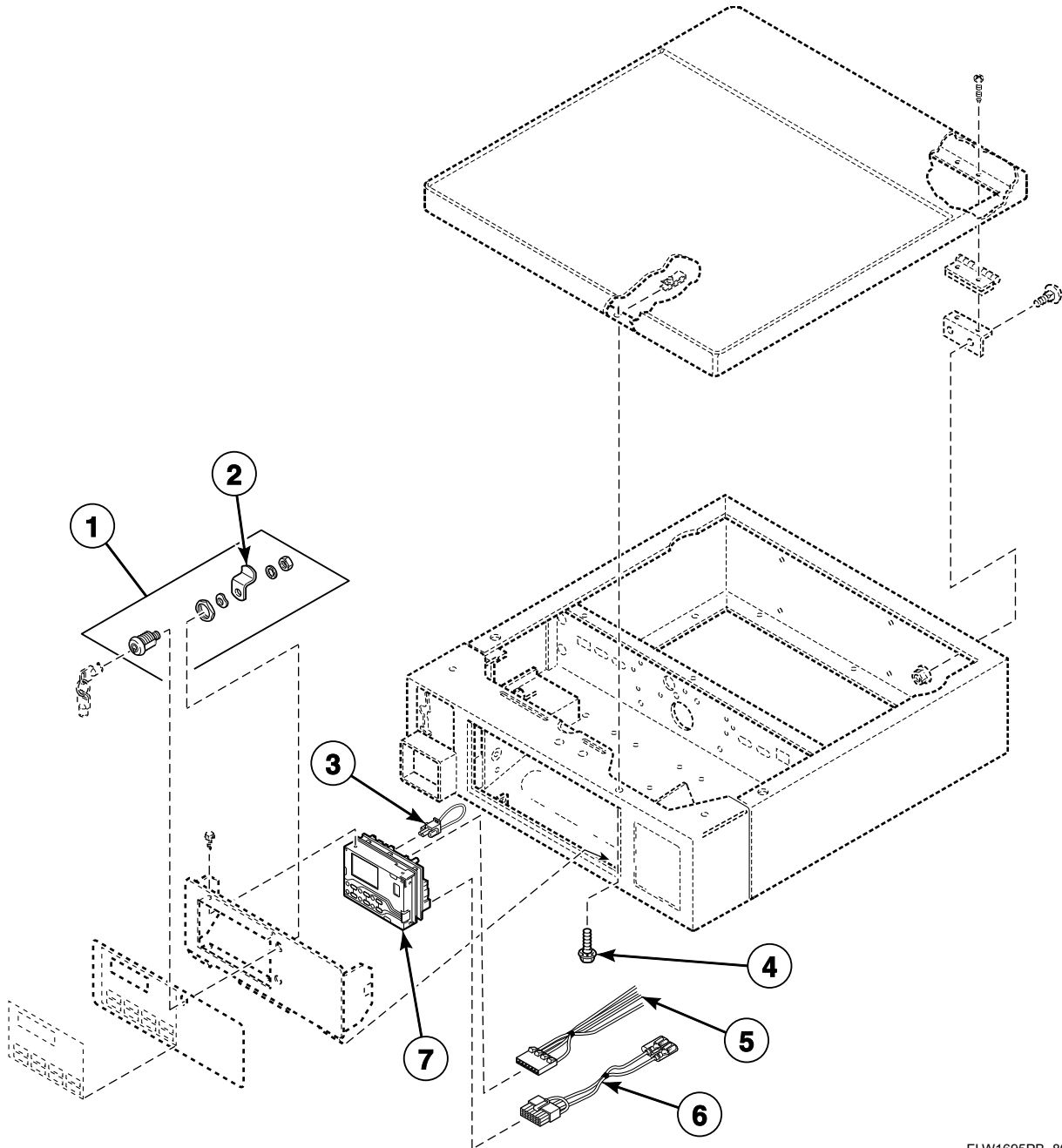
Model Identification

Information in this manual is applicable to these washer models:

BF3LLFSG401UN01	JF3LEFSP411EW01	RFNLYFSP111CW01	SFNNCFJP112TW01
BF3LLFSG401UW01	JF3LGFSP411EW01	SFNLCFJP111TW01	SFNNCFSG111TN01
BF3LLFSG402UN01	JF3LGFSP411EW06	SFNLCFSG111TN01	SFNNCFSG112TN01
BF3LLFSG402UW01	JF3LMFSG411EN01	SFNLCFSG111TQ01	SFNNCFSG112TQ01
BF3LLFSP401UN01	JF3LMFSG411EN06	SFNLCFSG111TW01	SFNNCFSG112TW01
BF3LLFSP401UW01	JFNLEFSG301EW01	SFNLCFSG111TWNA	SFNNCFSP111TN01
BF3LLFSP402UN01	JFNLEFSP301EW01	SFNLCFSP111TN01	SFNNCFSP111TW01
BF3LLFSP402UW01	NF3LLFSG401UN01	SFNLCFSP111TQ01	SFNNCFSP112TN01
BF3LXFSG401UN01	NF3LLFSG401UT01	SFNLCFSP111TW01	SFNNCFSP112TQ01
BF3LXFSG401UW01	NF3LLFSG401UT06	SFNLCFSP111TWNA	SFNNCFSP112TW01
BF3LXFSG402UN01	NF3LLFSG402UN01	SFNLCRSP111TW01	SFNNCRSP111TW01
BF3LXFSP401UN01	NF3LLFSG402UT01	SFNLCRSP111TW02	SFNNCRSP111TW02
BF3LXFSP401UW01	NF3LLFSG402UT06	SFNLCRSP111TWAF	SFNNCRSP112TW01
BF3LXFSP402UN01	NF3LLFSP401NN22	SFNLCRSP111TWNA	SFNNCRSP112TW02
BF3LXFSP402UW01	NF3LLFSP401NW22	SFNLXFSG082JW01	SFNNXFSG082JW01
HFNLEFSP111CW01	NF3LLFSP401UN01	SFNLXFSG111TW01	SFNNXFSG112TW01
HFNLEFSP111CWNA	NF3LLFSP401UT01	SFNLXFSP111TN01	SFNNXFSP112TN01
HFNLERSP111CW01	NF3LLFSP401UT06	SFNLXFSP111TW01	SFNNXFSP112TW01
HFNLERSP111CWNA	NF3LLFSP401UW01	SFNLXFSP301AN01	SFNNXRSP111TW02
HFNLXFSP111CN01	NF3LLFSP402NN22	SFNLXFSP301AW01	SFNNXRSP112TW02
HFNLXFSP111CW01	NF3LLFSP402NW22	SFNLXFSP302AW01	SFNNXRSP542NW23
HFNLXRSP111CW01	NF3LLFSP402UN01	SFNLXFSP302AN01	SFNNYFJP112TW01
HFNLYFSP111CW01	NF3LLFSP402UT01	SFNLXRSP111TW02	SFNNYFSG112TN01
HFNLYFSP111CWNA	NF3LLFSP402UT06	SFNLYFJP111TW01	SFNNYFSG112TW01
HFNLYRSP111CW01	NF3LLFSP402UW01	SFNLYFSG111TN01	SFNNYFSP112TN01
HFNLYRSP111CWNA	NF3LXFSG401UN01	SFNLYFSG111TW01	SFNNYFSP112TW01
HFNNEFSP112CW01	NF3LXFSG401UW01	SFNLYFSG111TWNA	SFNNYRSP111TW01
HFNNERSP112CW01	NF3LXFSG402UN01	SFNLYFSP111TN01	SFNNYRSP112TW01
HFNNXFSP112CN01	NF3LXFSG402UW01	SFNLYFSP111TW01	SFNWCFSG111TN01
HFNNXFSP111CW01	NF3LXFSP401UN01	SFNLYFSP111TWNA	SFNWCFSG112TN01
HFNNXFSP112CW01	NF3LXFSP401UW01	SFNLYRSP111TW01	SFNWCFSG112TN11
HFNNXRSP111CW01	NF3LXFSP402NW22	SFNLYRSP111TWNA	SFNWCFSP111TN01
HFNNXRSP112CW01	NF3LXFSP402UN01		SFNWCFSP112TN01
HFNNYFSP112CW01	NF3LXFSP402UW01		SFNWCFSP112TN11
HFNNYRSP112CW01	NF3LXFSP402UW06		SFNWYFSG111TN01
	NF3LYFSG401UW01		SFNWYFSG112TN01
	NF3LYFSG402UW01		SFNWYFSG112TN11
	PF3LGFSP402UG01		SFNWYFSP111TN01
	PF3LLFSP402UG01		SFNWYFSP112TN01
	PF3LXFSP402UG01		SFNWYFSP112TN11
	PFNLXFSP302UG01		

Control Panel and Controls (Drawing 1 of 3)

Models BF3LXFSG401UN01, BF3LXFSG401UW01, BF3LXFSG402UN01, BF3LXFSP401UN01, BF3LXFSP401UW01, BF3LXFSP402UN01, BF3LXFSP402UW01, NF3LXFSG401UN01, NF3LXFSG401UW01, NF3LXFSG402UN01, NF3LXFSG402UW01, NF3LXFSP401UN01, NF3LXFSP401UW01, NF3LXFSP402NW22, NF3LXFSP402UN01, NF3LXFSP402UW01, NF3LXFSP402UW06, NF3LYFSG401UW01, NF3LYFSG402UW01, PF3LXFSP402UG01, PFNLXFSP302UG01, RFNLYFSP111CW01, SFNLCFJP111TW01, SFNLCFSG111TN01, SFNLCFSG111TQ01, SFNLCFSG111TW01, SFNLCFSG111TWNA, SFNLCFSP111TN01, SFNLCFSP111TQ01, SFNLCFSP111TW01, SFNLCFSP111TWNA, SFNLXFSG082JW01, SFNLXFSG111TW01, SFNLXFSP111TN01, SFNLXFSP111TW01, SFNLXFSP301AN01, SFNLXFSP301AW01, SFNLXFSP302AW01, SFNLXFSP302AN01, SFNLYFJP111TW01, SFNLYFSG111TN01, SFNLYFSG111TW01, SFNLYFSG111TWNA, SFNLYFSP111TN01, SFNLYFSP111TW01, SFNLYFSP111TWNA, SFNNCFJP112TW01, SFNNCFSG111TN01, SFNNCFSG112TN01, SFNNCFSG112TQ01, SFNNCFSP112TW01, SFNNCFSP111TN01, SFNNCFSP111TW01, SFNNCFSP112TN01, SFNNCFSP112TQ01, SFNNCFSP112TW01, SFNNXFSG082JW01, SFNNXFSG112TW01, SFNNXFSP112TN01, SFNNXFSP112TW01, SFNNYFJP112TW01, SFNNYFSG112TN01, SFNNYFSG112TW01, SFNNYFSP112TN01, SFNNYFSP112TW01, SFNWCFSG111TN01, SFNWCFSG112TN01, SFNWCFSG112TN11, SFNWCFSF111TN01, SFNWCFSF112TN01, SFNWCFSF112TN11, SFNWFYFSG111TN01, SFNWFYFSG112TN01, SFNWFYFSG112TN11, SFNWFYFSP111TN01, SFNWFYFSP112TN01 and SFNWFYFSP112TN11



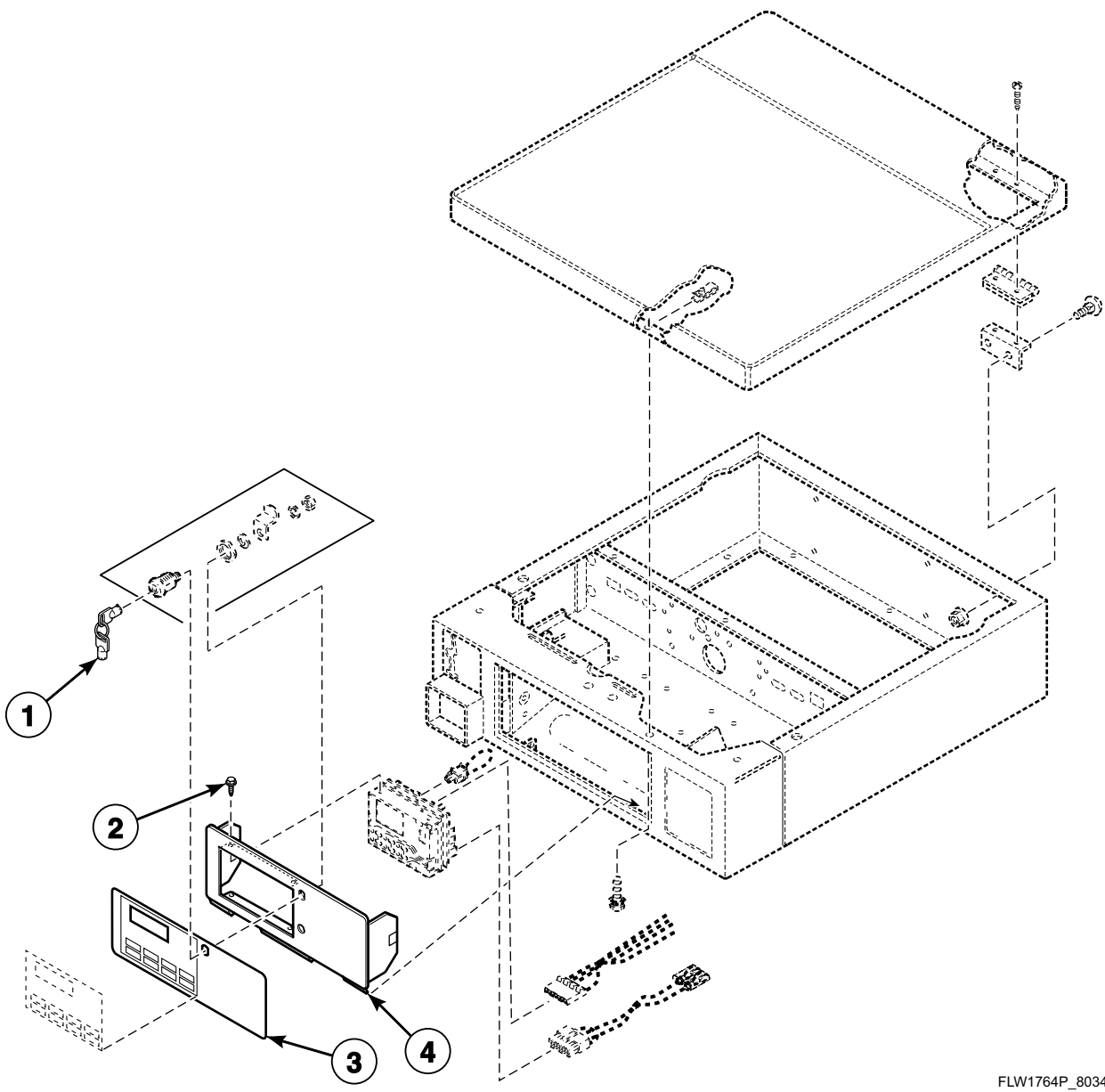
FLW1695PB_803401

Control Panel and Controls (Drawing 1 of 3)

REF	PART NO.	DESCRIPTION	COMMENTS
	NK202	Network Retrofit Kit	Wired
	NK220	Network Controller Kit	Wired
	NK301	Wireless Network Kit	
	NK320	Ethernet Gateway Kit	Wireless
	NK330	USB Gateway Kit	Wireless
1	27260P	Lock Kit	
2	27261	Lock Cam	
3	802913P	Wire Harness Assembly	Gravity drain jumper; Models SFNLCFSG111TN01, SFNLCFSG111TQ01, SFNLCFSG111TW01, SFNLCFSG111TWNA, SFNLXFSG082JW01, SFNLXFSG111TW01, SFNLYFSG111TN01, SFNLYFSG111TW01, SFNLYFSG111TWNA, SFNNCFSG111TN01, SFNNCFSG112TN01, SFNNCFSG112TQ01, SFNNCFSG112TW01, SFNNXFSG082JW01, SFNNXFSG112TW01, SFNNYFSG112TN01, SFNNYFSG112TW01, SFNWCFSG111TN01, SFNWCFSG112TN01, SFNWCFSG112TN11, SFNWFYFSG111TN01, SFNWFYFSG112TN01 and SFNWFYFSG112TN11
4	23008	Screw	
5	D511478	Central Pay Harness	
6	800374	Diagnostic Wire Harness Assembly	Models NF3LYFSG401UW01, NF3LYFSG402UW01, RFNLYFSP111CW01, SFNLYFJP111TW01, SFNLYFSG111TN01, SFNLYFSG111TW01, SFNLYFSG111TWNA, SFNLYFSP111TN01, SFNLYFSP111TW01, SFNLYFSP111TWNA, SFNNYFJP112TW01, SFNNYFSG112TN01, SFNNYFSG112TW01, SFNNYFSP112TN01, SFNNYFSP112TW01, SFNWFYFSG111TN01, SFNWFYFSG112TN01, SFNWFYFSG112TN11, SFNWFYFSP111TN01, SFNWFYFSP112TN01 and SFNWFYFSP112TN11
7	802912P	Control Assembly	Models BF3LXFSG401UN01, BF3LXFSG401UW01, BF3LXFSG402UN01, BF3LXFSP401UN01, BF3LXFSP401UW01, BF3LXFSP402UN01, BF3LXFSP402UW01, NF3LXFSG401UN01, NF3LXFSG401UW01, NF3LXFSG402UN01, NF3LXFSG402UW01, NF3LXFSP401UN01, NF3LXFSP401UW01, NF3LXFSP402NW22, NF3LXFSP402UN01, NF3LXFSP402UW01, NF3LXFSP402UW06, NF3LYFSG401UW01, NF3LYFSG402UW01 and PF3LXFSP402UG01
	803619P	Control Assembly	All other models

Control Panel and Controls (Drawing 2 of 3)

Models BF3LXFSG401UN01, BF3LXFSG401UW01, BF3LXFSG402UN01, BF3LXFSP401UN01, BF3LXFSP401UW01, BF3LXFSP402UN01, BF3LXFSP402UW01, NF3LXFSG401UN01, NF3LXFSG401UW01, NF3LXFSG402UN01, NF3LXFSG402UW01, NF3LXFSP401UN01, NF3LXFSP401UW01, NF3LXFSP402NW22, NF3LXFSP402UN01, NF3LXFSP402UW01, NF3LXFSP402UW06, NF3LYFSG401UW01, NF3LYFSG402UW01, PF3LXFSP402UG01, PFNLCFSP302UG01, RFNLYFSP111CW01, SFNLCFJP111TW01, SFNLCFSG111TN01, SFNLCFSG111TQ01, SFNLCFSG111TW01, SFNLCFSG111TWNA, SFNLCFSP111TN01, SFNLCFSP111TQ01, SFNLCFSP111TW01, SFNLCFSP111TWNA, SFNLXFSG082JW01, SFNLXFSG111TW01, SFNLXFSP111TN01, SFNLXFSP111TW01, SFNLXFSP301AN01, SFNLXFSP301AW01, SFNLXFSP302AW01, SFNLXFSP302AN01, SFNLYFJP111TW01, SFNLYFSG111TN01, SFNLYFSG111TW01, SFNLYFSG111TWNA, SFNLYFSP111TN01, SFNLYFSP111TW01, SFNLYFSP111TWNA, SFNNCFJP112TW01, SFNNCFSG111TN01, SFNNCFSG112TN01, SFNNCFSG112TQ01, SFNNCFSP112TW01, SFNNCFSP111TN01, SFNNCFSP111TW01, SFNNCFSP112TN01, SFNNCFSP112TQ01, SFNNCFSP112TW01, SFNNXFSG082JW01, SFNNXFSG112TW01, SFNNXFSP112TN01, SFNNXFSP112TW01, SFNNYFJP112TW01, SFNNYFSG112TN01, SFNNYFSG112TW01, SFNNYFSP112TN01, SFNNYFSP112TW01, SFNWCFSG111TN01, SFNWCFSG112TN01, SFNWCFSG112TN11, SFNWCFSF111TN01, SFNWCFSF112TN01, SFNWCFSF112TN11, SFNWFYFSG111TN01, SFNWFYFSG112TN01, SFNWFYFSG112TN11, SFNWFYFSP111TN01, SFNWFYFSP112TN01 and SFNWFYFSP112TN11



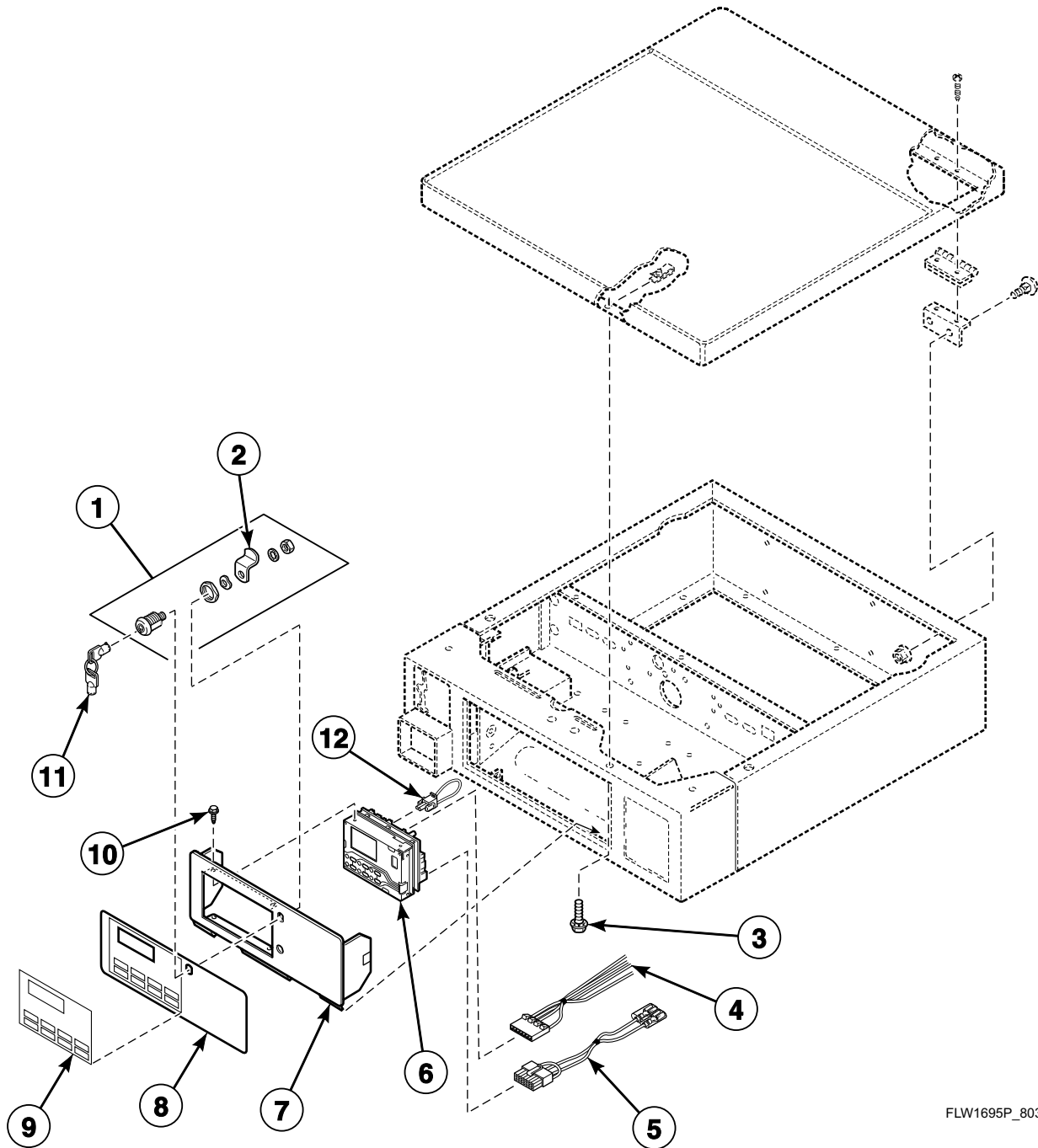
FLW1764P_803401

Control Panel and Controls (Drawing 2 of 3)

REF	PART NO.	DESCRIPTION	COMMENTS
	NK202	Network Retrofit Kit	Wired
	NK220	Network Controller Kit	Wired
	NK301	Wireless Network Kit	
	NK320	Ethernet Gateway Kit	Wireless
	NK330	USB Gateway Kit	Wireless
1	54612	Key	GR800
2	D501524	Screw	
3	802885	Control Overlay	Models SFNLCFJP111TW01, SFNLCFSG111TN01, SFNLCFSG111TQ01, SFNLCFSG111TW01, SFNLCFSG111TWNA, SFNLCFSP111TN01, SFNLCFSP111TQ01, SFNLCFSP111TW01, SFNLCFSP111TWNA, SFNLXFSG082JW01, SFNLXFSG111TW01, SFNLXFSP111TN01, SFNLXFSP111TW01, SFNLXFSP301AN01, SFNLXFSP301AW01, SFNLXFSP302AW01, SFNLXFSP302AN01, SFNLYFJP111TW01, SFNLYFSG111TN01, SFNLYFSG111TW01, SFNLYFSG111TWNA, SFNLYFSP111TN01, SFNLYFSP111TW01, SFNLYFSP111TWNA, SFNNCFJP112TW01, SFNNCFSG111TN01, SFNNCFSG112TN01, SFNNCFSG112TQ01, SFNNCFSG112TW01, SFNNCFSP111TN01, SFNNCFSP111TW01, SFNNCFSP112TN01, SFNNCFSP112TQ01, SFNNCFSP112TW01, SFNNXFSG082JW01, SFNNXFSG112TW01, SFNNXFSP112TN01, SFNNXFSP112TW01, SFNNYFJP112TW01, SFNNYFSG112TN01, SFNNYFSG112TW01, SFNNYFSP112TN01, SFNNYFSP112TW01, SFNWCFSG111TN01, SFNWCFSG112TN01, SFNWCFSG112TN11, SFNWCFSF111TN01, SFNWCFSF112TN01, SFNWCFSF112TN11, SFNWFYFSG111TN01, SFNWFYFSG112TN01, SFNWFYFSG112TN11, SFNWFYFSP111TN01, SFNWFYFSP112TN01 and SFNWFYFSP112TN11
	802984	Control Overlay	Model RFNLYFSP111CW01
	803138	Overlay	Models BF3LXFSG401UN01, BF3LXFSG402UN01, BF3LXFSG401UW01, BF3LXFSP401UN01, BF3LXFSP402UN01, BF3LXFSP401UW01 and BF3LXFSP402UW01
	802945	Overlay	Models NF3LXFSG401UN01, NF3LXFSG401UW01, NF3LXFSG402UN01, NF3LXFSG402UW01, NF3LXFSP401UN01, NF3LXFSP401UW01, NF3LXFSP402NW22, NF3LXFSP402UN01, NF3LXFSP402UW01, NF3LXFSP402UW06, NF3LYFSG401UW01 and NF3LYFSG402UW01
	804915	Overlay	Models PF3LXFSP402UG01 and PFNLXFSP302UG01
4	800035Q	Control Panel and Bracket Assembly	Models SFNLCFSG111TQ01, SFNLCFSP111TQ01, SFNNCFSG112TQ01 and SFNNCFSP112TQ01
	800035B	Control Panel and Bracket Assembly	Models BF3LXFSG401UN01, BF3LXFSG402UN01, BF3LXFSP401UN01, BF3LXFSP402UN01, NF3LXFSG401UN01, NF3LXFSG402UN01, NF3LXFSP401UN01, NF3LXFSP402UN01, SFNLCFSG111TN01, SFNLCFSP111TN01, SFNLXFSP111TN01, SFNLXFSP301AN01, SFNLXFSP302AN01, SFNLYFSG111TN01, SFNLYFSP111TN01, SFNNCFSG111TN01, SFNNCFSG112TN01, SFNNCFSP111TN01, SFNNCFSP112TN01, SFNNXFSP112TN01, SFNNYFSG112TN01, SFNNYFSP112TN01, SFNWCFSG111TN01, SFNWCFSG112TN01, SFNWCFSG112TN11, SFNWCFSF111TN01, SFNWCFSF112TN01, SFNWCFSF112TN11, SFNWFYFSG111TN01, SFNWFYFSG112TN01, SFNWFYFSG112TN11, SFNWFYFSP111TN01, SFNWFYFSP112TN01 and SFNWFYFSP112TN11
	800035G	Control Panel and Bracket Assembly	Models PF3LXFSP402UG01 and PFNLXFSP302UG01
	800035W	Control Panel and Bracket Assembly	All other models

Control Panel and Controls (Drawing 3 of 3)

Models HFNLEFSP111CW01, HFNLEFSP111CWNA, HFNLXFSP111CN01, HFNLXFSP111CW01, HFNLYFSP111CW01, HFNLYFSP111CWNA, HFNNEFSP112CW01, HFNNXFSP112CN01, HFNNXFSP111CW01, HFNNXFSP112CW01, HFNNYFSP112CW01, JF3LEFSP411EW01, JFNLEFSG301EW01 and JFNLEFSP301EW01



FLW1695P_803401

Control Panel and Controls (Drawing 3 of 3)

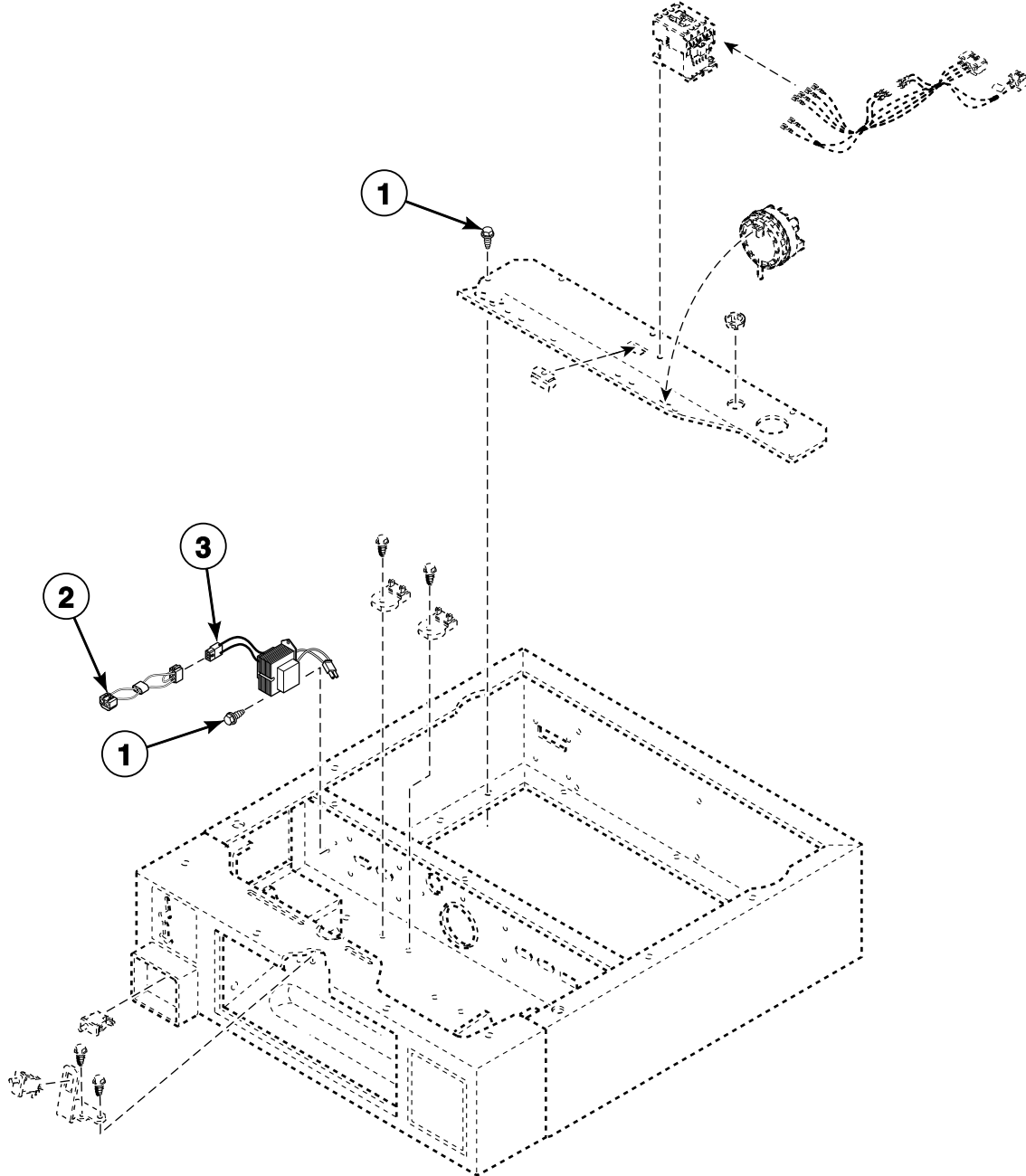
REF	PART NO.	DESCRIPTION	COMMENTS
	NK202	Network Retrofit Kit	Wired
	NK220	Network Controller Kit	Wired
	NK301	Wireless Network Kit	
	NK320	Ethernet Gateway Kit	Wireless
	NK330	USB Gateway Kit	Wireless
1	27260P	Lock Kit	
2	27261	Lock Cam	
3	23008	Screw	
4	D511478	Central Pay Harness	
5	800374	Diagnostic Wire Harness Assembly	Models HFNLYFSP111CW01, HFNLYFSP111CWNA and HFNNYFSP112CW01
6	803306P	Control Assembly	Models JFNLEFSG301EW01 and JFNLEFSP301EW01
	803367P	Control Assembly	Model JF3LEFSP411EW01
	803619P	Control Assembly	All other models
7	800035B	Control Panel and Bracket Assembly	Models HFNLXFSP111CN01, HFNNXFSP112CN01, JF3LEFSP411EW01, JFNLEFSG301EW01 and JFNLEFSP301EW01
	800035W	Control Panel and Bracket Assembly	All other models
8	802992	Control Overlay	Models HFNLEFSP111CW01, HFNLEFSP111CWNA, HFNLXFSP111CN01, HFNLXFSP111CW01, HFNLYFSP111CW01, HFNLYFSP111CWNA, HFNNEFSP112CW01, HFNNXFSP112CN01, HFNNXFSP111CW01, HFNNXFSP112CW01 and HFNNYFSP112CW01
	803283	Control Overlay	Models JF3LEFSP411EW01, JFNLEFSG301EW01 and JFNLEFSP301EW01
9	803596	Control Overlay	French/English; Models HFNLEFSP111CW01, HFNLEFSP111CWNA, HFNLXFSP111CN01, HFNLXFSP111CW01, HFNLYFSP111CW01, HFNLYFSP111CWNA, HFNNEFSP112CW01, HFNNXFSP112CN01, HFNNXFSP111CW01, HFNNXFSP112CW01 and HFNNYFSP112CW01
10	D501524	Screw	
11	54612	Key	GR800
12	802913P	Wire Harness Assembly	Gravity drain jumper; Model JFNLEFSG301EW01

Top Assembly

REF	PART NO.	DESCRIPTION	COMMENTS
1	802247QP	Top and Gusset Assembly	Models SFNLCFSG111TQ01, SFNLCFSP111TQ01, SFNNCFSG112TQ01 and SFNNCFSP112TQ01; Includes 802247Q Top and Gusset Assembly, (10) 02788 Nut, (10) 34337 Screw, (2) D510146 Bracket and 2 each items 3 and 5
	D512967	Stainless Steel Top	Models BF3LXFSG401UN01, BF3LXFSG402UN01, BF3LXFSP401UN01, BF3LXFSP402UN01, NF3LXFSG401UN01, NF3LXFSG402UN01, NF3LXFSP401UN01 and NF3LXFSP402UN01; Models HFNLXFSP111CN01, HFNNXFSP112CN01, SFNLCFSG111TN01, SFNLCFSP111TN01, SFNLXFSP111TN01, SFNLYFSG111TN01, SFNLYFSP111TN01, SFNNXFSP112TN01, SFNNYFSG112TN01 and SFNNYFSP112TN01 through Serial No. 1005018719
	803144P	Top Kit	Models HFNLXFSP111CN01, HFNNXFSP112CN01, SFNLCFSG111TN01, SFNLCFSP111TN01, SFNLXFSP111TN01, SFNLYFSG111TN01, SFNLYFSP111TN01, SFNNXFSP112TN01, SFNNYFSG112TN01 and SFNNYFSP112TN01 starting Serial No. 1005018720; Models SFNLXFSP301AN01, SFNLXFSP302AN01, SFNNCFSG111TN01, SFNNCFSG112TN01, SFNNCFSP111TN01, SFNNCFSP112TN01, SFNWCFSG111TN01, SFNWCFSG112TN01, SFNWCFSP111TN01, SFNWCFSP112TN01, SFNWCFSP112TN11, SFNWYFSG111TN01, SFNWYFSG112TN01, SFNWYFSG112TN11, SFNWYFSP111TN01, SFNWYFSP112TN01 and SFNWYFSP112TN11; Includes items 3, 4, 6, 7 and 4 each 22649 Screw and 51236 Nut
	D512878G	Top and Gusset Assembly	Models PF3LXFSP402UG01 and PFNLXFSP302UG01
	802247WP	Top and Gusset Assembly	All other models; Includes 802247W Top and Gusset Assembly, (10) 02788 Nut, (10) 34337 Screw, (2) D510146 Bracket and 2 each items 3 and 5
2	685847	Pop Rivet	
3	D511036	Hinge	
4	29651	Bolt	
5	D504228	Top Mounting Bracket	
6	36020	Nut	
7	44087201	Nut	

Control Cabinet Controls (Drawing 1 of 3)

Front Control Coin and Card Models



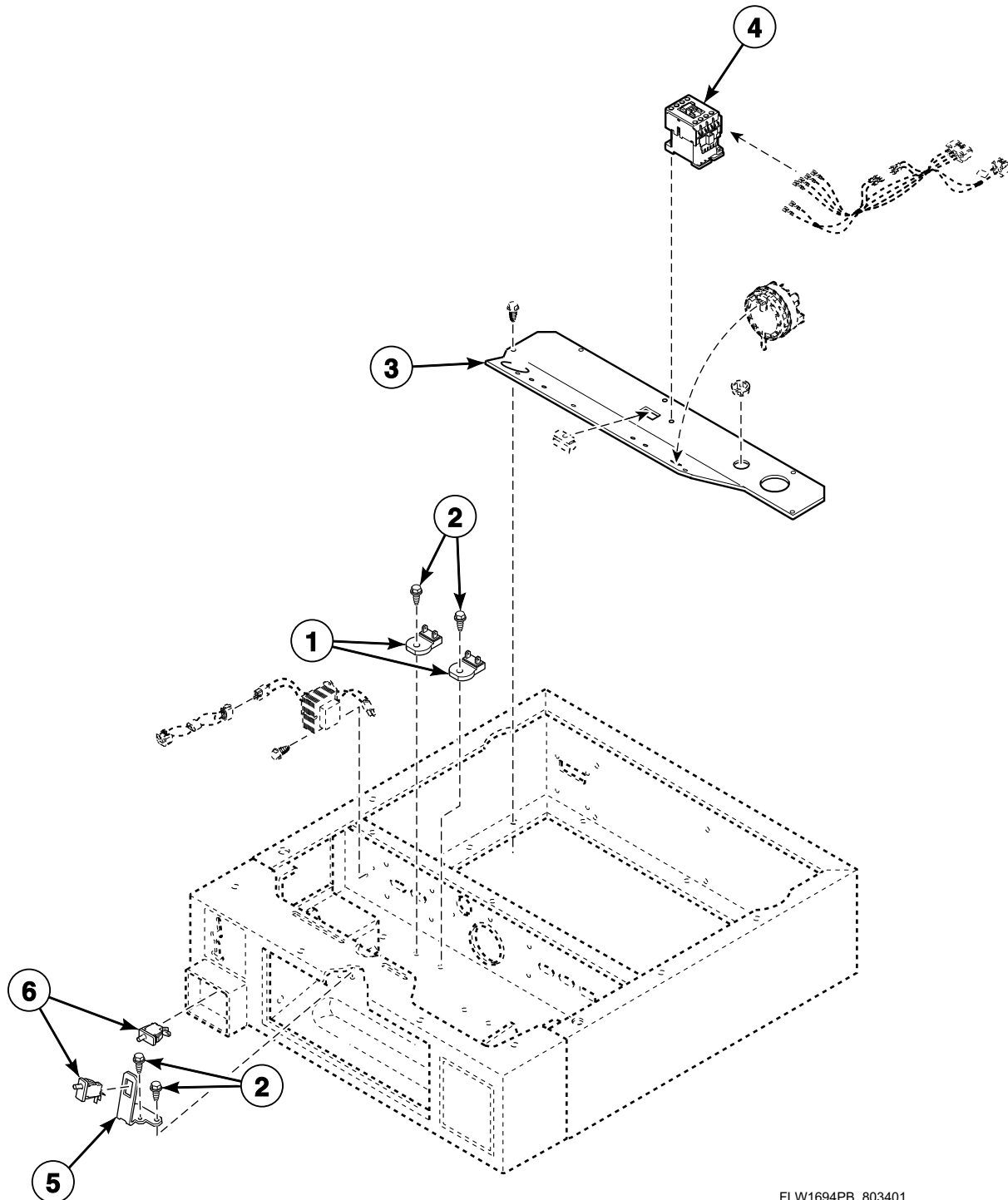
FLW1694PA_803401

Control Cabinet Controls (Drawing 1 of 3)

REF	PART NO.	DESCRIPTION	COMMENTS
1	D503661	Screw	
2	M413504	Jumper Harness Assembly	Models SFNLXFSG082JW01 and SFNNXFSG082JW01
	M413507	Jumper Configuration Assembly	Models BF3LXFSG401UN01, BF3LXFSG401UW01, BF3LXFSG402UN01, BF3LXFSP401UN01, BF3LXFSP401UW01, BF3LXFSP402UN01, BF3LXFSP402UW01, JF3LEFSP411EW01, JFNLEFSG301EW01, JFNLEFSP301EW01, NF3LXFSG401UN01, NF3LXFSG401UW01, NF3LXFSG402UN01, NF3LXFSG402UW01, NF3LXFSP401UN01, NF3LXFSP401UW01, NF3LXFSP402NW22, NF3LXFSP402UN01, NF3LXFSP402UW01, NF3LXFSP402UW06, NF3LYFSG401UW01, NF3LYFSG402UW01, PF3LXFSP402UG01, PFNLXFSP302UG01, SFNLXFSP301AN01, SFNLXFSP301AW01, SFNLXFSP302AW01, SFNLXFSP302AN01, SFNNCFJP112TW01, SFNNCFSG112TN01, SFNNCFSG112TQ01, SFNNCFSG112TW01, SFNNCFSP112TN01, SFNNCFSP112TQ01, SFNNCFSP112TW01, SFNWCFSG112TN01, SFNWCFSP112TN01 and SFNWCFSP112TN11
3	210018P	Transformer	Models SFNLCFJP111TW01, SFNLCFSG111TN01, SFNLCFSG111TQ01, SFNLCFSG111TW01, SFNLCFSG111TWNA, SFNLCFSP111TN01, SFNLCFSP111TQ01, SFNLCFSP111TW01, SFNLCFSP111TWNA, SFNNCFJP112TW01, SFNNCFSG111TN01, SFNNCFSG112TN01, SFNNCFSG112TQ01, SFNNCFSG112TW01, SFNNCFSP111TN01, SFNNCFSP111TW01, SFNNCFSP112TN01, SFNNCFSP112TQ01, SFNNCFSP112TW01, SFNWCFSG111TN01, SFNWCFSG112TN01, SFNWCFSP111TN01, SFNWCFSP112TN01 and SFNWCFSP112TN11
	803527P	Transformer	Models BF3LXFSG401UN01, BF3LXFSG401UW01, BF3LXFSG402UN01, BF3LXFSP401UN01, BF3LXFSP401UW01, BF3LXFSP402UN01, BF3LXFSP402UW01, JF3LEFSP411EW01, JFNLEFSG301EW01, JFNLEFSP301EW01, NF3LXFSG401UN01, NF3LXFSG401UW01, NF3LXFSG402UN01, NF3LXFSG402UW01, NF3LXFSP401UN01, NF3LXFSP401UW01, NF3LXFSP402NW22, NF3LXFSP402UN01, NF3LXFSP402UW01, NF3LXFSP402UW06, NF3LYFSG401UW01, NF3LYFSG402UW01, PF3LXFSP402UG01, PFNLXFSP302UG01, SFNLXFSG111TW01, SFNLXFSP301AN01, SFNLXFSP301AW01, SFNLXFSP302AW01, SFNLXFSP302AN01, SFNNXFSG082JW01 and SFNNXFSG112TW01
	201375P	Transformer	Some models may have jumper wire attached to transformer. Discard jumper wire when replacing transformer; All other models

Control Cabinet Controls (Drawing 2 of 3)

Front Control Coin and Card Models



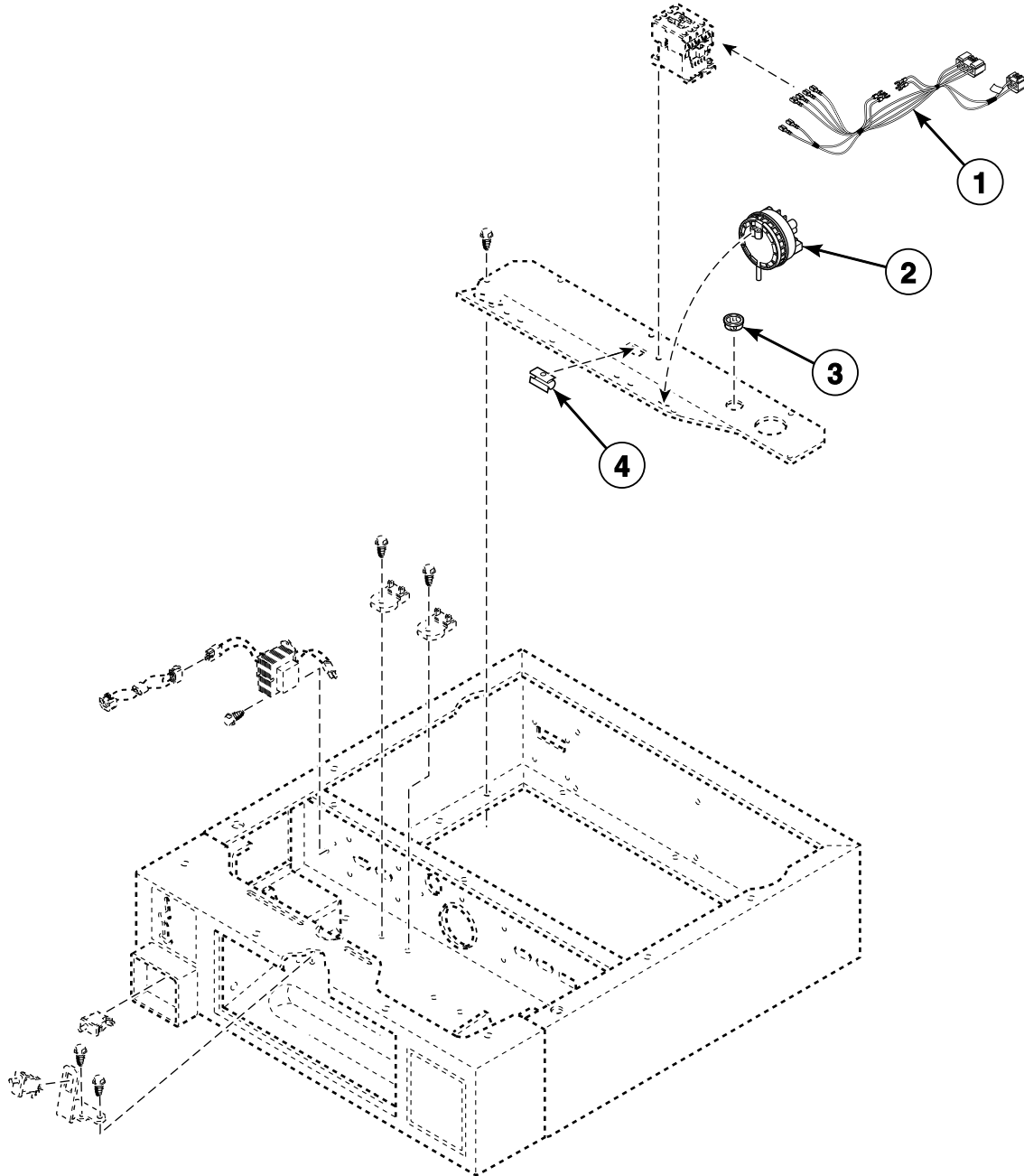
FLW1694PB_803401

Control Cabinet Controls (Drawing 2 of 3)

REF	PART NO.	DESCRIPTION	COMMENTS
1	210100	Resistor	Models BF3LXFSG401UN01, BF3LXFSG401UW01, BF3LXFSG402UN01, BF3LXFSP401UN01, BF3LXFSP401UW01, BF3LXFSP402UN01, BF3LXFSP402UW01, JF3LEFSP411EW01, JFNLEFSG301EW01, JFNLEFSP301EW01, NF3LXFSG401UN01, NF3LXFSG401UW01, NF3LXFSG402UN01, NF3LXFSG402UW01, NF3LXFSP401UN01, NF3LXFSP401UW01, NF3LXFSP402NW22, NF3LXFSP402UN01, NF3LXFSP402UW01, NF3LXFSP402UW06, NF3LYFSG401UW01, NF3LYFSG402UW01, PF3LXFSP402UG01, PFNLXFSP302UG01, SFNLXFSP301AN01, SFNLXFSP301AW01, SFNLXFSP302AW01 and SFNLXFSP302AN01
2	D503688	Screw	
3	801371	Control Shield	
4	F330177P	Contactor	Models BF3LXFSG401UN01, BF3LXFSG401UW01, BF3LXFSG402UN01, BF3LXFSP401UN01, BF3LXFSP401UW01, BF3LXFSP402UN01, BF3LXFSP402UW01, JF3LEFSP411EW01, NF3LXFSG401UN01, NF3LXFSG401UW01, NF3LXFSG402UN01, NF3LXFSG402UW01, NF3LXFSP401UN01, NF3LXFSP401UW01, NF3LXFSP402NW22, NF3LXFSP402UN01, NF3LXFSP402UW01, NF3LXFSP402UW06, NF3LYFSG401UW01, NF3LYFSG402UW01 and PF3LXFSP402UG01; Models through Serial Nos. beginning 1210
	F8379101	Contactor	Models BF3LXFSG401UN01, BF3LXFSG401UW01, BF3LXFSG402UN01, BF3LXFSP401UN01, BF3LXFSP401UW01, BF3LXFSP402UN01, BF3LXFSP402UW01, JF3LEFSP411EW01, NF3LXFSG401UN01, NF3LXFSG401UW01, NF3LXFSG402UN01, NF3LXFSG402UW01, NF3LXFSP401UN01, NF3LXFSP401UW01, NF3LXFSP402NW22, NF3LXFSP402UN01, NF3LXFSP402UW01, NF3LXFSP402UW06, NF3LYFSG401UW01, NF3LYFSG402UW01 and PF3LXFSP402UG01; Models starting Serial Nos. beginning 1210
5	800379	Audit Switch Bracket	
6	D512973	Switch	

Control Cabinet Controls (Drawing 3 of 3)

Front Control Coin and Card Models



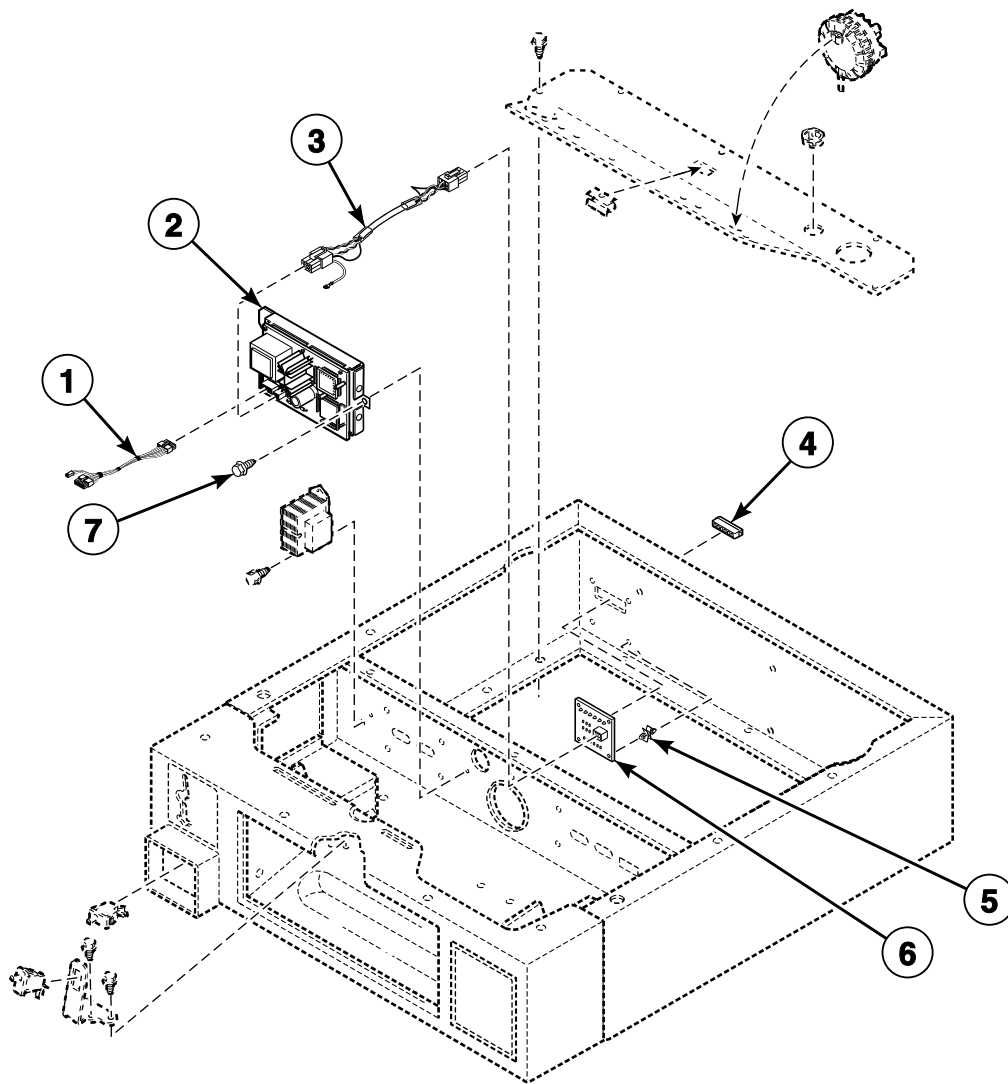
FLW1694PC_803401

Control Cabinet Controls (Drawing 3 of 3)

REF	PART NO.	DESCRIPTION	COMMENTS
1	801120P	Contactora Wire Harness Assembly	Models BF3LXFSG401UN01, BF3LXFSG401UW01, BF3LXFSG402UN01, BF3LXFSP401UN01, BF3LXFSP401UW01, BF3LXFSP402UN01, BF3LXFSP402UW01, JF3LEFSP411EW01, NF3LXFSG401UN01, NF3LXFSG401UW01, NF3LXFSG402UN01, NF3LXFSG402UW01, NF3LXFSP401UN01, NF3LXFSP401UW01, NF3LXFSP402NW22, NF3LXFSP402UN01, NF3LXFSP402UW01, NF3LXFSP402UW06, NF3LYFSG401UW01, NF3LYFSG402UW01 and PF3LXFSP402UG01; Models through Serial Nos. beginning 1210
	804229	Contactora Wire Harness Assembly	Models BF3LXFSG401UN01, BF3LXFSG401UW01, BF3LXFSG402UN01, BF3LXFSP401UN01, BF3LXFSP401UW01, BF3LXFSP402UN01, BF3LXFSP402UW01, JF3LEFSP411EW01, NF3LXFSG401UN01, NF3LXFSG401UW01, NF3LXFSG402UN01, NF3LXFSG402UW01, NF3LXFSP401UN01, NF3LXFSP401UW01, NF3LXFSP402NW22, NF3LXFSP402UN01, NF3LXFSP402UW01, NF3LXFSP402UW06, NF3LYFSG401UW01, NF3LYFSG402UW01 and PF3LXFSP402UG01; Models starting Serial Nos. beginning 1210
2	802299P	Pressure Switch	
3	M402542	Snap Bushing	
4	36985	Hose Clip	

Network Board Assembly

Models SFNWCFSG111TN01, SFNWCFSG112TN01, SFNWCFSG112TN11, SFNWCFSP111TN01, SFNWCFSP112TN01, SFNWCFSP112TN11, SFNWFYFSG111TN01, SFNWFYFSG112TN01, SFNWFYFSG112TN11, SFNWFYFSP111TN01, SFNWFYFSP112TN01 and SFNWFYFSP112TN11



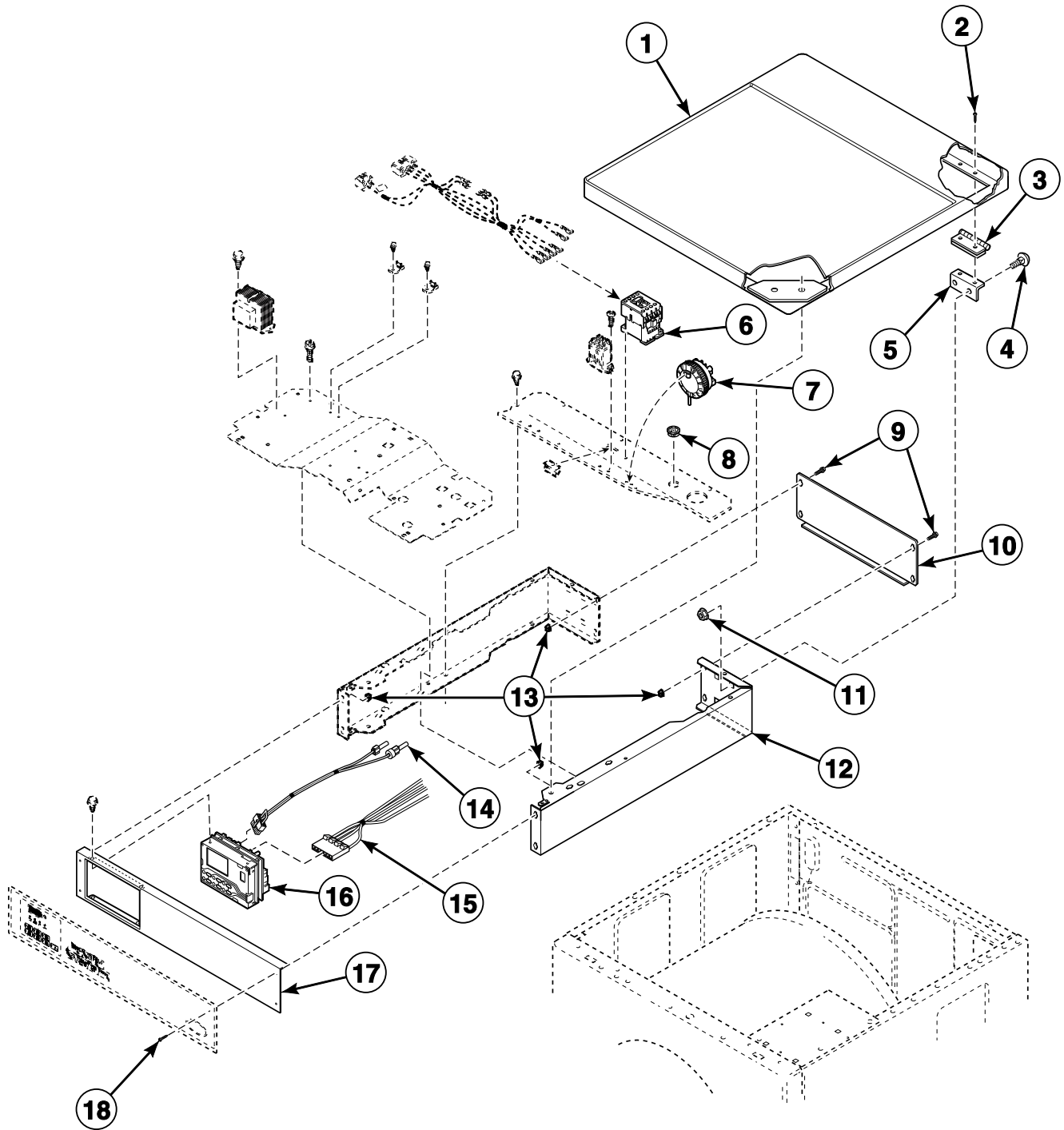
FLW896P_803401

Network Board Assembly

REF	PART NO.	DESCRIPTION	COMMENTS
1	44088501P	Network Wire Harness Assembly	
2	202335	Wireless Transceiver Assembly	Model SFNWCFS112TN11
	201341	Network Board Assembly	All other models
3	800216	Network Cable Wire Harness Assembly	All models except SFNWCFS112TN11
4	210099	Communication Connector	
5	210098	PC Board Standoff	All models except SFNWCFS112TN11
6	210095P	Communication Board	All models except SFNWCFS112TN11
7	D503661	Screw	

Control Cabinet and Controls (Drawing 1 of 2)

Models BF3LLFSG401UN01, BF3LLFSG401UW01, BF3LLFSG402UN01, BF3LLFSG402UW01, BF3LLFSP401UN01, BF3LLFSP401UW01, BF3LLFSP402UN01, BF3LLFSP402UW01, JF3LGFSP411EW01, JF3LGFSP411EW06, JF3LMFSG411EN01, JF3LMFSG411EN06, NF3LLFSG401UN01, NF3LLFSG401UT01, NF3LLFSG401UT06, NF3LLFSG402UN01, NF3LLFSG402UT01, NF3LLFSG402UT06, NF3LLFSP401NN22, NF3LLFSP401NW22, NF3LLFSP401UN01, NF3LLFSP401UT01, NF3LLFSP401UT06, NF3LLFSP401UW01, NF3LLFSP402NN22, NF3LLFSP402NW22, NF3LLFSP402UN01, NF3LLFSP402UT01, NF3LLFSP402UT06, NF3LLFSP402UW01, PF3LGFSP402UG01 and PF3LLFSP402UG01



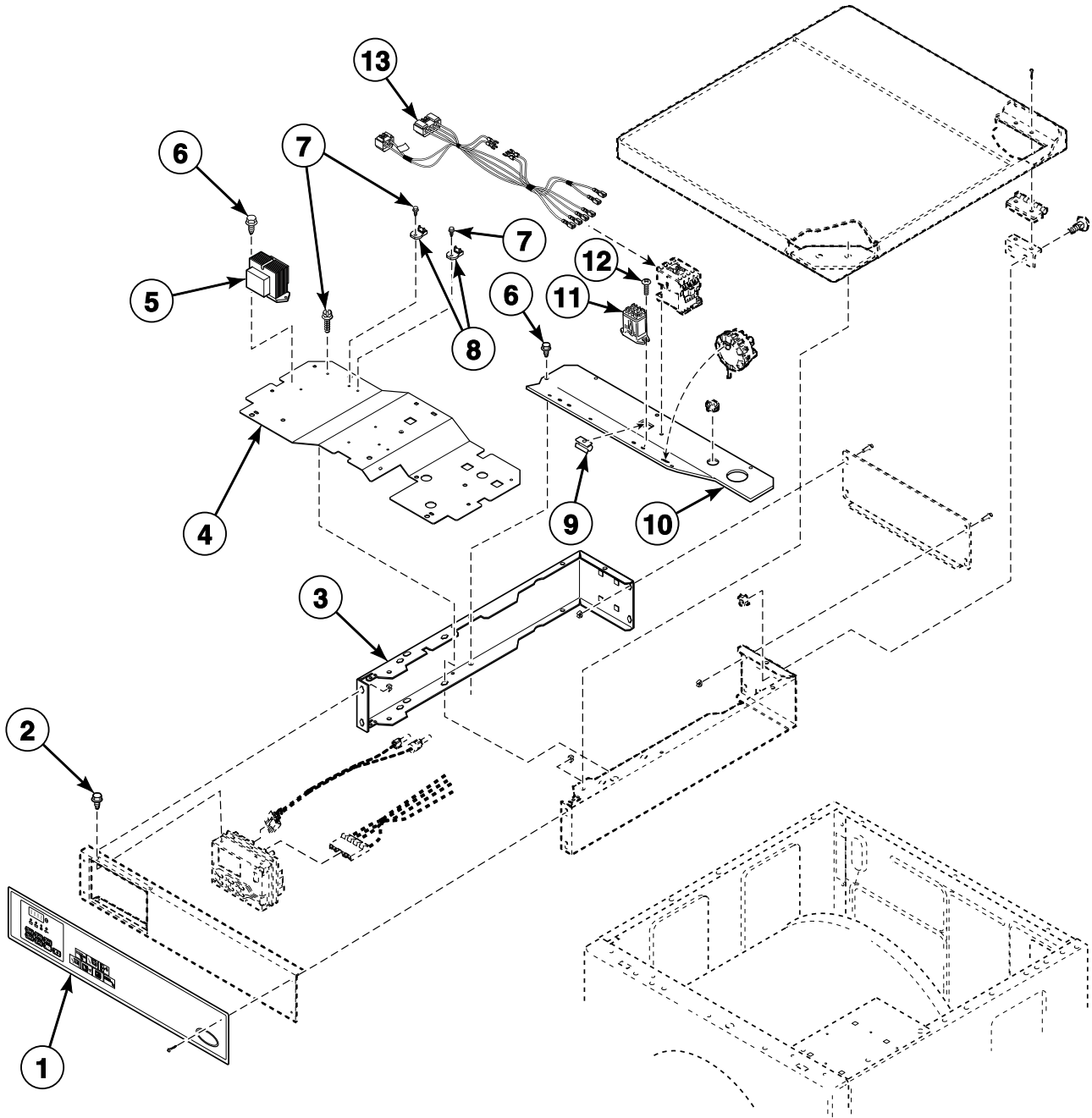
FLW1696PA_803401

Control Cabinet and Controls (Drawing 1 of 2)

REF	PART NO.	DESCRIPTION	COMMENTS
1	802247WP	Top and Gusset Assembly	White; Models BF3LLFSG401UW01, BF3LLFSG402UW01, BF3LLFSP401UW01, BF3LLFSP402UW01, JF3LGFSP411EW01, JF3LGFSP411EW06, NF3LLFSP401NW22, NF3LLFSP402NW22, NF3LLFSP401UW01 and NF3LLFSP402UW01
	D512878G	Top and Gusset Assembly	Models PF3LGFSP402UG01 and PF3LLFSP402UG01
	D512967	Stainless Steel Top	All other models
2	685847	Pop Rivet	
3	D511036	Hinge	
4	29651	Bolt	
5	D504228	Top Mounting Bracket	
6	F330177P	Contactora	Models through Serial Nos. beginning 1210
	F8379101	Contactora	Models starting Serial Nos. beginning 1210
7	803303P	Pressure Switch	Models JF3LMFSG411EN01 and JF3LMFSG411EN06
	802299P	Pressure Switch	All other models
8	M402542	Snap Bushing	
9	70240301	Screw	
10	801058	Rear Control Cabinet	
11	29796	Nut	
12	800915B	Right Control Cabinet Side	Models BF3LLFSG401UN01, BF3LLFSG402UN01, BF3LLFSP401UN01, BF3LLFSP402UN01, JF3LMFSG411EN01, JF3LMFSG411EN06, NF3LLFSG401UN01, NF3LLFSG402UN01, NF3LLFSP401NN22, NF3LLFSP401UN01, NF3LLFSP402NN22 and NF3LLFSP402UN01
	800915G	Right Control Cabinet Side	Models PF3LGFSP402UG01 and PF3LLFSP402UG01
	800915W	Right Control Cabinet Side	All other models
13	70030501	Expansion Clip	
14	202869	Wiring Harness Assembly	
15	D511478	Central Pay Harness	
16	803317P	Control Assembly	Models JF3LGFSP411EW01 and JF3LGFSP411EW06
	803321P	Control Assembly	Model JF3LMFSG411EN01 through Serial Nos. beginning 1003
	803541	Control Assembly	Model JF3LMFSG411EN01 starting Serial Nos. beginning 1003; Model JF3LMFSG411EN06
	802912P	Control Assembly	All other models
17	801737B	Control Panel	Models BF3LLFSG401UN01, BF3LLFSG402UN01, BF3LLFSP401UN01, BF3LLFSP402UN01, JF3LMFSG411EN01, JF3LMFSG411EN06, NF3LLFSG401UN01, NF3LLFSG402UN01, NF3LLFSP401NN22, NF3LLFSP401UN01, NF3LLFSP402NN22 and NF3LLFSP402UN01
	801737G	Control Panel	Models PF3LGFSP402UG01 and PF3LLFSP402UG01
	801737W	Control Panel	All other models
18	800930	Screw	

Control Cabinet and Controls (Drawing 2 of 2)

Models BF3LLFSG401UN01, BF3LLFSG401UW01, BF3LLFSG402UN01, BF3LLFSG402UW01, BF3LLFSP401UN01, BF3LLFSP401UW01, BF3LLFSP402UN01, BF3LLFSP402UW01, JF3LGFSP411EW01, JF3LGFSP411EW06, JF3LMFSG411EN01, JF3LMFSG411EN06, NF3LLFSG401UN01, NF3LLFSG401UT01, NF3LLFSG401UT06, NF3LLFSG402UN01, NF3LLFSG402UT01, NF3LLFSG402UT06, NF3LLFSP401NN22, NF3LLFSP401NW22, NF3LLFSP401UN01, NF3LLFSP401UT01, NF3LLFSP401UT06, NF3LLFSP401UW01, NF3LLFSP402NN22, NF3LLFSP402NW22, NF3LLFSP402UN01, NF3LLFSP402UT01, NF3LLFSP402UT06, NF3LLFSP402UW01, PF3LGFSP402UG01 and PF3LLFSP402UG01



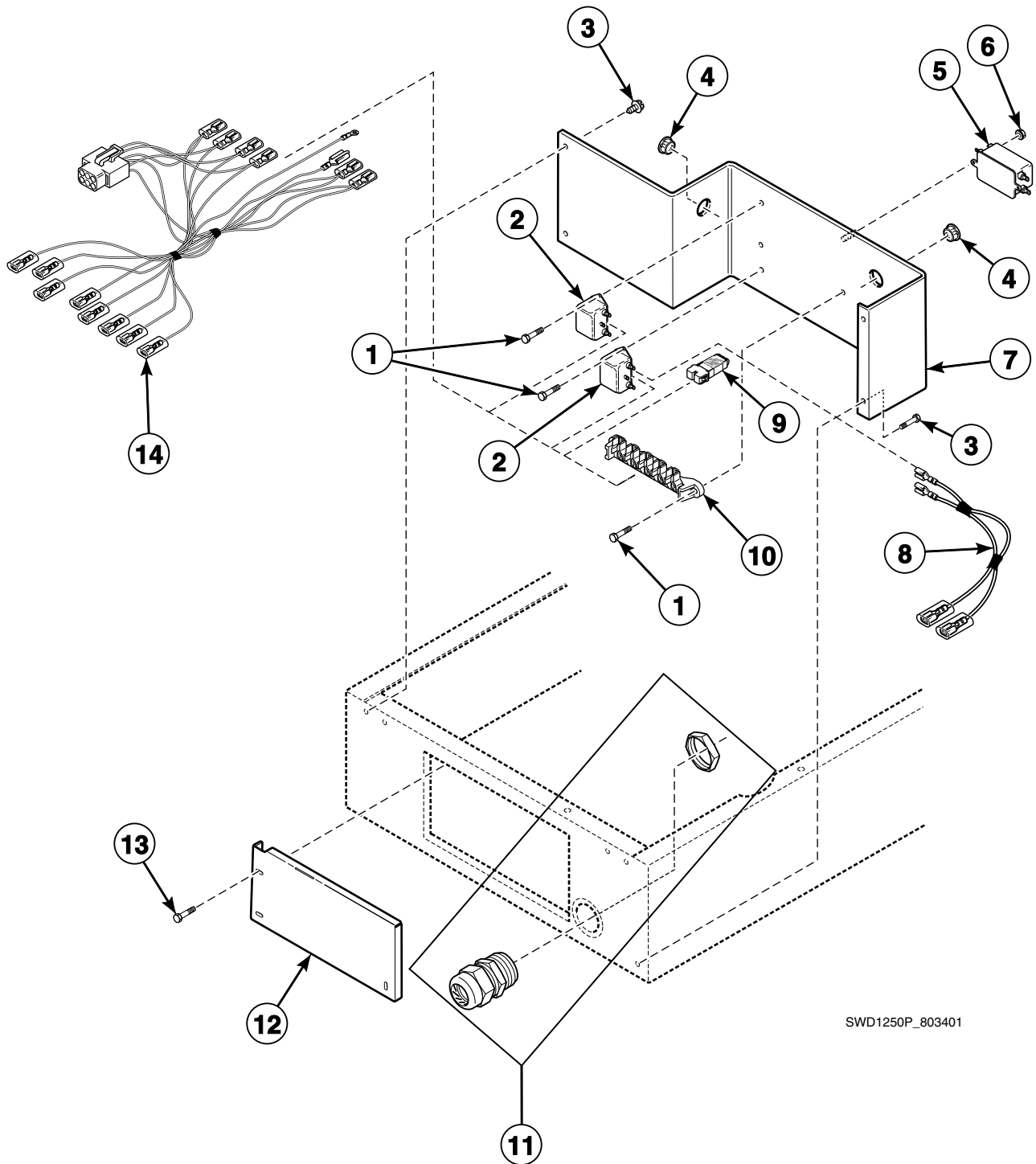
FLW1696PB_803401

Control Cabinet and Controls (Drawing 2 of 2)

REF	PART NO.	DESCRIPTION	COMMENTS
1	803137	Graphic Overlay	Models BF3LLFSG401UN01, BF3LLFSG402UN01, BF3LLFSG401UW01, BF3LLFSG402UW01, BF3LLFSP401UN01, BF3LLFSP402UN01, BF3LLFSP401UW01 and BF3LLFSP402UW01
	802995	Graphic Overlay	Models NF3LLFSG401UN01, NF3LLFSG402UN01, NF3LLFSG401UT01, NF3LLFSG402UT01, NF3LLFSG401UT06, NF3LLFSG402UT06, NF3LLFSP401NN22, NF3LLFSP402NN22, NF3LLFSP401NW22, NF3LLFSP402NW22, NF3LLFSP401UN01, NF3LLFSP402UN01, NF3LLFSP401UT01, NF3LLFSP402UT01, NF3LLFSP401UT06, NF3LLFSP402UT06, NF3LLFSP401UW01 and NF3LLFSP402UW01
	803282	Overlay	Models JF3LGFSP411EW01 and JF3LGFSP411EW06
	803281	Overlay	Models JF3LMFSG411EN01 and JF3LMFSG411EN06
	804917	Overlay	Models PF3LGFSP402UG01 and PF3LLFSP402UG01
	2	D501524	Screw
3	801738B	Left Control Cabinet Side	Models BF3LLFSG401UN01, BF3LLFSG402UN01, BF3LLFSP401UN01, BF3LLFSP402UN01, JF3LMFSG411EN01, JF3LMFSG411EN06, NF3LLFSG401UN01, NF3LLFSG402UN01, NF3LLFSP401NN22, NF3LLFSP402NN22, NF3LLFSP401UN01 and NF3LLFSP402UN01
	801738G	Left Control Cabinet Side	Models PF3LGFSP402UG01 and PF3LLFSP402UG01
	801738W	Left Control Cabinet Side	All other models
4	801777	Control Cabinet Bottom	
5	803527P	Transformer	
6	D503661	Screw	
7	D503688	Screw	
8	210100	Resistor	
9	36985	Hose Clip	
10	801371	Control Shield	
11	F330230	Flange Relay	Model JF3LMFSG411EN01 through Serial Nos. beginning 1003
12	51782	Screw	Model JF3LMFSG411EN01 through Serial Nos. beginning 1003
13	801120P	Contacto Wire Harness Assembly	Models through Serial Nos. beginning 1210
	804229	Contacto Wire Harness Assembly	Models starting Serial Nos. beginning 1210

Electrical Access Panel, Filters and Terminal Block

Models BF3LLFSG401UN01, BF3LLFSG401UW01, BF3LLFSG402UN01, BF3LLFSG402UW01, BF3LLFSP401UN01, BF3LLFSP401UW01, BF3LLFSP402UN01, BF3LLFSP402UW01, BF3LXFSG401UN01, BF3LXFSG401UW01, BF3LXFSG402UN01, BF3LXFSP401UN01, BF3LXFSP401UW01, BF3LXFSP402UN01, BF3LXFSP402UW01, JF3LEFSP411EW01, JF3LGFSP411EW01, JF3LGFSP411EW06, JF3LMFSG411EN01, JF3LMFSG411EN06, JFNLEFSG301EW01, JFNLEFSP301EW01, NF3LLFSG401UN01, NF3LLFSG401UT01, NF3LLFSG401UT06, NF3LLFSG402UN01, NF3LLFSG402UT01, NF3LLFSG402UT06, NF3LLFSP401NN22, NF3LLFSP401NW22, NF3LLFSP401UN01, NF3LLFSP401UT01, NF3LLFSP401UT06, NF3LLFSP401UW01, NF3LLFSP402NN22, NF3LLFSP402NW22, NF3LLFSP402UN01, NF3LLFSP402UT01, NF3LLFSP402UT06, NF3LLFSP402UW01, NF3LXFSG401UN01, NF3LXFSG401UW01, NF3LXFSG402UN01, NF3LXFSG402UW01, NF3LXFSP401UN01, NF3LXFSP401UW01, NF3LXFSP402NW22, NF3LXFSP402UN01, NF3LXFSP402UW01, NF3LXFSP402UW06, NF3LYFSG401UW01, NF3LYFSG402UW01, PF3LGFSP402UG01, PF3LLFSP402UG01 and PF3LXFSP402UG01



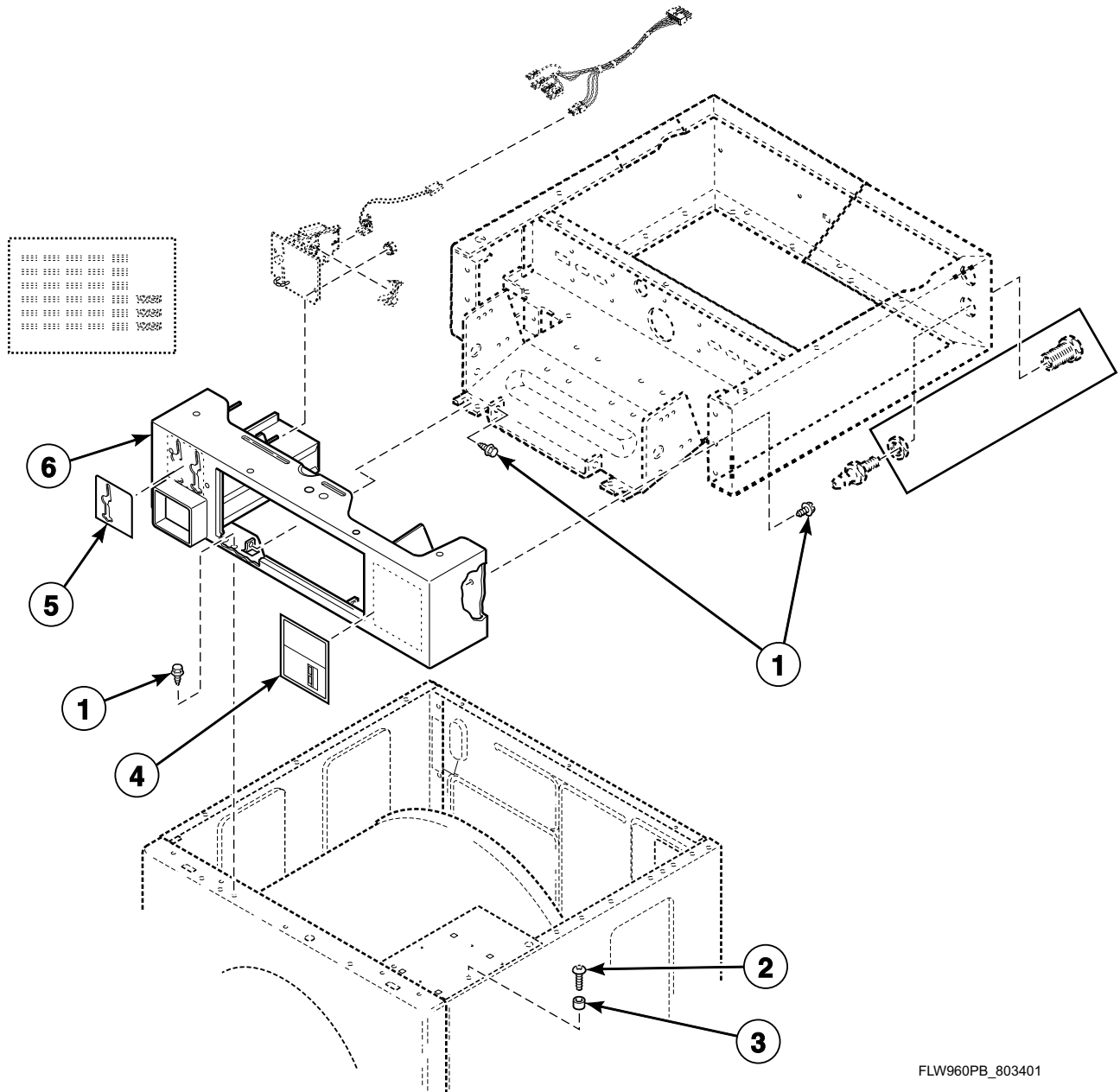
SWD1250P_803401

Electrical Access Panel, Filters and Terminal Block

REF	PART NO.	DESCRIPTION	COMMENTS
1	D503661	Screw	
2	801255P	Filter	All models except JFNLEFSG301EW01 and JFNLEFSP301EW01
3	D503688	Screw	
4	M402542	Snap Bushing	
5	201058	Line Filter	
6	29787	Nut	
7	801756	Terminal Block Assembly	Models BF3LLFSG401UN01, BF3LLFSG401UW01, BF3LLFSG402UN01, BF3LLFSG402UW01, BF3LLFSP401UN01, BF3LLFSP401UW01, BF3LLFSP402UN01, BF3LLFSP402UW01, JF3LGFSP411EW01, JF3LGFSP411EW06, JF3LMFSG411EN01, JF3LMFSG411EN06, NF3LLFSG401UN01, NF3LLFSG401UT01, NF3LLFSG401UT06, NF3LLFSG402UN01, NF3LLFSG402UT01, NF3LLFSG402UT06, NF3LLFSP401NN22, NF3LLFSP401NW22, NF3LLFSP401UN01, NF3LLFSP401UT01, NF3LLFSP401UT06, NF3LLFSP401UW01, NF3LLFSP402NN22, NF3LLFSP402NW22, NF3LLFSP402UN01, NF3LLFSP402UT01, NF3LLFSP402UT06, NF3LLFSP402UW01, PF3LGFSP402UG01 and PF3LLFSP402UG01
	801250	Terminal Block Assembly	All other models
8	801421	Wire Harness Assembly	1 Phase filter; Models JFNLEFSG301EW01 and JFNLEFSP301EW01
9	801311	Network Varistor Assembly	
10	D505876	Terminal Block Assembly	
11	801792P	Fitting	
12	801058	Rear Control Cabinet	Models BF3LLFSG401UN01, BF3LLFSG401UW01, BF3LLFSG402UN01, BF3LLFSG402UW01, BF3LLFSP401UN01, BF3LLFSP401UW01, BF3LLFSP402UN01, BF3LLFSP402UW01, JF3LGFSP411EW01, JF3LGFSP411EW06, JF3LMFSG411EN01, JF3LMFSG411EN06, NF3LLFSG401UN01, NF3LLFSG401UT01, NF3LLFSG401UT06, NF3LLFSG402UN01, NF3LLFSG402UT01, NF3LLFSG402UT06, NF3LLFSP401NN22, NF3LLFSP401NW22, NF3LLFSP401UN01, NF3LLFSP401UT01, NF3LLFSP401UT06, NF3LLFSP401UW01, NF3LLFSP402NN22, NF3LLFSP402NW22, NF3LLFSP402UN01, NF3LLFSP402UT01, NF3LLFSP402UT06, NF3LLFSP402UW01, PF3LGFSP402UG01 and PF3LLFSP402UG01
	801134	Electric Access Panel	All other models
13	70240301	Screw	Models BF3LLFSG401UN01, BF3LLFSG401UW01, BF3LLFSG402UN01, BF3LLFSG402UW01, BF3LLFSP401UN01, BF3LLFSP401UW01, BF3LLFSP402UN01, BF3LLFSP402UW01, JF3LGFSP411EW01, JF3LGFSP411EW06, JF3LMFSG411EN01, JF3LMFSG411EN06, NF3LLFSG401UN01, NF3LLFSG401UT01, NF3LLFSG401UT06, NF3LLFSG402UN01, NF3LLFSG402UT01, NF3LLFSG402UT06, NF3LLFSP401NN22, NF3LLFSP401NW22, NF3LLFSP401UN01, NF3LLFSP401UT01, NF3LLFSP401UT06, NF3LLFSP401UW01, NF3LLFSP402NN22, NF3LLFSP402NW22, NF3LLFSP402UN01, NF3LLFSP402UT01, NF3LLFSP402UT06, NF3LLFSP402UW01 and PF3LLFSP402UG01
	D503661	Screw	All other models
14	803314P	Wire Harness Assembly	1 Phase power; Models JFNLEFSG301EW01 and JFNLEFSP301EW01
	801261	Wire Harness Assembly	3 Phase power; All other models

Coin Cabinet Front

Models BF3LXFSG401UN01, BF3LXFSG401UW01, BF3LXFSG402UN01, BF3LXFSP401UN01, BF3LXFSP401UW01, BF3LXFSP402UN01, BF3LXFSP402UW01, HFNLEFSP111CW01, HFNLEFSP111CWNA, HFNLXFSP111CN01, HFNLXFSP111CW01, HFNNEFSP112CW01, HFNNXFSP112CN01, HFNNXFSP111CW01, HFNNXFSP112CW01, JF3LEFSP411EW01, JFNLEFSG301EW01, JFNLEFSP301EW01, NF3LXFSG401UN01, NF3LXFSG401UW01, NF3LXFSG402UN01, NF3LXFSG402UW01, NF3LXFSP401UN01, NF3LXFSP401UW01, NF3LXFSP402NW22, NF3LXFSP402UN01, NF3LXFSP402UW01, NF3LXFSP402UW06, PF3LXFSP402UG01, PFNLXFSP302UG01, SFNLCFJP111TW01, SFNLCFSG111TN01, SFNLCFSG111TQ01, SFNLCFSG111TW01, SFNLCFSG111TWNA, SFNLCFSP111TN01, SFNLCFSP111TQ01, SFNLCFSP111TW01, SFNLCFSP111TWNA, SFNLCRSP111TW01, SFNLCRSP111TWAF, SFNLXFSG082JW01, SFNLXFSP111TN01, SFNLXFSP111TW01, SFNLXFSP301AN01, SFNLXFSP301AW01, SFNLXFSP302AW01, SFNLXFSP302AN01, SFNNCFJP112TW01, SFNNCFSG111TN01, SFNNCFSG112TN01, SFNNCFSG112TQ01, SFNNCFSP112TW01, SFNNCFSP111TN01, SFNNCFSP112TW01, SFNNCFSP112TQ01, SFNNCFSP112TW01, SFNNXFSG082JW01, SFNNXFSG111TN01, SFNNXFSP112TN01, SFNNXFSP112TW01, SFNWCFSG111TN01, SFNWCFSG112TN01, SFNWCFSG112TN11, SFNWCFSF111TN01, SFNWCFSF112TN01 and SFNWCFSF112TN11



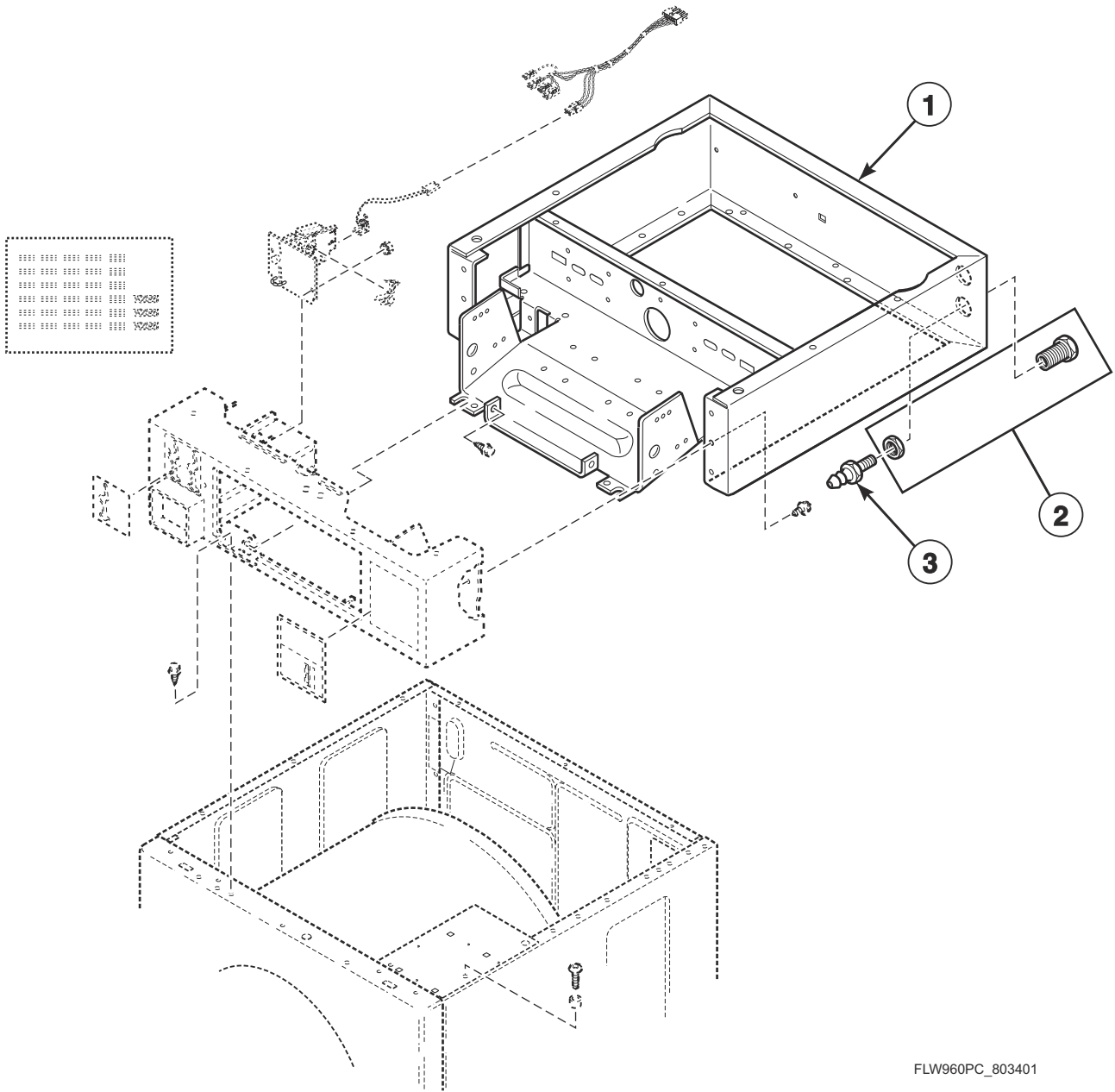
FLW960PB_803401

Coin Cabinet Front

REF	PART NO.	DESCRIPTION	COMMENTS
1	D503688	Screw	
2	D512921	Screw	Use with stainless steel side panels
	39733	Screw	Use with painted side panels
3	56079	Panel Locator	
4	801217	Operating Instruction Label	Models BF3LXFSG401UN01, BF3LXFSG401UW01, BF3LXFSG402UN01, BF3LXFSP401UN01, BF3LXFSP401UW01, BF3LXFSP402UN01, BF3LXFSP402UW01, NF3LXFSG401UN01, NF3LXFSG401UW01, NF3LXFSG402UN01, NF3LXFSG402UW01, NF3LXFSP401UN01, NF3LXFSP401UW01, NF3LXFSP402NW22, NF3LXFSP402UN01, NF3LXFSP402UW01 and NF3LXFSP402UW06
	803322	Nameplate Overlay	Models JF3LEFSP411EW01, JFNLEFSG301EW01 and JFNLEFSP301EW01
	803594	Operating Instruction Label	French/English; Models HFNLEFSP111CW01, HFNLEFSP111CWNA, HFNLXFSP111CN01, HFNLXFSP111CW01, HFNNEFSP112CW01, HFNNXFSP112CN01, HFNNXFSP111CW01 and HFNNXFSP112CW01
	804950	Operating Instruction Label	Models PF3LXFSP402UG01 and PFNLXFSP302UG01
	685942	Instruction Label	All other models
5	38717	Single Overlay	Models SFNLCFJP111TW01, SFNLCFSG111TN01, SFNLCFSG111TQ01, SFNLCFSG111TW01, SFNLCFSG111TWNA, SFNLCFSP111TN01, SFNLCFSP111TQ01, SFNLCFSP111TW01, SFNLCFSP111TWNA, SFNNCFJP112TW01, SFNNCFSG111TN01, SFNNCFSG112TN01, SFNNCFSG112TQ01, SFNNCFSG112TW01, SFNNCFSP111TN01, SFNNCFSP111TW01, SFNNCFSP112TN01, SFNNCFSP112TQ01, SFNNCFSP112TW01, SFNWCFSG111TN01, SFNWCFSG112TN01, SFNWCFSG112TN11, SFNWCFSP111TN01, SFNWCFSP112TN01 and SFNWCFSP112TN11
	803476	Single Drop Overlay	Models JF3LEFSP411EW01, JFNLEFSG301EW01 and JFNLEFSP301EW01
	201091	Overlay	Models HFNLEFSP111CW01, HFNLEFSP111CWNA and HFNNEFSP112CW01
6	D511633QP	Security Cabinet Front Assembly	Models SFNLCFSG111TQ01, SFNLCFSP111TQ01, SFNNCFSG112TQ01 and SFNNCFSP112TQ01
	D511633B	Security Cabinet Front Assembly	Models BF3LXFSG401UN01, BF3LXFSG402UN01, BF3LXFSP401UN01, BF3LXFSP402UN01, HFNLXFSP111CN01, HFNNXFSP112CN01, JF3LEFSP411EW01, JFNLEFSG301EW01, JFNLEFSP301EW01, NF3LXFSG401UN01, NF3LXFSG402UN01, NF3LXFSP401UN01, NF3LXFSP402UN01, SFNLCFSG111TN01, SFNLCFSP111TN01, SFNLXFSP111TN01, SFNLXFSP301AN01, SFNLXFSP302AN01, SFNNCFSG111TN01, SFNNCFSG112TN01, SFNNCFSP111TN01, SFNNCFSP112TN01, SFNNXFSP112TN01, SFNWCFSG111TN01, SFNWCFSG112TN01, SFNWCFSP111TN01, SFNWCFSP112TN01 and SFNWCFSP112TN11
	D511633G	Security Cabinet Front Assembly	Models PF3LXFSP402UG01 and PFNLXFSP302UG01
	D511633WP	Security Cabinet Front Assembly	All other models

Wrapper Assembly

Models BF3LXFSG401UN01, BF3LXFSG401UW01, BF3LXFSG402UN01, BF3LXFSP401UN01, BF3LXFSP401UW01, BF3LXFSP402UN01, BF3LXFSP402UW01, HFNLEFSP111CW01, HFNLEFSP111CWNA, HFNLXFSP111CN01, HFNLXFSP111CW01, HFNNEFSP112CW01, HFNNXFSP112CN01, HFNNXFSP111CW01, HFNNXFSP112CW01, JF3LEFSP411EW01, JFNLEFSG301EW01, JFNLEFSP301EW01, NF3LXFSG401UN01, NF3LXFSG401UW01, NF3LXFSG402UN01, NF3LXFSG402UW01, NF3LXFSP401UN01, NF3LXFSP401UW01, NF3LXFSP402NW22, NF3LXFSP402UN01, NF3LXFSP402UW01, NF3LXFSP402UW06, PF3LXFSP402UG01, PFNLXFSP302UG01, SFNLCFJP111TW01, SFNLCFSG111TN01, SFNLCFSG111TQ01, SFNLCFSG111TW01, SFNLCFSG111TWNA, SFNLCFSP111TN01, SFNLCFSP111TQ01, SFNLCFSP111TW01, SFNLCFSP111TWNA, SFNLCRSP111TW01, SFNLCRSP111TWAF, SFNLXFSG082JW01, SFNLXFSP111TN01, SFNLXFSP111TW01, SFNLXFSP301AN01, SFNLXFSP301AW01, SFNLXFSP302AW01, SFNLXFSP302AN01, SFNNCFJP112TW01, SFNNCFSG111TN01, SFNNCFSG112TN01, SFNNCFSG112TQ01, SFNNCFSG112TW01, SFNNCFSP111TN01, SFNNCFSP111TW01, SFNNCFSP112TN01, SFNNCFSP112TQ01, SFNNCFSP112TW01, SFNNXFSG082JW01, SFNNXFSG112TW01, SFNNXFSP112TN01, SFNNXFSP112TW01, SFNNYFJP112TW01, SFNWCFSG111TN01, SFNWCFSG112TN01, SFNWCFSG112TN11, SFNWCFSF111TN01, SFNWCFSF112TN01 and SFNWCFSF112TN11



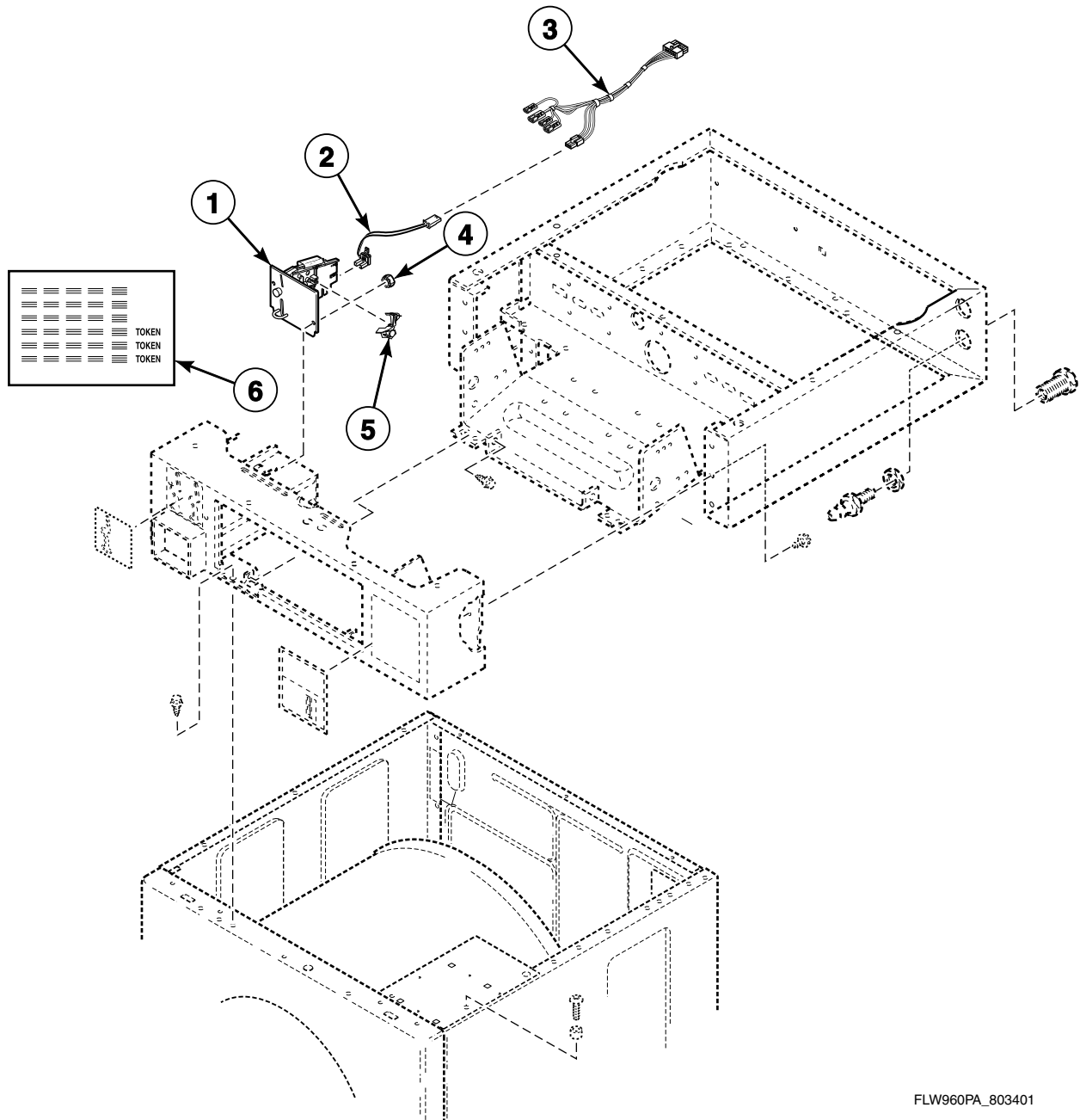
FLW960PC_803401

Wrapper Assembly

REF	PART NO.	DESCRIPTION	COMMENTS
1	801235W	Security Cabinet Wrapper Assembly	Models BF3LXFSG401UW01, BF3LXFSP401UW01, BF3LXFSP402UW01, JF3LEFSP411EW01, NF3LXFSG401UW01, NF3LXFSG402UW01, NF3LXFSP401UW01, NF3LXFSP402NW22, NF3LXFSP402UW01 and NF3LXFSP402UW06
	801235B	Security Cabinet Wrapper Assembly	Models BF3LXFSG401UN01, BF3LXFSG402UN01, BF3LXFSP401UN01, BF3LXFSP402UN01, NF3LXFSG401UN01, NF3LXFSG402UN01, NF3LXFSP401UN01 and NF3LXFSP402UN01
	801780W	Security Cabinet Wrapper Assembly	Models SFNLCFJP111TW01, SFNNCFJP112TW01 and SFNNYFJP112TW01
	D505753QP	Wrapper and Channel Assembly	Models SFNLCFSG111TQ01, SFNLCFSP111TQ01, SFNNCFSG112TQ01 and SFNNCFSP112TQ01
	D505753BP	Wrapper and Channel Assembly	Models HFNLXFSP111CN01, HFNNXFSP112CN01, SFNLCFSG111TN01, SFNLCFSP111TN01, SFNLXFSP111TN01, SFNLXFSP301AN01, SFNLXFSP302AN01, SFNNCFSG111TN01, SFNNCFSG112TN01, SFNNCFSP111TN01, SFNNCFSP112TN01, SFNNXFSP112TN01, SFNWCFSG111TN01, SFNWCFSG112TN01, SFNWCFSG112TN11, SFNWCFSP111TN01, SFNWCFSP112TN01 and SFNWCFSP112TN11
	801235G	Wrapper Assembly	Model PF3LXFSP402UG01
	D505753G	Wrapper Assembly	Model PFNLXFSP302UG01
	D505753WP	Wrapper and Channel Assembly	All other models
2	801788	Union	Models SFNLCFJP111TW01, SFNNCFJP112TW01 and SFNNYFJP112TW01
3	801789	Connector	Models SFNLCFJP111TW01, SFNNCFJP112TW01 and SFNNYFJP112TW01

Non-Electronic Coin Drop

Models BF3LXFSG401UN01, BF3LXFSG401UW01, BF3LXFSG402UN01, BF3LXFSP401UN01, BF3LXFSP401UW01, BF3LXFSP402UN01, BF3LXFSP402UW01, HFNLEFSP111CW01, HFNLEFSP111CWNA, HFNLXFSP111CN01, HFNLXFSP111CW01, HFNNERSP112CW01, HFNNXFSP112CN01, HFNNXFSP111CW01, HFNNXFSP112CW01, JF3LEFSP411EW01, JFNLEFSG301EW01, JFNLEFSP301EW01, NF3LXFSG401UN01, NF3LXFSG401UW01, NF3LXFSG402UN01, NF3LXFSG402UW01, NF3LXFSP401UN01, NF3LXFSP401UW01, NF3LXFSP402NW22, NF3LXFSP402UN01, NF3LXFSP402UW01, NF3LXFSP402UW06, PF3LXFSP402UG01, PFNLXFSP302UG01, SFNLCFJP111TW01, SFNLCFSG111TN01, SFNLCFSG111TQ01, SFNLCFSG111TW01, SFNLCFSG111TWNA, SFNLCFSP111TN01, SFNLCFSP111TQ01, SFNLCFSP111TW01, SFNLCFSP111TWNA, SFNLXFSG082JW01, SFNLXFSG111TW01, SFNLXFSP111TN01, SFNLXFSP111TW01, SFNLXFSP301AN01, SFNLXFSP301AW01, SFNLXFSP302AW01, SFNLXFSP302AN01, SFNNCFJP112TW01, SFNNCFSG111TN01, SFNNCFSG112TN01, SFNNCFSG112TQ01, SFNNCFSG112TW01, SFNNCFSP111TN01, SFNNCFSP111TW01, SFNNCFSP112TN01, SFNNCFSP112TQ01, SFNNCFSP112TW01, SFNNXFSG082JW01, SFNNXFSG112TW01, SFNNXFSP112TN01, SFNNXFSP112TW01, SFNWCFSG111TN01, SFNWCFSG112TN01, SFNWCFSG112TN11, SFNWCFSF111TN01, SFNWCFSF112TN01 and SFNWCFSF112TN11



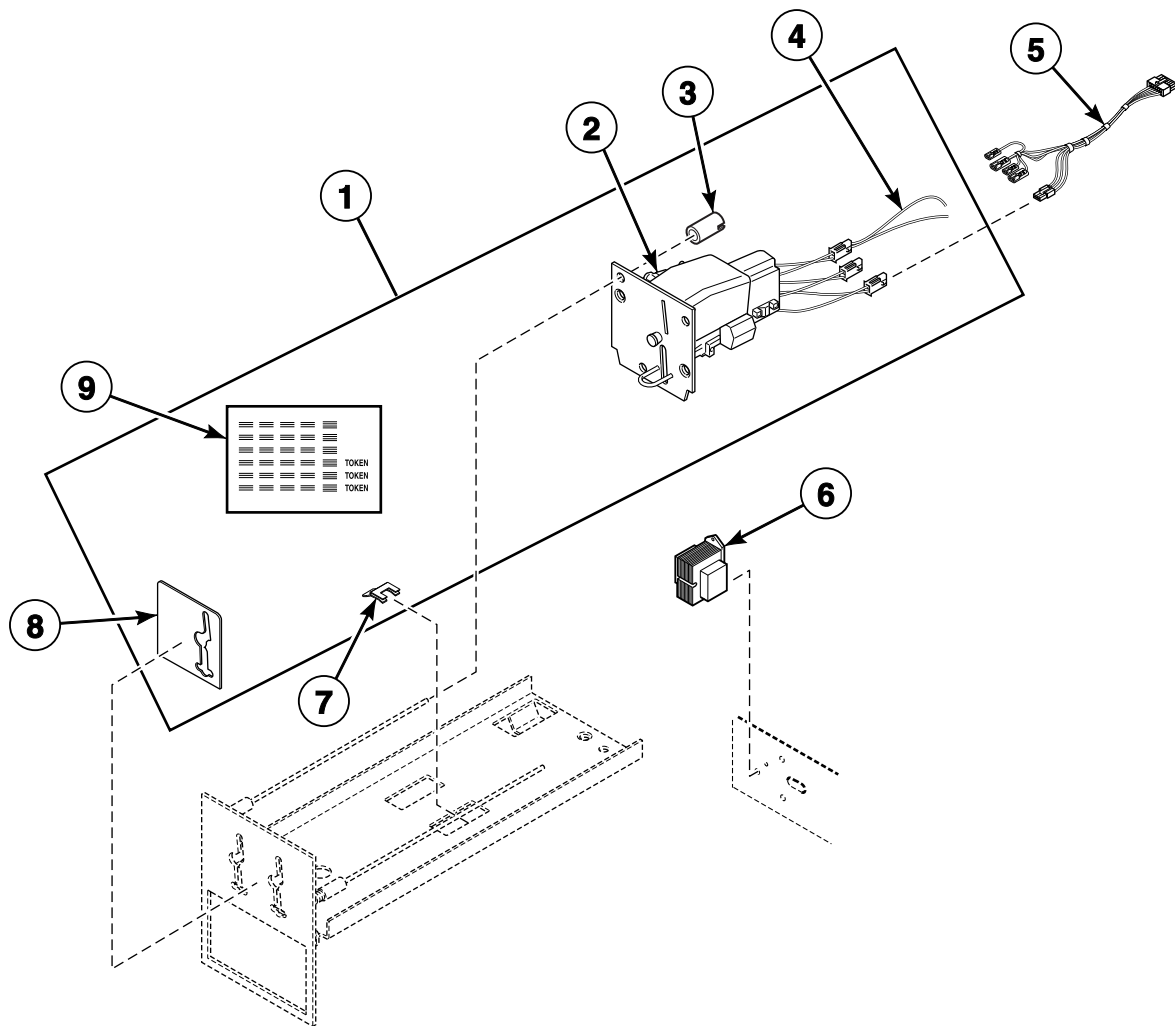
FLW960PA_803401

Non-Electronic Coin Drop

REF	PART NO.	DESCRIPTION	COMMENTS
1	70441601P	Coin Drop	U.S.A.; \$.25
	70441602	Coin Drop Assembly	Canada; .25 and 1.00
	38464P	Coin Drop Assembly	Canada; .25
	70482401	Coin Drop Assembly	New Zealand; 1.00 and 2.00
	38467	Coin Drop Assembly	Australia; .20 and 1.00
	38472	Coin Drop Assembly	England; 20 pence and 1 pound
	38519	Coin Drop Assembly	Japan; 100 yen and 500 yen
	38521	Coin Drop Assembly	Korea; 100 won and 500 won
	CK114	Coin Drop Assembly	Singapore; Old 1.00
	CK123	Coin Drop Kit	Singapore; New 1.00
	38462P	Coin Drop Assembly	Token; STD-118-1
	38463	Coin Drop Assembly	Token; STD-118-5
	38963P	Coin Drop	Token 118-16 not available. Replacement for 38963P Coin Drop only
2	200674P	Opto Coupler	
3	802904P	Harness Assembly	Models SFNLCFJP111TW01, SFNLCFSG111TN01, SFNLCFSG111TQ01, SFNLCFSG111TW01, SFNLCFSG111TWNA, SFNLCFSP111TN01, SFNLCFSP111TQ01, SFNLCFSP111TW01, SFNLCFSP111TWNA, SFNNCFJP112TW01, SFNNCFSG111TN01, SFNNCFSG112TN01, SFNNCFSG112TQ01, SFNNCFSG112TW01, SFNNCFSP111TN01, SFNNCFSP112TN01, SFNNCFSP112TQ01, SFNNCFSP111TW01, SFNNCFSP112TW01, SFNWCFSG111TN01, SFNWCFSG112TN01, SFNWCFS111TN01 and SFNWCFS112TN01
	802905	Harness Assembly	All other models
4	29786	Nut	
5	201595P	Wire Guard	Anti-stringing security device
6	38725	Coin Identification Paper	

Electronic Coin Drop

Models BF3LXFSG401UN01, BF3LXFSG401UW01, BF3LXFSG402UN01, BF3LXFSP401UN01, BF3LXFSP401UW01, BF3LXFSP402UN01, BF3LXFSP402UW01, HFNLEFSP111CW01, HFNLEFSP111CWNA, HFNLERSP111CW01, HFNLERSP111CWNA, HFNLXFSP111CN01, HFNLXFSP111CW01, HFNLXRSP111CW01, HFNNEFSP112CW01, HFNNERSP112CW01, HFNNXFSP112CN01, HFNNXFSP111CW01, HFNNXFSP112CW01, JF3LEFSP411EW01, JFNLEFSG301EW01, JFNLEFSP301EW01, NF3LXFSG401UN01, NF3LXFSG401UW01, NF3LXFSG402UN01, NF3LXFSG402UW01, NF3LXFSP401UN01, NF3LXFSP401UW01, NF3LXFSP402NW22, NF3LXFSP402UN01, NF3LXFSP402UW01, NF3LXFSP402UW06, PF3LXFSP402UG01, PFNLXFSP302UG01, SFNLCFJP111TW01, SFNLCFSG111TN01, SFNLCFSG111TQ01, SFNLCFSG111TW01, SFNLCFSG111TWNA, SFNLCFSP111TN01, SFNLCFSP111TQ01, SFNLCFSP111TW01, SFNLCFSP111TWNA, SFNLCRSP111TW01, SFNLCRSP111TW02, SFNLCRSP111TWAF, SFNLCRSP111TWNA, SFNLXFSG082JW01, SFNLXFSG111TW01, SFNLXFSP111TN01, SFNLXFSP111TW01, SFNLXFSP301AN01, SFNLXFSP301AW01, SFNLXFSP302AW01, SFNLXFSP302AN01, SFNLXRSP111TW02, SFNNCFJP112TW01, SFNNCFSG111TN01, SFNNCFSG112TN01, SFNNCFSG112TQ01, SFNNCFSG112TW01, SFNNCFSP111TN01, SFNNCFSP111TW01, SFNNCFSP112TN01, SFNNCFSP112TQ01, SFNNCFSP112TW01, SFNNXFSG082JW01, SFNNXFSG112TW01, SFNNXFSP112TN01, SFNNXFSP112TW01, SFNWCFSG111TN01, SFNWCFSG112TN01, SFNWCFSG112TN11, SFNWCFSF111TN01, SFNWCFSF112TN01 and SFNWCFSF112TN11



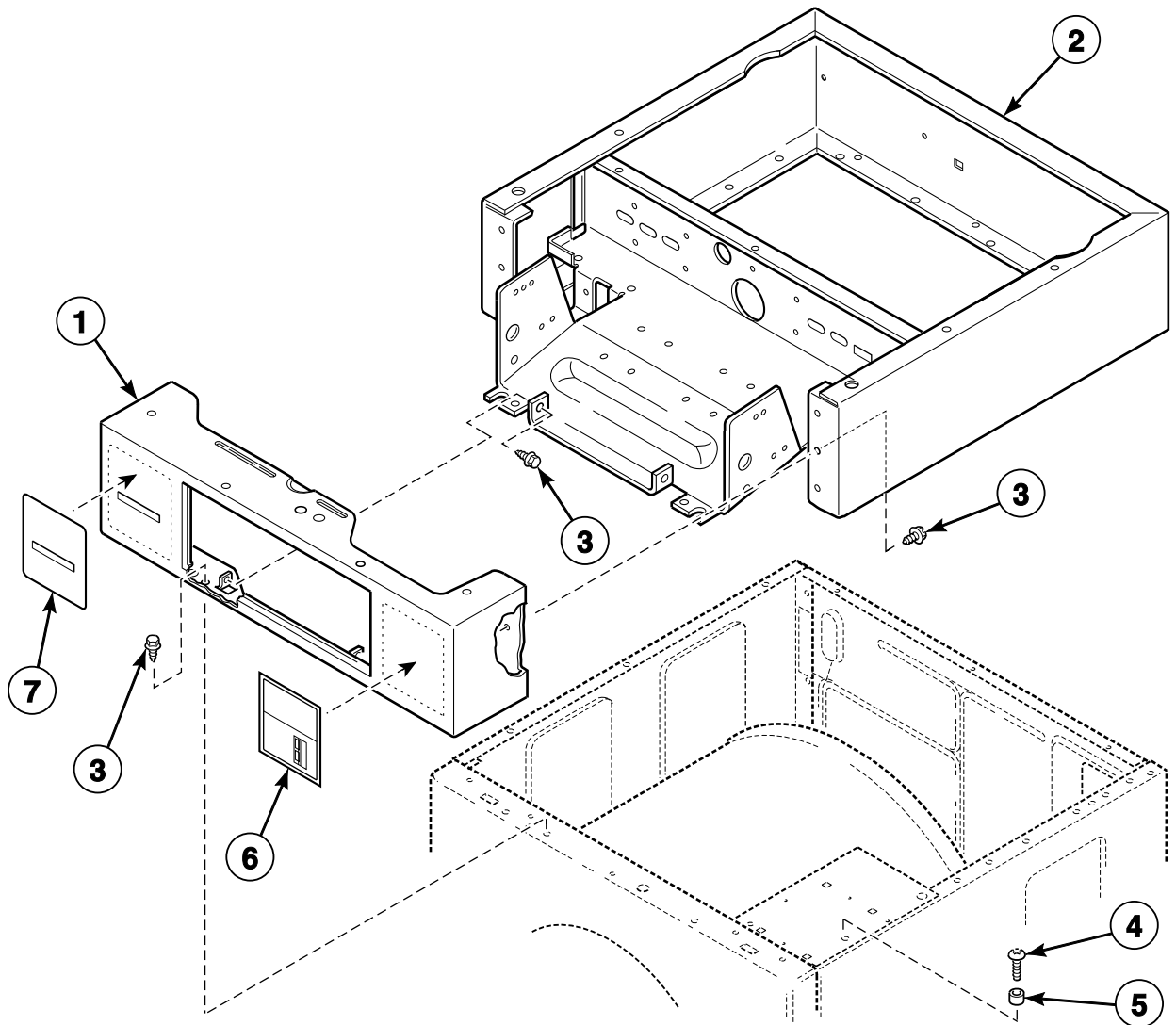
FLW1005P_803401

Electronic Coin Drop

REF	PART NO.	DESCRIPTION	COMMENTS
1	CK099	Electronic Coin Drop Kit	Includes items 2-4 and 7-9; Australia, New Zealand, Hong Kong, South Korea and Malaysia coins
	CK100	Electronic Coin Drop Kit	Includes items 2-4 and 7-9; Euro and Great Britain coins
	CK101	Electronic Coin Drop Kit	Includes items 2-4 and 7-9; Euro, Denmark and Norway coins
	CK103	Electronic Coin Drop Kit	Includes items 2-4 and 7-9; Euro, Lithuania and Latvia coins
	CK106	Electronic Coin Drop Kit	Includes items 2-4 and 7-9; Malaysia, China, Russia and Singapore coins
	CK108	Electronic Coin Drop Kit	Includes items 2-4 and 7-9; South African 1, 2 and 5 rand coins
	CK109	Electronic Coin Drop Kit	Includes items 2-4 and 7-9; Euro coins
	CK110	Electronic Coin Drop Kit	Includes items 2-4 and 7-9; Mexico, Ecuador and United States coins
	CK113	Electronic Coin Drop Kit	Includes items 2-4 and 7-9; Japan and Taiwan coins
	CK115	Electronic Coin Drop Kit	Includes items 2-4 and 7-9; United States and Canada coins
	CK120	Electronic Coin Drop Kit	Includes items 2-4 and 7-9; Chile coins
	CK121	Electronic Coin Drop Kit	Includes items 2-4 and 7-9; Singapore coins
2	70294103P	Electronic Coin Drop Assembly	Euro and Great Britain coins
	70294104	Electronic Coin Drop Assembly	Euro, Denmark and Norway coins
	70294107	Electronic Coin Drop Assembly	Euro, Lithuania and Latvia coins
	70294109	Electronic Coin Drop Assembly	Malaysia, China, Russia and Singapore coins
	70294110	Electronic Coin Drop Assembly	South African 1, 2 and 5 rand coins
	70294111	Electronic Coin Drop Assembly	Euro coins
	70513306	Electronic Coin Drop Assembly	Mexico, Ecuador and United States coins
	70294122	Electronic Coin Drop Assembly	Euro, Great Britain and token coins
	70294120	Electronic Coin Drop Assembly	Chile coins
	70294121	Electronic Coin Drop Assembly	Singapore coins
3	201216	Nut	
	29786	Nut	Use on front control models with no guide rods
4	201104	Coin Drop Wire Harness	
5	802905	Harness Assembly	Electronic coin drop requires this harness. If unit is not factory-equipped with this harness, it must be ordered separately.
6	201375P	Transformer	Electronic coin drop requires this transformer. If unit is not factory-equipped with this transformer, it must be ordered separately.
7	201572	Clip	
8	201091	Overlay	
9	38725	Coin Identification Paper	

Card Cabinet Front and Wrapper Assembly

Models HFNLYFSP111CW01, HFNLYFSP111CWNA, HFNNYFSP112CW01, NF3LYFSG401UW01, NF3LYFSG402UW01, RFNLYFSP111CW01, SFNLYFJP111TW01, SFNLYFSG111TN01, SFNLYFSG111TW01, SFNLYFSG111TWNA, SFNLYFSP111TN01, SFNLYFSP111TW01, SFNLYFSP111TWNA, SFNNYFJP112TW01, SFNNYFSG112TN01, SFNNYFSG112TW01, SFNNYFSP112TN01, SFNNYFSP112TW01, SFNWFYFSG111TN01, SFNWFYFSG112TN01, SFNWFYFSG112TN11, SFNWFYFSP111TN01, SFNWFYFSP112TN01 and SFNWFYFSP112TN11



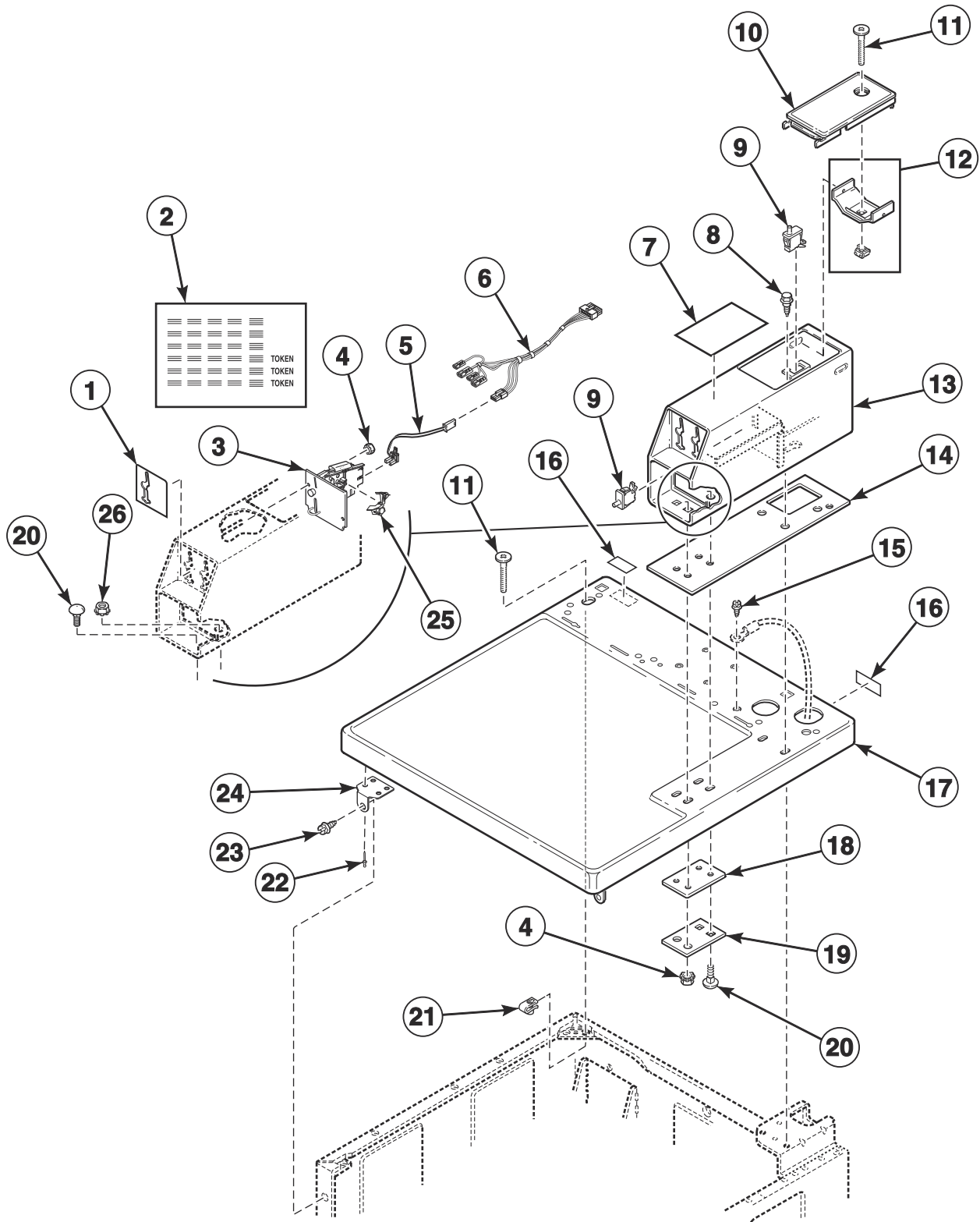
FLW1014P_803401

Card Cabinet Front and Wrapper Assembly

REF	PART NO.	DESCRIPTION	COMMENTS
1	D511209BP	Security Cabinet Front Assembly	Models SFNLYFSG111TN01, SFNLYFSP111TN01, SFNNYFSG112TN01, SFNNYFSP112TN01, SFNWYFSG111TN01, SFNWYFSG112TN01, SFNWYFSG112TN11, SFNWYFSP111TN01, SFNWYFSP112TN01 and SFNWYFSP112TN11
	D511209WP	Security Cabinet Front Assembly	All other models
2	801235W	Security Cabinet Wrapper Assembly	Models NF3LYFSG401UW01 and NF3LYFSG402UW01
	D505753BP	Wrapper and Channel Assembly	Models SFNLYFSG111TN01, SFNLYFSP111TN01, SFNNYFSG112TN01, SFNNYFSP112TN01, SFNWYFSG111TN01, SFNWYFSG112TN01, SFNWYFSG112TN11, SFNWYFSP111TN01, SFNWYFSP112TN01 and SFNWYFSP112TN11
	D505753WP	Wrapper and Channel Assembly	All other models
3	D503688	Screw	
4	D512921	Screw	Models SFNLYFSG111TN01, SFNLYFSP111TN01, SFNNYFSG112TN01, SFNNYFSP112TN01, SFNWYFSG111TN01, SFNWYFSG112TN01, SFNWYFSG112TN11, SFNWYFSP111TN01, SFNWYFSP112TN01 and SFNWYFSP112TN11
	39733	Screw	All other models
5	56079	Panel Locator	
6	801217	Operating Instruction Label	Models NF3LYFSG401UW01 and NF3LYFSG402UW01
	803594	Operating Instruction Label	French/English; Models HFNLYFSP111CW01, HFNLYFSP111CWNA and HFNNYFSP112CW01
	685942	Instruction Label	All other models
7	D511548	Card Insert Overlay	Models HFNLYFSP111CW01, HFNLYFSP111CWNA and HFNNYFSP112CW01
	D511544	Card Insert Overlay	Models SFNLYFJP111TW01, SFNLYFSG111TN01, SFNLYFSG111TW01, SFNLYFSG111TWNA, SFNLYFSP111TN01, SFNLYFSP111TW01, SFNLYFSP111TWNA, SFNNYFJP112TW01, SFNNYFSG112TN01, SFNNYFSG112TW01, SFNNYFSP112TN01, SFNNYFSP112TW01, SFNWYFSG111TN01, SFNWYFSG112TN01, SFNWYFSG112TN11, SFNWYFSP111TN01, SFNWYFSP112TN01 and SFNWYFSP112TN11
	D513145	Card Insert Overlay	Models NF3LYFSG401UW01, NF3LYFSG402UW01 and RFNLYFSP111CW01

Non-Electronic Coin Drop, Meter Case and Cabinet Top

Models HFNLERSP111CW01, HFNLERSP111CWNA, HFNLXRSP111CW01, HFNNERSP112CW01, HFNNXRSP111CW01, HFNNXRSP112CW01, SFNLCRSP111TW01, SFNLCRSP111TW02, SFNLCRSP111TWAF, SFNLCRSP111TWNA, SFNLXRSP111TW02, SFNNCRSP111TW01, SFNNCRSP111TW02, SFNNCRSP112TW01, SFNNCRSP112TW02, SFNNXRSP111TW02, SFNNXRSP112TW02 and SFNNXRSP542NW23



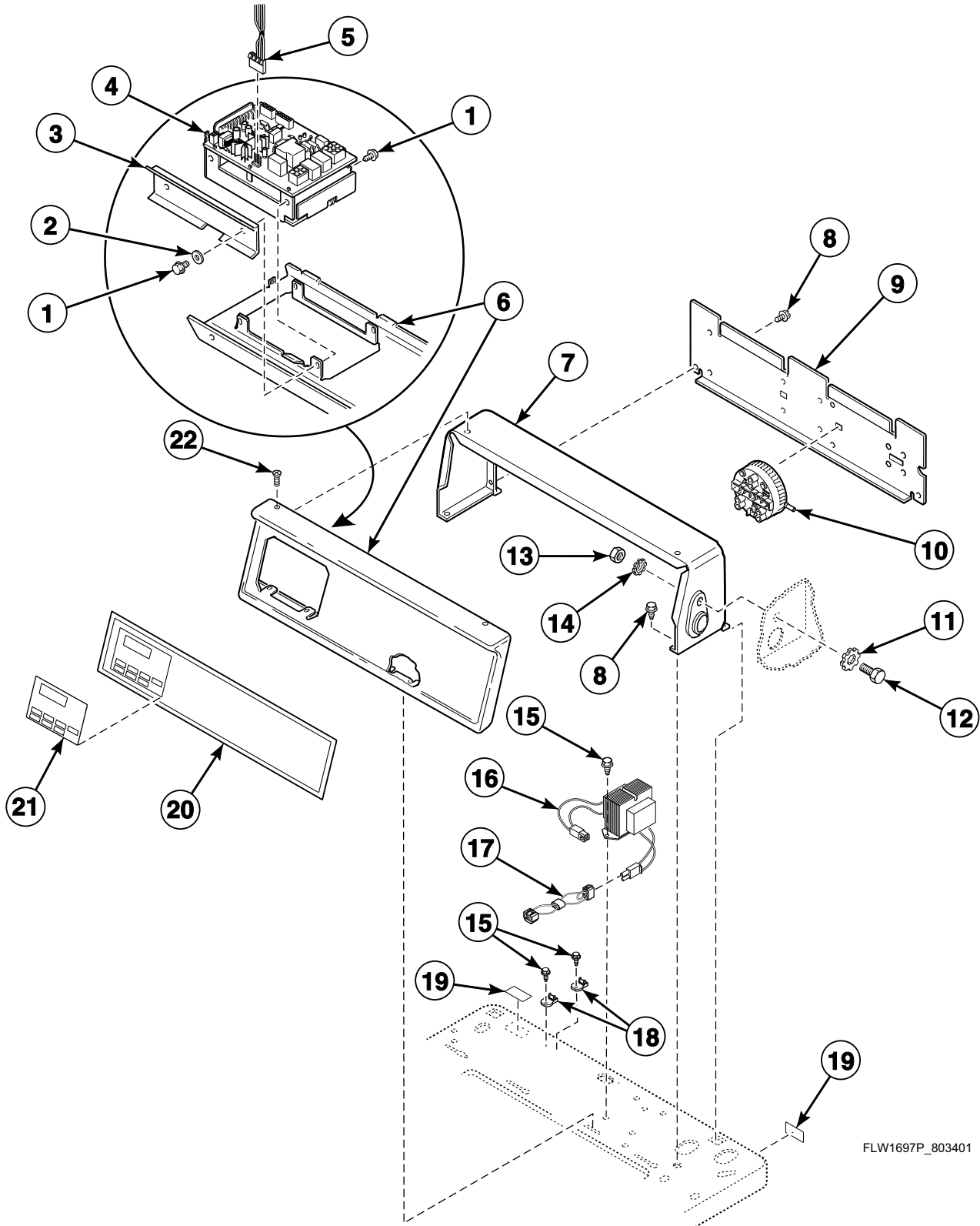
FLW980P_803401

Non-Electronic Coin Drop, Meter Case and Cabinet Top

REF	PART NO.	DESCRIPTION	COMMENTS
1	202123	Single Overlay	Model SFNLCRSP111TW02 through Serial No. 1010011547
	38717	Single Overlay	Models SFNLCRSP111TW01, SFNLCRSP111TWAF, SFNLCRSP111TWNA, SFNNCRSP111TW02 and SFNNCRSP112TW02; Model SFNLCRSP111TW02 starting Serial No. 1010011548
	201091	Overlay	Models HFNLERSP111CW01, HFNLERSP111CWNA and HFNNERSP112CW01
2	38725	Coin Identification Paper	
3	70441601P	Coin Drop	U.S.A.; \$.25
	70441602	Coin Drop Assembly	Canada; .25 and 1.00
4	29786	Nut	
5	200674P	Opto Coupler	
6	802904P	Harness Assembly	Models SFNLCRSP111TW01, SFNLCRSP111TW02, SFNLCRSP111TWAF, SFNLCRSP111TWNA, SFNNCRSP111TW01, SFNNCRSP111TW02, SFNNCRSP112TW01 and SFNNCRSP112TW02
	802905	Harness Assembly	All other models
7	800137	Rear Control Operating Instruction Label	
	803595	Operating Instruction Label	French/English; Models HFNLERSP111CW01, HFNLERSP111CWNA, HFNLXRSP111CW01, HFNNERSP112CW01, HFNNXRSP111CW01 and HFNNXRSP112CW01
8	36048	Screw	
9	D512973	Switch	
10	803043WP	Service Door Assembly	Models SFNLCRSP111TW02 and SFNLXRSP111TW02 through Serial No. 1010011547
	39874WP	Service Door Assembly	All other models
11	D503673	Screw	All models except SFNLCRSP111TW02 and SFNLXRSP111TW02 through Serial No. 1010011547
12	204616	Meter Case Locking Bracket Kit	All models except SFNLCRSP111TW02 and SFNLXRSP111TW02 through Serial No. 1010011547
13	807401W	Meter Case Assembly Kit	Models SFNLCRSP111TW02, SFNLXRSP111TW02, SFNNCRSP111TW02, SFNNCRSP112TW02, SFNNXRSP111TW02 and SFNNXRSP112TW02
	803578P	Coin Box Extension Kit	Use with 803063W Meter Case Assembly to extend shorter 7 inch coin boxes; Models SFNLCRSP111TW02 and SFNLXRSP111TW02 starting Serial No. 1010011548
	807406W	Meter Case Assembly	Models HFNLERSP111CW01, HFNLERSP111CWNA and HFNNERSP112CW01
	202877W	Meter Case Assembly	All other models
14	26354	Meter Case Gasket	
15	20530	Screw	
16	D505281	Disconnect Power Warning Label	Models SFNLCRSP111TW01, SFNLCRSP111TW02, SFNLCRSP111TWAF, SFNLCRSP111TWNA, SFNLXRSP111TW02, SFNNCRSP111TW01, SFNNCRSP111TW02, SFNNCRSP112TW01, SFNNCRSP112TW02, SFNNXRSP111TW02, SFNNXRSP112TW02 and SFNNXRSP542NW23
	D500316	Warning Label	All other models
17	D511527WP	Top Kit	
18	35526	Meter Case Bracket Gasket	
19	35525	Meter Case Lockdown Bracket	
20	203798	Bolt	
21	27222	Nut	
22	70058501	Pop Rivet	
23	D503661	Screw	
24	D510146	Bracket	
25	201595P	Wire Guard	Anti-stringing security device
26	802337	Nut	

Control Panel, Control Hood and Controls (Drawing 1 of 2)

Models HFNLERSP111CW01, HFNLERSP111CWNA, HFNLXRSP111CW01, HFNNERSP112CW01, HFNNXRSP111CW01, HFNNXRSP112CW01, SFNLCRSP111TW01, SFNLCRSP111TW02, SFNLCRSP111TWAF, SFNLCRSP111TWNA, SFNLXRSP111TW02, SFNNCRSP111TW01, SFNNCRSP111TW02, SFNNCRSP112TW01, SFNNCRSP112TW02, SFNNXRSP111TW02, SFNNXRSP112TW02 and SFNNXRSP542NW23



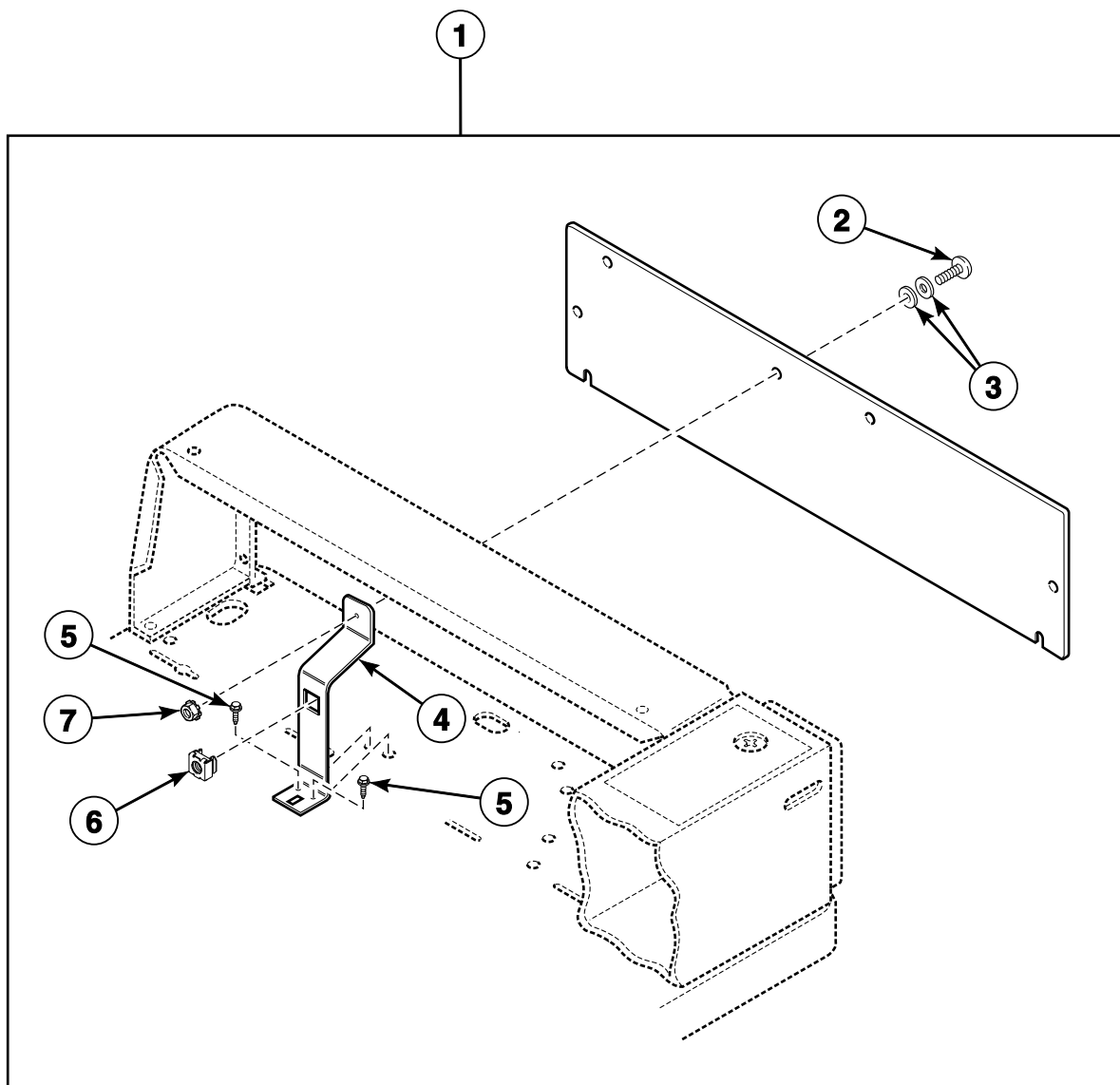
FLW1697P_803401

Control Panel, Control Hood and Controls (Drawing 1 of 2)

REF	PART NO.	DESCRIPTION	COMMENTS
	NK201	Network Retrofit Kit	Wired
	NK220	Network Controller Kit	Wired
	NK301	Wireless Network Kit	
	NK320	Ethernet Gateway Kit	Wireless
	NK330	USB Gateway Kit	Wireless
1	D501524	Screw	
2	200608	Washer	
3	210053	Control Shield	
4	803619P	Control Assembly	
5	D511478	Central Pay Harness	
6	800149W	Control Panel and Bracket Assembly	
7	D502567W	Control Hood	
8	D501086	Screw	
9	D505798	Hood Back Plate	
10	802299P	Pressure Switch	
11	M400017	Washer	
12	02916	Screw	
13	52566	Nut	
14	02431	Washer	
15	D503661	Screw	
16	210018P	Transformer	Models SFNLCRSP111TW01, SFNLCRSP111TW02, SFNLCRSP111TWAF, SFNLCRSP111TWNA, SFNNCRSP111TW01, SFNNCRSP111TW02, SFNNCRSP112TW01 and SFNNCRSP112TW02
	803527P	Transformer	Model SFNNXRSP542NW23
	201375P	Transformer	Some models may have jumper wire attached to transformer. Discard jumper wire when replacing transformer; All other models
17	M413507	Jumper Configuration Assembly	Model SFNNXRSP542NW23
18	210100	Resistor	Model SFNNXRSP542NW23
19	D505281	Disconnect Power Warning Label	Models SFNLCRSP111TW01, SFNLCRSP111TW02, SFNLCRSP111TWAF, SFNLCRSP111TWNA, SFNLXRSP111TW02, SFNNCRSP111TW01, SFNNCRSP111TW02, SFNNCRSP112TW01, SFNNCRSP112TW02, SFNNXRSP111TW02, SFNNXRSP112TW02 and SFNNXRSP542NW23
	D500316	Warning Label	All other models
20	802884	Control Overlay	Models SFNLCRSP111TW01, SFNLCRSP111TW02, SFNLCRSP111TWAF, SFNLCRSP111TWNA, SFNLXRSP111TW02, SFNNCRSP111TW01, SFNNCRSP111TW02, SFNNCRSP112TW01, SFNNCRSP112TW02, SFNNXRSP111TW02, SFNNXRSP112TW02 and SFNNXRSP542NW23
	803015	Control Overlay	All other models
21	803596	Control Overlay	French/English; Models HFNLERSP111CW01, HFNLERSP111CWNA, HFNLXRSP111CW01, HFNNERSP112CW01, HFNNXRSP111CW01 and HFNNXRSP112CW01
22	52864	Screw	

Control Hood Security Kit

Models HFNLERSP111CW01, HFNLERSP111CWNA, HFNLXRSP111CW01, HFNNERSP112CW01, HFNNXRSP111CW01, HFNNXRSP112CW01, SFNLCRSP111TW01, SFNLCRSP111TW02, SFNLCRSP111TWAF, SFNLCRSP111TWNA, SFNLXRSP111TW02, SFNNCRSP111TW01, SFNNCRSP111TW02, SFNNCRSP112TW01, SFNNCRSP112TW02, SFNNXRSP111TW02, SFNNXRSP112TW02 and SFNNXRSP542NW23



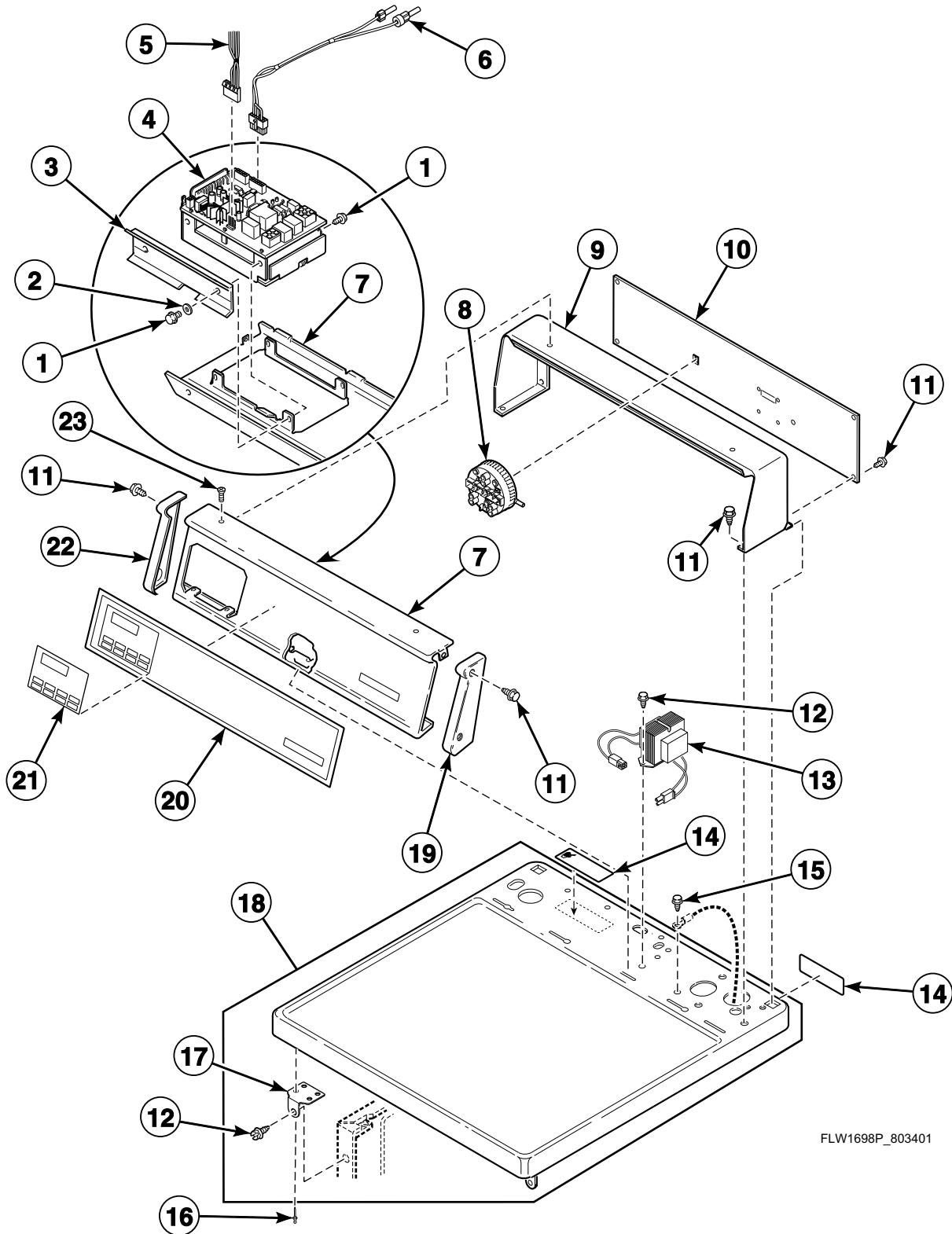
FLW963P_803401

Control Hood Security Kit

REF	PART NO.	DESCRIPTION	COMMENTS
1	905P3	Security Kit	Includes items 2-7 and rear panel
2	32184	Bolt	
3	25100	Washer	
4	201918	Bracket	
5	D503688	Screw	
6	204616	Meter Case Locking Bracket Kit	
7	23951	Nut	

Control Panel, Control Hood and Controls (Drawing 2 of 2)

Models HFNLYRSP111CW01, HFNLYRSP111CWNA, HFNNYRSP112CW01, SFNLYRSP111TW01, SFNLYRSP111TWNA, SFNNYRSP111TW01 and SFNNYRSP112TW01

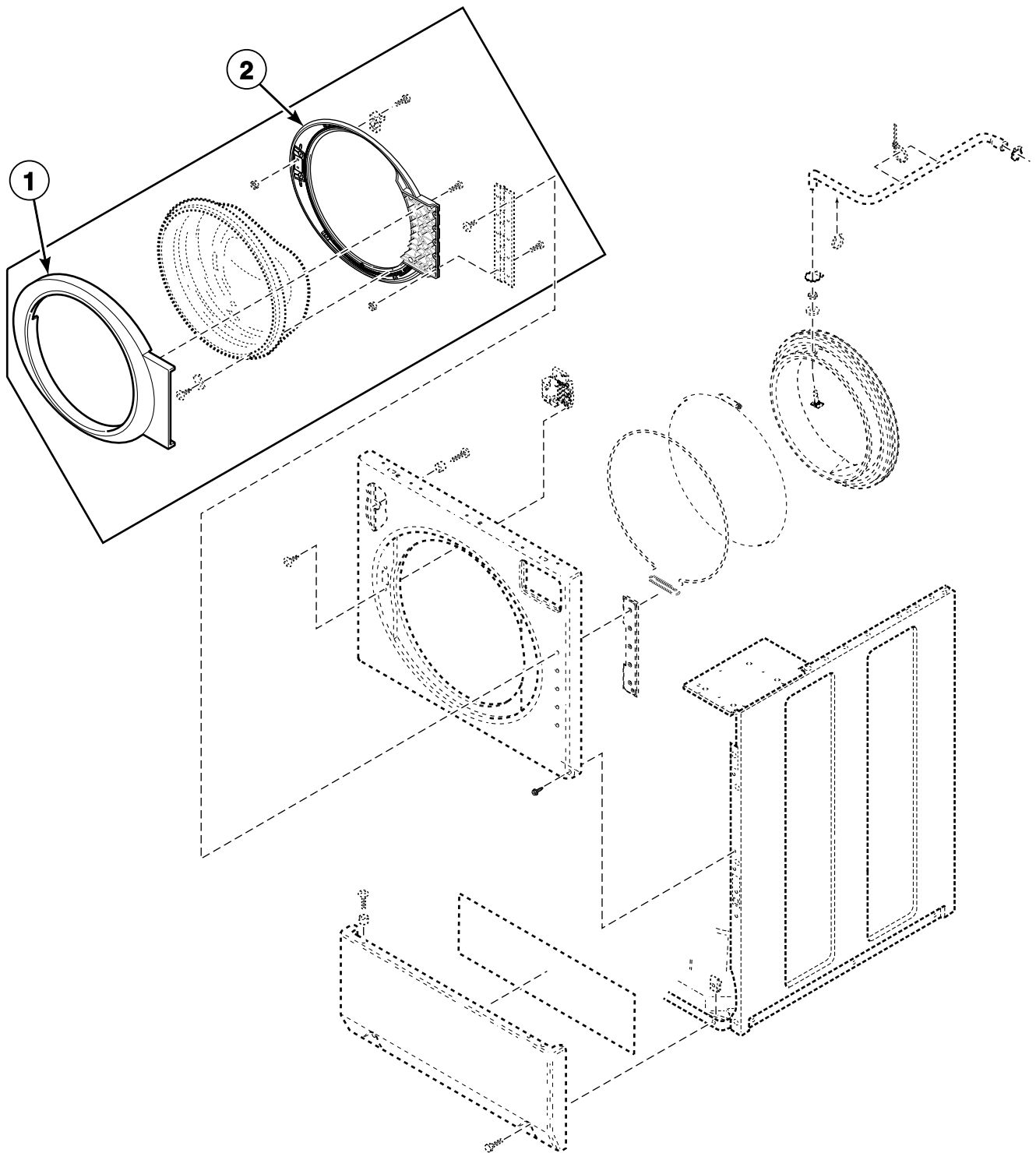


FLW1698P_803401

Control Panel, Control Hood and Controls (Drawing 2 of 2)

REF	PART NO.	DESCRIPTION	COMMENTS
	NK201	Network Retrofit Kit	Wired
	NK220	Network Controller Kit	Wired
	NK301	Wireless Network Kit	
	NK320	Ethernet Gateway Kit	Wireless
	NK330	USB Gateway Kit	Wireless
1	D501524	Screw	
2	200608	Washer	
3	210053	Control Shield	
4	803619P	Control Assembly	
5	D511478	Central Pay Harness	
6	202869	Wiring Harness Assembly	
7	800710W	Control Panel and Stud Assembly	
8	802299P	Pressure Switch	
9	D511253W	Control Hood	
10	801165	Rear Control Hood Panel	
11	D501086	Screw	
12	D503661	Screw	
13	201375P	Transformer	Some models may have jumper wire attached to transformer. Discard jumper wire when replacing transformer.
14	D505281	Disconnect Power Warning Label	Models SFNLYRSP111TW01, SFNLYRSP111TWNA, SFNNYRSP111TW01 and SFNNYRSP112TW01
	D500316	Warning Label	All other models
15	20530	Screw	
16	70058501	Pop Rivet	
17	D510146	Bracket	
18	D511530WP	Top Panel Kit	Includes items 11 and 16
19	210108W	End Cap	Right
20	802998	Control Overlay	Models SFNLYRSP111TW01, SFNLYRSP111TWNA, SFNNYRSP111TW01 and SFNNYRSP112TW01
	803016	Control Overlay	All other models
21	803596	Control Overlay	French/English; Models HFNLYRSP111CW01, HFNLYRSP111CWNA and HFNNYRSP112CW01
22	210109W	End Cap	Left
23	52864	Screw	

Door Bezel Kits

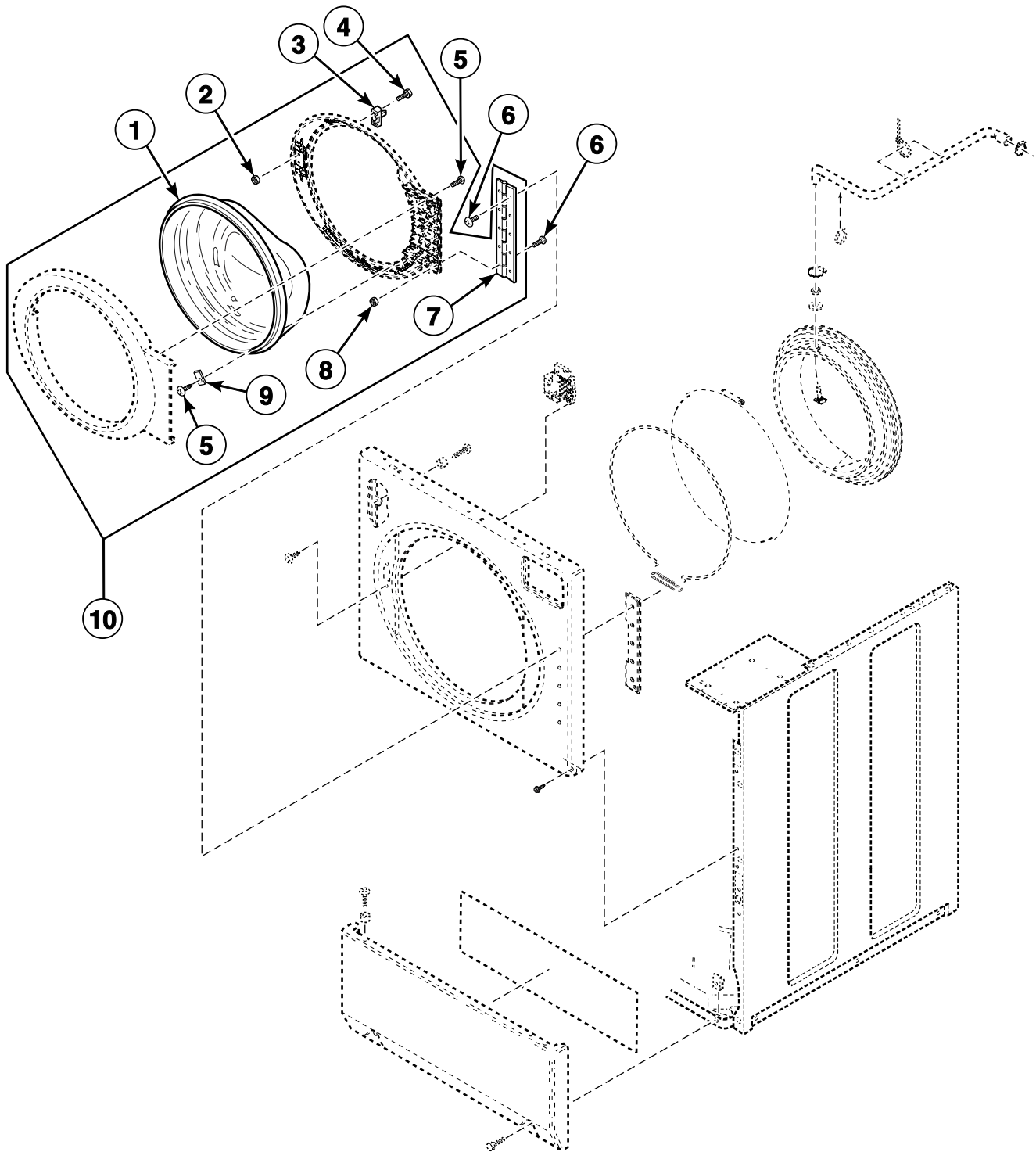


FLW938PC_803401

Door Bezel Kits

REF	PART NO.	DESCRIPTION	COMMENTS
	807865	Hinge Attachment Kit	
1	802314P	Outer Door Bezel Kit	Models BF3LLFSG401UN01, BF3LLFSG401UW01, BF3LLFSG402UN01, BF3LLFSG402UW01, BF3LLFSP401UN01, BF3LLFSP401UW01, BF3LLFSP402UN01, BF3LLFSP402UW01, BF3LXFSG401UN01, BF3LXFSG401UW01, BF3LXFSG402UN01, BF3LXFSP401UN01, BF3LXFSP401UW01, BF3LXFSP402UN01, BF3LXFSP402UW01, HFNLXFSP111CN01, HFNNXFSP112CN01, JF3LMFSG411EN01, JF3LMFSG411EN06, NF3LLFSG401UN01, NF3LLFSG402UN01, NF3LLFSP401NN22, NF3LLFSP401UN01, NF3LLFSP402NN22, NF3LLFSP402UN01, NF3LXFSG401UN01, NF3LXFSG402UN01, NF3LXFSP401UN01, NF3LXFSP402UN01, PF3LGFSP402UG01, PF3LLFSP402UG01, PF3LXFSP402UG01, PFNLXFSP302UG01, RFNLYFSP111CW01, SFNLCSFG111TN01, SFNLCSFP111TN01, SFNLXFSP111TN01, SFNLXFSP301AN01, SFNLXFSP302AN01, SFNLYFSG111TN01, SFNLYFSP111TN01, SFNNCSFG111TN01, SFNNCSFG112TN01, SFNNCSFP111TN01, SFNNCSFP112TN01, SFNNXFSP112TN01, SFNNYFSG112TN01, SFNNYFSP112TN01, SFNWCFSG111TN01, SFNWCFSG112TN01, SFNWCFSG112TN11, SFNWCFSFP111TN01, SFNWCFSFP112TN01, SFNWCFSFP112TN11, SFNWFYFSG111TN01, SFNWFYFSG112TN01, SFNWFYFSG112TN11, SFNWFYFSP111TN01, SFNWFYFSP112TN01 and SFNWFYFSP112TN11
	802313QP	Outer Door Bezel Kit	Models SFNLCSFG111TQ01, SFNLCSFP111TQ01, SFNNCSFG112TQ01 and SFNNCSFP112TQ01
	802313WP	Outer Door Bezel Kit	All other models
2	808096	Inner Door Bezel Kit	Models BF3LLFSG401UN01, BF3LLFSG401UW01, BF3LLFSG402UN01, BF3LLFSG402UW01, BF3LLFSP401UN01, BF3LLFSP401UW01, BF3LLFSP402UN01, BF3LLFSP402UW01, BF3LXFSG401UN01, BF3LXFSG401UW01, BF3LXFSG402UN01, BF3LXFSP401UN01, BF3LXFSP401UW01, BF3LXFSP402UN01, BF3LXFSP402UW01, HFNLXFSP111CN01, HFNNXFSP112CN01, JF3LMFSG411EN01, JF3LMFSG411EN06, NF3LLFSG401UN01, NF3LLFSG402UN01, NF3LLFSP401NN22, NF3LLFSP401UN01, NF3LLFSP402NN22, NF3LLFSP402UN01, NF3LXFSG401UN01, NF3LXFSG402UN01, NF3LXFSP401UN01, NF3LXFSP402UN01, PF3LGFSP402UG01, PF3LLFSP402UG01, PF3LXFSP402UG01, PFNLXFSP302UG01, RFNLYFSP111CW01, SFNLCSFG111TN01, SFNLCSFP111TN01, SFNLXFSP111TN01, SFNLXFSP301AN01, SFNLXFSP302AN01, SFNLYFSG111TN01, SFNLYFSP111TN01, SFNNCSFG111TN01, SFNNCSFG112TN01, SFNNCSFP111TN01, SFNNCSFP112TN01, SFNNXFSP112TN01, SFNNYFSG112TN01, SFNNYFSP112TN01, SFNWCFSG111TN01, SFNWCFSG112TN01, SFNWCFSG112TN11, SFNWCFSFP111TN01, SFNWCFSFP112TN01, SFNWCFSFP112TN11, SFNWFYFSG111TN01, SFNWFYFSG112TN01, SFNWFYFSG112TN11, SFNWFYFSP111TN01, SFNWFYFSP112TN01 and SFNWFYFSP112TN11
	808095	Inner Door Bezel Kit	All other models

Door Assembly

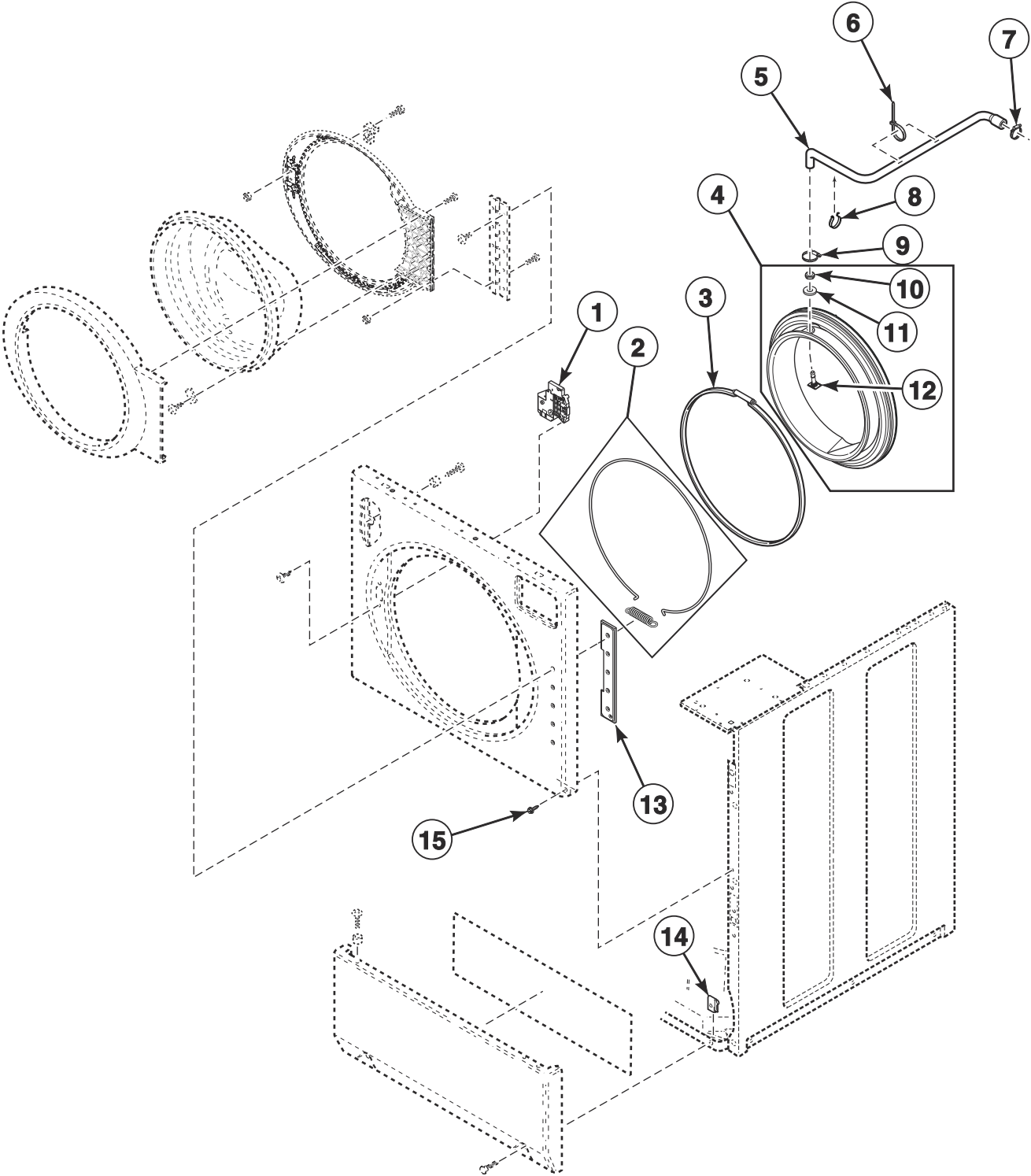


FLW938P_803401

Door Assembly

REF	PART NO.	DESCRIPTION	COMMENTS
1	802695P	Door Glass	
2	685846	Nut	
3	802803	Door Catch Assembly	
4	801993	Screw	
5	800548	Screw	
6	801019	Screw	
7	802934	Door Hinge	
8	23951	Nut	
9	802700	Glass Mounting Clip	
10	802872P	Door Assembly	Gray; Includes items 1-5, 7-9 and items on <i>Door Bezel Kits</i> ; Models BF3LLFSG401UN01, BF3LLFSG401UW01, BF3LLFSG402UN01, BF3LLFSG402UW01, BF3LLFSP401UN01, BF3LLFSP401UW01, BF3LLFSP402UN01, BF3LLFSP402UW01, BF3LXFSG401UN01, BF3LXFSG401UW01, BF3LXFSG402UN01, BF3LXFSP401UN01, BF3LXFSP401UW01, BF3LXFSP402UN01, BF3LXFSP402UW01, HFNLXFSP111CN01, HFNNXFSP112CN01, JF3LMFSG411EN01, JF3LMFSG411EN06, NF3LLFSG401UN01, NF3LLFSG402UN01, NF3LLFSP401NN22, NF3LLFSP401UN01, NF3LLFSP402NN22, NF3LLFSP402UN01, NF3LXFSG401UN01, NF3LXFSG402UN01, NF3LXFSP401UN01, NF3LXFSP402UN01, PF3LGFSP402UG01, PF3LLFSP402UG01, PF3LXFSP402UG01, PFNLXFSP302UG01, RFNLYFSP111CW01, SFNLCFSG111TN01, SFNLCFSP111TN01, SFNLXFSP111TN01, SFNLXFSP301AN01, SFNLXFSP302AN01, SFNLYFSG111TN01, SFNLYFSP111TN01, SFNNCFSG111TN01, SFNNCFSG112TN01, SFNNCFSP111TN01, SFNNCFSP112TN01, SFNNXFSP112TN01, SFNNYFSG112TN01, SFNNYFSP112TN01, SFNWCFSG111TN01, SFNWCFSG112TN01, SFNWCFSG112TN11, SFNWCFSP111TN01, SFNWCFSP112TN01, SFNWCFSP112TN11, SFNWFYFSG111TN01, SFNWFYFSG112TN01, SFNWFYFSG112TN11, SFNWFYFSP111TN01, SFNWFYFSP112TN01 and SFNWFYFSP112TN11
	804914QP	Door Assembly	Includes items 1-5, 7-9 and items on <i>Door Bezel Kits</i> ; Models SFNLCFSG111TQ01, SFNLCFSP111TQ01, SFNNCFSG112TQ01 and SFNNCFSP112TQ01
	804914WP	Door Assembly	Includes items 1-5, 7-9 and items on <i>Door Bezel Kits</i> ; All other models

Front Panel and Door Seal (Drawing 1 of 3)

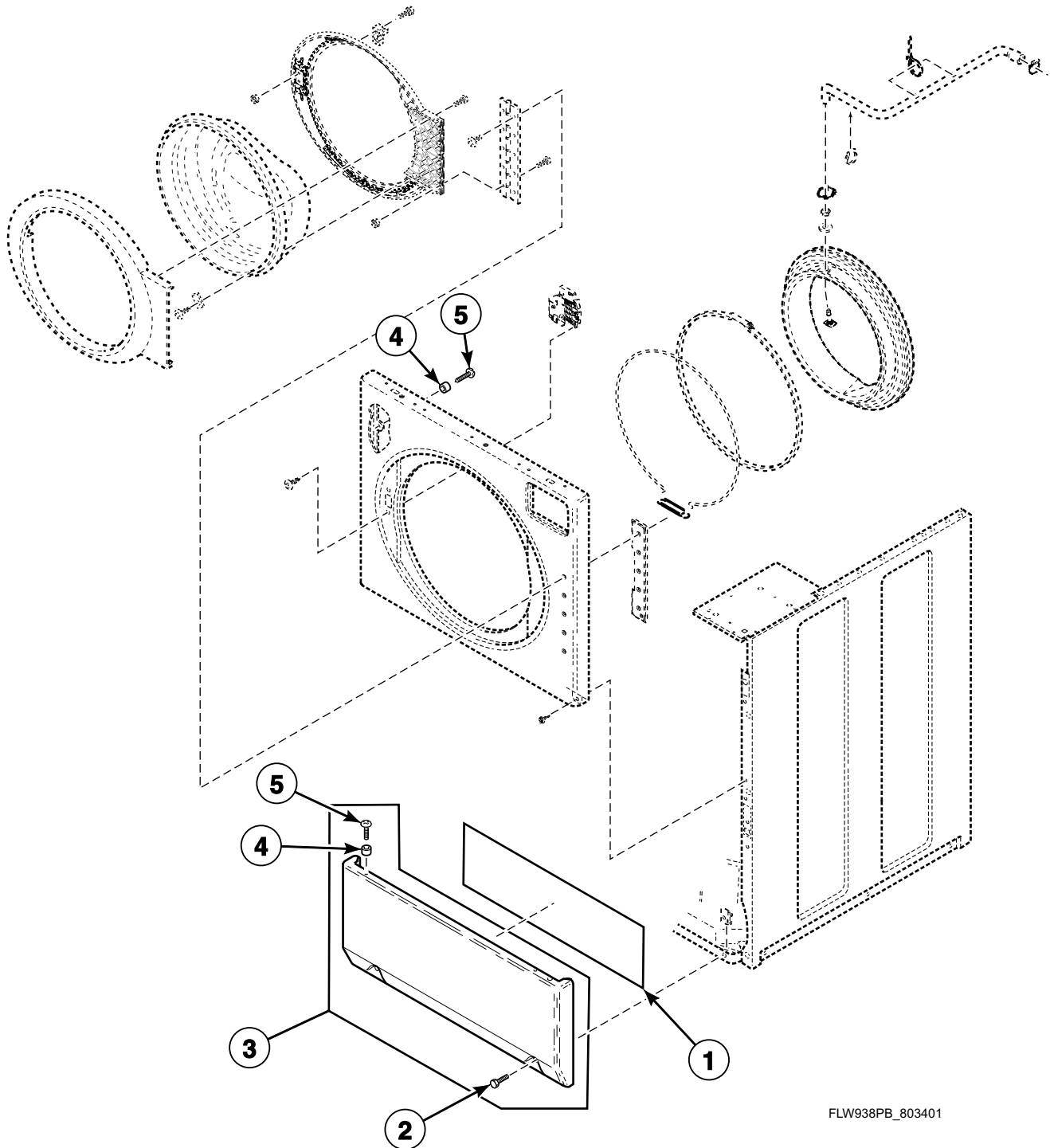


FLW938PA_803401

Front Panel and Door Seal (Drawing 1 of 3)

REF	PART NO.	DESCRIPTION	COMMENTS
1	802317P	Door Latch/Switch Assembly	
2	806466	Wire Ring and Spring	
3	802281	Hose Clamp	
4	803554	Door Seal Assembly	Models JF3LGFSP411EW06, JF3LMFSG411EN06, NF3LLFSG401UT06, NF3LLFSG402UT06, NF3LLFSP401UT06, NF3LLFSP402UT06 and NF3LXFSP402UW06
	802866P	Door Seal Assembly	Black; Includes items 10-12; All other models
	802830P	Door Seal Kit	Gray; Includes items 10-12; All other models
5	802256	Dispenser-to-Door Seal Hose	All models except JF3LGFSP411EW06, JF3LMFSG411EN06, NF3LLFSG401UT06, NF3LLFSG402UT06, NF3LLFSP401UT06 and NF3LLFSP402UT06
6	55881	Harness Strap	All models except JF3LGFSP411EW06, JF3LMFSG411EN06, NF3LLFSG401UT06, NF3LLFSG402UT06, NF3LLFSP401UT06 and NF3LLFSP402UT06
7	802164	Hose Clamp	All models except JF3LGFSP411EW06, JF3LMFSG411EN06, NF3LLFSG401UT06, NF3LLFSG402UT06, NF3LLFSP401UT06 and NF3LLFSP402UT06
8	687500	Wire Clip	All models except JF3LGFSP411EW06, JF3LMFSG411EN06, NF3LLFSG401UT06, NF3LLFSG402UT06, NF3LLFSP401UT06 and NF3LLFSP402UT06
9	802698	Hose Clamp	All models except JF3LGFSP411EW06, JF3LMFSG411EN06, NF3LLFSG401UT06, NF3LLFSG402UT06, NF3LLFSP401UT06 and NF3LLFSP402UT06
10	802292	Nut	All models except JF3LGFSP411EW06, JF3LMFSG411EN06, NF3LLFSG401UT06, NF3LLFSG402UT06, NF3LLFSP401UT06 and NF3LLFSP402UT06
11	802293	Washer	All models except JF3LGFSP411EW06, JF3LMFSG411EN06, NF3LLFSG401UT06, NF3LLFSG402UT06, NF3LLFSP401UT06 and NF3LLFSP402UT06
12	802291	Boot Nozzle	All models except JF3LGFSP411EW06, JF3LMFSG411EN06, NF3LLFSG401UT06, NF3LLFSG402UT06, NF3LLFSP401UT06 and NF3LLFSP402UT06
13	802206	Hinge Plate	
14	36020	Nut	
15	D503661	Screw	

Front Panel and Door Seal (Drawing 2 of 3)

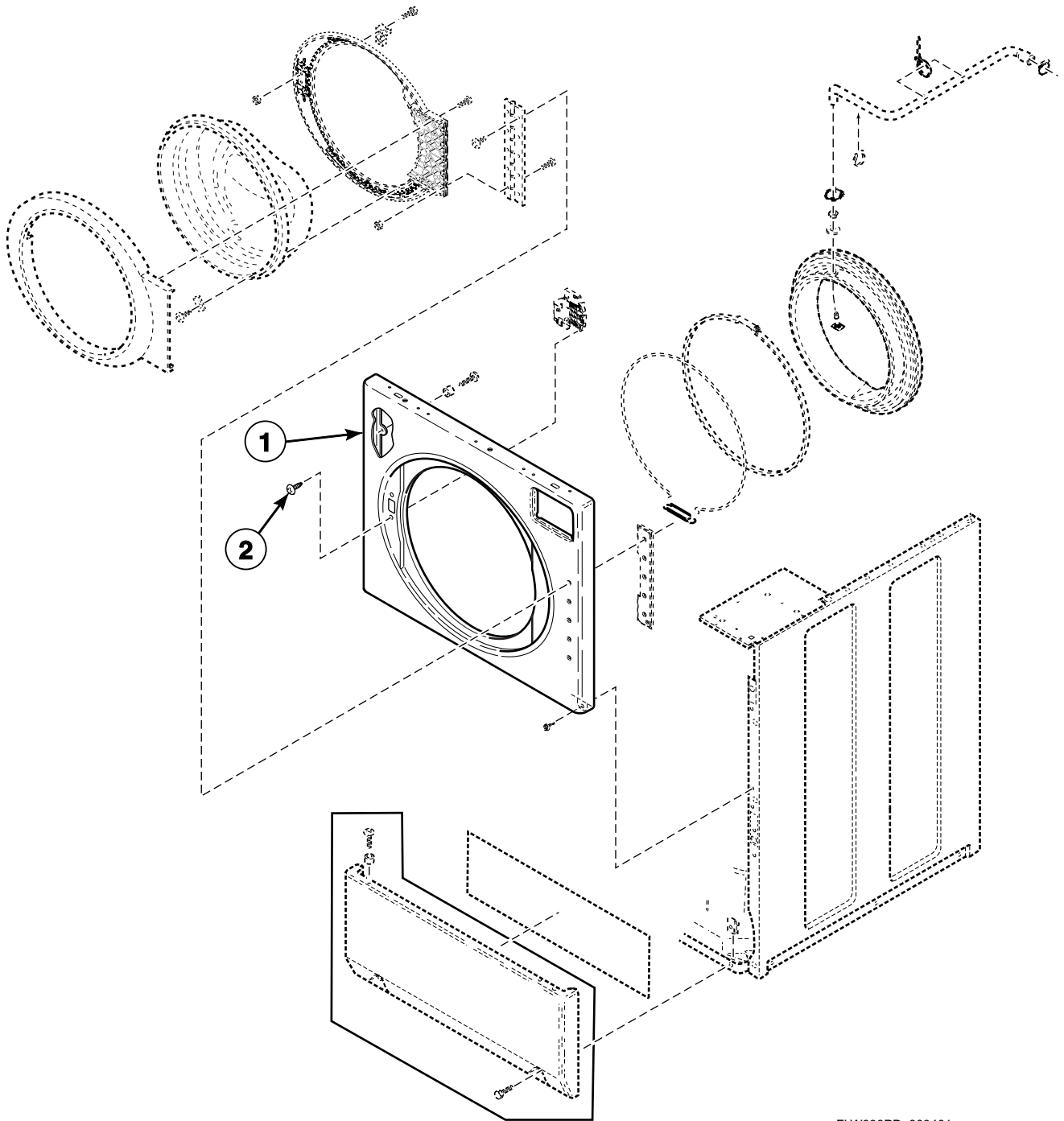


FLW938PB_803401

Front Panel and Door Seal (Drawing 2 of 3)

REF	PART NO.	DESCRIPTION	COMMENTS
1	36204	Front Panel Pad	1 inch by 26 inches
2	801045	Screw	
3	D514250DG	Access Panel Assembly	Models PF3LGFSP402UG01, PF3LLFSP402UG01, PF3LXFSP402UG01 and PFNLXFSP302UG01
	D514250Q	Access Panel Assembly	Models SFNLCFSG111TQ01, SFNLCFSP111TQ01, SFNNCFSG112TQ01 and SFNNCFSP112TQ01
	D514251	Access Panel Assembly	Models BF3LLFSG401UN01, BF3LLFSG402UN01, BF3LLFSP401UN01, BF3LLFSP402UN01, BF3LXFSG401UN01, BF3LXFSG402UN01, BF3LXFSP401UN01, BF3LXFSP402UN01, HFNLXFSP111CN01, HFNNXFSP112CN01, JF3LMFSG411EN01, JF3LMFSG411EN06, NF3LLFSG401UN01, NF3LLFSG402UN01, NF3LLFSP401NN22, NF3LLFSP401UN01, NF3LLFSP402NN22, NF3LLFSP402UN01, NF3LXFSG401UN01, NF3LXFSG402UN01, NF3LXFSP401UN01, NF3LXFSP402UN01, SFNLCFSG111TN01, SFNLCFSP111TN01, SFNLXFSP111TN01, SFNLXFSP301AN01, SFNLXFSP302AN01, SFNLYFSG111TN01, SFNLYFSP111TN01, SFNNCFSG111TN01, SFNNCFSG112TN01, SFNNCFSP111TN01, SFNNCFSP112TN01, SFNNXFSP112TN01, SFNNYFSG112TN01, SFNNYFSP112TN01, SFNWCFSG111TN01, SFNWCFSG112TN01, SFNWCFSG112TN11, SFNWCFSF111TN01, SFNWCFSF112TN01, SFNWCFSF112TN11, SFNWFYFSG111TN01, SFNWFYFSG112TN01, SFNWFYFSG112TN11, SFNWFYFSP111TN01, SFNWFYFSP112TN01 and SFNWFYFSP112TN11
	D514250WP	Access Panel Assembly	All other models
4	56079	Panel Locator	
5	D512921	Screw	Models BF3LLFSG401UN01, BF3LLFSG402UN01, BF3LLFSP401UN01, BF3LLFSP402UN01, BF3LXFSG401UN01, BF3LXFSG402UN01, BF3LXFSP401UN01, BF3LXFSP402UN01, HFNLXFSP111CN01, HFNNXFSP112CN01, JF3LMFSG411EN01, JF3LMFSG411EN06, NF3LLFSG401UN01, NF3LLFSG402UN01, NF3LLFSP401NN22, NF3LLFSP401UN01, NF3LLFSP402NN22, NF3LLFSP402UN01, NF3LXFSG401UN01, NF3LXFSG402UN01, NF3LXFSP401UN01, NF3LXFSP402UN01, SFNLCFSG111TN01, SFNLCFSP111TN01, SFNLXFSP111TN01, SFNLXFSP301AN01, SFNLXFSP302AN01, SFNLYFSG111TN01, SFNLYFSP111TN01, SFNNCFSG111TN01, SFNNCFSG112TN01, SFNNCFSP111TN01, SFNNCFSP112TN01, SFNNXFSP112TN01, SFNNYFSG112TN01, SFNNYFSP112TN01, SFNWCFSG111TN01, SFNWCFSG112TN01, SFNWCFSG112TN11, SFNWCFSF111TN01, SFNWCFSF112TN01, SFNWCFSF112TN11, SFNWFYFSG111TN01, SFNWFYFSG112TN01, SFNWFYFSG112TN11, SFNWFYFSP111TN01, SFNWFYFSP112TN01 and SFNWFYFSP112TN11
	39733	Screw	All other models

Front Panel and Door Seal (Drawing 3 of 3)



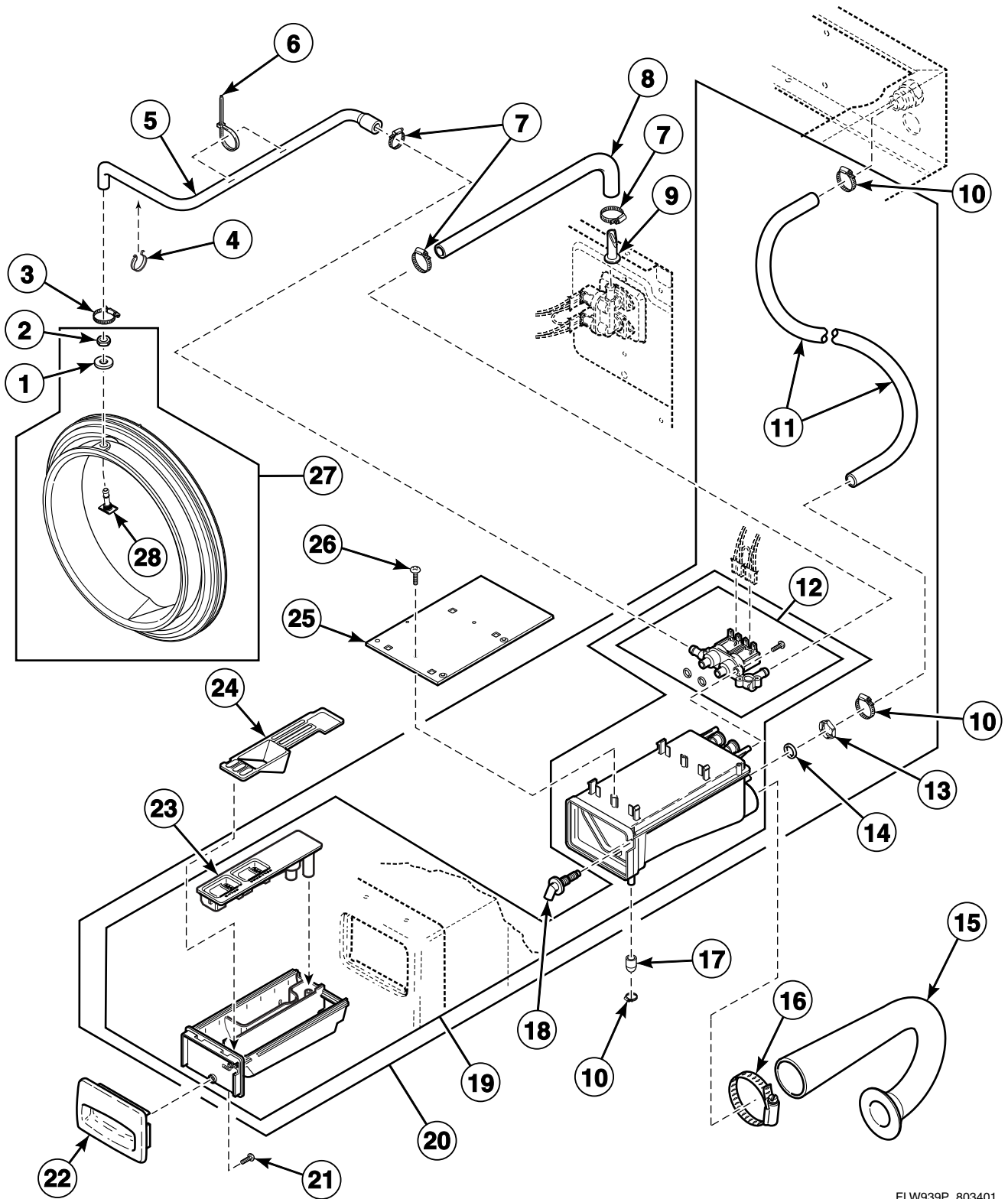
FLW938PD_803401

Front Panel and Door Seal (Drawing 3 of 3)

REF	PART NO.	DESCRIPTION	COMMENTS
1	802277QP	Front Panel	Models SFNLCFSG111TQ01, SFNLCFSP111TQ01, SFNNCFSG112TQ01 and SFNNCFSP112TQ01
	802288P	Front Panel	Models BF3LLFSG401UN01, BF3LLFSG402UN01, BF3LLFSP401UN01, BF3LLFSP402UN01, BF3LXFSG401UN01, BF3LXFSG402UN01, BF3LXFSP401UN01, BF3LXFSP402UN01, HFNLXFSP111CN01, HFNNXFSP112CN01, JF3LMFSG411EN01, JF3LMFSG411EN06, NF3LLFSG401UN01, NF3LLFSG402UN01, NF3LLFSP401NN22, NF3LLFSP401UN01, NF3LLFSP402NN22, NF3LLFSP402UN01, NF3LXFSG401UN01, NF3LXFSG402UN01, NF3LXFSP401UN01, NF3LXFSP402UN01, SFNLCFSG111TN01, SFNLCFSP111TN01, SFNLXFSP111TN01, SFNLXFSP301AN01, SFNLXFSP302AN01, SFNLYFSG111TN01, SFNLYFSP111TN01, SFNNCFSG111TN01, SFNNCFSG112TN01, SFNNCFSP111TN01, SFNNCFSP112TN01, SFNNXFSP112TN01, SFNNYFSG112TN01, SFNNYFSP112TN01, SFNWCFSG111TN01, SFNWCFSG112TN01, SFNWCFSG112TN11, SFNWCFSP111TN01, SFNWCFSP112TN01, SFNWCFSP112TN11, SFNWYFSG111TN01, SFNWYFSG112TN01, SFNWYFSG112TN11, SFNWYFSP111TN01, SFNWYFSP112TN01 and SFNWYFSP112TN11
	802277G	Front Panel	Models PF3LGFSP402UG01, PF3LLFSP402UG01, PF3LXFSP402UG01 and PFNLXFSP302UG01
	802277WP	Front Panel	All other models
2	800548	Screw	

Dispenser Assembly and Supply Injection Hoses

Models SFNLCFJP111TW01, SFNLYFJP111TW01, SFNNCFJP112TW01 and SFNNYFJP112TW01



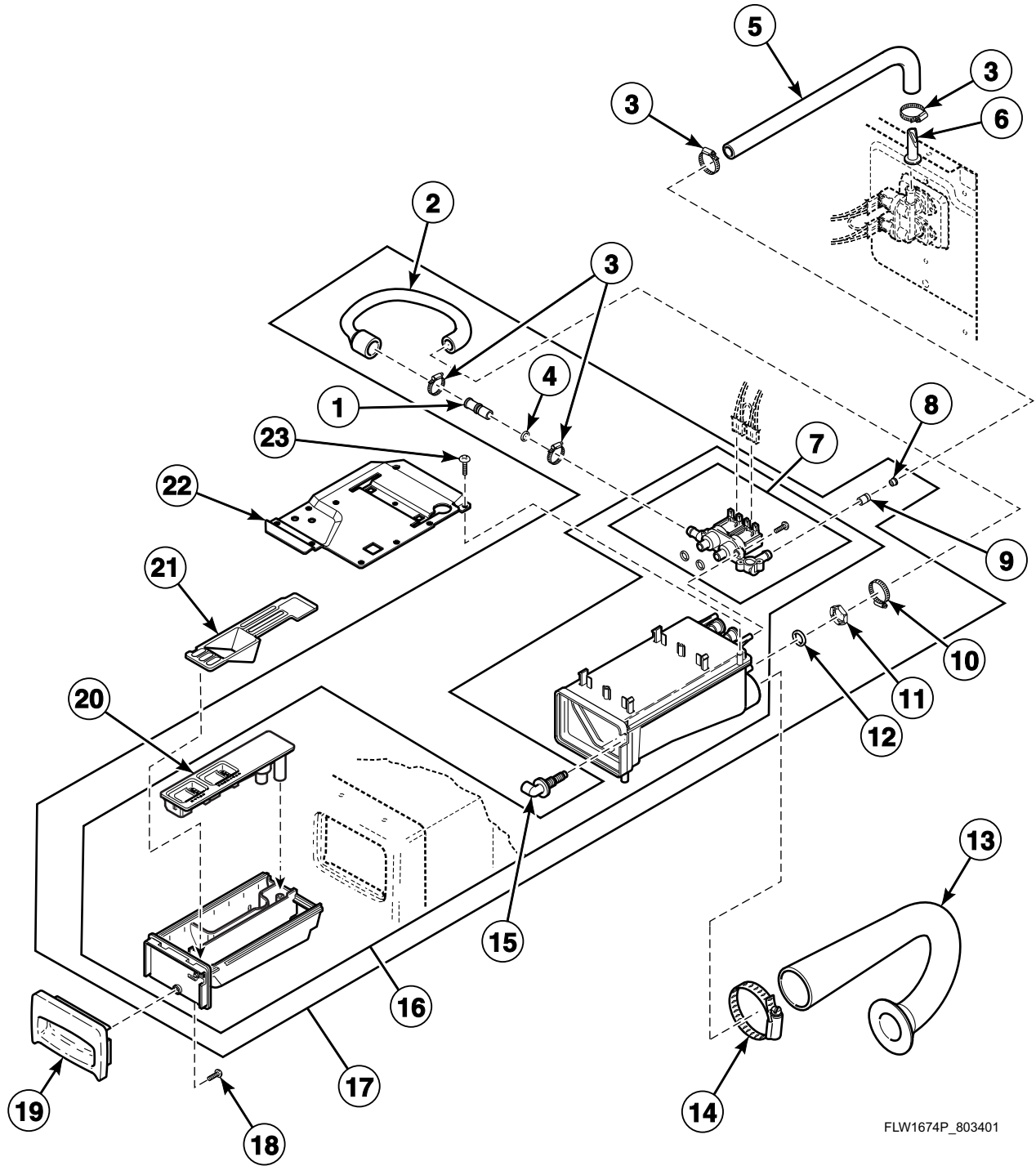
FLW939P_803401

Dispenser Assembly and Supply Injection Hoses

REF	PART NO.	DESCRIPTION	COMMENTS
1	802293	Washer	
2	802292	Nut	
3	802698	Hose Clamp	
4	687500	Wire Clip	
5	802256	Dispenser-to-Door Seal Hose	
6	55881	Harness Strap	
7	802164	Hose Clamp	
8	801464	Valve-to-Dispenser Inlet Hose	
9	34500	Backflow Preventer	
10	F200206	Hose Clamp	
11	801635	Tubing	
12	685766P	Valve Kit	
13	802292	Nut	
14	801632	O-Ring	
15	800331	Dispenser-to-Tub Hose	
16	685725	Hose Clamp	
17	801746	Cap	
18	F8322001	Injection Nozzle	
19	801630P	Dispenser Assembly	Includes items 12 and 23
20	801662P	Dispenser Assembly	Includes items 10-14, 18, 19, 23 and 801789 Connector
21	800548	Screw	
22	685715WP	Dispenser Drawer Front	
23	685716	Insert	
24	800899	Detergent Cover	
25	801024	Dispenser Plate	
26	801001	Screw	
27	802866P	Door Seal Assembly	Black; Includes items 1, 2 and 28
	802830P	Door Seal Kit	Gray; Includes items 1, 2 and 28
28	802291	Boot Nozzle	

Dispenser Assembly (Drawing 1 of 3)

Models JF3LGFSP411EW06, JF3LMFSG411EN06, NF3LLFSG401UT06, NF3LLFSG402UT06,
NF3LLFSP401UT06, NF3LLFSP402UT06 and NF3LXFSP402UW06



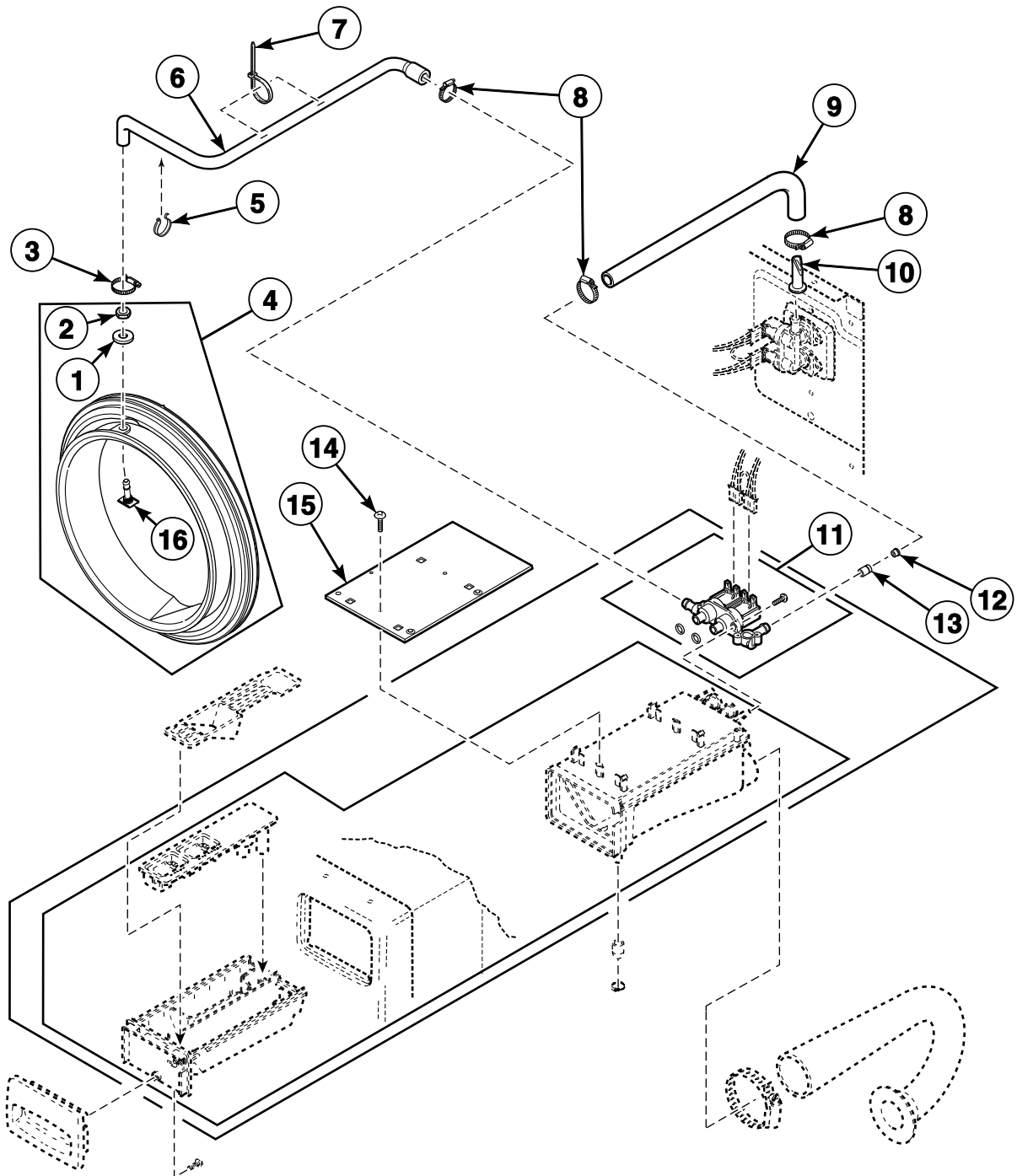
FLW1674P_803401

Dispenser Assembly (Drawing 1 of 3)

REF	PART NO.	DESCRIPTION	COMMENTS
1	803544	Orifice	
2	803440	Dispenser-to-Air Gap Hose	
3	802164	Hose Clamp	
4	803545	O-Ring	
5	801464	Valve-to-Dispenser Inlet Hose	
6	34500	Backflow Preventer	
7	801836P	Valve Kit	
8	803230	Flow Regulator	
9	803231	Spacer	
10	802698	Hose Clamp	
11	M404993	Nut	
12	801632	O-Ring	
13	800331	Dispenser-to-Tub Hose	
14	685725	Hose Clamp	
15	F8322001	Injection Nozzle	
16	803441	Dispenser Assembly	Includes items 7 and 20
17	803546	Dispenser Assembly	Includes items 1-4, 7-12, 15, 16 and 20
18	800548	Screw	
19	803318	Dispenser Handle	Model JF3LMFSG411EN06
	803329W	Dispenser Handle	All other models
20	685716	Insert	
21	800899	Detergent Cover	
22	801024	Dispenser Plate	
23	801001	Screw	

Dispenser Assembly (Drawing 2 of 3)

All Models Except JF3LGFSP411EW06, JF3LMFSG411EN06, NF3LLFSG401UT06, NF3LLFSG402UT06, NF3LLFSP401UT06, NF3LLFSP402UT06, SFNLCFJP111TW01, SFNLYFJP111TW01, SFNNCFJP112TW01 and SFNNYFJP112TW01



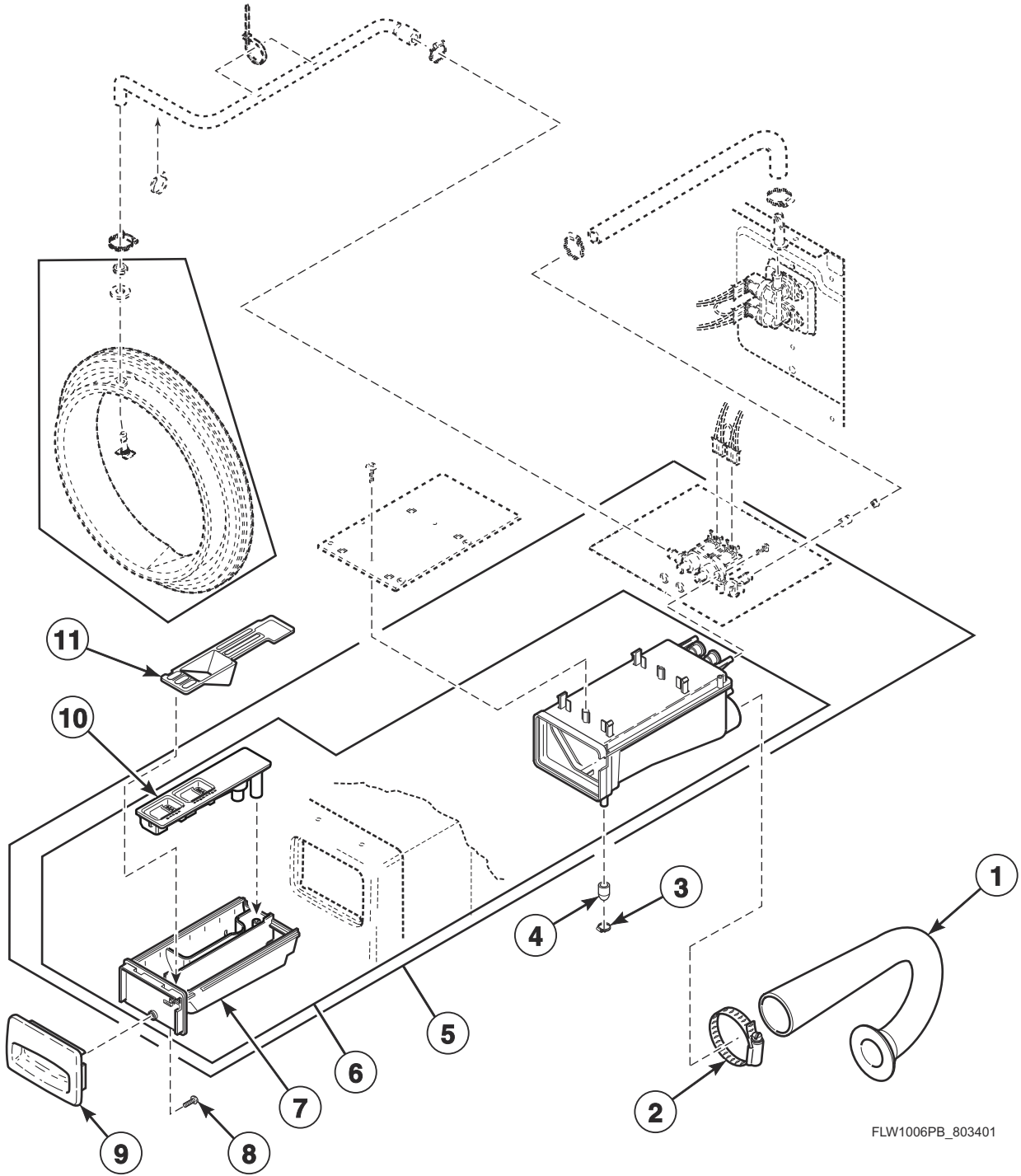
FLW1006PA_803401

Dispenser Assembly (Drawing 2 of 3)

REF	PART NO.	DESCRIPTION	COMMENTS
1	802293	Washer	
2	802292	Nut	
3	802698	Hose Clamp	
4	802866P	Door Seal Assembly	Black; Includes items 1, 2 and 16
	802830P	Door Seal Kit	Gray; Includes items 1, 2 and 16
5	687500	Wire Clip	
6	802256	Dispenser-to-Door Seal Hose	
7	39037	Cable Tie	
8	802164	Hose Clamp	
9	801464	Valve-to-Dispenser Inlet Hose	
10	34500	Backflow Preventer	
11	801836P	Valve Kit	Models BF3LLFSG401UN01, BF3LLFSG401UW01, BF3LLFSG402UN01, BF3LLFSG402UW01, BF3LLFSP401UN01, BF3LLFSP401UW01, BF3LLFSP402UN01, BF3LLFSP402UW01, BF3LXFSG401UN01, BF3LXFSG401UW01, BF3LXFSG402UN01, BF3LXFSP401UN01, BF3LXFSP401UW01, BF3LXFSP402UN01, BF3LXFSP402UW01, JF3LEFSP411EW01, JF3LGFSP411EW01, JF3LMFSG411EN01, JFNLEFSG301EW01, JFNLEFSP301EW01, NF3LLFSG401UN01, NF3LLFSG401UT01, NF3LLFSG402UN01, NF3LLFSG402UT01, NF3LLFSP401NN22, NF3LLFSP401NW22, NF3LLFSP401UN01, NF3LLFSP401UT01, NF3LLFSP401UW01, NF3LLFSP402NN22, NF3LLFSP402NW22, NF3LLFSP402UN01, NF3LLFSP402UT01, NF3LLFSP402UW01, NF3LXFSG401UN01, NF3LXFSG401UW01, NF3LXFSG402UN01, NF3LXFSG402UW01, NF3LXFSP401UN01, NF3LXFSP401UW01, NF3LXFSP402NW22, NF3LXFSP402UN01, NF3LXFSP402UW01, NF3LXFSP402UW06, NF3LYFSG401UW01, NF3LYFSG402UW01, PF3LGFSP402UG01, PF3LLFSP402UG01, PF3LXFSP402UG01, PFNLXFSP302UG01, SFNLXFSP301AN01, SFNLXFSP301AW01, SFNLXFSP302AW01, SFNLXFSP302AN01 and SFNNXRSP542NW23
	685766P	Valve Kit	All other models
12	803230	Flow Regulator	Models JF3LEFSP411EW01, JF3LGFSP411EW01, JF3LMFSG411EN01, JFNLEFSG301EW01 and JFNLEFSP301EW01
13	803231	Spacer	Models JF3LEFSP411EW01, JF3LGFSP411EW01, JF3LMFSG411EN01, JFNLEFSG301EW01 and JFNLEFSP301EW01
14	801001	Screw	
15	801024	Dispenser Plate	
16	802291	Boot Nozzle	

Dispenser Assembly (Drawing 3 of 3)

All Models Except JF3LGFSP411EW06, JF3LMFSG411EN06, NF3LLFSG401UT06, NF3LLFSG402UT06, NF3LLFSP401UT06, NF3LLFSP402UT06, SFNLCFJP111TW01, SFNLYFJP111TW01, SFNNCFJP112TW01 and SFNNYFJP112TW01

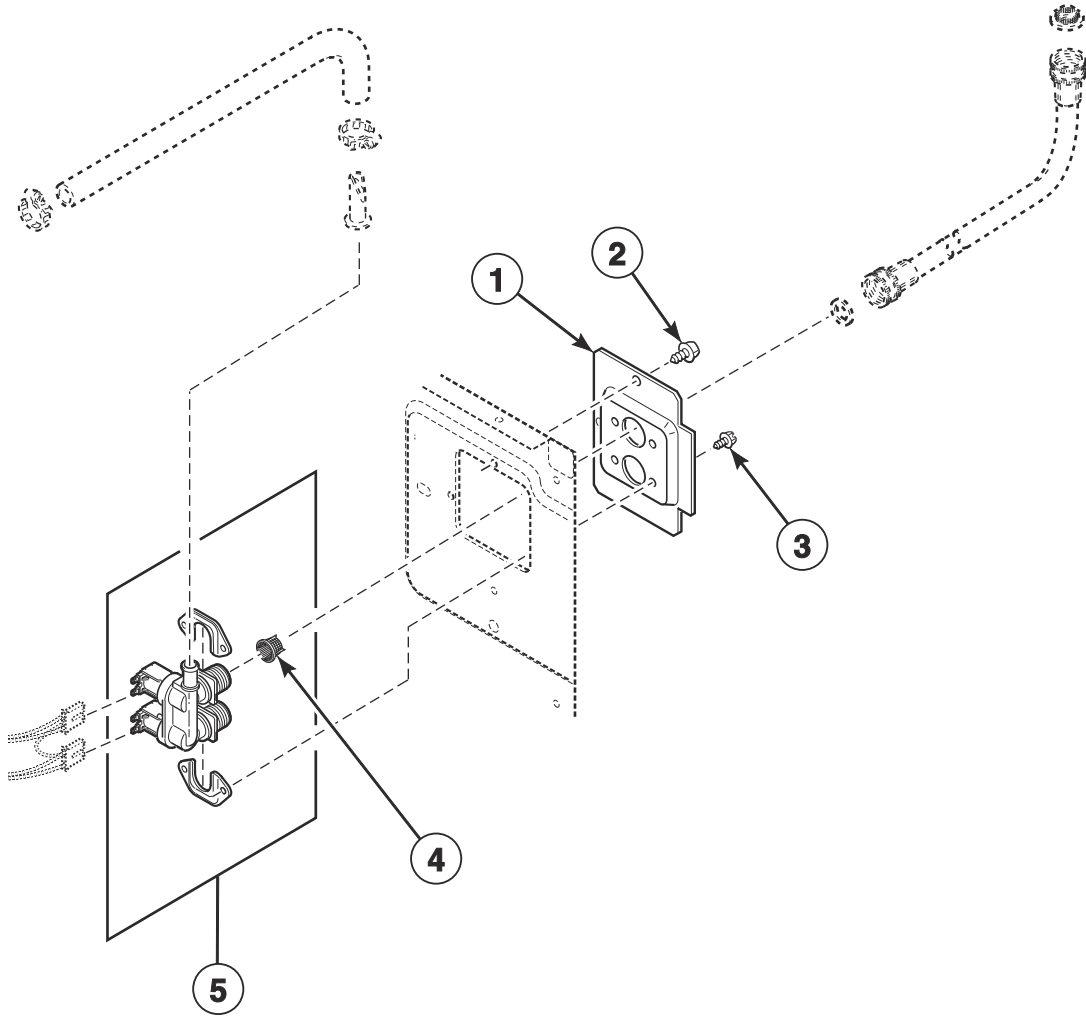


FLW1006PB_803401

Dispenser Assembly (Drawing 3 of 3)

REF	PART NO.	DESCRIPTION	COMMENTS
1	800331	Dispenser-to-Tub Hose	
2	685725	Hose Clamp	
3	F200206	Hose Clamp	
4	801746	Cap	
5	801090P	Dispenser	Includes items 6, 9 and item 11 on <i>Dispenser Assembly (Drawing 2 of 3)</i> ; Models BF3LLFSG401UN01, BF3LLFSG401UW01, BF3LLFSG402UN01, BF3LLFSG402UW01, BF3LLFSP401UN01, BF3LLFSP401UW01, BF3LLFSP402UN01, BF3LLFSP402UW01, BF3LXFSG401UN01, BF3LXFSG401UW01, BF3LXFSG402UN01, BF3LXFSP401UN01, BF3LXFSP401UW01, BF3LXFSP402UN01, BF3LXFSP402UW01, JF3LEFSP411EW01, JF3LGFSP411EW01, JF3LMFSG411EN01, JFNLEFSG301EW01, JFNLEFSP301EW01, NF3LLFSG401UN01, NF3LLFSG401UT01, NF3LLFSG402UN01, NF3LLFSG402UT01, NF3LLFSP401NN22, NF3LLFSP401NW22, NF3LLFSP401UN01, NF3LLFSP401UT01, NF3LLFSP401UW01, NF3LLFSP402NN22, NF3LLFSP402NW22, NF3LLFSP402UN01, NF3LLFSP402UT01, NF3LLFSP402UW01, NF3LXFSG401UN01, NF3LXFSG401UW01, NF3LXFSG402UN01, NF3LXFSG402UW01, NF3LXFSP401UN01, NF3LXFSP401UW01, NF3LXFSP402NW22, NF3LXFSP402UN01, NF3LXFSP402UW01, NF3LXFSP402UW06, NF3LYFSG401UW01, NF3LYFSG402UW01, PF3LGFSP402UG01, PF3LLFSP402UG01, PF3LXFSP402UG01, PFNLXFSP302UG01, SFNLXFSP301AN01, SFNLXFSP301AW01, SFNLXFSP302AW01, SFNLXFSP302AN01 and SFNNXRSP542NW23
	685756P	Dispenser	Includes items 6, 9 and item 11 on <i>Dispenser Assembly (Drawing 2 of 3)</i> ; All other models
6	801476P	Dispenser Assembly	Includes items 7 and 10
7	685757P	Dispenser Drawer	
8	800548	Screw	
9	685715QP	Dispenser Drawer Front	Models SFNLCFSG111TQ01, SFNLCFSP111TQ01, SFNNCFSG112TQ01 and SFNNCFSP112TQ01
	803318	Dispenser Handle	Model JF3LMFSG411EN01
	803329W	Dispenser Handle	Models JF3LEFSP411EW01, JF3LGFSP411EW01, JFNLEFSG301EW01 and JFNLEFSP301EW01
	802879P	Dispenser Handle	Models BF3LLFSG401UN01, BF3LLFSG402UN01, BF3LLFSP401UN01, BF3LLFSP402UN01, BF3LXFSG401UN01, BF3LXFSG402UN01, BF3LXFSP401UN01, BF3LXFSP402UN01, HFNLXFSP111CN01, HFNNXFSP112CN01, NF3LLFSG401UN01, NF3LLFSG402UN01, NF3LLFSP401NN22, NF3LLFSP401UN01, NF3LLFSP402NN22, NF3LLFSP402UN01, NF3LXFSG401UN01, NF3LXFSG402UN01, NF3LXFSP401UN01, NF3LXFSP402UN01, PF3LGFSP402UG01, PF3LLFSP402UG01, PF3LXFSP402UG01, PFNLXFSP302UG01, SFNLCFSG111TN01, SFNLCFSP111TN01, SFNLXFSP111TN01, SFNLXFSP301AN01, SFNLXFSP302AN01, SFNLYFSG111TN01, SFNLYFSP111TN01, SFNNCFSG111TN01, SFNNCFSG112TN01, SFNNCFSP111TN01, SFNNCFSP112TN01, SFNNXFSP112TN01, SFNNYFSG112TN01, SFNNYFSP112TN01, SFNWCFSG111TN01, SFNWCFSG112TN01, SFNWCFSG112TN11, SFNWCFSF111TN01, SFNWCFSF112TN01, SFNWCFSF112TN11, SFNWFYFSG111TN01, SFNWFYFSG112TN01, SFNWFYFSG112TN11, SFNWFYFSP111TN01, SFNWFYFSP112TN01 and SFNWFYFSP112TN11
	685715WP	Dispenser Drawer Front	All other models
10	685716	Insert	
11	800899	Detergent Cover	

Mixing Valve

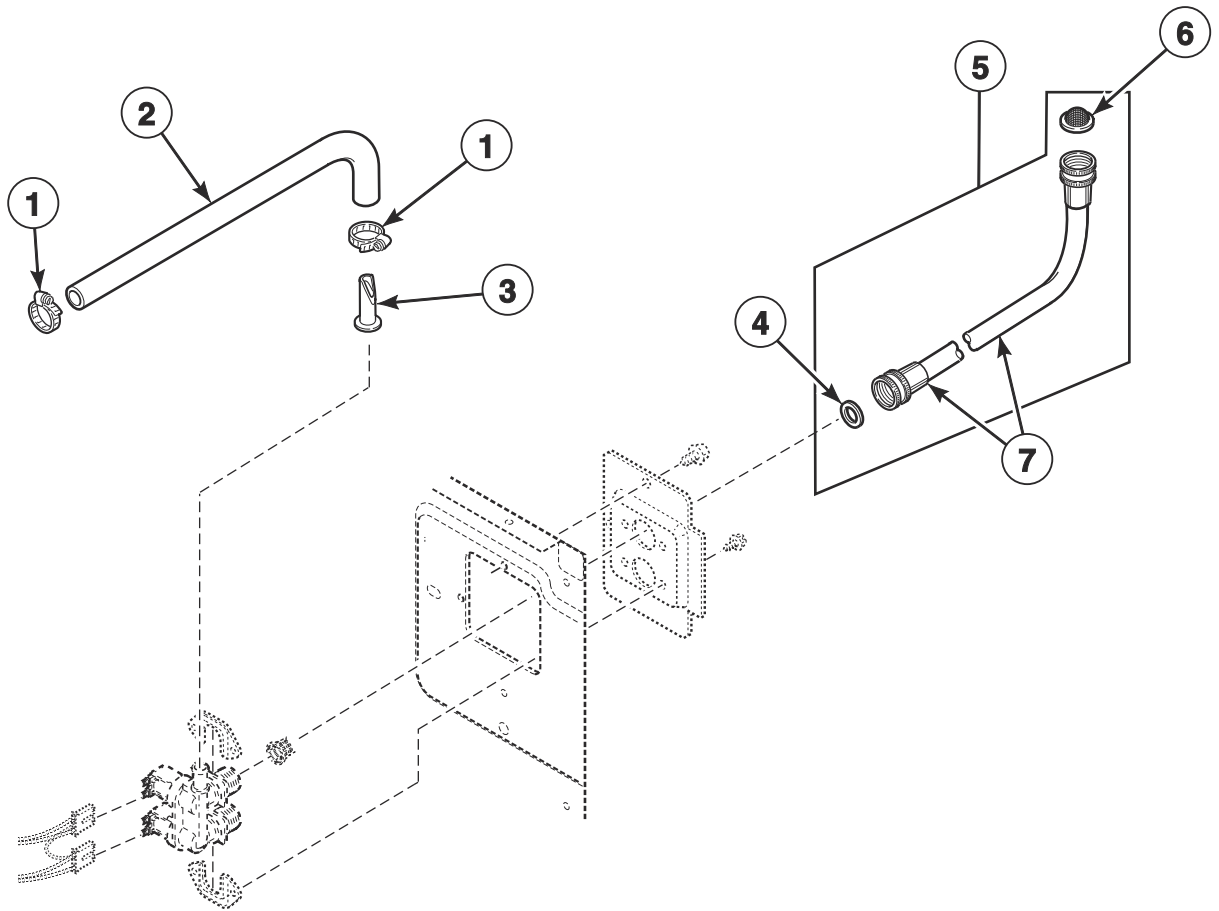


FLW881P_803401

Mixing Valve

REF	PART NO.	DESCRIPTION	COMMENTS
1	800323	Mixing Valve Plate	
2	D503661	Screw	
3	D501086	Screw	
4	802926	Mixing Valve Screen	
5	802222P	Mixing Valve	Models BF3LLFSG401UN01, BF3LLFSG401UW01, BF3LLFSG402UN01, BF3LLFSG402UW01, BF3LLFSP401UN01, BF3LLFSP401UW01, BF3LLFSP402UN01, BF3LLFSP402UW01, BF3LXFSG401UN01, BF3LXFSG401UW01, BF3LXFSG402UN01, BF3LXFSP401UN01, BF3LXFSP401UW01, BF3LXFSP402UN01, BF3LXFSP402UW01, JF3LEFSP411EW01, JF3LGFSP411EW01, JF3LGFSP411EW06, JF3LMFSG411EN01, JF3LMFSG411EN06, JFNLEFSG301EW01, JFNLEFSP301EW01, NF3LLFSG401UN01, NF3LLFSG401UT01, NF3LLFSG401UT06, NF3LLFSG402UN01, NF3LLFSG402UT01, NF3LLFSG402UT06, NF3LLFSP401NN22, NF3LLFSP401NW22, NF3LLFSP401UN01, NF3LLFSP401UT01, NF3LLFSP401UT06, NF3LLFSP401UW01, NF3LLFSP402NN22, NF3LLFSP402NW22, NF3LLFSP402UN01, NF3LLFSP402UT01, NF3LLFSP402UT06, NF3LLFSP402UW01, NF3LXFSG401UN01, NF3LXFSG401UW01, NF3LXFSG402UN01, NF3LXFSG402UW01, NF3LXFSP401UN01, NF3LXFSP401UW01, NF3LXFSP402NW22, NF3LXFSP402UN01, NF3LXFSP402UW01, NF3LXFSP402UW06, NF3LYFSG401UW01, NF3LYFSG402UW01, PF3LGFSP402UG01, PF3LLFSP402UG01, PF3LXFSP402UG01, PFNLXFSP302UG01, SFNLXFSP301AN01, SFNLXFSP301AW01, SFNLXFSP302AW01, SFNLXFSP302AN01 and SFNXXRSP542NW23
	802220P	Mixing Valve	All other models

Inlet Hose and Dispenser Hose



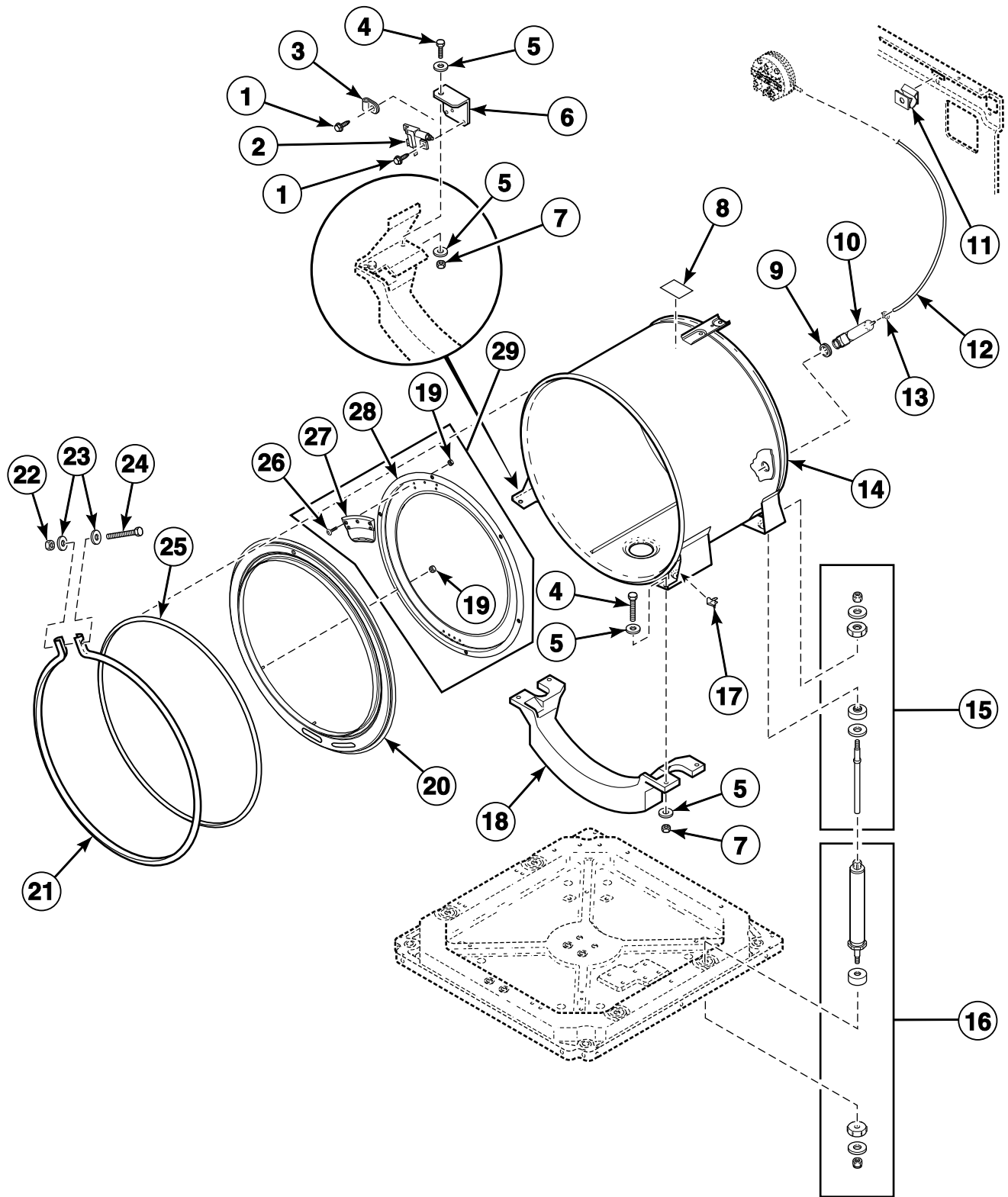
FLW881PA_803401

Inlet Hose and Dispenser Hose

REF	PART NO.	DESCRIPTION	COMMENTS
1	802164	Hose Clamp	
2	801464	Valve-to-Dispenser Inlet Hose	
3	34500	Backflow Preventer	
4	20290	Washer	
5	F200116	Water Hose	5 feet; Hose is equipped with 2 standard hose couplings; Includes items 4 and 6
	38349P	Fill Hose Kit	5 feet; Hose is equipped with 1 metric and 1 standard hose coupling; Includes 2 of item 4
6	803615	Washer	Filter screen
	802254	Washer	Flow restrictor; Water pressure reducer; Available for water pressure up to but not exceeding 120 psi
7	202800	Fill Hose	Models SFNLXFSP302AW01 and SFNLXFSP302AN01
	20617	Fill Hose	8 feet; Optional; Hose is equipped with 2 standard hose couplings; All other models
	20618	Fill Hose	10 feet; Optional; Hose is equipped with 2 standard hose couplings; All other models
	37380	Fill Hose	8 feet; Hose is equipped with 1 metric and 1 standard hose coupling; All other models
	202931	Fill Hose	10 feet; Hose is equipped with 1 metric and 1 standard hose coupling; All other models

Outer Tub, Clamp Ring and Shock Absorbers

All Models Without Heater



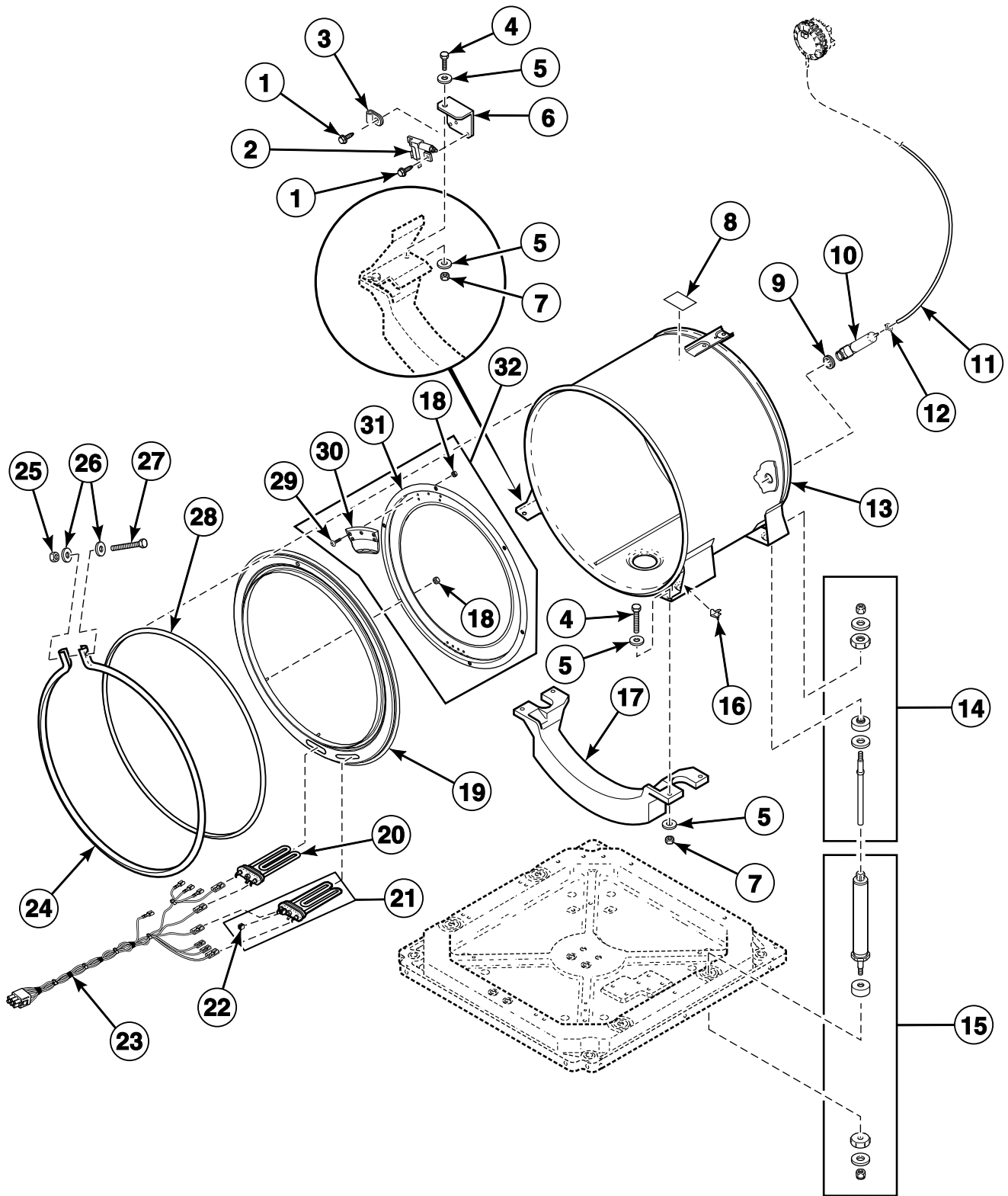
FLW1013P_803401

Outer Tub, Clamp Ring and Shock Absorbers

REF	PART NO.	DESCRIPTION	COMMENTS
1	D503661	Screw	
2	806512	Out-of-Balance Switch Assembly Kit	Models through Serial No. 1106019172 and starting again Serial No. 1106030843 through Serial No. 1201004551
	803415	Out-of-Balance Switch Assembly	Models starting Serial No. 1106019173 through Serial No. 1106030842 and starting again Serial No. 1201004552
3	800811	Wire Clamp	
4	800461	Screw	
5	M400081	Washer	
6	800663	Switch Mounting Bracket	Models through Serial No. 1106019172 and starting again Serial No. 1106030843 through Serial No. 1201004551
	803388	Switch Mounting Bracket	Models starting Serial No. 1106019173 through Serial No. 1106030842 and starting again Serial No. 1201004552
7	800452	Nut	
8	D500314	Warning Label	Models HFNLEFSP111CW01, HFNLEFSP111CWNA, HFNLERSP111CW01, HFNLERSP111CWNA, HFNLXFSP111CN01, HFNLXFSP111CW01, HFNLXRSP111CW01, HFNLXFSP111CW01, HFNLXRSP111CW01, HFNLXFSP111CWNA, HFNLXRSP111CW01, HFNLXRSP111CWNA, HFNNEFSP112CW01, HFNNERSP112CW01, HFNNXFSP112CN01, HFNNXFSP111CW01, HFNNXFSP112CW01, HFNNXRSP111CW01, HFNNXRSP112CW01, HFNNYFSP112CW01, HFNNYRSP112CW01 and RFNLXFSP111CW01
	D502511	Electrical Shock Label	Models JFNLEFSG301EW01 and JFNLEFSP301EW01
	F8211201	Electrical Shock Label	Model PFNLXFSP302UG01
	D502506	Pinched Fingers Label	Models JFNLEFSG301EW01 and JFNLEFSP301EW01
	F8615701	Pinch Warning Label	Model PFNLXFSP302UG01
	D500049	Warning Label	All other models
9	29175	Grommet	
10	205241	Pressure Bulb	
11	36985	Hose Clip	Positioned here on rear control models
12	685751	Tubing	Models HFNLERSP111CW01, HFNLERSP111CWNA, HFNLXRSP111CW01, HFNNERSP112CW01, HFNNXRSP111CW01, HFNNXRSP112CW01, SFNLCRSP111TW01, SFNLCRSP111TW02, SFNLCRSP111TWAF, SFNLCRSP111TWNA, SFNLXRSP111TW02, SFNNCRSP111TW01, SFNNCRSP111TW02, SFNNCRSP112TW01, SFNNCRSP112TW02, SFNNXRSP111TW02 and SFNNXRSP112TW02
	33324	Tubing	Model SFNNXRSP542NW23
	800648P	Tubing	All other models
13	39282	Hose Clamp	
14	801081P	Outer Tub Assembly	
15	800622P	Tub Shock Absorber Kit	Upper
16	807875	Base Shock Absorber Kit	Lower; Must replace all 4
17	00161	Grounding Clip	
18	800205	Ballast Weight	
19	802343	Nut	
20	802258	Tub Front Assembly	
21	800312	Clamp Ring	
22	F430218	Nut	
23	800457	Washer	
24	800462	Screw	
25	800432P	Tub Front Seal	
26	802596	Screw	
27	804174P	Clothes Guard Deflector	
28	803537	Clothes Guard	
29	804560P	Clothes Guard and Deflector Kit	Includes items 7, 19 and 23-28

Outer Tub, Clamp Ring, Shock Absorbers and Heating Element

All Models With Heater

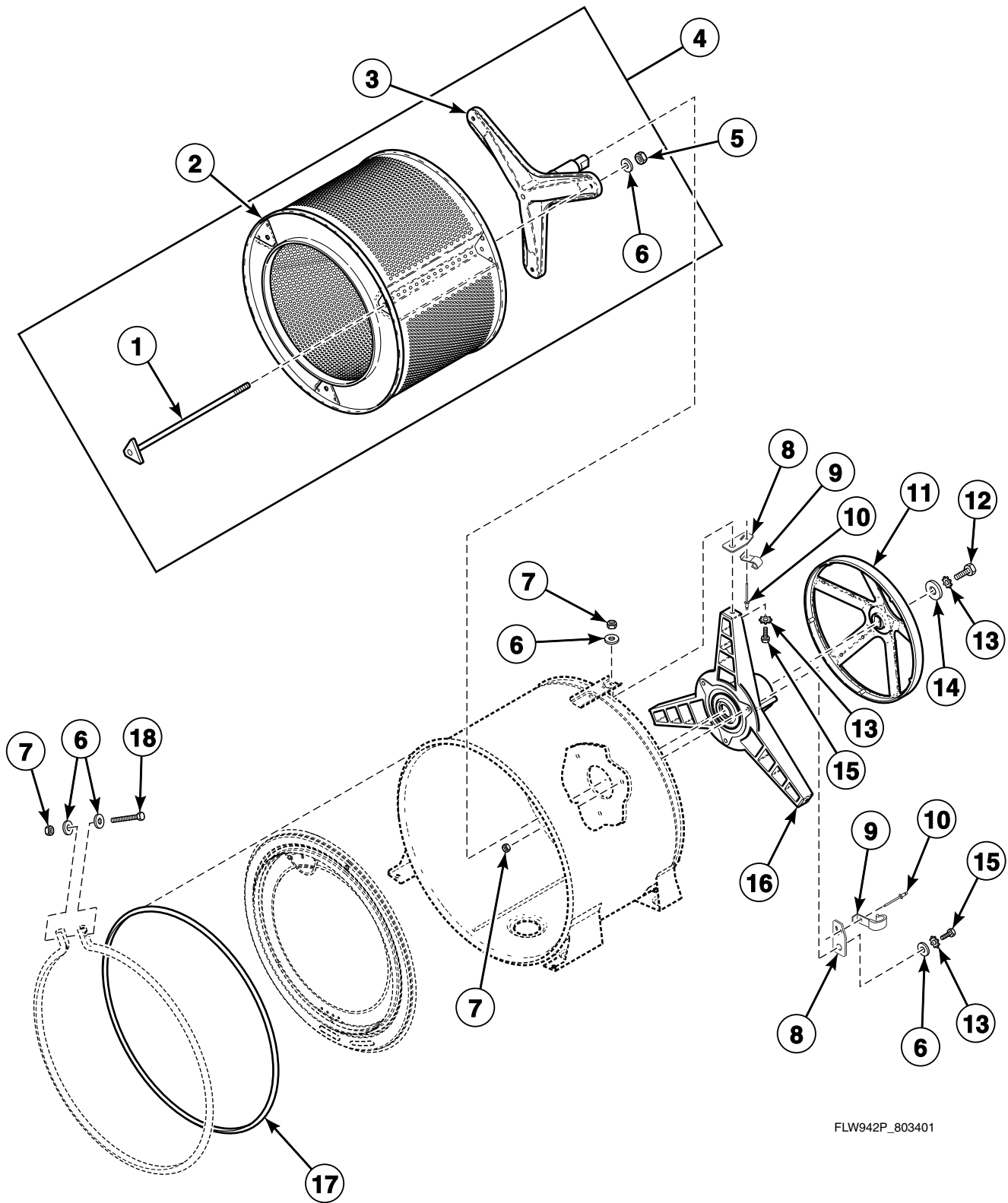


FLW1012P_803401

Outer Tub, Clamp Ring, Shock Absorbers and Heating Element

REF	PART NO.	DESCRIPTION	COMMENTS
1	D503661	Screw	
2	806512	Out-of-Balance Switch Assembly Kit	Models through Serial No. 1106019172 and starting again Serial No. 1106030843 through Serial No. 1201004551
	803415	Out-of-Balance Switch Assembly	Models starting Serial No. 1106019173 through Serial No. 1106030842 and starting again Serial No. 1201004552
3	800811	Wire Clamp	
4	800461	Screw	
5	M400081	Washer	
6	800663	Switch Mounting Bracket	Models through Serial No. 1106019172 and starting again Serial No. 1106030843 through Serial No. 1201004551
	803388	Switch Mounting Bracket	Models starting Serial No. 1106019173 through Serial No. 1106030842 and starting again Serial No. 1201004552
7	800452	Nut	
8	D502511	Electrical Shock Label	
	D502506	Pinched Fingers Label	
9	29175	Grommet	
10	205241	Pressure Bulb	
11	803280	Tubing	
12	39282	Hose Clamp	
13	801291	Outer Tub Assembly	
14	800622P	Tub Shock Absorber Kit	Upper
15	807875	Base Shock Absorber Kit	Lower; Must replace all 4
16	00161	Grounding Clip	
17	800205	Ballast Weight	
18	802343	Nut	
19	802260	Tub Front Assembly	Models through Serial No. 1001000989
	803494	Tub Front Assembly	Models starting Serial No. 1001000990
20	804778P	Heating Element	
21	804777P	Heating Element	Includes item 22
22	803256	Thermistor	
23	802323P	Heater Harness	Models through Serial No. 1001000989
	803492	Heater Harness	Models starting Serial No. 1001000990
24	800312	Clamp Ring	
25	F430218	Nut	
26	800457	Washer	
27	800462	Screw	
28	800432P	Tub Front Seal	
29	802596	Screw	
30	804174P	Clothes Guard Deflector	
31	803537	Clothes Guard	
32	804560P	Clothes Guard and Deflector Kit	Includes items 7, 18 and 26-31

Inner Basket, Trunnion, Bearing Housing and Pulley

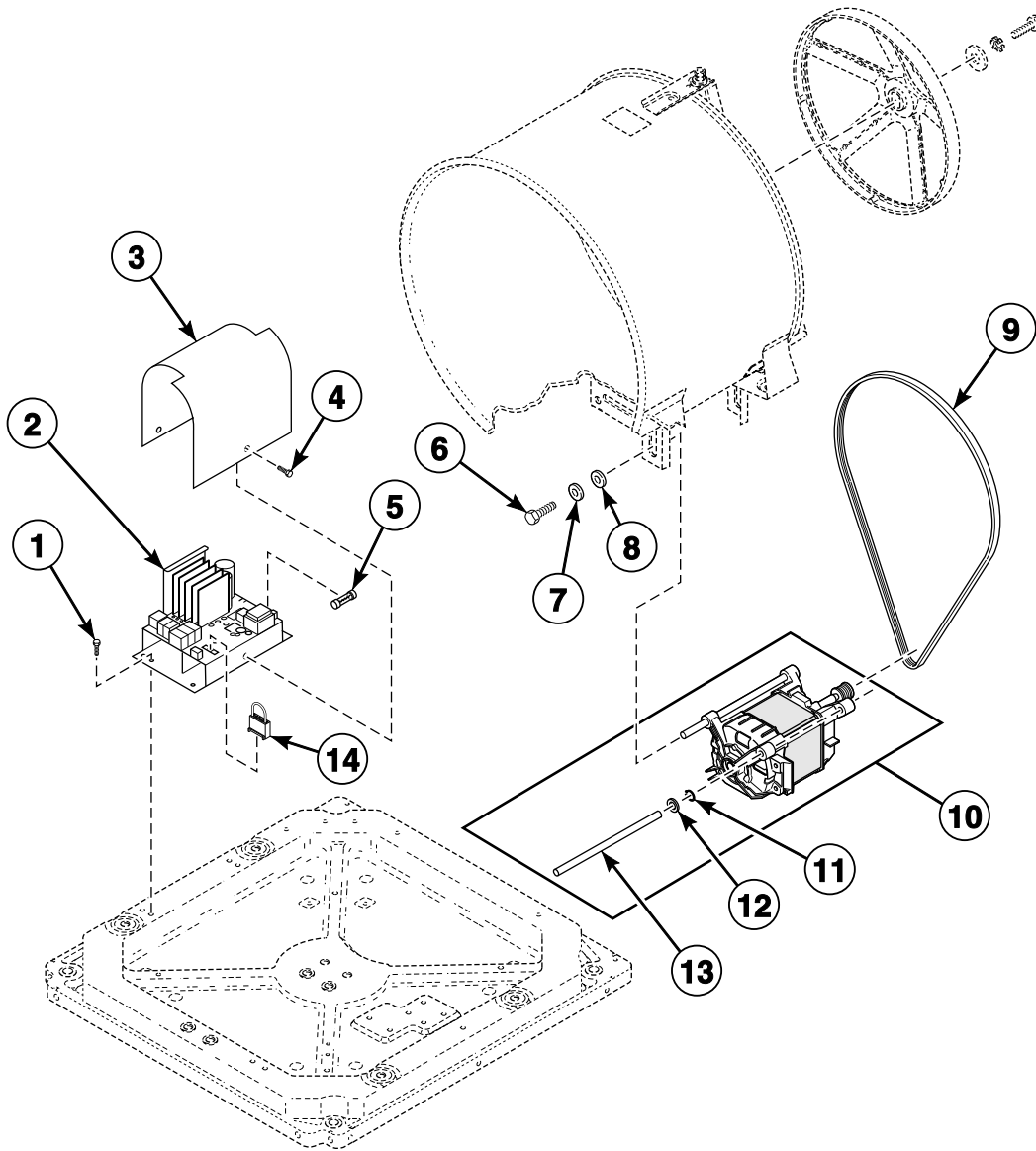


FLW942P_803401

Inner Basket, Trunnion, Bearing Housing and Pulley

REF	PART NO.	DESCRIPTION	COMMENTS
	27604P	Anti-Seize Compound	Pulley to inner basket shaft
	838P3	Hardware Kit	Includes (8) of item 6, (7) each of items 8 and 12, (6) of item 10, (1) each of items 7, 9, 13, 14 and 27604P Anti-Seize Compound
	RB160001	Bearing Kit	
1	800666	Tension Rod Assembly	
2	803008P	Inner Basket Assembly	
3	800749P	Trunnion Shaft and Hardware Kit	Includes (3) each of items 1, 5, 6 and 838P3 Hardware Kit; If ordering trunnion shaft separately, inner basket and trunnion shaft must be properly aligned to prevent door seal damage. Refer to instructions included in kit
4	802365P	Inner Basket Assembly	
5	803017	Nut	
6	800457	Washer	
7	F430218	Nut	
8	800552	Hose Mounting Plate	
9	800553	Hose Clip	
10	685847	Pop Rivet	
11	800866	Driven Pulley	
12	685831	Screw	Left hand thread
13	M403958	Washer	
14	807679	Washer	
15	M400043	Screw	
16	800428P	Bearing Housing Kit	Includes 838P3 Hardware Kit and bearing
17	800432P	Tub Front Seal	
18	800462	Screw	

Motor and Belt



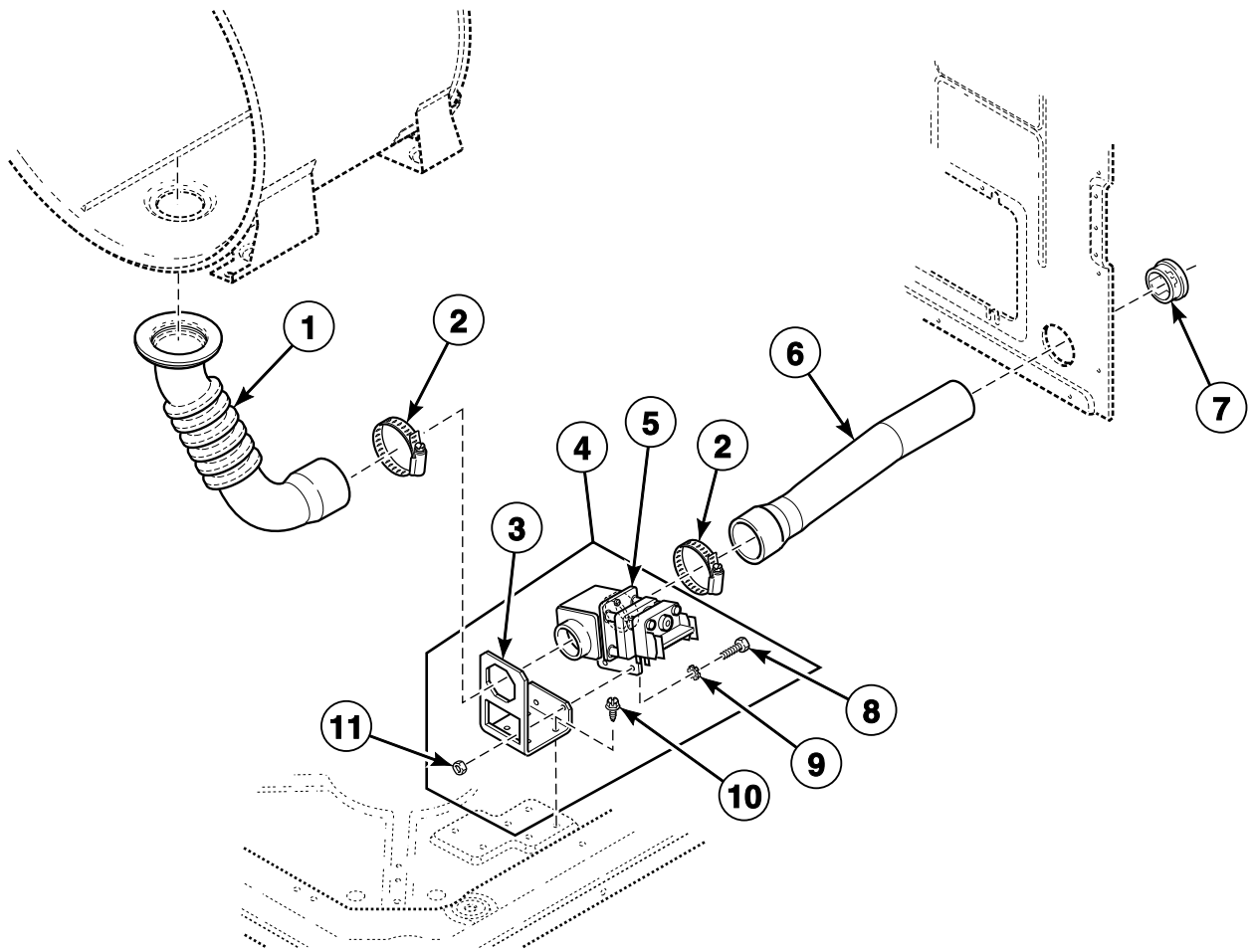
FLW1022P_803401

Motor and Belt

REF	PART NO.	DESCRIPTION	COMMENTS
1	D503661	Screw	
2	803255P	Inverter Control Assembly	240 Volt; Models BF3LLFSG401UN01, BF3LLFSG401UW01, BF3LLFSG402UN01, BF3LLFSG402UW01, BF3LLFSP401UN01, BF3LLFSP401UW01, BF3LLFSP402UN01, BF3LLFSP402UW01, BF3LXFSG401UN01, BF3LXFSG401UW01, BF3LXFSG402UN01, BF3LXFSP401UN01, BF3LXFSP401UW01, BF3LXFSP402UN01, BF3LXFSP402UW01, JF3LEFSP411EW01, JF3LGFSP411EW01, JF3LGFSP411EW06, JF3LMFSG411EN01, JF3LMFSG411EN06, JFNLEFSG301EW01, JFNLEFSP301EW01, NF3LLFSG401UN01, NF3LLFSG401UT01, NF3LLFSG401UT06, NF3LLFSG402UN01, NF3LLFSG402UT01, NF3LLFSG402UT06, NF3LLFSP401NN22, NF3LLFSP401NW22, NF3LLFSP401UN01, NF3LLFSP401UT01, NF3LLFSP401UT06, NF3LLFSP401UW01, NF3LLFSP402NN22, NF3LLFSP402NW22, NF3LLFSP402UN01, NF3LLFSP402UT01, NF3LLFSP402UT06, NF3LLFSP402UW01, NF3LXFSG401UN01, NF3LXFSG401UW01, NF3LXFSG402UN01, NF3LXFSG402UW01, NF3LXFSP401UN01, NF3LXFSP401UW01, NF3LXFSP402NW22, NF3LXFSP402UN01, NF3LXFSP402UW01, NF3LXFSP402UW06, NF3LYFSG401UW01, NF3LYFSG402UW01, PF3LGFSP402UG01, PF3LLFSP402UG01, PF3LXFSP402UG01, PFNLFSP302UG01, SFNLXFSP301AN01, SFNLXFSP301AW01, SFNLXFSP302AW01, SFNLXFSP302AN01 and SFNNXRSP542NW23
	803254P	Inverter Control Assembly	120 Volt; All other models
3	801061	Control Shield	
4	D501524	Screw	
5	801755	Fuse	10 Amp
6	M400057	Screw	
7	02834	Washer	
8	M400080	Washer	
9	800319P	Drive Belt	
10	801684P	Motor and Rod Assembly Kit	Includes 2 each of items 11-13 and wire ties
11	23748	Retaining Ring	
12	52549	Washer	
13	801062	Motor Mount Rod	
14	D513316	Jumper Harness	Use to limit spin RPM on inverter controls starting Serial No. 0911014603; 240 Volt; Models BF3LLFSG401UN01, BF3LLFSG401UW01, BF3LLFSG402UN01, BF3LLFSG402UW01, BF3LLFSP401UN01, BF3LLFSP401UW01, BF3LLFSP402UN01, BF3LLFSP402UW01, BF3LXFSG401UN01, BF3LXFSG401UW01, BF3LXFSG402UN01, BF3LXFSP401UN01, BF3LXFSP401UW01, BF3LXFSP402UN01, BF3LXFSP402UW01, JF3LEFSP411EW01, JF3LGFSP411EW01, JF3LGFSP411EW06, JF3LMFSG411EN01, JF3LMFSG411EN06, JFNLEFSG301EW01, JFNLEFSP301EW01, NF3LLFSG401UN01, NF3LLFSG401UT01, NF3LLFSG401UT06, NF3LLFSG402UN01, NF3LLFSG402UT01, NF3LLFSG402UT06, NF3LLFSP401NN22, NF3LLFSP401NW22, NF3LLFSP401UN01, NF3LLFSP401UT01, NF3LLFSP401UT06, NF3LLFSP401UW01, NF3LLFSP402NN22, NF3LLFSP402NW22, NF3LLFSP402UN01, NF3LLFSP402UT01, NF3LLFSP402UT06, NF3LLFSP402UW01, NF3LXFSG401UN01, NF3LXFSG401UW01, NF3LXFSG402UN01, NF3LXFSG402UW01, NF3LXFSP401UN01, NF3LXFSP401UW01, NF3LXFSP402NW22, NF3LXFSP402UN01, NF3LXFSP402UW01, NF3LXFSP402UW06, NF3LYFSG401UW01, NF3LYFSG402UW01, PF3LGFSP402UG01, PF3LLFSP402UG01, PF3LXFSP402UG01, PFNLFSP302UG01, SFNLXFSP301AN01, SFNLXFSP301AW01, SFNLXFSP302AW01, SFNLXFSP302AN01 and SFNNXRSP542NW23
	D513268	Jumper Harness	Use to limit spin RPM on inverter controls starting Serial No. 0911014603; 120 Volt; All other models

Drain Hoses and Valve

Models BF3LLFSG401UN01, BF3LLFSG401UW01, BF3LLFSG402UN01, BF3LLFSG402UW01, BF3LXFSG401UN01, BF3LXFSG401UW01, BF3LXFSG402UN01, JF3LMFSG411EN01, JF3LMFSG411EN06, JFNLEFSG301EW01, NF3LLFSG401UN01, NF3LLFSG401UT01, NF3LLFSG401UT06, NF3LLFSG402UN01, NF3LLFSG402UT01, NF3LLFSG402UT06, NF3LXFSG401UN01, NF3LXFSG401UW01, NF3LXFSG402UN01, NF3LXFSG402UW01, NF3LYFSG401UW01, NF3LYFSG402UW01, SFNLCFSG111TN01, SFNLCFSG111TQ01, SFNLCFSG111TW01, SFNLCFSG111TWNA, SFNLXFSG082JW01, SFNLXFSG111TW01, SFNLYFSG111TN01, SFNLYFSG111TW01, SFNLYFSG111TWNA, SFNNCFSG111TN01, SFNNCFSG112TN01, SFNNCFSG112TQ01, SFNNCFSG112TW01, SFNNXFSG082JW01, SFNNXFSG112TW01, SFNNYFSG112TN01, SFNNYFSG112TW01, SFNWCFSG111TN01, SFNWCFSG112TN01, SFNWCFSG112TN11, SFNWFYFSG111TN01, SFNWFYFSG112TN01 and SFNWFYFSG112TN11



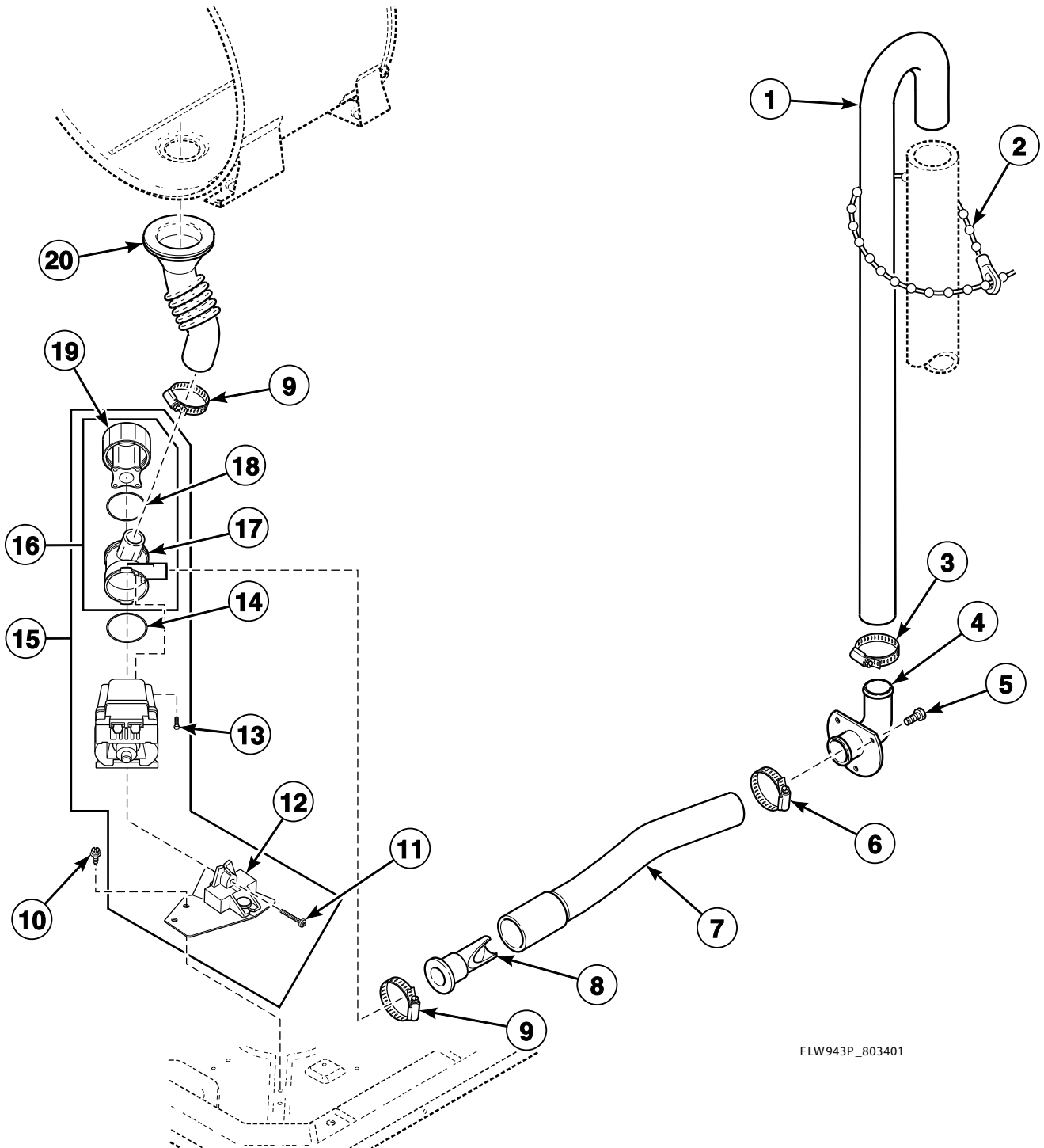
FLW888P_803401

Drain Hoses and Valve

REF	PART NO.	DESCRIPTION	COMMENTS
1	800902	Tub-to-Drain Hose	
	27615P	Sealant	Tub-to drain hose to outer tub
2	685725	Hose Clamp	
3	803291	Gravity Drain Bracket	
4	F975P3	Drain Valve Kit	Includes items 3, 5 and 8-11; Models SFNLCFSG111TN01, SFNLCFSG111TQ01, SFNLCFSG111TW01, SFNLCFSG111TWNA, SFNLXFSG082JW01, SFNLXFSG111TW01, SFNLYFSG111TN01, SFNLYFSG111TW01, SFNLYFSG111TWNA, SFNNCFSG111TN01, SFNNCFSG112TN01, SFNNCFSG112TQ01, SFNNCFSG112TW01, SFNNXFSG082JW01, SFNNXFSG112TW01, SFNNYFSG112TN01, SFNNYFSG112TW01, SFNWCFSG111TN01, SFNWCFSG112TN01, SFNWCFSG112TN11, SFNWYFSG111TN01, SFNWYFSG112TN01 and SFNWYFSG112TN11
	F976P3	Drain Valve Kit	Includes items 3, 5 and 8-11; All other models
5	803293P	Drain Valve	Models SFNLCFSG111TN01, SFNLCFSG111TQ01, SFNLCFSG111TW01, SFNLCFSG111TWNA, SFNLXFSG082JW01, SFNLXFSG111TW01, SFNLYFSG111TN01, SFNLYFSG111TW01, SFNLYFSG111TWNA, SFNNCFSG111TN01, SFNNCFSG112TN01, SFNNCFSG112TQ01, SFNNCFSG112TW01, SFNNXFSG082JW01, SFNNXFSG112TW01, SFNNYFSG112TN01, SFNNYFSG112TW01, SFNWCFSG111TN01, SFNWCFSG112TN01, SFNWCFSG112TN11, SFNWYFSG111TN01, SFNWYFSG112TN01 and SFNWYFSG112TN11
	803292P	Gravity Drain Valve	All other models
6	800903	Drain-to-Cabinet Hose	
7	D503235	Snap Bushing	
8	02916	Screw	
9	M400017	Washer	
10	D503661	Screw	
11	29786	Nut	

Hoses and Pump

All Models Except BF3LLFSG401UN01, BF3LLFSG401UW01, BF3LLFSG402UN01, BF3LLFSG402UW01, BF3LXFSG401UN01, BF3LXFSG401UW01, BF3LXFSG402UN01, JF3LMFSG411EN01, JF3LMFSG411EN06, JFNLEFSG301EW01, NF3LLFSG401UN01, NF3LLFSG401UT01, NF3LLFSG401UT06, NF3LLFSG402UN01, NF3LLFSG402UT01, NF3LLFSG402UT06, NF3LXFSG401UN01, NF3LXFSG401UW01, NF3LXFSG402UN01, NF3LXFSG402UW01, NF3LYFSG401UW01, NF3LYFSG402UW01, SFNLCFSG111TN01, SFNLCFSG111TQ01, SFNLCFSG111TW01, SFNLCFSG111TWNA, SFNLXFSG082JW01, SFNLXFSG111TW01, SFNLYFSG111TN01, SFNLYFSG111TW01, SFNLYFSG111TWNA, SFNNCFSG111TN01, SFNNCFSG112TN01, SFNNCFSG112TQ01, SFNNCFSG112TW01, SFNNXFSG082JW01, SFNNXFSG112TW01, SFNNYFSG112TN01, SFNNYFSG112TW01, SFNWCFSG111TN01, SFNWCFSG112TN01, SFNWCFSG112TN11, SFNWFYFSG111TN01, SFNWFYFSG112TN01 and SFNWFYFSG112TN11

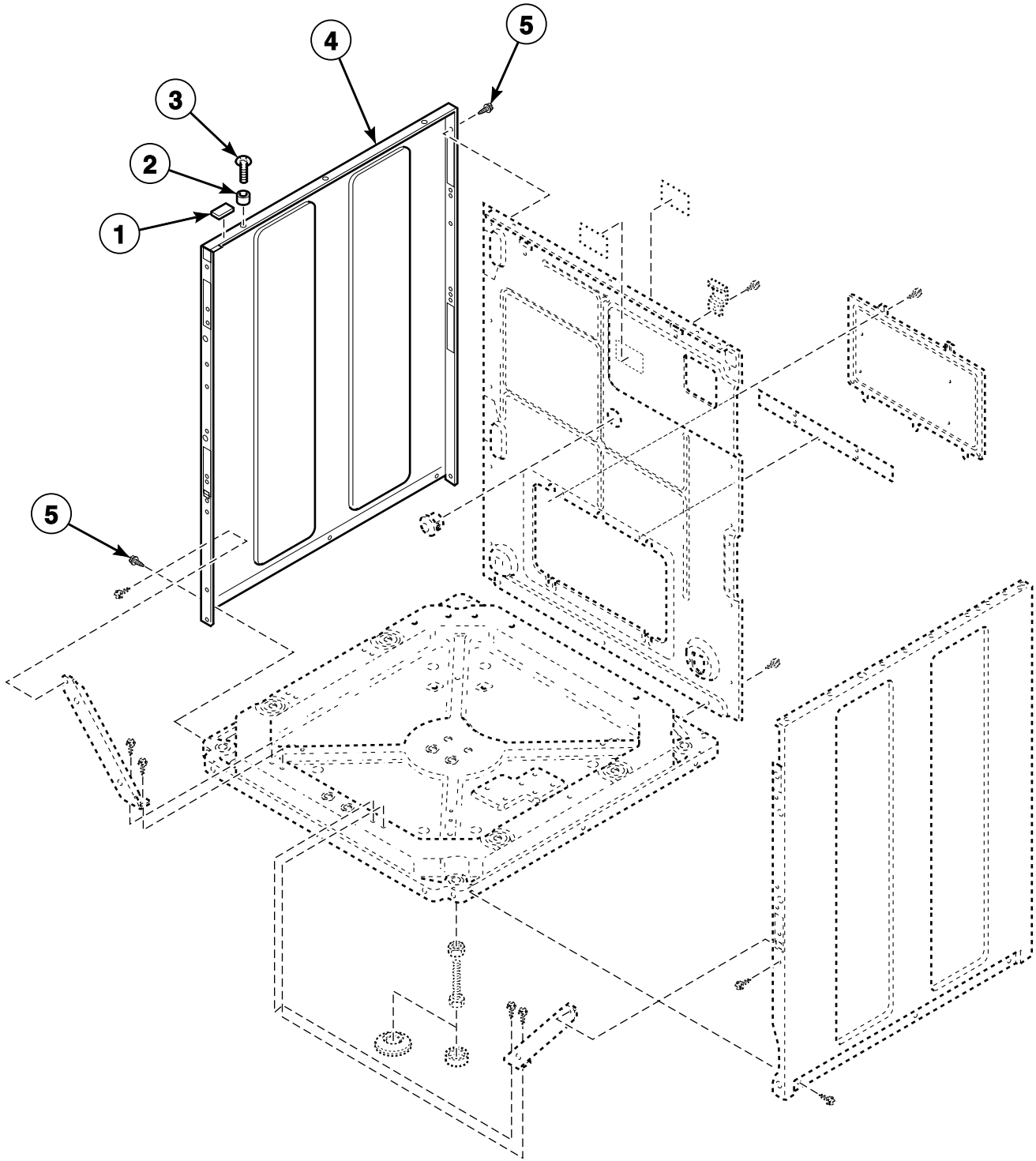


FLW943P_803401

Hoses and Pump

REF	PART NO.	DESCRIPTION	COMMENTS
1	27154	Drain Hose	
2	33489	Standpipe Strap	
3	20211	Hose Clamp	
4	35766	Drain Hose Elbow	
5	52909	Screw	
6	20391	Hose Clamp	
7	685737	Pump-to-Elbow Hose	
8	800310	Backflow Preventer	
9	F200204	Hose Clamp	
10	D503661	Screw	
11	802430	Screw	
12	802626	Pump Mount Bracket	
13	802431	Screw	
14	802429P	O-Ring	
15	802624P	Drain Pump	Models BF3LLFSP401UN01, BF3LLFSP401UW01, BF3LLFSP402UN01, BF3LLFSP402UW01, BF3LXFSP401UN01, BF3LXFSP401UW01, BF3LXFSP402UN01, BF3LXFSP402UW01, JF3LEFSP411EW01, JF3LGFSP411EW01, JF3LGFSP411EW06, JFNLEFSP301EW01, NF3LLFSP401NN22, NF3LLFSP401NW22, NF3LLFSP401UN01, NF3LLFSP401UT01, NF3LLFSP401UT06, NF3LLFSP401UW01, NF3LLFSP402NN22, NF3LLFSP402NW22, NF3LLFSP402UN01, NF3LLFSP402UT01, NF3LLFSP402UT06, NF3LLFSP402UW01, NF3LXFSP401UN01, NF3LXFSP401UW01, NF3LXFSP402NW22, NF3LXFSP402UN01, NF3LXFSP402UW01, NF3LXFSP402UW06, PF3LGFSP402UG01, PF3LLFSP402UG01, PF3LXFSP402UG01, PFNLXFSP302UG01, SFNLXFSP301AN01, SFNLXFSP301AW01, SFNLXFSP302AW01 and SFNLXFSP302AN01
	802625P	Drain Pump	Model SFNNXRSP542NW23
	802623P	Drain Pump	All other models
16	802434P	Pump Housing Assembly	Includes items 17-19
17	802428	Pump Housing	
18	802427	Gasket	
19	802426P	Lid Assembly	Includes filter
20	800317	Tub-to-Pump Hose	
	27615P	Sealant	Tub-to-pump hose to outer tub
	985P3	Drain Kit	Includes 803344 Tub-to-Pump Hose with Trap, 90554 Hose Clamp, 803400 Cap and 27615P Sealant
	985P3A	Drain Kit	Includes 803344 Tub-to-Pump Hose with Trap, 90554 Hose Clamp and 803400 Cap

Side Panels (Drawing 1 of 2)

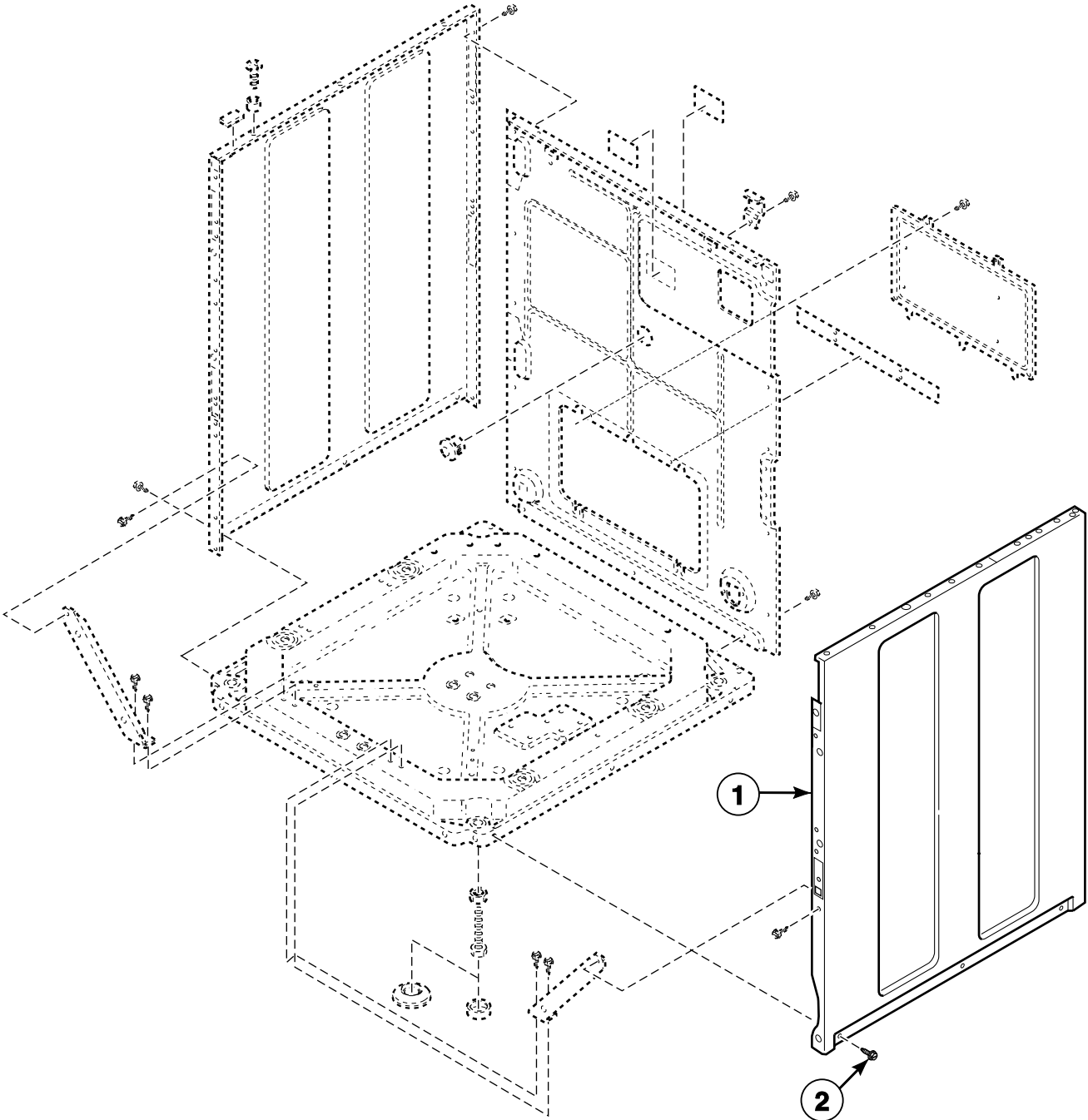


FLW969PB_803401

Side Panels (Drawing 1 of 2)

REF	PART NO.	DESCRIPTION	COMMENTS
	122P4P	Porcelain Touch-Up Paint	White
	370P4P	Porcelain Touch-Up Paint	Bisque
1	36226	Bumper Pad	
2	56079	Panel Locator	
3	D512921	Screw	Use with stainless steel panels
	39733	Screw	Use with painted panels
4	800004QP	Cabinet Panel Kit	Left; Includes corner gusset with hardware; Models SFNLCFSG111TQ01, SFNLCFSP111TQ01, SFNNCFSG112TQ01 and SFNNCFSP112TQ01
	802525P	Cabinet Side Panel	Left; Stainless steel; Models BF3LLFSG401UN01, BF3LLFSG402UN01, BF3LLFSP401UN01, BF3LLFSP402UN01, BF3LXFSG401UN01, BF3LXFSG402UN01, BF3LXFSP401UN01, BF3LXFSP402UN01, HFNLXFSP111CN01, HFNNXFSP112CN01, JF3LMFSG411EN01, JF3LMFSG411EN06, NF3LLFSP401NW22, NF3LLFSP401UN01, NF3LLFSP402NN22, NF3LLFSP402UN01, NF3LXFSG401UN01, NF3LXFSG402UN01, NF3LXFSP401UN01, NF3LXFSP402UN01, SFNLCFSG111TN01, SFNLCFSP111TN01, SFNLXFSP111TN01, SFNLYFSG111TN01, SFNLYFSP111TN01, SFNNCFSG111TN01, SFNNCFSG112TN01, SFNNCFSP111TN01, SFNNCFSP112TN01, SFNNXFSP112TN01, SFNNYFSG112TN01, SFNNYFSP112TN01, SFNWCFSG111TN01, SFNWCFSG112TN01, SFNWCFSG112TN11, SFNWCFSF111TN01, SFNWCFSF112TN01, SFNWFYFSG111TN01, SFNWFYFSG112TN01, SFNWFYFSG112TN11, SFNWFYFSP111TN01, SFNWFYFSP112TN01 and SFNWFYFSP112TN11
	800004G	Side Panel	Left; Gray; Models BF3LLFSG401UN01, BF3LLFSG402UN01, BF3LLFSP401UN01, BF3LLFSP402UN01, BF3LXFSG401UN01, BF3LXFSG402UN01, BF3LXFSP401UN01, BF3LXFSP402UN01, HFNLXFSP111CN01, HFNNXFSP112CN01, JF3LMFSG411EN01, JF3LMFSG411EN06, NF3LLFSG401UN01, NF3LLFSG402UN01, NF3LLFSP401NN22, NF3LLFSP401UN01, NF3LLFSP402NN22, NF3LLFSP402UN01, NF3LXFSG401UN01, NF3LXFSG402UN01, NF3LXFSP401UN01, NF3LXFSP402UN01, PF3LGFSP402UG01, PF3LLFSP402UG01, PF3LXFSP402UG01, PFNLXFSP302UG01, SFNLCFSG111TN01, SFNLCFSP111TN01, SFNLXFSP111TN01, SFNLXFSP301AN01, SFNLXFSP302AN01, SFNLYFSG111TN01, SFNLYFSP111TN01, SFNNCFSG111TN01, SFNNCFSG112TN01, SFNNCFSP111TN01, SFNNCFSP112TN01, SFNNXFSP112TN01, SFNNYFSG112TN01, SFNNYFSP112TN01, SFNWCFSG111TN01, SFNWCFSG112TN01, SFNWCFSG112TN11, SFNWCFSF111TN01, SFNWCFSF112TN01, SFNWFYFSG111TN01, SFNWFYFSG112TN01, SFNWFYFSG112TN11, SFNWFYFSP111TN01, SFNWFYFSP112TN01 and SFNWFYFSP112TN11
	800004WP	Cabinet Panel Kit	Left; Includes corner gusset with hardware; All other models
5	D503661	Screw	

Side Panels (Drawing 2 of 2)

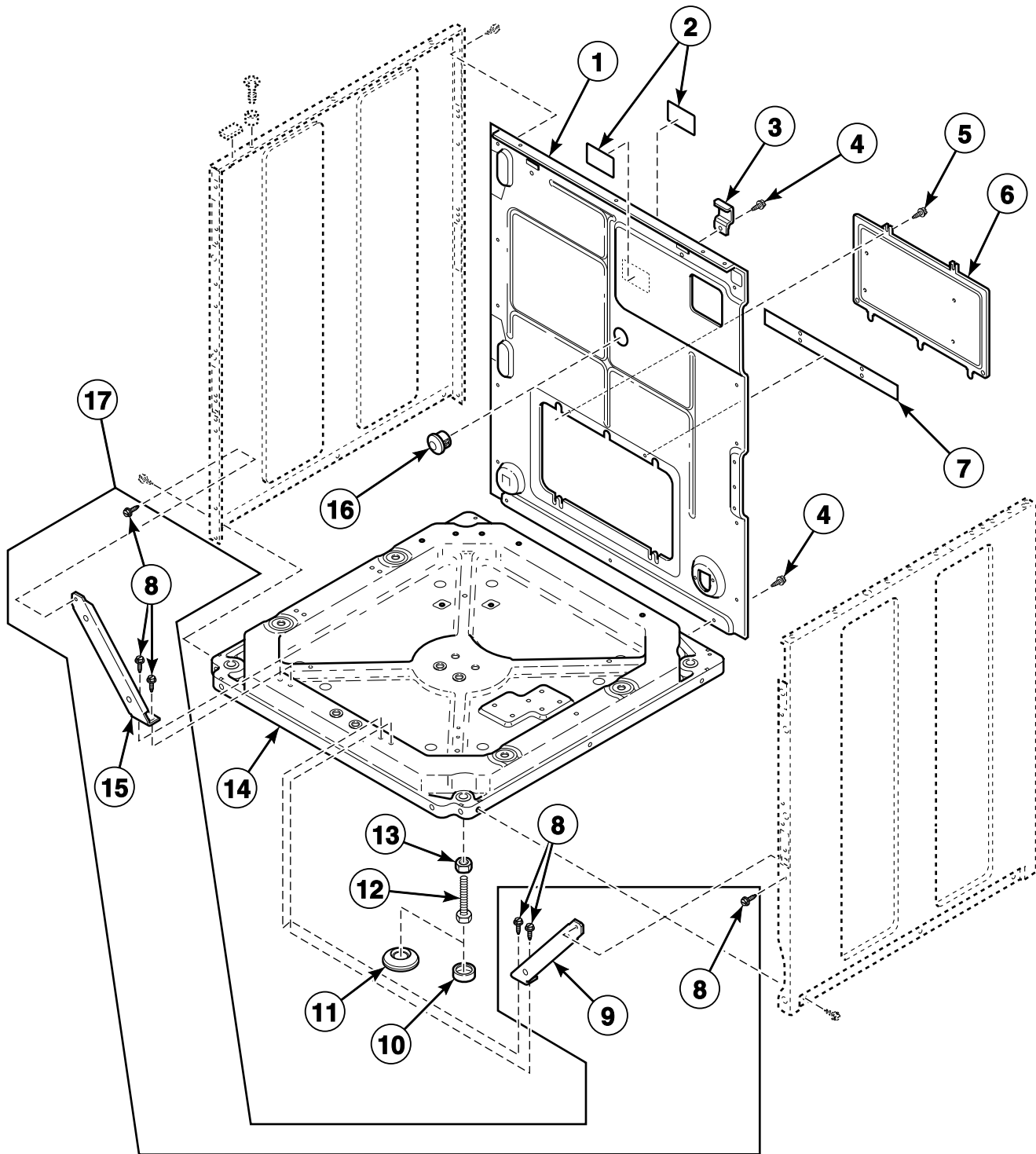


FLW969PC_803401

Side Panels (Drawing 2 of 2)

REF	PART NO.	DESCRIPTION	COMMENTS
	122P4P	Porcelain Touch-Up Paint	White
	370P4P	Porcelain Touch-Up Paint	Bisque
1	800005QP	Side Panel Kit	Right; Includes 801024 Dispenser Plate with hardware and 547P3 Coin Cabinet Hardware Kit; Models SFNLCFSG111TQ01, SFNLCFSP111TQ01, SFNNCFSG112TQ01 and SFNNCFSP112TQ01
	802526P	Cabinet Side Panel	Right; Stainless steel; Models BF3LLFSG401UN01, BF3LLFSG402UN01, BF3LLFSP401UN01, BF3LLFSP402UN01, BF3LXFSG401UN01, BF3LXFSG402UN01, BF3LXFSP401UN01, BF3LXFSP402UN01, HFNLXFSP111CN01, HFNNXFSP112CN01, JF3LMFSG411EN01, JF3LMFSG411EN06, NF3LLFSP401NN22, NF3LLFSP401UN01, NF3LLFSP402NN22, NF3LLFSP402UN01, NF3LXFSG401UN01, NF3LXFSG402UN01, NF3LXFSP401UN01, NF3LXFSP402UN01, SFNLCFSG111TN01, SFNLCFSP111TN01, SFNLXFSP111TN01, SFNLYFSG111TN01, SFNLYFSP111TN01, SFNNCFSG111TN01, SFNNCFSG112TN01, SFNNCFSP111TN01, SFNNCFSP112TN01, SFNNXFSP112TN01, SFNNYFSG112TN01, SFNNYFSP112TN01, SFNWCFSG111TN01, SFNWCFSG112TN01, SFNWCFSG112TN11, SFNWCFSF111TN01, SFNWCFSF112TN01, SFNWCFSF112TN11, SFNWFYFSG111TN01, SFNWFYFSG112TN01, SFNWFYFSG112TN11, SFNWFYFSP111TN01, SFNWFYFSP112TN01 and SFNWFYFSP112TN11
	800005G	Side Panel	Right; Gray; Models BF3LLFSG401UN01, BF3LLFSG402UN01, BF3LLFSP401UN01, BF3LLFSP402UN01, BF3LXFSG401UN01, BF3LXFSG402UN01, BF3LXFSP401UN01, BF3LXFSP402UN01, HFNLXFSP111CN01, HFNNXFSP112CN01, JF3LMFSG411EN01, JF3LMFSG411EN06, NF3LLFSP401NN22, NF3LLFSP401UN01, NF3LLFSP402NN22, NF3LLFSP402UN01, NF3LXFSG401UN01, NF3LXFSG402UN01, NF3LXFSP401UN01, NF3LXFSP402UN01, PF3LGFSP402UG01, PF3LLFSP402UG01, PF3LXFSP402UG01, PFNLXFSP302UG01, SFNLCFSG111TN01, SFNLCFSP111TN01, SFNLXFSP111TN01, SFNLXFSP301AN01, SFNLXFSP302AN01, SFNLYFSG111TN01, SFNLYFSP111TN01, SFNNCFSG111TN01, SFNNCFSG112TN01, SFNNCFSP111TN01, SFNNCFSP112TN01, SFNNXFSP112TN01, SFNNYFSG112TN01, SFNNYFSP112TN01, SFNWCFSG111TN01, SFNWCFSG112TN01, SFNWCFSG112TN11, SFNWCFSF111TN01, SFNWCFSF112TN01, SFNWCFSF112TN11, SFNWFYFSG111TN01, SFNWFYFSG112TN01, SFNWFYFSG112TN11, SFNWFYFSP111TN01, SFNWFYFSP112TN01 and SFNWFYFSP112TN11
	806492	Side Panel Kit	Right; Includes 801024 Dispenser Plate with hardware and 547P3 Coin Cabinet Hardware Kit; All other models
2	D503661	Screw	

Base and Rear Panel



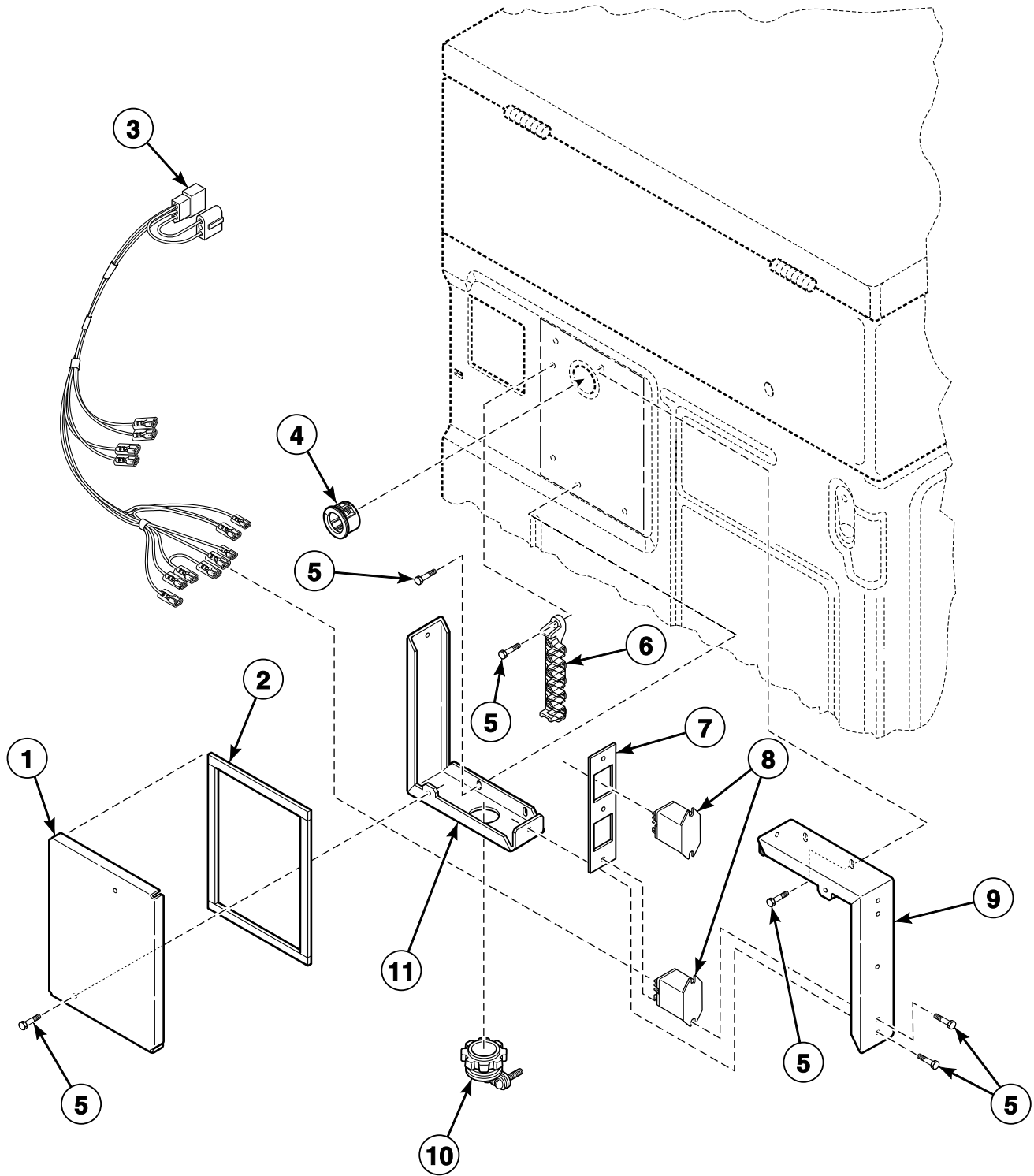
FLW969PA_803401

Base and Rear Panel

REF	PART NO.	DESCRIPTION	COMMENTS
1	801216	Rear Panel	Models BF3LLFSG401UN01, BF3LLFSG401UW01, BF3LLFSG402UN01, BF3LLFSG402UW01, BF3LXFSG401UN01, BF3LXFSG401UW01, BF3LXFSG402UN01, JF3LMFSG411EN01, JF3LMFSG411EN06, JFNLEFSG301EW01, NF3LLFSG401UN01, NF3LLFSG401UT01, NF3LLFSG401UT06, NF3LLFSG402UN01, NF3LLFSG402UT01, NF3LLFSG402UT06, NF3LXFSG401UN01, NF3LXFSG401UW01, NF3LXFSG402UN01, NF3LXFSG402UW01, NF3LYFSG401UW01, NF3LYFSG402UW01, SFNLCFSG111TN01, SFNLCFSG111TQ01, SFNLCFSG111TW01, SFNLCFSG111TWNA, SFNLXFSG082JW01, SFNLXFSG111TW01, SFNLYFSG111TN01, SFNLYFSG111TW01, SFNLYFSG111TWNA, SFNNCFSG111TN01, SFNNCFSG112TN01, SFNNCFSG112TQ01, SFNNCFSG112TW01, SFNNXFSG082JW01, SFNNXFSG112TW01, SFNNYFSG112TN01, SFNNYFSG112TW01, SFNWCFSG111TN01, SFNWCFSG112TN01, SFNWCFSG112TN11, SFNWCFSG111TN01, SFNWCFSG112TN01, SFNWCFSG112TN11, SFNWCFSG111TN01, SFNWCFSG112TN01, SFNWCFSG112TN11 and SFNWCFSG111TN01
	801629	Rear Panel	Models SFNLCFJP111TW01, SFNLYFJP111TW01, SFNNCFJP112TW01 and SFNNYFJP112TW01
	800010P	Rear Panel	All other models
2	685928	Left Hand Thread Label	
3	D510136	Top Hinge	Rear control models
4	D503661	Screw	
5	430497	Screw	
6	800011	Rear Access Panel	
7	801702	Motor Access Hole Edging	
8	31645	Screw	
9	801492	Cabinet Brace	Right
10	34318	Rubber Foot	
11	155P3	Anchor	Includes 4 rubber discs with adhesive backing
	802844P	Anchor Floor Mount Assembly	Includes 2 rubber discs with adhesive backing
12	34319	Leveling Leg	
13	21899	Nut	
14	803876	Base Assembly	
15	801491	Cabinet Brace	Left
16	M412154	Hole Plug	
17	918P3	Brace Kit	Includes items 8, 9 and 15

Junction Box

Models SFNLCFJP111TW01, SFNLYFJP111TW01, SFNNCFJP112TW01 and SFNNYFJP112TW01



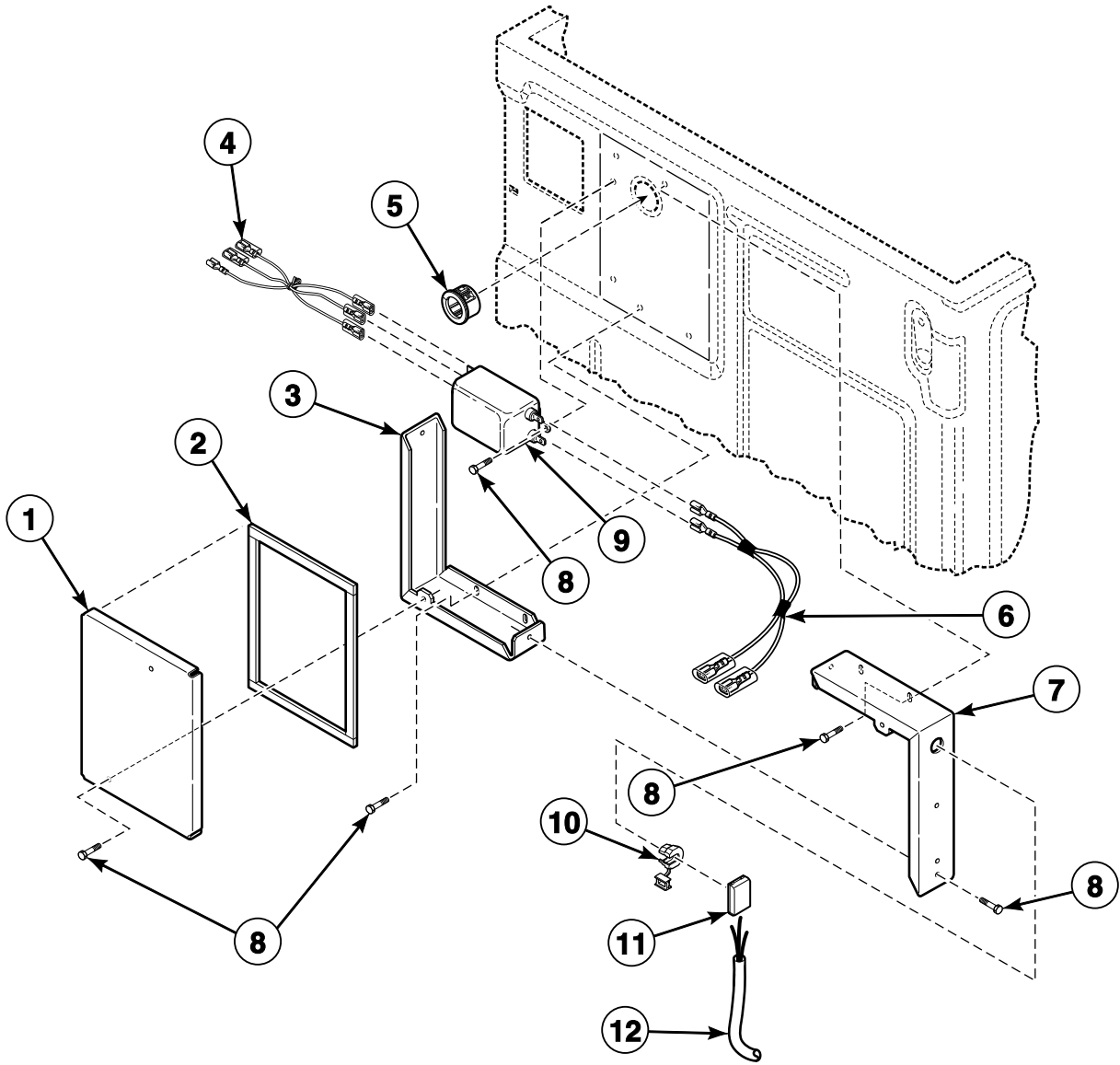
FLW903P_803401

Junction Box

REF	PART NO.	DESCRIPTION	COMMENTS
1	801498	Junction Box Cover	
2	801425P	Junction Box Seal	4 required
3	801518	Supply Injection Wire Harness Assembly	
4	M402542	Snap Bushing	
5	D503661	Screw	
6	D505876	Terminal Block Assembly	
7	801501	Relay Mounting Bracket	
8	431349	Relay	
9	801497	Upper Junction Box	
10	F140312	Connector	
11	801499	Lower Junction Box	

Junction Box and Power Cord

Models PFNLXFSP302UG01, SFNLXFSG082JW01, SFNLXFSP301AN01, SFNLXFSP301AW01, SFNLXFSP302AW01, SFNLXFSP302AN01, SFNXXFSG082JW01 and SFNXXRSP542NW23

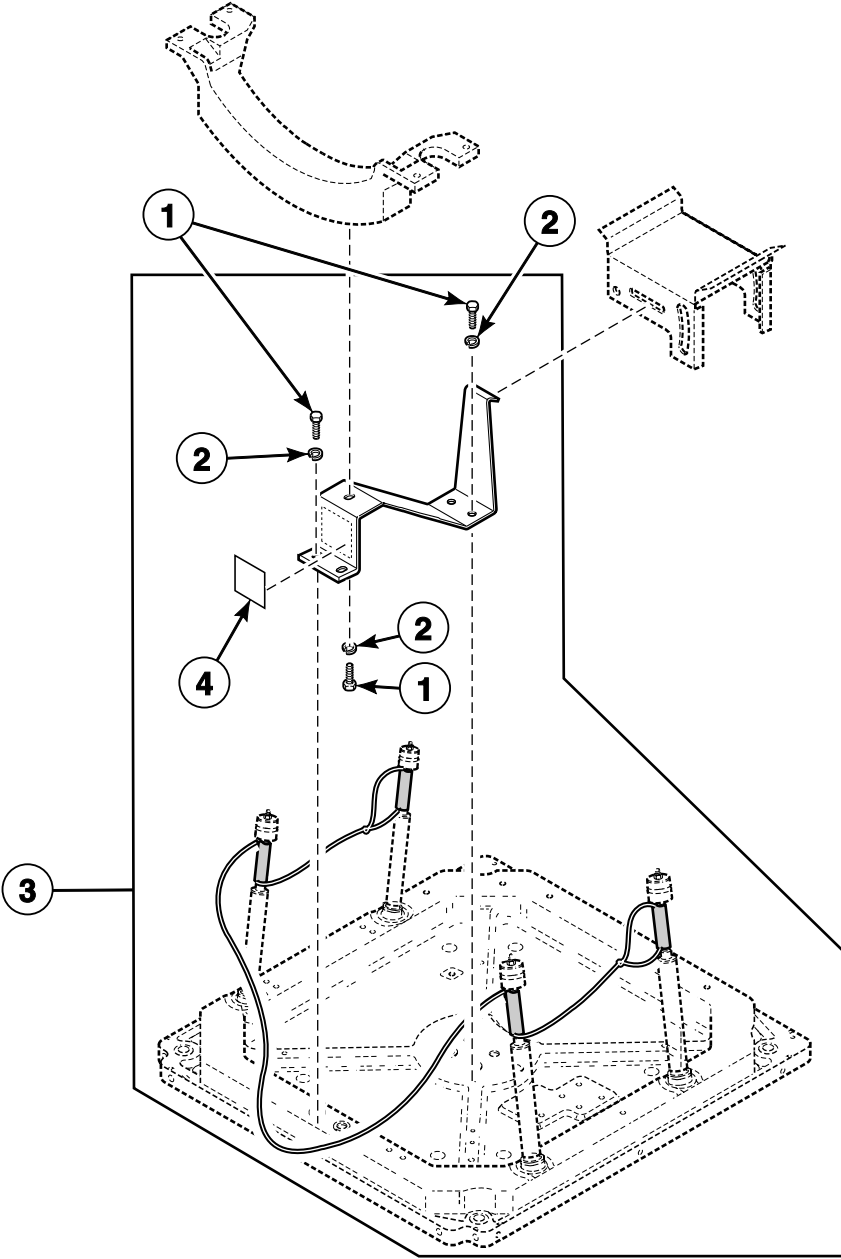


FLW1693P_803401

Junction Box and Power Cord

REF	PART NO.	DESCRIPTION	COMMENTS
1	801404	Junction Box Cover	
2	801425P	Junction Box Seal	4 required
3	801433	Lower Junction Box	
4	808048	Filter Jumper Harness	Line filter to power cord terminal block; All models except SFNLXFSG082JW01 and SFNNXFSG082JW01
5	M402542	Snap Bushing	
6	802013	Wire Harness Assembly	Line filter to control harness; Models SFNLXFSG082JW01 and SFNNXFSG082JW01
	801421	Wire Harness Assembly	Line filter to control harness; All other models
7	804360	Junction Box	Upper; Models SFNLXFSG082JW01 and SFNNXFSG082JW01
	801403	Junction Box	Upper; All other models
8	D503661	Screw	
9	201058	Line Filter	
10	60298	Strain Relief	Models SFNLXFSG082JW01 and SFNNXFSG082JW01
11	39922	Cable Connection Box	All models except SFNLXFSG082JW01 and SFNNXFSG082JW01
12	808047	Power Cord Assembly	Models PFNLXFSP302UG01, SFNLXFSP301AN01, SFNLXFSP301AW01, SFNLXFSP302AW01 and SFNLXFSP302AN01
	801660	Power Cord Assembly	Model SFNNXRSP542NW23
	204061	Power Cord Assembly	Models SFNLXFSG082JW01 and SFNNXFSG082JW01

Shipping Materials

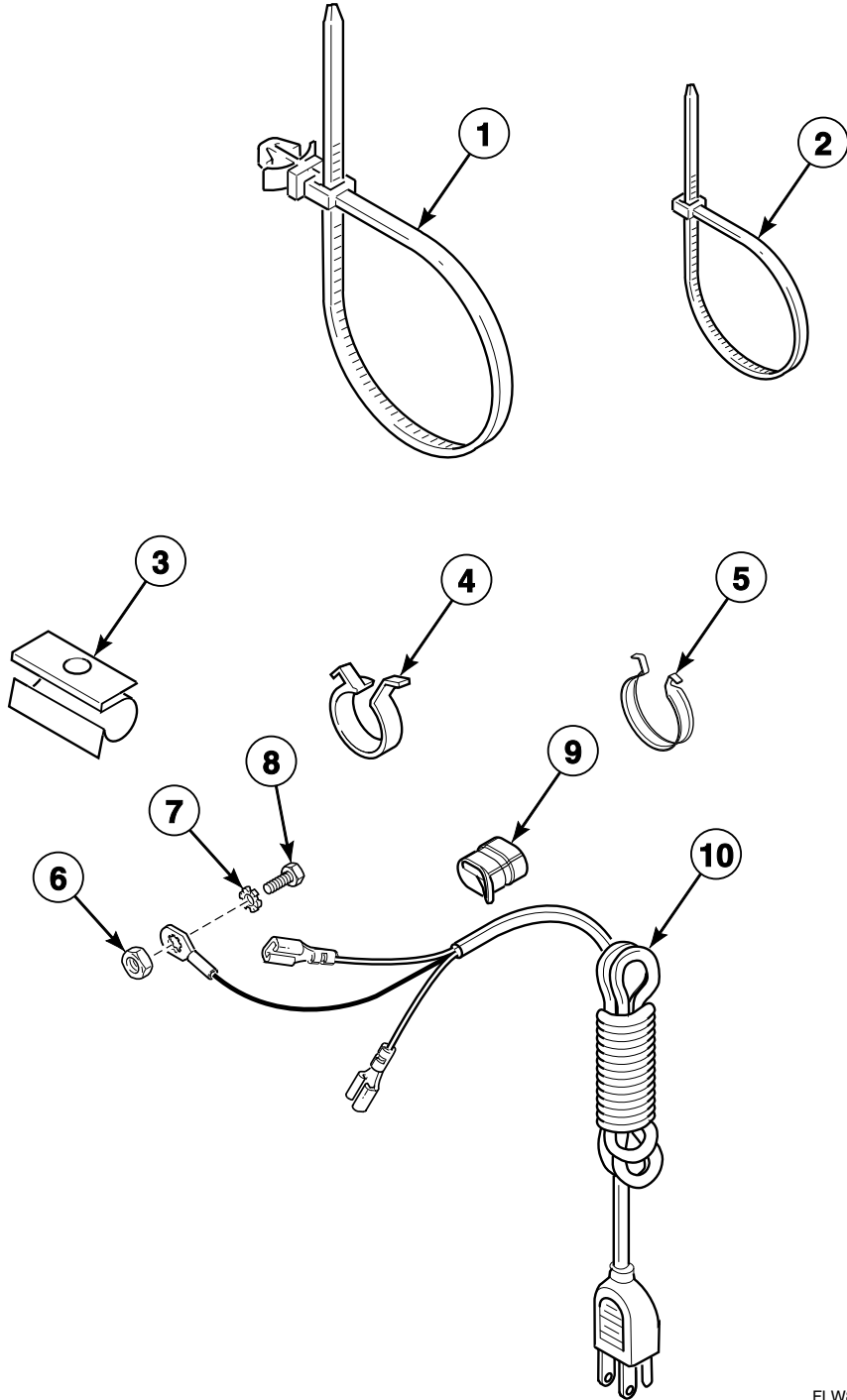


FLW1030P_803401

Shipping Materials

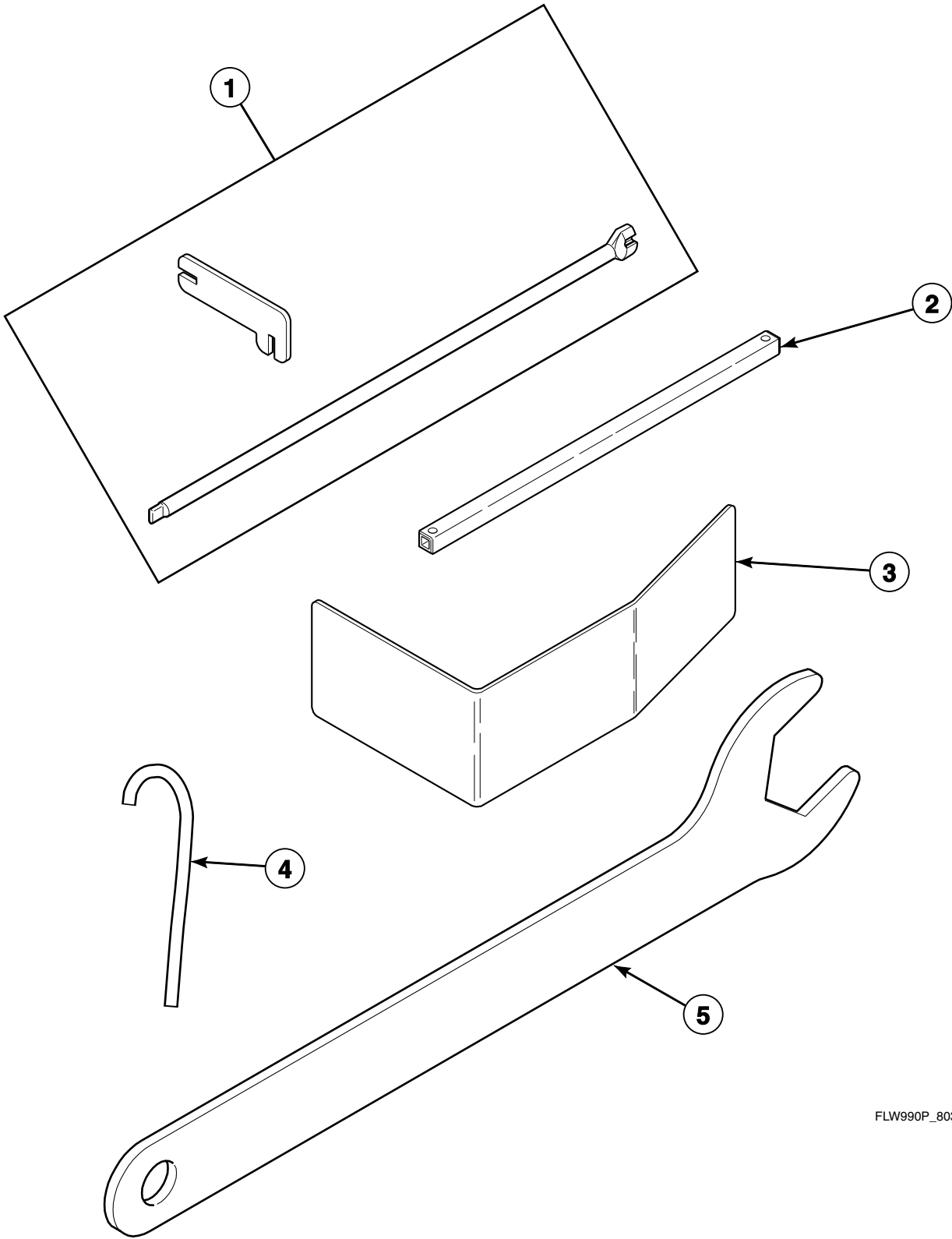
REF	PART NO.	DESCRIPTION	COMMENTS
1	M400043	Screw	
2	M400014	Washer	
3	930P3	Shipping Materials Kit	Includes items 1, 2, 4, shipping bracket, shipping cord and brace assembly
4	807552	Shipping Bracket Label	

Wire Ties, Harness Clips and Lead-In Cord



FLW823P_803401

Special Tools

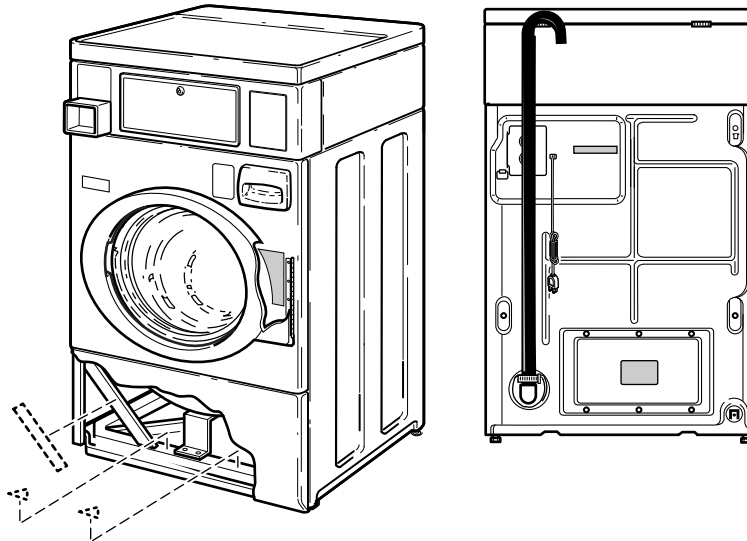


FLW990P_803401

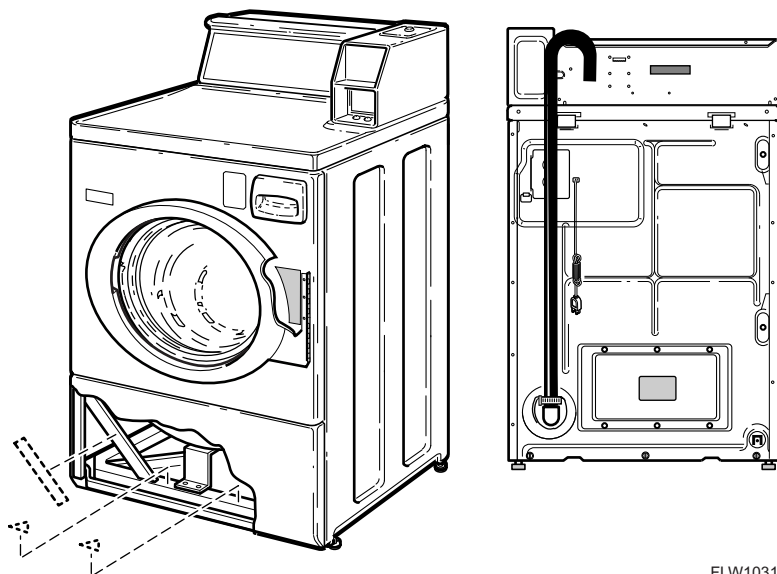
Special Tools

REF	PART NO.	DESCRIPTION	COMMENTS
1	CK096	Mounting Tool Kit	Use to install and remove electronic coin drop kits
2	310P4	Ratchet Extension Tool	1/4 inch; Use to install and remove non-electronic coin drops
3	318P4	Dispenser Drawer Tool	Use to remove dispenser drawer
4	802336	Pulley Bolt Tightening Fixture	Use to install inner basket
5	392P4	Wrench	Use for leveling leg locknuts

Option Labels



Front Control Washers



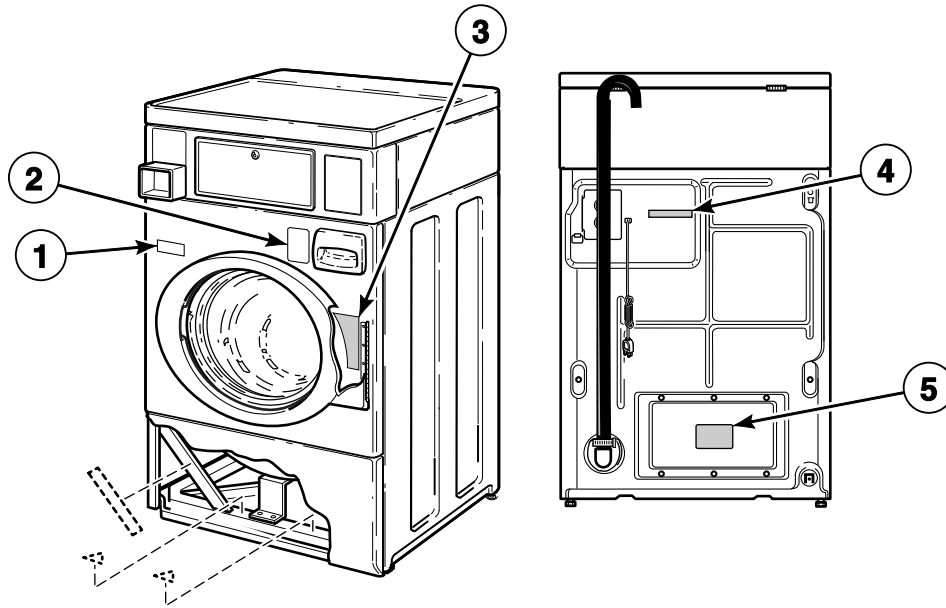
FLW1031PB_803401

Rear Control Washers

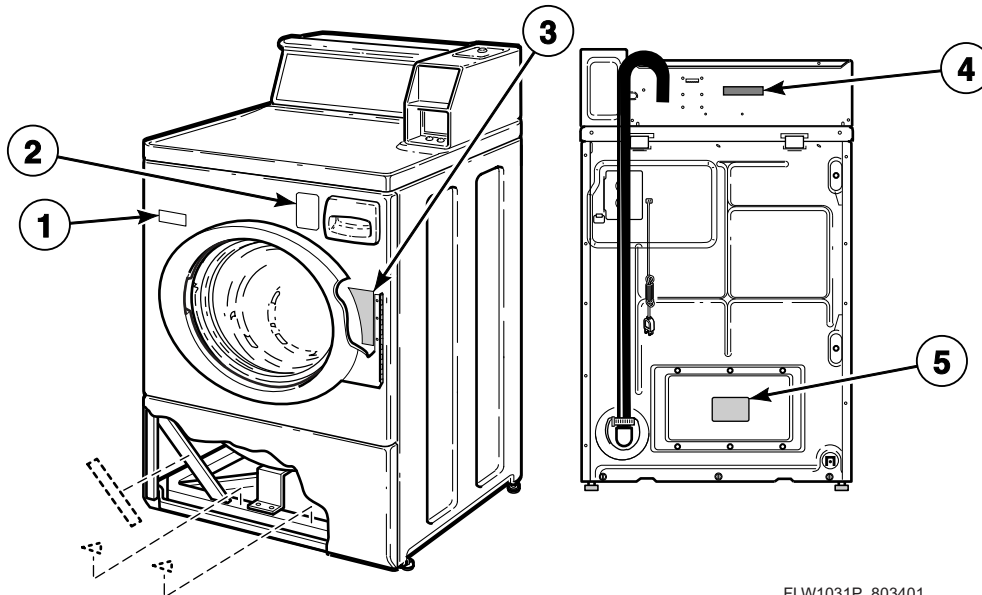
Option Labels

REF	PART NO.	DESCRIPTION	COMMENTS
803608	Option Label	Option Label	<p>Models SFNLCFJP111TW01, SFNLCFSG111TN01, SFNLCFSG111TQ01, SFNLCFSG111TW01, SFNLCFSG111TWNA, SFNLCFSP111TN01, SFNLCFSP111TQ01, SFNLCFSP111TW01, SFNLCFSP111TWNA, SFNLCRSP111TW01, SFNLCRSP111TW02, SFNLCRSP111TWAF, SFNLCRSP111TWNA, SFNLXFSG082JW01, SFNLXFSG111TW01, SFNLXFSP111TN01, SFNLXFSP111TW01, SFNLXFSP301AN01, SFNLXFSP302AN01, SFNLXRSP111TW02, SFNLYFJP111TW01, SFNLYFSG111TN01, SFNLYFSG111TW01, SFNLYFSG111TWNA, SFNLYFSP111TN01, SFNLYFSP111TW01, SFNLYFSP111TWNA, SFNLYRSP111TW01, SFNLYRSP111TWNA, SFNNCFJP112TW01, SFNNCFSG111TN01, SFNNCFSG112TN01, SFNNCFSG112TQ01, SFNNCFSG112TW01, SFNNCFSP111TN01, SFNNCFSP111TW01, SFNNCFSP112TN01, SFNNCFSP112TQ01, SFNNCFSP112TW01, SFNNCRSP111TW01, SFNNCRSP111TW02, SFNNCRSP112TW01, SFNNCRSP112TW02, SFNNXFSG082JW01, SFNNXFSG112TW01, SFNNXFSP112TN01, SFNNXFSP112TW01, SFNNXRSP111TW02, SFNNXRSP112TW02, SFNNXRSP542NW23, SFNNYFJP112TW01, SFNNYFSG112TN01, SFNNYFSG112TW01, SFNNYFSP112TN01, SFNNYFSP112TW01, SFNNYRSP111TW01, SFNNYRSP112TW01, SFNWCFSG111TN01, SFNWCFSG112TN01, SFNWCFSG112TN11, SFNWCFSP111TN01, SFNWCFSP112TN01, SFNWCFSP112TN11, SFNWYFSG111TN01, SFNWYFSG112TN01, SFNWYFSG112TN11, SFNWYFSP111TN01, SFNWYFSP112TN01 and SFNWYFSP112TN11</p>
803609	Option Label	Option Label	<p>Models HFNLEFSP111CW01, HFNLEFSP111CWNA, HFNLERSP111CW01, HFNLERSP111CWNA, HFNLXFSP111CN01, HFNLXFSP111CW01, HFNLXRSP111CW01, HFNLYFSP111CW01, HFNLYFSP111CWNA, HFNLYRSP111CW01, HFNLYRSP111CWNA, HFNNEFSP112CW01, HFNNERSP112CW01, HFNNXFSP112CN01, HFNNXFSP111CW01, HFNNXFSP112CW01, HFNNXRSP111CW01, HFNNXRSP112CW01, HFNNYFSP112CW01 and HFNNYRSP112CW01</p>

Labels (Drawing 1 of 3)



Front Control Washers



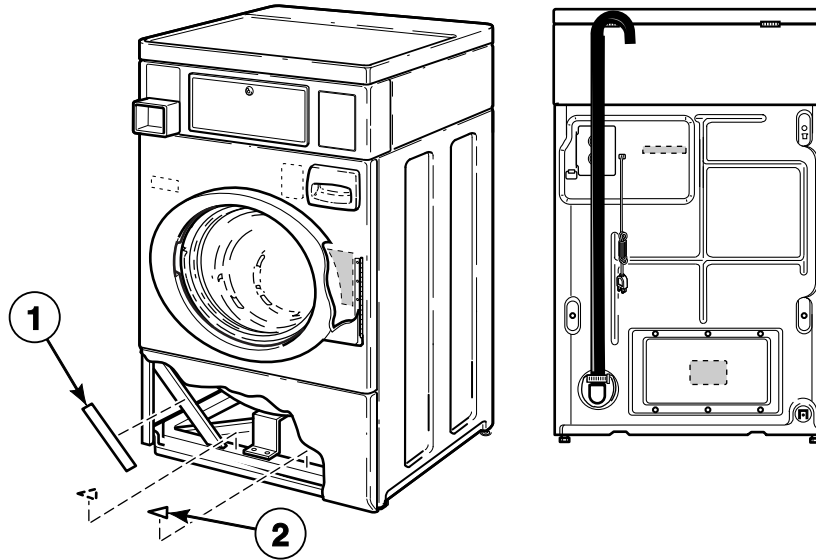
FLW1031P_803401

Rear Control Washers

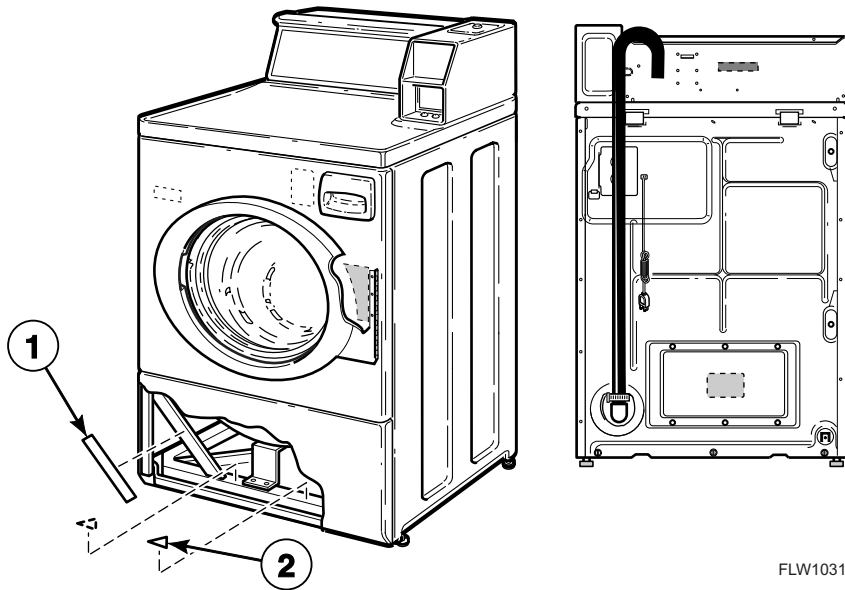
Labels (Drawing 1 of 3)

REF	PART NO.	DESCRIPTION	COMMENTS
1	803011	Notice Label	Models HFNLEFSP111CW01, HFNLEFSP111CWNA, HFNLERSP111CW01, HFNLERSP111CWNA, HFNLXFSP111CN01, HFNLXFSP111CW01, HFNLXRSP111CW01, HFNLXFSP111CW01, HFNLXFSP111CWNA, HFNLXRSP111CW01, HFNLXRSP111CWNA, HFNNEFSP112CW01, HFNNERSP112CW01, HFNNXFSP112CN01, HFNNXFSP111CW01, HFNNXFSP112CW01, HFNNXRSP111CW01, HFNNXRSP112CW01, HFNNYFSP112CW01, HFNNYRSP112CW01, RFNLYFSP111CW01, SFNLCFJP111TW01, SFNLCFSG111TN01, SFNLCFSG111TQ01, SFNLCFSG111TW01, SFNLCFSG111TWNA, SFNLCFSP111TN01, SFNLCFSP111TQ01, SFNLCFSP111TW01, SFNLCFSP111TWNA, SFNLCRSP111TW01, SFNLCRSP111TW02, SFNLCRSP111TWAF, SFNLCRSP111TWNA, SFNLXFSG082JW01, SFNLXFSG111TW01, SFNLXFSP111TN01, SFNLXFSP111TW01, SFNLXFSP301AN01, SFNLXFSP301AW01, SFNLXFSP302AW01, SFNLXFSP302AN01, SFNLXRSP111TW02, SFNLYFJP111TW01, SFNLYFSG111TN01, SFNLYFSG111TW01, SFNLYFSG111TWNA, SFNLYFSP111TN01, SFNLYFSP111TW01, SFNLYFSP111TWNA, SFNLYRSP111TW01, SFNLYRSP111TWNA, SFNNCFJP112TW01, SFNNCFSG111TN01, SFNNCFSG112TN01, SFNNCFSG112TQ01, SFNNCFSG112TW01, SFNNCFSP111TN01, SFNNCFSP111TW01, SFNNCFSP112TN01, SFNNCFSP112TQ01, SFNNCFSP112TW01, SFNNCRSP111TW01, SFNNCRSP111TW02, SFNNCRSP112TW01, SFNNCRSP112TW02, SFNNXFSG082JW01, SFNNXFSG112TW01, SFNNXFSP112TN01, SFNNXFSP112TW01, SFNNXRSP111TW02, SFNNXRSP112TW02, SFNNXRSP542NW23, SFNNYFJP112TW01, SFNNYFSG112TN01, SFNNYFSG112TW01, SFNNYFSP112TN01, SFNNYFSP112TW01, SFNNYRSP111TW01, SFNNYRSP112TW01, SFNWCFSG111TN01, SFNWCFSG112TN01, SFNWCFSG112TN11, SFNWCFSP111TN01, SFNWCFSP112TN01, SFNWCFSP112TN11, SFNWFYFSG111TN01, SFNWFYFSG112TN01, SFNWFYFSG112TN11, SFNWFYFSP111TN01, SFNWFYFSP112TN01 and SFNWFYFSP112TN11
2	802074	Oversudsing Label	English
	802838	Oversudsing Label	Spanish
	802839	Oversudsing Label	Quebec French
3	802367	Warning Label	
4	D505281	Disconnect Power Warning Label	English
	D502511	Electrical Shock Label	Icon
5	D500049	Warning Label	English
	D500314	Warning Label	Quebec French
	D502511	Electrical Shock Label	Icon

Labels (Drawing 2 of 3)



Front Control Washers



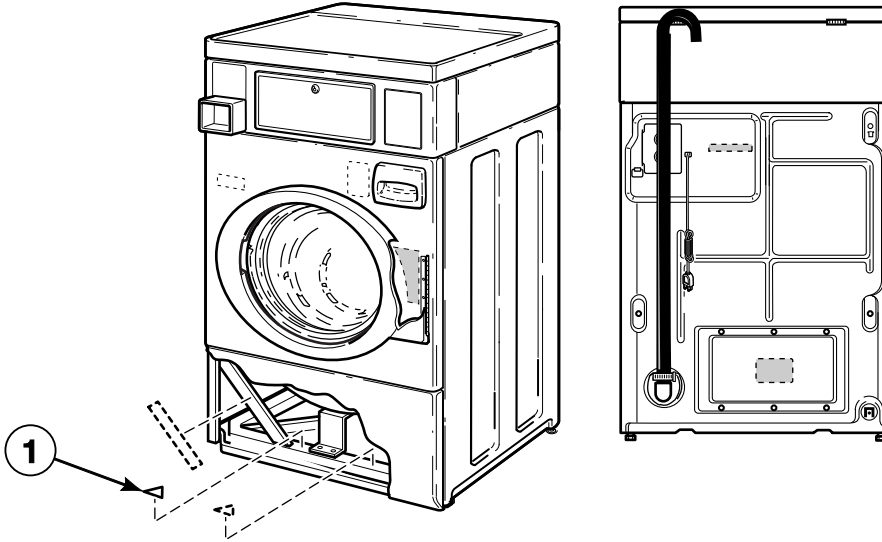
FLW1031PA_803401

Rear Control Washers

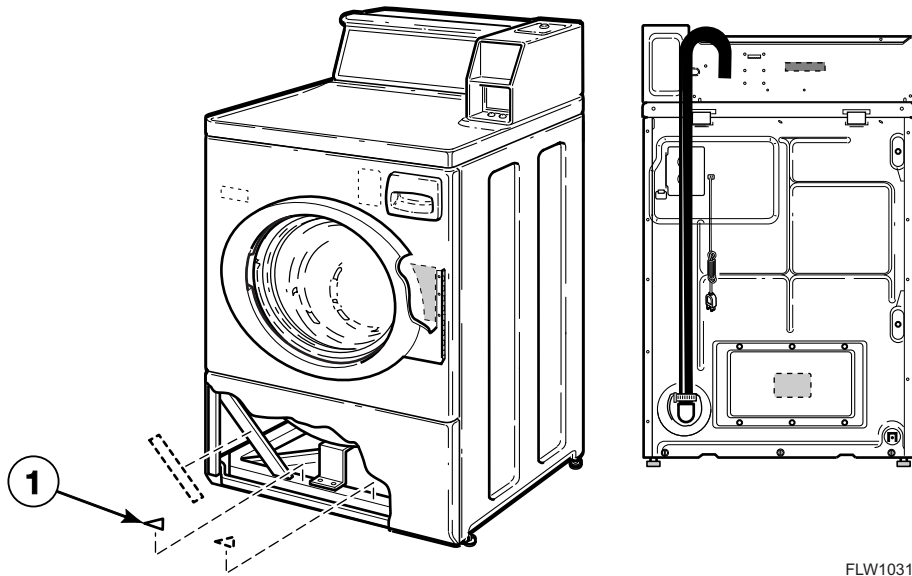
Labels (Drawing 2 of 3)

REF	PART NO.	DESCRIPTION	COMMENTS
1	803522	Warning Label	All models except BF3LLFSG401UN01, BF3LLFSG401UW01, BF3LLFSG402UN01, BF3LLFSG402UW01, BF3LLFSP401UN01, BF3LLFSP401UW01, BF3LLFSP402UN01, BF3LLFSP402UW01, BF3LXFSG401UN01, BF3LXFSG401UW01, BF3LXFSG402UN01, BF3LXFSP401UN01, BF3LXFSP401UW01, BF3LXFSP402UN01, BF3LXFSP402UW01, JF3LEFSP411EW01, JF3LGFSP411EW01, JF3LGFSP411EW06, JF3LMFSG411EN01, JF3LMFSG411EN06, JFNLEFSG301EW01, JFNLEFSP301EW01, NF3LLFSG401UN01, NF3LLFSG401UT01, NF3LLFSG401UT06, NF3LLFSG402UN01, NF3LLFSG402UT01, NF3LLFSG402UT06, NF3LLFSP401NN22, NF3LLFSP401NW22, NF3LLFSP401UN01, NF3LLFSP401UT01, NF3LLFSP401UT06, NF3LLFSP401UW01, NF3LLFSP402NN22, NF3LLFSP402NW22, NF3LLFSP402UN01, NF3LLFSP402UT01, NF3LLFSP402UT06, NF3LLFSP402UW01, NF3LXFSG401UN01, NF3LXFSG401UW01, NF3LXFSG402UN01, NF3LXFSG402UW01, NF3LXFSP401UN01, NF3LXFSP401UW01, NF3LXFSP402NW22, NF3LXFSP402UN01, NF3LXFSP402UW01, NF3LXFSP402UW06, PF3LGFSP402UG01, PF3LLFSP402UG01, PF3LXFSP402UG01 and PFNLXFSP302UG01
2	F8615701	Pinch Warning Label	Models BF3LLFSG401UN01, BF3LLFSG401UW01, BF3LLFSG402UN01, BF3LLFSG402UW01, BF3LLFSP401UN01, BF3LLFSP401UW01, BF3LLFSP402UN01, BF3LLFSP402UW01, BF3LXFSG401UN01, BF3LXFSG401UW01, BF3LXFSG402UN01, BF3LXFSP401UN01, BF3LXFSP401UW01, BF3LXFSP402UN01, BF3LXFSP402UW01, JF3LEFSP411EW01, JF3LGFSP411EW01, JF3LGFSP411EW06, JF3LMFSG411EN01, JF3LMFSG411EN06, JFNLEFSG301EW01, JFNLEFSP301EW01, NF3LLFSG401UN01, NF3LLFSG401UT01, NF3LLFSG401UT06, NF3LLFSG402UN01, NF3LLFSG402UT01, NF3LLFSG402UT06, NF3LLFSP401NN22, NF3LLFSP401NW22, NF3LLFSP401UN01, NF3LLFSP401UT01, NF3LLFSP401UT06, NF3LLFSP401UW01, NF3LLFSP402NN22, NF3LLFSP402NW22, NF3LLFSP402UN01, NF3LLFSP402UT01, NF3LLFSP402UT06, NF3LLFSP402UW01, NF3LXFSG401UN01, NF3LXFSG401UW01, NF3LXFSG402UN01, NF3LXFSG402UW01, NF3LXFSP401UN01, NF3LXFSP401UW01, NF3LXFSP402NW22, NF3LXFSP402UN01, NF3LXFSP402UW01, NF3LXFSP402UW06, NF3LYFSG401UW01, NF3LYFSG402UW01, PF3LGFSP402UG01, PF3LLFSP402UG01, PF3LXFSP402UG01 and PFNLXFSP302UG01

Labels (Drawing 3 of 3)



Front Control Washers



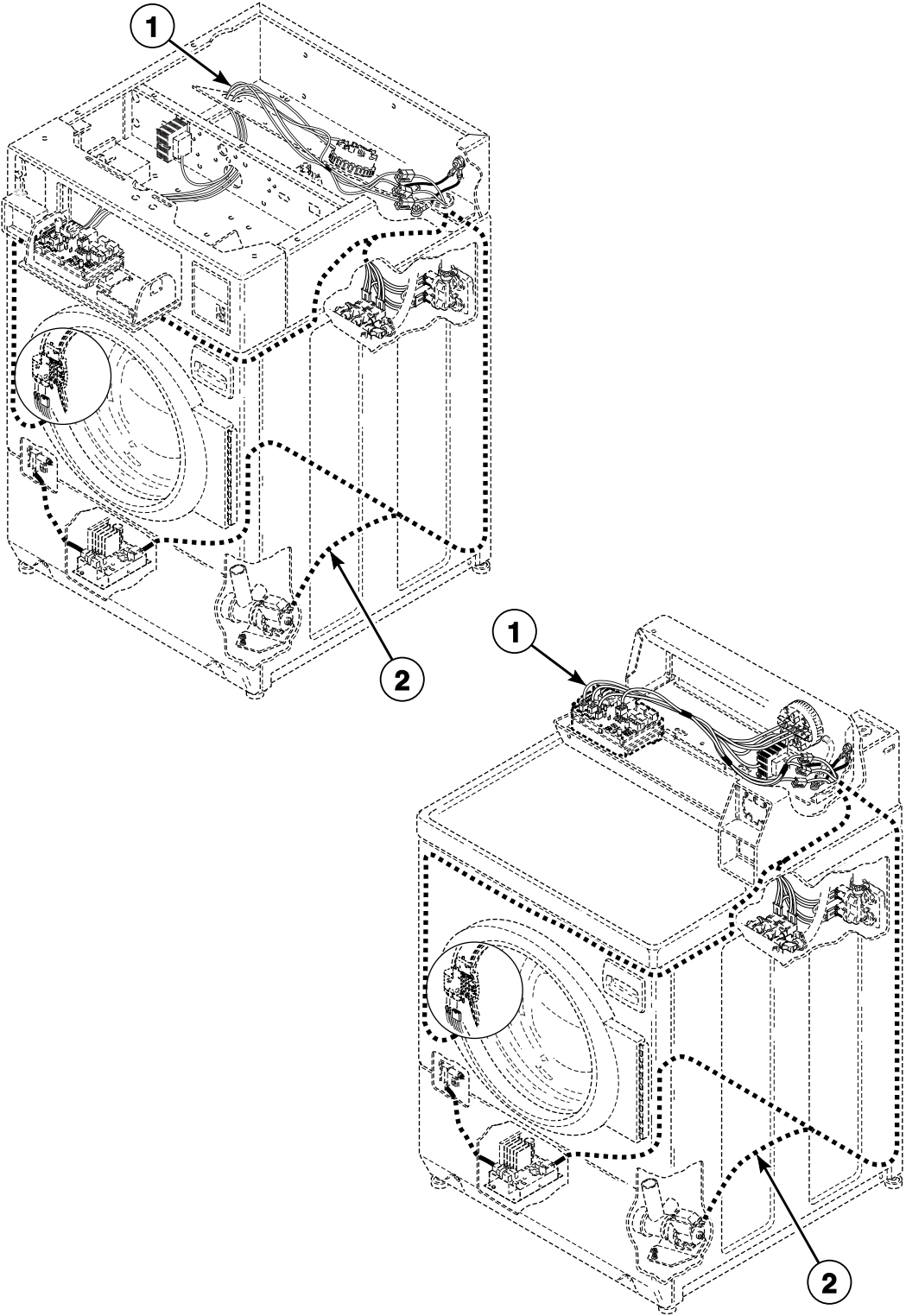
FLW1031PC_803401

Rear Control Washers

Labels (Drawing 3 of 3)

REF	PART NO.	DESCRIPTION	COMMENTS
1	F8211201	Electrical Shock Label	Models BF3LLFSG401UN01, BF3LLFSG401UW01, BF3LLFSG402UN01, BF3LLFSG402UW01, BF3LLFSP401UN01, BF3LLFSP401UW01, BF3LLFSP402UN01, BF3LLFSP402UW01, BF3LXFSG401UN01, BF3LXFSG401UW01, BF3LXFSG402UN01, BF3LXFSP401UN01, BF3LXFSP401UW01, BF3LXFSP402UN01, BF3LXFSP402UW01, JF3LEFSP411EW01, JF3LGFSP411EW01, JF3LGFSP411EW06, JF3LMFSG411EN01, JF3LMFSG411EN06, JFNLEFSG301EW01, JFNLEFSP301EW01, NF3LLFSG401UN01, NF3LLFSG401UT01, NF3LLFSG401UT06, NF3LLFSG402UN01, NF3LLFSG402UT01, NF3LLFSG402UT06, NF3LLFSP401NN22, NF3LLFSP401NW22, NF3LLFSP401UN01, NF3LLFSP401UT01, NF3LLFSP401UT06, NF3LLFSP401UW01, NF3LLFSP402NN22, NF3LLFSP402NW22, NF3LLFSP402UN01, NF3LLFSP402UT01, NF3LLFSP402UT06, NF3LLFSP402UW01, NF3LXFSG401UN01, NF3LXFSG401UW01, NF3LXFSG402UN01, NF3LXFSG402UW01, NF3LXFSP401UN01, NF3LXFSP401UW01, NF3LXFSP402NW22, NF3LXFSP402UN01, NF3LXFSP402UW01, NF3LXFSP402UW06, NF3LYFSG401UW01, NF3LYFSG402UW01, PF3LGFSP402UG01, PF3LLFSP402UG01, PF3LXFSP402UG01 and PFNLXFSP302UG01

Wire Harnesses and Wires



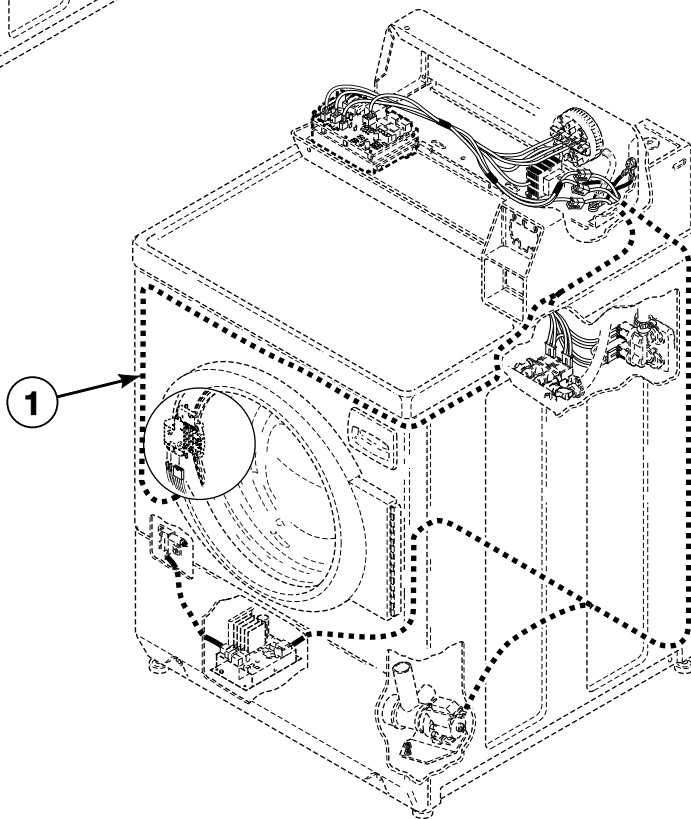
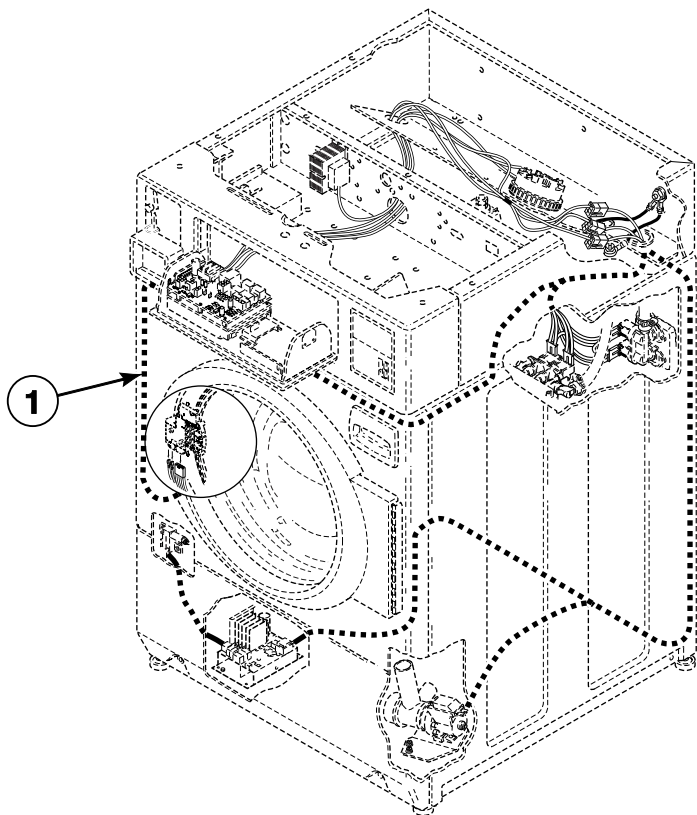
FLW945P_803401

Wire Harnesses and Wires

REF	PART NO.	DESCRIPTION	COMMENTS
	205550	Laundry IQ Internal Retrofit Kit	Starting Serial No. 16010000001
	45001	18 Gauge Wire	Black; Order wire by foot and terminals and connectors as required
	45380	12 Gauge Wire	Orange; Order wire by foot and terminals and connectors as required
1	802906P	Harness Assembly	Model JF3LMFSG411EN01 starting Serial Nos. beginning 1003; Models BF3LLFSG401UN01, BF3LLFSG401UW01, BF3LLFSG402UN01, BF3LLFSG402UW01, BF3LLFSP401UN01, BF3LLFSP401UW01, BF3LLFSP402UN01, BF3LLFSP402UW01, BF3LXFSG401UN01, BF3LXFSG401UW01, BF3LXFSG402UN01, BF3LXFSP401UN01, BF3LXFSP401UW01, BF3LXFSP402UN01, BF3LXFSP402UW01, JF3LEFSP411EW01, JF3LGFSP411EW01, JF3LGFSP411EW06, JF3LMFSG411EN06, NF3LLFSG401UN01, NF3LLFSG401UT01, NF3LLFSG401UT06, NF3LLFSG402UN01, NF3LLFSG402UT01, NF3LLFSG402UT06, NF3LLFSP401NN22, NF3LLFSP401NW22, NF3LLFSP401UN01, NF3LLFSP401UT01, NF3LLFSP401UT06, NF3LLFSP401UW01, NF3LLFSP402NN22, NF3LLFSP402NW22, NF3LLFSP402UN01, NF3LLFSP402UT01, NF3LLFSP402UT06, NF3LLFSP402UW01, NF3LXFSG401UN01, NF3LXFSG401UW01, NF3LXFSG402UN01, NF3LXFSP401UN01, NF3LXFSP401UW01, NF3LXFSP402NW22, NF3LXFSP402UN01, NF3LXFSP402UW01, NF3LXFSP402UW06, NF3LYFSG401UW01, NF3LYFSG402UW01, PF3LGFSP402UG01, PF3LLFSP402UG01 and PF3LXFSP402UG01
	803312	Control Harness Assembly	Model JF3LMFSG411EN01 through Serial Nos. beginning 1003
	803313	Control Harness Assembly	Models JFNLEFSG301EW01, JFNLEFSP301EW01, SFNLXFSP301AN01, SFNLXFSP301AW01, SFNLXFSP302AW01 and SFNLXFSP302AN01
	803108P	Harness Assembly	Models HFNLERSP111CW01, HFNLERSP111CWNA, HFNLXRSP111CW01, HFNLXRSP111CW01, HFNLXRSP111CWNA, HFNLXRSP111CWNA, HFNNERSP112CW01, HFNNXRSP111CW01, HFNNXRSP112CW01, HFNNXRSP111CW01, HFNNXRSP112CW01, HFNNYRSP112CW01, SFNLCRSP111TW01, SFNLCRSP111TW02, SFNLCRSP111TWAF, SFNLCRSP111TWNA, SFNLXRSP111TW02, SFNLXRSP111TW02, SFNLXRSP111TW01, SFNLXRSP111TWNA, SFNNCRSP111TW01, SFNNCRSP111TW02, SFNNCRSP112TW01, SFNNCRSP112TW02, SFNNXRSP111TW02, SFNNXRSP112TW02, SFNNXRSP111TW01 and SFNNYRSP112TW01
	804456	Control Harness Assembly	Model SFNNXRSP542NW23
	803107	Harness Assembly	All other models
2	802274P	Motor Harness Assembly	Models through Serial No. 1106019172 and starting again Serial No. 1106030843 through Serial No. 1201004551
	803581	Motor Harness Assembly	Models starting Serial No. 1106019173 through Serial No. 1106030842 and starting again Serial No. 1201004552

NOTE: Individual wires are not available separately. Order complete harness, or order wire by the foot. When applying terminals to wires, it is recommended that the terminals be soldered to the wires.

Base Base Harness



FLW945PA_803401

Base Base Harness

REF	PART NO.	DESCRIPTION	COMMENTS
	45001	18 Gauge Wire	Black; Order wire by foot and terminals and connectors as required
	45380	12 Gauge Wire	Orange; Order wire by foot and terminals and connectors as required
1	802833P	Base Harness Assembly	Models JFNLEFSG301EW01, JFNLEFSP301EW01, SFNLXFSP301AN01, SFNLXFSP301AW01, SFNLXFSP302AW01, SFNLXFSP302AN01 and SFNNXRSP542NW23
	802834P	Base Harness Assembly	Models BF3LLFSG401UN01, BF3LLFSG401UW01, BF3LLFSG402UN01, BF3LLFSG402UW01, BF3LLFSP401UN01, BF3LLFSP401UW01, BF3LLFSP402UN01, BF3LLFSP402UW01, BF3LXFSG401UN01, BF3LXFSG401UW01, BF3LXFSG402UN01, BF3LXFSP401UN01, BF3LXFSP401UW01, BF3LXFSP402UN01, BF3LXFSP402UW01, JF3LEFSP411EW01, JF3LGFSP411EW01, JF3LMFSG411EN01, NF3LLFSG401UT01, NF3LLFSG402UN01, NF3LLFSG402UT01, NF3LLFSG402UT06, NF3LLFSP401UN01, NF3LLFSP401UT01, NF3LLFSP401UW01, NF3LLFSP402NN22, NF3LLFSP402NW22, NF3LLFSP402UN01, NF3LLFSP402UT01, NF3LLFSP402UT06, NF3LLFSP402UW01, NF3LXFSG401UN01, NF3LXFSG401UW01, NF3LXFSG402UN01, NF3LXFSG402UW01, NF3LXFSP401UN01, NF3LXFSP401UW01, NF3LXFSP402NW22, NF3LXFSP402UN01, NF3LXFSP402UW01, NF3LXFSP402UW06, NF3LYFSG401UW01, NF3LYFSG402UW01, PF3LGFSP402UG01, PF3LLFSP402UG01 and PF3LXFSP402UG01 through Serial No. 1001000989
	803470	Base Harness Assembly	Models JF3LGFSP411EW06, JF3LMFSG411EN06, NF3LLFSG401UN01, NF3LLFSG402UN01, NF3LLFSG401UT06, NF3LLFSG402UT06, NF3LLFSP401NN22, NF3LLFSP402NN22, NF3LLFSP401NW22, NF3LLFSP402NW22, NF3LLFSP401UT06, NF3LLFSP402UT06, NF3LLFSP401UW01, NF3LLFSP402UW01 and NF3LXFSP402NW22; Models BF3LLFSG401UN01, BF3LLFSG401UW01, BF3LLFSG402UN01, BF3LLFSG402UW01, BF3LLFSP401UN01, BF3LLFSP401UW01, BF3LLFSP402UN01, BF3LLFSP402UW01, BF3LXFSG401UN01, BF3LXFSG401UW01, BF3LXFSG402UN01, BF3LXFSP401UN01, BF3LXFSP401UW01, BF3LXFSP402UN01, BF3LXFSP402UW01, JF3LEFSP411EW01, JF3LGFSP411EW01, JF3LMFSG411EN01, NF3LLFSG401UT01, NF3LLFSG402UT01, NF3LLFSP401UN01, NF3LLFSP401UT01, NF3LLFSP402UN01, NF3LLFSP402UT01, NF3LXFSG401UN01, NF3LXFSG401UW01, NF3LXFSG402UN01, NF3LXFSG402UW01, NF3LXFSP401UN01, NF3LXFSP401UW01, NF3LXFSP402UN01, NF3LXFSP402UW01, NF3LXFSP402UW06, NF3LYFSG401UW01, NF3LYFSG402UW01, PF3LGFSP402UG01, PF3LLFSP402UG01 and PF3LXFSP402UG01 starting Serial No. 1001000990
	802831P	Base Harness Assembly	All other models

NOTE: Individual wires are not available separately. Order complete harness, or order wire by the foot. When applying terminals to wires, it is recommended that the terminals be soldered to the wires.

Parts Index

A

Access Panel Assembly	
D514250DG	53
D514250Q	53
D514250WP	53
D514251	53
Anchor	
155P3	85
Anchor Floor Mount Assembly	
802844P	85
Anti-Seize Compound	
27604P	73
Audit Switch Bracket	
800379	17

B

Backflow Preventer	
34500	57, 59, 61, 67
800310	79
Ballast Weight	
800205	69, 71
Base Assembly	
803876	85
Base Harness Assembly	
802831P	107
802833P	107
802834P	107
803470	107
Base Shock Absorber Kit	
807875	69, 71
Bearing Housing Kit	
800428P	73
Bearing Kit	
RB160001	73
Bolt	
203798	39
29651	13, 23
32184	43
Boot Nozzle	
802291	51, 57, 61
Brace Kit	
918P3	85
Bracket	
D510146	39, 45
201918	43
Bumper Pad	
36226	81

C

Cabinet Brace	
801491	85
801492	85
Cabinet Panel Kit	
800004QP	81
800004WP	81

Cabinet Side Panel	
802525P	81
802526P	83
Cabinet Top Kit	
802247QP	13
Cable Connection Box	
39922	89
Cable Tie	
39037	61
Cap	
801746	57, 63
Card Insert Overlay	
D511544	37
D511548	37
D513145	37
Central Pay Harness	
D511478	7, 11, 23, 41, 45
Clamp Ring	
800312	69, 71
Clip	
201572	35
Clothes Guard	
803537	69, 71
Clothes Guard and Deflector Kit	
804560P	69, 71
Clothes Guard Deflector	
804174P	69, 71
Coin Box Extension Kit	
803578P	39
Coin Drop	
38963P	33
70441601P	33, 39
Coin Drop Assembly	
CK114	33
38462P	33
38463	33
38464P	33
38467	33
38472	33
38519	33
38521	33
70441602	33, 39
70482401	33
Coin Drop Kit	
CK123	33
Coin Drop Wire Harness	
201104	35
Coin Identification Paper	
38725	33, 35, 39
Communication Board	
210095P	21
Communication Connector	
210099	21
Connector	
F140312	87
801789	31
Contacto	
F330177P	17, 23
F8379101	17, 23
Contacto Wire Harness Assembly	
801120P	19, 25
804229	19, 25

N/A items do not appear in index.

Control Assembly			
802912P	7, 23		
803306P	11		
803317P	23		
803321P	23		
803367P	11		
803541	23		
803619P	7, 11, 41, 45		
Control Cabinet Bottom			
801777	25		
Control Harness Assembly			
803312	105		
803313	105		
804456	105		
Control Hood			
D502567W	41		
D511253W	45		
Control Overlay			
802884	41		
802885	9		
802984	9		
802992	11		
802998	45		
803015	41		
803016	45		
803283	11		
803596	11, 41, 45		
Control Panel			
801737B	23		
801737G	23		
801737W	23		
Control Panel and Bracket Assembly			
800035B	9, 11		
800035G	9		
800035Q	9		
800035W	9, 11		
800149W	41		
Control Panel and Stud Assembly			
800710W	45		
Control Shield			
210053	41, 45		
801061	75		
801371	17, 25		
<hr/>			
D			
Detergent Cover			
800899	57, 59, 63		
Diagnostic Wire Harness Assembly			
800374	7, 11		
Disconnect Power Warning Label			
D505281	39, 41, 45, 99		
Dispenser			
685756P	63		
801090P	63		
Dispenser Assembly			
801476P	63		
801630P	57		
801662P	57		
803441	59		
803546	59		
Dispenser Drawer			
685757P	63		
Dispenser Drawer Front			
685715QP	63		
685715WP	57, 63		
Dispenser Drawer Tool			
318P4	95		
Dispenser Handle			
802879P	63		
803318	59, 63		
803329W	59, 63		
Dispenser Plate			
801024	57, 59, 61		
Dispenser-to-Air Gap Hose			
803440	59		
Dispenser-to-Door Seal Hose			
802256	51, 57, 61		
Dispenser-to-Tub Hose			
800331	57, 59, 63		
Door Assembly			
802872P	49		
804914QP	49		
804914WP	49		
Door Catch Assembly			
802803	49		
Door Glass			
802695P	49		
Door Hinge			
802934	49		
Door Latch/Switch Assembly			
802317P	51		
Door Seal Assembly			
802866P	51, 57, 61		
803554	51		
Door Seal Kit			
802830P	51, 57, 61		
Drain Hose			
27154	79		
Drain Hose Elbow			
35766	79		
Drain Kit			
985P3	79		
985P3A	79		
Drain Pump			
802623P	79		
802624P	79		
802625P	79		
Drain Valve			
803293P	77		
Drain Valve Kit			
F975P3	77		
F976P3	77		
Drain-to-Cabinet Hose			
800903	77		
Drive Belt			
800319P	75		
Driven Pulley			
800866	73		
<hr/>			
E			
Electric Access Panel			
801134	27		
Electrical Shock Label			
D502511	69, 71, 99		
F8211201	69, 103		

N/A items do not appear in index.

Electronic Coin Drop Assembly	
70294103P	35
70294104	35
70294107	35
70294109	35
70294110	35
70294111	35
70294120	35
70294121	35
70294122	35
70513306	35
Electronic Coin Drop Kit	
CK099	35
CK100	35
CK101	35
CK103	35
CK106	35
CK108	35
CK109	35
CK110	35
CK113	35
CK115	35
CK120	35
CK121	35
End Cap	
210108W	45
210109W	45
Ethernet Gateway Kit	
NK320	7, 9, 11, 41, 45
Expansion Clip	
70030501	23

F

Fill Hose	
202800	67
202931	67
20617	67
20618	67
37380	67
Fill Hose Kit	
38349P	67
Filter	
801255P	27
Filter Jumper Harness	
808048	89
Fitting	
801792P	27
Flange Relay	
F330230	25
Flow Regulator	
803230	59, 61
Front Panel	
802277G	55
802277QP	55
802277WP	55
802288P	55
Front Panel Pad	
36204	53
Fuse	
801755	75

G

Gasket	
802427	79
Glass Mounting Clip	
802700	49
Graphic Overlay	
802995	25
803137	25
Gravity Drain Bracket	
803291	77
Gravity Drain Valve	
803292P	77
Grommet	
29175	69, 71
Grounding Clip	
00161	69, 71

H

Hardware Kit	
838P3	73
Harness Assembly	
802904P	33, 39
802905	33, 35, 39
802906P	105
803107	105
803108P	105
Harness Strap	
55881	51, 57, 93
Heater Harness	
802323P	71
803492	71
Heating Element	
804777P	71
804778P	71
Hinge	
D511036	13, 23
Hinge Attachment Kit	
807865	47
Hinge Plate	
802206	51
Hole Plug	
M412154	85
Hood Back Plate	
D505798	41
Hose Clamp	
F200204	79
F200206	57, 63
20211	79
20391	79
39282	69, 71
685725	57, 59, 63, 77
802164	51, 57, 59, 61, 67
802281	51
802698	51, 57, 59, 61
Hose Clip	
36985	19, 25, 69, 93
800553	73
Hose Mounting Plate	
800552	73

N/A items do not appear in index.

I

Injection Nozzle	
F8322001	57, 59
Inner Basket Assembly	
802365P	73
803008P	73
Inner Door Bezel Kit	
808095	47
808096	47
Insert	
685716	57, 59, 63
Instruction Label	
685942	29, 37
Inverter Control Assembly	
803254P	75
803255P	75

J

Jumper Configuration Assembly	
M413507	15, 41
Jumper Harness	
D513268	75
D513316	75
Jumper Harness Assembly	
M413504	15
Junction Box	
801403	89
804360	89
Junction Box Cover	
801404	89
801498	87
Junction Box Seal	
801425P	87, 89

K

Key	
54612	9, 11

L

Laundry IQ Internal Retrofit Kit	
205550	105
Lead-In Cord	
34458	93
Left Control Cabinet Side	
801738B	25
801738W	25
Left hand Thread Label	
685928	85
Leveling Leg	
34319	85
Lid Assembly	
802426P	79
Line Filter	
201058	27, 89

Lock Cam	
27261	7, 11
Lock Kit	
27260P	7, 11
Lower Junction Box	
801433	89
801499	87

M

Meter Case Assembly	
202877W	39
807406W	39
Meter Case Assembly Kit	
807401W	39
Meter Case Bracket Gasket	
35526	39
Meter Case Gasket	
26354	39
Meter Case Lockdown Bracket	
35525	39
Meter Case Locking Bracket Kit	
204616	39, 43
Mixing Valve	
802220P	65
802222P	65
Mixing Valve Plate	
800323	65
Mixing Valve Screen	
802926	65
Motor Access Hole Edging	
801702	85
Motor and Rod Assembly Kit	
801684P	75
Motor Harness Assembly	
802274P	105
803581	105
Motor Mount Rod	
801062	75
Mounting Tool Kit	
CK096	95

N

Nameplate Overlay	
803322	29
Network Board Assembly	
201341	21
Network Cable Wire Harness Assembly	
800216	21
Network Controller Kit	
NK220	7, 9, 11, 41, 45
Network Retrofit Kit	
NK201	41, 45
NK202	7, 9, 11
Network Varistor Assembly	
801311	27
Network Wire Harness Assembly	
44088501P	21
Notice Label	
803011	99

N/A items do not appear in index.

Nut	
F430218	69, 71, 73
M404993	59
03673	93
201216	35
21899	85
23951	43, 49
27222	39
29786	33, 35, 39, 77
29787	27
29796	23
36020	13, 51
44087201	13
52566	41
685846	49
800452	69, 71
802292	51, 57, 61
802337	39
802343	69, 71
803017	73

O

Operating Instruction Label	
801217	29, 37
803594	29, 37
803595	39
804950	29
Option Label	
803608	97
803609	97
Opto Coupler	
200674P	33, 39
Orifice	
803544	59
O-Ring	
801632	57, 59
802429P	79
803545	59
Outer Door Bezel Kit	
802313QP	47
802313WP	47
802314P	47
Outer Tub Assembly	
801081P	69
801291	71
Out-of-Balance Switch Assembly	
803415	69, 71
Out-of-Balance Switch Assembly Kit	
806512	69, 71
Overlay	
201091	29, 35, 39
802945	9
803138	9
803281	25
803282	25
804915	9
804917	25
Oversudsing Label	
802074	99
802838	99
802839	99

P

Panel Locator	
D56079	81
56079	29, 37, 53
PC Board Standoff	
210098	21
Pinch Warning Label	
F8615701	69, 101
Pinched Fingers Label	
D502506	69, 71
Pop Rivet	
685847	13, 23, 73
70058501	39, 45
Porcelain Touch-Up Paint	
122P4P	81, 83
370P4P	81, 83
Power Cord Assembly	
204061	89
801660	89
808047	89
Pressure Bulb	
205241	69, 71
Pressure Switch	
802299P	19, 23, 41, 45
803303P	23
Pulley Bolt Tightening Fixture	
802336	95
Pump Housing	
802428	79
Pump Housing Assembly	
802434P	79
Pump Mount Bracket	
802626	79
Pump-to-Elbow Hose	
685737	79

R

Ratchet Extension Tool	
310P4	95
Rear Access Panel	
800011	85
Rear Control Cabinet	
801058	23, 27
Rear Control Hood Panel	
801165	45
Rear Control Operating Instruction Label	
800137	39
Rear Panel	
800010P	85
801216	85
801629	85
Relay	
431349	87
Relay Mounting Bracket	
801501	87
Resistor	
210100	17, 25, 41
Retaining Ring	
23748	75

N/A items do not appear in index.

Right Control Cabinet Side	
800915B.....	23
800915G.....	23
800915W.....	23
Rubber Foot	
34318.....	85

S

Screw	
D501086.....	41, 45, 65
D501524.....	9, 11, 25, 41, 45, 75
D503661.....	15, 21, 25, 27, 39, 41, 45, 51, 65, 69, 71, 75, 77, 79, 81, 83, 85, 87, 89
D503673.....	39
D503688.....	17, 25, 27, 29, 37, 43
D512921.....	29, 37, 53, 81
M400043.....	73, 91
M400057.....	75
02916.....	41, 77
20530.....	39, 45, 93
23008.....	7, 11
31645.....	85
36048.....	39
39733.....	29, 37, 53, 81
430497.....	85
51782.....	25
52864.....	41, 45
52909.....	79
685831.....	73
70240301.....	23, 27
800461.....	69, 71
800462.....	69, 71, 73
800548.....	49, 55, 57, 59, 63
800930.....	23
801001.....	57, 59, 61
801019.....	49
801045.....	53
801993.....	49
802430.....	79
802431.....	79
802596.....	69, 71
Sealant	
27615P.....	77, 79
Security Cabinet Front Assembly	
D511209BP.....	37
D511209WP.....	37
D511633B.....	29
D511633G.....	29
D511633QP.....	29
D511633WP.....	29
Security Cabinet Wrapper Assembly	
801235B.....	31
801235W.....	31, 37
801780W.....	31
Security Kit	
905P3.....	43
Service Door Assembly	
39874WP.....	39
803043WP.....	39
Shipping Bracket Label	
807552.....	91
Shipping Materials Kit	
930P3.....	91
Side Panel	
800004G.....	81

800005G.....	83
Side Panel Kit	
800005QP.....	83
806492.....	83
Single Drop Overlay	
803476.....	29
Single Overlay	
202123.....	39
38717.....	29, 39
Snap Bushing	
D503235.....	77
M402542.....	19, 23, 27, 87, 89
Spacer	
803231.....	59, 61
Stainless Steel Top	
D512967.....	13, 23
Standpipe Strap	
33489.....	79
Strain Relief	
38384.....	93
60298.....	89
Supply Injection Wire Harness Assembly	
801518.....	87
Switch	
D512973.....	17, 39
Switch Mounting Bracket	
800663.....	69, 71
803388.....	69, 71

T

Tension Rod Assembly	
800666.....	73
Terminal Block Assembly	
D505876.....	27, 87
801250.....	27
801756.....	27
Thermistor	
803256.....	71
Top and Gusset Assembly	
D512878G.....	13, 23
802247QP.....	13
802247WP.....	13, 23
Top Hinge	
D510136.....	85
Top Kit	
D511527WP.....	39
803144P.....	13
Top Mounting Bracket	
D504228.....	13, 23
Top Panel Kit	
D511530WP.....	45
Transformer	
201375P.....	15, 35, 41, 45
210018P.....	15, 41
803527P.....	15, 25, 41
Trunnion Shaft and Hardware Kit	
800749P.....	73
Tub Front Assembly	
802258.....	69
802260.....	71
803494.....	71

N/A items do not appear in index.

Tub Front Seal	
800432P	69, 71, 73
Tub Shock Absorber Kit	
800622P	69, 71
Tubing	
33324	69
685751	69
800648P	69
801635	57
803280	71
Tub-to-Drain Hose	
800902	77
Tub-to-Pump Hose	
800317	79

U

Union	
801788	31
Upper Junction Box	
801497	87
USB Gateway Kit	
NK330	7, 9, 11, 41, 45

V

Valve Kit	
685766P	57, 61
801836P	59, 61
Valve-to-Dispenser Inlet Hose	
801464	57, 59, 61, 67

W

Warning Label	
D500049	69, 99
D500314	69, 99
D500316	39, 41, 45
802367	99
803522	101
Washer	
M400014	91
M400017	41, 77
M400080	75
M400081	69, 71
M403958	73
02431	41
02834	75
03815	93
200608	41, 45
20290	67
25100	43
52549	75
800457	69, 71, 73
802254	67
802293	51, 57, 61
803615	67
807679	73
Water Hose	
F200116	67
Wire Clamp	
800811	69, 71

Wire Clip	
D504034	93
687500	51, 57, 61, 93
Wire Guard	
201595P	33, 39
Wire Harness Assembly	
801261	27
801421	27, 89
802013	89
802913P	7, 11
803314P	27
Wire Ring and Spring	
806466	51
Wire Tie	
38663	93
Wireless Network Kit	
NK301	7, 9, 11, 41, 45
Wireless Transceiver Assembly	
202335	21
Wire, 12 Gauge	
45380	105, 107
Wire, 18 Gauge	
45001	105, 107
Wiring Harness Assembly	
202869	23, 45
Wrapper and Channel Assembly	
D505753BP	31, 37
D505753QP	31
D505753WP	31, 37
Wrapper Assembly	
D505753G	31
801235G	31
Wrench	
392P4	95

N/A items do not appear in index.

