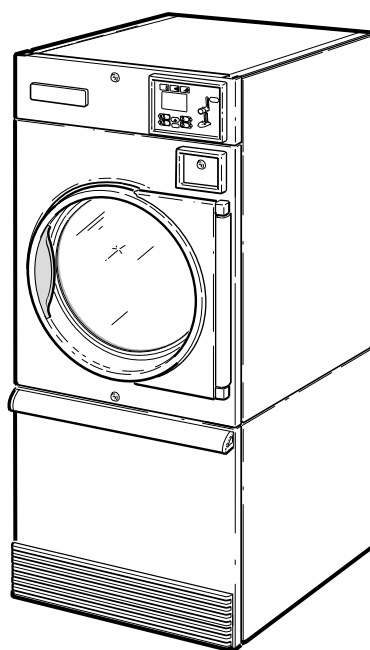


Drying Tumblers

35 Pound Capacity

15 Digit Model Numbers with 2 in 12th Position

Refer to Page 5 for Model Numbers



T478C_70409501

Table of Contents

Title	Page
Parts Ordering Information.....	3
Serial Plate Location	3
Model Identification	5
Product Overview - Heat Source and Voltage	6
Product Overview - Control Suffixes (Drawing 1 of 3).....	8
Product Overview - Control Suffixes (Drawing 2 of 3).....	10
Product Overview - Control Suffixes (Drawing 3 of 3).....	12
Single Drop Control Components	14
Dual Digital Timer Control Components.....	16
DX4 Control Components	18
DMP Control	20
OPL Microprocessor Controls.....	22
Coin Drop Components for MDC Models.....	24
Coin Drop Components for MDC Models - Wire Harnesses.....	26
BY and BZ Control Option for MDC Models	28
Coin Drops	30
Coin Drop Kits.....	32
Coin Drop Components for NetMaster Models	34
Card Reader Components for NetMaster Models.....	36
Network Board for NetMaster Models.....	38
Coin Drop Components for Quantum Control.....	40
Card Reader Components for Quantum Control	42
Network Board	44
Communication Board	46
Coin Drop Components for Galaxy 600 Control	48
Card Reader Components for Galaxy 600 Control	50
UniLinc Control	52
LED OPL Control	54
Door Assemblies.....	56
Door Components.....	58
Hinge Components	60
Control Panels	62
Front Panel Assemblies	64
False Fronts	66
Cabinet Front Components.....	68
Emergency Stop Button for CE Models	70
Lower Cabinet Components	72
Cylinder and Trunnion Assembly	74
Cylinder Components	76
Cabinet Components	78
Fire Suppression System Components	80

© Copyright 2023, Alliance Laundry Systems LLC

All rights reserved. No part of the contents of this book may be reproduced or transmitted in any form or by any means without the expressed written consent of the publisher.

Fire Suppression System Control Box	82
Drive Motor Components for Nonreversing Models	84
Drive Motor Components for Reversing Models	86
Blower Components	88
Moisture Sensing Components	90
Rotation Sensor	92
Airflow Switch	94
Gas Burner Housing and Secondary Stove Limit	96
Gas Valve Assembly - Non-CE and Non-Australian Gas Models	98
Gas Valve and Piping - CE and Australian Gas Models	100
Electric Heater Components	102
Steam Heater Components	104
Control Tray Harnesses for Gas Models	106
Control Tray for Non-CE and Non-Australian Gas Models	108
Control Tray Components for CE and Australian Gas Models (Drawing 1 of 2)	110
Control Tray Components for CE and Australian Gas Models (Drawing 2 of 2)	112
Control Tray Harnesses for Steam Models	114
Control Tray for Non-CE Steam Models	116
Control Tray for CE Steam Models	118
Control Tray Harnesses for Electric Models	120
Control Tray for Electric Models	122
Accessory Box Harnesses for Electric Models	124
Accessory Box for Non-CE Electric Models	126
Accessory Box for CE Electric Models	128
Parts Index	131

Parts Ordering Information

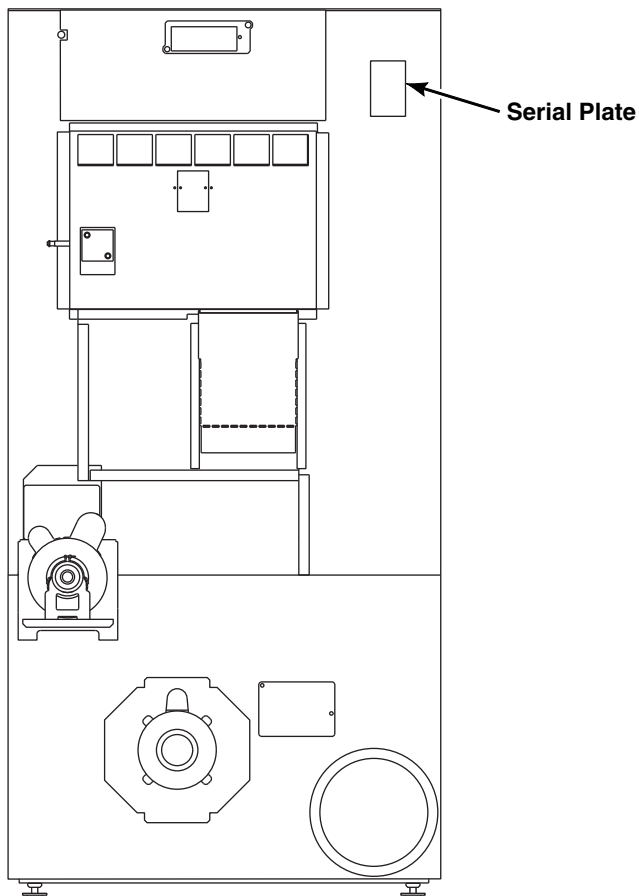
If literature or replacement parts are required, contact the source from whom the machine was purchased or contact Alliance Laundry Systems at (920) 748-3950 for the name and address of the nearest authorized parts distributor.

For technical assistance, call the number listed below:

(920) 748-3121 Ripon, Wisconsin

Serial Plate Location

When calling or writing about your product, be sure to mention model and serial numbers. Model and serial numbers are located on serial plate(s) as shown.



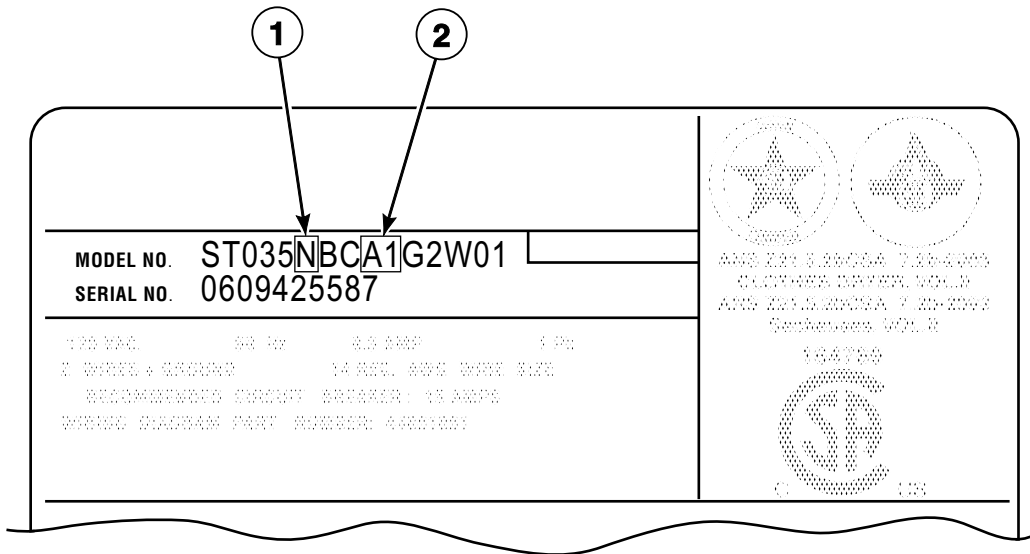
TMB2098N_70409501

Model Identification

Information in this manual is applicable to these tumbler models:

BA035L	GA035L	KA035L	PA035L	UA035L
BA035N	GA035N	KA035N	PA035N	UA035N
BH035E	GH035E	KK035N	PH035E	UH035E
BH035F	GH035L	KT035E	PH035L	UH035F
BH035L	GH035N	KT035L	PH035N	UH035L
BH035N	GH035S	KT035N	PH035S	UH035N
BH035R	GK035N	KT035S	PK035N	UH035R
BH035S	GT035E	KU035E	PT035E	UH035S
BK035N	GT035L	KU035L	PT035L	UK035N
BK035R	GT035N	KU035N	PT035N	UK035R
BT035E	GT035S	KU035S	PT035S	UT035E
BT035F	GU035E	LA035L	PU035E	UT035F
BT035L	GU035L	LA035N	PU035L	UT035L
BT035N	GU035N	LK035N	PU035N	UT035N
BT035R	GU035S	LT035E	PU035S	UT035R
BT035S	HA035L	LT035L	SA035L	UT035S
BU035E	HA035N	LT035N	SA035N	UU035E
BU035F	HH035E	LT035S	SH035E	UU035F
BU035L	HH035F	LU035E	SH035F	UU035L
BU035N	HH035L	LU035L	SH035L	UU035N
BU035R	HH035N	LU035N	SH035N	UU035R
BU035S	HH035R	LU035S	SH035R	UU035S
CA035L	HH035S	MT035E	SH035S	YT035E
CA035N	HK035N	MT035F	SK035N	YT035L
CK035N	HK035R	MT035L	SK035R	YT035N
CK035R	HT035E	MT035N	ST035E	YT035S
CT035E	HT035F	MT035R	ST035F	YU035E
CT035F	HT035L	MT035S	ST035L	YU035L
CT035L	HT035N	NH035E	ST035N	YU035N
CT035N	HT035R	NH035L	ST035R	YU035S
CT035R	HT035S	NH035N	ST035S	
CT035S	HU035E	NH035S	SU035E	
CU035E	HU035F	NT035E	SU035F	
CU035F	HU035L	NT035L	SU035L	
CU035L	HU035N	NT035N	SU035N	
CU035N	HU035R	NT035S	SU035R	
CU035R	HU035S	NU035E	SU035S	
CU035S	IT035E	NU035L		
	IT035F	NU035N		
	IT035L	NU035S		
	IT035N			
	IT035R			
	IT035S			

Product Overview - Heat Source and Voltage

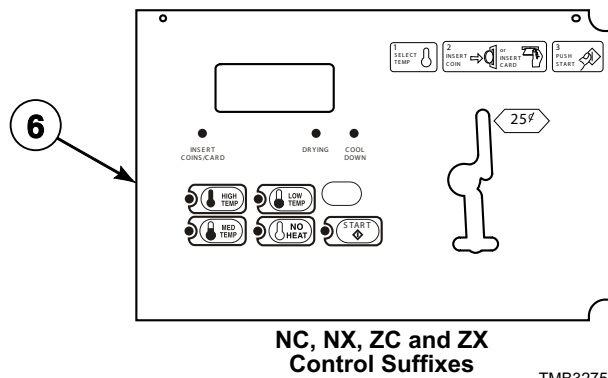
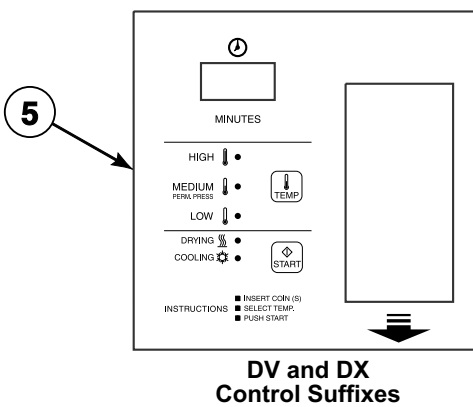
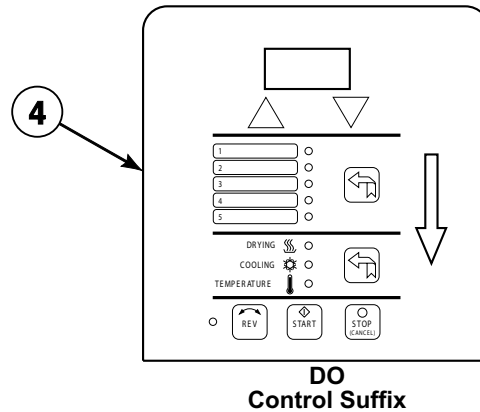
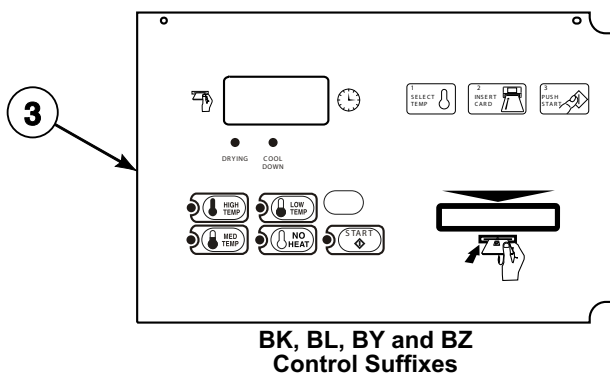
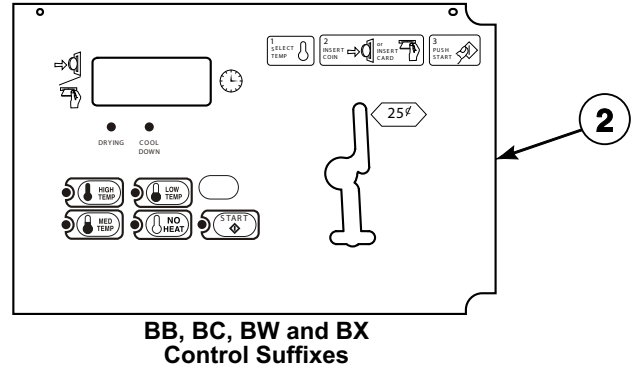
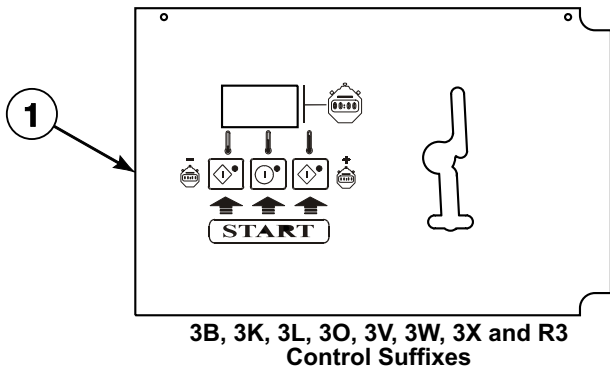
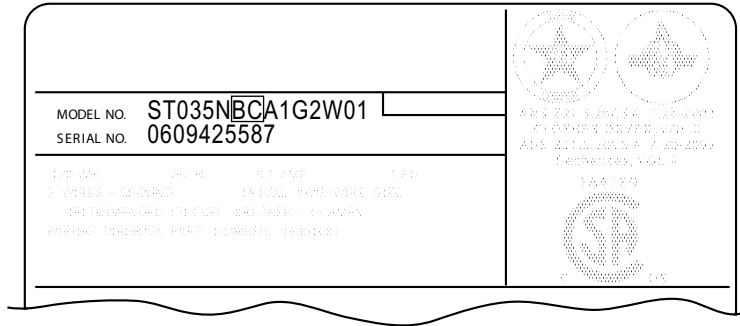


TMB2872P_70409501

Product Overview - Heat Source and Voltage

REF	PART NO.	DESCRIPTION	COMMENTS
1	-	Heat Source	E: Electric F: Reduced Electric (Eco Line) L: Liquid Petroleum Gas (L.P.) N: Natural Gas (N.G.) R: Reduced Gas, Natural Gas (Eco Line) S: Steam
2	-	Voltage	A1: 100, 200 Volt/50 Hertz/1 Phase A2: 100, 200-220 Volt/60Hertz/1 Phase B2: 120, 208-240 Volt/60 Hertz/1 Phase; For high Amp motors B3: 120, 208-240 Volt/60 Hertz/1 Phase; For low Amp motors F1: 200 Volt/50 Hertz/1 Phase F2: 200 Volt/60 Hertz/1 Phase F4: 200 Volt/50 Hertz/3 Phase F5: 200-208 Volt/60 Hertz/3 Phase F6: 200-208, 240 Volt/60 Hertz/3 Phase G1: 208 Volt/60 Hertz/1 Phase G2: 208-240 Volt/60 Hertz/1 Phase J1: 230 Volt/50 Hertz/1 Phase J2: 230-240 Volt/50 Hertz/1 Phase J4: 240 Volt/60 Hertz/1 Phase J5: 230 Volt/50 Hertz/3 Phase J6: 230-240 Volt/50 Hertz/3 Phase J8: 240 Volt/60 Hertz/3 Phase M1: 380 Volt/50 Hertz/3 Phase M2: 380, 400-415 Volt/50 Hertz/3 Phase M3: 380 Volt/60 Hertz/3 Phase N1: 400-415 Volt/50 Hertz/3 Phase P1: 440 Volt/60 Hertz/3 Phase Q1: 460-480 Volt/60 Hertz/3 Phase

Product Overview - Control Suffixes (Drawing 1 of 3)



TMB3275P_70409501

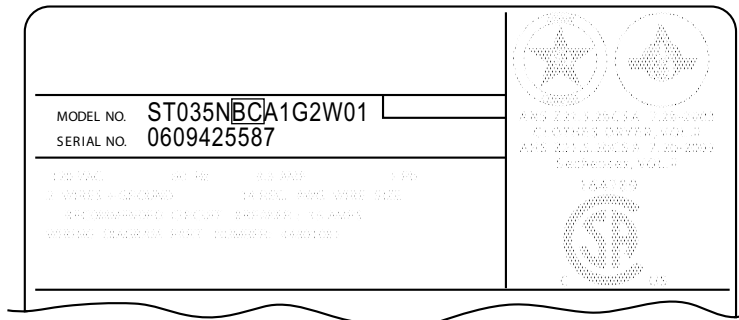
Product Overview - Control Suffixes (Drawing 1 of 3)

REF	PART NO.	DESCRIPTION	COMMENTS
1	-	Control - Nonreversing	3L: DX4 prep for central pay 3O: DX4 OPL 3V: DX4 vended 3X: DX4 prep for coin
	-	Control - Reversing	3B: reversing DX4 vended 3K: reversing DX4 prep for central pay 3W: reversing DX4 prep for coin R3: reversing DX4 OPL
2	-	Control - Nonreversing	BC: basic electronic, coin BX: basic electronic, prep for coin
	-	Control - Reversing	BB: reversing basic electronic, coin BW: reversing basic electronic, prep for coin
3	-	Control - Nonreversing	BL: basic electronic, prep for central pay BY: basic electronic, prep for card
	-	Control - Reversing	BK: reversing basic electronic, prep for central pay BZ: reversing basic electronic, prep for card
4	-	Control - Nonreversing	DO: DMP OPL
5	-	Control - Nonreversing	DV: DMP vended DX: DMP prep for coin
6	-	Control - Nonreversing	NC: NetMaster coin NX: NetMaster, prep for coin ZC: NetMaster network coin ZX: NetMaster network, prep for coin

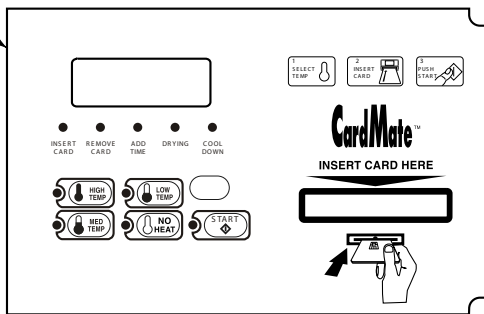
NOTE: Coin models have the following control suffixes: 3B, 3K, 3L, 3V, 3W, 3X, BB, BC, BK, BL, BW, BX, BZ, DV, DX, NC, NX, ZC and ZX

NOTE: OPL models have the following control suffixes: 3O, BY, DO and R3

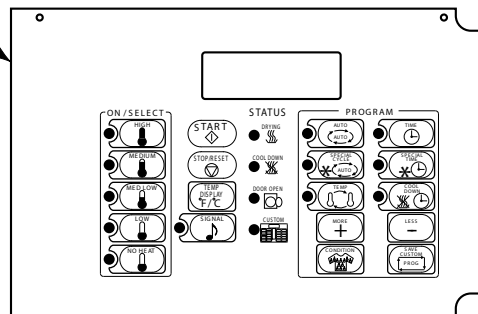
Product Overview - Control Suffixes (Drawing 2 of 3)



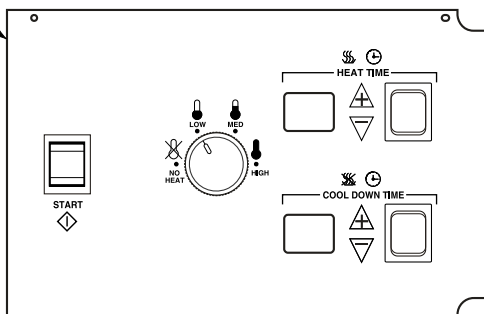
1



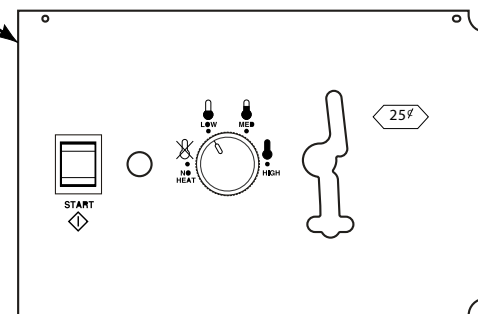
2



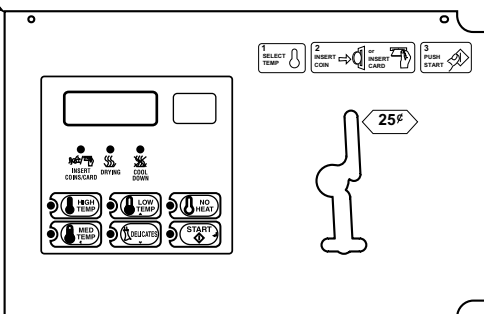
3



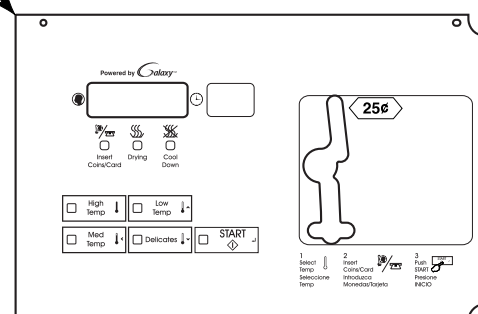
4



5



6



LB, LC, LK, LL, LW, LX, LY, LZ, WB, WC, WK, WL, WW, WX, WY and WZ Control Suffixes

KB, KC, KK, KL, KW, KX, KY and KZ Control Suffixes

TMB3276P_70409501

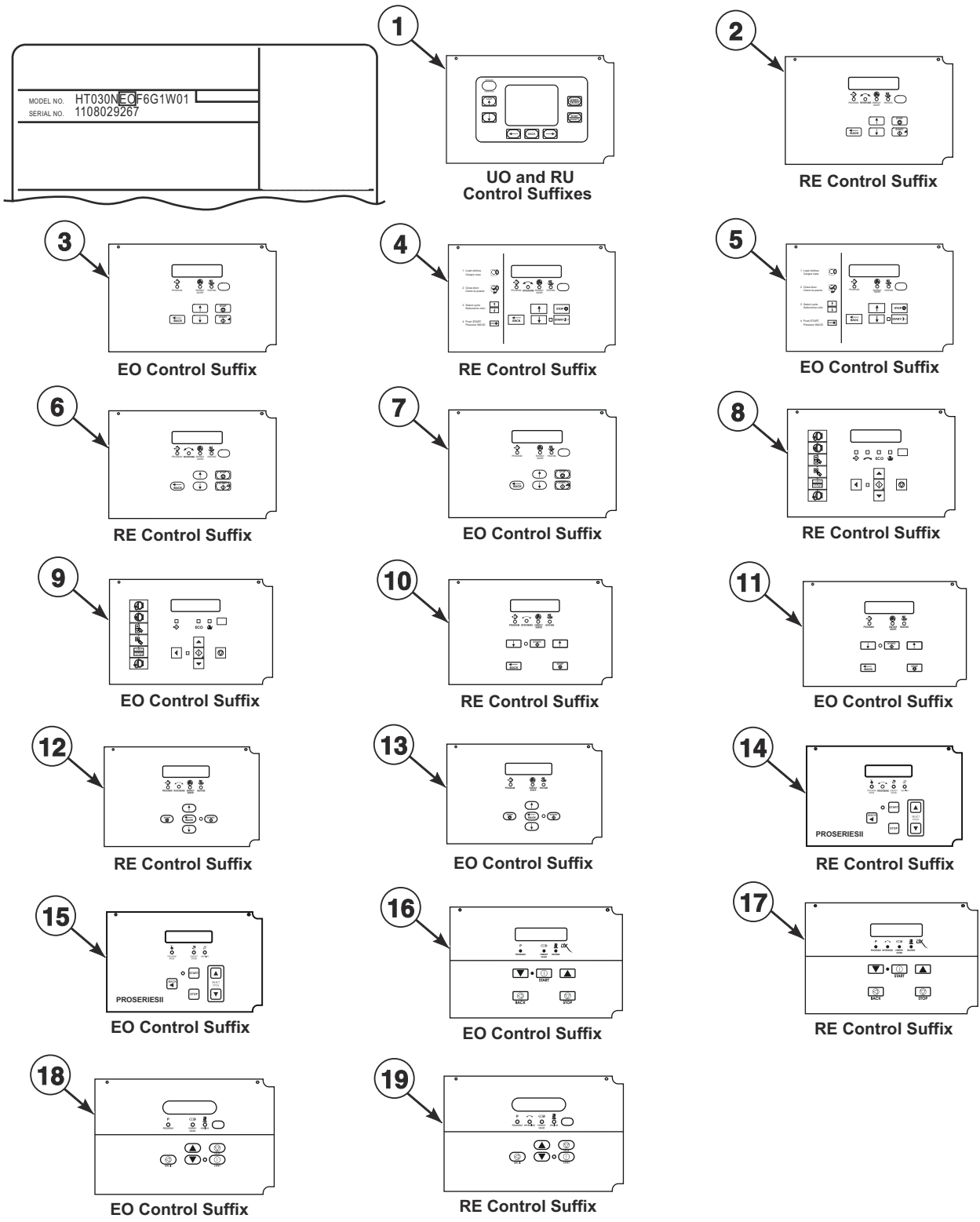
Product Overview - Control Suffixes (Drawing 2 of 3)

REF	PART NO.	DESCRIPTION	COMMENTS
1	-	Control - Nonreversing	NR: NetMaster card ZR: NetMaster network card
2	-	Control - Nonreversing	OM: OPL micro
3	-	Control - Nonreversing	QT: dual digital timer
	-	Control - Reversing	RQ: reversing dual digital timer
4	-	Control - Nonreversing	SD: single drop SX: single drop, prep for coin
5	-	Control - Nonreversing	LC: network adaptable coin LL: network adaptable, prep for central pay LX: network adaptable, prep for coin LY: network adaptable, prep for card WC: network ready coin WL: network ready, prep for central pay WX: network ready, prep for coin WY: network ready, prep for card
	-	Control - Reversing	LB: reversing network adaptable coin LK: reversing network adaptable, prep for central pay LW: reversing network adaptable, prep for coin LZ: reversing network adaptable, prep for card WB: reversing network ready coin WK: reversing network ready, prep for central pay WW: reversing network ready, prep for coin WZ: reversing network ready, prep for card
6	-	Control - Nonreversing	KC: single coin KL: prep for central pay KX: prep for coin KY: prep for card
	-	Control - Reversing	KB: reversing single coin KK: reversing prep for central pay KW: reversing prep for coin KZ: reversing prep for card

NOTE: Coin models have the following control suffixes: KB, KC, KK, KL, KW, KX, KY, KZ, LB, LC, LK, LL, LW, LX, LY, LZ, SD, SX, WB, WC, WK, WL, WW, WX, WY and WZ

NOTE: OPL models have the following control suffixes: NR, OM, QT, RQ and ZR

Product Overview - Control Suffixes (Drawing 3 of 3)



TMB3353P_70409501

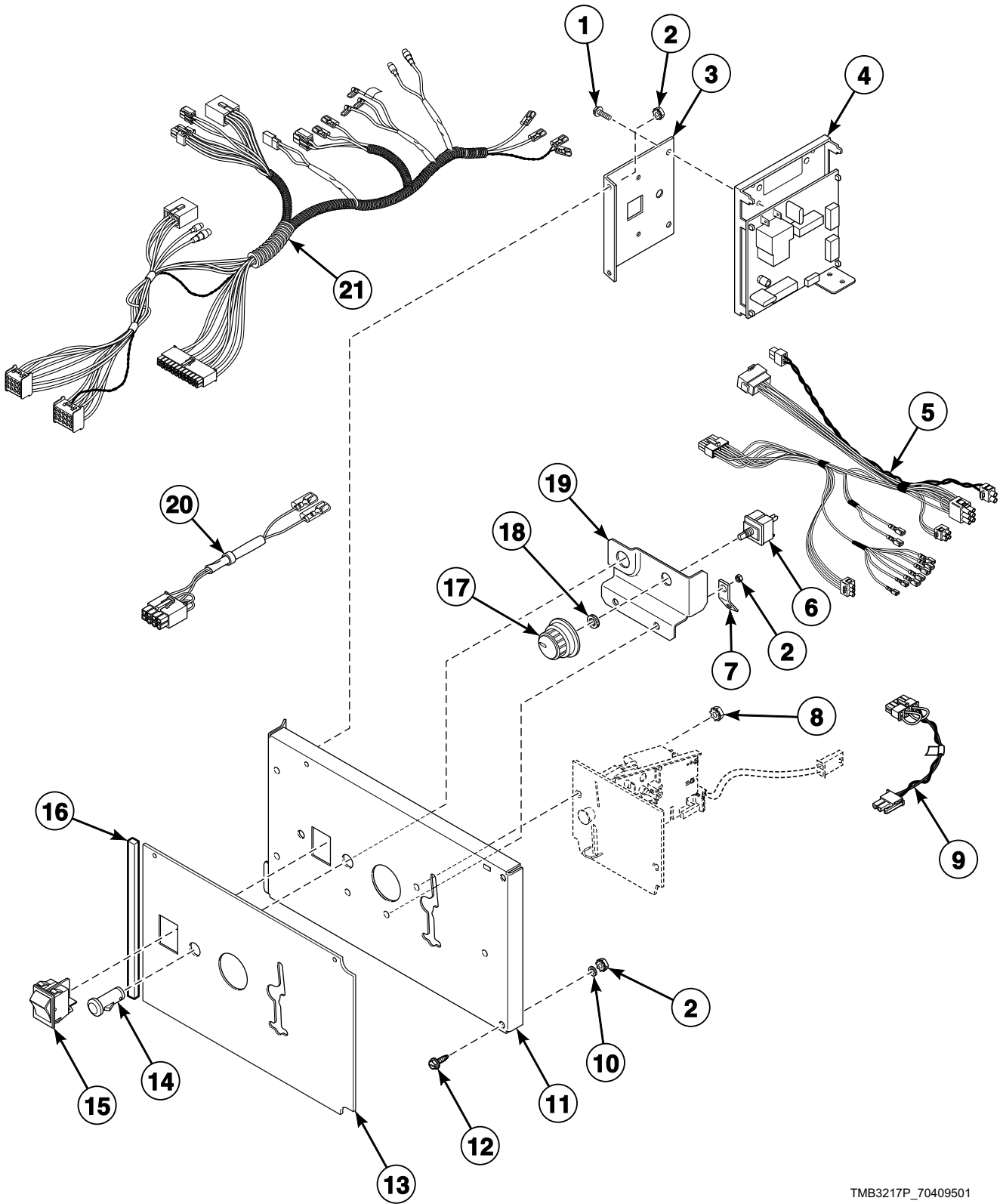
Product Overview - Control Suffixes (Drawing 3 of 3)

REF	PART NO.	DESCRIPTION	COMMENTS
1	-	Control - Reversing	U models; RU: reversing UniLinc OPL
	-	Control - Nonreversing	U models; UO: UniLinc OPL
2	-	Control - Reversing	S models; RE: reversing LED OPL
3	-	Control - Nonreversing	S models; EO: LED OPL
4	-	Control - Reversing	H models; RE: reversing LED OPL
5	-	Control - Nonreversing	H models; EO: LED OPL
6	-	Control - Reversing	U models; RE: reversing LED OPL
7	-	Control - Nonreversing	U models; EO: LED OPL
8	-	Control - Reversing	B, C and I models; RE: reversing LED OPL
9	-	Control - Nonreversing	B, C and I models; EO: LED OPL
10	-	Control - Reversing	P models through 9/30/14; RE: reversing LED OPL
11	-	Control - Nonreversing	P models through 9/30/14; EO: LED OPL
12	-	Control - Reversing	N and Y models; L models through 5/31/15; RE: reversing LED OPL
13	-	Control - Nonreversing	N and Y models; L models through 5/31/15; EO: LED OPL
14	-	Control - Reversing	G and K models; RE: reversing LED OPL
15	-	Control - Nonreversing	G and K models; EO: LED OPL
16	-	Control - Nonreversing	P models starting 10/1/14 through 5/31/15; EO: LED OPL
17	-	Control - Reversing	P models starting 10/1/14 through 5/31/15; RE: reversing LED OPL
18	-	Control - Nonreversing	L and P models starting 6/1/15; EO: LED OPL
19	-	Control - Reversing	L and P models starting 6/1/15; RE: reversing LED OPL

NOTE: OPL models have the following control suffixes: EO, RE, RU and UO

Single Drop Control Components

C, H, I and S Models Through 3/31/10 with SD and SX Control Suffixes



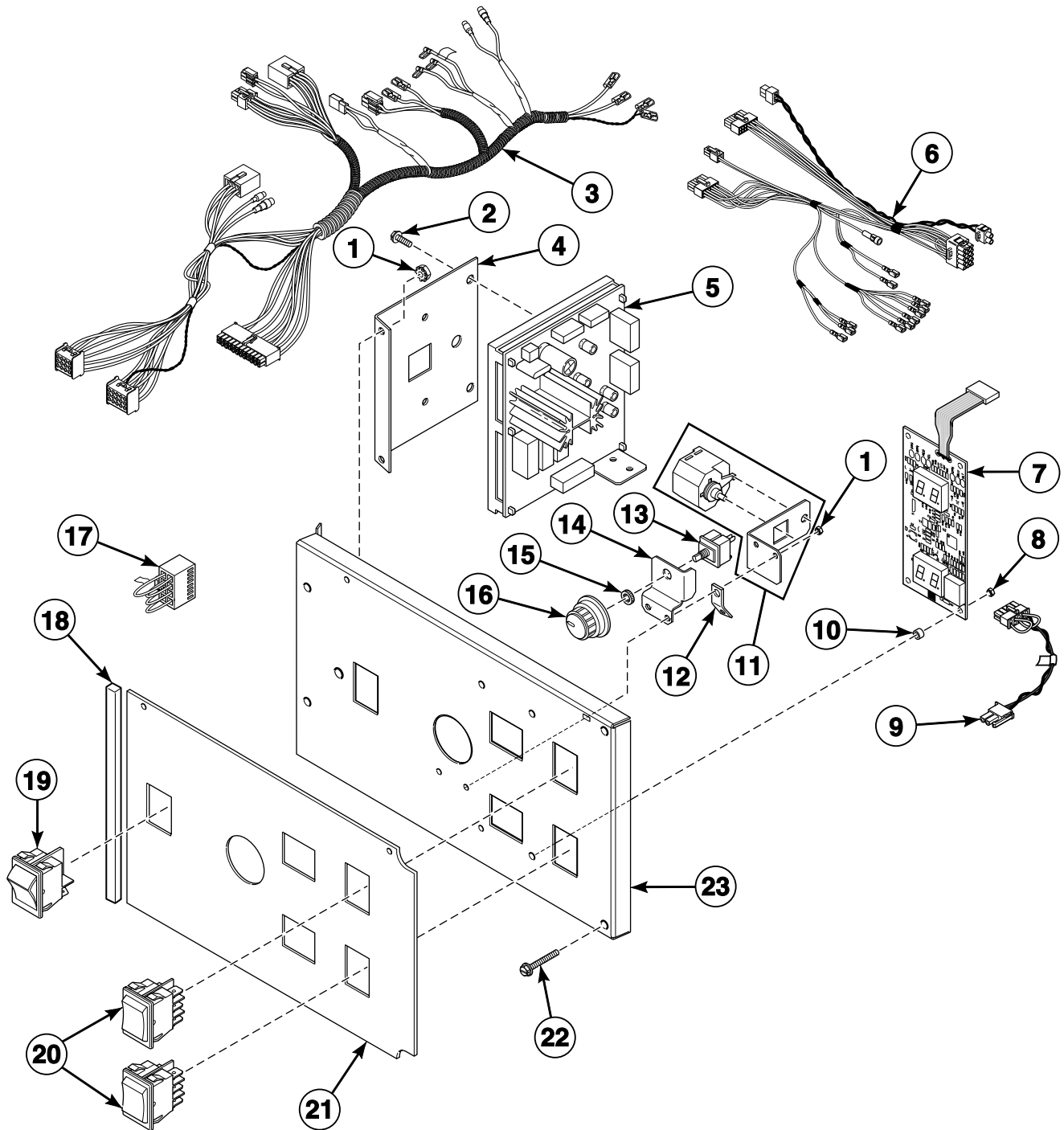
TMB3217P_70409501

Single Drop Control Components

REF	PART NO.	DESCRIPTION	COMMENTS
	70370001	Control Set	CE and Australian models; Includes items 1-8, 11, 14, 15, 18 and 19
	70370101P	Control Set	All other models; Includes items 1-8, 11, 14, 15, 18 and 19
1	D501524	Screw	
2	70054	Nut	
3	70357901	Control Chassis Mounting Bracket	
4	D512199P	Control Assembly	Models through Serial No. 0701012067
	D513139P	Control Assembly	Models starting Serial No. 0701012068
5	70398401	Control Panel Harness	CE and Australian models
	70369001	Control Panel Harness	All other models
6	D511711	Temperature Selector Switch	
7	00177	Male Tab Terminal	
8	29786	Nut	
9	70324602	Jumper Calibration Wire	
10	M405535	Washer	
11	70363401	Control Door Assembly	
12	70069901	Screw	
13	70362901	Overlay	C, I and S models
	70363001	Overlay	H models
14	801431	Light	
15	70455101	Rocker Switch	Start
16	70414101	Foam Gasket	6 inches required; Mounts to front of overlay, even with edge
17	44104601	Temperature Knob	
18	24205	Nut	
19	70350201	Temperature Selector Bracket	
20	70364104P	Coin Vault Switch Harness	Non-CE models
21	70467801	Main Harness	Electric models need 55881 Harness Strap

Dual Digital Timer Control Components

C, H, I, L, N, P, S, U and Y Models
G and K Models Starting 1/16/12
Models with QT and RQ Control Suffixes



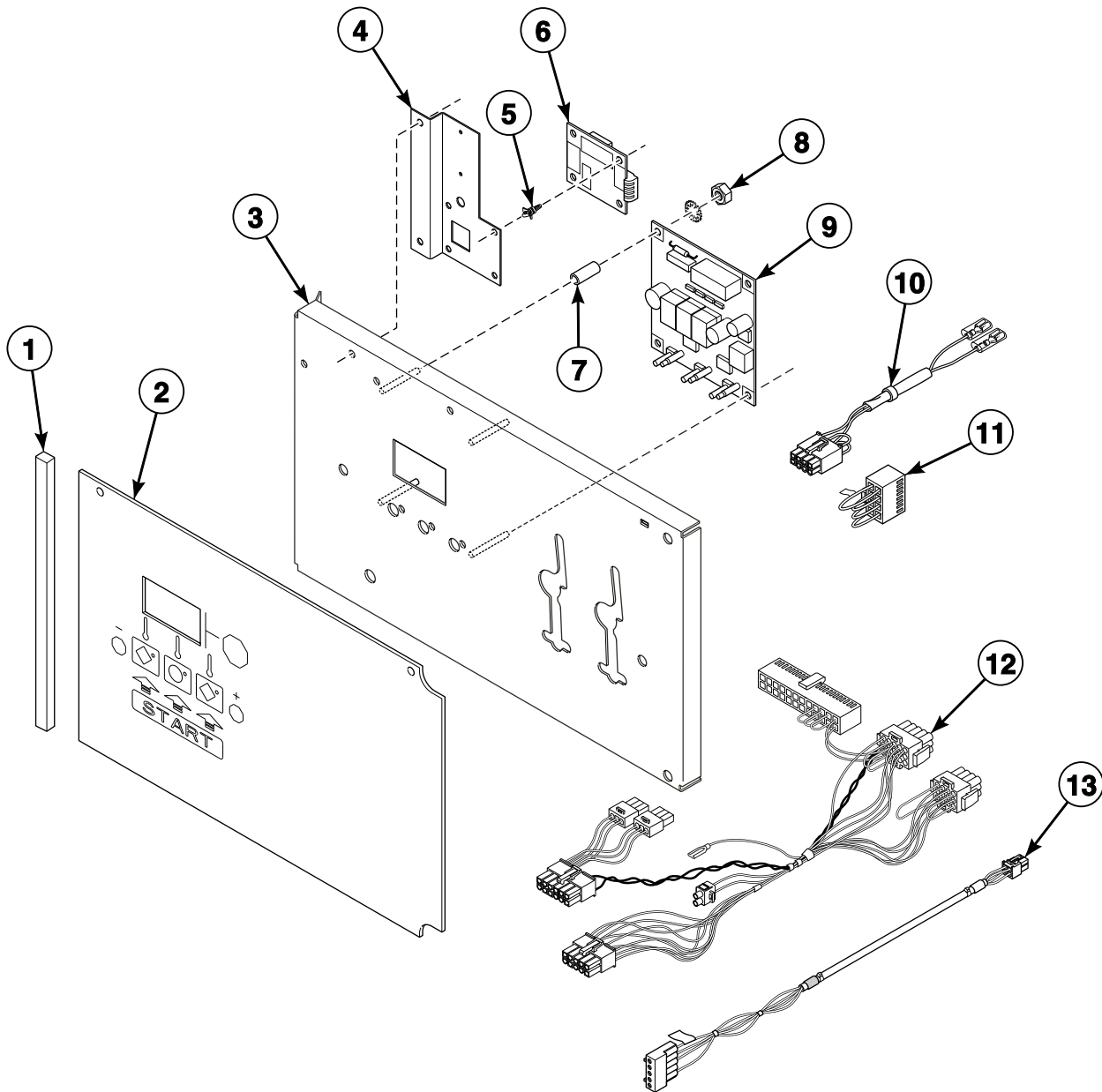
TMB3011P_70409501

Dual Digital Timer Control Components

REF	PART NO.	DESCRIPTION	COMMENTS
	70370201P	Control Set	Includes items 1, 2, 4-8, 10, 12-16, 19, 20 and 23
1	70054	Nut	
2	D501524	Screw	
3	70467801	Main Harness	Electric models need 55881 Harness Strap; Models through 7/31/11 and starting again 7/9/12
	70441301	Main Harness	Electric models need 55881 Harness Strap; Models starting 8/1/11 through 7/8/12
4	70357901	Control Chassis Mounting Bracket	
5	D512202P	Control Assembly	
6	70367001P	Control Panel Harness	
7	D512218P	Display Assembly	C and I models through 7/14/14; All other models
	70503101P	Control Assembly	C and I models starting 7/15/14
8	29787	Nut	
9	70324602	Jumper Calibration Wire	
10	56079	Panel Locator	
11	M4860P3	Buzzer Kit	Includes buzzer, bracket and harness
12	00177	Male Tab Terminal	
13	D511711	Temperature Selector Switch	
14	70391701	Temperature Selector Switch Bracket	
15	24205	Nut	
16	44104601	Temperature Knob	
17	70364103	Bypass Harness	Non-CE models
18	70414101	Foam Gasket	6 inches required; Mounts to front of overlay, even with edge
19	70455101	Rocker Switch	Start
20	70461301	Rocker Switch	
21	70362201	Overlay	Nonreversing; G, K, L, N, S and Y models; C and I models through 7/14/14; P models starting 1/15/15; U models through 8/17/14
	70362202	Overlay	G, K, L, N, S and Y models; C and I models through 7/14/14; P models starting 1/15/15; U models through 8/17/14; Reversing
	70504701	Overlay	C and I models starting 7/15/14; Nonreversing
	70504702	Overlay	C and I models starting 7/15/14; Reversing
	70494001	Overlay	U models; Models starting 8/18/14; Nonreversing
	70494002	Overlay	U models; Models starting 8/18/14; Reversing
	70362501	Overlay	H models; Nonreversing
	70362502	Overlay	H models; Reversing
	70362401	Overlay	P models through 1/14/15; Nonreversing
	70362402	Overlay	P models through 1/14/15; Reversing
22	70069901	Screw	
23	70360601	Control Plate Assembly	

DX4 Control Components

B and I Models with 3B, 3K, 3L, 3O, 3V, 3W, 3X and R3 Control Suffixes



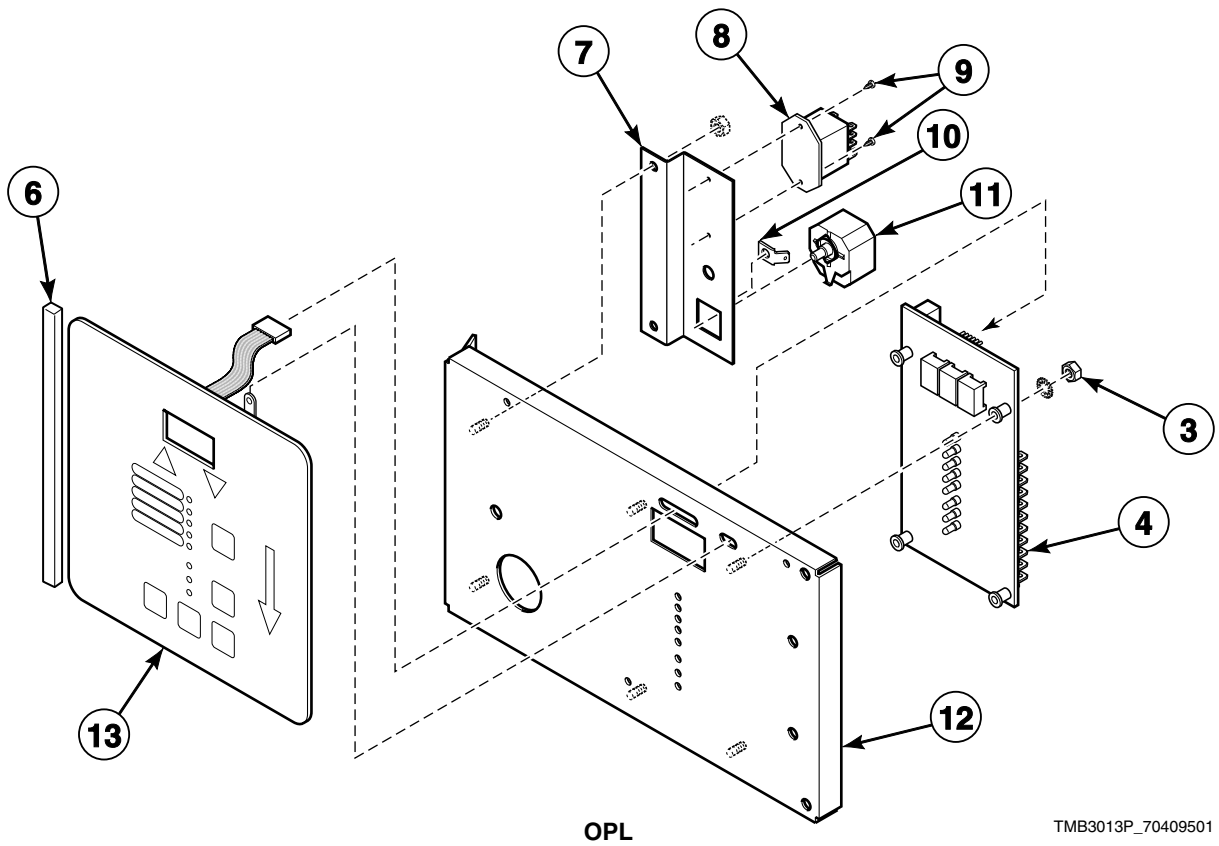
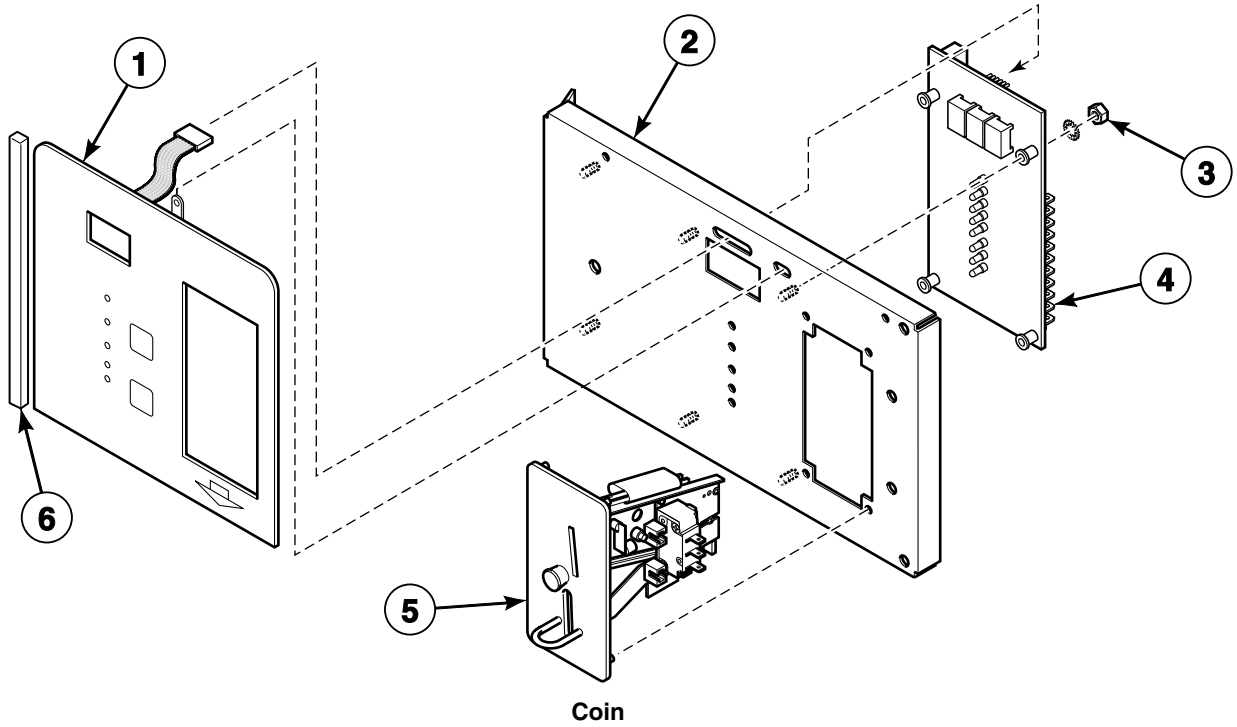
TMB3271P_70409501

DX4 Control Components

REF	PART NO.	DESCRIPTION	COMMENTS
1	70414101	Foam Gasket	6 inches required; Mounts to front of overlay, even with edge
2	44240501	Graphic Overlay	OPL
	44050501	Graphic Overlay	Coin; Single drop; Models through 7/31/11
	44050502	Graphic Overlay	Coin; Dual drop; Models through 7/31/11
	44239401	Graphic Overlay	Coin; Single drop; Models starting 8/1/11
	44239402	Graphic Overlay	Coin; Dual drop; Models starting 8/1/11
	44239403	Graphic Overlay	Prep for central pay
3	44050701P	Control Plate Kit	
4	44263501	Bracket	CE models; All other models with 3K and 3L control suffixes
5	211/00119/00	Standoff	4 required
6	209/00471/75	Central Pay Interface Control Assembly	3K and 3L control suffixes
7	44050601	Sleeve	4 required
8	29787	Nut	
9	70462301P	Control Assembly	3O control suffix
	70462302P	Control Assembly	R3 control suffix
	70462361P	Control Assembly	3B, 3V, 3W and 3X control suffixes
	70462369	Control Assembly	3K and 3L control suffixes
10	70364104P	Coin Vault Switch Harness	Non-CE models; 3V and 3B control suffixes
11	70364103	Bypass Harness	Non-CE models; 3O, 3W, 3X and R3 control suffixes
12	70489901	Control Panel Harness	CE and Australian models
	70485301	Control Panel Harness	All other models
13	70491501	Central Pay Harness	3K and 3L control suffixes

DMP Control

C and I Models with DO, DV and DX Control Suffixes
Coin Through 4/1/10; OPL Through 7/31/11



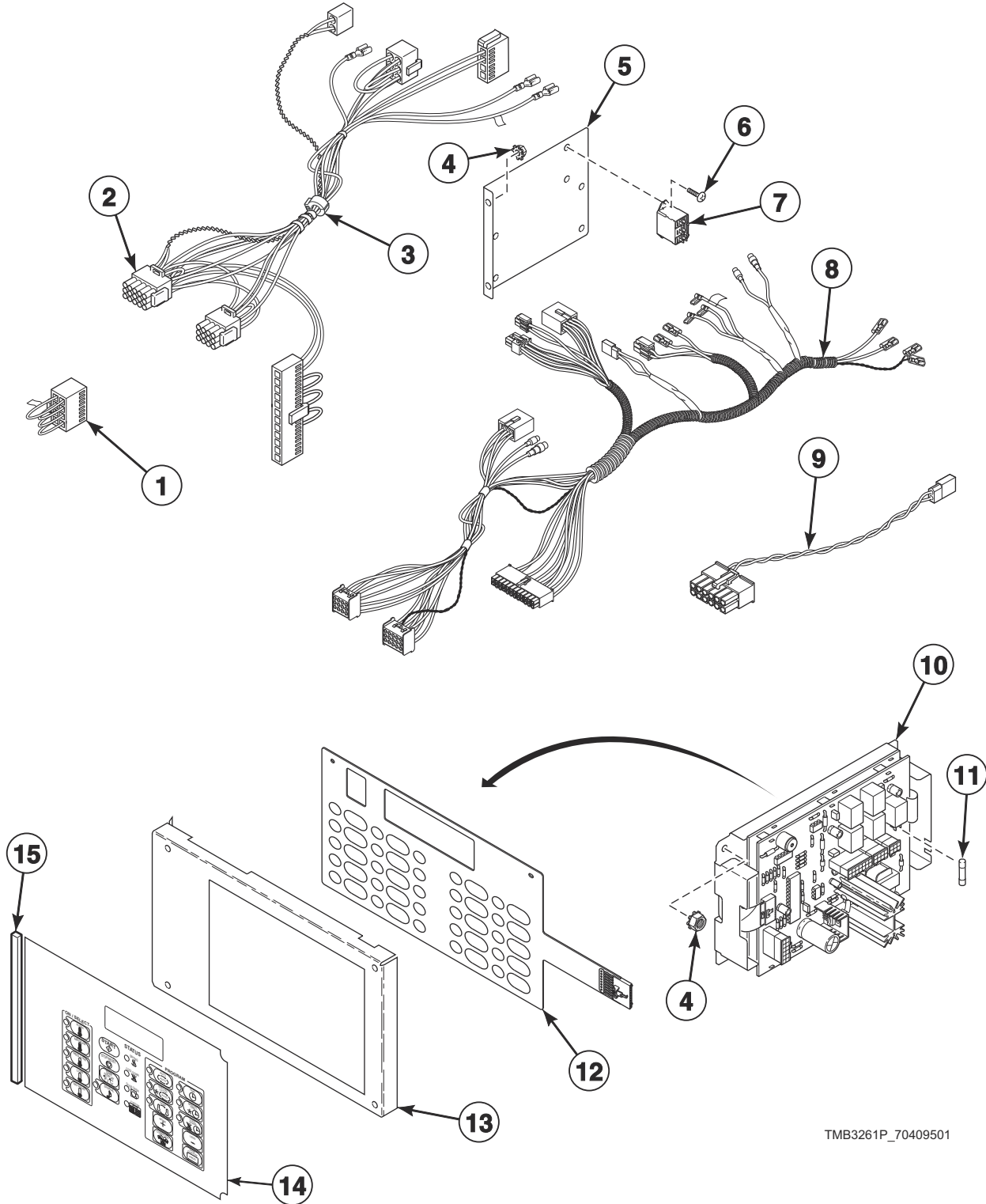
TMB3013P_70409501

DMP Control

REF	PART NO.	DESCRIPTION	COMMENTS
1	44039402P	Membrane Switch	Coin; DV and DX control suffixes
2	44041001	Control Plate Assembly	Coin; Includes studs; DV and DX control suffixes
3	29787	Nut	
4	44037801P	Electronic Control	
5	44039701P	Coin Drop Assembly	United States; \$.25
	44039702	Coin Drop Assembly	Mexico; 2 peso
	44039703	Coin Drop Assembly	Token; .880
	44039704	Coin Drop Assembly	Japan; 100 yen
	44039705	Coin Drop Assembly	England; 20 pence
	44039706	Coin Drop Assembly	Token; .800
	44039707	Coin Drop Assembly	England; 50 pence
6	70414101	Foam Gasket	6 inches required; Mounts to front of overlay, even with edge
7	44041701	Relay/Buzzer Bracket	
8	M412534	Relay	
9	M402797	Screw	
10	00177	Male Tab Terminal	
11	D505447	Adjustable Buzzer	
12	44040901	Control Plate Assembly	OPL; Includes studs; DO control suffix
13	44037901P	Membrane Switch	OPL; DO control suffix

OPL Microprocessor Controls

H, S and U Models Through 7/31/11
G, K, L, P and YU Models Through 1/1/12
OM Control Suffix



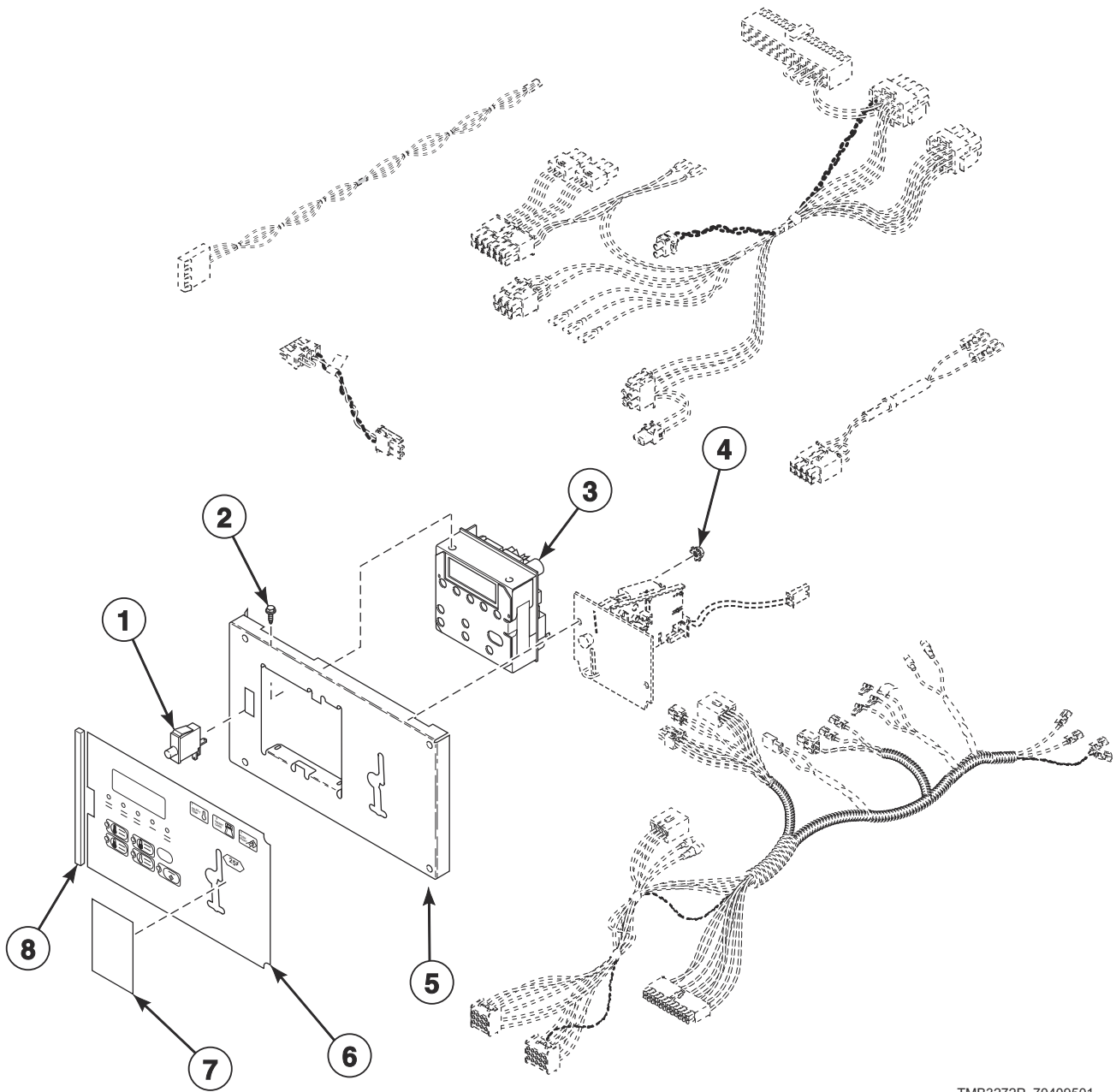
TMB3261P_70409501

OPL Microprocessor Controls

REF	PART NO.	DESCRIPTION	COMMENTS
	M4695P3	Electronic OPL Control Kit	CE and Australian models
	M4689P3	Electronic OPL Control Kit	All other models; Dual secondary transformers (M414228 Transformer for 100-240 VAC and M414229 Transformer for 380-480 VAC) must be used with this kit; Does not include overlay or harness
	M4457P3	RC Filter Kit	Includes (2) F330217P RC Filter and instructions
1	70364103	Bypass Harness	Non-CE models
2	70382701P	Control Panel Harness	CE and Australian models
	70335301P	Control Panel Harness	All other models
3	M413930P	Ferrite Core Assembly	
4	70054	Nut	
5	70063501	Mounting Bracket	CE and Australian models; Used with 70382701P Control Panel Harness
6	M402797	Screw	CE and Australian models; 2 required; Used with 70382701P Control Panel Harness
7	M412534	Relay	CE and Australian models; Used with 70382701P Control Panel Harness
8	70467801	Main Harness	Electric models need 55881 Harness Strap; Models through 7/31/11
	70441301	Main Harness	Electric models need 55881 Harness Strap; Models starting 8/1/11 through 1/1/12
9	70084301	Jumper Calibration Assembly	
10	70228401P	Control Kit	
11	70406501	Fuse	1.25 Amp
12	M414368P	Membrane Switch	
13	70175806	Control Plate Assembly	CE and Australian models; Includes studs
	70175805	Control Plate Assembly	All other models; Includes studs
14	70115801	Overlay	L, P, S, U and YU models; Icon and English
	70130401	Overlay	L, P, S, U and YU models; Icon
	70128701	Overlay	H models; Icon and English
	70130601	Overlay	H models; Icon and English
	44130002	Overlay	G and K models
15	70414101	Foam Gasket	6 inches required; Mounts to front of overlay, even with edge

Coin Drop Components for MDC Models

G, H, I, K, L, N, P and S Models with BB, BC, BK, BL, BW and BX Control Suffixes



TMB3272P_70409501

Coin Drop Components for MDC Models

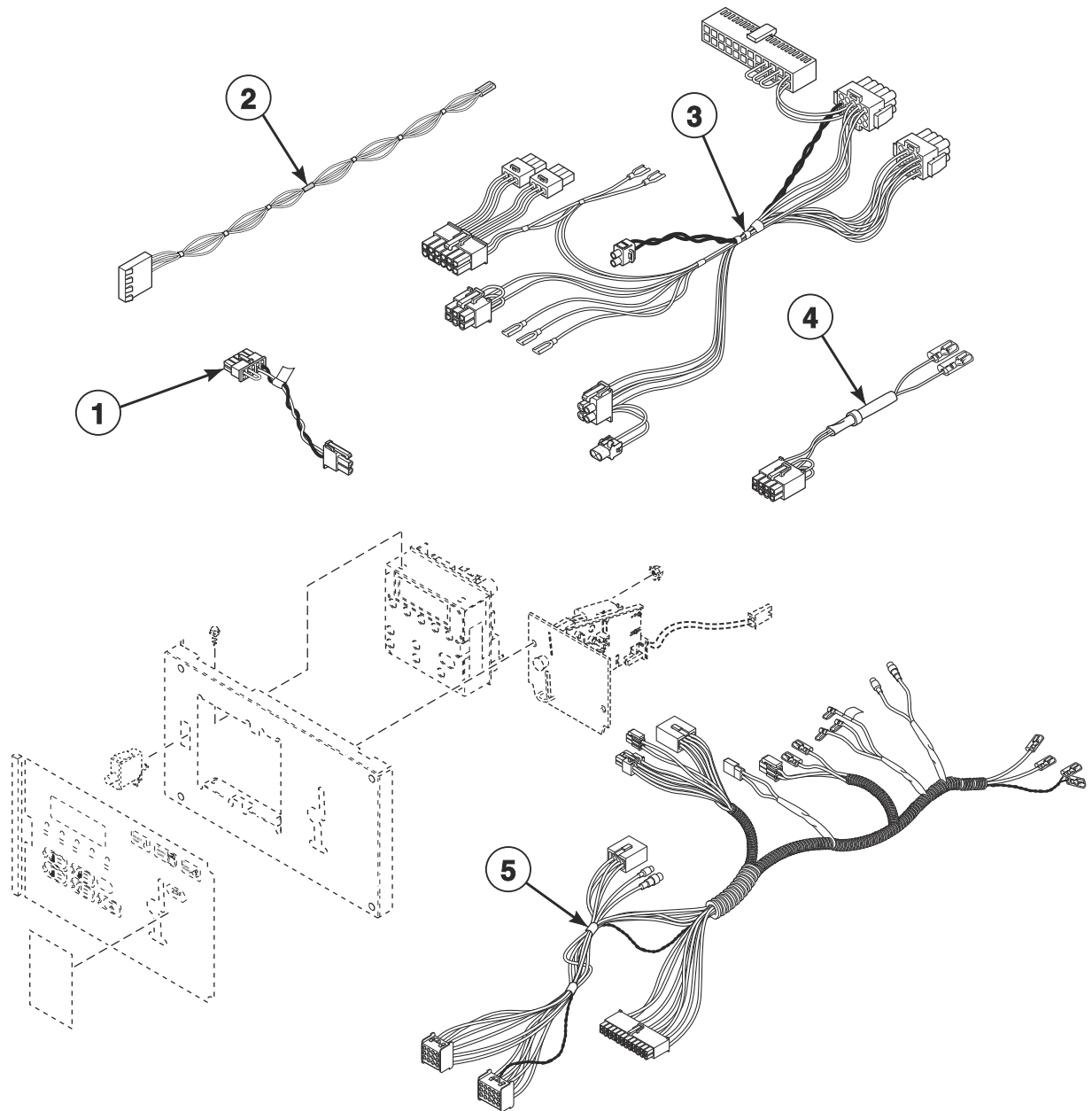
REF	PART NO.	DESCRIPTION	COMMENTS
1	70413301	Pushbutton Switch	
2	D501524	Screw	4 required for mounting control
3	D514273P	Control Assembly	I models; Models starting 7/15/14
	D511867P	Control Assembly	I models through 7/14/14; All other models
	D510036P	Membrane Switch	Order to replace touchpad for D511867P Control Assembly
4	70054	Nut	3 required
5	70175807	Control Plate Assembly	
6	70257701	Overlay	L and S models; BC, BK*, BL* and BX control suffixes; Text; Single drop
	70261001	Overlay	L, N and S models; BC, BK*, BL* and BX control suffixes; Icon; Single drop
	70257702	Overlay	L and S models; BC and BX control suffixes; Text; Dual drop
	70261002	Overlay	L, N and S models; BC and BX control suffixes; Icon; Dual drop
	70258001	Overlay	H models; BC, BK*, BL* and BX control suffixes; Text; Single drop
	70261201	Overlay	H models; BC, BK*, BL* and BX control suffixes; Icon; Single drop
	70258002	Overlay	H models; BC and BX control suffixes; Text; Dual drop
	70261202	Overlay	H models; BC and BX control suffixes; Icon; Dual drop
	70259001	Overlay	P models; Models through 9/30/14; BK* and BL* control suffixes
	70508701	Overlay	P models; Models starting 10/1/14
	70537401	Overlay	North America P models; Single drop
	70537402	Overlay	North America P models; Dual drop
	70258101	Overlay	H models; BC, BK*, BL* and BX control suffixes; Text; Single drop
	70453001	Overlay	G and K models; Text; Single drop
	70453002	Overlay	G and K models; Text; Dual drop
	70491901	Overlay	I models; Models through 7/14/14; BC and BX control suffixes; Single drop
	70491902	Overlay	I models; Models through 7/14/14; BC and BX control suffixes; Dual drop
	70505201	Overlay	I models; Models starting 7/15/14; BC and BX control suffixes; Single drop
	70505202	Overlay	I models; Models starting 7/15/14; BC and BX control suffixes; Dual drop
	7	39564	Nameplate
70246301		Coin Cover Overlay	G, H, I, K, L and N models; BK* and BL* control suffixes; Cover
70286701		Overlay	P models through 9/30/14; BK* and BL* control suffixes; Cover
70321001		Overlay	P models through 9/30/14; BC** and BX** control suffixes; Single drop; Right side
70129501		Overlay	P models through 9/30/14; BC** and BX** control suffixes; Single drop; Left side
70129601		Overlay	P models through 9/30/14; BC** and BX** control suffixes; Dual drop
70510501		Overlay	P models starting 10/1/14; Single drop
70510601		Overlay	P models starting 10/1/14; Dual drop
70510701		Overlay	P models starting 10/1/14; World drop
70510801		Overlay	P models starting 10/1/14; BK* and BL* control suffixes
70510901	Overlay	P models; Blank for central pay	
8	70414101	Foam Gasket	6 inches required; Mounts to front of overlay, even with edge

* NOTE: BK and BL control suffixes require an overlay and overlay cover specific to model.

** NOTE: P models with BC or BX control suffixes require an overlay and coin drop overlay.

Coin Drop Components for MDC Models - Wire Harnesses

G, H, I, K, L, N, P and S Models with BB, BC, BK, BL, BW and BX Control Suffixes



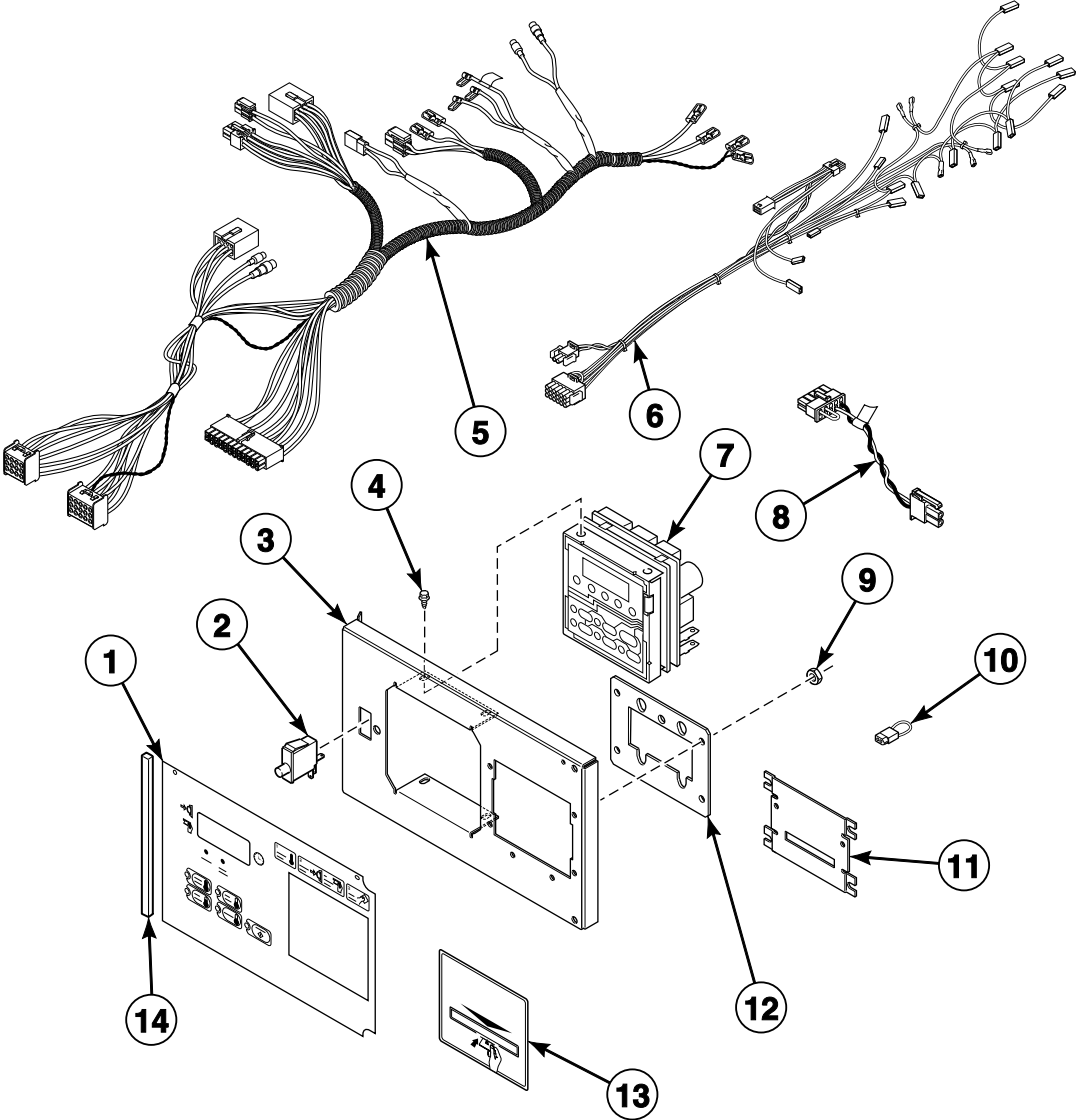
TMB3272PA_70409501

Coin Drop Components for MDC Models - Wire Harnesses

REF	PART NO.	DESCRIPTION	COMMENTS
1	70324602	Jumper Calibration Wire	
2	70484601	Central Pay Harness	BK and BL control suffixes
3	70315501P	Control Panel Harness	CE and Australian models; Control panel to main harness
	70368001P	Control Panel Harness	All other models; Control panel to main harness
4	70364104P	Coin Vault Switch Harness	Non-CE models
5	70467801	Main Harness	Electric models need 55881 Harness Strap; Models through 7/31/11 and starting again 7/9/12
	70441301	Main Harness	Electric models need 55881 Harness Strap; Models starting 8/1/11 through 7/8/12

BY and BZ Control Option for MDC Models

H, I, K, L, N, P and S Models



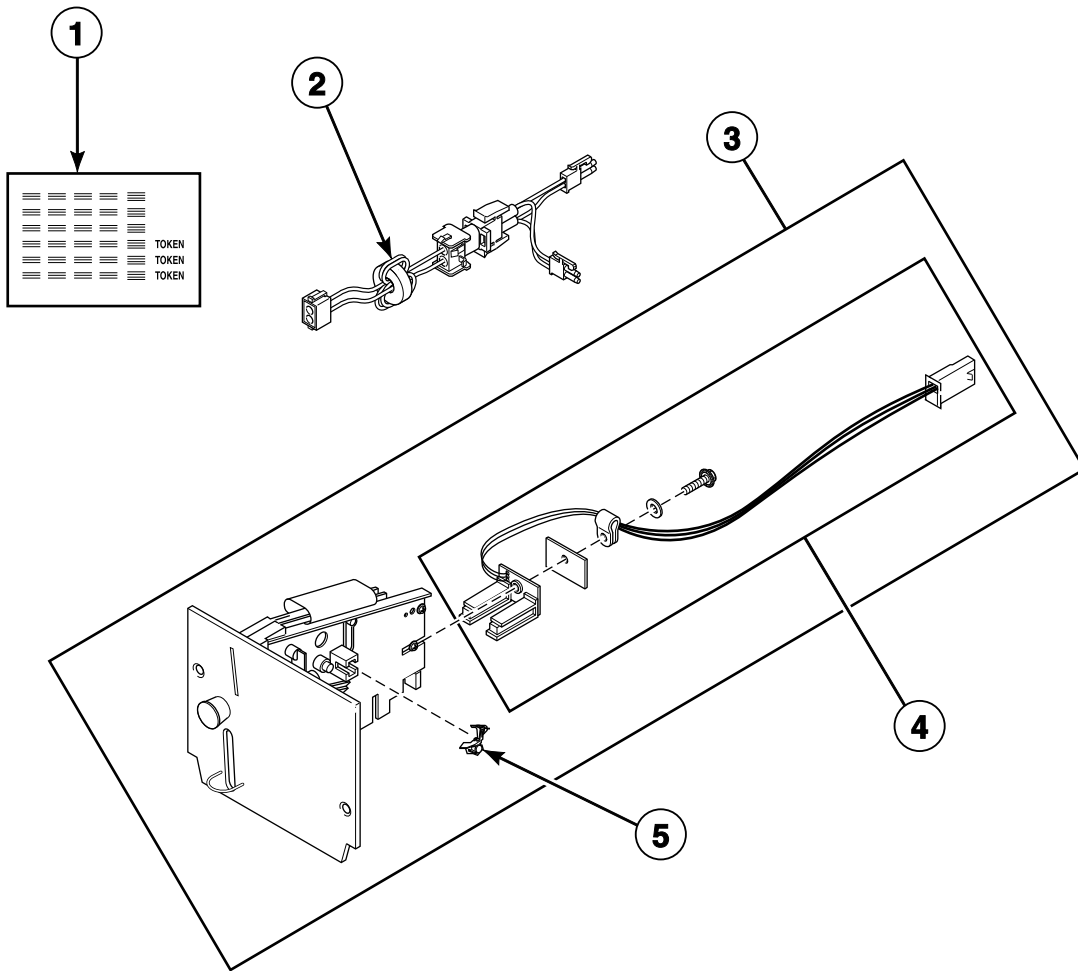
TMB3016P_70409501

BY and BZ Control Option for MDC Models

REF	PART NO.	DESCRIPTION	COMMENTS
1	70261003	Overlay	N models; Icon
	70257703	Overlay	L and S models; Text or icon
	70258003	Overlay	H models; Text or icon
	70453101	Overlay	K models
	70491903	Overlay	I models; Models through 7/14/14
	70505203	Overlay	I models; Models starting 7/15/14
	70509701	Overlay	P models
	70537403	Overlay	North America P models
2	70413301	Pushbutton Switch	
3	70497201	Control Plate Assembly	
4	D501524	Screw	4 required
5	70467801	Main Harness	Electric models need 55881 Harness Strap; Models through 7/31/11 and starting again 7/9/12
	70441301	Main Harness	Electric models need 55881 Harness Strap; Models starting 8/1/11 through 7/8/12
6	70315501P	Control Panel Harness	CE and Australian models
	70368001P	Control Panel Harness	All other models
7	D514273P	Control Assembly	I models; Models starting 7/15/14
	D511867P	Control Assembly	I models through 7/14/14; All other models
	D510036P	Membrane Switch	Order to replace touchpad for D511867P Control Assembly
8	70324602	Jumper Calibration Wire	
9	70054	Nut	
10	70364103	Bypass Harness	Non-CE models
11	44089501	Slot Card Plate Assembly	Included in literature packet
12	70208801	Mounting Plate	
13	70334201	Card Reader Overlay	Black; Included in literature packet
	70334301	Card Reader Overlay	Gray; Included in literature packet
	70511001	Overlay	P models; With card slot
14	70414101	Foam Gasket	6 inches required; Mounts to front of overlay, even with edge

Coin Drops

All Models Except U Models



TMB2921P_70409501

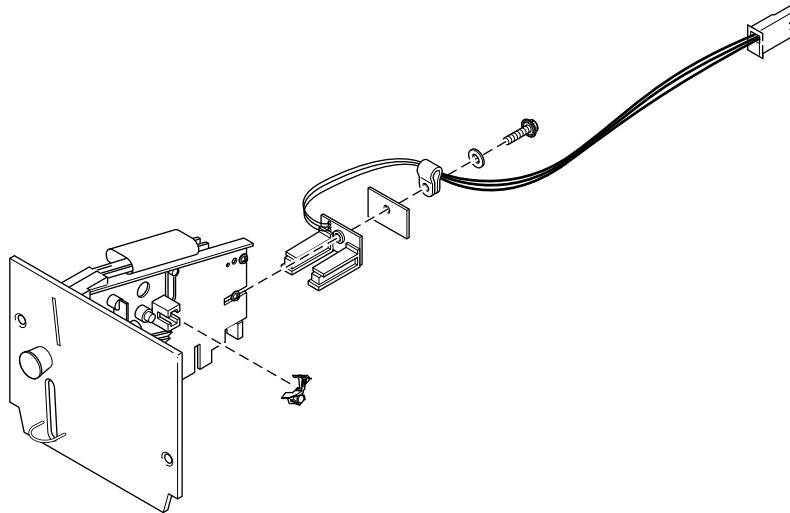
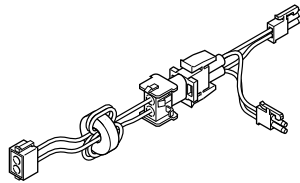
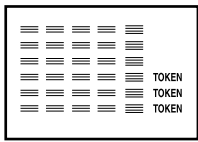
Coin Drops

REF	PART NO.	DESCRIPTION	COMMENTS
1	38725	Coin Identification Paper	
2	44065801	Electronic Coin Drop Harness	Models through 4/14/09
3	70294103P	Electronic Coin Drop Assembly	United Kingdom (default) and Europe
	70294104	Electronic Coin Drop Assembly	Europe (default), Denmark and Norway
	CK099	Electronic Coin Drop Kit	Australia (default), New Zealand, Hong Kong, South Korea and Malaysia
	70513306	Electronic Coin Drop Assembly	Mexico (default), Ecuador and United States
	70294107	Electronic Coin Drop Assembly	Lithuania (default), Latvia and Europe
	70294111	Electronic Coin Drop Assembly	Euro; .10, .20, .50, 1.00 and 2.00
	70513311	Electronic Coin Drop Assembly	Malaysia (default) and China
	70294117	Electronic Coin Drop Assembly	Russia 5.00 and 10.00
	70294119	Electronic Coin Drop Assembly	Thailand 1, 5 and 10 Baht
	70294120	Electronic Coin Drop Assembly	Chile; Chilean peso
	70294121	Electronic Coin Drop Assembly	Singapore
	70441601P	Coin Drop	United States \$.25
	70256402P	Coin Drop	Dual; United States \$.25 and 1.00
	70429001	Coin Drop	B models; United States
	38475	Coin Drop Assembly	Japan 100 yen
	38519	Coin Drop Assembly	Japan 100 and 500 yen
	38467	Coin Drop Assembly	Australia .20 and 1.00
	70447301	Coin Drop Assembly	Australia 1.00 and 2.00
	70482401	Coin Drop Assembly	New Zealand; 1.00 and 2.00
	CK097	Coin Drop Kit	CE models; Token; Jeton; Grooves on the face of the token
	210195	Coin Drop Assembly	Euro; .20 and 1.00
	210196	Coin Drop Assembly	Euro; .50 and 1.00
	38462P	Coin Drop Assembly	Token; STD-118-1; .880 diameter x .079 thick; Brass
	38463	Coin Drop Assembly	Token; STD-118-5; .990 diameter x .081 thick; Silver
	70471601	Coin Drop Assembly	Token; 7K
	38464P	Coin Drop Assembly	Canada .25
70441602	Coin Drop Assembly	Canada .25 and 1.00	
38472	Coin Drop Assembly	England 20 pence and 1 pound	
N/A	Coin Drop Assembly	Denmark 1 and 5 DKK; May replace with 70294104P Electronic Coin Drop Assembly	
38521	Coin Drop Assembly	Korea 100 and 500 won	
38963P	Coin Drop	Token STD-118-16 not available; Replacement for 38963P Coin Drop only	
N/A	Coin Drop Assembly	Dual; Taiwan 5 and 10 NT; May replace with CK113 Electronic Coin Drop Kit	
39157	Coin Drop Assembly	Israel shekel	
CK077	Coin Drop Kit	Taiwan 10 NT	
CK114	Coin Drop Assembly	Singapore; Old 1.00	
CK123	Coin Drop Kit	Singapore; New 1.00	
4	200674P	Opto Coupler	
5	201595P	Wire Guard	

N/A = Part no longer available

Coin Drop Kits

All Models Except U Models



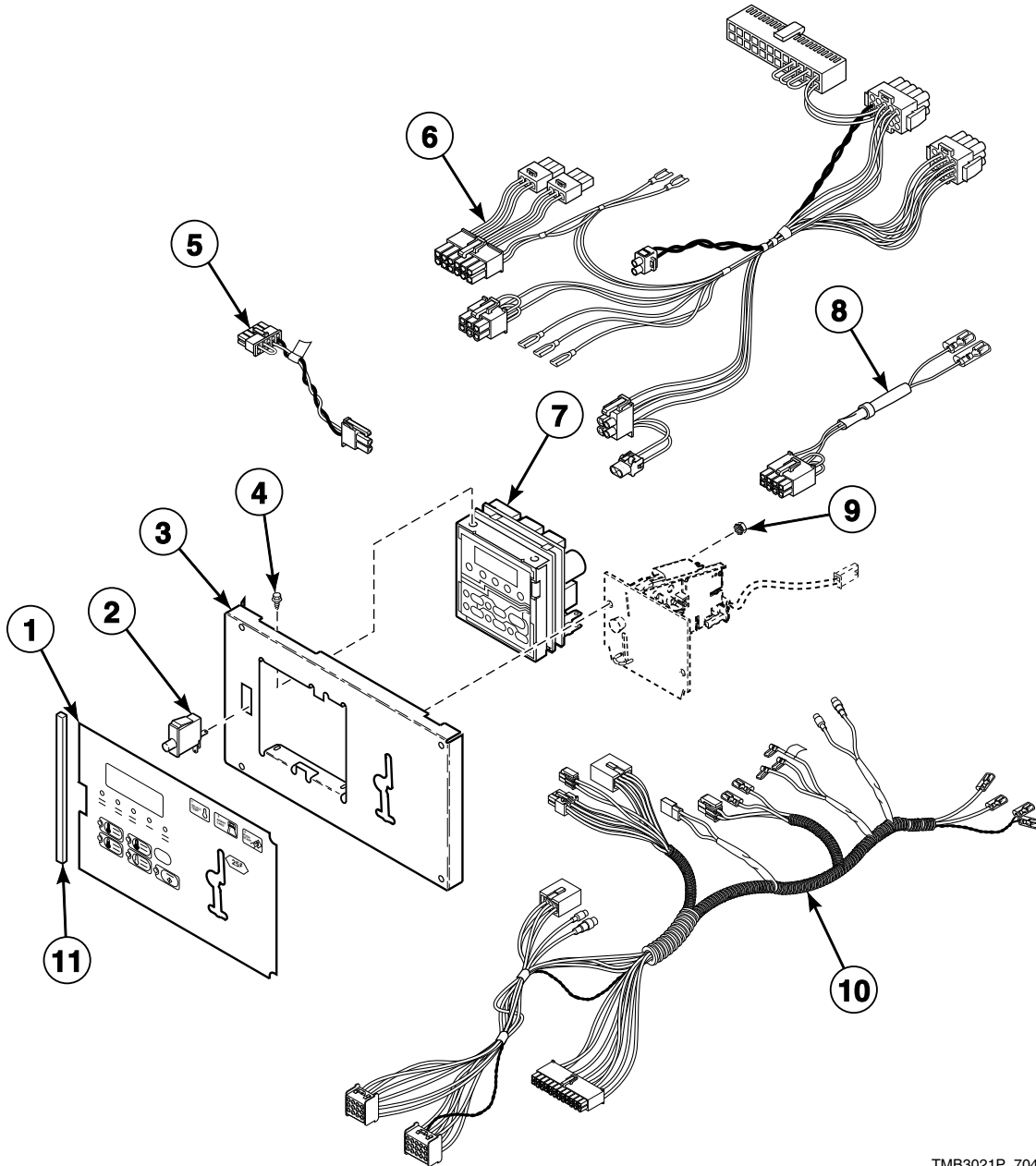
TMB2921PA_70409501

Coin Drop Kits

REF	PART NO.	DESCRIPTION	COMMENTS
	CK115	Electronic Coin Drop Kit	United States and Canada
	CK099	Electronic Coin Drop Kit	Australia (default), New Zealand, Hong Kong, South Korea and Malaysia
	CK100	Electronic Coin Drop Kit	United Kingdom (default) and Europe
	CK101	Electronic Coin Drop Kit	Europe (default), Denmark and Norway
	CK103	Electronic Coin Drop Kit	Lithuania (default), Latvia and Europe
	CK108	Electronic Coin Drop Kit	South Africa
	CK109	Electronic Coin Drop Kit	Euro
	CK113	Electronic Coin Drop Kit	Japan and Taiwan
	CK116	Electronic Coin Drop Kit	Malaysia (default) and China
	CK117	Electronic Coin Drop Kit	Russia
	CK118	Electronic Coin Drop Kit	Philippine
	CK119	Electronic Coin Drop Kit	Thailand
	CK120	Electronic Coin Drop Kit	Chile
	CK121	Electronic Coin Drop Kit	Singapore
	CK122	Coin Drop Kit	New Zealand; 1.00 and 2.00

Coin Drop Components for NetMaster Models

S Models Through Serial No. 0904002963 with NC, NX, ZC and ZX Control Suffixes



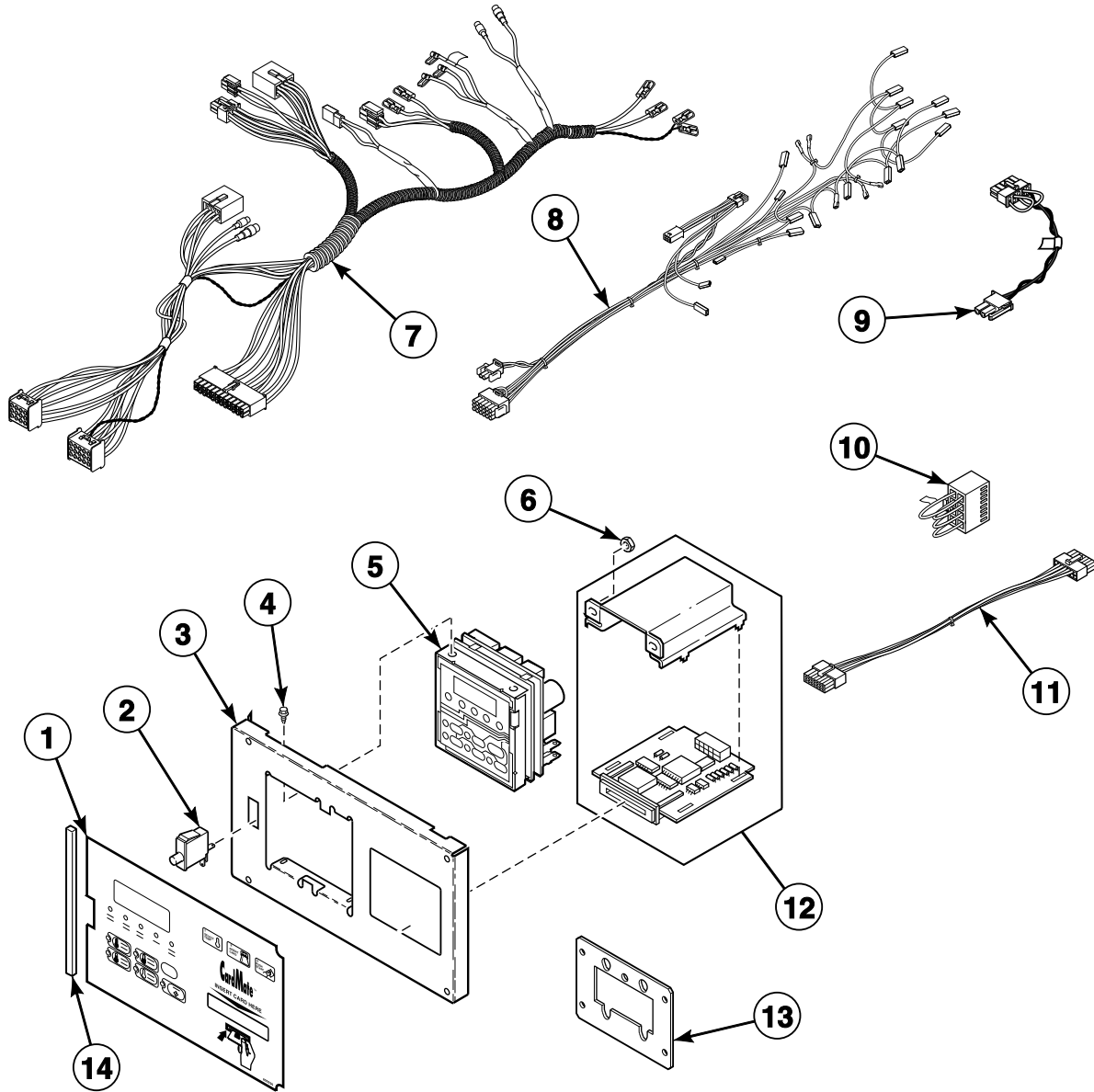
TMB3021P_70409501

Coin Drop Components for NetMaster Models

REF	PART NO.	DESCRIPTION	COMMENTS
1	70184301	Overlay	ST models; Single drop
	70184302	Overlay	ST models; Dual drop
2	70413301	Pushbutton Switch	
3	70175807	Control Plate Assembly	
4	D501524	Screw	For mounting NetMaster control
5	70324602	Jumper Calibration Wire	
6	70368001P	Control Panel Harness	ST models
	70315501P	Control Panel Harness	SA and SU models
7	D505905P	Control Kit	
	D510036P	Membrane Switch	Order to replace touchpad for D510034 Control Assembly in D505905P Control Kit
8	70364104P	Coin Vault Switch Harness	Non-CE models
9	70054	Nut	
10	70467801	Main Harness	Electric models need 55881 Harness Strap
11	70414101	Foam Gasket	6 inches required; Mounts to front of overlay, even with edge

Card Reader Components for NetMaster Models

S Models Through Serial No. 0904002963 with NR and ZR Control Suffixes



TMB3018P_70409501

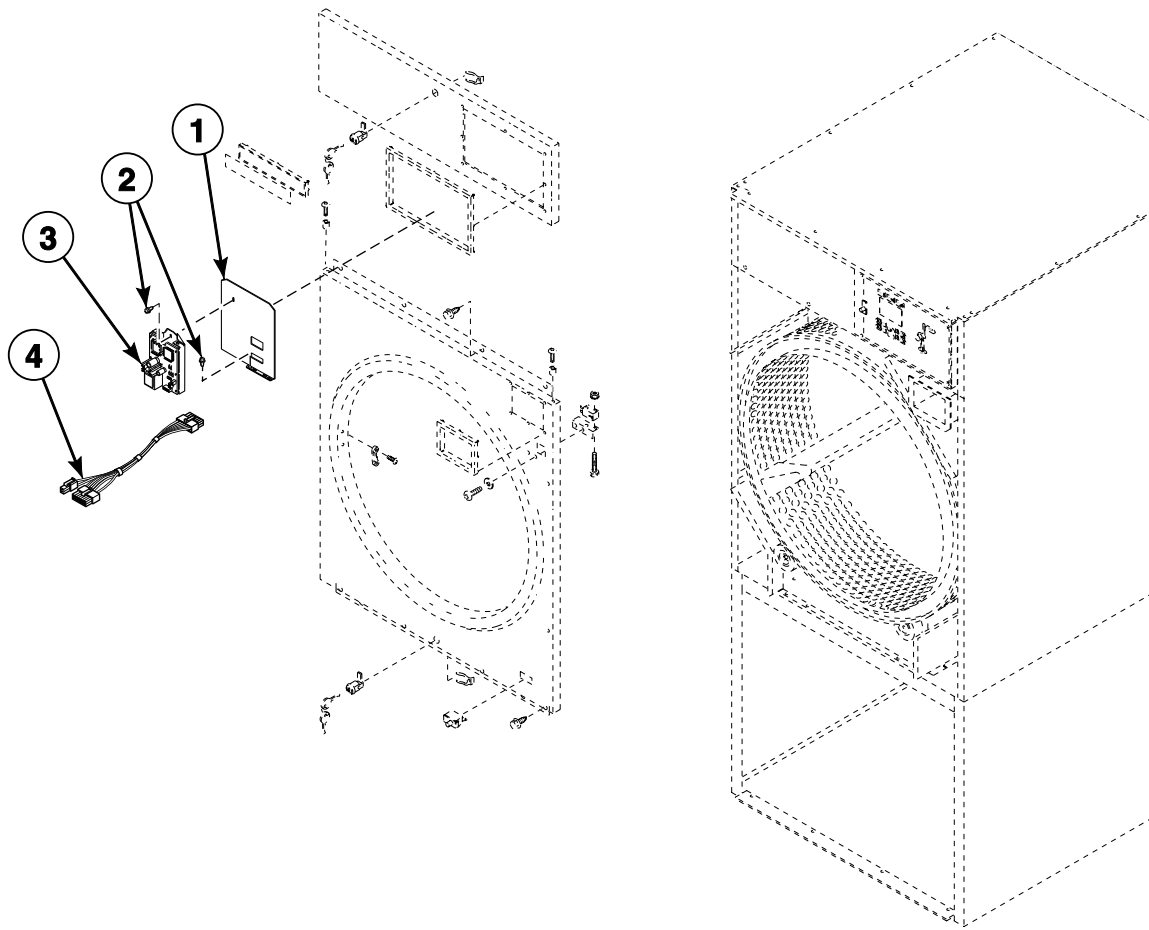
Card Reader Components for NetMaster Models

REF	PART NO.	DESCRIPTION	COMMENTS
1	N/A	Overlay	ST models; Card reader ready
	70184401	Overlay	ST models; Card reader
2	70413301	Pushbutton Switch	
3	N/A	Control Plate Assembly	Card reader
	70497201	Control Plate Assembly	Card ready
4	D501524	Screw	
5	D505905P	Control Kit	
	D510036P	Membrane Switch	Order to replace touchpad for D510034 Control Assembly in D505905P Control Kit
6	70054	Nut	
7	70467801	Main Harness	Electric models need 55881 Harness Strap
8	70368001P	Control Panel Harness	ST models
	70315501P	Control Panel Harness	SA and SU models
9	70324602	Jumper Calibration Wire	
10	70364103	Bypass Harness	Non-CE models; NR and ZR control suffixes
11	70206601	Card Reader Network Harness Assembly	Card reader to network board
	70211801	Card Reader Harness Assembly	Card reader to control
12	D510068P	Card Reader and Bracket Assembly	
13	70208801	Mounting Plate	Use with 70348801 Control Plate Assembly
14	70414101	Foam Gasket	6 inches required; Mounts to front of overlay, even with edge

N/A = Part no longer available

Network Board for NetMaster Models

SA and ST Models Through Serial No. 0904002963 with ZC, ZR and ZX Control Suffixes



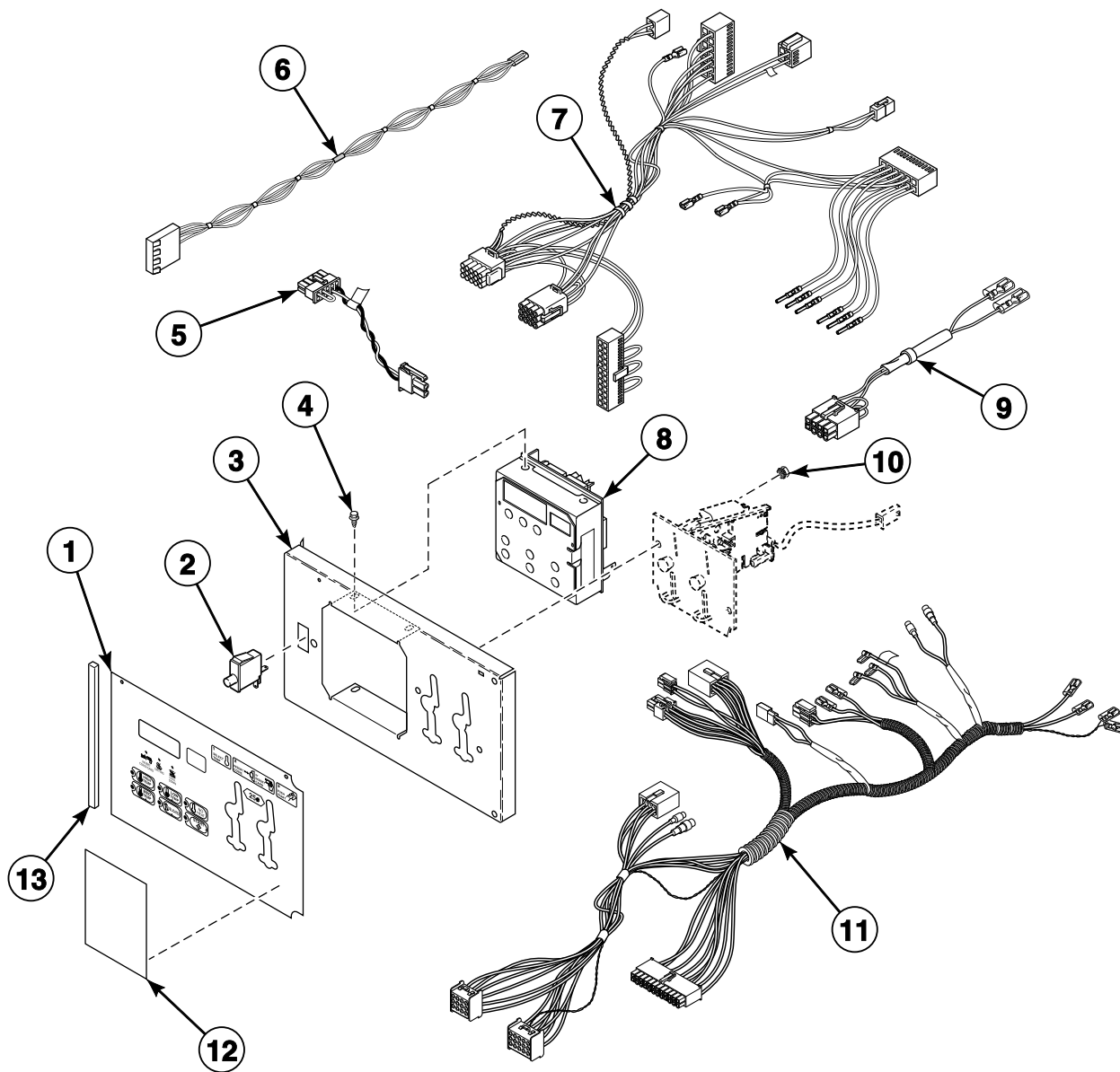
TMB2387P_70409501

Network Board for NetMaster Models

REF	PART NO.	DESCRIPTION	COMMENTS
	800246	Communication Wire Harness Assembly	
1	70201401	Network Plug Support	
2	430497	Screw	
3	210016P	Network Board Assembly	
4	800217	Network Wire Harness Assembly	

Coin Drop Components for Quantum Control

M and S Models with LB, LC, LK, LL, LW, LX, WB, WC, WK, WL, WW and WX Control Suffixes



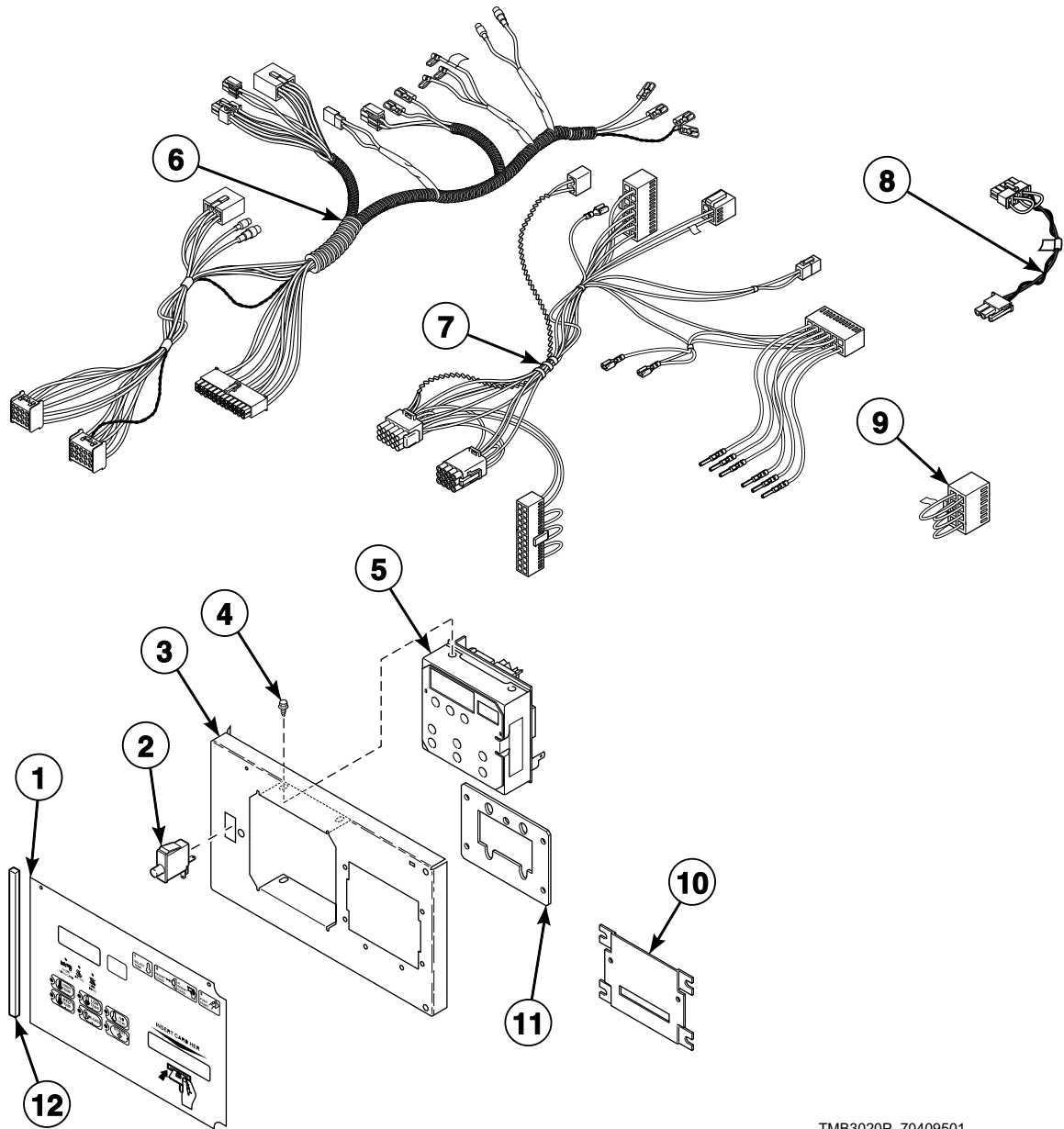
TMB3273P_70490501

Coin Drop Components for Quantum Control

REF	PART NO.	DESCRIPTION	COMMENTS
	NK206	Network Retrofit Kit	LC and LX control suffixes; Wired
	NK220	Network Controller Kit	LC and LX control suffixes; Wired
	NK301	Wireless Network Kit	LC and LX control suffixes; Wireless
	NK320	Ethernet Gateway Kit	LC and LX control suffixes; Wireless
	NK330	USB Gateway Kit	LC and LX control suffixes; Wireless
	203346	USB IR Interface Kit	
1	70449501	Control Overlay	M models
	70410001	Control Overlay	S models; Single drop
	70410002	Control Overlay	S models; Dual drop
2	70413301	Pushbutton Switch	
3	70291001P	Control Plate Kit	
4	D501524	Screw	For mounting item 8
5	70324602	Jumper Calibration Wire	
6	70484601	Central Pay Harness	LK, LL, WK and WL control suffixes
7	70410401P	Control Panel Harness	
8	70450501P	Control Assembly	Nonreversing
	70450503	Control Assembly	Reversing
9	70364104P	Coin Vault Switch Harness	Non-CE models
10	70054	Nut	
11	70467801	Main Harness	Electric models need 55881 Harness Strap; Models through 7/31/11 and starting again 7/9/12
	70441301	Main Harness	Electric models need 55881 Harness Strap; Models starting 8/1/11 through 7/8/12
12	39564	Nameplate	LK, LL, WK and WL control suffixes; Cover
13	70414101	Foam Gasket	6 inches required; Mounts to front of overlay, even with edge

Card Reader Components for Quantum Control

M and S Models with LY, LZ, WY and WZ Control Suffixes



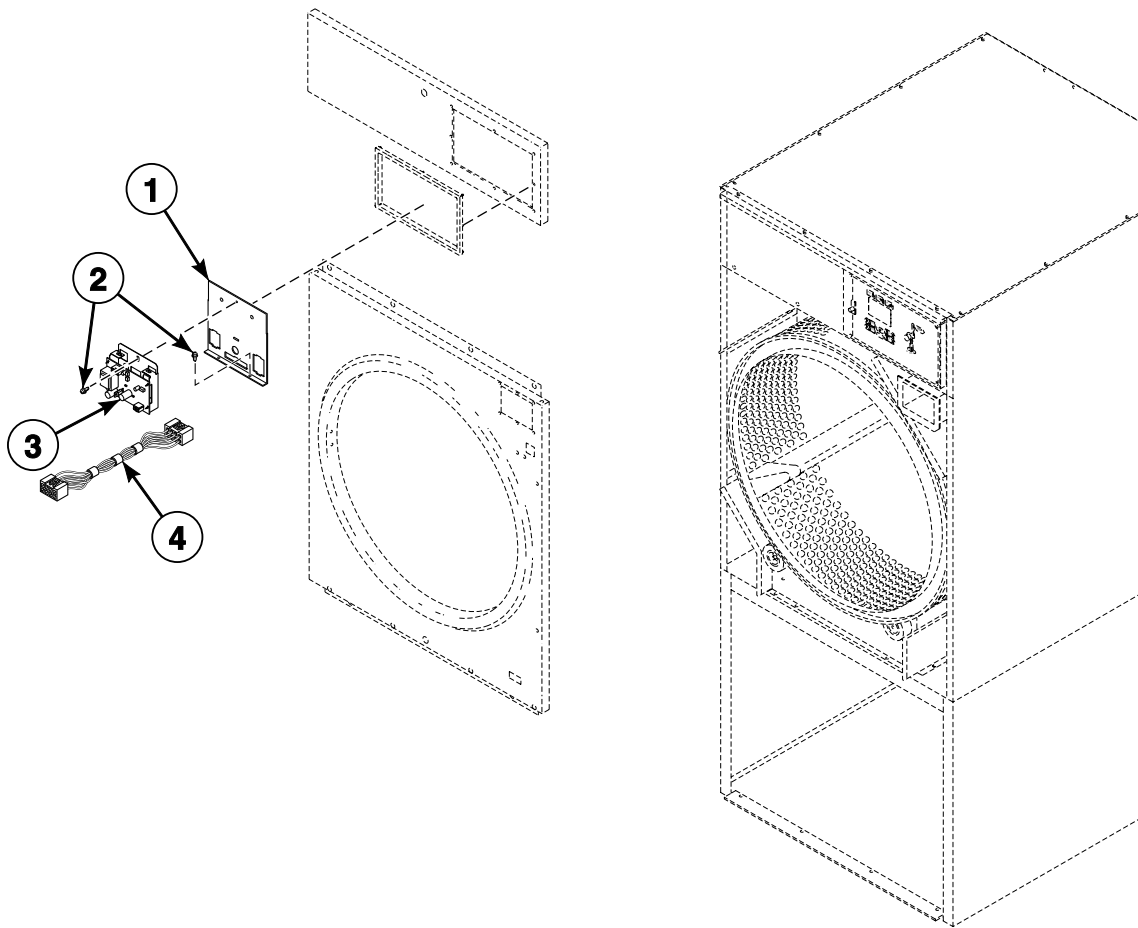
TMB3020P_70409501

Card Reader Components for Quantum Control

REF	PART NO.	DESCRIPTION	COMMENTS
	NK206	Network Retrofit Kit	LY control suffix; Wired
	NK220	Network Controller Kit	LY control suffix; Wired
	NK301	Wireless Network Kit	LY control suffix; Wireless
	NK320	Ethernet Gateway Kit	LY control suffix; Wireless
	NK330	USB Gateway Kit	LY control suffix; Wireless
	203346	USB IR Interface Kit	
1	70410003	Overlay	
2	70413301	Pushbutton Switch	
3	70497201	Control Plate Assembly	
4	D501524	Screw	
5	70450501P	Control Assembly	Nonreversing
	70450503	Control Assembly	Reversing
6	70467801	Main Harness	Electric models need 55881 Harness Strap; Models through 7/31/11 and starting again 7/9/12
	70441301	Main Harness	Electric models need 55881 Harness Strap; Models starting 8/1/11 through 7/8/12
7	70410401P	Control Panel Harness	
8	70324602	Jumper Calibration Wire	
9	70364103	Bypass Harness	Non-CE models
10	44089501	Slot Card Plate Assembly	
11	70208801	Mounting Plate	
12	70414101	Foam Gasket	6 inches required; Mounts to front of overlay, even with edge

Network Board

H, M and S Models with WB, WC, WW, WX, WY, WZ, ZB, ZC, ZW, ZX, ZY and ZZ Control Suffixes



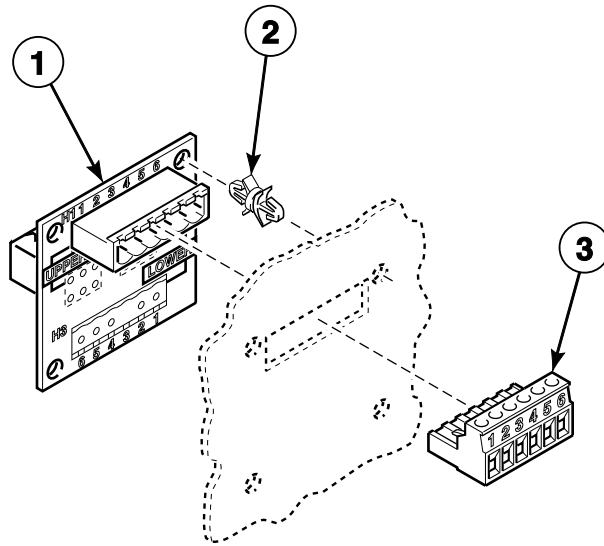
TMB2928P_70409501

Network Board

REF	PART NO.	DESCRIPTION	COMMENTS
	800246	Communication Wire Harness Assembly	Wired; M and S models
1	70307002	Control Housing Cover	
2	430497	Screw	Wired; M and S models
	D503661	Screw	Wireless
3	201341	Network Board Assembly	Wired; M and S models
	202335	Wireless Transceiver Assembly	Wireless
4	44088501P	Network Wire Harness Assembly	

Communication Board

S Models Through Serial No. 0904002963 with ZC and ZR Control Suffixes
M and S Models with WB and WC Control Suffixes



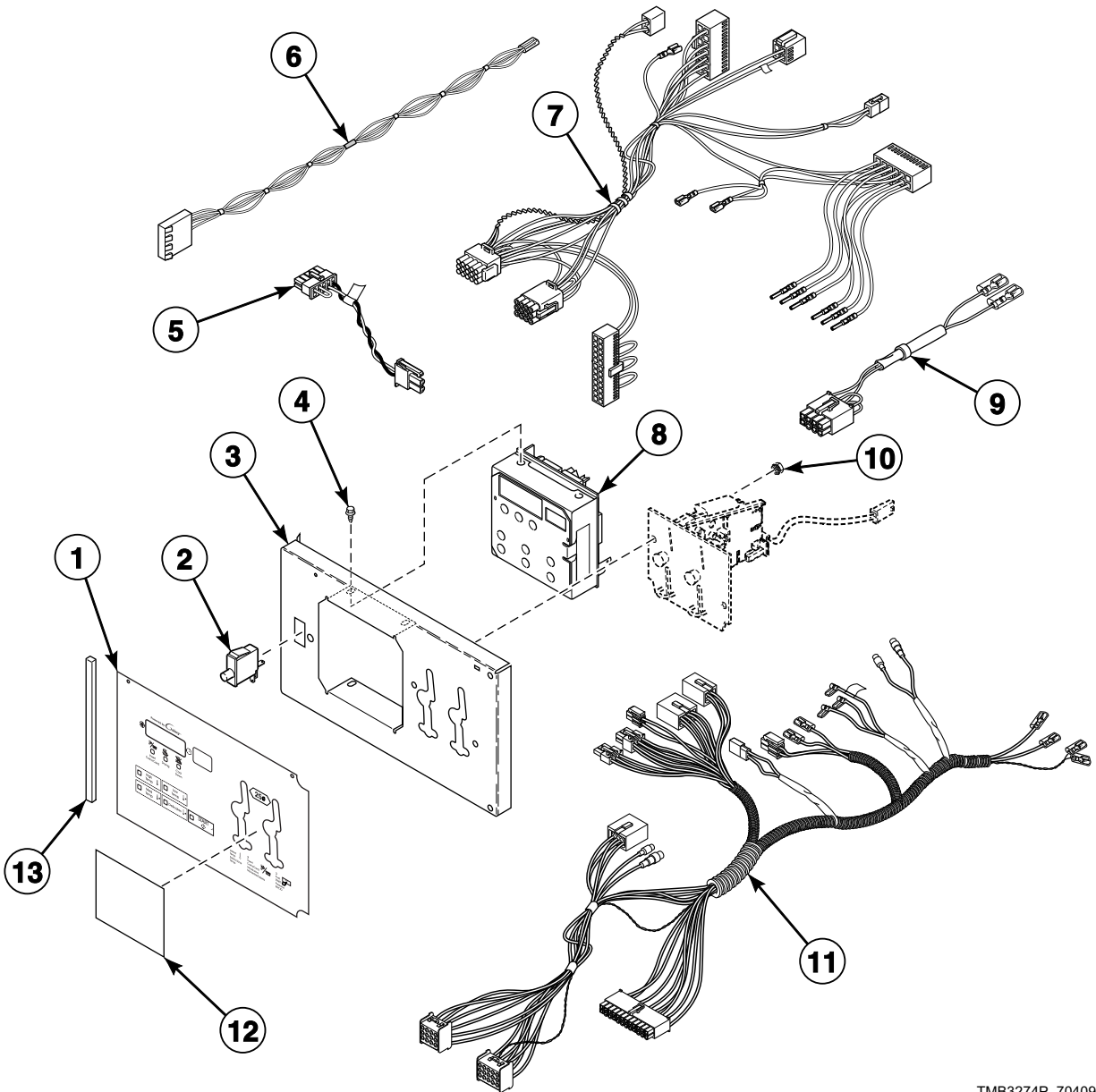
TMB1935P_70409501

Communication Board

REF	PART NO.	DESCRIPTION	COMMENTS
	210157P	Network Board	For desktop PC
	210165	Network Cable	For laptop PC
	210097	Communication Board	
1	210095P	Communication Board	
2	210098	PC Board Standoff	4 required
3	210099	Communication Connector	

Coin Drop Components for Galaxy 600 Control

H Models with KB, KC, KK, KL, KW, KX, ZB, ZC, ZK, ZL, ZW and ZX Control Suffixes



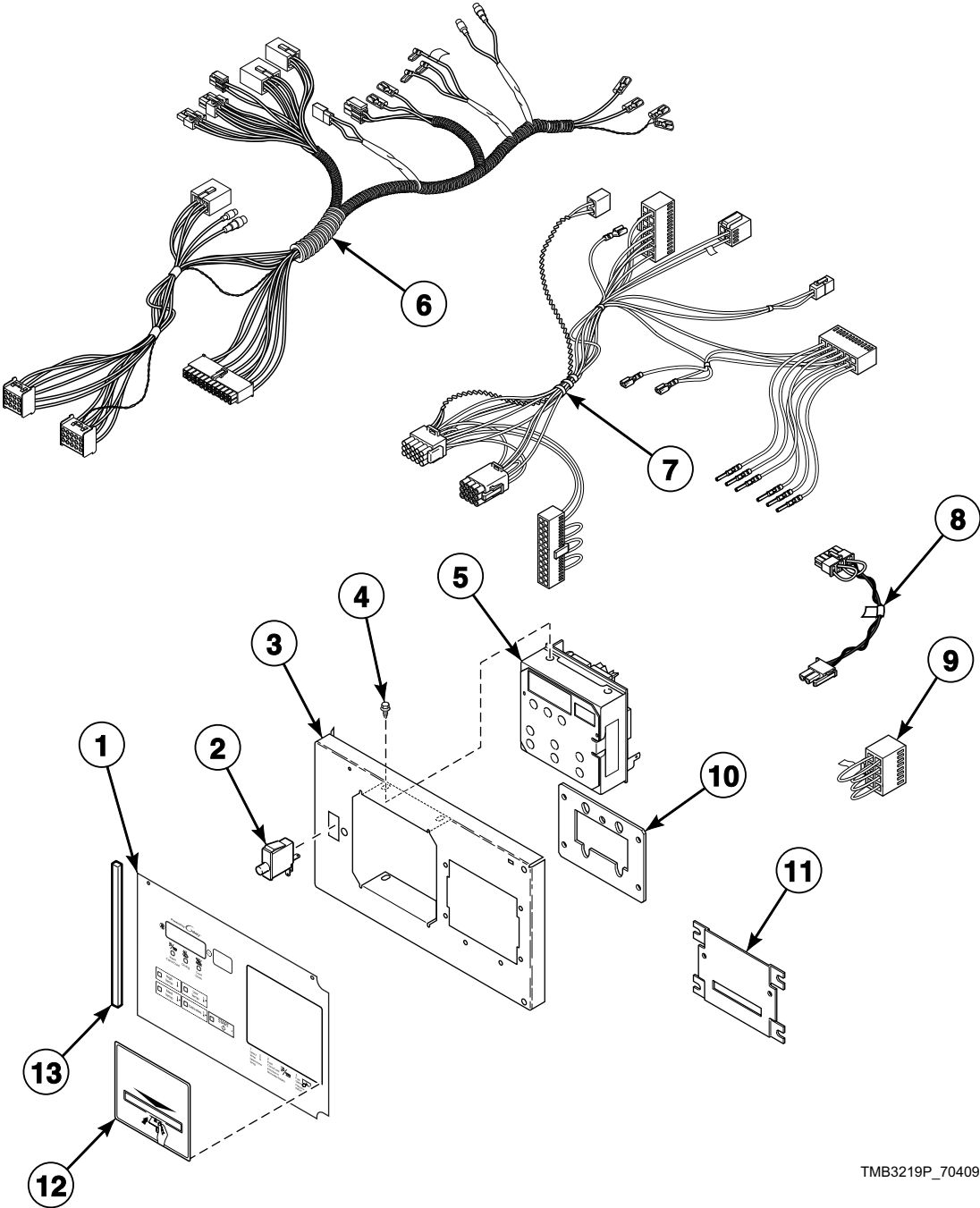
TMB3274P_70409501

Coin Drop Components for Galaxy 600 Control

REF	PART NO.	DESCRIPTION	COMMENTS
	NK301	Wireless Network Kit	ZC and ZX control suffixes; Wireless
	NK320	Ethernet Gateway Kit	ZC and ZX control suffixes; Wireless
	203346	USB IR Interface Kit	
1	70473001	Control Overlay	Single drop; Gray
	70473002	Control Overlay	Dual drop; Gray
	70504501	Overlay	Single drop; Gray/green
	70504502	Overlay	Dual drop; Gray/green
	70504601	Overlay	Single drop; Green
	70504602	Overlay	Dual drop; Green
2	70413301	Pushbutton Switch	
3	70291001P	Control Plate Kit	
4	D501524	Screw	For mounting item 8
5	70324601	Jumper Calibration Wire	
6	70484601	Central Pay Harness	KK, KL, ZK and ZL control suffixes
7	70410401P	Control Panel Harness	
8	70450502P	Control Assembly	Nonreversing
	70450504	Control Assembly	Reversing
9	70364104P	Coin Vault Switch Harness	Non-CE models
10	70054	Nut	
11	70467801	Main Harness	
12	70246301	Coin Cover Overlay	KK, KL, ZK and ZL control suffixes; Cover
13	70414101	Foam Gasket	6 inches required; Mounts to front of overlay, even with edge

Card Reader Components for Galaxy 600 Control

H Models with KY, KZ, ZY and ZZ Control Suffixes



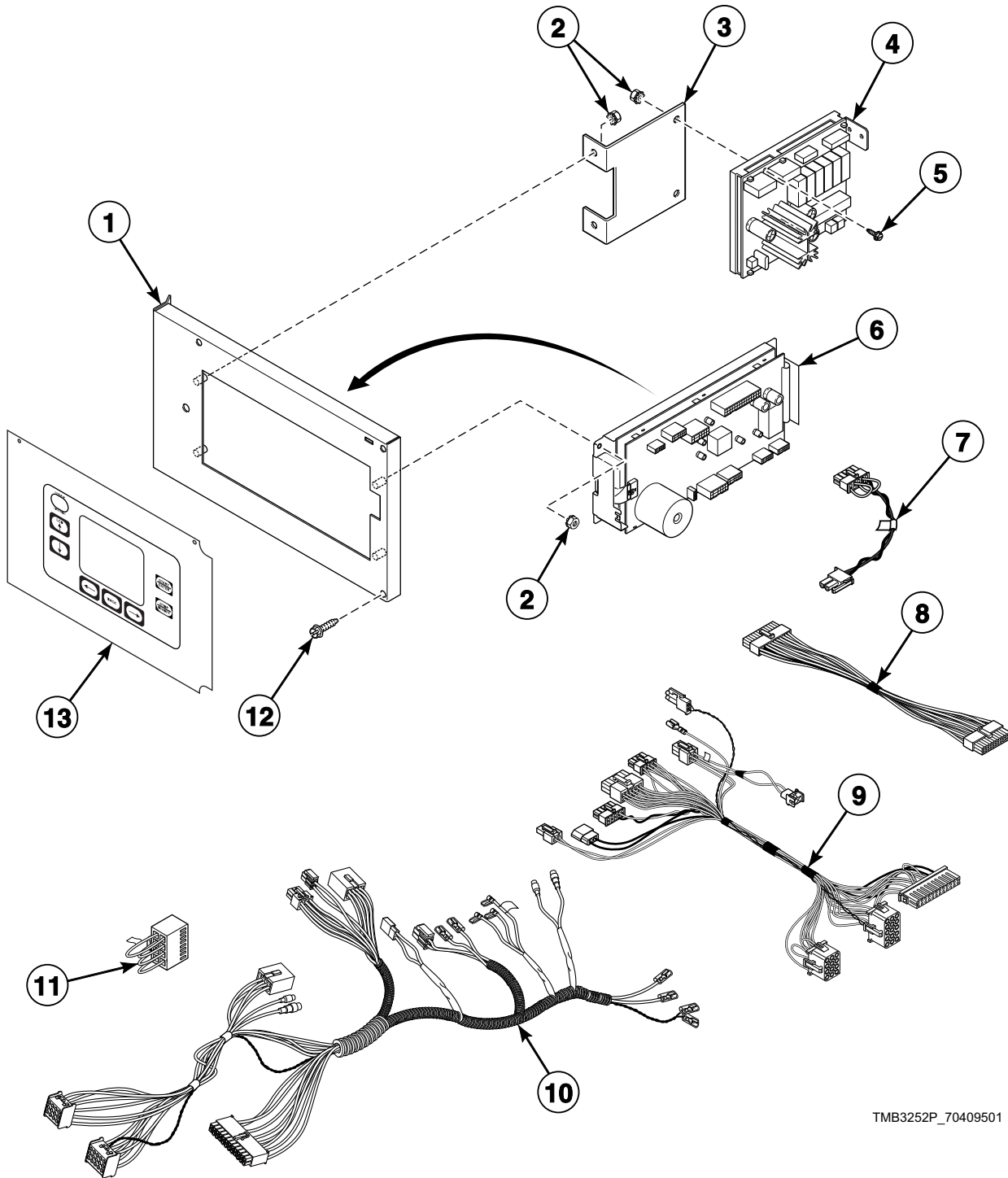
TMB3219P_70409501

Card Reader Components for Galaxy 600 Control

REF	PART NO.	DESCRIPTION	COMMENTS
	NK301	Wireless Network Kit	ZY control suffix; Wireless
	NK320	Ethernet Gateway Kit	ZY control suffix; Wireless
	203346	USB IR Interface Kit	
1	70473003	Control Overlay	Gray
	70504503	Overlay	Gray/green
	70504603	Overlay	Green
2	70413301	Pushbutton Switch	
3	70497201	Control Plate Assembly	
4	D501524	Screw	
5	70450502P	Control Assembly	Nonreversing
	70450504	Control Assembly	Reversing
6	70467801	Main Harness	
7	70410401P	Control Panel Harness	
8	70324601	Jumper Calibration Wire	
9	70364103	Bypass Harness	Non-CE models
10	70208801	Mounting Plate	
11	44089501	Slot Card Plate Assembly	
12	70334301	Card Reader Overlay	
13	70414101	Foam Gasket	6 inches required; Mounts to front of overlay, even with edge

UniLinc Control

U Models with RU and UO Control Suffixes



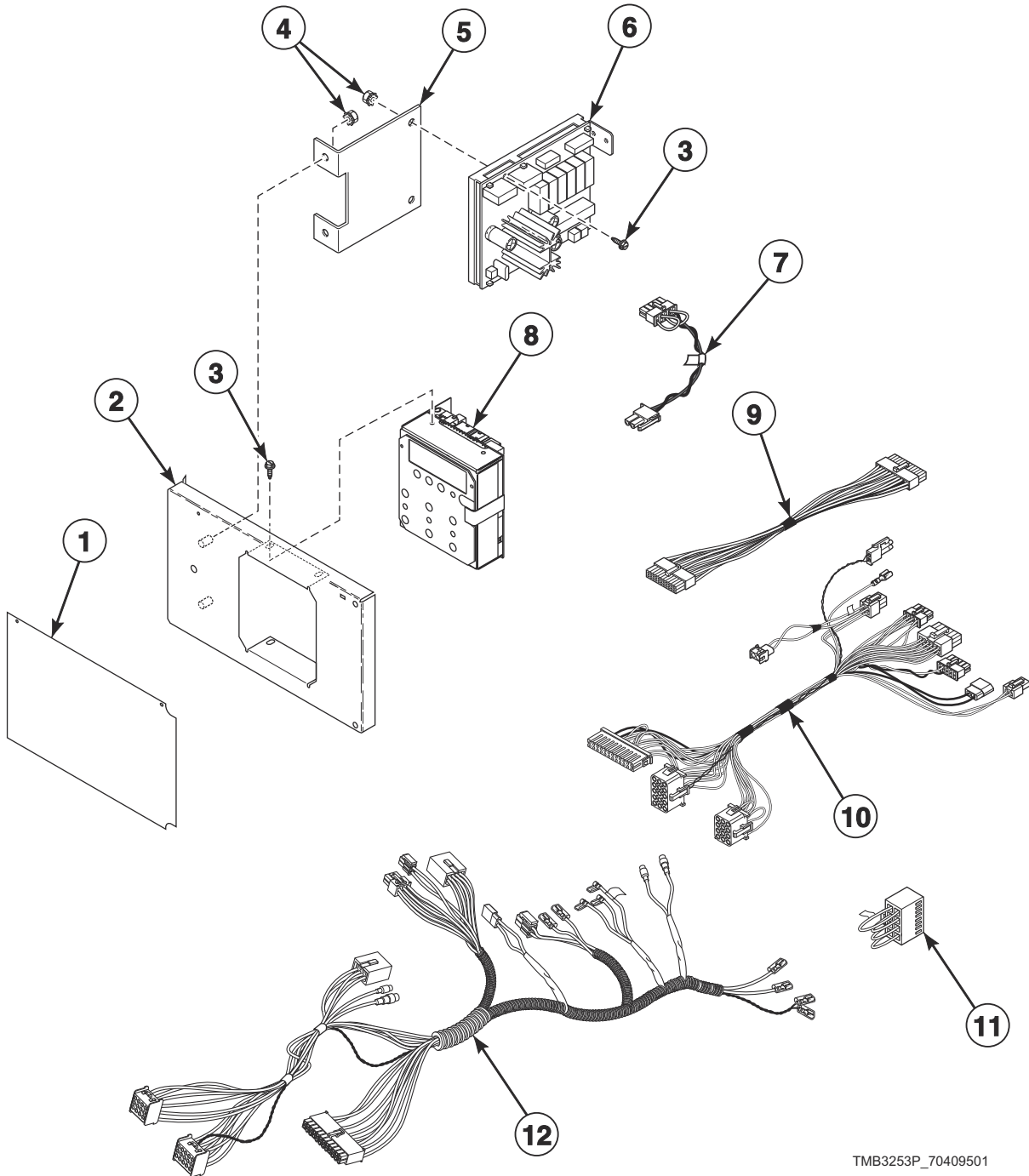
TMB3252P_70409501

UniLinc Control

REF	PART NO.	DESCRIPTION	COMMENTS
	NK206	Network Retrofit Kit	Wired
	NK220	Network Controller Kit	Wired
	NK301	Wireless Network Kit	Wireless
	NK320	Ethernet Gateway Kit	Wireless
	NK330	USB Gateway Kit	Wireless
	203346	USB IR Interface Kit	
1	70475601	Control Plate Assembly	
2	70054	Nut	
3	70440601	Output Bracket	
4	70434101P	Control Assembly	
5	D501524	Screw	
6	70454001P	Control Assembly	
7	70324602	Jumper Calibration Wire	
8	44186101	Output Harness	Use between item 4 and item 6
9	44240301	Control Panel Harness	Goes from item 6 to main harness
10	70441301	Main Harness	Models through 7/8/12
	70467801	Main Harness	Models starting 7/9/12
11	70364103	Bypass Harness	Non-CE models
12	70069901	Screw	
13	70432201	Overlay	Models through 8/17/14
	70499001	Overlay	Models starting 8/18/14

LED OPL Control

B, C, H, I, N, S and U Models
G, K, L, P and Y Models Starting 1/16/12
EO and RE Control Suffixes

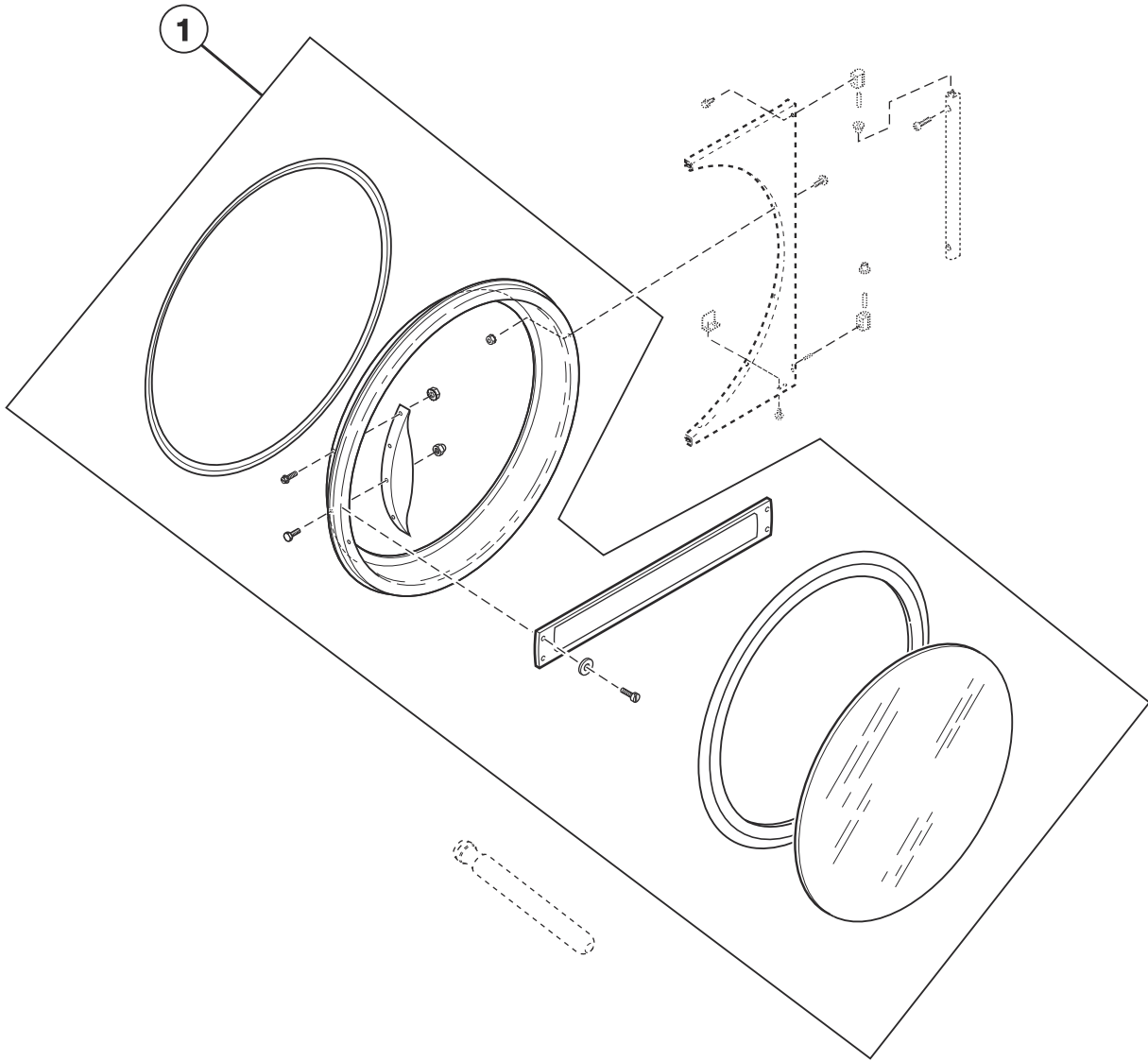


TMB3253P_70409501

LED OPL Control

REF	PART NO.	DESCRIPTION	COMMENTS
	203346	USB IR Interface Kit	
1	70445001	Overlay	S models; EO control suffix
	70445002	Overlay	S models; RE control suffix
	70445003	Overlay	H models; EO control suffix
	70445004	Overlay	H models; RE control suffix
	70462402	Overlay	B, C and I models; Models through 7/14/14; EO control suffix
	70462401	Overlay	B, C and I models; Models through 7/14/14; RE control suffix
	70504902	Overlay	B, C and I models; Models starting 7/15/14; EO control suffix
	70504901	Overlay	B, C and I models; Models starting 7/15/14; RE control suffix
	70462701	Overlay	U models; Models through 8/17/14; RE control suffix
	70493702	Overlay	U models; EO control suffix
	70493701	Overlay	U models; Models starting 8/18/14; RE control suffix
	70462902	Overlay	G and K models; EO control suffix
	70462901	Overlay	G and K models; RE control suffix
	70472402	Overlay	P models through 9/30/14; EO control suffix
	70472401	Overlay	P models through 9/30/14; RE control suffix
	70508602	Overlay	P models starting 10/1/14 through 5/31/15; L models starting 1/29/15 through 5/31/15; EO control suffix
	70508601	Overlay	P models starting 10/1/14 through 5/31/15; L models starting 1/29/15 through 5/31/15; RE control suffix
	70526002	Overlay	L and P models starting 6/1/15; EO control suffix
	70526001	Overlay	L and P models starting 6/1/15; RE control suffix
	70472202	Overlay	N and Y models; L models through 1/28/15; EO control suffix
70472201	Overlay	N and Y models; L models through 1/28/15; RE control suffix	
2	70440901	Control Plate and Studs Assembly	
3	D501524	Screw	
4	70054	Nut	
5	44223101	Output Bracket	
6	70434101P	Control Assembly	
7	70324602	Jumper Calibration Wire	
8	70454101P	Control Assembly	H, S and U models; L and P models starting 6/1/15
	70437102P	Control Assembly	B, C and I models; Models through 7/14/14
	70503702P	Control Assembly	B, C and I models; Models starting 7/15/14
	70437103P	Control Assembly	P models through 5/31/15; L models starting 1/29/15 through 5/31/15
	70437104P	Control Assembly	G and K models
	70437105P	Control Assembly	N and Y models; L models through 1/28/15
9	44186101	Output Harness	Use between item 5 and item 7
10	44240301	Control Panel Harness	Goes from item 7 to main harness
11	70364103	Bypass Harness	Non-CE models
12	70441301	Main Harness	Models through 7/8/12
	70467801	Main Harness	Models starting 7/9/12

Door Assemblies

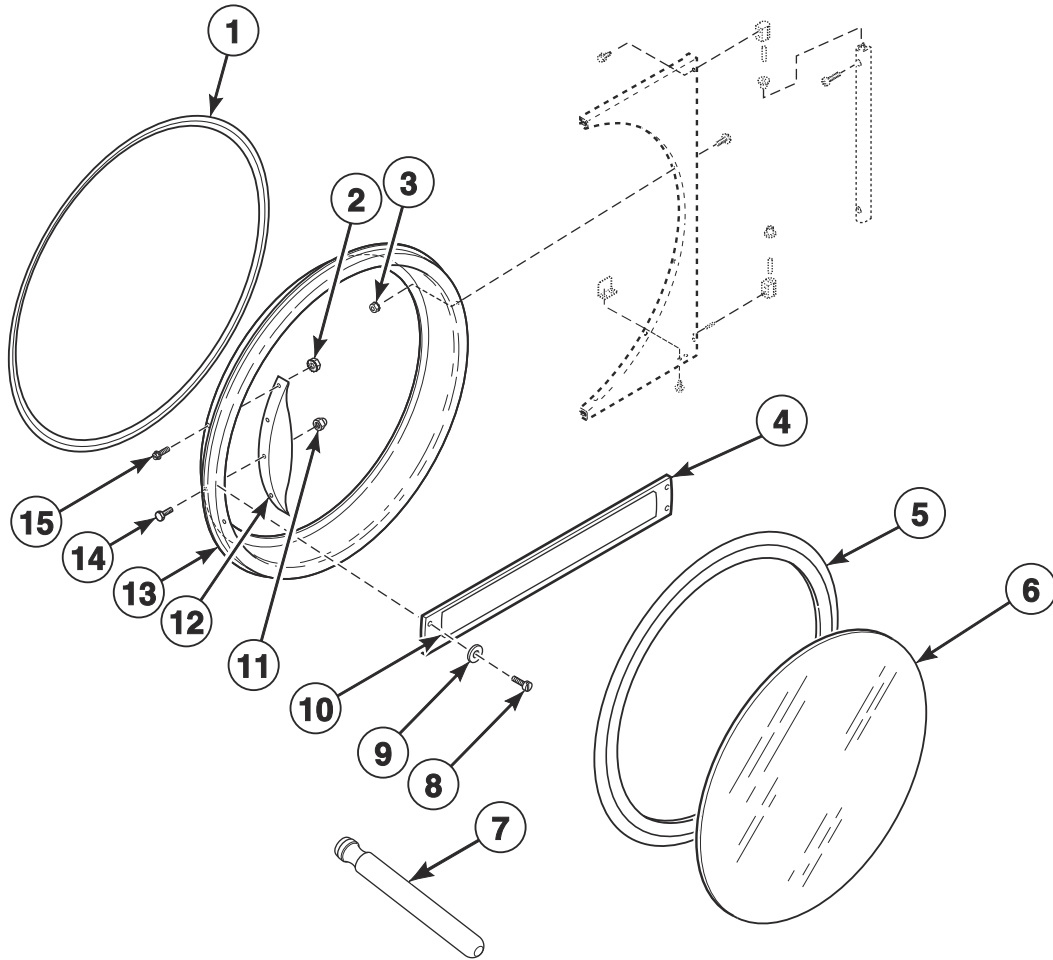


TMB3152P_70409501

Door Assemblies

REF	PART NO.	DESCRIPTION	COMMENTS
	M4775P3	Control Panel and Door Hinge Kit	B and I models; To change from old look to new look
	70133501P	Replacement Door Handle Kit	H models
1	70212300	Door Assembly	M, N and S models; Excludes hinge
	70212301	Door Assembly	U models through 8/17/14; B, C and I models starting 8/1/11; S models without stainless steel front panels; Excludes hinge
	70496501	Door Assembly	U models; Models starting 8/18/14
	44046701	Door Assembly	B, C and I models; Models through 7/31/11; Excludes hinge
	44058001P	Door Assembly	H models; Excludes hinge
	44058004P	Door Assembly	H models; Chrome option; Excludes hinge
	70496502P	Door Assembly	U models; Chrome option; Excludes hinge
	70212302P	Door Assembly	S models; Chrome option; Excludes hinge
	70064100	Door Assembly	L models through 1/28/15
	70212200	Door Assembly	Y models; P models through 9/30/14; Excludes hinge
	44287801LGP	Door Assembly	P models starting 10/1/14; L models starting 1/29/15; Excludes hinge
	44287801B	Door Assembly	P models starting 7/5/16; Use with stainless steel front panel; Excludes hinge
	70408901	Door Assembly	G and K models; Includes handle
	70538002	Door Assembly	H and U models without stainless steel front panels

Door Components



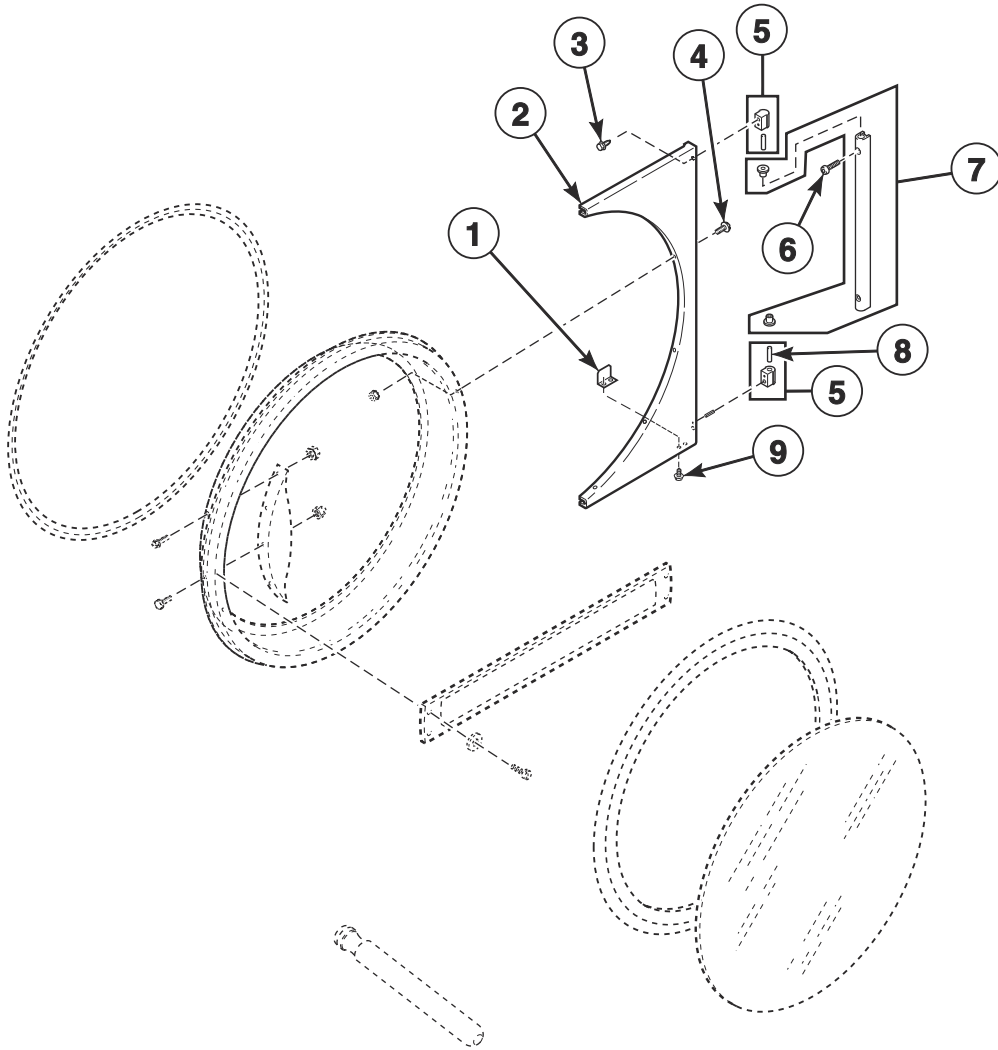
TMB3152PA_70409401

Door Components

REF	PART NO.	DESCRIPTION	COMMENTS
	M4775P3	Control Panel and Door Hinge Kit	B and I models; To change from old look to new look
	70133501P	Replacement Door Handle Kit	H models
1	70296801	Door Ring Gasket	
2	44071201	Nut	H, M, N and S models; 4 required
3	70054	Nut	
4	70399502B	Handle Bar	G and K models
5	70211901P	Door Glass Seal Kit	Use Loctite 414 for seal
6	70133601P	Door Glass	H models
	M400784P	Door Glass	All other models
7	M4221P4	Door Glass Installation Tool	
8	70412601	Pop Rivet	G and K models; 4 required
9	70409301	Washer	G and K models
10	70414001	Label	G models; Coin
	44144401	Nameplate Overlay	K models; Coin
11	M414215	Nut	For door strike; Mounts between door strike screw and door handle
12	44007902P	Door Handle	M, N and S models; U models through 8/17/14; B, C and I models starting 8/1/11
	44263801	Door Handle	U models; Models starting 8/18/14; Use 901620 Screw, 803871 Screw and 44088001 Nut to attach
	44057701	Door Handle	H models
	70538104	Door Handle	H and U models; Models starting 4/1/19
	430117	Door Handle	L models; Models through 1/28/15
	70566701	Door Handle Replacement Kit	L models through 1/28/15; Kit needed only when handle is being mounted on a stamped door ring
	M400133	Door Handle	Y models; P models through 9/30/14
13	70505709B	Door Ring Assembly	B, C and I models; Models starting 8/1/11
	70543902	Door Ring Assembly	L models through 1/28/15; U models starting 8/18/14; See NOTE
	44043501	Door Ring and Handle Assembly	B, C and I models through 7/31/11; P models through 9/30/14
	70543905	Door Ring Assembly	H and S models; Chrome option
	70505713P	Door Ring Assembly	U models; Chrome option
	70543907LG	Door Ring and Handle Assembly	P models starting 10/1/14; L models starting 1/29/15; See NOTE
	70543907B	Door Ring and Handle Assembly	P models starting 7/5/16; Use with stainless steel and white front panel; See NOTE
	70505707B	Door Ring	G and K models
	70543901	Door Ring Assembly	M, N and S models; U models through 8/17/14; Stainless steel; See NOTE
	70538002	Door Assembly	H and U models without stainless steel front panels
	70543904B	Door Ring Assembly	S models without stainless steel front panels
14	M400661	Screw	H, I, M, N, S and U models; Use with 70024801 and 44057701 Door Handle
	M409385	Screw	P and Y models; Use with 70133501P Replacement Door Handle Kit and M400133 Door Handle
	430756	Screw	L models; Use with 430117 Door Handle
15	44024201	Hole Plug	B, C and I models; 4 required
	61199	Screw	

NOTE: Models through Serial No. 1610047745 with a stainless steel front panel - if ordering a new door ring, a new stainless steel front panel must also be ordered.

Hinge Components



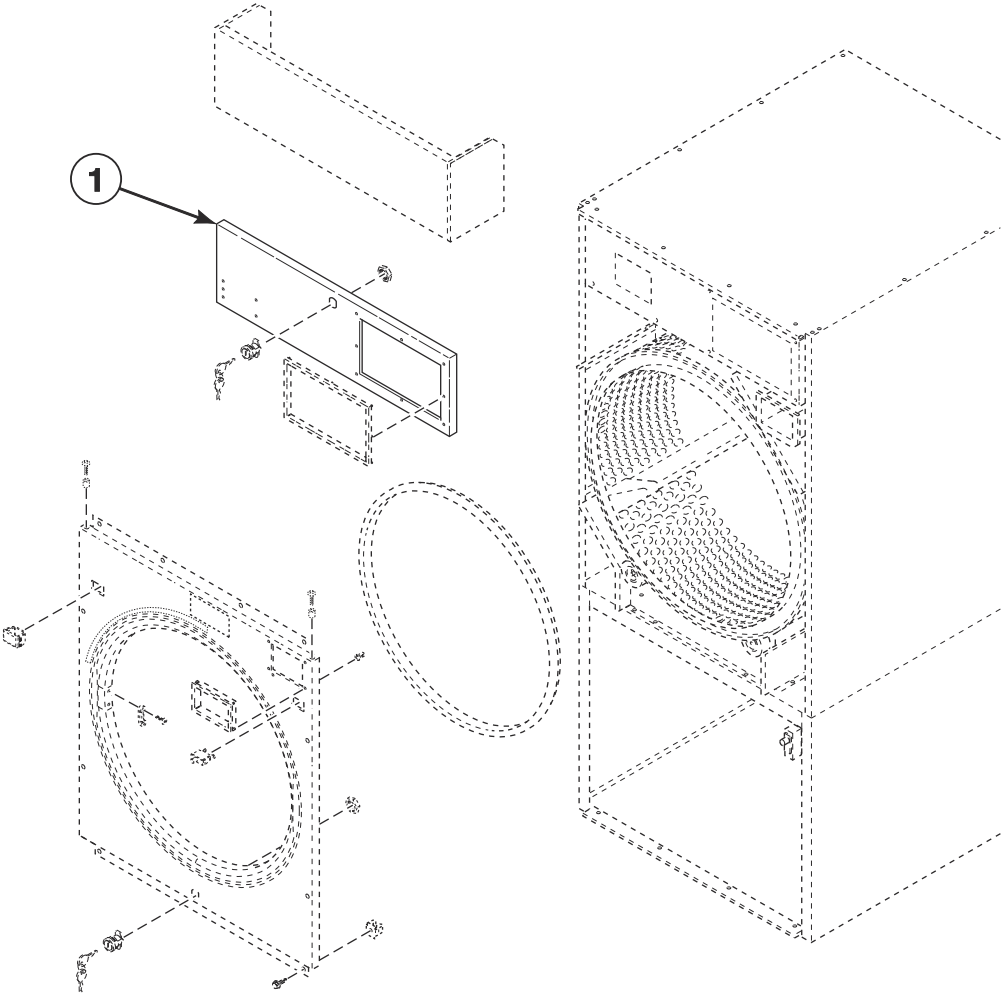
TMB3152PB_70409401

Hinge Components

REF	PART NO.	DESCRIPTION	COMMENTS
	M4775P3	Control Panel and Door Hinge Kit	B and I models; To change from old look to new look
1	70215001P	Door Switch Actuator Kit	
2	70115903B	Door Hinge	Black; G and K models; B and I models starting 8/1/11; P models starting 7/1/17 with white front panel and starting 7/5/16 with stainless steel front panel
	70115901*	Door Hinge	H, M, N, S, U and Y models; C models starting 8/1/11; P models through 9/30/14; L models through 1/28/15
	70115902	Door Hinge	C, H, M, S, U and Y models through 3/31/15; B and I models through 7/31/11; P models through 9/30/14; L models through 1/28/15; Stainless steel
	70115904	Door Hinge	C, H, M, S, U and Y models starting 4/1/15; Stainless steel
	70115903LG	Door Hinge	Light gray; U models; P models starting 10/1/14; L models starting 1/29/15
3	70442101	Screw	
4	44349101	Screw	
5	M4773P3	Hinge Cam Kit	Black; G and K models; B and I models starting 8/1/11; P models starting 7/1/17 with white front panel and starting 7/5/16 with stainless steel front panel
	M4772P3	Hinge Cam Kit	C, H, L, M, N, P, S, U and Y models; B and I models through 7/31/11
6	70407301	Screw	Black; G and K models; B and I models starting 8/1/11; P models starting 7/1/17 with white front panel and starting 7/5/16 with stainless steel front panel
	70033502	Screw	C, H, L, M, N, P, S, U and Y models; B and I models through 7/31/11
7	44035002	Door Hinge Lug Assembly	Black; G and K models; B and I models starting 8/1/11; P models starting 7/1/17 with white front panel and starting 7/5/16 with stainless steel front panel
	44035001	Door Hinge Lug Assembly	C, H, L, M, N, P, S, U and Y models; B and I models through 7/31/11
8	70071401	Pin	
9	70058501	Pop Rivet	

* Add Letter To Designate Color. L - Almond Q - Bisque W - White

Control Panels



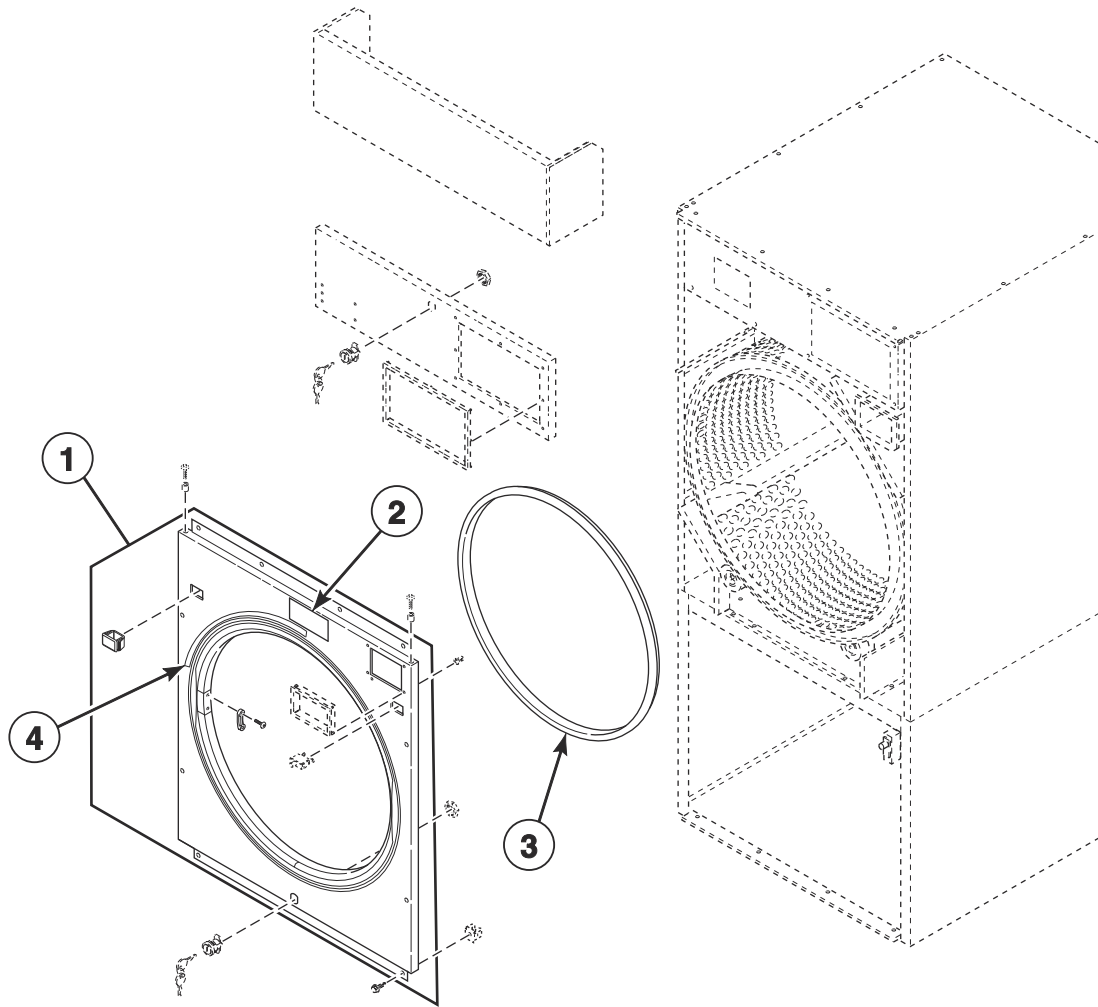
TMB3315P_70409501

Control Panels

REF	PART NO.	DESCRIPTION	COMMENTS
	M4775P3	Control Panel and Door Hinge Kit	B and I models; To change from old look to new look
1	70121301*	Control Panel	L, M, S and Y models; P models through 9/30/14; U models through 8/17/14; P models starting 7/1/17 with white front panel
	70121308	Control Panel	L, M, S and Y models; P models through 9/30/14; U models through 8/17/14; Stainless steel
	70273416LG	Control Panel	U models; Light gray
	70273415	Control Panel	U models; Models starting 8/18/14 through 3/31/15; Stainless steel
	70273414	Control Panel	U models starting 4/1/15; G and K models; Stainless steel
	70273416W	Control Panel	U models starting 8/18/14; G and K models
	70121307DG	Control Panel	P models starting 10/1/14; L models starting 1/29/15; Dark gray
	70121301B	Control Panel	L models; Models through 1/28/15
	70121305*	Control Panel	H and N models
	70121309	Control Panel	H models; Stainless steel
	70273401*	Control Panel	C models; B and I models through 7/31/11; Manual
	70273402	Control Panel	C models through 3/31/15; B and I models through 7/31/11; Manual; Stainless steel
	70273403*	Control Panel	C models; B and I models through 7/31/11; Electronic
	70273404	Control Panel	C models; B and I models through 7/31/11; Electronic; Stainless steel
	70273407B	Control Panel	B and I models; Models starting 8/1/11 through 7/8/12
	70273408B	Control Panel	B and I models; Models starting 7/9/12

* Add Letter To Designate Color. L - Almond Q - Bisque W - White

Front Panel Assemblies



TMB3315PA_70409501

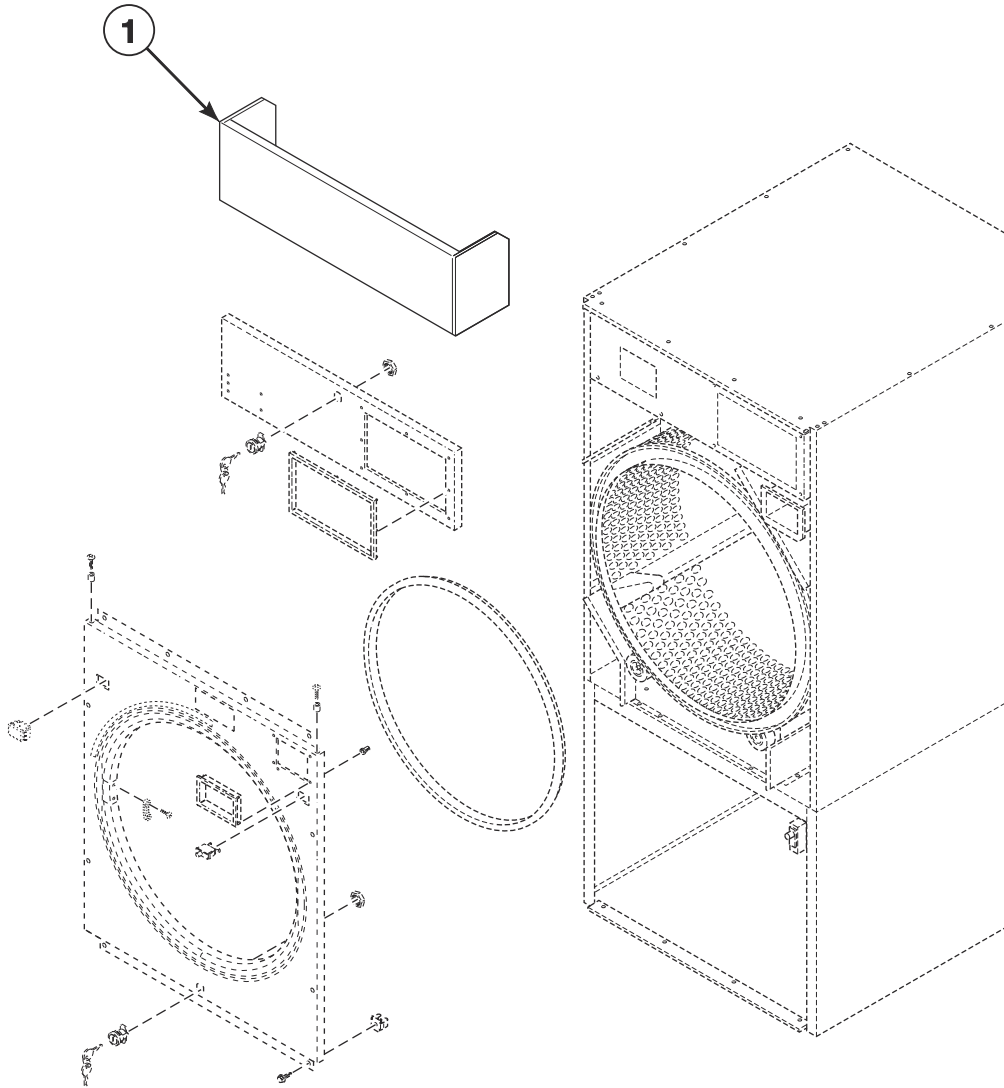
Front Panel Assemblies

REF	PART NO.	DESCRIPTION	COMMENTS
1	44116401*P	Front Panel Assembly	B, C, H, I, M, N and S models; P models through 9/30/14 and starting again 7/1/17; L models through 1/28/15; ** control suffixes
	44116502	Front Panel Assembly	B, C, H, I, M and S models; P models through 9/30/14; L models through 1/28/15; ** control suffixes; Stainless steel
	70623002W	Front Panel Assembly	H, M, N and S models; P models through 9/30/14 and starting again 7/1/17; L models through 1/28/15; BL, BY, LY, NR and ZR control suffixes
	44116702	Front Panel Assembly	H, M, P and S models; P models through 9/30/14; L models through 1/28/15; BL, BY, LY, NR and ZR control suffixes; Stainless steel
	70521401DG	Front Panel	P models starting 10/1/14; L models starting 1/29/15; Coin; Dark gray
	70329616DG	Front Panel	P models starting 10/1/14; L models starting 1/29/15; Card and central pay; Dark gray
	70329613DG	Front Panel	Non-CE P models starting 10/1/14; Non-CE L models starting 1/29/15; OPL; Dark gray
	70521301DG	Front Panel	CE P models starting 10/1/14; CE L models starting 1/29/15; OPL; Dark gray
	44116801*P	Front Panel Assembly	Non-CE B, C, H, I, N, S, U and Y models; Non-CE P models starting 7/1/17; OPL
	70329613LG	Front Panel	Non-CE U models; OPL; Light gray
	44116902	Front Panel Assembly	Non-CE B, C, H, I, P, S, U and Y models; OPL; Stainless steel
	44117001*	Front Panel Assembly	CE B, C, H, N, S, U and Y models; OPL
	70329614LG	Front Panel	CE U models; OPL; Light gray
	44117102	Front Panel Assembly	CE B, C, H, P, S, U and Y models; OPL; Stainless steel
2	70537001	Label	B, C, H, I, M, S and U models
	44190901	Label	L and P models
	70537101	Label	G and K models; Fire suppression system
3	70173401P	Front Panel Seal	
4	70534301	Warning Label	

* Add Letter To Designate Color. L - Almond Q - Bisque W - White

** NOTE: 3B, 3K, 3L, 3V, 3W, 3X, BB, BC, BW, BX, DV, DX, LC, LK, LL, LX, NC, NX, SD, SX, ZC and ZX

False Fronts



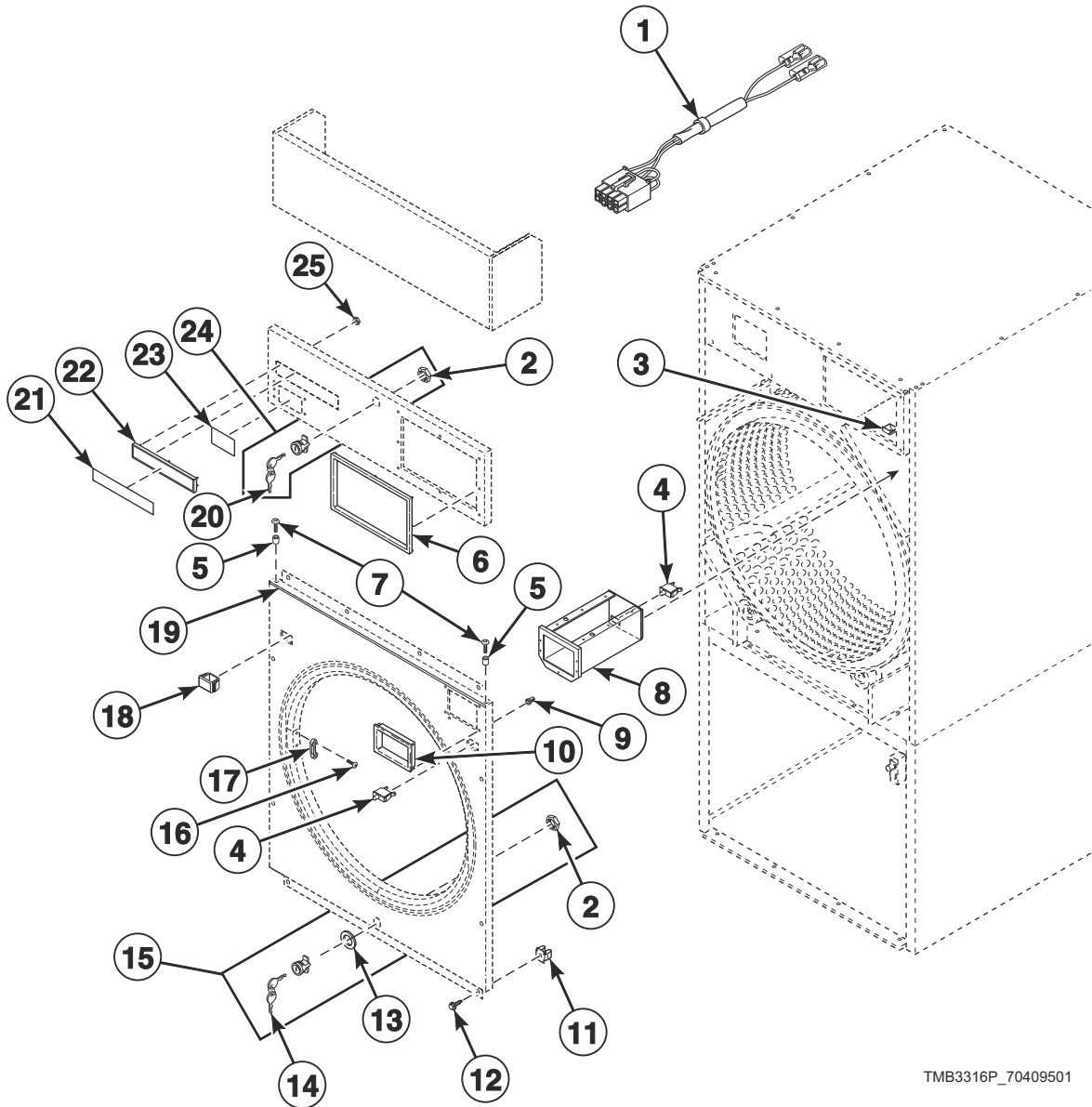
TMB3315PB_70409501

False Fronts

REF	PART NO.	DESCRIPTION	COMMENTS
1	70021103DG	False Front	P models; Models starting 10/1/14; 72 inches; Dark gray
	70021101*P	False Front	P models through 9/30/14; All other models except B, I and P models; 72 inches
	70021102P	False Front Assembly	P models through 9/30/14; All other models through 3/31/15; 72 inches; Stainless steel
	70021104	False Front	Models starting 4/1/15; 72 inches; Stainless steel
	70021103LG	False Front	U models; 72 inches; Light gray
	70024003DG	False Front	P models; Models starting 10/1/14; 76 inches; Dark gray
	70024001*P	False Front Assembly	P models through 9/30/14; All other models except B, I and P models; 76 inches
	70024002P	False Front Assembly	P models through 9/30/14; All other models through 3/31/15; 76 inches; Stainless steel
	70024004	False Front	Models starting 4/1/15; 76 inches; Stainless steel
	70024003LG	False Front	U models; 76 inches; Light gray

* Add Letter To Designate Color. L - Almond Q - Bisque W - White

Cabinet Front Components

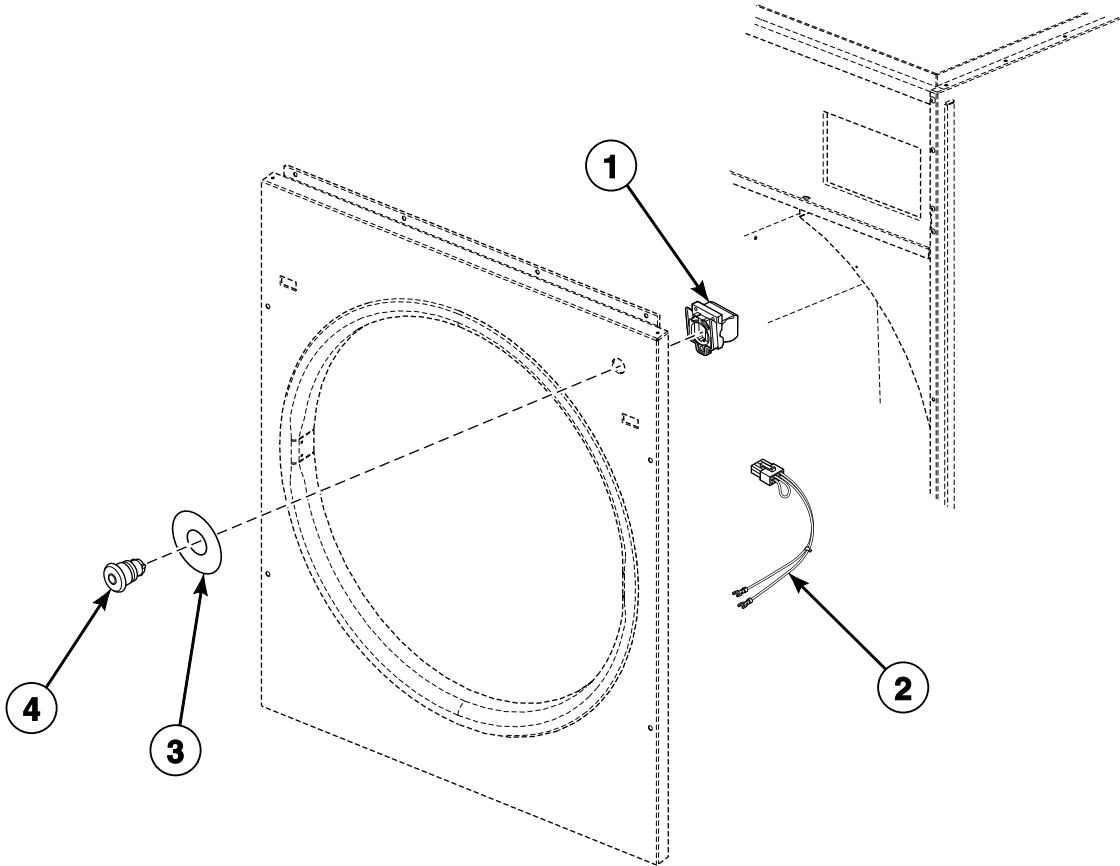


TMB3316P_70409501

Cabinet Front Components

REF	PART NO.	DESCRIPTION	COMMENTS
1	70364104P	Coin Vault Switch Harness	
2	44088801	Nut	
3	70296401	Coin Chute Assembly	
4	70413301	Pushbutton Switch	
5	56079	Panel Locator	9 required
6	70529402	Control Trim	H models; Light gray (tan)
	70529401	Control Trim	H models; Gray
	44016401	Control Trim	L, M, N, P, S and Y models; U models through 8/17/14; Black
7	39733	Screw	
8	70180101	Coin Vault Assembly	
	F160673P	Coin Box	Optional equipment; Includes lock and key
9	M400972	Shadow Box Clip	
10	70117502	Coin Vault Trim	Black
	70117501	Coin Vault Trim	Light gray (tan)
	70117504	Coin Vault Trim	Gray
11	70030501	Expansion Clip	8 required; Use with item 9, between front panel and cabinet
12	430497	Screw	
13	70342401	Lock Shim	
14	70155602	Key	RL002
15	44089302P	Lock, Key and Nut Kit	RL002
16	44166601	Pop Rivet	
17	M401223	Door Latch	
18	44057801W	Switch Hole Plug	White
	44057801Q	Switch Hole Plug	Bisque
	44057801LG	Switch Hole Plug	U models; L and P models starting 10/24/14; Gray
19	70399401	Access Panel Trim	G and K models
20	70155601	Key	RL001
21	70115601	Nameplate Overlay	S models
	70460801	Nameplate Overlay	U models; Models through 8/17/14
	F8443102	Nameplate	U models; Models starting 8/18/14
	44046801	Nameplate	B and I models; Models through 7/9/12
	B12389801	Nameplate	B and I models; Models starting 7/10/12
	44062901	Nameplate	C models
	70411401	Nameplate Overlay	G models; Coin
	70410201	Nameplate Overlay	G models; OPL
	44144401	Nameplate Overlay	K models; Coin
	44130201	Nameplate Overlay	K models; OPL
	70243901	Nameplate	L models; Models through 3/27/15
	70522001	Nameplate	L models; Models starting 3/28/15
	70380701	Nameplate Overlay	P models; Models through 9/30/14
	70509601	Nameplate	P models; models starting 10/1/14
	44104501	Nameplate Overlay	Y models
22	70117401	Nameplate Bezel	L, P and S models
23	44129903	Nameplate	C models
24	44089301P	Lock, Key and Nut Kit	RL001
25	M400977	Nut	P and S models 6 required; U models starting 8/18/14 5 required

Emergency Stop Button for CE Models

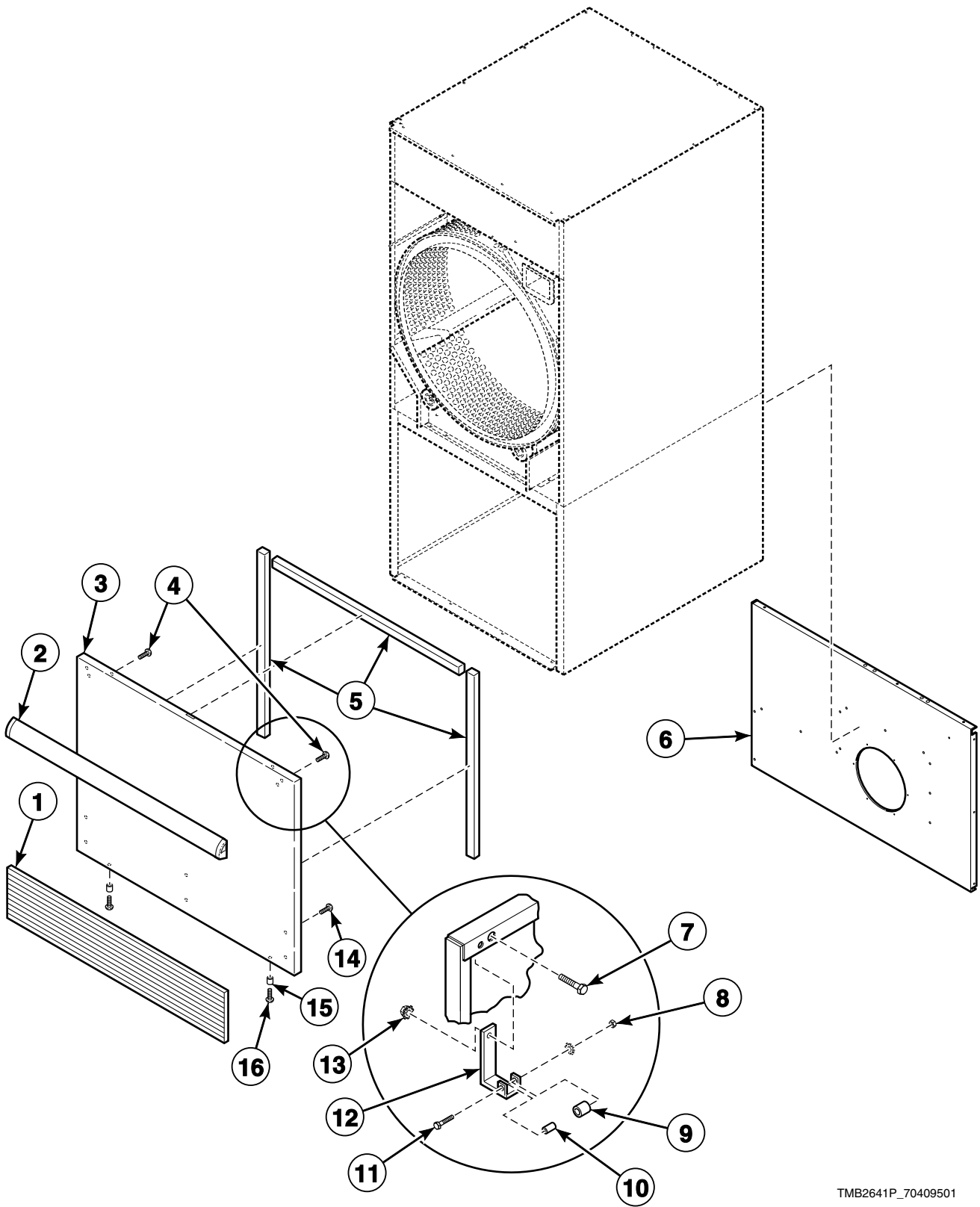


TMB2375P_70409501

Emergency Stop Button for CE Models

REF	PART NO.	DESCRIPTION	COMMENTS
1	44018701	Contact Block	Includes base; Models through 9/30/07
	F200233401P	Contact Block Switch	Models starting 10/1/07 through 8/17/14; Includes mounting base
	F8069501	Contact Switch	Models starting 8/18/14
	F8538101	Contact Base	Models starting 8/18/14
2	70364105P	Emergency Stop Contact Harness	1 contact
	70364106P	Emergency Stop Harness	2 contacts
3	44012901	Emergency Stop Label	
4	44018801	Pushbutton	Models through 9/30/07
	F200233500	Emergency Stop Pushbutton	Models starting 10/1/07

Lower Cabinet Components



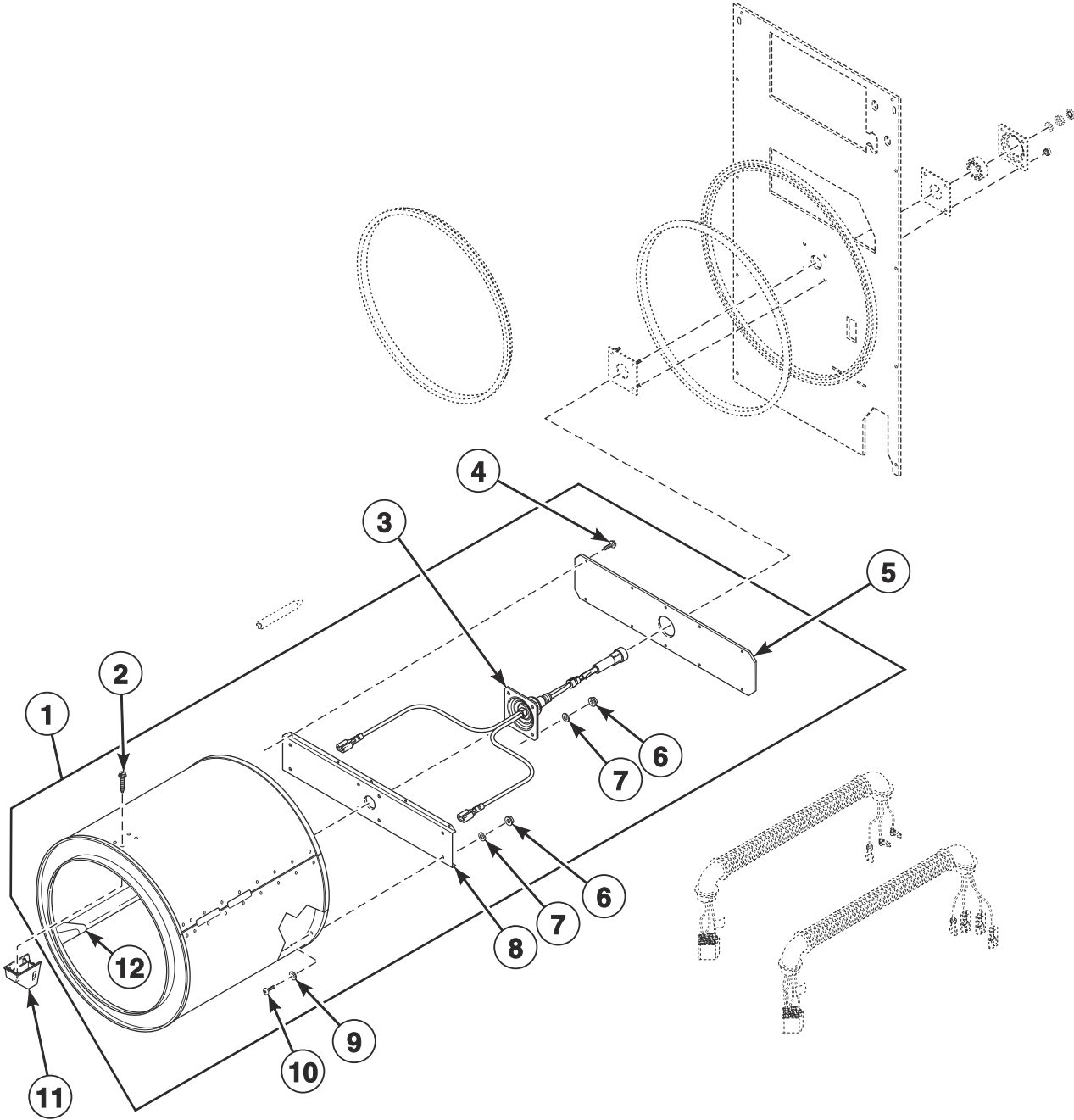
TMB2641P_70409501

Lower Cabinet Components

REF	PART NO.	DESCRIPTION	COMMENTS
1	70117604	Kickplate	H and U models; Dark gray
	70117603	Kickplate	All models except H; Black
2	70154403	Handle and Caps Assembly	B, C, I, M, N and S models; P models through 9/30/14; P models starting 7/1/17 with white front panel and starting 7/5/16 with stainless steel front panel; U models through 8/17/14; Black
	70407208	Handle Bumper	P models; Models starting 10/1/14
	70154404	Handle and Caps Assembly	H and U models; Dark gray
	70407201	Handle Bumper	G and K models
	70176705*	Lint Panel Assembly	H models; Does not include handle
3	70176706	Lint Panel Assembly	H models; Models through 3/31/15; Stainless steel; Does not include handle
	70176707*	Lint Panel Assembly	H models; Includes handle
	70176708	Lint Panel Assembly	H models; Models through 3/31/15; Stainless steel; Includes handle
	70515504DG	Lint Panel	L models starting 1/29/14; P models starting 10/1/14; No kickplate; Dark gray
	70515505	Lint Panel	L and P models starting 4/1/15; B, G, H, K, L, P, S and U models starting 4/1/19; Stainless steel; No kickplate
	70515506W	Lint Panel	B, G, H, K, N, S and U models starting 4/1/19; No kickplate
	70515504LG	Lint Panel	U models starting 4/1/19; Light gray; No kickplate
	70176701*	Lint Panel Assembly	L models through 1/28/15; P models through 9/30/14 and starting again 7/1/17; All models except H, L and P; Does not include handle
	70176702P	Lint Panel Assembly	L models through 1/28/15; P models through 9/30/14; All models through 3/31/15 except H, L and P; Stainless steel; Does not include handle
	70176703*	Lint Panel Assembly	L models through 1/28/15; P models through 9/30/14; All models except H, L and P; Includes handle
	70515503LG	Lint Panel	U models; Light gray
	70176704	Lint Panel Assembly	L models through 1/28/15; P models through 9/30/14; All models through 3/31/15 except H, L and P; Stainless steel; Includes handle
	70515502	Lint Panel	B, C, I, M, N, S, U and Y models; Models starting 4/1/15; Stainless steel
4	430757	Screw	For attaching handle; 6 required
5	70289101P	Gasket	Sold per foot
6	70249901	Rear Lint Panel	
7	70132301	Screw	Attaching roller catch
8	23951	Nut	
9	70297601	Roller Catch Wheel	
10	70030201	Roller Catch Spacer	
11	70072801	Screw	
12	70030301	Roller Catch Arm	
13	51236	Nut	Attaching roller catch
14	70126301	Pop Rivet	For attaching kickplate; Black; 6 required
	70126401	Pop Rivet	For attaching kickplate; Gray; 6 required
15	56079	Panel Locator	
16	39733	Screw	

* Add Letter To Designate Color. L - Almond Q - Bisque W - White

Cylinder and Trunnion Assembly

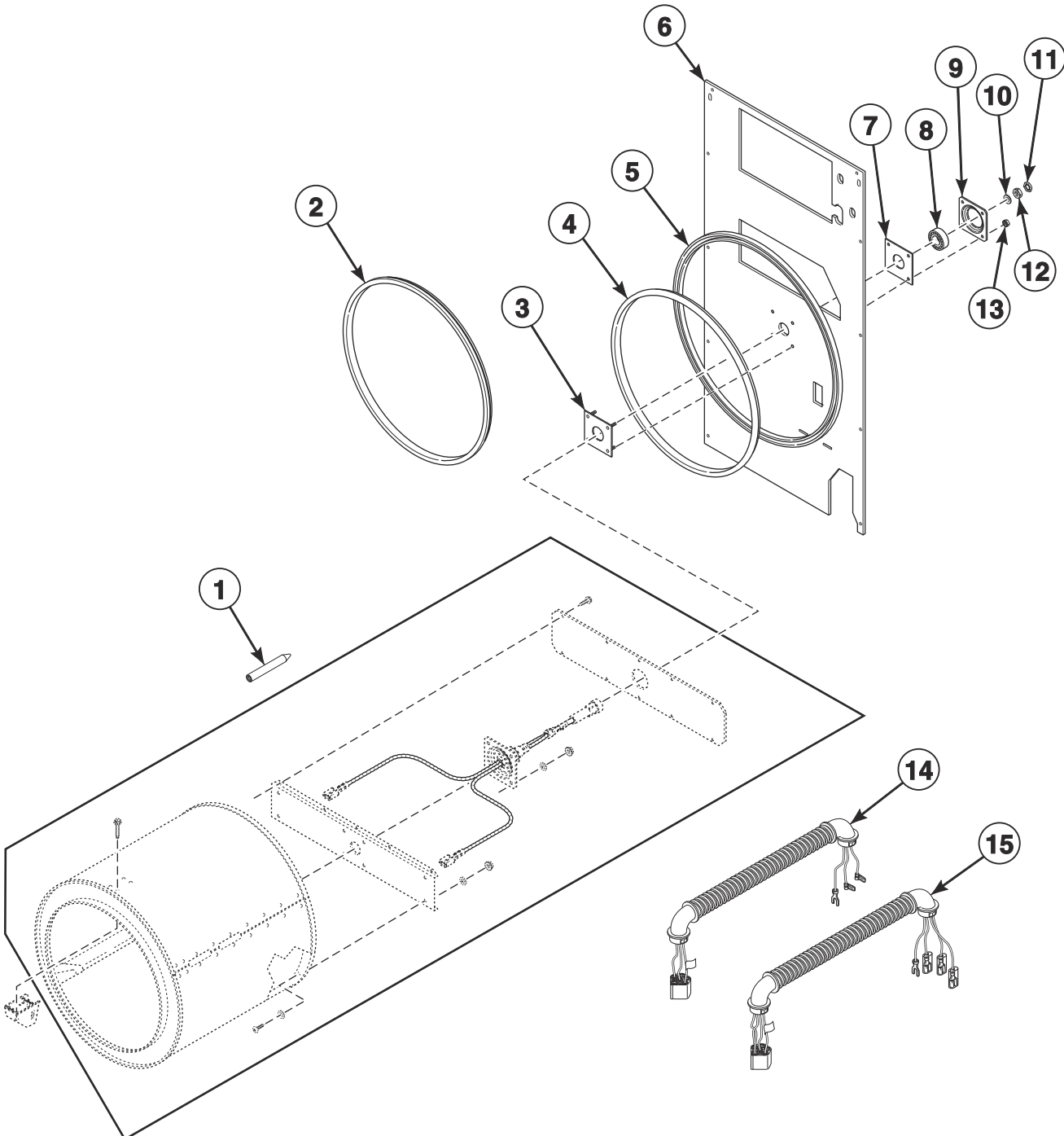


TMB3359P_70409501

Cylinder and Trunnion Assembly

REF	PART NO.	DESCRIPTION	COMMENTS
	D511637P	Adhesive	
	70343101P	Drywall Screw Magnet Kit	
1	70372603P	Cylinder Assembly	G and K models; Non-moisture sensing
	70372601P	Cylinder Assembly	All other models; Galvanized; Non-moisture sensing
	70372602P	Cylinder Assembly	All other models; Stainless steel; Non-moisture sensing
	70435203	Cylinder and Trunnion Assembly	G and K models; Moisture sensing
	70435201	Cylinder and Trunnion Assembly	All other models; Galvanized; Moisture sensing
	70435202	Cylinder and Trunnion Assembly	All other models; Stainless steel; Moisture sensing
2	62588	Screw	12 required
3	70564803	Trunnion and Seal Kit	Non-moisture sensing
	70564804	Trunnion and Seal Kit	Moisture sensing; Includes 70454601 Trunnion and Wire Assembly
4	430497	Screw	10 required
5	70257201	Rear Cylinder Channel Plate	
6	44087201	Nut	8 required
7	M400080	Washer	4 required; Models through Serial No. 0708006765
	70411301	Washer	Models starting Serial No. 0708006766
8	70257101	Rear Cylinder Channel	Non-moisture sensing
	70257102	Rear Cylinder Channel	Moisture sensing
9	70411301	Washer	Models starting Serial No. 0708006766
10	70391101	Screw	8 required
11	70070101	End Cap	Non-moisture sensing
	70070102	End Cap	Moisture sensing
12	70433001	Cylinder Rib Assembly	Moisture sensing

Cylinder Components

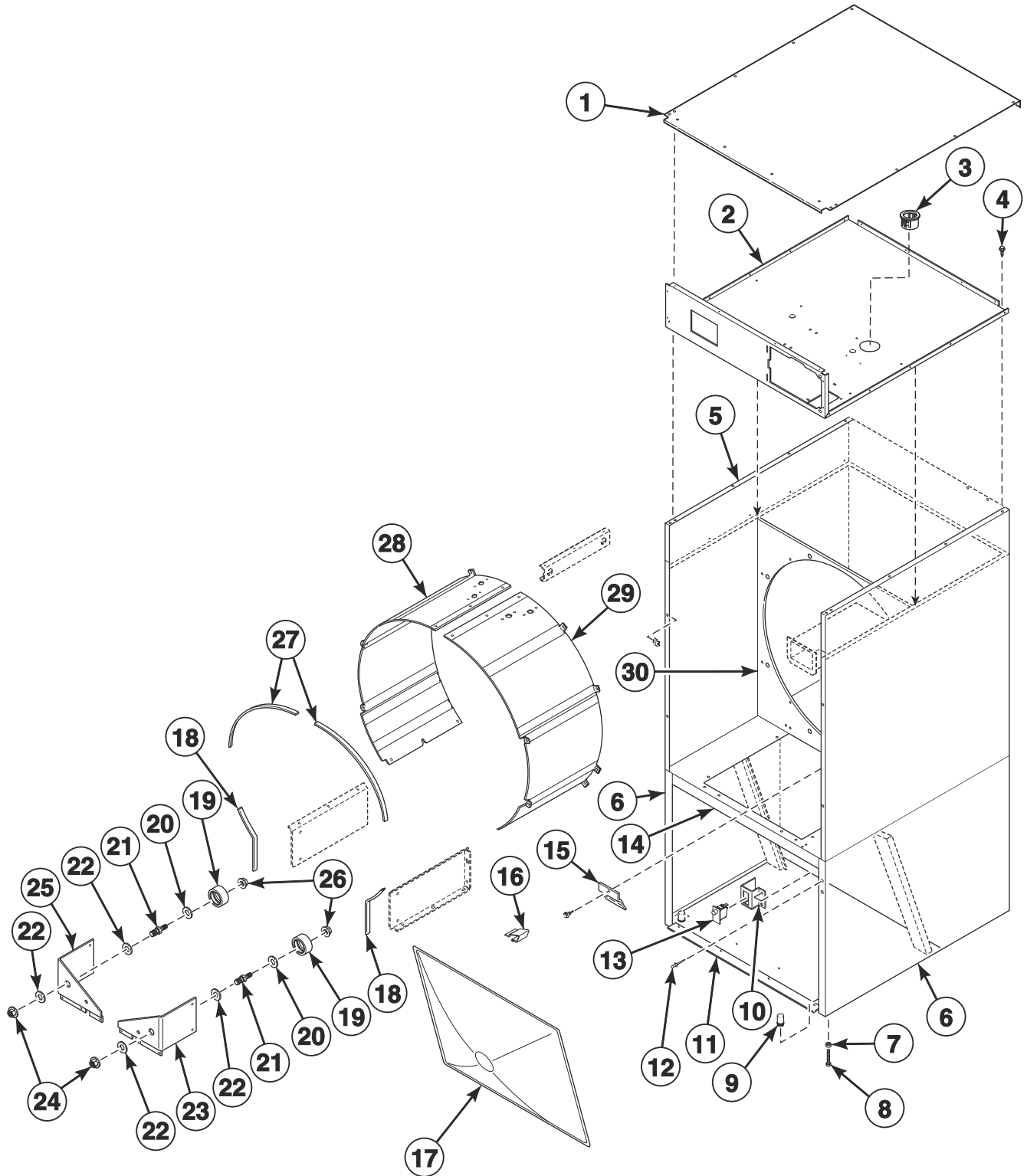


TMB3359PA_70409501

Cylinder Components

REF	PART NO.	DESCRIPTION	COMMENTS
	D511637P	Adhesive	For item 4
	70343101P	Drywall Screw Magnet Kit	
	430260P	Support Housing Bearing Assembly	Includes items 8, 9 and Loctite
1	263P4	Cylinder Guide Tool	
2	70066003	Center Cylinder Seal	
3	430352	Cylinder Bearing Stud Plate Assembly	
4	70013701P	Rear Cylinder Seal	Use with Adhesive
5	70506402	Rear Cylinder Seal Support	
6	70356801	Upper Rear Panel	Gas models; Nonreversing
	70356803	Upper Rear Panel	Gas models; Reversing
	70356802	Upper Rear Panel	Electric and steam models; Nonreversing
	70356804	Upper Rear Panel	Electric and steam models; Reversing
7	70355001	Rear Bearing Shim	
8	70448701	Support Bearing	
9	70013901	Rear Cylinder Bearing Housing	
10	M400991	Washer	
11	M400034	Nut	
12	M400022	Nut	
13	M412986	Nut	4 required
14	70401001	Cylinder Motor Harness Assembly	Models through 2/28/10; 1 Phase; 3 Phase electric with 240 Volt and below
	70439701	Cylinder Motor Harness Assembly	Models starting 3/1/10; 1 Phase; 3 Phase electric with 240 Volt and below
15	70401101	Cylinder Motor Harness Assembly	Models through 2/28/10; 3 Phase except electric with 240 Volt and below
	70440101	Cylinder Motor Harness Assembly	Models starting 3/1/10; 3 Phase except electric with 240 Volt and below
	70465801	Cylinder Motor Harness Assembly	Reversing

Cabinet Components



TMB3495P_70409501

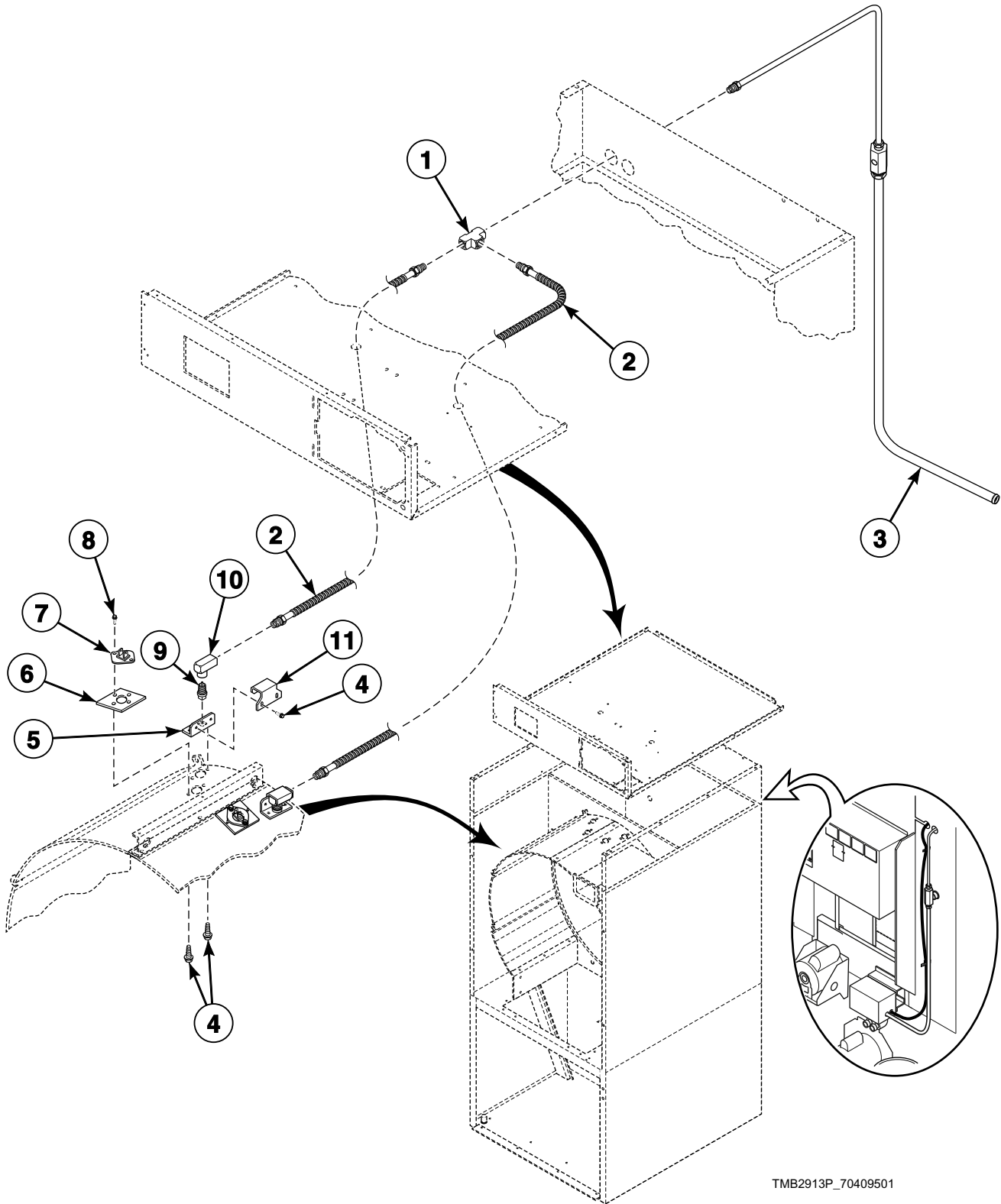
Cabinet Components

REF	PART NO.	DESCRIPTION	COMMENTS
	M4379P4	Tumbler Dolly Kit	
	70364104P	Coin Vault Switch Harness	
	298P4P	Spray Paint	White
	297P4	Spray Paint	Almond
	381P4	Spray Paint	Bisque
	382P4	Spray Paint	Cream
	286P4	Spray Paint	Blue
	122P4P	Porcelain Touch-Up Paint	White
	215P4P	Porcelain Touch-Up Paint	Almond
	370P4P	Porcelain Touch-Up Paint	Bisque
1	70557701	Flat Top	
2	70555401	Top Pan	
3	70346501	Bushing	
4	430497	Screw	
5	70021504DG	Side Panel	P models; Models starting 10/1/14; Upper; Dark gray
	70021502*P	Side Panel	P models through 9/30/14; All other models; Upper
	70021502LG	Side Panel	U models; Upper; Light gray
6	70253801DG	Side Panel	P models; Models starting 10/1/14; Lower; Light gray
	70253801*P	Side Panel	P models through 9/30/14; All other models; Lower
	70253801LG	Side Panel	U models; Lower; Light gray
7	21899	Nut	
8	34319	Leveling Leg	
9	70063201	Hole Plug	
10	70277301	Lint Panel Switch Bracket	
11	70326601	Lower Pan	
12	70058501	Pop Rivet	16 required; Upper side panel
13	70413401	Switch Assembly	
14	70252201	Center Pan	
15	70054501	Lint Screen Clip	
16	35865	Hold-Down Clip	
17	70325601	Lint Screen	
18	70015711	Sheet Metal Edge Gasket	Lower
19	70616701	Roller and Seal Kit	
20	70443601	Roller Seal	Models starting 3/1/10
21	70249501	Roller Shaft	
22	70261401	Washer	
23	70326101	Roller Support Bracket	Right
24	M404993	Nut	
25	70326102	Roller Support Bracket	Left
26	430576	Nut	
27	70015712	Sheet Metal Edge Gasket	Upper
28	70427402	Cylinder Shroud	Left
29	70427401	Cylinder Shroud	Right
30	70252501	Center Partition	

* Add Letter To Designate Color. L - Almond Q - Bisque W - White

Fire Suppression System Components

B, C, G, H, I, K, L, M, P, S, and U Gas and Steam Models



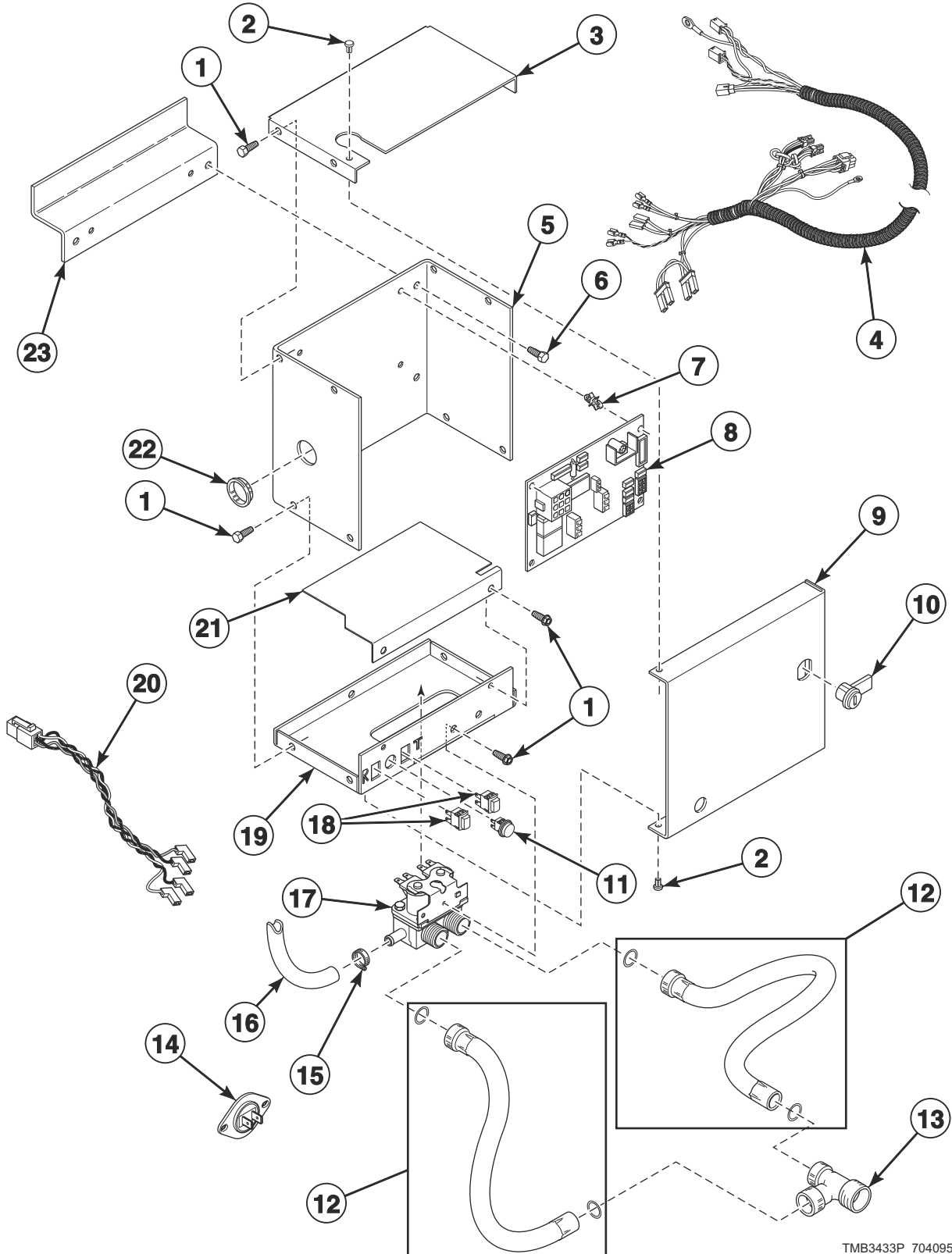
TMB2913P_70409501

Fire Suppression System Components

REF	PART NO.	DESCRIPTION	COMMENTS
1	70427901	Union Tee	
2	70427701	Spray Nozzle Hose	2 required
3	70427601	Tube Assembly	
4	430497	Screw	12 required
5	70424201	Nozzle Bracket	2 required
6	70424401	Thermistor Plate	2 required
7	44064701	Thermistor	2 required
8	51780	Screw	4 required
9	70427801	Spray Nozzle	2 required
10	70428101	Elbow	2 required
11	70428601	Nozzle Bracket	2 required

Fire Suppression System Control Box

B, C, G, H, I, K, L, M, P, S, and U Gas and Steam Models

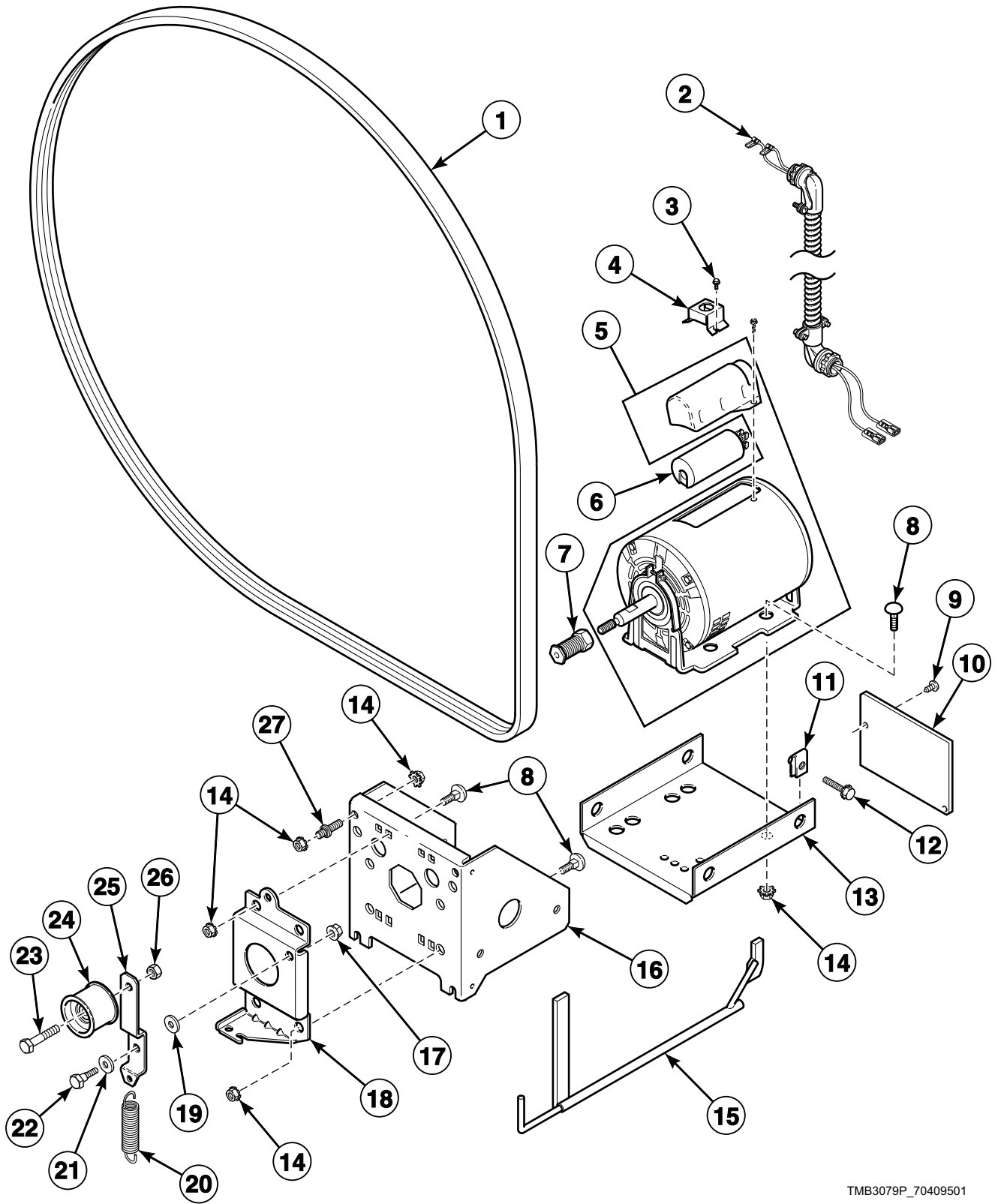


TMB3433P_70409501

Fire Suppression System Control Box

REF	PART NO.	DESCRIPTION	COMMENTS
1	430497	Screw	
2	M400713	Drive Rivet	
3	44065401	Control Box Top	
4	70426501P	Control Harness	
5	44065101	Control Box Housing	
6	51780	Screw	
7	D501523	Circuit Board Support	4 required
8	44063801P	Control	
9	44065201	Control Box Cover	
10	44089301P	Lock, Key and Nut Kit	RL001 key code; Optional if same key is to be used for control lock
11	801432	Light	
12	F200116	Water Hose	Non-CE and non-Australian models; 2 required
	38349P	Fill Hose Kit	CE and Australian models
13	44069101	Hose Fitting	Non-CE and non-Australian models
14	44064701	Thermistor	2 required
15	36801	Hose Clamp	
16	44073304	Hose	14 inches; Outlet hose
17	36958P	Mixing Valve	
18	801434W	Push-to-Start Switch	2 required
19	44065301	Control Box Base	
20	70426601P	Sensor Harness	
21	44065701	Mixing Valve Shield Bracket	
22	70178701	Snap Bushing	
23	44065901	Bracket	

Drive Motor Components for Nonreversing Models

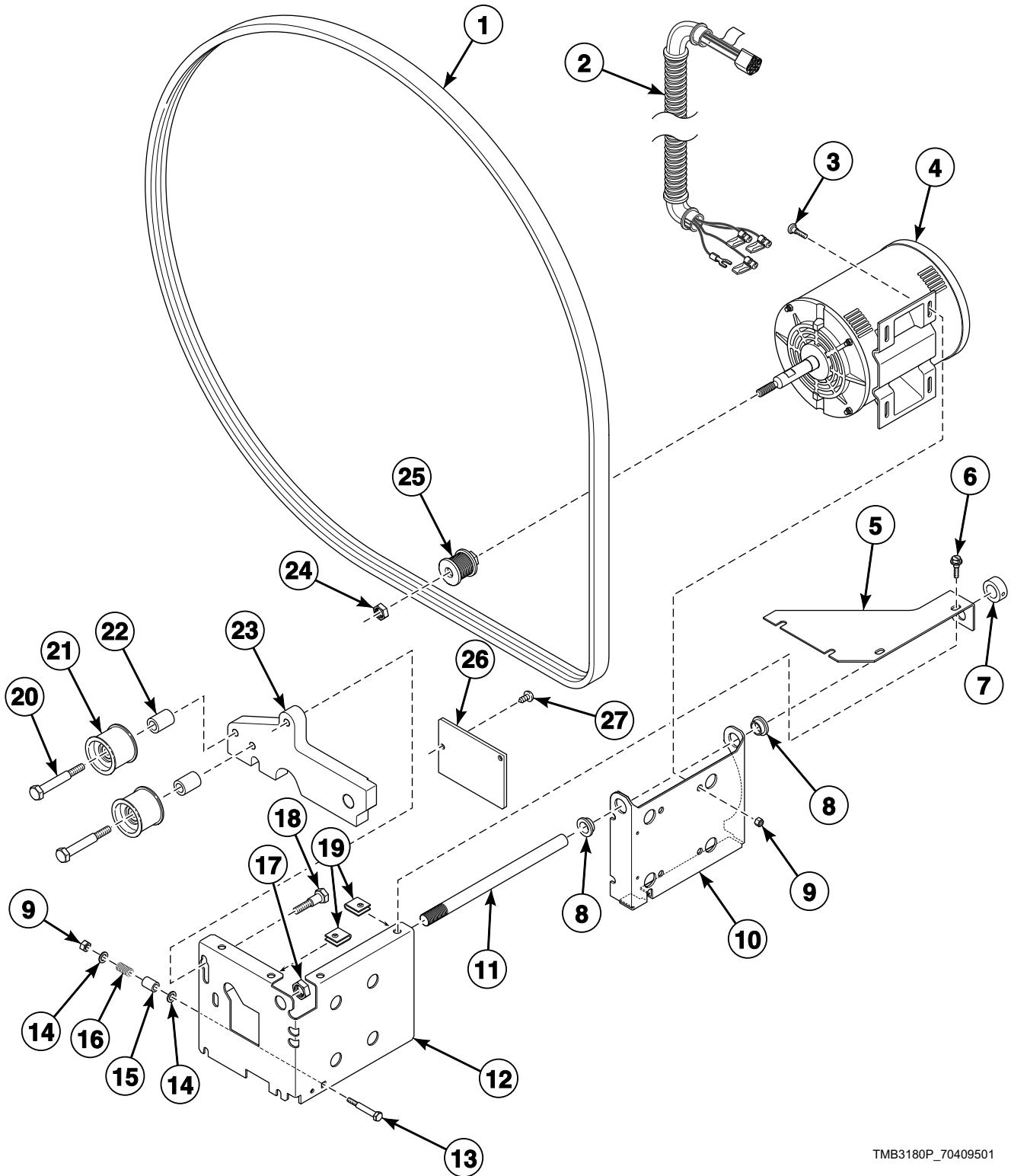


TMB3079P_70409501

Drive Motor Components for Nonreversing Models

REF	PART NO.	DESCRIPTION	COMMENTS
1	70276201P	Belt	105.5 inches
2	70401001	Cylinder Motor Harness Assembly	Models through 2/28/10; 1 Phase; 3 Phase electric with 240 Volt and below
	70401101	Cylinder Motor Harness Assembly	Models through 2/28/10; 3 Phase except electric with 240 Volt and below
	70439701	Cylinder Motor Harness Assembly	Models starting 3/1/10; 1 Phase; 3 Phase electric with 240 Volt and below
	70440101	Cylinder Motor Harness Assembly	Models starting 3/1/10; 3 Phase except electric with 240 Volt and below
3	23222	Screw	2 required
4	70321701	Motor Conduit Mounting Bracket	
5	70337801P	Drive Motor	100 or 100-200 Volt/50 Hertz/1 Phase and 100 or 100-200 or 120 or 208-240 Volt/60 Hertz/1 Phase; Electric, 200 volt/50 Hertz/1 Phase, 200 or 208 or 240 Volt/60 Hertz/1 Phase, 200 Volt/50 Hertz/3 Phase, 200-208 or 240 Volt/60 Hertz/3 Phase
	70337901P	Drive Motor Kit	120 or 208-240 Volt/60 Hertz/1 Phase; Low Amp
	70338001P	Drive Motor Kit	230 or 230-240 Volt/50 Hertz/1 Phase; Electric, 230 or 230-240 Volt/50 Hertz/3 Phase
	70338101P	Drive Motor	200 or 230, 230-240, 380, 400, 400-415 Volt/50 Hertz/3 Phase; 200-208 or 240, 380, 440, 460-480 Volt/60 Hertz/3 Phase
6	M410296	Motor Capacitor	Start; For 70337801P Drive Motor and 70338001P Drive Motor Kit
	70211502	Motor Capacitor	Start; For 70337901 Drive Motor on 20 Amp
	70211401	Motor Capacitor	Run; For 70337901 Drive Motor on 20 Amp
7	70284201	Motor Pulley	60 Hertz
	70284203	Motor Pulley	50 Hertz
8	70062401	Bolt	
9	430497	Screw	
10	70202501	Drive Access Cover	
11	27222	Nut	4 required
12	70566401	Screw	
13	70127301	Motor Mount Bracket	
14	M412986	Nut	
15	M4853P3	Belt Tension Tool Kit	
16	70261701	Motor Channel	
17	29796	Nut	
18	70443301	Idler Bracket	
19	70270301	Washer	
20	70045301	Drum Idler Spring	With silencer
21	70265901	Washer	
22	M400056	Screw	
23	430648	Screw	
24	70050401P	Idler Wheel Assembly	
25	70259901	Cylinder Idler Arm	
26	56156	Nut	
27	70334701	Double Ended Stud	

Drive Motor Components for Reversing Models

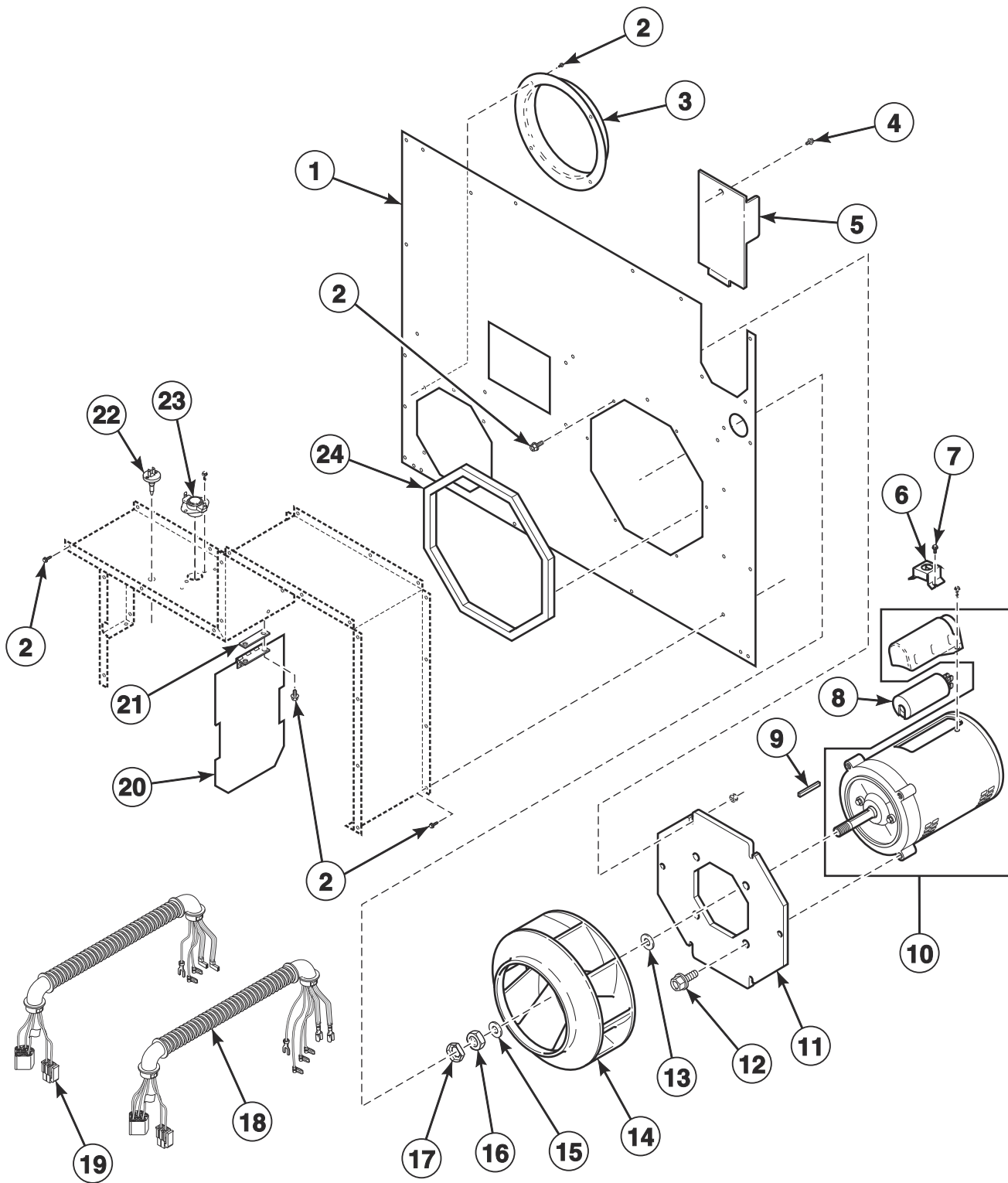


TMB3180P_70409501

Drive Motor Components for Reversing Models

REF	PART NO.	DESCRIPTION	COMMENTS
1	70276201P	Belt	
2	70465801	Cylinder Motor Harness Assembly	
3	70062401	Bolt	4 required
4	70459001P	Drive Motor	200-208 or 240, 440, 460-480 Volt/60 Hertz/3 Phase and 380, 400-415 Volt/50 Hertz/3 Phase
5	70464201	Motor Plate Cover	2 required
6	M400057	Screw	8 required
7	70467001	Shaft Collar	
8	44239501	Bushing	2 required
9	M412986	Nut	5 required
10	44261401	Drive Motor Plate	
11	70464401	Support Rod	
12	70464101	Motor Bracket	
13	70467501	Bolt	
14	M405535	Washer	2 required
15	70471701	Spacer	
16	70467601	Compression Spring	
17	F431025	Nut	
18	M400043	Screw	4 required
19	27222	Nut	4 required
20	F8368701	Screw	2 required
21	70050401P	Idler Wheel Assembly	2 required
22	70464601	Idler Spacer	2 required
23	70464501	Idler Holder	
24	70466601	Nut	
25	70457403	Motor Pulley	50 Hertz
	70457401	Motor Pulley	60 Hertz
26	70466001	Belt Access Cover	
27	430497	Screw	

Blower Components



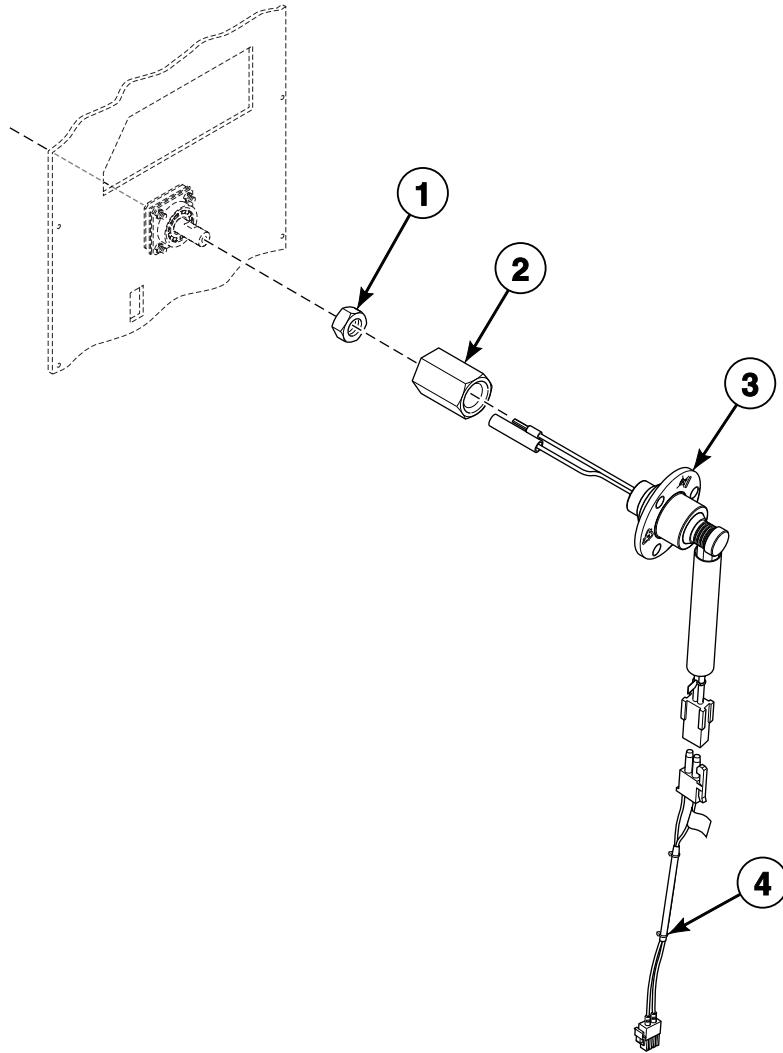
TMB2652P_70409501

Blower Components

REF	PART NO.	DESCRIPTION	COMMENTS
1	70290201	Lower Rear Panel	
2	430497	Screw	
3	70015601	Exhaust Thimble	Standard models; 8 inches
	70477901	Exhaust Adapter	Eco models; 6 inches
4	M411072	Screw	
5	70196301	Drive Access Cover	
6	70321701	Motor Conduit Mounting Bracket	
7	23222	Screw	2 required
8	70211501	Motor Capacitor	Start; For all blower motors except 70342601P Blower Motor
9	70144101	Key	
10	70337501P	Blower Motor	100 or 100-200 Volt/50 Hertz/1 Phase and 100 or 100-200 or 120 or 208-240 Volt/60 Hertz/1 Phase; Electric, 200 volt/50 Hertz/1 Phase, 200 or 208 or 240 Volt/60 Hertz/1 Phase, 200 Volt/50 Hertz/3 Phase, 200-208 or 240 Volt/60 Hertz/3 Phase
	70337601P	Blower Motor Kit	120 or 208-240 Volt/60 Hertz/1 Phase; Low Amp
	70337701P	Blower Motor Kit	230 or 230-240 Volt/50 Hertz/1 Phase; Electric, 230 or 230-240 Volt/50 Hertz/3 Phase
	70342601P	Blower Motor	200 or 230, 230-240, 380, 400, 400-415 Volt/50 Hertz/3 Phase; 200-208 or 240, 380, 440, 460-480 Volt/60 Hertz/3 Phase
11	70349601	Blower Motor Mounting Plate	
12	70126101	Screw	
13	70599301	Fan Spacer	
14	70359801P	Blower Assembly	
15	F431131	Washer	
16	M400022	Nut	
17	M400034	Nut	
18	70401301	Fan Motor Harness Assembly	Models through 2/28/10; 3 Phase except electric with 240 Volt and below
	70440201	Fan Motor Harness Assembly	Models starting 3/1/10; 3 Phase except electric with 240 Volt and below
19	70401201	Fan Motor Harness Assembly	Models through 2/28/10; 1 Phase; 3 Phase electric with 240 Volt and below
	70439801	Fan Motor Harness Assembly	Models starting 3/1/10; 1 Phase; 3 Phase electric with 240 Volt and below
20	70209501	Damper and Hinge Exhaust Assembly	
21	N/A	Damper Spacer	
22	M414704	Thermistor	
23	M411945	Manual Reset Thermostat	Australian models
	M411307	Limit Thermostat	All other models
24	70392701P	Gasket	For blower housing opening

N/A = Part no longer available

Moisture Sensing Components

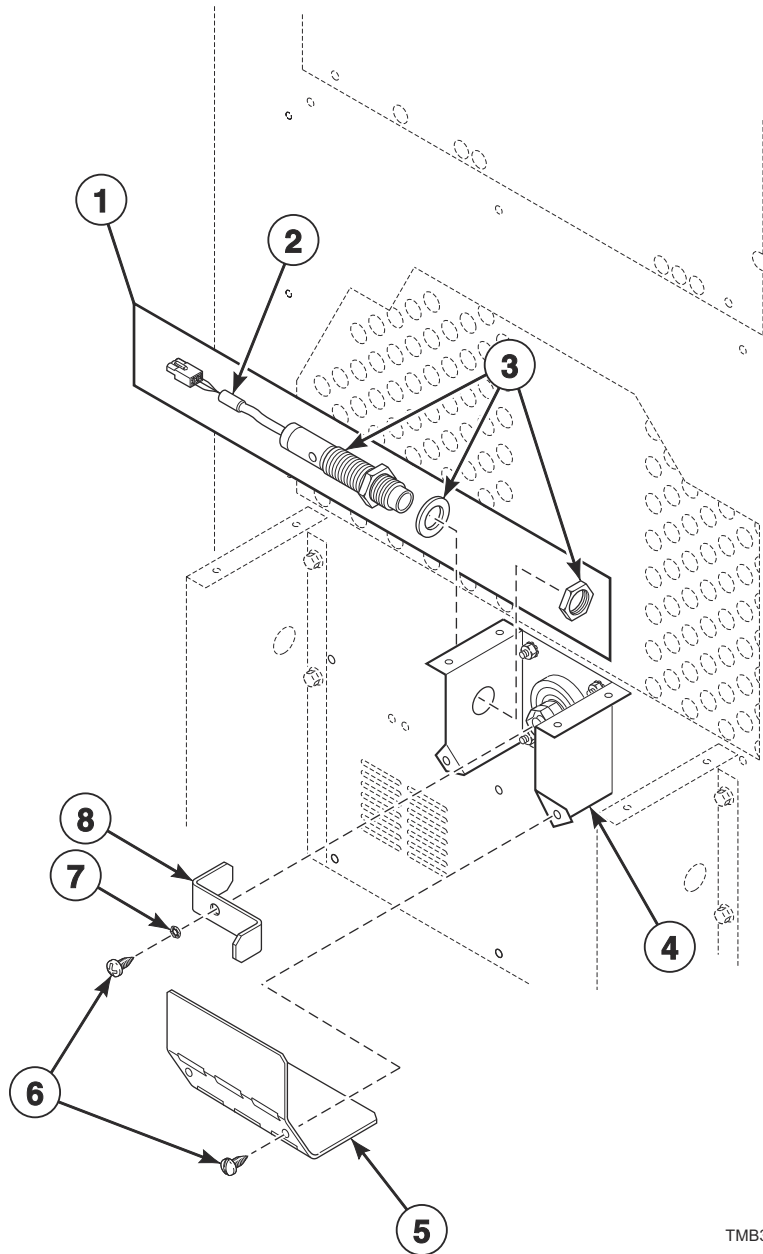


TMB3147P_70409501

Moisture Sensing Components

REF	PART NO.	DESCRIPTION	COMMENTS
	70468901	Moisture Sensor Test Wires	Use to troubleshoot the moisture sensor circuit
1	M400033	Nut	
2	70455401	Slip Ring Holder	
3	44222702	Slip Ring Assembly	
4	70448902	Moisture Sensor Harness Assembly	

Rotation Sensor

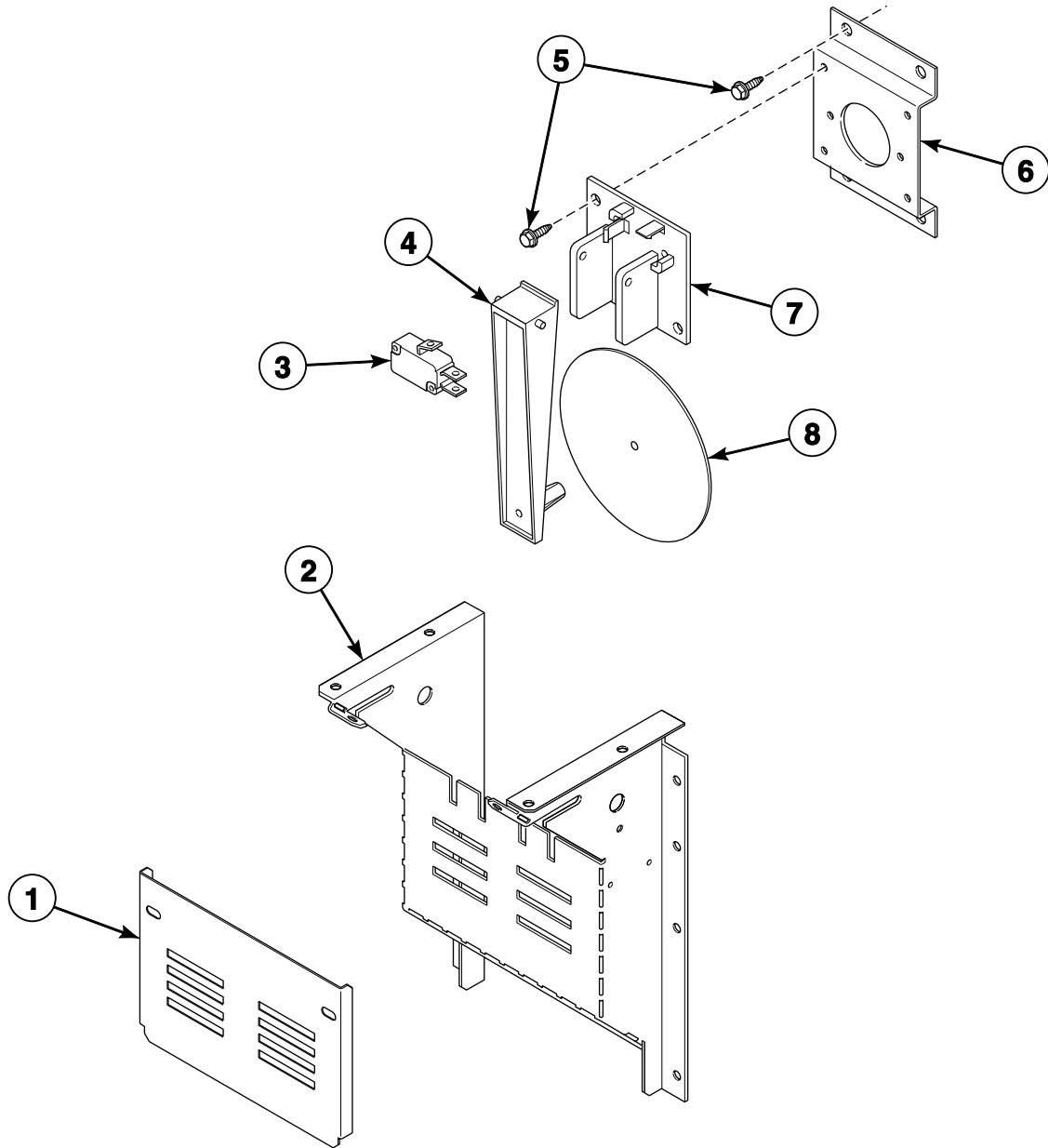


TMB3432P_70409501

Rotation Sensor

REF	PART NO.	DESCRIPTION	COMMENTS
1	7009P	Rotation Sensor Kit	Includes items 2, 3 and 7; 3B, 3K, 3L, 3O, 3V, 3W, 3X, DO, DV, DX and R3 control suffixes
2	70476101	Rotation Sensor Harness	3B, 3K, 3L, 3O, 3V, 3W, 3X, DO, DV, DX and R3 control suffixes
	F8066401	Rotation Sensor Harness	EO, RE, RU and UO control suffixes
3	F8066201	Rotation Sensor	
4	70021401	Bearing Housing Bracket	
5	44044301	Rotation Sensor Cover	
6	70153301	Screw	
7	M400034	Nut	
8	44044401	Rotation Sensor Bracket	

Airflow Switch

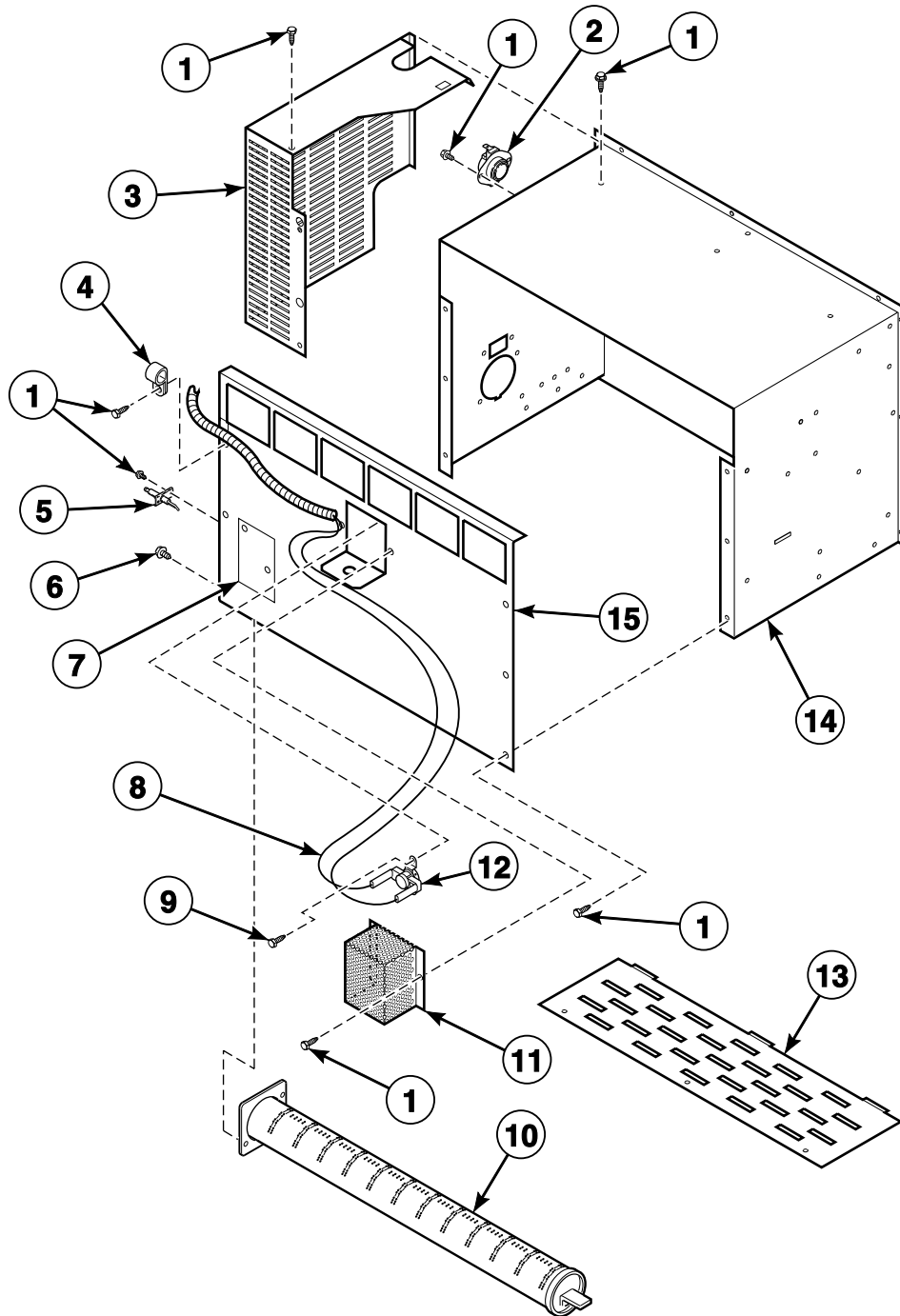


TMB3126P_70409501

Airflow Switch

REF	PART NO.	DESCRIPTION	COMMENTS
1	70356601	Airflow Switch Cover	Non-moisture sensing
	70465701	Airflow Switch Cover	Moisture sensing
2	70356101	Airflow Switch Wrapper	
3	70411901	Switch	
4	70319401	Airflow Switch Arm	
5	430497	Screw	
6	70356301	Switch Bracket	Standard models and Eco gas models
7	70319602	Airflow Switch and Arm Bracket	
8	70319201	Airflow Switch Vane	

Gas Burner Housing and Secondary Stove Limit

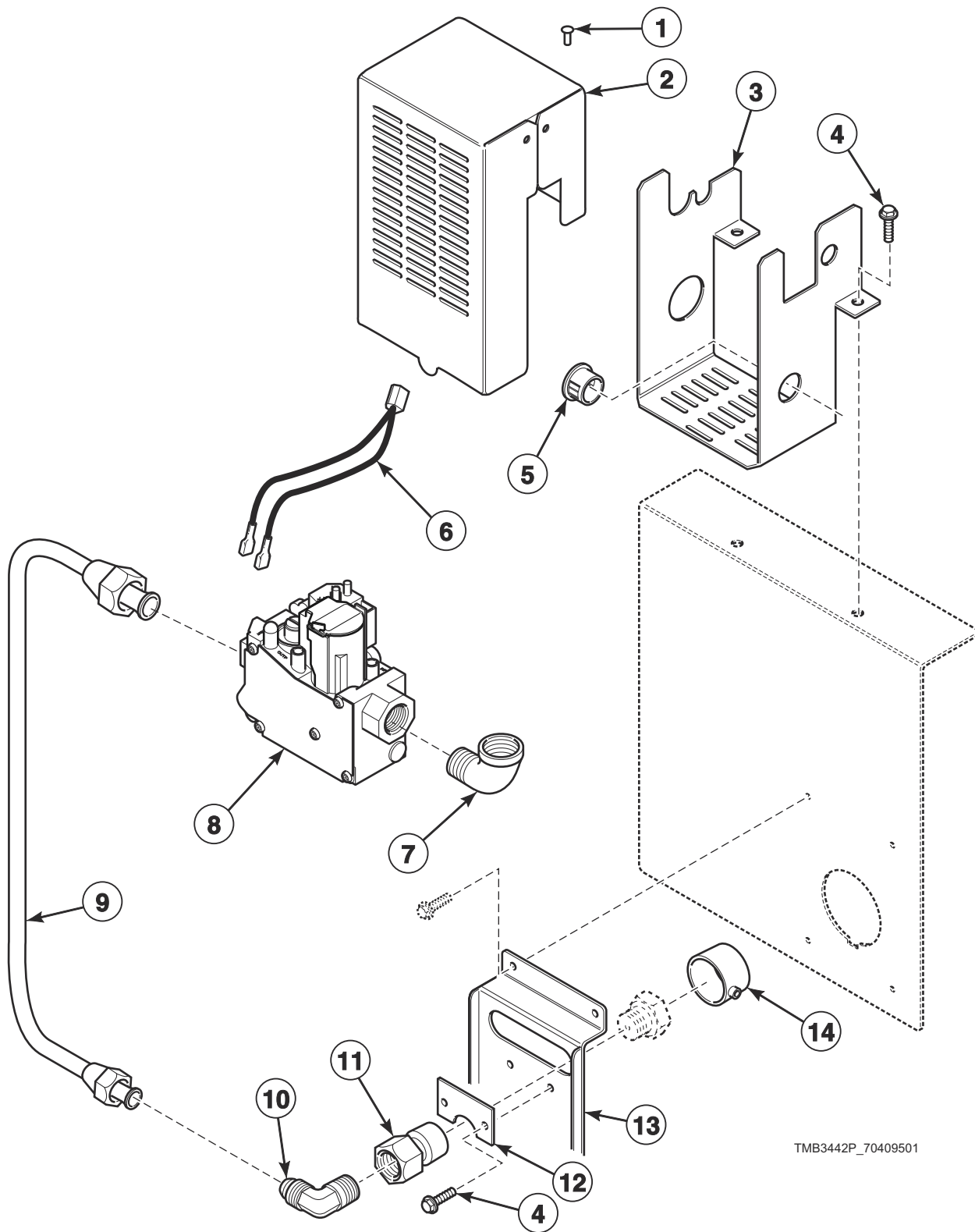


TMB2367P_70409501

Gas Burner Housing and Secondary Stove Limit

REF	PART NO.	DESCRIPTION	COMMENTS
	M4902P3	Stove Limit Kit	Australian models; Models through Serial No. 0311000078; In addition, order 70299101 Secondary Stove Limit Kit
	70522701P	Direct Air Kit	
	70491801	Heat Exchanger	
1	430497	Screw	
2	70186301	Manual Reset Thermostat	Australian and Korean models
	M410542	Limit Thermostat	All other models
3	70381001	Gas Valve Cover	CE and Australian models; Models through 12/31/13
	70429901	Gas Valve Cover	CE and Australian models; Models through 12/31/13
4	70203701	Pipe Clip	
5	70032801P	Spark Electrode	Models through 9/16/12
	70548701P	Spark Electrode	Models starting 9/17/12
6	05161	Screw	
7	70159601	Igniter Cover	
8	70316501	Stove Limit Harness	
9	M405188	Screw	2 required
10	70229801P	Gas Burner	
	70546701	Anti-Rattle Burner Assembly	Includes 70229801P Gas Burner, 431318 Control Door Latch and M400003 Pop Rivet
11	M414477	Thermostat Cover	
12	D510701	Limit Thermostat	Secondary
13	70188801	Burner Grill	
14	70333401	Stove Top and Sides	
15	70297401	Stove Back	

Gas Valve Assembly - Non-CE and Non-Australian Gas Models

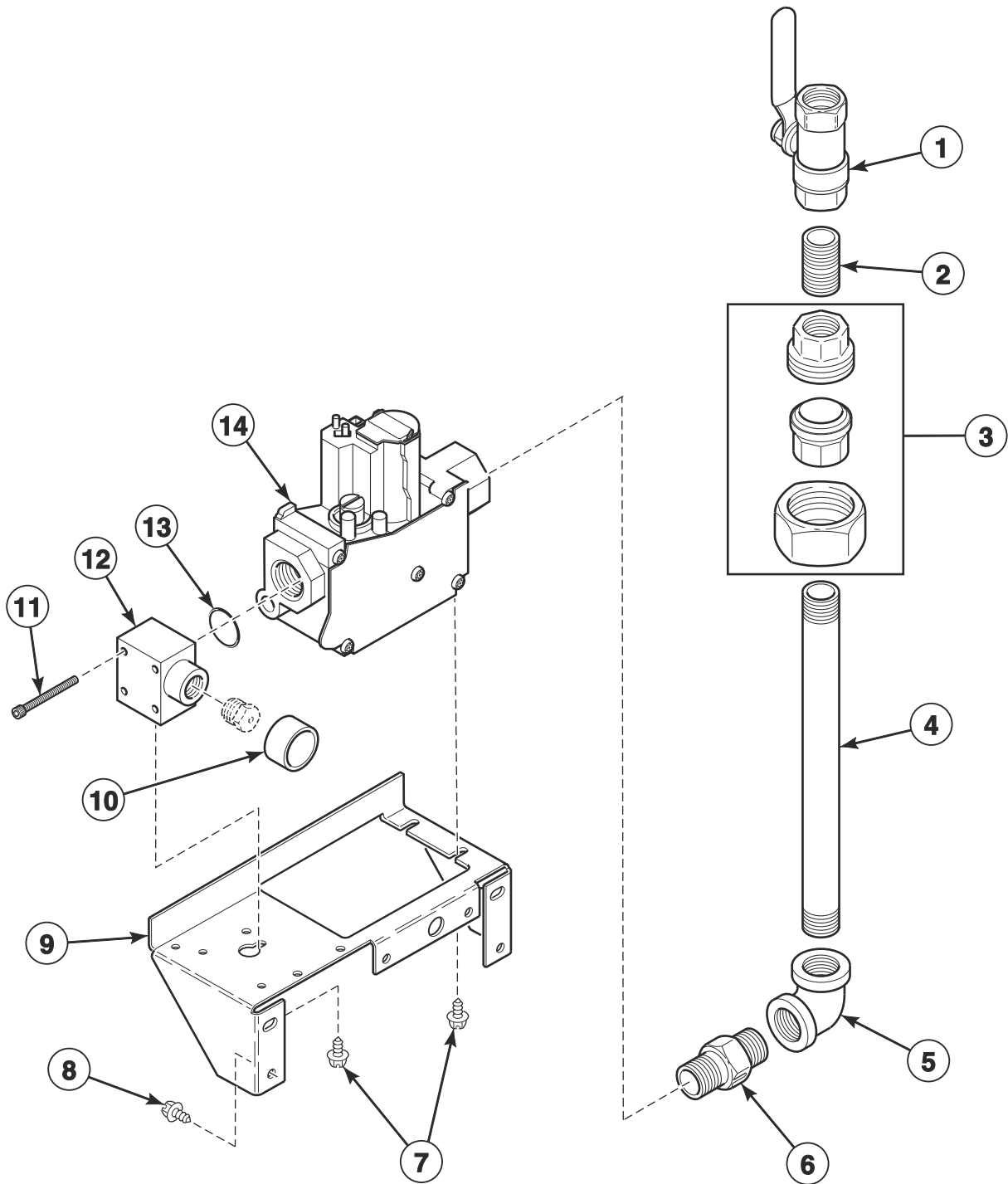


TMB3442P_70409501

Gas Valve Assembly - Non-CE and Non-Australian Gas Models

REF	PART NO.	DESCRIPTION	COMMENTS
	M4711P3	L.P. Conversion Kit	Natural Gas (N.G.) models; 0-2,000 feet; 90,000 Btu input
	M4969P3	Replacement Gas Valve Kit	N.G. models; Use to replace old valve before 2/1/10 with new valve
	M4971P3	Replacement Gas Valve Kit	Liquid Petroleum Gas (L.P.) models; Use to replace old valve before 2/1/10 with new valve
1	M405750	Pop Rivet	4 required
2	70429901	Gas Valve Cover	
3	70429801	Gas Valve Bracket	
4	430497	Screw	10 required
5	M400770	Snap Bushing	
6	M412997	Harness Assembly	
7	H86070034	Street Elbow	
8	44154501P	Gas Valve	N.G. models
	44154502P	Gas Valve	L.P. models; Models through 12/31/13
	44154503	N.G. Valve	N.G. models
	44154504	L.P. Valve	L.P. models; Models through 12/31/13
9	70271201	Gas Line Assembly	
10	70208701	Elbow	2 required
11	70379301	Orifice Adapter	
12	70249001	Orifice Keeper Bracket	
13	70248901	Orifice Holder Bracket	
14	70684120	Burner Orifice	Standard L.P. models; Drill no. 36 (2.7 mm); 0-2,000 feet
	70684118	Burner Orifice	Standard L.P. models; Drill no. 38 (2.6 mm); 2,001-4,000 feet
	70684117	Burner Orifice	Standard L.P. models; Drill no. 39 (2.5 mm); 4,001-6,000 feet
	70684115	Burner Orifice	Standard L.P. models; Drill no. 41 (2.4 mm); 6,001-8,000 feet
	70684114	Burner Orifice	Standard L.P. models; Drill no. 42 (2.4 mm); 8,001-10,000 feet
	70684148	Burner Orifice	Standard N.G. models; Drill no. 15 (4.6 mm); 0-2,000 feet
	70684147	Burner Orifice	Standard N.G. models; Drill no. 16 (4.5 mm); 2,001-4,000 feet
	70684144	Burner Orifice	Standard N.G. models; Drill no. 18 (4.3 mm); 4,001-6,000 feet
	70684143	Burner Orifice	Standard N.G. models; Drill no. 19 (4.2 mm); 6,001-8,000 feet
	70684142	Burner Orifice	Standard N.G. models; Drill no. 20 (4.1 mm); 8,001-10,000 feet
	70684134	Burner Orifice	Eco N.G. models; 50 Hertz; Drill no. 28 (3.6 mm); 0-2,000 feet
	70684132	Burner Orifice	Eco N.G. models; 50 Hertz; Drill no 29; 2,001-4,000 feet
	70684131	Burner Orifice	Eco N.G. models; 50 Hertz; 3.4 mm; 4,001-6,000 feet
	70684129	Burner Orifice	Eco N.G. models; 50 Hertz; Drill no. 30; 6,001-8,000 feet
	70684127	Burner Orifice	Eco N.G. models; 50 Hertz; 3.1 mm; 8,001-10,000 feet
	70684137	Burner Orifice	Eco N.G. models; 60 Hertz; Drill no. 25 (3.8 mm); 0-2,000 feet
	70684134	Burner Orifice	Eco N.G. models; 60 Hertz; Drill no. 28 (3.6 mm); 2,001-4,000 feet
	70684133	Burner Orifice	Eco N.G. models; 60 Hertz; 3.5 mm; 4,001-6,000 feet
	70684131	Burner Orifice	Eco N.G. models; 60 Hertz; 3.4 mm; 6,001-8,000 feet
	70684128	Burner Orifice	Eco N.G. models; 60 Hertz; Drill no. 1/8 (3.2 mm); 8,001-10,000 feet
15	70239801	Primary Air Adjustment Sleeve	

Gas Valve and Piping - CE and Australian Gas Models



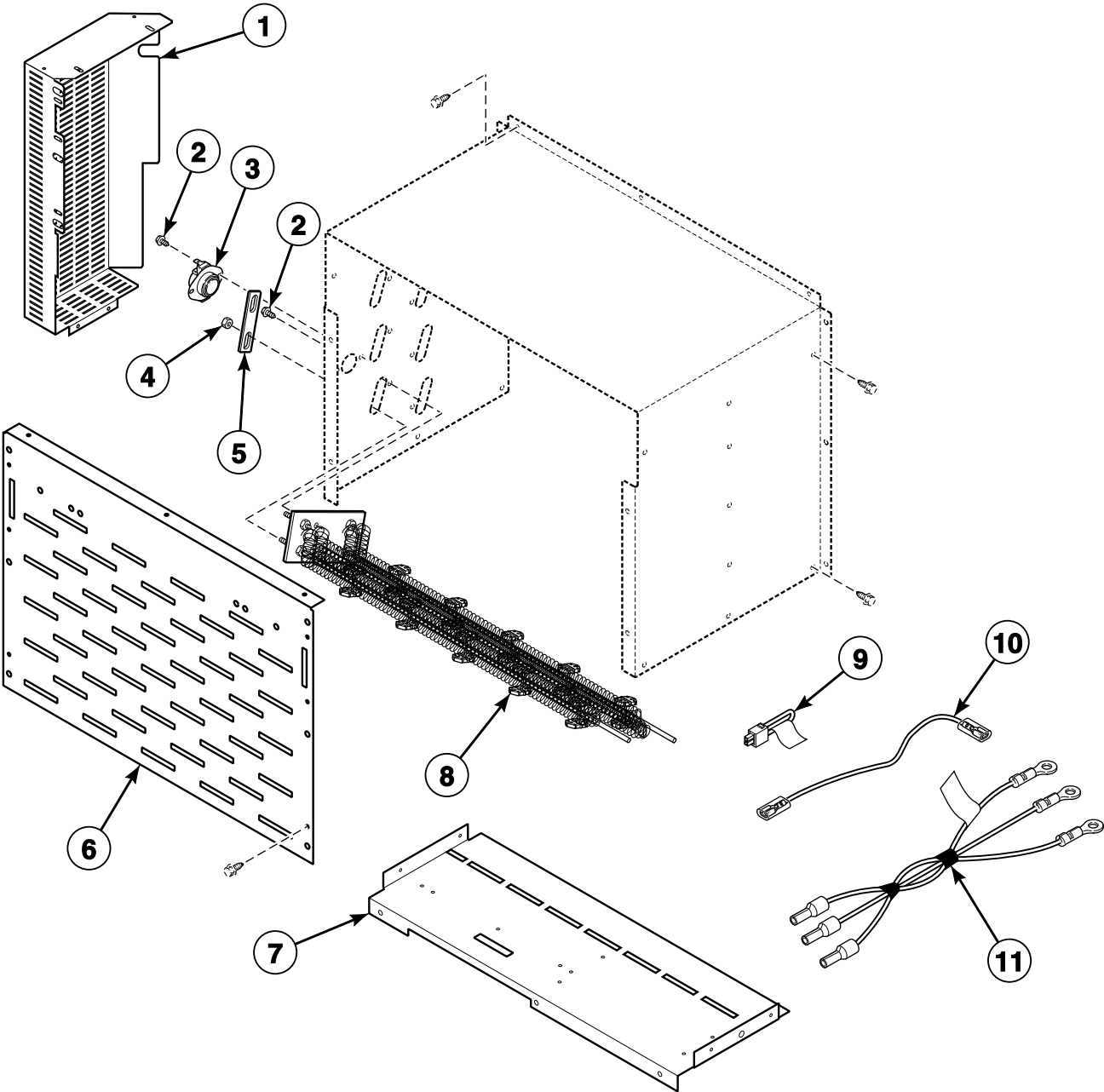
TMB3443P_70409501

Gas Valve and Piping - CE and Australian Gas Models

REF	PART NO.	DESCRIPTION	COMMENTS
	K555	L.P. Conversion Kit	Regulated; Natural Gas (N.G.) to Liquid Petroleum Gas (L.P.); CE models; Must also order orifice, refer to Installation Manual
	M4711P3	L.P. Conversion Kit	N.G.; 0-2,000 feet; Australian models
	M405434P	L.P. Valve Conversion Kit	Unregulated; Must also order orifice, refer to Installation Manual; Use with 44154503 N.G. Valve
	70184001	Gas Valve Harness	CE models; Use with item 14
	M413650	Gas Valve Harness Assembly	Australian models; Use with item 14
	70239801	Primary Air Adjustment Sleeve	
	44257501	Gas Valve Coil Kit	Use to replace gas valve coils on 70457301P and 70457302P Valves
	70260101	Gas Valve Coil	24 Volt; Models through 12/31/13
1	M412562P	Gas Shut-Off Valve	Models through 1/31/10
2	901403	Pipe Nipple	1/2 NPT; Models through 1/31/10
3	H86000031	Union	Models through 1/31/10
4	70139601	Pipe Nipple	
5	70079601	Elbow	
6	70131901	Adapter	BPT/NPT
7	23222	Screw	
8	430497	Screw	
9	70233301	Gas Valve Bracket	
10	70239801	Primary Air Adjustment Sleeve	
11	431484	Screw	
12	70223501	Spud Adapter	
13	431482	O-Ring	
14	70457301P	N.G. Valve	Regulated; Models through 12/31/13
	44154503	N.G. Valve	Regulated; Models starting 1/1/14
	70457302P	L.P. Valve	Unregulated; Models through 12/31/13
	44154504	L.P. Valve	Unregulated; Models starting 1/1/14

NOTE: For CE gas and orifice information, refer to Installation Manual.

Electric Heater Components

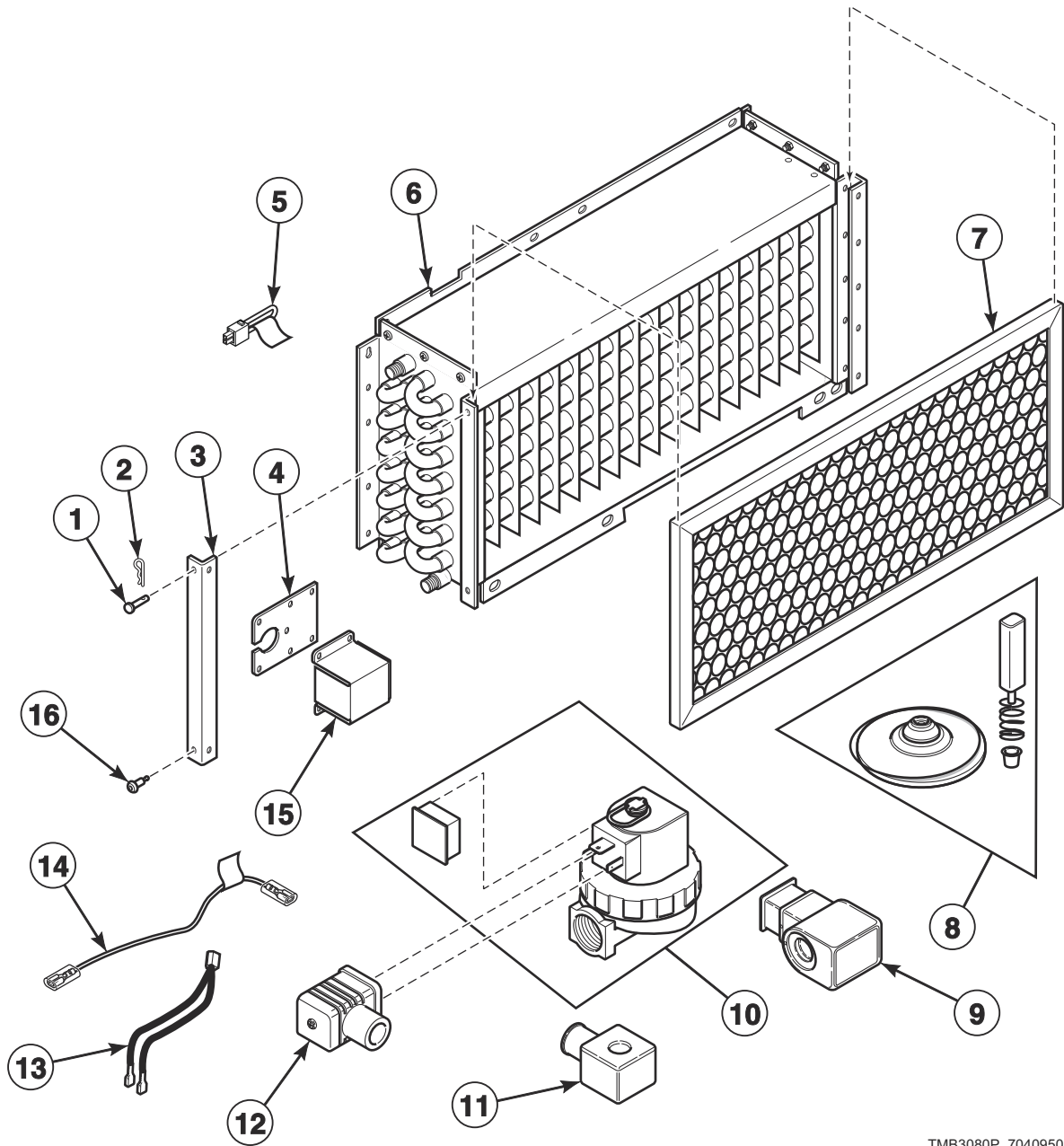


TMB3148P_70409501

Electric Heater Components

REF	PART NO.	DESCRIPTION	COMMENTS
	70522801P	Direct Air Kit	
	70491801	Heat Exchanger	
1	70365201	Stove Connectors Cover	
2	430497	Screw	
3	M409433	Limit Thermostat	
4	70054	Nut	
5	70066501	Jumper Bar	2 required on 380, 400, 400-415 and 460-480 Volt
	M400869	Jumper Strip	3 required for 460-480 Volt; 6 required for all other voltages
6	70214901	Stove Grill	
7	70357201	Stove Partition	
8	70034404P	Heater Element	Standard non-CE and non-Australian models; 3 required; 8 kW; 208 Volt heater element for 200-208 Volt/1 or 3 Phase
	70034405P	Heater Element	Standard models; 3 required; 8 kW; 220 Volt heater element for 380 and 440 Volt/3 Phase
	70034406P	Heater Element	Standard models; 3 required; 8 kW; 240 Volt heater element for 230-240 Volt/1 or 3 Phase and 400-415 and 460-480 Volt/3 Phase
	70034412P	Heater Element	Standard CE models; 3 required; 6 kW; 240 Volt heater element for 400-415 Volt/3 Phase; Low wattage
	70034414P	Heater Element	Eco models; 3 required; 4 kW; 220 Volt heater element for 380 and 440 Volt/3 Phase
	70034416P	Heater Element	Eco models; 3 required; 4 kW; 240 Volt heater element for 400-415 Volt/50 Hertz or 240 and 460-480 Volt/60 Hertz
	70034415P	Heater Element	Eco models; 3 required; 4 kW; 208 Volt heater element for 200-208 Volt/3 Phase
9	70316601	Stove Limit Bypass Harness	
10	70066601	Jumper Wire	1 required for 460-480 Volt
11	70371301P	Cable Set Heater Assembly	H1-H3
	70371401P	Cable Set Heater Assembly	H4-H6; 240 Volt or less

Steam Heater Components

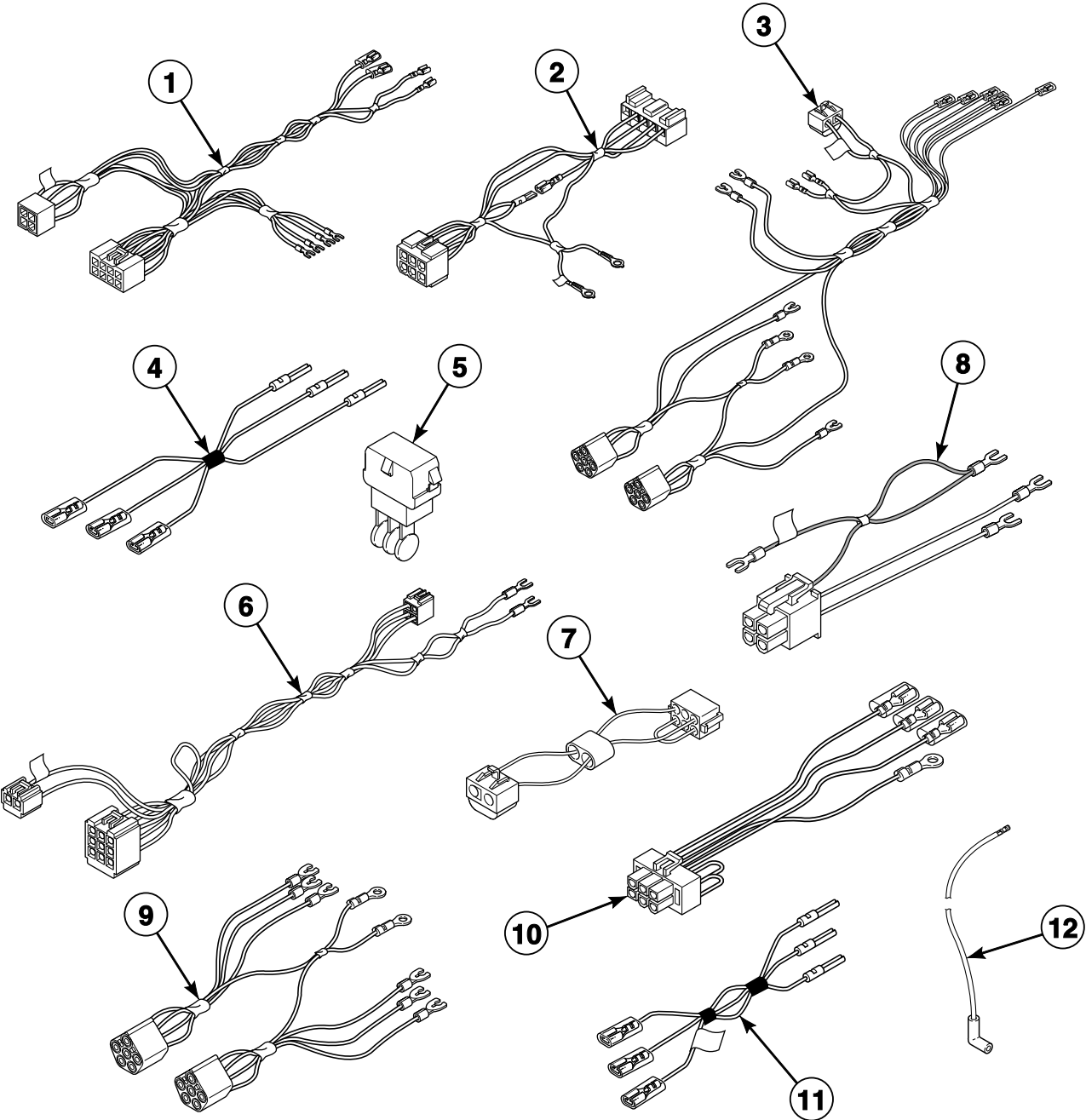


TMB3080P_70409501

Steam Heater Components

REF	PART NO.	DESCRIPTION	COMMENTS
	F8382301	DIN Valve Adapter Kit	Use with F8322902 Steam Valves
	F8514801	Valve Coil	Use with F8322902 Steam Valves
1	70389201	Clevis Pin	To secure 70369301 Steam Filter Holder
2	70389301	Hairpin Cotter	To secure 70369301 Steam Filter Holder
3	70369301	Steam Filter Holder	
4	70369401	Steam Valve Harness Bracket	
5	70316601	Stove Limit Bypass Harness	
6	70369101P	Steam Coil	4 rows
7	70429401	Filter	CE models
	70036001	Air Filter	All other models
8	70351021P	Steam Valve Rebuild Kit	Parker; Use with 70351001P and 70351002P Steam Valves
	F8379502	Valve Rebuild Kit	Asco; Use with F8322902 and F8322903 Steam Valves
9	70351012	Steam Solenoid	24 Volt/50 Hertz
10	F8521701	Valve Kit	Parker valve replacement kit; To replace 70351001 Steam Valve
	F8322903	Steam Valve	50 Hertz
	F8322902	Steam Valve	60 Hertz; Asco
11	70351011P	Steam Solenoid	24 Volt/60 Hertz
12	70370301P	Solenoid Valve DIN Connector	
13	M412997	Harness Assembly	
14	70389901	Steam Stove Limit Bypass Harness	
15	70369501	Steam Valve Wiring Cover	
16	70058501	Pop Rivet	To secure 70369301 Steam Filter Holder

Control Tray Harnesses for Gas Models

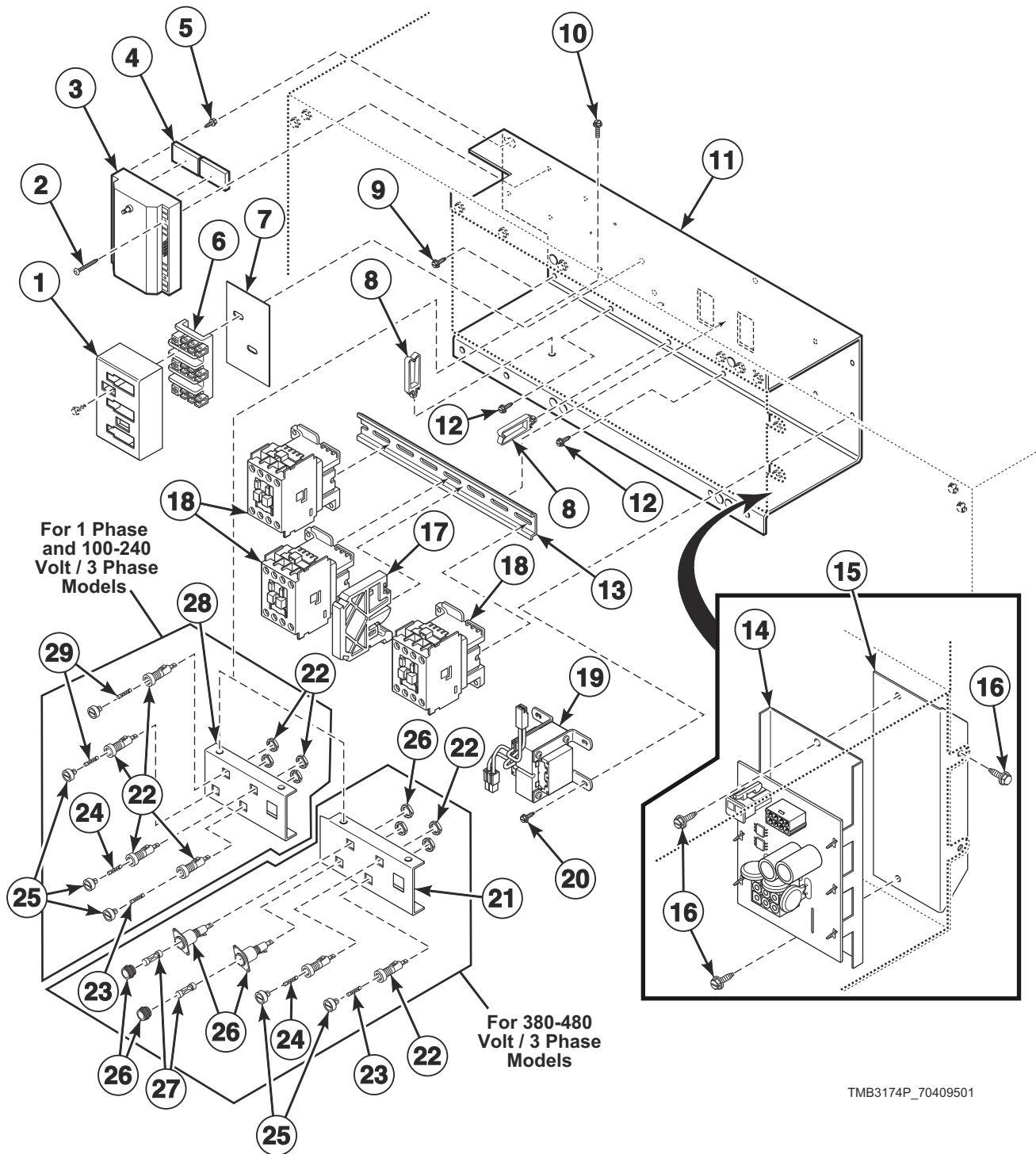


TMB3173P_70409501

Control Tray Harnesses for Gas Models

REF	PART NO.	DESCRIPTION	COMMENTS
1	70315801	Junction Box Harness	Models through 7/8/12
	70464701	Control Tray Harness	Models starting 7/9/12
2	44186901	Ignition Control Harness	CE and Australian models; Models with EO, RE, RU and UO control suffixes
	44136601P	Ignition Control Harness	CE and Australian models; Models with all other control suffixes
	44186701	Ignition Control Harness	Non-CE models
3	70316101P	Power Harness	CE and Australian models; Models through 2/28/10; 3 Phase with less than 380 Volts
	70347701P	Power Harness	Models through 2/28/10; Contactor; 1 Phase
	70332201	Power Harness	Models through 2/28/10; 3 Phase with 380 Volts or higher
	70439001	Power Harness	CE and Australian models; Models starting 3/1/10 through 7/8/12; 3 Phase with less than 380 Volts
	70445501	Power Harness	Models starting 3/1/10 through 7/8/12; Contactor; 1 Phase
	70438901	Power Harness	Models starting 3/1/10 through 7/8/12; 3 Phase with 380 Volts or higher
	70464901	Power Harness	CE and Australian models; Models starting 7/9/12; 3 Phase with less than 380 Volts
	70469701	Power Harness	Models starting 7/9/12; Contactor; 1 Phase
	70465001	Power Harness	Models starting 7/9/12; 3 Phase with 380 Volts or higher
4	70120901	Jumper Disconnect Assembly	CE and Australian models
5	M413863	Network Capacitor Assembly	3L, 3O, 3V, 3X, DO, DV, DX and OM control suffixes
6	70471901	Reversing Control Board Harness	3B, 3K, 3W, BB, BK, BW and BZ control suffixes
7	M413504	Jumper Harness Assembly	100 Volt
	M413505	Jumper Harness Assembly	120 Volt
	M413506	Jumper Harness Assembly	208 Volt
	M413507	Jumper Configuration Assembly	240 Volt
	M413508	Jumper Harness Assembly	380 Volt
	M413510	Jumper Configuration Assembly	480 Volt
8	70465301	Reversing Contactor Harness	Reversing
9	70320201	Motor Contactor Harness	Models through 2/28/10; 3 Phase
	44142601P	Motor Contactor Harness	Models starting 3/1/10 through 7/8/12; 3 Phase
	70469301	Motor Contactor Harness	Models starting 7/9/12; 3 Phase
10	M413878	Network Capacitor Harness Assembly	Models through 7/8/12; 3L, 3O, 3V, 3X, DO, DV, DX and OM control suffixes
	44143401P	Network Capacitor Harness Assembly	Models starting 7/9/12; Also order 00177 Male Tab Terminal; 3L, 3O, 3V, 3X, DO, DV, DX and OM control suffixes
11	70342101	Gas Disconnect Harness	CE and Australian models; Models through 2/28/10
	70440501	Gas Disconnect Harness	CE and Australian models; Models starting 3/1/10
12	70006201	High Voltage Lead	Models through 9/16/12; Use with 70367301P or 70367401P Ignition Control
	44239702	High Voltage Suppression Cable	Models starting 9/17/12; Use with 70458601, 70458701 or 70483201 Ignition Control

Control Tray for Non-CE and Non-Australian Gas Models

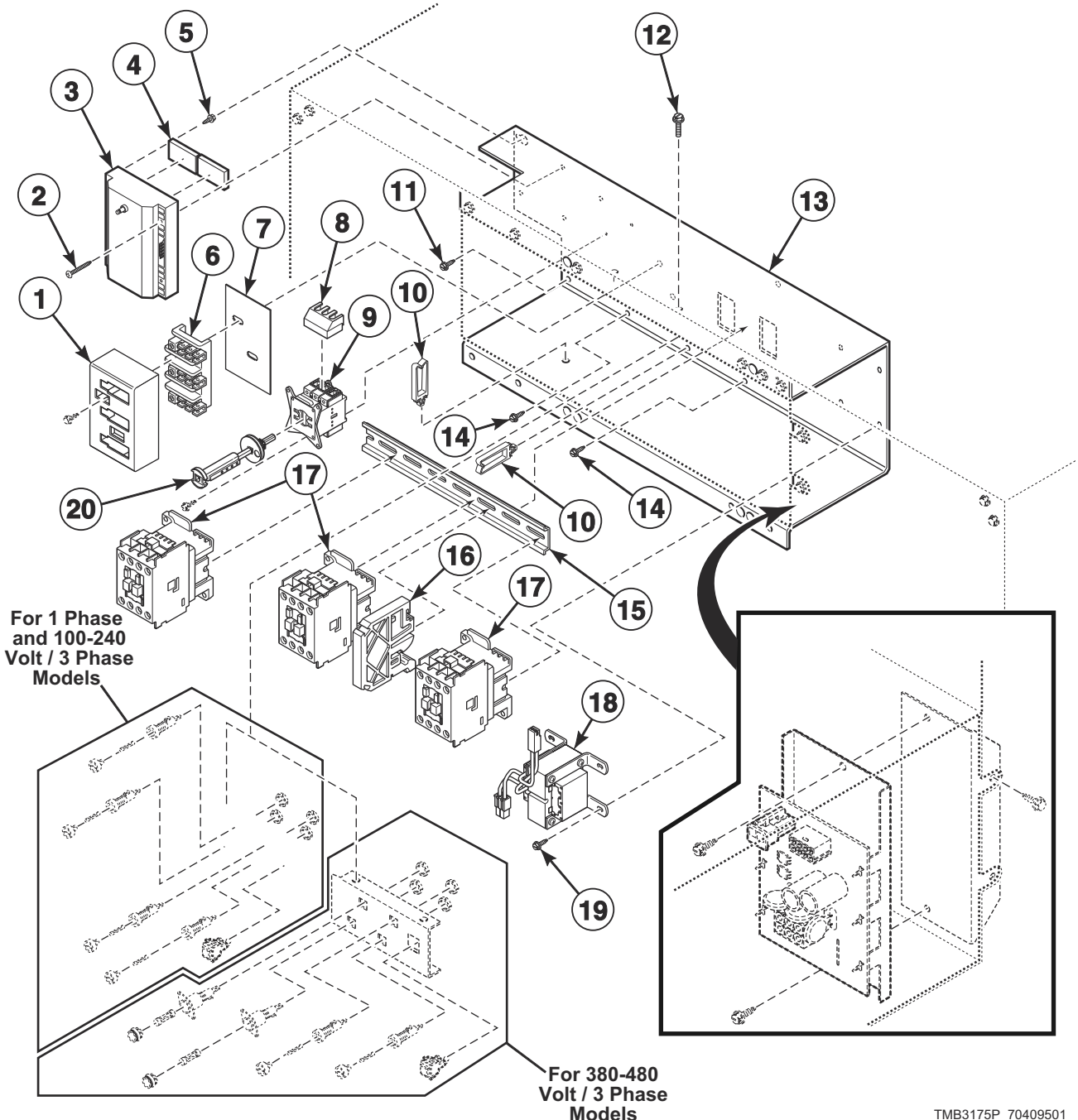


TMB3174P_70409501

Control Tray for Non-CE and Non-Australian Gas Models

REF	PART NO.	DESCRIPTION	COMMENTS
	70030501	Expansion Clip	4 required; Used on item 19
	M403047	Secure Ground Label	
	44324001	Warning Label	Extended tumble; On control tray cover
1	70333001	Terminal Block Shield	
2	51783	Screw	2 required
3	70492701	Ignition Control Kit	Models through 9/16/12; Use with 44239702 High Voltage Suppression Lead
	70458601P	Ignition Control	24 Volt; Models starting 9/17/12; Use with 44239702 High Voltage Suppression Lead
4	56128	Bumper Pad	2 required
5	38272	Screw	
6	430642	Terminal Block	
7	M413862	Insulator	
8	70366201	Wire Clip	
9	430497	Screw	3 required
10	51780	Screw	2 required
11	70469201	Control Tray	
12	M402917	Screw	4 required
13	M412693	Din Rail	
14	70469901	Reversing Control Assembly	3B, 3K, 3W, BB, BW and BZ control suffixes
15	70472601	Bracket	3B, 3K, 3W, BB, BW and BZ control suffixes
16	F8206901	Screw	4 required
17	F330186P	Interlock Contactor	Reversing
18	70323701P	Contactora	1 required for nonreversing; 3 required for reversing
19	M414312P	Transformer	120 Volt; Dual secondary
	M414230P	Transformer	120 Volt; Primary/secondary
	M414228P	Transformer	100-240 Volt
	M414229P	Transformer	380-480 Volt
20	M411072	Screw	4 required
21	70313601	Fuse Bracket	380-480 Volt; Models through 2/28/10
	70313602	Fuse Bracket	380-480 Volt; Models starting 3/1/10
22	70329401P	Fuse Holder Body	Includes nuts; 3 required for 1 Phase; 4 required for 3 Phase
23	70406601	Fuse	3.5 Amp
24	70406501	Fuse	1.25 Amp
25	70329501	Fuse Holder Cap	3 required for 1 Phase and 380-480 Volt/3 Phase; 4 required for 100-240 Volt/3 Phase
26	M413544P	Fuse Holder	Includes nuts; 2 required for 380-480 Volt; Models through 2/28/10
	44155601P	Fuse Holder	2 required for 380-480 Volt; Models starting 3/1/10
27	44310001	Fuse	2 required for 380-480 Volt; 0.5 Amp
28	70306901	Fuse Bracket	100-240 Volt
29	70406701	Fuse	2 Amp; 100-240 Volt

Control Tray Components for CE and Australian Gas Models (Drawing 1 of 2)

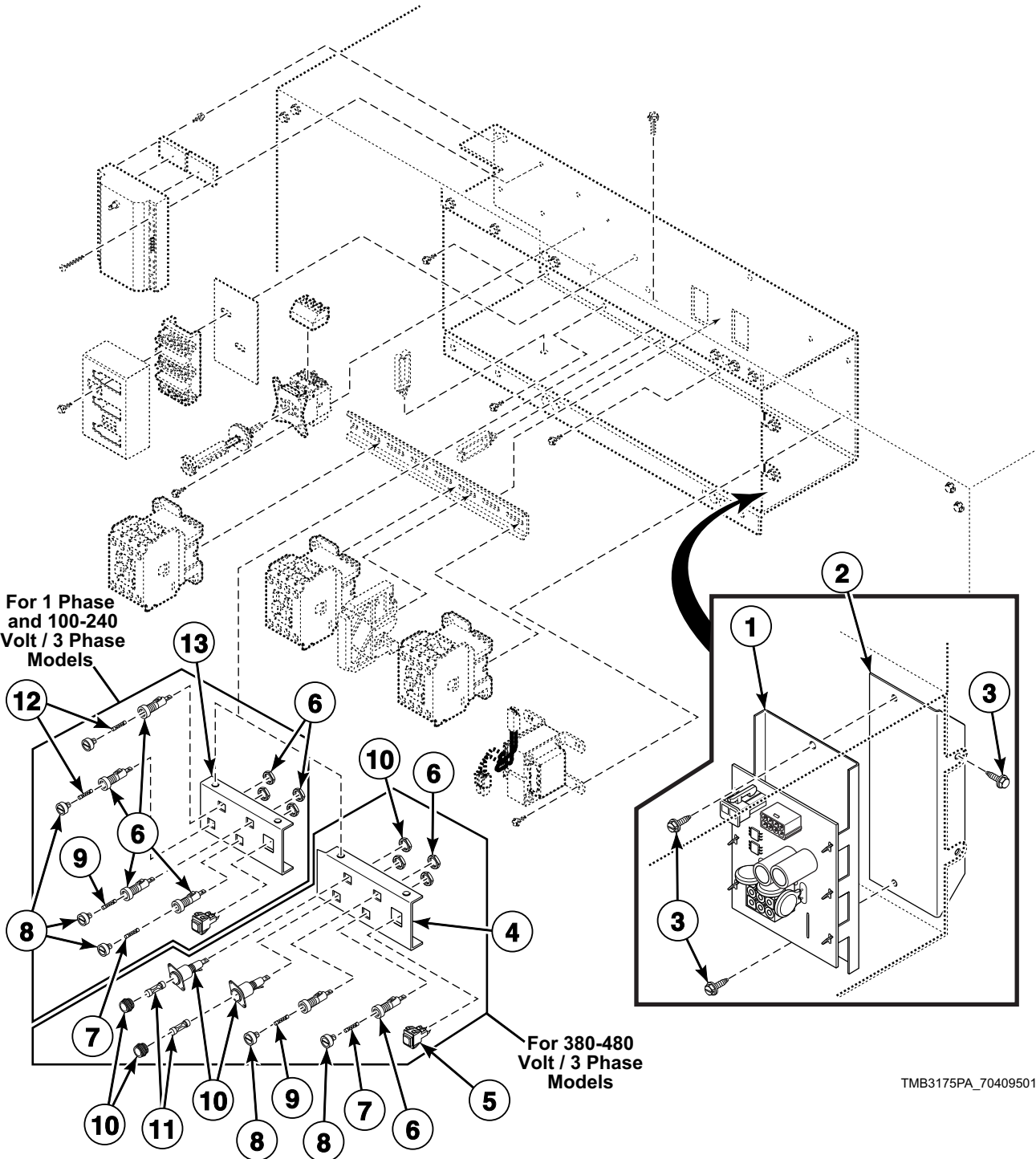


TMB3175P_70409501

Control Tray Components for CE and Australian Gas Models (Drawing 1 of 2)

REF	PART NO.	DESCRIPTION	COMMENTS
	70030501	Expansion Clip	4 required
	M403047	Secure Ground Label	
	M412096	Earth Terminal Sticker	
	51782	Screw	2 required
	70411001	ICM Reset Label	
	44324001	Warning Label	Extended tumble; On control tray cover
1	70333001	Terminal Block Shield	
2	51783	Screw	2 required
3	70492801	Ignition Control Kit	CE models through 1/16/13; Australian models through 1/16/13 and starting again 4/1/13 through 7/31/13; 24 Volt; Use with 44239702 High Voltage Suppression Lead
	70483201P	Ignition Control	CE models starting 1/17/13; Australian models starting 1/17/13 through 3/31/13 and starting again 8/1/13; 24 Volt; Use with 44239702 High Voltage Suppression Cable
4	56128	Bumper Pad	2 required
5	38272	Screw	
6	430642	Terminal Block	
7	M413862	Insulator	
8	M412366	Finger Guard	Models through 7/31/11
9	M412187P	Mounting Switch Base	Models through 7/31/11
10	70366201	Wire Clip	
11	430497	Screw	
12	51780	Screw	2 required
13	70469201	Control Tray	
14	M402917	Screw	
15	M412693	Din Rail	
16	F330186P	Interlock Contactor	Reversing
17	70323701P	Contactor	1 required for nonreversing; 3 required for reversing
18	M414229P	Transformer	380-480 Volt
	M414228P	Transformer	100-240 Volt
19	M411072	Screw	4 required
20	70342501P	Extension Handle	Models through 7/31/11

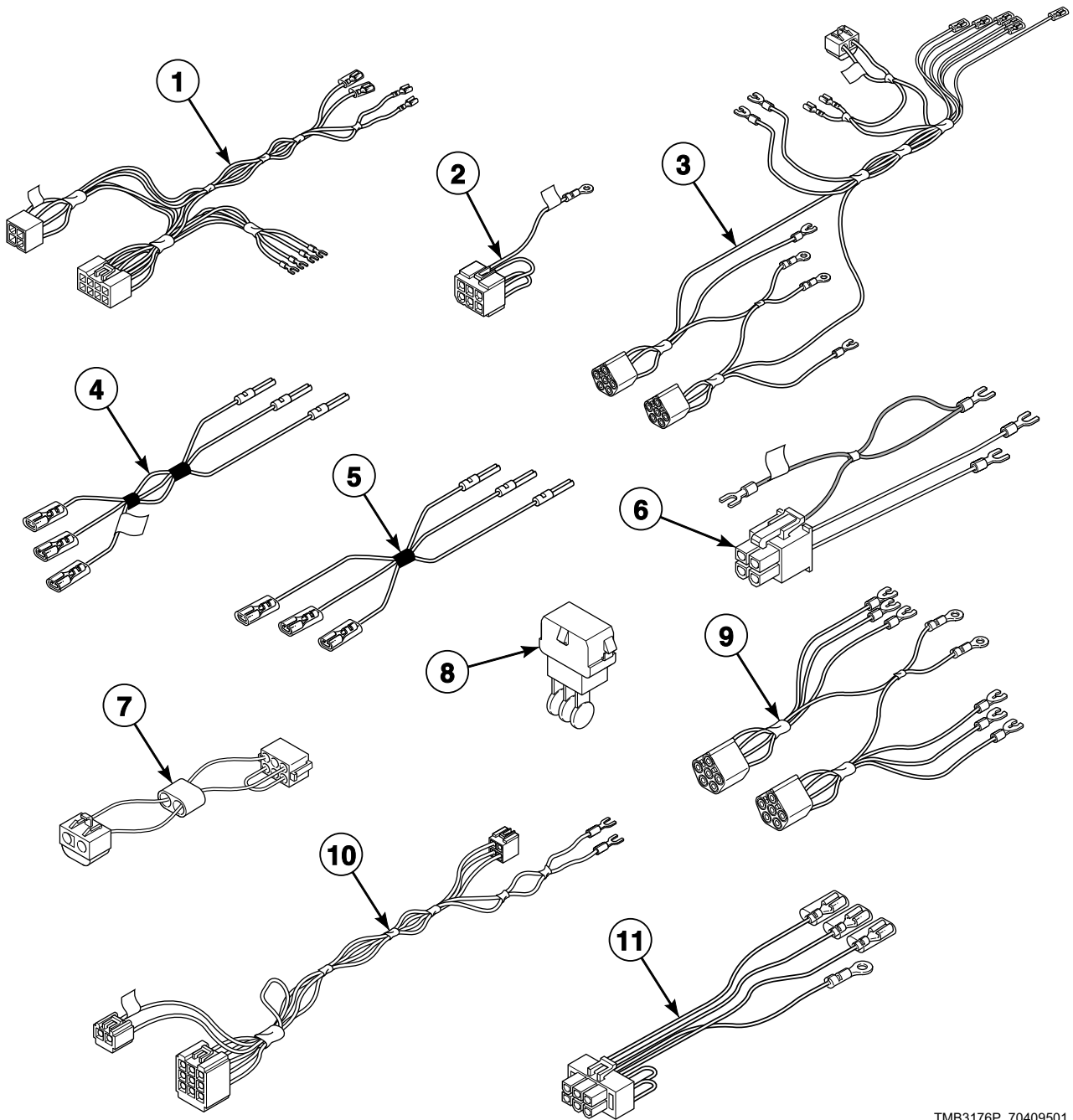
Control Tray Components for CE and Australian Gas Models (Drawing 2 of 2)



Control Tray Components for CE and Australian Gas Models (Drawing 2 of 2)

REF	PART NO.	DESCRIPTION	COMMENTS
	70030501	Expansion Clip	4 required
	M403047	Secure Ground Label	
	M412096	Earth Terminal Sticker	
	51782	Screw	2 required
	D501086	Screw	4 required for item 10
	70411001	ICM Reset Label	
	44324001	Warning Label	Extended tumble; On control tray cover
1	70469901	Reversing Control Assembly	3B, 3K, 3W, BB, BW and BZ control suffixes
2	70472601	Bracket	3B, 3K, 3W, BB, BW and BZ control suffixes
3	F8206901	Screw	4 required
4	70313601	Fuse Bracket	380-480 Volt; Models through 2/28/10
	70313602	Fuse Bracket	380-480 Volt; Models starting 3/1/10
5	M413431	Pushbutton Switch	
6	70329401P	Fuse Holder Body	Includes nuts; 3 required for 1 Phase; 4 required for 3 Phase with less than 380 Volts; 2 required for 3 Phase with 380 Volts or higher
7	70406601	Fuse	3.5 Amp
8	70329501	Fuse Holder Cap	3 required for 1 Phase; 4 required for 3 Phase with less than 380 Volts; 2 required for 3 Phase with 380 Volts or higher
9	70406501	Fuse	1.25 Amp
10	M413544P	Fuse Holder	Includes nuts; 2 required for 380-480 Volt; Models through 2/28/10
	44155601P	Fuse Holder	2 required for 380-480 Volt; Models starting 3/1/10
11	44310001	Fuse	2 required for 380-415 Volt; 0.5 Amp
12	70406701	Fuse	1 required for 1 Phase; 2 required for 3 Phase; 2 Amp
13	70306901	Fuse Bracket	100-240 Volt

Control Tray Harnesses for Steam Models

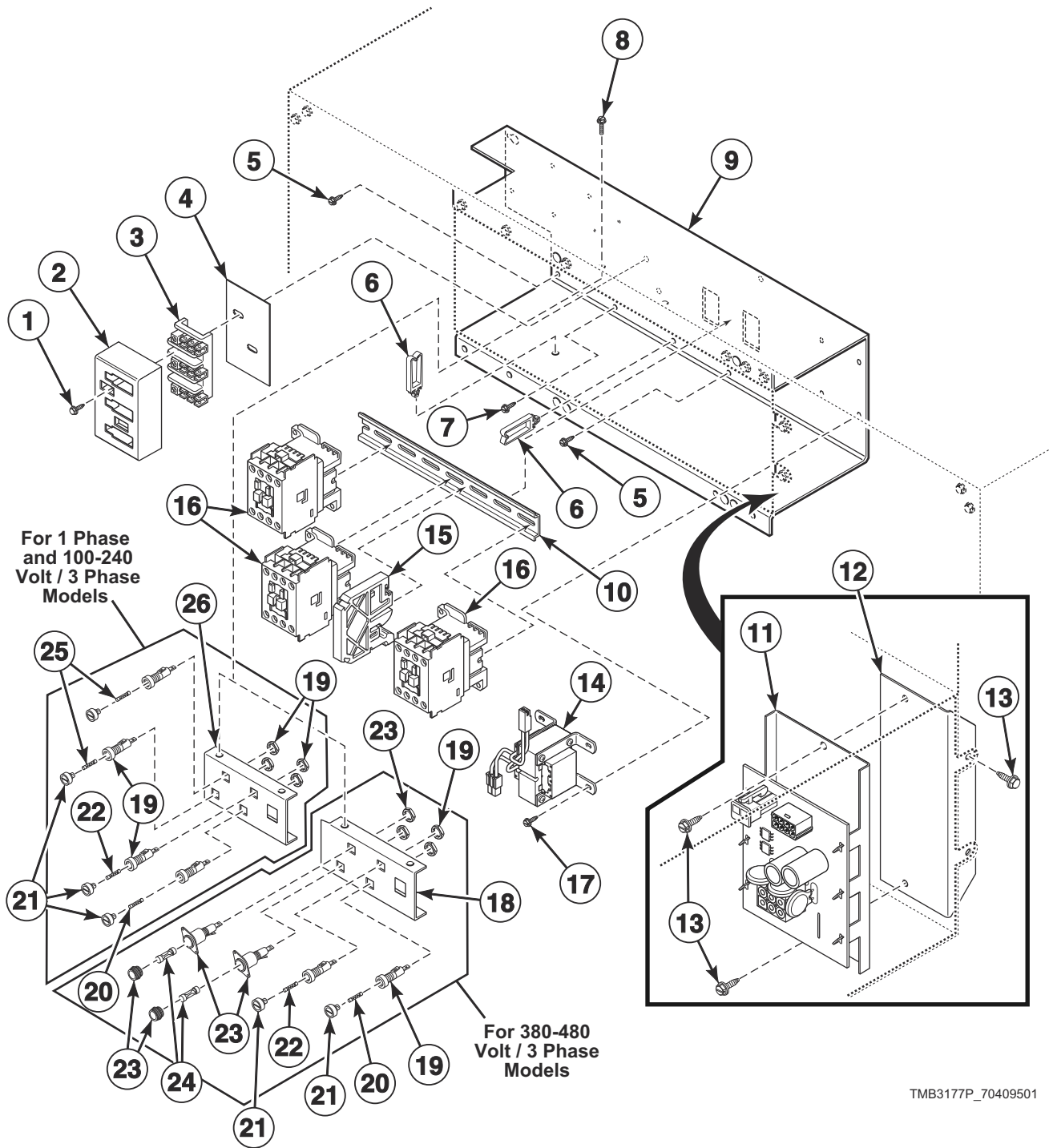


TMB3176P_70409501

Control Tray Harnesses for Steam Models

REF	PART NO.	DESCRIPTION	COMMENTS
1	70315801	Junction Box Harness	Models through 7/8/12
	70464701	Control Tray Harness	Models starting 7/9/12
2	70322401P	Steam Configuration Harness	
3	70347701P	Power Harness	Models through 2/28/10; Contactor; 1 Phase
	70316101P	Power Harness	Models through 2/28/10; 3 Phase with less than 380 Volts
	70332201	Power Harness	Models through 2/28/10; 3 Phase with 380 Volts or higher
	70445501	Power Harness	Models starting 3/1/10 through 7/8/12; Contactor; 1 Phase
	70439001	Power Harness	Models starting 3/1/10 through 7/8/12; 3 Phase with less than 380 Volts
	70438901	Power Harness	Models starting 3/1/10 through 7/8/12; 3 Phase with 380 Volts or higher
	70469701	Power Harness	Models starting 7/9/12; Contactor; 1 Phase
	70464901	Power Harness	Models starting 7/9/12; 3 Phase with less than 380 Volts
	70465001	Power Harness	Models starting 7/9/12; 3 Phase with 380 Volts or higher
	4	70342101	Gas Disconnect Harness
70440501		Gas Disconnect Harness	CE models; Models starting 3/1/10
5	70120901	Jumper Disconnect Assembly	CE models
6	70465301	Reversing Contactor Harness	Reversing
7	M413504	Jumper Harness Assembly	100 Volt
	M413505	Jumper Harness Assembly	120 Volt
	M413506	Jumper Harness Assembly	208 Volt
	M413507	Jumper Configuration Assembly	240 Volt
	M413508	Jumper Harness Assembly	380 Volt
	M413510	Jumper Configuration Assembly	480 Volt
8	M413863	Network Capacitor Assembly	3L, 3O, 3V, 3X, DO, DV, DX and OM control suffixes
9	70320201	Motor Contactor Harness	Models through 2/28/10; 3 Phase
	44142601P	Motor Contactor Harness	Models starting 3/1/10 through 7/8/12; 3 Phase
	70469301	Motor Contactor Harness	Models starting 7/9/12; 3 Phase with 380 Volts or higher
10	70471901	Reversing Control Board Harness	3B, 3K, 3W, BB, BW and BZ control suffixes
11	M413878	Network Capacitor Harness Assembly	Models through 7/8/12; 3O, 3V, 3X, DO, DV, DX and OM control suffixes
	44143401P	Network Capacitor Harness Assembly	Models starting 7/9/12; Also order 00177 Male Tab Terminal; 3L, 3O, 3V, 3X, DO, DV, DX and OM control suffixes

Control Tray for Non-CE Steam Models

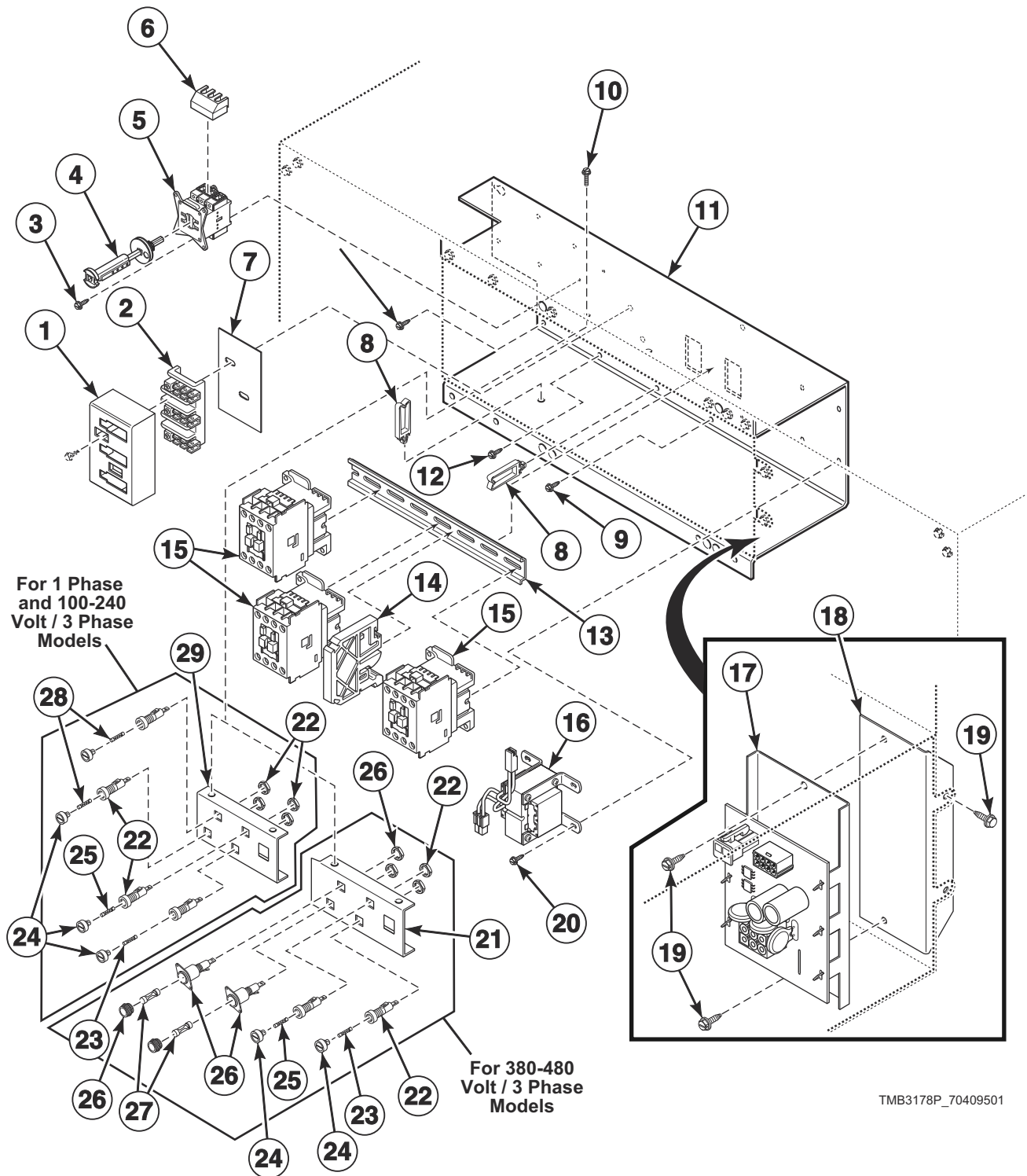


TMB3177P_70409501

Control Tray for Non-CE Steam Models

REF	PART NO.	DESCRIPTION	COMMENTS
	D501086	Screw	4 required
	70030501	Expansion Clip	4 required
	M403047	Secure Ground Label	
1	51783	Screw	2 required
2	70333001	Terminal Block Shield	
3	430642	Terminal Block	
4	M413862	Insulator	
5	430497	Screw	
6	70366201	Wire Clip	
7	M402917	Screw	
8	51780	Screw	2 required
9	70469201	Control Tray	
10	M412693	Din Rail	
11	70469901	Reversing Control Assembly	3B, 3K, 3W, BB, BW and BZ control suffixes
12	70472601	Bracket	3B, 3K, 3W, BB, BW and BZ control suffixes
13	F8206901	Screw	4 required
14	M414312P	Transformer	120 Volt; Dual secondary
	M414230P	Transformer	120 Volt; Primary/secondary
	M414228P	Transformer	100-240 Volt
	M414229P	Transformer	380-480 Volt
	44074401	Transformer	440 Volt; Dual secondary
15	F330186P	Interlock Contactor	Reversing
16	70323701P	Contactor	1 required for nonreversing; 3 required for reversing
17	M411072	Screw	4 required
18	70313601	Fuse Bracket	380-480 Volt; Models through 2/28/10
	70313602	Fuse Bracket	380-480 Volt; Models starting 3/1/10
19	70329401P	Fuse Holder Body	Includes nuts; 3 required for 1 Phase; 4 required for 3 Phase with less than 380 Volts; 2 required for 3 Phase with 380 Volts or higher
20	70406601	Fuse	3.5 Amp
21	70329501	Fuse Holder Cap	3 required for 1 Phase; 4 required for 3 Phase with less than 380 Volts; 2 required for 3 Phase with 380 Volts or higher
22	70406501	Fuse	1.25 Amp
23	M413544P	Fuse Holder	Includes nuts; 2 required for 380-480 Volt; Models through 2/28/10
	44155601P	Fuse Holder	2 required for 380-480 Volt; Models starting 3/1/10
24	44310001	Fuse	2 required for 380-480 Volt/3 Phase; 0.5 Amp
25	70406701	Fuse	2 required for 100-240 Volt/3 Phase
26	70306901	Fuse Bracket	100-240 Volt

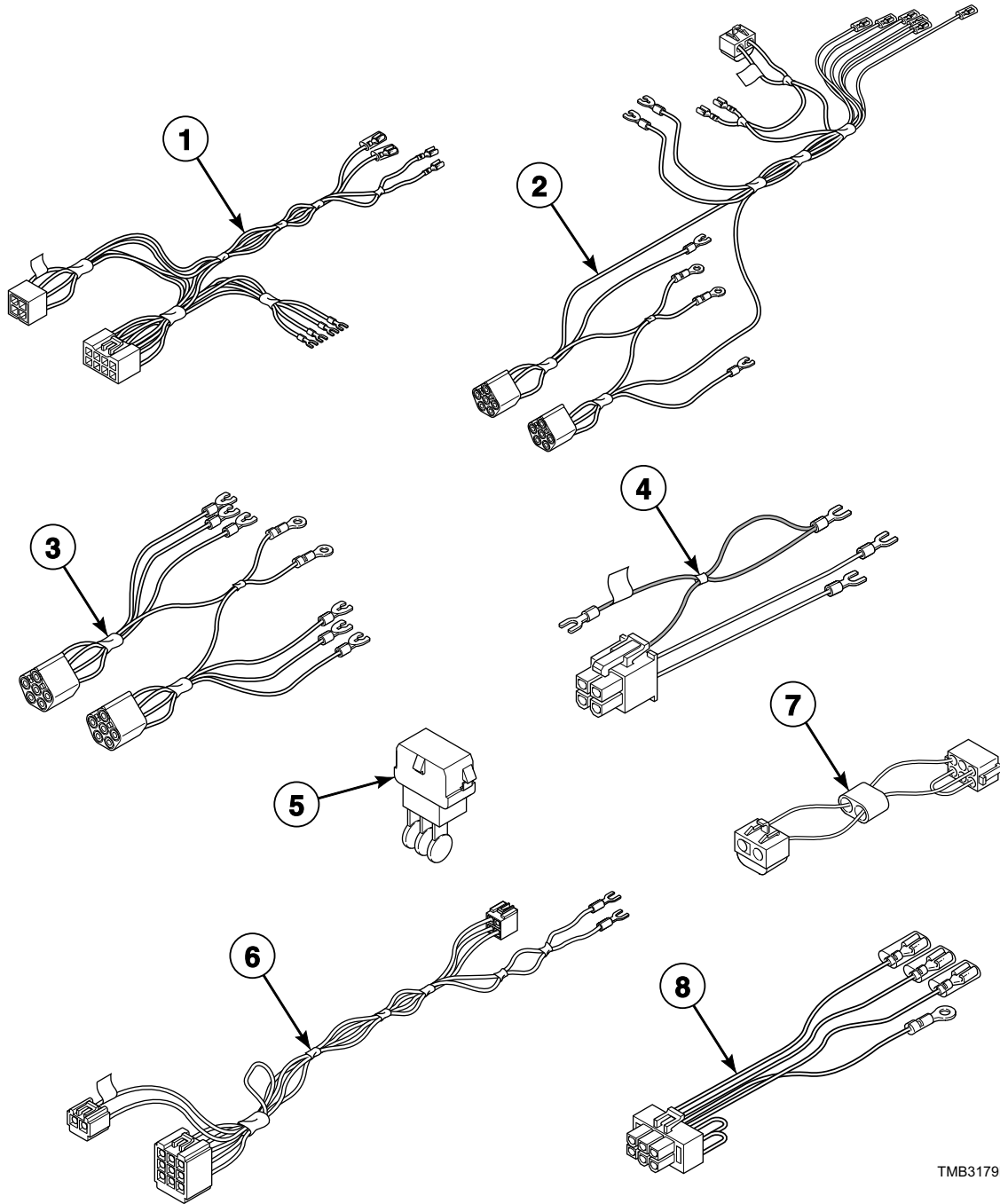
Control Tray for CE Steam Models



Control Tray for CE Steam Models

REF	PART NO.	DESCRIPTION	COMMENTS
	70030501	Expansion Clip	4 required
	M403047	Secure Ground Label	
	M412096	Earth Terminal Sticker	
	D501086	Screw	4 required
1	70333001	Terminal Block Shield	
2	430642	Terminal Block	
3	51782	Screw	2 required
4	70342501P	Extension Handle	Models through 7/31/11
5	M412187P	Mounting Switch Base	Models through 7/31/11
6	M412366	Finger Guard	Models through 7/31/11
7	M413862	Insulator	
8	70366201	Wire Clip	
9	430497	Screw	
10	51780	Screw	2 required
11	70469201	Control Tray	
12	M402917	Screw	
13	M412693	Din Rail	
14	F330186P	Interlock Contactor	Reversing
15	70323701P	Contactor	1 required for nonreversing; 3 required for reversing
16	M414228P	Transformer	100-240 Volt
	M414229P	Transformer	380-480 Volt
	44074401	Transformer	440 Volt; Dual secondary
17	70469901	Reversing Control Assembly	3B, 3W, BB, BW and BZ control suffixes
18	70472601	Bracket	3B, 3W, BB, BW and BZ control suffixes
19	F8206901	Screw	4 required
20	M411072	Screw	4 required
21	70313601	Fuse Bracket	380-480 Volt; Models through 2/28/10
	70313602	Fuse Bracket	380-480 Volt; Models starting 3/1/10
22	70329401P	Fuse Holder Body	Includes nuts; 4 required for 1 Phase; 4 required for 3 Phase with less than 380 Volts; 2 required for 3 Phase with 380 Volts or higher
23	70406601	Fuse	3.5 Amp
24	70329501	Fuse Holder Cap	4 required for 1 Phase; 4 required for 3 Phase with less than 380 Volts; 2 required for 3 Phase with 380 Volts or higher
25	70406501	Fuse	1.25 Amp
26	M413544P	Fuse Holder	Includes nuts; 2 required for 380-480 Volt; Models through 2/28/10
	44155601P	Fuse Holder	2 required for 380-480 Volt; Models starting 3/1/10
27	44310001	Fuse	2 required for 380-480 Volt/3 Phase; 0.5 Amp
28	70406701	Fuse	1 required for 1 Phase; 2 required for 100-240 Volt/3 Phase; 2 Amp
29	70306901	Fuse Bracket	100-240 Volt

Control Tray Harnesses for Electric Models

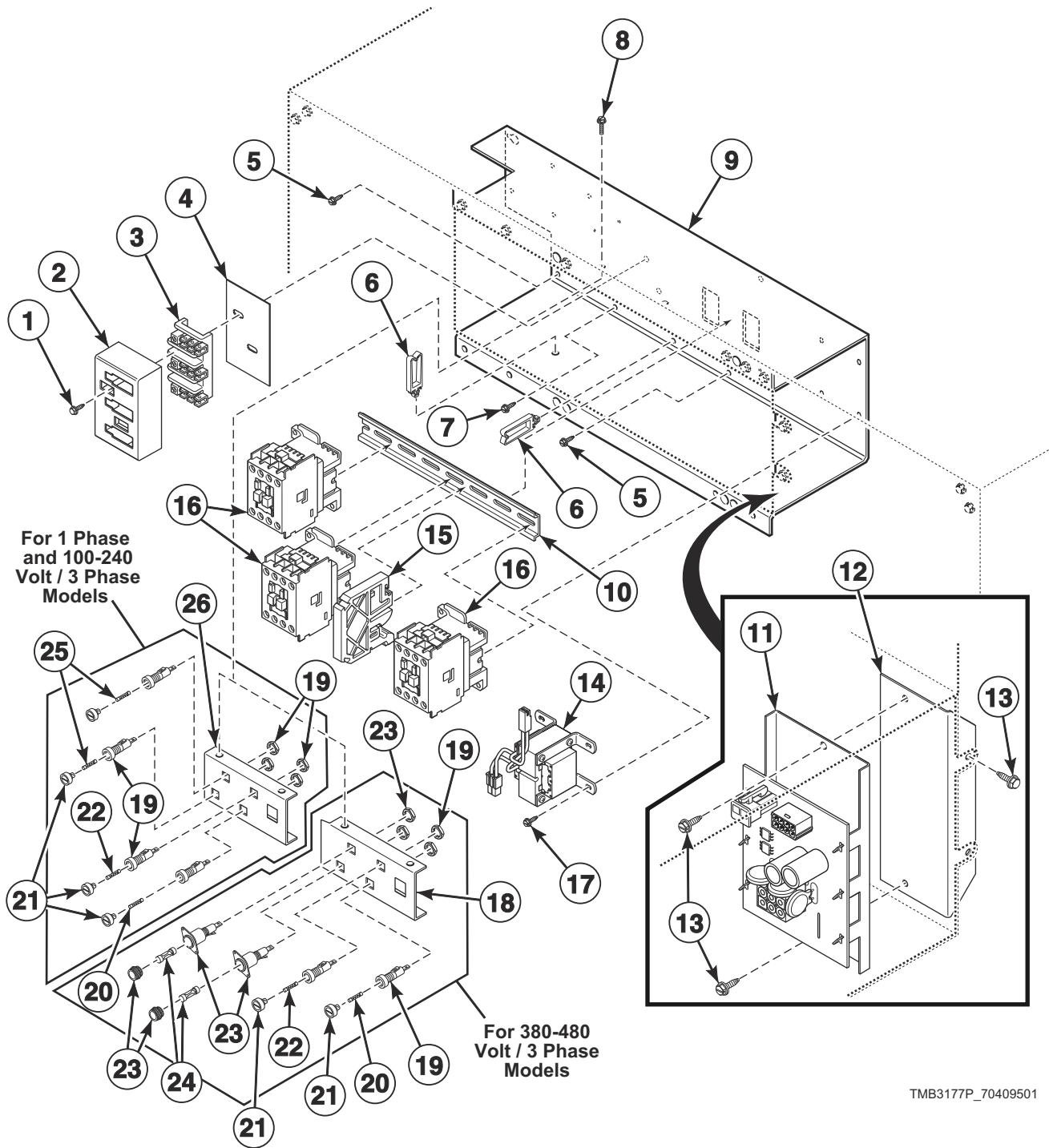


TMB3179P_70409501

Control Tray Harnesses for Electric Models

REF	PART NO.	DESCRIPTION	COMMENTS
1	70315801	Junction Box Harness	Dual secondary; Models through 7/8/12
	70464701	Control Tray Harness	Models starting 7/9/12
2	70347701P	Power Harness	Models through 2/28/10; 1 Phase; Contactor
	70316101P	Power Harness	Models through 2/28/10; 3 Phase with less than 380 Volts
	70332201	Power Harness	Models through 2/28/10; 3 Phase with 380 Volts or higher
	70445501	Power Harness	Models starting 3/1/10 through 7/8/12; 1 Phase; Contactor
	70439001	Power Harness	Models starting 3/1/10 through 7/8/12; 3 Phase with less than 380 Volts
	70438901	Power Harness	Models starting 3/1/10 through 7/8/12; 3 Phase with 380 Volts or higher
	70469701	Power Harness	Models starting 7/9/12; Contactor; 1 Phase
	70464901	Power Harness	Models starting 7/9/12; 3 Phase with less than 380 Volts
	70465001	Power Harness	Models starting 7/9/12; 3 Phase with 380 Volts or higher
	3	70320201	Motor Contactor Harness
44142601P		Motor Contactor Harness	Models starting 3/1/10 through 7/8/12; 3 Phase
70469301		Motor Contactor Harness	Models starting 7/9/12; 3 Phase
4	70465301	Reversing Contactor Harness	Reversing
5	M413863	Network Capacitor Assembly	3L, 3O, 3V, 3X, DO, DV, DX and OM control suffixes
6	70471901	Reversing Control Board Harness	3B, 3K, 3W, BB, BW and BZ control suffixes
7	M413505	Jumper Harness Assembly	120 Volt
	M413506	Jumper Harness Assembly	208 Volt
	M413507	Jumper Configuration Assembly	240 Volt
	M413508	Jumper Harness Assembly	380 Volt
	M413509	Jumper Harness Assembly	415 Volt
	M413510	Jumper Configuration Assembly	480 Volt
8	M413878	Network Capacitor Harness Assembly	Models through 7/8/12; 3O, 3V, 3X, DO, DV, DX and OM control suffixes
	44143401P	Network Capacitor Harness Assembly	Models starting 7/9/12; Also order 00177 Male Tab Terminal; 3L, 3O, 3V, 3X, DO, DV, DX and OM control suffixes

Control Tray for Electric Models

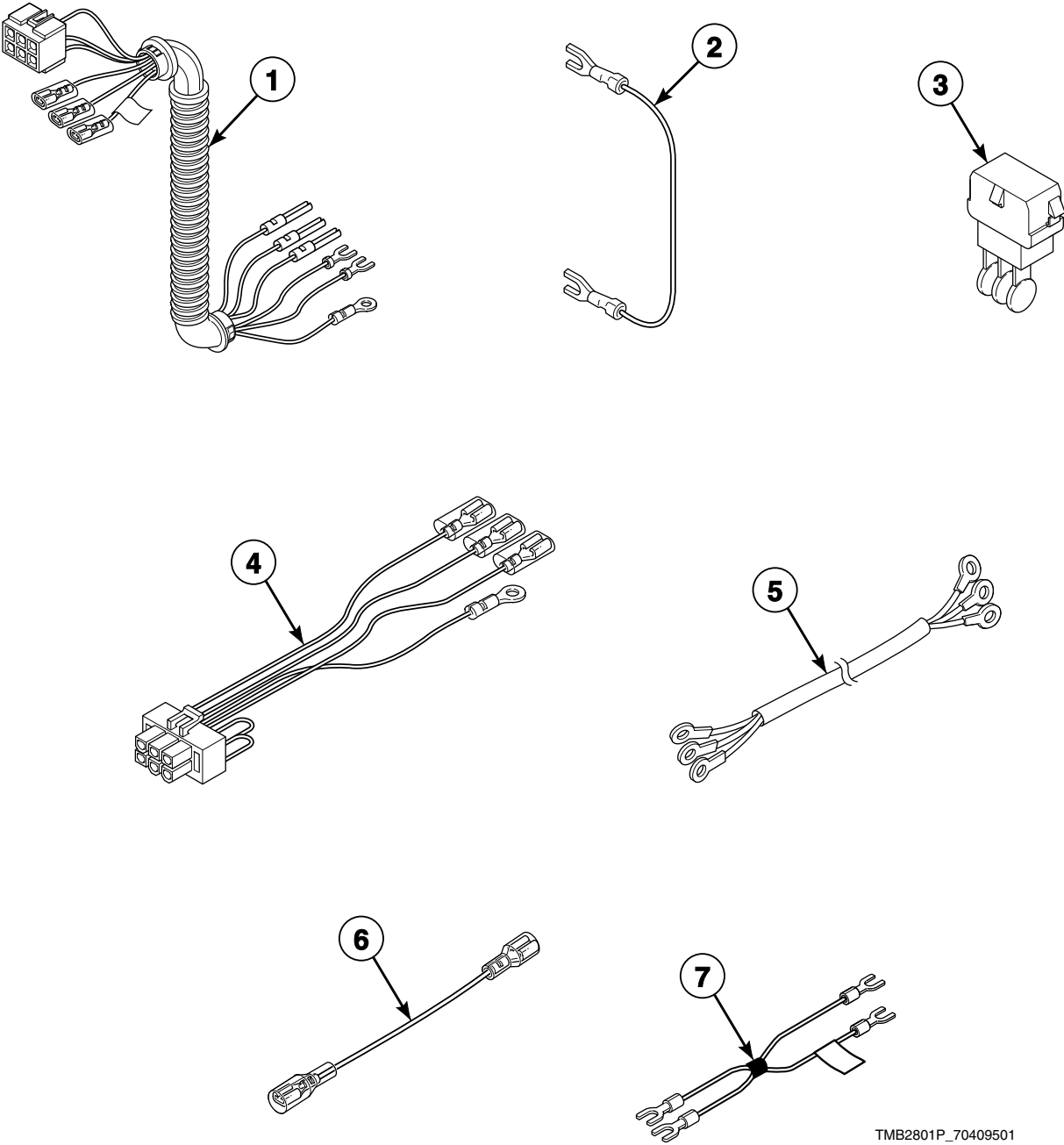


TMB3177P_70409501

Control Tray for Electric Models

REF	PART NO.	DESCRIPTION	COMMENTS
	70030501	Expansion Clip	4 required
	D501086	Screw	4 required for item 23
	M412096	Earth Terminal Sticker	
	44324001	Warning Label	Extended tumble; On control tray cover
1	51783	Screw	2 required
2	70333001	Terminal Block Shield	
3	430642	Terminal Block	
4	M413862	Insulator	
5	430497	Screw	
6	70366201	Wire Clip	
7	51780	Screw	2 required
8	70469201	Control Tray	
9	70469201	Control Tray	
10	M412693	Din Rail	
11	70469901	Reversing Control Assembly	3B, 3K, 3W, BB, BW and BZ control suffixes
12	70472601	Bracket	3B, 3K, 3W, BB, BW and BZ control suffixes
13	F8206901	Screw	4 required
14	M414228P	Transformer	100-240 Volt
	M414229P	Transformer	380-480 Volt
	M414230P	Transformer	120 Volt; Primary/secondary
	M414312P	Transformer	120 Volt; Dual secondary
	44074401	Transformer	440 Volt; Dual secondary
15	F330186P	Interlock Contactor	Reversing
16	70323701P	Contactor	1 required for nonreversing; 3 required for reversing
17	M411072	Screw	4 required
18	70313601	Fuse Bracket	380-480 Volt; Models through 2/28/10
	70313602	Fuse Bracket	380-480 Volt; Models starting 3/1/10
19	70329401P	Fuse Holder Body	Includes nuts; 3 required for 1 Phase; 4 required for 3 Phase with less than 380 Volts; 2 required for 3 Phase with 380 Volts or higher
20	70406601	Fuse	3.5 Amp
21	70329501	Fuse Holder Cap	3 required for 1 Phase; 4 required for 3 Phase with less than 380 Volts; 2 required for 3 Phase with 380 Volts or higher
22	70406501	Fuse	1.25 Amp
23	M413544P	Fuse Holder	Includes nuts; 2 required for 380-480 Volt; Models through 2/28/10
	44155601P	Fuse Holder	2 required for 380-480 Volt; Models starting 3/1/10
24	44310001	Fuse	2 required for 380-480 Volt/3 Phase; 0.5 Amp
25	70406701	Fuse	1 required for 1 Phase; 2 required for 100-240 Volt/3 Phase; 2 Amp
26	70306901	Fuse Bracket	

Accessory Box Harnesses for Electric Models

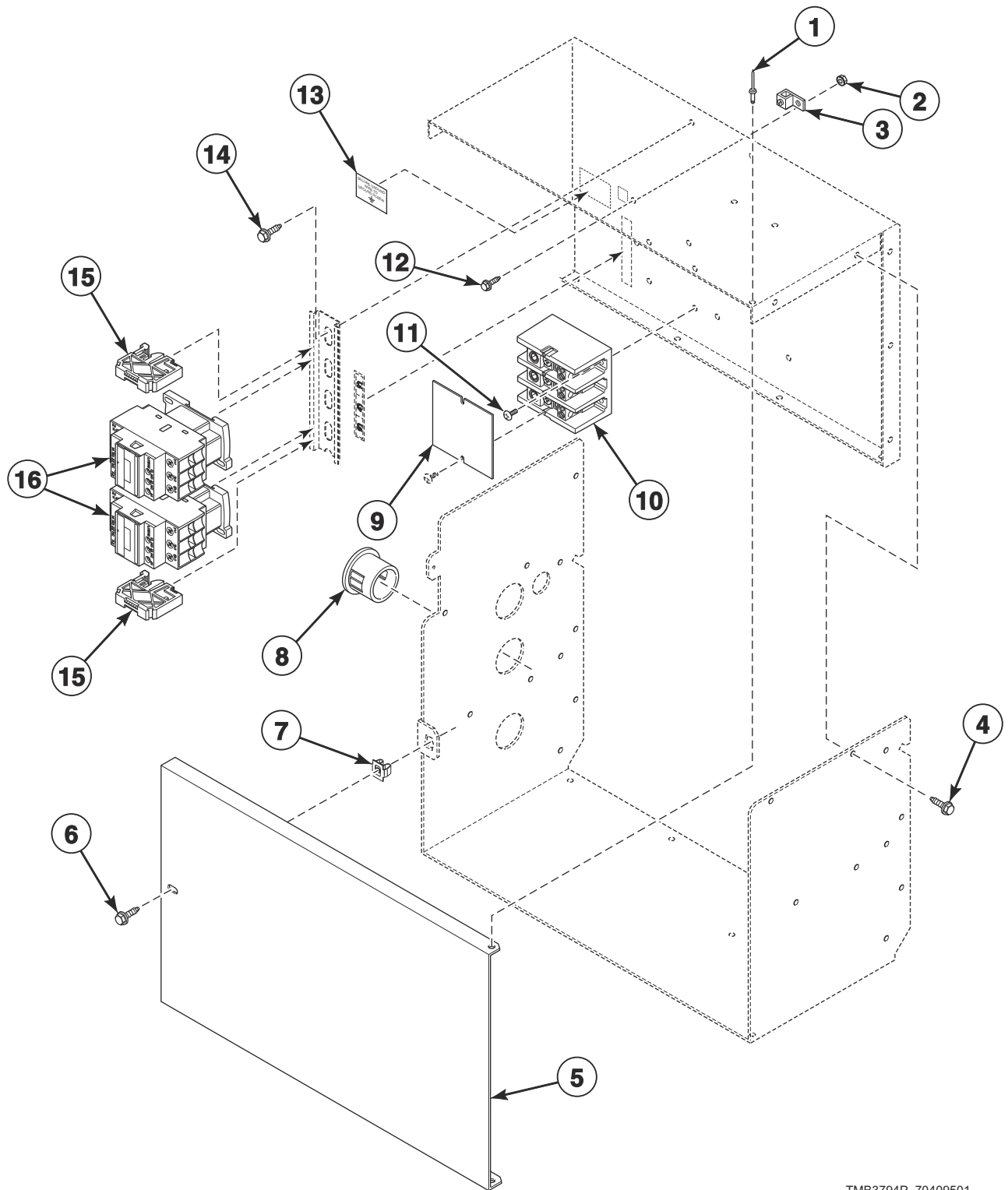


TMB2801P_70409501

Accessory Box Harnesses for Electric Models

REF	PART NO.	DESCRIPTION	COMMENTS
1	70335501P	Electric Power Buss Harness	Models through 2/28/10
	70439601	Electric Power Buss Harness	Models starting 3/1/10
2	M413933	Jumper Cable Assembly	Non-CE models; 8 gauge; 7.5 inches; 2 required for 1 Phase; 3 required for 3 Phase
	M413934	Jumper Cable Assembly	8 gauge; 8 inches; 1 required for 1 Phase; 3 required for 3 Phase
	M414121	Jumper Cable Assembly	CE models; 8 gauge; 6.75 inches; 6 required for 3 Phase with less than 380 Volts
3	M413863	Network Capacitor Assembly	3L, 3O, 3V, 3X, DO, DV, DX and OM control suffixes
4	70286501	Network Capacitor Harness Assembly	Models through 7/8/12; 3L, 3O, 3V, 3X, DO, DV, DX and OM control suffixes
	44152001	Network Capacitor Harness Assembly	Models starting 7/9/12; 3L, 3O, 3V, 3X, DO, DV, DX and OM control suffixes
5	70371301P	Cable Set Heater Assembly	H1-H3
	70371401P	Cable Set Heater Assembly	H4-H6; Required for less than 380 Volts
6	70139001	Jumper Assembly	Non-CE models; 8 gauge; 10 inches; 2 required for 1 Phase; 3 required for 3 Phase with less than 380 Volts
	70139101	Jumper Assembly	Non-CE models; 8 gauge; 11 inches; 1 Phase
	70138801	Jumper Assembly	CE models; 6 gauge; 8 inches; 3 required for 3 Phase
	70138901	Jumper Assembly	CE models; 2 gauge; 7.5 inches; 2 required for 1 Phase
	44014601	Jumper Wire	CE models; 8 gauge; 6.25 inches; 3 required for 3 Phase with less than 380 Volts
	44014701	Jumper Wire	CE models; 8 gauge; 10.5 inches; 2 required for 1 Phase; 3 required for 3 Phase with less than 380 Volts
	44014801	Jumper Wire	CE models; 8 gauge; 13 inches; 3 required for 1 Phase and 3 Phase with 380 Volts or more
7	70355801P	Electric Contactor Jumper Set Harness	Required for less than 380 Volts

Accessory Box for Non-CE Electric Models

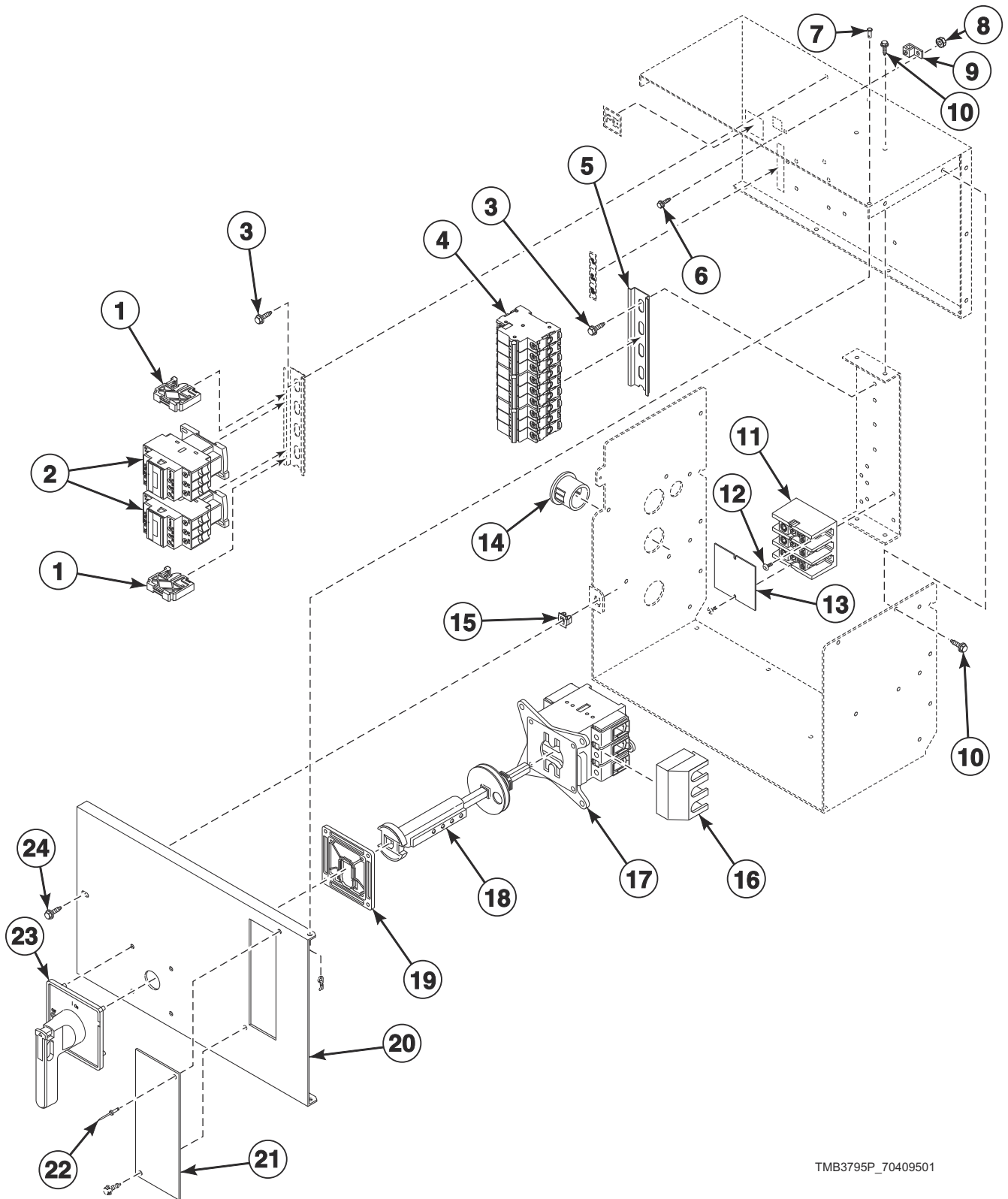


TMB3794P_70409501

Accessory Box for Non-CE Electric Models

REF	PART NO.	DESCRIPTION	COMMENTS
	M413930P	Ferrite Core Assembly	3L, 3O, 3V, 3X, DO, DV, DX and OM control suffixes
	44324001	Warning Label	Extended tumble; Use on accessory box cover
1	70058502	Pop Rivet	2 required
2	44088001	Nut	
3	M411283	Ground Lug Connector	
4	430497	Screw	11 required
5	70358401	Accessory Box Cover	
6	33562	Screw	
7	70030501	Expansion Clip	
8	M402542	Snap Bushing	2 required
9	44014901P	Power Distribution Block Cover	
10	M413865	Power Distribution Block	3 pole
11	39733	Screw	6 required
12	685837	Screw	
13	M403047	Secure Ground Label	
14	51780	Screw	6 required
15	70121001	End Stop	2 required
16	70343301P	Contacto	2 required for less than 380 Volts; 1 required for 380 Volts or more

Accessory Box for CE Electric Models



TMB3795P_70409501

Accessory Box for CE Electric Models

REF	PART NO.	DESCRIPTION	COMMENTS
	M413930P	Ferrite Core Assembly	3L, 3O, 3V, 3X, DO, DV, DX and OM control suffixes
	44324001	Warning Label	Extended tumble; Use on access cover
	44314401	Time Delay Interlock Kit	
1	70121001	End Stop	2 required
2	70343301P	Contactora	2 required
3	51780	Screw	14 required
4	M412401	Circuit Breaker	1 Phase
	M412407P	Circuit Breaker	3 Phase
	M412408P	Circuit Breaker	1 required for 1 Phase; 2 required for 3 Phase
5	M412693	Din Rail	
6	685837	Screw	
7	70058502	Pop Rivet	2 required
8	44088001	Nut	
9	M411283	Ground Lug Connector	
10	430497	Screw	11 required
11	M413865	Power Distribution Block	3 pole
12	39733	Screw	4 required
13	44014901P	Power Distribution Block Cover	
14	M402542	Snap Bushing	2 required
15	70030501	Expansion Clip	
16	M412367	Finger Guard	Models through 7/31/11
17	M412186	Mounting Switch Base	Models through 7/31/11
18	M412371P	Extension Handle	Models through 7/31/11
19	M412369	Door Interlock	Models through 7/31/11
20	70358402	Accessory Box Cover	
21	70133901	Electrical Box Access Cover	
22	70058501	Pop Rivet	2 required
23	70268001	Handle	Models through 7/31/11
24	33562	Screw	3 required

Parts Index

A

Access Panel Trim 70399401	69
Accessory Box Cover 70358401	127
70358402	129
Adapter 70131901	101
Adhesive D511637P	75, 77
Adjustable Buzzer D505447	21
Air Filter 70036001	105
Airflow Switch and Arm Bracket 70319602	95
Airflow Switch Arm 70319401	95
Airflow Switch Cover 70356601	95
70465701	95
Airflow Switch Vane 70319201	95
Airflow Switch Wrapper 70356101	95
Anti-Rattle Burner Assembly 70546701	97

B

Bearing Housing Bracket 70021401	93
Belt 70276201P	85, 87
Belt Access Cover 70466001	87
Belt Tension Tool Kit M4853P3	85
Blower Assembly 70359801P	89
Blower Motor 70337501P	89
70342601P	89
Blower Motor Kit 70337601P	89
70337701P	89
Blower Motor Mounting Plate 70349601	89
Bolt 70062401	85, 87
70467501	87
Bracket 44065901	83
44263501	19
70472601	109, 113, 117, 119, 123
Bumper Pad 56128	109, 111

Burner Grill 70188801	97
Burner Orifice 70684114	99
70684115	99
70684117	99
70684118	99
70684120	99
70684127	99
70684128	99
70684129	99
70684131	99
70684132	99
70684133	99
70684134	99
70684137	99
70684142	99
70684143	99
70684144	99
70684147	99
70684148	99
Bushing 44239501	87
70346501	79
Buzzer Kit M4860P3	17
Bypass Harness 70364103	17, 19, 23, 29, 37, 43, 51, 53, 55

C

Cable Set Heater Assembly 70371301P	103, 125
70371401P	103, 125
Card Reader and Bracket Assembly D510068P	37
Card Reader Harness Assembly 70211801	37
Card Reader Network Harness Assembly 70206601	37
Card Reader Overlay 70334201	29
70334301	29, 51
Center Cylinder Seal 70066003	77
Center Pan 70252201	79
Center Partition 70252501	79
Central Pay Harness 70484601	27, 41, 49
70491501	19
Central Pay Interface Control Assembly 209/00471/75	19
Circuit Board Support D501523	83
Circuit Breaker M412401	129
M412407P	129
M412408P	129

N/A items do not appear in index.

Clevis Pin 70389201	105	Contact Block Switch F200233401P	71
Coin Box F160673P	69	Contact Switch F8069501	71
Coin Chute Assembly 70296401	69	Contactactor 70323701P	109, 111, 117, 119, 123
Coin Cover Overlay 70246301	25, 49	70343301P	127, 129
Coin Drop 38963P	31	Control 44063801P	83
70256402P	31	Control Assembly D511867P	25, 29
70429001	31	D512199P	15
70441601P	31	D512202P	17
Coin Drop Assembly CK114	31	D513139P	15
210195	31	D514273P	25, 29
210196	31	70434101P	53, 55
38462P	31	70437102P	55
38463	31	70437103P	55
38464P	31	70437104P	55
38467	31	70437105P	55
38472	31	70450501P	41, 43
38475	31	70450502P	49, 51
38519	31	70450503	41, 43
38521	31	70450504	49, 51
39157	31	70454001P	53
44039701P	21	70454101P	55
44039702	21	70462301P	19
44039703	21	70462302P	19
44039704	21	70462361P	19
44039705	21	70462369	19
44039706	21	70503101P	17
44039707	21	70503702P	55
70441602	31	Control Box Base 44065301	83
70447301	31	Control Box Cover 44065201	83
70471601	31	Control Box Housing 44065101	83
70482401	31	Control Box Top 44065401	83
Coin Drop Kit CK077	31	Control Chassis Mounting Bracket 70357901	15, 17
CK097	31	Control Door Assembly 70363401	15
CK122	33	Control Harness 70426501P	83
CK123	31	Control Housing Cover 70307002	45
Coin Identification Paper 38725	31	Control Kit D505905P	35, 37
Coin Vault Assembly 70180101	69	70228401P	23
Coin Vault Switch Harness 70364104P	15, 19, 27, 35, 41, 49, 69, 79	Control Overlay 70410001	41
Coin Vault Trim 70117501	69	70410002	41
70117502	69	70449501	41
70117504	69	70473001	49
Communication Board 210095P	47	70473002	49
210097	47	70473003	51
Communication Connector 210099	47	Control Panel 70121301B	63
Communication Wire Harness Assembly 800246	39, 45	70121301*	63
Compression Spring 70467601	87	70121305*	63
Contact Base F8538101	71	70121307DG	63
Contact Block 44018701	71	70121308	63
		70121309	63
		70273401*	63

N/A items do not appear in index.

70273402	63
70273403*	63
70273404	63
70273407B	63
70273408B	63
70273414	63
70273415	63
70273416LG	63
70273416W	63
Control Panel and Door Hinge Kit	
M4775P3	57, 59, 61, 63
Control Panel Harness	
44240301	53, 55
70315501P	27, 29, 35, 37
70335301P	23
70367001P	17
70368001P	29, 35, 37
70369001	15
70382701P	23
70398401	15
70410401P	41, 43, 49, 51
70485301	19
70489901	19
Control Panel Harness Assembly	
70368001P	27
Control Plate and Studs Assembly	
70440901	55
Control Plate Assembly	
44040901	21
44041001	21
70175805	23
70175806	23
70175807	25, 35
70360601	17
70475601	53
70497201	29, 37, 43, 51
Control Plate Kit	
44050701P	19
70291001P	41, 49
Control Set	
70370001	15
70370101P	15
70370201P	17
Control Tray	
70469201	109, 111, 117, 119, 123
Control Tray Harness	
70464701	107, 115, 121
Control Trim	
44016401	69
70529401	69
70529402	69
Cylinder and Trunnion Assembly	
70435201	75
70435202	75
70435203	75
Cylinder Assembly	
70372601P	75
70372602P	75
70372603P	75
Cylinder Bearing Stud Plate Assembly	
430352	77
Cylinder Guide Tool	
263P4	77
Cylinder Idler Arm	
70259901	85

Cylinder Motor Harness Assembly	
70401001	77, 85
70401101	77, 85
70439701	77, 85
70440101	77, 85
70465801	77, 87
Cylinder Rib Assembly	
70433001	75
Cylinder Shroud	
70427401	79
70427402	79

D

Damper and Hinge Exhaust Assembly	
70209501	89
Din Rail	
M412693	109, 111, 117, 119, 123, 129
DIN Valve Adapter Kit	
F8382301	105
Direct Air Kit	
70522701P	97
70522801P	103
Display Assembly	
D512218P	17
Door Assembly	
44046701	57
44058001P	57
44058004P	57
44287801B	57
44287801LGP	57
70064100	57
70212200	57
70212300	57
70212301	57
70212302P	57
70408901	57
70496501	57
70496502P	57
70538002	57, 59
Door Glass	
M400784P	59
70133601P	59
Door Glass Installation Tool	
M4221P4	59
Door Glass Seal Kit	
70211901P	59
Door Handle	
M400133	59
430117	59
44007902P	59
44057701	59
44263801	59
70538104	59
Door Handle Replacement Kit	
70566701	59
Door Hinge	
70115901*	61
70115902	61
70115903B	61
70115903LG	61
70115904	61
Door Hinge Lug Assembly	
44035001	61
44035002	61

N/A items do not appear in index.

Door Interlock	
M412369	129
Door Latch	
M401223	69
Door Ring	
70505707B	59
Door Ring and Handle Assembly	
44043501	59
70543907B	59
70543907LG	59
Door Ring Assembly	
70505709B	59
70505713P	59
70543901	59
70543902	59
70543904B	59
70543905	59
Door Ring Gasket	
70296801	59
Door Switch Actuator Kit	
70215001P	61
Double Ended Stud	
70334701	85
Drive Access Cover	
70196301	89
70202501	85
Drive Motor	
70337801P	85
70338101P	85
70459001P	87
Drive Motor Kit	
70337901P	85
70338001P	85
Drive Motor Plate	
44261401	87
Drive Rivet	
M400713	83
Drum Idler Spring	
70045301	85
Drywall Screw Magnet Kit	
70343101P	75, 77

E

Earth Terminal Sticker	
M412096	111, 113, 119, 123
Elbow	
70079601	101
70208701	99
70428101	81
Electric Contactor Jumper Set Harness	
70355801P	125
Electric Power Buss Harness	
70335501P	125
70439601	125
Electrical Box Access Cover	
70133901	129
Electronic Coin Drop Assembly	
70294103P	31
70294104	31
70294107	31
70294111	31
70294117	31
70294119	31

N/A items do not appear in index.

70294120	31
70294121	31
70513306	31
70513311	31
Electronic Coin Drop Harness	
44065801	31
Electronic Coin Drop Kit	
CK099	31, 33
CK100	33
CK101	33
CK103	33
CK108	33
CK109	33
CK113	33
CK115	33
CK116	33
CK117	33
CK118	33
CK119	33
CK120	33
CK121	33
Electronic Control	
44037801P	21
Electronic OPL Control Kit	
M4689P3	23
M4695P3	23
Emergency Stop Contact Harness	
70364105P	71
Emergency Stop Harness	
70364106P	71
Emergency Stop Label	
44012901	71
Emergency Stop Pushbutton	
F200233500	71
End Cap	
70070101	75
70070102	75
End Stop	
70121001	127, 129
Ethernet Gateway Kit	
NK320	41, 43, 49, 51, 53
Exhaust Adapter	
70477901	89
Exhaust Thimble	
70015601	89
Expansion Clip	
70030501	69, 109, 111, 113, 117, 119, 123, 127, 129
Extension Handle	
M412371P	129
70342501P	111, 119

F

False Front	
70021101*P	67
70021103DG	67
70021103LG	67
70021104	67
70024003DG	67
70024003LG	67
70024004	67
False Front Assembly	
70021102P	67

70024001*P	67
70024002P	67
Fan Motor Harness Assembly	
70401201	89
70401301	89
70439801	89
70440201	89
Fan Spacer	
70599301	89
Ferrite Core Assembly	
M413930P	23, 127, 129
Fill Hose Kit	
38349P	83
Filter	
70429401	105
Finger Guard	
M412366	111, 119
M412367	129
Flat Top	
70557701	79
Foam Gasket	
70414101	15, 17, 19, 21, 23, 25, 29, 35, 37, 41, 43, 49, 51
Front Panel	
70329613DG	65
70329613LG	65
70329614LG	65
70329616DG	65
70521301DG	65
70521401DG	65
Front Panel Assembly	
44116401*P	65
44116502	65
44116702	65
44116801*P	65
44116902	65
44117001*	65
44117102	65
70623002W	65
Front Panel Seal	
70173401P	65
Fuse	
44310001	109, 113, 117, 119, 123
70406501	23, 109, 113, 117, 119, 123
70406601	109, 113, 117, 119, 123
70406701	109, 113, 117, 119, 123
Fuse Bracket	
70306901	109, 113, 117, 119, 123
70313601	109, 113, 117, 119, 123
70313602	109, 113, 117, 119, 123
Fuse Holder	
M413544P	109, 113, 117, 119, 123
44155601P	109, 113, 117, 119, 123
Fuse Holder Body	
70329401P	109, 113, 117, 119, 123
Fuse Holder Cap	
70329501	109, 113, 117, 119, 123

G

Gas Burner	
70229801P	97
Gas Disconnect Harness	
70342101	107, 115

70440501	107, 115
Gas Line Assembly	
70271201	99
Gas Shut-Off Valve	
M412562P	101
Gas Valve	
44154501P	99
44154502P	99
Gas Valve Bracket	
70233301	101
70429801	99
Gas Valve Coil	
70260101	101
Gas Valve Coil Kit	
44257501	101
Gas Valve Cover	
70381001	97
70429901	97, 99
Gas Valve Harness	
70184001	101
Gas Valve Harness Assembly	
M413650	101
Gasket	
70289101P	73
70392701P	89
Graphic Overlay	
44050501	19
44050502	19
44239401	19
44239402	19
44239403	19
44240501	19
Ground Lug Connector	
M411283	127, 129

H

Hairpin Cotter	
70389301	105
Handle	
70268001	129
Handle and Caps Assembly	
70154403	73
70154404	73
Handle Bar	
70399502B	59
Handle Bumper	
70407201	73
70407208	73
Harness Assembly	
M412997	99, 105
Heat Exchanger	
70491801	97, 103
Heater Element	
70034404P	103
70034405P	103
70034406P	103
70034412P	103
70034414P	103
70034415P	103
70034416P	103
High Voltage Lead	
70006201	107

N/A items do not appear in index.

High Voltage Suppression Cable	
44239702	107
Hinge Cam Kit	
M4772P3	61
M4773P3	61
Hold-Down Clip	
35865	79
Hole Plug	
44024201	59
70063201	79
Hose	
44073304	83
Hose Clamp	
36801	83
Hose Fitting	
44069101	83

I

ICM Reset Label	
70411001	111, 113
Idler Bracket	
70443301	85
Idler Holder	
70464501	87
Idler Spacer	
70464601	87
Idler Wheel Assembly	
70050401P	85, 87
Igniter Cover	
70159601	97
Ignition Control	
70458601P	109
70483201	111
Ignition Control Harness	
44136601P	107
44186701	107
44186901	107
Ignition Control Kit	
70492701	109
70492801	111
Insulator	
M413862	109, 111, 117, 119, 123
Interlock Contactor	
F330186P	109, 111, 117, 119, 123

J

Jumper Assembly	
70138801	125
70138901	125
70139001	125
70139101	125
Jumper Bar	
70066501	103
Jumper Cable Assembly	
M413933	125
M413934	125
M414121	125
Jumper Calibration Assembly	
70084301	23

Jumper Calibration Wire	
70324601	49, 51
70324602	15, 17, 27, 29, 35, 37, 41, 43, 53, 55
Jumper Configuration Assembly	
M413507	107, 115, 121
M413510	107, 115, 121
Jumper Disconnect Assembly	
70120901	107, 115
Jumper Harness Assembly	
M413504	107, 115
M413505	107, 115, 121
M413506	107, 115, 121
M413508	107, 115, 121
M413509	121
Jumper Strip	
M400869	103
Jumper Wire	
44014601	125
44014701	125
44014801	125
70066601	103
Junction Box Harness	
70315801	107, 115, 121

K

Key	
70144101	89
70155601	69
70155602	69
Kickplate	
70117603	73
70117604	73

L

Label	
44190901	65
70414001	59
70537001	65
70537101	65
Leveling Leg	
34319	79
Light	
801431	15
801432	83
Limit Thermostat	
D510701	97
M409433	103
M410542	97
M411307	89
Lint Panel	
70515502	73
70515503LG	73
70515504DG	73
70515504LG	73
70515505	73
70515506W	73
Lint Panel Assembly	
70176701*	73
70176702P	73
70176703*	73
70176704	73
70176705*	73

N/A items do not appear in index.

70176706	73
70176707*	73
70176708	73
Lint Panel Switch Bracket	
70277301	79
Lint Screen	
70325601	79
Lint Screen Clip	
70054501	79
Lock Shim	
70342401	69
Lock, Key and Nut Kit	
44089301P	69, 83
44089302P	69
Lower Pan	
70326601	79
Lower Rear Panel	
70290201	89
L.P. Conversion Kit	
K555	101
M4711P3	99, 101
L.P. Valve	
44154504	99, 101
70457302P	101
L.P. Valve Conversion Kit	
M405434P	101

M

Main Harness	
70441301	17, 23, 27, 29, 41, 43, 53, 55
70467801	15, 17, 23, 27, 29, 35, 37, 41, 43, 49, 51, 53, 55
Male Tab Terminal	
00177	15, 17, 21
Manual Reset Thermostat	
M411945	89
70186301	97
Membrane Switch	
D510036P	25, 29, 35, 37
M414368P	23
44037901P	21
44039402P	21
Mixing Valve	
36958P	83
Mixing Valve Shield Bracket	
44065701P	83
Moisture Sensor Harness Assembly	
70448902	91
Moisture Sensor Test Wires	
70468901	91
Motor Bracket	
70464101	87
Motor Capacitor	
M410296	85
70211401	85
70211501	89
70211502	85
Motor Channel	
70261701	85
Motor Conduit Mounting Bracket	
70321701	85, 89

Motor Contactor Harness	
44142601P	107, 115, 121
70320201	107, 115, 121
70469301	107, 115, 121
Motor Mount Bracket	
70127301	85
Motor Plate Cover	
70464201	87
Motor Pulley	
70284201	85
70284203	85
70457401	87
70457403	87
Mounting Bracket	
70063501	23
Mounting Plate	
70208801	29, 37, 43, 51
Mounting Switch Base	
M412186	129
M412187P	111, 119

N

Nameplate	
B12389801	69
F8443102	69
39564	25, 41
44046801	69
44062901	69
44129903	69
70243901	69
70509601	69
70522001	69
Nameplate Overlay	
44104501	69
44130201	69
44144401	59, 69
70115601	69
70380701	69
70410201	69
70411401	69
70460801	69
Network Board	
210157P	47
Network Board Assembly	
201341	45
210016P	39
Network Cable	
210165	47
Network Capacitor Assembly	
M413863	107, 115, 121, 125
Network Capacitor Harness Assembly	
M413878	107, 115, 121
44143401P	107, 115, 121
44152001	125
70286501	125
Network Controller Kit	
NK220	41, 43, 53
Network Plug Support	
70201401	39
Network Retrofit Kit	
NK206	41, 43, 53
Network Wire Harness Assembly	
44088501P	45

N/A items do not appear in index.

70537401	25
70537402	25
70537403	29

P

Panel Locator	
56079	17, 69, 73
PC Board Standoff	
210098	47
Pin	
70071401	61
Pipe Clip	
70203701	97
Pipe Nipple	
70139601	101
901403	101
Pop Rivet	
M405750	99
44166601	69
70058501	61, 79, 105, 129
70058502	127, 129
70126301	73
70126401	73
70412601	59
Porcelain Touch-Up Paint	
122P4P	79
215P4P	79
370P4P	79
Power Distribution Block	
M413865	127, 129
Power Distribution Block Cover	
44014901P	127, 129
Power Harness	
70316101P	107, 115, 121
70332201	107, 115, 121
70347701P	107, 115, 121
70438901	107, 115, 121
70439001	107, 115, 121
70445501	107, 115, 121
70464901	107, 115, 121
70465001	107, 115, 121
70469701	107, 115, 121
Primary Air Adjustment Sleeve	
70239801	99, 101
Pushbutton	
44018801	71
Pushbutton Switch	
M413431	113
70413301	25, 29, 35, 37, 41, 43, 49, 51, 69
Push-to-Start Switch	
801434W	83

R

RC Filter Kit	
M4457P3	23
Rear Bearing Shim	
70355001	77
Rear Cylinder Bearing Housing	
70013901	77
Rear Cylinder Channel	
70257101	75

70257102	75
Rear Cylinder Channel Plate	
70257201	75
Rear Cylinder Seal	
70013701P	77
Rear Cylinder Seal Support	
70506402	77
Rear Lint Panel	
70249901	73
Relay	
M412534	21, 23
Relay/Buzzer Bracket	
44041701	21
Replacement Door Handle Kit	
70133501P	57, 59
Replacement Gas Valve Kit	
M4969P3	99
M4971P3	99
Reversing Contactor Harness	
70465301	107, 115, 121
Reversing Control Assembly	
70469901	109, 113, 117, 119, 123
Reversing Control Board Harness	
70471901	107, 115, 121
Rivet	
70412601	59
Rocker Switch	
70455101	15, 17
70461301	17
Roller and Seal Kit	
70616701	79
Roller Catch Arm	
70030301	73
Roller Catch Spacer	
70030201	73
Roller Catch Wheel	
70297601	73
Roller Seal	
70443601	79
Roller Shaft	
70249501	79
Roller Support Bracket	
70326101	79
70326102	79
Rotation Sensor	
F8066201	93
Rotation Sensor Bracket	
44044401	93
Rotation Sensor Cover	
44044301	93
Rotation Sensor Harness	
F8066401	93
70476101	93
Rotation Sensor Kit	
7009P	93

S

Screw	
D501086	113, 117, 119, 123
D501524	15, 17, 25, 29, 35, 37, 41, 43, 49, 51, 53, 55

N/A items do not appear in index.

D503661	45	Snap Bushing	
F8206901	109, 113, 117, 119, 123	M400770	99
F8368701	87	M402542	127, 129
M400043	87	70178701	83
M400056	85	Solenoid Valve DIN Connector	
M400057	87	70370301P	105
M400661	59	Spacer	
M402797	21, 23	70471701	87
M402917	109, 111, 117, 119	Spark Electrode	
M405188	97	70032801P	97
M409385	59	70548701P	97
M411072	89, 109, 111, 117, 119, 123	Spray Nozzle	
05161	97	70427801	81
23222	85, 89, 101	Spray Nozzle Hose	
33562	127, 129	70427701	81
38272	109, 111	Spray Paint	
39733	69, 73, 127, 129	286P4	79
430497	39, 45, 69, 75, 79, 81, 83, 85, 87, 89, 95, 97, 99, 101, 103, 109, 111, 117, 119, 123, 127, 129	297P4	79
430648	85	298P4P	79
430756	59	381P4	79
430757	73	382P4	79
431484	101	Spud Adapter	
44349101	61	70223501	101
51780	81, 83, 109, 111, 117, 119, 123, 127, 129	Standoff	
51782	111, 113, 119	211/00119/00	19
51783	109, 111, 117, 123	Steam Coil	
61199	59	70369101P	105
62588	75	Steam Configuration Harness	
685837	127, 129	70322401P	115
70033502	61	Steam Filter Holder	
70069901	15, 17, 53	70369301	105
70072801	73	Steam Solenoid	
70126101	89	70351011P	105
70132301	73	70351012	105
70153301	93	Steam Stove Limit Bypass Harness	
70391101	75	70389901	105
70407301	61	Steam Valve	
70442101	61	F8322902	105
70566401	85	F8322903	105
Secure Ground Label		Steam Valve Harness Bracket	
M403047	109, 111, 113, 117, 119, 127	70369401	105
Sensor Harness		Steam Valve Rebuild Kit	
70426601P	83	70351021P	105
Shadow Box Clip		Steam Valve Wiring Cover	
M400972	69	70369501	105
Shaft Collar		Stove Back	
70467001	87	70297401	97
Sheet Metal Edge Gasket		Stove Connectors Cover	
70015711	79	70365201	103
70015712	79	Stove Grill	
Side Panel		70214901	103
70021502LG	79	Stove Limit Bypass Harness	
70021502*P	79	70316601	103, 105
70021504DG	79	Stove Limit Harness	
70253801DG	79	70316501	97
70253801LG	79	Stove Limit Kit	
70253801*P	79	M4902P3	97
Sleeve		Stove Partition	
44050601	19	70357201	103
Slip Ring Assembly		Stove Top and Sides	
44222702	91	70333401	97
Slip Ring Holder		Street Elbow	
70455401	91	H86070034	99
Slot Card Plate Assembly			
44089501	29, 43, 51		

N/A items do not appear in index.

Support Bearing 70448701	77
Support Housing Bearing Assembly 430260P	77
Support Rod 70464401	87
Switch 70411901	95
Switch Assembly 70413401	79
Switch Bracket 70356301	95
Switch Hole Plug 44057801LG	69
44057801Q	69
44057801W	69

T

Temperature Knob 44104601	15, 17
Temperature Selector Bracket 70350201	15
Temperature Selector Switch D511711	15, 17
Temperature Selector Switch Bracket 70391701	17
Terminal Block 430642	109, 111, 117, 119, 123
Terminal Block Shield 70333001	109, 111, 117, 119, 123
Thermistor M414704	89
44064701	81, 83
Thermistor Plate 70424401	81
Thermostat Cover M414477	97
Time Delay Interlock Kit 44314401	129
Top Pan 70555401	79
Transformer M414228P	109, 111, 117, 119, 123
M414229P	109, 111, 117, 119, 123
M414230P	109, 117, 123
M414312P	109, 117, 123
44074401	117, 119, 123
Trunnion and Seal Kit 70564803	75
70564804	75
Tube Assembly 70427601	81
Tumbler Dolly Kit M4379P4	79

U

Union H86000031	101
Union Tee 70427901	81

Upper Rear Panel 70356801	77
70356802	77
70356803	77
70356804	77
USB Gateway Kit NK330	41, 43, 53
USB IR Interface Kit 203346	41, 43, 49, 51, 53, 55

V

Valve Coil F8514801	105
Valve Kit F8521701	105
Valve Rebuild Kit F8379502	105

W

Warning Label 44324001	109, 111, 113, 123, 127, 129
70534301	65
Washer F431131	89
M400080	75
M400991	77
M405535	15, 87
70261401	79
70265901	85
70270301	85
70409301	59
70411301	75
Water Hose F200116	83
Wire Clip 70366201	109, 111, 117, 119, 123
Wire Guard 201595P	31
Wireless Network Kit NK301	41, 43, 49, 51, 53
Wireless Transceiver Assembly 202335	45

N/A items do not appear in index.

