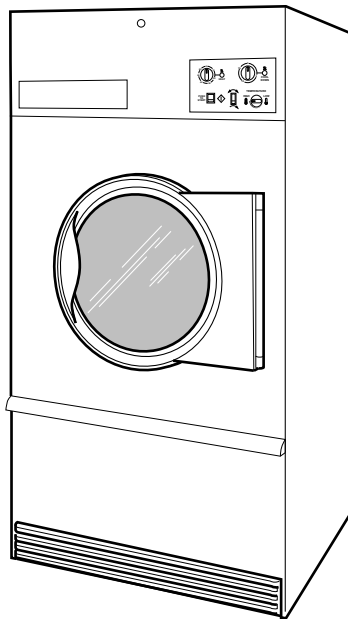


Drying Tumblers

50 Pound Capacity

15 Digit Model Numbers with 2 in 12th Position

Refer to Page 5 for Model Numbers



TMB795C_70421801

Table of Contents

Title	Page
Parts Ordering Information.....	3
Serial Plate Location	3
Model Identification	5
Product Overview - Heat Source and Voltage	6
Product Overview - Control Suffixes (Drawing 1 of 3).....	8
Product Overview - Control Suffixes (Drawing 2 of 3).....	10
Product Overview - Control Suffixes (Drawing 3 of 3).....	12
Control Box	14
Fire Suppression System Control Box	16
Single Drop Controls	18
Dual Digital Timer Controls	20
DMP Control	22
DX4 Electronic Control.....	24
OPL Microprocessor Controls	26
Coin Drop Components for MDC Models.....	28
Coin Drop - Wire Harnesses for MDC Models	30
Central Pay and Card Reader MDC Models	32
Optional Card Reader Mountings for MDC Models.....	34
Coin Drops	36
Coin Drop Kits	38
Coin Drop Components for Quantum Control.....	40
Card Reader Components for Quantum Control	42
Network Board	44
Network Connection for Quantum.....	46
Coin Drop Components for Galaxy 600 Control	48
Card Reader Components for Galaxy 600 Control	50
UniLinc Control	52
LED OPL Control	54
Emergency Stop Button - CE Models	56
Cabinet Front Components.....	58
Cabinet Panels and Nameplates	60
Front Panel Assemblies	62
Lint Panel Switch Assembly	64
Lower Cabinet Front Components	66
Cabinet Limit and Thermistor Assembly	68
Cabinet Components	70
Door Components.....	72
Hinge Components	74
Cylinder and Trunnion Components	76
Bearing Components	78
Reversing Cylinder Drive Motor and Components.....	80

© Copyright 2023, Alliance Laundry Systems LLC

All rights reserved. No part of the contents of this book may be reproduced or transmitted in any form or by any means without the expressed written consent of the publisher.

Drive Components for Non-Moisture Sensing Reversing Models Through 1/31/12	82
Drive Components for Moisture Sensing Reversing Models Starting 8/1/11 and Non-Moisture Sensing Reversing Models Starting 2/1/12	84
Drive Components for Nonreversing Models Through 7/31/11	86
Drive Components for Nonreversing Models Starting 8/1/11	88
Idler Housing Assembly for Non-Moisture Sensing Reversing Models Through 1/31/12	90
Idler Assembly for Nonreversing Models Through 7/31/11	92
Moisture Sensing Components	94
Fan Components	96
Fan Motors	98
Gas Heater Components	100
Burner Orifices for Non-CE Models	102
Electric Heater Components	104
Airflow Switch Assembly	106
Steam Heater and Valve	108
Rotation Sensor	110
Duct and Damper Assembly	112
Rear Panel Assembly	114
Control Tray Wrap Components	116
Control Tray Fuses	118
Control Tray Harnesses for Gas and Steam Models	120
Control Tray Components for Gas Models	122
Control Tray Components for Steam Models	124
Control Tray Harnesses for Electric Models	126
Control Tray Components for Non-CE Electric Models	128
Control Tray Components for CE Electric Models	130
Parts Index	133

Parts Ordering Information

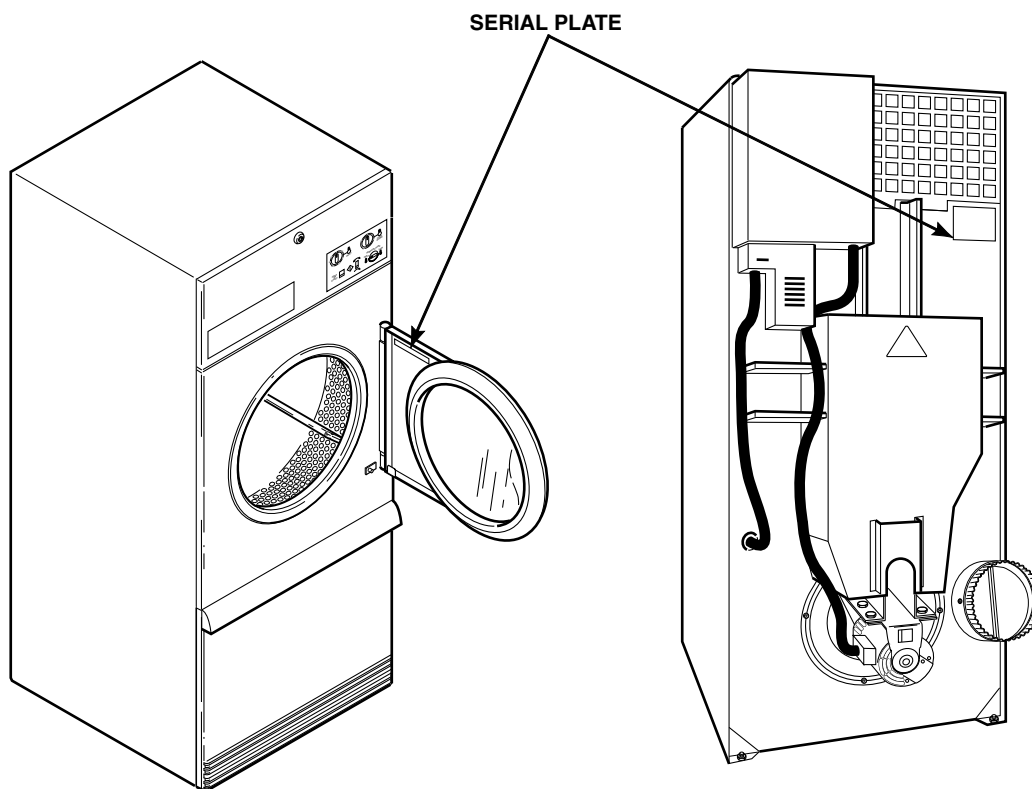
If literature or replacement parts are required, contact the source from whom the machine was purchased or contact Alliance Laundry Systems at (920) 748-3950 for the name and address of the nearest authorized parts distributor.

For technical assistance, call the number listed below:

(920) 748-3121 Ripon, Wisconsin

Serial Plate Location

When calling or writing about your product, be sure to mention model and serial numbers. Model and serial numbers are located on serial plate(s) as shown.



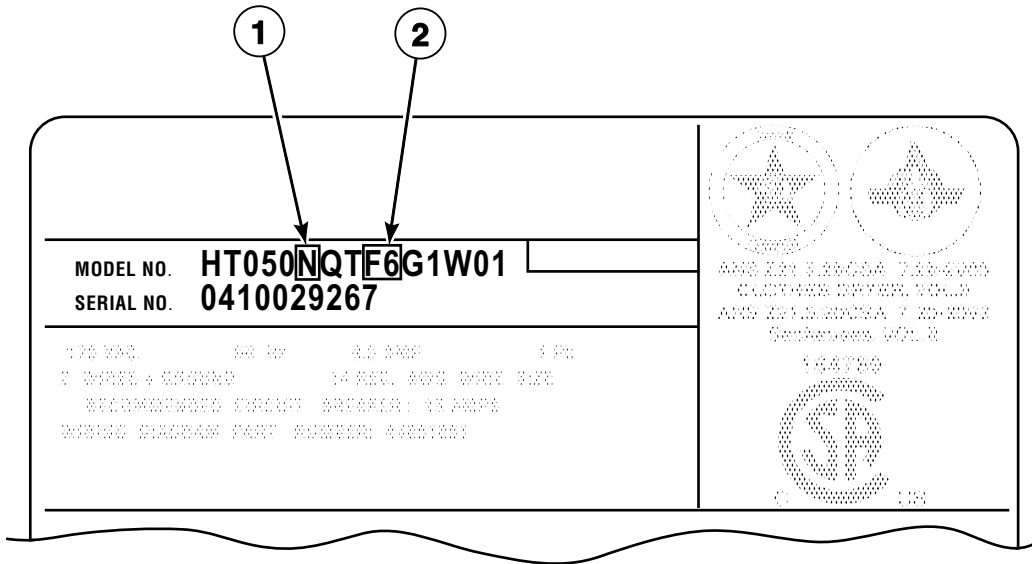
TMB2235N_70421801

Model Identification

Information in this manual is applicable to these tumbler models:

BA050L	GA050L	KA050L	PA050L	UA050L
BA050N	GA050N	KA050N	PA050N	UA050N
BH050E	GH050E	KK050N	PH050E	UH050E
BH050L	GH050L	KT050E	PH050L	UH050L
BH050N	GH050N	KT050L	PH050N	UH050N
BH050S	GH050S	KT050N	PH050S	UH050S
BK050N	GK050N	KT050S	PK050N	UK050N
BT050D	GT050E	KT050T	PR050E	UR050E
BT050E	GT050L	KU050E	PR050S	UR050S
BT050L	GT050N	KU050L	PT050E	UT050E
BT050N	GT050S	KU050N	PT050L	UT050L
BT050S	GT050T	KU050S	PT050N	UT050N
BT050T	GU050E	KU050T	PT050S	UT050S
BU050E	GU050L	LA050L	PT050T	UT050T
BU050L	GU050N	LA050N	PU050E	UU050E
BU050N	GU050S	LK050N	PU050L	UU050L
BU050S	GU050T	LT050E	PU050N	UU050N
BU050T	HA050L	LT050L	PU050S	UU050S
CA050L	HA050N	LT050N	PU050T	UU050T
CA050N	HH050E	LT050S	SA050L	YT050E
CK050N	HH050L	LT050T	SA050N	YT050L
CT050E	HH050N	LU050E	SH050E	YT050N
CT050L	HH050S	LU050L	SH050L	YT050S
CT050N	HK050N	LU050N	SH050N	YT050T
CT050S	HR050E	LU050S	SH050S	YU050E
CT050T	HR050S	LU050T	SK050N	YU050L
CU050E	HT050D	MT050D	SR050E	YU050N
CU050L	HT050E	MT050E	SR050S	YU050S
CU050N	HT050L	MT050L	ST050D	YU050T
CU050S	HT050N	MT050N	ST050E	
CU050T	HT050S	MT050S	ST050L	
	HT050T	MT050T	ST050N	
	HU050E	NH050E	ST050S	
	HU050L	NH050L	ST050T	
	HU050N	NH050N	SU050E	
	HU050S	NH050S	SU050L	
	HU050T	NR050E	SU050N	
	IT050E	NR050S	SU050S	
	IT050L	NT050E	SU050T	
	IT050N	NT050L		
	IT050S	NT050N		
	IT050T	NT050S		
		NU050E		
		NU050L		
		NU050N		
		NU050S		

Product Overview - Heat Source and Voltage



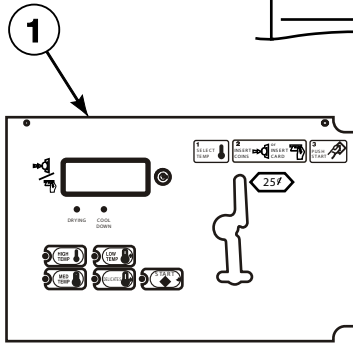
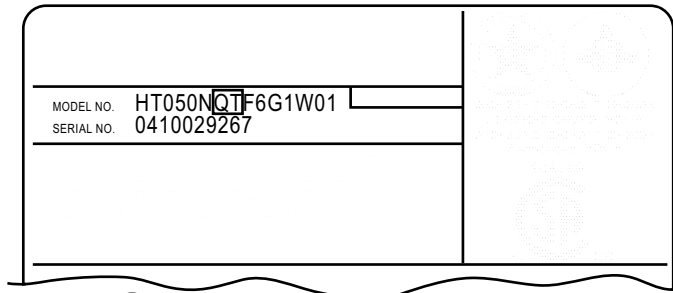
TMB2730P_70421801

Product Overview - Heat Source and Voltage

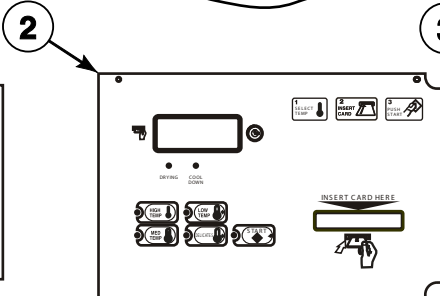
REF	PART NO.	DESCRIPTION	COMMENTS
1	-	Heat Source	D: Liquid Petroleum Gas (L.P.) E: Electric L: Liquid Petroleum Gas (L.P.) N: Natural Gas (N.G.) S: Steam T: Thermal Oil
2	-	Voltage	B1: 120 Volt/60 Hertz/1 Phase B2: 120 or 208-240 Volt/60 Hertz/1 Phase F3: 200-208 or 240 Volt/60 Hertz/1 Phase F4: 200 Volt/50 Hertz/3 Phase F5: 200-208 Volt/60 Hertz/3 Phase F6: 200-208 or 240 Volt/60 Hertz/3 Phase J1: 230 Volt/50 Hertz/1 Phase J2: 230-240 Volt/50 Hertz/1 Phase J3: 240 Volt/50 Hertz/1 Phase J5: 230 Volt/50 Hertz/3 Phase J6: 230-240 Volt/50 Hertz/3 Phase J7: 240 Volt/50 Hertz/3 Phase J8: 240 Volt/60 Hertz/3 Phase M1: 380 Volt/50 Hertz/3 Phase M2: 380 or 400-415 Volt/50 Hertz/3 Phase M3: 380 Volt/60 Hertz/3 Phase N1: 400-415 Volt/50 Hertz/3 Phase P1: 440 Volt/60 Hertz/3 Phase Q1: 460-480 Volt/60 Hertz/3 Phase Q2: 480 Volt/60 Hertz/3 Phase

Product Overview - Control Suffixes (Drawing 1 of 3)

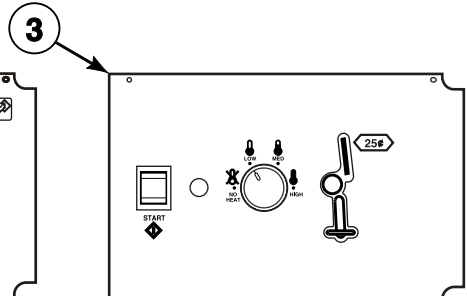
All Models Except G and K Models



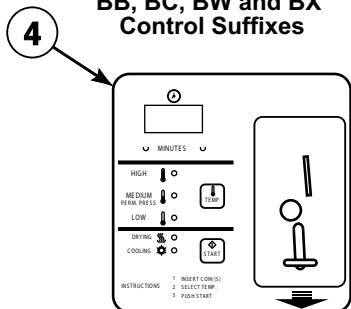
BB, BC, BW and BX Control Suffixes



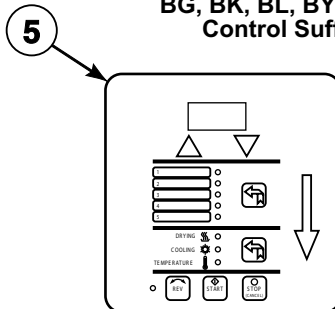
BG, BK, BL, BY and BZ Control Suffixes



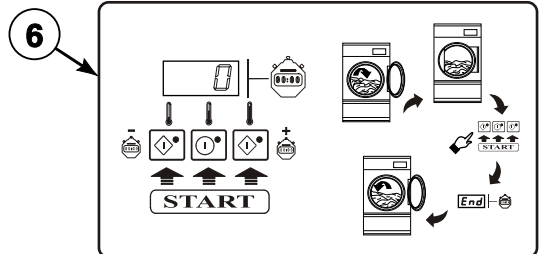
SD and SX Control Suffixes



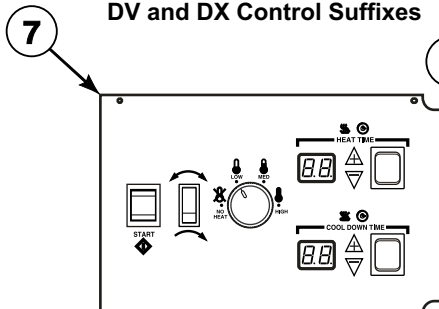
DV and DX Control Suffixes



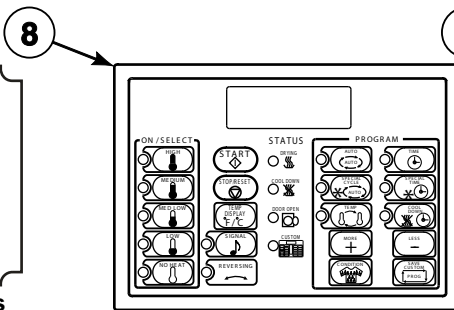
DO and RD Control Suffixes



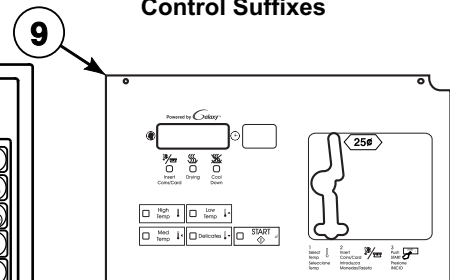
3B, 3K, 3L, 3O, 3V, 3W, 3X and R3 Control Suffixes



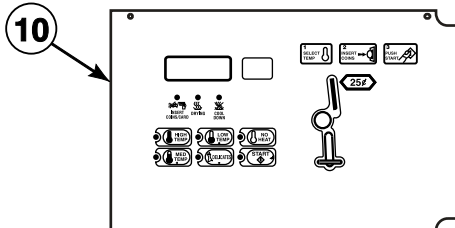
QT and RQ Control Suffixes



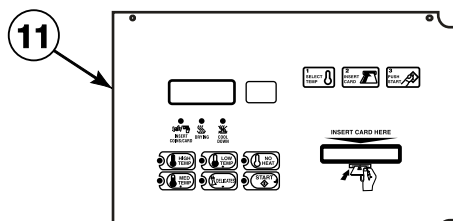
OM and RM Control Suffixes



KB, KC, KK, KL, KW, KX, KY and KZ Control Suffixes



LB, LC, LW, LX, WB, WC, WW and WX Control Suffixes



LK, LL, LY, LZ, WK, WL, WY and WZ Control Suffixes

TMB3285P_70421801

Product Overview - Control Suffixes (Drawing 1 of 3)

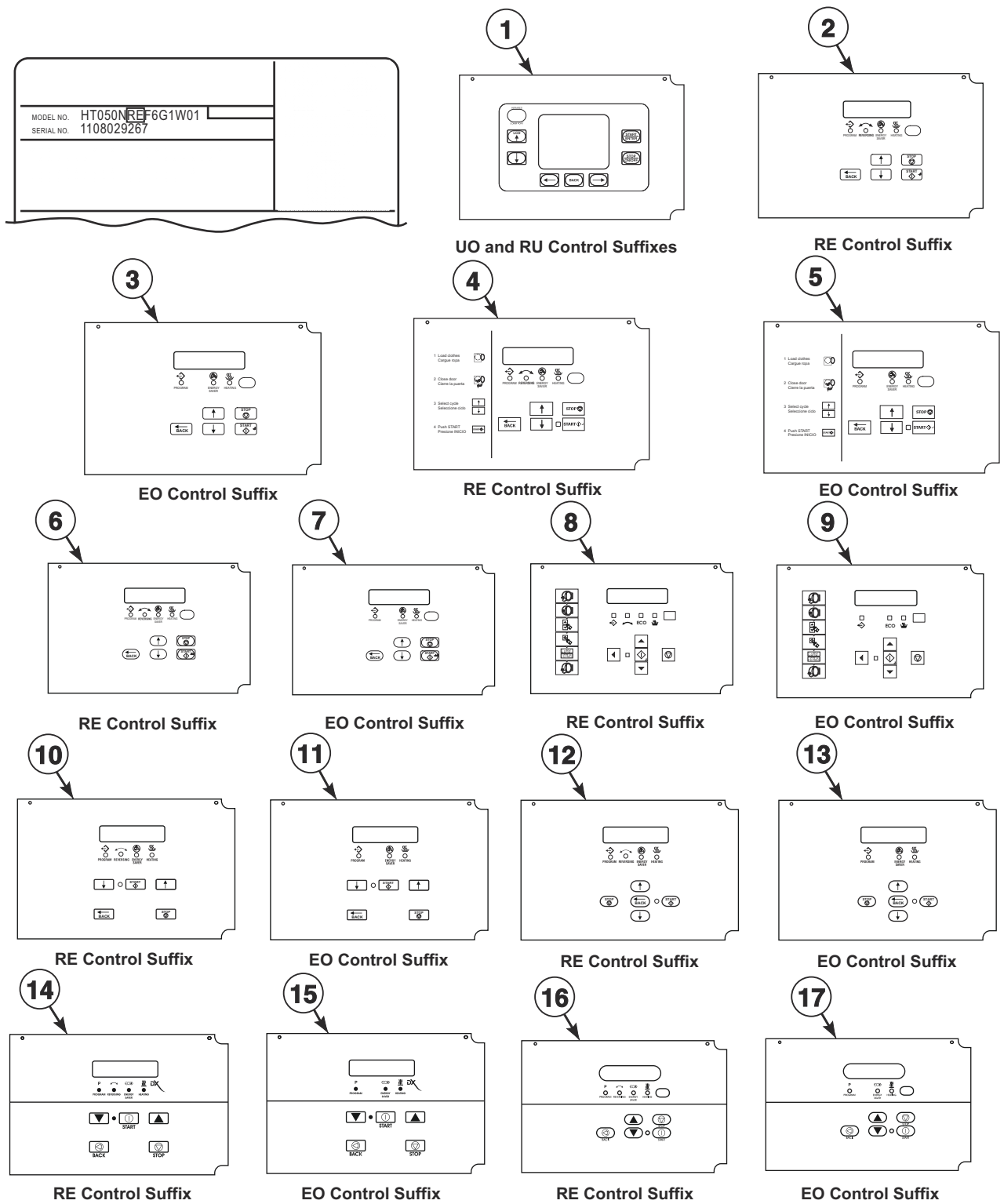
REF	PART NO.	DESCRIPTION	COMMENTS
1	-	Control - Nonreversing	BC: basic electronic, coin BX: basic electronic, prep for coin
	-	Control - Reversing	BB: reversing basic electronic, coin BW: reversing basic electronic, prep for coin
2	-	Control - Nonreversing	BG: basic electronic, OPL mode BL: basic electronic, prep for central pay BY: basic electronic, prep for card
	-	Control - Reversing	BK: reversing basic electronic, prep for central pay BZ: reversing basic electronic, prep for card
3	-	Control - Nonreversing	SD: single drop SX: single drop, prep for coin
4	-	Control - Nonreversing	DV: DMP vended DX: DMP prep for coin
5	-	Control - Nonreversing	DO: DMP OPL
	-	Control - Reversing	RD: reversing DMP OPL
6	-	Control - Nonreversing	3L: DX4 prep for central pay 3O: DX4 OPL 3V: DX4 vended 3X: DX4 prep for coin
	-	Control - Reversing	3B: reversing DX4 vended 3K: reversing DX4 prep for central pay 3W: reversing DX4 prep for coin R3: reversing DX4 OPL
7	-	Control - Nonreversing	QT: dual digital timer
	-	Control - Reversing	RQ: reversing dual digital timer
8	-	Control - Nonreversing	OM: OPL micro
	-	Control - Reversing	RM: reversing OPL micro
9	-	Control - Nonreversing	KC: single coin KL: prep for central pay KX: prep for coin KY: prep for card
	-	Control - Reversing	KB: reversing single coin KK: reversing prep for central pay KW: reversing prep for coin KZ: reversing prep for card
10	-	Control - Nonreversing	LC: network adaptable coin LX: network adaptable, prep for coin WC: network ready coin WX: network ready, prep for coin
	-	Control - Reversing	LB: reversing network adaptable coin LW: reversing network adaptable, prep for coin WB: reversing network ready coin WW: reversing network ready, prep for coin
11	-	Control - Nonreversing	LL: network adaptable, prep for central pay LY: network adaptable, prep for card WL: network ready, prep for central pay WY: network ready, prep for card
	-	Control - Reversing	LK: reversing network adaptable, prep for central pay LZ: reversing network adaptable, prep for card WK: reversing network ready, prep for central pay WZ: reversing network ready, prep for card

NOTE: Coin models have the following control suffixes: 3B, 3K, 3L, 3V, 3W, 3X, BB, BC, BK, BL, BW, BX, BY, BZ, DV, DX, KB, KC, KK, KL, KW, KX, KY, KZ, LB, LC, LK, LL, LW, LX, LY, LZ, SD, SX, WB, WC, WK, WL, WW, WX, WY and WZ.

NOTE: OPL models have the following control suffixes: 3O, BG, DO, OM, QT, R3, RD, RM and RQ.

Product Overview - Control Suffixes (Drawing 2 of 3)

All Models Except G, K and M Models



TMB3352P_70421801

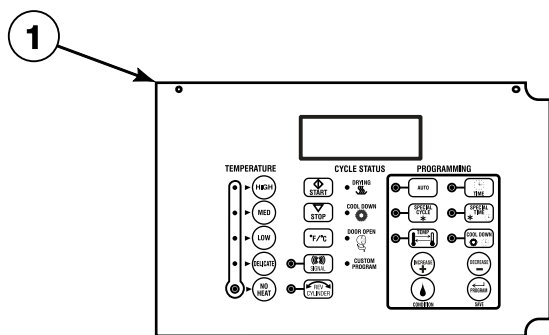
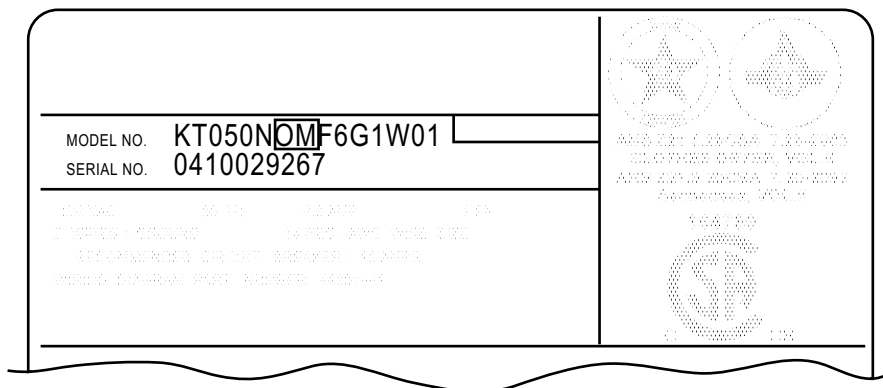
Product Overview - Control Suffixes (Drawing 2 of 3)

REF	PART NO.	DESCRIPTION	COMMENTS
1	-	Control - Reversing	U models; RU: reversing UniLinc OPL
	-	Control - Nonreversing	U models; UO: UniLinc OPL
2	-	Control - Reversing	S models; RE: reversing LED OPL
3	-	Control - Nonreversing	S models; EO: LED OPL
4	-	Control - Reversing	H models; RE: reversing LED OPL
5	-	Control - Nonreversing	H models; EO: LED OPL
6	-	Control - Reversing	U models; RE: reversing LED OPL
7	-	Control - Nonreversing	U models; EO: LED OPL
8	-	Control - Reversing	B, C and I models; RE: reversing LED OPL
9	-	Control - Nonreversing	B, C and I models; EO: LED OPL
10	-	Control - Reversing	P models; Models through 9/30/14; RE: reversing LED OPL
11	-	Control - Nonreversing	P models; Models through 9/30/14; EO: LED OPL
12	-	Control - Reversing	N and Y models; L models through 5/31/15; RE: reversing LED OPL
13	-	Control - Nonreversing	N and Y models; L models through 5/31/15; EO: LED OPL
14	-	Control - Reversing	P models; Models starting 10/1/14 through 5/31/15; RE: reversing LED OPL
15	-	Control - Nonreversing	P models; Models starting 10/1/14 through 5/31/15; EO: LED OPL
16	-	Control - Reversing	L and P models; Models starting 6/1/15; RE: reversing LED OPL
17	-	Control - Nonreversing	L and P models; Models starting 6/1/15; EO: LED OPL

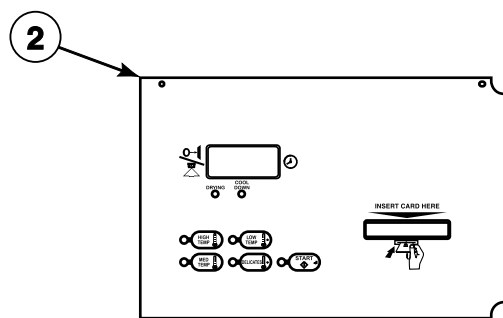
NOTE: OPL models have the following control suffixes: EO, RE, RU and UO.

Product Overview - Control Suffixes (Drawing 3 of 3)

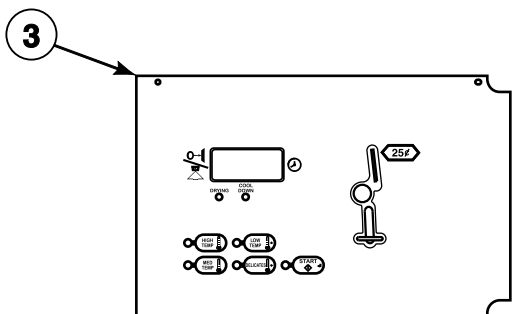
G and K Models



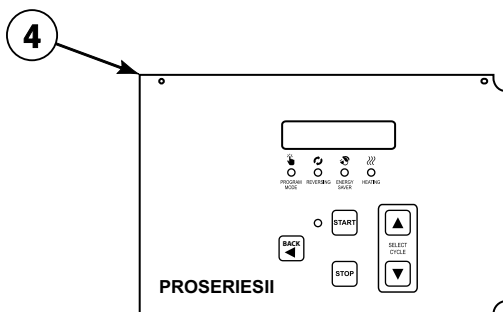
OM and RM Control Suffixes



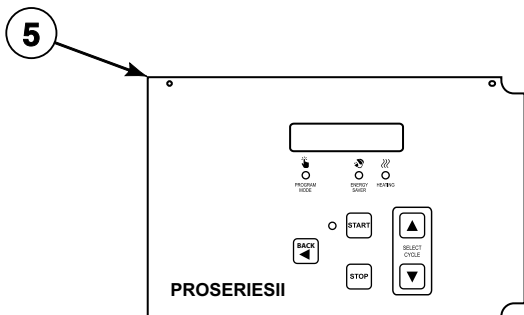
BG and BL Control Suffixes



BB, BC, BW and BX Control Suffixes



RE Control Suffix



EO Control Suffix

TMB3196P_70421801

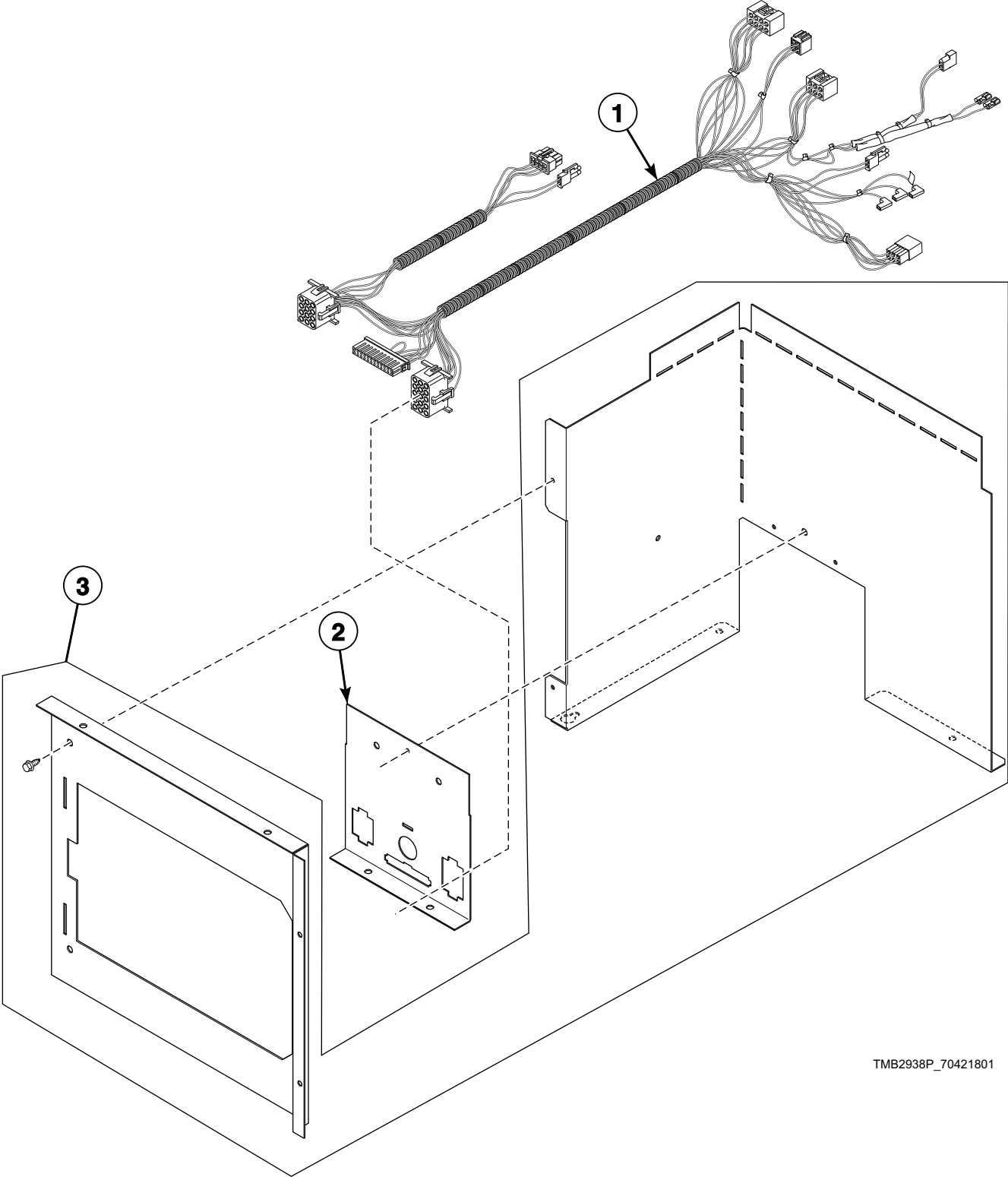
Product Overview - Control Suffixes (Drawing 3 of 3)

REF	PART NO.	DESCRIPTION	COMMENTS
1	-	Control - Nonreversing	OM: OPL micro
	-	Control - Reversing	RM: reversing OPL micro
2	-	Control - Nonreversing	BG: basic electronic, OPL mode BL: basic electronic, central pay
3	-	Control - Nonreversing	BC: basic electronic, coin BX: basic electronic, prep for coin
	-	Control - Reversing	BB: reversing basic electronic, coin BW: reversing basic electronic, prep for coin
4	-	Control - Reversing	RE: reversing LED OPL
5	-	Control - Nonreversing	EO: LED OPL

NOTE: Coin models have the following control suffixes: BB, BC, BW and BX

NOTE: OPL models have the following control suffixes: BG, BL, EO, OM, RE and RM.

Control Box



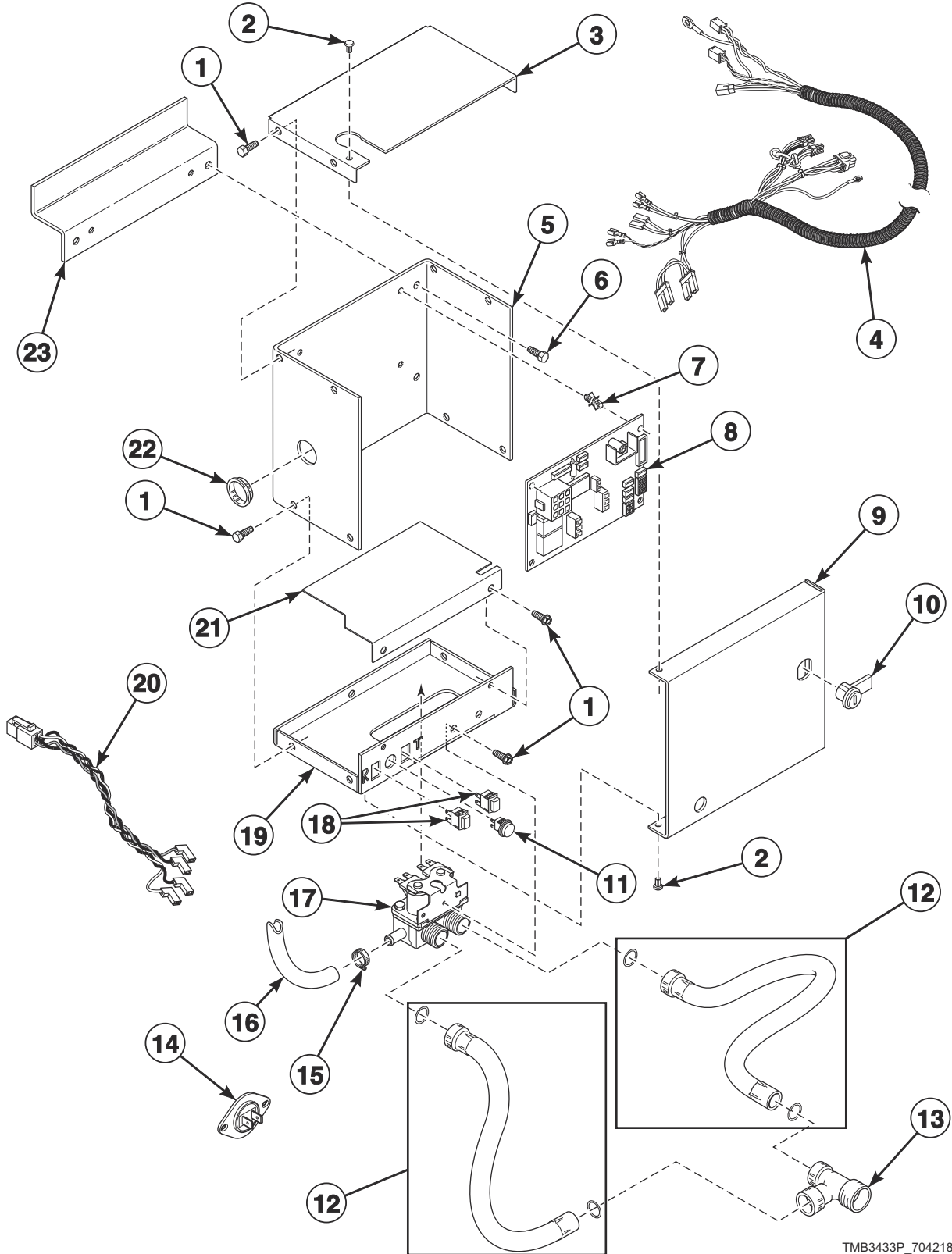
TMB2938P_70421801

Control Box

REF	PART NO.	DESCRIPTION	COMMENTS
1	44137401P	Main Harness	Models through 7/31/11; Includes airflow switch wires
	44187002	Main Harness	Models starting 8/1/11; Includes airflow switch wires
2	70307002	Control Housing Cover	WC, WX and WY control suffixes
	70307001	Control Housing Cover	All other control suffixes
3	44180101	Control Box Assembly	

Fire Suppression System Control Box

B, C, G, H, I, K, L, M, P, S and U Gas and Steam Models
Models Through 7/31/11 with a F, K, L, N, T, U or W in the 11th Character (ST050NLCF6K1W01)
Models Starting 8/1/11 with a C, D or Y in the 11th Character



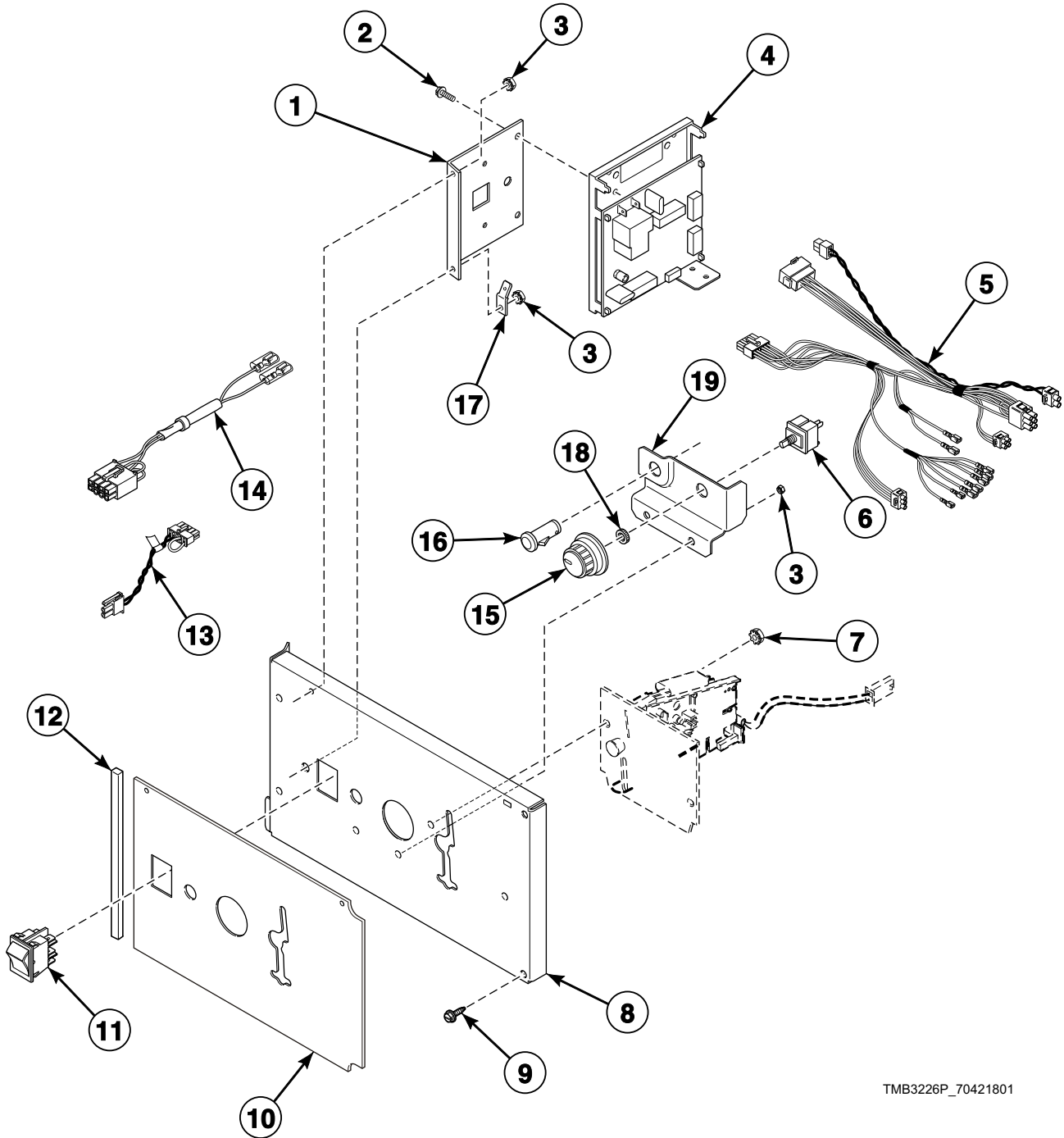
TMB3433P_70421801

Fire Suppression System Control Box

REF	PART NO.	DESCRIPTION	COMMENTS
	44073601	Manifold	
1	430497	Screw	
2	M400713	Drive Rivet	
3	44065401	Control Box Top	
4	44141601P	Control Harness Assembly	
5	44065101	Control Box Housing	
6	51780	Screw	
7	D501523	Circuit Board Support	4 required
8	44063801P	Control	
9	44065201	Control Box Cover	
10	44089301P	Lock, Key and Nut Kit	RL001 key code; Optional if same key is to be used for control lock
	70155601	Key	RL001
11	801432	Light	
12	F200116	Water Hose	2 required; Non-CE and non-Australian models
	38349P	Fill Hose Kit	CE and Australian models
13	44069101	Hose Fitting	Non-CE and non-Australian models
14	44064701	Thermistor	2 required
15	36801	Hose Clamp	
16	44073301	Hose	39 inches; Outlet hose
17	36958P	Mixing Valve	
18	801434W	Push-to-Start Switch	2 required
19	44065301	Control Box Base	
20	44141701P	Sensor Harness Assembly	
21	44065701	Mixing Valve Shield Bracket	
22	70178701	Snap Bushing	
23	44065901	Bracket	For mounting fire suppression system box to machine

Single Drop Controls

C, H, I and S Models Except Models HR050E, HR050S, HT050D, SR050E, SR050S, ST050D and Thermal Oil Models Through 3/31/10
Models with SD and SX Control Suffixes



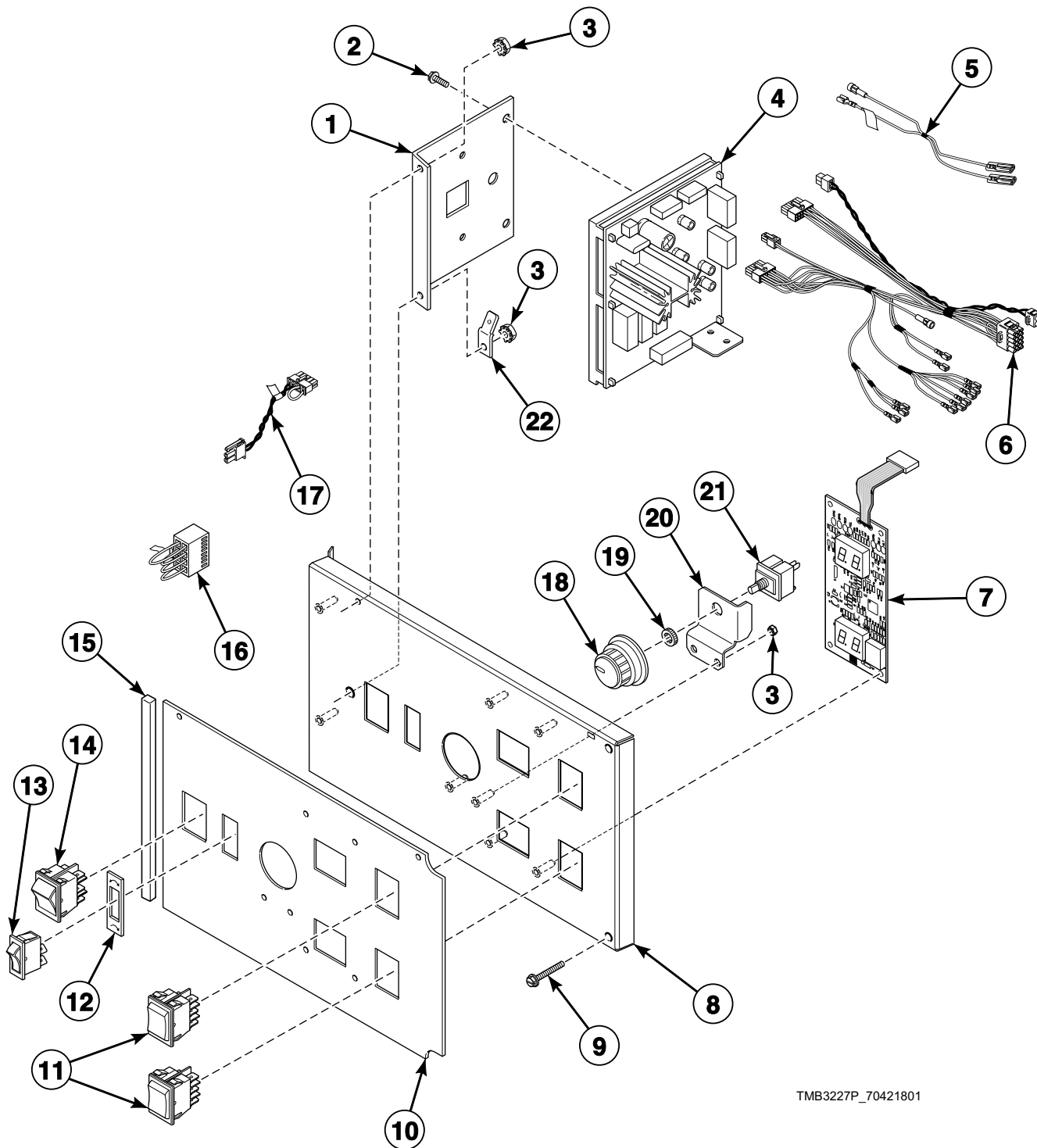
TMB3226P_70421801

Single Drop Controls

REF	PART NO.	DESCRIPTION	COMMENTS
1	70357901	Control Chassis Mounting Bracket	
2	D501524	Screw	
3	70054	Nut	
4	D513139P	Control Assembly	
5	70369001	Control Panel Harness	Non-CE and non-Australian models
	70398401	Control Panel Harness	CE and Australian models
6	D511711	Temperature Selector Switch	
7	29786	Nut	
8	70363401	Control Door Assembly	
9	70069901	Screw	
10	70362901	Overlay	C, I and S models
	70363001	Overlay	H models
11	70455101	Rocker Switch	Start switch
12	70414101	Foam Gasket	
13	70324604	Jumper Calibration Wire	
14	70364104P	Coin Vault Switch Harness	Non-CE models
15	44104601	Temperature Knob	
16	801431	Light	
17	00177	Male Tab Terminal	
18	24205	Nut	
19	70350201	Temperature Selector Bracket	

Dual Digital Timer Controls

C, H, I, L, N, P, S, U and Y Models
G and K Models Starting 1/16/12
Models with QT and RQ Control Suffixes



TMB3227P_70421801

Dual Digital Timer Controls

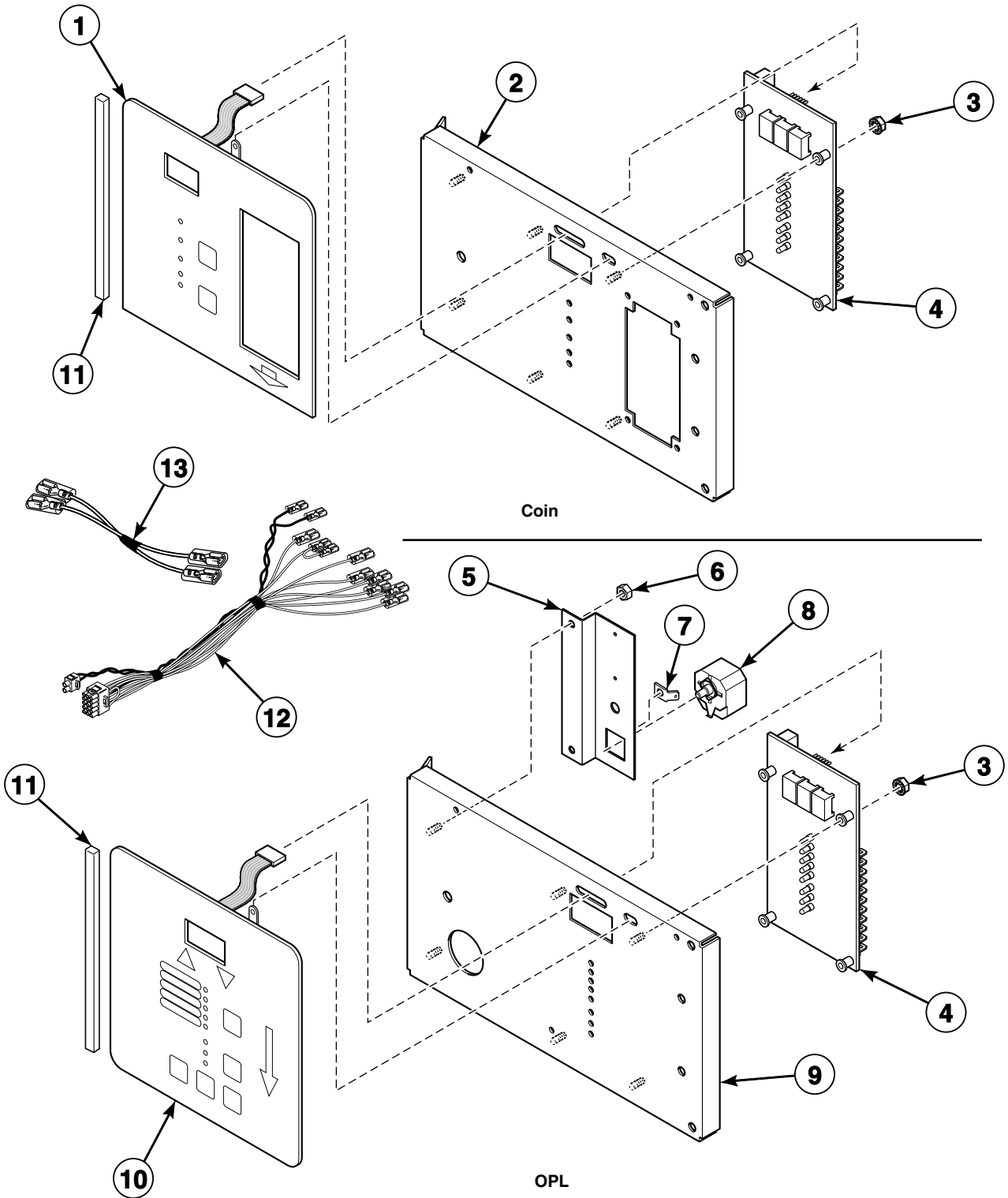
REF	PART NO.	DESCRIPTION	COMMENTS
1	70357901	Control Chassis Mounting Bracket	
2	D501524	Screw	
3	70054	Nut	
4	D512202P	Control Assembly	
5	44100101P	Control Harness	Reversing; Use in addition to item 6
6	70367001P	Control Panel Harness	
7	D512218P	Display Assembly	C and I models through 7/14/14; All other models
	70503101P	Control Assembly	C and I models; Models starting 7/15/14
8	70360601	Control Plate Assembly	
9	70069901	Screw	
10	70362201	Overlay	G, K, L, N, S and Y models; C and I models through 7/14/14; U models through 8/17/14; P models starting 1/15/15; Nonreversing
	70362202	Overlay	G, K, L, N, S and Y models; C and I models through 7/14/14; U models through 8/17/14; P models starting 1/15/15; Reversing
	70504701	Overlay	C and I models; Models starting 7/15/14; Nonreversing
	70504702	Overlay	C and I models; Models starting 7/15/14; Reversing
	70494001	Overlay	U models; Models starting 8/18/14; Nonreversing
	70494002	Overlay	U models; Models starting 8/18/14; Reversing
	70362501	Overlay	H models; Nonreversing
	70362502	Overlay	H models; Reversing
	70362401	Overlay	P models; Models through 1/14/15; Nonreversing
	70362402	Overlay	P models; Models through 1/14/15; Reversing
	11	70461301	Rocker Switch
12	M413236	Switch Plate	Reversing
13	44099601	Rocker Switch	Reversing
14	70455101	Rocker Switch	Start switch
15	70414101	Foam Gasket	
16	70364103	Bypass Harness	Non-CE models
17	70324604	Jumper Calibration Wire	
18	44104601	Temperature Knob	
19	24205	Nut	
20	70391701	Temperature Selector Switch Bracket	
21	D511711	Temperature Selector Switch	
22	00177	Male Tab Terminal	

DMP Control

C and I Models

Models with DO, DV, DX and RD Control Suffixes

Coin Models Through 4/1/10; OPL Models Through 7/31/11



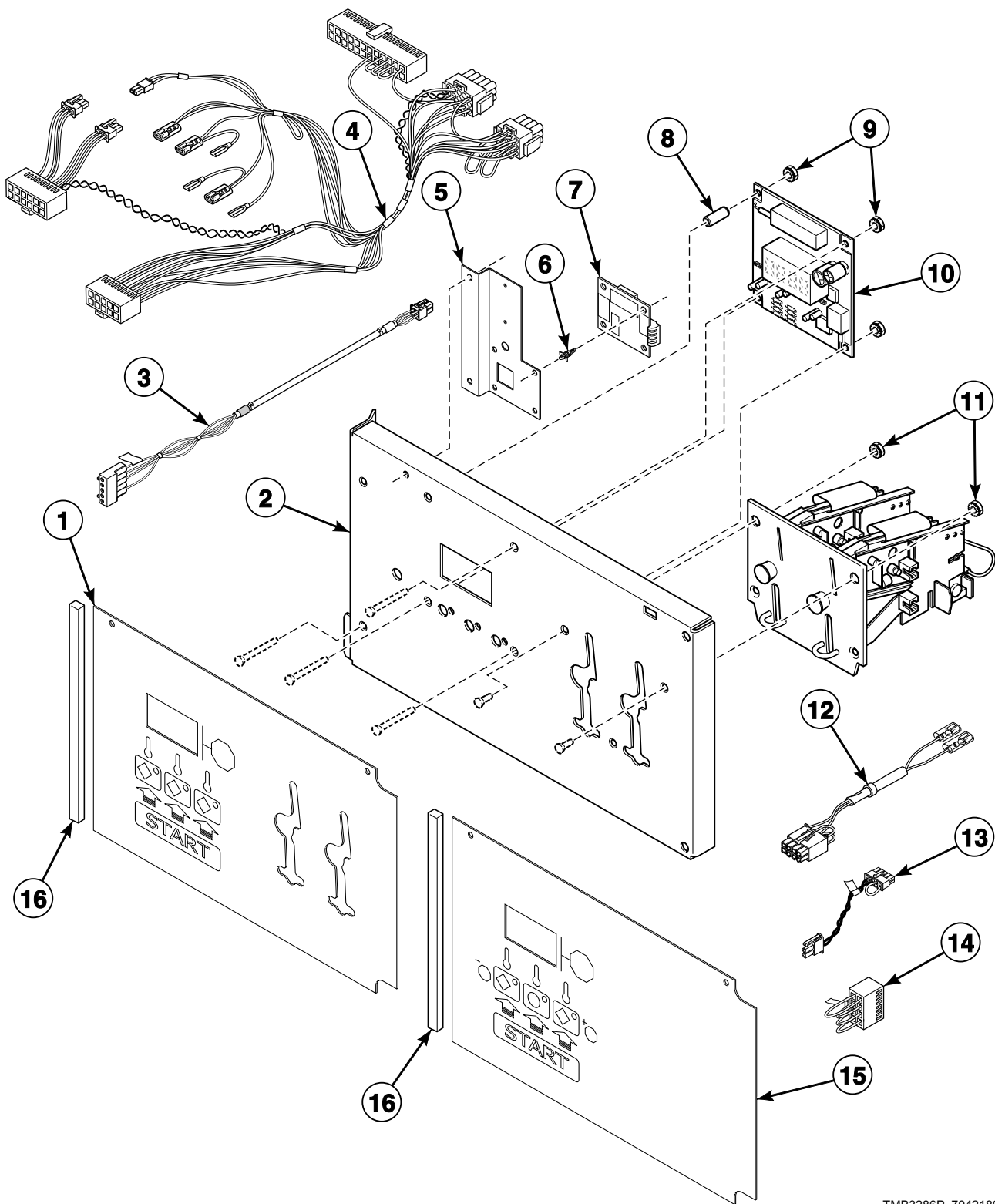
TMB3032P_70421801

DMP Control

REF	PART NO.	DESCRIPTION	COMMENTS
	M4797P3	Control Conversion Kit	C models except CT050T and CU050T; DV and DX control suffixes
1	44039402P	Membrane Switch	Coin
2	44041001	Control Plate Assembly	Coin; Includes studs
3	29787	Nut	
4	44037801P	Electronic Control	
5	44041701	Relay/Buzzer Bracket	
6	70054	Nut	
7	00177	Male Tab Terminal	
8	D505447	Adjustable Buzzer	
9	44040901	Control Plate Assembly	OPL; Includes studs
10	44037901P	Membrane Switch	OPL
11	70414101	Foam Gasket	
12	70341801P	Control Panel Harness Assembly	Non-CE models
	70341901P	Control Panel Harness	CE models; Coin
	70342001P	Control Panel Harness	CE models; OPL
13	44042701	Jumper Set Assembly	Coin; Use in addition to item 12
	44042801	Jumper Set Assembly	OPL; Buzzer; Use in addition to item 12

DX4 Electronic Control

B and I Models
Models with 3B, 3K, 3L, 3O, 3V, 3W, 3X and R3 Control Suffixes



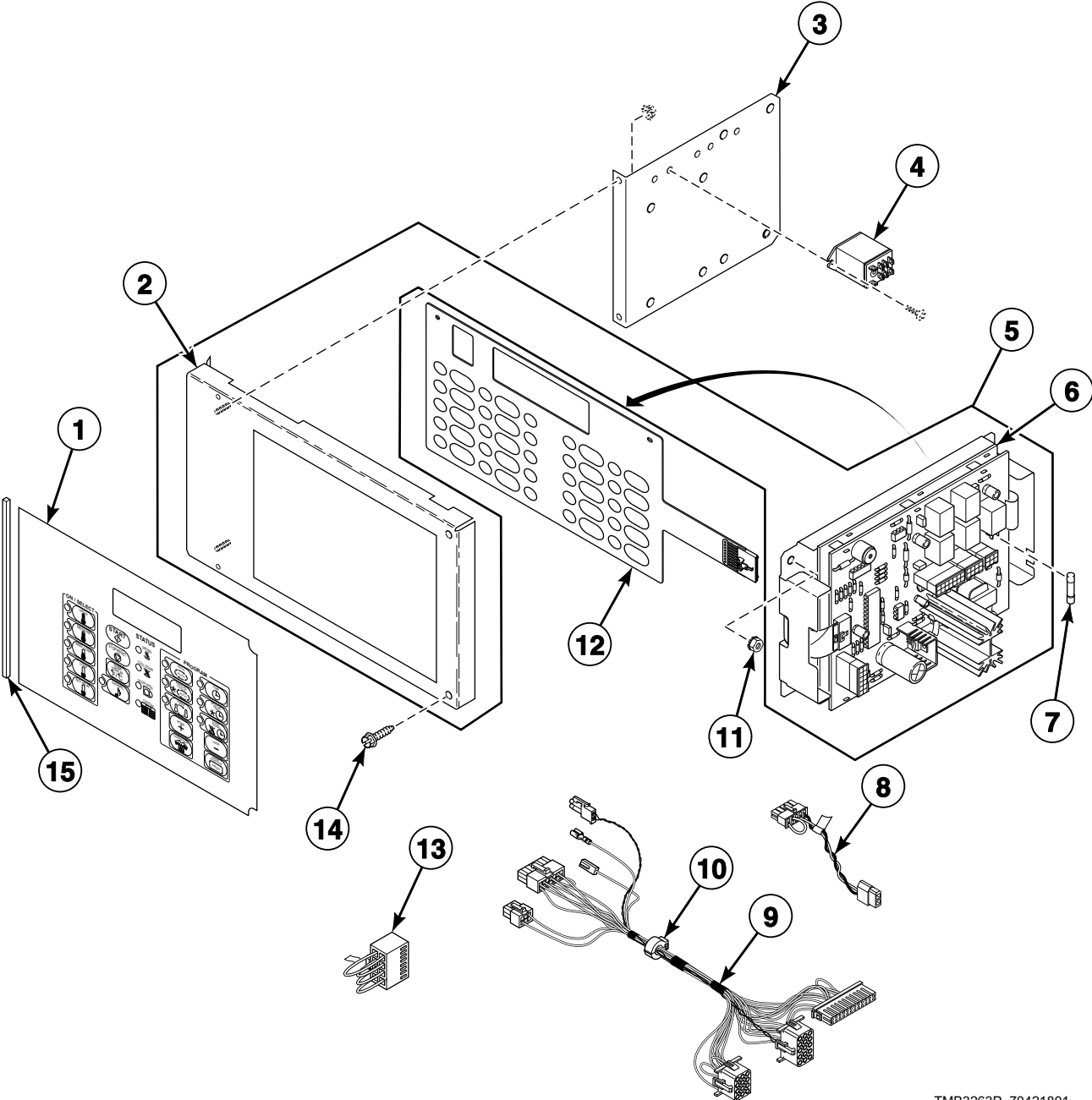
TMB3286P_70421801

DX4 Electronic Control

REF	PART NO.	DESCRIPTION	COMMENTS
1	44050502	Graphic Overlay	Dual; Coin (shown); Models through 7/31/11
	44239402	Graphic Overlay	Dual; Coin (shown); Models starting 8/1/11
	44050501	Graphic Overlay	Single; Coin; Models through 7/31/11
	44239401	Graphic Overlay	Single; Coin; Models starting 8/1/11
	44239403	Graphic Overlay	Prep for central pay
	259/00005/00	Overlay	PRO HC control replacement; Refer to Parts Information Insert 8-18-251 for list of machine serial numbers
2	44050701P	Control Plate Kit	Includes studs
3	70491501	Central Pay Harness	3K and 3L control suffixes
4	70485301	Control Panel Harness	Non-CE and non-Australian models
	70489901	Control Panel Harness	CE and Australian models
5	44263501	Bracket	CE models; All other models with 3K and 3L control suffixes
6	211/00119/00	Standoff	4 required
7	209/00471/75	Central Pay Interface Control Assembly	3K and 3L control suffixes
8	44050601	Sleeve	4 required
9	29787	Nut	
10	70462305P	Control Assembly	3O control suffix
	70462306P	Control Assembly	R3 control suffix
	70462365P	Control Assembly	3B, 3V, 3W and 3X control suffixes
	70462372	Control Assembly	3K and 3L control suffixes
	254/00070/00P	Control Board	PRO HC control replacement; Refer to Parts Information Insert 8-18-251 for list of machine serial numbers
11	29786	Nut	2 required
12	70364104P	Coin Vault Switch Harness	3B and 3V control suffixes; Non-CE models
13	70324604	Jumper Calibration Wire	
14	70364103	Bypass Harness	3O, 3W, 3X and R3 control suffixes; Non-CE models
15	44240501	Graphic Overlay	OPL
16	70414101	Foam Gasket	

OPL Microprocessor Controls

H, S and U Models Through 7/31/11
G, K, L and P Models Through 1/1/12
Models with OM and RM Control Suffixes



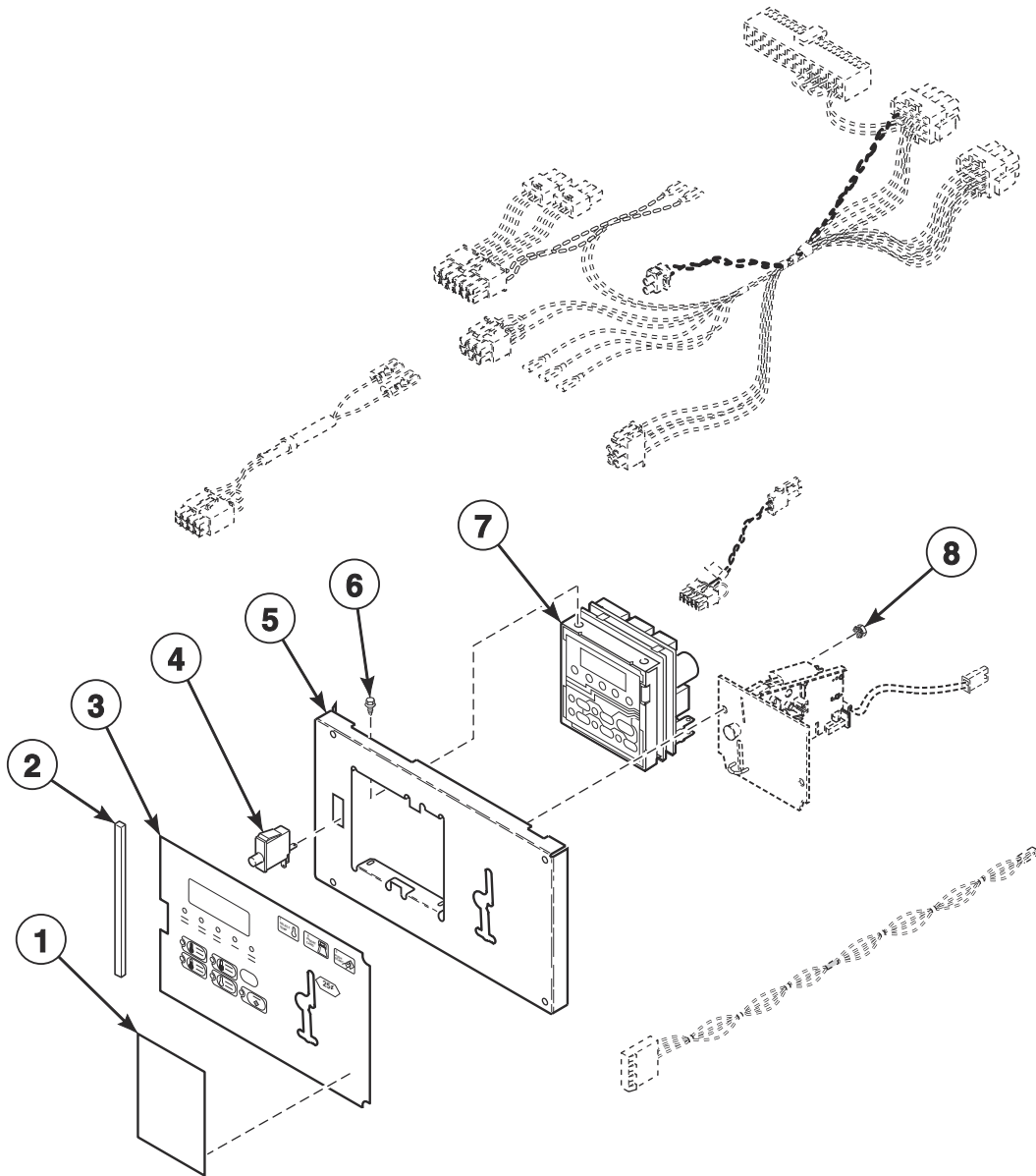
TMB3263P_70421801

OPL Microprocessor Controls

REF	PART NO.	DESCRIPTION	COMMENTS
	M4457P3	RC Filter Kit	Includes (2) F330217P RC Filter and instructions
1	70115801	Overlay	L, S and U models; Nonreversing; Text and icon
	70128401	Overlay	L, S and U models; Reversing; Text and icon
	70130401	Overlay	S and U models; Nonreversing; Icon
	70130501	Overlay	S and U models; Reversing; Icon
	70128701	Overlay	H models; Nonreversing; Text and icon
	70128601	Overlay	H models; Reversing; Text and icon
	70130601	Overlay	H models; Nonreversing; Icon
	70130701	Overlay	H models; Reversing; Icon
	70130301	Overlay	P models; Nonreversing; Text and icon
	70135301	Overlay	P models; Reversing; Text and icon
	44130002	Overlay	G and K models; Nonreversing; Text and icon
	44130001	Overlay	G and K models; Reversing; Text and icon
	2	70175805	Control Plate Assembly
3	44018601	Temperature Control Bracket	
4	M412534	Relay	
5	44013601P	Control Assembly	Does not include overlay or control panel harness
6	70228401P	Control Kit	With tape
7	70406501	Fuse	
8	70084304	Jumper Calibration Wire	OM control suffix
	70084305	Jumper Calibration Wire	RM control suffix
9	70335301P	Control Panel Harness	Non-CE models
	70382701P	Control Panel Harness	CE models
10	M413930P	Ferrite Core Assembly	
11	70054	Nut	4 required
12	M414368P	Membrane Switch	
13	70364103	Bypass Harness	Non-CE models
14	70069901	Screw	2 required
15	70414101	Foam Gasket	

Coin Drop Components for MDC Models

G, H, I, K, L, N, P and S Models Except Thermal Oil Models and Models with 2nd Digit R
Models with BB, BC, BK, BL, BW and BX Control Suffixes



TMB3287P_70421801

Coin Drop Components for MDC Models

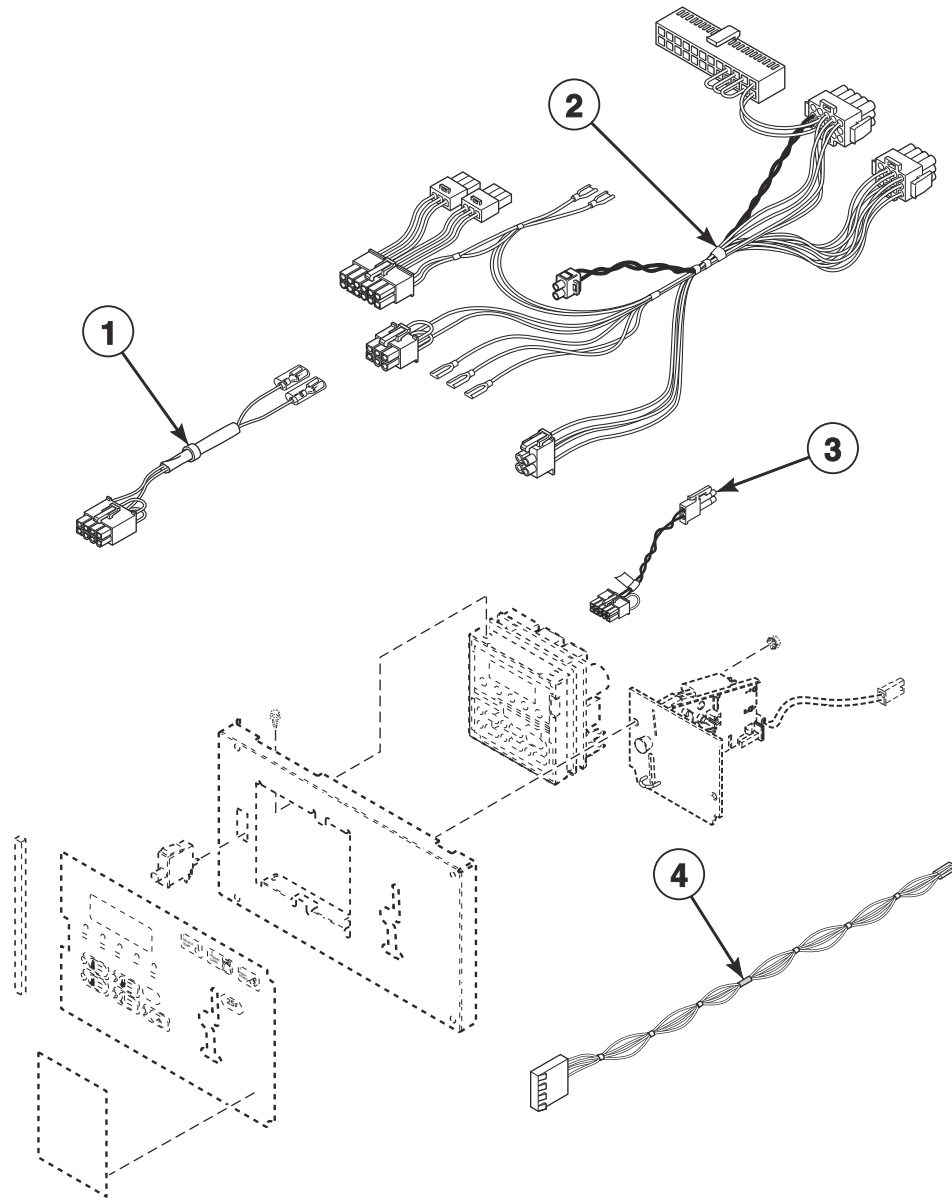
REF	PART NO.	DESCRIPTION	COMMENTS
	70321201	Coin Drop Overlay Kit	P models
1	39564	Nameplate	S models; Models with BK** and BL** control suffixes; Cover
	70246301	Coin Cover Overlay	G, I, K, L and N models; Models with BK** and BL** control suffixes; Cover
	70286701	Overlay	P models; Models through 9/30/14 with BK** and BL** control suffixes; Cover
	70510501	Overlay	P models; Models starting 10/1/14; Single drop
	70510601	Overlay	P models; Models starting 10/1/14; Dual drop
	70510701	Overlay	P models; Models starting 10/1/14; World drop
	70510801	Overlay	P models; Models starting 10/1/14 with BK* and BL* control suffixes
	70510901	Overlay	P models; Blank for central pay
	70275401	Overlay	H models; Models with BK** and BL** control suffixes; Cover
2	70414101	Foam Gasket	
3	70257701	Overlay	L and S models; Models with BC, BK**, BL** and BX control suffixes; Text; Single drop
	70261001	Overlay	L, N and S models; Models with BC, BK**, BL** and BX control suffixes; Icon; Single drop
	70257702	Overlay	L and S models; Models with BC and BX control suffixes; Text; Dual drop
	70261002	Overlay	L, N and S models; Models with BC and BX control suffixes; Icon; Dual drop
	70258001	Overlay	H models; Models with BC, BK**, BL** and BX control suffixes; Text; Single drop
	70261201	Overlay	H models; Models with BC, BK**, BL** and BX control suffixes; Icon; Single drop
	70258002	Overlay	H models; Models with BC and BX control suffixes; Dual drop
	70261202	Overlay	H models; Models with BC and BX control suffixes; Icon; Dual drop
	70129501	Overlay	P models; Models through 9/30/14 with BC* and BX* control suffixes; Single drop
	70129601	Overlay	P models; Models through 9/30/14 with BC* and BX* control suffixes; Dual drop
	70321001	Overlay	P models; Models through 9/30/14 with BC* and BX* control suffixes; World drop
	70259001	Overlay	P models; Models through 9/30/14 with BC* and BX* control suffixes
	70508701	Overlay	P models; Models starting 10/1/14
	70453001	Overlay	G and K models; Text; Single drop
	70453002	Overlay	G and K models; Text; Dual drop
	70491901	Overlay	I models; Models through 7/14/14 with BC and BX control suffixes; Single drop
	70491902	Overlay	I models; Models through 7/14/14 with BC and BX control suffixes; Dual drop
	70505201	Overlay	I models; Models starting 7/15/14 with BC and BX control suffixes; Single drop
	70505202	Overlay	I models; Models starting 7/15/14 with BC and BX control suffixes; Dual drop
	4	70413301	Pushbutton Switch
5	70291001P	Control Plate Kit	
6	D501524	Screw	4 required for mounting control
7	D514273P	Control Assembly	I models; Models starting 7/15/14
	D511867P	Control Assembly	I models through 7/14/14; All other models
	D510036P	Membrane Switch	Order to replace touchpad for D511867P Control Assembly
8	29786	Nut	3 required

* NOTE: P models with BC or BX control suffixes require an overlay and coin drop overlay.

** NOTE: BK and BL control suffixes require an overlay and overlay cover specific to model.

Coin Drop - Wire Harnesses for MDC Models

G, H, I, K, L, N, P and S Models Except Thermal Oil Models and Models with 2nd Digit R
Models with BB, BC, BK, BL, BW and BX Control Suffixes



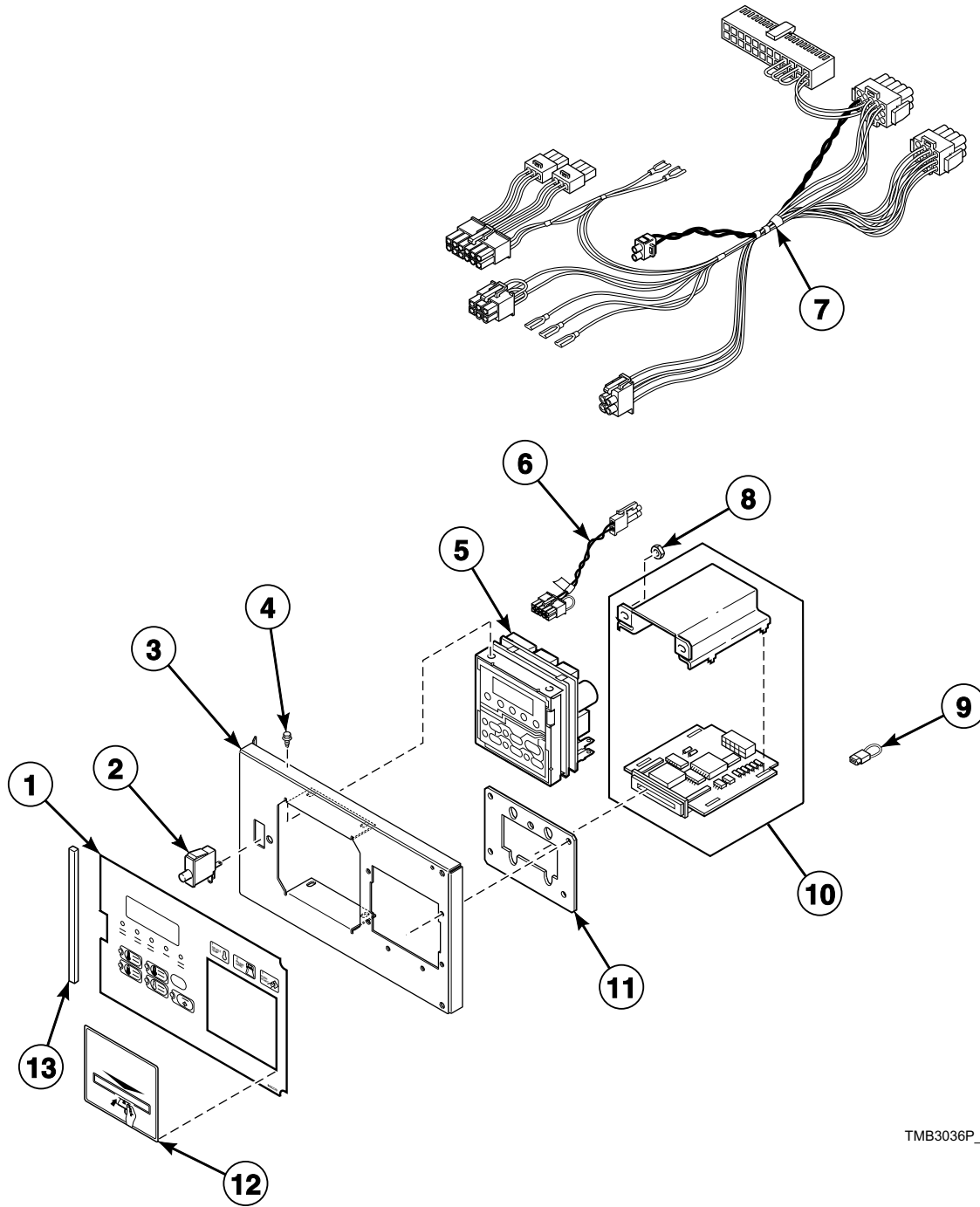
TMB3287PA_70421801

Coin Drop - Wire Harnesses for MDC Models

REF	PART NO.	DESCRIPTION	COMMENTS
1	70364104P	Coin Vault Switch Harness	Non-CE models
2	70429101P	Control Panel Harness	Non-CE models
	70429201P	Control Panel Harness	CE models
3	70324604	Jumper Calibration Wire	
4	70484601	Central Pay Harness	BK and BL control suffixes

Central Pay and Card Reader MDC Models

G, H, I, K, L, N, P and S Models Except Thermal Oil Models and Models with 2nd Digit R
Models with BK, BL, BY and BZ Control Suffixes
Models with BG Control Suffix Through 1/15/12



TMB3036P_70421801

Central Pay and Card Reader MDC Models

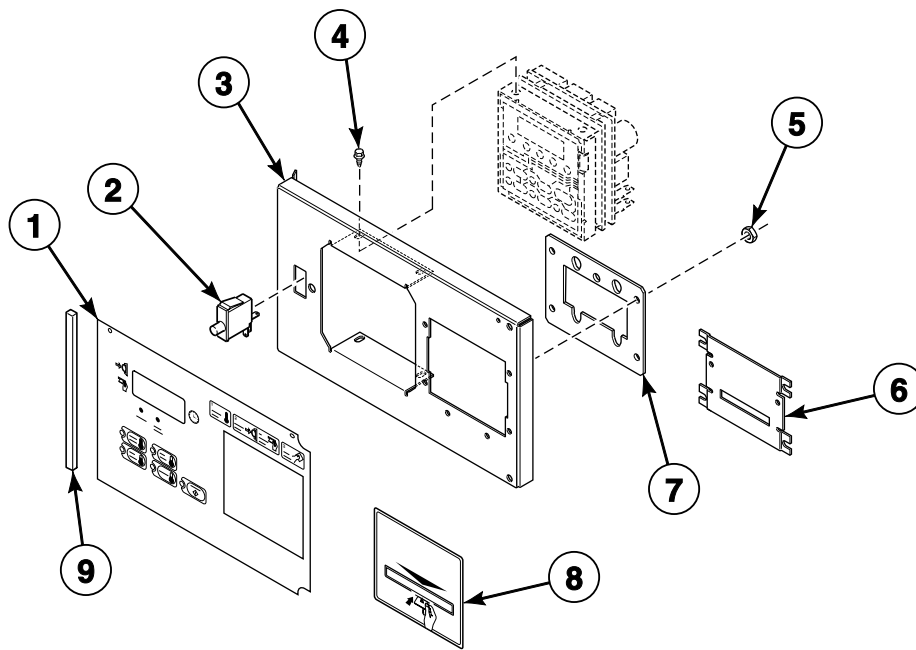
REF	PART NO.	DESCRIPTION	COMMENTS
1	70266701	Overlay	L and S models; Models with BY control suffix; Text
	N/A	Overlay	L and S models; Models with BY control suffix; Icon
	70257703	Overlay	L and S models except model ST050D; Models with BY control suffix; Text
	70261003	Overlay	L, N and S models except model ST050D; Models with BY control suffix; Icon
	70259001	Overlay	P models; Models through 9/30/14 with BL* control suffix
	70509701	Overlay	P models; Models starting 10/1/14
	70266801	Overlay	H models; Models with BY control suffix; Text
	70258003	Overlay	H models except model HT050D; Models with BY control suffix; Text
	70453101	Overlay	G and K models
	70491903	Overlay	I models; Models through 7/14/14 with BY control suffix
	70505203	Overlay	I models; Models starting 7/15/14
	2	70413301	Pushbutton Switch
3	70497201	Control Plate Assembly	H, I, N, P and S models except models HT050D and ST050D; Models with BY control suffix
	70291001P	Control Plate Kit	H, I, L, N, P and S models; Models with BK and BL control suffixes
4	D501524	Screw	
5	D514273P	Control Assembly	I models; Models starting 7/15/14
	D511867P	Control Assembly	I models through 7/14/14; All other models
	D510036P	Membrane Switch	Order to replace touchpad for D511867P Control Assembly
6	70324604	Jumper Calibration Wire	
7	70429101P	Control Panel Harness	Non-CE models
	70358701	Control Panel Harness	CE models
8	70054	Nut	
9	70364103	Bypass Harness	Non-CE models
10	D510068P	Card Reader and Bracket Assembly	
11	70208801	Mounting Plate	H, I, N, P and S models except models HT050D and ST050D; Models with BY control suffix
12	70334201	Card Reader Overlay	N and S models; Black
	70334301	Card Reader Overlay	H models; Gray
	70246301	Coin Cover Overlay	G, K, L and N models
	70511001	Overlay	P models; Models starting 10/1/14; With card slot
13	70414101	Foam Gasket	

N/A = Part no longer available

* NOTE: BK and BL control suffixes require an overlay and overlay cover specific to model.

Optional Card Reader Mountings for MDC Models

H, I, K, L, N, P and S Models Except Thermal Oil Models and Models with 2nd Digit R
Models with BY Control Suffix



TMB3037P_70421801

Optional Card Reader Mountings for MDC Models

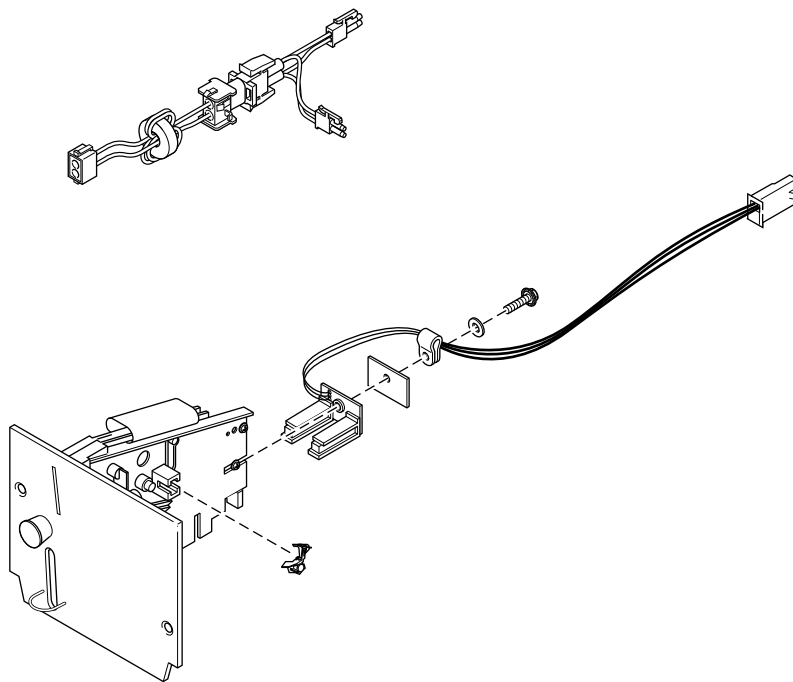
REF	PART NO.	DESCRIPTION	COMMENTS
1	70257703	Overlay	L and S models; Text and icon
	70258003	Overlay	H models; Text and icon
	70261003	Overlay	N models; Icon
	70453101	Overlay	K models
	70491903	Overlay	I models; Models through 7/14/14
	70505203	Overlay	I models; Models starting 7/15/14
	70509701	Overlay	P models
2	70413301	Pushbutton Switch	
3	70497201	Control Plate Assembly	
4	D501524	Screw	4 required
5	70054	Nut	4 required
6	44089501	Slot Card Plate Assembly	Included in literature packet
7	70208801	Mounting Plate	
8	70334201	Card Reader Overlay	Black; Included in literature packet
	70334301	Card Reader Overlay	Gray; Included in literature packet
	70511001	Overlay	P models; With card slot
9	70414101	Foam Gasket	

Coin Drops

REF	PART NO.	DESCRIPTION	COMMENTS
1	38725	Coin Identification Paper	
2	70294103P	Electronic Coin Drop Assembly	United Kingdom (default) and Europe
	70294104	Electronic Coin Drop Assembly	Euro (default), Denmark and Norway
	CK099	Electronic Coin Drop Kit	Australian (default), New Zealand, Hong Kong, South Korea and Malaysia
	70513306	Electronic Coin Drop Assembly	Mexico (default), Ecuador and USA dollar
	70294107	Electronic Coin Drop Assembly	Lithuania (default), Latvia and Europe
	70513311	Electronic Coin Drop Assembly	Malaysia (default) and China
	70294117	Electronic Coin Drop Assembly	Russia; 5.00 and 10.00
	70294119	Electronic Coin Drop Assembly	Thailand; 1, 5 and 10 Baht
	70294120	Electronic Coin Drop Assembly	Chile; Chilean peso
	70294121	Electronic Coin Drop Assembly	Singapore
	70441601P	Coin Drop	USA; \$.25; Single
	70256402P	Coin Drop	USA; \$.25 and \$1.00; Dual
	70429001	Coin Drop	B models; USA
	38475	Coin Drop Assembly	Japan; 100 yen
	38519	Coin Drop Assembly	Japan; 100 and 500 yen
	38467	Coin Drop Assembly	Australia; .20 and 1.00
	70447301	Coin Drop Assembly	Australia; 1.00 and 2.00
	70482401	Coin Drop Assembly	New Zealand; 1.00 and 2.00
	39748	Coin Drop	Token; Jeton; Grooves on the face of the token; CE models
	210195	Coin Drop Assembly	Euro; .20 and 1.00
	210196	Coin Drop Assembly	Euro; .50 and 1.00
	70283102	Coin Drop Assembly	Euro; .20 and .50
	70294111	Electronic Coin Drop Assembly	Euro; .10, .20, .50, 1.00 and 2.00
	38462P	Coin Drop Assembly	Token; 118-1; .880 diameter x .079 thick; Brass
	38463	Coin Drop Assembly	Token; 118-5; .990 diameter x .081 thick; Silver
	70471601	Coin Drop Assembly	Token; 7K
	38464P	Coin Drop Assembly	Canada; .25
	70441602	Coin Drop Assembly	Canada; .25 and 1.00
	38472	Coin Drop Assembly	England; 20 pence and 1 pound
	38521	Coin Drop Assembly	Korea; 100 and 500 won
	38963P	Coin Drop	Token 118-16 not available; Replacement for 38963P Coin Drop only
	39157	Coin Drop Assembly	Israel; Shekel
	CK077	Coin Drop Kit	Taiwan; 10 NT
	70281102	Coin Drop Assembly	Taiwan; Dual drop
	CK114	Coin Drop Assembly	Singapore; Old 1.00
	CK123	Coin Drop Kit	Singapore; New 1.00
3	200674P	Opto Coupler	
4	70286101P	Coin Drop Switch	B, C and I models
5	44039701P	Coin Drop Assembly	USA; \$.25; DO, DV, DX and RD control suffixes
	44039702	Coin Drop Assembly	Mexico; 2 peso; DO, DV, DX and RD control suffixes
	44039703	Coin Drop Assembly	Token; .880; DO, DV, DX and RD control suffixes
	44039704	Coin Drop Assembly	Japan; 100 yen; DO, DV, DX and RD control suffixes
	44039705	Coin Drop Assembly	England; 20 pence; DO, DV, DX and RD control suffixes
	44039706	Coin Drop Assembly	Token; .800; DO, DV, DX and RD control suffixes
	44039707	Coin Drop Assembly	England; 50 pence; DO, DV, DX and RD control suffixes
6	201595P	Wire Guard	

Coin Drop Kits

All Models Except U Models and Models with 2nd Digit R



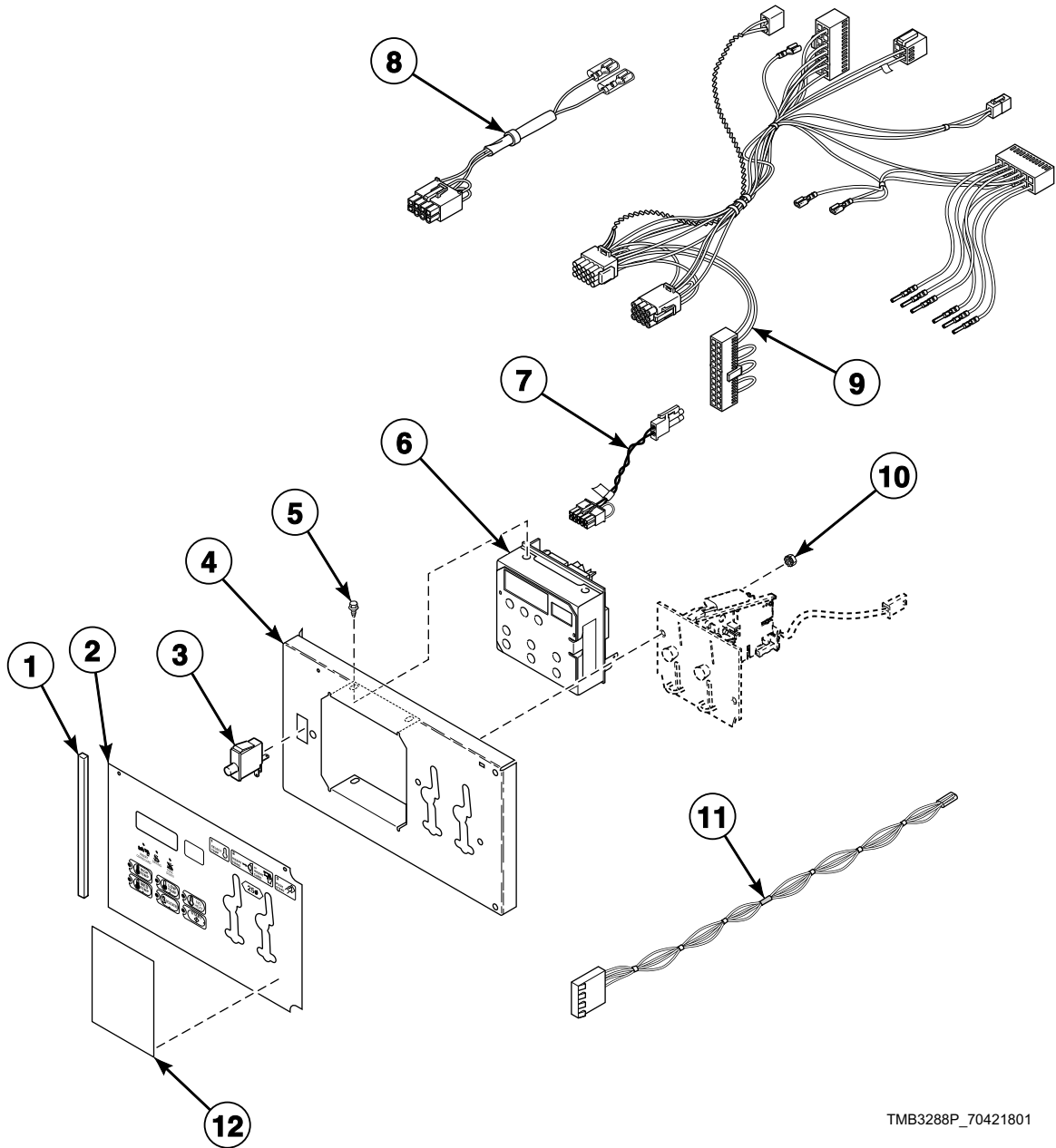
TMB2738PA_70421801

Coin Drop Kits

REF	PART NO.	DESCRIPTION	COMMENTS
	CK115	Electronic Coin Drop Kit	USA and Canada
	CK099	Electronic Coin Drop Kit	Australia (default), New Zealand, Hong Kong, South Korea and Malaysia
	CK100	Electronic Coin Drop Kit	United Kingdom (default), and Europe
	CK101	Electronic Coin Drop Kit	Euro (default), Denmark and Norway
	CK103	Electronic Coin Drop Kit	Lithuania (default), Latvia and Europe
	CK108	Electronic Coin Drop Kit	South Africa
	CK109	Electronic Coin Drop Kit	Euro
	CK113	Electronic Coin Drop Kit	Japan and Taiwan
	CK116	Electronic Coin Drop Kit	Malaysia (default) and China
	CK117	Electronic Coin Drop Kit	Russia
	CK118	Electronic Coin Drop Kit	Philippine
	CK119	Electronic Coin Drop Kit	Thailand
	CK120	Electronic Coin Drop Kit	Chile
	CK121	Electronic Coin Drop Kit	Singapore
	CK122	Coin Drop Kit	New Zealand; 1.00 and 2.00

Coin Drop Components for Quantum Control

M and S Models Except SR050E and SR050S
Models with LB, LC, LK, LL, LW, LX, WB, WC, WK, WL, WW and WX Control Suffixes



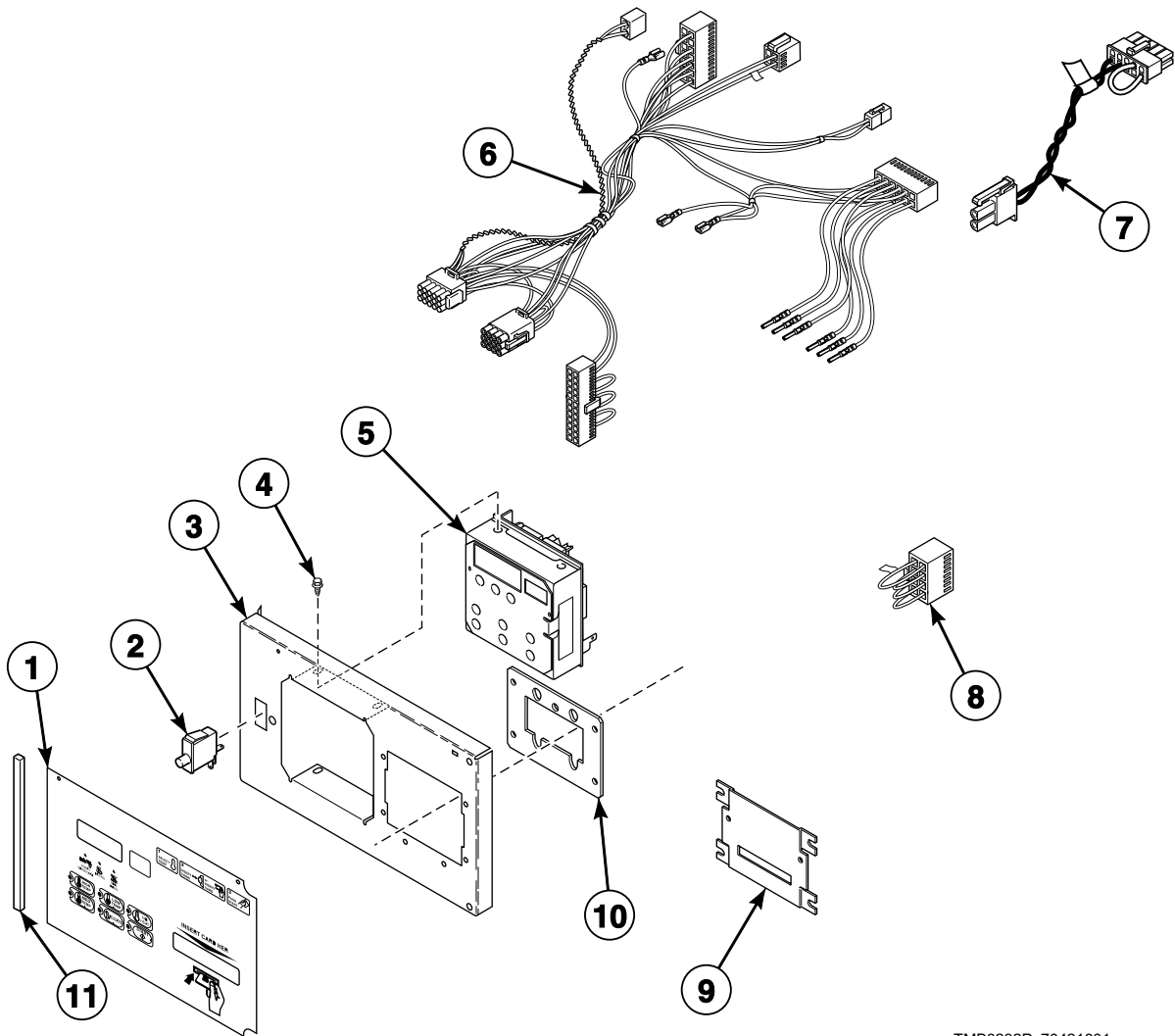
TMB3288P_70421801

Coin Drop Components for Quantum Control

REF	PART NO.	DESCRIPTION	COMMENTS
	NK208	Network Retrofit Kit	LC and LX control suffixes; Wired
	NK220	Network Controller Kit	LC and LX control suffixes; Wired
	NK301	Wireless Network Kit	LC and LX control suffixes; Wireless
	NK320	Ethernet Gateway Kit	LC and LX control suffixes; Wireless
	NK330	USB Gateway Kit	LC and LX control suffixes; Wireless
	203346	USB IR Interface Kit	
1	70414101	Foam Gasket	
2	44194801	Control Overlay	Model ST050D
	70449501	Control Overlay	Model ST050D; M models
	70410001	Control Overlay	All models except M models and ST050D; Single drop
	70410002	Control Overlay	All models except M models and ST050D; Dual drop
3	70413301	Pushbutton Switch	
4	70291001P	Control Plate Kit	
5	D501524	Screw	4 required for mounting control
6	70450501P	Control Assembly	Nonreversing
	70450503	Control Assembly	Reversing
7	70324604	Jumper Calibration Wire	
8	70364104P	Coin Vault Switch Harness	Non-CE models
9	70410401P	Control Panel Harness	
10	29786	Nut	2 required
11	70484601	Central Pay Harness	LK, LL, WK and WL control suffixes
12	39564	Nameplate	LK, LL, WK and WL control suffixes; Cover

Card Reader Components for Quantum Control

M and S Models Except SR050E and SR050S
Models with LY, LZ, WY and WZ Control Suffixes



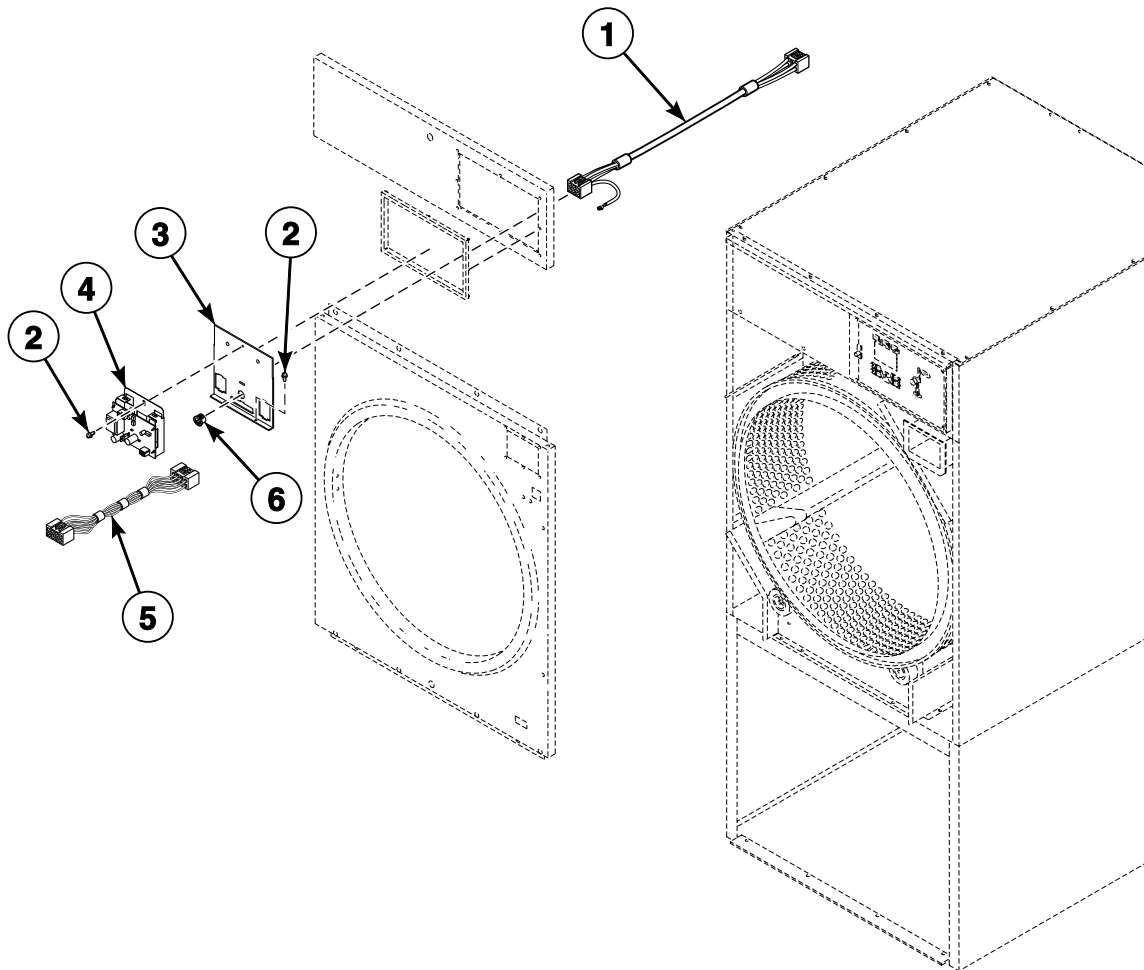
TMB3232P_70421801

Card Reader Components for Quantum Control

REF	PART NO.	DESCRIPTION	COMMENTS
	NK208	Network Retrofit Kit	LY control suffix; Wired
	NK220	Network Controller Kit	LY control suffix; Wired
	NK301	Wireless Network Kit	LY control suffix; Wireless
	NK320	Ethernet Gateway Kit	LY control suffix; Wireless
	NK330	USB Gateway Kit	LY control suffix; Wireless
	203346	USB IR Interface Kit	
1	70410003	Overlay	
2	70413301	Pushbutton Switch	
3	70497201	Control Plate Assembly	
4	D501524	Screw	4 required
5	70450501P	Control Assembly	Nonreversing
	70450503	Control Assembly	Reversing
6	70410401P	Control Panel Harness	
7	70324604	Jumper Calibration Wire	
8	70364103	Bypass Harness	Non-CE models
9	44089501	Slot Card Plate Assembly	
10	70208801	Mounting Plate	
11	70414101	Foam Gasket	

Network Board

H, M and S Models Except HR050E, HR050S, SR050E and SR050S
Models with WB, WC, WW, WX, WY, WZ, ZB, ZC, ZW, ZX, ZY and ZZ Control Suffixes



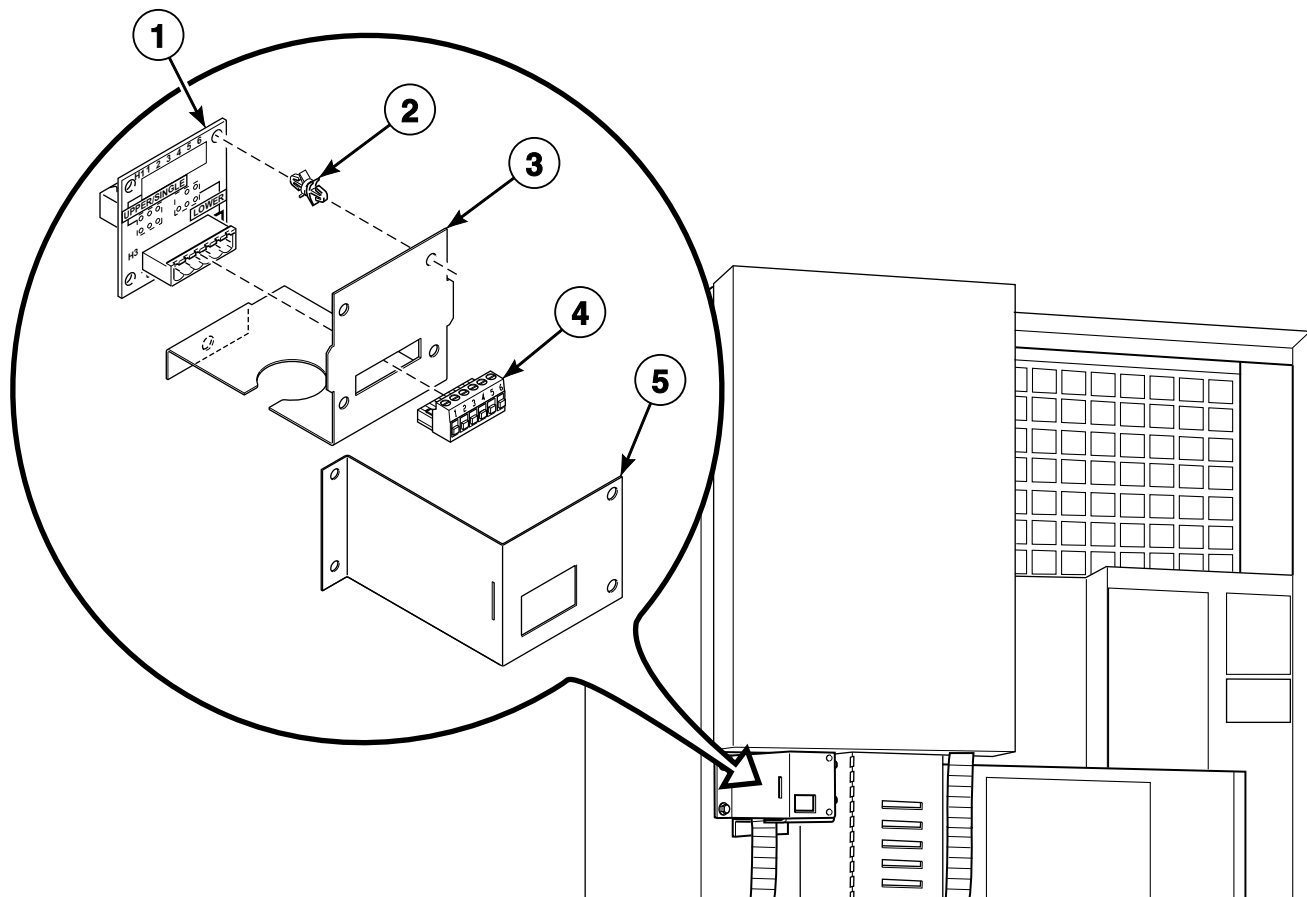
TMB2954P_70421801

Network Board

REF	PART NO.	DESCRIPTION	COMMENTS
	800246	Communication Wire Harness Assembly	Wired; M and S models
1	44141801P	Network Harness	Wired; M and S models
2	430497	Screw	Wired; M and S models
	D503661	Screw	Wireless
3	70307002	Control Housing Cover	
4	201341	Network Board Assembly	Wired; M and S models
	202335	Wireless Transceiver Assembly	Wireless
5	44088501P	Network Wire Harness Assembly	
6	M400770	Snap Bushing	

Network Connection for Quantum

M and S Models Except SR050E and SR050S
Models with WC, WX and WY Control Suffixes



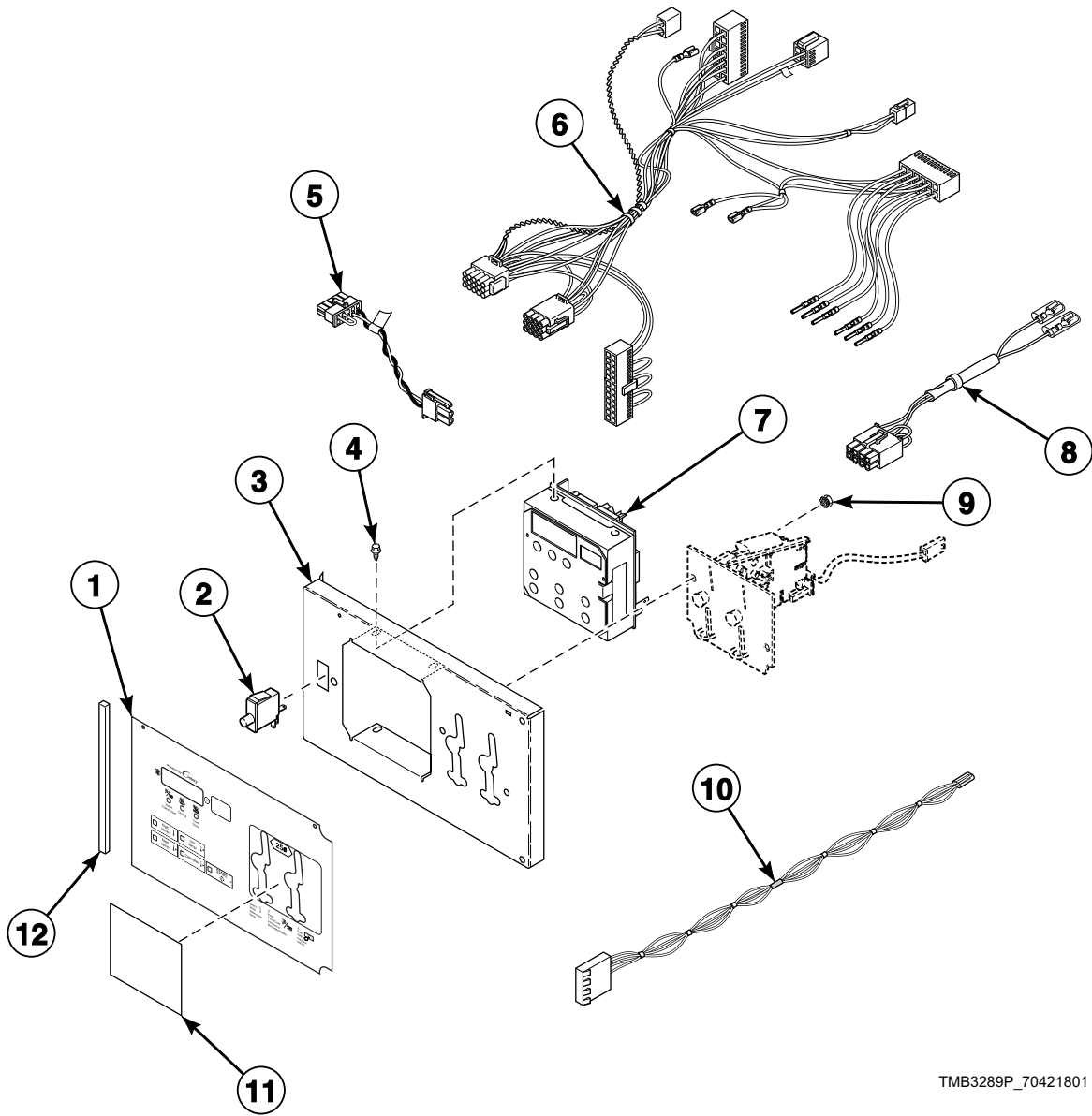
TMB2955P_70421801

Network Connection for Quantum

REF	PART NO.	DESCRIPTION	COMMENTS
	201341	Network Board Assembly	
	210157P	Network Board	For desktop PC
	210165	Network Cable	For laptop PC
	210016P	Network Board Assembly	
	210097	Communication Board	
	D505905P	Control Kit	
1	210095P	Communication Board	
2	210098	PC Board Standoff	4 required
3	44143601	Network Board Bracket	
4	210099	Communication Connector	
5	44143701	Network Board Cover	

Coin Drop Components for Galaxy 600 Control

H Models Except HR050E and HR050S
Models with KB, KC, KK, KL, KW, KX, ZB, ZC, ZK, ZL, ZW and ZX Control Suffixes



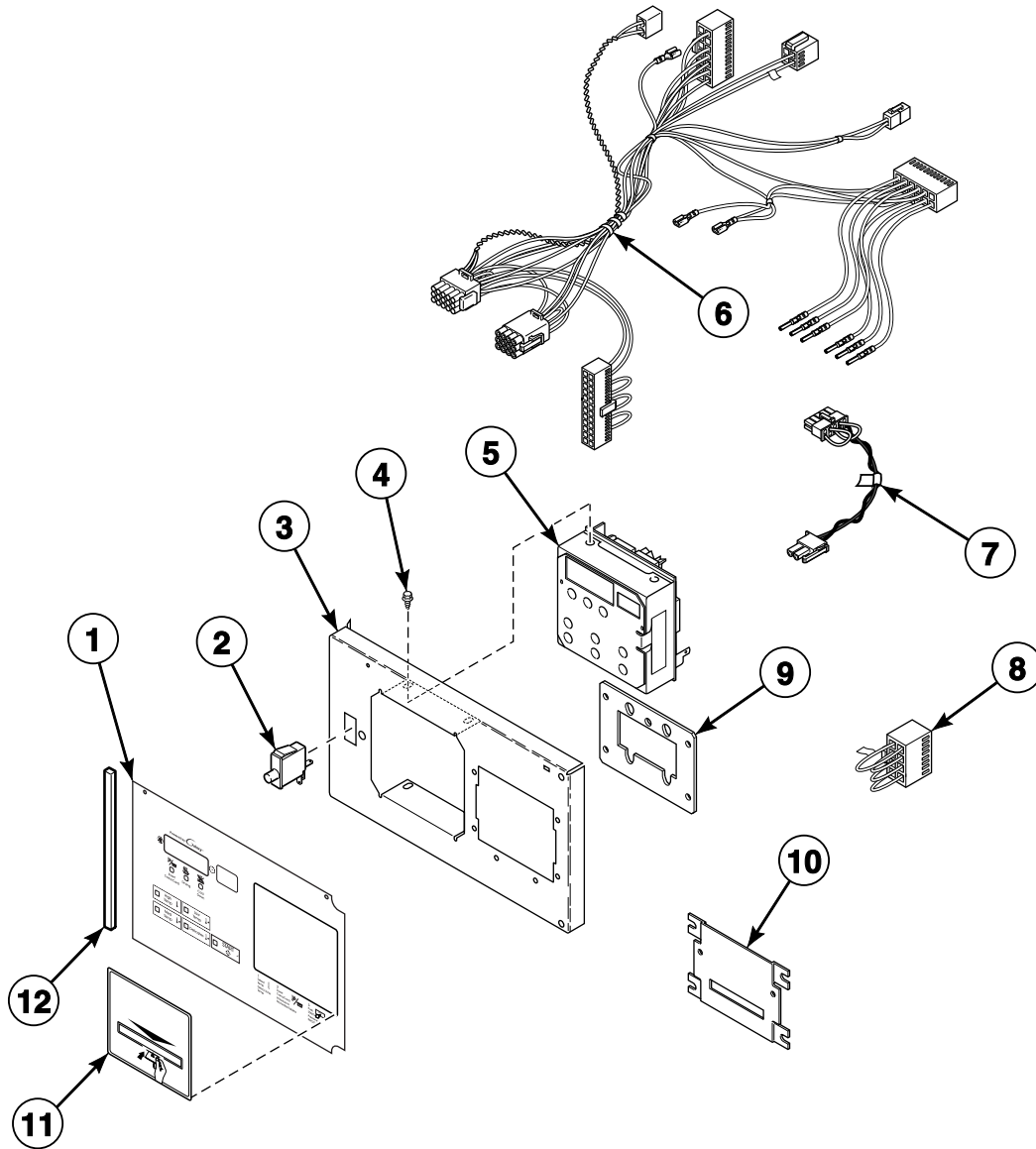
TMB3289P_70421801

Coin Drop Components for Galaxy 600 Control

REF	PART NO.	DESCRIPTION	COMMENTS
	NK301	Wireless Network Kit	ZC and ZX control suffixes; Wireless
	NK320	Ethernet Gateway Kit	ZC and ZX control suffixes; Wireless
	203346	USB IR Interface Kit	
1	70473001	Control Overlay	Single drop; Gray
	70473002	Control Overlay	Dual drop; Gray
	70504501	Overlay	Single drop; Gray/green
	70504502	Overlay	Dual drop; Gray/green
	70504601	Overlay	Single drop; Green
	70504602	Overlay	Dual drop; Green
2	70413301	Pushbutton Switch	
3	70291001P	Control Plate Kit	
4	D501524	Screw	For mounting item 7
5	70324604	Jumper Calibration Wire	
6	70410401P	Control Panel Harness	
7	70450502P	Control Assembly	Nonreversing
	70450504	Control Assembly	Reversing
8	70364104P	Coin Vault Switch Harness	Non-CE models
9	70054	Nut	
10	70484601	Central Pay Harness	KK, KL, ZK and ZL control suffixes
11	70246301	Coin Cover Overlay	KK, KL, ZK and ZL control suffixes; Cover
12	70414101	Foam Gasket	6 inches required; Mounts to front of overlay, even with edge

Card Reader Components for Galaxy 600 Control

H Models Except HR050E and HR050S
Models with KY, KZ, ZY and ZZ Control Suffixes



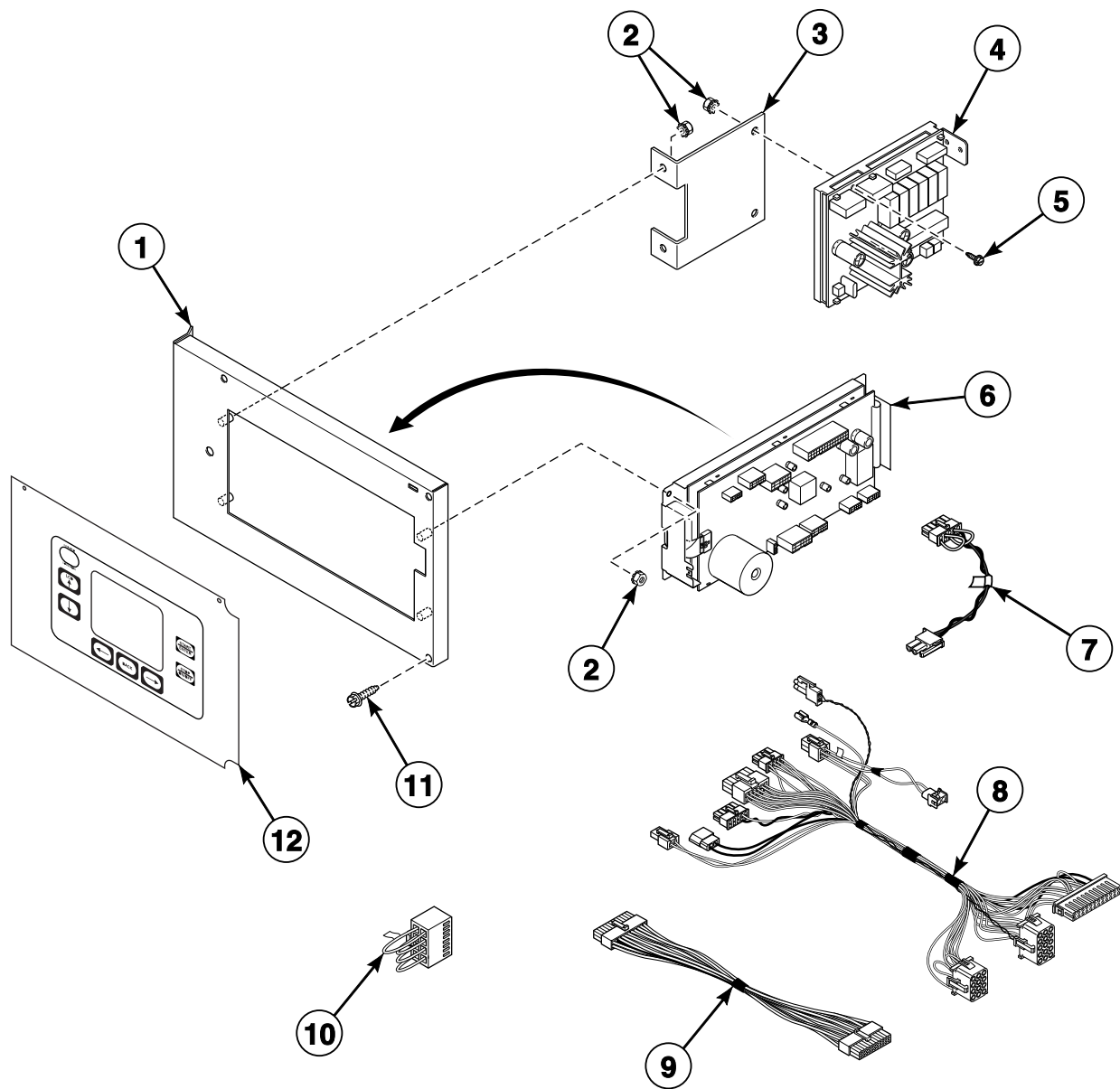
TMB3233P_70421801

Card Reader Components for Galaxy 600 Control

REF	PART NO.	DESCRIPTION	COMMENTS
	NK301	Wireless Network Kit	ZY control suffix; Wireless
	NK320	Ethernet Gateway Kit	ZY control suffix; Wireless
	203346	USB IR Interface Kit	
1	70473003	Control Overlay	Gray
	70504503	Overlay	Gray/green
	70504603	Overlay	Green
2	70413301	Pushbutton Switch	
3	70497301	Control Plate	
4	D501524	Screw	
5	70450502P	Control Assembly	Nonreversing
	70450504	Control Assembly	Reversing
6	70410401P	Control Panel Harness	
7	70324604	Jumper Calibration Wire	
8	70364103	Bypass Harness	Non-CE models
9	70208801	Mounting Plate	
10	44089501	Slot Card Plate Assembly	
11	70334301	Card Reader Overlay	
12	70414101	Foam Gasket	6 inches required; Mounts to front of overlay, even with edge

UniLinc Control

U Models Except UR050E and UR050S
Models with RU and UO Control Suffixes



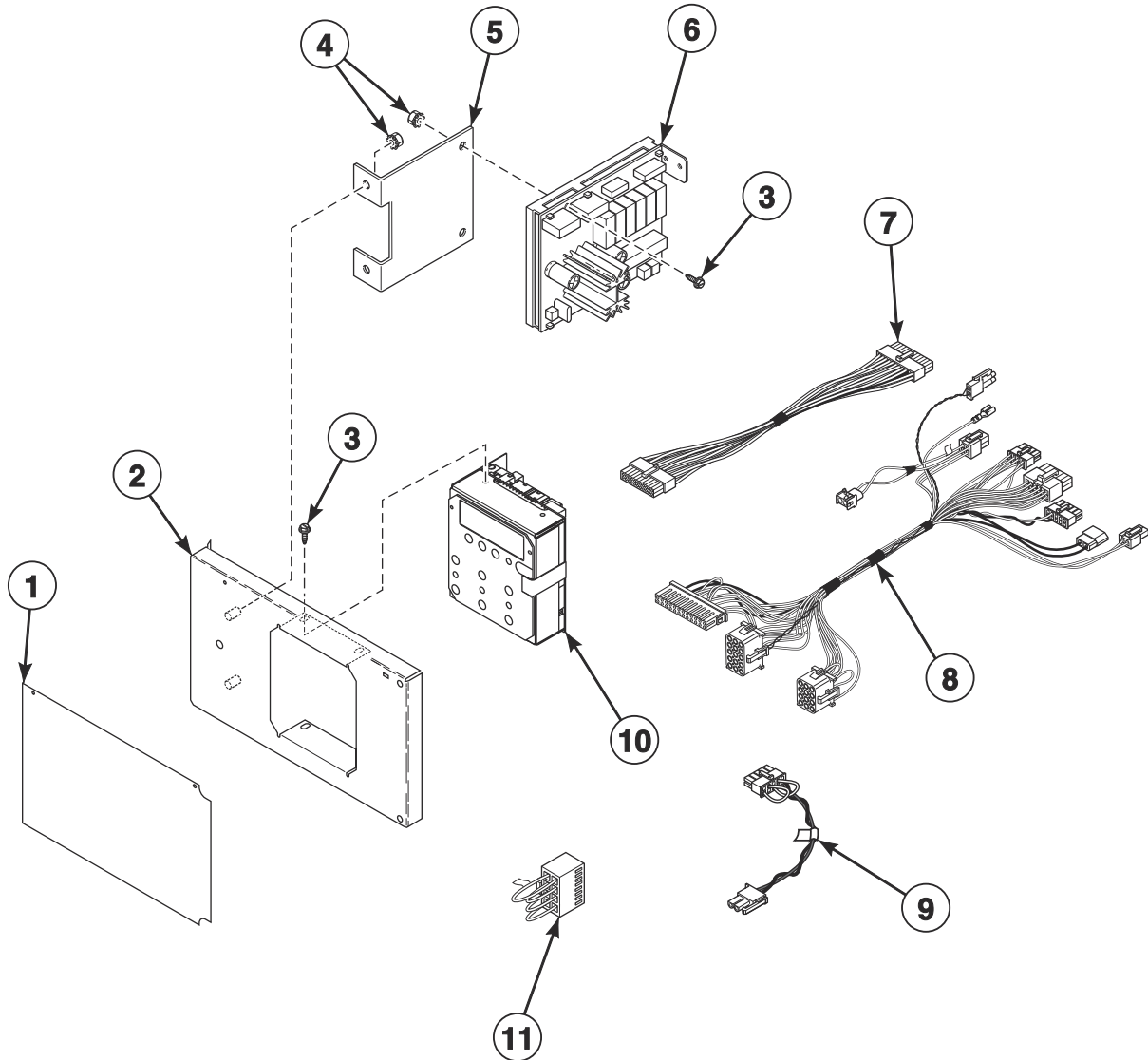
TMB3259P_70421801

UniLinc Control

REF	PART NO.	DESCRIPTION	COMMENTS
	NK208	Network Retrofit Kit	Wired
	NK220	Network Controller Kit	Wired
	NK301	Wireless Network Kit	Wireless
	NK320	Ethernet Gateway Kit	Wireless
	NK330	USB Gateway Kit	Wireless
	203346	USB IR Interface Kit	
1	70475601	Control Plate Assembly	
2	70054	Nut	
3	70440601	Output Bracket	
4	70434101P	Control Assembly	
5	D501524	Screw	
6	70454001P	Control Assembly	
7	70324604	Jumper Calibration Wire	
8	44240301	Control Panel Harness	Goes from item 6 to main harness
9	44186101	Output Harness	Use between item 4 and item 6
10	70364103	Bypass Harness	Non-CE models
11	70069901	Screw	
12	70432201	Overlay	Models through 8/17/14
	70499001	Overlay	Models starting 8/18/14

LED OPL Control

B, C, H, I, N, S and U Models Except Models with 2nd Digit R
G, K, L, P and Y Models Starting 1/16/12
Models with EO and RE Control Suffixes

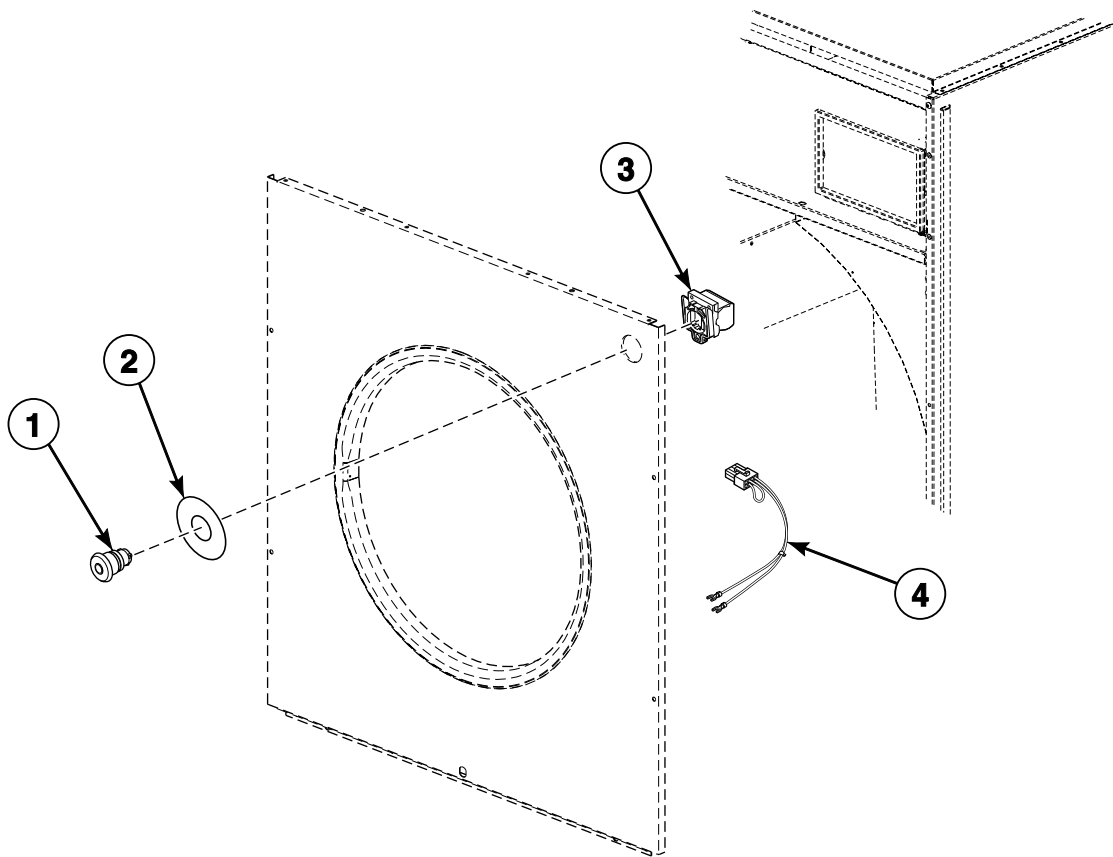


TMB3260P_70421801

LED OPL Control

REF	PART NO.	DESCRIPTION	COMMENTS
	203346	USB IR Interface Kit	
1	70445001	Overlay	S models; EO control suffix
	70445002	Overlay	S models; RE control suffix
	70445003	Overlay	H models; EO control suffix
	70445004	Overlay	H models; RE control suffix
	70462402	Overlay	B, C and I models through 7/14/14; EO control suffix
	70462401	Overlay	B, C and I models through 7/14/14; RE control suffix
	70504902	Overlay	B, C and I models starting 7/15/14; EO control suffix
	70504901	Overlay	B, C and I models starting 7/15/14; RE control suffix
	70462701	Overlay	U models; Models through 8/17/14; RE control suffix
	70493702	Overlay	U models; EO control suffix
	70493701	Overlay	U models; Models starting 8/18/14; RE control suffix
	70462902	Overlay	G and K models; EO control suffix
	70462901	Overlay	G and K models; RE control suffix
	70472402	Overlay	P models; Models through 9/30/14; EO control suffix
	70472401	Overlay	P models; Models through 9/30/14; RE control suffix
	70508602	Overlay	P models starting 10/1/14 through 5/31/15; L models starting 1/29/15 through 5/31/15; EO control suffix
	70508601	Overlay	P models starting 10/1/14 through 5/31/15; L models starting 1/29/15 through 5/31/15; RE control suffix
	70472202	Overlay	N and Y models; L models through 1/28/15; EO control suffix
	70472201	Overlay	N and Y models; L models through 1/28/15; RE control suffix
		70526002	Overlay
	70526001	Overlay	L and P models starting 6/1/15; RE control suffix
2	70440901	Control Plate and Studs Assembly	
3	D501524	Screw	
4	70054	Nut	
5	44223101	Output Bracket	
6	70434101P	Control Assembly	
7	44186101	Output Harness	Use between item 5 and item 8
8	44240301	Control Panel Harness	Goes from item 8 to main harness
9	70324604	Jumper Calibration Wire	
10	70454101P	Control Assembly	H, S and U models; L and P models starting 6/1/15
	70437102P	Control Assembly	B, C and I models through 7/14/14
	70503702P	Control Assembly	B, C and I models starting 7/15/14
	70437103P	Control Assembly	P models through 5/31/15; L models starting 1/29/15 through 5/31/15
	70437104P	Control Assembly	G and K models
	70437105P	Control Assembly	N and Y models; L models through 1/28/15
11	70364103	Bypass Harness	Non-CE models

Emergency Stop Button - CE Models



TMB2386P_70421801

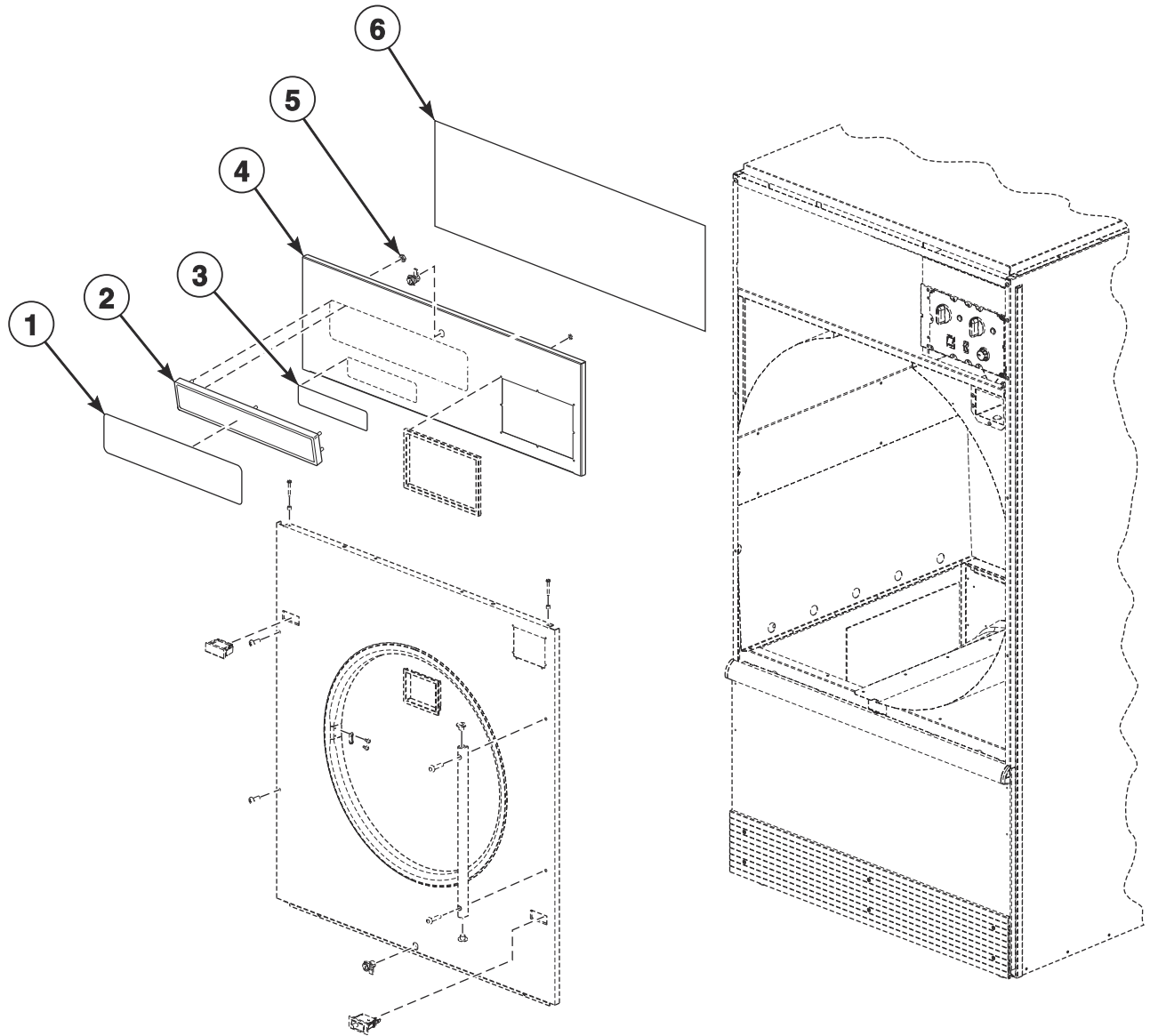
Emergency Stop Button - CE Models

REF	PART NO.	DESCRIPTION	COMMENTS
1	F200233500	Emergency Stop Pushbutton	
2	44012901	Emergency Stop Label	
3	F200233401P	Contact Block Switch	Models through 8/17/14
	F8069501	Contact Switch	Models starting 8/18/14
	F8538101	Contact Base	Models starting 8/18/14
4	70364105P	Emergency Stop Contact Harness	1 contact
	70364106P	Emergency Stop Harness	2 contacts

Cabinet Front Components

REF	PART NO.	DESCRIPTION	COMMENTS
	M4379P4	Tumbler Dolly Kit	
1	44089301P	Lock, Key and Nut Kit	RL001 key code; Control panel; Optional if same key is to be used for control lock
	70155601	Key	RL001
2	70364104P	Coin Vault Switch Harness	Coin
3	70364103	Bypass Harness	OPL
4	M400977	Nut	8 required per control trim
5	70529402	Control Trim	H models; Light gray (tan)
	70529401	Control Trim	H models; Gray
	44016401	Control Trim	G, K, L, M, N, P, S and Y models; U models through 8/17/14; Black
6	70275801	Screw	4 required
7	56079	Panel Locator	2 required
8	44035001	Door Hinge Lug Assembly	C, H, L, M, N, P, S, U and Y models; B and I models through 7/31/11
	44035002	Door Hinge Lug Assembly	G and K models; B and I models starting 8/1/11; Black
9	70030501	Expansion Clip	
10	44137601	Door Switch Harness	
11	M411072	Screw	4 required; Front panel; Bottom
12	70413301	Pushbutton Switch	Door switch
13	44089301P	Lock, Key and Nut Kit	RL001 key code; Lint panel; Optional if same key is to be used for control lock
	70155601	Key	RL001
	44089302P	Lock, Key and Nut Kit	RL002 key code; Lint panel; Standard coin and card models
	70155602	Key	RL002
14	70033502	Screw	4 required for painted panels; 2 required for stainless steel panels in addition to 2 of 70182601 Screw
	70182601	Screw	2 required for stainless steel panels in addition to 2 of 70033502 Screw
15	M400003	Pop Rivet	
16	M400972	Shadow Box Clip	6 required
17	44057801W	Switch Hole Plug	White
	44057801Q	Switch Hole Plug	Bisque
	44057801B	Switch Hole Plug	Black; For stainless steel
	44057801LG	Switch Hole Plug	U models starting 8/18/14; P models starting 10/24/14; L models starting 1/28/15; Gray
18	M401223	Door Latch	
19	70117501	Coin Vault Trim	H models; Light gray (tan)
	70117504	Coin Vault Trim	H models; Gray
	70117502	Coin Vault Trim	G, K, L, M, N, P, S and Y models; Black

Cabinet Panels and Nameplates



TMB3318P_70421801

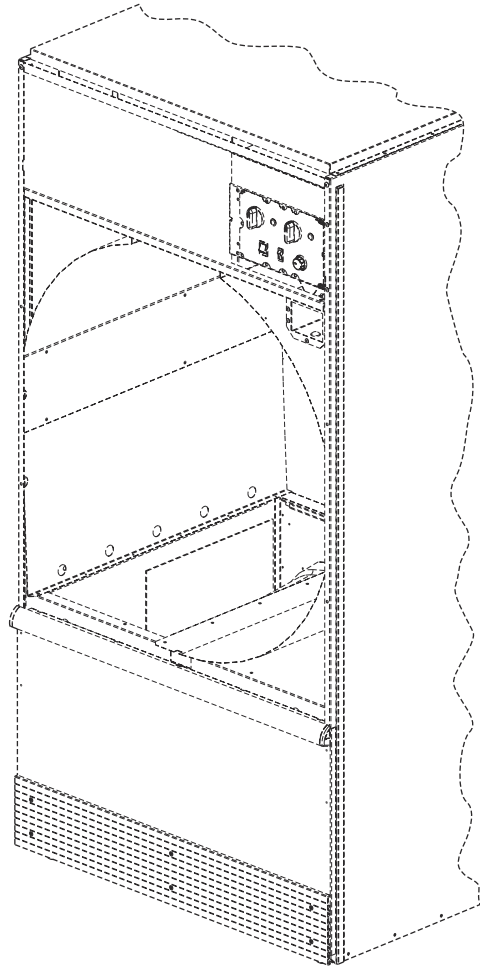
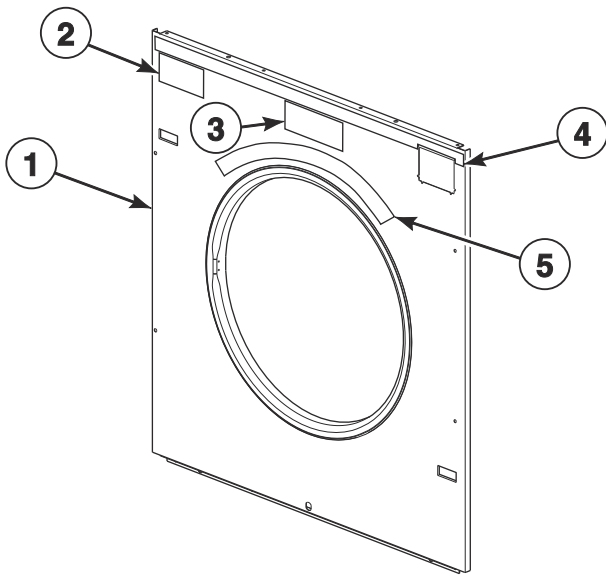
Cabinet Panels and Nameplates

REF	PART NO.	DESCRIPTION	COMMENTS
	M4776P3	Control Panel and Door Hinge Kit	B and I models; To change from old look to new look
1	44010401	Nameplate	H models
	44010601	Nameplate	S models
	F8443106	Nameplate	U models; Models through 8/17/14
	F8443102	Nameplate	U models; Models starting 8/18/14
	44046801	Nameplate	B and I models; Models through 7/9/12
	B12389801	Nameplate	B and I models; Models starting 7/10/12
	44062901	Nameplate	C models
	70380701	Nameplate Overlay	P models; Models through 9/30/14
	70509601	Nameplate	P models; Models starting 10/1/14
	70243901	Nameplate	L models; Models through 3/27/15
	70522001	Nameplate	L models; Models starting 3/28/15
	70410201	Nameplate Overlay	G models; OPL
	70411401	Nameplate Overlay	G models; Coin and card
	44130301	Nameplate Overlay	K models; OPL
	44104501	Nameplate Overlay	Y models
2	70117401	Nameplate Bezel	L, P and S models
3	44129904	Nameplate	C models
4	44040015W	Control Panel	C models; B and I models through 7/31/11; 3O, 3V, 3X, QT, R3 and RQ control suffixes
	44040002	Control Panel	C models; B and I models through 7/31/11; 3O, 3V, 3X, QT, R3 and RQ control suffixes; Stainless steel
	44040003*	Control Panel	C models; I models through 7/31/11; DO, DV and RD control suffixes
	44040004	Control Panel	C models; I models through 7/31/11; DO, DV and RD control suffixes; Stainless steel
	44040007B	Control Panel	B and I models; Models starting 8/1/11 through 7/9/12
	44040008B	Control Panel	B and I models; Models starting 7/10/12
	44000117BP	Control Panel	L models; Models through 3/27/15
	44040005*	Control Panel	G and K models; U models with RU and UO control suffixes
	44040006	Control Panel	G and K models through 3/31/15; U models through 3/31/15 with RU and UO control suffixes; Stainless steel
	44040013	Control Panel	G and K models; Models starting 4/1/15; Stainless steel
	44000121WP	Control Panel	S and Y models; P models through 9/30/14 and starting again 7/1/17 with white front panel; U models with all other control suffixes
	44000118P	Control Panel	H, S and Y models through 3/31/15; P models through 9/30/14; U models through 8/17/14 with all other control suffixes; Stainless steel
	44000124	Control Panel	S and Y models starting 4/1/15; P models starting 7/1/17 with white front panel; Stainless steel
	44040015LG	Control Panel	U models; Light gray
	44040010	Control Panel	U models; Models starting 8/18/14 through 3/31/15; Stainless steel
	44040014	Control Panel	U models; Models starting 4/1/15; Stainless steel
	44040011*	Control Panel	U models; Models starting 8/18/14
	44000121DG	Control Panel	P models starting 10/1/14; L models starting 3/28/15; Dark gray
	44000122*	Control Panel	H, M and N models
	44000123	Control Panel	M models; Models through 3/31/15; Stainless steel
44000125	Control Panel	H and M models; Models starting 4/1/15; Stainless steel	
5	M400977	Nut	P and S models 6 required; U models starting 8/18/14 5 required
6	44020601	Insulation	Used inside access panel

* Add Letter To Designate Color. Q - Bisque W - White

NOTE: All front panel assemblies include M401223 Door Latch and 2 of M400003 Pop Rivet

Front Panel Assemblies



TMB3425P_70421801

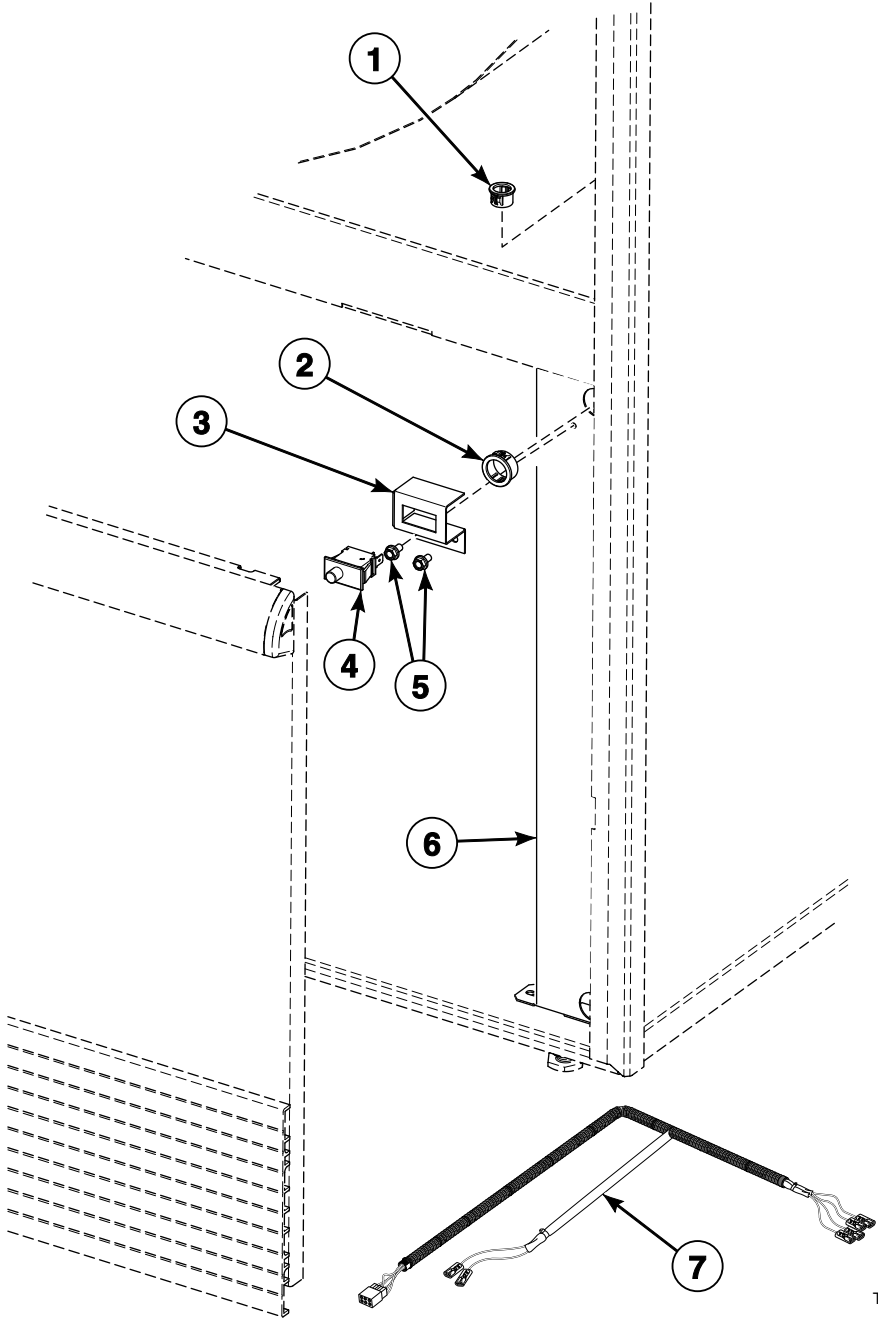
Front Panel Assemblies

REF	PART NO.	DESCRIPTION	COMMENTS	
1	44077901*P	Front Panel Assembly	P models through 9/30/14 and starting again 7/1/17; L models through 1/28/15; All other models; Coin	
	44052521	Front Panel	L models through 1/28/15; All other models through 3/31/15; Coin; Stainless steel	
	44077917	Front Panel Assembly	Models starting 4/1/15; Coin; Stainless steel	
	44077903WP	Front Panel Assembly	P models through 9/30/14 and starting again 7/1/17; L models through 1/28/15; All other models; Card	
	44077904P	Front Panel Assembly	L models through 1/28/15; All other models through 3/31/15; Card; Stainless steel	
	44077918	Front Panel Assembly	Models starting 4/1/15; Card; Stainless steel	
	44077905*P	Front Panel Assembly	Non-CE P models through 9/30/14 and starting again 7/1/17; Non-CE L models through 1/28/15; All other non-CE models except M models; OPL	
	44077906P	Front Panel Assembly	Non-CE L models through 1/28/15; All other non-CE models except M models through 3/31/15; OPL; Stainless steel	
	44077919	Front Panel Assembly	All Non-CE models except M and U models starting 4/1/15; OPL; Stainless steel	
	44052517LG	Front Panel	Non-CE U models; OPL; Light gray	
	44077907*P	Front Panel Assembly	CE P models through 9/30/14 and starting again 7/1/17; CE L models through 1/28/15; All other CE models; OPL	
	44077908P	Front Panel Assembly	CE L models through 1/28/15; All other CE models through 3/31/15; OPL; Stainless steel	
	44077920	Front Panel Assembly	All CE models except U models starting 4/1/15; OPL; Stainless steel	
	44052518LG	Front Panel	CE U models; Models starting 8/18/14; OPL; Light gray	
	44052517DG	Front Panel	Non-CE P models starting 10/1/14; Non-CE L models starting 1/29/15; OPL; Dark gray	
	44052518DG	Front Panel	CE P models starting 10/1/14; CE L models starting 1/29/15; OPL; Dark gray	
	44052519DG	Front Panel	P models starting 10/1/14; L models starting 1/29/15; Coin; Dark gray	
	44052520DG	Front Panel	P models starting 10/1/14; L models starting 1/29/15; Card; Dark gray	
	2	70414001	Label	G and K models; Coin
	3	70537101	Label	G and K models; F.S.S.
44190901		Label	L and P models; Safe Tech	
70537001		Label	B, C, H, I, M, S and U models; C.A.R.E.	
4	70399402	Access Panel Trim	G and K models	
5	70534301	Warning Label		

* Add Letter To Designate Color. Q - Bisque W - White

NOTE: All front panel assemblies include M401223 Door Latch and 2 of M400003 Pop Rivet

Lint Panel Switch Assembly

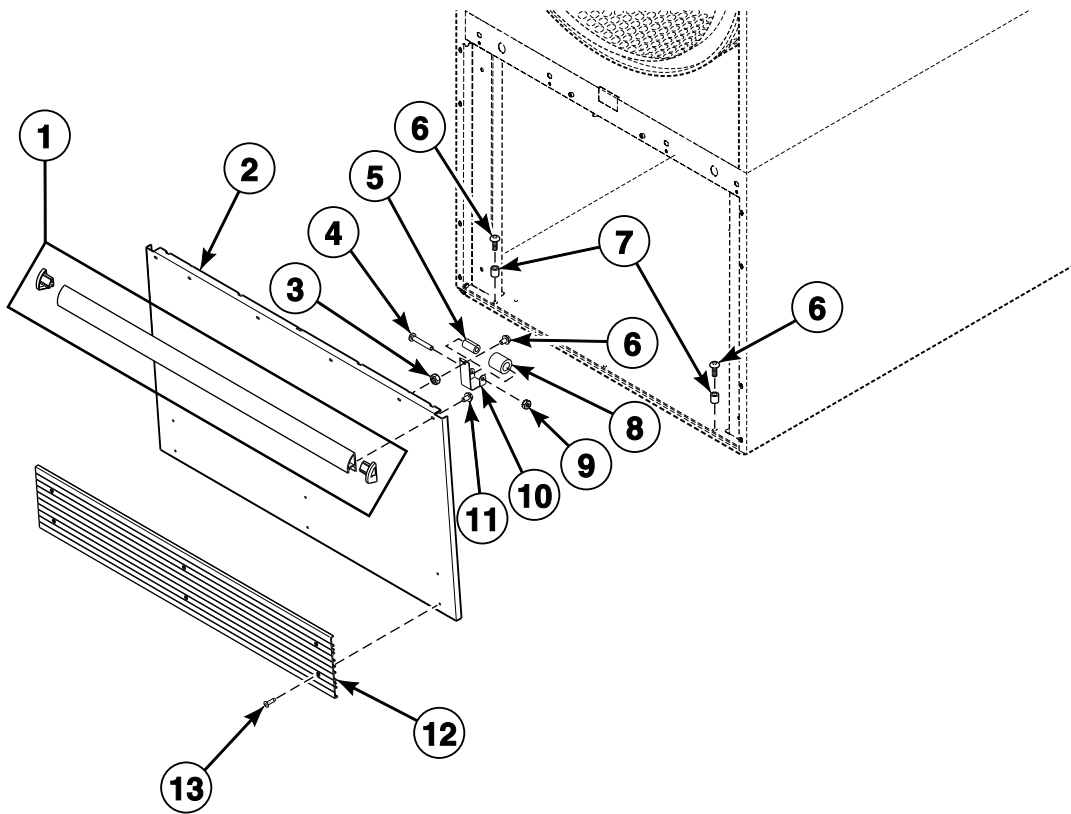


TMB2945P_70421801

Lint Panel Switch Assembly

REF	PART NO.	DESCRIPTION	COMMENTS
1	M411826	Snap Bushing	
2	M400770	Snap Bushing	
3	44118601	Lint Panel Switch Bracket	
4	70413401	Switch Assembly	
5	430497	Screw	
6	44001201	Front Pillar	
7	44137501P	Base Harness Assembly	Also connects to thermistor and cabinet thermostat

Lower Cabinet Front Components



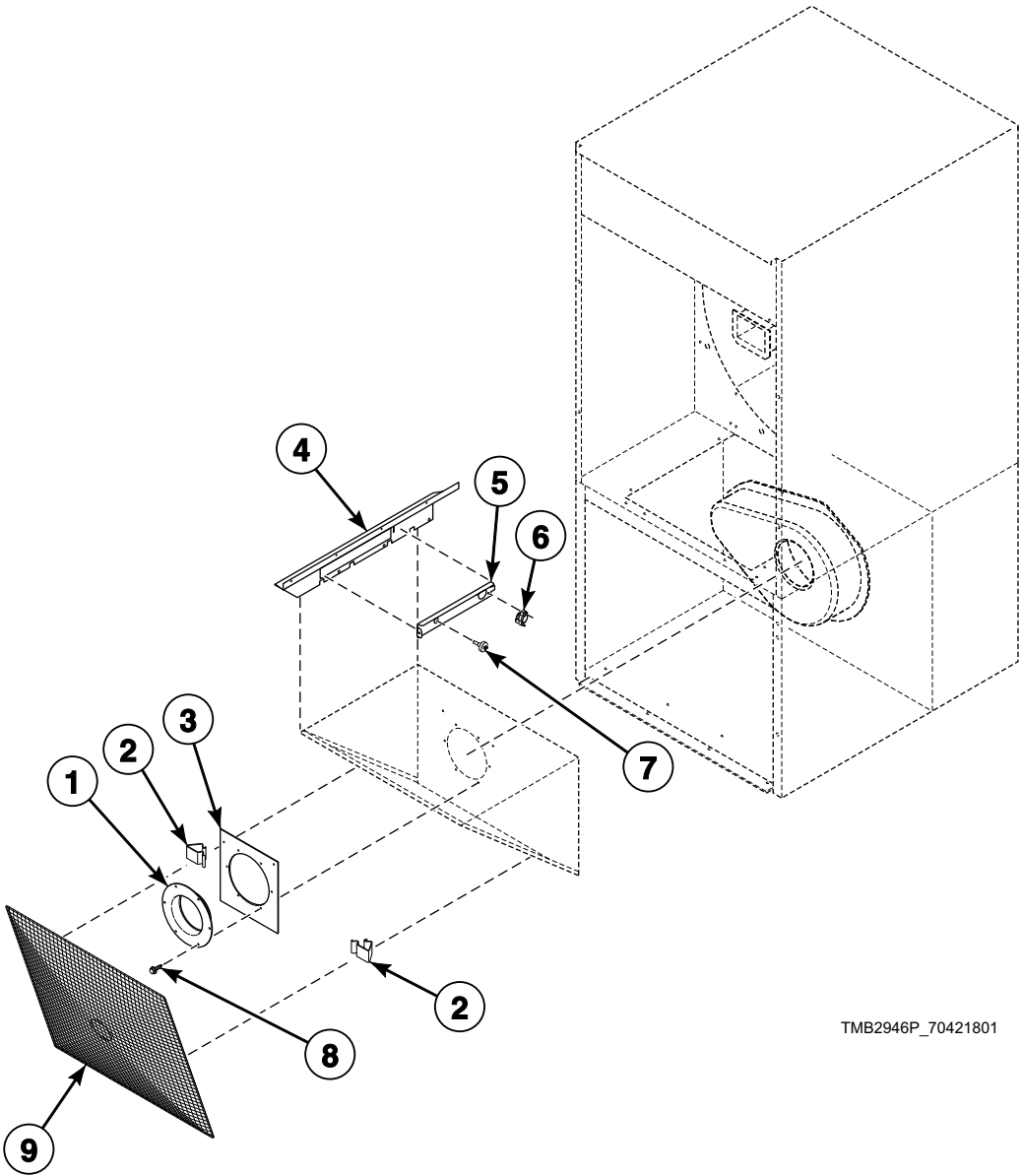
TMB2057P_70421801

Lower Cabinet Front Components

REF	PART NO.	DESCRIPTION	COMMENTS
	70114001	Clean Lint Compartment Sticker	Lint compartment must be cleaned daily
	70404001	Roller Bracket Assembly	Includes items 4, 5 and 8-10
1	70154405P	Handle and Caps Assembly	B, C, I, M, N, S, U and Y models; L models through 1/28/15; P models through 9/30/14 and starting again 7/1/17 with white front panel and starting 7/5/16 with stainless steel front panel; Black; Includes endcaps
	70407210	Handle Bumper	P models starting 10/1/14; L models starting 1/29/15
	70154406	Handle and Caps Assembly	H and U models; Gray; Includes endcaps
	70407202	Handle Bumper	G and K models; Black and blue; Does not include endcaps
2	44293604DG	Lint Panel	P models starting 10/1/14; L models starting 1/29/15; Dark gray; No kickplate
	44000005	Lint Panel	P models starting 10/1/14 through 3/31/15; L models starting 1/29/15 through 3/31/15; Stainless steel
	44293605	Lint Panel	L and P models starting 4/1/15; B, G, H, K, S and U models starting 4/1/19; Stainless steel; No kickplate
	44293606W	Lint Panel	B, G, H, K, N, S and U models starting 4/1/19; No kickplate
	44293604LG	Lint Panel	U models starting 4/1/19; Light gray; No kickplate
	44293603W	Lint Panel	P models through 9/30/14 and starting again 7/1/17; U models through 8/17/14; L models through 1/28/15; All other models
	44000002P	Lint Panel	P models through 9/30/14; L models through 1/28/15; All other models through 3/31/15; Stainless steel
	44293602	Lint Panel	All models except L and P models starting 4/1/15; Stainless steel
	44293603LG	Lint Panel	U models; Light gray
3	51236	Nut	
4	70072801	Screw	
5	70030201	Roller Catch Spacer	
6	70132301	Screw	
7	56079	Panel Locator	U models; Models starting 8/18/14
8	70297601	Roller Catch Wheel	
9	23951	Nut	
10	70030301	Roller Catch Arm	
11	430757	Screw	4 required
12	70117608	Kickplate	H and U models; Gray
	70117607	Kickplate	All models except H models; Black
13	70126401	Pop Rivet	Gray; 6 required
	70126301	Pop Rivet	Black; 6 required

* Add Letter To Designate Color. Q - Bisque W - White

Cabinet Limit and Thermistor Assembly

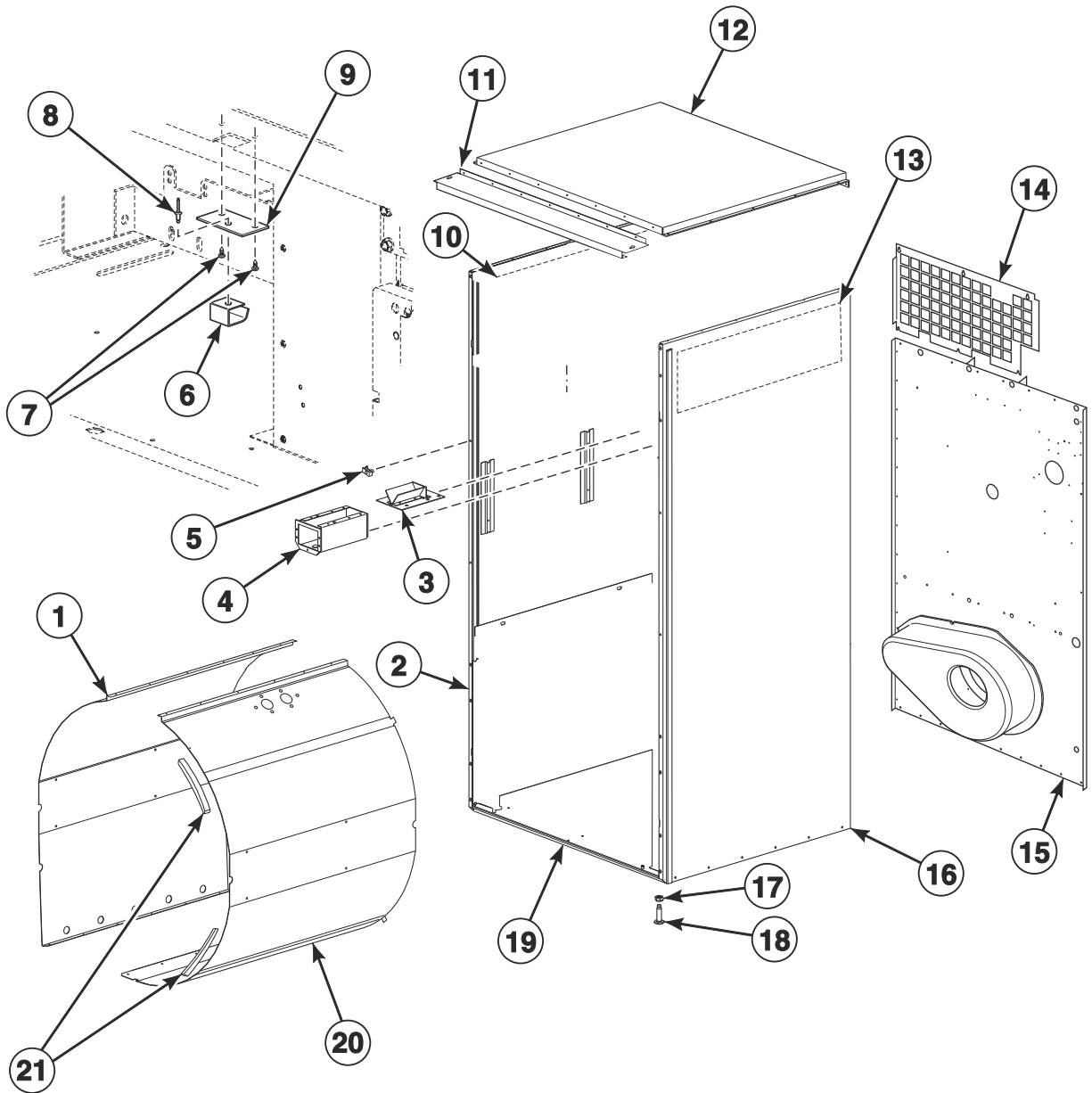


TMB2946P_70421801

Cabinet Limit and Thermistor Assembly

REF	PART NO.	DESCRIPTION	COMMENTS
1	70014101	Blower Inlet Cone	Gas and steam 60 Hertz; Electric 60 Hertz/3 Phase
2	35865	Hold-Down Clip	2 required
3	44150201	Cone Plate	Gas and steam 60 Hertz; Electric 60 Hertz/3 Phase
4	44162201	Lint Screen Deflector	Use 2 70335601 Cable Ties starting Serial No. 0904004427 to hold harness
5	44162301	Deflector Cover	
6	M411813	Limit Thermostat	Electric models
	M410542	Limit Thermostat	Non-CE and non-Australian gas models and all steam models
	M411941	Manual Reset Thermostat	CE and Australian gas models
7	M414704	Thermistor	
	B12308601	Temperature Sensor Assembly	PRO HC control replacement; Refer to Parts Information Insert 8-18-251 for list of machine serial numbers
8	430497	Screw	Gas and steam 60 Hertz; Electric 60 Hertz/3 Phase; 6 required
9	44063601	Lint Screen	

Cabinet Components



TMB3722P_70421801

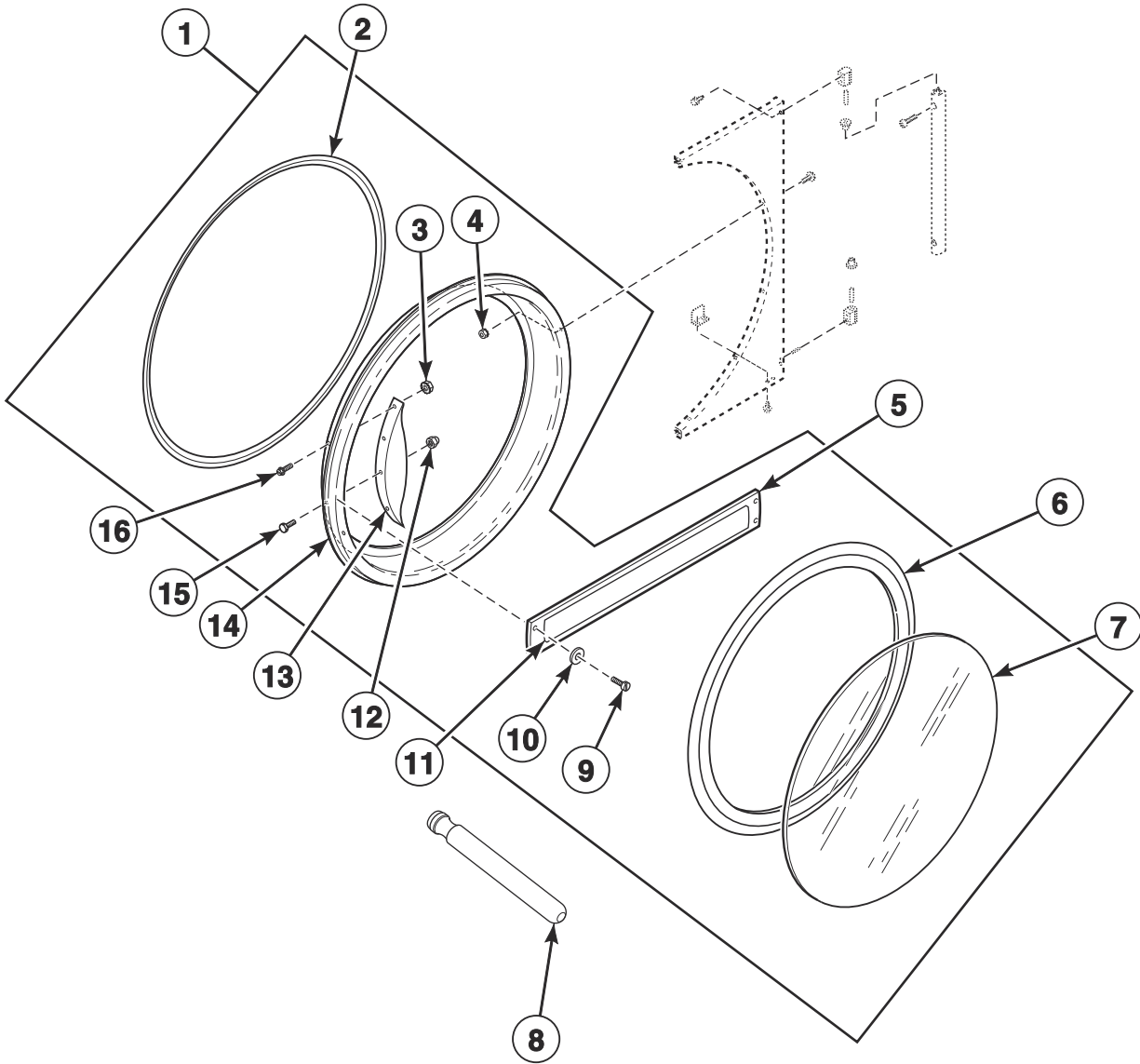
Cabinet Components

REF	PART NO.	DESCRIPTION	COMMENTS
	298P4P	Spray Paint	White
	122P4P	Porcelain Touch-Up Paint	White
	370P4P	Porcelain Touch-Up Paint	Bisque
	70058501	Pop Rivet	Use with items 2 and 16
	430497	Screw	Use with items 2 and 16
1	44005201	Baffle	Left
2	44056801DG	Side Panel and Bracket Assembly	P models; Models starting 10/1/14; Left; Dark gray
	44056801*	Side Panel and Bracket Assembly	P models through 9/30/14; All other models; Left
	44056801LG	Side Panel and Bracket Assembly	U models; Left; Light gray
3	70296401	Coin Chute Assembly	Wide; Includes 6 of 70058502 Pop Rivet
4	70180101	Coin Vault Assembly	Includes 5 of 70058502 Pop Rivet
	F160673P	Coin Box	Optional equipment; Includes lock and key
5	70030401	Nut	U-clip
6	431318	Control Door Latch	
7	431287	Screw	
8	M400003	Pop Rivet	
9	44003201	Latch Mounting Bracket	
10	44150102	Insulation	
11	44368201	Top Panel Bracket	Gas and electric models
12	44135001P	Top Cover Pan	Gas and electric models
	44139301	Top Cover	Steam models
13	44150103	Insulation	
14	44176201	Top Rear Panel	Gas and electric models
	44170501	Top Rear Panel	Electric models
15	44170401P	Rear Panel Assembly	
	N/A	Rear Panel Assembly	Bolt on angle option
16	44056701DG	Side Panel and Bracket Assembly	P models; Models starting 10/1/14; Right; Dark gray
	44056701*	Side Panel	P models through 9/30/14; All other models; Right
	44056701LG	Side Panel and Bracket Assembly	U models; Right; Light gray
17	21899	Nut	Right
18	70247701	Screw	Leveling leg
19	44000601P	Bottom Pan	
20	44004901	Baffle	Right
	44065501	Baffle	Right; Models equipped with fire suppression system
21	70015701	Baffle Gasket	

* Add Letter To Designate Color. Q - Bisque W - White

N/A = Part no longer available

Door Components

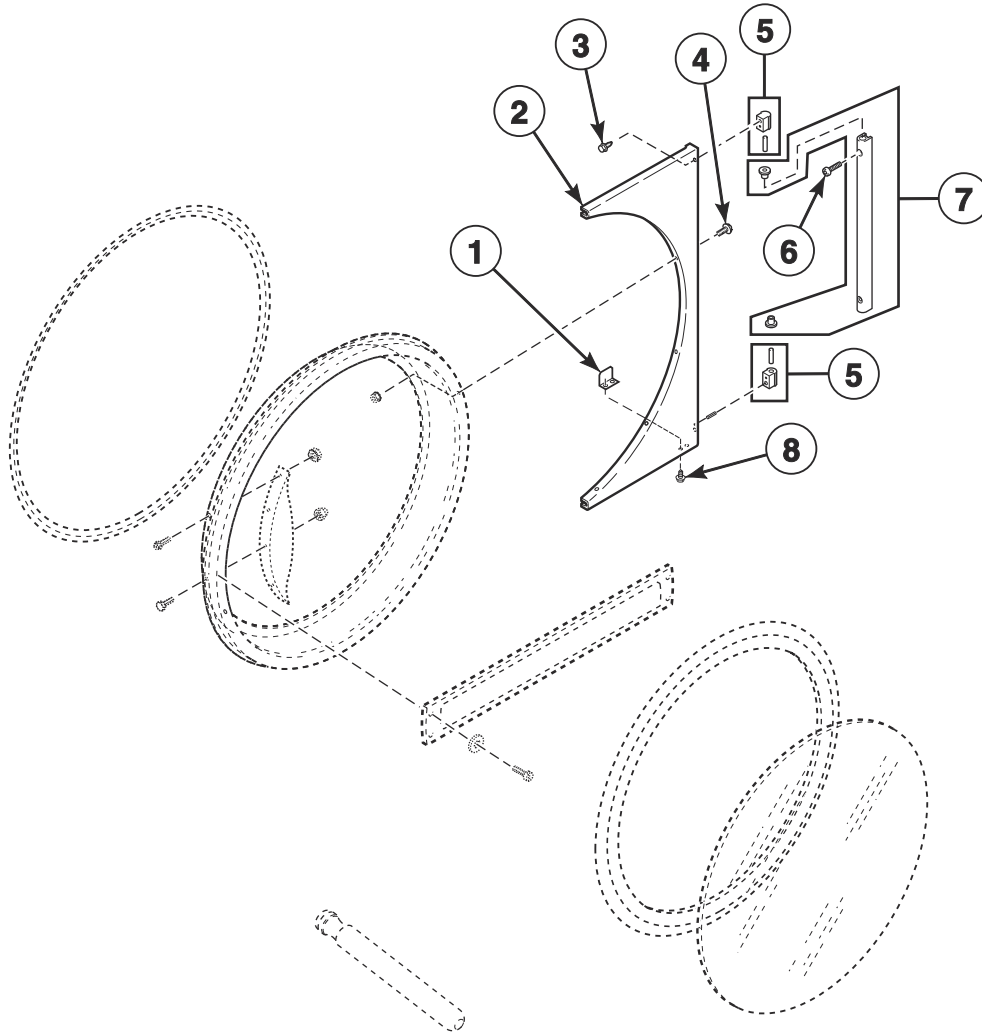


TMB3091P_70421801

Door Components

REF	PART NO.	DESCRIPTION	COMMENTS
	M4776P3	Control Panel and Door Hinge Kit	B and I models; To change from old look to new look
1	44058102P	Door Assembly	H models
	44028902P	Door Assembly	M, N and S models; U models through 8/17/14
	44266701	Door Assembly	U models; Models starting 8/18/14
	44320202	Door Assembly	H and U models; Gray
	44058104P	Door Assembly	H models; Chrome option
	44028905P	Door Assembly	S models; Chrome option
	44266702P	Door Assembly	U models; Chrome option
	44112101	Door Assembly	B, C and I models through 7/31/11
	44028903	Door Assembly	B, C and I models starting 8/1/11
	44029101	Door Assembly	L models through 1/28/15; P models through 9/30/14
	44292301LG	Door Assembly	P models starting 10/1/14; L models starting 1/29/15; Light gray
	44292301B	Door Assembly	P models; Models starting 7/5/16; Use with stainless steel front panel; Black
	70407401	Door Assembly	G and K models
2	44008201P	Door Ring Gasket	
3	44071201	Nut	H, M, N and S models; 4 required
4	23951	Nut	6 required
5	70399501B	Handle Bar	G and K models
6	70211902P	Door Seal Kit	Use Loctite 414 for seal
7	44008402P	Door Glass	H models
	44008401P	Door Glass	All other models
8	M4221P4	Door Glass Installation Tool	
9	70126301	Pop Rivet	G and K models; 4 required
10	70409301	Washer	G and K models; 2 required
11	70411401	Nameplate Overlay	G models; Coin
	44144401	Nameplate Overlay	K models; Coin
12	M414215	Nut	
13	44057702	Door Handle	H models
	44007901	Door Handle	M, N and S models; U models through 8/17/14; B, C and I models starting 8/1/11
	44263801	Door Handle	U models; Models starting 8/18/14; Use 901620 Screw, 803871 Screw and 44088001 Nut to attach
	M400133	Door Handle	P models through 9/30/14; Use two M409385 Screws
14	44326001	Door Ring Assembly	H, M, N and S models; P models through 9/30/14; U models through 8/17/14; L models through 1/28/15
	44326005	Door Ring Assembly	H and S models; Chrome option
	44326006	Door Ring Assembly	U models; Chrome option
	44326002	Door Ring Assembly	U models; Models starting 8/18/14
	44326007LG	Door Ring and Handle Assembly	P models starting 10/1/14; L models starting 1/29/15; Light gray
	44326007B	Door Ring and Handle Assembly	P models starting 7/5/16; Use with stainless steel and white front panel; Black
	44112001	Door Ring and Handle Assembly	B, C and I models through 7/31/11
	44326004B	Door Ring Assembly	B, C and I models starting 8/1/11; S models without stainless steel front panel
	44326003B	Door Ring Assembly	G and K models
44326004HG	Door Ring Assembly	H and U models without stainless steel front panel	
15	M400661	Screw	Door strike
16	61199	Screw	H, M, N and S models; 4 required

Hinge Components



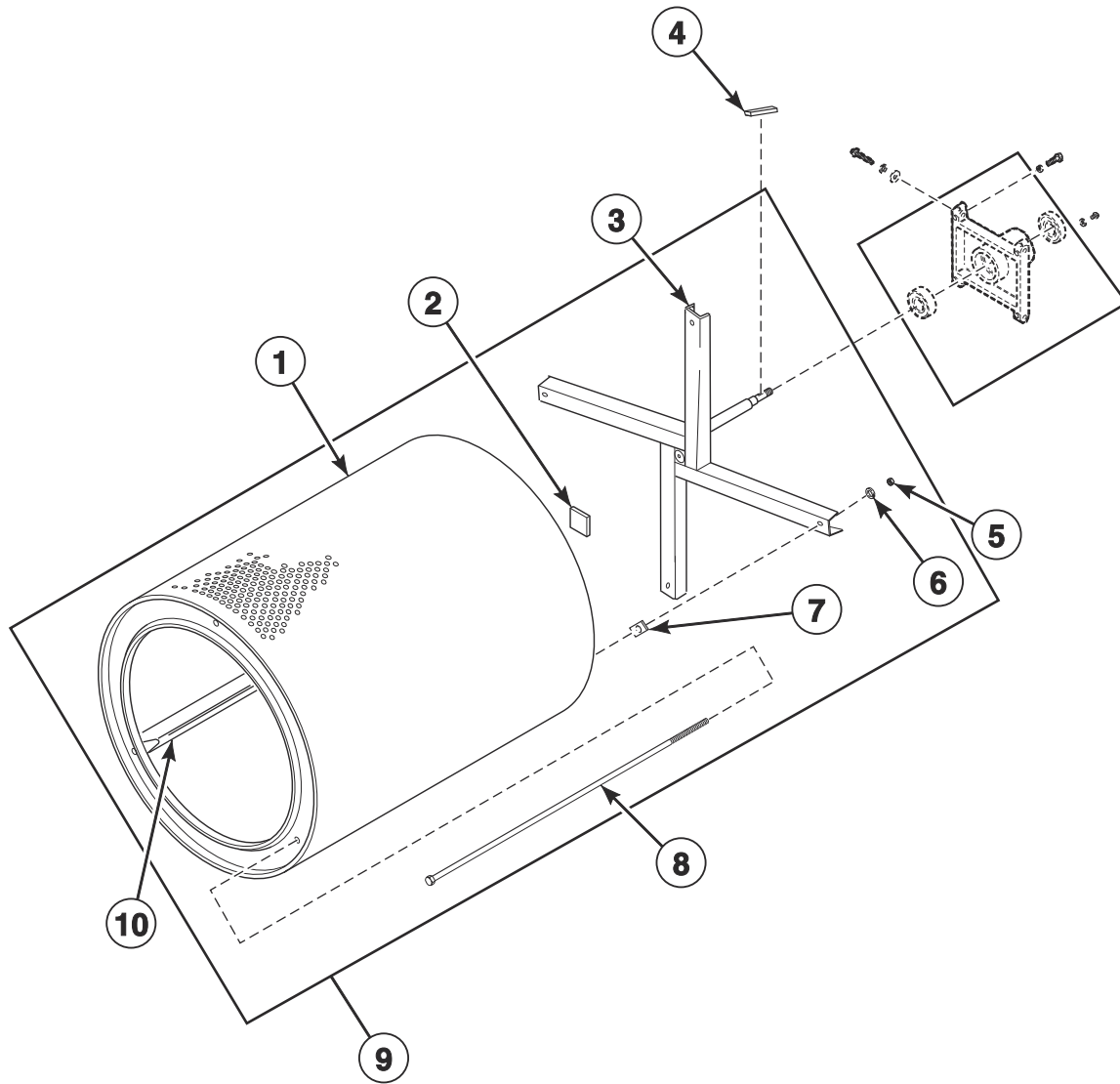
TMB3091PA_70421801

Hinge Components

REF	PART NO.	DESCRIPTION	COMMENTS
	M4776P3	Control Panel and Door Hinge Kit	B and I models; To change from old look to new look
1	70215001P	Door Switch Actuator Kit	
2	44075208B	Door Hinge Assembly	Black; G and K models; B and I models starting 8/1/11; P models starting 7/1/17 with white front panel and starting 7/5/16 with stainless steel front panel
	44075203*	Door Hinge Assembly	H, M, N, S, U and Y models; P models through 9/30/14; L models through 1/28/15; C models starting 8/1/11
	44075204	Door Hinge Assembly	C, H, M, S, U and Y models through 3/31/15; P models through 9/30/14; B and I models through 7/31/11; L models through 1/28/15; Stainless steel
	44075211	Door Hinge Assembly	H, M, S, U and Y models starting 4/1/15; Stainless steel
	44075208LG	Door Hinge Assembly	L, P and U models; Light gray
3	70442101	Screw	3 required
4	M400044	Screw	6 required
5	M4773P3	Hinge Cam Kit	Black; G and K models; B and I models starting 8/1/11; P models starting 7/1/17 with white front panel and starting 7/5/16 with stainless steel front panel
	M4772P3	Hinge Cam Kit	C, H, L, M, N, P, S, U and Y models; B and I models through 7/31/11
6	70409801	Screw	Black; G and K models; B and I models starting 8/1/11; P models starting 7/1/17 with white front panel and starting 7/5/16 with stainless steel front panel; 2 required
	70033502	Screw	C, H, L, M, N, P, S, U and Y models; B and I models through 7/31/11; 2 required
7	44035002	Door Hinge Lug Assembly	Black; G and K models; B and I models starting 8/1/11; P models starting 7/1/17 with white front panel and starting 7/5/16 with stainless steel front panel
	44035001	Door Hinge Lug Assembly	C, H, L, M, N, P, S, U and Y models; B and I models through 7/31/11
8	70058501	Pop Rivet	2 required

* Add Letter To Designate Color. L - Almond Q - Bisque W - White

Cylinder and Trunnion Components

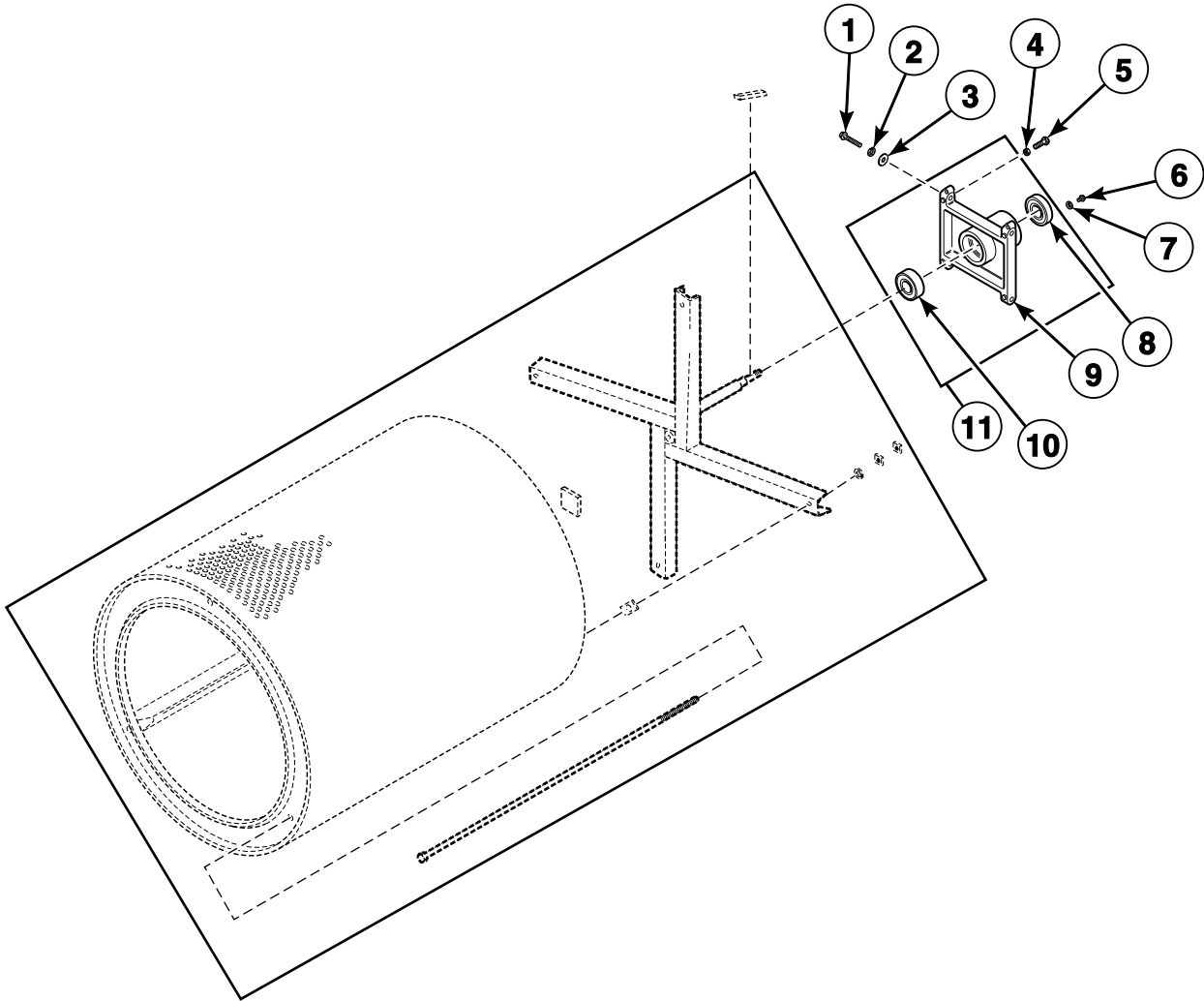


TMB3796P_70421801

Cylinder and Trunnion Components

REF	PART NO.	DESCRIPTION	COMMENTS
1	44057001P	Cylinder Kit	Galvanized; B, C, H, I, L, M, N, P, S and U models; Non-moisture sensing
	44196301	Cylinder Assembly	Galvanized; B, C, H, I, L, M, N, P, S and U models; Moisture sensing
	44057101P	Cylinder Kit	Stainless steel; B, C, H, I, L, M, N, P, S and U models; Non-moisture sensing
	44196302	Cylinder Assembly	Stainless steel; B, C, H, I, L, M, N, P, S and U models; Moisture sensing
	44130802	Cylinder Assembly	G and K models; Non-moisture sensing
	44196303	Cylinder Assembly	G and K models; Moisture sensing
	44089001	Cylinder Assembly	Stainless steel; U models with the 11th character of R; Non-moisture sensing
2	M402144	Felt Pad	
3	44261801	Trunnion Assembly	Spider; Nonreversing; Models through 1/31/12
	M413834P	Trunnion Assembly	Spider; Reversing; Models through 1/31/12
	44208001	Trunnion Assembly	Spider; Models starting 2/1/12; Non-moisture sensing; Use on reversing and nonreversing models and also nonreversing starting Serial No. 030101089
	44207901	Trunnion Assembly	Models starting 8/1/11; Moisture sensing; Use on reversing and nonreversing models
4	M400008	Key	Half moon; Nonreversing models through 7/31/11; All models starting 8/1/11
	M405232	Key	Straight; Reversing; Models through 7/31/11
5	M404993	Nut	
6	M400015	Washer	4 required
7	M401402	Spacer	Adjustment between cylinder and trunnion
8	M401411	Rib Rod	
9	44057401P	Cylinder and Trunnion Assembly	Galvanized; Nonreversing; B, C, H, I, L, M, P, S and U models through 7/31/11
	44057402P	Cylinder and Trunnion Assembly	Stainless steel; Nonreversing; B, C, H, I, L, M, P, S and U models through 7/31/11
	44057403	Cylinder and Trunnion Assembly	Galvanized; Reversing; B, C, H, I, L, M, P, S and U models through 1/31/12
	44057404	Cylinder and Trunnion Assembly	Stainless steel; Reversing; B C, H, I, L, M, P, S and U models through 1/31/12
	44195601	Cylinder and Trunnion Assembly	Galvanized; B, C, H, I, L, M, P, S and U models starting 2/1/12; Non-moisture sensing
	44195602	Cylinder and Trunnion Assembly	Stainless steel; B, C, H, I, L, M, P, S and U models starting 2/1/12; Non-moisture sensing
	44195605P	Cylinder and Trunnion Assembly	Galvanized; B, C, H, I, L, M, N, P, S and U models; Moisture sensing
	44195606	Cylinder and Trunnion Assembly	Stainless steel; B, C, H, I, L, M, N, P, S and U models; Moisture sensing
	44131002	Cylinder and Trunnion Assembly	Reversing; G and K models through 7/31/11
	44131102	Cylinder and Trunnion Assembly	Nonreversing; G and K models through 7/31/11
	44195603	Cylinder and Trunnion Assembly	G and K models starting 8/1/11; Non-moisture sensing
	44195607	Cylinder and Trunnion Assembly	G and K models; Moisture sensing
	44089101	Cylinder and Trunnion Assembly	Stainless steel; U models with the 11th character of R through 7/31/11
	44195604	Cylinder and Trunnion Assembly	Stainless steel; U models with the 11th character of R starting 8/1/11; Non-moisture sensing
10	44191201	Cylinder Rib Assembly	Moisture sensing; Use 16 31098 Screws to attach

Bearing Components

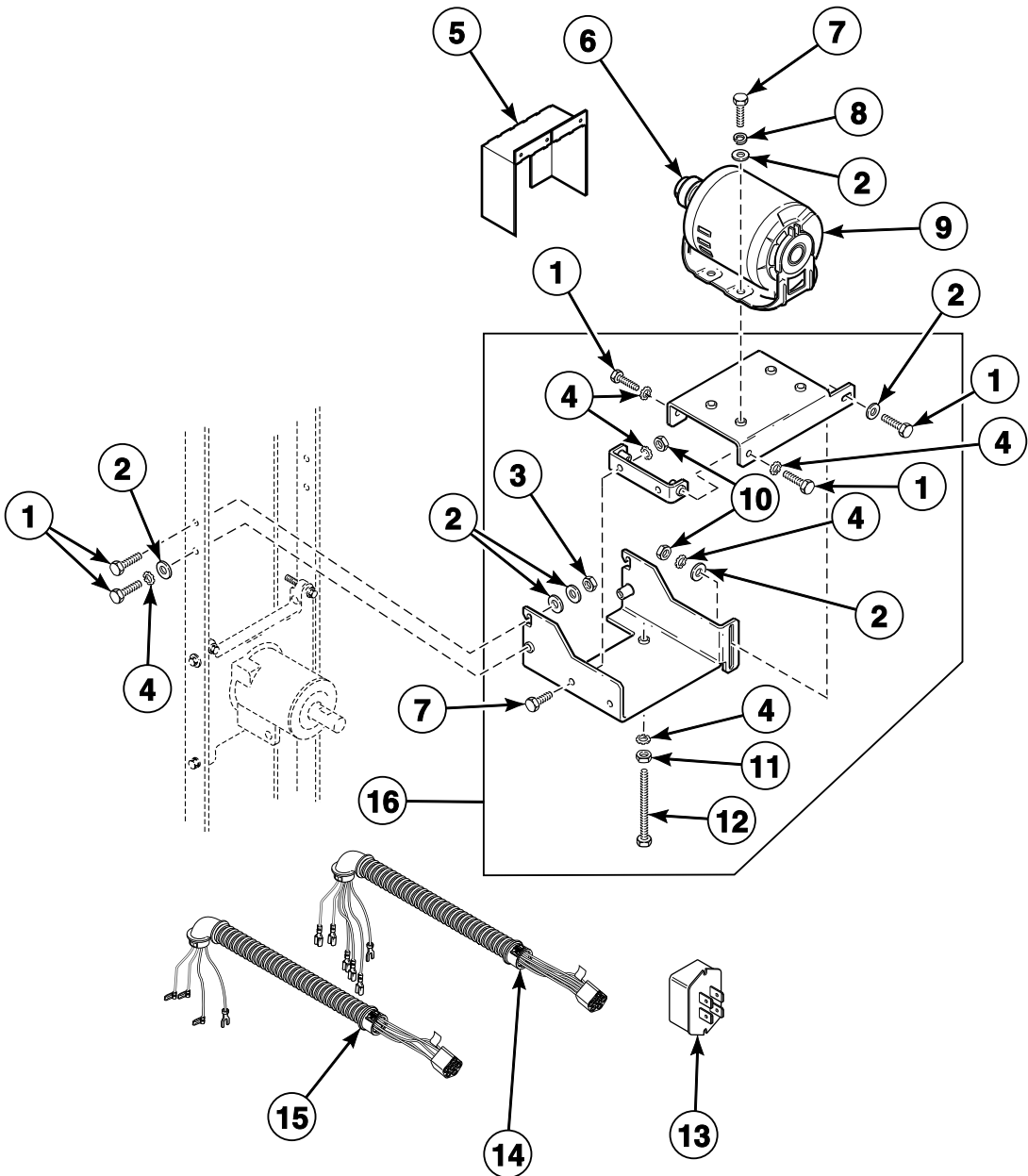


TMB2123PA_70421801

Bearing Components

REF	PART NO.	DESCRIPTION	COMMENTS
	M4640P3	Trunnion and Bearing Assembly	Nonreversing models through 7/31/11; Non-moisture sensing reversing and nonreversing models starting 8/1/11
	M4641P3	Trunnion and Bearing Assembly	Reversing; Models through 7/31/11; Non-moisture sensing
	44336301	Trunnion and Bearing Assembly	Moisture sensing; Use on reversing and nonreversing models; Does not include moisture sensing harness
	M4644P3	Housing and Trunnion Assembly	Includes bearing; Nonreversing; Non-moisture sensing
	M4645P3	Housing and Trunnion Assembly	Includes bearing; Reversing; Models through 7/31/11; Non-moisture sensing
	44336302	Housing and Trunnion Assembly	Moisture sensing; Use on reversing and nonreversing models; Does not include moisture sensing harness
1	M400063	Screw	4 required
2	M400015	Washer	4 required
3	70261401	Washer	4 required
4	M400026	Nut	4 required
5	M400650	Bolt	2 required
6	70187201	Screw	4 required
7	20103	Washer	4 required
8	F100136P	Bearing	
9	M413826	Trunnion Housing	
10	44041901P	Ball Bearing	
11	44375001	Trunnion Housing Assembly	Includes bearing

Reversing Cylinder Drive Motor and Components

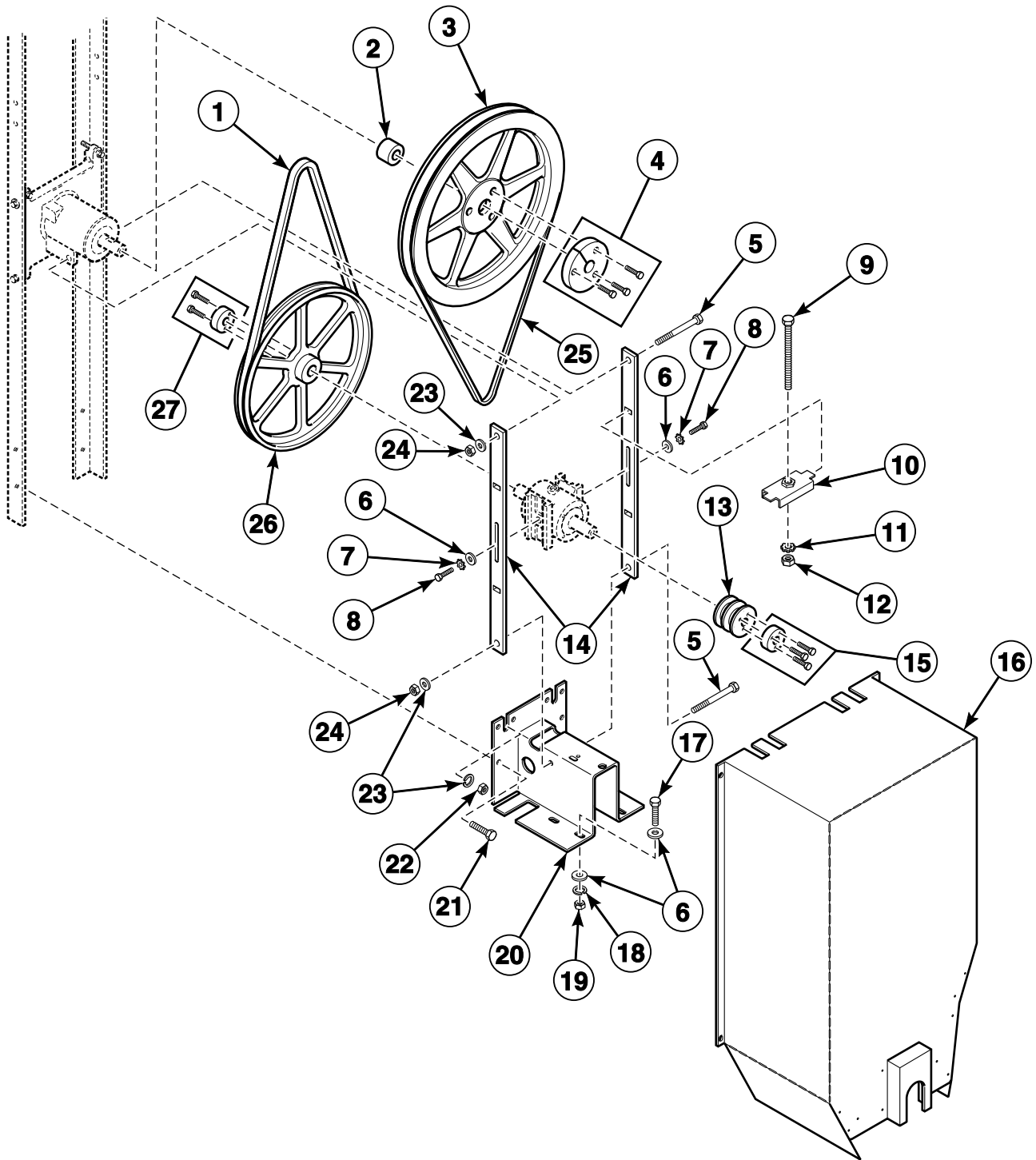


TMB3168P_70421801

Reversing Cylinder Drive Motor and Components

REF	PART NO.	DESCRIPTION	COMMENTS
1	M400056	Screw	7 required
2	M400080	Washer	10 required
3	M412986	Nut	2 required
4	02834	Washer	8 required
5	M413541	Belt Guard	Upper
6	M414565	Pulley	60 Hertz
	M414567	Pulley	50 Hertz; Non-moisture sensing models through 1/31/12
	44233601	Pulley	50 Hertz; Moisture sensing models starting 8/1/11; Non-moisture sensing models starting 2/1/12
7	M400057	Screw	6 required
8	M400013	Washer	4 required
9	M412519	Motor	Gas and steam models with: 200-208 or 240 Volt/60 Hertz/3 Phase, 460-480 Volt/60 Hertz/3 Phase, 200 Volt/50 Hertz/3 Phase, 230 or 240 Volt/50 Hertz/3 Phase and 380 or 400-415 Volt/50 Hertz/3 Phase; Electric models with: 200-208 Volt/60 Hertz/3 Phase, 240 Volt/50 or 60 Hertz/3 Phase, 480 Volt/60 Hertz/3 Phase, 200 Volt/50 Hertz/3 Phase, 380 Volt/50 Hertz/3 Phase and 400-415/50 Hertz/3 Phase
	M412520P	Motor Kit	Gas and steam models with: 230-240 Volt/50 Hertz/1 Phase; Electric models with: 240 Volt/50 Hertz/1 Phase
	44253201p	Drive Motor	120 Volt/1 Phase; Use 44266801 Start Capacitor
10	70142	Nut	3 required
11	02428	Nut	
12	M413565	Screw	
13	M414563	Motor Switch	1 Phase
14	44139701P	Cylinder Motor Harness	1 Phase
15	44137101P	Cylinder Motor Harness	3 Phase
16	M413617	Motor Mount Assembly	Includes items 1-4, 7 and 10-12

Drive Components for Non-Moisture Sensing Reversing Models Through 1/31/12

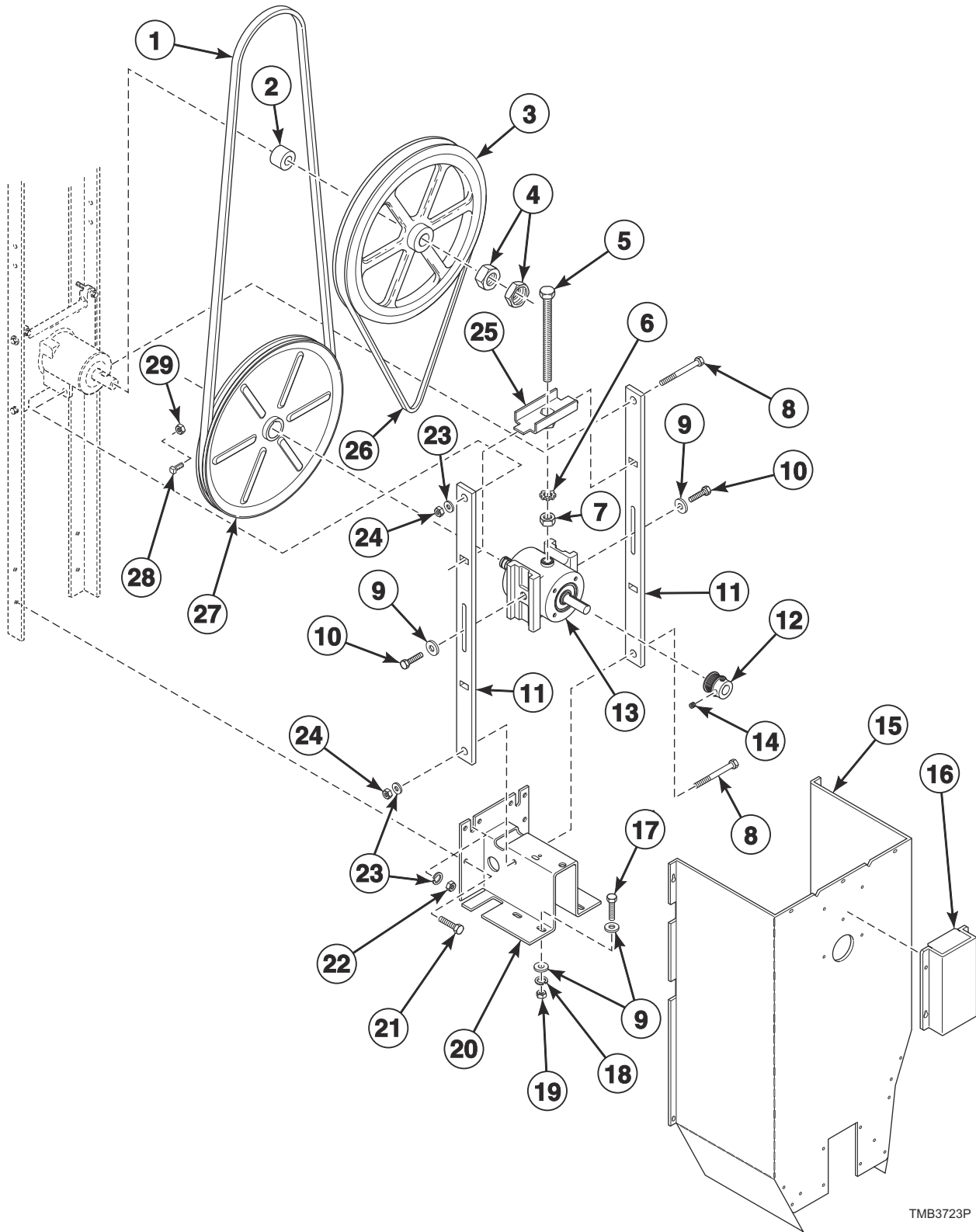


TMB2529P_70421801

Drive Components for Non-Moisture Sensing Reversing Models Through 1/31/12

REF	PART NO.	DESCRIPTION	COMMENTS
1	M412981	Belt	Drive
2	44024001	Spacer	
3	M412916	Double V Sheave	
4	M412086P	Bushing	Includes M400013 Washer, 44048902 Screw and 44079203 Screw
5	M400061	Screw	
6	M400080	Washer	
7	M403958	Washer	2 required
8	M400043	Screw	
9	M412627	Screw	
10	M414405	Tension Plate Assembly	
11	M412188	Washer	
12	H88412101	Nut	
13	M412884	Pulley	
14	M412476	Guide Rail	
15	M412917P	Bushing	Includes 56552 Washer, 44048901 Screw and 44079301 Screw
16	44132402	Belt Guard Assembly	Use 51780 Screw to mount
17	M400057	Screw	
18	M400013	Washer	4 required
19	02428	Nut	4 required
20	44117201	Motor Bracket	
21	M401393	Bolt	2 required
22	20274	Nut	
23	M400014	Washer	
24	M400026	Nut	2 required
25	M412090	Belt	2 required; Cylinder
26	M412931	Single V Sheave	
27	M412885P	Bushing	Includes 03189 Washer and F430107 Screw

Drive Components for Moisture Sensing Reversing Models Starting 8/1/11 and Non-Moisture Sensing Reversing Models Starting 2/1/12

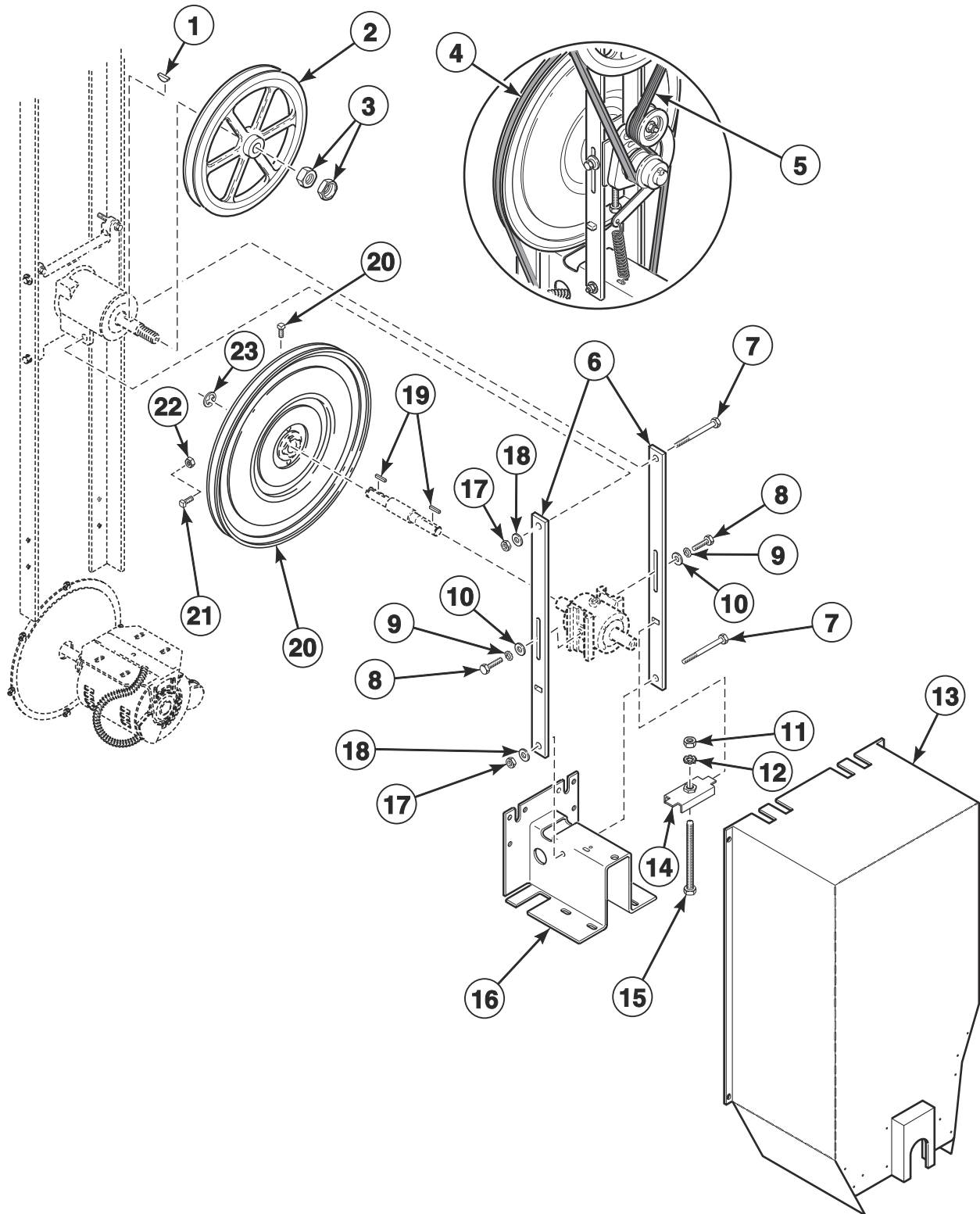


TMB3723P

Drive Components for Moisture Sensing Reversing Models Starting 8/1/11 and Non-Moisture Sensing Reversing Models Starting 2/1/12

REF	PART NO.	DESCRIPTION	COMMENTS
	44209002	Belt Idler Assembly	Includes items 5-7, 9-14 and 25
	44341501	Reversing Kit	2 groove pulley/double V-belt
1	M412981	Belt	
2	44024001	Spacer	
3	44338701	Sheave	Use with 3V belt system
	M412156	Micro V Sheave	Use with micro V system
4	M400033	Nut	
5	M412627	Screw	
6	M412188	Washer	
7	H88412101	Nut	
8	M400061	Screw	
9	M400080	Washer	
10	70126103	Screw	
11	M412476	Guide Rail	
12	44338601	Pulley	Use with 3V belt system
	M411466P	Micro V Pulley	Use with micro V system
13	44107101	Idler Housing Assembly	
14	M400077	Screw	
15	44132409	Belt Guard Assembly	Use 51780 Screw to mount; Moisture sensing
	44132402	Belt Guard Assembly	Use 51780 Screw to mount; Non-moisture sensing
16	44222501	Guard Extension	
17	M400057	Screw	
18	M400013	Washer	
19	02428	Nut	
20	44117201	Motor Bracket	
21	M401393	Bolt	
22	20274	Nut	
23	M400014	Washer	
24	M400026	Nut	
25	M414405	Tension Plate Assembly	
26	M412090	Belt	Use with 3V belt system; 2 required
	M411425P	Micro V Belt	Use with micro V system
27	44086901P	Sheave Kit	
28	F430533	Screw	
29	44087201	Nut	

Drive Components for Nonreversing Models Through 7/31/11



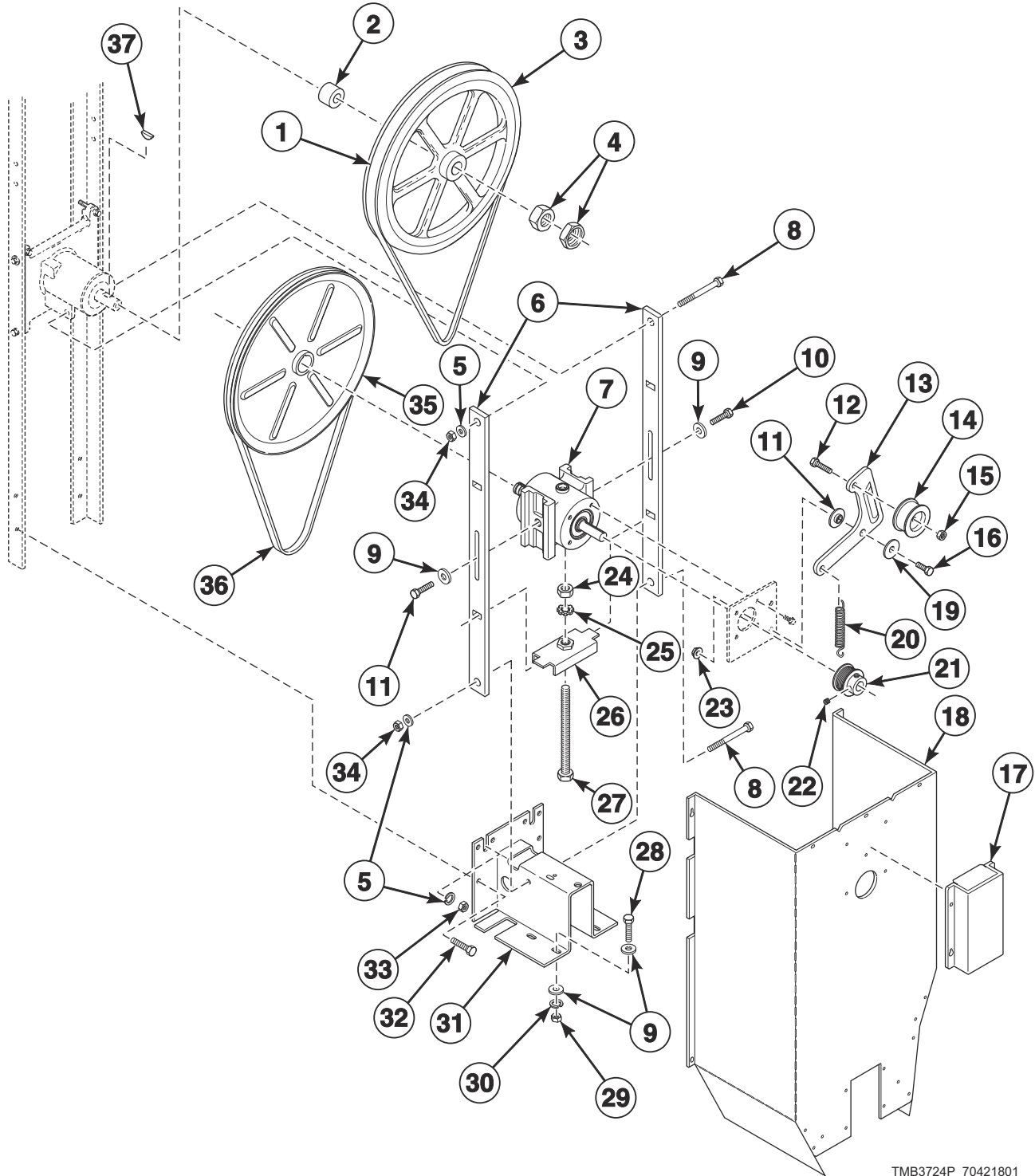
TMB3321P

Drive Components for Nonreversing Models Through 7/31/11

REF	PART NO.	DESCRIPTION	COMMENTS
1	M400008	Key	
2	M412156	Micro V Sheave	
3	M400033	Nut	
4	M401182P	Belt	
5	M411425P	Micro V Belt	
6	M412476	Guide Rail	
7	M400061	Screw	
8	M400043	Screw	
9	M403958	Washer	
10	M400080	Washer	
11	H88412101	Nut	
12	M412188	Washer	
13	44132401	Belt Guard Assembly	Use 51780 Screw to mount
14	M414405	Tension Plate Assembly	
15	M412627	Screw	
16	44117201	Motor Bracket	
17	M400026	Nut	
18	M400014	Washer	
19	M401327	Key	
20	44086901P	Sheave Kit	Includes item 19 and 2 of item 21
21	F430533	Screw	
22	44087201	Nut	
23	M400399	Ring	

NOTE: On nonreversing models, there is only one motor that functions as the drive motor and fan motor. Refer to *Fan Motors* section for motor part numbers.

Drive Components for Nonreversing Models Starting 8/1/11



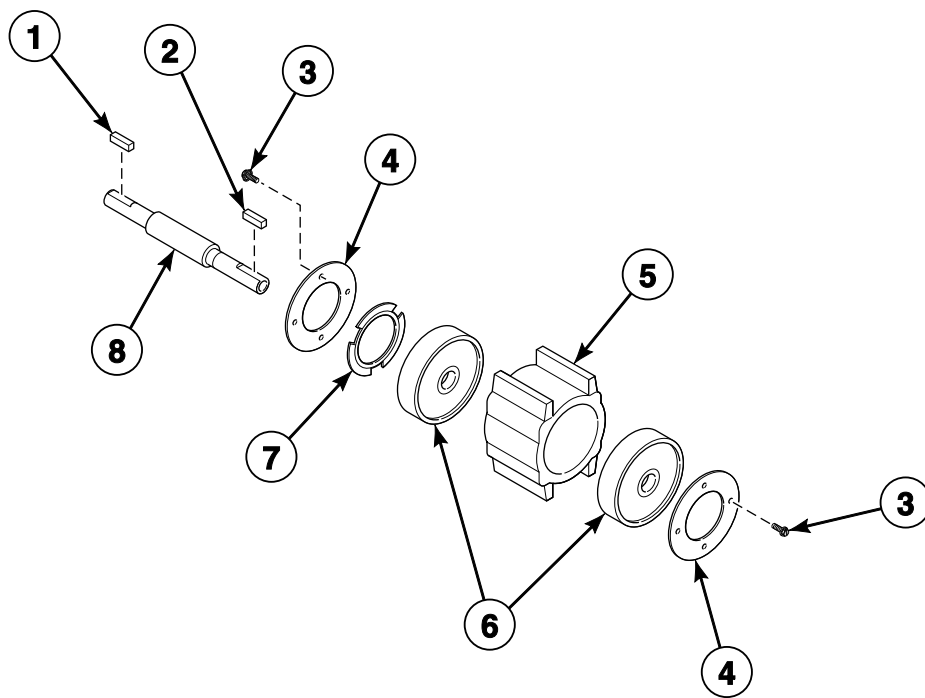
TMB3724P_70421801

Drive Components for Nonreversing Models Starting 8/1/11

REF	PART NO.	DESCRIPTION	COMMENTS
	44209001	Belt Idler Assembly	Includes items 7, 8, 10, 11, 22, 23, 25-28 and 36
	44107202	Idler Assembly	
1	M411425P	Micro V Belt	
2	44024001	Spacer	
3	M412156	Micro V Sheave	
4	M400033	Nut	
5	M400014	Washer	
6	M412476	Guide Rail	
7	44107101	Idler Housing Assembly	
8	M400061	Screw	
9	M400080	Washer	
10	70126103	Screw	
11	70265901	Washer	
12	430648	Screw	
13	44102701	Idler Arm	
14	430619	Drum Idler Wheel Assembly	
15	56156	Nut	
16	M400056	Screw	
17	44222501	Guard Extension	
18	44132401	Belt Guard Assembly	Use 51780 Screw to mount; Non-moisture sensing
	44132408	Belt Guard Assembly	Use 51780 Screw to mount; Moisture sensing
19	70270301	Washer	
20	M412120	Extension Spring	
21	M411466P	Micro V Pulley	
22	M400077	Screw	
23	44087201	Nut	
24	H88412101	Nut	
25	M412188	Washer	
26	M414405	Tension Plate Assembly	
27	M412627	Screw	
28	M400057	Screw	
29	02428	Nut	
30	M400013	Washer	
31	44117201	Motor Bracket	
32	M401393	Bolt	
33	20274	Nut	
34	M400026	Nut	
35	44086901P	Sheave Kit	
36	M401182P	Belt	
37	M400008	Key	

NOTE: On nonreversing models, there is only one motor that functions as the drive motor and fan motor. Refer to *Fan Motors* section for motor part numbers.

Idler Housing Assembly for Non-Moisture Sensing Reversing Models Through 1/31/12

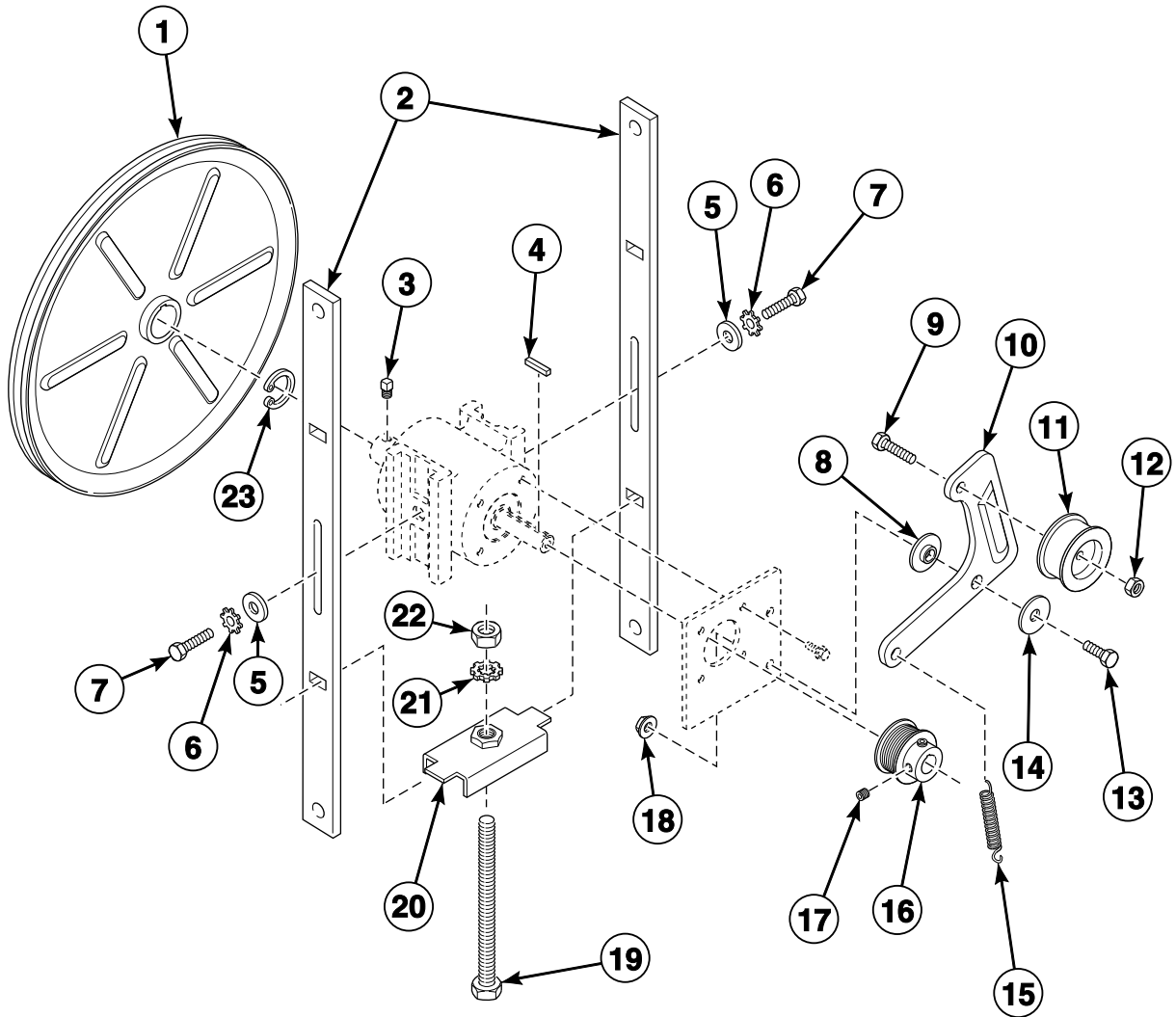


TMB2160P_70421801

Idler Housing Assembly for Non-Moisture Sensing Reversing Models Through 1/31/12

REF	PART NO.	DESCRIPTION	COMMENTS
	917P3	Idler Housing Kit	Includes items 1-4, 7 and M412476 Guide Rail, M412630 Idler Housing Assembly and 614P3 Idler Assembly Components Kit
1	H8752006H	Key	
2	M400993	Key	
3	70187201	Screw	8 required
4	M401370	Bearing Retainer	
5	M412612	Idler Housing	
6	M401375P	Ball Bearing	If bearing is marked 6304, order M401375P Ball Bearing; If bearing is marked 6204, order 70448701 Support Bearing
7	M400401	Loading Spring	
8	M414241	Idler Shaft	

Idler Assembly for Nonreversing Models Through 7/31/11

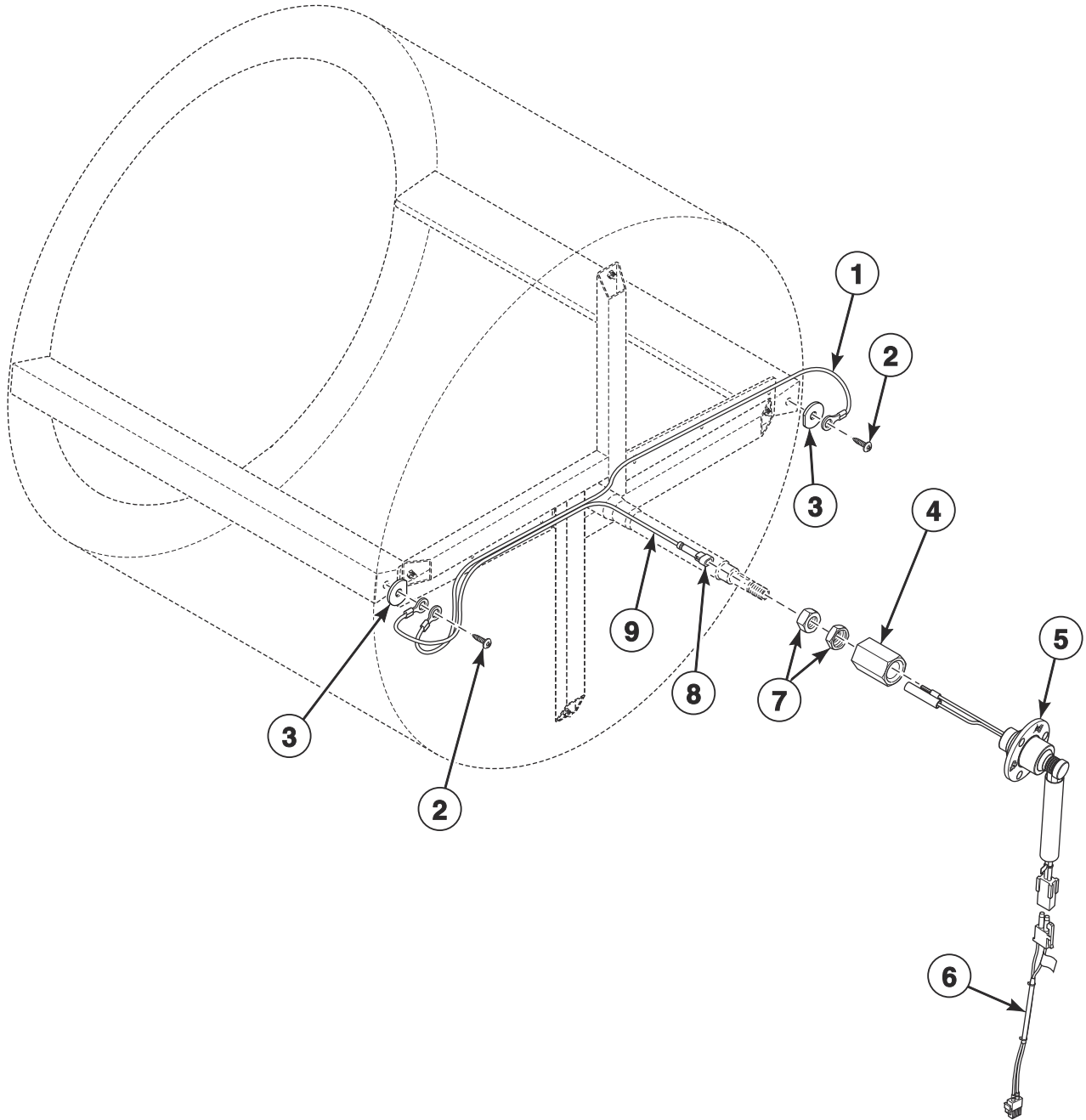


TMB3141P_70421801

Idler Assembly for Nonreversing Models Through 7/31/11

REF	PART NO.	DESCRIPTION	COMMENTS
	942P3P	Idler/Belt Assembly Kit	Use to replace whole assembly
	943P3P	Idler Housing Kit	
1	44086901P	Sheave Kit	
2	M412476	Guide Rail	2 required
3	M400065	Screw	2 required
4	M401327	Key	2 required
5	M400080	Washer	2 required
6	M403958	Washer	2 required
7	M400043	Screw	2 required
8	70265901	Washer	
9	430648	Screw	
10	44102701	Idler Arm	
11	430619	Drum Idler Wheel Assembly	
12	56156	Nut	
13	M400056	Screw	
14	70270301	Washer	
15	M412120	Extension Spring	
16	M411466P	Micro V Pulley	
17	M400077	Screw	2 required
18	44087201	Nut	
19	M412627	Screw	
20	M414405	Tension Plate Assembly	
21	M412188	Washer	
22	H88412101	Nut	
23	M400399	Ring	

Moisture Sensing Components

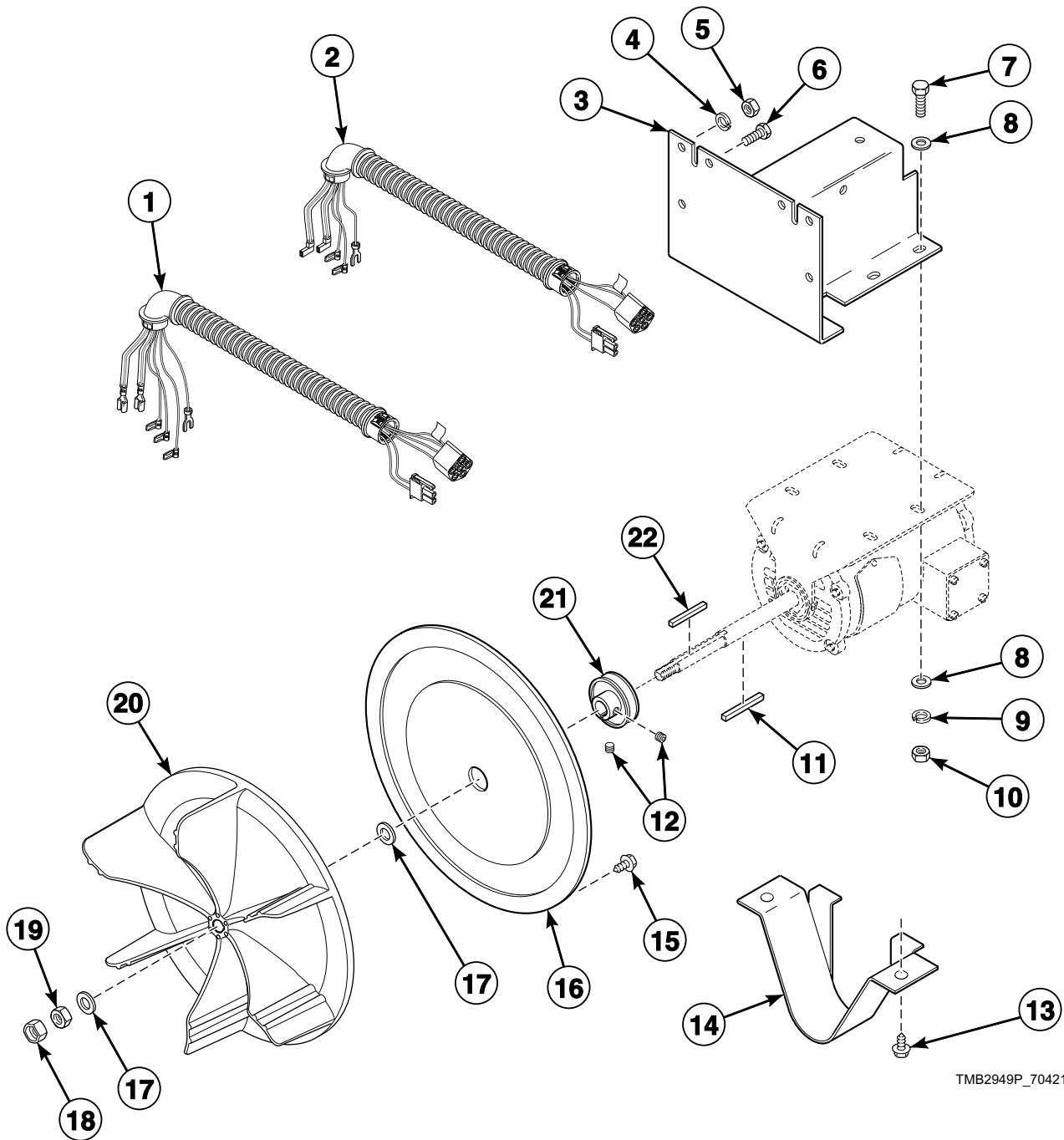


TMB3441P_70421801

Moisture Sensing Components

REF	PART NO.	DESCRIPTION	COMMENTS
	70468901	Moisture Sensor Test Wires	Use to troubleshoot the moisture sensor circuit
	44344702	Moisture Sensing Harness Kit	
1	44208601	Rib Wire	
2	44338901	Screw	
3	44238902	Washer	
4	44224401	Slip Ring Holder	
5	44222702	Slip Ring Assembly	
6	70448902	Moisture Sensor Harness Assembly	Goes from item 5 to main harness
7	M400033	Nut	
8	44370401	1 Circuit Plug Housing	
9	44208702	Shaft Wire	

Fan Components

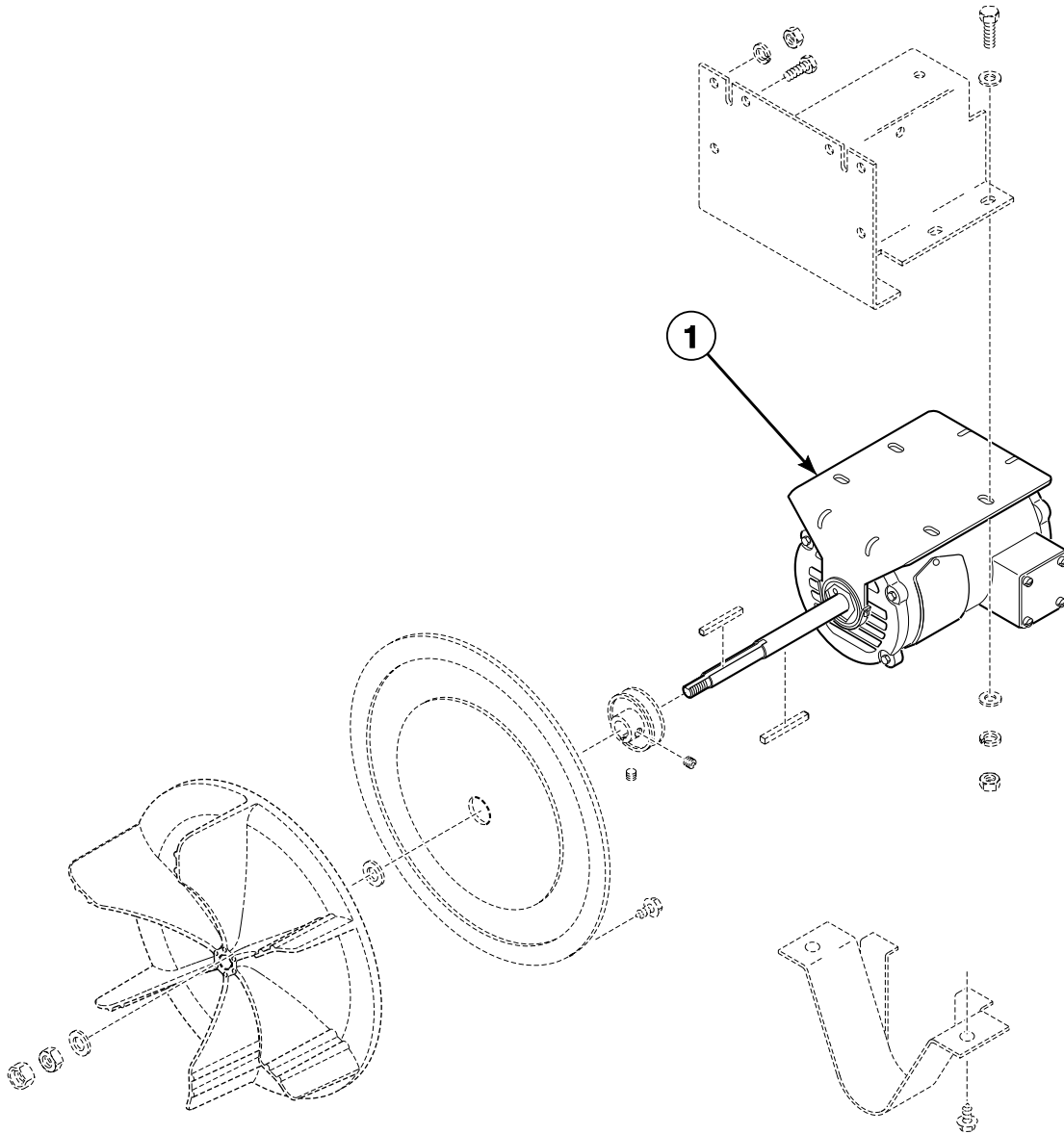


TMB2949P_70421801

Fan Components

REF	PART NO.	DESCRIPTION	COMMENTS
	M4426P3	Motor Hardware Kit	Includes items 11, 17-19 and 22
	M4525P3P	Resilient Ring Kit	2 per package
1	44169901	Fan Motor Harness	3 Phase
2	44137201P	Fan Motor Harness	1 Phase
3	44117201	Motor Bracket	
4	M400014	Washer	
5	20274	Nut	
6	M401393	Bolt	2 required
7	M400057	Screw	
8	M400080	Washer	
9	M400013	Washer	
10	02428	Nut	
11	44132301	Key	Nonreversing; All models: 120 Volt/60 Hertz/1 Phase or 200-208 or 240 Volt/60 Hertz/1 Phase; Electric models: 200-208 Volt/60 Hertz/3 Phase or 240 Volt/60 Hertz/3 Phase
	M400993	Key	All other voltages
12	M400077	Screw	Supplied with pulley
13	430497	Screw	
14	M413008	Belt Guard	
15	M410059	Screw	7 required
16	M401362	Cover Plate	
17	M400991	Washer	
18	M400034	Nut	
19	M400022	Nut	
20	44127401P	Blower	
21	M414564	Pulley	60 Hertz; Nonreversing
	M414566	Pulley	50 Hertz; Nonreversing
22	M400994P	Key and Instruction Kit	

Fan Motors



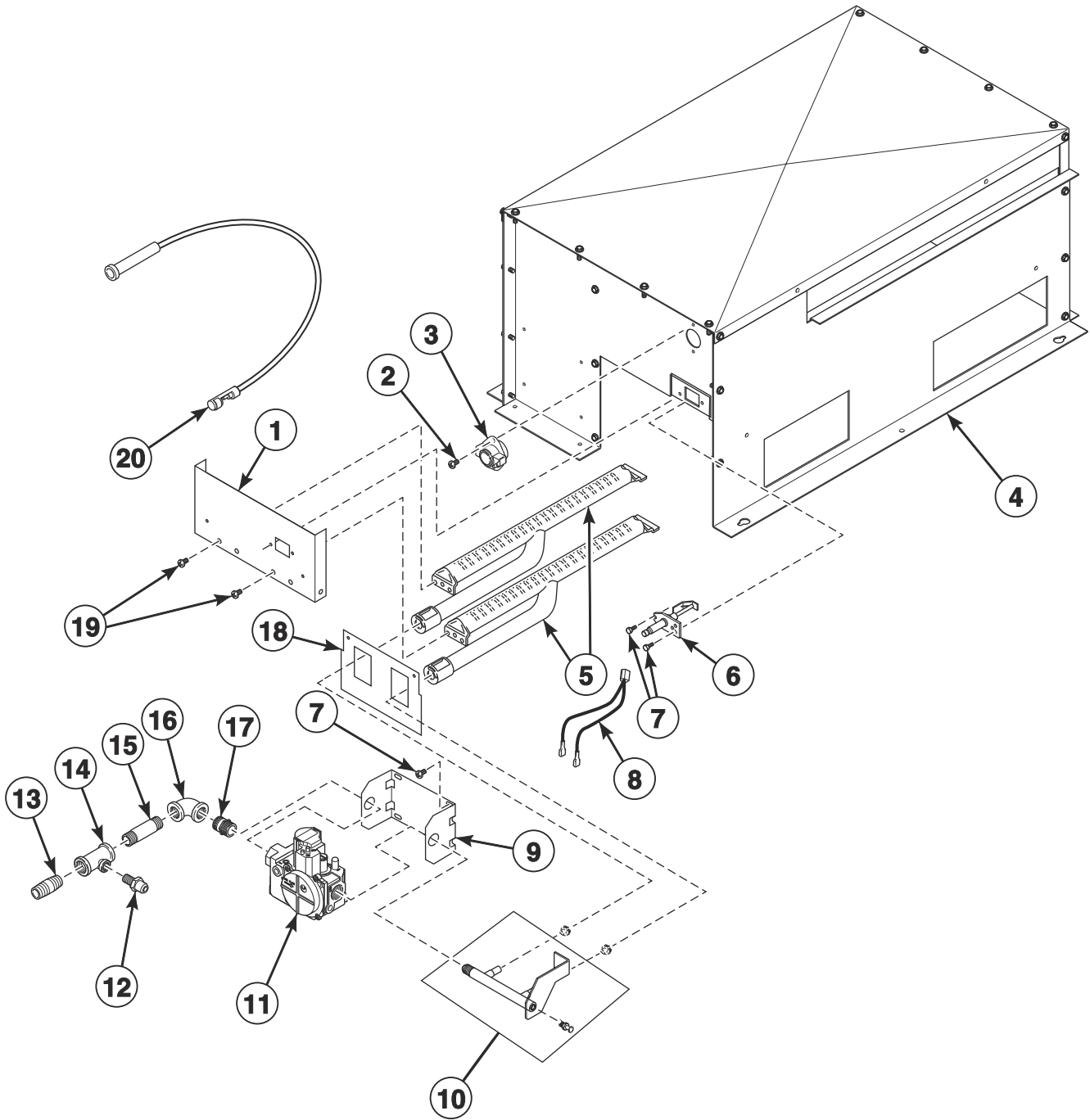
TMB2968P_70421801

Fan Motors

REF	PART NO.	DESCRIPTION	COMMENTS
1	44045801P	Motor	Use 44132301 Key for pulley and M400994 Key for fan; Use 70211501 Motor Capacitor; Nonreversing; Gas and steam models with: 120 Volt/60 Hertz/1 Phase and 200-208 or 240 Volt/60 Hertz/1 Phase; Electric models with: 200-208 Volt/60 Hertz/3 Phase and 240 Volt/60 Hertz/3 Phase
	44046101P	Motor	1/2 horsepower; Nonreversing; Gas and steam models with: 200-208 or 240 Volt/60 Hertz/3 Phase, 460-480 Volt/60 Hertz/3 Phase, 200 Volt/50 Hertz/3 Phase, 230-240 Volt/50 Hertz/3 Phase and 380 or 400-415 Volt/50 Hertz/3 Phase; Electric models with: 480 Volt/60 Hertz/3 Phase, 200 Volt/50 Hertz/3 Phase, 380 Volt/50 Hertz/3 Phase and 400-415 Volt/50 Hertz/3 Phase
	44048701P	Motor	Use M410300 Motor Capacitor; Nonreversing; Gas and steam models with: 230-240 Volt/50 Hertz/1 Phase; Electric models with: 240 Volt/50 Hertz/1 or 3 Phase
	44046001P	Fan Motor	1/3 horsepower; Reversing; Gas and steam models with: 200-208 or 240 Volt/50 or 60 Hertz/3 Phase, 460-480 Volt/50 or 60 Hertz/3 Phase, 200 Volt/50 or 60 Hertz/3 Phase, 230-240 Volt/50 Hertz/3 Phase and 380 or 400-415 Volt/50 or 60 Hertz/3 Phase; Electric models with: 480 Volt/50 or 60 Hertz/3 Phase, 380 Volt/50 or 60 Hertz/3 Phase and 400-415 Volt/50 or 60 Hertz/3 Phase
	44045901P	Fan Motor	Use M410301 Motor Capacitor; Reversing; Gas and steam models with: 230-240 Volt/50 Hertz/1 Phase; Electric models with: 240 Volt/50 Hertz/1 or 3 Phase and 200 Volt/50 Hertz/3 Phase
	44045701P	Motor	Use M410296 Motor Capacitor; Reversing; 120/208-240 Volt/60 Hertz

NOTE: Nonreversing motors function as the fan motor and the drive motor.

Gas Heater Components



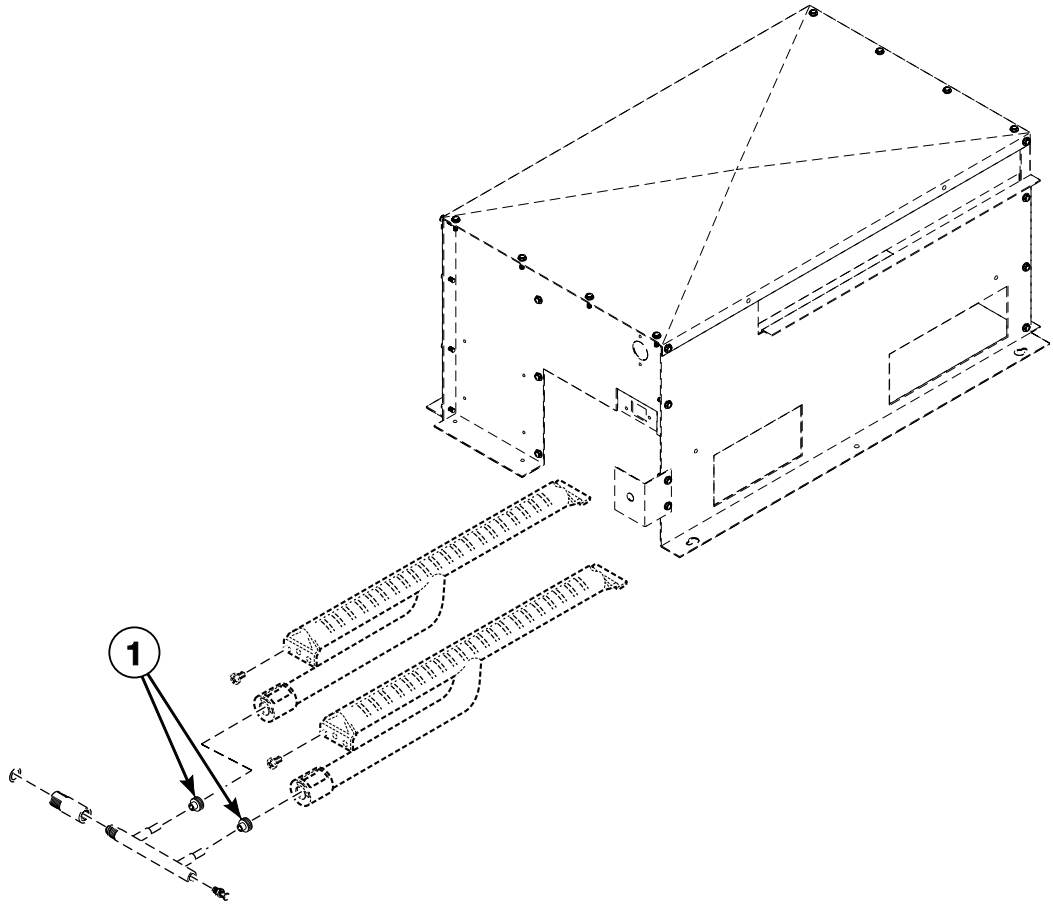
TMB3787P_70421801

Gas Heater Components

REF	PART NO.	DESCRIPTION	COMMENTS
	M4544P3	L.P. Conversion Kit	Natural Gas (N.G.) to Liquid Petroleum Gas (L.P.); CE and Australian models
	M4979P3	L.P. Conversion Kit	N.G. to L.P.; Non-CE and non-Australian models
	M4897P3	L.P. Gas Valve Kit	Non-CE and non-Australian models
	M413468P	Gas Valve Kit	N.G.; Non-CE and non-Australian models
	M4908P3	Valve Replacement Kit	N.G.; CE models; Use to replace valves through 11/30/09
	M4909P3	Valve Replacement Kit	L.P.; CE models; Use to replace valves through 11/30/09
	44305501P	Direct Air Kit	
	70500401	Heat Exchanger	
1	44110201	Burner Support	
2	M402797	Screw	2 required
3	M409433	Limit Thermostat	Non-CE and non-Australian models
	M411938	Manual Reset Thermostat	CE, Australian and Korean models
4	44136004	Gas Stove Assembly	
5	M410541P	Burner Assembly	2 required
6	44328701P	Spark Electrode	
7	430497	Screw	2 required
8	M412997	Harness Assembly	Non-CE and non-Australian models
	M413650	Gas Valve Harness Assembly	Australian models
	70184001	Gas Valve Harness	CE models
9	44175701	Gas Valve Bracket	
10	44263101	Spud Holder Weldment	
11	44181601P	Gas Valve	N.G.; Australian models
	44181602	Gas Valve	L.P.; Australian models
	44178301P	Gas Valve	N.G.; CE models; Use to replace valves starting 12/1/09
	44178302P	Gas Valve	L.P.; CE models; Use to replace valves starting 12/1/09
	44154501P	Gas Valve	N.G.; Non-CE and non-Australian models
	44154502P	Gas Valve	L.P.; Non-CE and non-Australian models
12	44231601	Pressure Fitting	CE and Australian models
13	431486	Pipe Nipple	CE and Australian models
14	44231901	Pipe Tee	CE and Australian models
15	70210201	Pipe Nipple	Non-CE and non-Australian models
	70263801	Pipe Nipple	CE and Australian models
16	70079601	Elbow	
17	431486	Pipe Nipple	
18	44136101	Rear Access Plate	
19	70240301	Screw	4 required
20	44061602P	High Temperature Ignition Lead	Models through 9/16/12; Use with 70367301P or 70367401P Ignition Control
	44239704	High Voltage Suppression Cable	Models starting 9/17/12; Use with 70458601P, 70458701P or 70483201P Ignition Control

NOTE: For CE gas and orifice information, refer to Installation Manual.

Burner Orifices for Non-CE Models



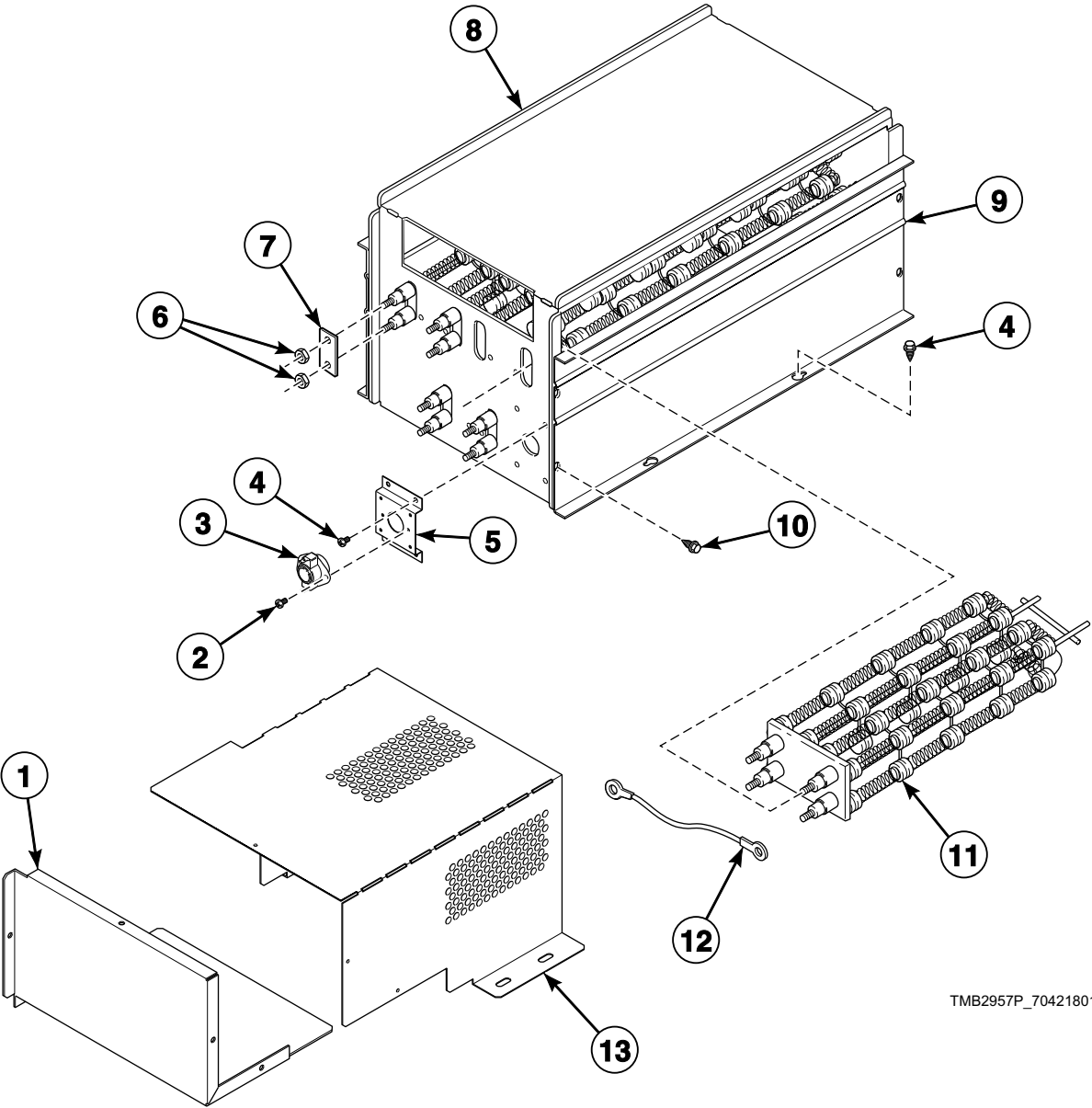
TMB2978P_70421801

Burner Orifices for Non-CE Models

REF	PART NO.	DESCRIPTION	COMMENTS
1	70684100	Burner Orifice	Blank
	70684112	Burner Orifice	Liquid Petroleum Gas (L.P.); Drill no. 43 (2.3 mm); 0-4,000 feet; 2 required
	70684110	Burner Orifice	L.P.; Drill no. 44 (2.2 mm); 4,001-6,000 feet; 2 required
	70684109	Burner Orifice	L.P.; Drill no. 45 (2.1 mm); 6,001-8,000 feet; 2 required
	70684108	Burner Orifice	L.P.; Drill no. 46 (2.1 mm); 8,001-10,000 feet; 2 required
	70684136	Burner Orifice	Natural Gas (N.G.); Drill no. 26 (3.7 mm); 0-2,000 feet; 2 required
	70684135	Burner Orifice	N.G.; Drill no. 27 (3.7 mm); 2,001-4,000 feet; 2 required
	70684134	Burner Orifice	N.G.; Drill no. 28 (3.6 mm); 4,001-6,000 feet; 2 required
	70684132	Burner Orifice	N.G.; Drill no. 29 (3.5 mm); 6,001-8,000 feet; 2 required
	70684129	Burner Orifice	N.G.; Drill no. 30 (3.3 mm); 8,001-10,000 feet; 2 required

NOTE: For CE gas and orifice information, refer to Installation Manual.

Electric Heater Components

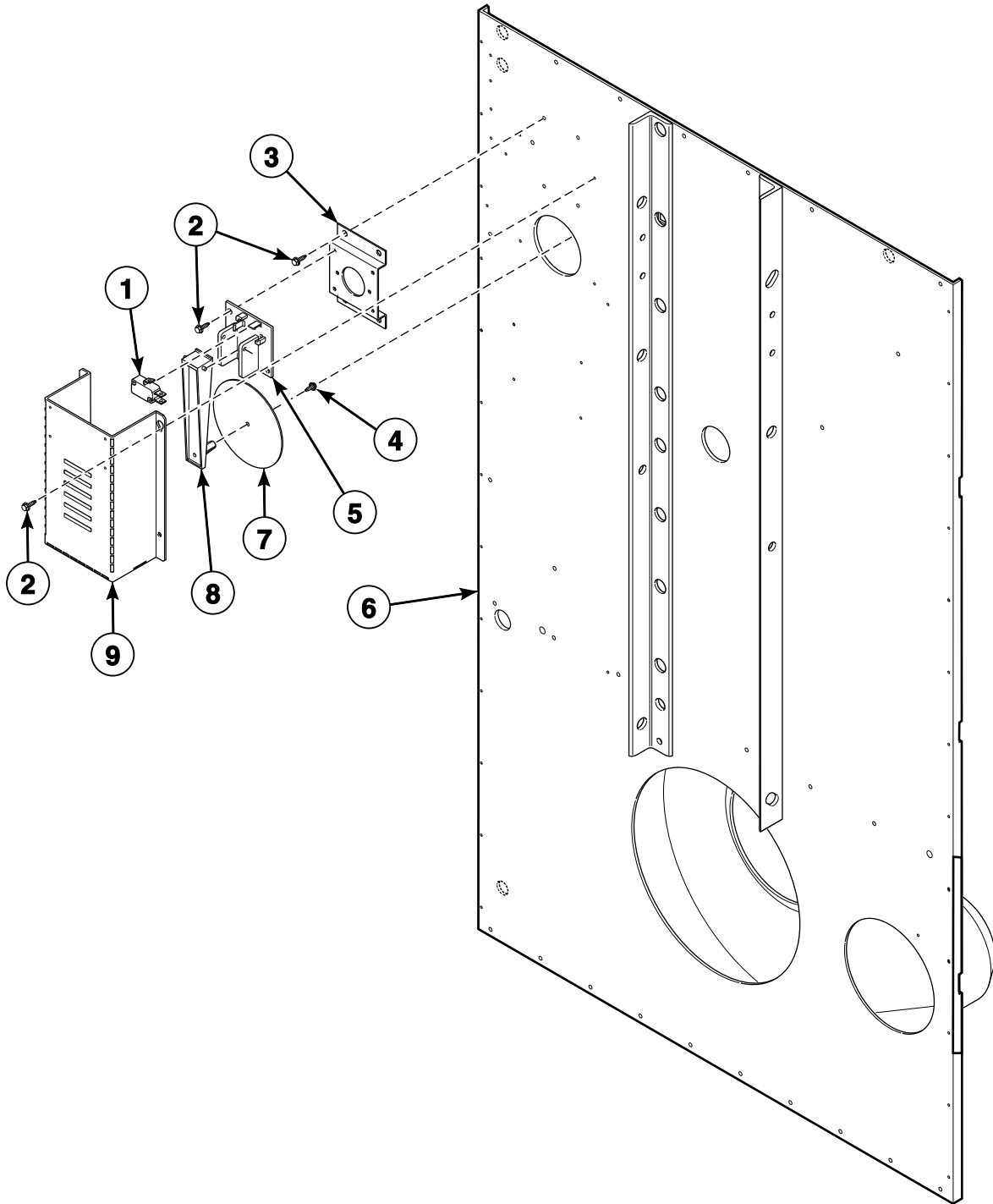


TMB2957P_70421801

Electric Heater Components

REF	PART NO.	DESCRIPTION	COMMENTS
	44305501P	Direct Air Kit	
	70500401	Heat Exchanger	
1	44154901	Electric Accessory Box Cover	
2	33562	Screw	
3	M410542	Limit Thermostat	
4	430497	Screw	
5	70356301	Switch Bracket	
6	70054	Nut	
7	M400866	Jumper Bar	380 Volt/50 Hertz/3 Phase, 400-415 Volt/50 Hertz/3 Phase and 480 Volt/60 Hertz/3 Phase
	M400869	Jumper Strip	3 required for 480 Volt/60 Hertz/3 Phase; 6 required for all others
8	44153301	Heater Box Cover	
9	44154801	Heater Side	
10	70240301	Screw	
11	M410939P	Heater Element	3 required; 10 kW; 240 Volt heater element for 230-240, 400-415 and 480 Volt/3 Phase models
	M410940P	Heater Element	3 required; 10 kW; 208 Volt heater element for 200-208 Volt/3 Phase models; Non-CE and non-Australian models
	M410941P	Heater Element	3 required; 10 kW 220 Volt heater element for 380 and 440 Volt/3 Phase models
	M412955P	Heater Element	3 required; 7 kW; 240 Volt heater element for 230-240 Volt/1 Phase models; Non-CE and non-Australian models
12	M412287	Jumper Wire Assembly	1 required for 380 Volt/50 Hertz/3 Phase and 400-415 Volt/50 Hertz/3 Phase; 2 required for 480 Volt/60 Hertz/3 Phase
13	44154701	Electric Accessory Box Wrap	

Airflow Switch Assembly



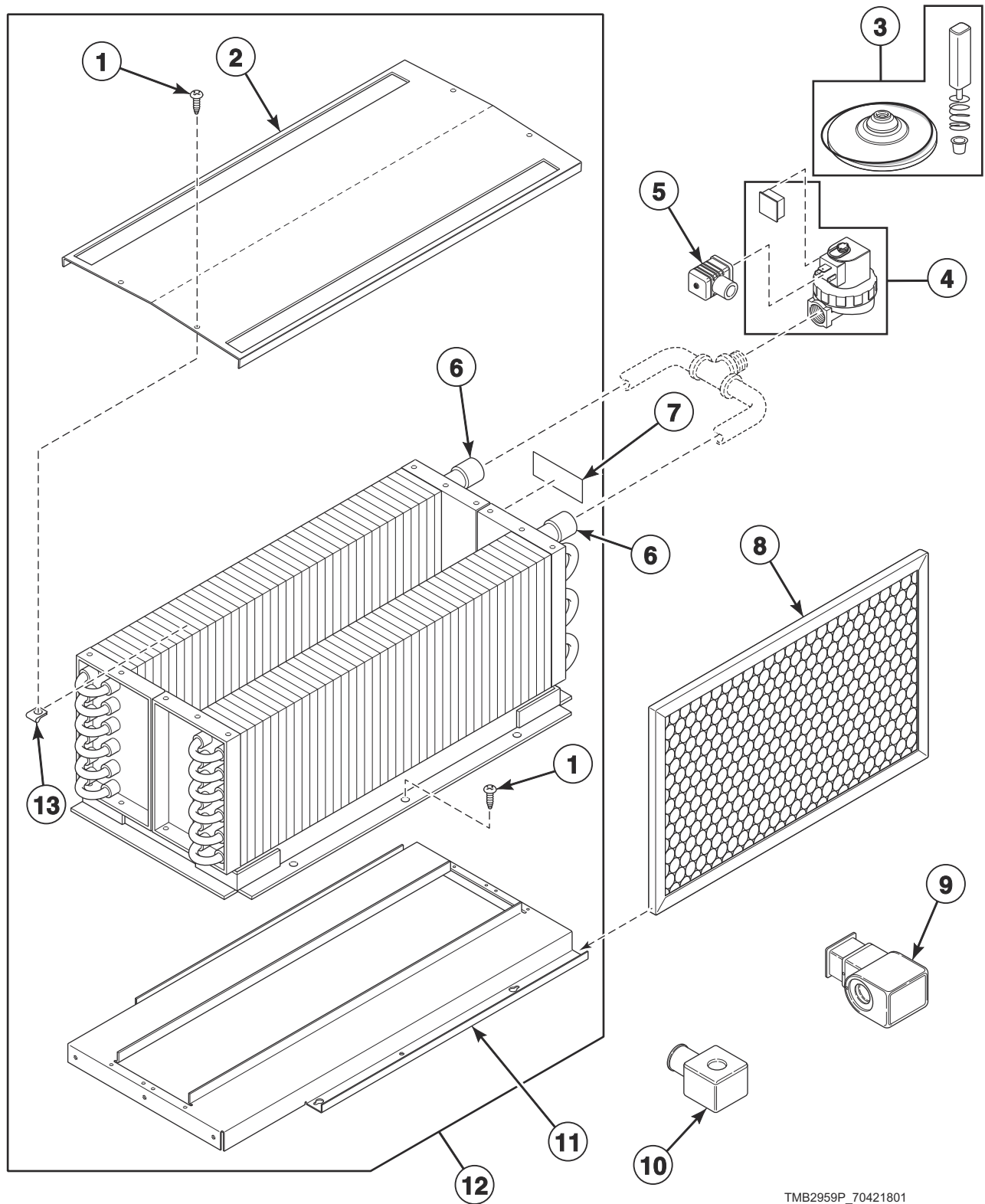
TMB3248P_70421801

Airflow Switch Assembly

REF	PART NO.	DESCRIPTION	COMMENTS
	70429602	Airflow Switch Assembly	Includes items 1, 4, 5, 7 and 8
1	70411901	Switch	
2	430497	Screw	6 required
3	70356301	Switch Bracket	
4	430757	Screw	
5	70319602	Airflow Switch and Arm Bracket	
6	44170401P	Rear Panel Assembly	
	N/A	Rear Panel Assembly	Bolt on angle option
7	70319202	Airflow Switch Vane	
8	70319401	Airflow Switch Arm	
9	44143501	Airflow Switch Cover	

N/A = Part no longer available

Steam Heater and Valve

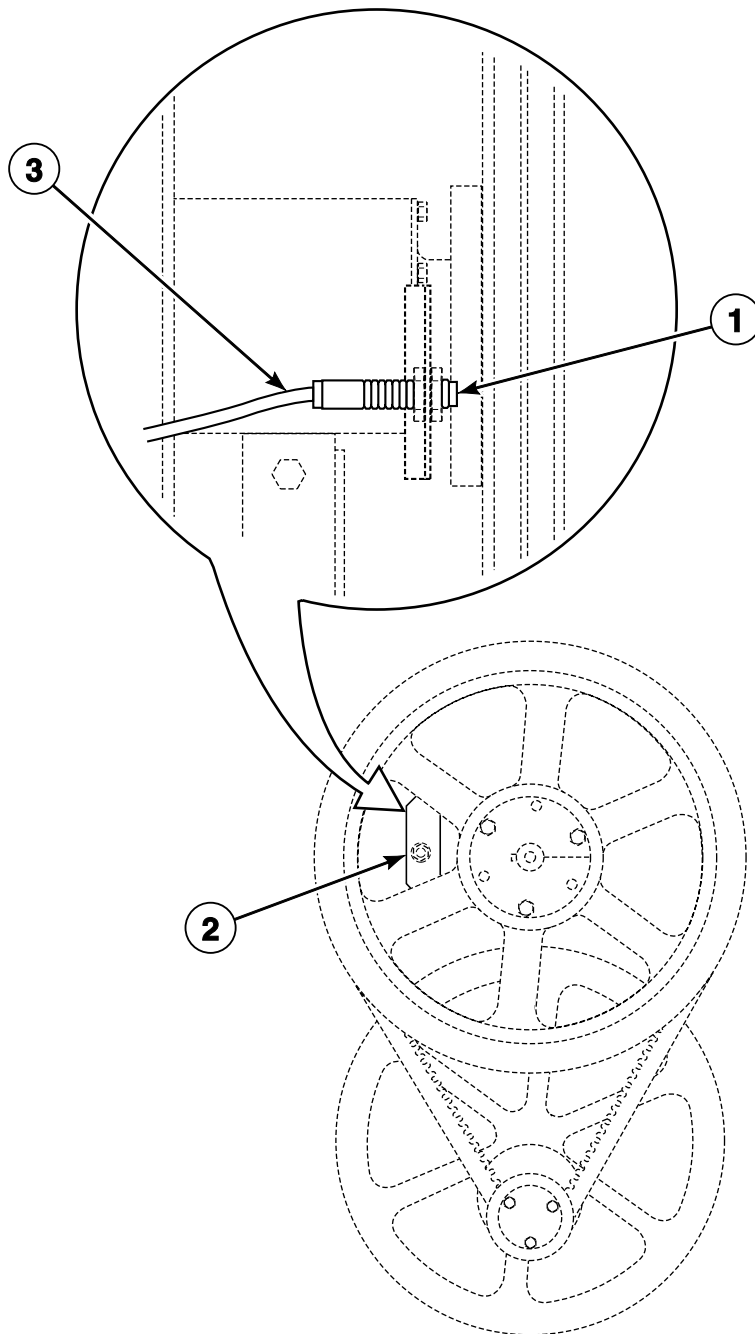


TMB2959P_70421801

Steam Heater and Valve

REF	PART NO.	DESCRIPTION	COMMENTS
	M405188	Screw	Thermal oil models; 8 required
	M414759	Top Cover	Thermal oil models
	M412997	Harness Assembly	
	F8514801	Valve Coil	Use with F8322902 Steam Valve
	F8382301	DIN Valve Adapter Kit	Use with F8322902 Steam Valve
1	23008	Screw	4 required
2	M400828	Low Pressure Steam Cover	
3	70351021P	Steam Valve Rebuild Kit	All models except thermal oil models; Parker; Use with 70351001P and 70351002P Steam Valves
	F8379502	Valve Rebuild Kit	All models except thermal oil models; Asco; Use with F8322902 and F8322903 Steam Valves
4	F8322903	Steam Valve	All models except thermal oil models; 50 Hertz
	F8521701	Valve Kit	All models except thermal oil models; 60 Hertz; Parker valve replacement kit
	F8322902	Steam Valve	Models starting Serial No. 1009000100; All models except thermal oil models; 60 Hertz; Asco
5	70370301P	Solenoid Valve DIN Connector	All models except thermal oil models
6	M400637P	Steam Coil	All models except thermal oil models; 2 required
7	902303	Steam Pressure Label	All models except thermal oil models; Near inlet to indicate maximum steam pressure
8	44104201	Air Filter	Fiberglass; 2 required; Non-CE and non-Australian models
	44172001	Filter	Aluminum; 2 required; All other models
9	70351012	Steam Solenoid	All models except thermal oil models
10	70351011P	Steam Solenoid	All models except thermal oil models
11	44007501	Steam Stand Box	
12	44020401P	Steam Heater Assembly	All models except thermal oil models
13	36020	Nut	4 required

Rotation Sensor

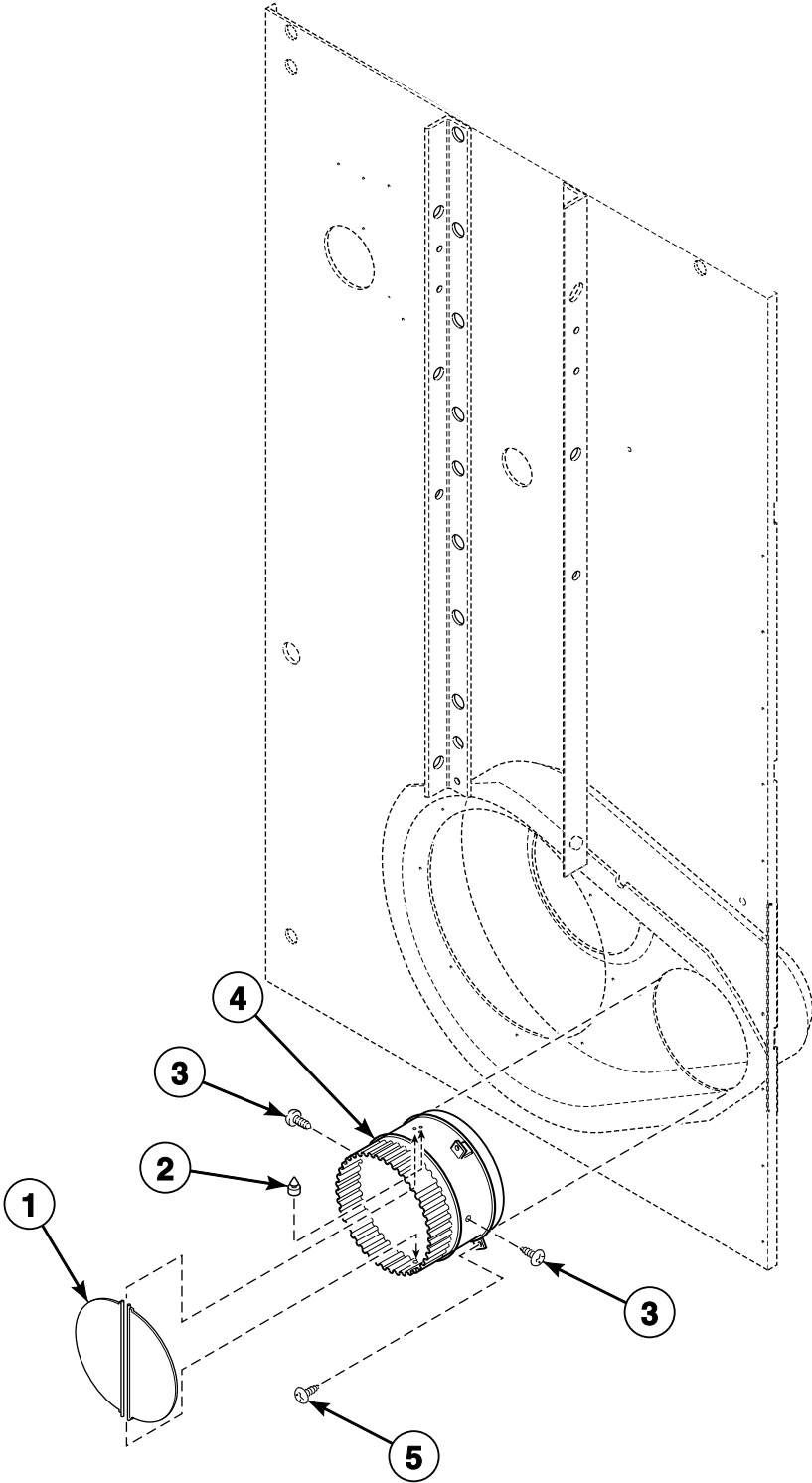


TMB2009P_70421801

Rotation Sensor

REF	PART NO.	DESCRIPTION	COMMENTS
	7009P	Rotation Sensor Kit	Includes item 1, 70476101 Rotation Sensor Harness and 44044401 Rotation Sensor Bracket
1	F8066201	Rotation Sensor	
2	44207501	Bracket	Models with EO, RE, RU and UO control suffixes
	44044501	Proximity Bracket	Models with 3B, 3O, 3V, 3W, 3X, DO, DV, DX and R3 control suffixes
3	F8066401	Rotation Sensor Harness	Models with EO, RE, RU and UO control suffixes
	70476101	Rotation Sensor Harness	Models with 3B, 3O, 3V, 3W, 3X, DO, DV, DX and R3 control suffixes

Duct and Damper Assembly

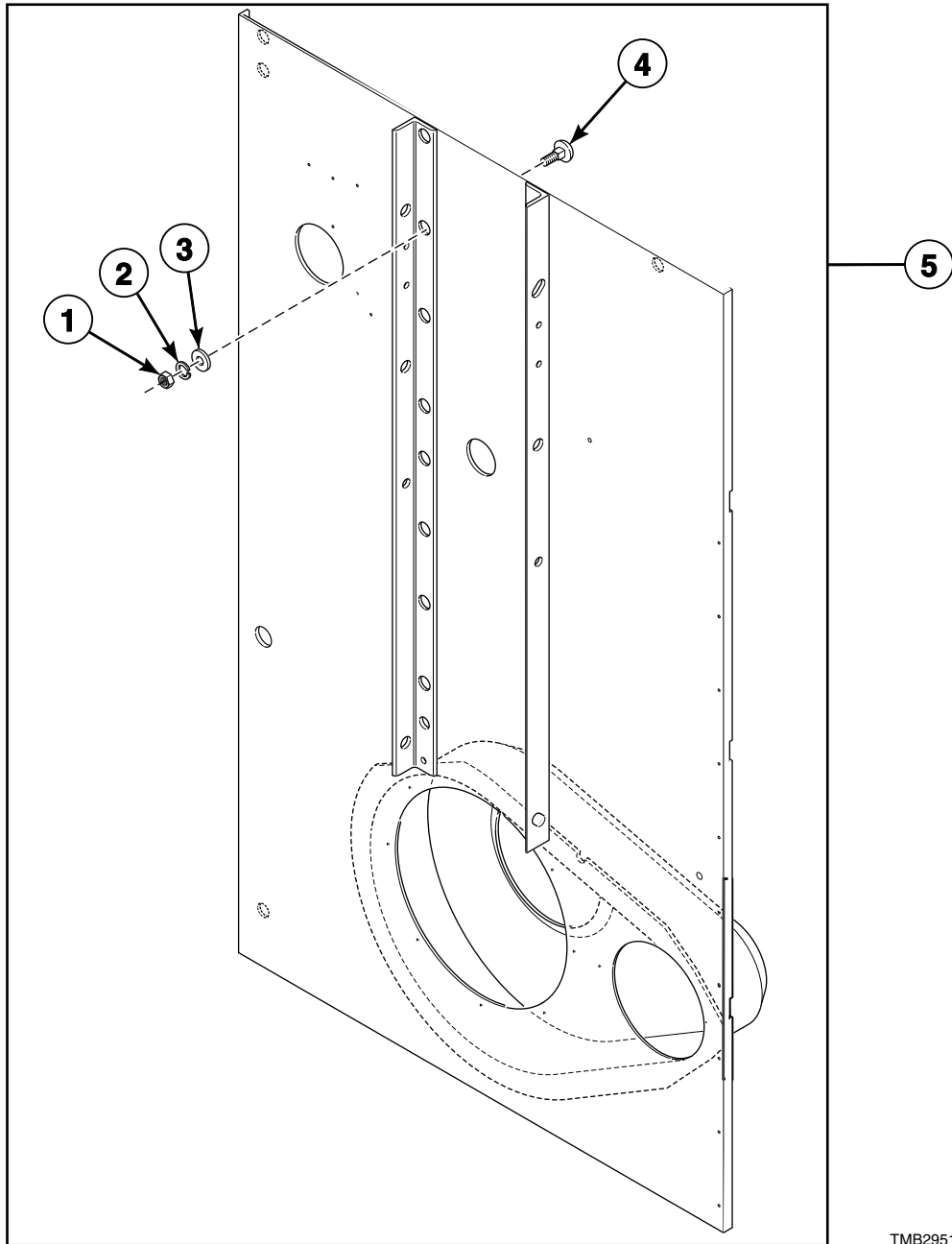


TMB2960P_70421801

Duct and Damper Assembly

REF	PART NO.	DESCRIPTION	COMMENTS
1	M400503	Thimble Vane Assembly	2 required
2	M400795	Bumper	
3	M405188	Screw	2 required
4	M412288	Exhaust Thimble Assembly	
5	M411072	Screw	3 required

Rear Panel Assembly



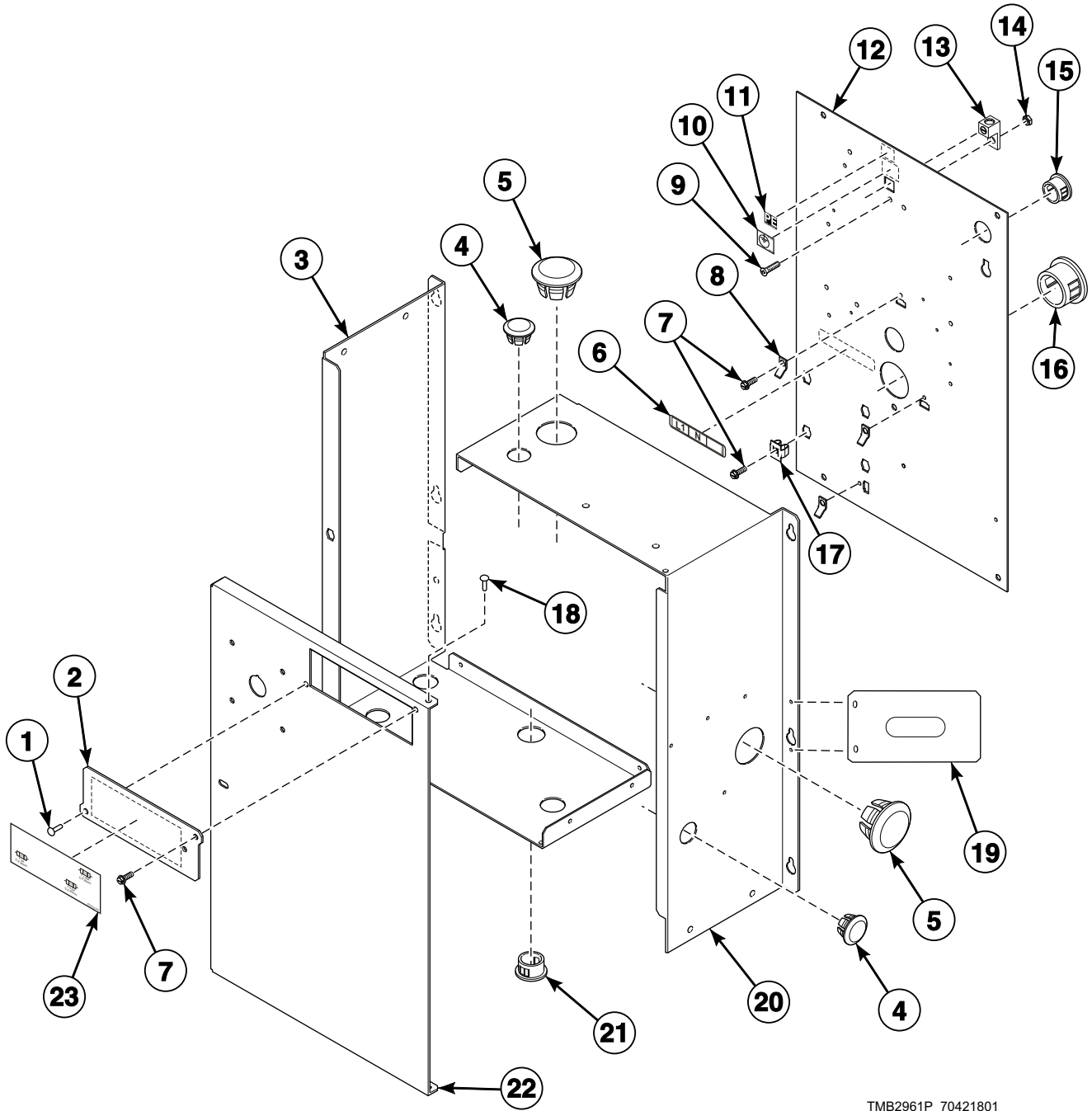
TMB2951P_70421801

Rear Panel Assembly

REF	PART NO.	DESCRIPTION	COMMENTS
	44170401P	Rear Panel Assembly	
1	20274	Nut	14 required
2	M400014	Washer	14 required
3	M400080	Washer	14 required
4	M405503	Bolt	14 required
5	N/A	Rear Panel Assembly	Bolt on angle option

N/A = Part no longer available

Control Tray Wrap Components



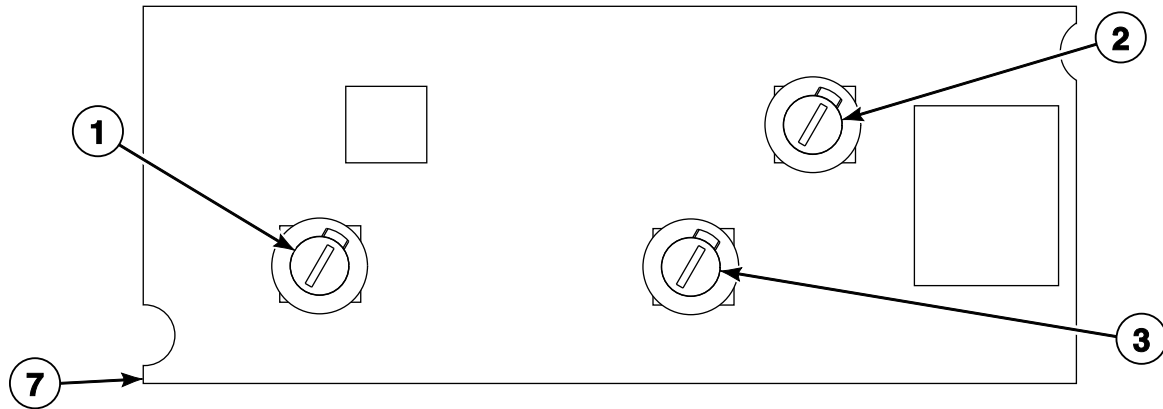
TMB2961P_70421801

Control Tray Wrap Components

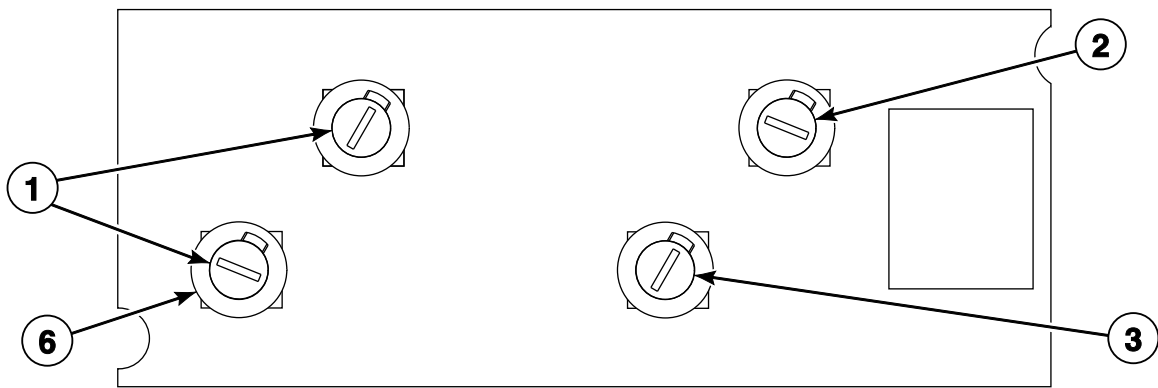
REF	PART NO.	DESCRIPTION	COMMENTS
1	70058501	Pop Rivet	
2	70313301	Fuse Cover	
3	44159001	Contactator Box Side	
4	M400985	Plug	Gas models nonreversing 2 required, reversing 1 required; Steam and electric models nonreversing 3 required, reversing 2 required
5	F8223801	Hole Plug	Gas and steam models 2 required; Electric models 1 required
6	70218801	Wire Label	L1, N
	70218701	Wire Label	L1, L2, L3
	70219001	Wire Label	L1, N, L2; Gas and steam models
7	F8206901	Screw	4 required
8	00177	Male Tab Terminal	3 required
9	F430909	Screw	
10	F230739	Ground Decal	
11	M412096	Earth Terminal Sticker	
12	44133701	Contactator Box Base	
13	M411283	Ground Lug Connector	
14	F430232	Nut	
15	44071501	Snap Bushing	Gas models
16	M405340	Snap Bushing	Gas and steam models 1 required; Electric models 2 required
17	70030501	Expansion Clip	5 required
18	70058502	Pop Rivet	2 required
19	44175801	Pipe Bracket	
20	44158901	Contactator Box Side	
21	70178701	Snap Bushing	
22	44134001	Contactator Box Cover	Gas and steam non-CE models
	44134002	Contactator Box Cover	Gas and steam CE models
	44134003	Contactator Box Cover	Electric models
23	70337301	Fuse Label	3 fuses
	70337201	Fuse Label	4 fuses; Models with less than 380 Volts
	70337401	Fuse Label	4 fuses; Models with 380 Volts or higher

Control Tray Fuses

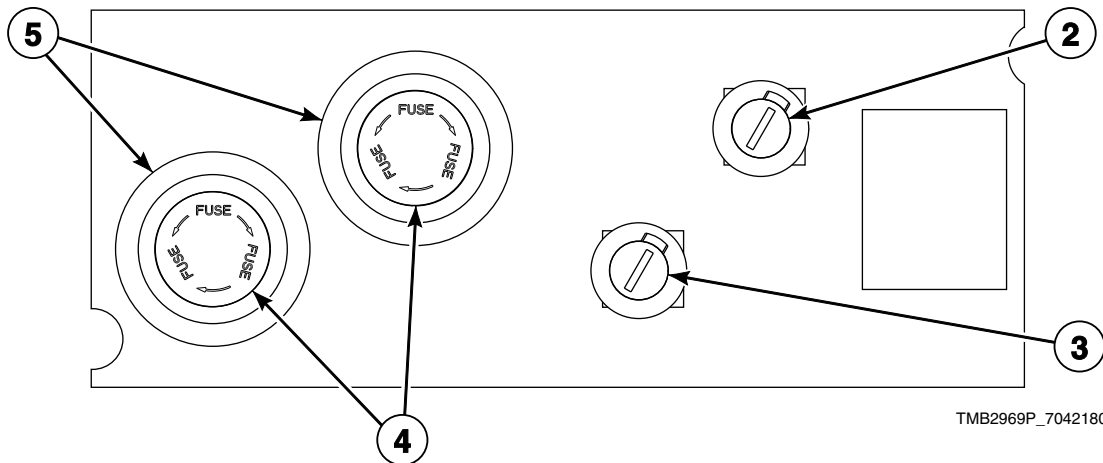
MODELS WITH LESS THAN 380 VOLTS/1 PHASE



MODELS WITH LESS THAN 380 VOLTS/3 PHASE



MODELS WITH 380 VOLTS OR HIGHER/3 PHASE

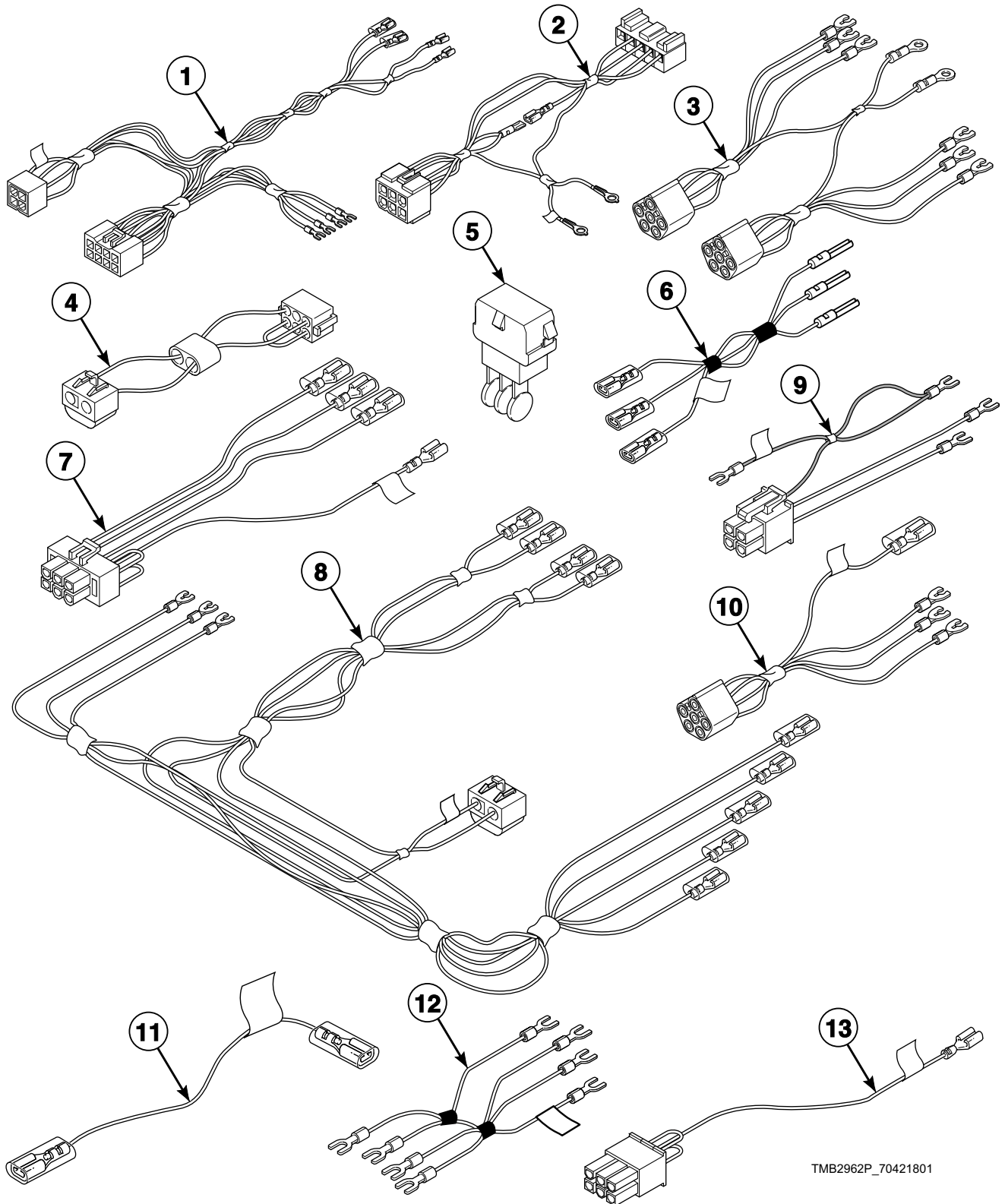


TMB2969P_70421801

Control Tray Fuses

REF	PART NO.	DESCRIPTION	COMMENTS
1	70406701	Fuse	2 Amp
2	70406501	Fuse	1.25 Amp
3	70406601	Fuse	3.5 Amp
4	44310001	Fuse	.5 Amp
5	44155601P	Fuse Holder	
6	70329401P	Fuse Holder Body	
	70329501	Fuse Holder Cap	
7	70313602	Fuse Bracket	Models with 380 Volts or higher
	70306901	Fuse Bracket	Models with less than 380 Volts

Control Tray Harnesses for Gas and Steam Models

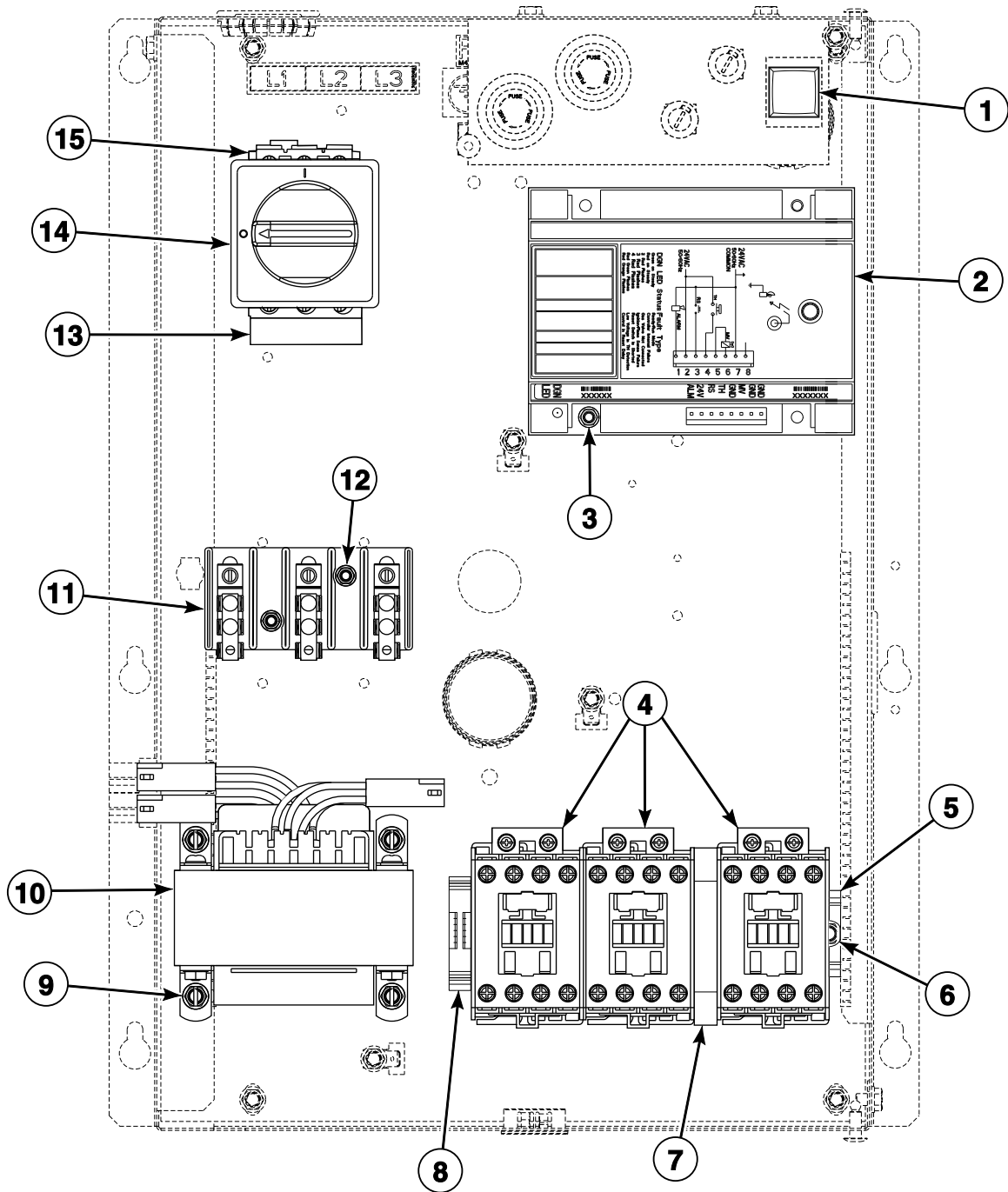


TMB2962P_70421801

Control Tray Harnesses for Gas and Steam Models

REF	PART NO.	DESCRIPTION	COMMENTS
1	44136701P	Junction Box Harness	
2	44186701	Ignition Control Harness	Non-CE gas models
	44186901	Ignition Control Harness	CE and Australian gas models; Models with EO, RE, RU and UO control suffixes
	44136601P	Ignition Control Harness	CE and Australian gas models; Models with all other control suffixes
3	44139901P	Motor Contactor Harness	1 Phase; Reversing
	44142601P	Motor Contactor Harness	3 Phase; Reversing
4	M413506	Jumper Harness Assembly	208 Volt
	M413507	Jumper Configuration Assembly	240 Volt
	M413508	Jumper Harness Assembly	380 Volt
	M413510	Jumper Configuration Assembly	480 Volt
5	M413863	Network Capacitor Assembly	
6	70342101	Gas Disconnect Harness	CE models
7	44143401P	Network Capacitor Harness Assembly	
8	44136201P	Power Harness	3 Phase models with 380 Volts or higher
	44136301P	Power Harness	3 Phase models with less than 380 Volts
	44139801P	Power Harness	1 Phase; Models through 7/8/12
	44250001	Power Harness	1 Phase; Models starting 7/9/12
	44266501	Power Harness	120 Volt/1 Phase
9	44139601P	Reversing Contactor Harness	
10	44137001P	Motor Contactor Harness	3 Phase
	44136401	Motor Contactor Harness	1 Phase
11	70389901	Steam Stove Limit Bypass Harness	Steam models
12	44157401	Reversing Contactor Jumper Wire	1 Phase; Upper
	44255001	Reversing Contactor Jumper Harness	120 Volt/1 Phase; Upper
	44139501	Reversing Contactor Jumper	1 Phase; Lower
	44136801	Reversing Contactor Jumper Assembly	Upper
	44136901	Reversing Contactor Jumper Assembly	Lower
13	44142801	Steam Configuration Harness	Steam models

Control Tray Components for Gas Models

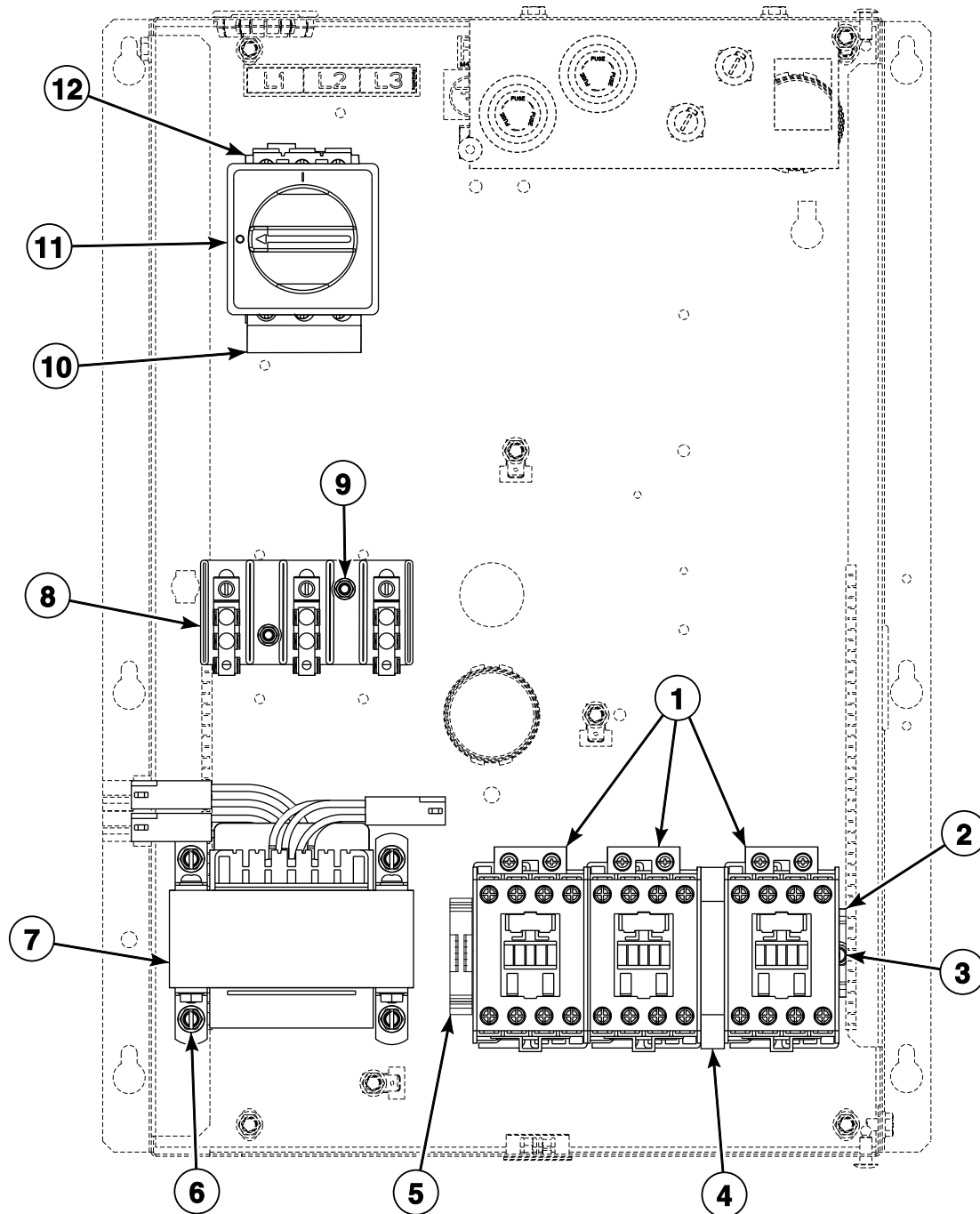


TMB3093P_70421801

Control Tray Components for Gas Models

REF	PART NO.	DESCRIPTION	COMMENTS
1	M413431	Pushbutton Switch	CE and Australian models
2	44264601	Ignition Control Kit	Non-CE and non-Australian models; Models through 9/16/12; Use with 44239704 High Voltage Suppression Cable
	70458601P	Ignition Control	Non-CE and non-Australian models; Models starting 9/17/12; Use with 44239704 High Voltage Suppression Cable
	44264701	Ignition Control Kit	CE and Australian models; Models through 9/16/12; Use with 44239704 High Voltage Suppression Cable
	70483201P	Ignition Control	CE and Australian models; Models starting 9/17/12; Use with 44239704 High Voltage Suppression Cable
3	38272	Screw	
4	70323701P	Contactors	Nonreversing 1 required, reversing 3 required
5	M412693	Din Rail	
6	430497	Screw	2 required
7	F330186P	Interlock Contactor	Reversing
8	70121001	End Stop	
9	M411072	Screw	4 required
10	M414228P	Transformer	Multitap; 100-240 Volt
	M414229P	Transformer	Multitap; 380-480 Volt
	44074401	Transformer	Dual secondary; 440 Volt
	M414230P	Transformer	Single secondary; 120 Volt
	M414312P	Transformer	Dual secondary; 120 Volt
11	430642	Terminal Block	Use 70333001 Terminal Block Shield to protect terminal block
12	51783	Screw	2 required
13	M412366	Finger Guard	CE models through 7/31/11
14	M412208	Handle	CE models through 7/31/11; 44160701 Extension Handle attaches to operator handle; M412368 Door Interlock mounts under operator handle
	44160701	Extension Handle	
	M412368	Door Interlock	
15	M412187P	Mounting Switch Base	CE models through 7/31/11; Use 51782 Screw to attach

Control Tray Components for Steam Models

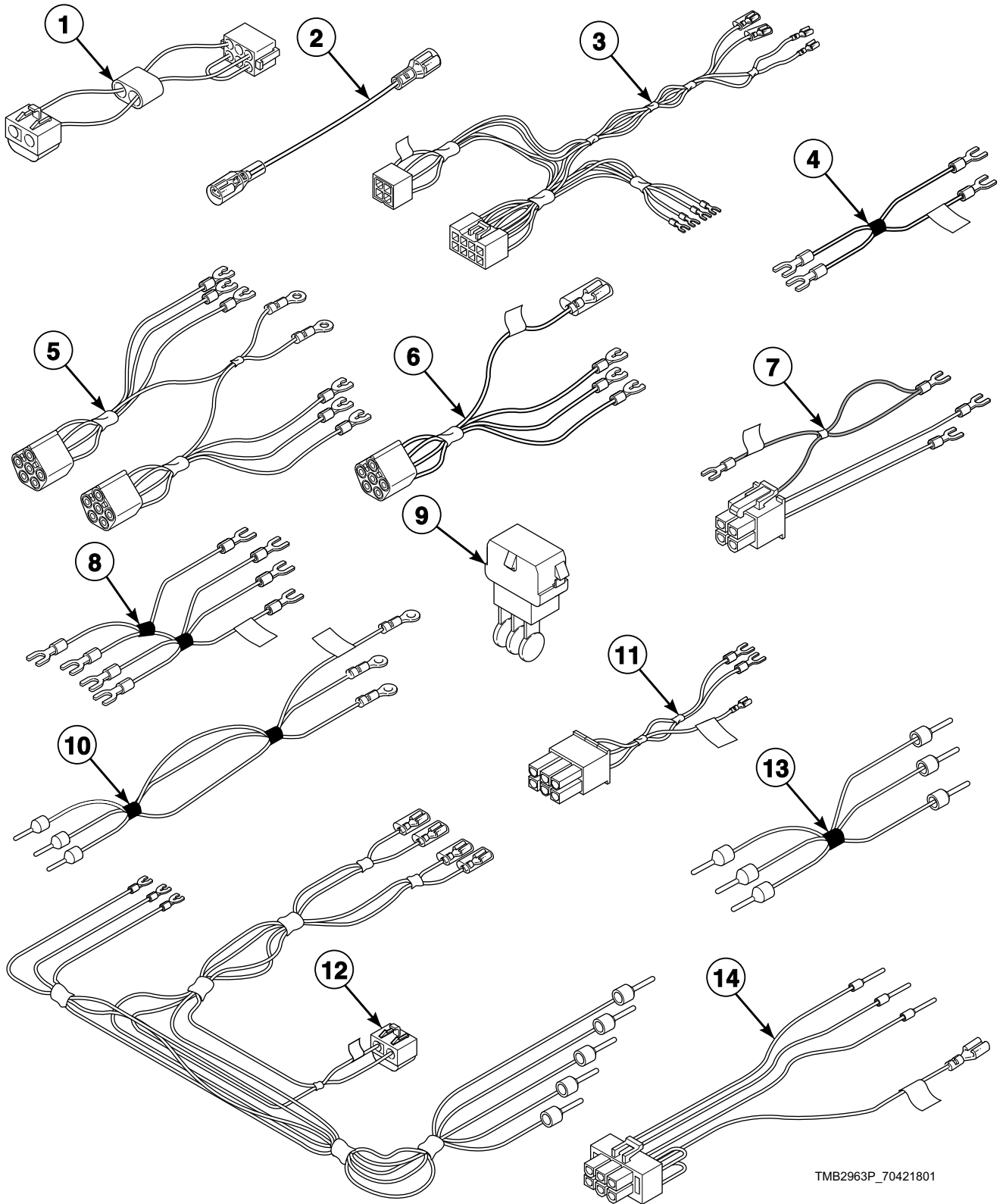


TMB3097P_70421801

Control Tray Components for Steam Models

REF	PART NO.	DESCRIPTION	COMMENTS
1	70323701P	Contactors	Nonreversing 1 required, reversing 3 required
2	M412693	Din Rail	
3	430497	Screw	2 required
4	F330186P	Interlock Contactor	Reversing
5	70121001	End Stop	
6	M411072	Screw	4 required
7	M414228P	Transformer	Multitap; 100-240 Volt
	M414229P	Transformer	Multitap; 380-480 Volt
	44074401	Transformer	Dual secondary; 440 Volt
	M414230P	Transformer	Single secondary; 120 Volt
	M414312P	Transformer	Dual secondary; 120 Volt
8	430642	Terminal Block	Use 70333001 Terminal Block Shield to protect terminal block
9	51783	Screw	2 required
10	M412366	Finger Guard	CE models through 7/31/11
11	M412208	Handle	CE models through 7/31/11; 44160701 Extension Handle attaches to operator handle; M412368 Door Interlock mounts under operator handle
	44160701	Extension Handle	
	M412368	Door Interlock	
12	M412187P	Mounting Switch Base	CE models through 7/31/11; Use 51782 Screw to attach

Control Tray Harnesses for Electric Models

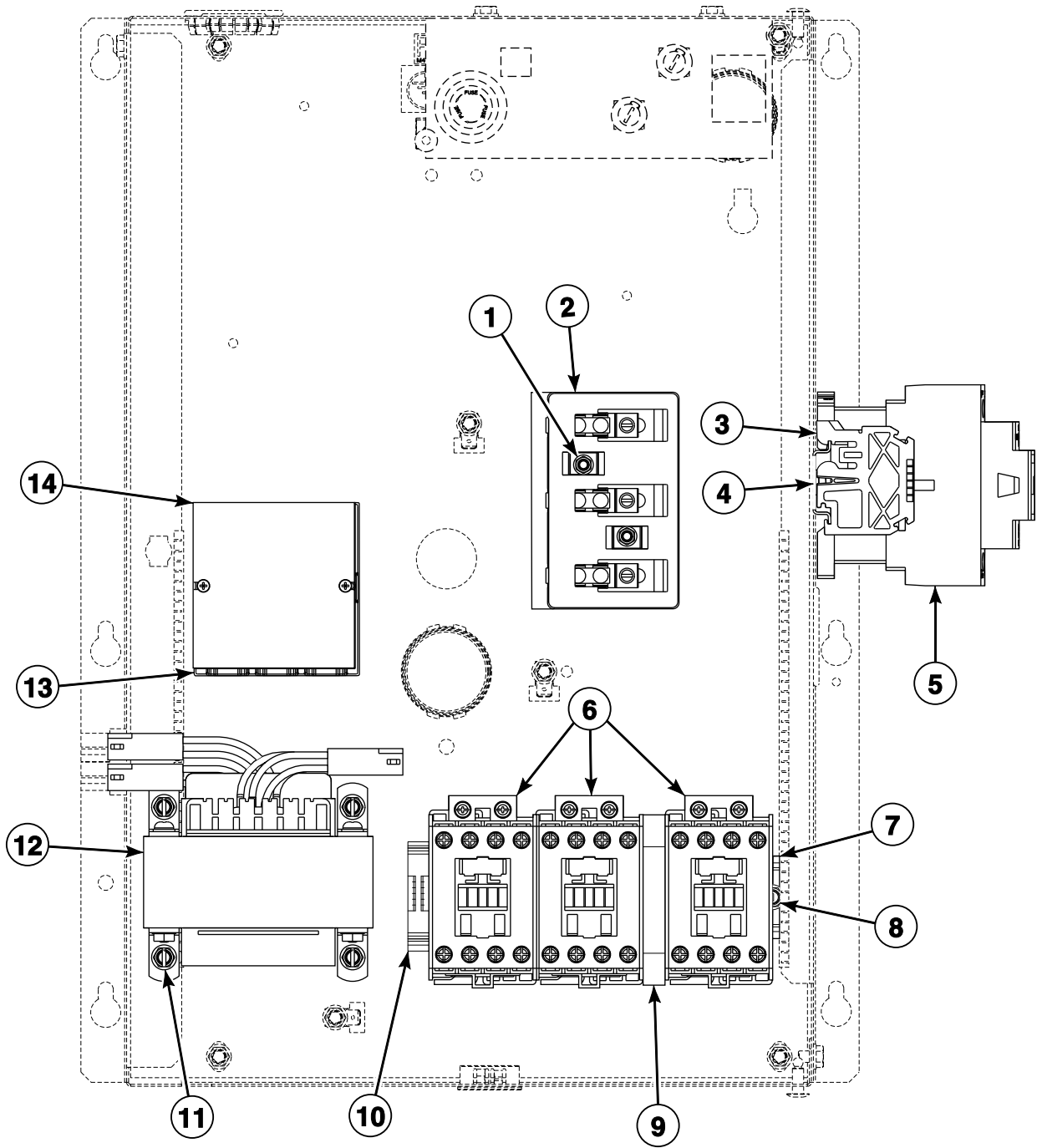


TMB2963P_70421801

Control Tray Harnesses for Electric Models

REF	PART NO.	DESCRIPTION	COMMENTS
1	M413506	Jumper Harness Assembly	208 Volt
	M413507	Jumper Configuration Assembly	240 Volt
	M413508	Jumper Harness Assembly	380 Volt
	M413509	Jumper Harness Assembly	415 Volt
	M413510	Jumper Configuration Assembly	480 Volt
2	44014501	Jumper Wire	6 gauge; 4.5 inches
3	44136701P	Junction Box Harness	
4	70355801P	Electric Contactor Jumper Set Harness	
5	44139901P	Motor Contactor Harness	1 Phase; Reversing
	44142601P	Motor Contactor Harness	3 Phase; Reversing
6	44137001P	Motor Contactor Harness	3 Phase
	44136401	Motor Contactor Harness	1 Phase
7	44139601P	Reversing Contactor Harness	
8	44157401	Reversing Contactor Jumper Wire	1 Phase; Upper
	44139501	Reversing Contactor Jumper	1 Phase; Lower
	44136801	Reversing Contactor Jumper Assembly	Upper
	44136901	Reversing Contactor Jumper Assembly	Lower
9	M413863	Network Capacitor Assembly	
10	44151801P	Heater Cable Set	H1-H3
	44151901P	Heater Cable Set	H4-H6
11	44150701P	Electric Configuration Harness	
12	44150901	Power Harness	3 Phase models with less than 380 Volts
	44151001	Power Harness	3 Phase models with 380 Volts or higher
	44139801P	Power Harness	1 Phase
13	44151101	Cable Set	CB1 Power; CE models
	44151201	Cable Set Assembly	CB2 Power; CE models
	44151301	Cable Set Assembly	CB3 Power; CE models
	44151401	Cable Set Assembly	CB2 to HC2
	44151601	Cable Set	PDB to HC1
	44151701	Cable Set	PDB to HC2
	44155301	Cable Set Assembly	CB3 to HC1
14	44152001	Network Capacitor Harness Assembly	

Control Tray Components for Non-CE Electric Models

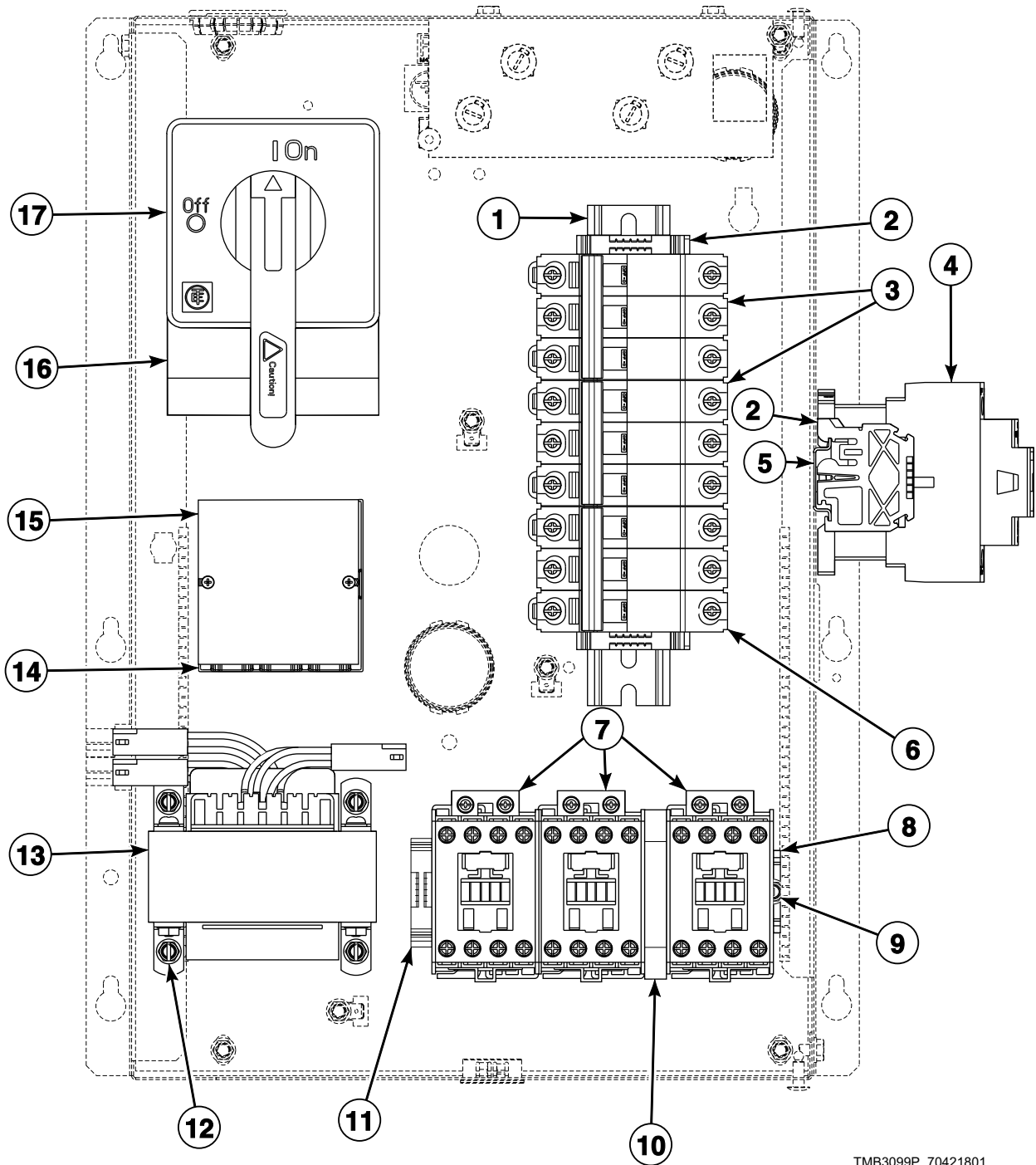


TMB3098P_70421801

Control Tray Components for Non-CE Electric Models

REF	PART NO.	DESCRIPTION	COMMENTS
1	51783	Screw	240 Volt/50 Hertz/1 Phase; 2 required
2	430642	Terminal Block	240 Volt/50 Hertz/1 Phase; Use 70333001 Terminal Block Shield to protect terminal block
3	70121001	End Stop	2 required
4	M412690	Din Rail	
5	70343301P	Contactor	Heat; Models with 380 Volts or higher 1 required; models with less than 380 Volts 2 required
6	70323701P	Contactor	Motor; Nonreversing 1 required; reversing 3 required
7	M412693	Din Rail	
8	430497	Screw	2 required
9	F330186P	Interlock Contactor	Reversing
10	70121001	End Stop	
11	M411072	Screw	4 required
12	M414228P	Transformer	Multitap; 100-240 Volt
	M414229P	Transformer	Multitap; 380-480 Volt
	44074401	Transformer	Dual secondary; 440 Volt
13	M413865	Power Distribution Block	Use 39733 Screw to attach
14	44014901P	Power Distribution Block Cover	Mounts over top of item 13 for protection

Control Tray Components for CE Electric Models



TMB3099P_70421801

Control Tray Components for CE Electric Models

REF	PART NO.	DESCRIPTION	COMMENTS
	44314401	Time Delay Interlock Kit	
1	N/A	Din Rail	Use 2 of 430497 Screw to attach
2	70121001	End Stop	3 required
3	M412408P	Circuit Breaker	2 required for 230 Volt/50 Hertz/3 Phase
4	70343301P	Contactor	Heat; Models with 380 Volts or higher 1 required; models with less than 380 Volts 2 required
5	M412690	Din Rail	Use 2 of 430497 Screw to attach
6	M412407P	Circuit Breaker	
7	70323701P	Contactor	Motor; Nonreversing 1 required; reversing 3 required
8	M412693	Din Rail	Use 2 of 430497 Screw to attach
9	430497	Screw	2 required
10	F330186P	Interlock Contactor	Reversing
11	70121001	End Stop	
12	M411072	Screw	4 required
13	M414228P	Transformer	Multitap; 100-240 Volt
	M414229P	Transformer	Multitap; 380-480 Volt
	44074401	Transformer	Dual secondary; 440 Volt
14	M413865	Power Distribution Block	Use 39733 Screw to attach
15	44014901P	Power Distribution Block Cover	Mounts over top of item 14 for protection
16	M412367	Finger Guard	Models through 7/31/11
17	70268001	Handle	Models through 7/31/11; M412371P Extension Handle attaches to operator handle; M412369 Door Interlock mounts under operator handle; Whole assembly mounts to M412186 Mounting Base which is attached with 2 of 33562 Screw
	M412371P	Extension Handle	
	M412369	Door Interlock	
	M412186	Mounting Switch Base	

N/A = Part no longer available

Parts Index

A

Access Panel Trim 70399402	63
Adjustable Buzzer D505447	23
Air Filter 44104201	109
Airflow Switch and Arm Bracket 70319602	107
Airflow Switch Arm 70319401	107
Airflow Switch Assembly 70429602	107
Airflow Switch Cover 44143501	107
Airflow Switch Vane 70319202	107

B

Baffle 44004901	71
44005201	71
44065501	71
Baffle Gasket 70015701	71
Ball Bearing M401375P	91
44041901P	79
Base Harness Assembly 44137501P	65
Bearing F100136P	79
Bearing Retainer M401370	91
Belt M401182P	87, 89
M412090	83, 85
M412981	83, 85
Belt Guard M413008	97
M413541	81
Belt Guard Assembly 44132401	87, 89
44132402	83, 85
44132408	89
44132409	85
Belt Idler Assembly 44209001	89
44209002	85
Blower 44127401P	97
Blower Inlet Cone 70014101	69
Bolt M400650	79
M401393	83, 85, 89, 97
M405503	115

Bottom Pan 44000601P	71
Bracket 44065901	17
44207501	111
44263501	25
Bumper M400795	113
Burner Assembly M410541P	101
Burner Orifice 70684100	103
70684108	103
70684109	103
70684110	103
70684112	103
70684129	103
70684132	103
70684134	103
70684135	103
70684136	103
Burner Support 44110201	101
Bushing M412086P	83
M412885P	83
M412917P	83
Bypass Harness 70364103	21, 25, 27, 33, 43, 51, 53, 55, 59

C

Cable Set 44151101	127
44151601	127
44151701	127
Cable Set Assembly 44151201	127
44151301	127
44151401	127
44155301	127
Card Reader and Bracket Assembly D510068P	33
Card Reader Overlay 70334201	33, 35
70334301	33, 35, 51
Central Pay Harness 70484601	31, 41, 49
70491501	25
Central Pay Interface Control Assembly 209/00471/75	25
Circuit Board Support D501523	17
Circuit Breaker M412407P	131
M412408P	131
Circuit Plug Housing, 1 44370401	95
Clean Lint Compartment Sticker 70114001	67

N/A items do not appear in index.

Coin Box		Contact Base	
F160673P	71	F8538101	57
Coin Chute Assembly		Contact Block Switch	
70296401	71	F200233401P	57
Coin Cover Overlay		Contact Switch	
70246301	29, 33, 49	F8069501	57
Coin Drop		Contactactor	
38963P	37	70323701P	123, 125, 129, 131
39748	37	70343301P	129, 131
70256402P	37	Contactactor Box Base	
70429001	37	44133701	117
70441601P	37	Contactactor Box Cover	
Coin Drop Assembly		44134001	117
CK114	37	44134002	117
210195	37	44134003	117
210196	37	Contactactor Box Side	
38462P	37	44158901	117
38463	37	44159001	117
38464P	37	Control	
38467	37	44063801P	17
38472	37	Control Assembly	
38475	37	D511867P	29, 33
38519	37	D512202P	21
38521	37	D513139P	19
39157	37	D514273P	29, 33
44039701P	37	44013601P	27
44039702	37	70434101P	53, 55
44039703	37	70437102P	55
44039704	37	70437103P	55
44039705	37	70437104P	55
44039706	37	70437105P	55
44039707	37	70450501P	41, 43
70281102	37	70450502P	49, 51
70283102	37	70450503	41, 43
70441602	37	70450504	49, 51
70447301	37	70454001P	53
70471601	37	70454101P	55
70482401	37	70462305P	25
Coin Drop Kit		70462306P	25
CK077	37	70462365P	25
CK122	39	70462372	25
CK123	37	70503101P	21
Coin Drop Overlay Kit		70503702P	55
70321201	29	Control Board	
Coin Drop Switch		254/00070/00P	25
70286101P	37	Control Box Assembly	
Coin Identification Paper		44180101	15
38725	37	Control Box Base	
Coin Vault Assembly		44065301	17
70180101	71	Control Box Cover	
Coin Vault Switch Harness		44065201	17
70364104P	19, 25, 31, 41, 49, 59	Control Box Housing	
Coin Vault Trim		44065101	17
70117501	59	Control Box Top	
70117502	59	44065401	17
70117504	59	Control Chassis Mounting Bracket	
Communication Board		70357901	19, 21
210095P	47	Control Conversion Kit	
210097	47	M4797P3	23
Communication Connector		Control Door Assembly	
210099	47	70363401	19
Communication Wire Harness Assembly		Control Door Latch	
800246	45	431318	71
Cone Plate		Control Harness	
44150201	69	44100101P	21

N/A items do not appear in index.

Control Harness Assembly		70497201	33, 35, 43
44141601P	17		
Control Housing Cover		Control Plate Kit	
70307001	15	44050701P	25
70307002	15, 45	70291001P	29, 33, 41, 49
Control Kit		Control Trim	
D505905P	47	44016401	59
70228401P	27	70529401	59
Control Overlay		70529402	59
44194801	41	Cover Plate	
70410001	41	M401362	97
70410002	41	Cylinder and Trunnion Assembly	
70449501	41	44057401P	77
70473001	49	44057402P	77
70473002	49	44057403	77
70473003	51	44057404	77
Control Panel		44089101	77
44000117BP	61	44131002	77
44000118P	61	44131102	77
44000121DG	61	44195601	77
44000121WP	61	44195602	77
44000122*	61	44195603	77
44000123	61	44195604	77
44000124	61	44195605P	77
44000125	61	44195606	77
44040002	61	44195607	77
44040003*	61	Cylinder Assembly	
44040004	61	44089001	77
44040005*	61	44130802	77
44040006	61	44196301	77
44040007B	61	44196302	77
44040008B	61	44196303	77
44040010	61	Cylinder Kit	
44040011*	61	44057001P	77
44040013	61	44057101P	77
44040014	61	Cylinder Motor Harness	
44040015LG	61	44137101P	81
44040015W	61	44139701P	81
Control Panel and Door Hinge Kit		Cylinder Rib Assembly	
M4776P3	61, 73, 75	44191201	77
Control Panel Harness			
44240301	53, 55		
70335301P	27		
70341901P	23		
70342001P	23		
70358701	33		
70367001P	21		
70369001	19		
70382701P	27		
70398401	19		
70410401P	41, 43, 49, 51		
70429101P	31, 33		
70429201P	31		
70485301	25		
70489901	25		
Control Panel Harness Assembly			
70341801P	23		
Control Plate			
70497301	51		
Control Plate and Studs Assembly			
70440901	55		
Control Plate Assembly			
44040901	23		
44041001	23		
70175805	27		
70360601	21		
70475601	53		

D

Deflector Cover		44162301	69
Din Rail			
M412690	129, 131		
M412693	123, 125, 129, 131		
DIN Valve Adapter Kit		F8382301	109
Direct Air Kit		44305501P	101, 105
Display Assembly		D512218P	21
Door Assembly			
44028902P	73		
44028903	73		
44028905P	73		
44029101	73		
44058102P	73		
44058104P	73		
44112101	73		
44266701	73		
44266702P	73		
44292301B	73		
44292301LG	73		

N/A items do not appear in index.

44320202	73
70407401	73
Door Glass	
44008401P	73
44008402P	73
Door Glass Installation Tool	
M4221P4	73
Door Handle	
M400133	73
44007901	73
44057702	73
44263801	73
Door Hinge Assembly	
44075203*	75
44075204	75
44075208B	75
44075208LG	75
44075211	75
Door Hinge Lug Assembly	
44035001	59, 75
44035002	59, 75
Door Interlock	
M412368	123, 125
M412369	131
Door Latch	
M401223	59
Door Ring and Handle Assembly	
44112001	73
44326007B	73
44326007LG	73
Door Ring Assembly	
44326001	73
44326002	73
44326003B	73
44326004B	73
44326004HG	73
44326005	73
44326006	73
Door Ring Gasket	
44008201P	73
Door Seal Kit	
70211902P	73
Door Switch Actuator Kit	
70215001P	75
Door Switch Harness	
44137601	59
Double V Sheave	
M412916	83
Drive Motor	
44253201P	81
Drive Rivet	
M400713	17
Drum Idler Wheel Assembly	
430619	89, 93

E

Earth Terminal Sticker	
M412096	117
Elbow	
70079601	101
Electric Accessory Box Cover	
44154901	105

Electric Accessory Box Wrap	
44154701	105
Electric Configuration Harness	
44150701P	127
Electric Contactor Jumper Set Harness	
70355801P	127
Electronic Coin Drop Assembly	
70294103P	37
70294104	37
70294107	37
70294111	37
70294117	37
70294119	37
70294120	37
70294121	37
70513306	37
70513311	37
Electronic Coin Drop Kit	
CK099	37, 39
CK100	39
CK101	39
CK103	39
CK108	39
CK109	39
CK113	39
CK115	39
CK116	39
CK117	39
CK118	39
CK119	39
CK120	39
CK121	39
Electronic Control	
44037801P	23
Emergency Stop Contact Harness	
70364105P	57
Emergency Stop Harness	
70364106P	57
Emergency Stop Label	
44012901	57
Emergency Stop Pushbutton	
F200233500	57
End Stop	
70121001	123, 125, 129, 131
Ethernet Gateway Kit	
NK320	41, 43, 49, 51, 53
Exhaust Thimble Assembly	
M412288	113
Expansion Clip	
70030501	59, 117
Extension Handle	
M412371P	131
44160701	123, 125
Extension Spring	
M412120	89, 93

F

Fan Motor	
44045901P	99
44046001P	99
Fan Motor Harness	
44137201P	97
44169901	97

N/A items do not appear in index.

Felt Pad	
M402144	77
Ferrite Core Assembly	
M413930P	27
Fill Hose Kit	
38349P	17
Filter	
44172001	109
Finger Guard	
M412366	123, 125
M412367	131
Foam Gasket	
70414101	19, 21, 23, 25, 27, 29, 33, 35, 41, 43, 49, 51
Front Panel	
44052517DG	63
44052517LG	63
44052518DG	63
44052518LG	63
44052519DG	63
44052520DG	63
44052521	63
Front Panel Assembly	
44077901*P	63
44077903WP	63
44077904P	63
44077905*P	63
44077906P	63
44077907*P	63
44077908P	63
44077917	63
44077918	63
44077919	63
44077920	63
Front Pillar	
44001201	65
Fuse	
44310001	119
70406501	27, 119
70406601	119
70406701	119
Fuse Bracket	
70306901	119
70313602	119
Fuse Cover	
70313301	117
Fuse Holder	
44155601P	119
Fuse Holder Body	
70329401P	119
Fuse Holder Cap	
70329501	119
Fuse Label	
70337201	117
70337301	117
70337401	117

G

Gas Disconnect Harness	
70342101	121
Gas Stove Assembly	
44136004	101

Gas Valve	
44154501P	101
44154502P	101
44178301P	101
44178302P	101
44181601P	101
44181602	101
Gas Valve Bracket	
44175701	101
Gas Valve Harness	
70184001	101
Gas Valve Harness Assembly	
M413650	101
Gas Valve Kit	
M413468P	101
Graphic Overlay	
44050501	25
44050502	25
44239401	25
44239402	25
44239403	25
44240501	25
Ground Decal	
F230739	117
Ground Lug Connector	
M411283	117
Guard Extension	
44222501	85, 89
Guide Rail	
M412476	83, 85, 87, 89, 93

H

Handle	
M412208	123, 125
70268001	131
Handle and Caps Assembly	
70154405P	67
70154406	67
Handle Bar	
70399501B	73
Handle Bumper	
70407202	67
70407210	67
Harness Assembly	
M412997	101, 109
Heat Exchanger	
70500401	101, 105
Heater Box Cover	
44153301	105
Heater Cable Set	
44151801P	127
44151901P	127
Heater Element	
M410939P	105
M410940P	105
M410941P	105
M412955P	105
Heater Side	
44154801	105
High Temperature Ignition Lead	
44061602P	101
High Voltage Suppression Cable	
44239704	101

N/A items do not appear in index.

Hinge Cam Kit	
M4772P3	75
M4773P3	75
Hold-Down Clip	
35865	69
Hole Plug	
F8223801	117
Hose	
44073301	17
Hose Clamp	
36801	17
Hose Fitting	
44069101	17
Housing and Trunnion Assembly	
M4644P3	79
M4645P3	79
44336302	79

I

Idler Arm	
44102701	89, 93
Idler Assembly	
44107202	89
Idler Housing	
M412612	91
Idler Housing Assembly	
44107101	85, 89
Idler Housing Kit	
917P3	91
943P3P	93
Idler Shaft	
M414241	91
Idler/Belt Assembly Kit	
942P3P	93
Ignition Control	
70458601P	123
70483201P	123
Ignition Control Harness	
44136601P	121
44186701	121
44186901	121
Ignition Control Kit	
44264601	123
44264701	123
Insulation	
44020601	61
44150102	71
44150103	71
Interlock Contactor	
F330186P	123, 125, 129, 131

J

Jumper Bar	
M400866	105
Jumper Calibration Wire	
70084304	27
70084305	27
70324604	19, 21, 25, 31, 33, 41, 43, 49, 51, 53, 55
Jumper Configuration Assembly	
M413507	121, 127

M413510	121, 127
Jumper Harness Assembly	
M413506	121, 127
M413508	121, 127
M413509	127
Jumper Set Assembly	
44042701	23
44042801	23
Jumper Strip	
M400869	105
Jumper Wire	
44014501	127
Jumper Wire Assembly	
M412287	105
Junction Box Harness	
44136701P	121, 127

K

Key	
H8752006H	91
M400008	77, 87, 89
M400993	91, 97
M401327	87, 93
M405232	77
44132301	97
70155601	17, 59
70155602	59
Key and Instruction Kit	
M400994P	97
Kickplate	
70117607	67
70117608	67

L

Label	
44190901	63
70414001	63
70537001	63
70537101	63
Latch Mounting Bracket	
44003201	71
Light	
801431	19
801432	17
Limit Thermostat	
M409433	101
M410542	69, 105
M411813	69
Lint Panel	
44000002P	67
44000005	67
44293602	67
44293603LG	67
44293603W	67
44293604DG	67
44293604LG	67
44293605	67
44293606W	67
Lint Panel Switch Bracket	
44118601	65

N/A items do not appear in index.

Lint Screen	
44063601	69
Lint Screen Deflector	
44162201	69
Loading Spring	
M400401	91
Lock, Key and Nut Kit	
44089301P	17, 59
44089302P	59
Low Pressure Steam Cover	
M400828	109
L.P. Conversion Kit	
M4544P3	101
M4979P3	101
L.P. Gas Valve Kit	
M4897P3	101

M

Main Harness	
44137401P	15
44187002	15
Male Tab Terminal	
00177	19, 21, 23, 117
Manifold	
44073601	17
Manual Reset Thermostat	
M411938	101
M411941	69
Membrane Switch	
D510036P	29, 33
M414368P	27
44037901P	23
44039402P	23
Micro V Belt	
M411425P	85, 87, 89
Micro V Pulley	
M411466P	85, 89, 93
Micro V Sheave	
M412156	85, 87, 89
Mixing Valve	
36958P	17
Mixing Valve Shield Bracket	
44065701	17
Moisture Sensing Harness Kit	
44344702	95
Moisture Sensor Harness Assembly	
70448902	95
Moisture Sensor Test Wires	
70468901	95
Motor	
M412519	81
44045701P	99
44045801P	99
44046101P	99
44048701P	99
Motor Bracket	
44117201	83, 85, 87, 89, 97
Motor Contactor Harness	
44136401	121, 127
44137001P	121, 127
44139901P	121, 127
44142601P	121, 127

Motor Hardware Kit	
M4426P3	97
Motor Kit	
M412520P	81
Motor Mount Assembly	
M413617	81
Motor Switch	
M414563	81
Mounting Plate	
70208801	33, 35, 43, 51
Mounting Switch Base	
M412186	131
M412187P	123, 125

N

Nameplate	
B12389801	61
F8443102	61
F8443106	61
39564	29, 41
44010401	61
44010601	61
44046801	61
44062901	61
44129904	61
70243901	61
70509601	61
70522001	61
Nameplate Bezel	
70117401	61
Nameplate Overlay	
44104501	61
44130301	61
44144401	73
70380701	61
70410201	61
70411401	61, 73
Network Board	
210157P	47
Network Board Assembly	
201341	45, 47
210016P	47
Network Board Bracket	
44143601	47
Network Board Cover	
44143701	47
Network Cable	
210165	47
Network Capacitor Assembly	
M413863	121, 127
Network Capacitor Harness Assembly	
44143401P	121
44152001	127
Network Controller Kit	
NK220	41, 43, 53
Network Harness	
44141801P	45
Network Retrofit Kit	
NK208	41, 43, 53
Network Wire Harness Assembly	
44088501P	45
Nut	
F430232	117

N/A items do not appear in index.

H88412101	83, 85, 87, 89, 93
M400022	97
M400026	79, 83, 85, 87, 89
M400033	85, 87, 89, 95
M400034	97
M400977	59, 61
M404993	77
M412986	81
M414215	73
02428	81, 83, 85, 89, 97
20274	83, 85, 89, 97, 115
21899	71
23951	67, 73
24205	19, 21
29786	19, 25, 29, 41
29787	23, 25
36020	109
44071201	73
44087201	85, 87, 89, 93
51236	67
56156	89, 93
70030401	71
70054	19, 21, 23, 27, 33, 35, 49, 53, 55, 105
70142	81

O

Opto Coupler	
200674P	37
Output Bracket	
44223101	55
70440601	53
Output Harness	
44186101	53, 55
Overlay	
259/00005/00	25
44130001	27
44130002	27
70115801	27
70128401	27
70128601	27
70128701	27
70129501	29
70129601	29
70130301	27
70130401	27
70130501	27
70130601	27
70130701	27
70135301	27
70257701	29
70257702	29
70257703	33, 35
70258001	29
70258002	29
70258003	33, 35
70259001	29, 33
70261001	29
70261002	29
70261003	33, 35
70261201	29
70261202	29
70266701	33
70266801	33
70275401	29
70286701	29
70321001	29

70362201	21
70362202	21
70362401	21
70362402	21
70362501	21
70362502	21
70362901	19
70363001	19
70410003	43
70432201	53
70445001	55
70445002	55
70445003	55
70445004	55
70453001	29
70453002	29
70453101	33, 35
70462401	55
70462402	55
70462701	55
70462901	55
70462902	55
70472201	55
70472202	55
70472401	55
70472402	55
70491901	29
70491902	29
70491903	33, 35
70493701	55
70493702	55
70494001	21
70494002	21
70499001	53
70504501	49
70504503	51
70504601	49
70504602	49
70504603	51
70504701	21
70504702	21
70504901	55
70504902	55
70505201	29
70505202	29
70505203	33, 35
70508601	55
70508602	55
70508701	29
70509701	33, 35
70510501	29
70510601	29
70510701	29
70510801	29
70510901	29
70511001	33, 35
70526001	55
70526002	55

P

Panel Locator	
56079	59, 67
PC Board Standoff	
210098	47
Pipe Bracket	
44175801	117

N/A items do not appear in index.

Pipe Nipple	
431486	101
70210201	101
70263801	101
Pipe Tee	
44231901	101
Plug	
M400985	117
Pop Rivet	
M400003	59, 71
70058501	71, 75, 117
70058502	117
70126301	67, 73
70126401	67
Porcelain Touch-Up Paint	
122P4P	71
370P4P	71
Power Distribution Block	
M413865	129, 131
Power Distribution Block Cover	
44014901P	129, 131
Power Harness	
44136201P	121
44136301P	121
44139801P	121, 127
44150901	127
44151001	127
44250001	121
44266501	121
Pressure Fitting	
44231601	101
Proximity Bracket	
44044501	111
Pulley	
M412884	83
M414564	97
M414565	81
M414566	97
M414567	81
44233601	81
44338601	85
Pushbutton Switch	
M413431	123
70413301	29, 33, 35, 41, 43, 49, 51, 59
Push-to-Start Switch	
801434W	17

R

RC Filter Kit	
M4457P3	27
Rear Access Plate	
44136101	101
Rear Panel Assembly	
44170401P	71, 107, 115
Relay	
M412534	27
Relay/Buzzer Bracket	
44041701	23
Resilient Ring Kit	
M4525P3P	97
Reversing Contactor Harness	
44139601P	121, 127

Reversing Contactor Jumper	
44139501	121, 127
Reversing Contactor Jumper Assembly	
44136801	121, 127
44136901	121, 127
Reversing Contactor Jumper Harness	
44255001	121
Reversing Contactor Jumper Wire	
44157401	121, 127
Reversing Kit	
44341501	85
Rib Rod	
M401411	77
Rib Wire	
44208601	95
Ring	
M400399	87, 93
Rocker Switch	
44099601	21
70455101	19, 21
70461301	21
Roller Bracket Assembly	
70404001	67
Roller Catch Arm	
70030301	67
Roller Catch Spacer	
70030201	67
Roller Catch Wheel	
70297601	67
Rotation Sensor	
F8066201	111
Rotation Sensor Harness	
F8066401	111
70476101	111
Rotation Sensor Kit	
7009P	111

S

Screw	
D501524	19, 21, 29, 33, 35, 41, 43, 49, 51, 53, 55
D503661	45
F430533	85, 87
F430909	117
F8206901	117
M400043	83, 87, 93
M400044	75
M400056	81, 89, 93
M400057	81, 83, 85, 89, 97
M400061	83, 85, 87, 89
M400063	79
M400065	93
M400077	85, 89, 93, 97
M400661	73
M402797	101
M405188	109, 113
M410059	97
M411072	59, 113, 123, 125, 129, 131
M412627	83, 85, 87, 89, 93
M413565	81
23008	109
33562	105
38272	123
430497	17, 45, 65, 69, 71, 97, 101, 105, 107, 123, 125, 129, 131

N/A items do not appear in index.

430648	89, 93	Standoff	
430757	67, 107	211/00119/00	25
431287	71	Steam Coil	
44338901	95	M400637P	109
51780	17	Steam Configuration Harness	
51783	123, 125, 129	44142801	121
61199	73	Steam Heater Assembly	
70033502	59, 75	44020401P	109
70069901	19, 21, 27, 53	Steam Pressure Label	
70072801	67	902303	109
70126103	85, 89	Steam Solenoid	
70132301	67	70351011P	109
70182601	59	70351012	109
70187201	79, 91	Steam Stand Box	
70240301	101, 105	44007501	109
70247701	71	Steam Stove Limit Bypass Harness	
70275801	59	70389901	121
70409801	75	Steam Valve	
70442101	75	F8322902	109
Sensor Harness Assembly		F8322903	109
44141701P	17	Steam Valve Rebuild Kit	
Shadow Box Clip		70351021P	109
M400972	59	Switch	
Shaft Wire		70411901	107
44208702	95	Switch Assembly	
Sheave		70413401	65
44338701	85	Switch Bracket	
Sheave Kit		70356301	105, 107
44086901P	85, 87, 89, 93	Switch Hole Plug	
Side Panel		44057801B	59
44056701*	71	44057801LG	59
Side Panel and Bracket Assembly		44057801Q	59
44056701DG	71	44057801W	59
44056701LG	71	Switch Plate	
44056801DG	71	M413236	21
44056801LG	71		
44056801*	71		
Single V Sheave			
M412931	83		
Sleeve			
44050601	25		
Slip Ring Assembly			
44222702	95		
Slip Ring Holder			
44224401	95		
Slot Card Plate Assembly			
44089501	35, 43, 51		
Snap Bushing			
M400770	45, 65		
M405340	117		
M411826	65		
44071501	117		
70178701	17, 117		
Solenoid Valve DIN Connector			
70370301P	109		
Spacer			
M401402	77		
44024001	83, 85, 89		
Spark Electrode			
44328701P	101		
Spray Paint			
298P4P	71		
Spud Holder Weldment			
44263101	101		

T

Temperature Control Bracket	
44018601	27
Temperature Knob	
44104601	19, 21
Temperature Selector Bracket	
70350201	19
Temperature Selector Switch	
D511711	19, 21
Temperature Selector Switch Bracket	
70391701	21
Temperature Sensor Assembly	
B12308601	69
Tension Plate Assembly	
M414405	83, 85, 87, 89, 93
Terminal Block	
430642	123, 125, 129
Thermistor	
M414704	69
44064701	17
Thimble Vane Assembly	
M400503	113
Time Delay Interlock Kit	
44314401	131
Top Cover	
M414759	109

N/A items do not appear in index.

44139301	71	02834	81
Top Cover Pan		20103	79
44135001P	71	44238902	95
Top Panel Bracket		70261401	79
44368201	71	70265901	89, 93
Top Rear Panel		70270301	89, 93
44170501	71	70409301	73
44176201	71	Water Hose	
Transformer		F200116	17
M414228P	123, 125, 129, 131	Wire Guard	
M414229P	123, 125, 129, 131	201595P	37
M414230P	123, 125	Wire Label	
M414312P	123, 125	70218701	117
44074401	123, 125, 129, 131	70218801	117
Trunnion and Bearing Assembly		70219001	117
M4640P3	79	Wireless Network Kit	
M4641P3	79	NK301	41, 43, 49, 51, 53
44336301	79	Wireless Transceiver Assembly	
Trunnion Assembly		202335	45
M413834P	77		
44207901	77		
44208001	77		
44261801	77		
Trunnion Housing			
M413826	79		
Trunnion Housing Assembly			
44375001	79		
Tumbler Dolly Kit			
M4379P4	59		

U

USB Gateway Kit	
NK330	41, 43, 53
USB IR Interface Kit	
203346	41, 43, 49, 51, 53, 55

V

Valve Coil	
F8514801	109
Valve Kit	
F8521701	109
Valve Rebuild Kit	
F8379502	109
Valve Replacement Kit	
M4908P3	101
M4909P3	101

W

Warning Label	
70534301	63
Washer	
M400013	81, 83, 85, 89, 97
M400014	83, 85, 87, 89, 97, 115
M400015	77, 79
M400080	81, 83, 85, 87, 89, 93, 97, 115
M400991	97
M403958	83, 87, 93
M412188	83, 85, 87, 89, 93

N/A items do not appear in index.

