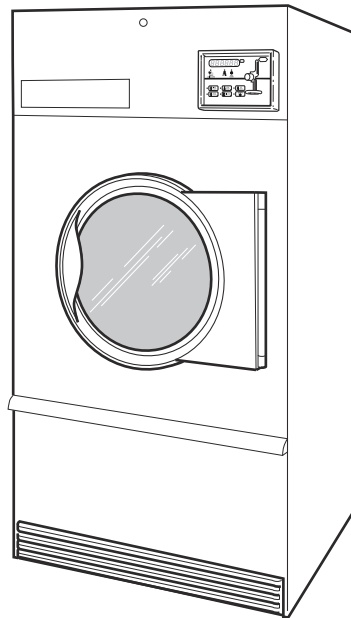


Tumble Dryers

50 Pound Capacity

18 Digit Model Numbers with 3 and 5 in 13th Position

Refer to Page 5 for Model Numbers



TMB1284C_70591801

Table of Contents

Title	Page
Parts Ordering Information.....	3
Serial Plate Location	3
Machine Identification	5
Product Overview - Heat Source and Voltage	6
Product Overview - FN Control Suffix	8
Product Overview - DN and NN Control Suffixes.....	10
Product Overview - B, N and W Control Suffixes.....	12
Control Box	14
Fire Suppression System Control Box	16
Dual Digital Control	18
Electronic Display Control - Vend Models with B in the 7th Position	20
Electronic Display Control - Vend Models with N or W in the 7th Position.....	22
Electronic Display Control Overlays- Vend Models with N or W in the 7th Position	24
Electronic Display Control - OPL Models with N in the 7th Position	26
3.5 Inch Graphical Control	28
Coin Drops	30
Coin Drop Kits.....	32
Network Board, Central Pay and Card Reader Components.....	34
Emergency Stop Button - OPL Models	36
Cabinet Front Components.....	38
Cabinet Panels and Nameplates	40
Cabinet Panels and Nameplates - Design 5 S Models	42
Front Panel Assemblies - Design 3 Models	44
Front Panel Assemblies - Design 5 Models	46
Lower Cabinet Front Components	48
Lint Panel Components.....	50
Cabinet Components	52
Rear Panel and Belt Guard Components	54
Door Assemblies.....	56
Door Components.....	58
Hinge Components - Design 3 Models	60
Hinge Components - Design 5 Models	62
Cylinder and Trunnion Components	64
Bearing Components	66
Moisture Sensing Components.....	68
Drive Motor Components	70
Blower and Exhaust Components.....	72
Airflow Switch Assembly	74
Gas Heater Components	76
Burner Orifices	78
Electric Heater Components.....	80

© Copyright 2023, Alliance Laundry Systems LLC

All rights reserved. No part of the contents of this book may be reproduced or transmitted in any form or by any means without the expressed written consent of the publisher.

Steam Heater and Valve	82
Control Tray	84
Accessory Box - Electric 200-240 Volt Models	86
Accessory Box - Electric 380-480 Volt Models	88
Harnesses	90
Labels	91
Parts Index	93

Parts Ordering Information

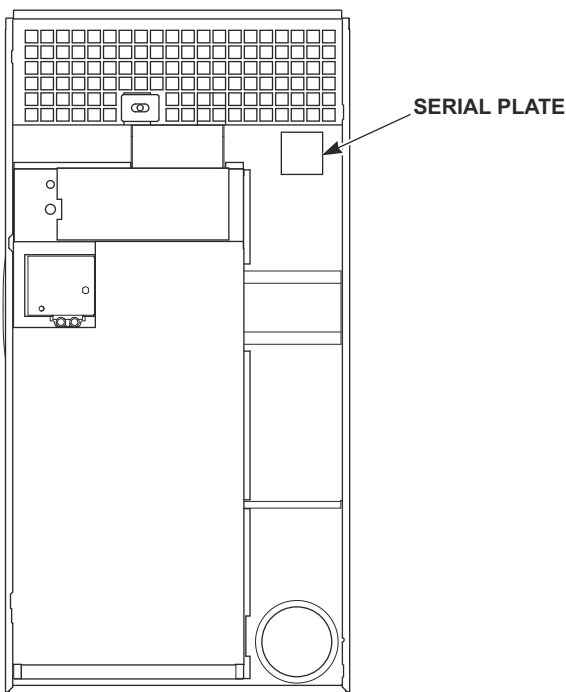
If literature or replacement parts are required, contact the source from whom the machine was purchased or contact Alliance Laundry Systems at (920) 748-3950 for the name and address of the nearest authorized parts distributor.

For technical assistance, call the number listed below:

(920) 748-3121 Ripon, Wisconsin

Serial Plate Location

When calling or writing about your product, be sure to mention model and serial numbers. Model and serial numbers are located on serial plate(s) as shown.



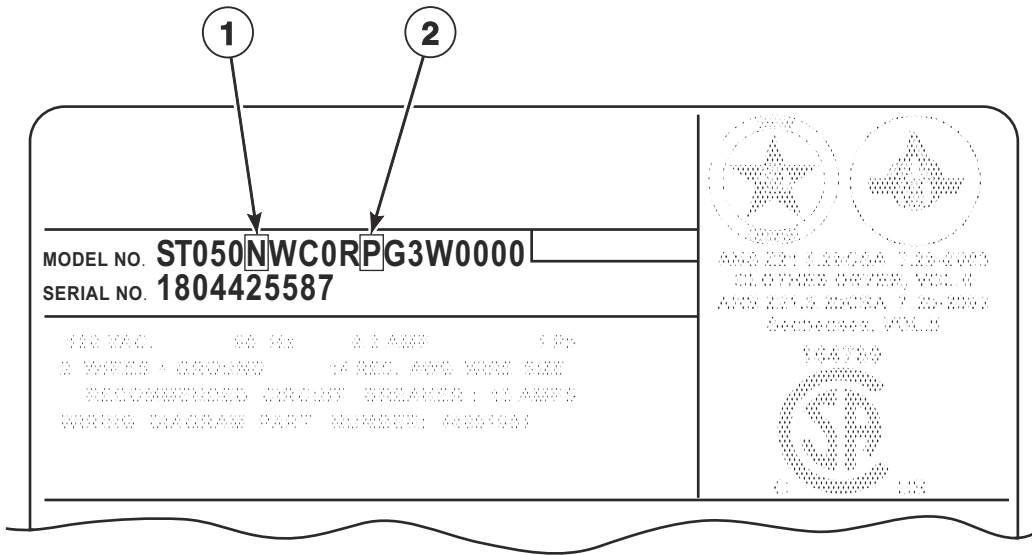
TMB2622N_70591801

Machine Identification

Information in this manual is applicable to these machines:

BA050E	GU050E	MJ050D	PK050E	UA050E
BA050L	GU050L	MJ050E	PK050L	UA050L
BA050N	GU050N	MJ050L	PK050N	UA050N
BA050S	GU050S	MJ050N	PL050E	UA050S
BG050D	HA050E	MJ050S	PL050L	UG050D
BG050E	HA050L	NA050E	PR050E	UG050E
BG050L	HA050N	NA050L	PR050S	UG050L
BG050N	HA050S	NA050N	PT050C	UG050N
BG050S	HG050D	NA050S	PT050E	UG050S
BH050E	HG050E	NG050E	PT050L	UH050E
BH050L	HG050L	NG050L	PT050N	UH050L
BH050N	HG050N	NG050N	PT050S	UH050N
BH050S	HG050S	NG050S	PU050E	UH050S
BJ050D	HH050E	NH050E	PU050L	UJ050D
BJ050E	HH050L	NH050L	PU050N	UJ050E
BJ050L	HH050N	NH050N	PU050S	UJ050L
BJ050N	HH050S	NH050S	SA050E	UJ050N
BJ050S	HJ050D	NJ050E	SA050L	UJ050S
BK050E	HJ050E	NJ050L	SA050N	UK050E
BK050L	HJ050L	NJ050N	SA050S	UK050L
BK050N	HJ050N	NJ050S	SG050D	UK050N
BL050E	HJ050S	NK050E	SG050E	UL050E
BL050L	HK050E	NK050L	SG050L	UL050L
BR050E	HK050L	NK050N	SG050N	UR050E
BR050S	HK050N	NR050E	SG050S	UR050S
BU050E	HL050E	NR050S	SH050E	UT050C
BU050L	HL050L	NT050E	SH050L	UT050E
BU050N	HR050E	NT050L	SH050N	UT050L
BU050S	HR050S	NT050N	SH050S	UT050N
GA050E	HT050C	NT050S	SJ050D	UT050S
GA050L	HT050E	NU050E	SJ050E	UU050E
GA050N	HT050L	NU050L	SJ050L	UU050L
GA050S	HT050N	NU050N	SJ050N	UU050N
GG050E	HT050S	NU050S	SJ050S	UU050S
GG050L	HU050E	PA050E	SK050E	
GG050N	HU050L	PA050L	SK050L	
GG050S	HU050N	PA050N	SK050N	
GH050E	HU050S	PA050S	SL050E	
GH050L	KT050E	PG050E	SL050L	
GH050N	KT050L	PG050L	SR050E	
GH050S	KT050N	PG050N	SR050S	
GJ050E	KT050S	PG050S	ST050C	
GJ050L	MG050D	PH050E	ST050E	
GJ050N	MG050E	PH050L	ST050L	
GJ050S	MG050L	PH050N	ST050N	
GK050E	MG050N	PH050S	ST050S	
GK050L	MG050S	PJ050E	SU050E	
GK050N		PJ050L	SU050L	
		PJ050N	SU050N	
		PJ050S	SU050S	

Product Overview - Heat Source and Voltage



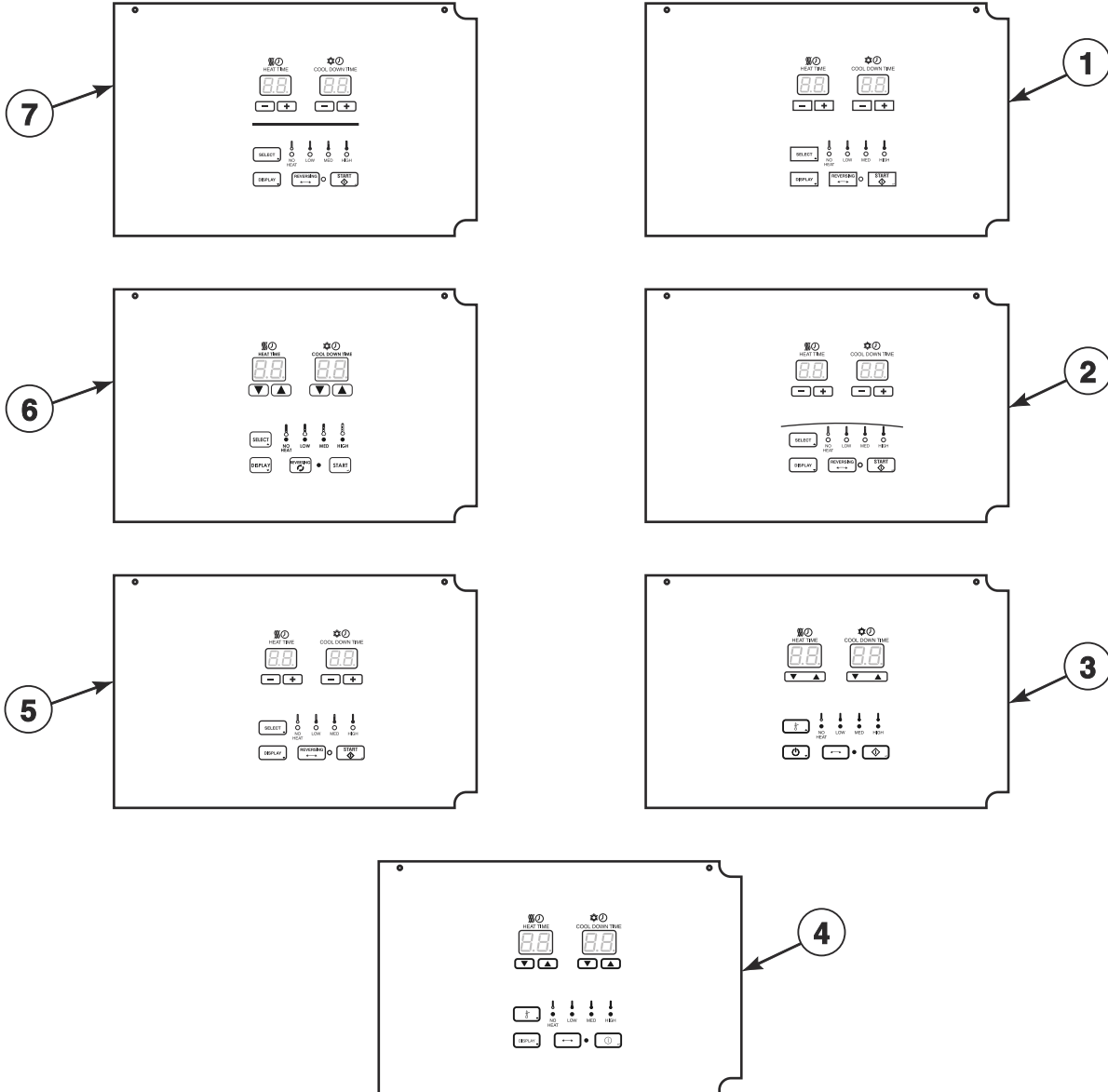
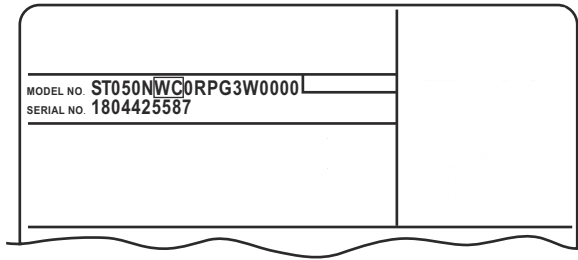
TMB3523P_70591801

Product Overview - Heat Source and Voltage

REF	PART NO.	DESCRIPTION	COMMENTS
1	-	Heat Source	C: Steam (CRN) D: Liquid Petroleum Gas (L.P.) E: Electric L: Liquid Petroleum Gas (L.P.) N: Natural Gas (N.G.) S: Steam
2	-	Voltage	B:100-120 Volt/50-60 Hertz/1 Phase; Gas and steam models E: 230-240 Volt/50-60 Hertz/1 Phase; Electric models F: 200-208 Volt/50-60 Hertz/3 Phase; Electric models G: 230-240 Volt/50-60 Hertz/3 Phase; Electric models H: 380 Volt/50-60 Hertz/3 Phase; Electric models J: 400-415 Volt/50-60 Hertz/3 Phase; Electric models K: 440 Volt/50-60 Hertz/3 Phase; Electric models L: 460-480 Volt/50-60 Hertz/3 Phase; Electric models N: 440-480 Volt/50-60 Hertz/3 Phase; Gas and steam models P: 380-415 Volt/50-60 Hertz/3 Phase; Gas and steam models Q: 200-240 Volt/50-60 Hertz/3Phase; Gas and steam models X: 200-240 Volt/50-60 Hertz/1-3 Phase; Gas and steam models

Product Overview - FN Control Suffix

All Models Except M Models; OPL



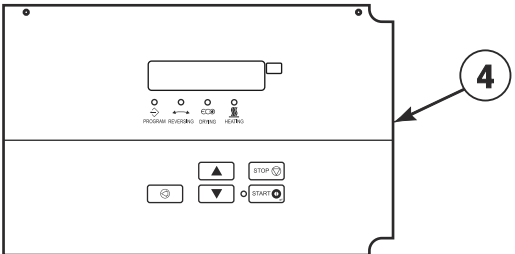
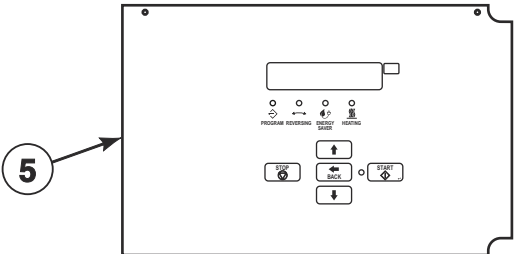
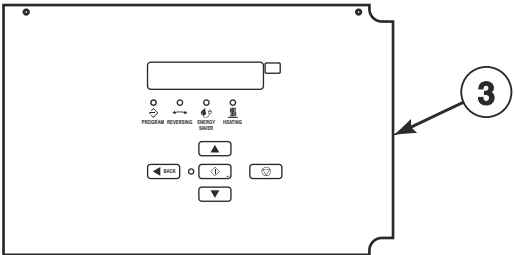
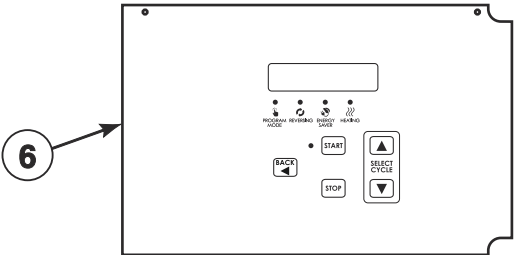
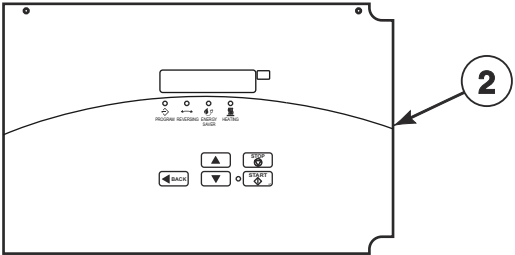
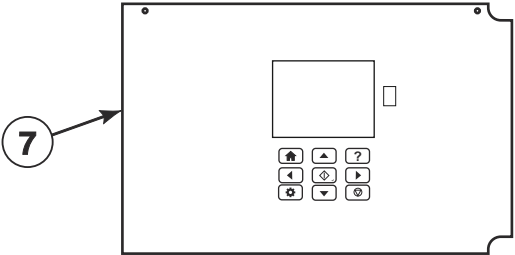
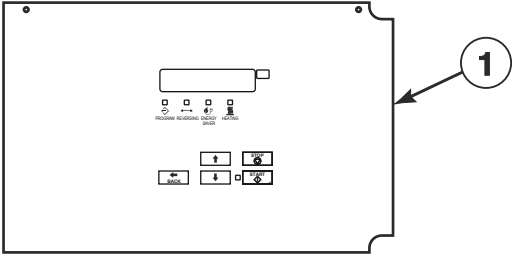
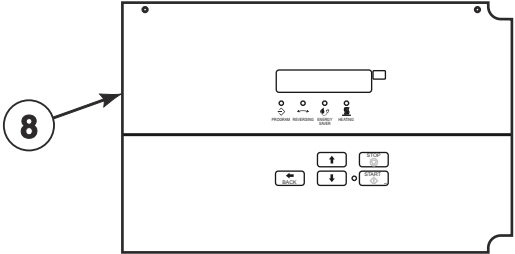
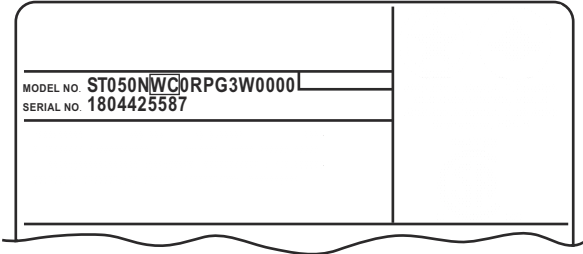
TMB3535P_70591801

Product Overview - FN Control Suffix

REF	PART NO.	DESCRIPTION	COMMENTS
1	-	Dual Digital Control	H models
2	-	Dual Digital Control	U models
3	-	Dual Digital Control	B models
4	-	Dual Digital Control	P models
5	-	Dual Digital Control	N models
6	-	Dual Digital Control	G and K models
7	-	Dual Digital Control	S models

Product Overview - DN and NN Control Suffixes

All Models Except M Models



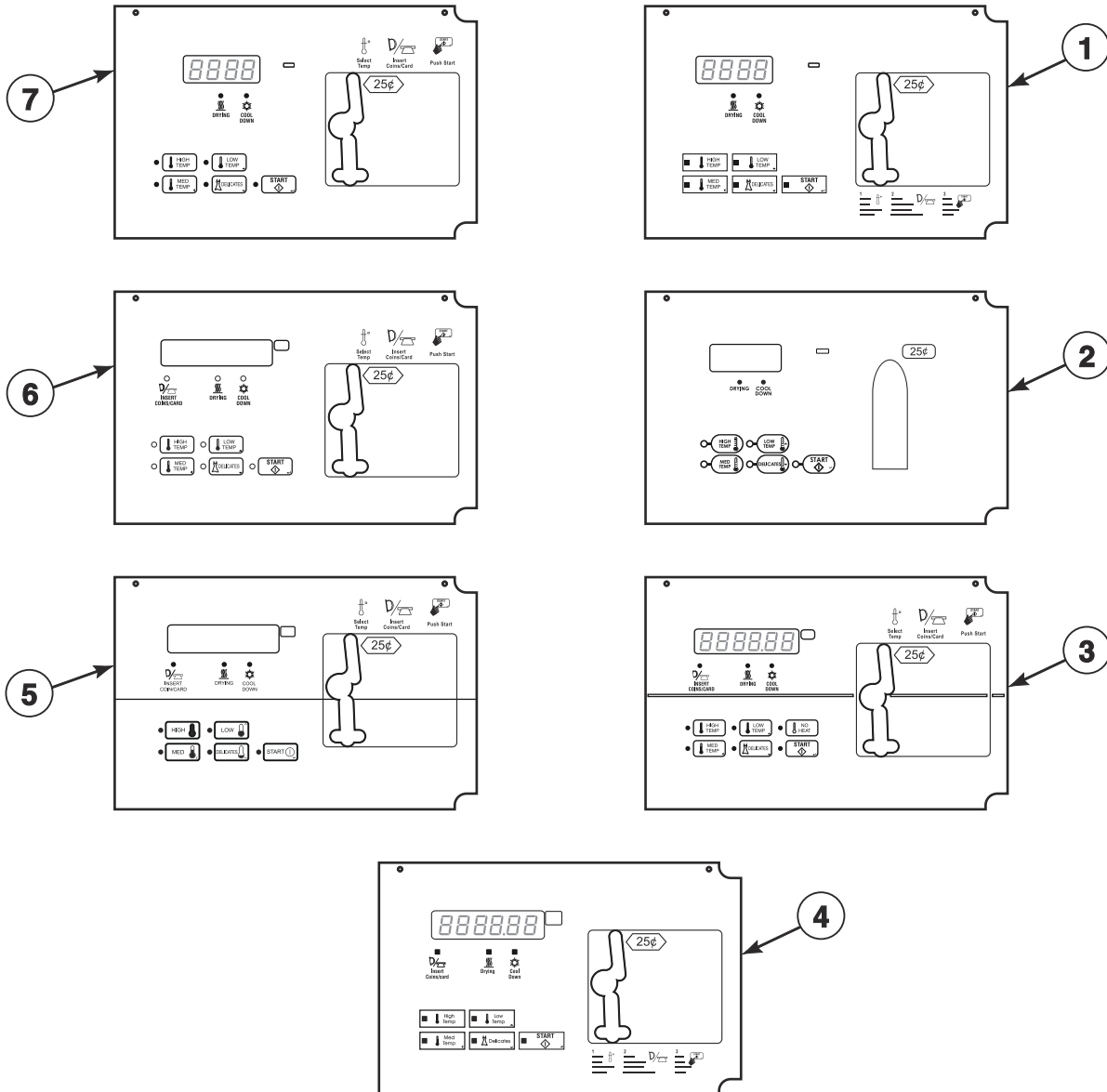
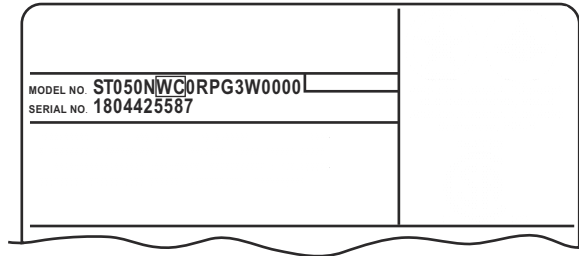
TMB3536P_70591801

Product Overview - DN and NN Control Suffixes

REF	PART NO.	DESCRIPTION	COMMENTS
1	-	Galaxy Control	H models
2	-	M-Series Control	U models
3	-	OPTimum Control	B models
4	-	OPL Micro Control	P models
5	-	OPL Micro Control	N models
6	-	OPL Micro Control	G and K models
7	-	UniLinc Control	U models
8	-	Quantum Gold Control	S models

Product Overview - B, N and W Control Suffixes

7th Position of the Model Number; All Models Except NT Models; Vend

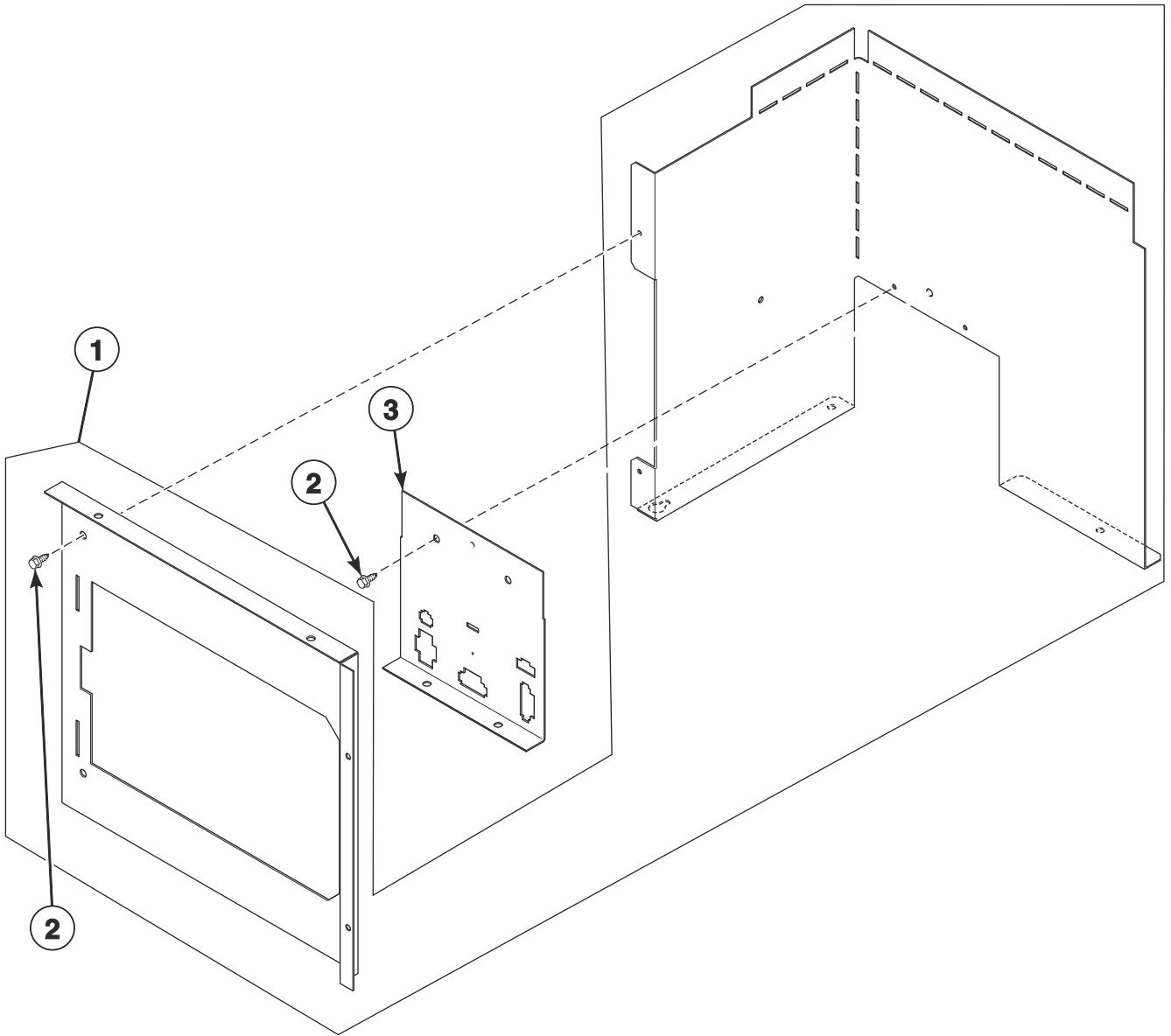


TMB3537P_70591801

Product Overview - B, N and W Control Suffixes

REF	PART NO.	DESCRIPTION	COMMENTS
1	-	Basic Electronic Control	H and N models
2	-	Basic Electronic Control	G and K models
3	-	Quantum Gold Control	M and S models
4	-	Galaxy 600	H models
5	-	XQ Control	P models
6	-	EVO7S Control	B models
7	-	MDC II Control	S models

Control Box



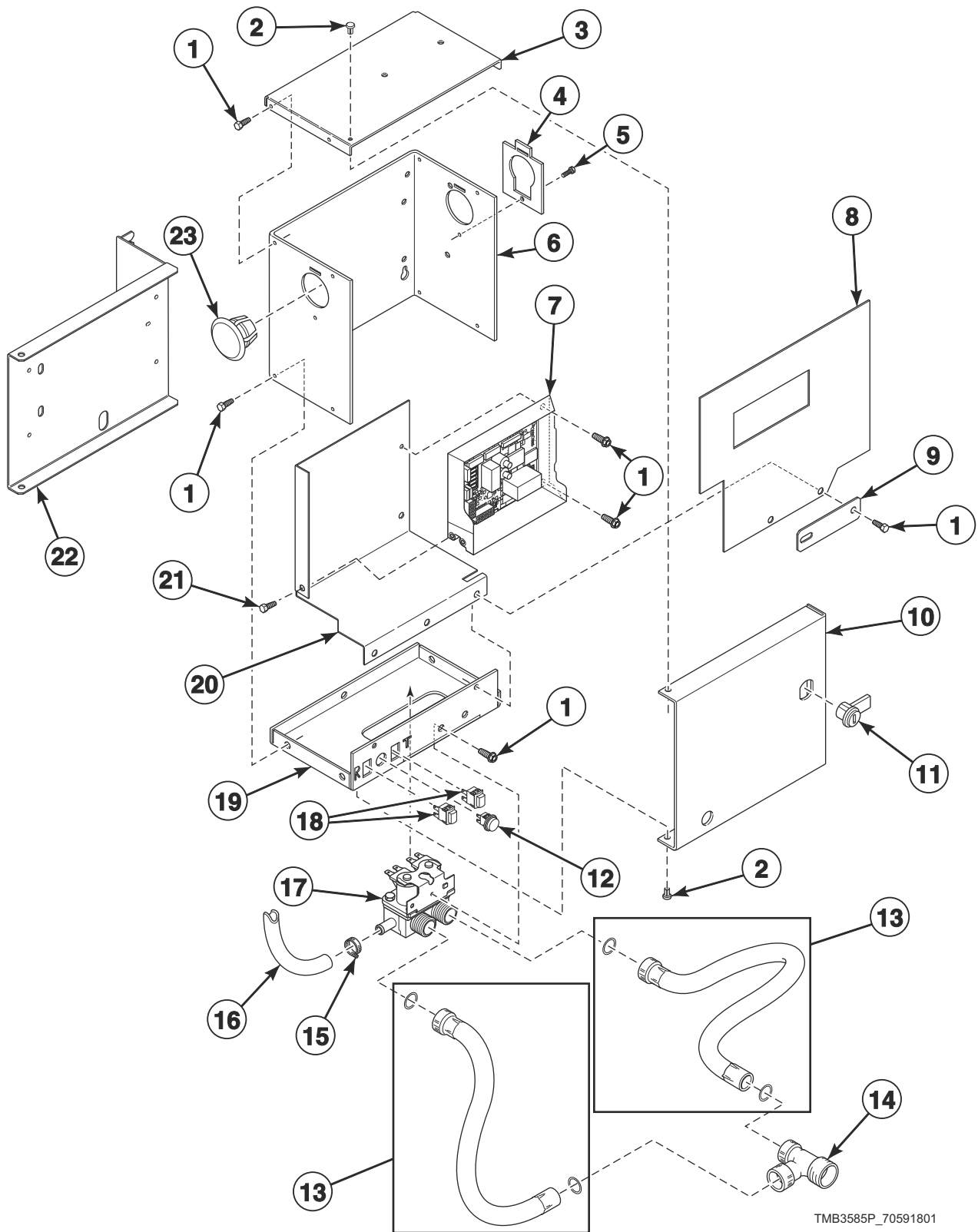
TMB3524P_70591801

Control Box

REF	PART NO.	DESCRIPTION	COMMENTS
	44334201	Main Harness	
1	44180101	Control Box Assembly	
2	430497	Screw	
3	70307007	Harness Mounting Plate	

Fire Suppression System Control Box

B, G, H, K, NT, P, S and U Gas and Steam Models



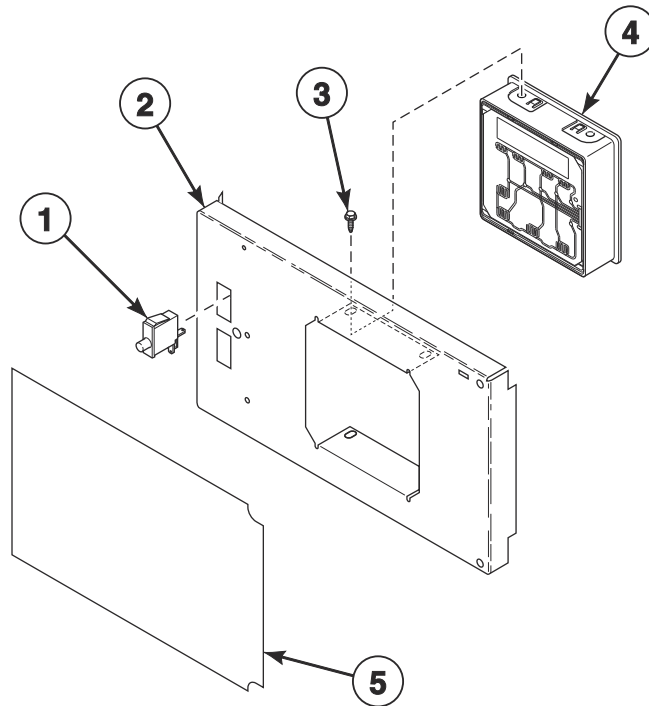
TMB3585P_70591801

Fire Suppression System Control Box

REF	PART NO.	DESCRIPTION	COMMENTS
	44340301	Cold Weather Kit	
	70155601	Key	RL001; Use with item 11
	44334404	Control Harness	
	44334405	Water Valve Harness	
	44334402	Power Sensor Harness	
	44334406	Sensor Harness	
	44334401	Interconnect Harness	
	44324501	Warning Label	F.S.S.; North America models
	44324500	Label Kit	F.S.S.; IEC models
	F8614401	Shock Warning Label	North America models
	F8614201	Shock Warning Label	IEC models
	44318200	Label Kit	IEC models
	44324502	Warning Label	
	44318201	Label	North America models
1	430497	Screw	
2	M400713	Drive Rivet	
3	44307101	Control Box Top	
4	70523301	Harness Adapter Plate	
5	51780	Screw	
6	44306701	Control Box Housing	
7	70511601	Control	
8	44326801	Shield	
9	70551701	Filter Mounting Plate	
10	44065201	Control Box Cover	
11	44089301P	Lock, Key and Nut Kit	RL001 key code; Optional if same key is to be used for control lock
12	801432	Light	
13	202799	Fill Hose	2 required
14	44069101	Hose Fitting	North America models
15	36801	Hose Clamp	
16	44073304	Hose	14 inches; Outlet hose
17	70519801	Mixing Valve	
18	801434W	Push-to-Start Switch	2 required
19	44065301	Control Box Base	
20	44306601	Mixing Valve Shield Bracket	
21	804608	Screw	
22	44308701	Mount Bracket	
23	70180001	Plug	

Dual Digital Control

All Models Except M with F in the 7th Position



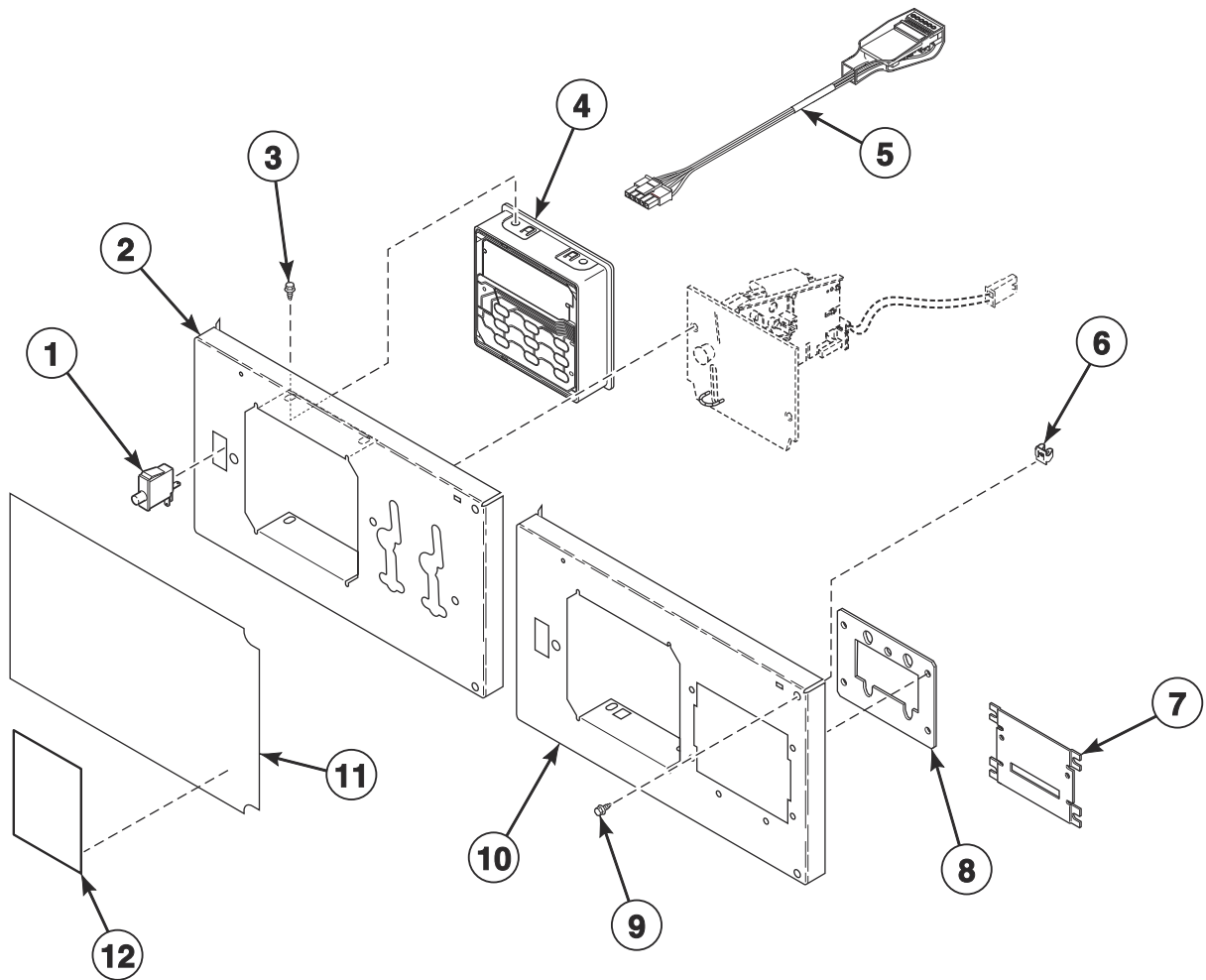
TMB3505P_70591801

Dual Digital Control

REF	PART NO.	DESCRIPTION	COMMENTS
	44334004	Vend Activation Harness	
1	70413301	Pushbutton Switch	
2	70497101	Control Plate	Design 3 and 5 H and U models; Design 3 S models; All other models
3	804608	Screw	4 required
4	70523101	Control Assembly	P models; Blue
	70479801	Control Assembly	G, H, K, N, S and U models; Green
	70479901	Control Assembly	B models; Red
5	70539102	Overlay	B models; Nonreversing
	70539101	Overlay	B models; Reversing
	70547502	Overlay	G and K models; Nonreversing
	70547501	Overlay	G and K models; Reversing
	70517802	Overlay	H models; Nonreversing; Design 3
	70517801	Overlay	H models; Reversing; Design 3
	70636502	Overlay	H models; Nonreversing; Design 5
	70636501	Overlay	H models; Reversing; Design 5
	70545502	Overlay	P models; Nonreversing
	70545501	Overlay	P models; Reversing
	70516802	Overlay	N models; Design 3 S models; Nonreversing
	70516801	Overlay	N models; Design 3 S models; Reversing
	70638702	Overlay	S models; Nonreversing; Design 5
	70638701	Overlay	S models; Reversing; Design 5
	70519002	Overlay	U models; Nonreversing; Design 3
	70519001	Overlay	U models; Reversing; Design 3
	70638802	Overlay	U models; Nonreversing; Design 5
	70638801	Overlay	U models; Reversing; Design 5

Electronic Display Control - Vend Models with B in the 7th Position

G, H, K, N and S Models



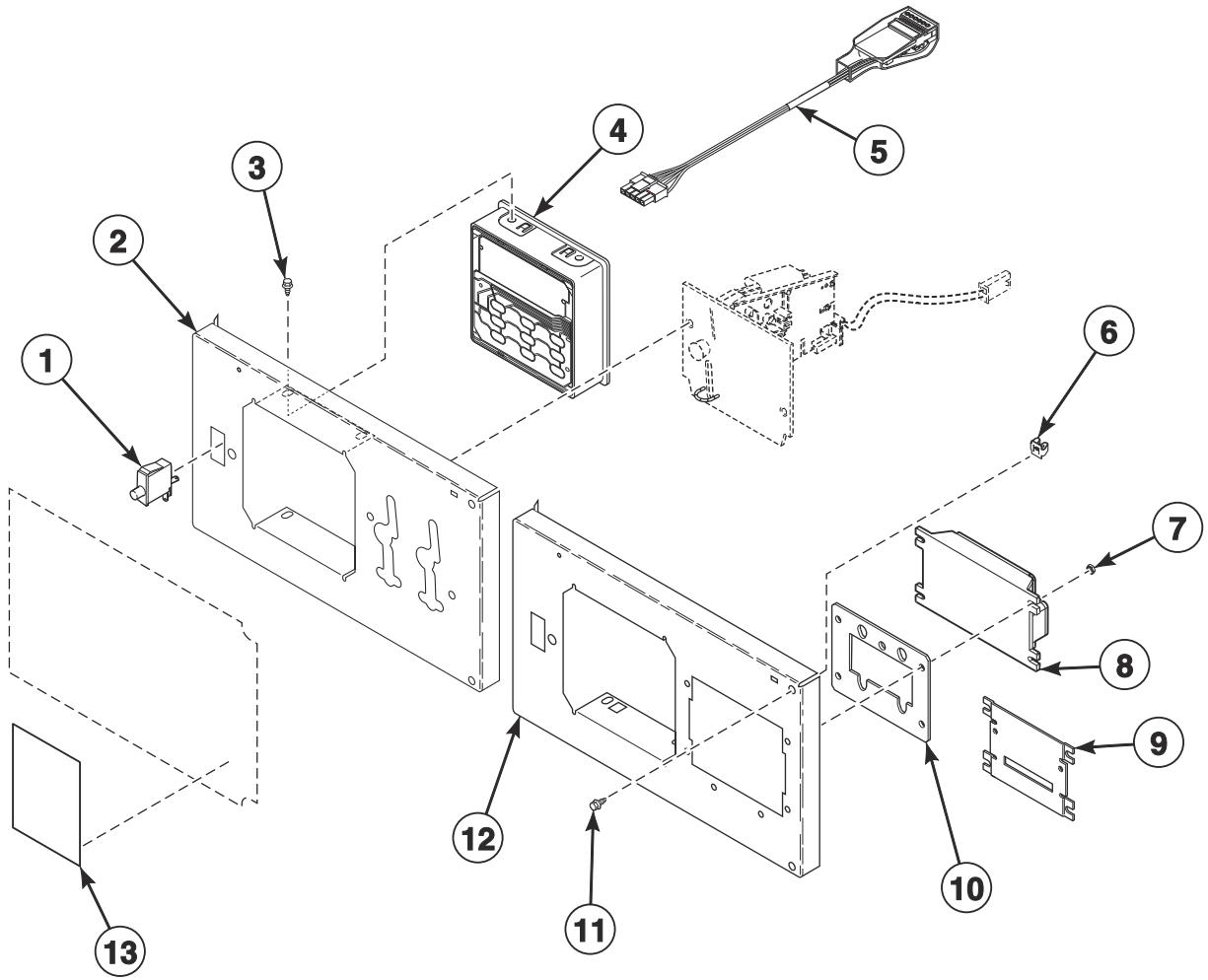
TMB3678P_70591801

Electronic Display Control - Vend Models with B in the 7th Position

REF	PART NO.	DESCRIPTION	COMMENTS
	44334004	Vend Activation Harness	
	44342801	Central Pay Harness	Models through November 2018
1	70413301	Pushbutton Switch	
2	70496601	Control Plate and Studs Assembly	Coin and central pay; Design 3 and 5 H models; Design 3 S models; All other models
3	804608	Screw	4 required
4	70478801P	Control Assembly	
5	203361P	Machine ID Control Assembly	Model or serial number is required when ordering
6	70030501	Expansion Clip	2 required
7	44089501	Slot Card Plate Assembly	H, N and S models; Included in literature packet
8	70208801	Mounting Plate	
9	M411072	Screw	2 required
10	70497201	Control Plate Assembly	Card and card ready; Design 3 and 5 H models; Design 3 S models; All other models
11	70544701	Overlay	N models; Design 3 S models; Single drop
	70544702	Overlay	N models; Design 3 S models; Dual drop
	70544703	Overlay	N models; Design 3 S models; Card ready
	70638201	Overlay	S models; Single drop; Design 5
	70638202	Overlay	S models; Dual drop; Design 5
	70638203	Overlay	S models; Card ready; Design 5
	70570301	Overlay	H models; Single drop; Design 3
	70570302	Overlay	H models; Dual drop; Design 3
	70570303	Overlay	H models; Card ready; Design 3
	70636101	Overlay	H models; Single drop; Design 5
	70636102	Overlay	H models; Dual drop; Design 5
	70636103	Overlay	H models; Card ready; Design 5
	70547401	Overlay	G and K models; Single drop
	70547402	Overlay	G and K models; Dual drop
	70548101	Overlay	G and K models; Card ready
12	F8205101	Overlay	Black; Single drop; Left; Design 3
	F8696101	Overlay	Black; Single drop; Left; Design 5
	70557001	Overlay	N models; Design 3 S models; Prep for card
	70557002	Overlay	N models; Design 3 S models; Central pay
	F8696301	Overlay	S models; Prep for card; Design 5
	F8696302	Overlay	S models; Central pay; Design 5
	70556501	Overlay	H models; Prep for card; Design 3
	70556502	Overlay	H models; Central pay; Design 3
	70646001	Overlay	H models; Prep for card; Design 5
	70646002	Overlay	H models; Central pay; Design 5

Electronic Display Control - Vend Models with N or W in the 7th Position

B, H, M, P and S Models



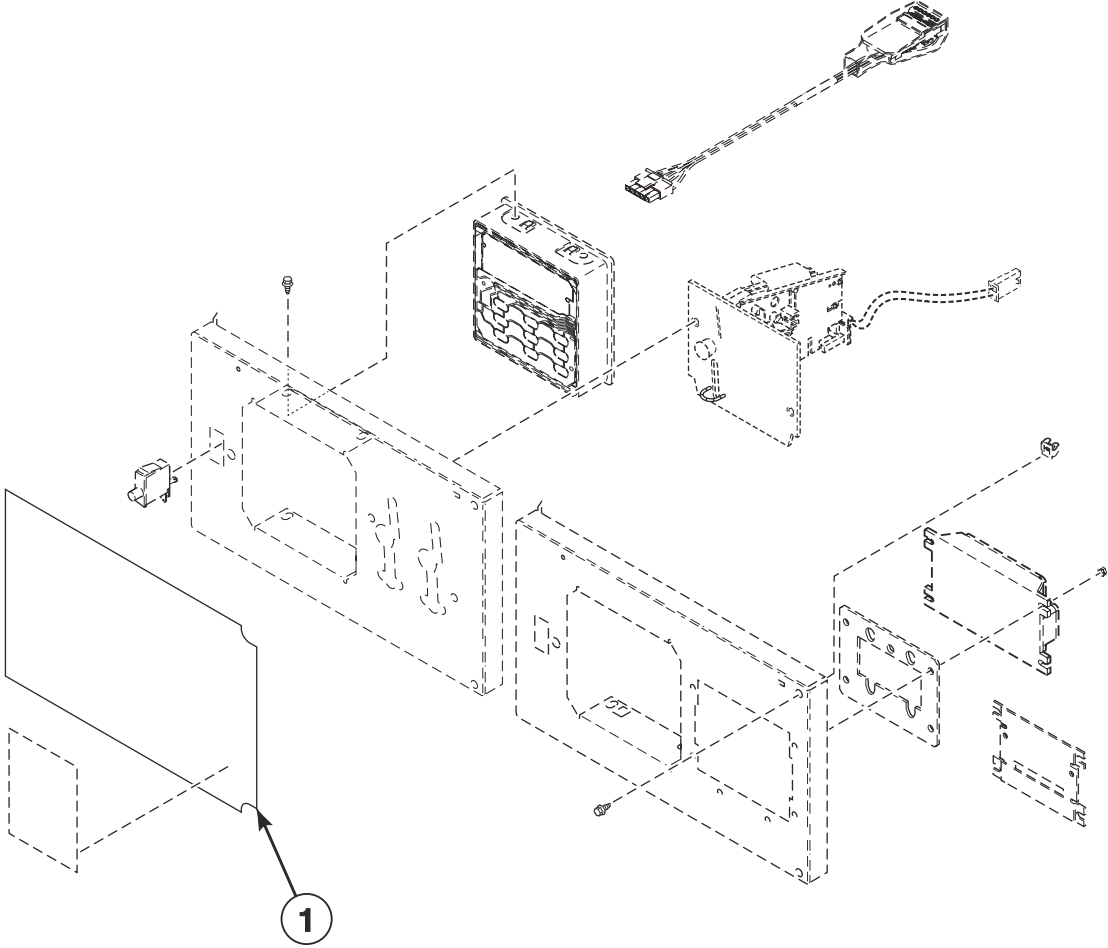
TMB3832P

Electronic Display Control - Vend Models with N or W in the 7th Position

REF	PART NO.	DESCRIPTION	COMMENTS
	44334004	Vend Activation Harness	
	F8719301	Fob Communication Harness	
1	70413301	Pushbutton Switch	
2	70496601	Control Plate and Studs Assembly	Coin and central pay; Design 3 and 5 H models; Design 3 S models; All other models
3	804608	Screw	4 required
4	70523001	Control Assembly	P models; Blue
	70478801P	Control Assembly	H, M and S models; Green
	70478901	Control Assembly	B models; Red
5	203361P	Machine ID Control Assembly	Model or serial number is required when ordering
6	70030501	Expansion Clip	
7	70054	Nut	
8	205135	Fob Reader Control Assembly	
9	44089501	Slot Card Plate Assembly	
10	70208801	Mounting Plate	
11	M411072	Screw	
12	70497201	Control Plate Assembly	Card, card ready and FOB; Design 3 and 5 H models; Design 3 S models; All other models
13	F8205101	Overlay	S models; Single drop; Left; Design 3
	70557001	Overlay	B models; Design 3 S models; Prep for card
	70557002	Overlay	B models; Design 3 S models; Central pay
	70295101	Overlay	S models; World drop; Design 3
	F8696101	Overlay	S models; Single drop; Left; Design 5
	F8696301	Overlay	S models; Prep for card; Design 5
	F8696302	Overlay	S models; Central pay; Design 5
	F8696201	Overlay	S models; World drop; Design 5
	70556801	Overlay	H models; World drop; Design 3
	70556501	Overlay	H models; Prep for card; Design 3
	70556502	Overlay	H models; Central pay; Design 3
	70556601	Overlay	H models; Single drop; Left; Design 3
	70556901	Overlay	H models; Citron; World drop; Design 3
	70518101	Overlay	H models; Citron; Prep for card; Design 3
	70518102	Overlay	H models; Citron; Central pay; Design 3
	70556701	Overlay	H models; Citron; Left; Design 3
	70645901	Overlay	H models; World drop; Design 5
	70646001	Overlay	H models; Prep for card; Design 5
	70646002	Overlay	H models; Central pay; Design 5
	70645601	Overlay	H models; Single drop; Left; Design 5
	70645801	Overlay	H models; Citron; World drop; Design 5
	70646101	Overlay	H models; Citron; Prep for card; Design 5
	70645701	Overlay	H models; Citron; Single drop; Left; Design 5
	70646102	Overlay	H models; Citron; Central pay; Design 5
	70556201	Overlay	P models; Single drop; Right
	70556401	Overlay	P models; Prep for card
	70556402	Overlay	P models; Central pay
	70556301	Overlay	P models; Single drop; Left
	F8733901	Overlay	S models; FOB
	F8734201	Overlay	H models; FOB
	F8736501	Overlay	H models; Citron; FOB

Electronic Display Control Overlays- Vend Models with N or W in the 7th Position

B, G, H, K, M, P and S Models



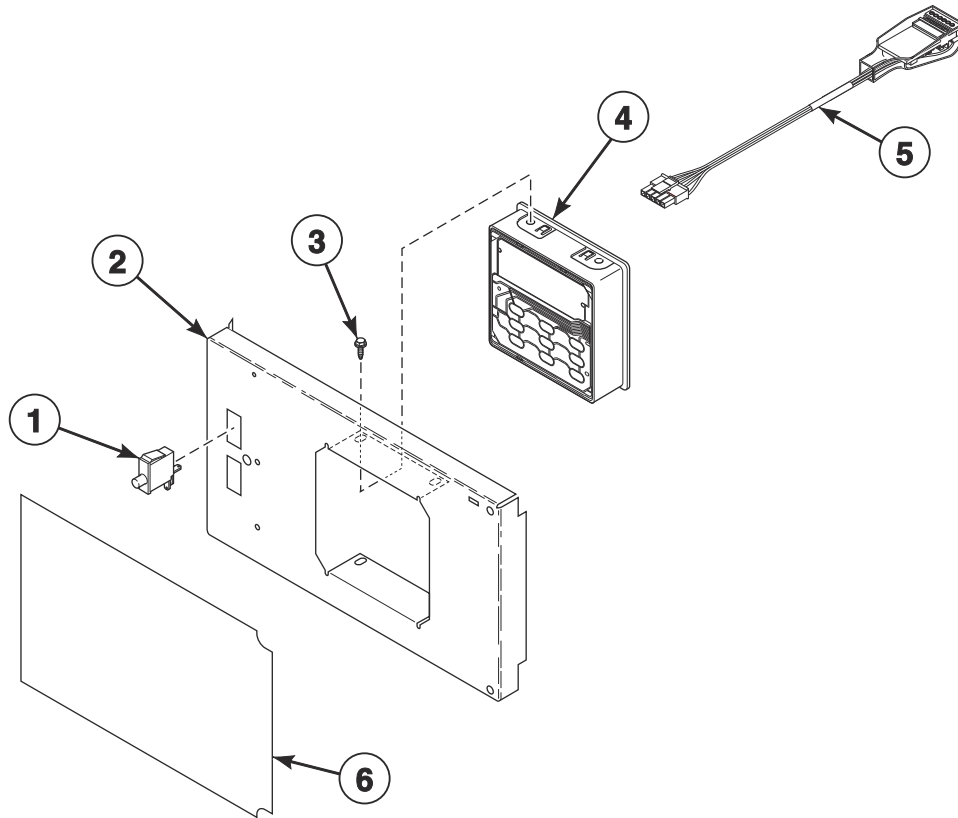
TMB3832PA

Electronic Display Control Overlays- Vend Models with N or W in the 7th Position

REF	PART NO.	DESCRIPTION	COMMENTS
1	70512004	Overlay	S models; Single drop; Design 3
	70512005	Overlay	S models; Dual drop; Design 3
	70512006	Overlay	S models; Card ready; Design 3
	70512007	Overlay	S models; Central pay; Design 3
	70512008	Overlay	S models; World drop; Design 3
	70637601	Overlay	S models; Single drop; Design 5
	70637602	Overlay	S models; Dual drop; Design 5
	70637603	Overlay	S models; Card ready; Design 5
	70637604	Overlay	S models; Central pay; Design 5
	70637605	Overlay	S models; World drop; Design 5
	70626301	Overlay	S models; Single drop; English/Spanish; Design 3
	70626302	Overlay	S models; Dual drop; English/Spanish; Design 3
	70626303	Overlay	S models; Card ready; English/Spanish; Design 3
	70559001	Overlay	Models SG050D and SJ050D
	70572601	Overlay	M models
	70517001	Overlay	H models; Single drop; Design 3
	70517002	Overlay	H models; Dual drop; Design 3
	70517003	Overlay	H models; Card ready; Design 3
	70517004	Overlay	H models; Central pay; Design 3
	70517005	Overlay	H models; World drop; Design 3
	70636201	Overlay	H models; Single drop; Design 5
	70636202	Overlay	H models; Dual drop; Design 5
	70636203	Overlay	H models; Card ready; Design 5
	70636204	Overlay	H models; Central pay; Design 5
	70636205	Overlay	H models; World drop; Design 5
	70571001	Overlay	H models; Single drop; Cityscape
	70571002	Overlay	H models; Dual drop; Cityscape
	70571003	Overlay	H models; Card ready; Cityscape
	70518201	Overlay	H models; Single drop; Citron; Design 3
	70518202	Overlay	H models; Dual drop; Citron; Design 3
	70518203	Overlay	H models; Card ready; Citron; Design 3
	70636301	Overlay	H models; Single drop; Citron; Design 5
	70636302	Overlay	H models; Dual drop; Citron; Design 5
	70636303	Overlay	H models; Card ready; Citron; Design 5
	70571101	Overlay	B models; Single drop
	70571102	Overlay	B models; Dual drop
	70571103	Overlay	B models; Card ready
	70541201	Overlay	P models; Single drop
	70541202	Overlay	P models; Dual drop
	70541203	Overlay	P models; Card ready
	70626001	Overlay	G and K models; Single drop
	70626002	Overlay	G and K models; Dual drop
	70626101	Overlay	G and K models; Card ready

Electronic Display Control - OPL Models with N in the 7th Position

All Models Except M Models



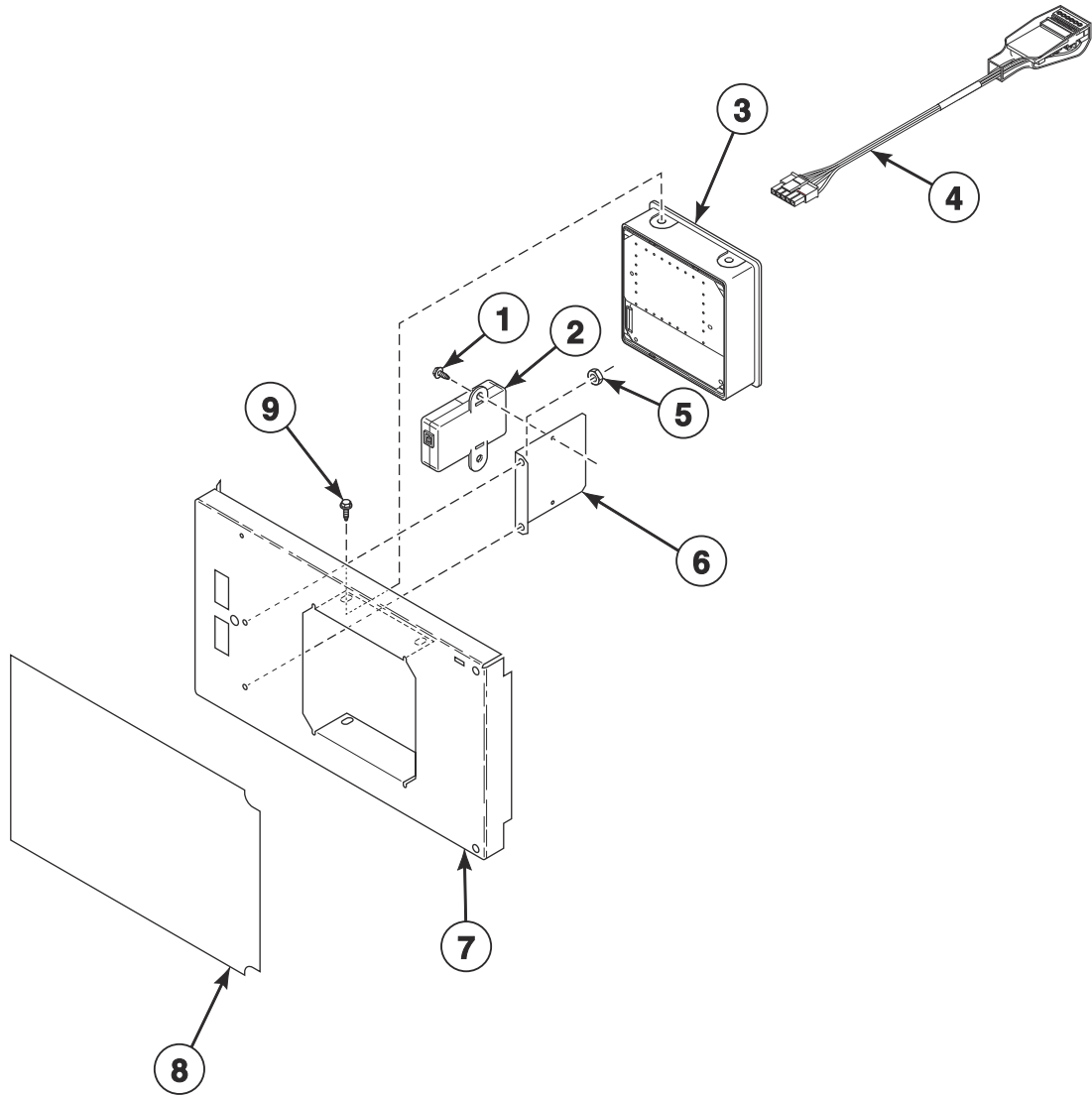
TMB3680P_70591801

Electronic Display Control - OPL Models with N in the 7th Position

REF	PART NO.	DESCRIPTION	COMMENTS
	44334004	Vend Activation Harness	
1	70413301	Pushbutton Switch	
2	70497101	Control Plate	Design 3 and 5 H and U models; Design 3 S models; All other models
3	804608	Screw	4 required
4	70523002	Control Assembly	P models
	70478802	Control Assembly	G, H, K, N, S and U models
	70478902	Control Assembly	B models
5	203361P	Machine ID Control Assembly	Model or serial number is required when ordering
6	70570601	Overlay	S models; Reversing; Design 3
	70570602	Overlay	S models; Nonreversing; Design 3
	70638301	Overlay	S models; Reversing; Design 5
	70638302	Overlay	S models; Nonreversing; Design 5
	70571401	Overlay	U models; Reversing; Design 3
	70571402	Overlay	U models; Nonreversing; Design 3
	70638901	Overlay	U models; Reversing; Design 5
	70638902	Overlay	U models; Nonreversing; Design 5
	70570801	Overlay	H models; Reversing; Design 3
	70570802	Overlay	H models; Nonreversing; Design 3
	70636401	Overlay	H models; Reversing; Design 5
	70636402	Overlay	H models; Nonreversing; Design 5
	70548801	Overlay	B models; Reversing
	70548802	Overlay	B models; Nonreversing
	70547801	Overlay	G and K models; Reversing
	70547802	Overlay	G and K models; Nonreversing
	70571601	Overlay	P models; Reversing
	70571602	Overlay	P models; Nonreversing
	70572401	Overlay	NT models through 10/9/19; All other N models; Reversing
	70572402	Overlay	NT models through 10/9/19; All other N models; Nonreversing
	70570601	Overlay	NT models starting 10/10/19; Reversing
	70570602	Overlay	NT models starting 10/10/19; Nonreversing

3.5 Inch Graphical Control

U models with D in the 7th Position



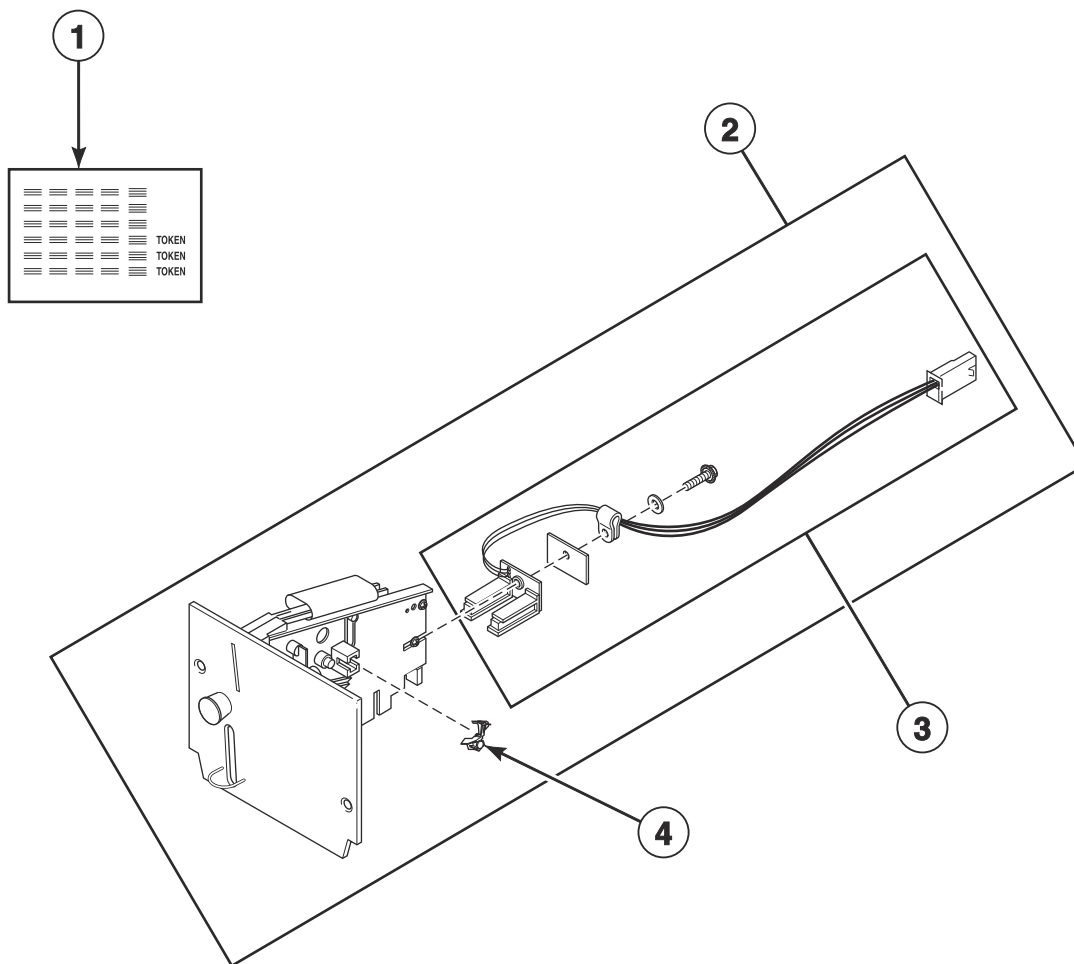
TMB3681P_70591801

3.5 Inch Graphical Control

REF	PART NO.	DESCRIPTION	COMMENTS
	F8617901	Harness	USB
1	33562	Screw	2 required
2	203440	USB-Serial Interface Assembly	
3	70543104	Control Assembly	
4	203361P	Machine ID Control Assembly	Model or serial number is required when ordering
5	44071201	Nut	2 required
6	70547001	USB Bracket	
7	70570201	Control Door and Studs Assembly	
8	70595401	Overlay	Design 3 models
	70639001	Overlay	Design 5 models
9	804608	Screw	4 required

Coin Drops

All Models Except NT and U Models



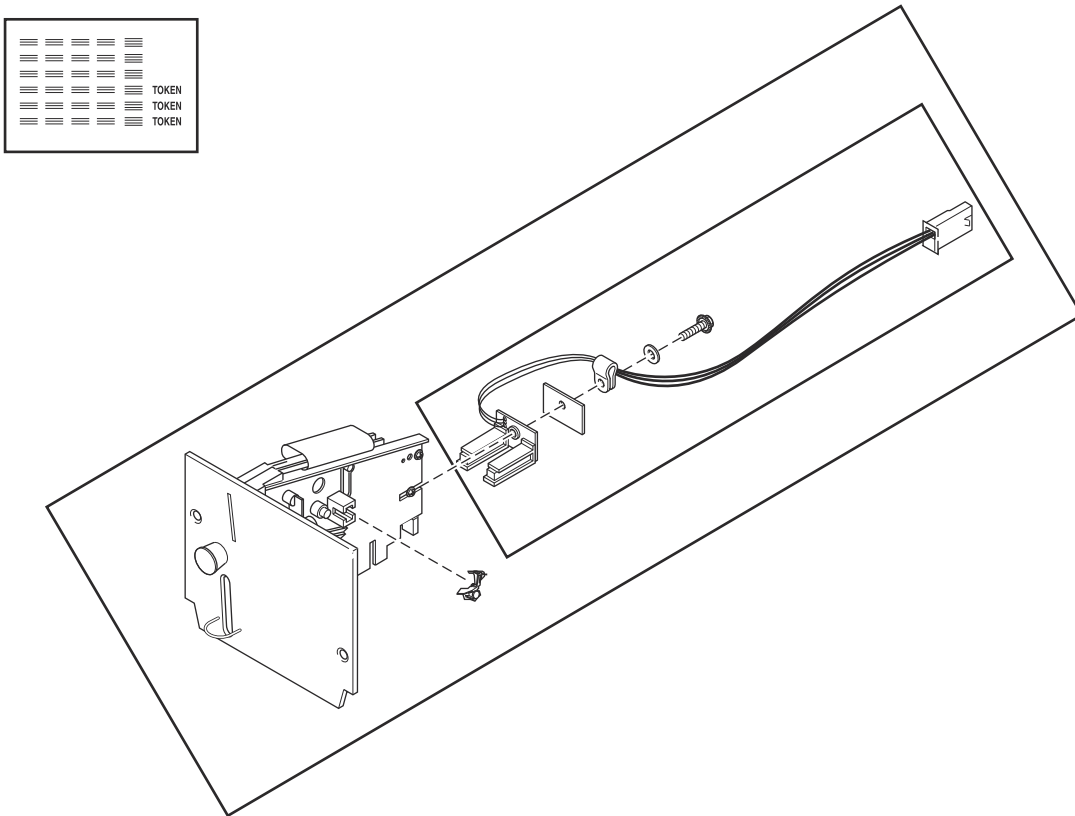
TMB3510P_70591801

Coin Drops

REF	PART NO.	DESCRIPTION	COMMENTS
1	38725	Coin Identification Paper	
2	70441601P	Coin Drop	Single; U.S.A.; \$.25
	38475	Coin Drop Assembly	Single; Japan; 100 yen
	38464P	Coin Drop Assembly	Single; Canada; .25
	CK077	Coin Drop Kit	Single; Taiwan; 10 NT
	70506901	Coin Drop Assembly	Single; Singapore; \$1.00 NEW
	70441603	Coin Drop	Dual; U.S.A.; \$.25 and \$1.00
	38519	Coin Drop Assembly	Dual; Japan; 100 yen and 500 yen
	70441602	Coin Drop Assembly	Dual; Canada; .25 and 1.00
	38467	Coin Drop Assembly	Dual; Australia; \$0.20 and \$1.00
	70447301	Coin Drop Assembly	Dual; Australia; \$1.00 and \$2.00
	70283102	Coin Drop Assembly	Dual; 0.20 and 0.50 Euro
	210195	Coin Drop Assembly	Dual; 0.20 and 1.00 Euro
	210196	Coin Drop Assembly	Dual; 0.50 and 1.00 Euro
	F0160737-00	Coin Meter	Dual; 0.50 and 2.00 Euro
	70281102	Coin Drop Assembly	Dual; Taiwan; 10 and 50 NT
	70482401	Coin Drop Assembly	Dual; New Zealand ; \$1.00 and \$2.00
	38462P	Coin Drop Assembly	Single; Token; STD 118-1
	38463	Coin Drop Assembly	Single; Token; STD 118-5
	38963P	Coin Drop	Single; Token STD 118-16
	39748	Coin Drop	Single; Jeton 08MS
	201141	Coin Drop Assembly	Single; Token; Jeton wh121
	70471601	Coin Drop Assembly	Single; Token; 7K
	70513302	Electronic Coin Drop Assembly	Euro and Great Britain coins
	70513310	Electronic Coin Drop Assembly	Japan and Thailand coins
	70513304	Electronic Coin Drop Assembly	Australia, New Zealand, Hong Kong and South Korea coins
	70513303	Electronic Coin Drop Assembly	Denmark, Norway and Euro coins
	70513306	Electronic Coin Drop Assembly	Mexico, Ecuador and U.S.A. coins
	70294107	Electronic Coin Drop Assembly	Lithuania, Latvia and Euro coins
	70513311	Electronic Coin Drop Assembly	China and Malaysia coins
	70513308	Electronic Coin Drop Assembly	South African 1, 2 and 5 rand coins
	70513309	Electronic Coin Drop Assembly	Euro coins
	70513312	Electronic Coin Drop Assembly	Russia coins
	70513313	Electronic Coin Drop Assembly	Phillipines coins
	70513314	Electronic Coin Drop Assembly	Thailand coins
	70513315	Electronic Coin Drop Assembly	Chile coins
	70513316	Electronic Coin Drop Assembly	Singapore coins
3	200674P	Opto Coupler	
4	201595P	Wire Guard	

Coin Drop Kits

All Models Except NT and U Models



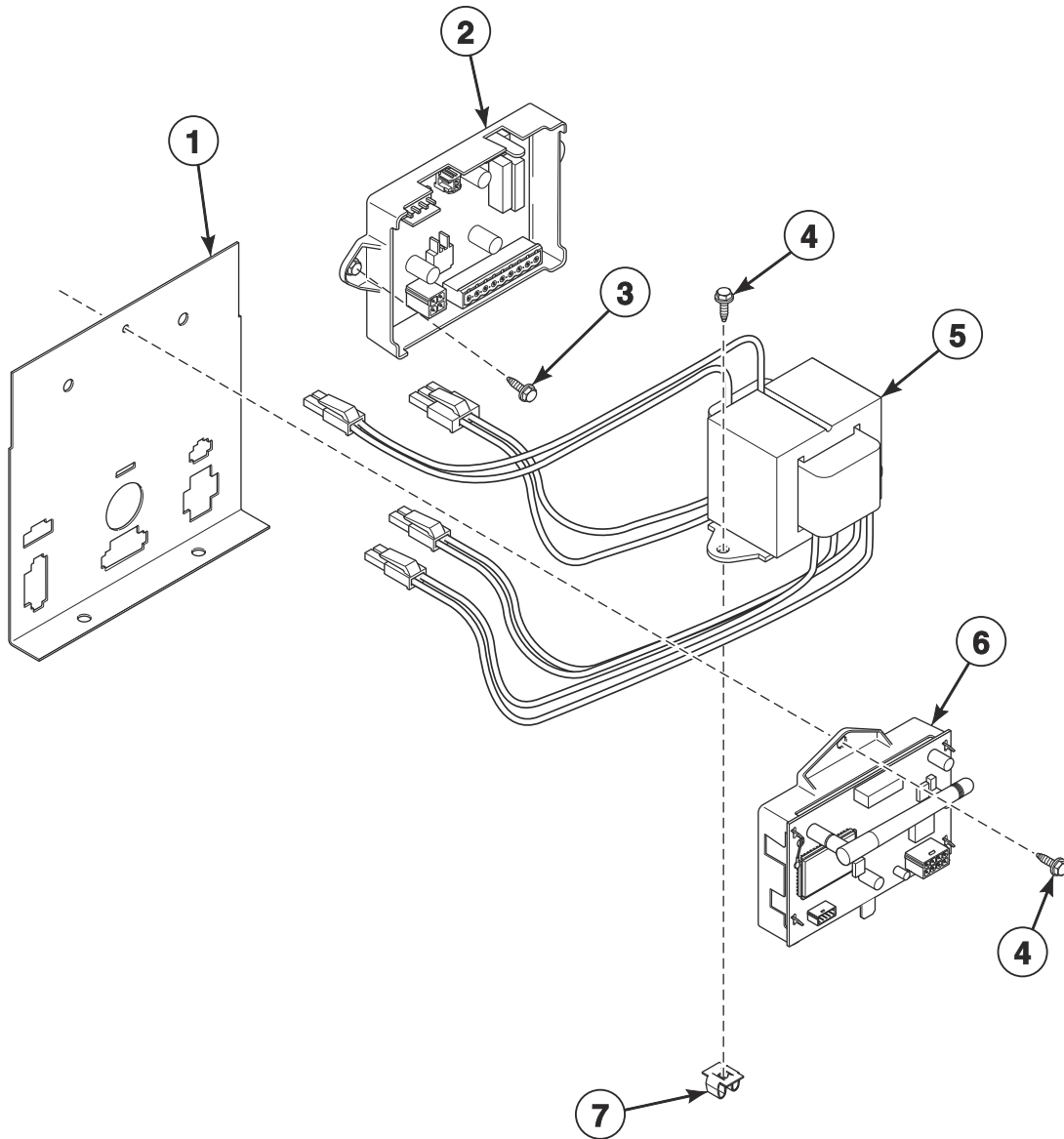
TMB3510PA_70591801

Coin Drop Kits

REF	PART NO.	DESCRIPTION	COMMENTS
	CK115	Electronic Coin Drop Kit	United States and Canada
	CK099	Electronic Coin Drop Kit	Australia (default), New Zealand, Hong Kong, South Korea and Malaysia
	CK100	Electronic Coin Drop Kit	United Kingdom (default) and Europe
	CK101	Electronic Coin Drop Kit	Europe (default), Denmark and Norway
	CK108	Electronic Coin Drop Kit	South Africa
	CK109	Electronic Coin Drop Kit	Euro
	CK110	Electronic Coin Drop Kit	Mexico (default), Ecuador and United States
	CK113	Electronic Coin Drop Kit	Japan and Taiwan
	CK116	Electronic Coin Drop Kit	Malaysia (default) and China
	CK117	Electronic Coin Drop Kit	Russia
	CK118	Electronic Coin Drop Kit	Philippine
	CK119	Electronic Coin Drop Kit	Thailand
	CK120	Electronic Coin Drop Kit	Chile
	CK121	Electronic Coin Drop Kit	Singapore
	CK122	Coin Drop Kit	New Zealand; 1.00 and 2.00

Network Board, Central Pay and Card Reader Components

All Models Except NT Models; Central Pay Starting December 2018



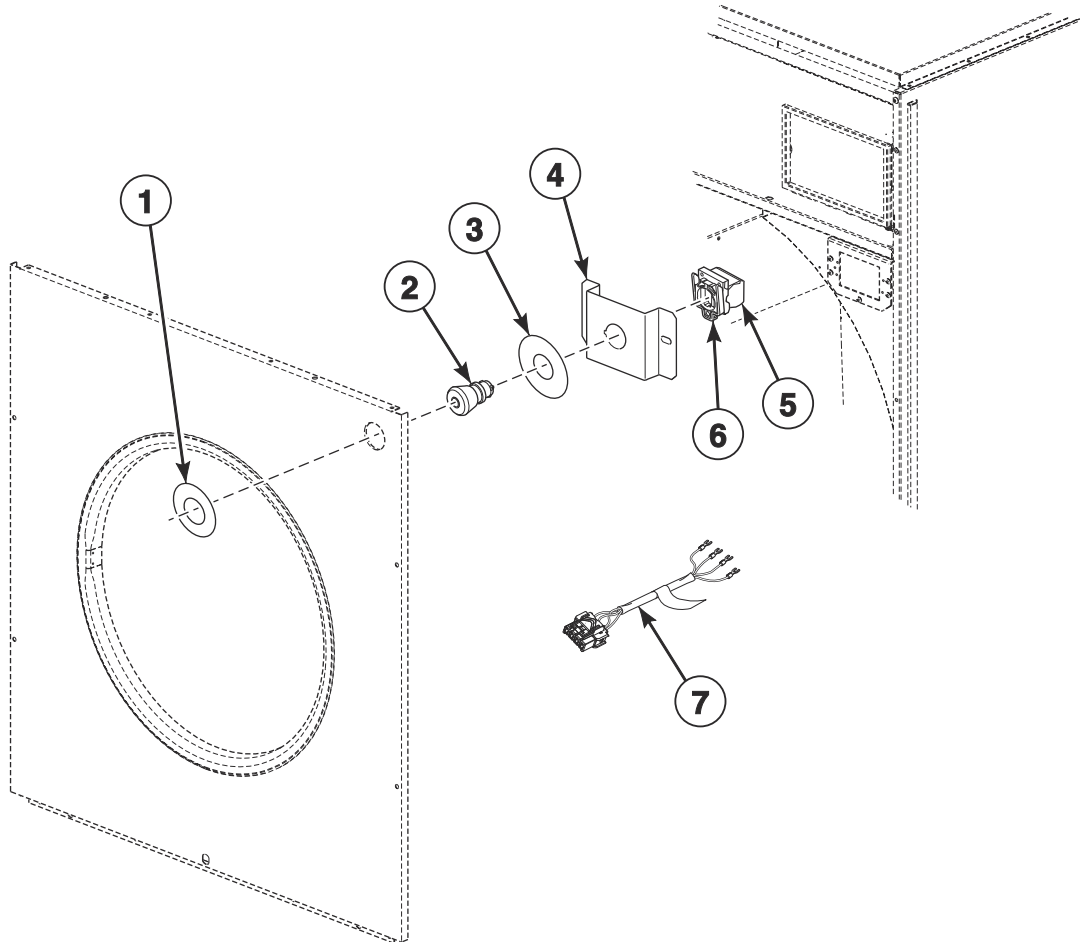
TMB3689P_70591801

Network Board, Central Pay and Card Reader Components

REF	PART NO.	DESCRIPTION	COMMENTS
	70596301	Wireless Network Kit	H and U models through 1/31/19; S models through 5/12/19
	70609701	Wireless Network Kit	H models starting 2/1/19; S models starting 5/13/19
	F8536002	Wireless Network Board Harness	H and U models through 1/31/19; S models through 5/12/19
	F8613201	FCC-IC Label	HT and U models through 1/31/19; ST models through 5/12/19
	F8674006	Wireless Network Harness	H models starting 2/1/19; S models starting 5/13/19
	204692	Wireless Control Label	H models starting 2/1/19; S models starting 5/13/19
	NK320	Ethernet Gateway Kit	S models through 5/12/19
	NK330	USB Gateway Kit	S models through 5/12/19
	203346	USB IR Interface Kit	
	70666806	Fob Reader Kit	
	44355602	Central Pay Harness	Routes from central pay board to control tray
	44272301	Transformer Harness	100-120 Volt; Routes from transformer to I/O Control Assembly; Card and central pay
	44272302	Transformer Harness	200-480 Volt; Routes from transformer to I/O Control Assembly; Card and central pay
	44355604	Central Pay Board Harness	Routes from central pay board to transformer
	44355605	Central Pay Harness	Routes from central pay board to front end control
1	70307007	Harness Mounting Plate	
2	44359001	Central Pay Kit	100-120 Volt
	44359003	Central Pay Kit	200-480 Volt
3	51780	Screw	2 required
4	F8206901	Screw	
5	202757	Transformer	100-120 Volt; Card and central pay
	202758	Transformer	200-480 Volt; Card and central pay
6	203532	Wireless Network Control Assembly	H and U models through 1/31/19; S models through 5/12/19
	807211	Wireless Network Control Assembly	H models starting 2/1/19; S models starting 5/13/19
7	70030501	Expansion Clip	2 required

Emergency Stop Button - OPL Models

A, H, J, K, R and U in the 2nd Position
G and T in the 2nd Position Through 12/31/18

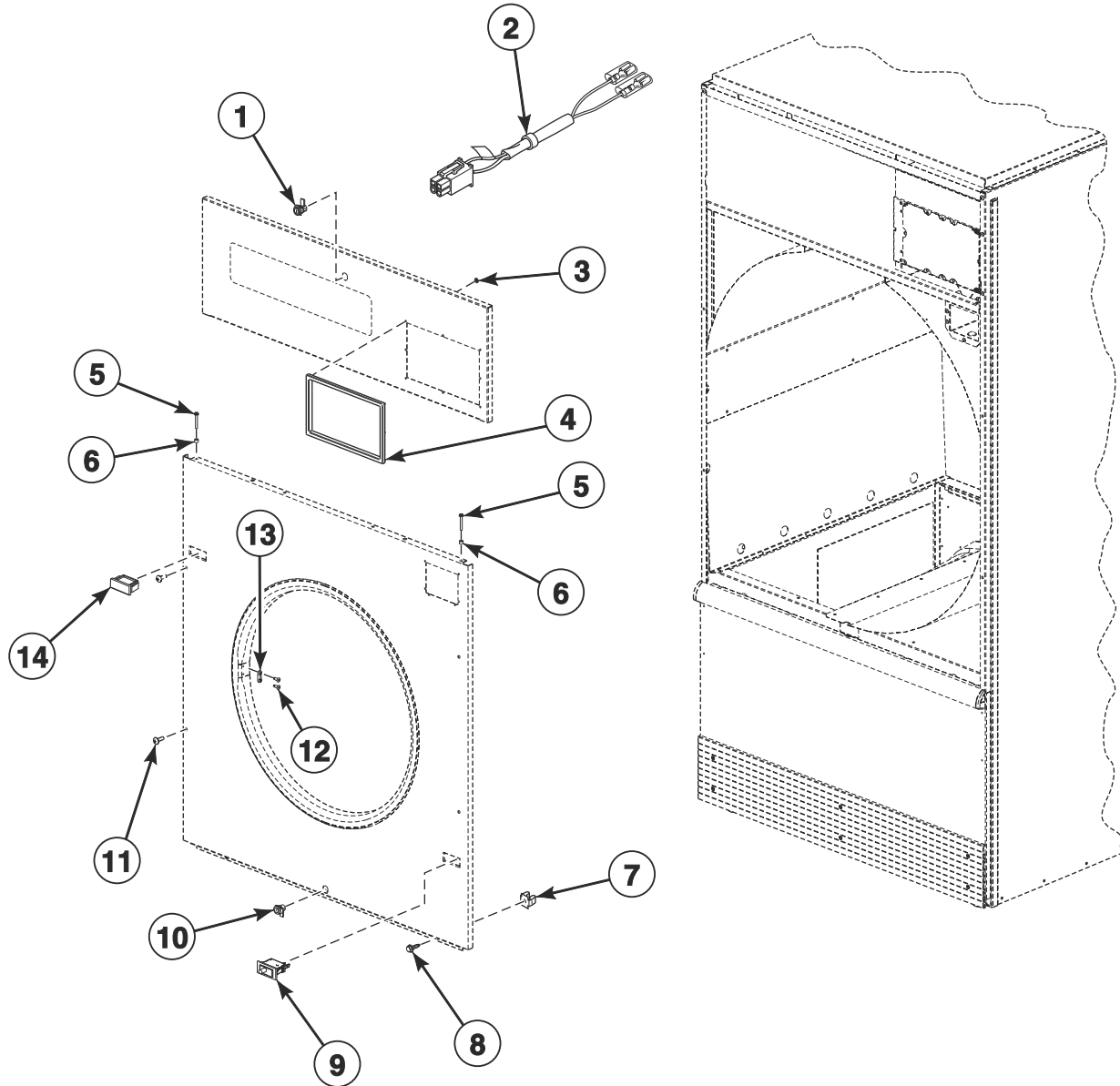


TMB3513P_70591801

Emergency Stop Button - OPL Models

REF	PART NO.	DESCRIPTION	COMMENTS
	70580301	Emergency Stop Button Kit	Includes items 2-4
	F8519403	Emergency Stop Bypass Harness	Coin, card and central pay
	44272106	Emergency Stop Interconnect Harness	
1	44012903	Emergency Stop Label	
2	F200233500	Emergency Stop Pushbutton	
3	44012901	Emergency Stop Label	
4	70550401	Emergency Stop Mounting Bracket	
5	F8069501	Contact Switch	2 required
6	F8538101	Contact Base	
7	44272401	Emergency Stop Harness	

Cabinet Front Components

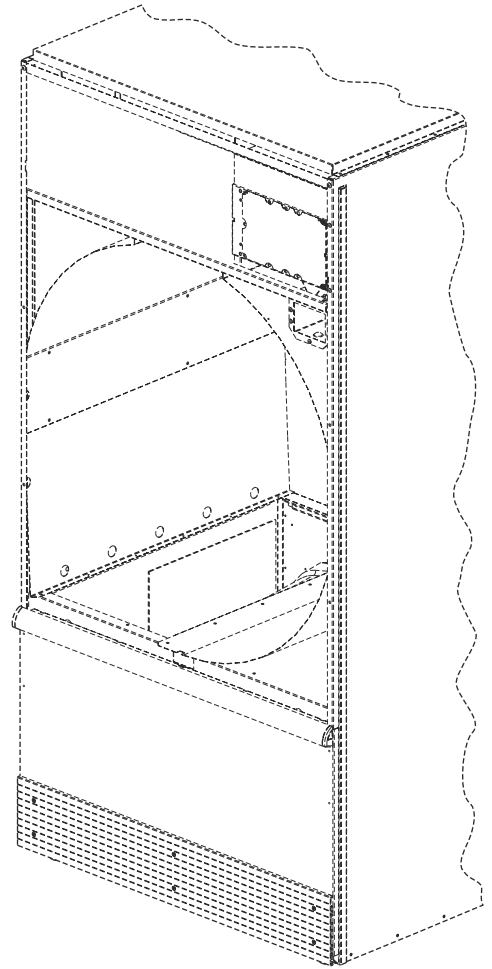
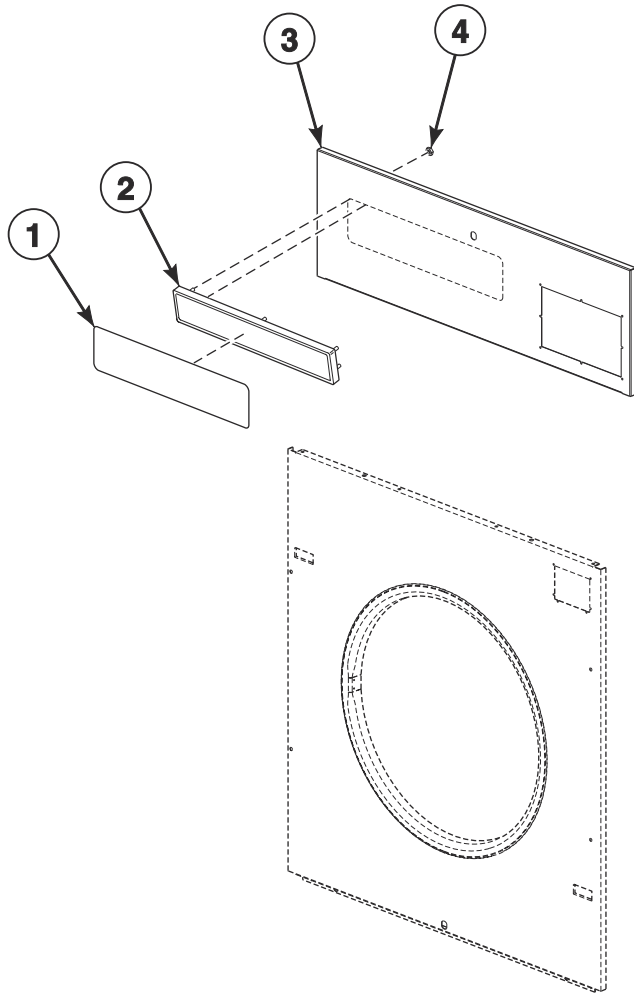


TMB3538P_70591801

Cabinet Front Components

REF	PART NO.	DESCRIPTION	COMMENTS
	M4379P4	Tumbler Dolly Kit	
	D511476	Jumper Harness	Card reader present
	44335202	Door Switch Harness	
	44334103	Bypass Harness	Card and central pay
	70482901	Door Catch Kit	
1	44089301P	Lock, Key and Nut Kit	RL001 key code; Black; Control panel; Optional if same key is to be used for control lock
	70155601	Key	RL001
	44089304	Panel Lock	RL001; Chrome
2	44334101	Coin Vault Switch Harness	
3	M400977	Nut	8 required per control trim
4	70529401	Control Trim	H models
	44016401	Control Trim	G, K, M, N and P models; Design 3 S models; Black
5	70275801	Screw	4 required
6	56079	Panel Locator	2 required
7	70030501	Expansion Clip	
8	M411072	Screw	4 required; Front panel; Bottom
9	70413301	Pushbutton Switch	Door switch
10	44089301P	Lock, Key and Nut Kit	RL001 key code; Black; Lint panel; Optional if same key is to be used for control lock
	70155601	Key	RL001
	44089302P	Lock, Key and Nut Kit	RL002 key code; Lint panel; Standard coin and card models
	70155602	Key	RL002
	44089305	Panel Lock	RL002; Chrome
11	70033502	Screw	2 required for stainless steel panels in addition to 2 of 70182601 Screw
	70182601	Screw	2 required for stainless steel panels in addition to 2 of 70033502 Screw; 4 required for painted panels
12	M400003	Pop Rivet	2 per door latch
13	M401223	Door Latch	2 required
14	44057801W	Switch Hole Plug	White; Design 3 models
	44057801Q	Switch Hole Plug	Bisque; Design 3 models
	44057801B	Switch Hole Plug	Black; For stainless steel; Design 3 models
	44057801LG	Switch Hole Plug	Light gray; Design 3 models

Cabinet Panels and Nameplates



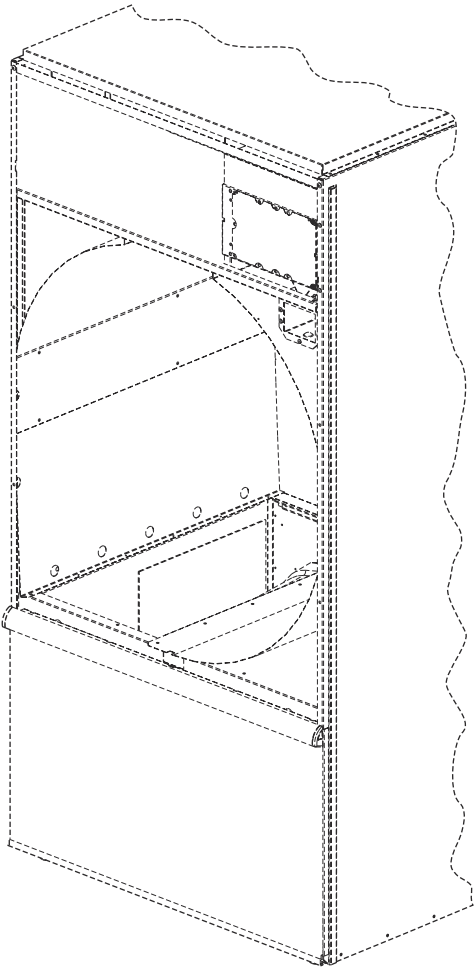
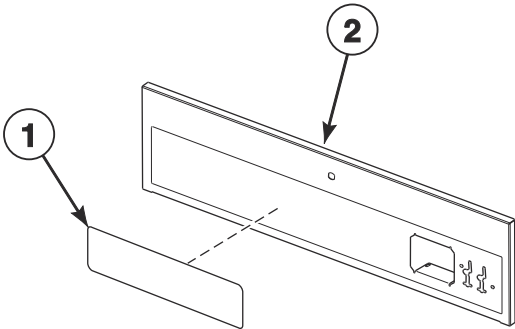
TMB3539P_70591801

Cabinet Panels and Nameplates

REF	PART NO.	DESCRIPTION	COMMENTS
1	44010601	Nameplate	S models; Design 3
	F8688901	Nameplate	S models; Design 5
	F8688001	Nameplate	H models; Design 5
	F8443106	Nameplate	U models
	70541801	Nameplate	B models
	567887	Nameplate	P models
	70410201	Nameplate Overlay	G models; OPL
	70411401	Nameplate Overlay	G models; Coin
	44130301	Nameplate Overlay	K models; OPL
	44144401	Nameplate Overlay	K models; Coin
2	70117401	Nameplate Bezel	S models; Design 3
3	44040008B	Control Panel	B models
	44040005*	Control Panel	G, K and U models; Only white available for Design 5
	44040013	Control Panel	G and K models; Design 5 U models; Stainless steel
	44000122*	Control Panel	H, M, N and S models; P models with white front panel; Only white available for Design 5
	44000125	Control Panel	H and M models; P models with white front panel; Design 3 S models; Stainless steel
	44040015LG	Control Panel	U models; Light gray
	44040014	Control Panel	U models; Stainless steel; Design 3
	44040011*	Control Panel	U models
	44000130DG	Control Panel	P models; Dark gray
4	M400977	Nut	S models; 6 required; Design 3

* Add Letter To Designate Color. Q - Bisque W - White

Cabinet Panels and Nameplates - Design 5 S Models

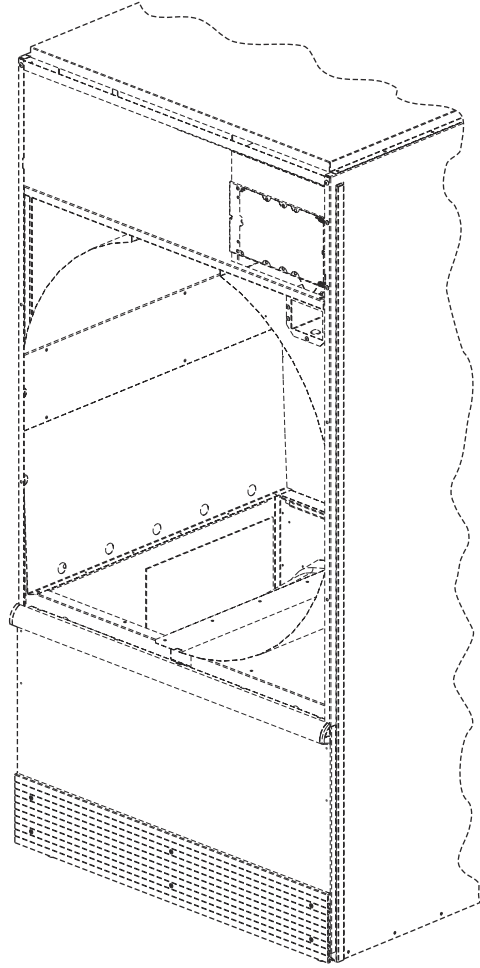
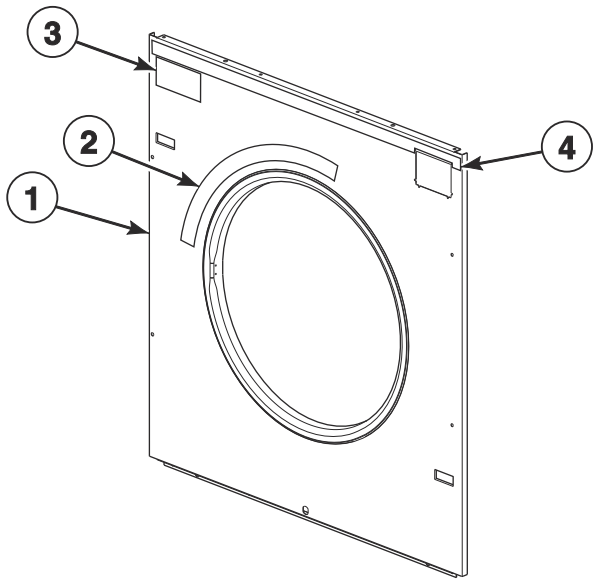


TMB3814P_70591801

Cabinet Panels and Nameplates - Design 5 S Models

REF	PART NO.	DESCRIPTION	COMMENTS
	F8521303	Lanyard Cable	
1	F8688901	Nameplate	
2	44368001	Control Panel	Stainless steel; Coin
	44368002	Control Panel	Stainless steel; Card
	44367103	Control Panel	Stainless steel; OPL
	44368003W	Control Panel	Coin
	44368004W	Control Panel	Card
	44367106W	Control Panel	OPL

Front Panel Assemblies - Design 3 Models



TMB3540P_70591801

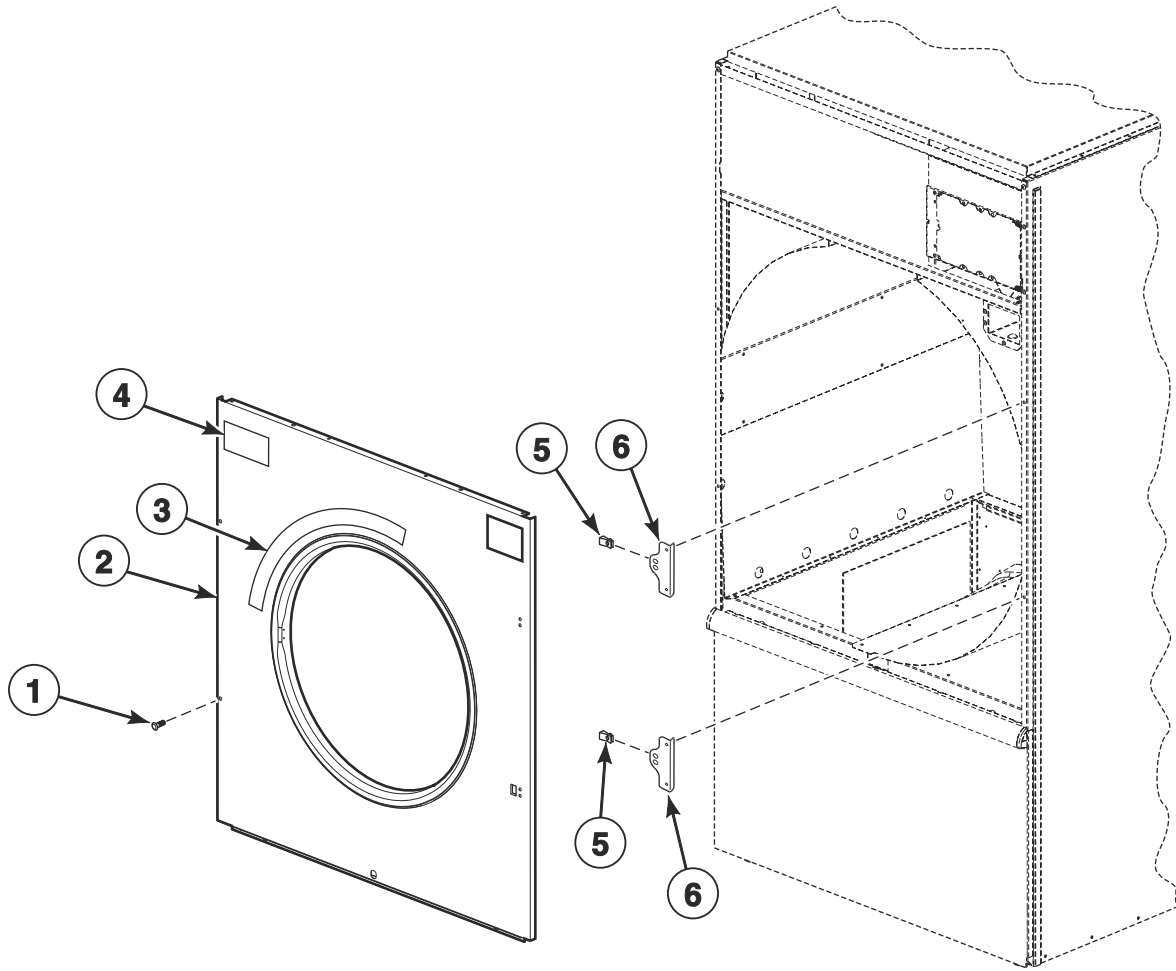
Front Panel Assemblies - Design 3 Models

REF	PART NO.	DESCRIPTION	COMMENTS
1	44052525*	Front Panel	All Models Except NT Models; Coin
	44052527	Front Panel	All Models Except NT Models; Coin; Stainless steel
	44052526DG	Front Panel	P models; Coin; Dark gray
	44052520W	Front Panel	All Models Except NT Models; Card and central pay
	44052522	Front Panel	All Models Except NT Models; Card and central pay; Stainless steel
	44052520DG	Front Panel	P models; Card; Dark gray
	44052530W	Front Panel	OPL; With e-stop
	44052529	Front Panel	OPL; Stainless steel; With e-stop
	44052530LG	Front Panel	U models; OPL; Light gray; With e-stop
	44052530DG	Front Panel	P models; OPL; Dark gray; With e-stop
	44077905WP	Front Panel Assembly	OPL; Without e-stop
	44077919	Front Panel Assembly	OPL; Stainless steel; Without e-stop
	44052517LG	Front Panel	U models; OPL; Light gray; Without e-stop
	44052517DG	Front Panel	P models; OPL; Dark gray; Without e-stop
2	70534401	Warning Label	English
	70534402	Warning Label	French
	70534405	Warning Label	Colombian Spanish
	70534400	Label Kit	Warning; IEC models
3	70537101	Label	G and K models; F.S.S.
	44190901	Label	P models; Safe Tech
	70537001	Label	B, H, M, N, S and U models; C.A.R.E.
4	70399402	Access Panel Trim	G and K models

* Add Letter To Designate Color. Q - Bisque W - White

Front Panel Assemblies - Design 5 Models

H, S and U Models

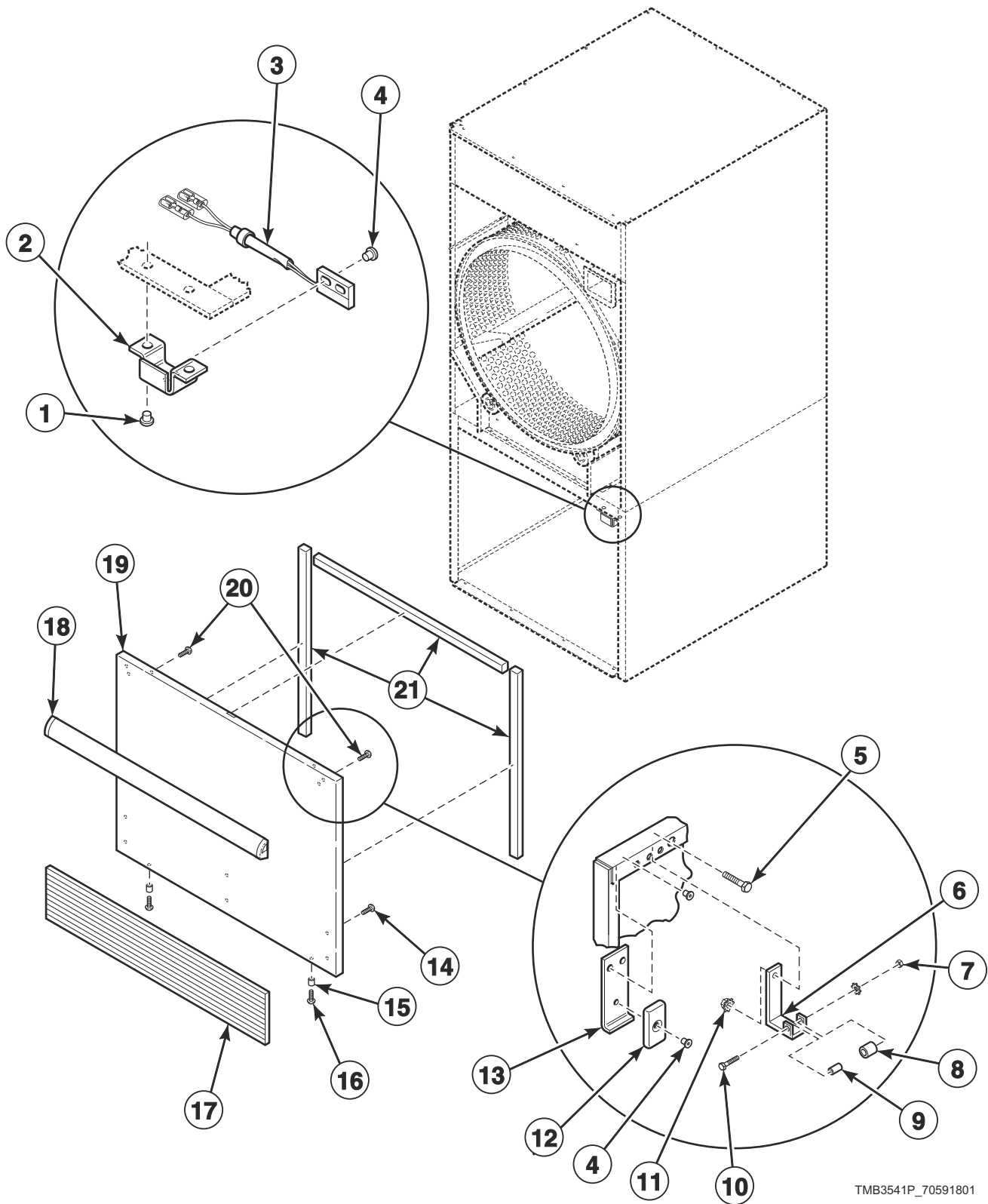


TMB3815P_70591801

Front Panel Assemblies - Design 5 Models

REF	PART NO.	DESCRIPTION	COMMENTS
	70058501	Pop Rivet	Use to attach item 6
1	70182601	Screw	
2	44367403	Front Panel	Stainless steel; Coin
	44367406	Front Panel	Stainless steel; Card and central pay
	44367409	Front Panel	Stainless steel; OPL
	44367408LG	Front Panel	U models; Light gray; OPL
	44367401W	Front Panel	Coin
	44367405W	Front Panel	Card and central pay
	44367407W	Front Panel	OPL
3	70534401	Warning Label	English
	70534402	Warning Label	French
	70534405	Warning Label	Colombian Spanish
4	70537001	Label	C.A.R.E.
5	70030401	Nut	
6	70634301	Lug Mount Bracket	

Lower Cabinet Front Components



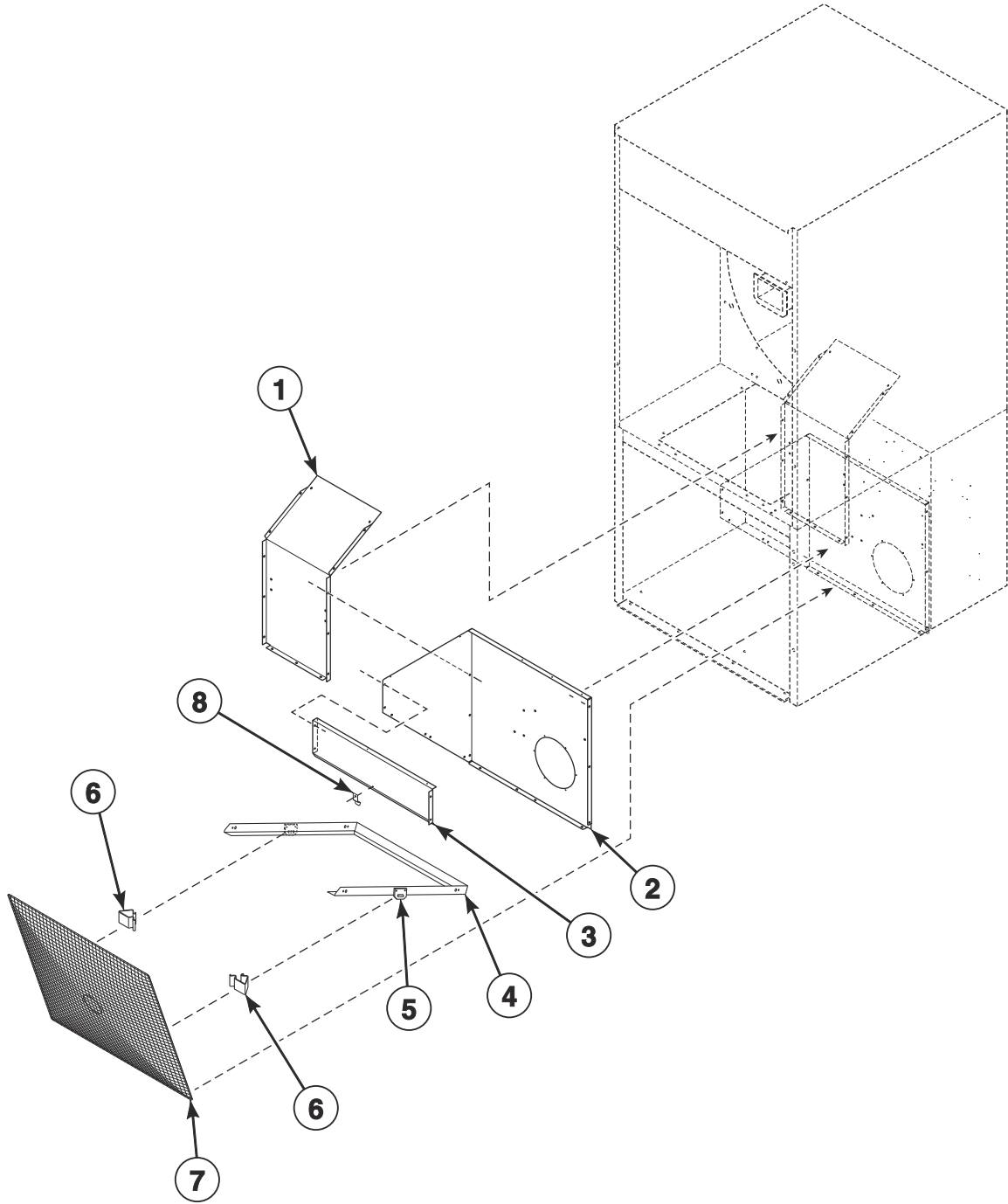
TMB3541P_70591801

Lower Cabinet Front Components

REF	PART NO.	DESCRIPTION	COMMENTS
	70404001	Roller Bracket Assembly	Includes items 6-10
1	70058501	Pop Rivet	
2	44296101	Switch Bracket	
3	F8066804	Reed Switch Assembly	
4	F8245101	Blind Rivet	
5	70132301	Screw	Attaching roller catch
6	70030301	Roller Catch Arm	
7	23951	Nut	
8	70297601	Roller Catch Wheel	
9	70030201	Roller Catch Spacer	
10	70072801	Screw	
11	51236	Nut	Attaching roller catch
12	70343101	Magnet	
13	44290501	Magnet Bracket	
14	70126301	Pop Rivet	For attaching kickplate; Black; 6 required
	70126401	Pop Rivet	For attaching kickplate; Gray; 6 required
15	56079	Panel Locator	
16	39733	Screw	
17	70117619	Kickplate	H and U models; Gray; Design 3
	70117607	Kickplate	All models except H models; Black; Design 3
18	70154405P	Handle and Caps Assembly	B, M, N, S and U models; P models with white and stainless steel front panel; Black; Includes endcaps
	70407210	Handle Bumper	P models
	70154415	Handle and Caps Assembly	H and U models; Gray; Includes endcaps
	70407202	Handle Bumper	G and K models; Black and blue; Does not include endcaps
19	44293603W	Lint Panel	Design 3 models
	44293604DG	Lint Panel	P models; Dark gray; No kickplate
	44293603LG	Lint Panel	Design 3 U models; Light gray
	44293602	Lint Panel	B, H, K, M, S and U models; Design 3; Stainless steel
	44293605	Lint Panel	P models; Design 5 H, S and U models; Stainless steel; No kickplate
	44293604LG	Lint Panel	Design 5 U models; Light gray; No kickplate
	44293606W	Lint Panel	Design 5 H, S and U models; No kickplate
20	430757	Screw	
21	70289101P	Gasket	Sold per foot

* Add Letter To Designate Color. Q - Bisque W - White

Lint Panel Components

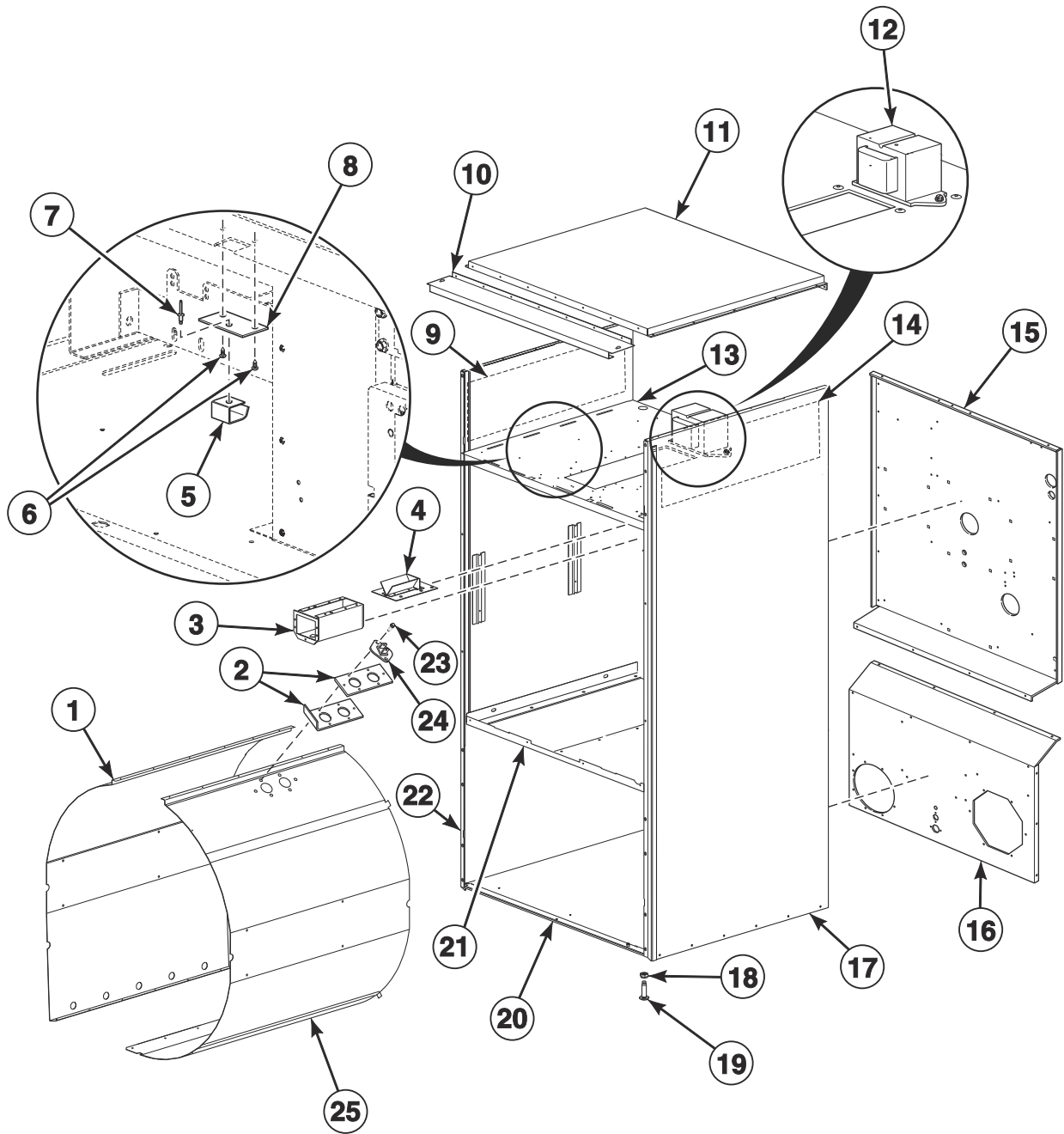


TMB3637P_70591801

Lint Panel Components

REF	PART NO.	DESCRIPTION	COMMENTS
1	44298102	Lint Panel	Left
2	44300901	Lint Panel	Right
3	44298901	Lint Screen Top Rail	
4	44325301	Lint Bracket	
5	44140202	Lint Clip Bracket	2 required
6	35865	Hold-Down Clip	2 required
7	44063601	Lint Screen	
8	H96418413	Lint Screen Clip	

Cabinet Components



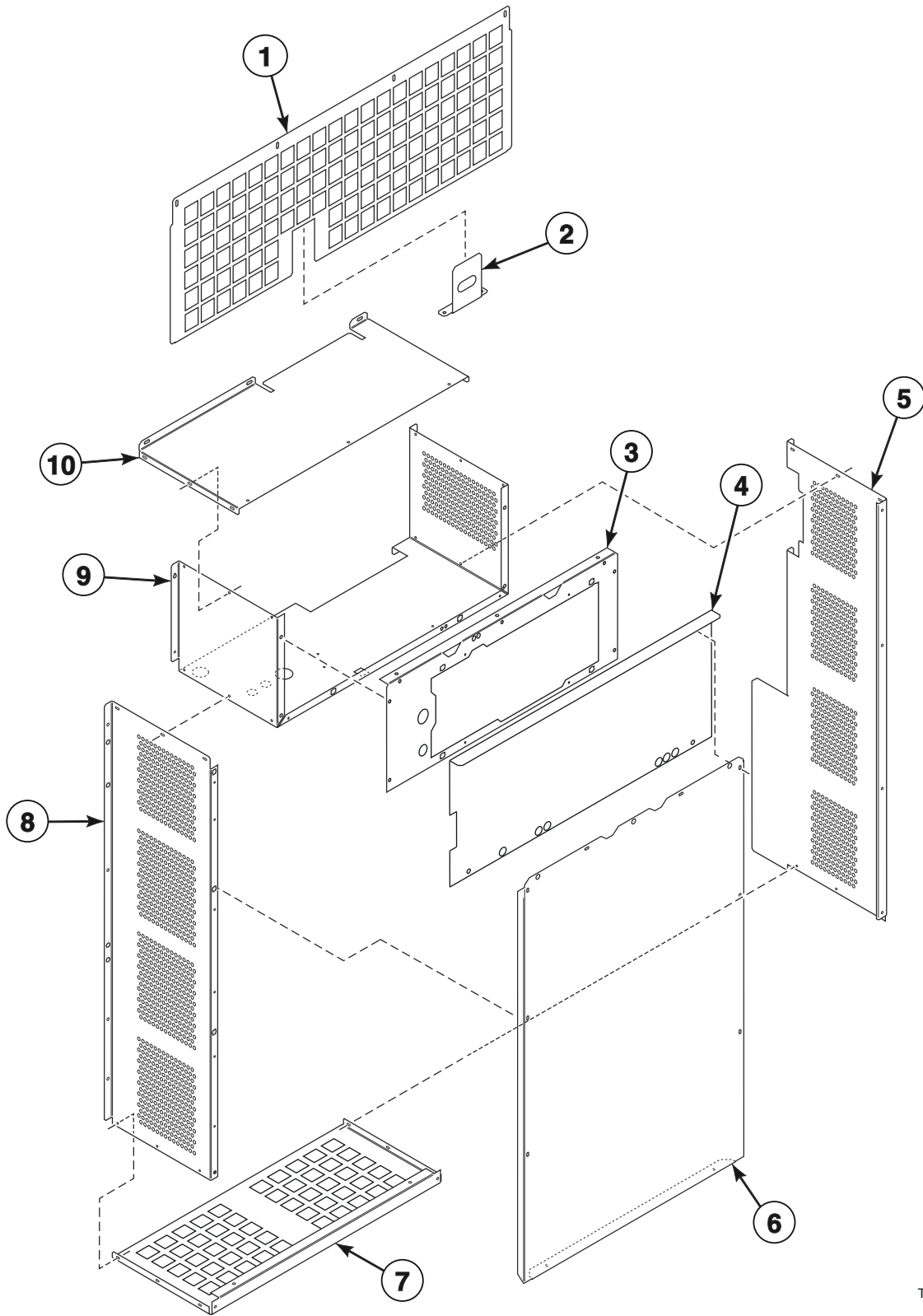
TMB3638P_70591801

Cabinet Components

REF	PART NO.	DESCRIPTION	COMMENTS
	298P4P	Spray Paint	White
	122P4P	Porcelain Touch-Up Paint	White
	370P4P	Porcelain Touch-Up Paint	Bisque
	70058501	Pop Rivet	Use with items 17 and 22
	430497	Screw	Use with items 17 and 22
	44334103	Bypass Harness	Coin vault switch
	44334101	Coin Vault Switch Harness	
	44272301	Transformer Harness	120 Volt; Use with item 12
	44272302	Transformer Harness	240 Volt; Use with item 12
1	44304601	Baffle	Left
2	44068101	Thermistor Plate	
	44068102	Thermistor Plate	Use as a shim
3	70529501	Coin Vault Assembly	
	70529502	Coin Vault and Emergency Stop Mount Assembly	Models with emergency stop
	F160673P	Coin Box	Optional equipment; Includes lock and key
4	70296401	Coin Chute Assembly	Wide
5	431318	Control Door Latch	
6	431287	Screw	
7	M400003	Pop Rivet	
8	44003201	Latch Mounting Bracket	
9	44150102	Insulation	
10	44368201	Top Panel Bracket	Gas and electric models
11	44135001P	Top Cover Pan	Gas and electric models
	44139301	Top Cover	Steam models
12	202757	Transformer	120 Volt
	202758	Transformer	240 Volt
13	44304101	Top Pan	
14	44150103	Insulation	
15	44297001	Upper Rear Panel	
16	44300001	Lower Rear Panel	
17	44304401DG	Side Panel	P models; Right; Dark gray
	44304401*	Side Panel	All models except P models; Design 3; Right
	44304401LG	Side Panel	Design 3 U models; Right; Light gray
	44367601LG	Side Panel	Design 5 U models; Right; Light gray
	44367601W	Side Panel	Design 5 H, S and U models; Right
18	21899	Nut	Right
19	70247701	Screw	Leveling leg
20	44304301	Bottom Pan	
21	44304201	Center Pan	
22	44304501DG	Side Panel	P models; Left; Dark gray
	44304501*	Side Panel	All models except P models; Design 3; Left
	44304501LG	Side Panel	Design 3 U models; Left; Light gray
	44367501LG	Side Panel	Design 5 U models; Left; Light gray
	44367501W	Side Panel	Design 5 H, S and U models; Left
23	51780	Screw	
24	44064701	Thermistor	
25	44304702	Baffle	Right
	44304701	Baffle	Right with fire suppression system

* Add Letter To Designate Color. Q - Bisque W - White

Rear Panel and Belt Guard Components

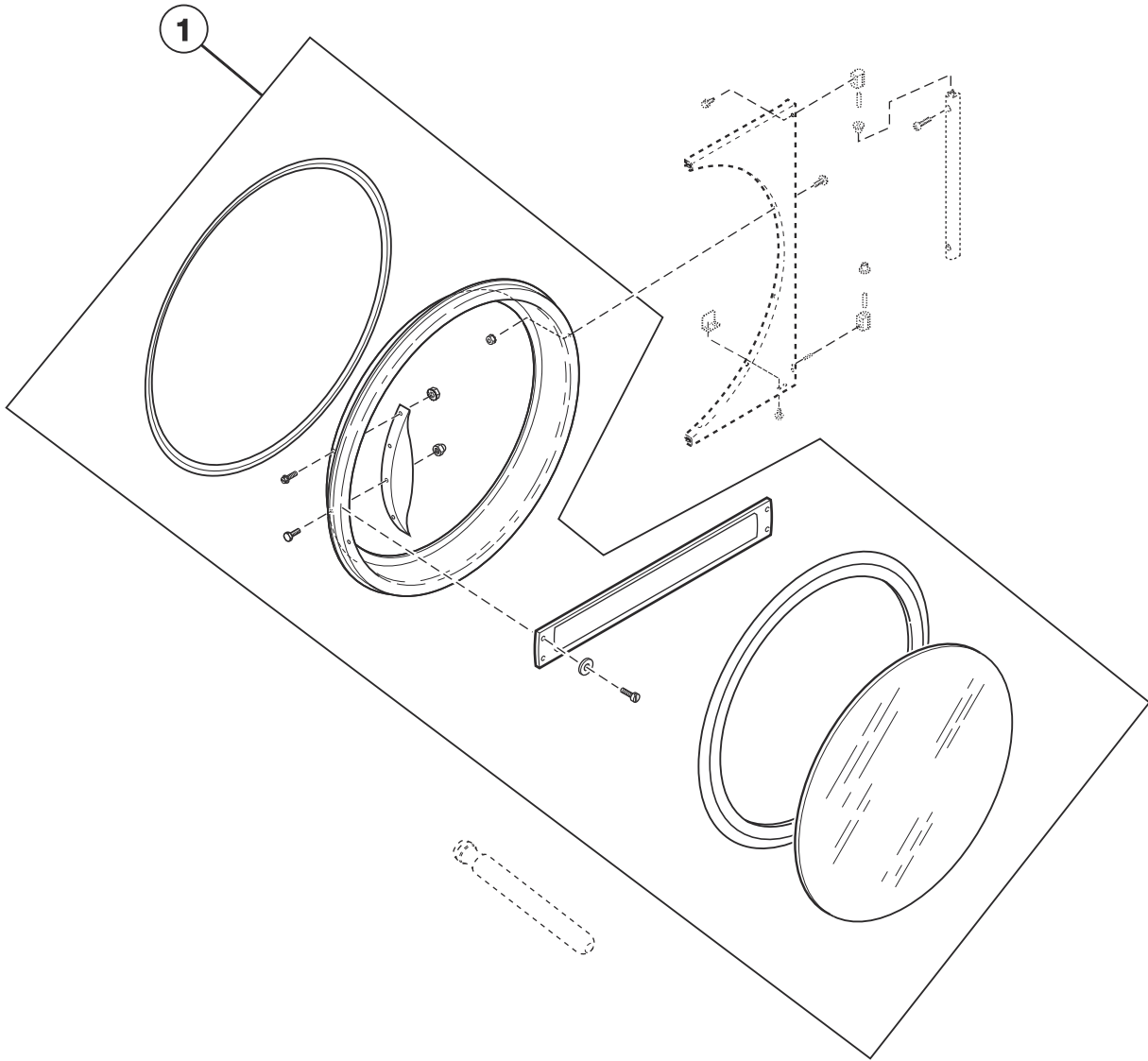


TMB3729P_70591801

Rear Panel and Belt Guard Components

REF	PART NO.	DESCRIPTION	COMMENTS
1	44300301	Stove Grate	Gas models
	44300302	Stove Grate	Steam models
	44305601	Stove Grate	Electric models
2	44327601	Pipe Bracket	Gas models
3	44332201	Belt Guard	Middle
4	70507501	Control Tray Cover	
5	44298301	Belt Guard Side Panel	Left
6	44269201	Guard Panel	Rear
	44269202	Guard Panel	Rear with fire suppression system
7	44298401	Belt Guard	Bottom
8	44301101	Belt Guard Side Panel	Right
9	44332301	Guard Panel	Middle
10	44314301	Belt Guard	Top

Door Assemblies

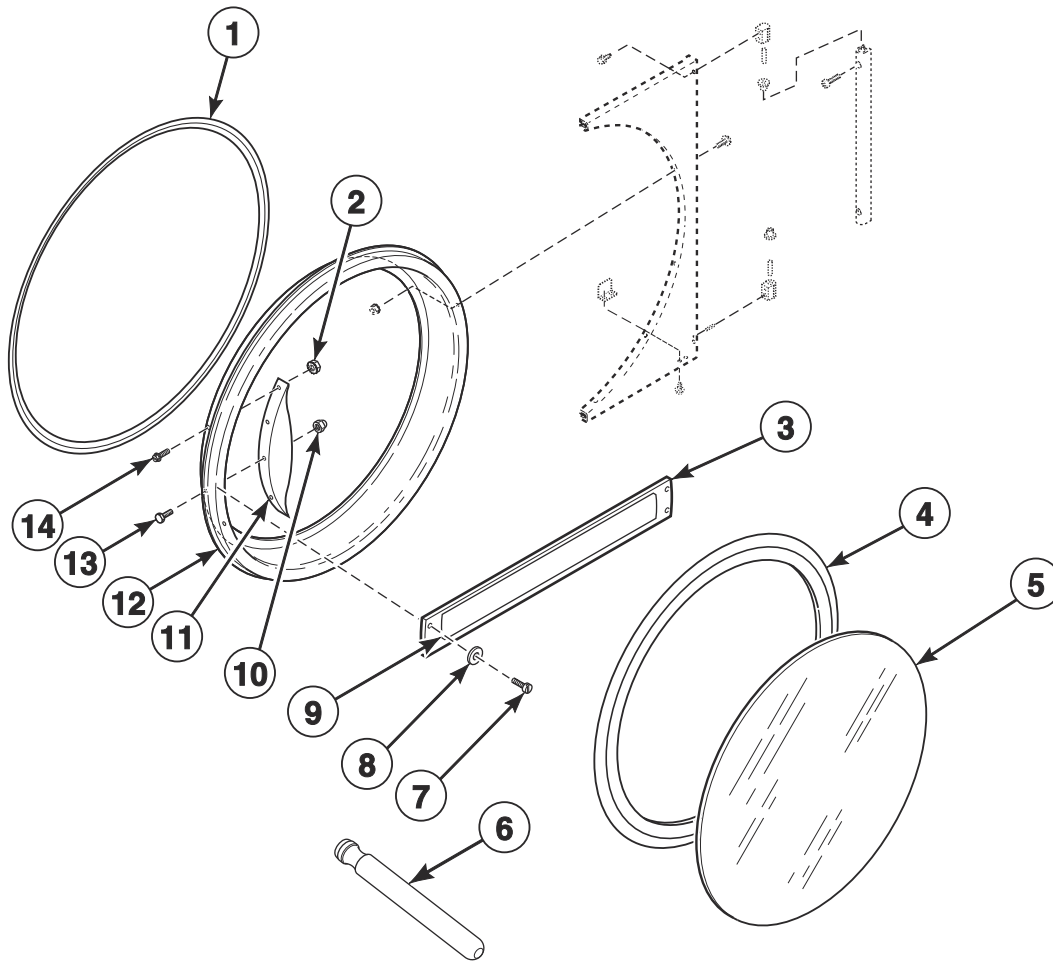


TMB3152P_70591801

Door Assemblies

REF	PART NO.	DESCRIPTION	COMMENTS
1	44028906	Door Assembly	M models; Design 3 S models; Stainless steel
	44354701	Door Assembly	S models; Stainless steel; Design 5
	44028908	Door Assembly	M models; Design 3 S models; Chrome
	44354702	Door Assembly	S models; Chrome; Design 5
	44266703	Door Assembly	U models; Stainless steel; Design 3
	44354703	Door Assembly	U models; Stainless steel; Design 5
	44266704	Door Assembly	U models; Chrome; Design 3
	44354704	Door Assembly	U models; Chrome; Design 5
	44058105	Door Assembly	H models; Stainless steel; Design 3
	44354705	Door Assembly	H models; Stainless steel; Design 5
	44058107	Door Assembly	H models; Stainless steel with green trim; Design 3
	44354707	Door Assembly	H models; Stainless steel with green trim; Design 5
	44058106	Door Assembly	H models; Chrome; Design 3
	44354706	Door Assembly	H models; Chrome; Design 5
	44058108	Door Assembly	H models; Chrome with green trim; Design 3
	44354708	Door Assembly	H models; Chrome with green trim; Design 5
	44028907	Door Assembly	B and N models
	44292302LG	Door Assembly	P models; Light gray
	44292302B	Door Assembly	P models; Use with stainless steel front panel
	70407402	Door Assembly	G and K models; Includes handle

Door Components

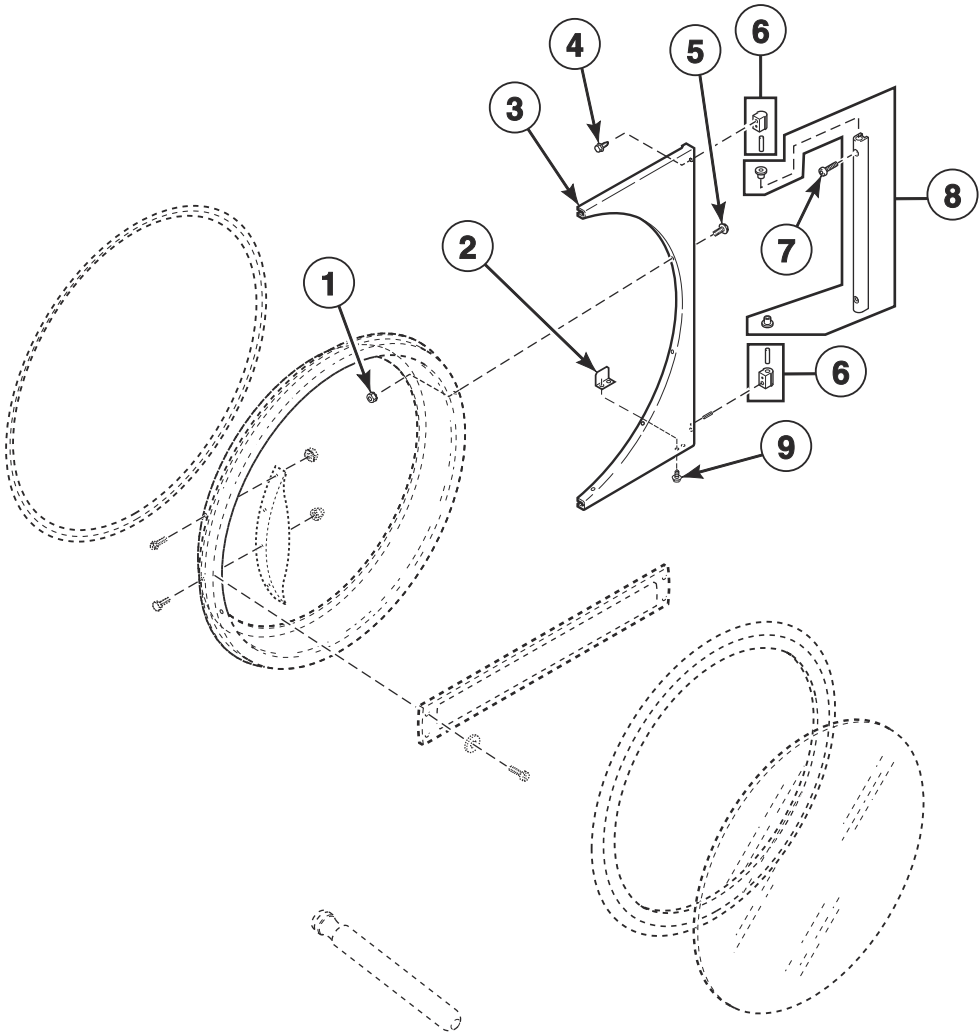


TMB3152PA_70591801

Door Components

REF	PART NO.	DESCRIPTION	COMMENTS
	70650401	Door Glass Label	H models; Design 5
	70707701	Door Glass Label	S models
	70707501	Max Fill Line Label	
1	70296802	Door Ring Gasket	H models with chrome handle
	44008201P	Door Ring Gasket	All other models
2	44088001	Nut	B, H, M, N and S models; 4 required
3	70399501B	Handle Bar	G and K models
4	70211902P	Door Seal Kit	Use Loctite 414 for seal
5	44008402P	Door Glass	H models; Design 3
	44008403	Door Glass	H models; Green trim; Design 3
	44008405	Door Glass	H models; Green trim; Design 5
	44008404	Door Glass	B models; Orange trim
	44008401P	Door Glass	All other models; Design 5 H models
6	M4221P4	Door Glass Installation Tool	
7	70412601	Pop Rivet	G and K models; Attaches door handle to door ring
8	70409301	Washer	G and K models
9	70414001	Label	G and K models; Coin
10	M414215	Nut	For door strike; Mounts between door strike screw and door handle
11	44007901	Door Handle	B, M, N and S models
	44263801	Door Handle	U models; Use 901620 Screw, 800465 Washer, 803871 Screw and 44088001 Nut to attach
	70521102	Door Handle	H models; Design 3
	44370601	Door Handle	H models; Design 5
12	44326001	Door Ring Assembly	M models; Stainless steel; Design 3 H and S models
	44326005	Door Ring Assembly	M models; Chrome; Design 3 H and S models
	44326002	Door Ring Assembly	U models; Design 3
	44326006	Door Ring Assembly	U models; Chrome; Design 3
	44326004B	Door Ring Assembly	B and N models
	44326007LG	Door Ring and Handle Assembly	P models; Light gray
	44326007B	Door Ring and Handle Assembly	P models; Includes handle; Use with stainless steel and white front panel
	44326003B	Door Ring Assembly	G and K models
13	M400661	Screw	Door Strike
14	70442101	Screw	B, H, M, N and S models; 4 required

Hinge Components - Design 3 Models



TMB3091PA_70591801

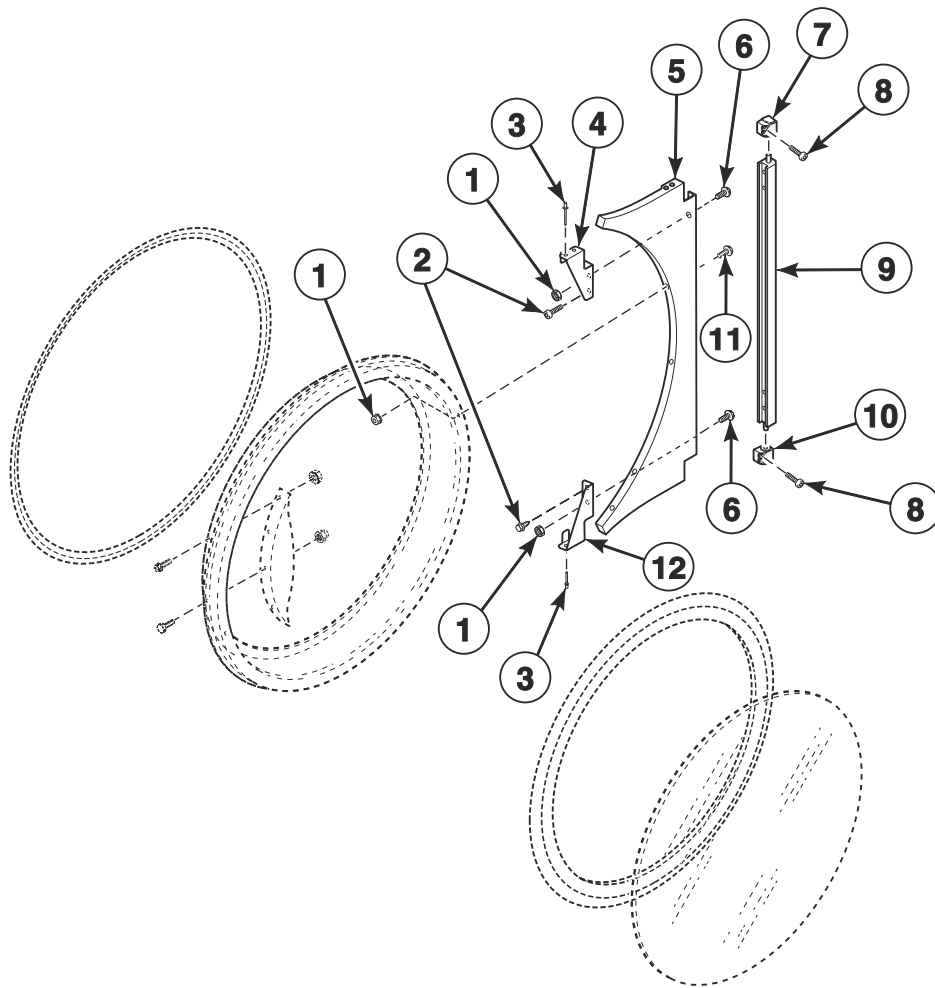
Hinge Components - Design 3 Models

REF	PART NO.	DESCRIPTION	COMMENTS
1	44088001	Nut	6 required
2	70215001P	Door Switch Actuator Kit	
3	44075208B	Door Hinge Assembly	Black; B, G, K and N models; P models with white and stainless steel front panels
	44075203*	Door Hinge Assembly	H, M, N, S and U models
	44075211	Door Hinge Assembly	H, M, S and U models; Stainless steel
	44075208LG	Door Hinge Assembly	P and U models; Light gray
4	70442101	Screw	3 required
5	M400044	Screw	6 required
6	M4773P3	Hinge Cam Kit	Black; B, G, K and N models; P models with white and stainless steel front panels
	M4772P3	Hinge Cam Kit	H, M, P, S and U models
7	70409801	Screw	Black; B, G, K and N models; P models with white and stainless steel front panels; 2 required
	70033502	Screw	H, M, P, S and U models; 2 required
8	44035002	Door Hinge Lug Assembly	Black; B, G, K and N models; P models with white and stainless steel front panels
	44035001	Door Hinge Lug Assembly	H, M, P, S and U models
9	70058501	Pop Rivet	2 required

* Add Letter To Designate Color. Q - Bisque W - White

Hinge Components - Design 5 Models

H, S and U Models

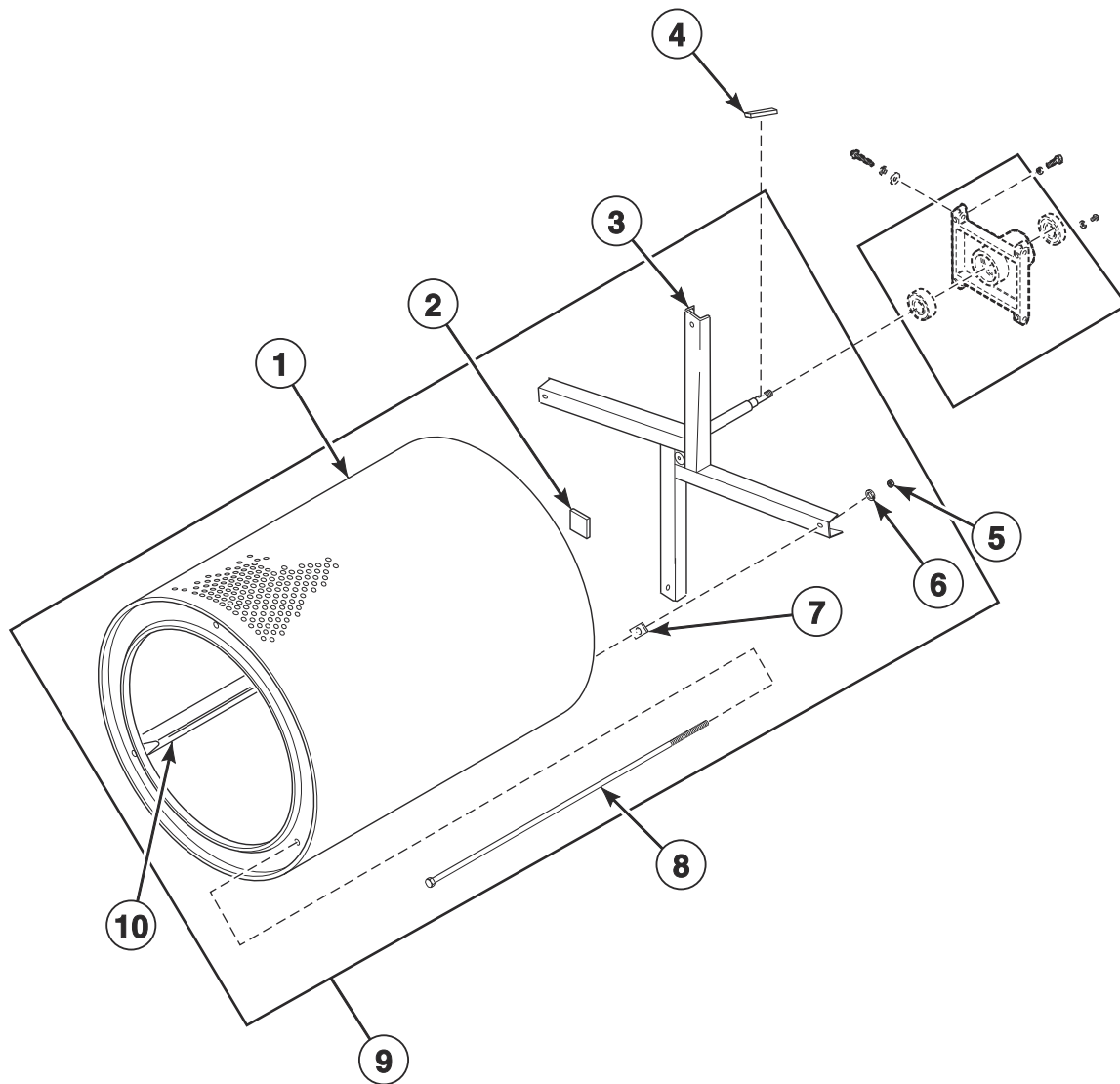


TMB3805P_70591801

Hinge Components - Design 5 Models

REF	PART NO.	DESCRIPTION	COMMENTS
1	44088001	Nut	
2	802822	Screw	
3	70058501	Pop Rivet	
4	70632001	Upper Hinge Gusset	
5	44366606W	Door Hinge Assembly	White
	44366604	Door Hinge Assembly	Stainless steel
	44366602LG	Door Hinge Assembly	Light gray; U models
	44366608	Door Hinge Assembly	Chrome
6	70640201	Screw	
7	70639301	Upper Lug Assembly	Use with 2 of item 8
8	70640301	Screw	
9	70640401	Center Hinge Lug Assembly	
10	70639302	Lower Lug Assembly	Use with 2 of item 8
11	44349101	Screw	
12	70632002	Lower Hinge Gusset	

Cylinder and Trunnion Components

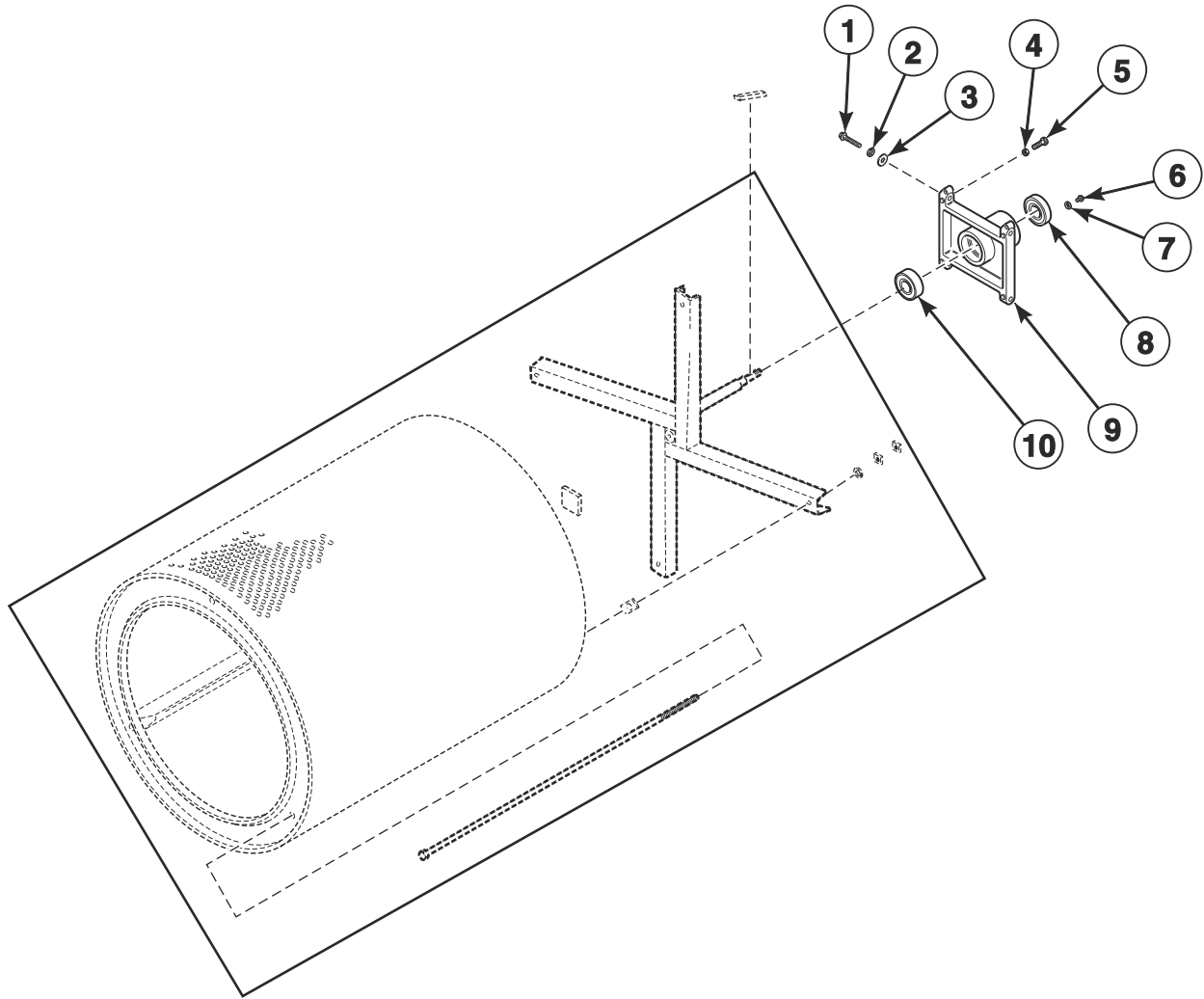


TMB3796P_70591801

Cylinder and Trunnion Components

REF	PART NO.	DESCRIPTION	COMMENTS
1	44057001P	Cylinder Kit	Galvanized; B, H, M, N, P, S and U models; Non-moisture sensing
	44196301	Cylinder Assembly	Galvanized; B, H, M, N, P, S and U models; Moisture sensing
	44057101P	Cylinder Kit	Stainless steel; B, H, M, N, P, S and U models; Non-moisture sensing
	44196302	Cylinder Assembly	Stainless steel; B, H, M, N, P, S and U models; Moisture sensing
	44130802	Cylinder Assembly	G and K models; Non-moisture sensing
	44196303	Cylinder Assembly	G and K models; Moisture sensing
2	M402144	Felt Pad	
3	44208001	Trunnion Assembly	Spider; Non-moisture sensing
	44207901	Trunnion Assembly	Moisture sensing
4	M400008	Key	Half moon
5	M404993	Nut	
6	M400015	Washer	4 required
7	M401402	Spacer	Adjustment between cylinder and trunnion
8	M401411	Rib Rod	
9	44195601	Cylinder and Trunnion Assembly	Galvanized; B, H, M, N, P, S and U models; Non-moisture sensing
	44195602	Cylinder and Trunnion Assembly	Stainless steel; B, H, M, N, P, S and U models; Non-moisture sensing
	44195605P	Cylinder and Trunnion Assembly	Galvanized; B, H, M, N, P, S and U models; Moisture sensing
	44195606	Cylinder and Trunnion Assembly	Stainless steel; B, H, M, N, P, S and U models; Moisture sensing
	44195603	Cylinder and Trunnion Assembly	G and K models; Non-moisture sensing
	44195607	Cylinder and Trunnion Assembly	G and K models; Moisture sensing
10	44191201	Cylinder Rib Assembly	Moisture sensing

Bearing Components

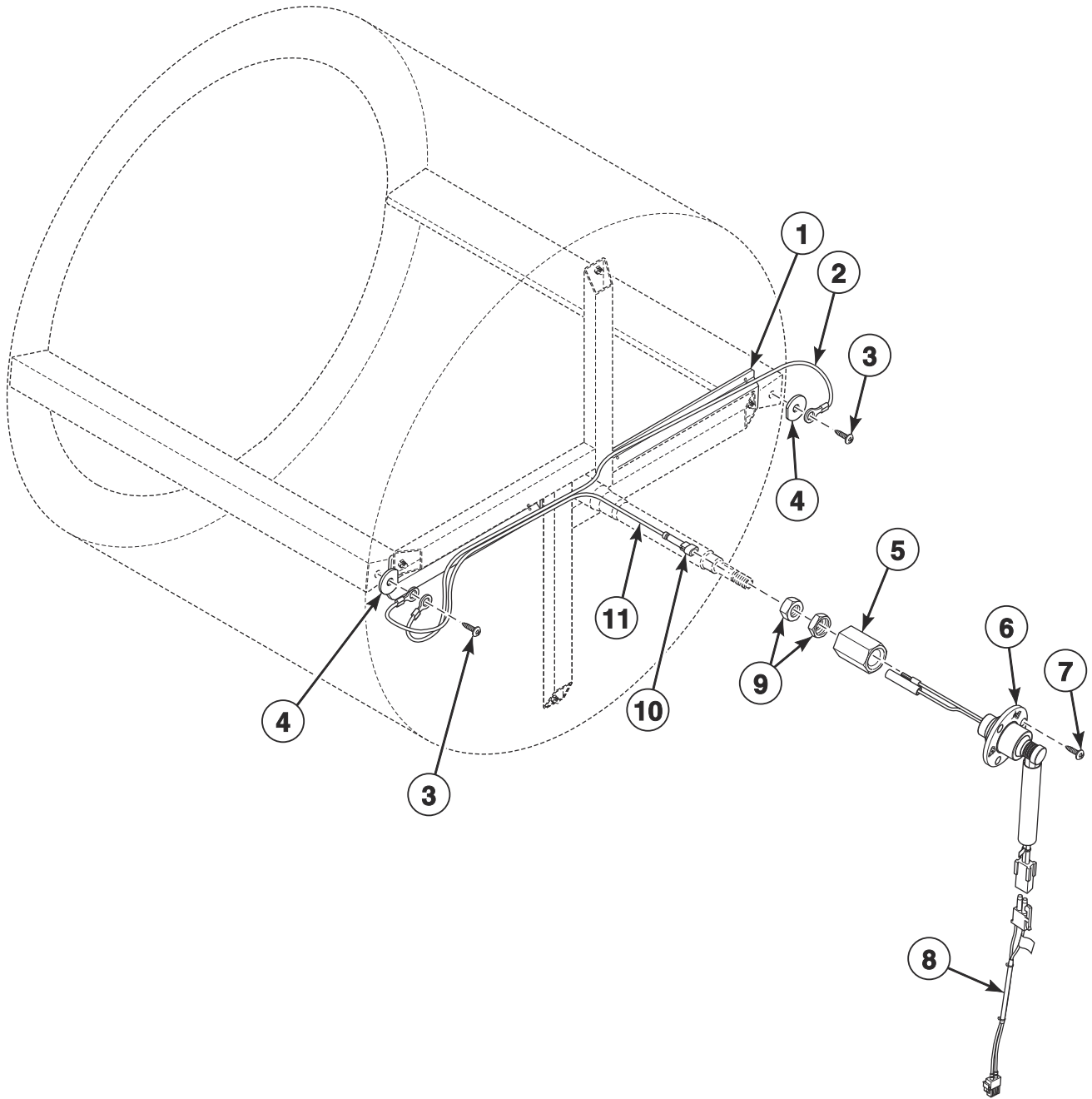


TMB2123PA_70621701

Bearing Components

REF	PART NO.	DESCRIPTION	COMMENTS
	M4640P3	Trunnion and Bearing Assembly	Non-moisture sensing
	44336301	Trunnion and Bearing Assembly	Moisture sensing
	M4644P3	Housing and Trunnion Assembly	Includes bearing; Non-moisture sensing
	44336302	Housing and Trunnion Assembly	Moisture sensing
1	M400063	Screw	4 required
2	M400015	Washer	4 required
3	70261401	Washer	4 required
4	M400026	Nut	4 required
5	M400650	Bolt	2 required
6	70187201	Screw	4 required
7	20103	Washer	4 required
8	M413923P	Bearing	
9	44375001	Trunnion Housing Assembly	Includes bearing
10	44041901P	Ball Bearing	

Moisture Sensing Components

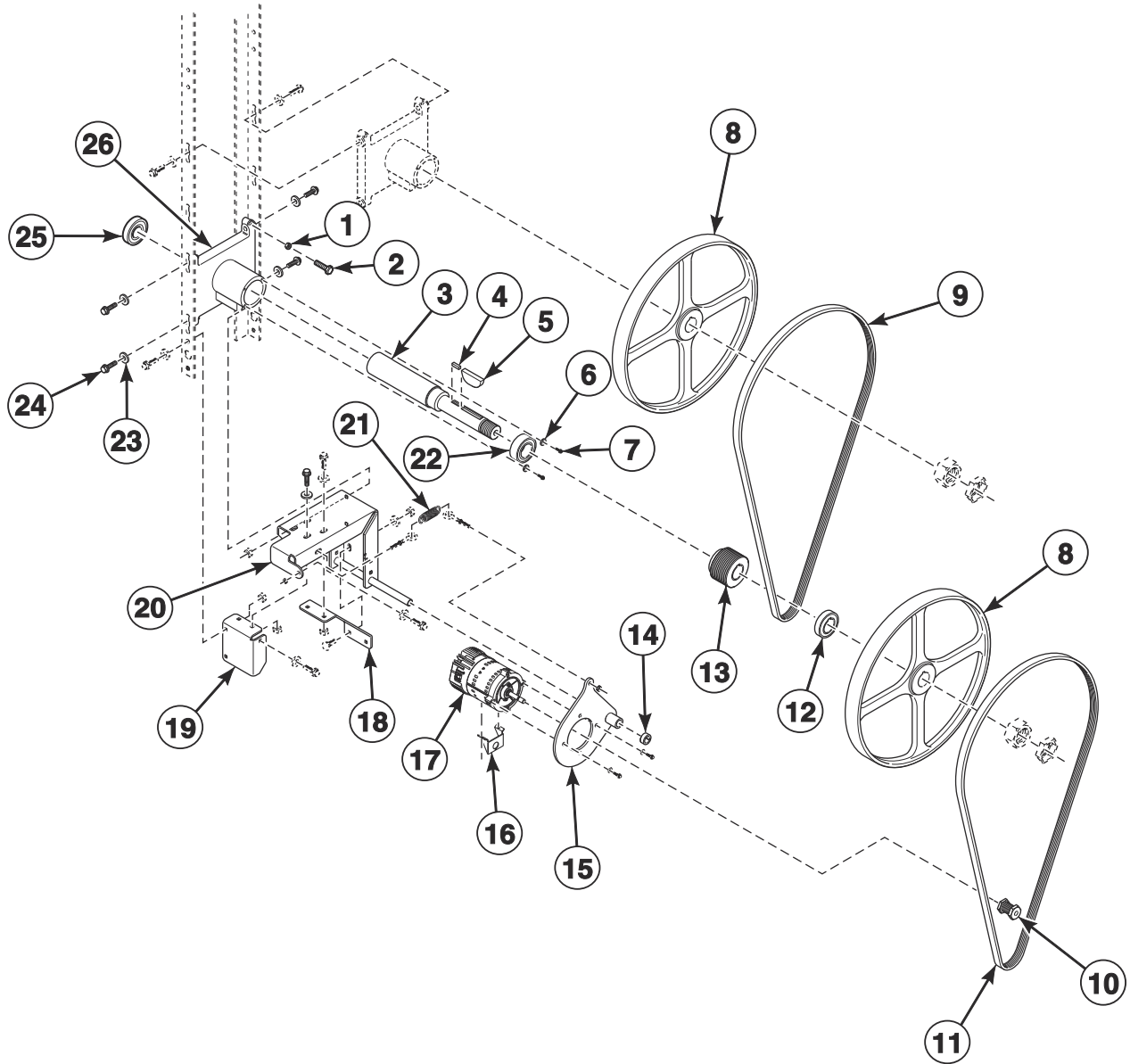


TMB3544P_70591801

Moisture Sensing Components

REF	PART NO.	DESCRIPTION	COMMENTS
	44344702	Moisture Sensing Harness Kit	
	55881	Harness Strap	Use with item 1
1	44239101	Wireway Channel	
2	44208601	Rib Wire	
3	44338901	Screw	
4	44238902	Washer	
5	44224401	Slip Ring Holder	
6	44222702	Slip Ring Assembly	
7	70442101	Screw	
8	44333902	Moisture Sensor Harness	Goes from item 6 to main harness
9	M400035	Nut	
10	44370401	1 Circuit Plug Housing	
11	44208702	Shaft Wire	

Drive Motor Components

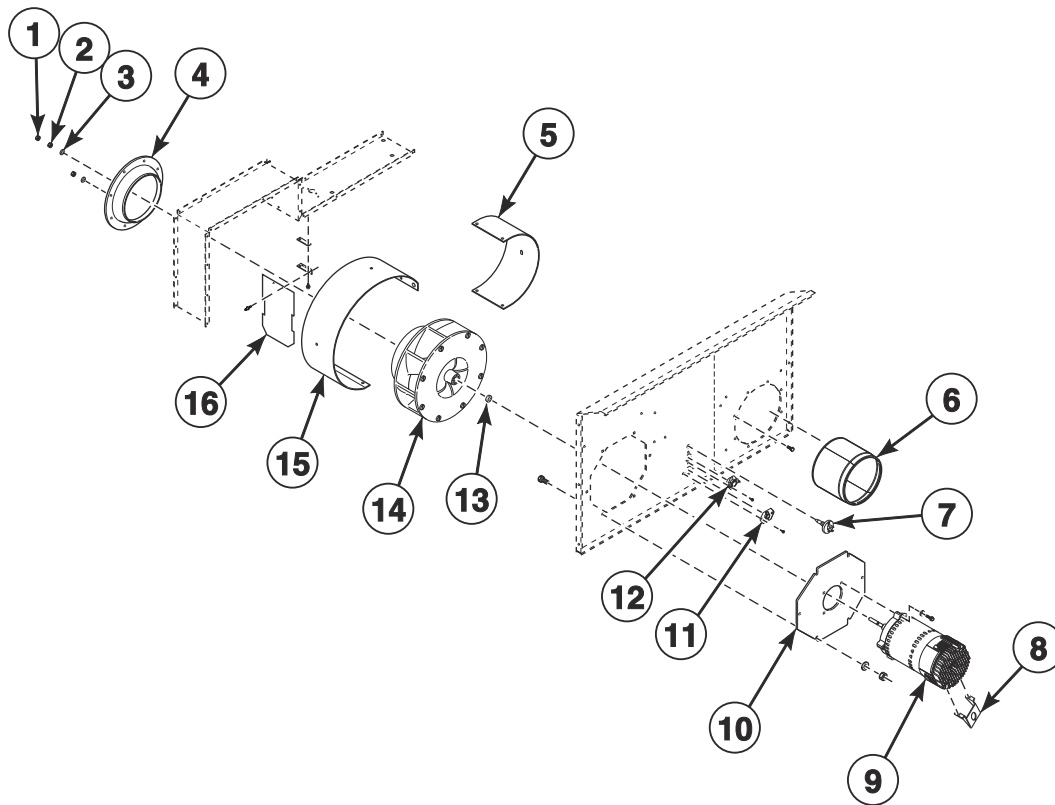


TMB3827P_70591801

Drive Motor Components

REF	PART NO.	DESCRIPTION	COMMENTS
	44333202	Nut	Use with motor pulley
	44335304	Inverter Motor Harness	Cylinder
1	M400026	Nut	
2	M400650	Bolt	
3	44303102	Idler Shaft	
4	44309301	Key	
5	M400008	Key	
6	20103	Washer	
7	70187201	Screw	
8	44289502	Pulley	
9	44333301	V-Belt	Upper
10	70559102	Motor Pulley	
11	44309402	V-Belt	Lower
12	44306801	Idler Spacer	
13	44270201	Micro V Pulley	
14	70467001	Shaft Collar	
15	44311501	Motor Pivot Plate Weldment	
16	44317901	Motor Conduit Bracket	
17	44259501P	Drive Motor	.50 HP; 120, 230 Volt/1 Phase
	44259601P	Drive Motor	.50 HP; 380-460 Volt/3 Phase
18	44325701	Motor Pivot Gusset Bracket	
19	44325801	Motor Pivot Support Bracket	
20	44327001	Motor Pivot Bracket Weldment	
21	F8440701	Extension Spring	
22	M413923P	Bearing	
23	70261401	Washer	4 required
24	805213	Screw	4 required
25	44041901P	Ball Bearing	
26	M413826	Trunnion Housing	

Blower and Exhaust Components

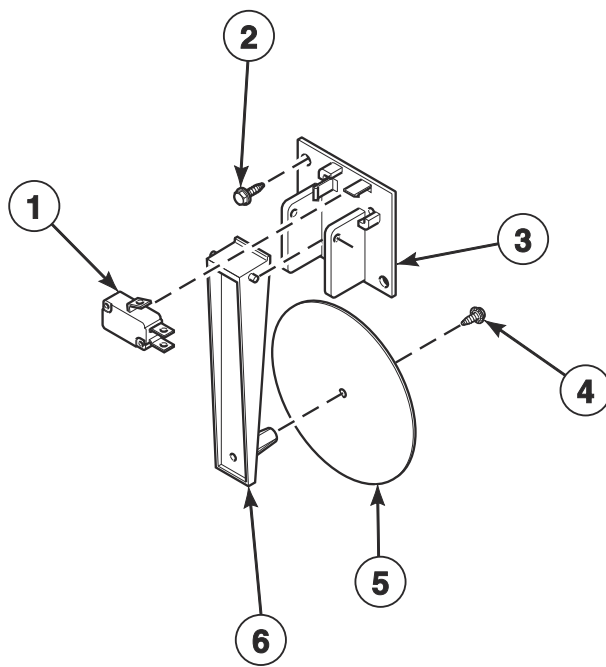


TMB3730P_70591801

Blower and Exhaust Components

REF	PART NO.	DESCRIPTION	COMMENTS
	44335305	Inverter Motor Harness	Fan
1	M400034	Nut	
2	M400022	Nut	
3	F431131	Washer	
4	44308401	Air Exhaust Deflector	
5	70303101	Blower Inlet Cone	
6	44327901	Exhaust Pipe Assembly	
7	M414704	Thermistor	
8	44317901	Motor Conduit Bracket	
9	70478701P	Fan Motor	.50 HP; 120, 230 Volt/1 Phase
	70484901P	Fan Motor	.50 HP; 380-460 Volt/3 Phase
10	70380801	Blower Motor Mounting Plate	
11	70530905	Limit Thermostat	
12	44328003	Limit Thermostat	
13	70599301	Fan Spacer	
14	70302201P	Blower Assembly	
15	44303801	Blower Housing Scroll	
16	44280301	Damper Assembly	

Airflow Switch Assembly

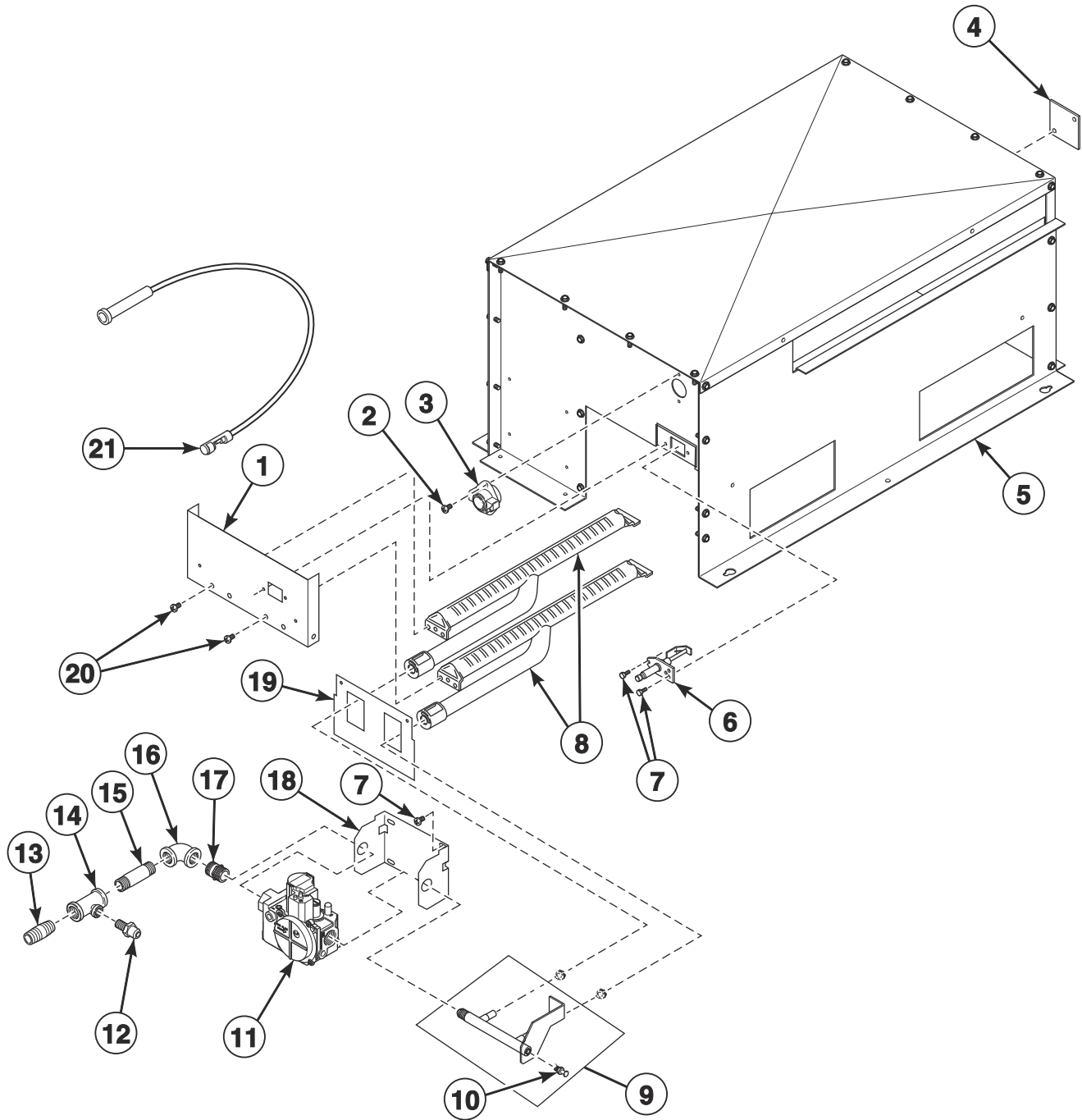


TMB3586P_70591801

Airflow Switch Assembly

REF	PART NO.	DESCRIPTION	COMMENTS
	70429602	Airflow Switch Assembly	Includes items 1 and 3-6
1	70411901	Switch	
2	430497	Screw	6 required
3	70319602	Airflow Switch and Arm Bracket	
4	430757	Screw	
5	70319202	Airflow Switch Vane	
6	70319401	Airflow Switch Arm	

Gas Heater Components

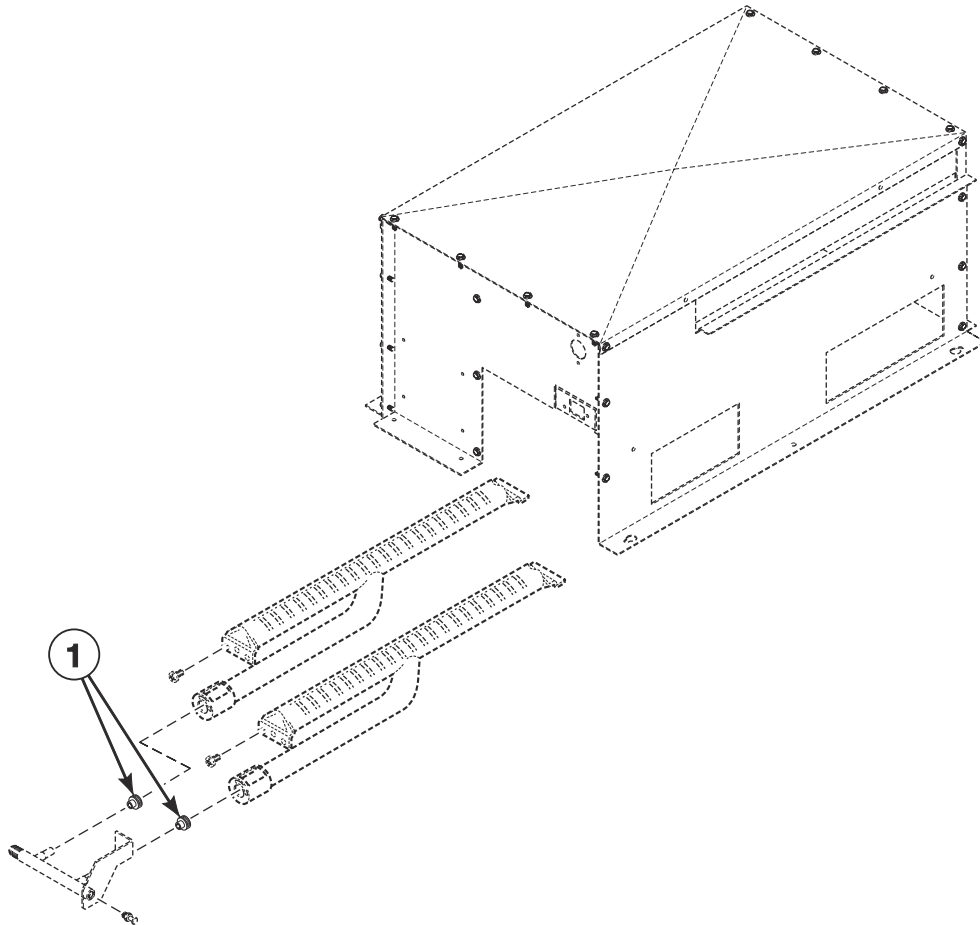


TMB3545P_70591801

Gas Heater Components

REF	PART NO.	DESCRIPTION	COMMENTS
	70539501	Notice Label	Australian models; Natural Gas (N.G.)
	70544901	Notice Label	Australian models; Liquid Petroleum Gas (L.P.)
	D503887	Label	Australian models; Gas
	44178801	Adapter	CE and Australian models; Used to convert from standard to metric thread
	44328801	L.P. Conversion Kit	North America and Australia models; 0-2000 feet
	44330301	L.P. Conversion Kit	IEC models; 0-2000 feet
	70564304	Stove Limit Harness	
	44273502	Gas Valve Harness	Double; CE models
	44273501	Gas Valve Harness	Single
	44355101P	Direct Air Kit	
	70500401	Heat Exchanger	
1	44110201	Burner Support	
2	M402797	Screw	2 required
3	44328007	Limit Thermostat	
4	70159601	Igniter Cover	
5	44136004	Gas Stove Assembly	
6	44328701P	Spark Electrode	
7	430497	Screw	2 required
8	M410541P	Burner Assembly	2 required
9	44263101	Spud Holder Weldment	
10	70167601	Plug	
11	44154501P	Gas Valve	North America models; N.G.
	44154502P	Gas Valve	North America models; L.P.
	44298501	Gas Valve	Australian models; N.G.
	44298504	Gas Valve	Australian models; L.P.
	44178301P	Gas Valve	CE models; N.G.
	44178302P	Gas Valve	CE models; L.P.
	44154505	Gas Valve	All other models; N.G.
	44154506	Gas Valve	All other models; L.P.
12	44231601	Pressure Fitting	CE and Australian models
13	70612603	Pipe Nipple	CE and Australian models
14	44231902	Pipe Tee	CE and Australian models
15	70612602	Pipe Nipple	CE and Australian models
	70210201	Pipe Nipple	T market models
	70612601	Pipe Nipple	All other models
16	70079601	Elbow	T market models
	70612501	Street Elbow	All other models
17	431486	Pipe Nipple	T market models
	F421921	Nipple	All other models
18	44175703	Gas Valve Bracket	
19	44136101	Rear Access Plate	
20	70240301	Screw	4 required
21	44239705	High Voltage Suppression Cable	

Burner Orifices

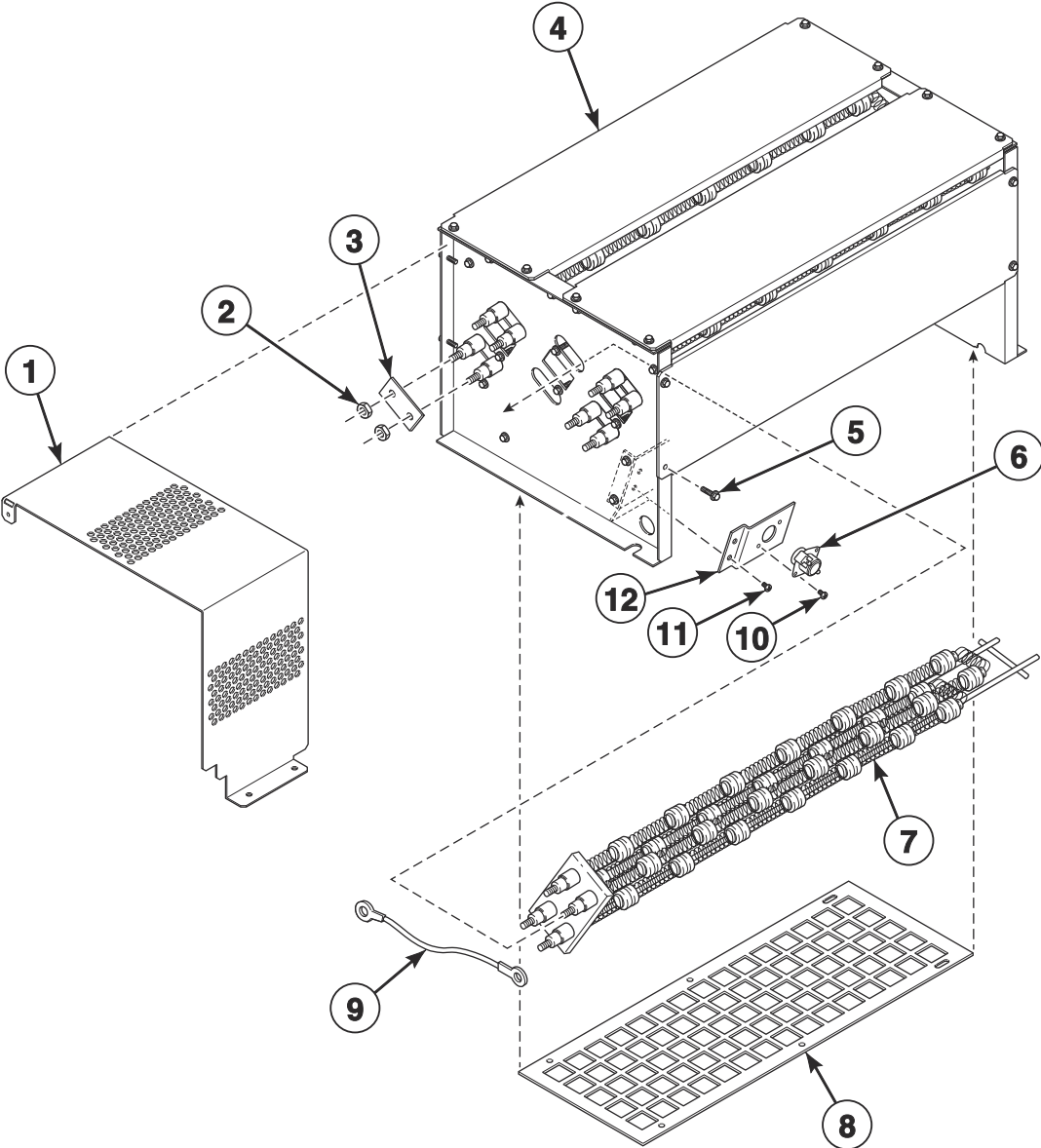


TMB3546P_70591801

Burner Orifices

REF	PART NO.	DESCRIPTION	COMMENTS
	44357501	High Altitude Orifice Kit	North America Natural gas (N.G.) models
	44357502	High Altitude Orifice Kit	North America Liquid Petroleum Gas (L.P.) models
1	70684138	Burner Orifice	N.G. models; Drill no. 24 (3.86 mm); 0-2,000 feet
	70684134	Burner Orifice	N.G. models; Drill no. 28 (3.66 mm); 2,001-4,000 feet
	70684132	Burner Orifice	N.G. models; Drill no. 29 (3.57 mm); 4,001-6,000 feet
	70684130	Burner Orifice	N.G. models; 3.3 mm; 6,001-10,000 feet
	70684113	Burner Orifice	Models with 2nd digit A, G, H, J, K, L and T; L.P.; 2.30 mm; 0-2,000 feet
	70684110	Burner Orifice	Models with 2nd digit A, G, H, J, K, L and T; L.P.; Drill no. 44 (2.18 mm); 2,001-4,000 feet
	70684109	Burner Orifice	Models with 2nd digit A, G, H, J, K, L and T; L.P.; Drill no. 45 (2.08 mm); 4,001-6,000 feet
	70684108	Burner Orifice	Models with 2nd digit A, G, H, J, K, L and T; L.P.; Drill no. 46 (2.06 mm); 6,001-8,000 feet
	70684106	Burner Orifice	Models with 2nd digit A, G, H, J, K, L and T; L.P.; Drill no. 48 (1.93 mm); 8,001-10,000 feet
	70684106	Burner Orifice	CE models; L.P.; Drill no. 48 (1.93 mm); 0-2,000 feet
	70684105	Burner Orifice	CE models; L.P.; Drill no. 49 (1.85 mm); 2,001-4,000 feet
	70684104	Burner Orifice	CE models; L.P.; Drill no. 50 (1.78 mm); 4,001-6,000 feet
	M401019	Burner Orifice	CE models; L.P.; Drill no. 51 (1.70 mm); 6,001-8,000 feet
	70684103	Burner Orifice	CE models; L.P.; Drill no. 52 (1.61 mm); 8,001-10,000 feet
	70684109	Burner Orifice	J market models; L.P.; Drill no. 45 (2.08 mm); 0-2,000 feet
	70684107	Burner Orifice	J market models; L.P.; Drill no. 47 (1.99 mm); 2,001-4,000 feet
	70684106	Burner Orifice	J market models; L.P.; Drill no. 48 (1.93 mm); 4,001-6,000 feet
	70684105	Burner Orifice	J market models; L.P.; Drill no. 49 (1.85 mm); 6,001-8,000 feet
	70684104	Burner Orifice	J market models; L.P.; Drill no. 50 (1.78 mm); 8,001-10,000 feet

Electric Heater Components

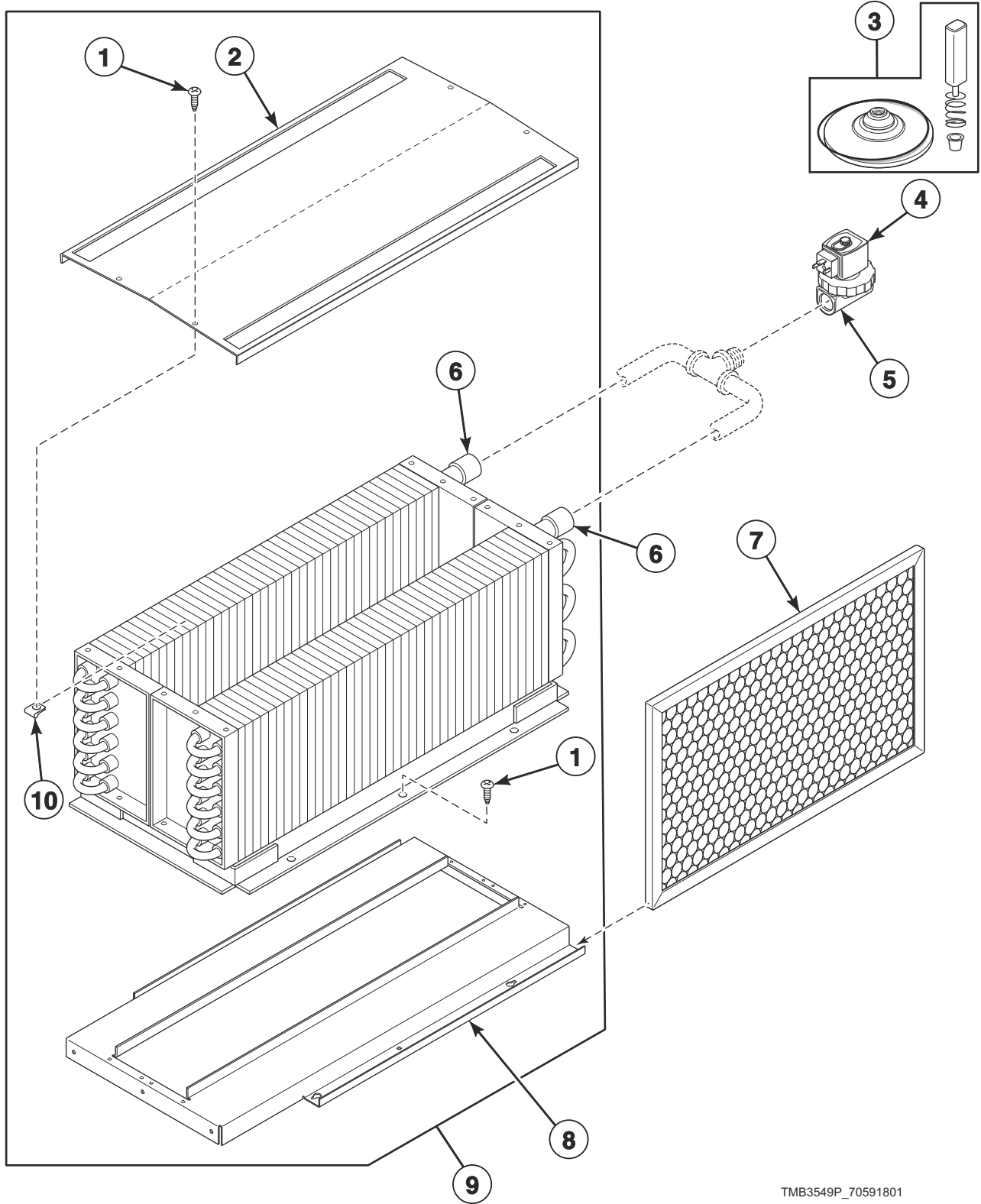


TMB3587P_70591801

Electric Heater Components

REF	PART NO.	DESCRIPTION	COMMENTS
	44355101P	Direct Air Kit	
	70500401	Heat Exchanger	
	70564304	Stove Limit Harness	
	44281706	Harness	200-240 Volt; Contactor to element
	44281707	Harness	Contacto element
1	44327302	Electric Wrap	
2	70054	Nut	
3	M400869	Jumper Strip	3 required for high voltage; 6 required for low voltage
4	44252501	Electric Stove Assembly	
5	70240301	Screw	
6	44328006	Limit Thermostat	
7	M410939P	Heater Element	3 required; 10 kW; 240 Volt heater element for 230-240, 400-415 and 480 Volt/3 Phase models
	M410940P	Heater Element	3 required; 10 kW; 208 Volt heater element for 200-208 Volt/3 Phase models
	M410941P	Heater Element	3 required; 10 kW 220 Volt heater element for 380 and 440 Volt/3 Phase models
	M412955P	Heater Element	3 required; 7 kW; 240 Volt heater element for 230-240 Volt/1 Phase models
8	44308801	Heating Element Screen	
9	44281708	Jumper Harness	3 inch
	44281709	Jumper Harness	9 inch
10	33562	Screw	
11	430497	Screw	
12	44226101	Limit Offset Bracket	

Steam Heater and Valve

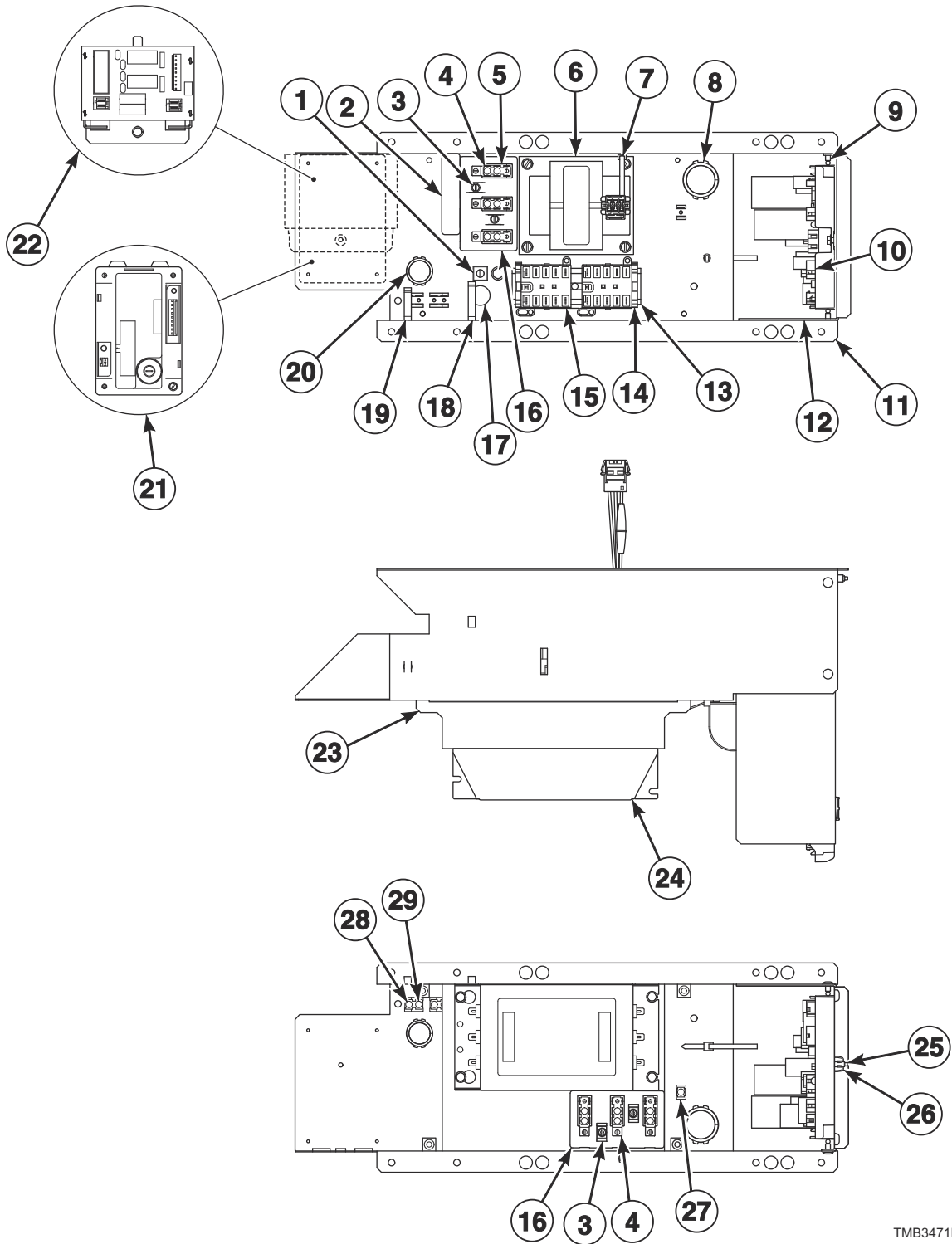


TMB3549P_70591801

Steam Heater and Valve

REF	PART NO.	DESCRIPTION	COMMENTS
	70564302	Stove Limit Bypass Harness	
	F8520703	Steam Valve Harness	
	44314701	Steam Adapter Kit	IEC models
	44304801	Strain Relief	
	F8382301	DIN Valve Adapter Kit	Use with item 5
1	23008	Screw	4 required
2	M400828	Low Pressure Steam Cover	
3	F8379502	Valve Rebuild Kit	
4	F8514701	Coil	120 Volt
	F8514601P	Coil	240 Volt
5	F8322904P	Steam Valve	120 Volt
	F8322906P	Valve	240 Volt
6	M400637P	Steam Coil	2 required
7	44172001	Filter	Aluminum; 2 required; IEC models
	44104201	Air Filter	Fiberglass; 2 required; North America models
8	44007501	Steam Stand Box	
9	44020402	Steam Heater Assembly	CRN models
	44020401P	Steam Heater Assembly	All other models
10	36020	Nut	4 required

Control Tray

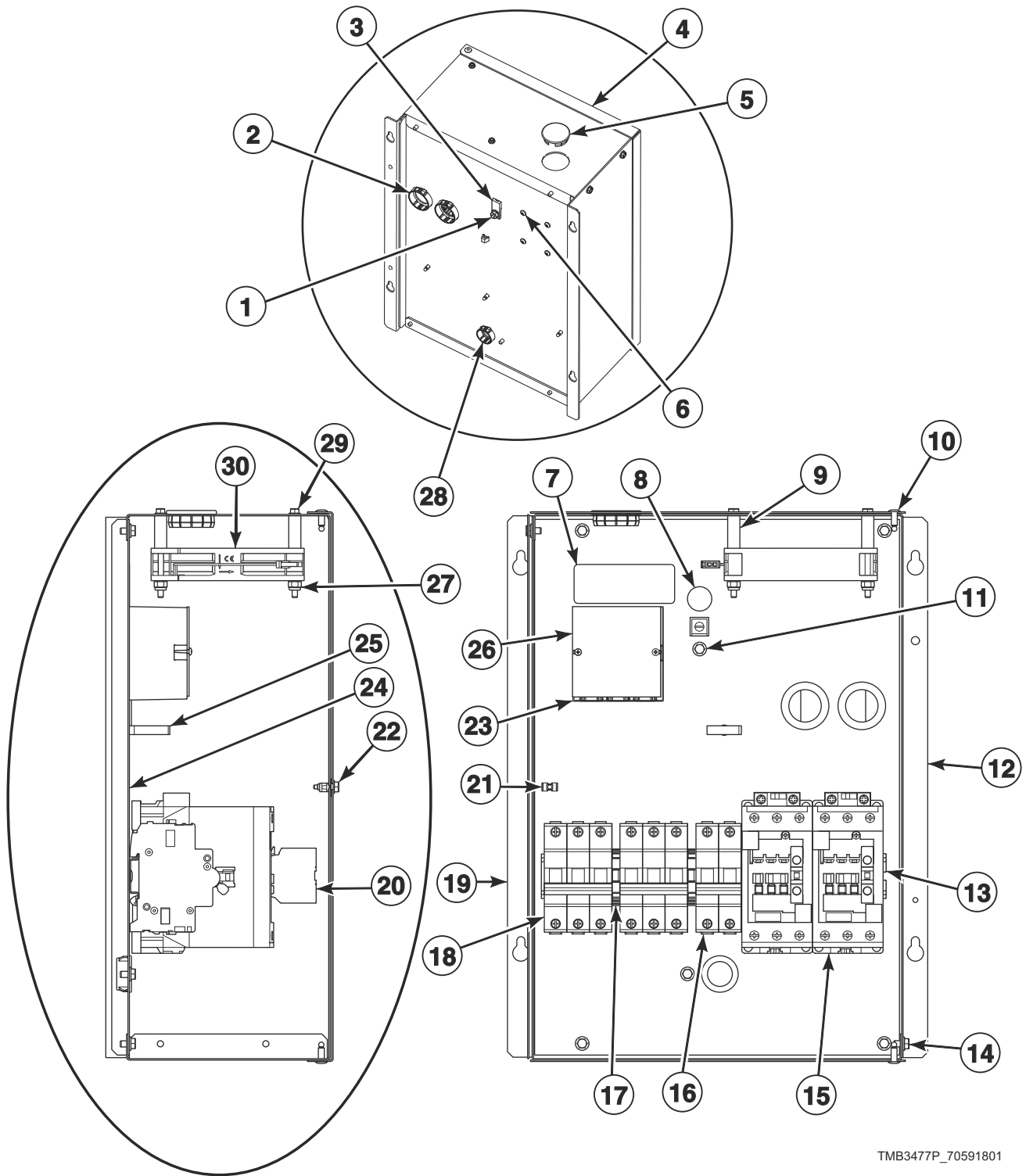


TMB3471P_70591801

Control Tray

REF	PART NO.	DESCRIPTION	COMMENTS
	685837	Screw	Use with item 1
	44088001	Nut	Use with item 1
	70559302	Conversion Kit	X to B voltage
	44357401	EMI Filter Kit	North America models; 100-240 Volt
	44357402	EMI Filter Kit	North America models; 380-480 Volt
1	M411283	Ground Lug Connector	
2	44286803	Label	L1, L2, L3
	44286801	Label	L1, N
	44286802	Wire Label	L1 L2, L1 N
	44286804	Wire Label	L1 L2, L1 N, L1 L2 L3
3	51783	Screw	
4	430642	Terminal Block	
5	70333001	Terminal Block Shield	
6	F8491101	Transformer	380-480 Volt
7	70335601	Cable Tie	
8	70346501	Bushing	
9	70058501	Pop Rivet	
10	70479201P	I/O Control Assembly	
11	70492401	Control Tray	
12	70494901	Control Board Control Tray	
13	M412690	DIN Rail	
14	F8449801	End Stop	
15	70482601	Contactors	240 Volt or less: 1 required; 380 Volt or higher: 2 required
16	M413862	Insulator	
17	D516100	Label	
18	F8449501	Wire Clip	
19	F8449502	Wire Clip	
20	70178701	Snap Bushing	
21	70482002	Ignition Control	IEC gas models
	70482001	Ignition Control	North America gas models
22	70501801	Steam Control Assembly	Steam models
23	70533101	Filter Bracket	
24	F8591601	EMI Filter	IEC models; 100-200 and 200-240 Volt/1 Phase
	F8637501	EMI Filter	IEC models; 380-480 Volt
25	F8206901	Screw	
26	70030501	Expansion Clip	
27	00621SG	Male Tab Terminal	
28	M400003	Pop Rivet	
29	00622SG	Terminal	

Accessory Box - Electric 200-240 Volt Models

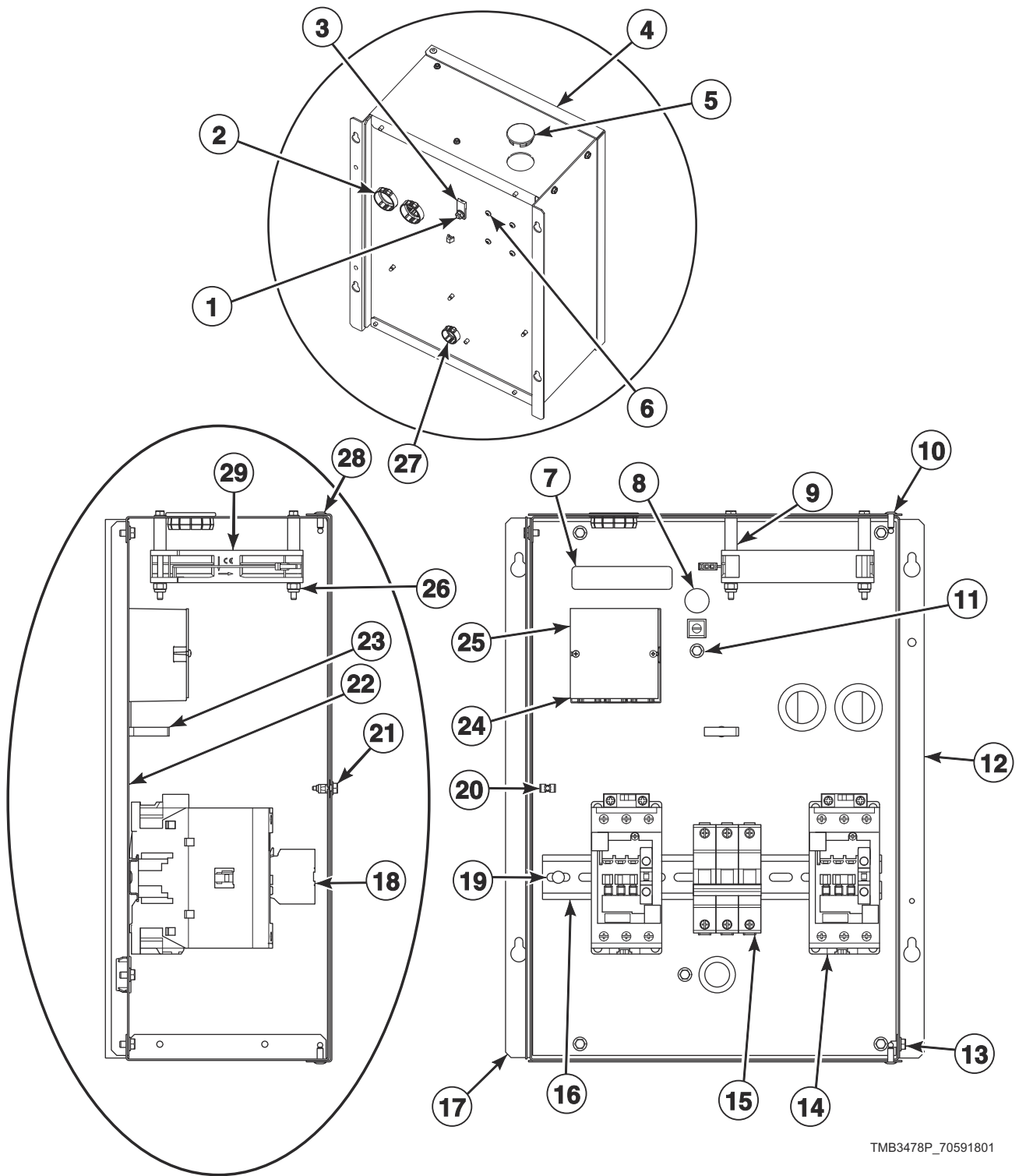


TMB3477P_70591801

Accessory Box - Electric 200-240 Volt Models

REF	PART NO.	DESCRIPTION	COMMENTS
	44309003	Harness	North America models; Power distribution block to control circuit breaker
	44309013	Harness	IEC models; Power distribution block to control circuit breaker
	44281707	Harness	Contactator to element
	44281706	Harness	Contactator to element
	44281703	Harness	Power distribution block to element circuit breaker
	44281701	Harness	Power distribution block to element circuit breaker
1	44088001	Nut	2 required
2	M402542	Snap Bushing	
3	M411283	Ground Lug Connector	
4	44134004	Contactator Box Cover	
5	70180001	Plug	
6	39733	Screw	
7	44286802	Wire Label	1 Phase; L1, L2 L1, N
	44286803	Label	3 Phase; L1, L2, L3
8	D516100	Label	
9	44328601	Sleeve	2 required
10	70058502	Pop Rivet	
11	685837	Screw	
12	44292501	Contactator Box Side	Top
13	44229701	DIN Rail	
	70058501	Pop Rivet	
14	51780	Screw	
15	70482801	Contactator	2 required
16	70488102	Circuit Breaker	25 amp
17	F8449801	End Stop	2 required
18	70488104	Circuit Breaker	2 required; 50 amp
19	44292401	Contactator Box Side	Bottom
20	44313201	Auxiliary Contact Block	
21	70030501	Expansion Clip	
22	F8206901	Screw	
23	M413865	Power Distribution Block	
24	44292601	Contactator Box Base Plate	
25	F8449502	Wire Clip	
26	44014901P	Power Distribution Block Cover	
27	F430232	Nut	
28	F140938	Snap Bushing	
29	70546902	Screw	
30	F8504301	Fan	

Accessory Box - Electric 380-480 Volt Models



TMB3478P_70591801

Accessory Box - Electric 380-480 Volt Models

REF	PART NO.	DESCRIPTION	COMMENTS
	44309004	Harness	North America models; Power distribution block to control circuit breaker
	44309014	Harness	IEC models; Power distribution block to control circuit breaker
1	44088001	Nut	
2	M402542	Snap Bushing	2 required
3	M411283	Ground Lug Connector	
4	44134004	Contactorm Box Cover	
5	70180001	Plug	
6	39733	Screw	
7	44286803	Label	
8	D516100	Label	
9	44328601	Sleeve	2 required
10	70058502	Pop Rivet	
11	685837	Screw	
12	44292501	Contactorm Box Side	Top
13	51780	Screw	
14	70482801	Contactorm	2 required
15	70488101	Circuit Breaker	
16	44229701	DIN Rail	
17	44292401	Contactorm Box Side	Bottom
18	44313201	Auxiliary Contact Block	2 required
19	70058501	Pop Rivet	
20	70030501	Expansion Clip	
21	F8206901	Screw	
22	44292601	Contactorm Box Base Plate	
23	F8449502	Wire Clip	
24	M413865	Power Distribution Block	
25	44014901P	Power Distribution Block Cover	
26	F430232	Nut	
27	F140938	Snap Bushing	
28	70546902	Screw	
29	F8504301	Fan	

Harnesses

PART NO.	DESCRIPTION	COMMENTS
44316007	Harness	1 Phase
44316008	Harness	3 Phase
44280007	Configuration Harness	120 Volt; Cylinder
44280006	Configuration Harness	120 Volt; Fan
44334308	Contactora Coil Harness	Electric models
44334303	Control Harness	Electric models; 1 Phase
44334304	Control Harness	Electric models; 3 Phase
44356404	Control Tray Harness Assembly	Electric models
44356408	Control Tray Harness Assembly	Steam models
44356403	Control Tray Harness Assembly	Gas models
44334702	Inverter Contactora Coil Harness	Secondary
44281705	Jumper Harness	
44316001	Harness	1 Phase
44316002	Harness	3 Phase
44280010	Motor Contactora Power Harness	1 Phase; EMI
44280012	Motor Contactora Power Harness	3 Phase; EMI
44280001	Motor Contactora Power Harness	1 Phase
44280003	Motor Contactora Power Harness	3 Phase
44280101	Power Harness	
44272101	Power Harness	

Labels

PART NO.	DESCRIPTION	COMMENTS
44324201	Caution Label	Australian models; Repeat Ignition Reset
44318601	Caution Label	Vent/install
F8614501	Danger Label	Shock; English/French
F8614301	Hot Surface Warning Label	English/French
F8609001	Hot Surface Warning Label	Icon
F8611601	Warning Label	
44318600	Label Kit	Vent/install
F8614500	Label Kit	Shock
F8611600	Warning Label Kit	
44321501	Notice Label	120/240 Volt
70539601	Notice Label	
70534201	Notice Label	
F8609501	Notice Label	
D516073	Notice Label	Read instructions; Icon
70538401	Pinch Warning Label	English/French
F8615701	Pinch Warning Label	Icon
70536401	Warning Label	Lint; Australian models
44324101	Warning Label	Fire; Australian models
44321601	Warning Label	Risk of fire; Icon
44324001	Warning Label	Shock/pinch

Parts Index

A

Access Panel Trim 70399402	45
Adapter 44178801	77
Air Exhaust Deflector 44308401	73
Air Filter 44104201	83
Airflow Switch and Arm Bracket 70319602	75
Airflow Switch Arm 70319401	75
Airflow Switch Assembly 70429602	75
Airflow Switch Vane 70319202	75
Auxiliary Contact Block 44313201	87, 89

B

Baffle 44304601	53
44304701	53
44304702	53
Ball Bearing 44041901P	67, 71
Bearing M413923P	67, 71
Belt Guard 44298401	55
44314301	55
44332201	55
Belt Guard Side Panel 44298301	55
44301101	55
Blind Rivet F8245101	49
Blower Assembly 70302201P	73
Blower Housing Scroll 44303801	73
Blower Inlet Cone 70303101	73
Blower Motor Mounting Plate 70380801	73
Bolt M400650	67, 71
Bottom Pan 44304301	53
Burner Assembly M410541P	77
Burner Orifice M401001	79
70684103	79
70684104	79
70684105	79

70684106	79
70684107	79
70684108	79
70684109	79
70684110	79
70684113	79
70684130	79
70684132	79
70684134	79
70684138	79
Burner Support 44110201	77
Bushing 70346501	85
Bypass Harness 44334103	39, 53

C

Cable Tie 70335601	85
Caution Label 44318601	91
44324201	91
Center Hinge Lug Assembly 70640401	63
Center Pan 44304201	53
Central Pay Board Harness 44355604	35
Central Pay Harness 44342801	21
44355602	35
44355605	35
Central Pay Kit 44359001	35
44359003	35
Circuit Breaker 70488101	89
70488102	87
70488105	87
Circuit Plug Housing, 1 26302	69
Coil F8514601P	83
F8514701	83
Coin Box F160673P	53
Coin Chute Assembly 70296401	53
Coin Drop 38963P	31
39748	31
70441601	31
70441603	31
Coin Drop Assembly 201141	31
210195	31
210196	31
38462P	31
38463	31

N/A items do not appear in index.

38467	31	Control Box Cover	
38519	31	44065201	17
70281102	31	Control Box Housing	
70283102	31	44306701	17
70441602	31	Control Box Top	
70447301	31	44307101	17
70471601	31	Control Door and Studs Assembly	
70482401	31	70570201	29
70506901	31	Control Door Latch	
Coin Drop Kit		431318	53
CK077	31	Control Harness	
CK122	33	44334303	90
Coin Identification Paper		44334304	90
38464P	31	44334404	17
38475	31	Control Panel	
38725	31	44000122*P	41
Coin Meter		44000125	41
F0160737-00	31	44000130DG	41
Coin Vault and Emergency Stop Mount Assembly		44040005*	41
70529502	53	44040008B	41
Coin Vault Assembly		44040011*	41
70529501	53	44040013	41
Coin Vault Switch Harness		44040014	41
44334101	39, 53	44040015LG	41
Cold Weather Kit		44367103	43
44340301	17	44367106W	43
Configuration Harness		44368001	43
44280006	90	44368002	43
44280007	90	44368003W	43
Contact Base		44368004W	43
F8538101	37	Control Plate	
Contact Switch		70497101	19, 27
F8069501	37	Control Plate and Studs Assembly	
Contactors		70496601	21, 23
70482601	85	Control Plate Assembly	
70482801	87, 89	70497201	21, 23
Contactors Box Base Plate		Control Tray	
44292601	87, 89	70492401	85
Contactors Box Cover		Control Tray Cover	
44134004	87, 89	70507501	55
Contactors Box Side		Control Tray Harness Assembly	
44292401	87, 89	44356403	90
44292501	87, 89	44356404	90
Contactors Coil Harness		44356408	90
44334308	90	Control Trim	
Control		44016401	39
70511601	17	70529401	39
Control Assembly		Conversion Kit	
70478801P	21, 23	70559302	85
70478802	27	Cylinder and Trunnion Assembly	
70478901	23	44195601	65
70478902	27	44195602	65
70479801	19	44195603	65
70479901	19	44195605P	65
70523001	23	44195606	65
70523002	27	44195607	65
70523101	19	Cylinder Assembly	
70543104	29	44130802	65
Control Board Control Tray		44196301	65
70494901	85	44196302	65
Control Box Assembly		44196303	65
44180101	15	Cylinder Kit	
Control Box Base		44057001P	65
44065301	17	44057101P	65
		Cylinder Rib Assembly	
		44191201	65

N/A items do not appear in index.

D

Damper Assembly	
44280301	73
Danger Label	
F8614501	91
DIN Rail	
M412690	85
44229701	87, 89
DIN Valve Adapter Kit	
F8382301	83
Direct Air Kit	
44355101P	77, 81
Door Assembly	
44028906	57
44028907	57
44028908	57
44058105	57
44058106	57
44058107	57
44058108	57
44266703	57
44266704	57
44292302B	57
44292302LG	57
44354701	57
44354702	57
44354703	57
44354704	57
44354705	57
44354706	57
44354707	57
44354708	57
70407402	57
Door Catch Kit	
70482901	39
Door Glass	
44008401P	59
44008402P	59
44008403	59
44008404	59
44008405	59
Door Glass Installation Tool	
M4221P4	59
Door Glass Label	
70650401	59
70707701	59
Door Handle	
44007901	59
44263801	59
44370601	59
70521102	59
Door Hinge Assembly	
44075203*	61
44075208B	61
44075208LG	61
44075211	61
44366602LG	63
44366604	63
44366608	63
Door Hinge Lug Assembly	
44035001	61
44035002	61
Door HingecAssembly	
44366606W	63

Door Latch	
M401223	39
Door Ring and Handle Assembly	
44326007B	59
44326007LG	59
Door Ring Assembly	
44326001	59
44326002	59
44326003B	59
44326004B	59
44326005	59
44326006	59
Door Ring Gasket	
44008201P	59
70296802	59
Door Seal Kit	
70211902P	59
Door Switch Actuator Kit	
70215001P	61
Door Switch Harness	
44335202	39
Drive Motor	
44259501P	71
44259601P	71
Drive Rivet	
M400713	17

E

Elbow	
70079601	77
Electric Stove Assembly	
44252501	81
Electric Wrap	
44327302	81
Electronic Coin Drop Assembly	
70294107	31
70513302	31
70513303	31
70513304	31
70513306	31
70513308	31
70513309	31
70513310	31
70513311	31
70513312	31
70513313	31
70513314	31
70513315	31
70513316	31
Electronic Coin Drop Kit	
CK099	33
CK100	33
CK101	33
CK108	33
CK109	33
CK110	33
CK113	33
CK115	33
CK116	33
CK117	33
CK118	33
CK119	33
CK120	33
CK121	33

N/A items do not appear in index.

Emergency Stop Button Kit 70580301	37
Emergency Stop Bypass Harness F8519403	37
Emergency Stop Harness 44272401	37
Emergency Stop Interconnect Harness 44272106	37
Emergency Stop Label 44012901	37
44012903	37
Emergency Stop Mounting Bracket 70550401	37
Emergency Stop Pushbutton F200233500	37
EMI Filter F8591601	85
F8637501	85
EMI Filter Kit 44357401	85
44357402	85
End Stop F8449801	85, 87
Ethernet Gateway Kit NK320	35
Exhaust Pipe Assembly 44327901	73
Expansion Clip 70030501	21, 23, 35, 39, 85, 87, 89
Extension Spring F8440701	71

F

Fan F8504301	87, 89
Fan Motor 70478701P	73
70484901P	73
Fan Spacer 70599301	73
FCC-IC Label F8613201	35
Felt Pad M402144	65
Fill Hose 202799	17
Filter 44172001	83
Filter Bracket 70533101	85
Filter Mounting Plate 70551701	17
Fob Communication Harness F8719301	23
Fob Reader Control Assembly 205135	23
Fob Reader Kit 70666806	35
Front Panel 44052517DG	45
44052517LG	45
44052520DG	45

N/A items do not appear in index.

44052520W	45
44052522	45
44052525*	45
44052526DG	45
44052527	45
44052529	45
44052530DG	45
44052530LG	45
44052530W	45
44367401W	47
44367403	47
44367405W	47
44367406	47
44367407W	47
44367408LG	47
44367409	47
Front Panel Assembly 44077905WP	45
44077919	45

G

Gas Stove Assembly 44136004	77
Gas Valve 44154501P	77
44154502P	77
44154505	77
44154506	77
44178301P	77
44178302P	77
44298501	77
44298504	77
Gas Valve Bracket 44175703	77
Gas Valve Harness 44273501	77
44273502	77
Gasket 70289101P	49
Ground Lug Connector M411283	85, 87, 89
Guard Panel 44269201	55
44269202	55
44332301	55

H

Handle and Caps Assembly 70154405P	49
70154415	49
Handle Bar 70399501B	59
Handle Bumper 70407202	49
70407210	49
Harness F8617901	29
44281701	87
44281703	87
44281706	81, 87
44281707	87
44309003	87

44309004	89
44309013	87
44309014	89
44316002	90
44316007	90
44316008	90
Harness Adapter Plate 70523301	17
Harness Mounting Plate 70307007	15, 35
Harness Strap 55881	69
Heat Exchanger 70500401	77, 81
Heater Element M410939P	81
M410940P	81
M410941P	81
M412955P	81
Heating Element Screen 44308801	81
High Altitude Orifice Kit 44357501	79
44357502	79
High Voltage Suppression Cable 44239705	77
Hinge Cam Kit M4772P3	61
M4773P3	61
Hold-Down Clip 35865	51
Hose 44073304	17
Hose Clamp 36801	17
Hose Fitting 44069101	17
Hot Surface Warning Label F8609001	91
F8614301	91
Housing and Trunnion Assembly M4644P3	67
44336302	67

I

Idler Shaft 44303102	71
Idler Spacer 44306801	71
Igniter Cover 70159601	77
Ignition Control 70482001	85
70482002	85
Insulation 44150102	53
44150103	53
Insulator M413862	85
Interconnect Harness 44334401	17

Inverter Contactor Coil Harness 44334702	90
Inverter Motor Harness 44335304	71
44335305	73
I/O Control Assembly 70479201P	85

J

Jumper Harness D511476	39
44281705	90
44281708	81
44281709	81
Jumper Strip M400869	81

K

Key M400008	65, 71
44309301	71
70155601	17, 39
70155602	39
Kickplate 70117607	49
70117619	49

L

Label D503887	77
D516100	85, 87, 89
44190901	45
44286801	85
44286803	85, 87, 89
44318201	17
70414001	59
70537001	45, 47
70537101	45
Label Kit F8614500	91
44318200	17
44318600	91
44324500	17
70534400	45
Lanyard Cable F8521303	43
Latch Mounting Bracket 44003201	53
Light 801432	17
Limit Offset Bracket 44226101	81
Limit Thermostat 44328003	73
44328006	81
44328007	77
70530905	73
Lint Bracket 44325301	51

N/A items do not appear in index.

Lint Clip Bracket 44140202	51
Lint Panel	
44293602	49
44293603LG	49
44293603W	49
44293604DG	49
44293605	49
44293606W	49
44298102	51
44300901	51
Lint Screen	
44063601	51
Lint Screen Clip	
H96418413	51
Lint Screen Top Rail	
44298901	51
Lock, Key and Nut Kit	
44089301P	17, 39
44089302P	39
Low Pressure Steam Cover	
M400828	83
Lower Hinge Gusset	
70632002	63
Lower Lug Assembly	
70639302	63
Lower Rear Panel	
44300001	53
Lug Mount Bracket	
70634301	47
L.P. Conversion Kit	
44328801	77
44330301	77

M

Machine ID Control Assembly	
203361P	21, 23, 27, 29
Magnet	
70343101	49
Magnet Bracket	
44290501	49
Main Harness	
44316001	90
44334201	15
Male Tab Terminal	
00621SG	85
Max Fill Line Label	
70707501	59
Micro V Pulley	
44270201	71
Mixing Valve	
70519801	17
Mixing Valve Shield Bracket	
44306601	17
Moisture Sensing Harness Kit	
44344702	69
Moisture Sensor Harness	
44333902	69
Motor Conduit Bracket	
44317901	71, 73
Motor Contactor Power Harness	
44280001	90

44280003	90
44280010	90
44280012	90
Motor Pivot Bracket Weldment	
44327001	71
Motor Pivot Gusset Bracket	
44325701	71
Motor Pivot Plate Weldment	
44311501	71
Motor Pivot Support Bracket	
44325801	71
Motor Pulley	
70559102	71
Mount Bracket	
44308701	17
Mounting Plate	
70208801	21, 23

N

Nameplate	
F8443106	41
F8688001	41
F8688901	41, 43
44010601	41
567887	41
70541801	41
Nameplate Bezel	
70117401	41
Nameplate Overlay	
44130301	41
44144401	41
70410201	41
70411401	41
Nipple	
F421921	77
Notice Label	
D516073	91
F8609501	91
44321501	91
70534201	91
70539501	77
70539601	91
Notice label	
70544901	77
Nut	
F430232	87, 89
M400022	73
M400026	67, 71
M400034	73
M400035	69
M400977	39, 41
M404993	65
M414215	59
21899	53
23951	49
36020	83
44071201	29
44088001	59, 61, 63, 85, 87, 89
44333202	71
51236	49
70030401	47
70054	23, 81

N/A items do not appear in index.

O

Opto Coupler	
200674P	31
Overlay	
F8205101	21, 23
F8696101	21, 23
F8696201	23
F8696301	21, 23
F8696302	21, 23
F8733901	23
F8734201	23
F8736501	23
70295101	23
70512004	25
70512005	25
70512006	25
70512007	25
70512008	25
70516801	19
70516802	19
70517001	25
70517002	25
70517003	25
70517004	25
70517005	25
70517801	19
70517802	19
70518101	23
70518102	23
70518201	25
70518202	25
70518203	25
70519001	19
70519002	19
70539101	19
70539102	19
70541201	25
70541202	25
70541203	25
70544701	21
70544702	21
70544703	21
70545501	19
70545502	19
70547401	21
70547402	21
70547501	19
70547502	19
70547801	27
70547802	27
70548101	21
70548801	27
70548802	27
70556201	23
70556301	23
70556401	23
70556402	23
70556501	21, 23
70556502	21, 23
70556601	23
70556701	23
70556801	23
70556901	23
70557001	21, 23
70557002	21, 23
70559001	25
70570301	21

70570302	21
70570303	21
70570601	27
70570602	27
70570801	27
70570802	27
70571001	25
70571002	25
70571003	25
70571101	25
70571102	25
70571103	25
70571401	27
70571402	27
70571601	27
70571602	27
70572401	27
70572402	27
70572601	25
70595401	29
70626001	25
70626002	25
70626101	25
70626301	25
70626302	25
70626303	25
70636101	21
70636102	21
70636103	21
70636201	25
70636202	25
70636203	25
70636204	25
70636205	25
70636302	25
70636303	25
70636401	27
70636402	27
70636501	19
70636502	19
70637601	25
70637602	25
70637603	25
70637604	25
70637605	25
70638201	21
70638202	21
70638203	21
70638301	27
70638302	27
70638701	19
70638702	19
70638801	19
70638802	19
70638901	27
70638902	27
70639001	29
70645601	23
70645701	23
70645801	23
70645901	23
70646001	21, 23
70646002	21, 23
70646101	23
70646102	23

N/A items do not appear in index.

P

Panel Locator	
56079	39, 49
Panel Lock	
44089304	39
44089305	39
Pinch Warning Label	
F8615701	91
70538401	91
Pipe Bracket	
44327601	55
Pipe Nipple	
431486	77
70210201	77
70612601	77
70612602	77
70612603	77
Pipe Tee	
44231902	77
Plug	
70167601	77
70180001	17, 87, 89
Pop Rivet	
M400003	39, 53, 85
70058501	47, 49, 53, 61, 63, 85, 87, 89
70058502	87, 89
70126301	49
70126401	49
70412601	59
Porcelain Touch-Up Paint	
122P4P	53
370P4P	53
Power Distribution Block	
M413865	87, 89
Power Distribution Block Cover	
44014901P	87, 89
Power Harness	
44272101	90
44280101	90
Power Sensor Harness	
44334402	17
Pressure Fitting	
44231601	77
Pulley	
44289502	71
Pushbutton Switch	
70413301	19, 21, 23, 27, 39
Push-to-Start Switch	
801434W	17

R

Rear Access Plate	
44136101	77
Reed Switch Assembly	
F8066804	49
Rib Rod	
M401411	65
Rib Wire	
44208601	69

Roller Bracket Assembly	
70404001	49
Roller Catch Arm	
70030301	49
Roller Catch Spacer	
70030201	49
Roller Catch Wheel	
70297601	49

S

Screw	
F8206901	35, 85, 87, 89
M400044	61
M400063	67
M400661	59
M402797	77
M411072	21, 23, 39
23008	83
33562	29, 81
39733	49, 87, 89
430497	15, 17, 53, 75, 77, 81
430757	49, 75
431287	53
44338901	69
44349101	63
51780	17, 35, 53, 87, 89
51783	85
685837	85, 87, 89
70033502	39, 61
70072801	49
70132301	49
70182601	39, 47
70187201	67, 71
70240301	77, 81
70247701	53
70275801	39
70409801	61
70442101	59, 61, 69
70546902	87, 89
70640201	63
70640301	63
802822	63
804608	17, 19, 21, 23, 27, 29
805213	71
Sensor Harness	
44334406	17
Shaft Collar	
70467001	71
Shaft Wire	
44208702	69
Shield	
44326801	17
Shock Warning Label	
F8614201	17
F8614401	17
Side Panel	
44304401DG	53
44304401LG	53
44304401*	53
44304501DG	53
44304501LG	53
44304501*	53
44367501LG	53
44367501W	53
44367601LG	53

N/A items do not appear in index.

44367601W.....	53
Sleeve	
44328601	87, 89
Slip Ring Assembly	
44222702	69
Slip Ring Holder	
44224401	69
Slot Card Plate Assembly	
44089501	21, 23
Snap Bushing	
F140938.....	87, 89
M402542	87, 89
70178701	85
Spacer	
M401402	65
Spark Electrode	
44328701P.....	77
Spray Paint	
298P4P	53
Spud Holder Weldment	
44263101	77
Steam Adapter Kit	
44314701	83
Steam Coil	
M400637P.....	83
Steam Control Assembly	
70501801	85
Steam Heater Assembly	
44020401P.....	83
44020402	83
Steam Stand Box	
44007501	83
Steam Valve	
F8322904P	83
Steam Valve Harness	
F8520703.....	83
Stove Grate	
44300301	55
44300302	55
44335601	55
Stove Limit Bypass Harness	
70564302	83
Stove Limit Harness	
70564304	77, 81
Strain Relief	
44304801	83
Street Elbow	
70612501	77
Switch	
70411901	75
Switch Bracket	
44296101	49
Switch Hole Plug	
44057801B.....	39
44057801LG	39
44057801Q	39
44057801W.....	39

T

Terminal	
00622SG.....	85

Terminal Block	
430642	85
Terminal Block Shield	
70333001	85
Thermistor	
M414704	73
44064701	53
Thermistor Plate	
44068101	53
44068102	53
Top Cover	
44139301	53
Top Cover Pan	
44135001P	53
Top Pan	
44304101	53
Top Panel Bracket	
44368201	53
Transformer	
F8491101.....	85
202757	35, 53
202758	35, 53
Transformer Harness	
44272301	35, 53
44272302	35, 53
Trunnion and Bearing Assembly	
M4640P3	67
44336301	67
Trunnion Assembly	
44207901	65
44208001	65
Trunnion Housing	
M413826	71
Trunnion Housing Assembly	
44375001	67
Tumbler Dolly Kit	
M4379P4	39

U

Upper Hinge Gusset	
70632001	63
Upper Lug Assembly	
70639301	63
Upper Rear Panel	
44297001	53
USB Bracket	
70547001	29
USB Gateway Kit	
NK330	35
USB IR Interface Kit	
203346	35
USB-Serial Interface Assembly	
203440	29

V

Valve	
F8322906P	83
Valve Rebuild Kit	
F8379502	83

N/A items do not appear in index.

V-Belt	
44309402	71
44333301	71
Vend Activation Harness	
44334004	19, 21, 23, 27

W

Warning Label	
F8611601	91
44321601	91
44324001	91
44324101	91
44324501	17
44324502	17
70534401	45, 47
70534402	45, 47
70534405	45, 47
70536401	91
Warning Label Kit	
F8611600	91
Washer	
F431131	73
M400015	65, 67
20103	67, 71
44238902	69
70261401	67, 71
70409301	59
Water Valve Harness	
44334405	17
Wire Clip	
F8449501	85
F8449502	85, 87, 89
Wire Guard	
201595P	31
Wire Label	
44286802	85, 87
44286804	85
Wireless Control Label	
204692	35
Wireless Network Board Harness	
F8536002	35
Wireless Network Control Assembly	
203532	35
807211	35
Wireless Network Harness	
F8674006	35
Wireless Network Kit	
70596301	35
70609701	35
Wireway Channel	
44239101	69
