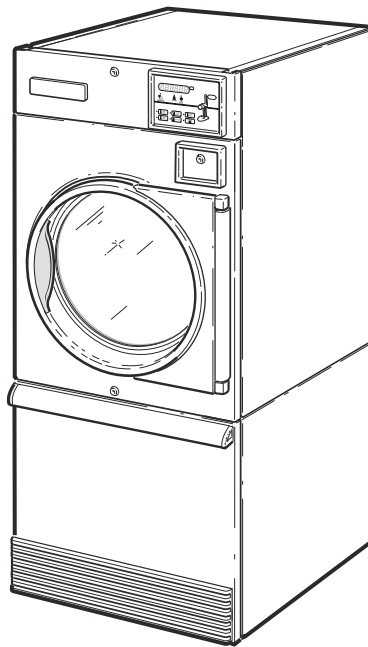


# Tumble Dryers

55 Pound Capacity

18 Digit Model Numbers with 3 and 5 in 13th Position

Refer to Page 5 for Model Numbers



TMB1283C\_70591501



# Table of Contents

Title	Page
Parts Ordering Information.....	3
Serial Plate Location .....	3
Machine Identification .....	5
Product Overview - Heat Source and Voltage .....	6
Product Overview - FN Control Suffix .....	8
Product Overview - DN and NN Control Suffixes.....	10
Product Overview - B, N and W Control Suffixes.....	12
Dual Digital Control .....	14
Electronic Display Control - Vend Models with B in the 7th Position .....	16
Electronic Display Control - Vend Models with N or W in the 7th Position.....	18
Electronic Display Control Overlays - Vend Models with N or W in the 7th Position .....	20
Electronic Display Control - OPL Models with N in the 7th Position .....	22
3.5 Inch Graphical Control .....	24
Coin Drops .....	26
Coin Drop Kits.....	28
Network Board, Central Pay and Card Reader Components.....	30
Door Assemblies.....	32
Door Components.....	34
Hinge Components - Design 3 Models .....	36
Hinge Components - Design 5 Models .....	38
False Fronts .....	40
Control Panels .....	42
Control Panels - Design 5 S Models .....	44
Front Panel Assemblies - Design 3 Models .....	46
Front Panel Assemblies - Design 5 Models .....	48
Cabinet Front Components.....	50
Emergency Stop Button - OPL Models .....	52
Lower Cabinet Components .....	54
Cylinder and Trunnion Assembly .....	56
Moisture Sensing Components .....	58
Cylinder Components .....	60
Cabinet Components .....	62
Fire Suppression System Components .....	64
Fire Suppression System Control Box .....	66
Motor Components .....	68
Blower and Exhaust Components.....	70
Airflow Switch.....	72
Gas Heater Components .....	74
Burner Orifices .....	76
Electric Heater Components .....	78
Control Tray .....	80

© Copyright 2023, Alliance Laundry Systems LLC

All rights reserved. No part of the contents of this book may be reproduced or transmitted in any form or by any means without the expressed written consent of the publisher.

Accessory Box - Electric 200-240 Volt Models .....	82
Accessory Box - Electric 380-480 Volt Models .....	84
Harnesses .....	86
Labels .....	87
Parts Index .....	89

## Parts Ordering Information

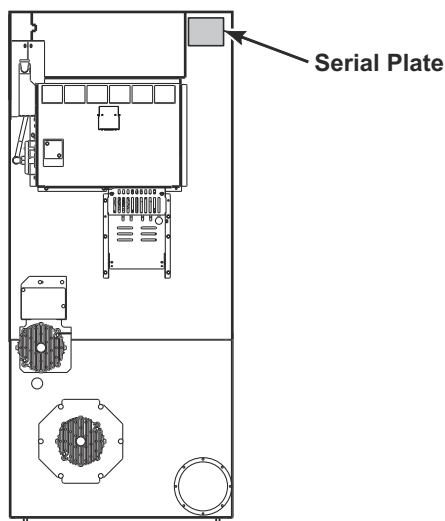
If literature or replacement parts are required, contact the source from whom the machine was purchased or contact Alliance Laundry Systems at (920) 748-3950 for the name and address of the nearest authorized parts distributor.

For technical assistance, call the number listed below:

(920) 748-3121 Ripon, Wisconsin

## Serial Plate Location

When calling or writing about your product, be sure to mention model and serial numbers. Model and serial numbers are located on serial plate(s) as shown.



TMB3500P\_70591501

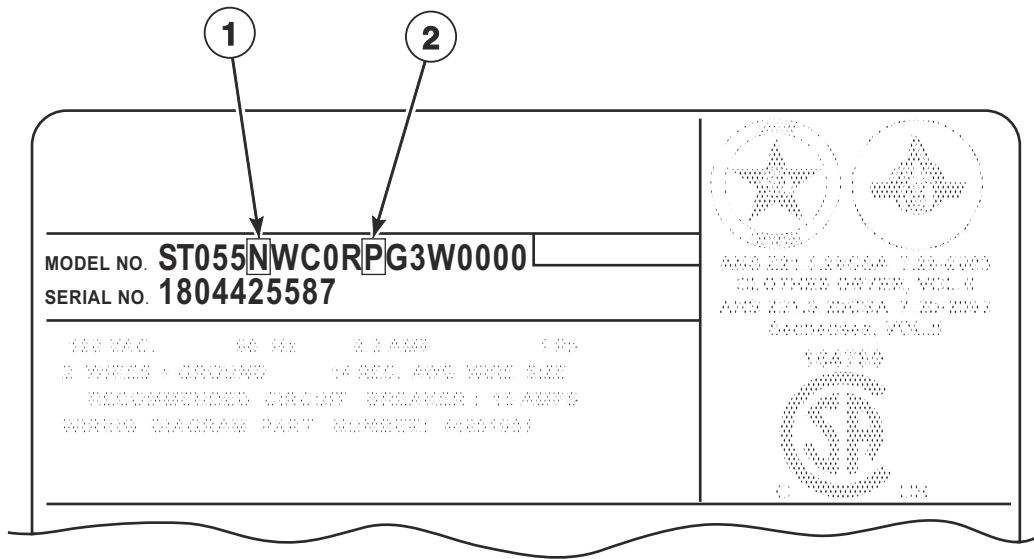


# Machine Identification

Information in this manual is applicable to these machines:

BA055E	GK055E	KT055N	PL055E	UA055E
BA055F	GK055L	MG055D	PL055L	UA055F
BA055L	GK055N	MG055E	PR055E	UA055L
BA055N	GU055E	MG055F	PT055E	UA055N
BA055R	GU055L	MG055L	PT055L	UA055R
BG055D	GU055N	MG055N	PT055N	UG055D
BG055E	HA055E	MG055R	PU055E	UG055E
BG055F	HA055F	MJ055D	PU055L	UG055F
BG055L	HA055L	MJ055E	PU055N	UG055L
BG055N	HA055N	MJ055F	SA055E	UG055N
BG055R	HA055R	MJ055L	SA055F	UG055R
BH055E	HG055D	MJ055N	SA055L	UH055E
BH055F	HG055E	MJ055R	SA055N	UH055F
BH055L	HG055F	NA055E	SA055R	UH055L
BH055N	HG055L	NA055L	SG055D	UH055N
BH055R	HG055N	NA055N	SG055E	UH055R
BJ055D	HG055R	NG055E	SG055F	UJ055D
BJ055E	HH055E	NG055L	SG055L	UJ055E
BJ055F	HH055F	NG055N	SG055N	UJ055F
BJ055L	HH055L	NH055E	SG055R	UJ055L
BJ055N	HH055N	NH055L	SH055E	UJ055N
BJ055R	HH055R	NH055N	SH055F	UJ055R
BK055E	HJ055D	NJ055E	SH055L	UK055E
BK055F	HJ055E	NJ055L	SH055N	UK055F
BK055L	HJ055F	NJ055N	SH055R	UK055L
BK055N	HJ055L	NK055E	SJ055D	UK055N
BK055R	HJ055N	NK055L	SJ055E	UK055R
BL055E	HJ055R	NK055N	SJ055F	UL055E
BL055L	HK055E	NR055E	SJ055L	UL055L
BR055E	HK055F	NT055E	SJ055N	UR055E
BU055E	HK055L	NT055L	SJ055R	UT055E
BU055F	HK055N	NT055N	SK055E	UT055F
BU055L	HK055R	NU055E	SK055F	UT055L
BU055N	HL055E	NU055L	SK055L	UT055N
BU055R	HL055L	NU055N	SK055N	UT055R
GA055E	HR055E	PA055E	SK055R	UU055E
GA055L	HT055E	PA055L	SL055E	UU055F
GA055N	HT055F	PA055N	SL055L	UU055L
GG055E	HT055L	PG055E	SR055E	UU055N
GG055L	HT055N	PG055L	ST055E	UU055R
GG055N	HT055R	PG055N	ST055F	
GH055E	HU055E	PH055E	ST055L	
GH055L	HU055F	PH055L	ST055N	
GH055N	HU055L	PH055N	ST055R	
GJ055E	HU055N	PJ055E	SU055E	
GJ055L	HU055R	PJ055L	SU055F	
GJ055N	JU055E	PJ055N	SU055L	
	JU055N	PK055E	SU055N	
	KT055E	PK055L	SU055R	
	KT055L	PK055N		

# Product Overview - Heat Source and Voltage



TMB3558P\_70591501

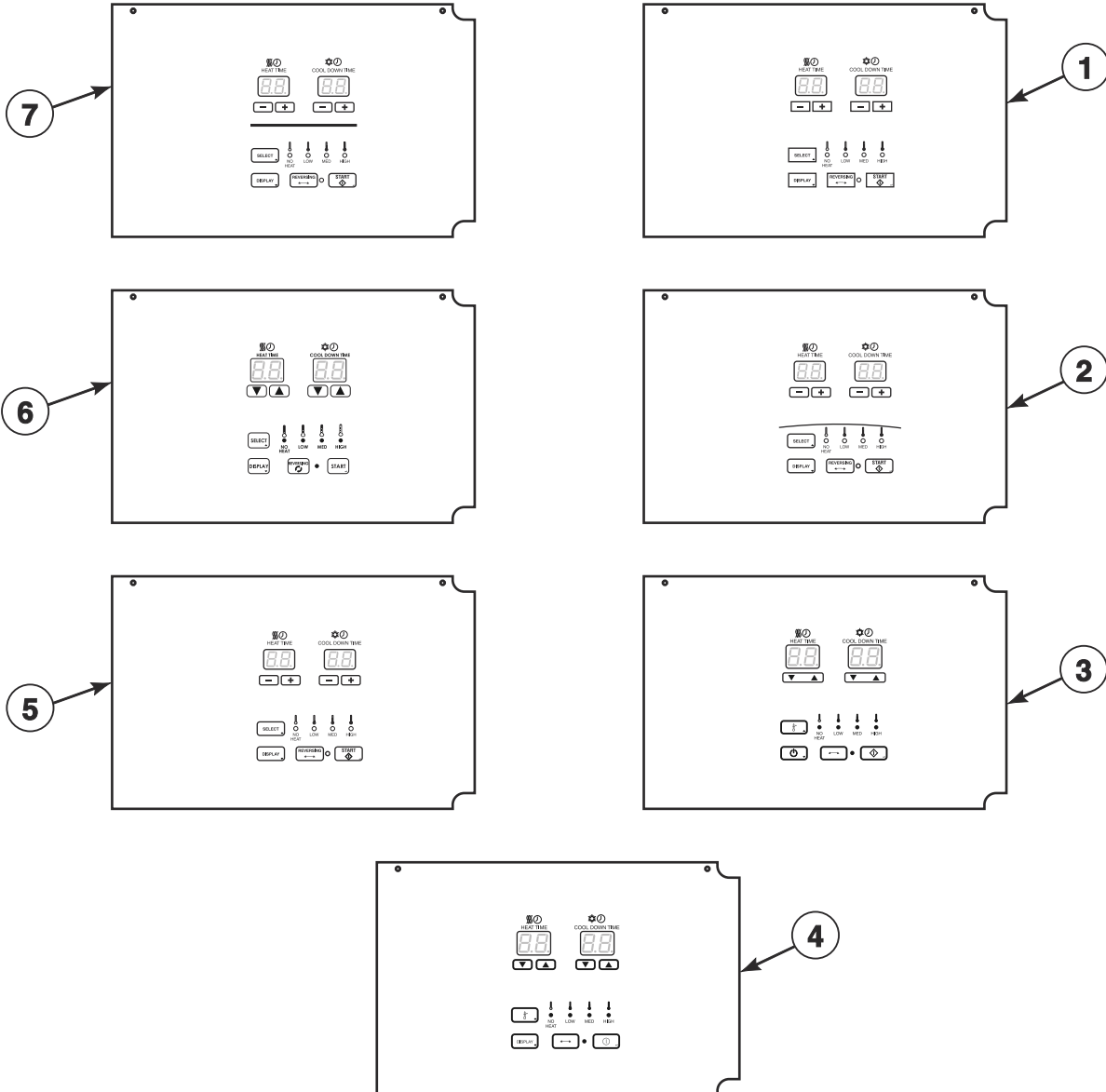
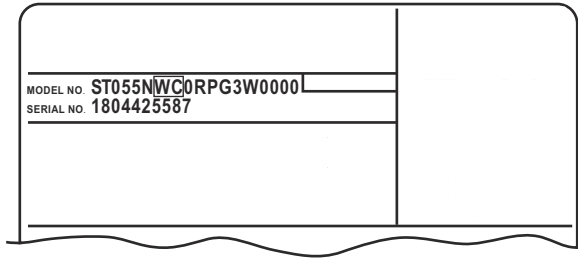


## Product Overview - Heat Source and Voltage

REF	PART NO.	DESCRIPTION	COMMENTS
1	-	Heat Source	D: Liquid Petroleum Gas (L.P) E: Electric F: Reduced Electric (Eco Line) L: Liquid Petroleum Gas (L.P.) N: Natural Gas (N.G.) R: Reduced Gas, Natural Gas (Eco Line)
2	-	Voltage	B: 100-120 Volt/50-60 Hertz/1 Phase; Gas and steam models D: 200-208 Volt/50-60 Hertz/1 Phase; Electric models E: 230-240 Volt/50-60 Hertz/1 Phase; Electric models F: 200-208 Volt/50-60 Hertz/3 Phase; Electric models G: 230-240 Volt/50-60 Hertz/3 Phase; Electric models H: 380 Volt/50-60 Hertz/3 Phase; Electric models J: 400-415 Volt/50-60 Hertz/3 Phase; Electric models K: 440 Volt/50-60 Hertz/3 Phase; Electric models L: 460-480 Volt/50-60 Hertz/3 Phase; Electric models N: 440-480 Volt/50-60 Hertz/3 Phase; Gas and steam models P: 380-415 Volt/50-60 Hertz/3 Phase; Gas and steam models X: 200-240 Volt/50-60 Hertz/1-3 Phase; Gas and steam models

# Product Overview - FN Control Suffix

All Models Except J and M Models; OPL



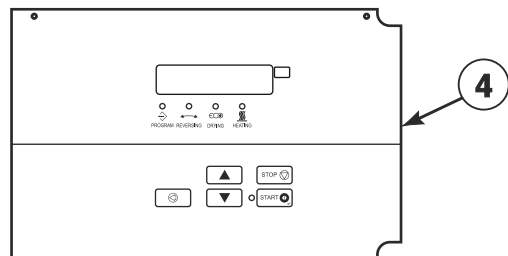
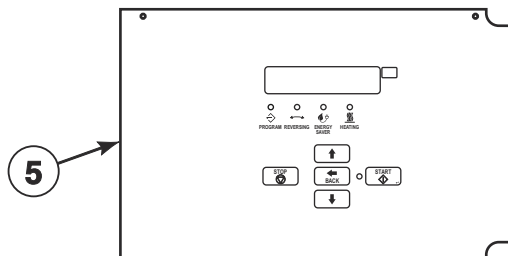
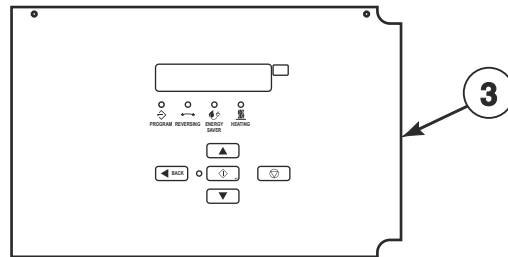
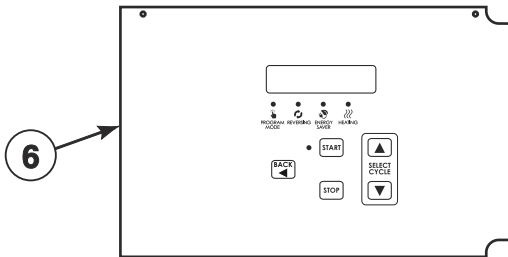
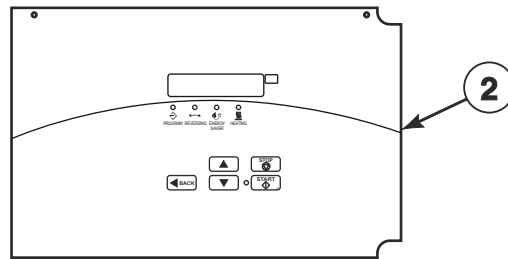
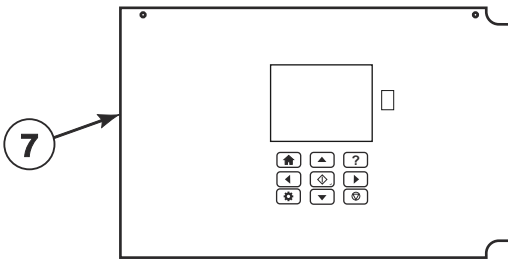
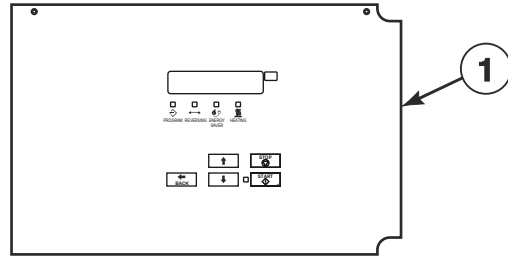
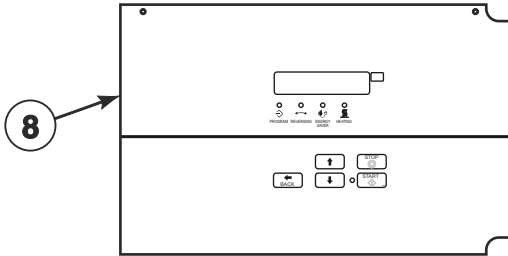
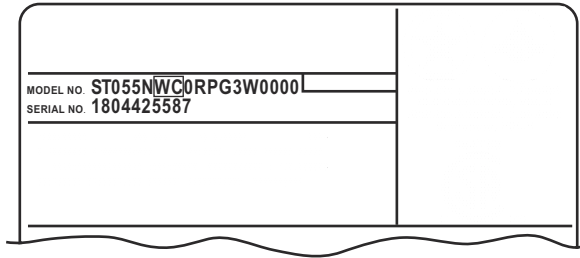
TMB3559P\_70591501

## Product Overview - FN Control Suffix

REF	PART NO.	DESCRIPTION	COMMENTS
1	-	Dual Digital Control	H models
2	-	Dual Digital Control	U models
3	-	Dual Digital Control	B models
4	-	Dual Digital Control	P models
5	-	Dual Digital Control	N models
6	-	Dual Digital Control	G and K models
7	-	Dual Digital Control	S models

# Product Overview - DN and NN Control Suffixes

All Models Except J and M Models; OPL



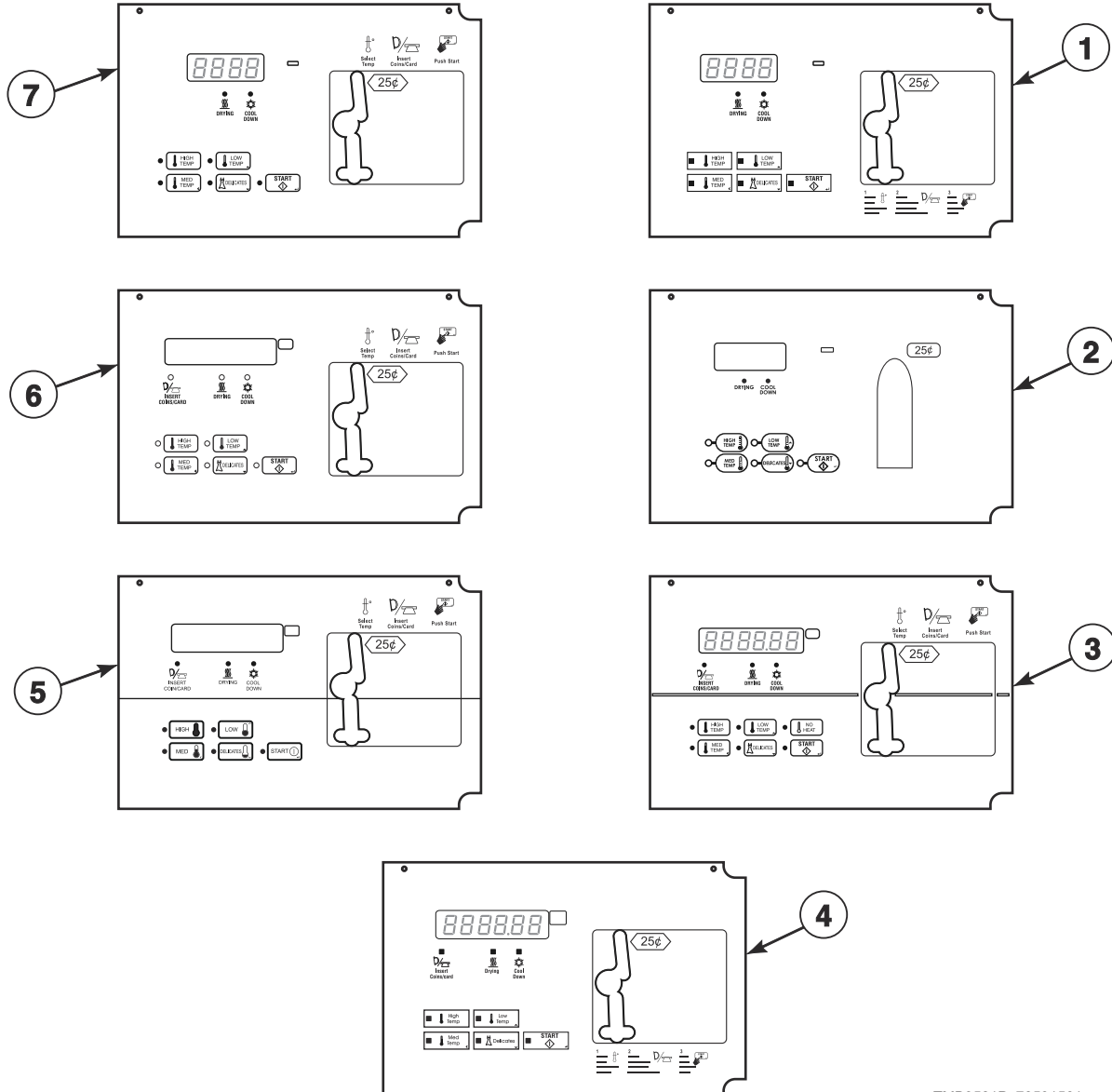
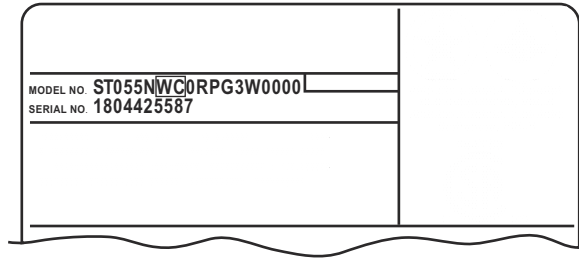
TMB3560P\_70591501

## Product Overview - DN and NN Control Suffixes

REF	PART NO.	DESCRIPTION	COMMENTS
1	-	Galaxy Control	H models
2	-	M-Series Control	U models
3	-	OPTimum Control	B models
4	-	OPL Micro Control	P models
5	-	OPL Micro Control	N models
6	-	OPL Micro Control	G and K models
7	-	UniLinc Control	U models
8	-	Quantum Gold Control	S models

# Product Overview - B, N and W Control Suffixes

7th Position of the Model Number; All Models Except NT Models; Vend



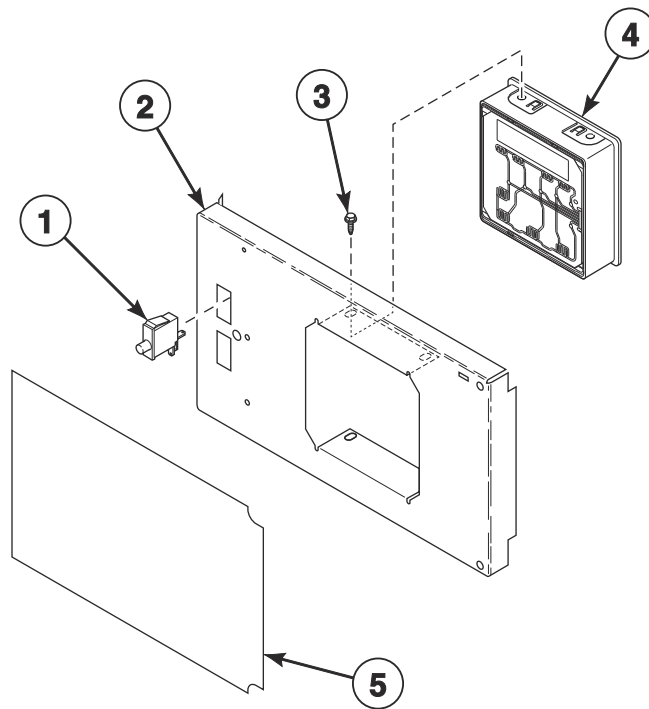
TMB3561P\_70591501

## Product Overview - B, N and W Control Suffixes

REF	PART NO.	DESCRIPTION	COMMENTS
1	-	Basic Electronic Control	H and N models
2	-	Basic Electronic Control	G and K models
3	-	Quantum Gold Control	M and S models
4	-	Galaxy 600	H models
5	-	XQ Control	P models
6	-	EVO7S Control	B and J models
7	-	MDC II Control	S models

# Dual Digital Control

All Models Except J and M Models with F in the 7th Position



TMB3505P\_70591501

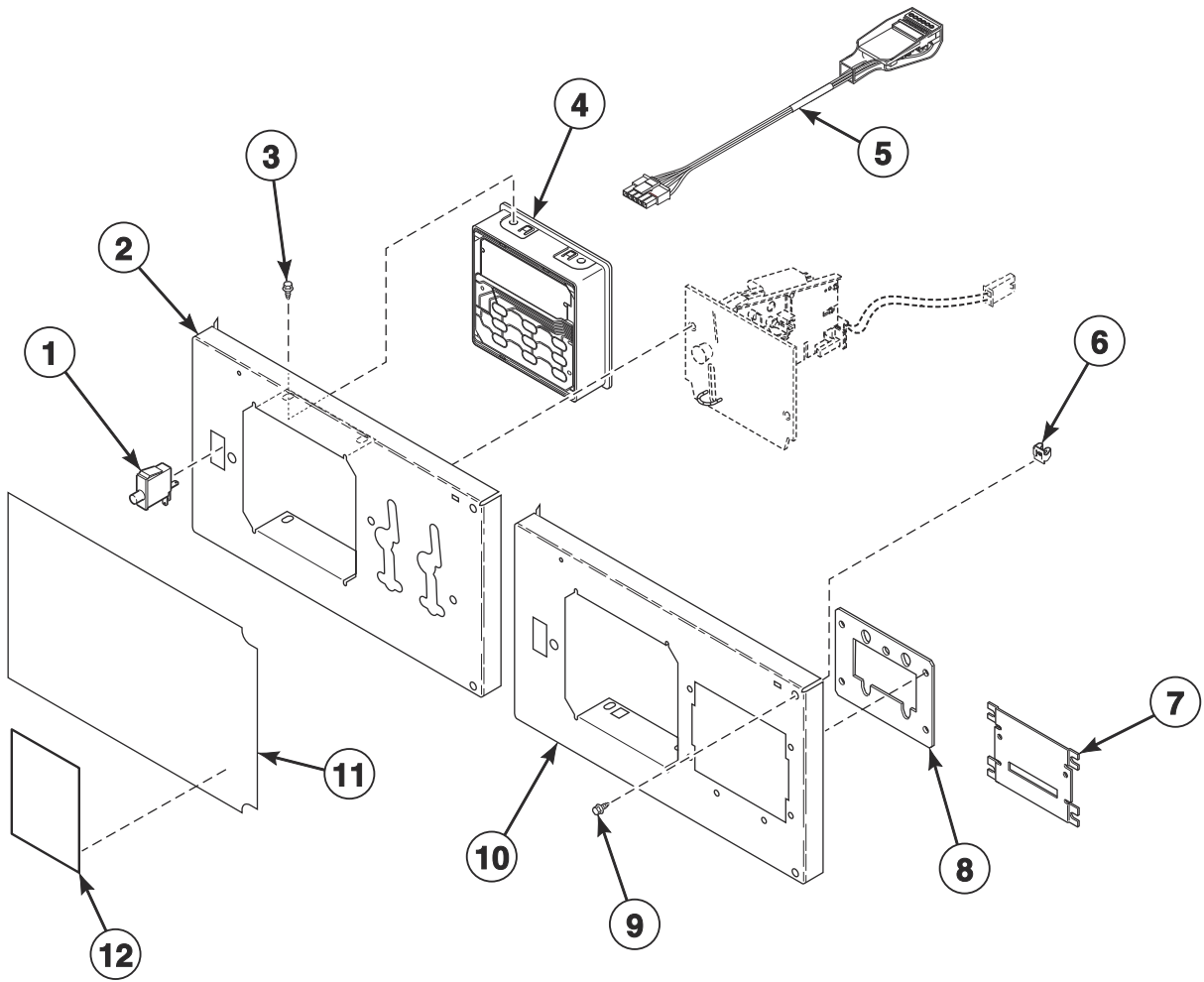


# Dual Digital Control

REF	PART NO.	DESCRIPTION	COMMENTS
	44334004	Vend Activation Harness	
1	70413301	Pushbutton Switch	
2	70497101	Control Plate	Design 3 and 5 H and U models; Design 3 S models; All other models
3	804608	Screw	4 required
4	70523101	Control Assembly	P models; Blue
	70479801	Control Assembly	G, H, K, N, S and U models; Green
	70479901	Control Assembly	B models; Red
5	70539102	Overlay	B models; Nonreversing
	70539101	Overlay	B models; Reversing
	70547502	Overlay	G and K models; Nonreversing
	70547501	Overlay	G and K models; Reversing
	70517802	Overlay	H models; Nonreversing; Design 3
	70517801	Overlay	H models; Reversing; Design 3
	70636502	Overlay	H models; Nonreversing; Design 5
	70636501	Overlay	H models; Reversing; Design 5
	70545502	Overlay	P models; Nonreversing
	70545501	Overlay	P models; Reversing
	70516802	Overlay	N models; Design 3 S models; Nonreversing
	70516801	Overlay	N models; Design 3 S models; Reversing
	70638702	Overlay	S models; Nonreversing; Design 5
	70638701	Overlay	S models; Reversing; Design 5
	70519002	Overlay	U models; Nonreversing; Design 3
	70519001	Overlay	U models; Reversing; Design 3
	70638802	Overlay	U models; Nonreversing; Design 5
	70638801	Overlay	U models; Reversing; Design 5

# Electronic Display Control - Vend Models with B in the 7th Position

G, H, K, N and S Models



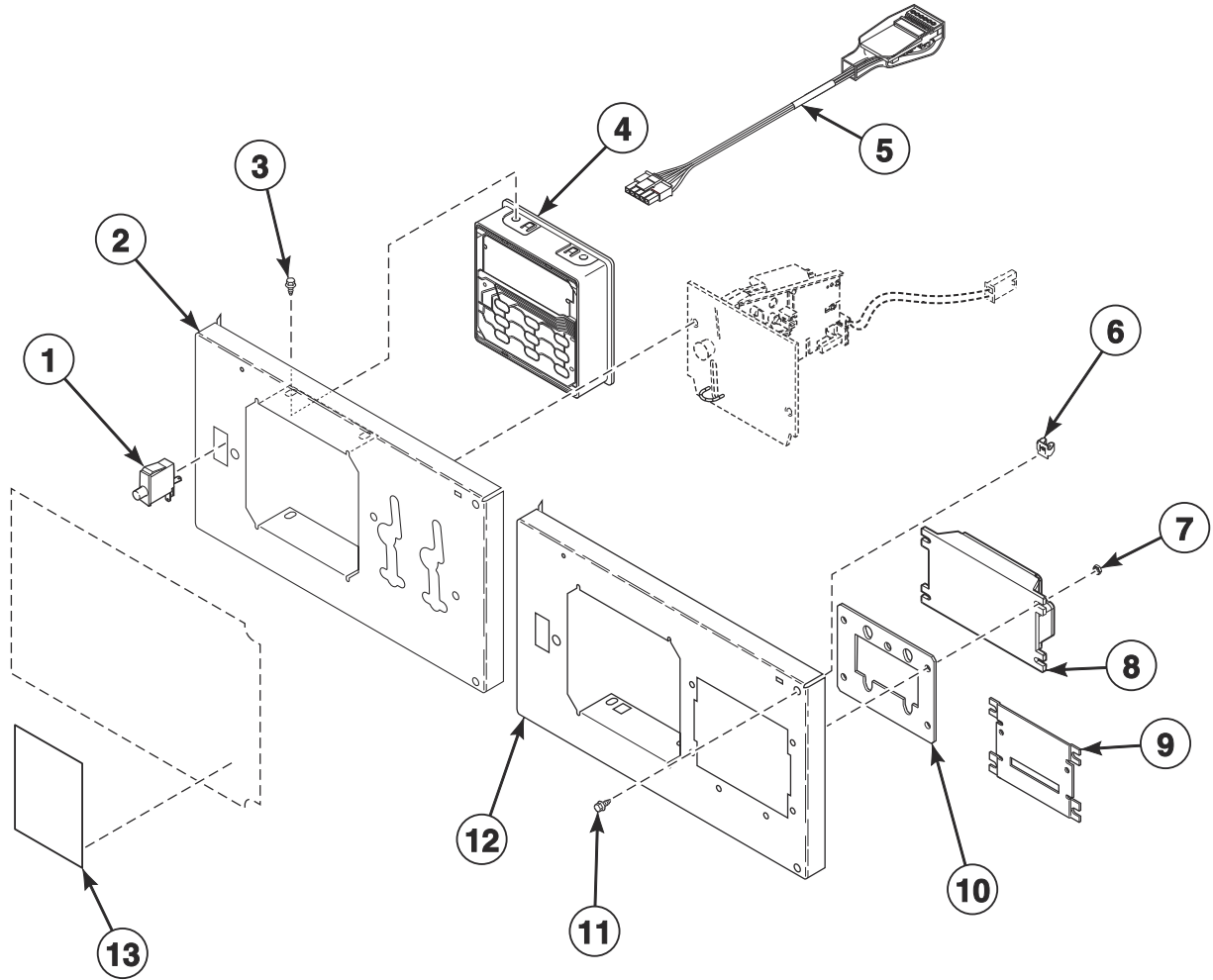
TMB3678P\_70591501

## Electronic Display Control - Vend Models with B in the 7th Position

REF	PART NO.	DESCRIPTION	COMMENTS
	44334004	Vend Activation Harness	
	44342801	Central Pay Harness	Models through November 2018
<b>1</b>	70413301	Pushbutton Switch	
<b>2</b>	70496601	Control Plate and Studs Assembly	Coin and central pay; Design 3 and 5 H models; Design 3 S models
<b>3</b>	804608	Screw	4 required
<b>4</b>	70478801P	Control Assembly	
<b>5</b>	203361P	Machine ID Control Assembly	Model or serial number is required when ordering
<b>6</b>	70030501	Expansion Clip	2 required
<b>7</b>	44089501	Slot Card Plate Assembly	H, N and S models; Included in literature packet
<b>8</b>	70208801	Mounting Plate	
<b>9</b>	M411072	Screw	2 required
<b>10</b>	70497201	Control Plate Assembly	Card and card ready; Design 3 and 5 H models; Design 3 S models
<b>11</b>	70544701	Overlay	N models; Design 3 S models; Single drop
	70544702	Overlay	N models; Design 3 S models; Dual drop
	70544703	Overlay	N models; Design 3 S models; Card ready
	70638201	Overlay	S models; Single drop; Design 5
	70638202	Overlay	S models; Dual drop; Design 5
	70638203	Overlay	S models; Card ready; Design 5
	70570301	Overlay	H models; Single drop; Design 3
	70570302	Overlay	H models; Dual drop; Design 3
	70570303	Overlay	H models; Card ready; Design 3
	70636101	Overlay	H models; Single drop; Design 5
	70636102	Overlay	H models; Dual drop; Design 5
	70636103	Overlay	H models; Card ready; Design 5
	70547401	Overlay	G and K models; Single drop
	70547402	Overlay	G and K models; Dual drop
	70548101	Overlay	G and K models; Card ready
<b>12</b>	F8205101	Overlay	Black; Single drop; Left; Design 3
	F8696101	Overlay	Black; Single drop; Left; Design 5
	70557001	Overlay	N and S models; Prep for card; Design 3
	70557002	Overlay	N and S models; Central pay; Design 3
	F8696301	Overlay	S models; Prep for card; Design 5
	F8696302	Overlay	S models; Central pay; Design 5
	70556501	Overlay	H models; Prep for card; Design 3
	70556502	Overlay	H models; Central pay; Design 3
	70646001	Overlay	H models; Prep for card; Design 5
	70646002	Overlay	H models; Central pay; Design 5

# Electronic Display Control - Vend Models with N or W in the 7th Position

B, H, J, M, P and S Models



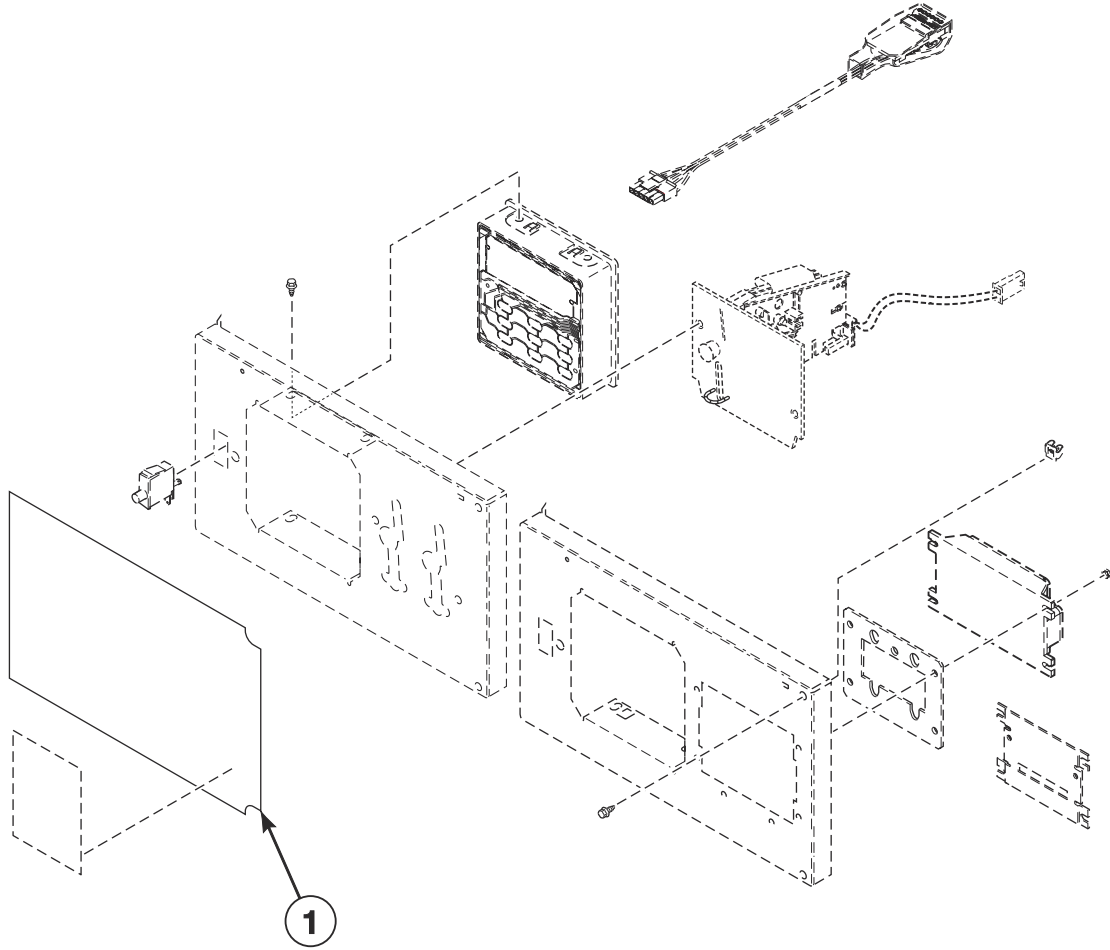
TMB3832P

# Electronic Display Control - Vend Models with N or W in the 7th Position

REF	PART NO.	DESCRIPTION	COMMENTS
	44334004	Vend Activation Harness	
	F8719301	Fob Communication Harness	
1	70413301	Pushbutton Switch	
2	70496601	Control Plate and Studs Assembly	Coin and central pay; Design 3 and 5 H models; Design 3 S models; All other models
3	804608	Screw	4 required
4	70523001	Control Assembly	P models; Blue
	70478801P	Control Assembly	H, M and S models; Green
	70478901	Control Assembly	B and J models; Red
5	203361P	Machine ID Control Assembly	Model or serial number is required when ordering
6	70030501	Expansion Clip	
7	70054	Nut	
8	205135	Fob Reader Control Assembly	
9	44089501	Slot Card Plate Assembly	
10	70208801	Mounting Plate	
11	M411072	Screw	
12	70497201	Control Plate Assembly	Card, card ready and FOB; Design 3 and 5 H models; Design 3 S models; All other models
13	F8205101	Overlay	S models; Single drop; Left; Design 3
	70557001	Overlay	B and S models; Prep for card; Design 3
	70557002	Overlay	B and S models; Central pay; Design 3
	70295101	Overlay	S models; World drop; Design 3
	F8696101	Overlay	S models; Single drop; Left; Design 5
	F8696301	Overlay	S models; Prep for card; Design 5
	F8696302	Overlay	S models; Central pay; Design 5
	F8696201	Overlay	S models; World drop; Design 5
	70556801	Overlay	H models; World drop; Design 3
	70556501	Overlay	H models; Prep for card; Design 3
	70556502	Overlay	H models; Central pay; Design 3
	70556601	Overlay	H models; Single drop; Left; Design 3
	70556901	Overlay	H models; Citron; World drop; Design 3
	70518101	Overlay	H models; Citron; Prep for card; Design 3
	70518102	Overlay	H models; Citron; Central pay; Design 3
	70556701	Overlay	H models; Citron; Left; Design 3
	70645901	Overlay	H models; World drop; Design 5
	70646001	Overlay	H models; Prep for card; Design 5
	70646002	Overlay	H models; Central pay; Design 5
	70645601	Overlay	H models; Single drop; Left; Design 5
	70645801	Overlay	H models; Citron; World drop; Design 5
	70646101	Overlay	H models; Citron; Prep for card; Design 5
	70645701	Overlay	H models; Citron; Single drop; Left; Design 5
	70646102	Overlay	H models; Citron; Central pay; Design 5
	70556201	Overlay	P models; Single drop; Right
	70556401	Overlay	P models; Prep for card
	70556402	Overlay	P models; Central pay
	70556301	Overlay	P models; Single drop; Left
	F8733901	Overlay	S models; FOB
	F8734201	Overlay	H models; FOB
	F8736501	Overlay	H models; Citron; FOB

# Electronic Display Control Overlays - Vend Models with N or W in the 7th Position

B, G, H, J, K, M, P and S Models



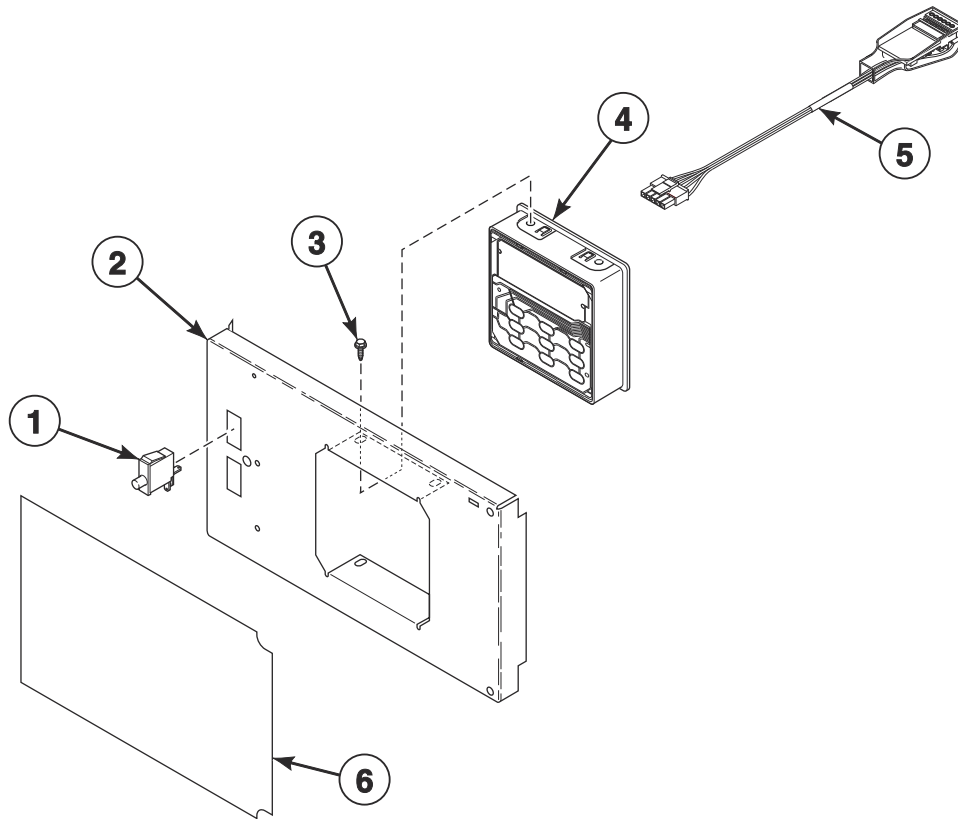
TMB3832PA

## Electronic Display Control Overlays - Vend Models with N or W in the 7th Position

REF	PART NO.	DESCRIPTION	COMMENTS
1	70512004	Overlay	S models; Single drop; Design 3
	70512005	Overlay	S models; Dual drop; Design 3
	70512006	Overlay	S models; Card ready; Design 3
	70512007	Overlay	S models; Central pay; Design 3
	70512008	Overlay	S models; World drop; Design 3
	70637601	Overlay	S models; Single drop; Design 5
	70637602	Overlay	S models; Dual drop; Design 5
	70637603	Overlay	S models; Card ready; Design 5
	70637604	Overlay	S models; Central pay; Design 5
	70637605	Overlay	S models; World drop; Design 5
	70626301	Overlay	S models; Single drop; English/Spanish; Design 3
	70626302	Overlay	S models; Dual drop; English/Spanish; Design 3
	70626303	Overlay	S models; Card ready; English/Spanish; Design 3
	70559001	Overlay	Models SG055D and SJ055D
	70572601	Overlay	M models
	70517001	Overlay	H models; Single drop; Design 3
	70517002	Overlay	H models; Dual drop; Design 3
	70517003	Overlay	H models; Card ready; Design 3
	70517004	Overlay	H models; Central pay; Design 3
	70517005	Overlay	H models; World drop; Design 3
	70636201	Overlay	H models; Single drop; Design 5
	70636202	Overlay	H models; Dual drop; Design 5
	70636203	Overlay	H models; Card ready; Design 5
	70636204	Overlay	H models; Central pay; Design 5
	70636205	Overlay	H models; World drop; Design 5
	70571001	Overlay	H models; Single drop; Cityscape
	70571002	Overlay	H models; Dual drop; Cityscape
	70571003	Overlay	H models; Card ready; Cityscape
	70518201	Overlay	H models; Single drop; Citron; Design 3
	70518202	Overlay	H models; Dual drop; Citron; Design 3
	70518203	Overlay	H models; Card ready; Citron; Design 3
	70636301	Overlay	H models; Single drop; Citron; Design 5
	70636302	Overlay	H models; Dual drop; Citron; Design 5
	70636303	Overlay	H models; Card ready; Citron; Design 5
	70571101	Overlay	B models; Single drop
	70571102	Overlay	B models; Dual drop
	70571103	Overlay	B models; Card ready
	70541201	Overlay	P models; Single drop
	70541202	Overlay	P models; Dual drop
	70541203	Overlay	P models; Card ready
	70626001	Overlay	G and K models; Single drop
	70626002	Overlay	G and K models; Dual drop
	70626101	Overlay	G and K models; Card ready
	70571104	Overlay	J models; Electronic drop

# Electronic Display Control - OPL Models with N in the 7th Position

All models Except J and M Models



TMB3680P\_70591501

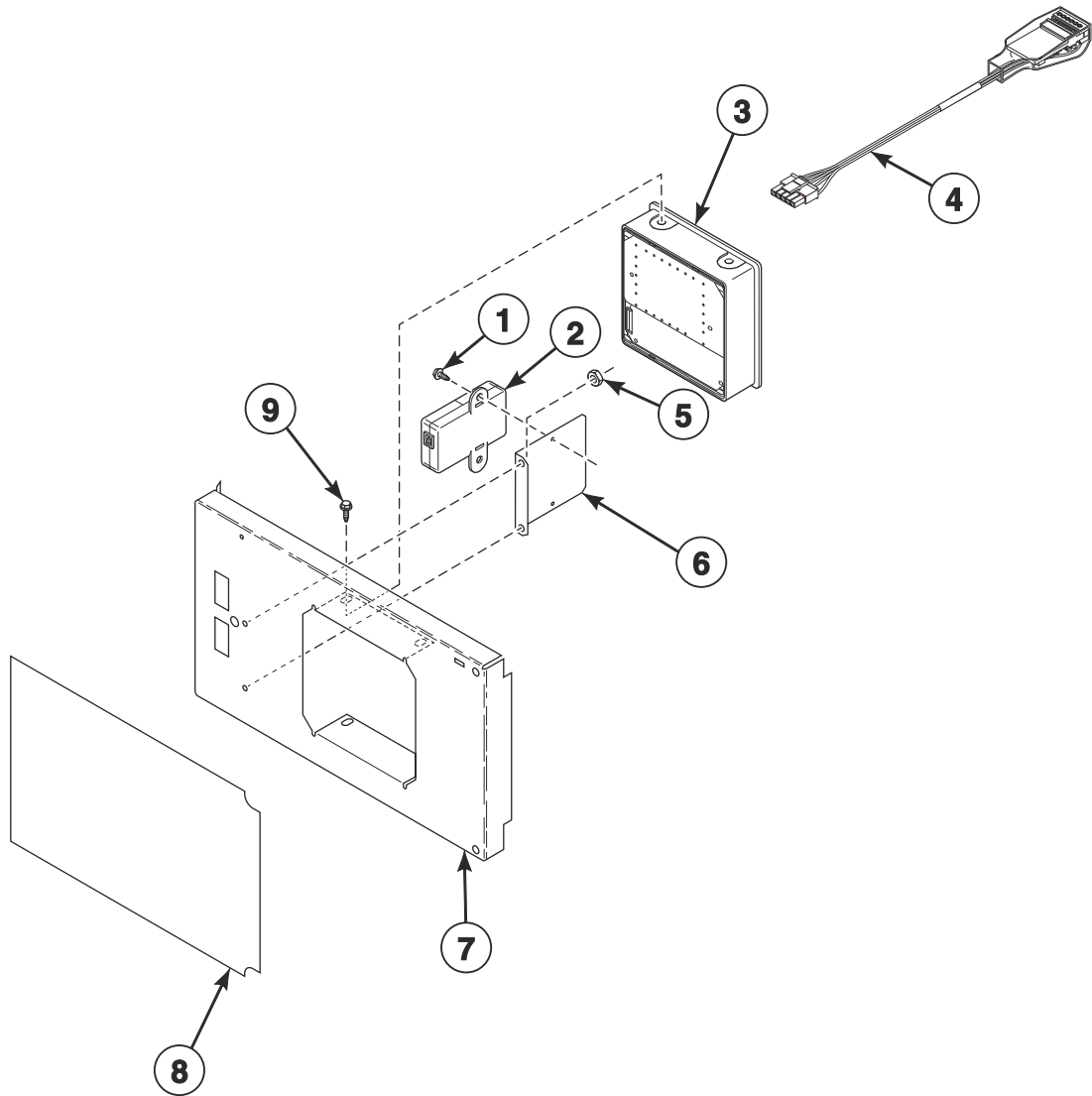


## Electronic Display Control - OPL Models with N in the 7th Position

REF	PART NO.	DESCRIPTION	COMMENTS
	44334004	Vend Activation Harness	
1	70413301	Pushbutton Switch	
2	70497101	Control Plate	Design 3 and 5 H and U models; Design 3 S models; All other models
3	804608	Screw	4 required
4	70523002	Control Assembly	P models; Blue
	70478802	Control Assembly	G, H, K, N, S and U models; Green
	70478902	Control Assembly	B models; Red
5	203361P	Machine ID Control Assembly	Model or serial number is required when ordering
6	70570601	Overlay	S models; Reversing; Design 3
	70570602	Overlay	S models; Nonreversing; Design 3
	70638301	Overlay	S models; Reversing; Design 5
	70638302	Overlay	S models; Nonreversing; Design 5
	70571401	Overlay	U models; Reversing; Design 3
	70571402	Overlay	U models; Nonreversing; Design 3
	70638901	Overlay	U models; Reversing; Design 5
	70638902	Overlay	U models; Nonreversing; Design 5
	70570801	Overlay	H models; Reversing; Design 3
	70570802	Overlay	H models; Nonreversing; Design 3
	70636401	Overlay	H models; Reversing; Design 5
	70636402	Overlay	H models; Nonreversing; Design 5
	70548801	Overlay	B models; Reversing
	70548802	Overlay	B models; Nonreversing
	70547801	Overlay	G and K models; Reversing
	70547802	Overlay	G and K models; Nonreversing
	70571601	Overlay	P models; Reversing
	70571602	Overlay	P models; Nonreversing
	70572401	Overlay	NT models through 10/9/19; All other N models; Reversing
	70572402	Overlay	NT models through 10/9/19; All other N models; Nonreversing
	70570601	Overlay	NT models starting 10/10/19; Reversing
	70570602	Overlay	NT models starting 10/10/19; Nonreversing

# 3.5 Inch Graphical Control

U Models with D in the 7th Position



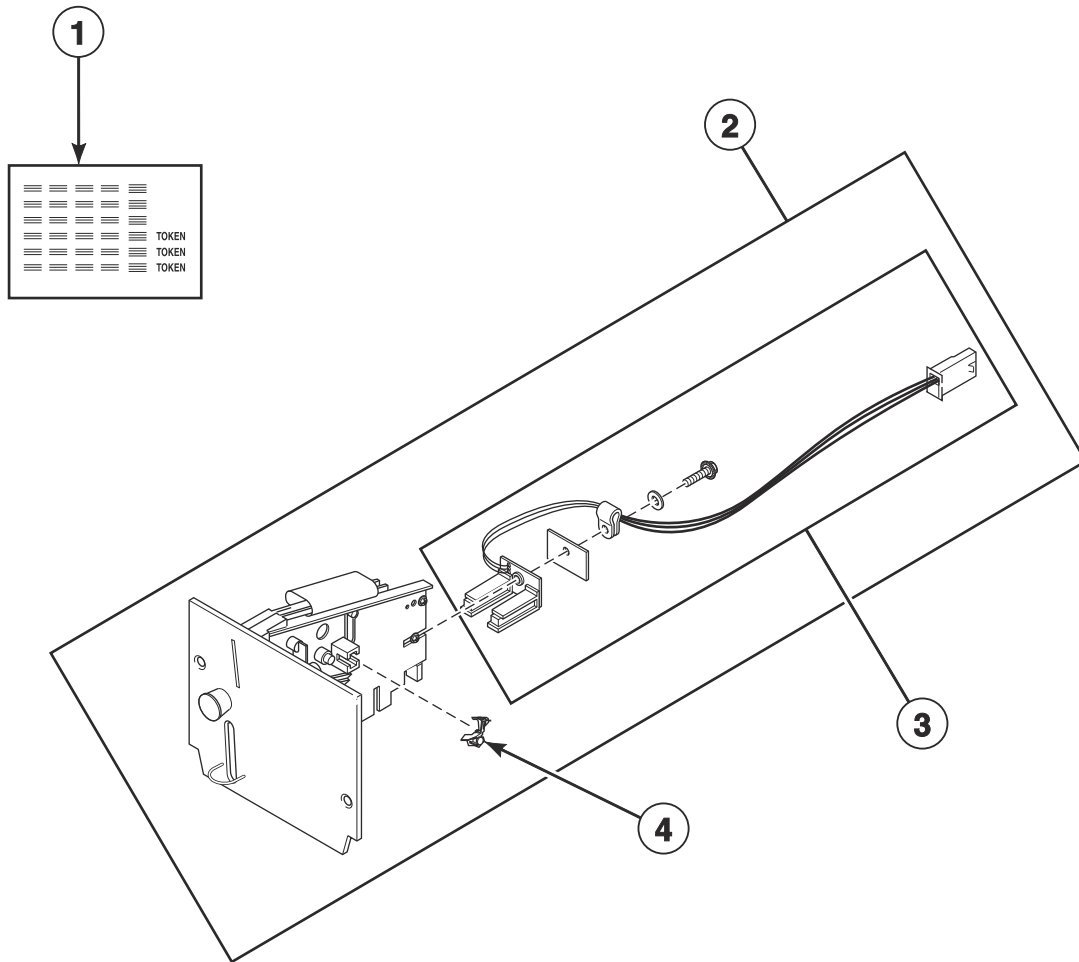
TMB3681P\_70591501

## 3.5 Inch Graphical Control

REF	PART NO.	DESCRIPTION	COMMENTS
	F8617901	Harness	USB
1	33562	Screw	2 required
2	203440	USB-Serial Interface Assembly	
3	70543104	Control Assembly	
4	203361P	Machine ID Control Assembly	Model or serial number is required when ordering
5	44071201	Nut	2 required
6	70547001	USB Bracket	
7	70570201	Control Door and Studs Assembly	
8	70595401	Overlay	Design 3 models
	70639001	Overlay	Design 5 models
9	804608	Screw	4 required

# Coin Drops

All Models Except NT and U Models



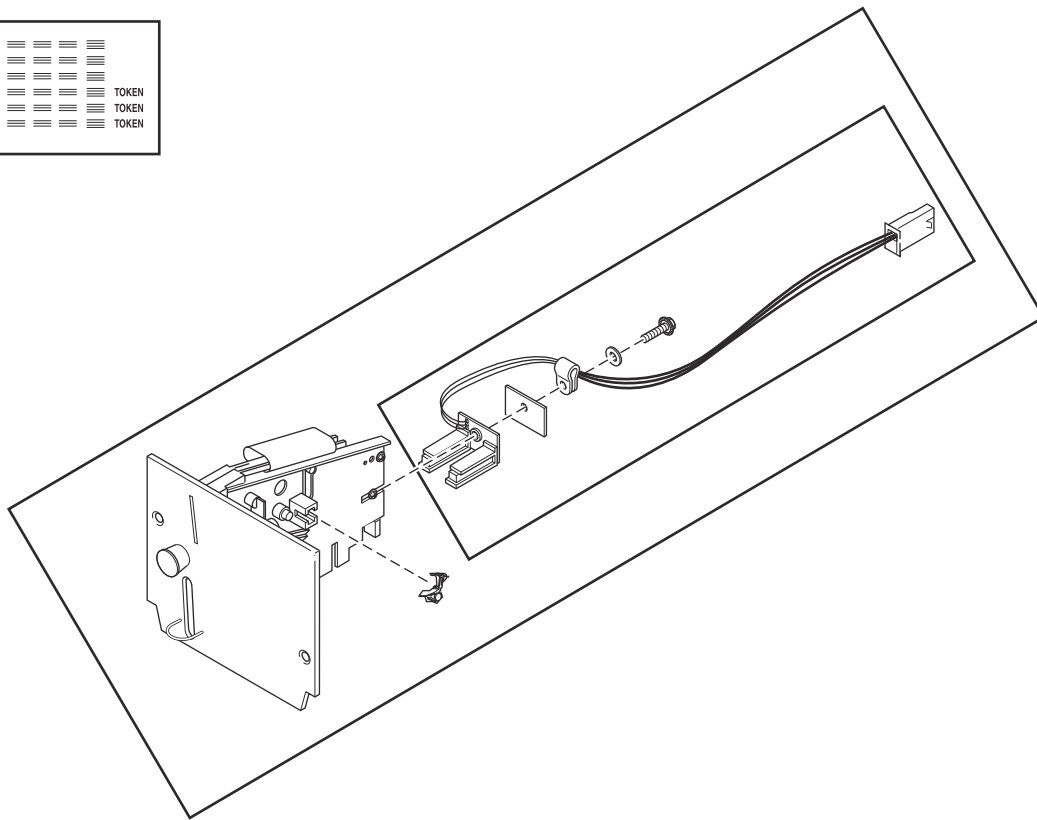
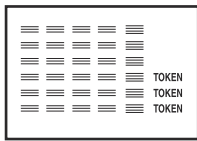
TMB3510P\_70591501

# Coin Drops

REF	PART NO.	DESCRIPTION	COMMENTS
1	38725	Coin Identification Paper	
2	70441601P	Coin Drop	Single; U.S.A.; \$.25
	38475	Coin Drop Assembly	Single; Japan; 100 yen
	38464P	Coin Drop Assembly	Single; Canada; .25
	CK077	Coin Drop Kit	Single; Taiwan; 10 NT
	70506901	Coin Drop Assembly	Single; Singapore; \$1.00 NEW
	70441603	Coin Drop	Dual; U.S.A.; \$.25 and \$1.00
	38519	Coin Drop Assembly	Dual; Japan; 100 yen and 500 yen
	70441602	Coin Drop Assembly	Dual; Canada; .25 and 1.00
	38467	Coin Drop Assembly	Dual; Australia; \$0.20 and \$1.00
	70447301	Coin Drop Assembly	Dual; Australia; \$1.00 and \$2.00
	70283102	Coin Drop Assembly	Dual; 0.20 and 0.50 Euro
	210195	Coin Drop Assembly	Dual; 0.20 and 1.00 Euro
	210196	Coin Drop Assembly	Dual; 0.50 and 1.00 Euro
	F0160737-00	Coin Meter	Dual; 0.50 and 2.00 Euro
	70281102	Coin Drop Assembly	Dual; Taiwan; 10 and 50 NT
	70482401	Coin Drop Assembly	Dual; New Zealand ; \$1.00 and \$2.00
	38462P	Coin Drop Assembly	Single; Token; STD 118-1
	38463	Coin Drop Assembly	Single; Token; STD 118-5
	38963P	Coin Drop	Single; Token STD 118-16
	39748	Coin Drop	Single; Jeton 08MS
	201141	Coin Drop Assembly	Single; Token; Jeton wh121
	70471601	Coin Drop Assembly	Single; Token; 7K
	70513302	Electronic Coin Drop Assembly	Euro and Great Britain coins
	70513310	Electronic Coin Drop Assembly	Japan and Thailand coins
	70513304	Electronic Coin Drop Assembly	Australia, New Zealand, Hong Kong and South Korea coins
	70513303	Electronic Coin Drop Assembly	Denmark, Norway and Euro coins
	70513306	Electronic Coin Drop Assembly	Mexico, Ecuador and U.S.A. coins
	70294107	Electronic Coin Drop Assembly	Lithuania, Latvia and Euro coins
	70513311	Electronic Coin Drop Assembly	China and Malaysia coins
	70513308	Electronic Coin Drop Assembly	South African 1, 2 and 5 rand coins
	70513309	Electronic Coin Drop Assembly	Euro coins
	70513312	Electronic Coin Drop Assembly	Russia coins
	70513313	Electronic Coin Drop Assembly	Phillipines coins
	70513314	Electronic Coin Drop Assembly	Thailand coins
	70513315	Electronic Coin Drop Assembly	Chile coins
	70513316	Electronic Coin Drop Assembly	Singapore coins
3	200674P	Opto Coupler	
4	201595P	Wire Guard	

# Coin Drop Kits

All Models Except NT and U Models



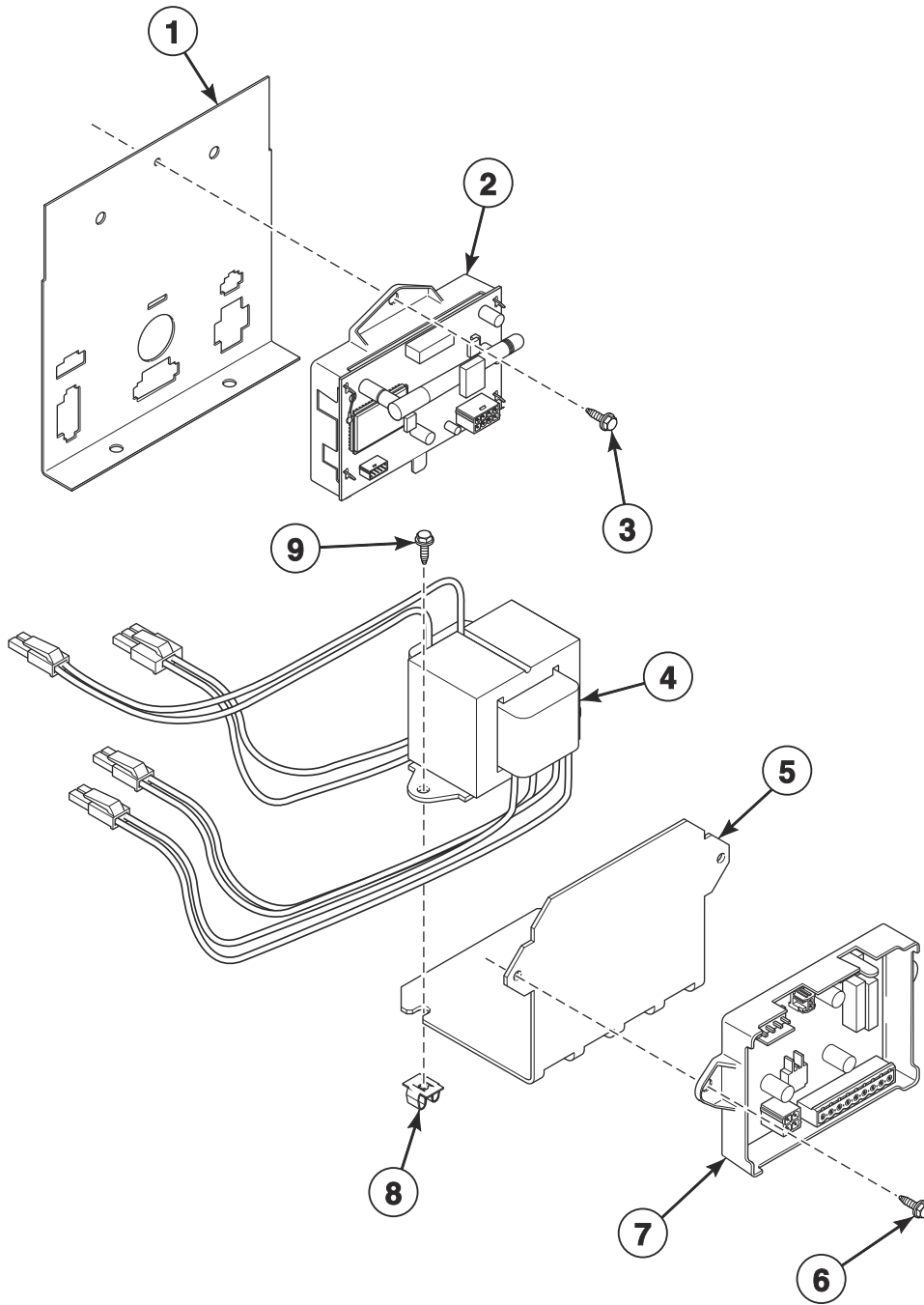
TMB3510PA\_70591501

## Coin Drop Kits

REF	PART NO.	DESCRIPTION	COMMENTS
	CK115	Electronic Coin Drop Kit	United States and Canada
	CK099	Electronic Coin Drop Kit	Australia (default), New Zealand, Hong Kong, South Korea and Malaysia
	CK100	Electronic Coin Drop Kit	United Kingdom (default) and Europe
	CK101	Electronic Coin Drop Kit	Europe (default), Denmark and Norway
	CK108	Electronic Coin Drop Kit	South Africa
	CK109	Electronic Coin Drop Kit	Euro
	CK110	Electronic Coin Drop Kit	Mexico (default), Ecuador and United States
	CK113	Electronic Coin Drop Kit	Japan and Taiwan
	CK116	Electronic Coin Drop Kit	Malaysia (default) and China
	CK117	Electronic Coin Drop Kit	Russia
	CK118	Electronic Coin Drop Kit	Philippine
	CK119	Electronic Coin Drop Kit	Thailand
	CK120	Electronic Coin Drop Kit	Chile
	CK121	Electronic Coin Drop Kit	Singapore
	CK122	Coin Drop Kit	New Zealand; 1.00 and 2.00

# Network Board, Central Pay and Card Reader Components

Central Pay Starting December 2018



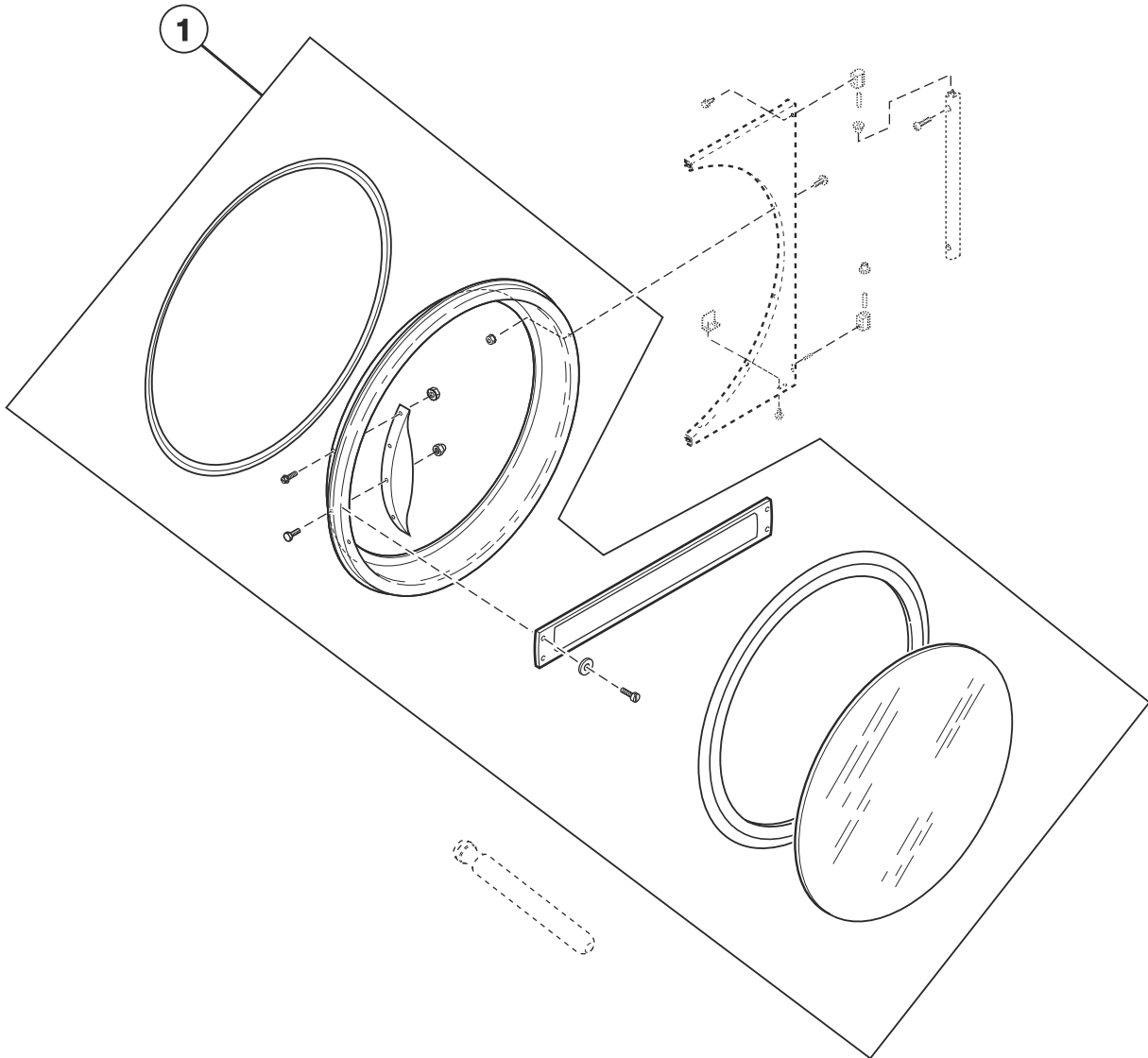
TMB3677P\_70591501



## Network Board, Central Pay and Card Reader Components

REF	PART NO.	DESCRIPTION	COMMENTS
	70596301	Wireless Network Kit	H and U models through 1/31/19; S models through 5/12/19
	70609701	Wireless Network Kit	H models starting 2/1/19; S models starting 5/13/19
	F8536002	Wireless Network Board Harness	H and U models through 1/31/19; S models through 5/12/19
	F8613201	FCC-IC Label	HT and U models through 1/31/19; ST models through 5/12/19
	F8674006	Wireless Network Harness	H models starting 2/1/19; S models starting 5/13/19
	204692	Wireless Control Label	H models starting 2/1/19; S models starting 5/13/19
	NK320	Ethernet Gateway Kit	S models through 5/12/19
	NK330	USB Gateway Kit	S models through 5/12/19
	203346	USB IR Interface Kit	
	70666806	Fob Reader Kit	
	44355601	Central Pay Harness	Routes from central pay board to control tray
	44272301	Transformer Harness	100-120 Volt; Routes from transformer to I/O Control Assembly; Card and central pay
	44272302	Transformer Harness	200-480 Volt; Routes from transformer to I/O Control Assembly; Card and central pay
	44355604	Central Pay Board Harness	Routes from central pay board to transformer
	44355605	Central Pay Harness	Routes from central pay board to front end control
<b>1</b>	70307007	Harness Mounting Plate	
<b>2</b>	203532	Wireless Network Control Assembly	H and U models through 1/31/19; S models through 5/12/19
	807211	Wireless Network Control Assembly	H models starting 2/1/19; S models starting 5/13/19
<b>3</b>	F8206901	Screw	
<b>4</b>	202757	Transformer	100-120 Volt; Card and central pay
	202758	Transformer	200-480 Volt; Card and central pay
<b>5</b>	70604001	Mounting Bracket	
<b>6</b>	51780	Screw	2 required
<b>7</b>	70612701	Central Pay Kit	100-120 Volt
	70612703	Central Pay Kit	200-480 Volt
<b>8</b>	70030501	Expansion Clip	2 required
<b>9</b>	M411072	Screw	

# Door Assemblies

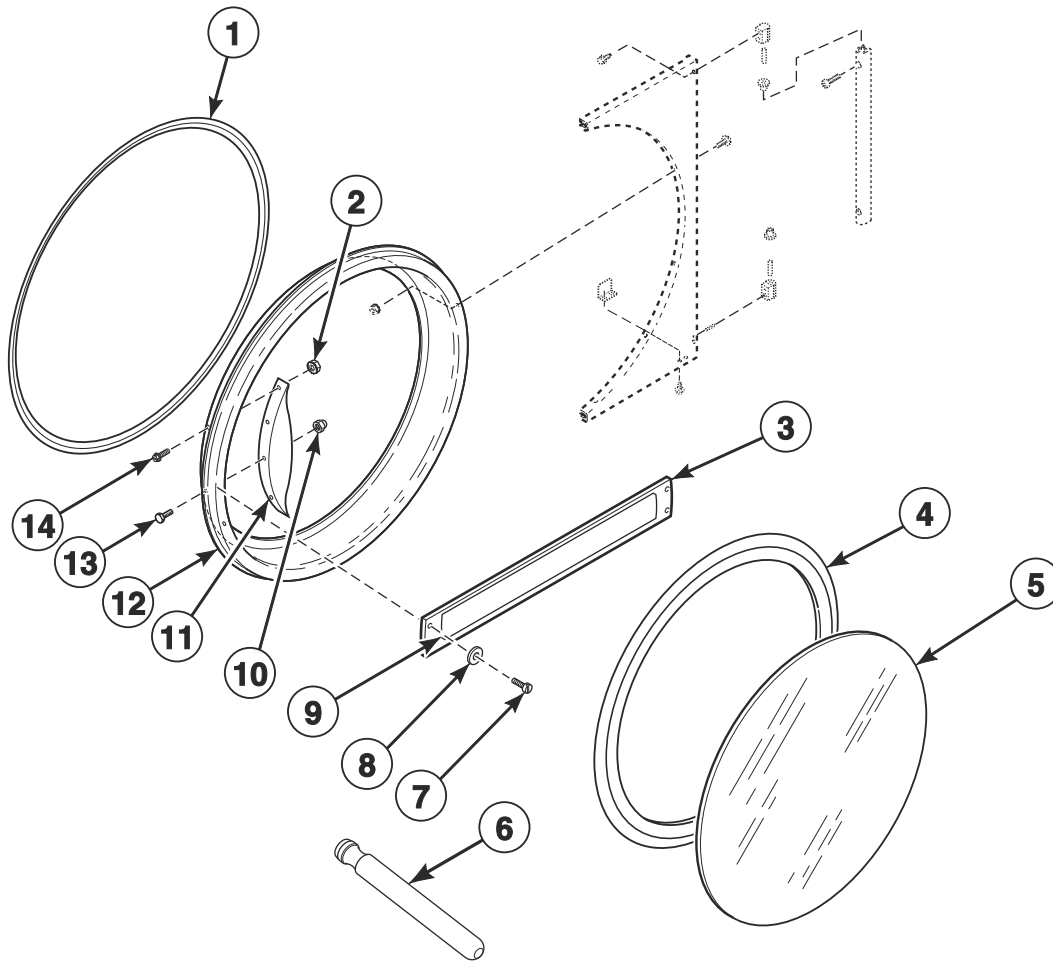


TMB3152P\_70591501

# Door Assemblies

REF	PART NO.	DESCRIPTION	COMMENTS
1	44028906	Door Assembly	M models; Design 3 S models; Stainless steel
	44354701	Door Assembly	S models; Stainless steel; Design 5
	44028908	Door Assembly	M models; Design 3 S models; Chrome
	44354702	Door Assembly	S models; Chrome; Design 5
	44266703	Door Assembly	U models; Stainless steel; Design 3
	44354703	Door Assembly	U models; Stainless steel; Design 5
	44266704	Door Assembly	U models; Chrome; Design 3
	44354704	Door Assembly	U models; Chrome; Design 5
	44058105	Door Assembly	H models; Stainless steel; Design 3
	44354705	Door Assembly	H models; Stainless steel; Design 5
	44058107	Door Assembly	H models; Stainless steel with green trim; Design 3
	44354707	Door Assembly	H models; Stainless steel with green trim; Design 5
	44058106	Door Assembly	H models; Chrome; Design 3
	44354706	Door Assembly	H models; Chrome; Design 5
	44058108	Door Assembly	H models; Chrome with green trim; Design 3
	44354708	Door Assembly	H models; Chrome with green trim; Design 5
	44028907	Door Assembly	N models; Design 3 B models; Black
	44292302LG	Door Assembly	P models; Light gray; Design 3
	44354709	Door Assembly	B, J and P models; Black; Design 5
	44292302B	Door Assembly	P models; Use with stainless steel front panel
70407402	Door Assembly	G and K models; Includes handle	

# Door Components

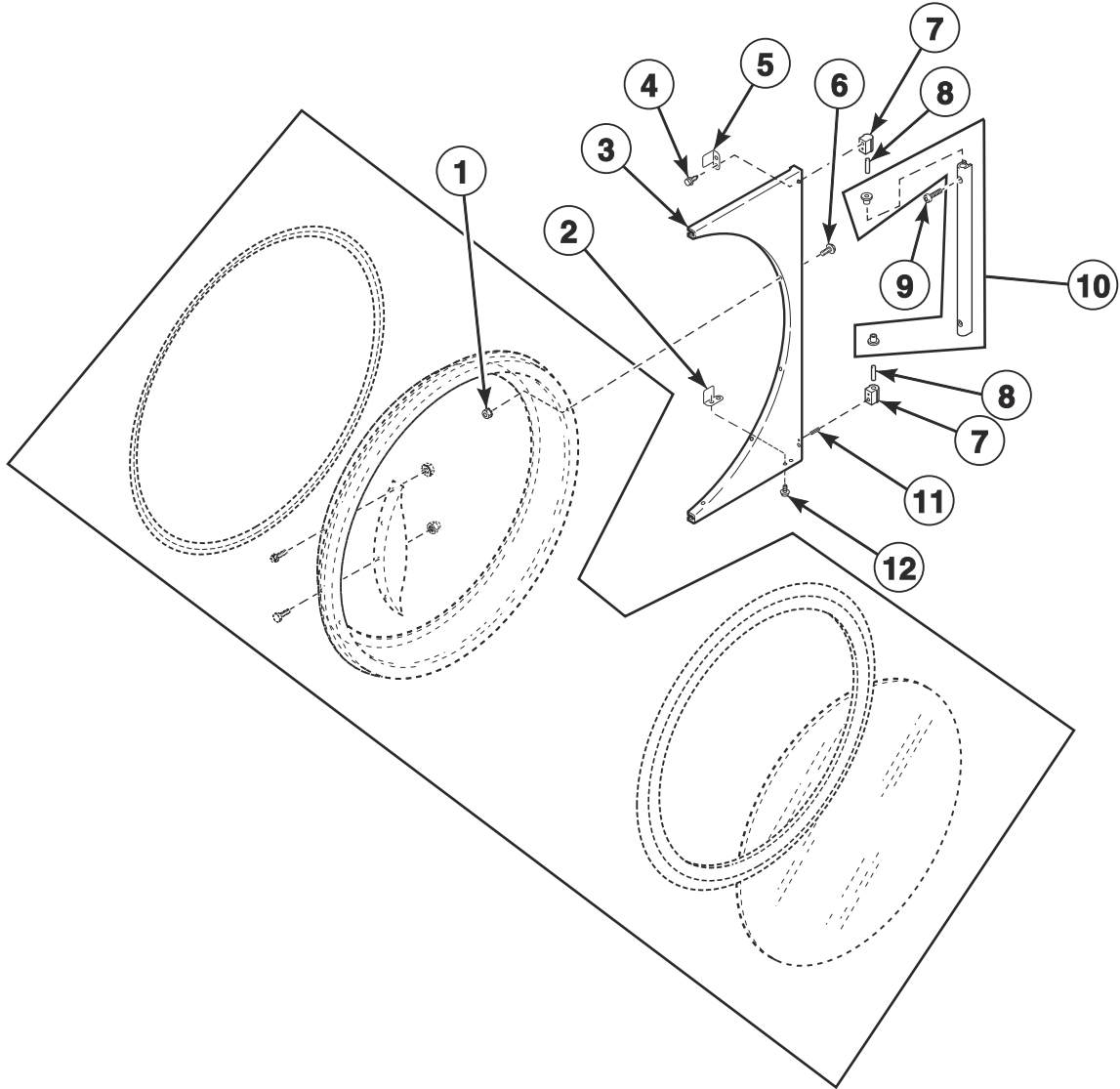


TMB3152PA\_70591501

# Door Components

REF	PART NO.	DESCRIPTION	COMMENTS
	70650401	Door Glass Label	H models; Design 5
	70707701	Door Glass Label	S models
	70707501	Max Fill Line Label	
<b>1</b>	70296802	Door Ring Gasket	H models with chrome handle
	44008201P	Door Ring Gasket	All other models
<b>2</b>	44088001	Nut	B, H, M, N and S models; 4 required
<b>3</b>	70399501B	Handle Bar	G and K models
<b>4</b>	70211902P	Door Seal Kit	Use Loctite 414 for seal
<b>5</b>	44008402P	Door Glass	H models; Design 3
	44008403	Door Glass	H models; Green trim; Design 3
	44008405	Door Glass	H models; Green trim; Design 5
	44008401P	Door Glass	All other models; Design 5 H models
<b>6</b>	M4221P4	Door Glass Installation Tool	
<b>7</b>	70412601	Pop Rivet	G and K models; Attaches door handle to door ring
<b>8</b>	70409301	Washer	G and K models
<b>9</b>	70414001	Label	G and K models; Coin
<b>10</b>	M414215	Nut	For door strike; Mounts between door strike screw and door handle
<b>11</b>	44007901	Door Handle	B, J, M, N and S models; Design 5 P models
	44263801	Door Handle	U models; Use 901620 Screw, 800465 Washer, 803871 Screw and 44088001 Nut to attach
	70521102	Door Handle	H models; Design 3
	44370601	Door Handle	H models; Design 5
<b>12</b>	44326001	Door Ring Assembly	M models; Stainless steel; Design 3 H and S models
	44326005	Door Ring Assembly	M models; Chrome; Design 3 H and S models
	44326002	Door Ring Assembly	U models; Design 3
	44326006	Door Ring Assembly	U models; Chrome; Design 3
	44326004B	Door Ring Assembly	N models; Design 3 B models
	44326007LG	Door Ring and Handle Assembly	P models; Light gray; Design 3
	44326007B	Door Ring and Handle Assembly	P models; Includes handle; Use with stainless steel and white front panel
	44354807B	Door Ring Assembly	B, J and P models; Design 5
	44326003B	Door Ring Assembly	G and K models
<b>13</b>	M400661	Screw	Door Strike
<b>14</b>	70442101	Screw	B, H, J, M, N, P and S models; 4 required

# Hinge Components - Design 3 Models



TMB3459P\_70591501

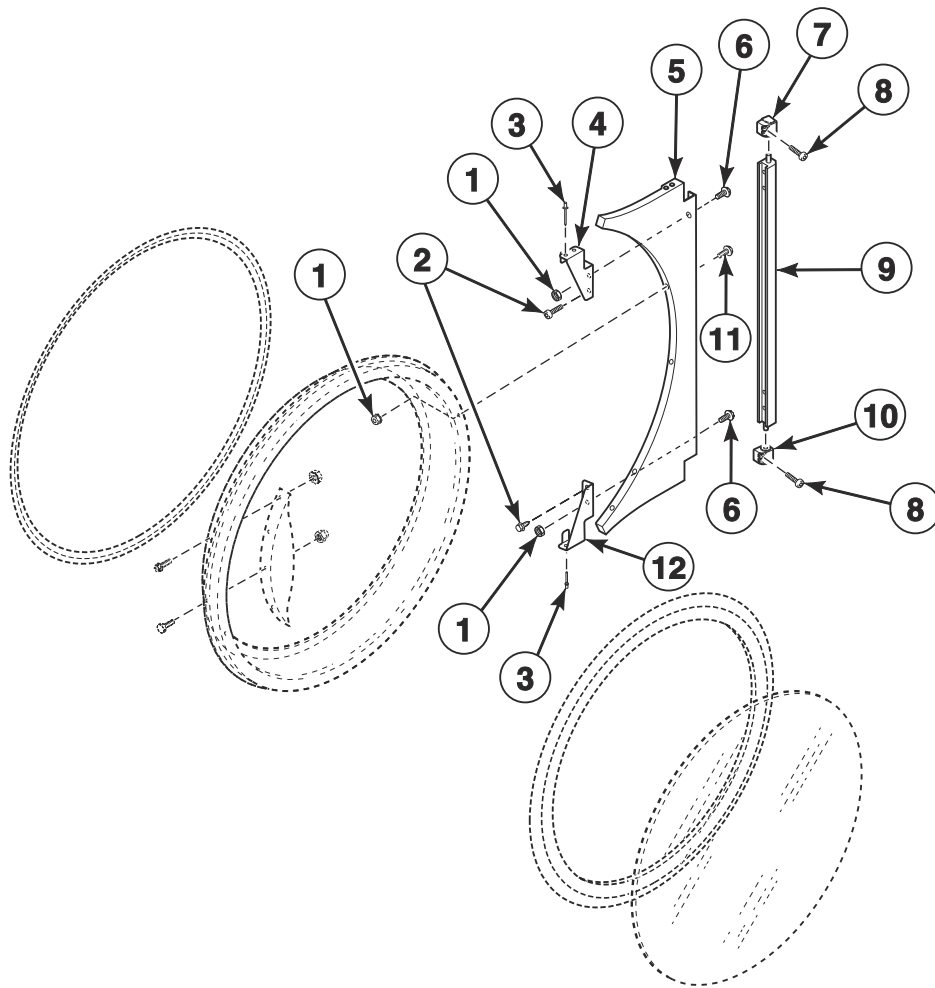
## Hinge Components - Design 3 Models

REF	PART NO.	DESCRIPTION	COMMENTS
1	44088001	Nut	
2	70532101	Door Switch Actuator	Bottom
3	44075205*	Door Hinge Assembly	H, M, N, S and U through 3/31/21
	44075209W	Door Hinge Assembly	H, M, N, S and U starting 4/1/21
	44075212	Door Hinge Assembly	H, M, S and U models; Stainless steel
	44075209LG	Door Hinge Assembly	Light gray; P and U models
	44075209B	Door Hinge Assembly	Black; B, G, K and N models; P models with white and stainless steel front panel
4	70576101	Screw	
5	70532102	Door Switch Actuator	Top
6	M400044	Screw	
7	M4772P3	Hinge Cam Kit	H, M, P, S and U models
	M4773P3	Hinge Cam Kit	Black; B, G, K and N models; P models with white and stainless steel front panel
8	70071401	Pin	
9	70033502	Screw	H, M, P, S and U models
	70407301	Screw	Black; B, G, K and N models; P models with white and stainless steel front panel
10	44035001	Door Hinge Lug Assembly	H, M, P, S and U models
	44035002	Door Hinge Lug Assembly	Black; B, G, K and N models; P models with white and stainless steel front panel
11	70436301	Screw	
12	70058501	Pop Rivet	

\* Add Letter To Designate Color. Q - Bisque W - White

# Hinge Components - Design 5 Models

B, H, J, P, S and U Models



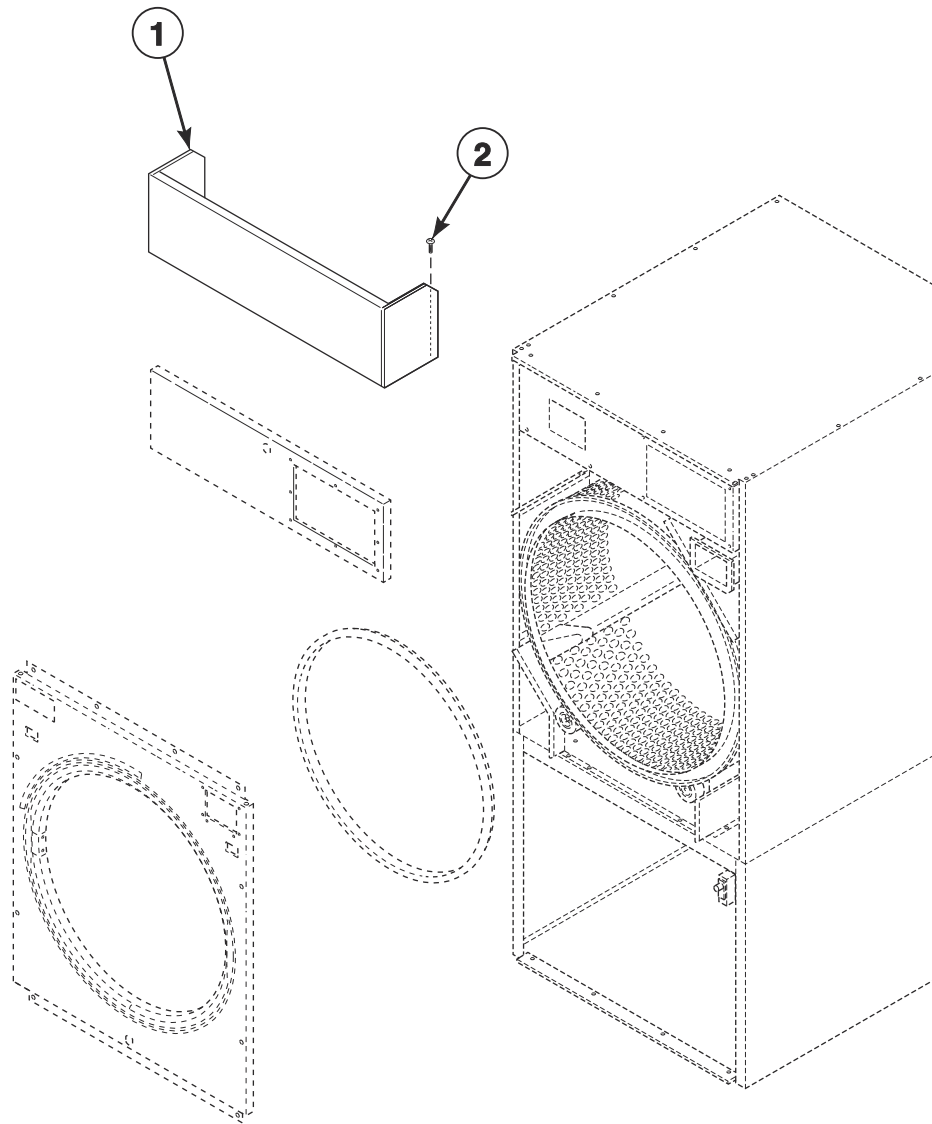
TMB3805P\_70591501



## Hinge Components - Design 5 Models

REF	PART NO.	DESCRIPTION	COMMENTS
1	44088001	Nut	
2	802822	Screw	
3	70058501	Pop Rivet	
4	70632001	Upper Hinge Gusset	
5	44366605W	Door Hinge Assembly	White; H, S and U models through 3/31/21
	44366601W	Door Hinge Assembly	White; H, S and U models starting 4/1/21
	44366603	Door Hinge Assembly	Stainless steel; H, S and U models
	44366601LG	Door Hinge Assembly	Light gray; U models
	44366607	Door Hinge Assembly	Chrome; H, S and U models through 3/31/21
	44366611	Door Hinge Assembly	Mirror polish; H, S and U models starting 4/1/21
	44366609B	Door Hinge Assembly	Black; B, J and P models
6	70640201	Screw	
7	70639301	Upper Lug Assembly	Use with 2 of item 8; H, S and U models
	70639303	Upper Lug Assembly	Use with 2 of item 8; B, J and P models
8	70640301	Screw	H, S and U models
	F8458801	Screw	B, J and P models
9	70640401	Center Hinge Lug Assembly	
10	70639302	Lower Lug Assembly	Use with 2 of item 8; H, S and U models
	70639304	Lower Lug Assembly	Use with 2 of item 8; B, J and P models
11	44349101	Screw	
12	70632002	Lower Hinge Gusset	

# False Fronts



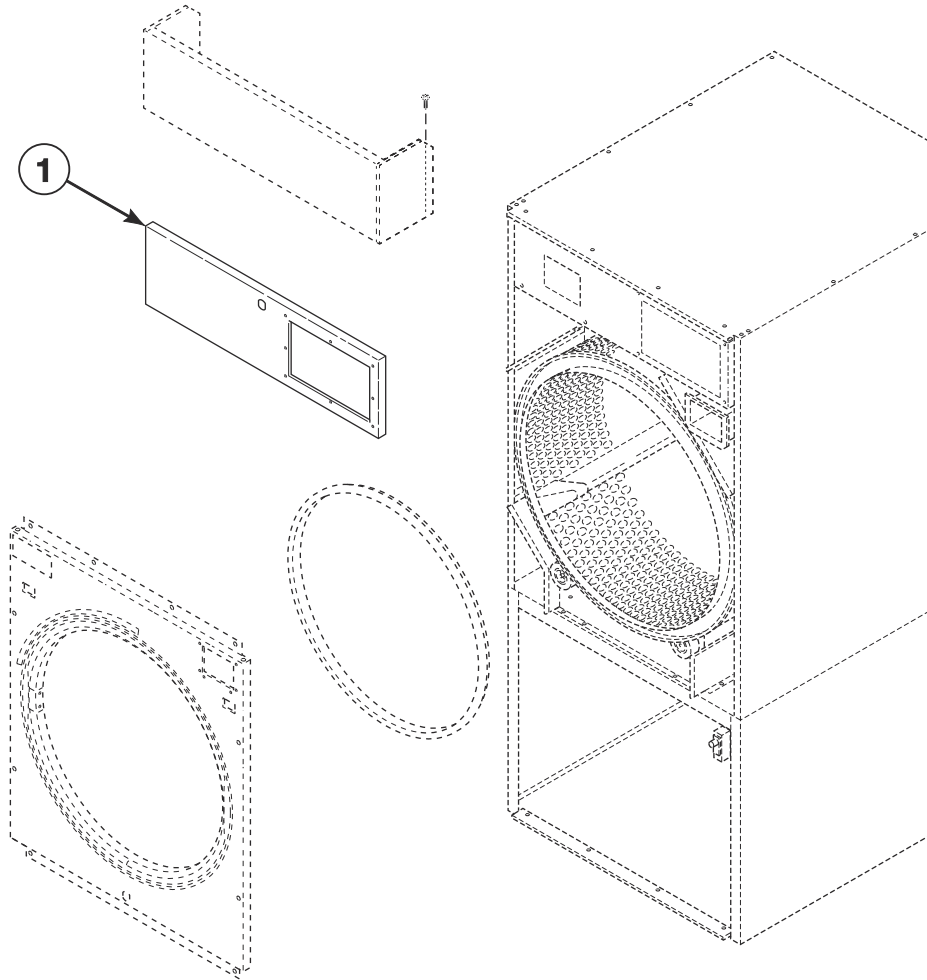
TMB3511P\_70591501

# False Fronts

REF	PART NO.	DESCRIPTION	COMMENTS
1	70405003DG	False Front	Dark gray; P models; 72 inches
	70405003LG	False Front	Light gray; U models; 72 inches
	70405001*	False Front	All other models except P models; 72 inches
	70405004	False Front	72 inches; Stainless steel
	70405103DG	False Front	Dark gray; P models; 76 inches
	70405103LG	False Front	Light gray; U models; 76 inches
	70405101*	False Front	All other models except P models; 76 inches
	70405104	False Front	76 inches; Stainless steel
2	M405188	Screw	4 required

\* Add Letter To Designate Color. Q - Bisque W - White

# Control Panels



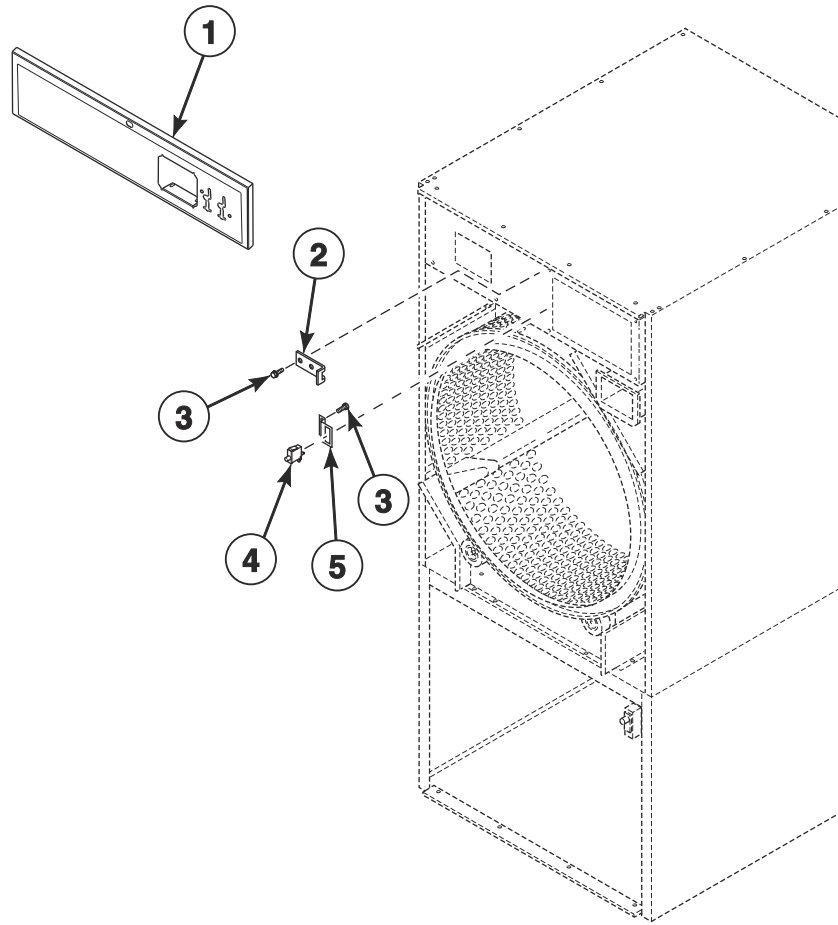
TMB3511PA\_70591501

# Control Panels

REF	PART NO.	DESCRIPTION	COMMENTS
	431318	Control Door Latch	Use with Design 5 H, J and U models
	M400003	Pop Rivet	Use with Design 5 H, J and U models
<b>1</b>	70417108B	Control Panel	B models
	70417105*	Control Panel	G and K models; U models only white available for Design 5; Models through 3/31/21
	70417115W	Control Panel	G, J, K and U models starting 4/1/21
	70417113	Control Panel	G, K and U models; Stainless steel
	70376001*	Control Panel	Design 3 S models through 3/31/21
	70376007W	Control Panel	Design 3 S models starting 4/1/21
	70376008	Control Panel	Design 3 S models; Stainless steel
	70417115LG	Control Panel	U models; Light gray
	70376014DG	Control Panel	P models; Dark gray
	70376003*	Control Panel	M, N and P models; H models only white available for Design 5; Models through 3/31/21
	70376014W	Control Panel	H, M, N and P models starting 4/1/21
	70376009	Control Panel	H, M, N and P models; Stainless steel

\* Add Letter To Designate Color. Q - Bisque W - White

# Control Panels - Design 5 S Models

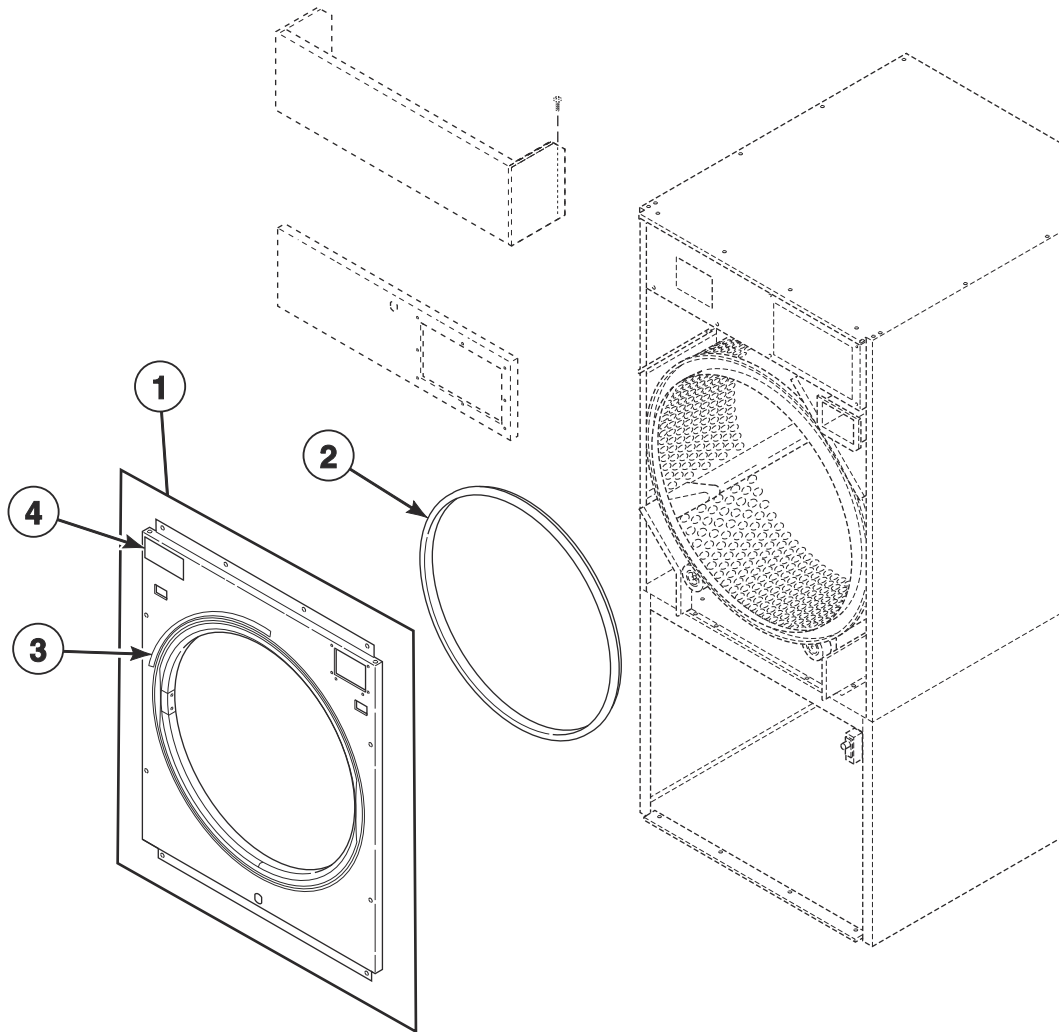


TMB3804P\_70591501

## Control Panels - Design 5 S Models

REF	PART NO.	DESCRIPTION	COMMENTS
1	70640101	Control Assembly	Stainless steel; Coin; Models through 3/31/21
	70640102	Control Assembly	Stainless steel; Card; Models through 3/31/21
	70634903	Control Assembly	Stainless steel; OPL; Models through 3/31/21
	70640103W	Control Assembly	Coin; Models through 3/31/21
	70640104W	Control Assembly	Card; Models through 3/31/21
	70634906W	Control Assembly	OPL; Models through 3/31/21
	70684701	Control Assembly	Stainless steel; Coin; Models starting 4/1/21
	70684702	Control Assembly	Stainless steel; Card; Models starting 4/1/21
	70684603	Control Assembly	Stainless steel; OPL; Models starting 4/1/21
	70684703W	Control Assembly	Coin; Models starting 4/1/21
	70684704W	Control Assembly	Card; Models starting 4/1/21
	70684606W	Control Assembly	OPL; Models starting 4/1/21
2	70654501	Lock Catch Bracket	Models through 3/31/21
3	430497	Screw	
4	70413301	Pushbutton Switch	
5	70641601	Control Panel Switch Bracket	

# Front Panel Assemblies - Design 3 Models



TMB3511PB\_70591501



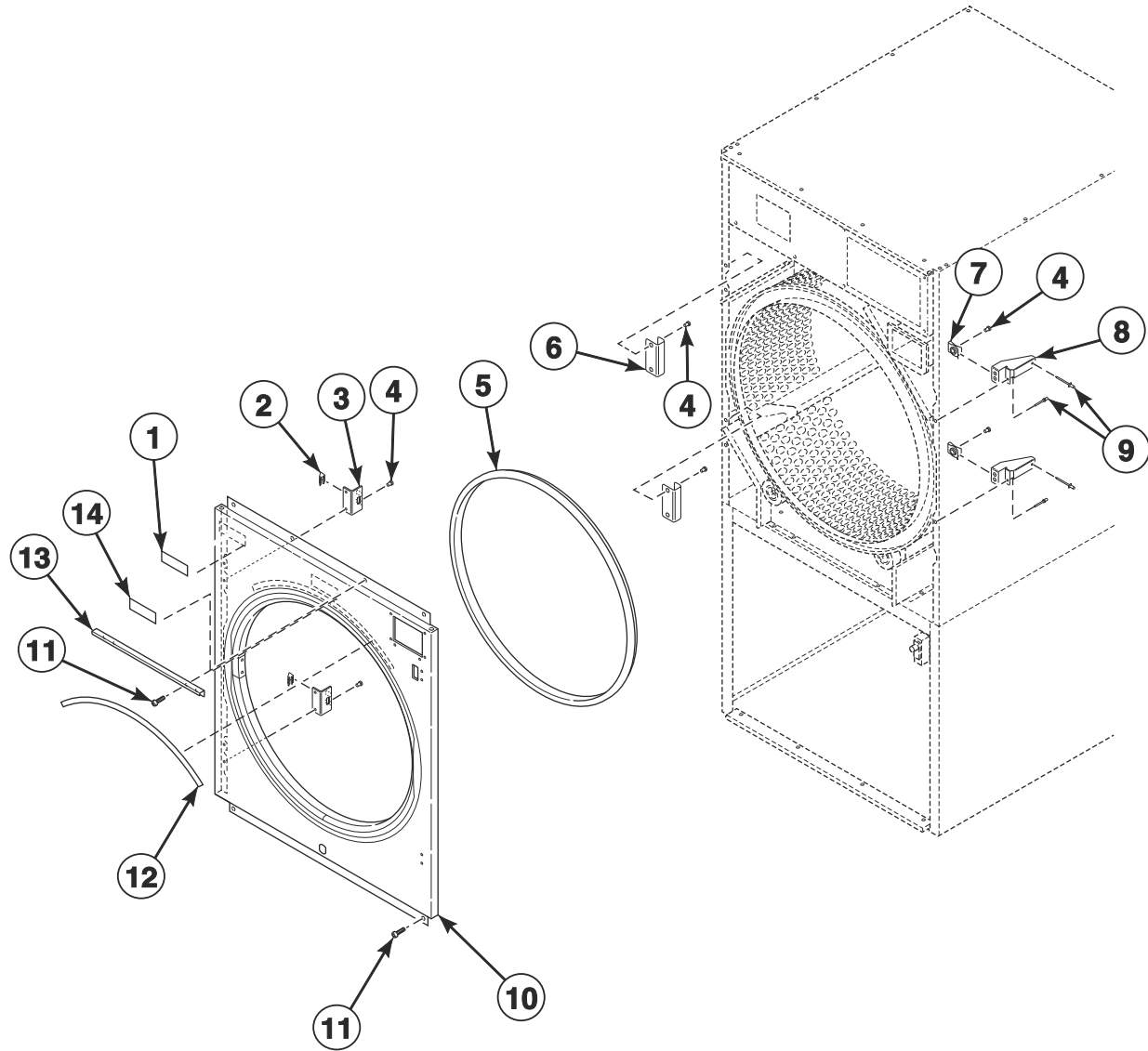
## Front Panel Assemblies - Design 3 Models

REF	PART NO.	DESCRIPTION	COMMENTS
1	70624101*	Front Panel	All models except NT, P and U models; Coin; Models through 3/31/21
	70624102W	Front Panel Assembly	All models except NT, P and U models; Coin; Models starting 4/1/21
	70624301DG	Front Panel	P models; Coin; Dark gray
	70623801	Front Panel	All models except NT, P and U models; Coin; Stainless steel
	70413003WP	Front Panel Assembly	All models except NT, P and U models; Card and central pay; Models through 3/31/21
	70624202W	Front Panel Assembly	All models except NT, P and U models; Card and central pay; Models starting 4/1/21
	70624401DG	Front Panel	P models; Card and central pay; Dark gray
	70623901	Front Panel	All models except NT, P and U models; Card and central pay; Stainless steel
	70624501*	Front Panel	OPL; With e-stop; Models through 3/31/21
	70624502W	Front Panel Assembly	OPL; With e-stop; Models starting 4/1/21
	70624601DG	Front Panel	P models; OPL; Dark gray; With e-stop
	70624601LG	Front Panel	U models; OPL; Light gray; With e-stop
	70624001	Front Panel	OPL; Stainless steel; With e-stop
	70524305*	Front Panel	OPL; Without e-stop; Models through 3/31/21
	70524313W	Front Panel Assembly	OPL; Without e-stop; Models starting 4/1/21
	70524313DG	Front Panel	P models; OPL; Dark gray; Without e-stop
	70524313LG	Front Panel	U models; OPL; Light gray; Without e-stop
	70524306	Front Panel	OPL; Stainless steel; Without e-stop
	2	70173402	Front Cylinder Seal
3	70534301	Warning Label	English
	70534302	Warning Label	French
	70534300	Label Kit	Warning; IEC models
4	70537001	Label	B, H, M, N, S and U models; C.A.R.E.
	70537101	Label	G and K models; F.S.S.
	44190901	Label	P models; Safe Tech

\* Add Letter To Designate Color. Q - Bisque W - White

# Front Panel Assemblies - Design 5 Models

B, H, J, P, S and U Models

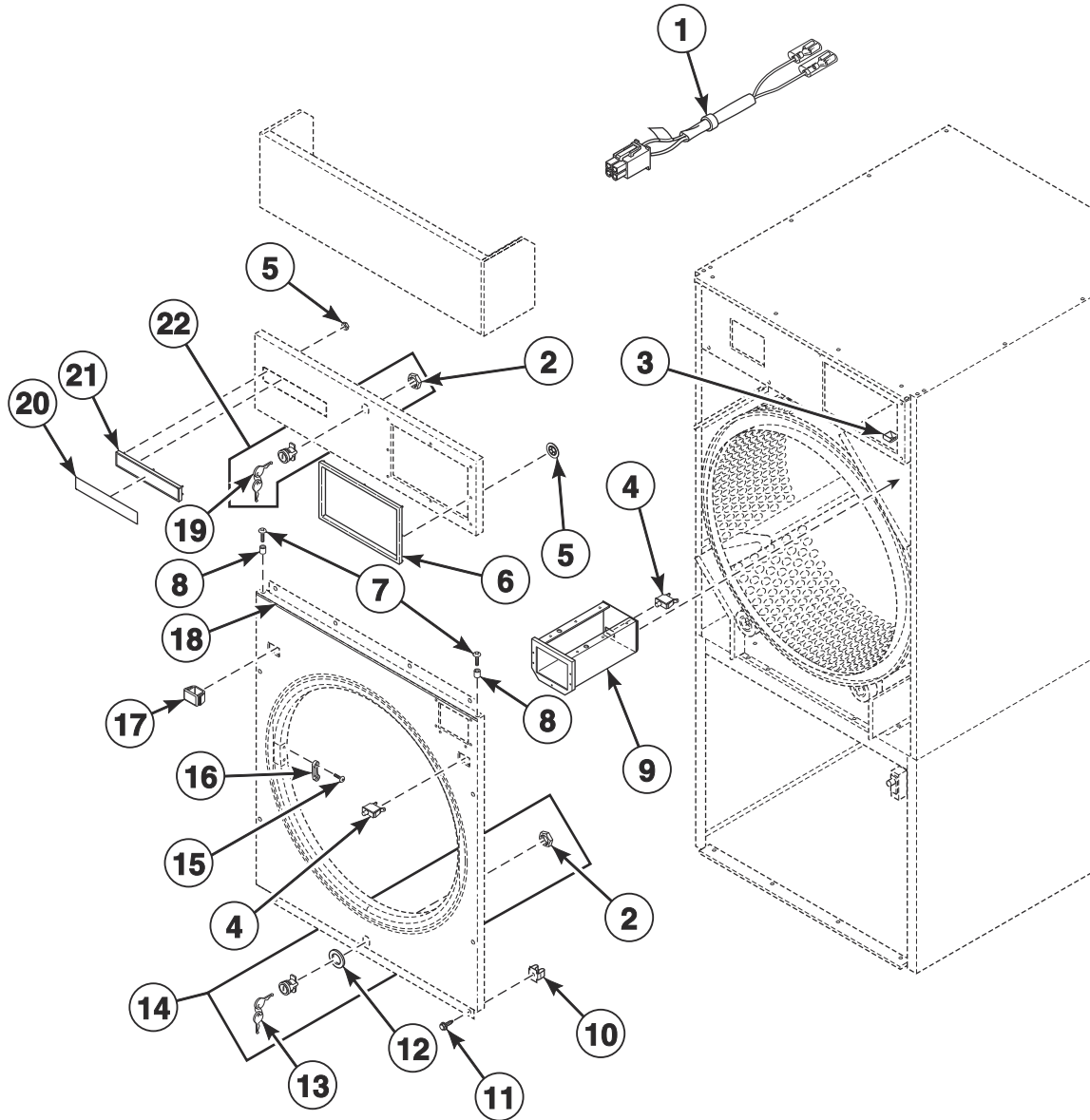


TMB3806P\_70591501

## Front Panel Assemblies - Design 5 Models

REF	PART NO.	DESCRIPTION	COMMENTS
	70289101P	Gasket	Sold per foot; Used behind item 10
1	70537001	Label	C.A.R.E.; B, H, P and S models
2	35865	Hold-Down Clip	2 required
3	70604801	Clip Mount Bracket	2 required
4	70058501	Pop Rivet	
5	70173402	Front Cylinder Seal	
6	70604901	Clip Keeper Bracket	2 required
7	70030401	Nut	2 required
8	70634201	Bracket	
9	70614201	Rivet	
10	70705221	Front Panel Assembly	Stainless steel; Coin; B, H, P and S models
	70705222	Front Panel Assembly	Stainless steel; Card, central pay and OPL; Without e-stop; B, H, P and S models
	70705224	Front Panel Assembly	Stainless steel; OPL; With e-stop; B and P models
	70705223LG	Front Panel Assembly	U models; Light gray; OPL
	70705221W	Front Panel Assembly	Coin; B, H, J, P and S models
	70705222W	Front Panel Assembly	Card and central pay; B, H, P and S models
	70705223W	Front Panel Assembly	OPL; Without e-stop; B, H, P, S and U models
	70705224W	Front Panel Assembly	OPL; With e-stop; B, H, P, S and U models
11	M411072	Screw	
12	70534301	Warning Label	English
	70534302	Warning Label	French
13	70641501	Control Panel Stand Bracket	S models
14	70472801	Label	U models

# Cabinet Front Components



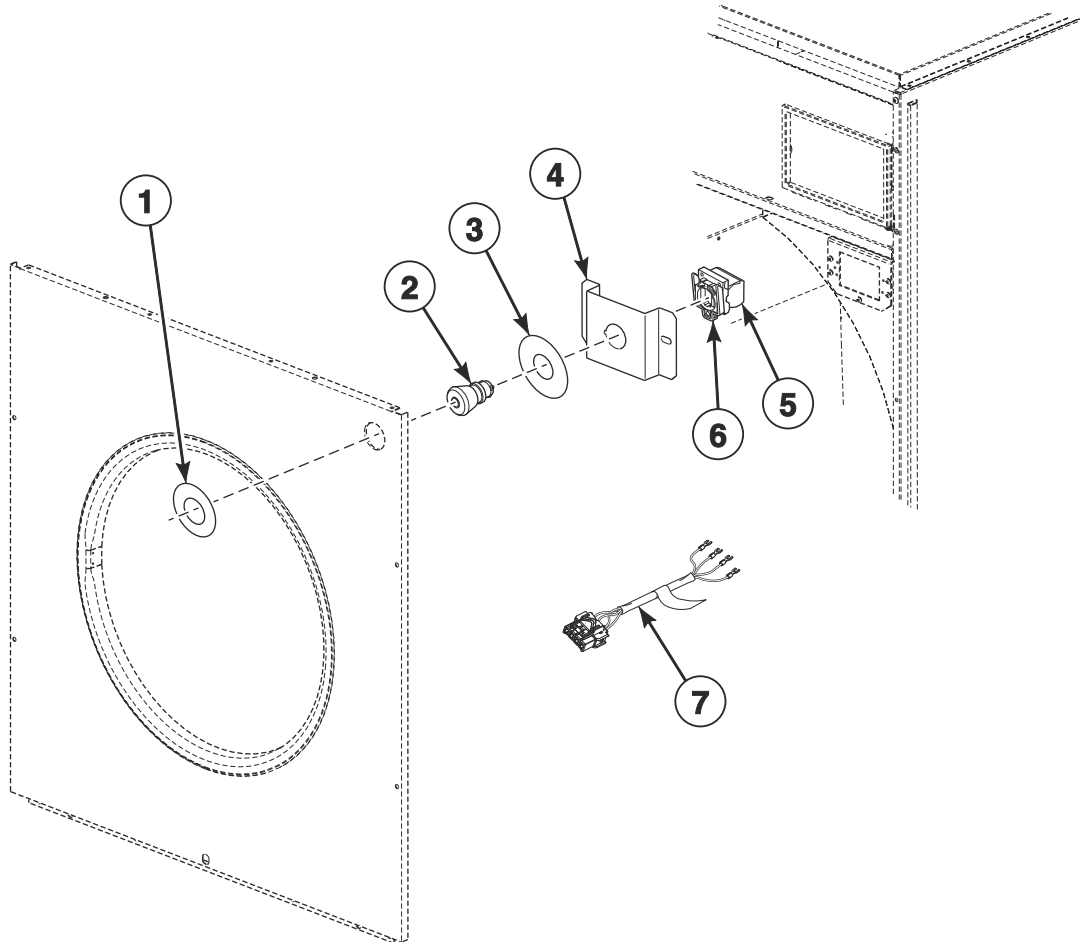
TMB3592P\_70591501

# Cabinet Front Components

REF	PART NO.	DESCRIPTION	COMMENTS
	44334103	Bypass Harness	Card and central pay
	D511476	Jumper Harness	Card reader present
	70482901	Door Catch Kit	
<b>1</b>	44334101	Coin Vault Switch Harness	
<b>2</b>	44088801	Nut	
<b>3</b>	70296401	Coin Chute Assembly	
<b>4</b>	70413301	Pushbutton Switch	
<b>5</b>	M400977	Nut	S models; 6 required; Design 3
<b>6</b>	70529401	Control Trim	H models; Gray
	44016401	Control Trim	K, M, N and P models; Design 3 S models; Black
<b>7</b>	39733	Screw	
<b>8</b>	56079	Panel Locator	9 required
<b>9</b>	70529501	Coin Vault Assembly	
	70529502	Coin Vault and Emergency Stop Mount Assembly	Models with emergency stop
	F160673P	Coin Box	Optional equipment; Includes lock and key
<b>10</b>	70030501	Expansion Clip	8 required
<b>11</b>	M411072	Screw	8 required
<b>12</b>	70342401	Lock Shim	
<b>13</b>	70155602	Key	RL002
<b>14</b>	44089302P	Lock, Key and Nut Kit	RL002
	44089305	Panel Lock	RL002; Chrome
<b>15</b>	44166601	Pop Rivet	
<b>16</b>	M401223	Door Latch	
<b>17</b>	44057801W	Switch Hole Plug	White; Design 3 models
	44057801Q	Switch Hole Plug	Bisque; Design 3 models
	44057801LG	Switch Hole Plug	U models; Gray; Design 3
	44057801B	Switch Hole Plug	Black; Design 3 models
<b>18</b>	70399406	Access Panel Trim	G and K models
	70399413	Access Panel Trim	G and K models; Coin
<b>19</b>	70155601	Key	RL001
<b>20</b>	70115601	Nameplate Overlay	S models; Design 3
	F8688801	Nameplate	S models; Design 5
	F8688001	Nameplate	H models; Design 5
	F8443105	Nameplate	U models
	B12389801	Nameplate	B models
	70411401	Nameplate Overlay	G models; Coin
	70410201	Nameplate Overlay	G models; OPL
	44144401	Nameplate Overlay	K models; Coin
	44147101	Nameplate Overlay	K models; OPL
	567887	Nameplate	P models
	70685701	Nameplate	J models
<b>21</b>	70117401	Nameplate Bezel	S models; Design 3
<b>22</b>	44089301P	Lock, Key and Nut Kit	RL001; Black
	44089304	Panel Lock	RL001; Chrome

# Emergency Stop Button - OPL Models

A, H, J, K, R and U in the 2nd Position  
G and T in the 2nd Position Through 12/31/18

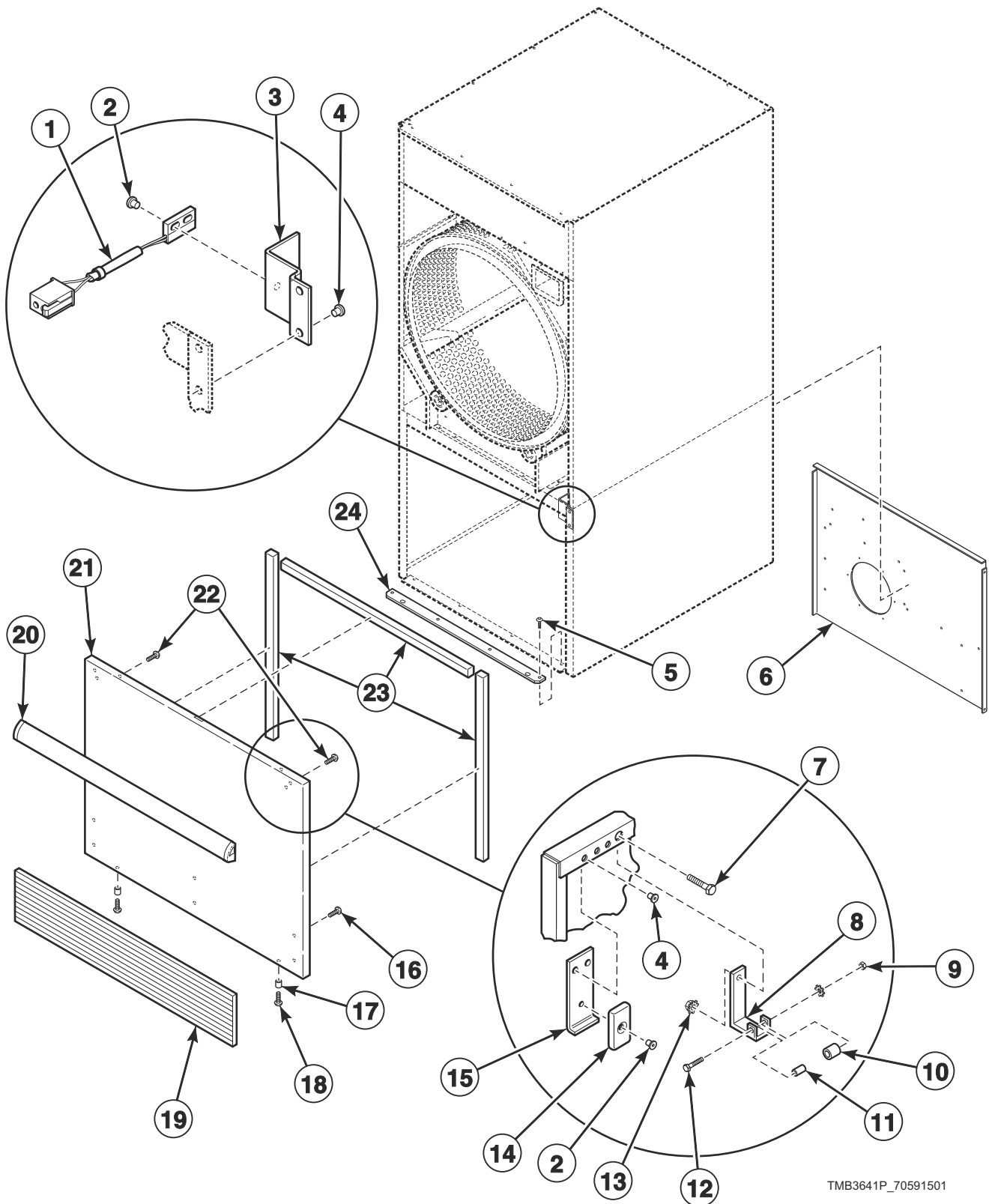


TMB3513P\_70591501

## Emergency Stop Button - OPL Models

REF	PART NO.	DESCRIPTION	COMMENTS
	70580301	Emergency Stop Button Kit	Includes items 2-4
	F8519403	Emergency Stop Bypass Harness	Coin, card and central pay
1	44012903	Emergency Stop Label	
2	F200233500	Emergency Stop Pushbutton	
3	44012901	Emergency Stop Label	
4	70550401	Emergency Stop Mounting Bracket	
5	F8069501	Contact Switch	2 required
6	F8538101	Contact Base	
7	44272401	Emergency Stop Harness	

# Lower Cabinet Components



TMB3641P\_70591501

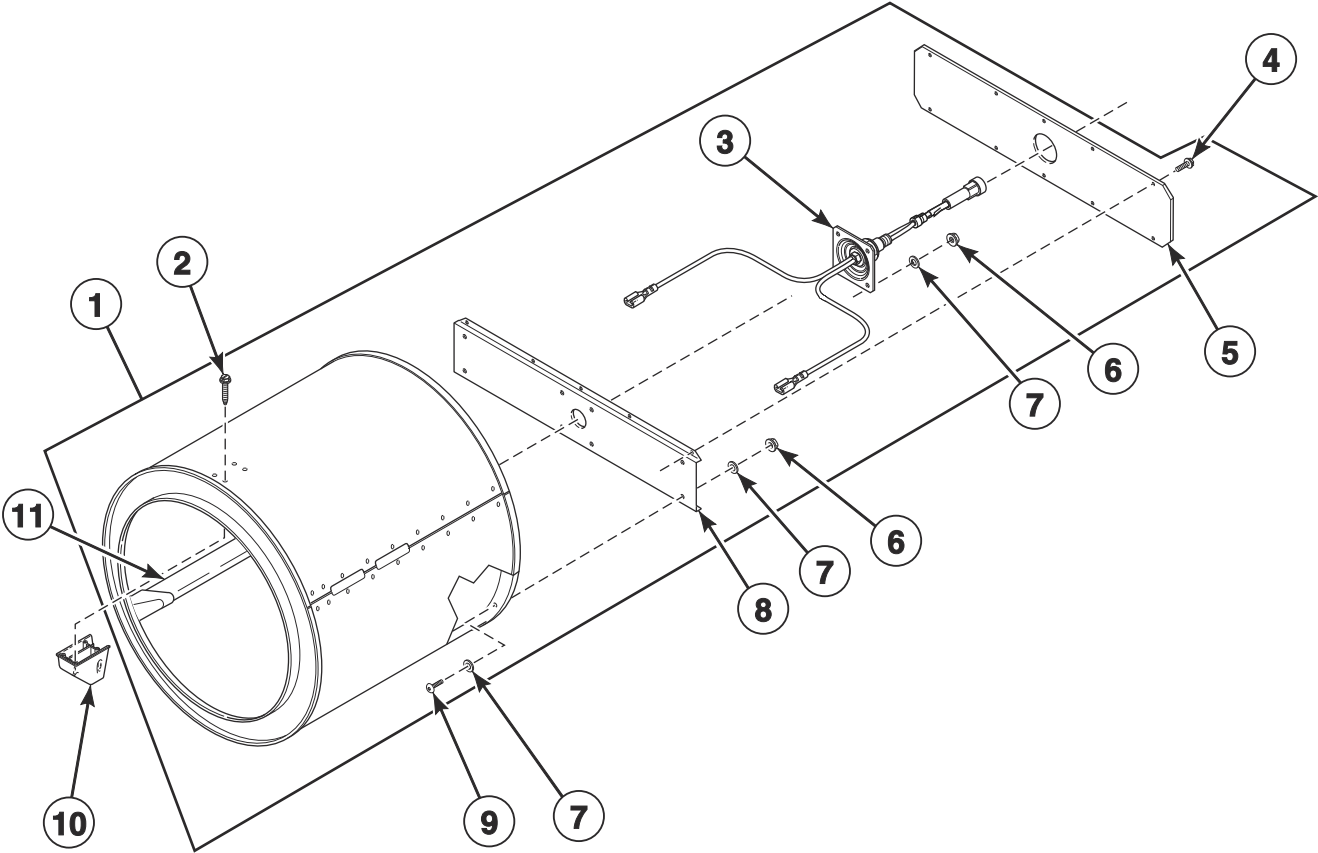


## Lower Cabinet Components

REF	PART NO.	DESCRIPTION	COMMENTS
1	F8066804	Reed Switch Assembly	
2	F8245101	Blind Rivet	
3	70508501	Switch Bracket	
4	70058501	Pop Rivet	
5	430497	Screw	
6	70564001	Rear Lint Panel	
7	70132301	Screw	Attaching roller catch
8	70030301	Roller Catch Arm	
9	23951	Nut	
10	70297601	Roller Catch Wheel	
11	70030201	Roller Catch Spacer	
12	70072801	Screw	
13	51236	Nut	Attaching roller catch
14	70343101	Magnet	
15	44290501	Magnet Bracket	
16	70126301	Pop Rivet	For attaching kickplate; Black; 6 required
	70126401	Pop Rivet	For attaching kickplate; Gray; 6 required
17	56079	Panel Locator	
18	39733	Screw	
19	70117622	Kickplate	H and U models; Dark gray; Design 3
	70117613	Kickplate	All models except H models; Black; Design 3
20	70154411	Handle and Caps Assembly	B, J, M, N, S and U models; P models with white and stainless steel front panel; Black
	70407209	Handle Bumper	P models; Silver
	70154418	Handle and Caps Assembly	H and U models; Dark gray
	70407206	Handle Bumper	G and K models
21	70515601*	Lint Panel	All models except J and P models; Design 3; Models through 3/31/21
	70515603W	Lint Panel	All models except P models; Design 3; Models starting 4/1/21
	70515603LG	Lint Panel	Design 3 U models; Light gray
	70515604DG	Lint Panel	P models; Dark gray
	70515602	Lint Panel	All models except B, J and P models; Design 3; Stainless steel
	70515605	Lint Panel	B and P models; Design 5 H, S and U models; Stainless steel; No kickplate
	70515604LG	Lint Panel	Design 5 U models; Light gray; No kickplate
	70515606W	Lint Panel	Design 5 H, J, S and U models; No kickplate; Models through 3/31/21
	70515604W	Lint Panel	Design 5 H, J, S and U models; No kickplate; Models starting 4/1/21
22	430757	Screw	For attaching handle; 6 required
23	70289101P	Gasket	Sold per foot
24	70392101	Lint Panel Pivot Plate	

\* Add Letter To Designate Color. Q - Bisque W - White

# Cylinder and Trunnion Assembly

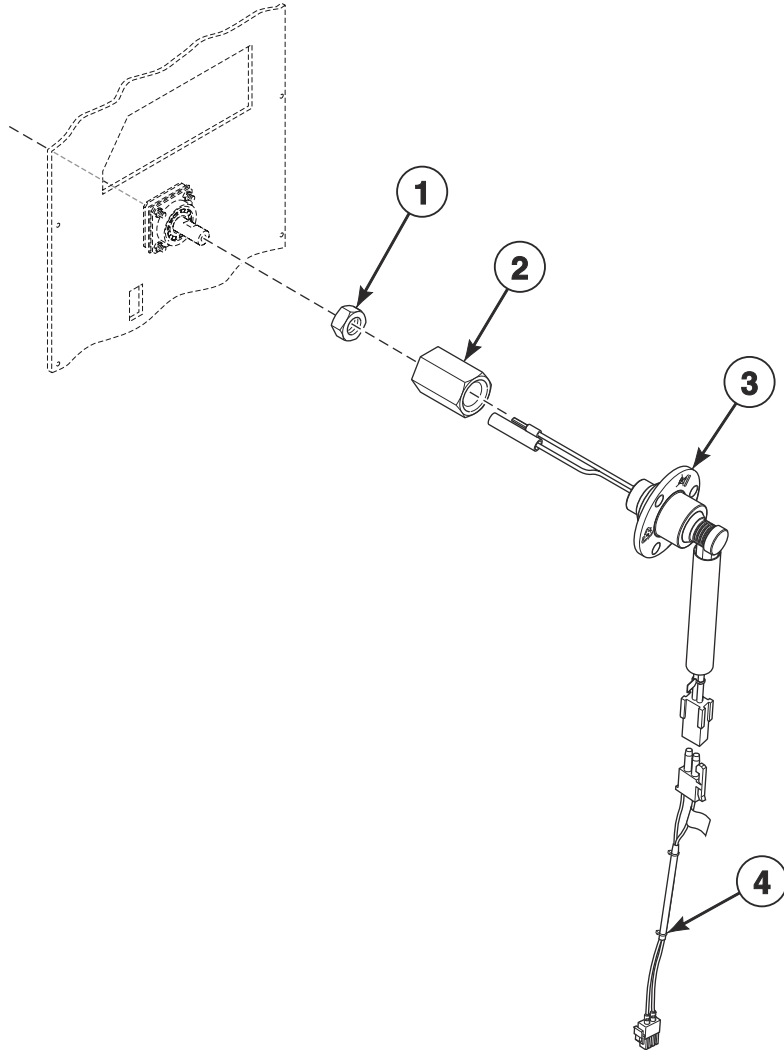


TMB3358P\_70591501

## Cylinder and Trunnion Assembly

REF	PART NO.	DESCRIPTION	COMMENTS
	70343101P	Drywall Screw Magnet Kit	
1	70408803	Cylinder Assembly	G and K models; Non-moisture sensing
	70444103	Cylinder and Trunnion Assembly	G and K models; Moisture sensing
	70408801P	Cylinder Assembly	All other models; Galvanized; Non-moisture sensing
	70444101P	Cylinder and Trunnion Assembly	All other models; Galvanized; Moisture sensing
	70408802P	Cylinder Assembly	All other models; Stainless steel; Non-moisture sensing
	70444102	Cylinder and Trunnion Assembly	All other models; Stainless steel; Moisture sensing
2	62588	Screw	12 required
3	70564807	Trunnion and Seal Kit	Includes 70013702 Rear Cylinder Seal; Non-moisture sensing
	70564808	Trunnion and Seal Kit	Moisture sensing; Includes 70454601 Trunnion and Wire Assembly
4	430497	Screw	10 required
5	70305301	Rear Cylinder Channel Plate	
6	44087201	Nut	8 required
7	70411301	Washer	
8	70305201	Rear Cylinder Channel	Non-moisture sensing
	70305202	Rear Cylinder Channel	Moisture sensing
9	70391101	Screw	8 required
10	70070101	End Cap	Non-moisture sensing
	70070102	End Cap	Moisture sensing
11	70433004	Cylinder Rib Assembly	Moisture sensing

# Moisture Sensing Components

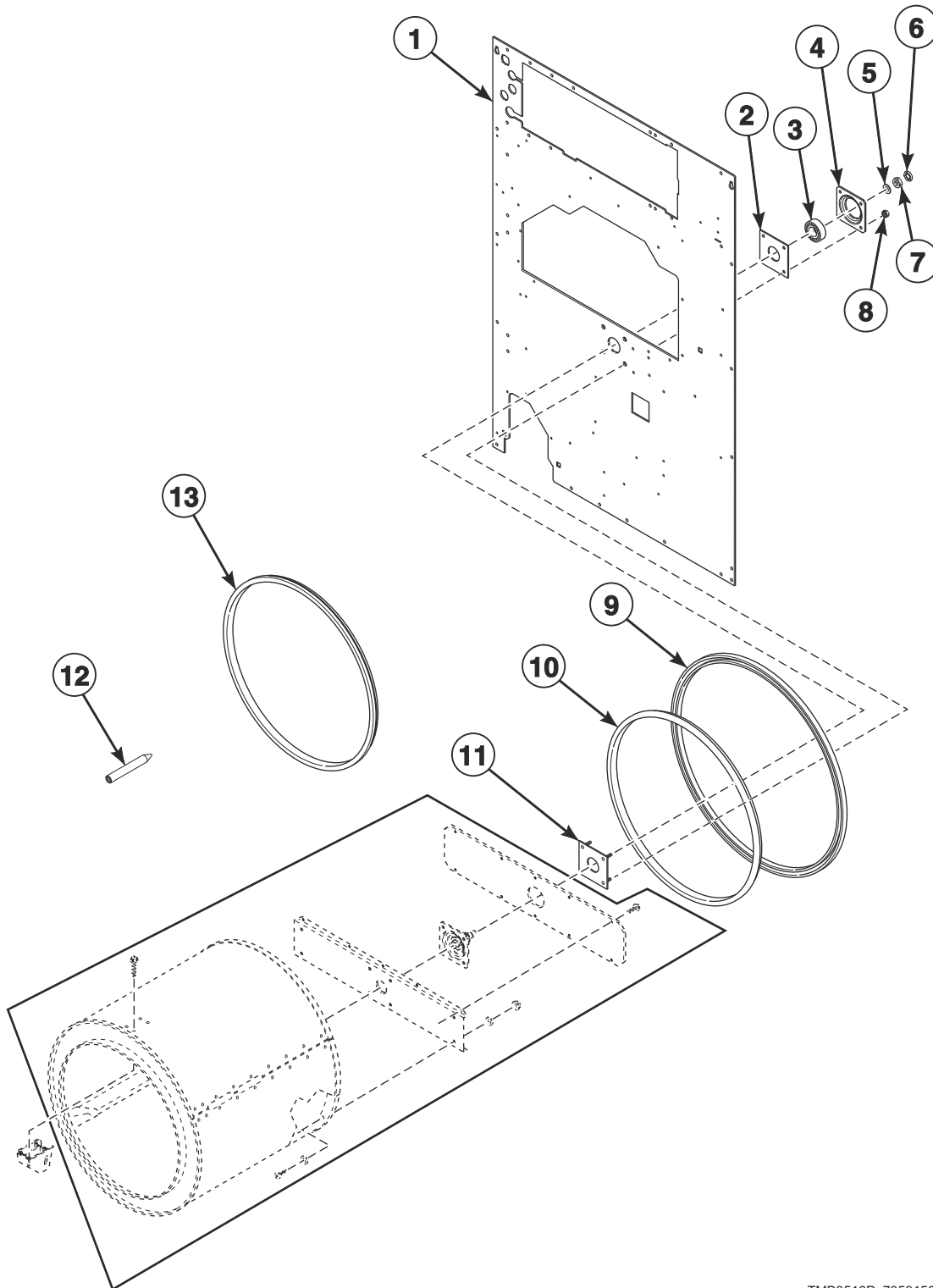


TMB3147P\_70591501

# Moisture Sensing Components

REF	PART NO.	DESCRIPTION	COMMENTS
1	M400022	Nut	
2	70455401	Slip Ring Holder	
3	44222702	Slip Ring Assembly	
4	44333903	Moisture Sensor Harness	

# Cylinder Components

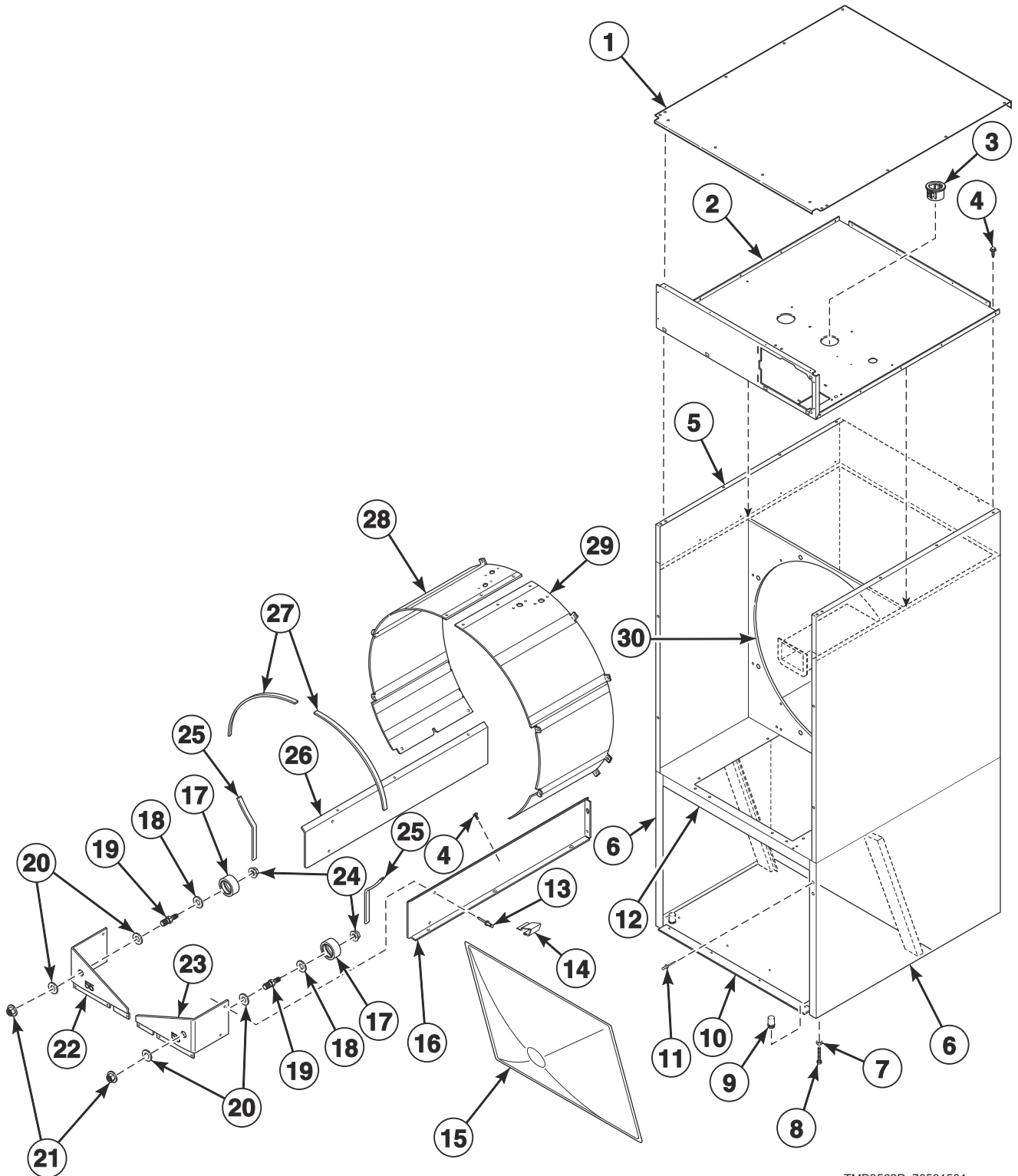


TMB3516P\_70591501

# Cylinder Components

REF	PART NO.	DESCRIPTION	COMMENTS
	70343101P	Drywall Screw Magnet Kit	
	430260P	Support Housing Bearing Assembly	Includes items 3, 4 and Loctite
1	70561601	Rear Panel	Gas models
	70561603	Rear Panel	Gas models; With fire suppression
	70561602	Rear Panel	Electric models
2	70355001	Rear Bearing Shim	
3	70448701	Support Bearing	
4	70013901	Rear Cylinder Bearing Housing	
5	M400991	Washer	
6	M400034	Nut	
7	M400022	Nut	
8	M412986	Nut	4 required
9	70506403	Rear Cylinder Seal Support	
10	70013704P	Rear Cylinder Seal	Use with D511637P Adhesive
11	430352	Cylinder Bearing Stud Plate Assembly	
12	263P4	Cylinder Guide Tool	
13	70066005	Center Cylinder Seal	

# Cabinet Components



TMB3562P\_70591501



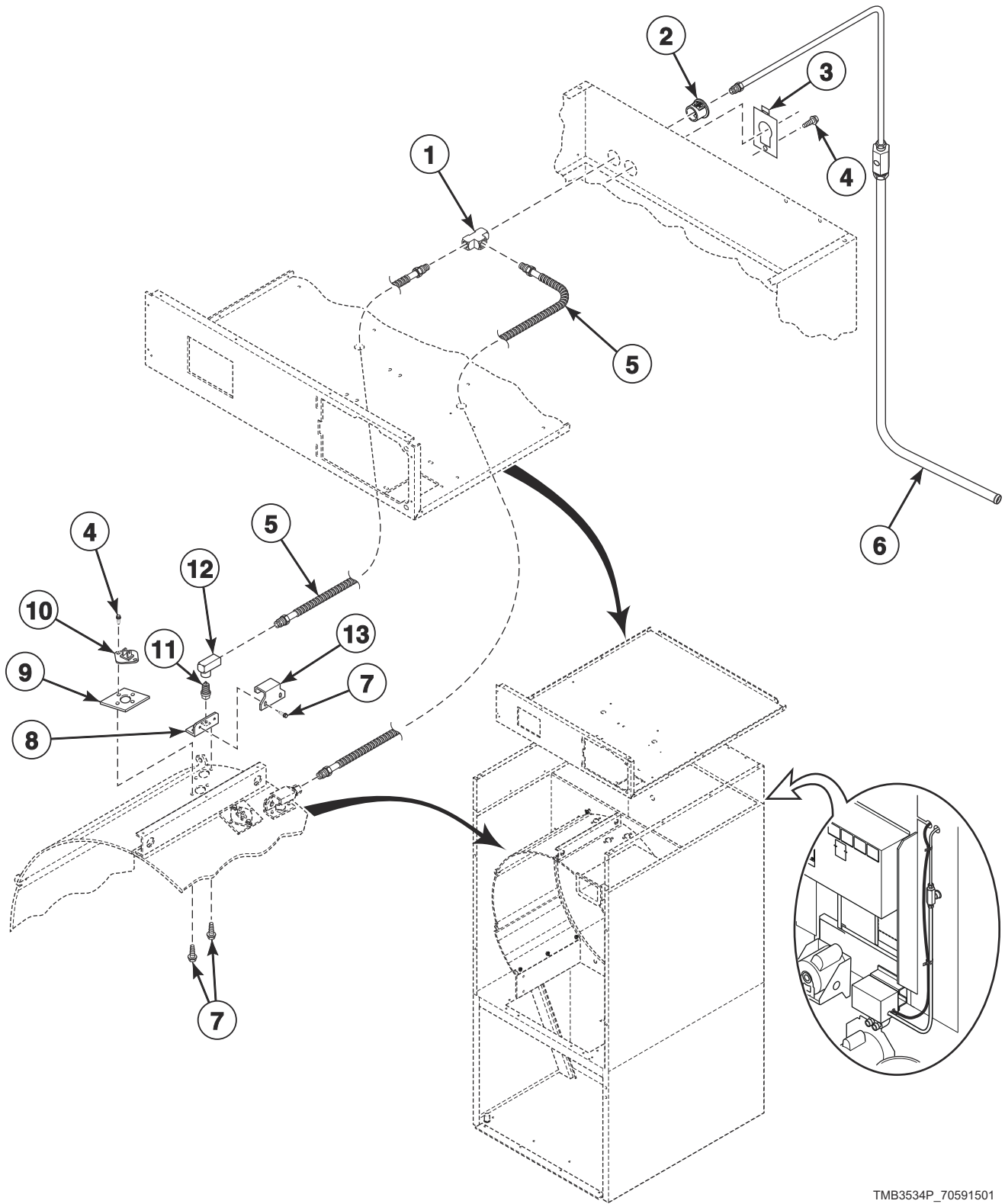
# Cabinet Components

REF	PART NO.	DESCRIPTION	COMMENTS
	M4379P4	Tumbler Dolly Kit	
	298P4P	Spray Paint	White
	381P4	Spray Paint	Bisque
	122P4P	Porcelain Touch-Up Paint	White
	370P4P	Porcelain Touch-Up Paint	Bisque
1	70586601	Top Panel	Design 5 S models through 3/31/21
	70557801	Top Panel	Design 3 models; Design 5 B, H, J, P and U models; Design 5 S models starting 4/1/21
2	70641401	Top Pan	
3	70346501	Bushing	
4	430497	Screw	
5	70378704DG	Side Panel	Dark gray; Design 3 P models; Upper
	70378701LG	Side Panel	Light gray; Design 3 U models; Upper
	70378701*P	Side Panel	All models except J and P models; Design 3; Upper; Models through 3/31/21
	70378704W	Side Panel	All models except P models; Design 3; Upper; Models starting 4/1/21
	70641001LG	Side Panel	Light gray; Design 5 U models; Upper
	70641001DG	Side Panel	Dark gray; Design 5 P models; Upper; Models through 3/31/21
	70641002DG	Side Panel	Dark gray; Design 5 P models; Upper; Models starting 4/121
	70641001W	Side Panel	Design 5 H, S and U models; Upper; Models through 3/31/21
	70641002W	Side Panel	Design 5 H, J, S and U models; Upper; Models starting 4/1/21
6	70378802DG	Side Panel	Dark gray; P models; Lower
	70378801LG	Side Panel	Light gray; U models; Lower
	70378801*P	Side Panel	All models except J and P models; Lower; Models through 3/31/21
	70378802W	Side Panel	All models except P models; Lower; Models starting 4/1/21
7	21899	Nut	
8	70247701	Screw	
9	70063201	Hole Plug	
10	70377601	Lower Pan	
11	70058501	Pop Rivet	16 required; Upper side panel
12	70562401	Center Pan	
13	70058502	Pop Rivet	
14	35865	Hold-Down Clip	
15	44063601	Lint Screen	
16	70575401	Air Duct	Right
17	70616701	Roller and Seal Kit	
18	70443601	Roller Seal	
19	70249501	Roller Shaft	
20	70261401	Washer	
21	70288801	Nut	
22	70326104	Roller Support Bracket	Left
23	70326103	Roller Support Bracket	Right
24	430576	Nut	
25	70015707	Sheet Metal Edge Gasket	Lower
26	70575402	Air Duct	Left
27	70015710	Sheet Metal Edge Gasket	Upper
28	70432308	Cylinder Shroud	Left; With fire suppression
	70378002	Cylinder Shroud	Left
29	70432307	Cylinder Shroud	Right; With fire suppression
	70378001	Cylinder Shroud	Right
30	70376801	Center Partition	

\* Add Letter To Designate Color. Q - Bisque W - White

# Fire Suppression System Components

B, G, H, K, NT, P, S, and U Gas Models



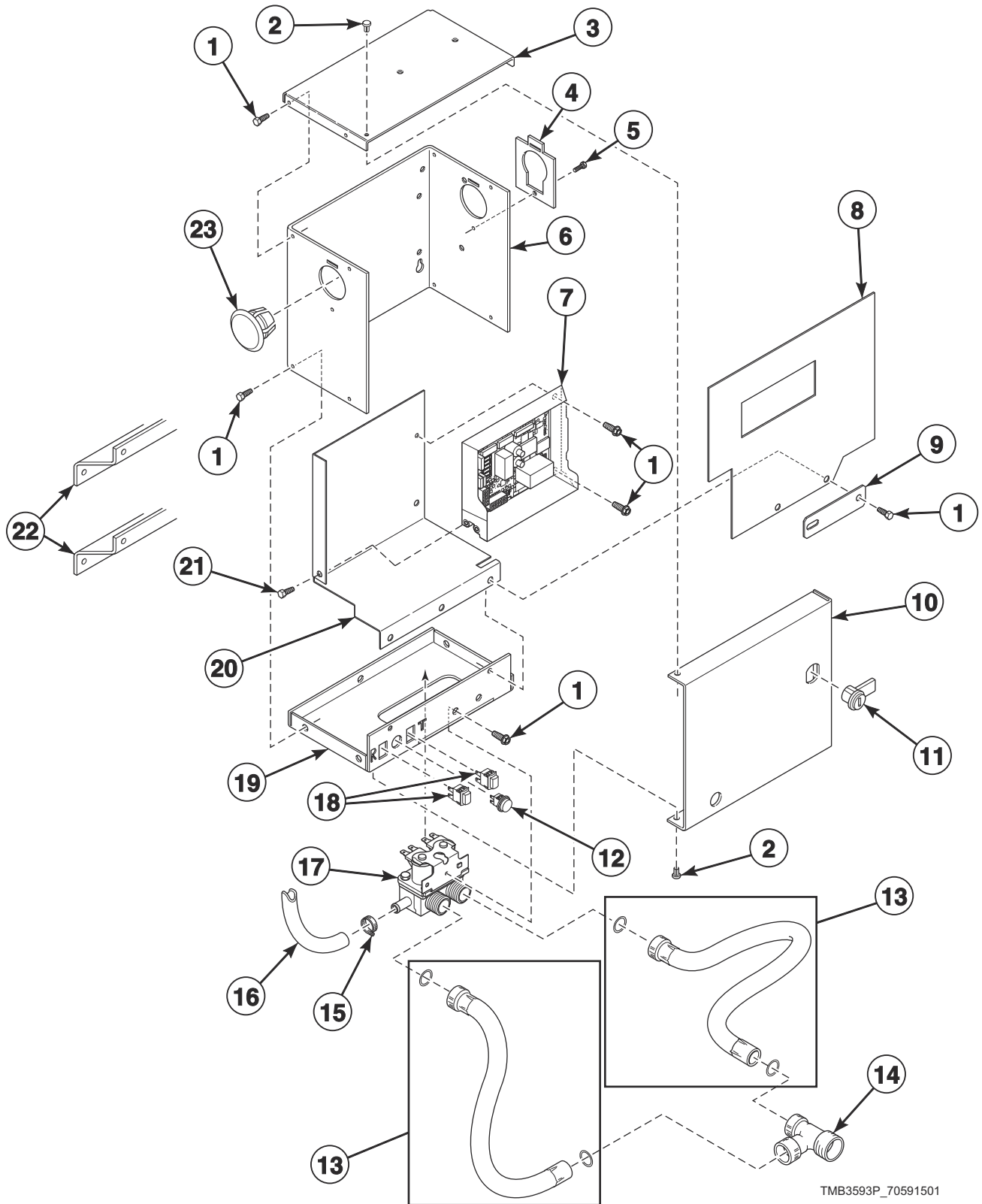
TMB3534P\_70591501

## Fire Suppression System Components

REF	PART NO.	DESCRIPTION	COMMENTS
1	70427901	Union Tee	
2	70178701	Snap Bushing	
3	70523301	Harness Adapter Plate	
4	51780	Screw	4 required
5	70427701	Spray Nozzle Hose	2 required
6	70427601	Tube Assembly	
7	430497	Screw	12 required
8	70424201	Nozzle Bracket	2 required
9	70424401	Thermistor Plate	2 required
10	44064701	Thermistor	2 required
11	70427801	Spray Nozzle	2 required
12	70428101	Elbow	2 required
13	70428601	Nozzle Bracket	2 required

# Fire Suppression System Control Box

B, G, H, K, NT, P, S, and U Gas Models

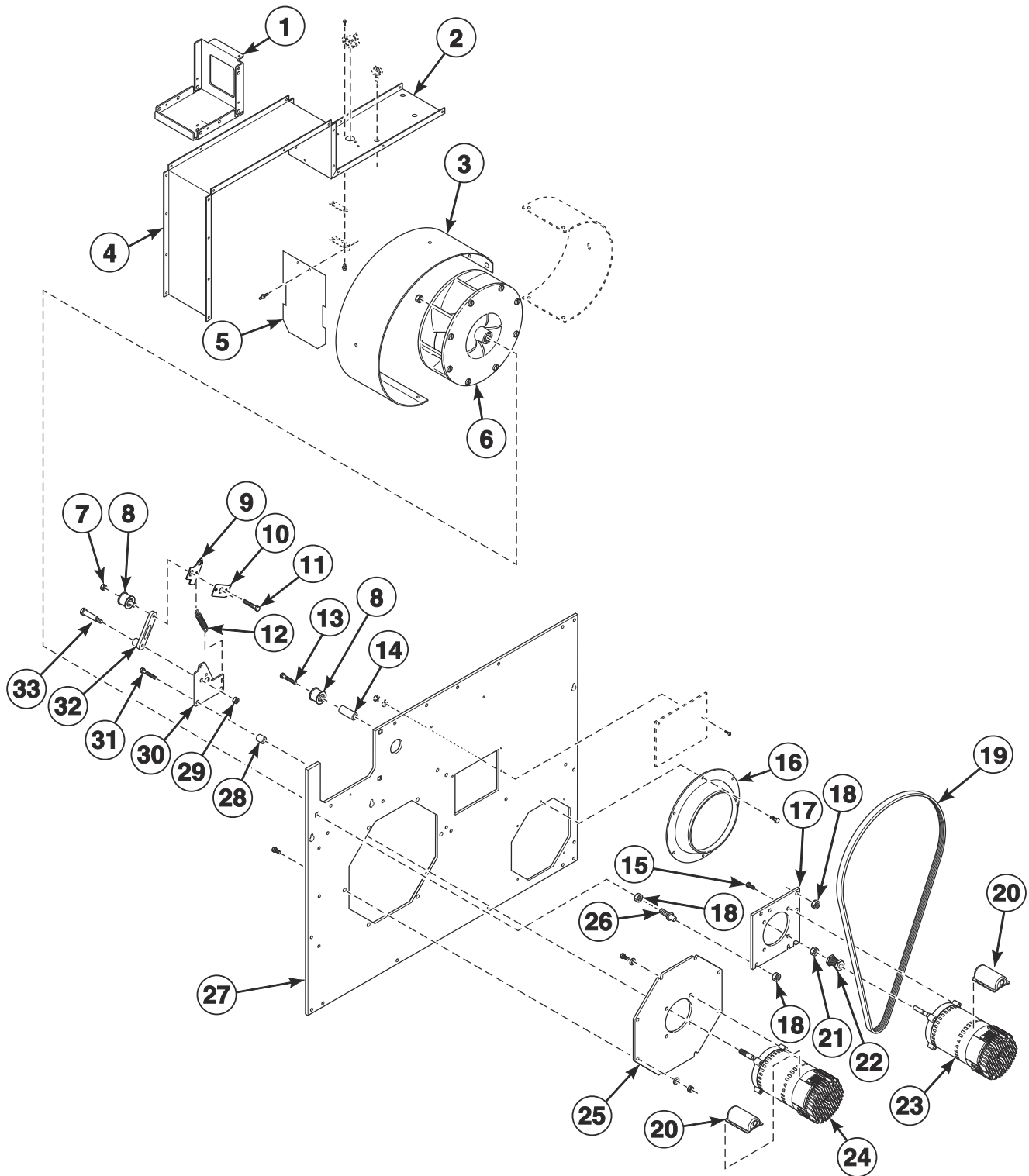


TMB3593P\_70591501

# Fire Suppression System Control Box

REF	PART NO.	DESCRIPTION	COMMENTS
	44340301	Cold Weather Kit	
	70155601	Key	RL001; Use with item 11
	44334404	Control Harness	
	44334405	Water Valve Harness	
	44334402	Power Sensor Harness	
	44334401	Interconnect Harness	
	44334406	Sensor Harness	
	44324501	Warning Label	F.S.S.; North America models
	44324500	Label Kit	F.S.S.; IEC models
	F8614401	Shock Warning Label	North America models
	F8614201	Shock Warning Label	IEC models
	44318200	Label Kit	IEC models
	44324502	Warning Label	
	44318201	Label	North America models
<b>1</b>	430497	Screw	
<b>2</b>	M400713	Drive Rivet	
<b>3</b>	44307101	Control Box Top	
<b>4</b>	70523301	Harness Adapter Plate	
<b>5</b>	51780	Screw	
<b>6</b>	44306701	Control Box Housing	
<b>7</b>	70511601	Control	
<b>8</b>	44326801	Shield	
<b>9</b>	70551701	Filter Mounting Plate	
<b>10</b>	44065201	Control Box Cover	
<b>11</b>	44089301P	Lock, Key and Nut Kit	RL001 key code; Optional if same key is to be used for control lock
<b>12</b>	801432	Light	
<b>13</b>	202799	Fill Hose	2 required
<b>14</b>	44069101	Hose Fitting	North America models
<b>15</b>	36801	Hose Clamp	
<b>16</b>	44073304	Hose	14 inches; Outlet hose
<b>17</b>	70519801	Mixing Valve	
<b>18</b>	801434W	Push-to-Start Switch	2 required
<b>19</b>	44065301	Control Box Base	
<b>20</b>	44306601	Mixing Valve Shield Bracket	
<b>21</b>	804608	Screw	
<b>22</b>	70601401	Mounting Bracket	
<b>23</b>	70180001	Plug	

# Motor Components

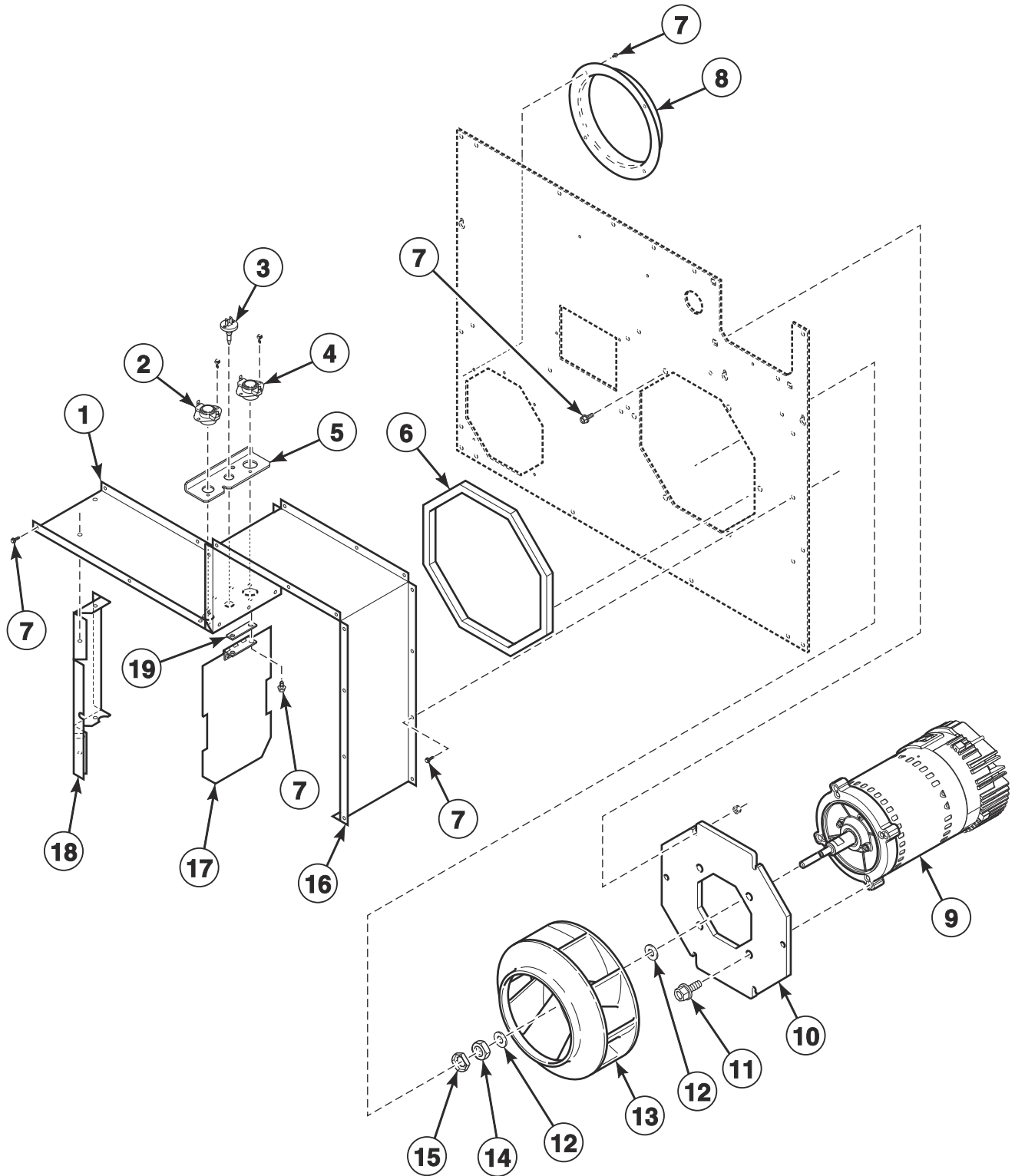


TMB3970P

# Motor Components

REF	PART NO.	DESCRIPTION	COMMENTS
1	70564101	Motor Mount Bracket	
2	70554701	Blower Housing	Top
3	70016301	Blower Housing Scroll	
4	70215101	Blower Housing	
5	70209501	Damper and Hinge Exhaust Assembly	
6	70359801P	Blower Assembly	
7	56156	Nut	
8	70050401P	Idler Wheel Assembly	
9	70569501	Tensioning Bracket	
10	70543401	Spring Catch Bracket	
11	70508301	Screw	
12	70571801	Spring	
13	F430144	Screw	
14	70569603	Standoff	
15	70126104	Screw	
16	70017801	Exhaust Thimble	
17	70564201	Motor Mount Plate	
18	44087201	Nut	
19	70655103	Lever Arm and Belt Kit	
20	70521901	Motor Conduit Mounting Bracket	
21	44333202	Nut	
22	70559101	Motor Pulley	
23	44259501P	Drive Motor	.50 HP; 120, 230 Volt/1 Phase
	44259601P	Drive Motor	.50 HP; 380-460 Volt/3 Phase
24	70478701P	Fan Motor	.50 HP; 120, 230 Volt/1 Phase
	70484901P	Fan Motor	.50 HP; 380-460 Volt/3 Phase
25	70349601	Blower Motor Mounting Plate	
26	70334701	Double Ended Stud	
27	70493301	Lower Rear Assembly	
28	70488403	Spacer	
29	44087301	Nut	
30	70571901	Drive Plate	
31	70546301	Screw	
32	70653801	Lever Arm and Bushing Assembly	
33	70501301	Screw	

# Blower and Exhaust Components



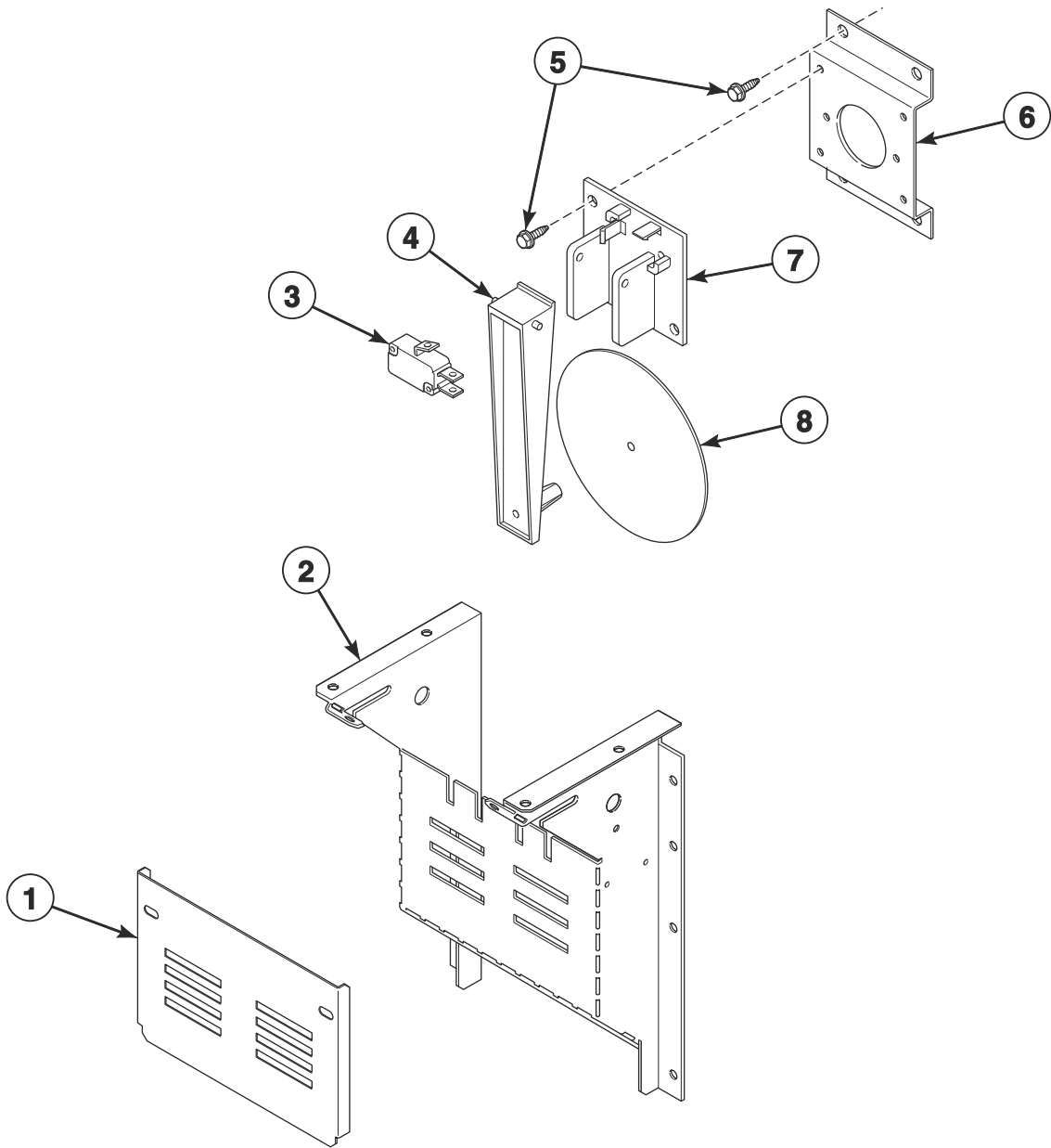
TMB3533P\_70591501



## Blower and Exhaust Components

REF	PART NO.	DESCRIPTION	COMMENTS
1	70554801	Blower Housing	Top
2	70530901	Limit Thermostat	Manual reset
3	M414704	Thermistor	
4	44328001	Limit Thermostat	Auto reset
5	70554901	Limit Access Bracket	
6	70392701P	Gasket	For blower housing opening
7	430497	Screw	
8	70303101	Blower Inlet Cone	
9	70478701P	Fan Motor	.50 HP; 120, 230 Volt/1 Phase
	70484901P	Fan Motor	.50 HP; 380-460 Volt/3 Phase
10	70349601	Blower Motor Mounting Plate	
11	70126101	Screw	
12	M400991	Washer	
13	70302201P	Blower Assembly	
14	M400022	Nut	
15	M400034	Nut	
16	70215101	Blower Housing	
17	70209501	Damper and Hinge Exhaust Assembly	
18	70376201	Blower Housing	Right
19	70220901	Damper Spacer	

# Airflow Switch

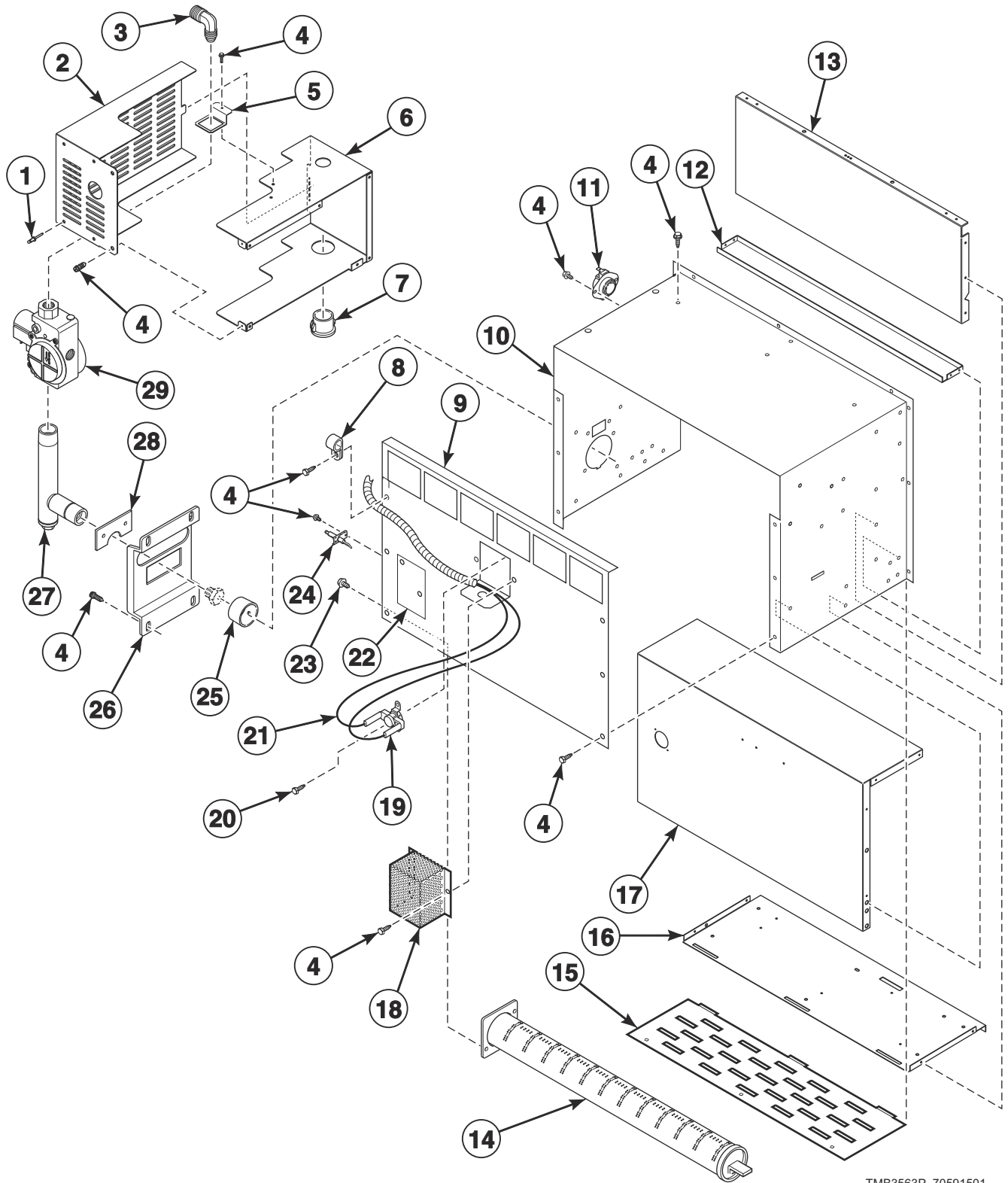


TMB3126P\_70591501

# Airflow Switch

REF	PART NO.	DESCRIPTION	COMMENTS
1	70356601	Airflow Switch Cover	Non-moisture sensing
	70465701	Airflow Switch Cover	Moisture sensing
2	70356101	Airflow Switch Wrapper	
3	70411901	Switch	
4	70319401	Airflow Switch Arm	
5	430497	Screw	
6	70356301	Switch Bracket	
7	70319602	Airflow Switch and Arm Bracket	
8	70319201	Airflow Switch Vane	

# Gas Heater Components

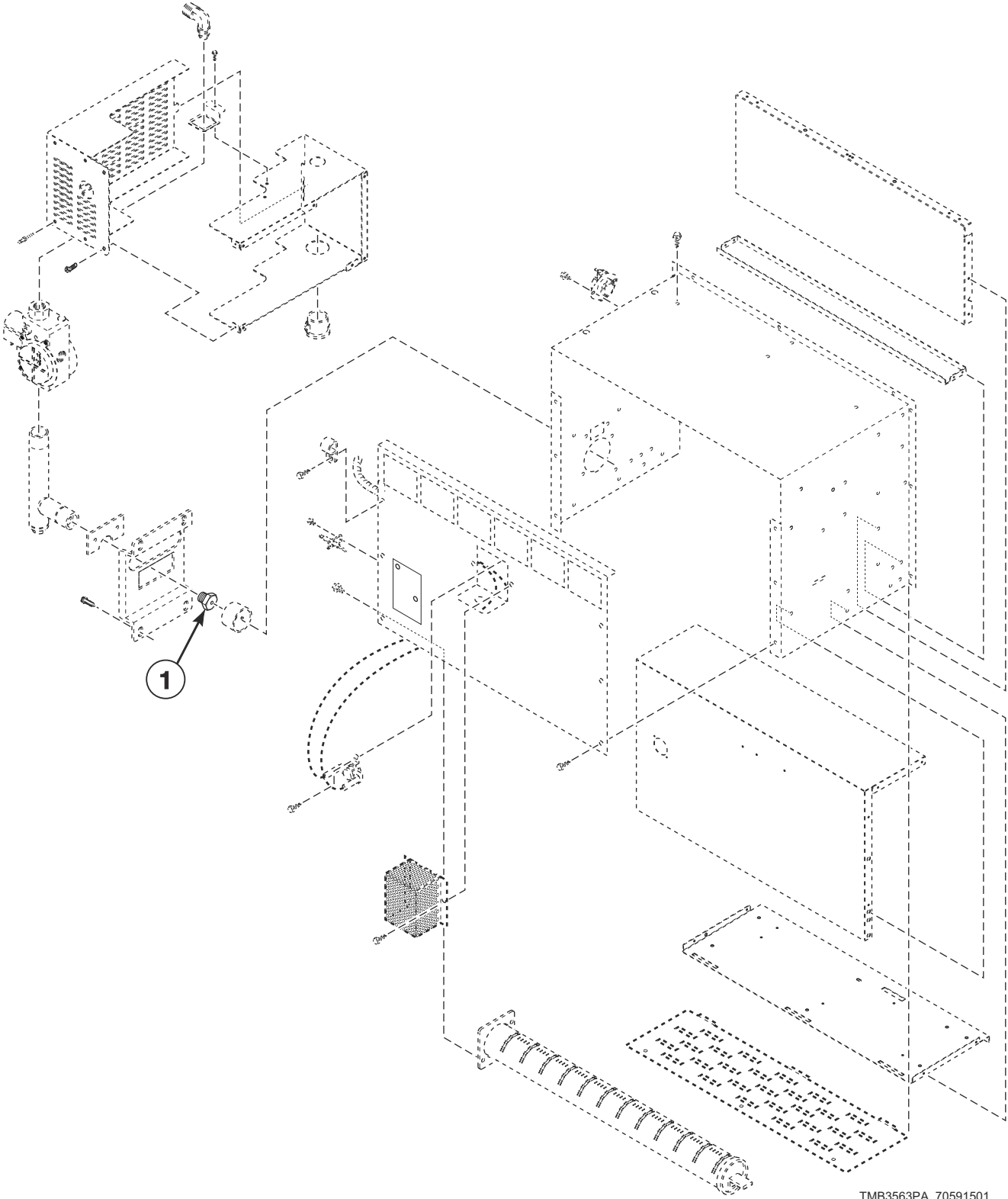


TMB3563P\_70591501

# Gas Heater Components

REF	PART NO.	DESCRIPTION	COMMENTS
	44273501	Gas Valve Harness	
	70346801	Pipe Plug	North America models
	70550204	L.P. Conversion Kit	North America and Australian models; Natural Gas (N.G.); 0-2,000 feet
	70551904	L.P. Conversion Kit	IEC models; N.G.; 0-2,000 feet
	70131901	Adapter	IEC models; BPT/NPT
	70167601	Plug	IEC models
	70535901	Notice Label	Australian models; N.G.
	70544901	Notice Label	Australian models; Liquid Petroleum (L.P.) Gas
	44239702	High Voltage Suppression Cable	
<b>1</b>	70058501	Pop Rivet	4 required
<b>2</b>	70282401	Rear Valve Cover	
<b>3</b>	H86070034	Street Elbow	T market models
	F422304	Street Elbow	All other models
<b>4</b>	430497	Screw	10 required
<b>5</b>	70502601	Valve Support Bracket	
<b>6</b>	70328201	Forward Valve Cover	
<b>7</b>	M400770	Snap Bushing	
<b>8</b>	70203701	Pipe Clip	
<b>9</b>	70396801	Stove Back	
<b>10</b>	70396301	Stove Top and Sides	
<b>11</b>	44328005	Limit Thermostat	Side
<b>12</b>	70400601	Stove Deflector	Front lower
<b>13</b>	70396501	Stove Deflector	3 required
<b>14</b>	70396201P	Gas Burner	
	70546702	Anti-Rattle Burner Assembly	Includes 70396201P Gas Burner, 431318 Control Door Latch and M400003 Pop Rivet
<b>15</b>	70396701	Burner Grill	
<b>16</b>	70396601	Lower Stove Cover	
<b>17</b>	70396401	Inner Stove Partition	
<b>18</b>	M414477	Thermostat Cover	
<b>19</b>	44328104	Limit Thermostat	Rear
<b>20</b>	M405188	Screw	2 required
<b>21</b>	70564301	Stove Limit Harness	
<b>22</b>	70159601	Igniter Cover	
<b>23</b>	05161	Screw	
<b>24</b>	70548701P	Spark Electrode	
<b>25</b>	70239801	Primary Air Adjustment Sleeve	L.P. models
<b>26</b>	70248901	Orifice Holder Bracket	
<b>27</b>	70552801P	Orifice Adapter	
<b>28</b>	70249001	Orifice Keeper Bracket	
<b>29</b>	44154503	N.G. Valve	North America models
	44154504	L.P. Valve	North America models
	44154507	Gas Valve	IEC models; N.G.; 1/2 NPT
	44154508	Gas Valve	IEC models; L.P.; 1/2 NPT

# Burner Orifices

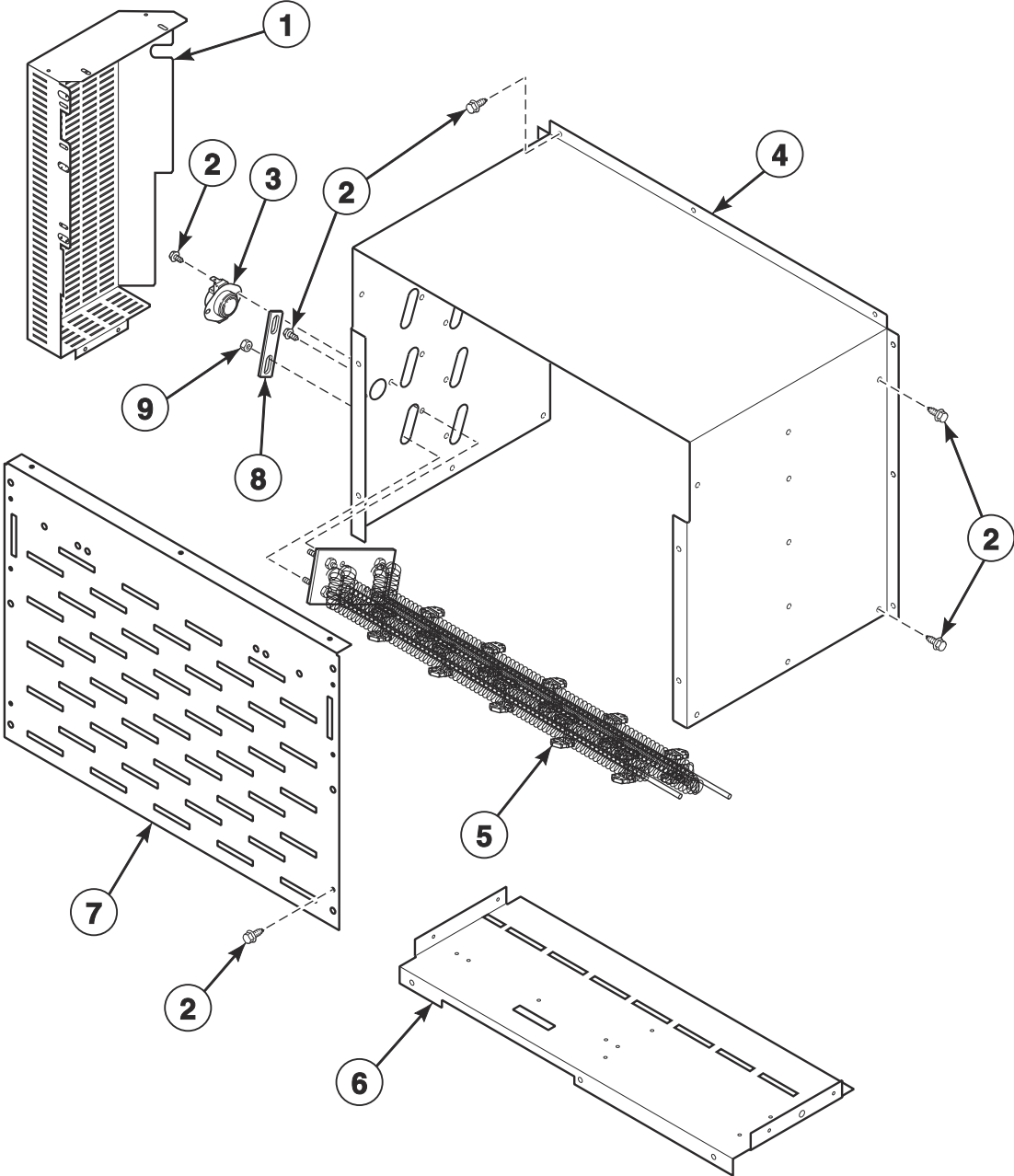


TMB3563PA\_70591501

# Burner Orifices

REF	PART NO.	DESCRIPTION	COMMENTS
	70609907	High Altitude Orifice Kit	North America Natural Gas (N.G.) models
	70609908	High Altitude Orifice Kit	North America Liquid Petroleum Gas (L.P.) models
1	70684154	Burner Orifice	Standard models; N.G.; Drill no. 9 (4.98 mm); 0-2,000 feet
	70684150	Burner Orifice	Standard models; N.G.; Drill no. 13 (4.70 mm); 2,001-4,000 feet
	70684148	Burner Orifice	Standard models; N.G.; Drill no. 15 (4.57 mm); 4,001-6,000 feet
	70684146	Burner Orifice	Standard models; N.G.; Drill no. 17 (4.39 mm); 6,001-8,000 feet
	70684143	Burner Orifice	Standard models; N.G.; Drill no. 19 (4.22 mm); 8,001-10,000 feet
	70684126	Burner Orifice	Standard models with 2nd digit A, G, H, J, K, L and T; L.P.; Drill no. 31 (3.05 mm); 0-2,000 feet
	70684124	Burner Orifice	Standard models with 2nd digit A, G, H, J, K, L and T; L.P.; Drill no. 33 (2.87 mm); 2,001-4,000 feet
	70684123	Burner Orifice	Standard models with 2nd digit A, G, H, J, K, L and T; L.P.; Drill no. 34 (2.82 mm); 4,001-6,000 feet
	70684120	Burner Orifice	Standard models with 2nd digit A, G, H, J, K, L and T; L.P.; Drill no. 36 (2.71 mm); 6,001-8,000 feet
	70684118	Burner Orifice	Standard models with 2nd digit A, G, H, J, K, L and T; L.P.; Drill no. 38 (2.58 mm); 8,001-10,000 feet
	70684113	Burner Orifice	CE standard models; L.P.; 2.30 mm; 0-2,000 feet
	70684110	Burner Orifice	CE standard models; L.P.; Drill no. 44 (2.18 mm); 2,001-4,000 feet
	70684109	Burner Orifice	CE standard models; L.P.; Drill no. 45 (2.08 mm); 4,001-6,000 feet
	70684108	Burner Orifice	CE standard models; L.P.; Drill no. 46 (2.06 mm); 6,001-8,000 feet
	70684106	Burner Orifice	CE standard models; L.P.; Drill no. 48 (1.93 mm); 8,001-10,000 feet
	70684120	Burner Orifice	Standard J market models; L.P.; Drill no. 36 (2.71 mm); 0-2,000 feet
	70684118	Burner Orifice	Standard J market models; L.P.; Drill no. 38 (2.58 mm); 2,001-4,000 feet
	70684116	Burner Orifice	Standard J market models; L.P.; Drill no. 40 (2.49 mm); 4,001-6,000 feet
	70684114	Burner Orifice	Standard J market models; L.P.; Drill no. 42 (2.37 mm); 6,001-8,000 feet
	70684113	Burner Orifice	Standard J market models; L.P.; 2.3 mm; 8,001-10,000 feet
	70684152	Burner Orifice	Eco models; N.G.; Drill no. 11 (4.85 mm); 0-2,000 feet
	70684149	Burner Orifice	Eco models; N.G.; Drill no. 14 (4.62 mm); 2,001-4,000 feet
	70684147	Burner Orifice	Eco models; N.G.; Drill no. 16 (4.50 mm); 4,001-6,000 feet
	70684144	Burner Orifice	Eco models; N.G.; Drill no. 18 (4.31 mm); 6,001-8,000 feet
	70684142	Burner Orifice	Eco models; N.G.; Drill no. 20 (4.09 mm); 8,001-10,000 feet

# Electric Heater Components



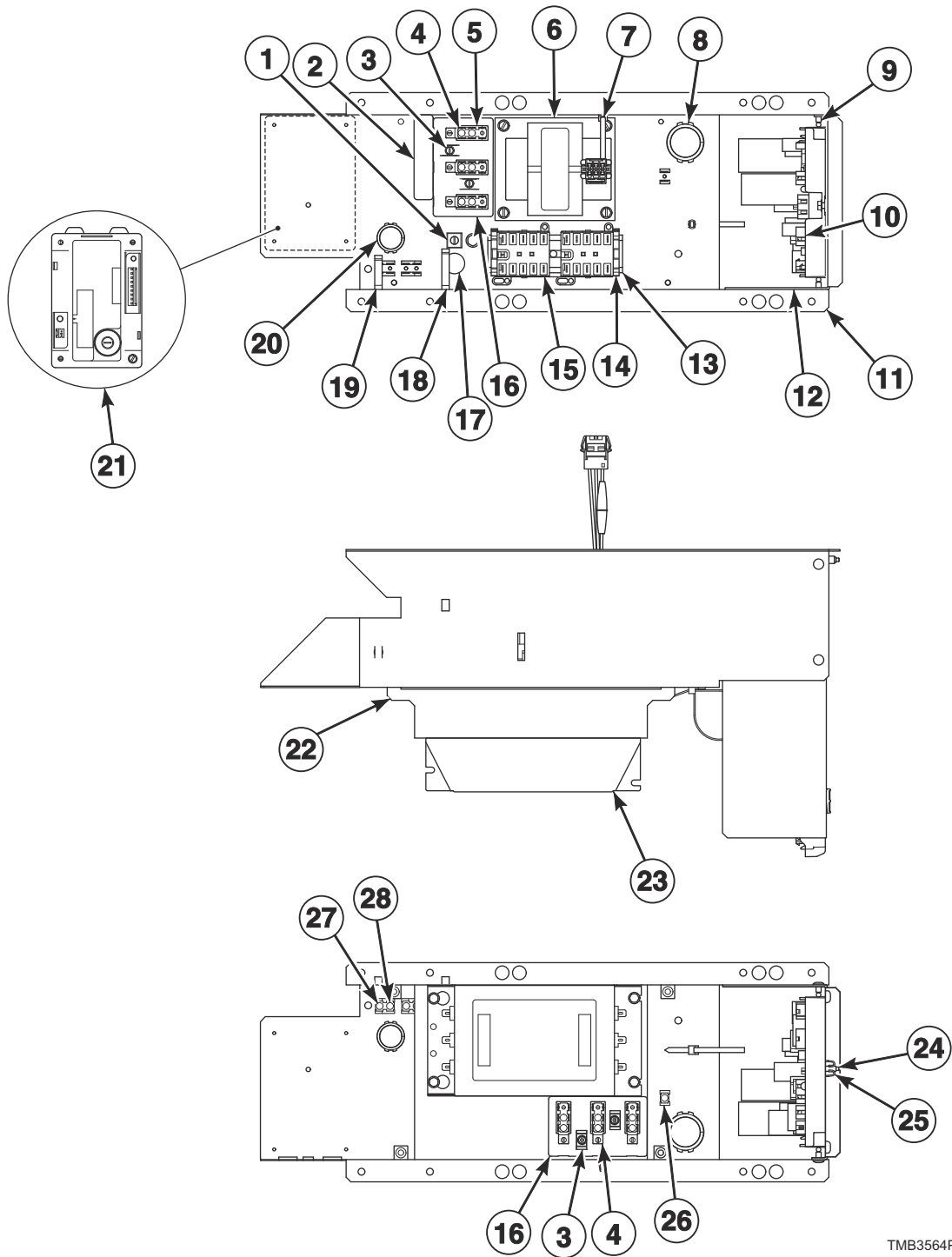
TMB3521P\_70591501



## Electric Heater Components

REF	PART NO.	DESCRIPTION	COMMENTS
	70564303	Stove Limit Harness	
	44281709	Jumper Harness	440 and 460-480 Volt
	44295412	Jumper Harness	380 and 400-415 Volt; 4 required
<b>1</b>	70365201	Stove Connectors Cover	
<b>2</b>	430497	Screw	
<b>3</b>	44328006	Limit Thermostat	
<b>4</b>	70525601	Stove Top and Sides	
<b>5</b>	70034408	Heater Element	Standard models; 3 required; 9 kW; 220 Volt heater element for 380 and 440 Volt
	70034407P	Heater Element	Standard models; 3 required; 9 kW; 208 Volt heater element for 200-208 Volt
	70034409P	Heater Element	Standard models; 3 required; 9 kW; 240 Volt heater element for 230-240 Volt and 400-415 and 460-480 Volt
	70034411	Heater Element	Eco models; 3 required; 6 kW; 220 Volt heater element for 380 and 440 Volt
	70034412P	Heater Element	Eco models; 3 required; 6 kW; 240 Volt heater element for 400-415 Volt or 240 and 460-480 Volt
	70034410P	Heater Element	Eco models; 3 required; 6 kW; 208 Volt heater element for 200-208 Volt
<b>6</b>	70357201	Stove Partition	
<b>7</b>	70214901	Stove Grill	
<b>8</b>	70066501	Jumper Bar	2 required on 460-480 Volt
	M400869	Jumper Strip	3 required for 380, 400-415, 440 and 460-480 Volt; 6 required for 200-208 and 230-240 Volt
<b>9</b>	70054	Nut	

# Control Tray

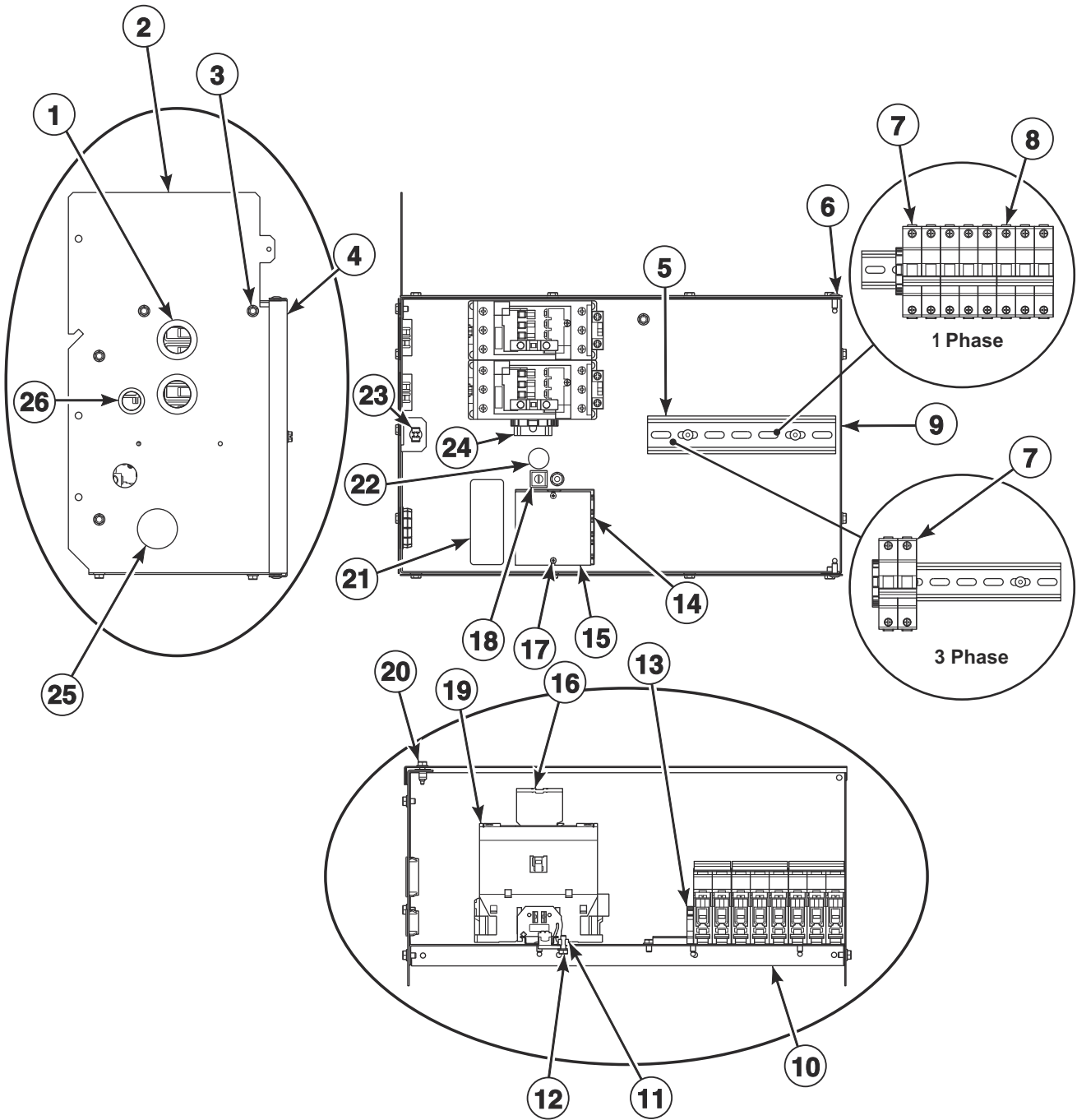


TMB3564P\_70591501

# Control Tray

REF	PART NO.	DESCRIPTION	COMMENTS
	685837	Screw	Use with item 1
	44088001	Nut	Use with item 1
	70507501	Control Tray Cover	
	70559303	Conversion Kit	X to B voltage
	44357401	EMI Filter Kit	North America models; 100-240 Volt
	44357402	EMI Filter Kit	Norh America models; 380-480 Volt
<b>1</b>	M411283	Ground Lug Connector	
<b>2</b>	44286803	Label	L1, L2, L3
	44286801	Label	L1, N
	44286802	Wire Label	L1 L2, L1 N
	44286804	Wire Label	L1 L2, L1 N, L1 L2 L3
<b>3</b>	51783	Screw	
<b>4</b>	430642	Terminal Block	
<b>5</b>	70333001	Terminal Block Shield	
<b>6</b>	F8491101	Transformer	380-480 Volt
<b>7</b>	70335601	Cable Tie	
<b>8</b>	70346501	Bushing	
<b>9</b>	70058501	Pop Rivet	
<b>10</b>	70479201P	I/O Control Assembly	
<b>11</b>	70492401	Control Tray	
<b>12</b>	70494901	Control Board Control Tray	
<b>13</b>	M412690	DIN Rail	
<b>14</b>	F8449801	End Stop	
<b>15</b>	70482601	Contactors	240 Volt or less: 1 required; 380 Volt or higher: 2 required
<b>16</b>	M413862	Insulator	
<b>17</b>	D516100	Label	
<b>18</b>	F8449501	Wire Clip	
<b>19</b>	F8449502	Wire Clip	
<b>20</b>	70178701	Snap Bushing	
<b>21</b>	70482002	Ignition Control	IEC gas models
	70482001	Ignition Control	North America gas models
<b>22</b>	70533101	Filter Bracket	
<b>23</b>	F8591601	EMI Filter	IEC models; 100-200 and 200-240 Volt/1 Phase
	F8637501	EMI Filter	IEC models; 380-480 Volt
<b>24</b>	F8206901	Screw	
<b>25</b>	70030501	Expansion Clip	
<b>26</b>	00621SG	Male Tab Terminal	
<b>27</b>	M400003	Pop Rivet	
<b>28</b>	00622SG	Terminal	

# Accessory Box - Electric 200-240 Volt Models

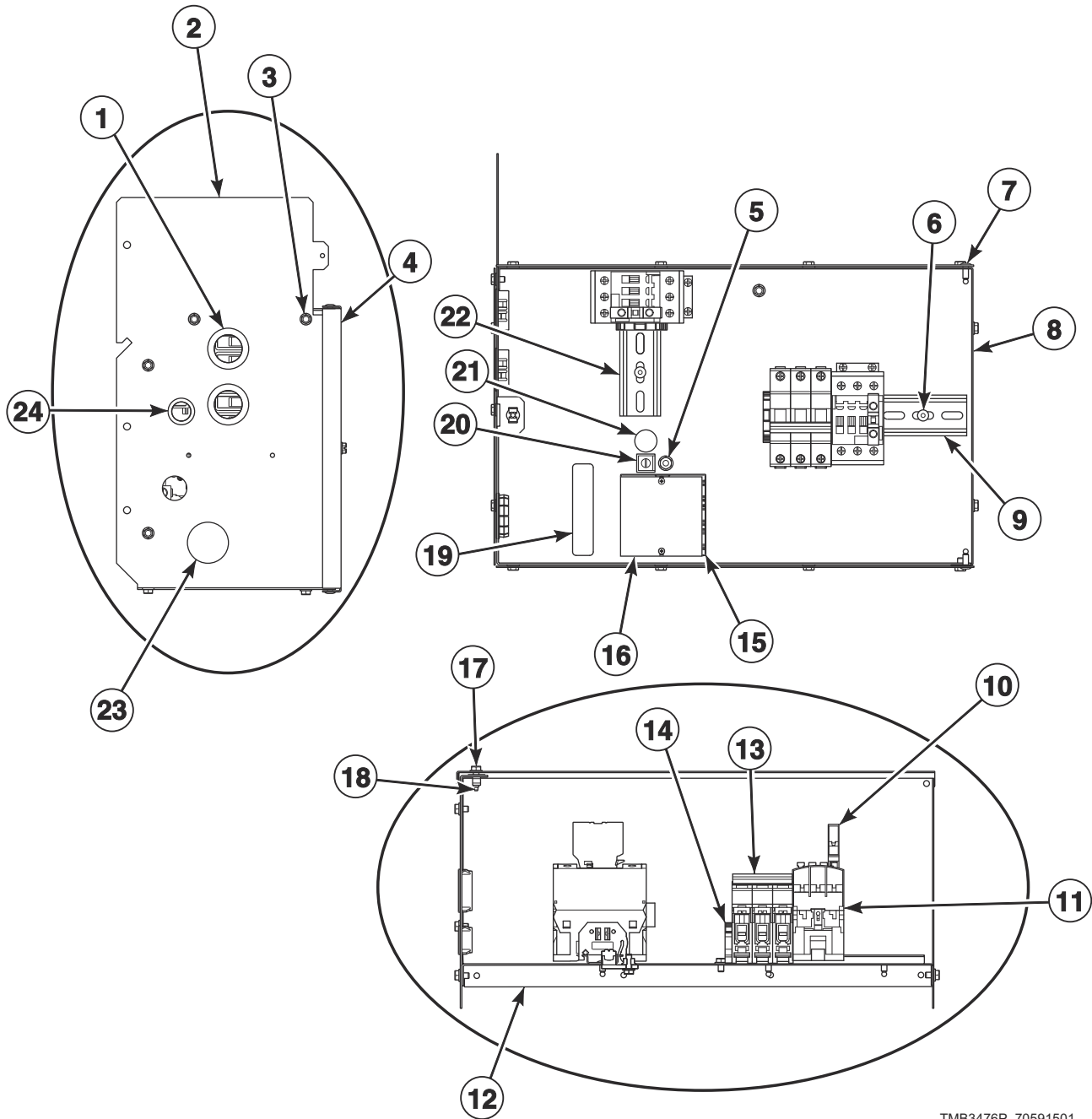


TMB3475P\_70591501

## Accessory Box - Electric 200-240 Volt Models

REF	PART NO.	DESCRIPTION	COMMENTS
	F8611600	Warning Label Kit	IEC models
	F8611601	Warning Label	
	44334307	Contactora Coil Harness	
	44309001	Harness	North America models; Power distribution block to control circuit breaker
	44309011	Harness	IEC models; Power distribution block to control circuit breaker
	70516106	Harness	Contactora to element
	70516105	Harness	Contactora to element
	70516103	Harness	1 Phase; Power distribution block to circuit breaker/contactora
	70516104	Harness	Power distribution block to circuit breaker/contactora
	70516101	Harness	Power distribution block to circuit breaker/contactora
	70516102	Harness	1 Phase; Power distribution block to circuit breaker/contactora
<b>1</b>	M402542	Snap Bushing	2 required
<b>2</b>	70540601	Accessory Box Side	Left
<b>3</b>	51780	Screw	
<b>4</b>	70358401	Accessory Box Cover	
<b>5</b>	F8134001	DIN Rail	
<b>6</b>	70058502	Pop Rivet	
<b>7</b>	70488102	Circuit Breaker	25 amp
<b>8</b>	70488104	Circuit Breaker	2 required; 50 amp; 200-208 and 230-240 Volt/1 Phase
<b>9</b>	70540701	Accessory Box Side	Right
<b>10</b>	70540501	Accessory Box Back	
<b>11</b>	44088001	Nut	
<b>12</b>	685837	Screw	
<b>13</b>	F8449801	End Stop	2 required
<b>14</b>	M413865	Power Distribution Block	
<b>15</b>	44014901P	Power Distribution Block Cover	
<b>16</b>	44313201	Auxiliary Contact Block	2 required
<b>17</b>	39733	Screw	
<b>18</b>	M411283	Ground Lug Connector	
<b>19</b>	70482801	Contactora	2 required
<b>20</b>	F8206901	Screw	
<b>21</b>	44286802	Wire Label	1 Phase
	44286803	Label	3 Phase
<b>22</b>	D516100	Label	
<b>23</b>	70030501	Expansion Clip	
<b>24</b>	M412690	DIN Rail	
<b>25</b>	70180001	Plug	
<b>26</b>	M400770	Snap Bushing	

# Accessory Box - Electric 380-480 Volt Models



TMB3476P\_70591501

## Accessory Box - Electric 380-480 Volt Models

REF	PART NO.	DESCRIPTION	COMMENTS
	F8611600	Warning Label Kit	IEC models
	F8611601	Warning Label	
	44334307	Contactora Coil Harness	
	44334302	Control Harness	3 Phase
	44309002	Harness	North America models; Power distribution block to control circuit breaker
	44309012	Harness	IEC models; Power distribution block to control circuit breaker
	70516106	Harness	Contactora to element
	70516103	Harness	2 required; Power distribution block to contactora
1	M402542	Snap Bushing	2 required
2	70540601	Accessory Box Side	Left
3	51780	Screw	
4	70358401	Accessory Box Cover	
5	685837	Screw	
	44088001	Nut	
6	70058501	Pop Rivet	
7	70058502	Pop Rivet	
8	70540701	Accessory Box Side	Right
9	F8134001	DIN Rail	
10	44313201	Auxiliary Contact Block	2 required
11	70482701	Contactora	2 required
12	70540501	Accessory Box Back	
13	70488101	Circuit Breaker	25 amp
14	F8449801	End Stop	2 required
15	M413865	Power Distribution Block	
16	44014901P	Power Distribution Block Cover	
17	F8206901	Screw	
18	70030501	Expansion Clip	
19	44286803	Label	
20	M411283	Ground Lug Connector	
21	D516100	Label	
22	M412690	DIN Rail	
23	70180001	Plug	
24	M400770	Snap Bushing	

# Harnesses

PART NO.	DESCRIPTION	COMMENTS
44316007	Harness	IEC models; 1 Phase; Auxiliary power distribution block to filter harness
44316008	Harness	IEC models; 3 Phase; Auxiliary power distribution block to filter harness
44280007	Configuration Harness	100-120 Volt; Cylinder
44280006	Configuration Harness	100-120 Volt; Fan
44356402	Control Tray Harness Assembly	Electric models
44356401	Control Tray Harness Assembly	Gas models
44334702	Inverter Contactor Coil Harness	Secondary; 380-480 Volt
44316001	Harness	IEC models; 1 Phase; Main power distribution block to EMI filter harness
44316002	Harness	IEC models; 3 Phase; Main power distribution block to EMI filter harness
44280005	Configuration Harness	3 Phase
44280010	Motor Contactor Power Harness	IEC models; 1 Phase
44280012	Motor Contactor Power Harness	IEC models; 3 Phase
44280001	Motor Contactor Power Harness	North America models; 1 Phase
44280003	Motor Contactor Power Harness	North America models; 3 Phase
44280101	Power Harness	Control and emergency stop connection; 380-480 Volt
44272101	Power Harness	Control and emergency stop connection; 100-120 and 200-240 Volt
204454	Ferrite	Korean models; EMI; Motor circuit, inverter communication circuit
44335301	Inverter Motor Harness	Cylinder
44335302	Inverter Motor Harness	Fan
70608602	EMC Shield	Korean gas models



# Labels

<b>PART NO.</b>	<b>DESCRIPTION</b>	<b>COMMENTS</b>
44324201	Caution Label	Australian models; Repeat Ignition Reset
70535101	Caution Label	Vent/install
F8614501	Danger Label	Shock; English/French
F8614301	Hot Surface Warning Label	English/French
F8609001	Hot Surface Warning Label	Icon
F8611601	Warning Label	
70535100	Label Kit	Vent/install
F8614500	Label Kit	Shock
70539601	Notice Label	
F8609501	Notice Label	
D516073	Notice Label	Read instructions; Icon
70538401	Pinch Warning Label	English/French
F8615701	Pinch Warning Label	Icon
F8614201	Shock Warning Label	Icon
70536301	Warning Label	Lint; Australian models
44324101	Warning Label	Fire; Australian models
70534305	Warning Label	Fire; Colombian Spanish; Australian models
44321601	Warning Label	Risk of fire; Icon



# Parts Index

## A

Access Panel Trim	
70399406 .....	51
70399413 .....	51
Accessory Box Back	
70540501 .....	83, 85
Accessory Box Cover	
70358401 .....	83, 85
Accessory Box Side	
70540601 .....	83, 85
70540701 .....	83, 85
Adapter	
70131901 .....	75
Air Duct	
70575401 .....	63
70575402 .....	63
Airflow Switch and Arm Bracket	
70319602 .....	73
Airflow Switch Arm	
70319401 .....	73
Airflow Switch Cover	
70356601 .....	73
70465701 .....	73
Airflow Switch Vane	
70319201 .....	73
Airflow Switch Wrapper	
70356101 .....	73
Anti-Rattle Burner Assembly	
70546702 .....	75
Auxiliary Contact Block	
44313201 .....	83, 85

## B

Blind Rivet	
F8245101 .....	55
Blower Assembly	
70302201P .....	71
70359801P .....	69
Blower Housing	
70215101 .....	69, 71
70376201 .....	71
70554701 .....	69
70554801 .....	71
Blower Housing Scroll	
70016301 .....	69
Blower Inlet Cone	
70303101 .....	71
Blower Motor Mounting Plate	
70349601 .....	69, 71
Bracket	
70634201 .....	49
Burner Grill	
70396701 .....	75
Burner Orifice	
70684106 .....	77
70684108 .....	77
70684109 .....	77

70684110 .....	77
70684113 .....	77
70684114 .....	77
70684116 .....	77
70684118 .....	77
70684120 .....	77
70684123 .....	77
70684124 .....	77
70684126 .....	77
70684142 .....	77
70684143 .....	77
70684144 .....	77
70684146 .....	77
70684147 .....	77
70684148 .....	77
70684149 .....	77
70684150 .....	77
70684152 .....	77
70684154 .....	77

Bushing	
70346501 .....	63, 81
Bypass Harness	
44334103 .....	51

## C

Cable Tie	
70335601 .....	81
Caution Label	
44324201 .....	87
70535101 .....	87
Center Cylinder Seal	
70066005 .....	61
Center Hinge Lug Assembly	
70640401 .....	39
Center Pan	
70562401 .....	63
Center Partition	
70376801 .....	63
Central Pay Board Harness	
44355604 .....	31
Central Pay Harness	
44342801 .....	17
44355601 .....	31
44355605 .....	31
Central Pay Kit	
70612701 .....	31
70612703 .....	31
Circuit Breaker	
70488101 .....	85
70488102 .....	83
70488105 .....	83
Clip Keeper Bracket	
70604901 .....	49
Clip Mount Bracket	
70604801 .....	49
Coin Box	
F160673P .....	51
Coin Chute Assembly	
70296401 .....	51

N/A items do not appear in index.

Coin Drop		70640101 .....	45
38963P .....	27	70640102 .....	45
39748 .....	27	70640103W .....	45
70441601 .....	27	70640104W .....	45
70441603 .....	27	70684603 .....	45
Coin Drop Assembly		70684606W .....	45
201141 .....	27	70684701 .....	45
210195 .....	27	70684702 .....	45
210196 .....	27	70684703W .....	45
38462P .....	27	70684704W .....	45
38463 .....	27	Control Board Control Tray	
38467 .....	27	70494901 .....	81
38519 .....	27	Control Box Base	
70281102 .....	27	44065301 .....	67
70283102 .....	27	Control Box Cover	
70441602 .....	27	44065201 .....	67
70447301 .....	27	Control Box Housing	
70471601 .....	27	44306701 .....	67
70482401 .....	27	Control Box Top	
70506901 .....	27	44307101 .....	67
Coin Drop Kit		Control Door and Studs Assembly	
CK077 .....	27	70570201 .....	25
CK122 .....	29	Control Door Latch	
Coin Identification Paper		431318 .....	43
38464P .....	27	Control Harness	
38475 .....	27	44334302 .....	85
38725 .....	27	44334404 .....	67
Coin Meter		Control Panel	
F0160737-00 .....	27	70376001* .....	43
Coin Vault and Emergency Stop Mount Assembly		70376003* .....	43
70529502 .....	51	70376007W .....	43
Coin Vault Assembly		70376008 .....	43
70529501 .....	51	70376009 .....	43
Coin Vault Switch Harness		70376014DG .....	43
44334101 .....	51	70376014W .....	43
Cold Weather Kit		70417105* .....	43
44340301 .....	67	70417108B .....	43
Configuration Harness		70417113 .....	43
44280005 .....	86	70417115LG .....	43
44280006 .....	86	70417115W .....	43
44280007 .....	86	Control Panel Stand Bracket	
Contact Base		70641501 .....	49
F8538101 .....	53	Control Panel Switch Bracket	
Contact Switch		70641601 .....	45
F8069501 .....	53	Control Plate	
Contactactor		70497101 .....	15, 23
70482601 .....	81	Control Plate and Studs Assembly	
70482701 .....	85	70496601 .....	17, 19
70482801 .....	83	Control Plate Assembly	
Contactactor Coil Harness		70497201 .....	17, 19
44334307 .....	83, 85	Control Tray	
Control		70492401 .....	81
70511601 .....	67	Control Tray Cover	
Control Assembly		70507501 .....	81
70478801P .....	17, 19	Control Tray Harness Assembly	
70478802 .....	23	44356401 .....	86
70478901 .....	19	44356402 .....	86
70478902 .....	23	Control Trim	
70479801 .....	15	44016401 .....	51
70479901 .....	15	70529401 .....	51
70523001 .....	19	Conversion Kit	
70523002 .....	23	70559303 .....	81
70523101 .....	15	Cylinder and Trunnion Assembly	
70543104 .....	25	70444101P .....	57
70634903 .....	45	70444102 .....	57
70634906W .....	45		

N/A items do not appear in index.

70444103 .....	57
Cylinder Assembly	
70408801P .....	57
70408802P .....	57
70408803 .....	57
Cylinder Bearing Stud Plate Assembly	
430352 .....	61
Cylinder Guide Tool	
263P4 .....	61
Cylinder Rib Assembly	
70433004 .....	57
Cylinder Shroud	
70378001 .....	63
70378002 .....	63
70432307 .....	63
70432308 .....	63

## D

Damper and Hinge Exhaust Assembly	
70209501 .....	69, 71
Damper Spacer	
70220901 .....	71
Danger Label	
F8614501 .....	87
DIN Rail	
F8134001 .....	83, 85
M412690 .....	81, 83, 85
Door Assembly	
44028906 .....	33
44028907 .....	33
44028908 .....	33
44058105 .....	33
44058106 .....	33
44058107 .....	33
44058108 .....	33
44266703 .....	33
44266704 .....	33
44292302B .....	33
44292302LG .....	33
44354701 .....	33
44354702 .....	33
44354703 .....	33
44354704 .....	33
44354705 .....	33
44354706 .....	33
44354707 .....	33
44354708 .....	33
44354709 .....	33
70407402 .....	33
Door Catch Kit	
70482901 .....	51
Door Glass	
44008401P .....	35
44008402P .....	35
44008403 .....	35
44008405 .....	35
Door Glass Installation Tool	
M4221P4 .....	35
Door Glass Label	
70650401 .....	35
70707701 .....	35
Door Handle	
44007901 .....	35
44263801 .....	35

44370601 .....	35
70521102 .....	35
Door Hinge Assembly	
44075209B .....	37
44075209LG .....	37
44075212 .....	37
44366601LG .....	39
44366603 .....	39
44366607 .....	39
44366609B .....	39
44366611 .....	39
Door Hinge Lug Assembly	
44035001 .....	37
44035002 .....	37
Door Hinge Assembly	
44075205* .....	37
44075209W .....	37
44366601W .....	39
44366605W .....	39
Door Latch	
M401223 .....	51
Door Ring and Handle Assembly	
44326007B .....	35
44326007LG .....	35
Door Ring Assembly	
44326001 .....	35
44326002 .....	35
44326003B .....	35
44326004B .....	35
44326005 .....	35
44326006 .....	35
44354807B .....	35
Door Ring Gasket	
44008201P .....	35
70296802 .....	35
Door Seal Kit	
70211902P .....	35
Door Switch Actuator	
70532101 .....	37
70532102 .....	37
Double Ended Stud	
70334701 .....	69
Drive Motor	
44259501P .....	69
44259601P .....	69
Drive Plate	
70571901 .....	69
Drive Rivet	
M400713 .....	67
Drywall Screw Magnet Kit	
70343101P .....	57, 61

## E

Elbow	
70428101 .....	65
Electronic Coin Drop Assembly	
70294107 .....	27
70513302 .....	27
70513303 .....	27
70513304 .....	27
70513306 .....	27
70513308 .....	27
70513309 .....	27

N/A items do not appear in index.

70513310	27
70513311	27
70513312	27
70513313	27
70513314	27
70513315	27
70513316	27
Electronic Coin Drop Kit	
CK099	29
CK100	29
CK101	29
CK108	29
CK109	29
CK110	29
CK113	29
CK115	29
CK116	29
CK117	29
CK118	29
CK119	29
CK120	29
CK121	29
EMC Shield	
70608602	86
Emergency Stop Button Kit	
70580301	53
Emergency Stop Bypass Harness	
F8519403	53
Emergency Stop Harness	
44272401	53
Emergency Stop Label	
44012901	53
44012903	53
Emergency Stop Mounting Bracket	
70550401	53
Emergency Stop Pushbutton	
F200233500	53
EMI Filter	
F8591601	81
F8637501	81
EMI Filter Kit	
44357401	81
44357402	81
End Cap	
70070101	57
70070102	57
End Stop	
F8449801	81, 83, 85
Ethernet Gateway Kit	
NK320	31
Exhaust Thimble	
70017801	69
Expansion Clip	
70030501	17, 19, 31, 51, 81, 83, 85

## F

False Front	
70405001*	41
70405003DG	41
70405003LG	41
70405004	41
70405101*	41
70405103DG	41
70405103LG	41

N/A items do not appear in index.

70405104	41
Fan Motor	
70478701P	69, 71
70484901P	69, 71
FCC-IC Label	
F8613201	31
Ferrite	
204454	86
Fill Hose	
202799	67
Filter Bracket	
70533101	81
Filter Mounting Plate	
70551701	67
Fob Communication Harness	
F8719301	19
Fob Reader Control Assembly	
205135	19
Fob Reader Kit	
70666806	31
Forward Valve Cover	
70328201	75
Front Cylinder Seal	
70173402	47, 49
Front Panel	
70524305*	47
70524306	47
70524313DG	47
70524313LG	47
70623801	47
70623901	47
70624001	47
70624101*	47
70624301DG	47
70624401DG	47
70624501*	47
70624601DG	47
70624601LG	47
Front Panel Assembly	
70413003WP	47
70524313W	47
70624102W	47
70624202W	47
70624502W	47
70705221	49
70705221W	49
70705222	49
70705222W	49
70705223LG	49
70705223W	49
70705224	49
70705224W	49

## G

Gas Burner	
70396201P	75
Gas Valve	
44154507	75
44154508	75
Gas Valve Harness	
44273501	75
Gasket	
70289101P	49, 55

70392701P.....	71
Ground Lug Connector M411283 .....	81, 83, 85

## H

Handle and Caps Assembly	
70154411 .....	55
70154418 .....	55
Handle Bar	
70399501B.....	35
Handle Bumper	
70407206 .....	55
70407209 .....	55
Harness	
F8617901 .....	25
44309001 .....	83
44309002 .....	85
44309011 .....	83
44309012 .....	85
44316001 .....	86
44316002 .....	86
44316007 .....	86
44316008 .....	86
70516101 .....	83
70516102 .....	83
70516103 .....	83, 85
70516104 .....	83
70516105 .....	83
70516106 .....	83, 85
Harness Adapter Plate	
70523301 .....	65, 67
Harness Mounting Plate	
70307007 .....	31
Heater Element	
70034407P.....	79
70034408 .....	79
70034409P.....	79
70034410P.....	79
70034411 .....	79
70034412P.....	79
High Altitude Orifice Kit	
70609907 .....	77
70609908 .....	77
High Voltage Suppression Cable	
44239702 .....	75
Hinge Cam Kit	
M4772P3.....	37
M4773P3.....	37
Hold-Down Clip	
35865 .....	49, 63
Hole Plug	
70063201 .....	63
Hose	
44073304 .....	67
Hose Clamp	
36801 .....	67
Hose Fitting	
44069101 .....	67
Hot Surface Warning Label	
F8609001 .....	87
F8614301 .....	87

## I

Idler Wheel Assembly	
70050401P .....	69
Igniter Cover	
70159601 .....	75
Ignition Control	
70482001 .....	81
70482002 .....	81
Inner Stove Partition	
70396401 .....	75
Insulator	
M413862 .....	81
Interconnect Harness	
44334401 .....	67
Inverter Contactor Coil Harness	
44334702 .....	86
Inverter Motor Harness	
44335301 .....	86
44335302 .....	86
I/O Control Assembly	
70479201P .....	81

## J

Jumper Bar	
70066501 .....	79
Jumper Harness	
D511476 .....	51
442295412 .....	79
44281709 .....	79
Jumper Strip	
M400869 .....	79

## K

Key	
70155601 .....	51, 67
70155602 .....	51
Kickplate	
70117613 .....	55
70117622 .....	55

## L

Label	
D516100 .....	81, 83, 85
44108201 .....	47, 49
44190901 .....	47
44286801 .....	81
44286803 .....	81, 83, 85
44318201 .....	67
70414001 .....	35
70472801 .....	49
70537101 .....	47
Label Kit	
F8614500 .....	87
44318200 .....	67
44324500 .....	67
70534300 .....	47

N/A items do not appear in index.

70535100 .....	87
Lever Arm and Belt Kit 70655103 .....	69
Lever Arm and Bushing Assembly 70653801 .....	69
Light 801432 .....	67
Limit Access Bracket 70554901 .....	71
Limit Thermostat 44328001 .....	71
44328005 .....	75
44328006 .....	79
44328104 .....	75
70530901 .....	71
Lint Panel 70515404DG .....	55
70515601* .....	55
70515602 .....	55
70515603LG .....	55
70515603W .....	55
70515604LG .....	55
70515604W .....	55
70515605 .....	55
70515606W .....	55
Lint Panel Pivot Plate 70392101 .....	55
Lint Screen 44063601 .....	63
Lock Catch Bracket 70654501 .....	45
Lock Shim 70342401 .....	51
Lock, Key and Nut Kit 44089301P .....	51, 67
44089302P .....	51
Lower Hinge Gusset 70632002 .....	39
Lower Lug Assembly 70639302 .....	39
70639304 .....	39
Lower Pan 70377601 .....	63
Lower Rear Assembly 70493301 .....	69
Lower Stove Cover 70396601 .....	75
L.P. Conversion Kit 70550204 .....	75
70551904 .....	75
L.P. Valve 44154504 .....	75

## M

Machine ID Control Assembly 203361P .....	17, 19, 23, 25
Magnet 70343101 .....	55
Magnet Bracket 44290501 .....	55
Male Tab Terminal 00621SG .....	81

Max Fill Line Label 70707501 .....	35
Mixing Valve 70519801 .....	67
Mixing Valve Shield Bracket 44306601 .....	67
Moisture Sensor Harness 44333903 .....	59
Motor Conduit Mounting Bracket 70521901 .....	69
Motor Contactor Power Harness 44280001 .....	86
44280003 .....	86
44280010 .....	86
44280012 .....	86
Motor Mount Bracket 70564101 .....	69
Motor Mount Plate 70564201 .....	69
Motor Pulley 70559101 .....	69
Mounting Bracket 70601401 .....	67
70604001 .....	31
Mounting Plate 70208801 .....	17, 19

## N

Nameplate B12389801 .....	51
F8443105 .....	51
F8688001 .....	51
F8688801 .....	51
567887 .....	51
70685701 .....	51
Nameplate Overlay 44104501 .....	51
44144401 .....	51
44147101 .....	51
70115601 .....	51
70410201 .....	51
70411401 .....	51
Notice Label D516073 .....	87
F8609501 .....	87
70535901 .....	75
70539601 .....	87
70544901 .....	75
Nozzle Bracket 70424201 .....	65
70428601 .....	65
Nut M400022 .....	59, 61, 71
M400034 .....	61, 71
M412986 .....	61
M414215 .....	35
21899 .....	63
23951 .....	55
430576 .....	63
44071201 .....	25
44087201 .....	57, 69
44087301 .....	69
44088001 .....	35, 37, 39, 81, 83, 85
44088801 .....	51

N/A items do not appear in index.



44333202	69
51236	55
56156	69
70030401	49
70054	19, 79
70288801	63
N.G. Valve	
44154503	75

## O

Opto Coupler	
200674P	27
Orifice Adapter	
70552801P	75
Orifice Holder Bracket	
70248901	75
Orifice Keeper Bracket	
70249001	75
Overlay	
F8205101	17, 19
F8696101	17, 19
F8696201	19
F8696301	17, 19
F8696302	17, 19
F8733901	19
F8734201	19
F8736501	19
70295101	19
70512004	21
70512005	21
70512006	21
70512007	21
70512008	21
70516801	15
70516802	15
70517001	21
70517002	21
70517003	21
70517004	21
70517005	21
70517801	15
70517802	15
70518101	19
70518102	19
70518201	21
70518202	21
70518203	21
70519001	15
70519002	15
70539101	15
70539102	15
70541201	21
70541202	21
70541203	21
70544701	17
70544702	17
70544703	17
70545501	15
70545502	15
70547401	17
70547402	17
70547501	15
70547502	15
70547801	23
70547802	23

70548101	17
70548801	23
70548802	23
70556201	19
70556301	19
70556401	19
70556402	19
70556501	17, 19
70556502	17, 19
70556601	19
70556701	19
70556801	19
70556901	19
70557001	17, 19
70557002	17, 19
70559001	21
70570301	17
70570302	17
70570303	17
70570601	23
70570602	23
70570801	23
70570802	23
70571001	21
70571002	21
70571003	21
70571101	21
70571102	21
70571103	21
70571104	21
70571401	23
70571402	23
70571601	23
70571602	23
70572401	23
70572402	23
70572601	21
70595401	25
70626001	21
70626002	21
70626101	21
70626301	21
70626302	21
70626303	21
70636101	17
70636102	17
70636103	17
70636201	21
70636202	21
70636203	21
70636204	21
70636205	21
70636301	21
70636302	21
70636303	21
70636401	23
70636402	23
70636501	15
70636502	15
70637601	21
70637602	21
70637603	21
70637604	21
70637605	21
70638201	17
70638203	17
70638301	23
70638302	23
70638701	15

N/A items do not appear in index.

70638702	15
70638801	15
70638802	15
70638901	23
70638902	23
70639001	25
70645601	19
70645701	19
70645801	19
70645901	19
70646001	17, 19
70646002	17, 19
70646101	19
70646102	19

## P

Panel Locator	
56079	51, 55
Panel Lock	
44089304	51
44089305	51
Pin	
70071401	37
Pinch Warning Label	
F8615701	87
70538401	87
Pipe Clip	
70203701	75
Pipe Plug	
70346801	75
Plug	
70167601	75
70180001	67, 83, 85
Pop Rivet	
M400003	43, 81
44166601	51
70058501	37, 39, 49, 55, 63, 75, 81, 85
70058502	63, 83, 85
70126301	55
70126401	55
70412601	35
Porcelain Touch-Up Paint	
122P4P	63
370P4P	63
Power Distribution Block	
M413865	83, 85
Power Distribution Block Cover	
44014901P	83, 85
Power Harness	
44272101	86
44280101	86
Power Sensor Harness	
44334402	67
Primary Air Adjustment Sleeve	
70239801	75
Pushbutton Switch	
70413301	15, 17, 19, 23, 45, 51
Push-to-Start Switch	
801434W	67

## R

Rear Bearing Shim	
70355001	61
Rear Cylinder Bearing Housing	
70013901	61
Rear Cylinder Channel	
70305201	57
70305202	57
Rear Cylinder Channel Plate	
70305301	57
Rear Cylinder Seal	
70013704P	61
Rear Cylinder Seal Support	
70506401	61
Rear Lint Panel	
70564001	55
Rear Panel	
70561601	61
70561602	61
70561603	61
Rear Valve Cover	
70282401	75
Reed Switch Assembly	
F8066804	55
Rivet	
70614201	49
Roller and Seal Kit	
70616701	63
Roller Catch Arm	
70030301	55
Roller Catch Spacer	
70030201	55
Roller Catch Wheel	
70297601	55
Roller Seal	
70443601	63
Roller Shaft	
70249501	63
Roller Support Bracket	
70326103	63
70326104	63

## S

Screw	
F430144	69
F8206901	31, 81, 83, 85
F8458801	39
M400044	37
M400661	35
M405188	41, 75
M411072	17, 19, 31, 49, 51
05161	75
33562	25
39733	51, 55, 83
430497	45, 55, 57, 63, 65, 67, 71, 73, 75, 79
430757	55
44349101	39
51780	31, 65, 67, 83, 85
51783	81
62588	57
685837	81, 83, 85

N/A items do not appear in index.

70033502	37
70072801	55
70126101	71
70126104	69
70132301	55
70247701	63
70391101	57
70407301	37
70436301	37
70442101	35
70501301	69
70508301	69
70546301	69
70576101	37
70640201	39
70640301	39
802822	39
804608	15, 17, 19, 23, 25, 67
Sensor Harness	
44334406	67
Sheet Metal Edge Gasket	
70015707	63
70015710	63
Shield	
44326801	67
Shock Warning Label	
F8614201	67, 87
F8614401	67
Side Panel	
70378701LG	63
70378701*P	63
70378704DG	63
70378704W	63
70378801LG	63
70378801*P	63
70378802DG	63
70378802W	63
70641001DG	63
70641001LG	63
70641001W	63
70641002DG	63
70641002W	63
Slip Ring Assembly	
44222702	59
Slip Ring Holder	
70455401	59
Slot Card Plate Assembly	
44089501	17, 19
Snap Bushing	
M400770	75, 83, 85
M402542	83, 85
70178701	65, 81
Spacer	
70488403	69
Spark Electrode	
70548701P	75
Spray Nozzle	
70427801	65
Spray Nozzle Hose	
70427701	65
Spray Paint	
298P4P	63
381P4	63
Spring	
70571801	69

Spring Catch Bracket	
70543401	69
Standoff	
70569603	69
Stove Back	
70396801	75
Stove Connectors Cover	
70365201	79
Stove Deflector	
70396501	75
70400601	75
Stove Grill	
70214901	79
Stove Limit Harness	
70564301	75
70564303	79
Stove Partition	
70357201	79
Stove Top and Sides	
70396301	75
7052601	79
Street Elbow	
F422304	75
H86070034	75
Support Bearing	
70448701	61
Support Housing Bearing Assembly	
430260P	61
Switch	
70411901	73
Switch Bracket	
70356301	73
70508501	55
Switch Hole Plug	
44057801B	51
44057801LG	51
44057801Q	51
44057801W	51

---

## T

Tensioning Bracket	
70569501	69
Terminal	
00622SG	81
Terminal Block	
430642	81
Terminal Block Shield	
70333001	81
Thermistor	
M414704	71
44064701	65
Thermistor Plate	
70424401	65
Thermostat Cover	
M414477	75
Top Pan	
70641401	63
Top Panel	
70557801	63
70586601	63
Transformer	
F8491101	81

N/A items do not appear in index.

202757 .....	31
202758 .....	31
Transformer Harness	
44272301 .....	31
44272302 .....	31
Trunnion and Seal Kit	
70564807 .....	57
70564808 .....	57
Tube Assembly	
70427601 .....	65
Tumbler Dolly Kit	
M4379P4 .....	63

---

## U

Union Tee	
70427901 .....	65
Upper Hinge Gusset	
70632001 .....	39
Upper Lug Assembly	
70639301 .....	39
70639303 .....	39
USB Bracket	
70547001 .....	25
USB Gateway Kit	
NK330 .....	31
USB IR Interface Kit	
203346 .....	31
USB-Serial Interface Assembly	
203440 .....	25

---

## V

Valve Support Bracket	
70502601 .....	75
Vend Activation Harness	
44334004 .....	15, 17, 19, 23

---

## W

Warning Label	
F8611601 .....	83, 85, 87
44321601 .....	87
44324101 .....	87
44324501 .....	67
44324502 .....	67
70534301 .....	47, 49
70534302 .....	47, 49
70534305 .....	87
70536301 .....	87
Warning Label Kit	
F8611600 .....	83, 85
Washer	
M400991 .....	61, 71
70261401 .....	63
70409301 .....	35
70411301 .....	57
Water Valve Harness	
44334405 .....	67
Wire Clip	
F8449501 .....	81

F8449502 .....	81
Wire Guard	
201595P .....	27
Wire Label	
44286802 .....	81, 83
44286804 .....	81
Wireless Control Label	
204692 .....	31
Wireless Network Board Harness	
F8536002 .....	31
Wireless Network Control Assembly	
203532 .....	31
807211 .....	31
Wireless Network Harness	
F8674006 .....	31
Wireless Network Kit	
70596301 .....	31
70609701 .....	31

---

N/A items do not appear in index.