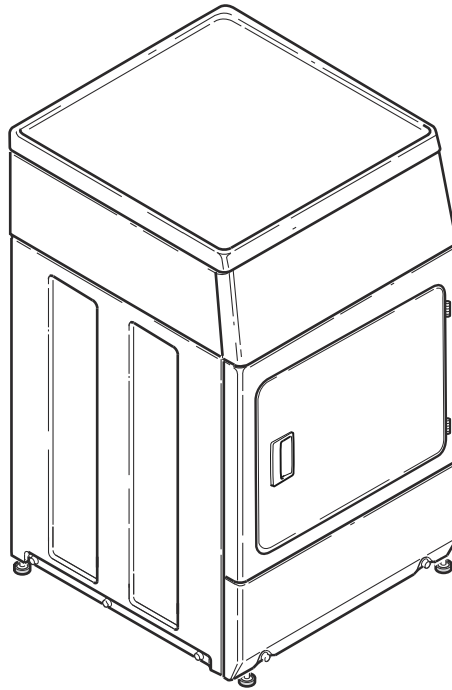


Commercial Dryers

Metered and Nonmetered
Refer to Page 5 for Model Numbers



DRY721C_D517197

Table of Contents

Title	Page
Parts Ordering Information.....	3
Serial Plate Location	3
Model Identification	5
Control Panel and Controls - Rear Control Coin Drop Models.....	6
Control Panel, Control Hood and Controls - Nonmetered Rear Control Models.....	8
Control Panel and Control Hood - Coin Slide Rear Control Models.....	10
Meter Case - Rear Control Coin Drop Models	12
Coin Slide Extension, Meter Case and Control.....	14
Cabinet Top - Rear Control Models	16
Non-Electronic Coin Drop	18
Electronic Coin Drop	20
Control Cabinet Controls - 10 Degree Front Control Models	22
Control Panel and Controls - 10 Degree Front Control Models (Drawing 1 of 2).....	24
Control Panel and Controls - 10 Degree Front Control Models (Drawing 2 of 2).....	26
Cabinet Top - 10 Degree Front Control Models	28
Control Panel and Controls - 45 Degree Front Control Models	30
Loading Door Without Window	32
Dryer Loading Door With Window.....	34
Loading Door With Window	36
Access Panel, Front Panel and Seal	38
Motor and Belt.....	40
Exhaust Fan and Idler	42
Thermistor.....	44
Front Bulkhead, Air Duct and Felt Seal (Drawing 1 of 2)	46
Front Bulkhead, Air Duct and Felt Seal (Drawing 2 of 2)	48
Cylinder Assembly	50
Rear Bulkhead, Felt Seal and Cylinder Roller	52
Terminal Block	54
Heater Duct and Element Assembly - 1 Phase Electric Models	56
Heater Duct Assembly - 3 Phase Electric Models.....	58
Heater Duct Assembly	60
Gas Valve, Igniter and Gas Conversion Kits Gas Models Through Serial No. 1908000001	62
Gas Valve, Igniter and Gas Conversion Kits Gas Models Starting Serial No. 1908000001	64
Burner Orifice Spuds - For Higher Elevations.....	66
Cabinet, Exhaust Duct and Base	68
Contactors and Transformer.....	70
Power Cord	72
Junction Box	74
Junction Box Filter and Harnesses	76
Terminal Block and Terminals	78
Terminals	80

© Copyright 2019, Alliance Laundry Systems LLC

All rights reserved. No part of the contents of this book may be reproduced or transmitted in any form or by any means without the expressed written consent of the publisher.

Motor Connection Block and Tools	82
Wire Harnesses and Wires - Front Control Models.....	84
Wire Harnesses and Wires - Rear Control Models	86
Label Location on Rear of Cabinet	88
Parts Index.....	91

Parts Ordering Information

If literature or replacement parts are required, contact the source from whom the machine was purchased or contact Alliance Laundry Systems at (920) 748-3950 for the name and address of the nearest authorized parts distributor.

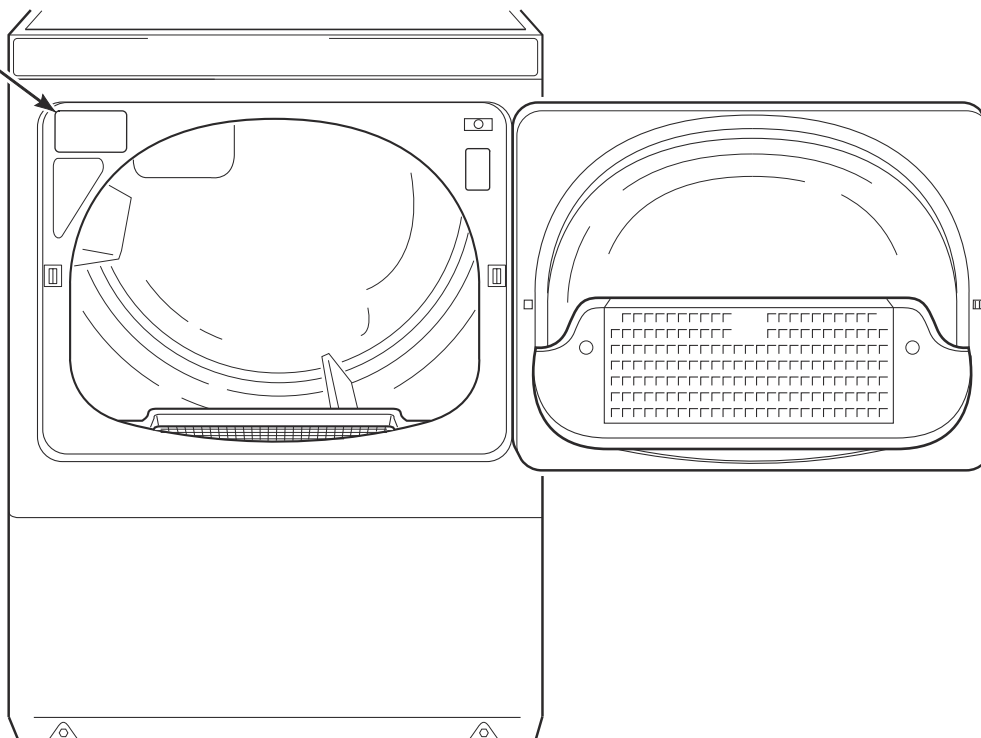
For technical assistance, call the number listed below:

(920) 748-3121 Ripon, Wisconsin

Serial Plate Location

When calling or writing about your product, be sure to mention model and serial numbers. Model and serial numbers are located on serial plate(s) as shown.

SERIAL PLATE



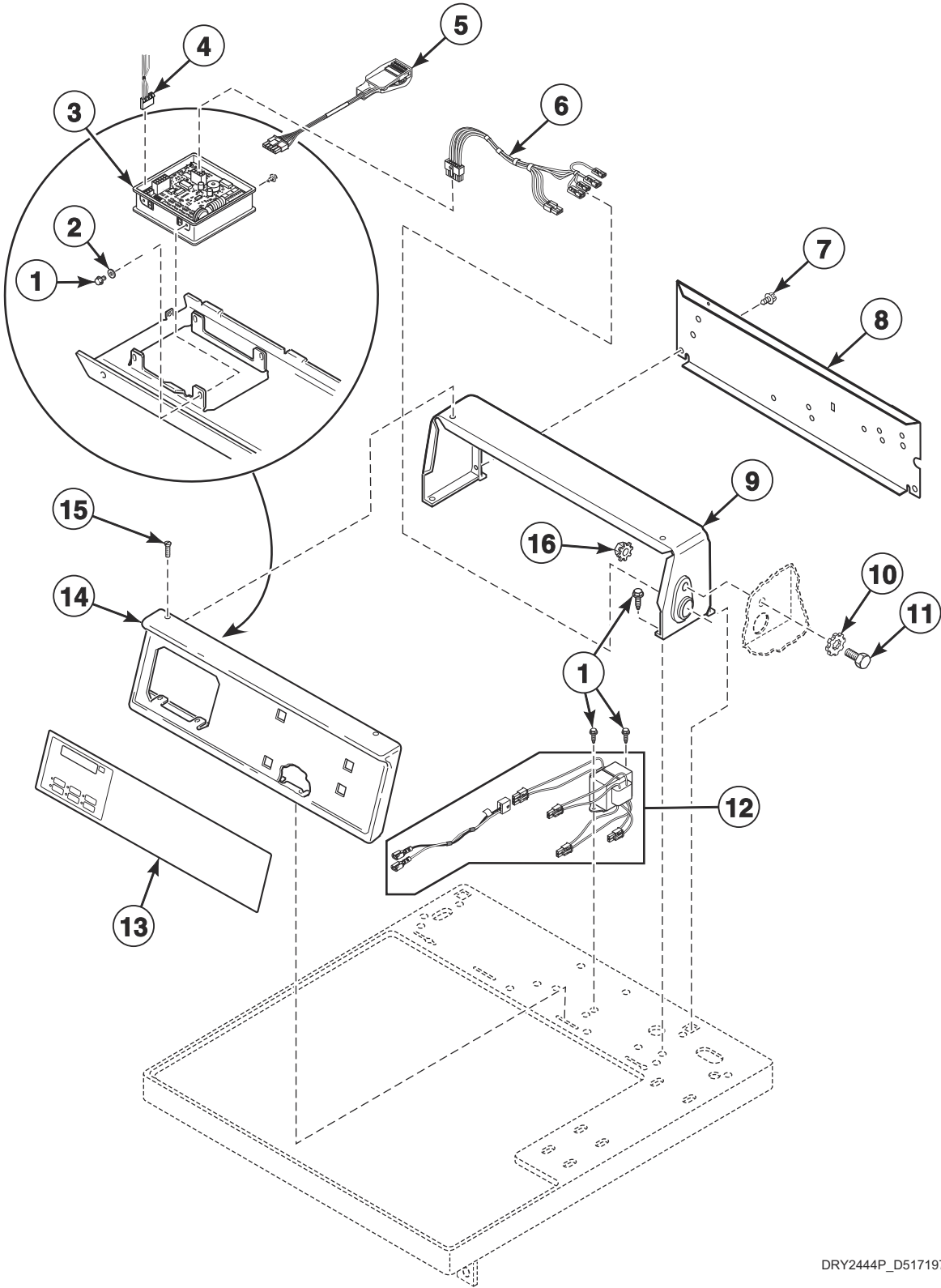
DRY2283P_D517197

Model Identification

Information in this manual is applicable to these dryer models:

BDEBLBGS433AW01	KDEMNRGS303BW33	SDEBLBSS403UN01
BDEBXAGS433AW01	KDEMNRGS303UW01	SDEBXAGS303UW01
BDEMNRGS433AW01	KDESXRGS303UW01	SDEBXAGS403UW01
BDGBLBGS303AW01	KDGBXACW303UN01	SDEBXAGS433AW01
BDGBLBGW543NW01	KDGMNRGS303EW01	SDEBXAGS543DW01
BDGBXAGS303AW01	KDGMNRGS303UW01	SDEBXRGS303NW22
BDGBXAGW303AW01	KDGSXRGS303EW01	SDEBXRGS303ZQ01
BDGBXRGS303AW01	NDEBLBGS403UT01	SDEBXRGS303ZW01
BDGMNRGS303AW01	NDEBXAGS303UW01	SDEBXRGS433AW01
GDEBGABW303UN01	NDEBXAGS403UW01	SDEBXRGS543FW01
GDEBGABW403UN01	NDEBXRGS303NW22	SDEMNRGS303WW01
GDEBXABW303UN01	NDEMNRGS303NW22	SDEMNRGS303ZW01
GDEBXABW403UN01	NDEMNRGS303UW01	SDEMNRGS433AW01
GDEMNRGS303UW01	NDEMNRGS303WW01	SDESXRGS303UW01
GDEMNRGS543NW01	NDEMNRGS403UW01	SDESXRGS303WW01
GDESCRGS303UW01	NDEMNRGS543NW22	SDESXRGS303ZQ01
GDESCRGS543ZW01	NDESXRGS303NW22	SDESXRGS303ZW01
GDGBGABW303UN01	NDESXRGS543NW22	SDESXRGS403UW01
GDGBXABW303UN01	NDGBLBGS303ET01	SDESXRGS433AW01
GDLSCRGS543ZW01	NDGBXAGS303EW01	SDESXRGS543NW22
HDEBXAGS543DW01	NDGMNRGS303NW22	SDGBLBSS303EN01
HDEBXAGS543FW01	NDGMNRGS543NW22	SDGBXAGS113FW01
HDEBXRGS303NW22	NDGSXRGS303NW22	SDGBXAGS123DW01
HDEBXRGS543FW01	NDGSXRGS543NW22	SDGBXAGS543DW01
HDESXRGS303UW01	PDEBXRGS433AG02	SDGBXRGS113FW01
HDESXRGS403UW01	PDGBXRGS303AG02	SDGBXRGS303AW01
HDGBXAGS113FW01		SDGMNRGS303ZW01
HDGBXAGS123DW01		SDGSXRGS303AW01
HDGBXAGS543DW01		SDGSXRGS303EW01
HDGBXRGS303NW21		TDEBXAGS403UW01

Control Panel and Controls - Rear Control Coin Drop Models



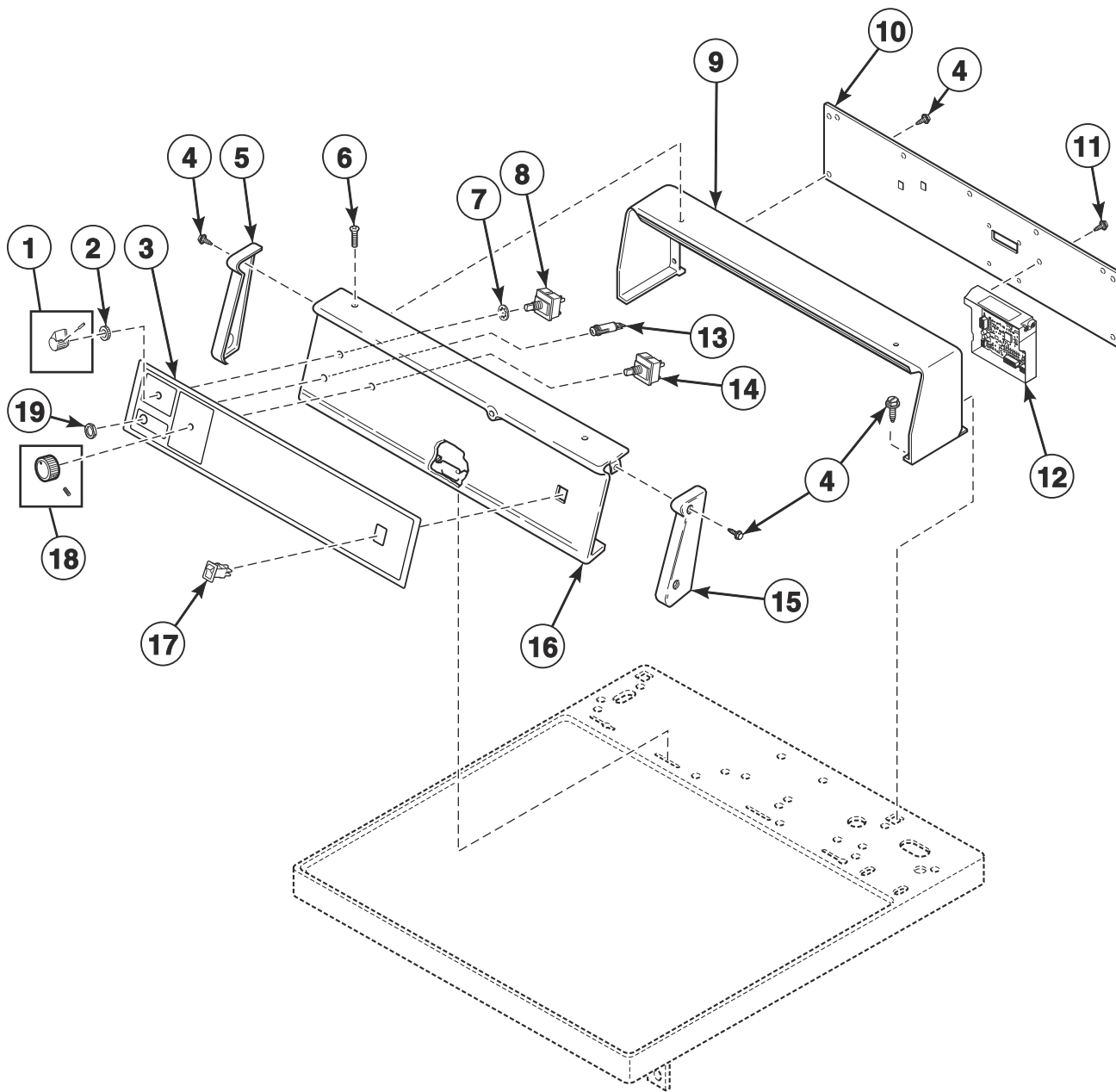
DRY2444P_D517197

Control Panel and Controls - Rear Control Coin Drop Models

REF	PART NO.	DESCRIPTION	COMMENTS
1	D503688	Screw	
2	200608	Washer	
3	D515809P	Control Assembly	Models PDEBXRGS433AG02 and PDGBXRGS303AG02
	D515807P	Control Assembly	All other models
4	D511478	Central Pay Harness	
5	203361P	Machine ID Control Assembly	Model or serial number is required when ordering
6	202871	Dual Coin Harness Assembly	Coin drop
7	D501086	Screw	
8	804886	Hood Back Panel	
9	D502567W	Control Hood	White
	D502567DG	Control Hood	Gray
10	M400017	Washer	
11	02916	Screw	
12	203423	Transformer Kit	120 Volt
	203424	Transformer Kit	240 Volt
13	D515558	Control Overlay	Model BDGBXRGS303AW01
	D515814	Control Overlay	Model NDEBXRGS303NW22
	D515970	Control Overlay	Models PDEBXRGS433AG02 and PDGBXRGS303AG02
	D515583	Control Overlay	Models SDEBXRGS303NW22, SDEBXRGS303ZQ01 and SDEBXRGS303ZW01
	D515527	Control Overlay	Models SDEBXRGS433AW01, SDEBXRGS543FW01, SDGBXRGS113FW01 and SDGBXRGS303AW01
	D515553	Control Overlay	Models HDEBXRGS303NW22 and HDEBXRGS543FW01
	D517527	Control Overlay	Model HDGBXRGS303NW21
14	D510067W	Control Panel	White
	D510067DG	Control Panel	Gray
15	52864	Screw	Phillips head
	35528	Screw	Torx head
16	52566	Nut	

Control Panel, Control Hood and Controls - Nonmetered Rear Control Models

Models BDEMNRGS433AW01, BDGMNRGS303AW01, GDEMNRGS303UW01, GDEMNRGS543NW01, KDEMNRGS303BW33, KDEMNRGS303UW01, KDGMNRGS303EW01, KDGMNRGS303UW01, NDEMNRGS303NW22, NDEMNRGS303UW01, NDEMNRGS303WW01, NDEMNRGS403UW01, NDEMNRGS543NW22, NDGMNRGS303NW22, NDGMNRGS543NW22, SDEMNRGS303WW01, SDEMNRGS433AW01 and SDGMNRGS303ZW01



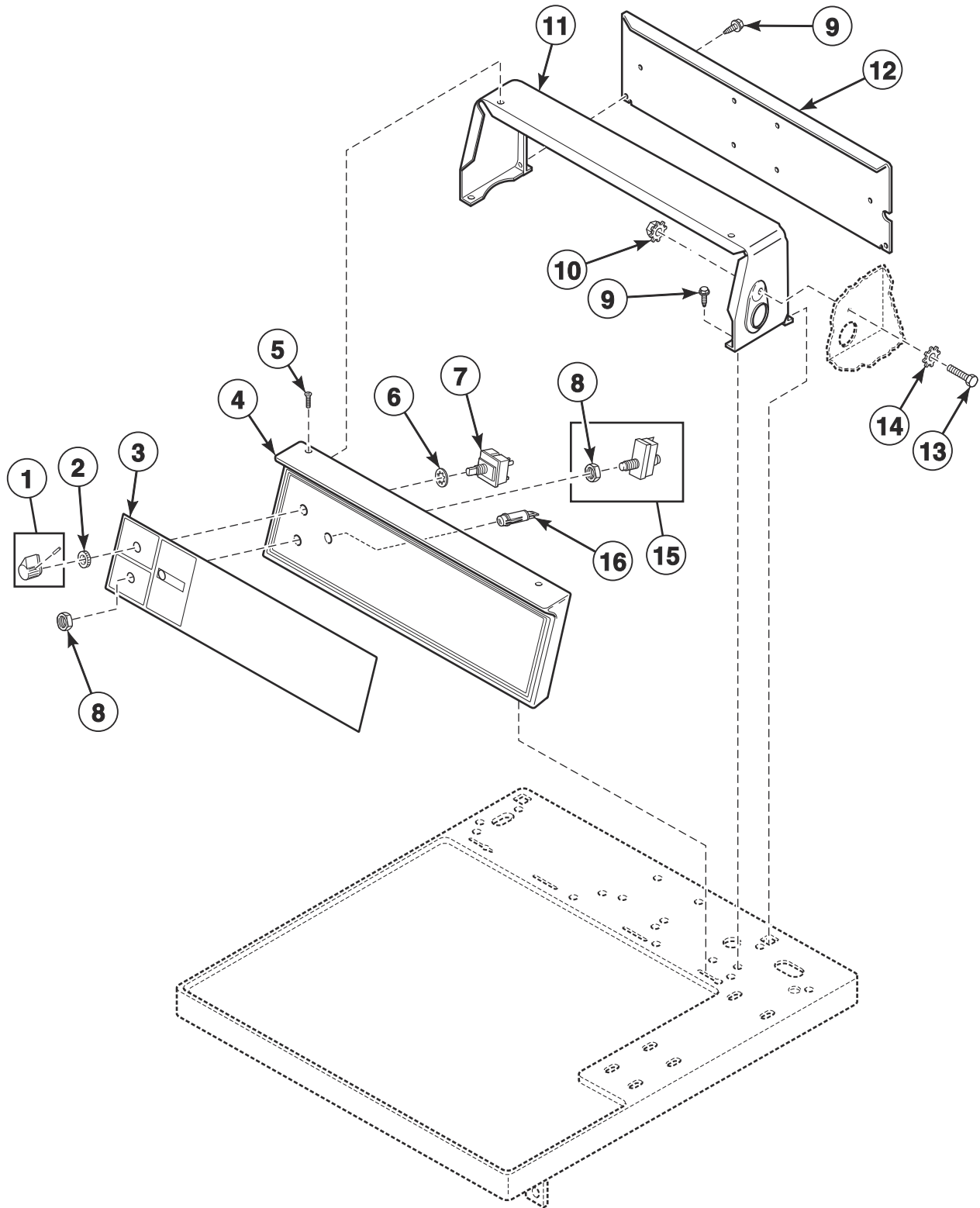
DRY2503P_D517197

Control Panel, Control Hood and Controls - Nonmetered Rear Control Models

REF	PART NO.	DESCRIPTION	COMMENTS
1	39897	Switch Knob	
2	24205	Nut	
3	D515564	Control Panel Overlay	Models NDEMNRGS303NW22, NDEMNRGS303UW01, NDEMNRGS403UW01, NDEMNRGS543NW22, NDGMNRGS303NW22 and NDGMNRGS543NW22
	D515526	Control Panel Overlay	Models SDEMNRGS303WW01, SDEMNRGS433AW01 and SDGMNRGS303ZW01
	D515557	Control Panel Overlay	Models BDEMNRGS433AW01 and BDGMNRGS303AW01
	D515570	Control Panel Overlay	Models GDEMNRGS303UW01 and GDEMNRGS543NW01
	D515568	Control Panel Overlay	Models KDEMNRGS303UW01, KDGMNRGS303EW01 and KDGMNRGS303UW01
	D515564	Control Panel Overlay	Model NDEMNRGS303WW01
	D517288	Control Panel Overlay	Model KDEMNRGS303BW33
4	D501086	Screw	
5	210109W	End Cap	Left
6	52864	Screw	Phillips head
	35528	Screw	Torx head
7	91176	Washer	
8	201686	Cycle Selector Switch	
9	D511253W	Control Hood	White
10	D511254	Rear Panel	
11	804608	Screw	
12	D514218	Control Assembly	
13	801431	Light	
14	D511711	Temperature Selector Switch	
15	210108W	End Cap	Right
16	D515578W	Control Panel Assembly	White
17	70455101	Rocker Switch	
18	54678	Timer Knob	
19	52947	Nut	

Control Panel and Control Hood - Coin Slide Rear Control Models

Models GDESCRGS303UW01, GDESCRGS543ZW01, GDLSRGS543ZW01, HDESXRGs303UW01, HDESXRGs403UW01, KDESXRGs303UW01, KDGSXRGs303EW01, NDESXRGs303NW22, NDESXRGs543NW22, NDGSXRGs303NW22, NDGSXRGs543NW22, SDESXRGs303UW01, SDESXRGs303WW01, SDESXRGs303ZQ01, SDESXRGs303ZW01, SDESXRGs403UW01, SDESXRGs433AW01, SDESXRGs543NW22, SDGSXRGs303AW01 and SDGSXRGs303EW01

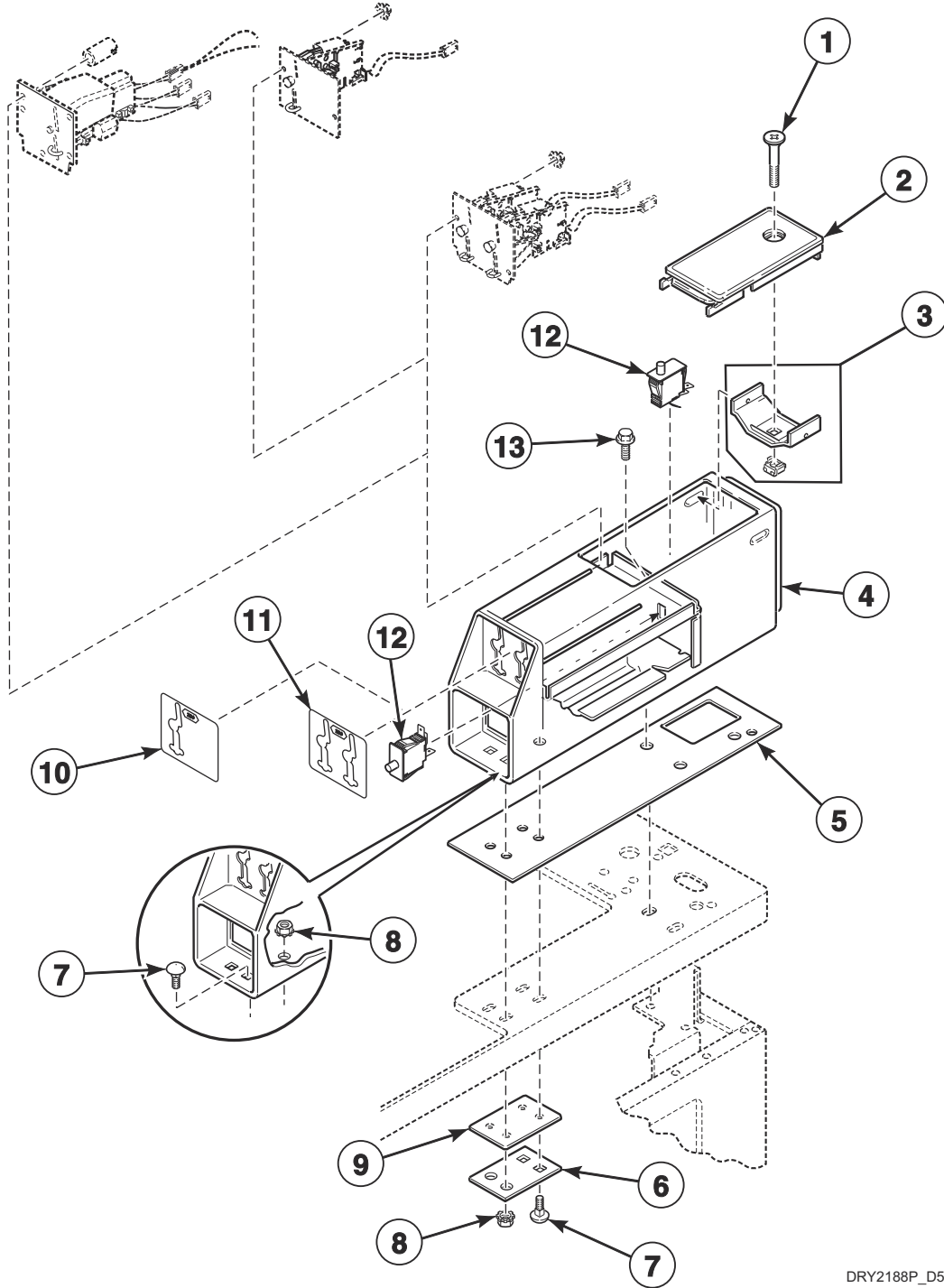


DRY2504P_D517197

Control Panel and Control Hood - Coin Slide Rear Control Models

REF	PART NO.	DESCRIPTION	COMMENTS
1	39897	Switch Knob	
2	24205	Nut	
3	D515563	Control Panel Overlay	Models NDESXRG303NW22, NDESXRG543NW22, NDGSXRG303NW22 and NDGSXRG543NW22
	D515551	Control Panel Overlay	Models HDESXRG303UW01 and HDESXRG403UW01
	D515569	Control Panel Overlay	Models GDESCRG303UW01, GDESCRG543ZW01 and GDLSXRG543ZW01
	D515567	Control Panel Overlay	Models KDESXRG303UW01 and KDGSXRG303EW01
	D515525	Control Panel Overlay	Models SDESXRG303UW01, SDESXRG303WW01, SDESXRG303ZQ01, SDESXRG303ZW01, SDESXRG403UW01, SDESXRG433AW01, SDESXRG543NW22, SDGSXRG303AW01 and SDGSXRG303EW01
4	D501738W	Control Panel and Bracket Assembly	White
	D501738Q	Control Panel and Bracket Assembly	Bisque
5	52864	Screw	
	35528	Screw	Optional for added security
6	91176	Washer	
7	D511711	Temperature Selector Switch	
8	52947	Nut	
9	D501086	Screw	
10	29786	Nut	
11	D502567W	Control Hood	White
	D502567Q	Control Hood	Bisque
12	804886	Hood Back Panel	
13	02916	Screw	
14	M400017	Washer	
15	55882	Switch Assembly	Includes item 8
16	801431	Light	

Meter Case - Rear Control Coin Drop Models



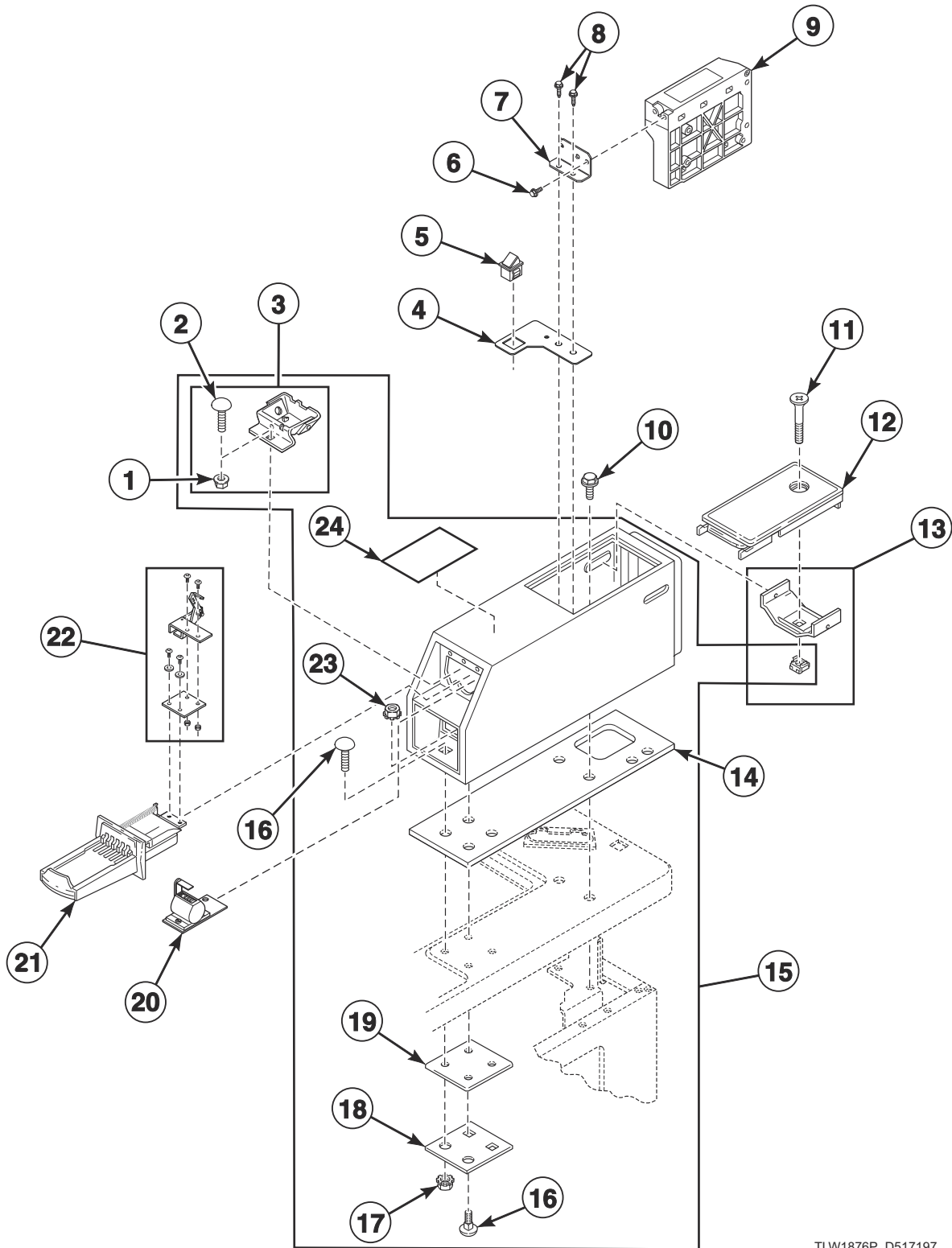
DRY2188P_D517197

Meter Case - Rear Control Coin Drop Models

REF	PART NO.	DESCRIPTION	COMMENTS
	D502783	Instruction Label	Icon
	D500628	Instruction Label	English
1	D503673	Screw	
2	39874DG	Service Door Assembly	Gray; Models PDEBXRGS433AG02 and PDGBXRGS303AG02
	39874WP	Service Door Assembly	White; All other models
3	204616	Meter Case Locking Bracket Kit	
4	807401DG	Meter Case Assembly	Gray; Models PDEBXRGS433AG02 and PDGBXRGS303AG02
	202877W	Meter Case Assembly	White; All other models
5	26354	Meter Case Gasket	
6	35525	Meter Case Lockdown Bracket	
7	203798	Bolt	
8	29786	Nut	
9	35526	Meter Case Bracket Gasket	
10	38717	Single Overlay	For non-electronic coin drops
	201091	Overlay	For electronic coin drops
11	39073	Dual Overlay	
12	D512973	Switch	
13	36048	Screw	

Coin Slide Extension, Meter Case and Control

Models GDESCRGS303UW01, GDESCRGS543ZW01, GDLSRGS543ZW01, HDESCRGS303UW01, HDESCRGS403UW01, KDESCRGS303UW01, KDGSXRG303EW01, NDESCRGS303NW22, NDESCRGS543NW22, NDGSXRG303NW22, NDGSXRG543NW22, SDESCRGS303UW01, SDESCRGS303WW01, SDESCRGS303ZQ01, SDESCRGS303ZW01, SDESCRGS403UW01, SDESCRGS433AW01, SDESCRGS543NW22, SDGSXRG303AW01 and SDGSXRG303EW01

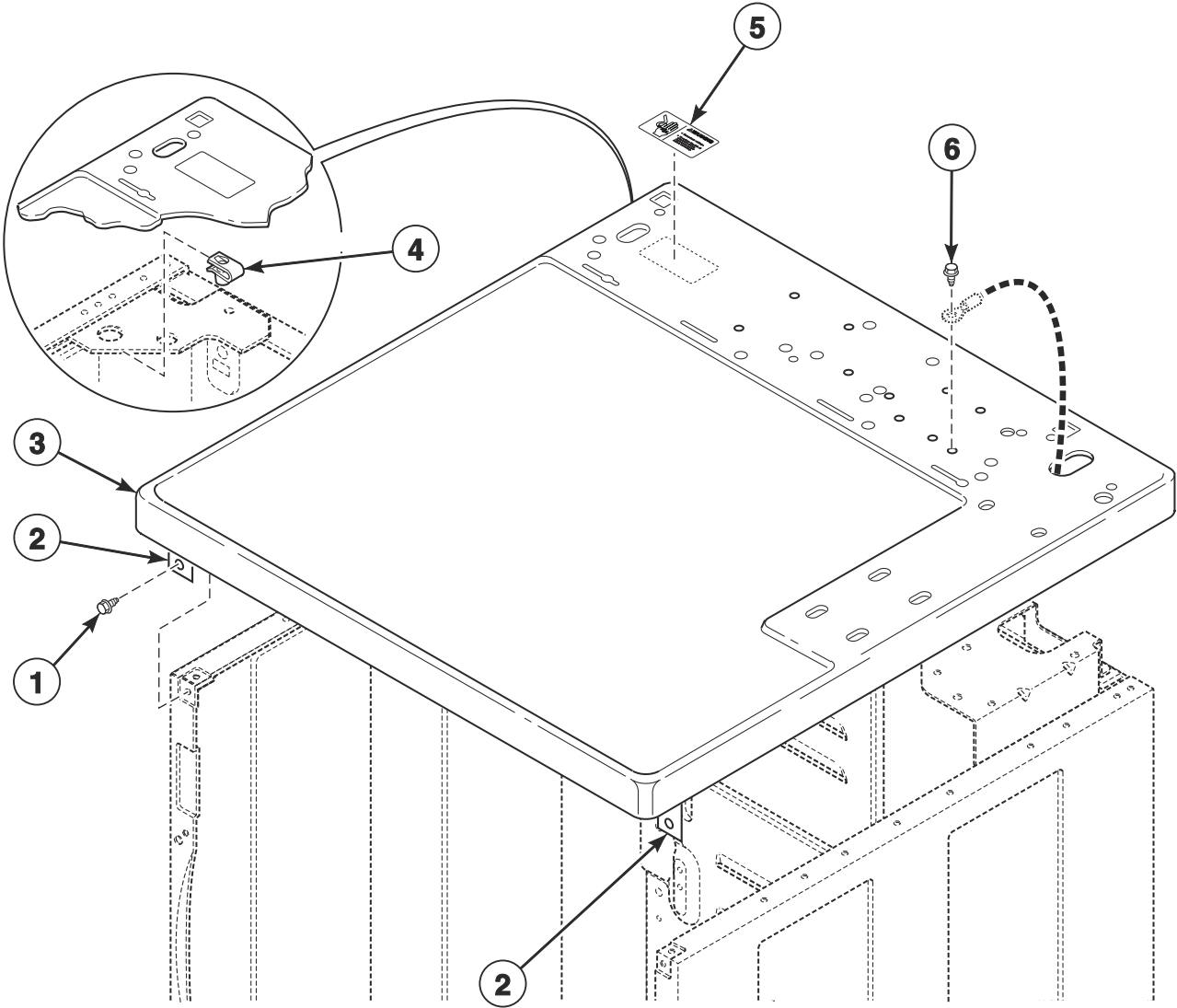


TLW1876P_D517197

Coin Slide Extension, Meter Case and Control

REF	PART NO.	DESCRIPTION	COMMENTS
1	29796	Nut	
2	29651	Bolt	
3	523P3	Coin Funnel Kit	
4	803662	Bracket	
5	431159	Switch	
6	D501524	Screw	
7	201581	Chassis Mounting Bracket	
8	D503688	Screw	
9	D514218	Control Assembly	
10	36048	Screw	
11	D503673	Screw	
12	39874QP	Service Door Assembly	Bisque
	39874WP	Service Door Assembly	White
13	204616	Meter Case Locking Bracket Kit	
14	26354	Meter Case Gasket	
15	201010QP	Meter Case Kit	Bisque; Includes items 3, 14, 16-19 and 23
	807398WP	Meter Case Kit	White; Includes items 3, 14, 16-19 and 23
16	203798	Bolt	
17	29786	Nut	
18	35525	Meter Case Lockdown Bracket	
19	35526	Meter Case Bracket Gasket	
20	201280P	Mechanical Counter Kit Assembly	
21	CK001	Coin Slide Kit	U.S.A.
	CK009	Coin Slide Kit	STD-118-1 Token
	CK010P	Coin Slide Kit	STD-118-5 Token
	CK011	Coin Slide Kit	STD-118-10 Token
	CK014	Coin Slide Kit	U.S.A.
	CK017	Coin Slide Kit	Chilly Willy Token
	CK027	Slide	Tokette
22	200913	Coin Slide Extension Kit	Includes spring and items 4 and 5
	804794	Spring	
23	802337	Nut	
24	D502783	Instruction Label	Icon
	D500628	Instruction Label	English

Cabinet Top - Rear Control Models



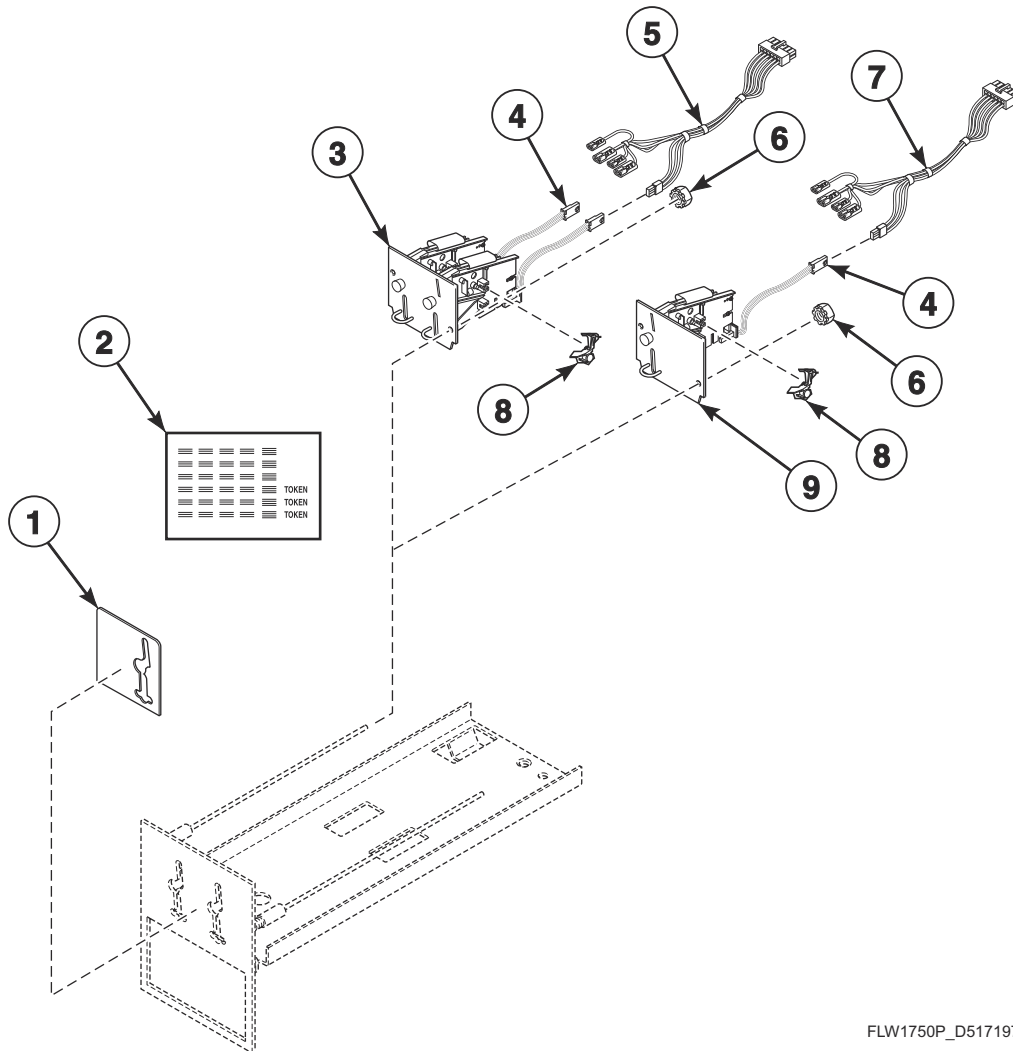
DRY2181P_D517197

Cabinet Top - Rear Control Models

REF	PART NO.	DESCRIPTION	COMMENTS
1	D503688	Screw	
2	D510146	Bracket	
3	D511270QP	Top Kit	Bisque; Models SDEBXRGS303ZQ01 and SDESXRGS303ZQ01
	D505885DG	Top Panel	Gray; Models PDEBXRGS433AG02 and PDGBXRGS303AG02
	D511530WP	Top Panel Kit	White; Includes item 2; Models BDEMNRGS433AW01, BDGMNRGS303AW01, GDEMNRGS303UW01, GDEMNRGS543NW01, KDEMNRGS303BW33, KDEMNRGS303UW01, KDGMNRGS303EW01, KDGMNRGS303UW01, NDEMNRGS303NW22, NDEMNRGS303UW01, NDEMNRGS303WW01, NDEMNRGS403UW01, NDEMNRGS543NW22, NDGMNRGS303NW22, NDGMNRGS543NW22, SDEMNRGS303WW01, SDEMNRGS303ZW01, SDEMNRGS433AW01 and SDGMNRGS303ZW01
	D511527WP	Top Kit	White; All other models
4	27222	Nut	
5	D500316	Warning Label	
6	D503688	Screw	

Non-Electronic Coin Drop

Coin Drop Models



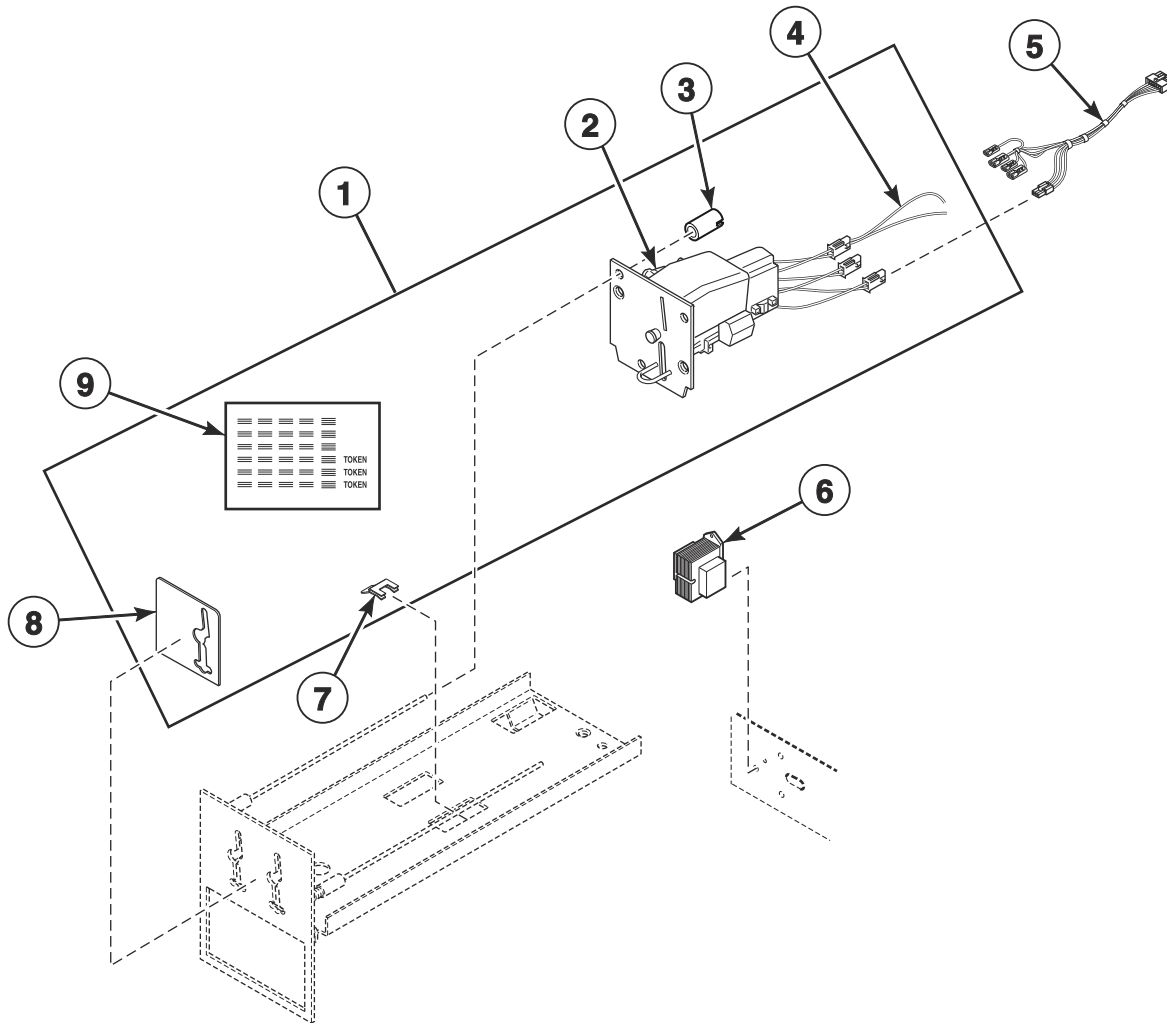
FLW1750P_D517197

Non-Electronic Coin Drop

REF	PART NO.	DESCRIPTION	COMMENTS
1	D512821	Single Overlay	Models GDEBXABW303UN01, GDEBXABW403UN01 and GDGBXABW303UN01
	38717	Single Overlay	All other models
2	38725	Coin Identification Paper	
3	70441602	Coin Drop Assembly	Canada; 0.25 and 1.00
	70441603	Coin Drop	U.S.A.; \$0.25 and \$1.00
4	200674P	Opto Coupler	
5	202871	Dual Coin Harness Assembly	
6	29786	Nut	
7	202870	Single Coin Harness Assembly	
8	201595P	Wire Guard	Anti-stringing security device
9	70441601P	Coin Drop	U.S.A.; \$0.25
	38464P	Coin Drop Assembly	Canada; 0.25
	38462P	Coin Drop Assembly	Token; STD-118-1
	38463	Coin Drop Assembly	Token; STD-118-5
	38963P	Coin Drop	Token 118-16 not available; Replacement for 38963P Con Drop only

Electronic Coin Drop

Coin Drop Models

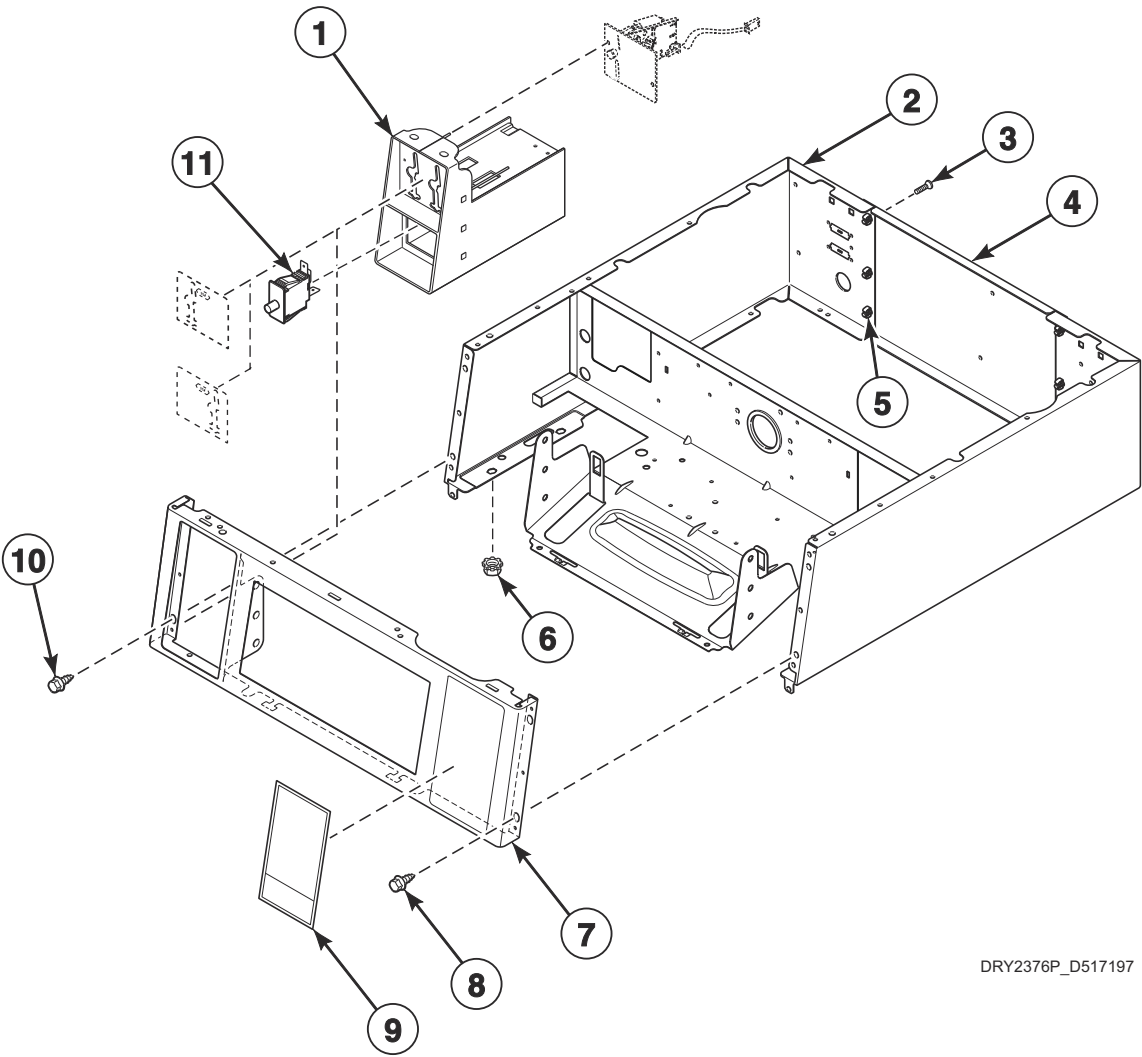


FLW1005P_D517197

Electronic Coin Drop

REF	PART NO.	DESCRIPTION	COMMENTS
1	CK110	Electronic Coin Drop Kit	Includes items 2-3 and 7-9; Mexico, Ecuador and United States coins
	CK115	Electronic Coin Drop Kit	Includes items 2-3 and 7-9; United States and Canada coins
2	70294106	Electronic Coin Drop Assembly	Mexico, Ecuador and Unites States coins
	70294122	Electronic Coin Drop Assembly	Great Britain and token coins
3	201216	Nut	
	29786	Nut	Use on front control models with no guide rods
4	201104	Coin Drop Wire Harness	
5	802905	Harness Assembly	Electronic coin drop requires this harness. If unit is not factory-equipped with this harness, it must be ordered separately.
6	201375P	Transformer	Electronic coin drop requires this transformer. If unit is not factory-equipped with this transformer, it must be ordered separately.
7	201572	Clip	
8	D512821	Single Overlay	Models GDEBXABW303UN01, GDEBXABW403UN01 and GDGBXABW303UN01
	201091	Overlay	All other models
9	38725	Coin Identification Paper	

Control Cabinet Controls - 10 Degree Front Control Models

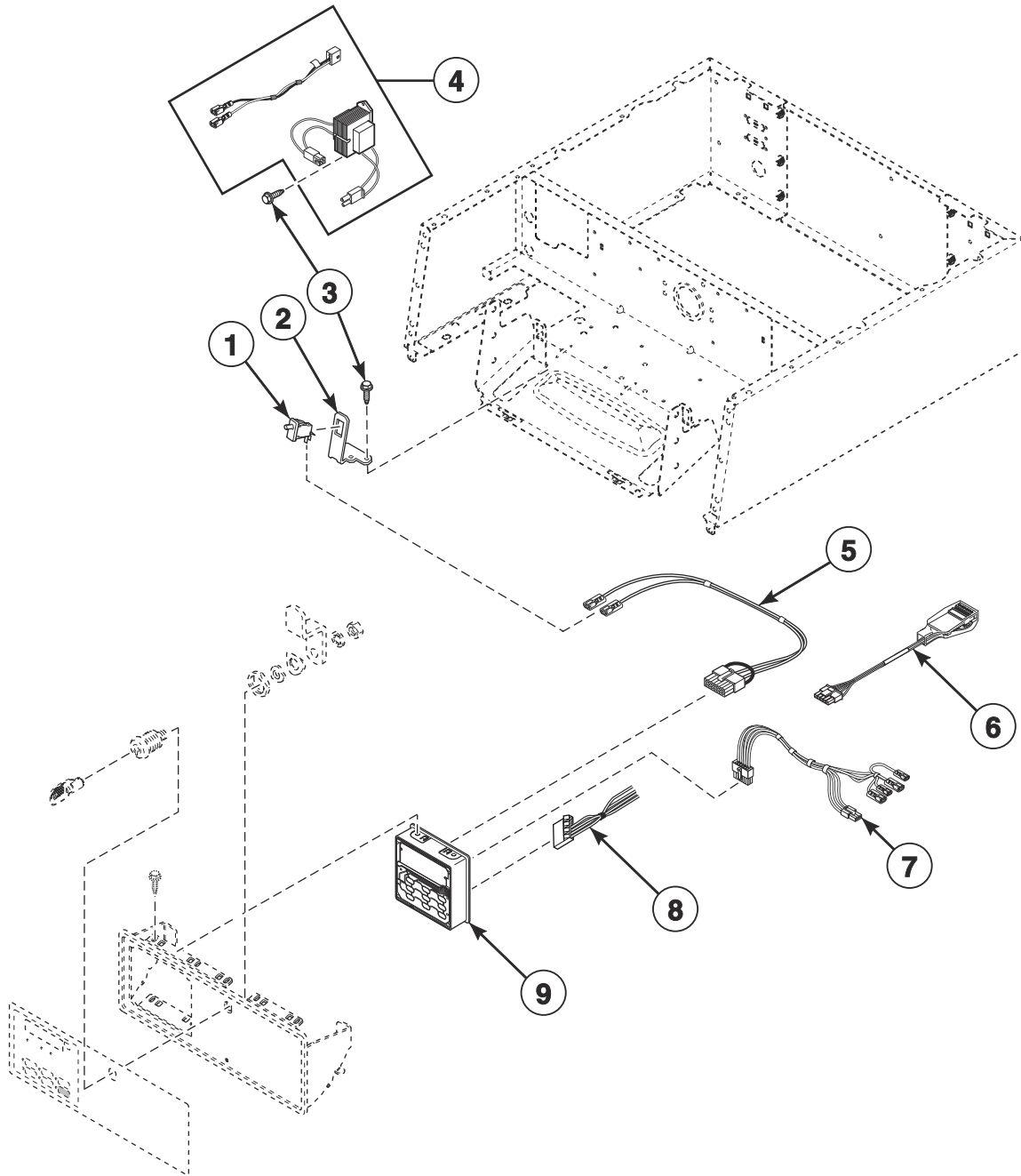


DRY2376P_D517197

Control Cabinet Controls - 10 Degree Front Control Models

REF	PART NO.	DESCRIPTION	COMMENTS
	D513000	Nameplate	Models GDEBGABW303UN01, GDEBGABW403UN01, GDEBXABW303UN01, GDEBXABW403UN01, GDGBGABW303UN01 and GDGBXABW303UN01
1	D515219	Meter Case Assembly	Gray; Models GDEBXABW303UN01, GDEBXABW403UN01, GDGBGABW303UN01, GDGBXABW303UN01 and KDGBXACW303UN01
	807396W	Meter Case Assembly	White; Requires high capacity coin vault; All other models
2	D515216	Security Wrapper Assembly	Gray; Models GDEBGABW303UN01, GDEBGABW403UN01, GDEBXABW303UN01, GDEBXABW403UN01, GDGBGABW303UN01, GDGBXABW303UN01 and KDGBXACW303UN01
	804104W	Wrapper Assembly	White; All other models
3	70240301	Screw	6 required
4	803998	Rear Access Panel	
5	70030501	Expansion Clip	6 required
6	44087201	Nut	
7	D515218	Control Panel	Gray; Models GDEBXABW303UN01, GDEBXABW403UN01, GDGBGABW303UN01, GDGBXABW303UN01 and KDGBXACW303UN01
	D515217	Control Panel	Gray; Models GDEBGABW303UN01, GDEBGABW403UN01 and GDGBGABW303UN01
	803962WP	Control Panel	White; All other models
8	M405188	Screw	Use with stainless steel side panels
	D503688	Screw	Use with painted side panels
9	D515213	Operating Instruction Label	Models GDEBXABW303UN01, GDEBXABW403UN01, GDGBXABW303UN01 and KDGBXACW303UN01
	D514393	Operating Instructions Label	English; Models BDEBXAGS433AW01, BDGBXAGS303AW01, BDGBXAGW303AW01, HDEBXAGS543FW01, HDGBXAGS113FW01, NDGBXAGS303EW01, SDEBXAGS433AW01 and SDGBXAGS113FW01
	D515211	Instruction Overlay	Models GDEBGABW303UN01, GDEBGABW403UN01 and GDGBGABW303UN01
	D514392	Operating Instructions Label	All other models
10	29651	Bolt	
11	D512973	Switch	

Control Panel and Controls - 10 Degree Front Control Models (Drawing 1 of 2)



DRY2505P_D517197

Control Panel and Controls - 10 Degree Front Control Models (Drawing 1 of 2)

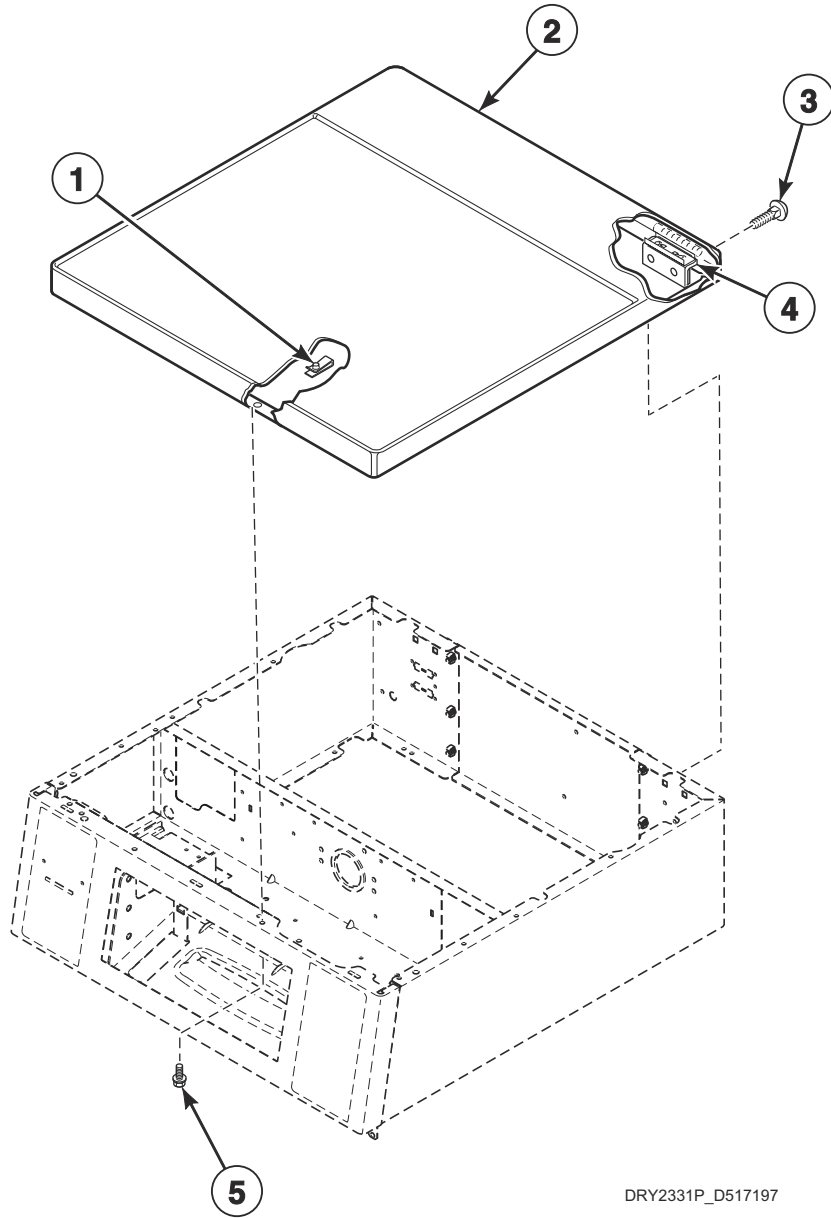
REF	PART NO.	DESCRIPTION	COMMENTS
1	D512973	Switch	
2	800379	Audit Switch Bracket	
3	D503661	Screw	
4	203423	Transformer Kit	120 Volt
	203424	Transformer Kit	240 Volt
5	202869	Wiring Harness Assembly	Diagnostic; Models GDEBGABW303UN01, GDEBGABW403UN01 and GDGBGABW303UN01
	202868	Wiring Harness Assembly	Diagnostic; All other models
6	203361P	Machine ID Control Assembly	Model or serial number is required when ordering
7	202871	Dual Coin Harness Assembly	Coin drop
8	805427	Central Pay Harness	
9	D515808P	Control Assembly	Models BDEBXAGS433AW01, BDGBXAGS303AW01 and BDGBXAGW303AW01
	D515807P	Control Assembly	All other models

Control Panel and Controls - 10 Degree Front Control Models (Drawing 2 of 2)

REF	PART NO.	DESCRIPTION	COMMENTS
	D513000	Nameplate	Models GDEBGABW303UN01, GDEBGABW403UN01, GDEBXABW303UN01, GDEBXABW403UN01 and GDGBGABW303UN01
1	D515215	Control Panel Assembly	Gray; Models GDEBGABW303UN01, GDEBGABW403UN01, GDEBXABW303UN01, GDEBXABW403UN01, GDGBGABW303UN01, GDGBXABW303UN01 and KDGBXACW303UN01
	D513777W	Control Panel and Bracket Assembly	White; All other models
2	D515560	Control Overlay	Models BDEBXAGS433AW01, BDGBXAGS303AW01 and BDGBXAGW303AW01
	D515571	Control Overlay	Models GDEBGABW303UN01, GDEBGABW403UN01, GDEBXABW303UN01, GDEBXABW403UN01, GDGBGABW303UN01, GDGBXABW303UN01 and KDGBXACW303UN01
	D515565	Control Overlay	Models NDEBXAGS303UW01, NDEBXAGS403UW01, NDGBXAGS303EW01 and TDEBXAGS403UW01
	D515530	Control Overlay	Models SDEBXAGS303UW01 and SDEBXAGS403UW01
	D515529	Control Overlay	Models SDEBXAGS433AW01, SDEBXAGS543DW01, SDGBXAGS113FW01, SDGBXAGS123DW01 and SDGBXAGS543DW01
	D515555	Control Overlay	All other models
3	D501524	Screw	
4	54612	Key	800
5	27260P	Lock Kit	Includes item 4
6	804338	Lock Cam	

Cabinet Top - 10 Degree Front Control Models

Models BDEBXAGS433AW01, BDGBXAGS303AW01, BDGBXAGW303AW01, GDEBGABW303UN01, GDEBGABW403UN01, GDEBXABW303UN01, GDEBXABW403UN01, GDGBGABW303UN01, GDGBXABW303UN01, HDEBXAGS543DW01, HDEBXAGS543FW01, HDGBXAGS113FW01, HDGBXAGS123DW01, HDGBXAGS543DW01, KDGBXACW303UN01, NDEBXAGS303UW01, NDEBXAGS403UW01, NDGBXAGS303EW01, SDEBXAGS303UW01, SDEBXAGS403UW01, SDEBXAGS433AW01, SDEBXAGS543DW01, SDGBXAGS113FW01, SDGBXAGS123DW01, SDGBXAGS543DW01 and TDEBXAGS403UW01



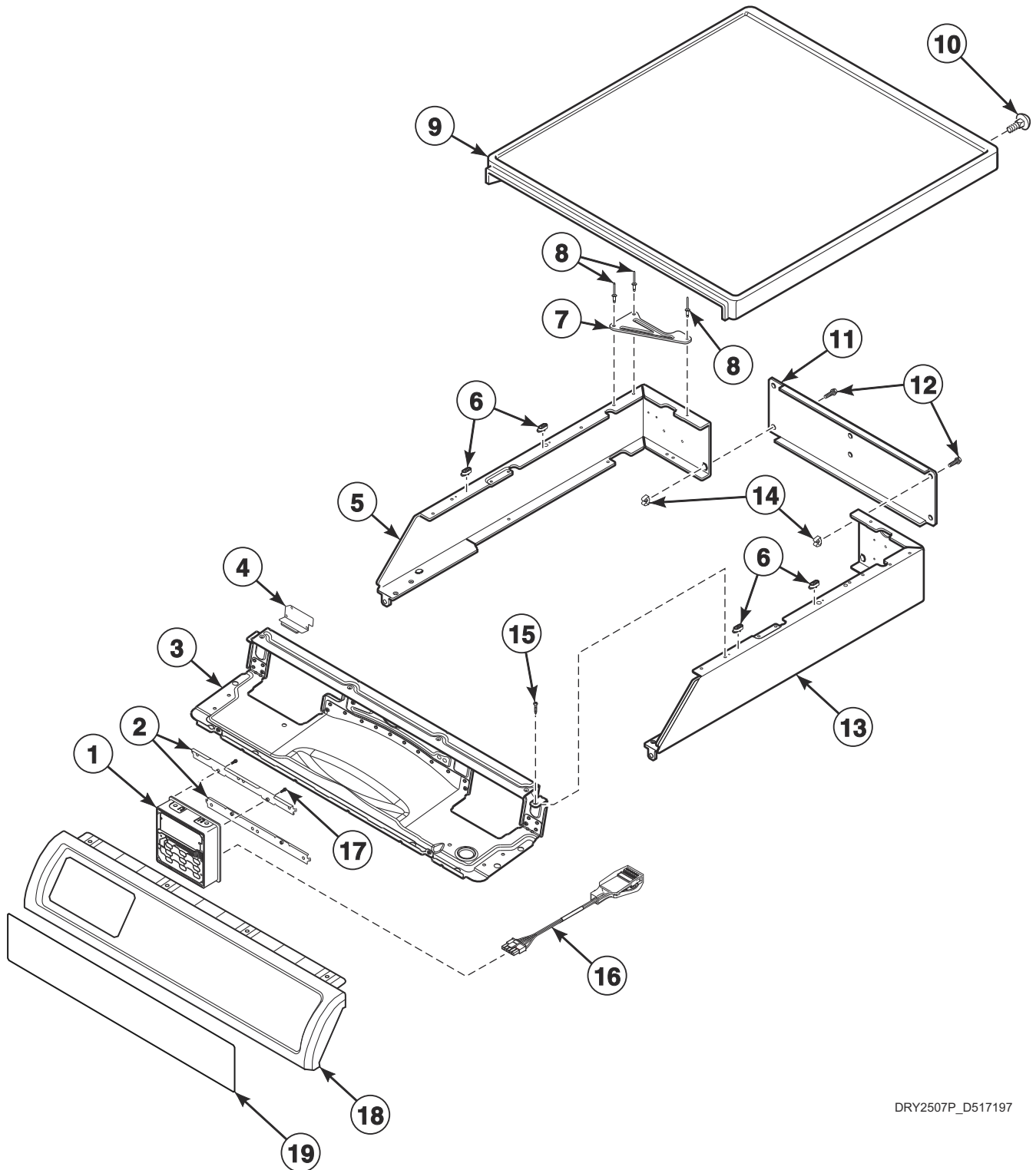
DRY2331P_D517197

Cabinet Top - 10 Degree Front Control Models

REF	PART NO.	DESCRIPTION	COMMENTS
1	36020	Nut	
2	803868WP	Top Panel	White
	803869	Top Panel	Stainless steel
3	29651	Bolt	
4	D504228	Top Mounting Bracket	
5	23008	Screw	

Control Panel and Controls - 45 Degree Front Control Models

Models BDEBLBGS433AW01, BDGBLBGS303AW01, BDGBLBGW543NW01, NDEBLBGS403UT01, NDGBLBGS303ET01, SDEBLBSS403UN01 and SDGBLBSS303EN01



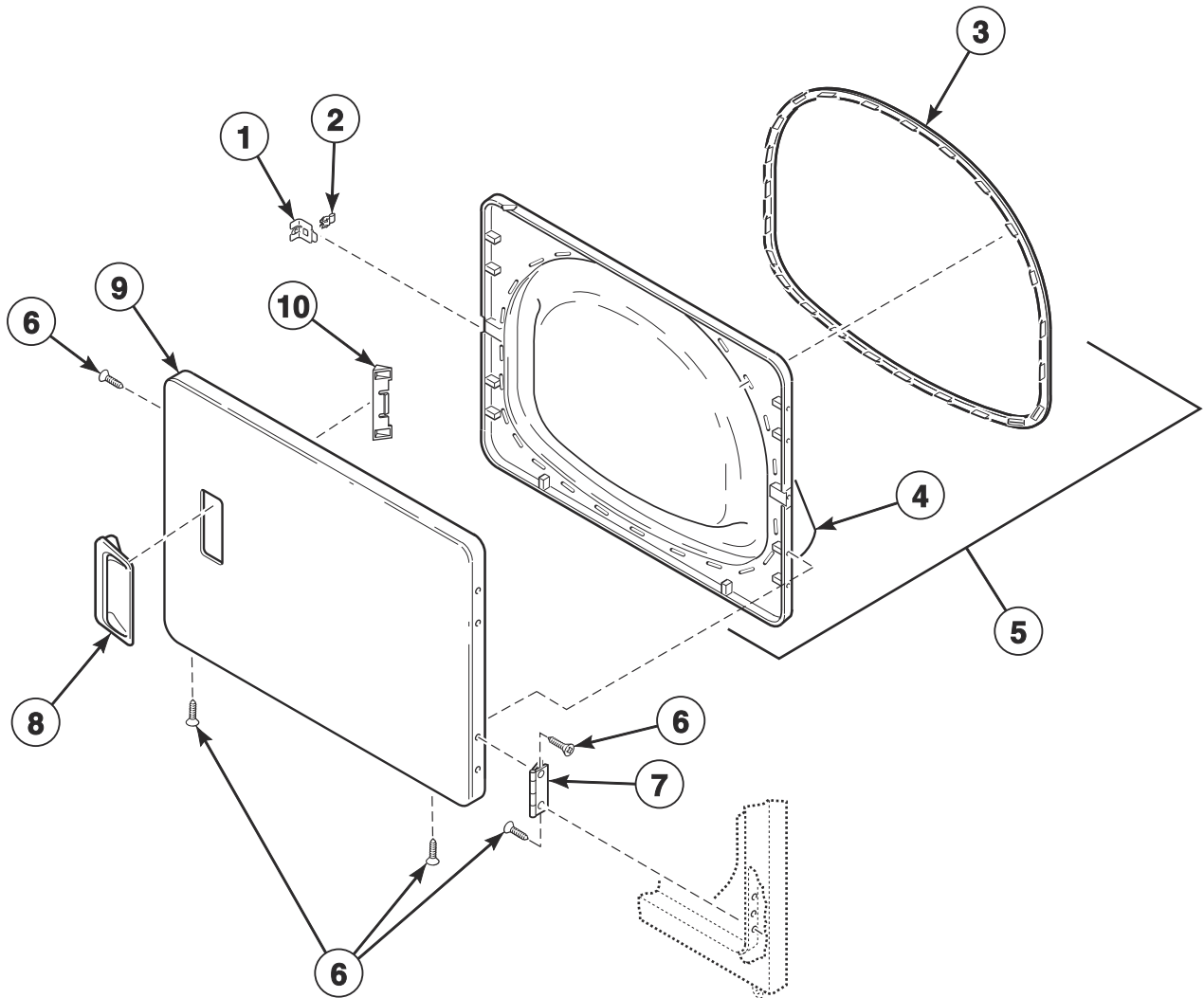
DRY2507P_D517197

Control Panel and Controls - 45 Degree Front Control Models

REF	PART NO.	DESCRIPTION	COMMENTS
	202869	Wiring Harness Assembly	
	805427	Central Pay Harness	
1	D515808P	Control Assembly	Models BDEBLBGS433AW01, BDGBLBGS303AW01 and BDGBLBGW543NW01
	D515807P	Control Assembly	All other models
2	D514261	Control Bracket	2 required
3	804613	Top Panel Brace Assembly	
4	804741	Control Access Panel	
5	804627B	Control Wrapper	Left; Models SDEBLBSS403UN01 and SDGBLBSS303EN01
	804627W	Control Wrapper	Left; All other models
6	803761	Top Panel Guide	4 required; Use 39733 Screw to attach
7	805345	Rear Wrapper Brace	
8	685847	Pop Rivet	
9	804684	Top Panel	Stainless steel
	804685WP	Top Panel	White
10	D503661	Screw	2 required
11	804614	Rear Access Panel	
12	70240301	Screw	4 required
13	804630B	Control Wrapper	Right; Models SDEBLBSS403UN01 and SDGBLBSS303EN01
	804630W	Control Wrapper	Right; All other models
14	70030501	Expansion Clip	
15	804667	Screw	
16	203361P	Machine ID Control Assembly	Model or serial no. is required when ordering
17	804608	Screw	
18	D514455	Control Panel Assembly	Black
	D514454	Control Panel Assembly	White
19	D515561	Control Overlay	Models BDEBLBGS433AW01, BDGBLBGS303AW01 and BDGBLBGW543NW01
	D515566	Control Overlay	Models NDEBLBGS403UT01 and NDGBLBGS303ET01
	D515531	Control Overlay	Models SDEBLBSS403UN01 and SDGBLBSS303EN01

Loading Door Without Window

All Models Except BDGBLBGW543NW01, BDGBXAGW303AW01, GDEBGABW303UN01, GDEBGABW403UN01, GDEBXABW303UN01, GDEBXABW403UN01, GDGBGABW303UN01, GDGBXABW303UN01 and KDGBXACW303UN01



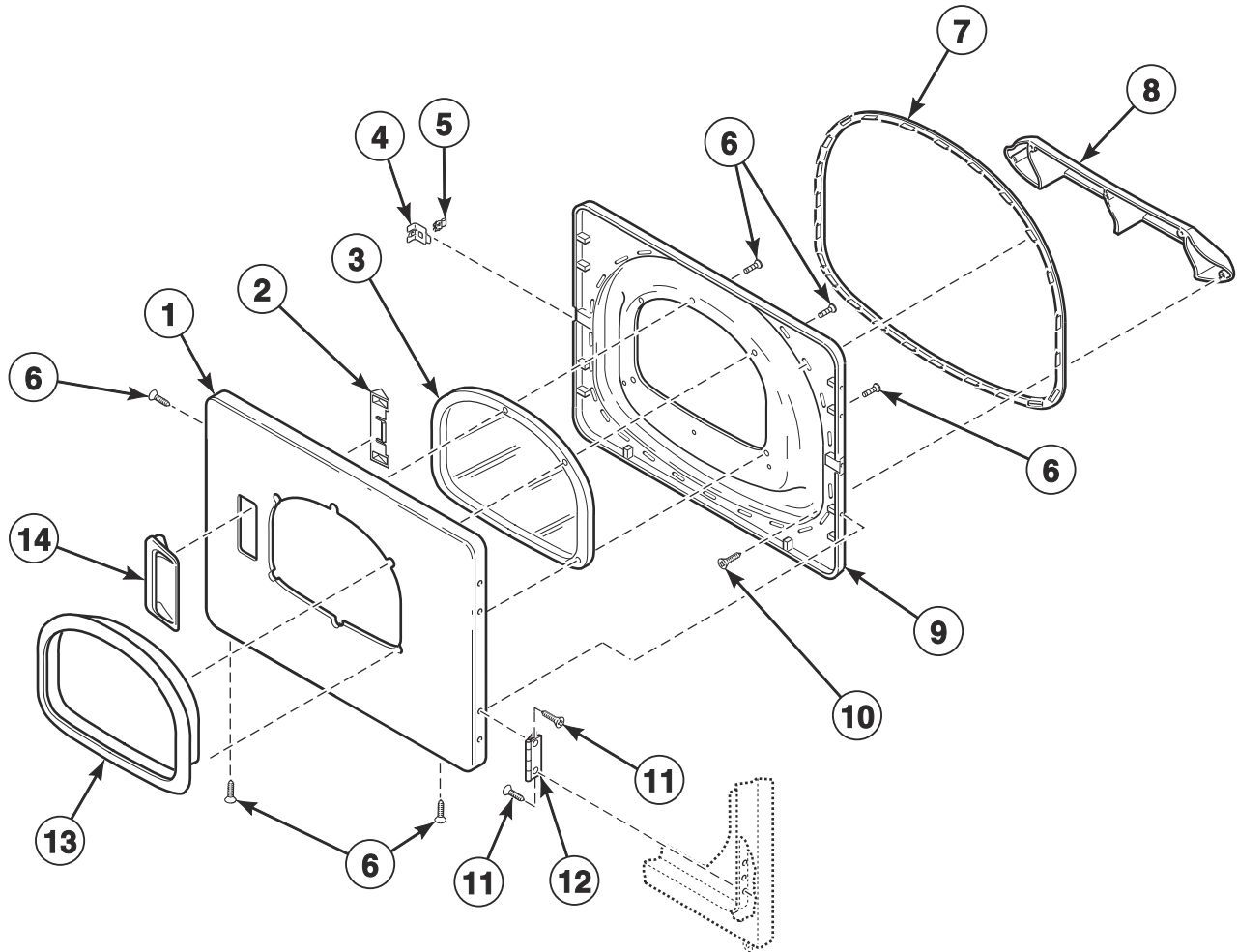
DRY1857P_D517197

Loading Door Without Window

REF	PART NO.	DESCRIPTION	COMMENTS
1	D510127	Door Strike Mount	
2	D510181	Door Strike	
3	D510147P	Liner Door Seal	All models except SDEBLBSS403UN01 and SDGBLBSS303EN01
4	D503870LG	Door Liner Grill	Models SDEBLBSS403UN01 and SDGBLBSS303EN01
	D503870W	Door Liner Grill	All other models
5	D516508	Door Liner Assembly	Models SDEBLBSS403UN01 and SDGBLBSS303EN01
	D510163WP	Liner, Seal and Grill Assembly	White; Includes item 3 and 4; All other models
6	D500226	Screw	
7	D511036	Hinge	
8	D510103QP	Door Pull and Wedge Kit	Bisque; Includes item 9; Model SDESXRGS303ZQ01
	D511213P	Door Pull and Wedge Kit	Black; Includes item 9; Models SDEBLBSS403UN01 and SDGBLBSS303EN01
	D512947	Door Pull	Gray; Includes item 9; Models PDEBXRGS433AG02 and PDGBXRGS303AG02
	D510103WP	Door Pull and Wedge Kit	White; Includes item 9; All other models
9	D515963	Dryer Door	Stainless steel; Models SDEBLBSS403UN01 and SDGBLBSS303EN01
	D510013DG	Dryer Door	Gray; Models PDEBXRGS433AG02 and PDGBXRGS303AG02
	D510013QP	Dryer Door	Bisque; Models SDEBXRGS303ZQ01 and SDESXRGS303ZQ01
	D510013WP	Dryer Door	White; All other models
10	D510129W	Door Handle Wedge	

Dryer Loading Door With Window

Models BDGBLBGW543NW01 and BDGBXAGW303AW01



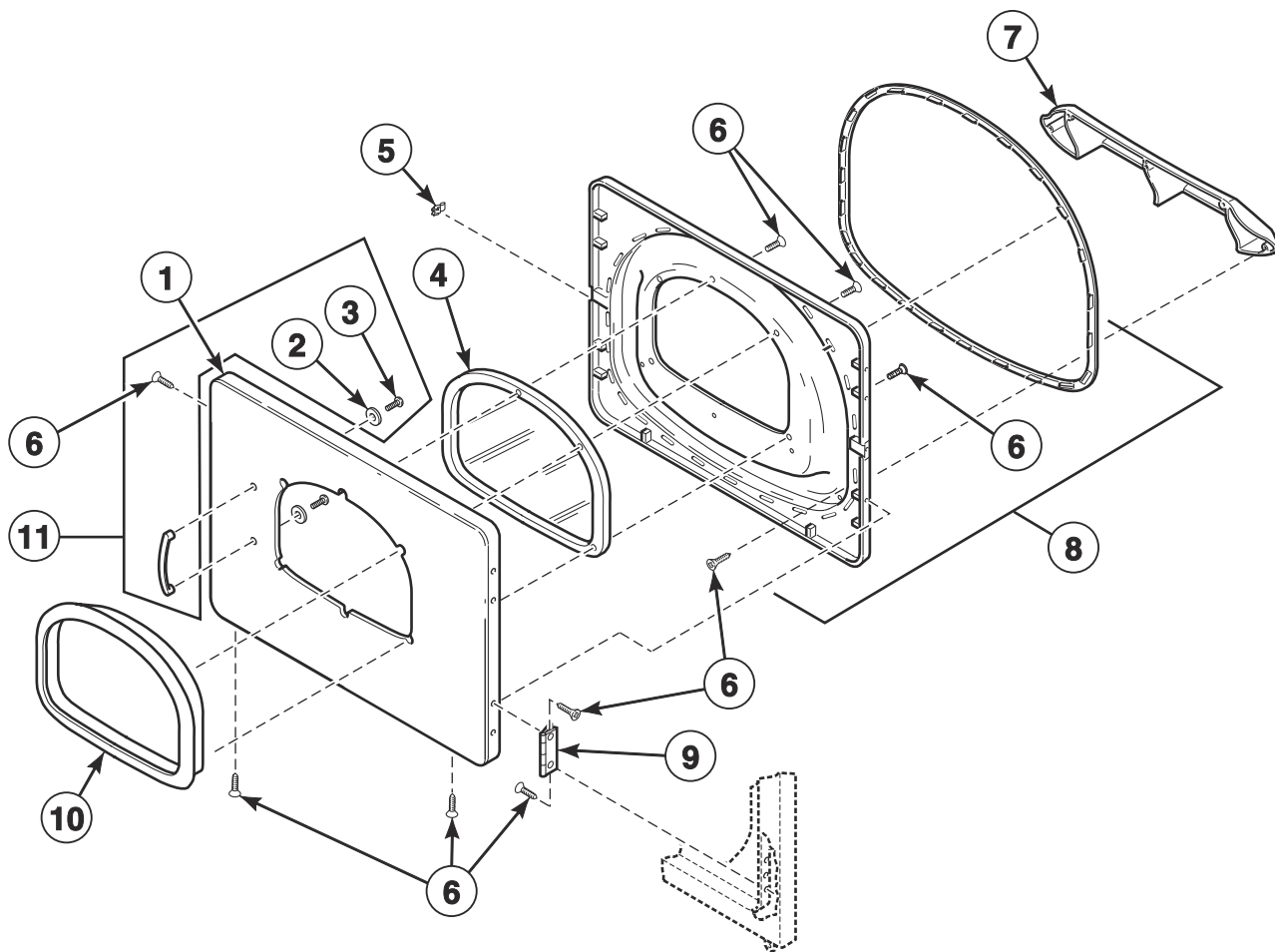
D427P_D517197

Loading Door With Window

REF	PART NO.	DESCRIPTION	COMMENTS
1	D510082WP	Dryer Door	
2	D510129W	Door Handle Wedge	
3	D503982P	Dryer Door Window	
4	D510127	Door Strike Mount	
5	D510181	Door Strike	
6	D500226	Screw	
7	D510147P	Liner Door Seal	
8	D503870W	Door Liner Grill	
9	D510098W	Liner and Seal Assembly	Includes item 7
10	D505870	Screw	
11	D505295	Screw	
12	D511036	Hinge	
13	D503981W	Window Trim	White
14	D510103WP	Door Pull and Wedge Kit	Includes item 2
15	D516737W	Door Assembly	White; Includes items 1-10, 13 and 14

Loading Door With Window

Models GDEBGABW303UN01, GDEBGABW403UN01, GDEBXABW303UN01, GDEBXABW403UN01, GDGBGABW303UN01, GDGBXABW303UN01 and KDGBXACW303UN01

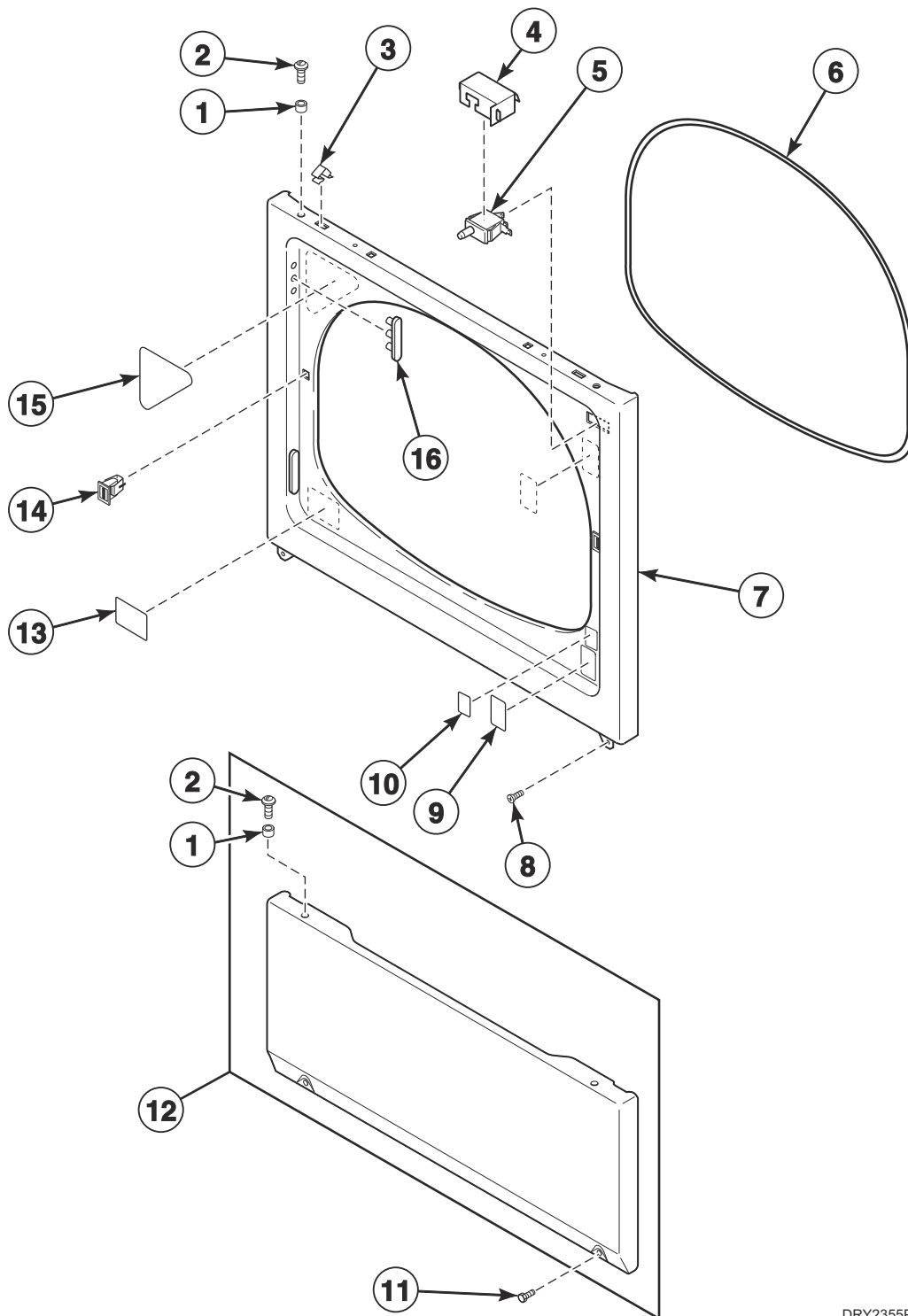


DRY2512P_D517197

Loading Door With Window

REF	PART NO.	DESCRIPTION	COMMENTS
1	D515962	Dryer Door	
2	29260	Washer	
3	D512631	Screw	
4	D515681	Dryer Door Window	
5	D510181	Door Strike	
6	D515967	Screw	Models GDEBGABW303UN01, GDEBGABW403UN01, GDEBXABW303UN01 and GDEBXABW403UN01
	D500226	Screw	Models GDGBGABW303UN01, GDGBXABW303UN01 and KDGBXACW303UN01
7	D503870DG	Door Liner Grill	
8	D516509	Liner and Seal Assembly	
9	D511036	Hinge	
10	D515959	Window Trim	Gray
11	D515656	Door Pull Kit	Includes items 2 and 3

Access Panel, Front Panel and Seal

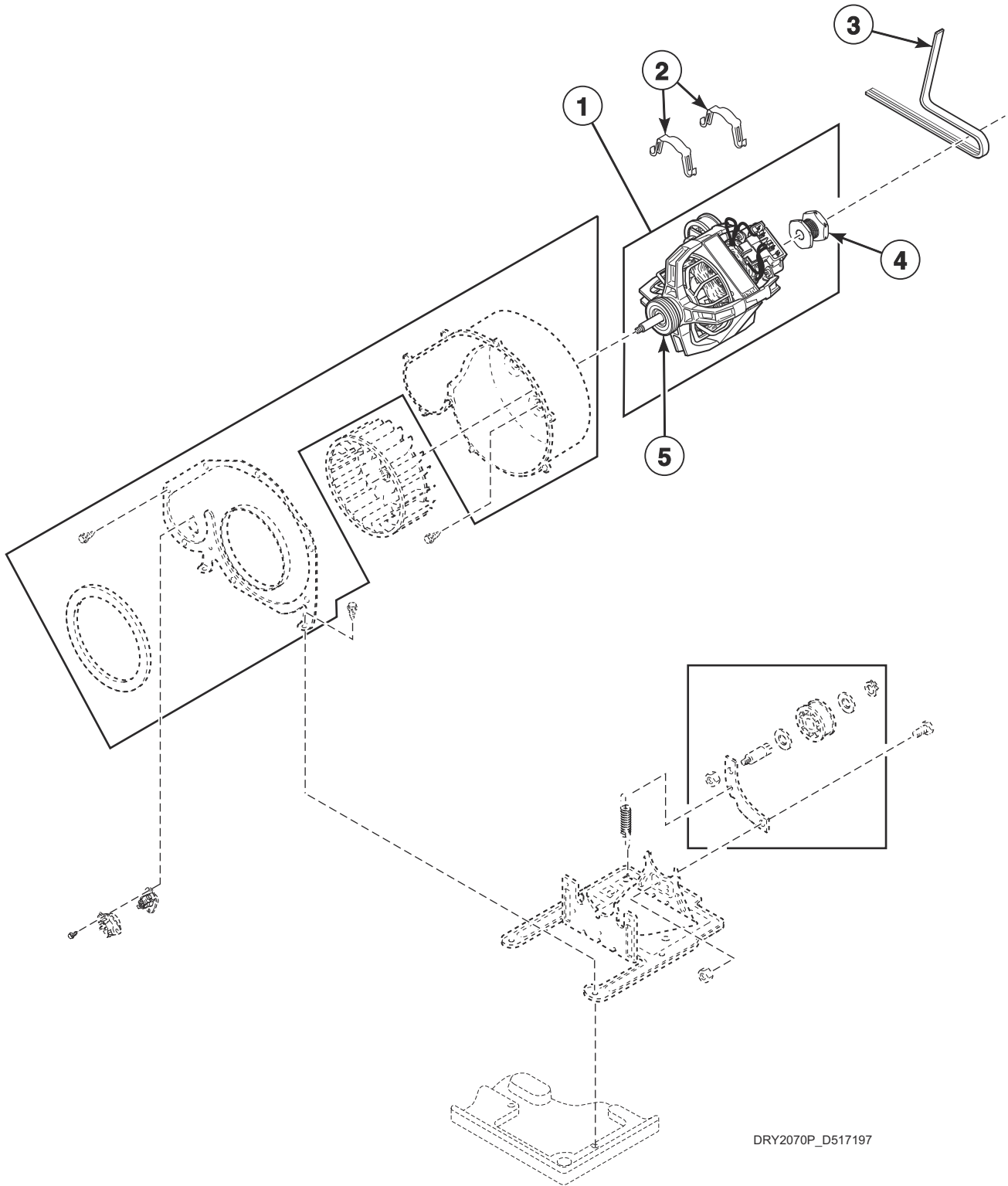


DRY2355P_D517197

Access Panel, Front Panel and Seal

REF	PART NO.	DESCRIPTION	COMMENTS
1	56079	Panel Locator	
2	39733	Screw	
3	28835	Speed Clip	
4	D514327	Drip Shield	
5	D512973	Switch	
6	D511056	Front Panel Seal	
7	D510066WP	Front Panel	White
	D510066DG	Front Panel	Gray
	D510066QP	Front Panel	Bisque
	D512542	Front Panel	Stainless steel
8	D512921	Screw	Use with stainless steel side panels
	D503688	Screw	Use with painted side panels
9	D503887	Label	Models BDEBLBGS433AW01, BDEBXAGS433AW01, BDEMNRGS433AW01, BDGBLBGS303AW01, BDGBXAGS303AW01, BDGBXAGW303AW01, BDGBXRGs303AW01, BDGMNRGS303AW01, HDGBXRGs303NW21, PDEBXRGs433AG02, PDGBXRGs303AG02, SDEBXAGS433AW01, SDEBXRGs433AW01, SDESXRGs433AW01 and SDGBXRGs303AW01
10	D512263	Warning Label	Models BDEBLBGS433AW01, BDEBXAGS433AW01, BDEMNRGS433AW01, BDGBLBGS303AW01, BDGBXAGS303AW01, BDGBXAGW303AW01, BDGBXRGs303AW01, BDGMNRGS303AW01, HDGBXRGs303NW21, PDEBXRGs433AG02, PDGBXRGs303AG02, SDEBXAGS433AW01, SDEBXRGs433AW01, SDESXRGs433AW01 and SDGBXRGs303AW01
11	33562	Screw	
	62853	Screw	Optional for added security
12	D514251	Access Panel Assembly	Stainless steel; Models GDEBGABW303UN01, GDEBGABW403UN01, GDEBXABW303UN01, GDEBXABW403UN01, SDEBLBSS403UN01 and SDGBLBSS303EN01
	D514250Q	Access Panel Assembly	Models SDEBXRGs303ZQ01 and SDESXRGs303ZQ01
	D514250DG	Access Panel Assembly	Models PDEBXRGs433AG02 and PDGBXRGs303AG02
	D514250WP	Access Panel Assembly	White; All other models
13	D502804	Lint Filter Label	Models BDEBLBGS433AW01, BDEBXAGS433AW01, BDEMNRGS433AW01, BDGBLBGS303AW01, BDGBXAGS303AW01, BDGBXAGW303AW01, BDGBXRGs303AW01, BDGMNRGS303AW01, HDGBXRGs303NW21, PDEBXRGs433AG02, PDGBXRGs303AG02, SDEBXAGS433AW01, SDEBXRGs433AW01, SDESXRGs433AW01 and SDGBXRGs303AW01
14	D510177	Door Catch Assembly	
15	D514863	Front Panel Label	Chinese
	D514410	Warning Label	Arabic
	D500281	Warning/Caution Label	English
	D514226	Warning Label	Brazilian Portuguese
	D502825	Warning Label	Spanish
16	D510186	Hinge Hole Plug	

Motor and Belt

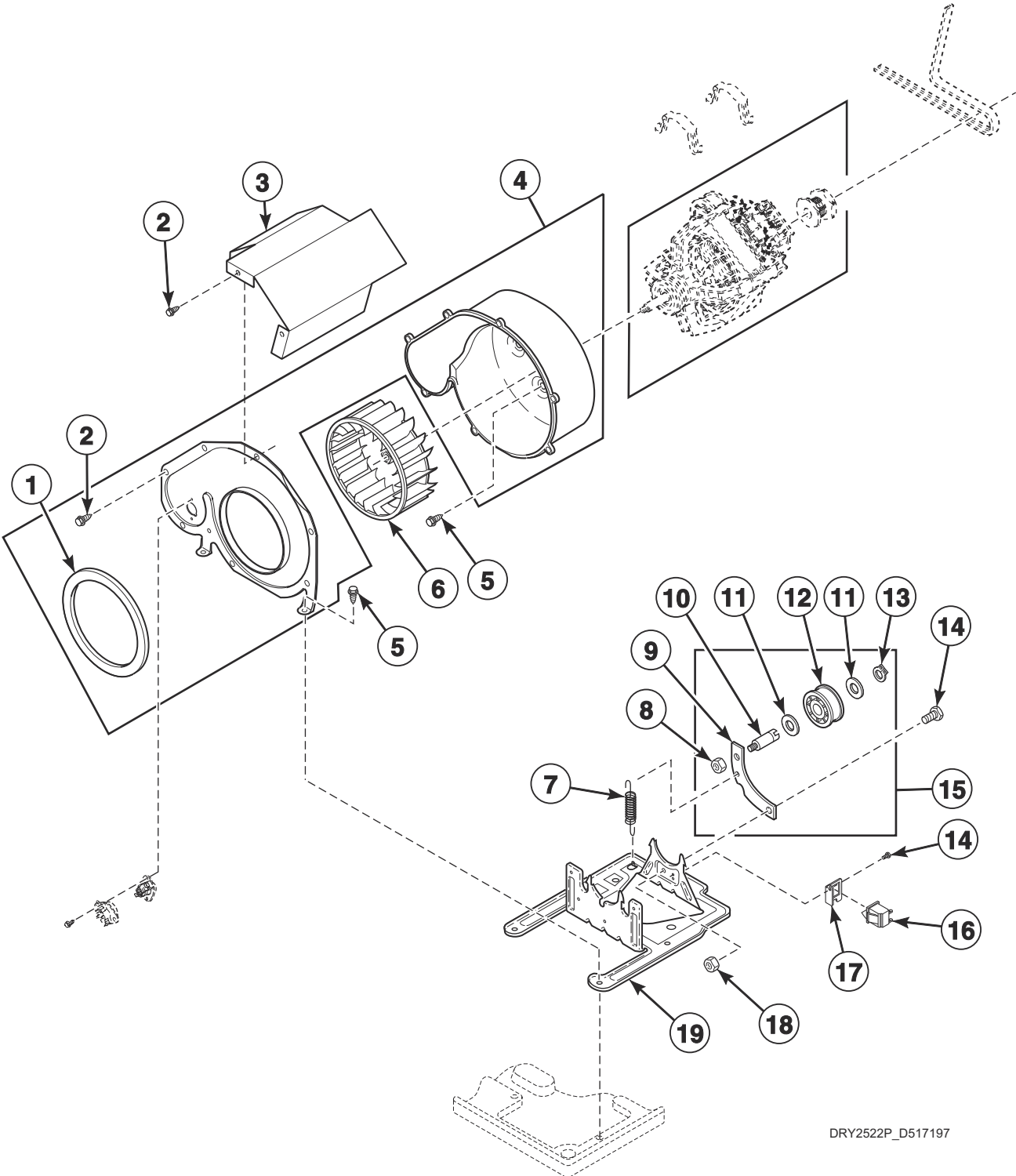


DRY2070P_D517197

Motor and Belt

REF	PART NO.	DESCRIPTION	COMMENTS
	27604P	Anti-Seize Compound	Apply to motor shaft when installing blower fan assembly
1	D505869P	Motor and Pulley Assembly	240 Volt/60 Hertz; Includes items 4-5; Apply anti-seize compound to motor shaft when installing blower fan assembly; Models BDGBLBGW543NW01, GDEMNRGS543NW01, GDESCRGS543ZW01, GDLSCRGS543ZW01, HDEBXAGS543DW01, HDEBXAGS543FW01, HDEBXRGS543FW01, HDGBXAGS543DW01, NDEMNRGS543NW22, NDESXRGS543NW22, NDGMNRGS543NW22, NDGSXRGS543NW22, SDEBXAGS543DW01, SDEBXRGS543FW01, SDESXRGS543NW22 and SDGBXAGS543DW01
	D511629P	Motor and Pulley Assembly	120 Volt/60 Hertz; Includes items 4-5; Apply anti-seize compound to motor shaft when installing blower fan assembly; Models HDGBXAGS113FW01, HDGBXAGS123DW01, SDGBXAGS113FW01, SDGBXAGS123DW01 and SDGBXRGS113FW01
	D505843P	Motor and Pulley Assembly	230 Volt/50 Hertz; Includes items 4-5; Apply anti-seize compound to motor shaft when installing blower fan assembly; All other models
2	D510180	Motor Mount Clamp	
3	D511255P	Cylinder Belt	
4	D500011	Motor Pulley	60 Hertz; Models BDGBLBGW543NW01, GDEMNRGS543NW01, GDESCRGS543ZW01, GDLSCRGS543ZW01, HDEBXAGS543DW01, HDEBXAGS543FW01, HDEBXRGS543FW01, HDGBXAGS113FW01, HDGBXAGS123DW01, HDGBXAGS543DW01, NDEMNRGS543NW22, NDESXRGS543NW22, NDGMNRGS543NW22, NDGSXRGS543NW22, SDEBXAGS543DW01, SDEBXRGS543FW01, SDESXRGS543NW22, SDGBXAGS113FW01, SDGBXAGS123DW01, SDGBXAGS543DW01 and SDGBXRGS113FW01
	D500222	Motor Pulley	50 Hertz; All other models
5	590P3	Motor Hub Ring Kit	

Exhaust Fan and Idler

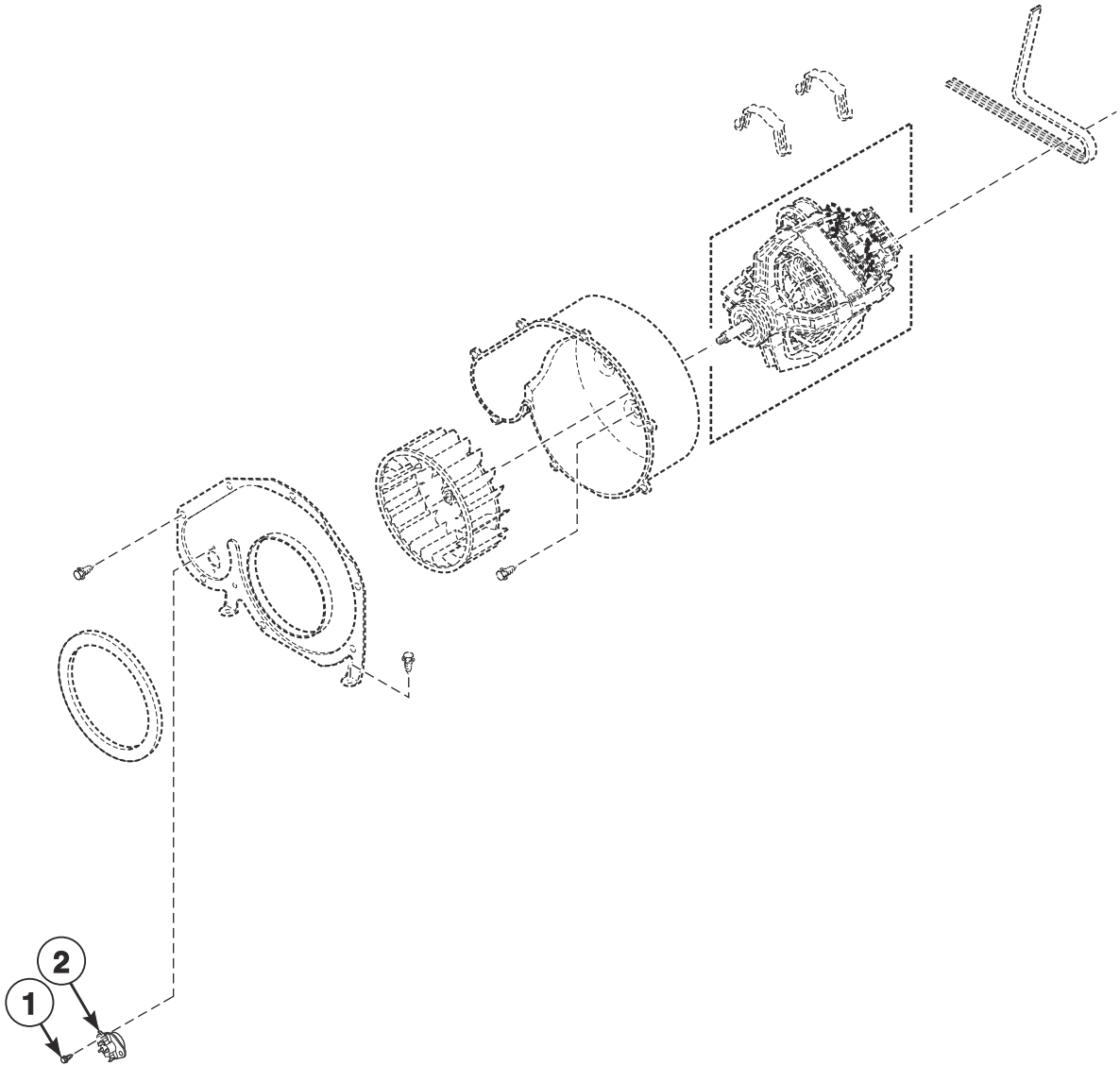


DRY2522P_D517197

Exhaust Fan and Idler

REF	PART NO.	DESCRIPTION	COMMENTS
	27604P	Anti-Seize Compound	Apply to motor shaft when installing blower fan assembly
1	D510238P	Blower Housing Seal	
2	31260	Screw	
3	D514602	Motor Shield	
4	D511969WP	Blower Housing	Includes items 1 and 2
5	D503688	Screw	
6	D510139P	Blower Fan Assembly	Apply anti-seize compound to motor shaft when installing blower fan assembly
7	D510185	Idler Spring	
8	56156	Nut	
9	D516310	Idler Lever	
10	56461P	Shaft	
11	52549	Washer	
12	D510142P	Idler Wheel and Bearing Assembly	
13	23748	Retaining Ring	
14	D500824	Screw	
15	D516792	Idler Lever and Wheel Assembly	Includes items 8-13
16	D516391	Switch	Model HDGBXRG303NW21
17	D516311	Motor Switch Bracket	Model HDGBXRG303NW21
18	52566	Nut	
19	D510060	Motor Mount	

Thermistor



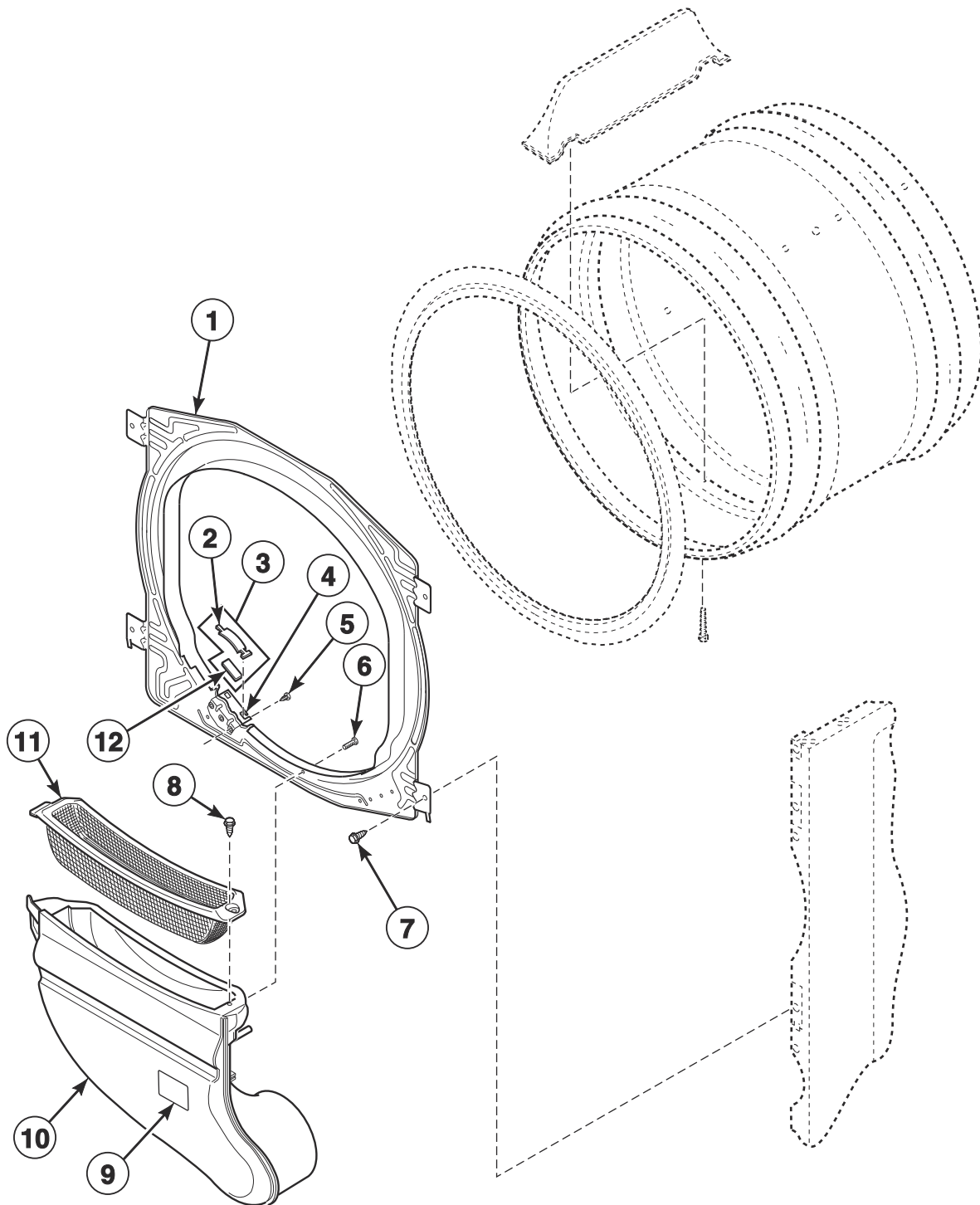
DRY2397P_D517197

Thermistor

REF	PART NO.	DESCRIPTION	COMMENTS
1	D502535	Screw	
2	D510523	Thermistor Assembly	Models BDGBLBGW543NW01, GDEMNRGS543NW01, GDESCRGS543ZW01, GDLSCRGS543ZW01, HDEBXAGS543DW01, HDEBXAGS543FW01, HDEBXRGS543FW01, HDGBXAGS113FW01, HDGBXAGS123DW01, HDGBXAGS543DW01, NDEMNRGS543NW22, NDESXRGS543NW22, NDGMNRGS543NW22, NDGSXRGS543NW22, SDEBXAGS543DW01, SDEBXRGS543FW01, SDESXRGS543NW22, SDGBXAGS113FW01, SDGBXAGS123DW01, SDGBXAGS543DW01 and SDGBXRGS113FW01
	D502366	Thermistor Assembly	All other models

Front Bulkhead, Air Duct and Felt Seal (Drawing 1 of 2)

All Models Except GDEBGABW303UN01, GDEBGABW403UN01, GDEBXABW303UN01 and GDEBXABW403UN01



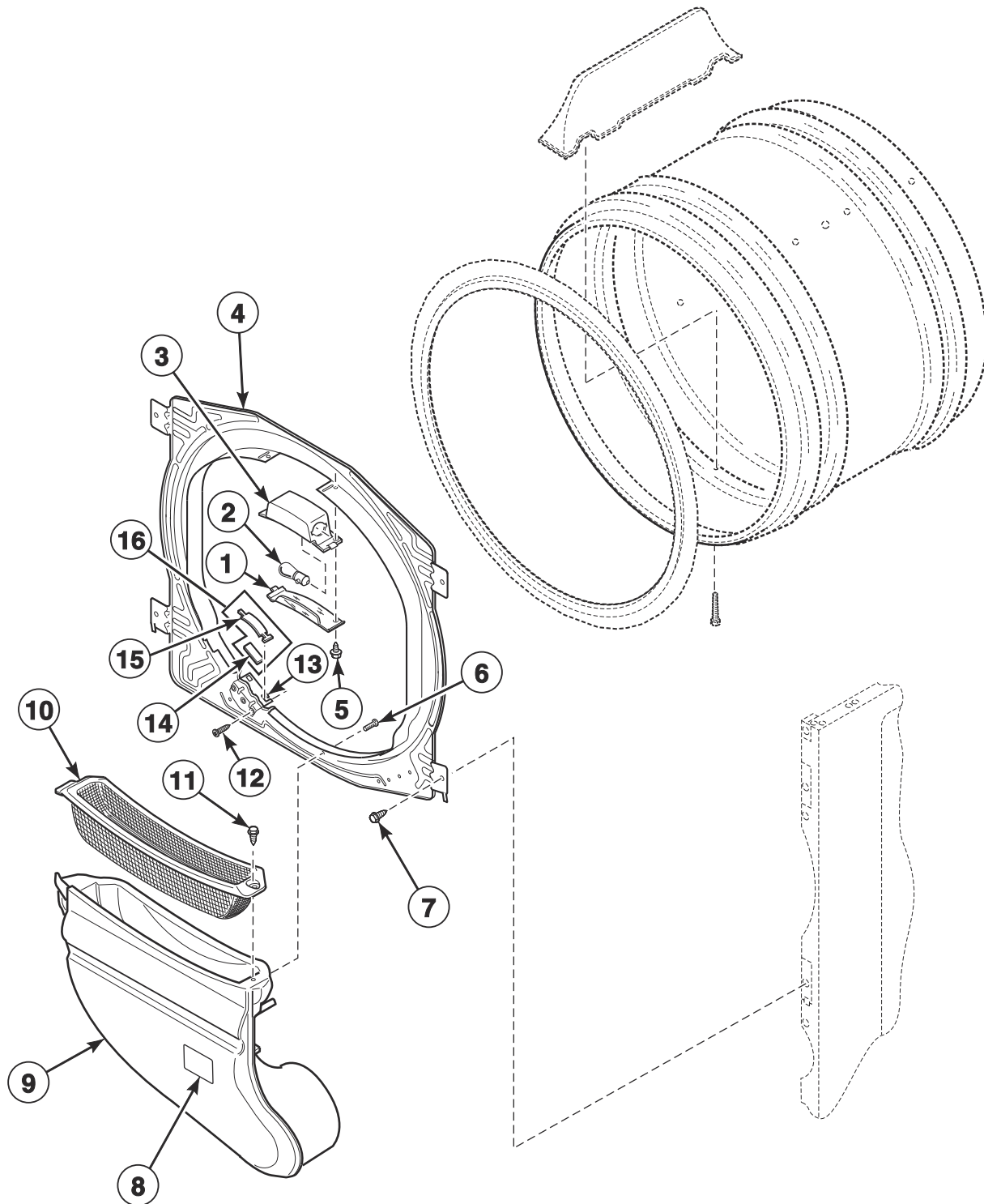
DRY1910P_D517197

Front Bulkhead, Air Duct and Felt Seal (Drawing 1 of 2)

REF	PART NO.	DESCRIPTION	COMMENTS
1	D510266P	Front Bulkhead Assembly	Unpainted; Includes D510207P Cylinder Seal Assembly and items 2-5 and 12
2	D513710	Cylinder Glide	
3	RB170003	Glide Kit	Includes items 2 and 12; Quantity: 2 of each item
4	D510145	Cylinder Glide Bracket	
5	52864	Screw	
6	D500226	Screw	
7	D503688	Screw	
8	D501285	Screw	
9	F8211201	Electrical Shock Label	Icon
	F8615701	Pinch Warning Label	Icon
	D500314	Warning Label	English
10	D515805LG	Air Duct Assembly	Models SDEBLBSS403UN01 and SDGBLBSS303EN01
	D510151W	Air Duct Assembly	All other models
11	D503980LG	Lint Filter	Light gray; Models SDEBLBSS403UN01 and SDGBLBSS303EN01
	D503980DG	Lint Filter	Dark gray; Models GDGBGABW303UN01, GDGBXABW303UN01 and KDGBXACW303UN01
	D503980W	Lint Filter	White; All other models
12	D510189	Felt Pad	

Front Bulkhead, Air Duct and Felt Seal (Drawing 2 of 2)

Models GDEBGABW303UN01, GDEBGABW403UN01, GDEBXABW303UN01 and GDEBXABW403UN01

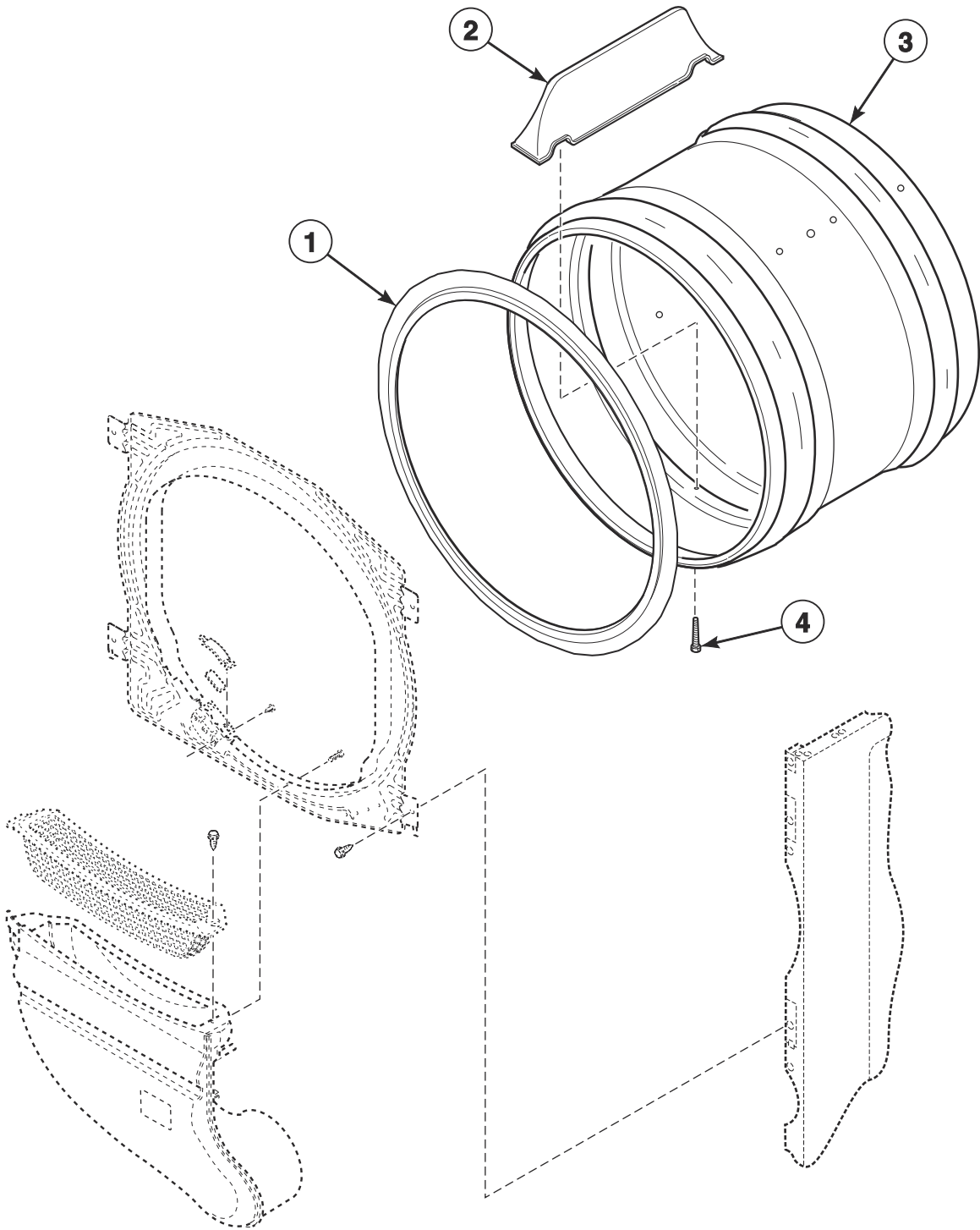


DRY2136P_D517197

Front Bulkhead, Air Duct and Felt Seal (Drawing 2 of 2)

REF	PART NO.	DESCRIPTION	COMMENTS
1	D512106	Cylinder Light Lens	
2	D503579	Drum Light Lamp	240 Volt
3	D512109	Cylinder Light Assembly	240 Volt
4	D511886	Front Bulkhead Assembly	Galvanized; 240 Volt Cylinder Light Assemblies and Lamps must be ordered separately
5	D500227	Screw	
6	D500226	Screw	
7	M405188	Screw	
8	F8211201	Electrical Shock Label	Icon
	F8615701	Pinch Warning Label	Icon
	D500314	Warning Label	English
9	D515805DG	Air Duct Assembly	
10	D503980DG	Lint Filter	Dark gray
11	D501285	Screw	
12	52864	Screw	
13	D510145	Cylinder Glide Bracket	
14	D510189	Felt Pad	
15	D513710	Cylinder Glide	
16	RB170003	Glide Kit	Includes items 14 and 15; Quantity: 2 of each item

Cylinder Assembly

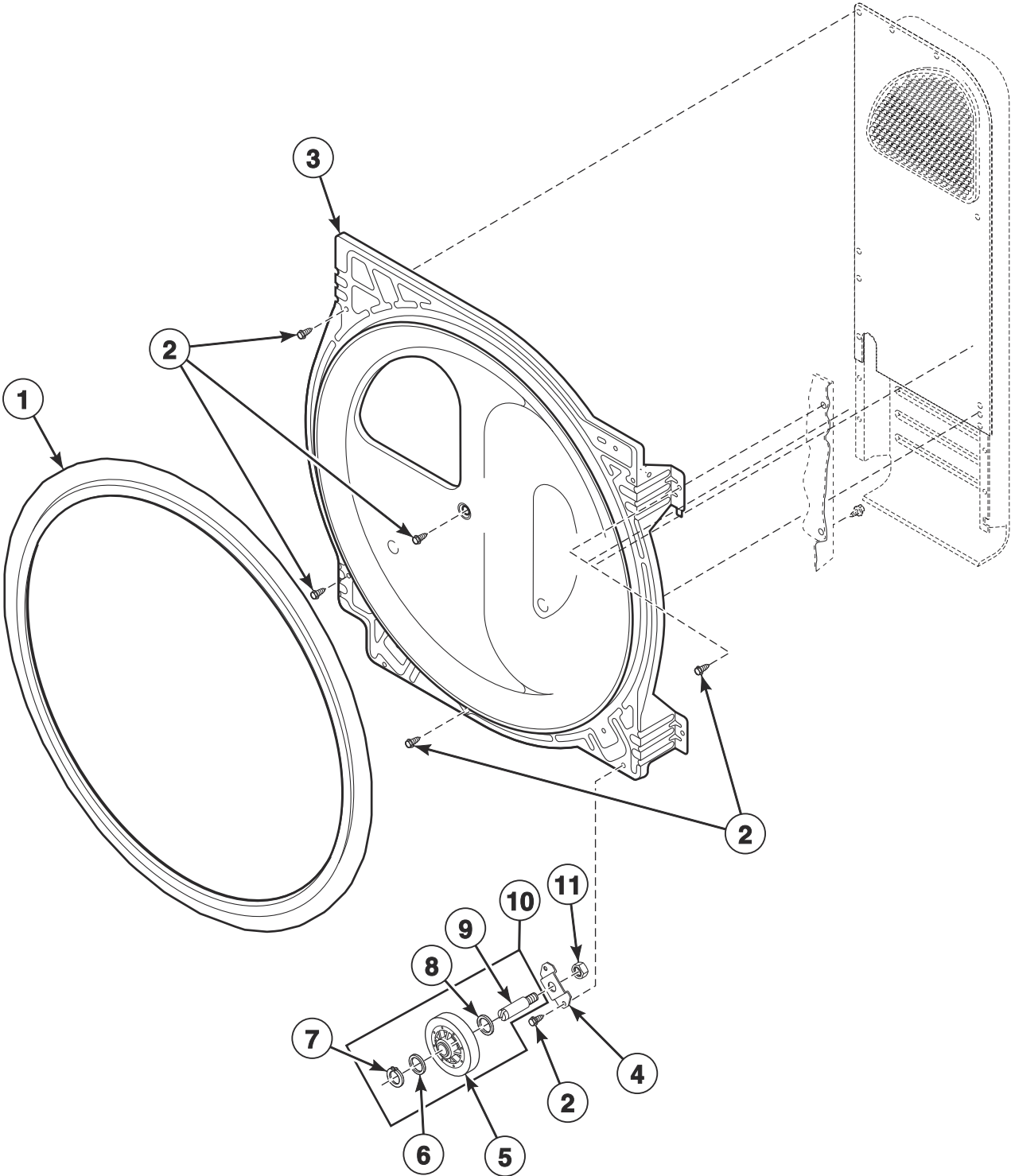


DRY1910PA_D517197

Cylinder Assembly

REF	PART NO.	DESCRIPTION	COMMENTS
1	D510207P	Cylinder Seal Assembly	Apply adhesive when installing
	D511637P	Adhesive	Apply to cylinder seal
	RB170001	Seal Kit	Includes 2 cylinder seals, D510238P Blower Housing Seal and Adhesive
2	D510102LG	Cylinder Baffle	Light gray; Models SDEBLBSS403UN01 and SDGBLBSS303EN01
	D510102DG	Cylinder Baffle	Dark gray; Models GDEBGABW303UN01, GDEBGABW403UN01, GDEBXABW303UN01, GDEBXABW403UN01, GDGBGABW303UN01, GDGBXABW303UN01 and KDGBXACW303UN01
	D510102W	Cylinder Baffle	White; All other models
3	D505929LGP	Cylinder Assembly	Stainless steel; Includes item 2; Models SDEBLBSS403UN01 and SDGBLBSS303EN01
	D505929DG	Cylinder Assembly	Dark gray; Models GDEBGABW303UN01, GDEBGABW403UN01, GDEBXABW303UN01, GDEBXABW403UN01, GDGBGABW303UN01 and GDGBXABW303UN01
	D510265DGP	Cylinder Assembly	Dark gray; Model KDGBXACW303UN01
	D510265WP	Cylinder Assembly	Galvanized; Includes item 2; All other models
4	62588	Screw	

Rear Bulkhead, Felt Seal and Cylinder Roller



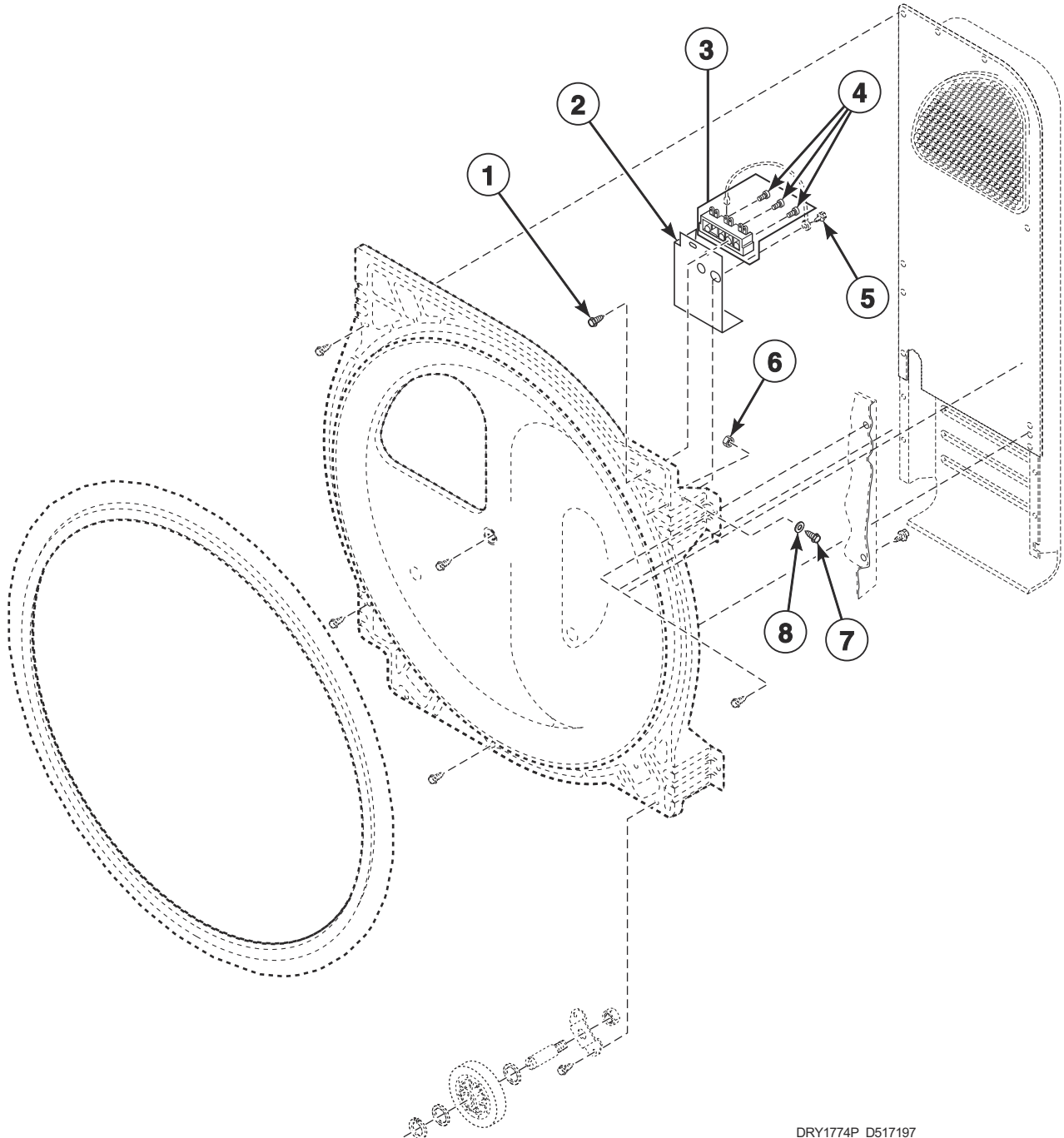
DRY2138P_D517197

Rear Bulkhead, Felt Seal and Cylinder Roller

REF	PART NO.	DESCRIPTION	COMMENTS
1	D510207P	Cylinder Seal Assembly	Apply adhesive when installing
	D511637P	Adhesive	Apply to cylinder seal
	RB170001	Seal Kit	Includes 2 cylinder seals, blower housing seal and adhesive
2	D503688	Screw	
3	D512698	Rear Bulkhead	Stainless steel; Models GDEBGABW303UN01, GDEBGABW403UN01, GDEBXABW303UN01, GDEBXABW403UN01, GDGBGABW303UN01, GDGBXABW303UN01 and KDGBXACW303UN01
	D510043	Rear Bulkhead Assembly	Stainless steel; Includes item 1; Models SDEBLBSS403UN01 and SDGBLBSS303EN01
	D511082P	Rear Bulkhead Assembly	Galvanized; Includes item 1; All other models
4	D510100	Cylinder Roller Bracket	
5	D510708P	Cylinder Roller	
6	52549	Washer	
7	23748	Retaining Ring	
8	D504082	Washer	
9	56461P	Shaft	
10	RB170002	Roller Kit	Includes items 5-9
11	56156	Nut	

Terminal Block

Models BDEBLBGS433AW01, BDEBXAGS433AW01, BDEMNRGS433AW01, BDGBLBGW543NW01, GDEBGABW303UN01, GDEBXABW303UN01, GDEMNRGS303UW01, GDEMNRGS543NW01, GDESCRGS303UW01, GDESCRGS543ZW01, GDLSCRGS543ZW01, HDEBXAGS543DW01, HDEBXAGS543FW01, HDEBXRGS303NW22, HDEBXRGS543FW01, HDESXRGS303UW01, KDEMNRGS303BW33, KDEMNRGS303UW01, KDESXRGS303UW01, NDEBXAGS303UW01, NDEBXRGS303NW22, NDEMNRGS303NW22, NDEMNRGS303UW01, NDEMNRGS303WW01, NDEMNRGS543NW22, NDESXRGS303NW22, NDESXRGS543NW22, NDGMNRGS303NW22, NDGMNRGS543NW22, NDGSXRGS303NW22, NDGSXRGS543NW22, SDEBXAGS303UW01, SDEBXAGS433AW01, SDEBXAGS543DW01, SDEBXRGS303NW22, SDEBXRGS303ZQ01, SDEBXRGS303ZW01, SDEBXRGS433AW01, SDEBXRGS543FW01, SDEMNRGS303WW01, SDEMNRGS303ZW01, SDEMNRGS433AW01, SDESXRGS303UW01, SDESXRGS303WW01, SDESXRGS303ZQ01, SDESXRGS303ZW01, SDESXRGS433AW01 and SDESXRGS543NW22



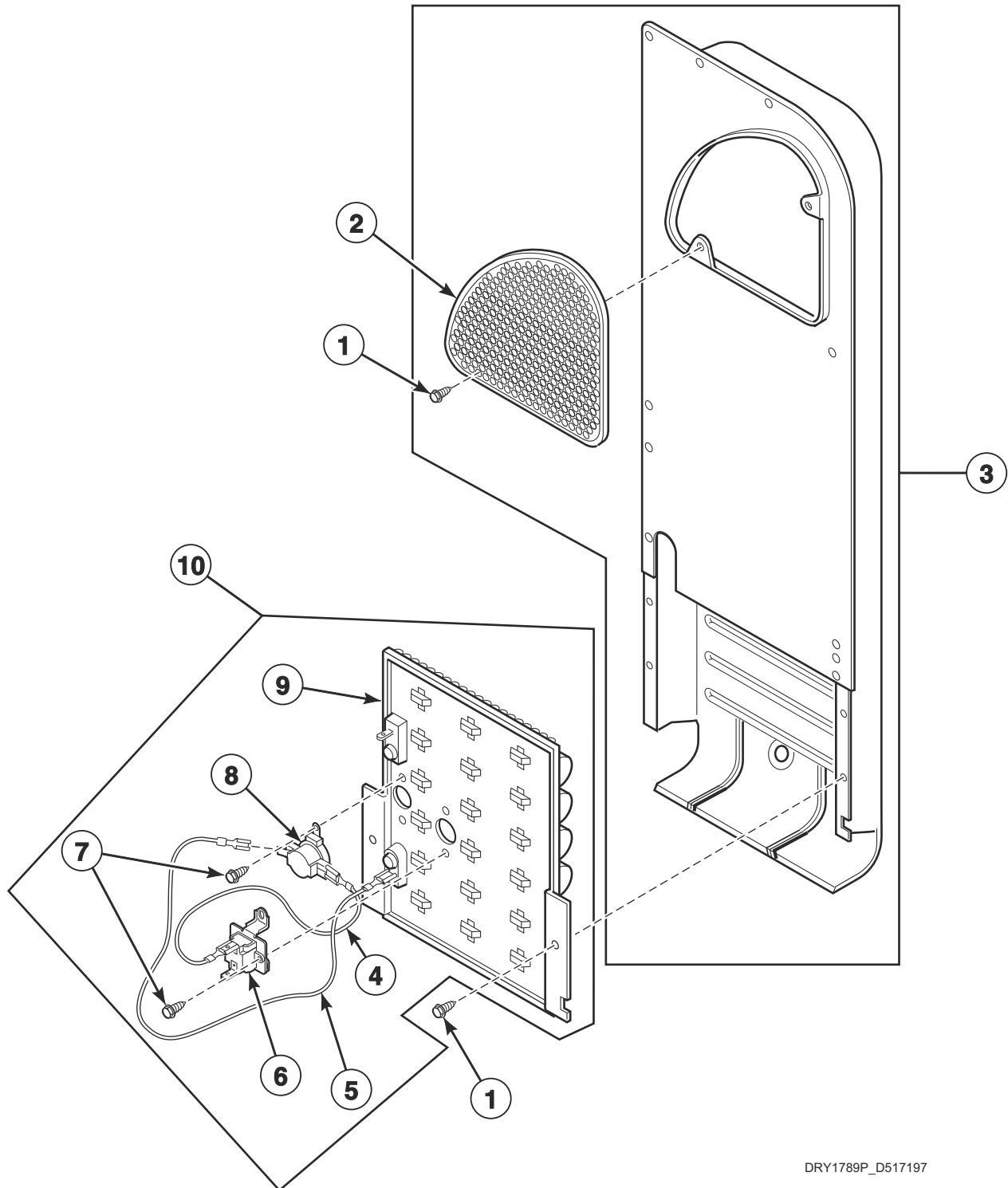
DRY1774P_D517197

Terminal Block

REF	PART NO.	DESCRIPTION	COMMENTS
1	D501285	Screw	
2	D514330	Terminal Block Shield	
3	D510190P	Terminal Block Assembly	Includes 3 of item 4
4	61199	Screw	
5	D503688	Screw	
6	28447	Nut	
7	28448	Screw	
8	28449	Washer	

Heater Duct and Element Assembly - 1 Phase Electric Models

Models BDEBLBGS433AW01, BDEBXAGS433AW01, BDEMNRGS433AW01, GDEBGABW303UN01, GDEBXABW303UN01, GDEMNRGS303UW01, GDEMNRGS543NW01, GDESCRGS303UW01, GDESCRGS543ZW01, HDEBXAGS543DW01, HDEBXAGS543FW01, HDEBXRGS303NW22, HDEBXRGS543FW01, HDESXRGS303UW01, KDEMNRGS303BW33, KDEMNRGS303UW01, KDESXRGS303UW01, NDEBXAGS303UW01, NDEBXRGS303NW22, NDEMNRGS303NW22, NDEMNRGS303UW01, NDEMNRGS303WW01, NDEMNRGS543NW22, NDESXRGS303NW22, NDESXRGS543NW22, PDEBXRGS433AG02, SDEBXAGS303UW01, SDEBXAGS433AW01, SDEBXAGS543DW01, SDEBXRGS303NW22, SDEBXRGS303ZQ01, SDEBXRGS303ZW01, SDEBXRGS433AW01, SDEBXRGS543FW01, SDEMNRGS303WW01, SDEMNRGS303ZW01, SDEMNRGS433AW01, SDESXRGS303UW01, SDESXRGS303WW01, SDESXRGS303ZQ01, SDESXRGS303ZW01, SDESXRGS433AW01 and SDESXRGS543NW22



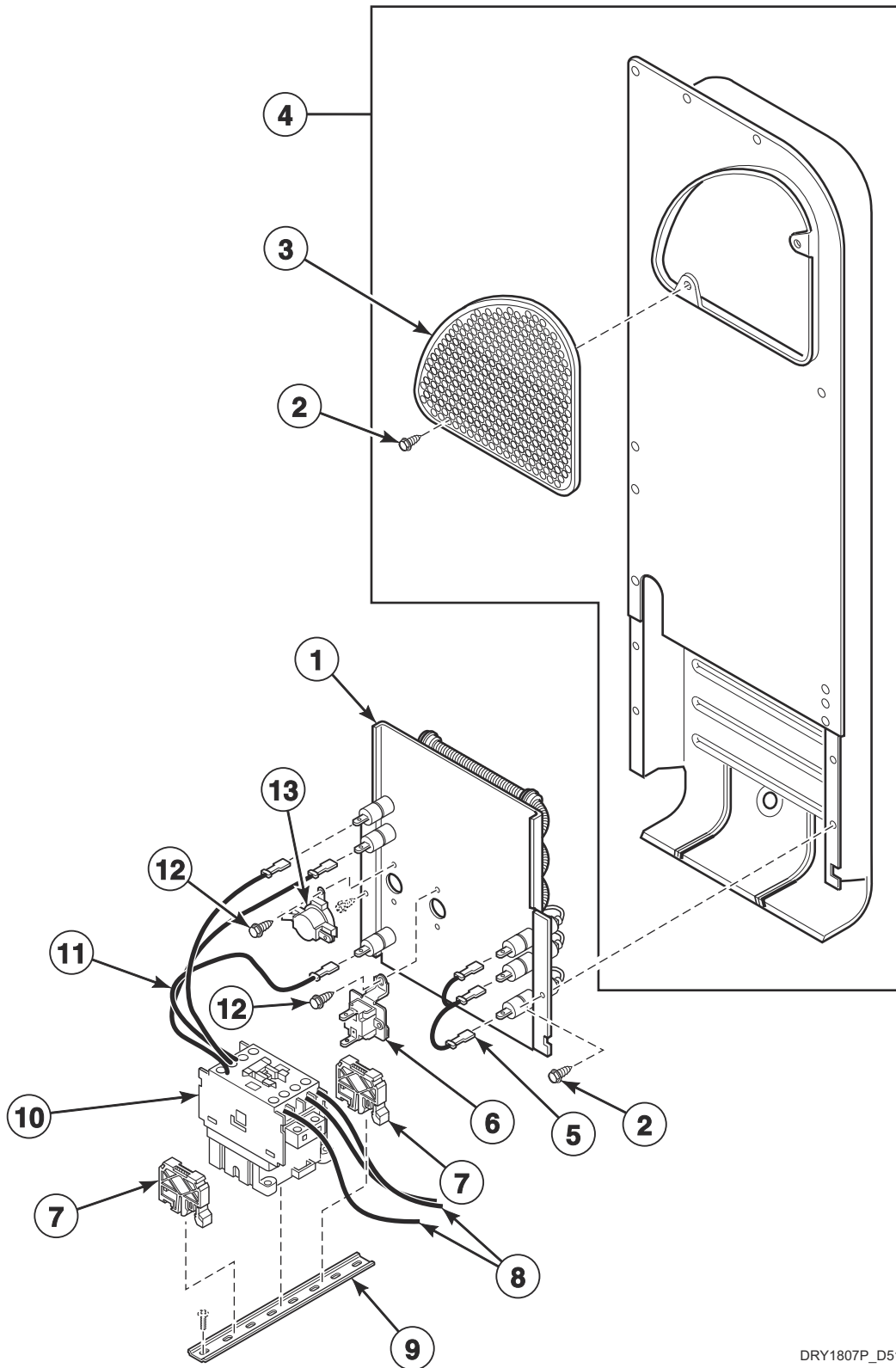
DRY1789P_D517197

Heater Duct and Element Assembly - 1 Phase Electric Models

REF	PART NO.	DESCRIPTION	COMMENTS
1	D503688	Screw	
2	D514475	Outlet Cover	Models BDEBLBGS433AW01, BDEBXAGS433AW01, BDEMNRGS433AW01, PDEBXRGS433AG02, SDEBXAGS433AW01, SDEBXRGS433AW01, SDEMNRGS433AW01 and SDESXRGS433AW01
	D500820	Outlet Cover	Aluminized steel; All other models
	D515573	Outlet Cover	Black; Nitrocarburized; All other models
3	D510025P	Heater Duct Assembly	Includes items 1 and 2
4	D510528	Wire Assembly	Orange; Thermostat jumper; Attaches to heater assembly
5	D510527	Wire Assembly	Black; Fuse jumper; Attaches to heater assembly
6	D511412	Thermal Fuse Assembly	
7	23222	Screw	
8	D510701	Limit Thermostat	
9	D510329P	Heater Assembly	240 Volt/60 Hertz; 5.35 kW; Models GDEMNRGS543NW01, GDESCRGS543ZW01, HDEBXAGS543DW01, HDEBXAGS543FW01, HDEBXRGS543FW01, NDEMNRGS543NW22, NDESXRGS543NW22, SDEBXAGS543DW01, SDEBXRGS303ZQ01, SDEBXRGS303ZW01, SDEBXRGS543FW01 and SDESXRGS543NW22
	D510327P	Heater Assembly	240 Volt/50 Hertz; 4000W; Models BDEBLBGS433AW01, BDEBXAGS433AW01, BDEMNRGS433AW01, PDEBXRGS433AG02, SDEBXAGS433AW01, SDEBXRGS433AW01, SDEMNRGS433AW01 and SDESXRGS433AW01
	D510326P	Heater Assembly	240 Volt/50 Hertz; 4800W; All other models
10	964P3	Heater Kit	240 Volt/60 Hertz; 5.35 kW; Models GDEMNRGS543NW01, GDESCRGS543ZW01, HDEBXAGS543DW01, HDEBXAGS543FW01, HDEBXRGS543FW01, NDEMNRGS543NW22, NDESXRGS543NW22, SDEBXAGS543DW01, SDEBXRGS303ZQ01, SDEBXRGS303ZW01, SDEBXRGS543FW01 and SDESXRGS543NW22
	61930	Heater Kit Assembly	240 Volt/50 Hertz; 4000W; Models BDEBLBGS433AW01, BDEBXAGS433AW01, BDEMNRGS433AW01, PDEBXRGS433AG02, SDEBXAGS433AW01, SDEBXRGS433AW01, SDEMNRGS433AW01 and SDESXRGS433AW01
	61929	Heater Kit Assembly	240 Volt/50 Hertz; 4800W; All other models

Heater Duct Assembly - 3 Phase Electric Models

Models GDEBXABW303UN01, GDEBXABW403UN01, HDESXRGs403UW01, NDEBLBGS403UT01, NDEBXAGS403UW01, NDEMNRGS403UW01, SDEBLBSS403UN01, SDEBXAGS403UW01, SDESXRGs403UW01 and TDEBXAGS403UW01



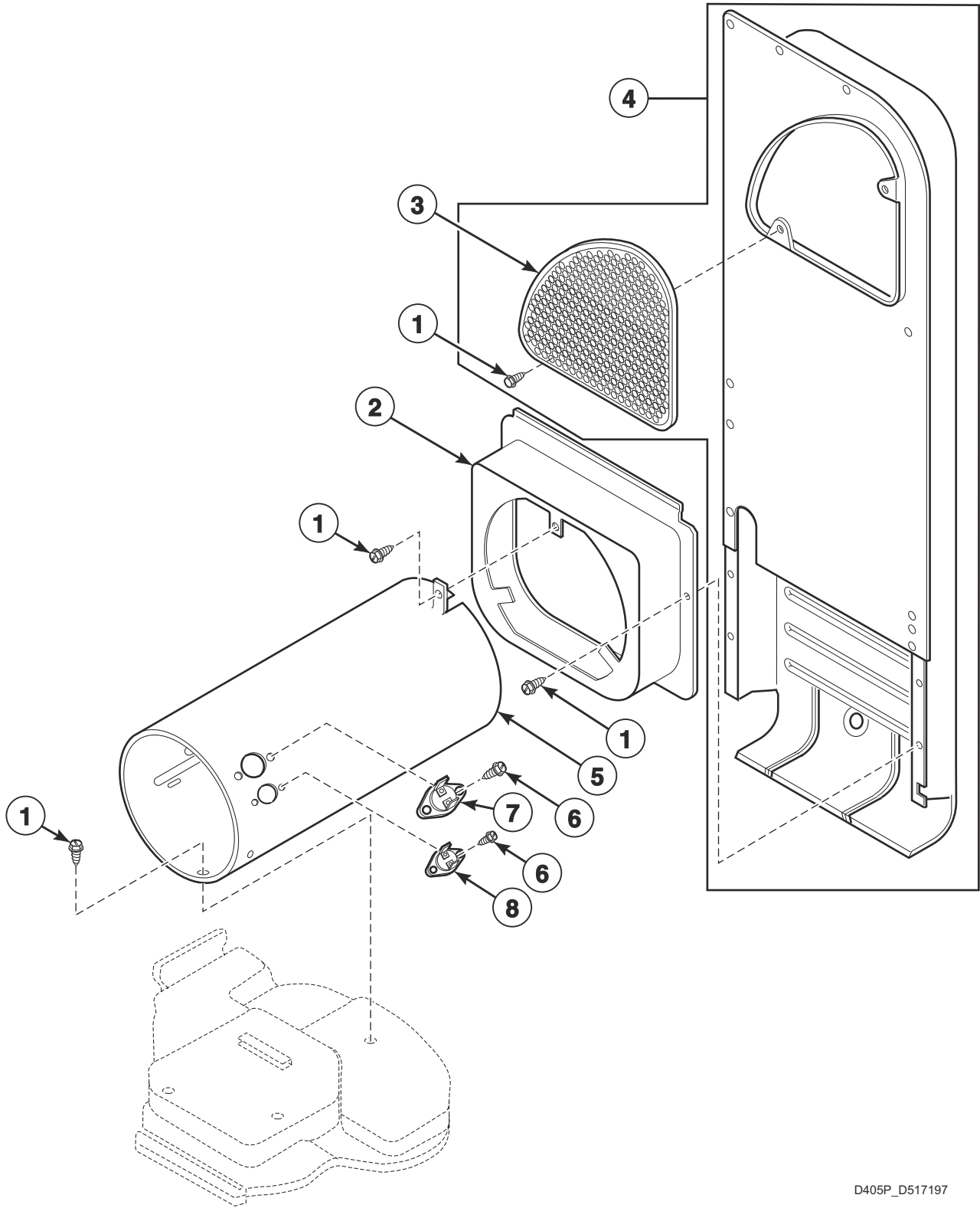
DRY1807P_D517197

Heater Duct Assembly - 3 Phase Electric Models

REF	PART NO.	DESCRIPTION	COMMENTS
	756P3	Conversion Kit	400 Volt; 4 wire WYE to 240 Volt, 3 wire Delta
1	D511014P	Heater	400 Volt/3 Phase
2	D503688	Screw	
3	D500820	Outlet Cover	Aluminized steel
	D515573	Outlet Cover	Black; Nitrocarburized
4	D510025P	Heater Duct Assembly	Includes items 2 and 3
5	D511270	Jumper Wire Assembly	3 Phase
6	D511412	Thermal Fuse Assembly	
7	70121001	End Stop	
8	D511112P	Block to Relay Harness	Terminal block to contactor
9	M412693	Din Rail	
10	F330177P	Contactor	
11	D511114P	Relay to Heater Harness	Contactor to heater
12	23222	Screw	
13	D510701	Limit Thermostat	

Heater Duct Assembly

Gas Models



D405P_D517197

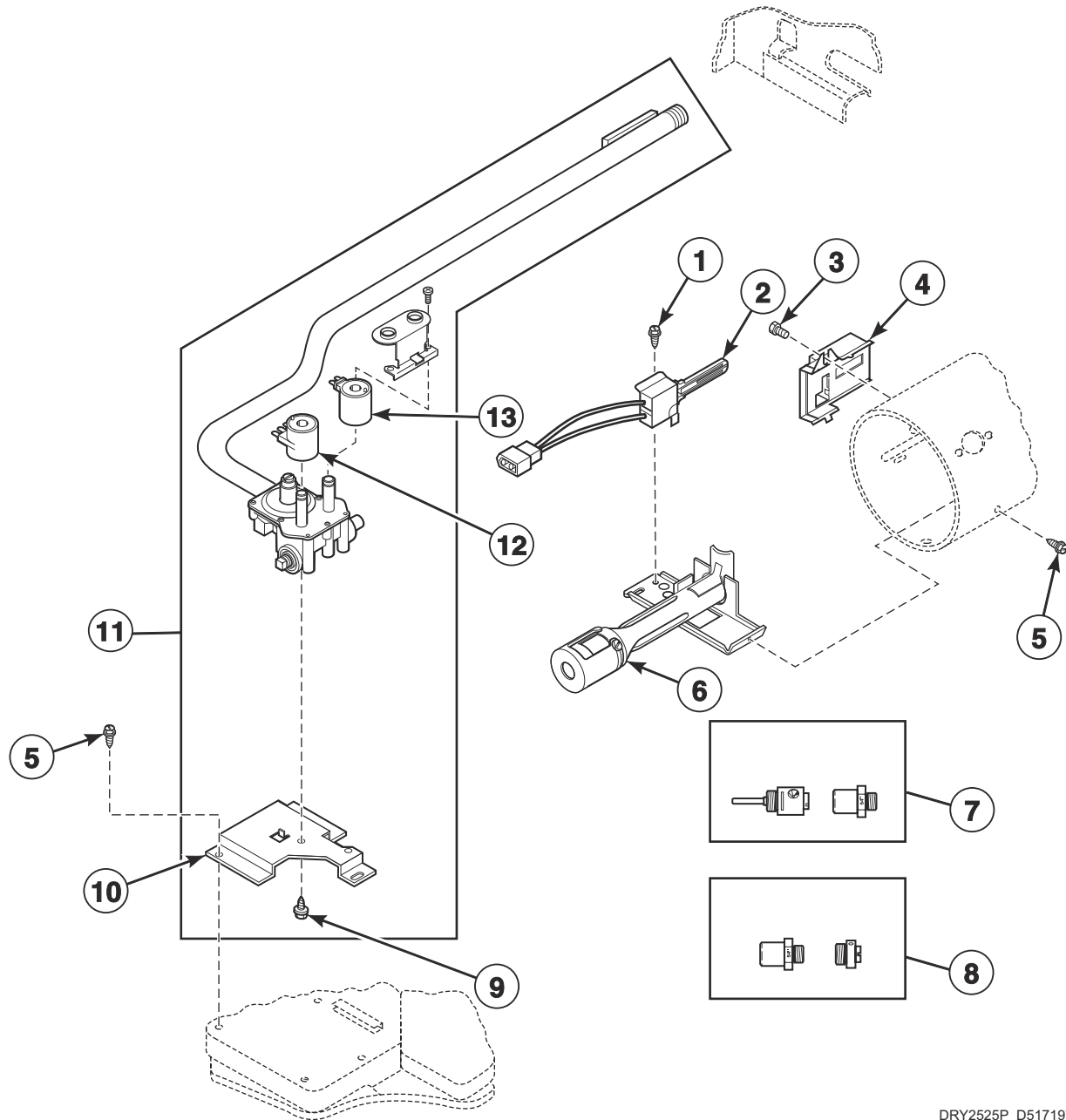
Heater Duct Assembly

REF	PART NO.	DESCRIPTION	COMMENTS
1	D503688	Screw	
2	D510101	Heat Duct Shroud	
3	D500820	Outlet Cover	Aluminized steel
	D515573	Outlet Cover	Black; Nitrocarburized
4	D510025P	Heater Duct Assembly	Includes items 1 and 3
5	D510131	Combustion Duct	Single thermostat
	D510132	Combustion Duct	Double thermostat
6	51782	Screw	
7	D510702	Limit Thermostat	Black; Auto reset
8	D510703	Thermostat	Manual reset

Gas Valve, Igniter and Gas Conversion Kits Gas Models Through Serial No. 1908000001

REF	PART NO.	DESCRIPTION	COMMENTS
1	D510204	Lead-In Pipe Assembly	
2	51782	Screw	
3	D510184P	Igniter and Bracket Assembly	
4	23222	Screw	
5	D510213	Sensor	
6	D503688	Screw	
7	D510149P	Burner Assembly	
8	599P3	L.P. Conversion Kit	Used to convert dryers from Natural Gas (N.G.) or Mixed Gas to Liquid Petroleum (L.P.); 20,000 Btu; Models GDGBGABW303UN01, GDGBXABW303UN01, KDGBXACW303UN01, KDGMNRGS303EW01, KDGMNRGS303UW01, KDGSXRG303EW01, NDGBLBGS303ET01, NDGBXAGS303EW01, SDGBLBSS303EN01 and SDGSXRG303EW01
	458P3	L.P. Conversion Kit	Used to convert dryers from N.G. or Mixed Gas to L.P. for 25,000 Btu; All other models
9	402P3	N.G. Conversion Kit	Used to convert dryers from L.P. to N.G. or Mixed Gas; 20,000 Btu; Models GDGBGABW303UN01, GDGBXABW303UN01, KDGBXACW303UN01, KDGMNRGS303EW01, KDGMNRGS303UW01, KDGSXRG303EW01, NDGBLBGS303ET01, NDGBXAGS303EW01, SDGBLBSS303EN01 and SDGSXRG303EW01
	459P3	N.G. Conversion Kit	Used to convert dryers from L.P. to N.G. or Mixed Gas for 25,000 Btu; All other models
10	58804B	Secondary Coil	60 Hertz
11	60443P	Valve Assembly	50 Hertz; 25,000 Btu; N.G.; Models BDGBLBGS303AW01, BDGBXAGS303AW01, BDGBXAGW303AW01, BDGBXRG303AW01, BDGMNRGS303AW01, HDGBXRG303NW21, NDGMNRGS303NW22, NDGSXRG303NW22, PDGBXRG303AG02, SDGBXRG303AW01, SDGMNRGS303ZW01 and SDGSXRG303AW01
	59063P	Gas Valve Assembly	50 Hertz; 20,000 Btu; N.G.; Models GDGBGABW303UN01, GDGBXABW303UN01, KDGBXACW303UN01, KDGMNRGS303EW01, KDGMNRGS303UW01, KDGSXRG303EW01, NDGBLBGS303ET01, NDGBXAGS303EW01, SDGBLBSS303EN01 and SDGSXRG303EW01
	D513631	Gas Valve Assembly	60 Hertz; 22,500 Btu; L.P.; Model GDLSRG303ZW01
	60353P	Gas Valve Assembly	All other models
12	56124	Screw	
13	D510128	Gas Valve Mounting Bracket	
14	58804A	Booster and Holding Coil	60 Hertz
15	D513072	Elbow	

Gas Valve, Igniter and Gas Conversion Kits Gas Models Starting Serial No. 1908000001



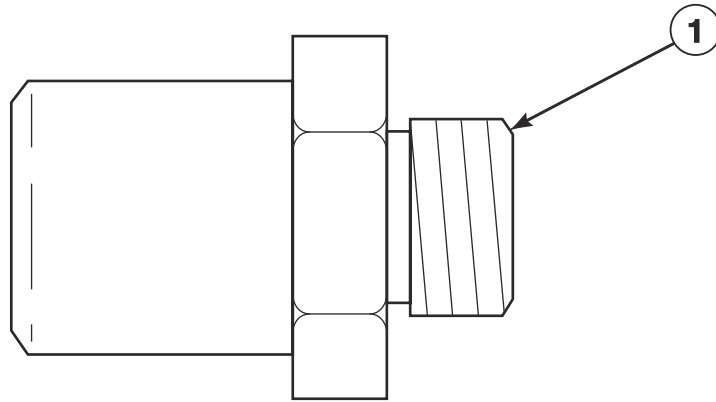
DRY2525P_D517197

Gas Valve, Igniter and Gas Conversion Kits Gas Models Starting Serial No. 1908000001

REF	PART NO.	DESCRIPTION	COMMENTS
1	51782	Screw	
2	D510184P	Igniter and Bracket Assembly	
3	23222	Screw	
4	D510213	Sensor	
5	D503688	Screw	
6	D510149P	Burner Assembly	
7	599P3	L.P. Conversion Kit	Used to convert dryers from Natural Gas (N.G.) or Mixed Gas to Liquid Petroleum (L.P.); 20,000 Btu; Models GDGBGABW303UN01, GDGBXABW303UN01, KDGBXACW303UN01, KDGMNRGS303EW01, KDGMNRGS303UW01, KDGSXRG303EW01, NDGBLBGS303ET01, NDGBXAGS303EW01, SDGBLBSS303EN01 and SDGSXRG303EW01
	458P3	L.P. Conversion Kit	Used to convert dryers from N.G. or Mixed Gas to L.P. for 25,000 Btu; All other models
8	402P3	N.G. Conversion Kit	Used to convert dryers from L.P. to N.G. or Mixed Gas; 20,000 Btu; Models GDGBGABW303UN01, GDGBXABW303UN01, KDGBXACW303UN01, KDGMNRGS303EW01, KDGMNRGS303UW01, KDGSXRG303EW01, NDGBLBGS303ET01, NDGBXAGS303EW01, SDGBLBSS303EN01 and SDGSXRG303EW01
	459P3	N.G. Conversion Kit	Used to convert dryers from L.P. to N.G. or Mixed Gas for 25,000 Btu; All other models
9	56124	Screw	
10	D510128	Gas Valve Mounting Bracket	
11	D517608	Gas Valve, Bracket and Pipe Assembly	50 Hertz; 25,000 Btu; N.G.; Includes items 9, 10, 12 and 13; Models BDGBLBGS303AW01, BDGBXAGS303AW01, BDGBXAGW303AW01, BDGBXRG303AW01, BDGMNRGS303AW01, HDGBXRG303NW21, NDGMNRGS303NW22, NDGSXRG303NW22, PDGBXRG303AG02, SDGBXRG303AW01, SDGMNRGS303ZW01 and SDGSXRG303AW01
	D517607	Gas Valve, Bracket and Pipe Assembly	50 Hertz; 20,000 Btu; N.G.; Includes items 9, 10, 12 and 13; Models GDGBGABW303UN01, GDGBXABW303UN01, KDGBXACW303UN01, KDGMNRGS303EW01, KDGMNRGS303UW01, KDGSXRG303EW01, NDGBLBGS303ET01, NDGBXAGS303EW01, SDGBLBSS303EN01 and SDGSXRG303EW01
	D517612	Gas Valve, Bracket and Pipe Assembly	60 Hertz; 22,500 Btu; L.P.; Includes items 9, 10, 12 and 13; Model GDLSCRG543ZW01
	D517606	Gas Valve, Bracket and Pipe Assembly	60 Hertz; 25,000 BTU; N.G.; Includes items 9, 10, 12 and 13; All other models
12	58804A	Booster and Holding Coil	60 Hertz
13	58804B	Secondary Coil	60 Hertz

Burner Orifice Spuds - For Higher Elevations

Gas Models

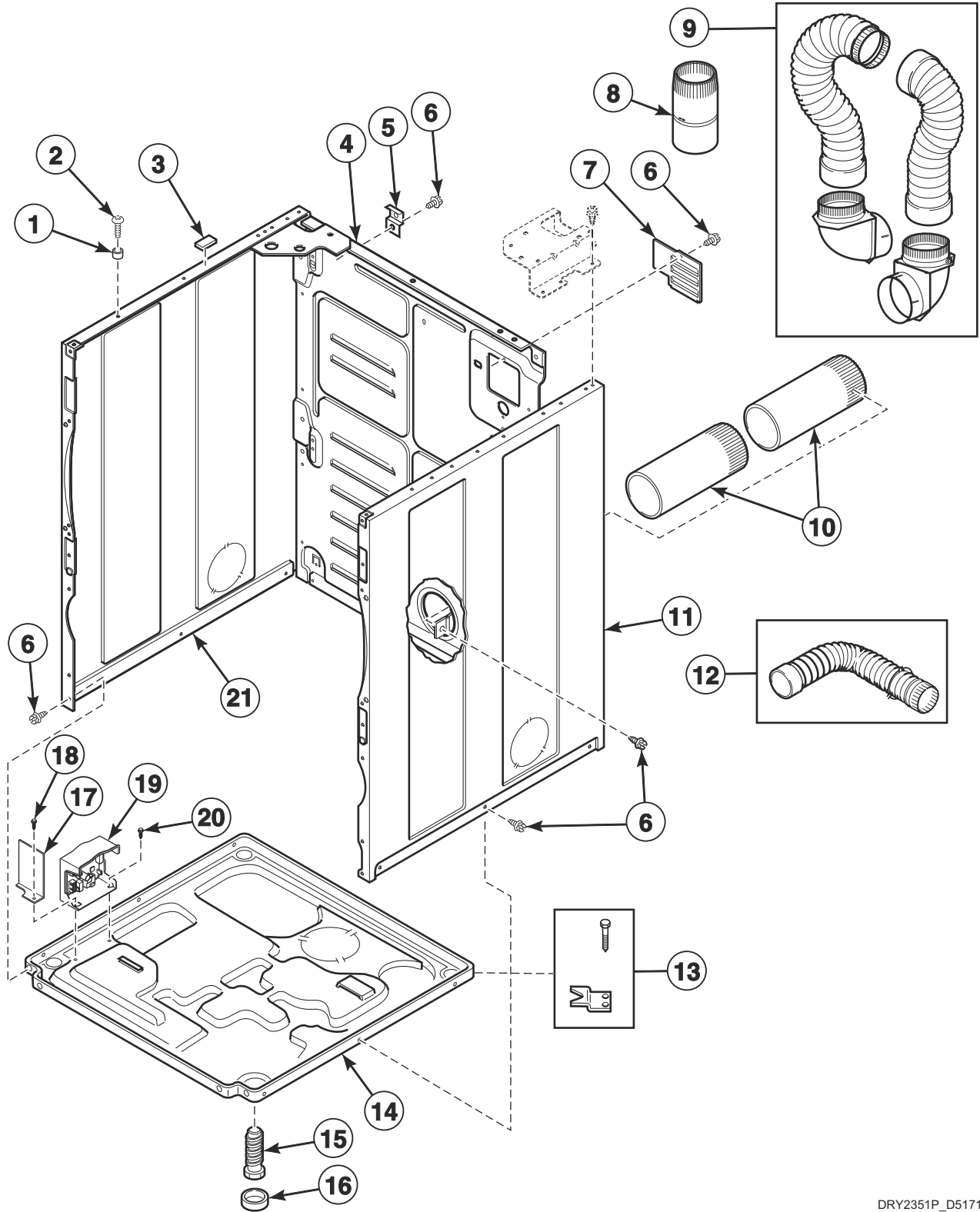


DRY2266P_D517197

Burner Orifice Spuds - For Higher Elevations

REF	PART NO.	DESCRIPTION	COMMENTS
1	58755	L.P. Orifice	25,000 Btu; 7500-10,999 feet (2290-3354 m)
	D503786	L.P. Orifice	25,000 Btu; 11,000 feet (3355 m) and higher
	D503776	N.G. Orifice	25,000 Btu; 2000-2999 feet (610-914 m)
	D510517	N.G. Orifice	25,000 Btu; 3000-5499 feet (915-1679 m)
	D503778	N.G. Orifice	25,000 Btu; 5500-6999 feet (1680-2134 m)
	58719	Screw Orifice	25,000 Btu; 7000-8999 feet (2135-2744 m)
	D503779	N.G. Orifice	25,000 Btu; 9000-10,499 feet (2745-3199 m)
	D503780	N.G. Orifice	25,000 Btu; 10,500 feet (3200 m) and higher

Cabinet, Exhaust Duct and Base



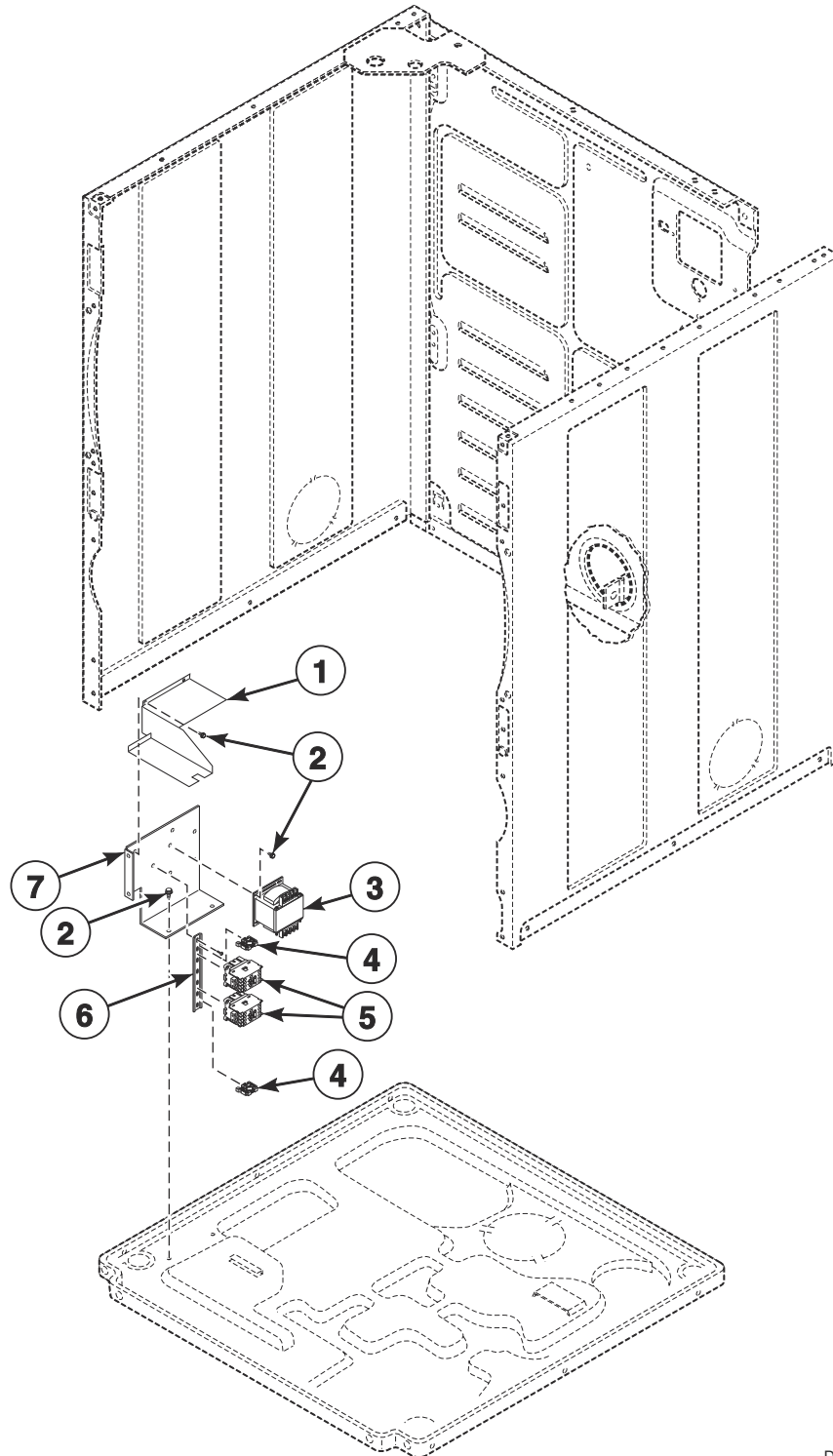
DRY2351P_D517197

Cabinet, Exhaust Duct and Base

REF	PART NO.	DESCRIPTION	COMMENTS
	122P4P	Porcelain Touch-Up Paint	White
1	56079	Panel Locator	
2	D512921	Screw	Use with stainless steel side panels
	39733	Screw	Use with painted side panels
3	56128	Bumper Pad	
4	D514632P	Cabinet Rear Panel	
5	D510136	Top Hinge	
6	D503688	Screw	
7	D510903	Access Panel Plate	
8	58786	Damper	Use when connecting to a manifold vent system
9	521P3	Flexible Venting Kit	
10	D516196	Exhaust Duct	
11	D510002QP	Cabinet Side Panel	Bisque; Right
	D510002DGP	Cabinet Side Panel	Gray; Right
	D510002WP	Cabinet Side Panel	White; Right
12	528P3	Directional Exhaust Kit	Used to vent dryer out the sides or bottom
13	526P3	Hold Down Kit	For mobile home installations
14	D514245	Dryer Base	
15	D510135	Leveling Leg	
16	D501855	Rubber Foot	
17	D514420	Output Board Shield	
18	D514428	Screw	
19	D517269	Output Control Assembly	Models BDGBLBGW543NW01, GDEMNRGS543NW01, HDEBXRGS303NW22, NDEBXRGS303NW22, NDEMNRGS303NW22, NDEMNRGS543NW22, NDESXRGS303NW22, NDESXRGS543NW22, NDGMNRGS303NW22, NDGMNRGS543NW22, NDGSXRGS303NW22, NDGSXRGS543NW22 and SDEBXRGS303NW22
	D513797P	Output Control Assembly	All other models
20	804667	Screw	
21	D510001QP	Cabinet Side Panel	Bisque; Left
	D510001DGP	Cabinet Side Panel	Gray; Left
	D510001WP	Cabinet Side Panel	White; Left

Contactor and Transformer

Models BDGBLBGS303AW01, BDGBLBGW543NW01, BDGBXAGS303AW01, BDGBXAGW303AW01, BDGBXRGS303AW01, BDGMNRGS303AW01, GDEBGABW403UN01, GDEBXABW403UN01, GDGBGABW303UN01, GDGBXABW303UN01, GDLSCRGS543ZW01, HDESRGS403UW01, HDGBXAGS543DW01, HDGBXRGS303NW21, KDGBXACW303UN01, KDGMNRGS303EW01, KDGMNRGS303UW01, KDGSXRGS303EW01, NDEBLBGS403UT01, NDEBXAGS403UW01, NDEMNRGS403UW01, NDGBLBGS303ET01, NDGBXAGS303EW01, NDGMNRGS303NW22, NDGMNRGS543NW22, NDGSXRGS303NW22, NDGSXRGS543NW22, PDGBXRGS303AG02, SDEBLBSS403UN01, SDEBXAGS403UW01, SDESRGS403UW01, SDGBLBSS303EN01, SDGBXAGS543DW01, SDGBXRGS303AW01, SDGMNRGS303ZW01, SDGSXRGS303AW01, SDGSXRGS303EW01 and TDEBXAGS403UW01

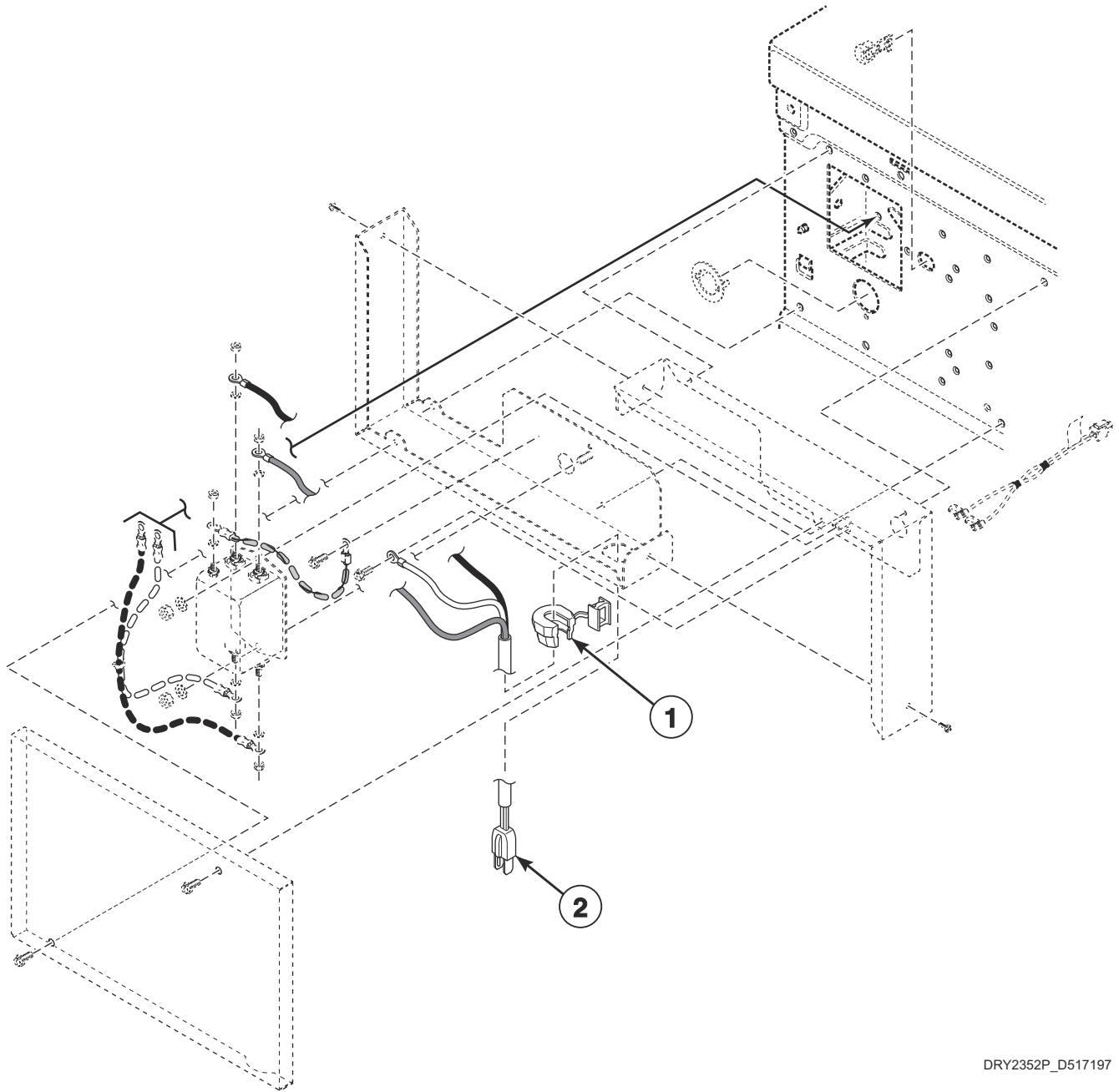


DRY2353P_D517197

Contactor and Transformer

REF	PART NO.	DESCRIPTION	COMMENTS
	D514000	Power Harness	Used between item 5 and filter; Models GDEBGABW403UN01, GDEBXABW403UN01, HDESXRGS403UW01, NDEBLBGS403UT01, NDEBXAGS403UW01, NDEMNRGS403UW01, SDEBLBSS403UN01, SDEBXAGS403UW01, SDESXRGS403UW01 and TDEBXAGS403UW01
	D514002	Heater Harness	Used between item 5 and heating element; Models GDEBGABW403UN01, GDEBXABW403UN01, HDESXRGS403UW01, NDEBLBGS403UT01, NDEBXAGS403UW01, NDEMNRGS403UW01, SDEBLBSS403UN01, SDEBXAGS403UW01, SDESXRGS403UW01 and TDEBXAGS403UW01
	D514054	Dual Contactor Harness	Used with item 5; Models GDEBGABW403UN01, GDEBXABW403UN01, HDESXRGS403UW01, NDEBLBGS403UT01, NDEBXAGS403UW01, NDEMNRGS403UW01, SDEBLBSS403UN01, SDEBXAGS403UW01, SDESXRGS403UW01 and TDEBXAGS403UW01
1	D514334	Transformer Shield	Models BDGBLBGS303AW01, BDGBLBGW543NW01, BDGBXAGS303AW01, BDGBXAGW303AW01, BDGBXRGS303AW01, BDGMNRGS303AW01, GDGBGABW303UN01, GDGBXABW303UN01, GDLSXCRGS543ZW01, HDGBXAGS543DW01, HDGBXRGS303NW21, KDGBXACW303UN01, KDGMNRGS303EW01, KDGMNRGS303UW01, KDGSXRGS303EW01, NDGBLBGS303ET01, NDGBXAGS303EW01, NDGMNRGS303NW22, NDGMNRGS543NW22, NDGSXRGS303NW22, NDGSXRGS543NW22, PDGBXRGS303AG02, SDGBLBSS303EN01, SDGBXAGS543DW01, SDGBXRGS303AW01, SDGMNRGS303ZW01, SDGSXRGS303AW01 and SDGSXRGS303EW01
2	D503688	Screw	
3	D513763P	Transformer	Models BDGBLBGS303AW01, BDGBLBGW543NW01, BDGBXAGS303AW01, BDGBXAGW303AW01, BDGBXRGS303AW01, BDGMNRGS303AW01, GDGBGABW303UN01, GDGBXABW303UN01, GDLSXCRGS543ZW01, HDGBXAGS543DW01, HDGBXRGS303NW21, KDGBXACW303UN01, KDGMNRGS303EW01, KDGMNRGS303UW01, KDGSXRGS303EW01, NDGBLBGS303ET01, NDGBXAGS303EW01, NDGMNRGS303NW22, NDGMNRGS543NW22, NDGSXRGS303NW22, NDGSXRGS543NW22, PDGBXRGS303AG02, SDGBLBSS303EN01, SDGBXAGS543DW01, SDGBXRGS303AW01, SDGMNRGS303ZW01, SDGSXRGS303AW01 and SDGSXRGS303EW01
4	F8449801	End Stop	Models GDEBGABW403UN01, GDEBXABW403UN01, HDESXRGS403UW01, NDEBLBGS403UT01, NDEBXAGS403UW01, NDEMNRGS403UW01, SDEBLBSS403UN01, SDEBXAGS403UW01, SDESXRGS403UW01 and TDEBXAGS403UW01
5	70482603	Contactor	Models GDEBGABW403UN01, GDEBXABW403UN01, HDESXRGS403UW01, NDEBLBGS403UT01, NDEBXAGS403UW01, NDEMNRGS403UW01, SDEBLBSS403UN01, SDEBXAGS403UW01, SDESXRGS403UW01 and TDEBXAGS403UW01
6	M412693	Din Rail	Models GDEBGABW403UN01, GDEBXABW403UN01, HDESXRGS403UW01, NDEBLBGS403UT01, NDEBXAGS403UW01, NDEMNRGS403UW01, SDEBLBSS403UN01, SDEBXAGS403UW01, SDESXRGS403UW01 and TDEBXAGS403UW01
7	D511859	Contactor Bracket	

Power Cord



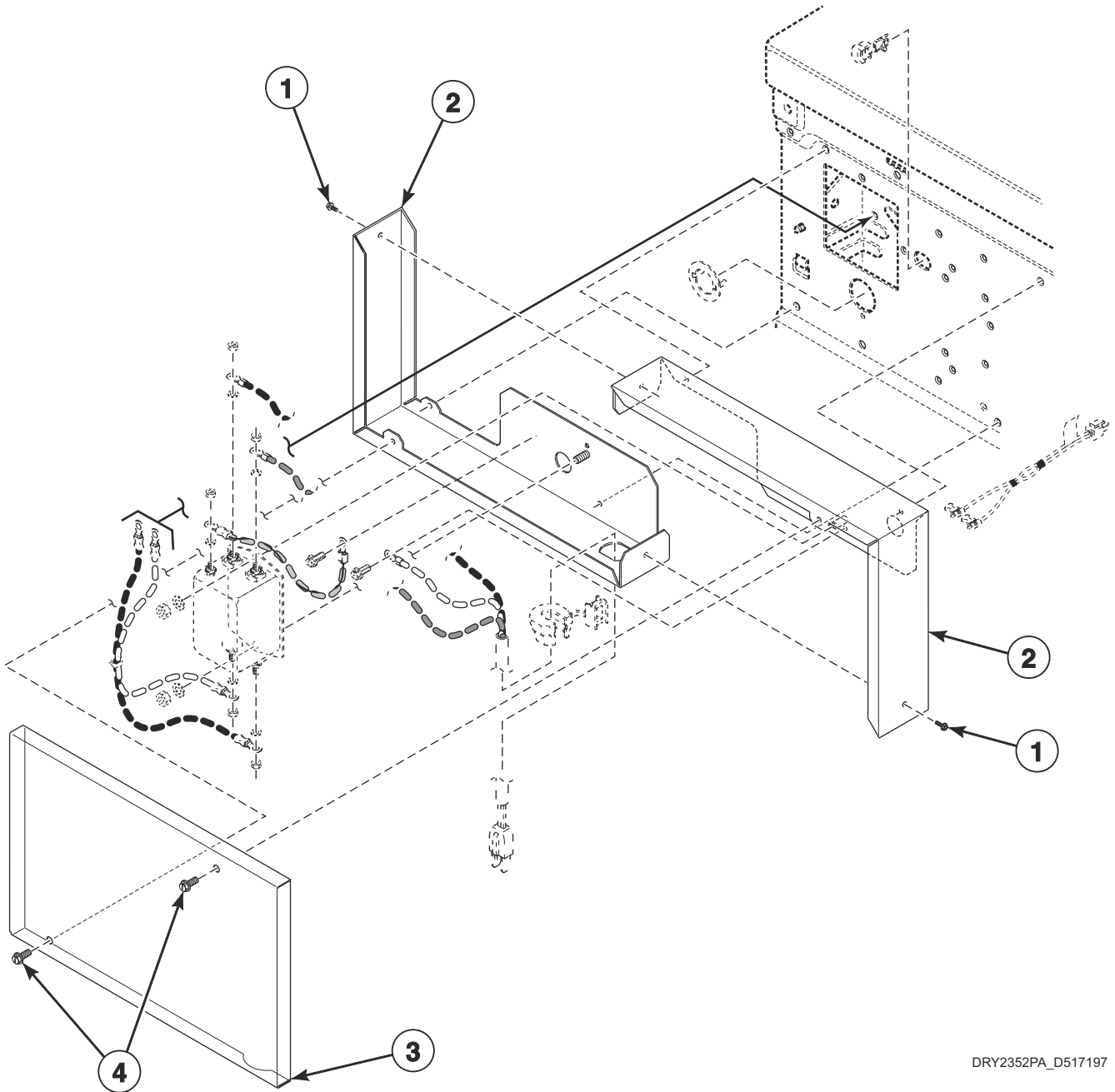
DRY2352P_D517197

Power Cord

REF	PART NO.	DESCRIPTION	COMMENTS
	20530	Screw	
1	52113	Strain Relief	Models BDEBLBGS433AW01, BDEBXAGS433AW01, BDEMNRGS433AW01, GDEBGABW303UN01, GDEBXABW303UN01, GDEMNRGS303UW01, GDESCRGS303UW01, GDESCRGS543ZW01, HDEBXAGS543DW01, HDEBXAGS543FW01, HDEBXRGS303NW22, HDEBXRGS543FW01, HDESXRGS303UW01, KDEMNRGS303BW33, KDEMNRGS303UW01, KDESXRGS303UW01, NDEBXAGS303UW01, NDEBXRGS303NW22, NDEMNRGS303NW22, NDEMNRGS303UW01, NDEMNRGS303WW01, PDEBXRGS433AG02, SDEBXAGS303UW01, SDEBXAGS433AW01, SDEBXAGS543DW01, SDEBXRGS303ZQ01, SDEBXRGS303ZW01, SDEBXRGS433AW01, SDEBXRGS543FW01, SDEMNRGS303WW01, SDEMNRGS303ZW01, SDEMNRGS433AW01, SDESXRGS303UW01, SDESXRGS303WW01, SDESXRGS303ZQ01, SDESXRGS303ZW01 and SDESXRGS433AW01
	52151	Strain Relief	Models GDEBGABW403UN01, GDEBXABW403UN01, HDESXRGS403UW01, NDEBLBGS403UT01, NDEBXAGS403UW01, NDEMNRGS403UW01, SDEBLBSS403UN01, SDEBXAGS403UW01, SDESXRGS403UW01 and TDEBXAGS403UW01
	60298	Strain Relief	Models BDGBLBGS303AW01, BDGBXAGS303AW01, BDGBXAGW303AW01, BDGBXRGS303AW01, BDGMNRGS303AW01, GDGBGABW303UN01, GDGBXABW303UN01, GDLSCRGS543ZW01, HDGBXAGS113FW01, HDGBXAGS123DW01, HDGBXAGS543DW01, HDGBXRGS303NW21, KDGBXACW303UN01, KDGMNRGS303EW01, KDGMNRGS303UW01, KDGSXRGS303EW01, NDGBLBGS303ET01, NDGBXAGS303EW01, PDGBXRGS303AG02, SDGBLBSS303EN01, SDGBXAGS113FW01, SDGBXAGS123DW01, SDGBXAGS543DW01, SDGBXRGS113FW01, SDGBXRGS303AW01, SDGMNRGS303ZW01, SDGSXRGS303AW01 and SDGSXRGS303EW01
	D502496	Strain Relief Adapter	Model HDEBXRGS303NW22
2	D516747	Lead-In Cord Assembly	Models GDEBGABW303UN01, GDEBXABW303UN01, GDEMNRGS303UW01, GDESCRGS303UW01, GDESCRGS543ZW01, HDEBXAGS543DW01, HDEBXAGS543FW01, HDEBXRGS303NW22, HDEBXRGS543FW01, HDESXRGS303UW01, KDEMNRGS303BW33, KDEMNRGS303UW01, KDESXRGS303UW01, NDEBXAGS303UW01, NDEBXRGS303NW22, NDEMNRGS303UW01, NDEMNRGS303WW01, SDEBXAGS303UW01, SDEBXAGS543DW01, SDEBXRGS303ZQ01, SDEBXRGS303ZW01, SDEBXRGS543FW01, SDEMNRGS303WW01, SDEMNRGS303ZW01, SDESXRGS303UW01, SDESXRGS303WW01, SDESXRGS303ZQ01 and SDESXRGS303ZW01
	D514953	Lead-In Cord	Models HDGBXAGS113FW01, SDGBXAGS113FW01 and SDGBXRGS113FW01
	61605P	Lead-In Cord Kit	Models BDEBLBGS433AW01, BDEBXAGS433AW01, BDEMNRGS433AW01, PDEBXRGS433AG02, SDEBXAGS433AW01, SDEBXRGS433AW01, SDEMNRGS433AW01 and SDESXRGS433AW01
	202926	Lead-In Cord	Models BDGBLBGS303AW01, BDGBXAGS303AW01, BDGBXAGW303AW01, BDGBXRGS303AW01, BDGMNRGS303AW01, HDGBXRGS303NW21, PDGBXRGS303AG02, SDGBXRGS303AW01 and SDGSXRGS303AW01
	D514061	Lead-In Cord	Models HDGBXAGS123DW01, HDGBXAGS543DW01, SDGBXAGS123DW01 and SDGBXAGS543DW01
	202925	Lead-In Cord	Model KDGBXACW303UN01
	203208	Lead-In Cord	Models GDGBGABW303UN01, GDGBXABW303UN01, GDLSCRGS543ZW01, KDGMNRGS303EW01, KDGMNRGS303UW01, KDGSXRGS303EW01, NDGBLBGS303ET01, NDGBXAGS303EW01, SDGBLBSS303EN01, SDGMNRGS303ZW01 and SDGSXRGS303EW01
	D516112	Lead-In Cord	Models GDEBGABW403UN01, GDEBXABW403UN01, HDESXRGS403UW01, NDEBLBGS403UT01, NDEBXAGS403UW01, NDEMNRGS403UW01, SDEBLBSS403UN01, SDEBXAGS403UW01, SDESXRGS403UW01 and TDEBXAGS403UW01

Junction Box

All Models Except BDGBLBGW543NW01, GDEMNRGS543NW01, HDEBXRGS303NW22, NDEBXRGS303NW22, NDEMNRGS303NW22, NDEMNRGS543NW22, NDESXRGS303NW22, NDESXRGS543NW22, NDGMNRGS303NW22, NDGMNRGS543NW22, NDGSXRGS303NW22, NDGSXRGS543NW22, SDEBXRGS303NW22 and SDESXRGS543NW22



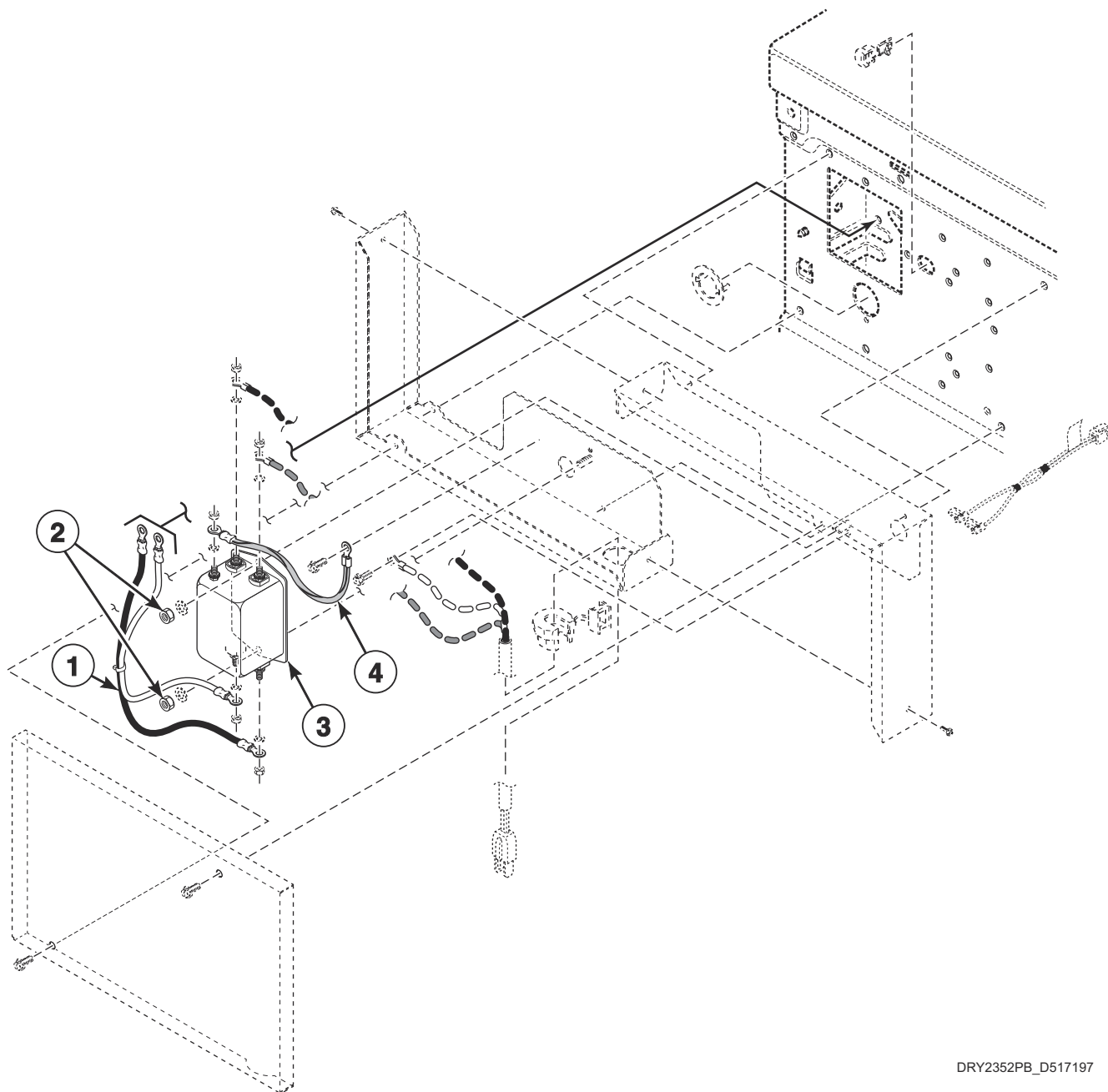
DRY2352PA_D517197

Junction Box

REF	PART NO.	DESCRIPTION	COMMENTS
	D514379P	Junction Box Seal	4 required
1	D503688	Screw	2 required
2	D516153	Junction Box Assembly	1 phase; Models BDEBLBGS433AW01, BDEBXAGS433AW01, BDEMNRGS433AW01, GDEBGABW303UN01, GDEBXABW303UN01, GDEMNRGS303UW01, GDESCRGS303UW01, GDESCRGS543ZW01, HDEBXAGS543DW01, HDEBXAGS543FW01, HDEBXRGS543FW01, HDESXRGs303UW01, KDEMNRGS303BW33, KDEMNRGS303UW01, KDESXRGs303UW01, NDEBXAGS303UW01, NDEMNRGS303UW01, NDEMNRGS303WW01, PDEBXRGS433AG02, SDEBXAGS303UW01, SDEBXAGS433AW01, SDEBXAGS543DW01, SDEBXRGS303ZQ01, SDEBXRGS303ZW01, SDEBXRGS433AW01, SDEBXRGS543FW01, SDEMNRGS303WW01, SDEMNRGS303ZW01, SDEMNRGS433AW01, SDESXRGs303UW01, SDESXRGs303WW01, SDESXRGs303ZQ01, SDESXRGs303ZW01 and SDESXRGs433AW01
	D516154	Junction Box Assembly	3 Phase; Models GDEBGABW403UN01, GDEBXABW403UN01, HDESXRGs403UW01, NDEBLBGS403UT01, NDEBXAGS403UW01, NDEMNRGS403UW01, SDEBLBSS403UN01, SDEBXAGS403UW01, SDESXRGs403UW01 and TDEBXAGS403UW01
	D516152	Junction Box Assembly	All other models
3	D516186	Junction Box Cover	Models NDEMNRGS303WW01, SDEMNRGS303WW01 and SDESXRGs303WW01
	D514363	Junction Box Cover	All other models
4	D503661	Screw	2 required

Junction Box Filter and Harnesses

All Models Except BDGBLBGW543NW01, GDEMNRGS543NW01, HDEBXRGS303NW22, NDEBXRGS303NW22, NDEMNRGS303NW22, NDEMNRGS543NW22, NDESXRGS303NW22, NDESXRGS543NW22, NDGMNRGS303NW22, NDGMNRGS543NW22, NDGSXRGS303NW22, NDGSXRGS543NW22, SDEBXRGS303NW22 and SDESXRGS543NW22

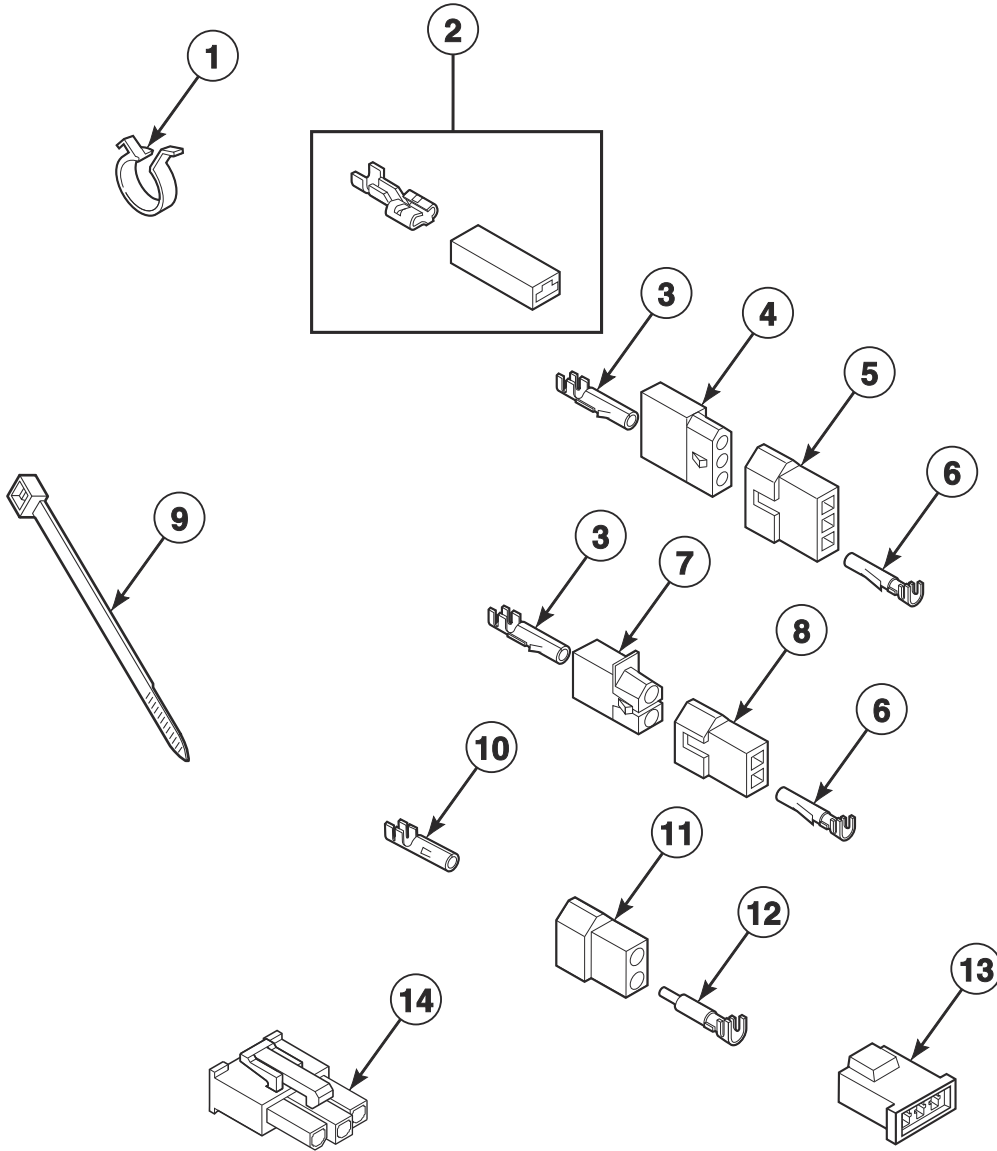


DRY2352PB_D517197

Junction Box Filter and Harnesses

REF	PART NO.	DESCRIPTION	COMMENTS
	804396	Filter Harness	Filter to main harness; Models GDGBGABW303UN01, GDGBXABW303UN01, GDLSCRG543ZW01, KDGMNRGS303EW01, KDGMNRGS303UW01, KDGSXRG5303EW01, NDGBLBGS303ET01, NDGBXAGS303EW01, SDGBLBSS303EN01, SDGMNRGS303ZW01 and SDGSXRG5303EW01
1	D516110	Filter Harness	3 Phase; Models GDEBGABW403UN01, GDEBXABW403UN01, HDESRGS403UW01, NDEBLBGS403UT01, NDEBXAGS403UW01, NDEMNRGS403UW01, SDEBLBSS403UN01, SDEBXAGS403UW01, SDESRGS403UW01 and TDEBXAGS403UW01
	D514036	Filter Harness	30 Amp; 1 Phase; Models BDEBLBGS433AW01, BDEBXAGS433AW01, BDEMNRGS433AW01, GDEBGABW303UN01, GDEBXABW303UN01, GDEMNRGS303UW01, GDESCRGS303UW01, GDESCRGS543ZW01, HDEBXAGS543DW01, HDEBXAGS543FW01, HDEBXRG543FW01, HDESRGS303UW01, KDEMNRGS303BW33, KDEMNRGS303UW01, KDESCRGS303UW01, NDEBXAGS303UW01, NDEMNRGS303UW01, NDEMNRGS303WW01, PDEBXRG543AG02, SDEBXAGS303UW01, SDEBXAGS433AW01, SDEBXAGS543DW01, SDEBXRG5303ZQ01, SDEBXRG5303ZW01, SDEBXRG5433AW01, SDEBXRG543FW01, SDEMNRGS303WW01, SDEMNRGS303ZW01, SDEMNRGS433AW01, SDESRGS303UW01, SDESRGS303WW01, SDESRGS303ZQ01, SDESRGS303ZW01 and SDESRGS433AW01
	D514037	Filter Harness	10 Amp; 1 Phase; All other models
2	29787	Nut	2 required
3	D515813	Filter	3 Phase; Models GDEBGABW403UN01, GDEBXABW403UN01, HDESRGS403UW01, NDEBLBGS403UT01, NDEBXAGS403UW01, NDEMNRGS403UW01, SDEBLBSS403UN01, SDEBXAGS403UW01, SDESRGS403UW01 and TDEBXAGS403UW01
	804844	Line Filter	30 Amp; Models BDEBLBGS433AW01, BDEBXAGS433AW01, BDEMNRGS433AW01, GDEBGABW303UN01, GDEBXABW303UN01, GDEMNRGS303UW01, GDESCRGS303UW01, GDESCRGS543ZW01, HDEBXAGS543DW01, HDEBXAGS543FW01, HDEBXRG543FW01, HDESRGS303UW01, KDEMNRGS303BW33, KDEMNRGS303UW01, KDESCRGS303UW01, NDEBXAGS303UW01, NDEMNRGS303UW01, NDEMNRGS303WW01, PDEBXRG543AG02, SDEBXAGS303UW01, SDEBXAGS433AW01, SDEBXAGS543DW01, SDEBXRG5303ZQ01, SDEBXRG5303ZW01, SDEBXRG5433AW01, SDEBXRG543FW01, SDEMNRGS303WW01, SDEMNRGS303ZW01, SDEMNRGS433AW01, SDESRGS303UW01, SDESRGS303WW01, SDESRGS303ZQ01, SDESRGS303ZW01 and SDESRGS433AW01
	804864	Line Filter	10 Amp; All other models
4	D514038	Ground Filter Harness	30 Amp; Models BDEBLBGS433AW01, BDEBXAGS433AW01, BDEMNRGS433AW01, GDEBGABW303UN01, GDEBXABW303UN01, GDEMNRGS303UW01, GDESCRGS303UW01, GDESCRGS543ZW01, HDEBXAGS543DW01, HDEBXAGS543FW01, HDEBXRG543FW01, HDESRGS303UW01, KDEMNRGS303BW33, KDEMNRGS303UW01, KDESCRGS303UW01, NDEBXAGS303UW01, NDEMNRGS303UW01, NDEMNRGS303WW01, PDEBXRG543AG02, SDEBXAGS303UW01, SDEBXAGS433AW01, SDEBXAGS543DW01, SDEBXRG5303ZQ01, SDEBXRG5303ZW01, SDEBXRG5433AW01, SDEBXRG543FW01, SDEMNRGS303WW01, SDEMNRGS303ZW01, SDEMNRGS433AW01, SDESRGS303UW01, SDESRGS303WW01, SDESRGS303ZQ01, SDESRGS303ZW01 and SDESRGS433AW01
	D514039	Ground Filter Harness	10 Amp; All other models

Terminal Block and Terminals

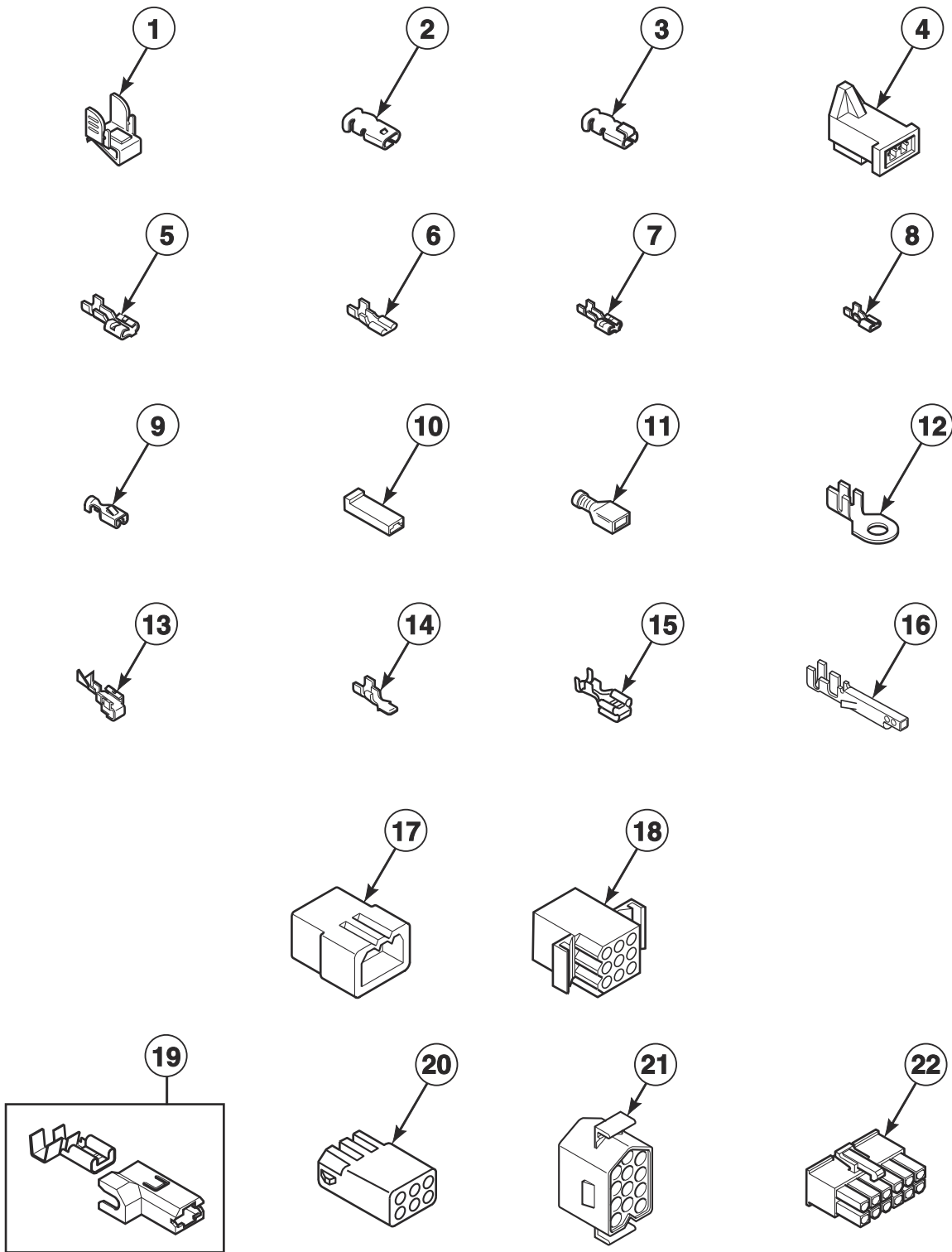


DRY2064P_D517197

Terminal Block and Terminals

REF	PART NO.	DESCRIPTION	COMMENTS
1	D504034	Wire Clip	11/16 inch
	687500	Wire Clip	1 inch
2	00360	Insulated Female Spade Terminal	(1) 12 gauge wire or (2) 18 gauge wires
3	00117	Female Pin Terminal	
4	23039	3 Circuit Receptacle	
	56265	2 Circuit Receptacle	
5	23040	Plug	3 circuit
6	00116	Male Pin Terminal	
7	56451	2 Circuit Receptacle	
8	56448	2 Circuit Plug	
9	55881	Harness Strap	
10	00130	Female Pin Terminal	1/8 inch; 16-18 gauge wire
	00128	Female Pin Terminal	1/8 inch; 10-14 gauge wire
11	56266	2 Circuit Plug	
12	00127	Male Pin Terminal	0.18 insulation diameter
	00129	Male Pin Terminal	0.12 insulation diameter
13	58800	3 Circuit Connector	
14	36170	3 Circuit Receptacle	

Terminals

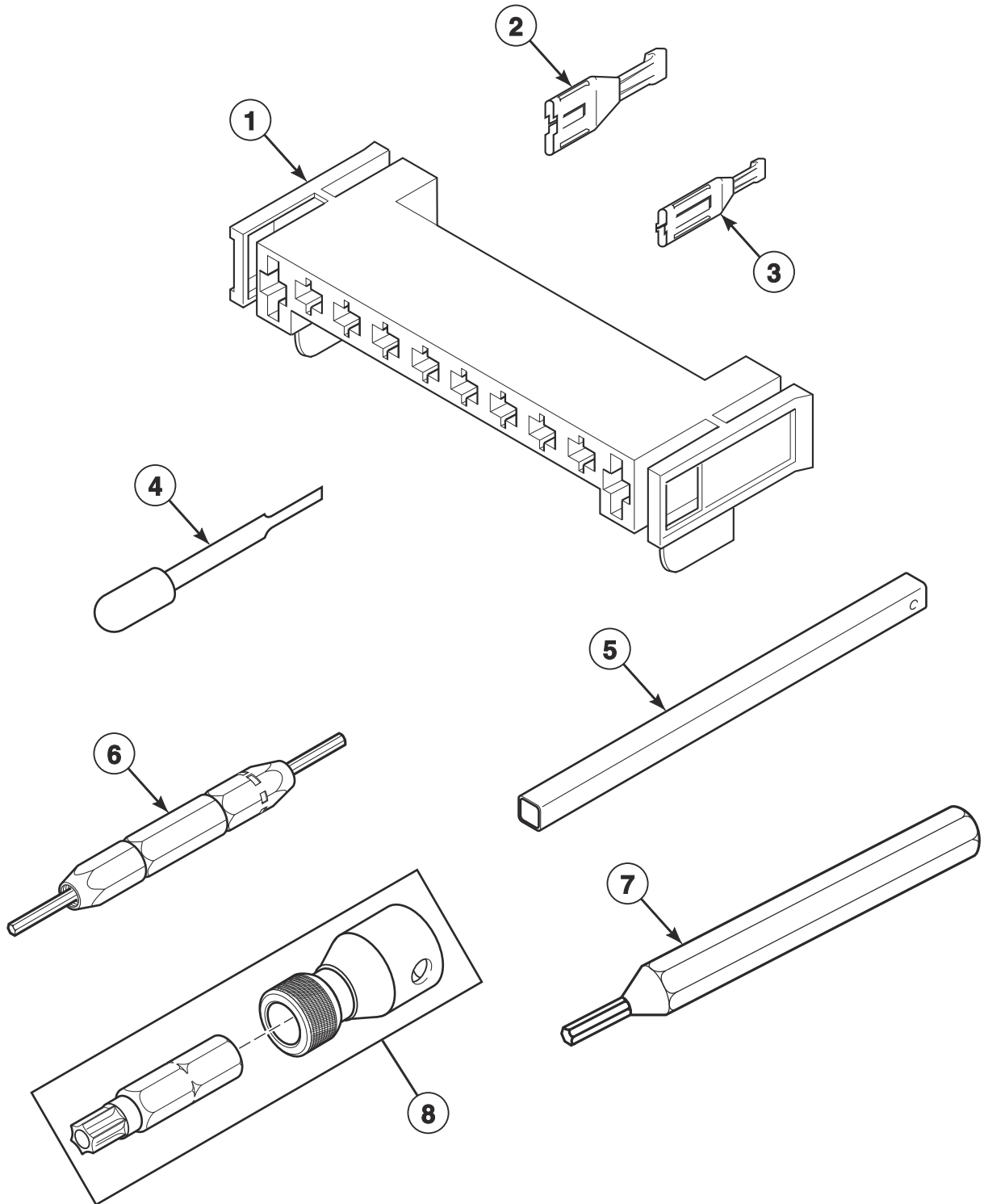


DRY2343P_D517197

Terminals

REF	PART NO.	DESCRIPTION	COMMENTS
1	00161	Grounding Clip	
2	00189	Female Spade Terminal	
3	00361	Female Piggyback Terminal	
4	58799	2 Circuit Connector	
5	00223	Female Spade Terminal	1/4 inch; (1) 18 gauge wire
	00121	Female Spade Terminal	1/4 inch; (2) 18 gauge wires or (1) 12 gauge wire
	00245	Spade Terminal	1/4 inch; (1) 22 gauge wire
6	00124	Female Spade Terminal	3/16 inch; (1) 18 gauge wire; .020 tab
	00156	Female Spade Terminal	3/16 inch; Thermostat wire; .032 tab
7	00222	Female Spade Terminal	1/4 inch
8	00347	Terminal	
9	00115	Female Spade Terminal	1/4 inch; (1) 18 gauge wire
10	90789	Receptacle Housing	
11	00359	Insulated Female Spade Terminal	1/4 inch
	00165	Insulated Female Terminal	3/16 inch
12	00110	Ring Terminal	(1) 18 gauge wire
	00111	Ring Terminal	(2) 18 gauge wires or (1) 12 gauge wire
	00319	Ring Terminal	(2) 18 gauge wires or (1) 14 gauge wire
13	00114	Female Spade Terminal	1/4 inch; Double connector
14	00139	Male Tab Terminal	1/4 inch; (2) 18 gauge wires or (1) 12 gauge wire
15	00344	Female Tab Terminal	
16	00252	Terminal	
17	26302	1 Circuit Plug	
	23033	9 Circuit Plug	
	23041	6 Circuit Plug	
18	26163	9 Circuit Receptacle	
	56855	12 Circuit Receptacle	
19	00221	Insulated Female Flag Terminal	1/4 inch
20	26708	6 Circuit Receptacle	
	26301	1 Circuit Receptacle	
21	54522	Plug	
22	D501333	12 Circuit Receptacle	
	34596	10 Circuit Receptacle	

Motor Connection Block and Tools



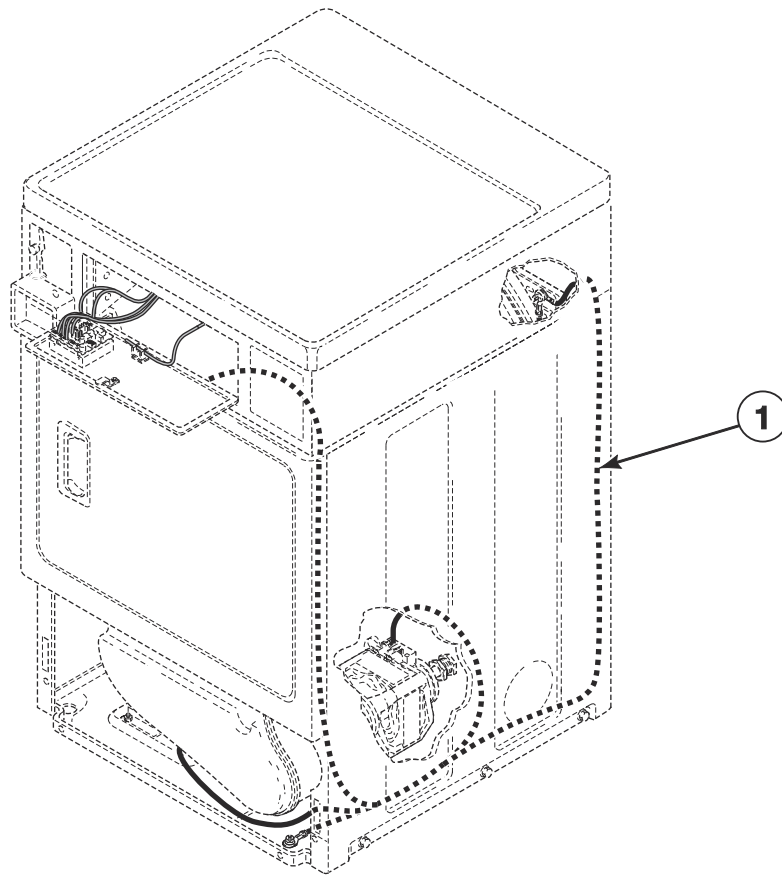
DRY2066P_D517197

Motor Connection Block and Tools

REF	PART NO.	DESCRIPTION	COMMENTS
1	D500338	10 Position Housing	
2	00255	Female Terminal	1/4 inch; For (1) 12 gauge wire
	00256	Female Terminal	1/4 inch; For (1) or (2) 18 gauge wires
3	00188	Female Terminal	For 1 or 2 wire application
4	283P4	Terminal Extractor Tool	For use on Molex connectors
5	310P4	Ratchet Extension Tool	1/4 inch; For coin drop installation
6	190P4	Extractor Tool	For use on electric dryer terminals
7	128P4	Extractor Tool	For use on gas dryer terminals
8	281P4	Torx Bit	T15 Tamper Resistant Bit
	282P4	Torx Bit	Use with 62853 Screw on access panel; T25 Tamper Resistant Bit
	292P4	Torx Bit	T20 Standard Bit
	93501	Torx Drive Tool	T10 Standard Bit

Wire Harnesses and Wires - Front Control Models

Models BDEBLBGS433AW01, BDEBXAGS433AW01, BDGBLBGS303AW01, BDGBLBGW543NW01, BDGBXAGS303AW01, BDGBXAGW303AW01, GDEBGABW303UN01, GDEBGABW403UN01, GDEBXABW303UN01, GDEBXABW403UN01, GDGBGABW303UN01, GDGBXABW303UN01, HDEBXAGS543DW01, HDEBXAGS543FW01, HDGBXAGS113FW01, HDGBXAGS123DW01, HDGBXAGS543DW01, KDBXACW303UN01, NDEBLBGS403UT01, NDEBXAGS303UW01, NDEBXAGS403UW01, NDGBLBGS303ET01, NDGBXAGS303EW01, SDEBLBSS403UN01, SDEBXAGS303UW01, SDEBXAGS403UW01, SDEBXAGS433AW01, SDEBXAGS543DW01, SDGBLBSS303EN01, SDGBXAGS113FW01, SDGBXAGS123DW01, SDGBXAGS543DW01 and TDEBXAGS403UW01



DRY2372P_D517197

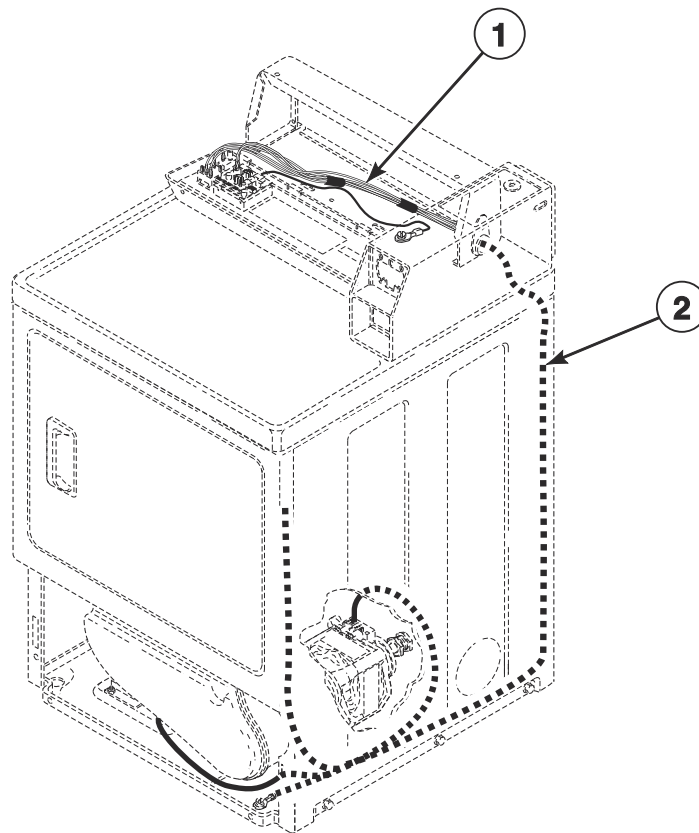
Wire Harnesses and Wires - Front Control Models

REF	PART NO.	DESCRIPTION	COMMENTS
	45380	12 Gauge Wire	Orange; Order wire by foot; Order terminals and connectors as required
	45001	18 Gauge Wire	Black; Order wire by foot; Order terminals and connectors as required
	45102	18 Gauge Wire	Green/Yellow
	D516363	Cylinder Light Harness	Models GDEBGABW403UN01, GDEBXABW303UN01 and GDEBXABW403UN01
1	D517240	Electronic Harness	Models BDEBLBGS433AW01, BDEBXAGS433AW01, GDEBGABW303UN01, HDEBXAGS543DW01, HDEBXAGS543FW01, NDEBXAGS303UW01, SDEBXAGS303UW01, SDEBXAGS433AW01 and SDEBXAGS543DW01
	D517252	Electric Harness	Models GDEBGABW403UN01 and GDEBXABW403UN01
	D517244	Electric Harness	Model GDEBXABW303UN01
	D517095	Gas Harness	Models HDGBXAGS113FW01, HDGBXAGS123DW01, SDGBXAGS113FW01 and SDGBXAGS123DW01
	D517101	Gas Harness	Models GDGBGABW303UN01, GDGBXABW303UN01 and KDGBXACW303UN01
	D517099	Gas Harness	All other models

NOTE: Individual wires are not available separately. Order complete harness, or order wire by the foot. When applying terminals to wires, it is recommended that the terminals be soldered to the wires.

Wire Harnesses and Wires - Rear Control Models

Models BDEMNRGS433AW01, BDGBXRG303AW01, BDGMNRGS303AW01, GDEMNRGS303UW01, GDEMNRGS543NW01, GDESCRGS303UW01, GDESCRGS543ZW01, GDLSRGS543ZW01, HDEBXRG303NW22, HDEBXRG543FW01, HDESXRG303UW01, HDESXRG403UW01, HDGBXRG303NW21, KDEMNRGS303BW33, KDEMNRGS303UW01, KDESXRG303UW01, KDGMNRGS303EW01, KDGMNRGS303UW01, KDGSXRG303EW01, NDEBXRG303NW22, NDEMNRGS303NW22, NDEMNRGS303UW01, NDEMNRGS303WW01, NDEMNRGS403UW01, NDEMNRGS543NW22, NDESXRG303NW22, NDESXRG543NW22, NDGMNRGS303NW22, NDGMNRGS543NW22, NDGSXRG303NW22, NDGSXRG543NW22, PDEBXRG433AG02, PDGBXRG303AG02, SDEBXRG303NW22, SDEBXRG303ZQ01, SDEBXRG303ZW01, SDEBXRG433AW01, SDEBXRG543FW01, SDEMNRGS303WW01, SDEMNRGS303ZW01, SDEMNRGS433AW01, SDESXRG303UW01, SDESXRG303WW01, SDESXRG303ZQ01, SDESXRG303ZW01, SDESXRG403UW01, SDESXRG433AW01, SDESXRG543NW22, SDGBXRG113FW01, SDGBXRG303AW01, SDGMNRGS303ZW01, SDGSXRG303AW01 and SDGSXRG303EW01



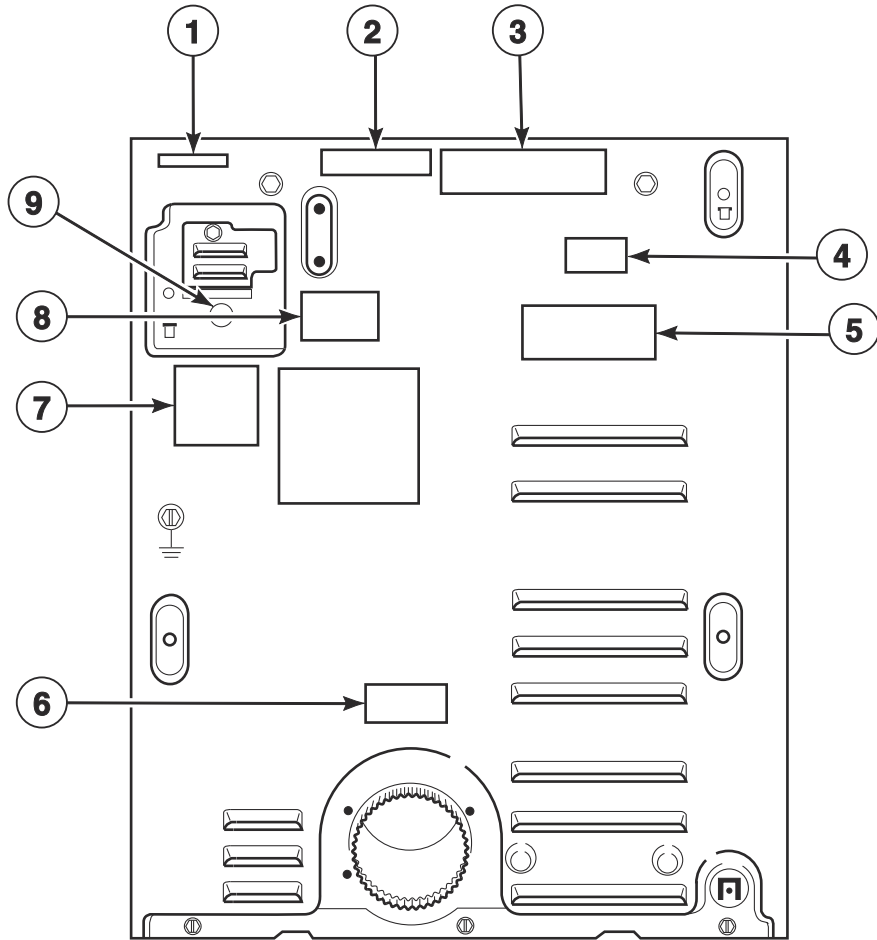
DRY2373P_D517197

Wire Harnesses and Wires - Rear Control Models

REF	PART NO.	DESCRIPTION	COMMENTS
	45380	12 Gauge Wire	Orange; Order wire by foot; Order terminals and connectors as required
	45001	18 Gauge Wire	Black; Order wire by foot; Order terminals and connectors as required
1	D514076	Control Harness	Models BDEMNRGS433AW01, BDGMNRGS303AW01, GDEMNRGS303UW01, GDEMNRGS543NW01, KDEMNRGS303BW33, KDEMNRGS303UW01, KDGMNRGS303EW01, KDGMNRGS303UW01, NDEMNRGS303NW22, NDEMNRGS303UW01, NDEMNRGS303WW01, NDEMNRGS403UW01, NDEMNRGS543NW22, NDGMNRGS303NW22, NDGMNRGS543NW22, SDEMNRGS303WW01, SDEMNRGS303ZW01, SDEMNRGS433AW01 and SDGMNRGS303ZW01
	D514025	Harness	Models GDESCRGS303UW01, GDESCRGS543ZW01, GDLSCRGS543ZW01, HDESXRGS303UW01, HDESXRGS403UW01, KDESXRGS303UW01, KDGSXRGS303EW01, NDESXRGS303NW22, NDESXRGS543NW22, NDGSXRGS303NW22, NDGSXRGS543NW22, SDESXRGS303UW01, SDESXRGS303WW01, SDESXRGS303ZQ01, SDESXRGS303ZW01, SDESXRGS403UW01, SDESXRGS433AW01, SDESXRGS543NW22, SDGSXRGS303AW01 and SDGSXRGS303EW01
2	D517254	Electric Harness	Models BDEMNRGS433AW01, GDEMNRGS303UW01, GDEMNRGS543NW01, GDESCRGS303UW01, GDESCRGS543ZW01, HDEBXRGS303NW22, HDEBXRGS543FW01, HDESXRGS303UW01, KDEMNRGS303BW33, KDEMNRGS303UW01, KDESXRGS303UW01, NDEBXRGS303NW22, NDEMNRGS303NW22, NDEMNRGS303UW01, NDEMNRGS303WW01, NDEMNRGS543NW22, NDESXRGS303NW22, NDESXRGS543NW22, PDEBXRGS433AG02, SDEBXRGS303NW22, SDEBXRGS303ZQ01, SDEBXRGS303ZW01, SDEBXRGS433AW01, SDEBXRGS543FW01, SDEMNRGS303WW01, SDEMNRGS303ZW01, SDEMNRGS433AW01, SDESXRGS303UW01, SDESXRGS303WW01, SDESXRGS303ZQ01, SDESXRGS303ZW01, SDESXRGS433AW01 and SDESXRGS543NW22
	D517102	Gas Harness	Model SDGBXRGS113FW01
	D513988	Wire Harness Assembly	Models HDESXRGS403UW01, NDEMNRGS403UW01 and SDESXRGS403UW01
	D517223	Electric Harness Assembly	Model HDGBXRGS303NW21
	D517104	Harness Assembly	All other models

NOTE: Individual wires are not available separately. Order complete harness, or order wire by the foot. When applying terminals to wires, it is recommended that the terminals be soldered to the wires.

Label Location on Rear of Cabinet



DRY2303P_D517197

Label Location on Rear of Cabinet

REF	PART NO.	DESCRIPTION	COMMENTS
1	D501288	Terminal Block Label	GND N A
	D505329	Terminal Block Label	N-L
2	D505281	Disconnect Power Warning Label	
3	44324001	Warning Label	
4	D501140	Natural Gas Notice Label	
5	D502791	Venting Instruction Label	
6	D500497	Exhaust Warning Label	English, French and Spanish
	D502507	Exhaust Warning Label	Icon
	44321601	Warning Label	Icon
7	D500496	20 Amp Notice Label	
8	803260	Warning Label	
9	D502510	Ground Label	

Parts Index

A

Access Panel Assembly	
D514250DG	39
D514250Q	39
D514250WP	39
D514251	39
Access Panel Plate	
D510903	69
Adhesive	
D511637P	51, 53
Air Duct Assembly	
D510151W	47
D515805DG	49
D515805LG	47
Anti-Seize Compound	
27604P	41, 43
Audit Switch Bracket	
800379	25

B

Block to Relay Harness	
D511112P	59
Blower Fan Assembly	
D510139P	43
Blower Housing	
D511969WP	43
Blower Housing Seal	
D510238P	43
Bolt	
203798	13, 15
29651	15, 23, 29
Booster and Holding Coil	
58804A	63, 65
Bracket	
D510146	17
803662	15
Bumper Pad	
56128	69
Burner Assembly	
D510149P	63, 65

C

Cabinet Rear Panel	
D514632P	69
Cabinet Side Panel	
D510001DGP	69
D510001QP	69
D510001WP	69
D510002DGP	69
D510002QP	69
D510002WP	69
Central Pay Harness	
D511478	7
805427	25, 31

Chassis Mounting Bracket	
201581	15
Clip	
201572	21
Coin Drop	
38963P	19
70441601P	19
70441603	19
Coin Drop Assembly	
38462P	19
38463	19
38464P	19
70441602	19
Coin Drop Wire Harness	
201104	21
Coin Funnel Kit	
523P3	15
Coin Identification Paper	
38725	19, 21
Coin Slide Extension Kit	
200913	15
Coin Slide Kit	
CK001	15
CK009	15
CK010P	15
CK011	15
CK014	15
CK017	15
Combustion Duct	
D510131	61
D510132	61
Connector, 2 Circuit	
58799	81
Connector, 3 Circuit	
58800	79
Contacto	
F330177P	59
70482603	71
Contacto Bracket	
D511859	71
Control Access Panel	
804741	31
Control Assembly	
D514218	9, 15
D515807P	7, 25, 31
D515808P	25, 31
D515809P	7
Control Bracket	
D514261	31
Control Harness	
D514076	87
Control Hood	
D502567DG	7
D502567Q	11
D502567W	7, 11
D511253W	9
Control Overlay	
D515527	7
D515529	27
D515530	27
D515531	31
D515553	7

N/A items do not appear in index.

D515555	27
D515558	7
D515560	27
D515561	31
D515565	27
D515566	31
D515571	27
D515583	7
D515814	7
D515970	7
D517527	7
Control Panel	
D510067DG	7
D510067W	7
D515217	23
D515218	23
803962WP	23
Control Panel and Bracket Assembly	
D501738Q	11
D501738W	11
D513777W	27
Control Panel Assembly	
D514454	31
D514455	31
D515215	27
D515578W	9
Control Panel Overlay	
D515525	11
D515526	9
D515551	11
D515557	9
D515563	11
D515564	9
D515567	11
D515568	9
D515569	11
D515570	9
D517288	9
Control Wrapper	
804627B	31
804627W	31
804630B	31
804630W	31
Conversion Kit	
756P3	59
Cycle Selector Switch	
201686	9
Cylinder Assembly	
D505929DG	51
D505929DGP	51
D505929LGP	51
D510265WP	51
Cylinder Baffle	
D510102DG	51
D510102LG	51
D510102W	51
Cylinder Belt	
D511255P	41
Cylinder Glide	
D513710	47, 49
Cylinder Glide Bracket	
D510145	47, 49
Cylinder Light Assembly	
D512109	49
Cylinder Light Harness	
D516363	85

Cylinder Light Lens	
D512106	49
Cylinder Roller	
D510708P	53
Cylinder Roller Bracket	
D510100	53
Cylinder Seal Assembly	
D510207P	51, 53

D

Damper	
58786	69
Din Rail	
M412693	59, 71
Directional Exhaust Kit	
528P3	69
Disconnect Power Warning Label	
D505281	89
Door Assembly	
D516737W	35
Door Catch Assembly	
D510177	39
Door Handle Wedge	
D510129W	33, 35
Door Liner Assembly	
D516508	33
Door Liner Grill	
D503870DG	37
D503870LG	33
D503870W	33, 35
Door Pull	
D512947	33
Door Pull and Wedge Kit	
D510103QP	33
D510103WP	33, 35
D511213P	33
Door Pull Kit	
D515656	37
Door Strike	
D510181	33, 35, 37
Door Strike Mount	
D510127	33, 35
Drip Shield	
D514327	39
Drum Light Lamp	
D503579	49
Dryer Base	
D514245	69
Dryer Door	
D510013DG	33
D510013QP	33
D510013WP	33
D510082WP	35
D515962	37
D515963	33
Dryer Door Window	
D503982P	35
D515681	37
Dual Coin Harness Assembly	
202871	7, 19, 25
Dual Contactor Harness	
D514054	71

N/A items do not appear in index.

Dual Overlay	
39073	13

E

Elbow	
D513072	63
Electric Harness	
D517244	85
D517252	85
D517254	87
Electric Harness Assembly	
D517223	87
Electrical Shock Label	
F8211201	47, 49
Electronic Coin Drop Assembly	
70294106	21
70294122	21
Electronic Coin Drop Kit	
CK110	21
CK115	21
Electronic Harness	
D517240	85
End Cap	
210109W	9
510108W	9
End Stop	
F8449801	71
70121001	59
Exhaust Duct	
D516196	69
Exhaust Warning Label	
D500497	89
D502507	89
Expansion Clip	
70030501	23, 31
Extractor Tool	
128P4	83
190P4	83

F

Felt Pad	
D510189	47, 49
Female Piggyback Terminal	
00361	81
Female Pin Terminal	
00117	79
00128	79
00130	79
Female Spade Terminal	
00114	81
00115	81
00121	81
00124	81
00156	81
00189	81
00222	81
00223	81
Female Tab Terminal	
00344	81

Female Terminal	
00188	83
00255	83
00256	83
Filter	
D515813	77
Filter Harness	
D514036	77
D514037	77
D516110	77
804396	77
Flexible Venting Kit	
521P3	69
Front Bulkhead Assembly	
D510266P	47
D511886	49
Front Panel	
D510066DG	39
D510066QP	39
D510066WP	39
D512542	39
Front Panel Label	
D514863	39
Front Panel Seal	
D511056	39

G

Gas Harness	
D517095	85
D517099	85
D517101	85
D517102	87
Gas Valve Assembly	
D513631	63
59063P	63
60353P	63
Gas Valve Mounting Bracket	
D510128	63, 65
Gas Valve, Bracket and Pipe Assembly	
D517606	65
D517607	65
D517608	65
D517612	65
Glide Kit	
RB170003	47, 49
Ground Filter Harness	
D514038	77
D514039	77
Ground Label	
D502510	89
Grounding Clip	
00161	81

H

Harness	
D514025	87
Harness Assembly	
D517104	87
802905	21
Harness Strap	
55881	79

N/A items do not appear in index.

Heat Duct Shroud D510101	61
Heater D511014P	59
Heater Assembly D510326P	57
D510327P	57
D510329P	57
Heater Duct Assembly D510025P	57, 59, 61
Heater Harness D514002	71
Heater Kit 964P3	57
Heater Kit Assembly 61929	57
61930	57
Hinge D511036	33, 35, 37
Hinge Hole Plug D510186	39
Hold Down Kit 526P3	69
Hood Back Panel 804886	7, 11
Housing, 10 Position D500338	83

I

Idler Lever D516310	43
Idler Lever and Wheel Assembly D516792	43
Idler Spring D510185	43
Idler Wheel and Bearing Assembly D510142P	43
Igniter and Bracket Assembly D510184P	63, 65
Instruction Label D500628	13, 15
D502783	13, 15
Instruction Overlay D515211	23
Insulated Female Flag Terminal 00221	81
Insulated Female Spade Terminal 00359	81
00360	79
Insulated Female Terminal 00165	81

J

Jumper Wire Assembly D511270	59
Junction Box Assembly D516152	75
D516153	75
D516154	75

Junction Box Cover D514363	75
D516186	75
Junction Box Seal D514379P	75

K

Key 54612	27
--------------------	----

L

Label D503887	39
Lead-In Cord D514061	73
D514953	73
D516112	73
202925	73
202926	73
203208	73
Lead-In Cord Assembly D516747	73
Lead-In Cord Kit 61605P	73
Lead-In Pipe Assembly D510204	63
Leveling Leg D510135	69
Light 801431	9, 11
Limit Thermostat D510701	57, 59
D510702	61
Line Filter 804844	77
804864	77
Liner and Seal Assembly D510098W	35
D516509	37
Liner Door Seal D510147P	33, 35
Liner, Seal and Grill Assembly D510163WP	33
Lint Filter D503980DG	47, 49
D503980LG	47
D503980W	47
Lint Filter Label D502804	39
Lock Cam 804338	27
Lock Kit 27260P	27
L.P. Conversion Kit 458P3	63, 65
599P3	63, 65
L.P. Orifice D503786	67
58755	67

N/A items do not appear in index.

M

Machine ID Control Assembly	
203361P	7, 25, 31
Male Pin Terminal	
00116	79
00127	79
Male Tab Terminal	
00139	81
Mechanical Counter Kit Assembly	
201280P	15
Meter Case Assembly	
D515219	23
202877W	13
807396W	23
807401DG	13
Meter Case Bracket Gasket	
35526	13, 15
Meter Case Gasket	
26354	13, 15
Meter Case Kit	
201010QP	15
807398WP	15
Meter Case Lockdown Bracket	
35525	13, 15
Meter Case Locking Bracket Kit	
204616	13, 15
Motor and Pulley Assembly	
D505843P	41
D505869P	41
D511629P	41
Motor Hub Ring Kit	
590P3	41
Motor Mount	
D510060	43
Motor Mount Clamp	
D510180	41
Motor Pulley	
D500011	41
D500222	41
Motor Shield	
D514602	43
Motor Switch Bracket	
D516311	43

N

Nameplate	
D513000	23, 27
Natural Gas Notice Label	
D501140	89
Notice Label, 20 Amp	
D500496	89
Nut	
201216	21
24205	9, 11
27222	17
28447	55
29786	11, 13, 15, 19, 21
29787	77
29796	15
36020	29

44087201	23
52566	7, 43
52947	9, 11
56156	43, 53
802337	15
N.G. Conversion Kit	
402P3	63, 65
459P3	63, 65
N.G. Orifice	
D503776	67
D503778	67
D503779	67
D503780	67
D510517	67

O

Operating Instruction Label	
D515213	23
Operating Instructions Label	
D514392	23
D514393	23
Opto Coupler	
200674P	19
Outlet Cover	
D500820	57, 59, 61
D514475	57
D515573	57, 59, 61
Output Board Shield	
D514420	69
Output Control Assembly	
D513797P	69
D517269	69
Overlay	
201091	13, 21

P

Panel Locator	
56079	39, 69
Pinch Warning Label	
F8615701	47, 49
Plug	
54522	81
Plug, 1 Circuit	
26302	81
Plug, 2 Circuit	
56266	79
56448	79
Plug, 6 Circuit	
23041	81
Plug, 9 Circuit	
23033	81
Pop Rivet	
685847	31
Porcelain Touch-Up Paint	
122P4P	69
Power Harness	
D514000	71

N/A items do not appear in index.

R

Ratchet Extension Tool 310P4	83
Rear Access Panel 803998	23
804614	31
Rear Bulkhead D512698	53
Rear Bulkhead Assembly D510043	53
D511082P	53
Rear Panel D511254	9
Rear Wrapper Brace 805345	31
Receptacle Housing 90789	81
Receptacle, 1 Circuit 26301	81
Receptacle, 10 Circuit 34596	81
Receptacle, 12 Circuit D501333	81
56855	81
Receptacle, 2 Circuit 56265	79
56451	79
Receptacle, 3 Circuit 23039	79
36170	79
Receptacle, 6 Circuit 26708	81
Receptacle, 9 Circuit 26163	81
Relay to Heater Harness D511114P	59
Retaining Ring 23748	43, 53
Ring Terminal 00110	81
00111	81
00319	81
Rocker Switch 70455101	9
Roller Kit RB170002	53
Rubber Foot D501855	69

S

Screw D500226	33, 35, 37, 47, 49
D500227	49
D500824	43
D501086	7, 9, 11
D501285	47, 49, 55
D501524	15, 27
D502535	45
D503661	25, 31, 75
D503673	13, 15

D503688	7, 15, 17, 23, 39, 43, 47, 53, 55, 57, 59, 61, 63, 65, 69, 71, 75
D505295	35
D505870	35
D512631	37
D512921	39, 69
D514428	69
D515967	37
M405188	23, 49
02916	7, 11
20530	73
23008	29
23222	57, 59, 63, 65
28448	55
31260	43
33562	39
35528	7, 9, 11
36048	13, 15
39733	39, 69
51782	61, 63, 65
52864	7, 9, 11, 47, 49
56124	63, 65
61199	55
62588	51
62853	39
70240301	23, 31
804608	9, 31
804667	31, 69
Screw Orifice 58719	67
Seal Kit RB170001	51, 53
Secondary Coil 58804B	63, 65
Security Wrapper Assembly D515216	23
Sensor D510213	63, 65
Service Door Assembly 39874DG	13
39874QP	15
39874WP	13, 15
Shaft 56461P	43, 53
Single Coin Harness Assembly 202870	19
Single Overlay D512821	19, 21
38717	13, 19
Slide CK027	15
Spade Terminal 00245	81
Speed Clip 28835	39
Spring 804794	15
Strain Relief 52113	73
52151	73
60298	73
Strain Relief Adapter D502496	73
Switch D512973	13, 23, 25, 39
D516391	43

N/A items do not appear in index.

431159	15
Switch Assembly	
55882	11
Switch Knob	
39897	9, 11

T

Temperature Selector Switch	
D511711	9, 11
Terminal	
00252	81
00347	81
Terminal Block Assembly	
D510190P	55
Terminal Block Label	
D501288	89
D505329	89
Terminal Block Shield	
D514330	55
Terminal Extractor Tool	
283P4	83
Thermal Fuse Assembly	
D511412	57, 59
Thermistor Assembly	
D502366	45
D510523	45
Thermostat	
D510703	61
Timer Knob	
54678	9
Top Hinge	
D510136	69
Top Kit	
D511270QP	17
D511527WP	17
Top Mounting Bracket	
D504228	29
Top Panel	
D505885DG	17
803868WP	29
803869	29
804684	31
804685WP	31
Top Panel Brace Assembly	
804613	31
Top Panel Guide	
803761	31
Top Panel Kit	
D511530WP	17
Torx Bit	
281P4	83
282P4	83
292P4	83
Torx Drive Tool	
93501	83
Transformer	
D513763P	71
201375P	21
Transformer Kit	
203423	7, 25
203424	7, 25

Transformer Shield	
D514334	71

V

Valve Assembly	
60443P	63
Venting Instruction Label	
D502791	89

W

Warning Label	
D500314	47, 49
D500316	17
D502508	89
D502825	39
D512263	39
D514226	39
D514410	39
44324001	89
803260	89
Warning/Caution Label	
D500281	39
Washer	
D504082	53
M400017	7, 11
200608	7
28449	55
29260	37
52549	43, 53
91176	9, 11
Window Trim	
D503981W	35
D515959	37
Wire Assembly	
D510527	57
D510528	57
Wire Clip	
D504034	79
504034	79
687500	79
Wire Guard	
201595P	19
Wire Harness Assembly	
D513988	87
Wire, 12 Gauge	
45380	85, 87
Wire, 18 Gauge	
45001	85, 87
45102	85
Wiring Harness Assembly	
202868	25
202869	25, 31
Wrapper Assembly	
804104W	23

N/A items do not appear in index.

