

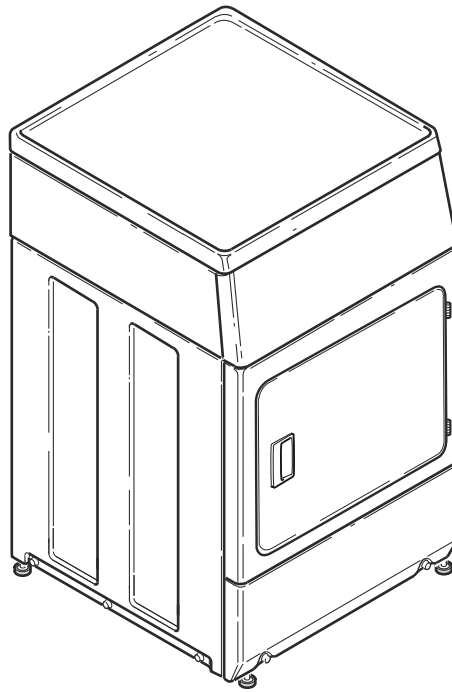
Commercial Dryers

Metered and Nonmetered

Models with F in the 12th Position Starting Serial No. 2007000001

All Other Models Starting Serial No. 2001000001

Refer to Page 5 for Model Numbers



DRY721C_D518074

Alliance[™]
Laundry Systems

www.alliancelandry.com

Part No. D518074R3
December 2023

Table of Contents

Title	Page
Parts Ordering Information.....	3
Serial Plate Location	3
Model Identification	5
Control Panel and Controls - Rear Control Coin Drop Models.....	6
Control Panel, Control Hood and Controls - Nonmetered Rear Control Models.....	8
Control Panel and Control Hood - Coin Slide Rear Control Models.....	10
Meter Case - Rear Control Coin Drop Models	12
Coin Slide Extension, Meter Case and Control.....	14
Cabinet Top - Rear Control Models	16
Non-Electronic Coin Drop	18
Electronic Coin Drop	20
Control Cabinet Controls - 10 Degree Front Control Models.....	22
Control Panel and Controls - 10 Degree Front Control Models (Drawing 1 of 2).....	24
Control Panel and Controls - 10 Degree Front Control Models (Drawing 2 of 2).....	26
Cabinet Top - 10 Degree Front Control Models.....	28
Control Panel and Controls - 45 Degree Front Control Models	30
Loading Door Without Window	32
Dryer Loading Door With Window.....	34
Loading Door With Window	36
Access Panel, Front Panel and Seal	38
Motor and Belt.....	40
Exhaust Fan and Idler	42
Thermistor.....	44
Front Bulkhead, Air Duct and Felt Seal (Drawing 1 of 2).....	46
Front Bulkhead, Air Duct and Felt Seal (Drawing 2 of 2).....	48
Cylinder Assembly	50
Rear Bulkhead, Felt Seal and Cylinder Roller	52
Terminal Block	54
Terminal Block - 3 Phase Electric Models.....	56
Heater Duct and Element Assembly - 1 Phase Electric Models	58
Heater Duct Assembly - 3 Phase Electric Models.....	60
Heater Duct Assembly	62
Gas Valve, Igniter and Gas Conversion Kits.....	64
Burner Orifice Spuds - For Higher Elevations.....	66
Cabinet, Exhaust Duct and Base	68
Contact and Transformer.....	70
Power Cord	72
Terminal Block and Terminals	74
Terminals	76
Motor Connection Block and Tools	78
Wire Harnesses and Wires - Front Control Models.....	80

© Copyright 2023, Alliance Laundry Systems LLC

All rights reserved. No part of the contents of this book may be reproduced or transmitted in any form or by any means without the expressed written consent of the publisher.

Wire Harnesses and Wires - Rear Control Models	82
Label Location on Rear of Cabinet	84
Parts Index.....	87

Parts Ordering Information

If literature or replacement parts are required, contact the source from whom the machine was purchased or contact Alliance Laundry Systems at (920) 748-3950 for the name and address of the nearest authorized parts distributor.

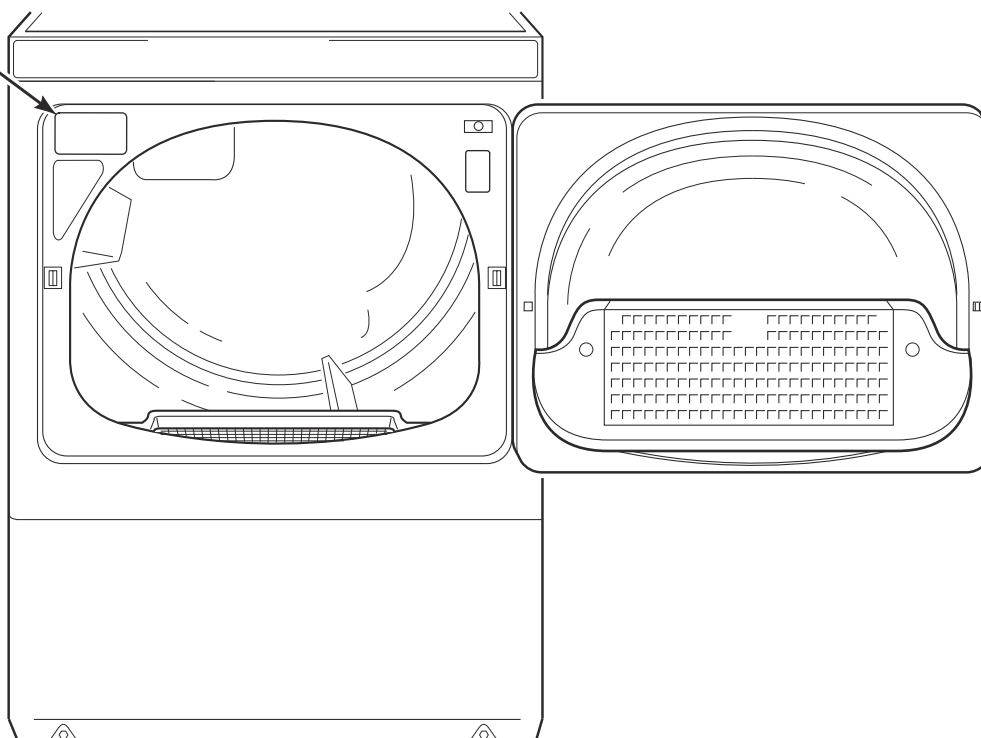
For technical assistance, call the number listed below:

(920) 748-3121 Ripon, Wisconsin

Serial Plate Location

When calling or writing about your product, be sure to mention model and serial numbers. Model and serial numbers are located on serial plate(s) as shown.

SERIAL PLATE



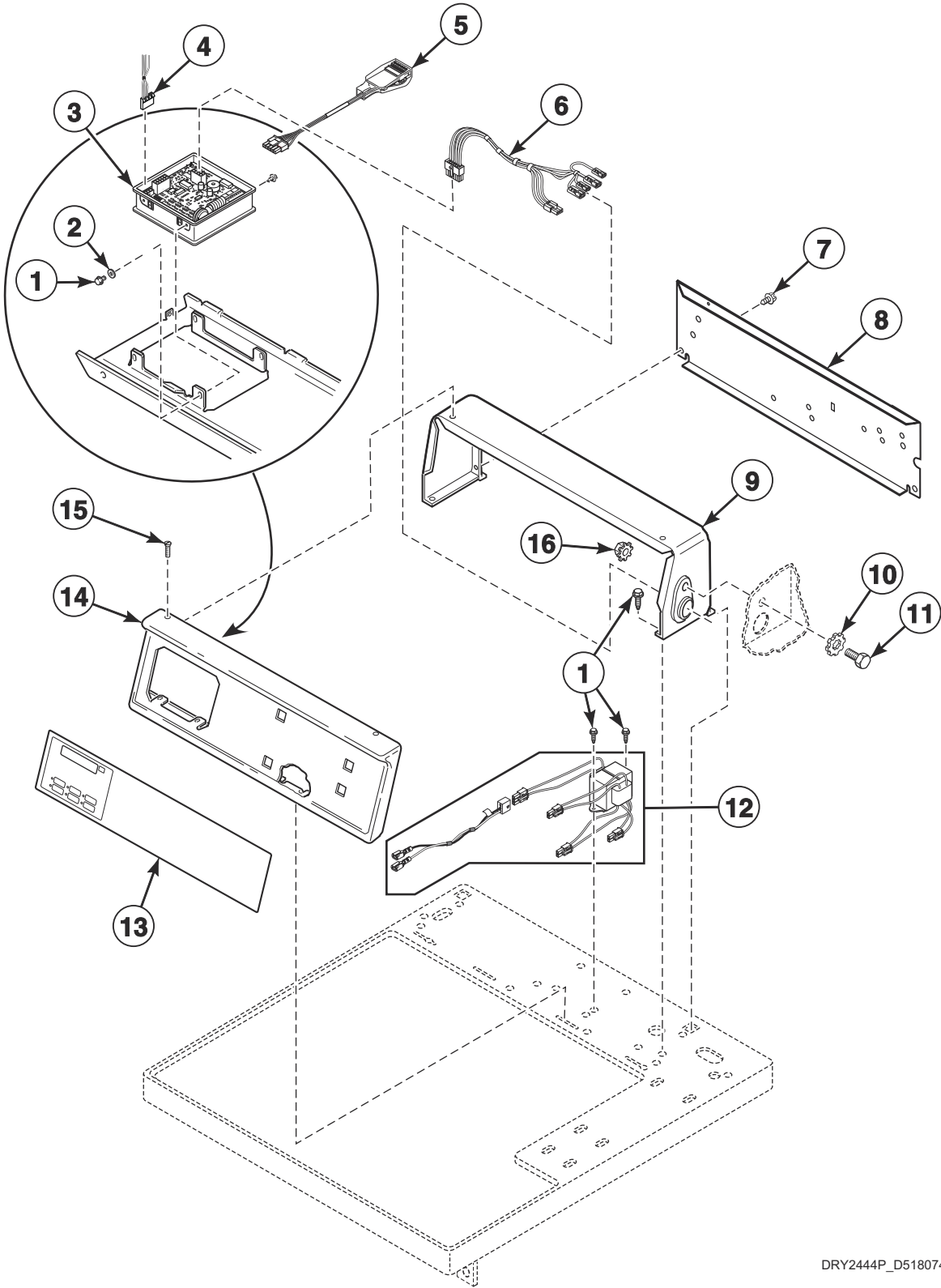
DRY2283P_D518074

Model Identification

Information in this manual is applicable to these dryer models:

BDEBLBGS433AW01	KDEMNRGS303BW33	SDEBLBSS403UN01
BDEBXAGS433AW01	KDEMNRGS303UW01	SDEBXAGS303UW01
BDEMNRGS433AW01	KDESXRGs303UW01	SDEBXAGS403UW01
BDGBLBGS303AW01	KDGBXACW303UN01	SDEBXAGS433AW01
BDGBLBGW543NW01	KDGMNRGS303EW01	SDEBXRGs303NW22
BDGBXAGS303AW01	KDGMNRGS303UW01	SDEBXRGs303ZW01
BDGBXAGW303AW01	KDGSXRGs303EW01	SDEBXRGs543FW01
BDGBXRGs303AW01	NDEBLBGS403UT01	SDEJXAGS443UG16
BDGMNRGS303AW01	NDEBXAGS303UW01	SDEMNRGS303WW01
GDEBGABW303UN01	NDEBXAGS403UW01	SDEMNRGS303ZW01
GDEBGABW403UN01	NDEBXRGs303NW22	SDEMNRGS433AW01
GDEBXABW303UN01	NDEMNRGS303NW22	SDESXRGs303BW01
GDEBXABW403UN01	NDEMNRGS303UW01	SDESXRGs303UG01
GDEMNRGS303UW01	NDEMNRGS303WW01	SDESXRGs303UW01
GDEMNRGS543NW01	NDEMNRGS543NW22	SDESXRGs303WW01
GDESCRGS303UW01	NDESXRGs303NW22	SDESXRGs303ZW01
GDESCRGS543ZW01	NDESXRGs543NW22	SDESXRGs403UW01
GDGBGABW303UN01	NDGBXAGS303EW01	SDESXRGs433AW01
GDGBXABW303UN01	NDGMNRGS303NW22	SDESXRGs543NW22
GDLSCRGS543ZW01	NDGMNRGS543NW22	SDEWXRGs303BW01
HDEBXAGS543FW01	NDGSXRGs303NW22	SDGBLBSS303EN01
HDEBXRGs543FW01	NDGSXRGs543NW22	SDGBXAGS113FW01
HDESXRGs303UW01	PDEBXRGs433AG02	SDGBXRGs113FW01
HDESXRGs403UW01	PDGBXRGs303AG02	SDGBXRGs303AW01
HDGBXAGS113FW01		SDGMNRGS303ZW01
HDGBXRGs303NW21		SDGSXRGs303AW01
		SDGSXRGs303EW01
		TDEBXAGS403UW01

Control Panel and Controls - Rear Control Coin Drop Models



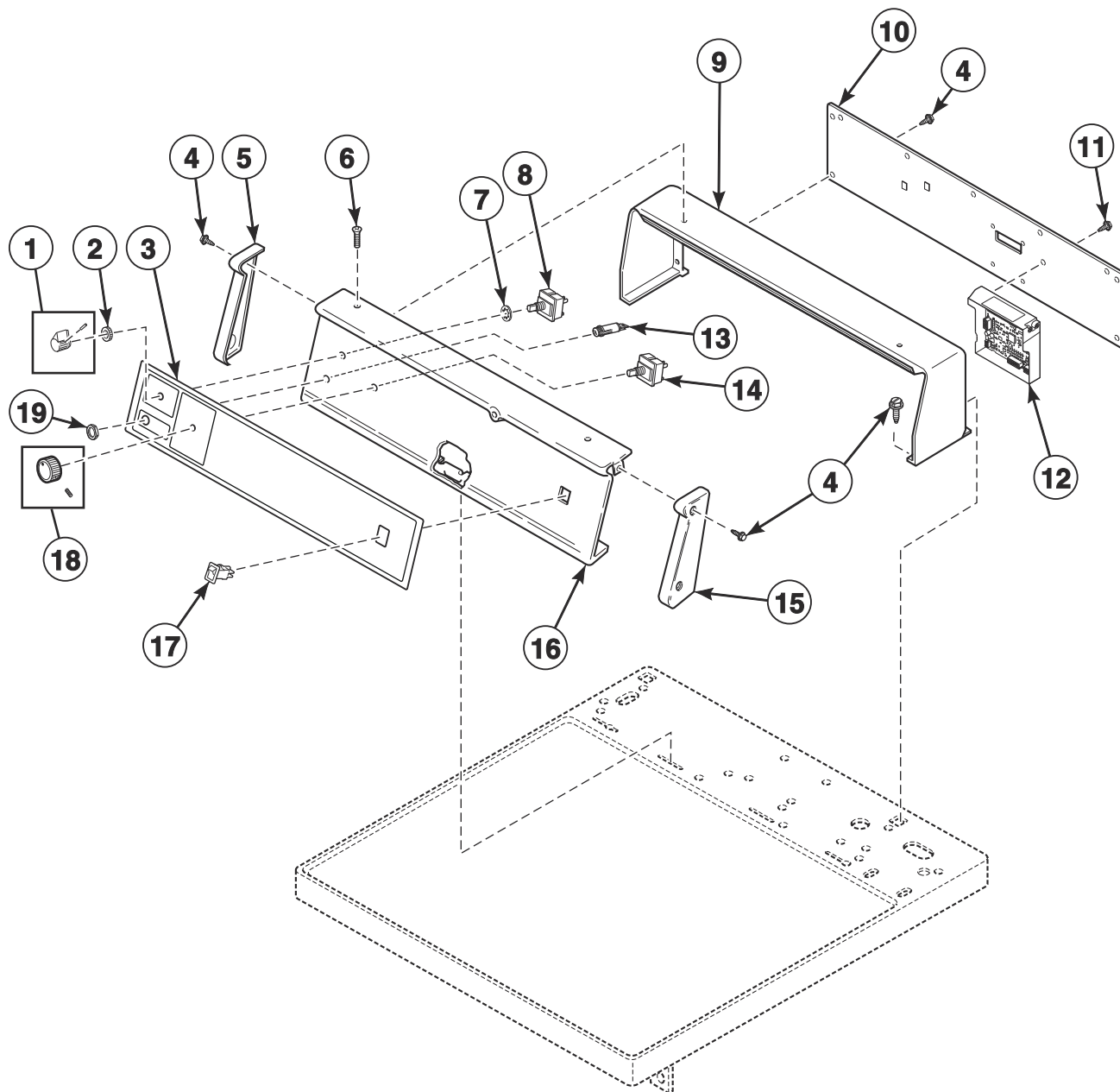
DRY2444P_D518074

Control Panel and Controls - Rear Control Coin Drop Models

REF	PART NO.	DESCRIPTION	COMMENTS
	807211	Wireless Network Control Assembly	Model SDEWXRGS303BW01
	F8674006	Wireless Network Harness	Model SDEWXRGS303BW01
1	D503688	Screw	
2	200608	Washer	
3	D517524	Control Assembly	Models PDEBXRGS433AG02 and PDGBXRGS303AG02
	D517523	Control Assembly	Model BDGBXRGS303AW01
	D517522	Control Assembly	All other models
4	D511478	Central Pay Harness	
5	203361P	Machine ID Control Assembly	Model or serial number is required when ordering
6	202871	Dual Coin Harness Assembly	Coin drop
7	D501086	Screw	
8	804886	Hood Back Panel	
9	D502567W	Control Hood	White
	D502567DG	Control Hood	Gray
10	M400017	Washer	
11	02916	Screw	
12	203423	Transformer Kit	120 Volt
	203424	Transformer Kit	240 Volt
13	D515558	Control Overlay	Model BDGBXRGS303AW01
	D515814	Control Overlay	Model NDEBXRGS303NW22
	D515970	Control Overlay	Models PDEBXRGS433AG02 and PDGBXRGS303AG02
	D515583	Control Overlay	Models SDEBXRGS303NW22 and SDEBXRGS303ZW01
	D515553	Control Overlay	Model HDEBXRGS543FW01
	D514485	Control Overlay	Model SDEWXRGS303BW01
	D515527	Control Overlay	Models SDEBXRGS543FW01, SDGBXRGS113FW01 and SDGBXRGS303AW01
	D517527	Control Overlay	Model HDGBXRGS303NW21
14	D510067W	Control Panel	White
	D510067DG	Control Panel	Gray
	D510154W	Control Panel	White; Network
15	52864	Screw	Phillips head
	35528	Screw	Torx head
16	52566	Nut	

Control Panel, Control Hood and Controls - Nonmetered Rear Control Models

Models BDEMNRGS433AW01, BDGMNRGS303AW01, GDEMNRGS303UW01, GDEMNRGS543NW01, KDEMNRGS303BW33, KDEMNRGS303UW01, KDGMNRGS303EW01, KDGMNRGS303UW01, NDEMNRGS303NW22, NDEMNRGS303UW01, NDEMNRGS303WW01, NDEMNRGS543NW22, NDGMNRGS303NW22, NDGMNRGS543NW22, SDEMNRGS303WW01, SDEMNRGS433AW01 and SDGMNRGS303ZW01



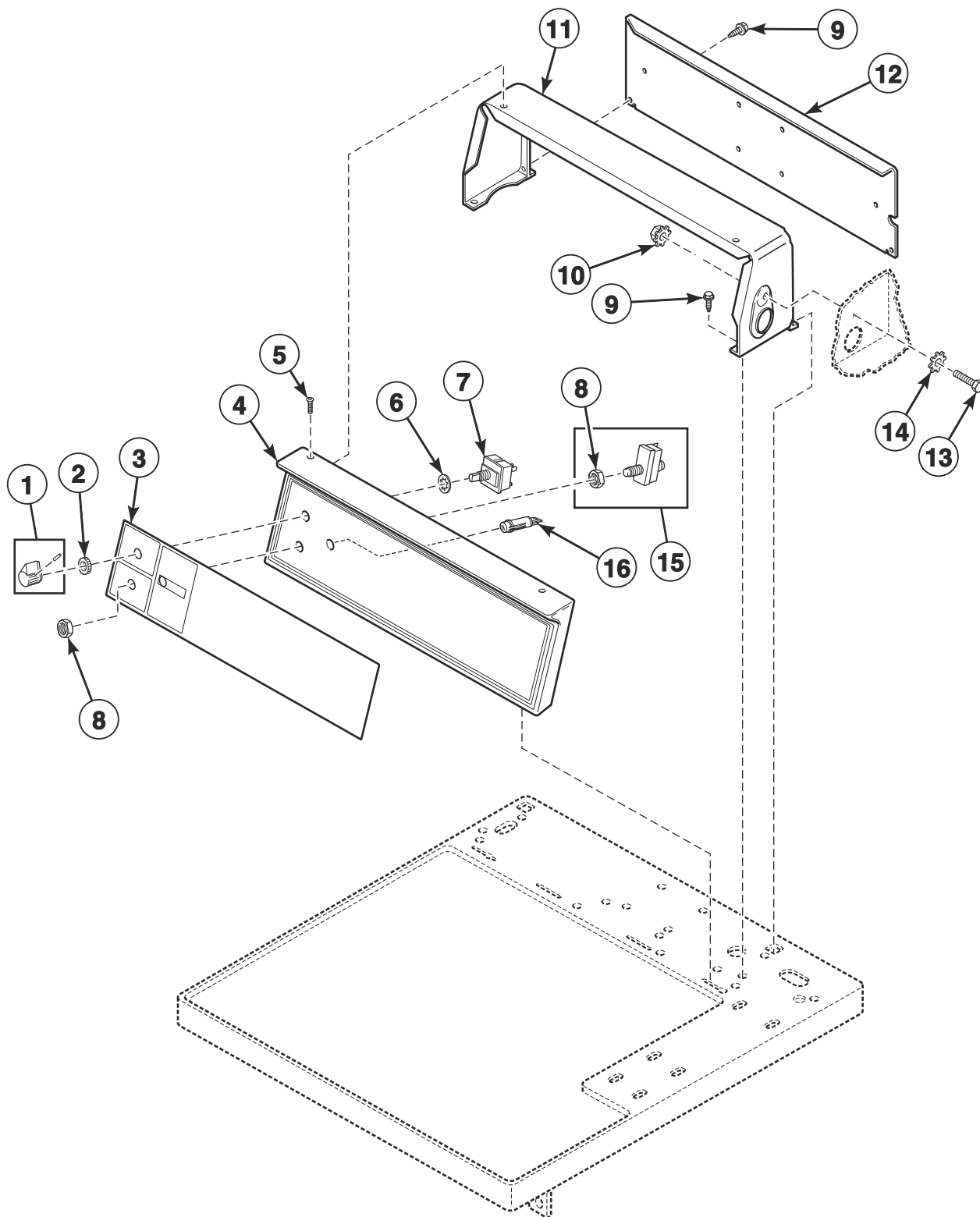
DRY2503P_D518074

Control Panel, Control Hood and Controls - Nonmetered Rear Control Models

REF	PART NO.	DESCRIPTION	COMMENTS
1	39897	Switch Knob	
2	24205	Nut	
3	D515564	Control Panel Overlay	Models NDEMNRGS303NW22, NDEMNRGS303UW01, NDEMNRGS543NW22, NDGMNRGS303NW22 and NDGMNRGS543NW22
	D515526	Control Panel Overlay	Models SDEMNRGS303WW01, SDEMNRGS433AW01 and SDGMNRGS303ZW01
	D515557	Control Panel Overlay	Models BDEMNRGS433AW01 and BDGMNRGS303AW01
	D515570	Control Panel Overlay	Models GDEMNRGS303UW01 and GDEMNRGS543NW01
	D515568	Control Panel Overlay	Models KDEMNRGS303UW01, KDGMNRGS303EW01 and KDGMNRGS303UW01
	D515564	Control Panel Overlay	Model NDEMNRGS303WW01
	D517288	Control Panel Overlay	Model KDEMNRGS303BW33
4	D501086	Screw	
5	210109W	End Cap	Left
6	52864	Screw	Phillips head
	35528	Screw	Torx head
7	91029	Washer	
8	201686	Cycle Selector Switch	
9	D511253W	Control Hood	White
10	D511254	Rear Panel	
11	804608	Screw	
12	D517526	Control Assembly	
13	801431	Light	
14	D511711	Temperature Selector Switch	
15	210108W	End Cap	Right
16	D515578W	Control Panel Assembly	White
17	70455101	Rocker Switch	
18	54678	Timer Knob	
19	52947	Nut	

Control Panel and Control Hood - Coin Slide Rear Control Models

Models GDESCRGS303UW01, GDESCRGS543ZW01, GDLSRGS543ZW01, HDESXRGS303UW01, HDESXRGS403UW01, KDESXRGS303UW01, KDGSXRGS303EW01, NDESXRGS303NW22, NDESXRGS543NW22, NDGSXRGS303NW22, NDGSXRGS543NW22, SDESXRGS303BW01, SDESXRGS303UG01, SDESXRGS303UW01, SDESXRGS303WW01, SDESXRGS303ZW01, SDESXRGS403UW01, SDESXRGS433AW01, SDESXRGS543NW22, SDGSXRGS303AW01 and SDGSXRGS303EW01

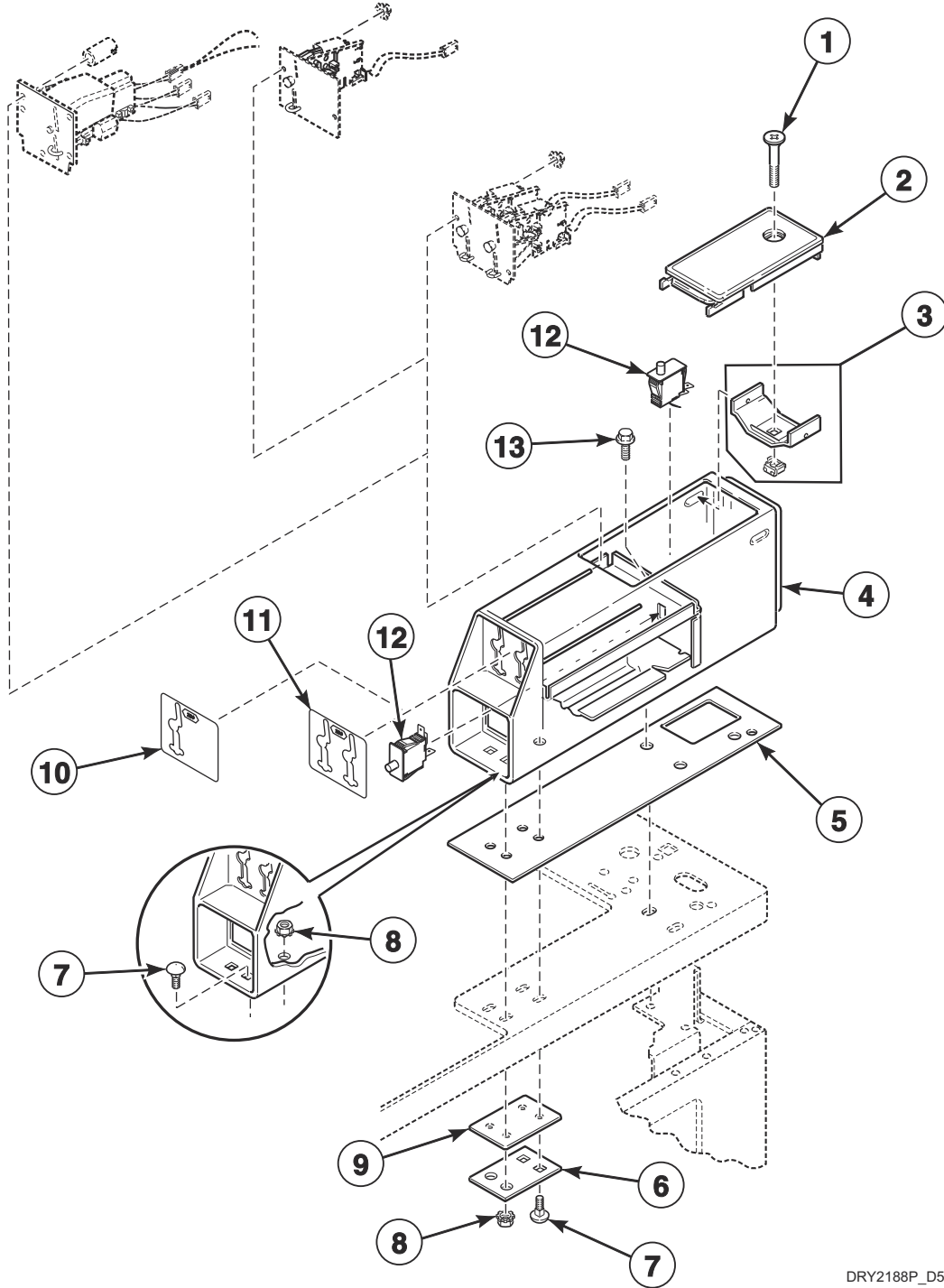


DRY2504P_D518074

Control Panel and Control Hood - Coin Slide Rear Control Models

REF	PART NO.	DESCRIPTION	COMMENTS
1	39897	Switch Knob	
2	24205	Nut	
3	D515563	Control Panel Overlay	Models NDESXRG303NW22, NDESXRG3543NW22, NDGSXRG303NW22 and NDGSXRG3543NW22
	D515551	Control Panel Overlay	Models HDESXRG303UW01 and HDESXRG403UW01
	D515569	Control Panel Overlay	Models GDESCRG303UW01, GDESCRG3543ZW01 and GDLSXRG3543ZW01
	D515567	Control Panel Overlay	Models KDESXRG303UW01 and KDGSXRG303EW01
	D515525	Control Panel Overlay	Models SDESXRG303BW01, SDESXRG303UG01, SDESXRG303UW01, SDESXRG303WW01, SDESXRG303ZW01, SDESXRG403UW01, SDESXRG433AW01, SDESXRG3543NW22, SDGSXRG303AW01 and SDGSXRG303EW01
4	D501738W	Control Panel and Bracket Assembly	White
	D501738DG	Control Panel and Bracket Assembly	Gray
	D501738Q	Control Panel and Bracket Assembly	Bisque
5	52864	Screw	
	35528	Screw	Optional for added security
6	91029	Washer	
7	D511711	Temperature Selector Switch	
8	52947	Nut	
9	D501086	Screw	
10	29786	Nut	
11	D502567W	Control Hood	White
	D502567DG	Control Hood	Gray
	D502567Q	Control Hood	Bisque
12	804886	Hood Back Panel	
13	02916	Screw	
14	M400017	Washer	
15	55882	Switch Assembly	Includes item 8
16	801431	Light	

Meter Case - Rear Control Coin Drop Models



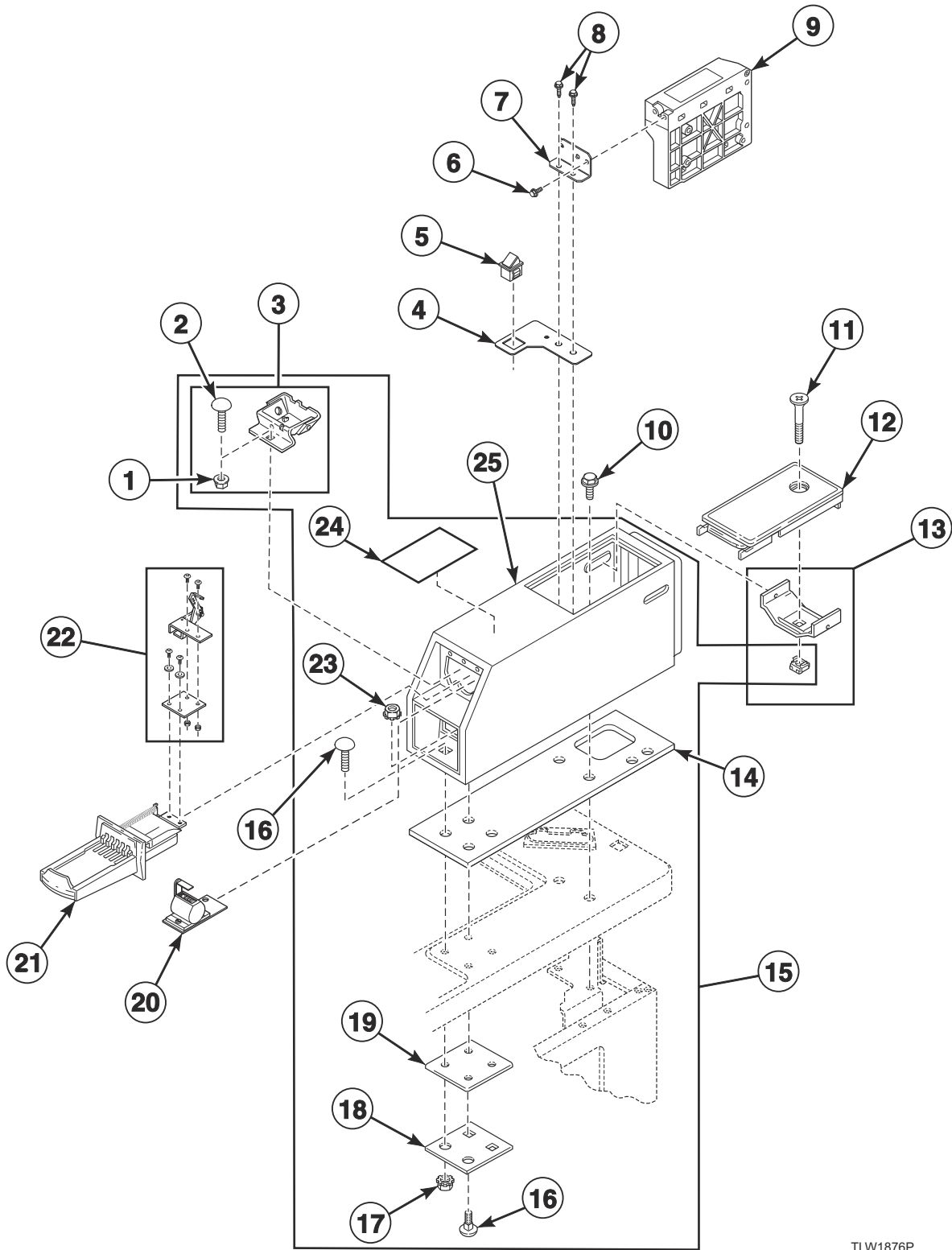
DRY2188P_D518074

Meter Case - Rear Control Coin Drop Models

REF	PART NO.	DESCRIPTION	COMMENTS
	D518450	Instruction Label	Icon; Models HDEBXRGS543FW01 and SDEBXRGS543FW01
	D502783	Instruction Label	Icon; All other models
	D500628	Instruction Label	English
1	D503673	Screw	
2	39874DG	Service Door Assembly	Gray; Models PDEBXRGS433AG02 and PDGBXRGS303AG02
	39874WP	Service Door Assembly	White; All other models
3	204616	Meter Case Locking Bracket Kit	
4	807401DG	Meter Case Assembly	Gray; Models PDEBXRGS433AG02 and PDGBXRGS303AG02
	202877W	Meter Case Assembly	White; All other models
5	26354	Meter Case Gasket	
6	35525	Meter Case Lockdown Bracket	
7	203798	Bolt	Through 11/21/22
	2916	Screw	Starting 11/22/22
8	29786	Nut	Through 11/21/22
	44087101	Nut	Starting 11/22/22
	M400017	Washer	Starting 11/22/22
9	35526	Meter Case Bracket Gasket	
10	38717	Single Overlay	For non-electronic coin drops
	201091	Overlay	For electronic coin drops
11	39073	Dual Overlay	
12	70529301	Switch	
13	36048	Screw	

Coin Slide Extension, Meter Case and Control

Models GDESCRGS303UW01, GDESCRGS543ZW01, GDLSRGS543ZW01, HDESCRGS303UW01, HDESCRGS403UW01, KDESCRGS303UW01, KDGSXRG303EW01, NDESCRGS303NW22, NDESCRGS543NW22, NDGSXRG303NW22, NDGSXRG543NW22, SDESCRGS303BW01, SDESCRGS303UG01, SDESCRGS303UW01, SDESCRGS303WW01, SDESCRGS303ZW01, SDESCRGS403UW01, SDESCRGS433AW01, SDESCRGS543NW22, SDGSXRG303AW01 and SDGSXRG303EW01

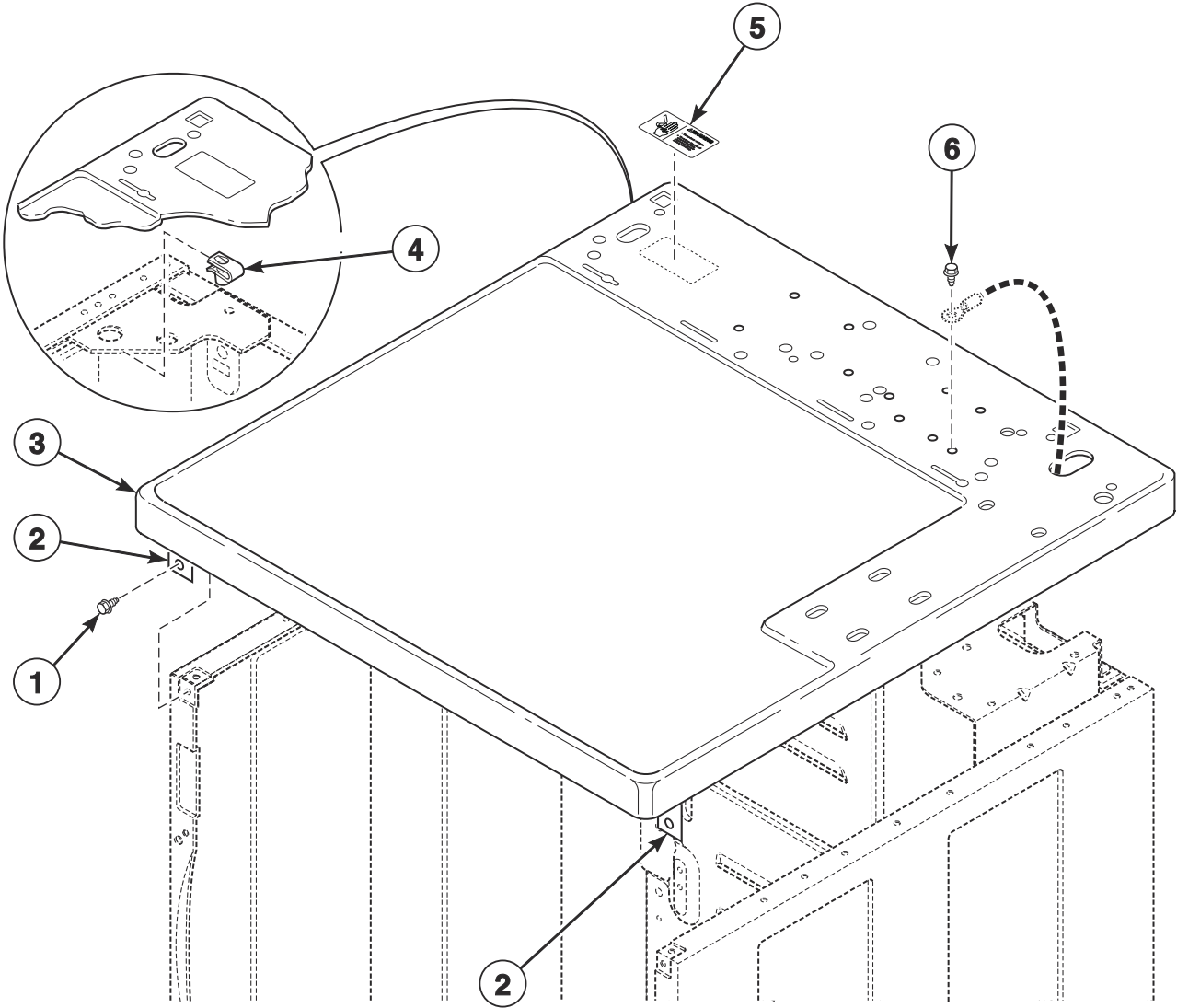


TLW1876P

Coin Slide Extension, Meter Case and Control

REF	PART NO.	DESCRIPTION	COMMENTS
1	29796	Nut	
2	29651	Bolt	
3	523P3	Coin Funnel Kit	
4	803662	Bracket	
5	70529301	Switch	
6	D501524	Screw	
7	201581	Chassis Mounting Bracket	
8	D503688	Screw	
9	D517526	Control Assembly	
10	36048	Screw	
11	D503673	Screw	
12	39874QP	Service Door Assembly	Bisque
	39874WP	Service Door Assembly	White
13	204616	Meter Case Locking Bracket Kit	
14	26354	Meter Case Gasket	
15	807398W	Meter Case Kit	White; Includes items 3, 14, 16-19 and 23
16	203798	Bolt	
17	29786	Nut	
18	35525	Meter Case Lockdown Bracket	
19	35526	Meter Case Bracket Gasket	
20	201280P	Mechanical Counter Kit Assembly	
21	CK001	Coin Slide Kit	U.S.A.; Includes small capacity coin box
	CK009	Coin Slide Kit	STD-118-1 Token; Includes small capacity coin box
	CK010P	Coin Slide Kit	STD-118-5 Token; Includes small capacity coin box
	CK011	Coin Slide Kit	STD-118-10 Token; Includes small capacity coin box
	CK014	Coin Slide Kit	U.S.A.; Includes small capacity coin box
	CK017	Coin Slide Kit	Chilly Willy Token; Includes small capacity coin box
	CK027	Slide	Tokette; Includes small capacity coin box
22	200913	Coin Slide Extension Kit	Includes spring and items 4 and 5
	804794	Spring	
23	802337	Nut	
24	D502783	Instruction Label	Icon
	D500628	Instruction Label	English
25	807402DG	Meter Case Assembly	Gray; Model SDESXRG303UG01

Cabinet Top - Rear Control Models



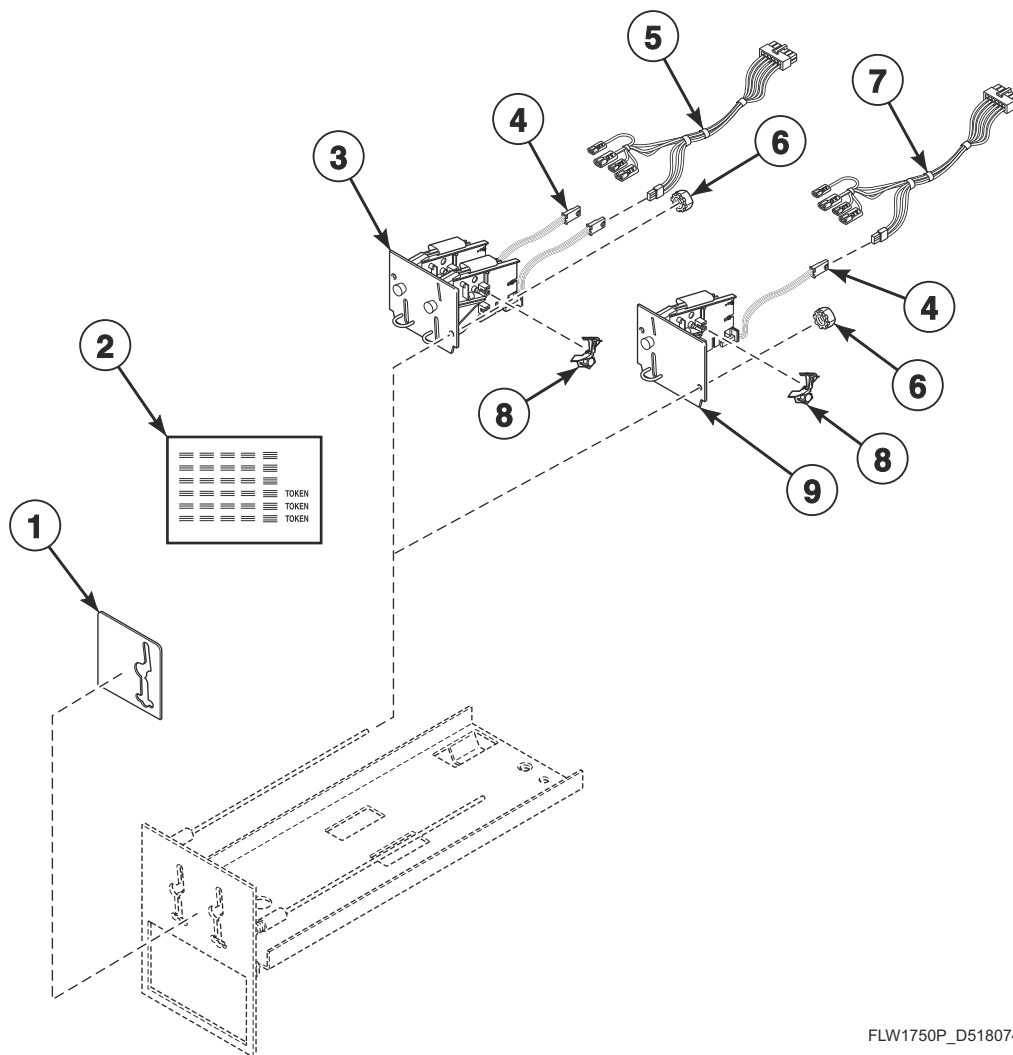
DRY2181P_D518074

Cabinet Top - Rear Control Models

REF	PART NO.	DESCRIPTION	COMMENTS
1	D503688	Screw	
2	D510146	Bracket	
3	D505885DG	Top Panel	Gray; Models PDEBXRGS433AG02, PDGBXRGS303AG02 and SDESXRGS303UG01
	D511530WP	Top Panel Kit	White; Includes item 2; Models BDEMNRGS433AW01, BDGMNRGS303AW01, GDEMNRGS303UW01, GDEMNRGS543NW01, KDEMNRGS303BW33, KDEMNRGS303UW01, KDGMNRGS303EW01, KDGMNRGS303UW01, NDEMNRGS303NW22, NDEMNRGS303UW01, NDEMNRGS303WW01, NDEMNRGS543NW22, NDGMNRGS303NW22, NDGMNRGS543NW22, SDEMNRGS303WW01, SDEMNRGS303ZW01, SDEMNRGS433AW01 and SDGMNRGS303ZW01
	D511527WP	Top Kit	White; All other models
4	27222	Nut	
5	D500316	Warning Label	
6	D503688	Screw	

Non-Electronic Coin Drop

Coin Drop Models



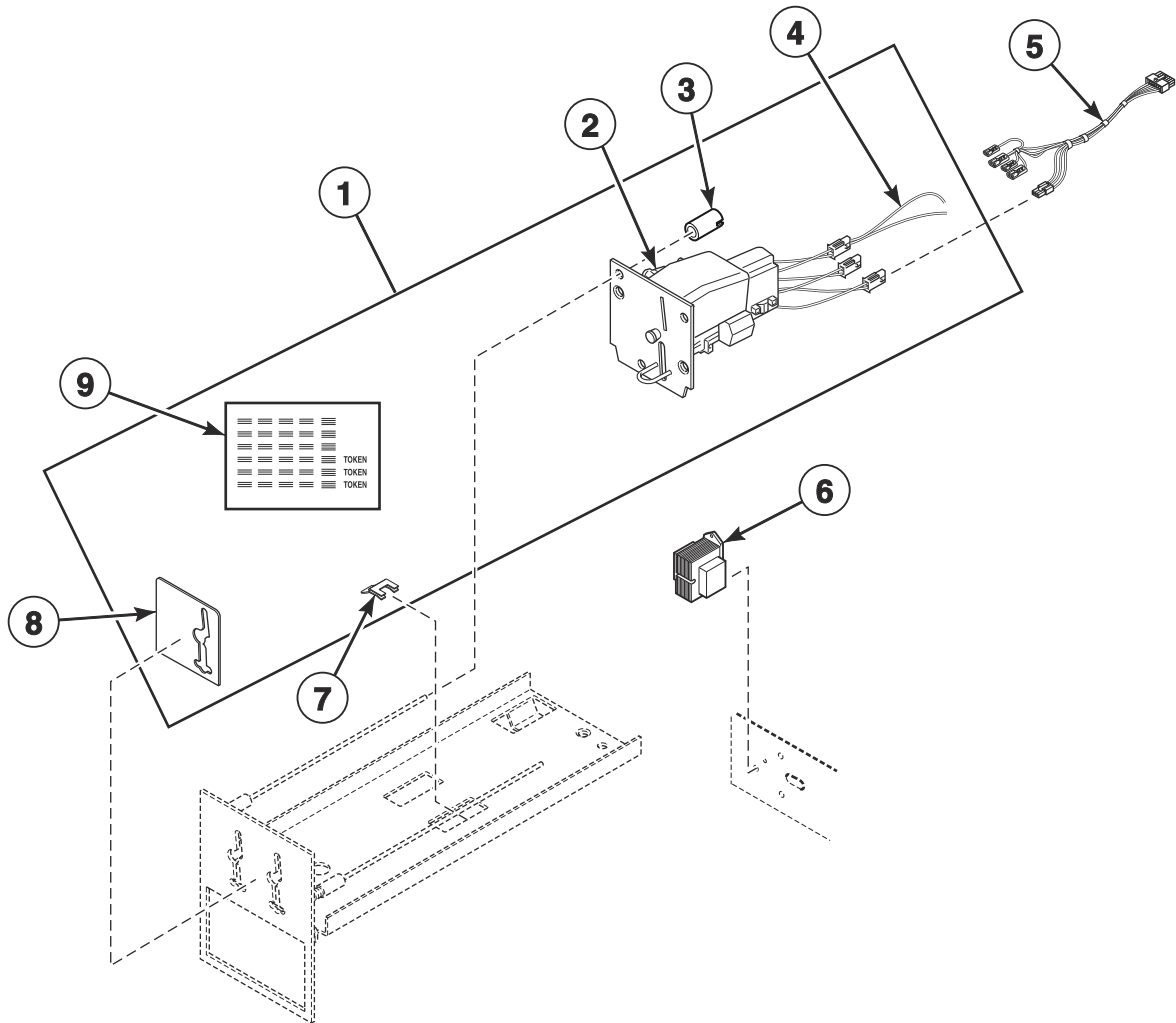
FLW1750P_D518074

Non-Electronic Coin Drop

REF	PART NO.	DESCRIPTION	COMMENTS
1	D512821	Single Overlay	Models GDEBXABW303UN01, GDEBXABW403UN01 and GDGBXABW303UN01
	38717	Single Overlay	All other models
2	38725	Coin Identification Paper	
3	70441602	Coin Drop Assembly	Canada; 0.25 and 1.00
	70441603	Coin Drop	U.S.A.; \$0.25 and \$1.00
4	200674P	Opto Coupler	
5	202871	Dual Coin Harness Assembly	
6	29786	Nut	
7	202870	Single Coin Harness Assembly	
8	201595P	Wire Guard	Anti-stringing security device
9	70441601P	Coin Drop	U.S.A.; \$0.25
	38464P	Coin Drop Assembly	Canada; 0.25
	38462P	Coin Drop Assembly	Token; STD-118-1
	38463	Coin Drop Assembly	Token; STD-118-5
	38963P	Coin Drop	Token 118-16 not available; Replacement for 38963P Coin Drop only

Electronic Coin Drop

Coin Drop Models

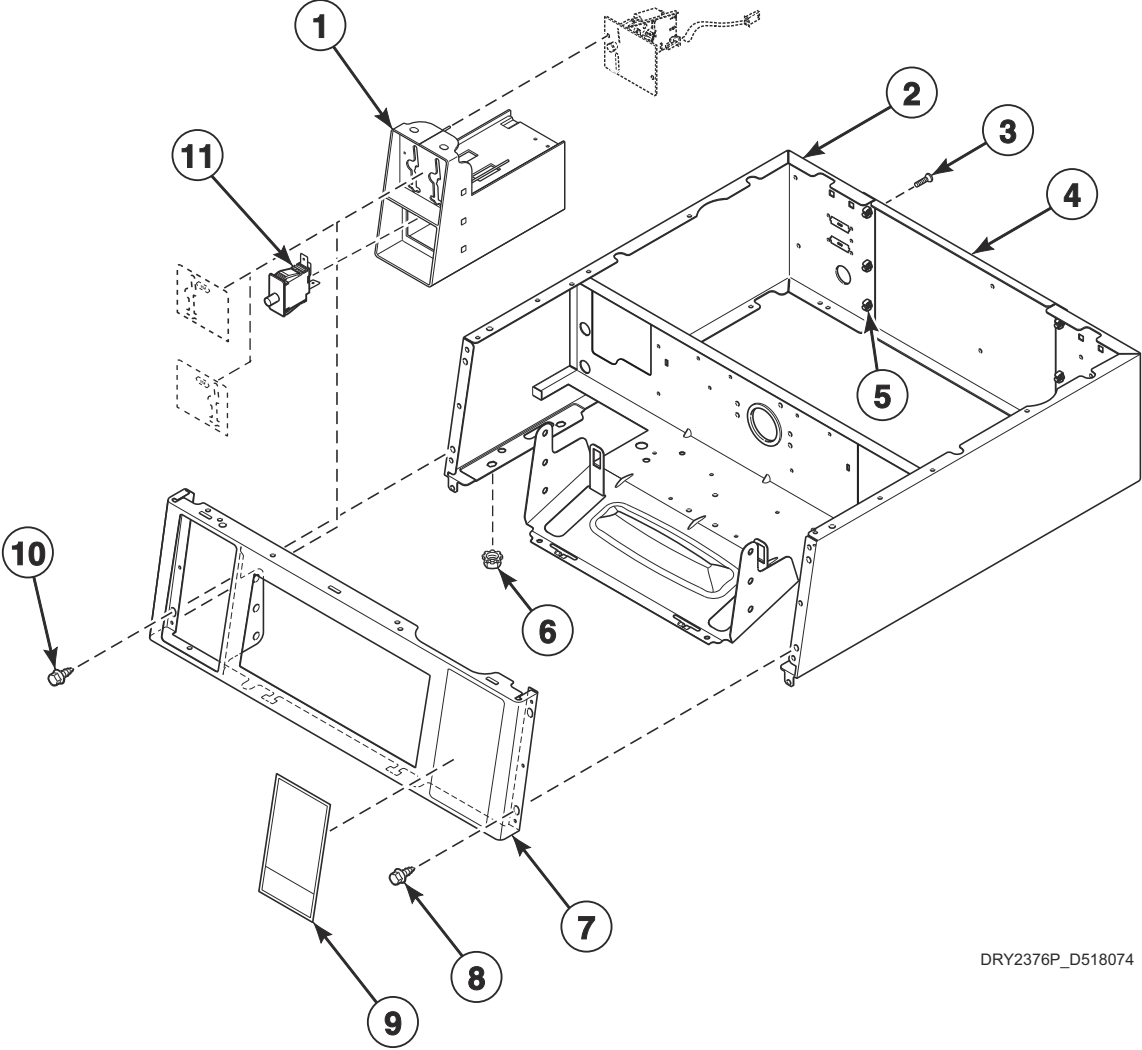


FLW1005P_D518074

Electronic Coin Drop

REF	PART NO.	DESCRIPTION	COMMENTS
1	CK110	Electronic Coin Drop Kit	Includes items 2-3 and 7-9; Mexico, Ecuador and United States coins
	CK115	Electronic Coin Drop Kit	Includes items 2-3 and 7-9; United States and Canada coins
2	70513306	Electronic Coin Drop Assembly	Mexico, Ecuador and United States coins
	70294122	Electronic Coin Drop Assembly	Great Britain and token coins
3	201216	Nut	
	29786	Nut	Use on front control models with no guide rods
4	201104	Coin Drop Wire Harness	
5	802905	Harness Assembly	Electronic coin drop requires this harness. If unit is not factory-equipped with this harness, it must be ordered separately.
6	201375P	Transformer	Electronic coin drop requires this transformer. If unit is not factory-equipped with this transformer, it must be ordered separately.
7	201572	Clip	
8	D512821	Single Overlay	Models GDEBXABW303UN01, GDEBXABW403UN01 and GDGBXABW303UN01
	201091	Overlay	All other models
9	38725	Coin Identification Paper	

Control Cabinet Controls - 10 Degree Front Control Models

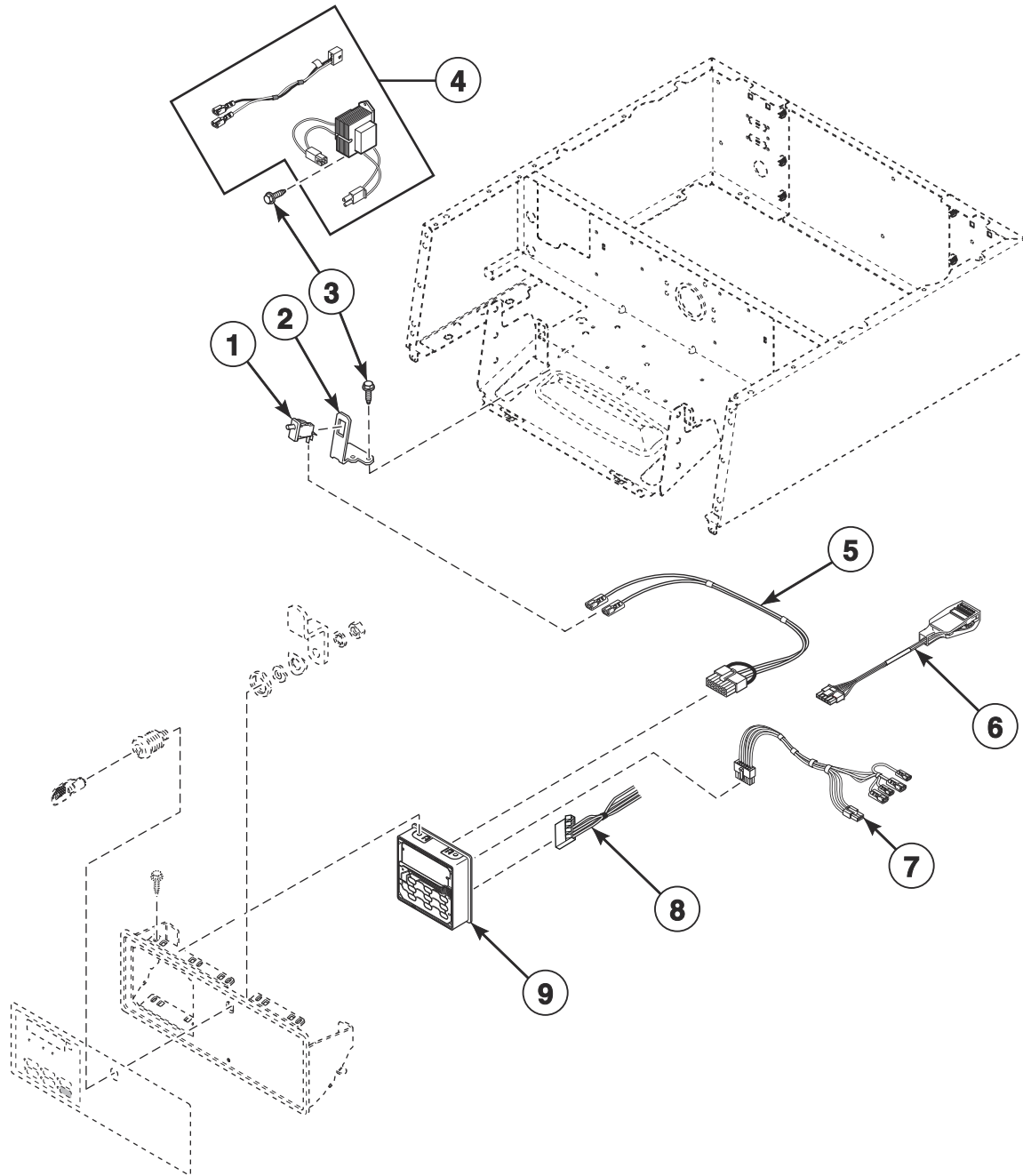


DRY2376P_D518074

Control Cabinet Controls - 10 Degree Front Control Models

REF	PART NO.	DESCRIPTION	COMMENTS
	D513000	Nameplate	Models GDEBGABW303UN01, GDEBGABW403UN01, GDEBXABW303UN01, GDEBXABW403UN01, GDGBGABW303UN01 and GDGBXABW303UN01
1	D515219	Meter Case Assembly	Gray; Models GDEBXABW303UN01, GDEBXABW403UN01, GDGBGABW303UN01, GDGBXABW303UN01 and KDGBXACW303UN01
	807254DG	Meter Case Assembly	Gray; Model SDEJXAGS443UG16
	807396W	Meter Case Assembly	White; Requires high capacity coin vault; All other models
2	D515216	Security Wrapper Assembly	Gray; Models GDEBGABW303UN01, GDEBGABW403UN01, GDEBXABW303UN01, GDEBXABW403UN01, GDGBGABW303UN01, GDGBXABW303UN01 and KDGBXACW303UN01
	804104DG	Wrapper Assembly	Gray; Model SDEJXAGS443UG16
	804104W	Wrapper Assembly	White; All other models
3	70240301	Screw	6 required
4	807646	Rear Access Panel	
5	70030501	Expansion Clip	6 required
6	44087201	Nut	
7	D515218	Control Panel	Gray; Models GDEBXABW303UN01, GDEBXABW403UN01, GDGBXABW303UN01 and KDGBXACW303UN01
	D515217	Control Panel	Gray; Models GDEBGABW303UN01, GDEBGABW403UN01 and GDGBGABW303UN01
	806541DG	Control Panel	Gray; No label; Model SDEJXAGS443UG16
	803962WP	Control Panel	White; All other models
8	M405188	Screw	Use with stainless steel side panels
	D503688	Screw	Use with painted side panels
9	D515213	Operating Instruction Label	Models GDEBXABW303UN01, GDEBXABW403UN01, GDGBXABW303UN01 and KDGBXACW303UN01
	D514393	Operating Instructions Label	English; Models BDEBXAGS433AW01, BDGBXAGS303AW01, BDGBXAGW303AW01, NDGBXAGS303EW01 and SDEBXAGS433AW01
	D515211	Instruction Overlay	Models GDEBGABW303UN01, GDEBGABW403UN01 and GDGBGABW303UN01
	D517764	Operating Instructions Label	Model HDEBXAGS543FW01
	D518482	Operating Instructions Label	Models HDGBXAGS113FW01 and SDGBXAGS113FW01
	D514392	Operating Instructions Label	All other models
10	29651	Bolt	
11	70529301	Switch	

Control Panel and Controls - 10 Degree Front Control Models (Drawing 1 of 2)

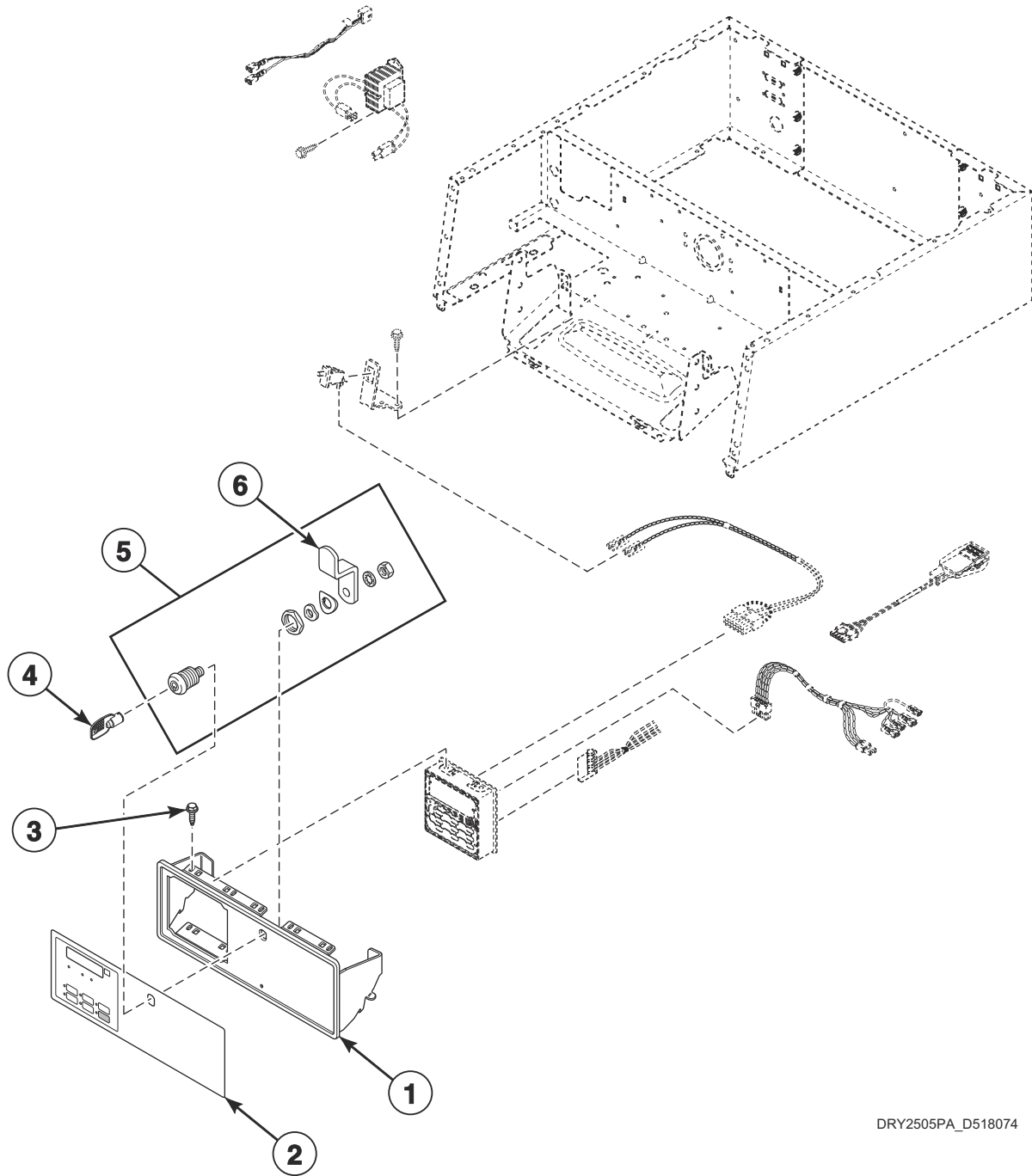


DRY2505P_D518074

Control Panel and Controls - 10 Degree Front Control Models (Drawing 1 of 2)

REF	PART NO.	DESCRIPTION	COMMENTS
1	70529301	Switch	
2	800379	Audit Switch Bracket	
3	D503661	Screw	
4	203423	Transformer Kit	120 Volt
	203424	Transformer Kit	240 Volt
5	202869	Wiring Harness Assembly	Diagnostic; Models GDEBGABW303UN01, GDEBGABW403UN01 and GDGBGABW303UN01
	202868	Wiring Harness Assembly	Diagnostic; All other models
6	203361P	Machine ID Control Assembly	Model or serial number is required when ordering
7	202871	Dual Coin Harness Assembly	Coin drop
8	805427	Central Pay Harness	
9	D517523	Control Assembly	Models BDEBXAGS433AW01, BDGBXAGS303AW01 and BDGBXAGW303AW01
	D517522	Control Assembly	All other models

Control Panel and Controls - 10 Degree Front Control Models (Drawing 2 of 2)

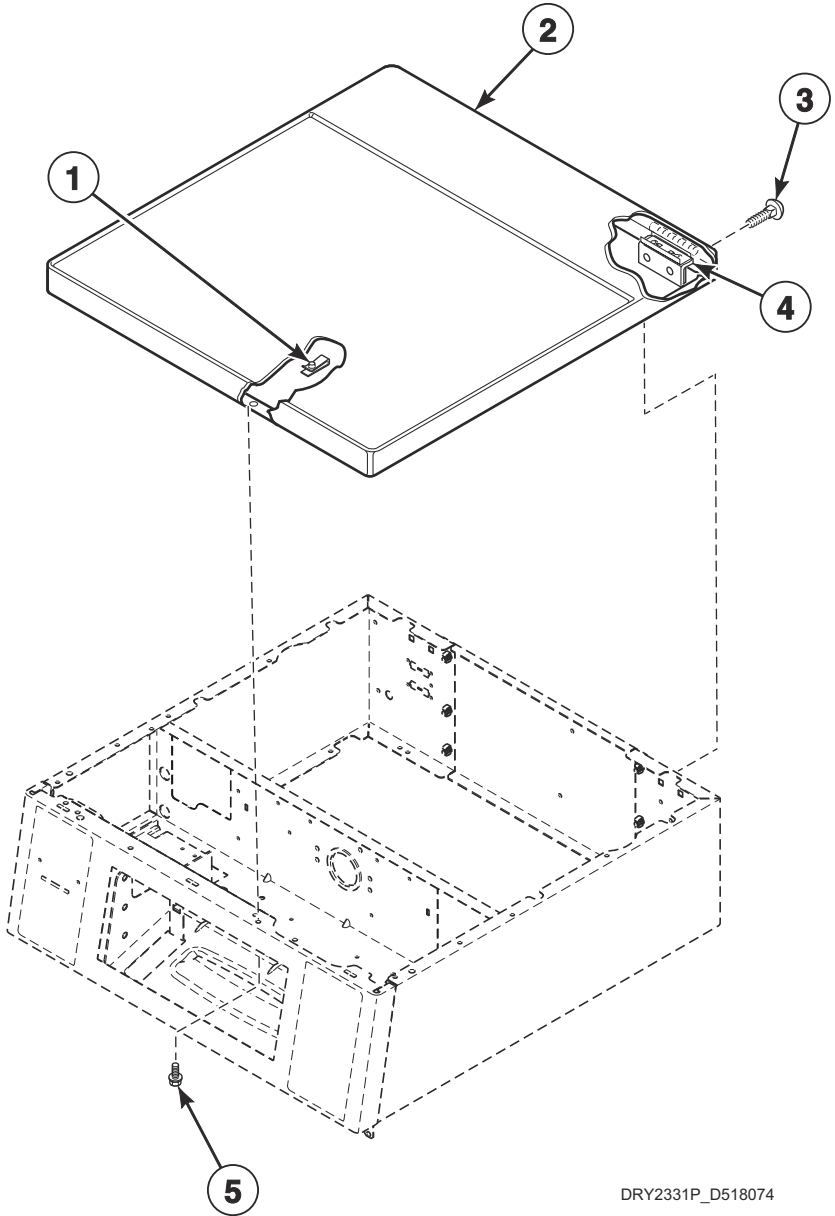


DRY2505PA_D518074

Control Panel and Controls - 10 Degree Front Control Models (Drawing 2 of 2)

REF	PART NO.	DESCRIPTION	COMMENTS
	D513000	Nameplate	Models GDEBGABW303UN01, GDEBGABW403UN01, GDEBXABW303UN01, GDEBXABW403UN01 and GDGBGABW303UN01
1	D515215	Control Panel Assembly	Gray; Models GDEBGABW303UN01, GDEBGABW403UN01, GDEBXABW303UN01, GDEBXABW403UN01, GDGBGABW303UN01, GDGBXABW303UN01 and KDGBXACW303UN01
	D513777DG	Control Panel and Bracket Assembly	Gray; Model SDEJXAGS443UG16
	D513777W	Control Panel and Bracket Assembly	White; All other models
2	D515560	Control Overlay	Models BDEBXAGS433AW01, BDGBXAGS303AW01 and BDGBXAGW303AW01
	D515571	Control Overlay	Models GDEBGABW303UN01, GDEBGABW403UN01, GDEBXABW303UN01, GDEBXABW403UN01, GDGBGABW303UN01, GDGBXABW303UN01 and KDGBXACW303UN01
	D515565	Control Overlay	Models NDEBXAGS303UW01, NDEBXAGS403UW01, NDGBXAGS303EW01 and TDEBXAGS403UW01
	D515530	Control Overlay	Models SDEBXAGS303UW01 and SDEBXAGS403UW01
	D515529	Control Overlay	Models SDEBXAGS433AW01 and SDGBXAGS113FW01
	D514480	Control Overlay	Model SDEJXAGS443UG16
	D515555	Control Overlay	All other models
3	D501524	Screw	
4	54612	Key	800
5	27260P	Lock Kit	Includes item 4
6	804338	Lock Cam	

Cabinet Top - 10 Degree Front Control Models



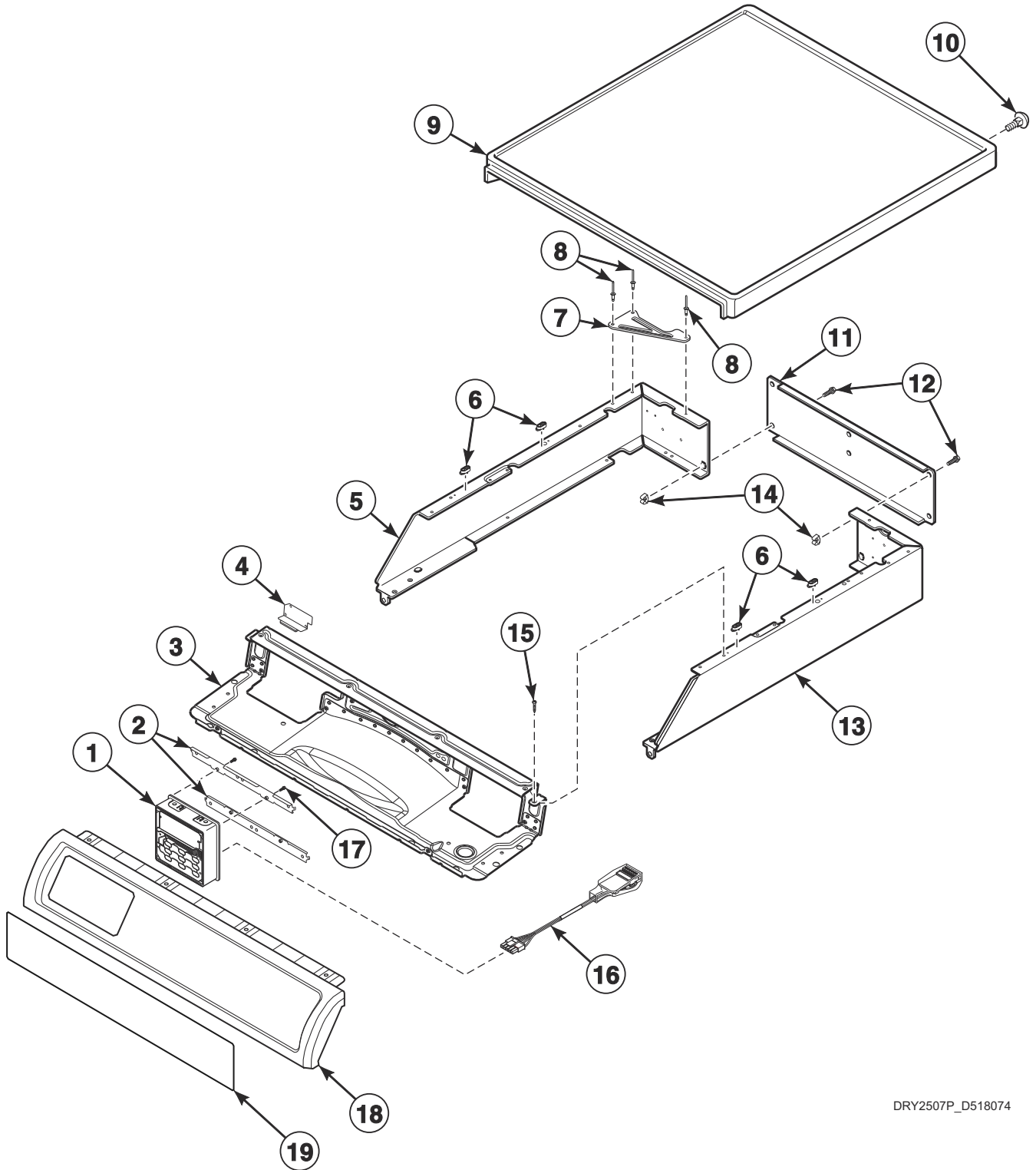
DRY2331P_D518074

Cabinet Top - 10 Degree Front Control Models

REF	PART NO.	DESCRIPTION	COMMENTS
1	36020	Nut	
2	803868WP	Top Panel	White
	804023DG	Top Panel	Gray
	803869	Top Panel	Stainless steel
3	29651	Bolt	
4	D504228	Top Mounting Bracket	
5	23008	Screw	

Control Panel and Controls - 45 Degree Front Control Models

Models BDEBLBGS433AW01, BDGBLBGS303AW01, BDGBLBGW543NW01, NDEBLBGS403UT01, SDEBLBSS403UN01 and SDGBLBSS303EN01



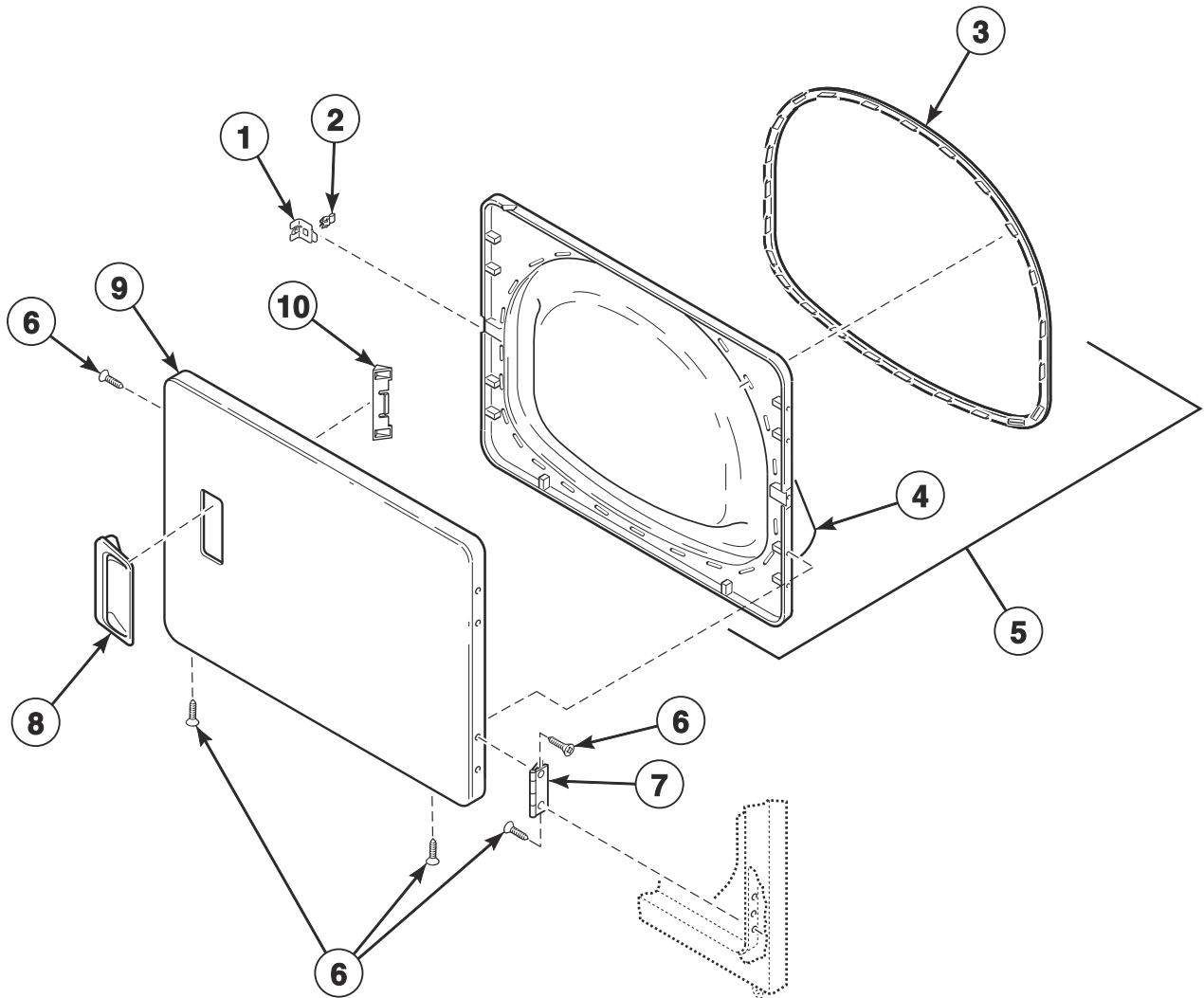
DRY2507P_D518074

Control Panel and Controls - 45 Degree Front Control Models

REF	PART NO.	DESCRIPTION	COMMENTS
	202869	Wiring Harness Assembly	
	805427	Central Pay Harness	
1	D517523	Control Assembly	Models BDEBLBGS433AW01, BDGBLBGS303AW01 and BDGBLBGW543NW01
	D517522	Control Assembly	All other models
2	D514261	Control Bracket	2 required
3	804613	Top Panel Brace Assembly	
4	804741	Control Access Panel	
5	804627B	Control Wrapper	Left; Models SDEBLBSS403UN01 and SDGBLBSS303EN01
	804627W	Control Wrapper	Left; All other models
6	803761	Top Panel Guide	4 required; Use 39733 Screw to attach
7	805345	Rear Wrapper Brace	
8	685847	Pop Rivet	
9	804684	Top Panel	Stainless steel
	804685WP	Top Panel	White
10	D503661	Screw	2 required
11	804614	Rear Access Panel	
12	70240301	Screw	4 required
13	804630B	Control Wrapper	Right; Models SDEBLBSS403UN01 and SDGBLBSS303EN01
	804630W	Control Wrapper	Right; All other models
14	70030501	Expansion Clip	
15	804667	Screw	
16	203361P	Machine ID Control Assembly	Model or serial no. is required when ordering
17	804608	Screw	
18	D514455	Control Panel Assembly	Black
	D514454	Control Panel Assembly	White
19	D515561	Control Overlay	Models BDEBLBGS433AW01, BDGBLBGS303AW01 and BDGBLBGW543NW01
	D515566	Control Overlay	Model NDEBLBGS403UT01
	D515531	Control Overlay	Models SDEBLBSS403UN01 and SDGBLBSS303EN01

Loading Door Without Window

All Models Except BDGBLBGW543NW01, BDGBXAGW303AW01, GDEBGABW303UN01, GDEBGABW403UN01, GDEBXABW303UN01, GDEBXABW403UN01, GDGBGABW303UN01, GDGBXABW303UN01 and KDGBXACW303UN01



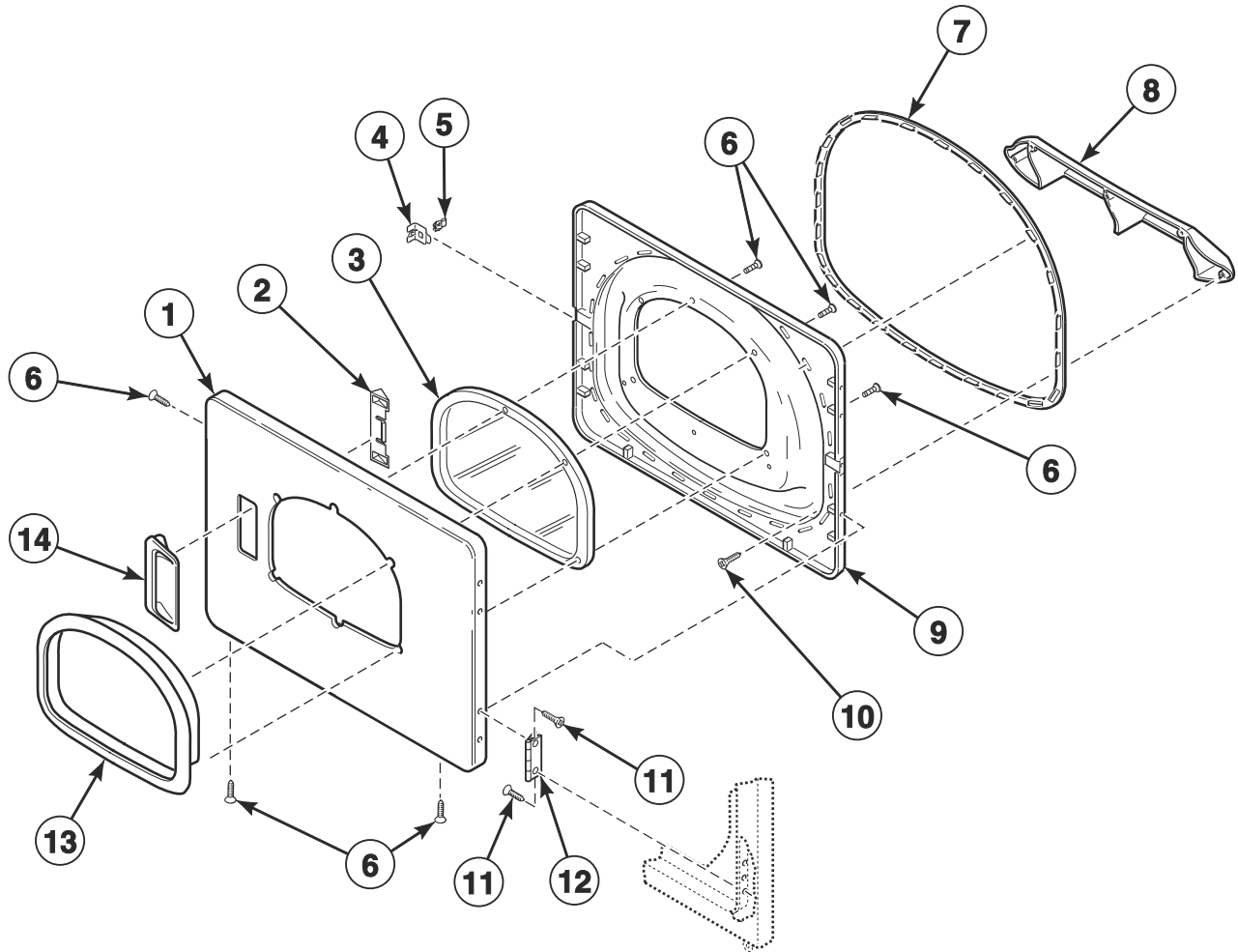
DRY1857P_D518074

Loading Door Without Window

REF	PART NO.	DESCRIPTION	COMMENTS
1	D510127	Door Strike Mount	
2	D510181	Door Strike	
3	D510147P	Liner Door Seal	All models except HDGBXAGS113FW01, SDEBLBSS403UN01, SDGBLBSS303EN01 and SDGBXAGS113FW01
4	D503870LG	Door Liner Grill	Models SDEBLBSS403UN01 and SDGBLBSS303EN01
	D503870W	Door Liner Grill	All other models
5	D516508	Door Liner Assembly	Models HDGBXAGS113FW01, SDEBLBSS403UN01, SDGBLBSS303EN01 and SDGBXAGS113FW01
	D510163WP	Liner, Seal and Grill Assembly	White; Includes item 3 and 4; All other models
6	D500226	Screw	
7	D511036	Hinge	
8	D511213P	Door Pull and Wedge Kit	Black; Includes item 9; Models SDEBLBSS403UN01 and SDGBLBSS303EN01
	D512947	Door Pull	Gray; Includes item 9; Models PDEBXRGS433AG02, PDGBXRGS303AG02, SDEJXAGS443UG16 and SDESXRGS303UG01
	D510103WP	Door Pull and Wedge Kit	White; Includes item 9; All other models
9	D515963	Dryer Door	Stainless steel; Models SDEBLBSS403UN01 and SDGBLBSS303EN01
	D510013DG	Dryer Door	Gray; Models PDEBXRGS433AG02 and PDGBXRGS303AG02
	D515960DG	Dryer Door	Gray; Models SDEJXAGS443UG16 and SDESXRGS303UG01
	D515960W	Dryer Door	White; Models HDGBXAGS113FW01 and SDGBXAGS113FW01
	D510013WP	Dryer Door	White; All other models
10	D510129W	Door Handle Wedge	

Dryer Loading Door With Window

Models BDGBLBGW543NW01 and BDGBXAGW303AW01



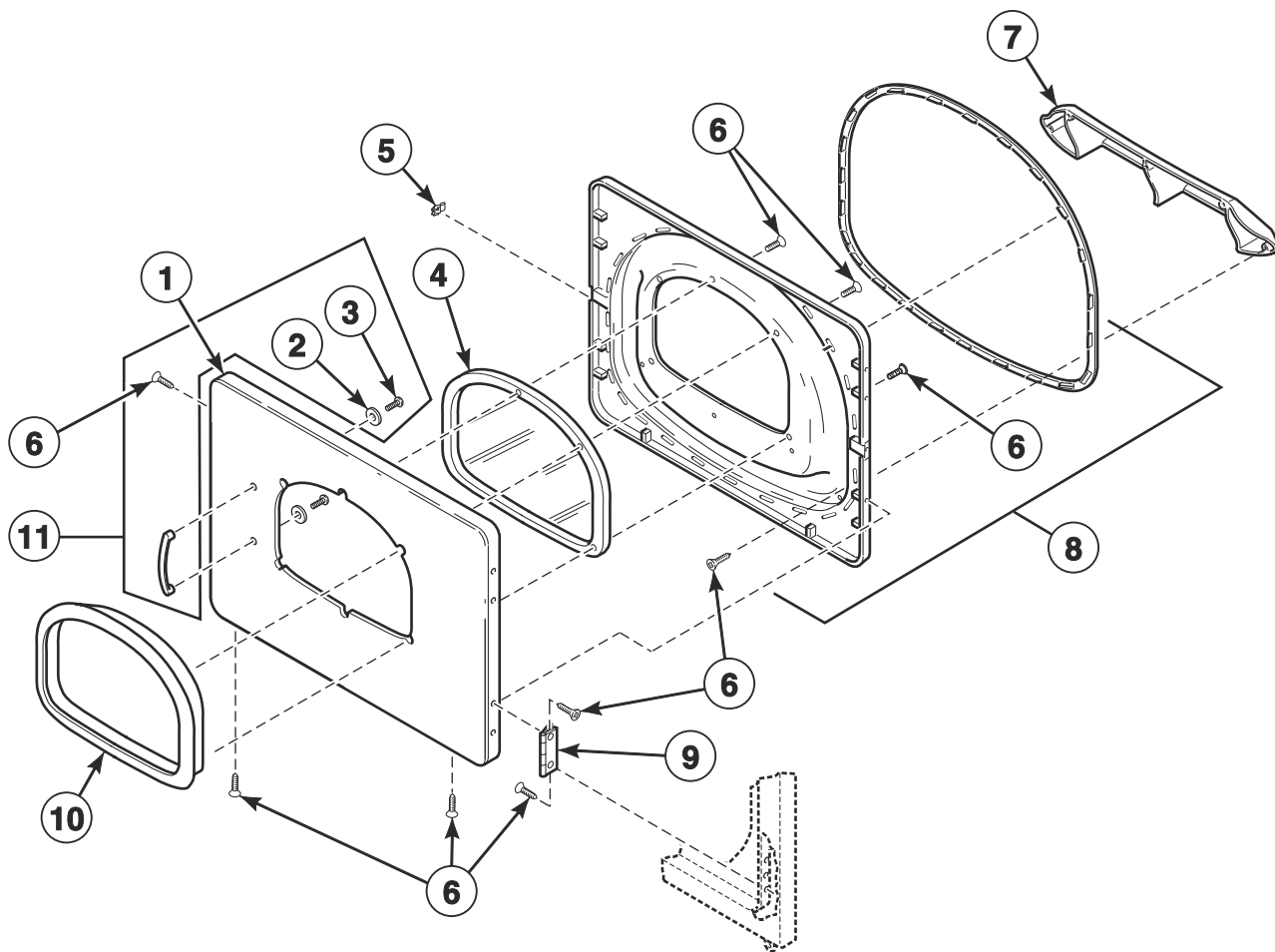
D427P_D518074

Loading Door With Window

REF	PART NO.	DESCRIPTION	COMMENTS
1	D510082WP	Dryer Door	
2	D510129W	Door Handle Wedge	
3	D503982P	Dryer Door Window	
4	D510127	Door Strike Mount	
5	D510181	Door Strike	
6	D500226	Screw	
7	D510147P	Liner Door Seal	
8	D503870W	Door Liner Grill	
9	D516509	Liner and Seal Assembly	Includes item 7
10	D505870	Screw	
11	D505295	Screw	
12	D511036	Hinge	
13	D503981W	Window Trim	White
14	D510103WP	Door Pull and Wedge Kit	Includes item 2
15	D516737W	Door Assembly	White; Includes items 1-10, 13 and 14

Loading Door With Window

Models GDEBGABW303UN01, GDEBGABW403UN01, GDEBXABW303UN01, GDEBXABW403UN01, GDGBGABW303UN01, GDGBXABW303UN01 and KDGBXACW303UN01

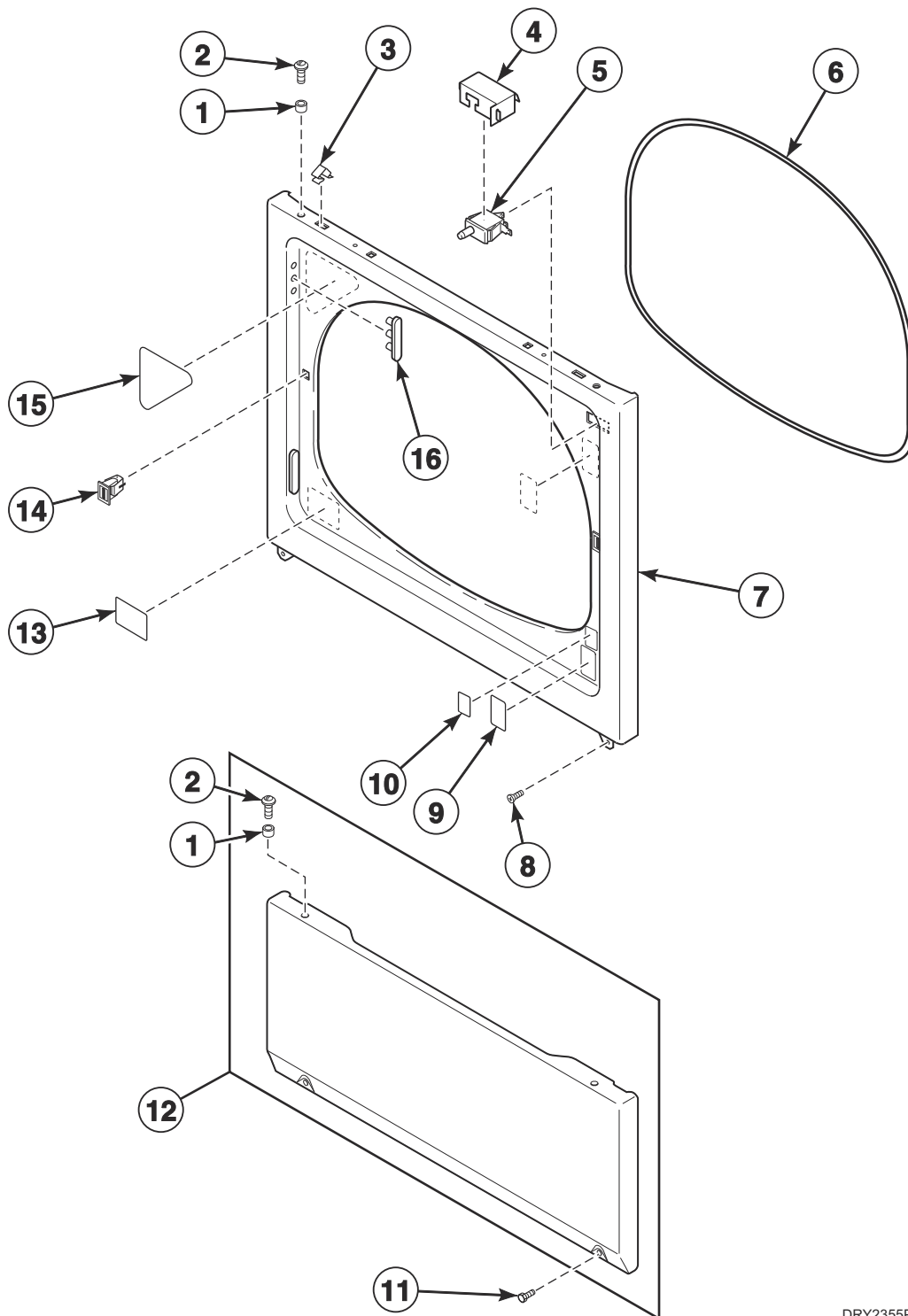


DRY2512P_D518074

Loading Door With Window

REF	PART NO.	DESCRIPTION	COMMENTS
1	D515962	Dryer Door	
2	29260	Washer	
3	D512631	Screw	
4	D515681	Dryer Door Window	
5	D510181	Door Strike	
6	D515967	Screw	Models GDEBGABW303UN01, GDEBGABW403UN01, GDEBXABW303UN01 and GDEBXABW403UN01
	D500226	Screw	Models GDGBGABW303UN01, GDGBXABW303UN01 and KDGBXACW303UN01
7	D503870LG	Door Liner Grill	
8	D516509	Liner and Seal Assembly	
9	D511036	Hinge	
10	D515959	Window Trim	Gray
11	D515656	Door Pull Kit	Includes items 2 and 3

Access Panel, Front Panel and Seal

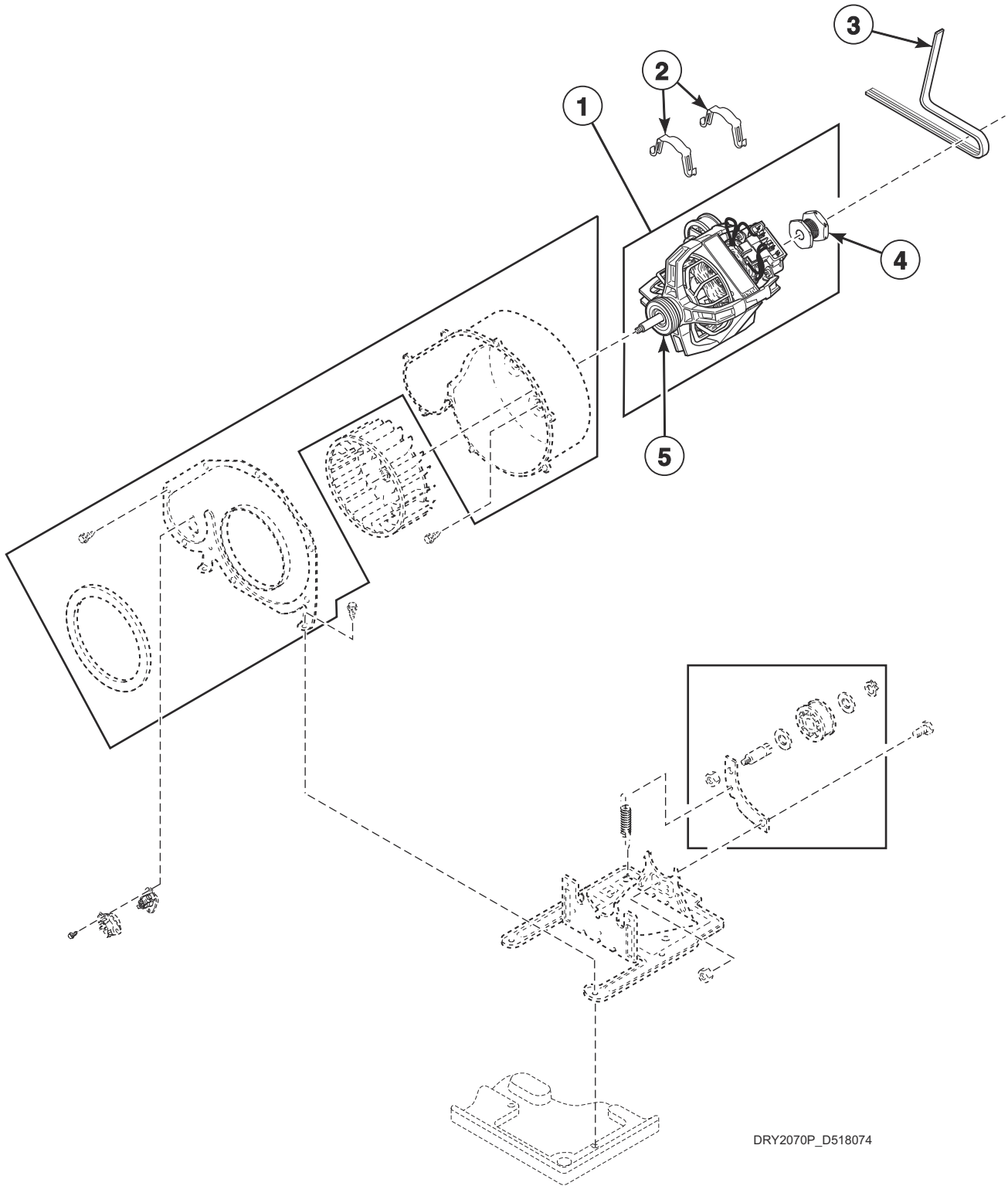


DRY2355P_D518074

Access Panel, Front Panel and Seal

REF	PART NO.	DESCRIPTION	COMMENTS
1	56079	Panel Locator	
2	39733	Screw	
3	28835	Speed Clip	
4	D514602	Motor Shield	
5	D512973	Switch	
6	D511056	Front Panel Seal	
7	D510066WP	Front Panel	White
	D510066DG	Front Panel	Gray
	D512542	Front Panel	Stainless steel
8	D512921	Screw	Use with stainless steel side panels
	D503688	Screw	Use with painted side panels
9	D503887	Label	Models BDEBLBGS433AW01, BDEBXAGS433AW01, BDEMNRGS433AW01, BDGBLBGS303AW01, BDGBXAGS303AW01, BDGBXAGW303AW01, BDGBXRGs303AW01, BDGMNRGS303AW01, HDGBXRGs303NW21, PDEBXRGs433AG02, PDGBXRGs303AG02, SDEBXAGS433AW01, SDESXRGs433AW01, SDGBXRGs113FW01 and SDGBXRGs303AW01
10	D512263	Warning Label	Models BDEBLBGS433AW01, BDEBXAGS433AW01, BDEMNRGS433AW01, BDGBLBGS303AW01, BDGBXAGS303AW01, BDGBXAGW303AW01, BDGBXRGs303AW01, BDGMNRGS303AW01, HDGBXRGs303NW21, PDEBXRGs433AG02, PDGBXRGs303AG02, SDEBXAGS433AW01, SDESXRGs433AW01, SDGBXRGs113FW01 and SDGBXRGs303AW01
11	33562	Screw	
	62853	Screw	Optional for added security
12	D514251	Access Panel Assembly	Stainless steel; Models GDEBGABW303UN01, GDEBGABW403UN01, GDEBXABW303UN01, GDEBXABW403UN01, SDEBLBSS403UN01 and SDGBLBSS303EN01
	D514250DG	Access Panel Assembly	Models PDEBXRGs433AG02, PDGBXRGs303AG02, SDEJXAGS443UG16 and SDESXRGs303UG01
	D514250WP	Access Panel Assembly	White; All other models
13	D502804	Lint Filter Label	Models BDEBLBGS433AW01, BDEBXAGS433AW01, BDEMNRGS433AW01, BDGBLBGS303AW01, BDGBXAGS303AW01, BDGBXAGW303AW01, BDGBXRGs303AW01, BDGMNRGS303AW01, HDGBXRGs303NW21, PDEBXRGs433AG02, PDGBXRGs303AG02, SDEBXAGS433AW01, SDESXRGs433AW01 and SDGBXRGs303AW01
	D502781	Lint Filter Label	Model SDGBXRGs113FW01
14	D510177	Door Catch Assembly	
15	D514863	Front Panel Label	Simplified Chinese
	D517262	Warning/Caution Label	Traditional Chinese
	D516514	Warning Label	Spanish
	D514410	Warning Label	Arabic
	D500281	Warning/Caution Label	English
	D514226	Warning Label	Brazilian Portuguese
16	D510186	Hinge Hole Plug	

Motor and Belt

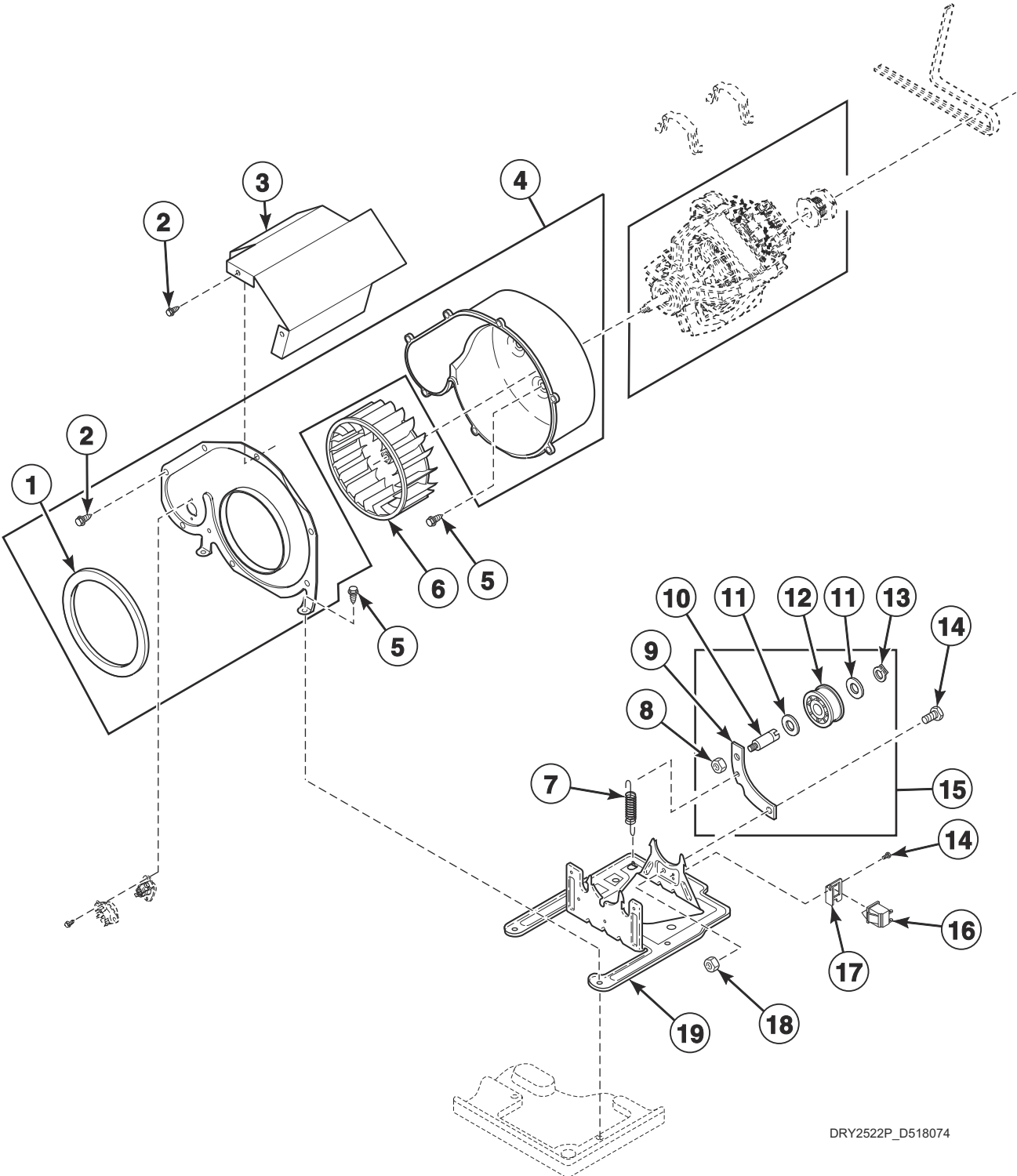


DRY2070P_D518074

Motor and Belt

REF	PART NO.	DESCRIPTION	COMMENTS
	27604P	Anti-Seize Compound	Apply to motor shaft when installing blower fan assembly
1	D505869P	Motor and Pulley Assembly	240 Volt/60 Hertz; Includes items 4-5; Apply anti-seize compound to motor shaft when installing blower fan assembly; Models BDGBLBGW543NW01, GDEMNRGS543NW01, GDESCRGS543ZW01, GDLSCRGS543ZW01, HDEBXAGS543FW01, HDEBXRGS543FW01, NDEMNRGS543NW22, NDESXRGS543NW22, NDGMNRGS543NW22, NDGSXRGS543NW22, SDEBXRGS543FW01, SDEJXAGS443UG16 and SDESXRGS543NW22
	D511629P	Motor and Pulley Assembly	120 Volt/60 Hertz; Includes items 4-5; Apply anti-seize compound to motor shaft when installing blower fan assembly; Models HDGBXAGS113FW01, SDGBXAGS113FW01 and SDGBXRGS113FW01
	D505843P	Motor and Pulley Assembly	240 Volt/50 Hertz; Includes items 4-5; Apply anti-seize compound to motor shaft when installing blower fan assembly; All other models
2	D510180	Motor Mount Clamp	
3	D511255P	Cylinder Belt	
4	D500011	Motor Pulley	60 Hertz; Models BDGBLBGW543NW01, GDEMNRGS543NW01, GDESCRGS543ZW01, GDLSCRGS543ZW01, NDEMNRGS543NW22, NDESXRGS543NW22, NDGMNRGS543NW22, NDGSXRGS543NW22 and SDESXRGS543NW22
	D500222	Motor Pulley	50 Hertz; All other models
5	590P3	Motor Hub Ring Kit	

Exhaust Fan and Idler

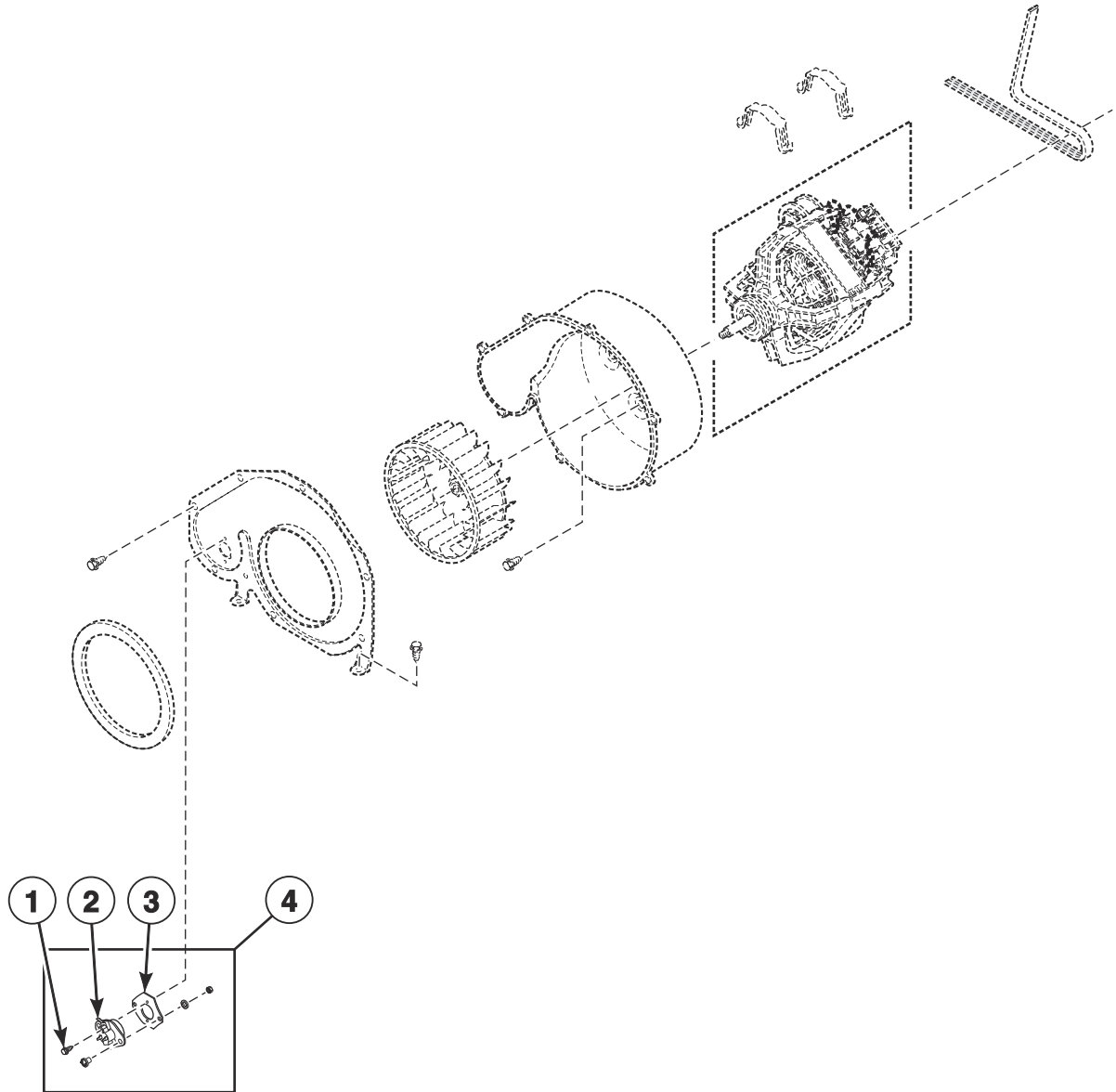


DRY2522P_D518074

Exhaust Fan and Idler

REF	PART NO.	DESCRIPTION	COMMENTS
	27604P	Anti-Seize Compound	Apply to motor shaft when installing blower fan assembly
1	D510238P	Blower Housing Seal	
2	31260	Screw	
3	D514602	Motor Shield	
4	D511969WP	Blower Housing	Includes items 1 and 2
5	D503688	Screw	
6	D510139P	Blower Fan Assembly	Apply anti-seize compound to motor shaft when installing blower fan assembly
7	D510185	Idler Spring	
8	56156	Nut	
9	D516310	Idler Lever	
10	56461P	Shaft	
11	52549	Washer	
12	D510142P	Idler Wheel and Bearing Assembly	
13	23748	Retaining Ring	
14	D500824	Screw	
15	D516792	Idler Lever and Wheel Assembly	Includes items 8-13
16	D516391	Switch	
17	D516311	Motor Switch Bracket	
18	52566	Nut	
19	D518517	Motor Mount	

Thermistor



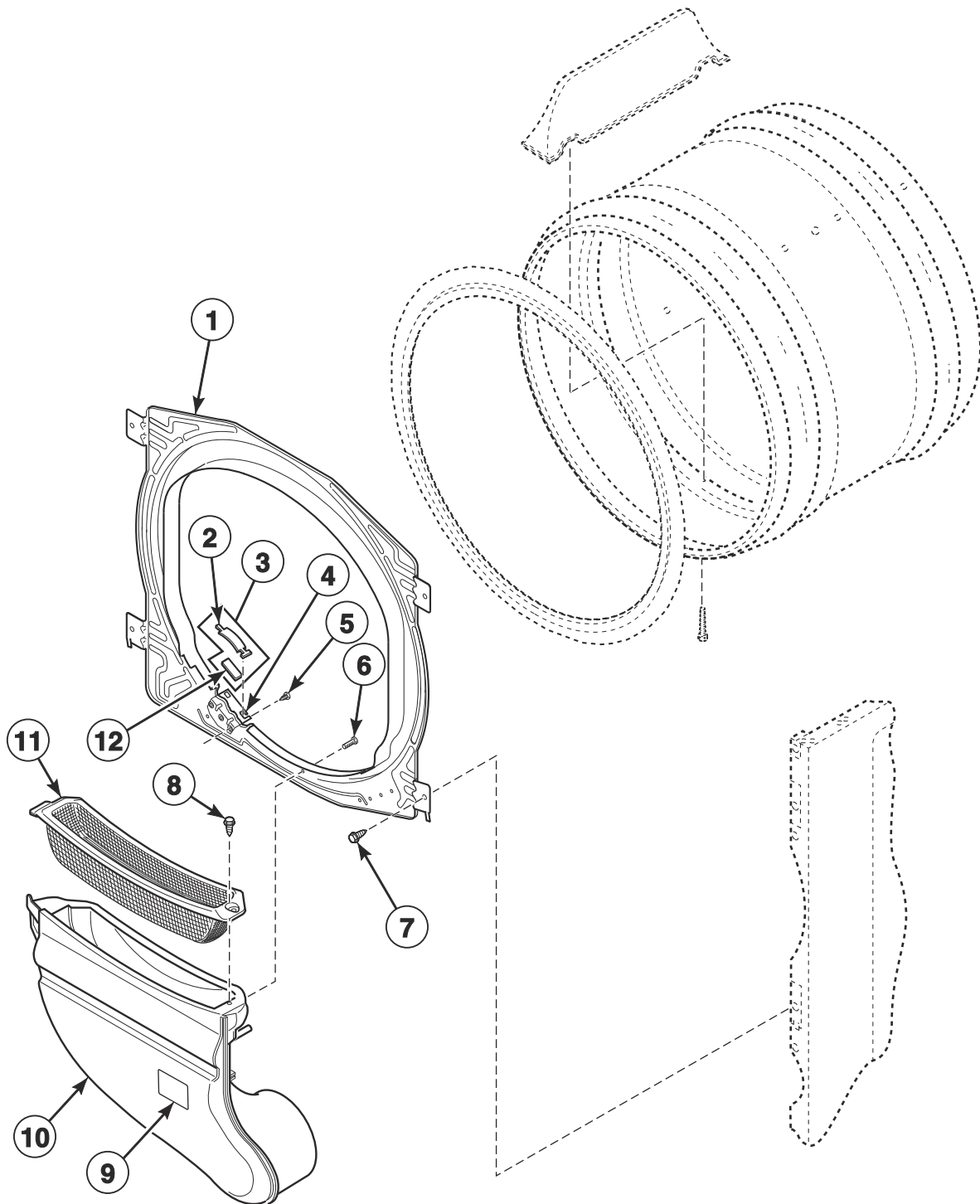
DRY2486P_D518074

Thermistor

REF	PART NO.	DESCRIPTION	COMMENTS
	29443	Washer	
	56156	Nut	
1	D502535	Screw	
2	M414704	Thermistor	
3	D502194	Thermostat Cover	
4	D510523	Thermistor Assembly	Models BDGBLBGW543NW01, GDEMNRGS543NW01, GDESCRGS543ZW01, GDLSCRGS543ZW01, HDEBXAGS543FW01, HDEBXRGS543FW01, HDGBXAGS113FW01, NDEMNRGS543NW22, NDESXRGS543NW22, NDGMNRGS543NW22, NDGSXRGS543NW22, SDEBXRGS543FW01, SDEJXAGS443UG16, SDESXRGS543NW22, SDGBXAGS113FW01 and SDGBXRGS113FW01
	D502366	Thermistor Assembly	All other models; Includes items 2 and 3

Front Bulkhead, Air Duct and Felt Seal (Drawing 1 of 2)

All Models Except GDEBGABW303UN01, GDEBGABW403UN01, GDEBXABW303UN01 and GDEBXABW403UN01



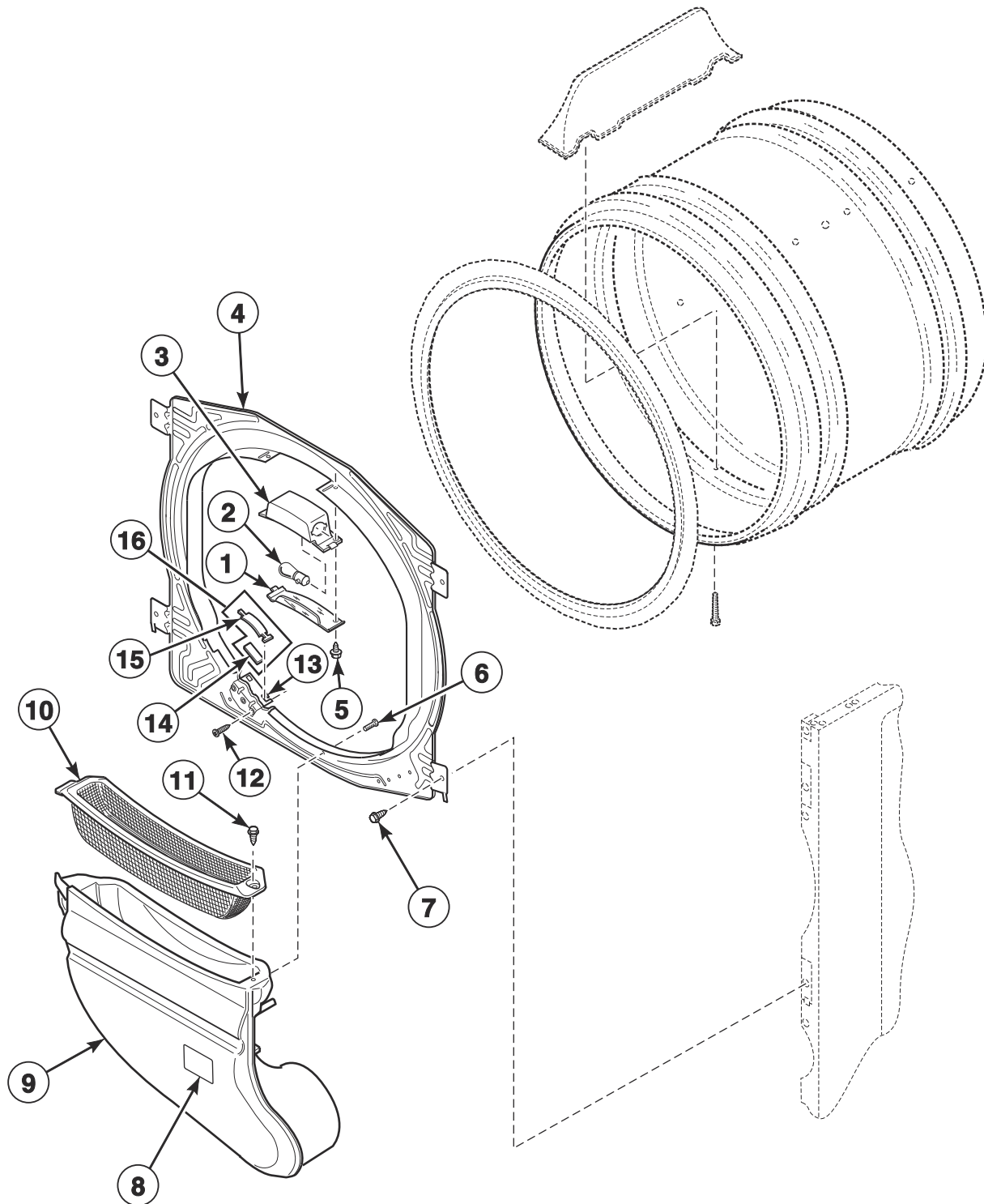
DRY1910P_D518074

Front Bulkhead, Air Duct and Felt Seal (Drawing 1 of 2)

REF	PART NO.	DESCRIPTION	COMMENTS
1	D510266P	Front Bulkhead Assembly	Unpainted; Includes D510207P Cylinder Seal Assembly and items 2-5 and 12
2	D513710	Cylinder Glide	
3	RB170003	Glide Kit	Includes items 2 and 12; Quantity: 2 of each item
4	D510145	Cylinder Glide Bracket	
5	52864	Screw	
6	D500226	Screw	
7	D503688	Screw	
8	D501285	Screw	
9	201149	Electrical Shock Label	Icon
	F8615701	Pinch Warning Label	Icon
	D500314	Warning Label	English
10	D518433	Air Duct Assembly	Models SDEBLBSS403UN01 and SDGBLBSS303EN01
	D518432	Air Duct Assembly	All other models
11	D503980LG	Lint Filter	Light gray; Models SDEBLBSS403UN01 and SDGBLBSS303EN01
	D503980DG	Lint Filter	Dark gray; Models GDGBGABW303UN01, GDGBXABW303UN01 and KDGBXACW303UN01
	D503980W	Lint Filter	White; All other models
12	D510189	Felt Pad	

Front Bulkhead, Air Duct and Felt Seal (Drawing 2 of 2)

Models GDEBGABW303UN01, GDEBGABW403UN01, GDEBXABW303UN01 and GDEBXABW403UN01

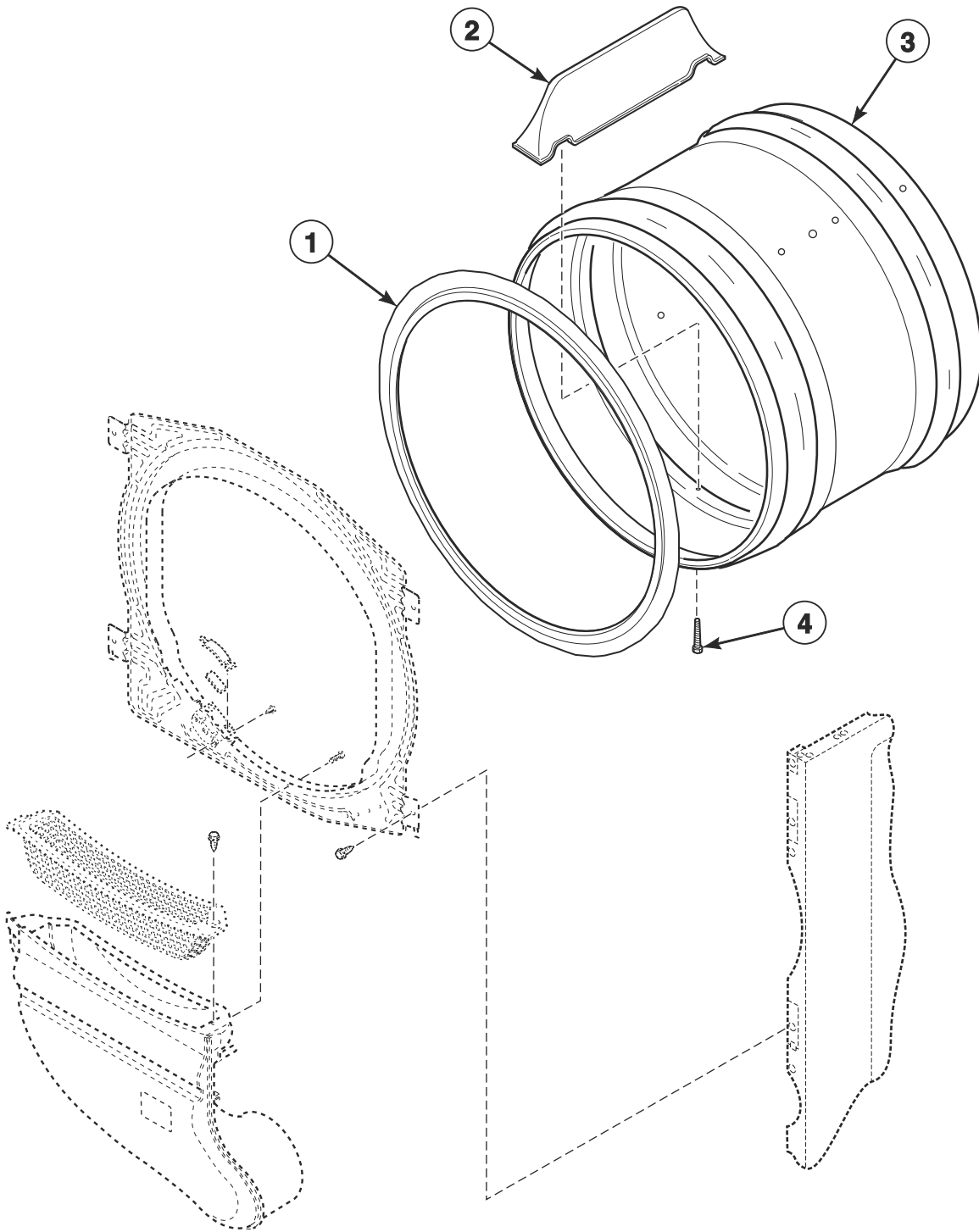


DRY2136P_D518074

Front Bulkhead, Air Duct and Felt Seal (Drawing 2 of 2)

REF	PART NO.	DESCRIPTION	COMMENTS
1	D512106	Cylinder Light Lens	
2	D503579	Drum Light Lamp	240 Volt
3	D512109	Cylinder Light Assembly	240 Volt
4	D512476P	Front Bulkhead Assembly	Galvanized; Includes Cylinder Seal Assembly D510207; 240 Volt Cylinder Light Assemblies and Lamps must be ordered separately
5	D500227	Screw	
6	D500226	Screw	
7	M405188	Screw	
8	201149	Electrical Shock Label	Icon
	F8615701	Pinch Warning Label	Icon
	D500314	Warning Label	English
9	D518433	Air Duct Assembly	
10	D503980DG	Lint Filter	Dark gray
11	D501285	Screw	
12	52864	Screw	
13	D510145	Cylinder Glide Bracket	
14	D510189	Felt Pad	
15	D513710	Cylinder Glide	
16	RB170003	Glide Kit	Includes items 14 and 15; Quantity: 2 of each item

Cylinder Assembly

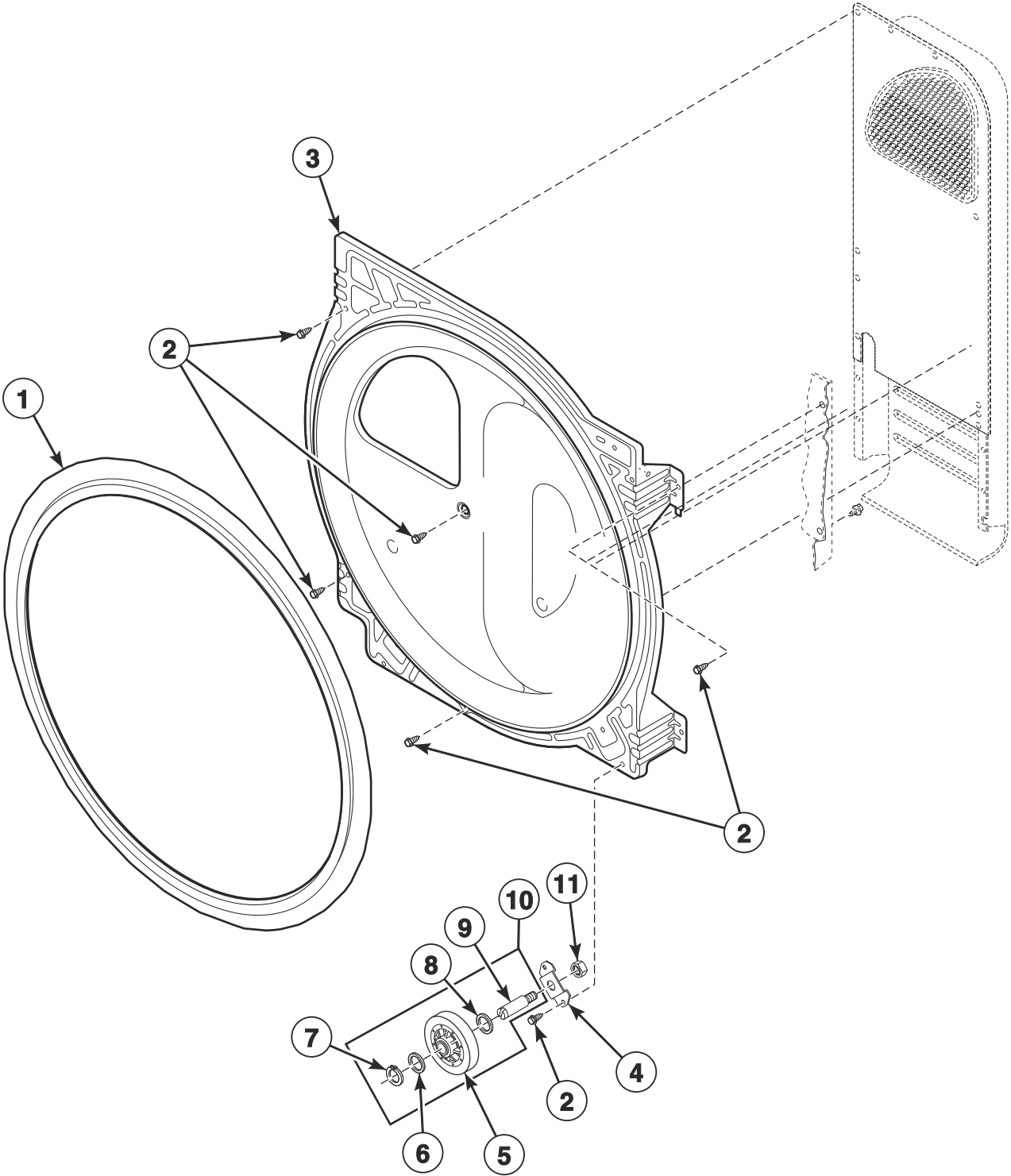


DRY1910PA_D518074

Cylinder Assembly

REF	PART NO.	DESCRIPTION	COMMENTS
1	D510207P	Cylinder Seal Assembly	Apply adhesive when installing
	D511637P	Adhesive	Apply to cylinder seal
	RB170001	Seal Kit	Includes 2 cylinder seals, D510238P Blower Housing Seal and Adhesive
2	D510102LG	Cylinder Baffle	Gray; Models GDEBGABW303UN01, GDEBGABW403UN01, GDEBXABW303UN01, GDEBXABW403UN01, GDGBGABW303UN01, GDGBXABW303UN01, KDGBXACW303UN01, SDEBLBSS403UN01 and SDGBLBSS303EN01
	D510102W	Cylinder Baffle	White; All other models
3	D505929LGP	Cylinder Assembly	Stainless steel; Includes item 2; Models SDEBLBSS403UN01 and SDGBLBSS303EN01
	D505929DG	Cylinder Assembly	Dark gray; Models GDEBGABW303UN01, GDEBGABW403UN01, GDEBXABW303UN01, GDEBXABW403UN01, GDGBGABW303UN01 and GDGBXABW303UN01
	D510265LGP	Cylinder Assembly	Light gray; Model KDGBXACW303UN01
	D510265WP	Cylinder Assembly	Galvanized; Includes item 2; All other models
4	62588	Screw	

Rear Bulkhead, Felt Seal and Cylinder Roller



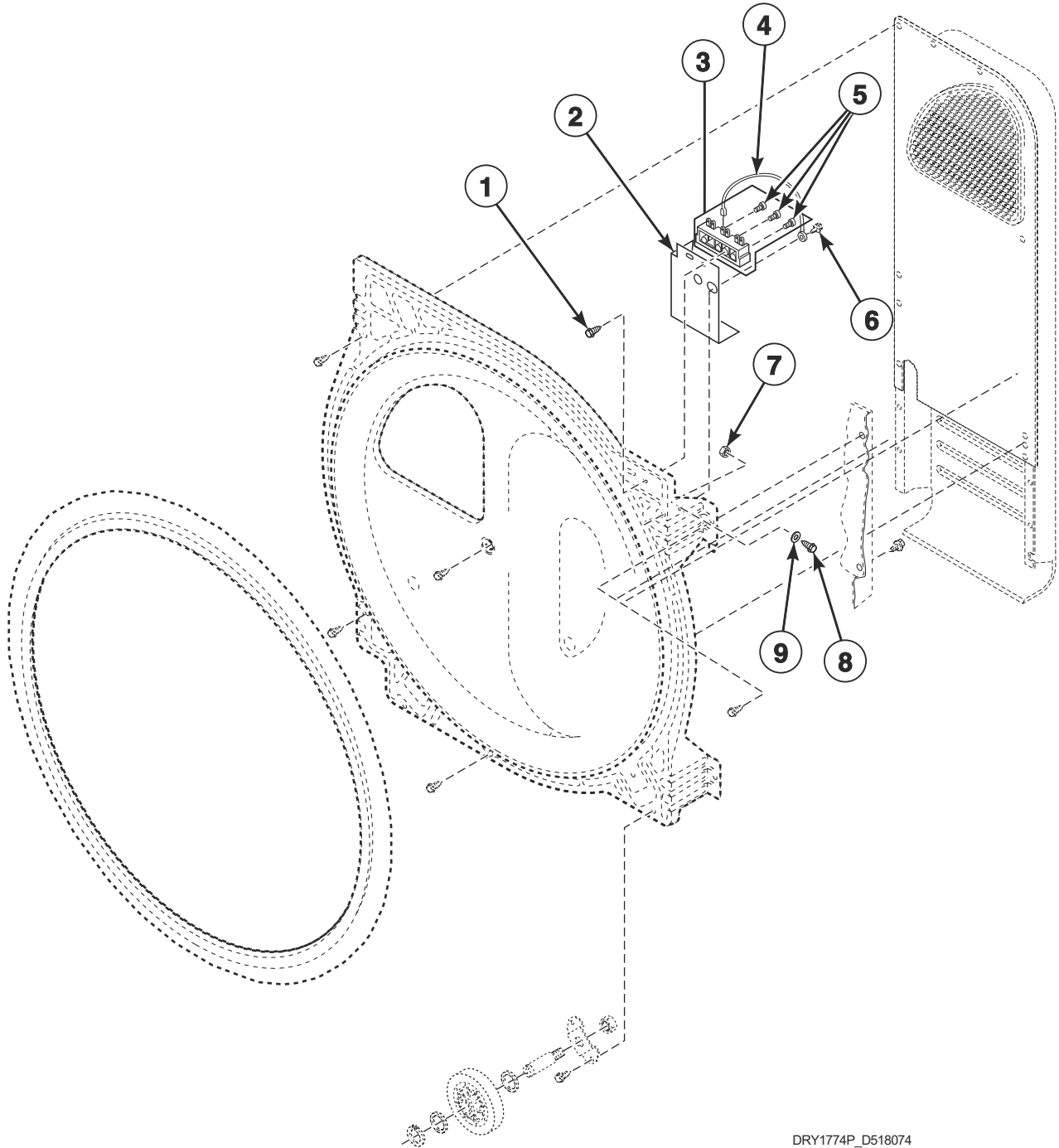
DRY2138P_D518074

Rear Bulkhead, Felt Seal and Cylinder Roller

REF	PART NO.	DESCRIPTION	COMMENTS
1	D510207P	Cylinder Seal Assembly	Apply adhesive when installing
	D511637P	Adhesive	Apply to cylinder seal
	RB170001	Seal Kit	Includes 2 cylinder seals, blower housing seal and adhesive
2	D503688	Screw	
3	D518128	Rear Bulkhead Assembly	Stainless steel; Includes item 1; Models GDEBGABW303UN01, GDEBGABW403UN01, GDEBXABW303UN01, GDEBXABW403UN01, GDGBGABW303UN01, GDGBXABW303UN01, KDGBXACW303UN01, SDEBLBSS403UN01 and SDGBLBSS303EN01
	D511082P	Rear Bulkhead Assembly	Galvanized; Includes item 1; All other models
4	D510100	Cylinder Roller Bracket	
5	D510708P	Cylinder Roller	
6	52549	Washer	
7	23748	Retaining Ring	
8	D504082	Washer	
9	56461P	Shaft	
10	RB170002	Roller Kit	Includes items 5-9
11	56156	Nut	

Terminal Block

Models BDEBLBGS433AW01, BDEBXAGS433AW01, BDEMNRGS433AW01, BDGBLBGW543NW01, GDEBGABW303UN01, GDEBXABW303UN01, GDEMNRGS303UW01, GDEMNRGS543NW01, GDESCRGS303UW01, GDESCRGS543ZW01, GDLSRGS543ZW01, HDEBXAGS543FW01, HDEBXRGS543FW01, HDESXRGS303UW01, KDEMNRGS303BW33, KDEMNRGS303UW01, KDESXRGS303UW01, NDEBXAGS303UW01, NDEBXRGS303NW22, NDEMNRGS303NW22, NDEMNRGS303UW01, NDEMNRGS303WW01, NDEMNRGS543NW22, NDESXRGS303NW22, NDESXRGS543NW22, NDGMNRGS303NW22, NDGMNRGS543NW22, NDGSXRGS303NW22, NDGSXRGS543NW22, SDEBXAGS303UW01, SDEBXAGS433AW01, SDEBXRGS303NW22, SDEBXRGS303ZW01, SDEBXRGS543FW01, SDEMNRGS303WW01, SDEMNRGS303ZW01, SDEMNRGS433AW01, SDESXRGS303BW01, SDESXRGS303UG01, SDESXRGS303UW01, SDESXRGS303WW01, SDESXRGS303ZW01, SDESXRGS433AW01, SDESXRGS543NW22 and SDEWXRGS303BW01



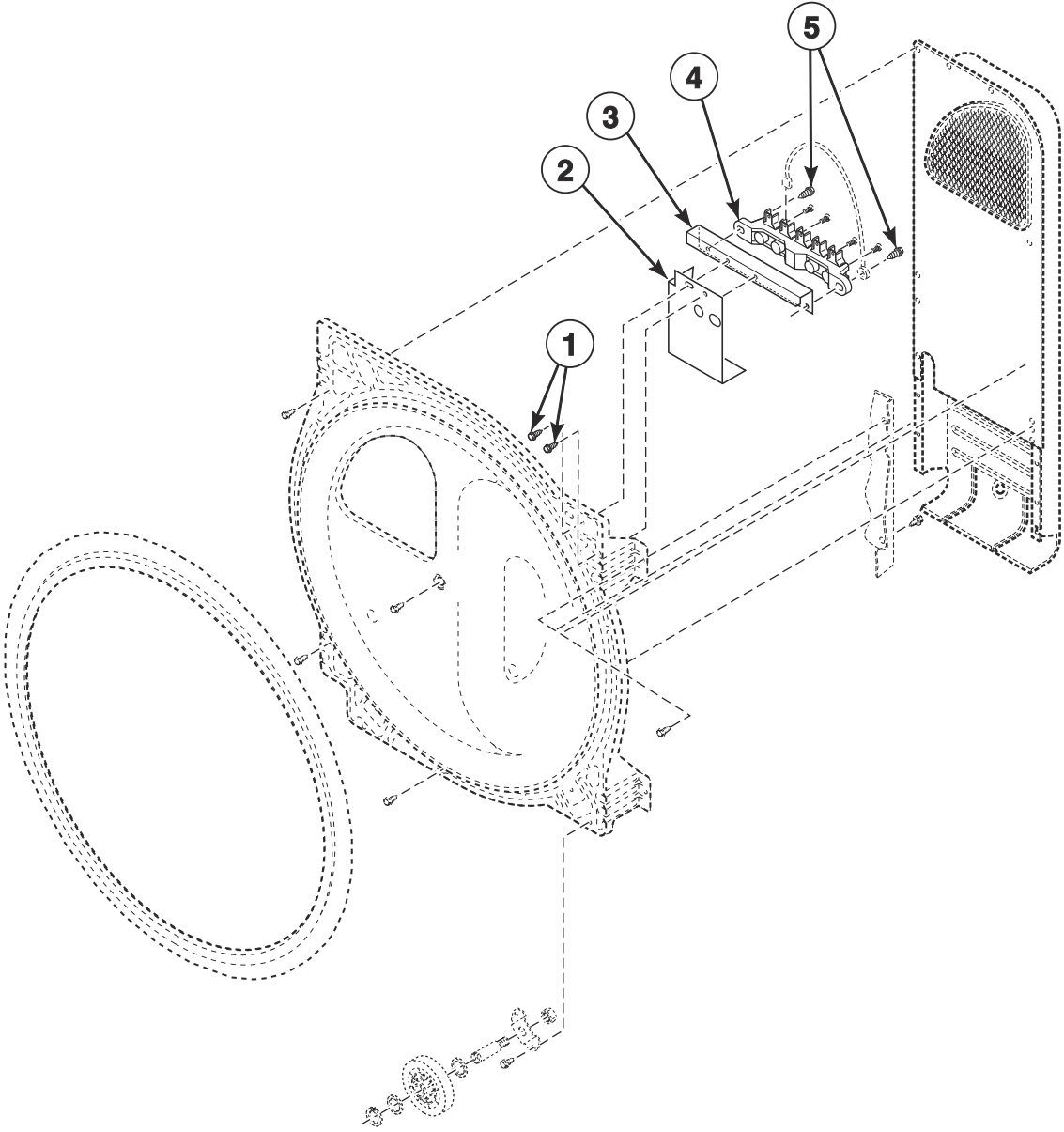
DRY1774P_D518074

Terminal Block

REF	PART NO.	DESCRIPTION	COMMENTS
1	D501285	Screw	
2	D517715	Terminal Block Shield	
3	D510190P	Terminal Block Assembly	Includes 3 of item 5
4	D518257	Ground Wire Assembly	
5	61199	Screw	
6	D503688	Screw	
7	28447	Nut	
8	28448	Screw	
9	28449	Washer	

Terminal Block - 3 Phase Electric Models

Models GDEBGABW403UN01, GDEBXABW403UN01, HDESRGS403UW01, NDEBLBGS403UT01, NDEBXAGS403UW01, SDEBLBSS403UN01, SDEBXAGS403UW01, SDEJXAGS443UG16, SDESRGS403UW01 and TDEBXAGS403UW01



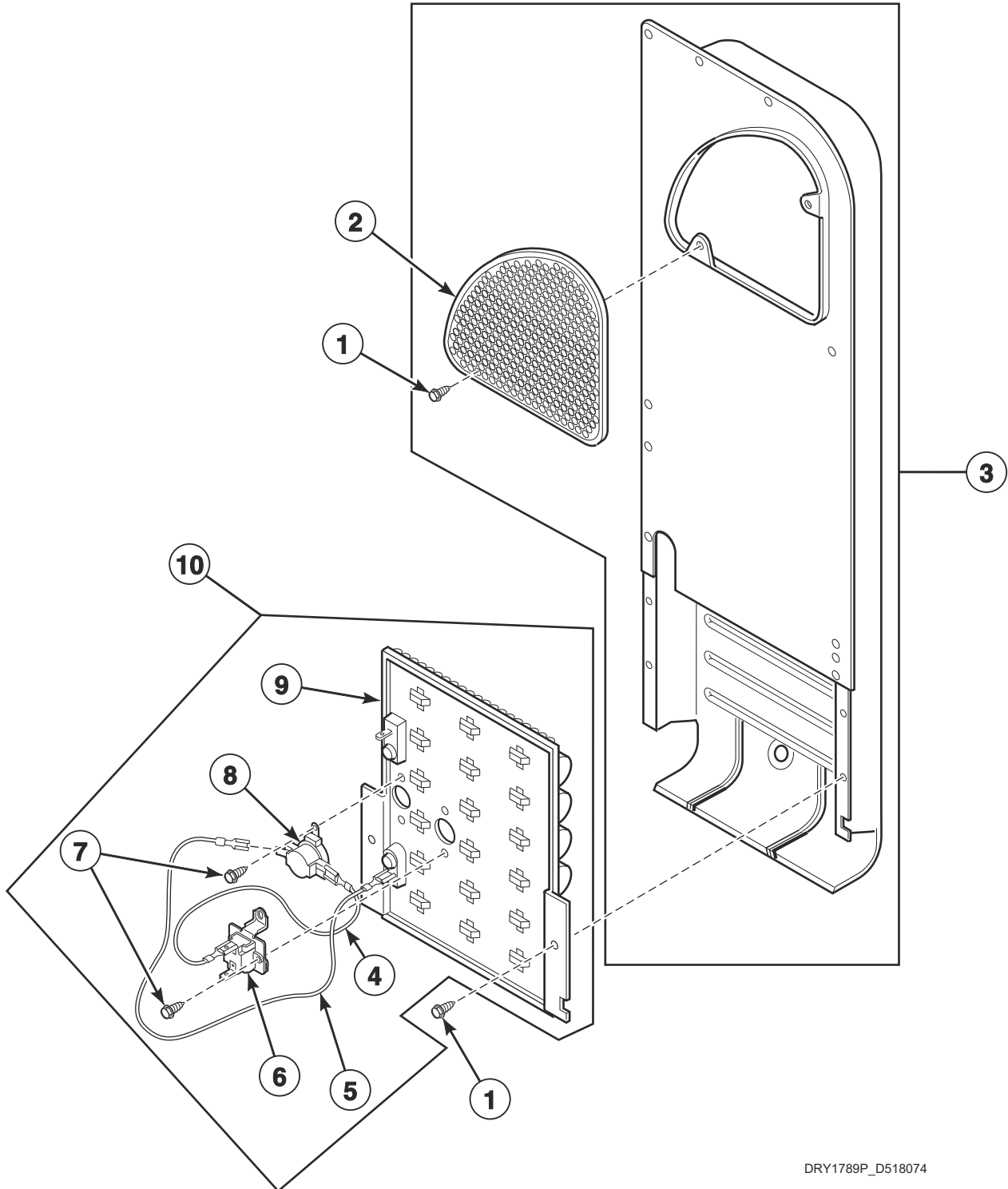
DRY2538P_D518074

Terminal Block - 3 Phase Electric Models

REF	PART NO.	DESCRIPTION	COMMENTS
1	D501285	Screw	
2	D517715	Terminal Block Shield	
3	D505875	Terminal Block Support Bracket	
4	D505876	Terminal Block Assembly	
5	D503661	Screw	

Heater Duct and Element Assembly - 1 Phase Electric Models

Models BDEBLBGS433AW01, BDEBXAGS433AW01, BDEMNRGS433AW01, GDEBGABW303UN01, GDEBXABW303UN01, GDEMNRGS303UW01, GDEMNRGS543NW01, GDESCRGS303UW01, GDESCRGS543ZW01, HDEBXAGS543FW01, HDEBXRGS543FW01, HDESXRGS303UW01, KDEMNRGS303BW33, KDEMNRGS303UW01, KDESXRGS303UW01, NDEBXAGS303UW01, NDEBXRGS303NW22, NDEMNRGS303NW22, NDEMNRGS303UW01, NDEMNRGS303WW01, NDEMNRGS543NW22, NDESXRGS303NW22, NDESXRGS543NW22, PDEBXRGS433AG02, SDEBXAGS303UW01, SDEBXAGS433AW01, SDEBXRGS303NW22, SDEBXRGS303ZW01, SDEBXRGS543FW01, SDEMNRGS303WW01, SDEMNRGS303ZW01, SDEMNRGS433AW01, SDESXRGS303BW01, SDESXRGS303UG01, SDESXRGS303UW01, SDESXRGS303WW01, SDESXRGS303ZW01, SDESXRGS433AW01, SDESXRGS543NW22 and SDEWXRGS303BW01



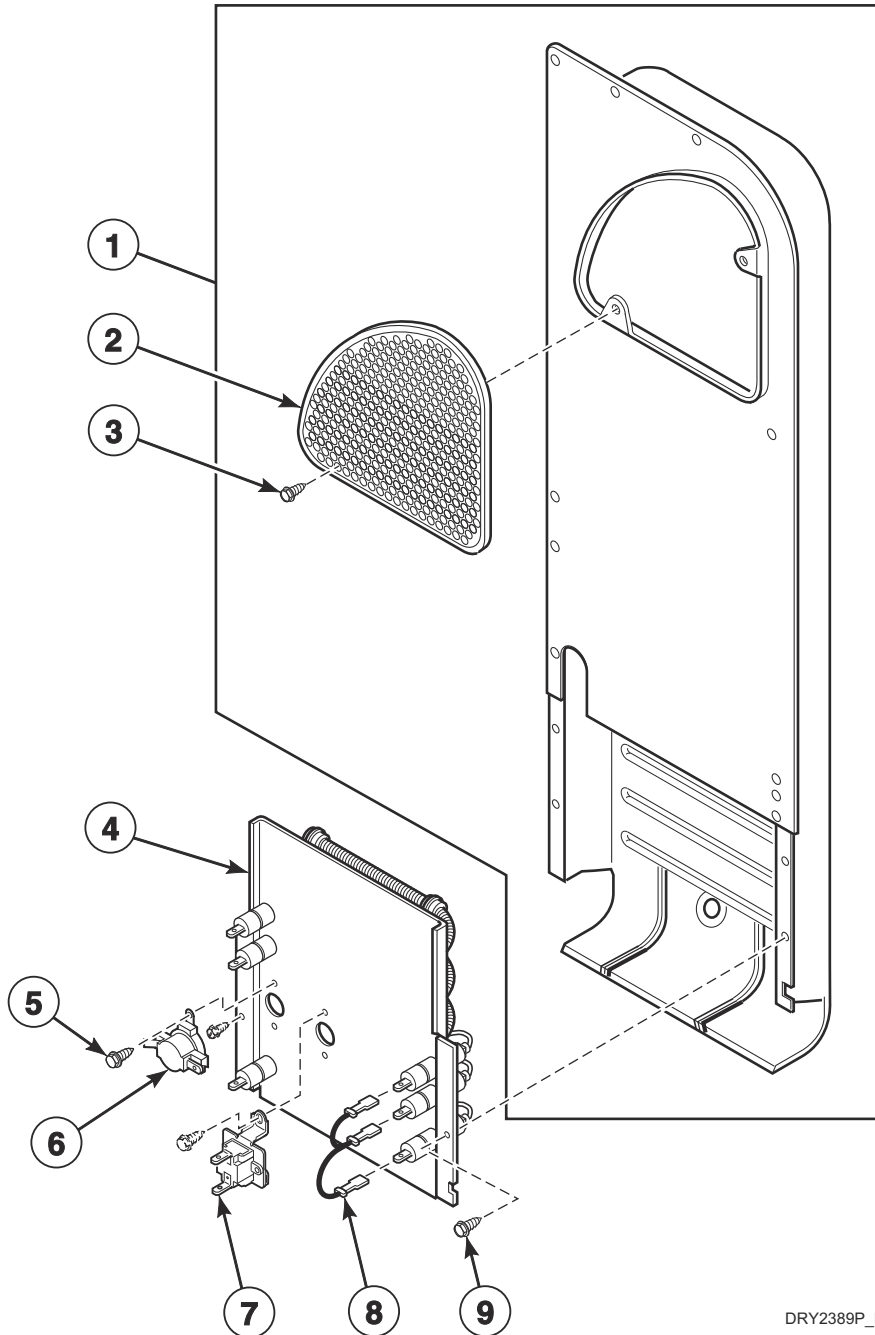
DRY1789P_D518074

Heater Duct and Element Assembly - 1 Phase Electric Models

REF	PART NO.	DESCRIPTION	COMMENTS
1	D503688	Screw	
2	D514475	Outlet Cover	Models BDEBLBGS433AW01, BDEBXAGS433AW01, BDEMNRGS433AW01, PDEBXRGS433AG02, SDEBXAGS433AW01, SDEMNRGS433AW01 and SDESXRGS433AW01
	D500820	Outlet Cover	Aluminized steel; All other models
	D518524	Outlet Cover	Black; Nitrocarburized; All other models
3	D510705P	Heater Duct Assembly	Includes items 1 and 2
4	D518256	Wire Assembly	Orange; Thermostat jumper; Attaches to heater assembly
5	D518255	Wire Assembly	Black; Fuse jumper; Attaches to heater assembly
6	D518649	Thermal Fuse Assembly	
	D506094	Thermal Fuse	Model SDEMNRGS303WW01
7	23222	Screw	
8	D510701	Limit Thermostat	
9	D510329P	Heater Assembly	240 Volt/60 Hertz; 5.35 kW; Models GDEMNRGS543NW01, GDESCRGS543ZW01, HDEBXAGS543FW01, HDEBXRGS543FW01, NDEMNRGS543NW22, NDESXRGS543NW22, SDEBXRGS543FW01 and SDESXRGS543NW22
	D510327P	Heater Assembly	240 Volt/50 Hertz; 4000W; Models BDEBLBGS433AW01, BDEBXAGS433AW01, BDEMNRGS433AW01, PDEBXRGS433AG02, SDEBXAGS433AW01, SDEMNRGS433AW01 and SDESXRGS433AW01
	D510326P	Heater Assembly	240 Volt/50 Hertz; 4800W; All other models
10	964P3	Heater Kit	240 Volt/60 Hertz; 5.35 kW; Models GDEMNRGS543NW01, GDESCRGS543ZW01, HDEBXAGS543FW01, HDEBXRGS543FW01, NDEMNRGS543NW22, NDESXRGS543NW22, SDEBXRGS543FW01 and SDESXRGS543NW22
	61930	Heater Kit Assembly	240 Volt/50 Hertz; 4000W; Models BDEBLBGS433AW01, BDEBXAGS433AW01, BDEMNRGS433AW01, PDEBXRGS433AG02, SDEBXAGS433AW01, SDEMNRGS433AW01 and SDESXRGS433AW01
	61929	Heater Kit Assembly	240 Volt/50 Hertz; 4800W; All other models

Heater Duct Assembly - 3 Phase Electric Models

Models GDEBGABW403UN01, GDEBXABW403UN01, HDESXRGs403UW01, NDEBLBGS403UT01, NDEBXAGS403UW01, SDEBLBSS403UN01, SDEBXAGS403UW01, SDEJXAGS443UG16, SDESXRGs403UW01 and TDEBXAGS403UW01



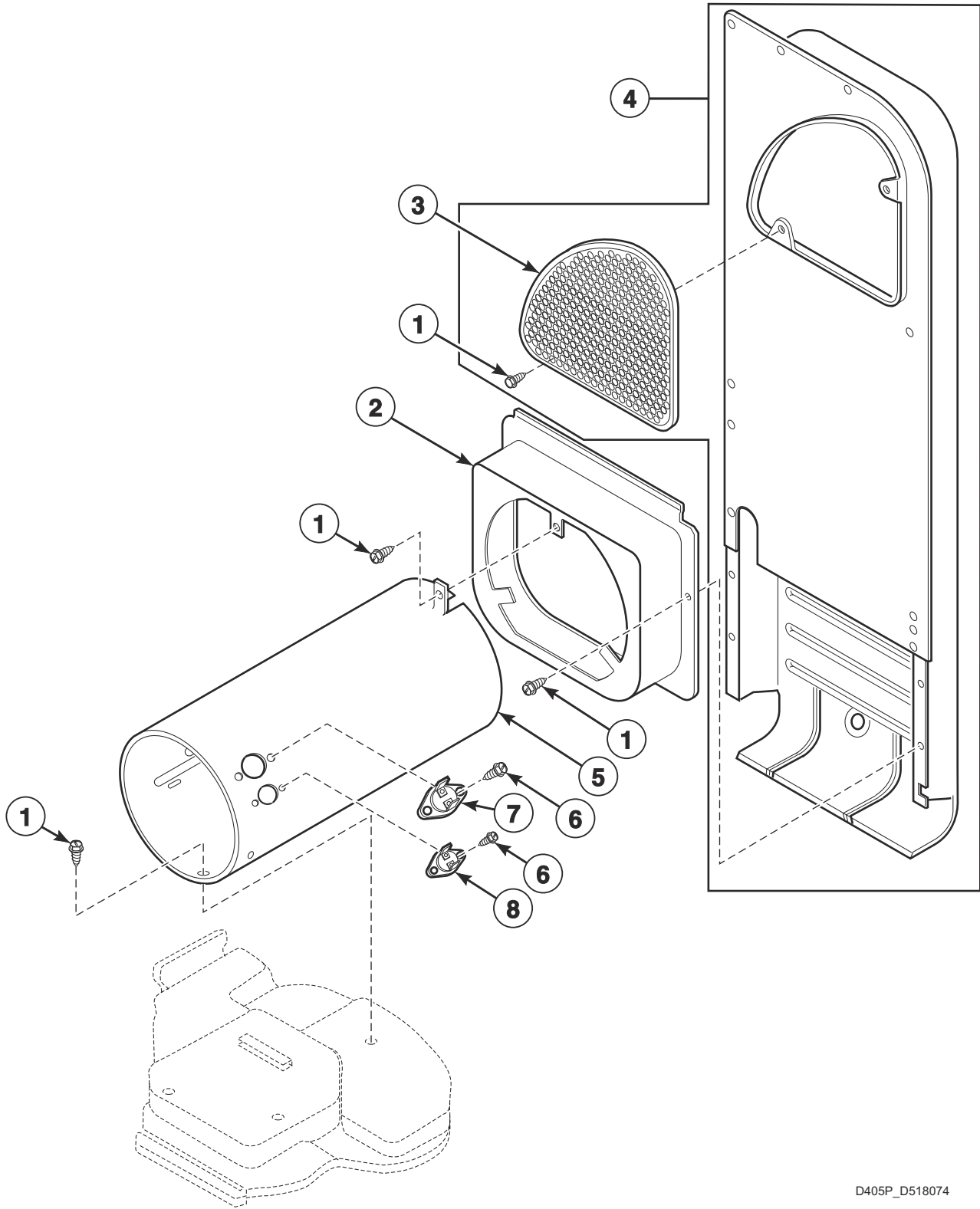
DRY2389P_D518074

Heater Duct Assembly - 3 Phase Electric Models

REF	PART NO.	DESCRIPTION	COMMENTS
	756P3	Conversion Kit	400 Volt; 4 wire WYE to 240 Volt, 3 wire Delta
1	D510705P	Heater Duct Assembly	Includes items 2 and 3
2	D500820	Outlet Cover	Aluminized steel
	D518524	Outlet Cover	Black; Nitrocarburized
3	D503688	Screw	
4	D515647	Heater Assembly	380 Volt/3 Phase; Model SDEJXAGS443UG16
	D511014P	Heater	400 Volt/3 Phase; All other models
5	23222	Screw	
6	D515873	Limit Thermostat	205°F; Green; Model SDEJXAGS443UG16
	D510701	Limit Thermostat	225°F; Red; All other models
7	D518649	Thermal Fuse Assembly	
8	D518529	Jumper Wire Assembly	3 Phase
9	D503688	Screw	

Heater Duct Assembly

Gas Models

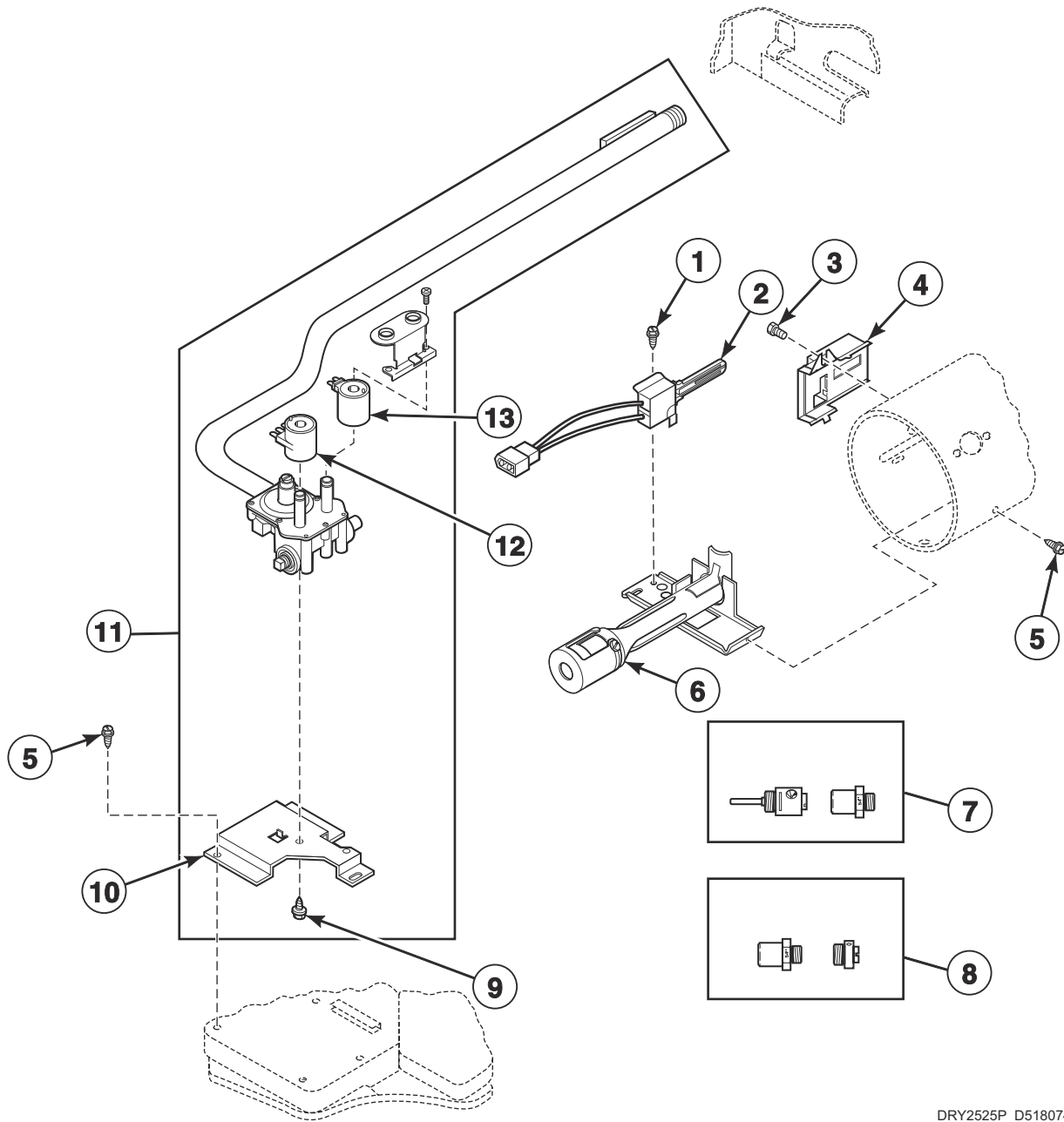


D405P_D518074

Heater Duct Assembly

REF	PART NO.	DESCRIPTION	COMMENTS
1	D503688	Screw	
2	D510101	Heat Duct Shroud	
3	D500820	Outlet Cover	Aluminized steel
	D518524	Outlet Cover	Black; Nitrocarburized
4	D510705P	Heater Duct Assembly	Includes items 1 and 3
5	D510131	Combustion Duct	Single thermostat
	D510132	Combustion Duct	Double thermostat
6	51782	Screw	
7	D510701	Limit Thermostat	
8	D510703	Thermostat	Manual reset

Gas Valve, Igniter and Gas Conversion Kits



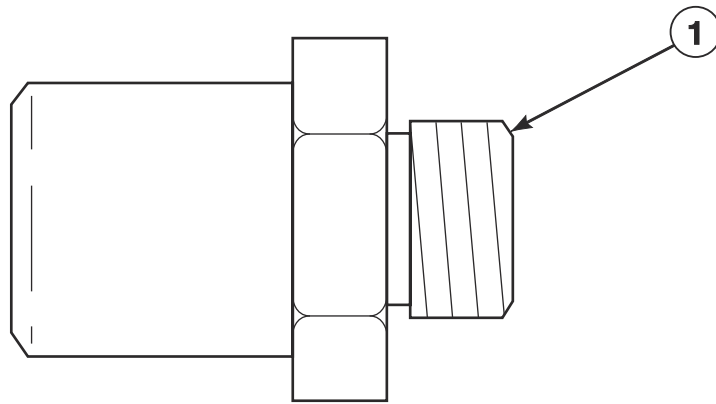
DRY2525P_D518074

Gas Valve, Igniter and Gas Conversion Kits

REF	PART NO.	DESCRIPTION	COMMENTS
1	51782	Screw	
2	D510184P	Igniter and Bracket Assembly	
3	23222	Screw	
4	D510213	Sensor	
5	D503688	Screw	
6	D510149P	Burner Assembly	
7	599P3	L.P. Conversion Kit	Used to convert dryers from Natural Gas (N.G.) or Mixed Gas to Liquid Petroleum (L.P.); 20,000 Btu; Models GDGBGABW303UN01, GDGBXABW303UN01, HDGBXAGS113FW01, KDGBXACW303UN01, KDGMRNGS303EW01, KDGMRNGS303UW01, KDGSXRGs303EW01, NDGBXAGS303EW01, SDGBLBSS303EN01, SDGBXAGS113FW01 and SDGSXRGs303EW01
	458P3	L.P. Conversion Kit	Used to convert dryers from N.G. or Mixed Gas to L.P. for 25,000 Btu; All other models
8	402P3	N.G. Conversion Kit	Used to convert dryers from L.P. to N.G. or Mixed Gas; 20,000 Btu; Models GDGBGABW303UN01, GDGBXABW303UN01, HDGBXAGS113FW01, KDGBXACW303UN01, KDGMRNGS303EW01, KDGMRNGS303UW01, KDGSXRGs303EW01, NDGBXAGS303EW01, SDGBLBSS303EN01, SDGBXAGS113FW01 and SDGSXRGs303EW01
	459P3	N.G. Conversion Kit	Used to convert dryers from L.P. to N.G. or Mixed Gas for 25,000 Btu; All other models
9	56124	Screw	
10	D510128	Gas Valve Mounting Bracket	
11	D517608	Gas Valve, Bracket and Pipe Assembly	50 Hertz; 25,000 Btu; N.G.; Includes items 9, 10, 12 and 13; Models BDGBLBGS303AW01, BDGBXAGS303AW01, BDGBXAGW303AW01, BDGBXRGs303AW01, BDGMRNGS303AW01, HDGBXRGs303NW21, NDGMRNGS303NW22, NDGSXRGs303NW22, PDGBXRGs303AG02, SDGBXRGs303AW01, SDGMRNGS303ZW01 and SDGSXRGs303AW01
	D517607	Gas Valve, Bracket and Pipe Assembly	50 Hertz; 20,000 Btu; N.G.; Includes items 9, 10, 12 and 13; Models GDGBGABW303UN01, GDGBXABW303UN01, KDGBXACW303UN01, KDGMRNGS303EW01, KDGMRNGS303UW01, KDGSXRGs303EW01, NDGBXAGS303EW01, SDGBLBSS303EN01 and SDGSXRGs303EW01
	D517612	Gas Valve, Bracket and Pipe Assembly	60 Hertz; 22,500 Btu; L.P.; Includes items 9, 10, 12 and 13; Model GDLSCRGS543ZW01
	D517606	Gas Valve, Bracket and Pipe Assembly	60 Hertz; 25,000 BTU; N.G.: Includes items 9, 10, 12 and 13; All other models
12	58804A	Booster and Holding Coil	60 Hertz
13	58804B	Secondary Coil	60 Hertz

Burner Orifice Spuds - For Higher Elevations

Gas Models

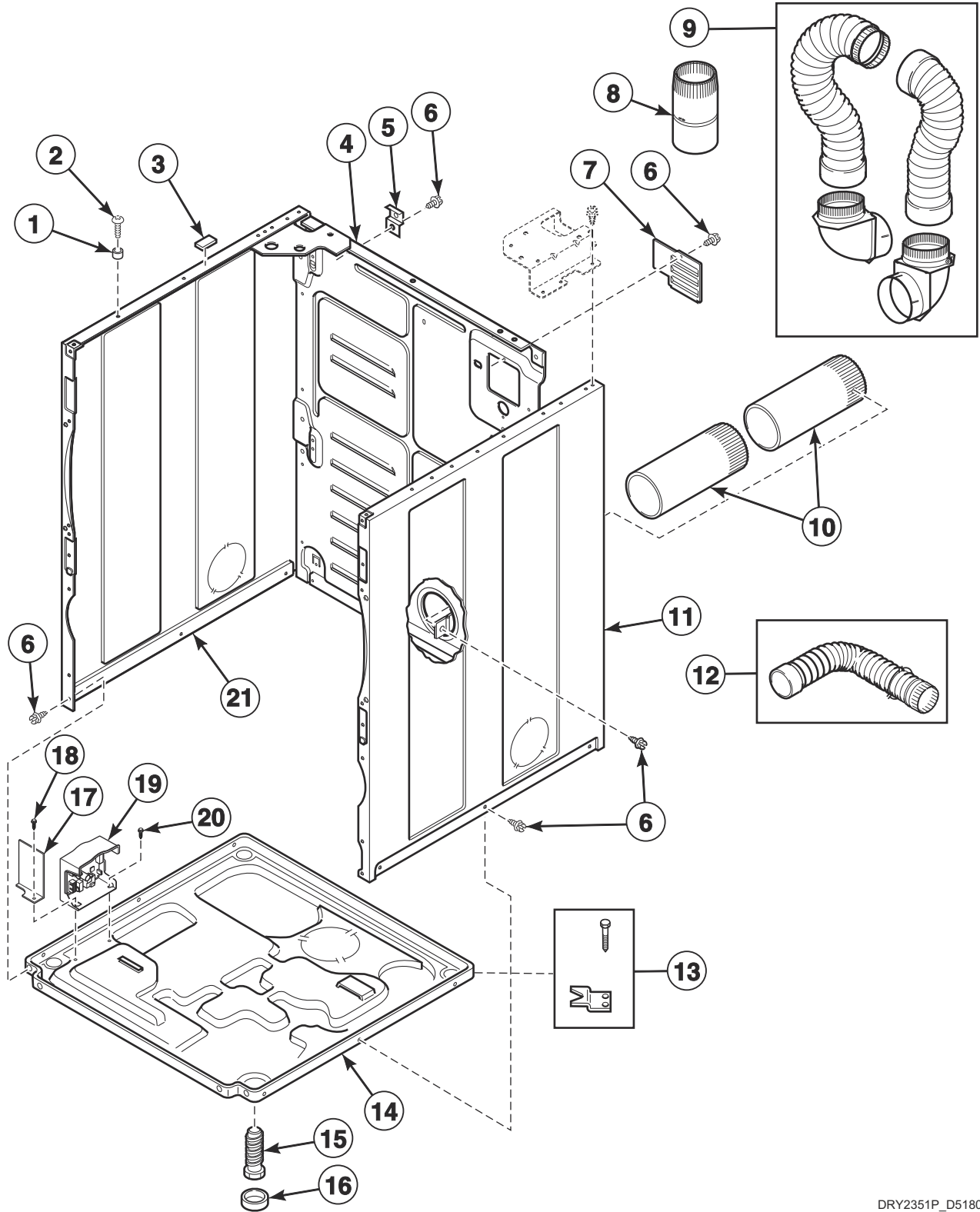


DRY2266P_D518074

Burner Orifice Spuds - For Higher Elevations

REF	PART NO.	DESCRIPTION	COMMENTS
1	58755	L.P. Orifice	25,000 Btu; 7500-10,999 feet (2290-3354 m)
	D503786	L.P. Orifice	25,000 Btu; 11,000 feet (3355 m) and higher
	D503776	N.G. Orifice	25,000 Btu; 2000-2999 feet (610-914 m)
	D510517	N.G. Orifice	25,000 Btu; 3000-5499 feet (915-1679 m)
	D503778	N.G. Orifice	25,000 Btu; 5500-6999 feet (1680-2134 m)
	58719	Screw Orifice	25,000 Btu; 7000-8999 feet (2135-2744 m)
	D503779	N.G. Orifice	25,000 Btu; 9000-10,499 feet (2745-3199 m)
	D503780	N.G. Orifice	25,000 Btu; 10,500 feet (3200 m) and higher

Cabinet, Exhaust Duct and Base



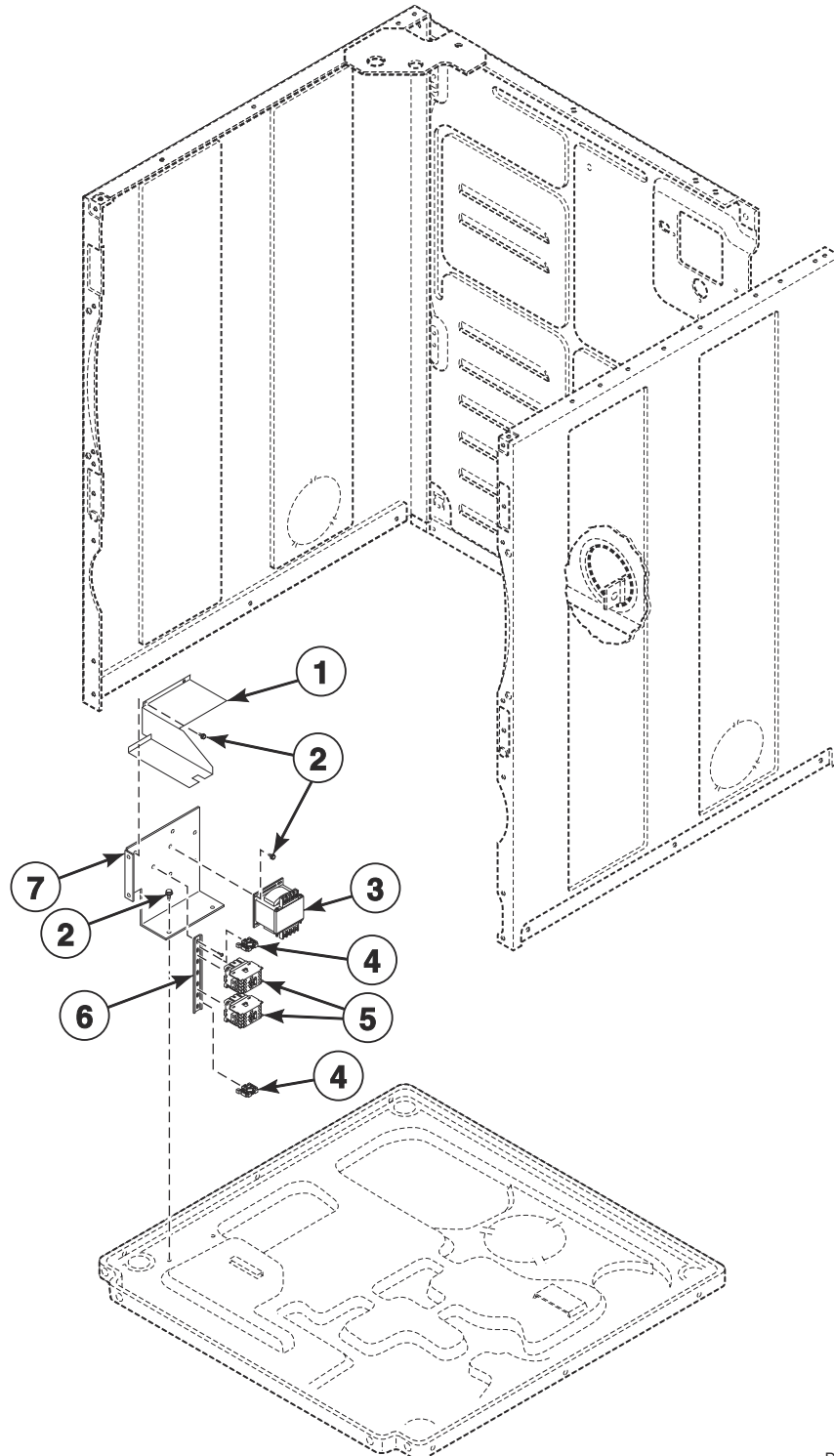
DRY2351P_D518074

Cabinet, Exhaust Duct and Base

REF	PART NO.	DESCRIPTION	COMMENTS
	122P4P	Porcelain Touch-Up Paint	White
1	56079	Panel Locator	
2	D512921	Screw	Use with stainless steel side panels
	39733	Screw	Use with painted side panels
3	56128	Bumper Pad	
4	D517566	Cabinet Rear Panel	
5	D510136	Top Hinge	
6	D503688	Screw	
7	D514356	Access Cover Plate	
8	58786	Damper	Use when connecting to a manifold vent system
9	521P3	Flexible Venting Kit	
10	D516196	Exhaust Duct	
11	D510002DGP	Cabinet Side Panel	Gray; Right
	D510002WP	Cabinet Side Panel	White; Right
12	528P3	Directional Exhaust Kit	Used to vent dryer out the sides or bottom
13	526P3	Hold Down Kit	For mobile home installations
14	D514245	Dryer Base	
15	D510135	Leveling Leg	
16	D501855	Rubber Foot	
17	D514420	Output Board Shield	
18	D514428	Screw	
19	D517191P	Output Control Assembly	Models BDGBLBGW543NW01, GDEMNRGS543NW01, NDEBXRGS303NW22, NDEMNRGS303NW22, NDEMNRGS543NW22, NDESXRGS303NW22, NDESXRGS543NW22, NDGMNRGS303NW22, NDGMNRGS543NW22, NDGSXRGS303NW22, NDGSXRGS543NW22 and SDEBXRGS303NW22
	D517319	Output Control Assembly	All other models
20	804667	Screw	
21	D510001DGP	Cabinet Side Panel	Gray; Left
	D510001WP	Cabinet Side Panel	White; Left

Contactor and Transformer

Models BDGBLBGS303AW01, BDGBLBGW543NW01, BDGBXAGS303AW01, BDGBXAGW303AW01, BDGBXRGS303AW01, BDGMNRGS303AW01, GDEBGABW403UN01, GDEBXABW403UN01, GDGBGABW303UN01, GDGBXABW303UN01, GDLSCRGS543ZW01, HDEBXAGS543FW01, HDESXRGS403UW01, HDGBXAGS113FW01, HDGBXRGS303NW21, KDGBXACW303UN01, KDGMNRGS303EW01, KDGMNRGS303UW01, KDGSXRGS303EW01, NDEBLBGS403UT01, NDEBXAGS403UW01, NDGBXAGS303EW01, NDGMNRGS303NW22, NDGMNRGS543NW22, NDGSXRGS303NW22, NDGSXRGS543NW22, PDGBXRGS303AG02, SDEBLBSS403UN01, SDEBXAGS403UW01, SDEJXAGS443UG16, SDESXRGS403UW01, SDGBLBSS303EN01, SDGBXAGS113FW01, SDGBXRGS113FW01, SDGBXRGS303AW01, SDGMNRGS303ZW01, SDGSXRGS303AW01, SDGSXRGS303EW01 and TDEBXAGS403UW01

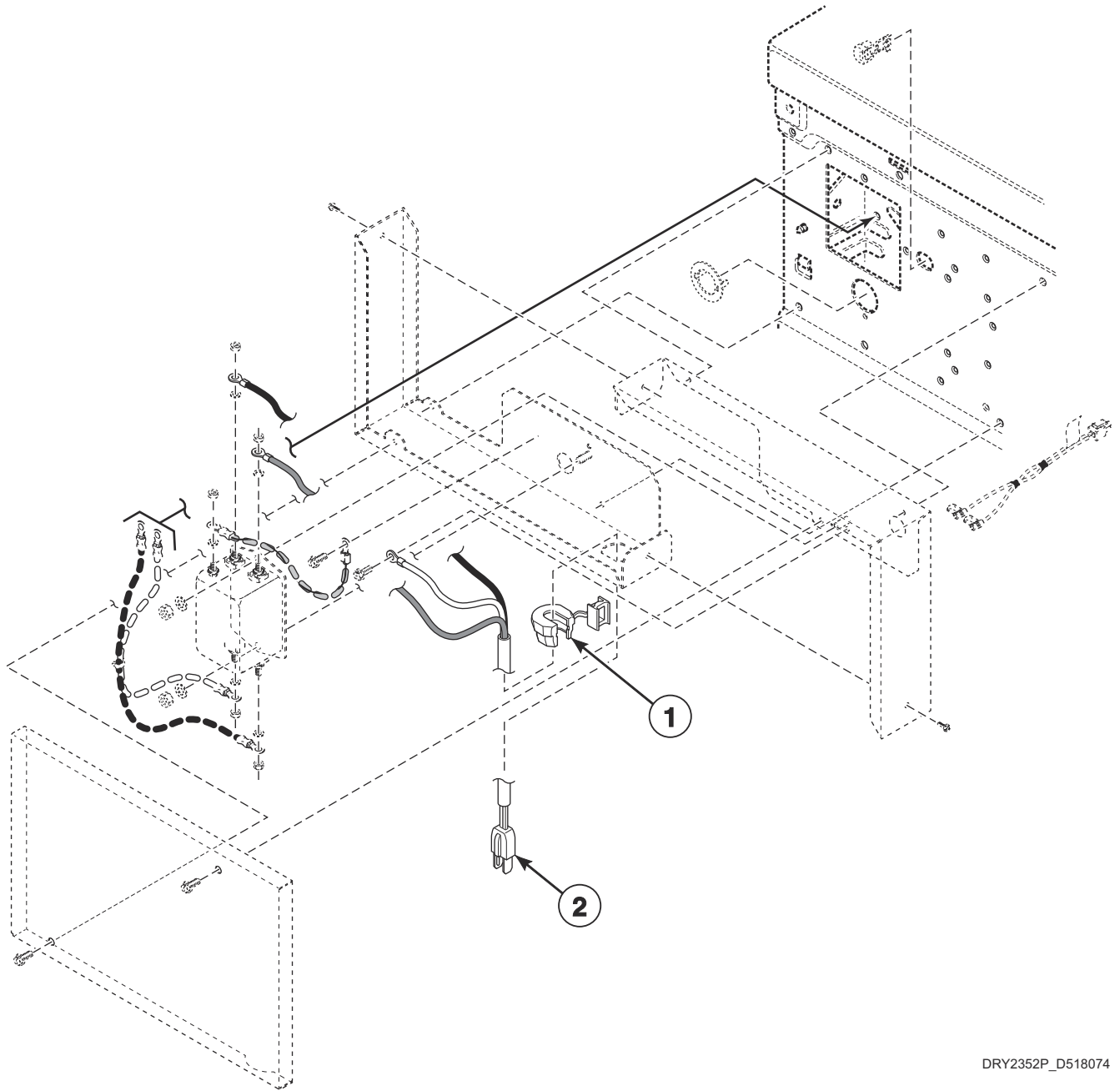


DRY2353P_D518074

Contactor and Transformer

REF	PART NO.	DESCRIPTION	COMMENTS
	D517689	Power Harness	Used between item 5 and filter; Models GDEBGABW403UN01, GDEBXABW403UN01, HDEBXAGS543FW01, HDESXRGS403UW01, NDEBLBGS403UT01, NDEBXAGS403UW01, SDEBLBSS403UN01, SDEBXAGS403UW01, SDESXRGS403UW01 and TDEBXAGS403UW01
	D517784	Power Harness	Model SDEJXAGS443UG16
	D518531	Heater Harness	Used between item 5 and heating element; Models GDEBGABW403UN01, GDEBXABW403UN01, HDEBXAGS543FW01, HDESXRGS403UW01, NDEBLBGS403UT01, NDEBXAGS403UW01, SDEBLBSS403UN01, SDEBXAGS403UW01, SDEJXAGS443UG16, SDESXRGS403UW01 and TDEBXAGS403UW01
	D514054	Dual Contactor Harness	Used with item 5; Models GDEBGABW403UN01, GDEBXABW403UN01, HDEBXAGS543FW01, HDESXRGS403UW01, NDEBLBGS403UT01, NDEBXAGS403UW01, SDEBLBSS403UN01, SDEBXAGS403UW01, SDEJXAGS443UG16, SDESXRGS403UW01 and TDEBXAGS403UW01
	26509	Washer	Model SDEJXAGS443UG16
	44087101	Nut	Model SDEJXAGS443UG16
	D515702	Transformer	Model SDEJXAGS443UG16
	D515812	Bolt	Model SDEJXAGS443UG16
1	D514334	Transformer Shield	Models BDGBLBGS303AW01, BDGBLBGW543NW01, BDGBXAGS303AW01, BDGBXAGW303AW01, BDGBXRGS303AW01, BDGMNRGS303AW01, GDGBGABW303UN01, GDGBXABW303UN01, GDLSRGS543ZW01, HDGBXAGS113FW01, HDGBXRGS303NW21, KDGBXACW303UN01, KDGMNRGS303EW01, KDGMNRGS303UW01, KDGSXRGS303EW01, NDGBXAGS303EW01, NDGMNRGS303NW22, NDGMNRGS543NW22, NDGSXRGS303NW22, NDGSXRGS543NW22, PDGBXRGS303AG02, SDGBLBSS303EN01, SDGBXAGS113FW01, SDGBXRGS113FW01, SDGBXRGS303AW01, SDGMNRGS303ZW01, SDGSXRGS303AW01 and SDGSXRGS303EW01
2	D503688	Screw	
3	D513763P	Transformer	Models BDGBLBGS303AW01, BDGBLBGW543NW01, BDGBXAGS303AW01, BDGBXAGW303AW01, BDGBXRGS303AW01, BDGMNRGS303AW01, GDGBGABW303UN01, GDGBXABW303UN01, GDLSRGS543ZW01, HDGBXAGS113FW01, HDGBXRGS303NW21, KDGBXACW303UN01, KDGMNRGS303EW01, KDGMNRGS303UW01, KDGSXRGS303EW01, NDGBXAGS303EW01, NDGMNRGS303NW22, NDGMNRGS543NW22, NDGSXRGS303NW22, NDGSXRGS543NW22, PDGBXRGS303AG02, SDGBLBSS303EN01, SDGBXAGS113FW01, SDGBXRGS113FW01, SDGBXRGS303AW01, SDGMNRGS303ZW01, SDGSXRGS303AW01 and SDGSXRGS303EW01
4	F8449801	End Stop	Models GDEBGABW403UN01, GDEBXABW403UN01, HDEBXAGS543FW01, HDESXRGS403UW01, NDEBLBGS403UT01, NDEBXAGS403UW01, SDEBLBSS403UN01, SDEBXAGS403UW01, SDEJXAGS443UG16, SDESXRGS403UW01 and TDEBXAGS403UW01
5	70482603	Contactor	Models GDEBGABW403UN01, GDEBXABW403UN01, HDEBXAGS543FW01, HDESXRGS403UW01, NDEBLBGS403UT01, NDEBXAGS403UW01, SDEBLBSS403UN01, SDEBXAGS403UW01, SDEJXAGS443UG16, SDESXRGS403UW01 and TDEBXAGS403UW01
6	M412693	Din Rail	Models GDEBGABW403UN01, GDEBXABW403UN01, HDEBXAGS543FW01, HDESXRGS403UW01, NDEBLBGS403UT01, NDEBXAGS403UW01, SDEBLBSS403UN01, SDEBXAGS403UW01, SDEJXAGS443UG16, SDESXRGS403UW01 and TDEBXAGS403UW01
7	D518062	Bracket Assembly	

Power Cord

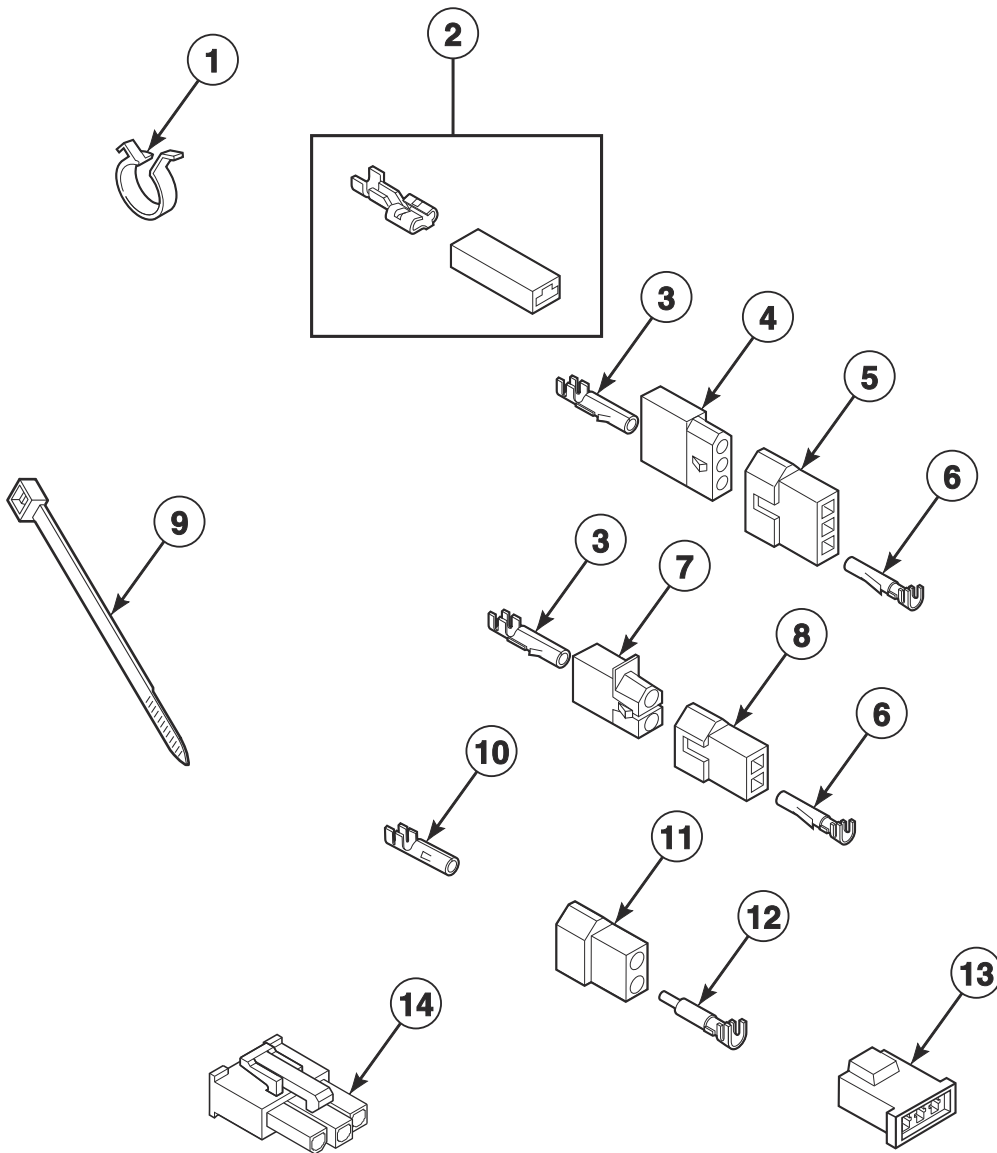


DRY2352P_D518074

Power Cord

REF	PART NO.	DESCRIPTION	COMMENTS
	20530	Screw	
1	D517492	Strain Relief	Models BDEBLBGS433AW01, BDEBXAGS433AW01, BDEMNRGS433AW01, GDEBGABW303UN01, GDEBXABW303UN01, GDEMNRGS303UW01, GDESCRGS303UW01, GDESCRGS543ZW01, HDEBXAGS543FW01, HDEBXRGS543FW01, HDESXRGS303UW01, KDEMNRGS303BW33, KDEMNRGS303UW01, KDESXRGS303UW01, NDEBXAGS303UW01, NDEBXRGS303NW22, NDEMNRGS303NW22, NDEMNRGS303UW01, NDEMNRGS303WW01, PDEBXRGS433AG02, SDEBXAGS303UW01, SDEBXAGS433AW01, SDEBXRGS303ZW01, SDEBXRGS543FW01, SDEMNRGS303WW01, SDEMNRGS303ZW01, SDEMNRGS433AW01, SDESXRGS303BW01, SDESXRGS303UG01, SDESXRGS303UW01, SDESXRGS303WW01, SDESXRGS303ZW01, SDESXRGS433AW01 and SDEWXRGS303BW01
	D517491	Strain Relief	Models BDGBLBGS303AW01, BDGBXAGS303AW01, BDGBXAGW303AW01, BDGBXRGS303AW01, BDGMNRGS303AW01, GDGBGABW303UN01, GDGBXABW303UN01, GDLSCRGS543ZW01, HDGBXRGS303NW21, KDGBXACW303UN01, KDGMNRGS303EW01, KDGMNRGS303UW01, KDGSXRGS303EW01, NDGBXAGS303EW01, PDGBXRGS303AG02, SDGBLBSS303EN01, SDGBXRGS303AW01, SDGMNRGS303ZW01, SDGSXRGS303AW01 and SDGSXRGS303EW01
2	D516747	Lead-In Cord Assembly	Models GDEBGABW303UN01, GDEBXABW303UN01, GDEMNRGS303UW01, GDESCRGS303UW01, GDESCRGS543ZW01, HDEBXAGS543FW01, HDEBXRGS543FW01, HDESXRGS303UW01, KDEMNRGS303BW33, KDEMNRGS303UW01, KDESXRGS303UW01, NDEBXAGS303UW01, NDEBXRGS303NW22, NDEMNRGS303UW01, NDEMNRGS303WW01, SDEBXAGS303UW01, SDEBXRGS303ZW01, SDEBXRGS543FW01, SDEMNRGS303WW01, SDEMNRGS303ZW01, SDESXRGS303BW01, SDESXRGS303UG01, SDESXRGS303UW01, SDESXRGS303WW01, SDESXRGS303ZW01 and SDEWXRGS303BW01
	61605P	Lead-In Cord Kit	Models BDEBLBGS433AW01, BDEBXAGS433AW01, BDEMNRGS433AW01, PDEBXRGS433AG02, SDEBXAGS433AW01, SDEMNRGS433AW01 and SDESXRGS433AW01
	D516705	Lead-In Cord	Models BDGBLBGS303AW01, BDGBXAGS303AW01, BDGBXAGW303AW01, BDGBXRGS303AW01, BDGMNRGS303AW01, HDGBXRGS303NW21, PDGBXRGS303AG02, SDGBXRGS303AW01 and SDGSXRGS303AW01
	203344	Lead-In Cord	Model KDGBXACW303UN01
	D517578	Lead-In Cord	Models GDGBGABW303UN01, GDGBXABW303UN01, GDLSCRGS543ZW01, KDGMNRGS303EW01, KDGMNRGS303UW01, KDGSXRGS303EW01, NDGBXAGS303EW01, SDGBLBSS303EN01, SDGMNRGS303ZW01 and SDGSXRGS303EW01
	D517699	Lead-In Cord	Models GDEBGABW403UN01, GDEBXABW403UN01, HDESXRGS403UW01, NDEBLBGS403UT01, NDEBXAGS403UW01, SDEBLBSS403UN01, SDEBXAGS403UW01, SDESXRGS403UW01 and TDEBXAGS403UW01
	204781	Lead-In Cord	Models HDGBXAGS113FW01, SDGBXAGS113FW01 and SDGBXRGS113FW01
	D517700	Lead-In Cord	Model SDEJXAGS443UG16

Terminal Block and Terminals

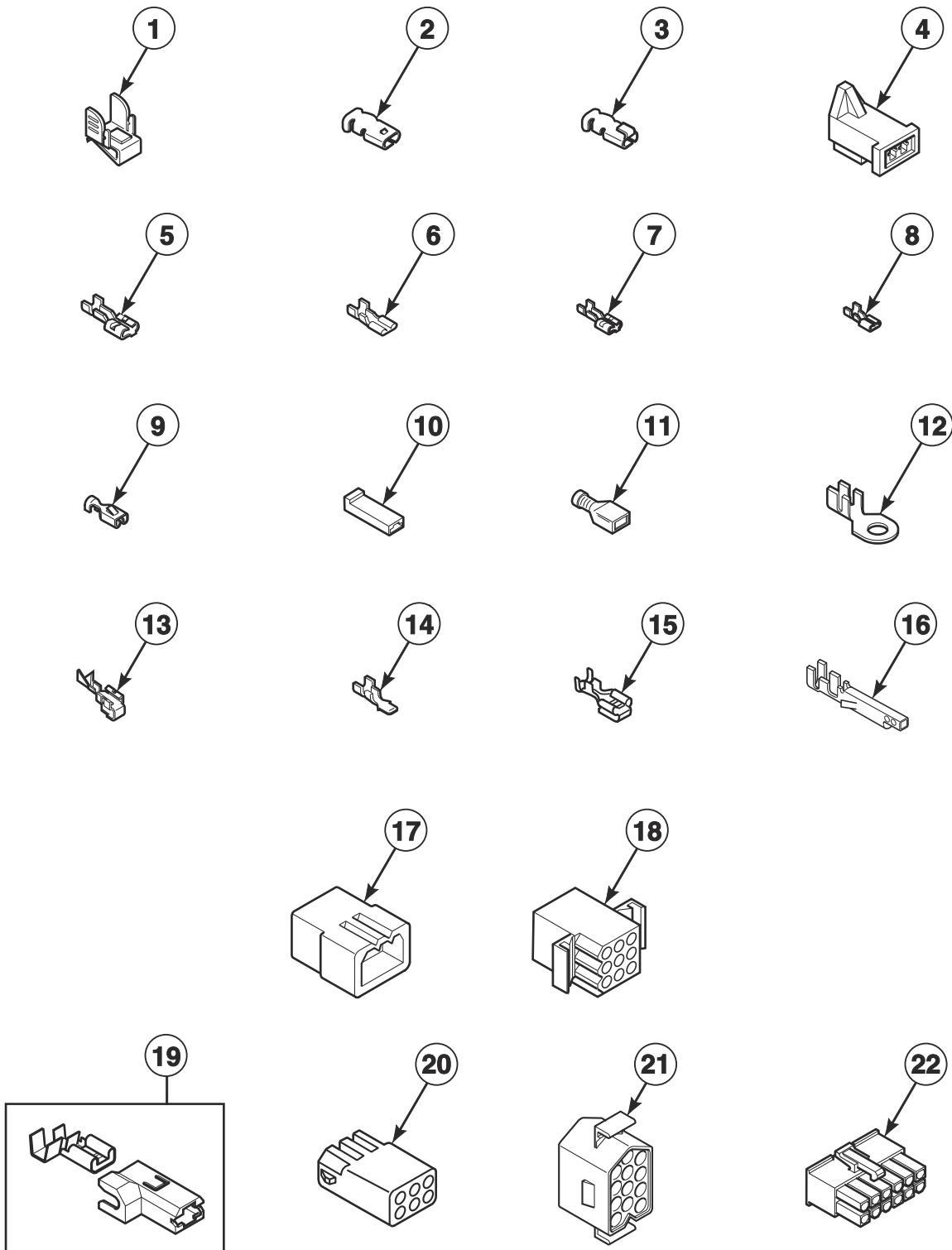


DRY2064P_D518074

Terminal Block and Terminals

REF	PART NO.	DESCRIPTION	COMMENTS
1	D504034	Wire Clip	11/16 inch
	687500	Wire Clip	1 inch
2	00360	Insulated Female Spade Terminal	(1) 12 gauge wire or (2) 18 gauge wires
3	00117	Female Pin Terminal	
4	23039	3 Circuit Receptacle	
	56265	2 Circuit Receptacle	
5	23040	Plug	3 circuit
6	00116	Male Pin Terminal	
7	56451	2 Circuit Receptacle	
8	56448	2 Circuit Plug	
9	55881	Harness Strap	
10	00130	Female Pin Terminal	1/8 inch; 16-18 gauge wire
	00128	Female Pin Terminal	1/8 inch; 10-14 gauge wire
11	56266	2 Circuit Plug	
12	00127	Male Pin Terminal	0.18 insulation diameter
	00129	Male Pin Terminal	0.12 insulation diameter
13	58800	3 Circuit Connector	
14	36170	3 Circuit Receptacle	

Terminals

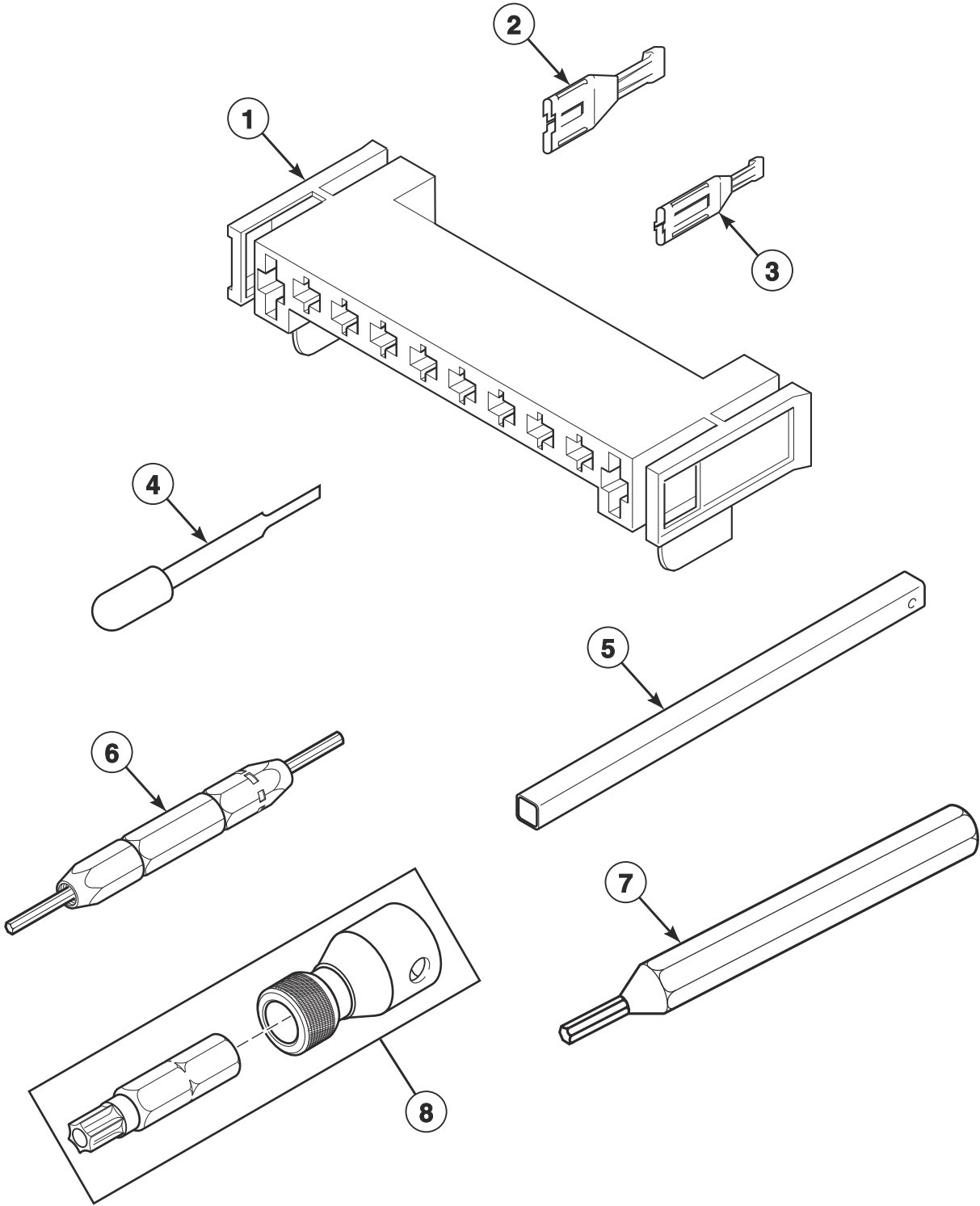


DRY2343P_D518074

Terminals

REF	PART NO.	DESCRIPTION	COMMENTS
1	00161	Grounding Clip	
2	00189	Female Spade Terminal	
3	00361	Female Piggyback Terminal	
4	58799	2 Circuit Connector	
5	00223	Female Spade Terminal	1/4 inch; (1) 18 gauge wire
	00121	Female Spade Terminal	1/4 inch; (2) 18 gauge wires or (1) 12 gauge wire
	00245	Spade Terminal	1/4 inch; (1) 22 gauge wire
6	00124	Female Spade Terminal	3/16 inch; (1) 18 gauge wire; .020 tab
	00156	Female Spade Terminal	3/16 inch; Thermostat wire; .032 tab
7	00222	Female Spade Terminal	1/4 inch
8	00347	Terminal	
9	00115	Female Spade Terminal	1/4 inch; (1) 18 gauge wire
10	90789	Receptacle Housing	
11	00359	Insulated Female Spade Terminal	1/4 inch
	00165	Insulated Female Terminal	3/16 inch
12	00110	Ring Terminal	(1) 18 gauge wire
	00111	Ring Terminal	(2) 18 gauge wires or (1) 12 gauge wire
	00319	Ring Terminal	(2) 18 gauge wires or (1) 14 gauge wire
13	00114	Female Spade Terminal	1/4 inch; Double connector
14	00139	Male Tab Terminal	1/4 inch; (2) 18 gauge wires or (1) 12 gauge wire
15	00344	Female Tab Terminal	
16	00252	Terminal	
17	44370401	1 Circuit Plug Housing	
	23033	9 Circuit Plug	
	23041	6 Circuit Plug	
18	26163	9 Circuit Receptacle	
	56855	12 Circuit Receptacle	
19	00221	Insulated Female Flag Terminal	1/4 inch
20	26708	6 Circuit Receptacle	
	26301	1 Circuit Receptacle	
21	54522	Plug	
22	D501333	12 Circuit Receptacle	
	34596	10 Circuit Receptacle	

Motor Connection Block and Tools



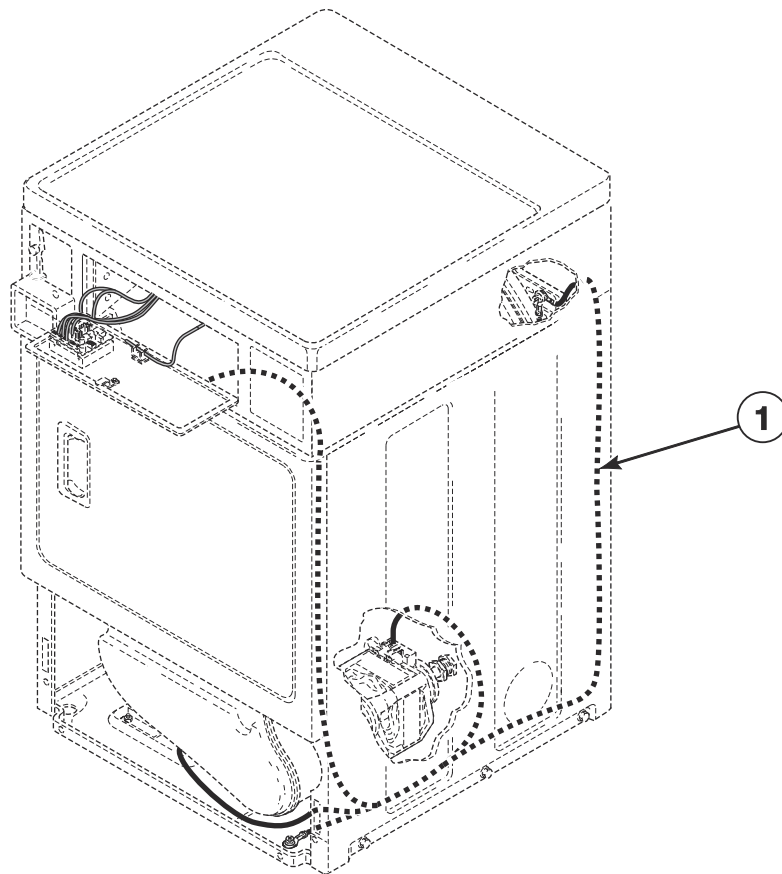
DRY2066P_D518074

Motor Connection Block and Tools

REF	PART NO.	DESCRIPTION	COMMENTS
1	D500338	10 Position Housing	
2	00255	Female Terminal	1/4 inch; For (1) 12 gauge wire
	00256	Female Terminal	1/4 inch; For (1) or (2) 18 gauge wires
3	00188	Female Terminal	For 1 or 2 wire application
4	283P4	Terminal Extractor Tool	For use on Molex connectors
5	310P4	Ratchet Extension Tool	1/4 inch; For coin drop installation
6	190P4	Extractor Tool	For use on electric dryer terminals
7	128P4	Extractor Tool	For use on gas dryer terminals
8	281P4	Torx Bit	T15 Tamper Resistant Bit
	282P4	Torx Bit	Use with 62853 Screw on access panel; T25 Tamper Resistant Bit
	292P4	Torx Bit	T20 Standard Bit
	93501	Torx Drive Tool	T10 Standard Bit

Wire Harnesses and Wires - Front Control Models

Models BDEBLBGS433AW01, BDEBXAGS433AW01, BDGBLBGS303AW01, BDGBLBGW543NW01, BDGBXAGS303AW01, BDGBXAGW303AW01, GDEBGABW303UN01, GDEBGABW403UN01, GDEBXABW303UN01, GDEBXABW403UN01, GDGBGABW303UN01, GDGBXABW303UN01, HDEBXAGS543FW01, HDGBXAGS113FW01, KDGBXACW303UN01, NDEBLBGS403UT01, NDEBXAGS303UW01, NDEBXAGS403UW01, NDGBXAGS303EW01, SDEBLBSS403UN01, SDEBXAGS303UW01, SDEBXAGS403UW01, SDEBXAGS433AW01, SDEJXAGS443UG16, SDGBLBSS303EN01, SDGBXAGS113FW01, SDGBXRGs113FW01 and TDEBXAGS403UW01



DRY2372P_D518074

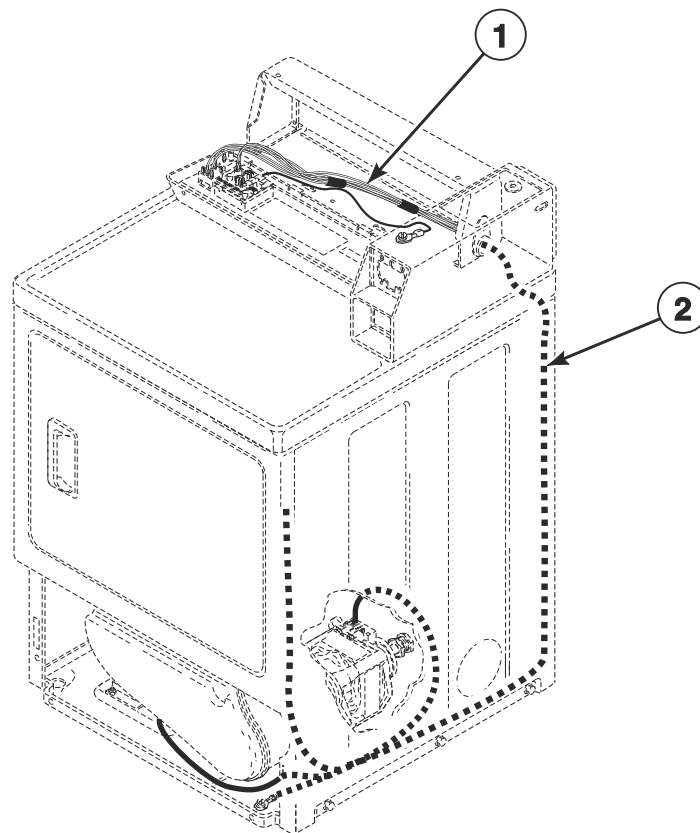
Wire Harnesses and Wires - Front Control Models

REF	PART NO.	DESCRIPTION	COMMENTS
	45380	12 Gauge Wire	Orange; Order wire by foot; Order terminals and connectors as required
	45001	18 Gauge Wire	Black; Order wire by foot; Order terminals and connectors as required
	45102	18 Gauge Wire	Green/Yellow
	D516363	Cylinder Light Harness	Models GDEBGABW303UN01, GDEBGABW403UN01, GDEBXABW303UN01, GDEBXABW403UN01 and KDGBXACW303UN01
	D517702	Gas Valve Harness	240 Volt
	D518935	Gas Valve Harness	120 Volt
	D515039	Power Harness	
1	D517478	Electric Harness	Models BDEBLBGS433AW01, BDEBXAGS433AW01, GDEBGABW303UN01, HDEBXAGS543FW01, NDEBXAGS303UW01, SDEBXAGS303UW01 and SDEBXAGS433AW01
	D517484	Electric Harness	3 Phase; Models GDEBGABW403UN01, GDEBXABW403UN01, NDEBLBGS403UT01, NDEBXAGS403UW01, SDEBLBSS403UN01, SDEBXAGS403UW01, SDEJXAGS443UG16 and TDEBXAGS403UW01
	D517244	Electric Harness	Model GDEBXABW303UN01
	D517479	Gas Harness	All other models

NOTE: Individual wires are not available separately. Order complete harness, or order wire by the foot. When applying terminals to wires, it is recommended that the terminals be soldered to the wires.

Wire Harnesses and Wires - Rear Control Models

Models BDEMNRGS433AW01, BDGBXRG303AW01, BDGMNRGS303AW01, GDEMNRGS303UW01, GDEMNRGS543NW01, GDESCRGS303UW01, GDESCRGS543ZW01, GDLSCRGS543ZW01, HDEBXRG303FW01, HDESXRG303UW01, HDESXRG403UW01, HDGBXRG303NW21, KDEMNRGS303BW33, KDEMNRGS303UW01, KDESXRG303UW01, KDGMNRGS303EW01, KDGMNRGS303UW01, KDGSXRG303EW01, NDEBXRG303NW22, NDEMNRGS303NW22, NDEMNRGS303UW01, NDEMNRGS303WW01, NDEMNRGS543NW22, NDESXRG303NW22, NDESXRG543NW22, NDGMNRGS303NW22, NDGMNRGS543NW22, NDGSXRG303NW22, NDGSXRG543NW22, PDEBXRG303AG02, PDGBXRG303AG02, SDEBXRG303NW22, SDEBXRG303ZW01, SDEBXRG543FW01, SDEMNRGS303WW01, SDEMNRGS303ZW01, SDEMNRGS433AW01, SDESXRG303BW01, SDESXRG303UG01, SDESXRG303UW01, SDESXRG303WW01, SDESXRG303ZW01, SDESXRG403UW01, SDESXRG433AW01, SDESXRG543NW22, SDEWXRG303BW01, SDGBXRG113FW01, SDGBXRG303AW01, SDGMNRGS303ZW01, SDGSXRG303AW01 and SDGSXRG303EW01



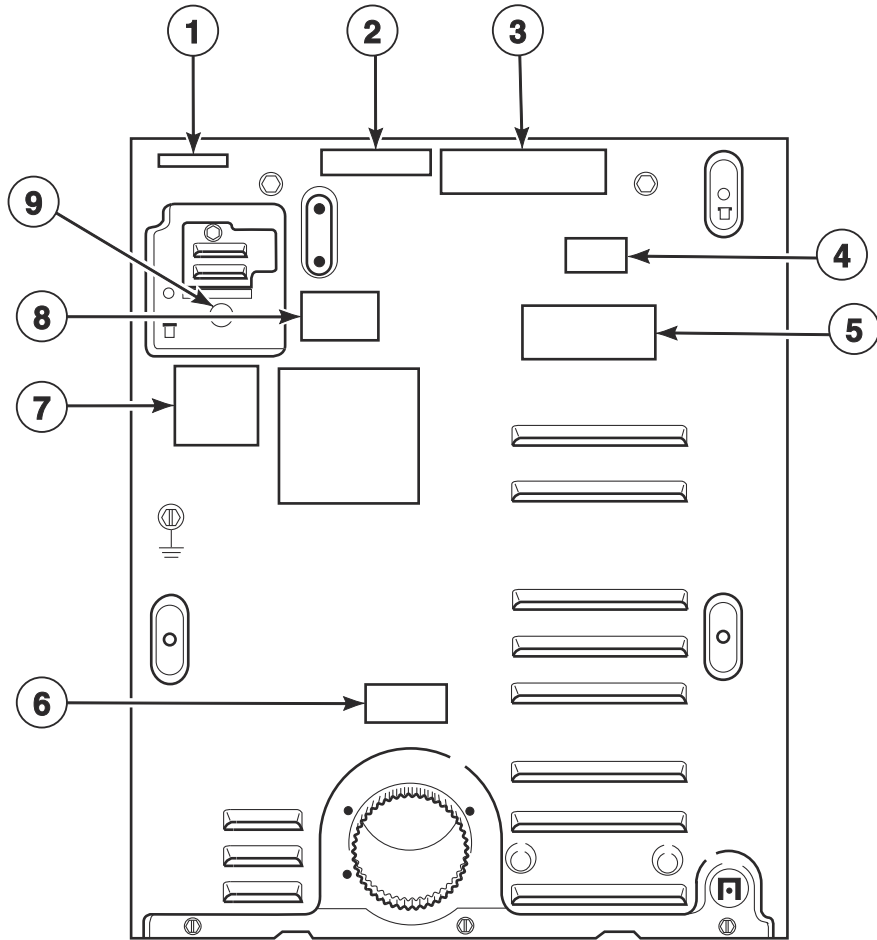
DRY2373P_D518074

Wire Harnesses and Wires - Rear Control Models

REF	PART NO.	DESCRIPTION	COMMENTS
	45380	12 Gauge Wire	Orange; Order wire by foot; Order terminals and connectors as required
	45001	18 Gauge Wire	Black; Order wire by foot; Order terminals and connectors as required
	D518935	Gas Valve Harness	120 Volt
	D517702	Gas Valve Harness	240 Volt
1	D514076	Control Harness	Models BDEMNRGS433AW01, BDGMNRGS303AW01, GDEMNRGS303UW01, GDEMNRGS543NW01, KDEMNRGS303BW33, KDEMNRGS303UW01, KDGMNRGS303EW01, KDGMNRGS303UW01, NDEMNRGS303NW22, NDEMNRGS303UW01, NDEMNRGS303WW01, NDEMNRGS543NW22, NDGMNRGS303NW22, NDGMNRGS543NW22, SDEMNRGS303WW01, SDEMNRGS303ZW01, SDEMNRGS433AW01 and SDGMNRGS303ZW01
	D514025	Harness	Models GDESCRGS303UW01, GDESCRGS543ZW01, GDLSCRGS543ZW01, HDESXRGS303UW01, HDESXRGS403UW01, KDESXRGS303UW01, KDGSXRGS303EW01, NDESXRGS303NW22, NDESXRGS543NW22, NDGSXRGS303NW22, NDGSXRGS543NW22, SDESXRGS303BW01, SDESXRGS303UG01, SDESXRGS303UW01, SDESXRGS303WW01, SDESXRGS303ZW01, SDESXRGS403UW01, SDESXRGS433AW01, SDESXRGS543NW22, SDGSXRGS303AW01 and SDGSXRGS303EW01
	D517480	Harness	3 Phase; Models HDESXRGS403UW01 and SDESXRGS403UW01
2	D517474	Electric Harness	Models BDEMNRGS433AW01, GDEMNRGS303UW01, GDEMNRGS543NW01, GDESCRGS303UW01, GDESCRGS543ZW01, HDEBXRGS543FW01, HDESXRGS303UW01, KDEMNRGS303BW33, KDEMNRGS303UW01, KDESXRGS303UW01, NDEBXRGS303NW22, NDEMNRGS303NW22, NDEMNRGS303UW01, NDEMNRGS303WW01, NDEMNRGS543NW22, NDESXRGS303NW22, NDESXRGS543NW22, PDEBXRGS433AG02, SDEBXRGS303NW22, SDEBXRGS303ZW01, SDEBXRGS543FW01, SDEMNRGS303WW01, SDEMNRGS303ZW01, SDEMNRGS433AW01, SDESXRGS303BW01, SDESXRGS303UG01, SDESXRGS303UW01, SDESXRGS303WW01, SDESXRGS303ZW01, SDESXRGS433AW01, SDESXRGS543NW22 and SDEWXRGS303BW01
	D517689	Power Harness	3 Phase; Models HDESXRGS403UW01 and SDESXRGS403UW01
	D517475	Gas Harness	

NOTE: Individual wires are not available separately. Order complete harness, or order wire by the foot. When applying terminals to wires, it is recommended that the terminals be soldered to the wires.

Label Location on Rear of Cabinet



DRY2303P_D518074

Label Location on Rear of Cabinet

REF	PART NO.	DESCRIPTION	COMMENTS
	D516073	Notice Label	Read instructions
1	D501288	Terminal Block Label	GND N A
	D506072	Terminal Block Label	L, N, GND
	D515445	Terminal Block Label	L1, L2, L3, N and GND
2	D505281	Disconnect Power Warning Label	
3	44324001	Warning Label	
4	D501140	Natural Gas Notice Label	
5	D502791	Venting Instruction Label	
6	D500497	Exhaust Warning Label	English, French and Spanish
	D502507	Exhaust Warning Label	Icon
	44321601	Warning Label	Icon
7	D500496	20 Amp Notice Label	
8	803260	Warning Label	
9	D502510	Ground Label	

Parts Index

A

Access Cover Plate	
D514356	69
Access Panel Assembly	
D514250DG	39
D514250WP	39
D514251	39
Adhesive	
D511637P	51, 53
Air Duct Assembly	
D518432	47
D518433	47, 49
Anti-Seize Compound	
27604P	41, 43
Audit Switch Bracket	
800379	25

B

Blower Fan Assembly	
D510139P	43
Blower Housing	
D511969WP	43
Blower Housing Seal	
D510238P	43
Bolt	
D515812	71
203798	13, 15
29651	15, 23, 29
Booster and Holding Coil	
58804A	65
Bracket	
D510146	17
803662	15
Bracket Assembly	
D518062	71
Bumper Pad	
56128	69
Burner Assembly	
D510149P	65

C

Cabinet Rear Panel	
D517566	69
Cabinet Side Panel	
D510001DGP	69
D510001WP	69
D510002DGP	69
D510002WP	69
Central Pay Harness	
D511478	7
805427	25, 31
Chassis Mounting Bracket	
201581	15
Clip	
201572	21

Coin Drop	
38963P	19
70441601P	19
70441603	19
Coin Drop Assembly	
38462P	19
38463	19
38464P	19
70441602	19
Coin Drop Wire Harness	
201104	21
Coin Funnel Kit	
523P3	15
Coin Identification Paper	
38725	19, 21
Coin Slide Extension Kit	
200913	15
Coin Slide Kit	
CK001	15
CK009	15
CK010P	15
CK011	15
CK014	15
CK017	15
Combustion Duct	
D510131	63
D510132	63
Connector, 2 Circuit	
58799	77
Connector, 3 Circuit	
58800	75
Contactora	
70482603	71
Control Access Panel	
804741	31
Control Assembly	
D517522	7, 25, 31
D517523	7, 25, 31
D517524	7
D517526	9, 15
Control Bracket	
D514261	31
Control Harness	
D514076	83
Control Hood	
D502567DG	7, 11
D502567Q	11
D502567W	7, 11
D511253W	9
Control Overlay	
D514480	27
D514485	7
D515527	7
D515529	27
D515530	27
D515531	31
D515553	7
D515555	27
D515558	7
D515560	27
D515561	31
D515565	27
D515566	31

N/A items do not appear in index.

D515571	27
D515583	7
D515814	7
D515970	7
D517527	7
Control Panel	
D510067DG	7
D510067W	7
D510154W	7
D515217	23
D515218	23
803962WP	23
806541DG	23
Control Panel and Bracket Assembly	
D501738DG	11
D501738Q	11
D501738W	11
D513777DG	27
D513777W	27
Control Panel Assembly	
D514454	31
D514455	31
D515215	27
D515578W	9
Control Panel Overlay	
D515525	11
D515526	9
D515551	11
D515557	9
D515563	11
D515564	9
D515567	11
D515568	9
D515569	11
D515570	9
D517288	9
Control Wrapper	
804627B	31
804627W	31
804630B	31
804630W	31
Conversion Kit	
756P3	61
Cycle Selector Switch	
201686	9
Cylinder Assembly	
D505929DG	51
D505929LGP	51
D510265LGP	51
D510265WP	51
Cylinder Baffle	
D510102LG	51
D510102W	51
Cylinder Belt	
D511255P	41
Cylinder Glide	
D513710	47, 49
Cylinder Glide Bracket	
D510145	47, 49
Cylinder Light Assembly	
D512109	49
Cylinder Light Harness	
D516363	81
Cylinder Light Lens	
D512106	49

Cylinder Roller	
D510708P	53
Cylinder Roller Bracket	
D510100	53
Cylinder Seal Assembly	
D510207P	51, 53

D

Damper	
58786	69
Din Rail	
M412693	71
Directional Exhaust Kit	
528P3	69
Disconnect Power Warning Label	
D505281	85
Door Assembly	
D516737W	35
Door Catch Assembly	
D510177	39
Door Handle Wedge	
D510129W	33, 35
Door Liner Assembly	
D516508	33
Door Liner Grill	
D503870LG	33, 37
D503870W	33, 35
Door Pull	
D512947	33
Door Pull and Wedge Kit	
D510103WP	33, 35
D511213P	33
Door Pull Kit	
D515656	37
Door Strike	
D510181	33, 35, 37
Door Strike Mount	
D510127	33, 35
Drum Light Lamp	
D503579	49
Dryer Base	
D514245	69
Dryer Door	
D510013DG	33
D510013WP	33
D510082WP	35
D515960DG	33
D515960W	33
D515962	37
D515963	33
Dryer Door Window	
D503982P	35
D515681	37
Dual Coin Harness Assembly	
202871	7, 19, 25
Dual Contactor Harness	
D514054	71
Dual Overlay	
39073	13

N/A items do not appear in index.

E

Electric Harness	
D517244	81
D517474	83
D517478	81
D517484	81
Electrical Shock Label	
201149	47, 49
Electronic Coin Drop Assembly	
70294122	21
70513306	21
Electronic Coin Drop Kit	
CK110	21
CK115	21
End Cap	
210109W	9
510108W	9
End Stop	
F8449801	71
Exhaust Duct	
D516196	69
Exhaust Warning Label	
D500497	85
D502507	85
Expansion Clip	
70030501	23, 31
Extractor Tool	
128P4	79
190P4	79

F

Felt Pad	
D510189	47, 49
Female Piggyback Terminal	
00361	77
Female Pin Terminal	
00117	75
00128	75
00130	75
Female Spade Terminal	
00114	77
00115	77
00121	77
00124	77
00156	77
00189	77
00222	77
00223	77
Female Tab Terminal	
00344	77
Female Terminal	
00188	79
00255	79
00256	79
Flexible Venting Kit	
521P3	69
Front Bulkhead Assembly	
D510266P	47
D512476P	49
Front Panel	
D510066DG	39

D510066WP	39
D512542	39
Front Panel Label	
D514863	39
Front Panel Seal	
D511056	39

G

Gas Harness	
D517475	83
D517479	81
Gas Valve Harness	
D517702	81, 83
D518935	81, 83
Gas Valve Mounting Bracket	
D510128	65
Gas Valve, Bracket and Pipe Assembly	
D517606	65
D517607	65
D517608	65
D517612	65
Glide Kit	
RB170003	47, 49
Ground Label	
D502510	85
Ground Wire Assembly	
D518257	55
Grounding Clip	
00161	77

H

Harness	
D514025	83
D517480	83
Harness Assembly	
802905	21
Harness Strap	
55881	75
Heat Duct Shroud	
D510101	63
Heater	
D511014P	61
Heater Assembly	
D510326P	59
D510327P	59
D510329P	59
D515647	61
Heater Duct Assembly	
D510705P	59, 61, 63
Heater Harness	
D518531	71
Heater Kit	
964P3	59
Heater Kit Assembly	
61929	59
61930	59
Hinge	
D511036	33, 35, 37
Hinge Hole Plug	
D510186	39

N/A items do not appear in index.

Hold Down Kit 526P3	69
Hood Back Panel 804886	7, 11
Housing, 10 Position D500338	79

I

Idler Lever D516310	43
Idler Lever and Wheel Assembly D516792	43
Idler Spring D510185	43
Idler Wheel and Bearing Assembly D510142P	43
Igniter and Bracket Assembly D510184P	65
Instruction Label D500628	13, 15
D502783	13, 15
D518450	13
Instruction Overlay D515211	23
Insulated Female Flag Terminal 00221	77
Insulated Female Spade Terminal 00359	77
00360	75
Insulated Female Terminal 00165	77

J

Jumper Wire Assembly D518529	61
---------------------------------------	----

K

Key 54612	27
--------------------	----

L

Label D503887	39
Lead-In Cord D516705	73
D517578	73
D517699	73
D517700	73
203344	73
204781	73
Lead-In Cord Assembly D516747	73
Lead-In Cord Kit 61605P	73
Leveling Leg D510135	69

N/A items do not appear in index.

Light 801431	9, 11
Limit Thermostat D510701	59, 61, 63
D515873	61
Liner and Seal Assembly D516509	35, 37
Liner Door Seal D510147P	33, 35
Liner, Seal and Grill Assembly D510163WP	33
Lint Filter D503980DG	47, 49
D503980LG	47
D503980W	47
Lint Filter Label D502781	39
D502804	39
Lock Cam 804338	27
Lock Kit 27260P	27
L.P. Conversion Kit 458P3	65
599P3	65
L.P. Orifice D503786	67
58755	67

M

Machine ID Control Assembly 203361P	7, 25, 31
Male Pin Terminal 00116	75
00127	75
Male Tab Terminal 00139	77
Mechanical Counter Kit Assembly 201280P	15
Meter Case Assembly D515219	23
202877W	13
807254DG	23
807396W	23
807401DG	13
807402DG	15
Meter Case Bracket Gasket 35526	13, 15
Meter Case Gasket 26354	13, 15
Meter Case Kit 807398W	15
Meter Case Lockdown Bracket 35525	13, 15
Meter Case Locking Bracket Kit 204616	13, 15
Motor and Pulley Assembly D505843P	41
D505869P	41
D511629P	41
Motor Hub Ring Kit 590P3	41

Motor Mount	
D518517	43
Motor Mount Clamp	
D510180	41
Motor Pulley	
D500011	41
D500222	41
Motor Shield	
D514602	39, 43
Motor Switch Bracket	
D516311	43

N

Nameplate	
D513000	23, 27
Natural Gas Notice Label	
D501140	85
Notice Label	
D516073	85
Notice Label, 20 Amp	
D500496	85
Nut	
201216	21
24205	9, 11
27222	17
28447	55
29786	11, 13, 15, 19, 21
29796	15
36020	29
44087101	13, 71
44087201	23
52566	7, 43
52947	9, 11
56156	43, 53
802337	15
N.G. Conversion Kit	
402P3	65
459P3	65
N.G. Orifice	
D503776	67
D503778	67
D503779	67
D503780	67
D510517	67

O

Operating Instruction Label	
D515213	23
Operating Instructions Label	
D514392	23
D514393	23
D517764	23
D518482	23
Opto Coupler	
200674P	19
Outlet Cover	
D500820	59, 61, 63
D514475	59
D518524	59, 61, 63
Output Board Shield	
D514420	69

Output Control Assembly	
D517191P	69
D517319	69
Overlay	
201091	13, 21

P

Panel Locator	
56079	39, 69
Pinch Warning Label	
F8615701	47, 49
Plug	
54522	77
Plug Housing, 1 Circuit	
44370401	77
Plug, 2 Circuit	
56266	75
56448	75
Plug, 6 Circuit	
23041	77
Plug, 9 Circuit	
23033	77
Pop Rivet	
685847	31
Porcelain Touch-Up Paint	
122P4P	69
Power Harness	
D515039	81
D517689	71, 83
D517784	71

R

Ratchet Extension Tool	
310P4	79
Rear Access Panel	
804614	31
807646	23
Rear Bulkhead Assembly	
D511082P	53
D518128	53
Rear Panel	
D511254	9
Rear Wrapper Brace	
805345	31
Receptacle Housing	
90789	77
Receptacle, 1 Circuit	
26301	77
Receptacle, 10 Circuit	
34596	77
Receptacle, 12 Circuit	
D501333	77
56855	77
Receptacle, 2 Circuit	
56265	75
56451	75
Receptacle, 3 Circuit	
23039	75
36170	75

N/A items do not appear in index.

Receptacle, 6 Circuit 26708	77
Receptacle, 9 Circuit 26163	77
Retaining Ring 23748	43, 53
Ring Terminal 00110	77
00111	77
00319	77
Rocker Switch 70455101	9
Roller Kit RB170002	53
Rubber Foot D501855	69

S

Screw	
D500226	33, 35, 37, 47, 49
D500227	49
D500824	43
D501086	7, 9, 11
D501285	47, 49, 55, 57
D501524	15, 27
D502535	45
D503661	25, 31, 57
D503673	13, 15
D503688	7, 15, 17, 23, 39, 43, 47, 53, 55, 59, 61, 63, 65, 69, 71
D505295	35
D505870	35
D512631	37
D512921	39, 69
D514428	69
D515967	37
M405188	23, 49
02916	7, 11
20530	73
23008	29
23222	59, 61, 65
28448	55
2916	13
31260	43
33562	39
35528	7, 9, 11
36048	13, 15
39733	39, 69
51782	63, 65
52864	7, 9, 11, 47, 49
56124	65
61199	55
62588	51
62853	39
70240301	23, 31
804608	9, 31
804667	31, 69
Screw Orifice 58719	67
Seal Kit RB170001	51, 53
Secondary Coil 58804B	65
Security Wrapper Assembly D515216	23

N/A items do not appear in index.

Sensor D510213	65
Service Door Assembly 39874DG	13
39874QP	15
39874WP	13, 15
Shaft 56461P	43, 53
Single Coin Harness Assembly 202870	19
Single Overlay D512821	19, 21
38717	13, 19
Slide CK027	15
Spade Terminal 00245	77
Speed Clip 28835	39
Spring 804794	15
Strain Relief D517491	73
D517492	73
Switch D512973	39
D516391	43
70529301	13, 15, 23, 25
Switch Assembly 55882	11
Switch Knob 39897	9, 11

T

Temperature Selector Switch D511711	9, 11
Terminal 00252	77
00347	77
Terminal Block Assembly D505876	57
D510190P	55
Terminal Block Label D501288	85
D506072	85
D515445	85
Terminal Block Shield D517715	55, 57
Terminal Block Support Bracket D505875	57
Terminal Extractor Tool 283P4	79
Thermal Fuse D506094	59
Thermal Fuse Assembly D518649	59, 61
Thermistor M414704	45
Thermistor Assembly D502366	45
D510523	45

Thermostat		M400017	7, 11, 13
D510703	63	200608	7
Thermostat Cover		26509	71
D502194	45	28449	55
Timer Knob		29260	37
54678	9	29443	45
Top Hinge		52549	43, 53
D510136	69	91029	9, 11
Top Kit		Window Trim	
D511527WP	17	D503981W	35
Top Mounting Bracket		D515959	37
D504228	29	Wire Assembly	
Top Panel		D518255	59
D505885DG	17	D518256	59
803868WP	29	Wire Clip	
803869	29	D504034	75
804023DG	29	504034	75
804684	31	687500	75
804685WP	31	Wire Guard	
Top Panel Brace Assembly		201595P	19
804613	31	Wireless Network Control Assembly	
Top Panel Guide		807211	7
803761	31	Wireless Network Harness	
Top Panel Kit		F8674006	7
D511530WP	17	Wire, 12 Gauge	
Torx Bit		45380	81, 83
281P4	79	Wire, 18 Gauge	
282P4	79	45001	81, 83
292P4	79	45102	81
Torx Drive Tool		Wiring Harness Assembly	
93501	79	202868	25
Transformer		202869	25, 31
D513763P	71	Wrapper Assembly	
D515702	71	804104DG	23
201375P	21	804104W	23
Transformer Kit			
203423	7, 25		
203424	7, 25		
Transformer Shield			
D514334	71		

V

Venting Instruction Label	
D502791	85

W

Warning Label	
D500314	47, 49
D500316	17
D502508	85
D512263	39
D514226	39
D514410	39
D516514	39
44324001	85
803260	85
Warning/Caution Label	
D500281	39
D517262	39
Washer	
D504082	53

N/A items do not appear in index.

