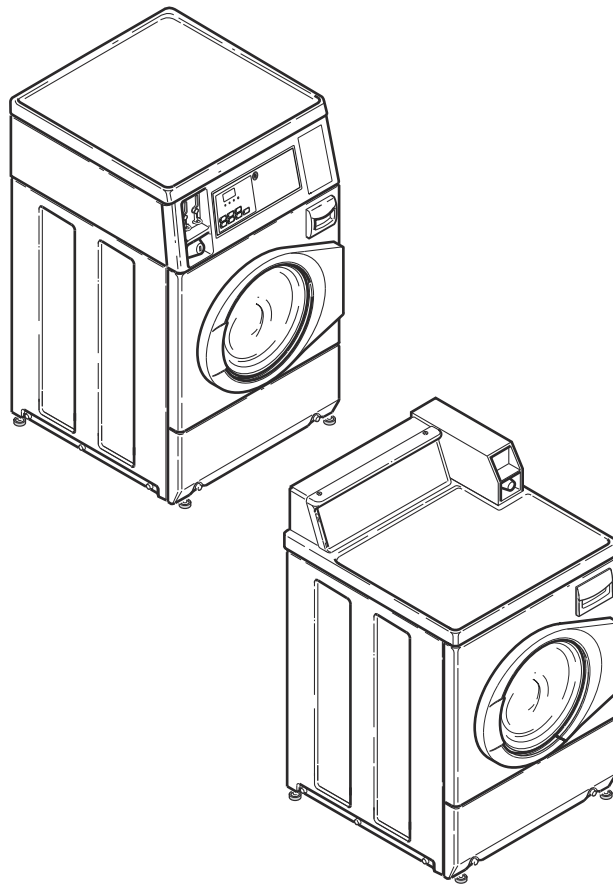


Commercial Frontload Washers

Refer to Page 5 for Model Numbers



FLW1550C_805863

Table of Contents

Title	Page
Parts Ordering Information.....	3
Serial Plate Location	3
Model Identification	5
Control Panel and Controls (Drawing 1 of 3)	6
Control Panel and Controls (Drawing 2 of 3)	8
Control Panel and Controls (Drawing 3 of 3)	10
Top Assembly	12
Network Board Assembly.....	14
Electrical Access Panel, Filters and Terminal Block (Drawing 1 of 4).....	16
Electrical Access Panel, Filters and Terminal Block (Drawing 2 of 4).....	18
Electrical Access Panel, Filters and Terminal Block (Drawing 3 of 4).....	20
Electrical Access Panel, Filters and Terminal Block (Drawing 4 of 4).....	22
Control Cabinet - Front Control Coin Drop Models (Drawing 1 of 2).....	24
Control Cabinet - Front Control Coin Drop Models (Drawing 2 of 2).....	26
Control Cabinet - Front Control Bill Acceptor Models	28
Non-Electronic Coin Drop, Cabinet Front and Wrapper Assembly	30
Electronic Coin Drop	32
Control Cabinet Controls - Front Control Card Reader Ready and OPL Models.....	34
Control Cabinet (Drawing 1 of 3)	36
Control Cabinet (Drawing 2 of 3)	38
Control Cabinet (Drawing 3 of 3)	40
Coin Drop, Meter Case and Cabinet Top.....	42
Control Panel, Control Hood and Controls.....	44
Front Panel, Door Assembly and Door Seal	46
Dispenser Inlet Hose.....	48
Dispenser Assembly (Drawing 1 of 2).....	50
Dispenser Assembly (Drawing 2 of 2).....	52
Mixing Valve.....	54
Fill Hose	56
Outer Tub, Clamp Ring and Shock Absorbers.....	58
Inner Basket, Trunnion, Bearing Housing and Pulley	60
Motor and Belt.....	62
Drain Hoses and Valve	64
Drain Hose and Pump.....	66
Side, Base and Rear Panels.....	68
Junction Box	70
Junction Box and Power Cord	72
Shipping Materials	74
Wire Ties, Harness Clips and Lead-In Cord.....	76
Special Tools	78
Washer Labels	80

© Copyright 2023, Alliance Laundry Systems LLC

All rights reserved. No part of the contents of this book may be reproduced or transmitted in any form or by any means without the expressed written consent of the publisher.

Wire Harnesses and Wires - Through Serial No. 2012999999	82
Wire Harnesses and Wires - Starting Serial No. 2101000001	84
Parts Index	87

Parts Ordering Information

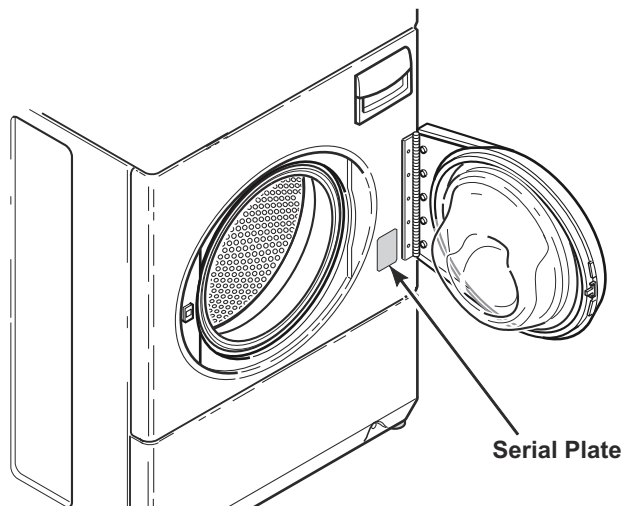
If literature or replacement parts are required, contact the source from whom the machine was purchased or contact Alliance Laundry Systems at (920) 748-3950 for the name and address of the nearest authorized parts distributor.

For technical assistance, call the number listed below:

(920) 748-3121 Ripon, Wisconsin

Serial Plate Location

When calling or writing about your product, be sure to mention model and serial numbers. Model and serial numbers are located on serial plate(s) as shown.



FLW2407N_805863

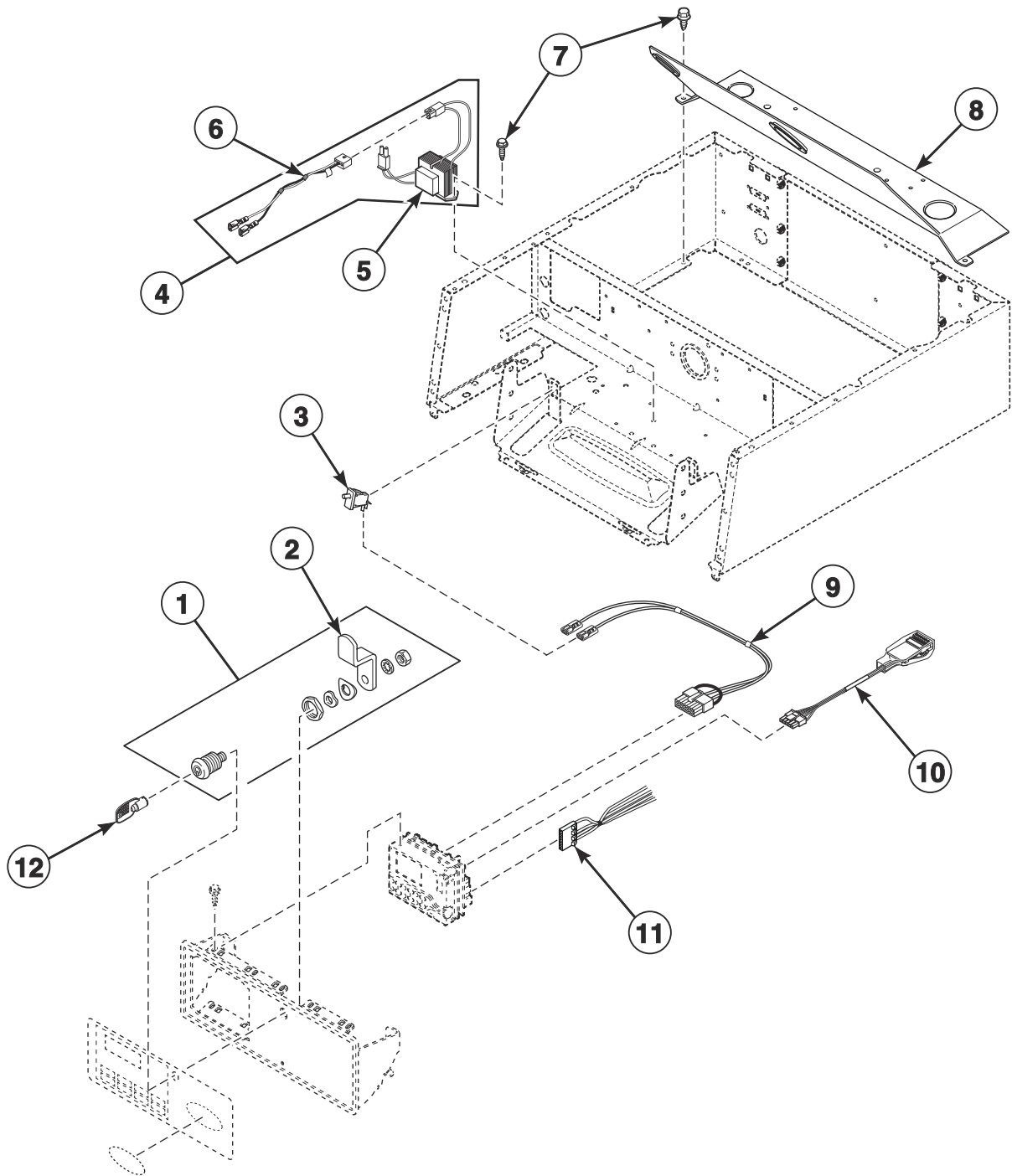
Model Identification

Information in this manual is applicable to these washer models:

BF3JGBJG403UN01	NF3JGBSG403UG01	SF3JGBJG403UG43
BF3JGBJG403UN06	NF3JGBSG403UN01	SF3JGBJG403UW01
BF3JGBJG403UW01	NF3JGBSG403UW01	SF3JGBJG403UW43
BF3JGBJG403UW06	NF3JGBSP403NG22	SF3JGBJP403UG43
BF3JGBJP403UN01	NF3JGBSP403NW22	SF3JGBJP403UW01
BF3JGBJP403UN06	NF3JGBSP403SW01	SF3JGBJP403UW43
BF3JGBJP403UW01	NF3JGBSP403UG01	SF3JGBSG403UG01
BF3JGBJP403UW06	NF3JGBSP403UN01	SF3JGBSG403UG50
BF3JGBSG403UN01	NF3JGBSP403UW01	SF3JGBSG403UW01
BF3JGBSG403UN06	NF3JLBJG403UG43	SF3JGBSP403UG01
BF3JGBSG403UW01	NF3JLBJP403UG43	SF3JGBSP403UG50
BF3JGBSG403UW06	NF3JLBSG403UG01	SF3JGBSP403UW01
BF3JGBSP403UN01	NF3JLBSG403UN01	SF3JLBJG403UG43
BF3JGBSP403UN06	NF3JLBSG403UT01	SF3JLBJP403UG43
BF3JGBSP403UW01	NF3JLBSG403UT06	SF3JLBSG403UG01
BF3JGBSP403UW06	NF3JLBSP403NN22	SF3JLBSG403UN01
BF3JLBSG403UN01	NF3JLBSP403NW22	SF3JLBSP403UG01
BF3JLBSG403UN06	NF3JLBSP403UG01	SF3JLBSP403UN01
BF3JLBSG403UW01	NF3JLBSP403UN01	SF3JXASG403UG01
BF3JLBSG403UW06	NF3JLBSP403UT01	SF3JXASG403UN01
BF3JLBSP403UN01	NF3JLBSP403UT06	SF3JXASP403EG01
BF3JLBSP403UN06	NF3JLBSP403UW01	SF3JXASP403EW06
BF3JLBSP403UW01	NF3JXASG403UG01	SF3JXASP403UG01
BF3JLBSP403UW06	NF3JXASG403UN01	SF3JXASP403UG50
BF3JXASG403UN01	NF3JXASG403UW01	SF3JXASP403UN01
BF3JXASG403UN06	NF3JXASP403NW22	SF3JXASP403UW01
BF3JXASP403UN01	NF3JXASP403UG01	SF3NLBJG403UG44
BF3JXASP403UN06	NF3JXASP403UN01	SFBJXASP543UG16
BF3JXASP403UW01	NF3JXASP403UW01	SFNNXASG103JW01
BF3JXASP403UW06	NF3JXASP403UW06	SFNNXASG113JW01
HFNNXASP123DW01	NF3JYASG403UW01	SFNNXASG303AN12
HFNNXASP543DW01	NFNJXASP543NN23	SFNNXASG303AW12
JF3JEASP413EW06	NFNJYASP543NN23	SFNNXASP123DW01
JF3JGASP413EW06	NFNNXASP115MW01	SFNNXASP123MW01
JF3JGBSP413EW06	NFNNXASP123MW01	SFNNXASP303AN01
JF3JMASG413EN06	NFNNXASP303ZW01	SFNNXASP303AN12
JF3JMASG413EW06	NFNWXASP303LN01	SFNNXASP303AW01
JF3JMBSG413EN06	PF3JGBJG403UG06	SFNNXASP303AW12
JF3JRASP413EW06	PF3JGBJP403UG06	SFNNXASP303BW01
JF3JXASP413EW06	PF3JGBSG403UG06	SFNNXASP303NN26
JFNJEASG303EW06	PF3JGBSP403UG06	SFNNXASP543DW01
JFNJEASP303EW06	PF3JXASG403UG06	SFNNXASP543RW01
JFNJRASP303EW06	PF3JXASP403UG06	SFNNXRSP543NW23
JFNJXASG303EW06	PF3NGBJG403UG82	SFNNZASP113NW22
JFNJXASP303EW06	PFNJXASG303UG06	SFNWXASP303BW01
NF3JGBJG403UG43	PFNJXASG543ZG01	SFNWXASP303LW01
NF3JGBJG403UW43	PFNJXASP303UG06	TF3JXASP403NW22
NF3JGBJP403UG43	PFNJXASP304AG01	TFNJGBSP303NW36
NF3JGBJP403UW43	PFNJXASP543ZG01	

Control Panel and Controls (Drawing 1 of 3)

10 Degree Front Control Models



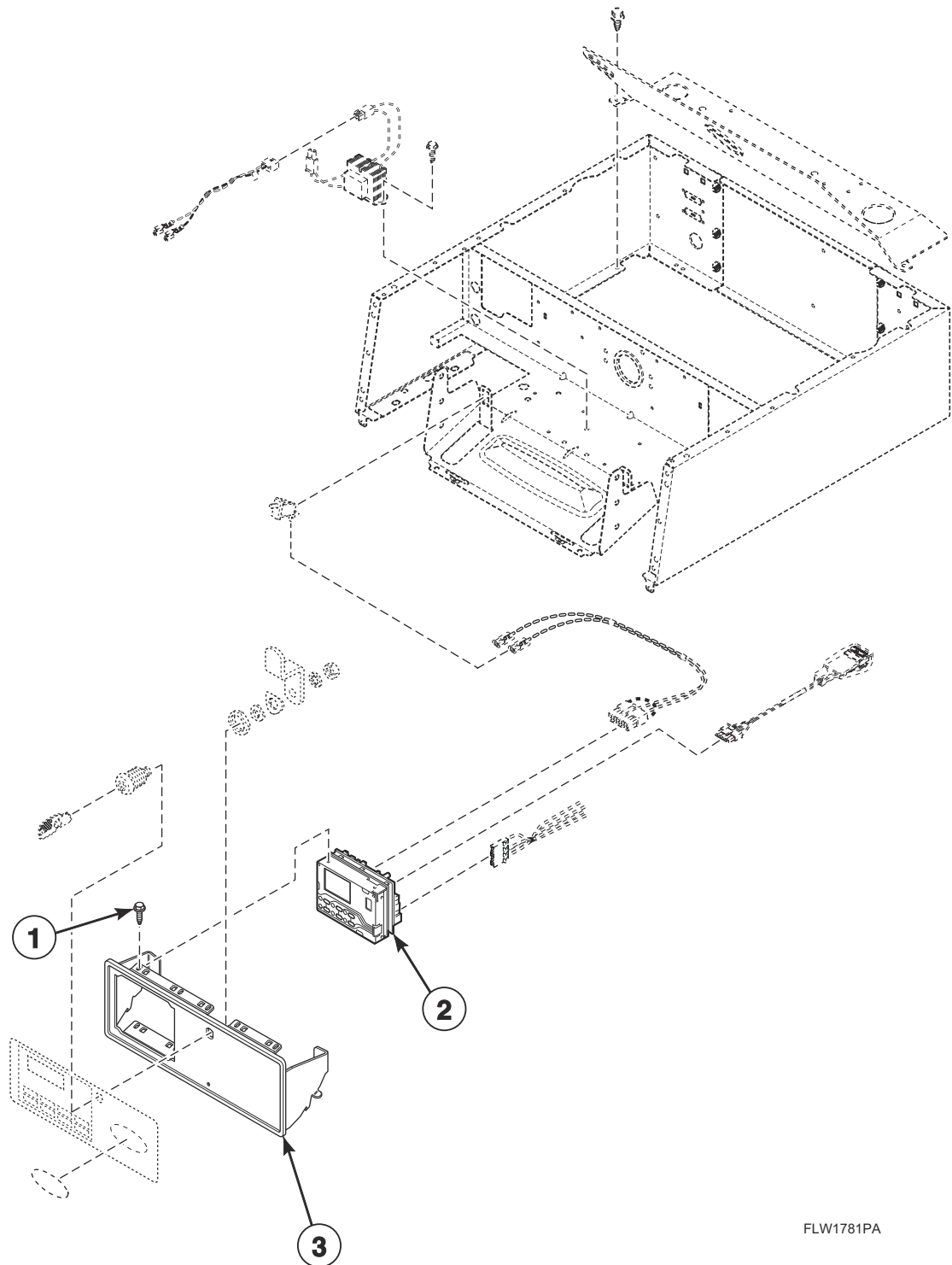
FLW1781P_805863

Control Panel and Controls (Drawing 1 of 3)

REF	PART NO.	DESCRIPTION	COMMENTS
	807173	Central Pay Kit	
	203328	Network Retrofit Kit	Wired
	NK220	Network Controller Kit	Wired
	204689	Wireless Network Kit	
	NK320	Ethernet Gateway Kit	Wireless
	203346	USB IR Interface Kit	
	NK330	USB Gateway Kit	Wireless
1	804339P	Lock Assembly	
2	804338	Lock Cam	
3	D512973	Switch	
4	203423	Transformer Kit	120 Volt; Includes items 5 and 6
	203424	Transformer Kit	240 Volt; Includes items 5 and 6
5	202757	Transformer	120 Volt
	202758	Transformer	240 Volt
6	804795	Transformer Harness	120 Volt
	805428	Transformer Harness	240 Volt
7	D503688	Screw	
8	804363	Control Shield	
9	202868	Wiring Harness Assembly	Diagnostic; With service door switch wires
	202869	Wiring Harness Assembly	Diagnostic; Without service door switch wires
10	203361P	Machine ID Control Assembly	Model or serial number is required when ordering
11	805427	Central Pay Harness	
12	54612	Key	GR800

Control Panel and Controls (Drawing 2 of 3)

10 Degree Front Control Models



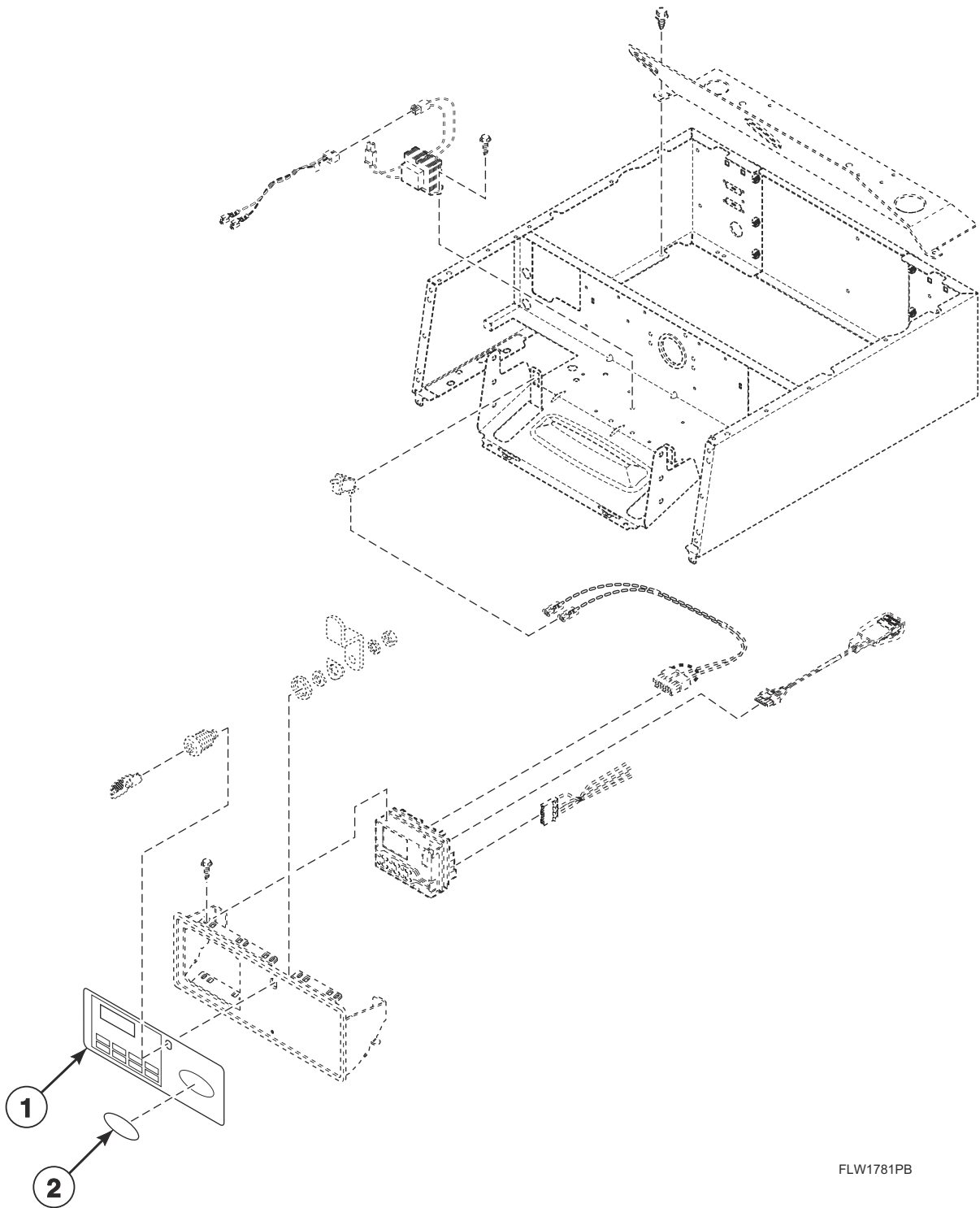
FLW1781PA

Control Panel and Controls (Drawing 2 of 3)

REF	PART NO.	DESCRIPTION	COMMENTS
	203328	Network Retrofit Kit	Wired
	NK220	Network Controller Kit	Wired
	204689	Wireless Network Kit	
	NK320	Ethernet Gateway Kit	Wireless
	203346	USB IR Interface Kit	
	NK330	USB Gateway Kit	Wireless
1	804647	Screw	
2	806268P	Control Assembly	Red LEDs; Models BF3JXASG403UN01, BF3JXASG403UN06, BF3JXASP403UN01, BF3JXASP403UN06, BF3JXASP403UW01 and BF3JXASP403UW06 through Serial No. 2012999999
	807459	Control Assembly	Red LEDs; Models BF3JXASG403UN01, BF3JXASG403UN06, BF3JXASP403UN01, BF3JXASP403UN06, BF3JXASP403UW01 and BF3JXASP403UW06 starting Serial No. 2101000001
	806269P	Control Assembly	Blue LEDs; Models PF3JXASG403UG06, PF3JXASP403UG06, PFNJXASG303UG06, PFNJXASG543ZG01, PFNJXASP303UG06, PFNJXASP304AG01 and PFNJXASP543ZG01 through Serial No. 2012999999
	807460	Control Assembly	Blue LEDs; Models PF3JXASG403UG06, PF3JXASP403UG06, PFNJXASG303UG06, PFNJXASG543ZG01, PFNJXASP303UG06, PFNJXASP304AG01 and PFNJXASP543ZG01 starting Serial No. 2101000001
	806267P	Control Assembly	Green LEDs; All other models through Serial No. 2012999999
	807458	Control Assembly	Green LEDs; All other models starting Serial No. 2101000001
3	806541DG	Control Panel	Models NF3JXASG403UG01, NF3JXASP403UG01, SF3JXASG403UG01, SF3JXASP403EG01, SF3JXASP403UG01 and SF3JXASP403UG50
	804070Q	Control Panel Assembly	Bisque; All other models
	804070W	Control Panel Assembly	White; All other models
	804070DG	Control Panel Assembly	Dark gray; All other models
	804070B	Control Panel Assembly	Black; All other models

Control Panel and Controls (Drawing 3 of 3)

10 Degree Front Control Models



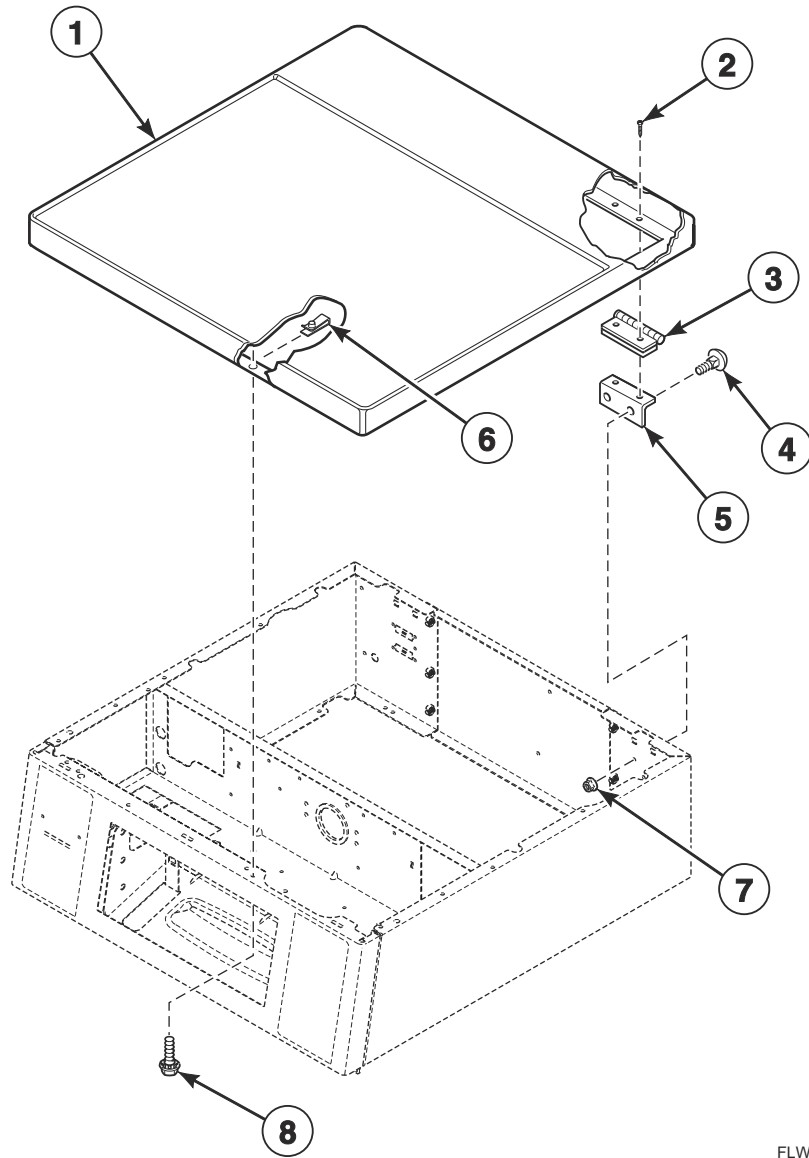
FLW1781PB

Control Panel and Controls (Drawing 3 of 3)

REF	PART NO.	DESCRIPTION	COMMENTS
	203328	Network Retrofit Kit	Wired
	NK220	Network Controller Kit	Wired
	204689	Wireless Network Kit	
	NK320	Ethernet Gateway Kit	Wireless
	203346	USB IR Interface Kit	
	NK330	USB Gateway Kit	Wireless
1	805374	Overlay	Models BF3JXASG403UN01, BF3JXASG403UN06, BF3JXASP403UN01, BF3JXASP403UN06, BF3JXASP403UW01 and BF3JXASP403UW06
	805766	Overlay	Models PF3JXASG403UG06, PF3JXASP403UG06, PFNJXASG303UG06, PFNJXASG543ZG01, PFNJXASP303UG06 and PFNJXASP543ZG01
	804851	Overlay	Models NF3JXASG403UN01, NF3JXASG403UW01, NF3JXASP403NW22, NF3JXASP403UN01, NF3JXASP403UW01, NF3JXASP403UW06, NF3JYASG403UW01, SF3JXASP403EW06 and TF3JXASP403NW22
	808117	Overlay	Models JF3JEASP413EW06, JF3JRASP413EW06, JF3JXASP413EW06, JFNJEASG303EW06, JFNJEASP303EW06, JFNJRASP303EW06, JFNJXASG303EW06 and JFNJXASP303EW06
	805373	Overlay	Models HFNNXASP123DW01 and HFNNXASP543DW01
	806173	Overlay	Model PFNJXASP304AG01
	806015	Overlay	Model JF3JGASP413EW06
	806016	Overlay	Model JF3JMASG413EN06
	807390	Overlay	Models NFNJXASP543NN23, NFNJYASP543NN23, NFNNXASP115MW01, NFNNXASP303ZW01 and NFNWXASP303LN01
	807555	Control Overlay	Model SF3JXASG403UN01
	805969	Control Overlay	Models SFNNXASP123MW01, SFNNXASP303BW01 and SFNWXASP303BW01
	807194	Overlay	Models SF3JXASG403UG01, SF3JXASG403UN01, SF3JXASP403EG01, SF3JXASP403UG01, SF3JXASP403UG50, SF3JXASP403UN01, SF3JXASP403UW01 and SFBJXASP543UG16
	807961	Overlay	Models NF3JXASG403UG01 and NF3JXASP403UG01
	808133	Overlay	Model NFNNXASP123MW01
	804849	Overlay	All other models
2	804969	Label	Model SF3JXASP403EW06
	805914	Label	Model TF3JXASP403NW22

Top Assembly

10 Degree Front Control Models



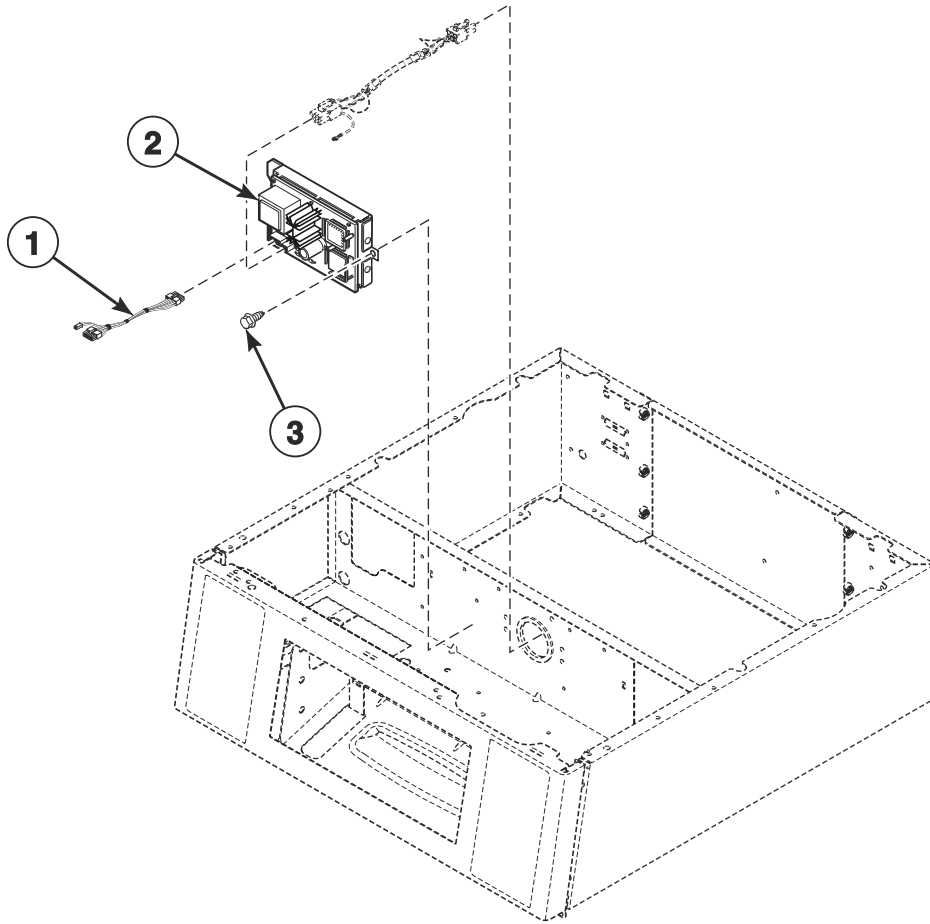
FLW1749P_805863

Top Assembly

REF	PART NO.	DESCRIPTION	COMMENTS
1	803868WP	Top Panel	White
	803869	Top Panel	Stainless steel
	804023DG	Top Panel	Dark gray
	803868Q	Top Panel	Bisque
2	685847	Pop Rivet	
3	804676	Hinge	Model SFBJXASP543UG16
	D511036	Hinge	All other models
4	29651	Bolt	
5	D504228	Top Mounting Bracket	
6	36020	Nut	
7	44087201	Nut	
8	23008	Screw	

Network Board Assembly

Models NFNWXASP303LN01, SF3JXASG403UN01, SFNWXASP303BW01 and SFNWXASP303LW01



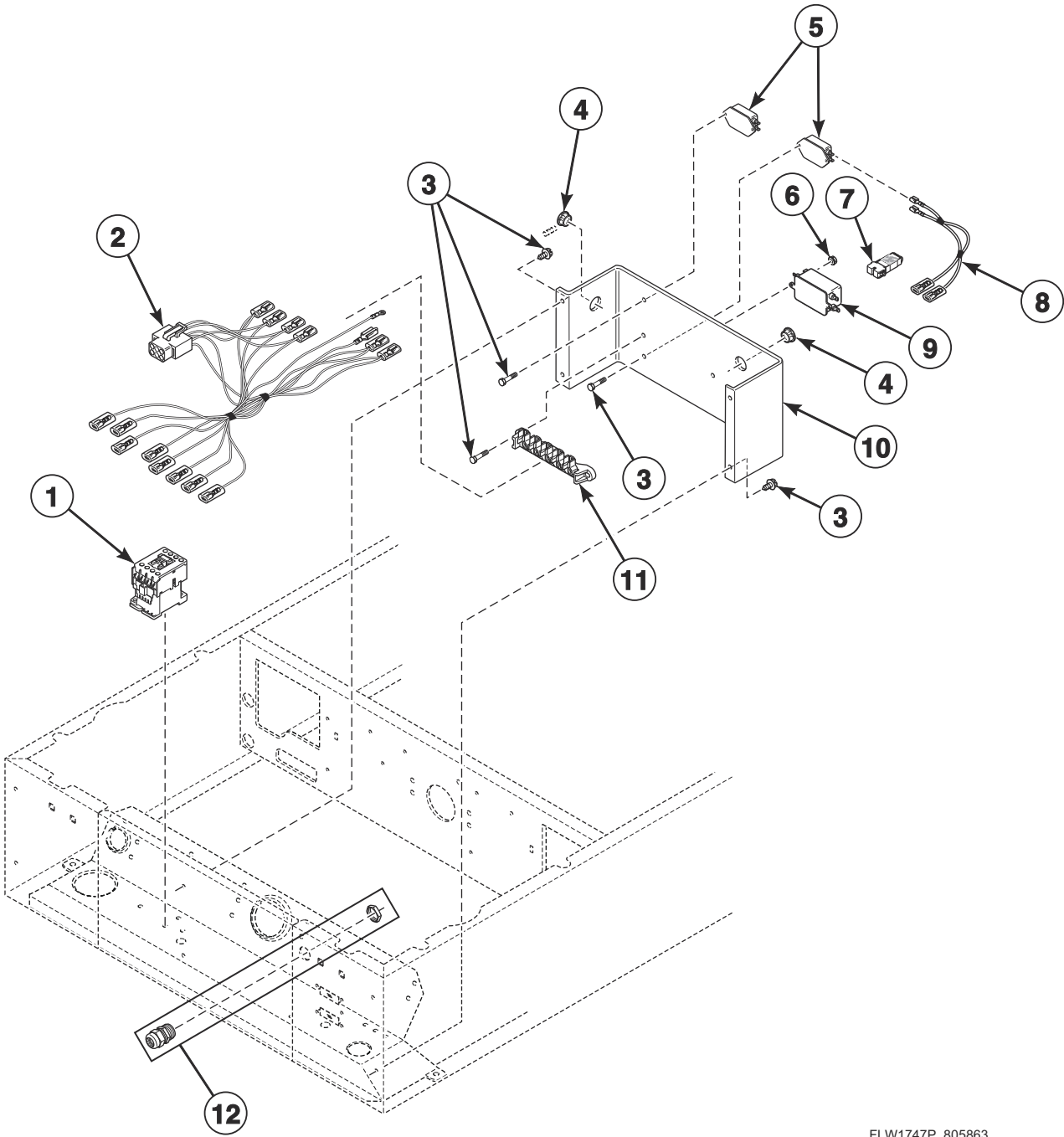
SWD1288P_805863

Network Board Assembly

REF	PART NO.	DESCRIPTION	COMMENTS
1	F8674006	Wireless Network Harness	
2	807211	Wireless Network Control Assembly	
3	D503661	Screw	

Electrical Access Panel, Filters and Terminal Block (Drawing 1 of 4)

3 Phase Models



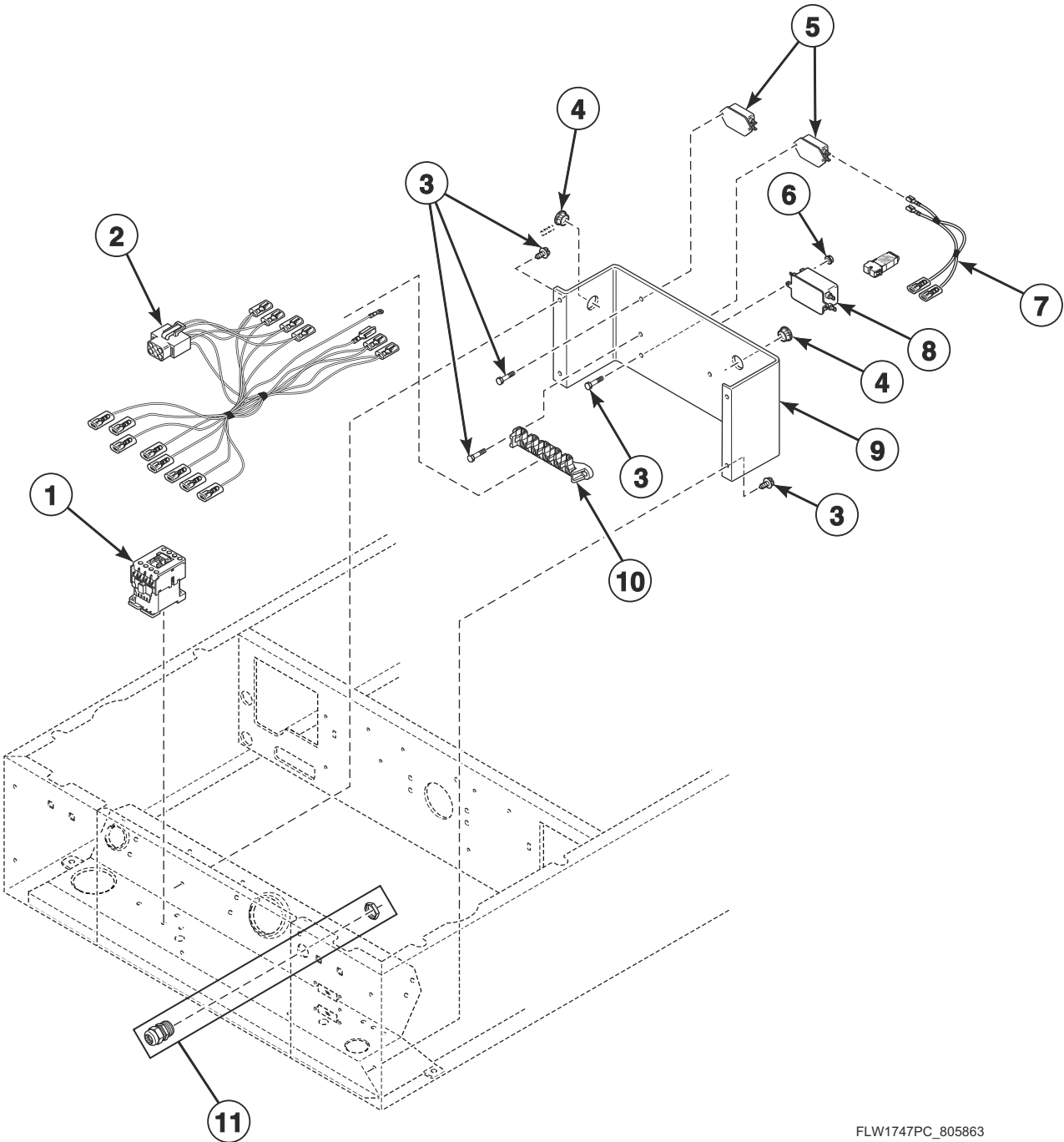
FLW1747P_805863

Electrical Access Panel, Filters and Terminal Block (Drawing 1 of 4)

REF	PART NO.	DESCRIPTION	COMMENTS
	804737	Terminal Block Harness	
	805356	Heater Contactor Drip Shield	
	805344	Terminal Block Drip Shield	
	805832	Conversion Kit	Use to convert from 400 Volt, 50 Hertz, 3 Phase to 230 Volt, 50 Hertz, Single Phase
1	70482603	Contactor	Through Serial Nos. beginning 1604
	806428	Contactor	Starting Serial Nos. beginning 1605 through Serial No. 2012999999
	807472	Contactor	Starting Serial No. 2101000001
2	805544	Heat Contactor Harness	Through Serial Nos. beginning 1604
	806431	Heat Contactor Harness	Starting Serial Nos. beginning 1605 through Serial No. 2012999999
	807474	Heat Contactor Harness	Starting Serial No. 2101000001
3	D503661	Screw	
4	M400770	Snap Bushing	45 degree front models
	M402542	Snap Bushing	All other models
5	805634	Filter	
6	29787	Nut	
7	804651	Network Varistor Assembly	
8	804797	Filter Harness	Filter to main harness
9	807473	Line Filter	
10	804609	Terminal Block Panel	45 degree front models
	803988	Terminal Block Assembly	All other models
11	D505876	Terminal Block Assembly	
12	801792P	Fitting	

Electrical Access Panel, Filters and Terminal Block (Drawing 2 of 4)

Model SFBJXASP543UG16



FLW1747PC_805863

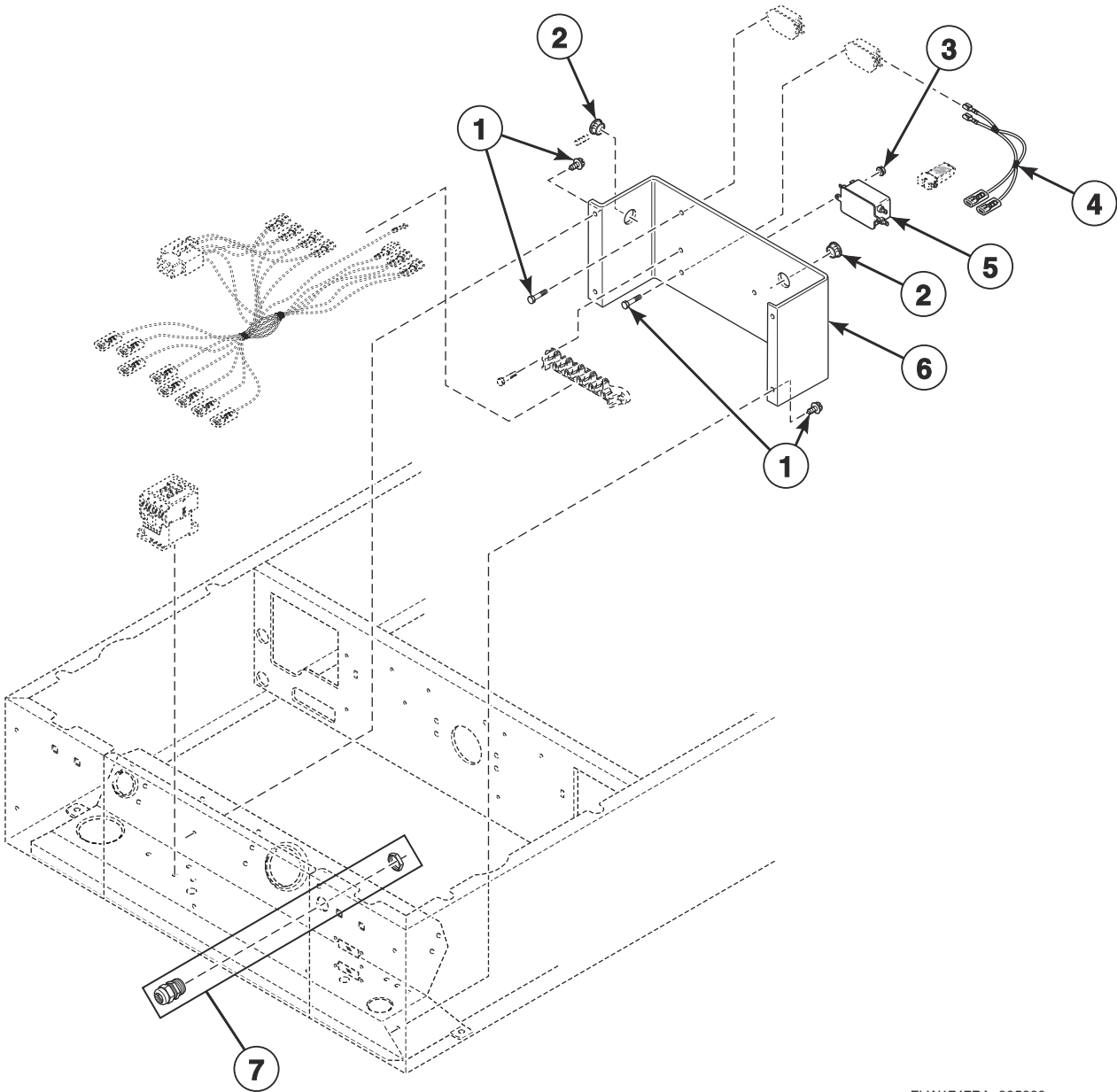
Electrical Access Panel, Filters and Terminal Block (Drawing 2 of 4)

REF	PART NO.	DESCRIPTION	COMMENTS
	804737	Terminal Block Harness	
	805356	Heater Contactor Drip Shield	
	805344	Terminal Block Drip Shield	
	70058501	Rivet	
1	807472	Contactor	
2	807474	Heat Contactor Harness	
3	D503661	Screw	
4	M400770	Snap Bushing	
5	805634	Filter	
6	29787	Nut	
7	804797	Filter Harness	Filter to main harness
8	807473	Line Filter	
9	804609	Terminal Block Panel	
10	D505876	Terminal Block Assembly	
11	801792P	Fitting	

Electrical Access Panel, Filters and Terminal Block (Drawing 3 of 4)

Models HFNNXASP123DW01, HFNNXASP543DW01, NFNJXASP543NN23, NFNJYASP543NN23, NFNNXASP303ZW01, NFNWXASP303LN01, PFNJXASG303UG06, PFNJXASG543ZG01, PFNJXASP303UG06, PFNJXASP304AG01, PFNJXASP543ZG01, SF3JXASP403EW06, SFNNXASP123DW01, SFNNXASP303AN01, SFNNXASP303AN12, SFNNXASP303AW01, SFNNXASP303AW12, SFNNXASP303BW01, SFNNXASP543DW01, SFNNXRSP543NW23 and SFNWXASP303LW01

Models Through Serial Nos. Beginning 1610



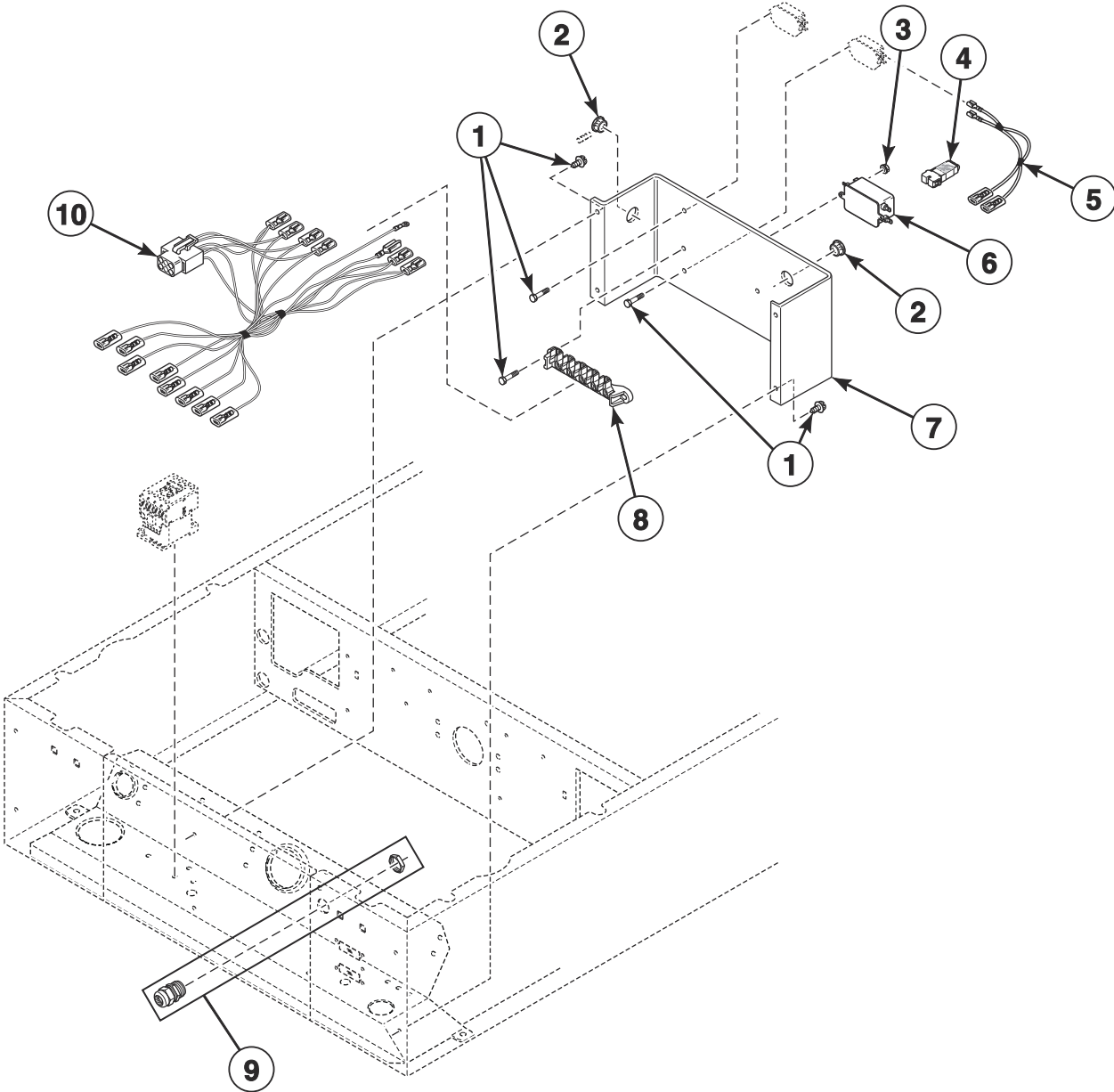
FLW1747PA_805863

Electrical Access Panel, Filters and Terminal Block (Drawing 3 of 4)

REF	PART NO.	DESCRIPTION	COMMENTS
	805344	Terminal Block Drip Shield	All models except NFNJYASP543NN23
1	D503661	Screw	
2	M402542	Snap Bushing	
3	29787	Nut	
4	804797	Filter Harness	Filter to main harness
5	805633	Line Filter	Model HFNNXASP123DW01
	807473	Line Filter	All other models
6	803988	Terminal Block Assembly	
7	801792P	Fitting	

Electrical Access Panel, Filters and Terminal Block (Drawing 4 of 4)

Models JFNJEASG303EW06, JFNJEASP303EW06, JFNJRASP303EW06, JFNJXASG303EW06 and JFNJXASP303EW06



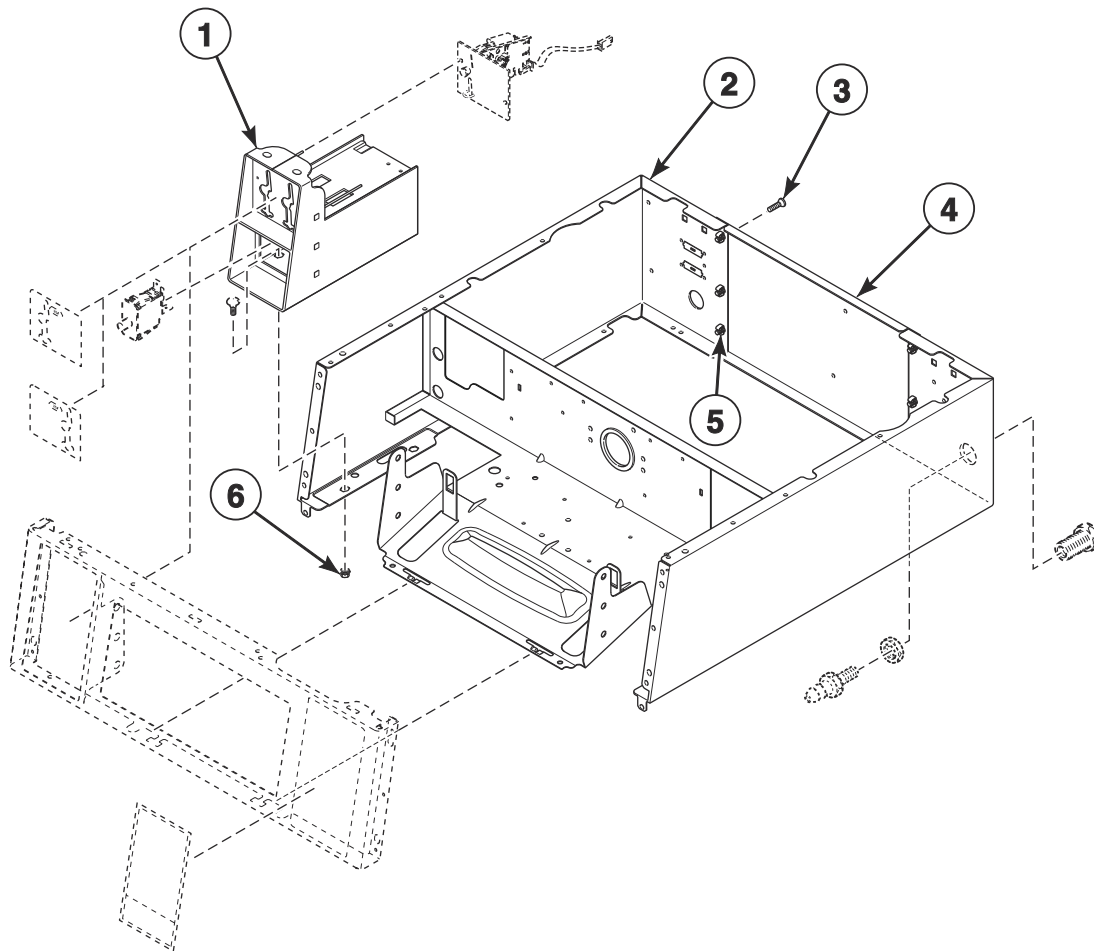
FLW1747PB_805863

Electrical Access Panel, Filters and Terminal Block (Drawing 4 of 4)

REF	PART NO.	DESCRIPTION	COMMENTS
	805344	Terminal Block Drip Shield	
1	D503661	Screw	
2	M402542	Snap Bushing	
3	29787	Nut	
4	804651	Network Varistor Assembly	
5	804797	Filter Harness	Filter to main harness
6	805633	Line Filter	
7	803988	Terminal Block Assembly	
8	D505876	Terminal Block Assembly	
9	801792P	Fitting	
10	804716	Terminal Block Harness	

Control Cabinet - Front Control Coin Drop Models (Drawing 1 of 2)

Models BF3JXASG403UN01, BF3JXASG403UN06, BF3JXASP403UN01, BF3JXASP403UN06, BF3JXASP403UW01, BF3JXASP403UW06, HFNNXASP123DW01, HFNNXASP543DW01, JF3JEASP413EW06, JF3JRASP413EW06, JF3JXASP413EW06, JFNJEASG303EW06, JFNJEASP303EW06, JFNJRASP303EW06, JFNJXASG303EW06, JFNJXASP303EW06, NF3JXASG403UG01, NF3JXASG403UN01, NF3JXASG403UW01, NF3JXASP403NW22, NF3JXASP403UG01, NF3JXASP403UN01, NF3JXASP403UW01, NF3JXASP403UW06, NFNJXASP543NN23, NFNNXASP115MW01, NFNNXASP123MW01, NFNNXASP303ZW01, NFNWXASP303LN01, PF3JXASG403UG06, PF3JXASP403UG06, PFNJXASG303UG06, PFNJXASG543ZG01, PFNJXASP303UG06, PFNJXASP304AG01, PFNJXASP543ZG01, SF3JXASG403UG01, SF3JXASG403UN01, SF3JXASP403EG01, SF3JXASP403EW06, SF3JXASP403UG01, SF3JXASP403UG50, SF3JXASP403UN01, SF3JXASP403UW01, SFBJXASP543UG16, SFNNXASG103JW01, SFNNXASG113JW01, SFNNXASG303AN12, SFNNXASG303AW12, SFNNXASP123DW01, SFNNXASP123MW01, SFNNXASP303AN01, SFNNXASP303AN12, SFNNXASP303AW01, SFNNXASP303AW12, SFNNXASP303BW01, SFNNXASP303NN26, SFNNXASP543DW01, SFNNXASP543RW01, SFNWXASP303BW01, SFNWXASP303LW01 and TF3JXASP403NW22



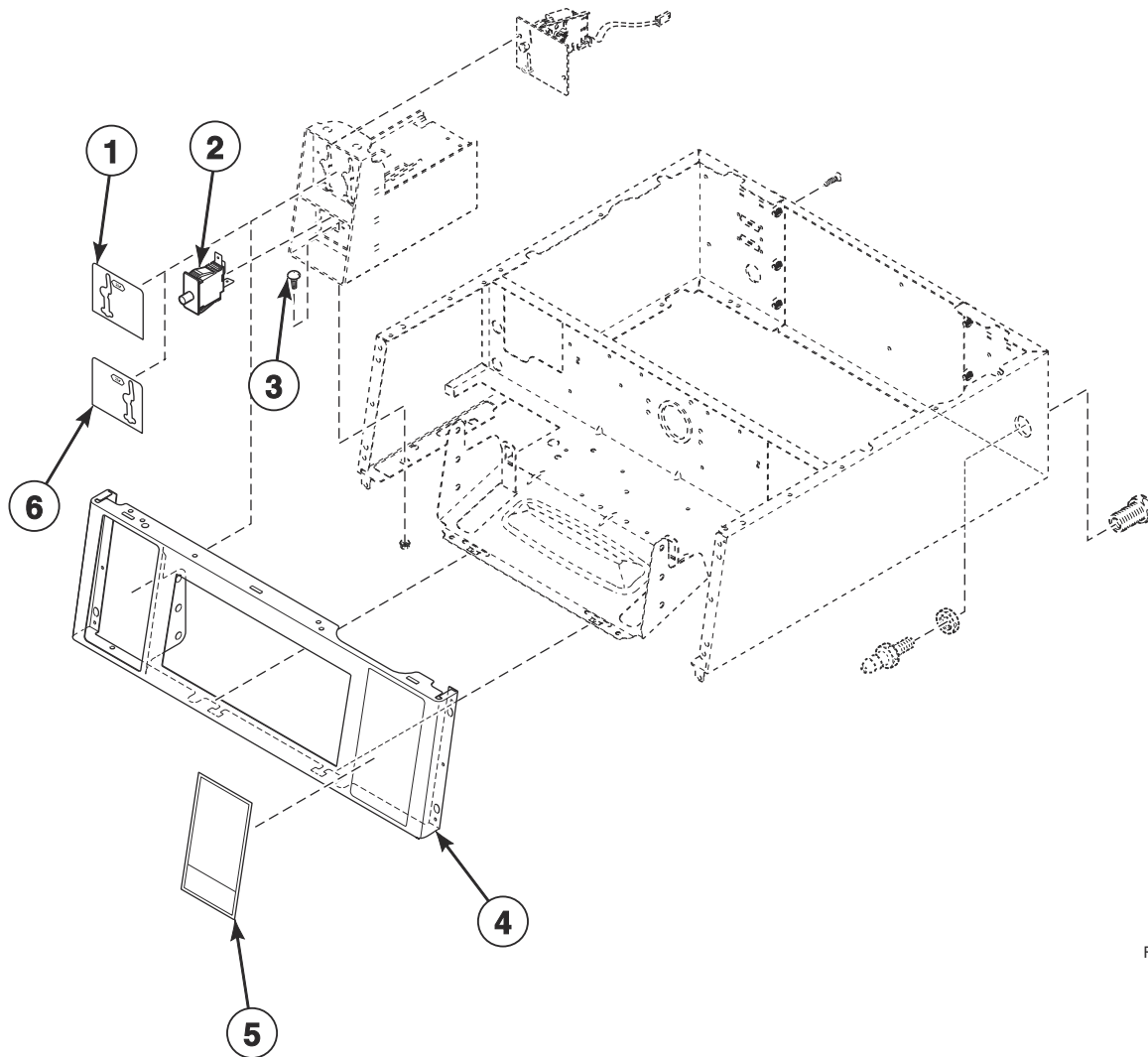
FLW1752P

Control Cabinet - Front Control Coin Drop Models (Drawing 1 of 2)

REF	PART NO.	DESCRIPTION	COMMENTS
	202868	Wiring Harness Assembly	Diagnostic; Models JF3JRASP413EW06 and JFNJRASP303EW06
	D516835	Laundry View Harness	Models JF3JRASP413EW06 and JFNJRASP303EW06
	44024203	Hole Plug	Models JF3JRASP413EW06 and JFNJRASP303EW06
	F140938	Snap Bushing	Models JF3JRASP413EW06 and JFNJRASP303EW06
1	807254W	Meter Case Assembly	Models SFNWXASP303BW01 and SFNWXASP303LW01
	807396B	Meter Case Assembly	Black; All other models
	807254DG	Meter Case Assembly	Dark gray; All other models
	807396W	Meter Case Assembly	White; All other models
2	804108W	Wrapper Assembly	White; Models BF3JXASP403UW01, BF3JXASP403UW06, JF3JEASP413EW06, JF3JRASP413EW06, JF3JXASP413EW06, NF3JXASG403UW01, NF3JXASP403NW22, NF3JXASP403UW01, NF3JXASP403UW06, SF3JXASP403EW06, SF3JXASP403UW01 and TF3JXASP403NW22
	804108B	Wrapper Assembly	Black; Models BF3JXASG403UN01, BF3JXASG403UN06, BF3JXASP403UN01, BF3JXASP403UN06, NF3JXASG403UN01, NF3JXASP403UN01, SF3JXASG403UG01, SF3JXASG403UN01 and SF3JXASP403UN01
	804108DG	Wrapper Assembly	Dark gray; Models NF3JXASG403UG01, NF3JXASP403UG01, PF3JXASG403UG06, PF3JXASP403UG06, SF3JXASP403EG01, SF3JXASP403UG01, SF3JXASP403UG50 and SFBXASP543UG16
	804104B	Wrapper Assembly	Black; All other models
	804104DG	Wrapper Assembly	Dark gray; All other models
	804104W	Wrapper Assembly	White; All other models
3	70240301	Screw	6 required
4	803998	Rear Access Panel	
5	70030501	Expansion Clip	6 required
6	44087201	Nut	

Control Cabinet - Front Control Coin Drop Models (Drawing 2 of 2)

Models BF3JXASG403UN01, BF3JXASG403UN06, BF3JXASP403UN01, BF3JXASP403UN06, BF3JXASP403UW01, BF3JXASP403UW06, HFNNXASP123DW01, HFNNXASP543DW01, JF3JEASP413EW06, JF3JRASP413EW06, JF3JXASP413EW06, JFNJEASG303EW06, JFNJEASP303EW06, JFNJRASP303EW06, JFNJXASG303EW06, JFNJXASP303EW06, NF3JXASG403UG01, NF3JXASG403UN01, NF3JXASG403UW01, NF3JXASP403NW22, NF3JXASP403UG01, NF3JXASP403UN01, NF3JXASP403UW01, NF3JXASP403UW06, NFNJXASP543NN23, NFNNXASP115MW01, NFNNXASP123MW01, NFNNXASP303ZW01, NFNWXASP303LN01, PF3JXASG403UG06, PF3JXASP403UG06, PFNJXASG303UG06, PFNJXASG543ZG01, PFNJXASP303UG06, PFNJXASP304AG01, PFNJXASP543ZG01, SF3JXASG403UG01, SF3JXASG403UN01, SF3JXASP403EG01, SF3JXASP403EW06, SF3JXASP403UG01, SF3JXASP403UG50, SF3JXASP403UN01, SF3JXASP403UW01, SFBJXASP543UG16, SFNNXASG103JW01, SFNNXASG113JW01, SFNNXASG303AN12, SFNNXASG303AW12, SFNNXASP123DW01, SFNNXASP123MW01, SFNNXASP303AN01, SFNNXASP303AN12, SFNNXASP303AW01, SFNNXASP303AW12, SFNNXASP303BW01, SFNNXASP303NN26, SFNNXASP543DW01, SFNNXASP543RW01, SFNWXASP303BW01, SFNWXASP303LW01 and TF3JXASP403NW22



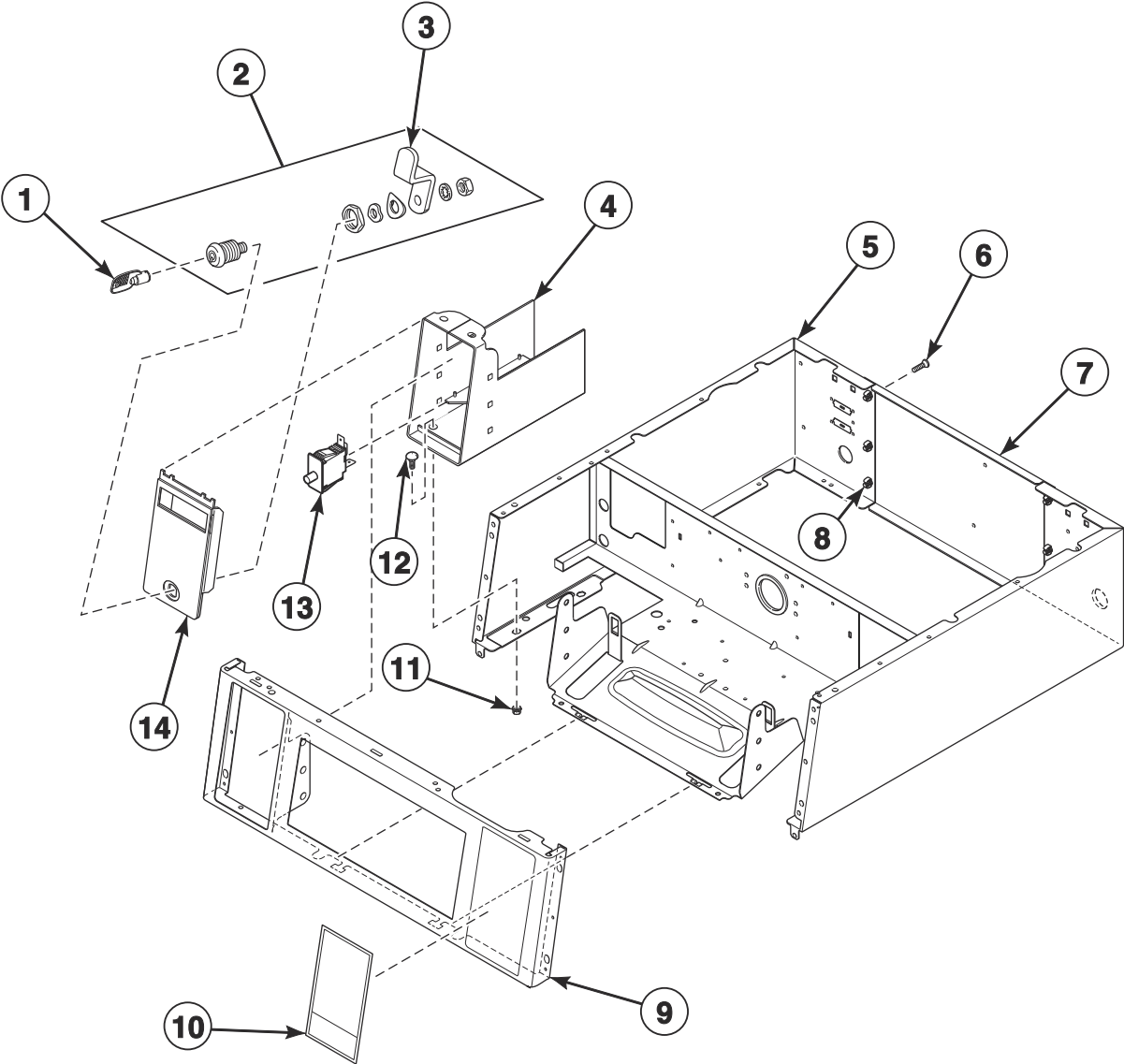
FLW1752PA

Control Cabinet - Front Control Coin Drop Models (Drawing 2 of 2)

REF	PART NO.	DESCRIPTION	COMMENTS
	202868	Wiring Harness Assembly	Diagnostic; Models JF3JRASP413EW06 and JFNJRASP303EW06
	D516835	Laundry View Harness	Models JF3JRASP413EW06 and JFNJRASP303EW06
	44024203	Hole Plug	Models JF3JRASP413EW06 and JFNJRASP303EW06
	F140938	Snap Bushing	Models JF3JRASP413EW06 and JFNJRASP303EW06
1	201091	Overlay	For electronic coin drops
2	D512973	Switch	Used through Serial No.1809999999
	70529301	Switch	Used starting Serial No.1810000001
3	29651	Bolt	
4	803962BP	Control Panel	Black
	803962DG	Control Panel	Dark gray
	803962WP	Control Panel	White
	806541DG	Control Panel	Dark gray; No label
	806541B	Control Panel	Black; No label
5	806194	Operating Instruction Label	Model PFNXXASP304AG01
	D514681	Nameplate Overlay	Models JF3JEASP413EW06, JF3JXASP413EW06, JFNJEASG303EW06, JFNJEASP303EW06, JFNJXASG303EW06 and JFNJXASP303EW06
	805829	Operating Instructions Label	Models NFNJXASP543NN23, PFNXXASG303UG06, PFNXXASG543ZG01, PFNXXASP303UG06, PFNXXASP543ZG01 and SFBXXASP543UG16
	804846	Operating Instruction Label	Icon; All models except JF3JRASP413EW06 and JFNJRASP303EW06
	804327	Operating Instruction Label	English; All models except JF3JRASP413EW06 and JFNJRASP303EW06
	807627	Operating Instruction Label	Icon; Black
6	38717	Single Overlay	\$0.25
	803476	Single Drop Overlay	Models JF3JEASP413EW06, JF3JXASP413EW06, JFNJEASG303EW06, JFNJEASP303EW06, JFNJXASG303EW06 and JFNJXASP303EW06

Control Cabinet - Front Control Bill Acceptor Models

Model SFNNZASP113NW22



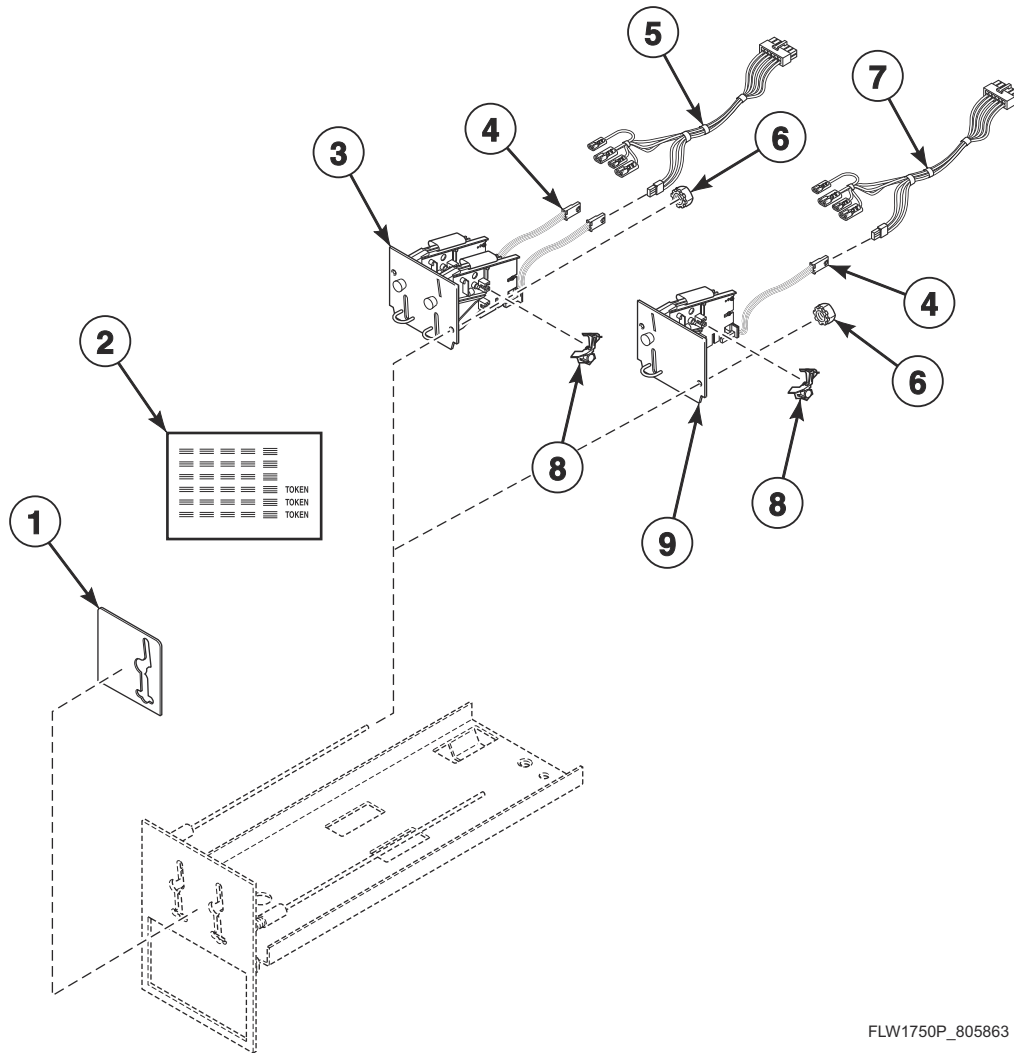
FLW1820P_805863

Control Cabinet - Front Control Bill Acceptor Models

REF	PART NO.	DESCRIPTION	COMMENTS
	202868	Wiring Harness Assembly	Diagnostic
1	54612	Key	GR800
2	804339P	Lock Assembly	
3	804338	Lock Cam	
4	806967W	Meter Case Assembly	
5	804104W	Wrapper Assembly	
6	70240301	Screw	6 required
7	803998	Rear Access Panel	
8	70030501	Expansion Clip	6 required
9	803962WP	Control Panel	White
10	804846	Operating Instruction Label	Icon; Gray
	804327	Operating Instruction Label	English; Gray
	807627	Operating Instruction Label	Icon; Black
11	44087201	Nut	
12	29651	Bolt	
13	D512973	Switch	
14	807151W	Front Panel	

Non-Electronic Coin Drop, Cabinet Front and Wrapper Assembly

Coin Models



FLW1750P_805863

Non-Electronic Coin Drop, Cabinet Front and Wrapper Assembly

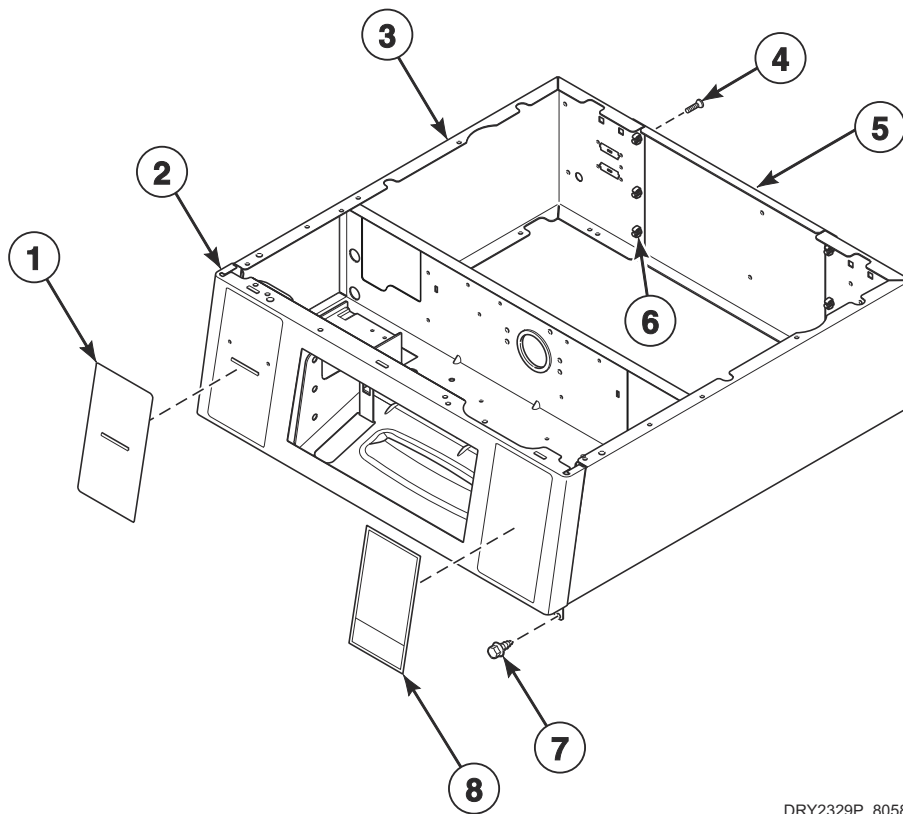
REF	PART NO.	DESCRIPTION	COMMENTS
1	38717	Single Overlay	
2	38725	Coin Identification Paper	
3	70441603	Coin Drop	Dual; U.S.A.; \$.25 and \$1.00
	38467	Coin Drop Assembly	Dual; Australia; \$0.20 and \$1.00
	70447301	Coin Drop Assembly	Dual; Australia; \$1.00 and \$2.00
	70441602	Coin Drop Assembly	Dual; Canada; .25 and 1.00
	38472	Coin Drop Assembly	Dual; England; 20 pence and 1 pound
	38519	Coin Drop Assembly	Dual; Japan; 100 yen and 500 yen
	38521	Coin Drop Assembly	Dual; Korea; 100 won and 500 won
	70482401	Coin Drop Assembly	Dual; New Zealand; \$1.00 and \$2.00
	553192	Coin Drop Assembly	Dual; Danish Crown
	39157	Coin Drop Assembly	Dual; Israel; 1 and 5 Shekel
	210195	Coin Drop Assembly	Dual; 0.20 and 1.00 Euro
	210196	Coin Drop Assembly	Dual; 0.50 and 1.00 Euro
	70281102	Coin Drop Assembly	Dual; Taiwan; 10 and 50 NT
	CK058	Coin Drop Kit	Dual; Canada; \$0.25 and \$1.00
	CK060	Coin Drop Kit	Dual; Australia; \$0.20 and \$1.00
	CK071	Coin Drop Kit	Dual; Japan; 100 yen and 500 yen
	CK086	Coin Drop Kit	Dual; Israel; 1 and 5 Shekel
	CK091	Coin Drop Kit	Dual; 0.20 and 1.00 Euro
	CK107	Coin Drop Kit	Dual; Taiwan; 10 and 50 NT
	CK111	Coin Drop Kit	Dual; Australia; \$1.00 and \$2.00
	CK122	Coin Drop Kit	Dual; New Zealand; \$1.00 and \$2.00
4	200674P	Opto Coupler	
5	202871	Dual Coin Harness Assembly	Used through Serial No. 1809999999
	806827	Dual Coin Harness Assembly	Used starting Serial No. 1810000001
6	29786	Nut	
7	202870	Single Coin Harness Assembly	
8	201595P	Wire Guard	Anti-stringing security device
9	70441601P	Coin Drop	Single; U.S.A.; \$.25
	200731	Coin Drop	Single; U.S.A.; \$1.00
	38464P	Coin Drop Assembly	Single; Canada; .25
	CK114	Coin Drop Assembly	Single; Singapore; Old \$1.00
	CK123	Coin Drop Kit	Single; Singapore; New \$1.00
	38462P	Coin Drop Assembly	Single; Token; STD 118-1
	38463	Coin Drop Assembly	Single; Token; STD 118-5
	38963P	Coin Drop	Single; Token STD 118-16
	38475	Coin Drop Assembly	Single; Japan; 100 yen
	70506901	Coin Drop Assembly	Single; Singapore; \$1.00 NEW
	39748	Coin Drop	Single; Jeton 08MS
	201141	Coin Drop Assembly	Single; Token; Jeton wh121
	CK055	Coin Drop Kit	Token STD 118-1
	CK056	Coin Drop Kit	Token STD 118-5
	CK057	Coin Drop Kit	Single; Canada; \$0.25
	CK077	Coin Drop Kit	Single; Taiwan; 10 NT
	CK078	Coin Drop Kit	Single; U.S.A.; \$0.25
	CK085	Coin Drop Kit	Single; Token STD 118-16
	CK089	Coin Drop Kit	Single; Japan; 100 yen
	CK090	Coin Drop Kit	Single; U.S.A.; \$1.00
	CK097	Coin Drop Kit	Single; Token; Jeton 08MS
	CK098	Coin Drop Kit	Single; Token; Jeton wh121

Electronic Coin Drop

REF	PART NO.	DESCRIPTION	COMMENTS
1	CK099	Electronic Coin Drop Kit	Includes items 2-4 and 7-9; Australia, New Zealand, Hong Kong, South Korea and Malaysia coins
	CK100	Electronic Coin Drop Kit	Includes items 2-4 and 7-9; Euro and Great Britain coins
	CK101	Electronic Coin Drop Kit	Includes items 2-4 and 7-9; Euro, Denmark and Norway coins
	CK103	Electronic Coin Drop Kit	Includes items 2-4 and 7-9; Euro, Lithuania and Latvia coins
	CK108	Electronic Coin Drop Kit	Includes items 2-4 and 7-9; South African 1, 2 and 5 rand coins
	CK109	Electronic Coin Drop Kit	Includes items 2-4 and 7-9; Euro coins
	CK110	Electronic Coin Drop Kit	Includes items 2-4 and 7-9; Mexico, Ecuador and United States coins
	CK113	Electronic Coin Drop Kit	Includes items 2-4 and 7-9; Japan and Taiwan coins
	CK115	Electronic Coin Drop Kit	Includes items 2-4 and 7-9; United States and Canada coins
	CK116	Electronic Coin Drop Kit	Includes items 2-4 and 7-9; Malaysia (old and new) and China coins
	CK117	Electronic Coin Drop Kit	Includes items 2-4 and 7-9; Russian coins
	CK118	Electronic Coin Drop Kit	Includes items 2-4 and 7-9; Philippine coins
	CK119	Electronic Coin Drop Kit	Includes items 2-4 and 7-9; Thailand coins
	CK120	Electronic Coin Drop Kit	Includes items 2-4 and 7-9; Chile coins
CK121	Electronic Coin Drop Kit	Includes items 2-4 and 7-9; Singapore coins	
2	70513302	Electronic Coin Drop Assembly	Euro and Great Britain coins
	70294104	Electronic Coin Drop Assembly	Euro, Denmark and Norway coins
	70294107	Electronic Coin Drop Assembly	Euro, Lithuania and Latvia coins
	70294110	Electronic Coin Drop Assembly	South African 1, 2 and 5 rand coins
	70294111	Electronic Coin Drop Assembly	Euro coins
	70513306	Electronic Coin Drop Assembly	Mexico, Ecuador and United States coins
	70294122	Electronic Coin Drop Assembly	Great Britain and token coins
	70294120	Electronic Coin Drop Assembly	Chile coins
	70294121	Electronic Coin Drop Assembly	Singapore coins
	70294117	Electronic Coin Drop Assembly	Russia coins
	70294103P	Electronic Coin Drop Assembly	Euro and Great Britain coins
	70513311	Electronic Coin Drop Assembly	Malaysia (old and new) and China coins
	70294119	Electronic Coin Drop Assembly	Thailand coins
3	201216	Nut	
	29786	Nut	Use on front control models with no guide rods
4	201104	Coin Drop Wire Harness	
5	802905	Harness Assembly	Electronic coin drop requires this harness. If unit is not factory-equipped with this harness, it must be ordered separately.
6	201375P	Transformer	Electronic coin drop requires this transformer. If unit is not factory-equipped with this transformer, it must be ordered separately.
7	201572	Clip	
8	201091	Overlay	
9	38725	Coin Identification Paper	

Control Cabinet Controls - Front Control Card Reader Ready and OPL Models

Models JF3JGASP413EW06, JF3JMASG413EN06, JF3JMASG413EW06, NF3JYASG403UW01 and NFNJYASP543NN23



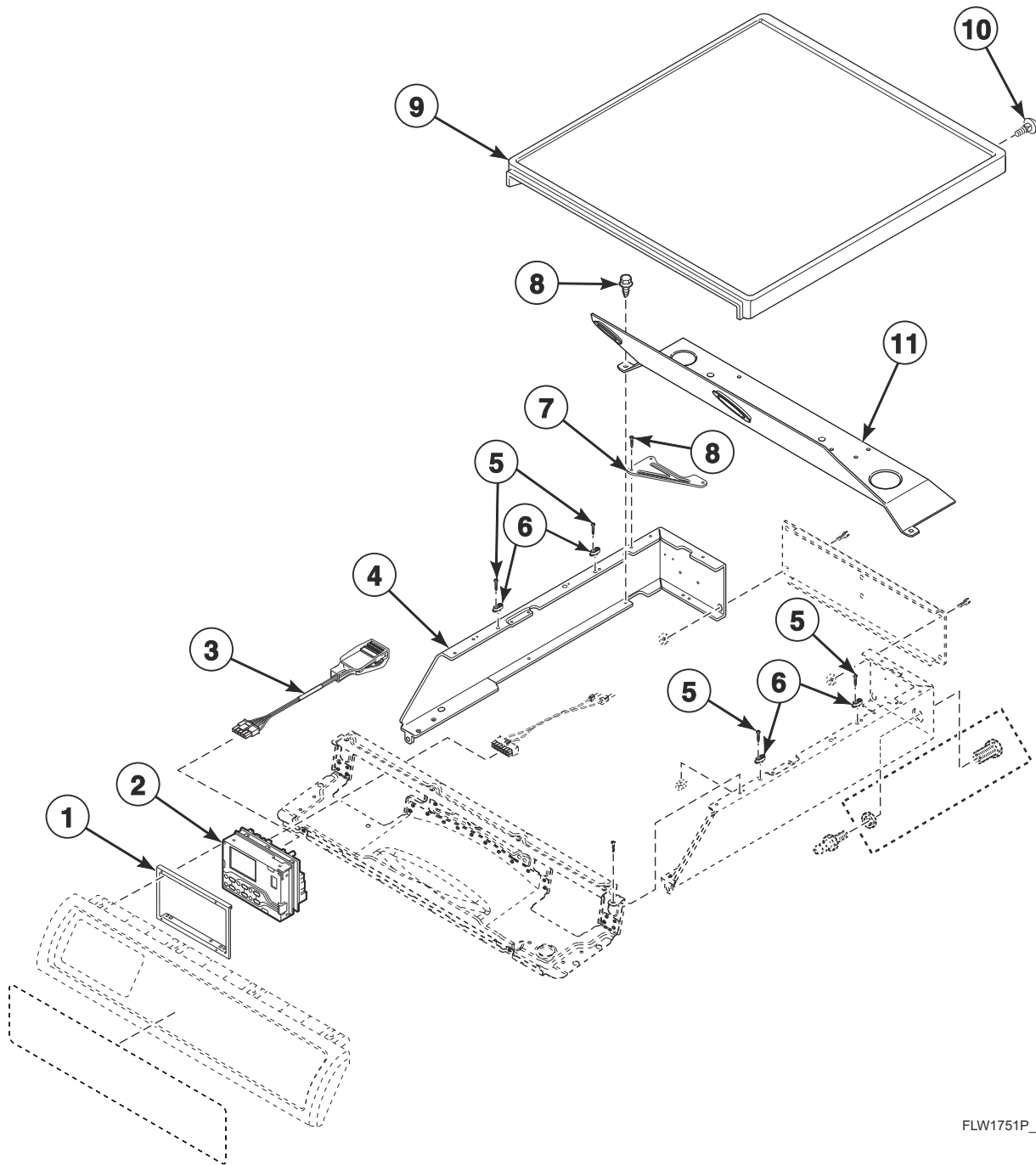
DRY2329P_805863

Control Cabinet Controls - Front Control Card Reader Ready and OPL Models

REF	PART NO.	DESCRIPTION	COMMENTS
1	D514874	Overlay	Model NF3JYASG403UW01
2	803970B	Control Panel	Black; Models JF3JGASP413EW06 and JF3JMASG413EN06
	803966B	Control Panel	Black; Model NFNJYASP543NN23
	804149WP	Security Cabinet Assembly	White; All other models
	804149B	Security Cabinet Assembly	Black; All other models
3	804108W	Wrapper Assembly	White; Models JF3JGASP413EW06, JF3JMASG413EN06 and JF3JMASG413EW06
	804112W	Wrapper Assembly	White; All other models
	804108B	Wrapper Assembly	Black; Models JF3JGASP413EW06 and JF3JMASG413EN06
	804112B	Wrapper Assembly	Black; All other models
4	70240301	Screw	6 required
5	803998	Rear Access Panel	
6	70030501	Expansion Clip	6 required
7	D503688	Screw	
8	806017	Overlay	Models JF3JGASP413EW06, JF3JMASG413EN06 and JF3JMASG413EW06
	804327	Operating Instruction Label	All other models; English; Gray
	807627	Operating Instruction Label	All other models; Icon; Black

Control Cabinet (Drawing 1 of 3)

45 Degree Front Control Models



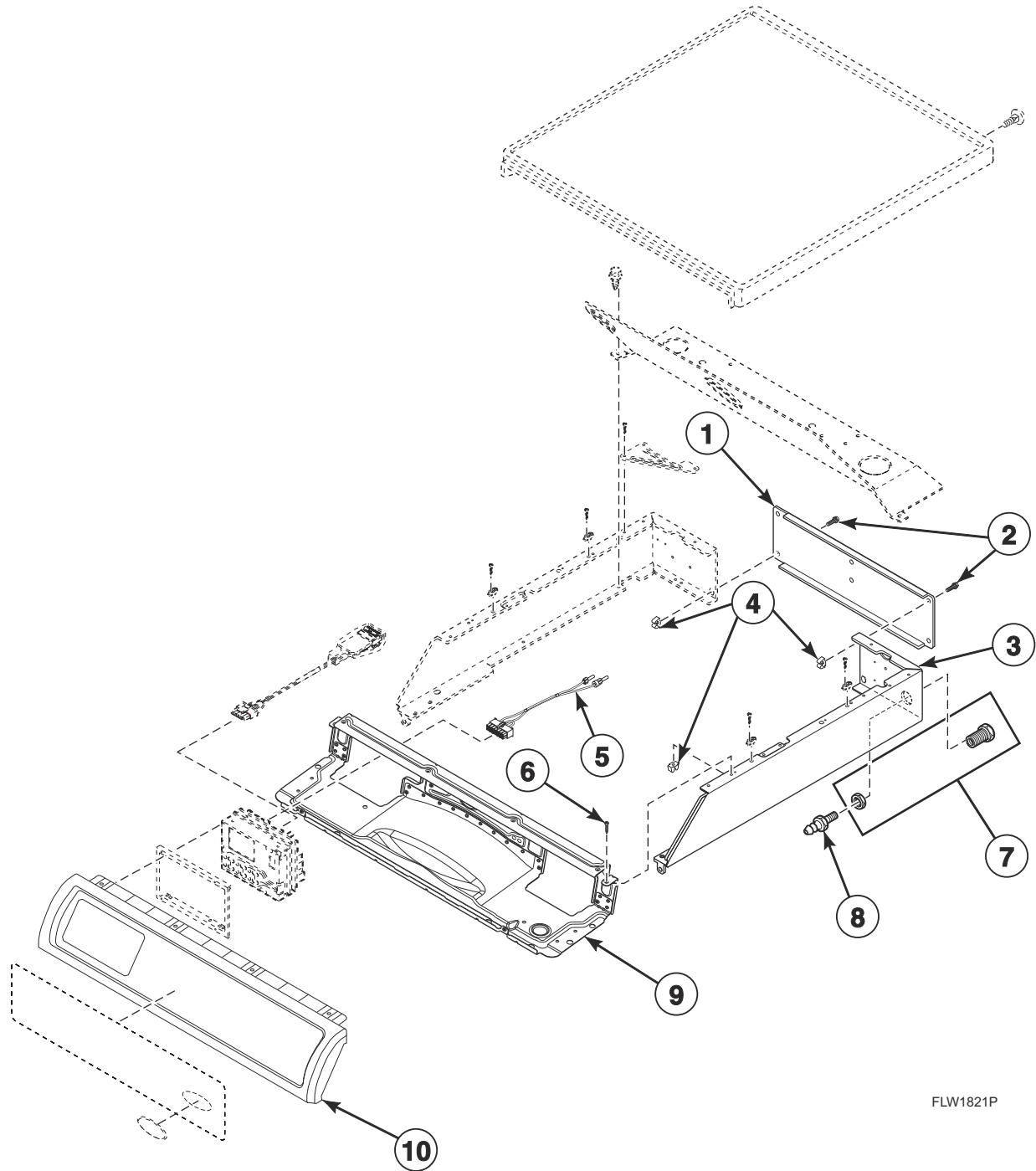
FLW1751P_805863

Control Cabinet (Drawing 1 of 3)

REF	PART NO.	DESCRIPTION	COMMENTS
	807173	Central Pay Kit	
	36226	Bumper Pad	4 required
	205067	Payment Center Kit	Includes printer; Models SF3JGBJG403UG43, SF3JGBJG403UW01, SF3JGBJG403UW43, SF3JGBJP403UG43, SF3JGBJP403UW01, SF3JGBJP403UW43, SF3JGBSG403UG01, SF3JGBSG403UG50, SF3JGBSG403UW01, SF3JGBSP403UG01, SF3JGBSP403UG50, SF3JGBSP403UW01, SF3JLBJG403UG43, SF3JLBJP403UG43, SF3JLBSG403UG01, SF3JLBSG403UN01, SF3JLBSP403UG01, SF3JLBSP403UN01 and SF3NLBJG403UG44
	205068	Payment Center Kit	Models SF3JGBJG403UG43, SF3JGBJG403UW01, SF3JGBJG403UW43, SF3JGBJP403UG43, SF3JGBJP403UW01, SF3JGBJP403UW43, SF3JGBSG403UG01, SF3JGBSG403UG50, SF3JGBSG403UW01, SF3JGBSP403UG01, SF3JGBSP403UG50, SF3JGBSP403UW01, SF3JLBJG403UG43, SF3JLBJP403UG43, SF3JLBSG403UG01, SF3JLBSG403UN01, SF3JLBSP403UG01, SF3JLBSP403UN01 and SF3NLBJG403UG44
	805427	Central Pay Harness	Models SF3JGBJG403UG43, SF3JGBJP403UG43, SF3JGBSG403UG50, SF3JLBJG403UG43, SF3JLBJP403UG43 and SF3NLBJG403UG44
1	804612	Control Bracket	
2	806268P	Control Assembly	Red LEDs; Models BF3JGBJG403UN01, BF3JGBJG403UN06, BF3JGBJG403UW01, BF3JGBJG403UW06, BF3JGBJP403UN01, BF3JGBJP403UN06, BF3JGBJP403UW01, BF3JGBJP403UW06, BF3JGBSG403UN01, BF3JGBSG403UN06, BF3JGBSG403UW01, BF3JGBSG403UW06, BF3JGBSP403UN01, BF3JGBSP403UN06, BF3JGBSP403UW01, BF3JGBSP403UW06, BF3JLBSG403UN01, BF3JLBSG403UN06, BF3JLBSG403UW01, BF3JLBSG403UW06, BF3JLBSP403UN01, BF3JLBSP403UN06, BF3JLBSP403UW01 and BF3JLBSP403UW06
	806269P	Control Assembly	Blue LEDs; Models PF3JGBJG403UG06, PF3JGBJP403UG06, PF3JGBSG403UG06 and PF3JGBSP403UG06 through Serial No. 2012999999
	806267P	Control Assembly	Green LEDs; All other models through Serial No. 2012999999
	807460	Control Assembly	Blue LEDs; Model PF3NGBJG403UG82 starting Serial No. 2101000001
	807458	Control Assembly	Green LEDs; All other models starting Serial No. 2101000001
3	203361P	Machine ID Control Assembly	Model or serial number is required when ordering
4	804628W	Control Wrapper	White; Left
	804628B	Control Wrapper	Black; Left
	804628DG	Control Wrapper	Dark gray; Left
5	39733	Screw	4 required
6	803761	Top Panel Guide	4 required
7	805345	Rear Wrapper Brace	2 required
8	D503688	Screw	6 required
9	804684	Top Panel	Stainless steel
	804685WP	Top Panel	White
	804685DG	Top Panel	Dark gray
10	29651	Bolt	
11	804363	Control Shield	

Control Cabinet (Drawing 2 of 3)

45 Degree Front Control Models



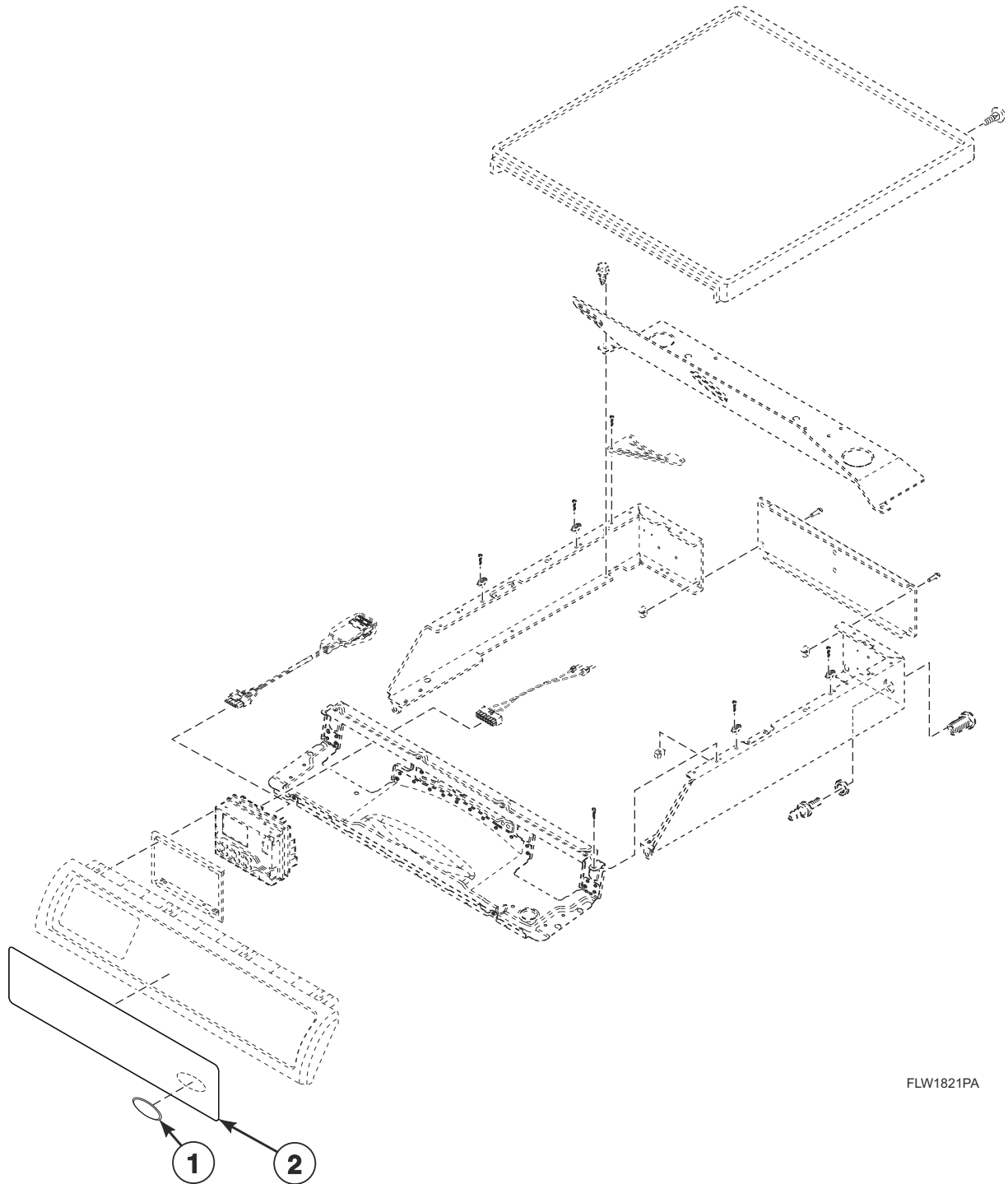
FLW1821P

Control Cabinet (Drawing 2 of 3)

REF	PART NO.	DESCRIPTION	COMMENTS
	36226	Bumper Pad	4 required
1	804614	Rear Access Panel	
2	D503688	Screw	
3	804629DG	Control Wrapper	Dark gray; Right; Models NF3JGBJG403UG43, NF3JGBJP403UG43, NF3JLBJG403UG43, NF3JLBJP403UG43, PF3JGBJG403UG06, PF3JGBJP403UG06, PF3NGBJG403UG82 and SF3NLBJG403UG44
	804629W	Control Wrapper	White; Right; Models BF3JGBJG403UW01, BF3JGBJG403UW06, BF3JGBJP403UW01, BF3JGBJP403UW06, NF3JGBJG403UW43, NF3JGBJP403UW43, SF3JGBJG403UW01, SF3JGBJG403UW43, SF3JGBJP403UW01 and SF3JGBJP403UW43
	804629B	Control Wrapper	Black; Right; Models BF3JGBJG403UN01, BF3JGBJG403UN06, BF3JGBJP403UN01 and BF3JGBJP403UN06
	804630W	Control Wrapper	White; Right; All other models
	804630B	Control Wrapper	Black; Right; All other models
	804630DG	Control Wrapper	Dark gray; Right; All other models
4	70030501	Expansion Clip	
5	202869	Wiring Harness Assembly	Diagnostic
6	804667	Screw	
7	801788	Union	Models BF3JGBJG403UN01, BF3JGBJG403UN06, BF3JGBJG403UW01, BF3JGBJG403UW06, BF3JGBJP403UN01, BF3JGBJP403UN06, BF3JGBJP403UW01, BF3JGBJP403UW06, NF3JGBJG403UG43, NF3JGBJP403UG43, NF3JLBJG403UG43, NF3JLBJP403UG43, PF3JGBJG403UG06, PF3JGBJP403UG06, PF3NGBJG403UG82, SF3JGBJG403UG43, SF3JGBJG403UW01, SF3JGBJG403UW43, SF3JGBJP403UG43, SF3JGBJP403UW01, SF3JLBJG403UG43, SF3JLBJP403UG43 and SF3NLBJG403UG44
8	801789	Connector	Models BF3JGBJG403UN01, BF3JGBJG403UN06, BF3JGBJG403UW01, BF3JGBJG403UW06, BF3JGBJP403UN01, BF3JGBJP403UN06, BF3JGBJP403UW01, BF3JGBJP403UW06, NF3JGBJG403UG43, NF3JGBJP403UG43, NF3JLBJG403UG43, NF3JLBJP403UG43, PF3JGBJG403UG06, PF3JGBJP403UG06, PF3NGBJG403UG82, SF3JGBJG403UG43, SF3JGBJG403UW01, SF3JGBJG403UW43, SF3JGBJP403UG43, SF3JGBJP403UW01, SF3JLBJG403UG43, SF3JLBJP403UG43 and SF3NLBJG403UG44
9	804613	Top Panel Brace Assembly	
10	804963	Control Panel Assembly	Black
	804962	Control Panel Assembly	White
	805008	Control Panel Assembly	Dark gray

Control Cabinet (Drawing 3 of 3)

45 Degree Front Control Models



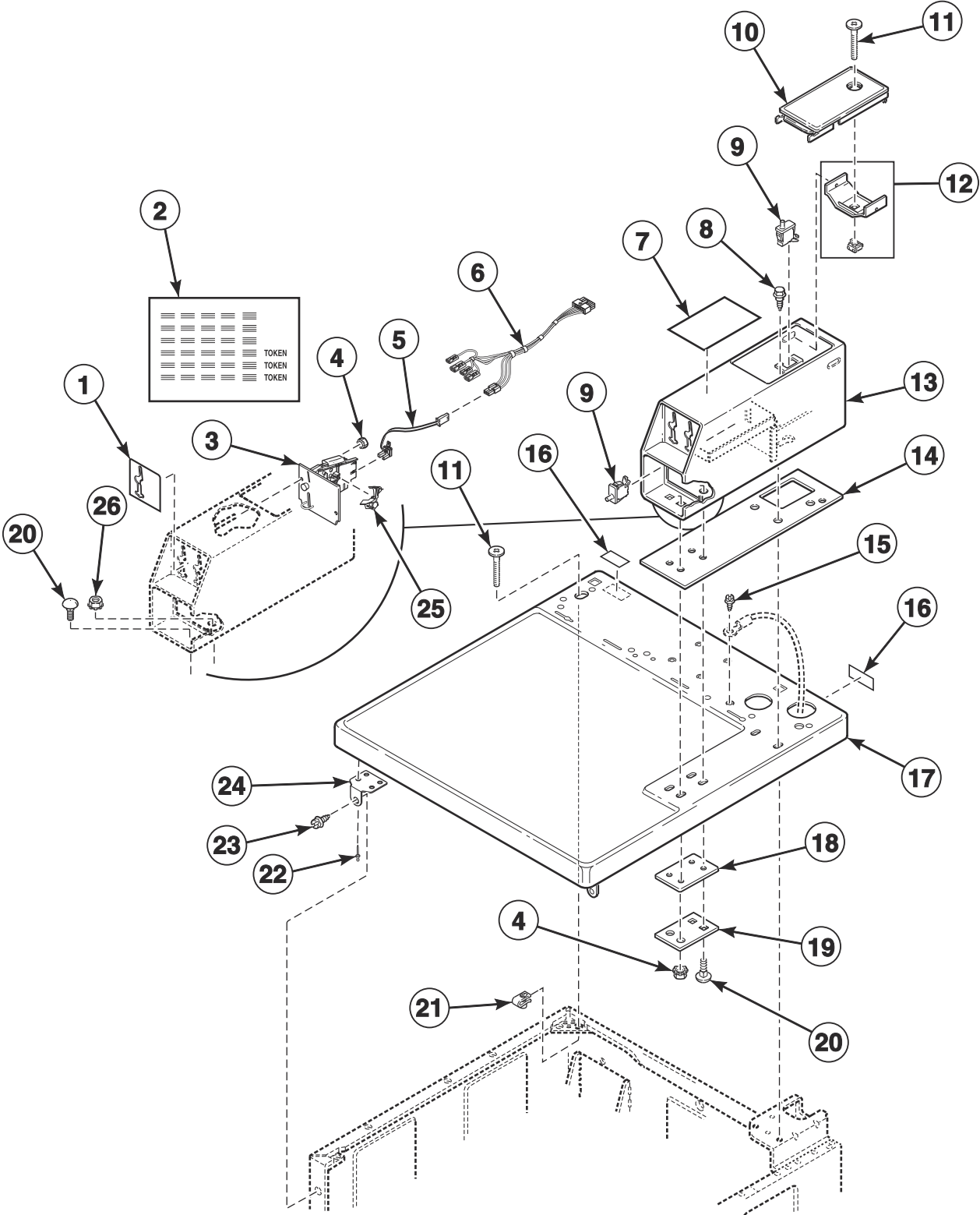
FLW1821PA

Control Cabinet (Drawing 3 of 3)

REF	PART NO.	DESCRIPTION	COMMENTS
	36226	Bumper Pad	4 required
1	805914	Label	Domed; Model TFNJGBSP303NW36
2	805375	Control Overlay	Models BF3JGBJG403UN01, BF3JGBJG403UN06, BF3JGBJG403UW01, BF3JGBJG403UW06, BF3JGBJP403UN01, BF3JGBJP403UN06, BF3JGBJP403UW01, BF3JGBJP403UW06, BF3JGBSG403UN01, BF3JGBSG403UN06, BF3JGBSG403UW01, BF3JGBSG403UW06, BF3JGBSP403UN01, BF3JGBSP403UN06, BF3JGBSP403UW01, BF3JGBSP403UW06, BF3JLBSG403UN01, BF3JLBSG403UN06, BF3JLBSG403UW01, BF3JLBSG403UW06, BF3JLBSP403UN01, BF3JLBSP403UN06, BF3JLBSP403UW01 and BF3JLBSP403UW06
	805376	Control Overlay	Models NF3JGBJG403UW43, NF3JGBJP403UW43, NF3JGBSG403UN01, NF3JGBSG403UW01, NF3JGBSP403SW01, NF3JGBSP403UN01, NF3JGBSP403UW01, NF3JLBSG403UN01, NF3JLBSG403UT01, NF3JLBSG403UT06, NF3JLBSP403NN22, NF3JLBSP403NW22, NF3JLBSP403UN01, NF3JLBSP403UT01, NF3JLBSP403UT06, NF3JLBSP403UW01 and TFNJGBSP303NW36
	805379	Control Overlay	Model JF3JMBSG413EN06
	805768	Control Overlay	Models PF3JGBJG403UG06, PF3JGBJP403UG06, PF3JGBSG403UG06 and PF3JGBSP403UG06
	805378	Control Overlay	Model JF3JGBSP413EW06
	807555	Control Overlay	Models SF3JGBJG403UG43, SF3JGBJG403UW01, SF3JGBJG403UW43, SF3JGBJP403UG43, SF3JGBJP403UW01, SF3JGBJP403UW43, SF3JGBSG403UG01, SF3JGBSG403UG50, SF3JGBSG403UW01, SF3JGBSP403UG01, SF3JGBSP403UG50, SF3JGBSP403UW01, SF3JLBJG403UG43, SF3JLBJP403UG43, SF3JLBSG403UG01, SF3JLBSG403UN01, SF3JLBSP403UG01 and SF3JLBSP403UN01
	807960	Control Overlay	Models NF3JGBJG403UG43, NF3JGBJP403UG43, NF3JGBSG403UG01, NF3JGBSP403NG22, NF3JGBSP403NW22, NF3JGBSP403UG01, NF3JLBJG403UG43, NF3JLBJP403UG43, NF3JLBSG403UG01 and NF3JLBSP403UG01
	807433	Control Overlay	Model PF3NGBJG403UG82
	807958	Control Overlay	Model SF3NLBJG403UG44

Coin Drop, Meter Case and Cabinet Top

Model SFNNXRSP543NW23



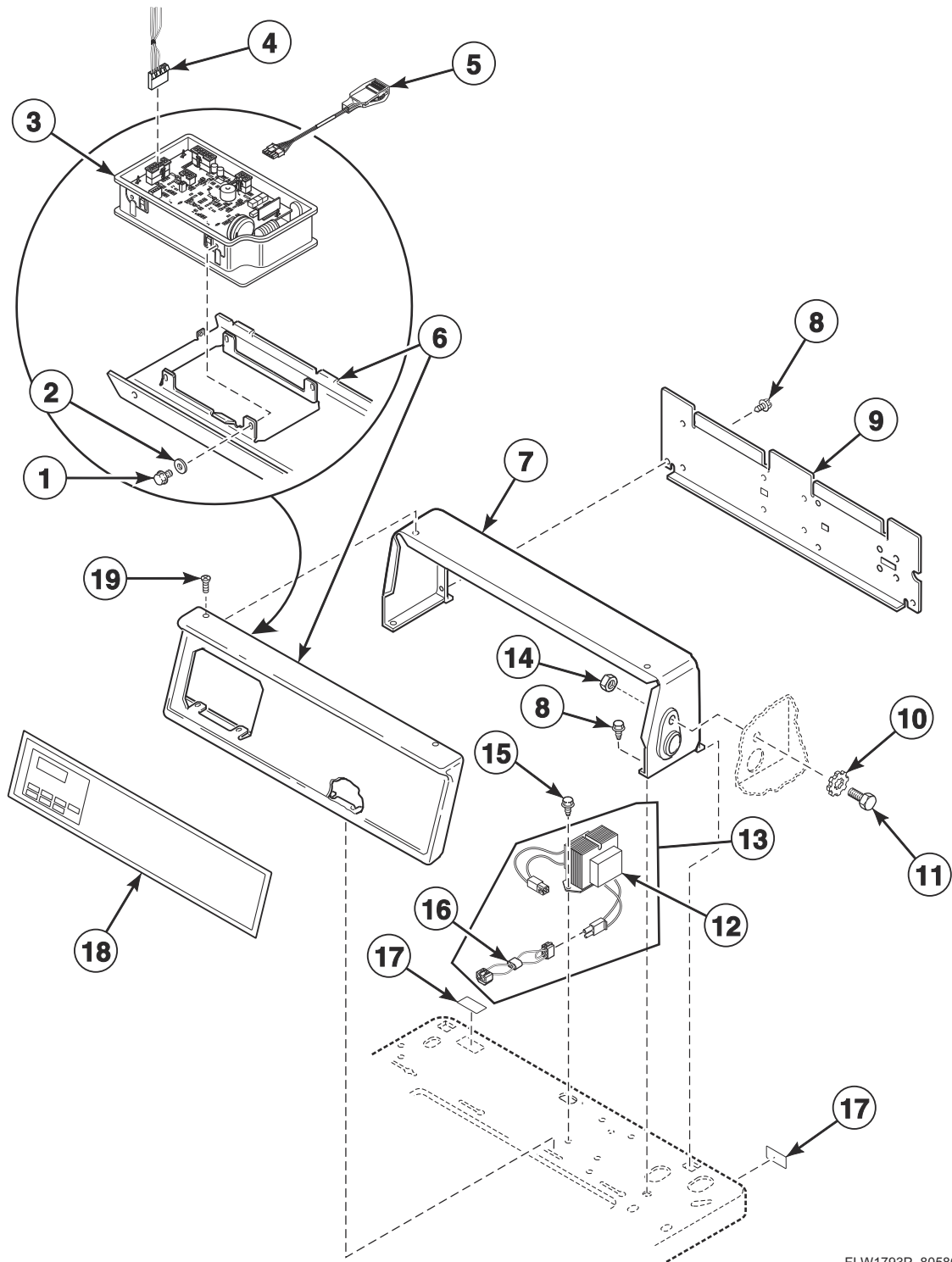
FLW980P_805863

Coin Drop, Meter Case and Cabinet Top

REF	PART NO.	DESCRIPTION	COMMENTS
1	38717	Single Overlay	
2	38725	Coin Identification Paper	
3	70441601P	Coin Drop	U.S.A.; \$.25
	70441602	Coin Drop Assembly	Canada; .25 and 1.00
4	29786	Nut	
5	200674P	Opto Coupler	
6	202870	Single Coin Harness Assembly	
	202871	Dual Coin Harness Assembly	
7	805830	Rear Control Operating Instruction Label	
8	36048	Screw	
9	D512973	Switch	
10	39874WP	Service Door Assembly	
11	D503673	Screw	
12	204616	Meter Case Locking Bracket Kit	
13	202877W	Meter Case Assembly	
14	26354	Meter Case Gasket	
15	20530	Screw	
16	D505281	Disconnect Power Warning Label	English
	D500316	Warning Label	English/French
17	D511527WP	Top Kit	
18	35526	Meter Case Bracket Gasket	
19	35525	Meter Case Lockdown Bracket	
20	203798	Bolt	
21	27222	Nut	
22	70058501	Pop Rivet	
23	D503661	Screw	
24	D510146	Bracket	
25	201595P	Wire Guard	Anti-stringing security device
26	802337	Nut	

Control Panel, Control Hood and Controls

Model SFNNXRSP543NW23

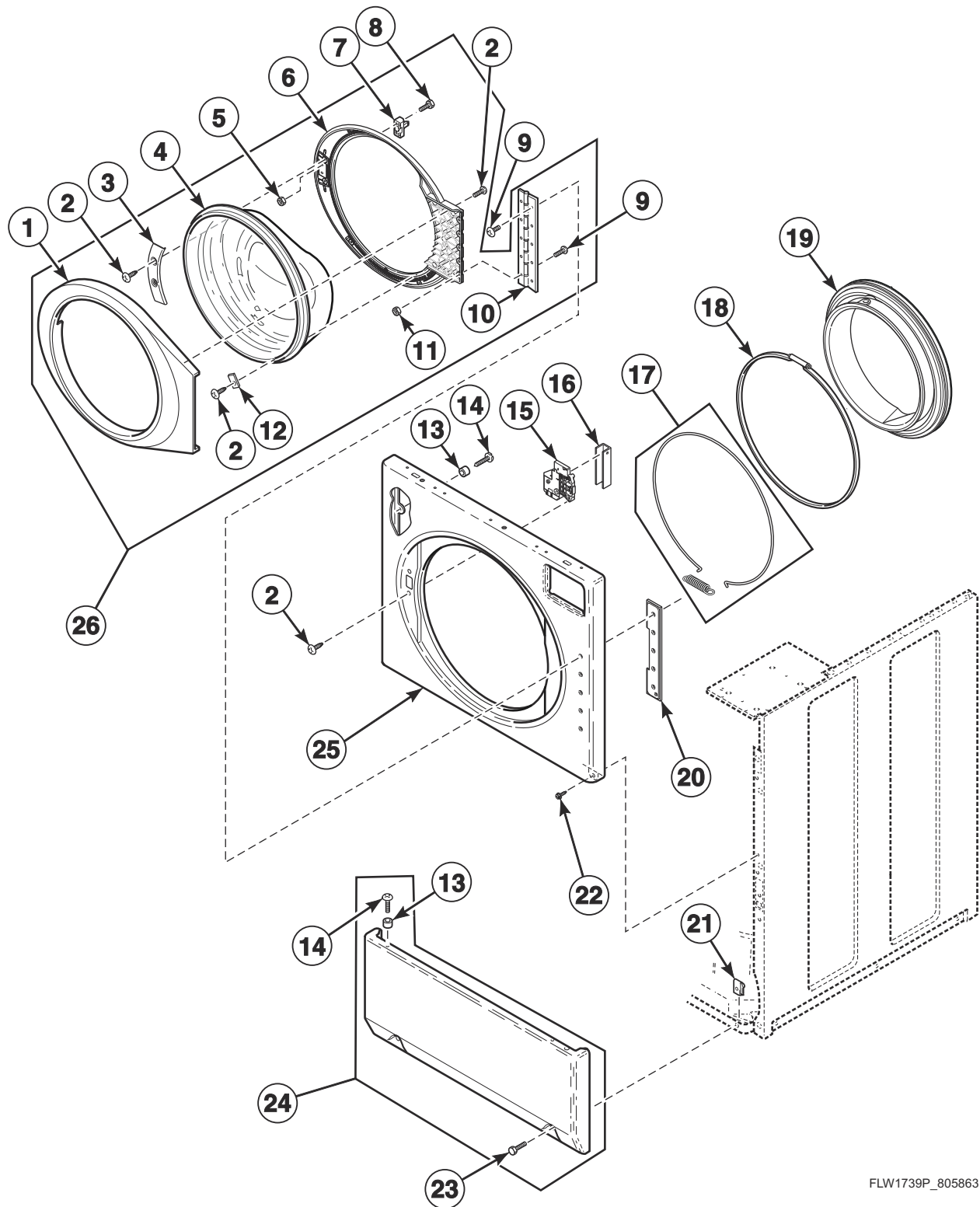


FLW1793P_805863

Control Panel, Control Hood and Controls

REF	PART NO.	DESCRIPTION	COMMENTS
	204689	Wireless Network Kit	
	203328	Network Retrofit Kit	Wired
	203346	USB IR Interface Kit	
	NK220	Network Controller Kit	Wired
	NK320	Ethernet Gateway Kit	Wireless
	NK330	USB Gateway Kit	Wireless
	205067	Payment Center Kit	Includes printer
	205068	Payment Center Kit	
1	D501524	Screw	
2	200608	Washer	
3	806267P	Control Assembly	
4	805427	Central Pay Harness	
5	203361P	Machine ID Control Assembly	Model or serial number is required when ordering
6	800149W	Control Panel and Bracket Assembly	
7	D502567W	Control Hood	
8	D501086	Screw	
9	804223	Hood Back Panel	
10	M400017	Washer	
11	02916	Screw	
12	202757	Transformer	120 Volt
	202758	Transformer	240 Volt
13	203423	Transformer Kit	120 Volt; Includes items 12 and 16
	203424	Transformer Kit	240 Volt; Includes items 12 and 16
14	44087101	Nut	
15	D503661	Screw	
16	804832	Harness	
17	D505281	Disconnect Power Warning Label	
18	804850	Overlay	
19	52864	Screw	

Front Panel, Door Assembly and Door Seal

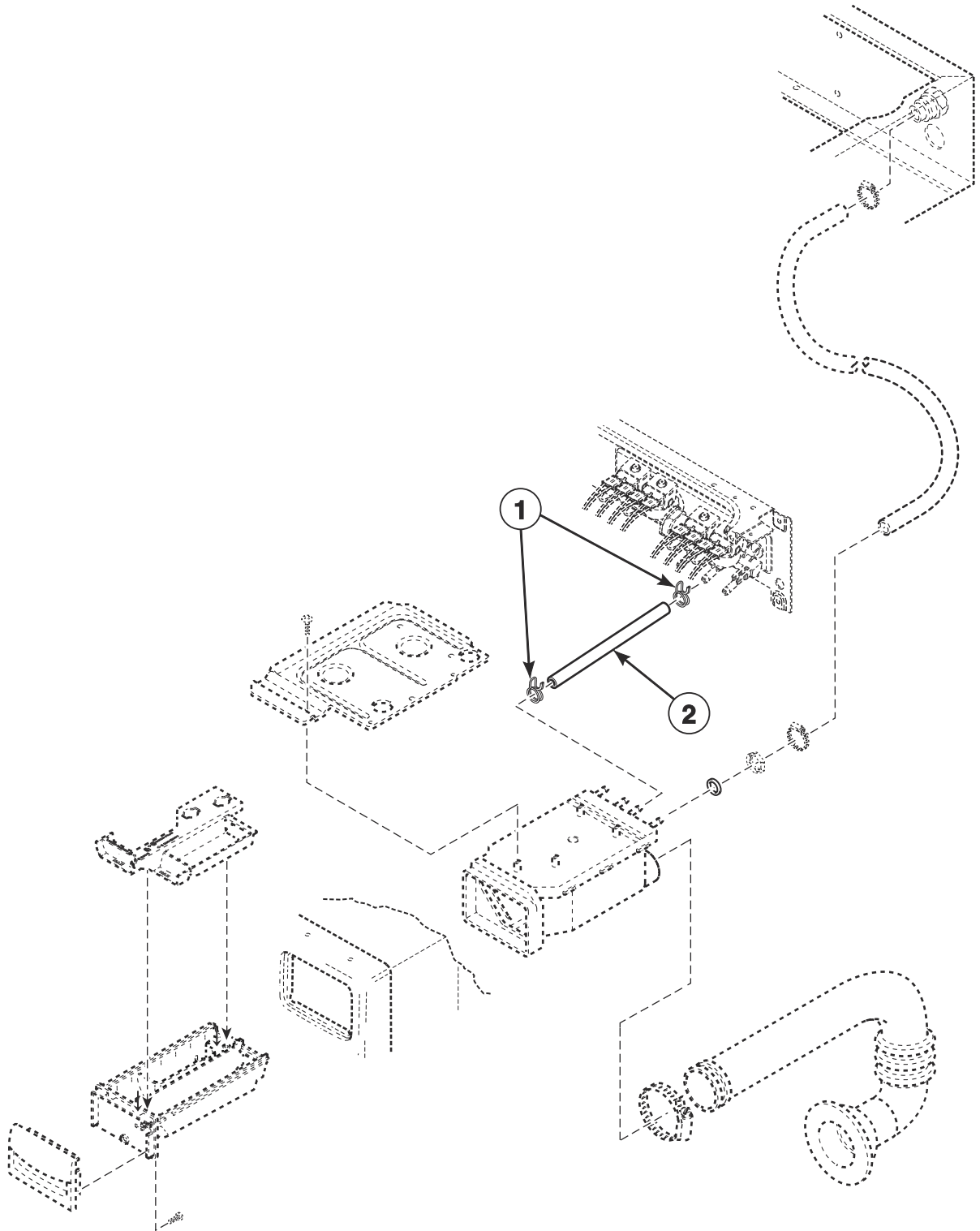


FLW1739P_805863

Front Panel, Door Assembly and Door Seal

REF	PART NO.	DESCRIPTION	COMMENTS
	807865	Hinge Attachment Kit	
1	808094	Outer Door Bezel	White
	808091	Outer Door Bezel	Gray
	808092	Outer Door Bezel	Black
	808093	Outer Door Bezel	Bisque
2	800548	Screw	
3	806354	Door Glass Mounting Plate	
4	802695P	Door Glass	
5	685846	Nut	
6	808095	Inner Door Bezel Kit	White
	808096	Inner Door Bezel Kit	Gray
	808097	Inner Door Bezel	Glass filled polypropylene upgrade
7	802803	Door Catch Assembly	
8	801993	Screw	
9	807678	Screw	
10	802934	Door Hinge	
11	23951	Nut	
12	802700	Glass Mounting Clip	
13	56079	Panel Locator	
14	39733	Screw	Use with painted panels
	806086	Screw	Use with stainless steel panels
15	803920	Door Latch Assembly	
16	804784	Door Lock Drip Shield	All models except NF3JLBSP403NN22, NF3JLBSP403NW22, NF3JXASP403NW22, NFNJYASP543NN23, NFNXASP115MW01, SFNXXRSP543NW23, TF3JXASP403NW22 and TFNJGBSP303NW36
17	806466	Wire Ring and Spring	
18	802281	Hose Clamp	
19	804428P	Door Seal	Black
	804429P	Door Seal Assembly	Gray
20	802206	Hinge Plate	
21	36020	Nut	
22	D503661	Screw	
23	801045	Screw	
24	804571DGP	Access Panel Assembly	Dark gray; Models SF3JGBSG403UG01 and SF3JLBSG403UG01
	804617W	Access Panel Assembly	White; All other models
	804617Q	Access Panel Assembly	Bisque; All other models
	804618	Access Panel Assembly	Stainless steel; All other models
	804617DGP	Access Panel Assembly	Dark gray; All other models
25	802277WP	Front Panel	White
	802277QP	Front Panel	Bisque
	802277DG	Front Panel	Dark gray
	802288P	Front Panel	Stainless steel
26	804083WP	Door Assembly	White; Includes items 1-7, 9-12
	804083QP	Door Assembly	Bisque; Includes items 1-7, 9-12
	804210P	Door Assembly	Gray; Includes items 1-7, 9-12
	805550P	Door Assembly	Black; Includes items 1-7, 9-12

Dispenser Inlet Hose

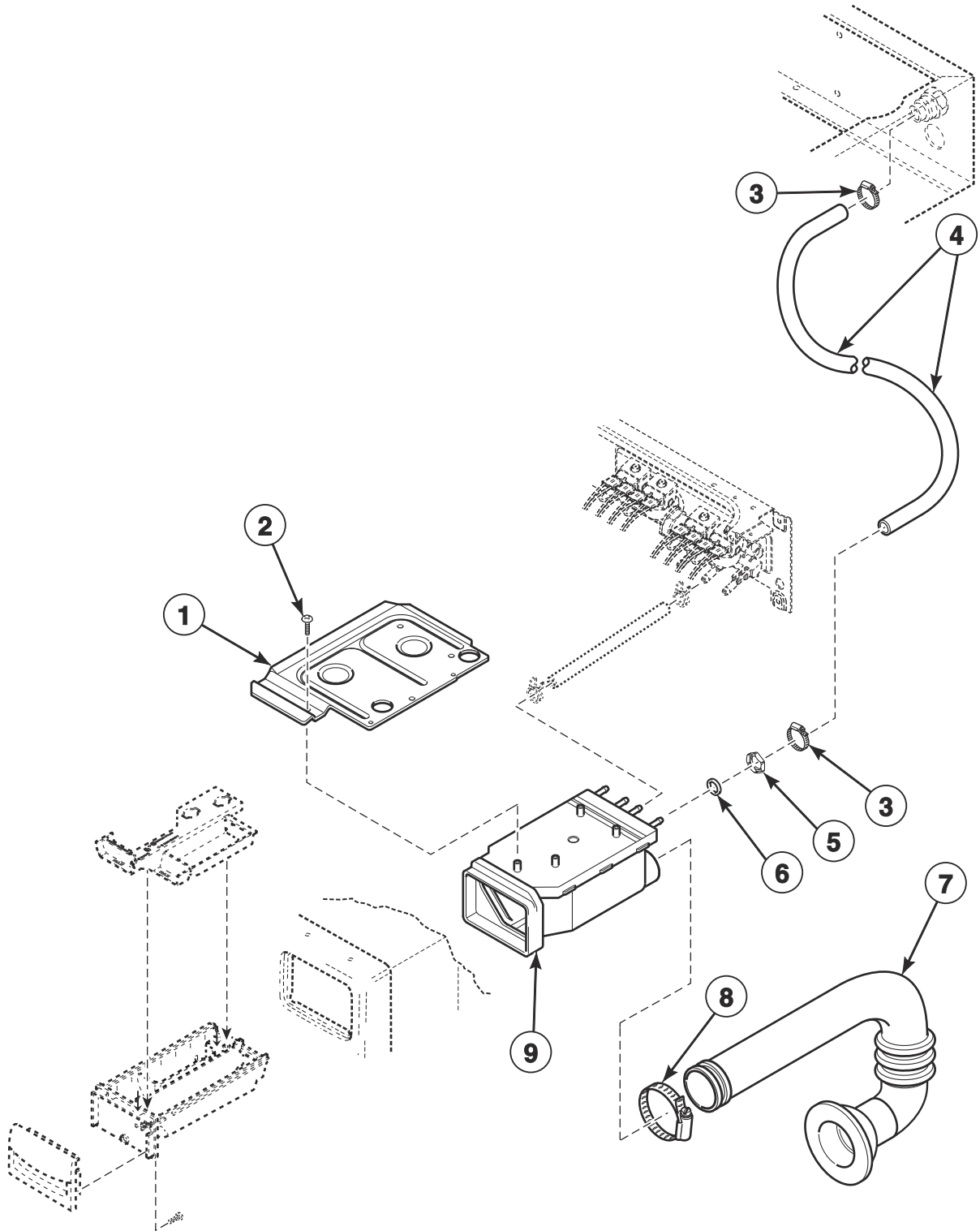


FLW1746P_805863

Dispenser Inlet Hose

REF	PART NO.	DESCRIPTION	COMMENTS
1	807386	Hose Clamp	
2	803849	Dispenser Inlet Hose	Through Serial No. 181000001
	807364	Dispenser Inlet Hose	Models BF3JGBJG403UN06, BF3JGBJG403UW06, BF3JGBJP403UN06, BF3JGBJP403UW06, BF3JGBSG403UN06, BF3JGBSG403UW06, BF3JGBSP403UN06, BF3JGBSP403UW06, BF3JLBSG403UN06, BF3JLBSG403UW06, BF3JLBSP403UN06, BF3JLBSP403UW06, BF3JXASG403UN06, BF3JXASP403UN06, BF3JXASP403UW06, JF3JEASP413EW06, JF3JGASP413EW06, JF3JGBSP413EW06, JF3JMASG413EN06, JF3JMBSG413EN06, JF3JRASP413EW06, JF3JXASP413EW06, JFNJEASG303EW06, JFNJEASP303EW06, JFNJRASP303EW06, JFNJXASG303EW06, JFNJXASP303EW06, NF3JLBSG403UT06, NF3JLBSP403UT06, NF3JXASP403UW06, PF3JGBJG403UG06, PF3JGBJP403UG06, PF3JGBSG403UG06, PF3JGBSP403UG06, PF3JXASG403UG06, PF3JXASP403UG06, PFNXXASG303UG06, PFNXXASP303UG06 and SF3JXASP403EW06 starting Serial No. 181000001 and continuing through Serial No. 190600001; Models PFNXXASP304AG01, SFNXXASG303AN12, SFNXXASG303AW12, SFNXXASP303AN01, SFNXXASP303AN12, SFNXXASP303AW01 and SFNXXASP303AW12 starting Serial No. 181000001 and continuing through Serial No. 190500001
	806718	Dispenser Inlet Hose	Models BF3JGBJG403UN06, BF3JGBJG403UW06, BF3JGBJP403UN06, BF3JGBJP403UW06, BF3JGBSG403UN06, BF3JGBSG403UW06, BF3JGBSP403UN06, BF3JGBSP403UW06, BF3JLBSG403UN06, BF3JLBSG403UW06, BF3JLBSP403UN06, BF3JLBSP403UW06, BF3JXASG403UN06, BF3JXASP403UN06, BF3JXASP403UW06, JF3JEASP413EW06, JF3JGASP413EW06, JF3JGBSP413EW06, JF3JMASG413EN06, JF3JMBSG413EN06, JF3JRASP413EW06, JF3JXASP413EW06, JFNJEASG303EW06, JFNJEASP303EW06, JFNJRASP303EW06, JFNJXASG303EW06, JFNJXASP303EW06, NF3JLBSG403UT06, NF3JLBSP403UT06, NF3JXASP403UW06, PF3JGBJG403UG06, PF3JGBJP403UG06, PF3JGBSG403UG06, PF3JGBSP403UG06, PF3JXASG403UG06, PF3JXASP403UG06, PFNXXASG303UG06, PFNXXASP303UG06 and SF3JXASP403EW06 starting Serial No. 190600001; Models PFNXXASP304AG01, SFNXXASG303AN12, SFNXXASG303AW12, SFNXXASP303AN01, SFNXXASP303AN12, SFNXXASP303AW01 and SFNXXASP303AW12 starting Serial No. 190500001; Models JF3JMASG413EW06, NF3JLBJG403UG43, PF3NGBJG403UG82, SF3JGBJG403UG43, SF3JGBJG403UW43, SF3JGBJP403UG43, SF3JGBSG403UG50, SF3JLBJG403UG43, SF3JLBJP403UG43, SF3JXASP403UG50, SFBXASP543UG16 and SFNWXASP303LW01
	807364	Dispenser Inlet Hose	All other models starting Serial No. 181000001

Dispenser Assembly (Drawing 1 of 2)

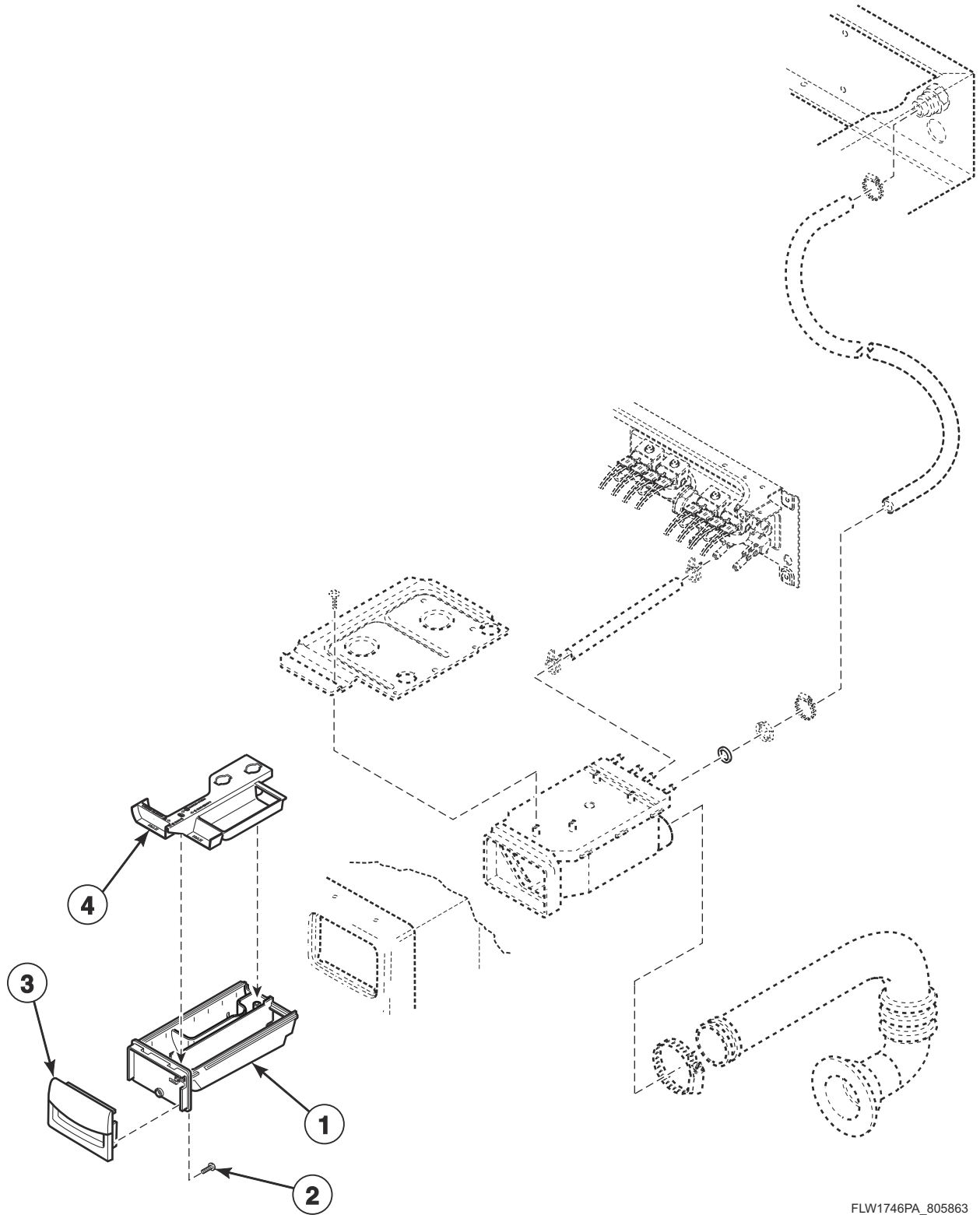


FLW1746PB_805863

Dispenser Assembly (Drawing 1 of 2)

REF	PART NO.	DESCRIPTION	COMMENTS
	804875	Foam Pad	
	805939	Chemical Injection Conversion Kit	Includes 220 Volt/24 Volt transformer; Through Serial No. 2012999999
	808077	Chemical Injection Conversion Kit	Includes 220 Volt/24 Volt transformer; Starting Serial No. 2101000001
	805938	Chemical Injection Conversion Kit	Includes 110 Volt/24 Volt transformer; Through Serial No. 2012999999
	808076	Chemical Injection Conversion Kit	Includes 110 Volt/24 Volt transformer; Starting Serial No. 2101000001
1	803843	Dispenser Plate	
2	801001	Screw	
3	F200206	Hose Clamp	Models BF3JGBJG403UN01, BF3JGBJG403UN06, BF3JGBJG403UW01, BF3JGBJG403UW06, BF3JGBJP403UN01, BF3JGBJP403UN06, BF3JGBJP403UW01, BF3JGBJP403UW06, NF3JGBJG403UG43, NF3JGBJP403UG43, NF3JLBJG403UG43, NF3JLBJP403UG43, PF3JGBJG403UG06, PF3JGBJP403UG06, PF3NGBJG403UG82, SF3JGBJG403UG43, SF3JGBJG403UW01, SF3JGBJG403UW43, SF3JGBJP403UG43, SF3JGBJP403UW01, SF3JLBJG403UG43, SF3JLBJP403UG43 and SF3NLBJG403UG44
4	801635	Tubing	Models BF3JGBJG403UN01, BF3JGBJG403UN06, BF3JGBJG403UW01, BF3JGBJG403UW06, BF3JGBJP403UN01, BF3JGBJP403UN06, BF3JGBJP403UW01, BF3JGBJP403UW06, NF3JGBJG403UG43, NF3JGBJP403UG43, NF3JLBJG403UG43, NF3JLBJP403UG43, PF3JGBJG403UG06, PF3JGBJP403UG06, PF3NGBJG403UG82, SF3JGBJG403UG43, SF3JGBJG403UW01, SF3JGBJG403UW43, SF3JGBJP403UG43, SF3JGBJP403UW01, SF3JLBJG403UG43, SF3JLBJP403UG43 and SF3NLBJG403UG44
5	802292	Nut	Models BF3JGBJG403UN01, BF3JGBJG403UN06, BF3JGBJG403UW01, BF3JGBJG403UW06, BF3JGBJP403UN01, BF3JGBJP403UN06, BF3JGBJP403UW01, BF3JGBJP403UW06, NF3JGBJG403UG43, NF3JGBJP403UG43, NF3JLBJG403UG43, NF3JLBJP403UG43, PF3JGBJG403UG06, PF3JGBJP403UG06, PF3NGBJG403UG82, SF3JGBJG403UG43, SF3JGBJG403UW01, SF3JGBJG403UW43, SF3JGBJP403UG43, SF3JGBJP403UW01, SF3JLBJG403UG43, SF3JLBJP403UG43 and SF3NLBJG403UG44
6	801632	O-Ring	Models BF3JGBJG403UN01, BF3JGBJG403UN06, BF3JGBJG403UW01, BF3JGBJG403UW06, BF3JGBJP403UN01, BF3JGBJP403UN06, BF3JGBJP403UW01, BF3JGBJP403UW06, NF3JGBJG403UG43, NF3JGBJP403UG43, NF3JLBJG403UG43, NF3JLBJP403UG43, PF3JGBJG403UG06, PF3JGBJP403UG06, PF3NGBJG403UG82, SF3JGBJG403UG43, SF3JGBJG403UW01, SF3JGBJG403UW43, SF3JGBJP403UG43, SF3JGBJP403UW01, SF3JLBJG403UG43, SF3JLBJP403UG43 and SF3NLBJG403UG44
7	804717	Detergent Hose	
8	685725	Hose Clamp	
9	803698	Dispenser Assembly	

Dispenser Assembly (Drawing 2 of 2)

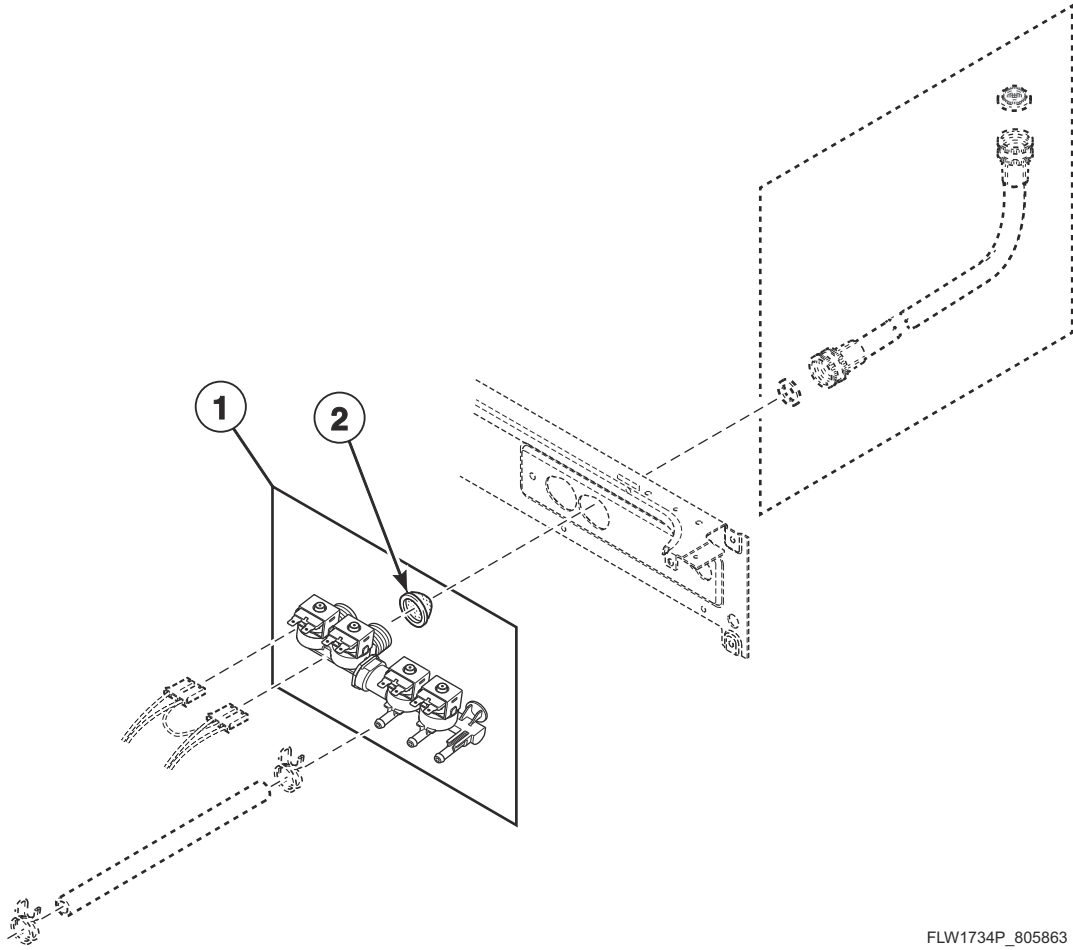


FLW1746PA_805863

Dispenser Assembly (Drawing 2 of 2)

REF	PART NO.	DESCRIPTION	COMMENTS
1	808129	Dispenser Drawer	Models SF3JGBSG403UG50, SF3JGBSP403UG50 and SF3JXASP403UG50
	803667	Dispenser Drawer	All other models
2	800548	Screw	
3	804526	Dispenser Handle	Light gray; Models PF3JGBJG403UG06, PF3JGBJP403UG06, PF3JGBSG403UG06, PF3JGBSP403UG06, PF3JXASG403UG06, PF3JXASP403UG06, PFNJXASG303UG06 and PFNJXASP303UG06; Through Serial No.1909999999
	804415W	Dispenser Handle	White; Models BF3JGBJG403UW06, BF3JGBJP403UW06, BF3JGBSG403UW06, BF3JGBSP403UW06, BF3JLBSG403UW06, BF3JLBSP403UW06, BF3JXASP403UW06, JF3JEASP413EW06, JF3JGASP413EW06, JF3JGBSP413EW06, JF3JRASP413EW06, JF3JXASP413EW06, JFNJEASG303EW06, JFNJEASP303EW06, JFNJRASP303EW06, JFNJXASG303EW06, JFNJXASP303EW06, NF3JLBSG403UT06, NF3JLBSP403UT06, NF3JXASP403UW06, SF3JGBJG403UW01, SF3JGBJP403UW01, SF3JGBSP403UW01 and SF3JXASP403EW06; Through Serial No.1909999999
	804415B	Dispenser Handle	Black; Models BF3JGBJG403UN06, BF3JGBJP403UN06, BF3JGBSG403UN06, BF3JGBSP403UN06, BF3JLBSG403UN06, BF3JLBSP403UN06, BF3JXASG403UN06, BF3JXASP403UN06, JF3JMASG413EN06, JF3JMBSG413EN06 and SF3JXASG403UN01; Through Serial No.1909999999
	804228	Dispenser Handle	Light gray; Models NF3JGBJG403UG43, NF3JGBJP403UG43, NF3JGBSG403UG01, NF3JGBSP403NG22, NF3JGBSP403UG01, NF3JLBJG403UG43, NF3JLBJP403UG43, NF3JLBSG403UG01, NF3JLBSP403UG01, NF3JXASG403UG01, NF3JXASP403UG01, PF3NGBJG403UG82, PFNJXASP304AG01, SF3JGBJG403UG43, SF3JGBJP403UG43, SF3JGBSG403UG01, SF3JGBSP403UG01, SF3JLBJG403UG43, SF3JLBJP403UG43, SF3JLBSG403UG01, SF3JLBSP403UG01, SF3JXASG403UG01, SF3JXASP403EG01, SF3JXASP403UG01 and SF3NLBJG403UG44; Models PF3JGBJG403UG06, PF3JGBJP403UG06, PF3JGBSG403UG06, PF3JGBSP403UG06, PF3JXASG403UG06, PF3JXASP403UG06, PFNJXASG303UG06 and PFNJXASP303UG06 starting Serial No. 1910000001
	808125G	Dispenser Handle	Light gray; Models SF3JGBSG403UG50, SF3JGBSP403UG50 and SF3JXASP403UG50
	804227WP	Dispenser Handle	White; All other models; Models BF3JGBJG403UW06, BF3JGBJP403UW06, BF3JGBSG403UW06, BF3JGBSP403UW06, BF3JLBSG403UW06, BF3JLBSP403UW06, BF3JXASP403UW06, JF3JEASP413EW06, JF3JGASP413EW06, JF3JGBSP413EW06, JF3JRASP413EW06, JF3JXASP413EW06, JFNJEASG303EW06, JFNJEASP303EW06, JFNJRASP303EW06, JFNJXASG303EW06, JFNJXASP303EW06, NF3JLBSG403UT06, NF3JLBSP403UT06, NF3JXASP403UW06, SF3JGBJG403UW01, SF3JGBJP403UW01, SF3JGBSP403UW01 and SF3JXASP403EW06 starting Serial No.1910000001
	804227B	Dispenser Handle	Black; All other models; Models BF3JGBJG403UN06, BF3JGBJP403UN06, BF3JGBSG403UN06, BF3JGBSP403UN06, BF3JLBSG403UN06, BF3JLBSP403UN06, BF3JXASG403UN06, BF3JXASP403UN06, JF3JMASG413EN06, JF3JMBSG413EN06 and SF3JXASG403UN01 starting Serial No. 1910000001
4	803669	Compartment Cover	

Mixing Valve

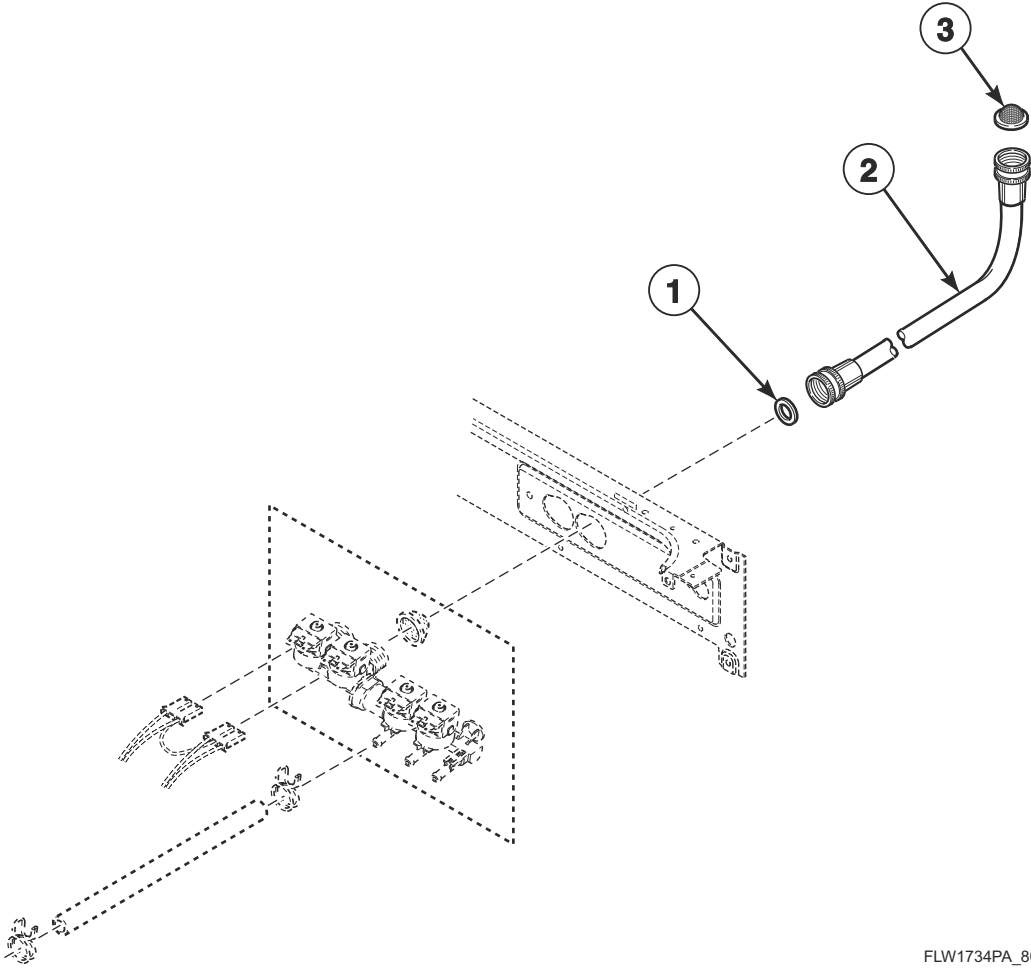


FLW1734P_805863

Mixing Valve

REF	PART NO.	DESCRIPTION	COMMENTS
	804783	Mixing Valve Shield	All models except NF3JLBSP403NN22, NF3JLBSP403NW22, NF3JXASP403NW22, NFNJXASP543NN23, NFNJYASP543NN23, NFNNXASP115MW01, SFNNXRSP543NW23, TF3JXASP403NW22 and TFNJGBSP303NW36
1	807837P	Mixing Valve	100-127 Volt; GHT thread; Models HFNNXASP123DW01, NFNNXASP115MW01, SFNNXASG113JW01, SFNNXASP123DW01 and SFNNZASP113NW22
	806611P	Mixing Valve	100-127 Volt; BSPP thread; Models SFNNXASG103JW01 and SFNNXASG113JW01; Starting Serial No. 1810000001
	803809	Mixing Valve	120 Volt; Models NFNNXASP123MW01 and SFNNXASP123MW01
	807838	Mixing Valve	220-240 Volt; GHT thread; Models HFNNXASP543DW01 and SFNNXASP543DW01; Through Serial No. 1810000001
	807497P	Mixing Valve	220-240 Volt; BSPP thread; All other models; Starting Serial No. 1810000001
2	24122	Mixing Valve Screen	Steel mesh
	F8161201	Mixing Valve Screen	Plastic

Fill Hose

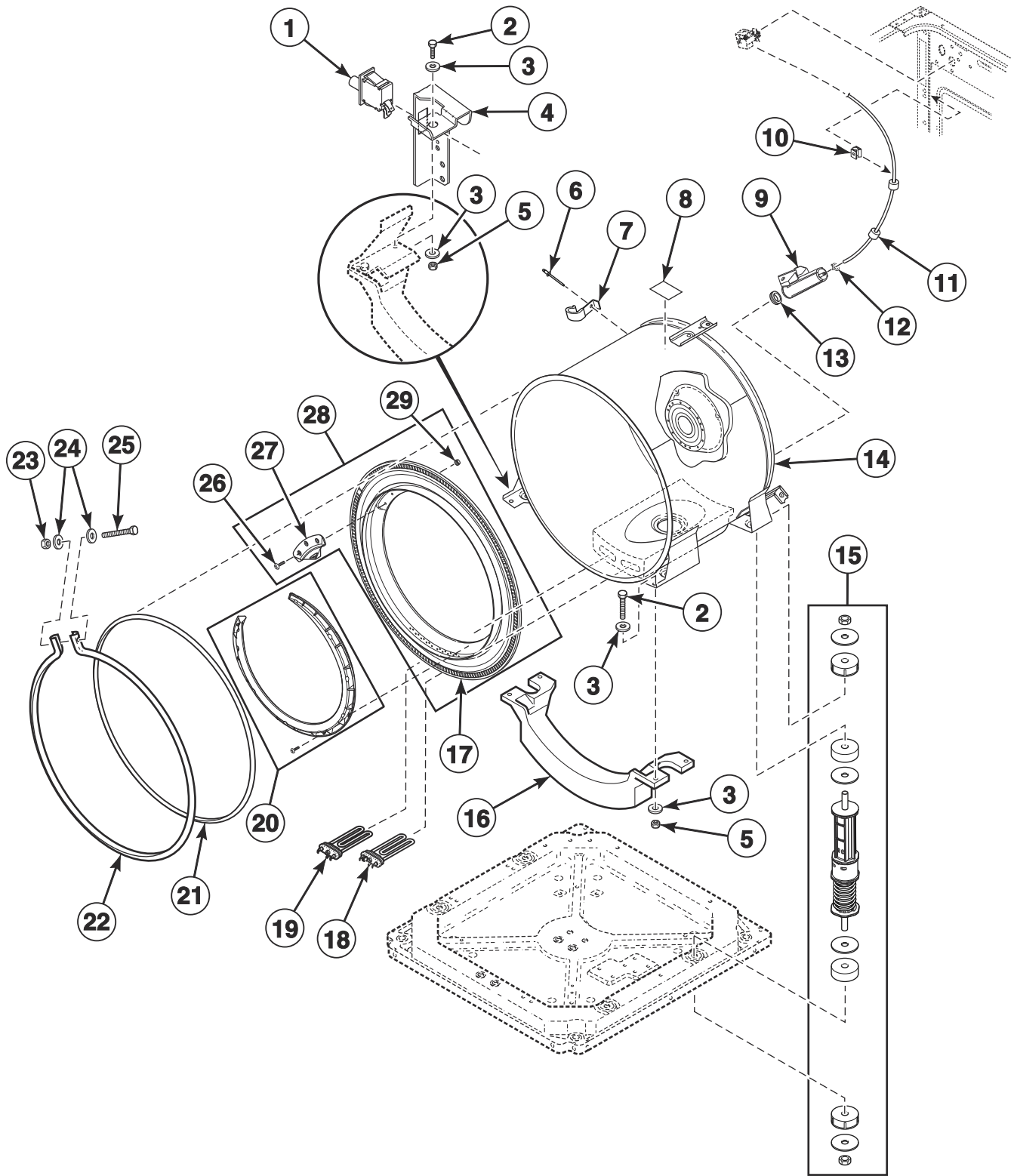


FLW1734PA_805863

Fill Hose

REF	PART NO.	DESCRIPTION	COMMENTS
1	20290	Washer	
2	203719	Fill Hose	4 feet; Marked for hot water; 2 GHT thread hose couplings
	203720	Fill Hose	4 feet; Marked for cold water; 2 GHT thread hose couplings
	203718	Fill Hose	4 feet; Marked for hot water; 1 GHT thread and 1 BSPP thread coupling
	203750	Fill Hose	4 feet; Marked for cold water; 1 GHT thread and 1 BSPP thread coupling
	204102	Fill Hose	4 feet; Marked for hot water; 2 BSPP thread hose couplings
	204103	Fill Hose	4 feet; Marked for cold water; 2 BSPP thread couplings
3	803615	Washer	Filter screen
	802254	Washer	Flow restrictor; Water pressure reducer; Available for water pressure up to but not exceeding 120 psi

Outer Tub, Clamp Ring and Shock Absorbers

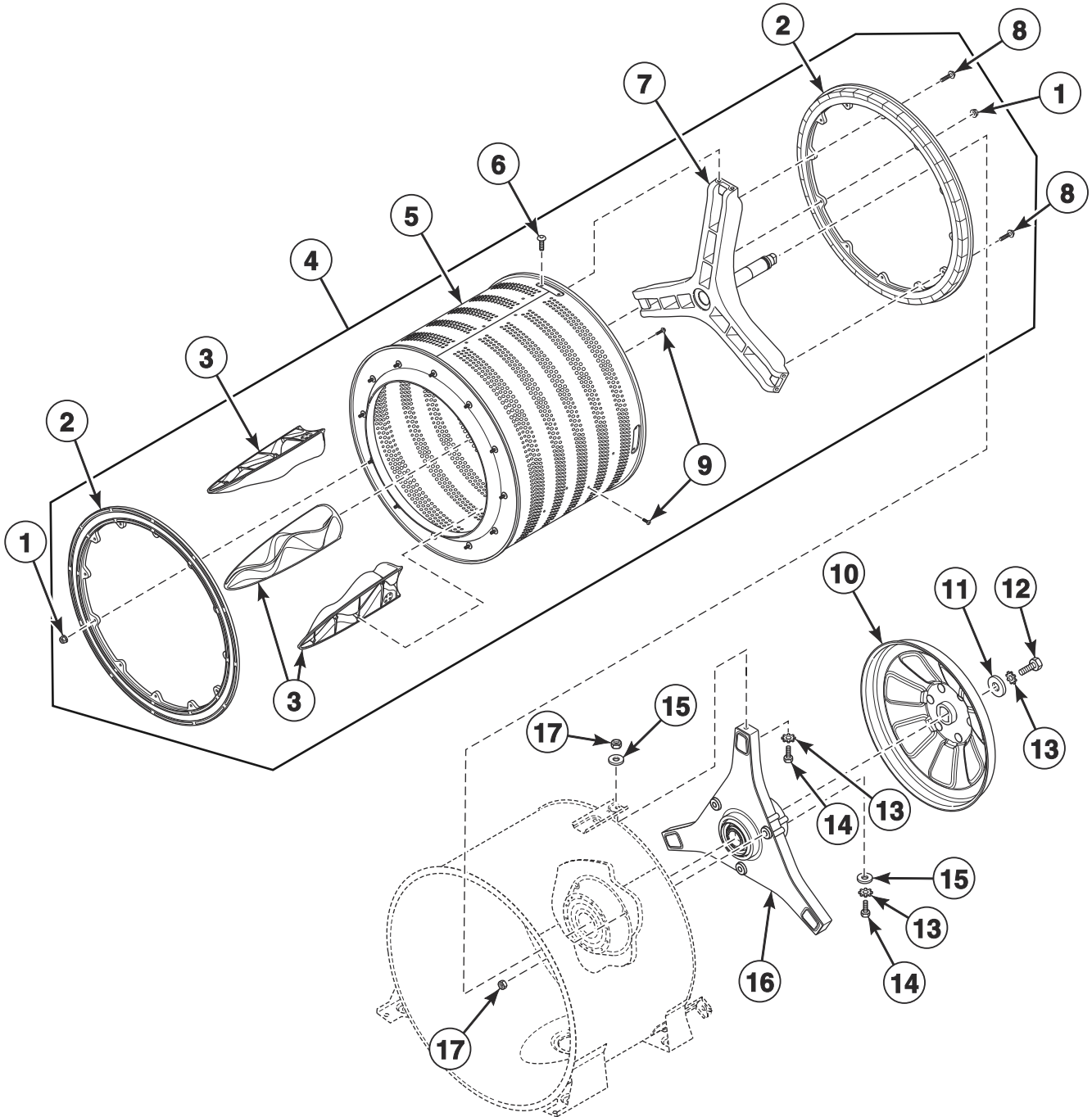


FLW1810P_805863

Outer Tub, Clamp Ring and Shock Absorbers

REF	PART NO.	DESCRIPTION	COMMENTS
1	803415	Out-of-Balance Switch Assembly	Through Serial No. 2012999999
	807384	Out-of-Balance Switch Assembly	Starting Serial No. 2101000001
2	800461	Screw	
3	804458	Washer	
4	804457	Out-of-Balance Switch Bracket	Through Serial No. 2012999999
	807280	Out-of-Balance Switch Bracket	Starting Serial No. 2101000001
5	800452	Nut	
6	685847	Pop Rivet	
7	800553	Hose Clip	
8	D500049	Warning Label	
9	808013	Pressure Bulb	
10	36985	Hose Clip	
11	804769	Pressure Sensor Tube Assembly	Models with heater
	804483	Pressure Sensor Tube Assembly	Models without heater
12	803891	Hose Clamp	
13	29175	Grommet	
14	803865	Outer Tub Assembly	Models with heater; Through Serial No. 1910999999 except Serial Nos. 1908066087 to 1909000879
	803864	Outer Tub Assembly	Models without heater; Through Serial No. 1910999999 except Serial Nos. 1908066087 to 1909000879
	807619	Outer Tub Assembly	Models with heater; Serial Nos. 1908066087 to 1909000879 and starting Serial No. 1911000001 to 2010999999
	807618	Outer Tub Assembly	Models without heater; Serial Nos. 1908066087 to 1909000879 and starting Serial No. 1911000001 to 2010999999
	807480	Outer Tub Assembly	Models with heater; Starting Serial No.2011000001
	807479	Outer Tub Assembly	Models without heater; Starting Serial No.2011000001
15	803777P	Shock Assembly	Must replace all 4
16	807476	Counterweight	
17	803770	Tub Front	
18	804777P	Heating Element	Includes thermistor; Models with heater
19	804778P	Heating Element	Models with heater
20	806308	Foreign Object Deflector	Black; Includes screws
	806313	Foreign Object Deflector	Gray; Includes screws
	806361	Foreign Object Deflector	Tall; Gray; Includes screws
21	803801	Tub Front Seal	
22	803802	Clamp Ring	
23	F430218	Nut	
24	M400081	Washer	8 required
25	800462	Screw	
26	802596	Screw	
27	804467	Clothes Guard Deflector	
	805548	Clothes Guard Deflector	Heavy duty
28	803879	Tub Front Assembly	Includes items 17, 20, 26, 27 and 29
29	802343	Nut	

Inner Basket, Trunnion, Bearing Housing and Pulley

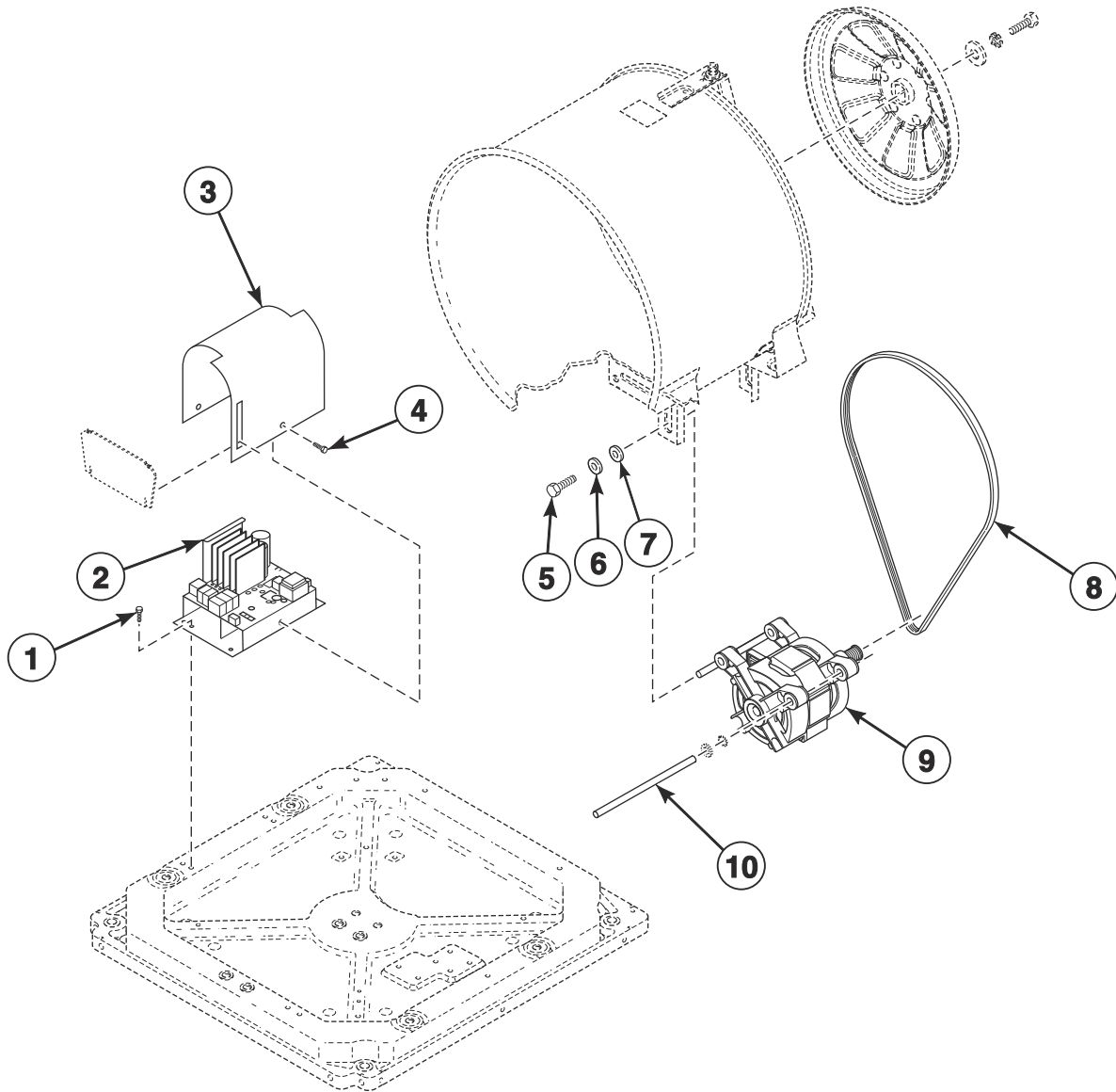


FLW1803P_805863

Inner Basket, Trunnion, Bearing Housing and Pulley

REF	PART NO.	DESCRIPTION	COMMENTS
	27604P	Anti-Seize Compound	Pulley to inner basket shaft
	805730	Bearing Kit	
1	804418	Nut	
2	804393	Balance Ring Assembly	
3	804382	Lifter	
4	805485	Inner Basket Assembly	Models SFNNXASG303AN12, SFNNXASG303AW12, SFNNXASP303AN12 and SFNNXASP303AW12
	804376P	Inner Basket Assembly Kit	All other models
5	804374P	Inner Basket Assembly	
6	804699	Screw	
7	806831	Trunnion Kit	Includes hardware; Models SFNNXASG303AN12, SFNNXASG303AW12, SFNNXASP303AN12 and SFNNXASP303AW12
	808043P	Trunnion Shaft Kit	Includes hardware; All other models
8	804399	Screw	
9	800548	Screw	
10	808197	Pulley Assembly	
11	807679	Washer	
12	685831	Screw	Left hand thread
13	M403958	Washer	Used on models through Serial No. 1609046805
14	M400043	Screw	
15	800457	Washer	
16	805525	Bearing Housing Kit	Includes hardware and tool
17	800452	Nut	

Motor and Belt



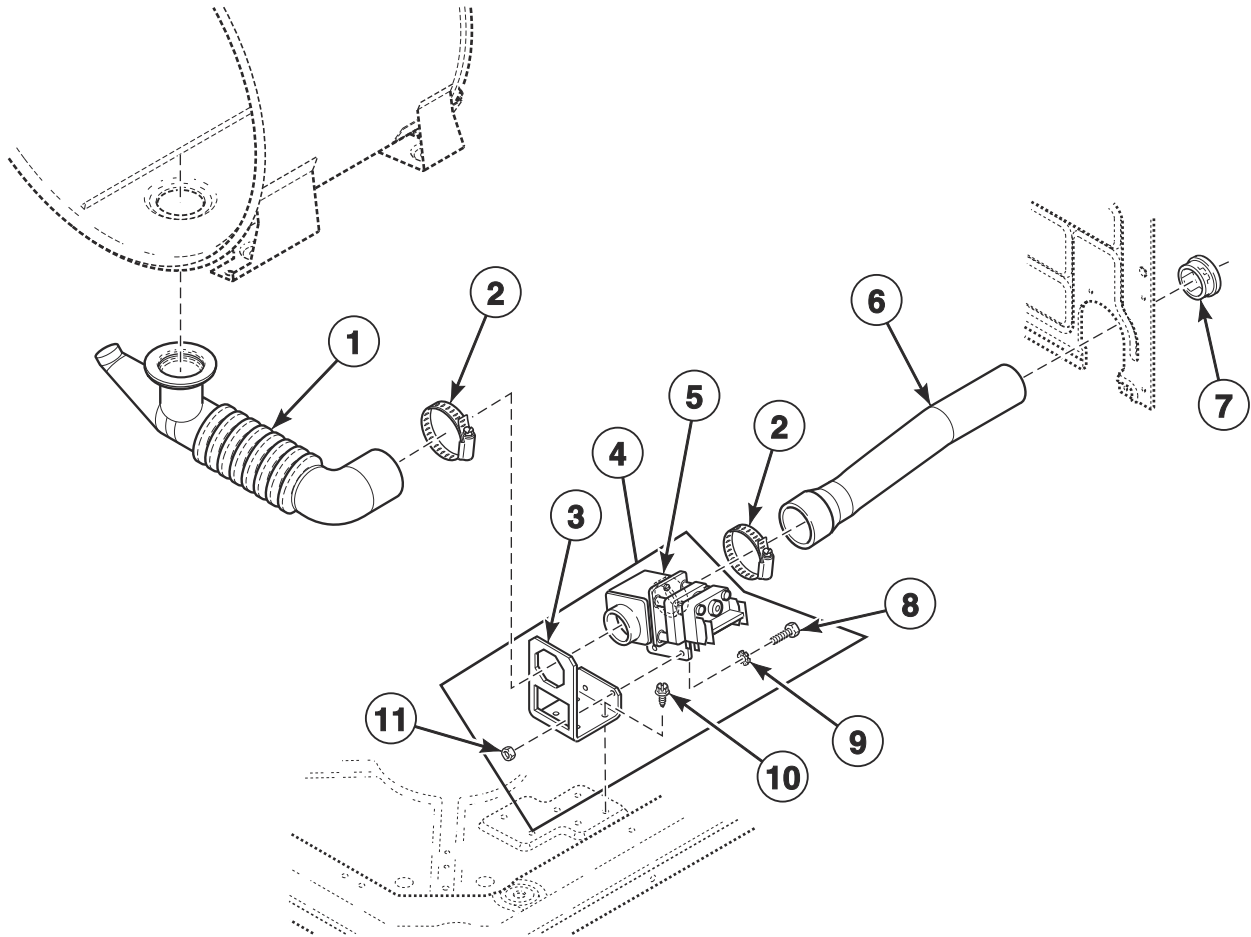
FLW1794P_805863

Motor and Belt

REF	PART NO.	DESCRIPTION	COMMENTS
	807441	Control Bracket	Starting Serial No. 2101000001
	F8206901	Screw	Starting Serial No. 2101000001; Use with 807441 Control Bracket
	807623	Belt Install Tool	
1	D503661	Screw	
2	807175P	Inverter Control Assembly	Through Serial No. 2012999999
	808149	Output Control Assembly	120 Volt; Without filter; Starting Serial No. 2101000001
	808150	Output Control Assembly	240 Volt; With filter; Starting Serial No. 2101000001
3	804878	Motor Control Shield	Through Serial No. 2012999999
4	D501524	Screw	
5	M400057	Screw	Through Serial No. 2010999999
	02916	Screw	Starting Serial No. 2011000001
6	02834	Washer	Through Serial No. 2010999999
7	M400080	Washer	Through Serial No. 2010999999
8	804985	Drive Belt	Through Serial No. 1910999999 except Serial Nos. 1908066087 to 1909000879
	807429P	Belt Kit	Serial Nos. 1908066087 to 1909000879 and starting Serial No. 1911000001; Use with 807623 Belt Install Tool
9	805726P	Motor and Rod Assembly Kit	Includes item 10; Through Serial No. 2010071306
	808034P	Motor and Rod Assembly Kit	Includes item 10; Starting Serial No. 2010071307 through Serial No. 2012999999
	808067P	Motor and Rod Assembly Kit	Includes item 10; Starting Serial No. 2101000001
10	803861	Motor Rod	Through Serial No. 2010999999
	807739	Motor Rod	Starting Serial No. 2011000001

Drain Hoses and Valve

Gravity Drain Models



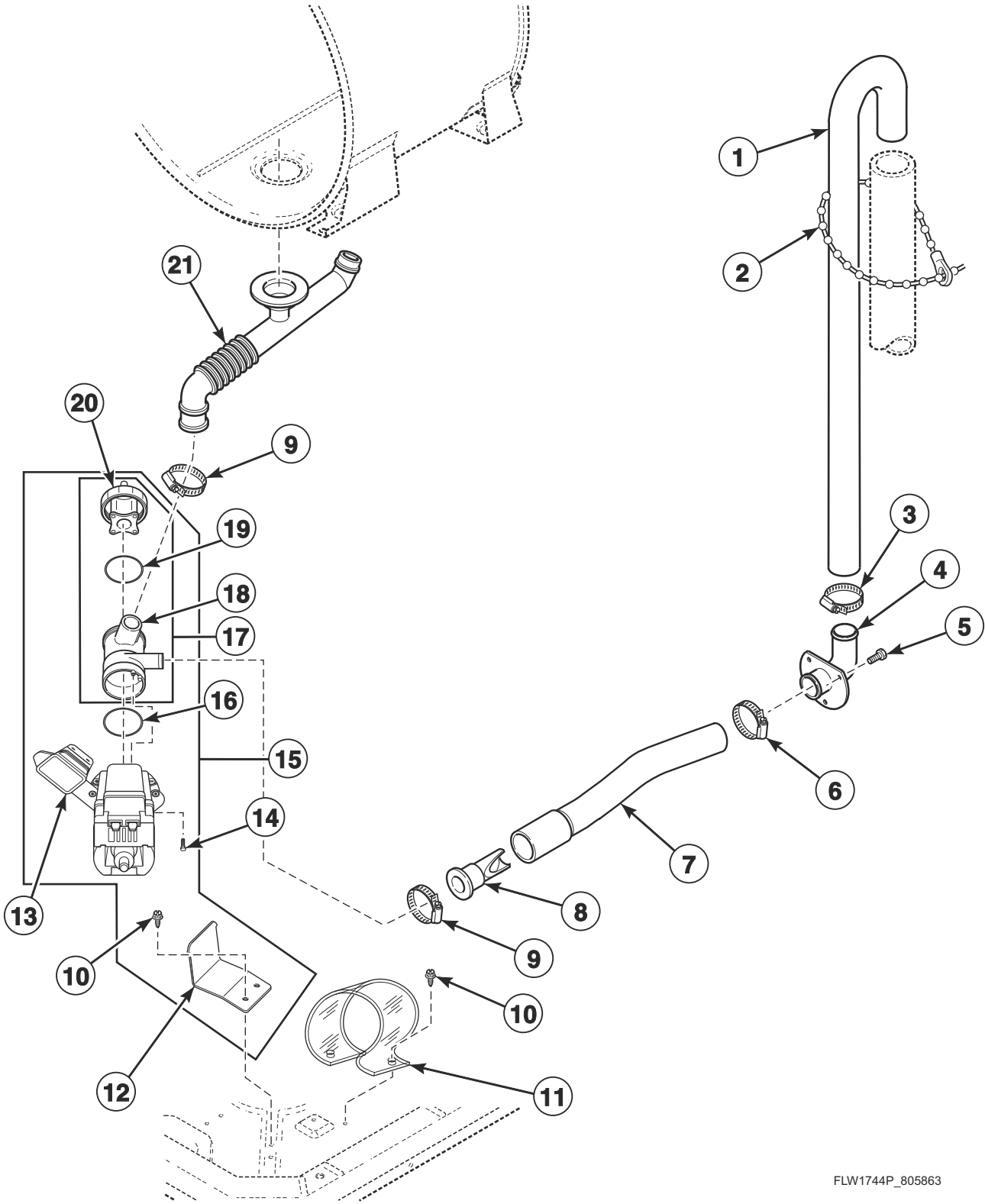
FLW1745P_805863

Drain Hoses and Valve

REF	PART NO.	DESCRIPTION	COMMENTS
1	803873	Tub-to-Drain Hose	Models BF3JGBJG403UN01, BF3JGBJG403UN06, BF3JGBJG403UW01, BF3JGBJG403UW06, BF3JGBSG403UN01, BF3JGBSG403UN06, BF3JGBSG403UW01, BF3JGBSG403UW06, BF3JLBSG403UN01, BF3JLBSG403UN06, BF3JLBSG403UW01, BF3JLBSG403UW06, BF3JXASG403UN01, BF3JXASG403UN06, JF3JMASG413EN06, JF3JMASG413EW06, JF3JMBSG413EN06, NF3JGBJG403UG43, NF3JGBJG403UW43, NF3JGBSG403UN01, NF3JGBSG403UW01, NF3JLBJG403UG43, NF3JLBSG403UN01, NF3JLBSG403UT01, NF3JLBSG403UT06, NF3JXASG403UG01, NF3JXASG403UN01, NF3JXASG403UW01, NF3JYASG403UW01, PF3JGBJG403UG06, PF3JGBSG403UG06, PF3JXASG403UG06, PF3NGBJG403UG82, SF3JGBJG403UG43, SF3JGBJG403UW01, SF3JGBJG403UW43, SF3JGBSG403UG01, SF3JGBSG403UG50, SF3JGBSG403UW01, SF3JLBJG403UG43, SF3JLBSG403UG01, SF3JLBSG403UN01, SF3JXASG403UG01, SF3JXASG403UN01 and SF3NLBJG403UG44
	803874	Tub-to-Gravity Drain Hose	All other models
	27615P	Sealant	Tub-to-drain hose to outer tub
2	685725	Hose Clamp	
3	803291	Gravity Drain Bracket	
4	F975P3	Drain Valve Kit	120 Volt; Includes items 3, 5 and 8-11; Models SFNNXASG103JW01 and SFNNXASG113JW01
	F976P3	Drain Valve Kit	240 Volt; Includes items 3, 5 and 8-11; All other models
5	803293P	Drain Valve	120 Volt; Models SFNNXASG103JW01 and SFNNXASG113JW01
	803292P	Gravity Drain Valve	240 Volt; All other models
6	800903	Drain-to-Cabinet Hose	
7	D503235	Snap Bushing	
8	02916	Screw	
9	M400017	Washer	
10	D503661	Screw	
11	29786	Nut	

Drain Hose and Pump

Pump Models

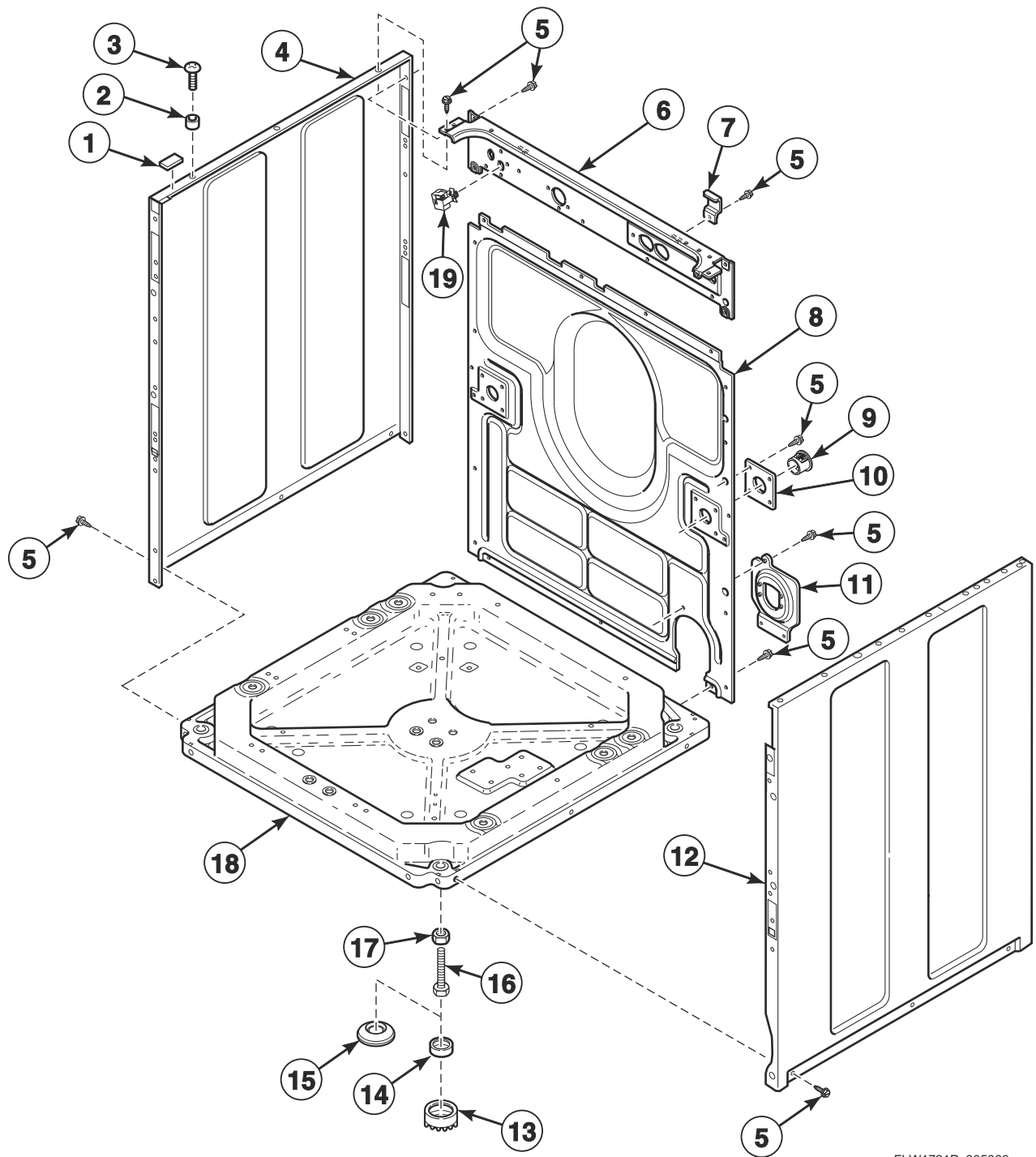


FLW1744P_805863

Drain Hose and Pump

REF	PART NO.	DESCRIPTION	COMMENTS
	805771	Pump-to-Gravity Drain Kit	120 Volt; Models NFNNXASP115MW01 and SFNNZASP113NW22
	805770	Pump-to-Gravity Drain Kit	240 Volt; All other models
1	27154	Drain Hose	
2	33489	Standpipe Strap	
3	20211	Hose Clamp	
4	35766	Drain Hose Elbow	
5	52909	Screw	
6	20391	Hose Clamp	
7	803734	Pump-to-Elbow Hose	
8	800310	Backflow Preventer	
9	F200204	Hose Clamp	
10	D503661	Screw	
11	805561	Drain Pump Drip Shield	All models except NF3JLBSP403NN22, NF3JLBSP403NW22, NF3JXASP403NW22, NFNJXASP543NN23, NFNJYASP543NN23, SFNNXRSP543NW23, TF3JXASP403NW22 and TFNJGBSP303NW36
12	803814	Drain Base Bracket	
13	803815	Drain Pump Isolator	
14	802431	Screw	
15	808195P	Drain Pump Assembly	208-240 Volt/60 Hertz; Includes items 12-14 and 16-20; Models HFNNXASP543DW01, NFNJXASP543NN23, NFNJYASP543NN23, PFNXXASP543ZG01, SFBXASP543UG16, SFNNXASP543DW01 and SFNNXASP543RW01
	805724P	Drain Pump Assembly	120 Volt/60 Hertz; Includes items 12-14 and 16-20; Models NFNNXASP115MW01 and SFNNZASP113NW22
	805724P	Drain Pump Assembly	100-127 Volt/60 Hertz; Includes items 12-14 and 16-20; Models HFNNXASP123DW01, NFNNXASP123MW01, SFNNXASP123DW01 and SFNNXASP123MW01
	803922	Drain Pump Assembly	220-240 Volt/50 Hertz; Includes items 12-14 and 16-20; All other models
16	802429P	O-Ring	
17	802434P	Pump Housing Assembly	Includes items 18-20
18	802428	Pump Housing	
19	802427	Gasket	
20	802426P	Lid Assembly	Includes filter
21	803816	Tub-to-Pump Hose	Models with heater
	803829	Tub-to-Pump Hose	Models without heater
	27615P	Sealant	Tub-to-pump hose to outer tub

Side, Base and Rear Panels



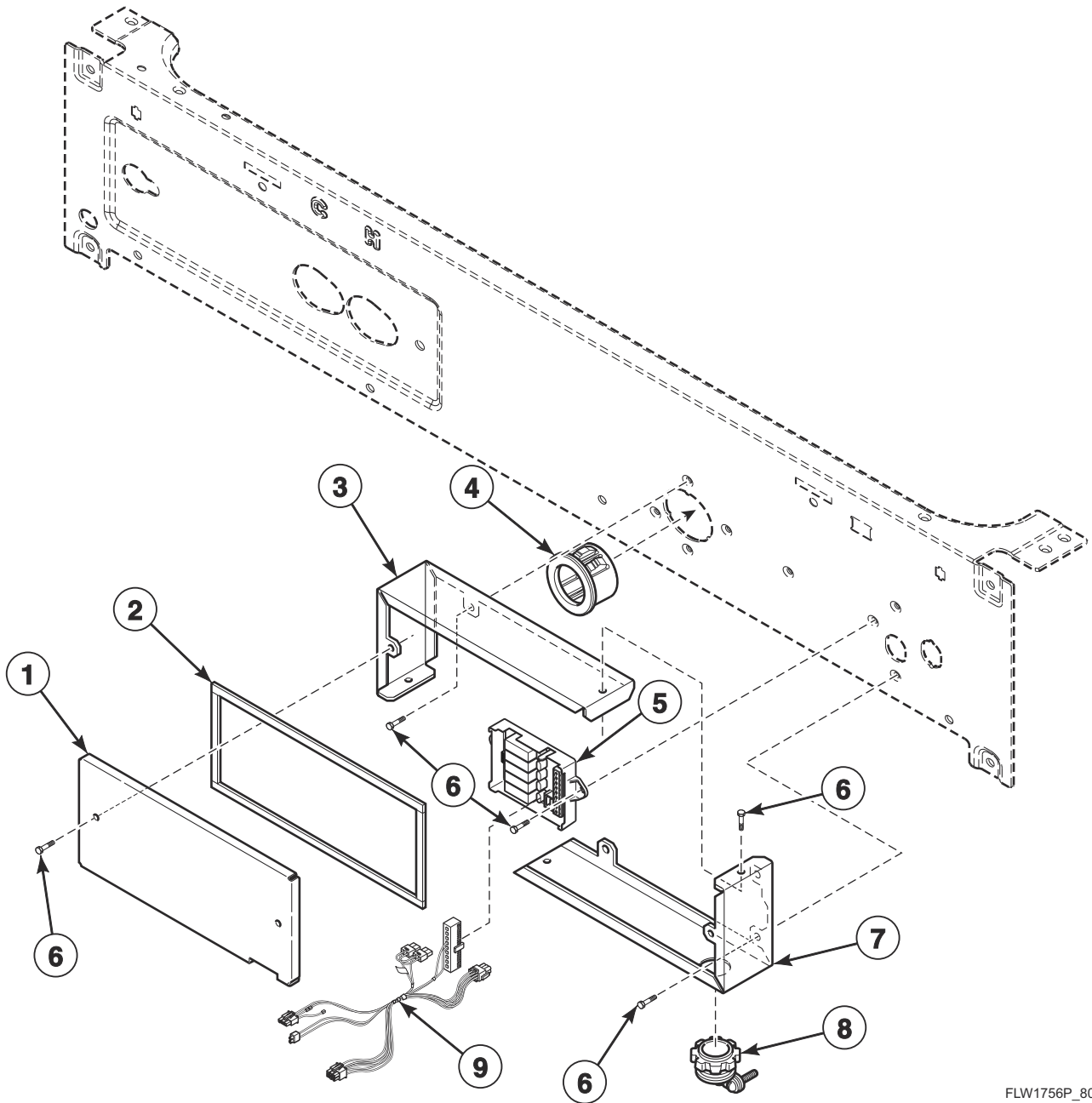
FLW1721P_805863

Side, Base and Rear Panels

REF	PART NO.	DESCRIPTION	COMMENTS
	122P4P	Porcelain Touch-Up Paint	White
	370P4P	Porcelain Touch-Up Paint	Bisque
	806436P	Paint	Dark gray
	61203	Thermostat Opening Cover	Model SFBJXASP543UG16
1	36226	Bumper Pad	
2	56079	Panel Locator	
3	39733	Screw	
4	800004WP	Cabinet Panel Kit	White; Left; Includes corner gusset with hardware
	800004QP	Cabinet Panel Kit	Bisque; Left; Includes corner gusset with hardware
	800004DG	Cabinet Side Panel	Dark gray; Left
5	D503661	Screw	
6	803790	Rear Panel	Fixed; Through Serial No. 1810000001
	806716	Rear Panel	Fixed; Starting Serial No. 1810000001
7	D510136	Top Hinge	
8	803789	Rear Panel	Removable
9	803859	Shipping Plug	
10	803851	Shipping Plate	
11	803833	Gravity Drain Bracket	Models BF3JGBJG403UN01, BF3JGBJG403UN06, BF3JGBJG403UW01, BF3JGBJG403UW06, BF3JGBSG403UN01, BF3JGBSG403UN06, BF3JGBSG403UW01, BF3JGBSG403UW06, BF3JLBSG403UN01, BF3JLBSG403UN06, BF3JLBSG403UW01, BF3JLBSG403UW06, BF3JXASG403UN01, BF3JXASG403UN06, JF3JMASG413EN06, JF3JMASG413EW06, JF3JMBSG413EN06, JFNJEASG303EW06, JFNJXASG303EW06, NF3JGBJG403UG43, NF3JGBJG403UW43, NF3JGBSG403UG01, NF3JGBSG403UN01, NF3JGBSG403UW01, NF3JGBSP403UN01, NF3JLBJG403UG43, NF3JLBSG403UG01, NF3JLBSG403UN01, NF3JLBSG403UT01, NF3JLBSG403UT06, NF3JXASG403UG01, NF3JXASG403UN01, NF3JXASG403UW01, NF3JYASG403UW01, PF3JGBJG403UG06, PF3JGBSG403UG06, PF3JXASG403UG06, PF3NGBJG403UG82, PFN3JXASG303UG06, PFN3JXASG543ZG01, SF3JGBJG403UG43, SF3JGBJG403UW01, SF3JGBJG403UW43, SF3JGBSG403UG01, SF3JGBSG403UG50, SF3JGBSG403UW01, SF3JLBJG403UG43, SF3JLBSG403UG01, SF3JLBSG403UN01, SF3JXASG403UG01, SF3JXASG403UN01, SF3NLBJG403UG44, SFN3XASG103JW01, SFN3XASG113JW01, SFN3XASG303AN12 and SFN3XASG303AW12
	803828	Drain Hose Bracket	All other models
12	800005DG	Cabinet Side Panel	Dark gray; Right
	806492	Side Panel Kit	White; Right
	800005QP	Side Panel Kit	Bisque; Right
13	D501855	Rubber Foot	Use to prevent movement on smooth surface floor coverings; Install over 2 existing front rubber feet (item 14)
14	34318	Rubber Foot	
15	155P3	Anchor	Includes 4 rubber discs with adhesive backing
	802844P	Anchor Floor Mount Assembly	Includes 2 rubber discs with adhesive backing
16	34319	Leveling Leg	
17	21899	Nut	
18	803876	Base Assembly	
19	203843	Pressure Sensor	

Junction Box

Models BF3JGBJG403UN01, BF3JGBJG403UN06, BF3JGBJG403UW01, BF3JGBJG403UW06, BF3JGBJP403UN01, BF3JGBJP403UN06, BF3JGBJP403UW01, BF3JGBJP403UW06, NF3JGBJP403UG43, NF3JLBJP403UG43, PF3JGBJG403UG06, PF3JGBJP403UG06, PF3NGBJG403UG82, SF3JGBJG403UG43, SF3JGBJG403UW01, SF3JGBJG403UW43, SF3JGBJP403UG43, SF3JGBJP403UW01, SF3JLBJG403UG43, SF3JLBJP403UG43 and SF3NLBJG403UG44



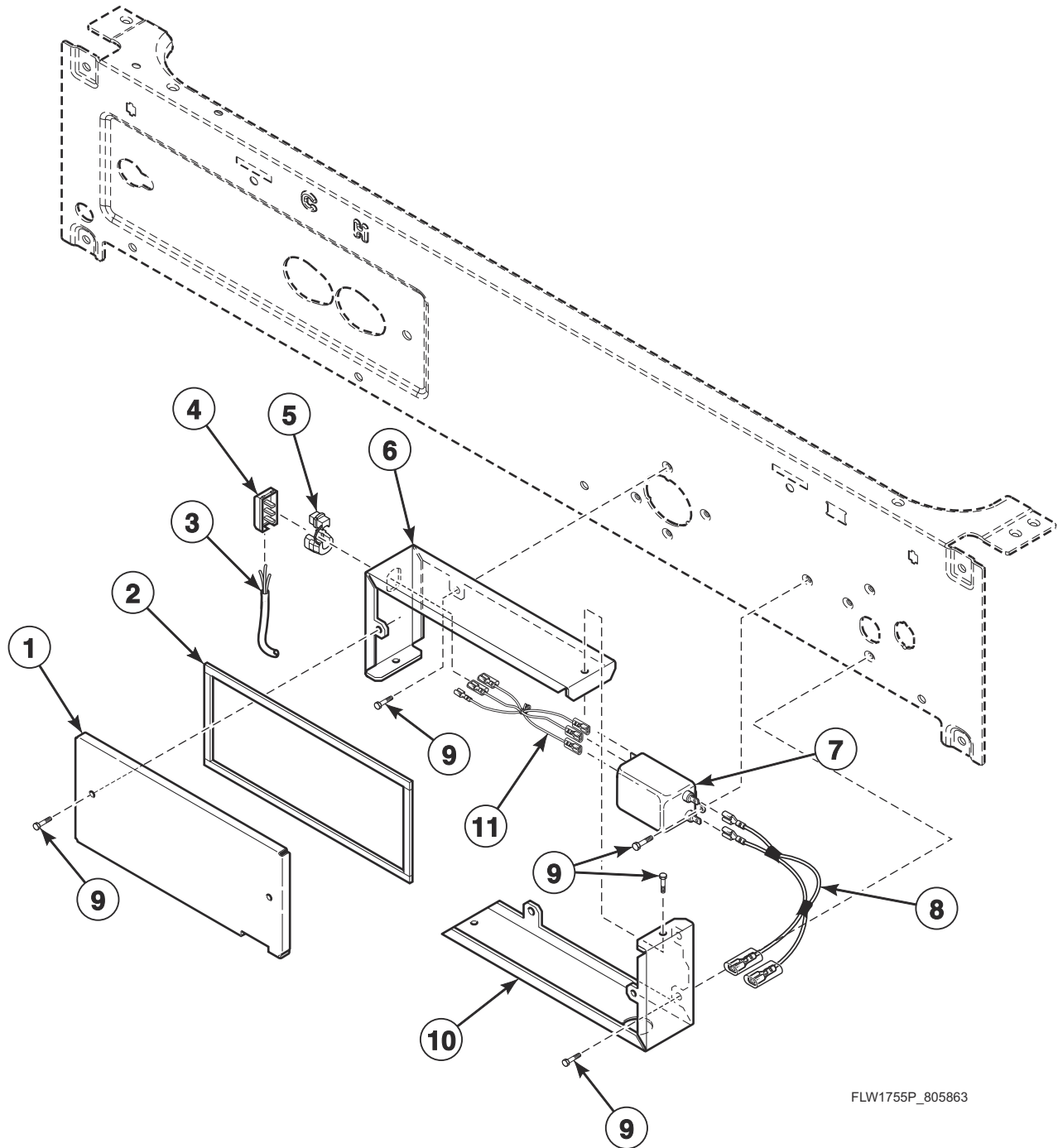
FLW1756P_805863

Junction Box

REF	PART NO.	DESCRIPTION	COMMENTS
1	803820	Junction Box Cover	
2	803832P	Junction Box Seal	
3	803827	Junction Box	Upper
4	M402542	Snap Bushing	
5	804528	Chemical Injection Control	
6	D503661	Screw	
7	804561	Junction Box	Lower
8	M400149	Connector	
9	804799	Supply Injection Wire Harness Assembly	Through Serial No. 2012999999
	807645	Supply Injection Wire Harness Assembly	Starting Serial No. 2101000001

Junction Box and Power Cord

Models HFNNXASP123DW01, HFNNXASP543DW01, JFNJEASG303EW06, JFNJEASP303EW06, JFNJRASP303EW06, JFNJXASG303EW06, JFNJXASP303EW06, NFNJXASP543NN23, NFNJYASP543NN23, NFNNXASP123MW01, NFNNXASP303ZW01, NFNWXASP303LN01, PFNJXASG303UG06, PFNJXASG543ZG01, PFNJXASP303UG06, PFNJXASP304AG01, PFNJXASP543ZG01, SFBJXASP543UG16, SFNNXASG103JW01, SFNNXASG113JW01, SFNNXASG303AN12, SFNNXASG303AW12, SFNNXASP123DW01, SFNNXASP123MW01, SFNNXASP303AN01, SFNNXASP303AN12, SFNNXASP303AW01, SFNNXASP303AW12, SFNNXASP303BW01, SFNNXASP303NN26, SFNNXASP543DW01, SFNNXASP543RW01, SFNNXRSP543NW23, SFNWXASP303BW01, SFNWXASP303LW01 and TFNJGBSP303NW36

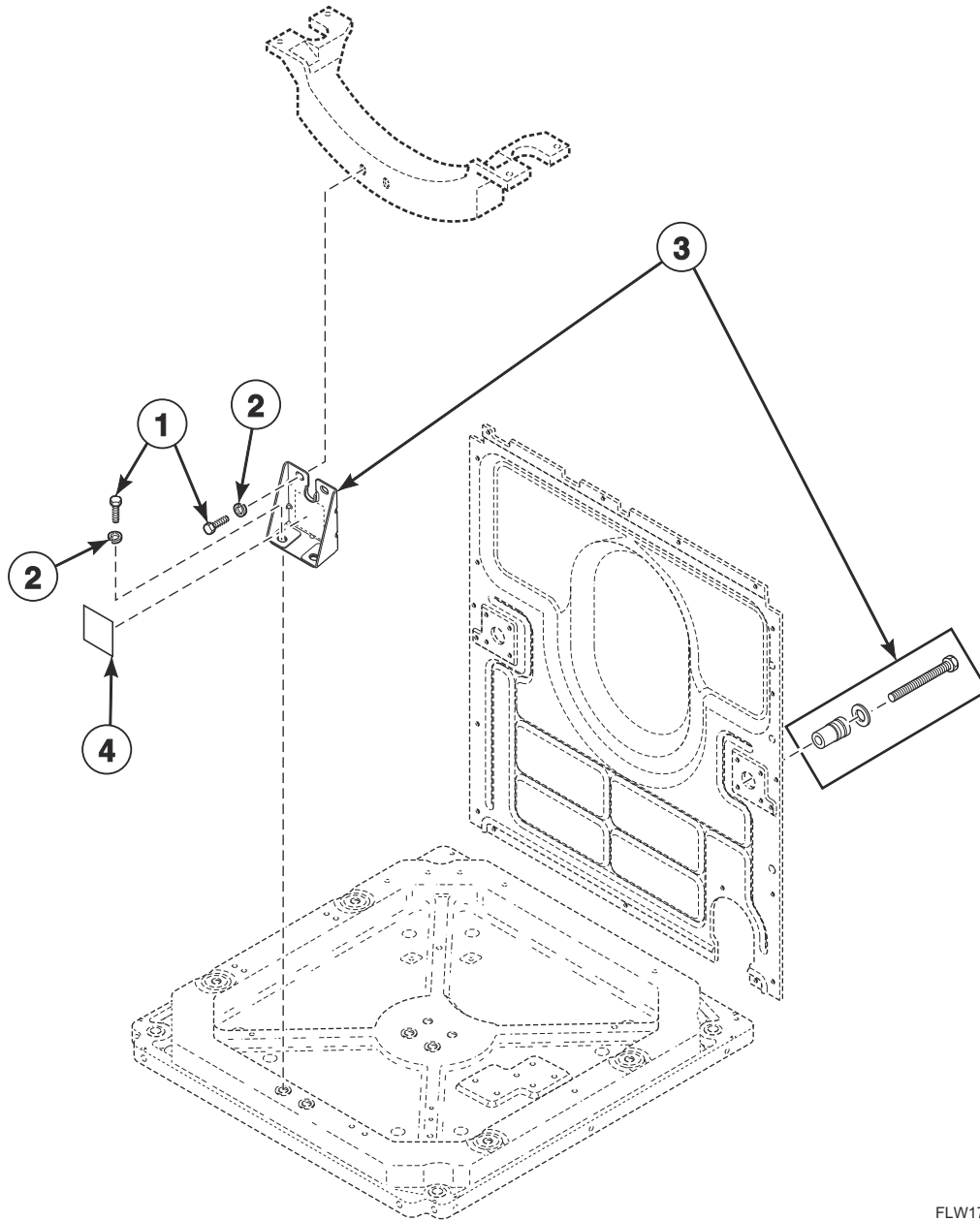


FLW1755P_805863

Junction Box and Power Cord

REF	PART NO.	DESCRIPTION	COMMENTS
1	803820	Junction Box Cover	
2	803832P	Junction Box Seal	
3	808047	Power Cord Assembly	Models PFNJXASP304AG01, SFNNXASG303AN12, SFNNXASG303AW12, SFNNXASP303AN01, SFNNXASP303AN12, SFNNXASP303AW01, SFNNXASP303AW12 and SFNWXASP303LW01
	808049	Power Cord Assembly	Models PFNJXASG303UG06, PFNJXASG543ZG01, PFNJXASP303UG06, PFNJXASP543ZG01 and SFNNXRSP543NW23
	204061	Power Cord Assembly	Models SFNNXASG103JW01 and SFNNXASG113JW01
	804556	Lead-In Cord Assembly	Models HFNNXASP123DW01, HFNNXASP543DW01, SFNNXASP123DW01 and SFNNXASP543DW01
	805762	Power Cord Assembly	Models JFNJEASG303EW06, JFNJEASP303EW06, JFNJRASP303EW06, JFNJXASG303EW06 and JFNJXASP303EW06
	808131	Lead-In Cord	Models NFNJXASP543NN23, NFNJYASP543NN23, NFNNXASP303ZW01 and SFNNXASP303NN26
	805974	Lead-In Cord	Models NFNWXASP303LN01 and SFNWXASP303LW01
	808045	Power Cord Assembly	Model SFNNXASP543RW01
	808046	Power Cord Assembly	Model TFNJGBSP303NW36
	808130	Lead-In Cord	Models SFNNXASP303BW01 and SFNWXASP303BW01
	808050	Lead-In Cord	Models NFNNXASP123MW01 and SFNNXASP123MW01
	D516747	Lead-In Cord Assembly	Model SFBJXASP543UG16
4	39922	Cable Connection Box	
5	38384	Strain Relief	
6	804559	Junction Box	Upper; Models SFNNXASG103JW01 and SFNNXASG113JW01
	803818	Junction Box	Upper; All other models
7	805633	Line Filter	Models SFNNXASG103JW01 and SFNNXASG113JW01
	807473	Line Filter	All other models
8	804396	Filter Harness	Filter to main harness; Model SFNNXRSP543NW23; All other models except JFNJEASG303EW06, JFNEASP303EW06, JFNJXASG303EW06, JFNJXASP303EW06 and JFNJRASP303EW06 starting Serial Nos. beginning 1610
9	D503661	Screw	
10	803819	Junction Box	Lower
11	804805	Filter Jumper Harness	Filter to power cord terminal block; Models JFNJEASG303EW06, JFNEASP303EW06, JFNJXASG303EW06, JFNJXASP303EW06 and JFNJRASP303EW06; All other models except SFNNXRSP543NW23 through Serial Nos. beginning 1610
	808048	Filter Jumper Harness	Filter to power cord terminal block; Model SFNNXRSP543NW23; All other models except JFNJEASG303EW06, JFNEASP303EW06, JFNJXASG303EW06, JFNJXASP303EW06 and JFNJRASP303EW01 starting Serial Nos. beginning 1610

Shipping Materials

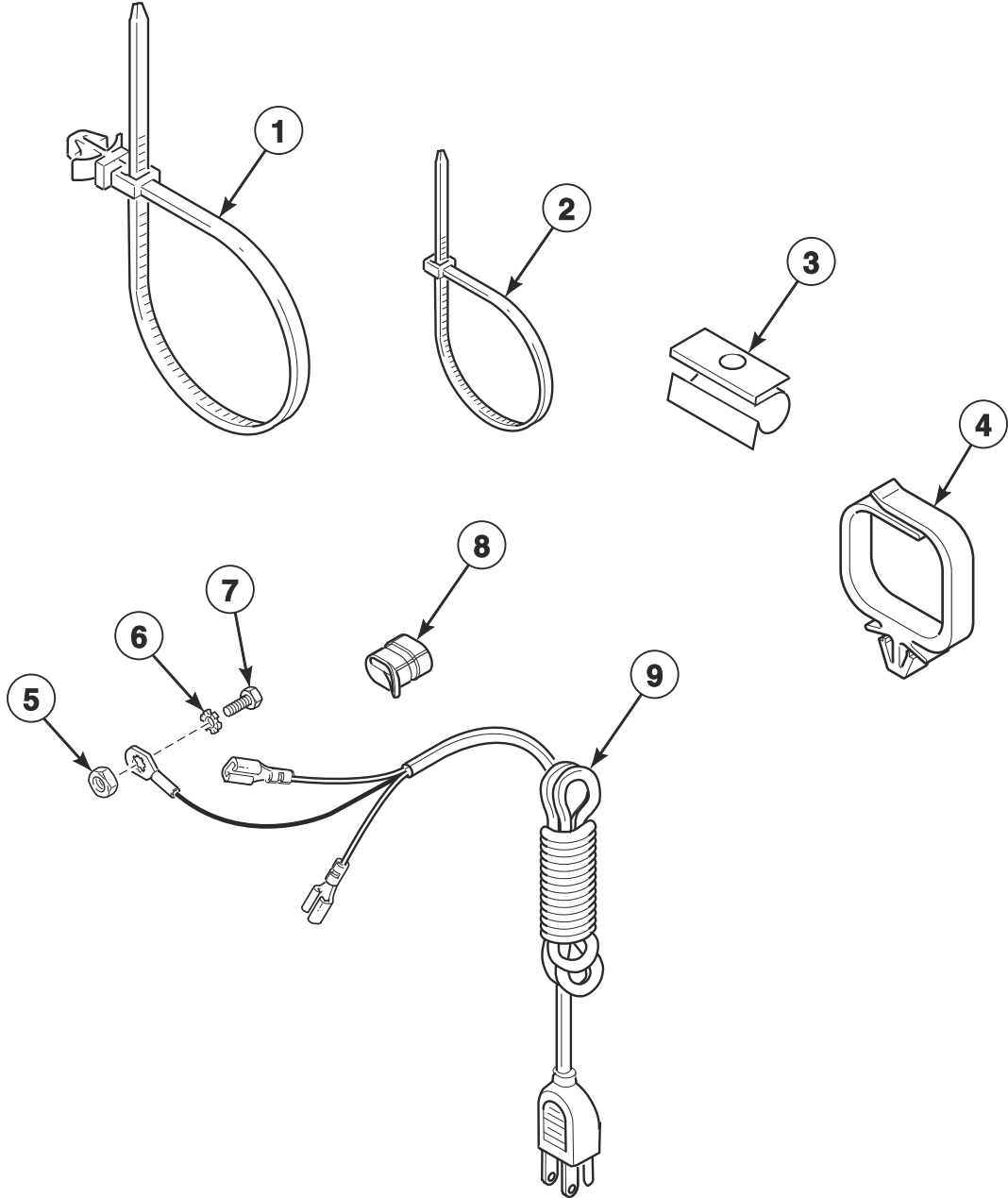


FLW1779P_805863

Shipping Materials

REF	PART NO.	DESCRIPTION	COMMENTS
1	M400043	Screw	
2	M400014	Washer	
3	805729	Shipping Materials Kit	Includes shipping brace, shipping spacer assembly and labels
4	807552	Shipping Bracket Label	Shipping Brace

Wire Ties, Harness Clips and Lead-In Cord

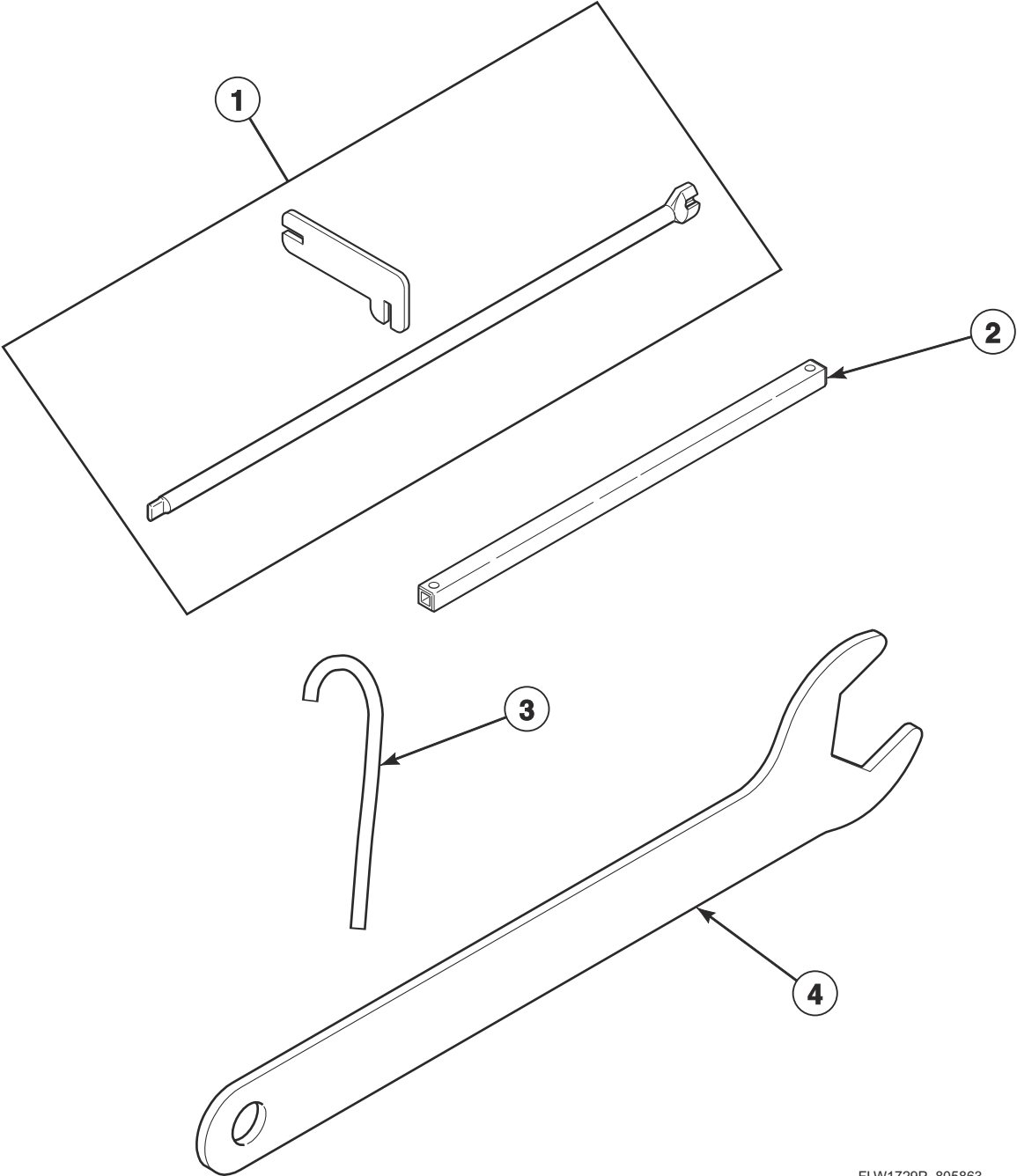


FLW1775P_805863

Wire Ties, Harness Clips and Lead-In Cord

REF	PART NO.	DESCRIPTION	COMMENTS
1	M405829	Cable Tie	6.13 inches
2	55881	Harness Strap	
3	36985	Hose Clip	
4	F8449502	Wire Clip	
5	03673	Nut	
6	03815	Washer	
7	20530	Screw	
8	38384	Strain Relief	
9	202777	Lead-In Cord	Models NFNNXASP115MW01 and SFNNZASP113NW22
	805761	Power Cord Assembly	Models BF3JGBJG403UN01, BF3JGBJG403UN06, BF3JGBJG403UW01, BF3JGBJG403UW06, BF3JGBJP403UN01, BF3JGBJP403UN06, BF3JGBJP403UW01, BF3JGBJP403UW06, BF3JGBSG403UN01, BF3JGBSG403UN06, BF3JGBSG403UW01, BF3JGBSG403UW06, BF3JGBSP403UN01, BF3JGBSP403UN06, BF3JGBSP403UW01, BF3JGBSP403UW06, BF3JLBSG403UN01, BF3JLBSG403UN06, BF3JLBSG403UW01, BF3JLBSG403UW06, BF3JLBSP403UN01, BF3JLBSP403UN06, BF3JLBSP403UW01, BF3JLBSP403UW06, BF3JXASG403UN01, BF3JXASG403UN06, BF3JXASP403UN01, BF3JXASP403UN06, BF3JXASP403UW01, BF3JXASP403UW06, JF3JEASP413EW06, JF3JGASP413EW06, JF3JGBSP413EW06, JF3JMASG413EN06, JF3JMASG413EW06, JF3JMBSG413EN06, JF3JRASP413EW06, JF3JXASP413EW06, NF3JGBJG403UG43, NF3JGBJG403UW43, NF3JGBJP403UG43, NF3JGBJP403UW43, NF3JGBSG403UG01, NF3JGBSG403UN01, NF3JGBSG403UW01, NF3JGBSP403NG22, NF3JGBSP403NW22, NF3JGBSP403SW01, NF3JGBSP403UG01, NF3JGBSP403UN01, NF3JGBSP403UW01, NF3JLBJG403UG43, NF3JLBJP403UG43, NF3JLBSG403UG01, NF3JLBSG403UN01, NF3JLBSG403UT01, NF3JLBSG403UT06, NF3JLBSP403NN22, NF3JLBSP403NW22, NF3JLBSP403UG01, NF3JLBSP403UN01, NF3JLBSP403UT01, NF3JLBSP403UT06, NF3JLBSP403UW01, NF3JXASG403UG01, NF3JXASG403UN01, NF3JXASG403UW01, NF3JXASP403NW22, NF3JXASP403UG01, NF3JXASP403UN01, NF3JXASP403UW01, NF3JXASP403UW06, NF3JYASG403UW01, PF3JGBJG403UG06, PF3JGBJP403UG06, PF3JGBSG403UG06, PF3JGBSP403UG06, PF3JXASG403UG06, PF3JXASP403UG06, PF3NGBJG403UG82, SF3JGBJG403UG43, SF3JGBJG403UW01, SF3JGBJG403UW43, SF3JGBJP403UG43, SF3JGBJP403UW01, SF3JGBJP403UW43, SF3JGBSG403UG01, SF3JGBSG403UG50, SF3JGBSG403UW01, SF3JGBSP403UG01, SF3JGBSP403UG50, SF3JGBSP403UW01, SF3JLBJG403UG43, SF3JLBJP403UG43, SF3JLBSG403UG01, SF3JLBSG403UN01, SF3JLBSP403UG01, SF3JLBSP403UN01, SF3JXASG403UG01, SF3JXASG403UN01, SF3JXASP403EG01, SF3JXASP403EW06, SF3JXASP403UG01, SF3JXASP403UG50, SF3JXASP403UN01, SF3JXASP403UW01, SF3NLBJG403UG44 and TF3JXASP403NW22

Special Tools

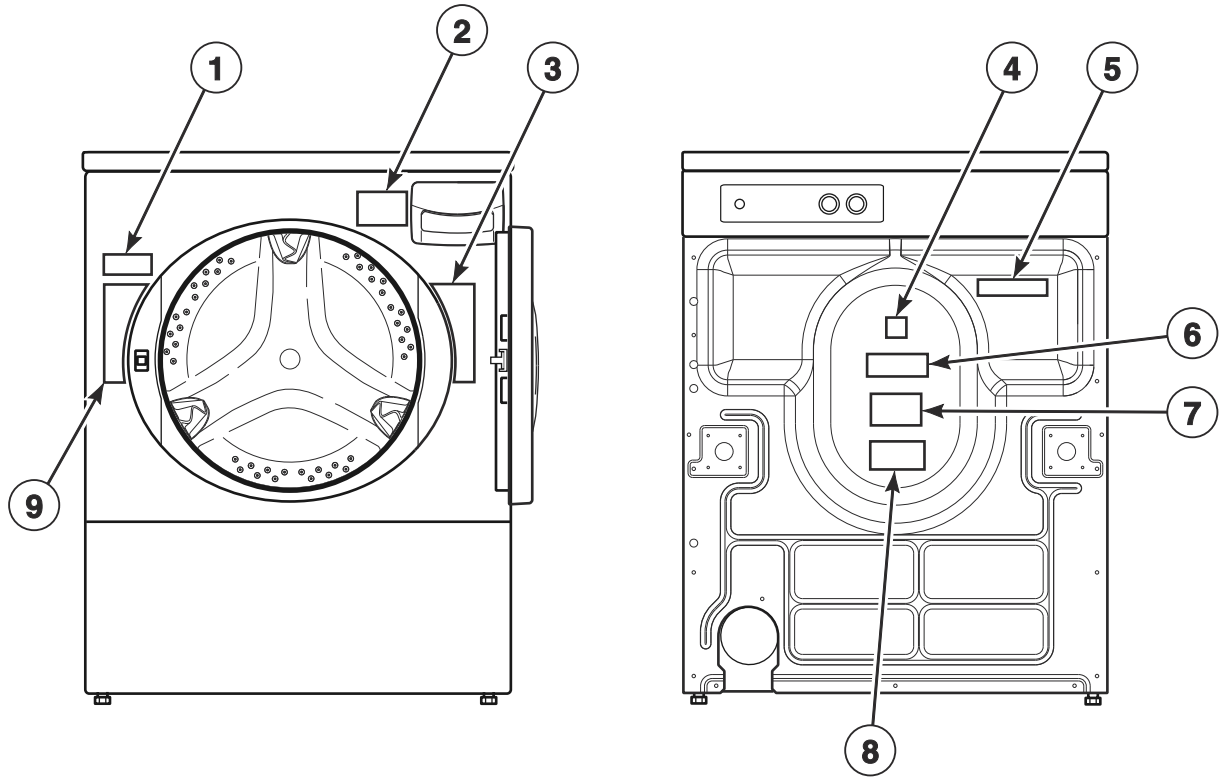


FLW1729P_805863

Special Tools

REF	PART NO.	DESCRIPTION	COMMENTS
	807623	Belt Install Tool	
1	CK096	Mounting Tool Kit	Use to install and remove electronic coin drop kits
2	310P4	Ratchet Extension Tool	1/4 inch; Use to install and remove non-electronic coin drops
3	802336	Pulley Bolt Tightening Fixture	Use to install inner basket
4	392P4	Wrench	Use for leveling leg locknuts

Washer Labels

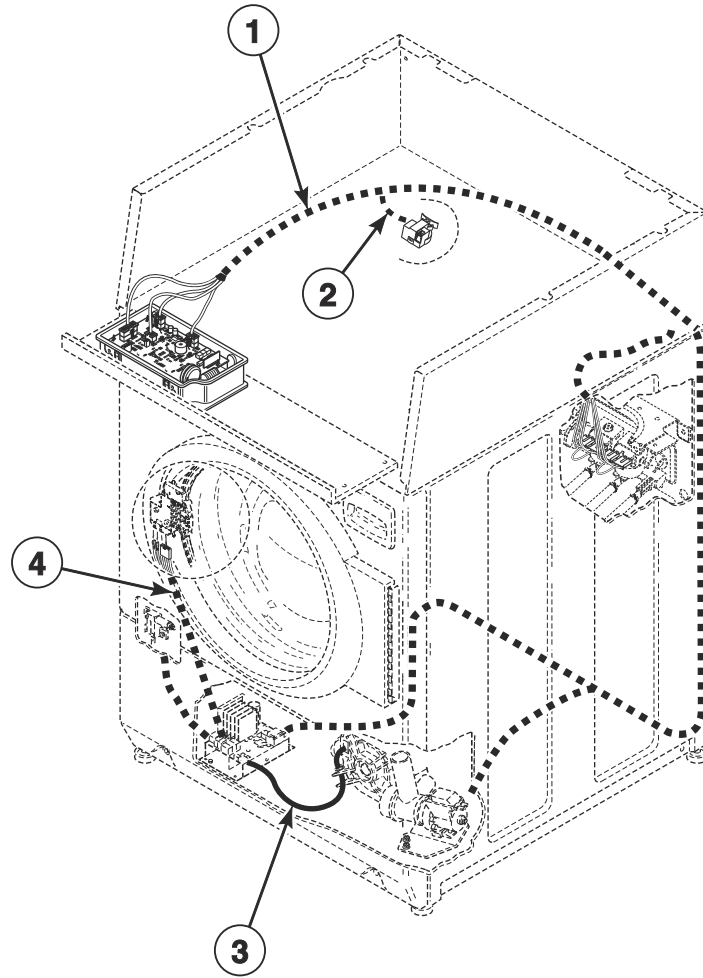


FLW1819P_805863

Washer Labels

REF	PART NO.	DESCRIPTION	COMMENTS
1	807222	Notice Label	
2	802074	Oversudsing Label	English
	802838	Oversudsing Label	Spanish
3	802367	Warning Label	English; Reduce Fire Risk; Door Locked
	804500	Warning Label	Brazilian Portuguese; Reduce fire risk; Door locked
	805966	Warning Label	Thai; Reduce fire risk; Door locked
	804924	Warning Label	Arabic; Reduce fire risk; Door locked
	805962	Warning Label	Japanese; Reduce fire risk; Door locked
	805964	Warning Label	Chinese; Reduce fire risk; Door locked
	806550	Warning Label	Vietnamese; Reduce fire risk; Door locked
	805965	Warning Label	Korean; Reduce fire risk; Door locked
	804933	Warning Label	Spanish; Reduce fire risk; Door locked
4	D516073	Notice Label	
5	D505281	Disconnect Power Warning Label	English
	D500316	Warning Label	English/French; Disconnect Power
	801706	Caution Label	Icon; Ground Machine
6	685928	Left Hand Thread Label	Text
	804949	Left Hand Thread Label	Icon
7	803260	Warning Label	Disconnect Power
	F8614201	Shock Warning Label	Icon
8	D500049	Warning Label	English
	D500314	Warning Label	English/French
	F8615701	Pinch Warning Label	Icon; Crush Hazard
9	806853	Instruction Label	Models JF3JRASP413EW06 and JFNJRASP303EW06

Wire Harnesses and Wires - Through Serial No. 2012999999



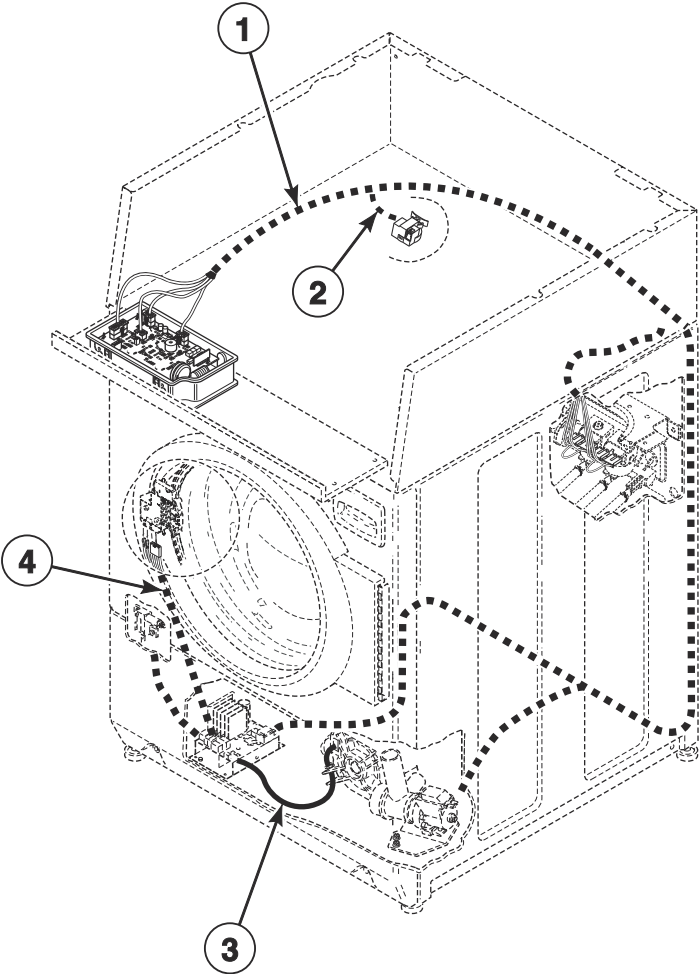
FLW1780P_805863

Wire Harnesses and Wires - Through Serial No. 2012999999

REF	PART NO.	DESCRIPTION	COMMENTS
	45001	18 Gauge Wire	Black; Order wire by foot and terminals and connectors as required
1	806030	Rear Control Harness	Model SFNNXRSP543NW23
	806032	Front Control Harness	Models BF3JGBJG403UN01, BF3JGBJG403UN06, BF3JGBJG403UW01, BF3JGBJG403UW06, BF3JGBJP403UN01, BF3JGBJP403UN06, BF3JGBJP403UW01, BF3JGBJP403UW06, BF3JGBSG403UN01, BF3JGBSG403UN06, BF3JGBSG403UW01, BF3JGBSG403UW06, BF3JGBSP403UN01, BF3JGBSP403UN06, BF3JGBSP403UW01, BF3JGBSP403UW06, BF3JLBSG403UN01, BF3JLBSG403UN06, BF3JLBSG403UW01, BF3JLBSG403UW06, BF3JLBSP403UN01, BF3JLBSP403UN06, BF3JLBSP403UW01, BF3JLBSP403UW06, BF3JXASG403UN01, BF3JXASG403UN06, BF3JXASG403UW01, BF3JXASG403UW06, JF3JEASP413EW06, JF3JGASP413EW06, JF3JGBSP413EW06, JF3JMASG413EN06, JF3JMBSG413EN06, JF3JRASP413EW06, JF3JXASP413EW06, NF3JGBSP403SW01, NF3JLBSG403UN01, NF3JLBSG403UT01, NF3JLBSG403UT06, NF3JLBSP403NN22, NF3JLBSP403NW22, NF3JLBSP403UN01, NF3JLBSP403UT01, NF3JLBSP403UT06, NF3JLBSP403UW01, NF3JXASG403UN01, NF3JXASG403UW01, NF3JXASP403NW22, NF3JXASP403UN01, NF3JXASP403UW01, NF3JXASP403UW06, NF3JYASG403UW01, PF3JGBJG403UG06, PF3JGBJP403UG06, PF3JGBSG403UG06, PF3JGBSP403UG06, PF3JXASG403UG06, PF3JXASP403UG06, SF3JGBJG403UW01, SF3JGBJP403UW01, SF3JGBSP403UW01, SF3JXASG403UN01, SF3JXASP403EW06 and TF3JXASP403NW22
	806031	Front Control Harness	All other models
2	804433	Pressure Sensor Harness	
3	806029	Motor Harness	
4	806028	Door Lock Harness Assembly	

NOTE: Individual wires are not available separately. Order complete harness, or order wire by the foot. When applying terminals to wires, it is recommended that the terminals be soldered to the wires.

Wire Harnesses and Wires - Starting Serial No. 2101000001



FLW1780P_805863

Wire Harnesses and Wires - Starting Serial No. 2101000001

REF	PART NO.	DESCRIPTION	COMMENTS
	45001	18 Gauge Wire	Black; Order wire by foot and terminals and connectors as required
	807298	Power Harness	
	808063	Jumper Harness	220 Volt; Model SFBJXASP543UG16
1	807375	Rear Control Harness	Model SFNNXRSP543NW23
	807347	Front Control Harness	Models BF3JGBJG403UN01, BF3JGBJG403UN06, BF3JGBJP403UN01, BF3JGBJP403UN06, BF3JGBJP403UW01, BF3JGBJP403UW06, BF3JGBSG403UN01, BF3JGBSG403UN06, BF3JGBSG403UW01, BF3JGBSG403UW06, BF3JGBSP403UN01, BF3JGBSP403UN06, BF3JGBSP403UW01, BF3JGBSP403UW06, BF3JLBSG403UN01, BF3JLBSG403UN06, BF3JLBSG403UW01, BF3JLBSG403UW06, BF3JLBSP403UN01, BF3JLBSP403UN06, BF3JLBSP403UW01, BF3JLBSP403UW06, BF3JXASG403UN01, BF3JXASG403UN06, BF3JXASP403UN01, BF3JXASP403UN06, BF3JXASP403UW01, BF3JXASP403UW06, JF3JEASP413EW06, JF3JGASP413EW06, JF3JGBSP413EW06, JF3JMASG413EN06, JF3JMASG413EW06, JF3JMBSG413EN06, JF3JRASP413EW06, JF3JXASP413EW06, NF3JGBJG403UG43, NF3JGBJG403UW43, NF3JGBJP403UG43, NF3JGBJP403UW43, NF3JGBSG403UG01, NF3JGBSG403UN01, NF3JGBSG403UW01, NF3JGBSP403NG22, NF3JGBSP403NW22, NF3JGBSP403SW01, NF3JGBSP403UG01, NF3JGBSP403UN01, NF3JGBSP403UW01, NF3JLBJG403UG43, NF3JLBJP403UG43, NF3JLBSG403UG01, NF3JLBSG403UN01, NF3JLBSG403UT01, NF3JLBSG403UT06, NF3JLBSP403NN22, NF3JLBSP403NW22, NF3JLBSP403UG01, NF3JLBSP403UN01, NF3JLBSP403UT01, NF3JLBSP403UT06, NF3JLBSP403UW01, NF3JXASG403UG01, NF3JXASG403UN01, NF3JXASG403UW01, NF3JXASP403NW22, NF3JXASP403UG01, NF3JXASP403UN01, NF3JXASP403UW01, NF3JXASP403UW06, NF3JYASG403UW01, PF3JGBJG403UG06, PF3JGBJP403UG06, PF3JGBSG403UG06, PF3JGBSP403UG06, PF3JXASG403UG06, PF3JXASP403UG06, PF3NGBJG403UG82, PFN3JXASP303UG06, SF3JGBJG403UG43, SF3JGBJG403UW01, SF3JGBJG403UW43, SF3JGBJP403UG43, SF3JGBJP403UW01, SF3JGBJP403UW43, SF3JGBSG403UG01, SF3JGBSG403UG50, SF3JGBSG403UW01, SF3JGBSP403UG01, SF3JGBSP403UG50, SF3JGBSP403UW01, SF3JLBJG403UG43, SF3JLBJP403UG43, SF3JLBSG403UG01, SF3JLBSG403UN01, SF3JLBSP403UG01, SF3JLBSP403UN01, SF3JXASG403UG01, SF3JXASG403UN01, SF3JXASP403EG01, SF3JXASP403EW06, SF3JXASP403UG01, SF3JXASP403UG50, SF3JXASP403UN01, SF3JXASP403UW01, SF3NLBJG403UG44 and TF3JXASP403NW22
	807346	Front Control Harness	All other models
2	804433	Pressure Sensor Harness	
3	807294	Motor Harness	
4	807293	Door Lock Harness Assembly	

NOTE: Individual wires are not available separately. Order complete harness, or order wire by the foot. When applying terminals to wires, it is recommended that the terminals be soldered to the wires.

Parts Index

A

Access Panel Assembly	
804571DGP	47
804617DGP	47
804617Q	47
804617W	47
804618	47
Anchor	
155P3	69
Anchor Floor Mount Assembly	
802844P	69
Anti-Seize Compound	
27604P	61

B

Backflow Preventer	
800310	67
Balance Ring Assembly	
804393	61
Base Assembly	
803876	69
Bearing Housing Kit	
805525	61
Bearing Kit	
805730	61
Belt Install Tool	
807623	63, 79
Belt Kit	
807429P	63
Bolt	
203798	43
29651	13, 27, 29, 37
Bracket	
D510146	43
Bumper Pad	
36226	37, 39, 41, 69

C

Cabinet Panel Kit	
800004QP	69
800004WP	69
Cabinet Side Panel	
800004DG	69
800005DG	69
Cabinet Top Kit	
802247QP	13
Cable Connection Box	
39922	73
Cable Tie	
M405829	77
Caution Label	
801706	81
Central Pay Harness	
805427	7, 37, 45

Central Pay Kit	
807173	7, 37
Chemical Injection Control	
804528	71
Chemical Injection Conversion Kit	
805938	51
805939	51
808076	51
808077	51
Clamp Ring	
803802	59
Clip	
201572	33
Clothes Guard Deflector	
804467	59
805548	59
Coin Drop	
200731	31
38963P	31
39748	31
70441601P	31, 43
70441603	31
Coin Drop Assembly	
CK114	31
201141	31
210195	31
210196	31
38462P	31
38463	31
38464P	31
38467	31
38472	31
38475	31
38519	31
38521	31
39157	31
553192	31
70281102	31
70441602	31, 43
70447301	31
70482401	31
70506901	31
Coin Drop Kit	
CK055	31
CK056	31
CK057	31
CK058	31
CK060	31
CK071	31
CK077	31
CK078	31
CK085	31
CK086	31
CK089	31
CK090	31
CK091	31
CK097	31
CK098	31
CK107	31
CK111	31
CK122	31
CK123	31
Coin Drop Wire Harness	
201104	33

N/A items do not appear in index.

Coin Identification Paper 38725	31, 33, 43
Compartment Cover 803669	53
Connector M400149	71
801789	39
Contactors 70482603	17
806428	17
807472	17, 19
Control Assembly 806267P	9, 37, 45
806268P	9, 37
806269P	9, 37
807458	9, 37
807459	9
807460	9, 37
Control Bracket 804612	37
807441	63
Control Hood D502567W	45
Control Overlay 805375	41
805376	41
805378	41
805379	41
805768	41
805969	11
807433	41
807555	11, 41
807958	41
807960	41
Control Panel 803962BP	27
803962DG	27
803962WP	27, 29
803966B	35
803970B	35
806541B	27
806541DG	9, 27
Control Panel and Bracket Assembly 800149W	45
Control Panel Assembly 804070B	9
804070DG	9
804070Q	9
804070W	9
804962	39
804963	39
805008	39
Control Shield 804363	7, 37
Control Wrapper 804628B	37
804628DG	37
804628W	37
804629B	39
804629DG	39
804629W	39
804630B	39
804630DG	39
804630W	39
Conversion Kit 805832	17

Counterweight 807476	59
-------------------------------	----

D

Detergent Hose 804717	51
Diagnostic Wire Harness Assembly 202869	39
Disconnect Power Warning Label D505281	43, 45, 81
Dispenser Assembly 803698	51
Dispenser Drawer 803667	53
808129	53
Dispenser Handle 804227B	53
804227WP	53
804228	53
804415B	53
804415W	53
804526	53
808125G	53
Dispenser Inlet Hose 803849	49
806718	49
807364	49
Dispenser Plate 803843	51
Door Assembly 804083QP	47
804083WP	47
804210P	47
805550P	47
Door Catch Assembly 802803	47
Door Glass 802695P	47
Door Glass Mounting Plate 806354	47
Door Hinge 802934	47
Door Latch Assembly 803920	47
Door Lock Drip Shield 804784	47
Door Lock Harness Assembly 806028	83
807293	85
Door Seal 804428P	47
Door Seal Assembly 804429P	47
Drain Base Bracket 803814	67
Drain Hose 27154	67
Drain Hose Bracket 803828	69
Drain Hose Elbow 35766	67

N/A items do not appear in index.

Drain Pump Assembly	
803922	67
805724P	67
808195P	67
Drain Pump Drip Shield	
805561	67
Drain Pump Isolator	
803815	67
Drain Valve	
803293P	65
Drain Valve Kit	
F975P3	65
F976P3	65
Drain-to-Cabinet Hose	
800903	65
Drive Belt	
804985	63
Dual Coin Harness Assembly	
202871	31, 43
806827	31

E

Electronic Coin Drop Assembly	
70294103P	33
70294104	33
70294107	33
70294110	33
70294111	33
70294117	33
70294119	33
70294120	33
70294121	33
70294122	33
70513302	33
70513306	33
70513311	33
Electronic Coin Drop Kit	
CK099	33
CK100	33
CK101	33
CK103	33
CK108	33
CK109	33
CK110	33
CK113	33
CK115	33
CK116	33
CK117	33
CK118	33
CK119	33
CK120	33
CK121	33
Ethernet Gateway Kit	
NK320	7, 9, 11, 45
Expansion Clip	
70030501	25, 29, 35, 39

F

Fill Hose	
203718	57
203719	57
203720	57

203750	57
204102	57
204103	57
Filter	
805634	17, 19
Filter Harness	
804396	73
804797	17, 19, 21, 23
Filter Jumper Harness	
804805	73
808048	73
Fitting	
801792P	17, 19, 21, 23
Foam Pad	
804875	51
Foreign Object Deflector	
806308	59
806313	59
806361	59
Front Control Harness	
806031	83
806032	83
807346	85
807347	85
Front Panel	
802277QP	47
802277WP	47
802288P	47
807151W	29

G

Gasket	
802427	67
Glass Mounting Clip	
802700	47
Gravity Drain Bracket	
803291	65
803833	69
Gravity Drain Valve	
803292P	65
Grommet	
29175	59

H

Harness	
804832	45
Harness Assembly	
802905	33
Harness Strap	
55881	77
Heat Contactor Harness	
805544	17
806431	17
807474	17, 19
Heater Contactor Drip Shield	
805356	17, 19
Heating Element	
804777P	59
804778P	59

N/A items do not appear in index.

Hinge	
D511036.....	13
804676.....	13
Hinge Attachment Kit	
807865.....	47
Hinge Plate	
802206.....	47
Hole Plug	
44024203.....	25, 27
Hood Back Panel	
804223.....	45
Hose Clamp	
F200204.....	67
F200206.....	51
20211.....	67
20391.....	67
685725.....	51, 65
802281.....	47
803891.....	59
807386.....	49
Hose Clip	
36985.....	59, 77
800553.....	59

I

Inner Basket Assembly	
804374P.....	61
805485.....	61
Inner Basket Assembly Kit	
804376P.....	61
Inner Door Bezel	
808097.....	47
Inner Door Bezel Kit	
808095.....	47
808096.....	47
Instruction Label	
806853.....	81
Inverter Control Assembly	
807175P.....	63

J

Junction Box	
803818.....	73
803819.....	73
803827.....	71
804559.....	73
804561.....	71
Junction Box Cover	
803820.....	71, 73
Junction Box Seal	
803832P.....	71, 73

K

Key	
54612.....	7, 29

L

Label	
804969.....	11
805914.....	11, 41
807552.....	75
Laundry View Harness	
D516835.....	25, 27
Lead-In Cord	
202777.....	77
805974.....	73
808050.....	73
808130.....	73
808131.....	73
Lead-In Cord Assembly	
D516747.....	73
804556.....	73
Left Hand Thread Label	
685928.....	81
804949.....	81
Leveling Leg	
34319.....	69
Lid Assembly	
802426P.....	67
Lifter	
804382.....	61
Line Filter	
805633.....	21, 23, 73
807473.....	17, 19, 21, 73
Lock Assembly	
804339P.....	7, 29
Lock Cam	
804338.....	7, 29

M

Machine ID Control Assembly	
203361P.....	7, 37, 45
Meter Case Assembly	
202877W.....	43
806967W.....	29
807254DG.....	25
807254W.....	25
807396B.....	25
807396W.....	25
Meter Case Bracket Gasket	
35526.....	43
Meter Case Gasket	
26354.....	43
Meter Case Lockdown Bracket	
35525.....	43
Meter Case Locking Bracket Kit	
204616.....	43
Mixing Valve	
803809.....	55
806611P.....	55
807497P.....	55
807837P.....	55
807838.....	55
Mixing Valve Screen	
F8161201.....	55
24122.....	55

N/A items do not appear in index.

Mixing Valve Shield	
804783	55
Motor and Rod Assembly Kit	
805726P	63
808034P	63
808067P	63
Motor Control Shield	
804878	63
Motor Harness	
806029	83
807294	85
Motor Rod	
803861	63
807739	63
Mounting Tool Kit	
CK096	79

N

Nameplate Overlay	
D514681	27
Network Controller Kit	
NK220	7, 9, 11, 45
Network Retrofit Kit	
203328	7, 9, 11, 45
Network Varistor Assembly	
804651	17, 23
Notice Label	
D516073	81
807222	81
Nut	
F430218	59
03673	77
201216	33
21899	69
23951	47
27222	43
29786	31, 33, 43, 65
29787	17, 19, 21, 23
36020	13, 47
44087101	45
44087201	13, 25, 29
685846	47
800452	59, 61
802292	51
802337	43
802343	59
804418	61

O

Operating Instruction Label	
804327	27, 29, 35
804846	27, 29
806194	27
807627	27, 29, 35
Operating Instructions Label	
805829	27
Opto Coupler	
200674P	31, 43
O-Ring	
801632	51
802429P	67

Outer Door Bezel	
808091	47
808092	47
808093	47
808094	47
Outer Tub Assembly	
803864	59
803865	59
807479	59
807480	59
807618	59
807619	59
Out-of-Balance Switch Assembly	
803415	59
807384	59
Out-of-Balance Switch Bracket	
804457	59
807280	59
Output Control Assembly	
808149	63
808150	63
Overlay	
D514874	35
201091	27, 33
804849	11
804850	45
804851	11
805373	11
805374	11
805766	11
806015	11
806016	11
806017	35
806173	11
807194	11
807390	11
807961	11
808117	11
808133	11
Oversudsing Label	
802074	81
802838	81

P

Paint	
806436P	69
Panel Locator	
56079	47, 69
Payment Center Kit	
205067	37, 45
205068	37, 45
Pinch Warning Label	
F8615701	81
Pop Rivet	
685847	13, 59
70058501	43
Porcelain Touch-Up Paint	
122P4P	69
370P4P	69
Power Cord Assembly	
204061	73
805761	77
805762	73
808045	73

N/A items do not appear in index.

808046	73
808047	73
808049	73
Power Harness	
807298	85
Pressure Bulb	
808013	59
Pressure Sensor	
203843	69
Pressure Sensor Harness	
804433	83, 85
Pressure Sensor Tube Assembly	
804483	59
804769	59
Pulley Assembly	
808197	61
Pulley Bolt Tightening Fixture	
802336	79
Pump Housing	
802428	67
Pump Housing Assembly	
802434P	67
Pump-to-Elbow Hose	
803734	67
Pump-to-Gravity Drain Kit	
805770	67
805771	67

R

Ratchet Extension Tool	
310P4	79
Rear Access Panel	
803998	25, 29, 35
804614	39
Rear Control Harness	
806030	83
807375	85
Rear Control Operating Instruction Label	
805830	43
Rear Panel	
803789	69
803790	69
806716	69
Rear Wrapper Brace	
805345	37
Rivet	
70058501	19
Rubber Foot	
D501855	69
34318	69

S

Screw	
D501086	45
D501524	45, 63
D503661	15, 17, 19, 21, 23, 43, 45, 47, 63, 65, 67, 69, 71, 73
D503673	43
D503688	7, 35, 37, 39
F8206901	63

M400043	61, 75
M400057	63
02916	45, 63, 65
20530	43, 77
23008	13
36048	43
39733	37, 47, 69
52864	45
52909	67
685831	61
70240301	25, 29, 35
800461	59
800462	59
800548	47, 53, 61
801001	51
801045	47
801993	47
802431	67
802596	59
803527P	39
804399	61
804647	9
804699	61
806086	47
807678	47
Sealant	
27615P	65, 67
Security Cabinet Assembly	
804149B	35
804149WP	35
Service Door Assembly	
39874WP	43
Shipping Bracket Label	
807552	75
Shipping Materials Kit	
805729	75
Shipping Plate	
803851	69
Shipping Plug	
803859	69
Shock Assembly	
803777P	59
Shock Warning Label	
F8614201	81
Side Panel Kit	
800005QP	69
806492	69
Single Coin Harness Assembly	
202870	31, 43
Single Drop Overlay	
803476	27
Single Overlay	
38717	27, 31, 43
Snap Bushing	
D503235	65
F140938	25, 27
M400770	17, 19
M402542	17, 21, 23, 71
Standpipe Strap	
33489	67
Strain Relief	
38384	73, 77
Supply Injection Wire Harness Assembly	
804799	71
807645	71

N/A items do not appear in index.

Switch	
D512973	7, 27, 29, 43
70529301	27

Tub-to-Pump Hose	
803816	67
803829	67

T

Terminal Block Assembly	
D505876	17, 19, 23
803988	17, 21, 23
Terminal Block Drip Shield	
805344	17, 19, 21, 23
Terminal Block Harness	
804716	23
804737	17, 19
Terminal Block Panel	
804609	17, 19
Thermostat Opening Cover	
61203	69
Top Hinge	
D510136	69
Top Kit	
D511527WP	43
Top Mounting Bracket	
D504228	13
Top Panel	
803868Q	13
803868WP	13
803869	13
804023DG	13
804684	37
804685DG	37
804685WP	37
Top Panel Brace Assembly	
804613	39
Top Panel Guide	
803761	37
Transformer	
201375P	33
202757	7, 45
202758	7, 45
Transformer Harness	
804795	7
805428	7
Transformer Kit	
203423	7, 45
203424	7, 45
Trunnion Kit	
806831	61
Trunnion Shaft Kit	
808043P	61
Tub Front	
803770	59
Tub Front Assembly	
803879	59
Tub Front Seal	
803801	59
Tubing	
801635	51
Tub-to-Drain Hose	
803873	65
Tub-to-Gravity Drain Hose	
803874	65

U

Union	
801788	39
USB Gateway Kit	
NK330	7, 9, 11, 45
USB IR Interface Kit	
203346	7, 9, 11, 45

W

Warning Label	
D500049	81
D500049R4	59
D500314	81
D500316	43, 81
802367	81
803260	81
804500	81
804924	81
804933	81
805962	81
805964	81
805965	81
805966	81
806550	81
Washer	
M400014	75
M400017	45, 65
M400080	63
M400081	59
M403958	61
02834	63
03815	77
200608	45
20290	57
800457	61
802254	57
803615	57
804458	59
807679	61
Wire Clamp Ring	
806466	47
Wire Clip	
F8449502	77
Wire Guard	
201595P	31, 43
Wireless Network Control Assembly	
807211	15
Wireless Network Harness	
F8674006	15
Wireless Network Kit	
204689	7, 9, 11, 45
Wire, 18 Gauge	
45001	83, 85
Wiring Harness Assembly	
202868	7, 25, 27, 29
202869	7

N/A items do not appear in index.

Wrapper Assembly	
804104B.....	25
804104DG.....	25
804104W.....	25, 29
804108B.....	25, 35
804108DG.....	25
804108W.....	25, 35
804112B.....	35
804112W.....	35
Wrench	
392P4.....	79
