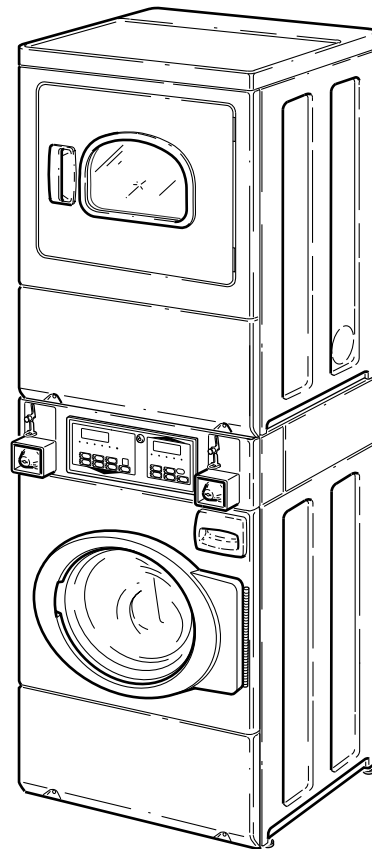


Commercial Stacked Washer/ Dryers

Refer to Page 5 for Model Numbers



SWD453C_803403

Alliance[™]
Laundry Systems

www.alliancelandry.com

Part No. 803403R13
January 2020

Parts

Table of Contents

Title	Page
Parts Ordering Information.....	3
Serial Plate Location	3
Model Identification	5
Control Panel and Controls (Drawing 1 of 2)	6
Control Panel and Controls (Drawing 2 of 2)	8
Control Cabinet Controls (Drawing 1 of 2)	10
Control Cabinet Controls (Drawing 2 of 2)	12
Network Board Assembly.....	14
Contactor	16
Electrical Access Panel, Filters and Terminal Block	18
Cabinet Wrapper and Coin Drop.....	20
Electronic Coin Drop	22
Cabinet Wrapper and Card Reader Front Assembly	24
Control Cabinet	26
Control Cabinet and Controls (Drawing 1 of 2)	28
Control Cabinet and Controls (Drawing 2 of 2)	30
Electrical Access Panel, Filters and Terminal Block	32
Washer Door Assembly	34
Washer Front Panel and Door Seal (Drawing 1 of 2).....	36
Washer Front Panel and Door Seal (Drawing 2 of 2).....	38
Dispenser Assembly (Drawing 1 of 3).....	40
Dispenser Assembly (Drawing 2 of 3).....	42
Dispenser Assembly (Drawing 3 of 3).....	44
Dispenser Assembly and Supply Injection Hoses.....	46
Mixing Valve, Valve-to-Dispenser Inlet Hose and Fill Hose	48
Outer Tub, Front and Clamp Ring.....	50
Warning Label for Outer Tub Assembly.....	52
Outer Tub, Front, Clamp Ring and Heating Element	54
Inner Basket, Trunnion, Bearing Housing and Pulley	56
Washer Motor and Belt	58
Drain Hoses and Valve	60
Hoses and Pump	62
Washer Base and Rear Panel	64
Side Panels.....	66
Junction Box and Power Cord	68
Wire Ties, Harness Clips and Washer Lead-In Cord	70
Dryer Loading Door with Window (Drawing 1 of 2).....	72
Dryer Loading Door with Window (Drawing 2 of 2).....	74
Window Trim	76
Dryer Front Panel and Seal	78
Dryer Access Panel	80

© Copyright 2020, Alliance Laundry Systems LLC

All rights reserved. No part of the contents of this book may be reproduced or transmitted in any form or by any means without the expressed written consent of the publisher.

Dryer Motor	82
Blower Fan and Belt.....	84
Thermistor and Thermostat.....	86
Front Bulkhead, Felt Seal and Cylinder	88
Air Duct Assembly.....	90
Rear Bulkhead, Felt Seal and Cylinder Roller	92
Terminal Block	94
Heater Duct and Element Assembly (Drawing 1 of 2).....	96
Heater Duct and Element Assembly (Drawing 2 of 2).....	98
Heater Duct Assembly	100
Gas Valve, Igniter and Gas Conversion Kits.....	102
Burner Orifice Spuds - For Higher Elevations.....	104
Dryer Cabinet - Panels.....	106
Dryer Cabinet - Hardware	108
Dryer Exhaust Duct and Base.....	110
Contactora and Transformer	112
Dryer Power Cord	114
Dryer Motor Connection Block, Terminal Extractor Tools.....	116
Terminals	118
Shipping Materials	120
Labels (Drawing 1 of 3).....	122
Labels (Drawing 2 of 3).....	124
Labels (Drawing 3 of 3).....	126
Special Tools	128
Dryer Wire Harnesses and Wires (Drawing 1 of 3).....	130
Dryer Wire Harnesses and Wires (Drawing 2 of 3).....	132
Dryer Wire Harnesses and Wires (Drawing 3 of 3).....	134
Dryer Wire Harnesses and Wires Through Serial No. 1303025314	136
Dryer Wire Harnesses and Wires Starting Serial No. 1303025315	138
Washer Wire Harnesses and Wires (Drawing 1 of 2)	140
Washer Wire Harnesses and Wires (Drawing 2 of 2)	142
Parts Index.....	145

Parts Ordering Information

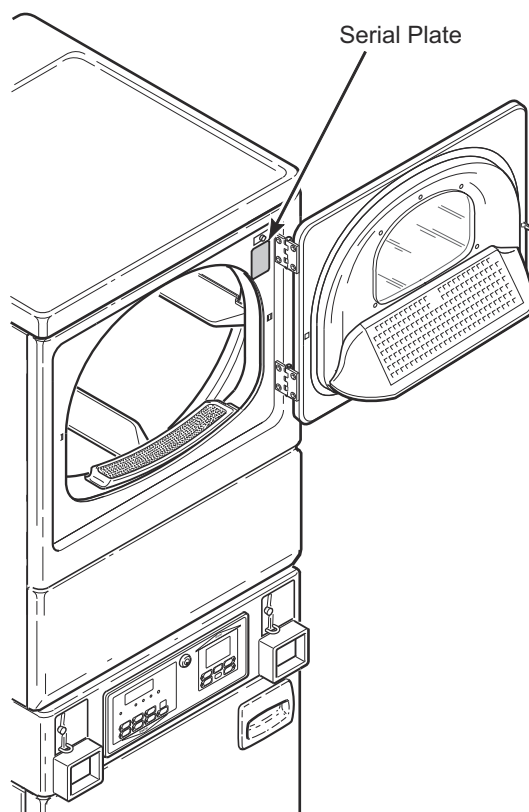
If literature or replacement parts are required, contact the source from whom the machine was purchased or contact Alliance Laundry Systems at (920) 748-3950 for the name and address of the nearest authorized parts distributor.

For technical assistance, call the number listed below:

(920) 748-3121 Ripon, Wisconsin

Serial Plate Location

When calling or writing about your product, be sure to mention model and serial numbers. Model and serial numbers are located on serial plate(s) as shown.



SWD1165P_803403

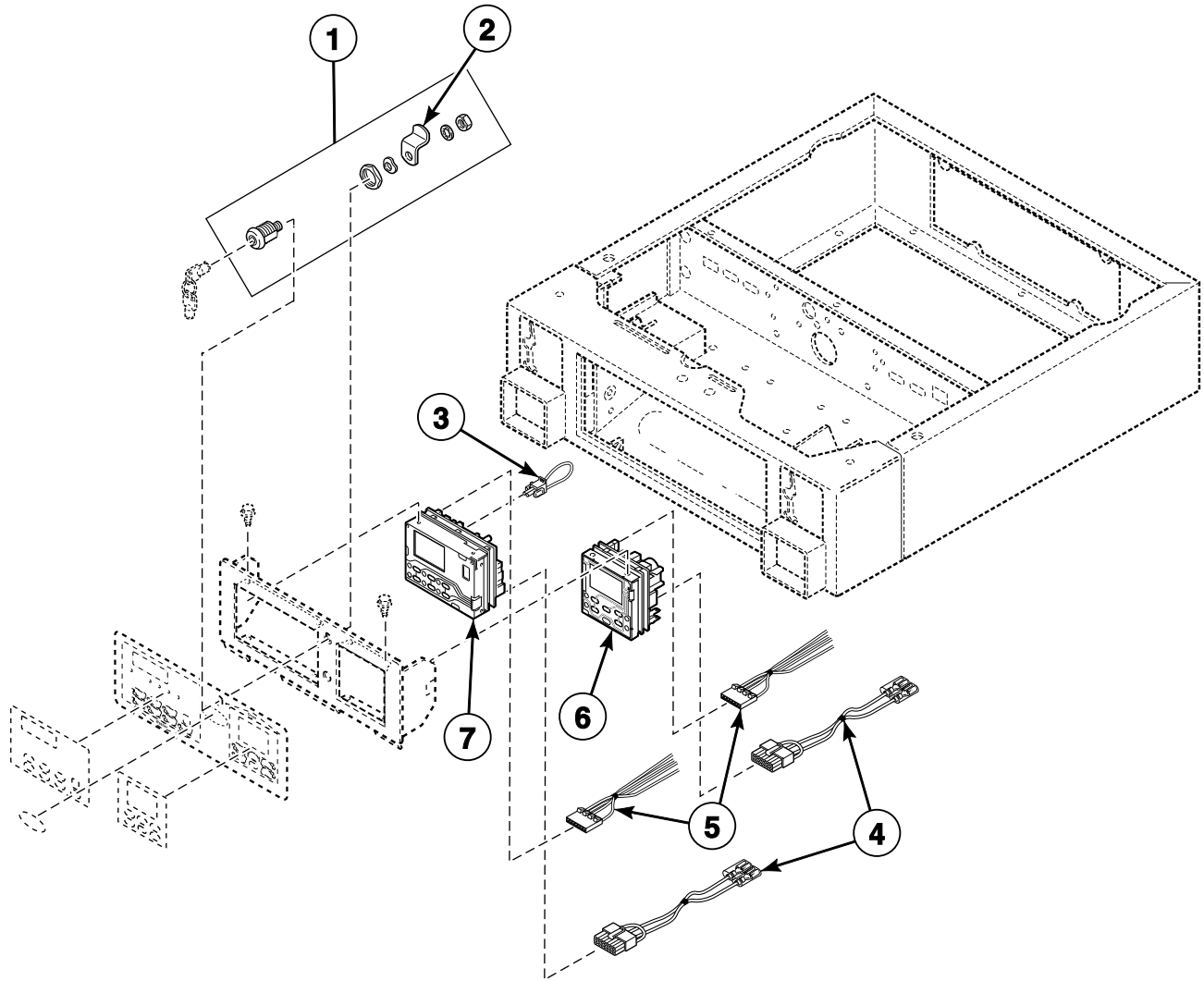
Model Identification

Information in this manual is applicable to these washer/dryer models:

BT3LLFSG401UN01	JT1DEFSP411EW01	NT1LLFSP411UW06	ST3LXFSP401NW22
BT3LLFSG401UW01	JT1DGFSP411EW01	NT1LLFSP412UW06	ST3LXFSP402NW22
BT3LLFSG402UW01	JT1DGFSP411EW06	NT1LXFSP401UN01	STELCFSP171TW01
BT3LLFSP401UN01	JT1DMFSG411EN01	NT1LXFSP401UW01	STELXFSP171TW01
BT3LLFSP402UN01	JT1DMFSG411EN06	NT1LXFSP402UW01	STELXFSP431AW01
BT3LLFSP401UW01	JT1DXFSP411EW01	NT1LXFSP402UW06	STELXFSP432AW01
BT3LLFSP402UW01	JT2DEFSP411EW01	NT2LLFSP401UN01	STELYFSP171TW01
BT3LXFSG401UN01	JT2DGFSP411EW01	NT2LLFSP402UN01	STENCFSP171TW01
BT3LXFSG401UW01	JT2DGFSP411EW06	NT2LLFSP401UW01	STENCFSP172TW01
BT3LXFSG402UW01	JT2DMFSG411EN01	NT2LLFSP402UW01	STENXFSP171TW01
BT3LXFSP401UN01	JT2DMFSG411EN06	NT2LLFSP401UW06	STENXFSP172TW01
BT3LXFSP402UN01	JT2DXFSP411EW01	NT2LLFSP402UW06	STENYFSP171TW01
BT3LXFSP401UW01	JTEDEFSP301EW01	NT2LXFSP401UN01	STENYFSP172TW01
BT3LXFSP402UW01	JTEDXFSP301EW01	NT2LXFSP402UN01	STEWYFJP302NN25
HTELFSP281CW01	JTGDEFSP301EW01	NT2LXFSP401UW01	STEWYFJP302NW25
HTELFSP291CW01	JTGDXFSP301EW01	NT2LXFSP402UW01	STEWYFSP172TW11
HTELYFSP281CW01		NT2LXFSP402UW06	STEWYFSP302NW25
HTELYFSP291CW01		NT3LLFSG401UW01	STGLCFSP111TW01
HTENXFSP281CW01		NT3LLFSG402UW01	STGLCFSP111TWNA
HTENXFSP282CW01		NT3LLFSP401NN22	STGLXFSG111TW01
HTENXFSP291CW01		NT3LLFSP402NN22	STGLXFSP111TW01
HTENXFSP292CW01		NT3LLFSP401NW22	STGLXFSP301AW01
HTENYFSP281CW01		NT3LLFSP402NW22	STGLXFSP302AW01
HTENYFSP282CW01		NT3LLFSP401UN01	STGLYFSP111TW01
HTENYFSP291CW01		NT3LLFSP402UN01	STGLYFSP111TWNA
HTENYFSP292CW01		NT3LLFSP401UW01	STGNCFSP111TW01
HTGLXFSP091CW01		NT3LLFSP402UW01	STGNCFSP112TW01
HTGNXFSP091CW01		NT3LXFSG401UW01	STGNXFSG082JW01
HTGNXFSP092CW01		NT3LXFSG402UW01	STGNXFSG111TW01
		NT3LXFSP401UN01	STGNXFSG112TW01
		NT3LXFSP402UN01	STGNXFSP111TW01
		NT3LXFSP401UW01	STGNXFSP112TW01
		NT3LXFSP402UW01	STGNXFSP112TW01
		NT3LXFSP402NW22	STGNXFSP112TW01
		NTHLXFSP571NW01	STGWYFJP302NN25
		NTHLXFSP572NW01	STGWYFSP112TW11
		NTHLYFSP571NW01	STLNXFSP542NW23
		NTHLYFSP572NW01	STLNXFSP541NW23
			STLNXFSP542NW23

Control Panel and Controls (Drawing 1 of 2)

All Models Except BT3LLFSG401UN01, BT3LLFSG401UW01, BT3LLFSG402UW01, BT3LLFSP401UN01, BT3LLFSP402UN01, BT3LLFSP401UW01, BT3LLFSP402UW01, JT1DGFSP411EW01, JT1DGFSP411EW06, JT1DMFSG411EN01, JT1DMFSG411EN06, JT2DGFSP411EW01, JT2DGFSP411EW06, JT2DMFSG411EN01, JT2DMFSG411EN06, NT1LLFSP411UW06, NT1LLFSP412UW06, NT2LLFSP401UN01, NT2LLFSP402UN01, NT2LLFSP401UW01, NT2LLFSP402UW01, NT2LLFSP401UW06, NT2LLFSP402UW06, NT3LLFSG401UW01, NT3LLFSG402UW01, NT3LLFSP401NN22, NT3LLFSP402NN22, NT3LLFSP401NW22, NT3LLFSP402NW22, NT3LLFSP401UN01, NT3LLFSP402UN01, NT3LLFSP401UW01 and NT3LLFSP402UW01



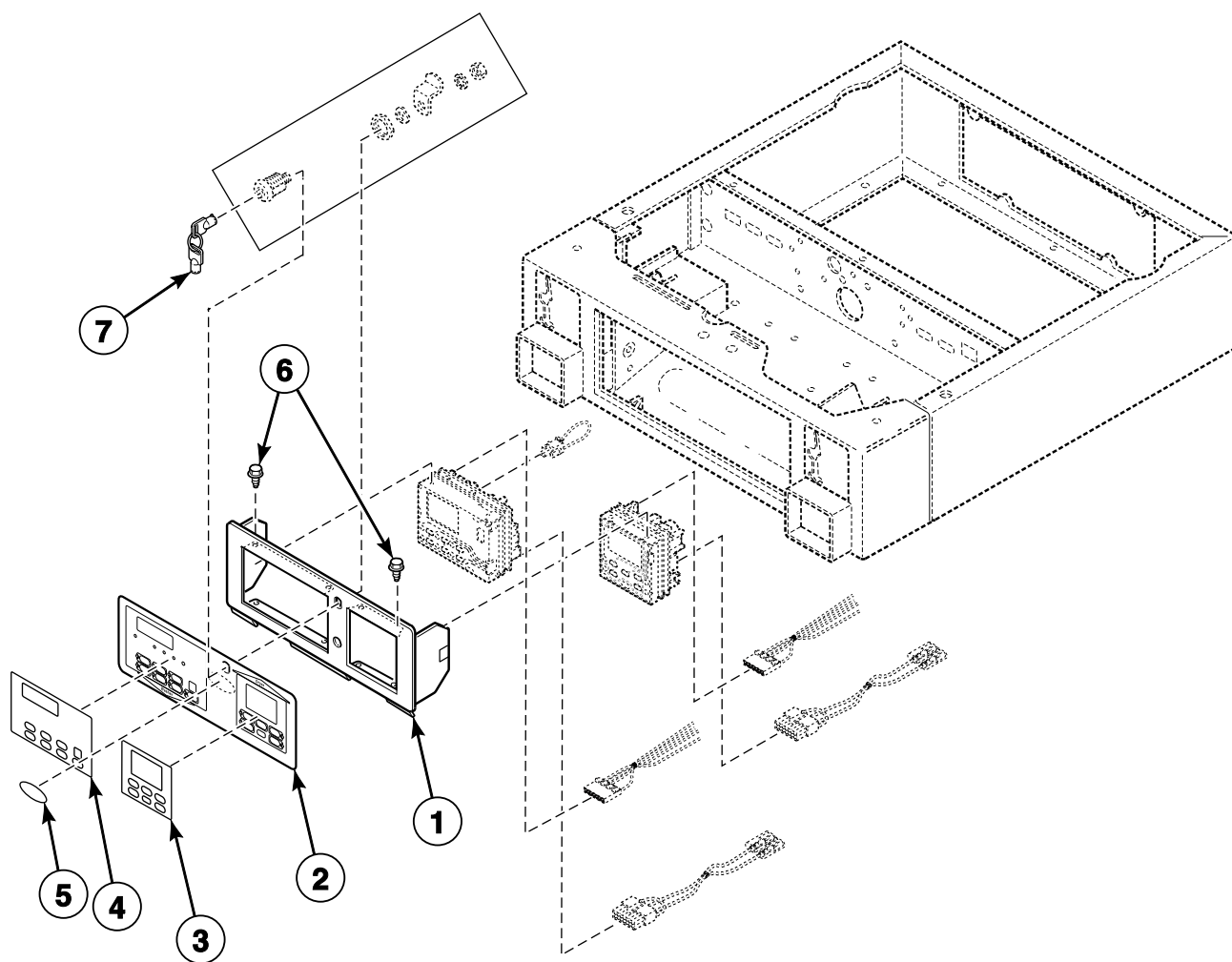
SWD1278P_803403

Control Panel and Controls (Drawing 1 of 2)

REF	PART NO.	DESCRIPTION	COMMENTS
1	27260P	Lock Kit	
2	27261	Lock Cam	
3	802913P	Wire Harness Assembly	Models STGLXFSG111TW01, STGNXFSG082JW01, STGNXFSG111TW01 and STGNXFSG112TW01
4	800374	Diagnostic Wire Harness Assembly	Models HTELYFSP281CW01, HTELYFSP291CW01, NTHLYFSP571NW01, NTHLYFSP572NW01, STELYFSP171TW01, STENYFSP171TW01, STENYFSP172TW01, STEWYFJP302NN25, STEWYFJP302NW25, STEWYFSP172TW11, STEWYFSP302NW25, STGLYFSP111TW01, STGLYFSP111TWNA, STGNYFSP111TW01, STGNYFSP112TW01, STGWYFJP302NN25, STGWYFSP112TW11, STLNYFSP541NW23 and STLNYFSP542NW23
5	D511478	Central Pay Harness	
6	D511867P	Control Assembly	Dryer; Models JT1DEFSP411EW01, JT1DXFSP411EW01, JT2DEFSP411EW01, JT2DXFSP411EW01, JTEDEFSP301EW01, JTEDXFSP301EW01, JTGDEFSP301EW01 and JTGDXFSP301EW01
	D510036P	Membrane Switch	Use with 511867P Control Assembly; Models JT1DEFSP411EW01, JT1DXFSP411EW01, JT2DEFSP411EW01, JT2DXFSP411EW01, JTEDEFSP301EW01, JTEDXFSP301EW01, JTGDEFSP301EW01 and JTGDXFSP301EW01
	D513534P	Control Assembly	Dryer; All other models
7	803306P	Control Assembly	Models JTEDEFSP301EW01, JTEDXFSP301EW01, JTGDEFSP301EW01 and JTGDXFSP301EW01
	803367P	Control Assembly	Models JT1DEFSP411EW01, JT1DXFSP411EW01, JT2DEFSP411EW01 and JT2DXFSP411EW01
	803619P	Control Assembly	Washer; Models HTELYFSP281CW01, HTELYFSP291CW01, HTENXFSP281CW01, HTENXFSP282CW01, HTENXFSP291CW01, HTENXFSP292CW01, HTENYFSP281CW01, HTENYFSP282CW01, HTENYFSP291CW01, HTENYFSP292CW01, HTGLXFSP091CW01, HTGNXFSP091CW01, HTGNXFSP092CW01, STELCFSP171TW01, STELYFSP171TW01, STELYFSP171TW01, STENCFSP171TW01, STENCFSP172TW01, STENXFSP171TW01, STENXFSP172TW01, STENYFSP171TW01, STENYFSP172TW01, STEWYFJP302NN25, STEWYFJP302NW25, STEWYFSP172TW11, STEWYFSP302NW25, STGLCFSP111TW01, STGLCFSP111TWNA, STGLXFSG111TW01, STGLXFSP111TW01, STGLXFSP301AW01, STGLXFSP302AW01, STGLYFSP111TW01, STGLYFSP111TWNA, STGNCFSP111TW01, STGNCFSP112TW01, STGNXFSG082JW01, STGNXFSG111TW01, STGNXFSG112TW01, STGNXFSP111TW01, STGNXFSP112TW01, STGNYFSP111TW01, STGNYFSP112TW01, STGWYFJP302NN25, STGWYFSP112TW11, STLNXFSP542NW23, STLNYFSP541NW23 and STLNYFSP542NW23
	802912P	Control Assembly	Washer; All other models

Control Panel and Controls (Drawing 2 of 2)

All Models Except BT3LLFSG401UN01, BT3LLFSG401UW01, BT3LLFSG402UW01, BT3LLFSP401UN01, BT3LLFSP402UN01, BT3LLFSP401UW01, BT3LLFSP402UW01, JT1DGFSP411EW01, JT1DGFSP411EW06, JT1DMFSG411EN01, JT1DMFSG411EN06, JT2DGFSP411EW01, JT2DGFSP411EW06, JT2DMFSG411EN01, JT2DMFSG411EN06, NT1LLFSP411UW06, NT1LLFSP412UW06, NT2LLFSP401UN01, NT2LLFSP402UN01, NT2LLFSP401UW01, NT2LLFSP402UW01, NT2LLFSP401UW06, NT2LLFSP402UW06, NT3LLFSG401UW01, NT3LLFSG402UW01, NT3LLFSP401NN22, NT3LLFSP402NN22, NT3LLFSP401NW22, NT3LLFSP402NW22, NT3LLFSP401UN01, NT3LLFSP402UN01, NT3LLFSP401UW01 and NT3LLFSP402UW01



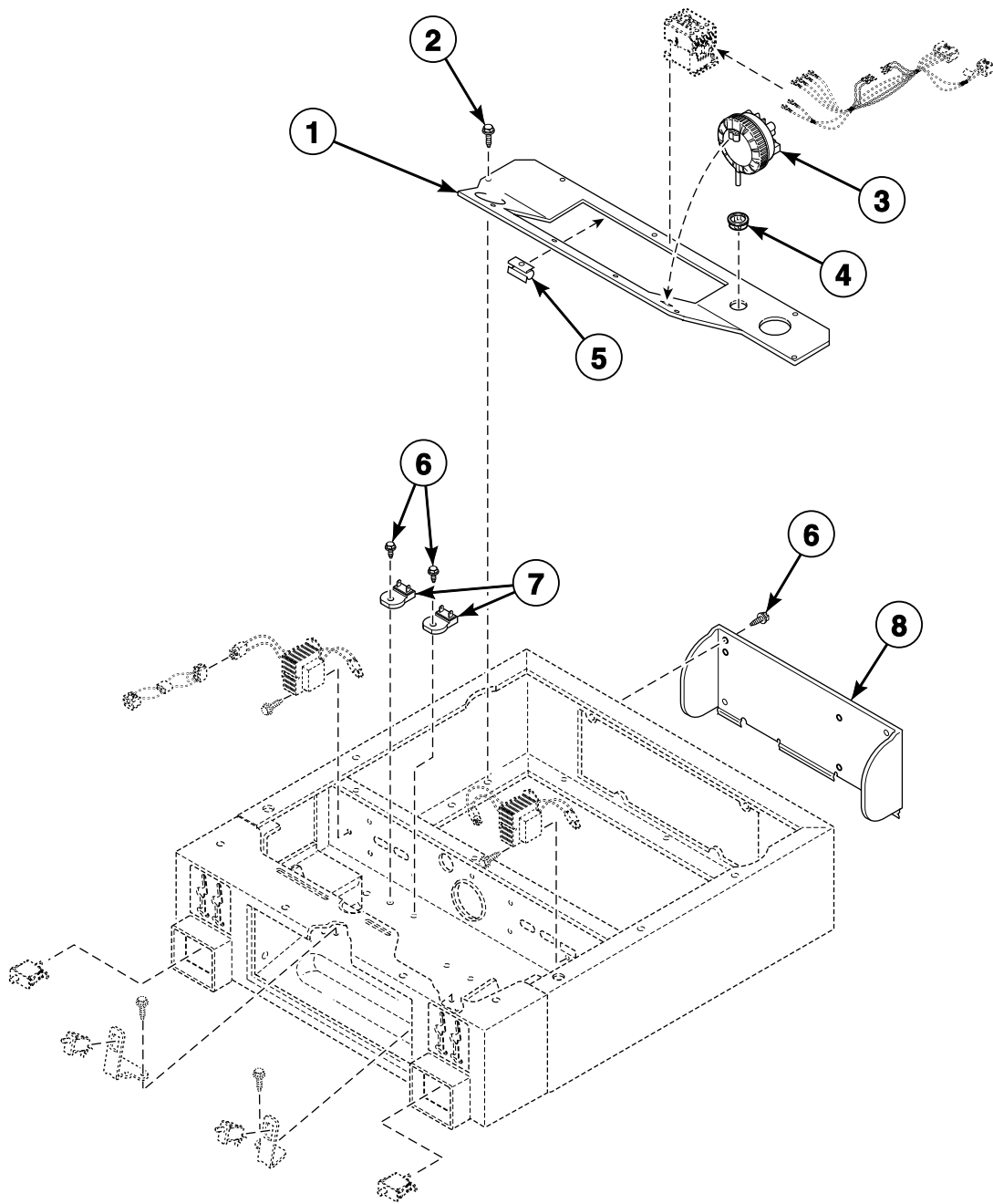
SWD1278PA_803403

Control Panel and Controls (Drawing 2 of 2)

REF	PART NO.	DESCRIPTION	COMMENTS
	NK203	Network Retrofit Kit	Wired
	NK220	Network Controller Kit	Wired
	NK301	Wireless Network Kit	
	NK320	Ethernet Gateway Kit	Wireless
	NK330	USB Gateway Kit	Wireless
1	800034B	Control Panel and Bracket Assembly	Models BT3LXFSG401UN01, BT3LXFSP401UN01, BT3LXFSP402UN01, JT1DEFSP411EW01, JT1DXFSP411EW01, JT2DEFSP411EW01, JT2DXFSP411EW01, JTEDEFSP301EW01, JTEDXFSP301EW01, JTGDEFSP301EW01, JTGDXFSP301EW01, NT1LXFSP401UN01, NT2LXFSP401UN01, NT2LXFSP402UN01, NT3LXFSP401UN01 and NT3LXFSP402UN01
	800034W	Control Panel and Bracket Assembly	All other models
2	803136	Overlay	Models BT3LXFSG401UN01, BT3LXFSG402UW01, BT3LXFSP401UN01, BT3LXFSP402UN01, BT3LXFSP401UW01 and BT3LXFSP402UW01
	802996	Overlay	Models NT1LXFSP401UN01, NT1LXFSP401UW01, NT1LXFSP402UW01, NT1LXFSP402UW06, NT2LXFSP401UN01, NT2LXFSP402UN01, NT2LXFSP401UW01, NT2LXFSP402UW01, NT2LXFSP402UW06, NT3LXFSG401UW01, NT3LXFSG402UW01, NT3LXFSP401UN01, NT3LXFSP402UN01, NT3LXFSP401UW01, NT3LXFSP402UW01, NTHLXFSP571NW01, NTHLXFSP572NW01, NTHLYFSP571NW01, NTHLYFSP572NW01, ST3LXFSP401NW22 and ST3LXFSP402NW22
	802994	Overlay	Models HTELFSP281CW01, HTELFSP291CW01, HTELYFSP281CW01, HTELYFSP291CW01, HTENXFSP281CW01, HTENXFSP282CW01, HTENXFSP291CW01, HTENXFSP292CW01, HTENYFSP281CW01, HTENYFSP282CW01, HTENYFSP291CW01, HTENYFSP292CW01, HTGLXFSP091CW01, HTGNXFSP091CW01 and HTGNXFSP092CW01
	803286	Overlay	Models JT1DEFSP411EW01, JT1DXFSP411EW01, JT2DEFSP411EW01, JT2DXFSP411EW01, JTEDEFSP301EW01, JTEDXFSP301EW01, JTGDEFSP301EW01 and JTGDXFSP301EW01
	802886	Control Overlay	All other models
3	D513545	Control Overlay	French/English; Models HTELFSP281CW01, HTELFSP291CW01, HTELYFSP281CW01, HTELYFSP291CW01, HTENXFSP281CW01, HTENXFSP282CW01, HTENXFSP291CW01, HTENXFSP292CW01, HTENYFSP281CW01, HTENYFSP282CW01, HTENYFSP291CW01, HTENYFSP292CW01, HTGLXFSP091CW01, HTGNXFSP091CW01 and HTGNXFSP092CW01
4	803596	Control Overlay	French/English; Models HTELFSP281CW01, HTELFSP291CW01, HTELYFSP281CW01, HTELYFSP291CW01, HTENXFSP281CW01, HTENXFSP282CW01, HTENXFSP291CW01, HTENXFSP292CW01, HTENYFSP281CW01, HTENYFSP282CW01, HTENYFSP291CW01, HTENYFSP292CW01, HTGLXFSP091CW01, HTGNXFSP091CW01 and HTGNXFSP092CW01
5	800921	Domed Label	Models ST3LXFSP401NW22 and ST3LXFSP402NW22
6	D501524	Screw	
7	54612	Key	GR800

Control Cabinet Controls (Drawing 1 of 2)

All Models Except BT3LLFSG401UN01, BT3LLFSG401UW01, BT3LLFSG402UW01, BT3LLFSP401UN01, BT3LLFSP402UN01, BT3LLFSP401UW01, BT3LLFSP402UW01, JT1DGFSP411EW01, JT1DGFSP411EW06, JT1DMFSG411EN01, JT1DMFSG411EN06, JT2DGFSP411EW01, JT2DGFSP411EW06, JT2DMFSG411EN01, JT2DMFSG411EN06, NT1LLFSP411UW06, NT1LLFSP412UW06, NT2LLFSP401UN01, NT2LLFSP402UN01, NT2LLFSP401UW01, NT2LLFSP402UW01, NT2LLFSP401UW06, NT2LLFSP402UW06, NT3LLFSG401UW01, NT3LLFSG402UW01, NT3LLFSP401NN22, NT3LLFSP402NN22, NT3LLFSP401NW22, NT3LLFSP402NW22, NT3LLFSP401UN01, NT3LLFSP402UN01, NT3LLFSP401UW01 and NT3LLFSP402UW01



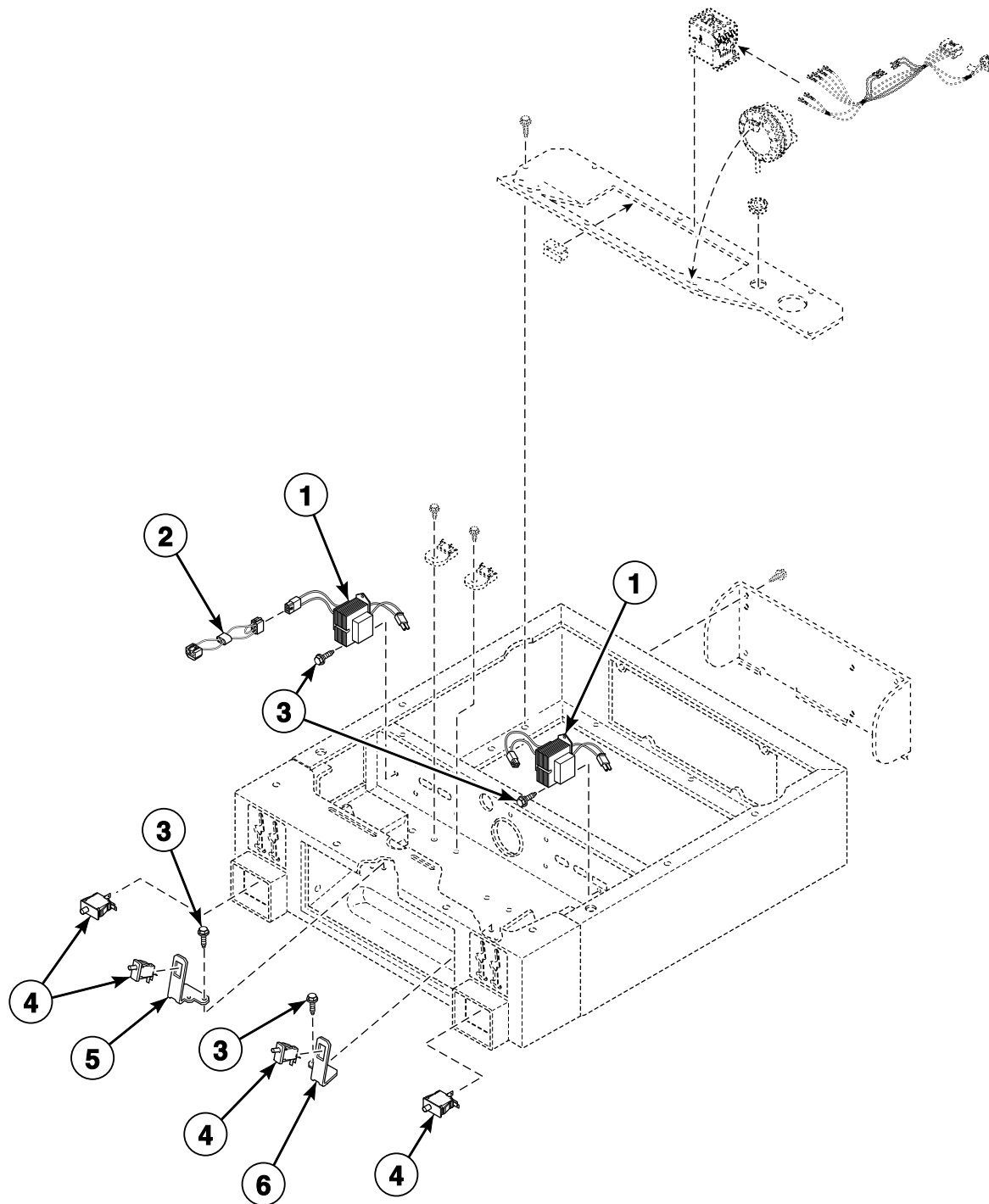
SWD1209P_803403

Control Cabinet Controls (Drawing 1 of 2)

REF	PART NO.	DESCRIPTION	COMMENTS
1	801371	Control Shield	
2	D503661	Screw	
3	802299P	Pressure Switch	
4	M402542	Snap Bushing	
5	36985	Hose Clip	
6	D503688	Screw	
7	210100	Resistor	Models BT3LXFSG401UN01, BT3LXFSG401UW01, BT3LXFSG402UW01, BT3LXFSP401UN01, BT3LXFSP402UN01, BT3LXFSP401UW01, BT3LXFSP402UW01, JT1DEFSP411EW01, JT1DXFSP411EW01, JT2DEFSP411EW01, JT2DXFSP411EW01, JTEDEFSP301EW01, JTEDXFSP301EW01, JTGDEFSP301EW01, JTGDXFSP301EW01, NT1LXFSP401UN01, NT1LXFSP401UW01, NT1LXFSP402UW01, NT1LXFSP402UW06, NT2LXFSP401UN01, NT2LXFSP402UN01, NT2LXFSP401UW01, NT2LXFSP402UW01, NT2LXFSP402UW06, NT3LXFSG401UW01, NT3LXFSG402UW01, NT3LXFSP401UN01, NT3LXFSP402UN01, NT3LXFSP401UW01, NT3LXFSP402UW01, NT3LXFSP402NW22, NTHLXFSP571NW01, NTHLXFSP572NW01, NTHLYFSP571NW01, NTHLYFSP572NW01, ST3LXFSP401NW22, ST3LXFSP402NW22, STELXFSP431AW01, STELXFSP432AW01, STEWYFJP302NN25, STEWYFJP302NW25, STEWYFSP302NW25, STGLXFSP301AW01, STGLXFSP302AW01, STGWYFJP302NN25, STLNXFSP542NW23, STLNYFSP541NW23 and STLNYFSP542NW23
8	800177	Security Cabinet Rear Service Panel	All models except BT3LXFSG401UN01, BT3LXFSG401UW01, BT3LXFSG402UW01, BT3LXFSP401UN01, BT3LXFSP402UN01, BT3LXFSP401UW01, BT3LXFSP402UW01, JT1DEFSP411EW01, JT1DXFSP411EW01, JT2DEFSP411EW01, JT2DXFSP411EW01, JTEDEFSP301EW01, JTEDXFSP301EW01, JTGDEFSP301EW01, JTGDXFSP301EW01, NT1LXFSP401UN01, NT1LXFSP401UW01, NT1LXFSP402UW01, NT1LXFSP402UW06, NT2LXFSP401UN01, NT2LXFSP402UN01, NT2LXFSP401UW01, NT2LXFSP402UW01, NT2LXFSP402UW06, NT3LXFSG401UW01, NT3LXFSG402UW01, NT3LXFSP401UN01, NT3LXFSP402UN01, NT3LXFSP401UW01, NT3LXFSP402UW01, NT3LXFSP402NW22, NTHLXFSP571NW01, NTHLXFSP572NW01, NTHLYFSP571NW01, NTHLYFSP572NW01, ST3LXFSP401NW22 and ST3LXFSP402NW22

Control Cabinet Controls (Drawing 2 of 2)

All Models Except BT3LLFSG401UN01, BT3LLFSG401UW01, BT3LLFSG402UW01, BT3LLFSP401UN01, BT3LLFSP402UN01, BT3LLFSP401UW01, BT3LLFSP402UW01, JT1DGFSP411EW01, JT1DGFSP411EW06, JT1DMFSG411EN01, JT1DMFSG411EN06, JT2DGFSP411EW01, JT2DGFSP411EW06, JT2DMFSG411EN01, JT2DMFSG411EN06, NT1LLFSP411UW06, NT1LLFSP412UW06, NT2LLFSP401UN01, NT2LLFSP402UN01, NT2LLFSP401UW01, NT2LLFSP402UW01, NT2LLFSP401UW06, NT2LLFSP402UW06, NT3LLFSG401UW01, NT3LLFSG402UW01, NT3LLFSP401NN22, NT3LLFSP402NN22, NT3LLFSP401NW22, NT3LLFSP402NW22, NT3LLFSP401UN01, NT3LLFSP402UN01, NT3LLFSP401UW01 and NT3LLFSP402UW01



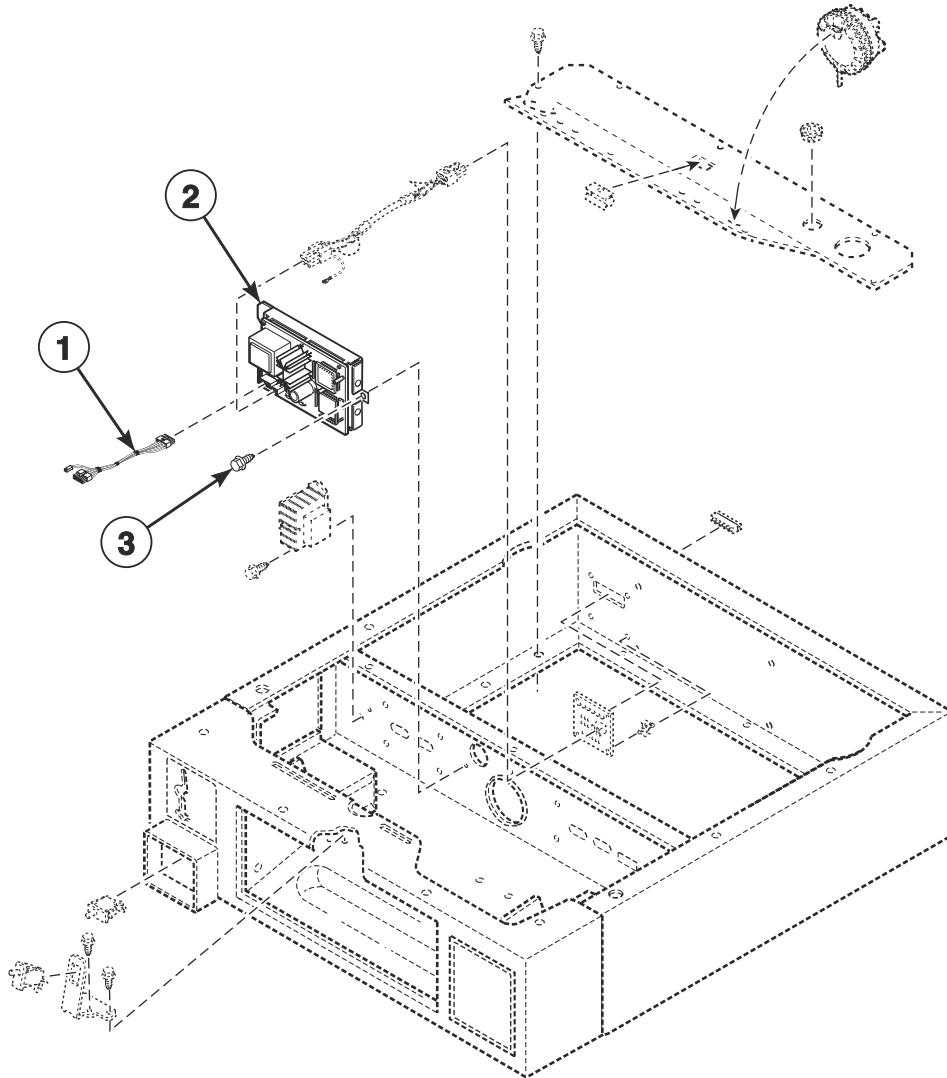
SWD1209PB_803403

Control Cabinet Controls (Drawing 2 of 2)

REF	PART NO.	DESCRIPTION	COMMENTS
1	210018P	Transformer	Models STELCFSP171TW01, STENCFSP171TW01, STENCFSP172TW01, STGLCFSP111TW01, STGLCFSP111TWNA, STGNCFSP111TW01 and STGNCFSP112TW01
	201375P	Transformer	Models HTELCFSP281CW01, HTELCFSP291CW01, HTELYFSP281CW01, HTELYFSP291CW01, HTENXFSP281CW01, HTENXFSP282CW01, HTENXFSP291CW01, HTENXFSP292CW01, HTENYFSP281CW01, HTENYFSP282CW01, HTENYFSP291CW01, HTENYFSP292CW01, HTGLXFSP091CW01, HTGNXFSP091CW01, HTGNXFSP092CW01, STELYFSP171TW01, STENYFSP171TW01, STENYFSP172TW01, STEWYFSP172TW11, STGLXFSG111TW01, STGLYFSP111TW01, STGLYFSP111TWNA, STGNXFSG111TW01, STGNXFSG112TW01, STGNYFSP111TW01, STGNYFSP112TW01 and STGWYFSP112TW11
	803527P	Transformer	JT2DEFSP411EW01, JT2DXFSP411EW01, JTGDEFSP301EW01, JTGDXFSP301EW01, NT2LXFSP401UN01, NT2LXFSP402UN01, NT2LXFSP401UW01, NT2LXFSP402UW01 and NT2LXFSP402UW06 3 required; All other models 2 required
2	M413507	Jumper Configuration Assembly	Models BT3LXFSG401UN01, BT3LXFSG401UW01, BT3LXFSG402UW01, BT3LXFSP401UN01, BT3LXFSP402UN01, BT3LXFSP401UW01, BT3LXFSP402UW01, JT1DEFSP411EW01, JT1DXFSP411EW01, JT2DEFSP411EW01, JT2DXFSP411EW01, JTEDEFSP301EW01, JTEDXFSP301EW01, JTGDEFSP301EW01, JTGDXFSP301EW01, NT1LXFSP401UN01, NT1LXFSP401UW01, NT1LXFSP402UW01, NT1LXFSP402UW06, NT2LXFSP401UN01, NT2LXFSP402UN01, NT2LXFSP401UW01, NT2LXFSP402UW01, NT2LXFSP402UW06, NT3LXFSG401UW01, NT3LXFSG402UW01, NT3LXFSP401UN01, NT3LXFSP402UN01, NT3LXFSP401UW01, NT3LXFSP402UW01, NT3LXFSP402NW22, NTHLXFSP571NW01, NTHLXFSP572NW01, NTHLYFSP571NW01, NTHLYFSP572NW01, ST3LXFSP401NW22, ST3LXFSP402NW22, STELCFSP431AW01, STELCFSP432AW01, STGLXFSP301AW01, STGLXFSP302AW01, STLNXFSP542NW23, STLNYFSP541NW23 and STLNYFSP542NW23
	M413504	Jumper Harness Assembly	Model STGNXFSG082JW01
	M413505	Jumper Harness Assembly	Models STELCFSP171TW01, STENXFSP171TW01, STENXFSP172TW01, STGLXFSP111TW01, STGNXFSG111TW01 and STGNXFSG112TW01
3	D503688	Screw	
4	D512973	Switch	All models except STEWYFJP302NN25, STEWYFJP302NW25, STEWYFSP302NW25 and STGWYFJP302NN25
5	800379	Audit Switch Bracket	Left
6	800380	Audit Switch Bracket	Right

Network Board Assembly

Models STEWYFJP302NN25, STEWYFJP302NW25, STEWYFSP172TW11, STEWYFSP302NW25, STGWYFJP302NN25 and STGWYFSP112TW11



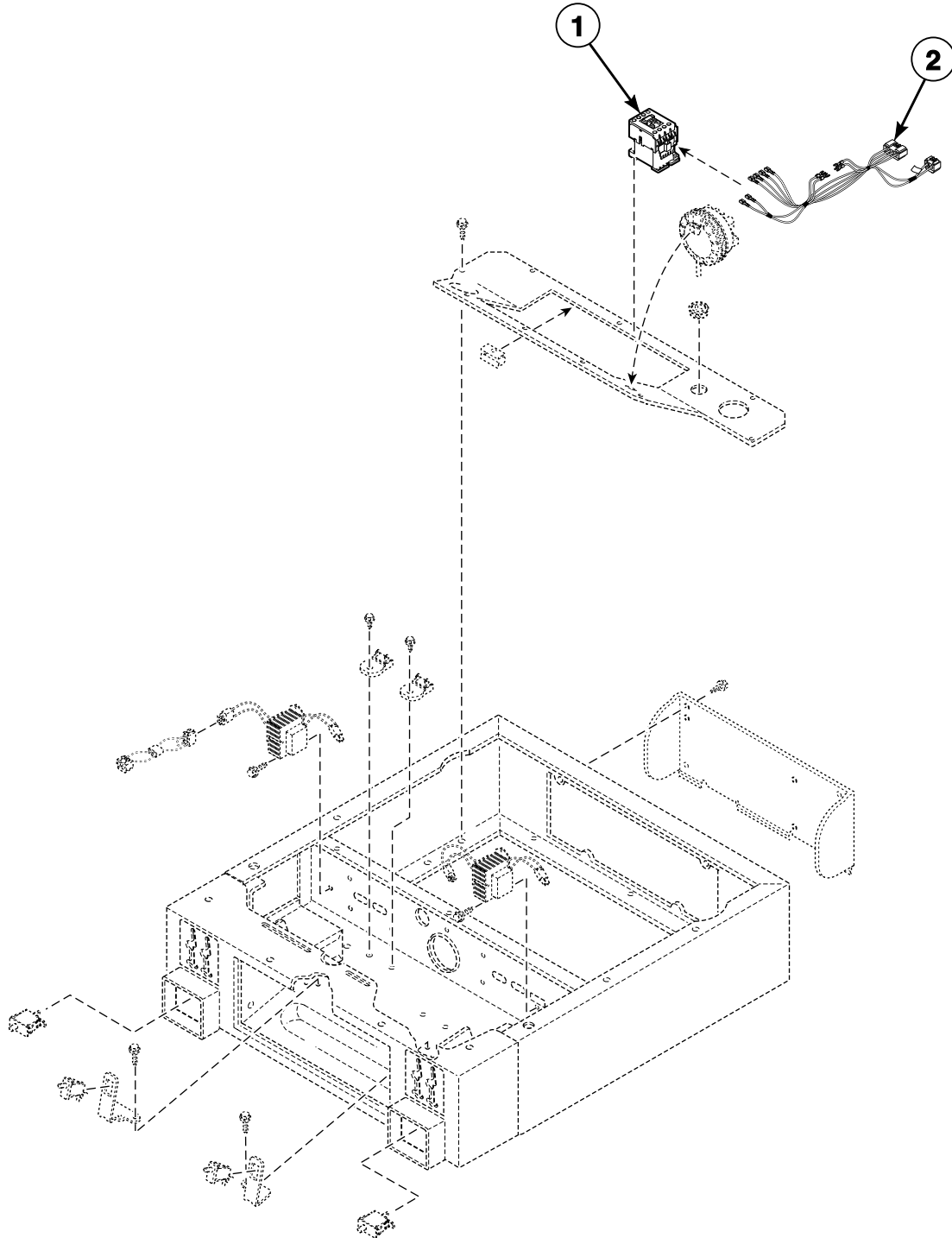
FLW896P_803403

Network Board Assembly

REF	PART NO.	DESCRIPTION	COMMENTS
1	44088501P	Network Wire Harness Assembly	
2	202335	Wireless Transceiver Assembly	
3	D503661	Screw	

Contactor

Models BT3LXFSG401UN01, BT3LXFSG401UW01, BT3LXFSG402UW01, BT3LXFSP401UN01, BT3LXFSP402UN01, BT3LXFSP401UW01, BT3LXFSP402UW01, JT1DEFSP411EW01, JT1DXFSP411EW01, JT2DEFSP411EW01, JT2DXFSP411EW01, NT1LXFSP401UN01, NT1LXFSP401UW01, NT1LXFSP402UW01, NT1LXFSP402UW06, NT2LXFSP401UN01, NT2LXFSP402UN01, NT2LXFSP401UW01, NT2LXFSP402UW01, NT2LXFSP402UW06, NT3LXFSG401UW01, NT3LXFSG402UW01, NT3LXFSP401UN01, NT3LXFSP402UN01, NT3LXFSP401UW01, NT3LXFSP402UW01, NT3LXFSP402NW22, NTHLXFSP571NW01, NTHLXFSP572NW01, NTHLYFSP571NW01, NTHLYFSP572NW01, ST3LXFSP401NW22 and ST3LXFSP402NW22



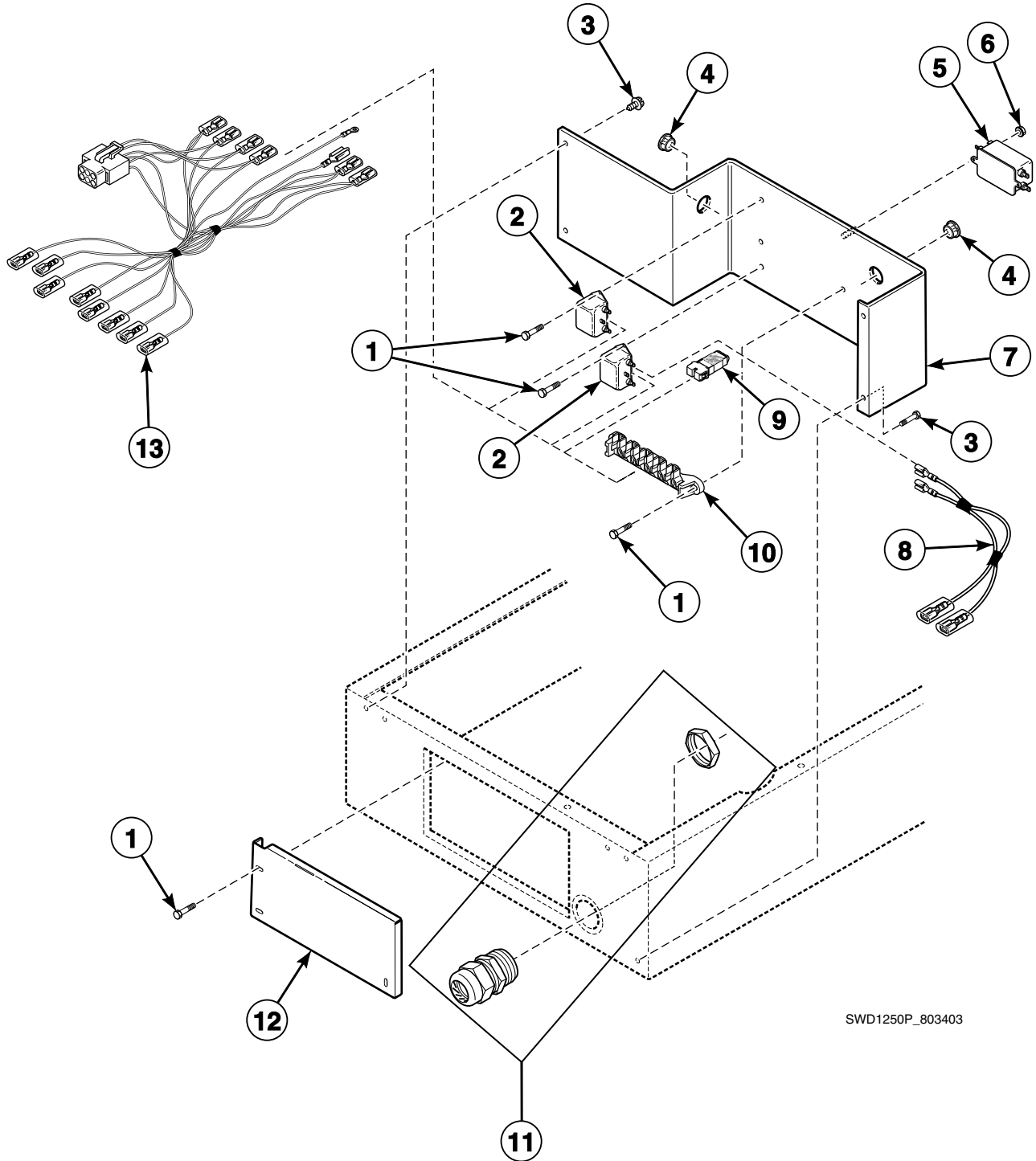
SWD1209PA_803403

Contactor

REF	PART NO.	DESCRIPTION	COMMENTS
1	F330177P	Contactora	Models through Serial Nos. beginning 1210
	F8379101	Contactora	Models starting Serial Nos. beginning 1210
2	801120P	Contactora Wire Harness Assembly	Models through Serial Nos. beginning 1210
	804229	Contactora Wire Harness Assembly	Models starting Serial Nos. beginning 1210

Electrical Access Panel, Filters and Terminal Block

Models BT3LXFSG401UN01, BT3LXFSG401UW01, BT3LXFSG402UW01, BT3LXFSP401UN01, BT3LXFSP402UN01, BT3LXFSP401UW01, BT3LXFSP402UW01, JT1DEFSP411EW01, JT1DXFSP411EW01, JT2DEFSP411EW01, JT2DXFSP411EW01, JTEDEFSP301EW01, JTEDXFSP301EW01, JTGDEFSP301EW01, JTGDXFSP301EW01, NT1LXFSP401UN01, NT1LXFSP401UW01, NT1LXFSP402UW01, NT1LXFSP402UW06, NT2LXFSP401UN01, NT2LXFSP402UN01, NT2LXFSP401UW01, NT2LXFSP402UW01, NT2LXFSP402UW06, NT3LXFSG401UW01, NT3LXFSG402UW01, NT3LXFSP401UN01, NT3LXFSP402UN01, NT3LXFSP401UW01, NT3LXFSP402UW01, NT3LXFSP402NW22, NTHLXFSP571NW01, NTHLXFSP572NW01, NTHLYFSP571NW01, NTHLYFSP572NW01, ST3LXFSP401NW22 and ST3LXFSP402NW22



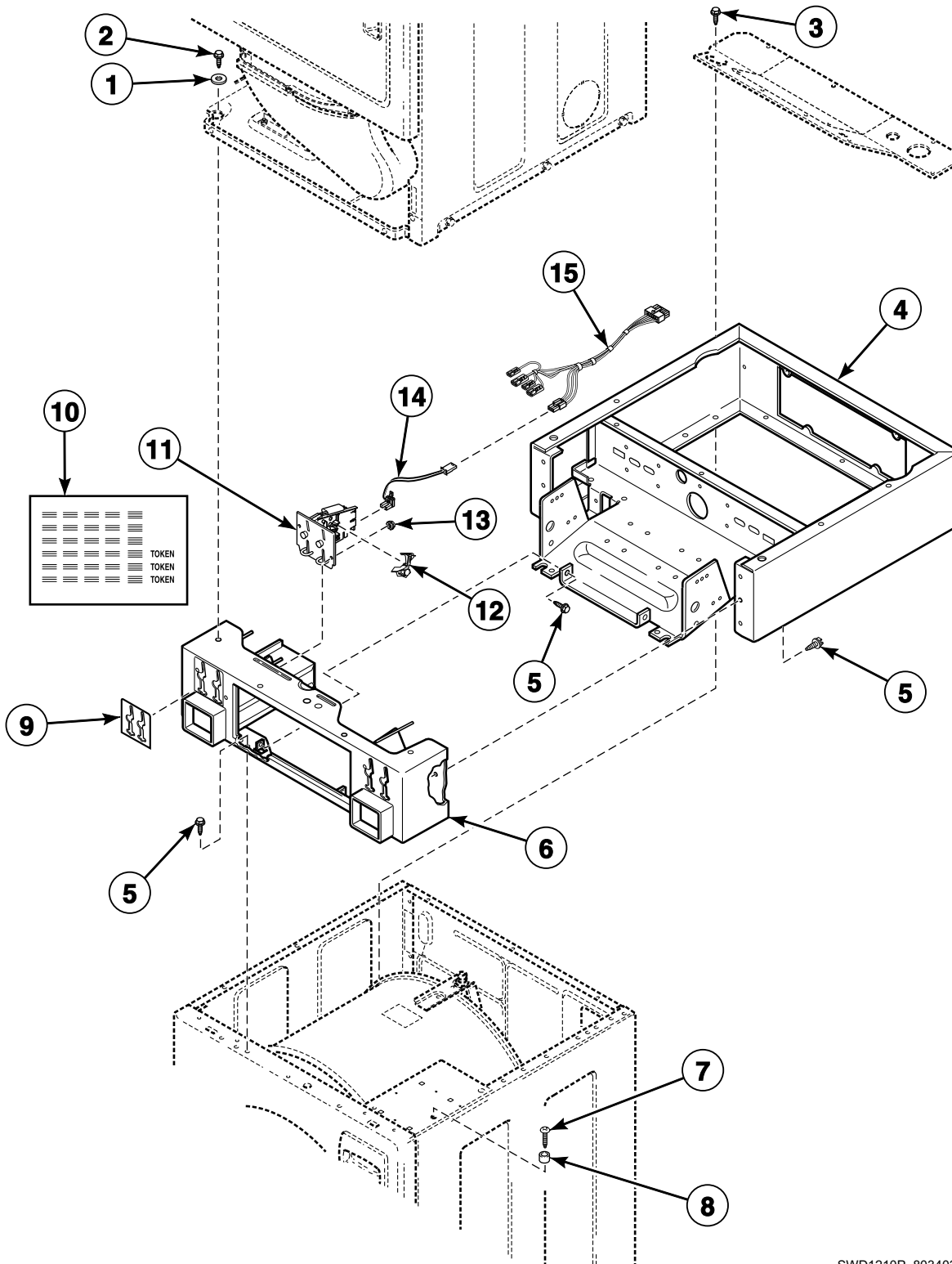
SWD1250P_803403

Electrical Access Panel, Filters and Terminal Block

REF	PART NO.	DESCRIPTION	COMMENTS
1	D503661	Screw	
2	801255P	Filter	All models except JTEDEFSP301EW01, JTEDXFSP301EW01, JTGDEFSP301EW01 and JTGDXFSP301EW01
3	D503688	Screw	
4	M402542	Snap Bushing	
5	201058	Line Filter	
6	29787	Nut	
7	801250	Terminal Block Assembly	
8	801421	Wire Harness Assembly	1 Phase filter; Models JTEDEFSP301EW01, JTEDXFSP301EW01, JTGDEFSP301EW01 and JTGDXFSP301EW01
9	801311	Network Varistor Assembly	
10	D505876	Terminal Block Assembly	
11	801792P	Fitting	
12	801134	Electric Access Panel	
13	803314P	Wire Harness Assembly	1 Phase power; Models JTEDEFSP301EW01, JTEDXFSP301EW01, JTGDEFSP301EW01 and JTGDXFSP301EW01
	801261	Wire Harness Assembly	3 Phase power; All other models

Cabinet Wrapper and Coin Drop

Coin Drop Models



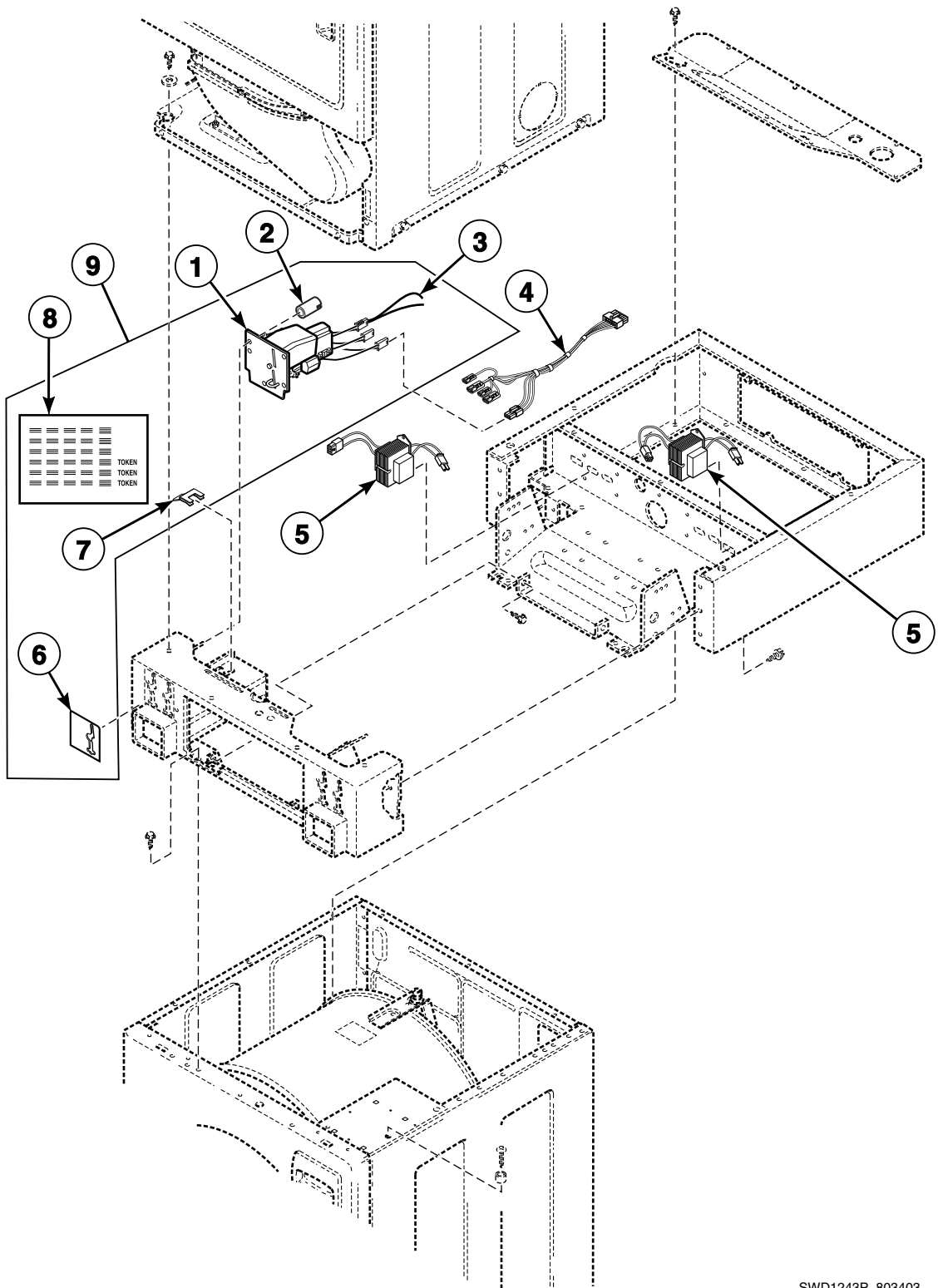
SWD1210P_803403

Cabinet Wrapper and Coin Drop

REF	PART NO.	DESCRIPTION	COMMENTS
1	26509	Washer	
2	36048	Screw	
3	D503661	Screw	
4	801235W	Security Cabinet Wrapper Assembly	Models BT3LXFSG401UW01, BT3LXFSG402UW01, BT3LXFSP401UW01, BT3LXFSP402UW01, JT1DEFSP411EW01, JT1DXFSP411EW01, JT2DEFSP411EW01, JT2DXFSP411EW01, JTEDEFSP301EW01, JTEDXFSP301EW01, JTGDEFSP301EW01, JTGDXFSP301EW01, NT1LXFSP401UW01, NT1LXFSP402UW01, NT2LXFSP402UW06, NT2LXFSP401UW01, NT2LXFSP402UW01, NT3LXFSP402UW06, NT3LXFSP401UW01, NT3LXFSP402UW01, NT3LXFSP402NW22, NTHLXFSP571NW01, NTHLXFSP572NW01, ST3LXFSP401NW22 and ST3LXFSP402NW22
	801235B	Security Cabinet Wrapper Assembly	Models BT3LXFSG401UN01, BT3LXFSP401UN01, BT3LXFSP402UN01, NT1LXFSP401UN01, NT2LXFSP401UN01, NT2LXFSP402UN01, NT3LXFSP401UN01 and NT3LXFSP402UN01
	800231W	Security Cabinet Wrapper Assembly	All other models
5	D503688	Screw	
6	D511632B	Security Cabinet Front Assembly	Models BT3LXFSG401UN01, BT3LXFSP401UN01, BT3LXFSP402UN01, JT1DEFSP411EW01, JT1DXFSP411EW01, JT2DEFSP411EW01, JT2DXFSP411EW01, JTEDEFSP301EW01, JTEDXFSP301EW01, JTGDEFSP301EW01, JTGDXFSP301EW01, NT1LXFSP401UN01, NT2LXFSP401UN01, NT2LXFSP402UN01, NT3LXFSP401UN01 and NT3LXFSP402UN01
	D511632WP	Security Cabinet Front Assembly	All other models
7	D512921	Screw	Models BT3LXFSG401UN01, BT3LXFSP401UN01, BT3LXFSP402UN01, NT1LXFSP401UN01, NT2LXFSP401UN01, NT2LXFSP402UN01, NT3LXFSP401UN01 and NT3LXFSP402UN01
	39733	Screw	All other models
8	56079	Panel Locator	
9	803476	Single Drop Overlay	Models JT1DEFSP411EW01, JT1DXFSP411EW01, JT2DEFSP411EW01, JT2DXFSP411EW01, JTEDEFSP301EW01, JTEDXFSP301EW01, JTGDEFSP301EW01 and JTGDXFSP301EW01
	38676	Overlay Kit	Dual drop; includes item 10
	39073	Dual Overlay	\$.25 and \$1.00
	38717	Single Overlay	Models STELCFSP171TW01, STENCFSP171TW01, STENCFSP172TW01, STGLCFSP111TW01, STGLCFSP111TWNA, STGNCFSP111TW01 and STGNCFSP112TW01
10	38725	Coin Identification Paper	
11	70441601P	Coin Drop	U.S.A.; \$.25
	70441602	Coin Drop Assembly	Canada; .25 and 1.00
	38464P	Coin Drop Assembly	Canada; .25
	38467	Coin Drop Assembly	Australia; .20 and 1.00
	70482401	Coin Drop Assembly	New Zealand; 1.00 and 2.00
	38472	Coin Drop Assembly	England; 20 pence and 1 pound
	38519	Coin Drop Assembly	Japan; 100 yen and 500 yen
	38521	Coin Drop Assembly	Korea; 100 won and 500 won
	CK114	Coin Drop Assembly	Singapore; Old 1.00
	CK123	Coin Drop Kit	Singapore; New 1.00
	38462P	Coin Drop Assembly	Token; STD-118-1
	38463	Coin Drop Assembly	Token; STD-118-5
	38963P	Coin Drop	Token 118-16 not available; Replacement for 38963P Coin Drop only
12	201595P	Wire Guard	Anti-stringing device
13	29786	Nut	
14	200674P	Opto Coupler	
15	802904P	Harness Assembly	Models STELCFSP171TW01, STENCFSP171TW01, STENCFSP172TW01, STGLCFSP111TW01, STGLCFSP111TWNA, STGNCFSP111TW01 and STGNCFSP112TW01
	802905	Harness Assembly	All other models

Electronic Coin Drop

Coin Drop Models



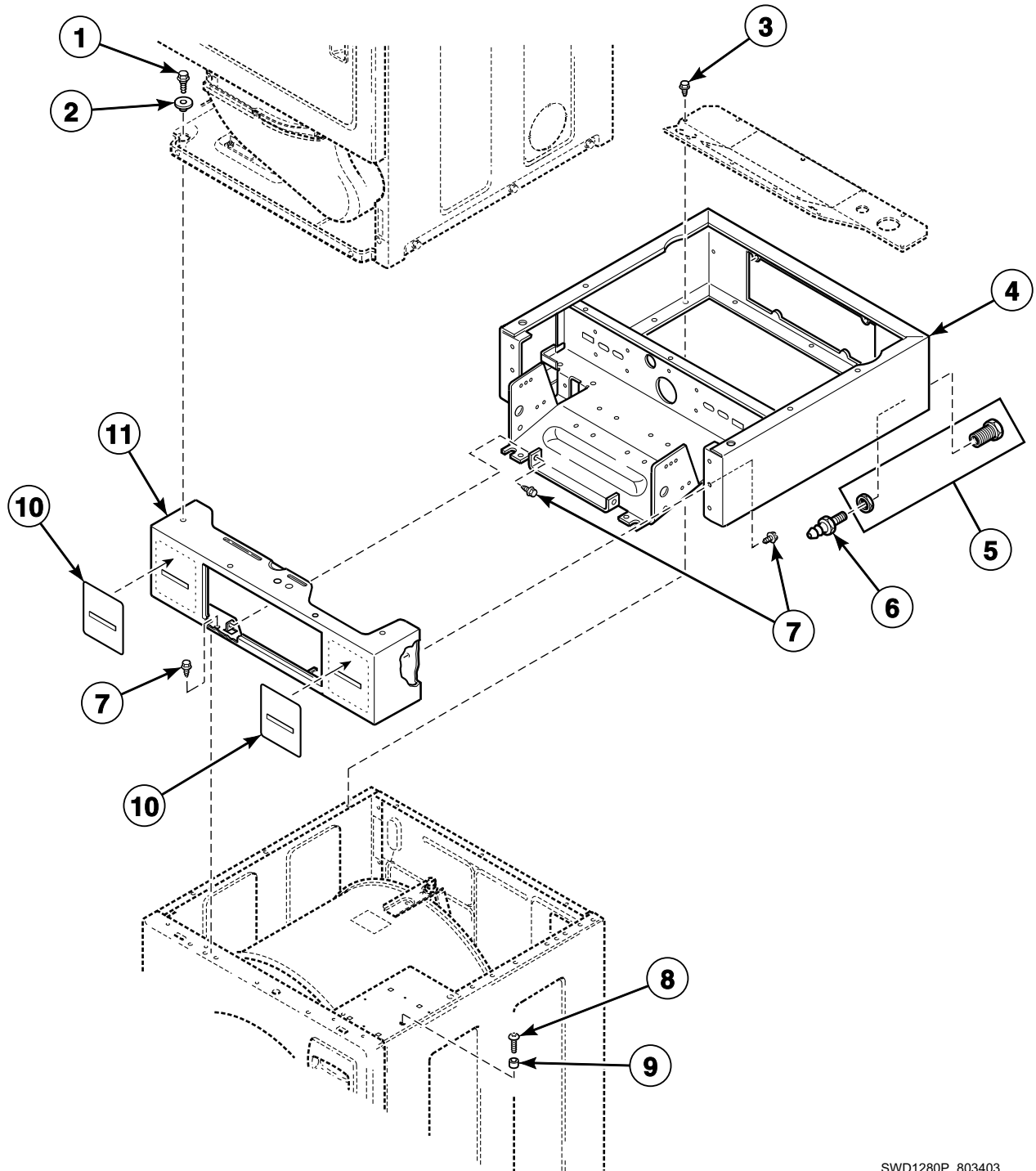
SWD1243P_803403

Electronic Coin Drop

REF	PART NO.	DESCRIPTION	COMMENTS
1	70294103P	Electronic Coin Drop Assembly	Euro and Great Britain coins
	70294104	Electronic Coin Drop Assembly	Euro, Denmark and Norway coins
	70294106	Electronic Coin Drop Assembly	Mexico, Ecuador and United States coins
	70294107	Electronic Coin Drop Assembly	Euro, Lithuania and Latvia coins
	70294110	Electronic Coin Drop Assembly	South African 1, 2 and 5 rand coins
	70294111	Electronic Coin Drop Assembly	Euro coins
	70294122	Electronic Coin Drop Assembly	Euro, Great Britain and token coins
	70513311	Electronic Coin Drop Assembly	Malaysia, China and Singapore coins
	70294117	Electronic Coin Drop Assembly	Russia coins
	70294120	Electronic Coin Drop Assembly	Chile coins
	70294121	Electronic Coin Drop Assembly	Singapore coins
2	201216	Nut	
3	201104	Coin Drop Wire Harness	
4	802905	Harness Assembly	If adding electronic coin drop, models STELCFSP171TW01, STENCFSP171TW01, STENCFSP172TW01, STGLCFSP111TW01, STGLCFSP111TWNA, STGNCFSP111TW01 and STGNCFSP112TW01 must use this harness
5	201375P	Transformer	If adding electronic coin drop, models STELCFSP171TW01, STENCFSP171TW01, STENCFSP172TW01, STGLCFSP111TW01, STGLCFSP111TWNA, STGNCFSP111TW01 and STGNCFSP112TW01 must use this transformer
6	201091	Overlay	
7	201572	Clip	
8	38725	Coin Identification Paper	
9	CK115	Electronic Coin Drop Kit	Includes items 1-3 and 6-8; United States and Canada coins
	CK099	Electronic Coin Drop Kit	Includes items 1-3 and 6-8; Australia, New Zealand, Hong Kong and South Korea coins
	CK100	Electronic Coin Drop Kit	Includes items 1-3 and 6-8; Euro and Great Britain coins
	CK101	Electronic Coin Drop Kit	Includes items 1-3 and 6-8; Euro, Denmark and Norway coins
	CK103	Electronic Coin Drop Kit	Includes items 1-3 and 6-8; Euro, Lithuania and Latvia coins
	CK108	Electronic Coin Drop Kit	Includes items 1-3 and 6-8; South African 1, 2 and 5 rand coins
	CK109	Electronic Coin Drop Kit	Includes items 1-3 and 6-8; Euro coins
	CK110	Electronic Coin Drop Kit	Includes items 1-3 and 6-8; Mexico, Ecuador and United States coins
	CK113	Electronic Coin Drop Kit	Includes items 1-3 and 6-8; Japan and Taiwan coins
	CK116	Electronic Coin Drop Kit	Includes items 1-3 and 6-8; Malaysia and China coins
	CK117	Electronic Coin Drop Kit	Includes items 1-3 and 6-8; Russia coins
	CK118	Electronic Coin Drop Kit	Includes items 1-3 and 6-8; Philippine coins
	CK120	Electronic Coin Drop Kit	Includes items 1-3 and 6-8; Chile coins
CK121	Electronic Coin Drop Kit	Includes items 1-3 and 6-8; Singapore coins	

Cabinet Wrapper and Card Reader Front Assembly

Models HTELYFSP281CW01, HTELYFSP291CW01, HTENYFSP281CW01, HTENYFSP282CW01, HTENYFSP291CW01, HTENYFSP292CW01, NTHLYFSP571NW01, NTHLYFSP572NW01, STELYFSP171TW01, STENYFSP171TW01, STENYFSP172TW01, STEWYFJP302NN25, STEWYFJP302NW25, STEWYFSP172TW11, STEWYFSP302NW25, STGLYFSP111TW01, STGLYFSP111TWNA, STGNYFSP111TW01, STGNYFSP112TW01, STGWYFJP302NN25, STGWYFSP112TW11, STLNYFSP541NW23 and STLNYFSP542NW23



SWD1280P_803403

Cabinet Wrapper and Card Reader Front Assembly

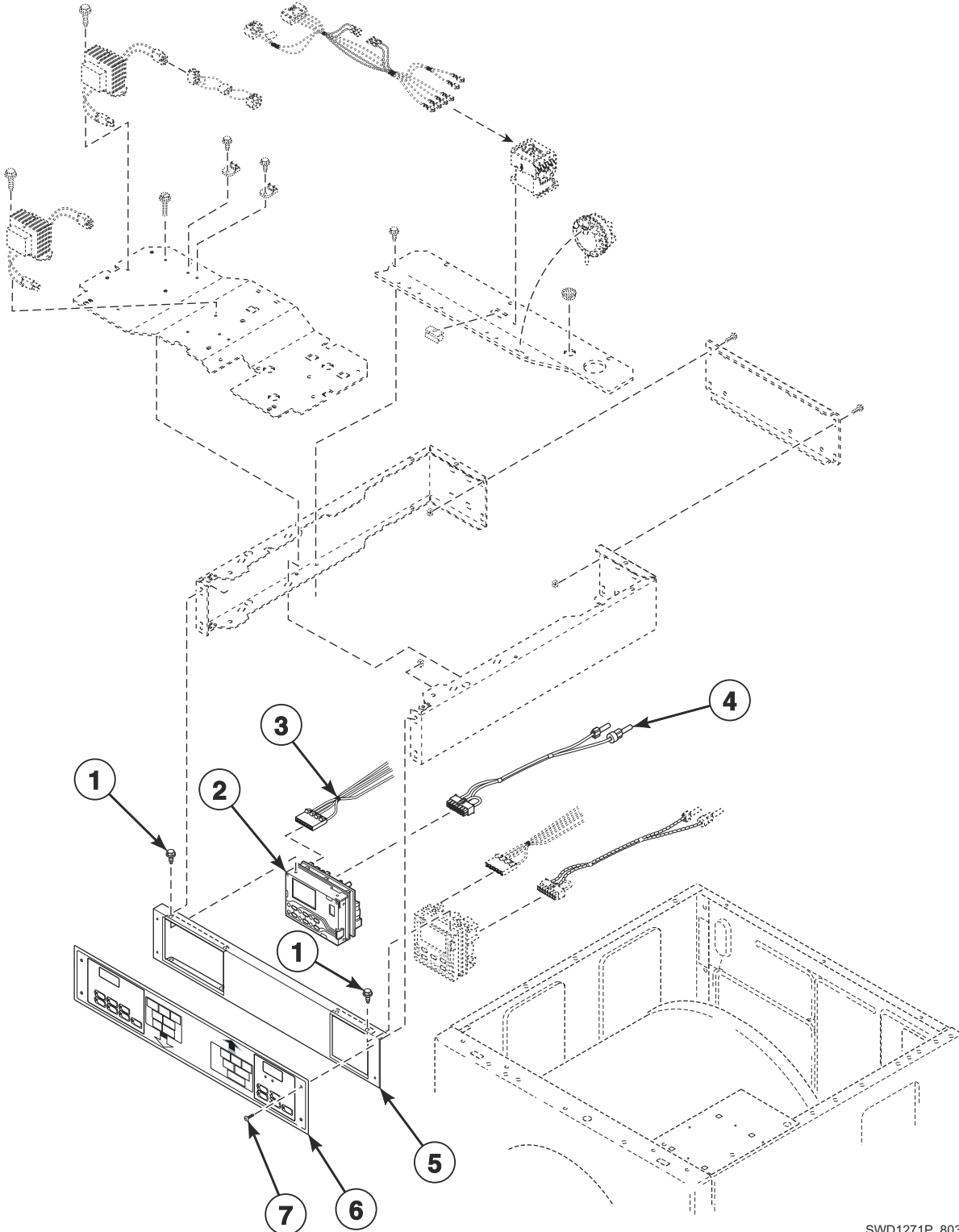
REF	PART NO.	DESCRIPTION	COMMENTS
1	36048	Screw	
2	26509	Washer	
3	D503661	Screw	
4	801235W	Security Cabinet Wrapper Assembly	Models NTHLYFSP571NW01 and NTHLYFSP572NW01
	804922W	Security Cabinet Wrapper Assembly	Models STEWYFJP302NN25 and STEWYFJP302NW25
	800231W	Security Cabinet Wrapper Assembly	All other models
5	801788	Union	Models STEWYFJP302NN25 and STEWYFJP302NW25
6	801789	Connector	Models STEWYFJP302NN25 and STEWYFJP302NW25
7	D503688	Screw	
8	39733	Screw	
9	56079	Panel Locator	
10	D511544	Card Insert Overlay	Models STELYFSP171TW01, STENYFSP171TW01, STENYFSP172TW01, STEWYFJP302NN25, STEWYFSP172TW11, STEWYFSP302NW25, STGLYFSP111TW01, STGLYFSP111TWNA, STGNYFSP111TW01, STGNYFSP112TW01, STGWYFJP302NN25, STGWYFSP112TW11, STLNYFSP541NW23 and STLNYFSP542NW23
	D511548	Card Insert Overlay	Models HTELYFSP281CW01, HTELYFSP291CW01, HTENYFSP281CW01, HTENYFSP282CW01, HTENYFSP291CW01 and HTENYFSP292CW01
11	D511208W	Security Cabinet Front Assembly	

Control Cabinet

REF	PART NO.	DESCRIPTION	COMMENTS
1	D503688	Screw	
2	803527P	Transformer	Models JT2DGFSP411EW01, JT2DGFSP411EW06, JT2DMFSG411EN01, JT2DMFSG411EN06, NT2LLFSP401UN01, NT2LLFSP401UW01 and NT2LLFSP401UW06 3 required; Models BT3LLFSG401UN01, BT3LLFSG401UW01, BT3LLFSG402UW01, BT3LLFSP401UN01, BT3LLFSP402UN01, BT3LLFSP401UW01, BT3LLFSP402UW01, JT1DGFSP411EW01, JT1DGFSP411EW06, JT1DMFSG411EN01, JT1DMFSG411EN06, NT1LLFSP411UW06, NT1LLFSP412UW06, NT2LLFSP402UN01, NT2LLFSP402UW01, NT2LLFSP402UW06, NT3LLFSG401UW01, NT3LLFSG402UW01, NT3LLFSP401NN22, NT3LLFSP402NN22, NT3LLFSP401NW22, NT3LLFSP402NW22, NT3LLFSP401UN01, NT3LLFSP402UN01, NT3LLFSP401UW01 and NT3LLFSP402UW01 2 required
3	M413507	Jumper Configuration Assembly	
4	801120P	Contactora Wire Harness Assembly	Models through Serial Nos. beginning 1210
	804229	Contactora Wire Harness Assembly	Models starting Serial Nos. beginning 1210
5	210100	Resistor	
6	D503661	Screw	
7	801371	Control Shield	
8	F330230	Flange Relay	Models JT1DMFSG411EN01 and JT2DMFSG411EN01 through Serial Nos. beginning 1003
9	51782	Screw	Models JT1DMFSG411EN01 and JT2DMFSG411EN01 through Serial Nos. beginning 1003
10	F330177P	Contactora	Models through Serial Nos. beginning 1210
	F8379101	Contactora	Models starting Serial Nos. beginning 1210
11	803303P	Pressure Switch	Models JT1DMFSG411EN01, JT1DMFSG411EN06, JT2DMFSG411EN01 and JT2DMFSG411EN06
	802299P	Pressure Switch	All other models
12	M402542	Snap Bushing	
13	70240301	Screw	
14	801058	Rear Control Cabinet	
15	800915B	Right Control Cabinet Side	Models BT3LLFSG401UN01, BT3LLFSP401UN01, BT3LLFSP402UN01, JT1DMFSG411EN01, JT1DMFSG411EN06, JT2DMFSG411EN01, JT2DMFSG411EN06, NT2LLFSP401UN01, NT2LLFSP402UN01, NT3LLFSP401NN22, NT3LLFSP402NN22, NT3LLFSP401UN01 and NT3LLFSP402UN01
	800915W	Right Control Cabinet Side	All other models
16	70030501	Expansion Clip	
17	801738B	Left Control Cabinet Side	Models BT3LLFSG401UN01, BT3LLFSP401UN01, BT3LLFSP402UN01, JT1DMFSG411EN01, JT1DMFSG411EN06, JT2DMFSG411EN01, JT2DMFSG411EN06, NT2LLFSP401UN01, NT2LLFSP402UN01, NT3LLFSP401NN22, NT3LLFSP402NN22, NT3LLFSP401UN01 and NT3LLFSP402UN01
	801738W	Left Control Cabinet Side	All other models
18	801777	Control Cabinet Bottom	
19	36985	Hose Clip	

Control Cabinet and Controls (Drawing 1 of 2)

Models BT3LLFSG401UN01, BT3LLFSG401UW01, BT3LLFSG402UW01, BT3LLFSP401UN01, BT3LLFSP402UN01, BT3LLFSP401UW01, BT3LLFSP402UW01, JT1DMFSG411EW01, JT1DMFSG411EW06, JT1DMFSG411EN01, JT1DMFSG411EN06, JT2DMFSG411EW01, JT2DMFSG411EW06, JT2DMFSG411EN01, JT2DMFSG411EN06, NT1LLFSP411UW06, NT1LLFSP412UW06, NT2LLFSP401UN01, NT2LLFSP402UN01, NT2LLFSP401UW01, NT2LLFSP402UW01, NT2LLFSP401UW06, NT2LLFSP402UW06, NT3LLFSG401UW01, NT3LLFSG402UW01, NT3LLFSP401NN22, NT3LLFSP402NN22, NT3LLFSP401NW22, NT3LLFSP402NW22, NT3LLFSP401UN01, NT3LLFSP402UN01, NT3LLFSP401UW01 and NT3LLFSP402UW01



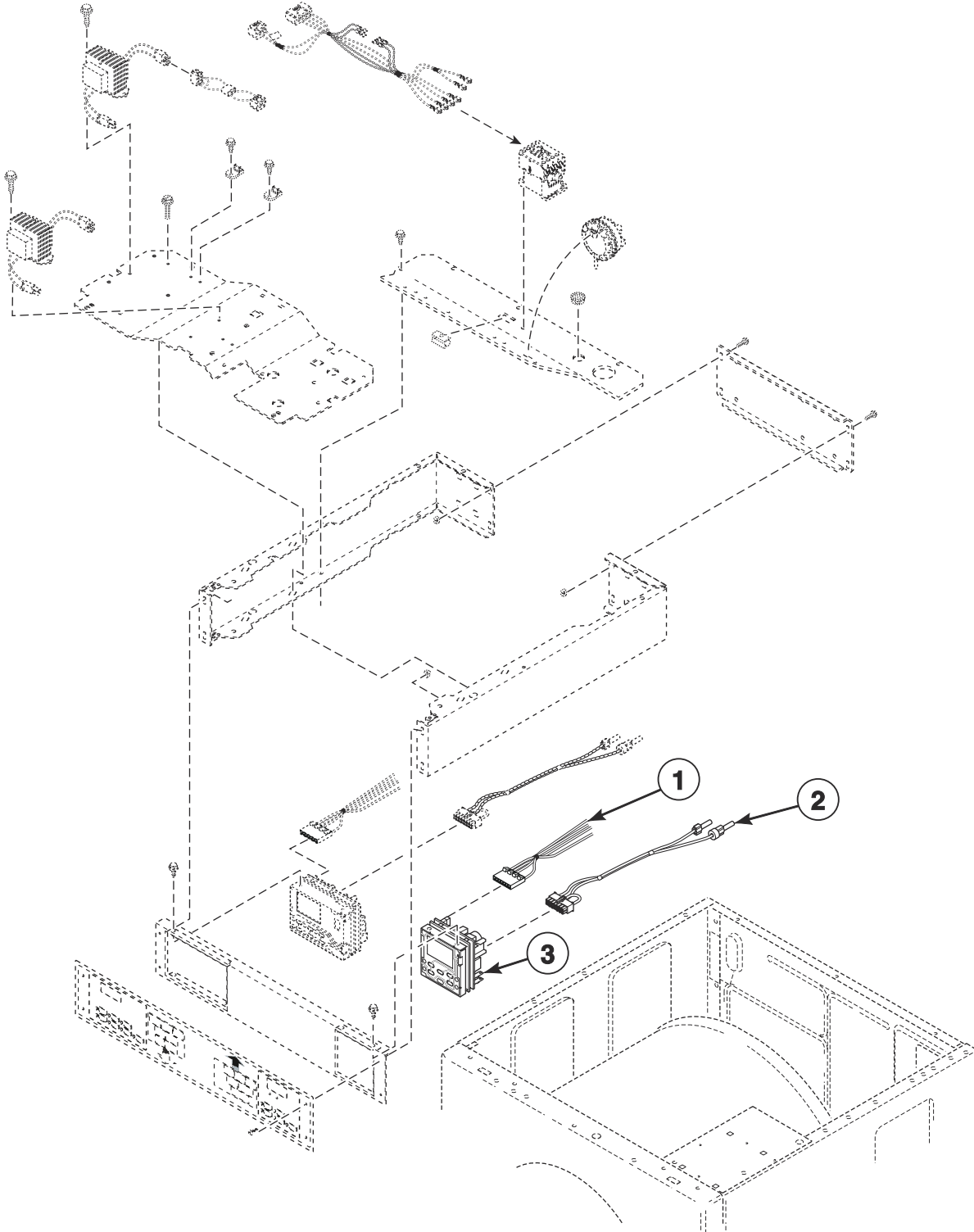
SWD1271P_803403

Control Cabinet and Controls (Drawing 1 of 2)

REF	PART NO.	DESCRIPTION	COMMENTS
	NK203	Network Retrofit Kit	Wired
	NK220	Network Controller Kit	Wired
	NK301	Wireless Network Kit	
	NK320	Ethernet Gateway Kit	Wireless
	NK330	USB Gateway Kit	Wireless
1	D501524	Screw	
2	803317P	Control Assembly	Washer; Models JT1DGFSP411EW01, JT1DGFSP411EW06, JT2DGFSP411EW01 and JT2DGFSP411EW06
	803321P	Control Assembly	Washer; Models JT1DMFSG411EN01 and JT2DMFSG411EN01 through Serial Nos. beginning 1003
	803541	Control Assembly	Models JT1DMFSG411EN06 and JT2DMFSG411EN06; Models JT1DMFSG411EN01 and JT2DMFSG411EN01 starting Serial Nos. beginning 1003
	802912P	Control Assembly	Washer; All other models
3	D511478	Central Pay Harness	
4	800680	Diagnostic Wire Harness Assembly	
5	801778B	Control Panel	Models BT3LLFSG401UN01, BT3LLFSP401UN01, BT3LLFSP402UN01, JT1DMFSG411EN01, JT1DMFSG411EN06, JT2DMFSG411EN01, JT2DMFSG411EN06, NT2LLFSP401UN01, NT2LLFSP402UN01, NT3LLFSP401NN22, NT3LLFSP402NN22, NT3LLFSP401UN01 and NT3LLFSP402UN01
	801778W	Control Panel	All other models
6	803135	Overlay	Models BT3LLFSG401UN01, BT3LLFSG401UW01, BT3LLFSG402UW01, BT3LLFSP401UN01, BT3LLFSP402UN01, BT3LLFSP401UW01 and BT3LLFSP402UW01
	803284	Overlay	Models JT1DMFSG411EN01, JT1DMFSG411EN06, JT2DMFSG411EN01 and JT2DMFSG411EN06
	803285	Overlay	Models JT1DGFSP411EW01, JT1DGFSP411EW06, JT2DGFSP411EW01 and JT2DGFSP411EW06
	802997	Overlay	Models NT1LLFSP411UW06, NT1LLFSP412UW06, NT2LLFSP401UN01, NT2LLFSP402UN01, NT2LLFSP401UW01, NT2LLFSP402UW01, NT2LLFSP401UW06, NT2LLFSP402UW06, NT3LLFSG401UW01, NT3LLFSG402UW01, NT3LLFSP401NN22, NT3LLFSP402NN22, NT3LLFSP401NW22, NT3LLFSP402NW22, NT3LLFSP401UN01, NT3LLFSP402UN01, NT3LLFSP401UW01 and NT3LLFSP402UW01
7	800930	Screw	

Control Cabinet and Controls (Drawing 2 of 2)

Models BT3LLFSG401UN01, BT3LLFSG401UW01, BT3LLFSG402UW01, BT3LLFSP401UN01, BT3LLFSP402UN01, BT3LLFSP401UW01, BT3LLFSP402UW01, JT1DMFSG411EW01, JT1DMFSG411EW06, JT1DMFSG411EN01, JT1DMFSG411EN06, JT2DMFSG411EW01, JT2DMFSG411EW06, JT2DMFSG411EN01, JT2DMFSG411EN06, NT1LLFSP411UW06, NT1LLFSP412UW06, NT2LLFSP401UN01, NT2LLFSP402UN01, NT2LLFSP401UW01, NT2LLFSP402UW01, NT2LLFSP401UW06, NT2LLFSP402UW06, NT3LLFSG401UW01, NT3LLFSG402UW01, NT3LLFSP401NN22, NT3LLFSP402NN22, NT3LLFSP401NW22, NT3LLFSP402NW22, NT3LLFSP401UN01, NT3LLFSP402UN01, NT3LLFSP401UW01 and NT3LLFSP402UW01



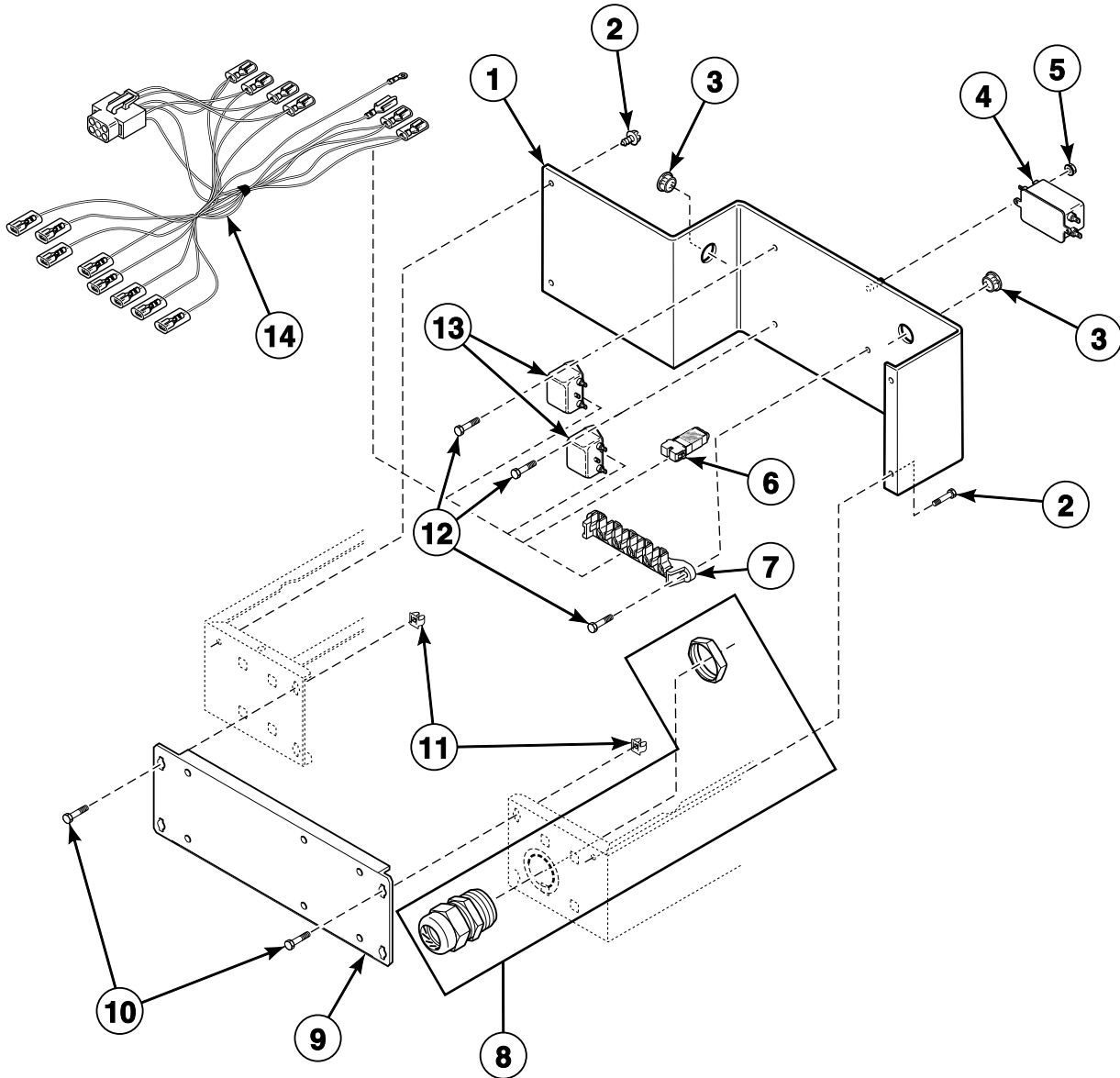
SWD1271PA_803403

Control Cabinet and Controls (Drawing 2 of 2)

REF	PART NO.	DESCRIPTION	COMMENTS
	NK203	Network Retrofit Kit	Wired
	NK220	Network Controller Kit	Wired
	NK301	Wireless Network Kit	
	NK320	Ethernet Gateway Kit	Wireless
	NK330	USB Gateway Kit	Wireless
1	D511478	Central Pay Harness	
2	800680	Diagnostic Wire Harness Assembly	
3	D511867P	Control Assembly	Dryer; Models JT1DGFSP411EW01, JT1DGFSP411EW06, JT1DMFSG411EN01, JT1DMFSG411EN06, JT2DGFSP411EW01, JT2DGFSP411EW06, JT2DMFSG411EN01 and JT2DMFSG411EN06
	D510036P	Membrane Switch	Use with 511867P Control Assembly; Models JT1DGFSP411EW01, JT1DGFSP411EW06, JT1DMFSG411EN01, JT1DMFSG411EN06, JT2DGFSP411EW01, JT2DGFSP411EW06, JT2DMFSG411EN01 and JT2DMFSG411EN06
	D513534P	Control Assembly	Dryer; All other models

Electrical Access Panel, Filters and Terminal Block

Models BT3LLFSG401UN01, BT3LLFSG401UW01, BT3LLFSG402UW01, BT3LLFSP401UN01, BT3LLFSP402UN01, BT3LLFSP401UW01, BT3LLFSP402UW01, JT1DGFSP411EW01, JT1DGFSP411EW06, JT1DMFSG411EN01, JT1DMFSG411EN06, JT2DGFSP411EW01, JT2DGFSP411EW06, JT2DMFSG411EN01, JT2DMFSG411EN06, NT1LLFSP411UW06, NT1LLFSP412UW06, NT2LLFSP401UN01, NT2LLFSP402UN01, NT2LLFSP401UW01, NT2LLFSP402UW01, NT2LLFSP401UW06, NT2LLFSP402UW06, NT3LLFSG401UW01, NT3LLFSG402UW01, NT3LLFSP401NN22, NT3LLFSP402NN22, NT3LLFSP401NW22, NT3LLFSP402NW22, NT3LLFSP401UN01, NT3LLFSP402UN01, NT3LLFSP401UW01 and NT3LLFSP402UW01

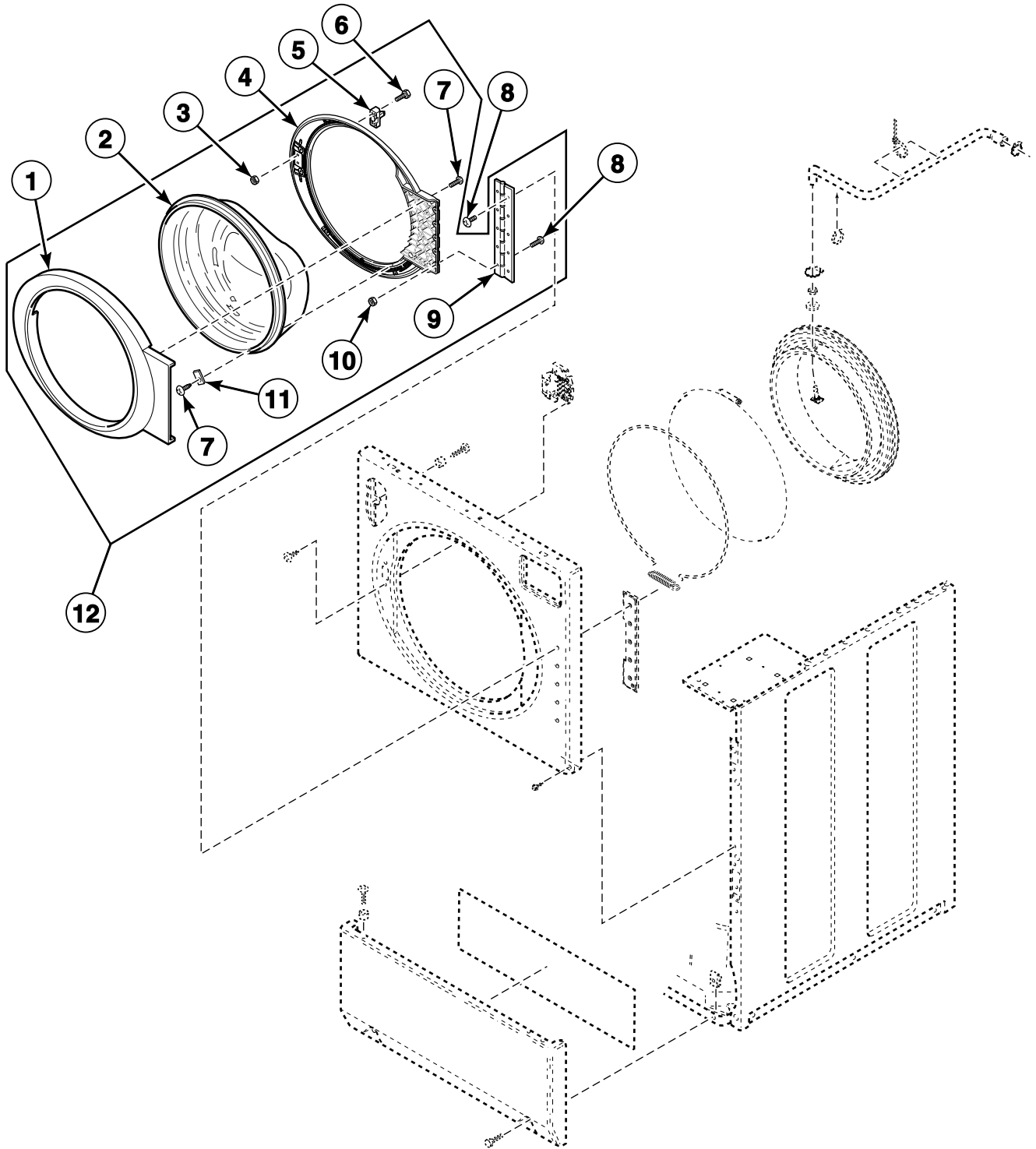


SWD1249P_803403

Electrical Access Panel, Filters and Terminal Block

REF	PART NO.	DESCRIPTION	COMMENTS
1	801756	Terminal Block Assembly	
2	D503688	Screw	
3	M402542	Snap Bushing	
4	201058	Line Filter	
5	29787	Nut	
6	801311	Network Varistor Assembly	
7	D505876	Terminal Block Assembly	
8	801792P	Fitting	
9	801058	Rear Control Cabinet	
10	70240301	Screw	
11	70030501	Expansion Clip	
12	D503661	Screw	
13	801255P	Filter	
14	801261	Wire Harness Assembly	3 Phase power

Washer Door Assembly

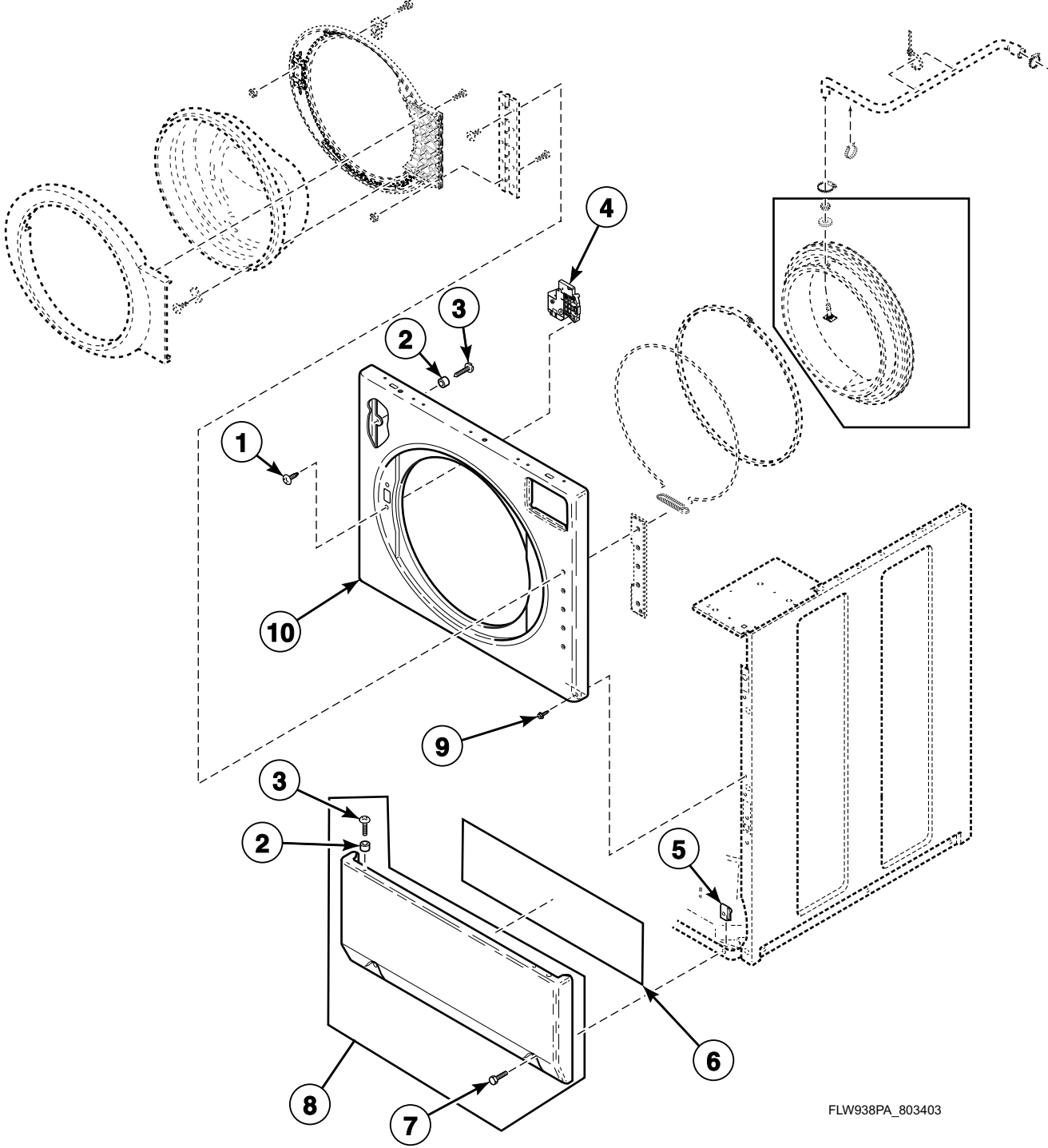


FLW938P_803403

Washer Door Assembly

REF	PART NO.	DESCRIPTION	COMMENTS
1	802314P	Outer Door Bezel Kit	Models BT3LLFSG401UN01, BT3LLFSG401UW01, BT3LLFSG402UW01, BT3LLFSP401UN01, BT3LLFSP402UN01, BT3LLFSP401UW01, BT3LLFSP402UW01, BT3LXFSG401UN01, BT3LXFSG401UW01, BT3LXFSG402UW01, BT3LXFSP401UN01, BT3LXFSP402UN01, BT3LXFSP401UW01, BT3LXFSP402UW01, JT1DMFSG411EN01, JT1DMFSG411EN06, JT2DMFSG411EN01, JT2DMFSG411EN06, NT1LXFSP401UN01, NT2LLFSP401UN01, NT2LLFSP402UN01, NT2LXFSP401UN01, NT2LXFSP402UN01, NT3LLFSP401NN22, NT3LLFSP402NN22, NT3LLFSP401UN01, NT3LLFSP402UN01, NT3LXFSP401UN01 and NT3LXFSP402UN01
	802313WP	Outer Door Bezel Kit	All other models
2	802695P	Door Glass	
3	685846	Nut	
4	802331P	Inner Door Bezel Kit	Models BT3LLFSG401UN01, BT3LLFSG401UW01, BT3LLFSG402UW01, BT3LLFSP401UN01, BT3LLFSP402UN01, BT3LLFSP401UW01, BT3LLFSP402UW01, BT3LXFSG401UN01, BT3LXFSG401UW01, BT3LXFSG402UW01, BT3LXFSP401UN01, BT3LXFSP402UN01, BT3LXFSP401UW01, BT3LXFSP402UW01, JT1DMFSG411EN01, JT1DMFSG411EN06, JT2DMFSG411EN01, JT2DMFSG411EN06, NT1LXFSP401UN01, NT2LLFSP401UN01, NT2LLFSP402UN01, NT2LXFSP401UN01, NT2LXFSP402UN01, NT3LLFSP401NN22, NT3LLFSP402NN22, NT3LLFSP401UN01, NT3LLFSP402UN01, NT3LXFSP401UN01 and NT3LXFSP402UN01
	802307P	Inner Door Bezel Kit	All other models
5	802803	Door Catch Assembly	
6	801993	Screw	
7	800548	Screw	
8	801019	Screw	
9	802934	Door Hinge	
10	23951	Nut	
11	802700	Glass Mounting Clip	
12	802872P	Door Assembly	Includes items 1-11; Models BT3LLFSG401UN01, BT3LLFSG401UW01, BT3LLFSG402UW01, BT3LLFSP401UN01, BT3LLFSP402UN01, BT3LLFSP401UW01, BT3LLFSP402UW01, BT3LXFSG401UN01, BT3LXFSG401UW01, BT3LXFSG402UW01, BT3LXFSP401UN01, BT3LXFSP402UN01, BT3LXFSP401UW01, BT3LXFSP402UW01, JT1DMFSG411EN01, JT1DMFSG411EN06, JT2DMFSG411EN01, JT2DMFSG411EN06, NT1LXFSP401UN01, NT2LLFSP401UN01, NT2LLFSP402UN01, NT2LXFSP401UN01, NT2LXFSP402UN01, NT3LLFSP401NN22, NT3LLFSP402NN22, NT3LLFSP401UN01, NT3LLFSP402UN01, NT3LXFSP401UN01 and NT3LXFSP402UN01
	804914WP	Door Assembly	Includes items 1-11; All other models

Washer Front Panel and Door Seal (Drawing 1 of 2)

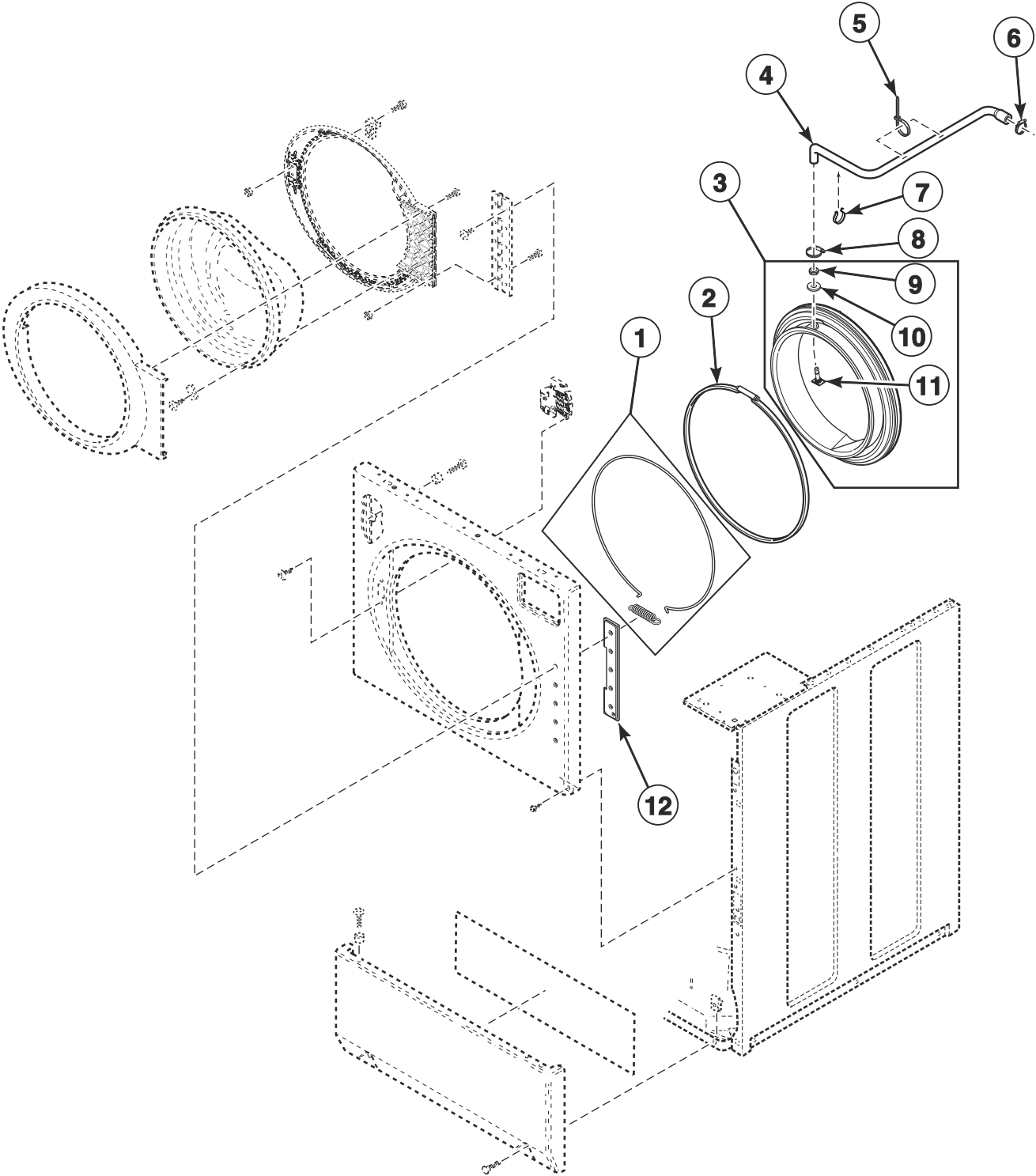


FLW938PA_803403

Washer Front Panel and Door Seal (Drawing 1 of 2)

REF	PART NO.	DESCRIPTION	COMMENTS
1	800548	Screw	
2	56079	Panel Locator	
3	D512921	Screw	Models BT3LLFSG401UN01, BT3LLFSP401UN01, BT3LLFSP402UN01, BT3LXFSG401UN01, BT3LXFSP401UN01, BT3LXFSP402UN01, JT1DMFSG411EN01, JT1DMFSG411EN06, JT2DMFSG411EN01, JT2DMFSG411EN06, NT1LXFSP401UN01, NT2LLFSP401UN01, NT2LLFSP402UN01, NT2LXFSP401UN01, NT2LXFSP402UN01, NT3LLFSP401NN22, NT3LLFSP402NN22, NT3LLFSP401UN01, NT3LLFSP402UN01, NT3LXFSP401UN01 and NT3LXFSP402UN01
	39733	Screw	All other models
4	802317P	Door Latch/Switch Assembly	
5	36020	Nut	
6	36204	Front Panel Pad	
7	801045	Screw	
8	D514251	Access Panel Assembly	Models BT3LLFSG401UN01, BT3LLFSP401UN01, BT3LLFSP402UN01, BT3LXFSG401UN01, BT3LXFSP401UN01, BT3LXFSP402UN01, JT1DMFSG411EN01, JT1DMFSG411EN06, JT2DMFSG411EN01, JT2DMFSG411EN06, NT1LXFSP401UN01, NT2LLFSP401UN01, NT2LLFSP402UN01, NT2LXFSP401UN01, NT2LXFSP402UN01, NT3LLFSP401NN22, NT3LLFSP402NN22, NT3LLFSP401UN01, NT3LLFSP402UN01, NT3LXFSP401UN01 and NT3LXFSP402UN01
	D514250WP	Access Panel Assembly	All other models
9	D503661	Screw	
10	802288P	Front Panel	Models BT3LLFSG401UN01, BT3LLFSP401UN01, BT3LLFSP402UN01, BT3LXFSG401UN01, BT3LXFSP401UN01, BT3LXFSP402UN01, JT1DMFSG411EN01, JT1DMFSG411EN06, JT2DMFSG411EN01, JT2DMFSG411EN06, NT1LXFSP401UN01, NT2LLFSP401UN01, NT2LLFSP402UN01, NT2LXFSP401UN01, NT2LXFSP402UN01, NT3LLFSP401NN22, NT3LLFSP402NN22, NT3LLFSP401UN01, NT3LLFSP402UN01, NT3LXFSP401UN01 and NT3LXFSP402UN01
	802277WP	Front Panel	All other models

Washer Front Panel and Door Seal (Drawing 2 of 2)



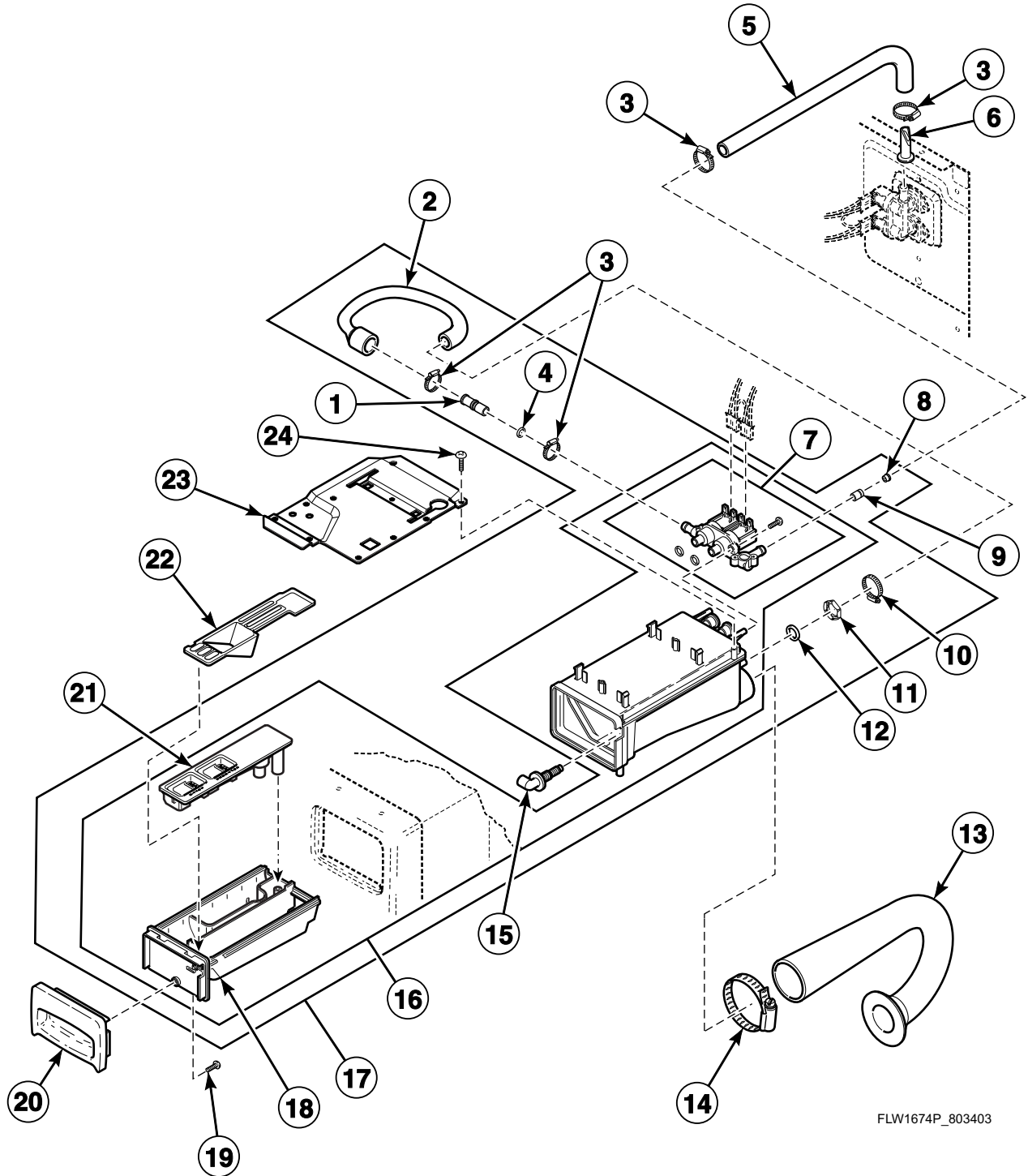
FLW938PB_803403

Washer Front Panel and Door Seal (Drawing 2 of 2)

REF	PART NO.	DESCRIPTION	COMMENTS
1	806466	Wire Ring and Spring	
2	802281	Hose Clamp	Seal to outer tub front
3	803554	Door Seal Assembly	Models JT1DGFSP411EW06, JT1DMFSG411EN06, JT2DGFSP411EW06, JT2DMFSG411EN06, NT1LLFSP411UW06, NT1LLFSP412UW06, NT1LXFSP402UW06, NT2LLFSP401UW06, NT2LLFSP402UW06 and NT2LXFSP402UW06
	802866P	Door Seal Assembly	Black; Includes items 9-11; All other models
	802830P	Door Seal Kit	Gray; Includes items 9-11; All other models
4	802256	Dispenser-to-Door Seal Hose	All models except JT1DGFSP411EW06, JT1DMFSG411EN06, JT2DGFSP411EW06, JT2DMFSG411EN06, NT1LLFSP411UW06, NT1LLFSP412UW06, NT1LXFSP402UW06, NT2LLFSP401UW06, NT2LLFSP402UW06 and NT2LXFSP402UW06
5	55881	Harness Strap	All models except JT1DGFSP411EW06, JT1DMFSG411EN06, JT2DGFSP411EW06, JT2DMFSG411EN06, NT1LLFSP411UW06, NT1LLFSP412UW06, NT1LXFSP402UW06, NT2LLFSP401UW06, NT2LLFSP402UW06 and NT2LXFSP402UW06
6	802164	Hose Clamp	All models except JT1DGFSP411EW06, JT1DMFSG411EN06, JT2DGFSP411EW06, JT2DMFSG411EN06, NT1LLFSP411UW06, NT1LLFSP412UW06, NT1LXFSP402UW06, NT2LLFSP401UW06, NT2LLFSP402UW06 and NT2LXFSP402UW06
7	687500	Wire Clip	All models except JT1DGFSP411EW06, JT1DMFSG411EN06, JT2DGFSP411EW06, JT2DMFSG411EN06, NT1LLFSP411UW06, NT1LLFSP412UW06, NT1LXFSP402UW06, NT2LLFSP401UW06, NT2LLFSP402UW06 and NT2LXFSP402UW06
8	802698	Hose Clamp	All models except JT1DGFSP411EW06, JT1DMFSG411EN06, JT2DGFSP411EW06, JT2DMFSG411EN06, NT1LLFSP411UW06, NT1LLFSP412UW06, NT1LXFSP402UW06, NT2LLFSP401UW06, NT2LLFSP402UW06 and NT2LXFSP402UW06
9	802292	Nut	All models except JT1DGFSP411EW06, JT1DMFSG411EN06, JT2DGFSP411EW06, JT2DMFSG411EN06, NT1LLFSP411UW06, NT1LLFSP412UW06, NT1LXFSP402UW06, NT2LLFSP401UW06, NT2LLFSP402UW06 and NT2LXFSP402UW06
10	802293	Washer	All models except JT1DGFSP411EW06, JT1DMFSG411EN06, JT2DGFSP411EW06, JT2DMFSG411EN06, NT1LLFSP411UW06, NT1LLFSP412UW06, NT1LXFSP402UW06, NT2LLFSP401UW06, NT2LLFSP402UW06 and NT2LXFSP402UW06
11	802291	Boot Nozzle	All models except JT1DGFSP411EW06, JT1DMFSG411EN06, JT2DGFSP411EW06, JT2DMFSG411EN06, NT1LLFSP411UW06, NT1LLFSP412UW06, NT1LXFSP402UW06, NT2LLFSP401UW06, NT2LLFSP402UW06 and NT2LXFSP402UW06
12	802206	Hinge Plate	

Dispenser Assembly (Drawing 1 of 3)

Models JT1DGFSP411EW06, JT1DMFSG411EN06, JT2DGFSP411EW06, JT2DMFSG411EN06,
NT1LLFSP411UW06, NT1LLFSP412UW06, NT1LXFSP402UW06, NT2LLFSP401UW06,
NT2LLFSP402UW06 and NT2LXFSP402UW06



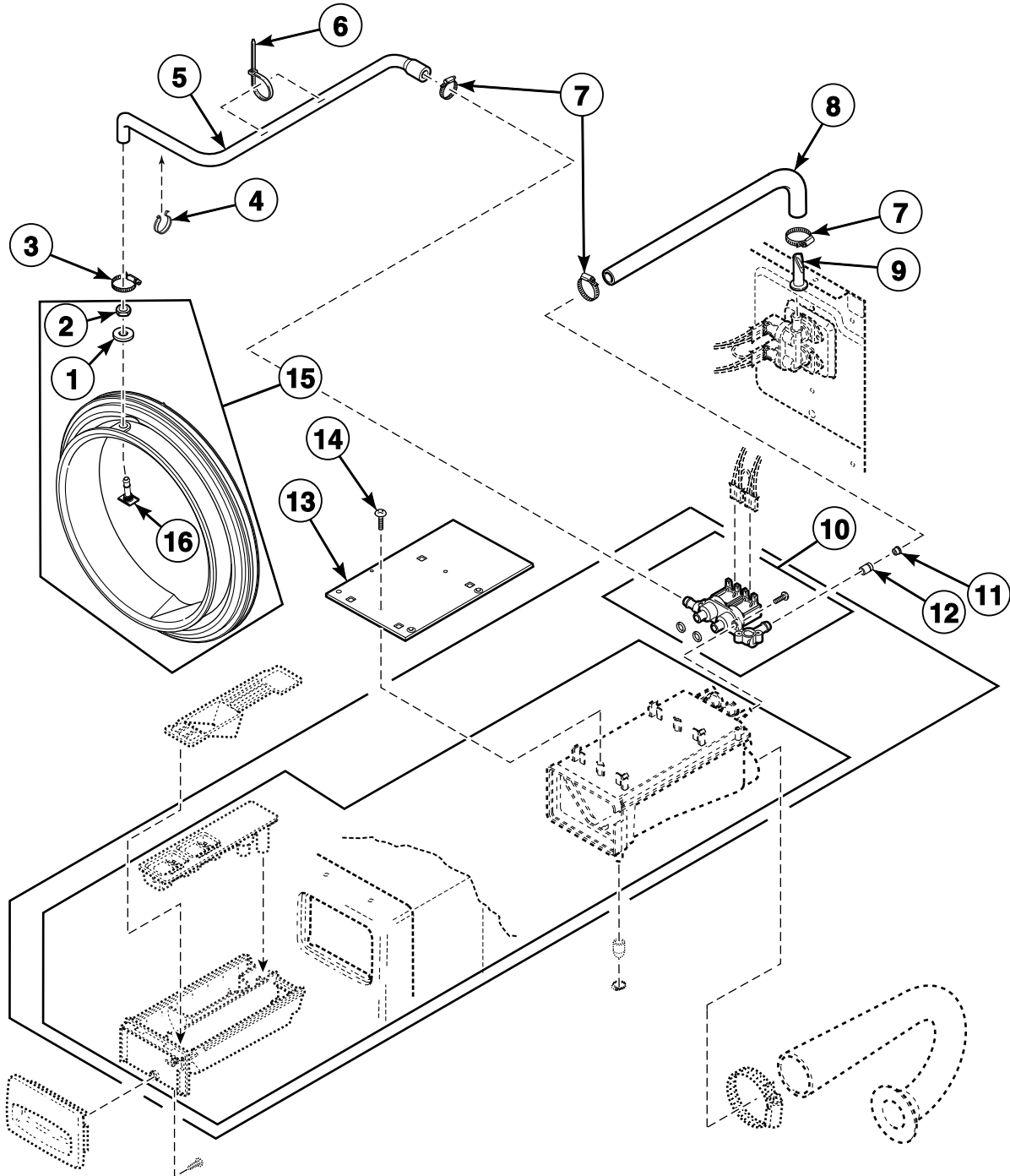
FLW1674P_803403

Dispenser Assembly (Drawing 1 of 3)

REF	PART NO.	DESCRIPTION	COMMENTS
1	803544	Orifice	
2	803440	Dispenser-to-Air Gap Hose	
3	802164	Hose Clamp	
4	803545	O-Ring	
5	801464	Valve-to-Dispenser Inlet Hose	
6	34500	Backflow Preventer	
7	801836P	Valve Kit	
8	803230	Flow Regulator	
9	803231	Spacer	
10	802698	Hose Clamp	
11	M404993	Nut	
12	801632	O-Ring	
13	800331	Dispenser-to-Tub Hose	
14	685725	Hose Clamp	
15	F8322001	Injection Nozzle	
16	803441	Dispenser Assembly	Includes items 7, 18 and 21
17	803546	Dispenser Assembly	Includes items 1-4, 7-12, 15, 16 and 21
18	685757P	Dispenser Drawer	
19	800548	Screw	
20	803318	Dispenser Handle	Models JT1DMFSG411EN06 and JT2DMFSG411EN06
	803329W	Dispenser Handle	All other models
21	685716	Insert	
22	800899	Detergent Cover	
23	801024	Dispenser Plate	
24	801001	Screw	

Dispenser Assembly (Drawing 2 of 3)

All Models Except JT1DGFSP411EW06, JT1DMFSG411EN06, JT2DGFSP411EW06, JT2DMFSG411EN06, NT1LLFSP411UW06, NT1LLFSP412UW06, NT1LXFSP402UW06, NT2LLFSP401UW06, NT2LLFSP402UW06, NT2LXFSP402UW06, STEWYFJP302NN25, STEWYFJP302NW25 and STGWYFJP302NN25



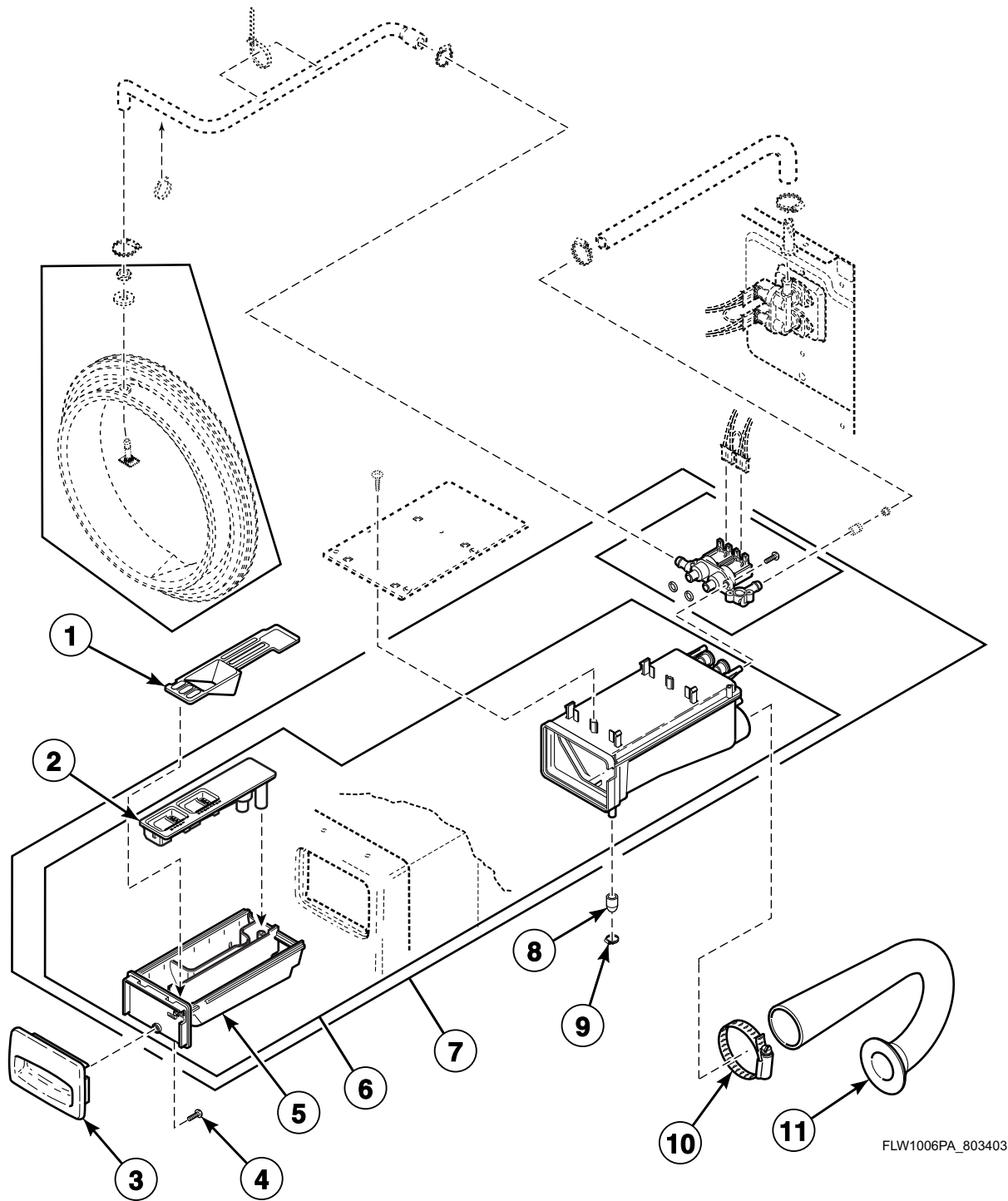
FLW1006P_803403

Dispenser Assembly (Drawing 2 of 3)

REF	PART NO.	DESCRIPTION	COMMENTS
1	802293	Washer	
2	802292	Nut	
3	802698	Hose Clamp	
4	687500	Wire Clip	
5	802256	Dispenser-to-Door Seal Hose	
6	39037	Cable Tie	
7	802164	Hose Clamp	
8	801464	Valve-to-Dispenser Inlet Hose	
9	34500	Backflow Preventer	
10	685766P	Valve Kit	Models HTELXFSP281CW01, HTELXFSP291CW01, HTELYFSP281CW01, HTELYFSP291CW01, HTENXFSP281CW01, HTENXFSP282CW01, HTENXFSP291CW01, HTENXFSP292CW01, HTENYFSP281CW01, HTENYFSP282CW01, HTENYFSP291CW01, HTENYFSP292CW01, HTGLXFSP091CW01, HTGNXFSP091CW01, HTGNXFSP092CW01, STELCFSP171TW01, STELXFSP171TW01, STELYFSP171TW01, STENCFSP171TW01, STENCFSP172TW01, STENXFSP171TW01, STENXFSP172TW01, STENYFSP171TW01, STENYFSP172TW01, STEWYFSP172TW11, STGLCFSP111TW01, STGLCFSP111TWNA, STGLXFSG111TW01, STGLXFSP111TW01, STGLYFSP111TW01, STGLYFSP111TWNA, STGNCFSP111TW01, STGNCFSP112TW01, STGNXFSG111TW01, STGNXFSG112TW01, STGNXFSP111TW01, STGNXFSP112TW01, STGNYFSP111TW01, STGNYFSP112TW01 and STGWYFSP112TW11
	801836P	Valve Kit	All other models
11	803230	Flow Regulator	Models JT1DEFSP411EW01, JT1DGFSP411EW01, JT1DMFSG411EN01, JT1DXFSP411EW01, JT2DEFSP411EW01, JT2DGFSP411EW01, JT2DMFSG411EN01, JT2DXFSP411EW01, JTEDEFSP301EW01, JTEDXFSP301EW01, JTGDEFSP301EW01 and JTGDXFSP301EW01
12	803231	Spacer	Models JT1DEFSP411EW01, JT1DGFSP411EW01, JT1DMFSG411EN01, JT1DXFSP411EW01, JT2DEFSP411EW01, JT2DGFSP411EW01, JT2DMFSG411EN01, JT2DXFSP411EW01, JTEDEFSP301EW01, JTEDXFSP301EW01, JTGDEFSP301EW01 and JTGDXFSP301EW01
13	801024	Dispenser Plate	
14	801001	Screw	
15	802866P	Door Seal Assembly	Black; Includes items 1, 2 and 16
	802830P	Door Seal Kit	Gray; Includes items 1, 2 and 16
16	802291	Boot Nozzle	

Dispenser Assembly (Drawing 3 of 3)

All Models Except JT1DGFSP411EW06, JT1DMFSG411EN06, JT2DGFSP411EW06, JT2DMFSG411EN06, NT1LLFSP411UW06, NT1LLFSP412UW06, NT1LXFSP402UW06, NT2LLFSP401UW06, NT2LLFSP402UW06, NT2LXFSP402UW06, STEWYFJP302NN25, STEWYFJP302NW25 and STGWYFJP302NN25



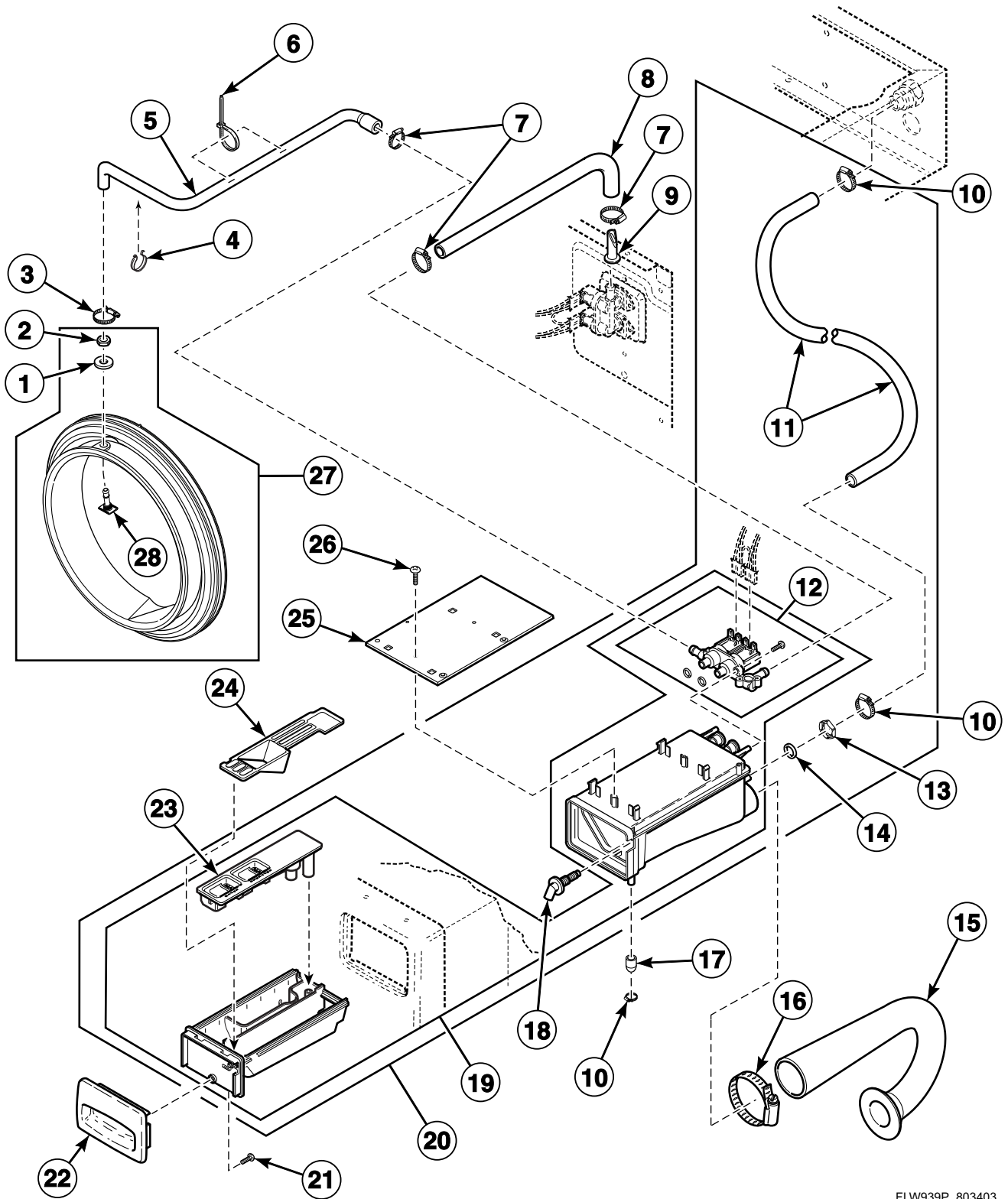
FLW1006PA_803403

Dispenser Assembly (Drawing 3 of 3)

REF	PART NO.	DESCRIPTION	COMMENTS
1	800899	Detergent Cover	
2	685716	Insert	
3	803318	Dispenser Handle	Models JT1DMFSG411EN01 and JT2DMFSG411EN01
	803329W	Dispenser Handle	Models JT1DEFSP411EW01, JT1DGFSP411EW01, JT1DXFSP411EW01, JT2DEFSP411EW01, JT2DGFSP411EW01, JT2DXFSP411EW01, JTEDEFSP301EW01, JTEDXFSP301EW01, JTGDEFSP301EW01 and JTGDXFSP301EW01
	802879P	Dispenser Handle	Models BT3LLFSG401UN01, BT3LLFSP401UN01, BT3LLFSP402UN01, BT3LXFSG401UN01, BT3LXFSP401UN01, BT3LXFSP402UN01, NT1LXFSP401UN01, NT2LLFSP401UN01, NT2LLFSP402UN01, NT2LXFSP401UN01, NT2LXFSP402UN01, NT3LLFSP401NN22, NT3LLFSP402NN22, NT3LLFSP401UN01, NT3LLFSP402UN01, NT3LXFSP401UN01 and NT3LXFSP402UN01
	685715WP	Dispenser Drawer Front	All other models
4	800548	Screw	
5	685757P	Dispenser Drawer	
6	801476P	Dispenser Assembly	Includes items 2 and 5
7	685756P	Dispenser	Includes items 2, 6 and 685766P Valve Kit; Models HTELFSP281CW01, HTELFSP291CW01, HTELYFSP281CW01, HTELYFSP291CW01, HTENXFSP281CW01, HTENXFSP282CW01, HTENXFSP291CW01, HTENXFSP292CW01, HTENYFSP281CW01, HTENYFSP282CW01, HTENYFSP291CW01, HTENYFSP292CW01, HTGLXFSP091CW01, HTGNXFSP091CW01, HTGNXFSP092CW01, STELCFSP171TW01, STELFSP171TW01, STELYFSP171TW01, STENCFSP171TW01, STENCFSP172TW01, STENXFSP171TW01, STENXFSP172TW01, STENYFSP171TW01, STENYFSP172TW01, STEWYFSP172TW11, STGLCFSP111TW01, STGLCFSP111TWNA, STGLXFSG111TW01, STGLXFSP111TW01, STGLYFSP111TW01, STGLYFSP111TWNA, STGNCFSP111TW01, STGNCFSP112TW01, STGNXFSG111TW01, STGNXFSG112TW01, STGNXFSP111TW01, STGNXFSP112TW01, STGNYFSP111TW01, STGNYFSP112TW01 and STGWYFSP112TW11
	801090P	Dispenser	Includes items 2, 6 and 801836P Valve Kit; All other models
8	801746	Cap	
9	F200206	Hose Clamp	
10	685725	Hose Clamp	
11	800331	Dispenser-to-Tub Hose	

Dispenser Assembly and Supply Injection Hoses

Models STEWYFJP302NN25, STEWYFJP302NW25 and STGWYFJP302NN25

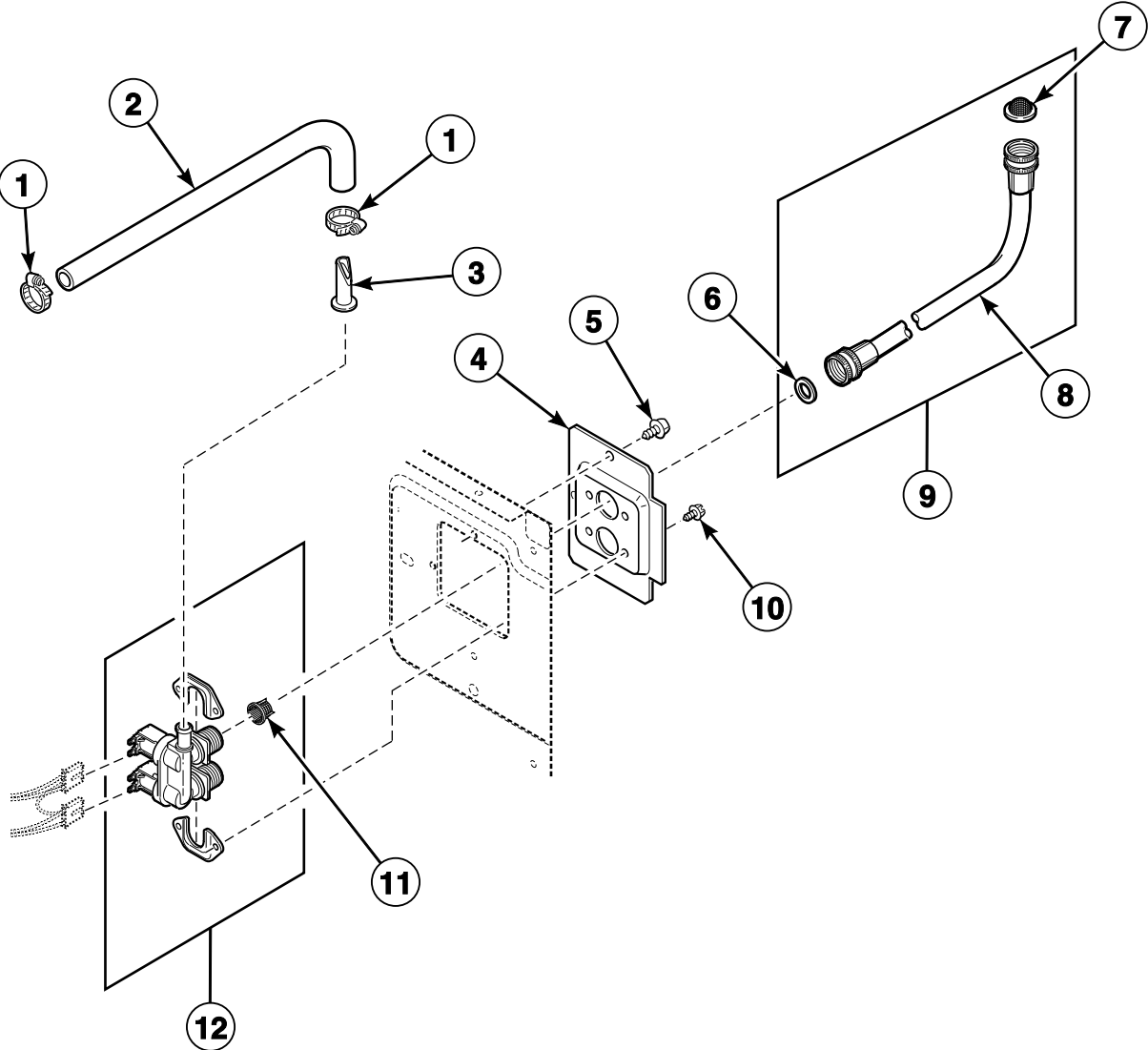


FLW939P_803403

Dispenser Assembly and Supply Injection Hoses

REF	PART NO.	DESCRIPTION	COMMENTS
1	802293	Washer	
2	802292	Nut	
3	802698	Hose Clamp	
4	687500	Wire Clip	
5	802256	Dispenser-to-Door Seal Hose	
6	55881	Harness Strap	
7	802164	Hose Clamp	
8	801464	Valve-to-Dispenser Inlet Hose	
9	34500	Backflow Preventer	
10	F200206	Hose Clamp	
11	801635	Tubing	
12	685766P	Valve Kit	
13	802292	Nut	
14	801632	O-Ring	
15	800331	Dispenser-to-Tub Hose	
16	685725	Hose Clamp	
17	801746	Cap	
18	F8322001	Injection Nozzle	
19	801630P	Dispenser Assembly	Includes items 12 and 23
20	801662P	Dispenser Assembly	Includes items 10-14, 18, 19, 23 and 801789 Connector
21	800548	Screw	
22	685715WP	Dispenser Drawer Front	
23	685716	Insert	
24	800899	Detergent Cover	
25	801024	Dispenser Plate	
26	801001	Screw	
27	802866P	Door Seal Assembly	Black; Includes items 1, 2 and 28
	802830P	Door Seal Kit	Gray; Includes items 1, 2 and 28
28	802291	Boot Nozzle	

Mixing Valve, Valve-to-Dispenser Inlet Hose and Fill Hose



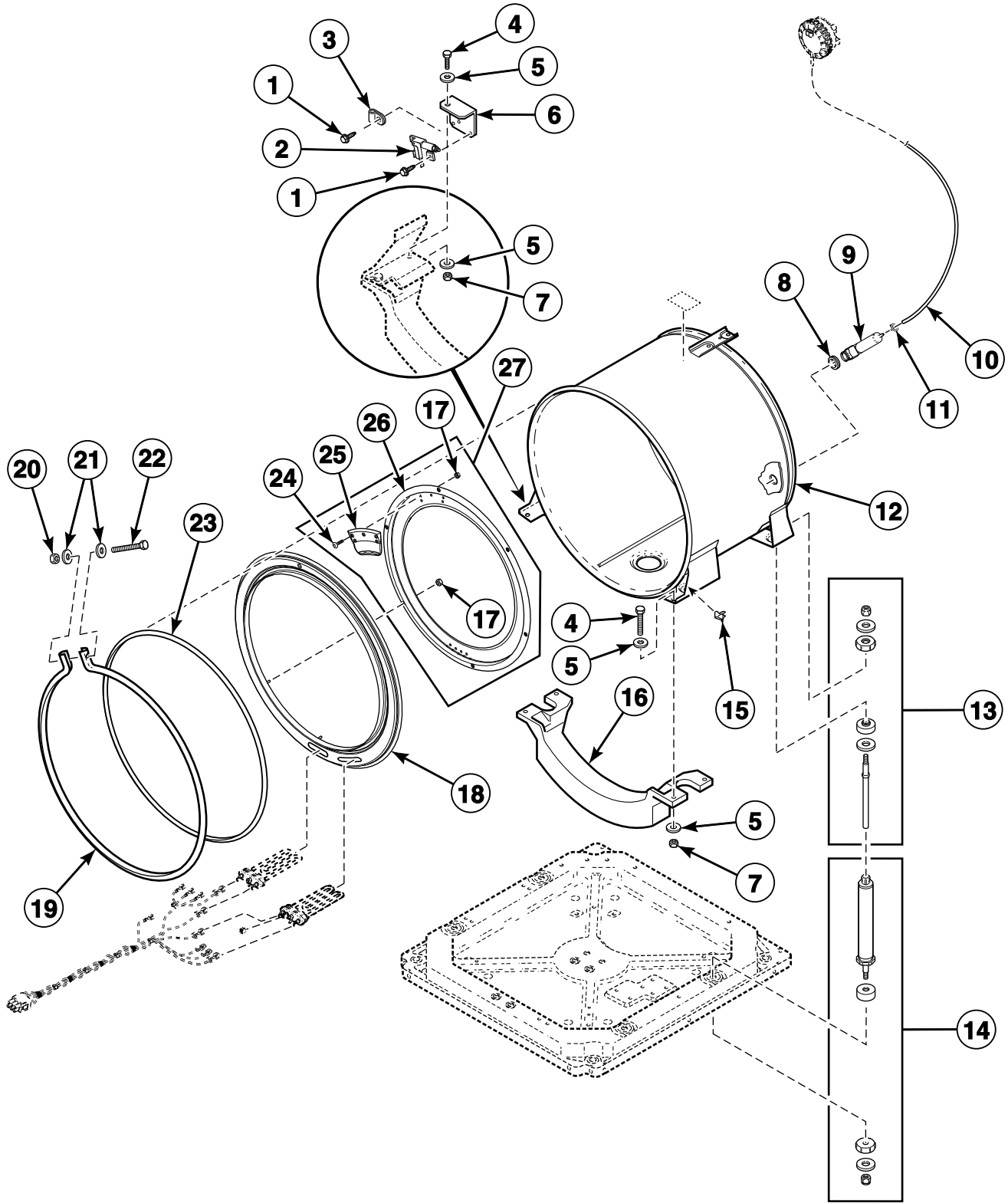
FLW881P_803403

Mixing Valve, Valve-to-Dispenser Inlet Hose and Fill Hose

REF	PART NO.	DESCRIPTION	COMMENTS
1	802164	Hose Clamp	
2	801464	Valve-to-Dispenser Inlet Hose	
3	34500	Backflow Preventer	
4	800323	Mixing Valve Plate	
5	D503661	Screw	
6	20290	Washer	
7	803615	Washer	Filter screen
	802254	Washer	Flow restrictor; Water pressure reducer; Available for water pressure up to but not exceeding 120 psi
8	202931	Fill Hose	Models STEWYFJP302NN25, STEWYFJP302NW25, STEWYFSP302NW25 and STGWYFJP302NN25
	202800	Fill Hose	Models STELXFSP431AW01, STELXFSP432AW01 and STGLXFSP302AW01
	20617	Fill Hose	8 feet; Hose is equipped with 2 standard hose couplings; All other models
	20618	Fill Hose	10 feet; Hose is equipped with 2 standard hose couplings; All other models
	37380	Fill Hose	8 feet; Hose is equipped with 1 metric and 1 standard hose coupling; All other models
	37381	Fill Hose	10 feet; Hose is equipped with 1 metric and 1 standard hose coupling; All other models
	38349P	Fill Hose Kit	5 feet; Hose is equipped with 1 metric and 1 standard hose coupling; Includes 2 of item 6; All other models
9	F200116	Water Hose	5 feet; Hose is equipped with 2 standard hose couplings; Includes items 6 and 7
10	D501086	Screw	
11	802926	Mixing Valve Screen	
12	802220P	Mixing Valve	Models HTELXFSP281CW01, HTELXFSP291CW01, HTELYFSP281CW01, HTELYFSP291CW01, HTENXFSP281CW01, HTENXFSP282CW01, HTENXFSP291CW01, HTENXFSP292CW01, HTENYFSP281CW01, HTENYFSP282CW01, HTENYFSP291CW01, HTENYFSP292CW01, HTGLXFSP091CW01, HTGNXFSP091CW01, HTGNXFSP092CW01, STELCFSP171TW01, STELXFSP171TW01, STELYFSP171TW01, STENCFSP171TW01, STENCFSP172TW01, STENXFSP171TW01, STENXFSP172TW01, STENYFSP171TW01, STENYFSP172TW01, STEWYFSP172TW11, STGLCFSP111TW01, STGLCFSP111TWNA, STGLXFSG111TW01, STGLXFSP111TW01, STGLYFSP111TW01, STGLYFSP111TWNA, STGNCFSP111TW01, STGNCFSP112TW01, STGNXFSG082JW01, STGNXFSG111TW01, STGNXFSG112TW01, STGNXFSP111TW01, STGNXFSP112TW01, STGNYFSP111TW01, STGNYFSP112TW01 and STGWYFSP112TW11
	802222P	Mixing Valve	All other models

Outer Tub, Front and Clamp Ring

Models Beginning with HTE, HTG, JTE, JTG, STE, STG and STL



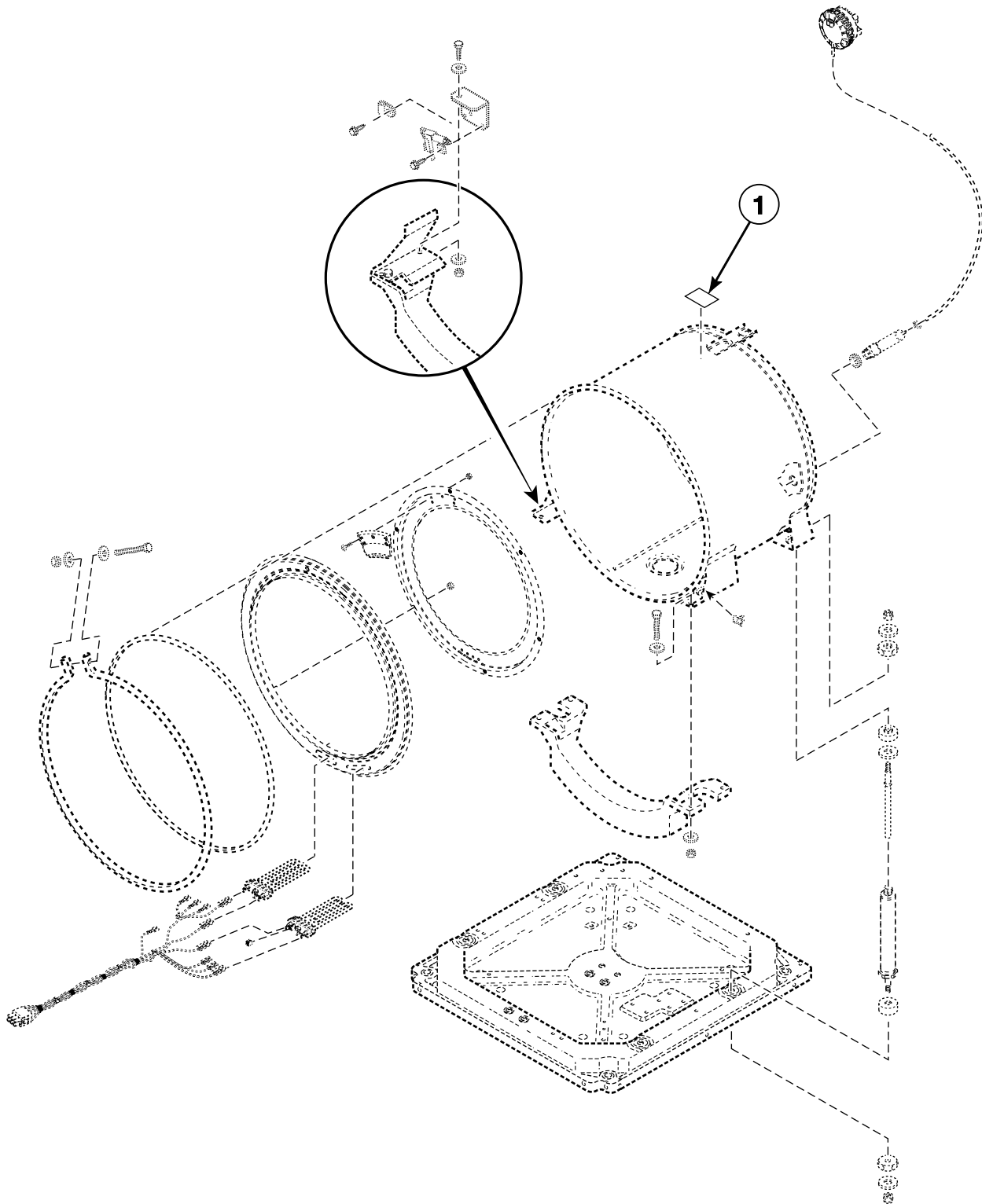
FLW1012P_803403

Outer Tub, Front and Clamp Ring

REF	PART NO.	DESCRIPTION	COMMENTS
1	D503661	Screw	
2	806512	Out-of-Balance Switch Assembly Kit	Models through Serial No. 1201004551
	803415	Out-of-Balance Switch Assembly	Models starting Serial No. 1201004552
3	800811	Wire Clamp	
4	800461	Screw	
5	M400081	Washer	
6	800663	Switch Mounting Bracket	Models through Serial No. 1201004551
	803388	Switch Mounting Bracket	Models starting Serial No. 1201004552
7	800452	Nut	
8	29175	Grommet	
9	30907	Pressure Bulb	
10	800648P	Tubing	
11	39282	Hose Clamp	
12	801081P	Outer Tub Assembly	
13	800622P	Tub Shock Absorber Kit	
14	802881P	Base Shock Absorber Kit	Must replace all 4
15	00161	Grounding Clip	
16	800205	Ballast Weight	
17	802343	Nut	
18	802258	Tub Front Assembly	
19	800312	Clamp Ring	
20	F430218	Nut	
21	800457	Washer	
22	800462	Screw	
23	800432P	Tub Front Seal	
24	802596	Screw	
25	804174P	Clothes Guard Deflector	
	804482	Clothes Guard Deflector	Heavy duty
26	803537	Clothes Guard	
27	804560P	Clothes Guard and Deflector Kit	Includes items 7, 17 and 21-26

Warning Label for Outer Tub Assembly

Models Beginning with HTE, HTG, JTE, JTG, STE, STG and STL



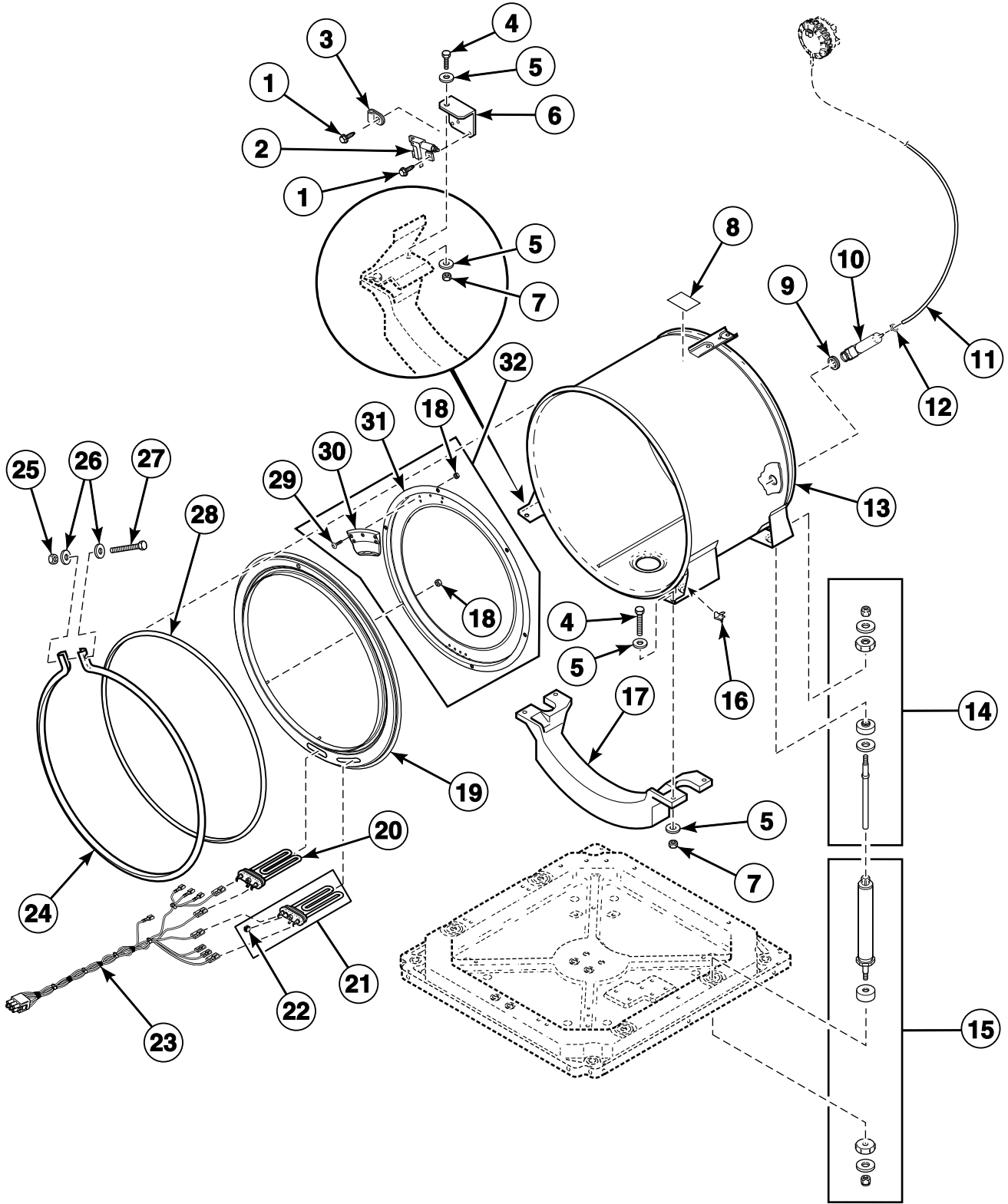
FLW1012PB_803403

Warning Label for Outer Tub Assembly

REF	PART NO.	DESCRIPTION	COMMENTS
1	D500314	Warning Label	Models HTELXFSP281CW01, HTELXFSP291CW01, HTELYFSP281CW01, HTELYFSP291CW01, HTENXFSP281CW01, HTENXFSP282CW01, HTENXFSP291CW01, HTENXFSP292CW01, HTENYFSP281CW01, HTENYFSP282CW01, HTENYFSP291CW01, HTENYFSP292CW01, HTGLXFSP091CW01, HTGNXFSP091CW01 and HTGNXFSP092CW01
	D500049	Warning Label	Models STELCFSP171TW01, STELXFSP171TW01, STELYFSP171TW01, STENCFSP171TW01, STENCFSP172TW01, STENXFSP171TW01, STENXFSP172TW01, STENYFSP171TW01, STENYFSP172TW01, STEWYFSP172TW11, STGLCFSP111TW01, STGLCFSP111TWNA, STGLXFSG111TW01, STGLXFSP111TW01, STGLYFSP111TW01, STGLYFSP111TWNA, STGNCFSP111TW01, STGNCFSP112TW01, STGNXFSG082JW01, STGNXFSG111TW01, STGNXFSG112TW01, STGNXFSP111TW01, STGNXFSP112TW01, STGNYFSP111TW01, STGNYFSP112TW01, STGWYFSP112TW11 and STLNXFSP542NW23
	F8211201	Electrical Shock Label	Models JTEDEFSP301EW01, JTEDXFSP301EW01, JTGDEFSP301EW01, JTGDXFSP301EW01, STELXFSP431AW01, STELXFSP432AW01, STEWYFJP302NN25, STEWYFJP302NW25, STEWYFSP302NW25, STGLXFSP301AW01, STGLXFSP302AW01, STLNXFSP542NW23, STLNYFSP541NW23 and STLNYFSP542NW23
	F8615701	Pinch Warning Label	Models JTEDEFSP301EW01, JTEDXFSP301EW01, JTGDEFSP301EW01, JTGDXFSP301EW01, STELXFSP431AW01, STELXFSP432AW01, STGLXFSP301AW01, STGLXFSP302AW01, STLNXFSP542NW23, STLNYFSP541NW23 and STLNYFSP542NW23

Outer Tub, Front, Clamp Ring and Heating Element

Models Beginning with BT3, JT1, JT2, NT1, NT2, NT3, NTH and ST3

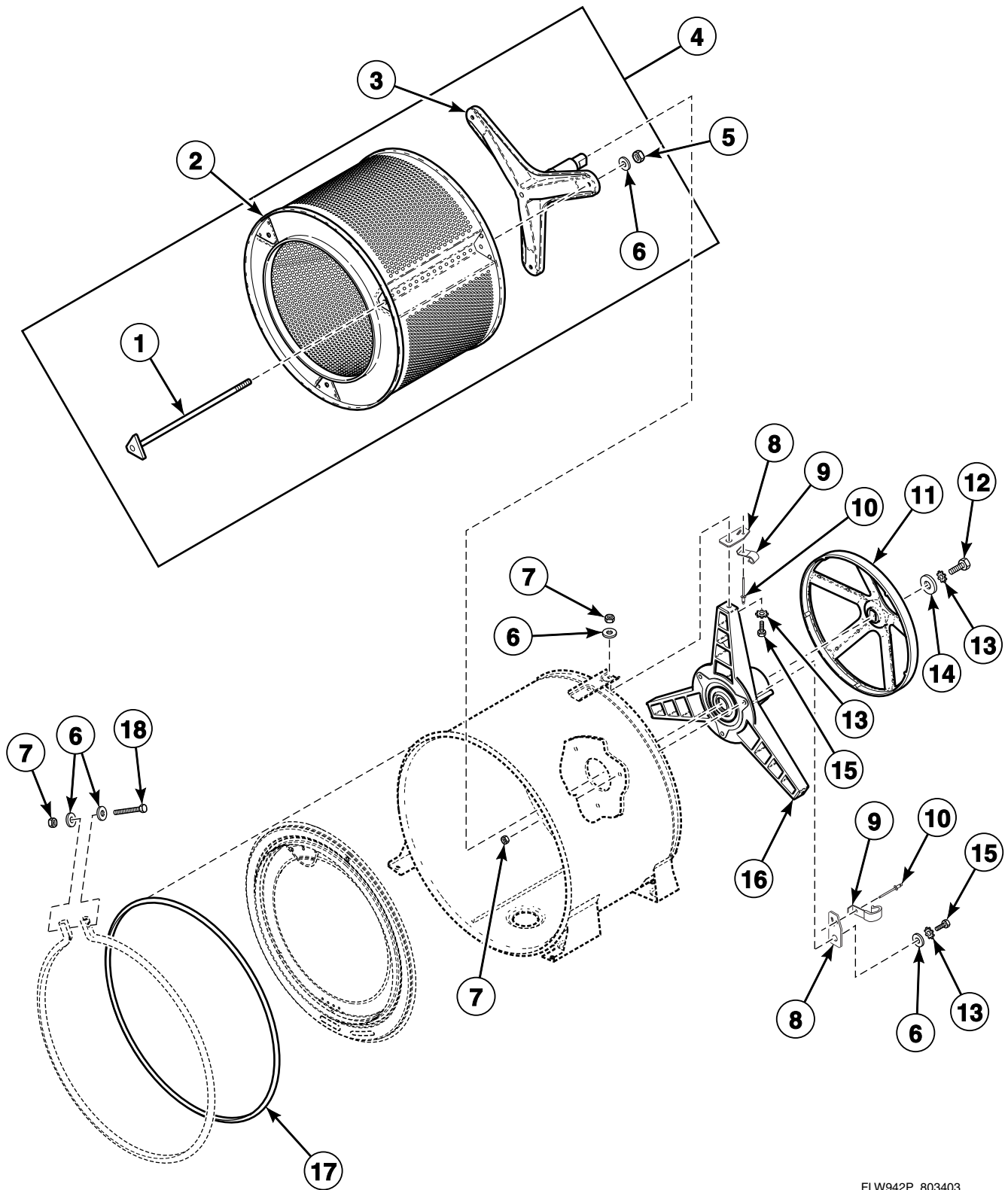


FLW1012PA_803403

Outer Tub, Front, Clamp Ring and Heating Element

REF	PART NO.	DESCRIPTION	COMMENTS
1	D503661	Screw	
2	806512	Out-of-Balance Switch Assembly Kit	Models through Serial No. 1201004551
	803415	Out-of-Balance Switch Assembly	Models starting Serial No. 1201004552
3	800811	Wire Clamp	
4	800461	Screw	
5	M400081	Washer	
6	800663	Switch Mounting Bracket	Models through Serial No. 1201004551
	803388	Switch Mounting Bracket	Models starting Serial No. 1201004552
7	800452	Nut	
8	D500049	Warning Label	Models ST3LXFSP401NW22 and ST3LXFSP402NW22
	F8211201	Electrical Shock Label	All other models
	F8615701	Pinch Warning Label	All other models
9	29175	Grommet	
10	30907	Pressure Bulb	
11	803280	Tubing	
12	39282	Hose Clamp	
13	801291	Outer Tub Assembly	
14	800622P	Tub Shock Absorber Kit	
15	802881P	Base Shock Absorber Kit	Must replace all 4
16	00161	Grounding Clip	
17	800205	Ballast Weight	
18	802343	Nut	
19	802260	Tub Front Assembly	Models through Serial No. 1001000989
	803494	Tub Front Assembly	Models starting Serial No. 1001000990
20	804778P	Heating Element	
21	804777P	Heating Element	Includes item 22
22	803256	Thermistor	
23	802323P	Heater Harness	Models through Serial No. 1001000989
	803492	Heater Harness	Models starting Serial No. 1001000990
24	800312	Clamp Ring	
25	F430218	Nut	
26	800457	Washer	
27	800462	Screw	
28	800432P	Tub Front Seal	
29	802596	Screw	
30	804174P	Clothes Guard Deflector	
	804482	Clothes Guard Deflector	Heavy duty
31	803537	Clothes Guard	
32	804560P	Clothes Guard and Deflector Kit	Includes items 7, 18 and 26-31

Inner Basket, Trunnion, Bearing Housing and Pulley

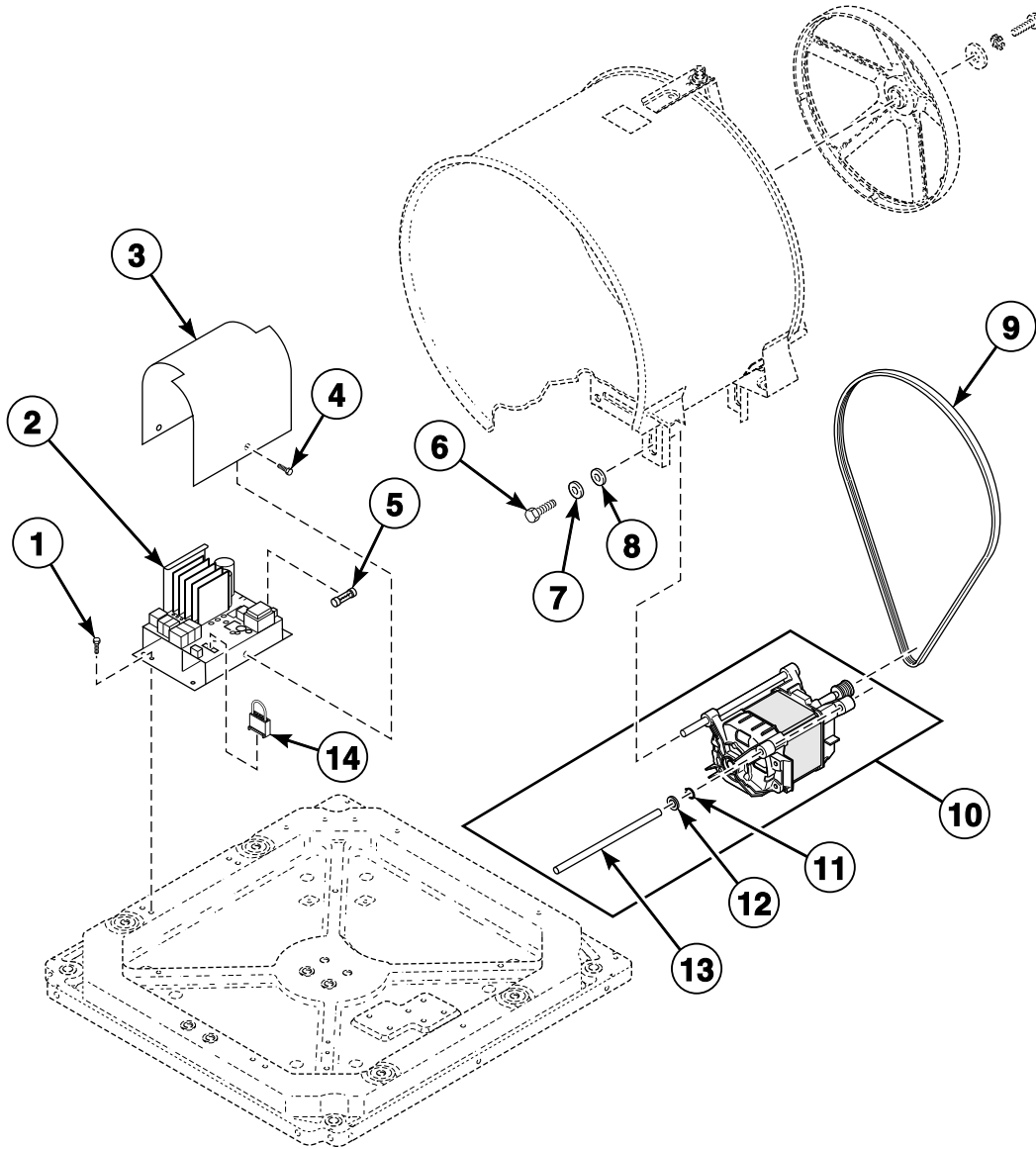


FLW942P_803403

Inner Basket, Trunnion, Bearing Housing and Pulley

REF	PART NO.	DESCRIPTION	COMMENTS
	27604P	Anti-Seize Compound	Pulley to inner basket shaft
	838P3	Hardware Kit	Includes (8) of item 6, (7) each of items 7 and 13, (6) of item 10, (1) each of items 12, 14, 17, 18 and 27604P Anti-Seize Compound
	RB160001	Bearing Kit	
1	800666	Tension Rod Assembly	
2	803008P	Inner Basket Assembly	
3	800749P	Trunnion Shaft and Hardware Kit	Includes (3) each of items 1, 5, 6, and 838P3 Hardware Kit
4	802365P	Inner Basket Assembly	
5	803017	Nut	
6	800457	Washer	
7	F430218	Nut	
8	800552	Hose Mounting Plate	
9	800553	Hose Clip	
10	685847	Pop Rivet	
11	800866	Driven Pulley	
12	685831	Screw	Left hand thread
13	M403958	Washer	
14	807679	Washer	
15	M400043	Screw	
16	800428P	Bearing Housing Kit	Includes 838P3 Hardware Kit
17	800432P	Tub Front Seal	
18	800462	Screw	

Washer Motor and Belt



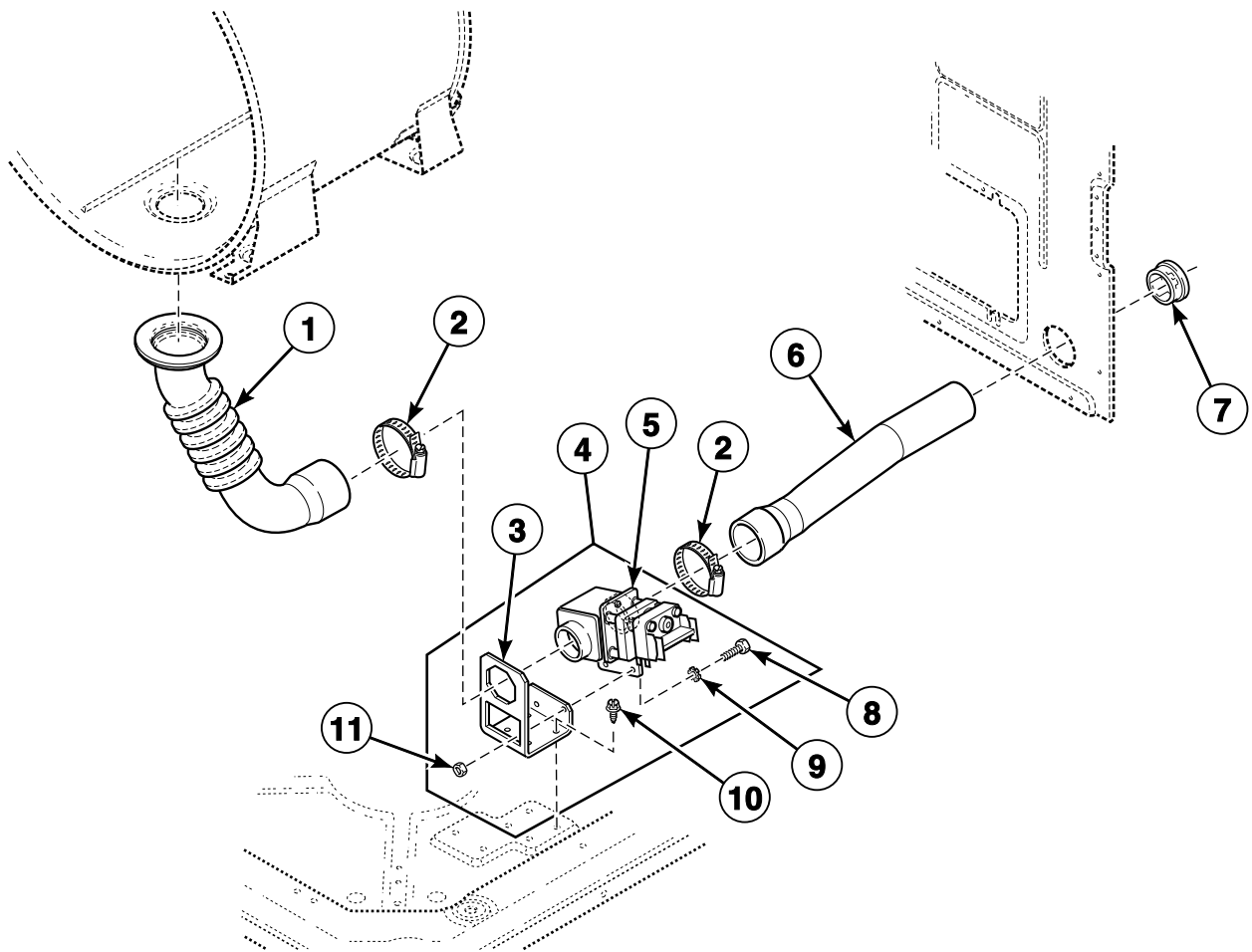
FLW1022P_803403

Washer Motor and Belt

REF	PART NO.	DESCRIPTION	COMMENTS
1	D503661	Screw	
2	803254P	Inverter Control Assembly	120 Volt; Models HTELCFSP281CW01, HTELCFSP291CW01, HTELYFSP281CW01, HTELYFSP291CW01, HTENXFSP281CW01, HTENXFSP282CW01, HTENXFSP291CW01, HTENXFSP292CW01, HTENYFSP281CW01, HTENYFSP282CW01, HTENYFSP291CW01, HTENYFSP292CW01, HTGLXFSP091CW01, HTGNXFSP091CW01, HTGNXFSP092CW01, STELCFSP171TW01, STELCFSP171TW01, STELYFSP171TW01, STENCFSP171TW01, STENCFSP172TW01, STENXFSP171TW01, STENXFSP172TW01, STENYFSP171TW01, STENYFSP172TW01, STEWYFSP172TW11, STGLCFSP111TW01, STGLCFSP111TWNA, STGLXFSG111TW01, STGLXFSP111TW01, STGLYFSP111TW01, STGLYFSP111TWNA, STGNCFSP111TW01, STGNCFSP112TW01, STGNXFSG082JW01, STGNXFSG111TW01, STGNXFSG112TW01, STGNXFSP111TW01, STGNXFSP112TW01, STGNYFSP111TW01, STGNYFSP112TW01 and STGWYFSP112TW11
	803255P	Inverter Control Assembly	240 Volt; All other models
3	804738	Control Shield	Models STELCFSP431AW01, STELCFSP432AW01, STGLXFSP301AW01 and STGLXFSP302AW01
	801061	Control Shield	All other models
4	D501524	Screw	
5	801755	Fuse	10 Amp
6	M400057	Screw	
7	02834	Washer	
8	M400080	Washer	
9	800319P	Drive Belt	
10	801684P	Motor and Rod Assembly Kit	Includes 2 each of items 11-13 and wire ties
11	23748	Retaining Ring	
12	52549	Washer	
13	801062	Motor Mount Rod	
14	D513268	Jumper Harness	Use to limit spin RPM on inverter controls starting Serial No. 0911014603; 120 Volt; Models HTELCFSP281CW01, HTELCFSP291CW01, HTELYFSP281CW01, HTELYFSP291CW01, HTENXFSP281CW01, HTENXFSP282CW01, HTENXFSP291CW01, HTENXFSP292CW01, HTENYFSP281CW01, HTENYFSP282CW01, HTENYFSP291CW01, HTENYFSP292CW01, HTGLXFSP091CW01, HTGNXFSP091CW01, HTGNXFSP092CW01, STELCFSP171TW01, STELCFSP171TW01, STELYFSP171TW01, STENCFSP171TW01, STENCFSP172TW01, STENXFSP171TW01, STENXFSP172TW01, STENYFSP171TW01, STENYFSP172TW01, STEWYFSP172TW11, STGLCFSP111TW01, STGLCFSP111TWNA, STGLXFSG111TW01, STGLXFSP111TW01, STGLYFSP111TW01, STGLYFSP111TWNA, STGNCFSP111TW01, STGNCFSP112TW01, STGNXFSG082JW01, STGNXFSG111TW01, STGNXFSG112TW01, STGNXFSP111TW01, STGNXFSP112TW01, STGNYFSP111TW01, STGNYFSP112TW01 and STGWYFSP112TW11
	D513316	Jumper Harness	Use to limit spin RPM on inverter controls starting Serial No. 0911014603; 240 Volt; All other models

Drain Hoses and Valve

Models BT3LLFSG401UN01, BT3LLFSG401UW01, BT3LLFSG402UW01, BT3LXFSG401UN01, BT3LXFSG401UW01, BT3LXFSG402UW01, JT1DMFSG411EN01, JT1DMFSG411EN06, JT2DMFSG411EN01, JT2DMFSG411EN06, NT3LLFSG401UW01, NT3LLFSG402UW01, NT3LXFSG401UW01, NT3LXFSG402UW01, STGLXFSG111TW01, STGNXFSG082JW01, STGNXFSG111TW01 and STGNXFSG112TW01



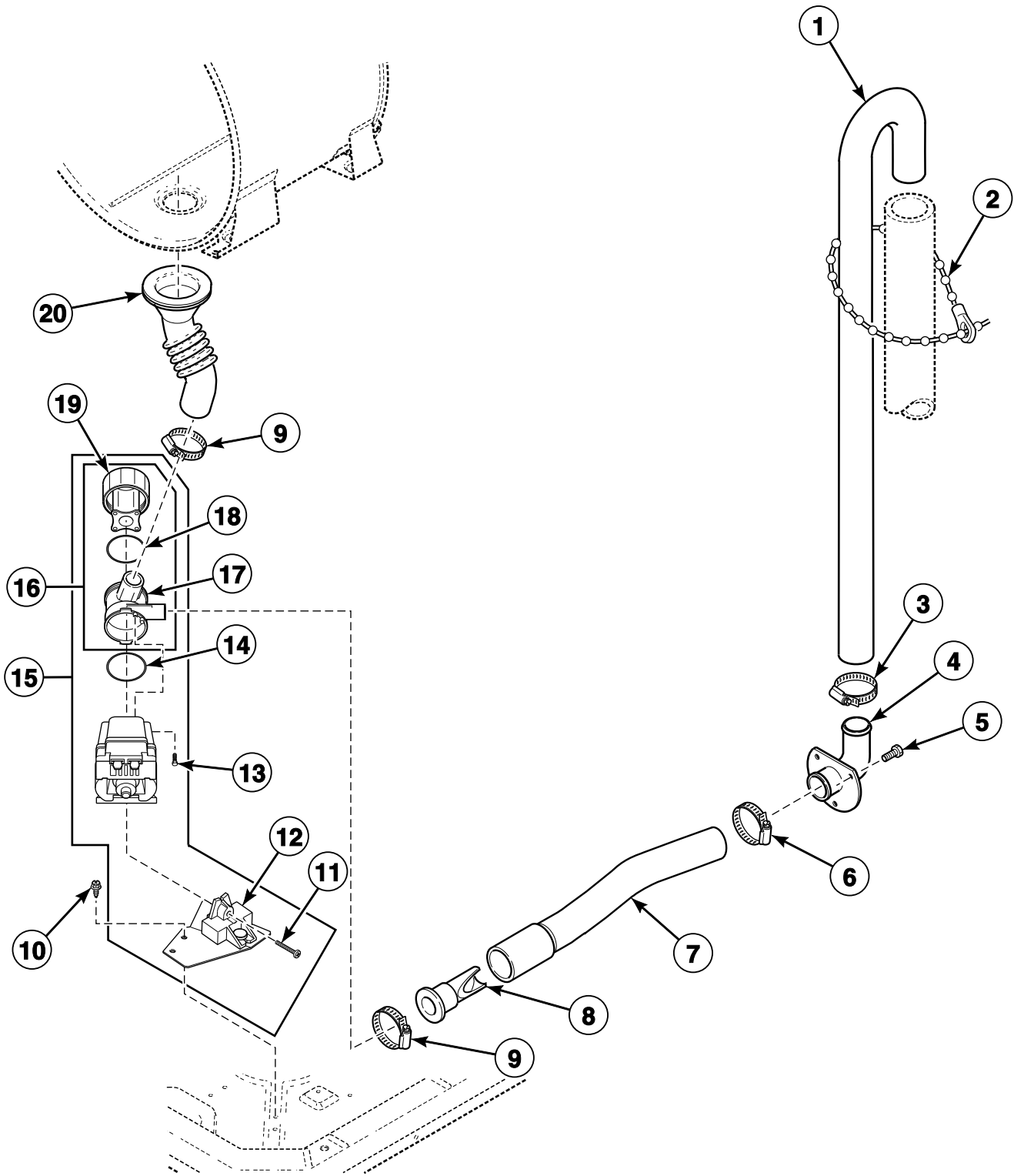
FLW888P_803403

Drain Hoses and Valve

REF	PART NO.	DESCRIPTION	COMMENTS
1	800902	Tub-to-Drain Hose	
2	685725	Hose Clamp	
3	803291	Gravity Drain Bracket	
4	F975P3	Drain Valve Kit	Includes items 3, 5 and 8-11; Models STGLXFSG111TW01, STGNXFSG082JW01, STGNXFSG111TW01 and STGNXFSG112TW01
	F976P3	Drain Valve Kit	Includes items 3, 5 and 8-11; All other models
5	803293	Drain Valve	Models STGLXFSG111TW01, STGNXFSG082JW01, STGNXFSG111TW01 and STGNXFSG112TW01; Order item 4 for models through Serial No. 0904020485
	803292	Gravity Drain Valve	All other models; Order item 4 for models through Serial No. 0904020485
6	800903	Drain-to-Cabinet Hose	
7	D503235	Snap Bushing	
8	02916	Screw	
9	M400017	Washer	
10	D503661	Screw	
11	29786	Nut	

Hoses and Pump

All Models Except BT3LLFSG401UN01, BT3LLFSG401UW01, BT3LLFSG402UW01, BT3LXFSG401UN01, BT3LXFSG401UW01, BT3LXFSG402UW01, JT1DMFSG411EN01, JT1DMFSG411EN06, JT2DMFSG411EN01, JT2DMFSG411EN06, NT3LLFSG401UW01, NT3LLFSG402UW01, NT3LXFSG401UW01, NT3LXFSG402UW01, STGLXFSG111TW01, STGNXFSG082JW01, STGNXFSG111TW01 and STGNXFSG112TW01

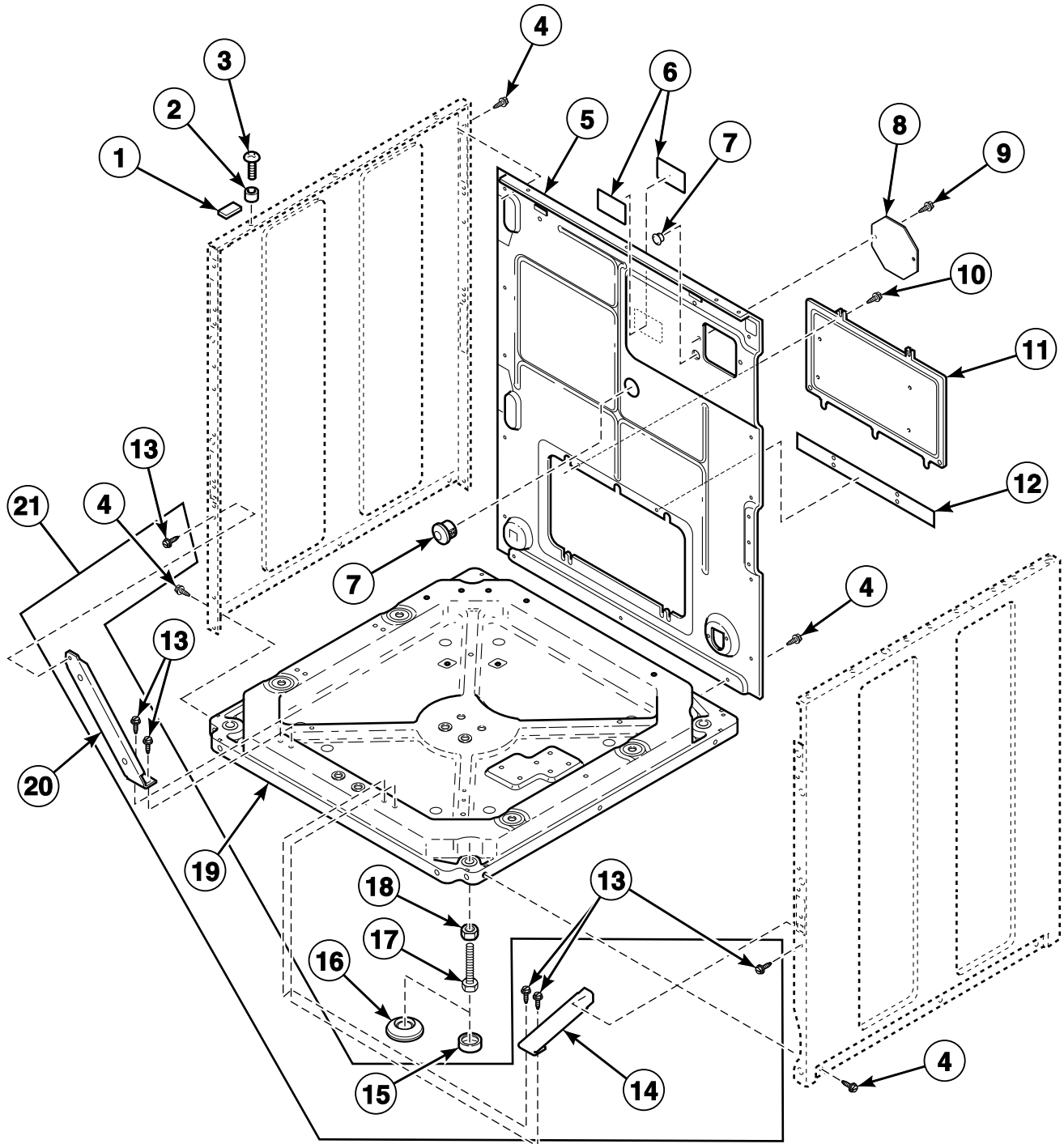


FLW943P_803403

Hoses and Pump

REF	PART NO.	DESCRIPTION	COMMENTS
1	27154	Drain Hose	
2	33489	Standpipe Strap	
3	20211	Hose Clamp	
4	35766	Drain Hose Elbow	
5	52909	Screw	
6	20391	Hose Clamp	
7	685737	Pump-to-Elbow Hose	
8	800310	Backflow Preventer	
9	F200204	Hose Clamp	
10	D503661	Screw	
11	802430	Screw	
12	802626	Pump Mount Bracket	
13	802431	Screw	
14	802429P	O-Ring	
15	802625P	Drain Pump	Models NTHLXFSP571NW01, NTHLXFSP572NW01, NTHLYFSP571NW01, NTHLYFSP572NW01, STLNXFSP542NW23, STLNYFSP541NW23 and STLNYFSP542NW23
	802623P	Drain Pump	Models HTELXFSP281CW01, HTELXFSP291CW01, HTELYFSP281CW01, HTELYFSP291CW01, HTENXFSP281CW01, HTENXFSP282CW01, HTENXFSP291CW01, HTENXFSP292CW01, HTENYFSP281CW01, HTENYFSP282CW01, HTENYFSP291CW01, HTENYFSP292CW01, HTGLXFSP091CW01, HTGNXFSP091CW01, HTGNXFSP092CW01, STELCFSP171TW01, STELXFSP171TW01, STELYFSP171TW01, STENCFSP171TW01, STENCFSP172TW01, STENXFSP171TW01, STENXFSP172TW01, STENYFSP171TW01, STENYFSP172TW01, STEWYFSP172TW11, STGLCFSP111TW01, STGLCFSP111TWNA, STGLXFSP111TW01, STGLYFSP111TW01, STGLYFSP111TWNA, STGNCFSP111TW01, STGNCFSP112TW01, STGNXFSP111TW01, STGNXFSP112TW01, STGNYFSP111TW01, STGNYFSP112TW01 and STGWYFSP112TW11
	802624P	Drain Pump	All other models
16	802434P	Pump Housing Assembly	Includes items 17-19
17	802428	Pump Housing	
18	802427	Gasket	
19	802426P	Lid Assembly	Includes filter
20	800317	Tub-to-Pump Hose	
	27615P	Sealant	Tub-to-pump hose to outer tub
	985P3	Drain Kit	Includes 803344 Tub-to-Pump Hose with Trap, F200200 Hose Clamp, 803400 Cap and 27615P Sealant
	985P3A	Drain Kit	Includes 803344 Tub-to-Pump Hose with Trap, F200200 Hose Clamp and 803400 Cap

Washer Base and Rear Panel

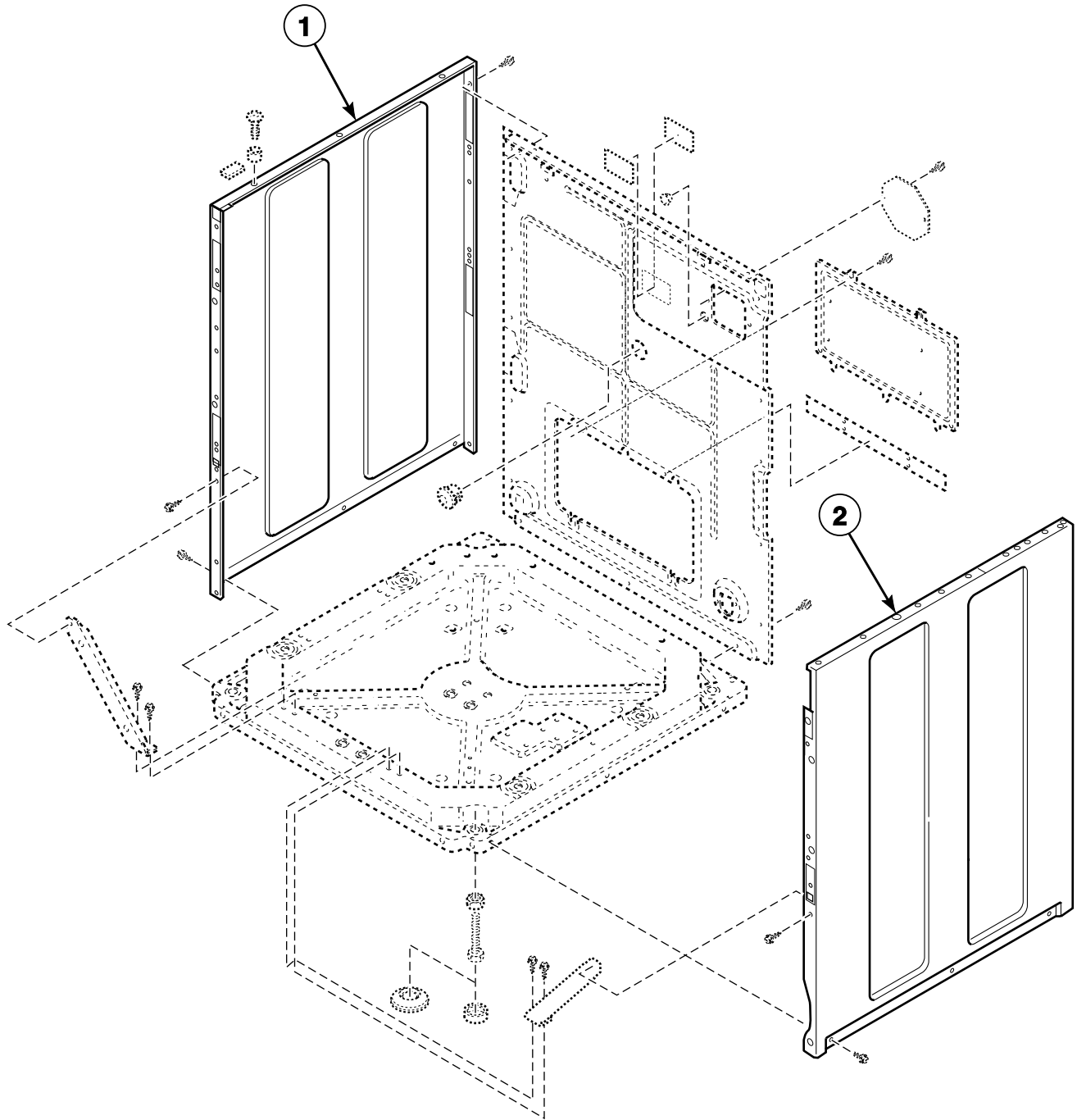


SWD1206P_803403

Washer Base and Rear Panel

REF	PART NO.	DESCRIPTION	COMMENTS
	122P4P	Porcelain Touch-Up Paint	White
	370P4P	Porcelain Touch-Up Paint	Bisque
1	36226	Bumper Pad	
2	56079	Panel Locator	
3	D512921	Screw	Use with stainless steel side panels
	39733	Screw	Use with painted side panels
4	D503661	Screw	
5	801216	Rear Panel	Models BT3LLFSG401UN01, BT3LLFSG401UW01, BT3LLFSG402UW01, BT3LXFSG401UN01, BT3LXFSG401UW01, BT3LXFSG402UW01, JT1DMFSG411EN01, JT1DMFSG411EN06, JT2DMFSG411EN01, JT2DMFSG411EN06, NT3LLFSG401UW01, NT3LLFSG402UW01, NT3LXFSG401UW01, NT3LXFSG402UW01 and STGLXFSG111TW01
	800010P	Rear Panel	All other models
6	685928	Left Hand Thread Label	
7	M412154	Hole Plug	
8	61203	Thermostat Opening Cover	All models except STELCFSP171TW01, STELXFSP171TW01, STELXFSP431AW01, STELXFSP432AW01, STELYFSP171TW01, STENCFSP171TW01, STENCFSP172TW01, STENXFSP171TW01, STENXFSP172TW01, STENYFSP171TW01, STENYFSP172TW01, STEWYFJP302NN25, STEWYFJP302NW25, STEWYFSP172TW11, STEWYFSP302NW25, STGLCFSP111TW01, STGLCFSP111TWNA, STGLXFSG111TW01, STGLXFSP111TW01, STGLXFSP301AW01, STGLXFSP302AW01, STGLYFSP111TW01, STGLYFSP111TWNA, STGNCFSP111TW01, STGNCFSP112TW01, STGNXFSG111TW01, STGNXFSG112TW01, STGNXFSP111TW01, STGNXFSP112TW01, STGNYFSP111TW01, STGNYFSP112TW01, STGWYFJP302NN25, STGWYFSP112TW11, STLNXFSP542NW23, STLNYFSP541NW23 and STLNYFSP542NW23
9	M405188	Screw	
10	430497	Screw	
11	800011	Rear Access Panel	
12	801702	Motor Access Hole Edging	
13	31645	Screw	
14	801492	Cabinet Brace	Right
15	34318	Rubber Foot	
16	802844P	Anchor Floor Mount Assembly	Includes 2 rubber discs with adhesive backing
17	34319	Leveling Leg	
18	21899	Nut	
19	803876	Base Assembly	
20	801491	Cabinet Brace	Left
21	918P3	Brace Kit	Includes items 13, 14 and 20

Side Panels



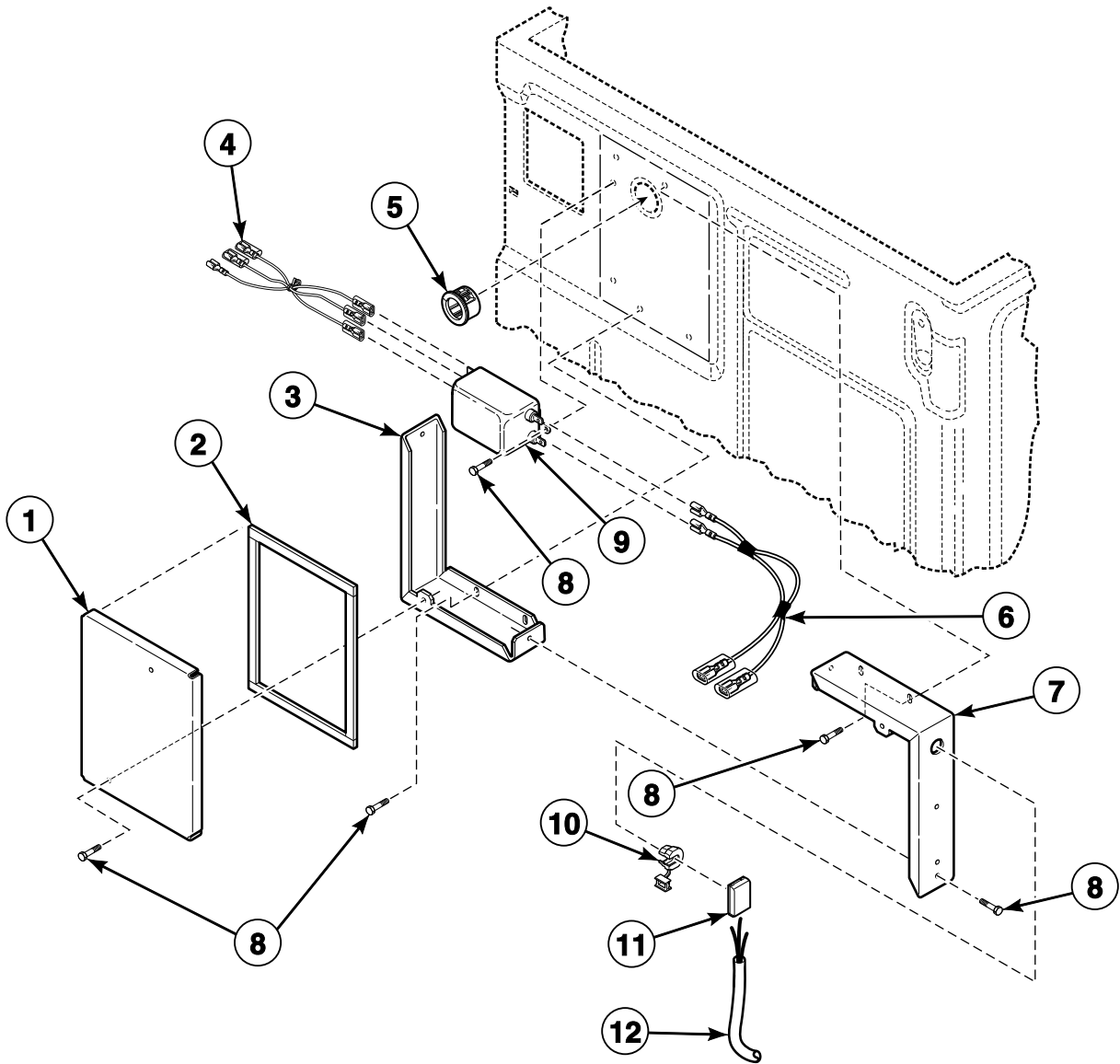
SWD1206PA_803403

Side Panels

REF	PART NO.	DESCRIPTION	COMMENTS
	122P4P	Porcelain Touch-Up Paint	White
1	802525P	Cabinet Side Panel	Left; Stainless steel; Models BT3LLFSG401UN01, BT3LLFSP401UN01, BT3LLFSP402UN01, BT3LXFSG401UN01, BT3LXFSP401UN01, BT3LXFSP402UN01, JT1DMFSG411EN01, JT1DMFSG411EN06, JT2DMFSG411EN01, JT2DMFSG411EN06, NT1LXFSP401UN01, NT2LLFSP401UN01, NT2LLFSP402UN01, NT2LXFSP401UN01, NT2LXFSP402UN01, NT3LLFSP401NN22, NT3LLFSP402NN22, NT3LLFSP401UN01, NT3LLFSP402UN01, NT3LXFSP401UN01 and NT3LXFSP402UN01
	800004G	Side Panel	Left; Gray; Models BT3LLFSG401UN01, BT3LLFSP401UN01, BT3LLFSP402UN01, BT3LXFSG401UN01, BT3LXFSP401UN01, BT3LXFSP402UN01, JT1DMFSG411EN01, JT1DMFSG411EN06, JT2DMFSG411EN01, JT2DMFSG411EN06, NT1LXFSP401UN01, NT2LLFSP401UN01, NT2LLFSP402UN01, NT2LXFSP401UN01, NT2LXFSP402UN01, NT3LLFSP401NN22, NT3LLFSP402NN22, NT3LLFSP401UN01, NT3LLFSP402UN01, NT3LXFSP401UN01 and NT3LXFSP402UN01
	800004WP	Cabinet Panel Kit	Left; White; Includes corner gusset with hardware; All other models
2	802526P	Cabinet Side Panel	Right; Stainless steel; Models BT3LLFSG401UN01, BT3LLFSP401UN01, BT3LLFSP402UN01, BT3LXFSG401UN01, BT3LXFSP401UN01, BT3LXFSP402UN01, JT1DMFSG411EN01, JT1DMFSG411EN06, JT2DMFSG411EN01, JT2DMFSG411EN06, NT1LXFSP401UN01, NT2LLFSP401UN01, NT2LLFSP402UN01, NT2LXFSP401UN01, NT2LXFSP402UN01, NT3LLFSP401NN22, NT3LLFSP402NN22, NT3LLFSP401UN01, NT3LLFSP402UN01, NT3LXFSP401UN01 and NT3LXFSP402UN01
	800005G	Side Panel	Right; Gray; Models BT3LLFSG401UN01, BT3LLFSP401UN01, BT3LLFSP402UN01, BT3LXFSG401UN01, BT3LXFSP401UN01, BT3LXFSP402UN01, JT1DMFSG411EN01, JT1DMFSG411EN06, JT2DMFSG411EN01, JT2DMFSG411EN06, NT1LXFSP401UN01, NT2LLFSP401UN01, NT2LLFSP402UN01, NT2LXFSP401UN01, NT2LXFSP402UN01, NT3LLFSP401NN22, NT3LLFSP402NN22, NT3LLFSP401UN01, NT3LLFSP402UN01, NT3LXFSP401UN01 and NT3LXFSP402UN01
	806492	Side Panel Kit	Right; White; Includes 801024 Dispenser Plate with hardware; All other models

Junction Box and Power Cord

Models STELXFSP431AW01, STELXFSP432AW01, STEWYFJP302NN25, STEWYFJP302NW25, STEWYFSP302NW25, STGLXFSP301AW01, STGLXFSP302AW01, STGNXFSG082JW01, STGWYFJP302NN25, STLNXFSP542NW23, STLNYFSP541NW23 and STLNYFSP542NW23

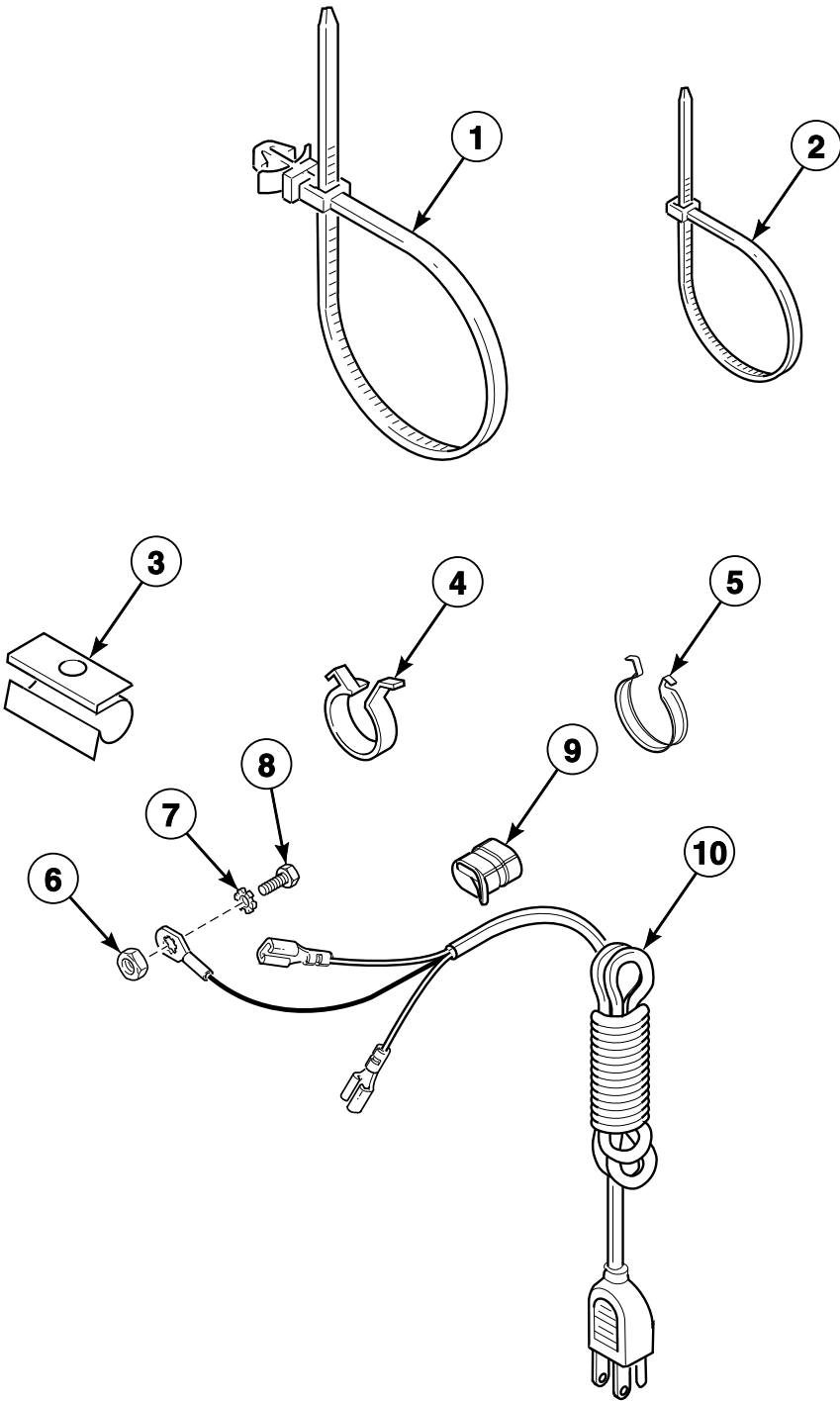


FLW1693P_803403

Junction Box and Power Cord

REF	PART NO.	DESCRIPTION	COMMENTS
1	801498	Junction Box Cover	Models STEWYFJP302NN25, STEWYFJP302NW25 and STGWYFJP302NN25
	801404	Junction Box Cover	All other models
2	801425P	Junction Box Seal	4 required
3	801499	Lower Junction Box	Models STEWYFJP302NN25, STEWYFJP302NW25 and STGWYFJP302NN25
	801433	Lower Junction Box	All other models
4	801420	Filter Jumper Harness	Line filter to power cord terminal block; All models except STGNXFSG082JW01
5	M402542	Snap Bushing	
6	802013	Wire Harness Assembly	Line filter to control harness; Model STGNXFSG082JW01
	801421	Wire Harness Assembly	Line filter to control harness; All other models
7	804360	Junction Box	Model STGNXFSG082JW01
	801497	Upper Junction Box	Models STEWYFJP302NN25, STEWYFJP302NW25 and STGWYFJP302NN25
	801403	Junction Box	All other models
8	D503661	Screw	
9	201058	Line Filter	
10	60298	Strain Relief	Model STGNXFSG082JW01
11	39922	Cable Connection Box	All models except STGNXFSG082JW01
12	801660	Power Cord Assembly	Models STLNXFSP542NW23, STLNYFSP541NW23 and STLNYFSP542NW23
	39931	Power Cord Assembly	Models STELXFSP431AW01, STELXFSP432AW01, STGLXFSP301AW01 and STGLXFSP302AW01
	204061	Power Cord Assembly	Model STGNXFSG082JW01
	801450	Power Cord Assembly	Model STEWYFSP302NW25
	804972	Power Cord Assembly	Models STEWYFJP302NN25, STEWYFJP302NW25 and STGWYFJP302NN25

Wire Ties, Harness Clips and Washer Lead-In Cord

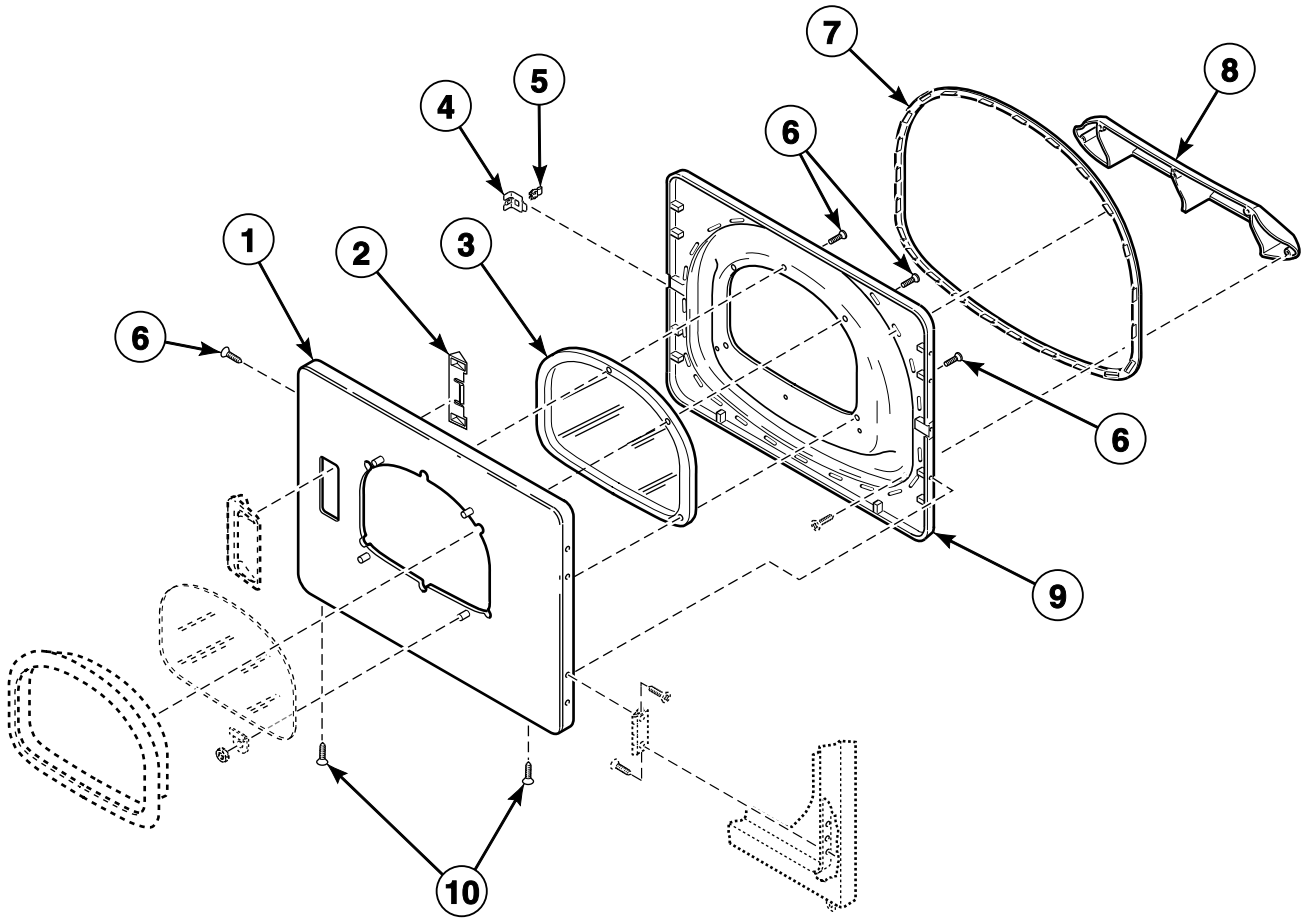


FLW823P_803403

Wire Ties, Harness Clips and Washer Lead-In Cord

REF	PART NO.	DESCRIPTION	COMMENTS
1	38663	Wire Tie	Push mount
2	55881	Harness Strap	
3	36985	Hose Clip	
4	D504034	Wire Clip	Small
5	687500	Wire Clip	Large
6	03673	Nut	
7	03815	Washer	
8	20530	Screw	
9	38384	Strain Relief	
10	34458	Lead-In Cord	Models STELCFSP171TW01, STELXFSP171TW01, STELYFSP171TW01, STENCFSP171TW01, STENCFSP172TW01, STENXFSP171TW01, STENXFSP172TW01, STENYFSP171TW01, STENYFSP172TW01, STEWYFSP172TW11, STGLCFSP111TW01, STGLCFSP111TWNA, STGLXFSG111TW01, STGLXFSP111TW01, STGLYFSP111TW01, STGLYFSP111TWNA, STGNCFSP111TW01, STGNCFSP112TW01, STGNXFSG082JW01, STGNXFSG111TW01, STGNXFSG112TW01, STGNXFSP111TW01, STGNXFSP112TW01, STGNYFSP111TW01, STGNYFSP112TW01 and STGWYFSP112TW11

Dryer Loading Door with Window (Drawing 1 of 2)

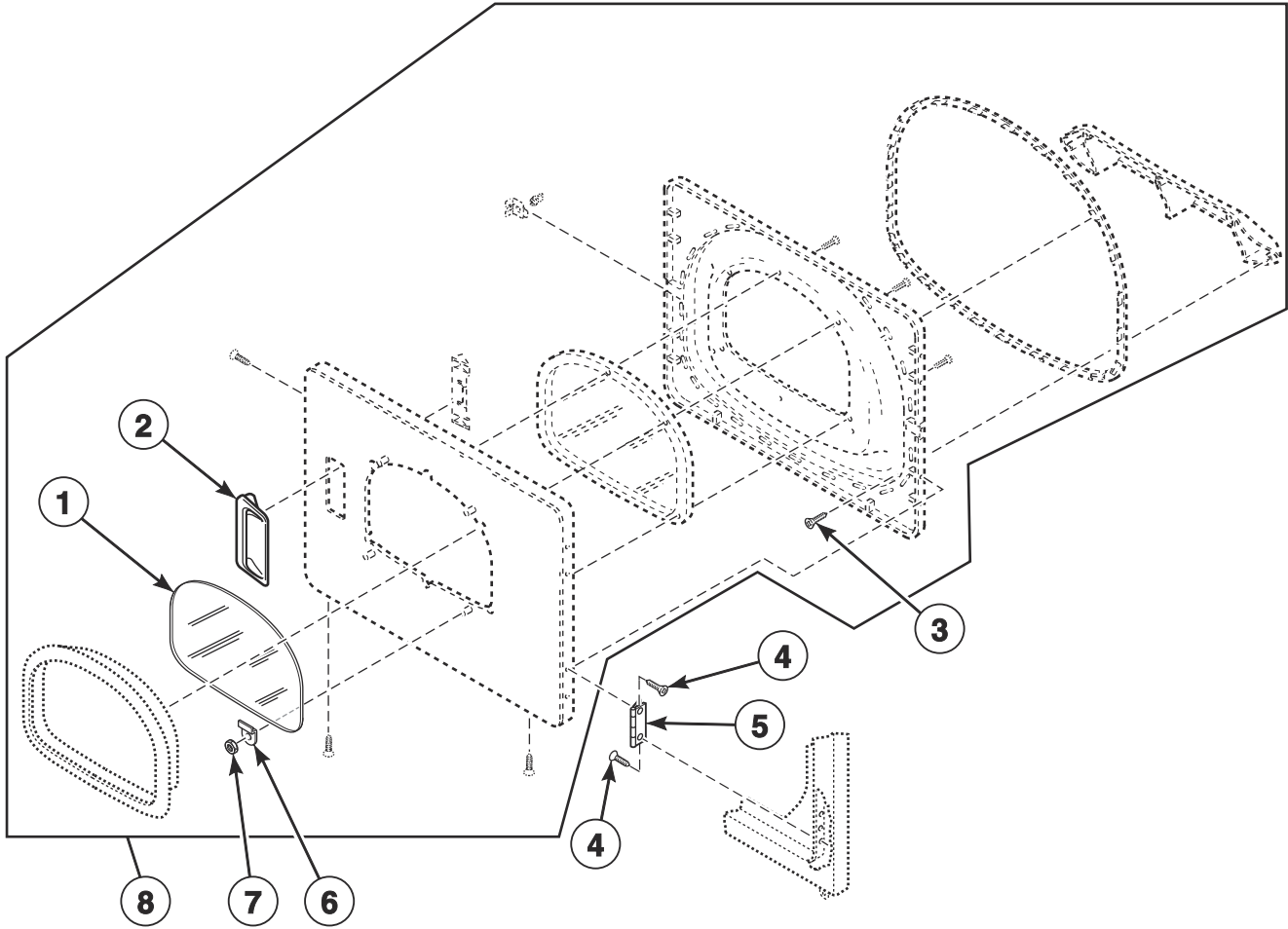


DRY2296P_803403

Dryer Loading Door with Window (Drawing 1 of 2)

REF	PART NO.	DESCRIPTION	COMMENTS
1	D513225	Dryer Door	Models BT3LLFSG401UN01, BT3LLFSP401UN01, BT3LLFSP402UN01, BT3LXFSG401UN01, BT3LXFSP401UN01, BT3LXFSP402UN01, JT1DMFSG411EN01, JT1DMFSG411EN06, JT2DMFSG411EN01, JT2DMFSG411EN06, NT1LXFSP401UN01, NT2LLFSP401UN01, NT2LLFSP402UN01, NT2LXFSP401UN01, NT2LXFSP402UN01, NT3LLFSP401NN22, NT3LLFSP402NN22, NT3LLFSP401UN01, NT3LLFSP402UN01, NT3LXFSP401UN01 and NT3LXFSP402UN01
	D516737W	Door Assembly	Models HTENXFSP282CW01, HTENXFSP292CW01, HTENYFSP282CW01, HTENYFSP292CW01, STENCFSP172TW01, STENXFSP172TW01, STENYFSP172TW01 and STEWYFSP172TW11 starting Serial No. 1303025315
	D510082WP	Dryer Door	Models HTENXFSP282CW01, HTENXFSP292CW01, HTENYFSP282CW01, HTENYFSP292CW01, STENCFSP172TW01, STENXFSP172TW01 and STENYFSP172TW01 through Serial No. 1303025314; All other models
2	D510129W	Door Handle Wedge	
3	D503982P	Dryer Door Window	
4	D510127	Door Strike Mount	
5	D510181	Door Strike	
6	D505870	Screw	
7	D510147P	Liner Door Seal	
8	D503870LG	Door Liner Grill	Models HTENXFSP282CW01, HTENXFSP292CW01, HTENYFSP282CW01, HTENYFSP292CW01, STENCFSP172TW01, STENXFSP172TW01, STENYFSP172TW01 and STEWYFSP172TW11 starting Serial No. 1303025315; Models BT3LLFSG401UN01, BT3LLFSP401UN01, BT3LLFSP402UN01, BT3LXFSG401UN01, BT3LXFSP401UN01, BT3LXFSP402UN01, JT1DMFSG411EN01, JT1DMFSG411EN06, JT2DMFSG411EN01, JT2DMFSG411EN06, NT1LXFSP401UN01, NT2LLFSP401UN01, NT2LLFSP402UN01, NT2LXFSP401UN01, NT2LXFSP402UN01, NT3LLFSP401NN22, NT3LLFSP401UN01, NT3LLFSP402NN22, NT3LLFSP402UN01, NT3LXFSP401UN01 and NT3LXFSP402UN01
	D503870W	Door Liner Grill	Models HTENXFSP282CW01, HTENXFSP292CW01, HTENYFSP282CW01, HTENYFSP292CW01, STENCFSP172TW01, STENXFSP172TW01 and STENYFSP172TW01 through Serial No. 1303025314; All other models
9	D516737W	Door Assembly	Includes item 7; Models HTENXFSP282CW01, HTENXFSP292CW01, HTENYFSP282CW01, HTENYFSP292CW01, STENCFSP172TW01, STENXFSP172TW01, STENYFSP172TW01 and STEWYFSP172TW11 starting Serial No. 1303025315; Models BT3LLFSG401UN01, BT3LLFSP401UN01, BT3LLFSP402UN01, BT3LXFSG401UN01, BT3LXFSP401UN01, BT3LXFSP402UN01, JT1DMFSG411EN01, JT1DMFSG411EN06, JT2DMFSG411EN01, JT2DMFSG411EN06, NT1LXFSP401UN01, NT2LLFSP401UN01, NT2LLFSP402UN01, NT2LXFSP401UN01, NT2LXFSP402UN01, NT3LLFSP401NN22, NT3LLFSP402NN22, NT3LLFSP401UN01, NT3LLFSP402UN01, NT3LXFSP401UN01 and NT3LXFSP402UN01
	D510098W	Liner and Seal Assembly	Includes item 7; Models HTENXFSP282CW01, HTENXFSP292CW01, HTENYFSP282CW01, HTENYFSP292CW01, STENCFSP172TW01, STENXFSP172TW01 and STENYFSP172TW01 through Serial No. 1303025314; All other models
10	D500226	Screw	

Dryer Loading Door with Window (Drawing 2 of 2)

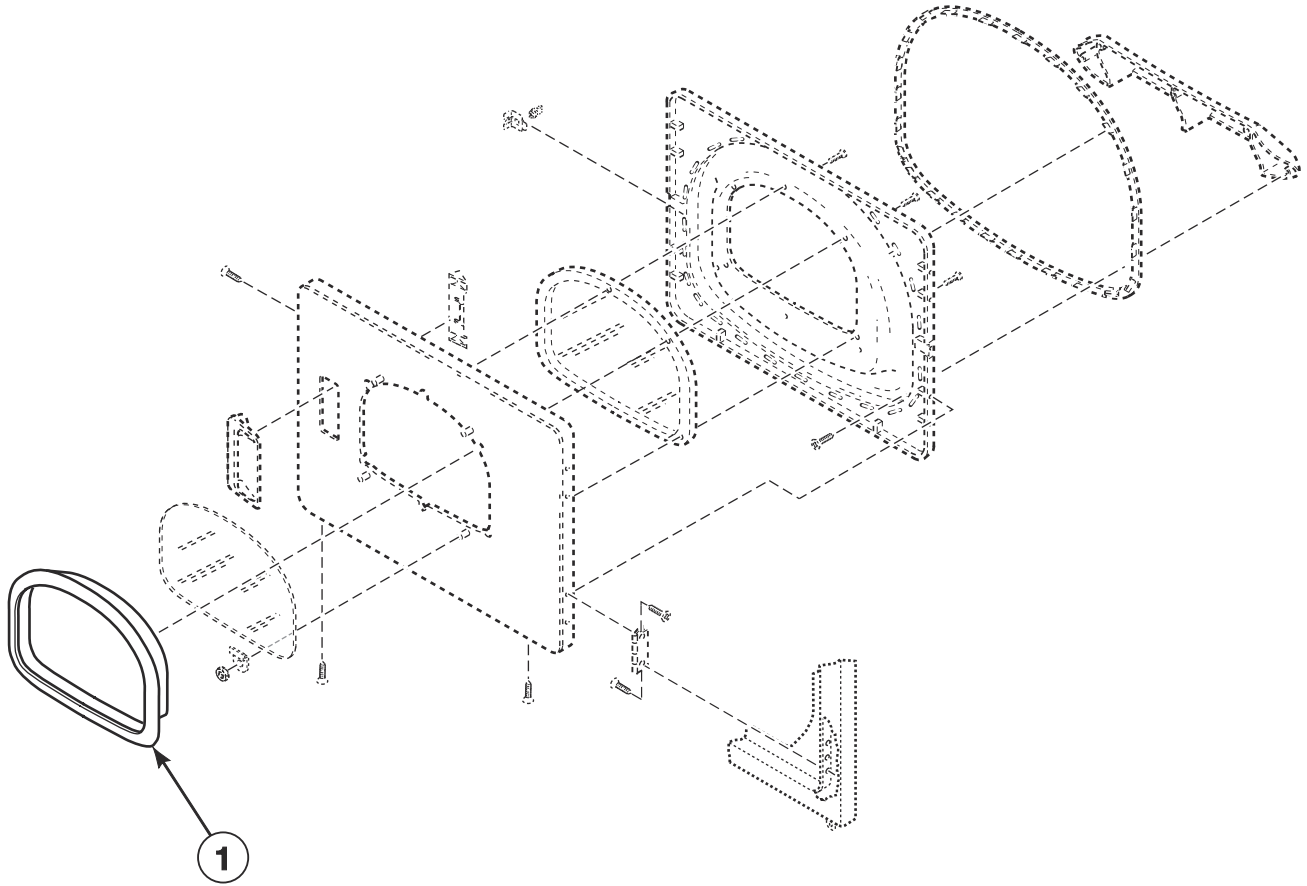


DRY2296PA_803403

Dryer Loading Door with Window (Drawing 2 of 2)

REF	PART NO.	DESCRIPTION	COMMENTS
1	D516737W	Door Assembly	Models HTENXFSP282CW01, HTENXFSP292CW01, HTENYFSP282CW01, HTENYFSP292CW01, STENCFSP172TW01, STENXFSP172TW01, STENYFSP172TW01 and STEWYFSP172TW11; Models starting Serial No. 1303025315
2	D512947	Door Pull	Models BT3LLFSG401UN01, BT3LLFSP401UN01, BT3LLFSP402UN01, BT3LXFSG401UN01, BT3LXFSP401UN01, BT3LXFSP402UN01, JT1DMFSG411EN01, JT1DMFSG411EN06, JT2DMFSG411EN01, JT2DMFSG411EN06, NT1LXFSP401UN01, NT2LLFSP401UN01, NT2LLFSP402UN01, NT2LXFSP401UN01, NT2LXFSP402UN01, NT3LLFSP401NN22, NT3LLFSP402NN22, NT3LLFSP401UN01, NT3LLFSP402UN01, NT3LXFSP401UN01 and NT3LXFSP402UN01
	D510103WP	Door Pull and Wedge Kit	All other models; Includes D510129 Door Handle Wedge
3	D505870	Screw	
4	D505295	Screw	
5	D511036	Hinge	
6	D513958	Window Clip	Models HTENXFSP282CW01, HTENXFSP292CW01, HTENYFSP282CW01, HTENYFSP292CW01, STENCFSP172TW01, STENXFSP172TW01, STENYFSP172TW01 and STEWYFSP172TW11; Models starting Serial No. 1303025315
7	44071201	Nut	Models HTENXFSP282CW01, HTENXFSP292CW01, HTENYFSP282CW01, HTENYFSP292CW01, STENCFSP172TW01, STENXFSP172TW01, STENYFSP172TW01 and STEWYFSP172TW11; Models starting Serial No. 1303025315
8	D516737W	Door Assembly	Includes items 2, 3, window trim and all items on <i>Dryer Loading Door with Window (Drawing 1 of 2)</i> ; All models except BT3LLFSG401UN01, BT3LLFSP401UN01, BT3LLFSP402UN01, BT3LXFSG401UN01, BT3LXFSP401UN01, BT3LXFSP402UN01, JT1DMFSG411EN01, JT1DMFSG411EN06, JT2DMFSG411EN01, JT2DMFSG411EN06, NT1LXFSP401UN01, NT2LLFSP401UN01, NT2LLFSP402UN01, NT2LXFSP401UN01, NT2LXFSP402UN01, NT3LLFSP401NN22, NT3LLFSP402NN22, NT3LLFSP401UN01, NT3LLFSP402UN01, NT3LXFSP401UN01 and NT3LXFSP402UN01; Models HTENXFSP282CW01, HTENXFSP292CW01, HTENYFSP282CW01, HTENYFSP292CW01, STENCFSP172TW01, STENXFSP172TW01 and STENYFSP172TW01 through Serial No. 1303025314; Models starting Serial No. 1303025315

Window Trim

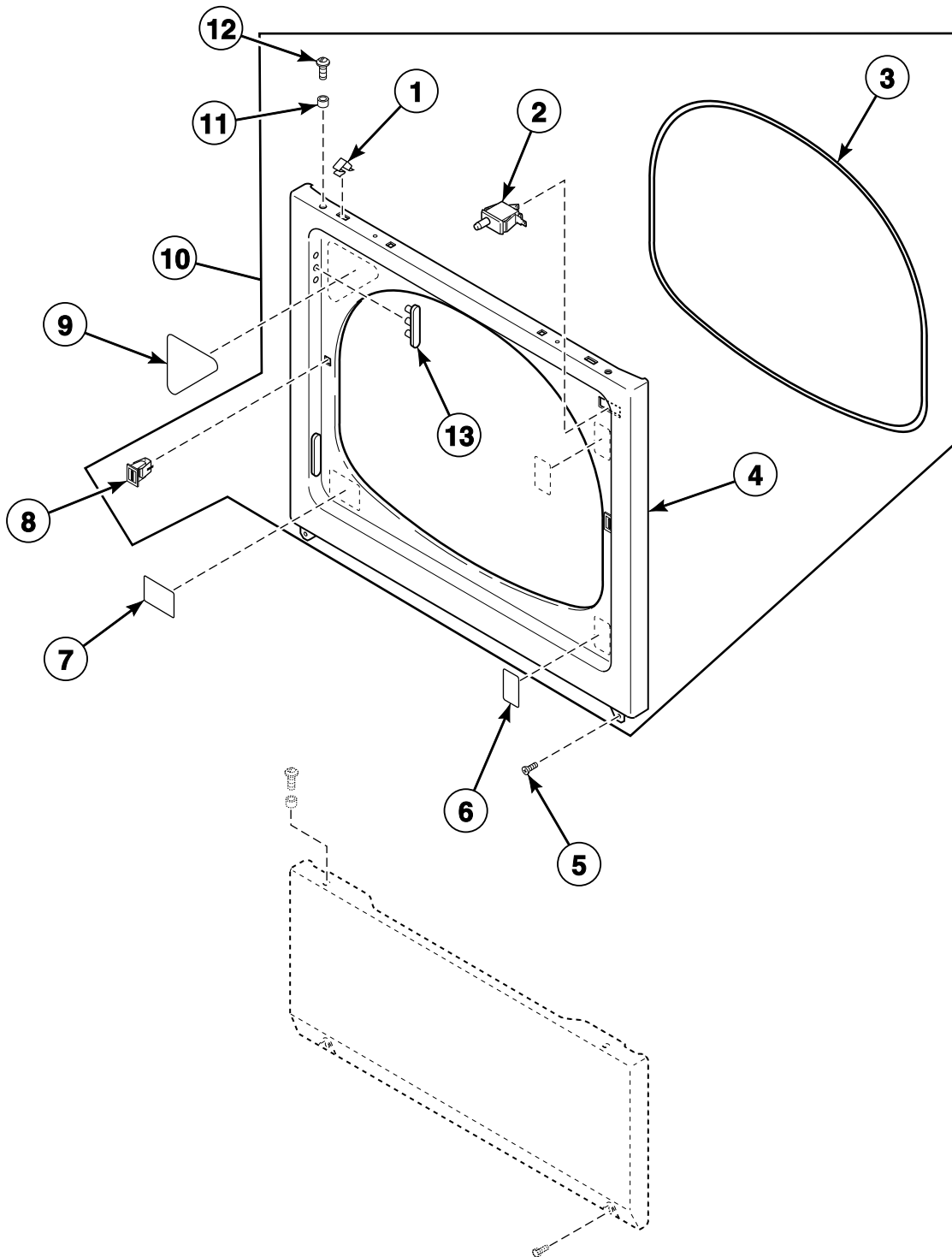


DRY2296PB_803403

Window Trim

REF	PART NO.	DESCRIPTION	COMMENTS
1	D512633	Window Trim	Models BT3LLFSG401UN01, BT3LLFSG401UW01, BT3LLFSG402UW01, BT3LLFSP401UN01, BT3LLFSP402UN01, BT3LLFSP401UW01, BT3LLFSP402UW01, BT3LXFSG401UN01, BT3LXFSG401UW01, BT3LXFSG402UW01, BT3LXFSP401UN01, BT3LXFSP402UN01, BT3LXFSP401UW01, BT3LXFSP402UW01, JT1DMFSG411EN01, JT1DMFSG411EN06, JT2DMFSG411EN01, JT2DMFSG411EN06, NT1LXFSP401UN01, NT2LLFSP401UN01, NT2LLFSP402UN01, NT2LXFSP401UN01, NT2LXFSP402UN01, NT3LLFSP401NN22, NT3LLFSP402NN22, NT3LLFSP401UN01, NT3LLFSP402UN01, NT3LXFSP401UN01 and NT3LXFSP402UN01
	D516737W	Door Assembly	Models HTENXFSP282CW01, HTENXFSP292CW01, HTENYFSP282CW01, HTENYFSP292CW01, STENCFSP172TW01, STENXFSP172TW01, STENYFSP172TW01 and STEWYFSP172TW11; Models starting Serial No. 1303025315
	D503981W	Window Trim	Models HTENXFSP282CW01, HTENXFSP292CW01, HTENYFSP282CW01, HTENYFSP292CW01, STENCFSP172TW01, STENXFSP172TW01 and STENYFSP172TW01 through Serial No. 1303025314; All other models

Dryer Front Panel and Seal

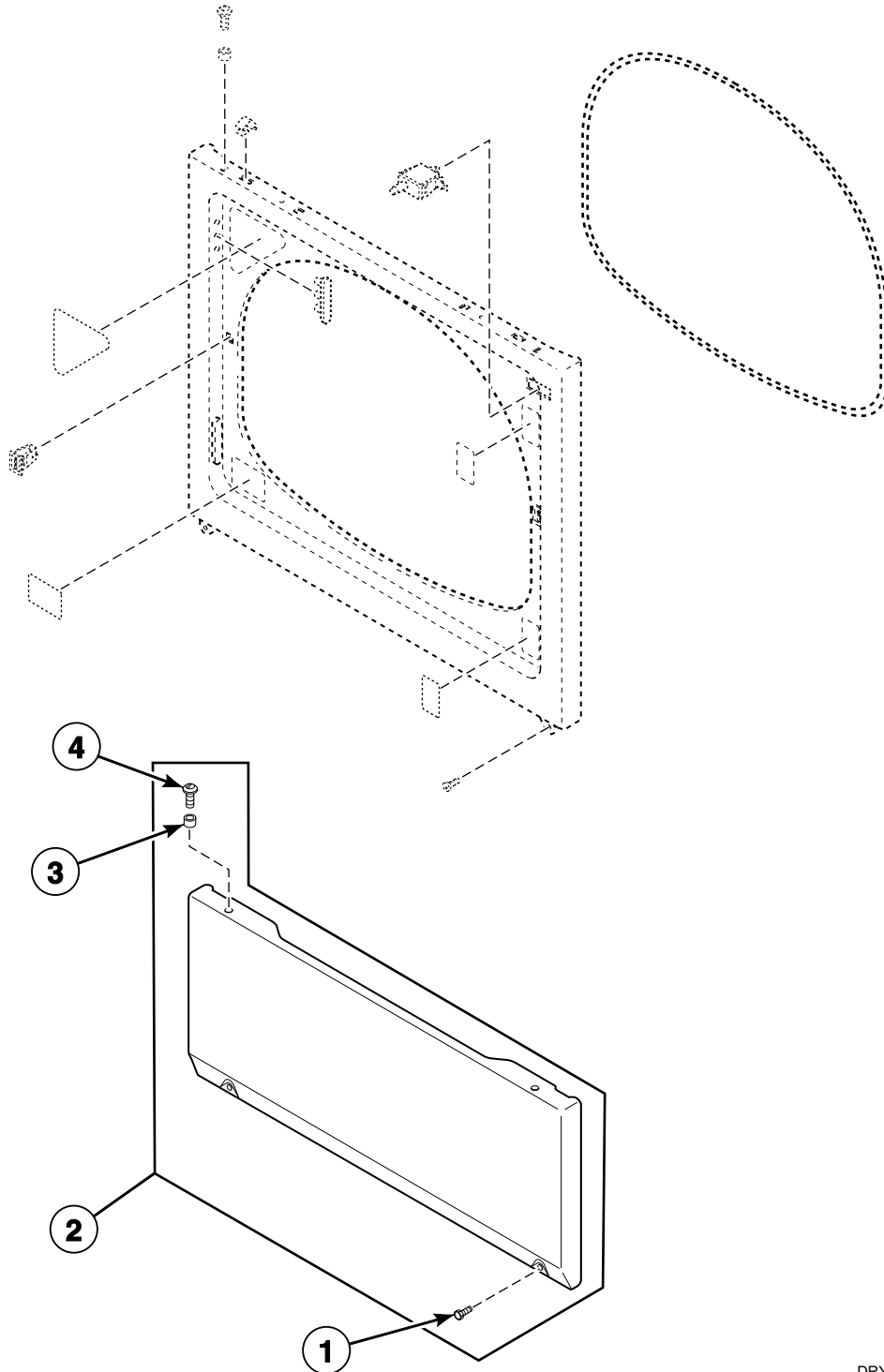


DRY1776P_803403

Dryer Front Panel and Seal

REF	PART NO.	DESCRIPTION	COMMENTS
1	28835	Speed Clip	
2	D512973	Switch	
3	D511056	Front Panel Seal	
4	D512542	Front Panel	Models BT3LLFSG401UN01, BT3LLFSP401UN01, BT3LLFSP402UN01, BT3LXFSG401UN01, BT3LXFSP401UN01, BT3LXFSP402UN01, JT1DMFSG411EN01, JT1DMFSG411EN06, JT2DMFSG411EN01, JT2DMFSG411EN06, NT1LXFSP401UN01, NT2LLFSP401UN01, NT2LLFSP402UN01, NT2LXFSP401UN01, NT2LXFSP402UN01, NT3LLFSP401NN22, NT3LLFSP402NN22, NT3LLFSP401UN01, NT3LLFSP402UN01, NT3LXFSP401UN01 and NT3LXFSP402UN01
	D510066WP	Front Panel	All other models
5	D503688	Screw	
6	D512263	Warning Label	Models STELXFSP431AW01, STELXFSP432AW01, STGLXFSP301AW01 and STGLXFSP302AW01
7	D502804	Lint Filter Label	Models STELXFSP431AW01, STELXFSP432AW01, STGLXFSP301AW01 and STGLXFSP302AW01
8	D510177	Door Catch Assembly	
9	D500253	Caution Label	Models HTELXFSP281CW01, HTELXFSP291CW01, HTELYFSP281CW01, HTELYFSP291CW01, HTENXFSP281CW01, HTENXFSP282CW01, HTENXFSP291CW01, HTENXFSP292CW01, HTENYFSP281CW01, HTENYFSP282CW01, HTENYFSP291CW01, HTENYFSP292CW01, HTGLXFSP091CW01, HTGNXFSP091CW01 and HTGNXFSP092CW01
	D500281	Warning/Caution Label	All other models
10	D513781WP	Front Panel Assembly	Includes 511636WP Door and Liner Assembly, (2) 511036 Hinge, (8) 500226 Screw and items 1-4, 8, 11-13; All models except BT3LLFSG401UN01, BT3LLFSP401UN01, BT3LLFSP402UN01, BT3LXFSG401UN01, BT3LXFSP401UN01, BT3LXFSP402UN01, JT1DMFSG411EN01, JT1DMFSG411EN06, JT2DMFSG411EN01, JT2DMFSG411EN06, NT1LXFSP401UN01, NT2LLFSP401UN01, NT2LLFSP402UN01, NT2LXFSP401UN01, NT2LXFSP402UN01, NT3LLFSP401NN22, NT3LLFSP402NN22, NT3LLFSP401UN01, NT3LLFSP402UN01, NT3LXFSP401UN01 and NT3LXFSP402UN01
11	56079	Panel Locator	
12	D512921	Screw	Models BT3LLFSG401UN01, BT3LLFSP401UN01, BT3LLFSP402UN01, BT3LXFSG401UN01, BT3LXFSP401UN01, BT3LXFSP402UN01, JT1DMFSG411EN01, JT1DMFSG411EN06, JT2DMFSG411EN01, JT2DMFSG411EN06, NT1LXFSP401UN01, NT2LLFSP401UN01, NT2LLFSP402UN01, NT2LXFSP401UN01, NT2LXFSP402UN01, NT3LLFSP401NN22, NT3LLFSP402NN22, NT3LLFSP401UN01, NT3LLFSP402UN01, NT3LXFSP401UN01 and NT3LXFSP402UN01
	39733	Screw	All other models
13	D510186	Hinge Hole Plug	

Dryer Access Panel

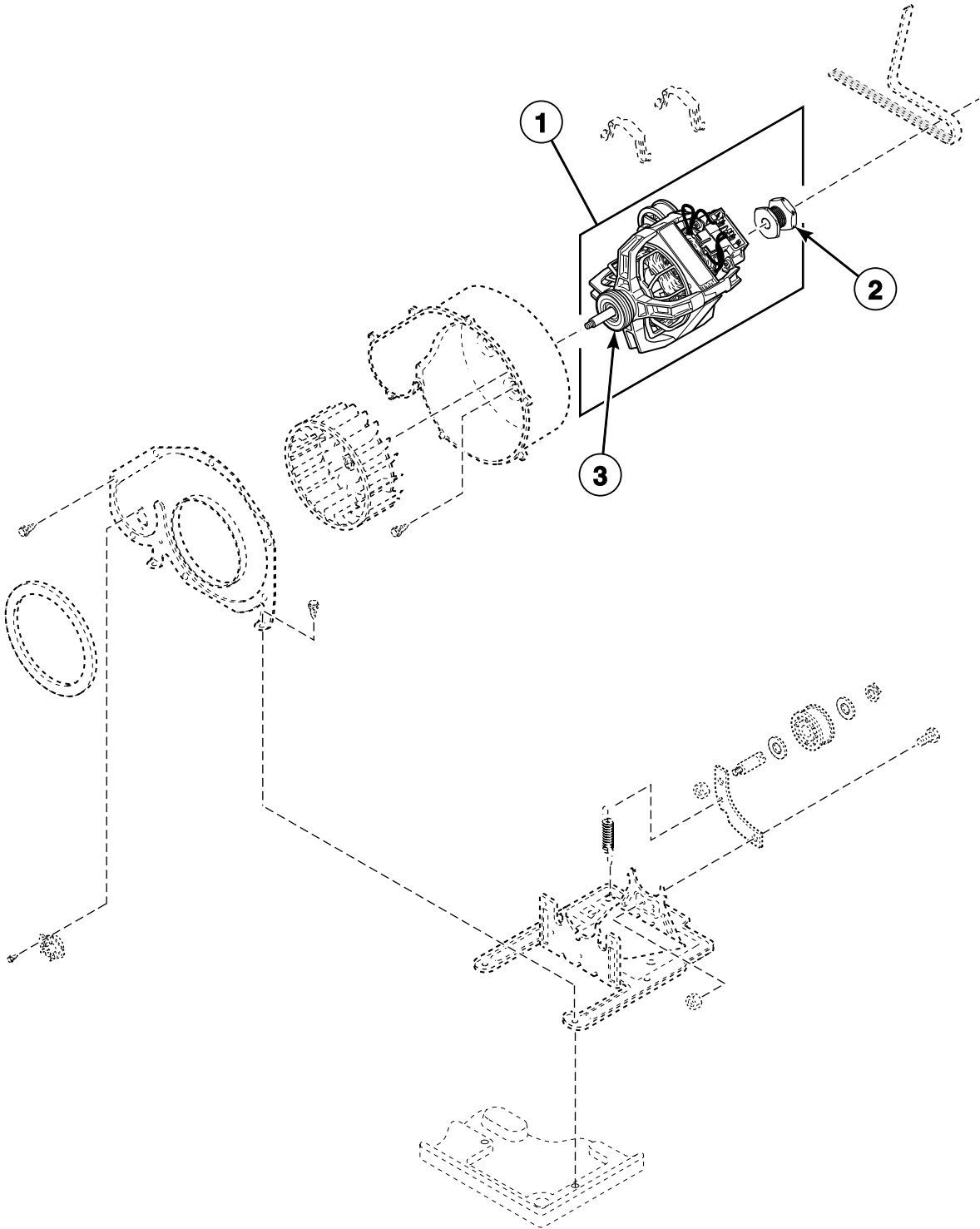


DRY1776PA_803403

Dryer Access Panel

REF	PART NO.	DESCRIPTION	COMMENTS
1	33562	Screw	Slotted hex head
	62853	Screw	Torx head; Optional for added security
2	D514251	Access Panel Assembly	Models BT3LLFSG401UN01, BT3LLFSP401UN01, BT3LLFSP402UN01, BT3LXFSG401UN01, BT3LXFSP401UN01, BT3LXFSP402UN01, JT1DMFSG411EN01, JT1DMFSG411EN06, JT2DMFSG411EN01, JT2DMFSG411EN06, NT1LXFSP401UN01, NT2LLFSP401UN01, NT2LLFSP402UN01, NT2LXFSP401UN01, NT2LXFSP402UN01, NT3LLFSP401NN22, NT3LLFSP402NN22, NT3LLFSP401UN01, NT3LLFSP402UN01, NT3LXFSP401UN01 and NT3LXFSP402UN01
	D514250WP	Access Panel Assembly	Models HTENXFSP282CW01, HTENXFSP292CW01, HTENYFSP282CW01, HTENYFSP292CW01, STENCFSP172TW01, STENXFSP172TW01, STENYFSP172TW01 and STEWYFSP172TW11; Models starting Serial No. 1303025315
	D514250WP	Access Panel Assembly	Models HTENXFSP282CW01, HTENXFSP292CW01, HTENYFSP282CW01, HTENYFSP292CW01, STENCFSP172TW01, STENXFSP172TW01 and STENYFSP172TW01 through Serial No. 1303025314; All other models
3	56079	Panel Locator	
4	D512921	Screw	Models BT3LLFSG401UN01, BT3LLFSP401UN01, BT3LLFSP402UN01, BT3LXFSG401UN01, BT3LXFSP401UN01, BT3LXFSP402UN01, JT1DMFSG411EN01, JT1DMFSG411EN06, JT2DMFSG411EN01, JT2DMFSG411EN06, NT1LXFSP401UN01, NT2LLFSP401UN01, NT2LLFSP402UN01, NT2LXFSP401UN01, NT2LXFSP402UN01, NT3LLFSP401NN22, NT3LLFSP402NN22, NT3LLFSP401UN01, NT3LLFSP402UN01, NT3LXFSP401UN01 and NT3LXFSP402UN01
	39733	Screw	All other models

Dryer Motor

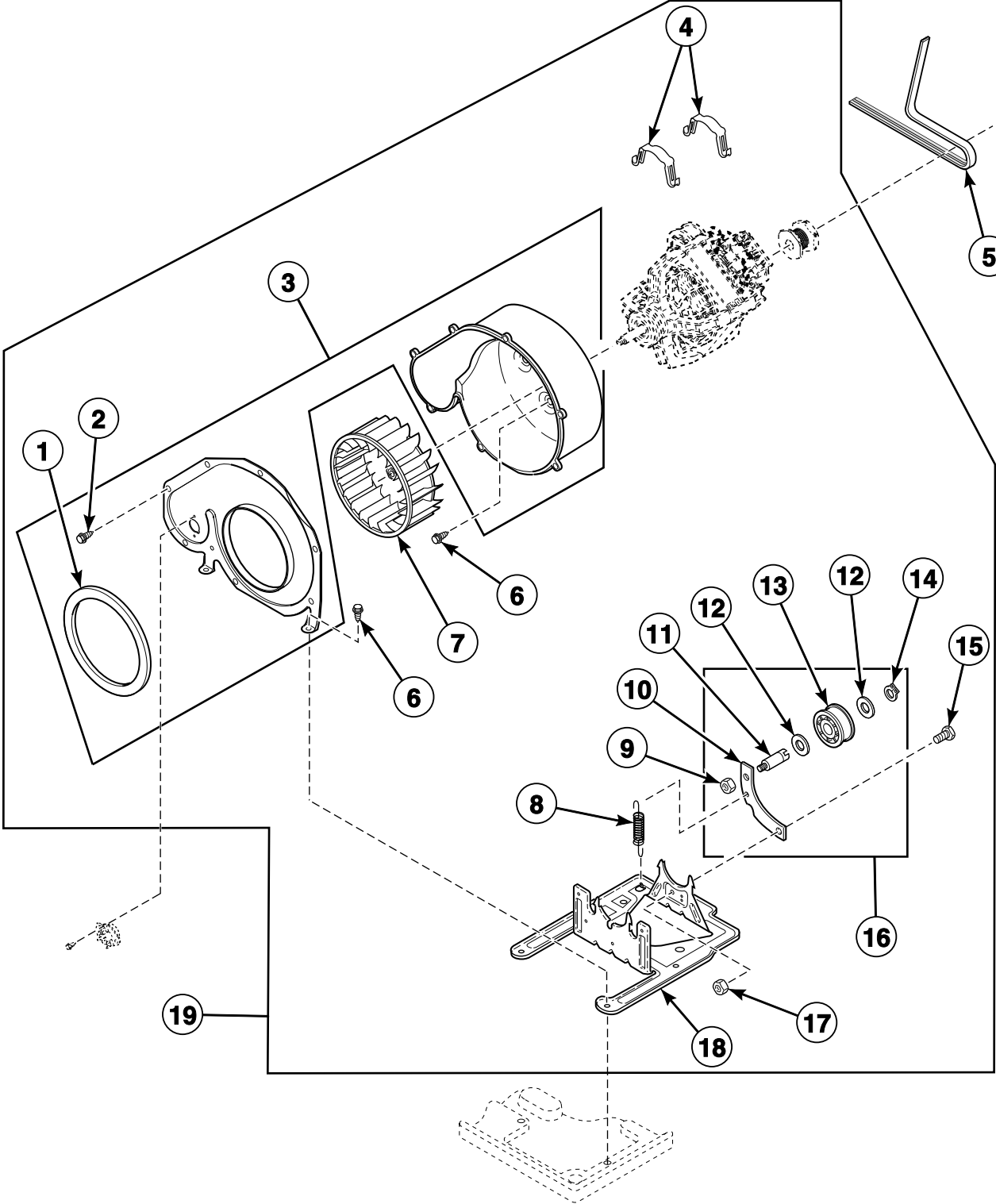


DRY2084PA_803403

Dryer Motor

REF	PART NO.	DESCRIPTION	COMMENTS
1	D505869P	Motor and Pulley Assembly	240 Volt/60 Hertz; Includes item 2; Models NTHLXFSP571NW01, NTHLXFSP572NW01, NTHLYFSP571NW01, NTHLYFSP572NW01, STLNXFSP542NW23, STLNYFSP541NW23 and STLNYFSP542NW23
	D511629P	Motor and Pulley Assembly	120 Volt/60 Hertz; Includes item 2; Models HTELXFSP281CW01, HTELXFSP291CW01, HTELYFSP281CW01, HTELYFSP291CW01, HTENXFSP281CW01, HTENXFSP282CW01, HTENXFSP291CW01, HTENXFSP292CW01, HTENYFSP281CW01, HTENYFSP282CW01, HTENYFSP291CW01, HTENYFSP292CW01, HTGLXFSP091CW01, HTGNXFSP091CW01, HTGNXFSP092CW01, STELCFSP171TW01, STELXFSP171TW01, STELYFSP171TW01, STENCFSP171TW01, STENCFSP172TW01, STENXFSP171TW01, STENXFSP172TW01, STENYFSP171TW01, STENYFSP172TW01, STEWYFSP172TW11, STGLCFSP111TW01, STGLCFSP111TWNA, STGLXFSG111TW01, STGLXFSP111TW01, STGLYFSP111TW01, STGLYFSP111TWNA, STGNCFSP111TW01, STGNCFSP112TW01, STGNXFSG082JW01, STGNXFSG111TW01, STGNXFSG112TW01, STGNXFSP111TW01, STGNXFSP112TW01, STGNYFSP111TW01, STGNYFSP112TW01 and STGWYFSP112TW11
	D505843P	Motor and Pulley Assembly	240 Volt/50 Hertz; Includes item 2; All other models
2	D500011	Motor Pulley	60 Hertz models
	D500222	Motor Pulley	50 Hertz models
3	590P3	Motor Hub Ring Kit	

Blower Fan and Belt

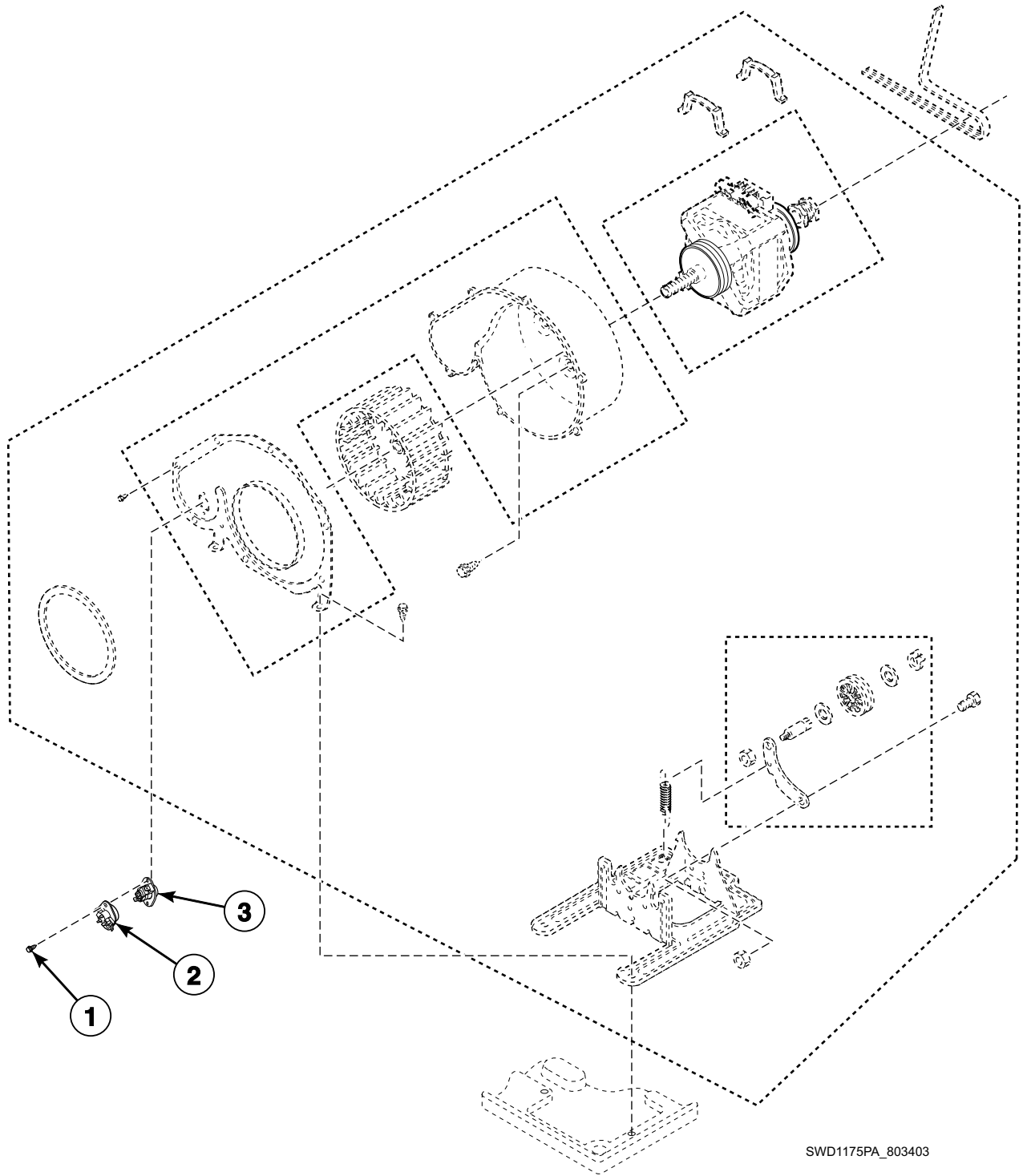


DRY2084P_803403

Blower Fan and Belt

REF	PART NO.	DESCRIPTION	COMMENTS
1	D510238P	Blower Housing Seal	
2	31260	Screw	
3	D511969WP	Blower Housing	Includes items 1 and 2
4	D510180	Motor Mount Clamp	
5	D511255P	Cylinder Belt	
6	D503688	Screw	
7	D510139P	Blower Fan Assembly	
8	D510185	Idler Spring	
9	56156	Nut	
10	D516310	Idler Lever	
11	56461P	Shaft	
12	52549	Washer	
13	D510142P	Idler Wheel and Bearing Assembly	
14	23748	Retaining Ring	
15	D500824	Screw	
16	D516792	Idler Lever and Wheel Assembly	Includes items 9-14
17	52566	Nut	
18	D510060	Motor Mount	
19	D510717P	Blower and Fan Kit	120 Volt/60 Hertz; Includes items 1-4, 6-18 and motor assembly; Models HTELCFSP281CW01, HTELCFSP291CW01, HTELYFSP281CW01, HTELYFSP291CW01, HTENXFSP281CW01, HTENXFSP282CW01, HTENXFSP291CW01, HTENXFSP292CW01, HTENYFSP281CW01, HTENYFSP282CW01, HTENYFSP291CW01, HTENYFSP292CW01, HTGLXFSP091CW01, HTGNXFSP091CW01, HTGNXFSP092CW01, STELCFSP171TW01, STELCFSP171TW01, STELYFSP171TW01, STENCFSP171TW01, STENCFSP172TW01, STENXFSP171TW01, STENXFSP172TW01, STENYFSP171TW01, STENYFSP172TW01, STEWYFSP172TW11, STGLCFSP111TW01, STGLCFSP111TWNA, STGLXFSG111TW01, STGLXFSP111TW01, STGLYFSP111TW01, STGLYFSP111TWNA, STGNCFSP111TW01, STGNCFSP112TW01, STGNXFSG082JW01, STGNXFSG111TW01, STGNXFSG112TW01, STGNXFSP111TW01, STGNXFSP112TW01, STGNXFSP111TW01, STGNXFSP112TW01 and STGWYFSP112TW11

Thermistor and Thermostat

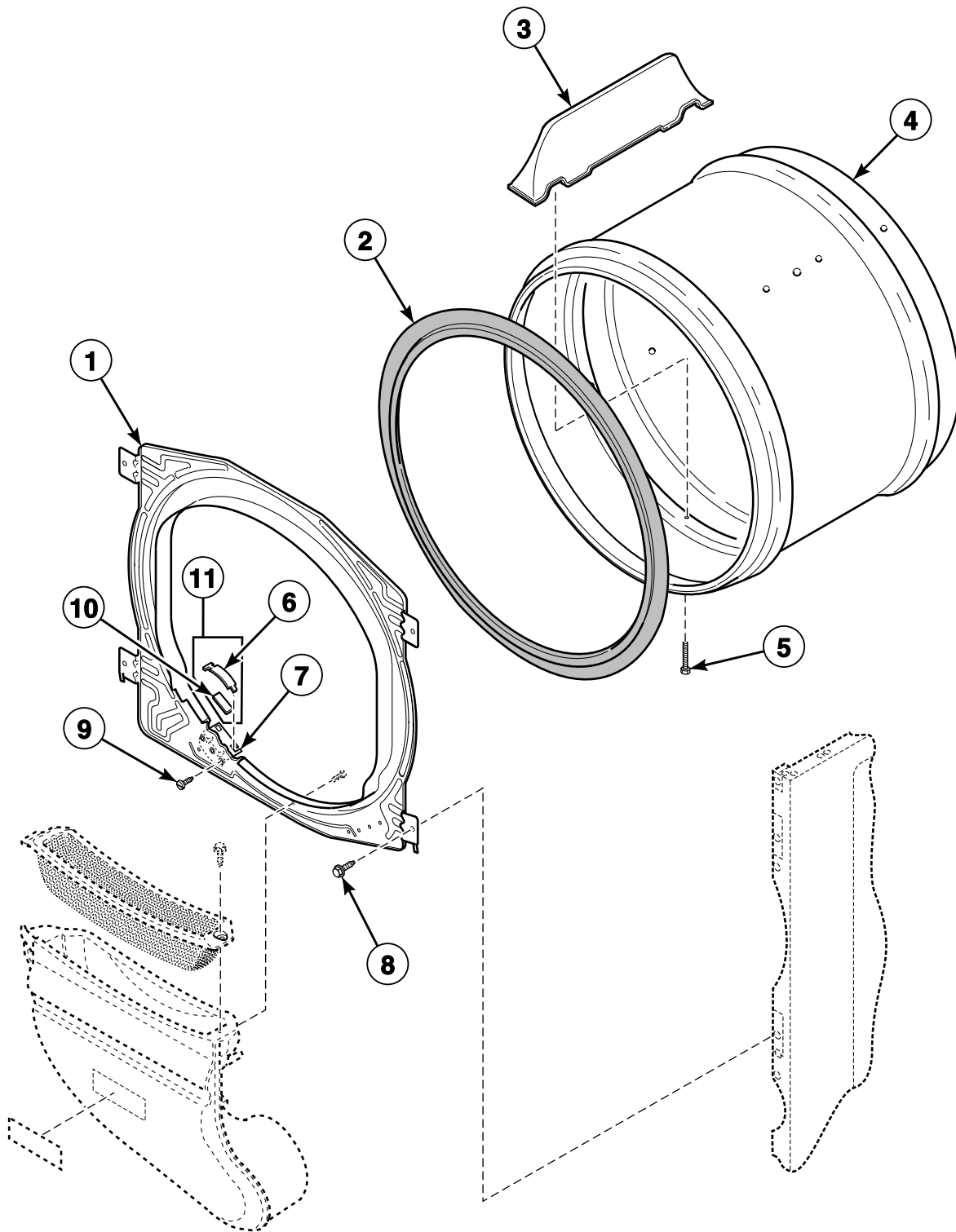


SWD1175PA_803403

Thermistor and Thermostat

REF	PART NO.	DESCRIPTION	COMMENTS
1	23222	Screw	
2	D510523	Thermistor Assembly	Models HTELCFSP281CW01, HTELCFSP291CW01, HTELYFSP281CW01, HTELYFSP291CW01, HTENXFSP281CW01, HTENXFSP282CW01, HTENXFSP291CW01, HTENXFSP292CW01, HTENYFSP281CW01, HTENYFSP282CW01, HTENYFSP291CW01, HTENYFSP292CW01, HTGLXFSP091CW01, HTGNXFSP091CW01, HTGNXFSP092CW01, STELCFSP171TW01, STELCFSP171TW01, STELYFSP171TW01, STENCFSP171TW01, STENCFSP172TW01, STENXFSP171TW01, STENXFSP172TW01, STENYFSP171TW01, STENYFSP172TW01, STEWYFSP172TW11, STGLCFSP111TW01, STGLCFSP111TWNA, STGLXFSG111TW01, STGLXFSP111TW01, STGLYFSP111TW01, STGLYFSP111TWNA, STGNCFSP111TW01, STGNCFSP112TW01, STGNXFSG082JW01, STGNXFSG111TW01, STGNXFSG112TW01, STGNXFSP111TW01, STGNXFSP112TW01, STGNYFSP111TW01, STGNYFSP112TW01, STGWYFSP112TW11, STLNXFSP542NW23, STLNYFSP541NW23 and STLNYFSP542NW23
	D502366	Thermistor Assembly	All other models
3	M411941	Manual Reset Thermostat	Models STGLXFSP301AW01 and STGLXFSP302AW01

Front Bulkhead, Felt Seal and Cylinder

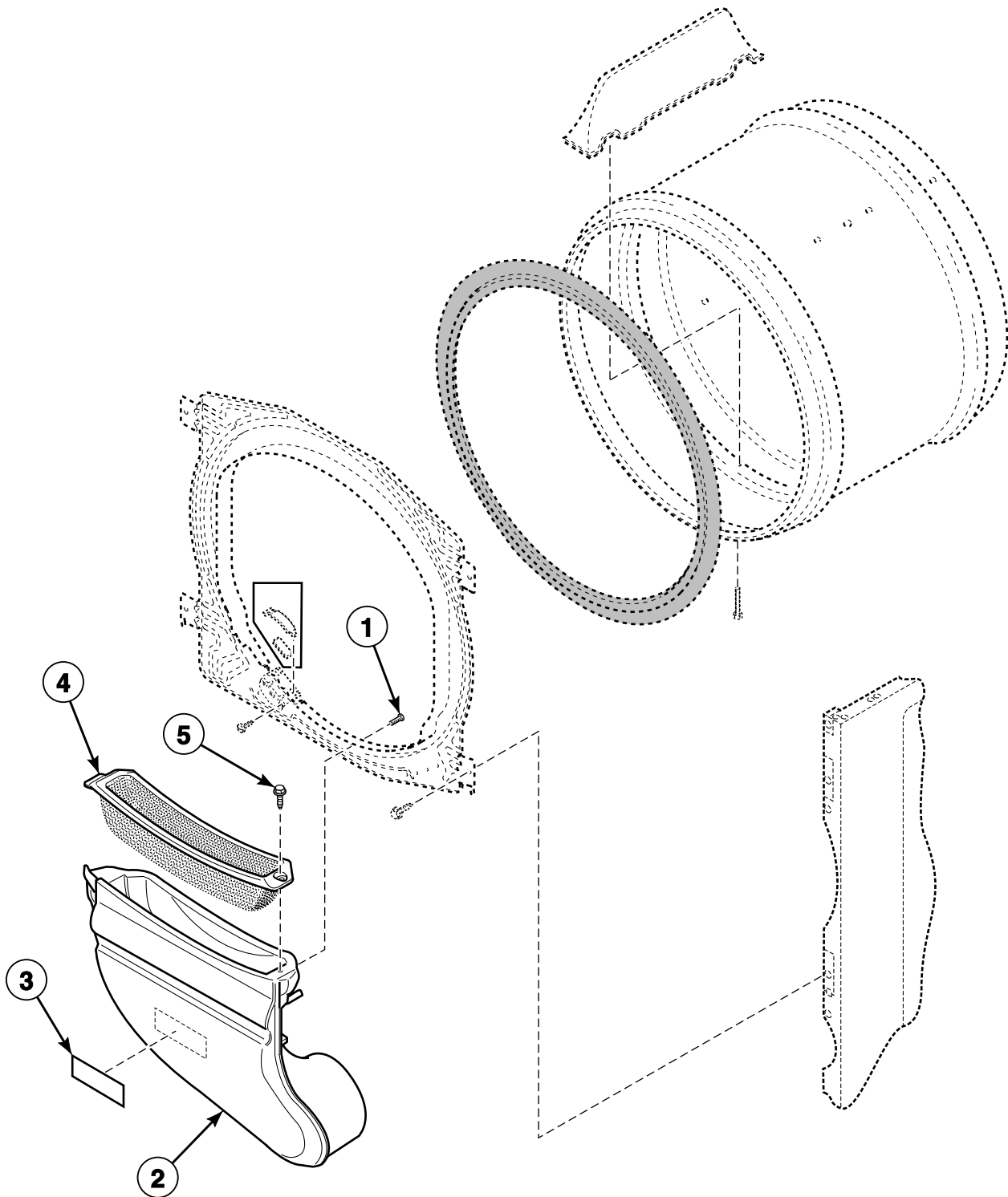


SWD1174P_803403

Front Bulkhead, Felt Seal and Cylinder

REF	PART NO.	DESCRIPTION	COMMENTS
1	D510266P	Front Bulkhead Assembly	Unpainted; Includes item 2
2	D510207P	Cylinder Seal Assembly	
	D511637P	Adhesive	For cylinder seal
	RB170001	Seal Kit	Includes 2 cylinder seals, D510238P Blower Housing Seal and Adhesive
3	D510102LG	Cylinder Baffle	Models HTENXFSP282CW01, HTENXFSP292CW01, HTENYFSP282CW01, HTENYFSP292CW01, STENCFSP172TW01, STENXFSP172TW01 and STENYFSP172TW01 starting Serial No. 1303025315; Models BT3LLFSG401UN01, BT3LLFSP401UN01, BT3LLFSP402UN01, BT3LXFSG401UN01, BT3LXFSP401UN01, BT3LXFSP402UN01, JT1DMFSG411EN01, JT1DMFSG411EN06, JT2DMFSG411EN01, JT2DMFSG411EN06, NT1LXFSP401UN01, NT2LLFSP401UN01, NT2LLFSP402UN01, NT2LXFSP401UN01, NT2LXFSP402UN01, NT3LLFSP401NN22, NT3LLFSP402NN22, NT3LLFSP401UN01, NT3LLFSP402UN01, NT3LXFSP401UN01, NT3LXFSP402UN01 and STEWYFSP172TW11
	D510102W	Cylinder Baffle	Models HTENXFSP282CW01, HTENXFSP292CW01, HTENYFSP282CW01, HTENYFSP292CW01, STENCFSP172TW01, STENXFSP172TW01 and STENYFSP172TW01 through Serial No. 1303025314; All other models
4	D505929LGP	Cylinder Assembly	Models BT3LLFSG401UN01, BT3LLFSP401UN01, BT3LLFSP402UN01, BT3LXFSG401UN01, BT3LXFSP401UN01, BT3LXFSP402UN01, JT1DMFSG411EN01, JT1DMFSG411EN06, JT2DMFSG411EN01, JT2DMFSG411EN06, NT1LXFSP401UN01, NT2LLFSP401UN01, NT2LLFSP402UN01, NT2LXFSP401UN01, NT2LXFSP402UN01, NT3LLFSP401NN22, NT3LLFSP402NN22, NT3LLFSP401UN01, NT3LLFSP402UN01, NT3LXFSP401UN01 and NT3LXFSP402UN01; Stainless steel; Includes item 3
	D510265LGP	Cylinder Assembly	Models HTENXFSP282CW01, HTENXFSP292CW01, HTENYFSP282CW01, HTENYFSP292CW01, STENCFSP172TW01, STENXFSP172TW01, STENYFSP172TW01 and STEWYFSP172TW11; Models starting Serial No. 1303025315; Includes item 3
	D510265WP	Cylinder Assembly	Models HTENXFSP282CW01, HTENXFSP292CW01, HTENYFSP282CW01, HTENYFSP292CW01, STENCFSP172TW01, STENXFSP172TW01 and STENYFSP172TW01 through Serial No. 1303025314; All other models; Galvanized; Includes item 3
5	62588	Screw	
6	D513710	Cylinder Glide	
7	D510145	Cylinder Glide Bracket	
8	D503688	Screw	
9	D505295	Screw	
10	D510189	Felt Pad	
11	RB170003	Glide Kit	Includes items 6 and 7

Air Duct Assembly

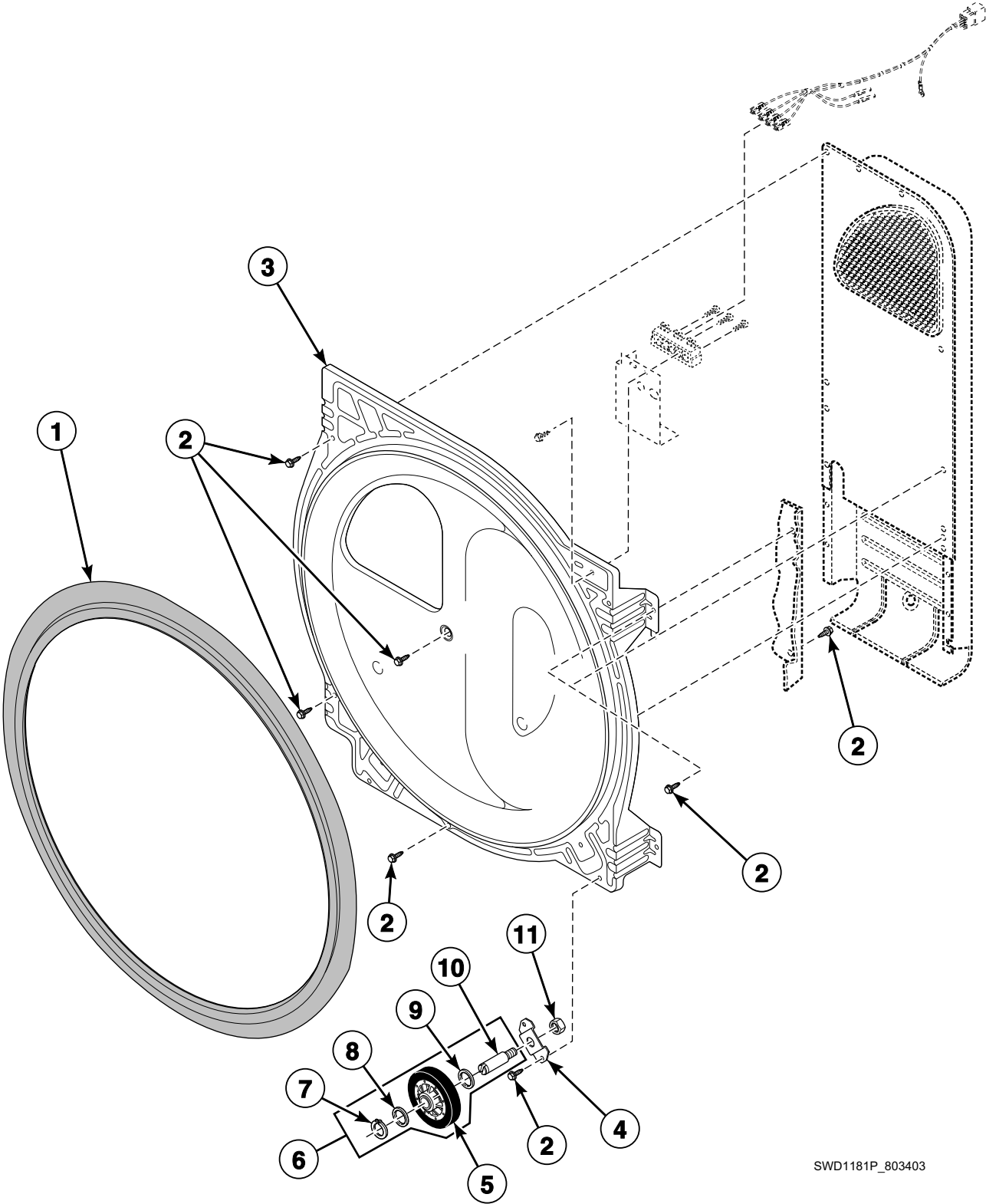


SWD1174PA_803403

Air Duct Assembly

REF	PART NO.	DESCRIPTION	COMMENTS
1	52864	Screw	
2	D515805LG	Air Duct Assembly	Models BT3LLFSG401UN01, BT3LLFSP401UN01, BT3LLFSP402UN01, BT3LXFSG401UN01, BT3LXFSP401UN01, BT3LXFSP402UN01, JT1DMFSG411EN01, JT1DMFSG411EN06, JT2DMFSG411EN01, JT2DMFSG411EN06, NT1LXFSP401UN01, NT2LLFSP401UN01, NT2LLFSP402UN01, NT2LXFSP401UN01, NT2LXFSP402UN01, NT3LLFSP401NN22, NT3LLFSP402UN01, NT3LLFSP401UN01, NT3LLFSP402UN01, NT3LXFSP401UN01, NT3LXFSP402UN01 and STEWYFSP172TW11; Models HTENXFSP282CW01, HTENXFSP292CW01, HTENYFSP282CW01, HTENYFSP292CW01, STENCFSF172TW01, STENXFSP172TW01 and STENYFSP172TW01 starting Serial No. 1303025315
	D510151W	Air Duct Assembly	Models HTENXFSP282CW01, HTENXFSP292CW01, HTENYFSP282CW01, HTENYFSP292CW01, STENCFSF172TW01, STENXFSP172TW01 and STENYFSP172TW01 through Serial No. 1303025314; All other models
3	61294	Fuse Notice Label	Electric models
4	D503980LG	Lint Filter	Models BT3LLFSG401UN01, BT3LLFSP401UN01, BT3LLFSP402UN01, BT3LXFSG401UN01, BT3LXFSP401UN01, BT3LXFSP402UN01, JT1DMFSG411EN01, JT1DMFSG411EN06, JT2DMFSG411EN01, JT2DMFSG411EN06, NT1LXFSP401UN01, NT2LLFSP401UN01, NT2LLFSP402UN01, NT2LXFSP401UN01, NT2LXFSP402UN01, NT3LLFSP401NN22, NT3LLFSP402UN01, NT3LLFSP401UN01, NT3LLFSP402UN01, NT3LXFSP401UN01, NT3LXFSP402UN01 and STEWYFSP172TW11; Models HTENXFSP282CW01, HTENXFSP292CW01, HTENYFSP282CW01, HTENYFSP292CW01, STENCFSF172TW01, STENXFSP172TW01 and STENYFSP172TW01 starting Serial No. 1303025315
	D503980W	Lint Filter	Models HTENXFSP282CW01, HTENXFSP292CW01, HTENYFSP282CW01, HTENYFSP292CW01, STENCFSF172TW01, STENXFSP172TW01 and STENYFSP172TW01 through Serial No. 1303025314; All other models
5	D501285	Screw	

Rear Bulkhead, Felt Seal and Cylinder Roller

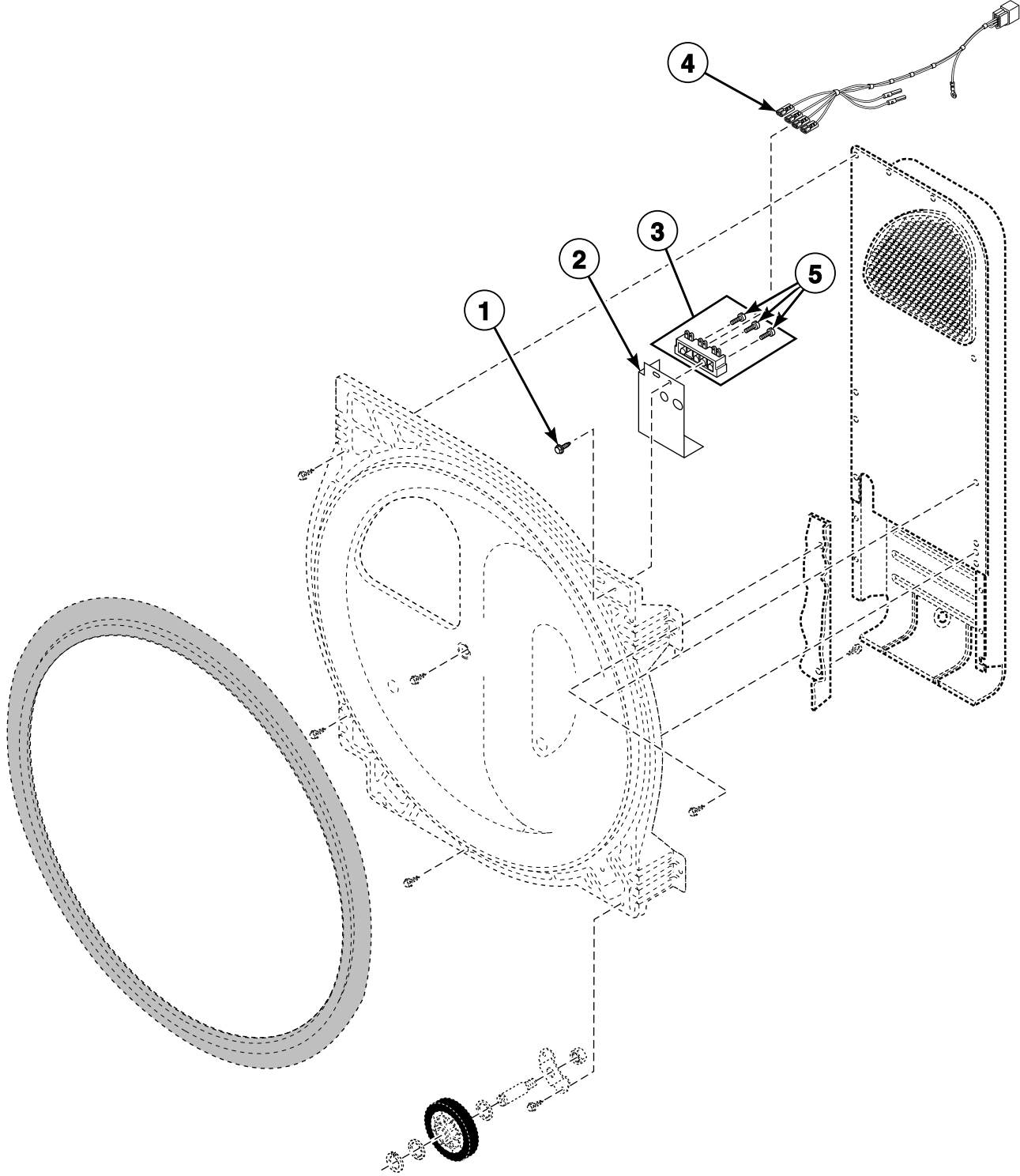


SWD1181P_803403

Rear Bulkhead, Felt Seal and Cylinder Roller

REF	PART NO.	DESCRIPTION	COMMENTS
1	D510207P	Cylinder Seal Assembly	
2	D503688	Screw	
	D511637P	Adhesive	For cylinder seal
	RB170001	Seal Kit	Includes 2 cylinder seals, D510238P Blower Housing Seal and Adhesive
3	D505246	Rear Bulkhead Assembly	Stainless steel; Includes item 1; Models BT3LLFSG401UN01, BT3LLFSP401UN01, BT3LLFSP402UN01, BT3LXFSG401UN01, BT3LXFSP401UN01, BT3LXFSP402UN01, JT1DMFSG411EN01, JT1DMFSG411EN06, JT2DMFSG411EN01, JT2DMFSG411EN06, NT1LXFSP401UN01, NT2LLFSP401UN01, NT2LLFSP402UN01, NT2LXFSP401UN01, NT2LXFSP402UN01, NT3LLFSP401NN22, NT3LLFSP402NN22, NT3LLFSP401UN01, NT3LLFSP402UN01, NT3LXFSP401UN01 and NT3LXFSP402UN01
	D511082P	Rear Bulkhead Assembly	Galvanized; Includes item 1; All other models
4	D510100	Cylinder Roller Bracket	
5	D510708P	Cylinder Roller	
6	RB170002	Roller Kit	Includes items 5 and 7-10
7	23748	Retaining Ring	
8	52549	Washer	
9	D504082	Washer	
10	56461P	Shaft	
11	56156	Nut	

Terminal Block



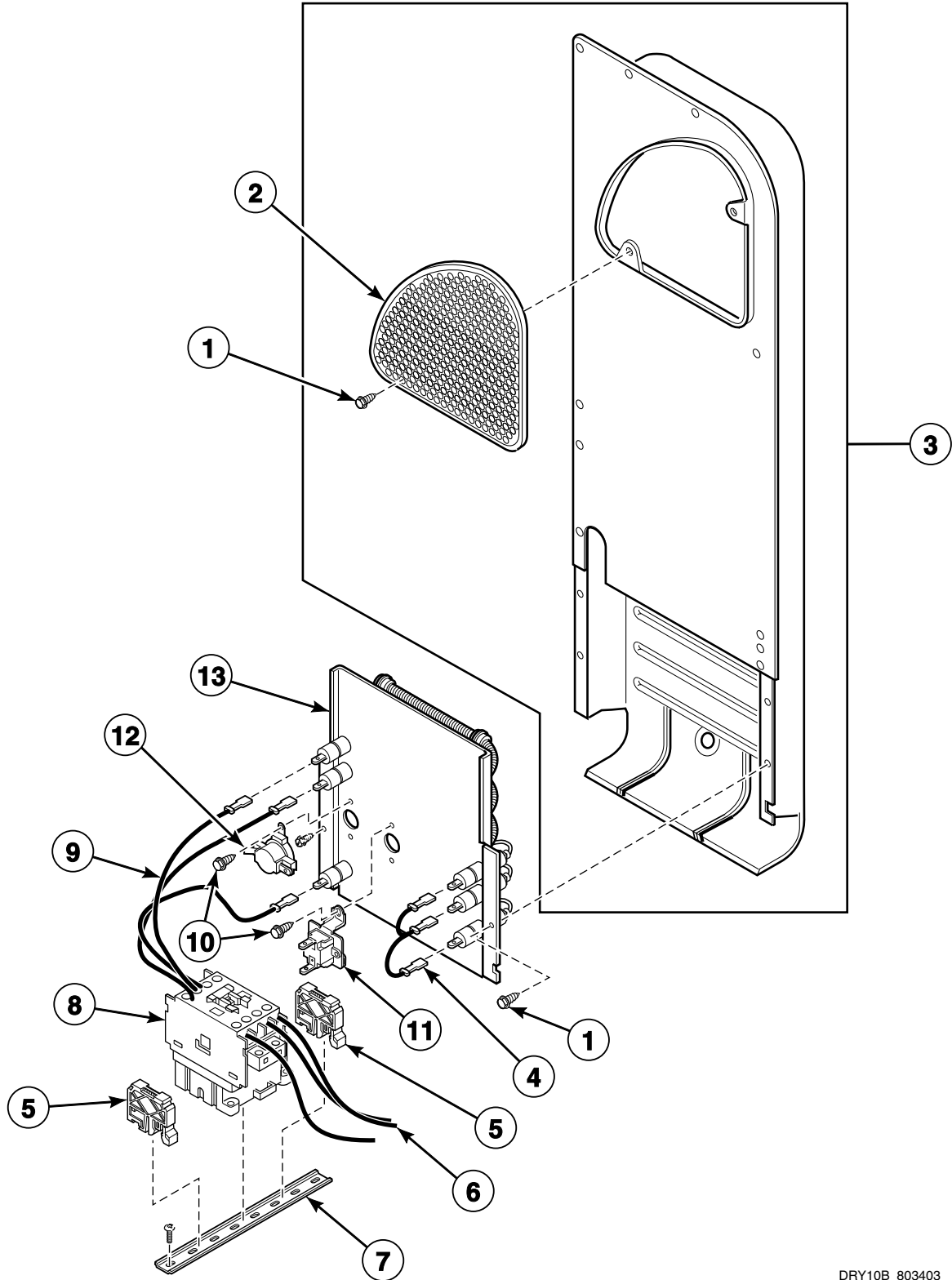
SWD1181PA_803403

Terminal Block

REF	PART NO.	DESCRIPTION	COMMENTS
1	D501285	Screw	Electric models
2	D505875	Terminal Block Support Bracket	Models BT3LLFSG401UN01, BT3LLFSG401UW01, BT3LLFSG402UW01, BT3LLFSP401UN01, BT3LLFSP402UN01, BT3LLFSP401UW01, BT3LLFSP402UW01, BT3LXFSG401UN01, BT3LXFSG401UW01, BT3LXFSG402UW01, BT3LXFSP401UN01, BT3LXFSP402UN01, BT3LXFSP401UW01, BT3LXFSP402UW01, NT3LLFSG401UW01, NT3LLFSG402UW01, NT3LLFSP401NN22, NT3LLFSP402NN22, NT3LLFSP401NW22, NT3LLFSP402NW22, NT3LLFSP401UN01, NT3LLFSP402UN01, NT3LLFSP401UW01, NT3LLFSP402UW01, NT3LXFSG401UW01, NT3LXFSG402UW01, NT3LXFSP401UN01, NT3LXFSP402UN01, NT3LXFSP401UW01, NT3LXFSP402UW01, NT3LXFSP402NW22, ST3LXFSP401NW22 and ST3LXFSP402NW22
	D510237	Terminal Block Shield	All other electric models
3	D505876	Terminal Block Assembly	Models BT3LLFSG401UN01, BT3LLFSG401UW01, BT3LLFSG402UW01, BT3LLFSP401UN01, BT3LLFSP402UN01, BT3LLFSP401UW01, BT3LLFSP402UW01, BT3LXFSG401UN01, BT3LXFSG401UW01, BT3LXFSG402UW01, BT3LXFSP401UN01, BT3LXFSP402UN01, BT3LXFSP401UW01, BT3LXFSP402UW01, NT3LLFSG401UW01, NT3LLFSG402UW01, NT3LLFSP401NN22, NT3LLFSP402NN22, NT3LLFSP401NW22, NT3LLFSP402NW22, NT3LLFSP401UN01, NT3LLFSP402UN01, NT3LLFSP401UW01, NT3LLFSP402UW01, NT3LXFSG401UW01, NT3LXFSG402UW01, NT3LXFSP401UN01, NT3LXFSP402UN01, NT3LXFSP401UW01, NT3LXFSP402UW01, NT3LXFSP402NW22, ST3LXFSP401NW22 and ST3LXFSP402NW22
	D510190P	Terminal Block Assembly	Includes (3) of item 4; All models except BT3LLFSG401UN01, BT3LLFSG401UW01, BT3LLFSG402UW01, BT3LLFSP401UN01, BT3LLFSP402UN01, BT3LLFSP401UW01, BT3LLFSP402UW01, BT3LXFSG401UN01, BT3LXFSG401UW01, BT3LXFSG402UW01, BT3LXFSP401UN01, BT3LXFSP402UN01, BT3LXFSP401UW01, BT3LXFSP402UW01, NT3LLFSG401UW01, NT3LLFSG402UW01, NT3LLFSP401NN22, NT3LLFSP402NN22, NT3LLFSP401NW22, NT3LLFSP402NW22, NT3LLFSP401UN01, NT3LLFSP402UN01, NT3LLFSP401UW01, NT3LLFSP402UW01, NT3LXFSG401UW01, NT3LXFSG402UW01, NT3LXFSP401UN01, NT3LXFSP402UN01, NT3LXFSP401UW01, NT3LXFSP402UW01, NT3LXFSP402NW22, ST3LXFSP401NW22, ST3LXFSP402NW22, STGLCFSP111TW01, STGLCFSP111TWNA, STGLXFSG111TW01, STGLXFSP111TW01, STGLYFSP111TW01, STGLYFSP111TWNA, STGNCFSP111TW01, STGNCFSP112TW01, STGNXFSG082JW01, STGNXFSG111TW01, STGNXFSG112TW01, STGNXFSP111TW01, STGNXFSP112TW01, STGNXFSP111TW01, STGNXFSP112TW01, STGNXFSP111TW01, STGNXFSP112TW01 and STGWYFSP112TW11
4	803150P	Power Harness Assembly	Power to washer; Models HTELXFSP281CW01, HTELXFSP291CW01, HTELYFSP281CW01, HTELYFSP291CW01, HTENXFSP281CW01, HTENXFSP282CW01, HTENXFSP291CW01, HTENXFSP292CW01, HTENYFSP281CW01, HTENYFSP282CW01, HTENYFSP291CW01, HTENYFSP292CW01, HTGLXFSP091CW01, HTGNXFSP091CW01 and HTGNXFSP092CW01
5	61199	Screw	

Heater Duct and Element Assembly (Drawing 1 of 2)

Models BT3LLFSG401UN01, BT3LLFSG401UW01, BT3LLFSG402UW01, BT3LLFSP401UN01, BT3LLFSP402UN01, BT3LLFSP401UW01, BT3LLFSP402UW01, BT3LXFSG401UN01, BT3LXFSG401UW01, BT3LXFSG402UW01, BT3LXFSP401UN01, BT3LXFSP402UN01, BT3LXFSP401UW01, BT3LXFSP402UW01, NT3LLFSG401UW01, NT3LLFSG402UW01, NT3LLFSP401NN22, NT3LLFSP402NN22, NT3LLFSP401NW22, NT3LLFSP402NW22, NT3LLFSP401UN01, NT3LLFSP402UN01, NT3LLFSP401UW01, NT3LLFSP402UW01, NT3LXFSG401UW01, NT3LXFSG402UW01, NT3LXFSP401UN01, NT3LXFSP402UN01, NT3LXFSP401UW01, NT3LXFSP402UW01, NT3LXFSP402NW22, ST3LXFSP401NW22 and ST3LXFSP402NW22



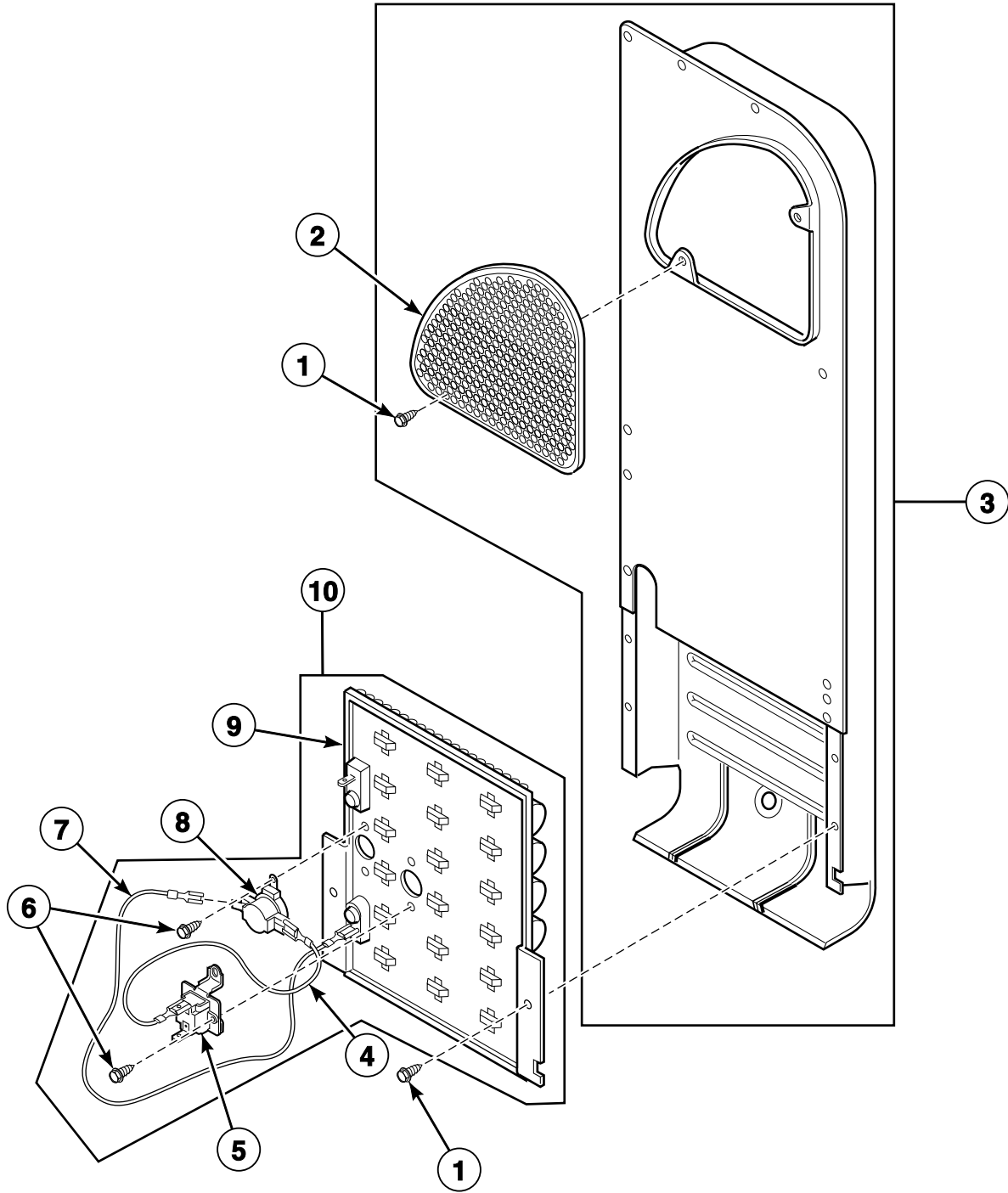
DRY10B_803403

Heater Duct and Element Assembly (Drawing 1 of 2)

REF	PART NO.	DESCRIPTION	COMMENTS
	756P3	Conversion Kit	400 Volt, 4 wire WYE to 240 Volt, 3 wire Delta
1	D503688	Screw	
2	D500820	Outlet Cover	
3	D510025P	Heater Duct Assembly	Includes items 1 and 2
4	D511270	Jumper Wire Assembly	3 Phase
5	70121001	End Stop	
6	D511112P	Block to Relay Harness	Terminal block to contactor
7	M412693	Din Rail	
8	F330177P	Contactor	
9	D511114P	Relay to Heater Harness	Contactor to heater
10	23222	Screw	
11	D511412	Thermal Fuse Assembly	
12	D510701	Limit Thermostat	
13	D511014P	Heater	400 Volt/3 Phase

Heater Duct and Element Assembly (Drawing 2 of 2)

Models HTELXFSP281CW01, HTELXFSP291CW01, HTELYFSP281CW01, HTELYFSP291CW01, HTENXFSP281CW01, HTENXFSP282CW01, HTENXFSP291CW01, HTENXFSP292CW01, HTENYFSP281CW01, HTENYFSP282CW01, HTENYFSP291CW01, HTENYFSP292CW01, JT1DEFSP411EW01, JT1DGFSP411EW01, JT1DGFSP411EW06, JT1DMFSG411EN01, JT1DMFSG411EN06, JT1DXFSP411EW01, JTEDEFSP301EW01, JTEDXFSP301EW01, NT1LLFSP411UW06, NT1LLFSP412UW06, NT1LXFSP401UN01, NT1LXFSP401UW01, NT1LXFSP402UW01, NT1LXFSP402UW06, NTHLXFSP571NW01, NTHLXFSP572NW01, NTHLYFSP571NW01, NTHLYFSP572NW01, STELCFSP171TW01, STELXFSP171TW01, STELXFSP431AW01, STELXFSP432AW01, STELYFSP171TW01, STENCFSP171TW01, STENCFSP172TW01, STENXFSP171TW01, STENXFSP172TW01, STENYFSP171TW01, STENYFSP172TW01, STEWYFJP302NN25, STEWYFJP302NW25, STEWYFSP172TW11 and STEWYFSP302NW25



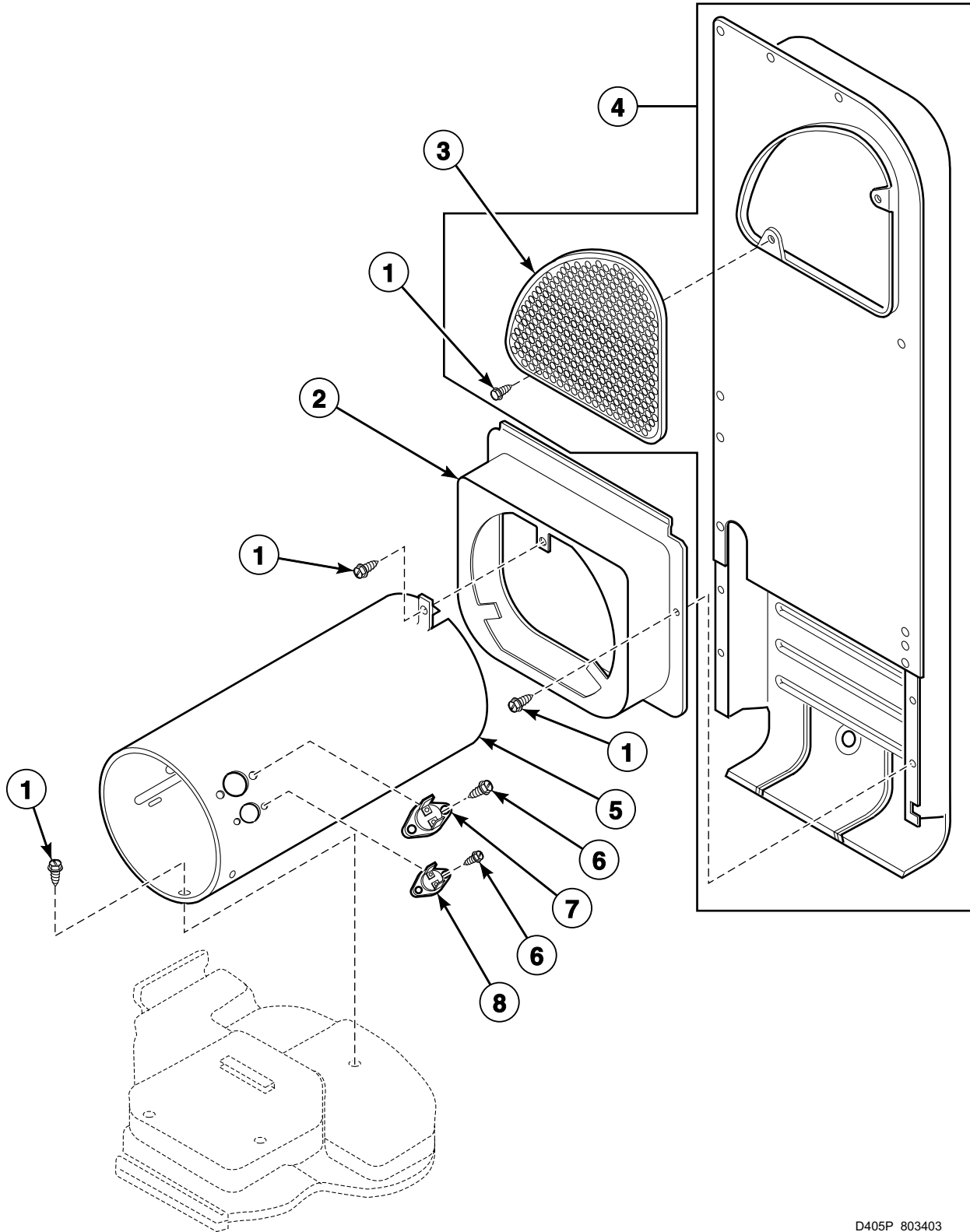
DRY1789P_803403

Heater Duct and Element Assembly (Drawing 2 of 2)

REF	PART NO.	DESCRIPTION	COMMENTS
1	D503688	Screw	
2	D500820	Outlet Cover	
3	D510025P	Heater Duct Assembly	Includes item 2
4	D510528	Wire Assembly	Orange; Thermostat jumper
5	D511412	Thermal Fuse Assembly	
6	23222	Screw	
7	D510527	Wire Assembly	Black; Fuse jumper
8	D510701	Limit Thermostat	
9	D510326P	Heater Assembly	Models JT1DEFSP411EW01, JT1DGFSP411EW01, JT1DGFSP411EW06, JT1DMFSG411EN01, JT1DMFSG411EN06, JT1DXFSP411EW01, JTEDEFSP301EW01, JTEDXFSP301EW01, NT1LLFSP411UW06, NT1LLFSP412UW06, NT1LXFSP401UN01, NT1LXFSP401UW01, NT1LXFSP402UW01, NT1LXFSP402UW06, STEWYFJP302NN25 and STEWYFSP302NW25; 4800 Watt; 240 Volt/50 Hertz
	D510324P	Heater Assembly	Models HTELYFSP281CW01, HTELYFSP281CW01, HTENXFSP281CW01, HTENXFSP282CW01, HTENYFSP281CW01, HTENYFSP282CW01, NTHLXFSP571NW01, NTHLXFSP572NW01, NTHLYFSP571NW01 and NTHLYFSP572NW01; 5000 Watt; 240 Volt/60 Hertz
	D510330P	Heater Assembly	Models HTELYFSP291CW01, HTELYFSP291CW01, HTENXFSP291CW01, HTENXFSP292CW01, HTENYFSP291CW01 and HTENYFSP292CW01; 4250 Watt; 208 Volt/60 Hertz
	D510329P	Heater Assembly	Models STELCFSP171TW01, STELCFSP171TW01, STELYFSP171TW01, STENCFSP171TW01, STENCFSP172TW01, STENXFSP171TW01, STENXFSP172TW01, STENYFSP171TW01, STENYFSP172TW01 and STEWYFSP172TW11; 5350 Watt; 240 Volt/60 Hertz
	D510327P	Heater Assembly	Models STELCFSP431AW01 and STELCFSP432AW01; 4000 Watt; 240 Volt/50 Hertz
10	61928	Heater Kit Assembly	Includes items 4-9; Models STELCFSP171TW01, STELCFSP171TW01, STELYFSP171TW01, STENCFSP171TW01, STENCFSP172TW01, STENXFSP171TW01, STENXFSP172TW01, STENYFSP171TW01 and STENYFSP172TW01; 4750 Watt; 208 Volt/60 Hertz
	965P3	Heater Kit	Includes items 4-9; Models HTELYFSP291CW01, HTELYFSP291CW01, HTENXFSP291CW01, HTENXFSP292CW01, HTENYFSP291CW01 and HTENYFSP292CW01; 4250 Watt; 208 Volt/60 Hertz
	964P3	Heater Kit	Includes items 4-9; Models STELCFSP171TW01, STELCFSP171TW01, STELYFSP171TW01, STENCFSP171TW01, STENCFSP172TW01, STENXFSP171TW01, STENXFSP172TW01, STENYFSP171TW01, STENYFSP172TW01 and STEWYFSP172TW11; 5350 Watt; 240 Volt/60 Hertz
	61929	Heater Kit Assembly	Includes items 4-9; Models JT1DEFSP411EW01, JT1DGFSP411EW01, JT1DGFSP411EW06, JT1DMFSG411EN01, JT1DMFSG411EN06, JT1DXFSP411EW01, JTEDEFSP301EW01, JTEDXFSP301EW01, NT1LLFSP411UW06, NT1LLFSP412UW06, NT1LXFSP401UN01, NT1LXFSP401UW01, NT1LXFSP402UW01 and NT1LXFSP402UW06; 4800 Watt; 240 Volt/50 Hertz
	61927	Heater Kit Assembly	Includes items 4-9; Models HTELYFSP281CW01, HTELYFSP281CW01, HTENXFSP281CW01, HTENXFSP282CW01, HTENYFSP281CW01, HTENYFSP282CW01, NTHLXFSP571NW01, NTHLXFSP572NW01, NTHLYFSP571NW01 and NTHLYFSP572NW01; 5000 Watt; 240 Volt/60 Hertz
	61930	Heater Kit Assembly	Includes items 4-9; Models STELCFSP431AW01, STELCFSP432AW01, STEWYFJP302NN25, STEWYFJP302NW25 and STEWYFSP302NW25; 4000 Watt; 240 Volt/50 Hertz

Heater Duct Assembly

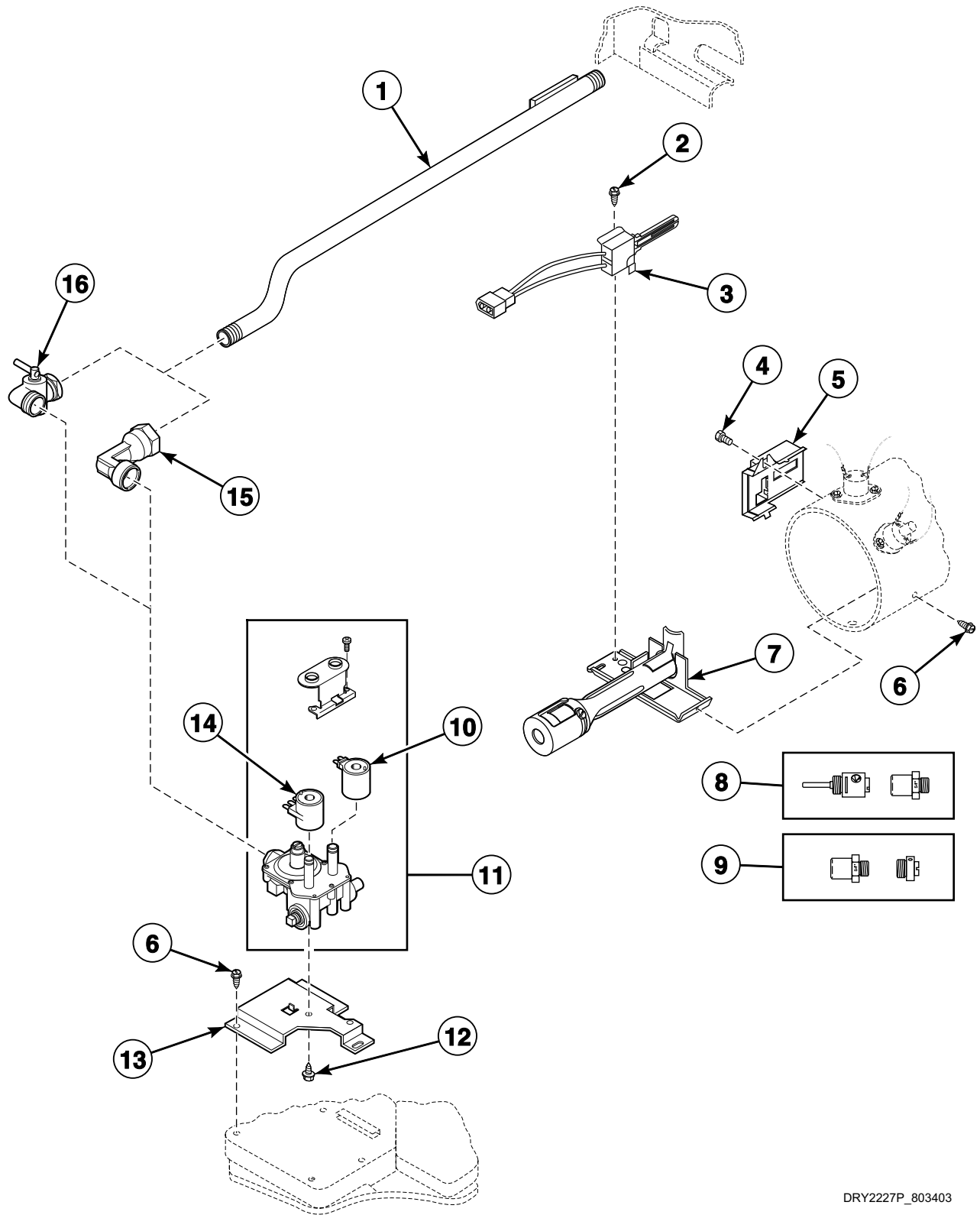
Gas Model Dryers



D405P_803403

Gas Valve, Igniter and Gas Conversion Kits

Gas Model Dryers



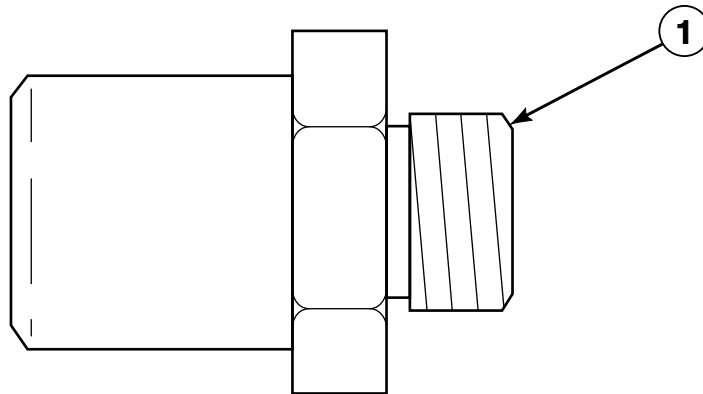
DRY2227P_803403

Gas Valve, Igniter and Gas Conversion Kits

REF	PART NO.	DESCRIPTION	COMMENTS
1	D510204	Lead-In Pipe Assembly	
2	51782	Screw	
3	D510184P	Igniter and Bracket Assembly	
4	23222	Screw	
5	D510213	Sensor	
6	D503688	Screw	
7	D510149P	Burner Assembly	
8	600P3	L.P. Conversion Kit	Models JT2DEFSP411EW01, JT2DGFSP411EW01, JT2DGFSP411EW06, JT2DMFSG411EN01, JT2DMFSG411EN06, JT2DXFSP411EW01, NT2LLFSP401UN01, NT2LLFSP402UN01, NT2LLFSP401UW01, NT2LLFSP402UW01, NT2LLFSP401UW06, NT2LLFSP402UW06, NT2LXFSP401UN01, NT2LXFSP402UN01, NT2LXFSP401UW01, NT2LXFSP402UW01 and NT2LXFSP402UW06; Used to convert dryer from Natural Gas (N.G.) or Mixed Gas to Liquid Petroleum Gas (L.P.); 25,000 Btu
	458P3	L.P. Conversion Kit	All other models; Used to convert dryers from N.G. or Mixed Gas to L.P.; 25,000 Btu
9	459P3	N.G. Conversion Kit	Used to convert dryers from L.P. to N.G. or Mixed Gas; 25,000 Btu
10	58804B	Secondary Coil	
11	60443P	Valve Assembly	50 Hertz; 25,000 Btu; Models JT2DEFSP411EW01, JT2DGFSP411EW01, JT2DGFSP411EW06, JT2DMFSG411EN01, JT2DMFSG411EN06, JT2DXFSP411EW01, JTGDEFSP301EW01, JTGDXFSP301EW01, NT2LLFSP401UN01, NT2LLFSP402UN01, NT2LLFSP401UW01, NT2LLFSP402UW01, NT2LLFSP401UW06, NT2LLFSP402UW06, NT2LXFSP401UN01, NT2LXFSP402UN01, NT2LXFSP401UW01, NT2LXFSP402UW01, NT2LXFSP402UW06, STGLXFSP301AW01 and STGLXFSP302AW01
	60353P	Gas Valve Assembly	60 Hertz; 25,000 Btu; All other models
12	56124	Screw	
13	D510128	Gas Valve Mounting Bracket	
14	58804A	Booster and Holding Coil	
15	D513072	Elbow	Models STLNXFSP542NW23, STLNYFSP541NW23 and STLNYFSP542NW23
16	D510205	Elbow Shut-Off Valve	All models except STLNXFSP542NW23, STLNYFSP541NW23 and STLNYFSP542NW23

Burner Orifice Spuds - For Higher Elevations

Gas Models

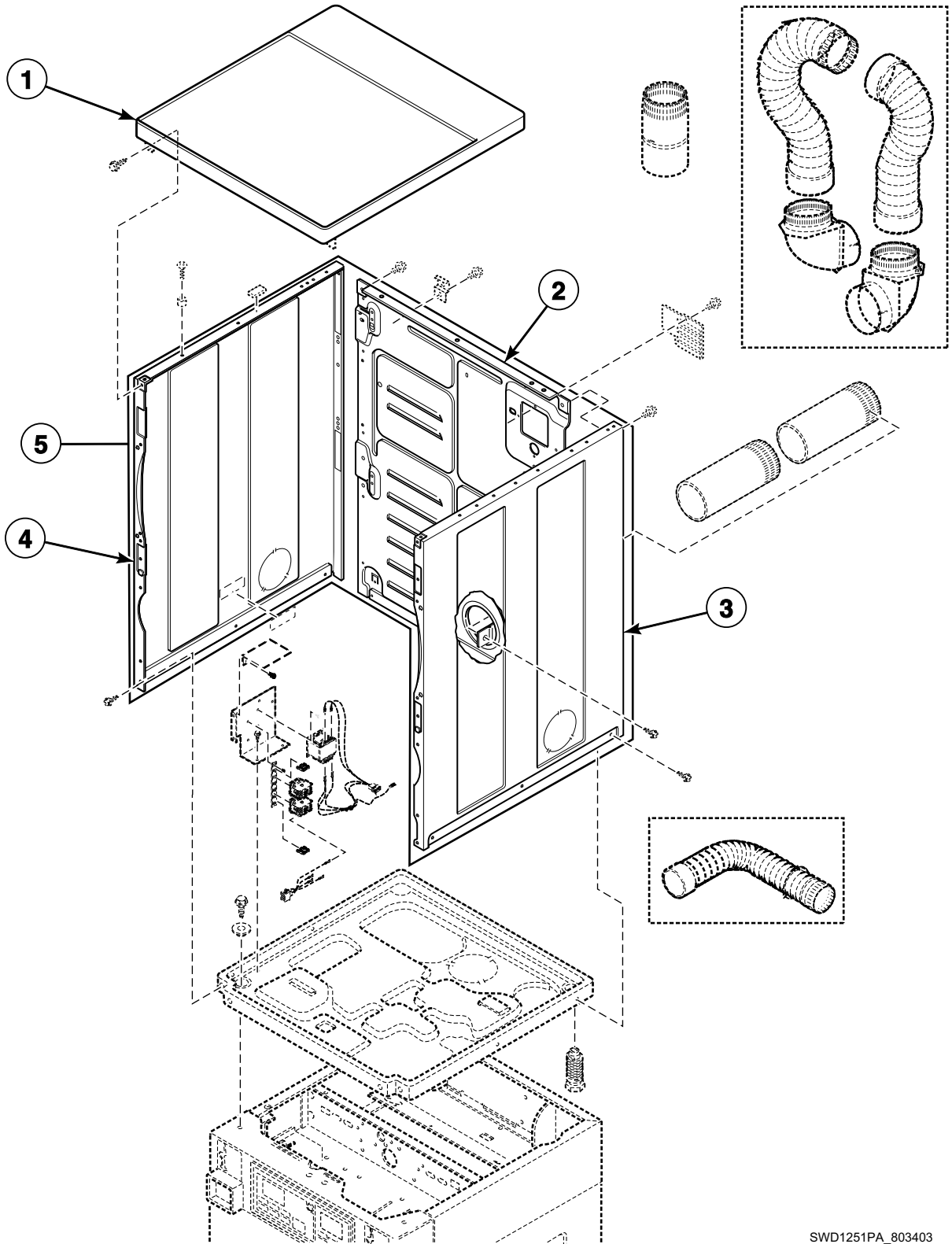


DRY2266P_803403

Burner Orifice Spuds - For Higher Elevations

REF	PART NO.	DESCRIPTION	COMMENTS
1	58755	L.P. Orifice	25,000 Btu; 7500-10,999 feet (2290-3354 m)
	D503786	L.P. Orifice	25,000 Btu; 11,000 feet (3355 m) and higher
	58719	Screw Orifice	Natural Gas (N.G.); 25,000 Btu; 7000-8999 feet (2135-2744 m)
	D503776	N.G. Orifice	25,000 Btu; 2000-2999 feet (610-914 m)
	D510517	N.G. Orifice	25,000 Btu; 3000-5499 feet (915-1679 m)
	D503778	N.G. Orifice	25,000 Btu; 5500-6999 feet (1680-2134 m)
	D503779	N.G. Orifice	25,000 Btu; 9000-10,499 feet (2745-3199 m)
	D503780	N.G. Orifice	25,000 Btu; 10,500 feet (3200 m) and higher

Dryer Cabinet - Panels

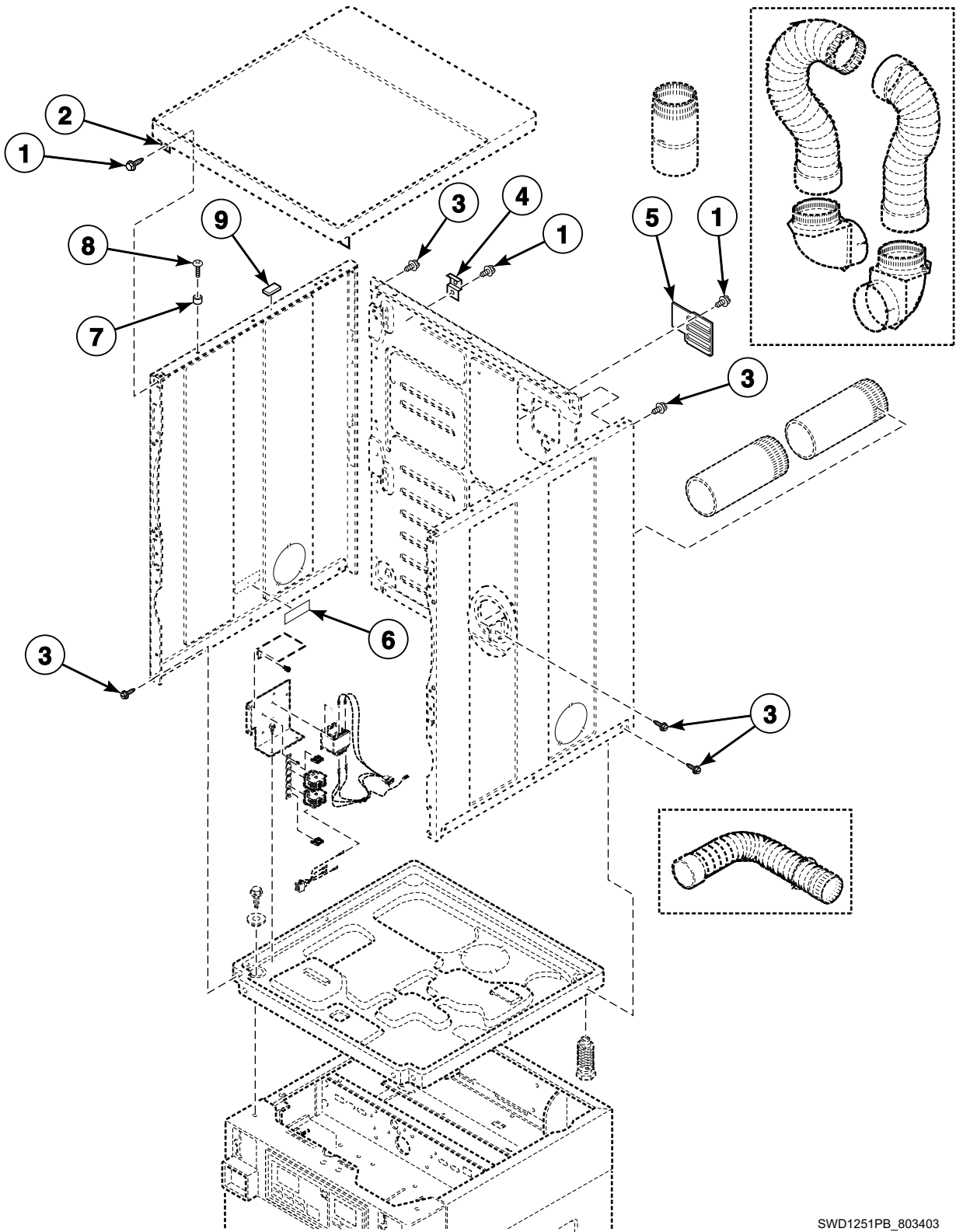


SWD1251PA_803403

Dryer Cabinet - Panels

REF	PART NO.	DESCRIPTION	COMMENTS
	122P4P	Porcelain Touch-Up Paint	White
	370P4P	Porcelain Touch-Up Paint	Bisque
1	803144P	Top Kit	Models BT3LLFSG401UN01, BT3LLFSP401UN01, BT3LLFSP402UN01, BT3LXFSG401UN01, BT3LXFSP401UN01, BT3LXFSP402UN01, JT1DMFSG411EN01, JT1DMFSG411EN06, JT2DMFSG411EN01, JT2DMFSG411EN06, NT1LXFSP401UN01, NT2LLFSP401UN01, NT2LLFSP402UN01, NT2LXFSP401UN01, NT2LXFSP402UN01, NT3LLFSP401NN22, NT3LLFSP402NN22, NT3LLFSP401UN01, NT3LLFSP402UN01, NT3LXFSP401UN01 and NT3LXFSP402UN01
	D510032WP	Top Kit	All other models
2	D514632P	Cabinet Rear Panel	
3	D512539	Cabinet Side Panel	Right; Stainless steel; Models BT3LLFSG401UN01, BT3LLFSP401UN01, BT3LLFSP402UN01, BT3LXFSG401UN01, BT3LXFSP401UN01, BT3LXFSP402UN01, JT1DMFSG411EN01, JT1DMFSG411EN06, JT2DMFSG411EN01, JT2DMFSG411EN06, NT1LXFSP401UN01, NT2LLFSP401UN01, NT2LLFSP402UN01, NT2LXFSP401UN01, NT2LXFSP402UN01, NT3LLFSP401NN22, NT3LLFSP402NN22, NT3LLFSP401UN01, NT3LLFSP402UN01, NT3LXFSP401UN01 and NT3LXFSP402UN01
	D510002GP	Cabinet Side Panel	Right; Gray; Models BT3LLFSG401UN01, BT3LLFSP401UN01, BT3LLFSP402UN01, BT3LXFSG401UN01, BT3LXFSP401UN01, BT3LXFSP402UN01, JT1DMFSG411EN01, JT1DMFSG411EN06, JT2DMFSG411EN01, JT2DMFSG411EN06, NT1LXFSP401UN01, NT2LLFSP401UN01, NT2LLFSP402UN01, NT2LXFSP401UN01, NT2LXFSP402UN01, NT3LLFSP401NN22, NT3LLFSP402NN22, NT3LLFSP401UN01, NT3LLFSP402UN01, NT3LXFSP401UN01 and NT3LXFSP402UN01
	D510002WP	Cabinet Side Panel	Right; White; All other models
4	D512538	Cabinet Side Panel	Left; Stainless steel; Models BT3LLFSG401UN01, BT3LLFSP401UN01, BT3LLFSP402UN01, BT3LXFSG401UN01, BT3LXFSP401UN01, BT3LXFSP402UN01, JT1DMFSG411EN01, JT1DMFSG411EN06, JT2DMFSG411EN01, JT2DMFSG411EN06, NT1LXFSP401UN01, NT2LLFSP401UN01, NT2LLFSP402UN01, NT2LXFSP401UN01, NT2LXFSP402UN01, NT3LLFSP401NN22, NT3LLFSP402NN22, NT3LLFSP401UN01, NT3LLFSP402UN01, NT3LXFSP401UN01 and NT3LXFSP402UN01
	D510001GP	Cabinet Side Panel	Left; Gray; Models BT3LLFSG401UN01, BT3LLFSP401UN01, BT3LLFSP402UN01, BT3LXFSG401UN01, BT3LXFSP401UN01, BT3LXFSP402UN01, JT1DMFSG411EN01, JT1DMFSG411EN06, JT2DMFSG411EN01, JT2DMFSG411EN06, NT1LXFSP401UN01, NT2LLFSP401UN01, NT2LLFSP402UN01, NT2LXFSP401UN01, NT2LXFSP402UN01, NT3LLFSP401NN22, NT3LLFSP402NN22, NT3LLFSP401UN01, NT3LLFSP402UN01, NT3LXFSP401UN01 and NT3LXFSP402UN01
	D510001WP	Cabinet Side Panel	Left; White; All other models
5	727P3W	Panel Kit	Includes items 2-4 and attaching hardware; All models except BT3LLFSG401UN01, BT3LLFSP401UN01, BT3LLFSP402UN01, BT3LXFSG401UN01, BT3LXFSP401UN01, BT3LXFSP402UN01, JT1DMFSG411EN01, JT1DMFSG411EN06, JT2DMFSG411EN01, JT2DMFSG411EN06, NT1LXFSP401UN01, NT2LLFSP401UN01, NT2LLFSP402UN01, NT2LXFSP401UN01, NT2LXFSP402UN01, NT3LLFSP401NN22, NT3LLFSP402NN22, NT3LLFSP401UN01, NT3LLFSP402UN01, NT3LXFSP401UN01 and NT3LXFSP402UN01

Dryer Cabinet - Hardware

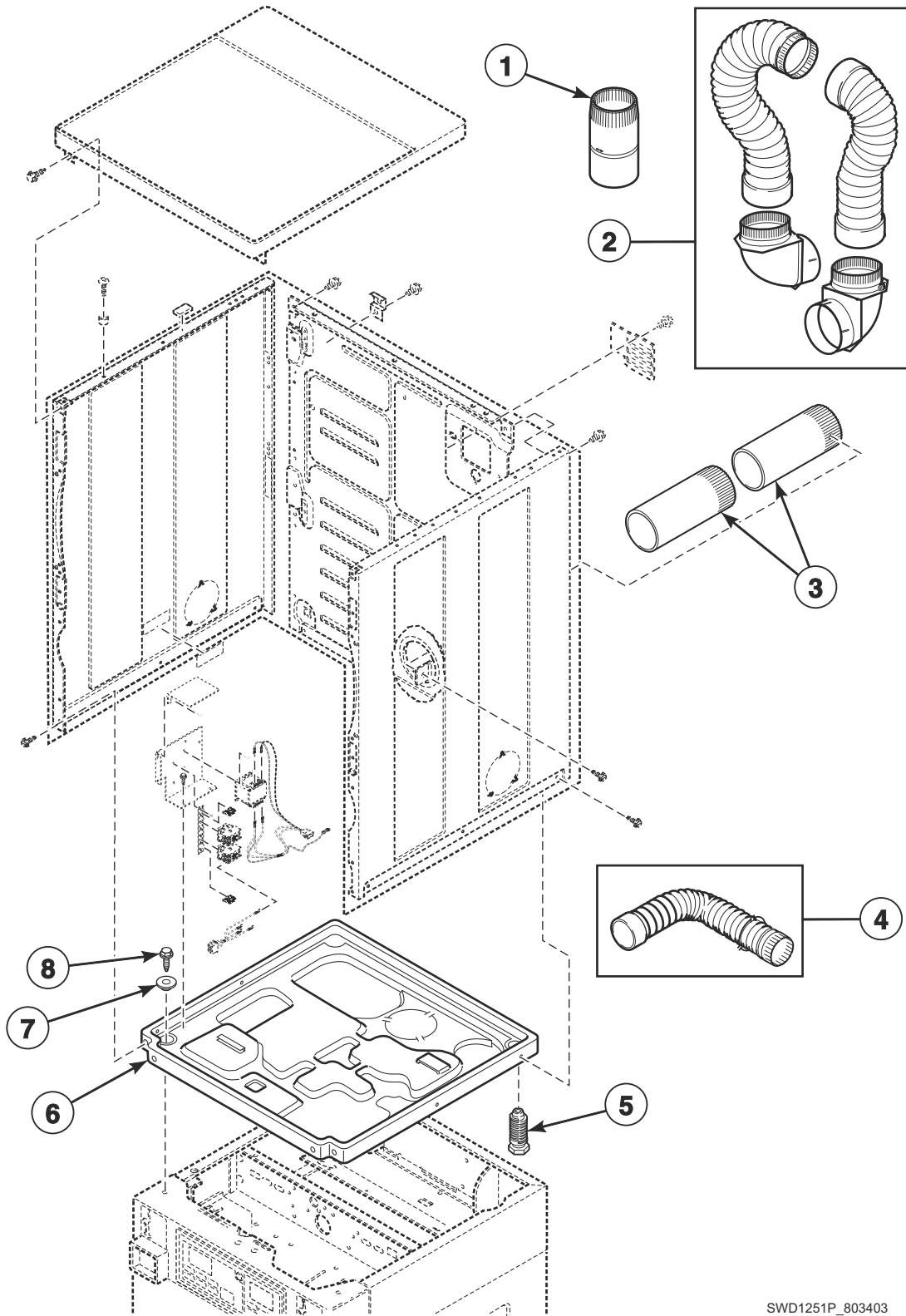


SWD1251PB_803403

Dryer Cabinet - Hardware

REF	PART NO.	DESCRIPTION	COMMENTS
1	D503661	Screw	
2	D510146	Bracket	
3	D503688	Screw	
4	D510136	Top Hinge	
5	D510903	Access Panel Plate	
6	61294	Fuse Notice Label	Electric models
7	56079	Panel Locator	
8	D512921	Screw	Use with stainless steel side panels
	39733	Screw	Use with painted side panels
9	56128	Bumper Pad	

Dryer Exhaust Duct and Base



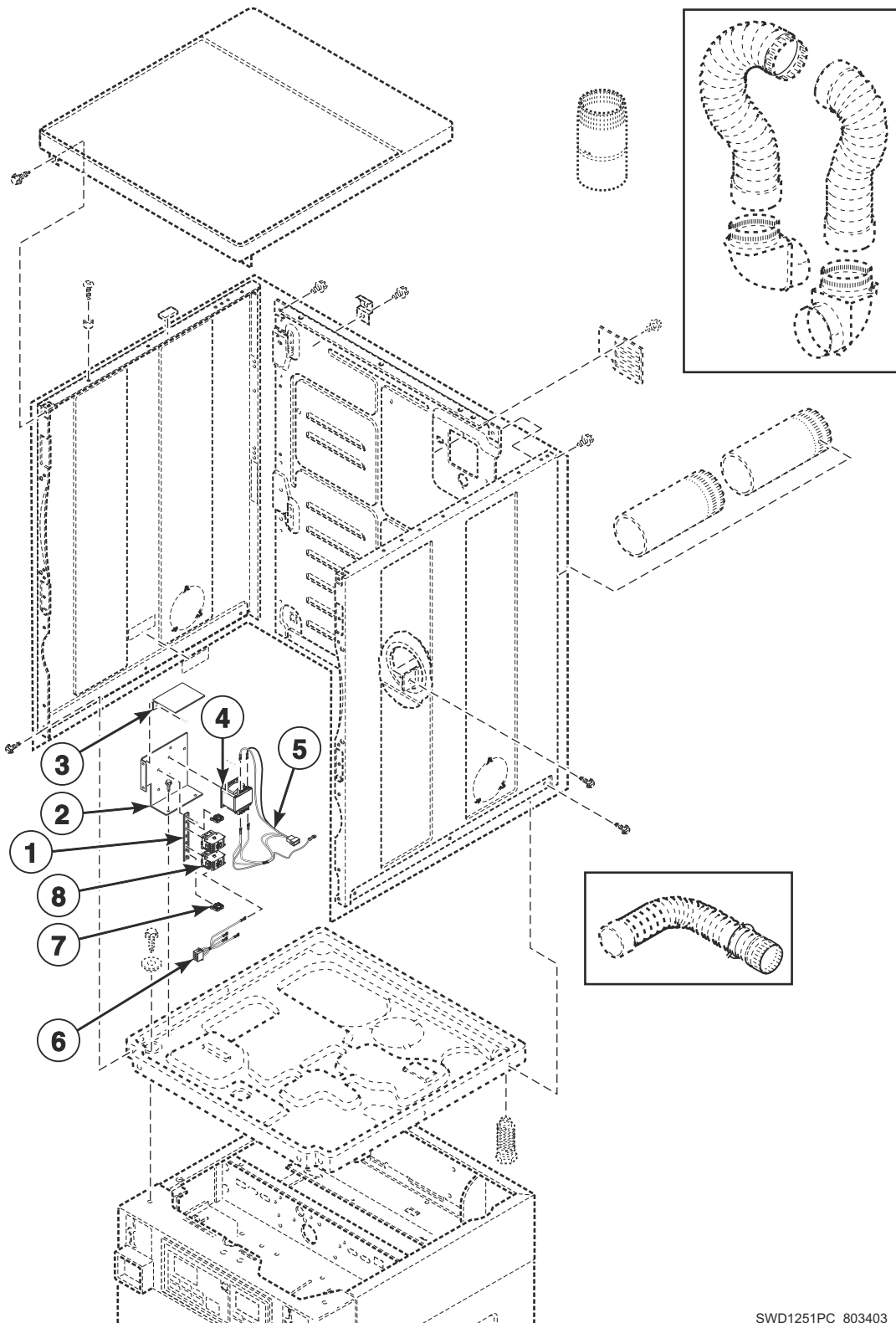
SWD1251P_803403

Dryer Exhaust Duct and Base

REF	PART NO.	DESCRIPTION	COMMENTS
1	58786	Damper	
2	521P3	Flexible Venting Kit	
3	D516196	Exhaust Duct	Each dryer requires 2 pieces
4	528P3	Directional Exhaust Kit	Used to vent dryer out the sides
5	D510135	Leveling Leg	
6	D514245	Dryer Base	
7	D501307	Washer	
8	36048	Screw	

Contactor and Transformer

Models JT2DEFSP411EW01, JT2DGFSP411EW01, JT2DGFSP411EW06, JT2DMFSG411EN01, JT2DMFSG411EN06, JT2DXFSP411EW01, JTGDEFSP301EW01, JTGDXFSP301EW01, NT2LLFSP401UN01, NT2LLFSP402UN01, NT2LLFSP401UW01, NT2LLFSP402UW01, NT2LLFSP401UW06, NT2LLFSP402UW06, NT2LXFSP401UN01, NT2LXFSP402UN01, NT2LXFSP401UW01, NT2LXFSP402UW01, NT2LXFSP402UW06, STGLXFSP301AW01, STGLXFSP302AW01, STLNXFSP542NW23, STLNYFSP541NW23 and STLNYFSP542NW23



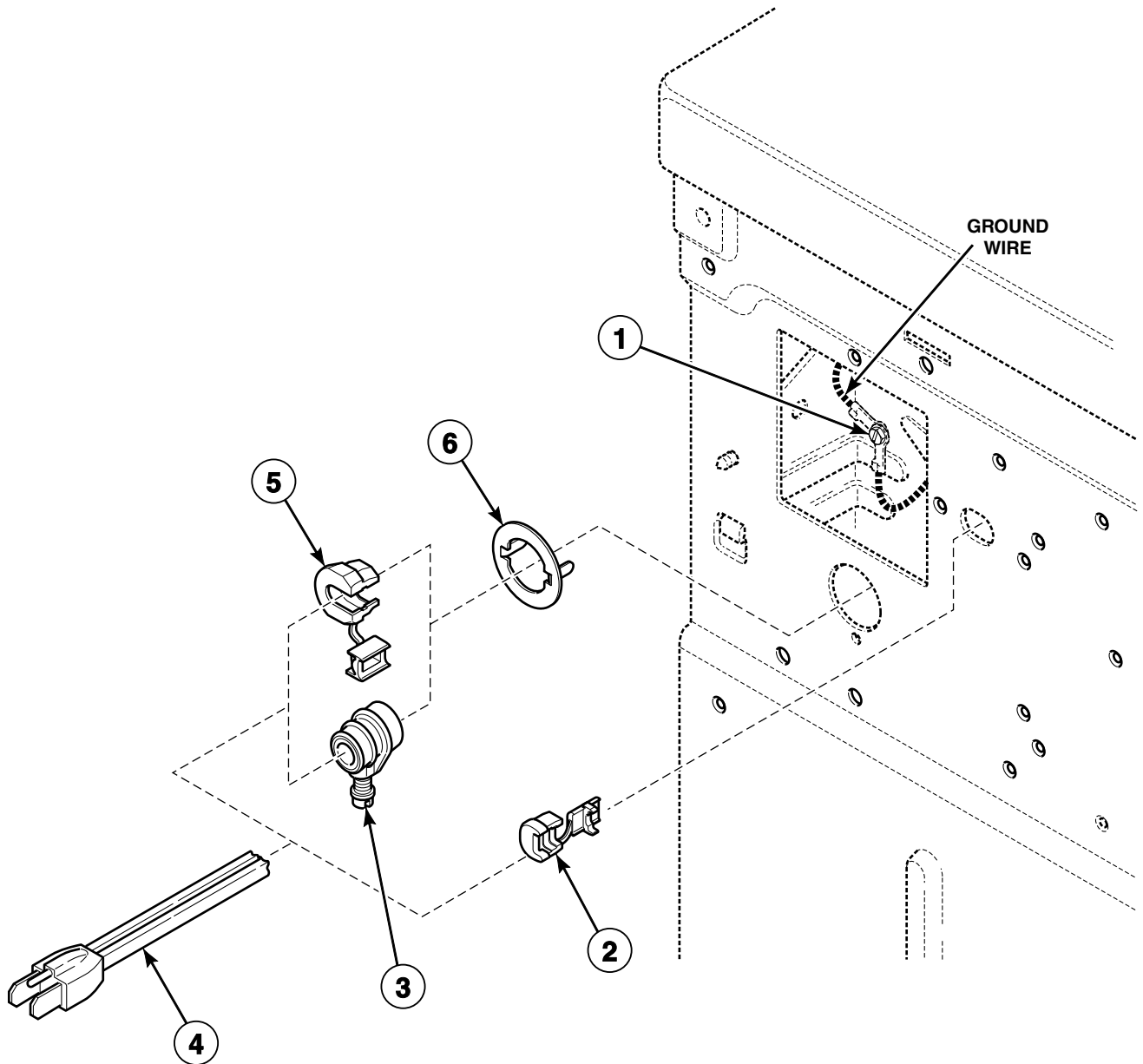
SWD1251PC_803403

Contactor and Transformer

REF	PART NO.	DESCRIPTION	COMMENTS
1	M412693	Din Rail	All models except STGLXFSP301AW01, STGLXFSP302AW01, STLNXFSP542NW23, STLNYFSP541NW23 and STLNYFSP542NW23
2	D511859	Contactor Bracket	
3	801101	Card Reader Shield	All models except STGLXFSP301AW01, STGLXFSP302AW01, STLNXFSP542NW23, STLNYFSP541NW23 and STLNYFSP542NW23
4	D511658P	Transformer Kit	
5	D511303	Wire Harness Assembly	Transformer adapter; Includes 502592 Fuse, 3.15 Amp, 250 Volt
6	D511327	Harness Assembly	All models except STGLXFSP301AW01, STGLXFSP302AW01, STLNXFSP542NW23, STLNYFSP541NW23 and STLNYFSP542NW23
7	70121001	End Stop	All models except STGLXFSP301AW01, STGLXFSP302AW01, STLNXFSP542NW23, STLNYFSP541NW23 and STLNYFSP542NW23
8	70323701P	Contactor	All models except STGLXFSP301AW01, STGLXFSP302AW01, STLNXFSP542NW23, STLNYFSP541NW23 and STLNYFSP542NW23

Dryer Power Cord

Models HTGLXFSP091CW01, HTGNXFSP091CW01, HTGNXFSP092CW01, JT2DEFSP411EW01, JT2DGFSP411EW01, JT2DGFSP411EW06, JT2DMFSG411EN01, JT2DMFSG411EN06, JT2DXFSP411EW01, JTGDEFSP301EW01, JTGDXFSP301EW01, NT1LXFSP401UN01, NT1LXFSP401UW01, NT1LXFSP402UW01, NT1LXFSP402UW06, NT2LLFSP401UN01, NT2LLFSP402UN01, NT2LLFSP401UW01, NT2LLFSP402UW01, NT2LLFSP401UW06, NT2LLFSP402UW06, NT2LXFSP401UN01, NT2LXFSP402UN01, NT2LXFSP401UW01, NT2LXFSP402UW01, NT2LXFSP402UW06, STELXFSP431AW01, STELXFSP432AW01, STGLCFSP111TW01, STGLCFSP111TWNA, STGLXFSG111TW01, STGLXFSP111TW01, STGLXFSP301AW01, STGLXFSP302AW01, STGLYFSP111TW01, STGLYFSP111TWNA, STGNCFSP111TW01, STGNCFSP112TW01, STGNXFSG082JW01, STGNXFSG111TW01, STGNXFSG112TW01, STGNXFSP111TW01, STGNXFSP112TW01, STGNFYFSP111TW01, STGNFYFSP112TW01, STGWYFSP112TW11, STLNXFSP542NW23, STLNYFSP541NW23 and STLNYFSP542NW23

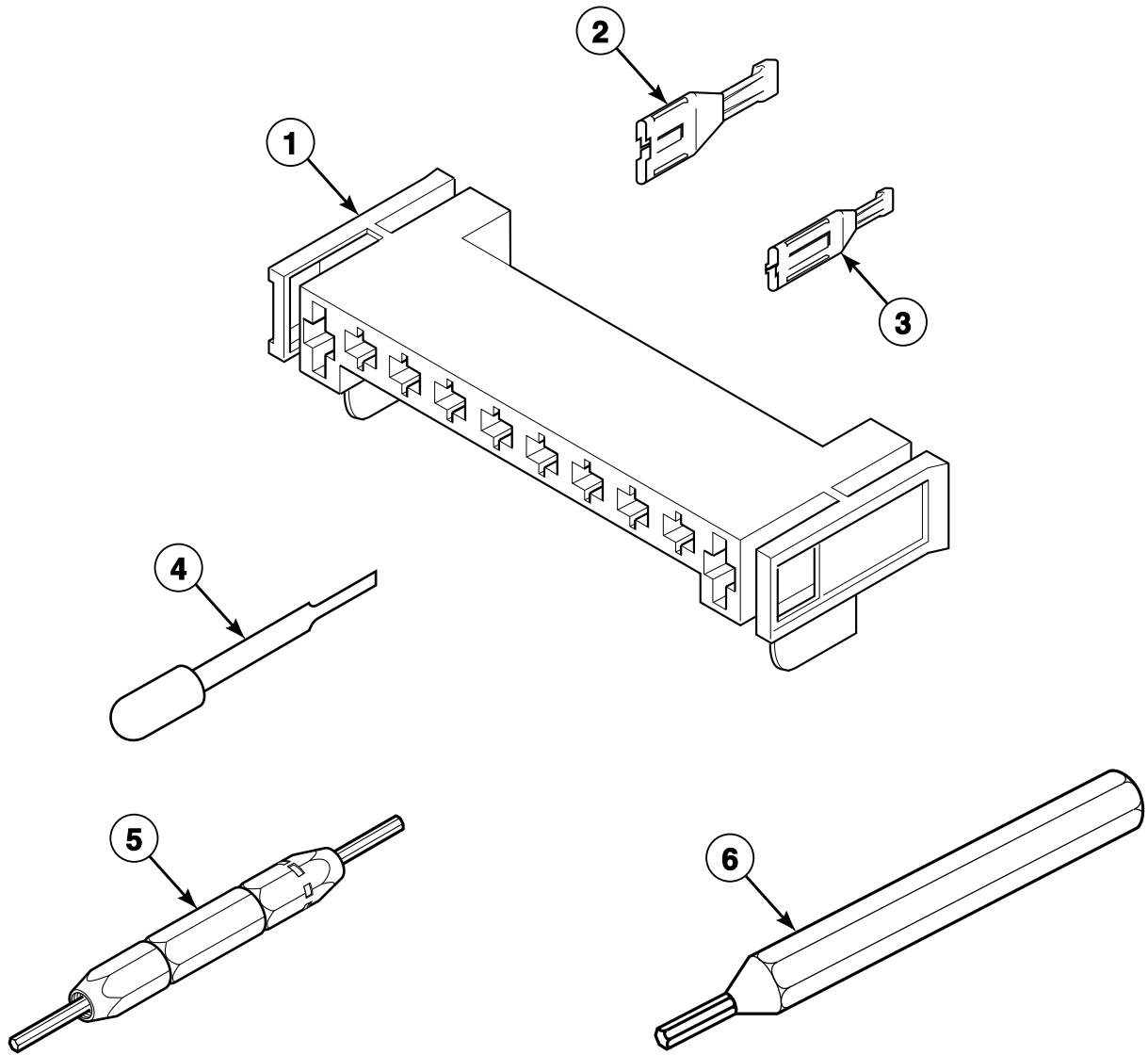


SWD1230P_803403

Dryer Power Cord

REF	PART NO.	DESCRIPTION	COMMENTS
1	20530	Screw	
2	38384	Strain Relief	Models STGLCFSP111TW01, STGLCFSP111TWNA, STGLXFSG111TW01, STGLXFSP111TW01, STGLYFSP111TW01, STGLYFSP111TWNA, STGNCFSP111TW01, STGNCFSP112TW01, STGNXFSG082JW01, STGNXFSG111TW01, STGNXFSG112TW01, STGNXFSP111TW01, STGNXFSP112TW01, STGNYFSP111TW01, STGNYFSP112TW01 and STGWYFSP112TW11
3	D502500	Strain Relief	Models JT2DEFSP411EW01, JT2DGFSP411EW01, JT2DGFSP411EW06, JT2DMFSG411EN01, JT2DMFSG411EN06, JT2DXFSP411EW01, JTGDEFSP301EW01, JTGDXFSP301EW01, NT2LLFSP401UN01, NT2LLFSP402UN01, NT2LLFSP401UW01, NT2LLFSP402UW01, NT2LLFSP401UW06, NT2LLFSP402UW06, NT2LXFSP401UN01, NT2LXFSP402UN01, NT2LXFSP401UW01, NT2LXFSP402UW01 and NT2LXFSP402UW06
4	D513329	Lead-In Cord	Models JT2DEFSP411EW01, JT2DGFSP411EW01, JT2DGFSP411EW06, JT2DMFSG411EN01, JT2DMFSG411EN06, JT2DXFSP411EW01, JTGDEFSP301EW01 and JTGDXFSP301EW01
	D512019	Lead-In Cord	Models STGLXFSP301AW01 and STGLXFSP302AW01
	59373	Lead-In Cord	Models STLNXFSP542NW23, STLNYFSP541NW23 and STLNYFSP542NW23
	D506081	Power Cord Assembly	Models NT2LLFSP401UN01, NT2LLFSP402UN01, NT2LLFSP401UW01, NT2LLFSP402UW01, NT2LLFSP401UW06, NT2LLFSP402UW06, NT2LXFSP401UN01, NT2LXFSP402UN01, NT2LXFSP401UW01, NT2LXFSP402UW01 and NT2LXFSP402UW06
	D503597	Lead-In Cord Assembly	Models NT1LXFSP401UN01, NT1LXFSP401UW01, NT1LXFSP402UW01 and NT1LXFSP402UW06
	58992	Power Cord Assembly	Model HTGLXFSP091CW01
	61605P	Lead-In Cord Kit	Models STELXFSP431AW01 and STELXFSP432AW01
	59308	Lead-In Cord	All other models
5	52113	Strain Relief	Models NT1LXFSP401UN01, NT1LXFSP401UW01, NT1LXFSP402UW01, NT1LXFSP402UW06, STELXFSP431AW01, STELXFSP432AW01, STLNXFSP542NW23, STLNYFSP541NW23 and STLNYFSP542NW23
	52151	Strain Relief	Models HTGLXFSP091CW01, HTGNXFSP091CW01 and HTGNXFSP092CW01
	60298	Strain Relief	Models STGLXFSP301AW01 and STGLXFSP302AW01
6	D502496	Strain Relief Adapter	Models HTGLXFSP091CW01, JT2DEFSP411EW01, JT2DGFSP411EW01, JT2DGFSP411EW06, JT2DMFSG411EN01, JT2DMFSG411EN06, JT2DXFSP411EW01, JTGDEFSP301EW01, JTGDXFSP301EW01, NT1LXFSP401UN01, NT1LXFSP401UW01, NT1LXFSP402UW01, NT1LXFSP402UW06, NT2LLFSP401UN01, NT2LLFSP402UN01, NT2LLFSP401UW01, NT2LLFSP402UW01, NT2LLFSP401UW06, NT2LLFSP402UW06, NT2LXFSP401UN01, NT2LXFSP402UN01, NT2LXFSP401UW01, NT2LXFSP402UW01, NT2LXFSP402UW06, STELXFSP431AW01, STELXFSP432AW01, STGLXFSP301AW01, STGLXFSP302AW01, STLNXFSP542NW23, STLNYFSP541NW23 and STLNYFSP542NW23

Dryer Motor Connection Block, Terminal Extractor Tools

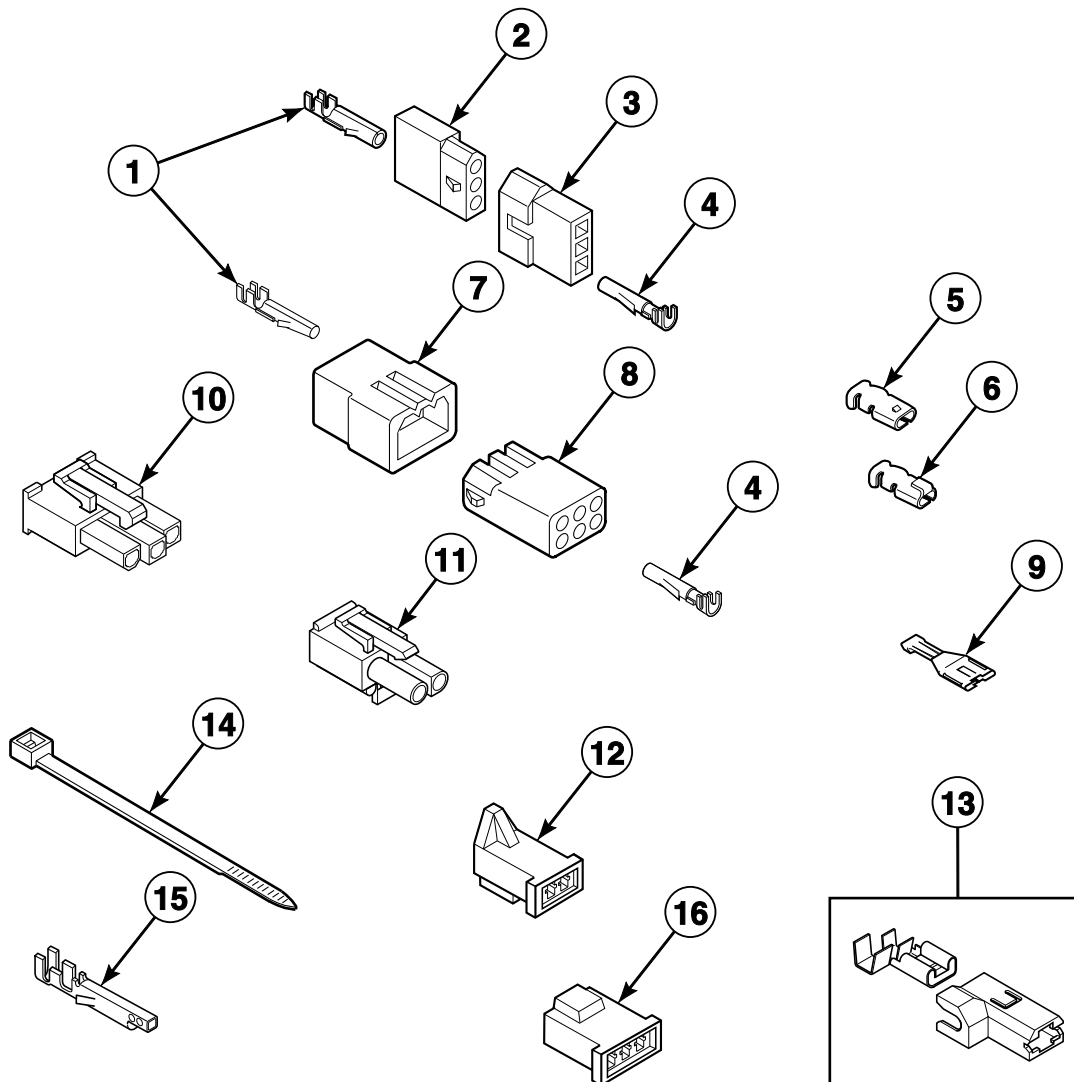


SWD1216P_803403

Dryer Motor Connection Block, Terminal Extractor Tools

REF	PART NO.	DESCRIPTION	COMMENTS
1	D500338	10 Position Housing	Molex; 10 circuit
2	00255	Female Terminal	1/4 inch; For (1) 12 gauge wire
	00256	Female Terminal	1/4 inch; For (1) or (2) 18 gauge wires
3	00188	Female Terminal	For 1 or 2 wire applications
4	283P4	Terminal Extractor Tool	For use on Molex connectors
5	190P4	Extractor Tool	For use on electric dryer terminals
6	128P4	Extractor Tool	For use on gas dryer terminals

Terminals

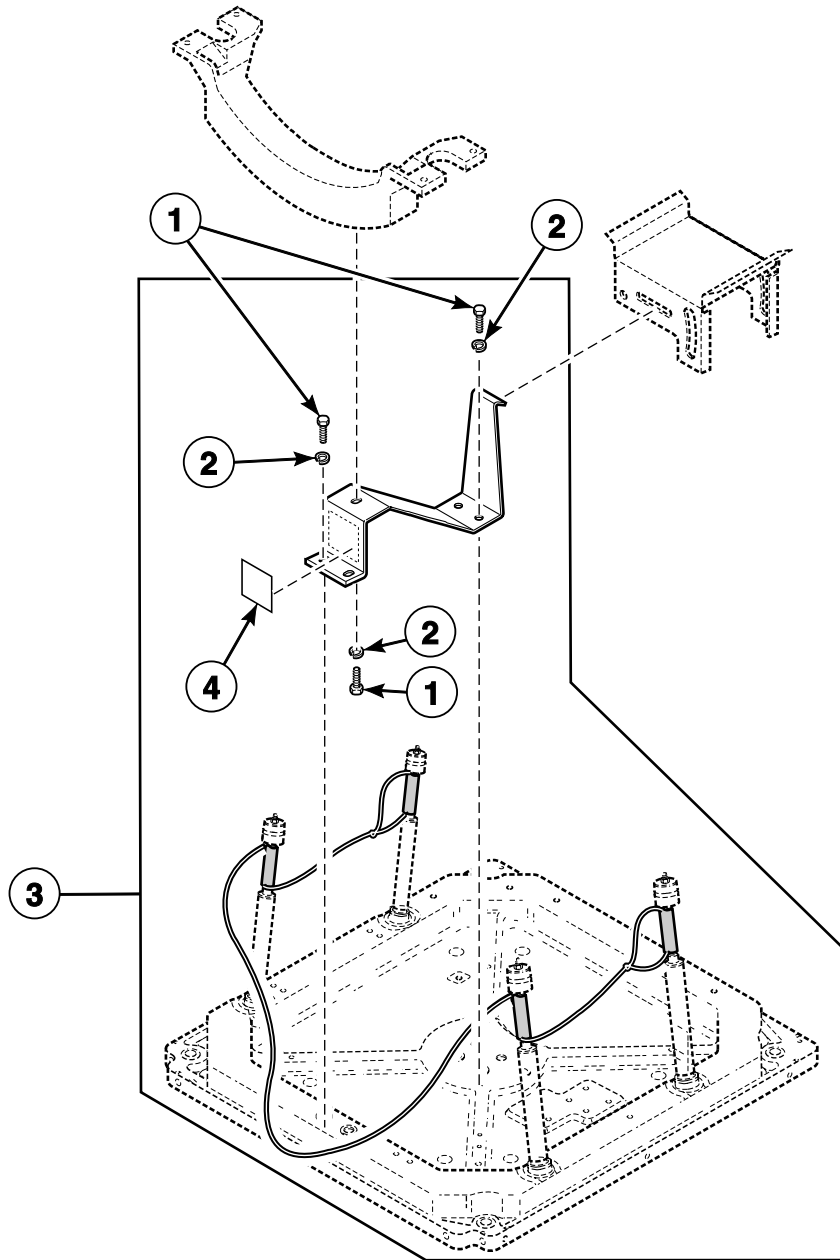


SWD1143P_803403

Terminals

REF	PART NO.	DESCRIPTION	COMMENTS
1	00117	Female Pin Terminal	
2	23039	3 Circuit Receptacle	
3	23040	Plug	
4	00116	Male Pin Terminal	
5	00189	Female Spade Terminal	Gas models
6	00361	Female Piggyback Terminal	Gas models
7	23033	9 Circuit Plug	
8	26708	6 Circuit Receptacle	
9	00256	Female Terminal	
10	36170	3 Circuit Receptacle	
11	D501223	2 Circuit Receptacle	
12	58799	2 Circuit Connector	Gas models
13	00221	Insulated Female Flag Terminal	
14	55881	Harness Strap	
15	00252	Terminal	
16	58800	3 Circuit Connector	Gas models

Shipping Materials

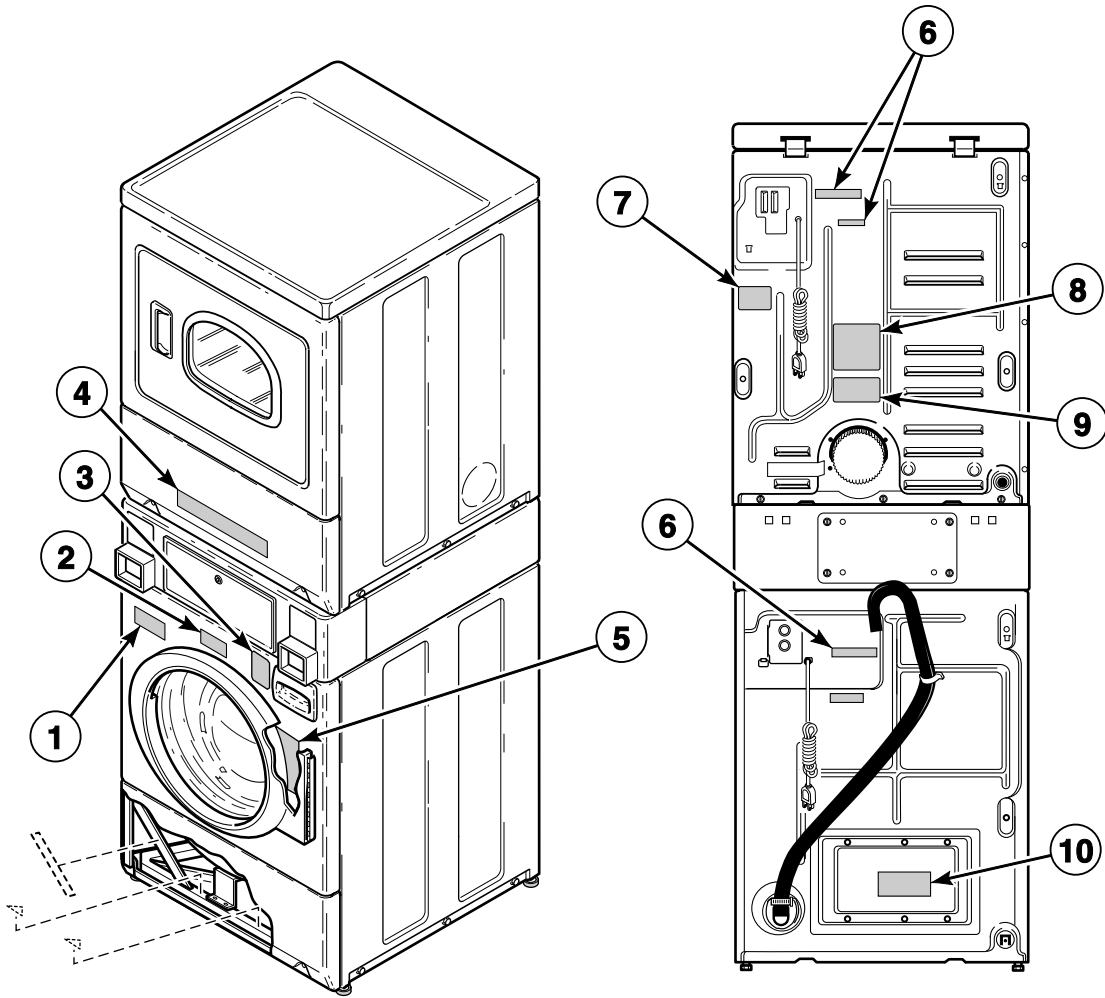


FLW1030P_803403

Shipping Materials

REF	PART NO.	DESCRIPTION	COMMENTS
1	M400043	Screw	
2	M400014	Washer	
3	930P3	Shipping Materials Kit	Includes items 1, 2, 4, shipping bracket, and shipping cord and brace assembly
4	807552	Shipping Bracket Label	

Labels (Drawing 1 of 3)

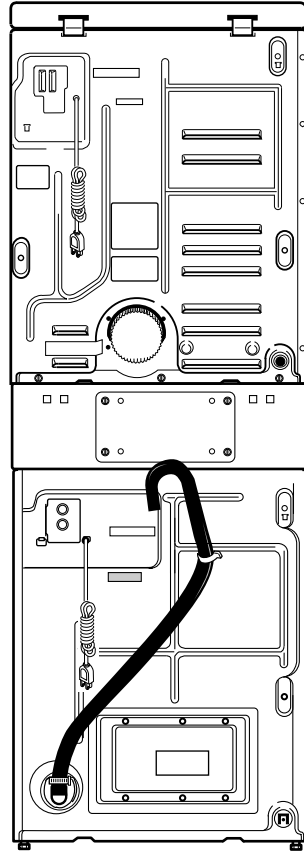
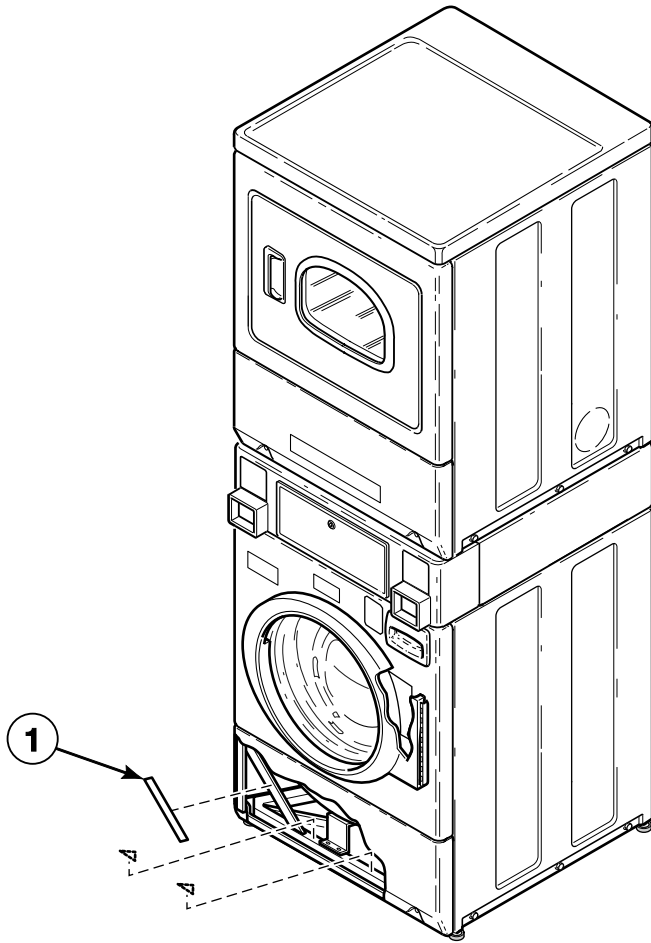


SWD1269P_803403

Labels (Drawing 1 of 3)

REF	PART NO.	DESCRIPTION	COMMENTS
1	803011	Notice Label	
2	803323	Nameplate Overlay	Models JT1DEFSP411EW01, JT1DGFSP411EW01, JT1DGFSP411EW06, JT1DMFSG411EN01, JT1DMFSG411EN06, JT1DXFSP411EW01, JT2DEFSP411EW01, JT2DGFSP411EW01, JT2DGFSP411EW06, JT2DMFSG411EN01, JT2DMFSG411EN06, JT2DXFSP411EW01, JTEDEFSP301EW01, JTEDXFSP301EW01, JTGDEFSP301EW01 and JTGDXFSP301EW01
3	802074	Oversudsing Label	English
	802838	Oversudsing Label	Spanish
	802839	Oversudsing Label	Quebec French
4	D505052	Instruction Label	English
	D513543	Instruction Label	French/English
5	802367	Warning Label	Door locked
6	D505281	Disconnect Power Warning Label	English
	D502511	Electrical Shock Label	Icon
7	62104	Voltage Warning Label	Models HTELXFSP291CW01, HTELYFSP291CW01, HTENXFSP291CW01, HTENXFSP292CW01, HTENYFSP291CW01 and HTENYFSP292CW01
	D500493	30 Amp Notice Label	Models STEWYFJP302NN25, STEWYFJP302NW25, STEWYFSP302NW25 and STGWYFJP302NN25
8	D502791	Venting Instruction Label	
9	D500497	Exhaust Warning Label	
10	D500049	Warning Label	English
	D500314	Warning Label	Quebec French
	D502511	Electrical Shock Label	Icon

Labels (Drawing 2 of 3)

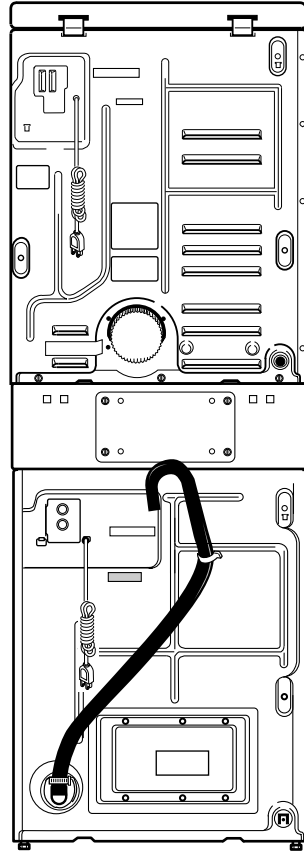
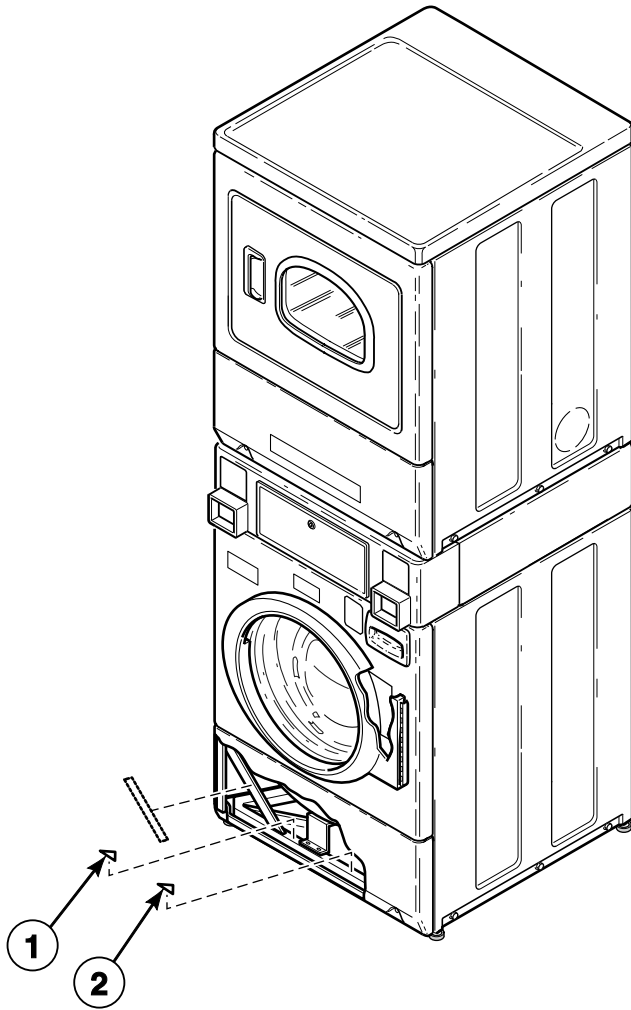


SWD1269PA_803403

Labels (Drawing 2 of 3)

REF	PART NO.	DESCRIPTION	COMMENTS
1	803522	Warning Label	Models HTELXFSP281CW01, HTELXFSP291CW01, HTELYFSP281CW01, HTELYFSP291CW01, HTENXFSP281CW01, HTENXFSP282CW01, HTENXFSP291CW01, HTENXFSP292CW01, HTENYFSP281CW01, HTENYFSP282CW01, HTENYFSP291CW01, HTENYFSP292CW01, HTGLXFSP091CW01, HTGNXFSP091CW01, HTGNXFSP092CW01, NT3LXFSP402NW22, ST3LXFSP401NW22, ST3LXFSP402NW22, STELCFSP171TW01, STELXFSP171TW01, STELXFSP431AW01, STELXFSP432AW01, STELYFSP171TW01, STENCFSP171TW01, STENCFSP172TW01, STENXFSP171TW01, STENXFSP172TW01, STENYFSP171TW01, STENYFSP172TW01, STEWYFJP302NN25, STEWYFSP172TW11, STEWYFSP302NW25, STGLCFSP111TW01, STGLCFSP111TWNA, STGLXFSG111TW01, STGLXFSP111TW01, STGLXFSP301AW01, STGLXFSP302AW01, STGLYFSP111TW01, STGLYFSP111TWNA, STGNCFSP111TW01, STGNCFSP112TW01, STGNXFSG111TW01, STGNXFSG112TW01, STGNXFSP111TW01, STGNXFSP112TW01, STGNYFSP111TW01, STGNYFSP112TW01, STGWYFJP302NN25 and STGWYFSP112TW11

Labels (Drawing 3 of 3)

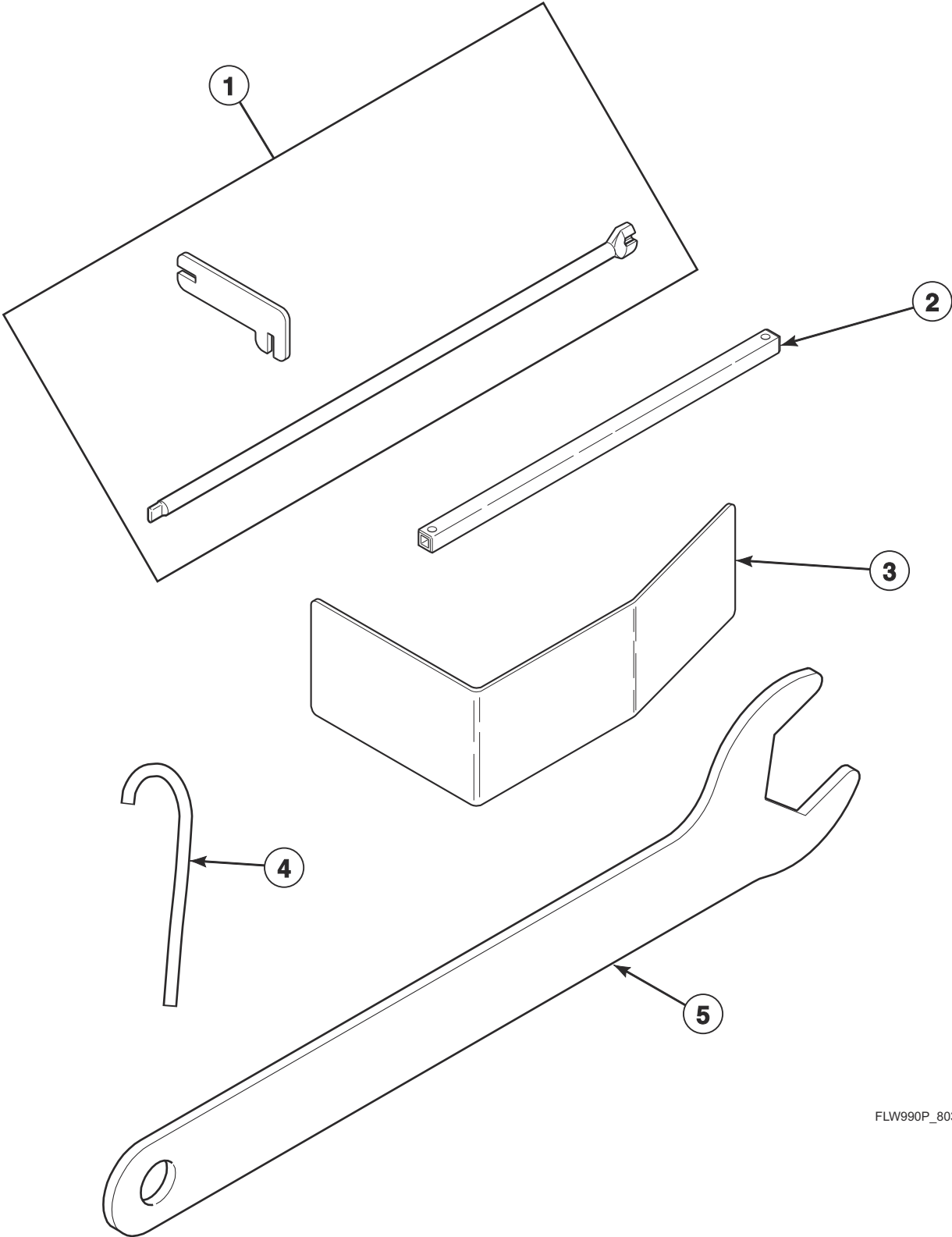


SWD1269PB_803403

Labels (Drawing 3 of 3)

REF	PART NO.	DESCRIPTION	COMMENTS
1	F8211201	Electrical Shock Label	Models BT3LLFSG401UN01, BT3LLFSG401UW01, BT3LLFSG402UW01, BT3LLFSP401UN01, BT3LLFSP402UN01, BT3LLFSP401UW01, BT3LLFSP402UW01, BT3LXFSG401UN01, BT3LXFSG401UW01, BT3LXFSG402UW01, BT3LXFSP401UN01, BT3LXFSP402UN01, BT3LXFSP401UW01, BT3LXFSP402UW01, JT1DEFSP411EW01, JT1DGFSP411EW01, JT1DGFSP411EW06, JT1DMFSG411EN01, JT1DMFSG411EN06, JT1DXFSP411EW01, JT2DEFSP411EW01, JT2DGFSP411EW01, JT2DGFSP411EW06, JT2DMFSG411EN01, JT2DMFSG411EN06, JT2DXFSP411EW01, JTEDEFSP301EW01, JTEDXFSP301EW01, JTGDEFSP301EW01, JTGDXFSP301EW01, NT1LLFSP411UW06, NT1LLFSP412UW06, NT1LXFSP401UN01, NT1LXFSP401UW01, NT1LXFSP402UW01, NT1LXFSP402UW06, NT2LLFSP401UN01, NT2LLFSP402UN01, NT2LLFSP401UW01, NT2LLFSP402UW01, NT2LLFSP401UW06, NT2LLFSP402UW06, NT2LXFSP401UN01, NT2LXFSP402UN01, NT2LXFSP401UW01, NT2LXFSP402UW01, NT2LXFSP402UW06, NT3LLFSG401UW01, NT3LLFSG402UW01, NT3LLFSP401NN22, NT3LLFSP402NN22, NT3LLFSP401NW22, NT3LLFSP402NW22, NT3LLFSP401UN01, NT3LLFSP402UN01, NT3LLFSP401UW01, NT3LLFSP402UW01, NT3LXFSG401UW01, NT3LXFSG402UW01, NT3LXFSP401UN01, NT3LXFSP402UN01, NT3LXFSP401UW01, NT3LXFSP402UW01, NTHLXFSP571NW01, NTHLXFSP572NW01, NTHLYFSP571NW01, NTHLYFSP572NW01, STEWYFJP302NN25, STEWYFJP302NW25, STEWYFSP302NW25, STGNXFSG082JW01, STGWYFJP302NN25, STLNXFSP542NW23, STLNYFSP541NW23 and STLNYFSP542NW23
2	F8615701	Pinch Warning Label	Models BT3LLFSG401UN01, BT3LLFSG401UW01, BT3LLFSG402UW01, BT3LLFSP401UN01, BT3LLFSP402UN01, BT3LLFSP401UW01, BT3LLFSP402UW01, BT3LXFSG401UN01, BT3LXFSG401UW01, BT3LXFSG402UW01, BT3LXFSP401UN01, BT3LXFSP402UN01, BT3LXFSP401UW01, BT3LXFSP402UW01, JT1DEFSP411EW01, JT1DGFSP411EW01, JT1DGFSP411EW06, JT1DMFSG411EN01, JT1DMFSG411EN06, JT1DXFSP411EW01, JT2DEFSP411EW01, JT2DGFSP411EW01, JT2DGFSP411EW06, JT2DMFSG411EN01, JT2DMFSG411EN06, JT2DXFSP411EW01, JTEDEFSP301EW01, JTEDXFSP301EW01, JTGDEFSP301EW01, JTGDXFSP301EW01, NT1LLFSP411UW06, NT1LLFSP412UW06, NT1LXFSP401UN01, NT1LXFSP401UW01, NT1LXFSP402UW01, NT1LXFSP402UW06, NT2LLFSP401UN01, NT2LLFSP402UN01, NT2LLFSP401UW01, NT2LLFSP402UW01, NT2LLFSP401UW06, NT2LLFSP402UW06, NT2LXFSP401UN01, NT2LXFSP402UN01, NT2LXFSP401UW01, NT2LXFSP402UW01, NT2LXFSP402UW06, NT3LLFSG401UW01, NT3LLFSG402UW01, NT3LLFSP401NN22, NT3LLFSP402NN22, NT3LLFSP401NW22, NT3LLFSP402NW22, NT3LLFSP401UN01, NT3LLFSP402UN01, NT3LLFSP401UW01, NT3LLFSP402UW01, NT3LXFSG401UW01, NT3LXFSG402UW01, NT3LXFSP401UN01, NT3LXFSP402UN01, NT3LXFSP401UW01, NT3LXFSP402UW01, NTHLXFSP571NW01, NTHLXFSP572NW01, NTHLYFSP571NW01, NTHLYFSP572NW01, STEWYFJP302NN25, STEWYFJP302NW25, STEWYFSP302NW25, STGWYFJP302NN25, STLNXFSP542NW23, STLNYFSP541NW23 and STLNYFSP542NW23

Special Tools



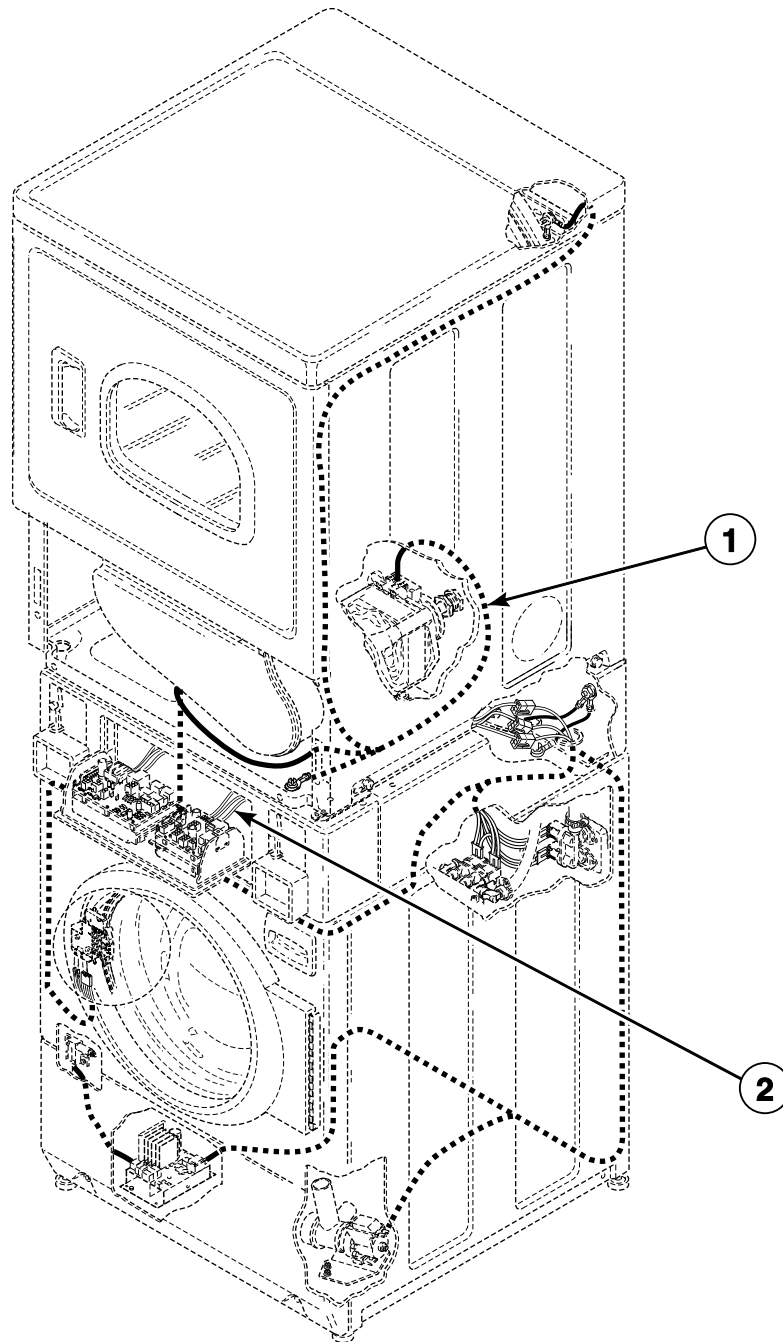
FLW990P_803403

Special Tools

REF	PART NO.	DESCRIPTION	COMMENTS
1	CK096	Mounting Tool Kit	Use to install and remove electronic coin drop kits
2	310P4	Ratchet Extension Tool	1/4 inch; Use to install and remove non-electronic coin drops
3	318P4	Dispenser Drawer Tool	Use to remove dispenser drawer
4	802336	Pulley Bolt Tightening Fixture	Use to install inner basket
5	392P4	Wrench	Use for adjusting leveling leg nuts

Dryer Wire Harnesses and Wires (Drawing 1 of 3)

Models JT2DEFSP411EW01, JT2DGFSP411EW01, JT2DGFSP411EW06, JT2DMFSG411EN01, JT2DMFSG411EN06, JT2DXFSP411EW01, JTGDEFSP301EW01, JTGDXFSP301EW01, NT2LLFSP401UN01, NT2LLFSP402UN01, NT2LLFSP401UW01, NT2LLFSP402UW01, NT2LLFSP401UW06, NT2LLFSP402UW06, NT2LXFSP401UN01, NT2LXFSP402UN01, NT2LXFSP401UW01, NT2LXFSP402UW01 and NT2LXFSP402UW06



SWD1197P_803403

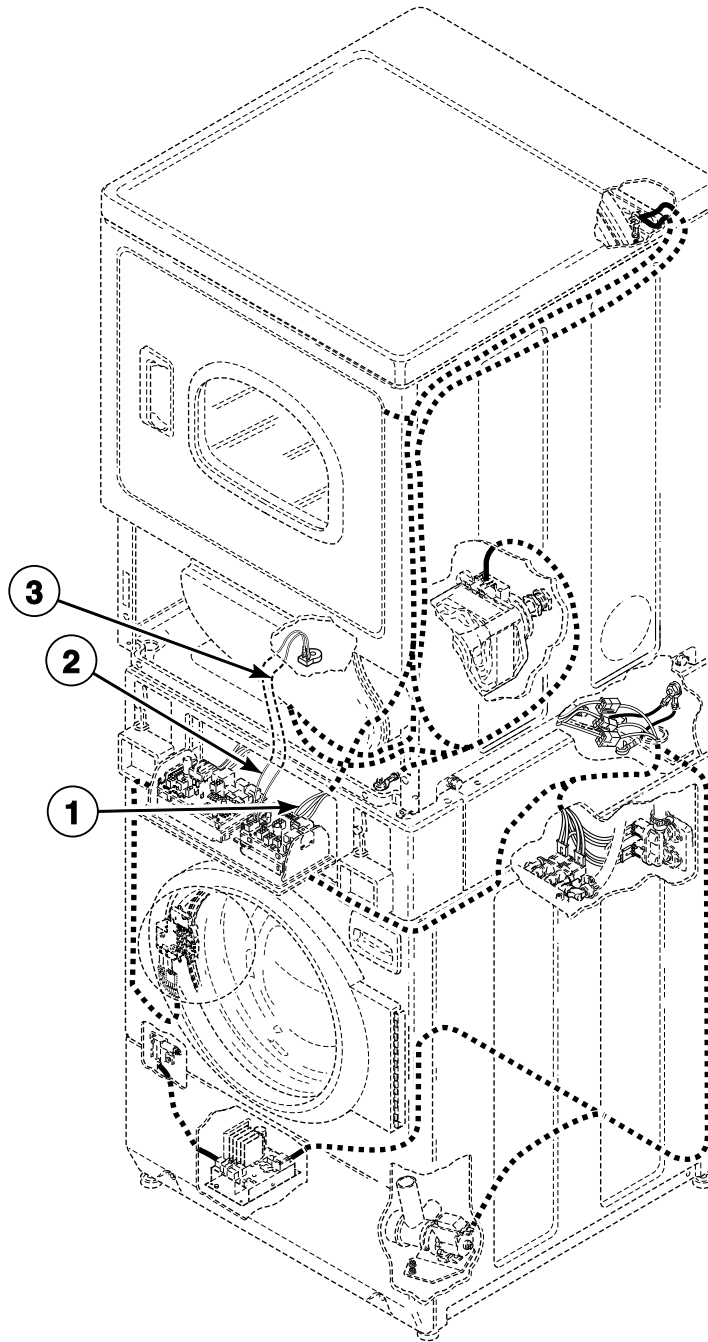
Dryer Wire Harnesses and Wires (Drawing 1 of 3)

REF	PART NO.	DESCRIPTION	COMMENTS
	45001	18 Gauge Wire	Black; Order wire by foot, terminals/connectors as required
	45380	12 Gauge Wire	Orange; Order wire by foot, terminals/connectors as required
1	D511753	Wire Harness Assembly	
2	D511757	Wire Harness Assembly	

NOTE: Individual wires are not available separately. Order complete harness, or order wire by the foot. When applying terminals to wires, it is recommended that the terminals be soldered to the wires.

Dryer Wire Harnesses and Wires (Drawing 2 of 3)

All Models Except JT2DEFSP411EW01, JT2DGFSP411EW01, JT2DGFSP411EW06, JT2DMFSG411EN01, JT2DMFSG411EN06, JT2DXFSP411EW01, JTGDEFSP301EW01, JTGDXFSP301EW01, NT2LLFSP401UN01, NT2LLFSP402UN01, NT2LLFSP401UW01, NT2LLFSP402UW01, NT2LLFSP401UW06, NT2LLFSP402UW06, NT2LXFSP401UN01, NT2LXFSP402UN01, NT2LXFSP401UW01, NT2LXFSP402UW01 and NT2LXFSP402UW06



SWD1253P_803403

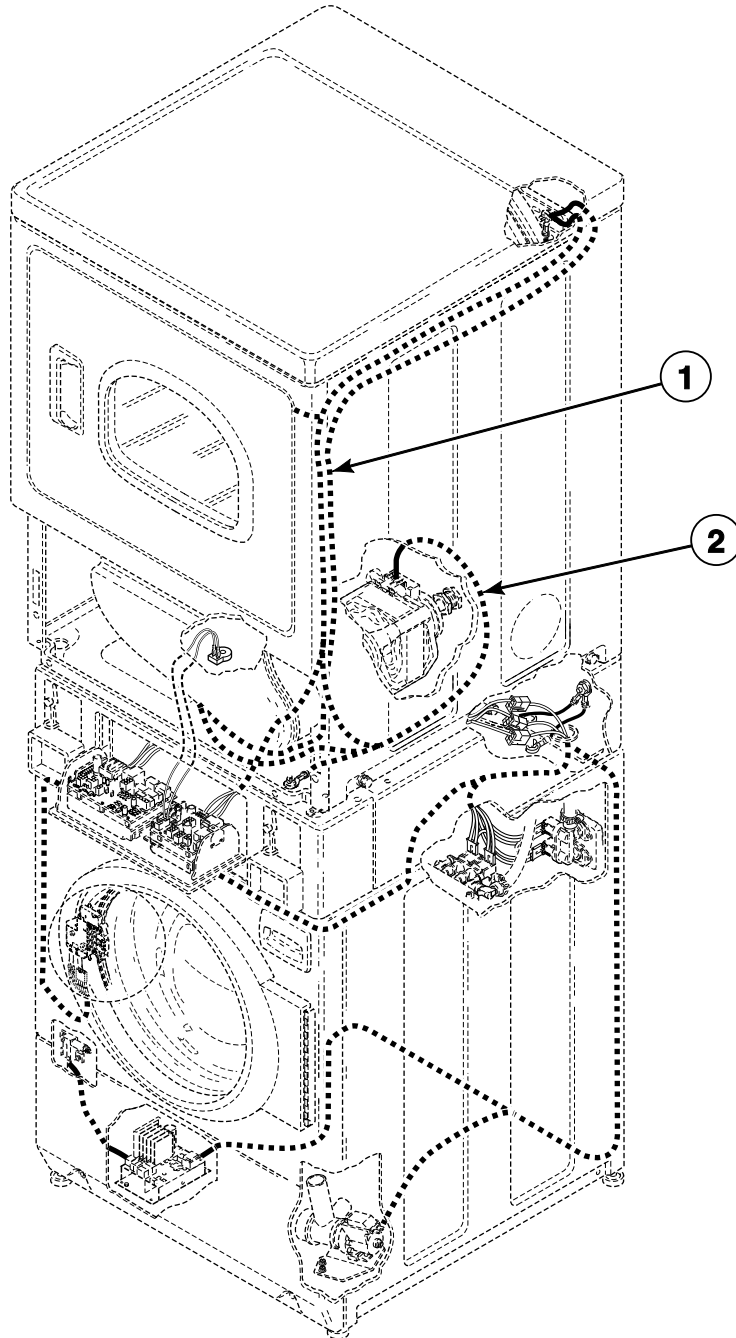
Dryer Wire Harnesses and Wires (Drawing 2 of 3)

REF	PART NO.	DESCRIPTION	COMMENTS
	45001	18 Gauge Wire	Black; Order wire by the foot; Order terminals and connectors as required
	45380	12 Gauge Wire	Orange; Order wire by the foot; Order terminals and connectors as required
	D513246P	Jumper Assembly	For models with two resistors, connect jumper wire to each resistor; Models JT1DEFSP411EW01, JT1DGFSP411EW01, JT1DGFSP411EW06, JT1DMFSG411EN01, JT1DMFSG411EN06, JT1DXFSP411EW01, JTEDEFSP301EW01, JTEDXFSP301EW01, STELXFSP431AW01, STELXFSP432AW01, STGLXFSP301AW01, STGLXFSP302AW01, STLNXFSP542NW23, STLNYFSP541NW23 and STLNYFSP542NW23
1	D512422P	Wire Harness Assembly	
2	D512273P	Wire Configuration Assembly	Models BT3LLFSG401UN01, BT3LLFSG401UW01, BT3LLFSG402UW01, BT3LLFSP401UN01, BT3LLFSP402UN01, BT3LLFSP401UW01, BT3LLFSP402UW01, BT3LXFSG401UN01, BT3LXFSG401UW01, BT3LXFSG402UW01, BT3LXFSP401UN01, BT3LXFSP402UN01, BT3LXFSP401UW01, BT3LXFSP402UW01, JT1DEFSP411EW01, JT1DGFSP411EW01, JT1DGFSP411EW06, JT1DMFSG411EN01, JT1DMFSG411EN06, JT1DXFSP411EW01, JTEDEFSP301EW01, JTEDXFSP301EW01, NT1LLFSP411UW06, NT1LLFSP412UW06, NT1LXFSP401UN01, NT1LXFSP401UW01, NT1LXFSP402UW01, NT1LXFSP402UW06, NT3LLFSG401UW01, NT3LLFSG402UW01, NT3LLFSP401NN22, NT3LLFSP402NN22, NT3LLFSP401NW22, NT3LLFSP402NW22, NT3LLFSP401UN01, NT3LLFSP402UN01, NT3LLFSP401UW01, NT3LLFSP402UW01, NT3LXFSG401UW01, NT3LXFSG402UW01, NT3LXFSP401UN01, NT3LXFSP402UN01, NT3LXFSP401UW01, NT3LXFSP402UW01, NT3LXFSP402NW22, NTHLXFSP571NW01, NTHLXFSP572NW01, NTHLYFSP571NW01, NTHLYFSP572NW01, ST3LXFSP401NW22, ST3LXFSP402NW22, STELXFSP431AW01, STELXFSP432AW01, STEWYFJP302NN25, STEWYFSP302NW25, STGLXFSP301AW01, STGLXFSP302AW01, STGWYFJP302NN25, STLNXFSP542NW23, STLNYFSP541NW23 and STLNYFSP542NW23
3	D512275P	Wire Configuration Assembly	Models BT3LLFSG401UN01, BT3LLFSG401UW01, BT3LLFSG402UW01, BT3LLFSP401UN01, BT3LLFSP402UN01, BT3LLFSP401UW01, BT3LLFSP402UW01, BT3LXFSG401UN01, BT3LXFSG401UW01, BT3LXFSG402UW01, BT3LXFSP401UN01, BT3LXFSP402UN01, BT3LXFSP401UW01, BT3LXFSP402UW01, JT1DEFSP411EW01, JT1DGFSP411EW01, JT1DGFSP411EW06, JT1DMFSG411EN01, JT1DMFSG411EN06, JT1DXFSP411EW01, JTEDEFSP301EW01, JTEDXFSP301EW01, NT1LLFSP411UW06, NT1LLFSP412UW06, NT1LXFSP401UN01, NT1LXFSP401UW01, NT1LXFSP402UW01, NT1LXFSP402UW06, NT3LLFSG401UW01, NT3LLFSG402UW01, NT3LLFSP401NN22, NT3LLFSP402NN22, NT3LLFSP401NW22, NT3LLFSP402NW22, NT3LLFSP401UN01, NT3LLFSP402UN01, NT3LLFSP401UW01, NT3LLFSP402UW01, NT3LXFSG401UW01, NT3LXFSG402UW01, NT3LXFSP401UN01, NT3LXFSP402UN01, NT3LXFSP401UW01, NT3LXFSP402UW01, NT3LXFSP402NW22, NTHLXFSP571NW01, NTHLXFSP572NW01, NTHLYFSP571NW01, NTHLYFSP572NW01, ST3LXFSP401NW22, ST3LXFSP402NW22, STELXFSP431AW01, STELXFSP432AW01, STEWYFJP302NN25, STEWYFSP302NW25, STGLXFSP301AW01, STGLXFSP302AW01, STGWYFJP302NN25, STLNXFSP542NW23, STLNYFSP541NW23 and STLNYFSP542NW23

NOTE: Individual wires are not available separately. Order complete harness, or order wire by the foot. When applying terminals to wires, it is recommended that the terminals be soldered to the wires.

Dryer Wire Harnesses and Wires (Drawing 3 of 3)

All Models Except HTENXFSP282CW01, HTENXFSP292CW01, HTENYFSP282CW01, HTENYFSP292CW01, JT2DEFSP411EW01, JT2DGFSP411EW01, JT2DGFSP411EW06, JT2DMFSG411EN01, JT2DMFSG411EN06, JT2DXFSP411EW01, JTGDEFSP301EW01, JTGDXFSP301EW01, NT2LLFSP401UN01, NT2LLFSP402UN01, NT2LLFSP401UW01, NT2LLFSP402UW01, NT2LLFSP401UW06, NT2LLFSP402UW06, NT2LXFSP401UN01, NT2LXFSP402UN01, NT2LXFSP401UW01, NT2LXFSP402UW01, NT2LXFSP402UW06, STENCFSP172TW01, STENXFSP172TW01, STENYFSP172TW01 and STEWYFSP172TW11



SWD1253PA_803403

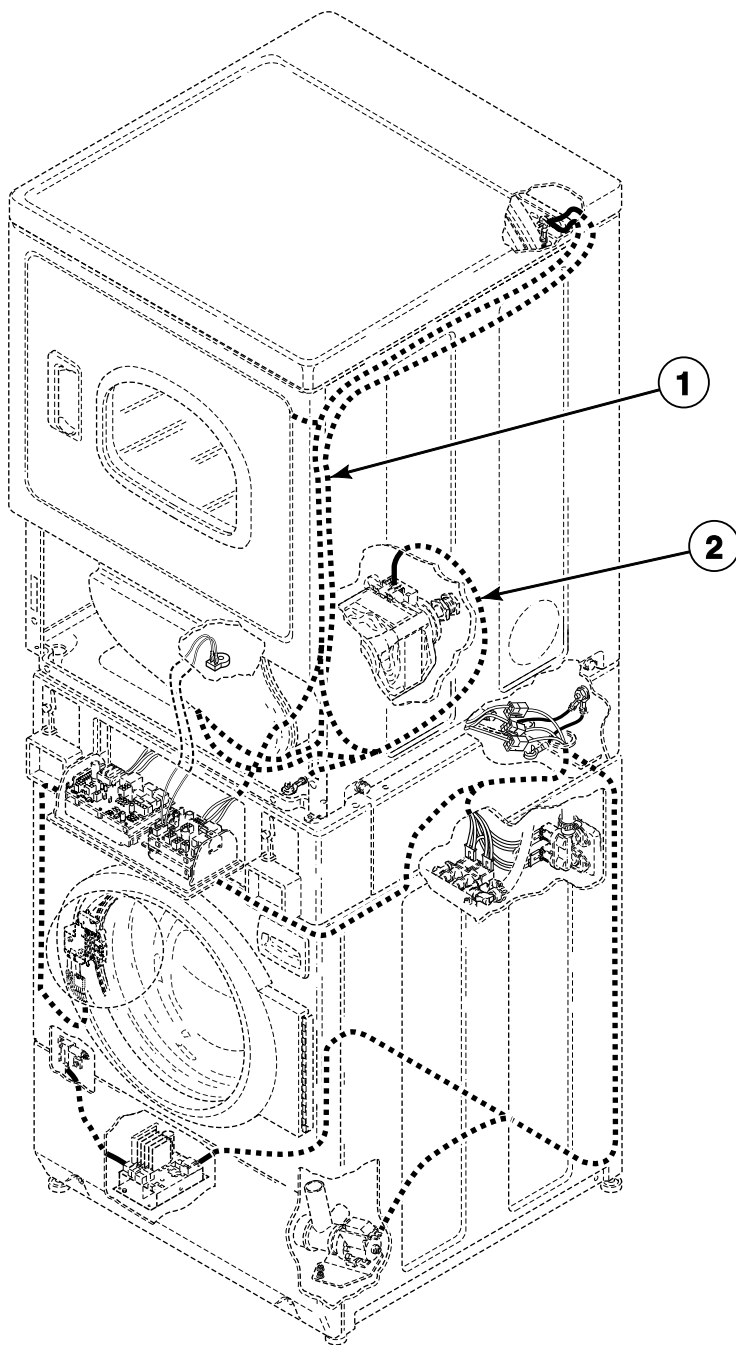
Dryer Wire Harnesses and Wires (Drawing 3 of 3)

REF	PART NO.	DESCRIPTION	COMMENTS
	45001	18 Gauge Wire	Black; Order wire by the foot; Order terminals and connectors as required
	45380	12 Gauge Wire	Orange; Order wire by the foot; Order terminals and connectors as required
1	D512890P	Power Wire Harness Assembly	Models HTELCFSP281CW01, HTELCFSP291CW01, HTELYFSP281CW01, HTELYFSP291CW01, HTENXFSP281CW01, HTENXFSP291CW01, HTENYFSP281CW01 and HTENYFSP291CW01
	D512643P	Wire Harness Assembly	Models HTGLXFSP091CW01, HTGNXFSP091CW01 and HTGNXFSP092CW01
2	D511792P	Electronic Harness	Upper; Models JT1DEFSP411EW01, JT1DGFSP411EW01, JT1DGFSP411EW06, JT1DMFSG411EN01, JT1DMFSG411EN06, JT1DXFSP411EW01, JTEDEFSP301EW01, JTEDXFSP301EW01, NT1LLFSP411UW06, NT1LLFSP412UW06, NT1LXFSP401UN01, NT1LXFSP401UW01, NT1LXFSP402UW01, NT1LXFSP402UW06, NTHLXFSP571NW01, NTHLXFSP572NW01, NTHLYFSP571NW01, NTHLYFSP572NW01, STELCFSP171TW01, STELCFSP171TW01, STELCFSP431AW01, STELCFSP432AW01, STELYFSP171TW01, STENCFSP171TW01, STENXFSP171TW01, STENYFSP171TW01, STEWYFJP302NN25, STEWYFJP302NW25, STEWYFSP302NW25 and STGWYFJP302NN25
	D511793P	Electronic Harness	Upper; Models HTGLXFSP091CW01, HTGNXFSP091CW01, HTGNXFSP092CW01, STGLCFSP111TW01, STGLCFSP111TWNA, STGLXFSG111TW01, STGLXFSP111TW01, STGLYFSP111TW01, STGLYFSP111TWNA, STGNCFSP111TW01, STGNCFSP112TW01, STGNXFSG082JW01, STGNXFSG111TW01, STGNXFSG112TW01, STGNXFSP111TW01, STGNXFSP112TW01, STGNYFSP111TW01, STGNYFSP112TW01 and STGWYFSP112TW11
	D512434P	Wire Harness Assembly	Upper; Models BT3LLFSG401UN01, BT3LLFSG401UW01, BT3LLFSG402UW01, BT3LLFSP401UN01, BT3LLFSP402UN01, BT3LLFSP401UW01, BT3LLFSP402UW01, BT3LXFSG401UN01, BT3LXFSG401UW01, BT3LXFSG402UW01, BT3LXFSP401UN01, BT3LXFSP402UN01, BT3LXFSP401UW01, BT3LXFSP402UW01, NT3LLFSG401UW01, NT3LLFSG402UW01, NT3LLFSP401NN22, NT3LLFSP402NN22, NT3LLFSP401NW22, NT3LLFSP402NW22, NT3LLFSP401UN01, NT3LLFSP402UN01, NT3LLFSP401UW01, NT3LLFSP402UW01, NT3LXFSG401UW01, NT3LXFSG402UW01, NT3LXFSP401UN01, NT3LXFSP402UN01, NT3LXFSP401UW01, NT3LXFSP402UW01, NT3LXFSP402NW22, ST3LXFSP401NW22 and ST3LXFSP402NW22
	D512644	Wire Harness Assembly	Upper; Models HTELCFSP281CW01, HTELCFSP291CW01, HTELYFSP281CW01, HTELYFSP291CW01, HTENXFSP281CW01, HTENXFSP291CW01, HTENYFSP281CW01 and HTENYFSP291CW01
	D512285	Wire Harness Assembly	Models STGLXFSP301AW01 and STGLXFSP302AW01
	D512415	Wire Harness Assembly	Models STLNXFSP542NW23, STLNYFSP541NW23 and STLNYFSP542NW23

NOTE: Individual wires are not available separately. Order complete harness, or order wire by the foot. When applying terminals to wires, it is recommended that the terminals be soldered to the wires.

Dryer Wire Harnesses and Wires Through Serial No. 1303025314

Models HTENXFSP282CW01, HTENXFSP292CW01, HTENYFSP282CW01, HTENYFSP292CW01, STENCFSP172TW01, STENXFSP172TW01 and STENYFSP172TW01



SWD1253PA_803403

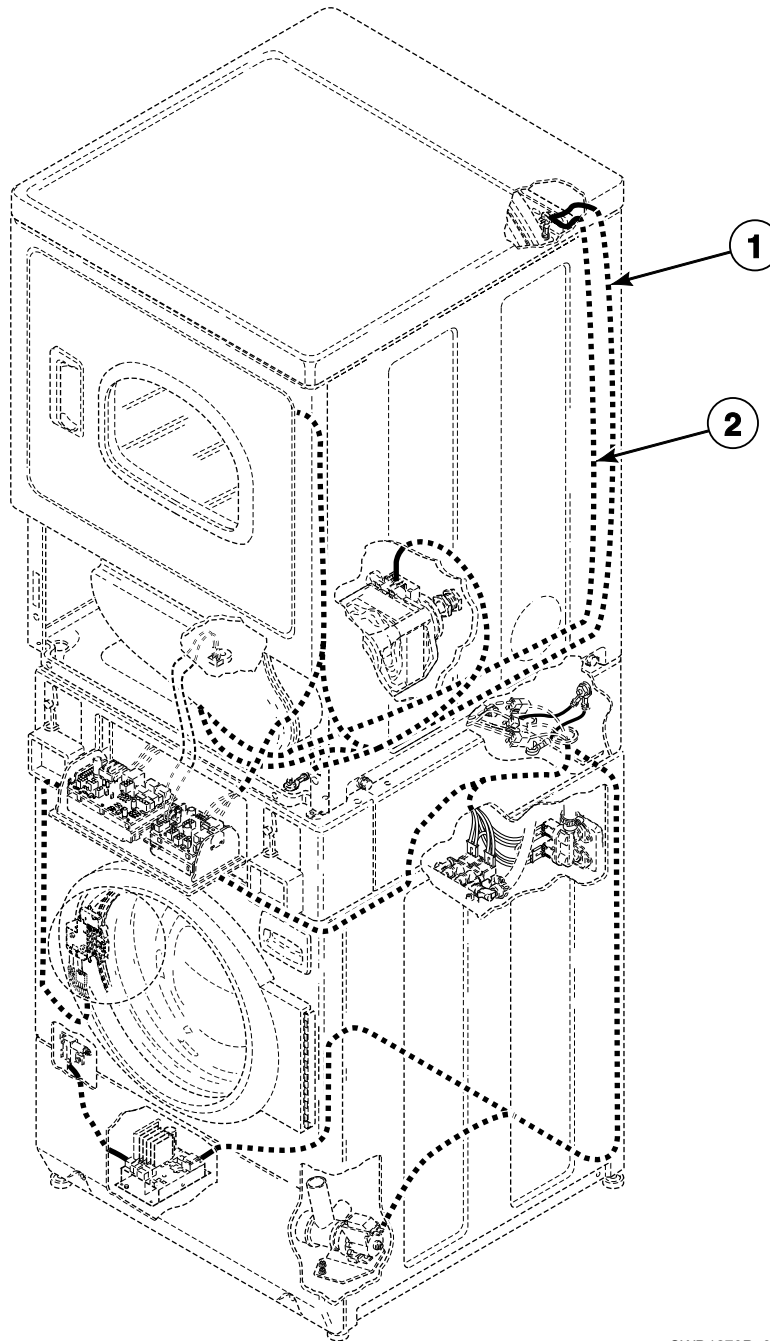
Dryer Wire Harnesses and Wires Through Serial No. 1303025314

REF	PART NO.	DESCRIPTION	COMMENTS
	45001	18 Gauge Wire	Black; Order wire by the foot; Order terminals and connectors as required
	45380	12 Gauge Wire	Orange; Order wire by the foot; Order terminals and connectors as required
1	D512890P	Power Wire Harness Assembly	Models HTENXFSP282CW01, HTENXFSP292CW01, HTENYFSP282CW01 and HTENYFSP292CW01
2	D511792P	Electronic Harness	Upper; Models STENCFSP172TW01, STENXFSP172TW01 and STENYFSP172TW01
	D512644	Wire Harness Assembly	Upper; Models HTENXFSP282CW01, HTENXFSP292CW01, HTENYFSP282CW01 and HTENYFSP292CW01

NOTE: Individual wires are not available separately. Order complete harness, or order wire by the foot. When applying terminals to wires, it is recommended that the terminals be soldered to the wires.

Dryer Wire Harnesses and Wires Starting Serial No. 1303025315

Models HTENXFSP282CW01, HTENXFSP292CW01, HTENYFSP282CW01, HTENYFSP292CW01, STENCFSP172TW01, STENXFSP172TW01, STENYFSP172TW01 and STEWYFSP172TW11



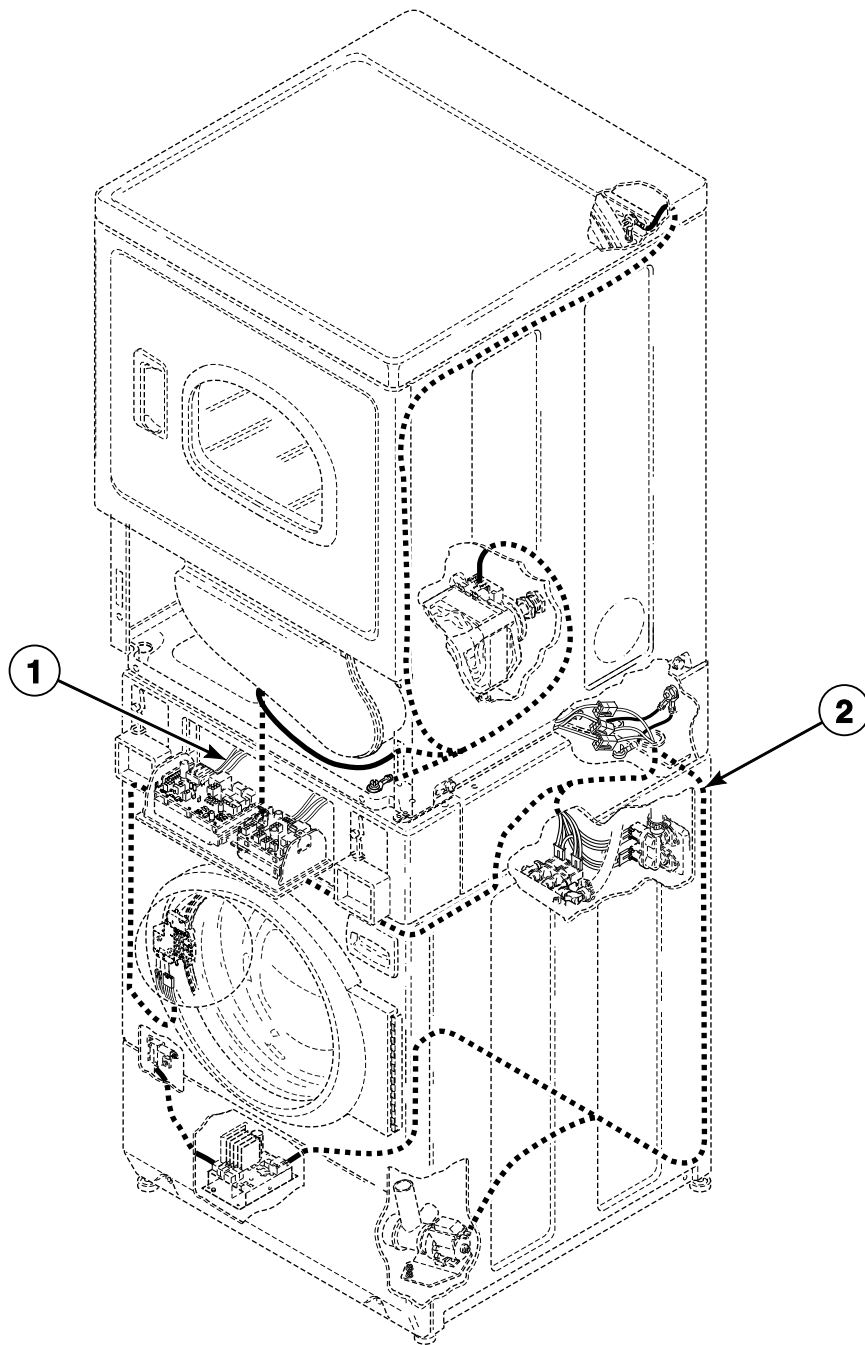
SWD1279P_803403

Dryer Wire Harnesses and Wires Starting Serial No. 1303025315

REF	PART NO.	DESCRIPTION	COMMENTS
	45001	18 Gauge Wire	Black; Order wire by the foot; Order terminals and connectors as required
	45380	12 Gauge Wire	Orange; Order wire by the foot; Order terminals and connectors as required
1	D514094	Electronic Harness	Upper
2	D512890P	Power Wire Harness Assembly	Models HTENXFSP282CW01, HTENXFSP292CW01, HTENYFSP282CW01 and HTENYFSP292CW01

NOTE: Individual wires are not available separately. Order complete harness, or order wire by the foot. When applying terminals to wires, it is recommended that the terminals be soldered to the wires.

Washer Wire Harnesses and Wires (Drawing 1 of 2)



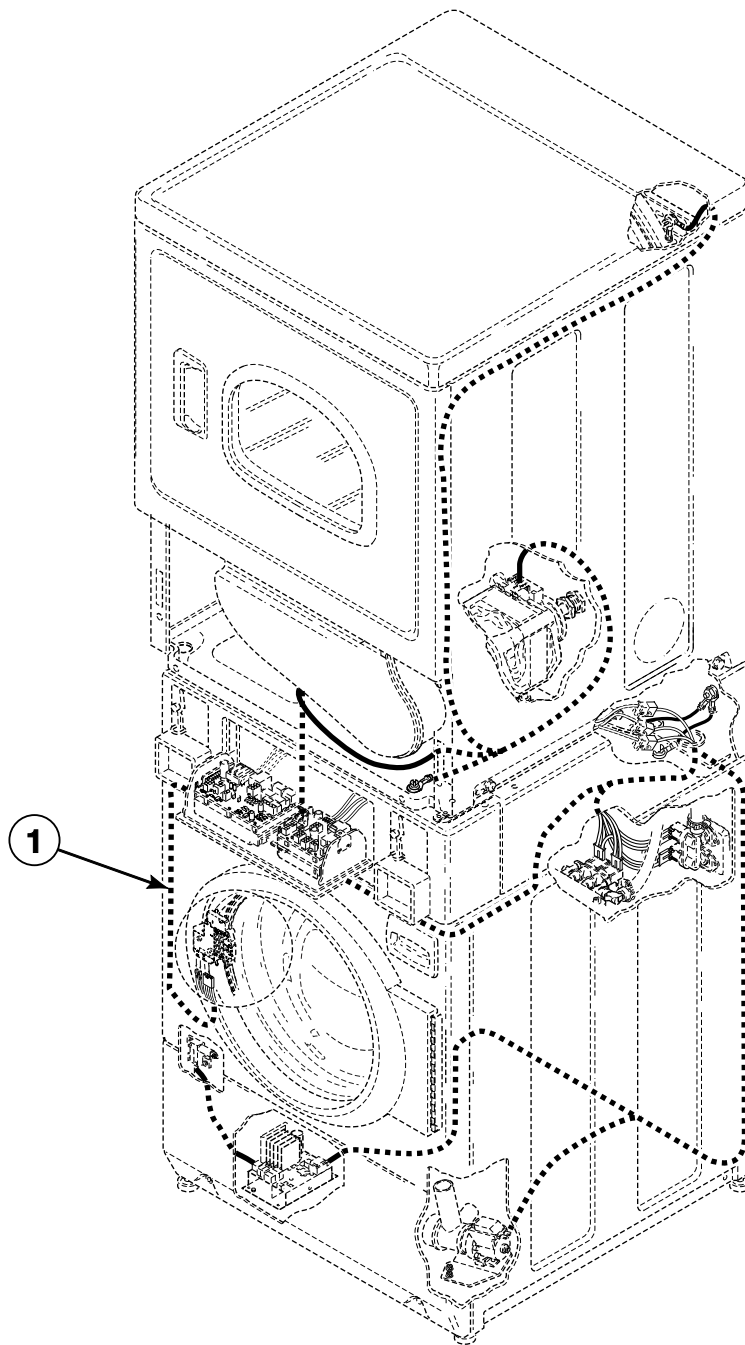
SWD1197PA_803403

Washer Wire Harnesses and Wires (Drawing 1 of 2)

REF	PART NO.	DESCRIPTION	COMMENTS
	45001	18 Gauge Wire	Black; Order wire by the foot; Order terminals and connectors as required
	45380	12 Gauge Wire	Orange; Order wire by the foot; Order terminals and connectors as required
1	803107	Harness Assembly	Models HTELCFSP281CW01, HTELCFSP291CW01, HTELYFSP281CW01, HTELYFSP291CW01, HTENXFSP281CW01, HTENXFSP282CW01, HTENXFSP291CW01, HTENXFSP292CW01, HTENYFSP281CW01, HTENYFSP282CW01, HTENYFSP291CW01, HTENYFSP292CW01, HTGLXFSP091CW01, HTGNXFSP091CW01, HTGNXFSP092CW01, STELCFSP171TW01, STELCFSP171TW01, STELYFSP171TW01, STENCFSP171TW01, STENCFSP172TW01, STENXFSP171TW01, STENXFSP172TW01, STENYFSP171TW01, STENYFSP172TW01, STEWYFSP172TW11, STGLCFSP111TW01, STGLCFSP111TWNA, STGLXFSG111TW01, STGLXFSP111TW01, STGLYFSP111TW01, STGLYFSP111TWNA, STGNCFSP111TW01, STGNCFSP112TW01, STGNXFSG082JW01, STGNXFSG111TW01, STGNXFSG112TW01, STGNXFSP111TW01, STGNXFSP112TW01, STGNYFSP111TW01, STGNYFSP112TW01 and STGWYFSP112TW11
	803313	Control Harness Assembly	Models JTEDEFSP301EW01, JTEDXFSP301EW01, JTGDEFSP301EW01, JTGDXFSP301EW01, STELCFSP431AW01, STELCFSP432AW01, STEWYFJP302NN25, STEWYFJP302NW25, STEWYFSP302NW25, STGLXFSP301AW01, STGLXFSP302AW01, STGWYFJP302NN25, STLNXFSP542NW23, STLNYFSP541NW23 and STLNYFSP542NW23
	803312	Control Harness Assembly	Models JT1DMFSG411EN01 and JT2DMFSG411EN01 through Serial Nos. beginning 1003
	802906P	Harness Assembly	Models JT1DMFSG411EN01 and JT2DMFSG411EN01 starting Serial Nos. beginning 1003; All other models
2	802274P	Motor Harness Assembly	Models through Serial No. 1201004551
	803581	Motor Harness Assembly	Models starting Serial No. 1201004552

NOTE: Individual wires are not available separately. Order complete harness, or order wire by the foot. When applying terminals to wires, it is recommended that the terminals be soldered to the wires.

Washer Wire Harnesses and Wires (Drawing 2 of 2)



SWD1197PB_803403

Washer Wire Harnesses and Wires (Drawing 2 of 2)

REF	PART NO.	DESCRIPTION	COMMENTS
	45001	18 Gauge Wire	Black; Order wire by the foot; Order terminals and connectors as required
	45380	12 Gauge Wire	Orange; Order wire by the foot; Order terminals and connectors as required
1	802833P	Base Harness Assembly	Models JTEDEFSP301EW01, JTEDXFSP301EW01, JTGDEFSP301EW01, JTGDXFSP301EW01, STELXFSP431AW01, STELXFSP432AW01, STENYFSP172TW01, STEWYFJP302NN25, STEWYFJP302NW25, STEWYFSP302NW25, STGLXFSP301AW01, STGLXFSP302AW01, STGWYFJP302NN25, STLNXFSP542NW23, STLNYFSP541NW23 and STLNYFSP542NW23
	802831P	Base Harness Assembly	Models HTELXFSP281CW01, HTELXFSP291CW01, HTELYFSP281CW01, HTELYFSP291CW01, HTENXFSP281CW01, HTENXFSP282CW01, HTENXFSP291CW01, HTENXFSP292CW01, HTENYFSP281CW01, HTENYFSP282CW01, HTENYFSP291CW01, HTENYFSP292CW01, HTGLXFSP091CW01, HTGNXFSP091CW01, HTGNXFSP092CW01, STELCFSP171TW01, STELXFSP171TW01, STELYFSP171TW01, STENCFSP171TW01, STENCFSP172TW01, STENXFSP171TW01, STENXFSP172TW01, STENYFSP171TW01, STENYFSP172TW01, STEWYFSP172TW11, STGLCFSP111TW01, STGLCFSP111TWNA, STGLXFSG111TW01, STGLXFSP111TW01, STGLYFSP111TW01, STGLYFSP111TWNA, STGNCFSP111TW01, STGNCFSP112TW01, STGNXFSG082JW01, STGNXFSG111TW01, STGNXFSG112TW01, STGNXFSP111TW01, STGNXFSP112TW01, STGNYFSP111TW01, STGNYFSP112TW01 and STGWYFSP112TW11
	802834P	Base Harness Assembly	All other models through Serial No. 1001000989
	803470	Base Harness Assembly	All other models starting Serial No. 1001000990

NOTE: Individual wires are not available separately. Order complete harness, or order wire by the foot. When applying terminals to wires, it is recommended that the terminals be soldered to the wires.

Parts Index

A

Access Panel Assembly	
D514250WP	37, 81
D514251	37, 81
Access Panel Plate	
D510903	109
Adhesive	
D511637P	89, 93
Air Duct Assembly	
D510151W	91
D515805LG	91
Anchor Floor Mount Assembly	
802844P	65
Anti-Seize Compound	
27604P	57
Audit Switch Bracket	
800379	13
800380	13

B

Backflow Preventer	
34500	41, 43, 47, 49
800310	63
Ballast Weight	
800205	51, 55
Base Assembly	
803876	65
Base Harness Assembly	
802831P	143
802833P	143
802834P	143
803470	143
Base Shock Absorber Kit	
802881P	51, 55
Bearing Housing Kit	
800428P	57
Bearing Kit	
RB160001	57
Block to Relay Harness	
D511112P	97
Blower and Fan Kit	
D510717P	85
Blower Fan Assembly	
D510139P	85
Blower Housing	
D511969WP	85
Blower Housing Seal	
D510238P	85
Booster and Holding Coil	
58804A	103
Boot Nozzle	
802291	39, 43, 47
Brace Kit	
918P3	65
Bracket	
D510146	109

Bumper Pad	
36226	65
56128	109
Burner Assembly	
D510149P	103

C

Cabinet Brace	
801491	65
801492	65
Cabinet Panel Kit	
800004WP	67
Cabinet Rear Panel	
D514632P	107
Cabinet Side Panel	
D510001GP	107
D510001WP	107
D510002GP	107
D510002WP	107
D512538	107
D512539	107
802525P	67
802526P	67
Cable Connection Box	
39922	69
Cable Tie	
39037	43
Cap	
801746	45, 47
Card Insert Overlay	
D511544	25
D511548	25
Card Reader Shield	
801101	113
Caution Label	
D500253	79
Central Pay Harness	
D511478	7, 29, 31
Clamp Ring	
800312	51, 55
Clip	
201572	23
Clothes Guard	
803537	51, 55
Clothes Guard and Deflector Kit	
804560P	51, 55
Clothes Guard Deflector	
804174P	51, 55
804482	51, 55
Coin Drop	
38963P	21
70441601P	21
Coin Drop Assembly	
CK114	21
38462P	21
38463	21
38464P	21
38467	21
38472	21
38519	21

N/A items do not appear in index.

38521	21
70441602	21
70482401	21
Coin Drop Kit	
CK123	21
Coin Drop Wire Harness	
201104	23
Coin Identification Paper	
38725	21, 23
Combustion Duct	
D510131	101
D510132	101
Connector	
801789	25
Connector, 2 Circuit	
58799	119
Connector, 3 Circuit	
58800	119
Contactora	
F330177P	17, 27, 97
F8379101	17, 27
70323701P	113
Contactora Bracket	
D511859	113
Contactora Wire Harness Assembly	
801120P	17, 27
804229	17, 27
Control Assembly	
D511867P	7, 31
D513534P	7, 31
802912P	7, 29
803306P	7
803317P	29
803321P	29
803367P	7
803541	29
803619P	7
Control Cabinet Bottom	
801777	27
Control Harness Assembly	
803312	141
803313	141
Control Overlay	
D513545	9
802886	9
803596	9
Control Panel	
801778B	29
801778W	29
Control Panel and Bracket Assembly	
800034B	9
800034W	9
Control Shield	
801061	59
801371	11, 27
804738	59
Conversion Kit	
756P3	97
Cylinder Assembly	
D505929LGP	89
D510265LGP	89
D510265WP	89
Cylinder Baffle	
D510102LG	89
D510102W	89

Cylinder Belt	
D511255P	85
Cylinder Glide	
D513710	89
Cylinder Glide Bracket	
D510145	89
Cylinder Roller	
D510708P	93
Cylinder Roller Bracket	
D510100	93
Cylinder Seal Assembly	
D510207P	89, 93

D

Damper	
58786	111
Detergent Cover	
800899	41, 45, 47
Diagnostic Wire Harness Assembly	
800374	7
800680	29, 31
Din Rail	
M412693	97, 113
Directional Exhaust Kit	
528P3	111
Disconnect Power Warning Label	
D505281	123
Dispenser	
685756P	45
801090P	45
Dispenser Assembly	
801476P	45
801630P	47
801662P	47
803441	41
803546	41
Dispenser Drawer	
685757P	41, 45
Dispenser Drawer Front	
685715WP	45, 47
Dispenser Drawer Tool	
318P4	129
Dispenser Handle	
802879P	45
803318	41, 45
803329W	41, 45
Dispenser Plate	
801024	41, 43, 47
Dispenser-to-Air Gap Hose	
803440	41
Dispenser-to-Door Seal Hose	
802256	39, 43, 47
Dispenser-to-Tub Hose	
800331	41, 45, 47
Domed Label	
800921	9
Door Assembly	
D516737W	73, 75, 77
802872P	35
804914WP	35
Door Catch Assembly	
D510177	79

N/A items do not appear in index.

802803	35
Door Glass	
802695P	35
Door Handle Wedge	
D510129W	73
Door Hinge	
802934	35
Door Latch/Switch Assembly	
802317P	37
Door Liner Grill	
D503870LG	73
D503870W	73
Door Pull	
D512947	75
Door Pull and Wedge Kit	
D510103WP	75
Door Seal Assembly	
802866P	39, 43, 47
803554	39
Door Seal Kit	
802830P	39, 43, 47
Door Strike	
D510181	73
Door Strike Mount	
D510127	73
Drain Hose	
27154	63
Drain Hose Elbow	
35766	63
Drain Kit	
985P3	63
985P3A	63
Drain Pump	
802623P	63
802624P	63
802625P	63
Drain Valve	
803293	61
Drain Valve Kit	
F975P3	61
F976P3	61
Drain-to-Cabinet Hose	
800903	61
Drive Belt	
800319P	59
Driven Pulley	
800866	57
Dryer Base	
D514245	111
Dryer Door	
D510082WP	73
D513225	73
Dryer Door Window	
D503982P	73
Dual Overlay	
39073	21

E

Elbow	
D513072	103

Elbow Shut-Off Valve	
D510205	103
Electric Access Panel	
801134	19
Electrical Shock Label	
D502511	123
F8211201	53, 55, 127
Electronic Coin Drop Assembly	
70294103P	23
70294104	23
70294106	23
70294107	23
70294110	23
70294111	23
70294117	23
70294120	23
70294121	23
70294122	23
70513311	23
Electronic Coin Drop Kit	
CK099	23
CK100	23
CK101	23
CK103	23
CK108	23
CK109	23
CK110	23
CK113	23
CK115	23
CK116	23
CK117	23
CK118	23
CK120	23
CK121	23
Electronic Harness	
D511792P	135, 137
D511793P	135
D514094	139
End Stop	
70121001	97, 113
Ethernet Gateway Kit	
NK320	9, 29, 31
Exhaust Duct	
D516196	111
Exhaust Warning Label	
D500497	123
Expansion Clip	
70030501	27, 33
Extractor Tool	
128P4	117
190P4	117

F

Felt Pad	
D510189	89
Female Piggyback Terminal	
00361	119
Female Pin Terminal	
00117	119
Female Spade Terminal	
00189	119
Female Terminal	
00188	117
00255	117

N/A items do not appear in index.

00256	117, 119
Fill Hose	
202800	49
202931	49
20617	49
20618	49
37380	49
37381	49
Fill Hose Kit	
38349P	49
Filter	
801255P	19, 33
Filter Jumper Harness	
801420	69
Fitting	
801792P	19, 33
Flange Relay	
F330230	27
Flexible Venting Kit	
521P3	111
Flow Regulator	
803230	41, 43
Front Bulkhead Assembly	
D510266P	89
Front Panel	
D510066WP	79
D512542	79
802277WP	37
802288P	37
Front Panel Assembly	
D513781WP	79
Front Panel Pad	
36204	37
Front Panel Seal	
511056	79
Fuse	
801755	59
Fuse Notice Label	
61294	91, 109

G

Gas Valve Assembly	
60353P	103
Gas Valve Mounting Bracket	
D510128	103
Gasket	
802427	63
Glass Mounting Clip	
802700	35
Glide Kit	
RB170003	89
Gravity Drain Bracket	
803291	61
Gravity Drain Valve	
803292	61
Grommet	
29175	51, 55
Grounding Clip	
00161	51, 55

H

Hardware Kit	
838P3	57
Harness Assembly	
D511327	113
802904P	21
802905	21, 23
802906P	141
803107	141
Harness Strap	
55881	39, 47, 71, 119
Heat Duct Shroud	
D510101	101
Heater	
D511014P	97
Heater Assembly	
D510324P	99
D510326P	99
D510327P	99
D510329P	99
D510330P	99
Heater Duct Assembly	
D510025P	97, 99, 101
Heater Harness	
802323P	55
803492	55
Heater Kit	
964P3	99
965P3	99
Heater Kit Assembly	
61927	99
61928	99
61929	99
61930	99
Heating Element	
804777P	55
804778P	55
Hinge	
D511036	75
Hinge Hole Plug	
D510186	79
Hinge Plate	
802206	39
Hole Plug	
M412154	65
Hose Clamp	
F200204	63
F200206	45, 47
20211	63
20391	63
39282	51, 55
685725	41, 45, 47, 61
802164	39, 41, 43, 47, 49
802281	39
802698	39, 41, 43, 47
Hose Clip	
36985	11, 27, 71
800553	57
Hose Mounting Plate	
800552	57
Housing, 10 Position	
D500338	117

N/A items do not appear in index.

I

Idler Lever	
D516310	85
Idler Lever and Wheel Assembly	
D516792	85
Idler Spring	
D510185	85
Idler Wheel and Bearing Assembly	
D510142P	85
Igniter and Bracket Assembly	
D510184P	103
Injection Nozzle	
F8322001	41, 47
Inner Basket Assembly	
802365P	57
803008P	57
Inner Door Bezel Kit	
802307P	35
802331P	35
Insert	
685716	41, 45, 47
Instruction Label	
D505052	123
D513543	123
Insulated Female Flag Terminal	
00221	119
Inverter Control Assembly	
803254P	59
803255P	59

J

Jumper Assembly	
D513246P	133
Jumper Configuration Assembly	
M413507	13, 27
Jumper Harness	
D513268	59
D513316	59
Jumper Harness Assembly	
M413504	13
M413505	13
Jumper Wire Assembly	
D511270	97
Junction Box	
801403	69
804360	69
Junction Box Cover	
801404	69
801498	69
Junction Box Seal	
801425P	69

K

Key	
54612	9

L

Lead-In Cord	
D512019	115
D513329	115
34458	71
59308	115
59373	115
Lead-In Cord Assembly	
D503597	115
Lead-In Cord Kit	
61605P	115
Lead-In Pipe Assembly	
D510204	103
Left Control Cabinet Side	
801738B	27
801738W	27
Left Hand Thread Label	
685928	65
Leveling Leg	
D510135	111
34319	65
Lid Assembly	
802426P	63
Limit Thermostat	
D510701	97, 99
D510702	101
Line Filter	
201058	19, 33, 69
Liner and Seal Assembly	
D510098W	73
Liner Door Seal	
D510147P	73
Lint Filter	
D503980LG	91
D503980W	91
Lint Filter Label	
D502804	79
Lock Cam	
27261	7
Lock Kit	
27260P	7
Lower Junction Box	
801433	69
801499	69
L.P. Conversion Kit	
458P3	103
600P3	103
L.P. Orifice	
D503786	105
58755	105

M

Male Pin Terminal	
00116	119
Manual Reset Thermostat	
M411941	87
Membrane Switch	
D510036P	7, 31
Mixing Valve	
802220P	49

N/A items do not appear in index.

802222P.....	49
Mixing Valve Plate 800323	49
Mixing Valve Screen 802926	49
Motor Access Hole Edging 801702	65
Motor and Pulley Assembly D505843P	83
D505869P	83
D511629P	83
Motor and Rod Assembly Kit 801684P.....	59
Motor Harness Assembly 802274P.....	141
803581	141
Motor Hub Ring Kit 590P3.....	83
Motor Mount D510060	85
Motor Mount Clamp D510180	85
Motor Mount Rod 801062	59
Motor Pulley D500011.....	83
D500222	83
Mounting Tool Kit CK096	129

N

Nameplate Overlay 803323	123
Network Controller Kit NK220	9, 29, 31
Network Retrofit Kit NK203	9, 29, 31
Network Varistor Assembly 801311	19, 33
Network Wire Harness Assembly 44088501P.....	15
Notice Label 803011	123
Notice Label, 30 Amp D500493	123
Nut F430218.....	51, 55, 57
M404993	41
03673	71
201216	23
21899	65
23951	35
29786	21, 61
29787	19, 33
36020	37
44071201	75
52566	85
56156	85, 93
685846	35
800452	51, 55
802292	39, 43, 47
802343	51, 55
803017	57

N/A items do not appear in index.

N.G. Conversion Kit 459P3	103
N.G. Orifice D503776	105
D503778	105
D503779	105
D503780	105
D510517	105

O

Opto Coupler 200674P	21
Orifice 803544	41
O-Ring 801632	41, 47
802429P	63
803545	41
Outer Door Bezel Kit 802313WP.....	35
802314P	35
Outer Tub Assembly 801081P.....	51
801291	55
Outlet Cover D500820	97, 99, 101
Out-of-Balance Switch Assembly 803415	51, 55
Out-of-Balance Switch Assembly Kit 806512	51, 55
Overlay 201091	23
802994	9
802996	9
802997	29
803135	29
803136	9
803284	29
803285	29
803286	9
Overlay Kit 38676	21
Oversudsing Label 802074	123
802838	123
802839	123

P

Panel Kit 727P3W.....	107
Panel Locator 56079	21, 25, 37, 65, 79, 81, 109
Pinch Warning Label F8615701	53, 55, 127
Plug 23040	119
Plug, 9 Circuit 23033	119
Pop Rivet 685847	57

Porcelain Touch-Up Paint	
122P4P	65, 67, 107
370P4P	65, 107
Power Cord Assembly	
D506081	115
204061	69
39931	69
58992	115
801450	69
801660	69
804972	69
Power Harness Assembly	
803150P	95
Power Wire Harness Assembly	
D512890P	135, 137, 139
Pressure Bulb	
30907	51, 55
Pressure Switch	
802299P	11, 27
803303P	27
Pulley Bolt Tightening Fixture	
802336	129
Pump Housing	
802428	63
Pump Housing Assembly	
802434P	63
Pump Mount Bracket	
802626	63
Pump-to-Elbow Hose	
685737	63

R

Ratchet Extension Tool	
310P4	129
Rear Access Panel	
800011	65
Rear Bulkhead Assembly	
D505246	93
D511082P	93
Rear Control Cabinet	
801058	27, 33
Rear Panel	
800010P	65
801216	65
Receptacle, 2 Circuit	
D501223	119
Receptacle, 3 Circuit	
23039	119
36170	119
Receptacle, 6 Circuit	
26708	119
Relay to Heater Harness	
D511114P	97
Resistor	
210100	11, 27
Retaining Ring	
23748	59, 85, 93
Right Control Cabinet Side	
800915B	27
800915W	27
Roller Kit	
RB170002	93

Rubber Foot	
34318	65

S

Screw	
D500226	73
D500824	85
D501086	49
D501285	91, 95
D501524	9, 29, 59
D503661	11, 15, 19, 21, 25, 27, 33, 37, 49, 51, 55, 59, 61, 63, 65, 69, 109
D503688	11, 13, 19, 21, 25, 27, 33, 79, 85, 89, 93, 97, 99, 101, 103, 109
D505295	75, 89
D505870	73, 75
D512921	21, 37, 65, 79, 81, 109
M400043	57, 121
M400057	59
M405188	65
02916	61
20530	71, 115
23222	87, 97, 99, 103
31260	85
31645	65
33562	81
36048	21, 25, 111
39733	21, 25, 37, 65, 79, 81, 109
430497	65
51782	27, 101, 103
52864	91
52909	63
56124	103
61199	95
62588	89
62853	81
685831	57
70240301	27, 33
800461	51, 55
800462	51, 55, 57
800548	35, 37, 41, 45, 47
800930	29
801001	41, 43, 47
801019	35
801045	37
801993	35
802430	63
802431	63
802596	51, 55
Screw Orifice	
58719	105
Seal Kit	
RB170001	89, 93
Sealant	
27615P	63
Secondary Coil	
58804B	103
Security Cabinet Front Assembly	
D511208W	25
D511632B	21
D511632WP	21
Security Cabinet Rear Service Panel	
800177	11
Security Cabinet Wrapper Assembly	
800231W	21, 25

N/A items do not appear in index.

801235B.....	21
801235W.....	21, 25
804922W.....	25
Sensor	
D510213	103
Shaft	
56461P.....	85, 93
Shipping Bracket Label	
807552	121
Shipping Materials Kit	
930P3.....	121
Side Panel	
800004G	67
800005G	67
Side Panel Kit	
806492	67
Single Drop Overlay	
803476	21
Single Overlay	
38717	21
Snap Bushing	
D503235	61
M402542	11, 19, 27, 33, 69
Spacer	
803231	41, 43
Speed Clip	
28835	79
Standpipe Strap	
33489	63
Strain Relief	
D502500	115
38384	71, 115
52113	115
52151	115
60298	69, 115
Strain Relief Adapter	
D502496	115
Switch	
D512973	13, 79
Switch Mounting Bracket	
800663	51, 55
803388	51, 55

T

Tension Rod Assembly	
800666	57
Terminal	
00252	119
Terminal Block Assembly	
D505876	19, 33, 95
D510190P	95
801250	19
801756	33
Terminal Block Shield	
D510237	95
Terminal Block Support Bracket	
D505875	95
Terminal Extractor Tool	
283P4.....	117
Thermal Fuse Assembly	
D511412.....	97, 99

Thermistor	
803256	55
Thermistor Assembly	
D502366	87
D510523	87
Thermostat	
D510703	101
Thermostat Opening Cover	
61203	65
Top Hinge	
D510136	109
Top Kit	
D510032WP	107
803144P	107
Transformer	
201375P	13, 23
210018P	13
803527P	13, 27
Transformer Kit	
D511658P.....	113
Trunnion Shaft and Hardware Kit	
800749P	57
Tub Front Assembly	
802258	51
802260	55
803494	55
Tub Front Seal	
800432P	51, 55, 57
Tub Shock Absorber Kit	
800622P	51, 55
Tubing	
800648P	51
801635	47
803280	55
Tub-to-Drain Hose	
800902	61
Tub-to-Pump Hose	
800317	63

U

Union	
801788	25
Upper Junction Box	
801497	69
USB Gateway Kit	
NK330	9, 29, 31

V

Valve Assembly	
60443P	103
Valve Kit	
685766P	43, 47
801836P	41, 43
Valve-to-Dispenser Inlet Hose	
801464	41, 43, 47, 49
Venting Instruction Label	
D502791	123
Voltage Warning Label	
62104	123

N/A items do not appear in index.

W

Warning Label	
D500049	53, 55, 123
D500314	53, 123
D512263	79
802367	123
803522	125
Warning/Caution Label	
D500281	79
Washer	
D501307	111
D504082	93
M400014	121
M400017	61
M400080	59
M400081	51, 55
M403958	57
02834	59
03815	71
20290	49
26509	21, 25
52549	59, 85, 93
800457	51, 55, 57
802254	49
802293	39, 43, 47
803615	49
807679	57
Water Hose	
F200116	49
Window Clip	
D513958	75
Window Trim	
D503981W	77
D512633	77
Wire Assembly	
D510527	99
D510528	99
Wire Clamp	
800811	51, 55
Wire Clip	
D504034	71
687500	39, 43, 47, 71
Wire Configuration Assembly	
D512273P	133
D512275P	133
Wire Guard	
201595P	21
Wire Harness Assembly	
D511303	113
D511753	131
D511757	131
D512285	135
D512415	135
D512422P	133
D512434P	135
D512643P	135
D512644	135, 137
801261	19, 33
801421	19, 69
802013	69
802913P	7
803314P	19
Wire Ring and Spring	
806466	39

Wire Tie	
38663	71
Wireless Network Kit	
NK301	9, 29, 31
Wireless Transceiver Assembly	
202335	15
Wire, 12 Gauge	
45380	131, 133, 135, 137, 139, 141, 143
Wire, 18 Gauge	
45001	131, 133, 135, 137, 139, 141, 143
Wrench	
392P4	129
