

Cylinder Ironer

502 mm Diameter, 320 mm Width

Refer to Page 3 for Model Numbers

Parts

Table of Contents

Title	Page
Parts Ordering Information.....	2
Serial Plate Location	2
Model Identification	3
Cabinet (Drawing 1 of 6).....	4
Cabinet (Drawing 2 of 6).....	6
Cabinet (Drawing 3 of 6).....	8
Cabinet (Drawing 4 of 6).....	10
Cabinet (Drawing 5 of 6).....	12
Cabinet (Drawing 6 of 6).....	14
Main Switch and Frequency Inverter	16
Ventilation	18
Ironing Belt - System 1 (Drawing 1 of 2).....	20
Ironing Belt - System 1 (Drawing 2 of 2).....	22
Ironing Belt - System 2 (Drawing 1 of 2).....	24
Ironing Belt - System 2 (Drawing 2 of 2).....	26
Drive.....	28
Chain Drives	30
Feeding Belts and Unsticker (Drawing 1 of 3)	32
Feeding Belts and Unsticker (Drawing 2 of 3)	34
Feeding Belts and Unsticker (Drawing 3 of 3)	36
Clutch.....	38
Pedal.....	40
Gas Heat - AGA Models (Drawing 1 of 2).....	42
Gas Heat - AGA Models (Drawing 2 of 2).....	44
Gas Heat - All Models Except AGA (Drawing 1 of 2).....	46
Gas Heat - All Models Except AGA (Drawing 2 of 2).....	48
Electric Heat.....	50
Ironing Cylinder - Electric Heat Models.....	52
Steam Outlet Box and Ironing Cylinder.....	54
Steam Inlet Box.....	56
Control Panel	58
Electrical Component Box.....	60
Parts Index.....	63

© Copyright 2020, Alliance Laundry Systems LLC

All rights reserved. No part of the contents of this book may be reproduced or transmitted in any form or by any means without the expressed written consent of the publisher.

Parts Ordering Information

If literature or replacement parts are required, contact the source from whom the machine was purchased or contact Alliance Laundry Systems at (920) 748-3950 for the name and address of the nearest authorized parts distributor.

For technical assistance, call the number listed below:

(920) 748-3121 Ripon, Wisconsin

Serial Plate Location

When calling or writing about your product, be sure to mention model and serial numbers. Model and serial numbers are located on serial plate(s).

Model Identification

Information in this manual is applicable to these ironer models:

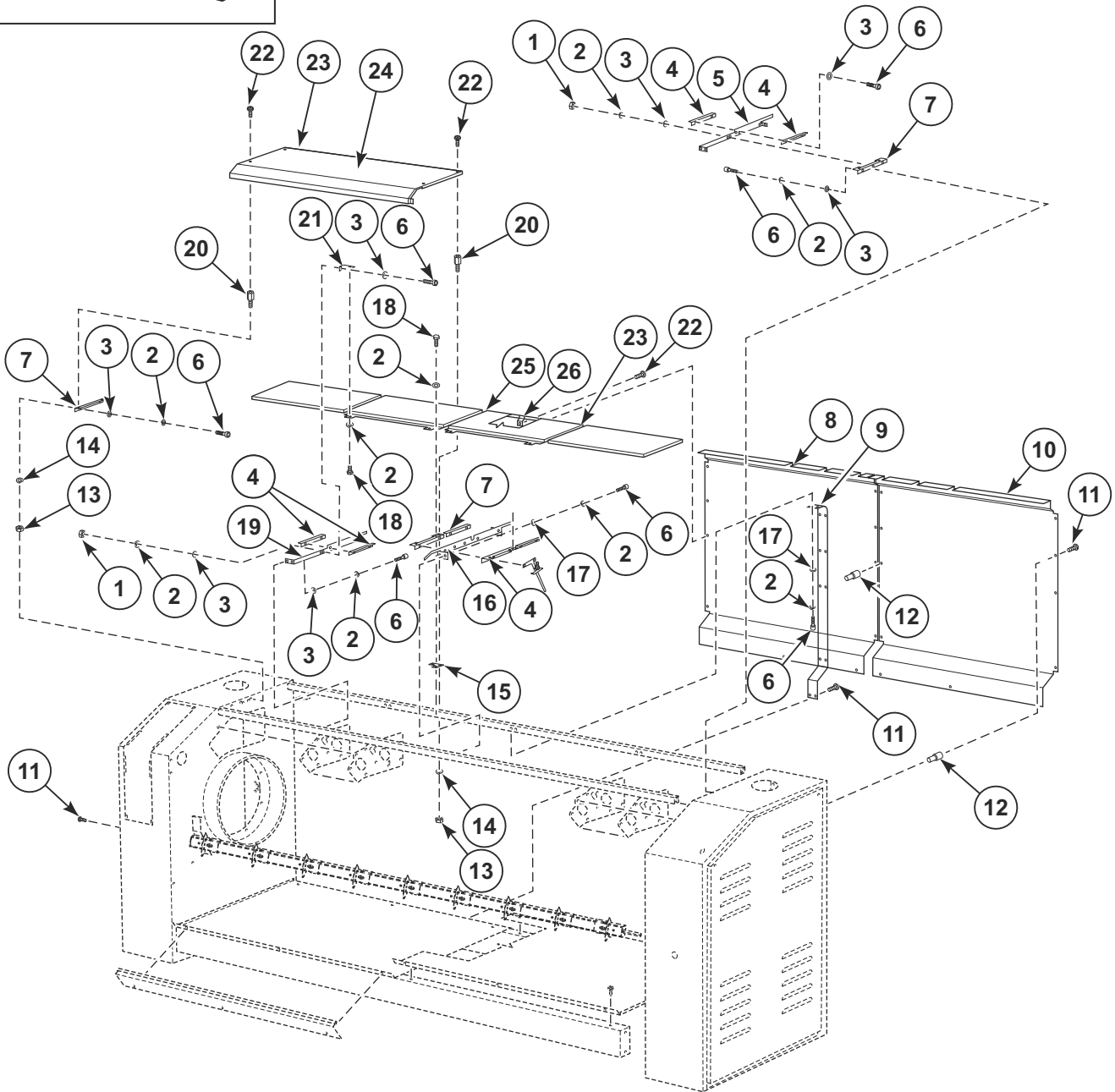
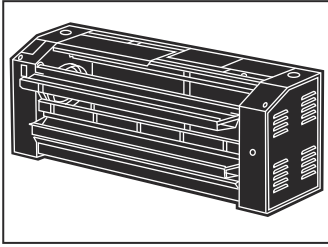
FCI050320AG_MCI_CONTROL
FCI050320AL_MCI_CONTROL
FCI050320UE_MCI_CONTROL
FCI050320UG_MCI_CONTROL
FCI050320UL_MCI_CONTROL
FCI050320US_MCI_CONTROL
FCI3200/500_ELECTRIC_MCI_CONTROL
FCI3200/500_GAS_MCI_CONTROL
FCI3200/500_LPGGAS_MCI_CONTROL
FCI3200/500_STEAM_MCI_CONTROL
FCI5032_MCI_CONTROL
FCL050320A
FCN050320A
FCP050320A
FCP050320AG_MCI_CONTROL
FCP050320AL_MCI_CONTROL
FCP050320C_MCI_CONTROL
FCP050320N_MCI_CONTROL
FCP050320UE_MCI_CONTROL
FCP050320UG_MCI_CONTROL
FCP050320UL_MCI_CONTROL
FCP050320US_MCI_CONTROL
FCP5032_MCI_CONTROL
FCS050320AG_MCI_CONTROL
FCS050320AL_MCI_CONTROL
FCS050320UE_MCI_CONTROL
FCS050320UG_MCI_CONTROL
FCS050320UL_MCI_CONTROL
FCS050320US_MCI_CONTROL
FCS3200/500_ELECTRIC_MCI_CONTROL
FCS3200/500_GAS_MCI_CONTROL
FCS3200/500_LPGGAS_MCI_CONTROL
FCS3200/500_STEAM_MCI_CONTROL
FCS5032_MCI_CONTROL
FCU032_MCI_CONTROL
FCU050320AG_MCI_CONTROL
FCU050320AL_MCI_CONTROL
FCU050320UE_MCI_CONTROL
FCU050320UG_MCI_CONTROL
FCU050320UL_MCI_CONTROL
FCU050320US_MCI_CONTROL
FCU3200/500_ELECTRIC_MCI_CONTROL
FCU3200/500_GAS_MCI_CONTROL
FCU3200/500_LPGGAS_MCI_CONTROL
FCU3200/500_STEAM_MCI_CONTROL
FCU50320AL_MCI_CONTROL
I50-320_MCI_CONTROL
I50320X_MCI_CONTROL
LPRFRLSR5032_MCI_CONTROL
LSR5032_MCI_CONTROL
LSR5032_NON-BRAND_MCI_CONTROL

Cabinet (Drawing 1 of 6)

REF	PART NO.	DESCRIPTION	COMMENTS
	SP545086	Nameplate	Logo; I models
	B12389801	Nameplate	Logo; FCI models
	39564	Nameplate	Logo; FCS models
	F8443105	Nameplate	Logo; FCU models
	SP532265	Nameplate	Logo; LSR models
1	SP309595240612	Bolt	M6x12
2	SPPRI505000058	Profiled Sealing	4960
3	SP511082	Top Front Cover	
4	SP511100	Holder	1
5	SP311125000006	Washer	6
6	SP309912000620	Bolt	M6x20
7	SP511161	Bolt	M10/M6
8	SP309933000610	Bolt	M6x10
9	SP311127000006	Washer	6
10	SP273442016013	Gasket	1880; 16x13
11	SP511173	Top Rear Cover	
12	SP311734900006	Washer	6
13	SP511105	Bar	170
14	SP511102	Bar	240
15	SP511095	Filter Bridge	Right
16	SP310934000006	Nut	M6
17	SP511099	Middle Bridge	
18	SP511101	Holder	2
19	SP511111	Filter Bridge	Left
20	SP311127000010	Washer	10
21	SP310934240010	Nut	M10
22	SP506012	Bolt	M6x10
23	SP512753	Rear Cover	Left
24	SP512756	Rear Cover Holder	
25	SP515E00021515	Stop Roller	
26	SP512751	Rear Cover	Right

Cabinet (Drawing 2 of 6)

Starting Serial No. 5321001079MU



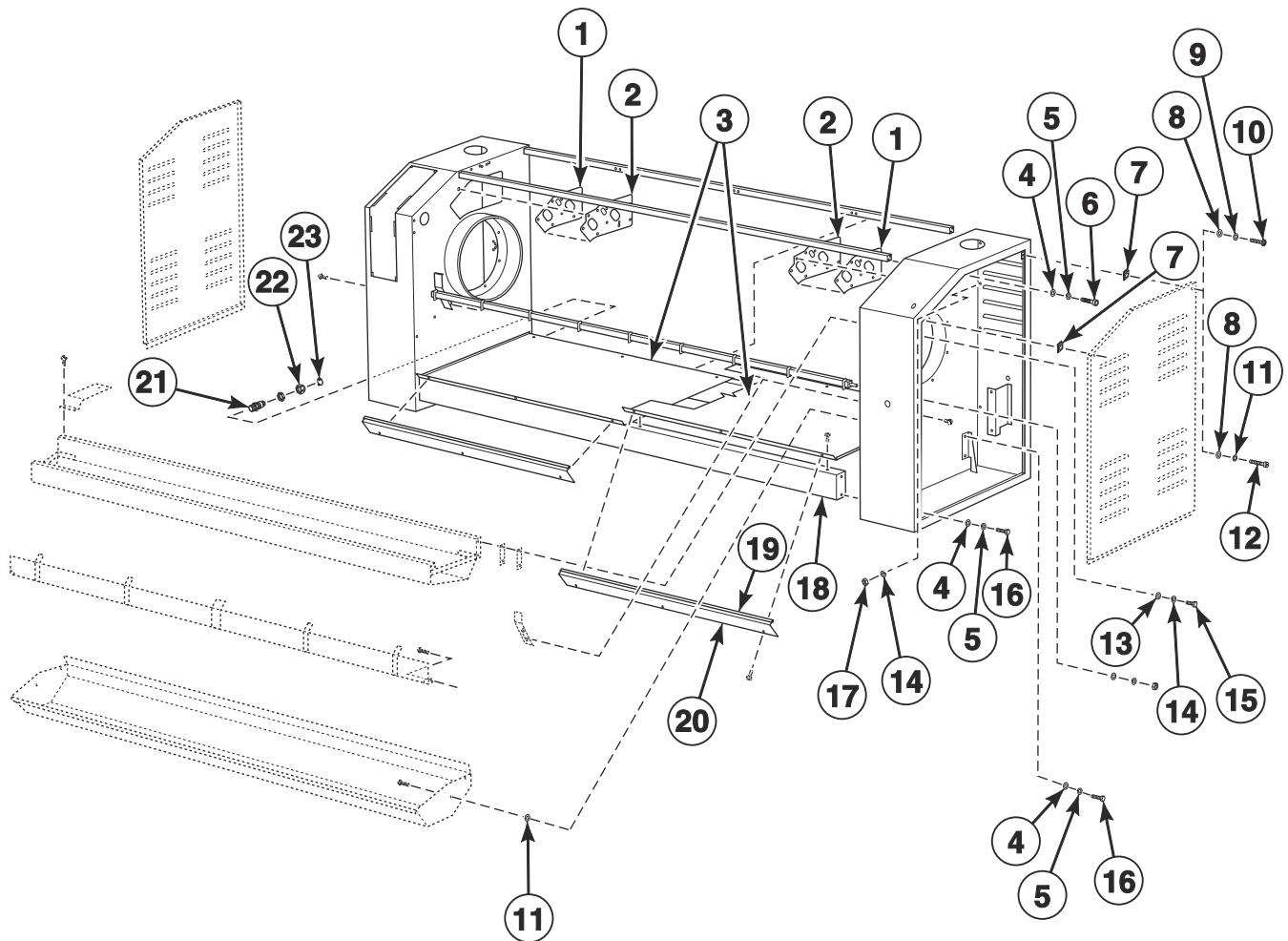
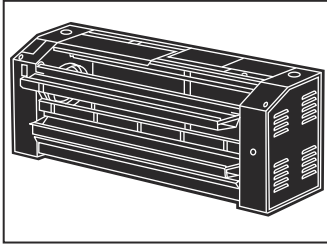
CZF144P_D2108

Cabinet (Drawing 2 of 6)

REF	PART NO.	DESCRIPTION	COMMENTS
	SP545086	Nameplate	Logo; I models
	B12389801	Nameplate	Logo; FCI models
	39564	Nameplate	Logo; FCS models
	F8443105	Nameplate	Logo; FCU models
	SP532265	Nameplate	Logo; LSR models
1	SP310934000006	Nut	M6
2	SP311127000006	Washer	6
3	SP311125000006	Washer	6
4	SP511105	Bar	170
5	SP511095	Filter Bridge	Right
6	SP309912000620	Bolt	M6x20
7	SP511102	Bar	240
8	SP512753	Rear Cover	Left
9	SP512756	Rear Cover Holder	
10	SP512751	Rear Cover	Right
11	SP506012	Bolt	M6x10
12	SP515E00021515	Stop Roller	
13	SP310934240010	Nut	M10
14	SP311127000010	Washer	10
15	SP511101	Holder	2
16	SP511099	Middle Bridge	
17	SP311734900006	Washer	6
18	SP309933000610	Bolt	M6x10
19	SP511111	Filter Bridge	Left
20	SP511161	Bolt	M10/M6
21	SP511100	Holder	1
22	SP309595240612	Bolt	M6x12
23	SPPRI505000058	Profiled Sealing	7.52m
24	SP511082	Top Front Cover	
25	SP273442016013	Gasket	3.4m; 16x13
26	SP511173	Top Rear Cover	

Cabinet (Drawing 3 of 6)

Through Serial No. 532I001078MU



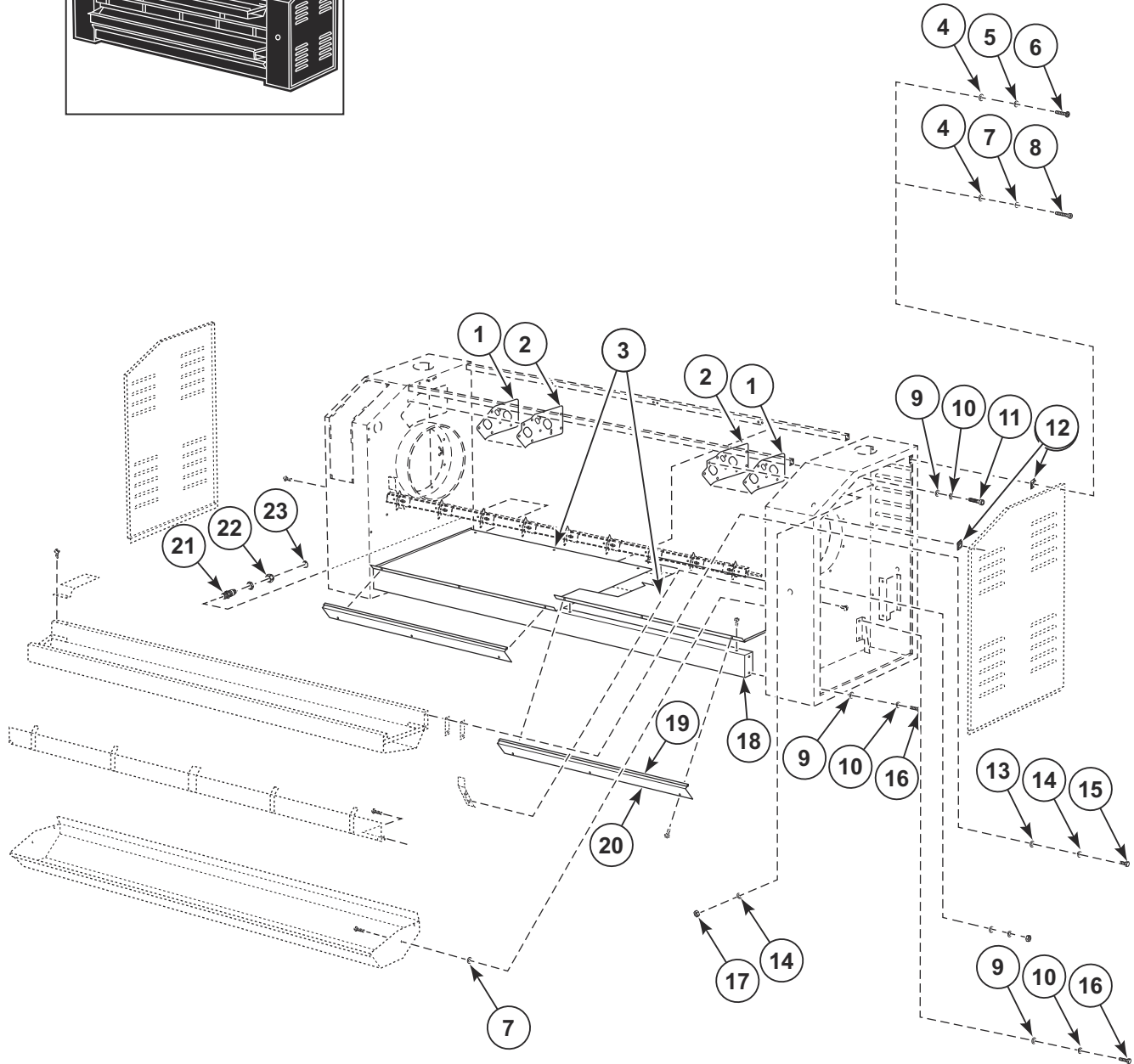
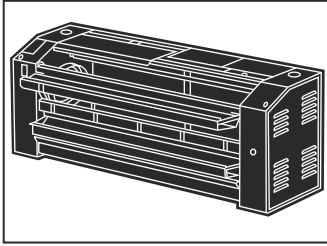
CFD3165P_D2108

Cabinet (Drawing 3 of 6)

REF	PART NO.	DESCRIPTION	COMMENTS
1	SP525244	Input Unit Plate	Outer
2	SP525243	Input Unit Plate	Inner
3	SP512785	Cover	Lower
4	SP311125000010	Washer	10
5	SP311127000010	Washer	10
6	SP309912001030	Bolt	M10x30
7	SP510923	Nut	M6
8	SPPRI521002001	Washer	15x7x2
9	SPPRI247000001	Washer	6; OPL
10	SP309966240620	Bolt	M6x20; OPL
11	SP311125240006	Washer	6.4; Vend
12	SP514055	Bolt	M6x30; Vend
13	SP311125000006	Washer	6
14	SP311127000006	Washer	6
15	SP309933000616	Bolt	M6x16
16	SP309933001030	Bolt	M10x30
17	SP310934000006	Nut	M6
18	SP507695	Beam	1
19	SPPRI505000058	Profiled Sealing	1693 mm
20	SP512781	Front Cover	Lower
21	SPPRI350000056	Cable Bushing	16; Gas and steam heat models
	SPPRI350000058	Cable Bushing	29; Electric heat models
22	SPPRI350001056	Nut	16; Gas and steam heat models
	SPPRI350001058	Nut	29; Electric heat models
23	SPPRI505000064	Plug	Gas and steam heat models
	SP345900032132	Plug	Gas and steam heat models

Cabinet (Drawing 4 of 6)

Starting Serial No. 5321001079MU



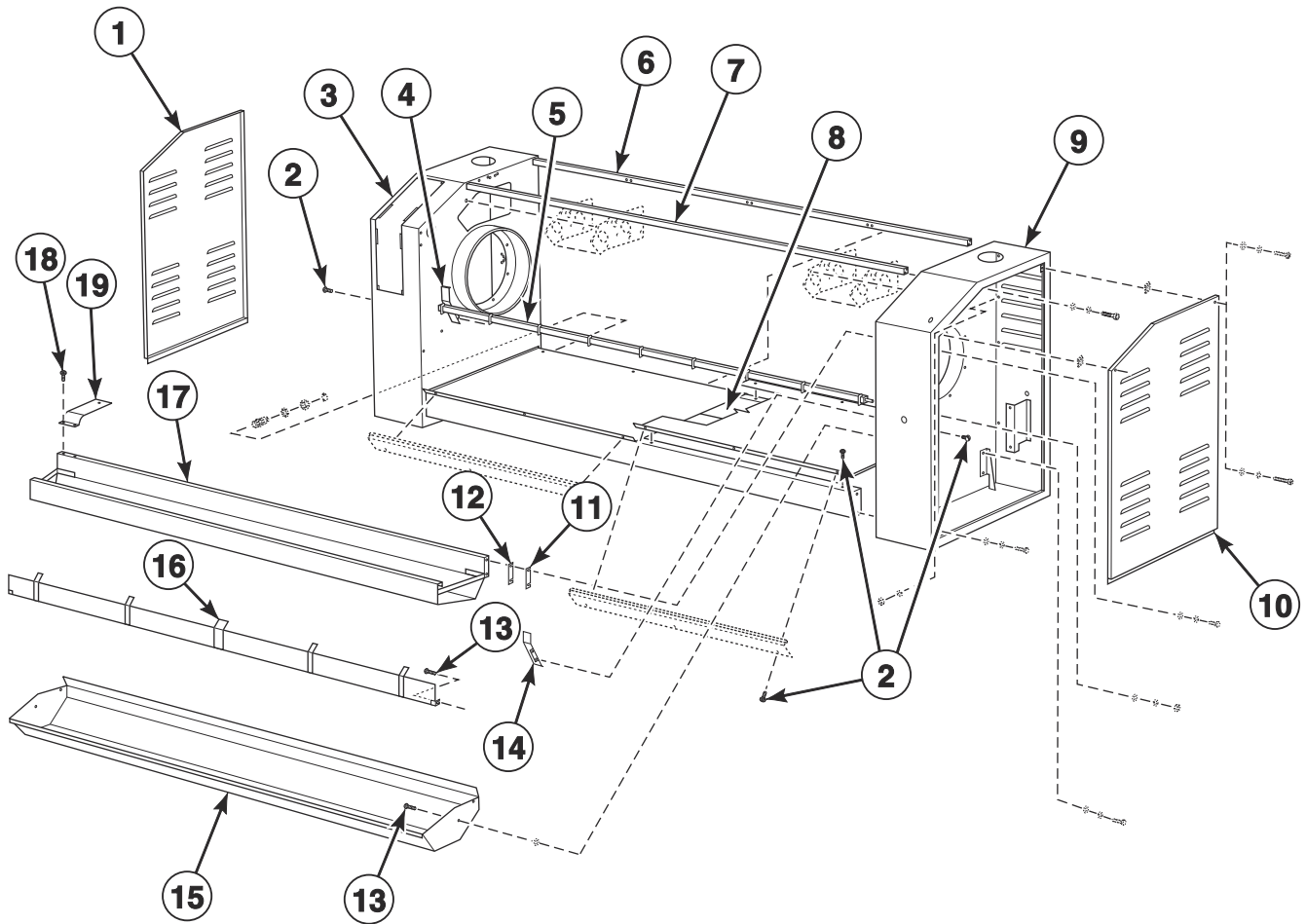
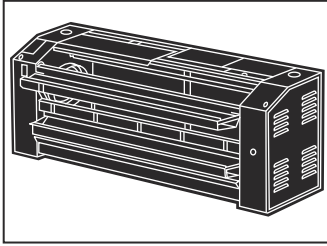
CZF141P_D2108

Cabinet (Drawing 4 of 6)

REF	PART NO.	DESCRIPTION	COMMENTS
1	SP525244	Input Unit Plate	Outer
2	SP525243	Input Unit Plate	Inner
3	SP512785	Cover	Lower
4	SPPRI521002001	Washer	15x7x2
5	SPPRI247000001	Washer	6; OPL
6	SP309966240620	Bolt	M6x20; OPL
7	SP311125240006	Washer	6.4; Vend
8	SP514055	Bolt	M6x30; Vend
9	SP311125000010	Washer	10
10	SP311127000010	Washer	10
11	SP309912001030	Bolt	M10x30
12	SP510923	Nut	M6
13	SP311125000006	Washer	6
14	SP311127000006	Washer	6
15	SP309933000616	Bolt	M6x16
16	SP309933001030	Bolt	M10x30
17	SP310934000006	Nut	M6
18	SP507695	Beam	1
19	SPPRI505000058	Profiled Sealing	1693 mm
20	SP512781	Front Cover	Lower
21	SPPRI350000056	Cable Bushing	16; Gas and steam heat models
	SPPRI350000058	Cable Bushing	29; Electric heat models
22	SPPRI350001056	Nut	16; Gas and steam heat models
	SPPRI350001058	Nut	29; Electric heat models
23	SPPRI505000064	Plug	Gas and steam heat models
	SP345900032132	Plug	Gas and steam heat models

Cabinet (Drawing 5 of 6)

Through Serial No. 532I001078MU



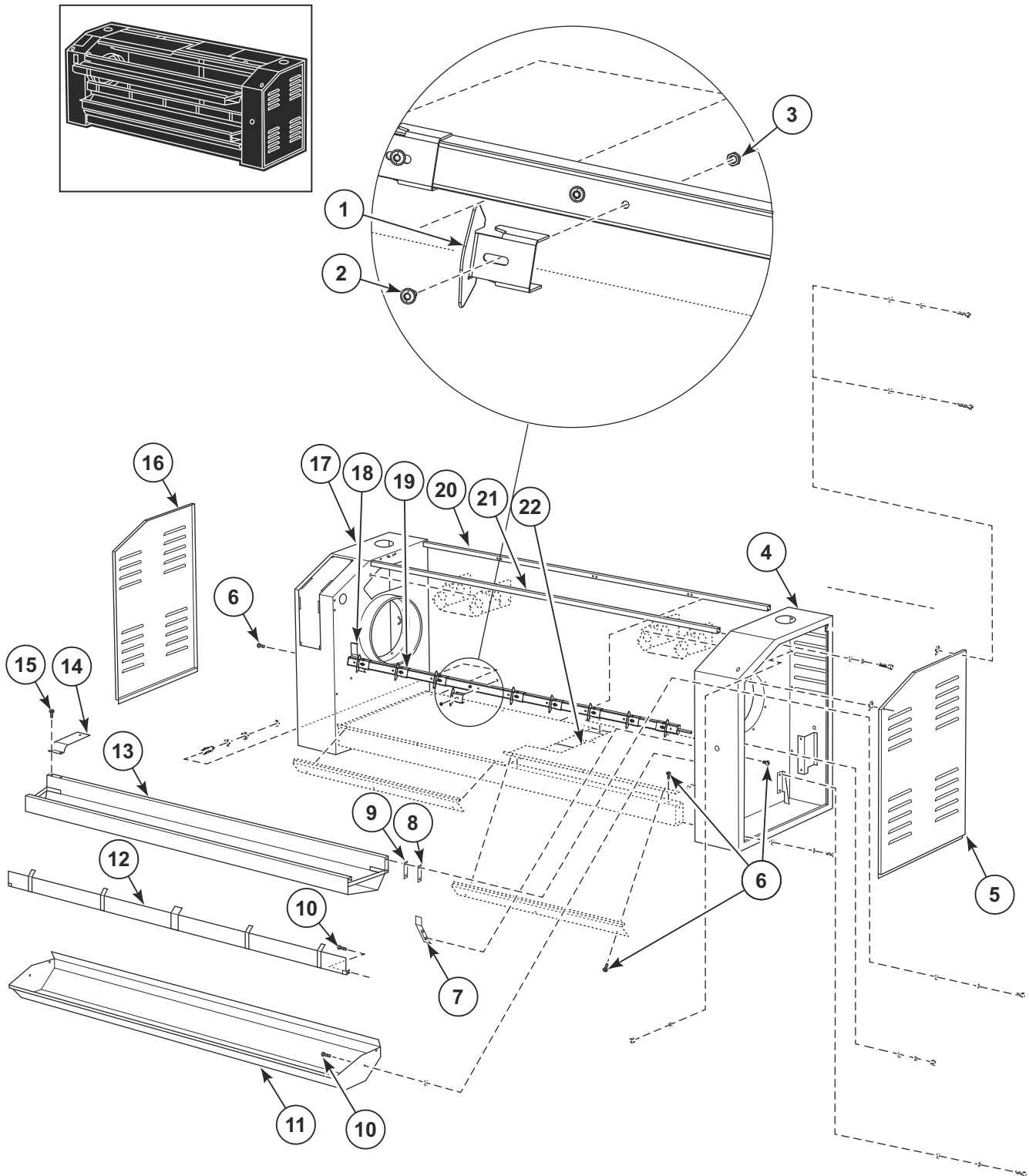
CFD3166P_D2108

Cabinet (Drawing 5 of 6)

REF	PART NO.	DESCRIPTION	COMMENTS
1	SP512761	Door	Left; OPL
	SP517145	Door	Left; Vend
2	SP506012	Bolt	M6x10
3	SP525232	Stand	Left
4	SP525339	Roller Cover	Left cylinder
5	SPI03438000013	Ironing Belt Guide	
6	SP512648	Rear Beam	Top
7	SP512647	Front Beam	Top
8	SP507690	Beam	
9	SP525231	Stand	Right
10	SP509163	Door	Right
11	SP507675	Distance Plate	1.25
12	SP507674	Distance Plate	2.5
13	SP309500240616	Bolt	M6x16
14	SP525338	Roller Cover	Right cylinder
15	SP525334	Output Trough	
16	SP505060	Contact Cover	
17	SP514206	Insert Trough	
18	SP309595240612	Bolt	M6x12
19	SP512795	Insert Belt Cover	

Cabinet (Drawing 6 of 6)

Starting Serial No. 5321001079MU

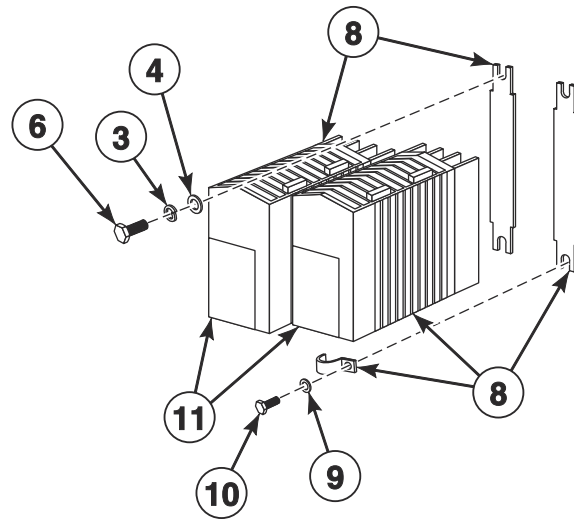
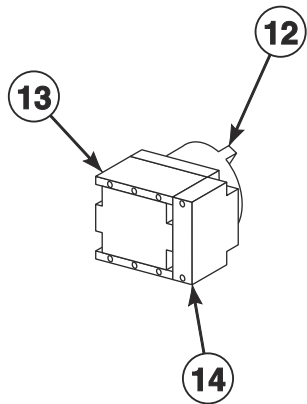
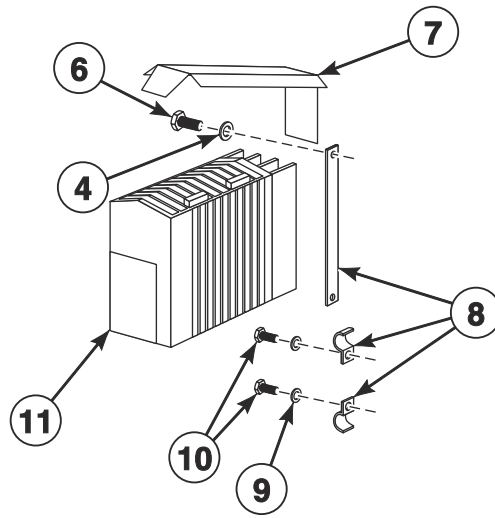
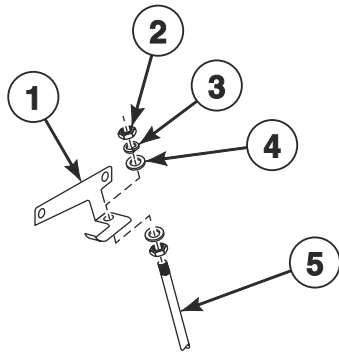


CZF142P_D2108

Cabinet (Drawing 6 of 6)

REF	PART NO.	DESCRIPTION	COMMENTS
1	568586	Floating Finger	
2	SP537854	Bolt	M6x14
3	SP310985000006	Nut	M6
4	SP525231	Stand	Right
5	SP509163	Door	Right
6	SP506012	Bolt	M6x10
7	SP525338	Roller Cover	Right cylinder
8	SP507675	Distance Plate	1.25
9	SP507674	Distance Plate	2.5
10	SP309500240616	Bolt	M6x16
11	SP525334	Output Trough	
12	SP505060	Contact Cover	
13	SP514206	Insert Trough	
14	SP512795	Insert Belt Cover	
15	SP309595240612	Bolt	M6x12
16	SP512761	Door	Left; OPL
	SP517145	Door	Left; Vend
17	SP525232	Stand	Left
18	SP525339	Roller Cover	Left cylinder
19	SPI03438000013	Ironing Belt Guide	Assembly includes 568586 Floating Finger, bolts and nuts
20	SP512648	Rear Beam	Top
21	SP512647	Front Beam	Top
22	SP507690	Beam	

Main Switch and Frequency Inverter

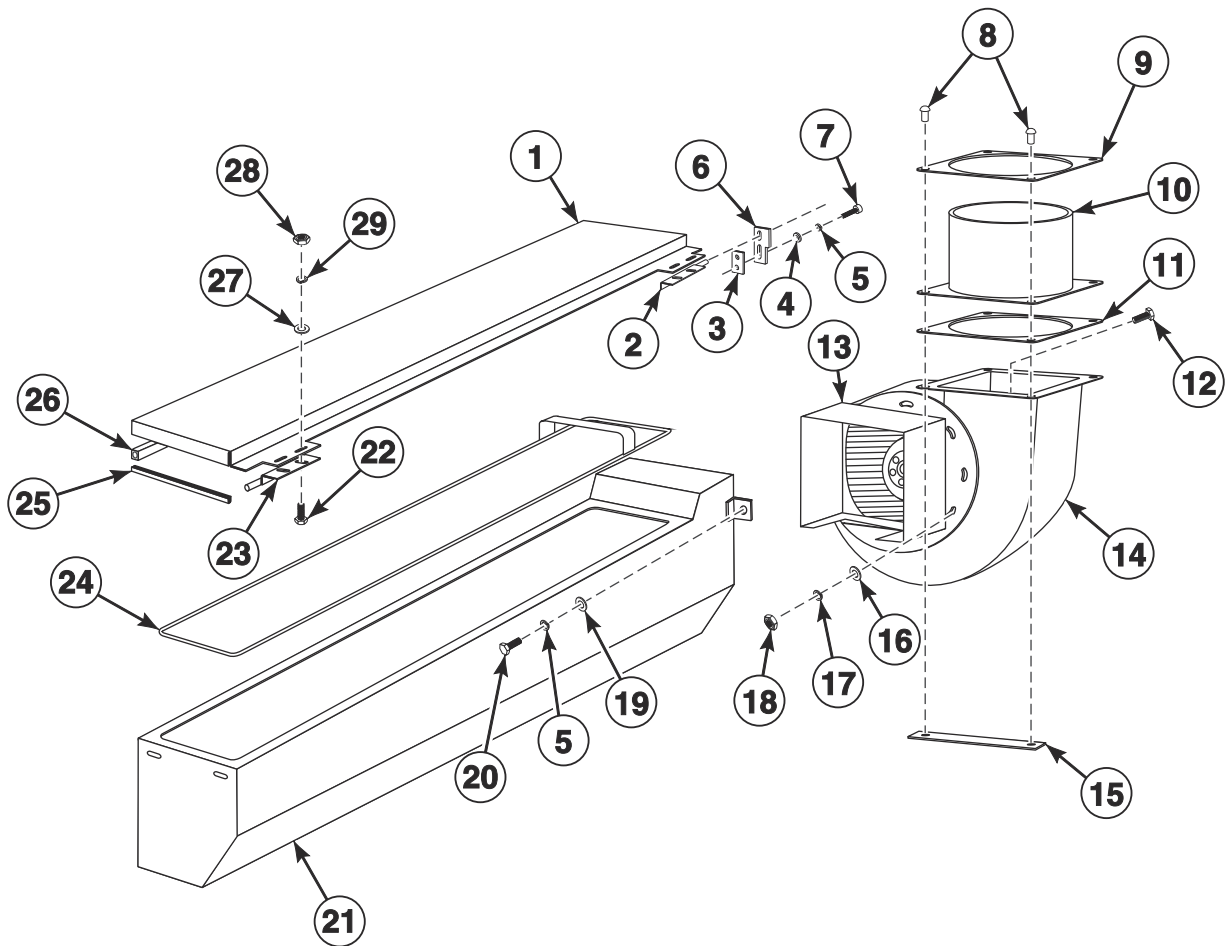
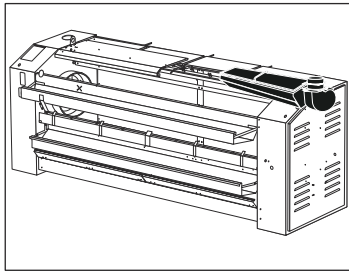


CFD3383P_D2108

Main Switch and Frequency Inverter

REF	PART NO.	DESCRIPTION	COMMENTS
1	SP514256	Ribbon Tube Holder	Through April 2013
2	SP310934000006	Nut	M6; Through April, 2013
3	SP311127000006	Washer	6
4	SP311125000006	Washer	6
5	SP512669	Bolt	Ribbon tube; Through April, 2013
6	SP309933000612	Bolt	M6x12
7	SP505362	Frequency Inverter Cover	
8	569777	Frequency Inverter Kit	OPL
	569778	Frequency Inverter Kit	Vend
	569779	Frequency Inverter Kit	Vend and OPL
9	SP311125000004	Washer	4
10	SP309084000410	Bolt	M4x10
11	SP505487	Module	
12	SPPRI404000095	Main Switch Knob	Gas and steam heat models
13	SPPRI404000098	Main Switch	Gas and steam heat models
	SP347700125175	Main Switch	400V; Electric heat models
	SP504589	Main Switch	230V; Electric heat models
14	SPPRI404001098	Main Switch	Fourth pole; Gas and steam heat models

Ventilation

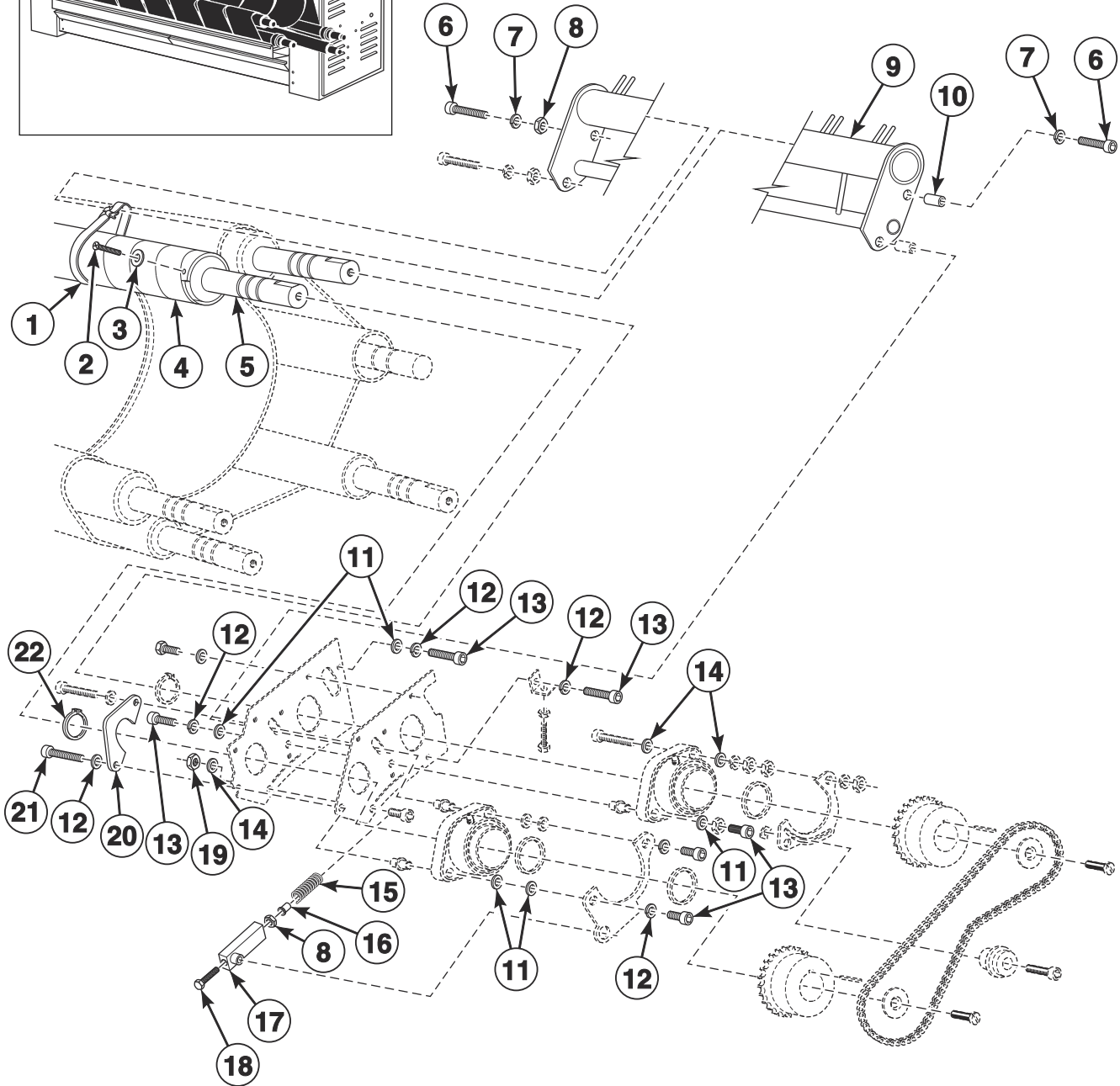
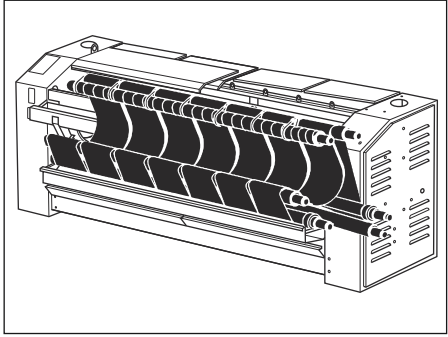


CFD3384P_D2108

Ventilation

REF	PART NO.	DESCRIPTION	COMMENTS
1	SP511091	Filter Cover	
2	SP511162	Hinge	Right
3	SP511110	Thread Plate	
4	SP311125000006	Washer	6/6.4/12/1.6
5	SP311127000006	Washer	6
6	SP511109	Hinge	
7	SP309912000620	Bolt	M6x20
8	SP510954	Bolt	M6x16
9	SP507640	Covering Plate	
10	SPI01128000014	Exhaust	
11	SP500587	Washer	
12	SP309933000516	Bolt	M5x16
13	SPI03133000013	Exhaust Box	Gas heat models
	SPI01133000013	Exhaust Box	Electric and steam heat models
14	SP337001803807	Radial Ventilator	
	SP337001702807	Radial Ventilator	
15	SP507651	Thread Plate	
16	SP311125000005	Washer	5
17	SP311127000005	Washer	5
18	SP310934000005	Nut	M5
19	SP311734900006	Washer	M6/6.4/17/3
20	SP309933000616	Bolt	M6x16
21	SP511121	Filter Tank	Right
	SP511122	Filter Tank	Left
22	SP309595240612	Bolt	M6x12
23	SP511163	Hinge	Left
24	SP511126	Filter Sieve	
25	SPPRI505000058	Profiled Sealing	1280
26	SP273442016013	Gasket	6x13; 760
27	SP311125240006	Washer	M6.4
28	SP311127240006	Washer	M6/6.1
29	SP310934240006	Nut	M6

Ironing Belt - System 1 (Drawing 1 of 2)

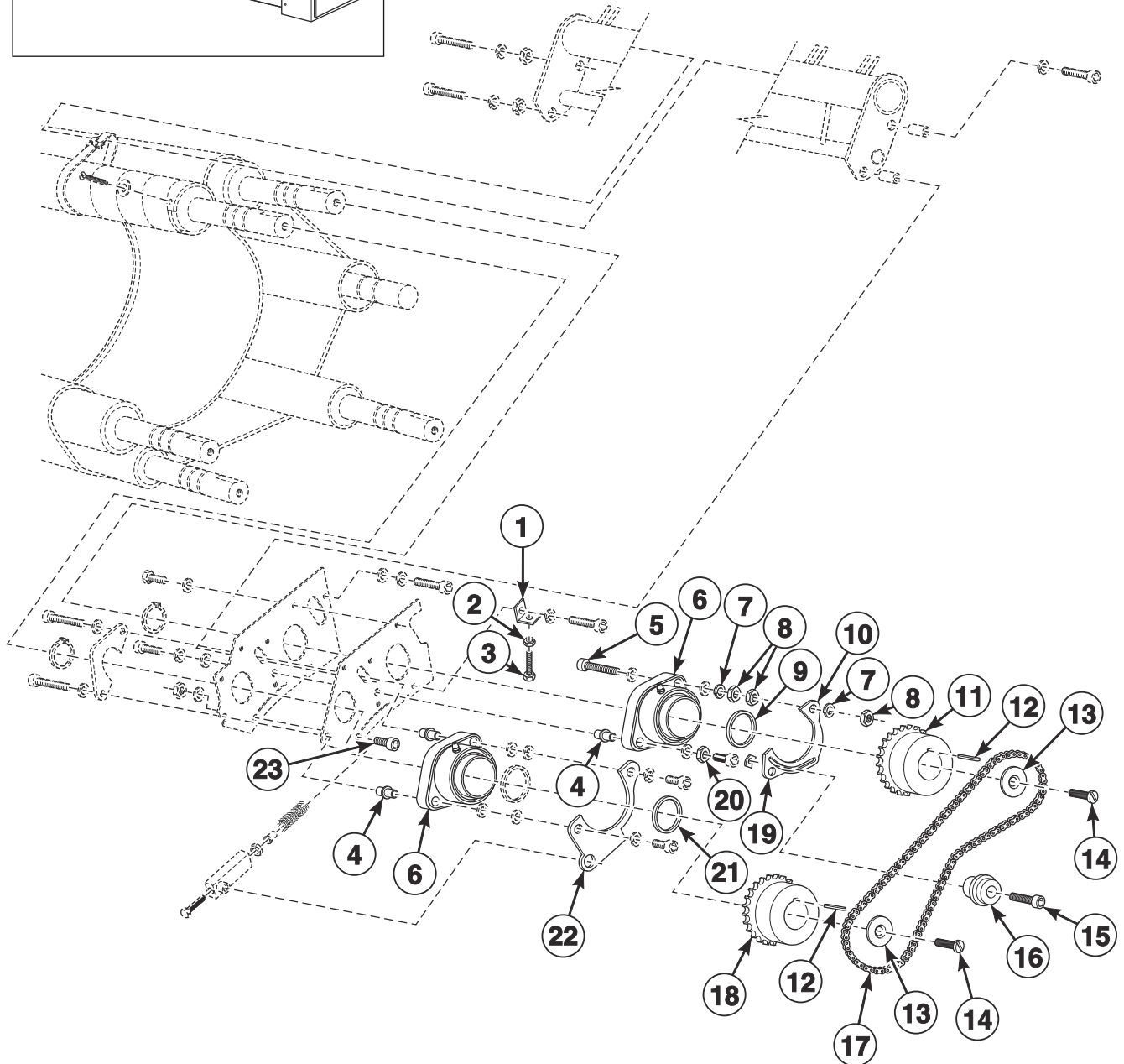
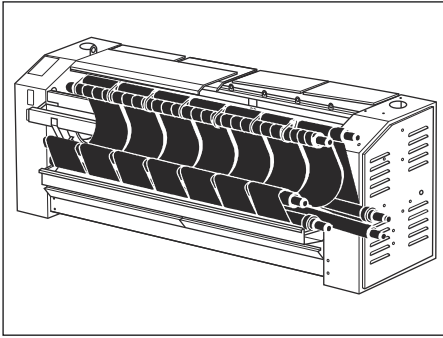


CFD3385P_D2108

Ironing Belt - System 1 (Drawing 1 of 2)

REF	PART NO.	DESCRIPTION	COMMENTS
1	SP372612080003	Ribbon	
2	SP309966240640	Bolt	M6x40
3	SP314E00024514	Washer	10.2x30.5x1.5
4	SP503505	Padding	21500x50x15
5	SP529875	Roller	V1
6	SP540780	Bolt	M6x45
7	SP311127000006	Washer	6
8	SP310934000006	Nut	M6
9	SP525272	Ribbon Bar	
10	SP540338	Case	
11	SP525284	Washer	8x21x4
12	SP311127000008	Washer	8
13	SP525282	Bolt	M8x25
14	SP311125000010	Washer	M10/10.5/20/2
15	SP515E00024614	Pressure Spring	
16	SP525265	Spring Guide	3
17	SP525248	Spring Guide	1
18	SP309933000660	Bolt	M6x60
19	SP310985000010	Nut	M10
20	SP525251	Ribbon Bar Holder	1
21	SP540339	Bolt	M8x20
22	SP502367	Retaining Ring	30

Ironing Belt - System 1 (Drawing 2 of 2)

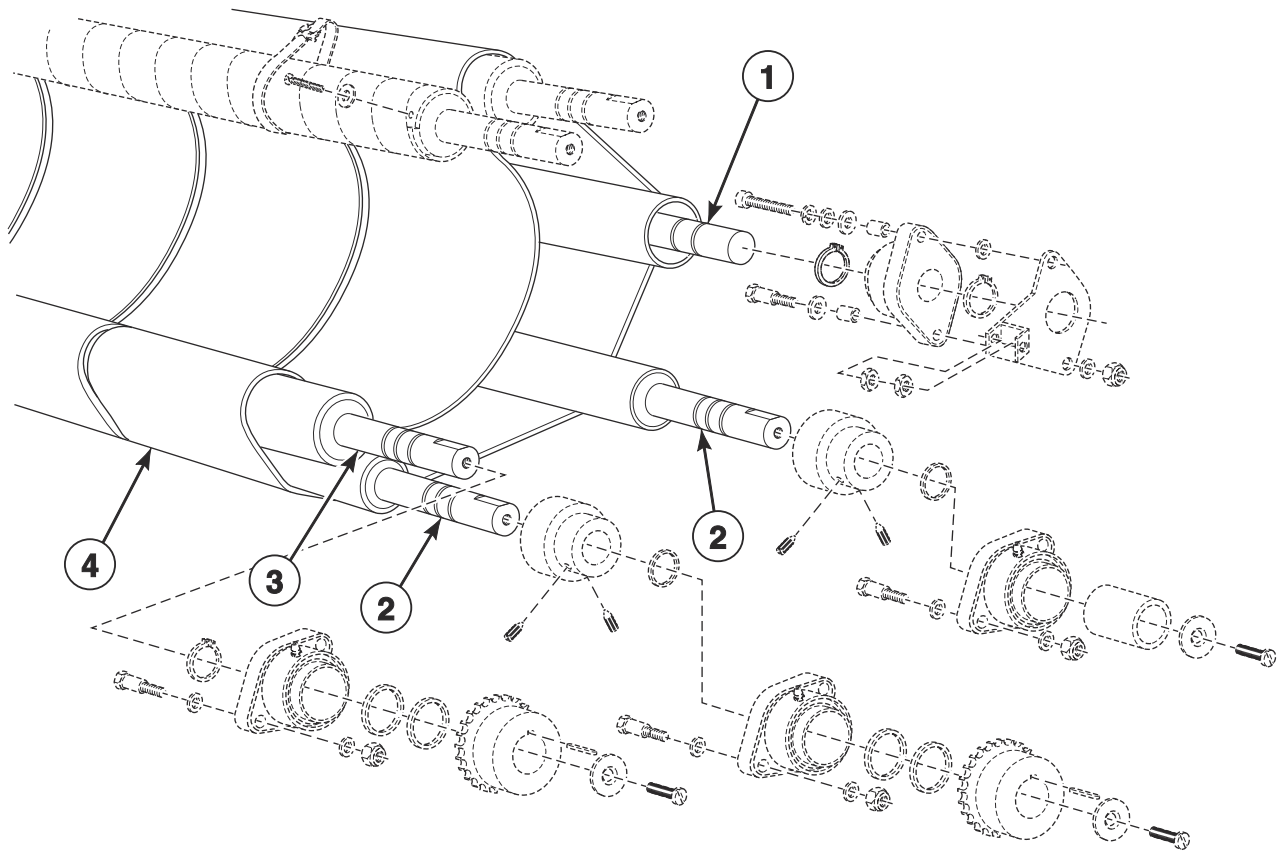
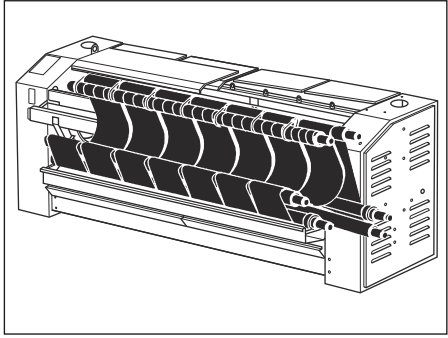


CFD3385PA_D2108

Ironing Belt - System 1 (Drawing 2 of 2)

REF	PART NO.	DESCRIPTION	COMMENTS
1	SP525268	Strengthening Angle	
2	SP537518	Nut	M8
3	SP309933000840	Bolt	M8x40
4	SP525259	Threaded Insert	
5	SP506086	Bolt	M10x50
6	SP325000000031	Bearing	
7	SP311127000010	Washer	10
8	SP310934000010	Nut	M10
9	SP525267	Washer	D40-D30-0.6
10	SP525256	Roller Bearing Plate	3
11	SP529909	Chain Wheel	17-06
12	SP529808	Feather	
13	SP529810	Washer	
14	SP529811	Bolt	M6x25
15	SP309912120625	Bolt	M6x25
16	SP525258	Conversion Pulley	
17	SP318000060001	Input Table Drive Chain	
	SP318000060100	Connecting Element	
	SP318000060101	Half-Connecting Element	
18	SP529910	Chain Wheel	22-06
19	SP525257	Nut	Conversion pulley
20	SP310985000008	Nut	M8
21	SP529806	Ring	
22	SP525255	Roller Bearing Plate	2
23	SP309912001030	Bolt	M10x30

Ironing Belt - System 2 (Drawing 1 of 2)

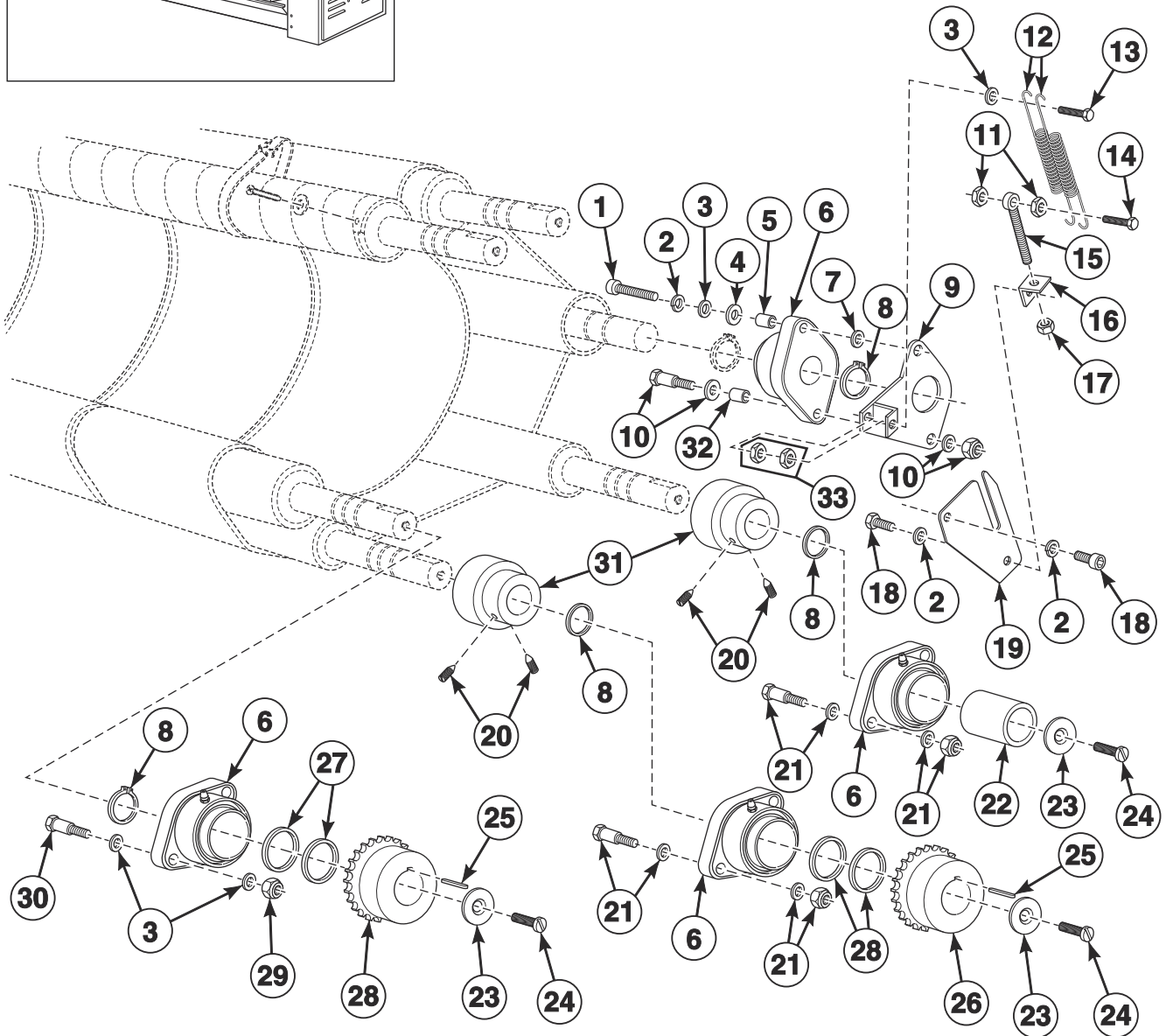
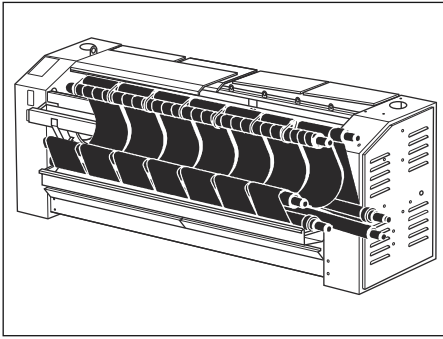


CFD3172P_D2108

Ironing Belt - System 2 (Drawing 1 of 2)

REF	PART NO.	DESCRIPTION	COMMENTS
1	SP529985	Roller	V5
2	SP529874	Roller	V2
3	SP529875	Roller	V1
4	SP525330	Ironing Belt	2920x200; Includes hooks
	SP545113	Ironing Belt Set	16 belts
	SP102758	Connection Wire	Solid per meter; Used for connecting ironing belts

Ironing Belt - System 2 (Drawing 2 of 2)

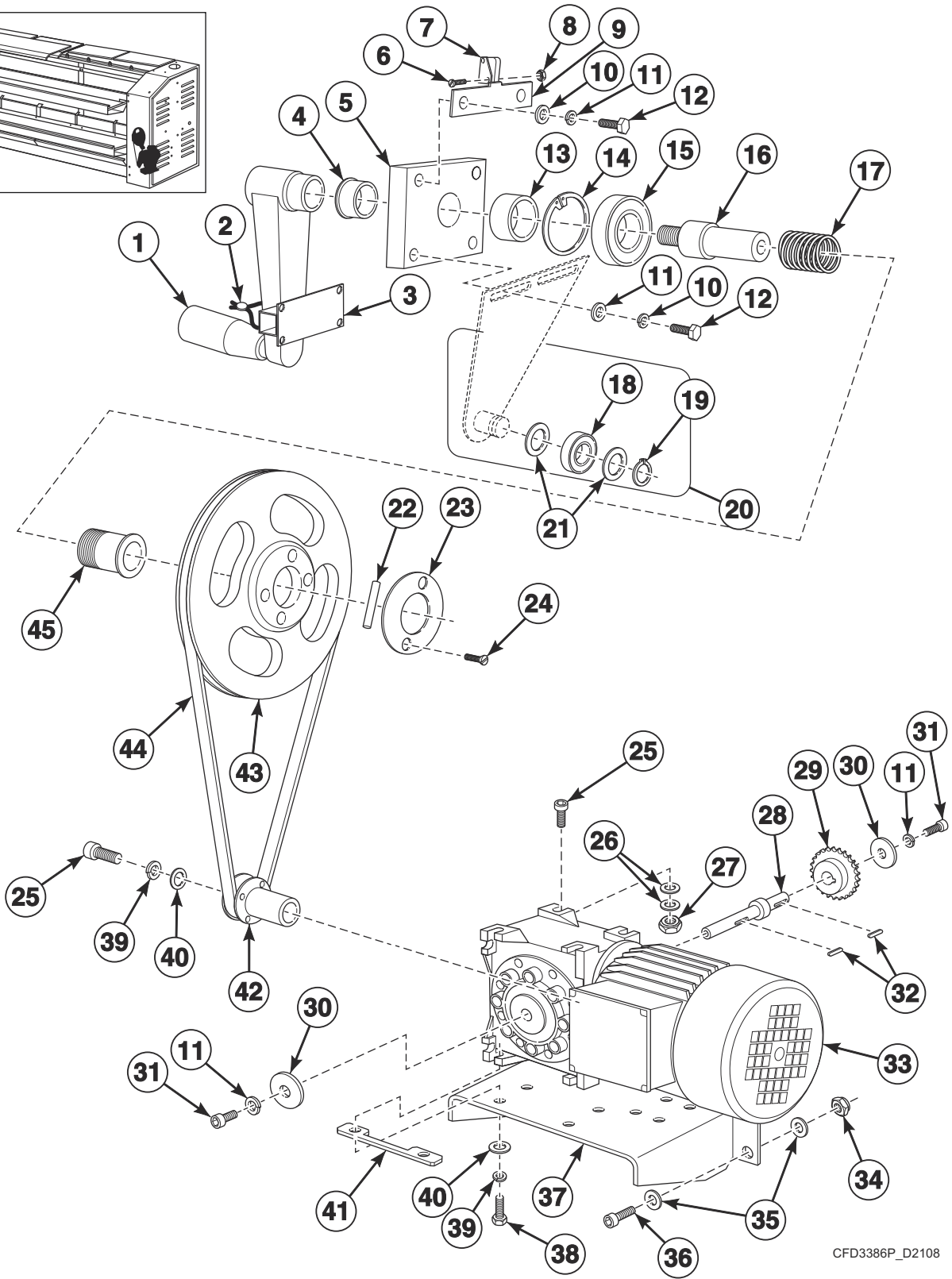
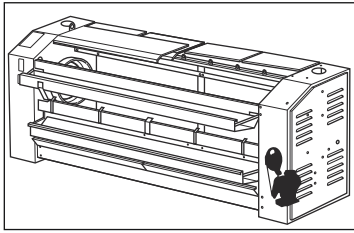


CFD3173P_D2108

Ironing Belt - System 2 (Drawing 2 of 2)

REF	PART NO.	DESCRIPTION	COMMENTS
1	SP309933000840	Bolt	M8x40
2	SP311127000008	Washer	8
3	SP311125000010	Washer	10/10.5/20/2
4	SP525284	Washer	8x21x4
5	SP525260	Roller Insert	
6	SP325000000031	Bearing	
7	SP311902100009	Washer	8
8	SP502367	Retaining Ring	30
9	SP537516	Roller Plate	Right
	SP537517	Roller Plate	Left
10	SP519942	Bolt	M10x45; Includes washers and nut
11	SP537518	Nut	M8
12	SPPRI611010080	Spring	
13	SP309933000845	Bolt	M8x45
14	SP537511	Spring Pin	
15	SP510922	Bolt	M8x80
16	SP537515	Strengthening Angle	
17	SP310985000008	Nut	M8
18	SP309912000815	Bolt	M8x16
19	SP537514	Spring Guide	
20	SP551203	Bolt	M10x16
21	SP519941	Bolt	M10x35; Includes washers and nut
22	SP529905	Distance Tube	
23	SP529810	Washer	
24	SP529811	Bolt	M6x25
25	SP529808	Feather	
26	SP529908	Chain Wheel	26-08
27	SP529806	Ring	
28	SP529907	Chain Wheel	22-08
29	SP310985000010	Nut	M10
30	SP309933001035	Bolt	M10x35
31	SP529848	Roller	
32	SP537510	Roller Insert	2
33	SP310934000008	Nut	M8

Drive



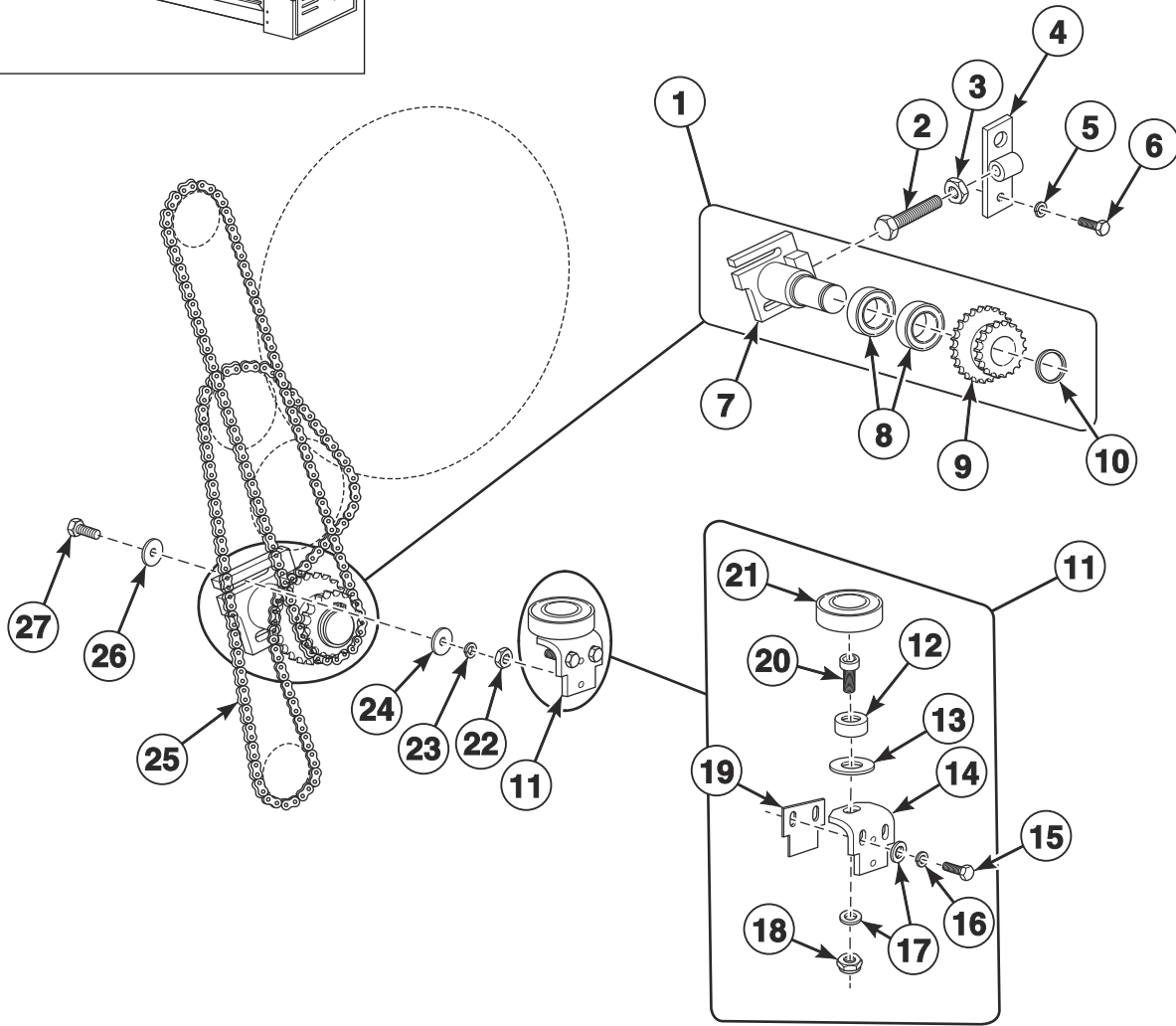
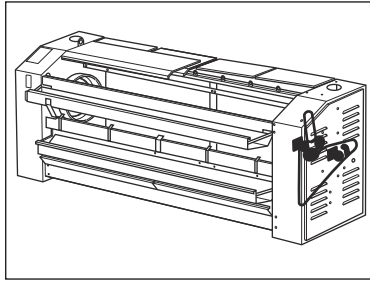
CFD3386P_D2108

Drive

REF	PART NO.	DESCRIPTION	COMMENTS
1	SP530000	Crank Handle	
2	SP506548	Lead Plumb	14; Vend
	SP506549	Sealing Cable	1.1; Vend
3	SP506550	Catch	Vend
4	SP505002	Crank Case	
5	SP314E00027414	Crank Board	
6	SP309084000316	Bolt	M3x16
7	SPPRI610028017	Microswitch	
8	SP310934800003	Nut	M3
9	SP505004	Microswitch Holder	
10	SP311125000006	Washer	6
11	SP311127000006	Washer	6
12	SP309933000620	Bolt	M6x20
13	SP314E00027614	Distance Tube	
14	SP311732031062	Retaining Ring	62
15	SP502374	Bearing	
16	SP529999	Crank Shaft	
17	SP509440	Spring	
18	SP559453	Bearing	
19	SP307732030015	Retaining Ring	15
20	SP314E36000014	Tightening Roller	
21	N/A	Washer	
22	SP505003	Pulley Pin	
23	SP505005	Washer	
24	SP309084000410	Bolt	M4x10
25	SP309912000830	Bolt	M8x30
26	SP311125000008	Washer	8/8.4/16/1.6
27	SP310985000008	Nut	M8
28	SP509041	Shaft	
29	SP509042	Chain Wheel	21-08
30	SP514572	Washer	7x30x2
31	SP309912000620	Bolt	M6x20
32	SP505449	Key	
33	SP505421	Motor	Includes gearbox
34	SP310934000010	Nut	M10
35	SP311125000010	Washer	10/10.5/20/2
36	SP309912001030	Bolt	M10x30
37	SP507639	Gearbox Brace	
38	SP309933000825	Bolt	M8x25
39	SP311127000008	Washer	8
40	SP311902100008	Washer	M8
41	SP509078	Threaded Plate	
42	SP500602	V-Belt Pulley	Without folder
43	SP505007	Pulley	Big
44	SPPRI607000080	V-Belt	
45	SP509439	Crank Guide	

N/A = Part no longer available

Chain Drives

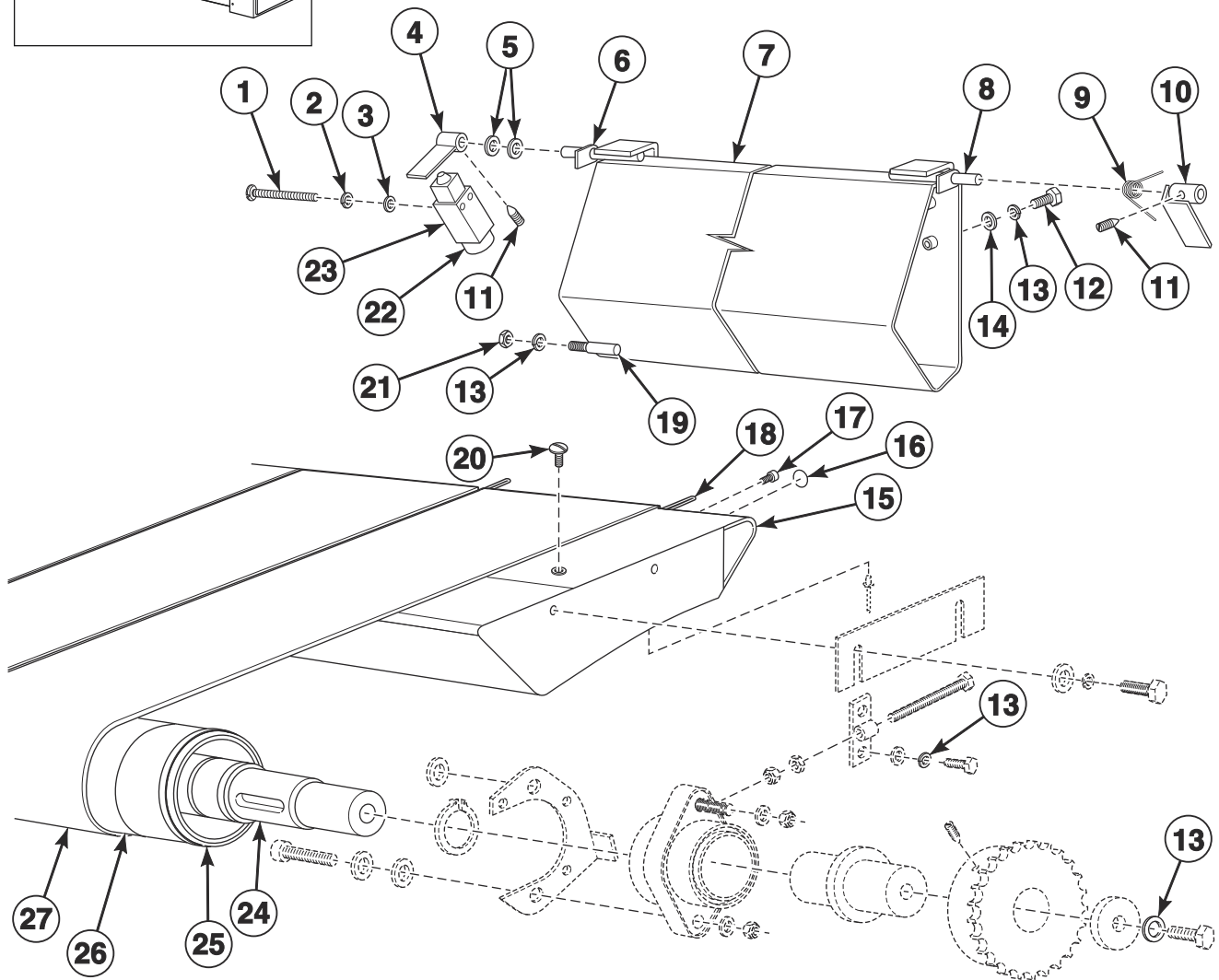
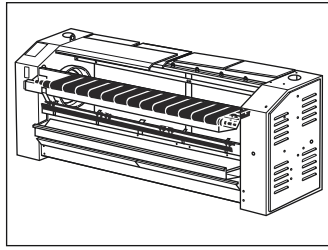


CFD3387P_D2108

Chain Drives

REF	PART NO.	DESCRIPTION	COMMENTS
1	SP515E22000014	Tightening System	
2	SP309933001080	Bolt	M10x80
3	SP310934000010	Nut	M10
4	SP515E21000014	Tightener	
5	SP311127000006	Washer	M6
6	SP309933000612	Bolt	M6x12
7	SP515E22100014	Complete Board	
8	SP326000600202	Bearing	
9	SP515E22000413	Tension Chain Wheel	
10	SP515E22000515	Washer	
11	SP512465	Support Pulley	Through Serial No. 532I000559JV
	SP525131	Support Pulley	Through Serial No. 532I000559JV
12	SP525130	Hub	
13	SPPRI611009025	Washer	10.5/36/2
14	SP525129	Support Pulley Bracket	
15	SP309933001025	Bolt	M10x25
16	SP311127000010	Washer	10
17	SP311125000010	Washer	10/10.5/20/2
18	SP310985000010	Nut	M10
19	SP525132	Distance Plate	T2
20	SP309912001030	Bolt	M10x30
21	SPPRI608000041	Bearing	
22	SP310934000008	Nut	M8
23	SP311127000008	Washer	8
24	SP311902100008	Washer	M8
25	SP318000080001	Main Drive Chain	2100 mm
	SP318000080100	Connecting Element	
	SP514075	Half-Connecting Element	
26	SP311125000008	Washer	8/8.4/16/1.6
27	SP309933000830	Bolt	M8x30

Feeding Belts and Unsticker (Drawing 1 of 3)

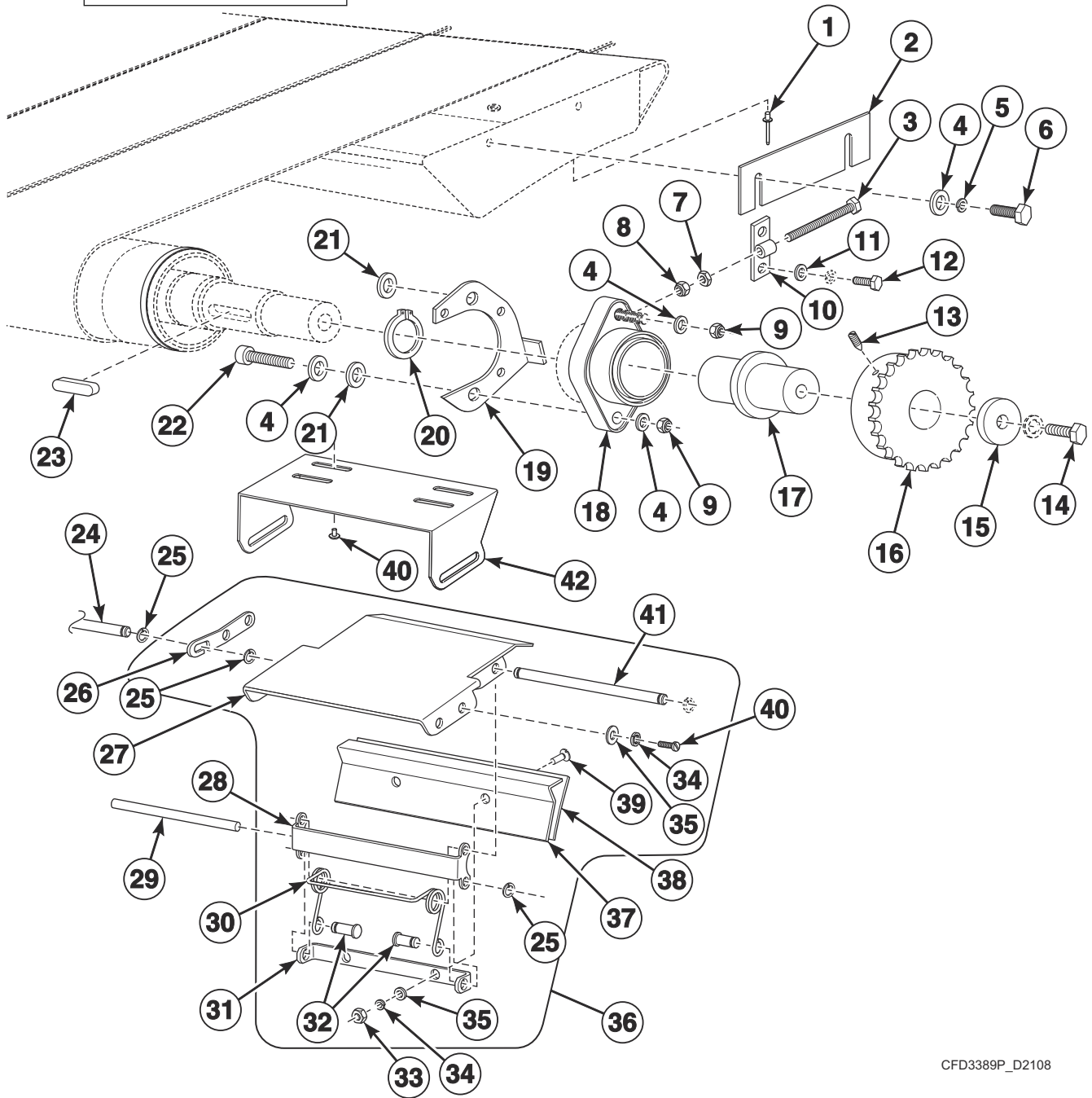
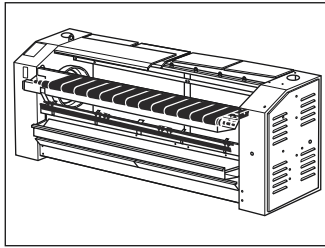


CFD3388P_D2108

Feeding Belts and Unsticker (Drawing 1 of 3)

REF	PART NO.	DESCRIPTION	COMMENTS
1	SP506011	Bolt	M4x28
2	SP311127240004	Washer	4
3	SP311125240004	Washer	4
4	SP515E25000015	Switch Off Thumb	
5	SP311125000008	Washer	8/8.4/16/1.6
6	SP514269	Hinge	Left
7	SP511147	Safety Bar	
8	SP514268	Hinge	Right
9	SPPRI611000045	Spring	
10	SP320E19400014	Spring Finger	
11	SP309916000610	Bolt	M6x10
12	SP309933000616	Bolt	M6x16
13	SP311127000006	Washer	6
14	SP311902100006	Washer	M6/6.4/18/1.6
15	SP500679	Inserting Table	
16	SPPRI551000001	Earthing Index Plate	10
17	SP309084100410	Bolt	M4x10
18	SP505095	Finger	
19	SP515E00021515	Stop Roller	
20	SP309500240608	Bolt	M6x8
21	SP310934000006	Nut	M6
22	SP100980	Cable Bushing	
23	SP347000000111	Switch	
24	SP529893	Padded Roller	
25	SP540140925706	Tightening Clip	
26	SPMEC001410	Self-Adhesive Pad	18.5m
27	SP514026	Feeding Belt	645x100; Includes hooks
	SP102783	Feeding Belt Connecting Pin	

Feeding Belts and Unsticker (Drawing 2 of 3)

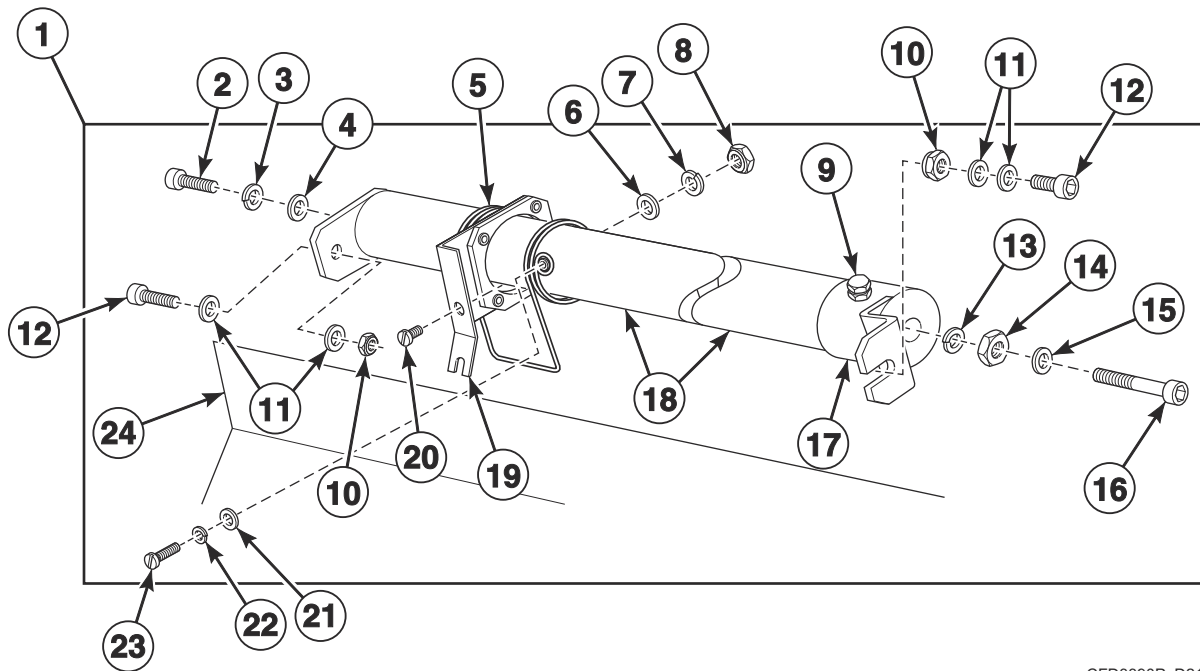
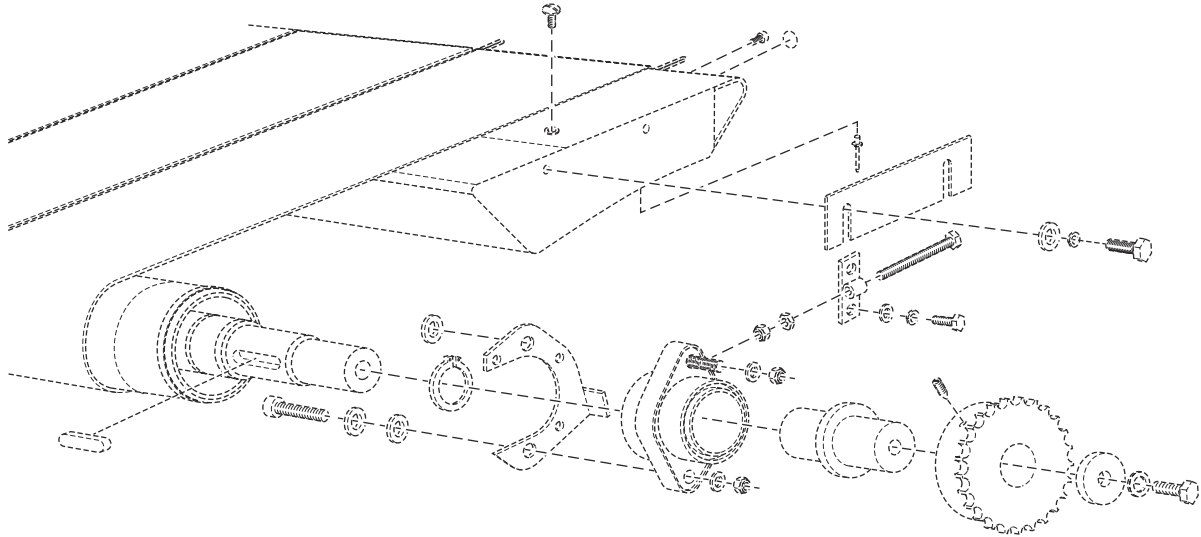
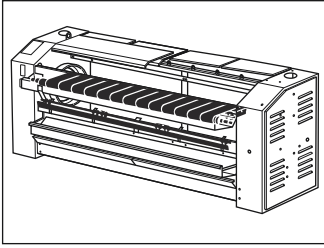


CFD3389P_D2108

Feeding Belts and Unsticker (Drawing 2 of 3)

REF	PART NO.	DESCRIPTION	COMMENTS
1	SP313250032079	Rivet	3.2x8
2	SP320E39000514	Washer	Distance table
3	SP309933001080	Bolt	M10x80
4	SP311125000010	Washer	10.5
5	SP311127000010	Washer	10
6	SP309912001030	Bolt	M10x30
7	SP310934000010	Nut	M10
8	SP514076	Nut	M10
9	SP310985000010	Nut	M10
10	SP515E21000014	Tightener	Right
11	SP311125000006	Washer	6.4
12	SP309933000610	Bolt	M6x10
13	SP309916000408	Bolt	M4x8
14	SP309933000620	Bolt	M6x20
15	SP515E00022115	Washer	Clutch
16	SP500695	Chain Wheel	22-06
17	SP512410	Chain Wheel Hub	
18	SP325000000031	Bearing	
19	SP500655	Table Tightener	Right
	SP500656	Table Tightener	Left
20	SP502367	Retaining Ring	30
21	SPPRI230000003	Washer	22x10x1
22	SP309912001040	Bolt	M10x40
23	SP525193	Feather	
24	SP500779	Guide Bar	950
25	SP504529	Retaining Ring	
26	SP500751	Guide Bar Holder	
27	SP500752	Sensor Bearer	
28	SP500755	Sensor Plate Bearer	I
29	SP501880	Thermostat Sensor	
30	SP500750	Thermounit Spring	
31	SP500756	Sensor Plate Bearer	II
32	SP500759	Pin	
33	SP310934240004	Nut	M4
34	SP311127240004	Washer	4
35	SP311125240004	Washer	4
36	SP519509	Thermoelement Holder	
37	SP519421	Thermoelement Holder	II
38	SP519427	Thermoelement Holder	I
39	SP309963240412	Bolt	M4x12
40	SP309798524416	Bolt	M4x16
41	SP500758	Rod	
42	SP500749	Thermounit Holder	

Feeding Belts and Unsticker (Drawing 3 of 3)

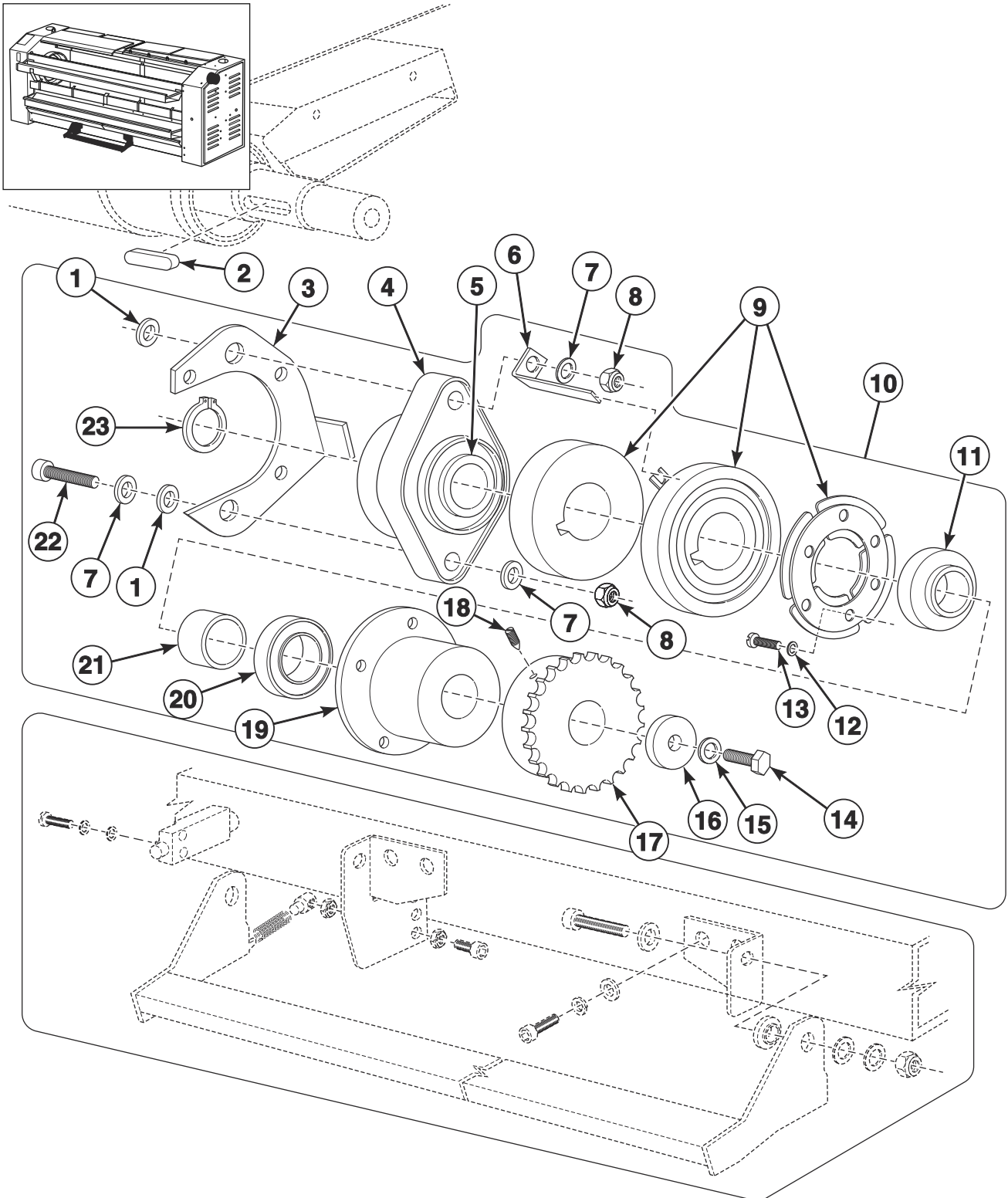


CFD3390P_D2108

Feeding Belts and Unsticker (Drawing 3 of 3)

REF	PART NO.	DESCRIPTION	COMMENTS
1	SP519856	Unsticker	
2	SP309912001030	Bolt	M10x30
3	SP311127000010	Washer	10
4	SP311125000010	Washer	10.5
5	SPI03332000814	Scraper Spring	
6	SP311125240004	Washer	4
7	SP311127240004	Washer	4
8	SP310934240004	Nut	M4
9	SP309933000620	Bolt	M6x20
10	SP310985000006	Nut	M6
11	SP311125000006	Washer	6.4
12	SP309912120625	Bolt	M6x25
13	SP311127000012	Washer	12
14	SP310934000012	Nut	M12
15	SP311125000013	Washer	13
16	SP309912121260	Bolt	M12x60
17	SP512482	Scraper Holder	Right
18	SP517174	Supporting Tube	
19	SP512481	Scraper Bearer	
	SP525177	Scraper Bearer	Grooved
20	SP309966240410	Bolt	M4x10
21	SP311125000005	Washer	5.3
22	SP311127000005	Washer	5
23	SP309084000510	Bolt	M5x10
24	SP517176	Scraper	

Clutch

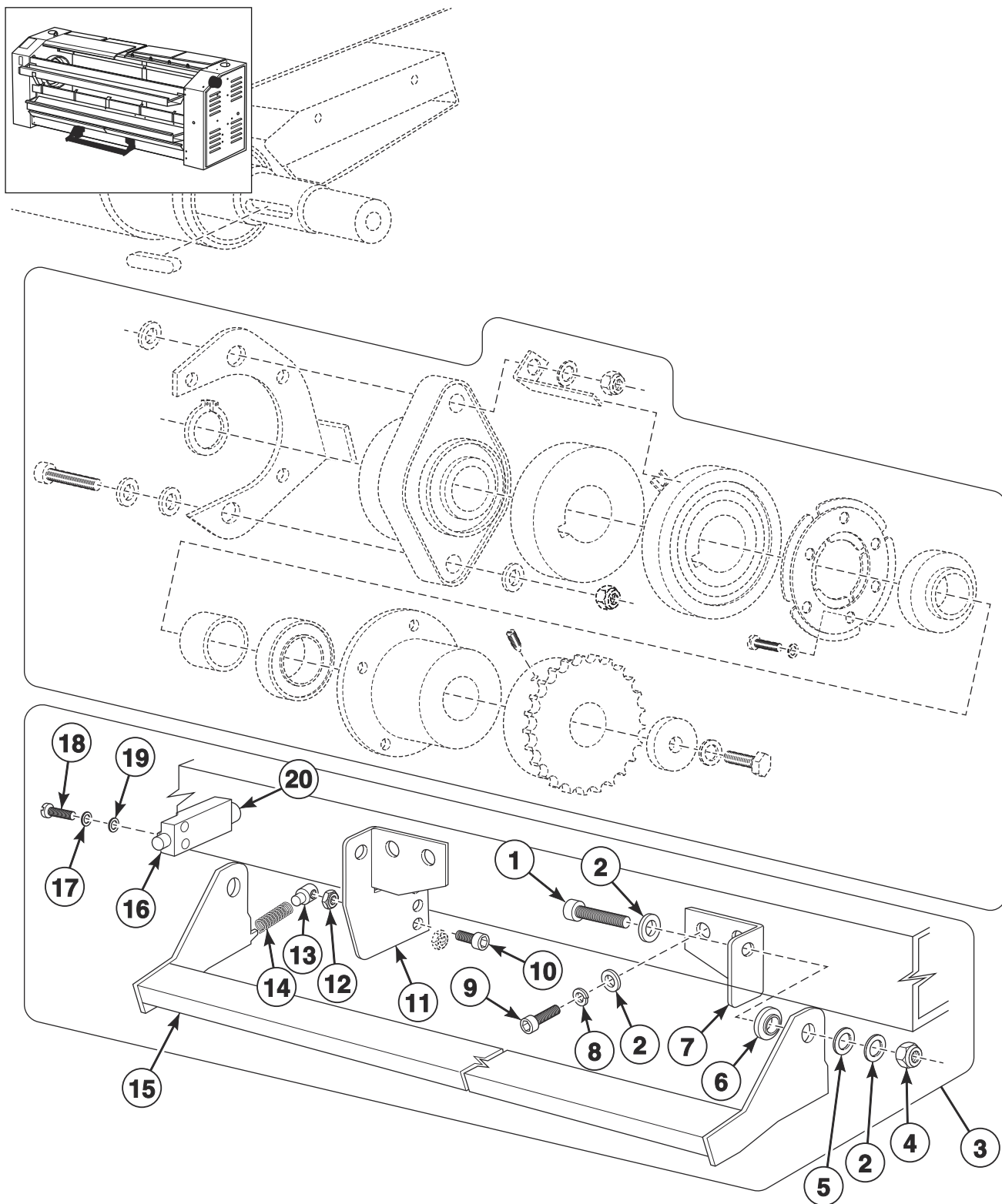


CFD3181P_D2108

Clutch

REF	PART NO.	DESCRIPTION	COMMENTS
1	SPPRI230000003	Washer	22x10x1
2	SP525193	Feather	
3	SP500655	Table Tightener	Right
4	SP325000000031	Bearing	
5	SP529849	Torque Holder	
6	SP311125000010	Washer	10/10.5/20/2
7	SP310985000010	Nut	M10
8	SP529906	Ring	2
9	SP502347	Clutch Electromagnet	
10	SP529954	Clutch	
11	SP505020	Clutch Ring	
12	SP311127240005	Washer	5
13	SP309084240510	Bolt	M5x10
14	SP309933000620	Bolt	M6x20
15	SP311127000006	Washer	6
16	SP515E00022115	Washer	
17	SP500695	Chain Wheel	22-06; I
18	SP309916000408	Bolt	M4x8
19	SP500694	Chain Wheel Bearer	
20	SP326000600202	Bearing	
21	SP500702	Distance Ring	
22	SP309912001040	Bolt	M10x40
23	SP502367	Retaining Ring	30

Pedal

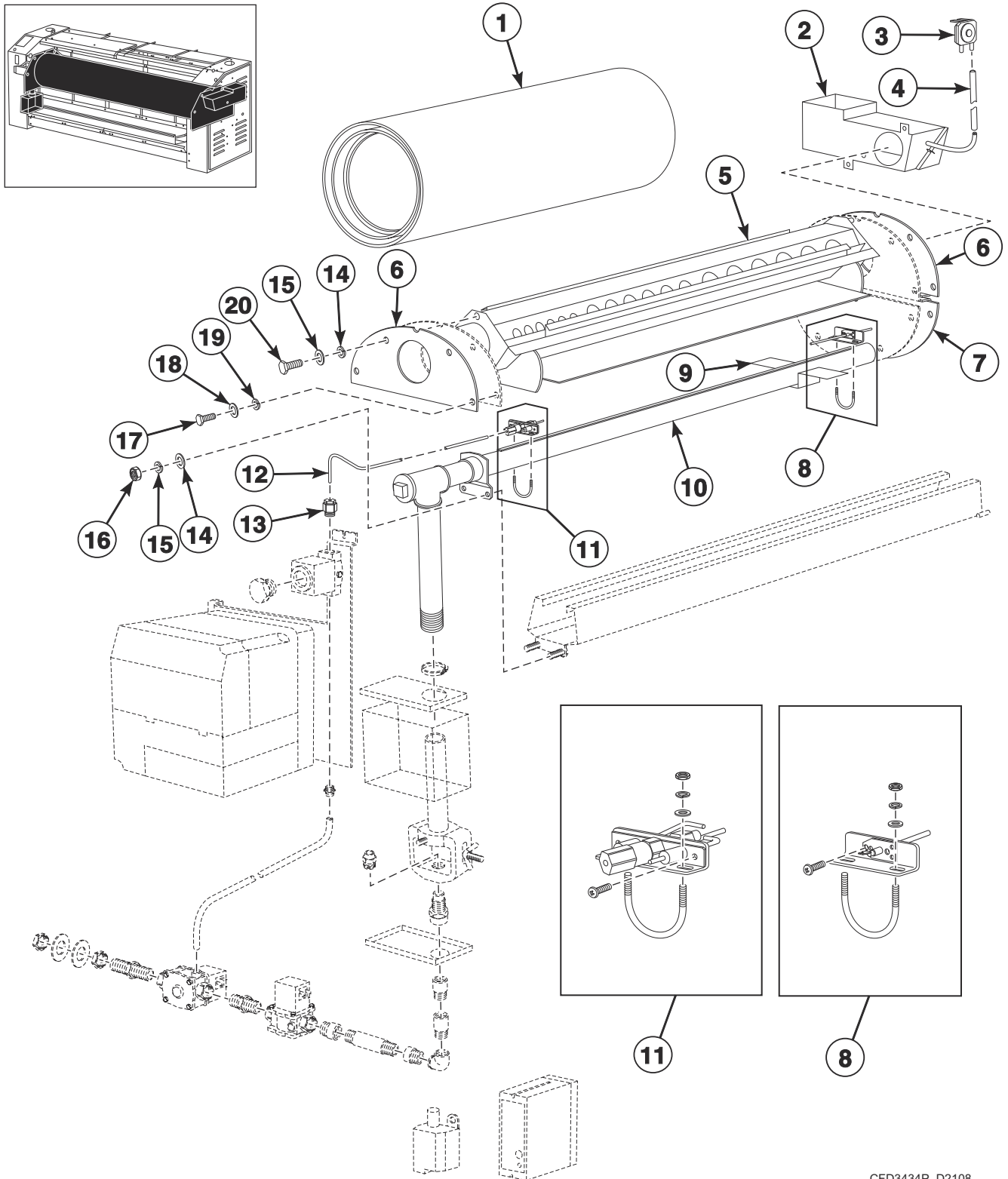


CFD3182P_D2108

Pedal

REF	PART NO.	DESCRIPTION	COMMENTS
1	SP309912001040	Bolt	M10x40
2	SP311125000010	Washer	10/10.5/20/2
3	SP525210	Stop Pedal Assembly	
4	SP310985000010	Nut	M10
5	SP525223	Washer	PA
6	SP525222	Ring	PA
7	SP525220	Pedal Hinge	Right
8	SP311127000010	Washer	10
9	SP309912001030	Bolt	M10x30
10	SP525167	Bolt	M6x30
11	SP525219	Pedal Hinge	Left
12	SP310934000006	Nut	M6
13	SP525221	Spring Pin	
14	SP515E00024614	Pressure Spring	
15	SP525217	Pedal	
16	SP347000000111	Switch	
17	SP311127000004	Washer	M4
18	SP503816	Bolt	M4x30
19	SP311125000004	Washer	4/4.3/9/0.8
20	SP100980	Cable Bushing	

Gas Heat - AGA Models (Drawing 1 of 2)

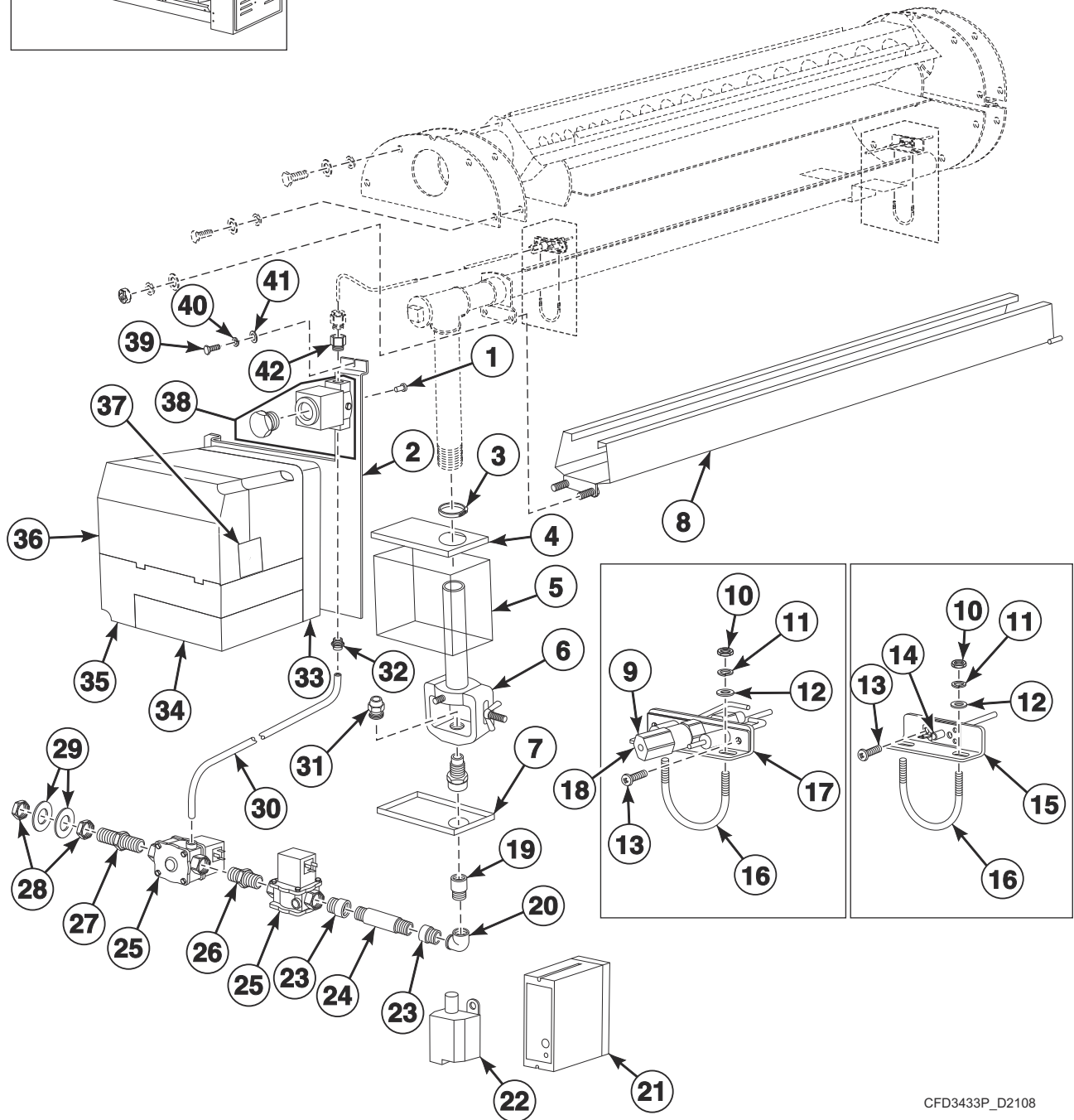
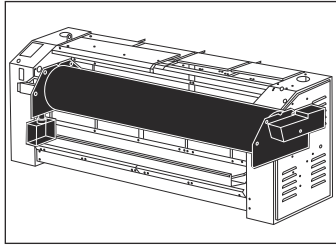


CFD3434P_D2108

Gas Heat - AGA Models (Drawing 1 of 2)

REF	PART NO.	DESCRIPTION	COMMENTS
1	SPI03401000014	Ironing Cylinder	Burnished steel cylinder with a hard-chrome layer
	SP549393	Ironing Cylinder	Burnished steel cylinder
2	SPI03173000023	Exhaust Tunnel	Right
	SPI03365000023	Exhaust Tunnel	Left
3	561052	Pressure Switch	Differential
4	SP273030000502	Hose	
5	SPI03425000013	Exhaust	
6	SPI03175000014	Chamber Cover	
7	SPI03376000016	Chamber Cover	
8	SP549449	Detection Electrode Holder	
9	SPI03344000623	Burner Brace	
10	SPI03444000013	Burner	60 Hertz
	SPI03444000023	Burner	50 Hertz
11	SP549448	Pilot Burner Holder	
12	SP549467	Pilot Burner Connection	
13	SP549465	Screw	
14	SP311125000008	Washer	8/8.4/16/1.6
15	SP311127000008	Washer	8
16	SP310934800008	Nut	M8
17	SP309933000620	Bolt	M6x20
18	SP311125000006	Washer	6.4
19	SP311127000006	Washer	6
20	SP309933000820	Bolt	M8x20

Gas Heat - AGA Models (Drawing 2 of 2)



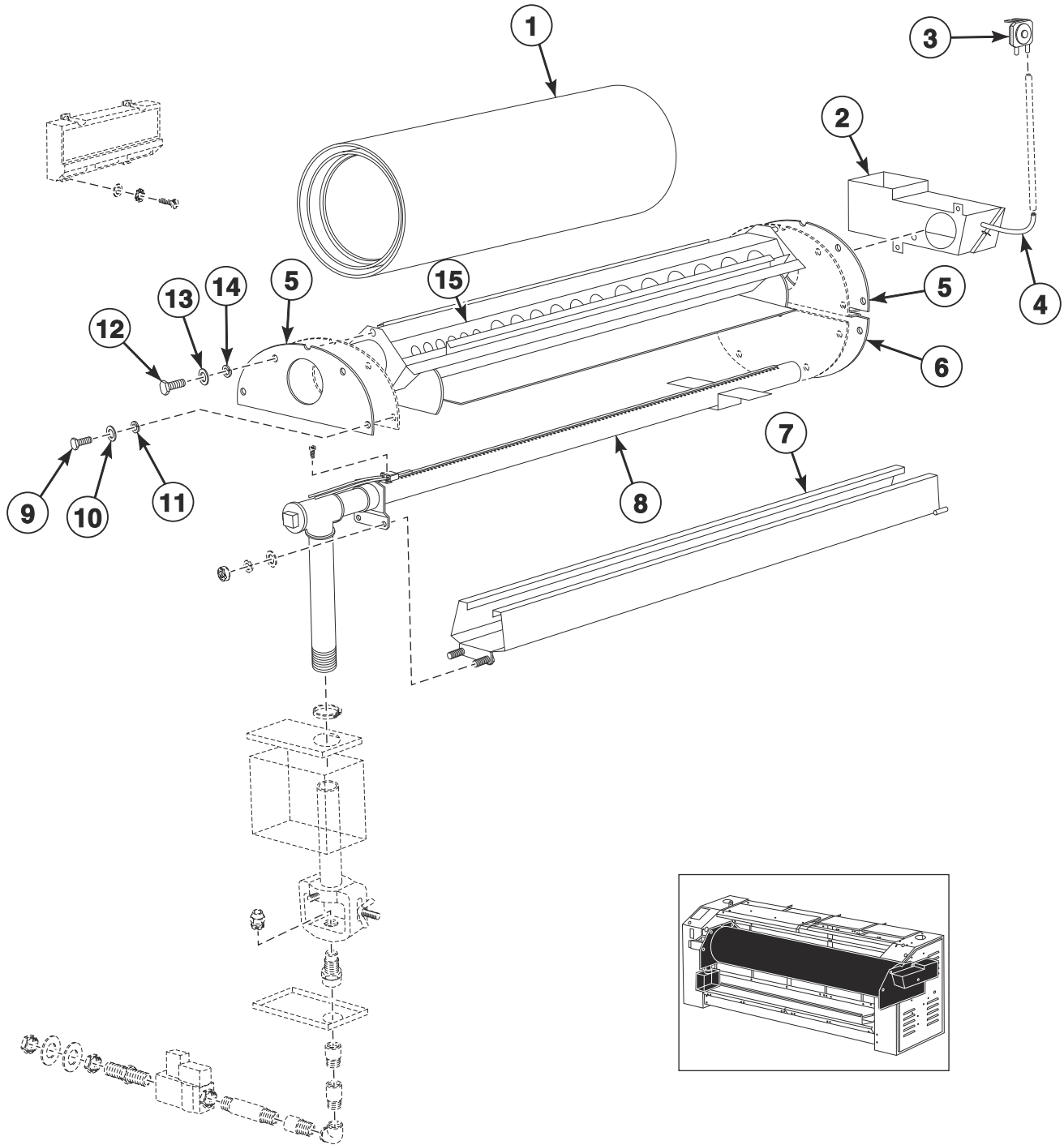
CFD3433P_D2108

Gas Heat - AGA Models (Drawing 2 of 2)

REF	PART NO.	DESCRIPTION	COMMENTS
1	SP309798524408	Bolt	M4x8
2	SP549444	Automatic Burner Controller Holder	
3	SPPRI240000017	Hose Clamp	
4	SP314G74000513	Upper Part	
5	SP314G74100013	Injector Sieve	
6	SP517356	Mixing Tube	
7	SP314G74000613	Lower Part	
8	SPI03443000013	Burner Trough	
9	SP560965	Orifice Assembly	LPG-G31
10	SP310934240006	Nut	M6
11	SP311127240006	Washer	M6/6,1
12	SP311125240006	Washer	6.4
13	SP503572	Bolt	M5x12
14	SP102002	Detection Electrode	
15	SP549442	Detection Electrode Holder	
16	SP549451	Holder Bracket	
17	SP549443	Pilot Burner Holder	
18	SP549466	Pilot Burner	
19	SP319413104560	Extension	3/4 inch x 15
20	SPPRI426002072	Elbow	3/4 inch
21	SP560964	Flame Detector Relay	
22	SP549458	Ignition Transformer	
23	SP319413104560	Extension	3/4 inch x 15
24	SP314G00017524	Tube	
25	SP549461	Valve	
26	SPPRI426001217	Pipe Nipple	3/4 inch
27	SP314S00016214	Reducing Insert	
28	SP223111000614	Nut	
29	SP223111000814	Washer	
30	SP549463	Hose	
31	N/A	Nozzle	
32	SP549464	Nipple	
33	SP549454	Basic Terminal	
34	SP549456	Signal Amplifier	
35	SP549453	Basic Automatic Burner	
36	SP549457	Remote Reset Module	
37	SP549455	Timing Card	
38	SP549462	Valve	
39	SP309933000612	Bolt	M6x12
40	SP311127000006	Washer	6
41	SP311125000006	Washer	6.4
42	SP549406	Threaded Joint	

N/A = Part no longer available

Gas Heat - All Models Except AGA (Drawing 1 of 2)

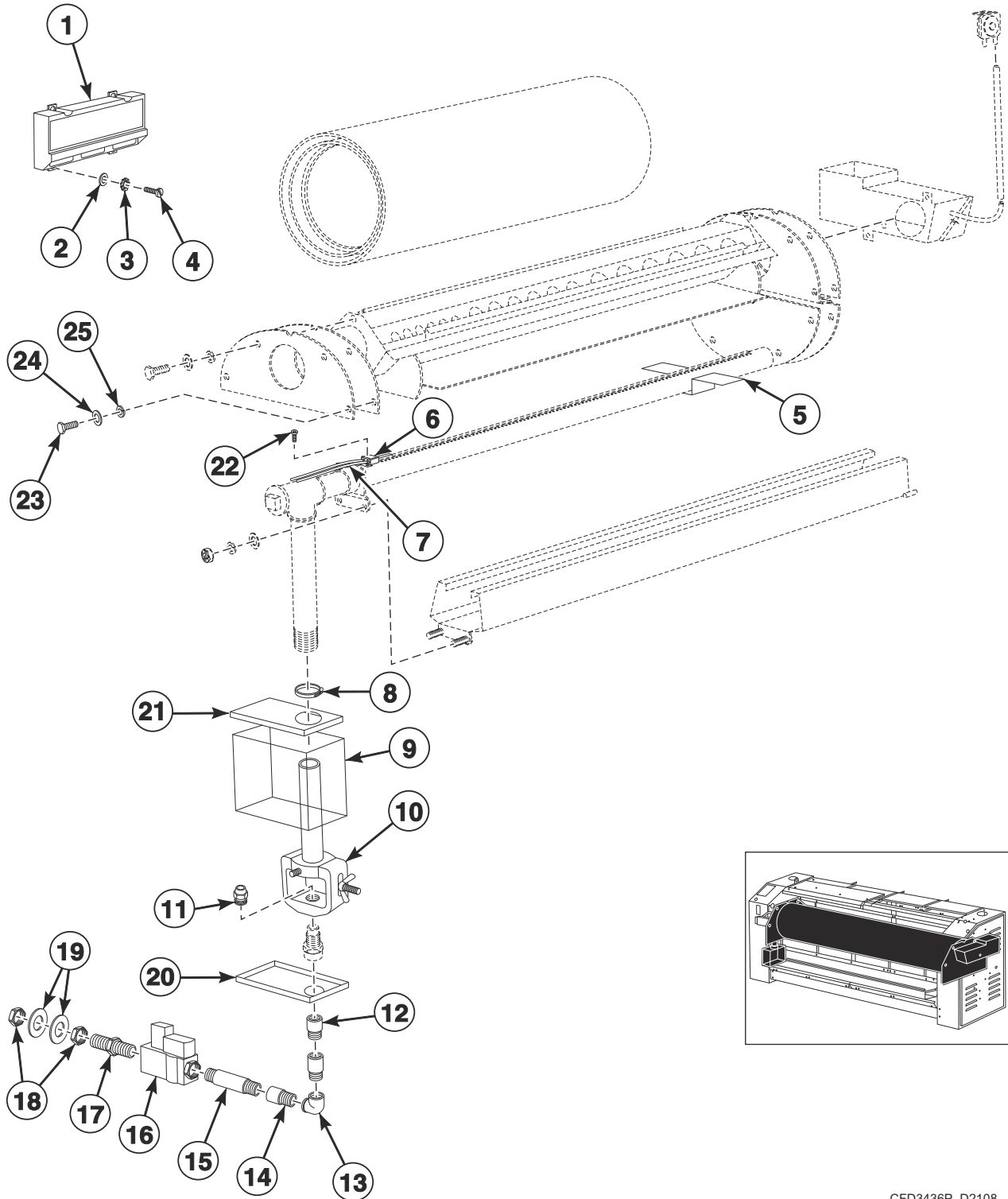


CFD3435P_D2108

Gas Heat - All Models Except AGA (Drawing 1 of 2)

REF	PART NO.	DESCRIPTION	COMMENTS
1	SPI03401000014	Ironing Cylinder	Burnished steel cylinder with a hard-chrome layer
	SP549393	Ironing Cylinder	Burnished steel cylinder
2	SPI03173000023	Exhaust Tunnel	Right
	SPI03365000023	Exhaust Tunnel	Left
3	561052	Pressure Switch	Differential
4	SP273030000502	Hose	
5	SPI03176000014	Chamber Cover	
6	SPI03376000016	Chamber Cover	
7	SPI03443000013	Burner Trough	
8	SPI03144000013	Burner	60 Hertz
	SPI03144000023	Burner	50 Hertz
9	SP309933000620	Bolt	M6x20
10	SP311125000006	Washer	6,4
11	SP311127000006	Washer	6
12	SP309933000820	Bolt	M8x20
13	SP311127000008	Washer	8
14	SP311125000008	Washer	8/8,4/16/1,6
15	SPI03125000013	Exhaust	

Gas Heat - All Models Except AGA (Drawing 2 of 2)



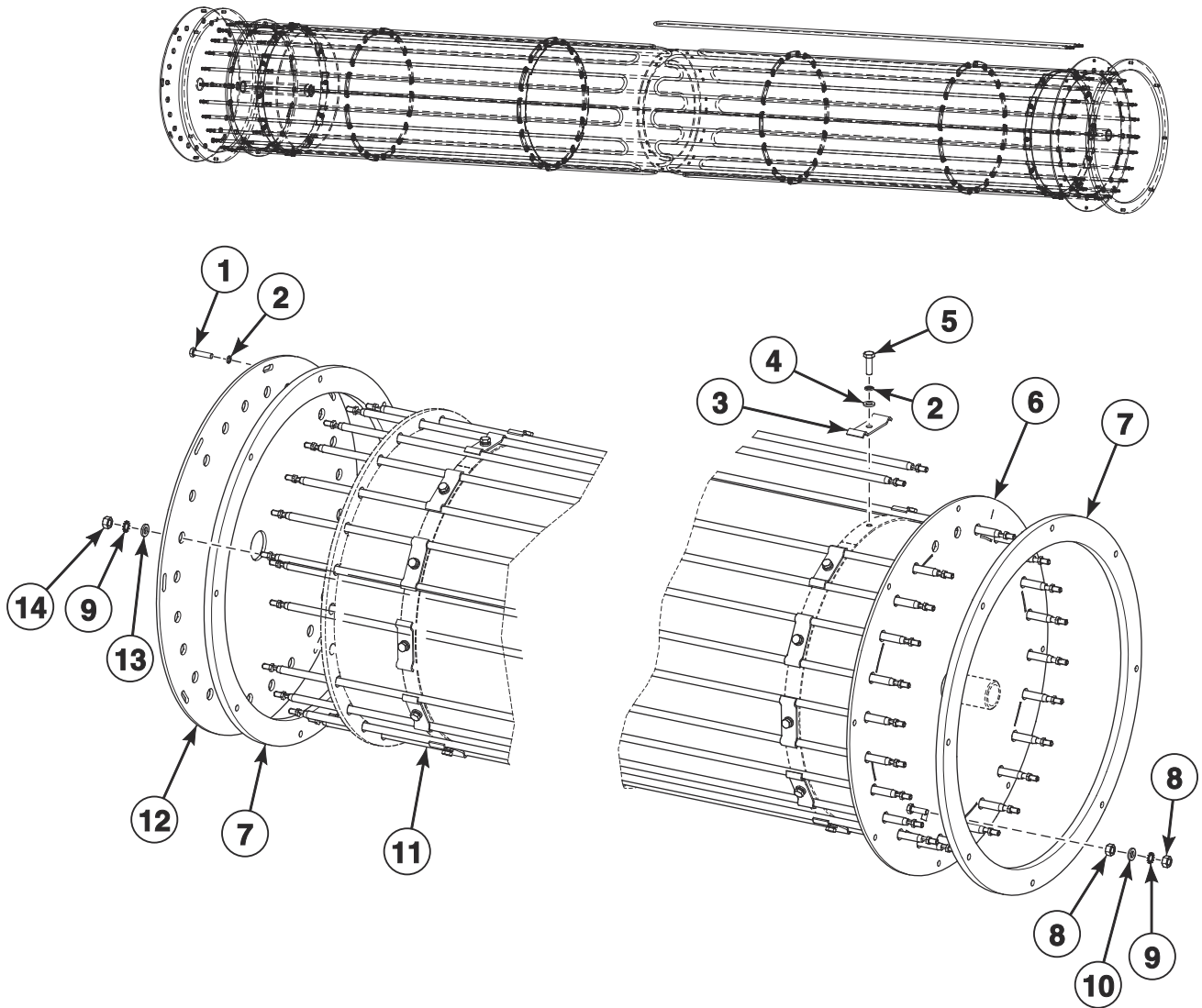
CFD3436P_D2108

Gas Heat - All Models Except AGA (Drawing 2 of 2)

REF	PART NO.	DESCRIPTION	COMMENTS
1	SP357456457102	Control Electrical Box	50 Hertz
	SP502379	Control Electrical Box	60 Hertz
2	SP311125000004	Washer	4/4,3/9/0,8
3	SP311127000004	Washer	M4
4	SP309084000412	Bolt	M4x12
5	SPI03144000623	Burner Brace	
6	SP357375457102	Electrode	50 Hertz
	SP506420	Electrode	60 Hertz
7	SP506422	Electrode Cable	60 Hertz
8	SPPRI240000017	Hose Clamp	
9	SP314G74100013	Injector Sieve	
10	SP517356	Mixing Tube	
11	N/A	Nozzle	
12	SP319413104560	Extension	3/4 inch x 15
13	SPPRI426002072	Elbow	3/4 inch
14	SP319413104560	Extension	3/4 inch x 15; 50 Hertz
15	SPI03100017524	Tube	50 Hertz
	SPI03100017514	Tube	60 Hertz
16	SP357460460500	Gas Valve	50Hz
	SP357500459412	Gas Valve Cable	50Hz
	SP357402010050	Gas Valve	60Hz
17	SP314S00016214	Reducing Insert	
18	SP223111000614	Nut	
19	SP223111000814	Washer	
20	SP314G74000613	Lower Part	
21	SP314G74000513	Upper Part	
22	SP309933240412	Bolt	M4x12
23	SP310934800008	Nut	M8
24	SP311127000008	Washer	8
25	SP311125000008	Washer	8/8,4/16/1,6

N/A = Part no longer available

Electric Heat

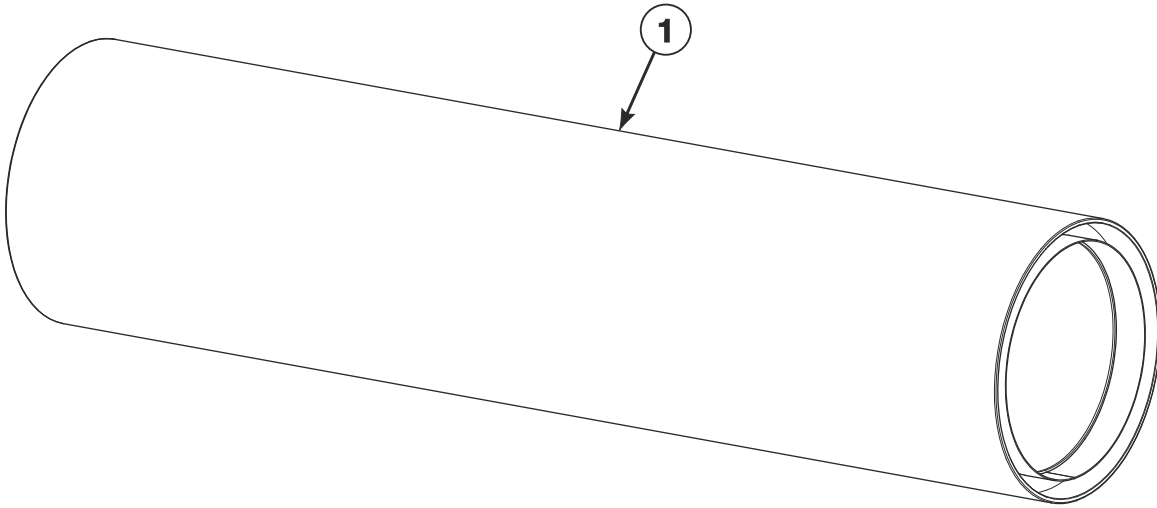


CFD2971P_D2108

Electric Heat

REF	PART NO.	DESCRIPTION	COMMENTS
	SP101410	Cable Bushing	
	SP101420	Nut	
1	SP309933000625	Bolt	M6x25
2	SP311127000006	Washer	6
3	SP515E00017614	Heating Bar Clamp	
4	SP311125000006	Washer	6.4
5	SP309933000620	Bolt	M6x20
6	SP557303	Heating Inset	
7	SP515E00027014	Isolating Ring	
8	SP310934240006	Nut	M6
9	SP311679824006	Washer	M6
10	SP311125240006	Washer	6.4
11	SPMEC001042	Heating Element	2700W
12	SP557321	Heating Chamber Lid	
13	SP311125100006	Washer	6.4
14	SP310934100006	Nut	M6

Ironing Cylinder - Electric Heat Models



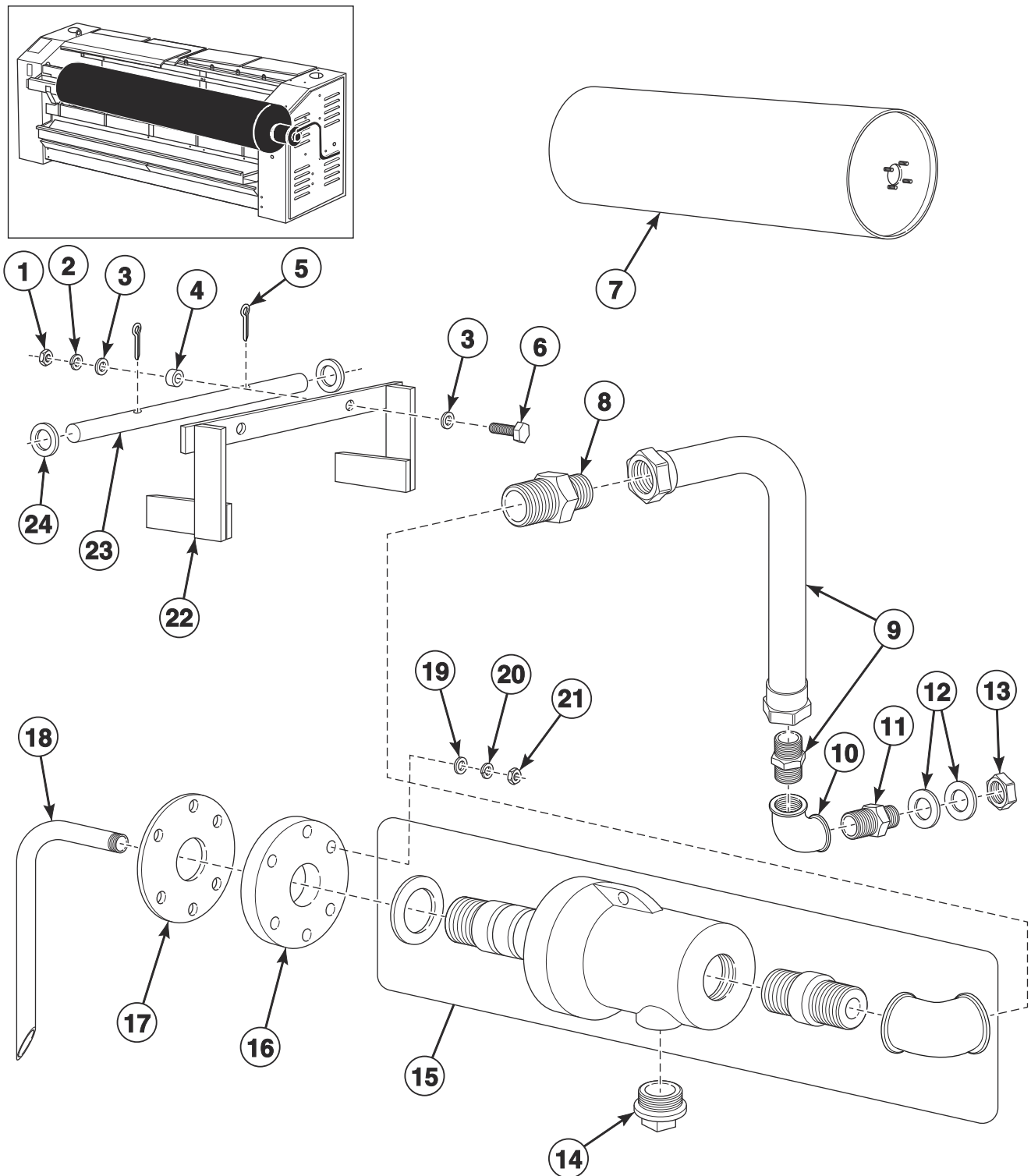
CFD2972P_D2108

Ironing Cylinder - Electric Heat Models

REF	PART NO.	DESCRIPTION	COMMENTS
1	SPI03401000014	Ironing Cylinder	Burnished steel cylinder with a hard-chrome layer
	SP549393	Ironing Cylinder	Burnished steel cylinder

Steam Outlet Box and Ironing Cylinder

Steam Heat Models



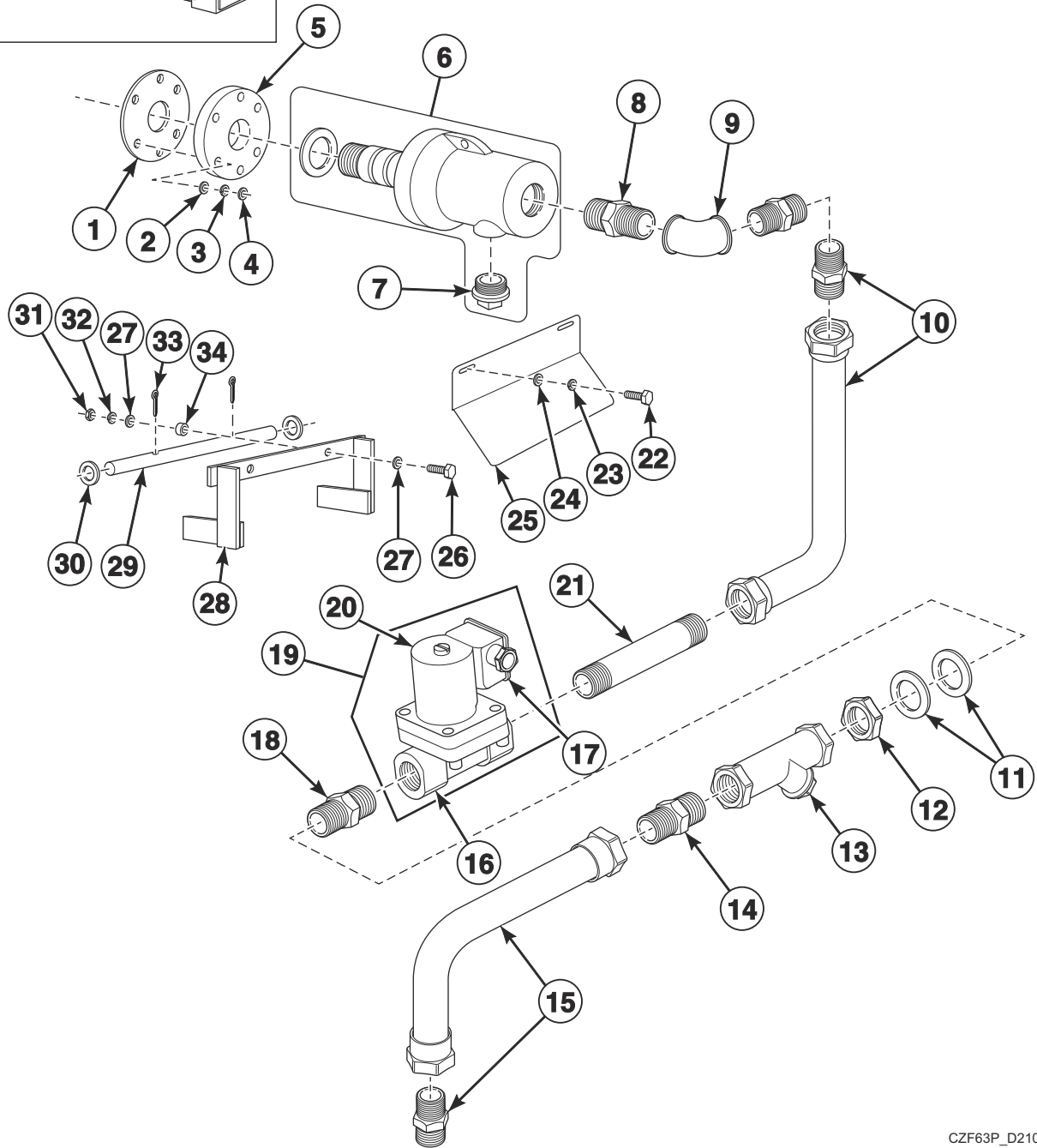
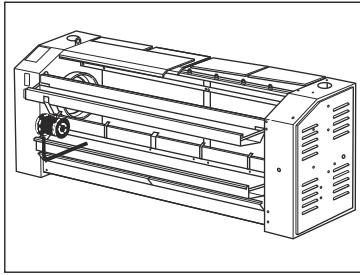
CFD2974P_D2108

Steam Outlet Box and Ironing Cylinder

REF	PART NO.	DESCRIPTION	COMMENTS
1	SP310934000008	Nut	M8
2	SP311127000008	Washer	8
3	SP311125000008	Washer	8.4
4	SP500985	Washer	
5	SP314178032022	Split Pin	
6	SP309933000825	Bolt	M8x25
7	SPI02401000013	Ironing Cylinder	Burnished steel cylinder with a hard-chrome layer
	SP549397	Ironing Cylinder	Burnished steel cylinder
8	SP235134601314	Reducing Insert	1 inch / 3/4 inch
9	SP273454410020	Hose	
10	SPPRI426002072	Elbow	3/4 inch
11	SP314S00016214	Reducing Insert	
12	SP223111000814	Washer	
13	SP223111000614	Nut	
14	SP319428324806	Plug	1 inch
15	SP349910008116	Rotating Supply	2-Way
16	SP314S00023114	Flange	
17	SP314S00023214	Seal	
18	SPI02127000014	Condensation Outlet Pipe	
19	SP311125000013	Washer	13
20	SP311127000012	Washer	12
21	SP310934000012	Nut	M12
22	SPI02142000014	Reaction Holder	
23	SP314S00024814	Reaction Pin	
24	SPPRI231000046	Washer	16x3x2

Steam Inlet Box

Steam Heat Models

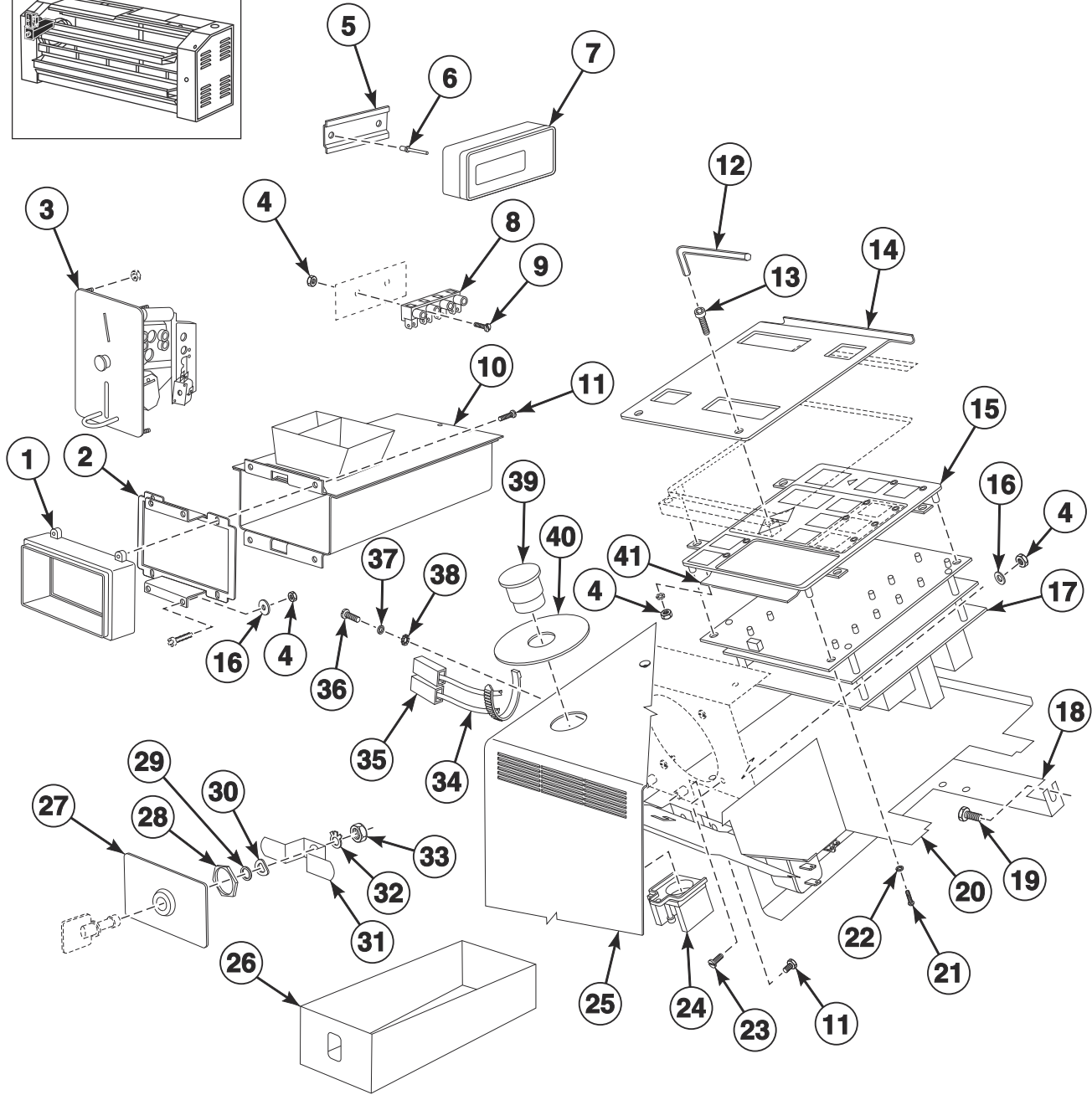
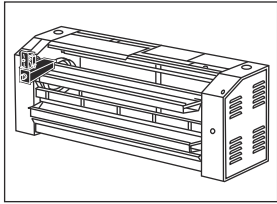


CZF63P_D2108

Steam Inlet Box

REF	PART NO.	DESCRIPTION	COMMENTS
1	SP314S00023214	Seal	
2	SP311125000013	Washer	13
3	SP311127000012	Washer	12
4	SP310934000012	Nut	M12
5	SP314S00023114	Flange	
6	SP349910008113	Rotating Supply	1-Way
7	SP319428324806	Plug	1 inch
8	SP235134601314	Reducing Insert	1 inch / 3/4 inch
9	SPPRI426002072	Elbow	3/4 inch
10	SP273454410020	Hose	
11	SP223111000814	Washer	
12	SP223111000614	Nut	
13	SP405054057006	Steam Filter	
14	SPPRI426001217	Pipe Nipple	3/4 inch
15	SP273454800034	External Steam Hose	Optional
16	SP514166	Steam Valve Body	
17	SP554156	Connector	
18	SP314S00016214	Reducing Insert	
19	SP514162	Steam Valve	3/4 inch; With coil
20	SP554110	Coil	60 Hertz
21	SP517236	Tube	
22	SP309933000616	Bolt	M6x16
23	SP311127000006	Washer	6
24	SP311125000006	Washer	M6/6.4/12/1.6
25	SP525172	Terminal Board Cover	
26	SP309933000825	Bolt	M8x25
27	SP311125000008	Washer	8.4
28	SPI02142000014	Reaction Holder	
29	SP314S00024814	Reaction Pin	
30	SPPRI231000046	Washer	16x30x2
31	SP310934000008	Nut	M8
32	SP311127000008	Washer	8
33	SP314178032022	Split Pin	3x22
34	SP500985	Washer	

Control Panel



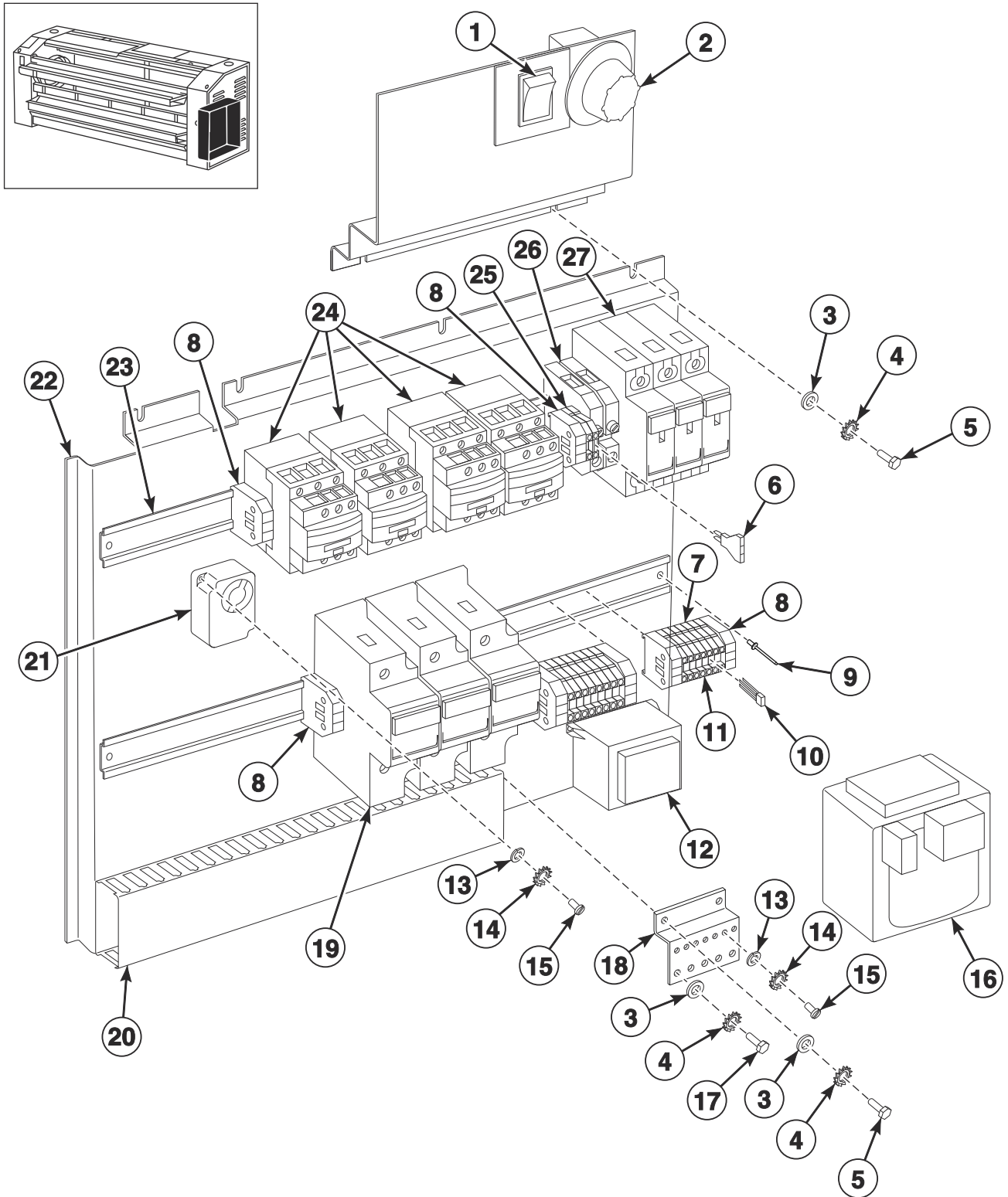
CFD3393P_D2108

Control Panel

REF	PART NO.	DESCRIPTION	COMMENTS
	SPPRI348000113	Change Over Switch	Vend
1	SP501514	Coin Vault Frame	Vend
2	SP525242	Coin Box Holder	Vend
3	572344	Coin Meter	Token WH121; Vend
4	SP514193	Nut	OPL; M4
5	SP525321	Bar	
6	SP313250032008	Rivet	3.2x8
7	SP516865	Electronic Operating Hours Counter	Vend
8	SPPRI350000007	Terminal Board	OPL
9	SP309084000416	Bolt	OPL; M4x6
10	SP509850	Coin Box	Vend
11	SP506013	Bolt	M4x8
12	SP514054	Peg Key	Vend; 4
13	SP514055	Bolt	Vend; M6x30
14	SP512791	Keyboard Cover	Vend
15	SP517131	Control Panel	I
16	SP311125240004	Washer	4/4.3/9/0.8
17	SP503801	Programmer	MCI30
18	SP525250	Electronic Components Holder	
19	SP506012	Bolt	M6x10
20	SP525246	Programmer Board Cover	
21	SP309084240306	Bolt	M3x6
22	SP311679824003	Washer	M3/3.2
23	SP309084240412	Bolt	M4x12
24	SP102256	Central Stop Contact Block	OPL
25	SP525291	Control Panel	OPL; With emergency stop button
	SP525292	Control Panel	Vend; Without emergency stop button
	SP525293	Control Panel	Central pay; Without emergency stop button
	SP525294	Control Panel	Change over switch models without emergency stop button; Not used in models with central payment system
26	SP321848140028	Coin Vault	Vend
27	SPPRI610001028	Coin Vault Lock	Vend
28	SPPRI225000026	Nut	Vend; Big
29	SP311125000007	Washer	Vend; 7x14x1
30	SPPRI231000038	Washer	Vend
31	SPW16124000	Coin Box Lock Cam	Vend
32	SPPRI247000009	Washer	Vend
33	SPPRI225000025	Nut	Vend; Small
34	SP524710	Programmer Board Cooling Cable	
35	SP345000155914	Cable Clamp	
36	SP309084100410	Bolt	M4x10
37	SP311125100004	Washer	4/4.3/9/0.8
38	SP311679824004	Washer	M4
39	SP102259	Emergency Stop Button	OPL
40	SPPRI551005248	Emergency Stop Label	Yellow; OPL
41	SP501871	Insert Label	Lines; OPL
	N/A	Insert Label	Coin value; Vend

N/A = Part no longer available

Electrical Component Box



CFD3163P_D2108

Electrical Component Box

REF	PART NO.	DESCRIPTION	COMMENTS
1	SP100388	Switch	
2	SPMEC001055	Thermostat	
3	SP311127000006	Washer	6
4	SP311125000064	Washer	6.4
5	SP309084000516	Bolt	M5x16
6	SP524654	Fuse Plug	5x20
	SP344000010000	Fuse	1A; With clutch
	SPPRI401000021	Fuse	2A
	SP345805010020	Fuse	5x20; 10A
7	SP346000280104	Clamp	Blue
8	SP346000209101	End Stop	
9	SP313250004007	Rivet	
10	SP346000280402	Interconnection	
11	SP346000280101	Clamp	Grey
12	SP347200506931	Transformer	230 Volt/2x12 Volt; With clutch
13	SP311127000004	Washer	4
14	SP311125000004	Washer	4.3
15	SP309084000412	Bolt	M4x12
16	SP101643	Transformer	115/230/400 Volt; Electric and steam heat models
	SPPRI409000008	Transformer	220/230/400 Volt; Gas heat models
17	SP309084100612	Bolt	M4x12
18	SPF02145101314	Earthing Block	
19	SP358251601311	Fuse Disconnecter	Electric heat models
	SP358251503220	Fuse Insert	230 Volt; Electric heat models
	SP358251503240	Fuse Insert	230 Volt; Electric heat models
	SP358503660020	Fuse	
	SP358503700020	Fuse Insert	230/400 Volt; Electric heat models
	SP358503750020	Fuse	230/400 Volt; Electric heat models
	SP358503740020	Fuse	230/400 Volt; Electric heat models
20	SPPRI407000109	Cable Channel	37.5x37.5
21	SPPRI345034026	Buzzer	
	SPF01216500414	Buzzer Holder	
22	SPI01145000513	Electrical Device Board	
23	SP346000210113	Rail	
24	SP514038	Contactor	
	SPPRI345001019	Contactor	230 and 400 Volt; Electric heat models
	SP510992	Capacitor	
25	SP524653	Fuse Clip	
26	SP346000004010	Fuse Case	
	SP358251632225	Fuse	2.5A; 400 Volt; Gas heat models
	SP358251632240	Fuse	4A; 230 Volt; Gas heat models
27	SP358251601312	Fuse Isolator	
	SP358251506220	Fuse	Roller

Parts Index

A

Automatic Burner Controller Holder	
SP549444	45

B

Bar	
SP511102	5, 7
SP511105	5, 7
SP525321	59
Basic Automatic Burner	
SP549453	45
Basic Terminal	
SP549454	45
Beam	
SP507690	13, 15
SP507695	9, 11
Bearing	
SPPRI608000041	31
SP325000000031	23, 27, 35, 39
SP326000600202	31, 39
SP502374	29
SP559453	29
Bolt	
SP309084000316	29
SP309084000410	17, 29
SP309084000412	49, 61
SP309084000416	59
SP309084000510	37
SP309084000516	61
SP309084100410	33, 59
SP309084100612	61
SP309084240306	59
SP309084240412	59
SP309084240510	39
SP309500240608	33
SP309500240616	13, 15
SP309595240612	5, 7, 13, 15, 19
SP309798524408	45
SP309798524416	35
SP309912000620	5, 7, 19, 29
SP309912000815	27
SP309912000830	29
SP309912001030	9, 11, 23, 29, 31, 35, 37, 41
SP309912001040	35, 39, 41
SP309912120625	23, 37
SP309912121260	37
SP309916000408	35, 39
SP309916000610	33
SP309933000516	19
SP309933000610	5, 7, 35
SP309933000612	17, 31, 45
SP309933000616	9, 11, 19, 33, 57
SP309933000620	29, 35, 37, 39, 43, 47, 51
SP309933000625	51
SP309933000660	21
SP309933000820	43, 47
SP309933000825	29, 55, 57
SP309933000830	31
SP309933000840	23, 27
SP309933000845	27

SP309933001025	31
SP309933001030	9, 11
SP309933001035	27
SP309933001080	31, 35
SP309933240412	49
SP309963240412	35
SP309966240410	37
SP309966240620	9, 11
SP309966240640	21
SP503572	45
SP503816	41
SP506011	33
SP506012	5, 7, 13, 15, 59
SP506013	59
SP506086	23
SP510922	27
SP510954	19
SP511161	5, 7
SP512669	17
SP514055	9, 11, 59
SP519941	27
SP519942	27
SP525167	41
SP525282	21
SP529811	23, 27
SP537854	15
SP540339	21
SP540780	21
SP551203	27

Burner	
SPI03144000013	47
SPI03144000023	47
SPI03444000013	43
SPI03444000023	43
Burner Brace	
SPI03144000623	49
SPI03344000623	43
Burner Trough	
SPI03443000013	45, 47
Buzzer	
SPPRI345034026	61
Buzzer Holder	
SPF01216500414	61

C

Cable Bushing	
SPPRI350000056	9, 11
SPPRI350000058	9, 11
SP100980	33, 41
SP101410	51
Cable Channel	
SPPRI407000109	61
Cable Clamp	
SP345000155914	59
Capacitor	
SP510992	61
Case	
SP540338	21
Catch	
SP506550	29

N/A items do not appear in index.

Central Stop Contact Block			
SP102256	59	Control Panel	
Chain Wheel		SP517131	59
SP500695	35, 39	SP525291	59
SP509042	29	SP525292	59
SP529907	27	SP525293	59
SP529908	27	SP525294	59
SP529909	23	Conversion Pulley	
SP529910	23	SP525258	23
Chain Wheel Bearer		Cover	
SP500694	39	SP512785	9, 11
Chain Wheel Hub		Covering Plate	
SP512410	35	SP507640	19
Chamber Cover		Crank Board	
SPI03175000014	43	SP314E00027414	29
SPI03176000014	47	Crank Case	
SPI03376000016	43, 47	SP505002	29
Change Over Switch		Crank Guide	
SPPRI348000113	59	SP509439	29
Clamp		Crank Handle	
SP346000280101	61	SP530000	29
SP346000280104	61	Crank Shaft	
Clutch		SP529999	29
SP529954	39		
Clutch Electromagnet			
SP502347	39	<hr/>	
Clutch Ring		D	
SP505020	39	Detection Electrode	
Coil		SP102002	45
SP514167	57	Detection Electrode Holder	
Coin Box		SP549442	45
SP509850	59	SP549449	43
Coin Box Holder		Distance Plate	
SP525242	59	SP507674	13, 15
Coin Box Lock Cam		SP507675	13, 15
SPW16124000	59	SP525132	31
Coin Meter		Distance Ring	
572344	59	SP500702	39
Coin Vault		Distance Tube	
SP321848140028	59	SP314E00027614	29
Coin Vault Frame		SP529905	27
SP501514	59	Door	
Coin Vault Lock		SP509163	13, 15
SPPRI610001028	59	SP512761	13, 15
Complete Board		SP517145	13, 15
SP515E22100014	31		
Condensation Outlet Pipe		<hr/>	
SPI02127000014	55	E	
Connecting Element		Earthing Block	
SP318000060100	23	SPF02145101314	61
SP318000080100	31	Earthing Index Plate	
Connection Wire		SPPRI551000001	33
SP102758	25	Elbow	
Connector		SPPRI426002072	45, 49, 55, 57
SP554156	57	Electrical Device Board	
Contact Cover		SPI01145000513	61
SP505058	13, 15	Electrode	
Contacto		SP357375457102	49
SPPRI345001019	61	SP506420	49
SP514038	61	Electrode Cable	
Control Electrical Box		SP506422	49
SP357456457102	49	Electronic Components Holder	
SP502379	49	SP525250	59

N/A items do not appear in index.

Electronic Operating Hours Counter	
SP516865	59
Emergency Stop Button	
SP102259	59
Emergency Stop Label	
SPPRI551005248	59
End Stop	
SP346000209101	61
Exhaust	
SPI01128000014	19
SPI03125000013	47
SPI03425000013	43
Exhaust Box	
SPI01133000013	19
SPI03133000013	19
Exhaust Tunnel	
SPI03173000023	43, 47
SPI03365000023	43, 47
Extension	
SP319413104560	45, 49
External Steam Hose	
SP273454800034	57

F

Feather	
SP525193	35, 39
SP529808	23, 27
Feeding Belt	
SP514026	33
Feeding Belt Connecting Pin	
SP102783	33
Filter Bridge	
SP511095	5, 7
SP511111	5, 7
Filter Cover	
SP511091	19
Filter Sieve	
SP511126	19
Filter Tank	
SP511121	19
SP511122	19
Finger	
SP505095	33
Flame Detector Relay	
SP560964	45
Flange	
SP314S00023114	55, 57
Floating Finger	
568586	15
Frequency Inverter Cover	
SP505362	17
Frequency Inverter Kit	
569777	17
569778	17
569779	17
Front Beam	
SP512647	13, 15
Front Cover	
SP512781	9, 11
Fuse	
SPPRI401000021	61
SP344000010000	61

SP345805010020	61
SP358251506220	61
SP358251632225	61
SP358251632240	61
SP358503660020	61
SP358503740020	61
SP358503750020	61
Fuse Case	
SP346000004010	61
Fuse Clip	
SP524653	61
Fuse Disconnecter	
SP358251601311	61
Fuse Insert	
SP358251503220	61
SP358251503240	61
SP358503700020	61
Fuse Isolator	
SP358251601312	61
Fuse Plug	
SP524654	61

G

Gas Valve	
SP357402010050	49
SP357460460500	49
Gas Valve Cable	
SP357500459412	49
Gasket	
SP273442016013	5, 7, 19
Gearbox Brace	
SP507639	29
Guide Bar	
SP500779	35
Guide Bar Holder	
SP500751	35

H

Half-Connecting Element	
SP318000060101	23
SP514075	31
Heating Bar Clamp	
SP515E00017614	51
Heating Chamber Lid	
SP557321	51
Heating Element	
SPMEC001042	51
Heating Inset	
SP557303	51
Hinge	
SP511109	19
SP511162	19
SP511163	19
SP514268	33
SP514269	33
Holder	
SP511100	5, 7
SP511101	5, 7
Holder Bracket	
SP549451	45

N/A items do not appear in index.

Hose	
SP273030000502	43, 47
SP273454410020	55, 57
SP549463	45
Hose Clamp	
SPPRI240000017	45, 49
Hub	
SP525130	31

I

Ignition Transformer	
SP549458	45
Injector Sieve	
SP314G74100013	45, 49
Input Table Drive Chain	
SP318000060001	23
Input Unit Plate	
SP525243	9, 11
SP525244	9, 11
Insert Belt Cover	
SP512795	13, 15
Insert Label	
SP510871	59
Insert Trough	
SP514206	13, 15
Inserting Table	
SP500679	33
Interconnection	
SP346000280402	61
Ironing Belt	
SP525330	25
Ironing Belt Guide	
SPI03438000013	13, 15
Ironing Belt Set	
SP545113	25
Ironing Cylinder	
SPI02401000013	55
SPI03401000014	43, 47, 53
SP549393	43, 47, 53
SP549397	55
Isolating Ring	
SP515E00027014	51

K

Key	
SP505449	29
Keyboard Cove	
SP512791	59

L

Lead Plumb	
SP506548	29
Lower Part	
SP314G74000613	45, 49

M

Main Drive Chain	
SP318000080001	31
Main Switch	
SPPRI404000098	17
SPPRI404001098	17
SP347700125175	17
SP504589	17
Main Switch Knob	
SPPRI404000095	17
Microswitch	
SPPRI610028017	29
Microswitch Holder	
SP505004	29
Middle Bridge	
SP511099	5, 7
Mixing Tube	
SP517356	45, 49
Module	
SP505487	17
Motor	
SP505421	29

N

Nameplate	
B12389801	5, 7
F8443105	5, 7
SP532265	5, 7
SP545086	5, 7
39564	5, 7
Nipple	
SP549464	45
Nut	
SPPRI225000025	59
SPPRI225000026	59
SPPRI350001056	9, 11
SPPRI350001058	9, 11
SP101420	51
SP223111000614	45, 49, 55, 57
SP310934000005	19
SP310934000006	5, 7, 9, 11, 17, 21, 33, 41
SP310934000008	27, 31, 55, 57
SP310934000010	23, 29, 31, 35
SP310934000012	37, 55, 57
SP310934100006	51
SP310934240004	35, 37
SP310934240006	19, 45, 51
SP310934240010	5, 7
SP310934800003	29
SP310934800008	43, 49
SP310985000006	15, 37
SP310985000008	23, 27, 29
SP310985000010	21, 27, 31, 35, 39, 41
SP510923	9, 11
SP514076	35
SP514193	59
SP525257	23
SP537518	23, 27

O

Orifice Assembly SP560965	45
Output Trough SP525334	13, 15

P

Padded Roller SP529893	33
Padding SP503505	21
Pedal SP525217	41
Pedal Hinge SP525219	41
SP525220	41
Peg Key SP514054	59
Pilot Burner SP549466	45
Pilot Burner Connection SP549467	43
Pilot Burner Holder SP549443	45
SP549448	43
Pin SP500759	35
Pipe Nipple SPPRI426001217	45, 57
Plug SPPRI505000064	9, 11
SP319428324806	55, 57
SP345900032132	9, 11
Pressure Spring SP515E00024614	21, 41
Pressure Switch 561052	43, 47
Profiled Sealing SPPRI505000058	5, 7, 9, 11, 19
Programmer SP503801	59
Programmer Board Cooling Cable SP524710	59
Programmer Board Cover SP525246	59
Pulley SP505007	29
Pulley Pin SP505003	29

R

Radial Ventilator SP337001702807	19
SP337001803807	19
Rail SP346000210113	61

Reaction Holder SPI02142000014	55, 57
Rear Beam SP512648	13, 15
Rear Cover SP512751	5, 7
SP512753	5, 7
Rear Cover Holder SP512756	5, 7
Reation Pin SP314S00024814	55, 57
Reducing Insert SP235134601314	55, 57
SP314S00016214	45, 49, 55, 57
Remote Reset Module SP549457	45
Retaining Ring SP307732030015	29
SP311732031062	29
SP502367	21, 27, 35, 39
SP504529	35
Ribbon SP372612080003	21
Ribbon Bar SP525272	21
Ribbon Tube Holder SP514256	17
Ribbons Bar Holder SP525251	21
Ring SP525222	41
SP529806	23, 27
SP529906	39
Rivet SP313250004007	61
SP313250032008	59
SP313250032079	35
Rod SP500758	35
Roller SP529848	27
SP529874	25
SP529875	21, 25
SP529985	25
Roller Bearing Plate SP525255	23
SP525256	23
Roller Cover SP525338	13, 15
SP525339	13, 15
Roller Insert SP525260	27
SP537510	27
Roller Plate SP537516	27
SP537517	27
Rotating Supply SP349910008113	57
SP349910008116	55

S

Safety Bar SP511147	33
------------------------------	----

N/A items do not appear in index.

Scraper	
SP517176	37
Scraper Bearer	
SP512481	37
SP525177	37
Scraper Holder	
SP512482	37
Scraper Spring	
SPI03332000814	37
Screw	
SP549465	43
Seal	
SP314S00023214	55, 57
Sealing Cable	
SP506549	29
Self-Adhesive Pad	
SPMEC001410	33
Sensor Bearer	
SP500752	35
Sensor Plate Bearer	
SP500755	35
SP500756	35
Shaft	
SP509041	29
Signal Amplifier	
SP549456	45
Split Pin	
SP314178032022	55, 57
Spring	
SPPRI611000045	33
SPPRI611010080	27
SP509440	29
Spring Finger	
SP320E19400014	33
Spring Guide	
SP525248	21
SP525265	21
SP537514	27
Spring Pin	
SP525221	41
SP537511	27
Stand	
SP525231	13, 15
SP525232	13, 15
Steam Filter	
SP405054057006	57
Steam Valve	
SP514162	57
Steam Valve Body	
SP514166	57
Stop Pedal Assembly	
SP525210	41
Stop Roller	
SP515E00021515	5, 7, 33
Strengthening Angle	
SP525268	23
SP537515	27
Support Pulley	
SP512465	31
SP525131	31
Support Pulley Bracket	
SP525129	31
Supporting Tube	
SP517174	37

Switch	
SP100388	61
SP347000000111	33, 41
Switch Off Thumb	
SP515E25000015	33

T

Table Tightener	
SP500655	35, 39
SP500656	35
Tension Chain Wheel	
SP515E22000413	31
Terminal Board	
SPPRI350000007	59
Terminal Board Cover	
SP525172	57
Thermoelement Holder	
SP519421	35
SP519427	35
SP519509	35
Thermostat	
SPMEC001055	61
Thermostat Sensor	
SP501880	35
Thermounit Holder	
SP500749	35
Thermounit Spring	
SP500750	35
Thread Plate	
SP507651	19
SP511110	19
Threaded Insert	
SP525259	23
Threaded Joint	
SP549406	45
Threaded Plate	
SP509078	29
Tightener	
SP515E21000014	31, 35
Tightening Clip	
SP540140925706	33
Tightening Roller	
SP314E36000014	29
Tightening System	
SP515E22000014	31
Timing Card	
SP549455	45
Top Front Cover	
SP511082	5, 7
Top Rear Cover	
SP511173	5, 7
Torque Holder	
SP529849	39
Transformer	
SPPRI409000008	61
SP101643	61
SP347200506931	61
Tube	
SPI03100017514	49
SPI03100017524	49
SP314G00017524	45
SP517236	57

N/A items do not appear in index.

U

Unsticker	
SP519856	37
Upper Part	
SP314G74000513	45, 49

V

Valve	
SP549461	45
SP549462	45
V-Belt	
SPPRI607000080	29
V-Belt Pulley	
SP500602	29

W

Washer	
SPPRI230000003	35, 39
SPPRI231000038	59
SPPRI231000046	55, 57
SPPRI247000001	9, 11
SPPRI247000009	59
SPPRI521002001	9, 11
SPPRI611009025	31
SP223111000814	45, 49, 55, 57
SP311125000004	17, 41, 49, 61
SP311125000005	19, 37
SP311125000006	5, 7, 9, 11, 17, 19, 29, 35, 37, 43, 45, 47, 51, 57
SP311125000007	59
SP311125000008	29, 31, 33, 43, 47, 49, 55, 57
SP311125000010	9, 11, 21, 27, 29, 31, 35, 37, 39, 41
SP311125000013	37, 55, 57
SP311125000064	61
SP311125100004	59
SP311125100006	51
SP311125240004	33, 35, 37, 59
SP311125240006	9, 11, 19, 45, 51
SP311127000004	41, 49, 61
SP311127000005	19, 37
SP311127000006	5, 7, 9, 11, 17, 19, 21, 29, 31, 33, 39, 43, 45, 47, 51, 57, 61
SP311127000008	21, 27, 29, 31, 43, 47, 49, 55, 57
SP311127000010	5, 7, 9, 11, 23, 31, 35, 37, 41
SP311127000012	37, 55, 57
SP311127240004	33, 35, 37
SP311127240005	39
SP311127240006	19, 45
SP311679824003	59
SP311679824004	59
SP311679824006	51
SP311734900006	5, 7, 19
SP311902100006	33
SP311902100008	29, 31
SP311902100009	27
SP314E00024514	21
SP320E39000514	35
SP500587	19
SP500985	55, 57
SP505005	29

SP514572	29
SP515E00022115	35, 39
SP515E22000515	31
SP525223	41
SP525267	23
SP525284	21, 27
SP529810	23, 27

N/A items do not appear in index.

