

# Cylinder Ironer

502 mm Diameter

Refer to Page 5 for Model Numbers

Parts



# Table of Contents

Title	Page
Parts Ordering Information.....	3
Serial Plate Location .....	3
Model Identification .....	5
Skeleton and Ironing Belt Guide (Drawing 1 of 4).....	6
Skeleton and Ironing Belt Guide (Drawing 2 of 4).....	8
Skeleton and Ironing Belt Guide (Drawing 3 of 4).....	10
Skeleton and Ironing Belt Guide (Drawing 4 of 4).....	12
Leveling Legs.....	14
Cabinet (Drawing 1 of 2).....	16
Cabinet (Drawing 2 of 2).....	18
Doors and Troughs - CE Models 2600 Models Through Serial No. 525I000841FB 3200 Models Through Serial No. 532I000819FB .....	20
Doors and Troughs - 2600 Models Starting Serial No. 525I000842FD 3200 Models Starting Serial No. 532I000820FB .....	22
Suction System .....	24
Ironing Belt System (Drawing 1 of 4) .....	26
Ironing Belt System (Drawing 2 of 4) .....	28
Ironing Belt System (Drawing 3 of 4) .....	30
Ironing Belt System (Drawing 4 of 4) .....	32
Drive.....	34
Chain Drives .....	36
Feeding Belts .....	38
Scrapers.....	40
Inserting Table .....	42
Temperature Sensors - Models Through July 31, 2019.....	44
Temperature Sensors - Models Starting August 1, 2019 .....	46
Safety Bar .....	48
Safety Bar - CSA Models, FCU020102T Starting Serial No. 525I000943KB and FCU020126T Starting Serial No. 532I000918HQ .....	50
Safety Kit - CSA Models, FCU020102T Starting Serial No. 525I000943KB and FCU020126T Starting Serial No. 532I000918HQ .....	52
Clutch and Pedal.....	54
Gas Heat - CE Models (Drawing 1 of 4) 2600 Models, 3200 Models with Gas G20, G25, G20<->G25 Models Through Serial No. 532I001075MS - 3200 Models with Gas G30 - G31, G31, G30<->G31.....	56
Gas Heat - CE Models (Drawing 2 of 4) Models Starting Serial No. 532I001076MS - 3200 Models with Gas G30 - G31, G31, G30<->G31 .....	58
Gas Heat - CE Models (Drawing 3 of 4) .....	60
Gas Heat - CE Models (Drawing 4 of 4) .....	62
Gas Heat - CSA Models, FCU020102T Starting Serial No. 525I000943KB and FCU020126T Starting Serial No. 532I000918HQ (Drawing 1 of 2) .....	64
Gas Heat - CSA Models, FCU020102T Starting Serial No. 525I000943KB and FCU020126T Starting Serial No. 532I000918HQ (Drawing 2 of 2) .....	66

© Copyright 2021, Alliance Laundry Systems LLC

All rights reserved. No part of the contents of this book may be reproduced or transmitted in any form or by any means without the expressed written consent of the publisher.

Gas Heat .....	68
Electric Heat.....	70
Ironing Cylinder - Gas and Electric Heat.....	72
Steam Inlet Box - CE Models 2600 Models Through Serial No. 525I000980KS; 3200 Models Through Serial No. 532I000983KM .....	74
Steam Inlet Box - CE Models Starting Serial Nos. 2600 Models Starting 525I000981KS 3200 Models Starting 532I000984KM.....	76
Steam Outlet Box and Ironing Cylinder 2600 Models Through Serial No. 525I000980KS 3200 Models Through Serial No. 532I000983KM .....	78
Steam Outlet Box - CE Models Starting Serial Nos. 2600 Models Starting 525I000981KS 3200 Models Starting 532I000984KM.....	80
MCX Control Panel (Drawing 1 of 2).....	82
MCX Control Panel (Drawing 2 of 2).....	84
Control Panel - Electric Heat, CSA Models .....	86
Coin Meter .....	88
Electrical Component Box - CE Models (Drawing 1 of 2) .....	90
Electrical Component Box - CE Models (Drawing 2 of 2) .....	92
Electrical Component Box - Gas Heat CSA Models, Model FCU020102T Starting Serial No. 525I000943KB and FCU020126T Starting Serial No. 532I000918HQ (Drawing 1 of 2) .....	94
Electrical Component Box - Gas Heat CSA Models, Model FCU020102T Starting Serial No. 525I000943KB and FCU020126T Starting Serial No. 532I000918HQ (Drawing 2 of 2) .....	96
Electrical Component Box - Electric Heat CSA Models, Model FCU020102T Starting Serial No. 525I000943KB and FCU020126T Starting Serial No. 532I000918HQ (Drawing 1 of 2) .....	98
Electrical Component Box - Electric Heat CSA Models, Model FCU020102T Starting Serial No. 525I000943KB and FCU020126T Starting Serial No. 532I000918HQ (Drawing 2 of 2) .....	100
Wiring Harnesses.....	102
Parts Index.....	103



## **Parts Ordering Information**

If literature or replacement parts are required, contact the source from whom the machine was purchased or contact Alliance Laundry Systems at (920) 748-3950 for the name and address of the nearest authorized parts distributor.

For technical assistance, call the number listed below:

(920) 748-3121 Ripon, Wisconsin

## **Serial Plate Location**

When calling or writing about your product, be sure to mention model and serial numbers. Model and serial numbers are located on serial plate(s).



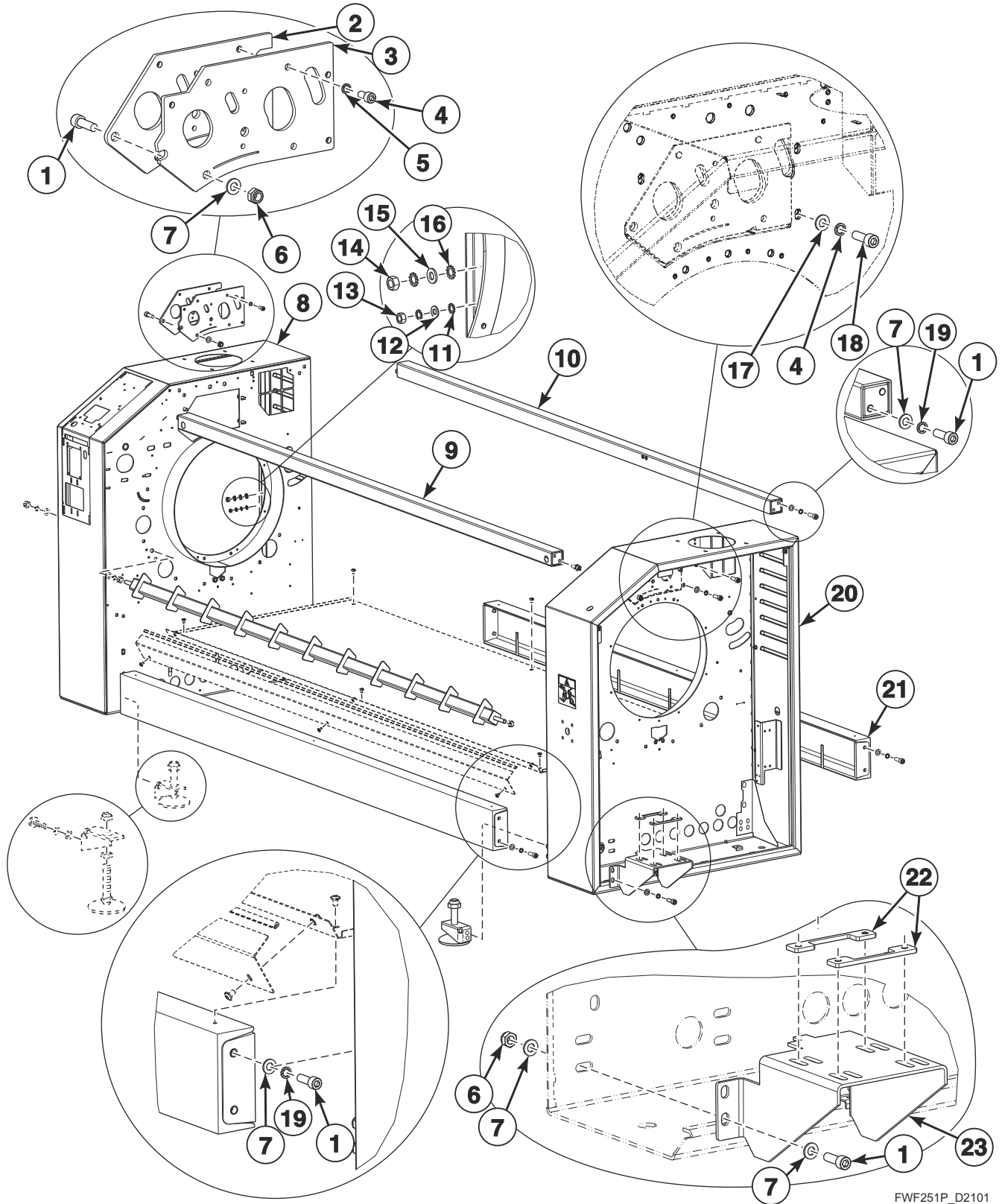
## Model Identification

Information in this manual is applicable to these ironer models:

FCI050260C	FCS050260C
FCI050260H	FCS050260H
FCI050260N	FCS050260N
FCI050260U_MCX_CONTROL	FCS050260U_MCX_CONTROL
FCI050320C	FCS050320C
FCI050320H	FCS050320H
FCI050320N	FCS050320N
FCI050320U_MCX_CONTROL	FCS050320U_MCX_CONTROL
FCI2600/500_MCX_CONTROL	FCS2600/500_MCX_CONTROL
FCI3200/500_MCX_CONTROL	FCS3200/500_MCX_CONTROL
FCI5026_MCX_CONTROL	FCS5026_MCX_CONTROL
FCI5032_MCX_CONTROL	FCS5032_MCX_CONTROL
FCL050260C	FCU020102T
FCL050260H	FCU020126T
FCL050260N	FCU032_MCX_CONTROL
FCL050260U	FCU050260C
FCL050320C	FCU050260H
FCL050320H	FCU050260N
FCL050320N	FCU050260U_MCX_CONTROL
FCL050320U	FCU050320C
FCN050260C	FCU050320H
FCN050260H	FCU050320N
FCN050260N	FCU050320U_MCX_CONTROL
FCN050260U	FCU2600/500_MCX_CONTROL
FCN050320C	FCU3200/500_MCX_CONTROL
FCN050320H	FCU5026_MCX_CONTROL
FCN050320N	FCU5032_MCX_CONTROL
FCN050320U	I50250X_MCX_CONTROL
FCP050260C_MCX_CONTROL	I50260X_MCX_CONTROL
FCP050260H	I50320X_MCX_CONTROL
FCP050260N_MCX_CONTROL	I50-250_MCX_CONTROL
FCP050260U_MCX_CONTROL	I50-320_MCX_CONTROL
FCP050320C_MCX_CONTROL	LPRFRLSR5025_MCX_CONTROL
FCP050320H	LPRFRLSR5032_MCX_CONTROL
FCP050320N_MCX_CONTROL	LSR5025_MCX_CONTROL
FCP050320U_MCX_CONTROL	LSR5025_NON-BRAND_MCX_CONTROL
FCP5026_MCX_CONTROL	LSR5032_MCX_CONTROL
FCP5032_MCX_CONTROL	LSR5032_NON-BRAND_MCX_CONTROL

# Skeleton and Ironing Belt Guide (Drawing 1 of 4)

Through Serial Nos. 525I001042MM, 532I001078MU



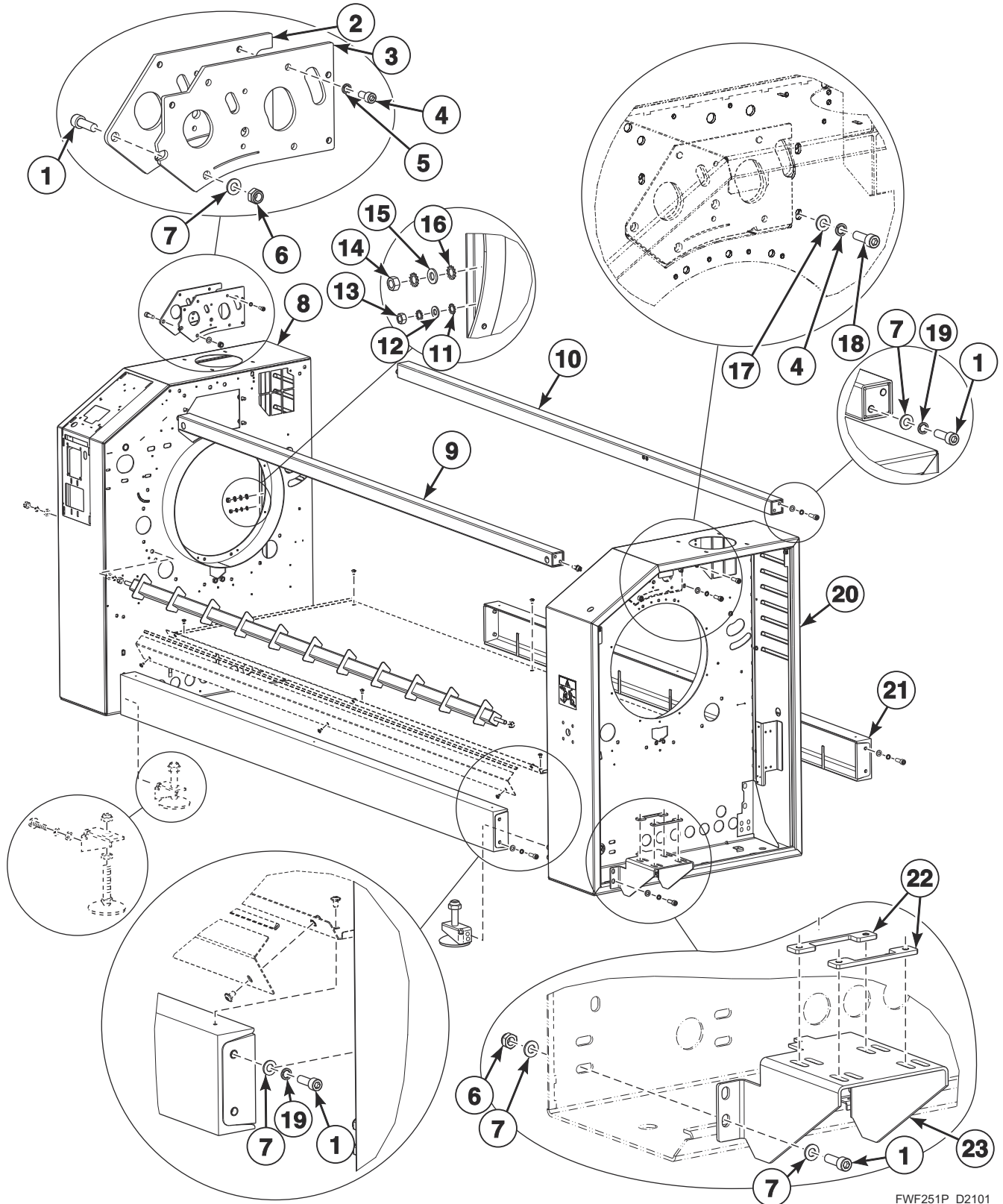
FWF251P\_D2101

## Skeleton and Ironing Belt Guide (Drawing 1 of 4)

REF	PART NO.	DESCRIPTION	COMMENTS
1	SP309912001030	Bolt	M10x30
2	SP525244	Input Unit Plate	Outer
3	SP525243	Input Unit Plate	Inner
4	SP309912000815	Bolt	M8x16
5	SP311127000008	Washer	8
6	SP310985000010	Nut	M10
7	SP311127000010	Washer	10
8	SP558620	Stand	Left
9	SP512670	Front Beam	Top; 25, 26, 102, 250, 260 and 2600 models
	SP512647	Front Beam	Top; 32, 126, 320 and 3200 models
10	SP512671	Rear Beam	Top; 25, 26, 102, 250, 260 and 2600 models
	SP512648	Rear Beam	Top; 32, 126, 320 and 3200 models
11	SP311679824006	Washer	M6
12	SP311125240006	Washer	6.4
13	SP310934240006	Nut	M6
14	SP310934240008	Nut	M8
15	SP311125240008	Washer	8.4
16	SP311679824008	Washer	M8
17	SP525284	Washer	8x21x4
18	SP525282	Bolt	M8x25
19	SP311125000010	Washer	10.5
20	SP525231	Stand	Right
21	SP507689	Beam	25, 26, 102, 250, 260 and 2600 models
	SP507690	Beam	32, 126, 320 and 3200 models
22	SP509078	Threaded Plate	
23	SP507639	Gearbox Brace	

# Skeleton and Ironing Belt Guide (Drawing 2 of 4)

Starting Serial Nos. 5251001043MQ, 5321001079MU



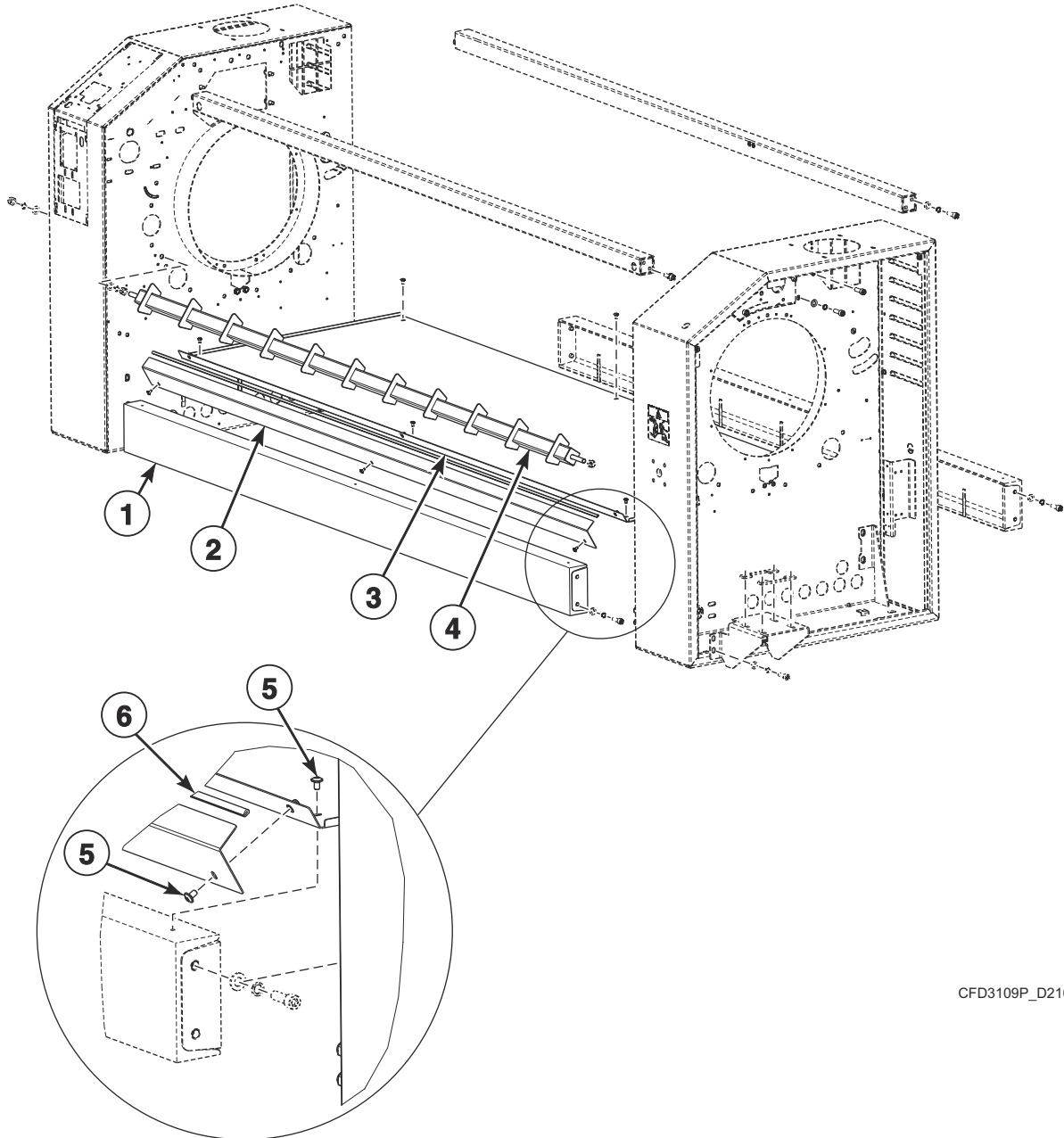
FWF251P\_D2101

## Skeleton and Ironing Belt Guide (Drawing 2 of 4)

REF	PART NO.	DESCRIPTION	COMMENTS
1	SP309912001030	Bolt	M10x30
2	SP525244	Input Unit Plate	Outer
3	SP525243	Input Unit Plate	Inner
4	SP309912000815	Bolt	M8x16
5	SP311127000008	Washer	8
6	SP310985000010	Nut	M10
7	SP311127000010	Washer	10
8	SP558620	Stand	Left
9	SP512670	Front Beam	Top; 25, 26, 102, 250, 260 and 2600 models
	SP512647	Front Beam	Top; 32, 126, 320 and 3200 models
10	SP512671	Rear Beam	Top; 25, 26, 102, 250, 260 and 2600 models
	SP512648	Rear Beam	Top; 32, 126, 320 and 3200 models
11	SP311679824006	Washer	M6
12	SP311125240006	Washer	6.4
13	SP310934240006	Nut	M6
14	SP310934240008	Nut	M8
15	SP311125240008	Washer	8.4
16	SP311679824008	Washer	M8
17	SP525284	Washer	8x21x4
18	SP525282	Bolt	M8x25
19	SP311125000010	Washer	10.5
20	SP525231	Stand	Right
21	SP507689	Beam	25, 26, 102, 250, 260 and 2600 models
	SP507690	Beam	32, 126, 320 and 3200 models
22	SP509078	Threaded Plate	
23	SP507639	Gearbox Brace	

# Skeleton and Ironing Belt Guide (Drawing 3 of 4)

Through Serial Nos. 5251001042MM, 5321001078MU



CFD3109P\_D2101

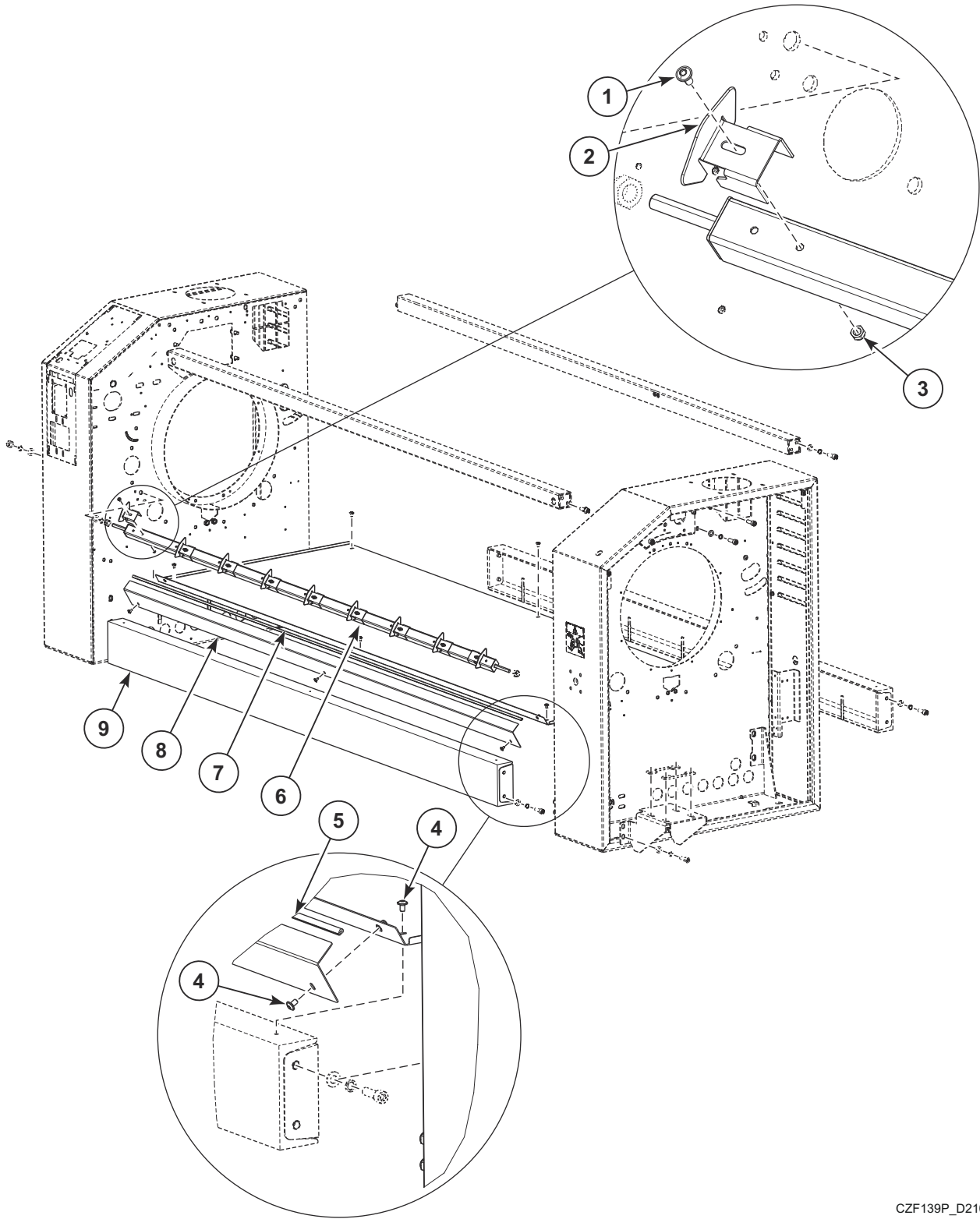


## Skeleton and Ironing Belt Guide (Drawing 3 of 4)

REF	PART NO.	DESCRIPTION	COMMENTS
1	SP507694	Beam	25, 26, 102, 250, 260 and 2600 models
	SP507695	Beam	32, 126, 320 and 3200 models
2	SP512780	Front Cover	Lower; 25, 26, 102, 250, 260 and 2600 models
	SP512781	Front Cover	Lower; 32, 126, 320 and 3200 models
3	SP512784	Cover	Lower; 25, 26, 102, 250, 260 and 2600 models
	SP512785	Cover	Lower; 32, 126, 320 and 3200 models
4	SPI03338000013	Ironing Belt Guide	25, 26, 102, 250, 260 and 2600 models
	SPI03438000013	Ironing Belt Guide	32, 126, 320 and 3200 models
5	SP510954	Bolt	M6x16
6	SPPRI505000058	Profiled Sealing	25, 26, 102, 250, 260 and 2600 models 1393 mm; 32, 126, 320 and 3200 models 1693 mm

# Skeleton and Ironing Belt Guide (Drawing 4 of 4)

Starting Serial Nos. 525I001043MQ, 532I001079MU



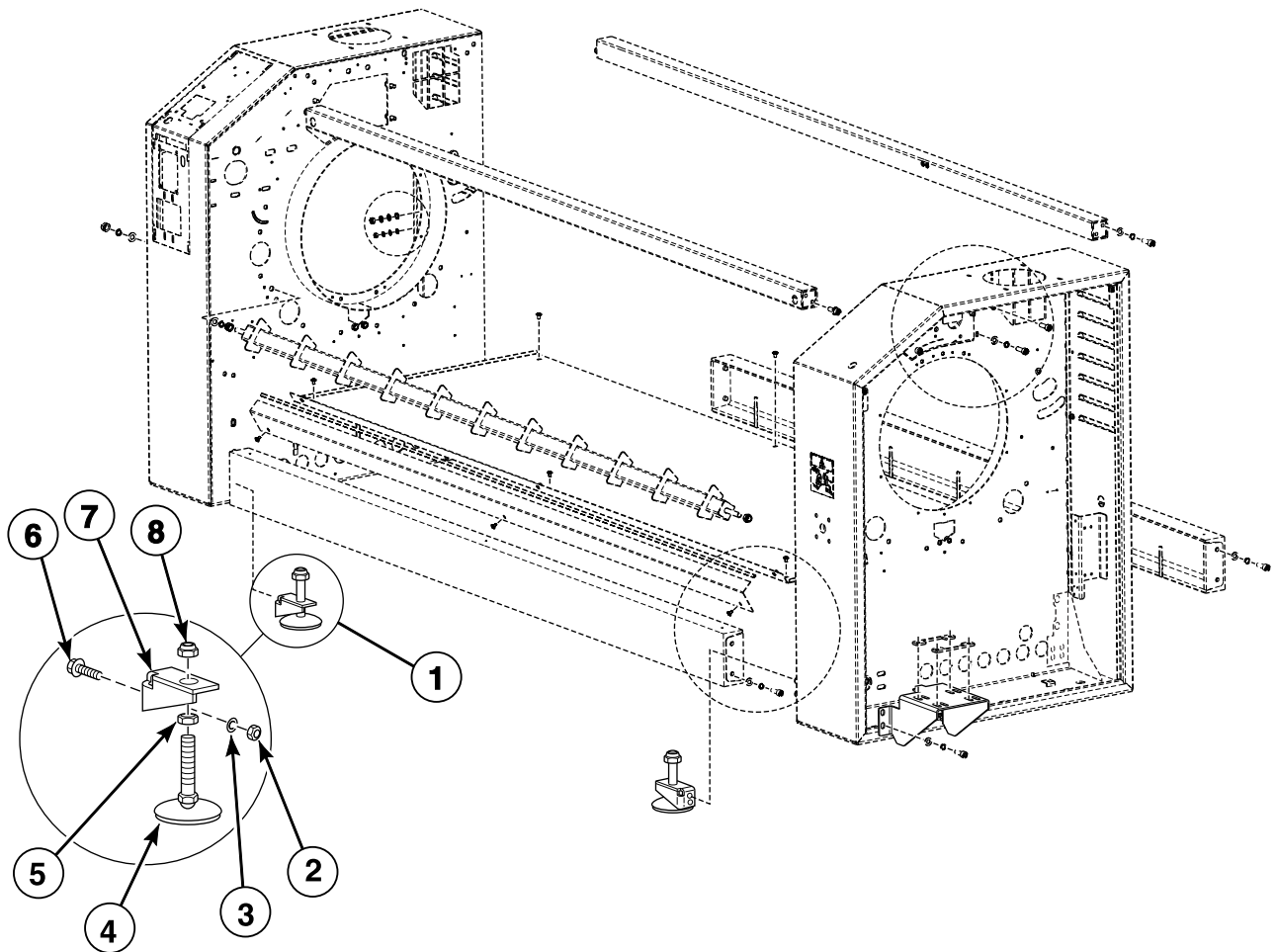
CZF139P\_D2101

## Skeleton and Ironing Belt Guide (Drawing 4 of 4)

REF	PART NO.	DESCRIPTION	COMMENTS
1	SP537854	Bolt	M6x14
2	568586	Floating Finger	
3	SP310985000006	Nut	M6
4	SP510954	Bolt	M6x16
5	SPPRI505000058	Profiled Sealing	25, 26, 102, 250, 260 and 2600 models 1393 mm; 32, 126, 320 and 3200 models 1693 mm
6	SPI03338000013	Ironing Belt Guide	25, 26, 102, 250, 260 and 2600 models; Assembly includes 568586 Floating Finger, bolts and nuts
	SPI03438000013	Ironing Belt Guide	32, 126, 320 and 3200 models; Assembly includes 568586 Floating Finger, bolts and nuts
7	SP512784	Cover	Lower; 25, 26, 102, 250, 260 and 2600 models
	SP512785	Cover	Lower; 32, 126, 320 and 3200 models
8	SP512780	Front Cover	Lower; 25, 26, 102, 250, 260 and 2600 models
	SP512781	Front Cover	Lower; 32, 126, 320 and 3200 models
9	SP507694	Beam	25, 26, 102, 250, 260 and 2600 models
	SP507695	Beam	32, 126, 320 and 3200 models

# Leveling Legs

Starting Serial Nos. 525I001029MH and 532I001061MH

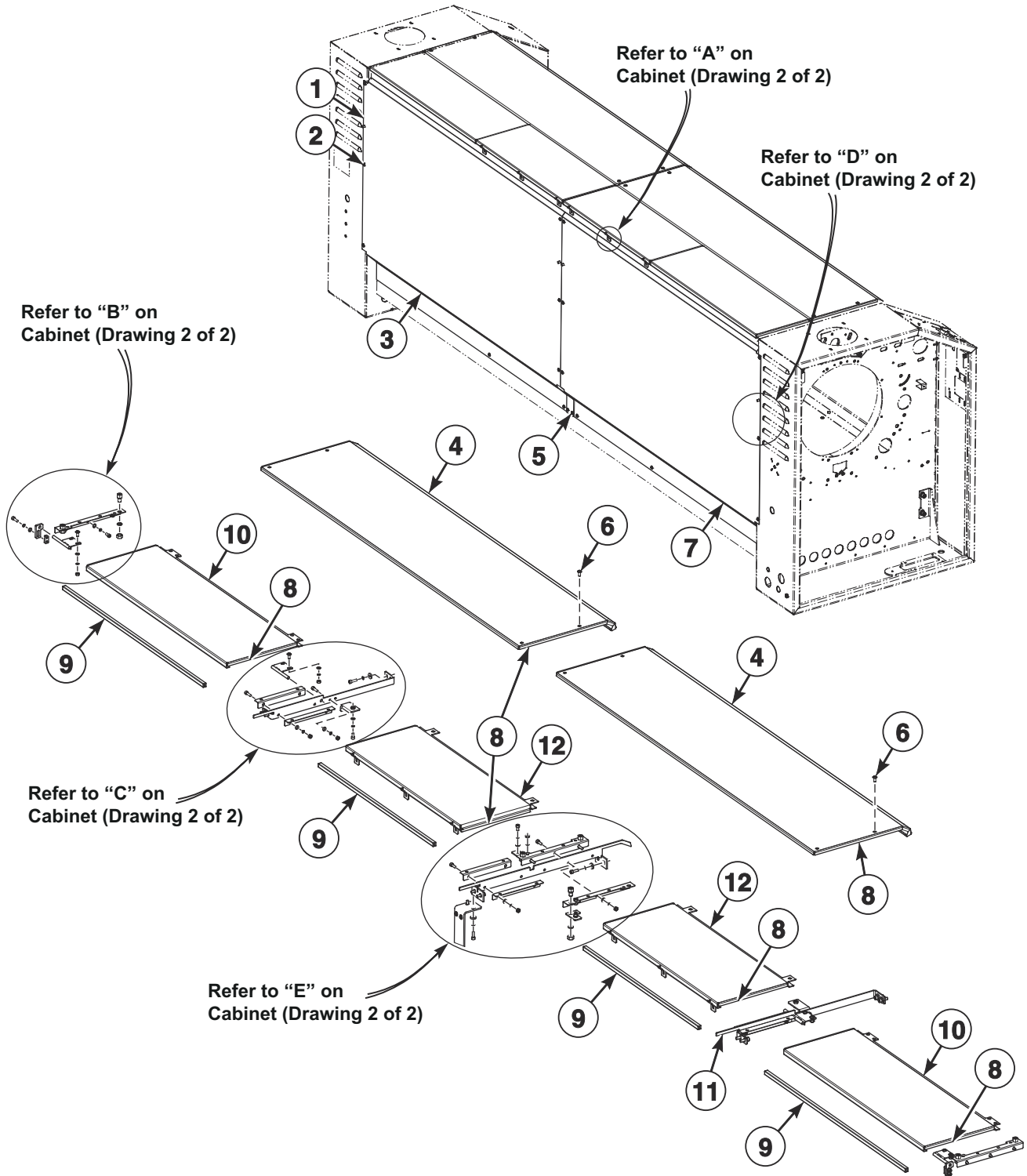


FWF263P\_D2101

# Leveling Legs

REF	PART NO.	DESCRIPTION	COMMENTS
1	568568	Leveling Leg	Assembly; 2 pieces needed
	568569	Leveling Leg	Assembly; 2 pieces needed
2	SP310985000010	Nut	M10
3	SP311125000010	Washer	10.5
4	553914	Articulated Feet Gripper	M16
5	310934000016	Nut	M16
6	SP309912001040	Bolt	M10x40
7	568566	Bracket	Used with 568568 Leveling Leg
	568585	Bracket	Used with 568569 Leveling Leg
8	310985000016	Nut	M16

# Cabinet (Drawing 1 of 2)

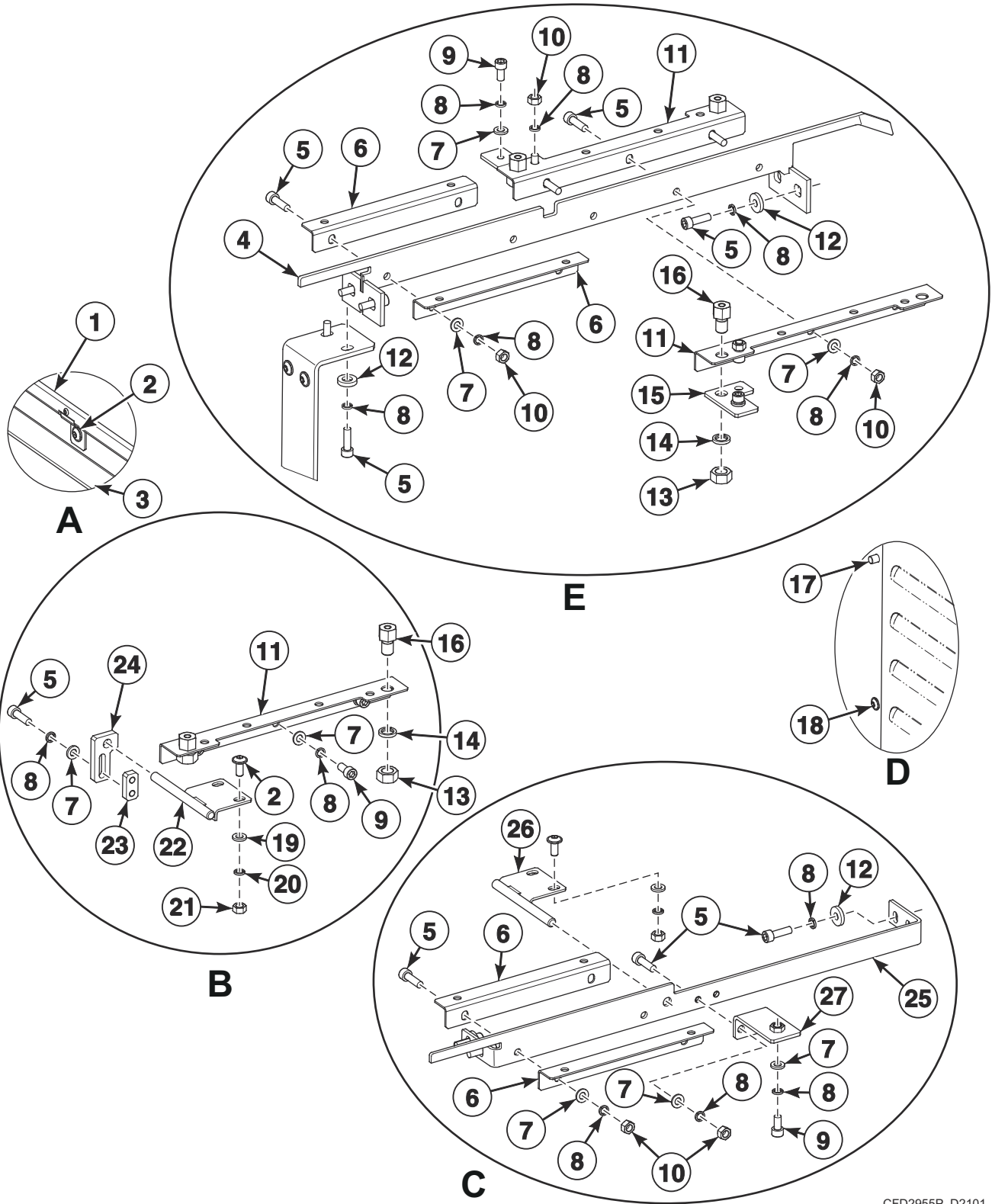


CFD2954P\_D2101

## Cabinet (Drawing 1 of 2)

REF	PART NO.	DESCRIPTION	COMMENTS
1	SP515E00021515	Stop Roller	
2	SP506012	Bolt	TX30; M6x10
3	SP512750	Rear Cover	Right; 25, 26, 102, 250, 260 and 2600 models
	SP512751	Rear Cover	Right; 32, 126, 320 and 3200 models
4	SP511081	Top Front Cover	25, 26, 102, 250, 260 and 2600 models
	SP511082	Top Front Cover	32, 126, 320 and 3200 models
5	SP512756	Rear Cover Holder	
6	SP309933000616	Bolt	M6x16
7	SP512752	Rear Cover	Left; 25, 26, 102, 250, 260 and 2600 models
	SP512753	Rear Cover	Left; 32, 126, 320 and 3200 models
8	SPPRI505000058	Profiled Sealing	25, 26, 102, 250, 260 and 2600 models; 4360 mm
	SPPRI505000058	Profiled Sealing	32, 126, 320 and 3200 models; 4960 mm
9	SP273442016013	Gasket	25, 26, 102, 250, 260 and 2600 models; 16x13; 1280 mm
	SP273442016013	Gasket	32, 126, 320 and 3200 models; 16x13; 1880 mm
10	SP511091	Filter Cover	
11	SP511111	Filter Bridge	Left
12	SP511172	Top Rear Cover	25, 26, 102, 250, 260 and 2600 models
	SP511173	Top Rear Cover	32, 126, 320 and 3200 models

# Cabinet (Drawing 2 of 2)



CFD2955P\_D2101



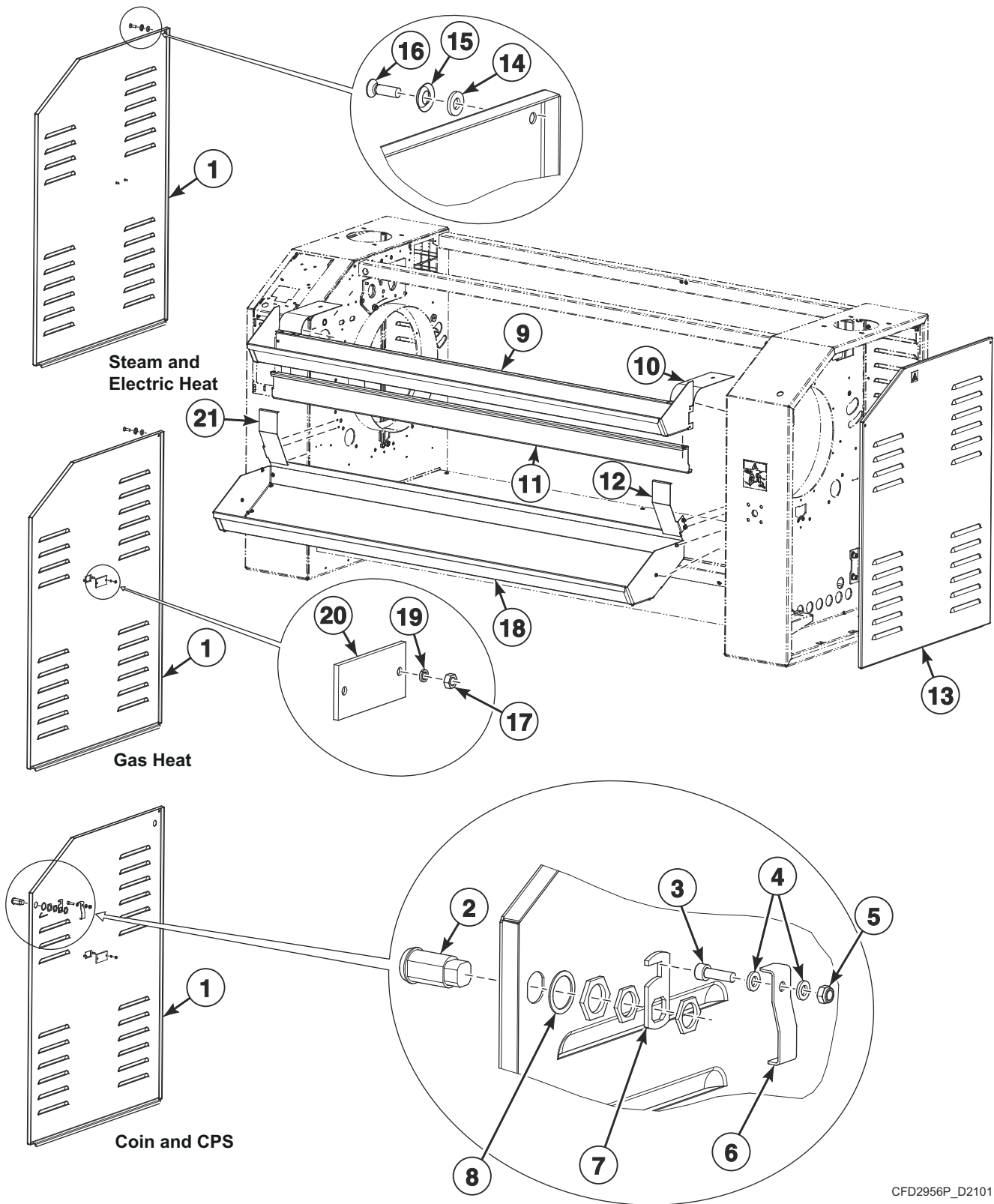
## Cabinet (Drawing 2 of 2)

REF	PART NO.	DESCRIPTION	COMMENTS
1	SP511172	Top Rear Cover	25, 26, 102, 250, 260 and 2600 models
	SP511173	Top Rear Cover	32, 126, 320 and 3200 models
2	SP309933000616	Bolt	M6x16
3	SP512750	Rear Cover	Right; 25, 26, 102, 250, 260 and 2600 models
	SP512751	Rear Cover	Right; 32, 126, 320 and 3200 models
	SP512752	Rear Cover	Left; 25, 26, 102, 250, 260 and 2600 models
	SP512753	Rear Cover	Left; 32, 126, 320 and 3200 models
4	SP511099	Middle Bridge	
5	SP309912000620	Bolt	M6x20
6	SP511105	Bar	170
7	SP311125000006	Washer	6.4
8	SP311127000006	Washer	6
9	SP309595240612	Bolt	M6x12
10	SP310934000006	Nut	M6
11	SP511102	Bar	240
12	SP311734900006	Washer	6
13	SP310934240010	Nut	M10
14	SP311127000010	Washer	10
15	SP511101	Holder	
16	SP511161	Bolt	M10/M6
17	SP515E00021515	Stop Roller	
18	SP506012	Bolt	TX30; M6x10
19	N/A	Washer	
20	SP311127240006	Washer	6
21	SP310934240006	Nut	M6
22	SP511162	Hinge	Right
23	SP511110	Thread Plate	
24	SP511109	Hinge	
25	SP511095	Filter Bridge	Right
26	SP511163	Hinge	Left
27	SP511100	Holder	

N/A = Part no longer available

# Doors and Troughs - CE Models

**2600 Models Through Serial No. 525I000841FB**  
**3200 Models Through Serial No. 532I000819FB**



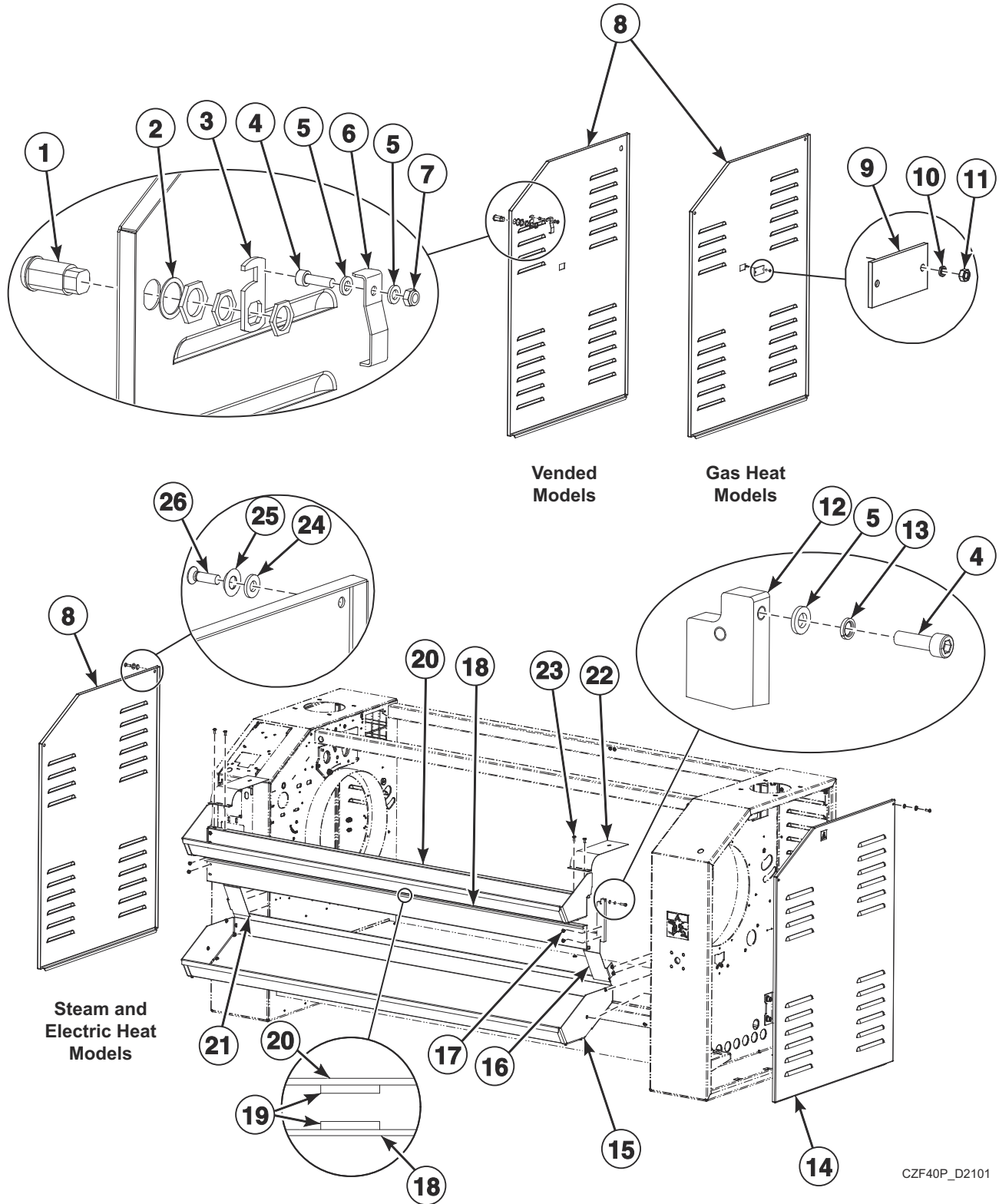
CFD2956P\_D2101

**Doors and Troughs - CE Models**  
**2600 Models Through Serial No. 525I000841FB**  
**3200 Models Through Serial No. 532I000819FB**

REF	PART NO.	DESCRIPTION	COMMENTS
1	SP512761	Door	Complete; Left; OPL: Electric and steam heat
	SP512760	Door	Complete; Left; OPL: Gas heat; Includes items 17, 19 and 20
	SP517145	Door	Complete; Left; Vended and CPS; Includes items 2-8, 17, 19 and 20
2	SPPRI610000007	Lock	Vended
3	SP309912000620	Bolt	Vended; M6x20
4	SP311125000006	Washer	Vended; 6.4
5	SP310985000006	Nut	Vended; M6
6	SP517144	Hook Lock	Vended
7	SPPRI610001007	Lock Hook	Vended
8	SPPRI522000012	Washer	Vended; 21x27x1
9	SP514205	Insert Trough	25, 26, 250, 260 and 2600 models
	SP514206	Insert Trough	32, 320 and 3200 models
10	SP512795	Insert Belt Cover	
11	SP505059	Contact Cover	25, 26, 250, 260 and 2600 models
	SP505060	Contact Cover	32, 320 and 3200 models
12	SP525338	Roller Cover	Right
13	SP512762	Door	Complete; Right
14	SPPRI521002001	Washer	15x7x2
15	SPPRI247000001	Washer	6
16	SP309966240620	Bolt	M6x20
17	SP310934000004	Nut	M4
18	SP525333	Output Trough	25, 26, 250, 260 and 2600 models
	SP525334	Output Trough	32, 320 and 3200 models
19	SP311127000004	Washer	4
20	SP507635	Transparent Cover	Gas heat
21	SP525339	Roller Cover	Left

# Doors and Troughs -

**2600 Models Starting Serial No. 525I000842FD**  
**3200 Models Starting Serial No. 532I000820FB**

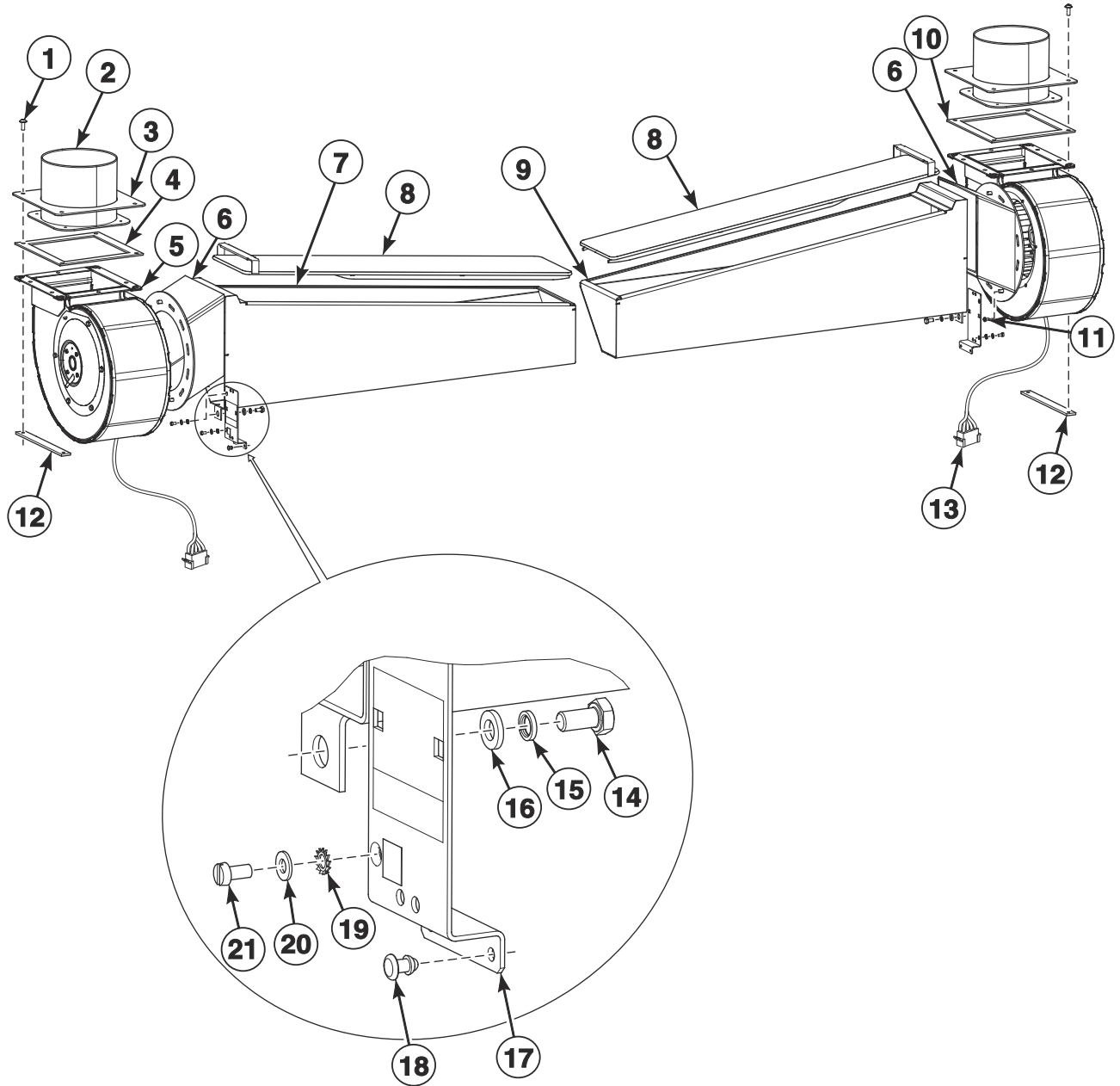


CZF40P\_D2101

**Doors and Troughs -  
2600 Models Starting Serial No. 525I000842FD  
3200 Models Starting Serial No. 532I000820FB**

REF	PART NO.	DESCRIPTION	COMMENTS
1	SPPRI610000007	Lock	Vended; CE models
2	SPPRI522000012	Washer	Vended; 21x27x1; CE models
3	SPPRI610001007	Lock Hook	Vended; CE models
4	SP309912000620	Bolt	Vended; M6x20; CE models
5	SP311125000006	Washer	Vended; 6.4; CE models
6	SP517144	Hook Lock	Vended; CE models
7	SP310985000006	Nut	Vended; M6; CE models
8	SP512761	Door	Complete; Left; OPL; Electric and steam heat
	SP512760	Door	Complete; Left; OPL; Gas heat; Includes items 9-11
	SP517145	Door	Complete; Left; Vended; CE models; Includes items 1-7 and 9-11
9	SP507635	Transparent Cover	OPL; Gas heat; Vended
10	SP311127000004	Washer	OPL; Gas heat; Vended
11	SP310934000004	Nut	OPL; Gas heat; Vended
12	SP559485	Insert Trough Holder	
13	SP311127000006	Washer	6
14	SP512762	Door	Complete; Right
15	SP525333	Output Trough	25, 26, 102, 250, 260 and 2600 models
	SP525334	Output Trough	32, 126, 320 and 3200 models
16	SP525338	Roller Cover	Right
17	SP506012	Bolt	TX30; M6x10
18	SP559492	Contact Cover	25, 26, 102, 250, 260 and 2600 models
	SP559493	Contact Cover	32, 126, 320 and 3200 models
19	SP550115	Fastener	Hook and loop; 25, 26, 102, 250, 260 and 2600 models starting Serial No. 525I000943KB; 32, 126, 320 and 3200 models starting Serial No. 532I000918HQ
20	SP559496	Upper Trough	25, 26, 102, 250, 260 and 2600 models
	SP559497	Upper Trough	32, 126, 320 and 3200 models
21	SP525339	Roller Cover	Left
22	SP559484	Insert Belts Cover	
23	SP555658	Bolt	TX30; M6x16
24	SPPRI521002001	Washer	15x7x2
25	SPPRI247000001	Washer	6
26	SP309966240620	Bolt	M6x20

# Suction System

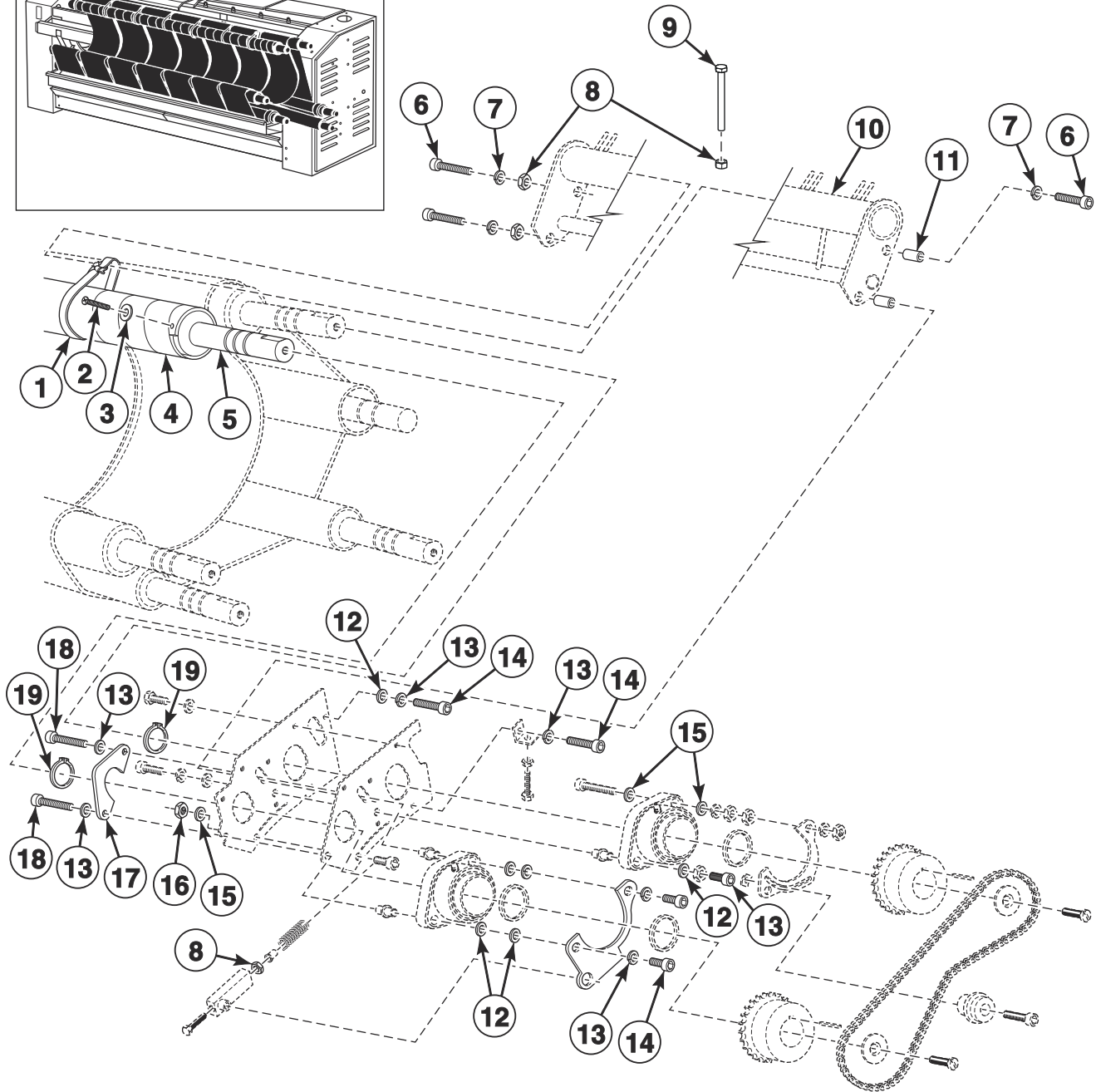
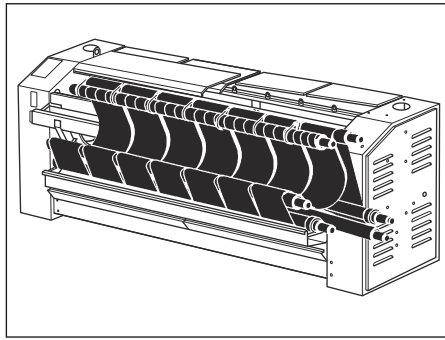


FWF254P\_D2101

# Suction System

REF	PART NO.	DESCRIPTION	COMMENTS
1	SP510954	Bolt	M6x16
2	SPI01128000014	Exhaust	
3	SP507640	Covering Plate	
4	SP500587	Washer	
5	561092	Radial Ventilator	
6	SPI03133000013	Exhaust Box	Gas heat
	SPI01133000013	Exhaust Box	Electric and steam heat
7	SP511121	Filter Tank	Right
8	SP511126	Filter Sieve	
9	SP511122	Filter Tank	Left
10	561093	Radial Ventilator	
11	SP514061	Screw	ST4.8x13
12	SP507651	Thread Plate	
13	345000163008	Connector	
14	SP309933000612	Bolt	M6x12
15	SP311127000006	Washer	6
16	SP311125000006	Washer	6.4
17	SP558768	Terminal Holder	
18	SP313250004125	Rivet	4x12.5
19	SP311679824004	Washer	M4
20	SP311125240004	Washer	4.3
21	SP309084240408	Bolt	M4x8

# Ironing Belt System (Drawing 1 of 4)



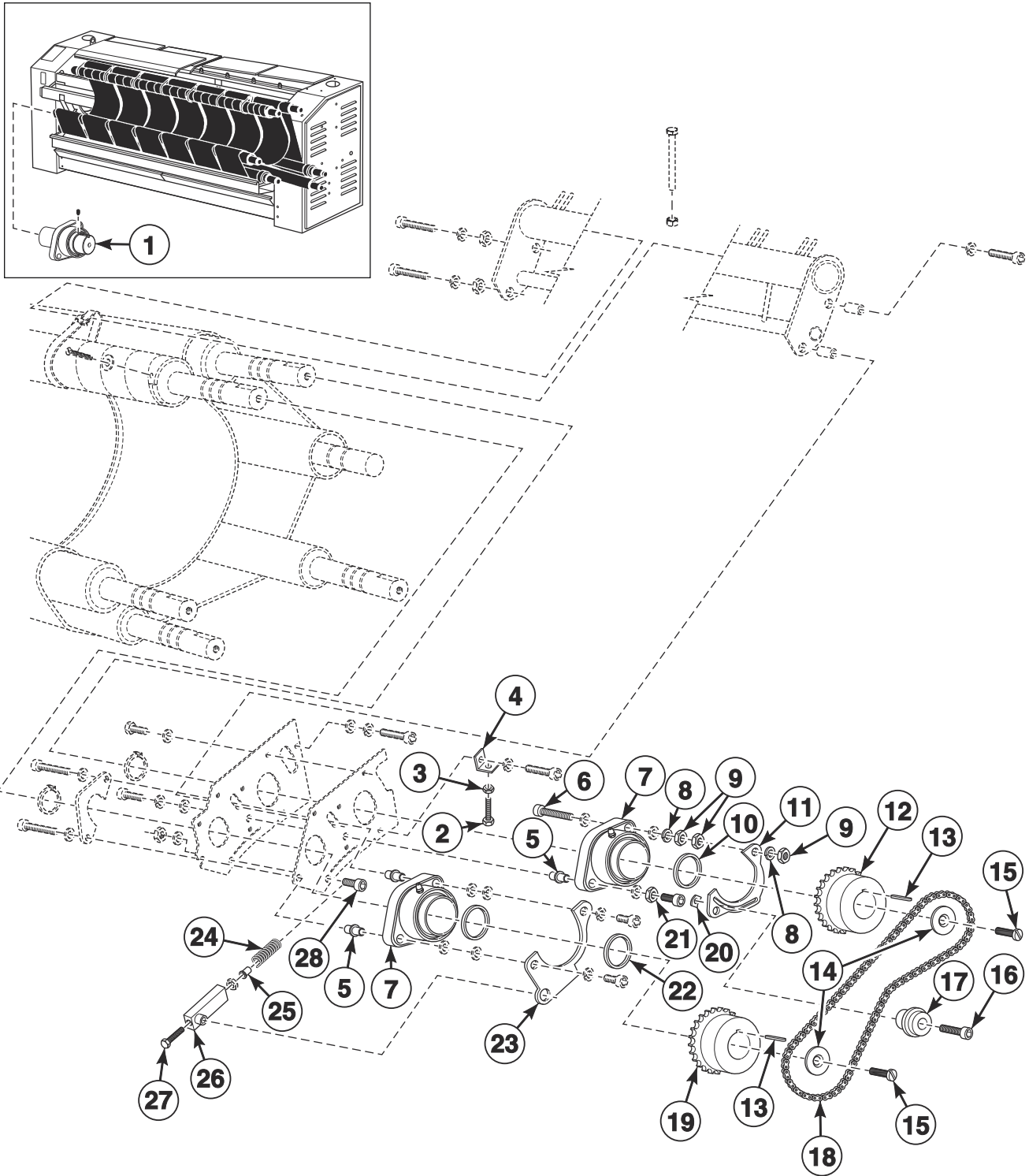
CFD3251P\_D2101



## Ironing Belt System (Drawing 1 of 4)

REF	PART NO.	DESCRIPTION	COMMENTS
1	SP372612080003	Ribbon	
2	SP309966240640	Bolt	M6x40
3	SP314E00024514	Washer	10.2x30.5x1.5
4	SP503506	Padding	25, 26, 102, 250, 260 and 2600 models; 17500x50x15
	SP503505	Padding	32, 126, 320 and 3200 models; 21500x50x15
5	SP529870	Roller	25, 26, 102, 250, 260 and 2600 models
	SP529875	Roller	32, 126, 320 and 3200 models
6	SP540780	Bolt	M6x45
7	SP311127000006	Washer	6
8	SP310934000006	Nut	M6
9	SP309933000660	Bolt	M6x60
10	SP525271	Ribbon Bar	25, 26, 102, 250, 260 and 2600 models
	SP525272	Ribbon Bar	32, 126, 320 and 3200 models
11	SP540338	Case	
12	SP525284	Washer	8x21x4
13	SP311127000008	Washer	8
14	SP525282	Bolt	M8x25
15	SP311125000010	Washer	10.5
16	SP310985000010	Nut	M10
17	SP525251	Ribbon Bar Holder	
18	SP540339	Bolt	M8x20
19	SP502367	Retaining Ring	30

# Ironing Belt System (Drawing 2 of 4)

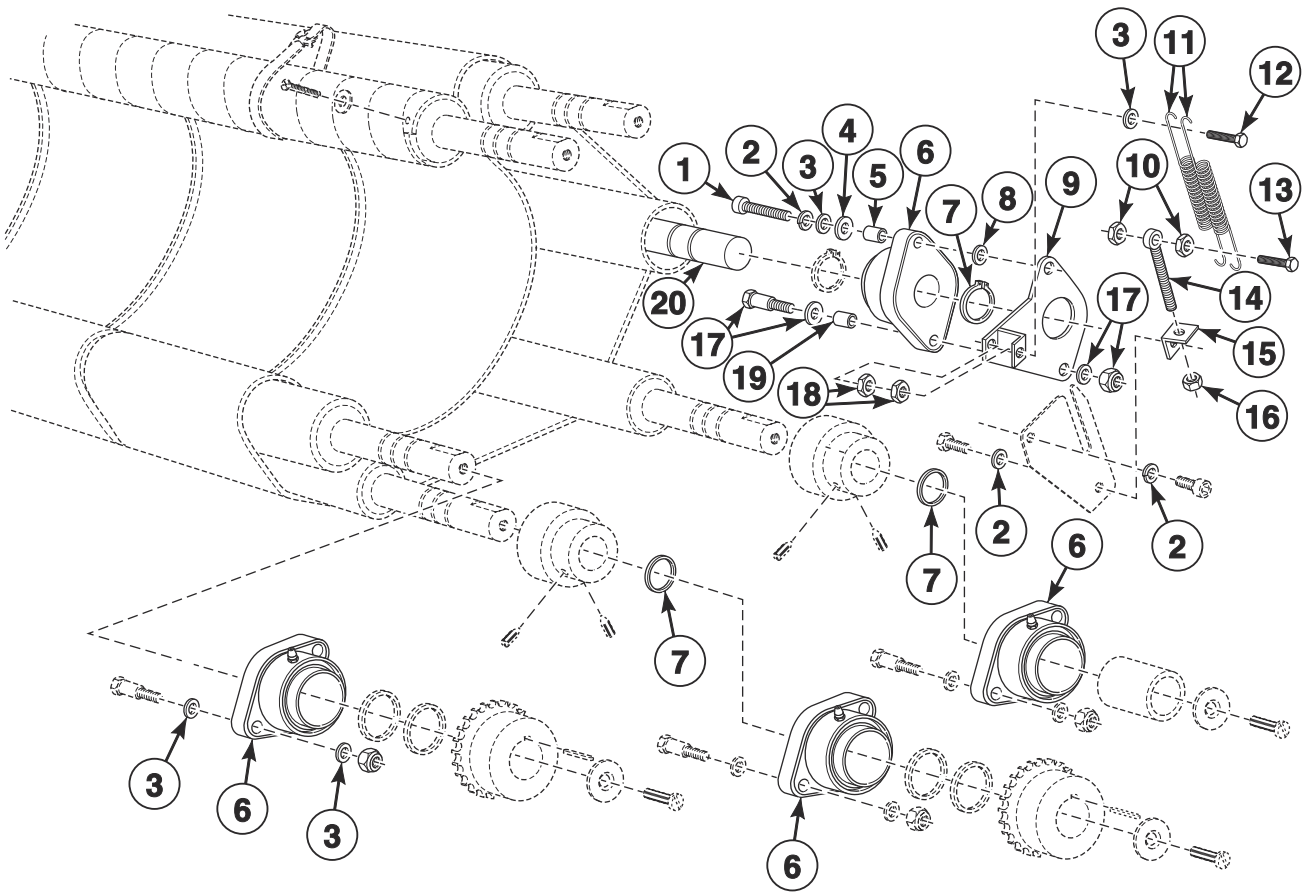
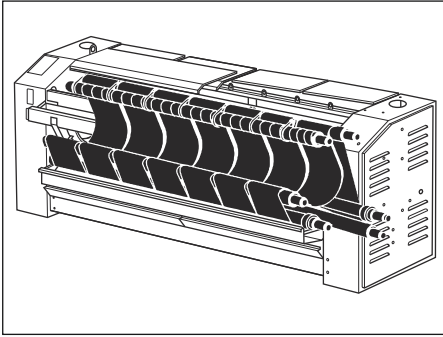


CZF128P\_D2101

## Ironing Belt System (Drawing 2 of 4)

REF	PART NO.	DESCRIPTION	COMMENTS
	SP245704003021	Adhesive	Loctite 243; Used with 570628 Screw
1	570628	Screw	M6x10; Left side; Refer to Installation Manual
2	SP309933000840	Bolt	M8x40
3	SP537518	Nut	M8
4	SP525268	Strengthening Angle	
5	SP525259	Threaded Insert	
6	SP506086	Bolt	M10x50
7	SP325000000031	Bearing	
8	SP311127000010	Washer	10
9	SP310934000010	Nut	M10
10	SP525267	Washer	d40 d30 0.6
11	SP525256	Roller Bearing Plate	
12	SP529909	Chain Wheel	17-06
13	SP529808	Feather	
14	SP529810	Washer	
15	SP529811	Bolt	M6x25
16	SP309912120625	Bolt	M6x25
17	SP525258	Conversion Pulley	
18	SP318000060001	Input Table Drive Chain	
	SP318000060100	Connecting Element	
	SP318000060101	Half-Connecting Element	
19	SP529910	Chain Wheel	22-06
20	SP525257	Nut	
21	SP310985000008	Nut	M8
22	SP529806	Ring	
23	SP525255	Roller Bearing Plate	
24	SP515E00024614	Pressure Spring	
25	SP525265	Spring Guide	
26	SP525248	Spring Guide	
27	SP309933000660	Bolt	M6x60
28	SP309912001030	Bolt	M10x30

# Ironing Belt System (Drawing 3 of 4)

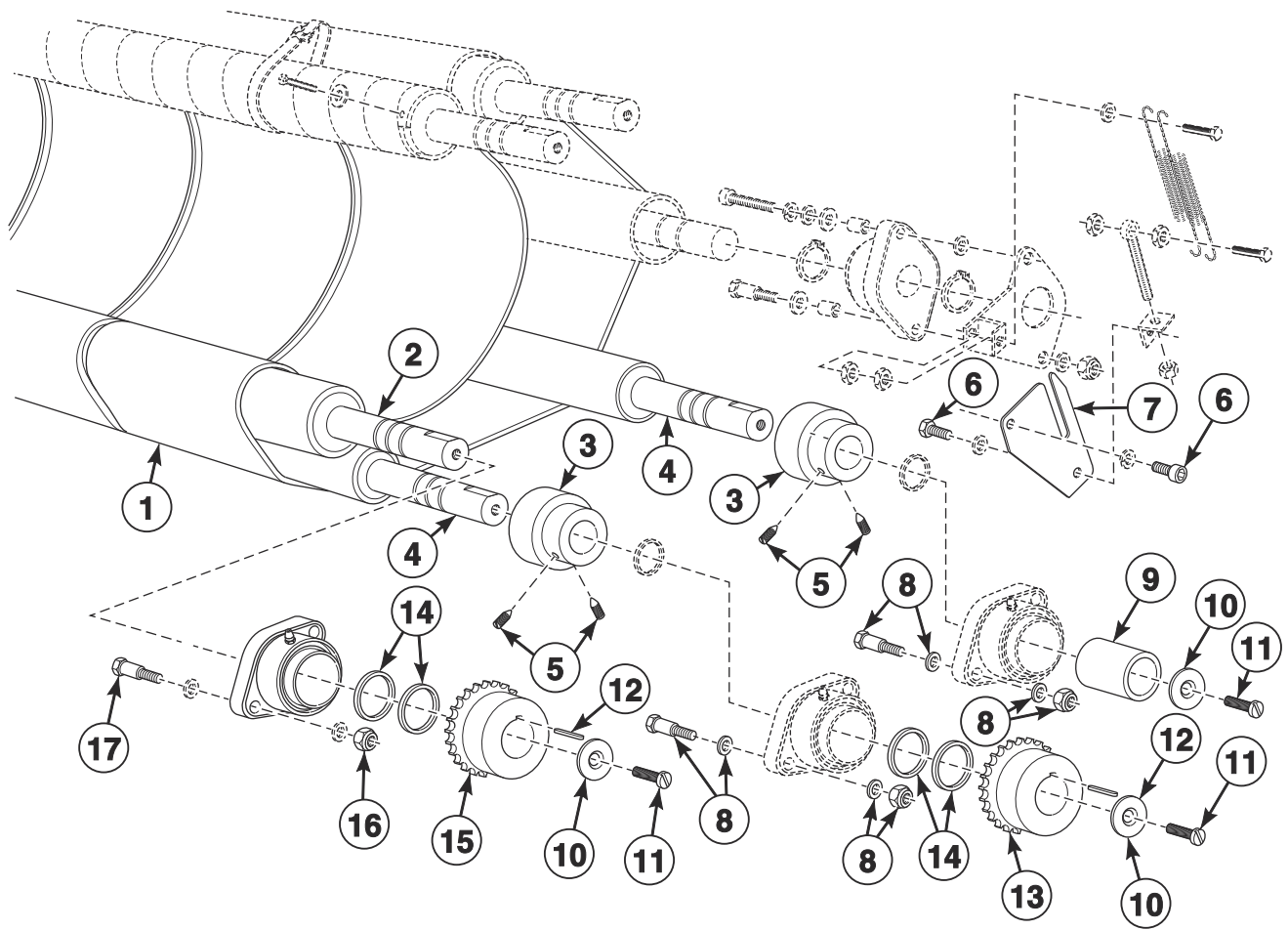
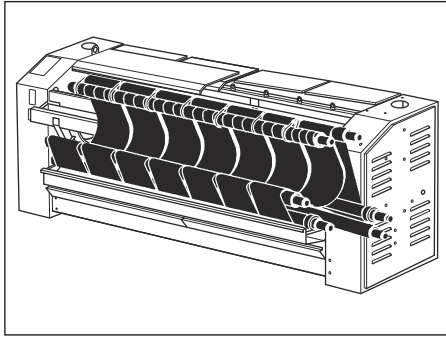


CFD3114P\_D2101

## Ironing Belt System (Drawing 3 of 4)

REF	PART NO.	DESCRIPTION	COMMENTS
1	SP309933000840	Bolt	M8x40
2	SP311127000008	Washer	8
3	SP311125000010	Washer	10.5
4	SP525284	Washer	8x21x4
5	SP525260	Roller Insert	
6	SP325000000031	Bearing	
7	SP502367	Retaining Ring	30
8	SP311902100009	Washer	8
9	SP537516	Roller Plate	Right
	SP537517	Roller Plate	Left
10	SP537518	Nut	M8
11	SPPRI611010080	Spring	
12	SP309933000845	Bolt	M8x45
13	SP537511	Spring Pin	
14	SP510922	Bolt	M8x80
15	SP537515	Strengthening Angle	
16	SP310985000008	Nut	M8
17	SP519942	Bolt	M10x45
18	SP310934000008	Nut	M8
19	SP537510	Roller Insert	
20	SP529984	Roller	25, 26, 102, 250, 260 and 2600 models; V5
	SP529985	Roller	32, 126, 320 and 3200 models; V5

# Ironing Belt System (Drawing 4 of 4)

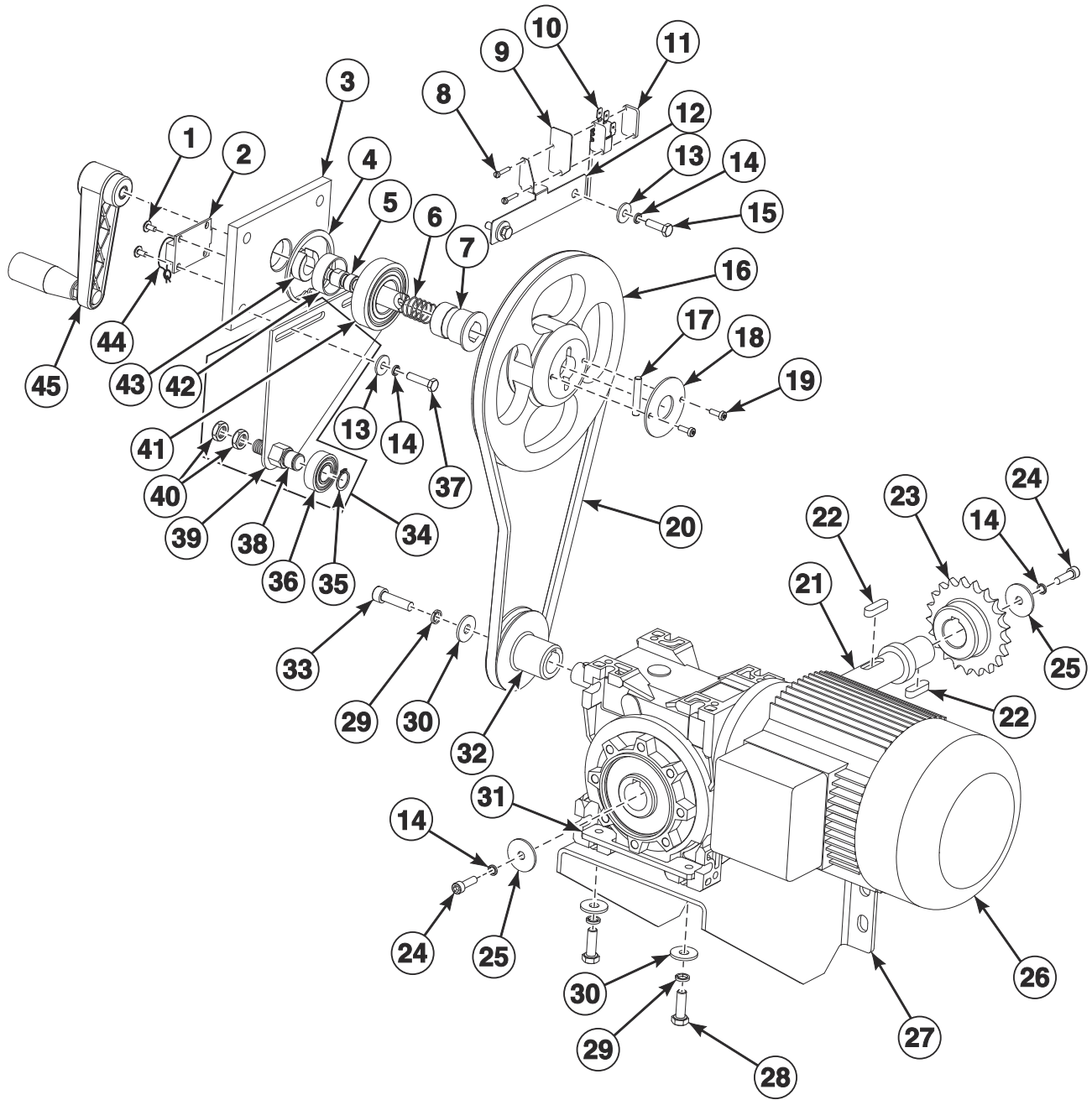


CFD3115P\_D2101

## Ironing Belt System (Drawing 4 of 4)

REF	PART NO.	DESCRIPTION	COMMENTS
1	SP525330	Ironing Belt	With hooks; 2920x200
	SP545112	Ironing Belt Set	25, 26, 102, 250, 260 and 2600 models; Includes 13 belts
	SP545113	Ironing Belt Set	32, 126, 320 and 3200 models; Includes 16 belts
	SP102758	Connection Wire	Sold per meter
2	SP529870	Roller	25, 26, 102, 250, 260 and 2600 models; V1
	SP529875	Roller	32, 126, 320 and 3200 models; V1
3	SP529848	Roller	
4	SP529869	Roller	25, 26, 102, 250, 260 and 2600 models; V2
	SP529874	Roller	32, 126, 320 and 3200 models; V2
5	SP551203	Bolt	M10x16
6	SP309912000815	Bolt	M8x16
7	SP537514	Spring Guide	
8	SP519941	Bolt	M10x35
9	SP529905	Distance Tube	
10	SP529810	Washer	
11	SP529811	Bolt	M6x25
12	SP529808	Feather	
13	SP529908	Chain Wheel	26-08
14	SP529806	Ring	
15	SP529907	Chain Wheel	22-08
16	SP310985000010	Nut	M10
17	SP309933001035	Bolt	M10x35

# Drive



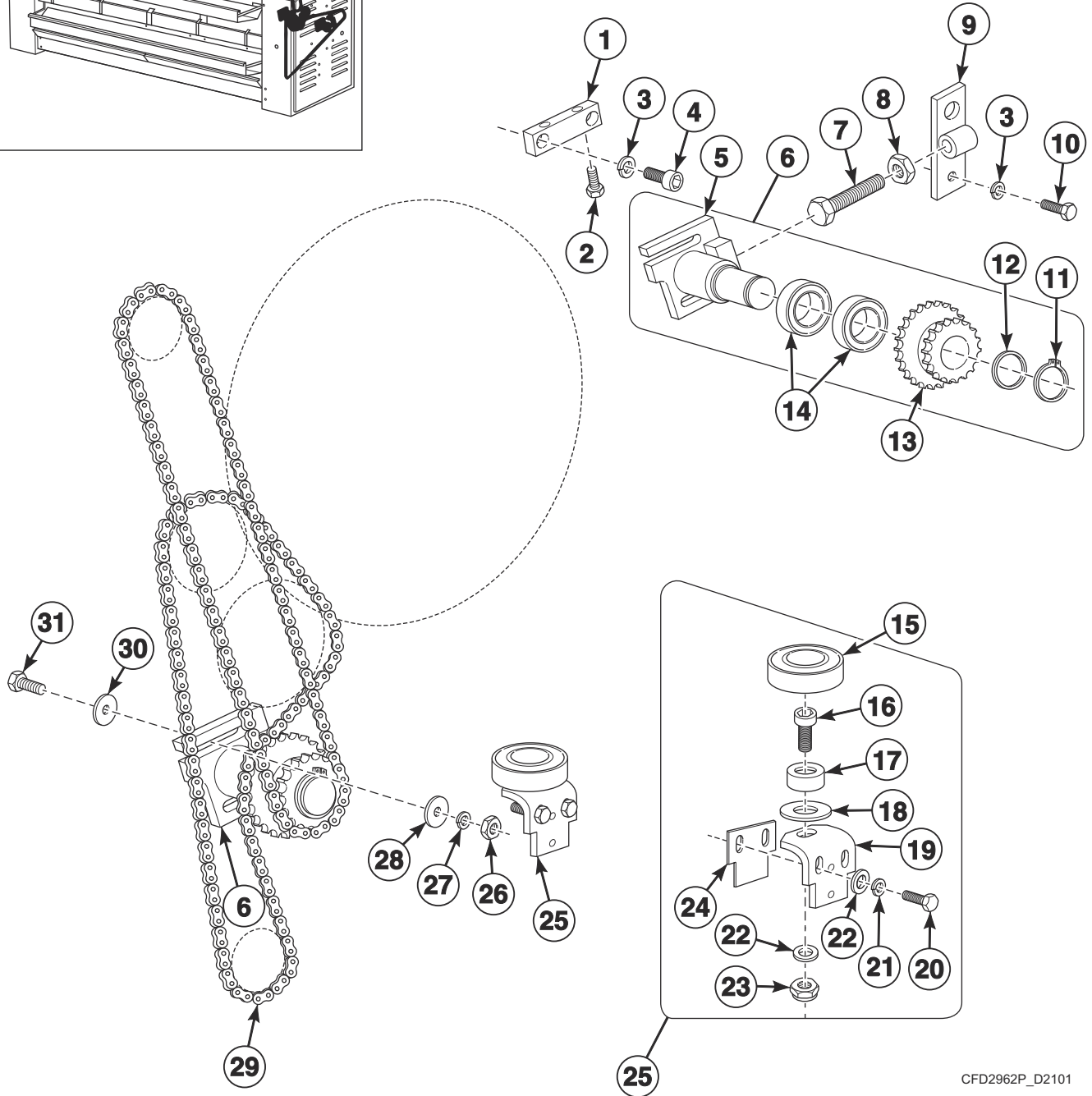
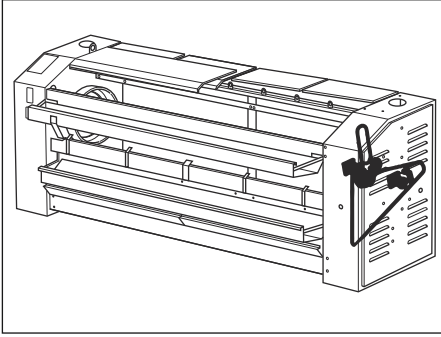
CZF52P\_D2101



# Drive

REF	PART NO.	DESCRIPTION	COMMENTS
1	SP506013	Bolt	M4x8; CE models
2	SP506550	Catch	Vended; CE models
3	SP314E00027414	Crank Board	
4	SP307732031062	Retaining Ring	62
5	SP529999	Crank Shaft	
6	SP509440	Spring	
7	SP509439	Crank Guide	
8	SP309084000410	Bolt	M4x10
9	SP101154	Isolation Plate	25, 26, 102, 250, 260 and 2600 models starting Serial No. 525I000943KB; 32, 126, 320 and 3200 models starting Serial No. 532I000918HQ
10	SPPRI610028017	Microswitch	
11	SP511020	Nut	25, 26, 102, 250, 260 and 2600 models starting Serial No. 525I000943KB; 32, 126, 320 and 3200 models starting Serial No. 532I000918HQ
12	SP505004	Microswitch Holder	
13	SP311902100006	Washer	6.4
14	SP311127000006	Washer	6
15	SP309933000620	Bolt	M6x20
16	SP505007	Pulley	
17	SP505003	Pulley Pin	
18	SP505005	Washer	
19	SP555504	Bolt	M4x12
20	SPPRI607000080	V-Belt	
21	SP509041	Shaft	
22	SP505449	Key	
23	SP509042	Chain Wheel	21-08
24	SP309912000620	Bolt	M6x20
25	SP514572	Washer	7x30x2
26	SP505421	Motor	With gearbox
27	SP507639	Gearbox Brace	
28	SP309933000825	Bolt	M8x25
29	SP311127000008	Washer	8
30	SP311902100008	Washer	M8
31	SP509078	Threaded Plate	
32	SP500602	V-Belt Pulley	
33	SP309912000830	Bolt	M8x30
34	SP314E36000014	Tightening Roller	Includes items 35, 36 and 38-40
35	SP307732030015	Retaining Ring	15
36	SP559453	Bearing	
37	SP309933000625	Bolt	M6x25
38	SP314E36000214	Roller Pin	
39	SP314E36000114	Tightening Roller	Item 38 not included
40	SP310439240012	Nut	M12
41	SP502374	Bearing	
42	SP314E00027614	Distance Tube	
43	SP505002	Crank Case	
44	SP506548	Lead Plumb	Vended; 14; CE models
	SP506549	Sealing Cable	Vended; 1.1; CE models
45	SP530000	Crank Handle	

# Chain Drives

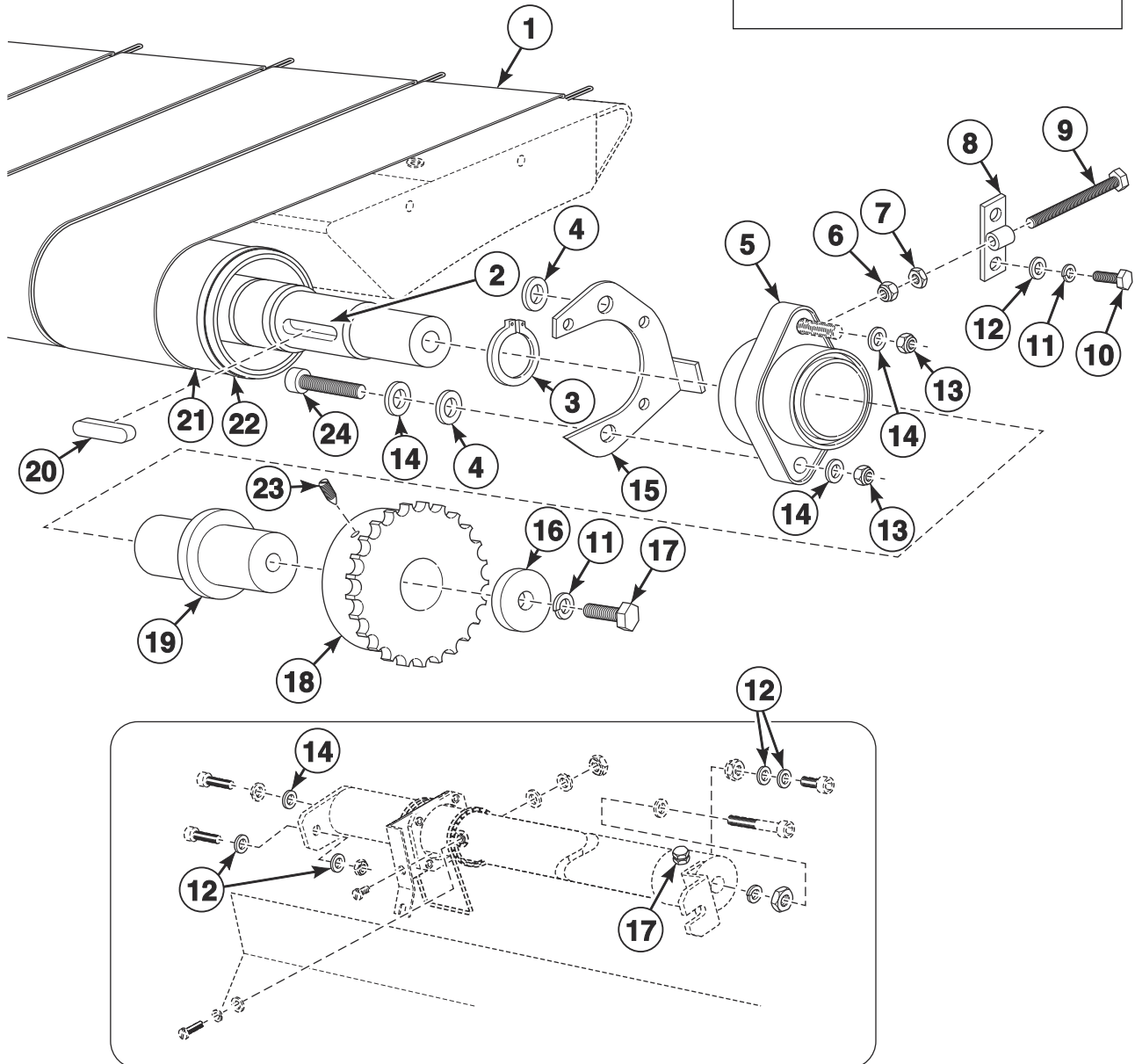
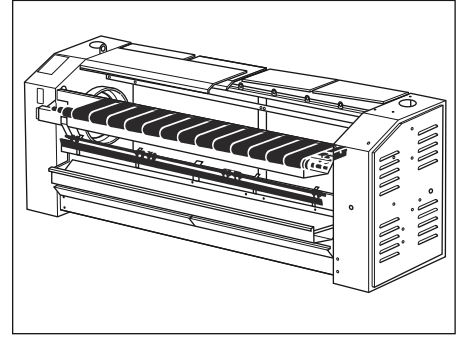


CFD2962P\_D2101

## Chain Drives

REF	PART NO.	DESCRIPTION	COMMENTS
1	SP517183	Bidirectional Stretcher	
2	SP309933000630	Bolt	M6x30
3	SP311127000006	Washer	6
4	SP309912000620	Bolt	M6x20
5	SP515E22100014	Complete Board	
6	SP515E22000014	Tightening System	
7	SP309933001080	Bolt	M10x80
8	SP310934000010	Nut	M10
9	SP515E21000014	Tightener	
10	SP309933000612	Bolt	M6x12
11	SP307732030015	Retaining Ring	
12	SP515E22000515	Washer	
13	SP515E22000413	Tension Chain Wheel	
14	SP326000600202	Bearing	
15	SPPRI608000041	Bearing	
16	SP309912001030	Bolt	M10x30
17	SP525130	Hub	
18	SPPRI611009025	Washer	10.5/36/2
19	SP525129	Support Pulley Bracket	
20	SP309933001025	Bolt	M10x25
21	SP311127000010	Washer	10
22	SP311125000010	Washer	10.5
23	SP310985000010	Nut	M10
24	SP525132	Distance Plate	
25	SP525131	Support Pulley	
26	SP310934000008	Nut	M8
27	SP311127000008	Washer	8
28	SP311902100008	Washer	8
29	SP318000080001	Main Drive Chain	
	SP318000080100	Connecting Element	
	SP514075	Half-Connecting Element	
30	SP311125000008	Washer	8.4
31	SP309933000830	Bolt	M8x30

# Feeding Belts

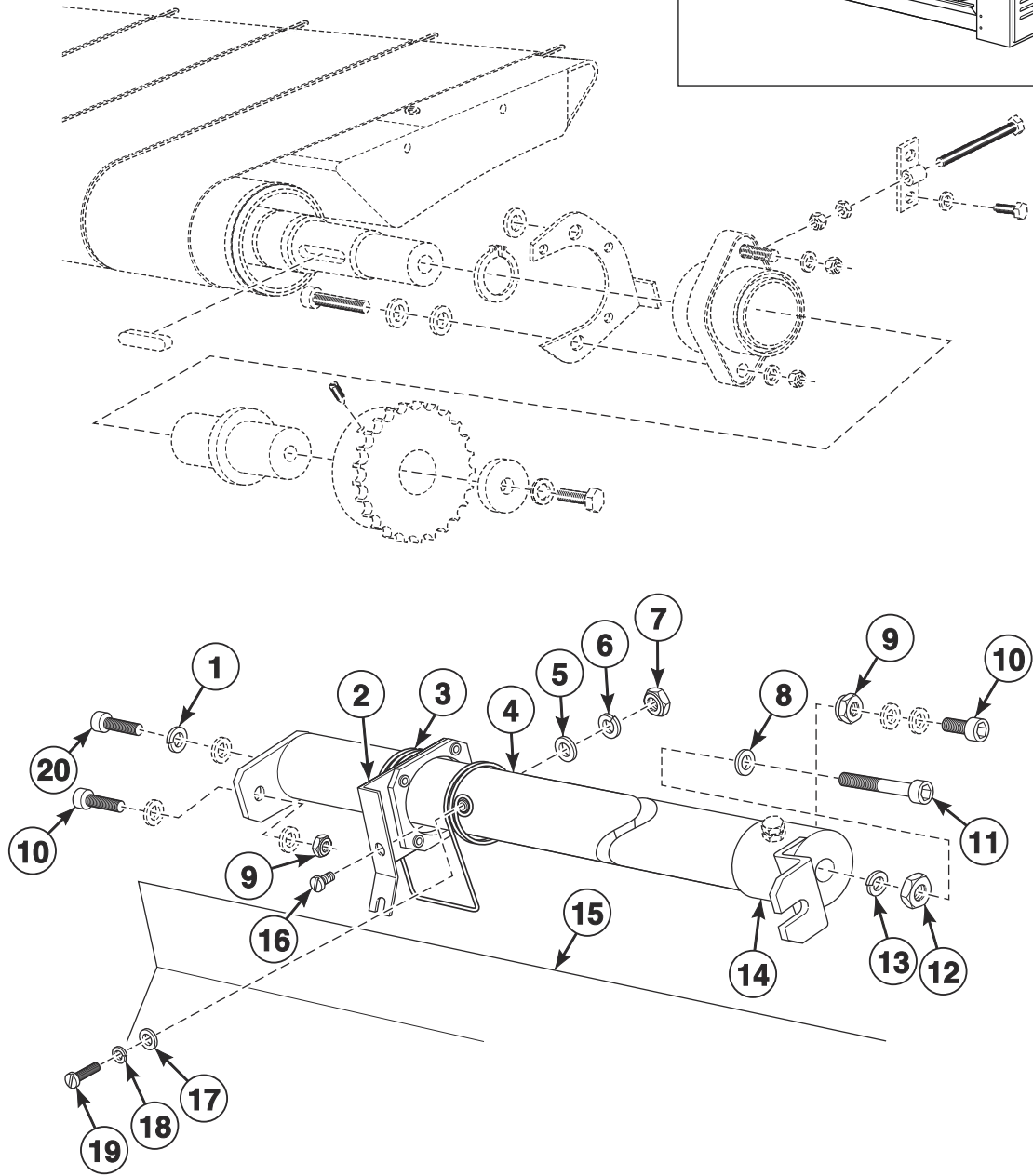
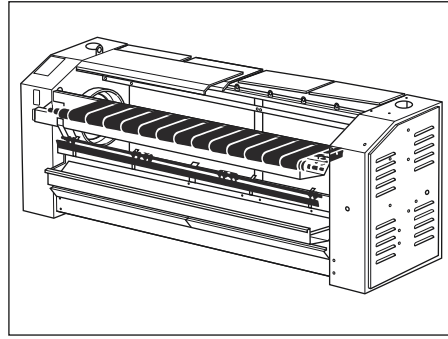


CFD3116P\_D2101

## Feeding Belts

REF	PART NO.	DESCRIPTION	COMMENTS
1	SP514026	Feeding Belt	With hooks; 645x100
	SP102783	Feeding Belt Connecting Pin	
2	SP529892	Padded Roller	25, 26, 102, 250, 260 and 2600 models
	SP529893	Padded Roller	32, 126, 320 and 3200 models
3	SP502367	Retaining Ring	30
4	SPPRI230000003	Washer	22x10x1
5	SP325000000031	Bearing	
6	SP514076	Nut	M10
7	SP310934000010	Nut	M10
8	SP515E21000014	Tightener	
9	SP309933001080	Bolt	M10x80
10	SP309933000610	Bolt	M6x10
11	SP311127000006	Washer	6
12	SP311125000006	Washer	6.4
13	SP310985000010	Nut	M10
14	SP311125000010	Washer	10.5
15	SP500655	Table Tightener	Right
	SP500656	Table Tightener	Left
16	SP515E00022115	Washer	
17	SP309933000620	Bolt	M6x20
18	SP500695	Chain Wheel	22-06
19	SP512410	Chain Wheel Hub	
20	SP525193	Feather	
21	SPMEC001410	Self-Adhesive Pad	25, 26, 102, 250, 260 and 2600 models 15.2 m; 32, 126, 320 and 3200 models 18.5 m
22	SP540140925706	Tightening Clip	
23	SP309916000408	Bolt	M4x8
24	SP309912001040	Bolt	M10x40

# Scrapers

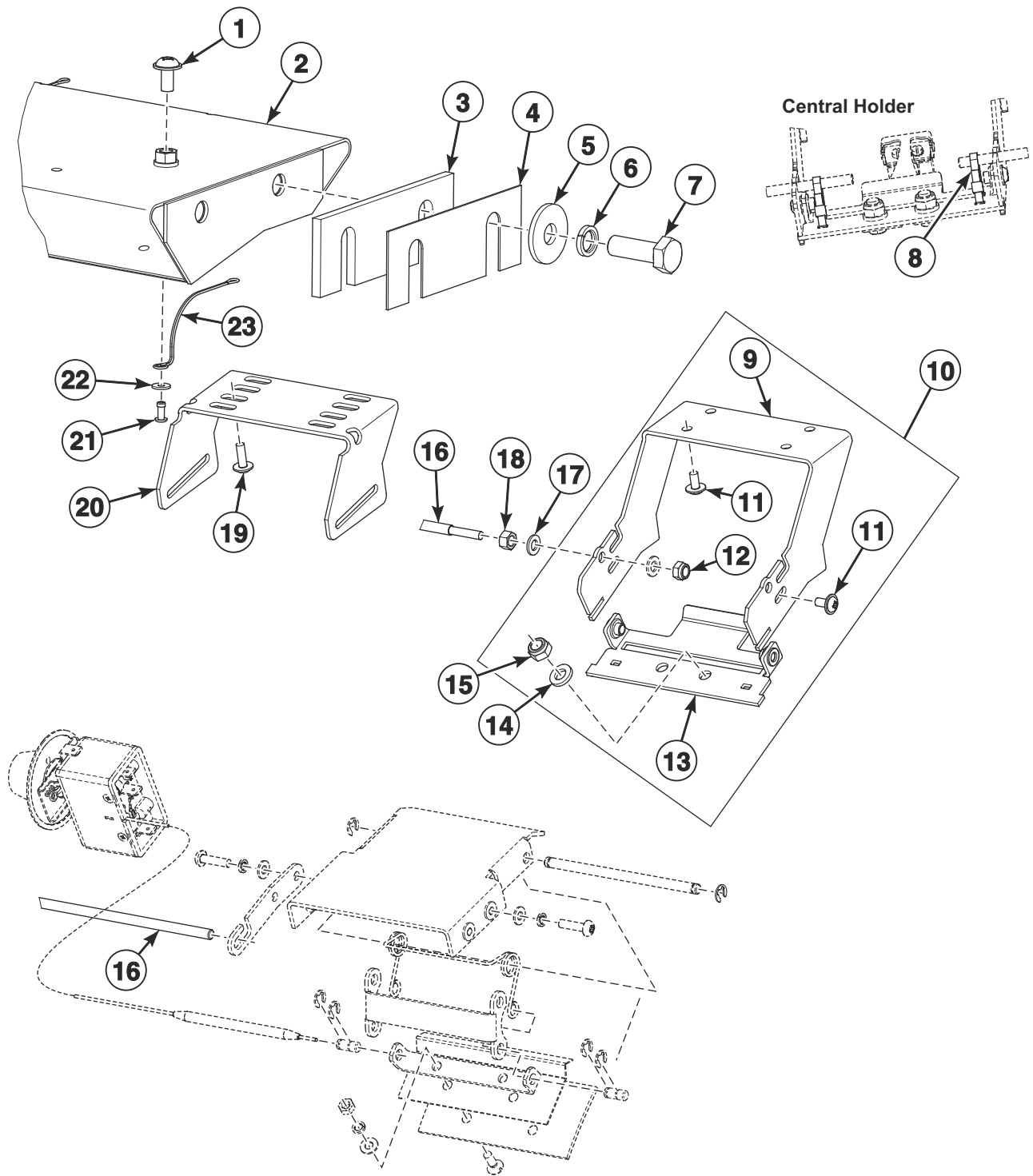


CFD3117P\_D2101

# Scrapers

REF	PART NO.	DESCRIPTION	COMMENTS
1	SP311127000010	Washer	10
2	SP512481	Scraper Bearer	
	SP525177	Scraper Bearer	With groove
3	SPI03332000814	Scraper Spring	
4	SP517172	Supporting Tube	25, 26, 102, 250, 260 and 2600 models
	SP517174	Supporting Tube	32, 126, 320 and 3200 models
5	SP311125240004	Washer	4.3
6	SP311127240004	Washer	4
7	SP310934240004	Nut	M4
8	SP311125000013	Washer	13
9	SP310985000006	Nut	M6
10	SP309912120625	Bolt	M6x25
11	SP309912121260	Bolt	M12x60
12	SP310934000012	Nut	M12
13	SP311127000012	Washer	12
14	SP512482	Scraper Holder	
15	SP517176	Scraper	
16	SP309966240410	Bolt	M4x10
17	SP311125000005	Washer	5.3
18	SP311127000005	Washer	5
19	SP309084000510	Bolt	M5x10
20	SP309912001030	Bolt	M10x30

# Inserting Table



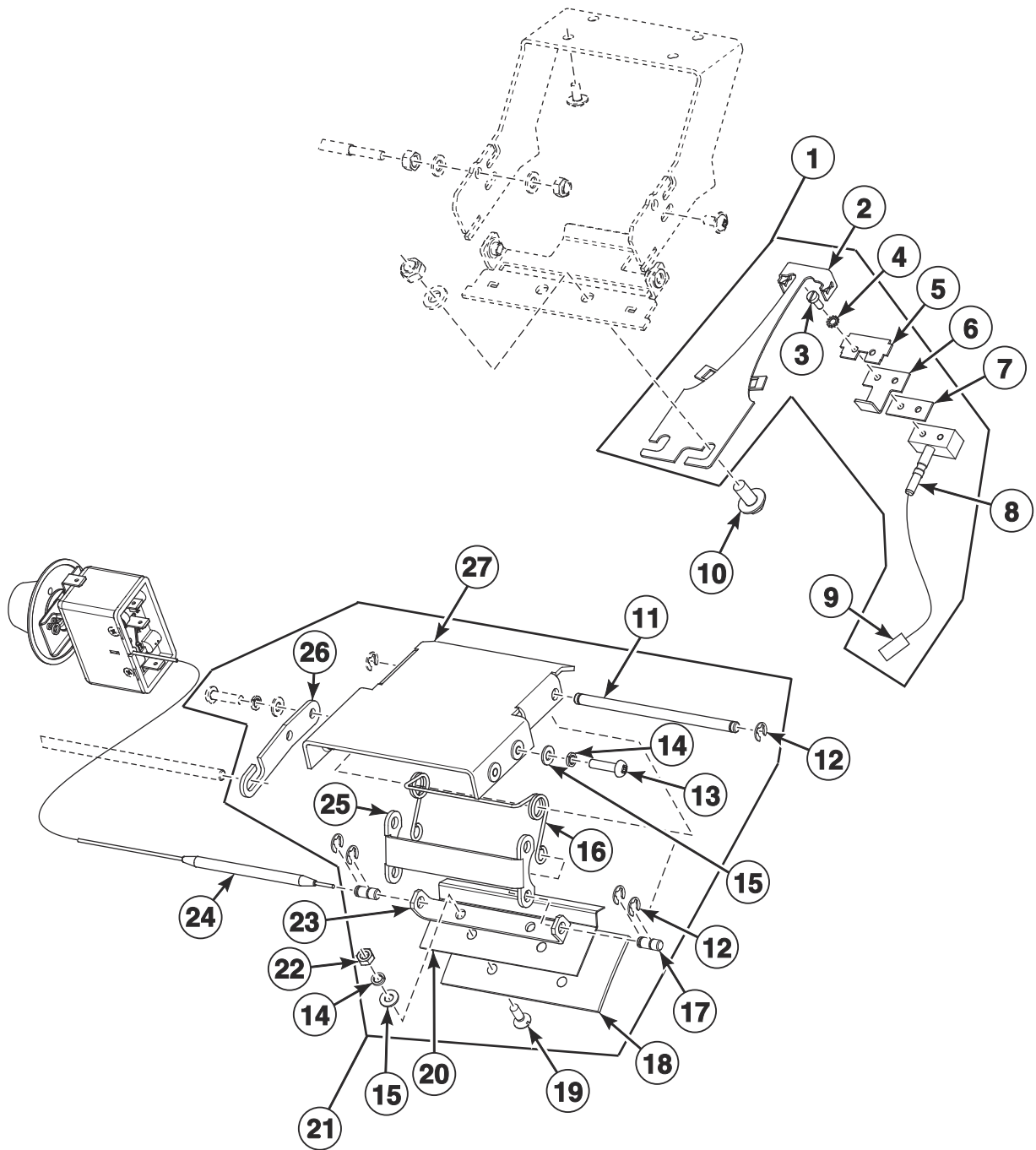
CFD3118P\_D2101



## Inserting Table

REF	PART NO.	DESCRIPTION	COMMENTS
1	SP309595240612	Bolt	M6x12
2	SP500672	Inserting Table	25, 26, 102, 250, 260 and 2600 models
	SP500671	Inserting Table	32, 126, 320 and 3200 models
3	SP320E39000514	Washer	
4	SP525364	Washer	
5	SP311902100010	Washer	10
6	SP311127000010	Washer	10
7	SP309933001030	Bolt	M10x30
8	SP345000160971	Binding Strip	
9	SP558722	Holder	
10	SP558725	Holder	
11	SP506013	Bolt	M4x8
12	SP310985000005	Nut	M5
13	SP558724	Holder	
14	SP311125240006	Washer	6.4
15	SP310985000006	Nut	M6
16	SP560917	Guide Bar	25, 26, 102, 250, 260 and 2600 models
	SP560918	Guide Bar	32, 126, 320 and 3200 models
17	SP311125240005	Washer	5/5.3/10/1
18	SP310934240005	Nut	M5
19	SP521957	Bolt	M4x12
20	SP500749	Thermounit Holder	
21	SP313250032008	Rivet	3.2x8
22	SP311734900003	Washer	M3/3.2/9/1
23	SP505095	Finger	

# Temperature Sensors - Models Through July 31, 2019



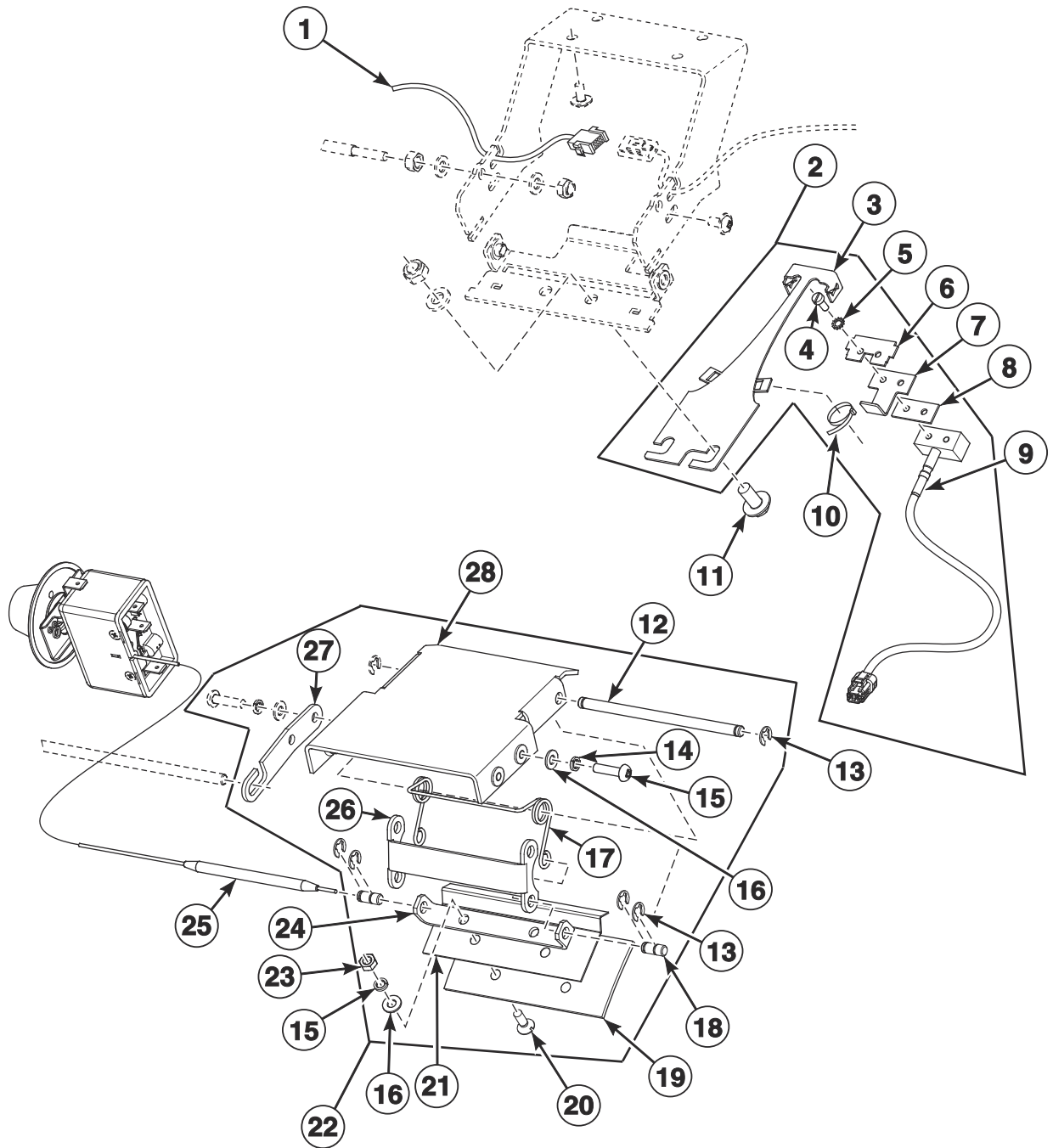
CFD3119P\_D2101

## Temperature Sensors - Models Through July 31, 2019

REF	PART NO.	DESCRIPTION	COMMENTS
	571211	Temperature Sensor Replacement Kit	Left and middle sensor kit; Refer to instruction 7-18-238
	571210	Temperature Sensor Replacement Kit	Right sensor kit; Refer to instruction 7-18-238
1	NA	Temperature Sensor	Left and middle; Includes items 2-9
	NA	Temperature Sensor	Right; Includes items 2-9
2	SP545108	Finger	
3	SP559413	Bolt	M3x8
4	SP311679824003	Washer	3
5	SP545107	Pin	
6	SP545123	Range Limiter	
7	SP540230	Isolation Plate	
8	NA	Temperature Sensor	Includes item 9: 2.5 m; Left and middle
	NA	Temperature Sensor	Includes item 9: 4.5 m; Right
9	NA	Connector	Use with left and middle sensors
	NA	Contact	Use with left and middle sensors
	NA	Connector	Use with right sensor
	NA	Contact	Use with right sensor
10	SP309595124612	Bolt	M6x12
11	SP500758	Rod	
12	SP504529	Retaining Ring	
13	SP309798524416	Bolt	M4x16
14	SP311127240004	Washer	4
15	SP311125240004	Washer	4.3
16	SP500750	Thermounit Spring	
17	SP500759	Pin	
18	SP519427	Thermoelement Holder	
19	SP309963240412	Bolt	M4x12
20	SP519421	Thermoelement Holder	
21	SP519509	Thermoelement Holder	
22	SP310934240004	Nut	M4
23	SP500756	Sensor Plate Bearer	
24	SPMEC001055	Thermostat	
25	SP500755	Sensor Plate Bearer	
26	SP500751	Guide Bar Holder	
27	SP500752	Sensor Bearer	

N/A = Part no longer available

# Temperature Sensors - Models Starting August 1, 2019

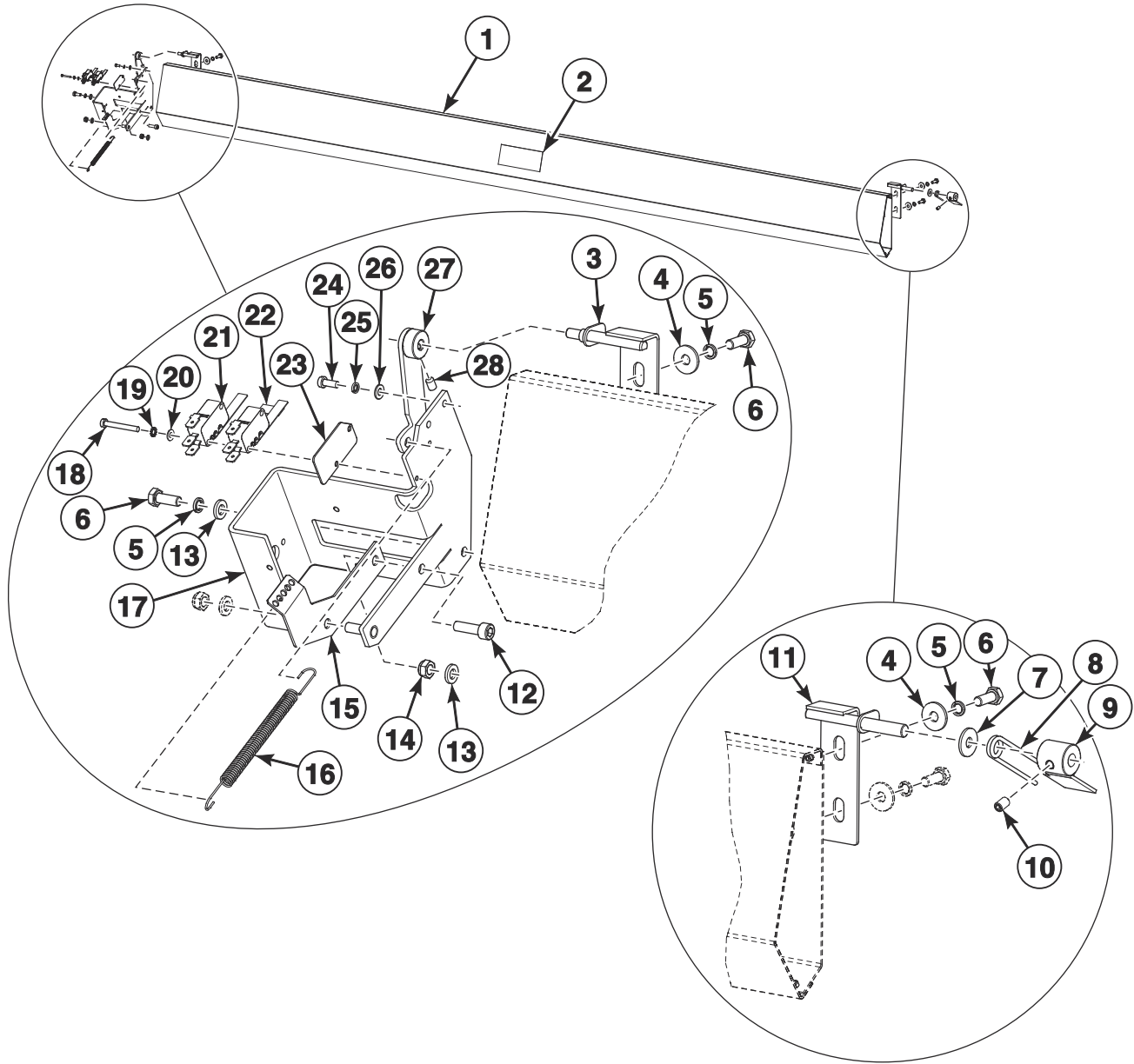
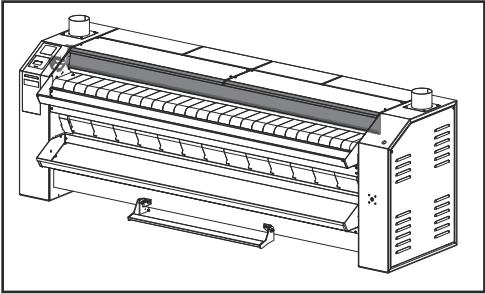


CZF134P\_D2101

## Temperature Sensors - Models Starting August 1, 2019

REF	PART NO.	DESCRIPTION	COMMENTS
1	569741	Cable	Left; 3 pins
	569743	Cable	Middle; 3 pins
	569745	Cable	Right; 5 pins; 25, 26, 102, 250, 260 and 2600 models
	569746	Cable	Right; 5 pins; 32, 126, 320 and 3200 models
2	563800	Temperature Sensor Assembly	
3	SP545108	Finger	
4	SP559413	Bolt	M3x8
5	SP311679824003	Washer	3
6	SP545107	Pin	
7	SP545123	Range Limiter	
8	SP540230	Isolation Plate	
9	563788	Temperature Sensor	With connector
10	SP345000626088	Binding Strip	
11	SP309595124612	Bolt	M6x12
12	SP500758	Rod	
13	SP504529	Retaining Ring	
14	SP311127240004	Washer	4
15	SP309798524416	Bolt	M4x16
16	SP311125240004	Washer	4.3
17	SP500750	Thermounit Spring	
18	SP500759	Pin	
19	SP519427	Thermoelement Holder	
20	SP309963240412	Bolt	M4x12
21	SP519421	Thermoelement Holder	
22	SP519509	Thermoelement Holder	
23	SP310934240004	Nut	M4
24	SP500756	Sensor Plate Bearer	
25	SPMEC001055	Thermostat	
26	SP500755	Sensor Plate Bearer	
27	SP500751	Guide Bar Holder	
28	SP500752	Sensor Bearer	

# Safety Bar

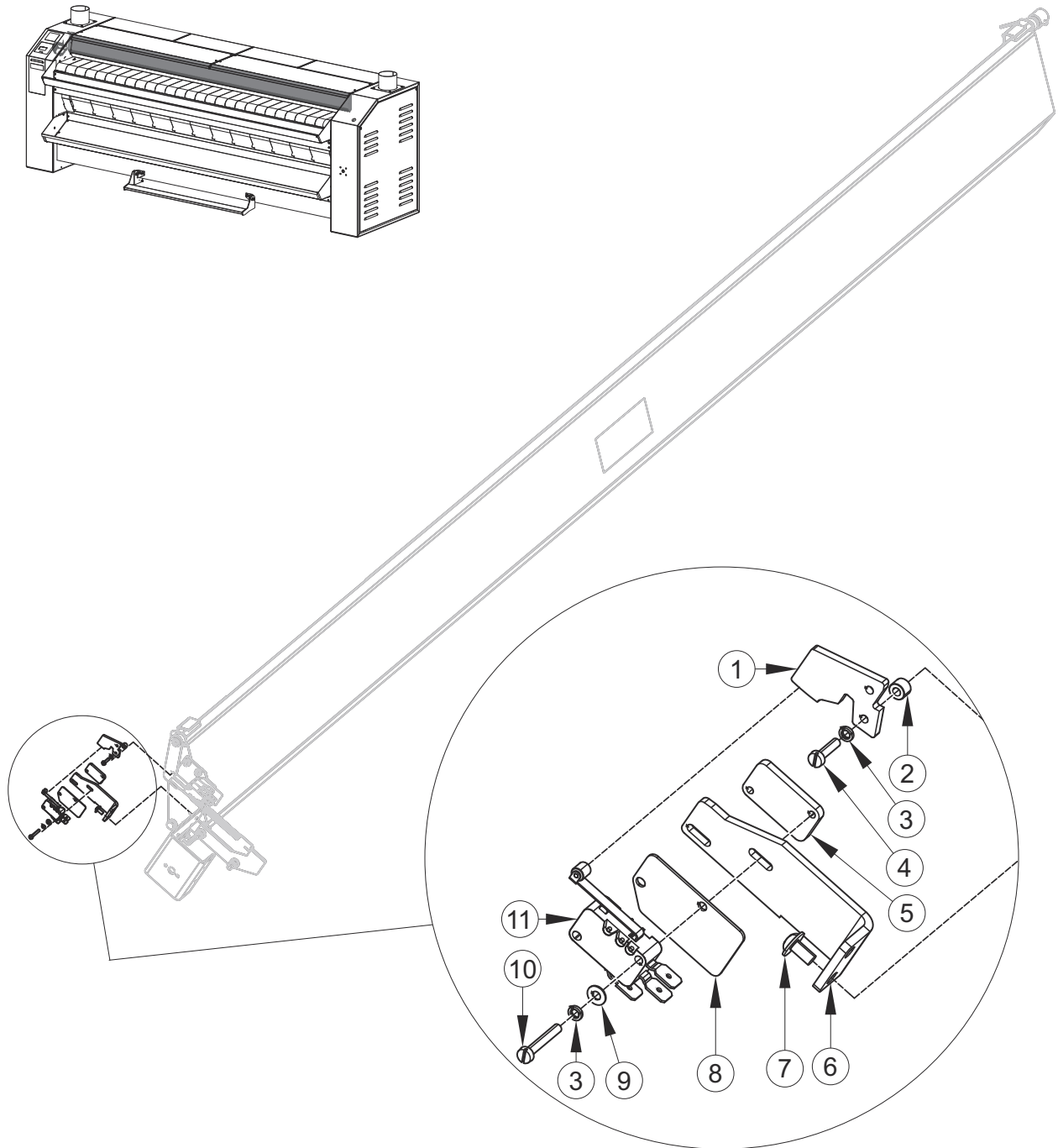


CZF21P\_D2101

# Safety Bar

REF	PART NO.	DESCRIPTION	COMMENTS
1	SP558690	Safety Bar	CE FCL, FCN, FCP, I, LPR, LSR and Non-Brand 25, 26, 250 and 260 models; Black
	SP558692	Safety Bar	CE FCL, FCN, FCP, I, LPR, LSR and Non-Brand 32 and 320 models; Black
	SP558691	Safety Bar	CE 26, 260 and 2600 FCI models; Red
	SP558693	Safety Bar	CE 32, 320 and 3200 FCI models; Red
	SP511146	Safety Bar	26, 102, 260 and 2600 FCS and FCU models; Stainless steel
	SP511147	Safety Bar	32, 126, 320 and 3200 FCS and FCU models; Stainless steel
2	SP545087	Label	Linen feeding
3	SP558672	Hinge	Left
4	SP311902100006	Washer	M6/6.4/18/1.6
5	SP311127000006	Washer	6
6	SP309933000616	Bolt	M6x16
7	SP309916000610	Bolt	M6x10
8	SP320E19400014	Spring Finger	
9	SPPRI611000045	Spring	
10	SP545027	Washer	6,4
11	SP514268	Hinge	Right
12	SP528549	Bolt	M6x20
13	SP311125000006	Washer	6.4
14	SP310985000006	Nut	M6
15	SP558695	Spring Console	
16	SP545026	Spring	
17	SP558696	Console	
18	SP309084240325	Bolt	M3x25
19	SP311679800003	Washer	M3
20	SP311125000003	Washer	3.2
21	SPPRI610011077	Microswitch	
22	SP517484	Microswitch	
23	SP101154	Isolation Plate	
24	SP309084000410	Bolt	M4x10
25	SP311127000004	Washer	4
26	SP311125000004	Washer	4.3
27	SP558694	Switch Lever	
28	SP525168	Bolt	M5x8

**Safety Bar - CSA Models,  
FCU020102T Starting Serial No. 525I000943KB and  
FCU020126T Starting Serial No. 532I000918HQ**



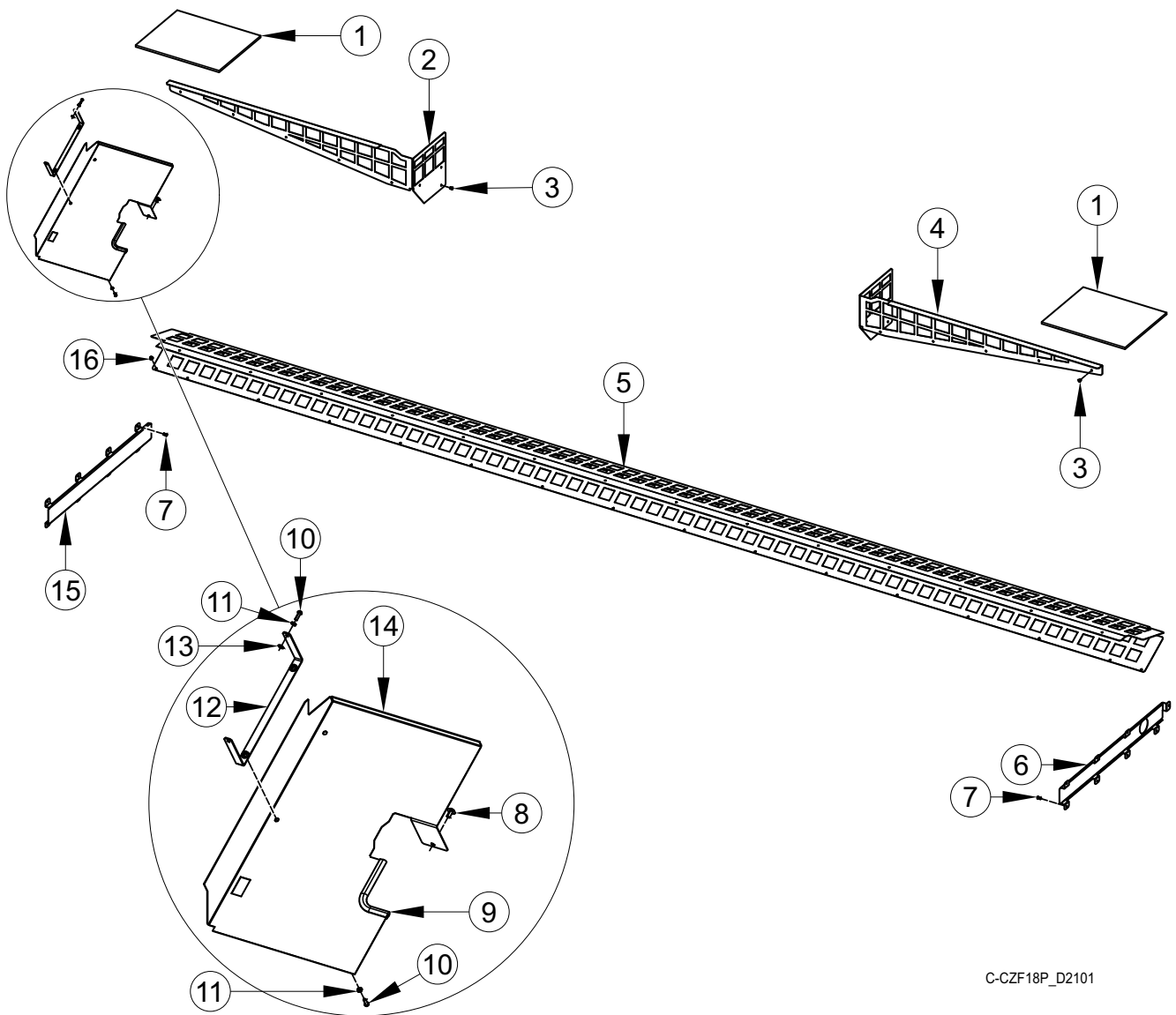
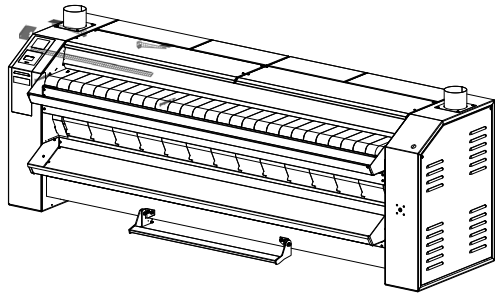
C-CZF9P\_D2101



**Safety Bar - CSA Models,  
FCU020102T Starting Serial No. 525I000943KB and  
FCU020126T Starting Serial No. 532I000918HQ**

<b>REF</b>	<b>PART NO.</b>	<b>DESCRIPTION</b>	<b>COMMENTS</b>
	563746	Microswitch Complete	Includes items 1-11
	SP245704003021	Adhesive	Loctite 243
<b>1</b>	563744	Finger	
<b>2</b>	563748	Tube	
<b>3</b>	SP311127240003	Washer	M3
<b>4</b>	SP309084240312	Bolt	M3x12
<b>5</b>	SP511020	Nut	
<b>6</b>	563749	Bracket	
<b>7</b>	SP510863	Screw	M4x8
<b>8</b>	SP101154	Isolation Plate	
<b>9</b>	SP311125240003	Washer	3
<b>10</b>	SP309084000320	Bolt	M3x20
<b>11</b>	568791	Microswitch	

**Safety Kit - CSA Models,  
FCU020102T Starting Serial No. 525I000943KB and  
FCU020126T Starting Serial No. 532I000918HQ**

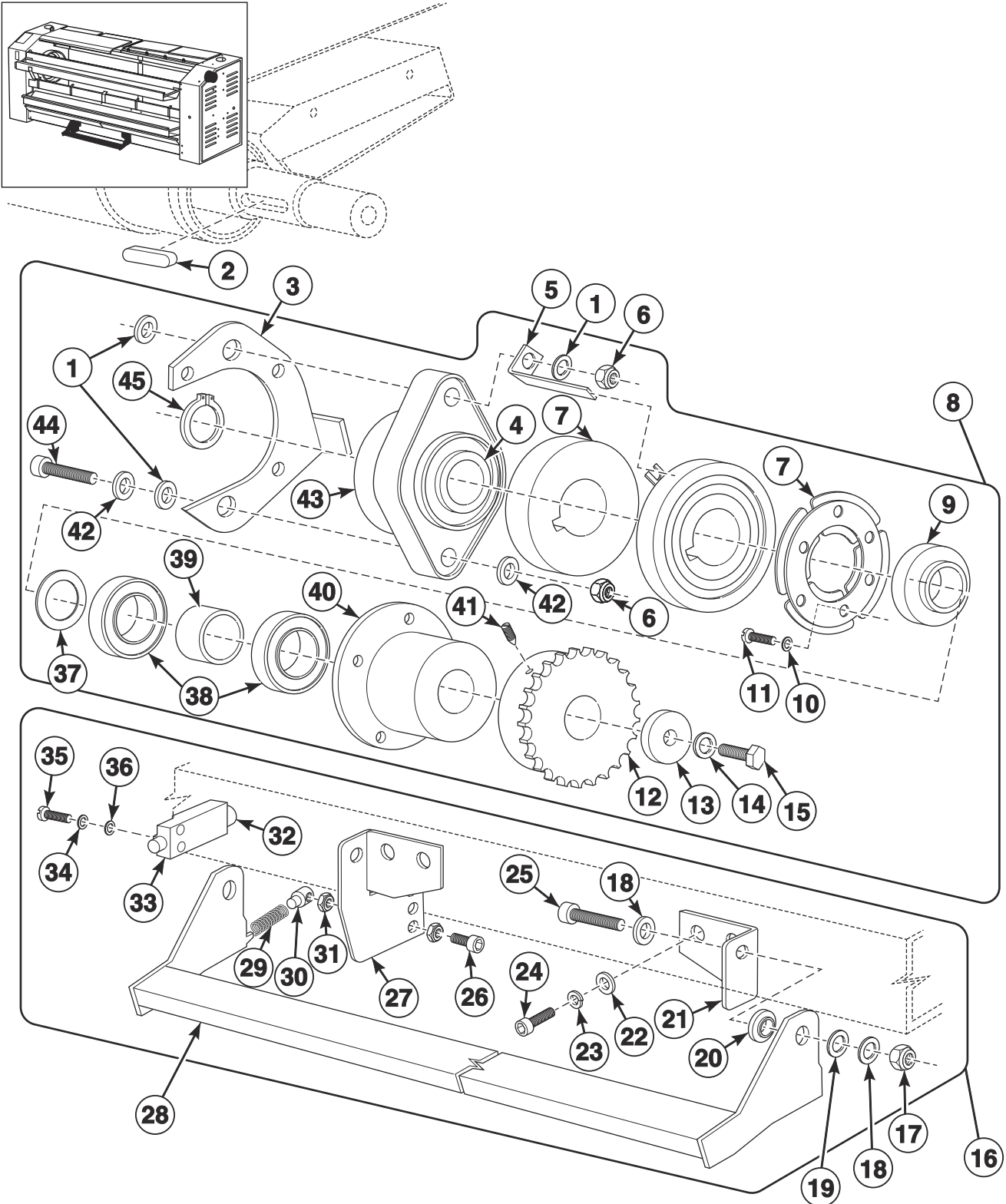


C-CZF18P\_D2101

**Safety Kit - CSA Models,  
FCU020102T Starting Serial No. 525I000943KB and  
FCU020126T Starting Serial No. 532I000918HQ**

REF	PART NO.	DESCRIPTION	COMMENTS
1	568496	Isolation	Rear
2	568440	Cover Grid Belts	Left
3	SP313250032008	Rivet	3.2x8
4	568439	Cover Grid Belts	Right
5	559457	Grate Touch	Model FCU020102T
	559458	Grate Touch	Model FCU020126T
6	568446	Cover	Right; Electric heat; Model FCU020102T starting Serial No. 525I000943KB; Model FCU020126T starting Serial No. 532I000918HQ
7	SP505480	Rivet	Electric heat; 3.2x9.2
8	SP506013	Bolt	Electric heat; M4x8
9	SPPRI505000058	Profiled Sealing	Electric heat
10	SP518719	Bolt	Electric heat; 3x10
11	SP311679800003	Washer	Electric heat; M3
12	568519	Cover Holder	Electric heat; Model FCU020102T starting Serial No. 525I000943KB; Model FCU020126T starting Serial No. 532I000918HQ
13	SP311125240003	Washer	Electric heat; 3.2
14	562235	Control Board Cover	Electric heat; Model FCU020102T starting Serial No. 525I000943KB; Model FCU020126T starting Serial No. 532I000918HQ
15	568445	Cover	Left; Electric heat; Model FCU020102T starting Serial No. 525I000943KB; Model FCU020126T starting Serial No. 532I000918HQ
16	SP313250004063	Rivet	4x4.3

# Clutch and Pedal

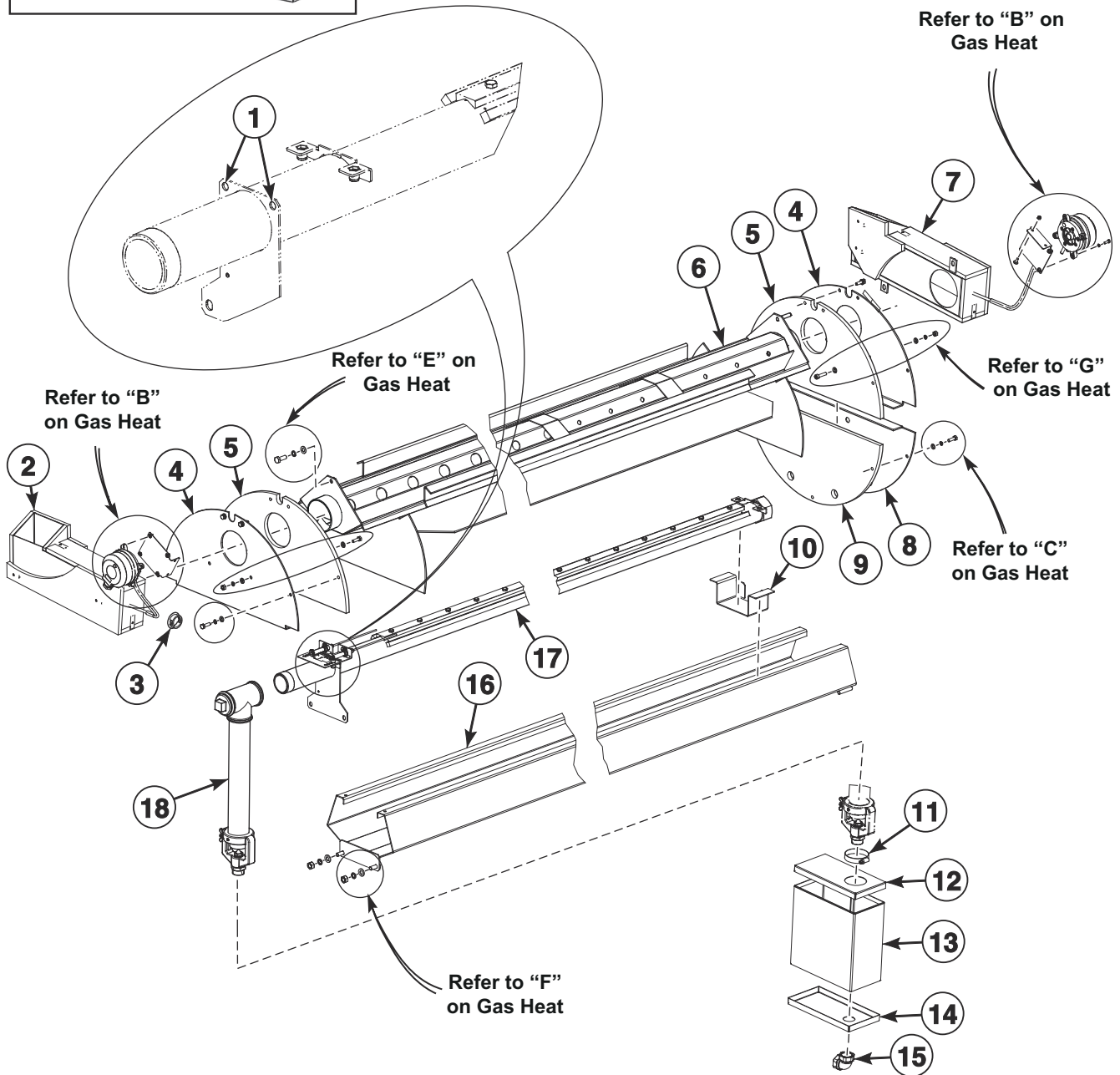
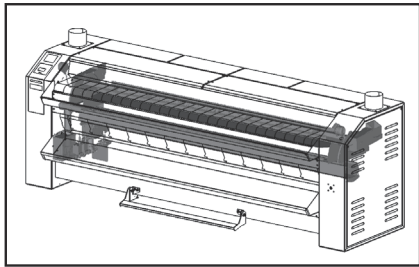


CZF59P\_D2101

## Clutch and Pedal

REF	PART NO.	DESCRIPTION	COMMENTS
1	SPPRI230000003	Washer	22x10x1
2	SP525193	Feather	
3	SP500655	Table Tightener	Right
4	SP529906	Ring	
5	SP529849	Torque Holder	
6	SP310985000010	Nut	M10
7	SP502347	Clutch Electromagnet	
8	SP529954	Clutch	
9	SP505020	Clutch Ring	
10	SP311127240005	Washer	5
11	SP309084240510	Bolt	M5x10
12	SP500695	Chain Wheel	22-06
13	SP515E00022115	Washer	
14	SP311127000006	Washer	6
15	SP309933000620	Bolt	M6x20
16	SP525210	Stop Pedal Assembly	
17	SP310985000010	Nut	M10
18	SP311125000010	Washer	10.5
19	SP525223	Washer	PA
20	SP525222	Ring	PA
21	SP525220	Pedal Hinge	Right
22	SP311125000010	Washer	10.5
23	SP311127000010	Washer	10
24	SP309912001030	Bolt	M10x30
25	SP309912001040	Bolt	M10x40
26	SP525167	Bolt	M6x30
27	SP525219	Pedal Hinge	Left
28	SP525217	Pedal	
29	SP515E00024614	Pressure Spring	
30	SP525221	Spring Pin	
31	SP310934000006	Nut	M6
32	SP100980	Cable Bushing	
33	SP347000000111	Switch	
34	SP311127000004	Washer	4
35	SP503816	Bolt	M4x30
36	SP311125000004	Washer	4.3
37	570210	Washer	25, 26, 102, 250, 260 and 2600 models starting Serial No. 525I000916HU; 32, 126, 320 and 3200 models starting Serial No. 532I000921HU
38	SP326000600202	Bearing	
39	SP500702	Distance Ring	
40	SP500694	Chain Wheel Bearer	
41	SP309916000408	Bolt	M4x8
42	SP311125000010	Washer	10.5
43	SP325000000031	Bearing	
44	SP309912001040	Bolt	M10x40
45	SP502367	Retaining Ring	30

**Gas Heat - CE Models (Drawing 1 of 4) 2600 Models,  
3200 Models with Gas G20, G25, G20<->G25  
Models Through Serial No. 532I001075MS - 3200 Models with  
Gas G30 - G31, G31, G30<->G31**

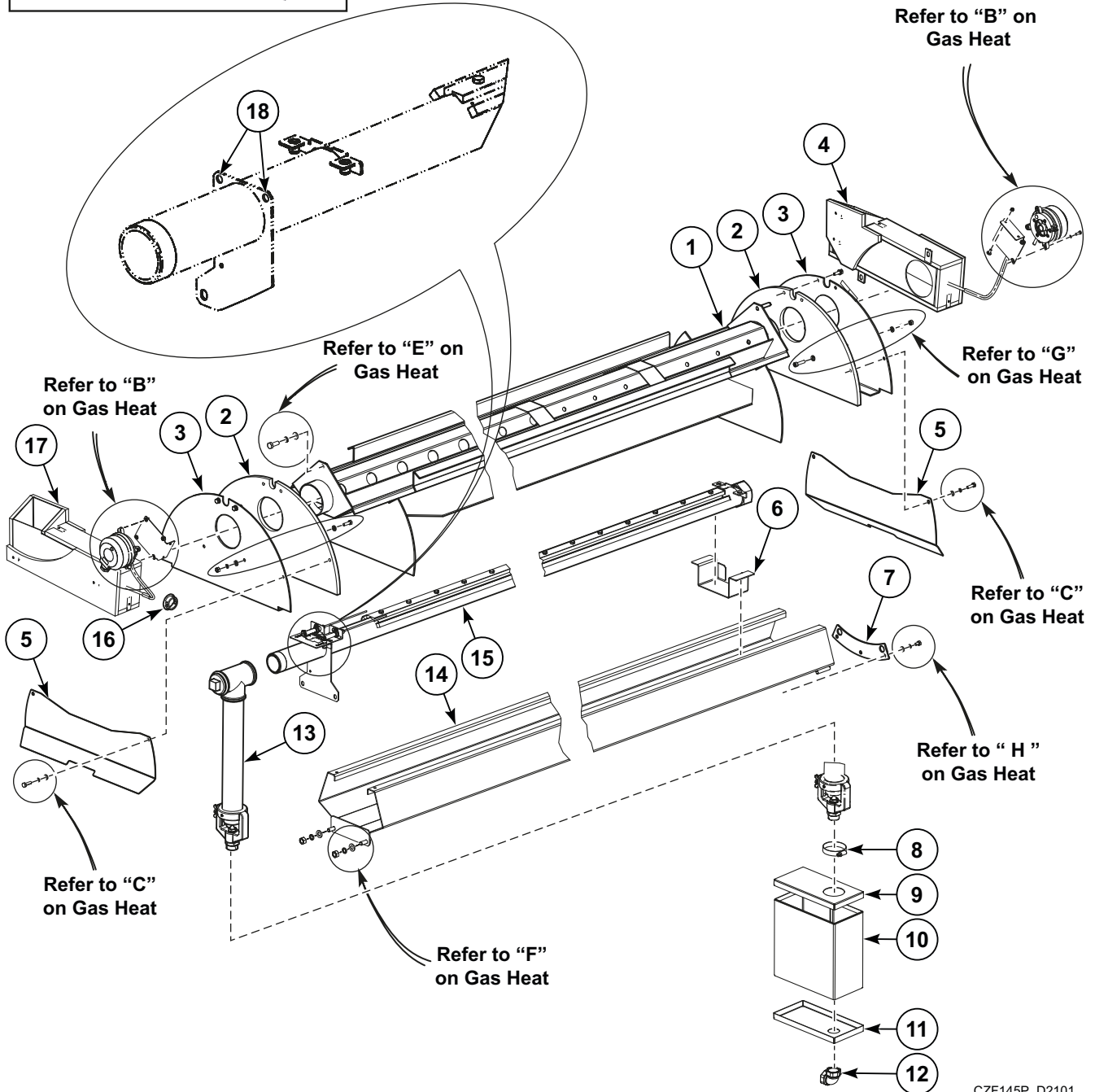
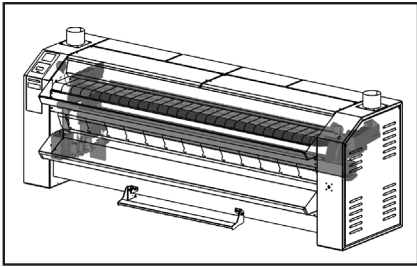


CZF39P\_D2101

**Gas Heat - CE Models (Drawing 1 of 4) 2600 Models,  
3200 Models with Gas G20, G25, G20<->G25  
Models Through Serial No. 532I001075MS - 3200 Models with  
Gas G30 - G31, G31, G30<->G31**

REF	PART NO.	DESCRIPTION	COMMENTS
1	SP273121005052	Cable Passage	5,5x2
2	SPI03365000023	Exhaust Tunnel	Left
3	SPPRI505000064	Plug	Left; 25, 26, 250, 260 and 2600 models starting Serial No. 525I000925HQ; 32, 320 and 3200 models starting Serial No. 532I000919HQ
4	SPI03175000113	Cover	
5	SPI03175000213	Isolation	
6	SPI03325000013	Exhaust	25, 26, 250, 260 and 2600 models
	SPI03425000013	Exhaust	32, 320 and 3200 models
7	SPI03173000023	Exhaust Tunnel	Right
8	SPI03376000113	Cover	
9	SPI03376000213	Isolation	
10	SPI03344000623	Burner Brace	
11	SPPRI240000017	Hose Clamp	
12	SPI03374000513	Upper Part	
13	SP314G74100013	Injector Sieve	
14	SP314G74000613	Lower Part	
15	SPPRI426002072	Elbow	3/4 inch
16	SPI03343000013	Burner Trough	25, 26, 250, 260 and 2600 models
	SPI03443000013	Burner Trough	32, 320 and 3200 models
17	SP558624	Gas Burner	25, 26, 250, 260 and 2600 models
	SP558625	Gas Burner	32, 320 and 3200 models
18	SP357201309300	Mixing Tube	Without nozzle

# Gas Heat - CE Models (Drawing 2 of 4) Models Starting Serial No. 532I001076MS - 3200 Models with Gas G30 - G31, G31, G30<->G31



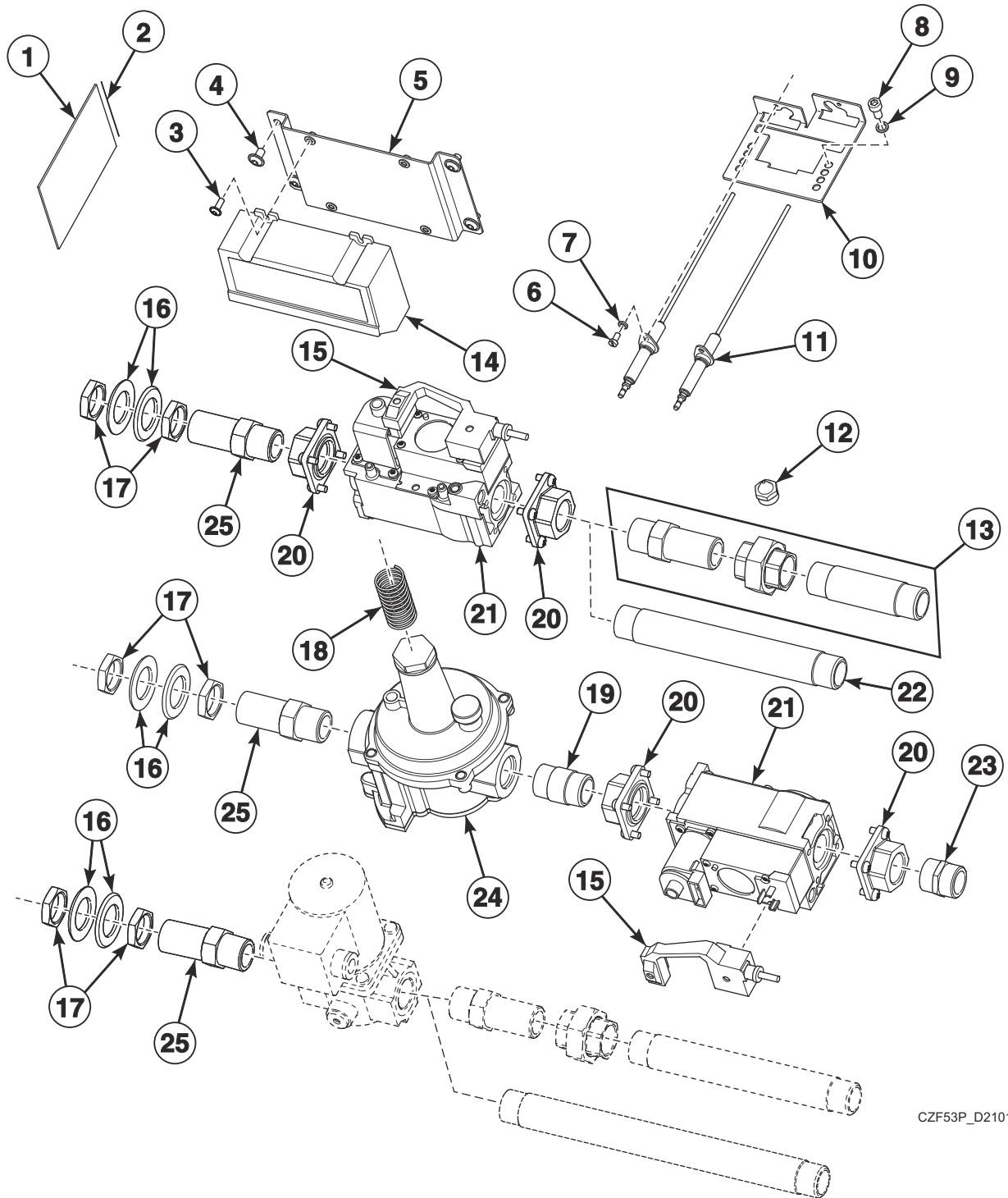
CZF145P\_D2101



## Gas Heat - CE Models (Drawing 2 of 4) Models Starting Serial No. 532I001076MS - 3200 Models with Gas G30 - G31, G31, G30<->G31

REF	PART NO.	DESCRIPTION	COMMENTS
1	SPI03325000013	Exhaust	25, 26, 250, 260 and 2600 models
	SPI03425000013	Exhaust	32, 320 and 3200 models
2	SPI03175000213	Isolation	
3	SPI03175000113	Cover	
4	SPI03173000023	Exhaust Tunnel	Right
5	568428	Cover	
6	SPI03344000623	Burner Brace	
7	563721	Cover	
8	SPPRI240000017	Hose Clamp	
9	SPI03374000513	Upper Part	
10	SP314G74100013	Injector Sieve	
11	SP314G74000613	Lower Part	
12	SPPRI426002072	Elbow	3/4 inch
13	SP357201309300	Mixing Tube	Without nozzle
14	SPI03343000013	Burner Trough	25, 26, 250, 260 and 2600 models
	SPI03443000013	Burner Trough	32, 320 and 3200 models
15	SP558624	Gas Burner	25, 26, 250, 260 and 2600 models
	SP558625	Gas Burner	32, 320 and 3200 models
16	SPPRI505000064	Plug	Left; 25, 26, 250, 260 and 2600 models starting Serial No. 525I000925HQ; 32, 320 and 3200 models starting Serial No. 532I000919HQ
17	SPI03365000023	Exhaust Tunnel	Left
18	SP273121005052	Cable Passage	5,5x2

# Gas Heat - CE Models (Drawing 3 of 4)

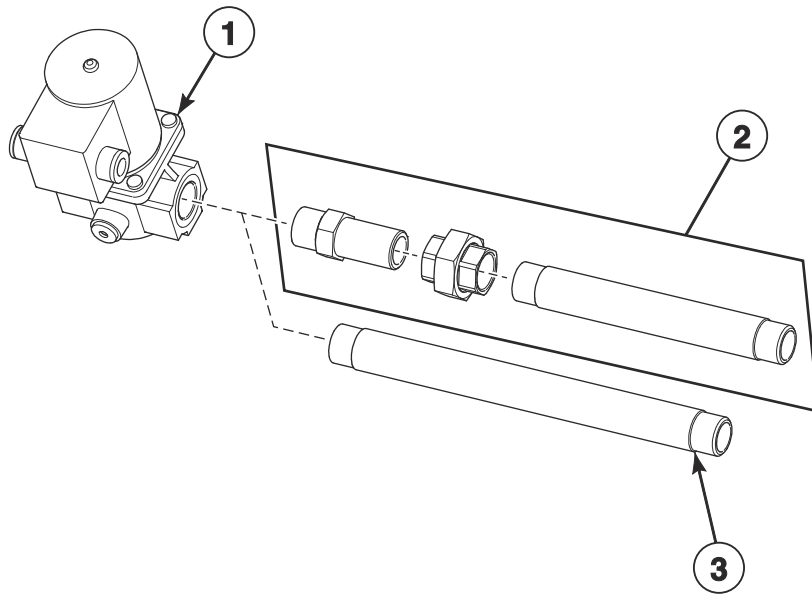


CZF53P\_D2101

## Gas Heat - CE Models (Drawing 3 of 4)

REF	PART NO.	DESCRIPTION	COMMENTS
1	SP516715	Transparent Foil	Self adhesive
2	SP547150	Serial Plate	
3	SP521957	Bolt	M4x12
4	SP540342	Bolt	M6x10
5	SP558702	Holder	
6	SP309084240408	Bolt	M4x8
7	SP311127240004	Washer	4
8	SP545101	Bolt	M6x12
9	SP311127240006	Washer	6
10	SP560912	Adapter	
11	SP506420	Electrode	
12	SP357203000240	Nozzle	240
	SP357203000250	Nozzle	250
	SP357203000270	Nozzle	270
	SP357203000280	Nozzle	280
	SP357203000300	Nozzle	300
	SP357203000310	Nozzle	310
	SP504510	Nozzle	320
	SP357203000350	Nozzle	350
	SP504509	Nozzle	360
	SP357203000410	Nozzle	410
	SP357203000420	Nozzle	420
	SP357203000440	Nozzle	440
	SP357203000460	Nozzle	460
	SP357203000470	Nozzle	470
	SP357203000490	Nozzle	490
	SP504508	Nozzle	540
	SP504507	Nozzle	560
	SP504506	Nozzle	600
	SP357203000620	Nozzle	620
	SP357203000640	Nozzle	640
SP357203000700	Nozzle	700	
13	568404	Gas Pipeline-Service Kit	Includes items 20 and 22
14	SP549481	Ignition Unit	50 Hertz
	SP357456010080	Ignition Unit	60 Hertz
15	SP357500459412	Gas Valve Cable	
	SP516681	Butt Splice	50 Hertz
	SP345000034070	Butt Splice	50 Hertz
16	SP223111000814	Washer	
17	SP223111000614	Nut	G 3/4
18	SP563684	Gas Pressure Regulator Spring	
19	SP556535	Tube	45 mm long
20	SP514062	Flange	
21	SP357460460500	Gas Valve	50 Hertz
22	SPI03100017524	Tube	200 mm long
23	SPPRI426001217	Pipe Nipple	3/4 inch
24	SP563683	Gas Pressure Regulator	
25	SP314S00016214	Reducing Insert	

# Gas Heat - CE Models (Drawing 4 of 4)



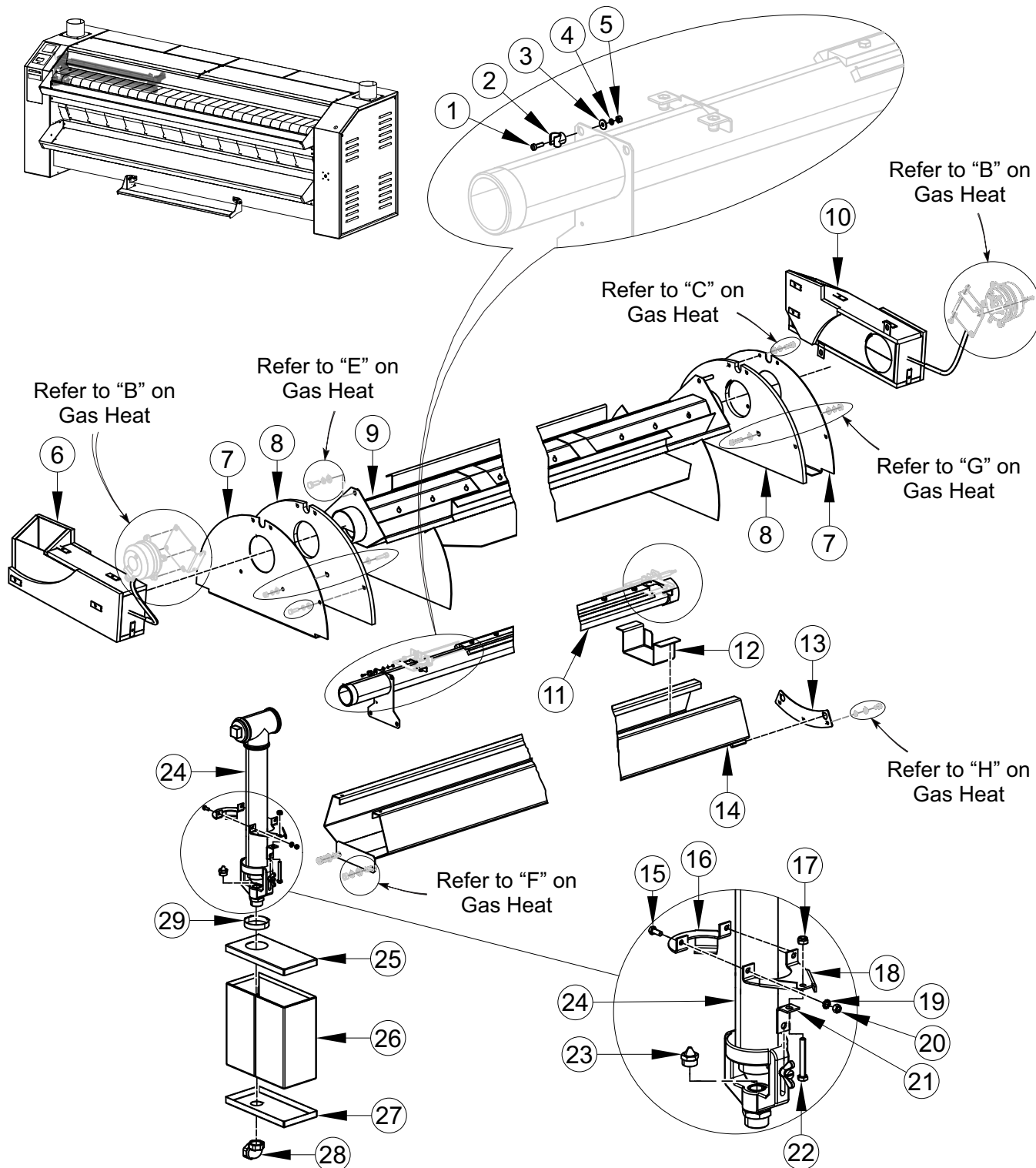
CZF58P\_D2101

## Gas Heat - CE Models (Drawing 4 of 4)

REF	PART NO.	DESCRIPTION	COMMENTS
1	SP357402010050	Gas Valve	60 Hertz
2	NA	Reducing Insert	Replaced by item 3
3	SPI03100017514	Tube	270 mm long

N/A = Part no longer available

# Gas Heat - CSA Models, FCU020102T Starting Serial No. 525I000943KB and FCU020126T Starting Serial No. 532I000918HQ (Drawing 1 of 2)

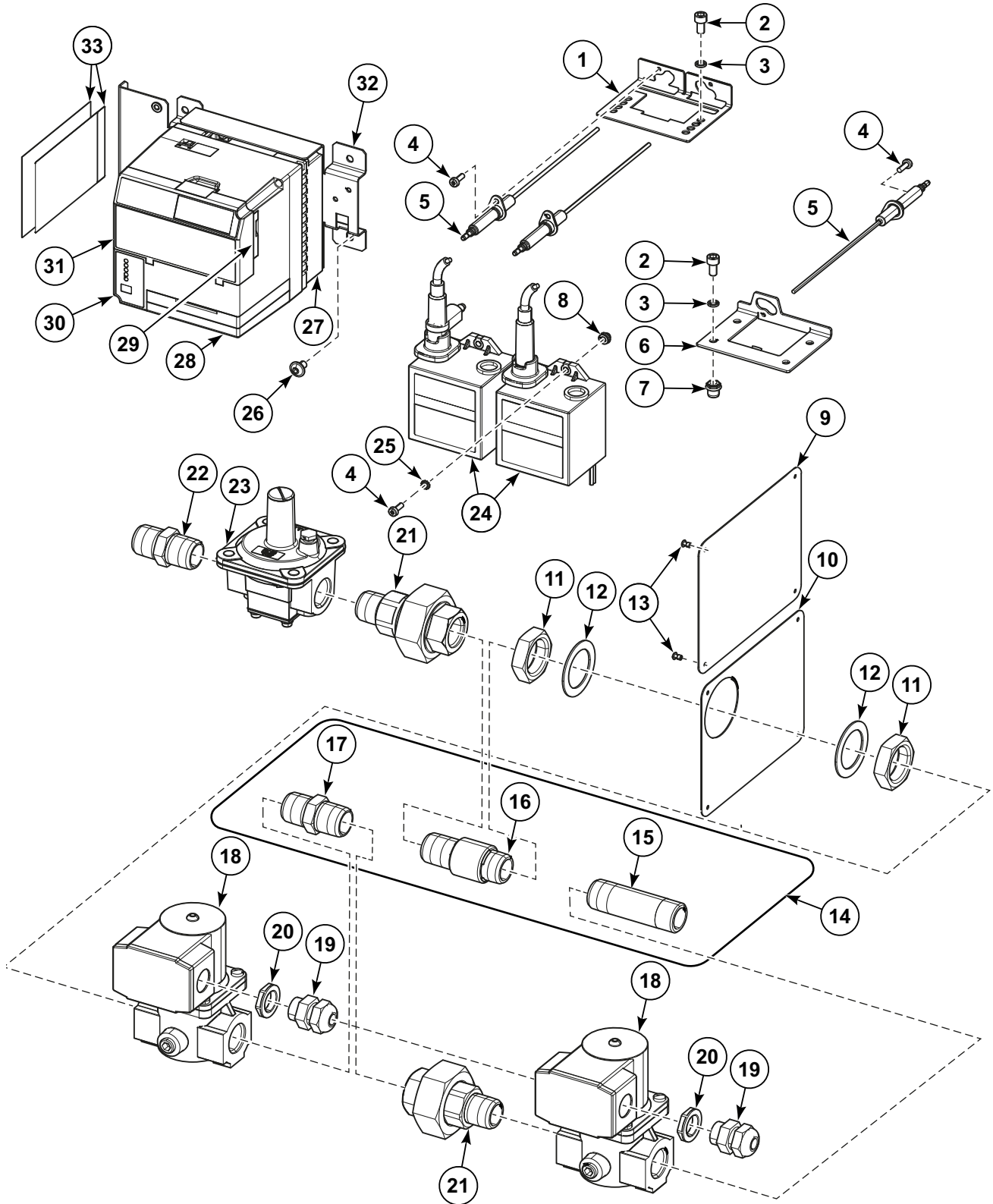


C-CZF11P\_D2101

**Gas Heat - CSA Models,  
FCU020102T Starting Serial No. 525I000943KB and  
FCU020126T Starting Serial No. 532I000918HQ (Drawing 1 of 2)**

REF	PART NO.	DESCRIPTION	COMMENTS
	SP245704003021	Adhesive	Loctite 243
1	SP309084000310	Bolt	M3x10
2	SP504565	Clip	
3	SP311734900003	Washer	3
4	SP311127000003	Washer	3
5	SP310934000003	Nut	M3
6	SPI03365000023	Exhaust Tunnel	Left
7	SPI03175000113	Cover	
8	SPI03175000213	Isolation	
9	SPI03125000013	Exhaust	Model FCU020102T
	SPI03425000013	Exhaust	Model FCU020126T
10	SPI03173000023	Exhaust Tunnel	Right
11	SP558624	Gas Burner	Model FCU020102T
	SP558625	Gas Burner	Model FCU020126T
12	SPI03344000623	Burner Brace	
13	563721	Cover	
14	SPI03343000013	Burner Trough	Model FCU020102T
	SPI03443000013	Burner Trough	Model FCU020126T
15	SPPRI202001001	Bolt	M5x12
16	568483	Locking Console with Flap	
17	SP310985000006	Nut	M6
18	568484	Locking Console	
19	311679824005	Washer	M5
20	SP310934240005	Nut	M5
21	568455	Adjustment Holder	
22	SP506014	Bolt	
23	563731	Nozzle	610; Model FCU020102T; Natural Gas (N.G.)
	563732	Nozzle	660; Model FCU020126T; (N.G.)
	357203000400	Nozzle	400; Model FCU020102T; Liquid Petroleum (L.P.)
	357203000430	Nozzle	430; Model FCU020126T; (L.P.)
24	SP357201309300	Mixing Tube	Without nozzle
25	SPI03374000513	Upper Part	
26	SP314G74100013	Injector Sieve	
27	SP314G74000613	Lower Part	
28	SPPRI426002072	Elbow	3/4 inch
29	SPPRI240000017	Hose Clamp	

**Gas Heat - CSA Models,  
FCU020102T Starting Serial No. 525I000943KB and  
FCU020126T Starting Serial No. 532I000918HQ (Drawing 2 of 2)**



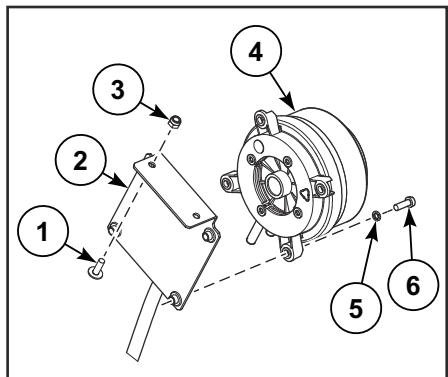
CZF149P\_D2101



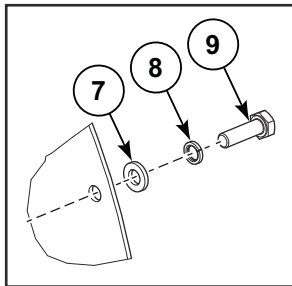
**Gas Heat - CSA Models,  
FCU020102T Starting Serial No. 525I000943KB and  
FCU020126T Starting Serial No. 532I000918HQ (Drawing 2 of 2)**

REF	PART NO.	DESCRIPTION	COMMENTS
	563687	Gas Kit	Model FCU020102T; Natural Gas (N.G.); Includes Nozzle and Gas Pressure Regulator
	563688	Gas Kit	Model FCU020126T; (N.G.); Includes Nozzle and Gas Pressure Regulator
	563690	Gas Kit	Model FCU020102T; Liquid Petroleum (L.P.); Includes Nozzle and Gas Pressure Regulator
	563691	Gas Kit	Model FCU020126T; (L.P.); Includes Nozzle and Gas Pressure Regulator
<b>1</b>	563741	Adapter	Left
<b>2</b>	SP545101	Bolt	M6x12
<b>3</b>	SP311127240006	Washer	6
<b>4</b>	SP555504	Bolt	M4x12
<b>5</b>	SP506420	Electrode	
<b>6</b>	563708	Adapter	Right
<b>7</b>	SP313251000006	Nut	M6
<b>8</b>	SP313251002104	Nut	M4
<b>9</b>	568431	Plate	Electric heat; FCU020102T starting Serial No. 525I000943KB; FCU020126T starting Serial No. 532I000918HQ
<b>10</b>	568430	Plate	
<b>11</b>	SP515166	Nut	G 1 inch
<b>12</b>	SPF02111001214	Washer	
<b>13</b>	SP313250032008	Rivet	3.2x8
<b>14</b>	571254	Kit Fittings	Through Serial Nos. 520I001087, 532I001121
<b>15</b>	563665	Gas Supply Tube	Starting Serial Nos. 525I001087, 532I001121
<b>16</b>	563675	Pipe Nipple	Starting Serial Nos. 525I001087, 532I001121
<b>17</b>	563659	Pipe Nipple	3/4 inch; Starting Serial Nos. 520I001043, 532I001121
<b>18</b>	563658	Gas Valve	
<b>19</b>	SP101407	Bushing	
<b>20</b>	SP101417	Nut	
<b>21</b>	563660	Fitting Adapter	G 3/4 inch
<b>22</b>	563659	Pipe Nipple	3/4 inch
<b>23</b>	563742	Gas Pressure Regulator	N.G.
	563717	Gas Pressure Regulator	L.P.
<b>24</b>	563669	Ignition Transformer	
<b>25</b>	SP311679800004	Washer	M4
<b>26</b>	SP540342	Bolt	M6x10
<b>27</b>	SP549454	Basic Terminal	
<b>28</b>	SP549456	Signal Amplifier	
<b>29</b>	SP549455	Timing Card	
<b>30</b>	563668	Basic Automatic Burner	
<b>31</b>	SP549457	Remote Reset Module	
<b>32</b>	563667	Holder	
<b>33</b>	SP516715	Transparent Foil	

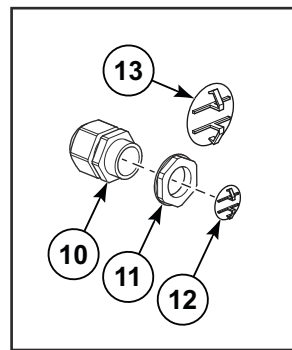
# Gas Heat



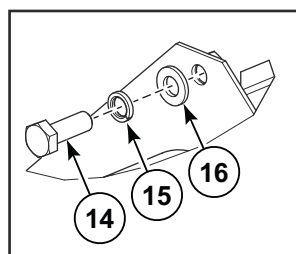
**B**



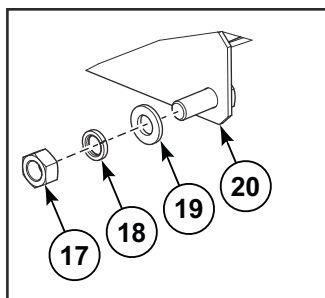
**C**



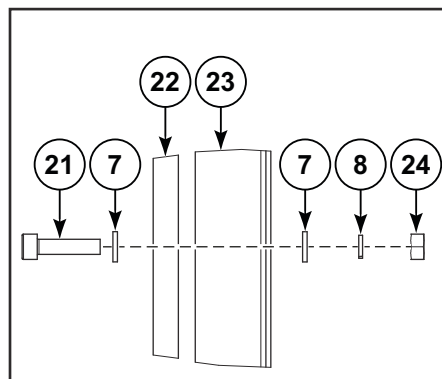
**D**



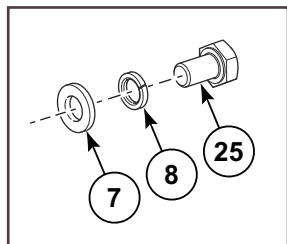
**E**



**F**



**G**



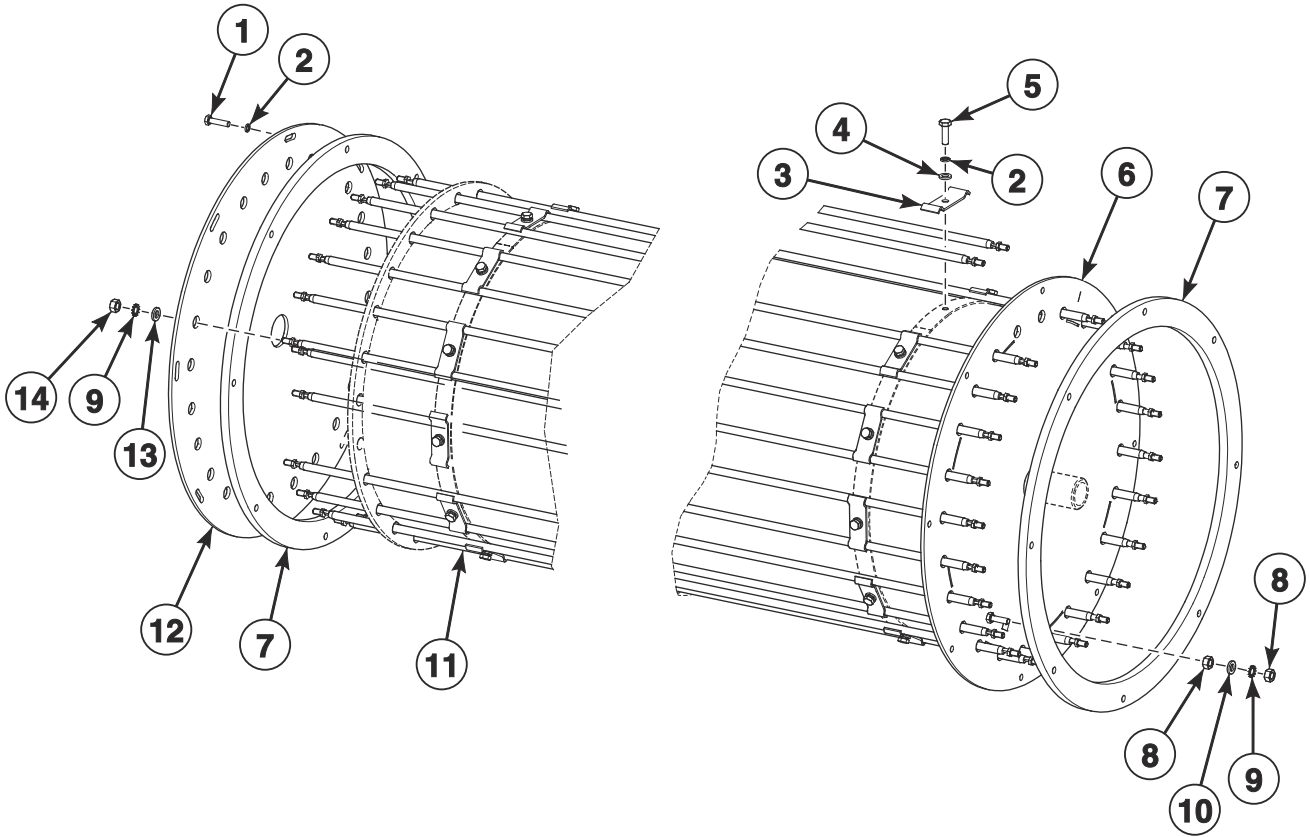
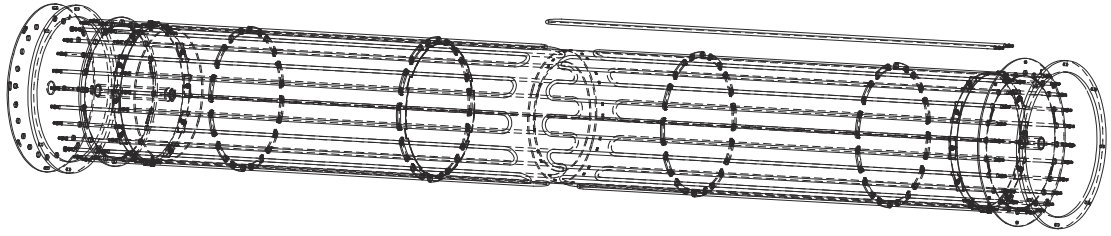
**H**

CZF146P\_D2101

## Gas Heat

REF	PART NO.	DESCRIPTION	COMMENTS
1	SP506013	Bolt	M4x8; Left side
	SP521957	Bolt	M4x12; Right side
2	SP558700	Holder	
3	SP514193	Nut	M4
4	SP554363	Differential Pressure Switch	CE Models
	560979	Differential Pressure Switch	CSA; Model FCU020102T starting Serial No. 525I000943KB; Model FCU020126T starting Serial No. 532I000918HQ
5	SP311127000004	Washer	4
6	SP309084000412	Bolt	M4x12
7	SP311125240006	Washer	6.4
8	SP311127240006	Washer	6
9	SP309933240620	Bolt	M6x20
10	SP101408	Bushing	M25; CE; 25, 26, 250, 260 and 2600 models through Serial No. 525I000923HQ; 32, 320 and 3200 models through Serial No. 532I000914HQ
	SP101407	Bushing	M20; CE; 25, 26, 250, 260 and 2600 models starting Serial No. 525I000924HQ; 32, 320 and 3200 models starting Serial No. 532I000915HQ
11	SP101418	Nut	M25; CE; 25, 26, 250, 260 and 2600 models through Serial No. 525I000923HQ; 32, 320 and 3200 models through Serial No. 532I000914HQ
	SP101417	Nut	M20; CE; 25, 26, 250, 260 and 2600 models starting Serial No. 525I000924HQ; 32, 320 and 3200 models starting Serial No. 532I000915HQ
12	SP345900025012	Plug	For hole 20 mm; CE; 25, 26, 250, 260 and 2600 models starting Serial No. 525I000924HQ; 32, 320 and 3200 models starting Serial No. 532I000915HQ
13	SP345900043132	Plug	For hole 40 mm; CE Models
14	SP309933240822	Bolt	M8x22
15	SP311127240008	Washer	8
16	SP311125240008	Washer	8.4
17	SP310934800008	Nut	M8
18	SP311127000008	Washer	8
19	SP311125000008	Washer	8.4
20	SPI03343000013	Burner Trough	25, 26, 102, 250, 260 and 2600 models
	SPI03443000013	Burner Trough	32, 126, 320 and 3200 models
21	SP309912120625	Bolt	M6x25
22	SPI03175000213	Isolation	
23	SPI03175000113	Cover	
24	SP310934240006	Nut	M6
25	SP309933240610	Bolt	M6x10

# Electric Heat

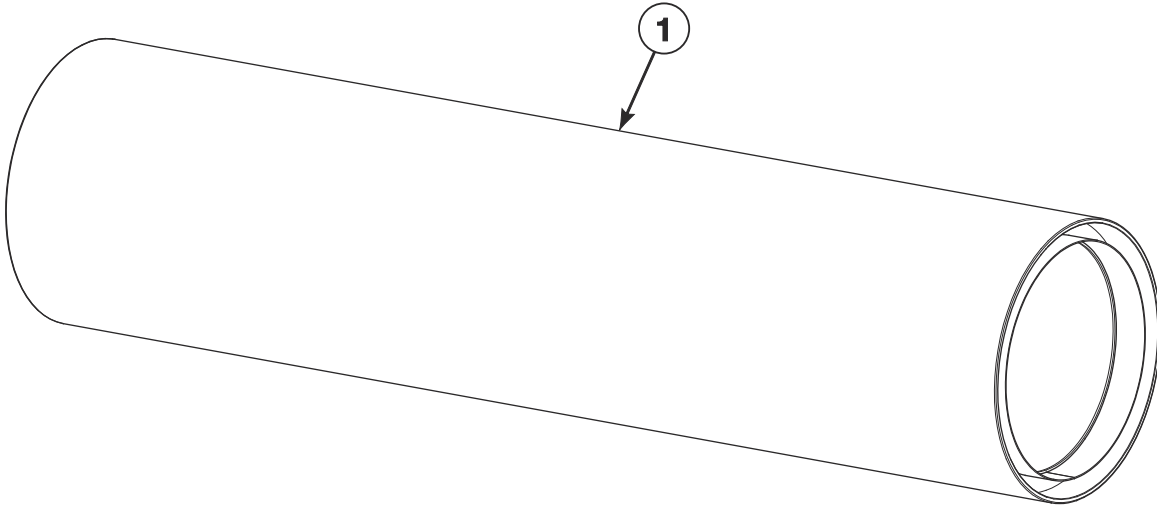


CFD2971P\_D2101

# Electric Heat

REF	PART NO.	DESCRIPTION	COMMENTS
	SP101410	Cable Bushing	CE Models; M40
	SP516175	Cable Bushing	CE Models; M63
	SP101420	Nut	CE Models; M40
	SP516176	Nut	CE Models; M63
	SP345900043132	Plug	CE Models; For hole 40 mm
<b>1</b>	SP309933000625	Bolt	M6x25
<b>2</b>	SP311127000006	Washer	6
<b>3</b>	SP515E00017614	Heating Bar Clamp	
<b>4</b>	SP311125000006	Washer	6.4
<b>5</b>	SP309933000620	Bolt	M6x20
<b>6</b>	SP557302	Heating Inset	25, 26, 250, 260 and 2600 models
	SP557303	Heating Inset	32, 320 and 3200 models
<b>7</b>	SP515E00027014	Isolating Ring	
<b>8</b>	SP310934240006	Nut	M6
<b>9</b>	SP311679824006	Washer	M6
<b>10</b>	SP311125240006	Washer	6.4
<b>11</b>	SP342734225230	Heating Element	25, 26, 250, 260 and 2600 models; CE; 2250W
	SPMEC001042	Heating Element	32, 320 and 3200 models; CE; 2700W
	563652	Heating Element	CSA; Model FCU020102T starting Serial No. 5321000918HQ; 2250W
	563650	Heating Element	CSA; Model FCU020126T starting Serial No. 5321000918HQ; 2700W
<b>12</b>	SP557321	Heating Chamber Lid	
<b>13</b>	SP311125100006	Washer	6.4
<b>14</b>	SP310934100006	Nut	M6

# Ironing Cylinder - Gas and Electric Heat



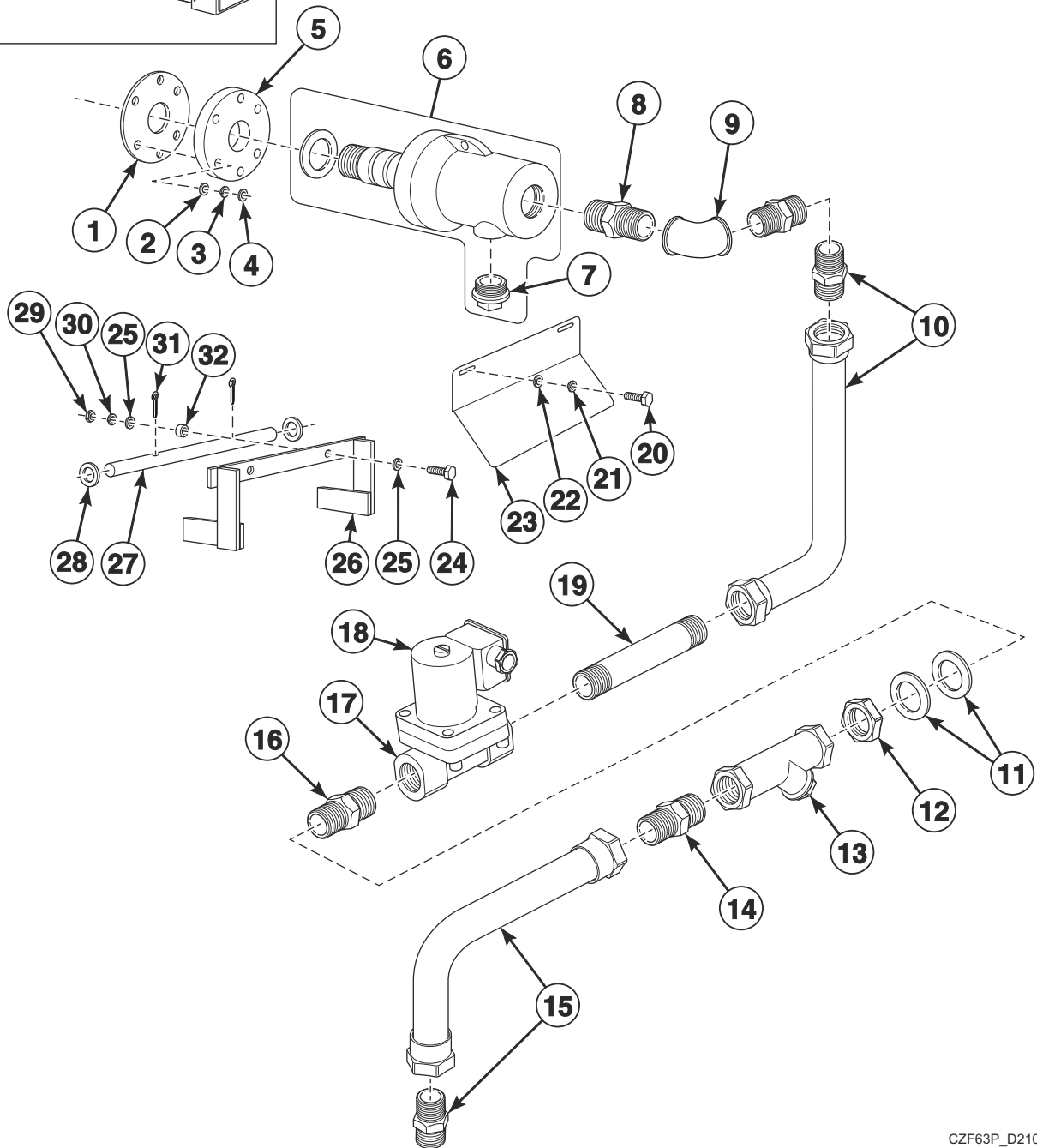
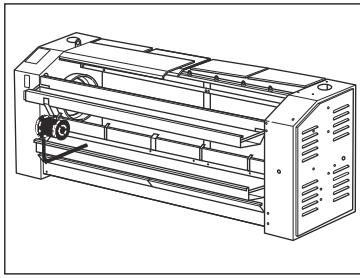
CFD2972P\_D2101

## Ironing Cylinder - Gas and Electric Heat

REF	PART NO.	DESCRIPTION	COMMENTS
1	SPI03301000014	Ironing Cylinder	25, 26, 102, 250, 260 and 2600 models; With hard chrome layer
	SPI03401000014	Ironing Cylinder	32, 126, 320 and 3200 models; With hard chrome layer
	SP549392	Ironing Cylinder	25, 26, 102, 250, 260 and 2600 models
	SP549393	Ironing Cylinder	32, 126, 320 and 3200 models

# Steam Inlet Box - CE Models

2600 Models Through Serial No. 525I000980KS;  
3200 Models Through Serial No. 532I000983KM



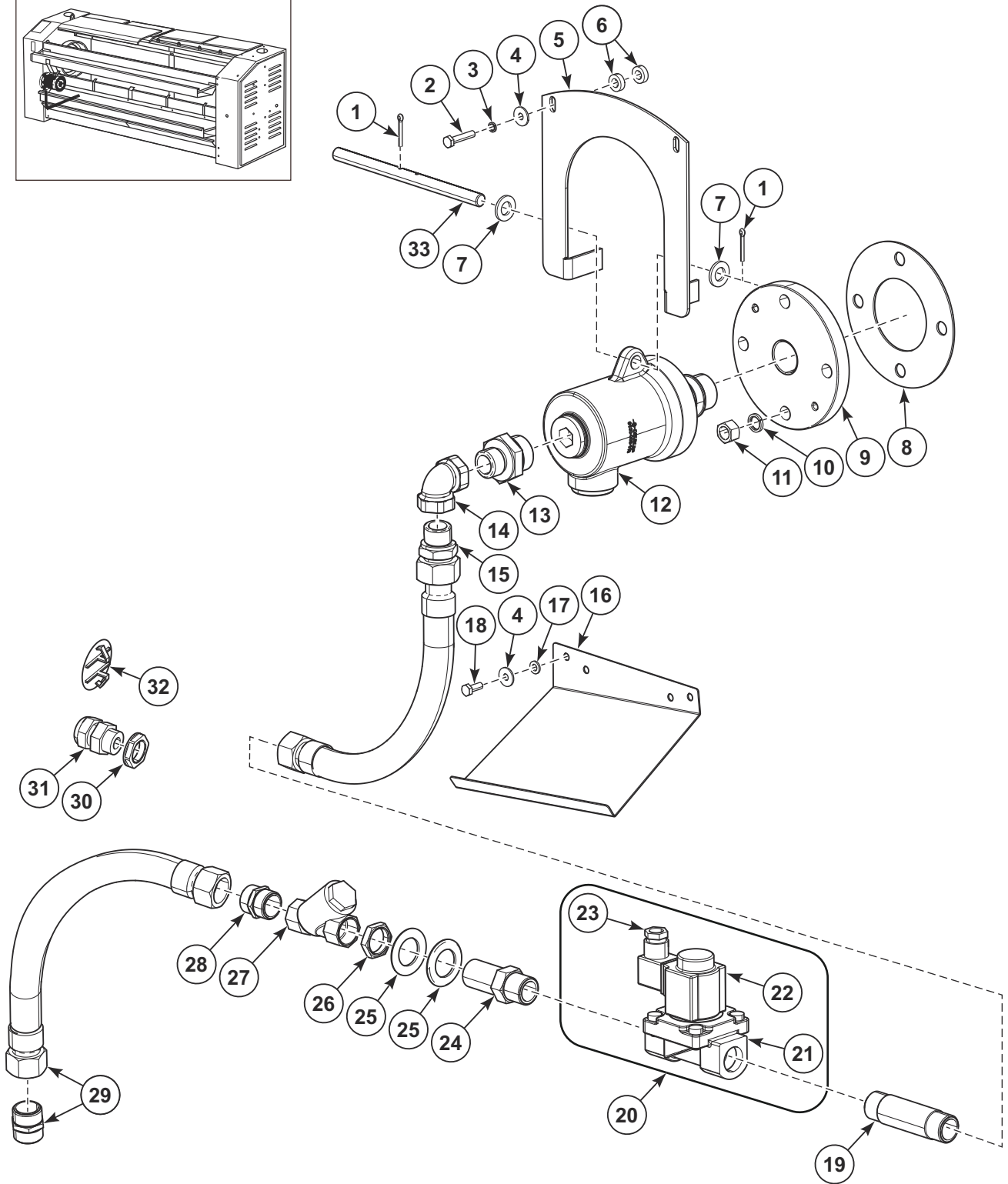
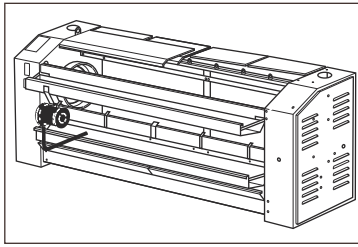
CZF63P\_D2101



**Steam Inlet Box - CE Models**  
**2600 Models Through Serial No. 525I000980KS;**  
**3200 Models Through Serial No. 532I000983KM**

REF	PART NO.	DESCRIPTION	COMMENTS
1	SP314S00023214	Seal	
2	SP311125000013	Washer	13
3	SP311127000012	Washer	12
4	SP310934000012	Nut	M12
5	SP314S00023114	Flange	
6	SP349910008113	Rotating Supply	1-Way
7	SP319428324806	Plug	1 inch
8	SP235134601314	Reducing Insert	1 inch / 3/4 inch
9	SPPRI426002072	Elbow	3/4 inch
10	SP273454410020	Hose	
11	SP223111000814	Washer	
12	SP223111000614	Nut	
13	SP405054057006	Steam Filter	
14	SPPRI426001217	Pipe Nipple	3/4 inch
15	SP273454800034	External Steam Hose	Optional
16	SP314S00016214	Reducing Insert	
17	SP514162	Steam Valve	3/4 inch; With coil
18	SP554110	Coil	60 Hertz
19	SP517236	Tube	
20	SP309933000616	Bolt	M6x16
21	SP311127000006	Washer	6
22	SP311125000006	Washer	6.4
23	SP525172	Terminal Board Cover	
24	SP309933000825	Bolt	M8x25
25	SP311125000008	Washer	8.4
26	SPI02142000014	Reaction Holder	
27	SP314S00024814	Reaction Pin	
28	SPPRI231000046	Washer	16x30x2
29	SP310934000008	Nut	M8
30	SP311127000008	Washer	8
31	SP314178032022	Split Pin	3x22
32	SP500985	Washer	

**Steam Inlet Box - CE Models Starting Serial Nos.  
2600 Models Starting 525I000981KS  
3200 Models Starting 532I000984KM**



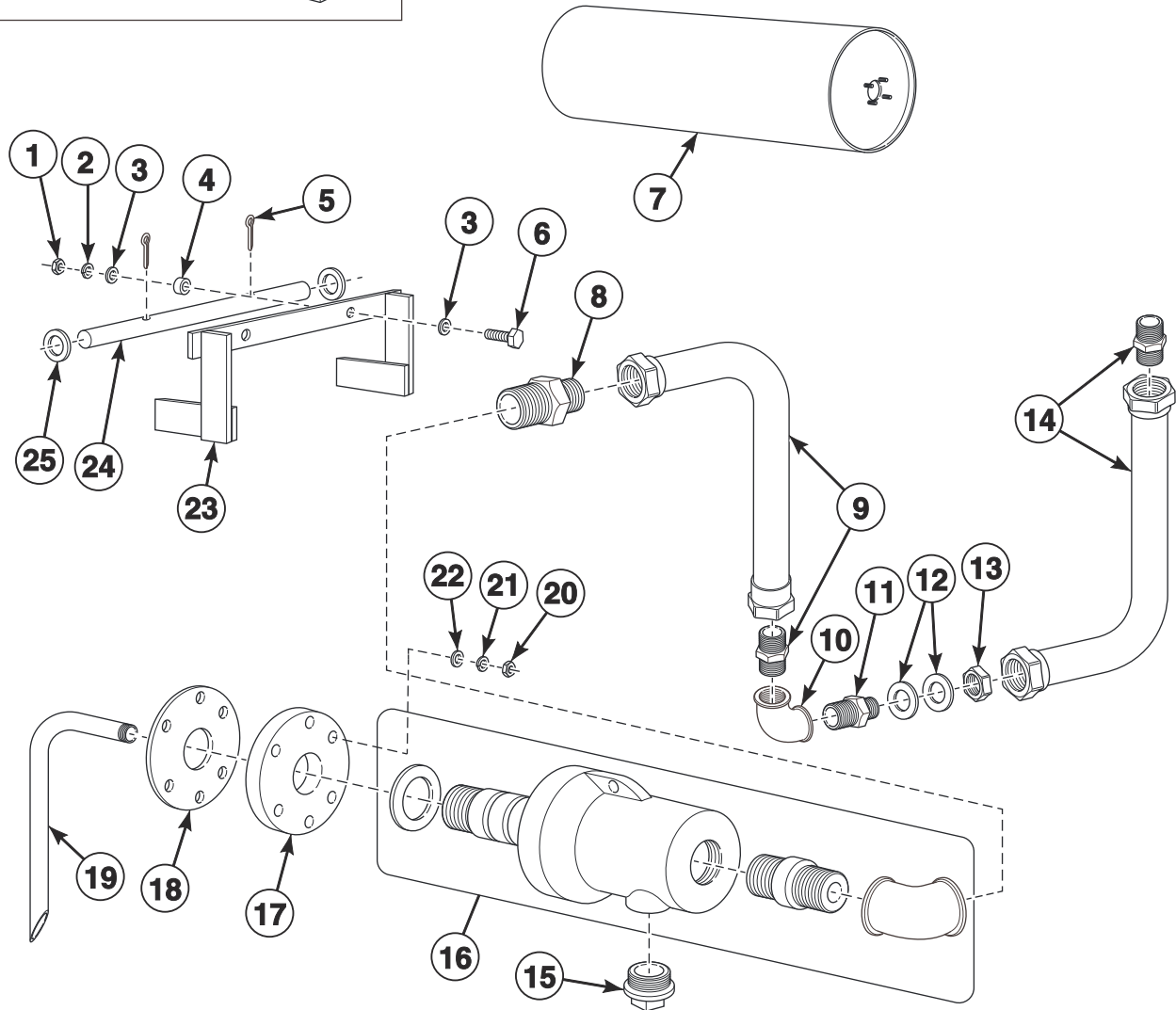
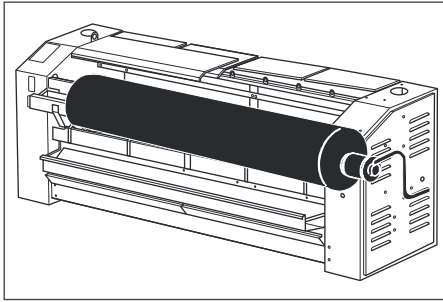
CZF127P\_D2101

**Steam Inlet Box - CE Models Starting Serial Nos.  
2600 Models Starting 525I000981KS  
3200 Models Starting 532I000984KM**

REF	PART NO.	DESCRIPTION	COMMENTS
1	SP314178032022	Split Pin	
2	SP309933000314	Bolt	M6x30
3	SP311902100006	Washer	6
4	SP311127000006	Washer	6
5	SPI02142000014	Reaction Holder	
6	SP500985	Washer	
7	SP311125000013	Washer	13
8	SP314S00023214	Seal	
9	SP314S00023114	Flange	
10	SP311127000012	Washer	12
11	SP310934000012	Nut	M12
12	SP349910008113	Rotating Supply	1-Way; Includes SP526781 Plug
13	SP235134601314	Reducing Insert	1 inch / 3/4 inch
14	SPPRI426002072	Elbow	3/4 inch
15	SP273454410020	Hose	
16	SP525172	Terminal Board Cover	
17	SP311125000006	Washer	6
18	SP309933000616	Bolt	M6x16
19	SP517236	Tube	
20	SP516718	Steam Valve	3/4 inch
21	SP514166	Steam Valve Body	
22	SP516717	Coil	50/60 Hertz
23	SP554156	Connector	
24	SP314S00016214	Reducing Insert	
25	SP223111000814	Washer	
26	SP223111000614	Nut	
27	SP405054057006	Steam Filter	
28	SPPRI426001217	Pipe Nipple	3/4 inch
29	SP273454800034	External Steam Hose	Optional
30	SP101417	Nut	
31	SP101407	Bushing	
32	SP345900043132	Plug	
33	SP314S00024814	Reaction Pin	

# Steam Outlet Box and Ironing Cylinder

2600 Models Through Serial No. 525I000980KS  
 3200 Models Through Serial No. 532I000983KM

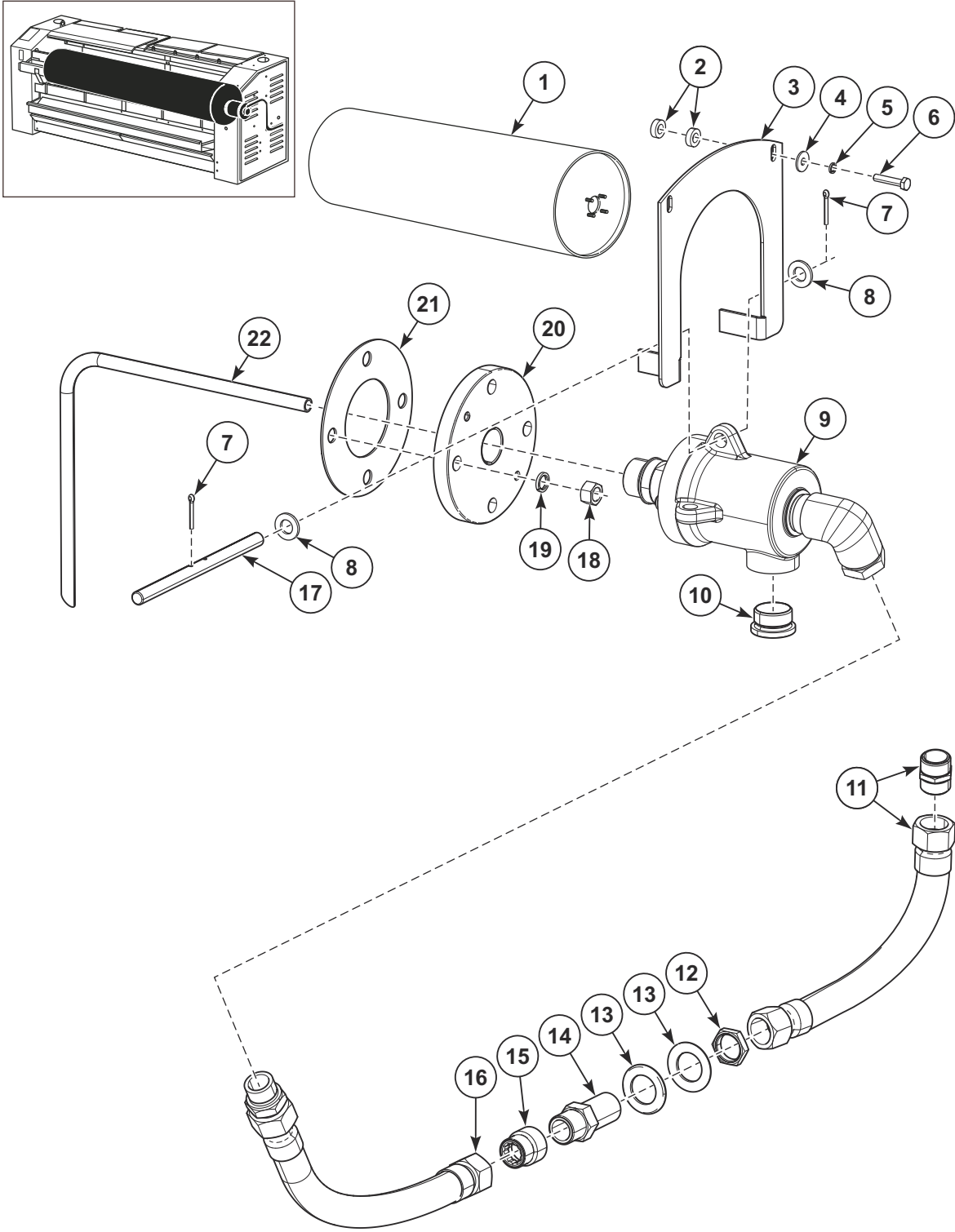


CZF64P\_D2101

**Steam Outlet Box and Ironing Cylinder  
2600 Models Through Serial No. 525I000980KS  
3200 Models Through Serial No. 532I000983KM**

REF	PART NO.	DESCRIPTION	COMMENTS
1	SP310934000008	Nut	M8
2	SP311127000008	Washer	8
3	SP311125000008	Washer	8.4
4	SP500985	Washer	
5	SP314178032022	Split Pin	
6	SP309933000825	Bolt	M8x25
7	SPI02301000013	Ironing Cylinder	25, 26, 102, 250, 260 and 2600 models; With hard chrome layer
	SPI02401000013	Ironing Cylinder	32, 126, 320 and 3200 models; With hard chrome layer
	SP549396	Ironing Cylinder	25, 26, 102, 250, 260 and 2600 models
	SP549397	Ironing Cylinder	32, 126, 320 and 3200 models
8	SP235134601314	Reducing Insert	1 inch / 3/4 inch
9	SP273454410020	Hose	
10	SPPRI426002072	Elbow	3/4 inch
11	SP314S00016214	Reducing Insert	
12	SP223111000814	Washer	
13	SP223111000614	Nut	
14	SP273454800034	External Steam Hose	Optional
15	SP319428324806	Plug	1 inch
16	SP349910008116	Rotating Supply	2-Way
17	SP314S00023114	Flange	
18	SP314S00023214	Seal	
19	SPI02127000014	Condensation Outlet Pipe	
20	SP310934000012	Nut	M12
21	SP311127000012	Washer	12
22	SP311125000013	Washer	13
23	SPI02142000014	Reaction Holder	
24	SP314S00024814	Reaction Pin	
25	SPPRI231000046	Washer	16x30x2

**Steam Outlet Box - CE Models Starting Serial Nos.  
2600 Models Starting 525I000981KS  
3200 Models Starting 532I000984KM**

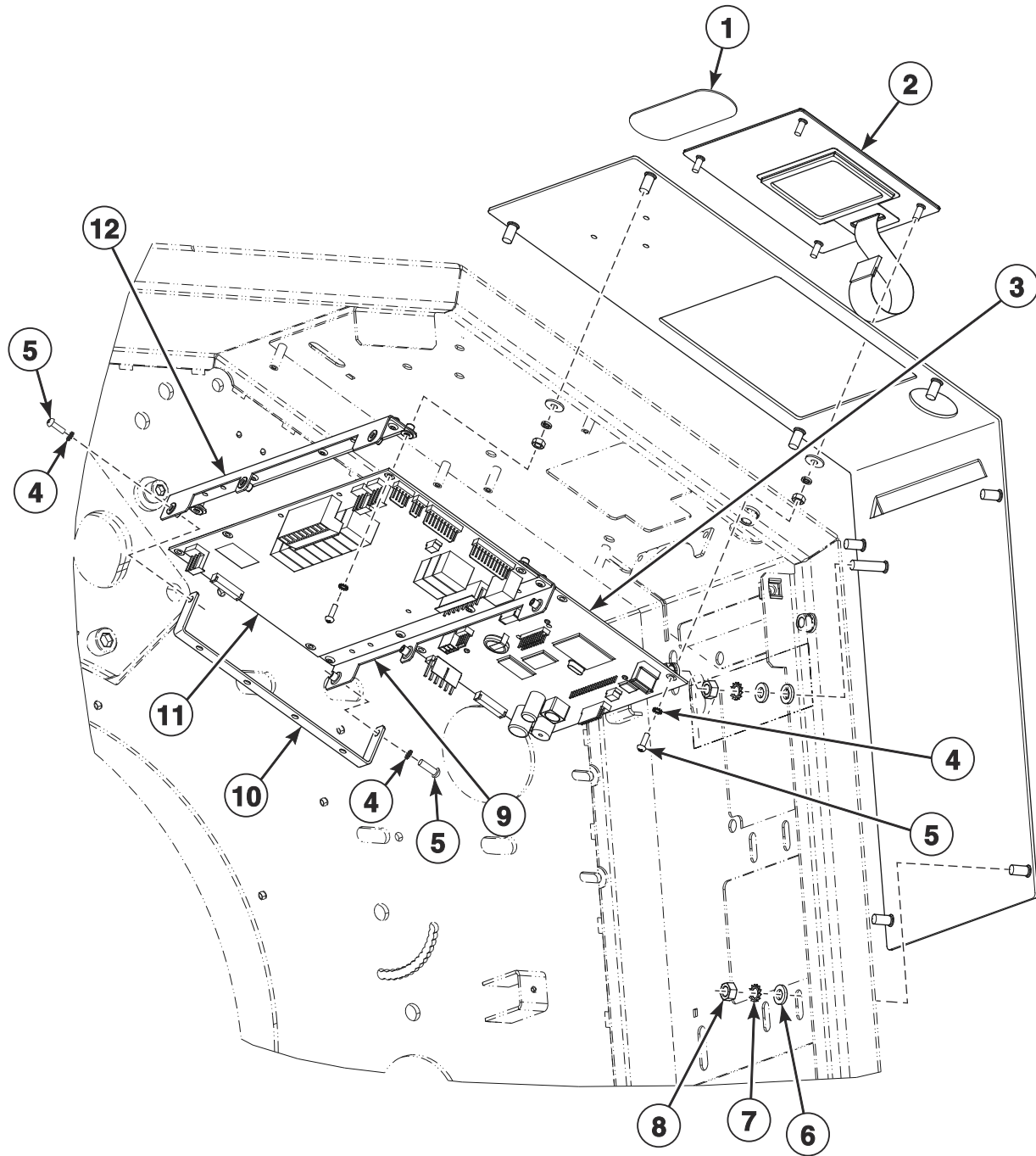


CZF126P\_D2101

**Steam Outlet Box - CE Models Starting Serial Nos.  
2600 Models Starting 525I000981KS  
3200 Models Starting 532I000984KM**

REF	PART NO.	DESCRIPTION	COMMENTS
1	SPI02301000013	Ironing Cylinder	25, 26, 102, 250, 260 and 2600 models; With hard chrome layer
	SPI02401000013	Ironing Cylinder	32, 126, 320 and 3200 models; With hard chrome layer
	SP549396	Ironing Cylinder	25, 26, 102, 250, 260 and 2600 models
	SP549397	Ironing Cylinder	32, 126, 320 and 3200 models
2	SP500985	Washer	
3	SPI02142000014	Reaction Holder	
4	SP311127000006	Washer	6
5	SP311902100006	Washer	6
6	SP309933000314	Bolt	M8x25
7	SP314178032022	Split Pin	
8	SP311125000013	Washer	13
9	SP349910008116	Rotating Supply	2-Way
10	SP526781	Plug	1 inch
11	SP273454800034	External Steam Hose	Optional
12	SP223111000614	Nut	
13	SP223111000814	Washer	
14	SP314S00016214	Reducing Insert	
15	SP319413104560	Extension	3/4 inch
16	SP273454410020	Hose	
17	SP314S00024814	Reaction Pin	
18	SP310934000012	Nut	M12
19	SP311127000012	Washer	12
20	SP314S00023114	Flange	
21	SP314S00023214	Seal	
22	SPI02127000014	Condensation Outlet Pipe	

# MCX Control Panel (Drawing 1 of 2)



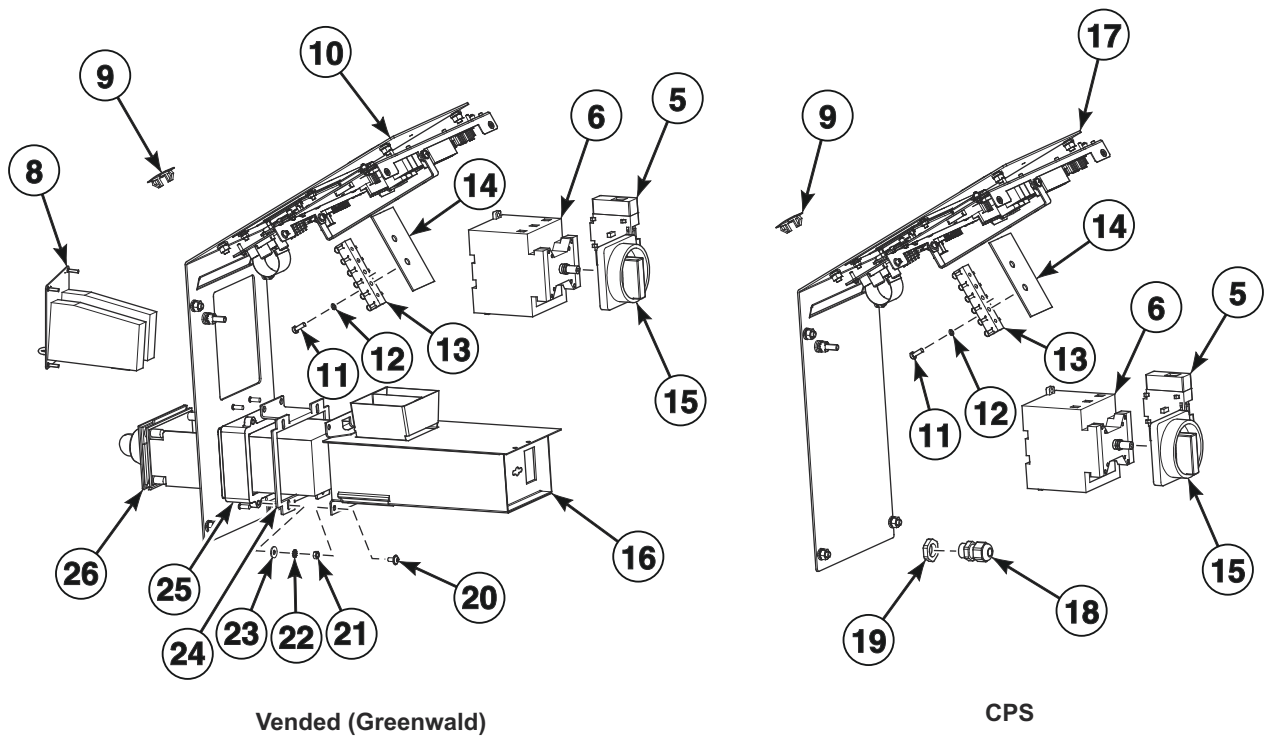
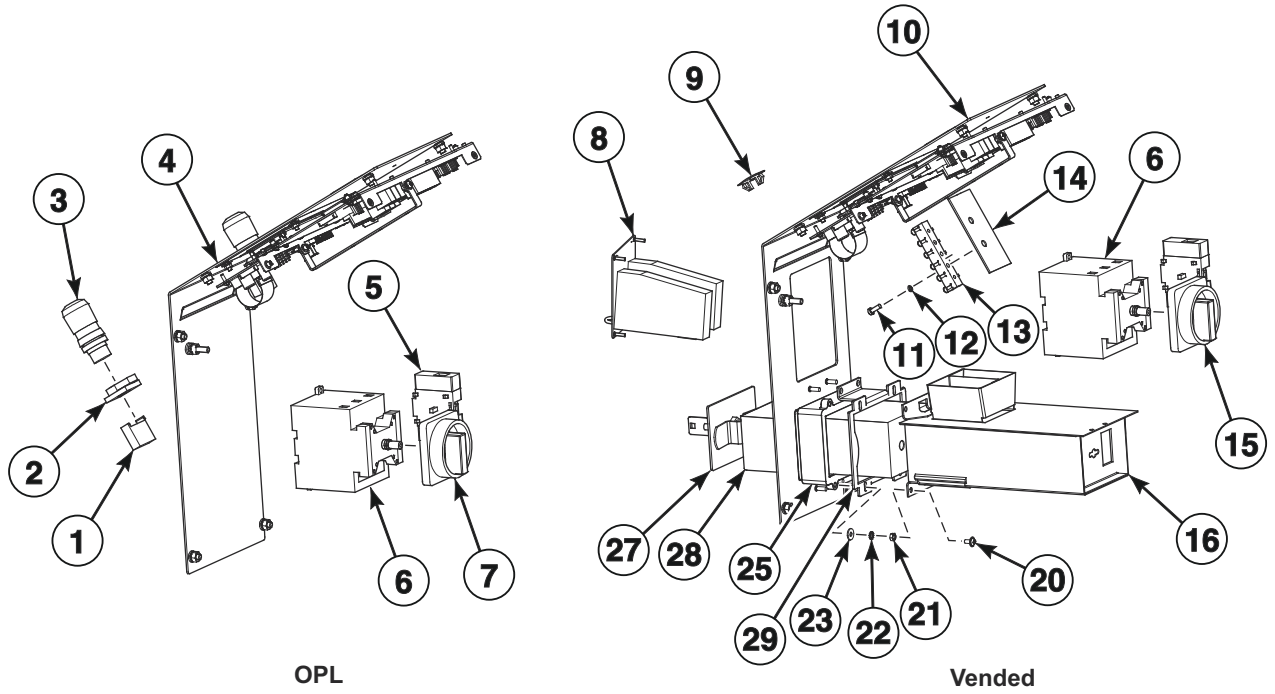
CZF46P\_D2101



## MCX Control Panel (Drawing 1 of 2)

REF	PART NO.	DESCRIPTION	COMMENTS
	SP506550	Catch	Vended
	SP506548	Lead Plumb	Vended; 14
	SP506549	Sealing Cable	Vended; 1.1
<b>1</b>	SP545086	Nameplate	Logo; FCP and I 26, 250 and 260 models through Serial No. 5251000911HK; 32 and 320 models through Serial No. 5321000895HK
	567887	Logo Label	Logo; FCP and I 26, 250 and 260 models starting Serial No. 5251000912HK; 32 and 320 models starting Serial No. 5321000896HK
	SP534362	Nameplate	Logo; FCP and I models; Laundryserv
	SP534360	Nameplate	Logo; FCP and I models; Fors
	SP532173	Nameplate	Logo; FCP and I models; LPR models
	SP534355	Nameplate	Logo; FCP and I models; Esterio
	SP538590	Nameplate	Logo; FCP and I models; IFB
	SP534353	Nameplate	Logo; FCP and I models; Maxiwash
	SP534364	Nameplate	Logo; FCP and I models; Technitramo
	SP534356	Nameplate	Logo; FCP and I models; WR
	B12389801	Nameplate	Logo; FCI models
	SP560767	Nameplate	Logo; FCI models; Treysse
	SP560768	Nameplate	Logo; FCI models; Treysse service
	SP532265	Nameplate	Logo; LSR5025_MCX_CONTROL, LSR5032_MCX_CONTROL and FCL models
	F8443105	Nameplate	Logo; FCU models
	39564	Nameplate	Logo; FCS models
<b>2</b>	SP554720	Keyboard	FCL, FCP, I, LPR and LSR models
	SP558653	Keyboard	FCI, FCN, FCS, FCU and Non-Brand models
<b>3</b>	SP547064	Electric Programmer Board Processor	
<b>4</b>	SP311679800003	Washer	M3
<b>5</b>	SP518719	Bolt	M3x10
<b>6</b>	SP311125240006	Washer	6.4
<b>7</b>	SP311679824006	Washer	M6
<b>8</b>	SP310934240006	Nut	M6
<b>9</b>	SP554728	Ledge	Black
<b>10</b>	SP558767	Cable Holder	
<b>11</b>	SP547065	Electric Programmer Board Power	
<b>12</b>	SP554741	Ledge	Gray

# MCX Control Panel (Drawing 2 of 2)



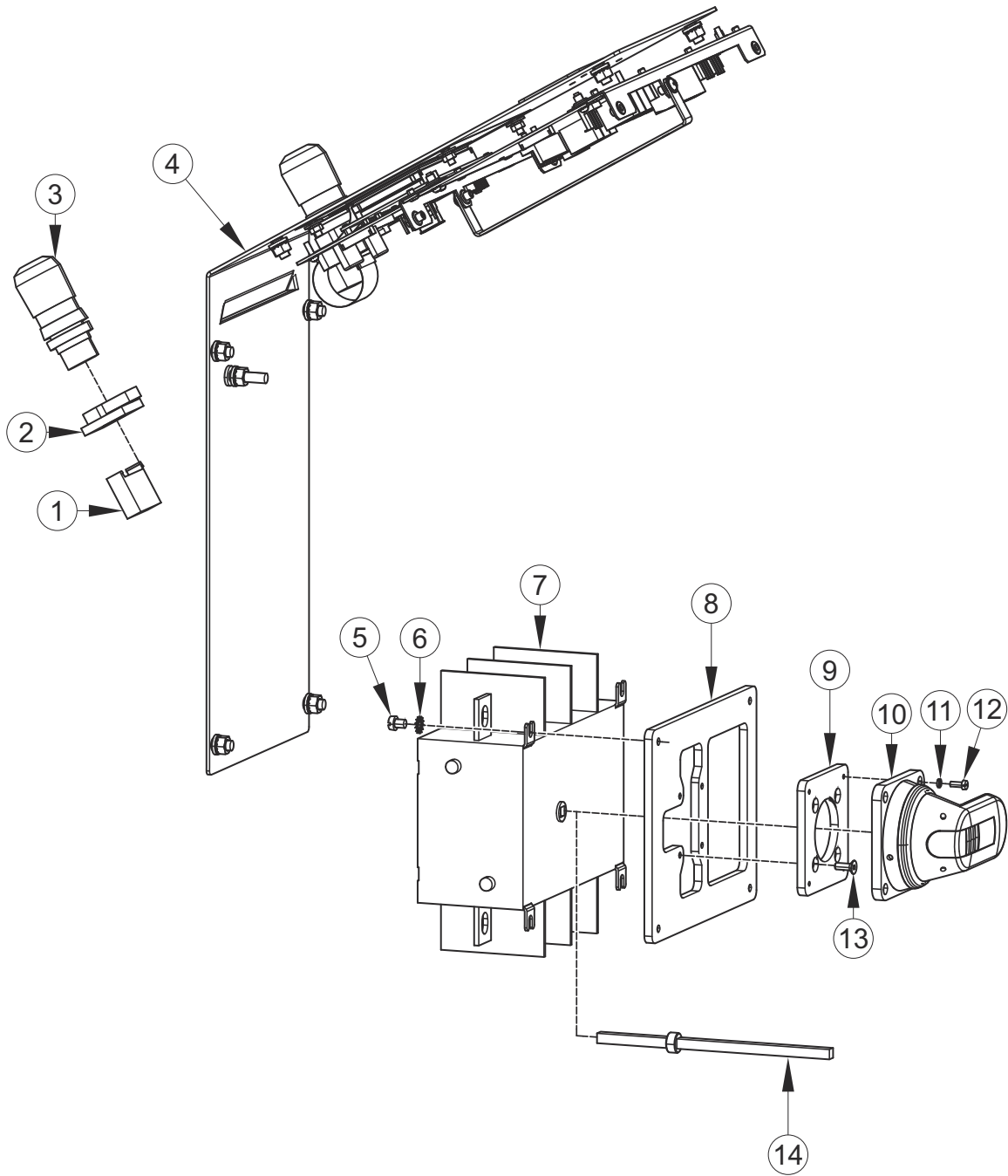
CFD2976P\_D2101

## MCX Control Panel (Drawing 2 of 2)

REF	PART NO.	DESCRIPTION	COMMENTS
1	SP528312	Switching Unit	OPL
2	SP528311	Emergency Stop Connector	OPL
3	SP528310	Emergency Stop Knob	OPL
4	SP558613	Panel	CE FCL, FCP, I, LPR and LSR models; OPL; Black
	SP558643	Panel	FCI, FCN, FCS, FCU and Non-Brand models; OPL; Gray
5	SPPRI404001098	Main Switch	Fourth pole; Gas and steam heat; 3AC 380-415V+N 50-60 Hertz; 32A; CE models
	SP347700003100	Main Switch	Fourth pole; CE 25, 26, 250, 260 and 2600 electric heat models; 3AC 380-415V+N 50-60 Hertz; 100A
6	SPPRI404000098	Main Switch	Gas and steam heat; 32A; CE models
	SPPRI404000097	Main Switch	Gas heat; 25A; CSA; Model FCU020102T starting Serial No. 525I000943KB; Model FCU020126T starting Serial No. 5321000918HQ
	SP347700100753	Main Switch	CE 25, 26, 250, 260 and 2600 electric heat models 3AC 380-415V+N 50-60 Hertz, 3AC 380-415V-N 50-60 Hertz, 3AC 440-480V 60 Hertz; 100A
	SP347700125175	Main Switch	CE 32, 320 and 3200 electric heat models 3AC 380-415V+N 50-60 Hertz, 3AC 380-415V-N 50-60 Hertz, 3AC 440-480V 60 Hertz; 125A
	SP504589	Main Switch	CE electric heat models; 3AC 208-240V 50-60 Hertz; 250A
7	SP347700006175	Main Switch Knob	OPL; CE models
	SPPRI404000095	Main Switch Knob	OPL; CSA; Gas heat; Model FCU020102T starting Serial No. 525I000943KB; Model FCU020126T starting Serial No. 5321000918HQ
8	N/A	Coin Meter	Vend; CE models
9	SP345900032132	Plug	CPS; CE models
10	SP558614	Panel	CE FCL, FCP, I, LPR and LSR models; Vend; Black
11	SP309084000412	Bolt	Vend and CPS; M4x12; CE models
12	SP311127000004	Washer	Vend and CPS; 4; CE models
13	SPPRI350015007	Terminal Board	Vend and CPS; 6-poles; CE models
14	SPPRI350012007	Isolation Paper	Vend and CPS; CE models
15	SPPRI404000095	Main Switch Knob	Vend and CPS; CE models
16	SP509850	Coin Box	Vend; CE models
17	SP558644	Panel	CE FCI, FCN, FCS, FCU and Non-Brand models; Vend; Gray
	SP558615	Panel	CE FCL, FCP, I, LPR and LSR models; CPS; Black
	SP558645	Panel	CE FCI, FCN, FCS, FCU and Non-Brand models; CPS; Gray
18	SPPRI350000045	Cable Bushing	CPS; PG9; CE models
19	SPPRI350001045	Nut	CPS; PG9; CE models
20	SP510863	Screw	M4x8; CE models
21	SP310934240004	Nut	Vend; M4; CE models
22	SP311679824004	Washer	Vend; M4; CE models
23	SP311902100004	Washer	Vend; 4; CE models
24	SP525242	Coin Box Holder	Vend; Greenwald; CE models
25	SP501514	Coin Vault Frame	Vend; CE models
26	SP102532	Coin Meter Box	Vend; Greenwald; CE models
27	SP515291	Coin Vault Cover	Vend; CE models
28	SP321848140028	Coin Vault	Vend; CE models
29	SP558698	Coin Box Holder	Vend; CE models

**N/A = Part no longer available**

# Control Panel - Electric Heat, CSA Models

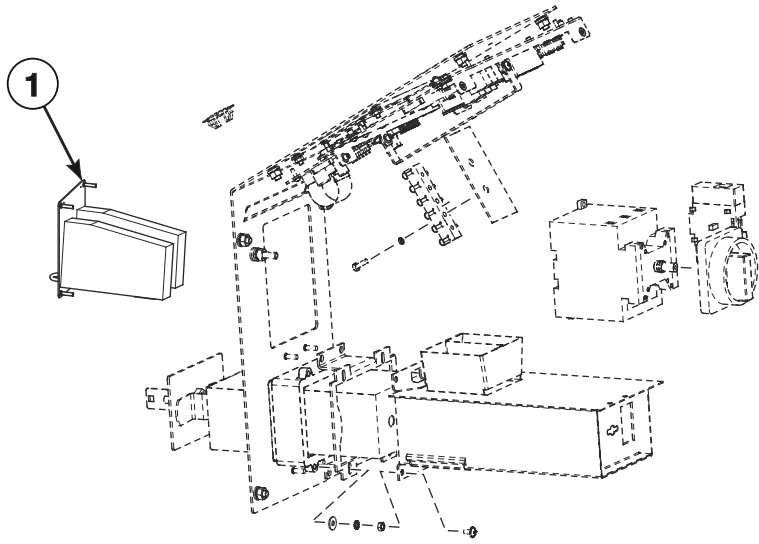


C-CZF19P\_D2101

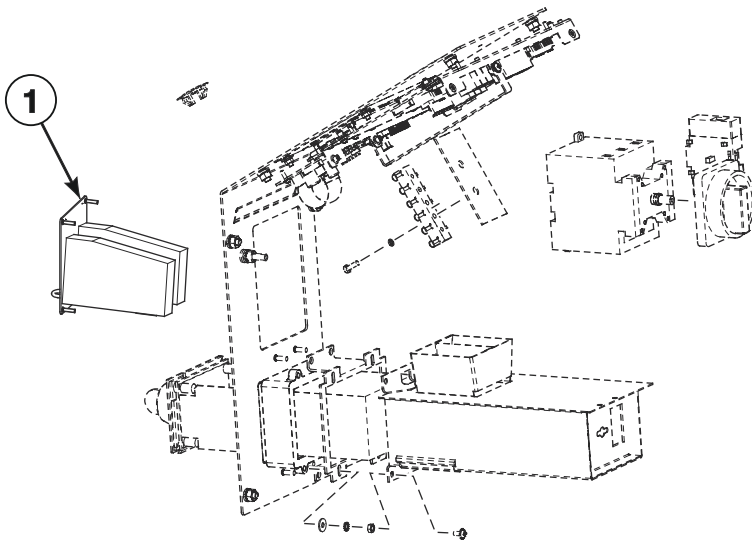
## Control Panel - Electric Heat, CSA Models

REF	PART NO.	DESCRIPTION	COMMENTS
1	SP528312	Switching Unit	OPL
2	SP528311	Emergency Stop Connector	OPL
3	SP528310	Emergency Stop Knob	OPL
4	SP558643	Panel	OPL; Gray
5	SP309084240506	Bolt	M5x6
6	SP311679824005	Washer	M5
7	568359	Disconnect Switch	Pistol handle shaft not included
8	568408	Switch Holder	
9	568409	Pistol Handle Holder	
10	568361	Pistol Handle	
11	SP311127000003	Washer	3
12	SP309084000308	Bolt	M3x8
13	SP100305	Screw	M4x12
14	568360	Pistol Handle Holder	

# Coin Meter



Vended



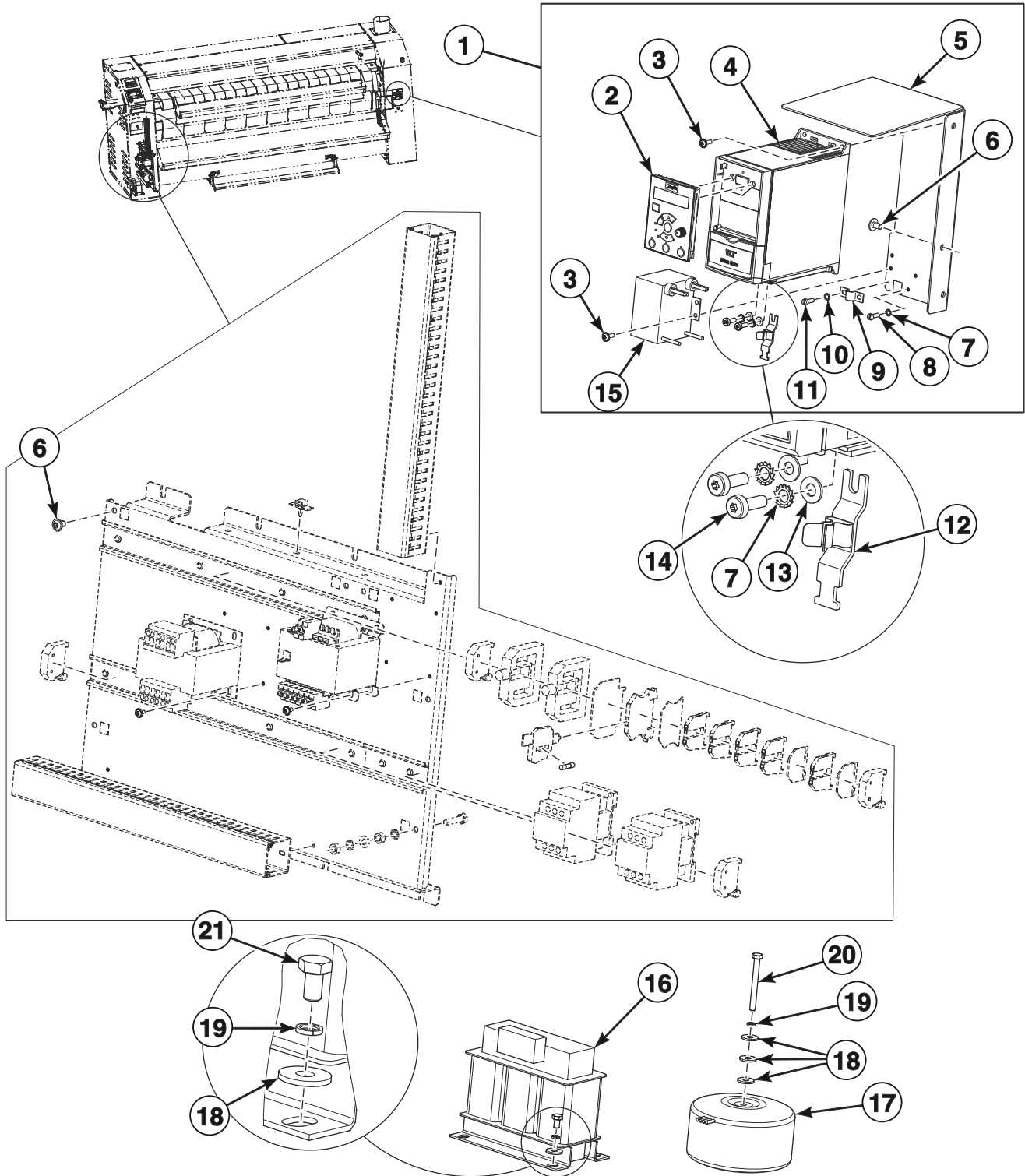
Vended (Greenwald)

FWF247P\_D2101

# Coin Meter

REF	PART NO.	DESCRIPTION	COMMENTS
1	572337	Coin Meter	Gettone Jeton 26mm diameter x 1.7mm
	572338	Coin Meter	Gettone Jeton 26mm diameter x 1.7mm
	572340	Coin Meter	Gettone Jeton (26mm diameter x 1.7mm)
	572344	Coin Meter	Token WH121
	572360	Coin Meter	1THB, 2THB, 5THB, 10THB/TK1+2; Electronic EMPv7
	572319	Coin Meter	100JPY, 500JPY, 10TWD, 50TWD
	572309	Coin Meter	1ZAR, 2ZAR, 5ZAR
	572312	Coin Meter	5RUB, 10RUB
	572315	Coin Meter	50CLP, 100CLP, 500CLP
	572322	Coin Meter	0.5GEL, 1GEL, 2GEL
	572306	Coin Meter	1ILS, 2ILS, 5ILS, 10ILS
	572325	Coin Meter	0.2EUR, 0.5EUR, 1EUR, 2EUR
	572328	Coin Meter	20HUF, 50HUF, 100HUF, 200HUF
	572303	Coin Meter	Jeton 118-16
	572385	Coin Meter	0.2CHF, 0.5CHF, 1CHF, 2CHF; TK1, TK2; Electronic EMPv7

# Electrical Component Box - CE Models (Drawing 1 of 2)



CFD3442P\_D2101

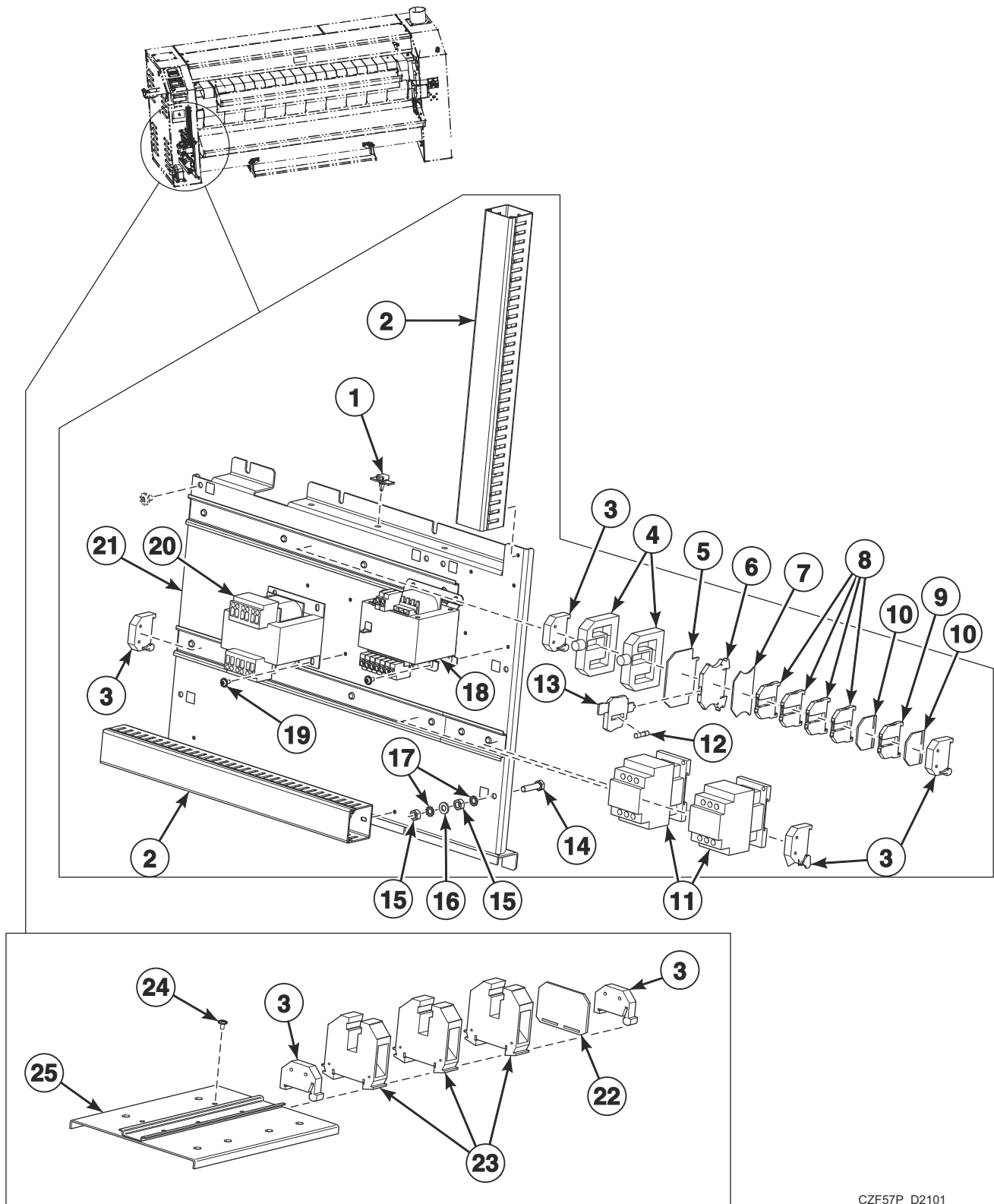


## Electrical Component Box - CE Models (Drawing 1 of 2)

REF	PART NO.	DESCRIPTION	COMMENTS
	SPPRI401013021	Circuit Breaker	Electric heat; 3AC 380-415V+N 50-60 Hertz, 3AC 380-415V-N 50-60 Hertz, 3AC 440-480V 60 Hertz; C60H 3P C25A
	SP528171	Circuit Breaker	25, 26, 25, 250, 260 and 2600 electric heat models; 3AC 208-240V 50-60 Hertz; C60H 3P C40A
	SP524785	Circuit Breaker	32, 320 and 3200 electric heat models; 3AC 208-240V 50-60 Hertz; C60H 3P C50A
	SP528035	Contactactor	Electric heat; 3AC 380-415V+N 50-60 Hertz; 1P-10A
	SP516038	Contactactor	25, 26, 25, 250, 260 and 2600 electric heat models; 3AC 380-415V+N 50-60 Hertz, 3AC 380-415V-N 50-60 Hertz, 3AC 440-480V 60 Hertz
	SPPRI345022019	Contactactor	32, 320 and 3200 electric heat models 3AC 380-415V+N 50-60 Hertz, 3AC 380-415V-N 50-60 Hertz, 3AC 440-480V 60 Hertz; 25, 26, 250, 260 and 2600 electric heat models 3AC 208-240V 50-60 Hertz
	SP557819	Contactactor	32, 320 and 3200 electric heat models; 3AC 208-240V 50-60 Hertz
	SP514057	Relay	Gas heat; 24V AC
	SP514134	Relay	Gas heat; 230V AC 2P
	SP506586	Relay Case	Gas heat
	SP358251601312	Fuse Isolator	Electric heat; 10x38
	SP552292	Fuse	Electric heat; 10x38mm; 10A
	SP514133	Fuse	Electric heat; 3AC 380-415V+N 50-60 Hertz, 3AC 380-415V-N 50-60 Hertz, 3AC 440-480V 60 Hertz; 6.3x32mm F0.5A/500V
	N/A	Fuse	Gas and steam heat; 3AC 380-415V+N 50-60 Hertz, 3AC 380-415V-N 50-60 Hertz, 3AC 440-480V 60 Hertz
	SP514135	Relay Clamp	Gas heat
	SP358251632240	Fuse	Gas heat; 3AC 380-415V+N 50-60 Hertz, 3AC 208-240V 50-60 Hertz; 6.3x32mm T4A/500V
	SP345805163032	Fuse	Electric heat; 3AC 208-240V 50-60 Hertz; Gas heat; 3AC 208-240V 50-60 Hertz, 3AC 380-415V-N 50-60 Hertz, 3AC 440-480V 60 Hertz; 6.3x32mm, T1A/500V
	N/A	Fuse	Steam heat; 3AC 208-240V 50-60 Hertz
	SPPRI401020021	Fuse	Gas heat; 3AC 380-415V-N 50-60 Hertz, 3AC 440-480V 60 Hertz; 5x20mm F1.6A/250V
<b>1</b>	SP558705	Frequency Inverter	Includes items 2-15
<b>2</b>	SP528334	Parameter Copy Unit	Optional
<b>3</b>	SP521957	Bolt	M4x12
<b>4</b>	SP557817	Frequency Inverter	
<b>5</b>	SP558703	Holder	
<b>6</b>	SP540342	Bolt	M6x10
<b>7</b>	SP311679824004	Washer	M4
<b>8</b>	SP309084100408	Bolt	M4x8
<b>9</b>	SP528392	Cable Clamp	
<b>10</b>	SP311679800004	Washer	M4
<b>11</b>	SP309084000412	Bolt	M4x12
<b>12</b>	SP568192	Clamp	25, 26, 250, 260 and 2600 models starting Serial No. 5251000871FW; 32, 320 and 3200 models starting Serial No. 5321000856FW
<b>13</b>	SP311125240004	Washer	4.3
<b>14</b>	SP309084240410	Screw	M4x10
<b>15</b>	SP552251	Filter	
<b>16</b>	SP552248	Autotransformer	
<b>17</b>	SP552201	Autotransformer	
<b>18</b>	SP311902100006	Washer	M6/6.4/18/1.6
<b>19</b>	SP311127000006	Washer	6
<b>20</b>	SP547925	Bolt	M6x80
<b>21</b>	SP309933000610	Bolt	M6x10

N/A = Part no longer available

# Electrical Component Box - CE Models (Drawing 2 of 2)

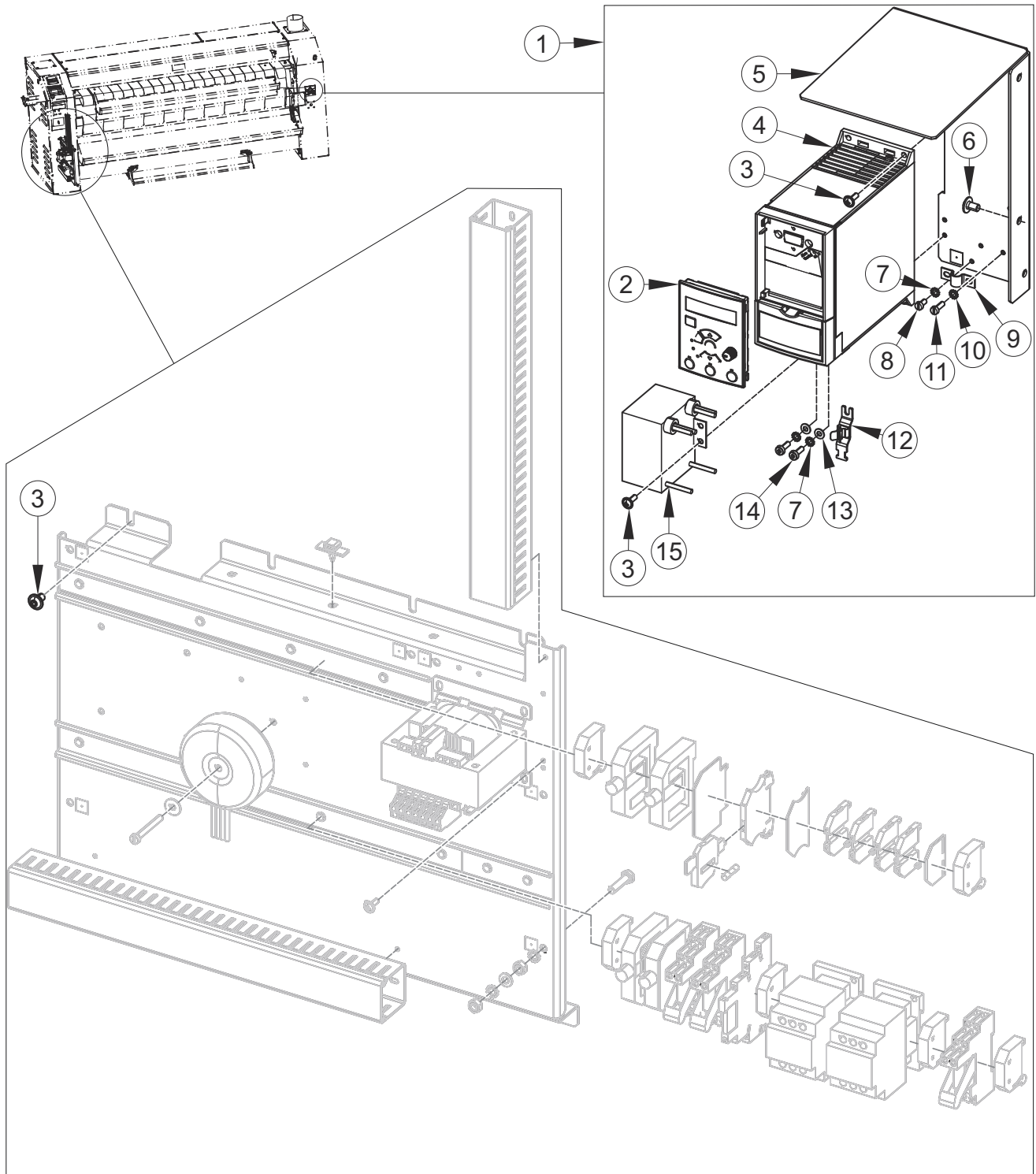


CZF57P\_D2101

## Electrical Component Box - CE Models (Drawing 2 of 2)

REF	PART NO.	DESCRIPTION	COMMENTS
	SP557820	Switchboard	
	PRI343001195	Ferrite Core	
	SP552295	Device Label	
	SP346000209502	Lettering	1-10
	SP557955	Ground Interconnection	
1	SP528313	Cable Holder	
2	SPPRI407000109	Cable Channel	40x40
3	SP346000209101	End Stop	
4	SP346000004010	Fuse Case	Gas heat
5	SP346000014010	Cover	Gas heat
6	SP524653	Fuse Clip	Gas heat; 3AC 380-415V-N 50-60 Hertz, 3AC 440-480V 60 Hertz
7	SP524655	Cover	Gas heat; 3AC 380-415V-N 50-60 Hertz, 3AC 440-480V 60 Hertz
8	SP346000280101	Clamp	Gray
9	SP346000280104	Clamp	Blue
10	SP346000280301	Cover	
11	SP510993	Contactactor	
14	SP309933100625	Bolt	M6x25
12	SP345805005025	Fuse	5x20mm; F5A/250V
13	SP524654	Fuse Plug	Gas heat; 5x20; 3AC 380-415V-N 50-60 Hertz, 3AC 440-480V 60 Hertz
18	SP528466	Transformer	208-440V/24V,130VA
17	SP311679824006	Washer	M6
15	SP310934100006	Nut	M6
16	SP311125100006	Washer	6.4
19	SP521957	Bolt	M4x12
20	SP516648	Transformer	Gas heat; 3AC 380-415V-N 50-60 Hertz, 3AC 440-480V 60 Hertz; 380-440/230V
21	SP558710	Switchboard Panel	
22	SP524650	Cover	Electric heat; 3AC 208-240V 50-60 Hertz
23	SP528280	Connection Screw	Electric heat; 3AC 208-240V 50-60 Hertz
24	SP309595240612	Bolt	Electric heat; 3AC 208-240V 50-60 Hertz; M6x12
25	568416	Terminal Bracket	Electric heat; 3AC 208-240V 50-60 Hertz; M6x12; 25, 26, 250, 260 and 2600 models through Serial No. 525I000925HQ; 32, 320 and 3200 models through Serial No. 525I000919HQ

# Electrical Component Box - Gas Heat CSA Models, Model FCU020102T Starting Serial No. 525I000943KB and FCU020126T Starting Serial No. 532I000918HQ (Drawing 1 of 2)

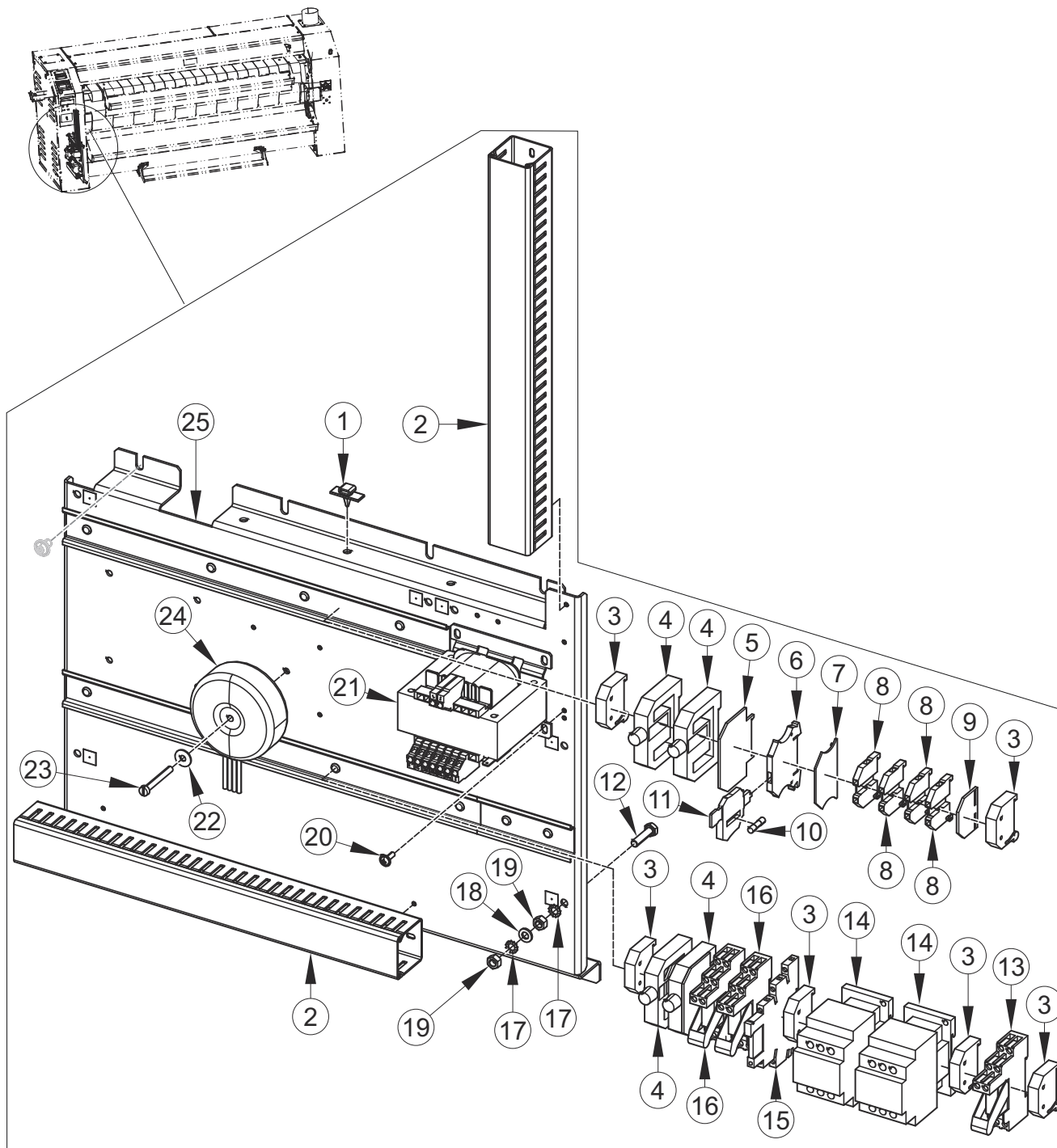


C-CZF10P\_D2101

**Electrical Component Box - Gas Heat CSA Models,  
Model FCU020102T Starting Serial No. 525I000943KB and  
FCU020126T Starting Serial No. 532I000918HQ (Drawing 1 of 2)**

<b>REF</b>	<b>PART NO.</b>	<b>DESCRIPTION</b>	<b>COMMENTS</b>
1	SP558705	Frequency Inverter	Includes items 2-15
2	SP528334	Parameter Copy Unit	Optional
3	SP521957	Bolt	M4x12
4	SP557817	Frequency Inverter	
5	SP558703	Holder	
6	SP540342	Bolt	M6x10
7	SP311679824004	Washer	M4
8	SP309084100408	Bolt	M4x8
9	SP528392	Cable Clamp	
10	SP311679800004	Washer	M4
11	SP309084000412	Bolt	M4x12
12	SP568192	Clamp	
13	SP311125240004	Washer	4.3
14	SP309084240410	Screw	M4x10
15	SP552251	Filter	

# Electrical Component Box - Gas Heat CSA Models, Model FCU020102T Starting Serial No. 525I000943KB and FCU020126T Starting Serial No. 532I000918HQ (Drawing 2 of 2)

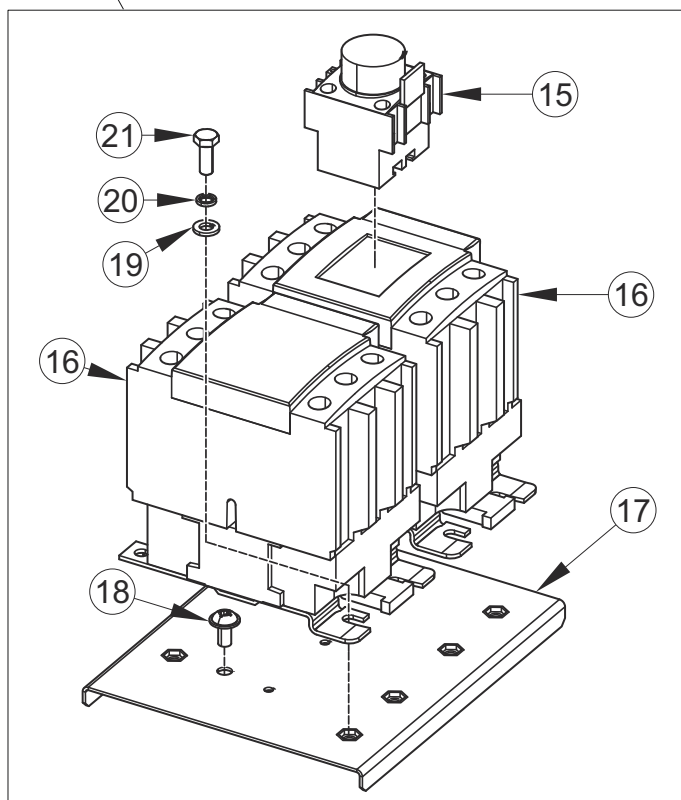
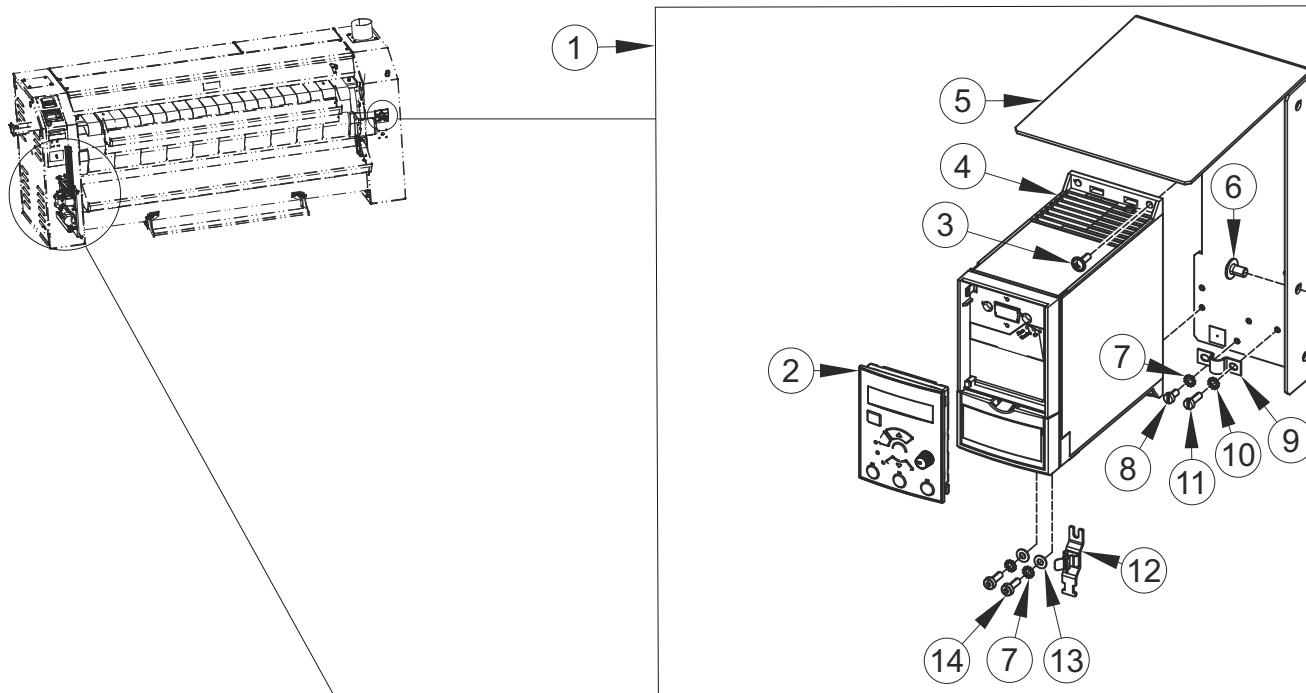


C-CZF12P\_D2101

## Electrical Component Box - Gas Heat CSA Models, Model FCU020102T Starting Serial No. 525I000943KB and FCU020126T Starting Serial No. 532I000918HQ (Drawing 2 of 2)

REF	PART NO.	DESCRIPTION	COMMENTS
	SP557820	Switchboard	
	PRI343001195	Ferrite Core	
	SP552295	Device Label	
	SP346000209502	Lettering	1-10
	341002000025	Conductor	yellow green
1	SP528313	Cable Holder	
2	SPPRI407000109	Cable Channel	40x40
3	SP346000209101	End Stop	
4	SP346000004010	Fuse Case	
	SP345805163032	Fuse	6.3x32mm: T1A/500V
5	SP346000014010	Cover	
6	SP524653	Fuse Clip	
7	SP524655	Cover	
8	SP346000280101	Clamp	Gray
9	SP346000280301	Cover	
10	569726	Fuse Glass	5x20mm; F5.0A/250V
11	SP524654	Fuse Plug	
12	SP309933100625	Bolt	M6x25
13	SP506586	Relay Case	
	SP506585	Relay	24 VAC
	SP514135	Relay Clamp	
14	SP510993	Contactor	
15	SP557985	Relay	
16	SP506586	Relay Case	
	SP514057	Relay	24 VAC
	SP514135	Relay Clamp	
17	SP311679824006	Washer	M6
18	SP311125100006	Washer	6.4
19	SP310934100006	Nut	M6
20	SP521957	Bolt	M4x12
21	564585	Transformer	130VA; 208-440V/24V
22	SP505430	Washer	M5
23	SP309084000540	Bolt	M5x40
24	564572	Transformer	230V/120V
25	SP558710	Switchboard Panel	

# Electrical Component Box - Electric Heat CSA Models, Model FCU020102T Starting Serial No. 525I000943KB and FCU020126T Starting Serial No. 532I000918HQ (Drawing 1 of 2)



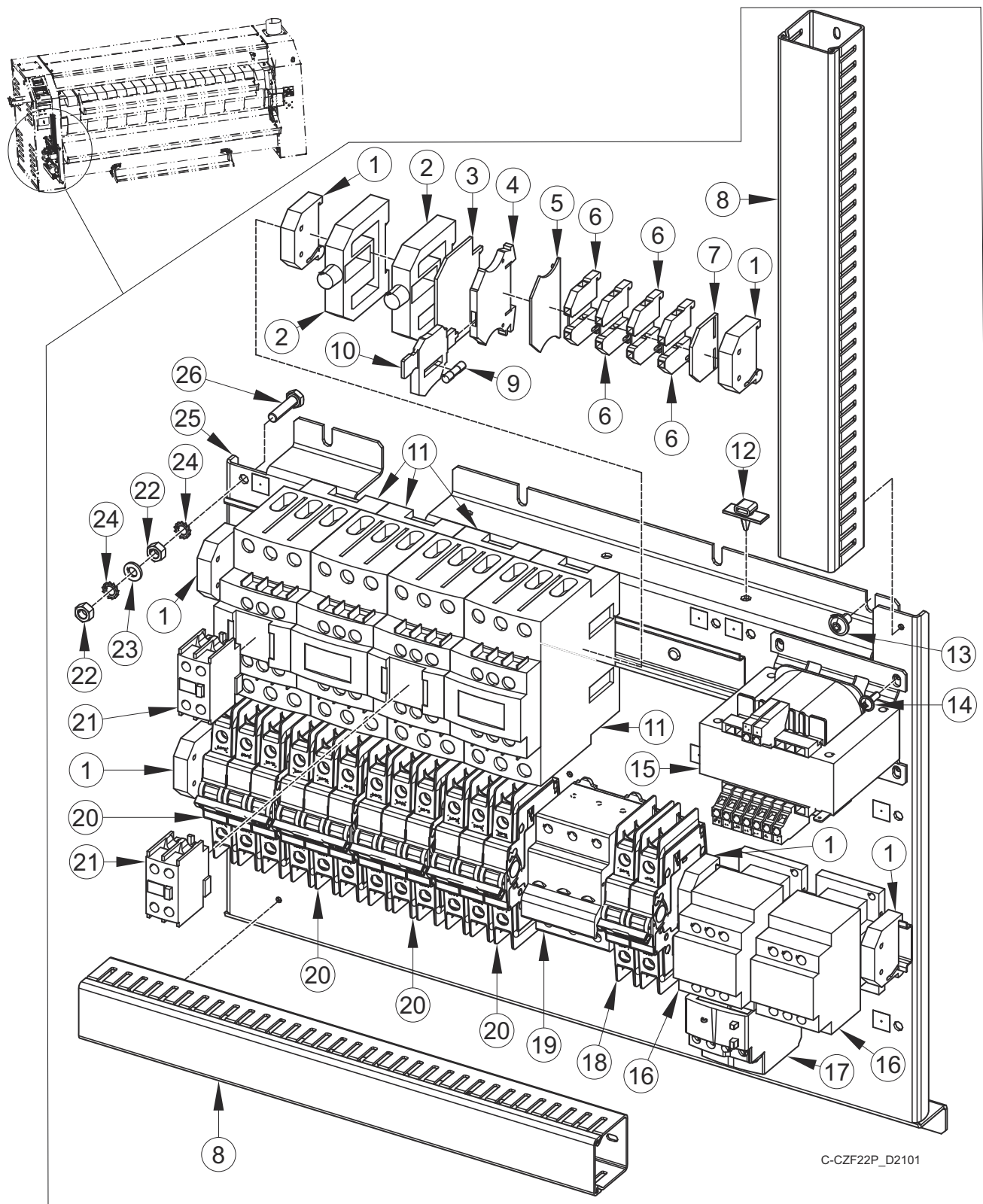
C-CZF21P\_D2101



**Electrical Component Box - Electric Heat CSA Models,  
Model FCU020102T Starting Serial No. 525I000943KB and  
FCU020126T Starting Serial No. 532I000918HQ (Drawing 1 of 2)**

<b>REF</b>	<b>PART NO.</b>	<b>DESCRIPTION</b>	<b>COMMENTS</b>
1	568406	Frequency Inverter	
2	SP528334	Parameter Copy Unit	Optional
3	SP521957	Bolt	M4x12
4	SP557817	Frequency Inverter	
5	SP558703	Holder	
6	SP540342	Bolt	M6x10
7	SP311679824004	Washer	M4
8	SP309084100408	Bolt	M4x8
9	SP528392	Cable Clamp	
10	SP311679800004	Washer	M4
11	SP309084000412	Bolt	M4x12
12	SP568192	Clamp	
13	SP311125240004	Washer	4.3
14	SP309084240410	Screw	M4x10
15	PRI345003045	Timing Block	
16	569707	Contactactor	
17	563725	Contactactor Bracket	
18	SP309595240612	Bolt	M6x12
19	SP311125000006	Washer	6.4
20	SP311127000006	Washer	6
21	SP309933000616	Bolt	M6x16

# Electrical Component Box - Electric Heat CSA Models, Model FCU020102T Starting Serial No. 525I000943KB and FCU020126T Starting Serial No. 532I000918HQ (Drawing 2 of 2)



C-CZF22P\_D2101

**Electrical Component Box - Electric Heat CSA Models,  
Model FCU020102T Starting Serial No. 525I000943KB and  
FCU020126T Starting Serial No. 532I000918HQ (Drawing 2 of 2)**

REF	PART NO.	DESCRIPTION	COMMENTS
	PRI343001195	Ferrite Core	
1	SP346000209101	End Stop	
2	SP346000004010	Fuse Case	
	569727	Fuse	6.3x32mm:1A
3	SP346000014010	Cover	
4	SP524653	Fuse Clip	
5	SP524655	Cover	
6	SP346000280101	Clamp	Gray
7	SP346000280301	Cover	
8	SPPRI407000109	Cable Channel	40x40
9	569726	Fuse Glass	5x20mm; 5A
10	SP524654	Fuse Plug	
11	SPPRI345022019	Contactors	Model FCU020102T
	SP557819	Contactors	Model FCU020126T
12	SP528313	Cable Holder	
13	SP540342	Bolt	M6x10
14	SP521957	Bolt	M4x12
15	564585	Transformer	
16	SP510993	Contactors	
17	SP514103	Thermal Overload Relay	
18	569703	Circuit Breaker	6A
19	SP358251601312	Fuse Isolator	
	569728	Fuse	10x38mm; 10A
20	569705	Circuit Breaker	Model FCU020102T; 40A
	569706	Circuit Breaker	Model FCU020126T; 50A
21	PRI345002045	Switch Block	
22	SP310934100006	Nut	M6
23	SP311125100006	Washer	6.4
24	SP311679824006	Washer	M6
25	SP558710	Switchboard Panel	
26	SP309933100625	Bolt	M6x25

## Wiring Harnesses

<b>PART NO.</b>	<b>DESCRIPTION</b>	<b>COMMENTS</b>
SP557825	Main Wiring	Gas heat; CE models
564571	Main Wiring	Gas heat; CSA models
SP557824	Main Wiring	Electric heat; CE models
569722	Main Wiring	Electric heat; CSA models
SP557826	Crank Switch and Clutch Wiring Cable	
568189	Communication Cable	Shielded
SP557828	Motor Cable	
SP557865	Ignition Cable	CE models
563712	Ignition Cable	CSA models
SP506422	Electrode Cable	
SP537995	Board Interconnection Cable	
SP557846	Central Stop Cable	OPL
SP528340	Interconnection Cable	

# Parts Index

## A

Adapter	
SP560912 .....	61
563708 .....	67
563741 .....	67
Adhesive	
SP245704003021 .....	29, 51, 65
Adjustment Holder	
568455 .....	65
Articulated Feet Gripper	
553914 .....	15
Autotransformer	
SP552201 .....	91
SP552248 .....	91

## B

Bar	
SP511102 .....	19
SP511105 .....	19
Basic Automatic Burner	
563668 .....	67
Basic Terminal	
SP549454 .....	67
Beam	
SP507689 .....	7, 9
SP507690 .....	7, 9
SP507694 .....	11, 13
SP507695 .....	11, 13
Bearing	
SPPRI608000041 .....	37
SP325000000031 .....	29, 31, 39, 55
SP326000600202 .....	37, 55
SP502374 .....	35
SP559453 .....	35
Bidirectional Stretcher	
SP517183 .....	37
Binding Strip	
SP345000160971 .....	43
SP345000626088 .....	47
Board Interconnection Cable	
SP537995 .....	102
Bolt	
SPPRI202001001 .....	65
SP309084000308 .....	87
SP309084000310 .....	65
SP309084000320 .....	51
SP309084000410 .....	35, 49
SP309084000412 .....	69, 85, 91, 95, 99
SP309084000510 .....	41
SP309084000540 .....	97
SP309084100408 .....	91, 95, 99
SP309084240312 .....	51
SP309084240325 .....	49
SP309084240408 .....	25, 61
SP309084240506 .....	87
SP309084240510 .....	55
SP309595124612 .....	45, 47
SP309595240612 .....	19, 43, 93, 99
SP309798524416 .....	45, 47

SP309912000620 .....	19, 21, 23, 35, 37
SP309912000815 .....	7, 9, 33
SP309912000830 .....	35
SP309912001030 .....	7, 9, 29, 37, 41, 55
SP309912001040 .....	15, 39, 55
SP309912120625 .....	29, 41, 69
SP309912121260 .....	41
SP309916000408 .....	39, 55
SP309916000610 .....	49
SP309933000314 .....	77, 81
SP309933000610 .....	39, 91
SP309933000612 .....	25, 37
SP309933000616 .....	17, 19, 49, 75, 77, 99
SP309933000620 .....	35, 39, 55, 71
SP309933000625 .....	35, 71
SP309933000630 .....	37
SP309933000660 .....	27, 29
SP309933000825 .....	35, 75, 79
SP309933000830 .....	37
SP309933000840 .....	29, 31
SP309933000845 .....	31
SP309933001025 .....	37
SP309933001030 .....	43
SP309933001035 .....	33
SP309933001080 .....	37, 39
SP309933100625 .....	93, 97, 101
SP309933240610 .....	69
SP309933240620 .....	69
SP309933240822 .....	69
SP309963240412 .....	45, 47
SP309966240410 .....	41
SP309966240620 .....	21, 23
SP309966240640 .....	27
SP503816 .....	55
SP506012 .....	17, 19, 23
SP506013 .....	35, 43, 53, 69
SP506014 .....	65
SP506086 .....	29
SP510922 .....	31
SP510954 .....	11, 13, 25
SP511161 .....	19
SP518719 .....	53, 83
SP519941 .....	33
SP519942 .....	31
SP521957 .....	43, 61, 69, 91, 93, 95, 97, 99, 101
SP525167 .....	55
SP525168 .....	49
SP525282 .....	7, 9, 27
SP528549 .....	49
SP529811 .....	29, 33
SP537854 .....	13
SP540339 .....	27
SP540342 .....	61, 67, 91, 95, 99, 101
SP540780 .....	27
SP545101 .....	61, 67
SP547925 .....	91
SP551203 .....	33
SP555504 .....	35, 67
SP555658 .....	23
SP559413 .....	45, 47
Bracket	
563749 .....	51
568566 .....	15
568585 .....	15
Burner Brace	
SPI03344000623 .....	57, 59, 65

N/A items do not appear in index.

Burner Trough	
SPI03343000013 .....	57, 59, 65, 69
SPI03443000013 .....	57, 59, 65, 69
Bushing	
SP101407 .....	67, 69, 77
SP101408 .....	69
Butt Splice	
SP345000034070 .....	61
SP516681 .....	61

## C

Cable	
569741 .....	47
569743 .....	47
569745 .....	47
569746 .....	47
Cable Bushing	
SPPRI350000045 .....	85
SP100980 .....	55
SP101410 .....	71
SP516175 .....	71
Cable Channel	
SPPRI407000109 .....	93, 97, 101
Cable Clamp	
SP528392 .....	91, 95, 99
Cable Holder	
SP528313 .....	93, 97, 101
SP558767 .....	83
Cable Passage	
SP273121005052 .....	57, 59
Case	
SP540338 .....	27
Catch	
SP506550 .....	35, 83
Central Stop Cable	
SP557846 .....	102
Chain Wheel	
SP500695 .....	39, 55
SP509042 .....	35
SP529907 .....	33
SP529908 .....	33
SP529909 .....	29
SP529910 .....	29
Chain Wheel Bearer	
SP500694 .....	55
Chain Wheel Hub	
SP512410 .....	39
Circuit Breaker	
SPPRI401013021 .....	91
SP524785 .....	91
SP528171 .....	91
569703 .....	101
569705 .....	101
569706 .....	101
Clamp	
SP346000280101 .....	93, 97, 101
SP346000280104 .....	93
SP568192 .....	91, 95, 99
Clip	
SP504565 .....	65
Clutch	
SP529954 .....	55

Clutch Electromagnet	
SP502347 .....	55
Clutch Ring	
SP505020 .....	55
Coil	
SP516717 .....	77
SP554110 .....	75
Coin Box	
SP509850 .....	85
Coin Box Holder	
SP525242 .....	85
SP558698 .....	85
Coin Meter	
572303 .....	89
572306 .....	89
572309 .....	89
572312 .....	89
572315 .....	89
572319 .....	89
572322 .....	89
572325 .....	89
572328 .....	89
572337 .....	89
572338 .....	89
572340 .....	89
572344 .....	89
572360 .....	89
572385 .....	89
Coin Meter Box	
SP102532 .....	85
Coin Vault	
SP321848140028 .....	85
Coin Vault Cover	
SP515291 .....	85
Coin Vault Frame	
SP501514 .....	85
Communication Cable	
568189 .....	102
Complete Board	
SP515E22100014 .....	37
Condensation Outlet Pipe	
SPI02127000014 .....	79, 81
Conductor	
341002000025 .....	97
Connecting Element	
SP318000060100 .....	29
SP318000080100 .....	37
Connection Screw	
SP528280 .....	93
Connection Wire	
SP102758 .....	33
Connector	
SP554156 .....	77
345000163008 .....	25
Console	
SP558696 .....	49
Contact Cover	
SP505059 .....	21
SP505060 .....	21
SP559492 .....	23
SP559493 .....	23
Contacto	
SPPRI345022019 .....	91, 101
SP510993 .....	93, 97, 101
SP516038 .....	91

N/A items do not appear in index.

SP528035 .....	91
SP557819 .....	91, 101
569707 .....	99
Contactor Bracket	
563725 .....	99
Control Board Cover	
562235 .....	53
Conversion Pulley	
SP525258 .....	29
Cover	
SPI03175000113 .....	57, 59, 65, 69
SPI03376000113 .....	57
SP346000014010 .....	93, 97, 101
SP346000280301 .....	93, 97, 101
SP512784 .....	11, 13
SP512785 .....	11, 13
SP524650 .....	93
SP524655 .....	93, 97, 101
563721 .....	59, 65
568428 .....	59
568445 .....	53
568446 .....	53
Cover Grid Belts	
568439 .....	53
568440 .....	53
Cover Holder	
568519 .....	53
Covering Plate	
SP507640 .....	25
Crank Board	
SP314E00027414 .....	35
Crank Case	
SP505002 .....	35
Crank Guide	
SP509439 .....	35
Crank Handle	
SP530000 .....	35
Crank Shaft	
SP529999 .....	35
Crank Switch and Clutch Wiring Cable	
SP557826 .....	102

## D

Device Label	
SP552295 .....	93, 97
Differential Pressure Switch	
SP554363 .....	69
560979 .....	69
Disconnect Switch	
568359 .....	87
Distance Plate	
SP525132 .....	37
Distance Ring	
SP500702 .....	55
Distance Tube	
SP314E00027614 .....	35
SP529905 .....	33
Door	
SP512760 .....	21, 23
SP512761 .....	21, 23
SP512762 .....	21, 23
SP517145 .....	21, 23

## E

Elbow	
SPPRI426002072 .....	57, 59, 65, 75, 77, 79
Electric Programmer Board Power	
SP547065 .....	83
Electric Programmer Board Processor	
SP547064 .....	83
Electrode	
SP506420 .....	61, 67
Electrode Cable	
SP506422 .....	102
Emergency Stop Connector	
SP528311 .....	85, 87
Emergency Stop Knob	
SP528310 .....	85, 87
End Stop	
SP346000209101 .....	93, 97, 101
Exhaust	
SPI01128000014 .....	25
SPI03125000013 .....	65
SPI03325000013 .....	57, 59
SPI03425000013 .....	57, 59, 65
Exhaust Box	
SPI01133000013 .....	25
SPI03133000013 .....	25
Exhaust Tunnel	
SPI03173000023 .....	57, 59, 65
SPI03365000023 .....	57, 59, 65
Extension	
SP319413104560 .....	81
External Steam Hose	
SP273454800034 .....	75, 77, 79, 81

## F

Fastener	
SP550115 .....	23
Feather	
SP525193 .....	39, 55
SP529808 .....	29, 33
Feeding Belt	
SP514026 .....	39
Feeding Belt Connecting Pin	
SP102783 .....	39
Ferrite Core	
PRI343001195 .....	93, 97, 101
Filter	
SP552251 .....	91, 95
Filter Bridge	
SP511095 .....	19
SP511111 .....	17
Filter Cover	
SP511091 .....	17
Filter Sieve	
SP511126 .....	25
Filter Tank	
SP511121 .....	25
SP511122 .....	25
Finger	
SP505095 .....	43
SP545108 .....	45, 47

N/A items do not appear in index.

563744 .....	51
Fitting Adapter 563660 .....	67
Flange SP314S00023114 .....	75, 77, 79, 81
SP514062 .....	61
Floating Finger 568586 .....	13
Frequency Inverter SP557817 .....	91, 95, 99
SP558705 .....	91, 95
568406 .....	99
Front Beam SP512647 .....	7, 9
SP512670 .....	7, 9
Front Cover SP512780 .....	11, 13
SP512781 .....	11, 13
Fuse SPPRI401020021 .....	91
SP345805005025 .....	93
SP345805163032 .....	91, 97
SP358251632240 .....	91
SP514133 .....	91
SP552292 .....	91
569727 .....	101
569728 .....	101
Fuse Case SP346000004010 .....	93, 97, 101
Fuse Clip SP524653 .....	93, 97, 101
Fuse Glass 569726 .....	97, 101
Fuse Isolator SP358251601312 .....	91, 101
Fuse Plug SP524654 .....	93, 97, 101

## G

Gas Burner SP558624 .....	57, 59, 65
SP558625 .....	57, 59, 65
Gas Kit 563687 .....	67
563688 .....	67
563690 .....	67
563691 .....	67
Gas Pipeline-Service Kit 568404 .....	61
Gas Pressure Regulator SP563683 .....	61
563717 .....	67
563742 .....	67
Gas Pressure Regulator Spring SP563684 .....	61
Gas Supply Tube 563665 .....	67
Gas Valve SP357402010050 .....	63
SP357460460500 .....	61
563658 .....	67
Gas Valve Cable SP357500459412 .....	61

N/A items do not appear in index.

Gasket SP273442016013.....	17
Gearbox Brace SP507639.....	7, 9, 35
Grate Touch 559457 .....	53
559458 .....	53
Ground Interconnection SP557955.....	93
Guide Bar SP560917.....	43
SP560918.....	43
Guide Bar Holder SP500751.....	45, 47

## H

Half-Connecting Element SP318000060101.....	29
SP514075.....	37
Heating Bar Clamp SP515E00017614 .....	71
Heating Chamber Lid SP557321.....	71
Heating Element SPMEC001042.....	71
SP342734225230.....	71
563650 .....	71
563652 .....	71
Heating Inset SP557302.....	71
SP557303.....	71
Hinge SP511109 .....	19
SP511162 .....	19
SP511163 .....	19
SP514268.....	49
SP558672.....	49
Holder SP511100 .....	19
SP511101 .....	19
SP558700.....	69
SP558702.....	61
SP558703.....	91, 95, 99
SP558722.....	43
SP558724.....	43
SP558725.....	43
563667 .....	67
Hook Lock SP517144.....	21, 23
Hose SP273454410020.....	75, 77, 79, 81
Hose Clamp SPPRI240000017.....	57, 59, 65
Hub SP525130.....	37

## I

Ignition Cable SP557865.....	102
563712 .....	102



Ignition Transformer	
563669 .....	67
Ignition Unit	
SP357456010080 .....	61
SP549481 .....	61
Injector Sieve	
SP314G74100013 .....	57, 59, 65
Input Table Drive Chain	
SP318000060001 .....	29
Input Unit Plate	
SP525243 .....	7, 9
SP525244 .....	7, 9
Insert Belt Cover	
SP512795 .....	21
Insert Belts Cover	
SP559484 .....	23
Insert Trough	
SP514205 .....	21
SP514206 .....	21
Insert Trough Holder	
SP559485 .....	23
Inserting Table	
SP500671 .....	43
SP500672 .....	43
Interconnection Cable	
SP528340 .....	102
Ironing Belt	
SP525330 .....	33
Ironing Belt Guide	
SPI03338000013 .....	11, 13
SPI03438000013 .....	11, 13
Ironing Belt Set	
SP545112 .....	33
SP545113 .....	33
Ironing Cylinder	
SPI02301000013 .....	79, 81
SPI02401000013 .....	79, 81
SPI03301000014 .....	73
SPI03401000014 .....	73
SP549392 .....	73
SP549393 .....	73
SP549396 .....	79, 81
SP549397 .....	79, 81
Isolating Ring	
SP515E00027014 .....	71
Isolation	
SPI03175000213 .....	57, 59, 65, 69
SPI03376000213 .....	57
Isolation Paper	
SPPRI350012007 .....	85
Isolation Plate	
SP101154 .....	35, 49, 51
SP540230 .....	45, 47

---

## K

Key	
SP505449 .....	35
Keyboard	
SP554720 .....	83
SP558653 .....	83
Kit Fittings	
571254 .....	67

## L

Label	
SP545087 .....	49
Lead Plumb	
SP506548 .....	35, 83
Ledge	
SP554728 .....	83
SP554741 .....	83
Lettering	
SP346000209502 .....	93, 97
Leveling Leg	
568568 .....	15
568569 .....	15
Lock	
SPPRI610000007 .....	21, 23
Lock Hook	
SPPRI610001007 .....	21, 23
Locking Console	
568484 .....	65
Locking Console with Flap	
568483 .....	65
Logo Label	
567887 .....	83
Lower Part	
SP314G74000613 .....	57, 59, 65

---

## M

Main Drive Chain	
SP318000080001 .....	37
Main Switch	
SPPRI404000097 .....	85
SPPRI404000098 .....	85
SPPRI404001098 .....	85
SP347700003100 .....	85
SP347700100753 .....	85
SP347700125175 .....	85
SP504589 .....	85
Main Switch Knob	
SPPRI404000095 .....	85
SP347700006175 .....	85
Main Wiring	
SP557824 .....	102
SP557825 .....	102
569722 .....	102
Microswitch	
SPPRI610011077 .....	49
SPPRI610028017 .....	35
SP517484 .....	49
568791 .....	51
Microswitch Complete	
563746 .....	51
Microswitch Holder	
SP505004 .....	35
Middle Bridge	
SP511099 .....	19
Mixing Tube	
SP357201309300 .....	57, 59, 65
Motor	
SP505421 .....	35

N/A items do not appear in index.

Motor Cable	
SP557828 .....	102

## N

### Nameplate

B12389801 .....	83
F8443105 .....	83
SP532173 .....	83
SP532265 .....	83
SP534353 .....	83
SP534355 .....	83
SP534356 .....	83
SP534360 .....	83
SP534362 .....	83
SP534364 .....	83
SP538590 .....	83
SP545086 .....	83
SP560767 .....	83
SP560768 .....	83
39564 .....	83

### Nozzle

SP357203000240 .....	61
SP357203000250 .....	61
SP357203000270 .....	61
SP357203000280 .....	61
SP357203000300 .....	61
SP357203000310 .....	61
SP357203000350 .....	61
SP357203000410 .....	61
SP357203000420 .....	61
SP357203000440 .....	61
SP357203000460 .....	61
SP357203000470 .....	61
SP357203000490 .....	61
SP357203000620 .....	61
SP357203000640 .....	61
SP357203000700 .....	61
SP504506 .....	61
SP504507 .....	61
SP504508 .....	61
SP504509 .....	61
SP504510 .....	61
357203000400 .....	65
357203000430 .....	65
563731 .....	65
563732 .....	65

### Nut

SPPRI350001045 .....	85
SP101417 .....	67, 69, 77
SP101418 .....	69
SP101420 .....	71
SP223111000614 .....	61, 75, 77, 79, 81
SP310439240012 .....	35
SP310934000003 .....	65
SP310934000004 .....	21, 23
SP310934000006 .....	19, 27, 55
SP310934000008 .....	31, 37, 75, 79
SP310934000010 .....	29, 37, 39
SP310934000012 .....	41, 75, 77, 79, 81
SP310934100006 .....	71, 93, 97, 101
SP310934240004 .....	41, 45, 47, 85
SP310934240005 .....	43, 65
SP310934240006 .....	7, 9, 19, 69, 71, 83
SP310934240008 .....	7, 9
SP310934240010 .....	19
SP310934800008 .....	69

SP310985000005 .....	43
SP310985000006 .....	13, 21, 23, 41, 43, 49, 65
SP310985000008 .....	29, 31
SP310985000010 .....	7, 9, 15, 27, 33, 37, 39, 55
SP313251000006 .....	67
SP313251002104 .....	67
SP511020 .....	35, 51
SP514076 .....	39
SP514193 .....	69
SP515166 .....	67
SP516176 .....	71
SP525257 .....	29
SP537518 .....	29, 31
310934000016 .....	15
310985000016 .....	15

## O

### Output Trough

SP525333 .....	21, 23
SP525334 .....	21, 23

## P

### Padded Roller

SP529892 .....	39
SP529893 .....	39

### Padding

SP503505 .....	27
SP503506 .....	27

### Panel

SP558613 .....	85
SP558614 .....	85
SP558615 .....	85
SP558643 .....	85, 87
SP558644 .....	85
SP558645 .....	85

### Parameter Copy Unit

SP528334 .....	91, 95, 99
----------------	------------

### Pedal

SP525217 .....	55
----------------	----

### Pedal Hinge

SP525219 .....	55
SP525220 .....	55

### Pin

SP500759 .....	45, 47
SP545107 .....	45, 47

### Pipe Nipple

SPPRI426001217 .....	61, 75, 77
563659 .....	67
563675 .....	67

### Pistol Handle

568361 .....	87
--------------	----

### Pistol Handle Holder

568360 .....	87
568409 .....	87

### Plate

568430 .....	67
568431 .....	67

### Plug

SPPRI505000064 .....	57, 59
SP319428324806 .....	75, 79
SP345900025012 .....	69
SP345900032132 .....	85

N/A items do not appear in index.

SP345900043132 .....	69, 71, 77
SP526781 .....	81
Pressure Spring	
SP515E00024614 .....	29, 55
Profiled Sealing	
SPPRI505000058 .....	11, 13, 17, 53
Pulley	
SP505007 .....	35
Pulley Pin	
SP505003 .....	35

## R

Radial Ventilator	
561092 .....	25
561093 .....	25
Range Limiter	
SP545123 .....	45, 47
Reaction Holder	
SPI02142000014 .....	75, 77, 79, 81
Rear Beam	
SP512648 .....	7, 9
SP512671 .....	7, 9
Rear Cover	
SP512750 .....	17, 19
SP512751 .....	17, 19
SP512752 .....	17, 19
SP512753 .....	17, 19
Rear Cover Holder	
SP512756 .....	17
Rear Isolation	
568496 .....	53
Reation Pin	
SP314S00024814 .....	75, 77, 79, 81
Reducing Insert	
SP235134601314 .....	75, 77, 79
SP314S00016214 .....	61, 75, 77, 79, 81
Relay	
SP506585 .....	97
SP514057 .....	91, 97
SP514134 .....	91
SP557985 .....	97
Relay Case	
SP506586 .....	91, 97
Relay Clamp	
SP514135 .....	91, 97
Remote Reset Module	
SP549457 .....	67
Retaining Ring	
SP307732030015 .....	35, 37
SP307732031062 .....	35
SP502367 .....	27, 31, 39, 55
SP504529 .....	45, 47
Ribbon	
SP372612080003 .....	27
Ribbon Bar	
SP525271 .....	27
SP525272 .....	27
Ribbon Bar Holder	
SP525251 .....	27
Ring	
SP525222 .....	55
SP529806 .....	29, 33

SP529906.....	55
Rivet	
SP313250004063.....	53
SP313250004125.....	25
SP313250032008.....	43, 53
SP505480.....	53
Rod	
SP500758.....	45, 47
Roller	
SP529848.....	33
SP529869.....	33
SP529870.....	27, 33
SP529874.....	33
SP529875.....	27, 33
SP529984.....	31
SP529985.....	31
Roller Bearing Plate	
SP525255.....	29
SP525256.....	29
Roller Cover	
SP525338.....	21, 23
SP525339.....	21, 23
Roller Insert	
SP525260.....	31
SP537510.....	31
Roller Pin	
SP314E36000214 .....	35
Roller Plate	
SP537516.....	31
SP537517.....	31
Rotating Supply	
SP349910008113.....	75, 77
SP349910008116.....	79, 81

## S

Safety Bar	
SP511146 .....	49
SP511147 .....	49
SP558690.....	49
SP558691.....	49
SP558692.....	49
SP558693.....	49
Scraper	
SP517176.....	41
Scraper Bearer	
SP512481.....	41
SP525177.....	41
Scraper Holder	
SP512482.....	41
Scraper Spring	
SPI03332000814.....	41
Screw	
SP100305.....	87
SP309084240410.....	91, 95, 99
SP510863.....	51, 85
SP514061.....	25
570628 .....	29
Seal	
SP314S00023214 .....	75, 77, 79, 81
Sealing Cable	
SP506549.....	35, 83
Self-Adhesive Pad	
SPMEC001410.....	39

N/A items do not appear in index.

Sensor Bearer	
SP500752 .....	45, 47
Sensor Plate Bearer	
SP500755 .....	45, 47
SP500756 .....	45, 47
Serial Plate	
SP547150 .....	61
Shaft	
SP509041 .....	35
Signal Amplifier	
SP549456 .....	67
Split Pin	
SP314178032022 .....	75, 79, 81
Spring	
SPPRI611000045 .....	49
SPPRI611010080 .....	31
SP509440 .....	35
SP545026 .....	49
Spring Console	
SP558695 .....	49
Spring Finger	
SP320E19400014 .....	49
Spring Guide	
SP525248 .....	29
SP525265 .....	29
SP537514 .....	33
Spring Pin	
SP525221 .....	55
SP537511 .....	31
SP314178032022	
Split Pin .....	77
Stand	
SP525231 .....	7, 9
SP558620 .....	7, 9
Steam Filter	
SP405054057006 .....	75, 77
Steam Valve	
SP514162 .....	75
SP516718 .....	77
Steam Valve Body	
SP514166 .....	77
Stop Pedal Assembly	
SP525210 .....	55
Stop Roller	
SP515E00021515 .....	17, 19
Strengthening Angle	
SP525268 .....	29
SP537515 .....	31
Support Pulley	
SP525131 .....	37
Support Pulley Bracket	
SP525129 .....	37
Supporting Tube	
SP517172 .....	41
SP517174 .....	41
Switch	
SP347000000111 .....	55
Switch Block	
PRI345002045 .....	101
Switch Holder	
568408 .....	87
Switch Lever	
SP558694 .....	49

Switchboard	
SP557820 .....	93, 97
Switchboard Panel	
SP558710 .....	93, 97, 101
Switching Unit	
SP528312 .....	85, 87

## T

Table Tightener	
SP500655 .....	39, 55
SP500656 .....	39
Temperature Sensor	
563788 .....	47
Temperature Sensor Assembly	
563800 .....	47
Temperature Sensor Replacement Kit	
571210 .....	45
571211 .....	45
Tension Chain Wheel	
SP515E22000413 .....	37
Terminal Board	
SPPRI350015007 .....	85
Terminal Board Cover	
SP525172 .....	75, 77
Terminal Bracket	
568416 .....	93
Terminal Holder	
SP558768 .....	25
Thermal Overload Relay	
SP514103 .....	101
Thermoelement Holder	
SP519421 .....	45, 47
SP519427 .....	45, 47
SP519509 .....	45, 47
Thermostat	
SPMEC001055 .....	45, 47
Thermounit Holder	
SP500749 .....	43
Thermounit Spring	
SP500750 .....	45, 47
Thread Plate	
SP507651 .....	25
SP511110 .....	19
Threaded Insert	
SP525259 .....	29
Threaded Plate	
SP509078 .....	7, 9, 35
Tightener	
SP515E21000014 .....	37, 39
Tightening Clip	
SP540140925706 .....	39
Tightening Roller	
SP314E36000014 .....	35
SP314E36000114 .....	35
Tightening System	
SP515E22000014 .....	37
Timing Block	
PRI345003045 .....	99
Timing Card	
SP549455 .....	67
Top Front Cover	
SP511081 .....	17

N/A items do not appear in index.

SP511082.....	17
Top Rear Cover	
SP511172.....	17, 19
SP511173.....	17, 19
Torque Holder	
SP529849.....	55
Transformer	
SP516648.....	93
SP528466.....	93
564572.....	97
564585.....	97, 101
Transparent Cover	
SP507635.....	21, 23
Transparent Foil	
SP516715.....	61, 67
Tube	
SPI03100017514.....	63
SPI03100017524.....	61
SP313250032008.....	67
SP517236.....	75, 77
SP556535.....	61
563748.....	51

## U

Upper Part	
SPI03374000513.....	57, 59, 65
Upper Trough	
SP559496.....	23
SP559497.....	23

## V

V-Belt	
SPPRI607000080.....	35
V-Belt Pulley	
SP500602.....	35

## W

Washer	
SPF02111001214.....	67
SPPRI230000003.....	39, 55
SPPRI231000046.....	75, 79
SPPRI247000001.....	21, 23
SPPRI521002001.....	21, 23
SPPRI522000012.....	21, 23
SPPRI611009025.....	37
SP223111000814.....	61, 75, 77, 79, 81
SP311125000003.....	49
SP311125000004.....	49, 55
SP311125000005.....	41
SP311125000006.....	19, 21, 23, 25, 39, 49, 71, 75, 77, 99
SP311125000008.....	37, 69, 75, 79
SP311125000010.....	7, 9, 15, 27, 31, 37, 39, 55
SP311125000013.....	41, 75, 77, 79, 81
SP311125100006.....	71, 93, 97, 101
SP311125240003.....	51, 53
SP311125240004.....	25, 41, 45, 47, 91, 95, 99
SP311125240005.....	43
SP311125240006.....	7, 9, 43, 69, 71, 83

SP311125240008.....	7, 9, 69
SP311127000003.....	65, 87
SP311127000004.....	21, 23, 49, 55, 69, 85
SP311127000005.....	41
SP311127000006.....	19, 23, 25, 27, 35, 37, 39, 49, 55, 71, 75, 77, 81, 91, 99
SP311127000008.....	7, 9, 27, 31, 35, 37, 69, 75, 79
SP311127000010.....	7, 9, 19, 29, 37, 41, 43, 55
SP311127000012.....	41, 75, 77, 79, 81
SP311127240003.....	51
SP311127240004.....	41, 45, 47, 61
SP311127240005.....	55
SP311127240006.....	19, 61, 67, 69
SP311127240008.....	69
SP311679800003.....	49, 53, 83
SP311679800004.....	67, 91, 95, 99
SP311679824003.....	45, 47
SP311679824004.....	25, 85, 91, 95, 99
SP311679824005.....	87
SP311679824006.....	7, 9, 71, 83, 93, 97, 101
SP311679824008.....	7, 9
SP311734900003.....	43, 65
SP311734900006.....	19
SP311902100004.....	85
SP311902100006.....	35, 49, 77, 81, 91
SP311902100008.....	35, 37
SP311902100009.....	31
SP311902100010.....	43
SP314E00024514.....	27
SP320E39000514.....	43
SP500587.....	25
SP500985.....	75, 77, 79, 81
SP505005.....	35
SP505430.....	97
SP514572.....	35
SP515E00022115.....	39, 55
SP515E22000515.....	37
SP525223.....	55
SP525267.....	29
SP525284.....	7, 9, 27, 31
SP525364.....	43
SP529810.....	29, 33
SP545027.....	49
311679824005.....	65
570210.....	55

N/A items do not appear in index.

