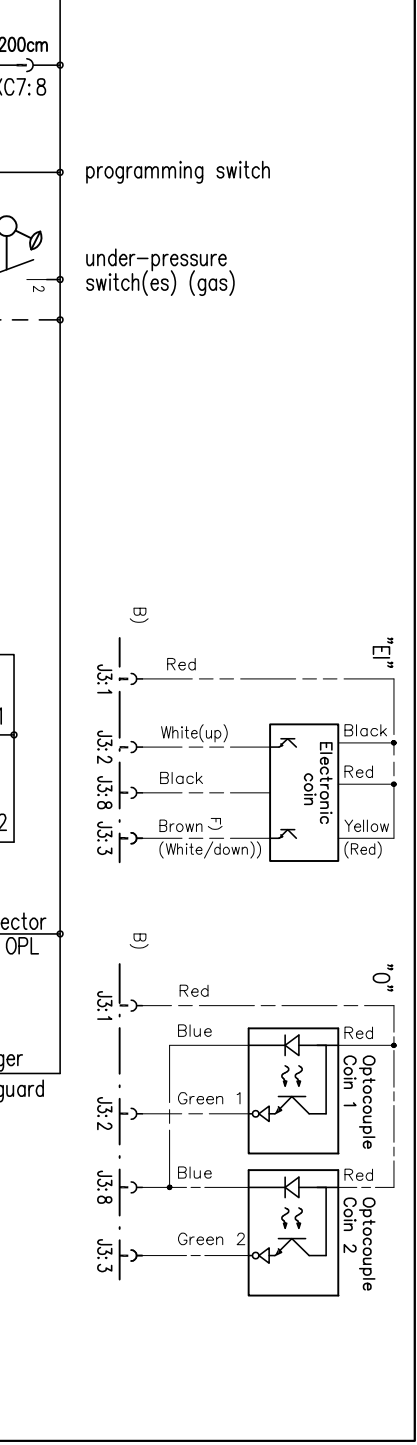
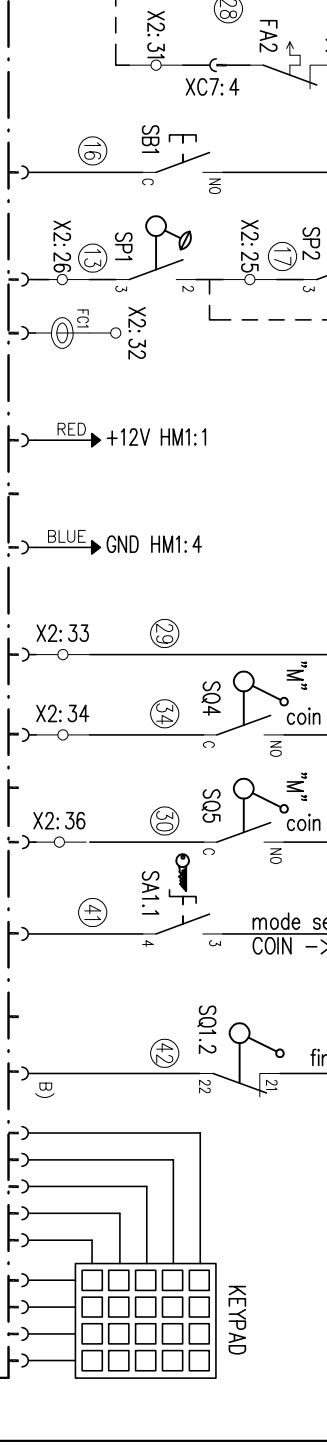
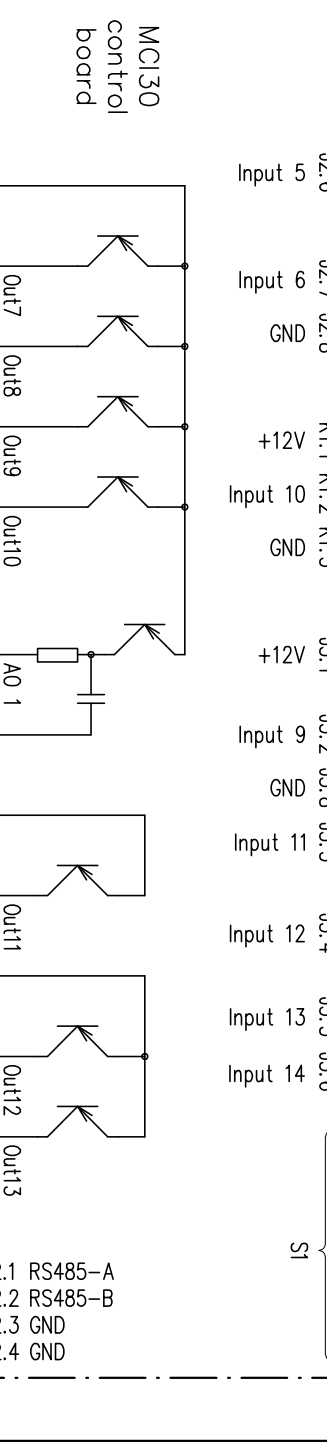
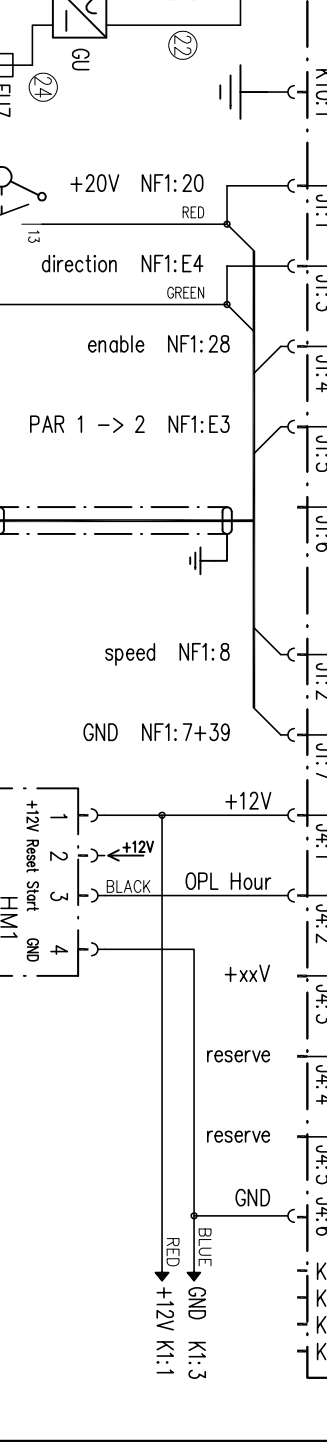
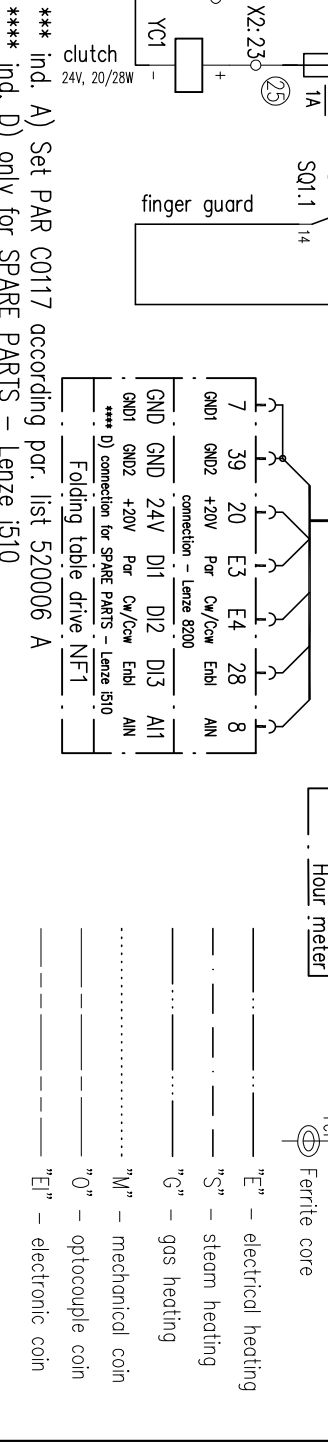


Machine types where used		Tolerance		Ra		Scale:	
I/LDI 35/50 COIN -> OPL						Material: Rough dimensions: Standard for rough material:	
						Weight:	
						Electrical control diagram	
D	Freq.Inv.-Lenze i510	3.4.19	HYM				
C	60Hz ignition change	7dec10	PSt				
B	Electronic coin	29.9.09	PSt				
B	SQ1.2 inp. ->inp.13	29.9.09	PSt				
A	Inv rel. out -> digit.	25.1.08	PSt				
Stat	Modification	Date	Name/Proj.				
Replaces:		960		520 005		Page: 1	
Replaced by:						Pages: 1	



\*\*\* ind. A) Set PAR C0117 according par. list 520006 A  
 \*\*\*\* ind. D) only for SPARE PARTS - Lenze i510

clutch 24V, 20/28W  
 YC1

direction NF1:E4  
 enable NF1:28  
 PAR 1 -> 2 NF1:E3  
 speed NF1:8  
 GND NF1:7+39

coin 1  
 coin 2  
 mode selector  
 COIN -> OPL

Optocoupler  
 Coin 1  
 Coin 2

Material:  
 Rough dimensions:  
 Standard for rough material:

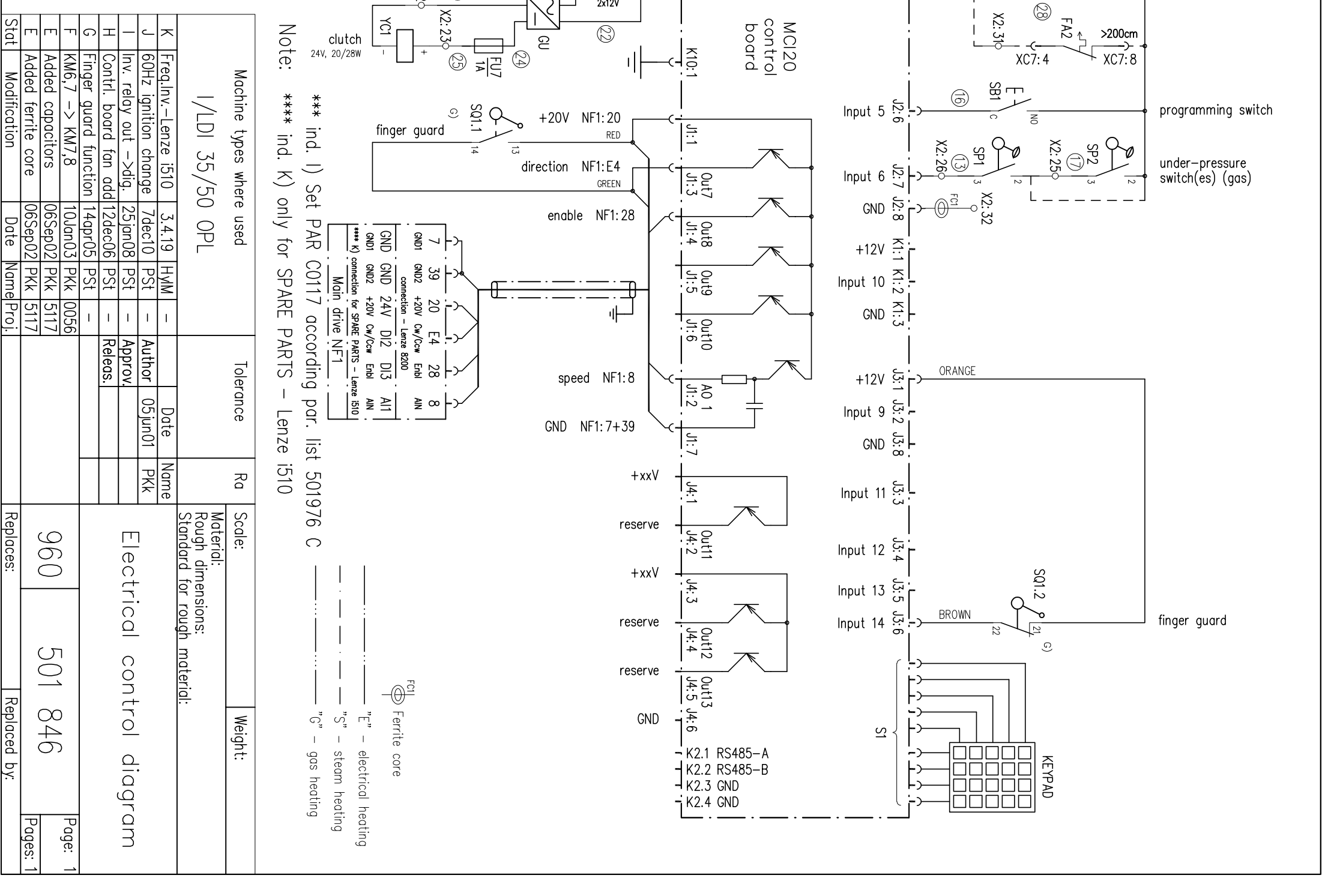
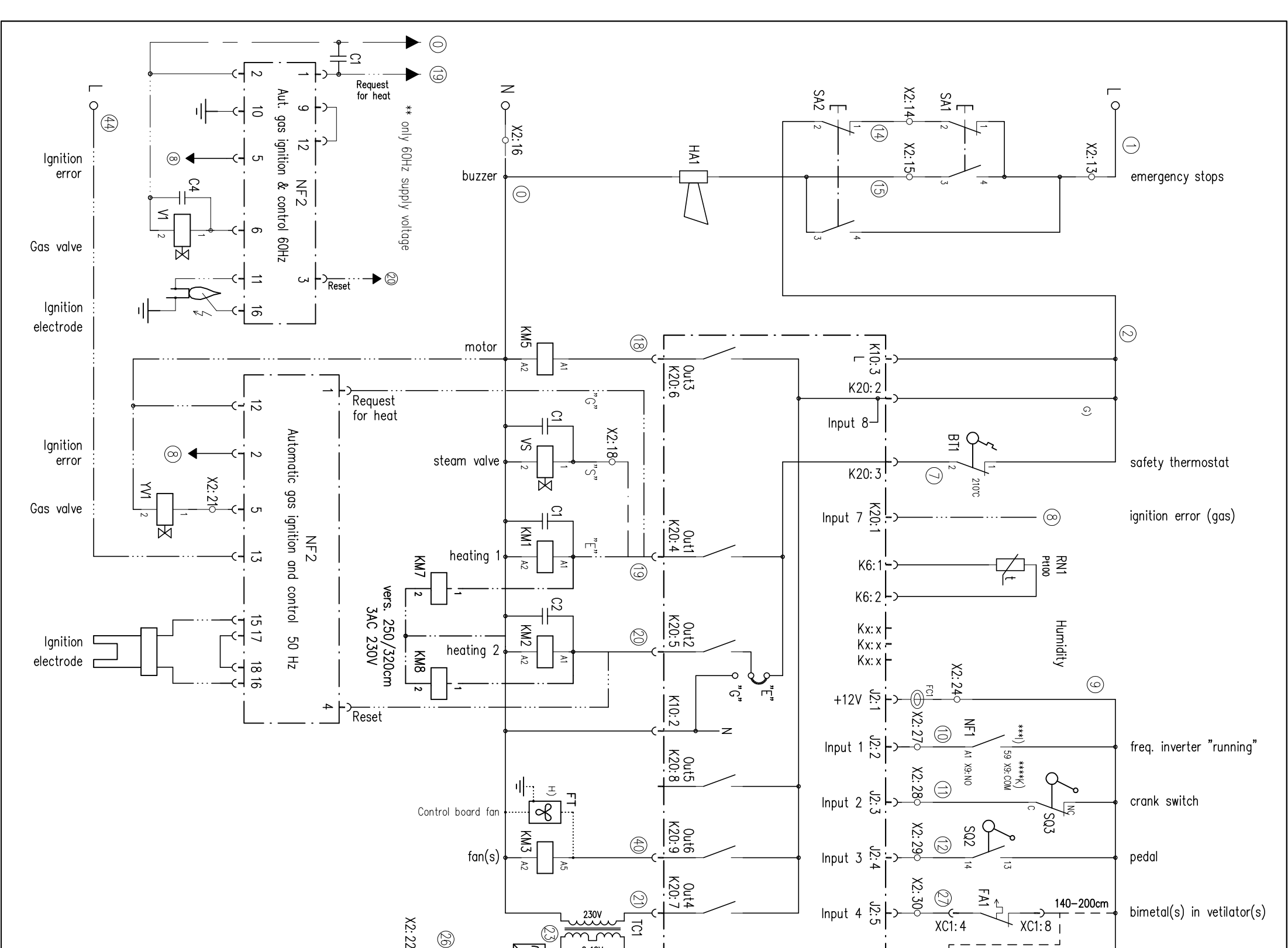
Scale:  
 Weight:

Electrical control diagram

960

520 005

Page: 1  
 Pages: 1



Stat	Modification	Date	Name/Proj.	Replaces:	Replaced by:
E	Added ferrite core	06Sep02	PKK 5117	960	501 846
E	Added capacitors	06Sep02	PKK 5117		
F	KM6,7 -> KM7,8	10Jan03	PKK 0056		
G	Finger guard function	14Apr05	PST		
H	Contrl. board fan add	12Dec06	PST		
I	Inv. relay out -> dig.	25Jan08	PST		
J	60Hz ignition change	7Dec10	PST		
K	Freq.Inv.-Lenze i510	3.4.19	HMM		

Machine types where used  
I/LDI 35/50 OPL

Tolerance Ra  
Scale: Standard for rough material:  
Material: Rough dimensions:  
Electrical control diagram

Note: \*\*\*\* ind. K) only for SPARE PARTS - Lenze i510  
\*\*\* ind. I) Set PAR C0117 according par. list 501976 C  
"E" - electrical heating  
"S" - steam heating  
"G" - gas heating

Terminal	Component	Notes
7	GND1	connection - Lenze 8200
39	GND2	+20V Cw/Csw Enbl
20	GND	24V DI2
E4	GND	+20V Cw/Csw Enbl
28	GND	24V DI3
8	AIN	AIN

\*\*\*\* K) connection for SPARE PARTS - Lenze i510  
Main drive NF1

clutch 24V, 20/28W  
YC1

finger guard  
SQ1.1

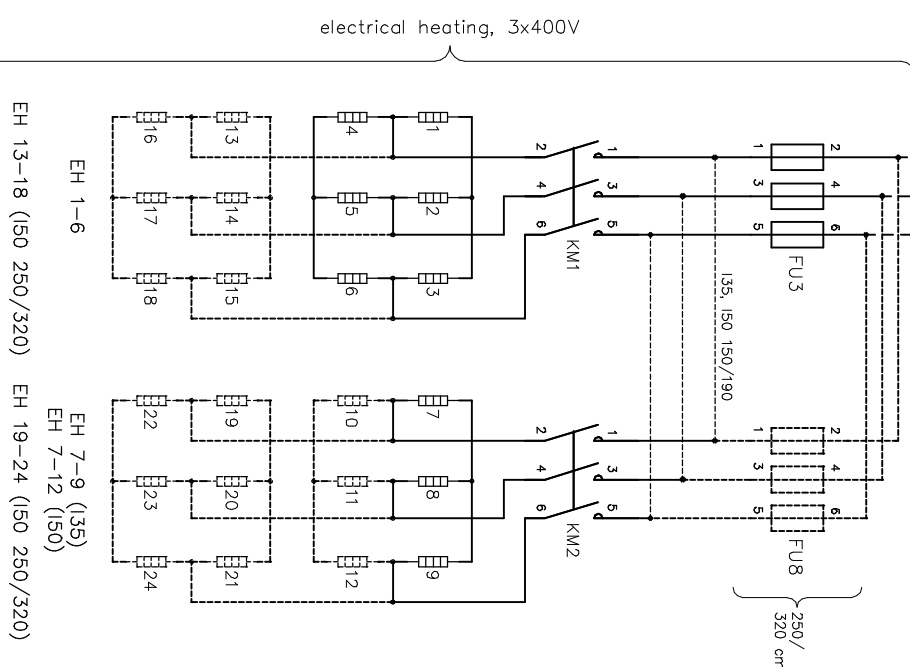
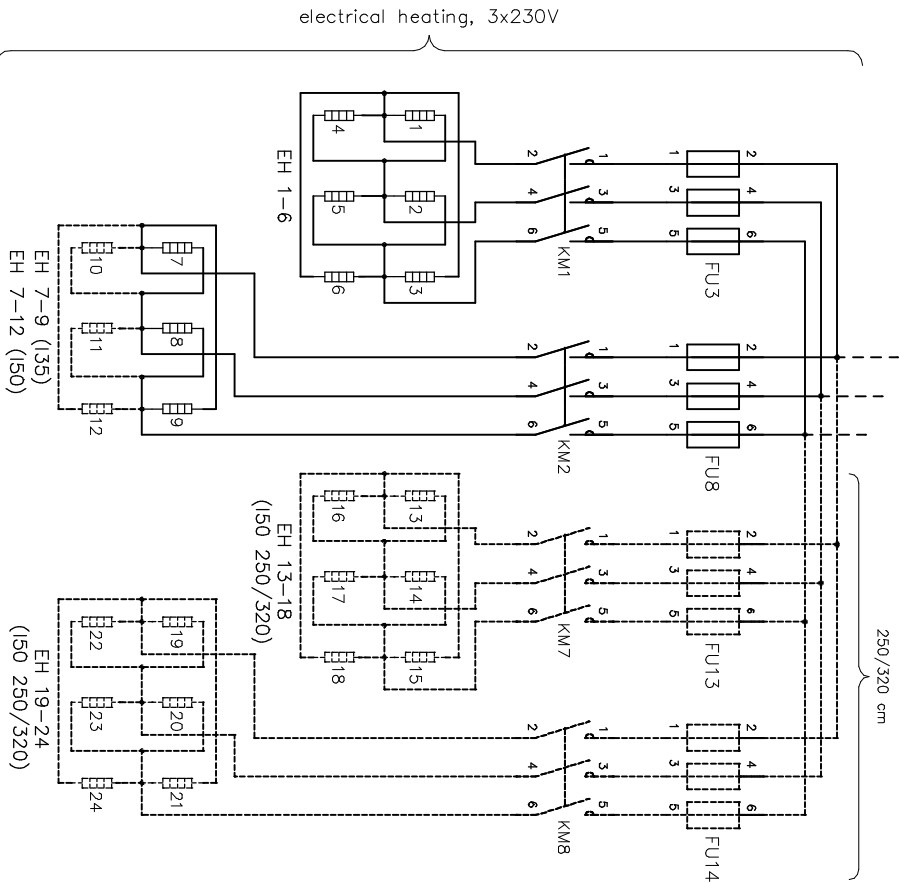
direction NF1:E4  
enable NF1:28  
speed NF1:8  
GND NF1:7+39

reserve  
+xxV  
reserve  
+xxV  
reserve  
reserve  
GND

KEYPAD  
S1  
K2.1 RS485-A  
K2.2 RS485-B  
K2.3 GND  
K2.4 GND

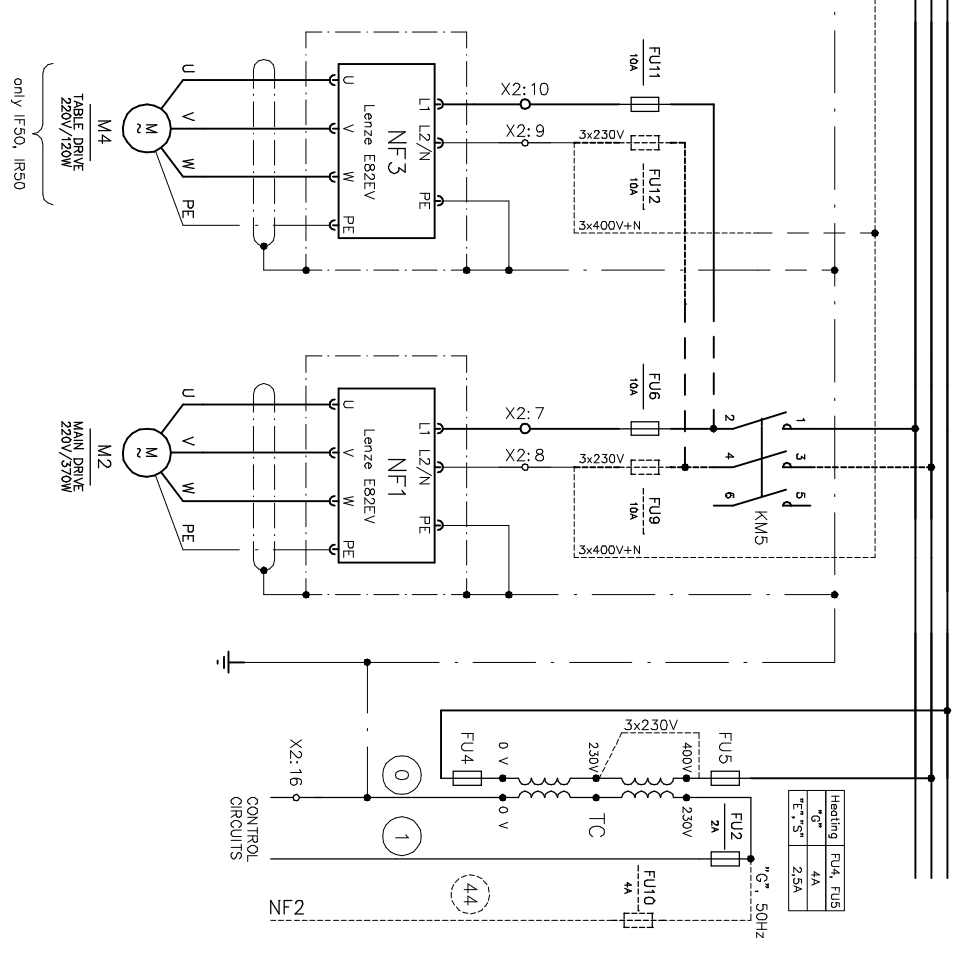
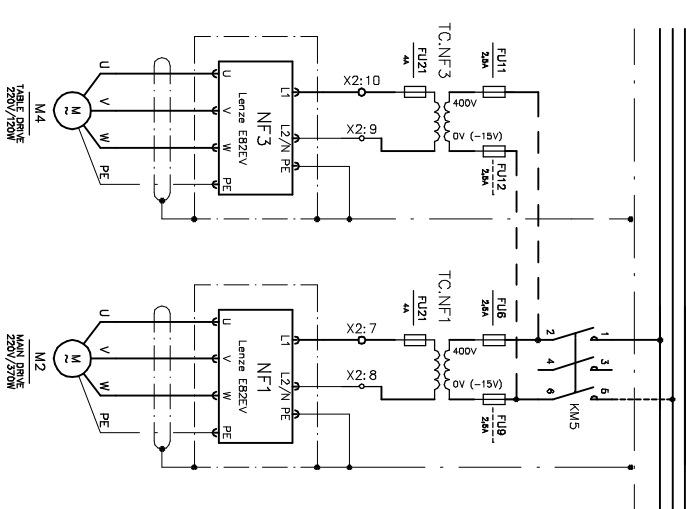
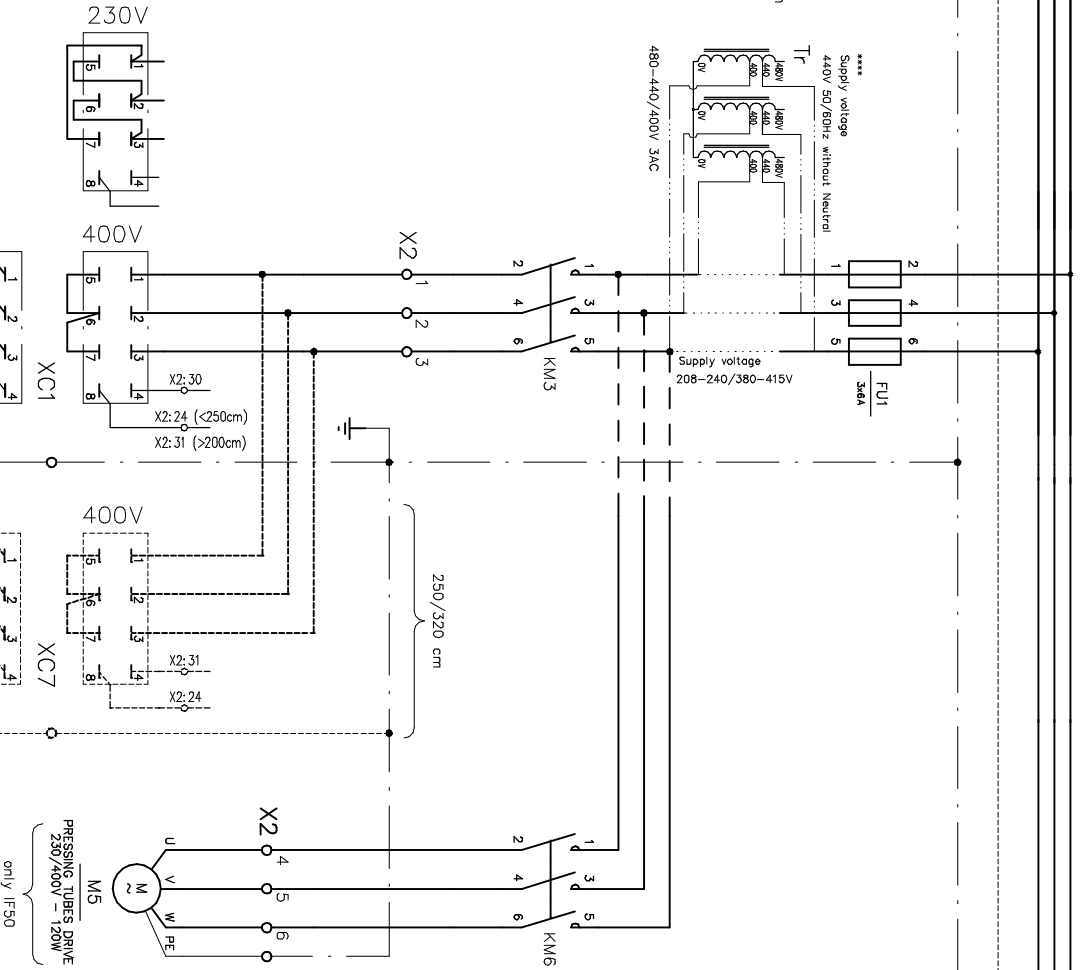
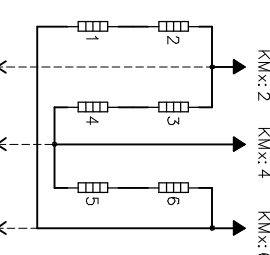
Page: 1  
Pages: 1

3+PE+N 380-415V/50-60Hz  
 3+PE 208-240V/50-60Hz  
 ( 3+PE 380-415V/50-60Hz )  
 ( 3+PE 440V/60Hz )

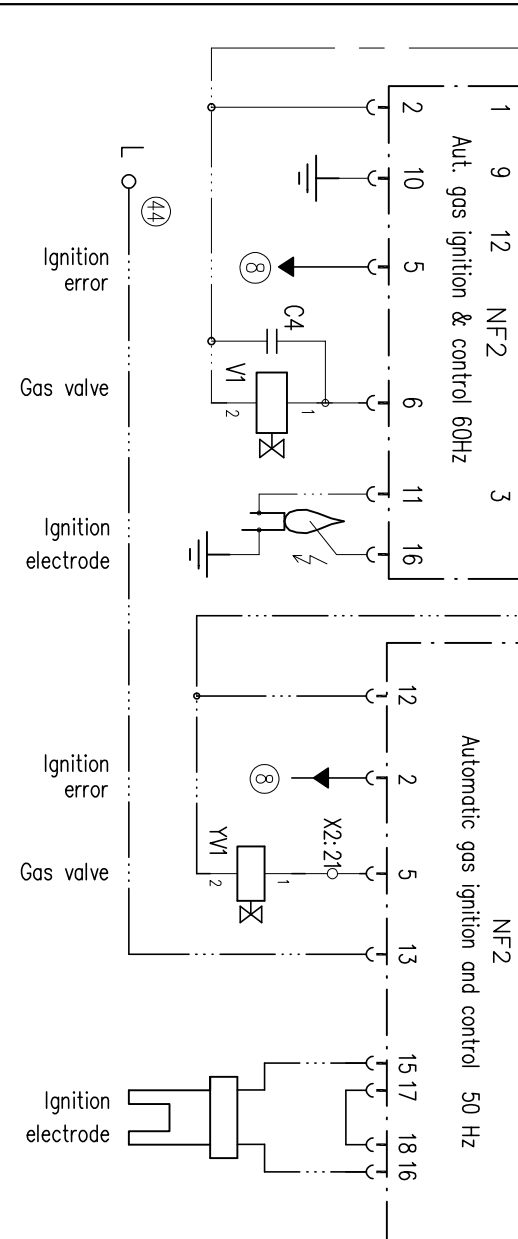
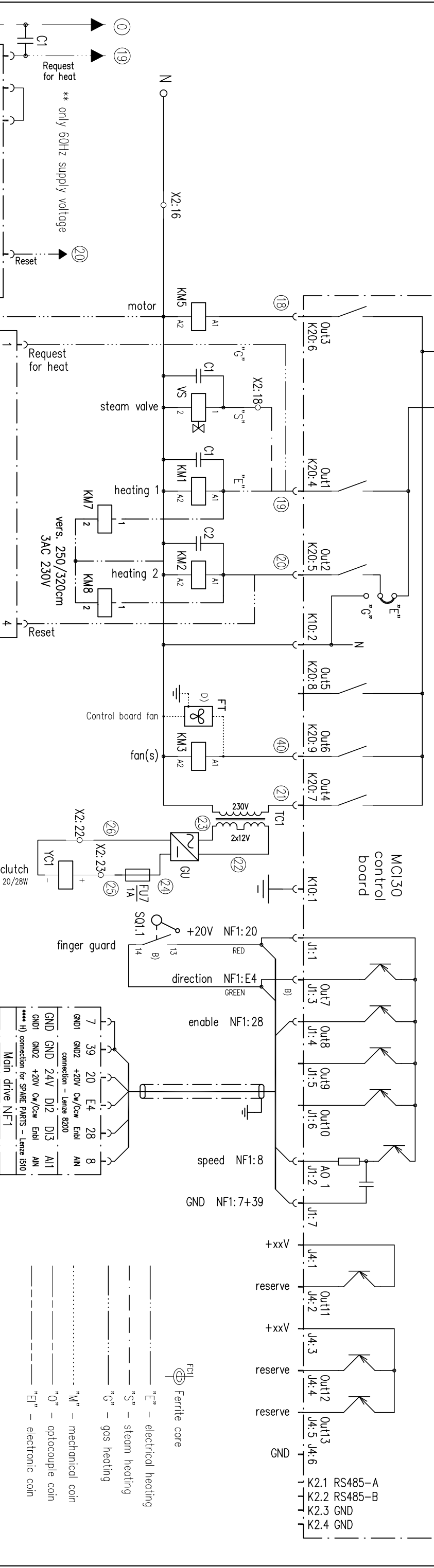
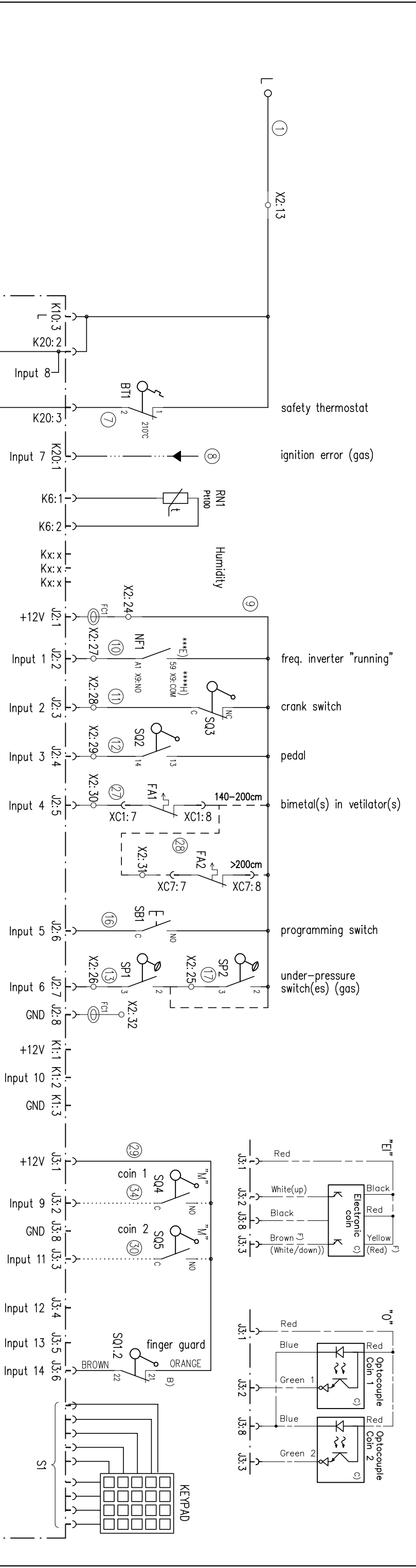


IRONER		HEATING UNITS		CONTACTORS		FUSES		M. SWITCH	
Type	Length	PCS	Supply (W)	Total (W)	KM1	KM2, KM7, KM8	FU3 (A)	FU8, FU13, FU14 (A)	QM (A)
1	35	9	1770	15930	LC1-D18 W7	LC1-D18 W7	32	32	6.3
1	160	9	2700	24300	LC1-D18 W7	LC1-D18 W7	40	40	6.3
1	200	9	3100	27900	LC1-D32 W7	LC1-D32 W7	50	50	6.3
1	190	12	2700	32400	LC1-D32 W7	LC1-D32 W7	63	63	6.3
1	50	24	2250	54000	LC1-D32 W7	LC1-D32 W7	50	50	6.3
1	250	24	2700	64800	LC1-D40 W7	LC1-D40 W7	63	63	6.3
1	140	9	1770	15930	LC1-D40 W7	LC1-D18 W7	32	32	6.3
1	35	9	2700	24300	LC1-D40 W7	LC1-D18 W7	50	50	6.3
1	200	9	3100	27900	LC1-D40 W7	LC1-D40 W7	63	63	6.3
1	190	12	2700	32400	LC1-D40 W7	LC1-D40 W7	50	50	6.3
1	50	24	2250	54000	LC1-D32 W7	LC1-D32 W7	40	40	6.3
1	250	24	2700	64800	LC1-D40 W7	LC1-D40 W7	50	50	6.3
1	150	12	2700	32400	LC1-D32 W7	LC1-D32 W7	63	63	6.3
1	190	12	3100	37200	LC1-D32 W7	LC1-D32 W7	50	50	6.3
1	320	24	2700	64800	LC1-D40 W7	LC1-D40 W7	63	63	6.3
1	50	24	2700	64800	LC1-D40 W7	LC1-D40 W7	63	63	12.5

\*\*\* 3x440V: heating elements connection



Machine types where used		Tolerance		Ra		Scale:		Weight:	
I/IDI 35/50, IF 50, IR50						Material: Rough dimensions: Standard for rough material:			
J	440V fan connection	6jan14	PSI	Author	21sep07	Name		Electrical Control Diagram	
I	440V heating add	12jul11	PSI	Approv.		Relais			
H	400V without N	18oct07	PSI						
G	Heat el. connection	24nov04	PSI	5141				Page: 1	
F	IR50	22Sep03	PSI	5141				Page: 1	
Std	Modification	Date	Nome/Proi.	Replaces: 501844_5		Replaced by:			



\*\*\* ind. E) Set PAR C0117 according par. list 501976 C  
 \*\*\*\* ind. H) only for SPARE PARTS - Lenze i510

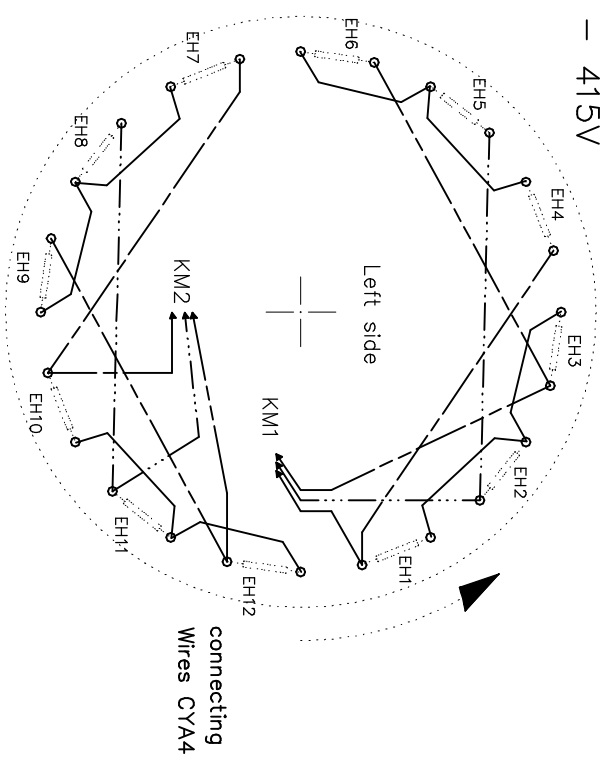
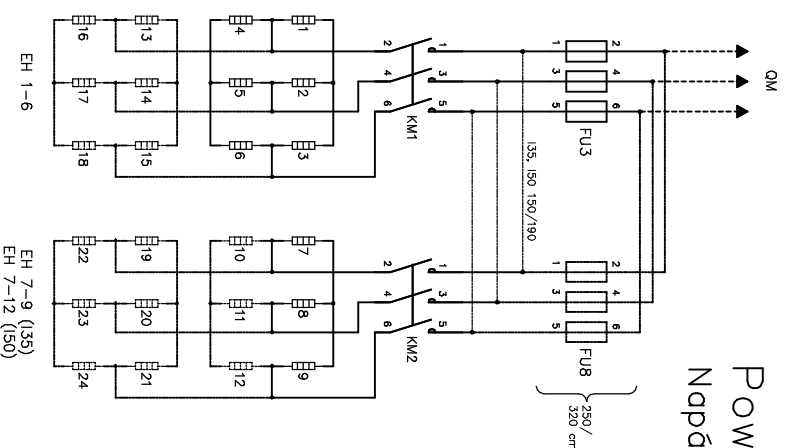
Machine types where used		Tolerance		Ra		Scale:	
I/LDI 35/50 coin						Material: Rough dimensions: Standard for rough material:	
H	Freq.Inv.-Lenze i510	3.4.19	HMM	-			
G	60Hz ignition change	7dec10	PSt	Author	23Sep02	PKK	
F	el.coin wires	12may08	PSt	Approv.			
E	inv. rel out. -> digit.	25jan08	PSt	Releas.			
D	contr. board fan add	12dec06	PSt				
C	Coin option "G", "E"	15jan05	PSt	5141			
B	Finger guard function	14apr05	PSt				
A	KM6,7 -> KM7,8	10Jan03	PKK	00056			
Stat	Modification	Date	Name/Proj.				

Replaces: 960 Replaced by: 501 858

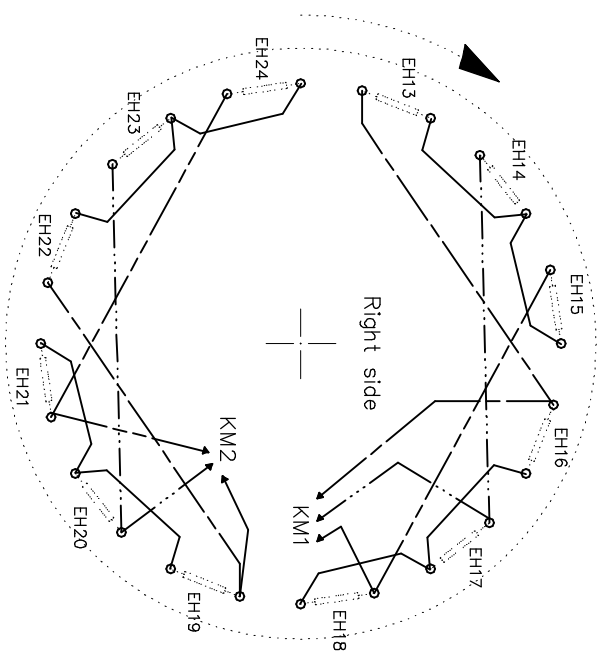
Page: 1  
Pages: 1

Electrical control diagram

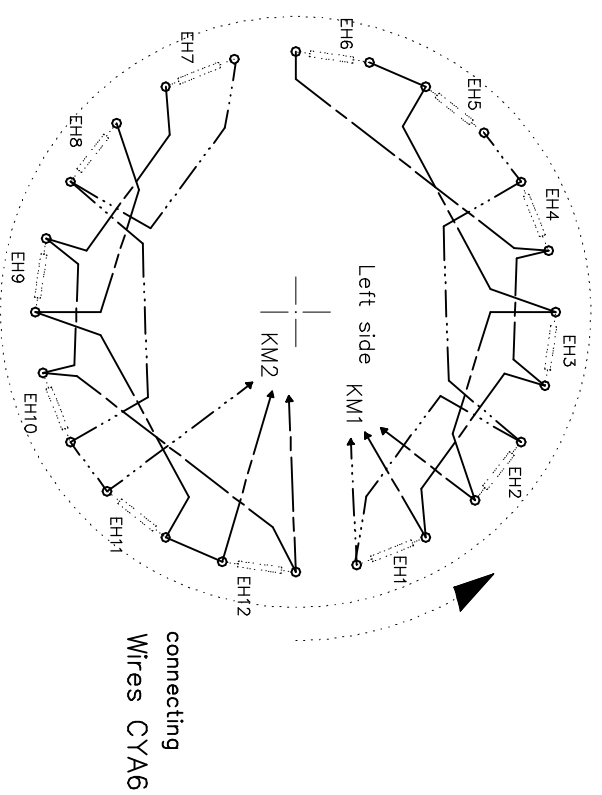
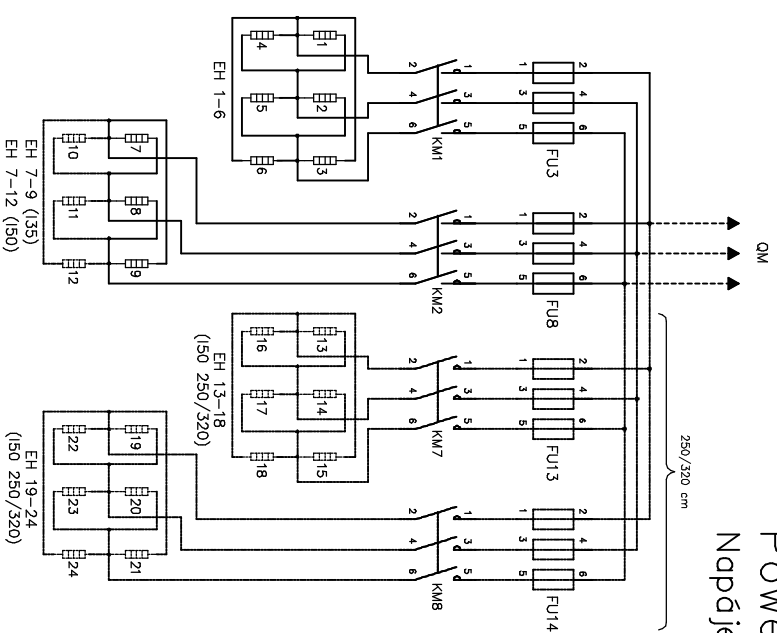
Power: 3 x 380 – 415V  
 Napójení: 3 x 380 – 415V



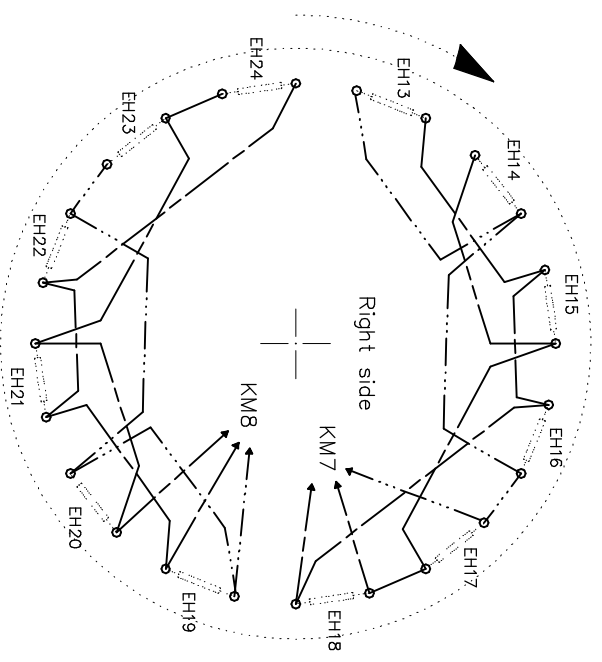
Only 150 – 250/320  
 Jen pro 150 – 250/320



Power: 3 x 208 – 240V  
 Napójení: 3 x 208 – 240V



Only 150 – 250/320  
 Jen pro 150 – 250/320



IRONER		HEATING UNITS		CONTACTORS		FUSES		M. SWITCH	
Type	Length	Pcs	Supply (W)	Total (W)	KM1	KM2, KM7, KM8	FU3 (A)	FU8, FU13, FU14 (A)	QM (A)
1	140	9	1770	15930	LC1-D18 M7	LC1-D18 M7	32	—	32
1	160	9	2700	24300	LC1-D18 M7	LC1-D18 M7	40	—	63
1	200	9	3100	27900	LC1-D32 M7	LC1-D18 M7	50	—	63
1	150	12	2700	32400	LC1-D32 M7	LC1-D32 M7	63	—	63
1	190	12	3100	37200	LC1-D32 M7	LC1-D32 M7	63	—	63
1	250	24	2250	54000	LC1-D32 M7	LC1-D32 M7	50	50	100
3	320	24	2700	64800	LC1-D40 M7	LC1-D40 M7	63	63	125
1	140	9	1770	15930	LC1-D32 M7	LC1-D18 M7	32	25	63
1	160	9	2700	24300	LC1-D40 M7	LC1-D18 M7	50	25	100
1	200	9	3100	27900	LC1-D40 M7	LC1-D18 M7	50	32	100
1	150	12	2700	32400	LC1-D40 M7	LC1-D40 M7	50	50	100
1	190	12	3100	37200	LC1-D40 M7	LC1-D40 M7	50	50	125
1	250	24	2250	54000	LC1-D32 M7	LC1-D32 M7	40	40	250
3	320	24	2700	64800	LC1-D40 M7	LC1-D40 M7	50	50	250

Machine types where used	Tolerance	Ra	Scale:	Weight:
I/LDI/IF/IR			Material: Rough dimensions: Standard for rough material:	
	Date	Name	Author	24.05.00 P.S.
	Date	Name	Approv	24.5.00 P.S.
	Date	Name	Reles	30.05.00 F.P.
Add con table	25.01.06	PSI XXXX	Electrical heating ironers	
Std Modification	Date	Name/Proj	960	502 142
			Replaces:	Replaced by:
				Page: 1
				Pages: 2

