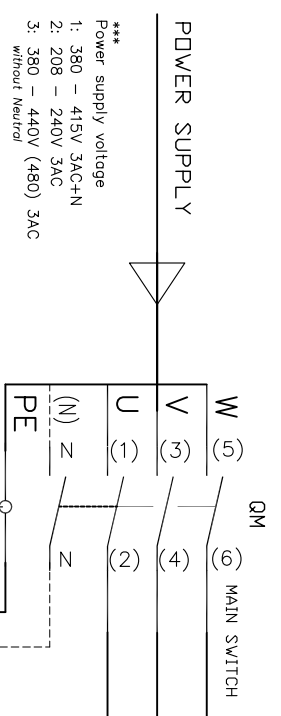


3+PE+N 380-415V/50-60Hz  
 3+PE (208)220-240V/50-60Hz  
 ( 3+PE 380-415V/50-60Hz )  
 ( 3+PE 440-480V 60Hz )

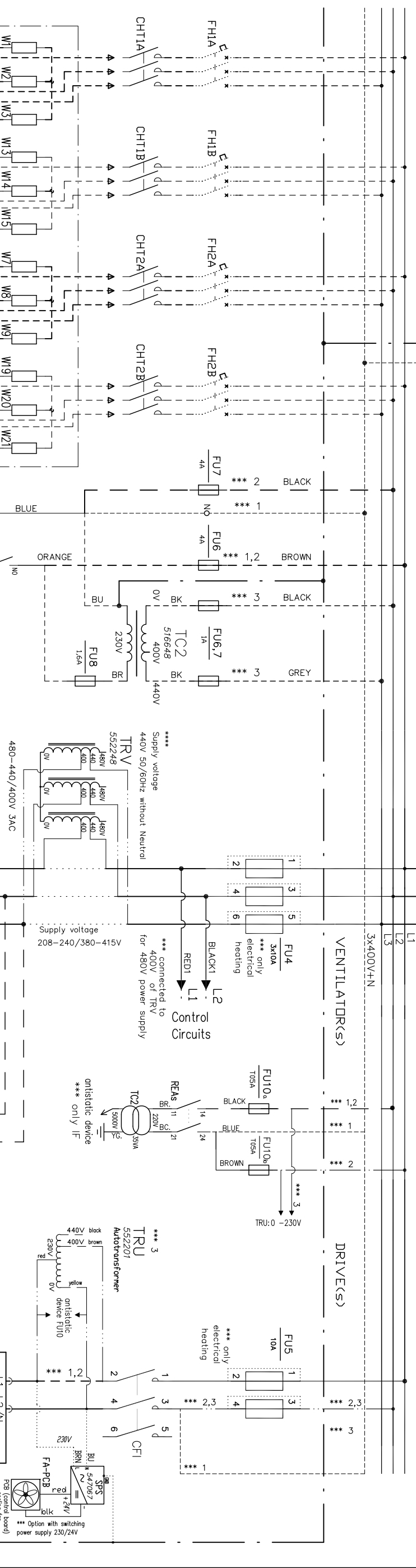


POWER SUPPLY

ELECTRICAL HEATING

ELECTRICAL HEATING

IRONER	HEATING UNITS		CONTACTORS		PROTECTOR M. SWITCH			
	Type	Length	PCs	Supply (W)	Total (W)	CHxx	FHxx (A)	QM (A)
3 x 440 V	I 50	160	12	2700	32400	LC1-D32	25	63
		200	12	3100	37200	LC1-D32	32	63
		250	24	2250	54000	LC1-D18	25	100
3 x 230 V	I 50	160	12	2700	64800	LC1-D32	25	125
		200	12	3100	37200	LC1-D40	50	100
		250	24	2250	54000	LC1-D32	40	125
3 x 400 V	I 50	160	12	2700	32400	LC1-D40	50	125
		200	12	3100	37200	LC1-D40	50	125
		250	24	2700	64800	LC1-D32	50	250
I 50	160	12	2700	32400	LC1-D32	25	63	
	200	12	3100	37200	LC1-D32	32	63	
	250	24	2250	54000	LC1-D18	25	100	
320	24	2700	64800	LC1-D32	25	100		



\*\*\*\*\*  
 ELECTRICAL HEATING  
 380-415V

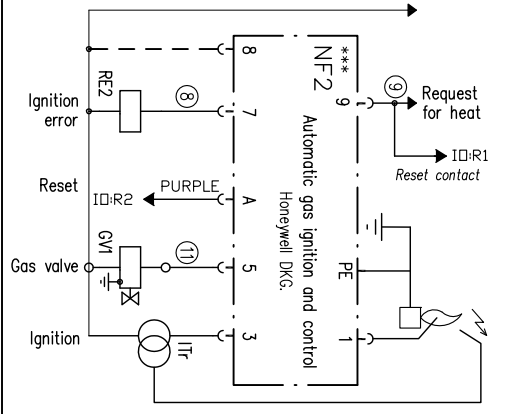
Heating element 12v24 - 2,25/2,7/3,1kW  
 \*\*\* W13-W24 only ironers lenght 250/320

\*\*\*\*\*  
 ELECTRICAL HEATING  
 220-240V

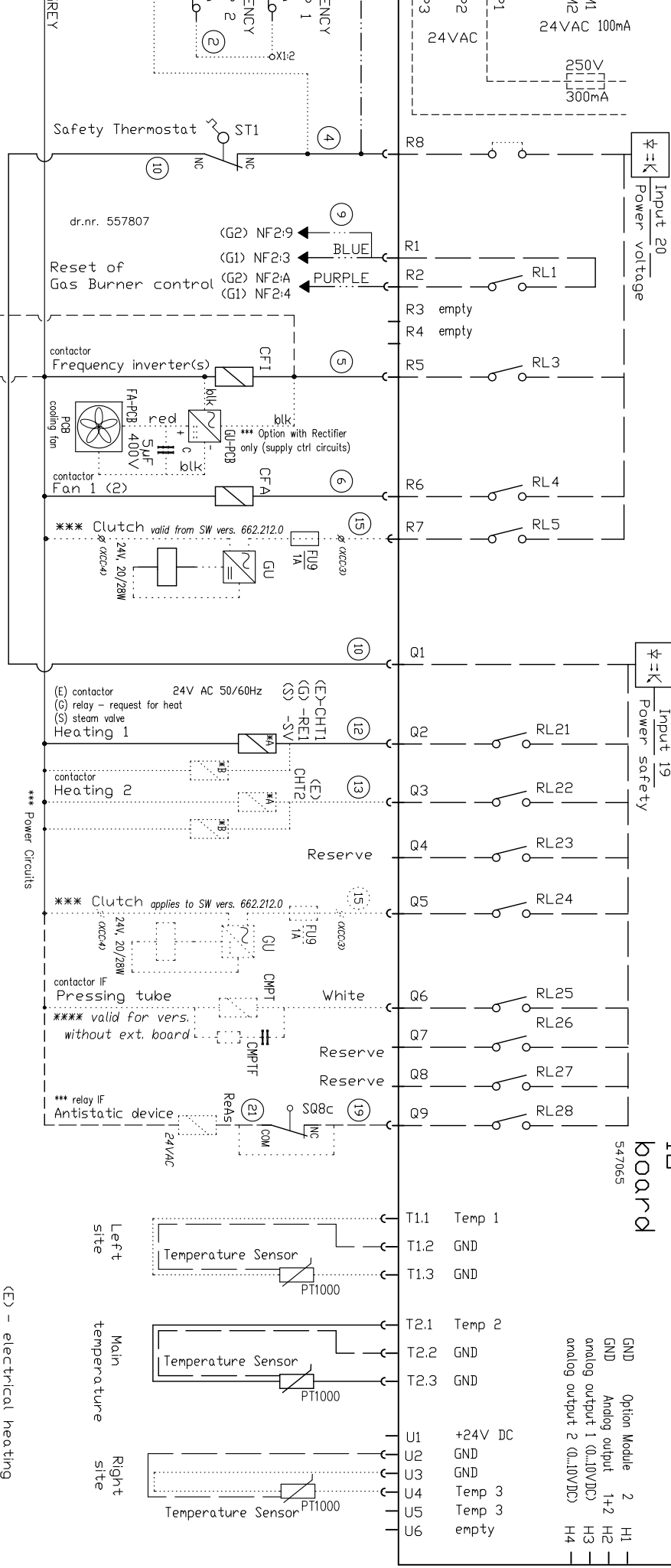
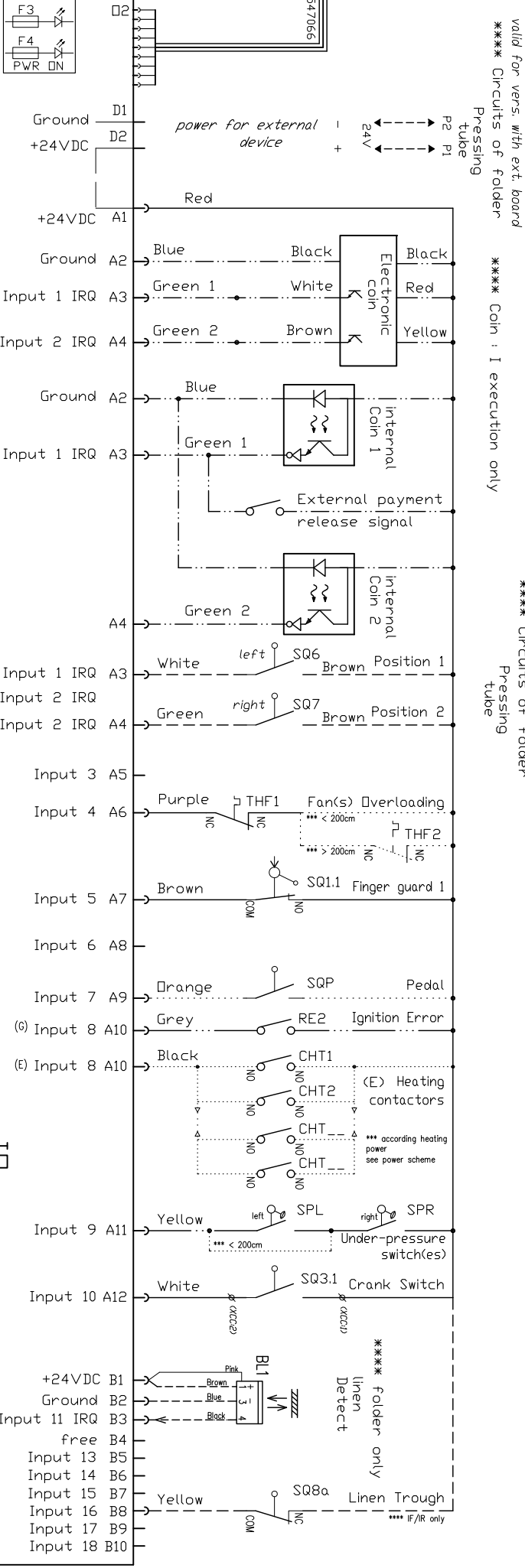
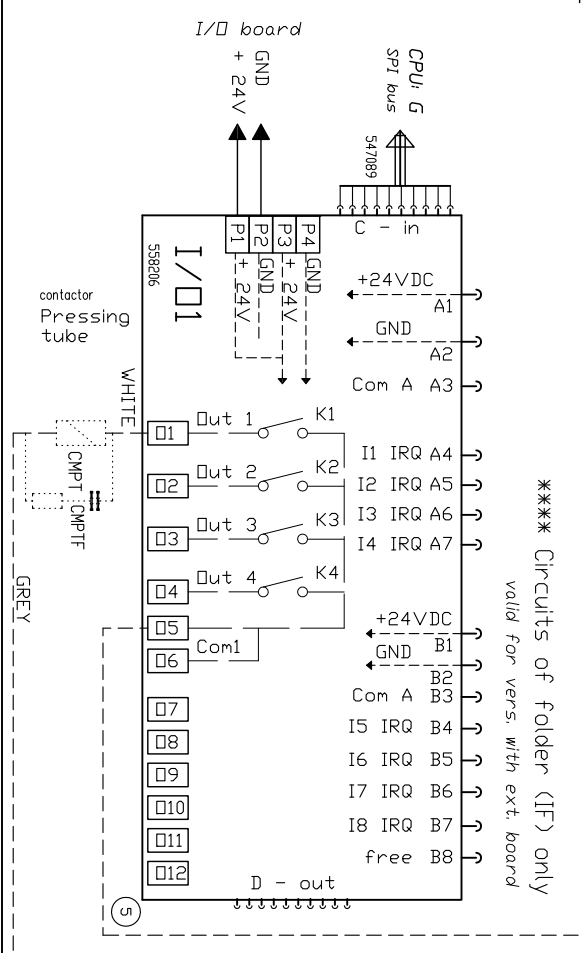
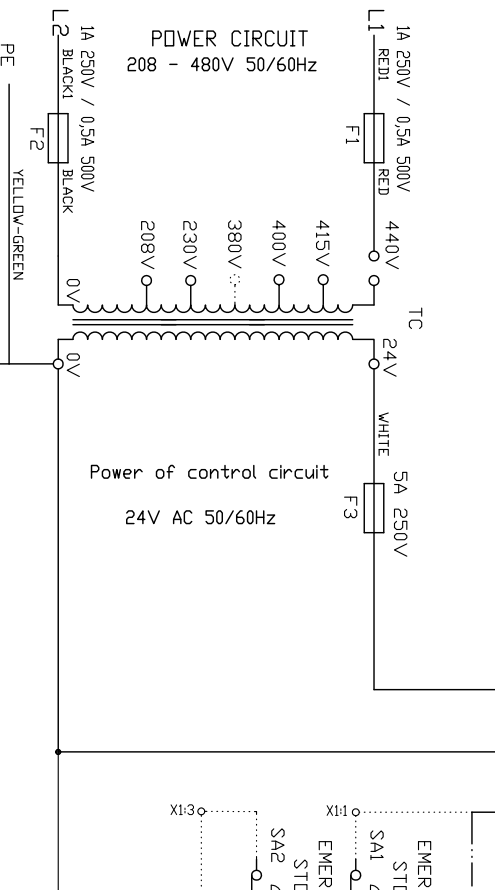
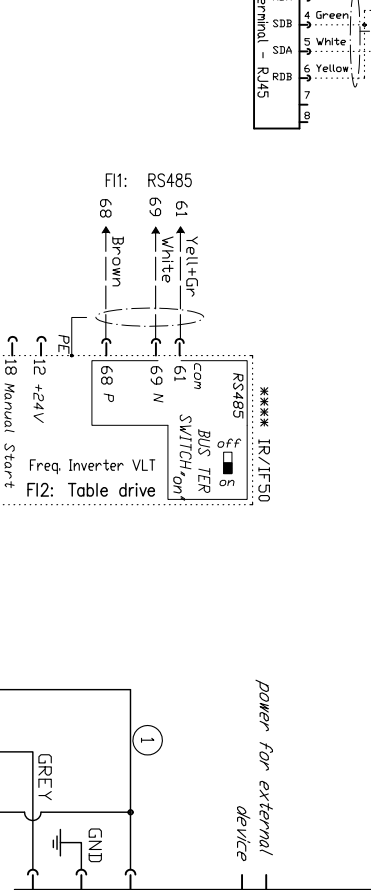
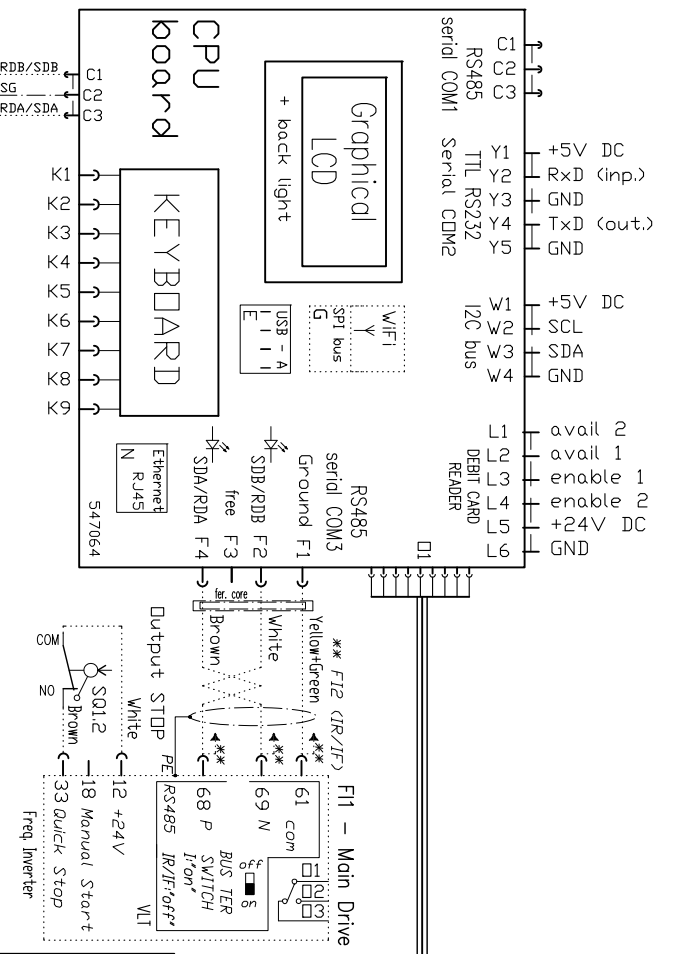
Heating element 12 v 24pcs - 2,25/2,7/3,1kW  
 \*\*\* W13-W24 only ironers lenght 250/320

\*\*\*\*\*  
 ELECTRICAL HEATING  
 440-480V

Heating element 12v24 - 2,25/2,7/3,1kW  
 \*\*\* W13-W24 only ironers lenght 250/320



Machine types where used	Tolerance	Roughness	Scale:	Weight:
Ironers (500mm)			Material: Rough dimensions: Standard for rough material:	
	Date	Name	Article description	
	Made Sep2014	PSt	<b>SCHEMATIC DIAGRAM TIMER MCX</b>	
		Stand	POWER CIRCUITS	
C PCB cooling fan12,8,20	PSt		Main group	Article number
B NF2 option	11.4.19	PSt	960	557 807
A antistat con.	3.4.15	PSt	Replaces:	Replaced by:
Stat Modification	Date	Name		



**Machine types where used**

Machine type	Date	Name
F	03.07.20	HY/M
E	25.02.20	PSt
D	12.42.20	19PSt
C	22.12.20	18PSt
B	11.13.10	17PSt
A	13.2.17	PSt

**Machine types where used**

Machine type	Date	Name
F	03.07.20	HY/M
E	25.02.20	PSt
D	12.42.20	19PSt
C	22.12.20	18PSt
B	11.13.10	17PSt
A	13.2.17	PSt

**SCHEMATIC DIAGRAM TIMER MCX**

Material:	Article description:	Weight:

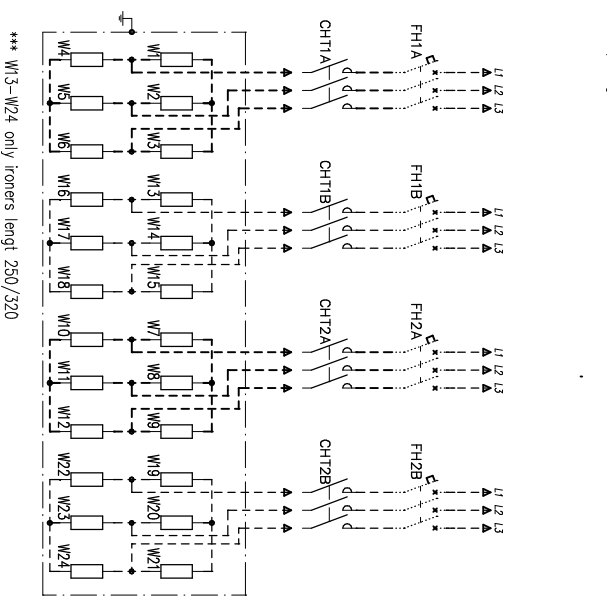
**Stat Modification**

Stat	Modification	Date	Name
A	SQ8 add	13.2.17	PSt

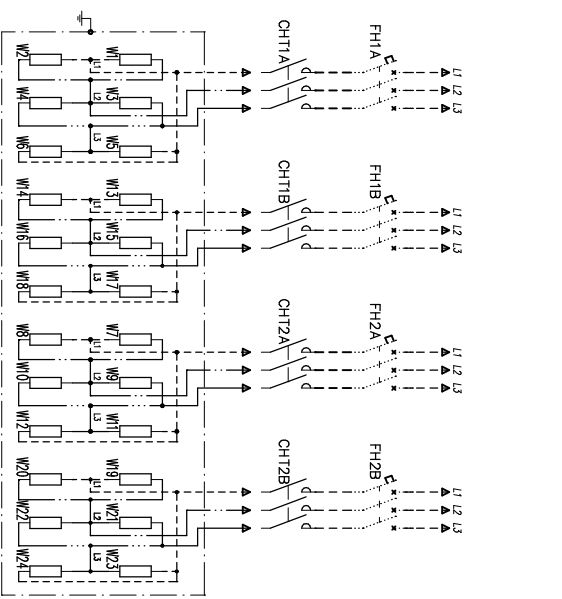
**Replaces:**

Main group	Article number	Page: 1
960	568 310	

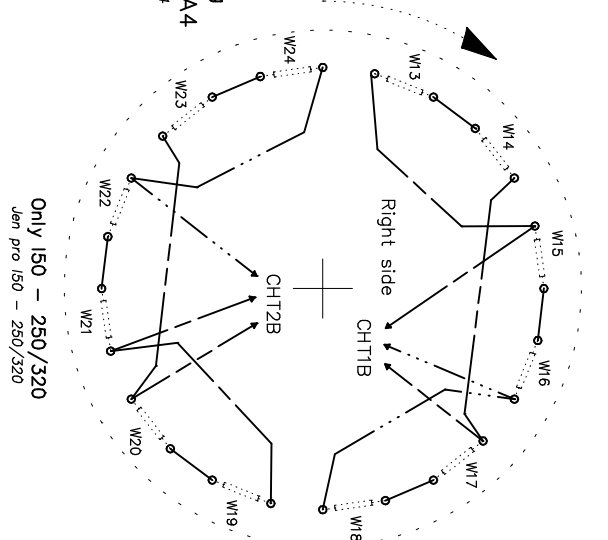
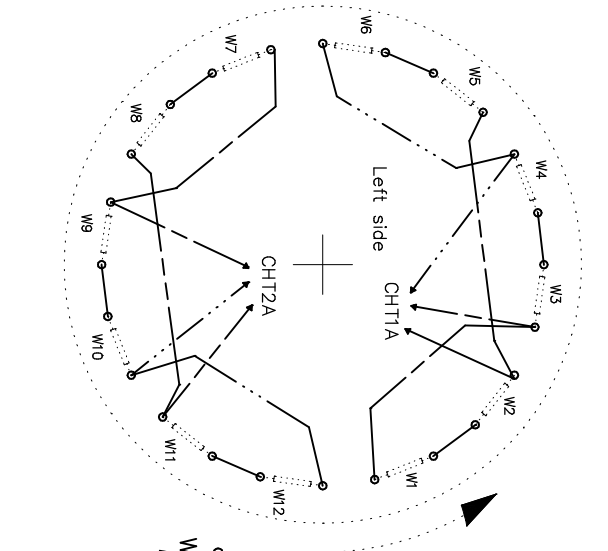
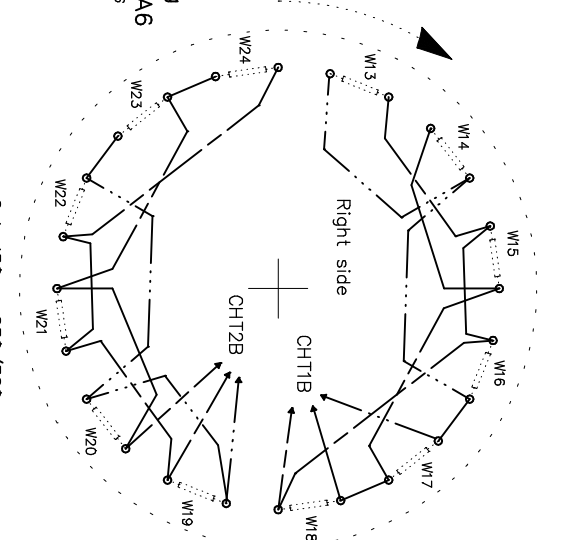
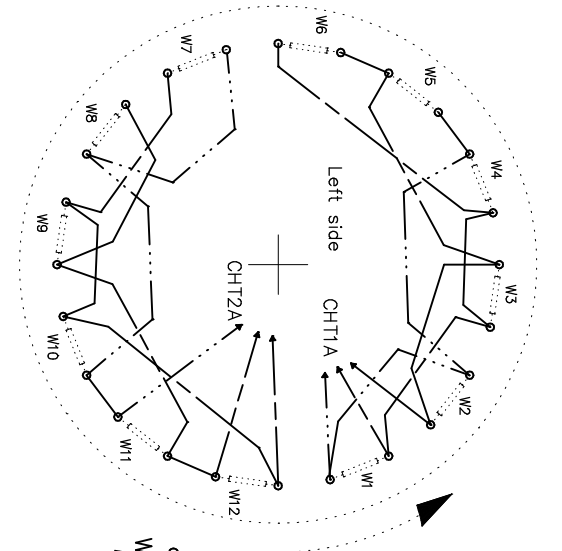
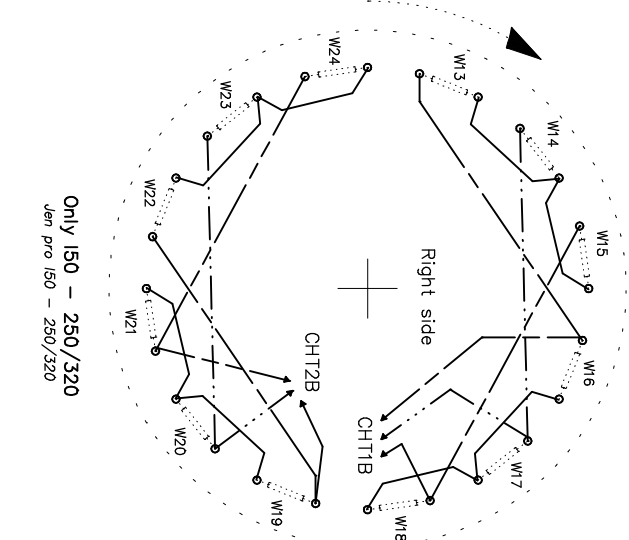
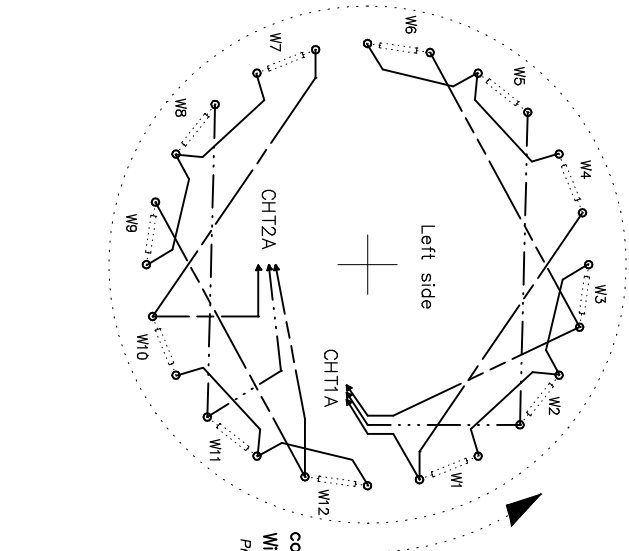
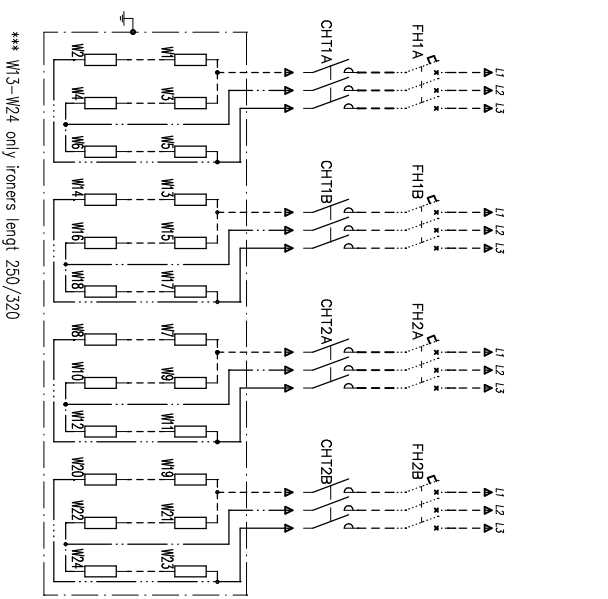
Power: 3 x 380 – 415V  
 Napájení: 3 x 380 – 415V



Power: 3 x 208 – 240V  
 Napájení: 3 x 208 – 240V



Power: 3 x 440 – 280V  
 Napájení: 3 x 440 – 280V



IRONER	HEATING UNITS				CONTACTORS	PROTECTOR	M. SWITCH	
	Type	Length	Pcs	Supply (W)				Total (W)
3 x 440 V	I 50	160	12	2700	32400	LC1-D32	25	63
		200	12	3100	37200	LC1-D32	32	63
		250	24	2250	54000	LC1-D18	25	100
3 x 230 V	I 50	320	24	2700	64800	LC1-D32	25	125
		160	12	2700	34200	LC1-D40	50	100
		200	12	3100	37200	LC1-D40	50	125
3 x 400 V	I 50	250	24	2250	54000	LC1-D32	40	250
		320	24	2700	64800	LC1-D40	50	250
		160	12	2700	32400	LC1-D32	25	63
		200	12	3100	37200	LC1-D32	32	63
		250	24	2250	54000	LC1-D18	25	100
		320	24	2700	64800	LC1-D32	25	100



Pos. Name Machine types where used Tolerance Article number Ro Scale: Note Weight:

I/R//F50

Material: Ironers 500mm connection  
 Rough dimensions: HEATING ELEMENTS  
 Standard for rough material:

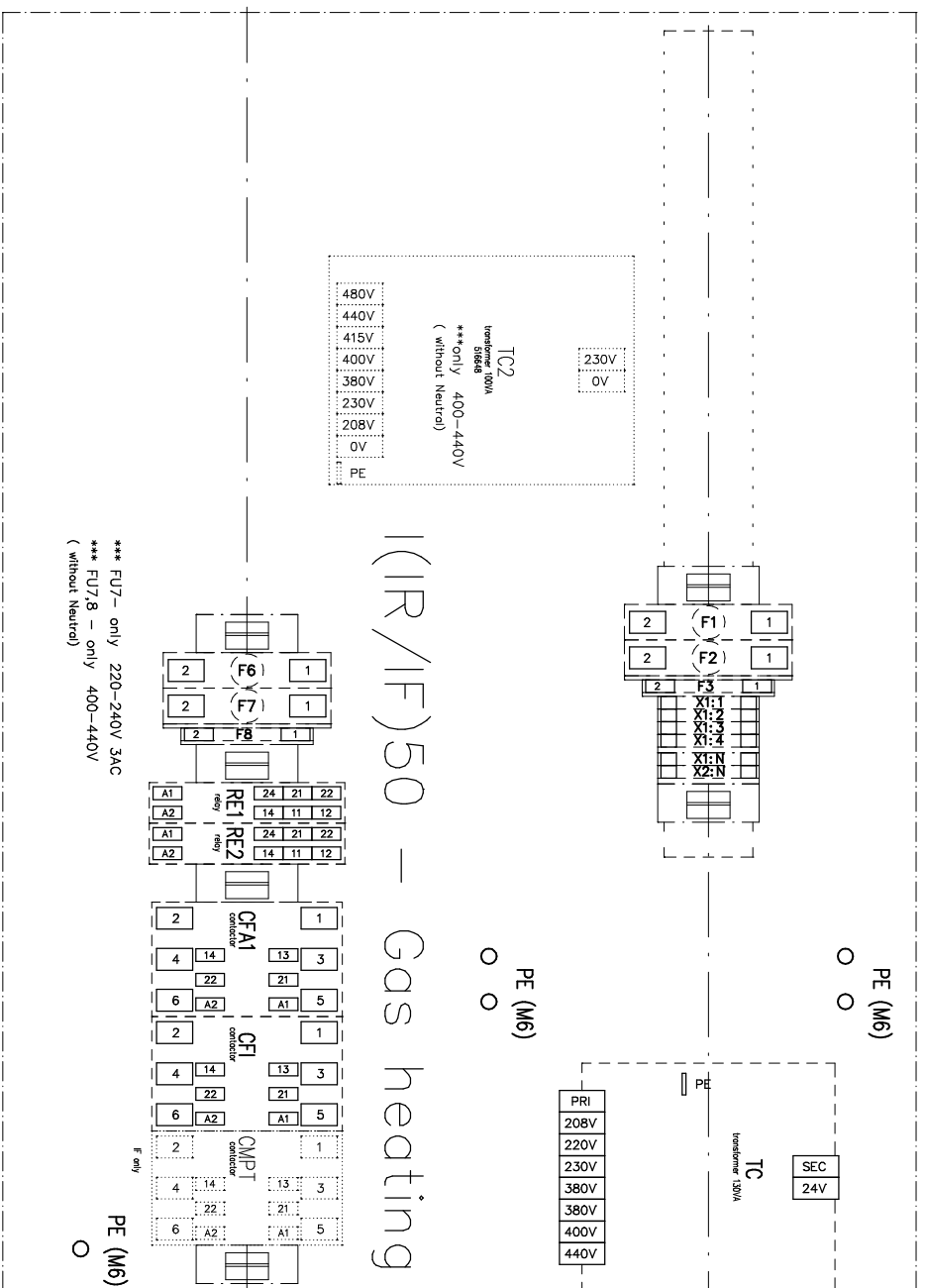
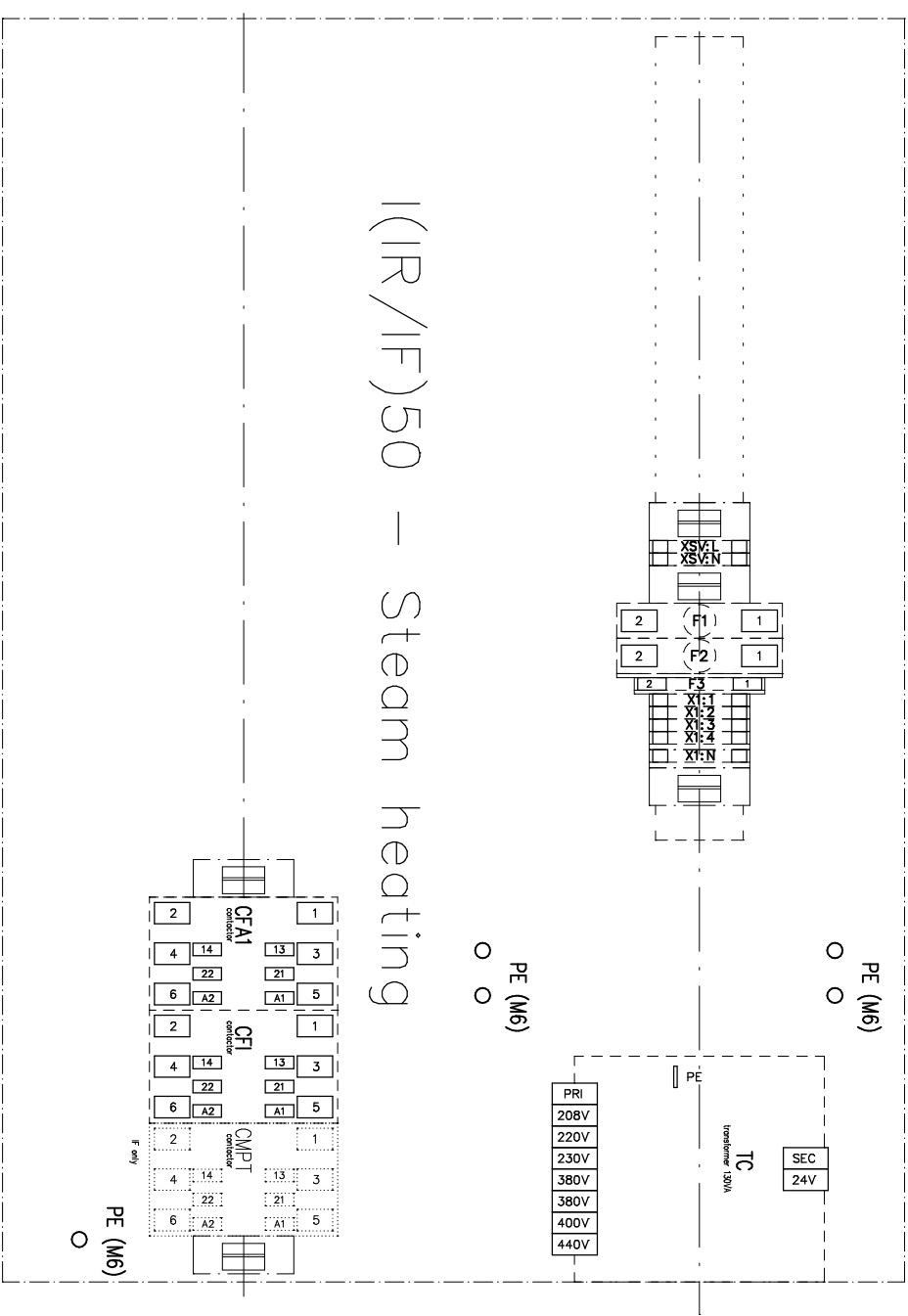
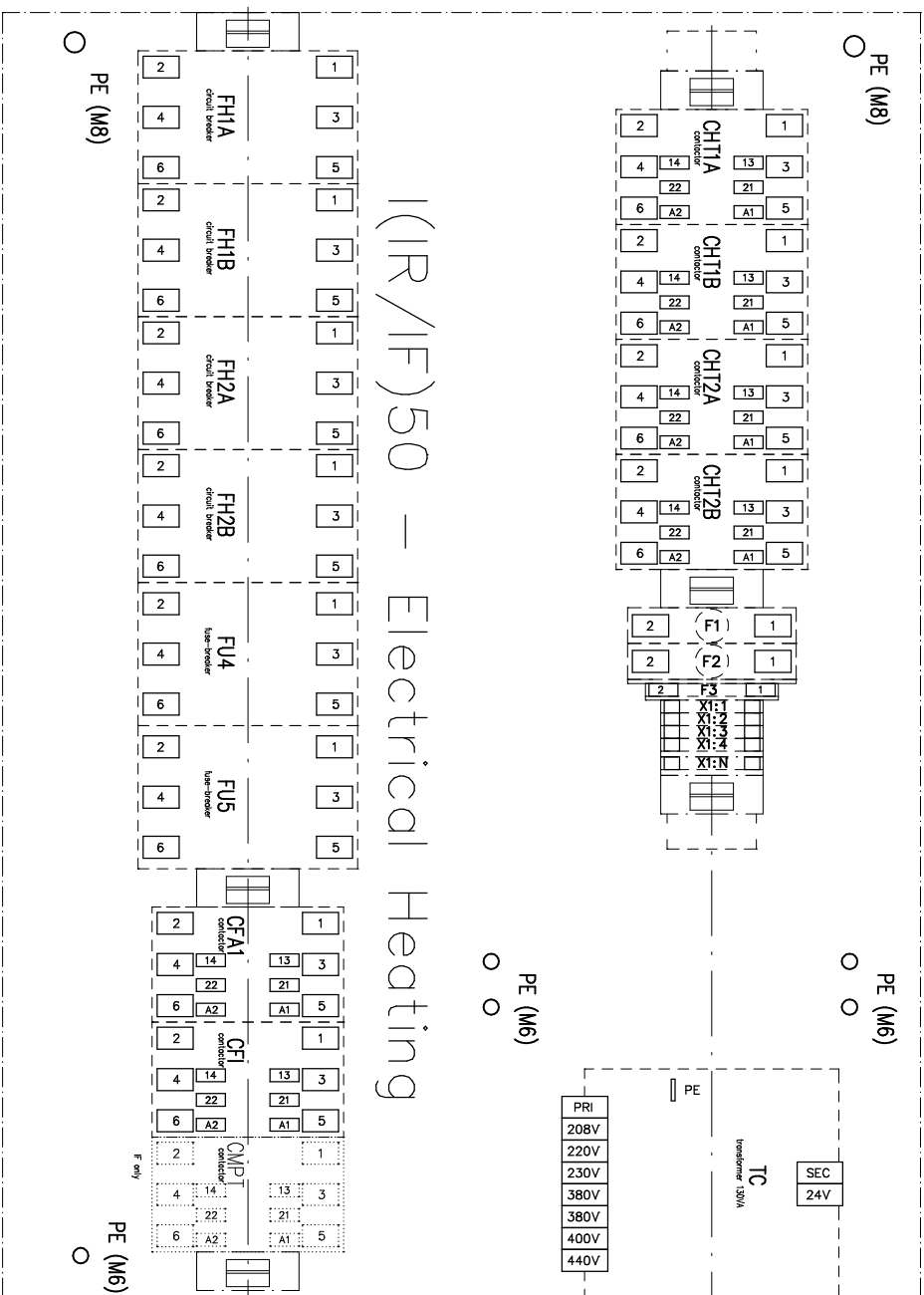
Author: 16.9.14 Date: Name: PSI  
 Approv. Reles.

Reproduction and distribution of Confidential Information

primus

960 557 816

Page: 1  
 Pages: 2



**Note:**  
 Connection according functional schemes  
 and wiring drawing.  
**Pozn.:**  
 Zapojení podle funkčních schémát  
 a výkresu svazku.

Pos. Name	Machine types where used	Article number	Tolerance	Ro	Scale:	Note	Weight:
X	Modification	Date	Name	Proj.	Material:	Rough dimensions:	Standard for rough material:
					150 electrical box	devices location	
						Reproduction and distribution only. Confidential information	
Author: Zsáptli4						Date:	
Approv:						Releas:	
557 820				Page: 1			
Replaced by:				Pages: 1			