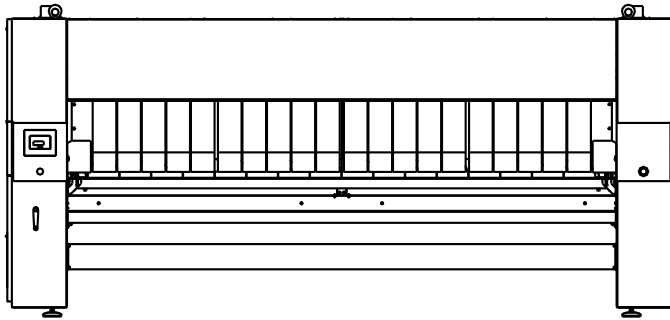


Cylinder Ironers

807mm Diameter

Refer to Page 5 for Model Numbers



CFD1468C_D1650

Parts

Table of Contents

Title	Page
Parts Ordering Information	3
Serial Plate Location.....	3
Model Identification.....	5
Skeleton.....	6
Ironing Cylinder.....	8
Upper Ironing Unit.....	10
Lower Ironing Unit.....	12
Inserting Table (Drawing 1 of 2)	14
Inserting Table (Drawing 2 of 2)	16
Drive - Models Through Serial No 832I000079KK.....	18
Drive - Models Starting Serial No 832I000080KW.....	20
Drive (Drawing 1 of 2).....	22
Drive (Drawing 2 of 2).....	24
Pedal - For Machines with Drive Clutch (Optional).....	26
Inserting Unit Bridge (Optional) (Drawing 1 of 3).....	28
Inserting Unit Bridge (Optional) (Drawing 2 of 3).....	30
Inserting Unit Bridge (Optional) (Drawing 3 of 3).....	32
Inserting Unit Drive (Optional)	34
Output System (Optional) Models Through Serial No. 832I000033FD.....	36
Output System (Optional) Models Starting Serial No. 832I000034FH.....	38
Output Conveyor (Optional) (Drawing 1 of 4)	40
Output Conveyor (Optional) (Drawing 2 of 4)	42
Output Conveyor (Optional) (Drawing 3 of 4)	44
Output Conveyor (Optional) (Drawing 4 of 4)	46
Folding System (Optional) (Drawing 1 of 2) Models Through Serial No. 832I000033FD	48
Folding System (Optional) (Drawing 2 of 2) Models Through Serial No. 832I000033FD	50
Folding System (Optional) (Drawing 1 of 2) Models Starting Serial No. 832I000034FH	52
Folding System (Optional) (Drawing 2 of 2) Models Starting Serial No. 832I000034FH	54
Suction System.....	56
Scraper (Drawing 1 of 2).....	58
Scraper (Drawing 2 of 2).....	60
Safety Bar	62
Control Panel.....	64
Cabinet - Models Through Serial No. 832I000031DW	66
Cabinet - Models Starting Serial No. 832I000032DW	68
Inserting Unit Pneumatic Components (Optional) (Drawing 1 of 5).....	70
Inserting Unit Pneumatic Components (Optional) (Drawing 2 of 5).....	72
Inserting Unit Pneumatic Components (Optional) (Drawing 3 of 5).....	74
Inserting Unit Pneumatic Components (Optional) (Drawing 4 of 5).....	76
Inserting Unit Pneumatic Components (Optional) (Drawing 5 of 5).....	78
Lower Inserting Trough (Optional).....	80

© Copyright 2023, Alliance Laundry Systems LLC

All rights reserved. No part of the contents of this book may be reproduced or transmitted in any form or by any means without the expressed written consent of the publisher.

Brushing Unit (Optional) (Drawing 1 of 3).....	82
Brushing Unit (Optional) (Drawing 2 of 3).....	84
Brushing Unit (Optional) (Drawing 3 of 3).....	86
Box of Electrical Components - Models with Electric Heat	88
Box of Electrical Components - Models with Gas Heating	90
Box of Electrical Components - Models with Steam Heating.....	92
Electric Heating.....	94
Steam Heating.....	96
Gas Heating (Drawing 1 of 2)	98
Gas Heating (Drawing 2 of 2)	100
Transport Bracket	102
Parts Index.....	105

Parts Ordering Information

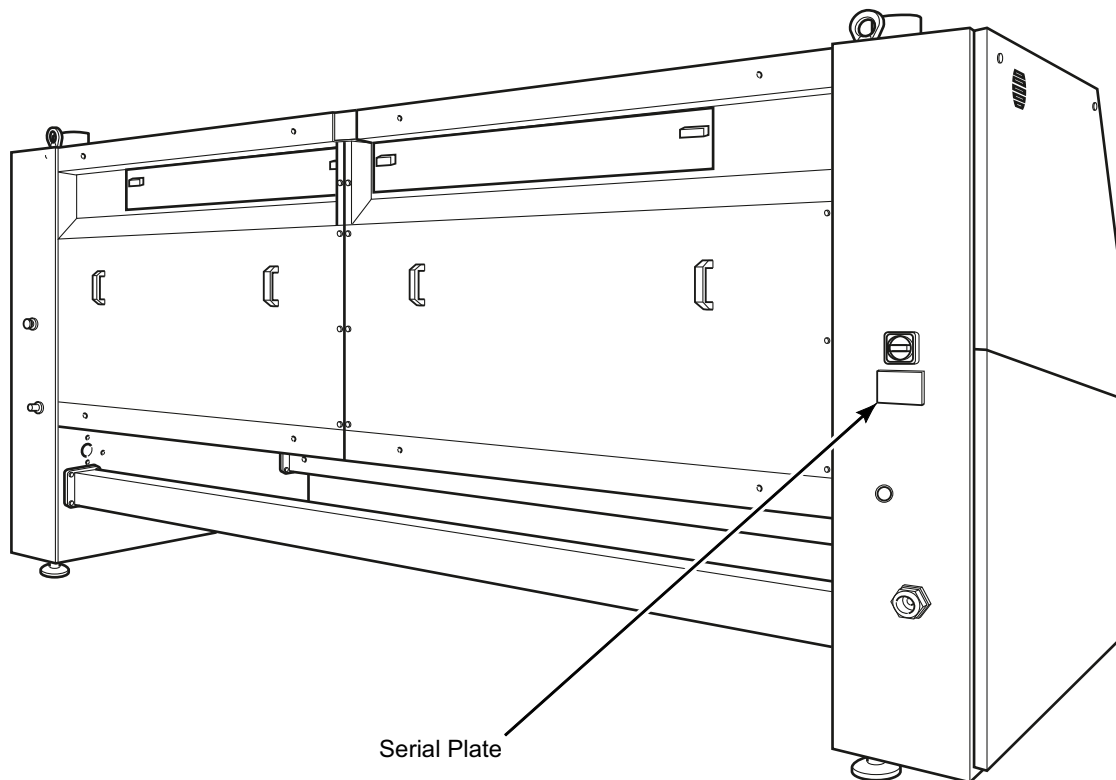
If literature or replacement parts are required, contact the source from whom the machine was purchased or contact Alliance Laundry Systems at (920) 748-3950 for the name and address of the nearest authorized parts distributor.

For technical assistance, call the number listed below:

(920) 748-3121 Ripon, Wisconsin

Serial Plate Location

When calling or writing about your product, be sure to mention model and serial numbers. Model and serial numbers are located on serial plate(s).



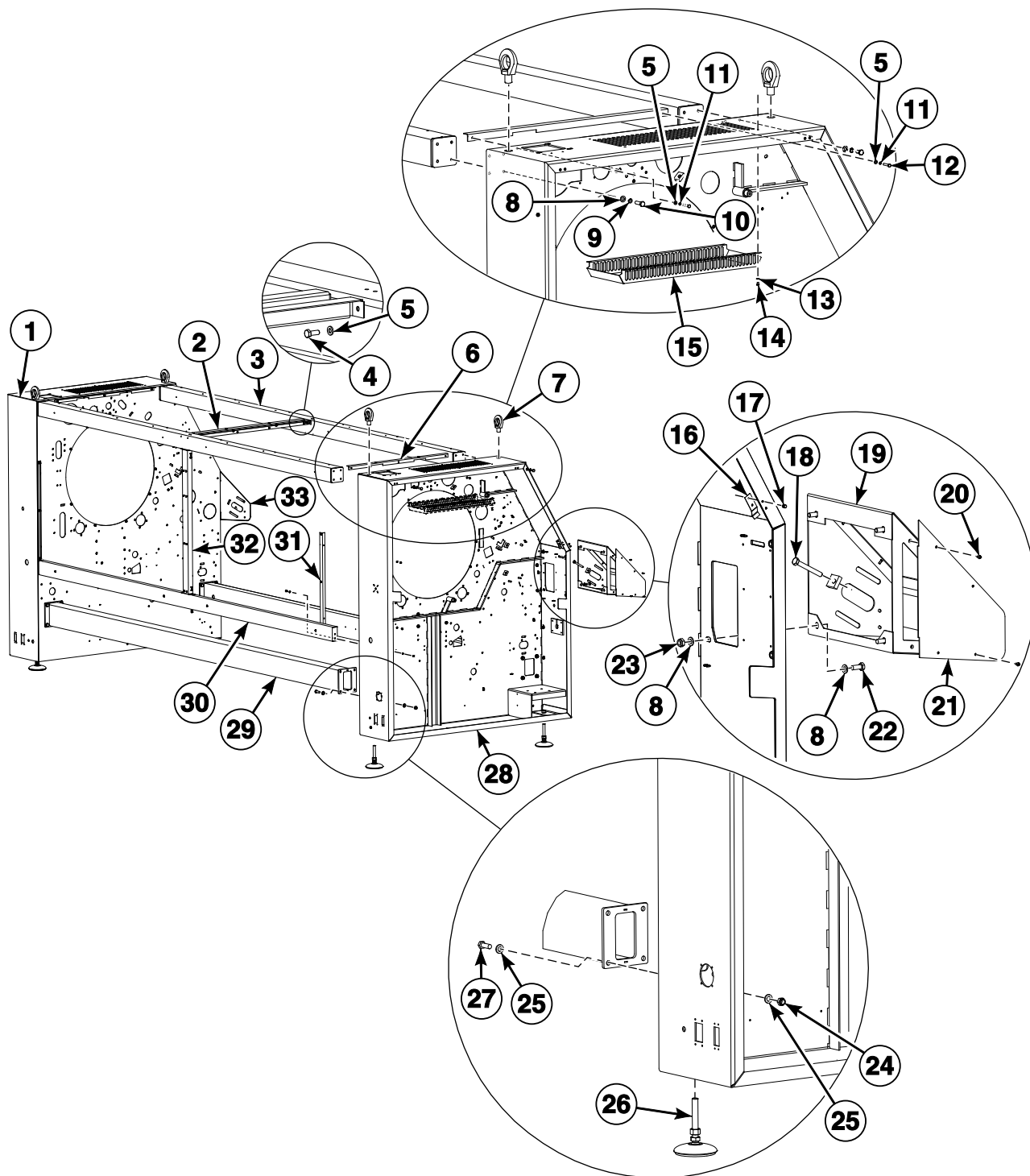
FWF260N_D1650

Model Identification

Information in this manual is applicable to these cylinder ironer models:

FCI080318C	FCNF80318H	FCSR80318H	I80318X
FCI080318H	FCNF80318N	FCSR80318N	I80-320
FCI080318N	FCNF80318U	FCSR80318U	IF80318
FCI080318U	FCNR80318C	FCSX80318C	IF80-320
FCI3186/800	FCNR80318H	FCSX80318H	IFF80318
FCI8031	FCNR80318N	FCSX80318N	IFF80-320
FCIF3186/800	FCNR80318U	FCSX80318U	IR80-320
FCIF8031	FCNX80318C	FCSZ80318C	LSR8032
FCIF80318C	FCNX80318H	FCSZ80318N	LSR8032_NON-BRAND
FCIF80318H	FCNX80318N	FCSZ80318U	LSRA8032
FCIF80318N	FCNX80318U	FCU080318C	LSRA8032_NON-BRAND
FCIF80318U	FCNZ80318C	FCU080318H	LSREP8032
FCIFF3186/800	FCNZ80318N	FCU080318N	LSREP8032_NON-BRAND
FCIFF8031	FCNZ80318U	FCU080318U	LSRP8032
FCIR3186/800	FCP080318C	FCU3186/800	LSRP8032_NON-BRAND
FCIR80318C	FCP080318H	FCU8031	
FCIR80318H	FCP080318N	FCUF3186/800	
FCIR80318N	FCP080318U	FCUF8031	
FCIR80318U	FCP80318C	FCUF80318C	
FCIX80318C	FCP80318U	FCUF80318H	
FCIX80318H	FCPF80318C	FCUF80318N	
FCIX80318N	FCPF80318H	FCUF80318U	
FCIX80318U	FCPF80318N	FCUFF3186/800	
FCIZ80318C	FCPR80318C	FCUFF8031	
FCIZ80318N	FCPR80318H	FCUR3186/800	
FCIZ80318U	FCPR80318N	FCUR80318C	
FCL080318C	FCPR80318U	FCUR80318H	
FCL080318H	FCPX80318C	FCUR80318N	
FCL080318N	FCPX80318H	FCUR80318U	
FCL080318U	FCPX80318N	FCUX80318C	
FCLF80318C	FCPX80318U	FCUX80318H	
FCLF80318H	FCPZ80318C	FCUX80318N	
FCLF80318N	FCPZ80318N	FCUX80318U	
FCLF80318U	FCPZ80318U	FCUZ80318C	
FCLR80318C	FCS080318C	FCUZ80318N	
FCLR80318H	FCS080318H	FCUZ80318U	
FCLR80318N	FCS080318N		
FCLR80318U	FCS080318U		
FCLX80318C	FCS3186/800		
FCLX80318H	FCS8031		
FCLX80318N	FCSF3186/800		
FCLX80318U	FCSF8031		
FCLZ80318C	FCSF80318C		
FCLZ80318N	FCSF80318H		
FCLZ80318U	FCSF80318N		
FCN080318C	FCSF80318U		
FCN080318H	FCSFF3186/800		
FCN080318N	FCSFF8031		
FCN080318U	FCSR3186/800		
FCNF80318C	FCSR80318C		

Skeleton

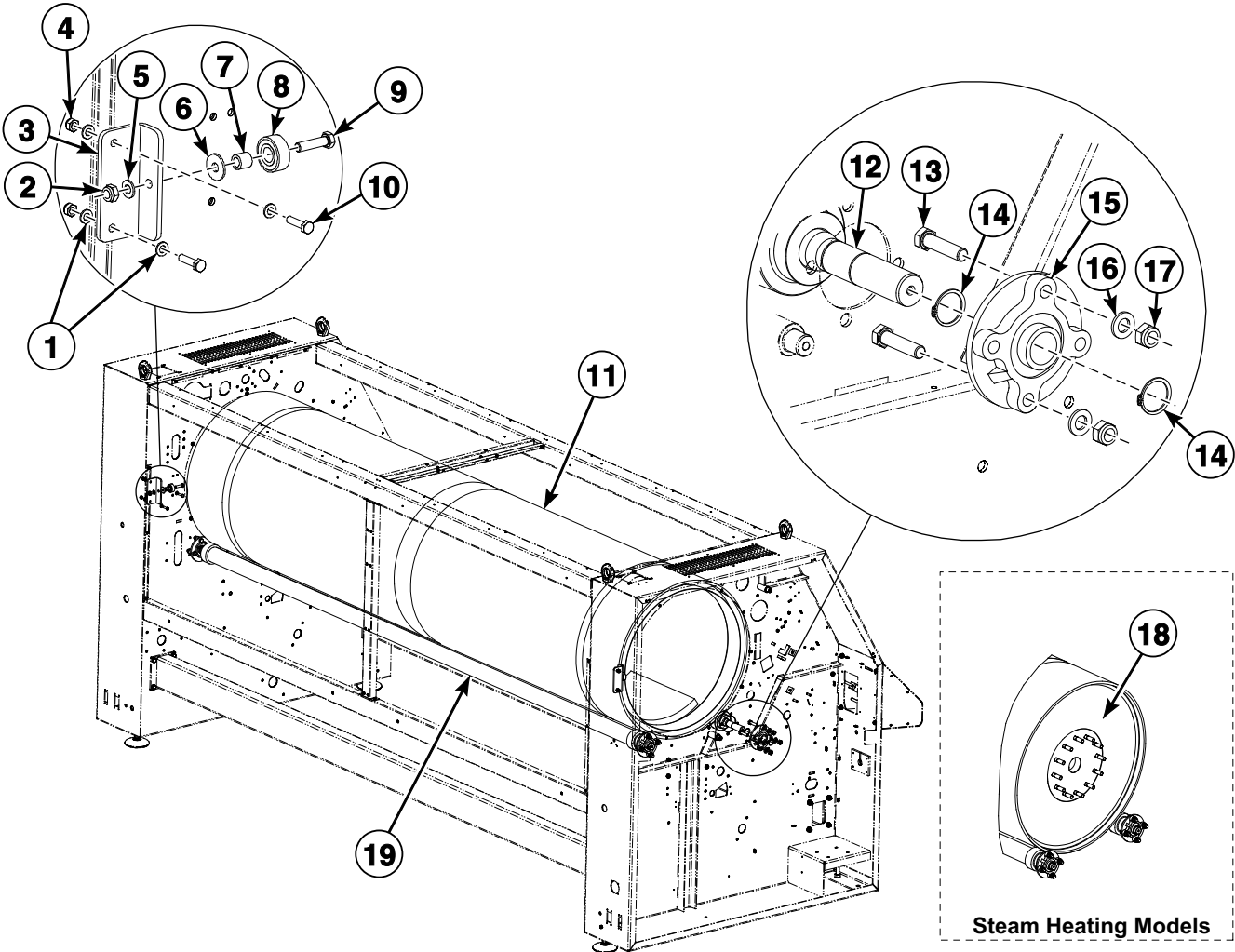


CZF114P_D1650

Skeleton

REF	PART NO.	DESCRIPTION	COMMENTS
1	SP548868	Right Stand Weldment	
2	SP541393	Upper Holder	
3	SP548860	Upper Beam Weldment	
4	SP309933000616	Bolt	M6x16
5	SP311125000006	Washer	6.4
6	SP541390	Upper Cover Holder	
7	SP505406	Screw	M24
8	SP311125000010	Washer	10
9	SP311127000010	Washer	10
10	SP309933001020	Bolt	M10x20
11	SP311127000006	Washer	6
12	SP309933000620	Bolt	M6x20
13	SP311125240005	Washer	5.3
14	SP309084240506	Bolt	M5x6
15	SP554015	Water Catch	
16	SP551716	Hook	
17	SP313250004125	Rivet	4x12.7
18	SP309933001080	Bolt	M10x80
19	SP551707	Right Nose Weldment	
20	SP309798524408	Bolt	M4x8
21	SP551711	Nose Side Cover	
22	SP309933001025	Bolt	M10x25
23	SP310985000010	Nut	M10
24	SP310985000012	Nut	M12
25	SP311125000013	Washer	13
26	SP553915	Leg	
27	SP309933001235	Bolt	M12x35
28	SP548867	Left Stand Weldment	
29	SP548863	Lower Beam Weldment	
30	SP541392	Cross Beam Weldment	
31	SP541389	Back Cover Holder	
32	SP541391	Middle Back Brace	
33	SP551712	Left Nose Weldment	

Ironing Cylinder

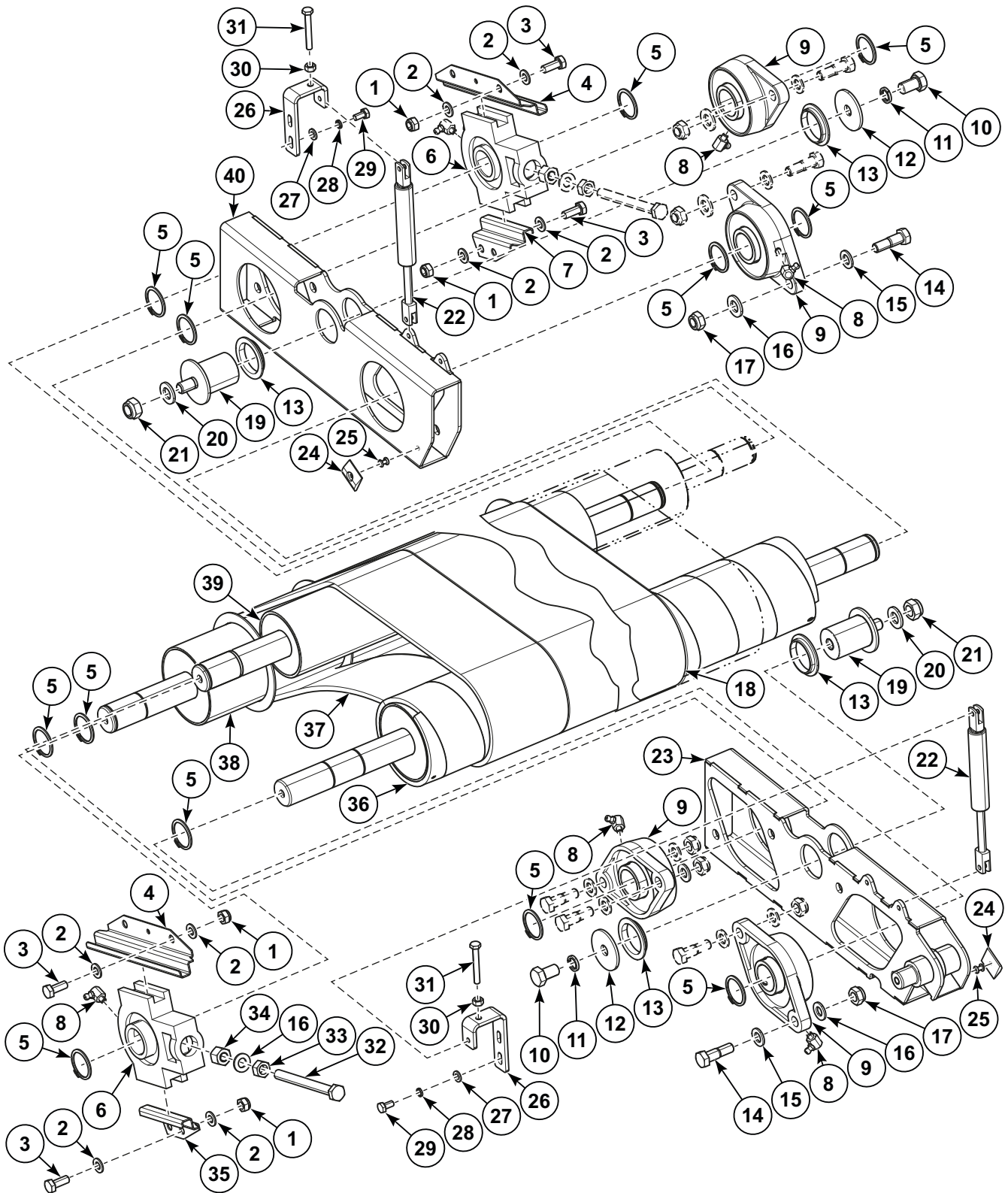


CFD2859P_D1650

Ironing Cylinder

REF	PART NO.	DESCRIPTION	COMMENTS
1	SP311125000008	Washer	8.4
2	SP310985000010	Nut	M10
3	SP553906	Support Pulley Bracket	
4	SP310985000008	Nut	M8
5	SP311125000010	Washer	10.5
6	SP311902100010	Washer	10
7	SP553903	Support Pulley Sleeve	
8	SP553907	Bearing	
9	SP527420	Bolt	M10x40
10	SP309933000830	Bolt	M8x30
11	SP548840	Cylinder Weldment	
12	SP559438	Cylinder with Pulleys	
13	SP309933001250	Bolt	M12x50
14	SP502367	Retaining Ring	
15	SP551718	Bearing Set	
16	SP311125000013	Washer	13
17	SP310985000012	Nut	M12
18	SP549490	Ironing Cylinder	
19	SP559439	Cylinder with Pulleys	

Upper Ironing Unit

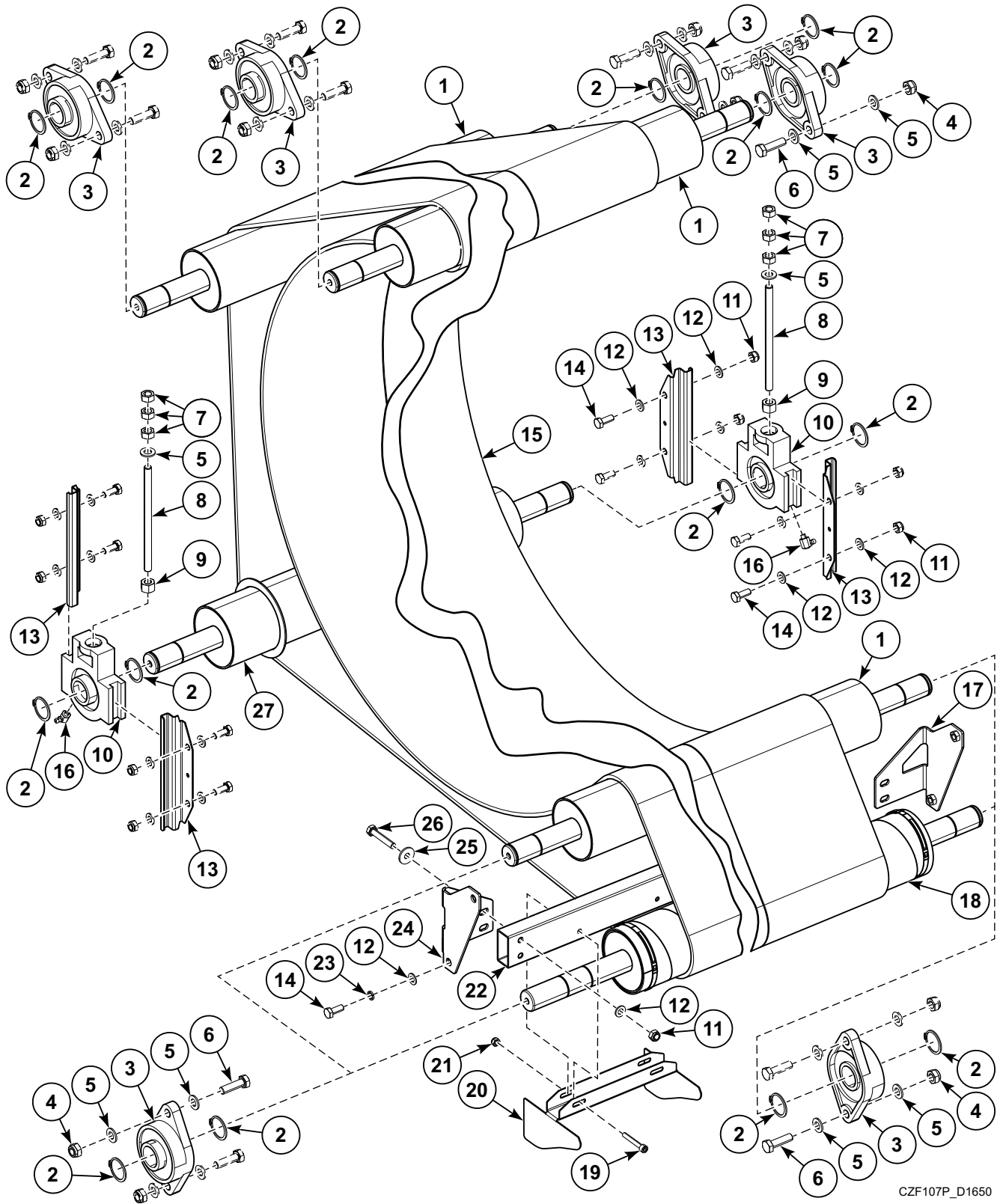


CZF106P_D1650

Upper Ironing Unit

REF	PART NO.	DESCRIPTION	COMMENTS
1	SP310985000008	Nut	M8
2	SP311125000008	Washer	8.4
3	SP309933000820	Bolt	M8x20
4	SP548692	Upper Holder	
5	SP502367	Retaining Ring	30
6	SP325000000030	Bearing Set	SKF TU30 TF
7	SP554059	Bearing Guidance	Right
8	562198	Grease Nipple	
9	SP325000000031	Bearing	SKF FYTB206TF
10	SP309933241220	Bolt	M12X20
11	SP311127000012	Washer	12
12	SP554054	Washer	D46/D12
13	SP540297	Bushing	
14	SP519943	Bolt	M10X35
15	SP519945	Washer	11.2/20/2
16	SP311125000010	Washer	10.5
17	SP310985000010	Nut	M10
18	SP548781	Ironing Belt	Polyester
19	SP554018	Bearing Container Pin	
20	SP311125000013	Washer	13
21	SP310985000012	Nut	M12
22	SP554068	Gas Spring	
23	SP554660	Bearing Container	Left
24	SP537611	Scraper Edge	
25	SP313250004125	Rivet	4x12.7
26	SP554049	Brace Bracket	
27	SP311125000006	Washer	6.4
28	SP311127000006	Washer	6
29	SP309933000612	Bolt	M6X12
30	SP310934000006	Nut	M6
31	SP506014	Bolt	M6x45
32	SP505429	Bolt	M10x100
33	SP310934000010	Nut	M10
34	SP514076	Nut	M10
35	SP554058	Bearing Guidance	Left
36	SP554063	Cylinder	
37	SP548782	Ironing Belt	Polyester
	SP559462	Ironing Belt Set	
38	SP548770	Cylinder Weldment	4
39	SP548777	Cylinder Weldment	7
40	SP554661	Bearing Container	Right

Lower Ironing Unit

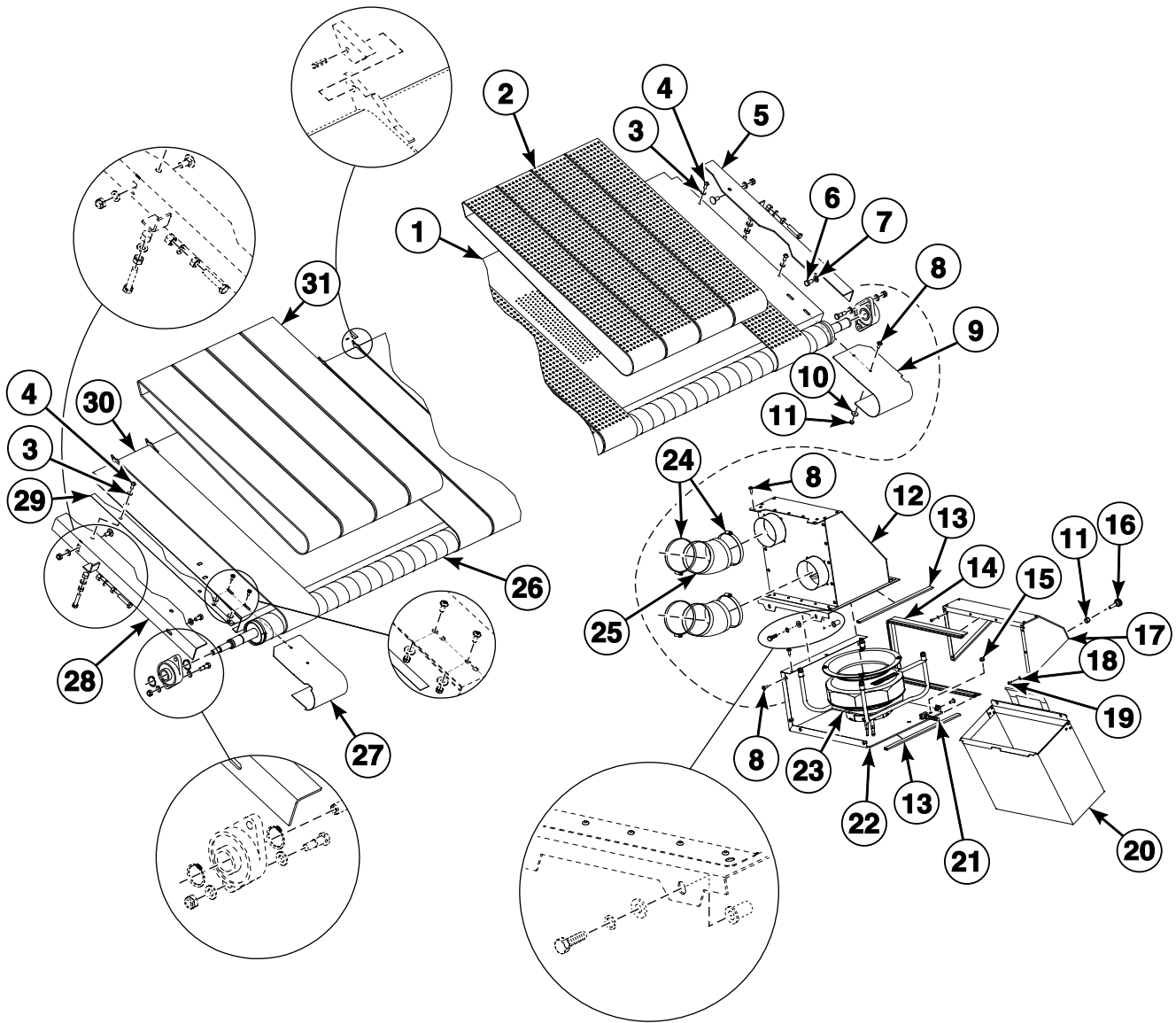


CZF107P_D1650

Lower Ironing Unit

REF	PART NO.	DESCRIPTION	COMMENTS
1	SP548765	Cylinder Weldment	5
2	SP502367	Retaining Ring	30
3	SP325000000031	Bearing	SKF FYTB206TF
4	SP310985000010	Nut	M10
5	SP311125000010	Washer	10.5
6	SP309933001035	Bolt	M10x35
7	SP310934000010	Nut	M10
8	SP548877	Threaded Rod	
9	SP514076	Nut	M10
10	SP325000000030	Bearing Set	SKF TU30 TF
11	SP310985000008	Nut	M8
12	SP311125000008	Washer	8.4
13	SP548692	Upper Holder	
14	SP309933000820	Bolt	M8x20
15	SP548783	Ironing Belt	With hooks; Polyester; Models through Serial No. 832I000033FD
	562175	Ironing Belt	With hooks; Polyester; Models starting Serial No. 832I000034FH
	SP559463	Ironing Belt Set	Models through Serial No. 832I000033FD
	562181	Ironing Belt Set	Models starting Serial No. 832I000034FH
16	562198	Grease Nipple	
17	SP562119	Scraper Holder	Right
18	SP548784	Cylinder Belt	
19	SP506438	Bolt	M6x40
20	SP558258	Belt Scraper	
21	SP310985000006	Nut	M6
22	SP558259	Scraper Beam	
23	SP311127000008	Washer	8
24	SP562118	Scraper Holder	Left
25	SP311902100008	Washer	8
26	SP309933000845	Bolt	M8x45
27	SP548771	Cylinder Weldment	6

Inserting Table (Drawing 1 of 2)

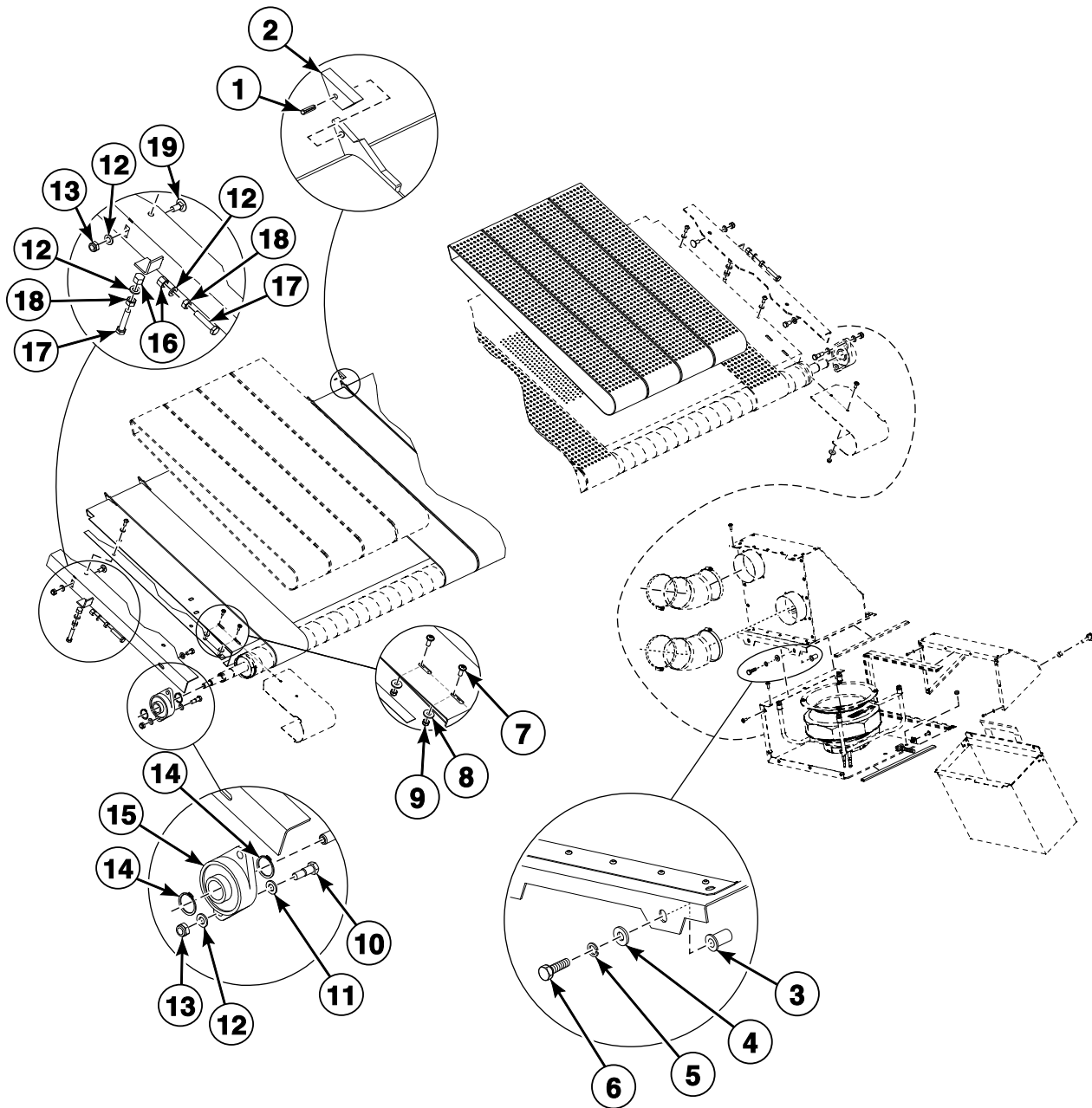


FWF258P_D1650

Inserting Table (Drawing 1 of 2)

REF	PART NO.	DESCRIPTION	COMMENTS
1	SP558254	Vacuum Inserting Table	Vacuum
2	SP554758	Feed Belt	Perforated; For vacuum table
	SP559461	Vacuum Table Ironing Belt Set	Perforated; For vacuum table
3	SP311125240008	Washer	
4	SP309159324820	Bolt	M8x20
5	SP558250	Inserting Table Holder	Right
6	SP309933001020	Bolt	M10x20
7	SP311125000010	Washer	10.5
8	SP555658	Bolt	M6x16
9	SP558388	Inserting Table Side Cover	Right
10	SP311902100006	Washer	6
11	SP310985000006	Nut	M6
12	SP558224	Fan Case	
13	SP529068	Edge Protection	
14	SP549711	Edge Protection	With sealing
15	SP273121008001	Cable Passage	8x1
16	562194	Screw	M6x20
17	SP558391	Exhaust Case	
18	SP311125000004	Washer	4.3
19	SP555504	Bolt	M4x12
20	SP558390	Exhaust Bag	
21	SP557818	Potentionmeter	10K; Starting Serial No. 8321000081MB
22	SP558256	Fan Exhaust	
23	SP552675	Ventilator	
24	SPPRI240000005	Hose Clamp	90-110/9
25	SP558225	Exhaust Hose	
26	SP548719	Inserting Table Driving Cylinder	
27	SP558389	Inserting Table Side Cover	Left
28	SP558249	Inserting Table Holder	Left
29	SP558253	Sliding Foil	
30	SP548720	Inserting Table Weldment	Standard
31	SP548736	Feed Belt	Standard
	SP559460	Inserting Table Ironing Belt Set	Standard

Inserting Table (Drawing 2 of 2)

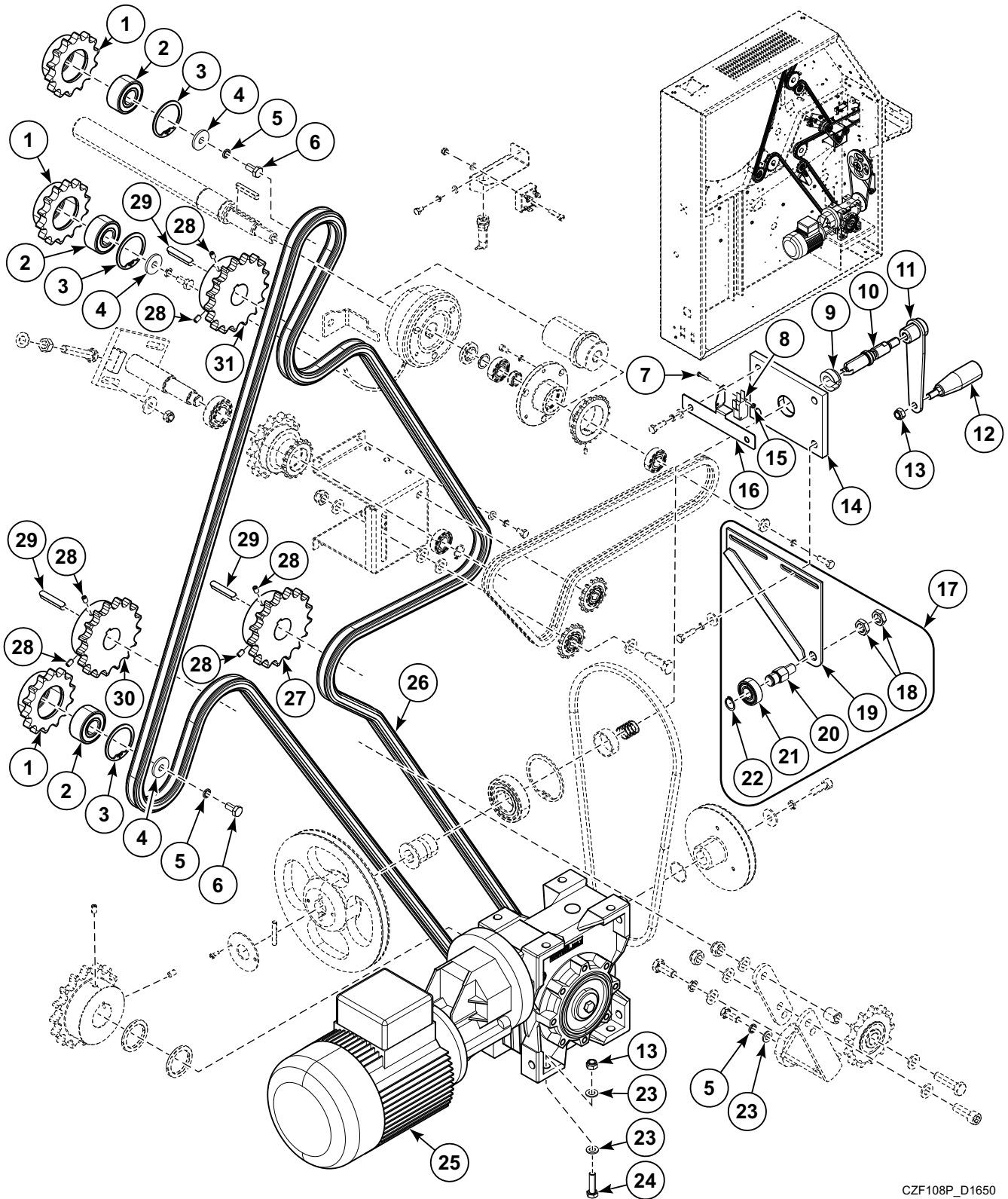


FWF258PA_D1650

Inserting Table (Drawing 2 of 2)

REF	PART NO.	DESCRIPTION	COMMENTS
1	570631	Pin	
2	570621	Finger Protection	Starting Serial No. 832I000079KK
3	535623	Nut	M8
4	SP311125000008	Washer	8.4
5	SP311127000008	Washer	8
6	SP309933000825	Bolt	M8x25
7	SP555658	Bolt	M6x16
8	SP311902100006	Washer	6
9	SP310985000006	Nut	M6
10	SP519943	Bolt	M10x35
11	SP519945	Washer	11.2
12	SP311125000010	Washer	10.5
13	SP310985000010	Nut	M10
14	SP502367	Retaining Ring	30
15	SP325000000031	Bearing	
16	SP514076	Nut	M10
17	SP309933001050	Bolt	M10x50
18	SP310934000010	Nut	M10
19	SP526193	Bolt	M10x25

Drive - Models Through Serial No 832I000079KK

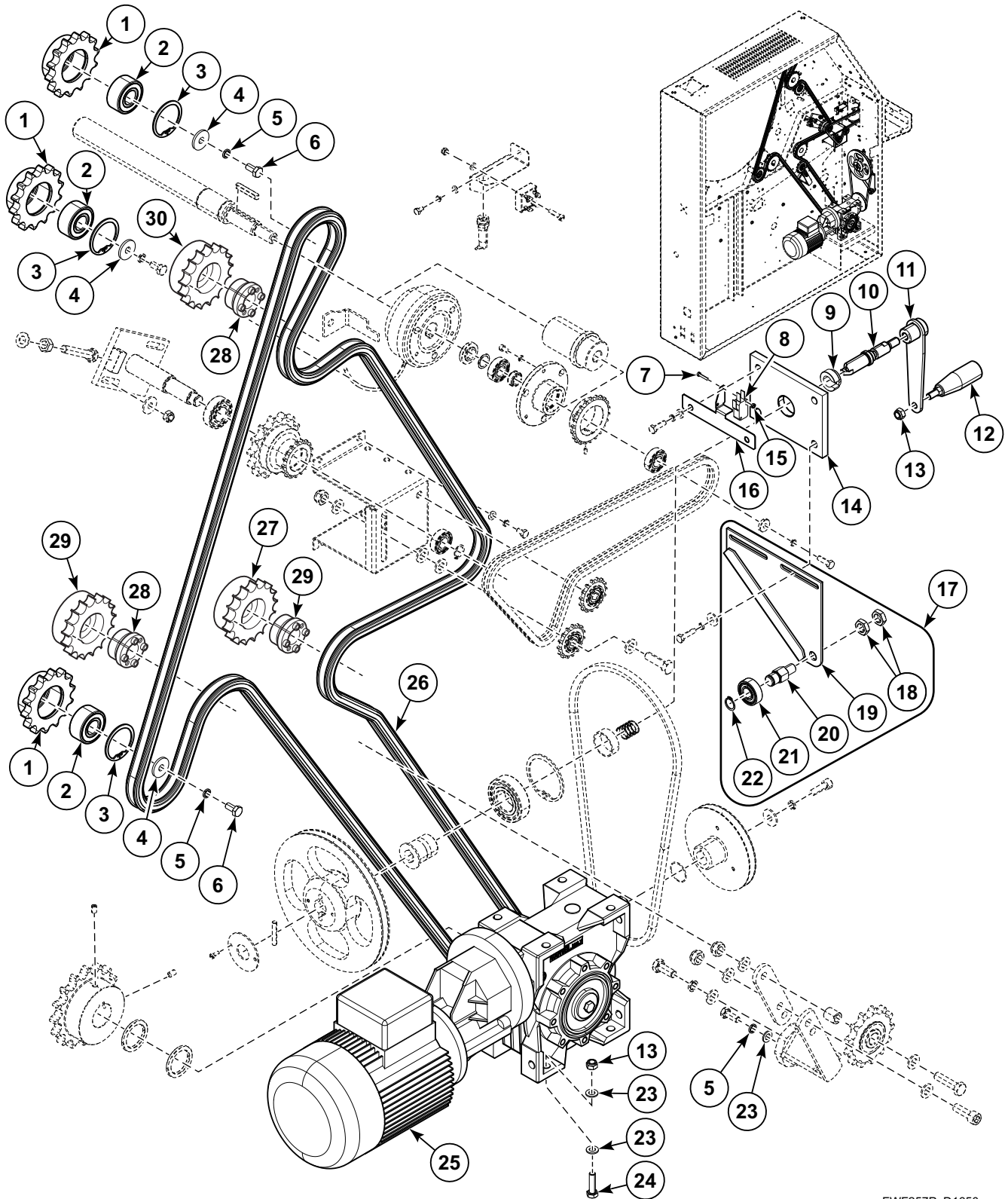


CZF108P_D1650

Drive - Models Through Serial No 832I000079KK

REF	PART NO.	DESCRIPTION	COMMENTS
1	SP548739	Chain Wheel	
2	SP548746	Bearing	
3	SP307732031047	Securing Ring	For hole
4	SP311105200008	Washer	M8
5	SP311127000008	Washer	8.7
6	SP506433	Bolt	M8x16
7	SP309084240316	Bolt	M3x16
8	SPPRI610028077	Microswitch	
9	SP505002	Crank Case	
10	SP551748	Crank Shaft	
11	SP551755	Drive Crank	
12	SP553998	Crank Handle	
13	SP310985000008	Nut	M8
14	SP314E00027414	Crank Board	
15	SP310934000003	Nut	M3
16	SP505004	Microswitch Holder	
17	SP551743	Tension Roller	Includes items 18-22
18	SP310439240012	Nut	M12; Includes 1 piece, 2 pieces needed
19	SP314E36000114	Tightening Roller	
20	SP314E36000214	Roller Pin	
21	SP559453	Bearing	
22	SP307732030015	Retaining Ring	15
23	SP311125000008	Washer	8.4
24	SP309933000830	Bolt	M8x30
25	SP553913	Motor	
	SP528300	Motor Cable	
26	SP548715	Chain	With clutch
27	SP554072	Chain Wheel	12B Z16
28	SP309916000610	Bolt	M6x10
29	SP308726008045	Feather	8e7x7x45
30	562176	Chain Wheel	12B Z18
31	SP554073	Chain Wheel	12B Z17

Drive - Models Starting Serial No 832I000080KW

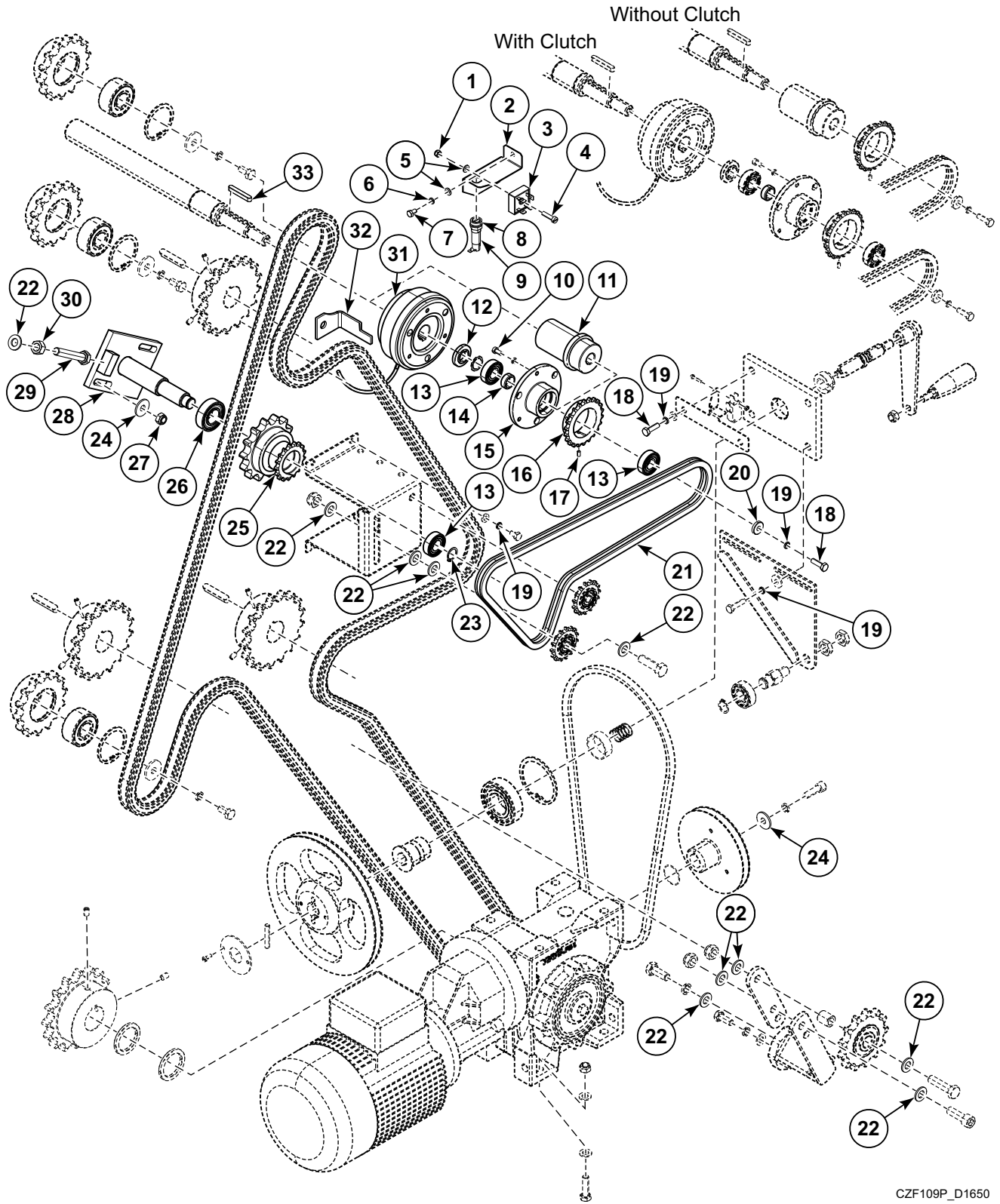


FWF257P_D1650

Drive - Models Starting Serial No 832I000080KW

REF	PART NO.	DESCRIPTION	COMMENTS
1	SP548739	Chain Wheel	
2	SP548746	Bearing	
3	SP307732031047	Securing Ring	For hole
4	SP311105200008	Washer	M8
5	SP311127000008	Washer	8.7
6	SP506433	Bolt	M8x16
7	SP309084240316	Bolt	M3x16
8	SPPRI610028077	Microswitch	
9	SP505002	Crank Case	
10	SP551748	Crank Shaft	
11	SP551755	Drive Crank	
12	SP553998	Crank Handle	
13	SP310985000008	Nut	M8
14	SP314E00027414	Crank Board	
15	SP310934000003	Nut	M3
16	SP505004	Microswitch Holder	
17	SP551743	Tension Roller	Includes items 18-22
18	SP310439240012	Nut	M12; Includes 1 piece, 2 pieces needed
19	SP314E36000114	Tightening Roller	
20	SP314E36000214	Roller Pin	
21	SP559453	Bearing	
22	SP307732030015	Retaining Ring	15
23	SP311125000008	Washer	8.4
24	SP309933000830	Bolt	M8x30
25	SP553913	Motor	
	SP528300	Motor Cable	
26	SP548715	Chain	With clutch
27	570650	Chain Wheel	12B Z16
28	570653	Shaft Locking Bush	BK15
29	570652	Chain Wheel	12B Z18
30	570651	Chain Wheel	12B Z17

Drive (Drawing 1 of 2)

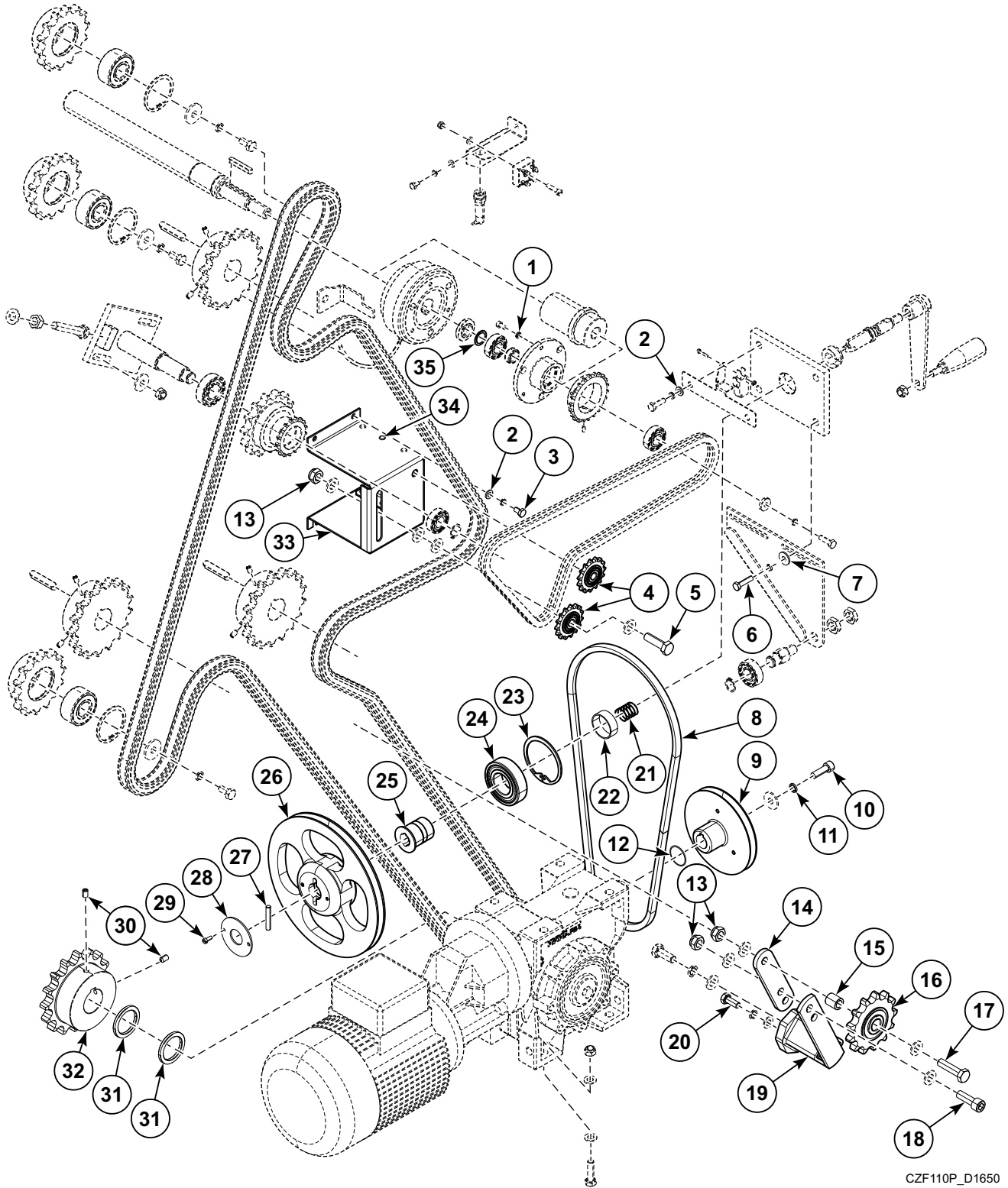


CZF109P_D1650

Drive (Drawing 1 of 2)

REF	PART NO.	DESCRIPTION	COMMENTS
1	SP310985000005	Nut	M5
2	SP553951	Holder	
3	SP344250010000	Diode Bridge	250V/10A
4	SP309084240510	Bolt	M5x10
5	SP311125000005	Washer	5.3
6	SP311127000005	Washer	5
7	SP521260	Bolt	M5x8
8	SP344000010000	Fuse	5x20, 1A
9	SPPRI401001020	Fuse Holder	
10	SP309084240520	Bolt	M5x25
11	SP512410	Chain Wheel Hub	
12	SP505020	Clutch Ring	
13	SP326000600202	Bearing	
14	SP500702	Distance Ring	
15	SP500694	Chain Wheel Bearer	
16	SP500695	Chain Wheel	
17	SP309916000408	Bolt	M4x8
18	SP309933000620	Bolt	M6x20
19	SP311127000006	Washer	6.4
20	SP515E00022115	Washer	
21	548670	Chain	With clutch
22	SP311125000010	Washer	10
23	SP307732030015	Retaining Ring	15
24	SP311902100008	Washer	8
25	SP548671	Chain Wheel	
26	SP326000600202	Bearing	D=32mm; Through Serial No. 832I000042FS
	SP326000600402	Bearing	D=42mm; Starting Serial No. 832I000043FW
27	SP310985000008	Nut	M8
28	SP548694	Tension Weldment Plate	
29	SP506432	Bolt	M10x60
30	SP310934000010	Nut	M10
31	SP502347	Clutch Electromagnet	
32	SP553991	Clutch Lock	
33	SP525193	Feather	6e7x6x40

Drive (Drawing 2 of 2)

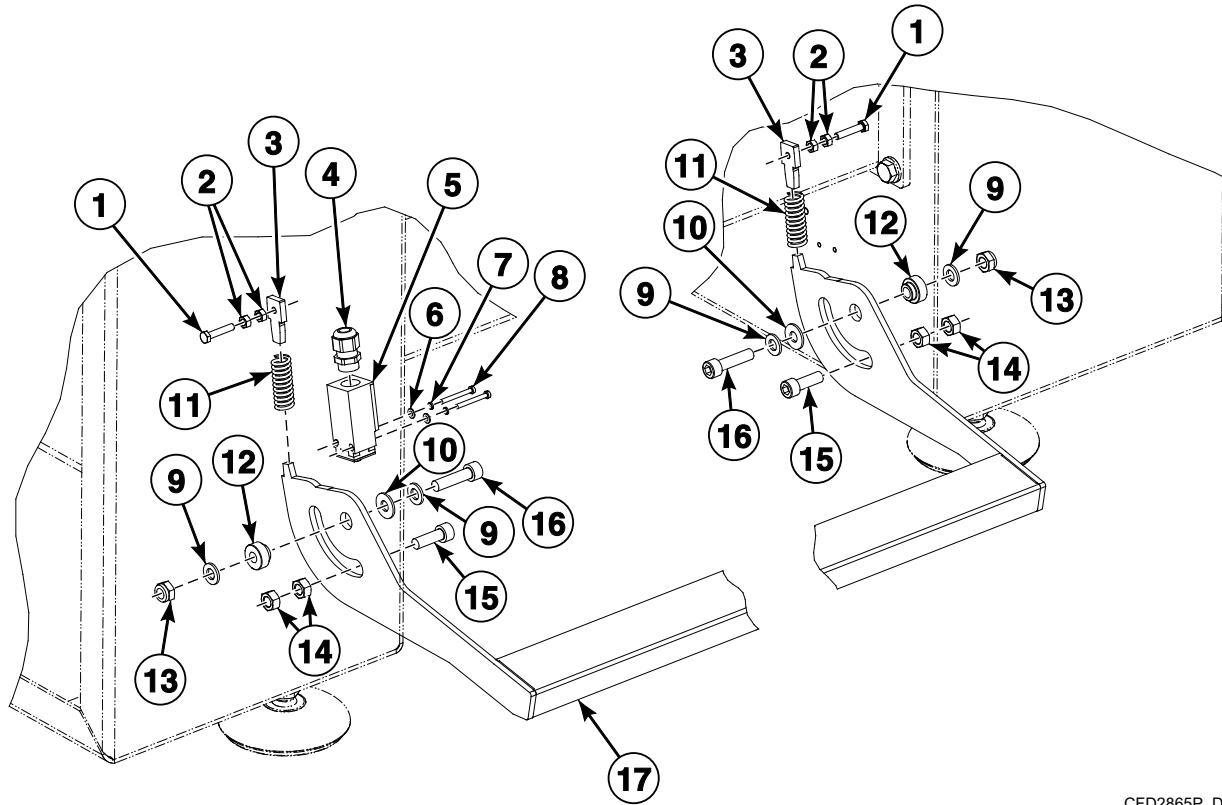


CZF110P_D1650

Drive (Drawing 2 of 2)

REF	PART NO.	DESCRIPTION	COMMENTS
1	SP311127240005	Washer	5
2	SP311125000006	Washer	6
3	SP309933000610	Bolt	M6x10
4	SP540277	Chain Wheel	
5	SP309933001035	Bolt	M10x35
6	SP309933000625	Bolt	M6x25
7	SP311902100006	Washer	6
8	SP272111010106	Belt	
9	SP553953	Pulley	
10	SP525282	Bolt	M8x25
11	SP311127000008	Washer	8.7
12	SP549333	Distance Ring	Used with 39 mm wide versions of item 9
13	SP310985000010	Nut	M10
14	562179	Tension Extension	Starting Serial No. 832I000033FD
15	562178	Tension Sprocket Hub	Starting Serial No. 832I000033FD
16	562166	Tension Pulley	12B Z13; Starting Serial No. 832I000033FD
17	SP527420	Bolt	M10x40
18	SP309912001030	Bolt	M10x30
19	562171	Chain Tensioner	Starting Serial No. 832I000033FD
20	SP309933000820	Bolt	M8x20
21	SP509440	Spring	
22	SP314E00027614	Distance Tube	
23	SP307732031062	Retaining Ring	62
24	SP502374	Bearing	
25	SP509439	Crank Guide	
26	SP505007	Pulley	Big
27	SP505003	Pulley Pin	
28	SP505005	Washer	
29	SP309084000410	Bolt	M4x10
30	SP309916000610	Bolt	M6x10
31	SP529806	Ring	
32	SP554072	Chain Wheel	12B Z16
33	SP552547	Tensioning Holder	
34	SP313250004125	Rivet	4x12.7
35	570210	Washer	T=0.1mm; Starting Serial No. 832I000072KD

Pedal - For Machines with Drive Clutch (Optional)

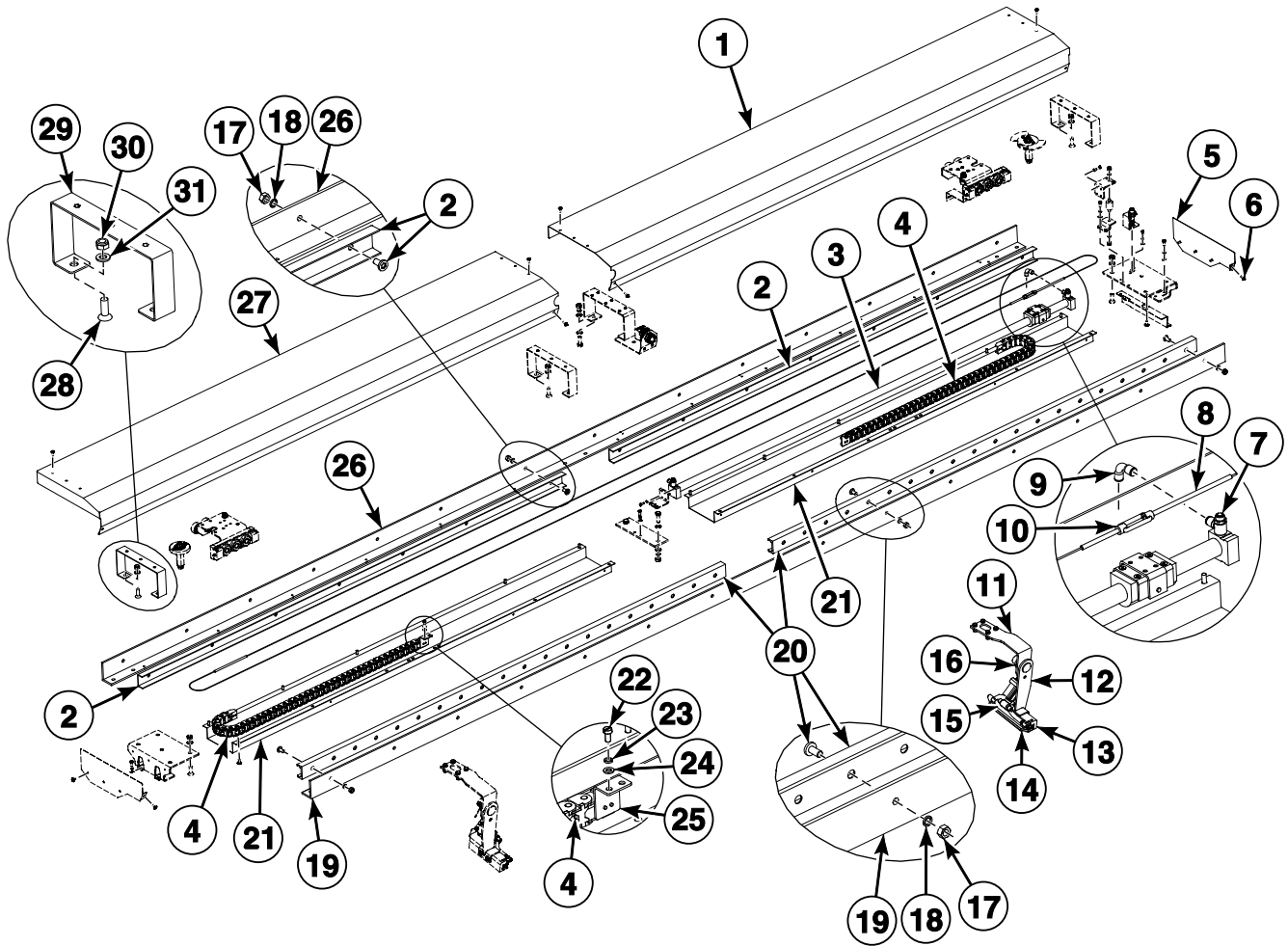


CFD2865P_D1650

Pedal - For Machines with Drive Clutch (Optional)

REF	PART NO.	DESCRIPTION	COMMENTS
1	SP309933000630	Bolt	M6x30
2	SP310934000006	Nut	M6
3	SP525221	Spring Pin	
4	SP100980	Cable Bushing	
5	SP347000000111	Switch	
6	SP311125000004	Washer	4.3
7	SP311127000004	Washer	4
8	SP506440	Screw	M4x30
9	SP311125000010	Washer	10.5
10	SP525223	Washer	
11	SP515E00024614	Pressure Spring	
12	SP525222	Ring	
13	SP310985000010	Nut	M10
14	SP310934000010	Nut	M10
15	SP309912001030	Bolt	M10x30
16	SP309912001040	Bolt	M10x40
17	SP554051	Pedal	
	528453	Pedal Cable	

Inserting Unit Bridge (Optional) (Drawing 1 of 3)

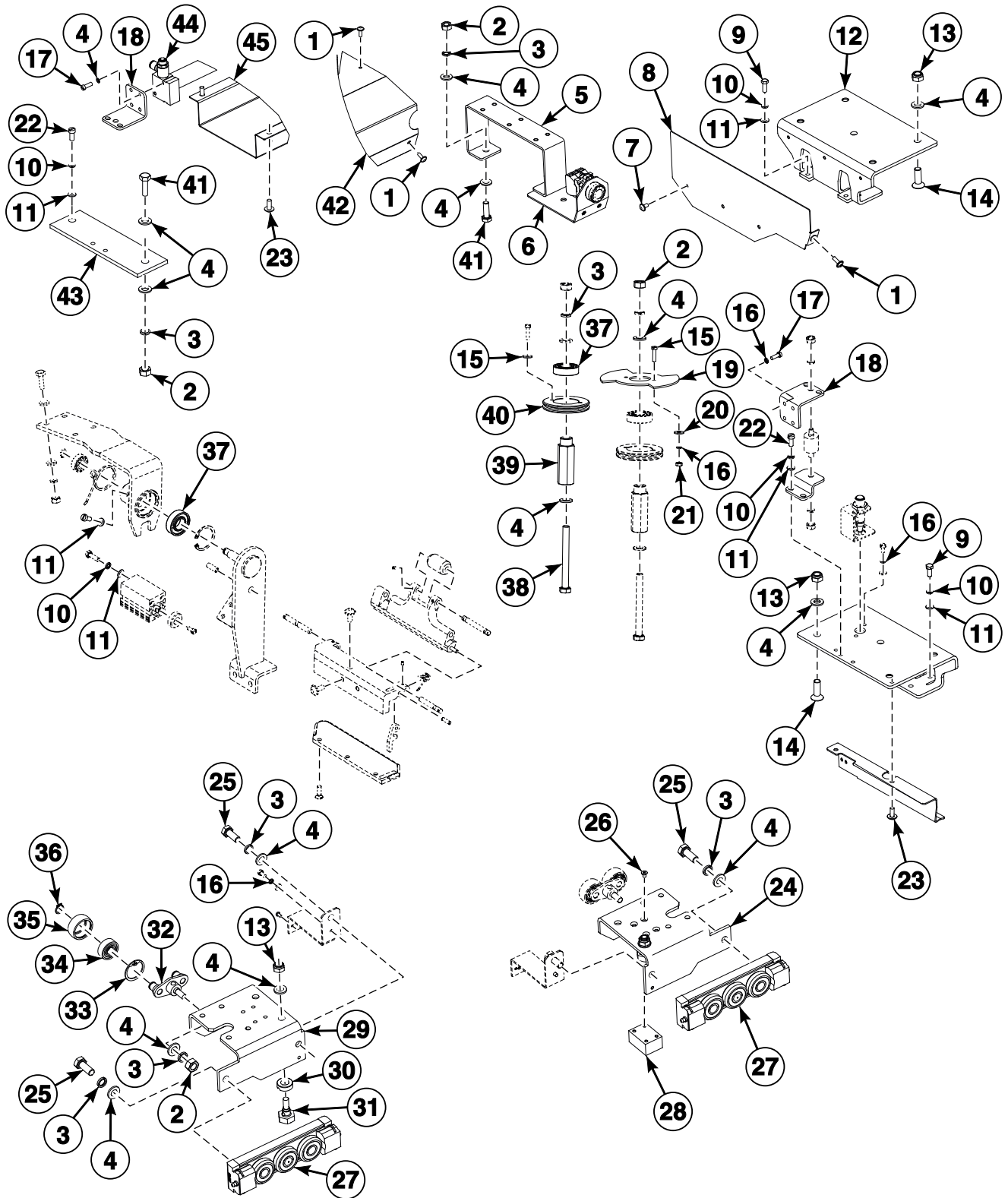


CZF101P_D1650

Inserting Unit Bridge (Optional) (Drawing 1 of 3)

REF	PART NO.	DESCRIPTION	COMMENTS
	SP319300006001	Hose	6x1
	SP319300008125	Hose	8x1.25
1	SP558344	Bridge Cover	Right
2	SP503371	Travel	
3	SP415000201400	Pneumatic Cylinder	
4	SP559424	E-Chain	
	SP559425	Chain Endings Set	
5	SP558330	Bridge Side Cover	Right
6	SP521957	Bolt	M4x12
7	SP405000006018	Reverse Throttle Valve	
8	SP558325	Rope Travel Modification	
9	SP562128	Pipe Fitting	L6
10	SP318000105050	Screw	M5x50
11	SP558320	Collet Holder	Right
12	SP503698	Arm	Right
13	SP500813	Clamp Body	Right
14	SP500815	Clamp Bar	Right
15	SP500825	Clamp	Right
16	SP500853	Clamp Spring	Right
17	SP310934000008	Nut	M8
18	SP311127000008	Washer	8
19	SP558313	Longitudinal Beam	Front
20	SP520016004302	U Profile	
21	SP558328	Chain Cover	
22	SP309084000510	Bolt	M5x10
23	SP311127000005	Washer	5
24	SP311125000005	Washer	5.3
25	SP558337	Chain Holder	
26	SP558314	Longitudinal Beam	Back
27	SP558329	Bridge Cover	Left
28	SP551432	Bolt	M8x25
29	SP558331	Cover Holder	
30	SP310985000008	Nut	M8
31	SP311125000008	Washer	8.4

Inserting Unit Bridge (Optional) (Drawing 2 of 3)

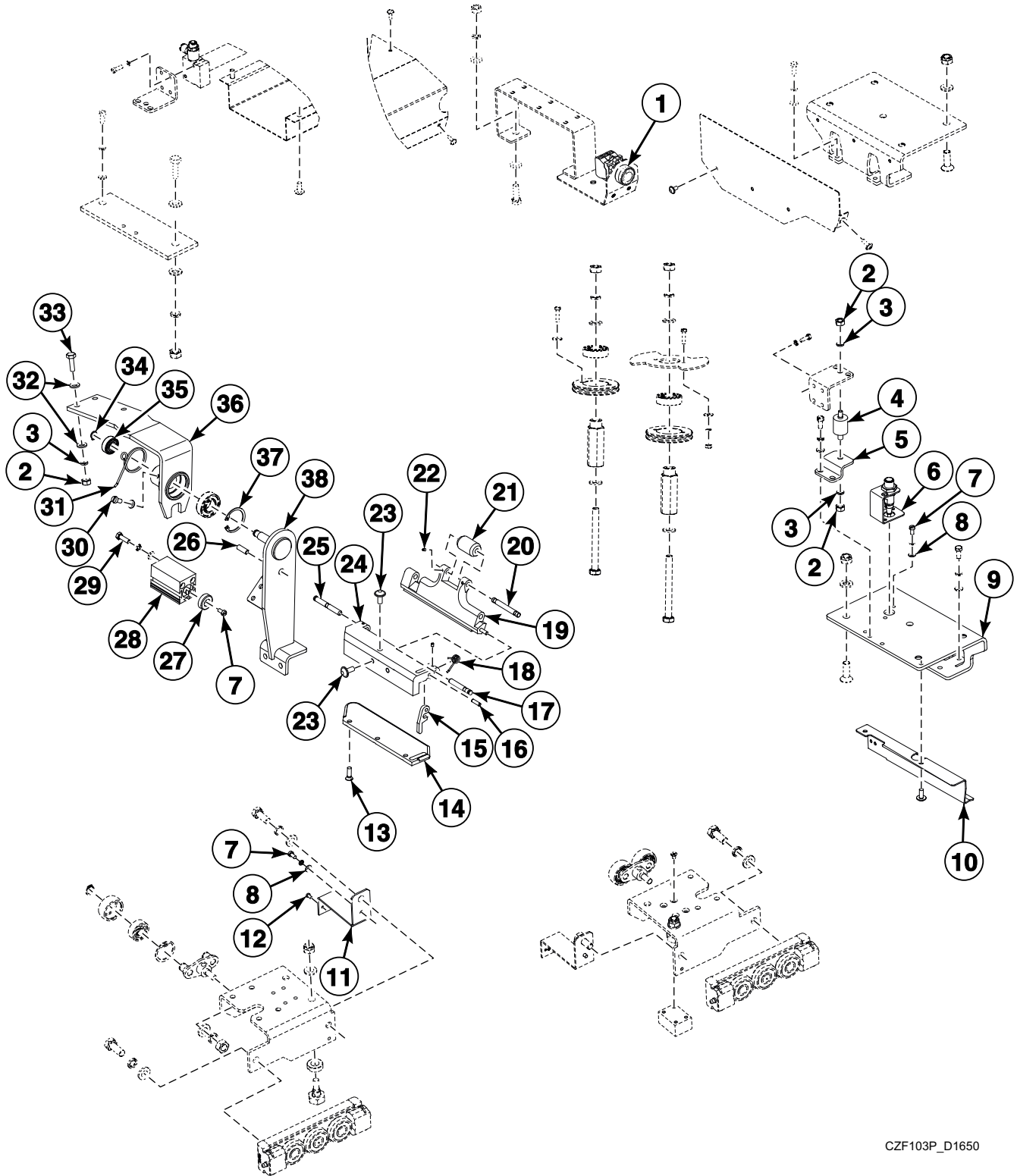


CZF102P_D1650

Inserting Unit Bridge (Optional) (Drawing 2 of 3)

REF	PART NO.	DESCRIPTION	COMMENTS
1	SP521957	Bolt	M4x12
2	SP310934000008	Nut	M8
3	SP311127000008	Washer	8
4	SP311125000008	Washer	8.4
5	SP558345	Cover Holder	Central
6	SP558338	Button Holder	
7	SP506013	Bolt	M4x8
8	SP558306	Bridge Side Cover	Left
9	SPPRI202001001	Bolt	M5x12
10	SP311127000005	Washer	5
11	SP311125000005	Washer	5.3
12	SP558316	Bridge Holder	Left
13	SP310985000008	Nut	M8
14	SP551432	Bolt	M8x25
15	SP309084000416	Bolt	M4x16
16	SP311127000004	Washer	4
17	SP309084240412	Bolt	M4x12
18	SP503720	Cylinder Holder	Left
19	SP503723	Sensor Wheel	Through Serial No. 832I000077KH
	570641	Sensor Wheel	Starting Serial No. 832I000078KH
20	SP311902100004	Washer	4
21	SP310934000004	Nut	M4
22	SP309084000512	Bolt	M5x12
23	SP503572	Bolt	M5x12
24	SP558317	Collet Bearer	Right
25	SP309933000820	Bolt	M8x20
26	SP309965240408	Bolt	M4x8
27	SP520016004302	U Profile	
28	SP500826	Cube	
29	SP558318	Collet Bearer	Left
30	SP509046	Washer	
31	SP509045	Bolt	
32	SP503729	Carriage Body	
33	SP307732031026	Securing Ring	26
34	SP326000600002	Bearing	6000 2ZR
35	SP503730	Carriage Pulley	
36	SP307732030010	Safety Ring	10
37	SP326000600202	Bearing	6002 2RS1
38	SP309933000880	Bolt	M8x80
39	SP503309	Rope Pin	
40	SP503722	Rope Pulley	
41	SP309933000825	Bolt	M8x25
42	SP558329	Bridge Cover	Left
43	SP503390	Bridge Cylinder	
44	SP405000006018	Reverse Throttle Valve	
45	SP558328	Chain Cover	

Inserting Unit Bridge (Optional) (Drawing 3 of 3)

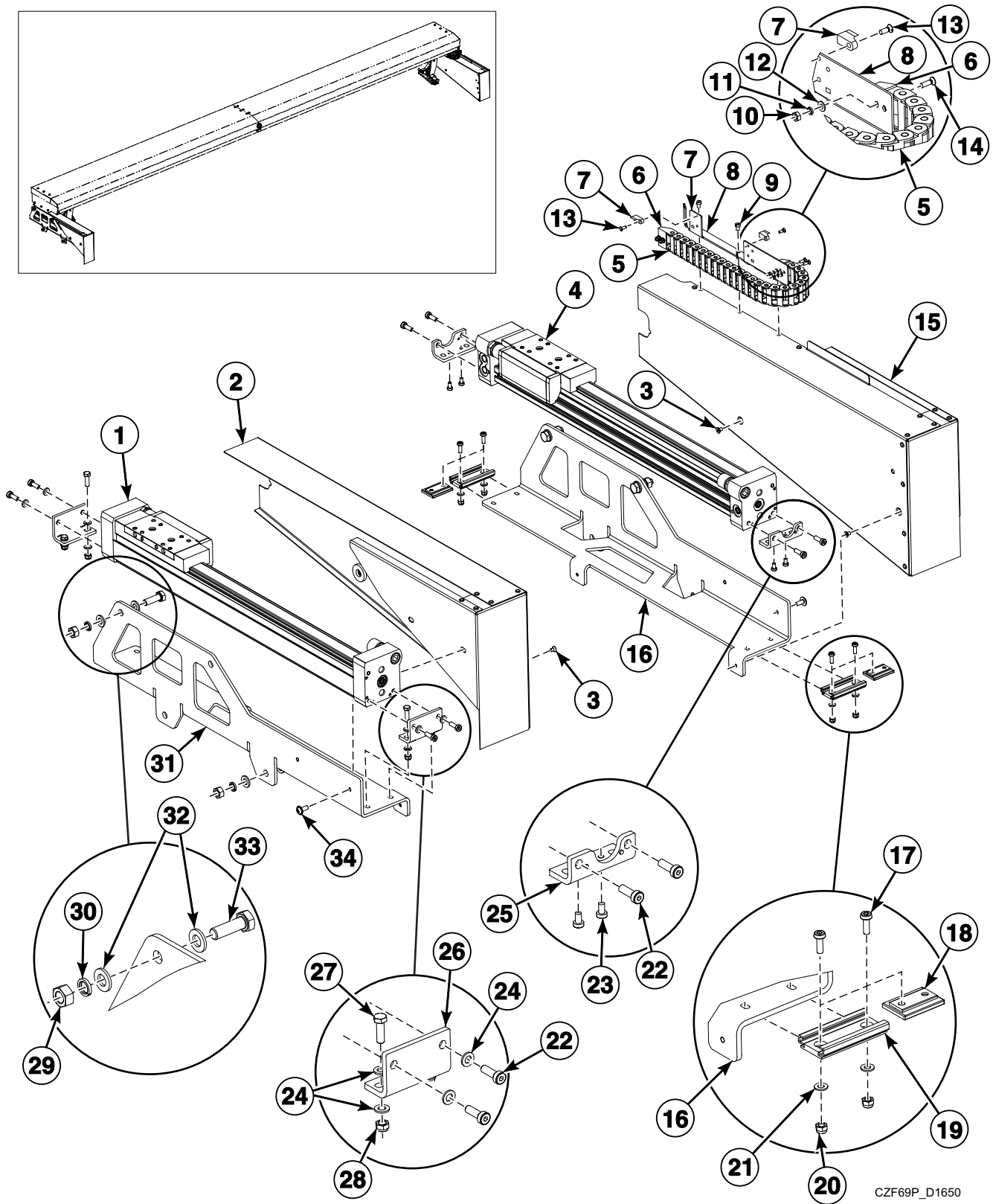


CZF103P_D1650

Inserting Unit Bridge (Optional) (Drawing 3 of 3)

REF	PART NO.	DESCRIPTION	COMMENTS
1	SP506032	Pushbutton	
2	SP310934000006	Nut	M6
3	SP311127000006	Washer	6
4	SP273315042012	Spring	
5	SP507551	Spring Holder	
6	SP558326	Bridge Sensor Holder	
7	SP309084000408	Bolt	M4x8
8	SP311125000004	Washer	4.3
9	SP558315	Bridge Holder	Right
10	SP558369	Chain Inner Guidance	
11	SP558327	Chain Holder	Long
12	SP309798500306	Bolt	M3x6
13	SP309963240516	Bolt	B; M5x16
14	SP500803	Clamp Bar	Left
15	SP500804	Hook	
16	SP500820	Hook Pin	
17	SP500818	Clamp Pin	1
18	SP500805	Clamp Spring	
19	SP500824	Clamp	Left
20	SP500817	Pulley Pin	
21	SP500816	Roller	
22	SP503501	Bolt	M3x4
23	SP309595124612	Bolt	M6x12
24	SP500801	Clamp Body	Left
25	SP500819	Clamp Pin	2
26	SP319300006001	Hose	6x1
27	SP503324	Button	
28	SP415000160200	Pneumatic Cylinder	
29	SP309933000516	Bolt	M5x16
30	SP309084000510	Bolt	M5x10
31	SP500852	Clamp Spring	Left
32	SP311125000006	Washer	6.4
33	SP309933000620	Bolt	M6x20
34	SP307732030008	Retaining Ring	For shaft 8
35	SP326000200608	Bearing	608-2Z
36	SP558323	Collet Holder	Left
37	SP307732031032	Securing Ring	32
38	SP503697	Arm	Left

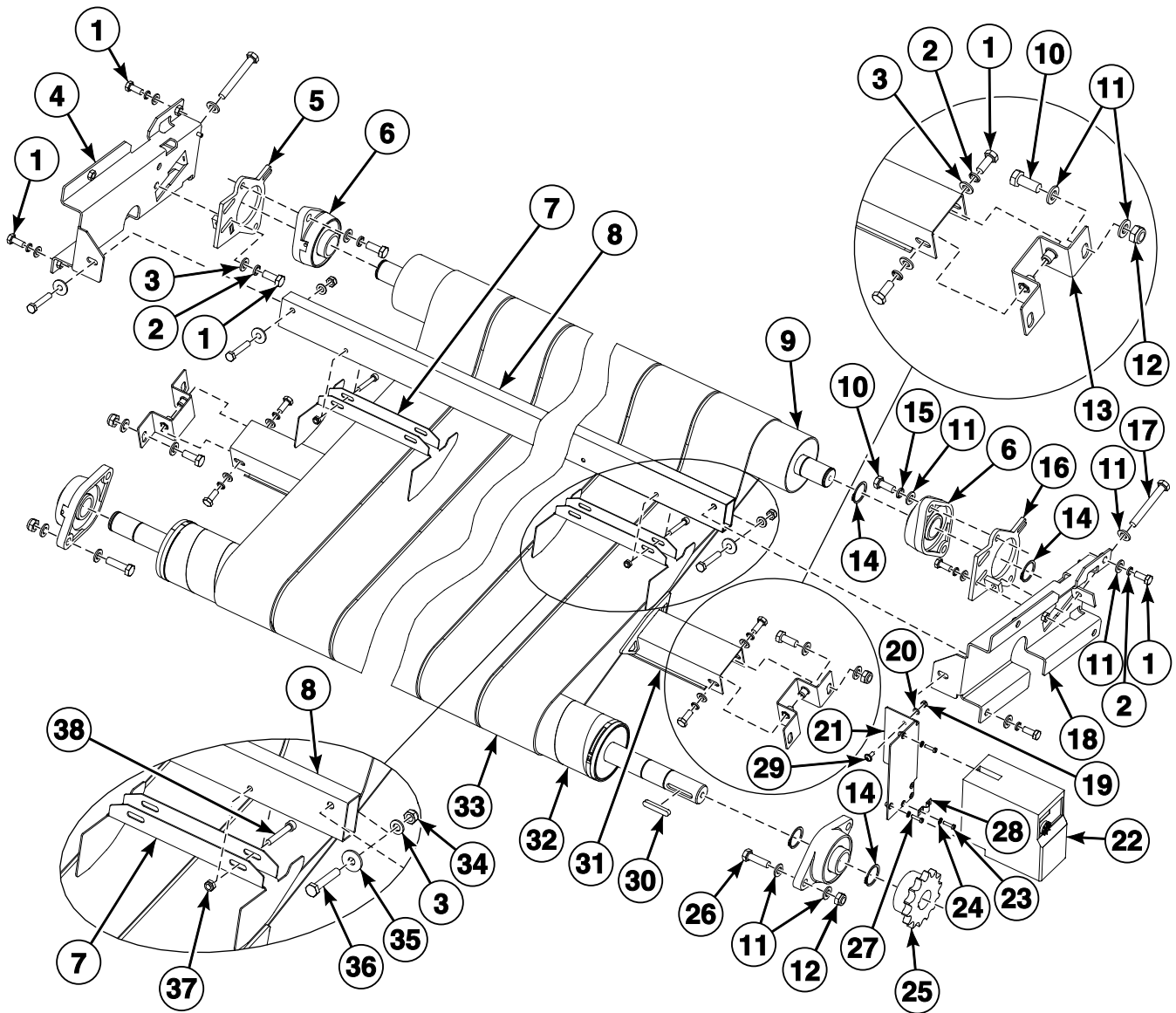
Inserting Unit Drive (Optional)



Inserting Unit Drive (Optional)

REF	PART NO.	DESCRIPTION	COMMENTS
1	SP558360	Linear Drive	
2	SP558336	Left Cover	
3	SP309965240408	Bolt	M4x8
4	SP558361	Linear Drive	
5	SP558368	Chain	
6	SP558376	Chain Endings Set	
7	SP504566	Clamp	
8	SP558363	Chain Guidance	
9	SP309084000406	Bolt	M4x6
10	SP310934000003	Nut	M3
11	SP311127000003	Washer	3
12	SP311125000003	Washer	3.2
13	SP309084000306	Bolt	M3x6
14	SP514564	Bolt	M3x10
15	SP558304	Right Cover	
16	SP558303	Right Holder	
17	SP555504	Bolt	M4x12
18	SP559426	Carriage	
19	SP558333	Slide Guidance	
20	SP514193	Nut	M4
21	SP311125000004	Washer	4.3
22	SP549325	Bolt	M5x16
23	SP558340	Bolt	M4x8
24	SP311125000005	Washer	5.3
25	SP558307	Holder	
26	SP558312	Pneumatic Cylinder Foot	
27	SP309933000516	Bolt	M5x16
28	SP310985000005	Nut	M5
29	SP310934000008	Nut	M8
30	SP311127000008	Washer	8
31	SP558305	Left Holder	
32	SP311125000008	Washer	8.4
33	SP309933000825	Bolt	M8x25
34	SP503572	Bolt	M5x12

Output System (Optional) Models Through Serial No. 832I000033FD

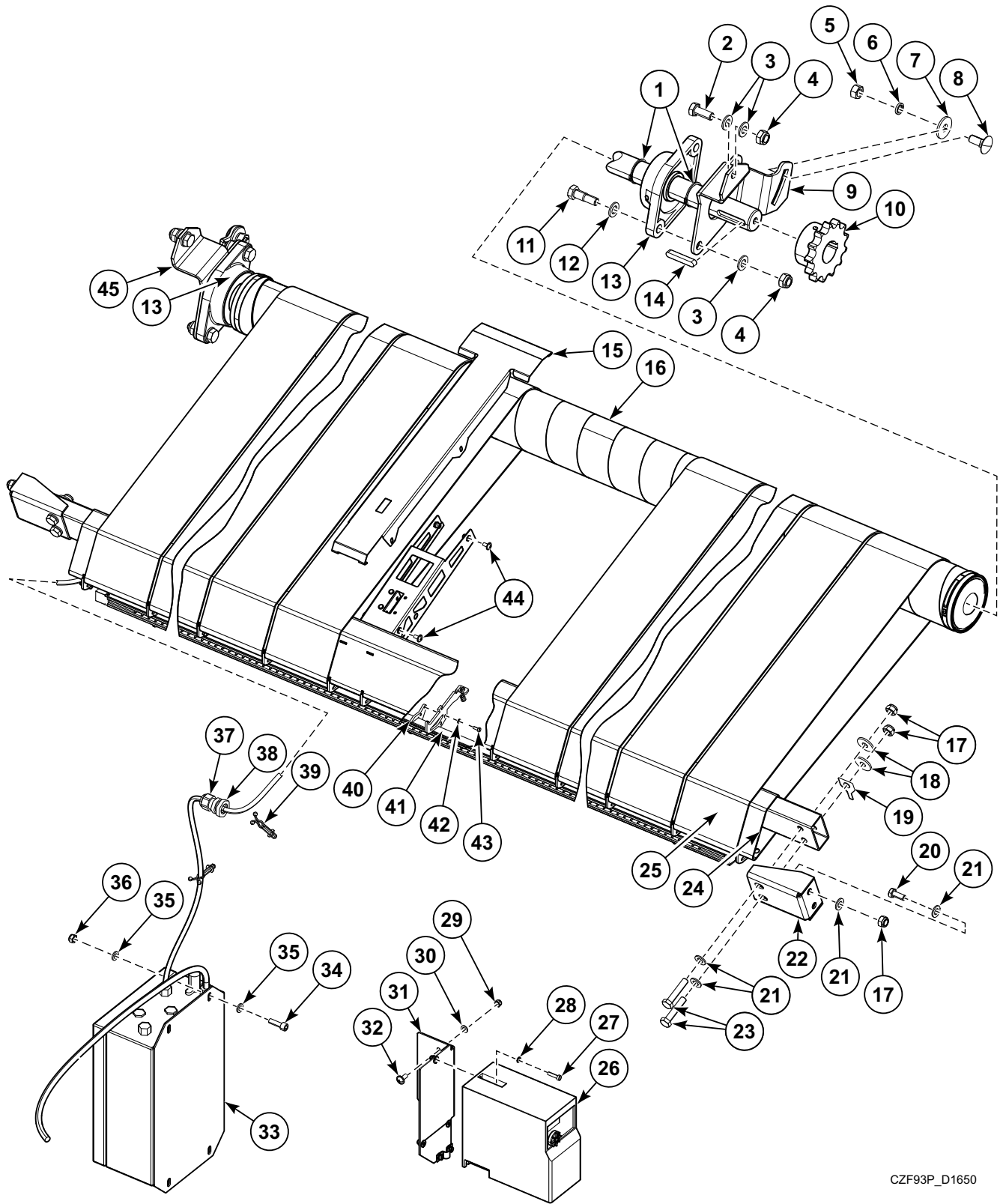


CFD2869P_D1650

Output System (Optional) Models Through Serial No. 832I000033FD

REF	PART NO.	DESCRIPTION	COMMENTS
1	SP309933000820	Bolt	M8x20
2	SP311127000008	Washer	8
3	SP311125000008	Washer	8.4
4	SP554779	Guide Beam Holder	Right
5	SP554775	Bearing Tightener	Right
6	SP325000000031	Bearing	
7	SP558258	Belt Scraper	
8	SP558259	Scraper Beam	
9	SP529878	Cylinder	
10	SP309933001025	Bolt	M10x25
11	SP311125000010	Washer	10.5
12	SP310985000010	Nut	M10
13	SP554780	Beam Holder	
14	SP502367	Retaining Ring	
15	SP311127000010	Washer	10
16	SP554769	Bearing Tightener	Left
17	SP309933001080	Bolt	M10x80
18	SP554778	Guide Beam Holder	Left
19	SP310985000005	Nut	M5
20	SP311125000005	Washer	5.3
21	SP554710	Console	
22	571470	Frequency Inverter	FR-D720S-025-SC-E8
	571474	Frequency Inverter	FR-D740-036-SC-E8
23	SP309084000416	Bolt	M4x16
24	SP311679800004	Washer	4
25	SP548741	Chain Wheel	
26	SP309933001035	Bolt	M10x35
27	SP309084000412	Bolt	M4x22
28	SP528392	Cable Clamp	
29	SP503572	Bolt	M5x12
30	SP308726008045	Feather	8e7x7x45
31	SP554760	Beam	
32	SP548784	Cylinder Belt	
33	SP554680	Belt	With hooks; Polyester
	SP559464	Ironing Belt Set	
34	SP310985000008	Nut	M8
35	SP311902100008	Washer	8
36	SP309933000845	Bolt	M8x45
37	SP310985000006	Nut	M6
38	SP506438	Bolt	M6x40

Output System (Optional) Models Starting Serial No. 832I000034FH

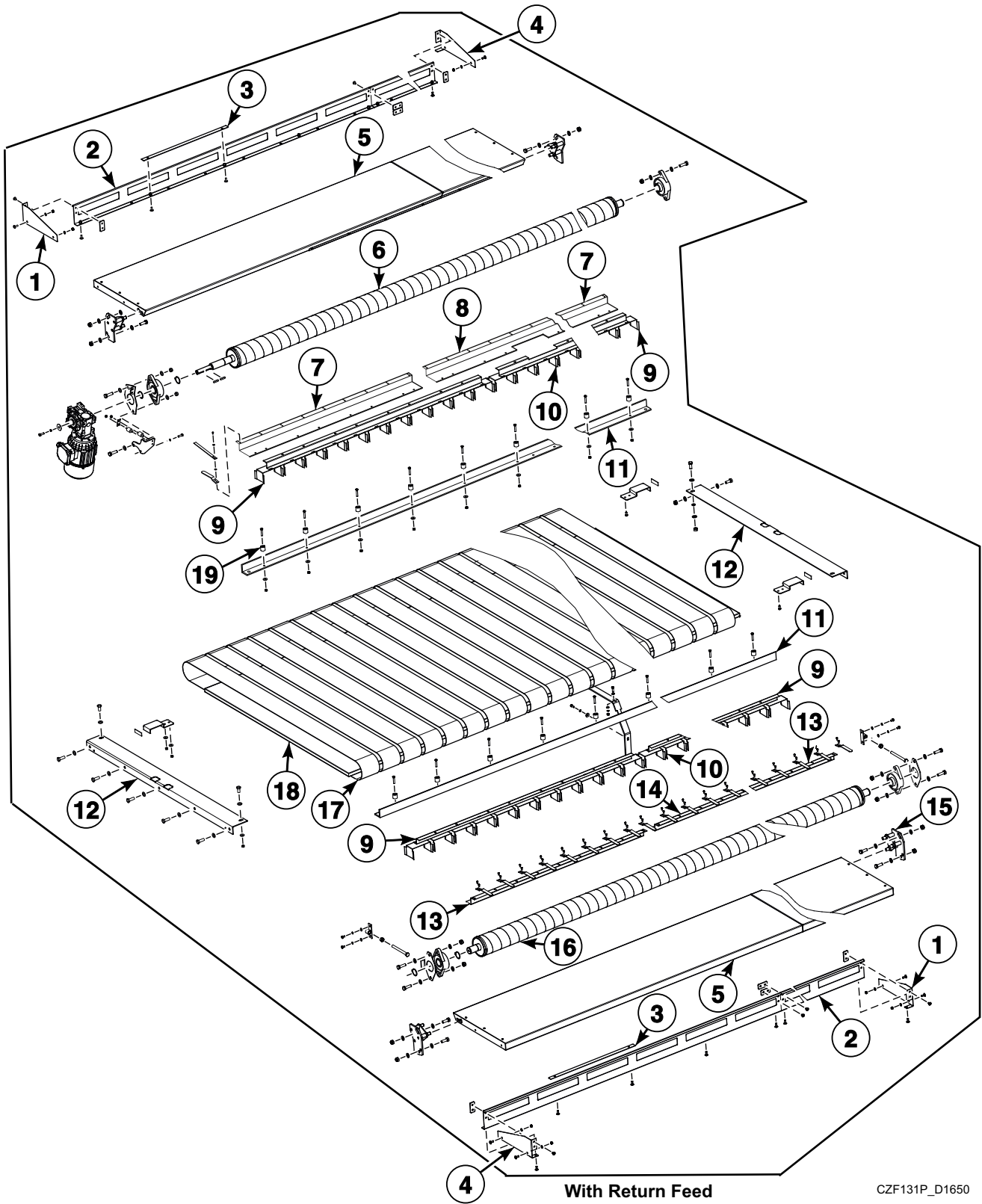


CZF93P_D1650

Output System (Optional) Models Starting Serial No. 832I000034FH

REF	PART NO.	DESCRIPTION	COMMENTS
1	SP502367	Retaining Ring	
2	SP309933001025	Bolt	M10x25
3	SP311125000010	Washer	10.5
4	SP310985000010	Nut	M10
5	SP310934000010	Nut	M10
6	SP311127000010	Washer	10
7	SP311902100010	Washer	10
8	SP526193	Bolt	M10x25
9	562120	Bearing Holder Tensioning	Left
10	548738	Chain Wheel	
11	SP519943	Bolt	M10x25
12	SP519945	Washer	D11-2
13	SP325000000031	Bearing	
14	SP308726008045	Feather	
15	562156	Sensor Plate	
16	562172	Cylinder	
17	SP310985000008	Nut	M8
18	SP311902100008	Washer	8
19	545099	Clamp	Earthing
20	SP309933000820	Bolt	M8x20
21	SP311125000008	Washer	8.4
22	562159	Beam Holder	
23	SP309933000840	Bolt	M8x40
24	562151	Conveyor Ledge	Complete
25	562177	Ironing Belt	With hooks; Polyester
	562182	Ironing Belt Set	
26	571475	Frequency Inverter	FR-D740-080-SC-E8
	571474	Frequency Inverter	FR-D740-036-SC-E8
27	SP309084000416	Bolt	M4x16
28	SP311679800004	Washer	M4
29	SP310985000005	Nut	M5
30	SP311125000005	Washer	5.3
31	554711	Console	
32	SP503572	Bolt	M5x12
33	SP100000	Transformer	
34	SP309912000620	Bolt	M6x20
35	SP311125000006	Washer	6.4
36	SP310985000006	Nut	M6
37	SPPRI350000045	Cable Bushing	PG9
38	SPPRI350001045	Nut	PG9
39	SP554092	Clasp	
40	SP554092	Clasp	
41	SP357375457185	Electrode	
42	SP311679800003	Washer	M3
43	SP309084000308	Bolt	M3x8
44	SP510863	Screw	M4x8
45	562121	Bearing Holder Tensioning	Right

Output Conveyor (Optional) (Drawing 1 of 4)

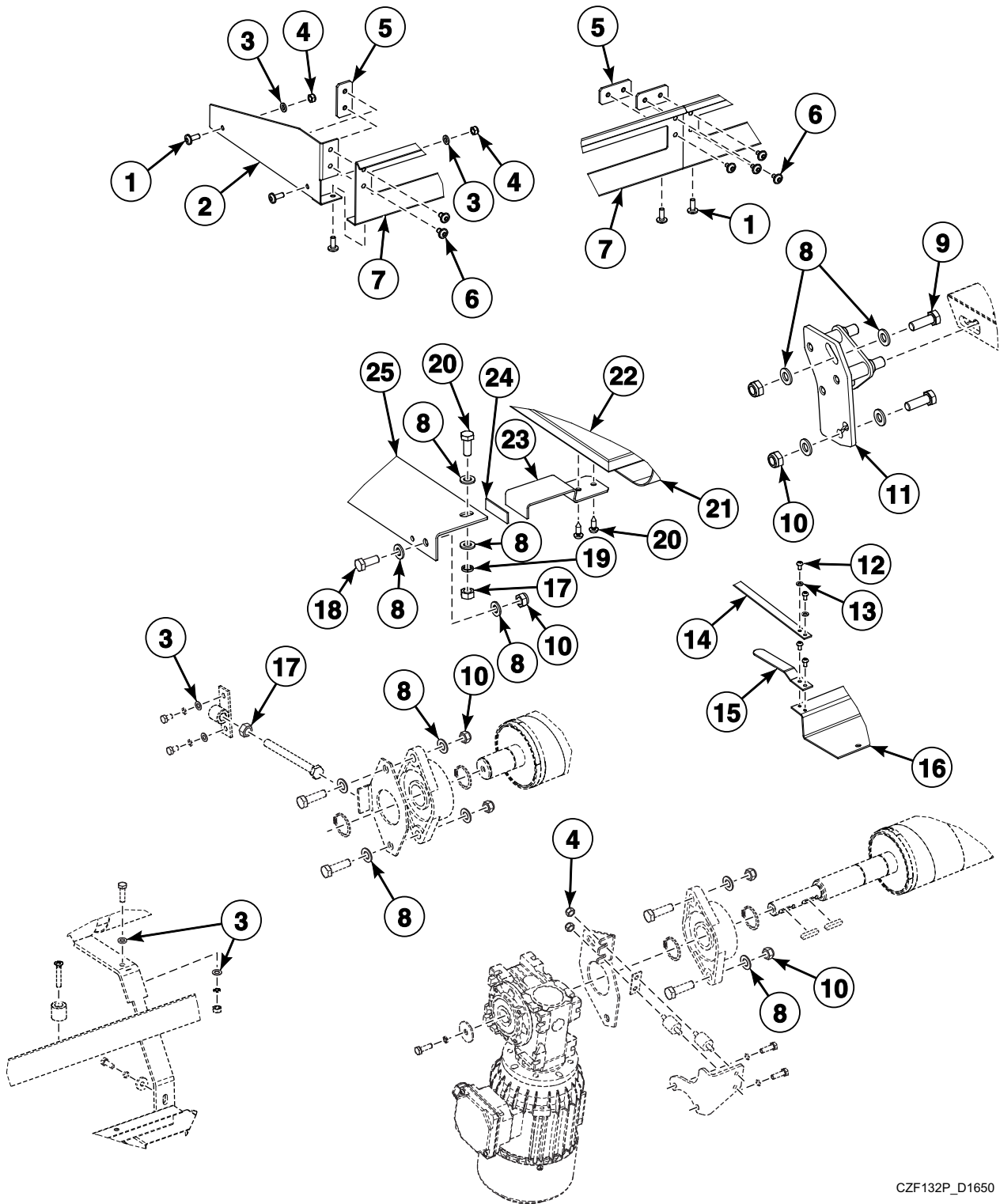


CZF131P_D1650

Output Conveyor (Optional) (Drawing 1 of 4)

REF	PART NO.	DESCRIPTION	COMMENTS
1	SP554706	Output Table Barrier	Right
2	SP554704	Output Table Barrier	
3	SP554708	Table Barrier Ledge	
4	SP554705	Output Table Barrier	Left
5	SP505775	Divided Tilt Table	
6	SP552593	Conveyor Drive Cylinder	
7	SP559421	Finger Holder	
8	SP559420	Finger Holder Center	
9	SP503481	Belt Guidance	
10	SP503482	Belt Guidance	Middle
11	SP503343	Table Longitudinal Beam	
12	SP541405	Conveyor Holder	
13	SP503487	Finger Holder	
14	SP503489	Finger Holder	Middle
15	SP554697	Table Holder	
16	SP552592	Conveyor Drive Cylinder	
17	SP552594	Folding Belt	
	SP559465	Folding Belt Set	
18	SP552596	Laminated Board	
19	SP503318	Support Cylinder	

Output Conveyor (Optional) (Drawing 2 of 4)

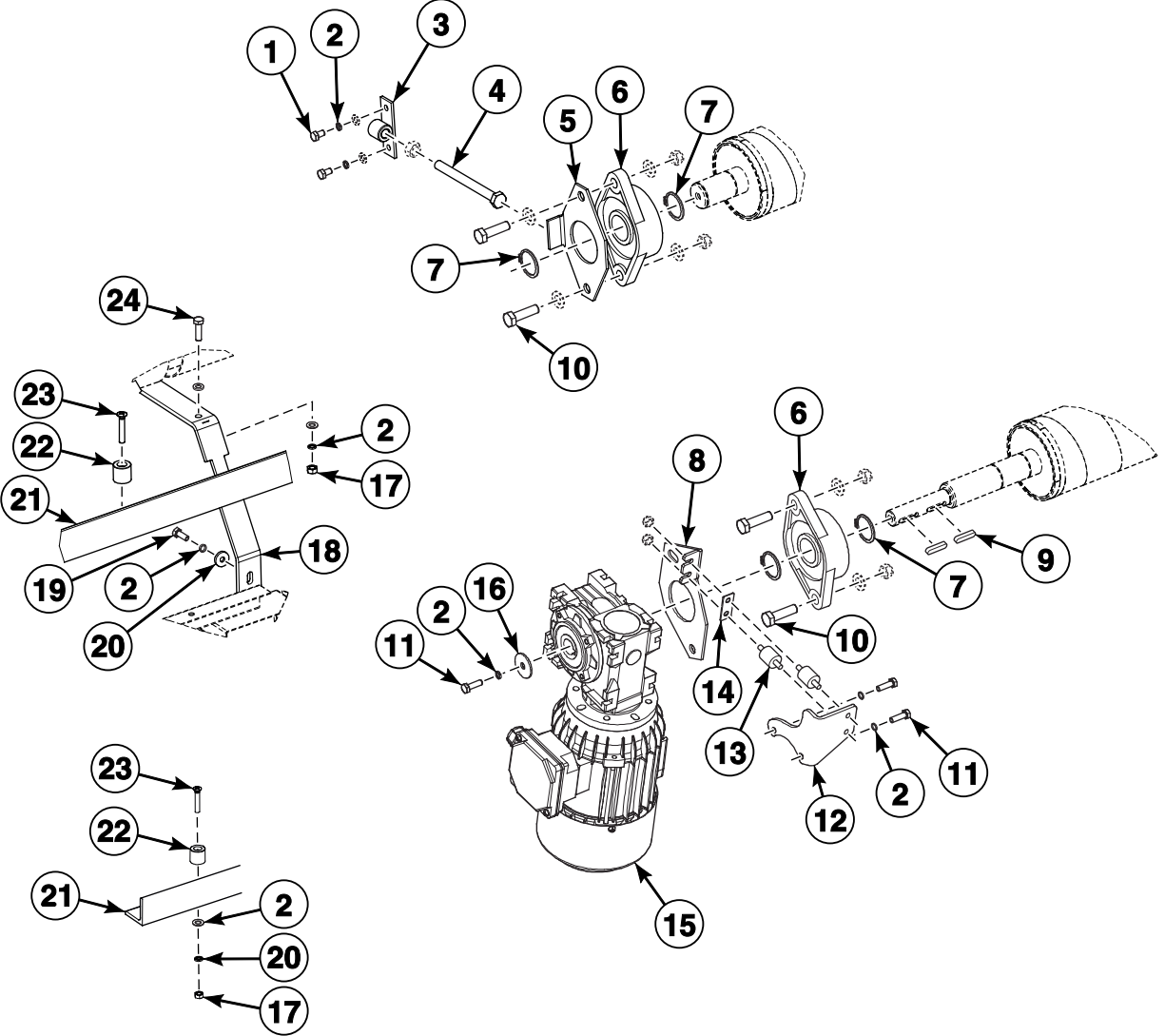


CZF132P_D1650

Output Conveyor (Optional) (Drawing 2 of 4)

REF	PART NO.	DESCRIPTION	COMMENTS
1	SP537604	Bolt	M6x16
2	SP554705	Output Table Barrier	Left
3	SP311125000006	Washer	6.4
4	SP310985000006	Nut	M6
5	SP554707	Nut	
6	SP540342	Bolt	M6x10
7	SP554704	Output Table Barrier	
8	SP311125000010	Washer	10.5
9	SP309933001030	Bolt	M10x30
10	SP310985000010	Nut	M10
11	SP554696	Table Holder	
12	SP309798524408	Bolt	M4x8
13	SP311125240004	Washer	4.3
14	SP503793	Plastic Finger	
15	SP500937	Finger	
16	SP559421	Finger Holder	
17	SP310934000010	Nut	M10
18	SP309933001025	Bolt	M10x25
19	SP311127000010	Washer	10
20	SP506427	Bolt	3x19
21	SP552594	Folding Belt	
	SP559465	Folding Belt Set	
22	SP552596	Laminated Board	
23	SP507603	Distance Plate	
24	SP541406	Rubber	Self-adhesive
25	SP541405	Conveyor Holder	

Output Conveyor (Optional) (Drawing 3 of 4)

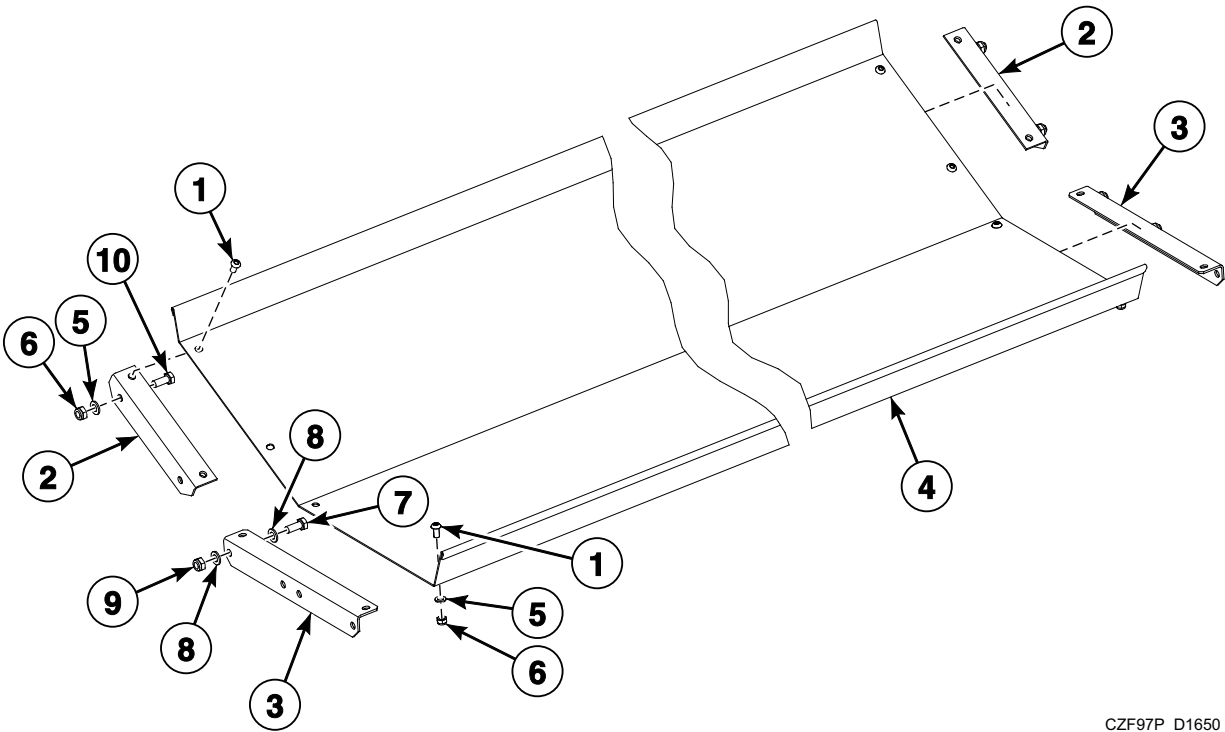


CZF96P_D1650

Output Conveyor (Optional) (Drawing 3 of 4)

REF	PART NO.	DESCRIPTION	COMMENTS
1	SP309933000610	Bolt	M6x10
2	SP311127000006	Washer	6
3	SP515E21000014	Tightener	
4	SP505429	Bolt	M10x10
5	SP503399	Tension Plate	
6	SP325000000031	Bearing	
7	SP502367	Retaining Ring	30
8	SP554090	Gearbox Plate	
9	SP525195	Feather	6e7x6x28
10	SP309933001035	Bolt	M10x35
11	SP309933000620	Bolt	M6x20
12	SP554089	Gearbox Bracket	
13	SP273315042012	Spring	
14	SP554756	Washer	
15	SP554734	Gear Motor	
16	SP514572	Washer	Outside drum
17	SP310934000006	Nut	M6
18	SP541403	Table Central Brace	
19	SP309933000616	Bolt	M6x16
20	SP311902100006	Washer	6
21	SP503343	Table Longitudinal Beam	
22	SP503318	Support Cylinder	
23	SP309966240635	Bolt	M6x35
24	SP309933000618	Bolt	M6x18

Output Conveyor (Optional) (Drawing 4 of 4)



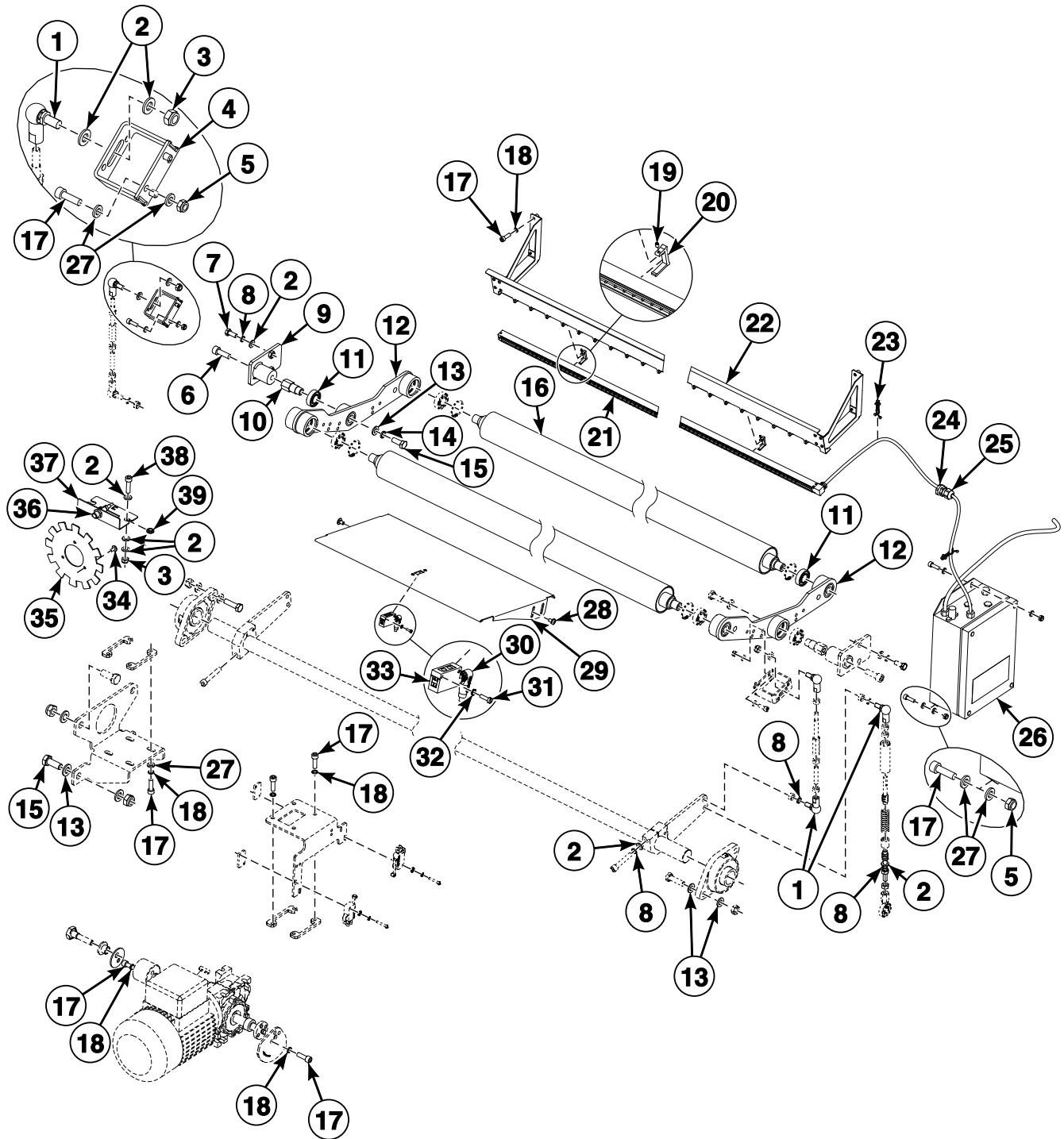
CZF97P_D1650

Output Conveyor (Optional) (Drawing 4 of 4)

REF	PART NO.	DESCRIPTION	COMMENTS
1	SP309159324816	Bolt	M8x16
2	SP562125	Table Holder	1
3	SP545596	Table Holder	
4	SP552517	Inserting Table	
5	SP311125000008	Washer	8
6	SP310985000008	Nut	M8
7	SP309933001025	Bolt	M10x25
8	SP311125000010	Washer	10.5
9	SP310985000010	Nut	M10
10	SP309933000820	Bolt	M8x20

Folding System (Optional) (Drawing 1 of 2)

Models Through Serial No. 832I000033FD

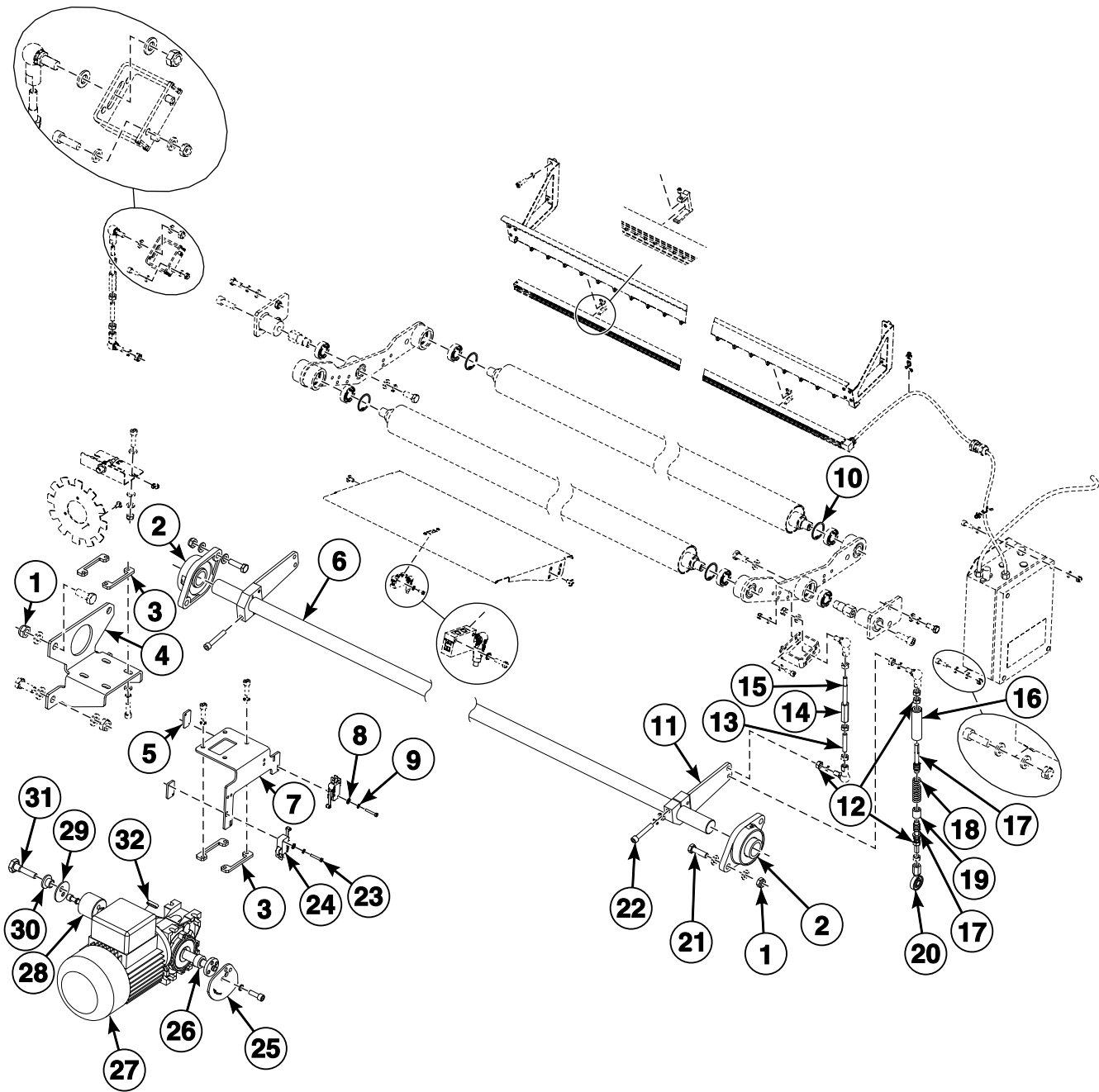


CFD3100P_D1650

Folding System (Optional) (Drawing 1 of 2) Models Through Serial No. 832I000033FD

REF	PART NO.	DESCRIPTION	COMMENTS
1	SP510912	Angle Joint	
2	SP311125000008	Washer	8.4/16/1.6
3	SP310985000008	Nut	M8
4	SP517099	Balance Beam Console	
5	SP310985000006	Nut	M6
6	SP309912001030	Bolt	M10x30
7	SP309933000820	Bolt	M8x20
8	SP311127000008	Washer	8
9	SP554772	Balancer Pin	
10	SP503301	Beam Pin	
11	SP326000600300	Bearing	
12	SP517100	Balance Beam Arm	
13	SP311125000010	Washer	10.5/20/2
14	SP311127000010	Washer	10
15	SP309933001025	Bolt	M10x25
16	SP529860	Roller	
17	SP309912000620	Bolt	M6x20
18	SP311127000006	Washer	6
19	SP503501	Bolt	M3x4
20	SP554715	Holder	
21	SP357375457185	Electrode	
22	SP554783	Guidence Plate	
23	SP554092	Clasp	
24	SPPRI350001045	Nut	PG9
25	SPPRI350000045	Cable Bushing	PG9
26	SP100000	Transformer	
27	SP311125000006	Washer	6.4/12/1.6
28	SP540342	Bolt	M6x10; With ring 10.9
29	SP554776	Table	
30	SP554733	Connector	
31	SP309084000310	Bolt	M3x10 DIN84
32	SP311679800003	Washer	M3
33	SP554716	Diffuse Sensor	
34	SP503572	Bolt	M5x12
35	SP554701	Disc	
36	SP374415083131	Inductive Sensor	
37	SP554700	Speed Sensor Holder	
38	SP309912000830	Bolt	M8x30
39	SP273121008002	Cable Bushing	

Folding System (Optional) (Drawing 2 of 2) Models Through Serial No. 832I000033FD



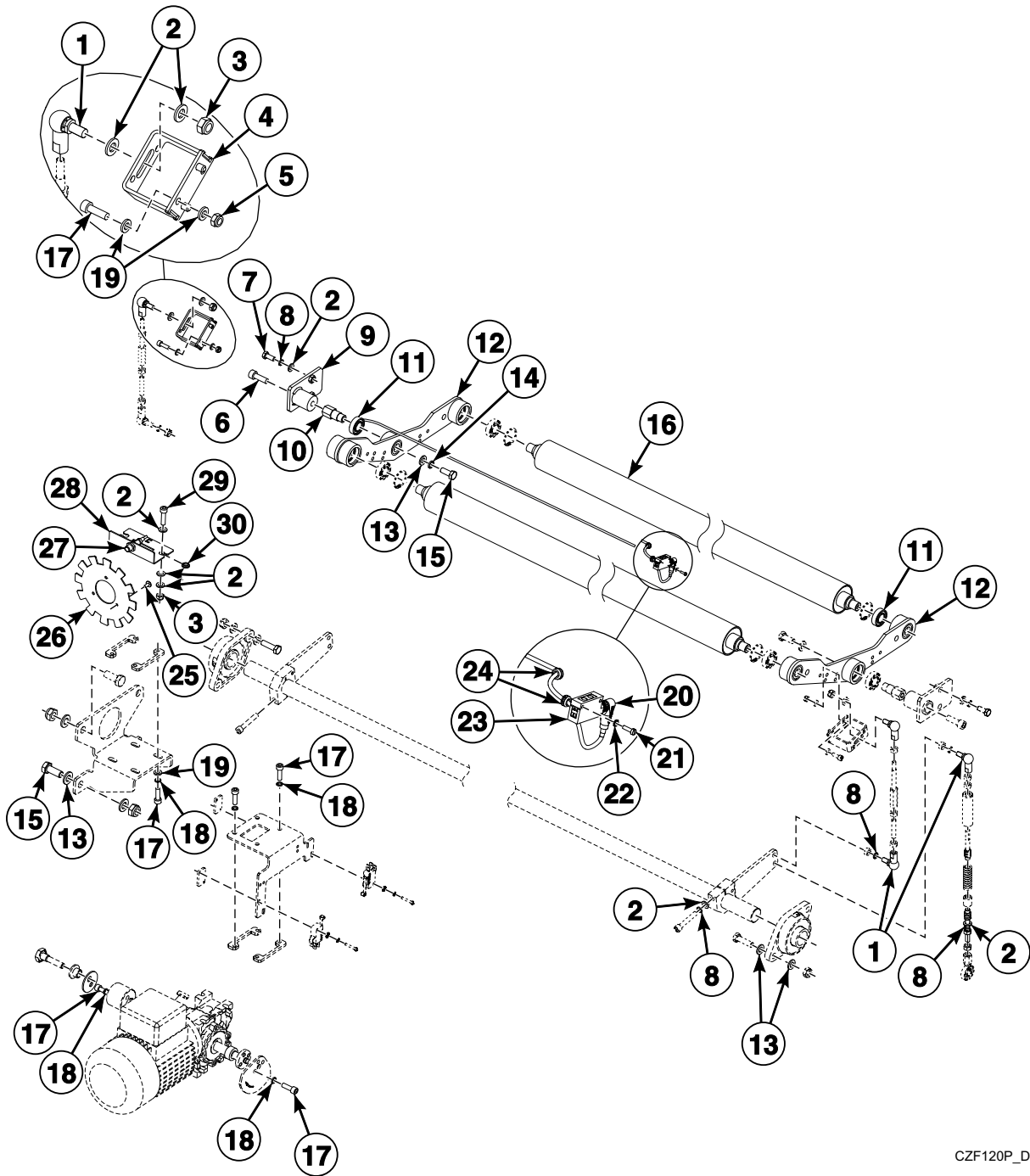
CFD3101P_D1650

Folding System (Optional) (Drawing 2 of 2) Models Through Serial No. 832I000033FD

REF	PART NO.	DESCRIPTION	COMMENTS
1	SP310985000010	Nut	M10
2	SP325000000031	Bearing	
3	SP517155	Threaded Plate	
4	SP554699	Gearbox Holder	
5	SP511020	Nut	
6	SP554709	Beam Bar	
7	SP511015	Microswitch Holder	
8	SP311125000003	Washer	3.2/7/0.5M8
9	SP311127000003	Washer	3
10	SP525196	Hole Securing Ring	35
11	SP511070	Swing Arm	
12	SP310934000008	Nut	M8
13	SP517150	Draw Bar	44/M8
14	SP517149	Threaded Clutch	
15	SP517151	Draw Bar	100/M8/M8LH
16	SP511016	Safety Tube	
17	SP511010	Spring Pin	
18	SP511008	Pull-Push Spring	
19	SP511064	Sleeve	
20	SP511061	Angle Joint	
21	SP309933001035	Bolt	M10x35
22	SP516683	Bolt	M8x50
23	SP309084000320	Bolt	M3x20
24	SPPRI610034077	Microswitch	
25	SP511012	Cam	
26	SP511011	Drive Shaft	
27	SP510945	Gear Motor	
28	SP511013	Eccentric Trunnion	
29	SP511017	Washer	
30	SP511067	Washer	
31	SP511066	Screw	
32	SP510966	Feather	5e7x5x20

Folding System (Optional) (Drawing 1 of 2)

Models Starting Serial No. 832I000034FH

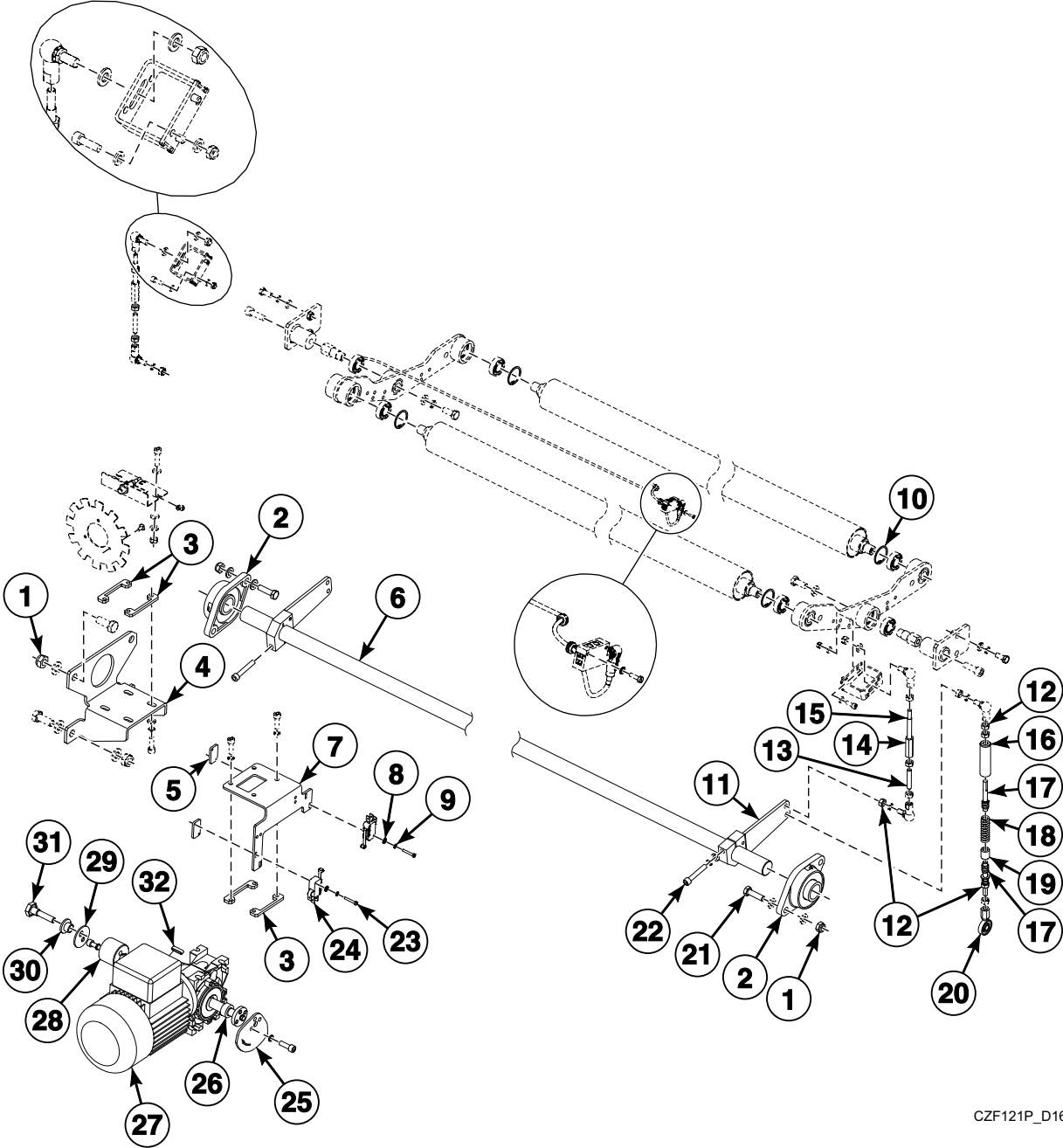


CZF120P_D1650

Folding System (Optional) (Drawing 1 of 2) Models Starting Serial No. 832I000034FH

REF	PART NO.	DESCRIPTION	COMMENTS
1	SP510912	Angle Joint	
2	SP311125000008	Washer	8.4/16/1.6
3	SP310985000008	Nut	M8
4	SP517099	Balance Beam Console	
5	SP310985000006	Nut	M6
6	SP309912001030	Bolt	M10x30
7	SP309933000820	Bolt	M8x20
8	SP311127000008	Washer	8
9	SP554772	Balancer Pin	
10	SP503301	Beam Pin	
11	SP326000600300	Bearing	
12	SP517100	Balance Beam Arm	
13	SP311125000010	Washer	10.5/20/2
14	SP311127000010	Washer	10
15	SP309933001025	Bolt	M10x25
16	SP529860	Roller	
17	SP309912000620	Bolt	M6x20
18	SP311127000006	Washer	6
19	SP311125000006	Washer	6.4/12/1.6
20	SP554733	Connector	
21	SP309084000310	Bolt	M3x10 DIN84
22	SP311679800003	Washer	M3
23	SP554716	Diffuse Sensor	
24	SP273121005052	Cable Passage	
25	SP503572	Bolt	M5x12
26	SP554701	Disc	
27	SP374415083131	Inductive Sensor	
28	SP554700	Speed Sensor Holder	
29	SP309912000830	Bolt	M8x30
30	SP273121008002	Cable Bushing	

Folding System (Optional) (Drawing 2 of 2) Models Starting Serial No. 832I000034FH

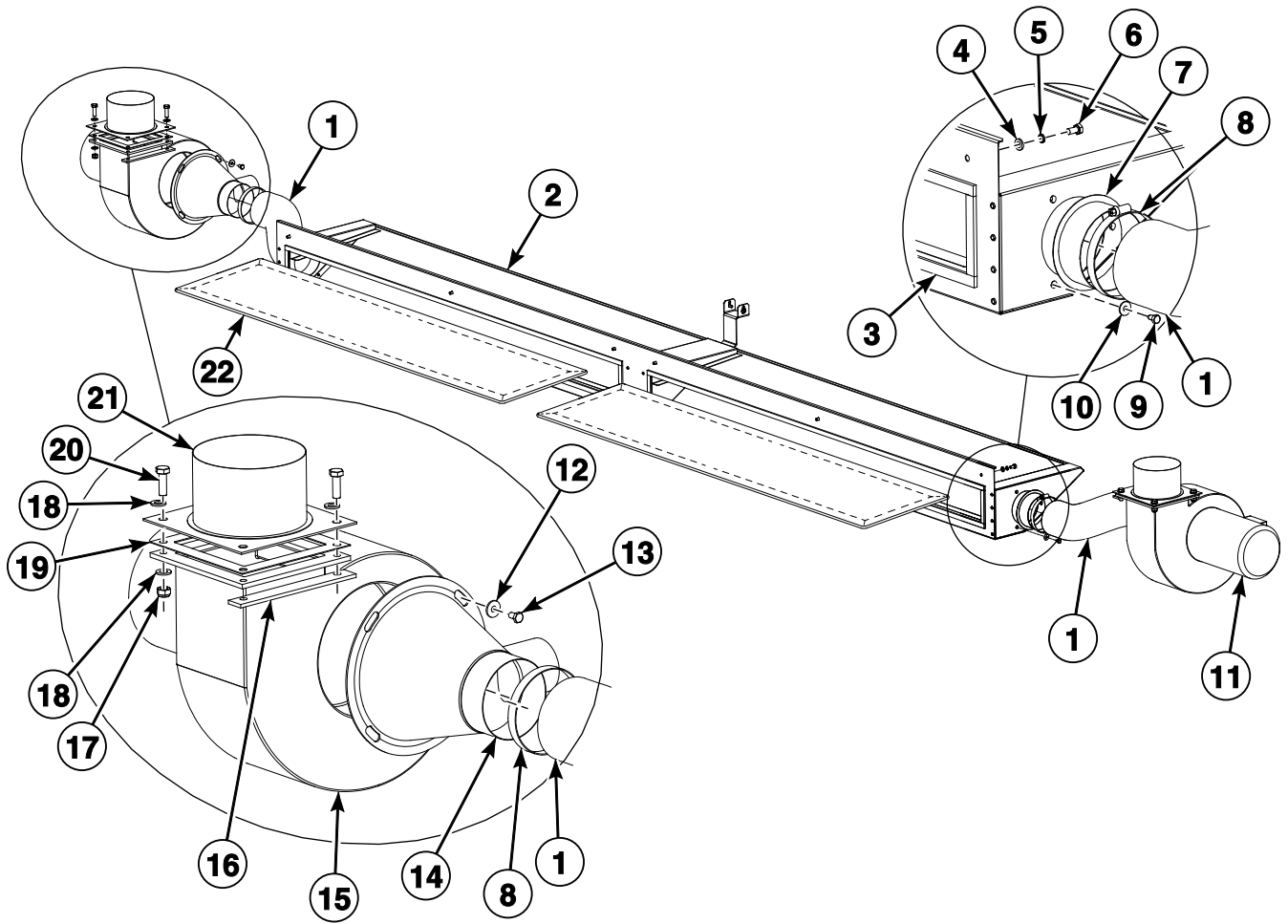


CZF121P_D1650

Folding System (Optional) (Drawing 2 of 2) Models Starting Serial No. 832I000034FH

REF	PART NO.	DESCRIPTION	COMMENTS
1	SP310985000010	Nut	M10
2	SP325000000031	Bearing	
3	SP517155	Threaded Plate	
4	SP554699	Gearbox Holder	
5	SP511020	Nut	
6	SP554709	Beam Bar	
7	SP511015	Microswitch Holder	
8	SP311125000003	Washer	3.2/7/0.5M8
9	SP311127000003	Washer	3
10	SP525196	Hole Securing Ring	35
11	SP511070	Swing Arm	
12	SP310934000008	Nut	M8
13	SP517150	Draw Bar	44/M8
14	SP517149	Threaded Clutch	
15	SP517151	Draw Bar	100/M8/M8LH
16	SP511016	Safety Tube	
17	SP511010	Spring Pin	
18	SP511008	Pull-Push Spring	
19	SP511064	Sleeve	
20	SP511061	Angle Joint	
21	SP309933001035	Bolt	M10x35
22	SP516683	Bolt	M8x50
23	SP309084000320	Bolt	M3x20
24	SPPRI610034077	Microswitch	
25	SP511012	Cam	
26	SP511011	Drive Shaft	
27	SP510945	Gear Motor	
28	SP511013	Eccentric Trunnion	
29	SP511017	Washer	
30	SP511067	Washer	
31	SP511066	Screw	
32	SP510966	Feather	5e7x5x20

Suction System



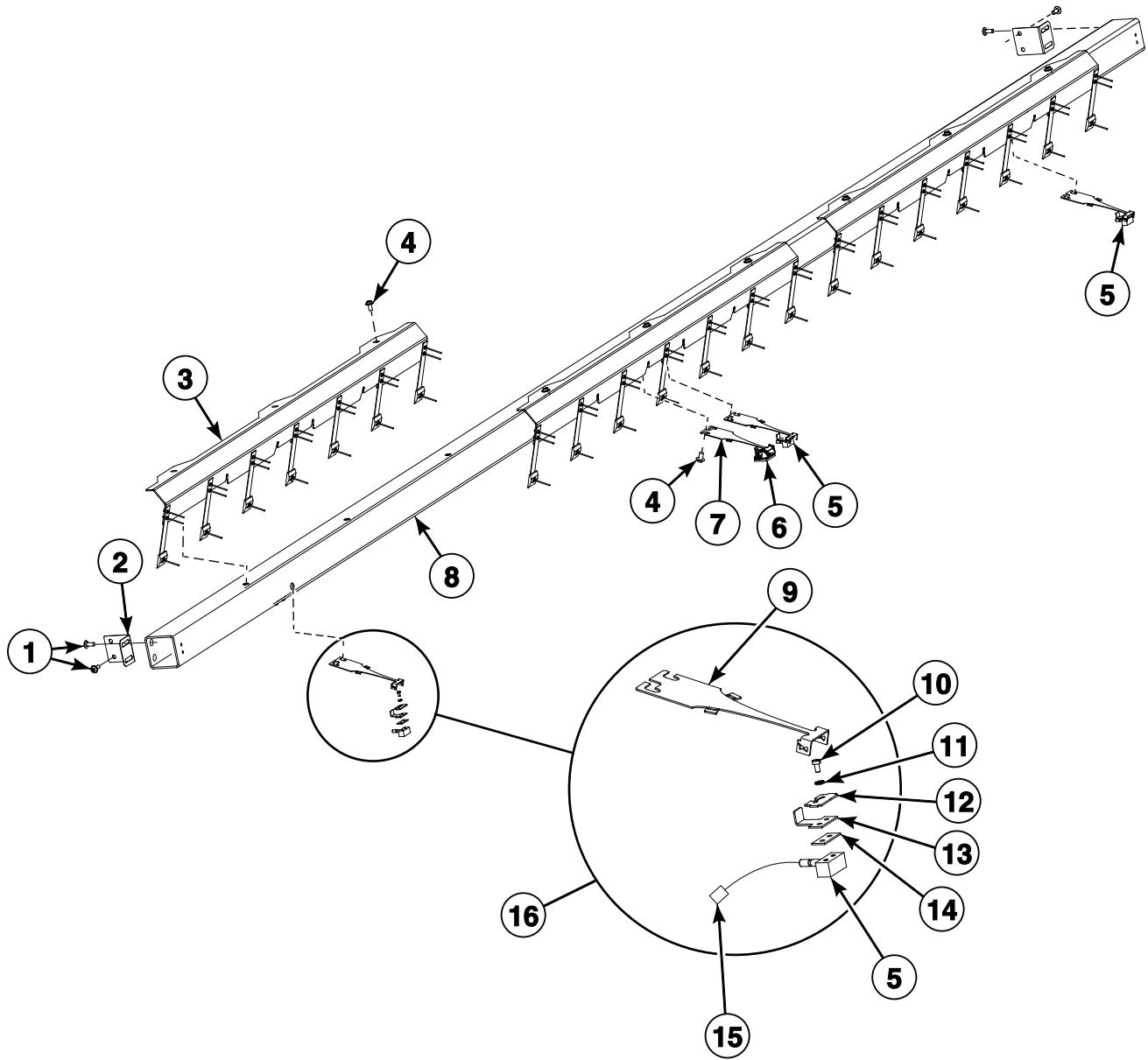
CFD2873P_D1650

Suction System

REF	PART NO.	DESCRIPTION	COMMENTS
1	SP541369	Hose	
2	SP541376	Filter	
3	SP510986	Seal	12x4
4	SP311125000006	Washer	6.4
5	SP311127000006	Washer	6
6	SP309933000612	Bolt	M6x12
7	SP541368	Suction Flange	
8	SPPRI240000005	Hose Clamp	90-110
9	SP100218	Screw	4x13
10	SP505430	Washer	5
11	SP548525	Fan	Right
12	SP311902100006	Washer	6
13	SP309933000610	Bolt	M6x10
14	SP548764	Fan Flange	
15	SP548524	Fan	Left
16	SP541398	Fan Holder	
17	SP310985000008	Nut	M8
18	SP311125000008	Washer	8.4
19	SP553999	Fan Seal	
20	SP309933000825	Bolt	M8x25
21	SP548798	Exhaust Flange	
22	SP541385	Filter	

Scraper (Drawing 1 of 2)

Models Through July 31, 2019



CFD2874P_D1650

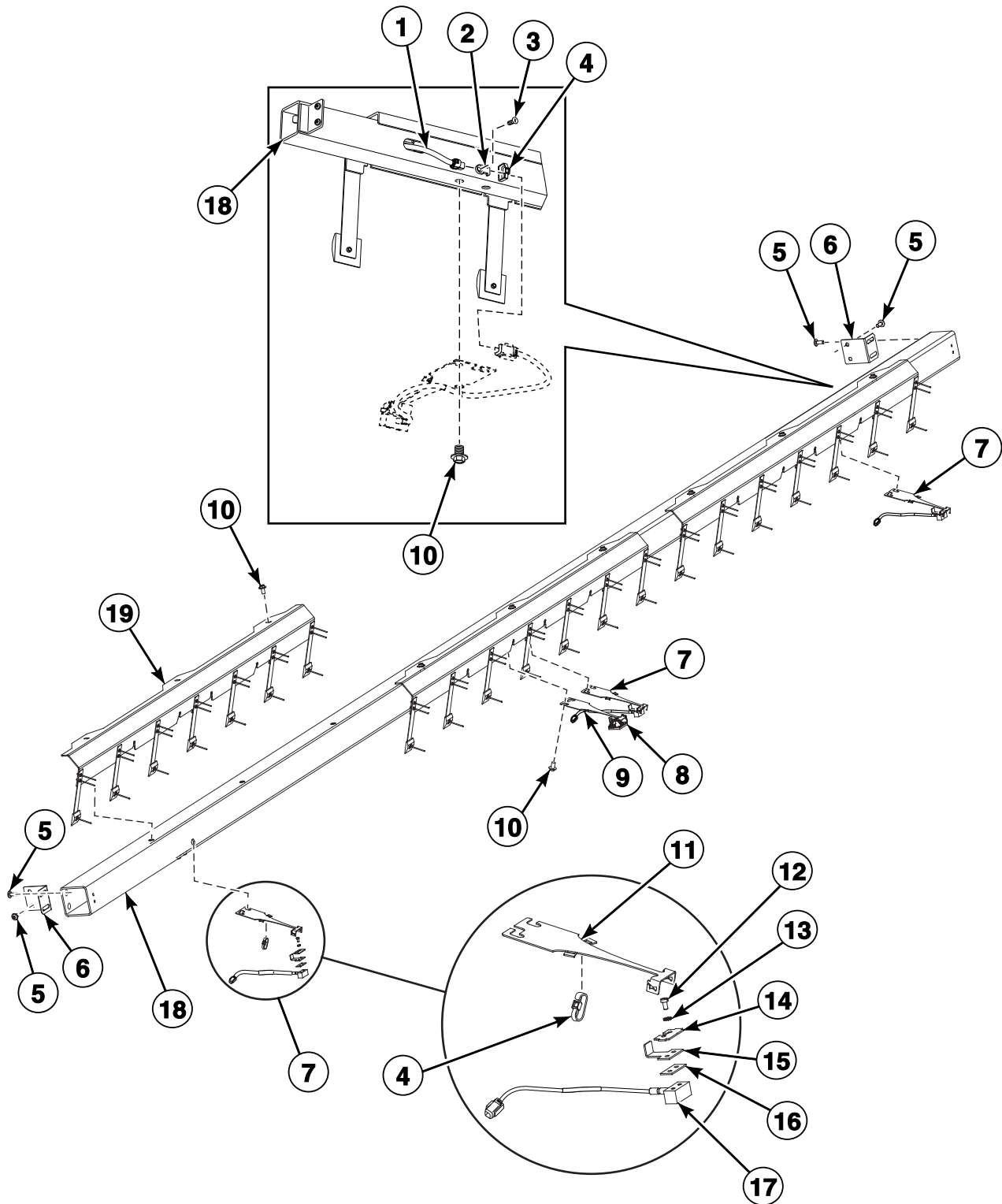
Scraper (Drawing 1 of 2)

REF	PART NO.	DESCRIPTION	COMMENTS
	571210	Temperature Sensor Replacement Kit	Right sensor kit; Refer to 7-18-238 Instructions
	571211	Temperature Sensor Replacement Kit	Left and middle sensor kit; Refer to 7-18-238 Instructions
1	SP537604	Bolt	M6x16
2	SP551717	Scraper Holder	
3	SP548626	Scraper Unit	
4	SP309595124612	Bolt	M6x12
5	N/A	Temperature Sensor	Right; Includes item 15
	N/A	Temperature Sensor	Left and middle; Includes item 15
6	SP553959	Temperature Safety Sensor	Includes item 552293 Safety Thermostat Cable
7	SP540227	Temperature Sensor Finger	
8	SP548623	Scraper Bar	
9	SP545108	Finger	
10	SP559413	Bolt	M3x8
11	SP311679824003	Washer	3
12	SP545107	Pin	
13	SP545123	Range Limiter	
14	SP540230	Isolation Plate	
15	SP516090	Connector	6 poles; Used with right sensor
	SPPRI350021044	Connector	3 poles; Used with left and middle sensor
	SPPRI350002018	Contact	Used with right sensor
	SPPRI350040044	Contact	Used with left and middle sensor
16	SP554643	Temperature Sensor	Right; Includes items 5 and 9-15
	548268	Temperature Sensor	Left and middle; Includes items 5 and 9-15

N/A = Part no longer available

Scraper (Drawing 2 of 2)

Models Starting August 1, 2019

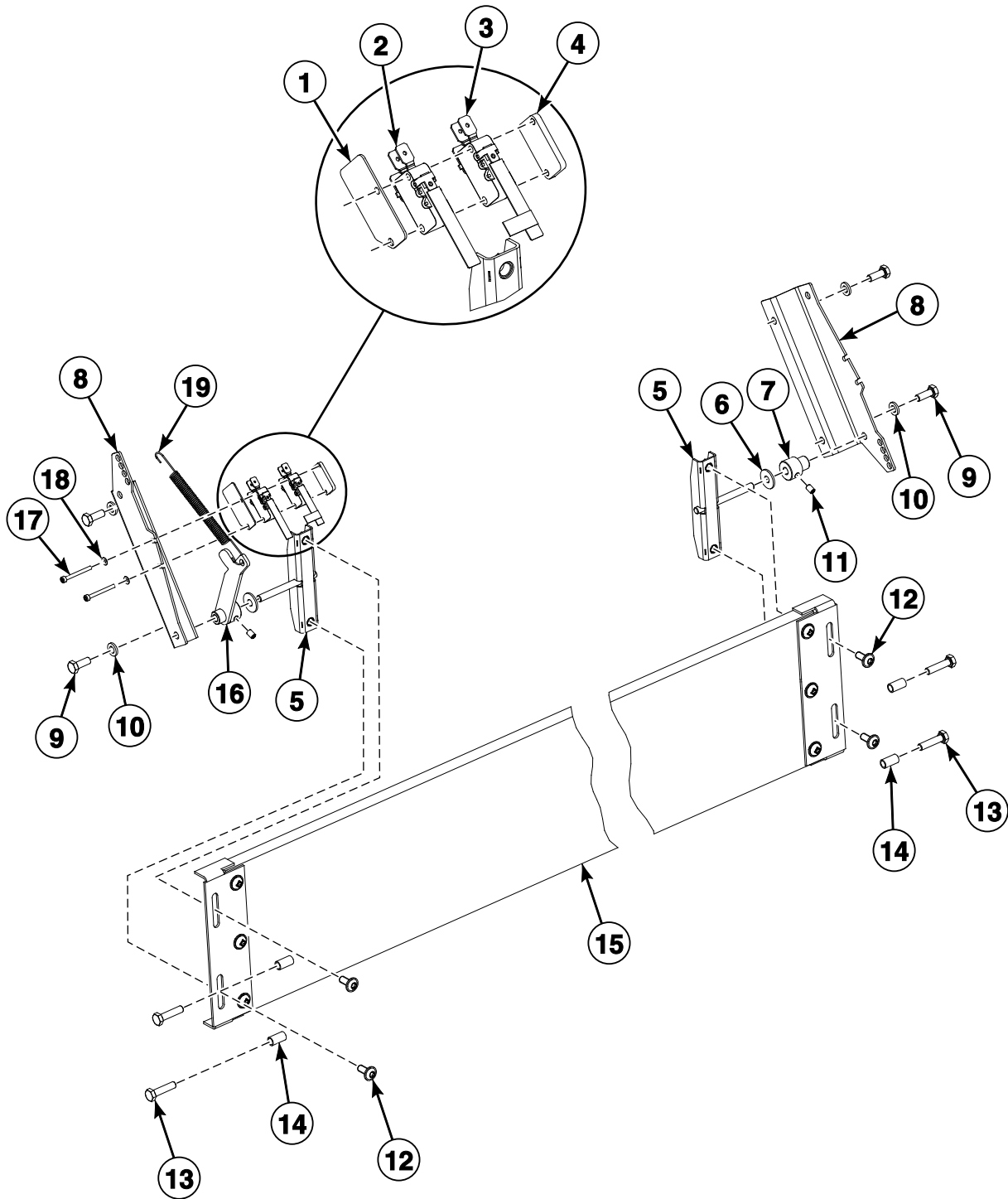


FWF262P_D1650

Scraper (Drawing 2 of 2)

REF	PART NO.	DESCRIPTION	COMMENTS
1	569742	Cable	Left; 3 pins
	569743	Cable	Middle; 3 pins
	569746	Cable	Right; 5 pins
2	570647	Holder	
3	SP309965240408	Bolt	M4x8
4	SP345000626088	Binding Strip	
5	SP537604	Bolt	M6x16
6	SP551717	Scraper Holder	
7	563800	Temperature Sensor	Assembly
8	SP553959	Temperature Safety Sensor	Includes item 552293 Safety Thermostat Cable
9	SP540227	Temperature Sensor Finger	
10	SP309595124612	Bolt	M6x12
11	SP545108	Finger	
12	SP559413	Bolt	M3x8
13	SP311679824003	Washer	3
14	SP545107	Pin	
15	SP545123	Range Limiter	
16	SP540230	Isolation Plate	
17	563788	Temperature Sensor	With Connector
18	SP548623	Scraper Bar	
19	SP548626	Scraper Unit	

Safety Bar

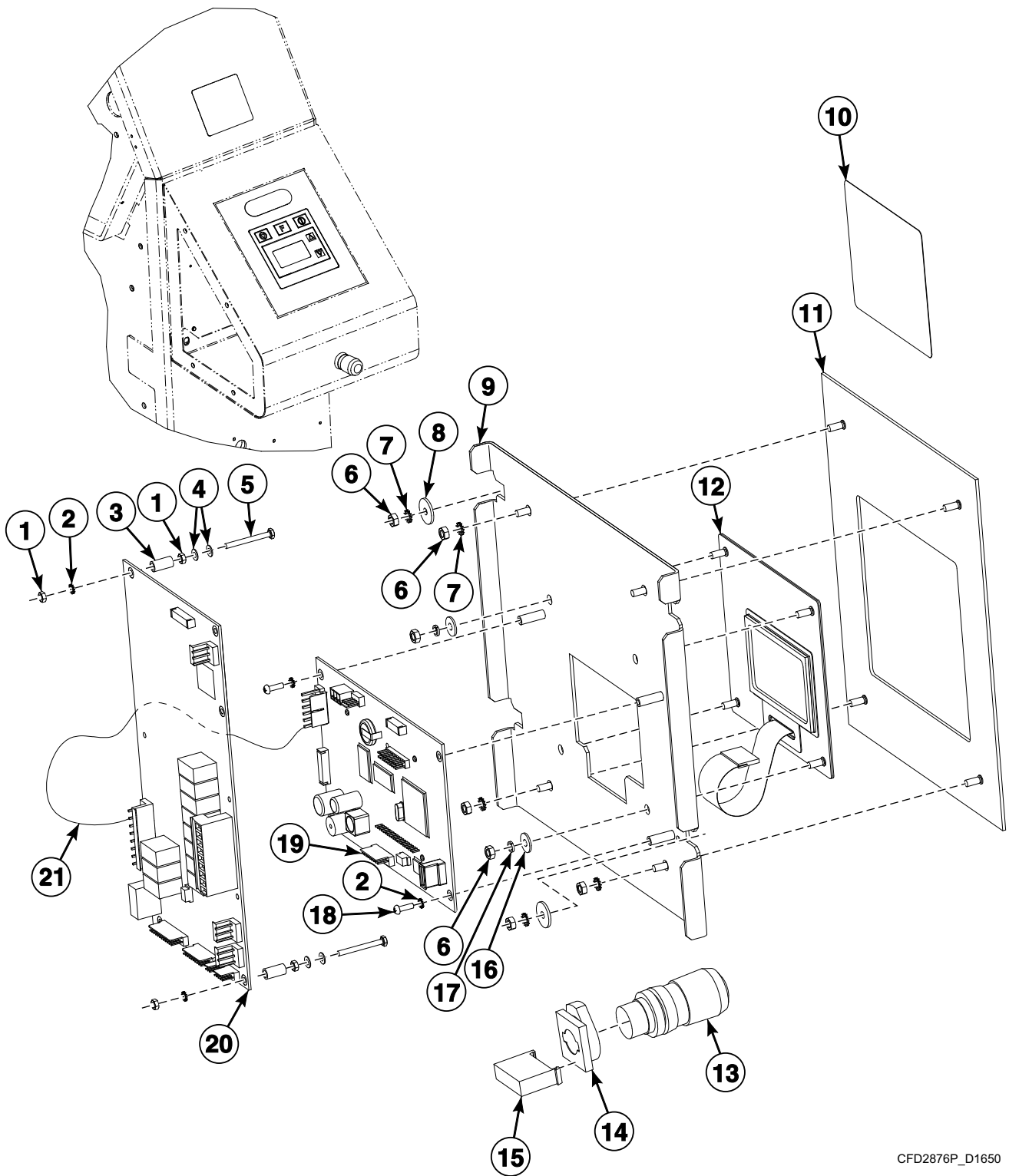


CFD2875P_D1650

Safety Bar

REF	PART NO.	DESCRIPTION	COMMENTS
1	SP101154	Isolation Plate	
2	SPPRI610011077	Microswitch	
3	SP517484	Microswitch	
4	SP511020	Nut	
5	SP554040	Safety Bar Hinge	
6	SP545027	Washer	6.4
7	SP537616	Safety Bar Switch Pin	
8	SP554065	Safety Bar Holder	
9	SP309933000616	Bolt	M6x16
10	SP311125000006	Washer	6.4
11	SP525168	Bolt	M5x8
12	SP537854	Bolt	M6x12
13	SP309933000625	Bolt	M6x25
14	SP319300008125	Hose	8x1.25
15	SP554038	Safety Bar	
16	SP554067	Switch Lever	
17	SP506552	Bolt	M3x30
18	SP311125000003	Washer	3
19	SP545026	Spring	

Control Panel

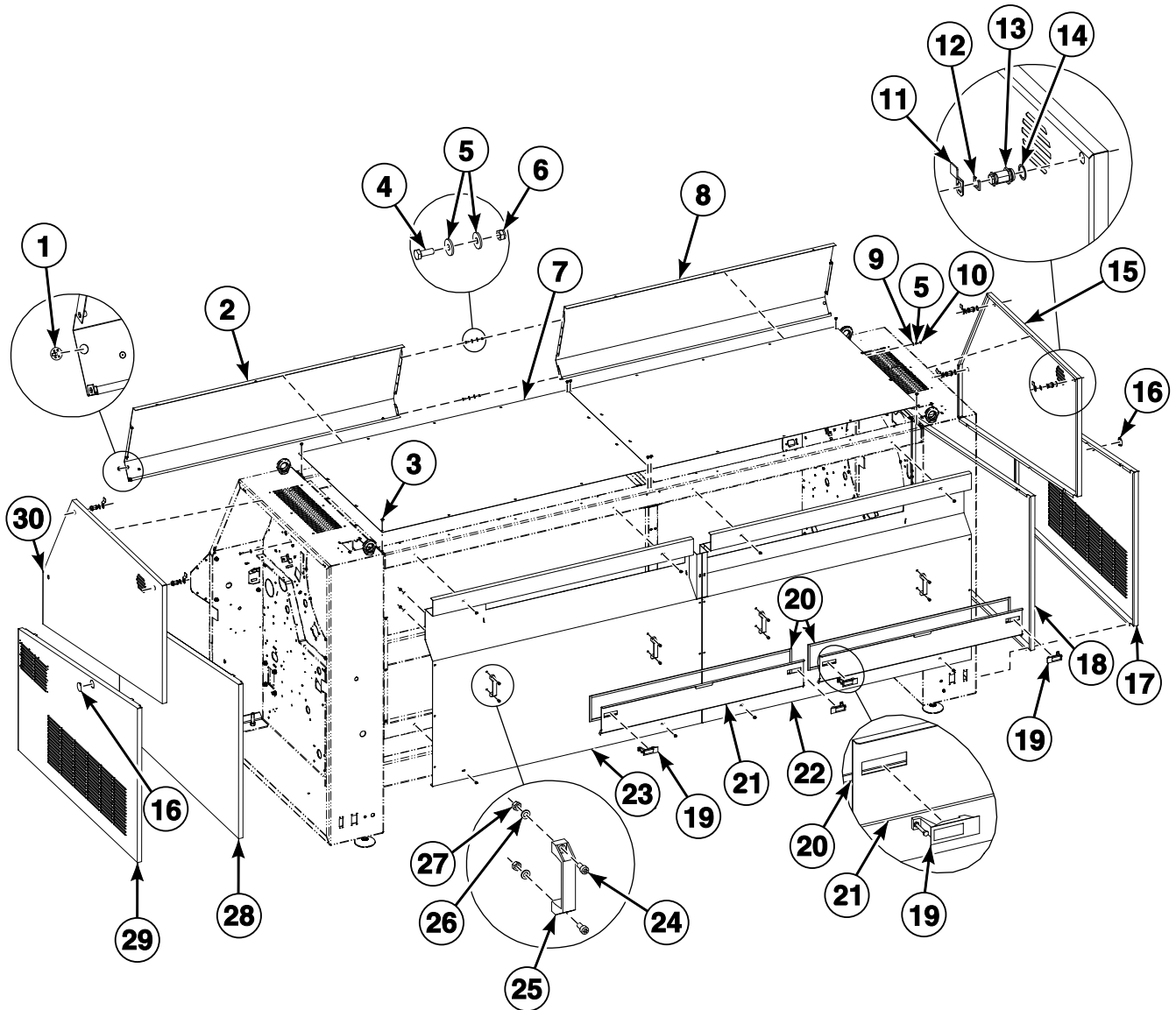


CFD2876P_D1650

Control Panel

REF	PART NO.	DESCRIPTION	COMMENTS
1	SP310934000003	Nut	M3
2	SP311679800003	Washer	M3
3	SP503168	Distance Tube	
4	SP311125000003	Washer	3.2
5	SP516693	Bolt	M3x30
6	SP310934000004	Nut	M4
7	SP311679800004	Washer	M4
8	SP503686	Washer	4.2/16
9	SP559431	Keyboard Holder	
10	567887	Logo Label	FCP and I models
	SP534362	Nameplate	Logo; FCP and I models; Laundryserv
	SP534360	Nameplate	Logo; FCP and I models; Fors
	SP532173	Nameplate	Logo; FCP and I models
	SP534355	Nameplate	Logo; FCP and I models; Esterio
	SP538590	Nameplate	Logo; FCP and I models; IFB
	SP534353	Nameplate	Logo; FCP and I models; Maxiwash
	SP534364	Nameplate	Logo; FCP and I models; Technitramo
	SP534356	Nameplate	Logo; FCP and I models; WR
	567293	Nameplate	Logo; FCI models
	SP532265	Nameplate	Logo; FCL and LSR models
	F8443105	Nameplate	Logo; FCU models
	39564	Nameplate	Logo; FCS models
11	SP559433	Control Panel	I and LSR models
	SP559434	Control Panel	FCI, FCS, FCU and LSR Non-Brand models
12	SP554720	Keyboard	I and LSR models
	SP558653	Keyboard	FCI, FCS, FCU and LSR Non-Brand models
13	SP528310	Emergency Stop Knob	30 mm
14	SP528311	Emergency Stop Connector	
15	SP528312	Switching Unit	
16	SP311902100004	Washer	4
17	SP311127000004	Washer	4
18	SP518719	Bolt	M3x10
19	SP547064	Electric Programmer Board Processor	
20	SP547065	Electric Programmer Board Power	
21	SP547066	Board Interconnection Cable	

Cabinet - Models Through Serial No. 832I000031DW

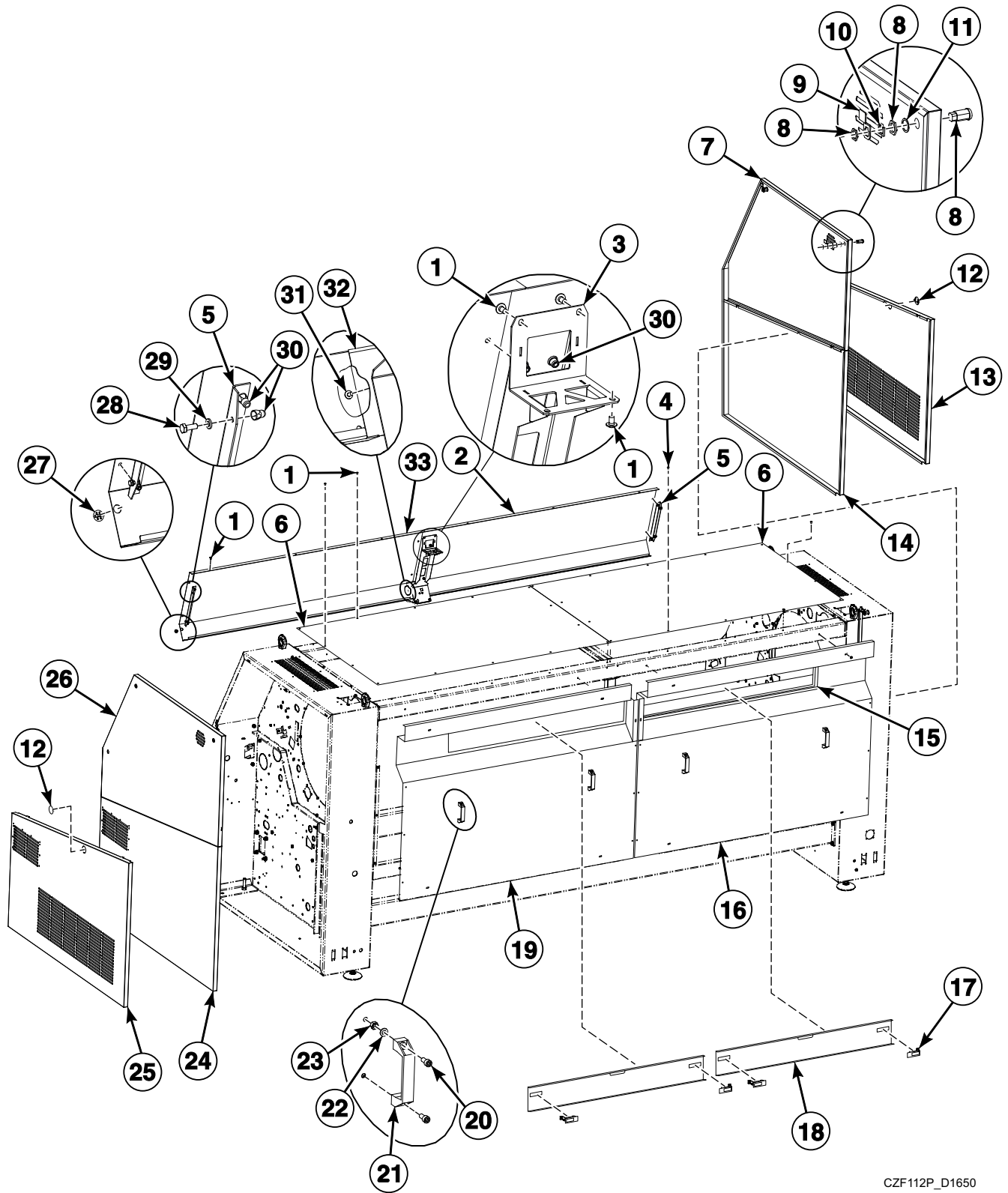


CFD2877P_D1650

Cabinet - Models Through Serial No. 832I000031DW

REF	PART NO.	DESCRIPTION	COMMENTS
1	SP345900215120	Plug	
2	SP554085	Upper Front Cover	Right
3	SP506012	Bolt	30
4	SP309933000616	Bolt	M6x16
5	SP311902100006	Washer	6
6	SP310985000006	Nut	M6
7	SP548706	Top Cover	
8	SP554086	Upper Front Cover	Left
9	SP311127000006	Washer	6.4
10	SP309933000620	Bolt	M6x20
11	SP551715	Latch	
12	SP529082	Shim	
13	SPPRI610000007	Lock	
14	SPPRI522000012	Washer	
15	SP548710	Upper Side Cover	Left
16	SP534913	Plug	
17	SP554013	Lower Side Cover	Left; Gas heat
18	SP548707	Lower Side Cover	Left; Electric and steam heat
19	SP521221	Lock	
20	SP510986	Seal	12x4
21	SP541377	Filter Cover	
22	SP541379	Back Cover	Left
23	SP541380	Back Cover	Right
24	SP309912000815	Bolt	M8x16
25	SP548532	Handle	
26	SP311125000008	Washer	8.4
27	SP310934000008	Nut	M8
28	SP548708	Lower Side Cover	Right; Electric and steam heat
29	SP554014	Lower Side Cover	Right; Gas heat
30	SP548709	Upper Side Cover	Right

Cabinet - Models Starting Serial No. 832I000032DW



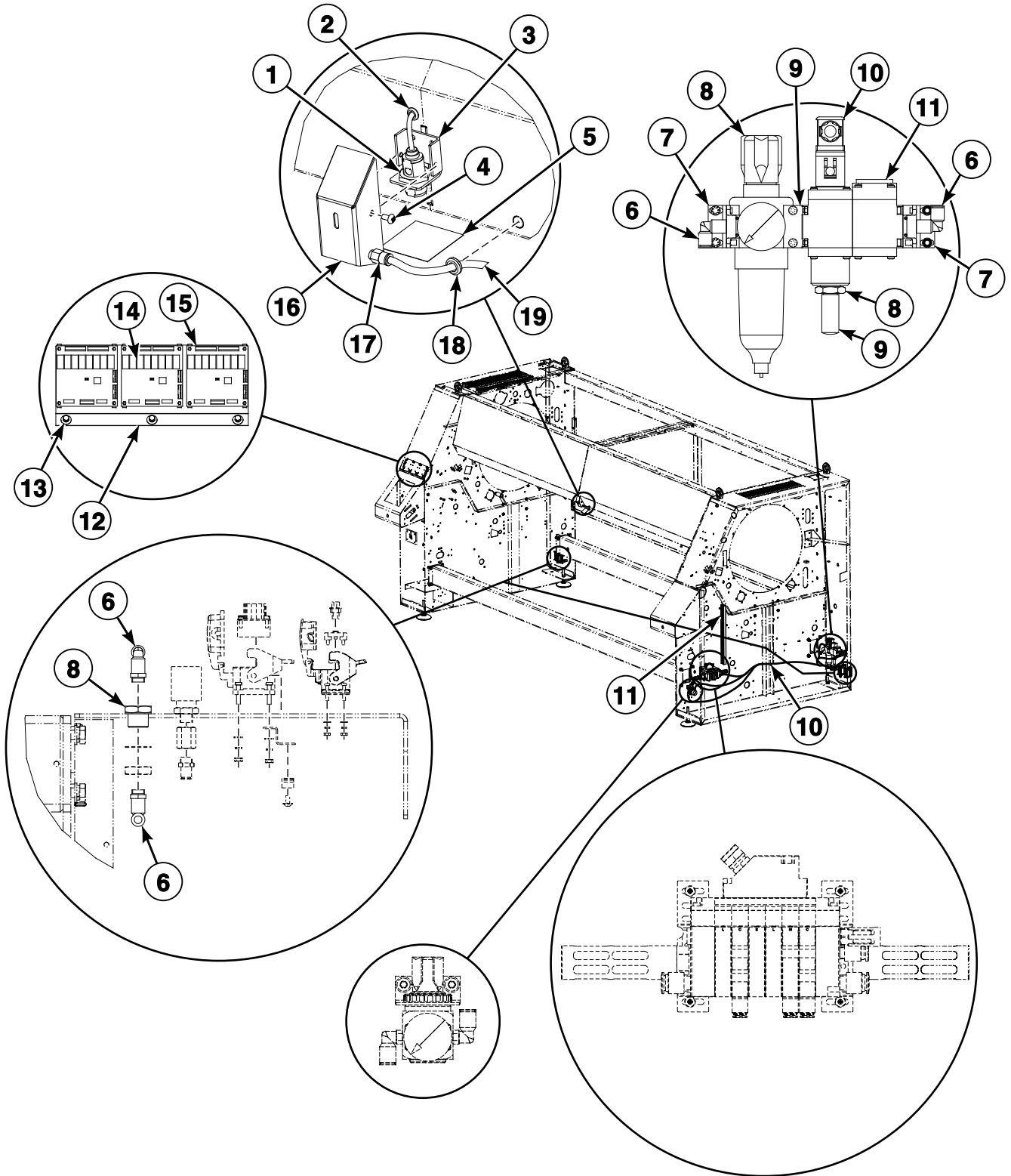
CZF112P_D1650

Cabinet - Models Starting Serial No. 832I000032DW

REF	PART NO.	DESCRIPTION	COMMENTS
1	SP506012	Bolt	TX30; M6x10
2	SP554086	Upper Front Cover	Left
3	SP562131	Front Cover Holder	
4	SP555658	Bolt	TX30; M6x16
5	SP562134	Front Cover Side Holder	
6	SP548706	Top Cover	
7	SP548710	Upper Side Cover	Left
8	SPPRI610000007	Lock	
9	SP551715	Latch	
10	SP529082	Shim	
11	SPPRI522000012	Washer	
12	SP534913	Plug	
13	SP554013	Lower Side Cover	Left; Gas heat
14	SP548707	Lower Side Cover	Left; Electric heat
15	SP510986	Seal	12x4
16	SP541379	Back Cover	Left
17	SP521221	Lock	
18	SP541377	Filter Cover	
19	SP541380	Back Cover	Right
20	SP309912000815	Bolt	M8x16
21	SP548532	Handle	
22	SP311125000008	Washer	8.4
23	SP310934000008	Nut	M8
24	SP548708	Lower Side Cover	Right; Electric heat
25	SP554014	Lower Side Cover	Right; Gas heat
26	SP548709	Upper Side Cover	Right
27	SP345900215120	Plug	
28	SP309933000618	Bolt	M6x18
29	SP311127000006	Washer	6.4
30	SP313251000006	Nut	M6
31	SP506013	Bolt	M4x8
32	SP562136	Middle Blind Cover	
33	SP554085	Upper Front Cover	Right

Inserting Unit Pneumatic Components (Optional) (Drawing 1 of 5)

Models Through Serial No. 832I000031DW



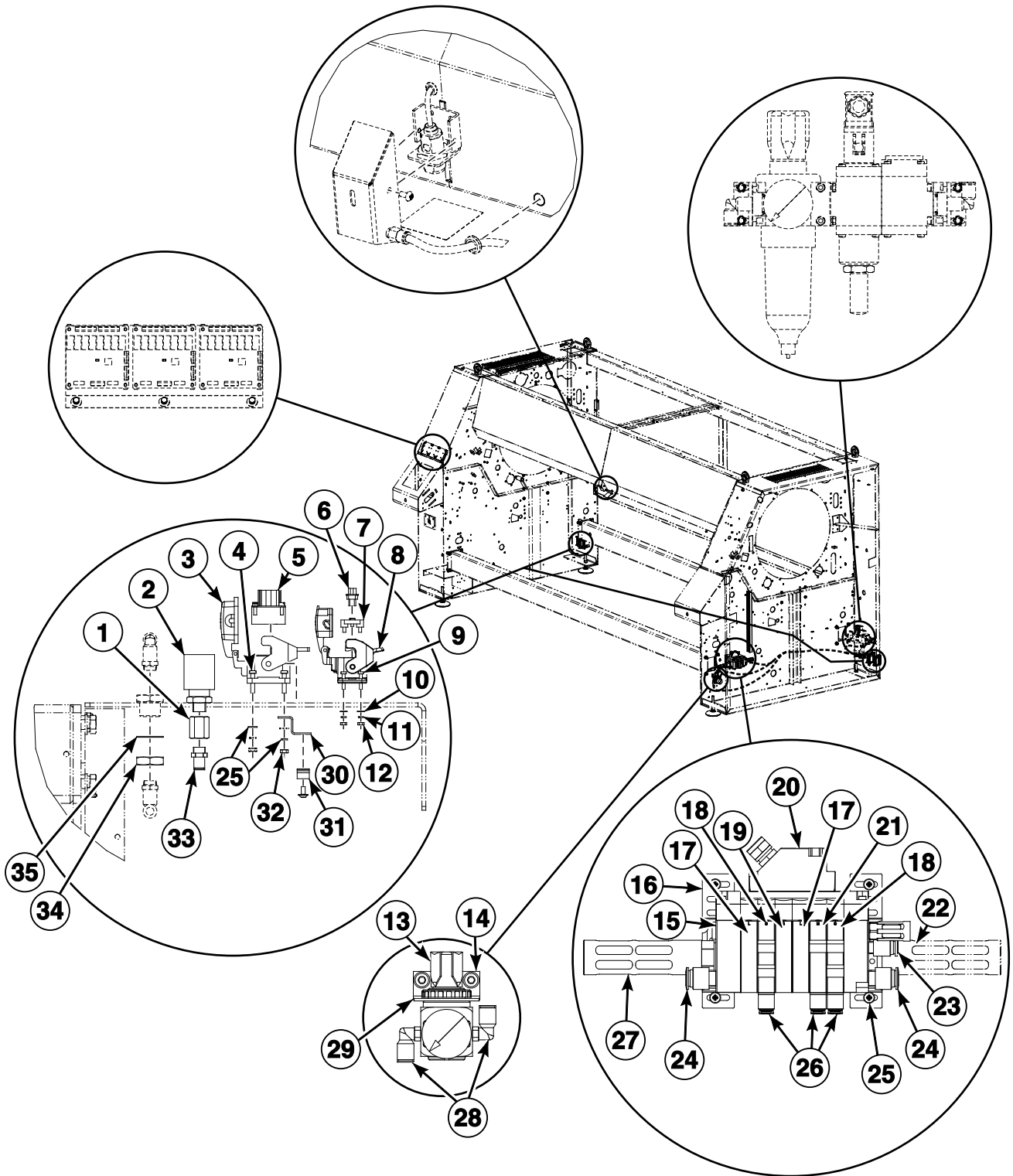
CFD3102P_D1650

Inserting Unit Pneumatic Components (Optional) (Drawing 1 of 5)

REF	PART NO.	DESCRIPTION	COMMENTS
1	SP347100302210	Photoelectric Sensor	
2	SP273121005052	Cable Passage	5x2
3	SP558348	Sensor Holder	
4	SP309798524408	Bolt	M4x8
5	SP284000020447	Reflex Foil	
6	SP319428330800	Pipe Nipple	L 8-G1/4
7	SP310985000005	Nut	M5
	SP311125000005	Washer	M5
	SP405113111112	Pressure Regulator Grip	
8	SP500982	Fitting Adapter	1/2 inch -1/4 inch
	SP347600100112	Filter Pressure Regulator	G1/4
9	SP326346000407	Sound Damper	G1/4
	SP405113000112	Clamp	
10	SP406427000032	Solenoid Valve	
	SP319300006001	Hose	6x1
	SP319300008125	Hose	8x1.25
	SP405113000006	Coupling	Y 6
	SP405113000008	Coupling	Y 8
11	SP506013	Bolt	M4x8
	SP366610025375	Cable Channel	25x40mm
	SP406427000024	Valve	G1/4
12	SP558207	Expansion Plate Holder	
13	SP521260	Bolt	M5x8
	SP311125000005	Washer	5.3
	SP505430	Washer	5
14	SP558206	External Expansion Module	
	547089	Interconnection Flat Cable	
15	SPPRI326002004	Holder	
16	SP558357	Sensor Cover	
17	SP319428330605	Pipe Fitting	6 - M5
18	SP273121008002	Cable Bushing	8x2
19	SP319300006001	Hose	6x1

Inserting Unit Pneumatic Components (Optional) (Drawing 2 of 5)

Models Through Serial No. 832I000031DW



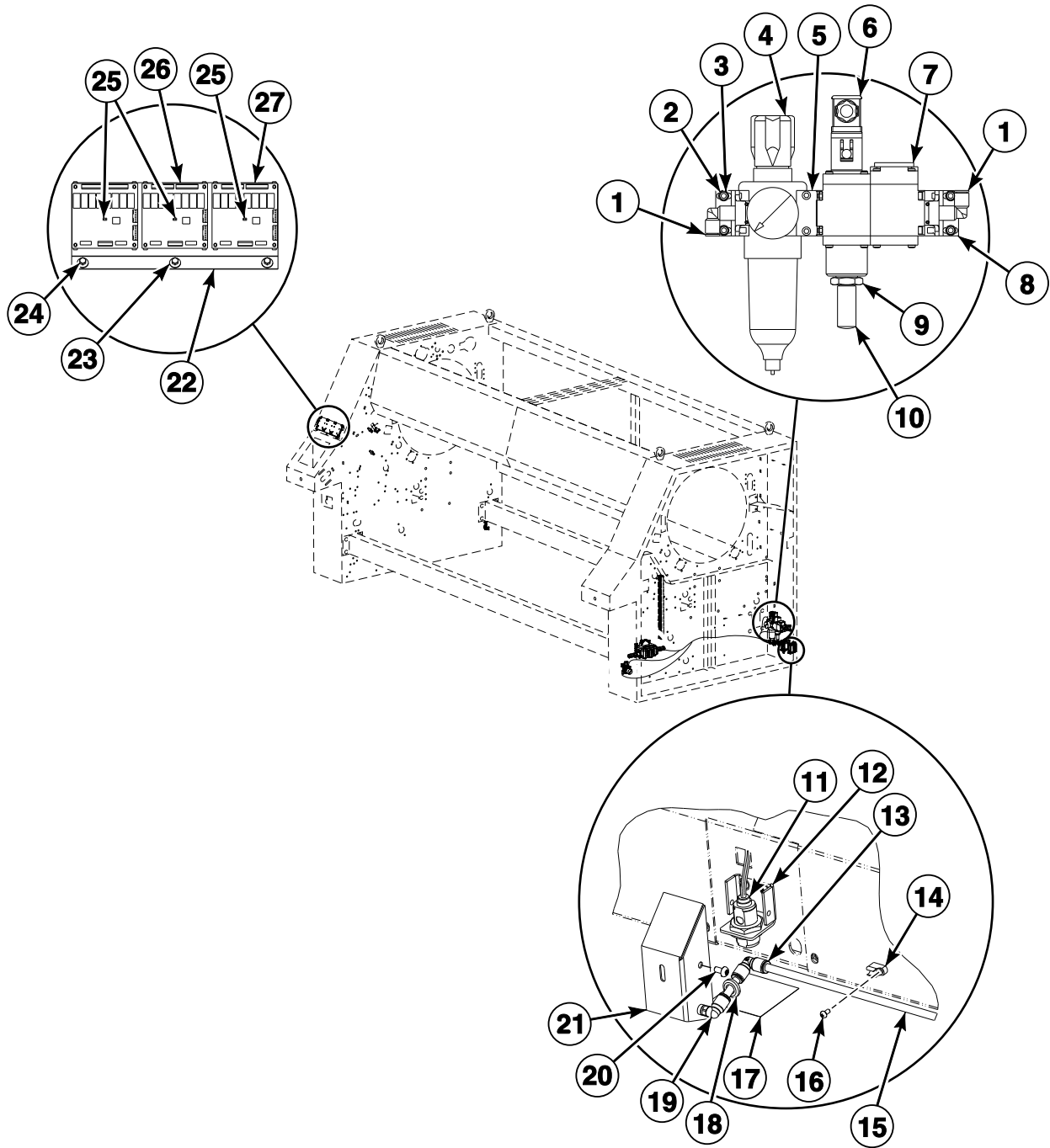
CFD3103P_D1650

Inserting Unit Pneumatic Components (Optional) (Drawing 2 of 5)

REF	PART NO.	DESCRIPTION	COMMENTS
1	SP500984	Screw	1/4 inch
2	SP405113940522	Clutch Socket	
3	SP347100060302	Connector Foot	
4	SP309084000420	Bolt	M4x20
5	SP347100062701	Connector	
6	SP345001645334	Connector	25 pin
7	SP503836	Adapter	
8	SP347100100321	Connector Foot	
9	SP309084000316	Bolt	M3x16
10	SP311125000003	Washer	M3
11	SP311127000003	Washer	3
12	SP310934000003	Nut	M3
13	SP357461000105	Pressure Regulator	G1/8
14	SP506012	Bolt	M6x10
	SP311127000006	Washer	M6
15	SP519878	Cover	
16	SP558372	Valve Terminal	
17	SP558373	Pneumatic Valve	
18	SP516966	Pneumatic Valve	
19	SP558374	Pneumatic Valve	
20	SP558375	Cable	
21	SP516965	Pneumatic Valve	
22	SP519877	Sound Damper	
23	SP519913	Insert Screw	
24	SP519879	Insert Screw	
25	SP515075	Bolt	M4x10
	SP311125000004	Washer	M4
	SP311127000004	Washer	M4
26	SP519881	Insert Screw	
27	SP519876	Sound Damper	
28	SP319428330080	Pipe Nipple	L 8-G1/8
29	SP503635	Regulator Holder	
30	SP559443	Cable Holder	
31	SPPRI407000091	Cable Sleeve	
32	SP310934000004	Nut	M4
33	SP319428330008	Pipe Nipple	8-G1/4
34	SP500983	Nut	1/2 inch
35	SPPRI522000012	Washer	21.3/27x1

Inserting Unit Pneumatic Components (Optional) (Drawing 3 of 5)

Models within the Serial No. range 832I000032DW - 832I000080KW



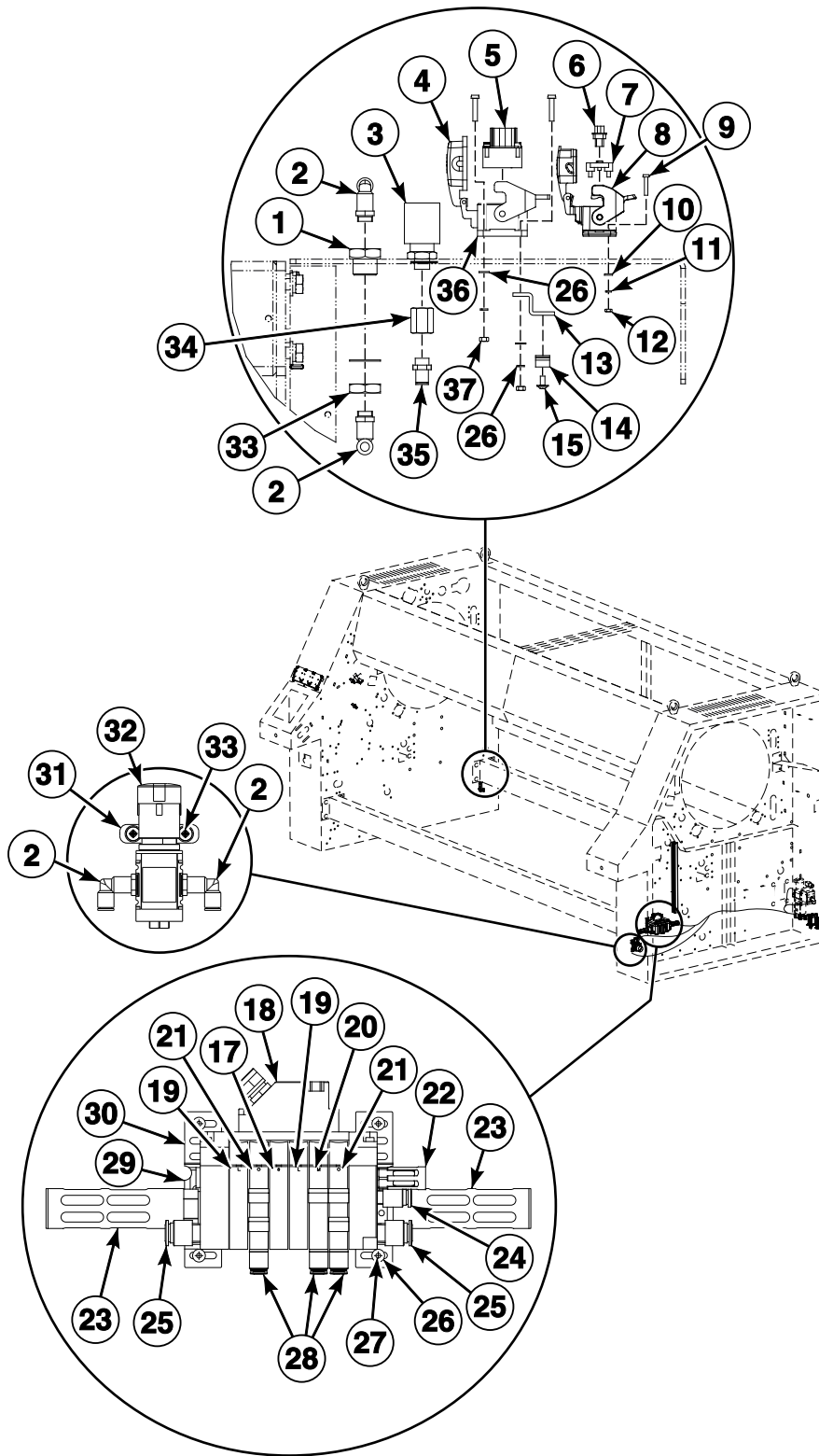
CFD3217P_D1650

Inserting Unit Pneumatic Components (Optional) (Drawing 3 of 5)

REF	PART NO.	DESCRIPTION	COMMENTS
1	SP319428330800	Pipe Nipple	L 8-G1/4
2	SP311125000005	Washer	M5
3	SP310985000005	Nut	M5
4	SP347600100112	Filter Pressure Regulator	G1/4
5	SP405113000112	Clamp	
6	SP406427000032	Solenoid Valve	
7	SP406427000024	Valve	G1/4
8	SP405113111112	Pressure Regulator Grip	
9	SP500982	Fitting Adapter	1/2 inch -1/4 inch
10	SP326346000407	Sound Damper	G1/4
11	SP347100302210	Photoelectric Sensor	
12	SP558348	Sensor Holder	
13	SP562128	Pipe Fitting	L6
14	SP504566	Clamp	6
15	SP319300006001	Hose	6x1
16	SP309798500306	Bolt	M3x6
17	SP284000020447	Reflex Foil	
18	SP273121008002	Cable Bushing	8x2
19	SP319428330605	Pipe Fitting	L6-M5
20	SP309798524408	Bolt	M4x8
21	SP558357	Sensor Cover	
22	SP558207	Expansion Plate Holder	
23	SP311125000005	Washer	5.3
	SP505430	Washer	5
24	SP521260	Bolt	M5x8
25	570613	Jumper	
26	SP558206	External Expansion Module	
	547089	Interconnection Flat Cable	
27	SPPRI326002004	Holder	

Inserting Unit Pneumatic Components (Optional) (Drawing 4 of 5)

Models Starting Serial No. 8321000081MB



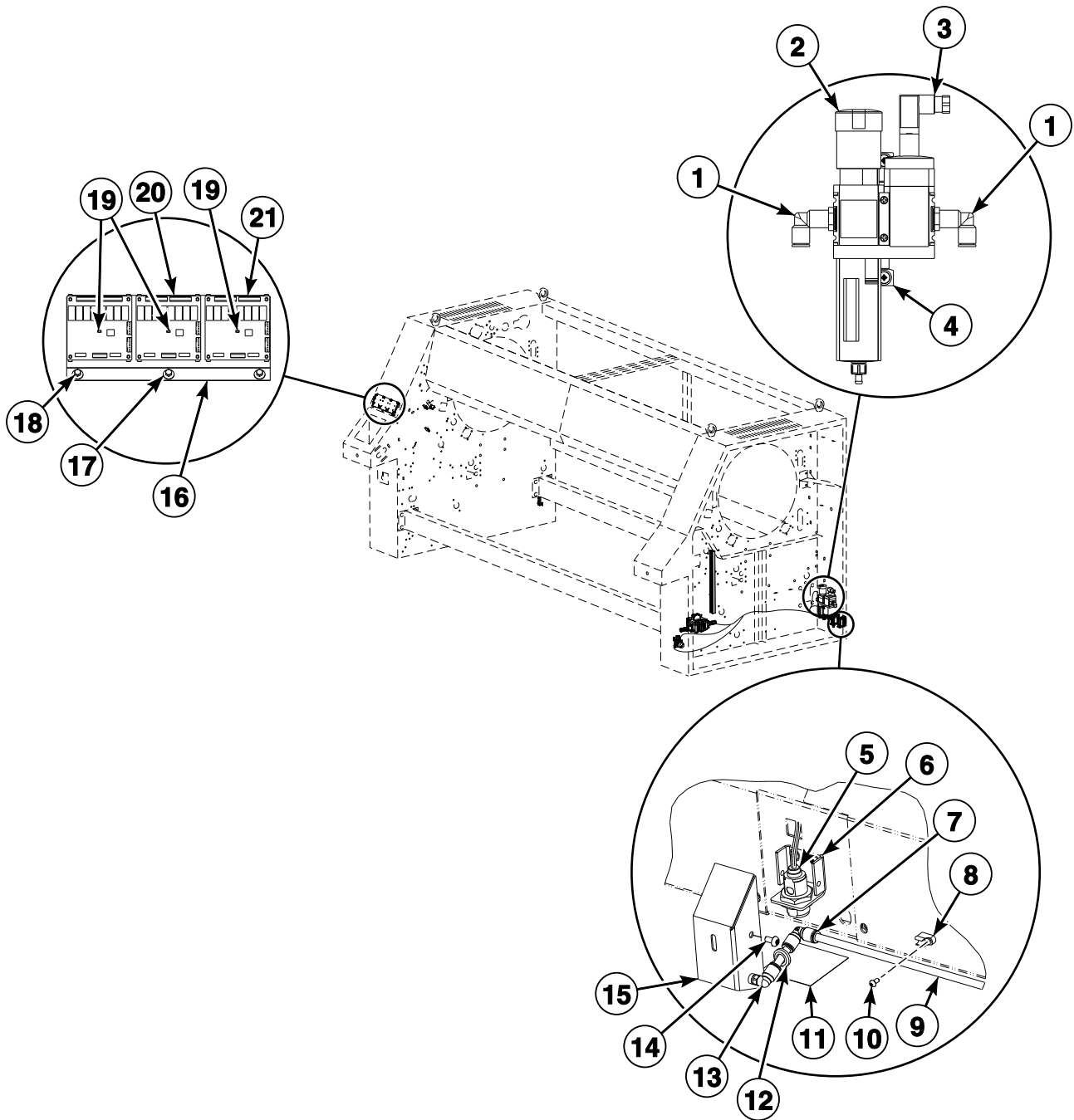
CZF89P_D1650

Inserting Unit Pneumatic Components (Optional) (Drawing 4 of 5)

REF	PART NO.	DESCRIPTION	COMMENTS
1	SP500982	Fitting Adapter	1/2 inch -1/4 inch
2	SP319428330800	Pipe Nipple	L 8-G1/4
3	SP405113940522	Clutch Socket	
4	SP347100060302	Connector Foot	
5	SP347100062701	Connector	
6	SP345001645334	Connector	25 pin
7	SP503836	Adapter	
8	SP347100100321	Connector Foot	
9	SP309084000316	Bolt	M3x16
10	SP311125000003	Washer	M3
11	SP311127000003	Washer	3
12	SP310934000003	Nut	M3
13	SP559443	Cable Holder	
14	SPPRI407000091	Cable Sleeve	
15	SP506013	Bolt	M4x8
16	SP309595240612	Bolt	M6x12
17	SP558374	Pneumatic Valve	
18	SP558375	Cable	
19	SP558373	Pneumatic Valve	
20	SP516965	Pneumatic Valve	
21	SP516966	Pneumatic Valve	
22	SP519877	Sound Damper	
23	SP519876	Sound Damper	
24	SP519913	Insert Screw	
25	SP519879	Insert Screw	
26	SP311125000004	Washer	M4
	SP311127000004	Washer	M4
27	SP515075	Bolt	M4x10
28	SP519881	Insert Screw	
29	SP519878	Cover	
30	SP558372	Valve Terminal	
31	570818	Regulator Holder	
32	570803	Reduction Valve	G1/4
33	SP500983	Nut	1/2 inch
34	SP500984	Screw	1/4 inch
35	SP319428330008	Pipe Nipple	8-G1/4
36	SP309084000420	Bolt	M4x20
37	SP310934000004	Nut	M4

Inserting Unit Pneumatic Components (Optional) (Drawing 5 of 5)

Models Starting Serial No. 8321000xxxXX

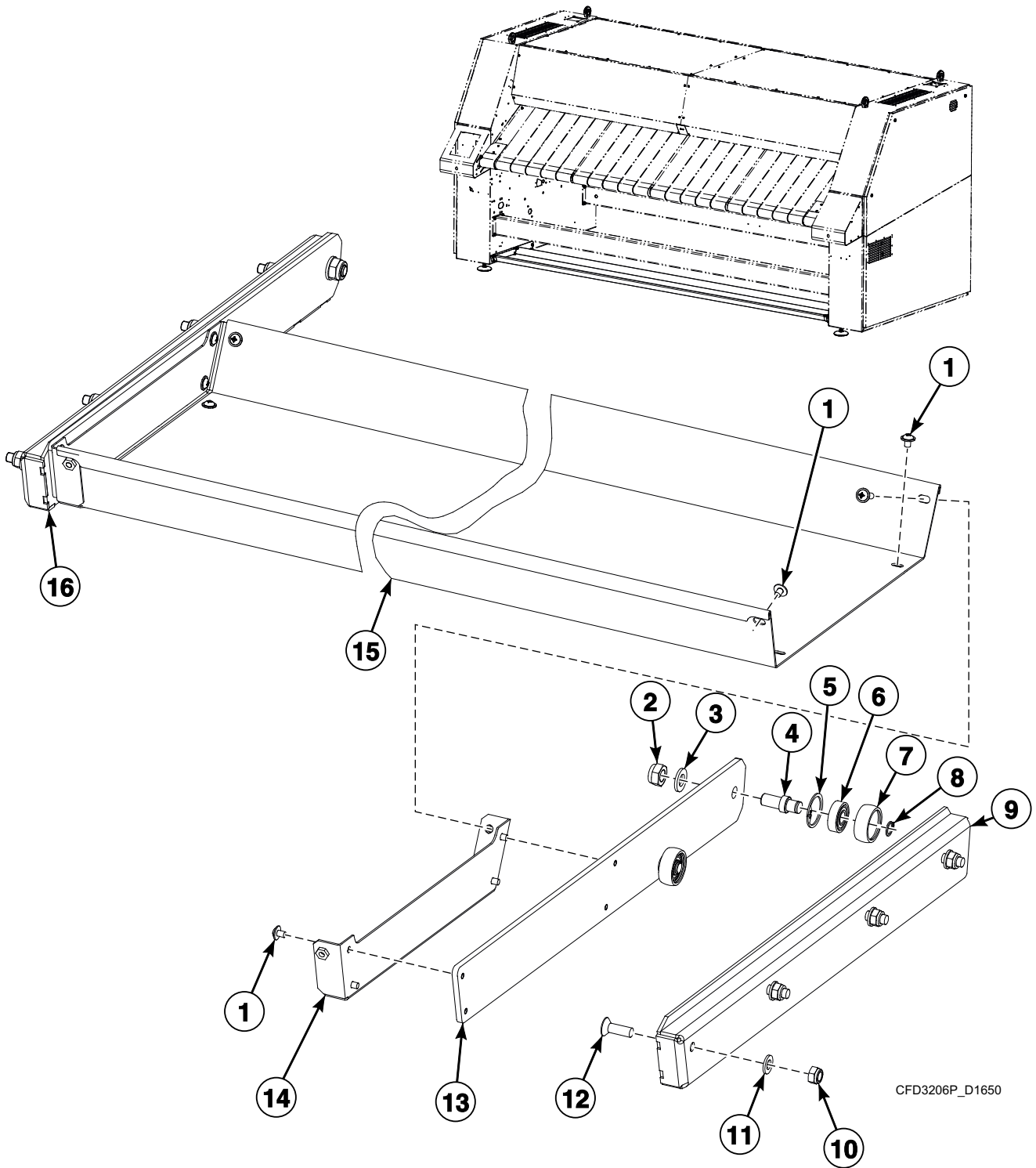


CZF90P_D1650

Inserting Unit Pneumatic Components (Optional) (Drawing 5 of 5)

REF	PART NO.	DESCRIPTION	COMMENTS
1	SP319428330800	Pipe Nipple	L 8-G1/4
2	570816	Air Supply Unit	G1/4
3	SP536505	Valve Connector	
4	SP503572	Bolt	M5x12
5	SP347100302210	Photoelectric Sensor	
6	SP558348	Sensor Holder	
7	SP562128	Pipe Fitting	L6
8	SP504566	Clamp	6
9	SP319300006001	Hose	6x1
10	SP309798500306	Bolt	M3x6
11	SP284000020447	Reflex Foil	
12	SP273121008002	Cable Bushing	8x2
13	SP558377	Pipe Nipple	L6-M5
14	SP309798524408	Bolt	M4x8
15	SP558357	Sensor Cover	
16	SP558207	Expansion Plate Holder	
17	SP311125000005	Washer	5.3
	SP505430	Washer	5
18	SP521260	Bolt	M5x8
19	570613	Jumper	M5x8
20	SP558206	External Expansion Module	
	547089	Interconnection Flat Cable	
21	SPPRI326002004	Holder	

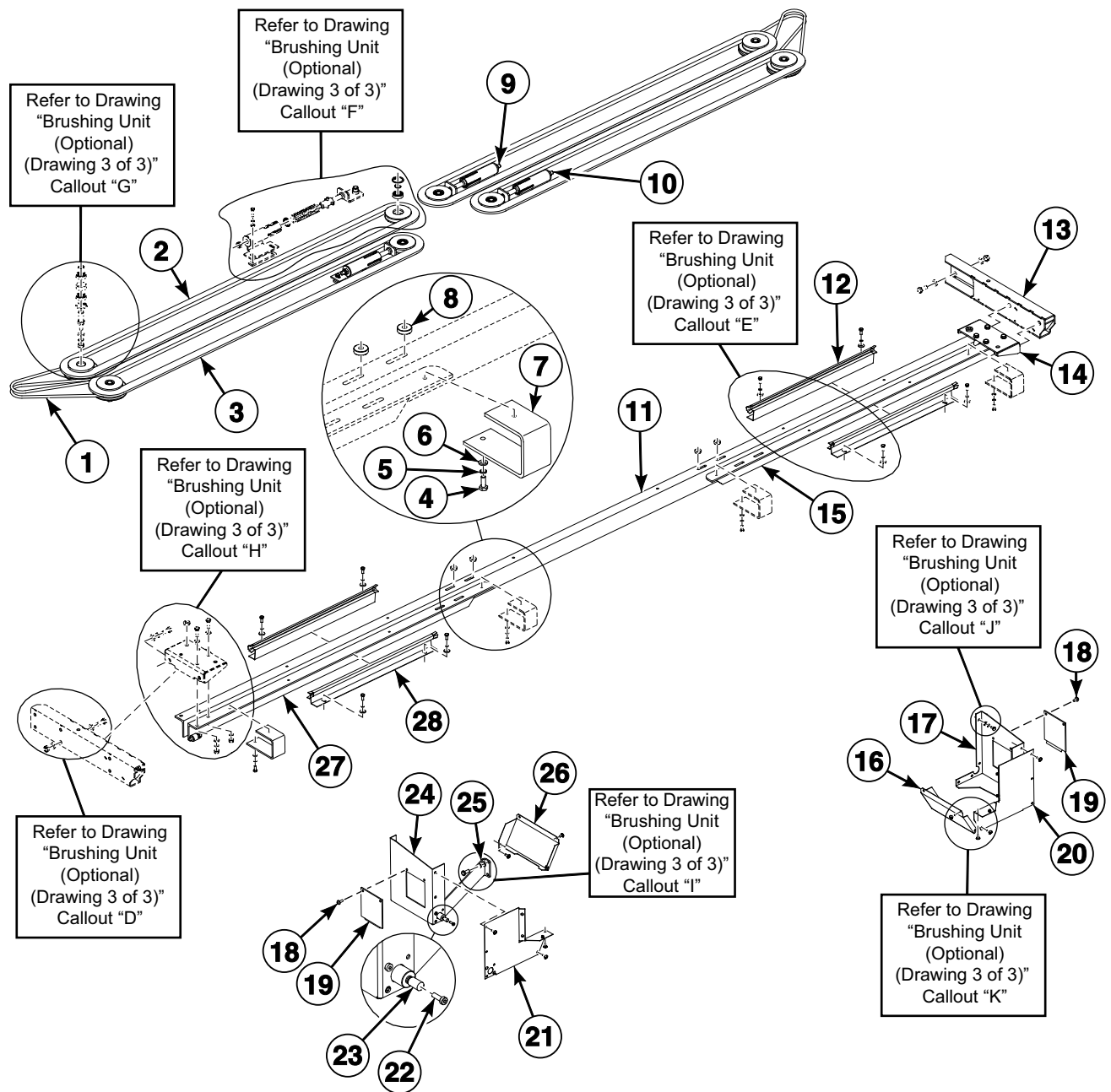
Lower Inserting Trough (Optional)



Lower Inserting Trough (Optional)

REF	PART NO.	DESCRIPTION	COMMENTS
1	SP503572	Bolt	M5x12
2	SP310985000010	Nut	M10
3	SP311125000010	Washer	10.5
4	SP562104	Bearing Pin	
5	SP307732031026	Securing Ring	26
6	SP326000600002	Bearing	
7	SP503730	Carriage Pulley	
8	SP307732030010	Safety Ring	10
9	SP562110	Trough Guide Weldment	Right
10	SP310985000008	Nut	M8
11	SP311125000008	Washer	8.4
12	SP551432	Bolt	M8x25
13	SP562101	Trough Hinge	
14	SP562107	Trough Face	
15	SP558398	Feeder Trough	
16	SP562109	Trough Guide Weldment	Left

Brushing Unit (Optional) (Drawing 1 of 3)

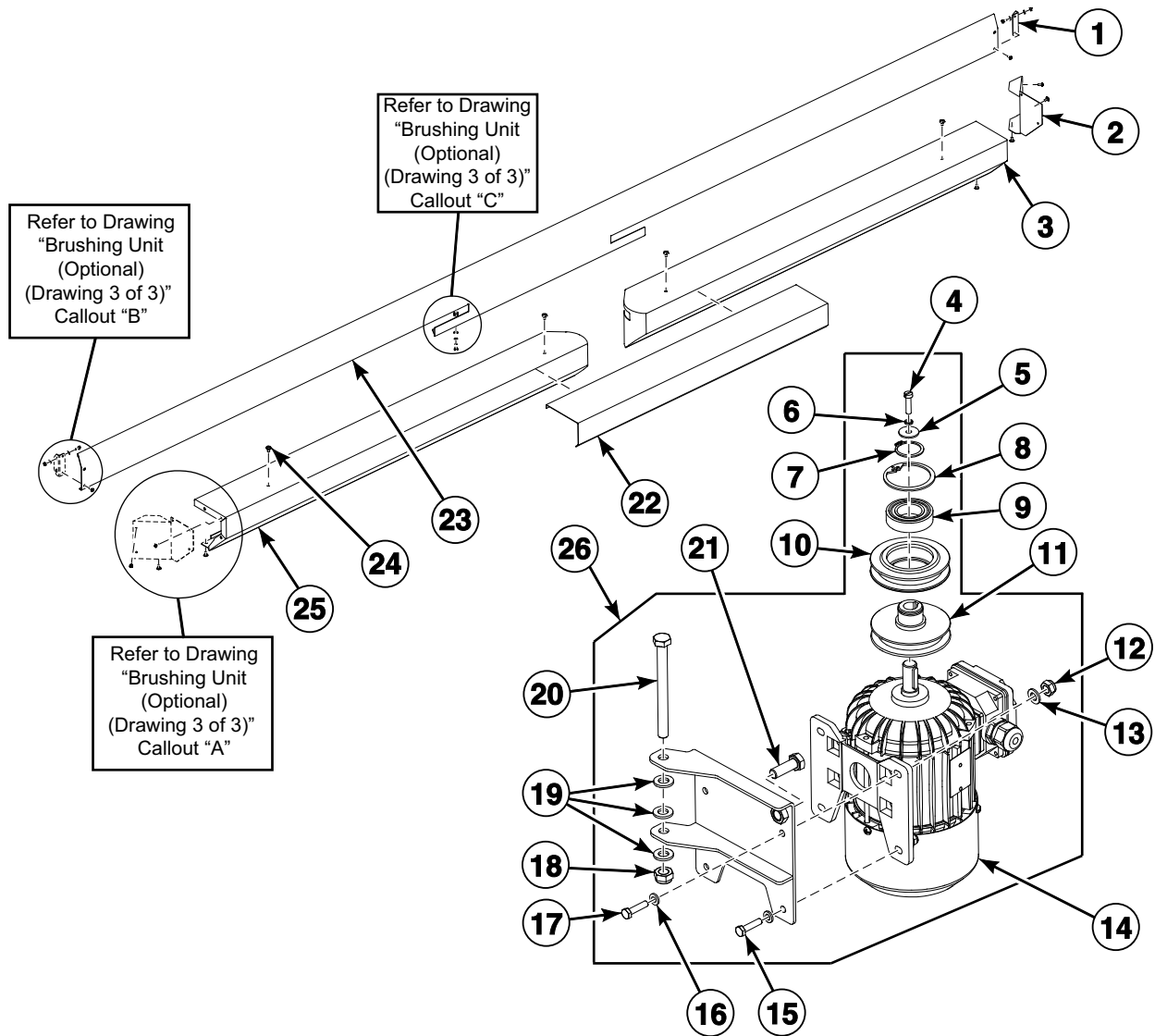


CZF122P_D1650

Brushing Unit (Optional) (Drawing 1 of 3)

REF	PART NO.	DESCRIPTION	COMMENTS
1	SP558265	Brush Belt	
2	SP500807	Brush Back	
3	SP500806	Brush Front	
4	SP309933000616	Bolt	M6x16
5	SP311127000006	Washer	6
6	SP311125000006	Washer	6.4
7	SP503380	Brush Cover Holder	
8	SP503314	Washer	
9	SP507574	Tightener Body	Left
10	SP507573	Tightener Body	Right
11	SP503340	Brush Girder	
12	SP503653	Brush Guidance	Back
13	SP558272	Brush Section Holder	Right
14	SP503657	Brush Console	
15	SP525183	Brush Beam	Right
16	SP558297	Motor Inner Cover	Right
17	SP558283	Motor Side Cover	Right
18	SP506013	Bolt	M4x8
19	570643	Cover	
20	SP558285	Motor Front Cover	Right
21	SP558284	Motor Front Cover	Left
22	SP549325	Bolt	M5x16
23	SP558295	Crank Extension	
24	SP558282	Motor Side Cover	Left
25	SP558292	Crank Brace	
26	SP558298	Motor Inner Cover	Left
27	SP525180	Brush Beam	Left
28	SP503652	Brush Guidance	Front

Brushing Unit (Optional) (Drawing 2 of 3)

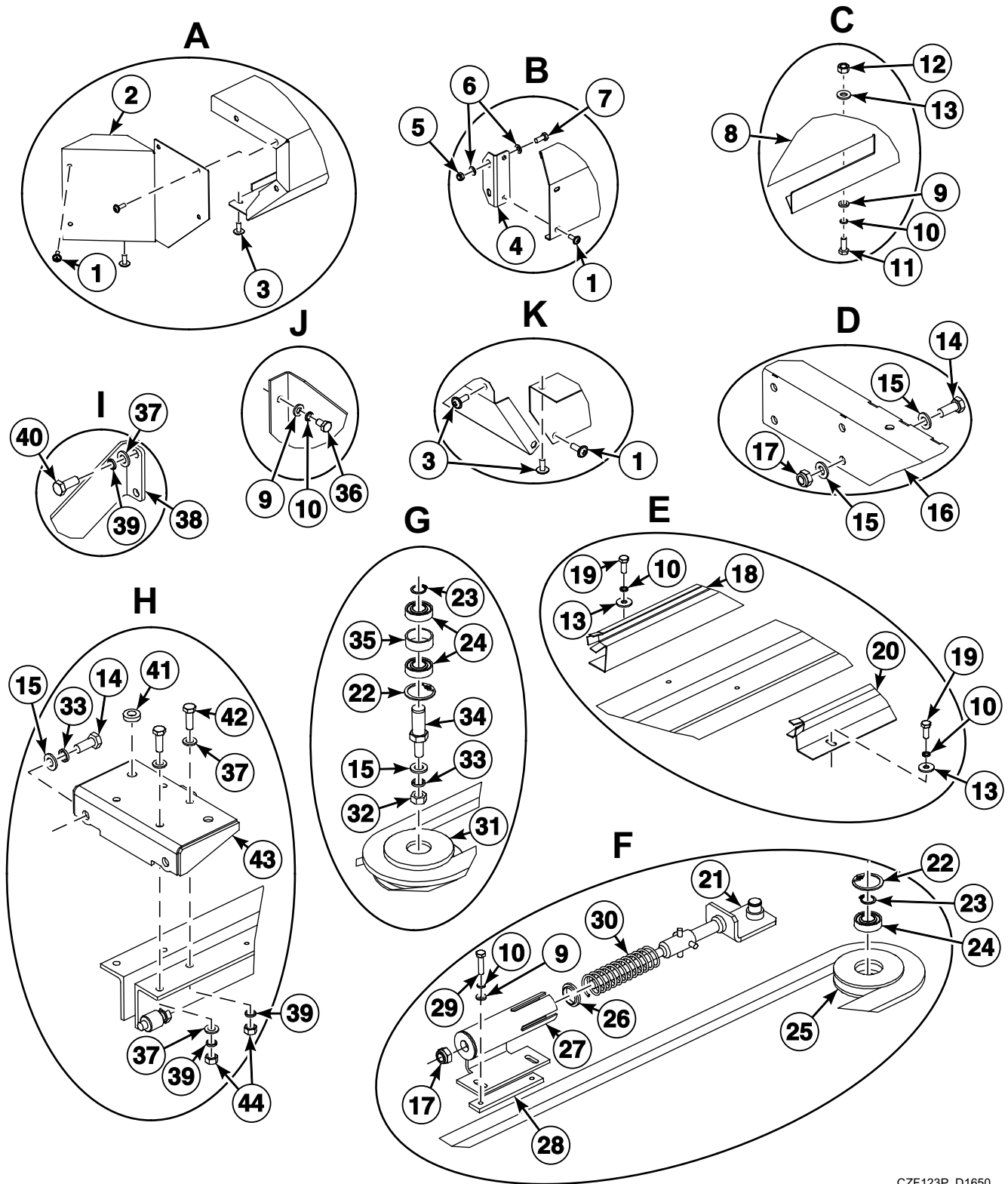


CFD3105P_D1650

Brushing Unit (Optional) (Drawing 2 of 3)

REF	PART NO.	DESCRIPTION	COMMENTS
1	SP558358	Back Cover Holder	
2	SP558287	Brush Top Cover	Right
3	SP558291	Brush Cover	Right
4	SP309084240520	Bolt	M5x20
5	SP503670	Ring	5.5/20
6	SP311127000005	Washer	M5
7	SP307732030025	Retaining Ring	25
8	SP307732031047	Securing Ring	47
9	SP326000600500	Bearing	
10	SP503429	Motor Pulley	2
11	SP503428	Motor Pulley	1
12	SP310985000006	Nut	M6
13	SP311734900006	Washer	M6
14	SP338001714718	Motor	120W, 670ot., 400V, 50Hz
15	SP558280	Brush Motor Console	Right
16	SP311125000006	Washer	6.4
17	SP309933000625	Bolt	M6x25
18	SP310985000010	Nut	M10
19	SP311125000010	Washer	10.5
20	SP505429	Bolt	M10x110
21	SP309933001030	Bolt	M10x30
22	SP503444	Cover	Middle
23	SP558269	Brush Cover Back	
24	SP309595240612	Bolt	M6x12
25	SP558290	Brush Cover	Left
26	SP558281	Brush Motor Console	Left

Brushing Unit (Optional) (Drawing 3 of 3)

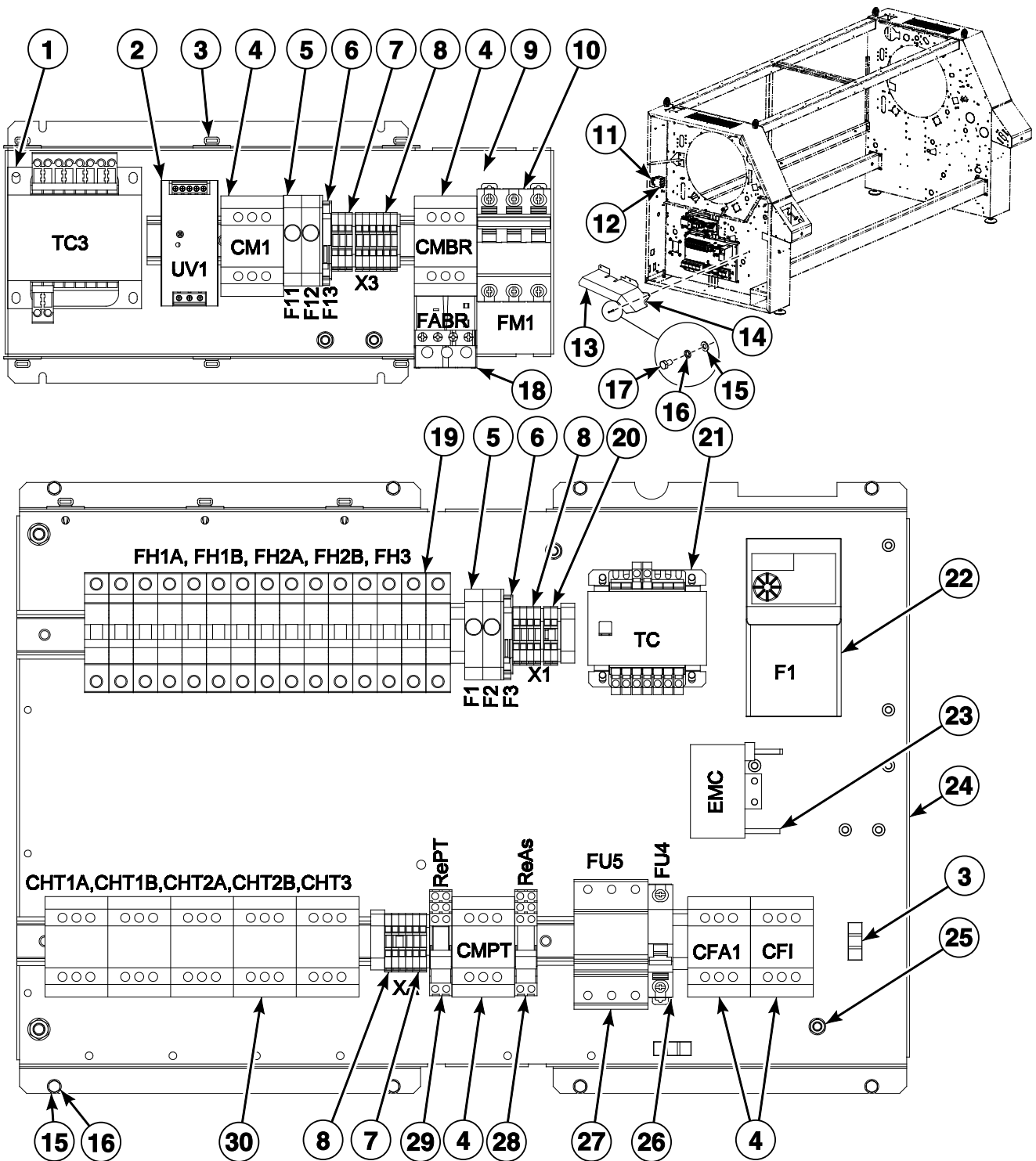


CZF123P_D1650

Brushing Unit (Optional) (Drawing 3 of 3)

REF	PART NO.	DESCRIPTION	COMMENTS
1	SP521957	Bolt	M4x12
2	SP558286	Brush Top Cover	Left
3	SP503572	Bolt	M5x12
4	SP558358	Back Cover Holder	
5	SP310985000005	Nut	M5
6	SP311125000005	Washer	5.3
7	SPPRI202001001	Bolt	M5x12
8	SP558269	Brush Cover Back	
9	SP311125000006	Washer	6.4
10	SP311127000006	Washer	6
11	SP309933000620	Bolt	M6x20
12	SP310985000006	Nut	M6
13	SP311902100006	Washer	6
14	SP309933001025	Bolt	M10x25
15	SP311125000010	Washer	10.5
16	SP558273	Brush Section Holder	Left
17	SP310985000010	Nut	M10
18	SP503653	Brush Guidance	Back
19	SP309933000616	Bolt	M6x16
20	SP503652	Brush Guidance	Front
21	SP507578	Pulley Holder	
22	SP307732031032	Securing Ring	32
23	SP307732030015	Retaining Ring	15
24	SP326000600202	Bearing	
25	SP503616	Brush Pulley	1
26	SP503609	Ring	2
27	SP507573	Tightener Body	Right
28	SP503617	Plate	
29	SP309933000625	Bolt	M6x25
30	SP500854	Brush Spring	
31	SP503660	Brush Pulley	2
32	SP310934000010	Nut	M10
33	SP311127000010	Washer	10
34	SP503306	Pulley Pin	
35	SP503316	Spacer Tube	
36	SP309933000610	Bolt	M6x10
37	SP311125000008	Washer	8.4
38	SP558292	Crank Brace	
39	SP311127000008	Washer	8
40	SP309933000820	Bolt	M8x20
41	SP503313	Washer	
42	SP309933000825	Bolt	M8x25
43	SP503657	Brush Console	
44	SP310934000008	Nut	M8

Box of Electrical Components - Models with Electric Heat

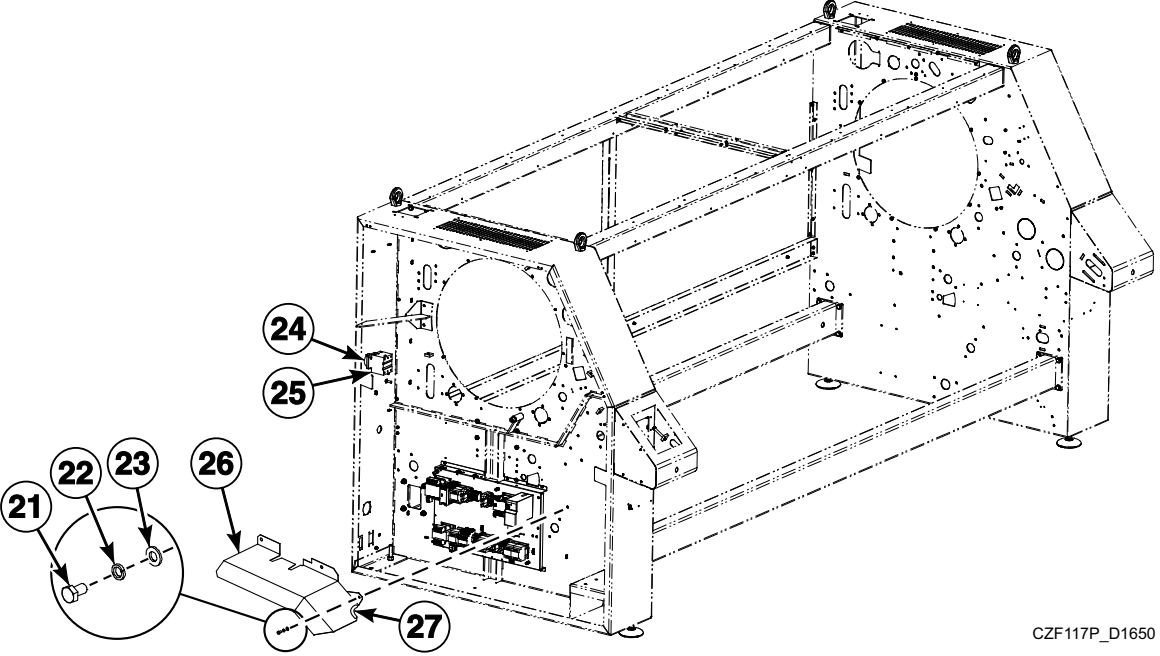
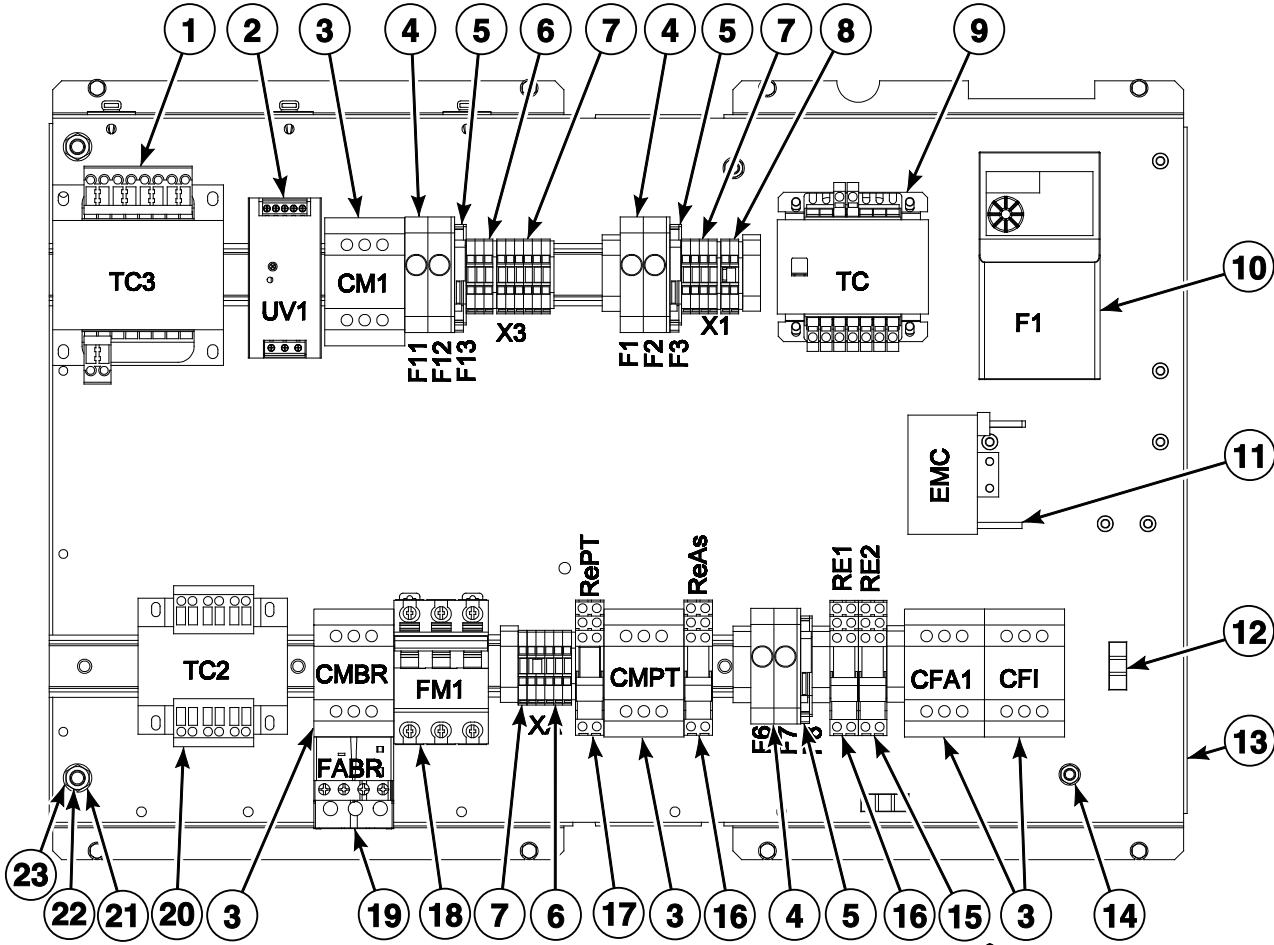


CZF116P_D1650

Box of Electrical Components - Models with Electric Heat

REF	PART NO.	DESCRIPTION	COMMENTS
	528494	Main Wiring	
	528089	Electrical Power Wiring	400V
	528088	Electrical Power Wiring	230V
	SP528325	Communication Cable	
1	SP101643	Transformer	
2	SP347100306524	Power Supply	DC 24V
3	SP528313	Cable Holder	
4	SP510993	Contactora	
5	SP346000004010	Fuse Case	
6	SP524653	Fuse Clip	
	SP524654	Fuse Plug	5x20
	SP345805005025	Fuse	5x20mm F5A/250V
7	SP346000280107	Clamp	Green-yellow
8	SP346000280101	Clamp	Gray
9	SP558370	Switchboard Plate	
10	SP347800243480	Circuit Breaker	6A 3AC
11	SP347700006175	Main Switch Knob	
12	SP347700125175	Main Switch	
13	SP558226	Electrical Box Cover	Starting Serial No. 832I000043FW
14	SPPRI505000058	Profiled Sealing	
15	SP311125000005	Washer	5.3
16	SP311127000005	Washer	5
17	SP521260	Bolt	M5x8
18	SP514104	Thermal Overload Relay	400V
	SP514103	Thermal Overload Relay	200V
19	SPPRI401013021	Circuit Breaker	3P C25A
20	SP346000280104	Clamp	Blue
21	SP528466	Transformer	24V 130VA
22	571475	Frequency Inverter	FR-D70-080-SC-E8
	571474	Frequency Inverter	FR-D70-036-SC-E8
23	SP552251	Filter	
24	SP541426	Switchboard Plate	
25	SP309933100625	Bolt	M6x25
	SP310934100006	Nut	M6
	SP311125100006	Washer	6.4
	SP311679824006	Washer	6/6.4
26	SP528036	Circuit Breaker	
27	SP358251601312	Fuse Isolator	10x38
28	SP514057	Relay	24VAC
	SP506586	Relay Case	
	SP514135	Relay Clamp	
29	SP506585	Relay	24VDC
	SP506586	Relay Case	
	SP514135	Relay Clamp	
30	SP516038	Contactora	

Box of Electrical Components - Models with Gas Heating

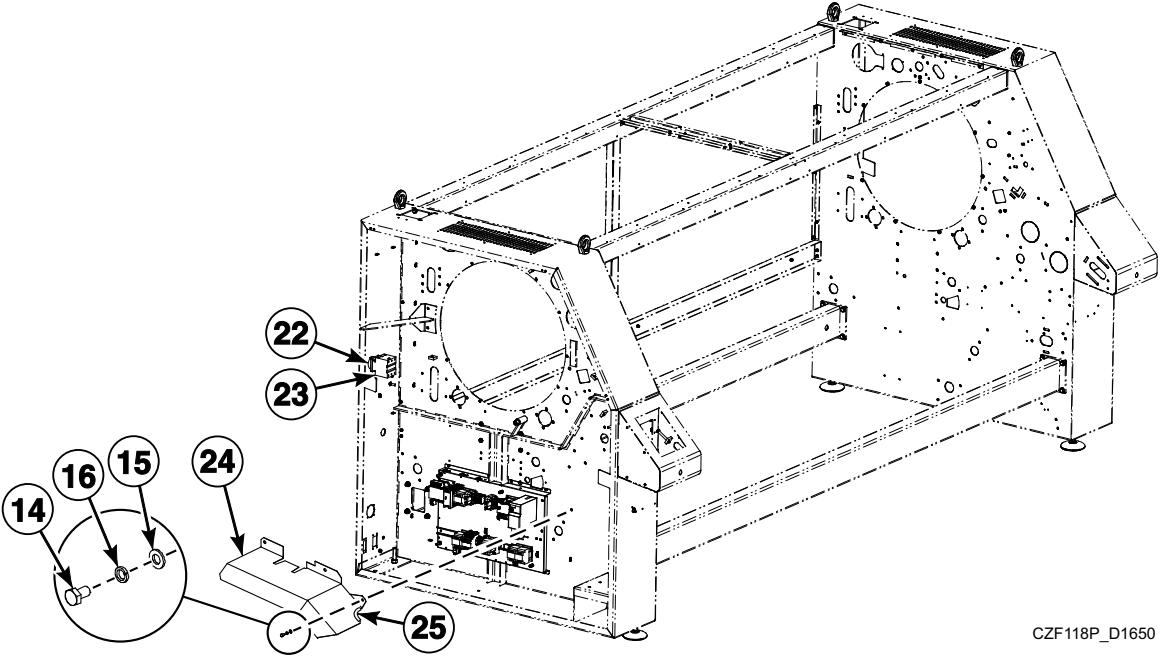
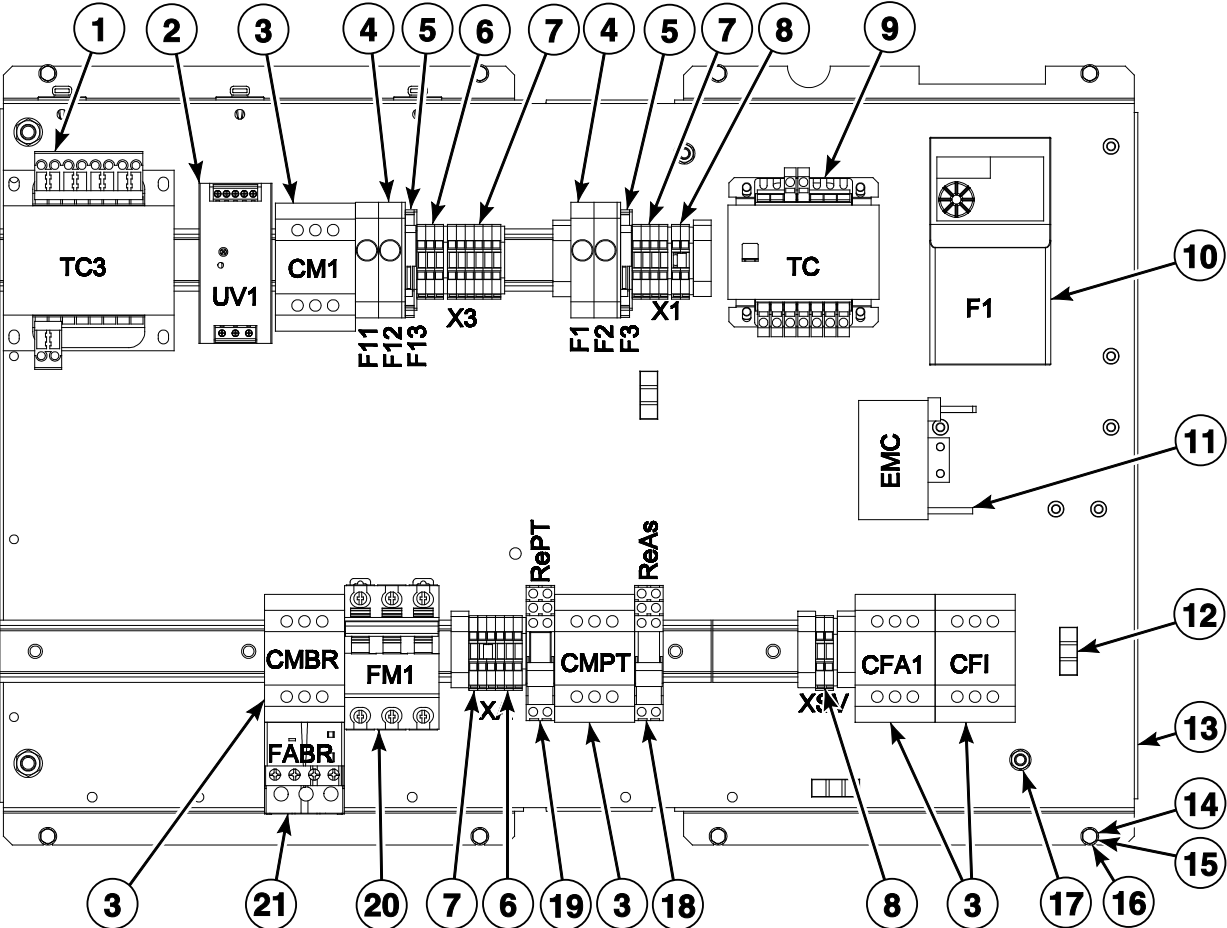


CZF117P_D1650

Box of Electrical Components - Models with Gas Heating

REF	PART NO.	DESCRIPTION	COMMENTS
	552264	Main Wiring	
	SP528325	Communication Cable	
	552296	Heating Wiring	
1	SP101643	Transformer	
2	SP347100306524	Power Supply	DC 24V
3	SP510993	Contactora	
4	SP346000004010	Fuse Case	
5	SP524653	Fuse Clip	
	SP524654	Fuse Plug	5x20
	SP345805005025	Fuse	5x20mm F5A/250V
6	SP346000280107	Clamp	Green-yellow
7	SP346000280101	Clamp	Gray
8	SP346000280104	Clamp	Blue
9	SP528466	Transformer	24V 130VA
10	571475	Frequency Inverter	FR-D70-080-SC-E8
	571474	Frequency Inverter	FR-D70-036-SC-E8
11	SP552251	Filter	
12	SP528313	Cable Holder	
13	SP541426	Switchboard Plate	
14	SP309933100625	Bolt	M6x25
	SP310934100006	Nut	M6
	SP311125100006	Washer	6.4
	SP311679824006	Washer	6/6.4
15	SP514134	Relay	230 VAC
	SP506586	Relay Case	
	SP514135	Relay Clamp	
16	SP514057	Relay	24VAC
	SP506586	Relay Case	
	SP514135	Relay Clamp	
17	SP506585	Relay	24VDC
	SP506586	Relay Case	
	SP514135	Relay Clamp	
18	SP347800243480	Circuit Breaker	6A 3AC
19	SP514104	Thermal Overload Relay	400V
	SP514103	Thermal Overload Relay	200V
20	SP516648	Transformer	
21	SP521260	Bolt	M5x8
22	SP311127000005	Washer	5
23	SP311125000005	Washer	5.3
24	SP347700006175	Main Switch Knob	
25	SPPRI404000097	Main Switch	
26	SP558226	Electrical Box Cover	Models starting Serial No. 8321000044FW
27	SPPRI505000058	Profiled Sealing	

Box of Electrical Components - Models with Steam Heating



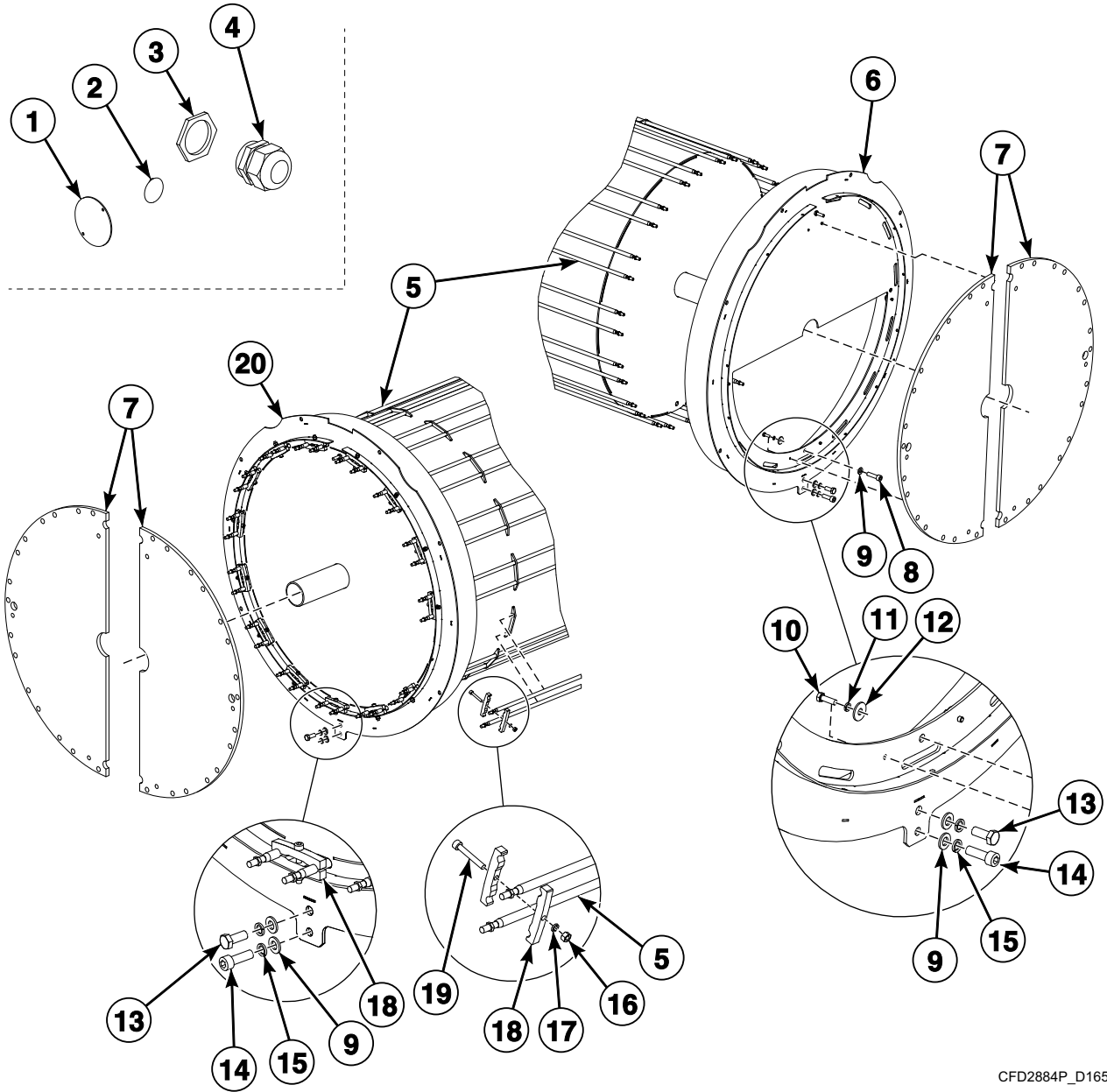
CZF118P_D1650

Box of Electrical Components - Models with Steam Heating

REF	PART NO.	DESCRIPTION	COMMENTS
1	SP101643	Transformer	
2	SP347100306524	Power Supply	DC 24V
3	SP510993	Contactora	
4	SP346000004010	Fuse Case	
5	SP524653	Fuse Clip	
	SP524654	Fuse Plug	5x20
	SP345805005025	Fuse	5x20mm F5A/250V
6	SP346000280107	Clamp	Green-yellow
7	SP346000280101	Clamp	Gray
8	SP346000280104	Clamp	Blue
9	SP528466	Transformer	24V 130VA
10	571475	Frequency Inverter	FR-D70-080-SC-E8
	571474	Frequency Inverter	FR-D70-036-SC-E8
11	SP552251	Filter	
12	SP528313	Cable Holder	
13	SP541426	Switchboard Plate	
14	SP521260	Bolt	M5x8
15	SP311125000005	Washer	5.3
16	SP311127000005	Washer	5
17	SP309933100625	Bolt	M6x25
	SP310934100006	Nut	M6
	SP311125100006	Washer	6.4
	SP311679824006	Washer	6/6.4
18	SP514057	Relay	24VAC
	SP506586	Relay Case	
	SP514135	Relay Clamp	
19	SP506585	Relay	24VDC
	SP506586	Relay Case	
	SP514135	Relay Clamp	
20	SP347800243480	Circuit Breaker	6A 3AC
21	SP514104	Thermal Overload Relay	400V
	SP514103	Thermal Overload Relay	200V
22	SP347700006175	Main Switch Knob	
23	SPPRI404000097	Main Switch	
24	SP558226	Electrical Box Cover	
25	SPPRI505000058	Profiled Sealing	

Electric Heating

Models with E in the 11th Position



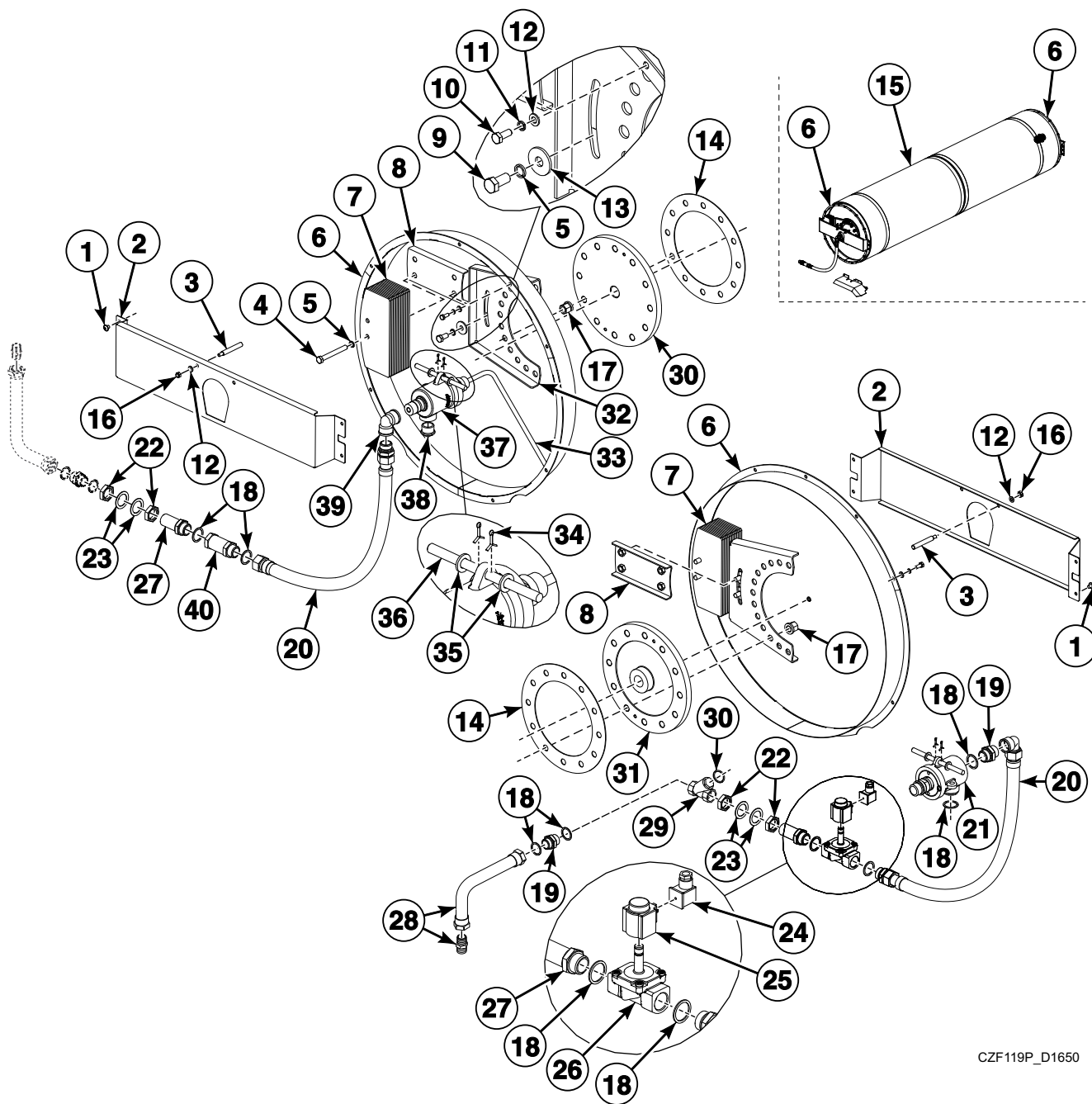
CFD2884P_D1650

Electric Heating

REF	PART NO.	DESCRIPTION	COMMENTS
1	SP555237	Exhaust Cover	
2	SP345900043132	Plug	
3	SP516176	Nut	M63
4	SP516175	Cable Bushing	M63x1.5
5	SP541356	Heating Element	
6	SP541365	Heating Top Weldment	
7	SP548566	Isolation	
8	SP309912000830	Bolt	8x30
9	SP311125000008	Washer	8.4
10	SP309933000516	Bolt	M5x16
11	SP311127240005	Washer	5
12	SP311902100006	Washer	6
13	SP309933000820	Bolt	M8x20
14	SP525282	Bolt	M8x25
15	SP311127000008	Washer	8
16	SP310934000005	Nut	M5
17	SP311127000005	Washer	5
18	SP548568	Heating Element Clip	
19	SP553993	Bolt	M5x35
20	SP541357	Heating Insert Weldment	

Steam Heating

Models with S in the 11th Position



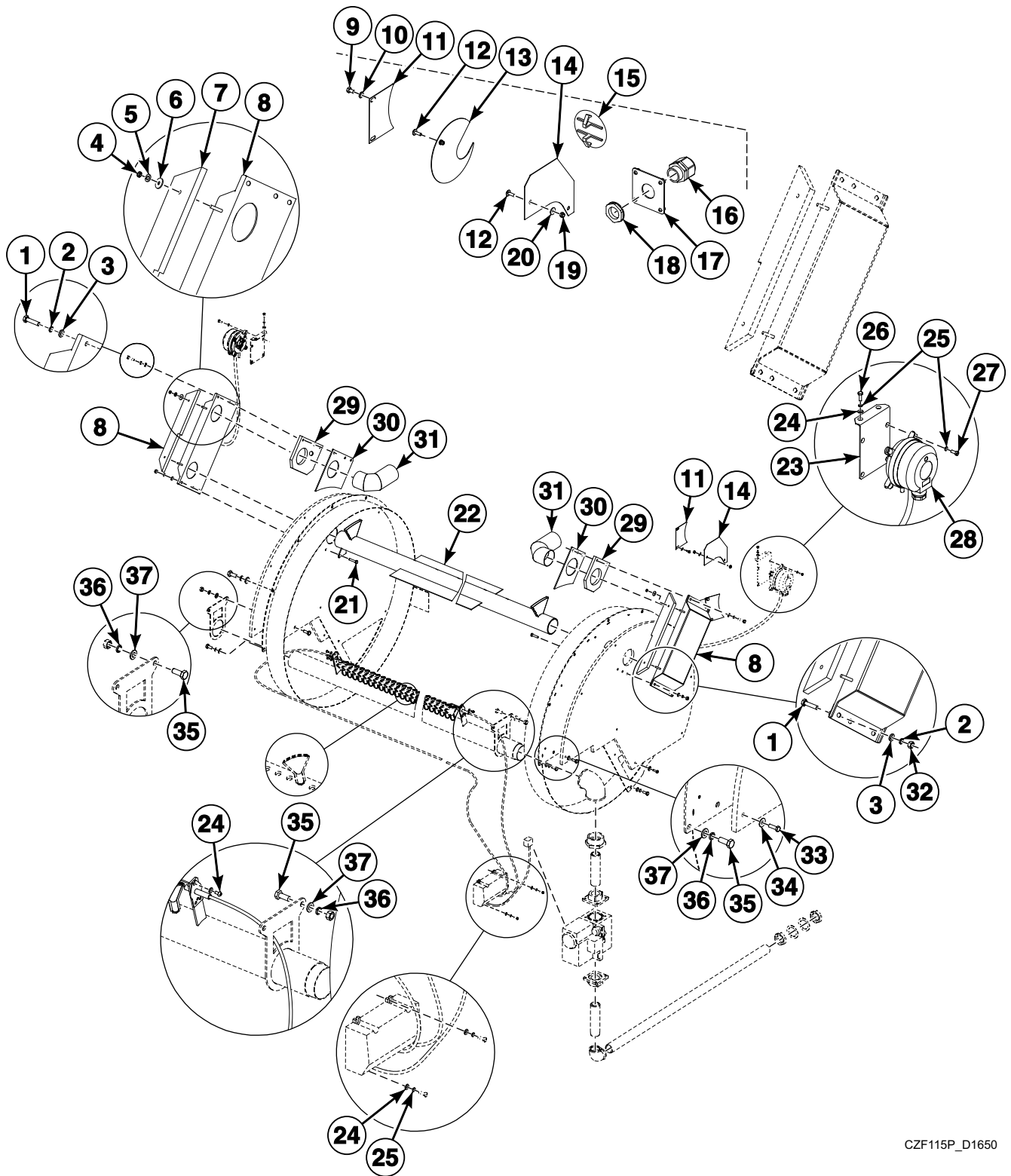
CZF119P_D1650

Steam Heating

REF	PART NO.	DESCRIPTION	COMMENTS
1	SP515048	Bolt	M8x10
2	SP554609	Reaction Holder	
3	SP554629	Reaction Holder Pin	
4	SP309933001299	Bolt	M12x100
5	SP311127000012	Washer	12
6	SP554044	Steam Face	
7	SP554635	Weight	
8	SP558242	Balancing Arm	
9	SP309933001225	Bolt	M12x25
10	SP309933000820	Bolt	M8x20
11	SP311127000008	Washer	8
12	SP311125000008	Washer	8.4
13	SP311902100012	Washer	12
14	SP549493	Flange Seal	
15	SP549490	Ironing Cylinder	
16	SP310985000008	Nut	M8
17	SP534065	Nut	M16 / 10
18	SP554630	Sealing Ring	33x39x2
19	SP235134600414	Pipe Nipple	G1 / G1
20	SP273454900001	Hose	
21	SP349910008113	Rotating Supply	1 way
22	SP515166	Nut	G1
23	SPF02111001214	Washer	
24	SP554156	Connector	
25	SP516717	Coil	
26	SP554604	Valve	
27	SP554608	Insertion	
28	SP273454900001	Hose	External; Optional; 900mm length
	SP548065	Steam Hose	External; Optional; 1900mm length
29	SP405054057008	Filter	
30	SP554633	Sealing Ring	30x36x2
31	SP549496	Steam Cylinder Flange	
32	SP549494	Steam Cylinder Moving Flange	
33	SP554603	Condensation Outlet Tube	
34	SP314178032022	Split Pin	
35	SP311125000013	Washer	13
36	SP314S00024814	Reaction Pin	
37	SP349910008116	Rotating Supply	2 way
38	SP526781	Plug	
39	SP506726	Elbow	1 inch; Inner and inner thread
40	SPF02111001114	Extension	

Gas Heating (Drawing 1 of 2)

Models with A, B, D, F, J, K, N, P, Q, R, T, W, X or Y in the 11th Position



CZF115P_D1650

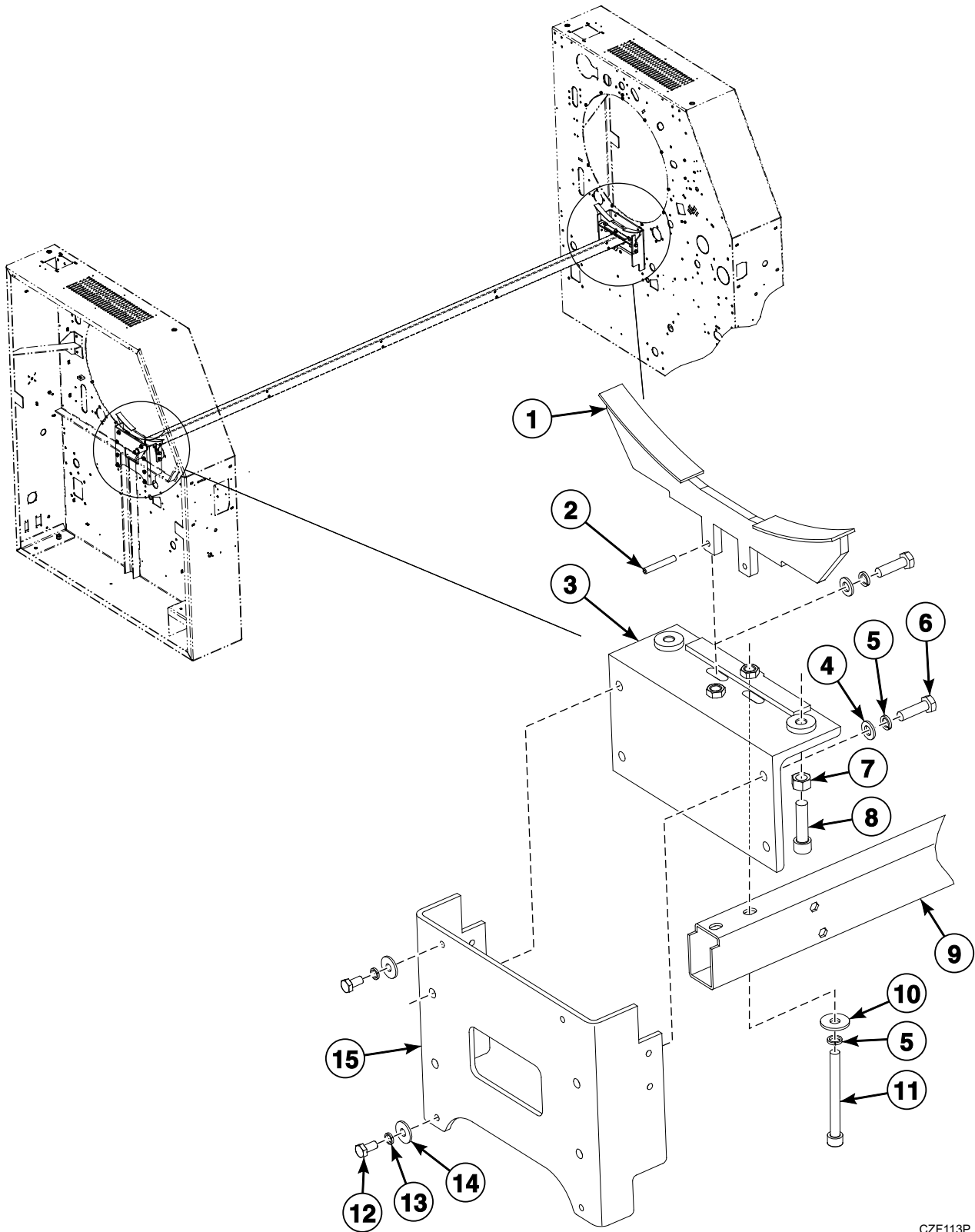
Gas Heating (Drawing 1 of 2)

REF	PART NO.	DESCRIPTION	COMMENTS
1	SP309933100625	Bolt	M6x25
2	SP311127240006	Washer	6
3	SP311125240006	Washer	6.4
4	SP310934240004	Nut	M4
5	SP311127240004	Washer	4
6	SP503686	Washer	4.2
7	562195	Exhaust Chamber Isolation	Starting Serial No. 832I000039FM
8	SP553964	Exhaust Chamber	
9	SP521260	Bolt	M5x8
10	SP311125000005	Washer	5.3
11	SP553990	Fan Cover	
12	SP521957	Bolt	M4x12
13	SP554095	Cylinder Plug	
14	SP554094	Cylinder Plug	5
15	SP345900043132	Plug	
16	SP101408	Bushing	M25x1.5
17	SP553936	Electrical Bushing Adapter	
18	SP101418	Nut	M25
19	SP514193	Nut	M4
20	SP311902100004	Washer	4
21	SP309933000630	Bolt	M6x30
22	SP548827	Exhaust Weldment	
23	SP553985	Manostat Holder	
24	SP311125000004	Washer	4.3
25	SP311127000004	Washer	4
26	SP309933240412	Bolt	M4x12
27	SP309084000410	Bolt	M4x10
28	SP553992	Differential Pressure Switch	
29	SP553967	Exhaust Chamber Isolation	
30	SP553965	Washer	
31	SP554010	Exhaust Elbow	
32	SP310934100006	Nut	M6
33	SP309933000516	Bolt	M5x16
34	SP505430	Washer	5
35	SP309933000820	Bolt	M8x20
36	SP311127000008	Washer	8
37	SP311125000008	Washer	8.4

Gas Heating (Drawing 2 of 2)

REF	PART NO.	DESCRIPTION	COMMENTS
	SP516144	Flame Detection Cable	
1	SP310934000008	Nut	M8
2	SP554027	Burner Holder	
3	SP102002	Detection Electrode	
4	SP548530	Burner Weldment	
5	SP357375100500	Ignition Electrode	
6	SP562123	Silicone Hose	
7	SP553968	Cylinder Cover Isolation	
8	561085	Ignition Cable	
9	SP562124	Valve Cable	
10	SP558234	Elbow	
11	SP548815	Cylinder Cover Weldment	Right
12	SP548504	Reduction	
13	SP558235	Tube	
14	SP549480	Flange	
15	SPF02111001214	Washer	
16	SP515166	Nut	G1
17	SP558237	Tube	
18	SP558236	Elbow	
19	SP309084000412	Bolt	M4x12
20	561082	Ignition Unit	
21	SP549474	Gas Valve	
22	SP552357	Flame Detection Cable	
23	SP309798524408	Bolt	M4x8
24	SP549479	Injector	LPG
	SP549476	Injector	NG
25	SP548816	Cylinder Cover Weldment	Left
26	SP540342	Bolt	M6x10
27	561051	Holder	

Transport Bracket



CZF113P_D1650

Transport Bracket

REF	PART NO.	DESCRIPTION	COMMENTS
1	SP554023	Base	
2	SP313515006040	Flexible Pin	
3	SP554026	Support Profile	
4	SP311125000010	Washer	10.5
5	SP311127000010	Washer	10
6	SP527420	Bolt	M10x35
7	SP310934000012	Nut	M12
8	SP514714	Bolt	M12x45
9	SP553981	Beam	
10	SP311902100010	Washer	10
11	SP309912001099	Bolt	M10x100
12	SP506433	Bolt	M8x16
13	SP311127000008	Washer	8
14	SP311902100008	Washer	8
15	SP554046	Reinforcement	

Parts Index

A

Adapter	
SP503836	73, 77
Air Supply Unit	
570816	79
Angle Joint	
SP510912	49, 53
SP511061	51, 55
Arm	
SP503697	33
SP503698	29

B

Back Cover	
SP541379	67, 69
SP541380	67, 69
Back Cover Holder	
SP541389	7
SP558358	85, 87
Balance Beam Arm	
SP517100	49, 53
Balance Beam Console	
SP517099	49, 53
Balancer Pin	
SP554772	49, 53
Balancing Arm	
SP558242	97
Base	
SP554023	103
Beam	
SP553981	103
SP554760	37
Beam Bar	
SP554709	51, 55
Beam Holder	
SP554780	37
562159	39
Beam Pin	
SP503301	49, 53
Bearing	
SP325000000031	11, 13, 37, 39, 45, 51, 55
SP326000200608	33
SP326000600002	31, 81
SP326000600202	23, 31, 87
SP326000600300	49, 53
SP326000600402	23
SP326000600500	85
SP502374	25
SP548746	19, 21
SP553907	9
SP559453	19, 21
Bearing Container	
SP554660	11
SP554661	11
Bearing Container Pin	
SP554018	11
Bearing Guidance	
SP554058	11

SP554059	11
Bearing Holder Tensioning	
562120	39
562121	39
Bearing Pin	
SP562104	81
Bearing Set	
SP325000000030	11, 13
SP325000000031	17
SP551718	9
Bearing Tightener	
SP554769	37
SP554775	37
Belt	
SP272111010106	25
SP554680	37
Belt Guidance	
SP503481	41
SP503482	41
Belt Scraper	
SP558258	13, 37
Binding Strip	
SP345000626088	61
Board Interconnection Cable	
SP547066	65
Bolt	
SPPRI202001001	31, 87
SP309084000306	35
SP309084000308	39
SP309084000310	49, 53
SP309084000316	73, 77
SP309084000320	51, 55
SP309084000406	35
SP309084000408	33
SP309084000410	25, 99
SP309084000412	37, 101
SP309084000416	31, 37, 39
SP309084000420	73, 77
SP309084000510	29, 33
SP309084000512	31
SP309084240316	19, 21
SP309084240412	31
SP309084240506	7
SP309084240510	23
SP309084240520	23, 85
SP309159324816	47
SP309159324820	15
SP309595124612	33, 59, 61
SP309595240612	77, 85
SP309798500306	33, 75, 79
SP309798524408	7, 43, 71, 75, 79, 101
SP309912000620	39, 49, 53
SP309912000815	67, 69
SP309912000830	49, 53, 95
SP309912001030	25, 27, 49, 53
SP309912001040	27
SP309912001099	103
SP309916000408	23
SP309916000610	19, 25
SP309933000516	33, 35, 95, 99
SP309933000610	25, 45, 57, 87
SP309933000612	11, 57
SP309933000616	7, 45, 63, 67, 83, 87
SP309933000618	45, 69

N/A items do not appear in index.

SP309933000620	7, 23, 33, 45, 67, 87
SP309933000625	25, 63, 85, 87
SP309933000630	27, 99
SP309933000820	11, 13, 25, 31, 37, 39, 47, 49, 53, 87, 95, 97, 99
SP309933000825	17, 31, 35, 57, 87
SP309933000830	9, 19, 21
SP309933000840	39
SP309933000845	13, 37
SP309933000880	31
SP309933001020	7, 15
SP309933001025	7, 37, 39, 43, 47, 49, 53, 87
SP309933001030	43, 85
SP309933001035	13, 25, 37, 45, 51, 55
SP309933001050	17
SP309933001080	7, 37
SP309933001225	97
SP309933001235	7
SP309933001250	9
SP309933001299	97
SP309933100625	89, 91, 93, 99
SP309933240412	99
SP309933241220	11
SP309963240516	33
SP309965240408	31, 35, 61
SP309966240635	45
SP503501	33, 49
SP503572	31, 35, 37, 39, 49, 53, 79, 81, 87
SP505429	11, 45, 85
SP506012	67, 69, 73
SP506013	31, 69, 71, 77, 83
SP506014	11
SP506427	43
SP506432	23
SP506433	19, 21, 103
SP506438	13, 37
SP506552	63
SP509045	31
SP514564	35
SP514714	103
SP515048	97
SP515075	73, 77
SP516683	51, 55
SP516693	65
SP518719	65
SP519943	11, 17, 39
SP521260	23, 71, 75, 79, 89, 91, 93, 99
SP521957	29, 31, 87, 99
SP525168	63
SP525282	25, 95
SP526193	17, 39
SP527420	9, 25, 103
SP537604	43, 59, 61
SP537854	63
SP540342	43, 49, 101
SP549325	35, 83
SP551432	29, 31, 81
SP553993	95
SP555504	15, 35
SP555658	15, 17, 69
SP558340	35
SP559413	59, 61

Brace Bracket	
SP554049	11
Bridge Cover	
SP558329	29, 31
SP558344	29
Bridge Cylinder	
SP503390	31

N/A items do not appear in index.

Bridge Holder	
SP558315	33
SP558316	31
Bridge Sensor Holder	
SP558326	33
Bridge Side Cover	
SP558306	31
SP558330	29
Brush Back	
SP500807	83
Brush Beam	
SP525180	83
SP525183	83
Brush Belt	
SP558265	83
Brush Console	
SP503657	83, 87
Brush Cover	
SP558290	85
SP558291	85
Brush Cover Back	
SP558269	85, 87
Brush Cover Holder	
SP503380	83
Brush Front	
SP500806	83
Brush Girder	
SP503340	83
Brush Guidance	
SP503652	83, 87
SP503653	83, 87
Brush Motor Console	
SP558280	85
SP558281	85
Brush Pulley	
SP503616	87
SP503660	87
Brush Section Holder	
SP558272	83
SP558273	87
Brush Spring	
SP500854	87
Brush Top Cover	
SP558286	87
SP558287	85
Burner Holder	
SP554027	101
Burner Weldment	
SP548530	101
Bushing	
SP101408	99
SP540297	11
Button	
SP503324	33
Button Holder	
SP558338	31

C

Cable	
SP558375	73, 77
569742	61
569743	61

569746	61	Clamp	
Cable Bushing		SP346000280101	89, 91, 93
SPPRI350000045	39, 49	SP346000280104	89, 91, 93
SP100980	27	SP346000280107	89, 91, 93
SP273121008002	49, 53, 71, 75, 79	SP405113000112	71, 75
SP516175	95	SP500824	33
Cable Channel		SP500825	29
SP366610025375	71	SP504566	35, 75, 79
Cable Clamp		545099	39
SP528392	37	Clamp Bar	
Cable Holder		SP500803	33
SP528313	89, 91, 93	SP500815	29
SP559443	73, 77	Clamp Body	
Cable Passage		SP500801	33
SP273121005052	53, 71	SP500813	29
SP273121008001	15	Clamp Pin	
Cable Sleeve		SP500818	33
SPPRI407000091	73, 77	SP500819	33
Cam		Clamp Spring	
SP511012	51, 55	SP500805	33
Carriage		SP500852	33
SP559426	35	SP500853	29
Carriage Body		Clasp	
SP503729	31	SP554092	39, 49
Carriage Pulley		Clutch Electromagnet	
SP503730	31, 81	SP502347	23
Chain		Clutch Lock	
SP548715	19, 21	SP553991	23
SP558368	35	Clutch Ring	
548670	23	SP505020	23
Chain Cover		Clutch Socket	
SP558328	29, 31	SP405113940522	73, 77
Chain Endings Set		Coil	
SP558376	35	SP516717	97
SP559425	29	Collet Bearer	
Chain Guidance		SP558317	31
SP558363	35	SP558318	31
Chain Holder		Collet Holder	
SP558327	33	SP558320	29
SP558337	29	SP558323	33
Chain Inner Guidance		Communication Cable	
SP558369	33	SP528325	89, 91
Chain Tensioner		Condensation Outlet Tube	
562171	25	SP554603	97
Chain Wheel		Connector	
SP500695	23	SPPRI350021044	59
SP540277	25	SP345001645334	73, 77
SP548671	23	SP347100062701	73, 77
SP548739	19, 21	SP516090	59
SP548741	37	SP554156	97
SP554072	19, 25	SP554733	49, 53
SP554073	19	Connector Foot	
548738	39	SP347100060302	73, 77
562176	19	SP347100100321	73, 77
570650	21	Console	
570651	21	SP554710	37
570652	21	554711	39
Chain Wheel Bearer		Contact	
SP500694	23	SPPRI350002018	59
Chain Wheel Hub		SPPRI350040044	59
SP512410	23	Contacto	
Circuit Breaker		SP510993	89, 91, 93
SPPRI401013021	89	SP516038	89
SP347800243480	89, 91, 93	Control Panel	
SP528036	89	SP559433	65

N/A items do not appear in index.

SP559434	65
Conveyor Drive Cylinder	
SP552592	41
SP552593	41
Conveyor Holder	
SP541405	41, 43
Conveyor Ledge	
562151	39
Coupling	
SP405113000006	71
SP405113000008	71
Cover	
SP503444	85
SP519878	73, 77
570643	83
Cover Holder	
SP558331	29
SP558345	31
Crank Board	
SP314E00027414	19, 21
Crank Brace	
SP558292	83, 87
Crank Case	
SP505002	19, 21
Crank Extension	
SP558295	83
Crank Guide	
SP509439	25
Crank Handle	
SP553998	19, 21
Crank Shaft	
SP551748	19, 21
Cross Beam Weldment	
SP541392	7
Cube	
SP500826	31
Cylinder	
SP529878	37
SP554063	11
562172	39
Cylinder Belt	
SP548784	13, 37
Cylinder Cover Isolation	
SP553968	101
Cylinder Cover Weldment	
SP548815	101
SP548816	101
Cylinder Holder	
SP503720	31
Cylinder Plug	
SP554094	99
SP554095	99
Cylinder Weldment	
SP548765	13
SP548770	11
SP548771	13
SP548777	11
SP548840	9
Cylinder with Pulleys	
SP559438	9
SP559439	9

D

Detection Electrode	
SP102002	101
Differential Pressure Switch	
SP553992	99
Diffuse Sensor	
SP554716	49, 53
Diode Bridge	
SP344250010000	23
Disc	
SP554701	49, 53
Distance Plate	
SP507603	43
Distance Ring	
SP500702	23
SP549333	25
Distance Tube	
SP314E00027614	25
SP503168	65
Divided Tilt Table	
SP505775	41
Draw Bar	
SP517150	51, 55
SP517151	51, 55
Drive Crank	
SP551755	19, 21
Drive Shaft	
SP511011	51, 55

E

Eccentric Trunnion	
SP511013	51, 55
E-Chain	
SP559424	29
Edge Protection	
SP529068	15
SP549711	15
Elbow	
SP506726	97
SP558234	101
SP558236	101
Electric Programmer Board Power	
SP547065	65
Electric Programmer Board Processor	
SP547064	65
Electrical Box Cover	
SP558226	89, 91, 93
Electrical Bushing Adapter	
SP553936	99
Electrical Power Wiring	
528088	89
528089	89
Electrode	
SP357375457185	39, 49
Emergency Stop Connector	
SP528311	65
Emergency Stop Knob	
SP528310	65
Exhaust Bag	
SP558390	15

N/A items do not appear in index.

Exhaust Case	
SP558391	15
Exhaust Chamber	
SP553964	99
Exhaust Chamber Isolation	
SP553967	99
562195	99
Exhaust Cover	
SP555237	95
Exhaust Elbow	
SP554010	99
Exhaust Flange	
SP548798	57
Exhaust Hose	
SP558225	15
Exhaust Weldment	
SP548827	99
Expansion Plate Holder	
SP558207	71, 75, 79
Extension	
SPF02111001114	97
External Expansion Module	
SP558206	71, 75, 79

F

Fan	
SP548524	57
SP548525	57
Fan Case	
SP558224	15
Fan Cover	
SP553990	99
Fan Exhaust	
SP558256	15
Fan Flange	
SP548764	57
Fan Holder	
SP541398	57
Fan Seal	
SP553999	57
Feather	
SP308726008045	19, 37, 39
SP510966	51, 55
SP525193	23
SP525195	45
Feed Belt	
SP548736	15
SP554758	15
Feeder Trough	
SP558398	81
Filter	
SP405054057008	97
SP541376	57
SP541385	57
SP552251	89, 91, 93
Filter Cover	
SP541377	67, 69
Filter Pressure Regulator	
SP347600100112	71, 75
Finger	
SP500937	43
SP545108	59, 61

Finger Holder	
SP503487	41
SP503489	41
SP559421	41, 43
Finger Holder Center	
SP559420	41
Finger Protection	
570621	17
Fitting Adapter	
SP500982	71, 75, 77
Flame Detection Cable	
SP516144	101
SP552357	101
Flange	
SP549480	101
Flange Seal	
SP549493	97
Flexible Pin	
SP313515006040	103
Folding Belt	
SP552594	41, 43
Folding Belt Set	
SP559465	41, 43
Frequency Inverter	
571470	37
571474	37, 39, 89, 91, 93
571475	39, 89, 91, 93
Front Cover Holder	
SP562131	69
Front Cover Side Holder	
SP562134	69
Fuse	
SP344000010000	23
SP345805005025	89, 91, 93
Fuse Case	
SP346000004010	89, 91, 93
Fuse Clip	
SP524653	89, 91, 93
Fuse Holder	
SPPRI401001020	23
Fuse Isolator	
SP358251601312	89
Fuse Plug	
SP524654	89, 91, 93

G

Gas Spring	
SP554068	11
Gas Valve	
SP549474	101
Gear Motor	
SP510945	51, 55
SP554734	45
Gearbox Bracket	
SP554089	45
Gearbox Holder	
SP554699	51, 55
Gearbox Plate	
SP554090	45
Grease Nipple	
562198	11, 13

N/A items do not appear in index.

Guide Beam Holder	
SP554778	37
SP554779	37
Guidence Plate	
SP554783	49

H

Handle	
SP548532	67, 69
Heating Element	
SP541356	95
Heating Element Clip	
SP548568	95
Heating Insert Weldment	
SP541357	95
Heating Top Weldment	
SP541365	95
Heating Wiring	
552296	91
Holder	
SPPRI326002004	71, 75, 79
SP553951	23
SP554715	49
SP558307	35
561051	101
570647	61
Hole Securing Ring	
SP525196	51, 55
Hook	
SP500804	33
SP551716	7
Hook Pin	
SP500820	33
Hose	
SP273454900001	97
SP27345490001	97
SP319300006001	29, 33, 71, 75, 79
SP319300008125	29, 63, 71
SP541369	57
Hose Clamp	
SPPRI240000005	15, 57

I

Ignition Cable	
561085	101
Ignition Electrode	
SP357375100500	101
Ignition Unit	
561082	101
Inductive Sensor	
SP374415083131	49, 53
Injector	
SP549476	101
SP549479	101
Insert Screw	
SP519879	73, 77
SP519881	73, 77
SP519913	73, 77
Inserting Table	
SP552517	47

Inserting Table Driving Cylinder	
SP548719	15
Inserting Table Holder	
SP558249	15
SP558250	15
Inserting Table Ironing Belt Set	
SP559460	15
Inserting Table Side Cover	
SP558388	15
SP558389	15
Inserting Table Weldment	
SP548720	15
Insertion	
SP554608	97
Interconnection Flat Cable	
547089	71, 75, 79
Ironing Belt	
SP548781	11
SP548782	11
SP548783	13
562175	13
562177	39
Ironing Belt Set	
SP559462	11
SP559463	13
SP559464	37
562181	13
562182	39
Ironing Cylinder	
SP549490	9, 97
Isolation	
SP548566	95
Isolation Plate	
SP101154	63
SP540230	59, 61

J

Jumper	
570613	75, 79

K

Keyboard	
SP554720	65
SP558653	65
Keyboard Holder	
SP559431	65

L

Laminated Board	
SP552596	41, 43
Latch	
SP551715	67, 69
Left Cover	
SP558336	35
Left Holder	
SP558305	35
Left Nose Weldment	
SP551712	7

N/A items do not appear in index.

Left Stand Weldment	
SP548867	7
Leg	
SP553915	7
Linear Drive	
SP558360	35
SP558361	35
Lock	
SPPRI61000007	67, 69
SP521221	67, 69
Logo Label	
567887	65
Longitudinal Beam	
SP558313	29
SP558314	29
Lower Beam Weldment	
SP548863	7
Lower Side Cover	
SP548707	67, 69
SP548708	67, 69
SP554013	67, 69
SP554014	67, 69

M

Main Switch	
SPPRI404000097	91, 93
SP347700125175	89
Main Switch Knob	
SP347700006175	89, 91, 93
Main Wiring	
528494	89
552264	91
Manostat Holder	
SP553985	99
Microswitch	
SPPRI610011077	63
SPPRI610028077	19, 21
SPPRI610034077	51, 55
SP517484	63
Microswitch Holder	
SP505004	19, 21
SP511015	51, 55
Middle Back Brace	
SP541391	7
Middle Blind Cover	
SP562136	69
Motor	
SP338001714718	85
SP553913	19, 21
Motor Cable	
SP528300	19, 21
Motor Front Cover	
SP558284	83
SP558285	83
Motor Inner Cover	
SP558297	83
SP558298	83
Motor Pulley	
SP503428	85
SP503429	85
Motor Side Cover	
SP558282	83
SP558283	83

N

Nameplate	
F8443105	65
SP532173	65
SP532265	65
SP534353	65
SP534355	65
SP534356	65
SP534360	65
SP534362	65
SP534364	65
SP538590	65
39564	65
567293	65
Nose Side Cover	
SP551711	7
Nut	
SPPRI350001045	39, 49
SP101418	99
SP310439240012	19, 21
SP310934000003	19, 21, 35, 65, 73, 77
SP310934000004	31, 65, 73, 77
SP310934000005	95
SP310934000006	11, 27, 33, 45
SP31093400000829, 31, 35, 51, 55, 67, 69, 87, 101	
SP310934000010	11, 13, 17, 23, 27, 39, 43, 87
SP310934000012	103
SP310934100006	89, 91, 93, 99
SP310934240004	99
SP310985000005	23, 35, 37, 39, 71, 75, 87
SP31098500000613, 15, 17, 37, 39, 43, 49, 53, 67, 85,	87
SP3109850000089, 11, 13, 19, 21, 23, 29, 31, 37, 39, 47,	49, 53, 57, 81, 97
SP3109850000107, 9, 11, 13, 17, 25, 27, 37, 39, 43, 47,	51, 55, 81, 85, 87
SP310985000012	7, 9, 11
SP313251000006	69
SP500983	73, 77
SP511020	51, 55, 63
SP514076	11, 13, 17
SP514193	35, 99
SP515166	97, 101
SP516176	95
SP534065	97
SP554707	43
535623	17

O

Output Table Barrier	
SP554704	41, 43
SP554705	41, 43
SP554706	41

P

Pedal	
SP554051	27
Pedal Cable	
528453	27
Photoelectric Sensor	
SP347100302210	71, 75, 79

N/A items do not appear in index.

Pin	SP545107 59, 61	Reaction Holder Pin	SP554629 97
	570631 17	Reaction Pin	SP314S00024814 97
Pipe Fitting	SP319428330605 71, 75	Reduction	SP548504 101
	SP562128 29, 75, 79	Reduction Valve	570803 77
Pipe Nipple	SP235134600414 97	Reflex Foil	SP284000020447 71, 75, 79
	SP319428330008 73, 77	Regulator Holder	SP503635 73
	SP319428330080 73		570818 77
	SP319428330800 71, 75, 77, 79	Reinforcement	SP554046 103
	SP558377 79	Relay	SP506585 89, 91, 93
Plastic Finger	SP503793 43		SP514057 89, 91, 93
Plate	SP503617 87		SP514134 91
Plug	SP345900043132 95, 99	Relay Case	SP506586 89, 91, 93
	SP345900215120 67, 69	Relay Clamp	SP514135 89, 91, 93
	SP526781 97	Retaining Ring	SP307732030008 33
	SP534913 67, 69		SP307732030015 19, 21, 23, 87
Pneumatic Cylinder	SP415000160200 33		SP307732030025 85
	SP415000201400 29		SP307732031062 25
Pneumatic Cylinder Foot	SP558312 35		SP502367 9, 11, 13, 17, 37, 39, 45
Pneumatic Valve	SP516965 73, 77	Reverse Throttle Valve	SP40500006018 29, 31
	SP516966 73, 77	Right Cover	SP558304 35
	SP558373 73, 77	Right Holder	SP558303 35
	SP558374 73, 77	Right Nose Weldment	SP551707 7
Potentionmeter	SP557818 15	Right Stand Weldment	SP548868 7
Power Supply	SP347100306524 89, 91, 93	Ring	SP503609 87
Pressure Regulator	SP357461000105 73		SP503670 85
Pressure Regulator Grip	SP405113111112 71, 75		SP525222 27
Pressure Spring	SP515E00024614 27		SP529806 25
Profiled Sealing	SPPRI505000058 89, 91, 93	Rivet	SP313250004125 7, 11, 25
Pulley	SP505007 25	Roller	SP500816 33
	SP553953 25		SP529860 49, 53
Pulley Holder	SP507578 87	Roller Pin	SP314E36000214 19, 21
Pulley Pin	SP500817 33	Rope Pin	SP503309 31
	SP503306 87	Rope Pulley	SP503722 31
	SP505003 25	Rope Travel Modification	SP558325 29
Pull-Push Spring	SP511008 51, 55	Rotating Supply	SP349910008113 97
Pushbutton	SP506032 33		SP349910008116 97
<hr/>		Rubber	SP541406 43
R			
Range Limiter	SP545123 59, 61		
Reaction Holder	SP554609 97		

N/A items do not appear in index.

S

Safety Bar	
SP554038	63
Safety Bar Hinge	
SP554040	63
Safety Bar Holder	
SP554065	63
Safety Bar Switch Pin	
SP537616	63
Safety Ring	
SP307732030010	31, 81
Safety Tube	
SP511016	51, 55
Scraper Bar	
SP548623	59, 61
Scraper Beam	
SP558259	13, 37
Scraper Edge	
SP537611	11
Scraper Holder	
SP551717	59, 61
SP562118	13
SP562119	13
Scraper Unit	
SP548626	59, 61
Screw	
SP100218	57
SP318000105050	29
SP500984	73, 77
SP505406	7
SP506440	27
SP510863	39
SP511066	51, 55
562194	15
Seal	
SP510986	57, 67, 69
Sealing Ring	
SP554630	97
SP554633	97
Securing Ring	
SP307732031026	31, 81
SP307732031032	33, 87
SP307732031047	19, 21, 85
Sensor Cover	
SP558357	71, 75, 79
Sensor Holder	
SP558348	71, 75, 79
Sensor Plate	
562156	39
Sensor Wheel	
SP503723	31
570641	31
Shaft Locking Bush	
570653	21
Shim	
SP529082	67, 69
Silicone Hose	
SP562123	101
Sleeve	
SP511064	51, 55
Slide Guidance	
SP558333	35

Sliding Foil	
SP558253	15
Solenoid Valve	
SP406427000032	71, 75
Sound Damper	
SP326346000407	71, 75
SP519876	73, 77
SP519877	73, 77
Spacer Tube	
SP503316	87
Speed Sensor Holder	
SP554700	49, 53
Split Pin	
SP314178032022	97
Spring	
SP273315042012	33, 45
SP509440	25
SP545026	63
Spring Holder	
SP507551	33
Spring Pin	
SP511010	51, 55
SP525221	27
Steam Cylinder Flange	
SP549496	97
Steam Cylinder Moving Flange	
SP549494	97
Steam Face	
SP554044	97
Steam Hose	
SP548065	97
Suction Flange	
SP541368	57
Support Cylinder	
SP503318	41, 45
Support Profile	
SP554026	103
Support Pulley Bracket	
SP553906	9
Support Pulley Sleeve	
SP553903	9
Swing Arm	
SP511070	51, 55
Switch	
SP347000000111	27
Switch Lever	
SP554067	63
Switchboard Plate	
SP541426	89, 91, 93
SP558370	89
Switching Unit	
SP528312	65

T

Table	
SP554776	49
Table Barrier Ledge	
SP554708	41
Table Central Brace	
SP541403	45
Table Holder	
SP545596	47

N/A items do not appear in index.

SP554696	43
SP554697	41
SP562125	47
Table Longitudinal Beam	
SP503343	41, 45
Temperature Safety Sensor	
SP553959	59, 61
Temperature Sensor	
SP554643	59
548268	59
563788	61
563800	61
Temperature Sensor Finger	
SP540227	59, 61
Temperature Sensor Replacement Kit	
571210	59
571211	59
Tension Extension	
562179	25
Tension Plate	
SP503399	45
Tension Pulley	
562166	25
Tension Roller	
SP551743	19, 21
Tension Sprocket Hub	
562178	25
Tension Weldment Plate	
SP548694	23
Tensioning Holder	
SP552547	25
Thermal Overload Relay	
SP514103	89, 91, 93
SP514104	89, 91, 93
Threaded Clutch	
SP517149	51, 55
Threaded Plate	
SP517155	51, 55
Threaded Rod	
SP548877	13
Tightener	
SP515E21000014	45
Tightener Body	
SP507573	83, 87
SP507574	83
Tightening Roller	
SP314E36000114	19, 21
Top Cover	
SP548706	67, 69
Transformer	
SP100000	39, 49
SP101643	89, 91, 93
SP516648	91
SP528466	89, 91, 93
Travel	
SP503371	29
Trough Face	
SP562107	81
Trough Guide Weldment	
SP562109	81
SP562110	81
Trough Hinge	
SP562101	81

Tube	
SP558235	101
SP558237	101

U

U Profile	
SP520016004302	29
Upper Beam Weldment	
SP548860	7
Upper Cover Holder	
SP541390	7
Upper Front Cover	
SP554085	67, 69
SP554086	67, 69
Upper Holder	
SP541393	7
SP548692	11, 13
Upper Side Cover	
SP548709	67, 69
SP548710	67, 69
U-Profile	
SP520016004302	31

V

Vacuum Inserting Table	
SP558254	15
Vacuum Table Ironing Belt Set	
SP559461	15
Valve	
SP406427000024	71, 75
SP554604	97
Valve Cable	
SP562124	101
Valve Connector	
SP536505	79
Valve Terminal	
SP558372	73, 77
Ventilator	
SP552675	15

W

Washer	
SPF02111001214	97, 101
SPPRI522000012	67, 69, 73
SP311105200008	19, 21
SP311125000003	35, 51, 55, 63, 65, 73, 77
SP311125000004	15, 27, 33, 35, 73, 77, 99
SP311125000005	23, 29, 31, 35, 37, 39, 71, 75, 79, 87, 89, 91, 93, 99
SP3111250000067, 11, 25, 33, 39, 43, 49, 53, 57, 63, 83,	85, 87
SP3111250000089, 11, 13, 17, 19, 21, 29, 31, 35, 37, 39,	47, 49, 53, 57, 67, 69, 81, 87, 95, 97, 99
SP3111250000107, 9, 11, 13, 15, 17, 23, 27, 37, 39, 43,	47, 49, 53, 81, 85, 87, 103
SP311125000013	7, 9, 11, 97
SP311125100006	89, 91, 93
SP311125240004	43
SP311125240005	7

N/A items do not appear in index.

SP311125240006	99
SP311125240008	15
SP311127000003	35, 51, 55, 73, 77
SP311127000004	27, 31, 65, 73, 77, 99
SP311127000005	23, 29, 31, 85, 89, 91, 93, 95
SP3111270000067, 11, 23, 33, 45, 49, 53, 57, 67, 69, 73,	83, 87
SP311127000008 13, 17, 19, 21, 25, 29, 31, 35, 37, 49,	53, 87, 95, 97, 99, 103
SP311127000010	7, 37, 39, 43, 49, 53, 87, 103
SP311127000012	11, 97
SP311127240004	99
SP311127240005	25, 95
SP311127240006	99
SP311679800003	39, 49, 53, 65
SP311679800004	37, 39, 65
SP311679824003	59, 61
SP311679824006	89, 91, 93
SP311734900006	85
SP311902100004	31, 65, 99
SP311902100006	15, 17, 25, 45, 57, 67, 87, 95
SP311902100008	13, 23, 37, 39, 103
SP311902100010	9, 39, 103
SP311902100012	97
SP503313	87
SP503314	83
SP503686	65, 99
SP505005	25
SP505430	57, 71, 75, 79, 99
SP509046	31
SP511017	51, 55
SP511067	51, 55
SP514572	45
SP515E00022115	23
SP519945	11, 17, 39
SP525223	27
SP545027	63
SP553965	99
SP554054	11
SP554756	45
570210	25
Water Catch	
SP554015	7
Weight	
SP554635	97
