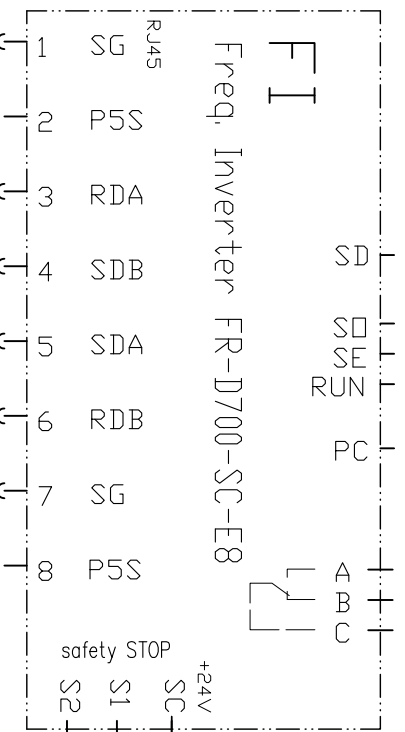
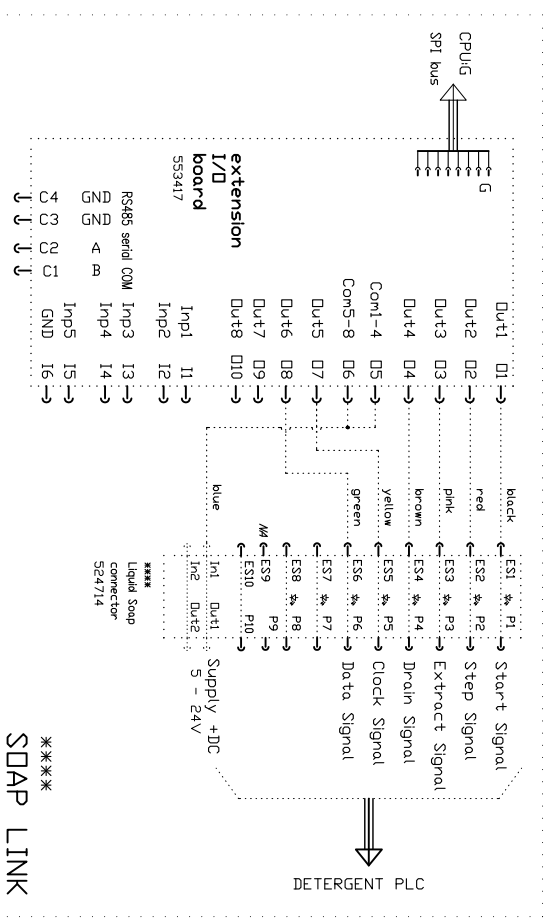
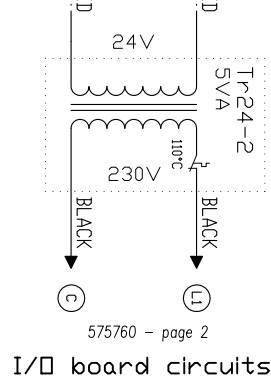
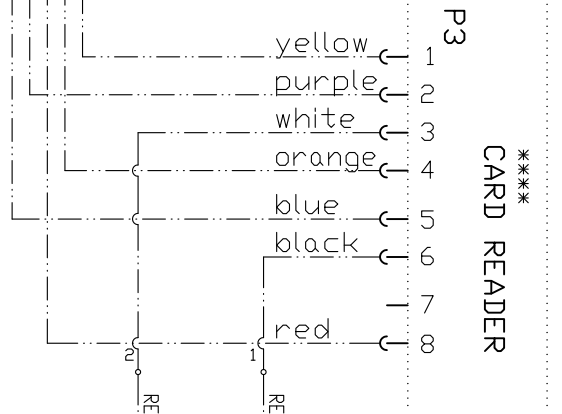


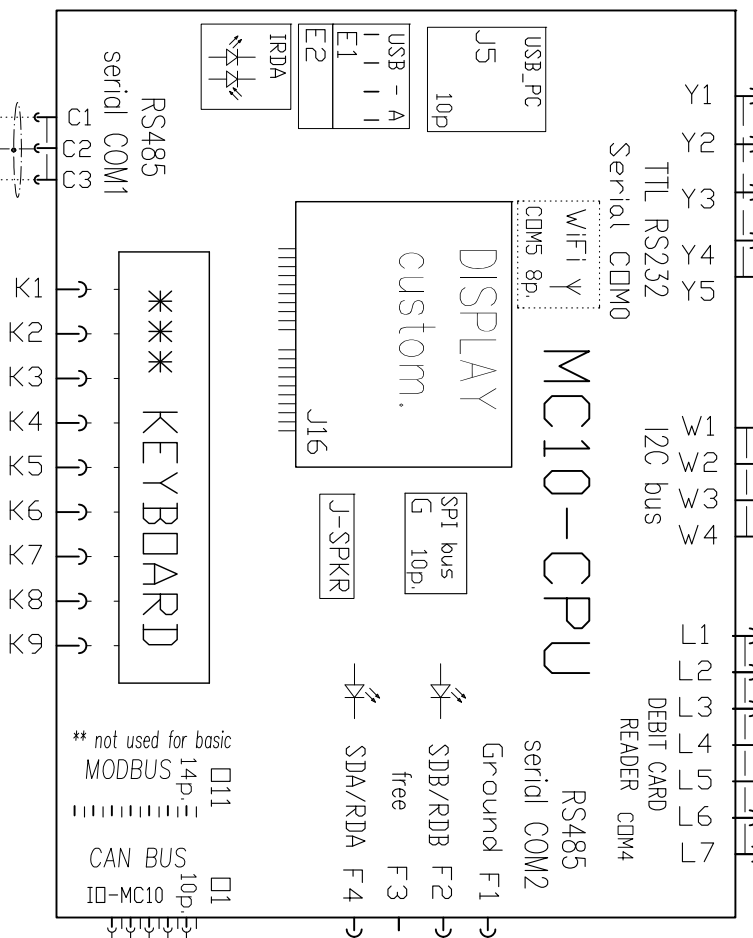
I/O Board: D  
575760 - page 2



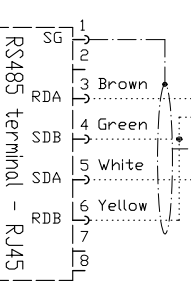
Legend:

- \*\*\* : Option
- ..... : Option
- - - - - : COIN MACHINES or EXTERNAL PAYMENT
- ..... : ELECTRICAL HEATING  
*Not for CSA/UL machines*
- - - - - : Main Supply Single Phase INVERTER
- \_\_\_\_\_ : Main Supply 3 Phase INVERTER

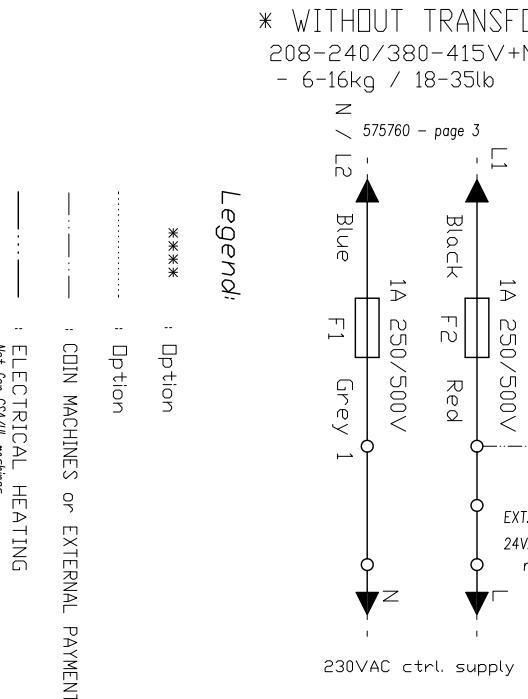
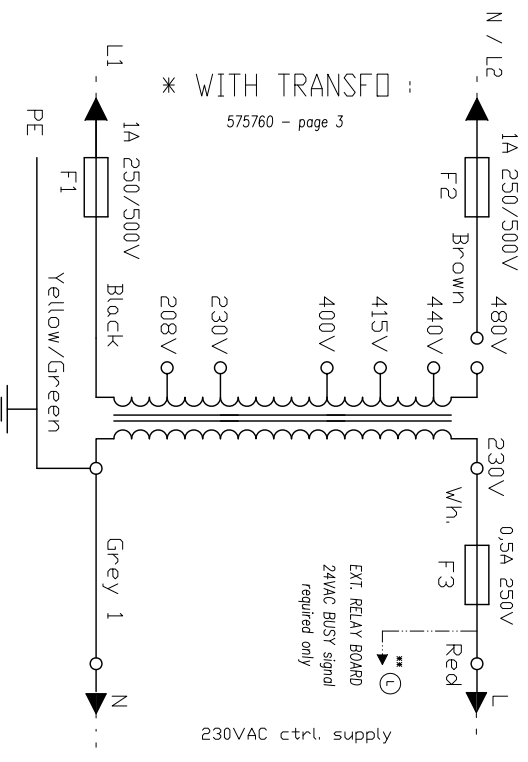
I/O Board: B  
575760 - page 2



569702



Machine types where used Free standing 6,5-28kg Rigid mounted 18-28kg Kendrick doorlock		Tolerance		Roughness		Scale:	
Date		Name		Material:		Rough dimensions:	
16sep2020		PSt		Standard for rough material:		Article description	
Check		Stand		<b>SCHEMATIC DIAGRAM washing machine</b> - MC10 controller			
Main group		Article number					
960		575 760					
Replaces:		Replaced by:		Page: 1		Pages: 3	



**Legend:**

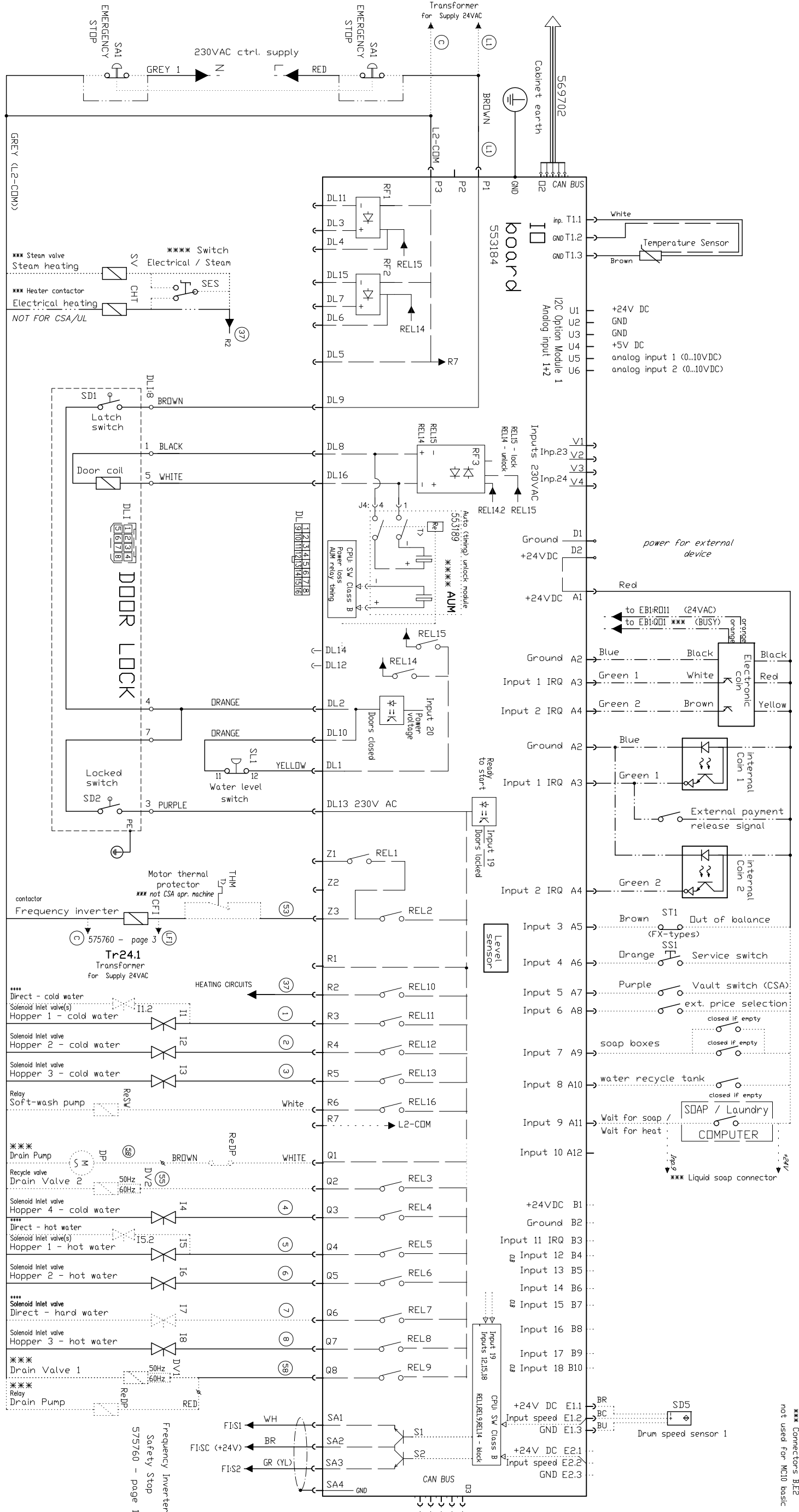
\*\*\*\* : Option

..... : Option

----- : COIN MACHINES or EXTERNAL PAYMENT

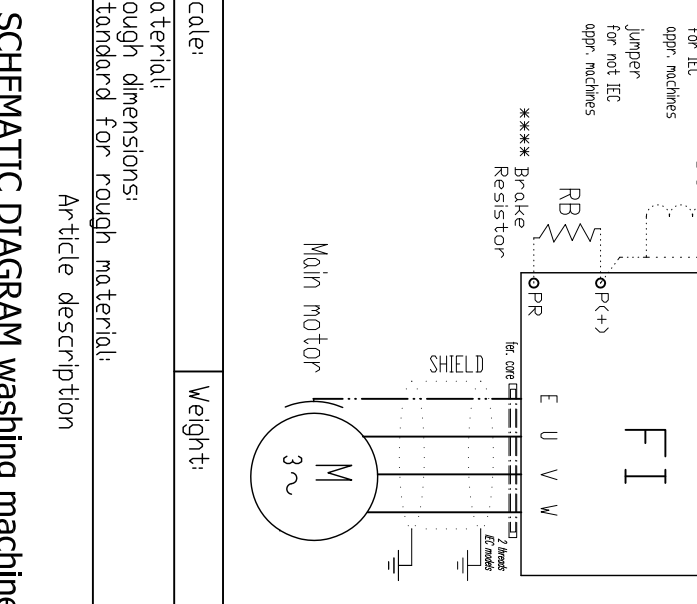
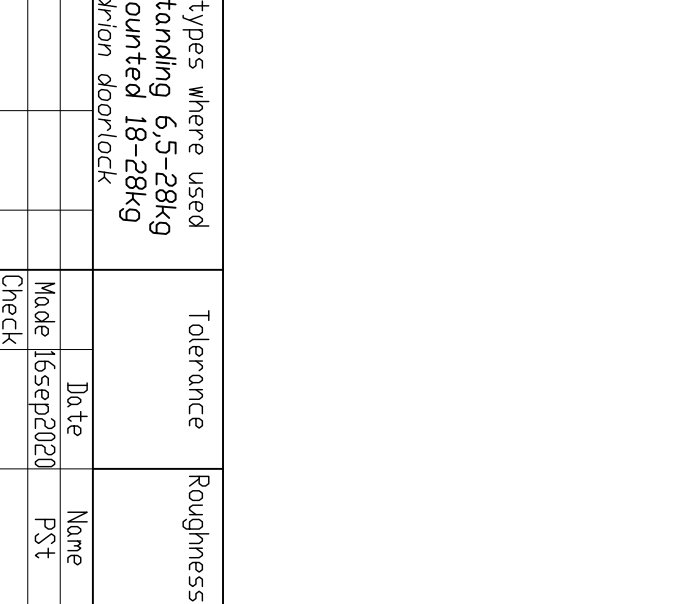
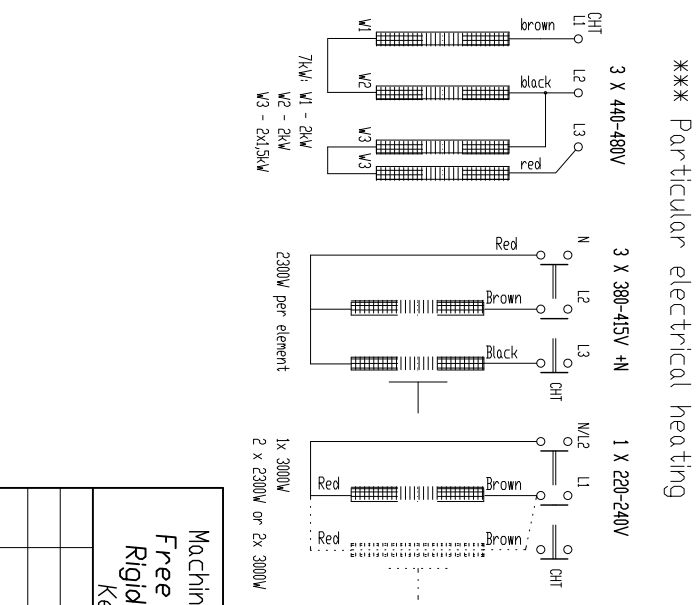
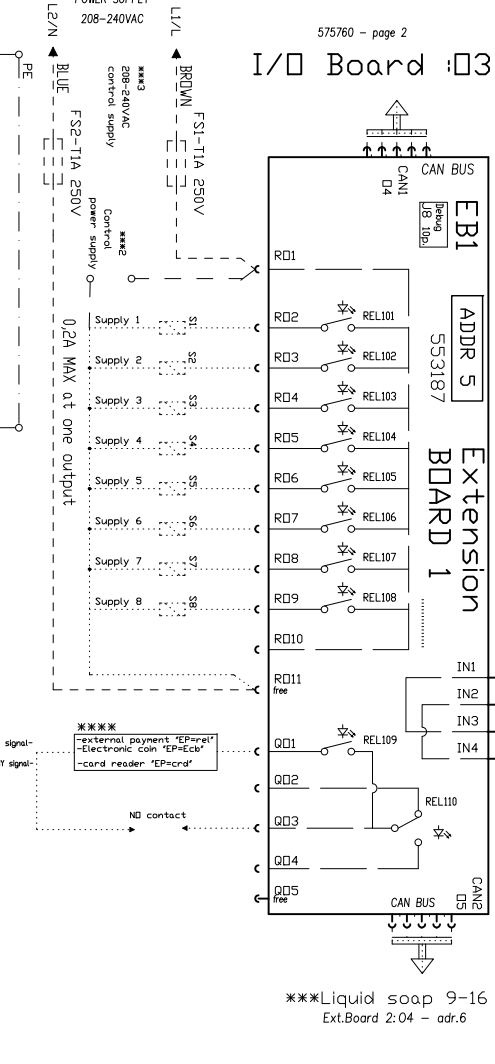
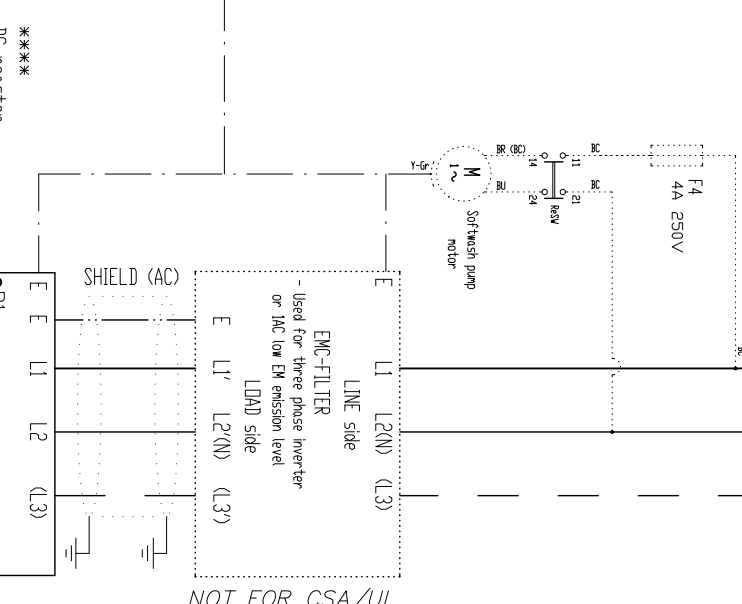
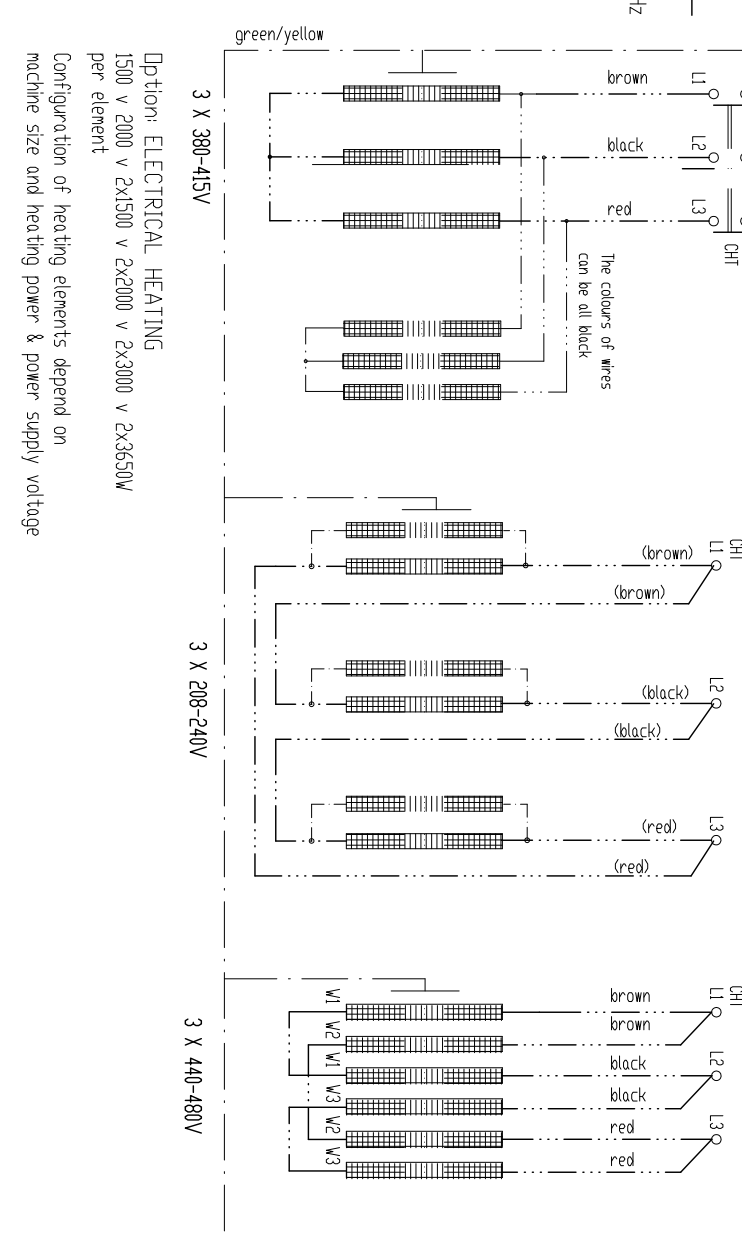
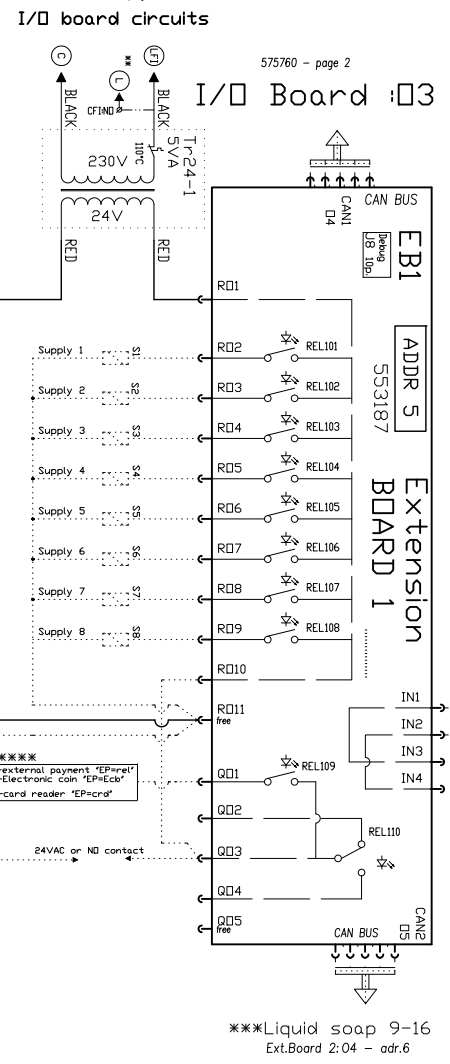
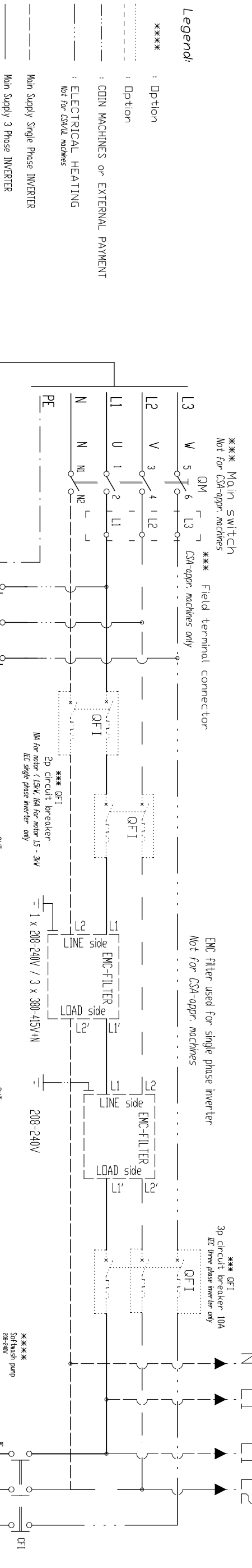
----- : ELECTRICAL HEATING

Not for CSA/UL machines

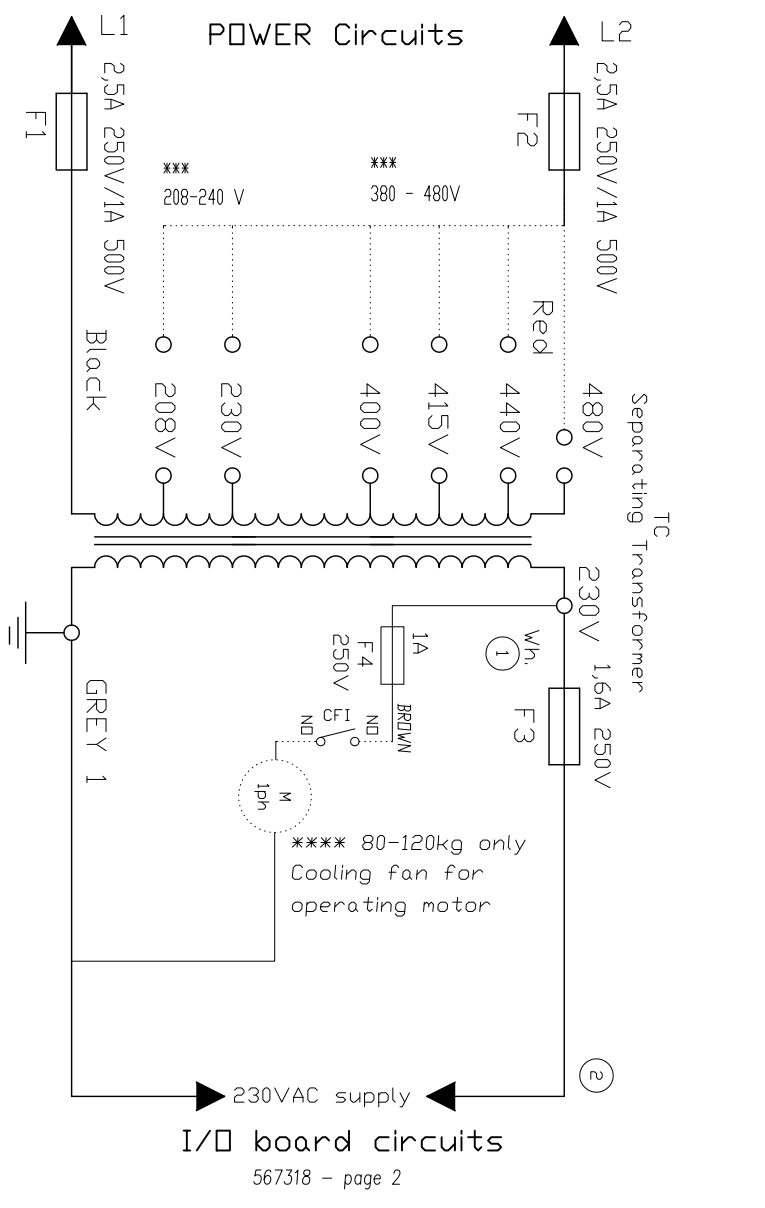
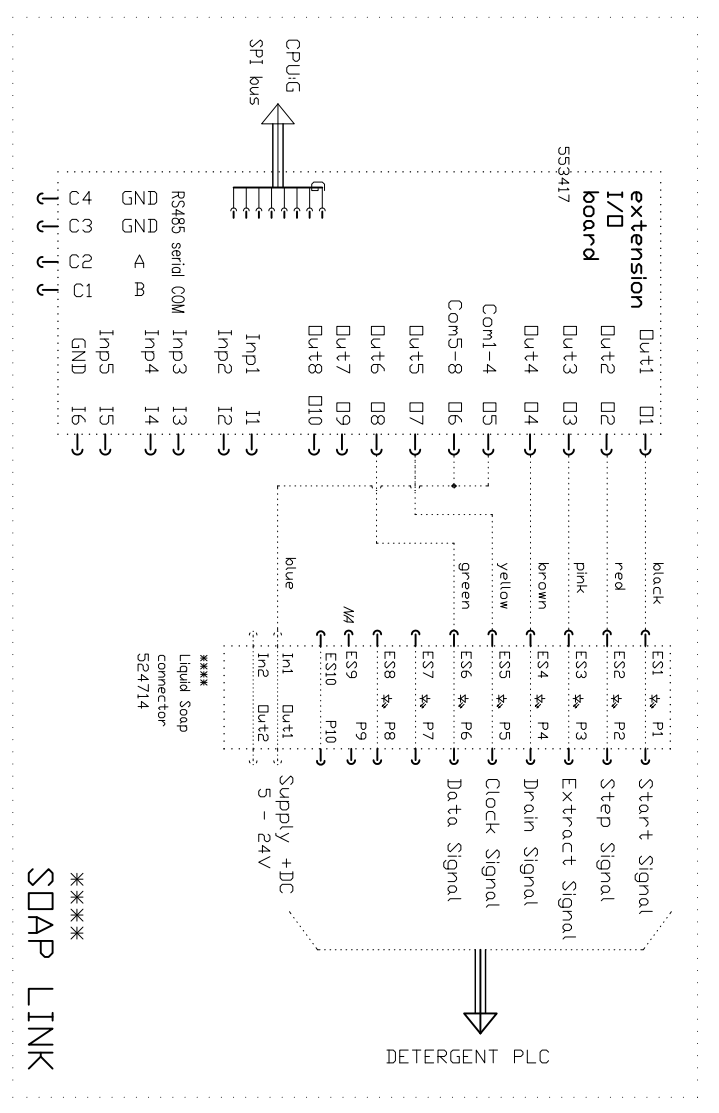
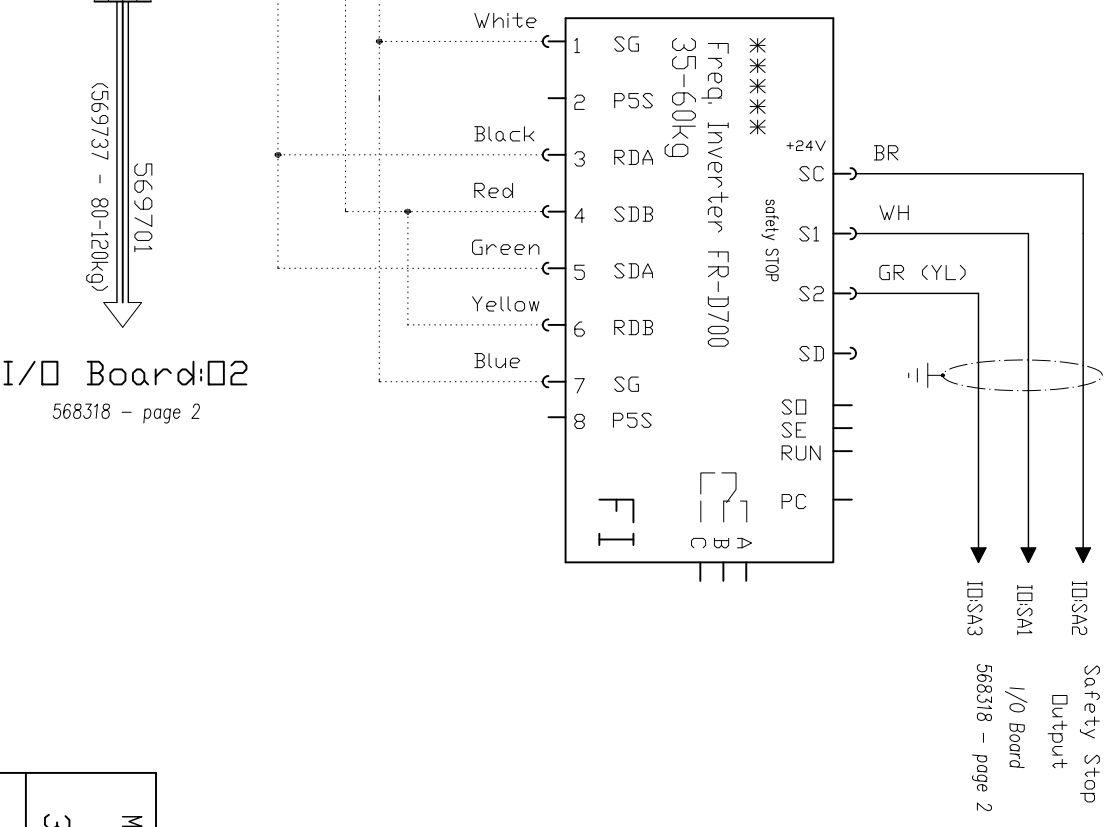
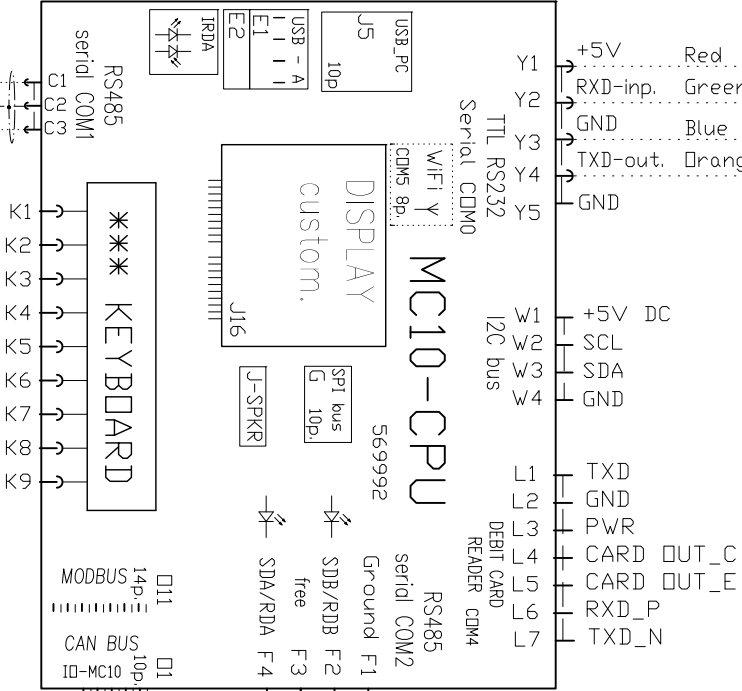
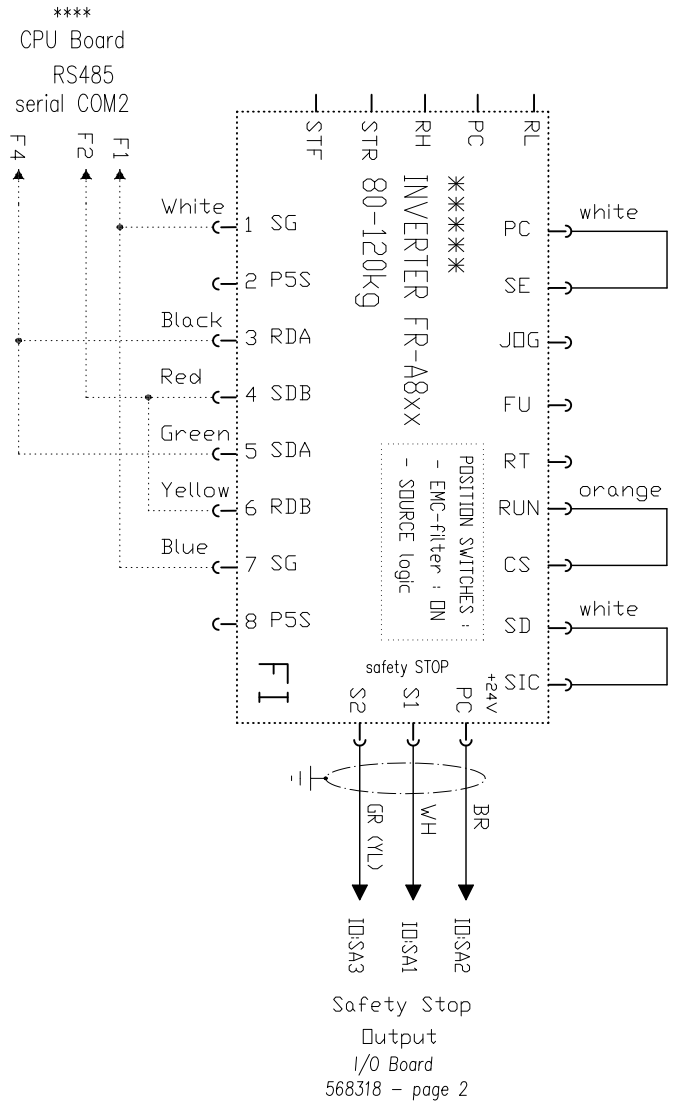
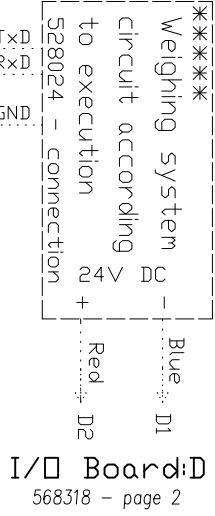


Machine types where used		Tolerance		Roughness		Scale:	
Free standing 6,5-28kg		Date		Name		Material:	
Rigid mounted 18-28kg		Made 16sep2020		PSt		Rough dimensions:	
Kendrick doorlock		Check		Stand		Standard for rough material:	
Article description							
<b>SCHEMATIC DIAGRAM washing machine</b>							
- MC10 controller							
Main group		Article number		Page: 2		Replaces:	
960		575 760		Pages: 3		Replaced by:	

\*\*\* Connectors BE2 not used for MC10 basic

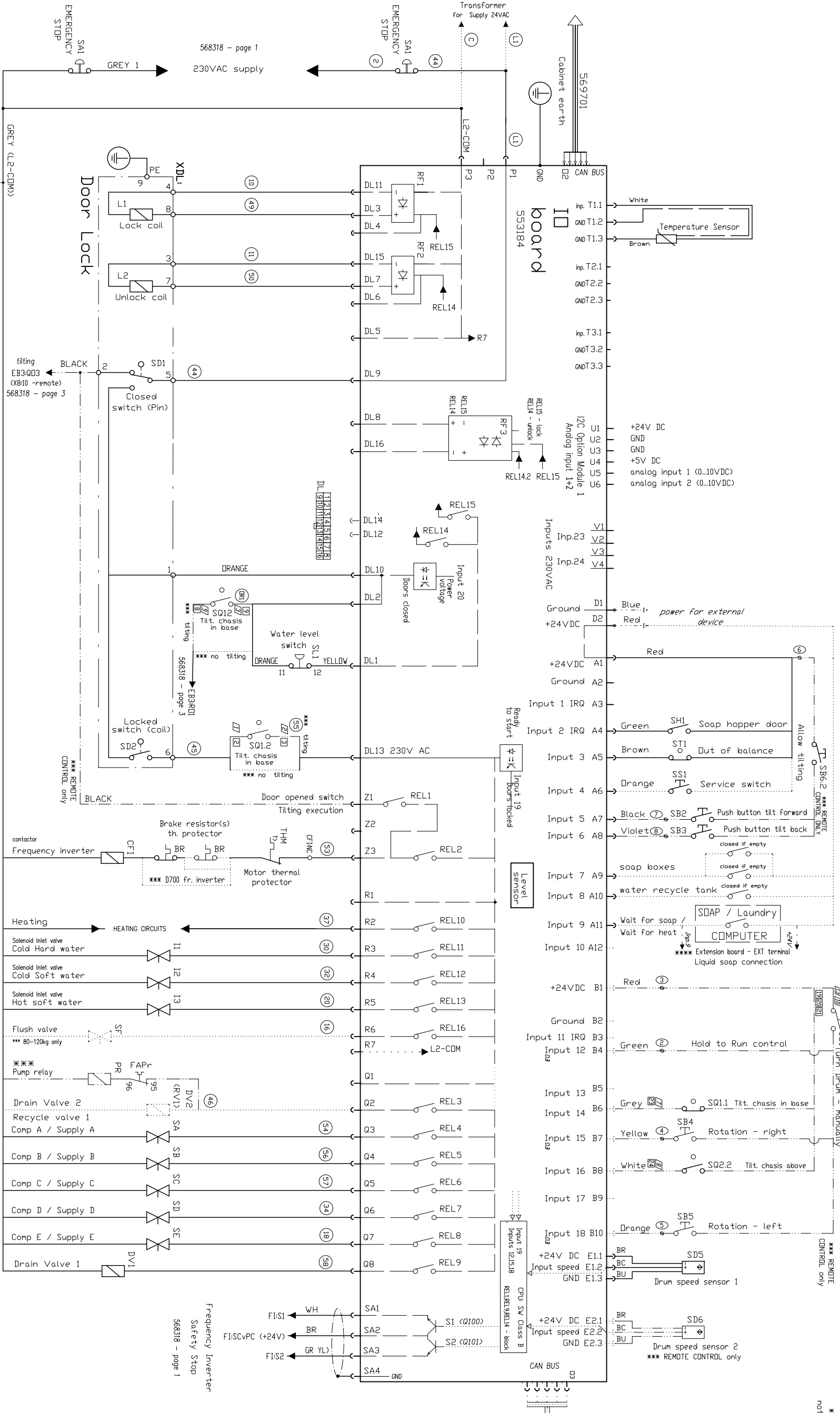
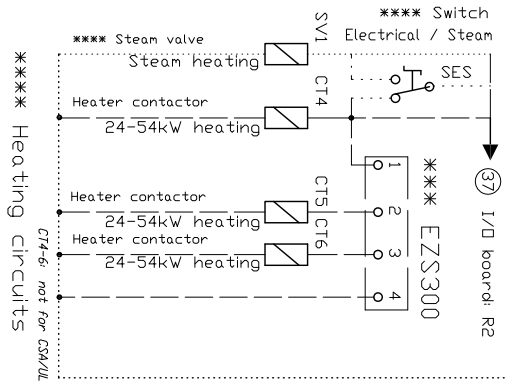


Machine types where used	Free standing 6,5-28kg Rigid mounted 18-28kg Kendrick doorlock	Tolerance	Date	Name	Scale:	Material:	Rough dimensions: Standard for rough material:	Article description	Weight:
B	Basic ex. add	3.3.2021	PSt						
A	Heat 6kW 1AC	4.10.2020	PSt						
Stat	Modification	Date	Name						
SCHEMATIC DIAGRAM washing machine					Main group	Article number	575 760	Page: 3	
- MC10 controller					Replaces:	Replaced by:		Pages: 3	



**I/O Board:D2**  
568318 - page 2

Machine types where used <b>Free -standing</b> 35-120kg / 80-275kg		Tolerance		Roughness		Scale:		Weight:	
		Date		Name		Material:			
		10may18		Pst		Rough dimensions: Standard for rough material:			
		Check				Article description			
		Stand				<b>SCHEMATIC DIAGRAM washing machine</b>			
						- <b>MC10 controller</b>			
Stat		Modification		Date		Name		Replaces:	
A		add S012		2012022Pst				Main group	
								Article number	
								568 318	
								Page: 1	
								Pages: 3	



**LEGEND:**

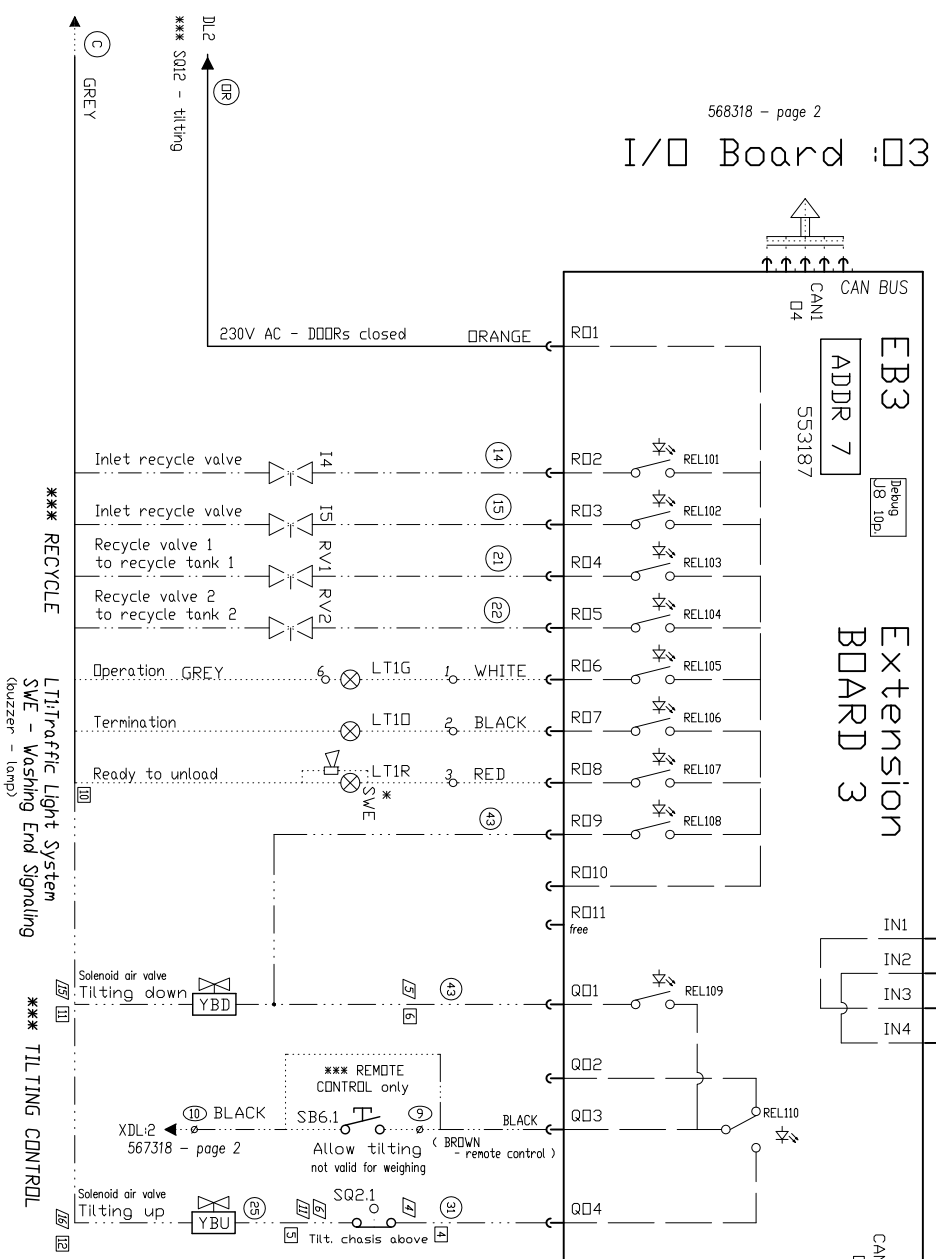
- (X) : Wire number
- : Water recuperation
- : CONNECTION POINT
- \*\*\*\* : OPTION
- : OPTION
- : OPTION Tilting chassis
- : OPTION Electrical heating not for CSA/VL
- : Tilting terminal XT (35-60kg)
- : Tilting terminal XT - 80-120kg
- : Remote controller terminal X8

Machine types where used		Tolerance		Scale:	
Free-standing				Material:	
35-120kg / 80-275lb				Rough dimensions:	
				Standard for rough material:	
				Article description	
				SCHEMATIC DIAGRAM washing machine	
				- MC10 controller	
Stat		Modification		Replaces:	
add SQ12		20120222PSt		Main group	
				Article number	
				568 318	
				Page: 2	
				Pages: 3	

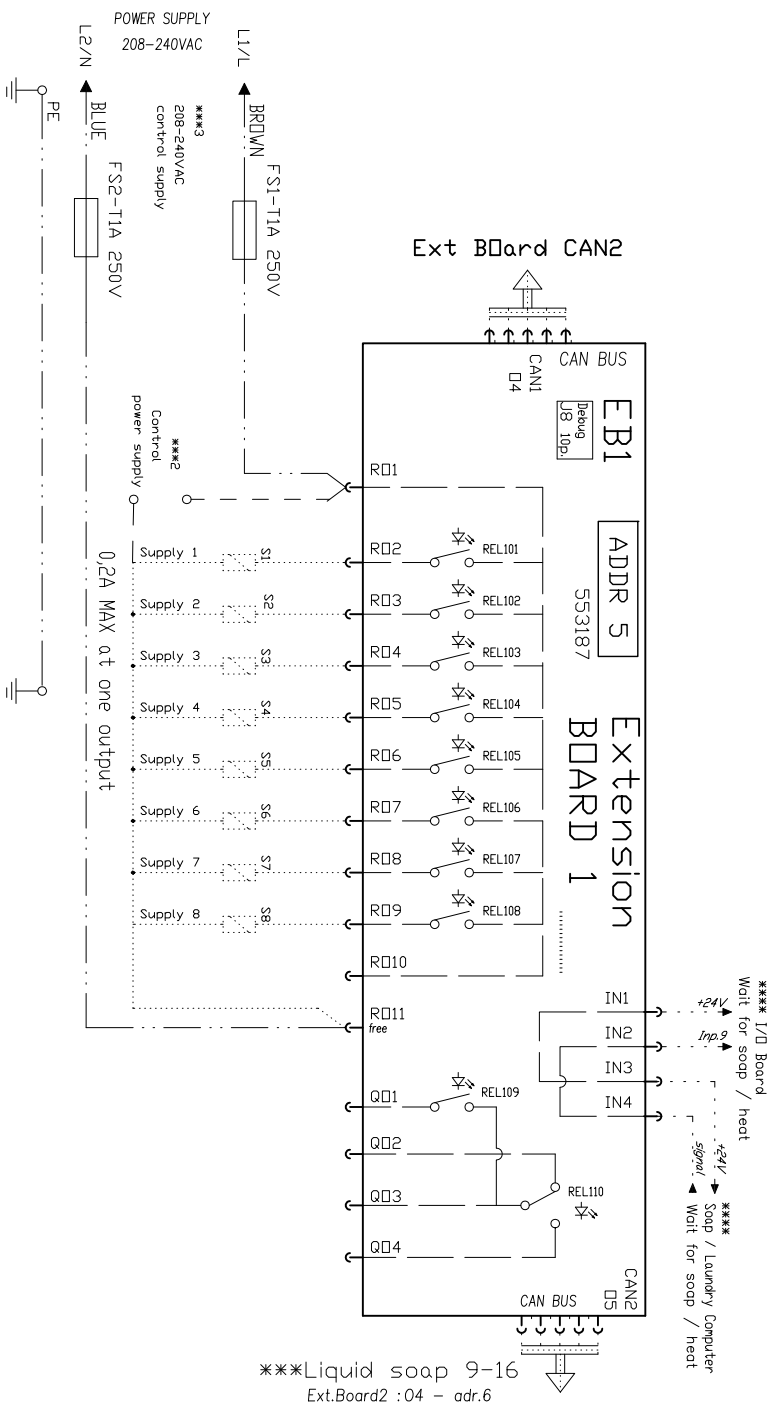
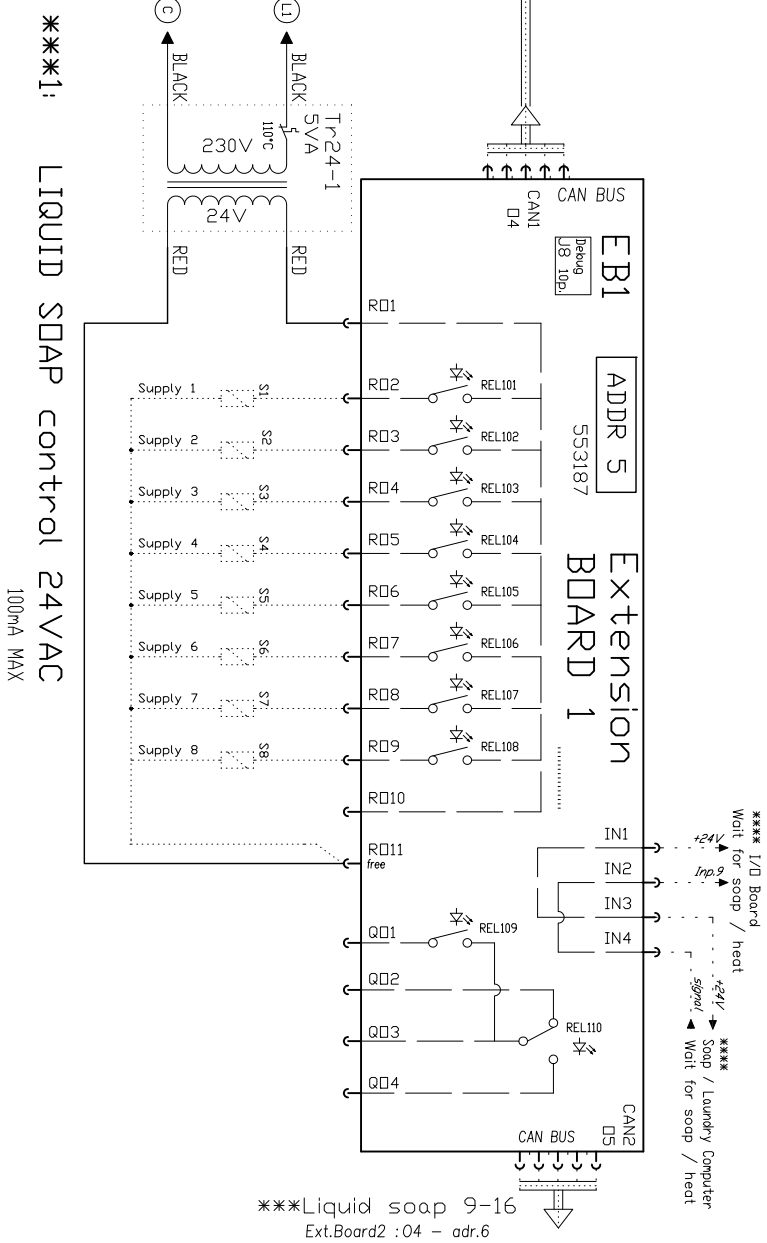
Extension Board 1:CAN1

I/O board circuits

I/O Board :03



I/O board circuits



Machine types where used		Tolerance		Roughness		Scale:	
Free-standing						Material:	
35-120kg / 80-275lb						Rough dimensions: Standard for rough material:	
		Date		Name		Article description	
		10may18		PSt		SCHEMATIC DIAGRAM washing machine	
		Made		Check		- MC10 controller	
		Stand					
Stat		Modification		Date		Name	
A		add S012		2012022PSt			
						Main group	
						960	
						Article number	
						568 318	
						Replaces:	
						Replaced by:	
						Page: 3	
						Pages: 3	

SCHEMATIC DIAGRAM washing machine

MC10 controller

Main group

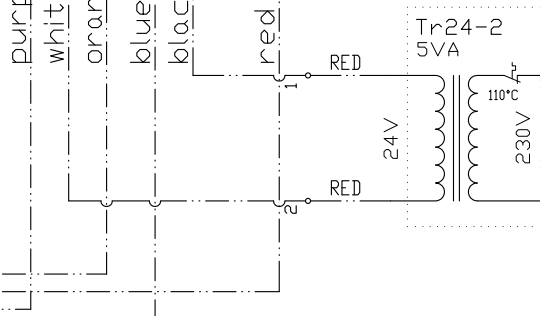
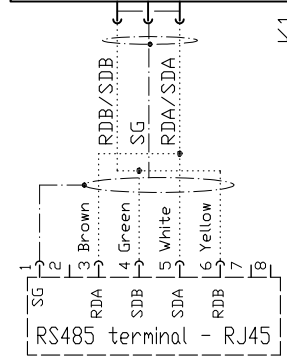
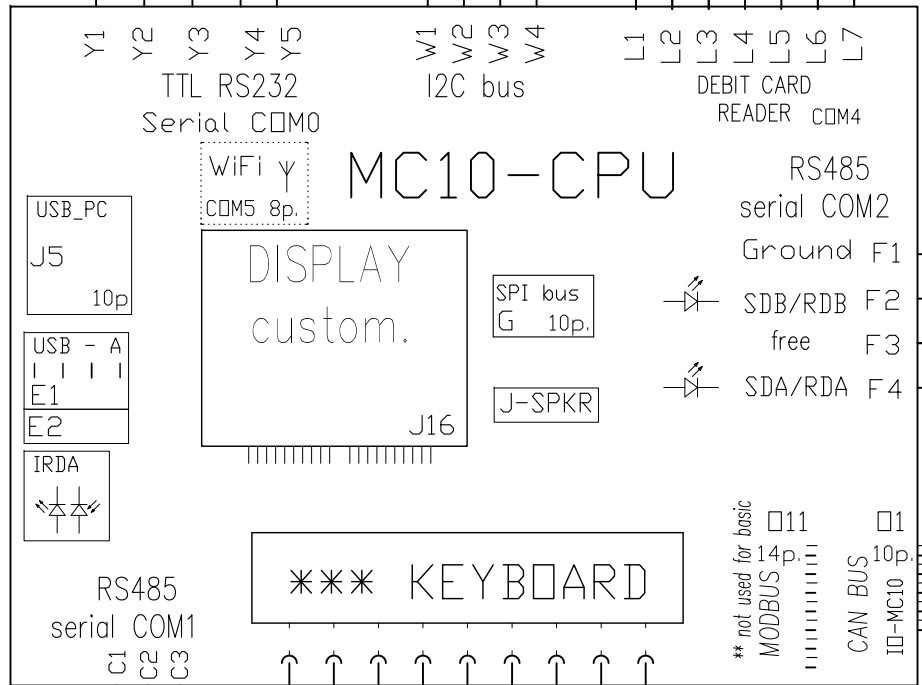
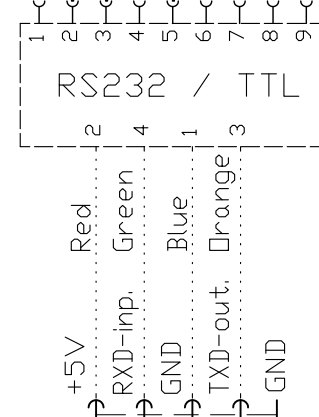
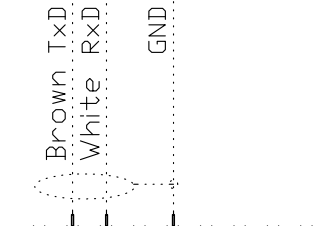
960

Page: 3

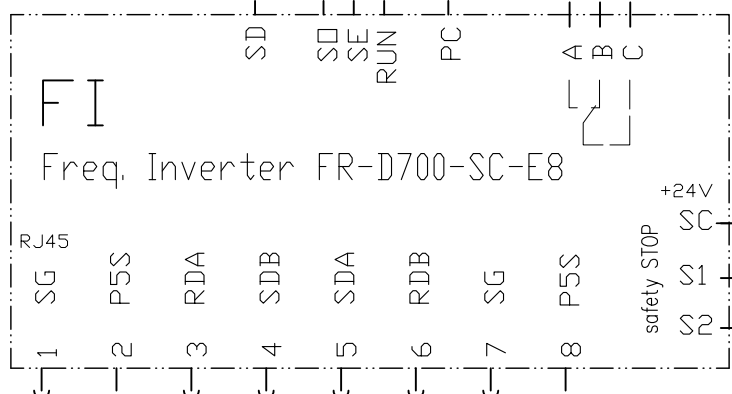
\*\*\*\*\*  
 Weighing system  
 circuit according  
 to execution  
 528024 - connection



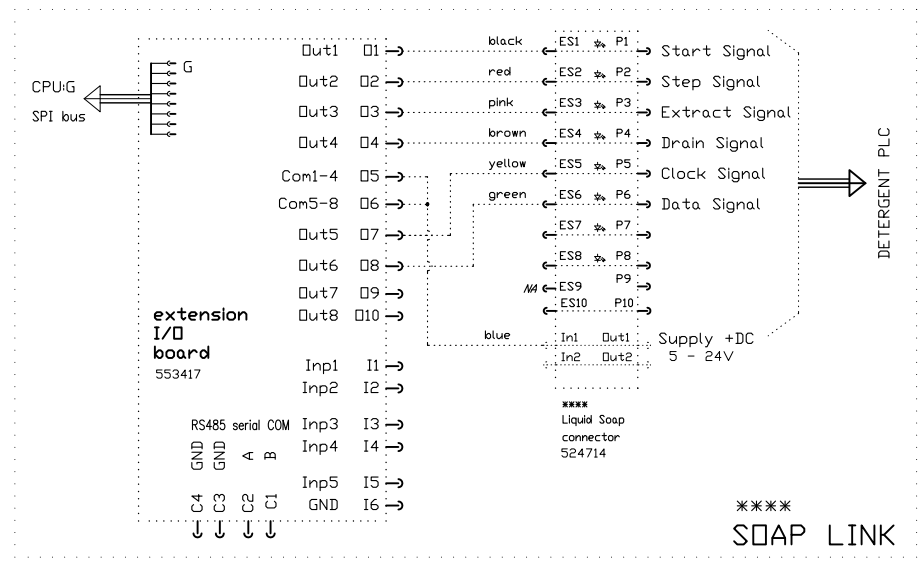
I/O Board:1  
 574404 - page 2



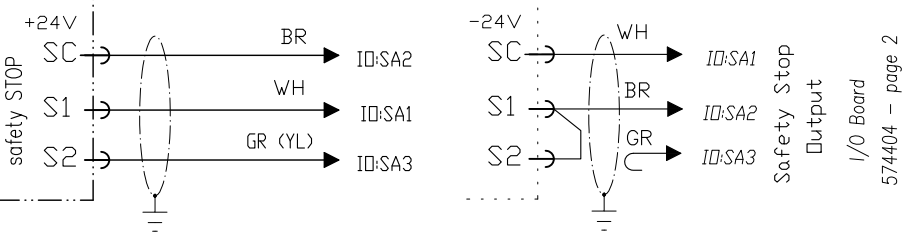
I/O board circuits  
 574404 - page 2



I/O Board:2  
 574404 - page 2



\*\*\*\*\*  
 till 2018 vers.  
 (FR-D700\_E8)

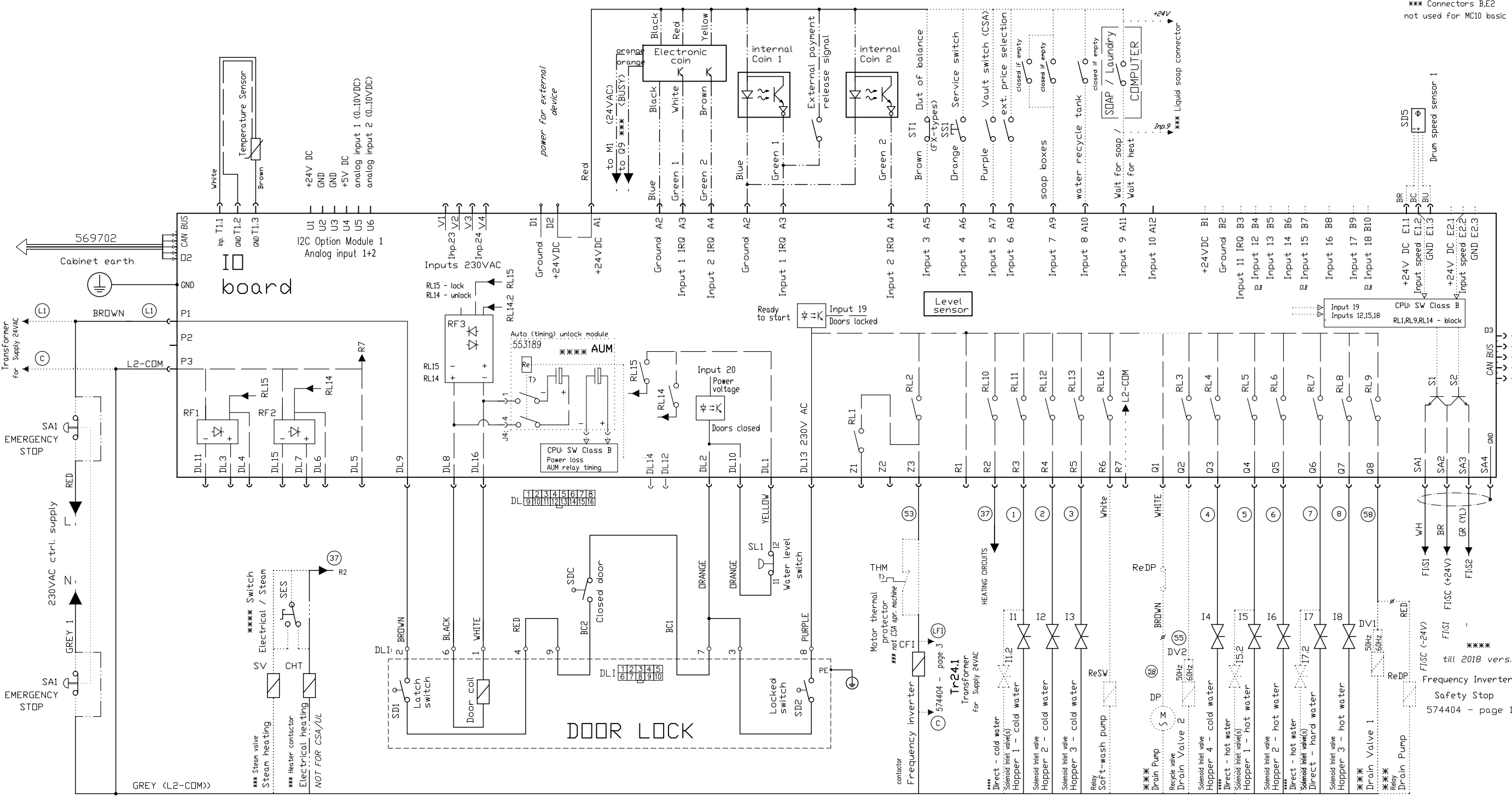


Legend:

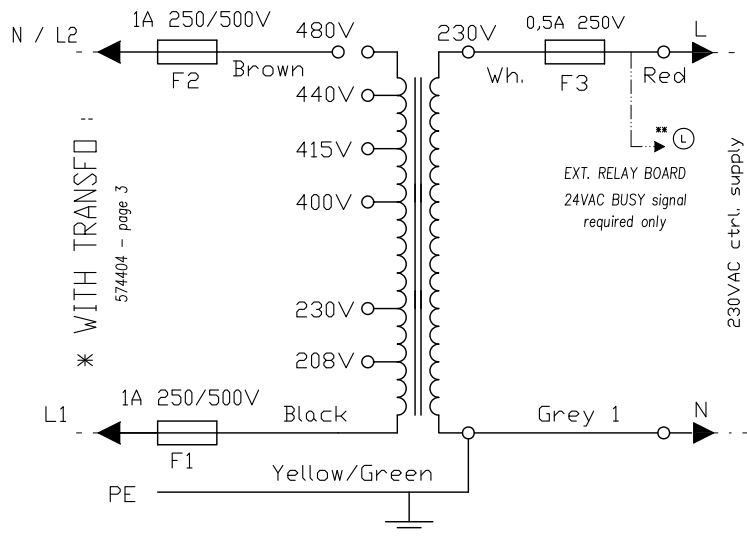
- \*\*\*\*\* : Option
- ..... : Option
- - - - - : COIN MACHINES or EXTERNAL PAYMENT
- ..... : ELECTRICAL HEATING  
 Not for CSA/UL machines
- Main Supply Single Phase INVERTER
- Main Supply 3 Phase INVERTER

**ŘÍZENÁ KOPIE**

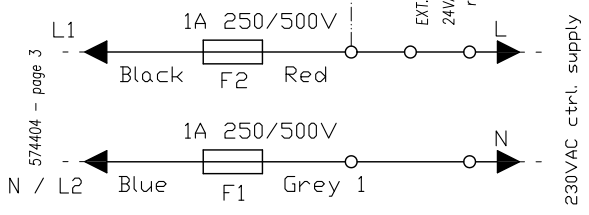
Machine types where used Free standing 6,5-28kg Rigid mounted 18-28kg	Tolerance	Roughness	Scale:	Weight:
	Date	Name	Material: Rough dimensions: Standard for rough material:	
	Made	23apr18	Article description	
	Check		<b>SCHEMATIC DIAGRAM washing machine - MC10 controller</b>	
	Stand		Main group	Article number
B Basic ex. add	22.2.2021	PS	960	574 404
A 6 kW 230V 1AC	4.10.2020	PS		
Stat Modification	Date	Name	Replaces:	Replaced by:



\*\*\* Connectors B,E2 not used for MC10 basic



\* WITHOUT TRANSFO :  
208-240/380-415V+N  
- 6-16kg / 18-35lb



- Legend:
- \*\*\*\* : Option
  - ..... : Option
  - : COIN MACHINES or EXTERNAL PAYMENT
  - ..... : ELECTRICAL HEATING  
Not for CSA/UL machines

**ŘÍZENÁ KOPIE**

\*\*\* I1.2, I2.2 standard for 280kg machines , option for 180-240kg  
I3.2 standard for 280kg machines , option for 180-240kg - 3water inlets system

Machine types where used Free standing 6,5-28kg Rigid mounted 18-28kg	Tolerance	Roughness	Scale:	Weight:
			Material: Rough dimensions: Standard for rough material:	
	Date 23apr18	Name PSt	Article description	
	Made		<b>SCHEMATIC DIAGRAM washing machine - MC10 controller</b>	
	Check		Main group 960	Article number 574 404
	Stand		Replaces:	Replaced by:
B Basic ex. add 22.2.2021 PSt				Page: 2
A 6 kW 230V 1AC 4.10.2020 PSt				Pages: 3
Stat Modification	Date	Name		



**Legend:**

- \*\*\*\* : Option
- : Option
- - - - - : COIN MACHINES or EXTERNAL PAYMENT
- ..... : ELECTRICAL HEATING  
*Not for CSA/UL machines*
- : Main Supply Single Phase INVERTER
- : Main Supply 3 Phase INVERTER

\*\*\* Main switch  
*Not for CSA-appr. machines*

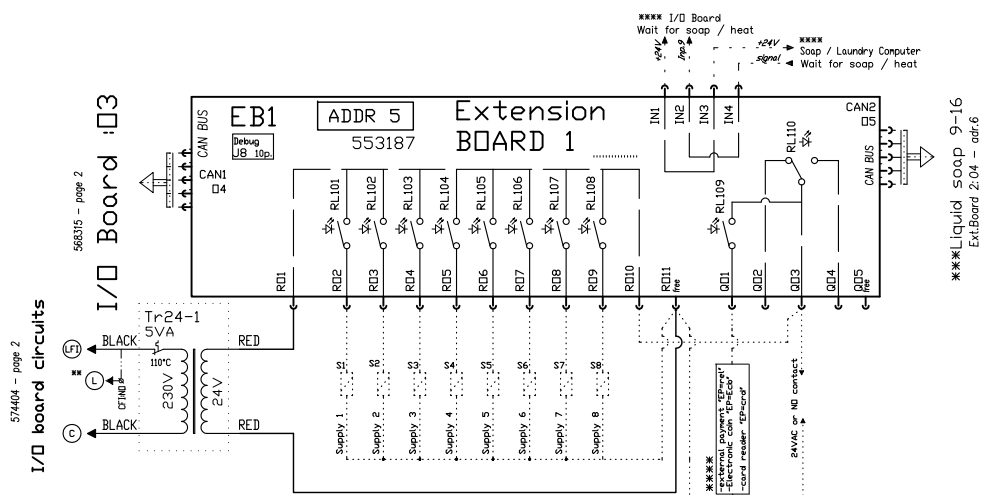
\*\*\* Field terminal connector  
*CSA-appr. machines only*

EMC filter used for single phase inverter  
*Not for CSA-appr. machines*

\*\*\* QFI  
3p circuit breaker 10A  
*IEC three phase inverter only*

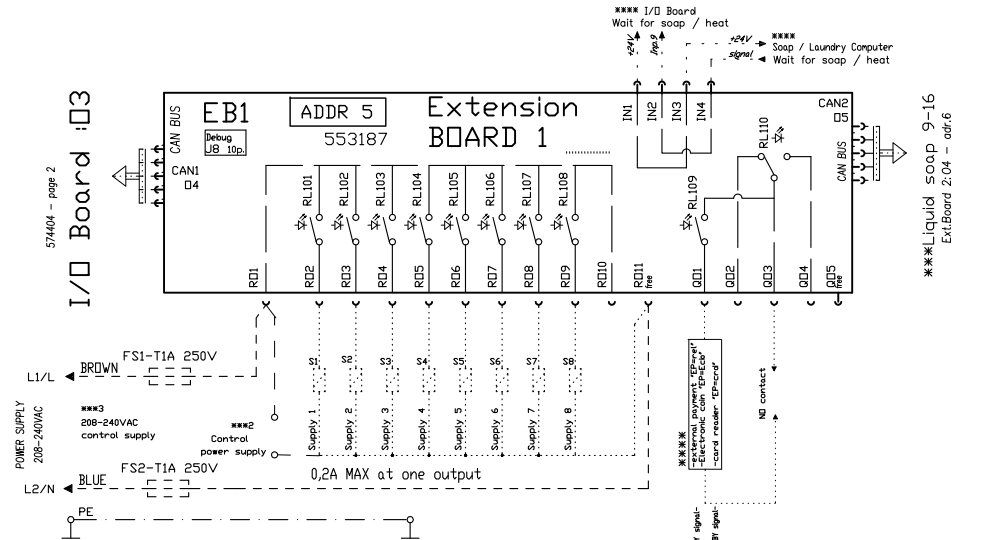
**POWER SYSTEMS**

1x(200)208-240 V 50/60 Hz  
3x380-415V+N+PE / 3x(200)208-240V+PE / 50/60 Hz  
3x380-480V+PE / 50/60 Hz



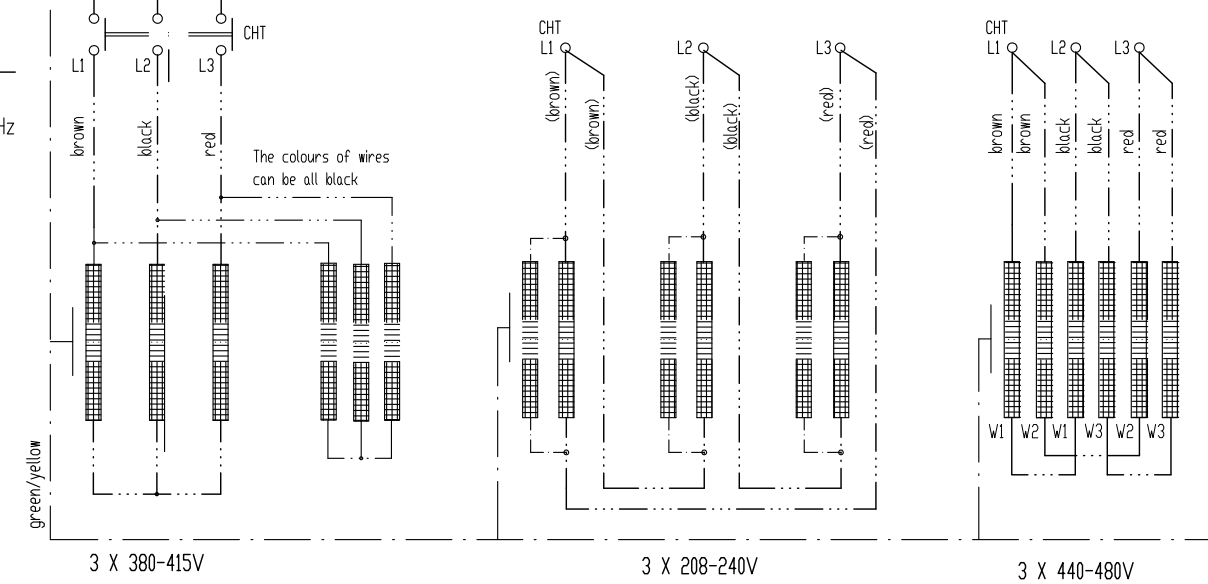
\*\*\*1: LIQUID SOAP control 24VAC  
100mA MAX

\*\* 1: if 24VAC "BUSY" signal required



\*\*\*2: LIQUID SOAP control external supply (24 - 240V AC/DC)

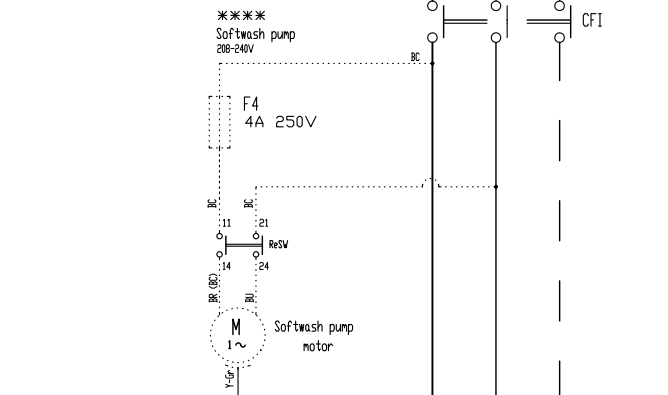
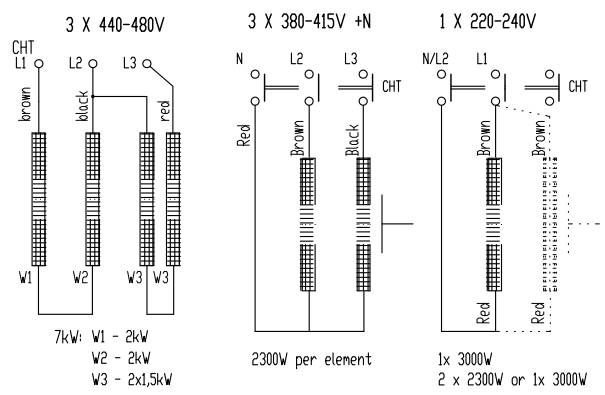
\*\*\*3: LIQUID SOAP control 208-240VAC



Option: ELECTRICAL HEATING  
1500 v 2000 v 2x1500 v 2x2000 v 2x3000 v 2x3650W  
per element

Configuration of heating elements depend on  
machine size and heating power & power supply voltage

\*\*\* Particular electrical heating



\*\*\* DC reactor  
for IEC  
appr. machines

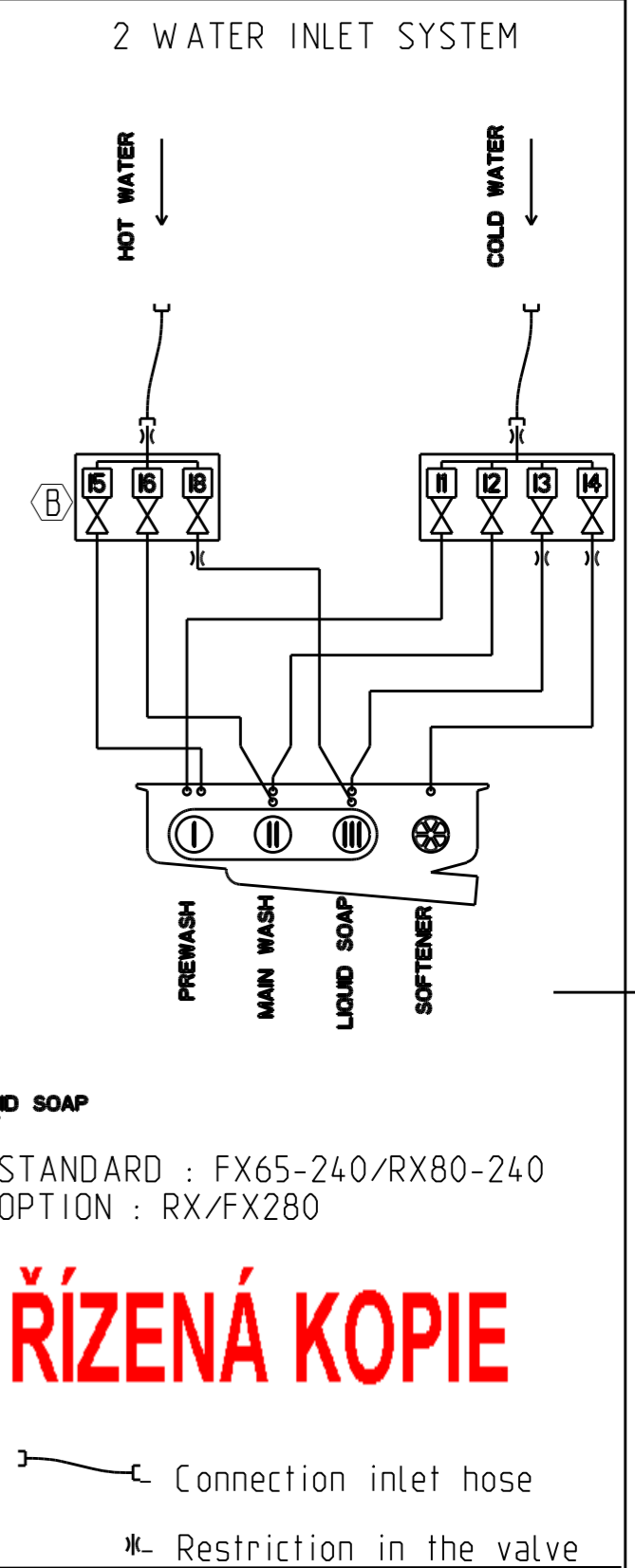
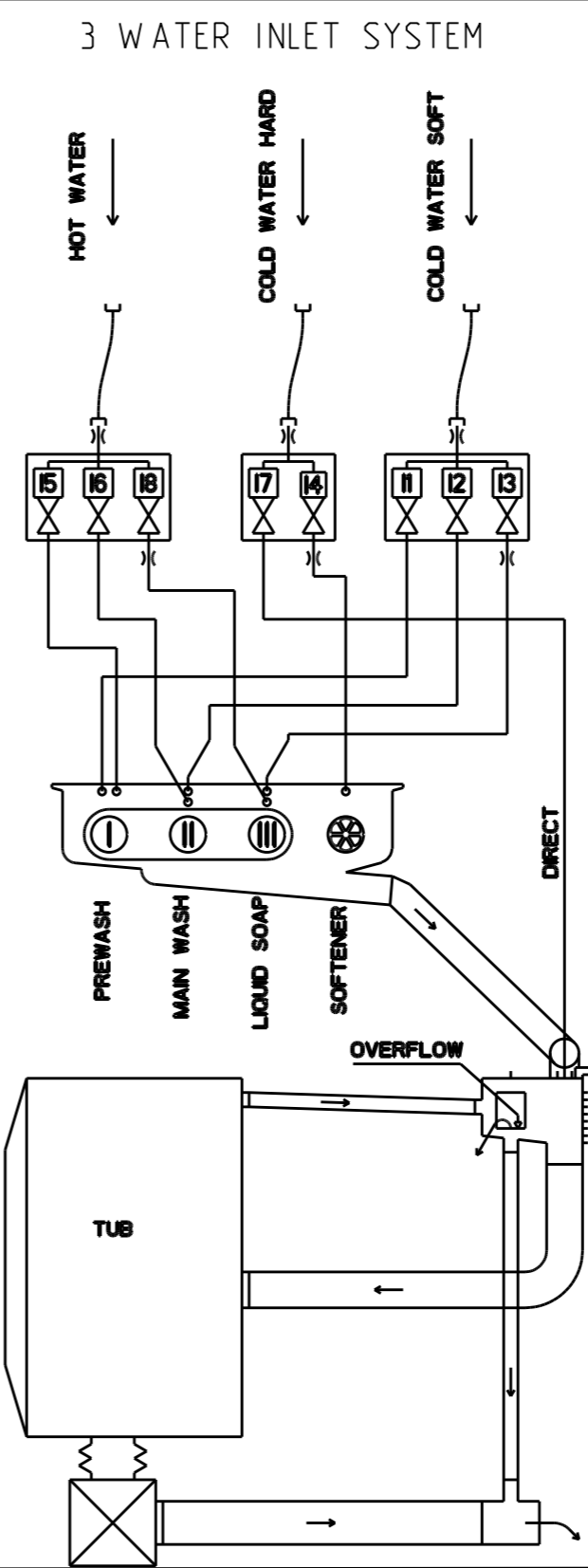
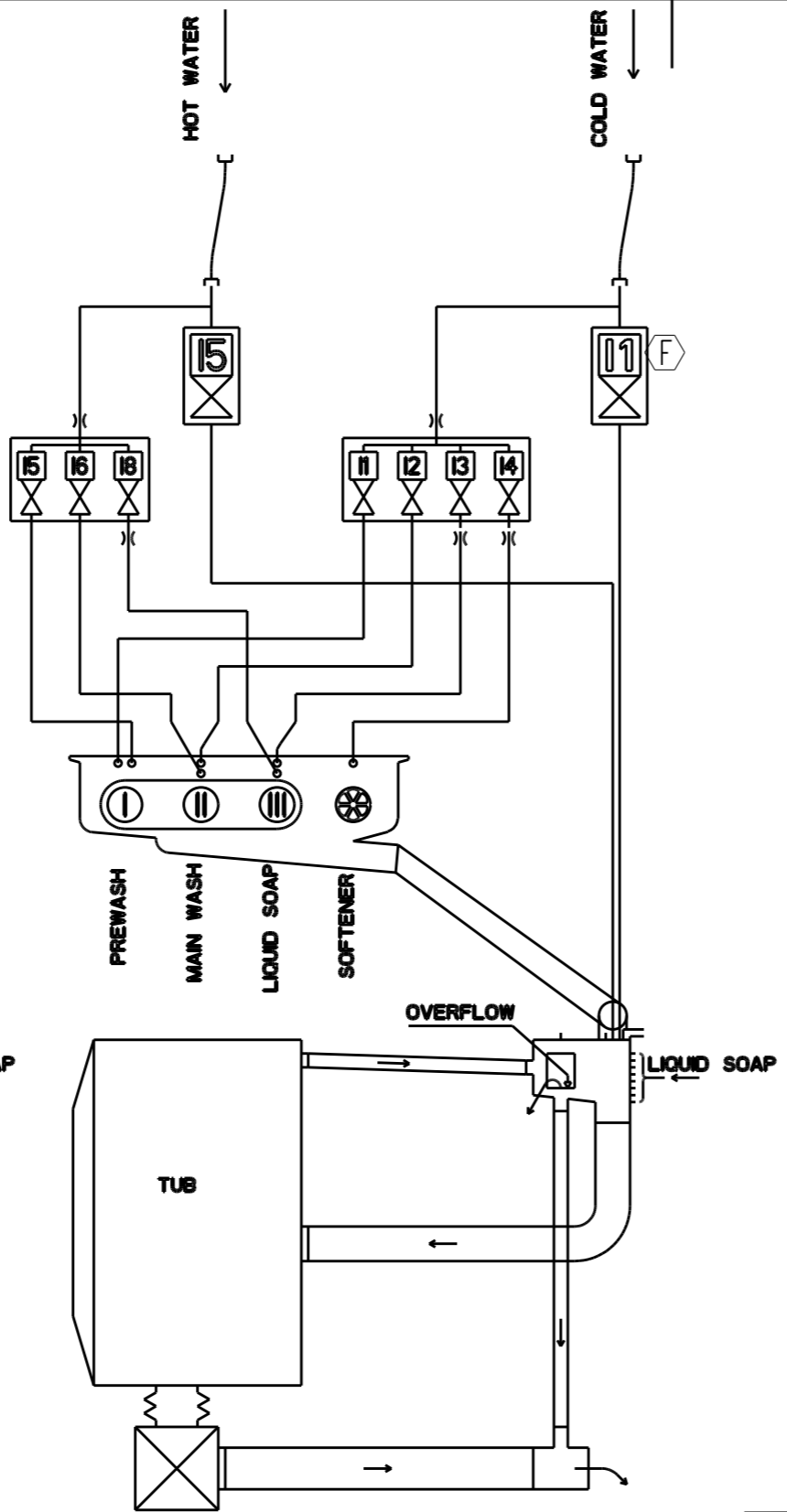
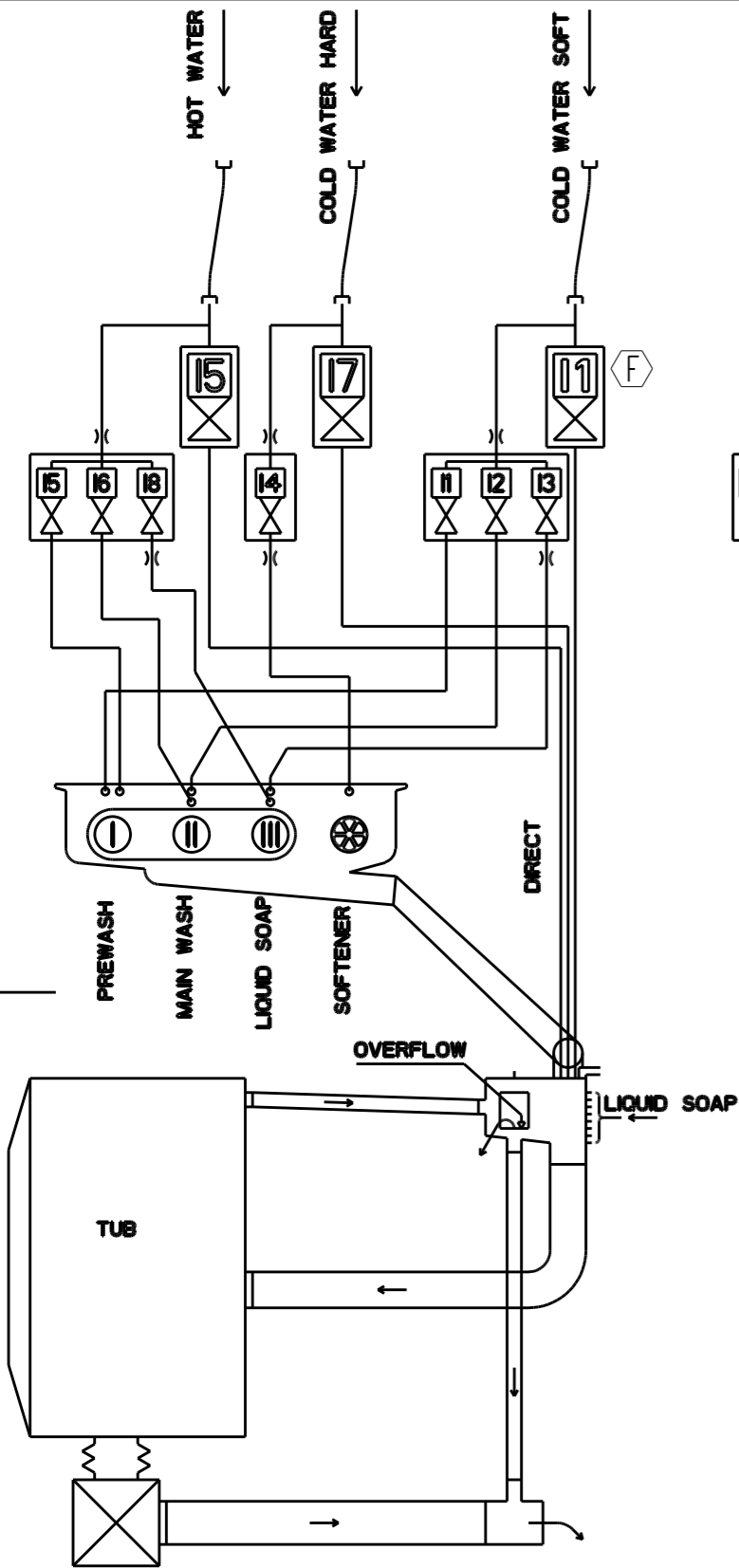
jumper  
for not IEC  
appr. machines

\*\*\* Brake Resistor



**ŘÍZENÁ KOPIE**

Machine types where used Free standing 6,5-28kg Rigid mounted 18-28kg	Tolerance	Roughness	Scale:	Weight:
			Material: Rough dimensions: Standard for rough material:	
	Date 23apr18	Name PSt	Article description	
	Check Stand		<b>SCHEMATIC DIAGRAM washing machine - MC10 controller</b>	
B Basic ex. add 22.2.2021PSt			Main group 960	Article number 574 404
A 6 kW 230V 1AC 4.10.2020PSt			Replaces:	Replaced by:
Stat Modification Date Name				Page: 3 Pages:3



3 WATER INLET SYSTEM WITH BIG VALVES (D)

2 WATER INLET SYSTEM WITH BIG VALVES (D)

(F) STANDARD : FX/RX280 ; RX350  
OPTION : RX/FX180-240

(F) STANDARD : FX65-240/RX80-240  
OPTION : RX/FX280

**ŘÍZENÁ KOPIE**

— Connection inlet hose  
⌘ Restriction in the valve

Revision Revize	F	16.5.2017	Drawn by Kreslil	M.H.	Approved by Schválil	1	Description Popis změny	I2->I1; Adding info I2->I1; Doplněno info	ECN 4295
Tolerances and dimensions unless noted according to Tolerance a rozměry nespecifikované jinak podle							Name WATER PATHWAY:rigid-mount 80-350 l, soft-mount 65-280 l		
ISO2768-mK							Name VODNI CESTA:neodpružené 80-350 l, odpružené 65-280 l		
Material Materiál	-						Drawing Nr. Číslo výkresu	526483	
Semi product Polotovary	-						Lifecycle state Stav životního cyklu	Design	
Standard Norma	-						Unit Jednotky	mm	Scale Měřítka
Weight Hmotnost	0.000		Approved by Schválil	Drawn by Kreslil	A.B.	16.12.2010	Sheet Strana	1 of 1	

CABINET OF COVER

AIR EXHAUSTION

OVERFLOW

HOSE

STEAM FILTER

INPUT STEAM

MANUALY CLOSED VALVE  
(supplied by customer)

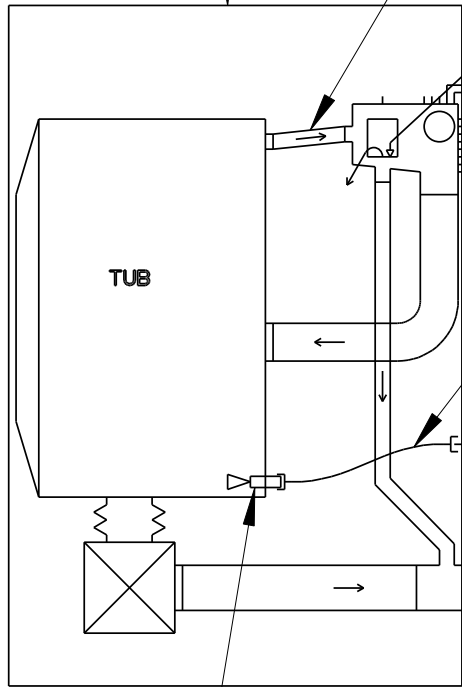
CONNECTION PART  
(supplied by customer)

STEAM VALVE (solenoid)

TUB

SV

STEAM INJECTOR



Pouzito ve strojich		Certifikat	Tolerance	Ra	Meritko: 1:1	Hmotnost: 0.000
<b>FX</b>		.	-		Material: -	
					Rozmer: -	
					Norma: -	
			Datum	Jmeno	<b>PARNI SCHEMA</b>	
			Autor 7.6.2011	A.B.		
			Kontr.			
			Uvolnil			
		<b>primus</b>				Str.: 1
		Reprodukce a distribuce pouze se souhlasem Primusu Duverne			<b>526559</b>	Stran: 1
Index	Zmena	Datum	Pod.	N°	Nahrazuje:	Nahrazeno kym:

**ŘÍZENÁ KOPIE**