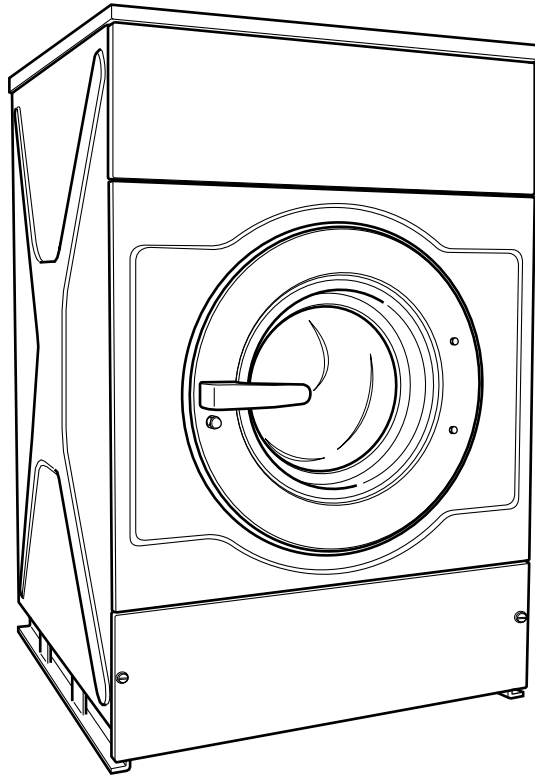


Washer-Extractor

Cabinet Freestanding
Refer to Page 5 for Model Numbers



CFD21C_D0903

Table of Contents

Title	Page
Parts Ordering Information	3
Serial Plate Location	3
Model Identification	5
Cabinet Freestanding Washer-Extractor Product Overview	6
Frame	8
Shock Absorber	10
Shell and Basket - Models Through 3/31/07	12
Shell and Basket - Models Starting 4/1/07	14
Bearing Housing - Models Through 1/30/11	16
Bearing Housing - Models Starting 1/31/11	18
Basket, Pulley and Belt - Models Through 3/31/07	20
Basket, Pulley and Belt - Models Starting 4/1/07	22
Motor and Belt	24
Drain Plumbing - Single Outlet Drain Piece with Water Level Detection on Drain Valve-Models Through 8/11/10	26
Drain Plumbing - Single Outlet Drain Piece with Water Level Detection on Drain Hose-Models Starting 8/12/10	28
Drain Plumbing - Dual Outlet Drain Piece with Water Level Detection on Drain Hose	30
Drain Plumbing - Models with Pump Drain	32
Drain Plumbing - Models with Pump Drain and Frontal Access	34
Door Lock	36
Door	38
Control Panel - Cygnus Professional	40
Control Panel - Cygnus Premium OPL	42
Control Panel - Cygnus Premium OPL with Frontal Supply Dispenser	44
Control Panel - Cygnus Premium Coin	46
Control Panel - Cygnus Premium Coin with Frontal Supply Dispenser	48
Control Panel - Cygnus Standard/Commercial OPL	50
Control Panel - Cygnus Standard/Commercial OPL with Frontal Supply Dispenser	52
Control Panel - Cygnus Standard/Commercial Coin	54
Control Panel - Cygnus Standard/Commercial Coin with Frontal Supply Dispenser	56
Control Panel - Micro-20 OPL	58
Control Panel - Sigma OPL	60
Control Panel - Micro-20 and Sigma Coin	62
Control Panel - PS40F	64
Coin Drop - Mechanical Coin Meter	66
Coin Drop - Electronic Coin Meter	68
Middle Front, Top, Lower Rear and Right Side Panels	70
Left Side, Upper Rear and Lower Front Panels	72
Upper Back Panel with Circular Ventilation - Models Through 12/31/05	74
Upper Back Panel with Rectangular Ventilation - Models Through 12/31/05	76

© Copyright 2018, Alliance Laundry Systems LLC

All rights reserved. No part of the contents of this book may be reproduced or transmitted in any form or by any means without the expressed written consent of the publisher.

Upper Back Panel - Models Starting 1/1/06.....	78
Inverter Drive - Models Through 9/30/08.....	80
Inverter Drive - Models Starting 10/1/08.....	82
Main Switch and Noise Filter.....	84
Soap Injection Printboard, Network Connection Printboard and Noise Filter - Sigma, PS40F and Micro-20...	86
Central Operating Panel, Network Connection and Soap Injection Printboards - Cygnus Models.....	88
Relay, Network Connection and Main Printboards - Cygnus Models.....	90
Electrical Component Mounting Plate - Models Through 2/22/09.....	92
Electrical Component Mounting Plate - Models Starting 2/23/09.....	94
Balance Switch.....	96
Supply Dispenser - Models with Frontal Supply Dispenser.....	98
Supply Dispenser with Round Ventilation Opening.....	100
Supply Dispenser with Rectangular Ventilation Opening.....	102
Electric Heating Option.....	104
Steam Heating Option - *HC35 and *HC165 Models.....	106
Soap Pumps.....	108
Parts Index.....	111

Parts Ordering Information

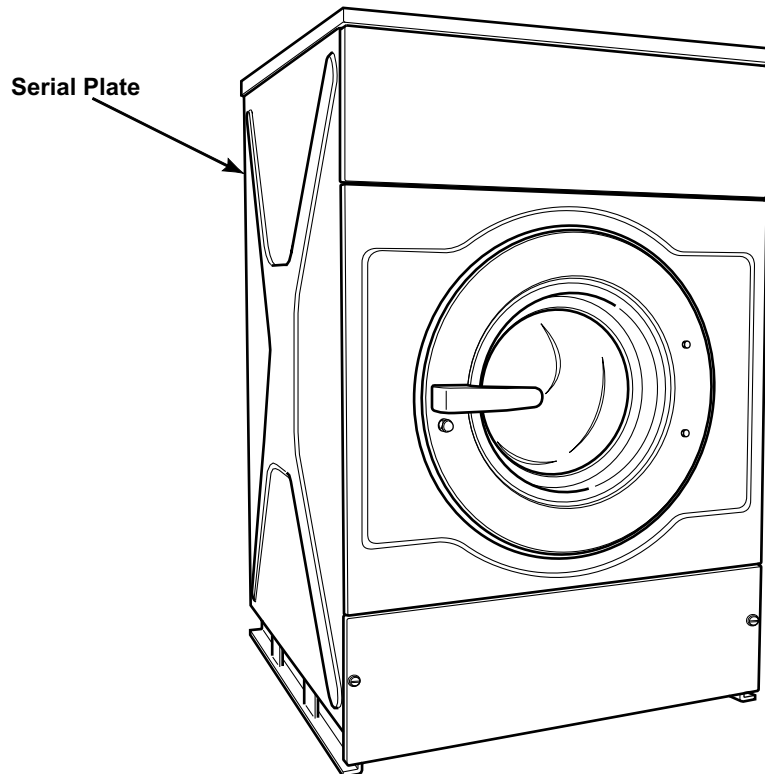
If literature or replacement parts are required, contact the source from whom the machine was purchased or contact Alliance Laundry Systems at (920) 748-3950 for the name and address of the nearest authorized parts distributor.

For technical assistance, call the number listed below:

(920) 748-3121 Ripon, Wisconsin

Serial Plate Location

When calling or writing about your product, be sure to mention model and serial numbers. Model and serial numbers are located on serial plate(s) as shown.





CFD21CA_D0903



Model Identification

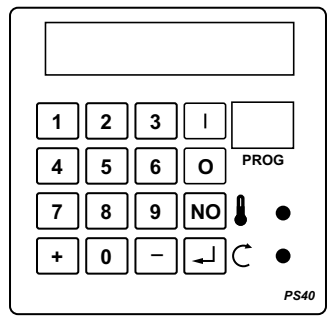
Information in this manual is applicable to these washer-extractor models:

CHC030ANH	IHC030ANH	IHC135ANH
CHC030MNH	IHC030MCH	IHC135MCH
CHC035ANH	IHC030MDH	IHC135MDH
CHC035MNH	IHC030MEH	IHC135MEH
HC135_CYGNUS-COMM_COIN	IHC030MLH	IHC135MLH
HC135_CYGNUS-COMM_OPL	IHC030MNH	IHC135MNH
HC135_CYGNUS-PREM_COIN	IHC030MXH	IHC135MRH
HC135_CYGNUS-PREM_OPL	IHC030MYH	IHC135MXH
HC135_CYGNUS-PRO	IHC030SCH	IHC135MYH
HC135_CYGNUS-STANDARD_COIN	IHC030SDH	IHC135SCH
HC135_CYGNUS-STANDARD_OPL	IHC030SEH	IHC135SDH
HC135_MICRO-20_COIN	IHC030SLH	IHC135SEH
HC135_MICRO-20_OPL	IHC030SRH	IHC135SLH
HC135_PS40F	IHC030SXH	IHC135SRH
HC135_SIGMA_COIN	IHC030SYH	IHC135SXH
HC135_SIGMA_OPL	IHC035ANH	IHC135SYH
HC165_CYGNUS-COMM_COIN	IHC035MCH	IHC135ZNH
HC165_CYGNUS-COMM_OPL	IHC035MDH	IHC165ANH
HC165_CYGNUS-PREM_COIN	IHC035MEH	IHC165MCH
HC165_CYGNUS-PREM_OPL	IHC035MLH	IHC165MDH
HC165_CYGNUS-PRO	IHC035MNH	IHC165MEH
HC165_CYGNUS-STANDARD_COIN	IHC035MXH	IHC165MLH
HC165_CYGNUS-STANDARD_OPL	IHC035MYH	IHC165MNH
HC165_MICRO-20_COIN	IHC035SCH	IHC165MRH
HC165_MICRO-20_OPL	IHC035SDH	IHC165MXH
HC165_PS40F	IHC035SEH	IHC165MYH
HC165_SIGMA_COIN	IHC035SLH	IHC165SCH
HC165_SIGMA_OPL	IHC035SRH	IHC165SDH
	IHC035SXH	IHC165SEH
	IHC035SYH	IHC165SLH
		IHC165SRH
		IHC165SXH
		IHC165SYH
		IHC165ZNH

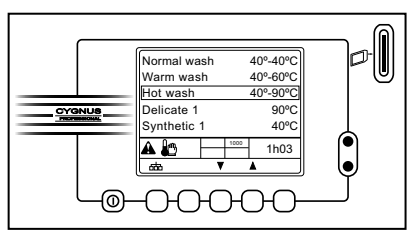
Cabinet Freestanding Washer-Extractor Product Overview

Type:	HC60C	Nr: 07110WD0339
Voltage:	3 ~ 400V 50Hz	Weight: 181 kg
Motor:	0.55kW 2.5A	Capacity: 73 L
Heating:	9kW 16A	Dry Load: 7,3 kg
Total:	9.55 kW	Drum: 530 mm
Kinetic energy:	592 Nm	Speed: 700 rpm
Manufactured in:	2007	
Water Pressure: min. 2.07 max. 5.86 Kg/cm ² IPX4 min. 20.7 max. 58.6 N/cm ²		
sfc 741837		
Alliance International BVBA Nieuwstraat 146 8560 Wevelgem Belgium Tel: +32 56 41 20 54 Fax: +32 56 41 86 74 www.ipso.be		
		

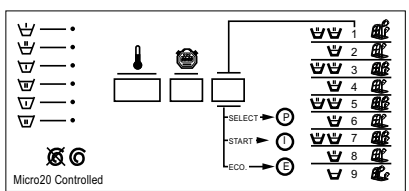
Model No: 1HC025MNHX10U03	Serial No: 0803440291
Volts Hertz: 208-240 50/60	Type: WFF75
Phase: 1 - 3	
Amps: 6 amps	Capacity: 18/7 lbs/kg
Recommended Circuit Breaker: 15 amps	Water: 30-85 psi
Interrupt Current: 10 kA	Pressure: 2.07-5.86 bar
Motor: 1 hp	Max Speed: 700 rpm
0,75 kW	Net Weight: 400 lbs
Elec Heat: N/A kW	181 kg
Steam heat: N/A psi	IPX4
N/A bar	
Alliance International BVBA Made in Belgium	
	TEL 1-920-748-3121 www.comlaundry.com
	



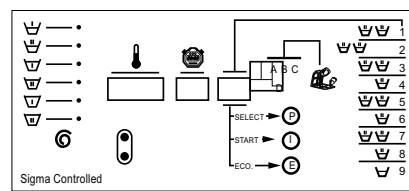
PS40



Cygnus Professional



Micro 20



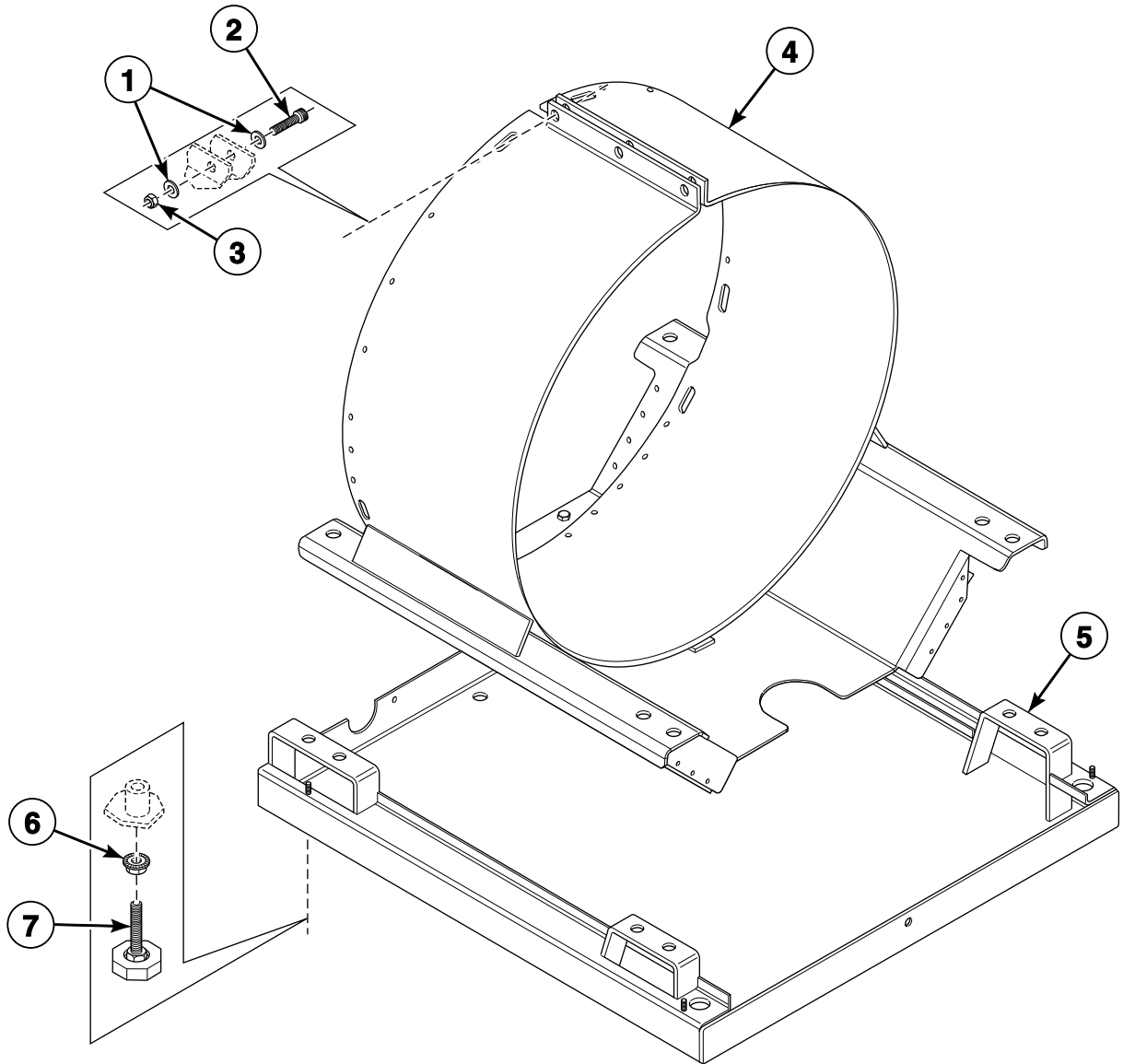
Sigma

CFD297P_D0903

Cabinet Freestanding Washer-Extractor Product Overview

REF	PART NO.	DESCRIPTION	COMMENTS
1	-	Product Family	CHC HC IHC
2	-	Capacity	30 35 135 165
3	-	Control	A (PS40F) Cygnus-Comm Cygnus-Prem Cygnus-Standard M (Micro-20) S (Sigma) Z (Cygnus-Pro)
4	-	Actuation	C (Coin Drop Meter) D (Dual Coin Drop) E (Electronic Drop) L (Prep for Remote or Central Pay) N (Non-Coin) R (Smart Card Ready) X (Prep for Coin) Y (Card Ready)
5	-	Speed	H (High Speed)
6	-	Voltage	N (440-480/50-60/3/3) P (380-415/50-60/3/3) Q (208-240/50-60/3/3) X (200-240/50-60/1/3)
7	-	Design	1

Frame

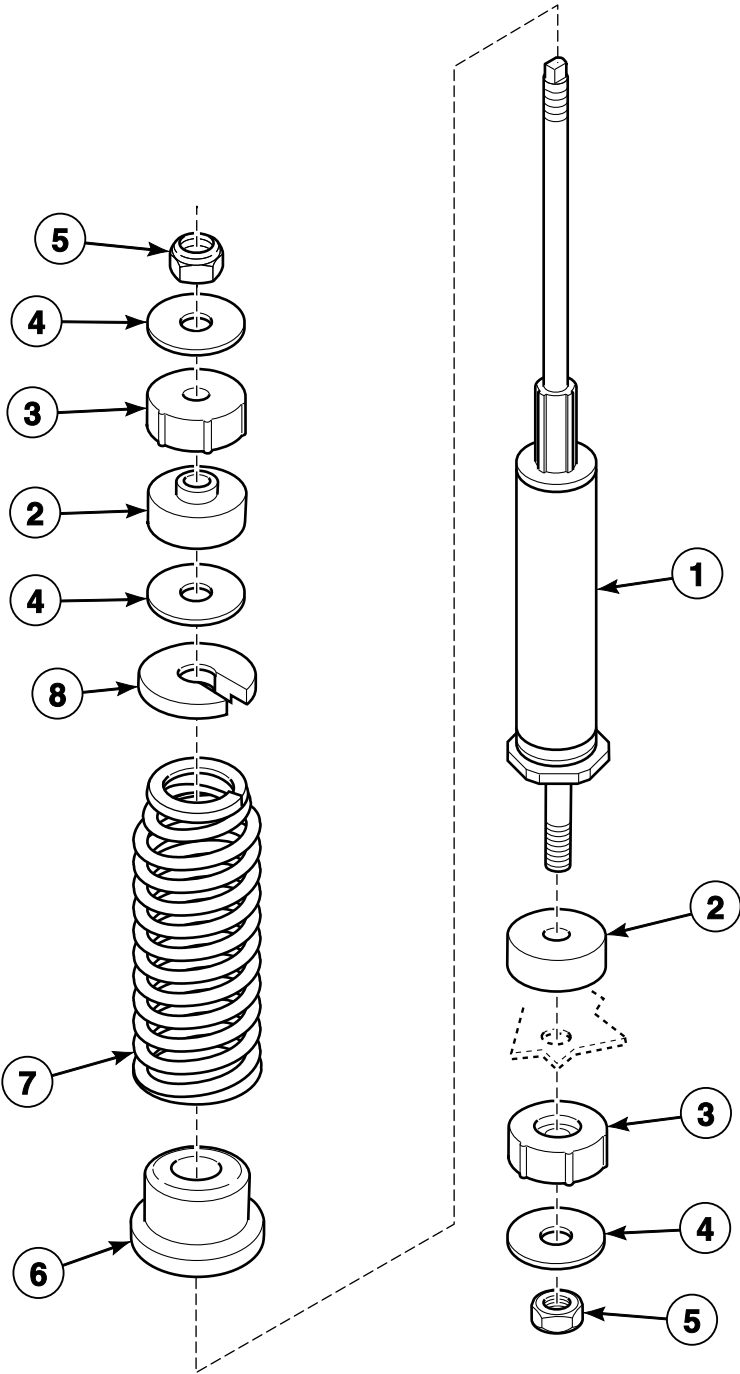


BE000654P_D0903

Frame

REF	PART NO.	DESCRIPTION	COMMENTS
1	201/00005/00	Washer	
2	206/00053/00	Screw	
3	204/00111/00	Nut	
4	152/00107/00	Tub Support	*30 and *135 models
	152/00108/00	Tub Support	*35 and *165 models
5	152/00103/50	Frame	*30 and *135 models
	152/00111/50	Frame	*35 and *165 models
6	206/00106/00	Nut	
7	252/00006/00	Leveling Leg	

Shock Absorber

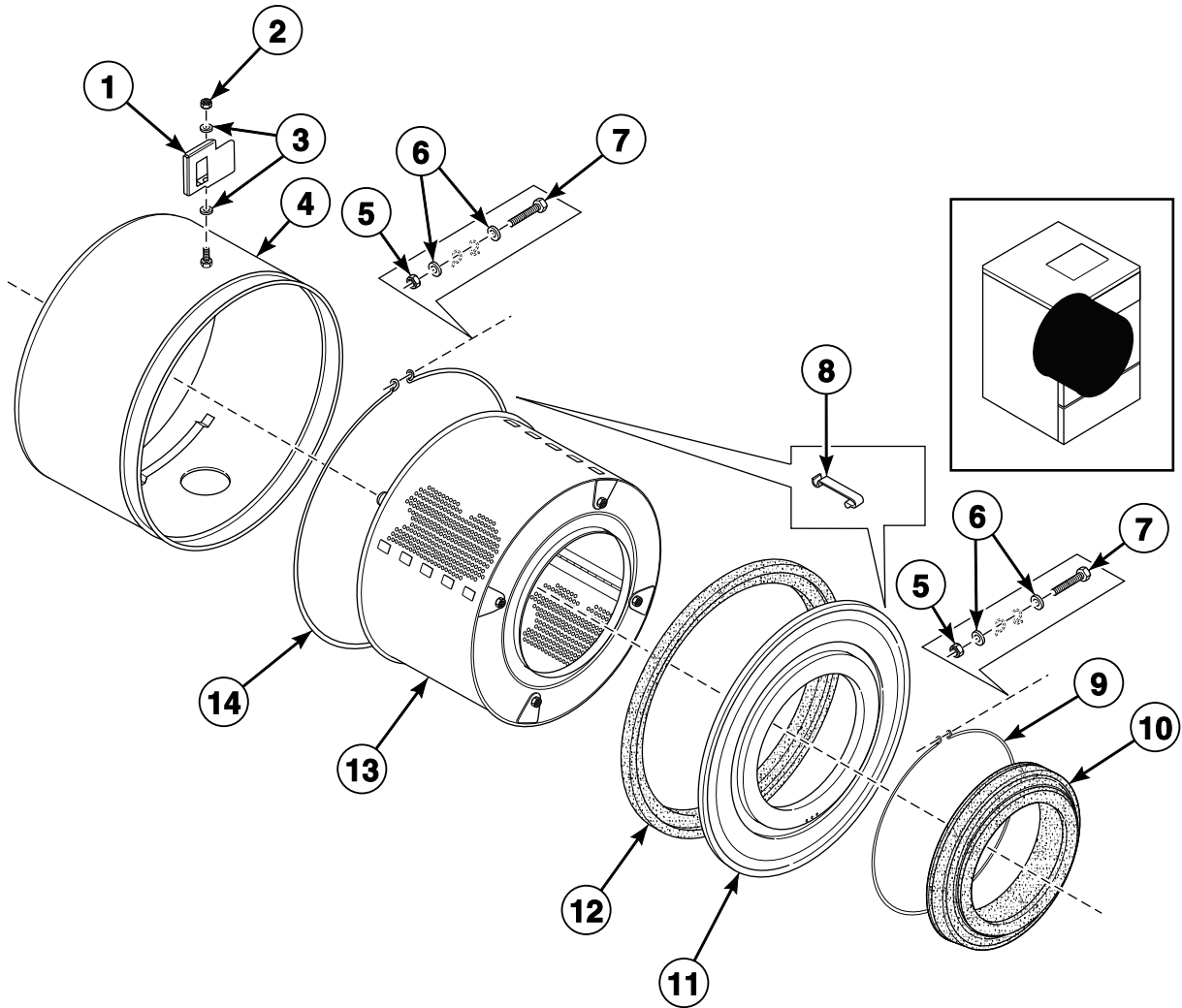


BE000626P_D0903

Shock Absorber

REF	PART NO.	DESCRIPTION	COMMENTS
1	247/00002/02	Shock Absorber	
	247/00003/00	Shock Absorber	*35 and *165 models; Includes items 1, 2, 4, 6, 8 and 247/00002/01 Suspension Spring
2	247/00006/00	Fastening Rubber	
3	247/00007/00	Fastening Rubber	
4	201/00015/00	Washer	
5	204/00110/00	Nut	
6	247/00001/03	Spring Seat Bottom	
7	247/00002/01	Suspension Spring	Blue; 5.5 mm diameter
	247/00001/01	Suspension Spring	Black; 4.8 mm diameter
	247/00002/00	Shock Absorber	Includes items 2, 4 and 247/00001/01 Suspension Spring
8	247/00001/04	Spring Holder Top	

Shell and Basket - Models Through 3/31/07

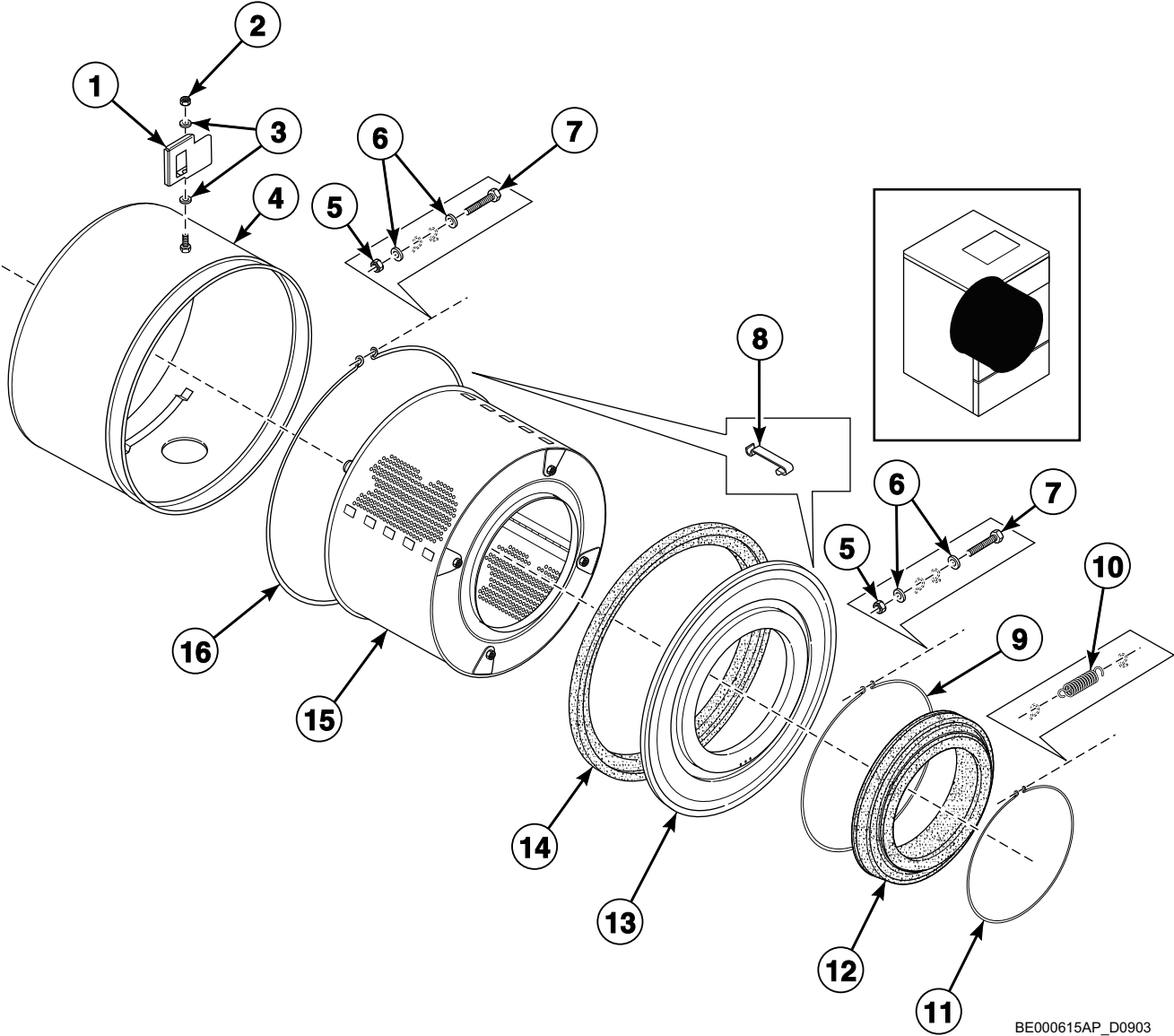


BE000615P_D0903

Shell and Basket - Models Through 3/31/07

REF	PART NO.	DESCRIPTION	COMMENTS
1	111/01854/00	Tilt Detector Plate	
2	204/00110/00	Nut	
3	201/00010/00	Washer	
4	117/00203/00	Tub	*30 and *135 models; Electric heat
	117/00203/50	Tub	*30 and *135 models; Boiler fed
	B12329201	Tub	*35 and *165 models; Electric heat
	B12329301	Tub	*35 and *165 models; Boiler fed
5	204/00009/00	Nut	
6	202/00003/00	Washer	
7	206/00011/00	Bolt	
8	217/00008/00	Tub Front Panel Clip	
9	238/00012/00	Boot Clamp	
10	255/00123/00	Boot	
11	119/00049/00	Tub Front Panel	
12	B12351601	Tub Front Gasket	
13	B12380101	Basket and Shaft Assembly	*30 and *135 models
	111/01810/00	Drum and Axle Assembly	*35 and *165 models
14	219/00007/00	Tub Front Ring Clamp	

Shell and Basket - Models Starting 4/1/07

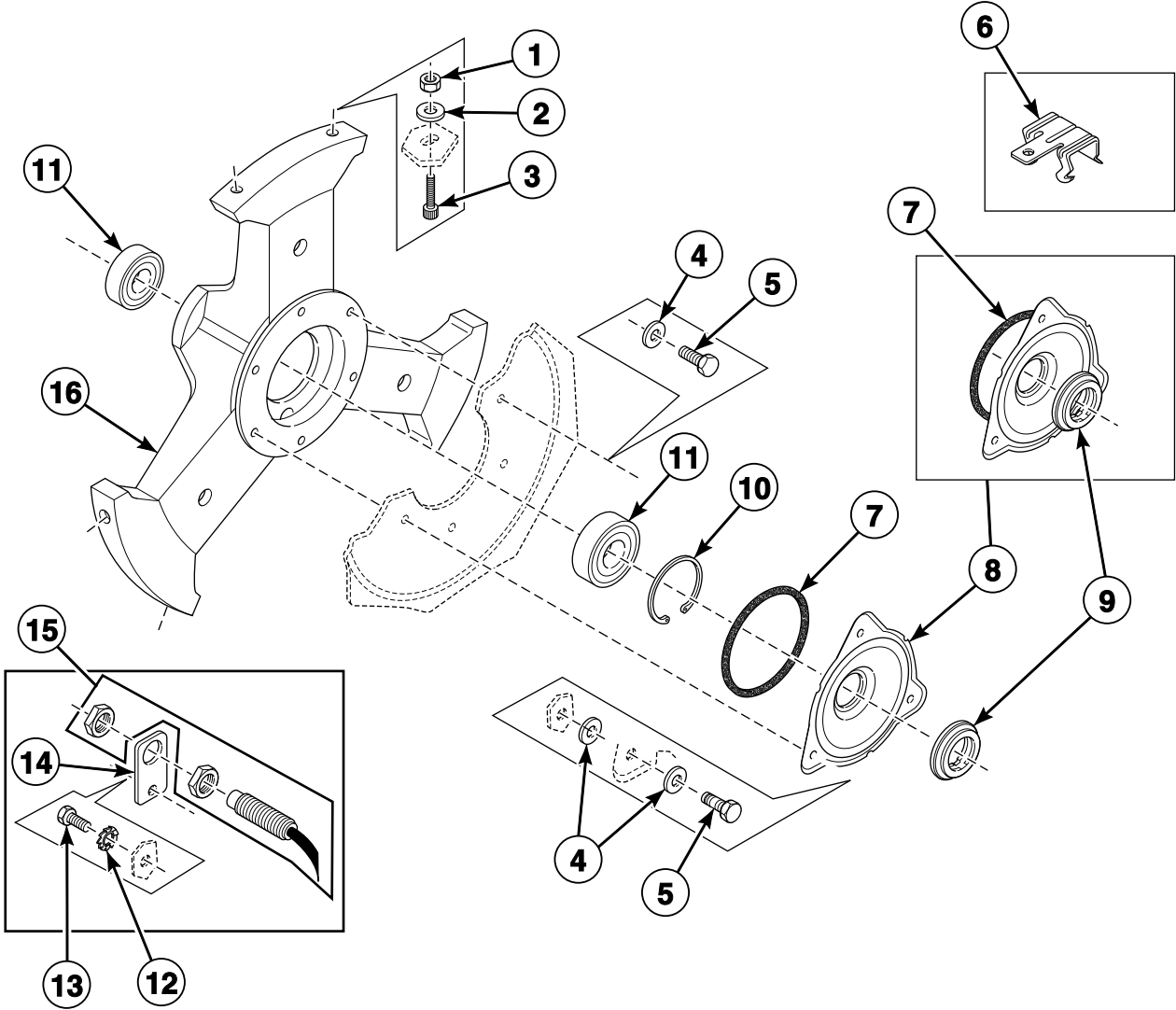


BE000615AP_D0903

Shell and Basket - Models Starting 4/1/07

REF	PART NO.	DESCRIPTION	COMMENTS
1	111/01854/00	Tilt Detector Plate	
2	204/00110/00	Nut	
3	201/00010/00	Washer	
4	117/00203/00	Tub	*30 and *135 models; Electric heat; Models through 6/21/09
	B12328901	Tub	*30 and *135 models; Electric heat; Models starting 6/22/09
	117/00203/50	Tub	*30 and *135 models; Boiler fed; Models through 6/21/09
	B12329001	Tub	*30 and *135 models; Boiler fed; Models starting 6/22/09
	B12329301	Tub	*35 and *165 models; Electric heat and boiler fed
	B12329201	Tub	*35 and *165 models; Electric heat; Models starting 6/22/09
5	204/00009/00	Nut	
6	201/00007/00	Washer	
7	206/00032/00	Bolt	
8	217/00008/00	Tub Front Panel Clip	
9	238/00012/00	Boot Clamp	
10	238/00014/00	Spring	
11	238/00013/00	Fastening Ring	
12	255/00123/00	Boot	
13	119/00049/00	Tub Front Panel	
14	B12351601	Tub Front Gasket	
15	B12326301	Drum and Axle	*30 and *135 models through 1/30/11; Used with 119/00001/01 Seal Holder Assembly
	B12542901	Basket Kit	*30 and *135 models through 1/30/11; Includes B12380101 Basket and Shaft Assembly and 3882P Bearing Kit
	B12380101	Basket and Shaft Assembly	*30 and *135 models starting 1/31/11; 3 mm; Used with B12333701 Seal Plate Assembly
	B12380201	Basket and Shaft Assembly	*30 and *135 models starting 1/31/11; 9 mm; Used with B12333701 Seal Plate Assembly
	B12326701	Drum and Axle	*35 and *165 models through 1/30/11; Used with 119/00001/01 Seal Holder Assembly
	B12543001	Basket Kit	*35 and *165 models through 1/30/11; Includes B12380501 Basket and Shaft Assembly and 3882P Bearing Kit
	B12380501	Basket and Shaft Assembly	*35 and *165 models starting 1/31/11; 3 mm; Used with B12333701 Seal Plate Assembly
	B12380601	Basket and Shaft Assembly	*35 and *165 models starting 1/31/11; 9 mm; Used with B12333701 Seal Plate Assembly
16	219/00007/00	Tub Front Ring Clamp	

Bearing Housing - Models Through 1/30/11

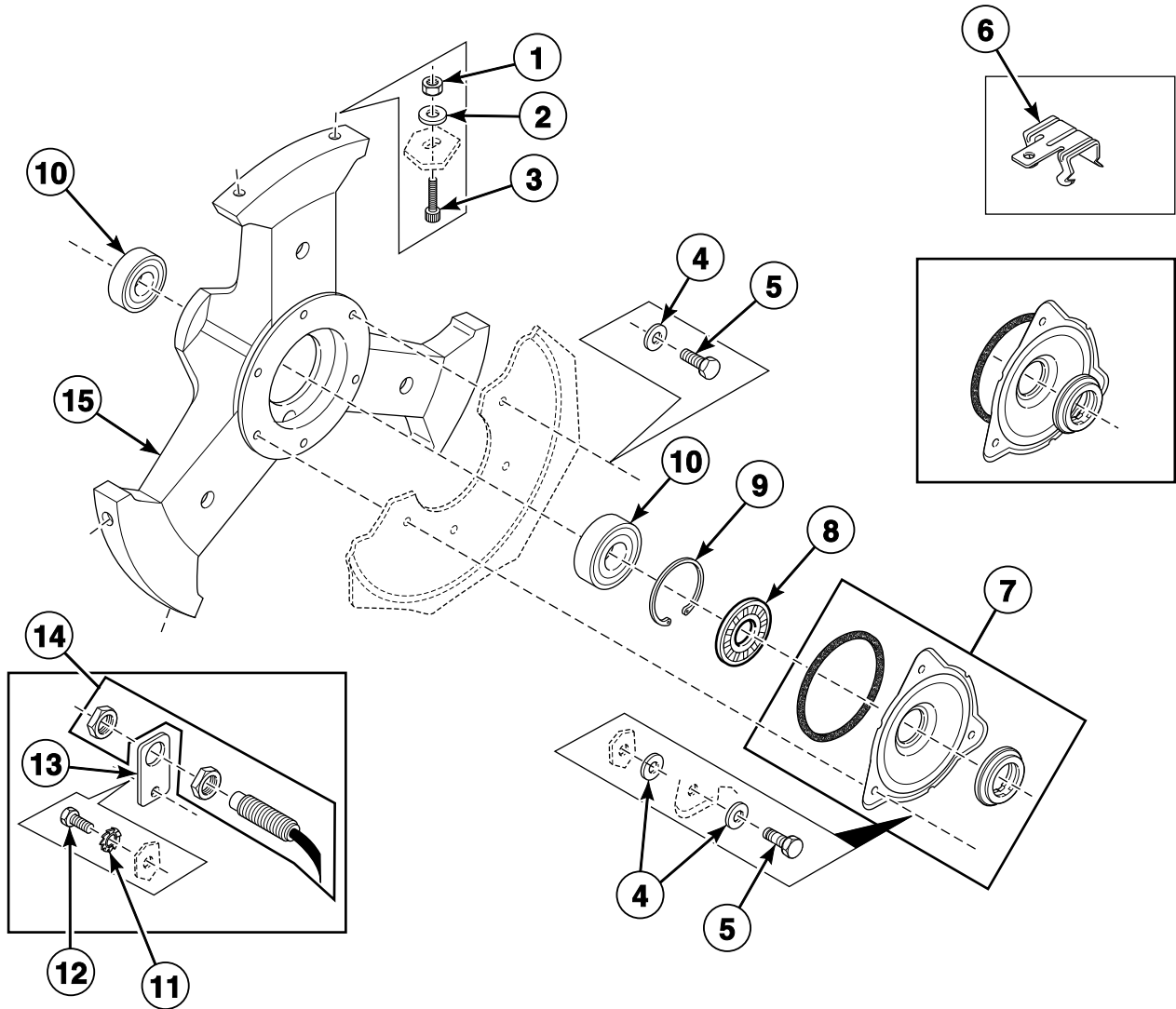


BE000616P_D0903

Bearing Housing - Models Through 1/30/11

REF	PART NO.	DESCRIPTION	COMMENTS
	381P3	Bearing Replacement Tool Kit	
	388P4	Bearing Replacement Kit	Includes items 4, 5, 8, 11, 17, 219/00004/00 Counter Ring, 223/00242/20 Tub Gasket and F8382001P Deflector Inlet
1	204/00111/00	Nut	
2	201/00012/00	Washer	
3	206/00057/00	Screw	
4	201/00201/00	Washer	
5	205/00102/00	Bolt	
6	224/00051/00	Caddy Bracket	4H58-4
	224/00052/00	Caddy Bracket	4H912
7	217/00002/00	O-Ring	
8	119/00001/01	Seal Holder Assembly	Used with 111/01922/00 Drum or 111/01923/00 Drum
9	219/00003/00	Shaft Seal	
10	212/00006/00	Retainer Ring	
11	F100134	Bearing 6310 2RS C3	
	212/00004/00	Front Bearing 6311-2Z	
12	203/00004/00	Washer	
13	205/00104/00	Bolt	
14	152/00055/00	Speed Detector Bracket	
15	210/00074/00	Speed Detector	With connector
	209/00400/00	Speed Detector	Without connector
16	152/10118/01	Bearing Housing Assembly	

Bearing Housing - Models Starting 1/31/11

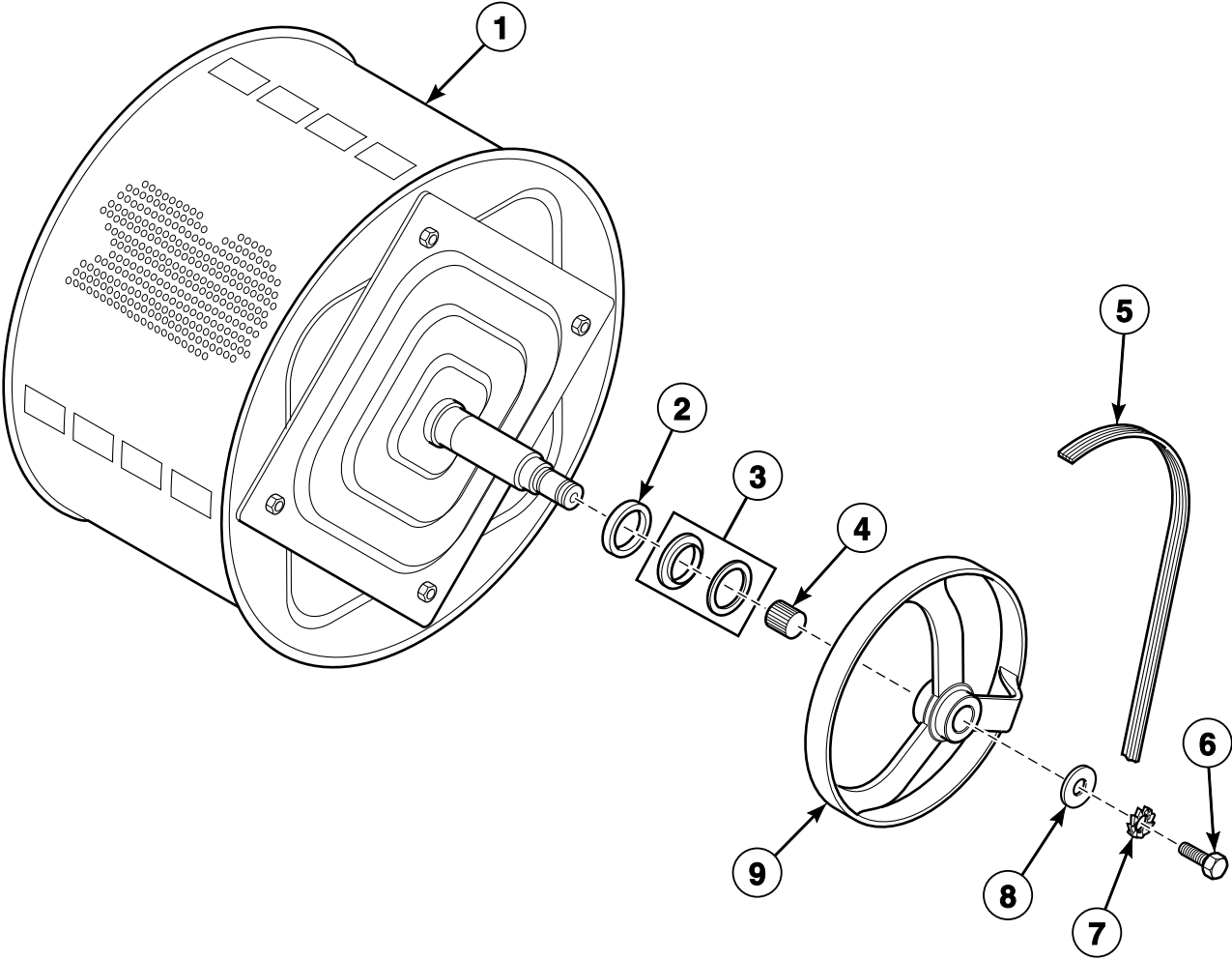


CFD647P_D0903

Bearing Housing - Models Starting 1/31/11

REF	PART NO.	DESCRIPTION	COMMENTS
	381P3	Bearing Replacement Tool Kit	
	3882P	Bearing Kit	Includes items 4, 7, 8, 10, 16, 219/00004/00 Counter Ring and 223/00242/20 Tub Gasket
1	204/00111/00	Nut	
2	201/00012/00	Washer	
3	206/00057/00	Screw	
4	201/00201/00	Washer	
5	205/00102/00	Bolt	
6	224/00051/00	Caddy Bracket	4H58-4
	224/00052/00	Caddy Bracket	4H912
7	B12333701	Seal Plate Assembly	Used with B12380101 Basket, B12380201 Basket, B12380501 Basket or B12380601 Basket
8	B12332301	Lip Seal	
9	212/00006/00	Retainer Ring	
10	F100134	Bearing	
11	203/00004/00	Washer	
12	205/00104/00	Bolt	
13	152/00055/00	Speed Detector Bracket	
14	210/00074/00	Speed Detector	With connector
	209/00400/00	Speed Detector	Without connector
15	152/10118/01	Bearing Housing Assembly	

Basket, Pulley and Belt - Models Through 3/31/07

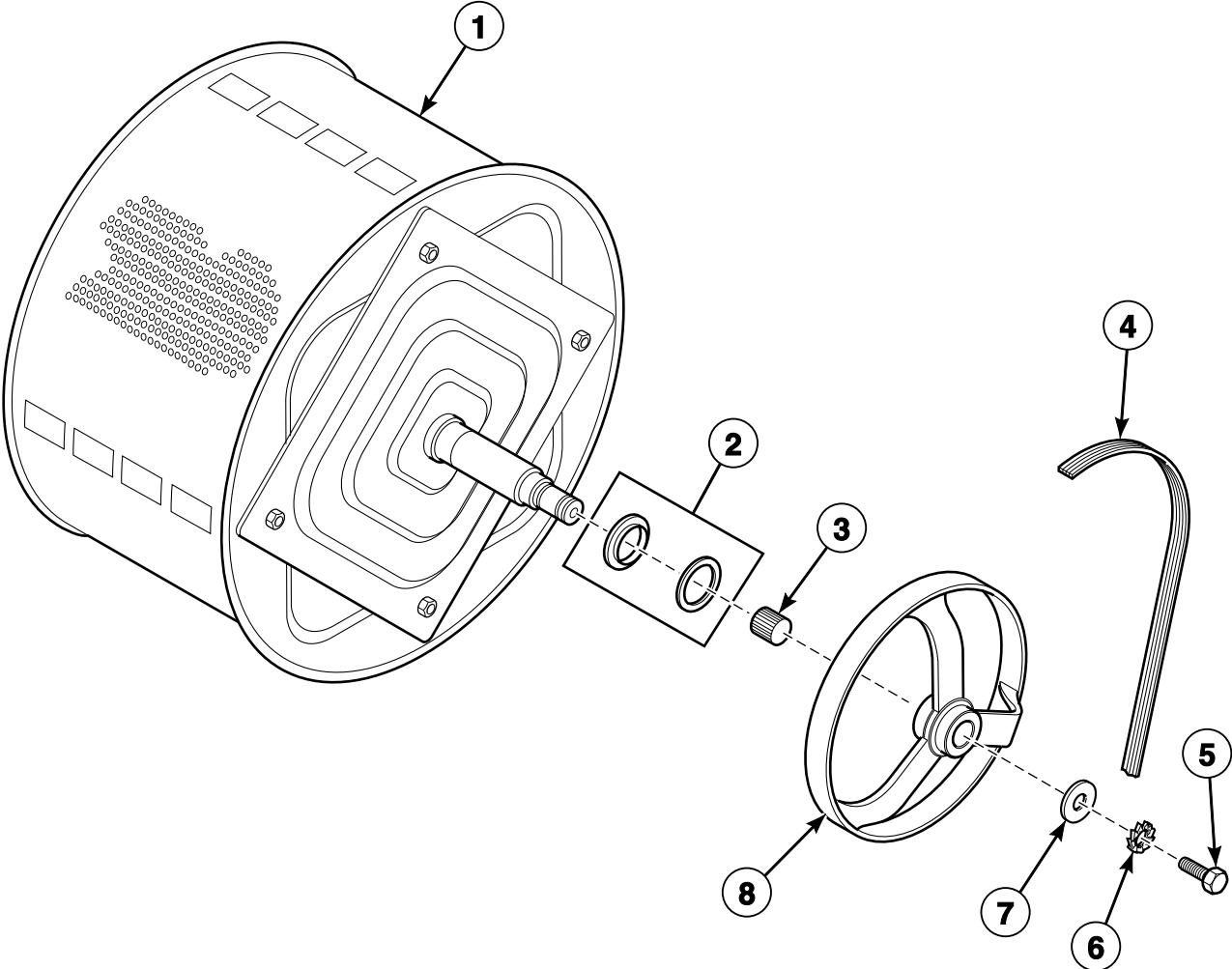


BE000617P_D0903

Basket, Pulley and Belt - Models Through 3/31/07

REF	PART NO.	DESCRIPTION	COMMENTS
1	B12326301	Drum and Axle	*30 and *135 models; Used with 119/00001/01 Seal Holder Assembly
	B12326701	Drum and Axle	*35 and *165 models; Used with 119/00001/01 Seal Holder Assembly
2	217/00101/00	Bearing Spacer	
3	219/00004/00	Counter Ring	
4	215/00004/00	Tolerance Ring	
5	226/00121/00	Belt	
6	206/00005/00	Bolt	
7	203/00002/00	Washer	
8	201/00015/00	Washer	
9	255/00117/00	Pulley	

Basket, Pulley and Belt - Models Starting 4/1/07

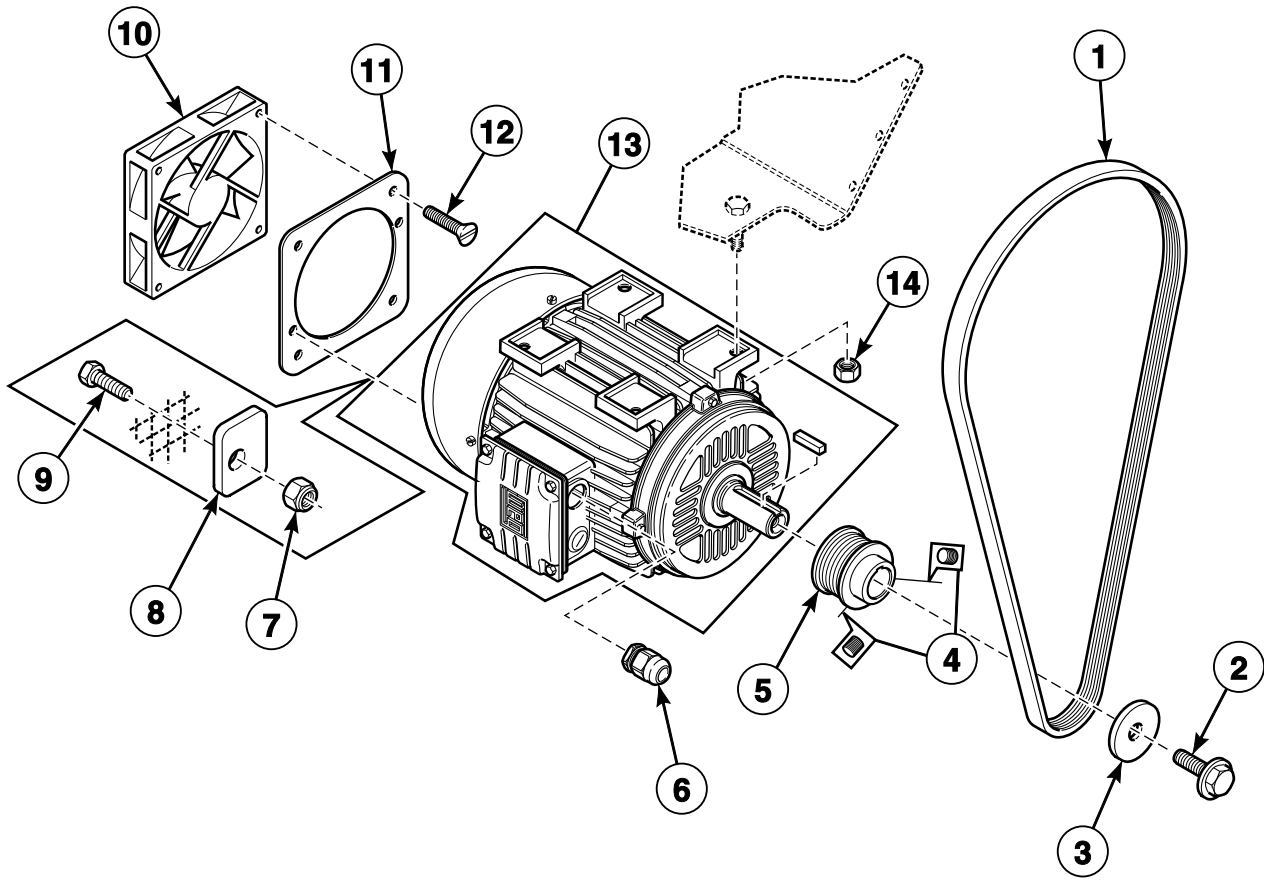


BE000839P_D0903

Basket, Pulley and Belt - Models Starting 4/1/07

REF	PART NO.	DESCRIPTION	COMMENTS
1	B12326301	Drum and Axle	*30 and *135 models through 1/30/11; Used with 119/00001/01 Seal Holder Assembly
	B12542901	Basket Kit	*30 and *135 models through 1/30/11; Includes B12380101 Basket and Shaft Assembly and 3882P Bearing Kit
	B12380101	Basket and Shaft Assembly	*30 and *135 models starting 1/31/11; 3 mm; Used with B12333701 Seal Plate Assembly
	B12380201	Basket and Shaft Assembly	*30 and *135 models starting 1/31/11; 9 mm; Used with B12333701 Seal Plate Assembly
	B12326701	Drum and Axle	*35 and *165 models through 1/30/11; Used with 119/00001/01 Seal Holder Assembly
	B12543001	Basket Kit	*35 and *165 models through 1/30/11; Includes B12380501 Basket and Shaft Assembly and 3882P Bearing Kit
	B12380501	Basket and Shaft Assembly	*35 and *165 models starting 1/31/11; 3 mm; Used with B12333701 Seal Plate Assembly
	B12380601	Basket and Shaft Assembly	*35 and *165 models starting 1/31/11; 9 mm; Used with B12333701 Seal Plate Assembly
2	219/00004/00	Counter Ring	
3	215/00004/00	Tolerance Ring	
4	226/00121/00	Belt	
5	206/00005/00	Bolt	
6	203/00002/00	Washer	
7	201/00015/00	Washer	
8	255/00117/00	Pulley	

Motor and Belt

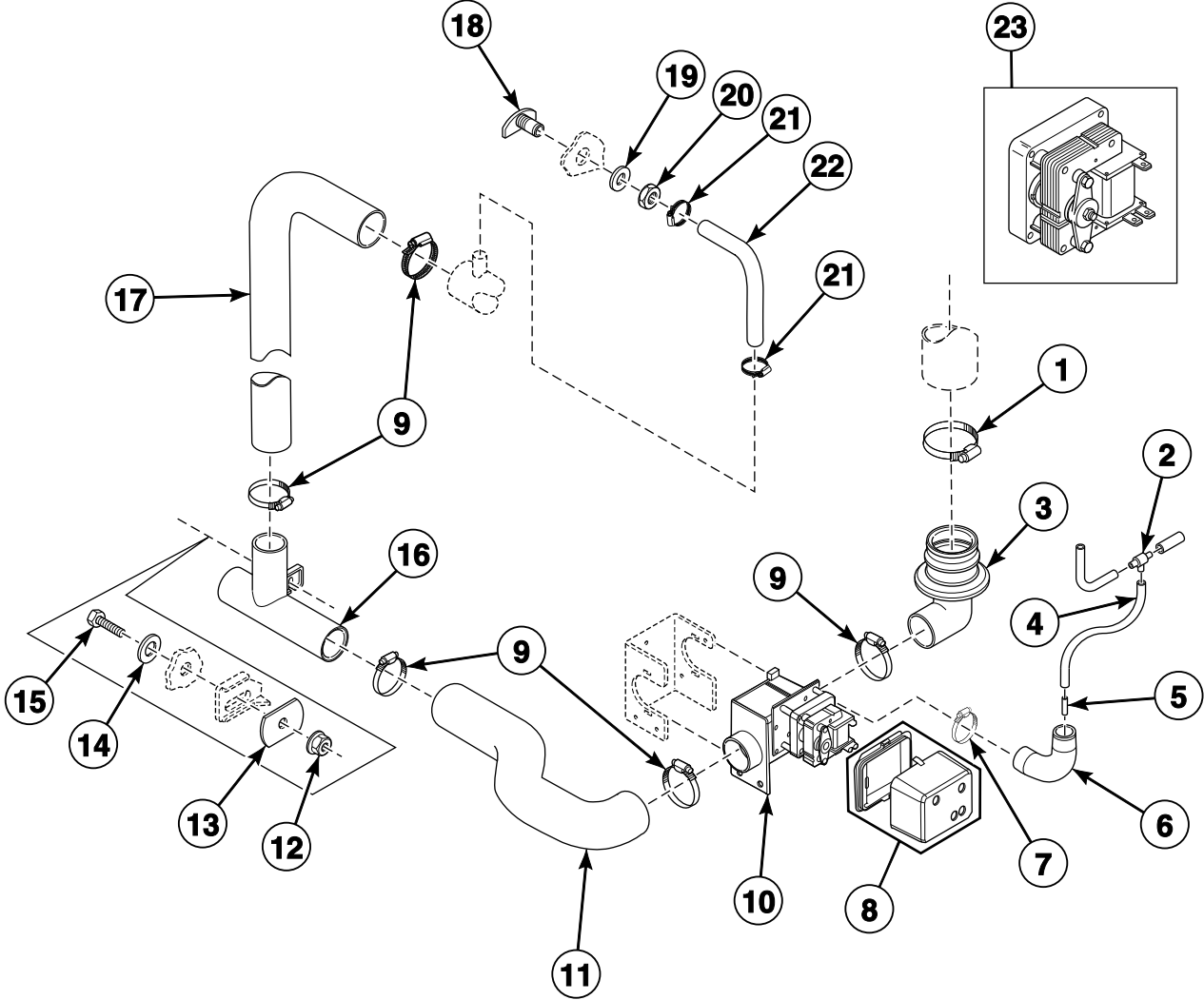


BE000618AP_D0903

Motor and Belt

REF	PART NO.	DESCRIPTION	COMMENTS
1	226/00121/00	Belt	
2	206/00099/00	Bolt	
3	201/00006/00	Washer	
4	206/00056/00	Screw	
5	226/00123/00	Motor Pulley	
6	271/35945/00	Nut	
7	204/00115/00	Nut	
8	117/00042/00	Retaining Ring	
9	206/00054/00	Bolt	
10	209/00465/00	Fan	
11	152/00044/03	Fan Plate Assembly	
12	207/00117/00	Screw	
13	B12510601	Motor	
14	204/00109/00	Nut	

Drain Plumbing - Single Outlet Drain Piece with Water Level Detection on Drain Valve-Models Through 8/11/10

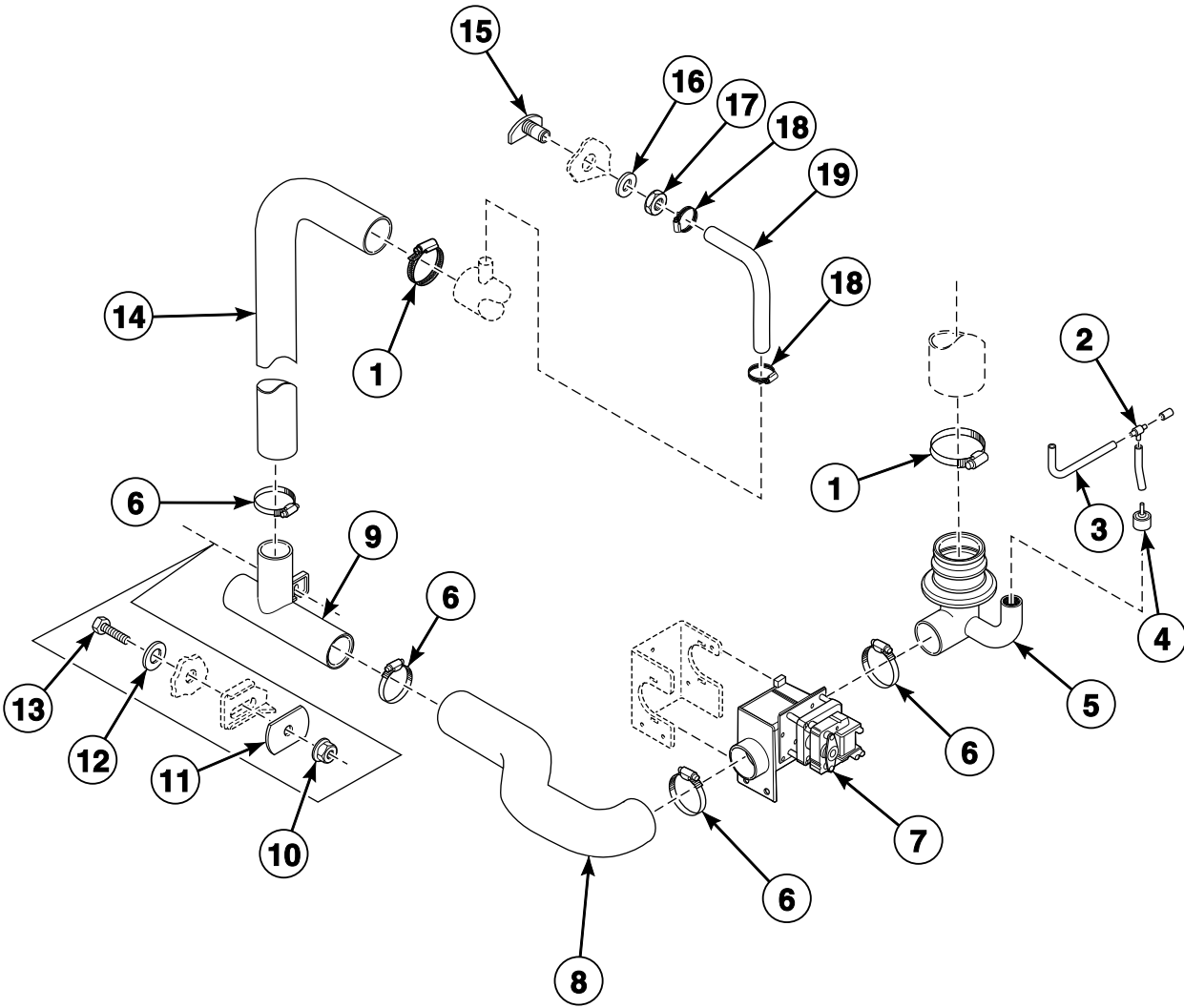


BE000619CP_D0903

Drain Plumbing - Single Outlet Drain Piece with Water Level Detection on Drain Valve-Models Through 8/11/10

REF	PART NO.	DESCRIPTION	COMMENTS
1	223/00014/00	Hose Clamp	
2	223/00173/10	Pressure Switch Hose Tee	
3	223/00316/00	Trap	
4	B12700018	Pressure Hose	
5	223/00016/00	Hose Barb	
6	223/00210/00	Pressure Switch Elbow	
7	223/00011/00	Hose Clamp	
8	209/00643/01	Drain Valve Coil Cover	
9	223/00013/00	Hose Clamp	
10	209/00643/00	Drain Valve	
11	223/00303/00	Drain Valve Hose	
12	206/00101/00	Nut	
13	101/00007/00	Outlet Pipe Plate Assembly	
14	201/00007/00	Washer	
15	206/00033/00	Bolt	
16	223/00146/00	Drain Piece	
17	223/00150/00	Overflow Hose	
18	223/00001/04	Prewash and Mainwash Nozzle	
19	201/00002/00	Washer	
20	204/00201/00	Nut	
21	223/00010/00	Hose Clamp	
22	223/00044/00	Water Hose	
23	209/00643/11	Motor	

Drain Plumbing - Single Outlet Drain Piece with Water Level Detection on Drain Hose-Models Starting 8/12/10

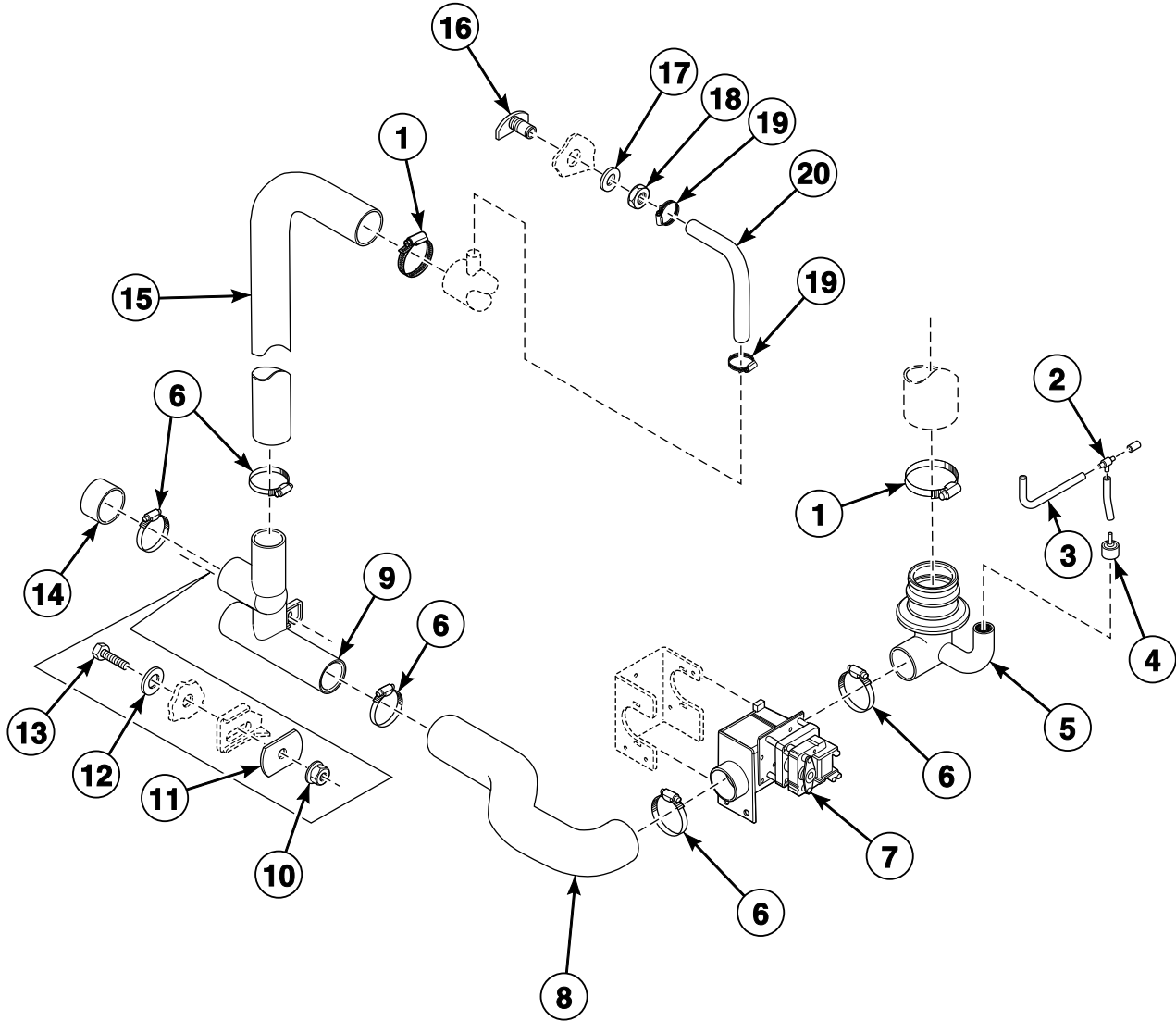


BE000619P_D0903

Drain Plumbing - Single Outlet Drain Piece with Water Level Detection on Drain Hose-Models Starting 8/12/10

REF	PART NO.	DESCRIPTION	COMMENTS
1	223/00014/00	Hose Clamp	
2	223/00173/10	Pressure Switch Hose Tee	
3	B12700018	Pressure Hose	
4	223/00035/02	Pressure Switch Cap	
5	255/00010/00	Tub to Drain Valve Hose	
6	223/00013/00	Hose Clamp	
7	209/00463/00	Drain Valve	
8	223/00303/00	Drain Valve Hose	
9	223/00146/00	Drain Piece	
10	206/00101/00	Nut	
11	101/00007/00	Outlet Pipe Plate Assembly	
12	201/00007/00	Washer	
13	206/00033/00	Bolt	
14	223/00150/00	Overflow Hose	
15	223/00001/04	Prewash and Mainwash Nozzle	
16	201/00002/00	Washer	
17	204/00201/00	Nut	
18	223/00010/00	Hose Clamp	
19	223/00044/00	Water Hose	

Drain Plumbing - Dual Outlet Drain Piece with Water Level Detection on Drain Hose

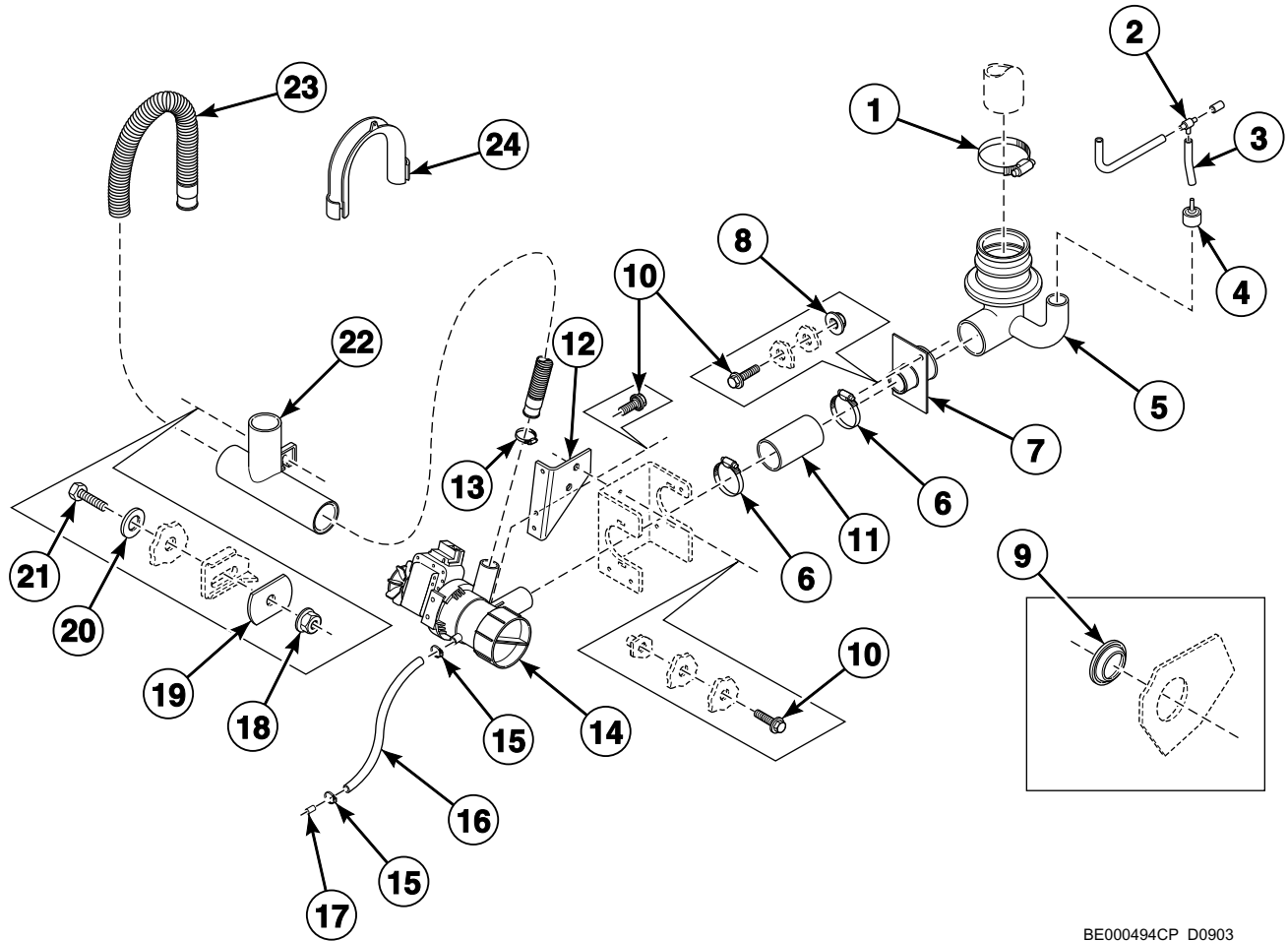


BE000619AP_D0903

Drain Plumbing - Dual Outlet Drain Piece with Water Level Detection on Drain Hose

REF	PART NO.	DESCRIPTION	COMMENTS
1	223/00014/00	Hose Clamp	
2	223/00173/10	Pressure Switch Hose Tee	
3	B12700018	Pressure Hose	
4	223/00035/02	Pressure Switch Cap	
5	255/00010/00	Tub to Drain Valve Hose	
6	223/00013/00	Hose Clamp	
7	209/00463/00	Drain Valve	
8	223/00303/00	Drain Valve Hose	
9	223/00297/00	Drain Pipe	
10	206/00101/00	Nut	
11	101/00007/00	Outlet Pipe Plate Assembly	
12	201/00007/00	Washer	
13	206/00033/00	Bolt	
14	223/00294/00	Drain Pipe Cap	
15	223/00150/00	Overflow Hose	
16	223/00001/04	Prewash and Mainwash Nozzle	
17	201/00002/00	Washer	
18	204/00201/00	Nut	
19	223/00010/00	Hose Clamp	
20	223/00044/00	Water Hose	

Drain Plumbing - Models with Pump Drain

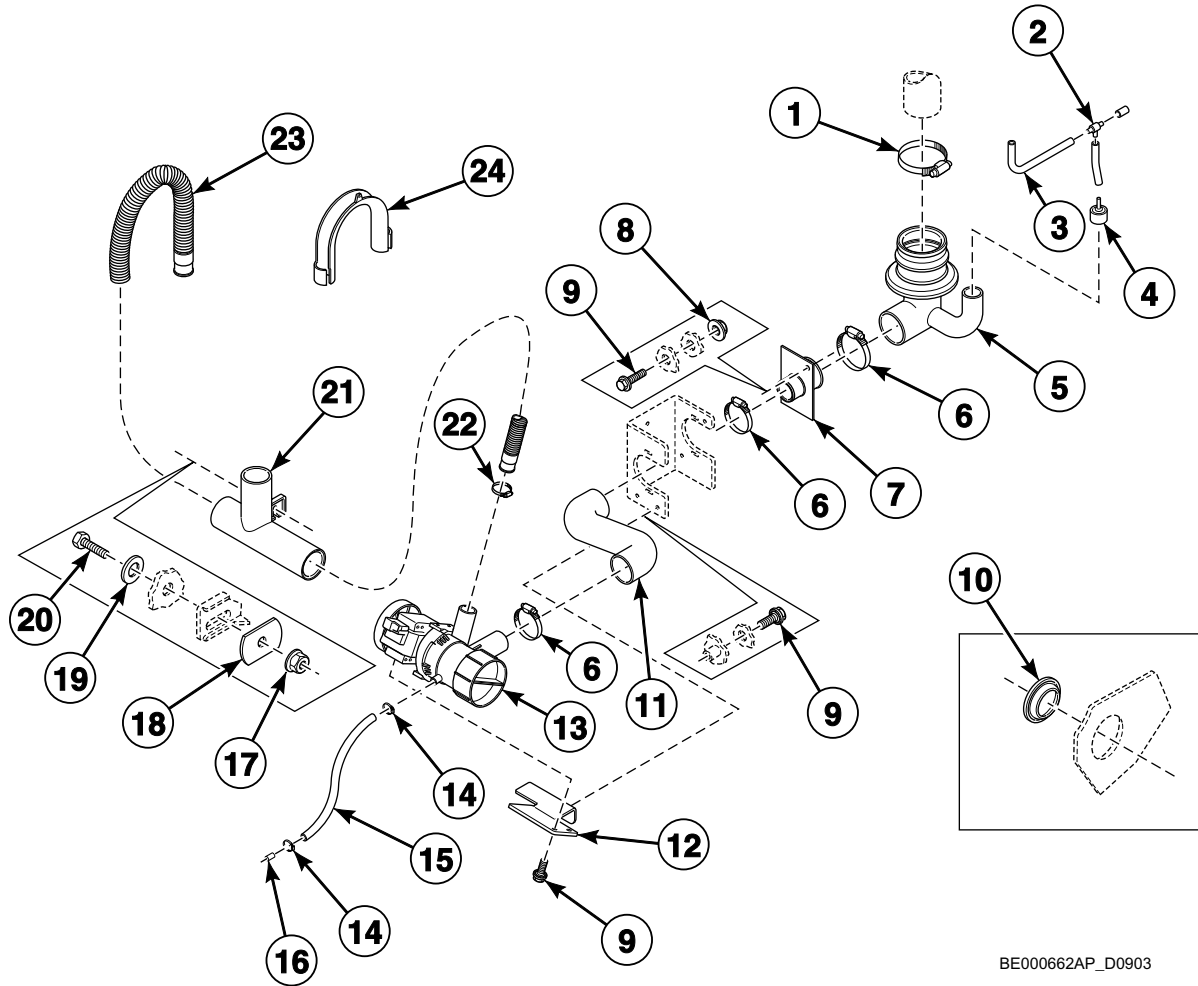


BE000494CP_D0903

Drain Plumbing - Models with Pump Drain

REF	PART NO.	DESCRIPTION	COMMENTS
1	223/00014/00	Hose Clamp	
2	223/00173/10	Pressure Switch Hose Tee	
3	B12700018	Pressure Hose	
4	223/00035/02	Pressure Switch Cap	
5	255/00010/00	Tub to Drain Valve Hose	
6	223/00012/00	Hose Clamp	
7	155/00155/00	Drain Piece	
8	206/00105/00	Nut	
9	255/00019/00	Stopper	
10	206/00099/00	Bolt	
11	255/00017/00	Connecting Piece	
12	155/00159/00	Pump Support	
13	223/00011/00	Hose Clamp	
14	209/00560/00	Hanging Drain Pump	
15	223/00009/00	Clamp	
16	223/00159/00	Pipe	
17	223/00162/00	Stopper	
18	206/00101/00	Nut	
19	101/00007/00	Outlet Pipe Plate Assembly	
20	201/00007/00	Washer	
21	206/00033/00	Bolt	
22	223/00146/00	Drain Piece	
23	223/00157/01	Drain Pipe Kit	
24	223/00157/02	Drain Pipe Kit	

Drain Plumbing - Models with Pump Drain and Frontal Access

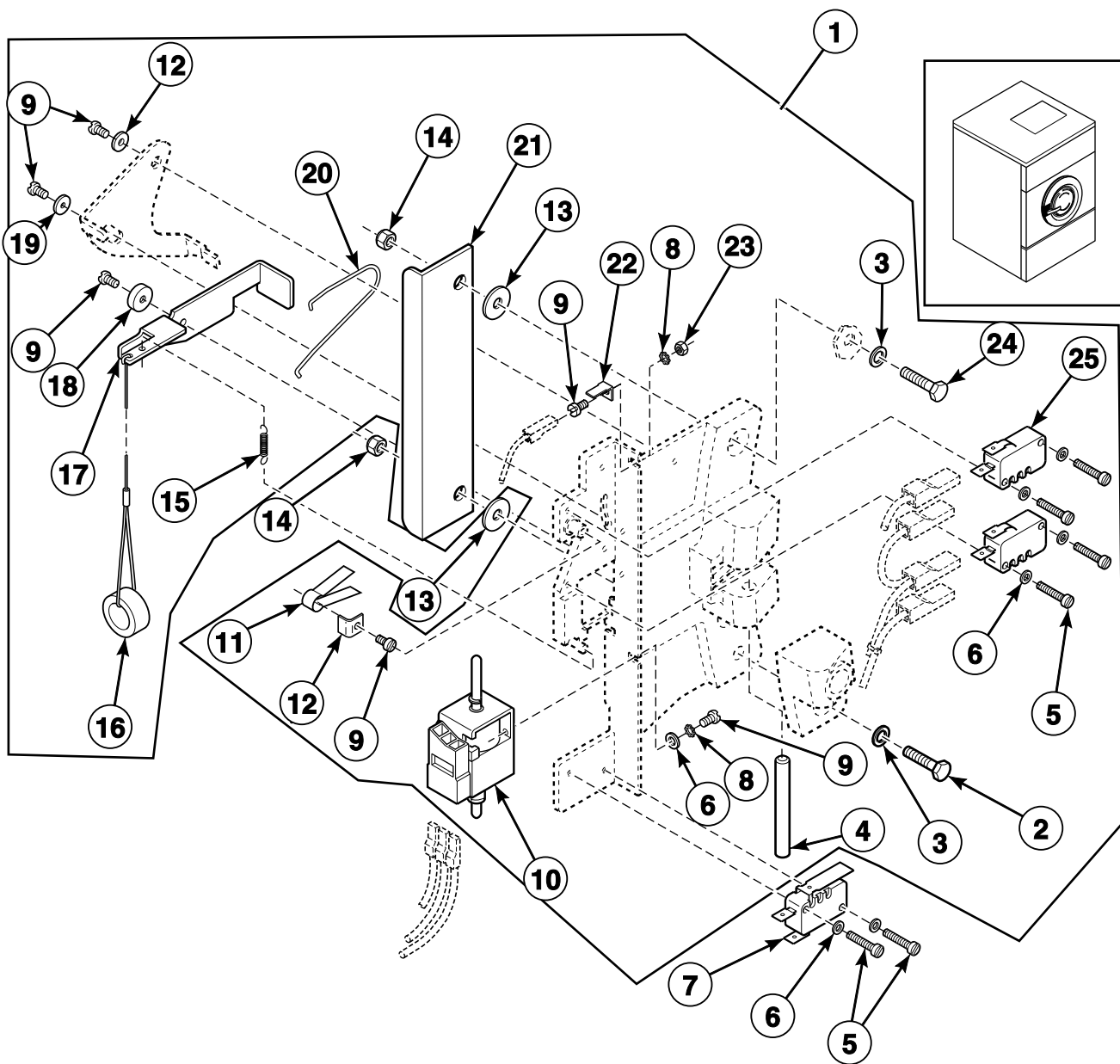


BE000662AP_D0903

Drain Plumbing - Models with Pump Drain and Frontal Access

REF	PART NO.	DESCRIPTION	COMMENTS
1	223/00014/00	Hose Clamp	
2	223/00173/10	Pressure Switch Hose Tee	
3	B12700018	Pressure Hose	
4	223/00035/02	Pressure Switch Cap	
5	255/00010/00	Tub to Drain Valve Hose	
6	223/00012/00	Hose Clamp	
7	155/00155/00	Drain Piece	
8	206/00105/00	Nut	
9	206/00099/00	Bolt	
10	255/00019/00	Stopper	
11	223/00307/00	Drain Hose	
12	111/00288/10	Pump Support	
13	209/00646/00	Pump	50 Hertz
	209/00647/00	Pump	60 Hertz
14	223/00009/00	Clamp	
15	223/00159/00	Pipe	
16	223/00162/00	Stopper	
17	206/00101/00	Nut	
18	101/00007/00	Outlet Pipe Plate Assembly	
19	201/00007/00	Washer	
20	206/00033/00	Bolt	
21	223/00146/00	Drain Piece	
22	223/00011/00	Hose Clamp	
23	223/00157/01	Drain Pipe Kit	
24	223/00157/02	Drain Pipe Kit	

Door Lock

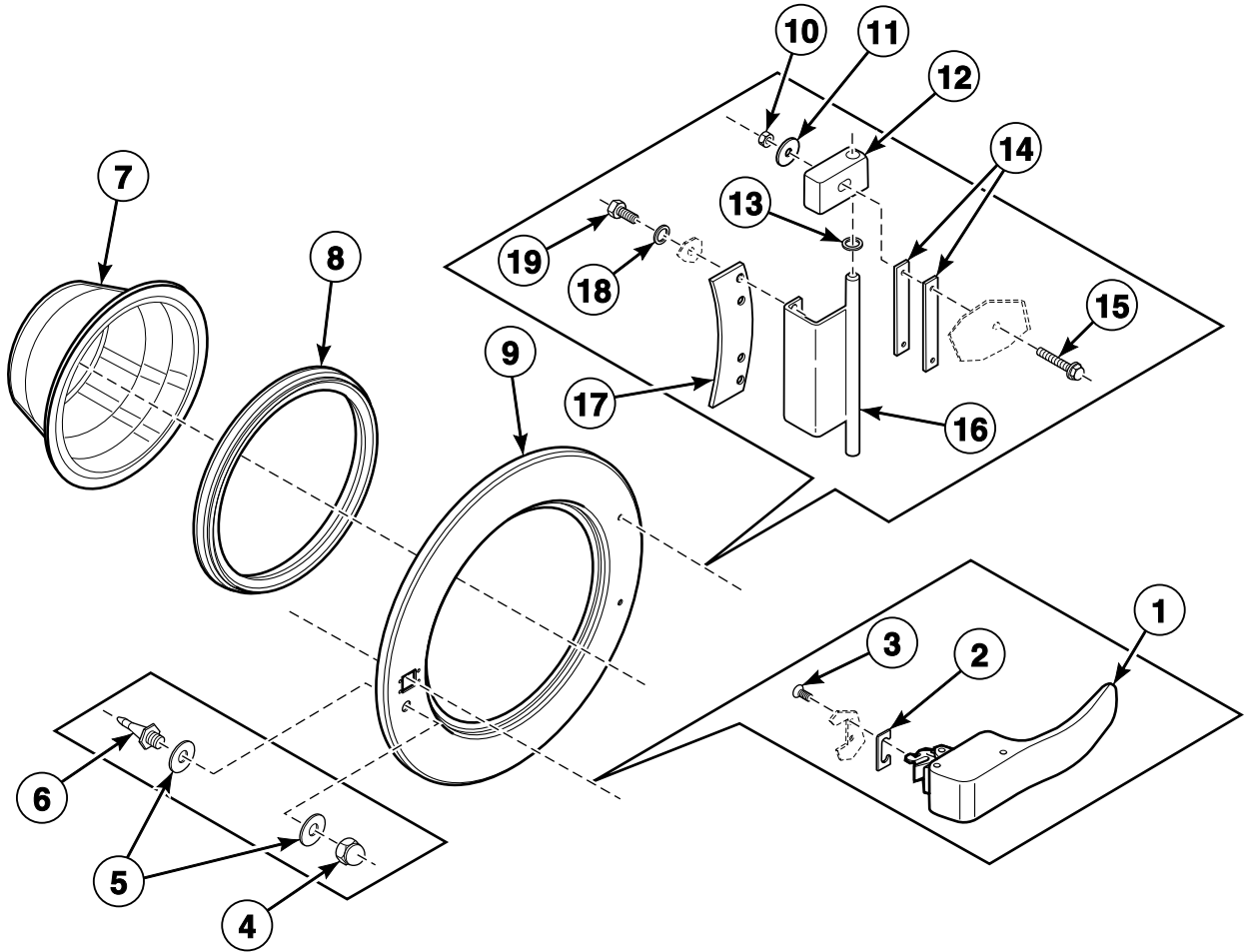


BE000112BP_D0903

Door Lock

REF	PART NO.	DESCRIPTION	COMMENTS
1	B12517701	Door Lock Assembly	Includes items 1-6, 10-12 and 15-26
2	205/00115/00	Bolt	
3	202/00101/00	Washer	
4	217/00017/03	Lock Shaft	
5	207/00009/00	Screw	
6	201/00018/00	Washer	
7	B12625101	Microswitch	
8	203/00007/00	Washer	
9	207/00135/00	Screw	
10	B12495102	Door Solenoid Assembly	
11	224/00049/00	Door Lock Spring	
12	201/00017/00	Washer	
13	201/00006/00	Washer	
14	204/00009/00	Nut	
15	224/00043/00	Interlock Coil Spring	
16	217/00052/07	Door Release Wire	
17	217/00052/04	Interlock Lever	
18	217/00052/03	Door Lock Spacer	
19	202/00124/00	Washer	
20	224/00040/00	Lever Spring	
21	117/00052/08	Lock Protection Plate	
22	210/10015/00	Ground Terminal	
23	204/00008/00	Nut	
24	205/00103/00	Bolt	
25	209/00272/00	Door Lock Microswitch	

Door

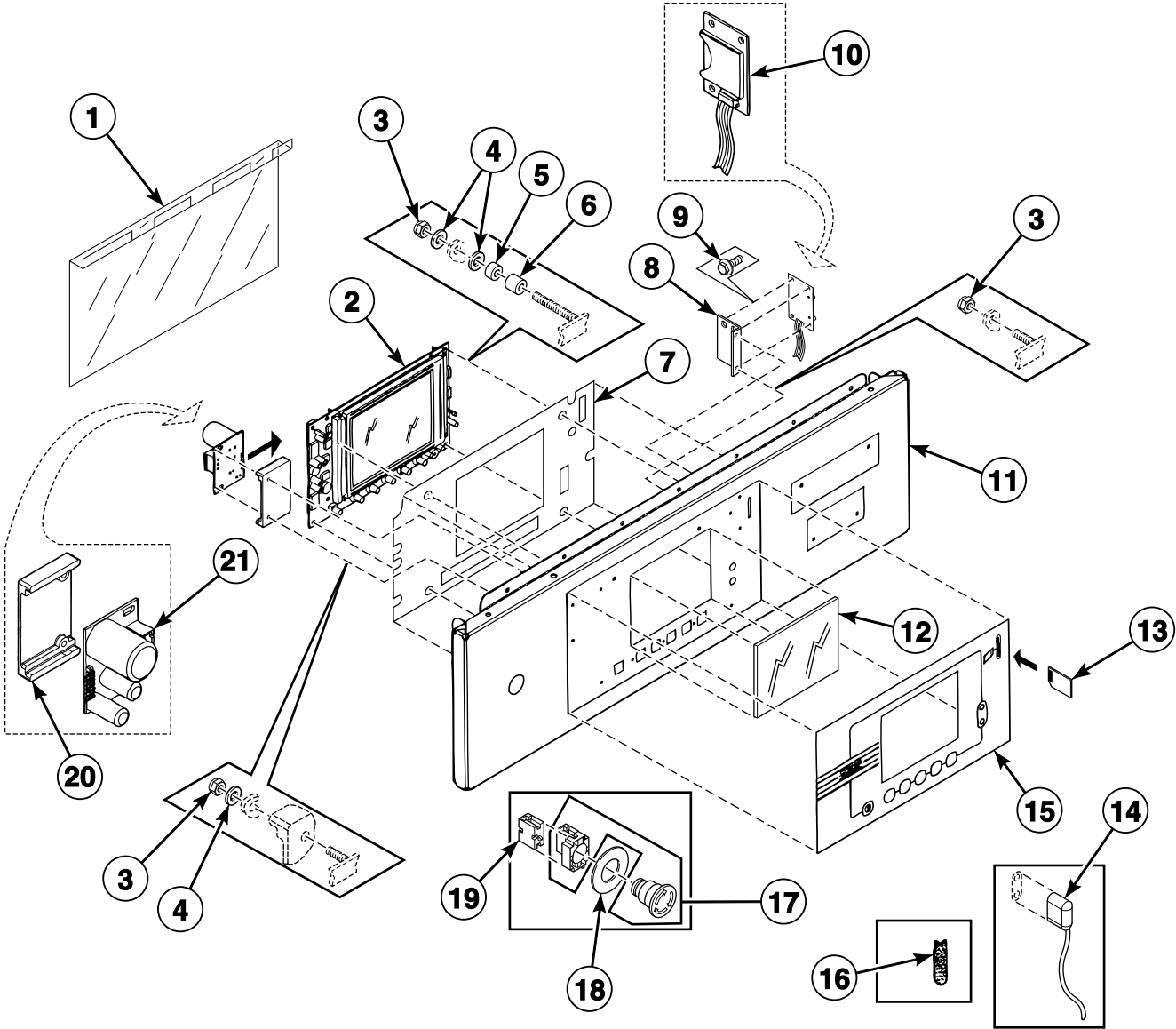


BE000033DP_D0903

Door

REF	PART NO.	DESCRIPTION	COMMENTS
1	217/00059/00	Door Handle	HC and IHC models; Black
	217/00065/00	Door Handle	CHC and HC models; Gray
2	217/00016/00	Door Handle Stop	
3	B12500801	Screw	
4	204/00103/00	Nut	
5	202/00111/00	Washer	
6	211/00109/02	Door Lock Pin Kit	
7	217/00022/00	Door Glass	
8	217/00015/00	Door Glass Seal	
9	118/00046/10	Door Frame	
10	204/00106/00	Nut	
11	202/00108/00	Washer	
12	217/00009/02	Door Hinge Assembly	
13	202/00104/00	Washer	
14	117/00010/00	Door Hinge Spacer	
15	207/00126/00	Screw	
16	221/00005/00	Door Hinge	
17	118/00065/00	Door Hinge Plate Assembly	
18	202/00101/00	Washer	
19	205/00107/00	Bolt	

Control Panel - Cygnus Professional

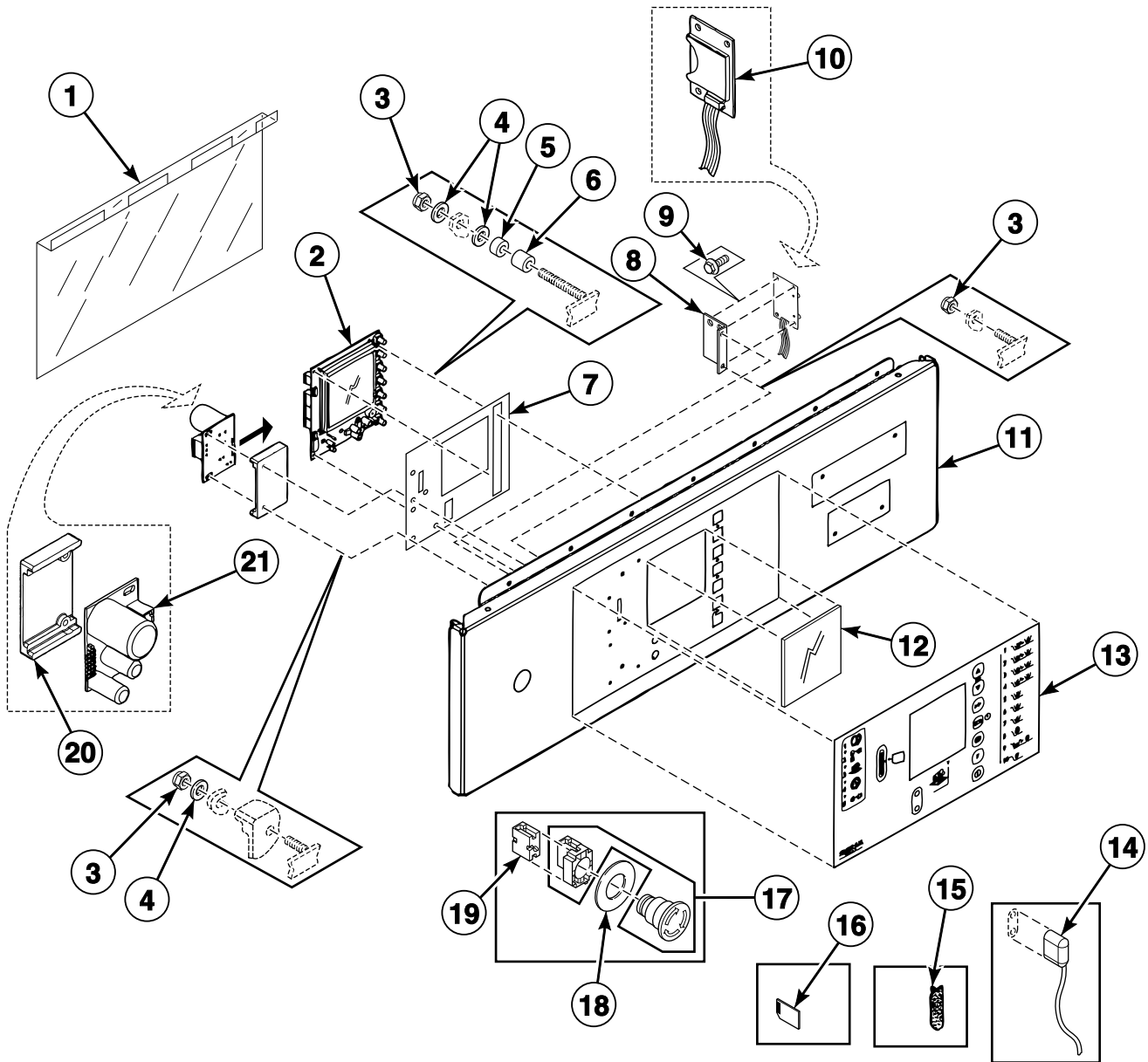


BE000804CP_D0903

Control Panel - Cygnus Professional

REF	PART NO.	DESCRIPTION	COMMENTS
1	229/00289/00	Circuit Board Cover	
2	209/02002/00	Display PC-Board	
3	204/00116/00	Nut	
4	223/00123/00	Washer	
5	211/00128/00	Printboard Separator	
6	211/00122/00	Standoff	
7	229/00268/00	Insulating Sticker	
8	111/01893/00	Printboard Support Card	
9	211/00145/00	Standoff	
10	B12305201	Memory Card PC-Board	Models prior to 4/5/11 require a firmware upgrade
	B12538301	Data Card Ribbon Assembly	
11	111/01845/00	Upper Front Panel	
12	225/00321/00	Plexi Frame	
13	209/02022/00	Datacard	
14	210/00902/00	Infrared Cable	
15	225/10313/00	Operating Sticker	Without datacard opening
	225/10426/00	Operating Sticker	With datacard opening
16	223/00348/00	Datacard Cover	
17	209/00099/20	Emergency Switch Pushbutton	
18	209/00520/00	Telem Sticker	
19	44018901	Contact Block	
20	223/00374/00	Mounting Plate	
21	209/02010/00	Door Lock PC-Board	

Control Panel - Cygnus Premium OPL

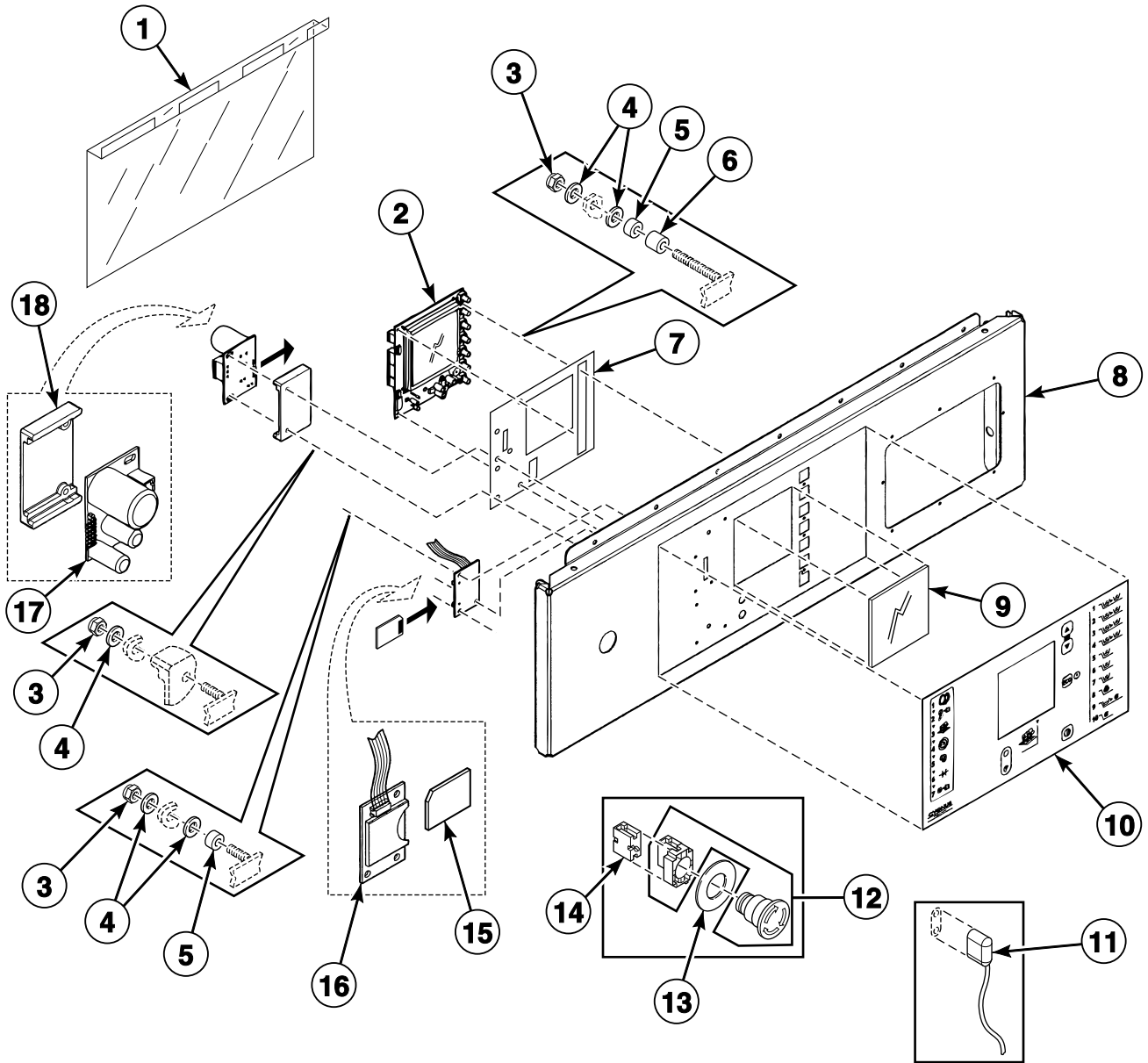


BE000871AP_D0903

Control Panel - Cygnus Premium OPL

REF	PART NO.	DESCRIPTION	COMMENTS
1	229/00289/00	Circuit Board Cover	
2	209/02015/02	Printboard	
3	204/00116/00	Nut	
4	223/00123/00	Washer	
5	211/00128/00	Printboard Separator	
6	211/00122/00	Standoff	
7	229/00291/00	Insulating Sticker	
8	111/01893/00	Printboard Support Card	
9	211/00145/00	Standoff	
10	B12305201	Memory Card PC-Board	Models prior to 4/5/11 require a firmware upgrade
	B12538301	Data Card Ribbon Assembly	
11	111/01902/00	Operating Panel	
12	225/00323/00	Plexi Frame	
13	225/10404/00	Operating Sticker	With datacard opening
	225/10427/00	Operating Sticker	Without datacard opening
14	210/00902/00	Infrared Cable	
15	223/00348/00	Datacard Cover	
16	209/02022/00	Datacard	
17	209/00099/20	Emergency Switch Pushbutton	
18	209/00520/00	Telem Sticker	
19	44018901	Contact Block	
20	223/00374/00	Mounting Plate	
21	209/02010/00	Door Lock PC-Board	

Control Panel - Cygnus Premium OPL with Frontal Supply Dispenser

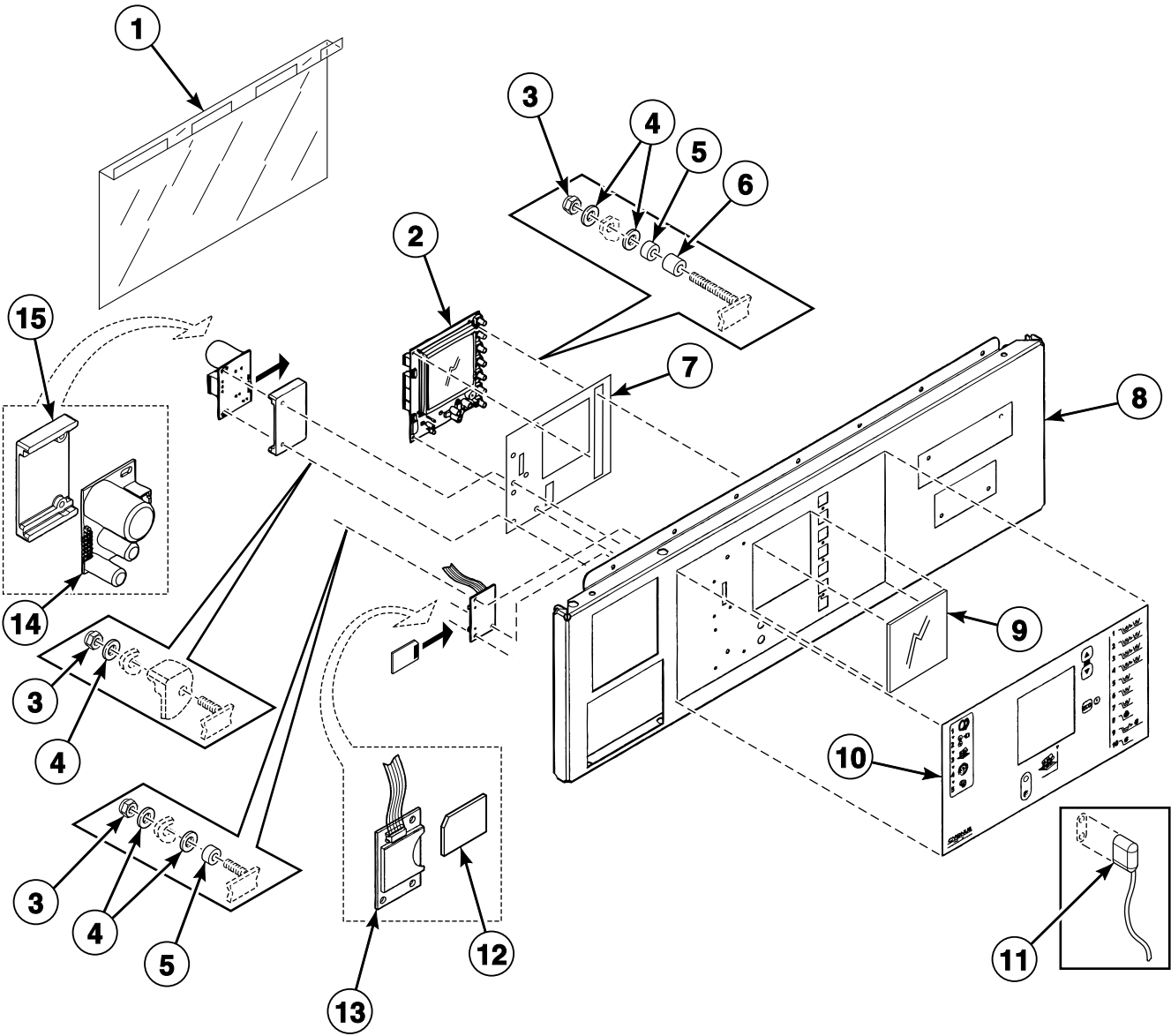


BE000870AP_D0903

Control Panel - Cygnus Premium OPL with Frontal Supply Dispenser

REF	PART NO.	DESCRIPTION	COMMENTS
1	229/00289/00	Circuit Board Cover	
2	209/02015/02	Printboard	
3	204/00116/00	Nut	
4	223/00123/00	Washer	
5	211/00128/00	Printboard Separator	
6	211/00122/00	Standoff	
7	229/00291/00	Insulating Sticker	
8	111/01906/00	Operating Panel	
9	225/00323/00	Plexi Frame	
10	225/10404/00	Operating Sticker	With datacard opening
	225/10427/00	Operating Sticker	Without datacard opening
11	210/00902/00	Infrared Cable	
12	209/00099/20	Emergency Switch Pushbutton	
13	209/00520/00	Telem Sticker	
14	44018901	Contact Block	
15	209/02022/00	Datacard	
16	B12305201	Memory Card PC-Board	Models prior to 4/5/11 require a firmware upgrade
	B12538301	Data Card Ribbon Assembly	
17	209/02010/00	Door Lock PC-Board	
18	223/00374/00	Mounting Plate	

Control Panel - Cygnus Premium Coin

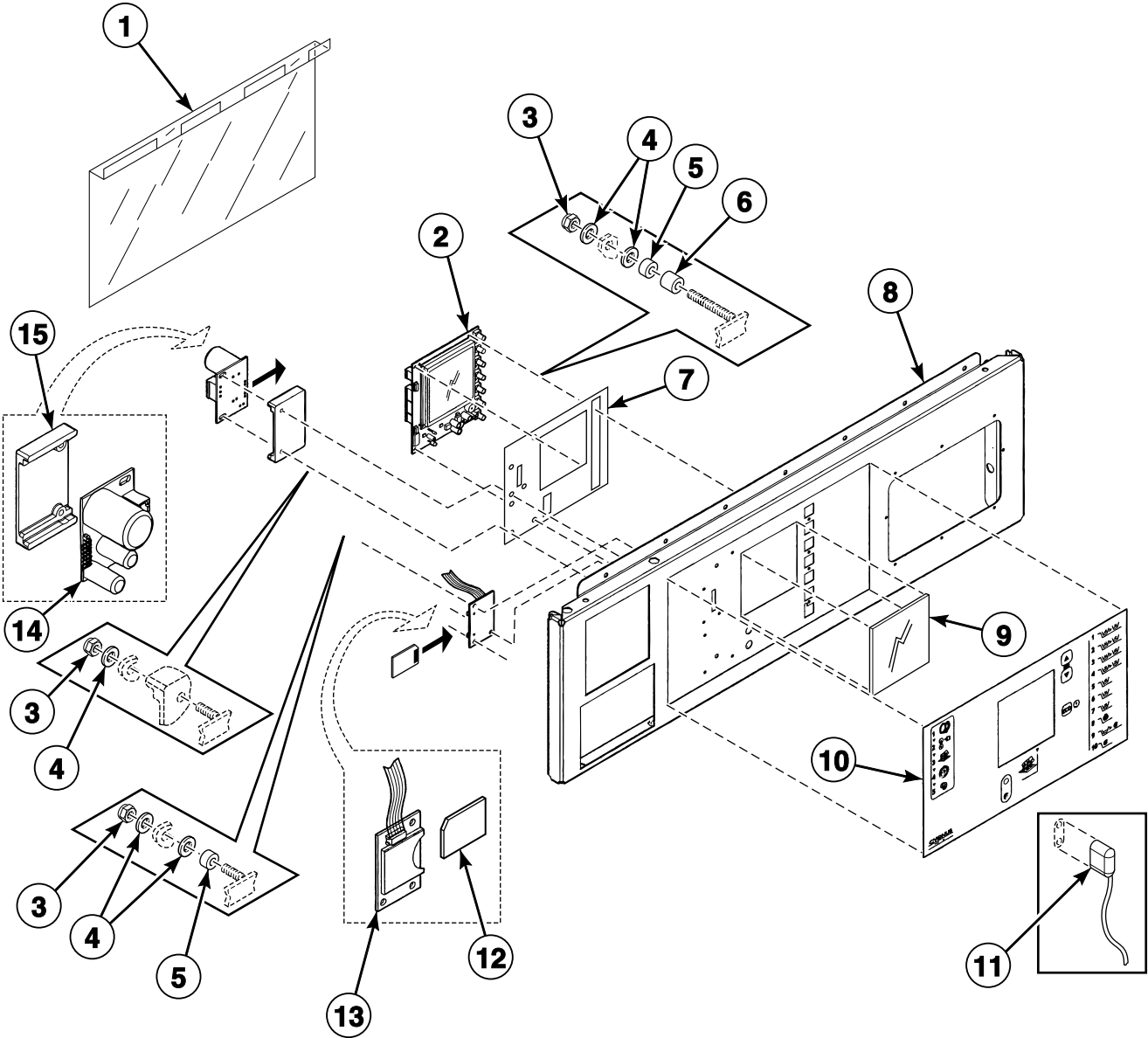


BE000872AP_D0903

Control Panel - Cygnus Premium Coin

REF	PART NO.	DESCRIPTION	COMMENTS
1	229/00289/00	Circuit Board Cover	
2	209/02015/02	Printboard	
3	204/00116/00	Nut	
4	223/00123/00	Washer	
5	211/00128/00	Printboard Separator	
6	211/00122/00	Standoff	
7	229/00291/00	Insulating Sticker	
8	111/01903/00	Operating Panel	
9	225/00323/00	Plexi Frame	
10	225/10403/00	Operating Sticker	
11	210/00902/00	Infrared Cable	
12	209/02022/00	Datacard	
13	B12305201	Memory Card PC-Board	Models prior to 4/5/11 require a firmware upgrade
	B12538301	Data Card Ribbon Assembly	
14	209/02010/00	Door Lock PC-Board	
15	223/00374/00	Mounting Plate	

Control Panel - Cygnus Premium Coin with Frontal Supply Dispenser

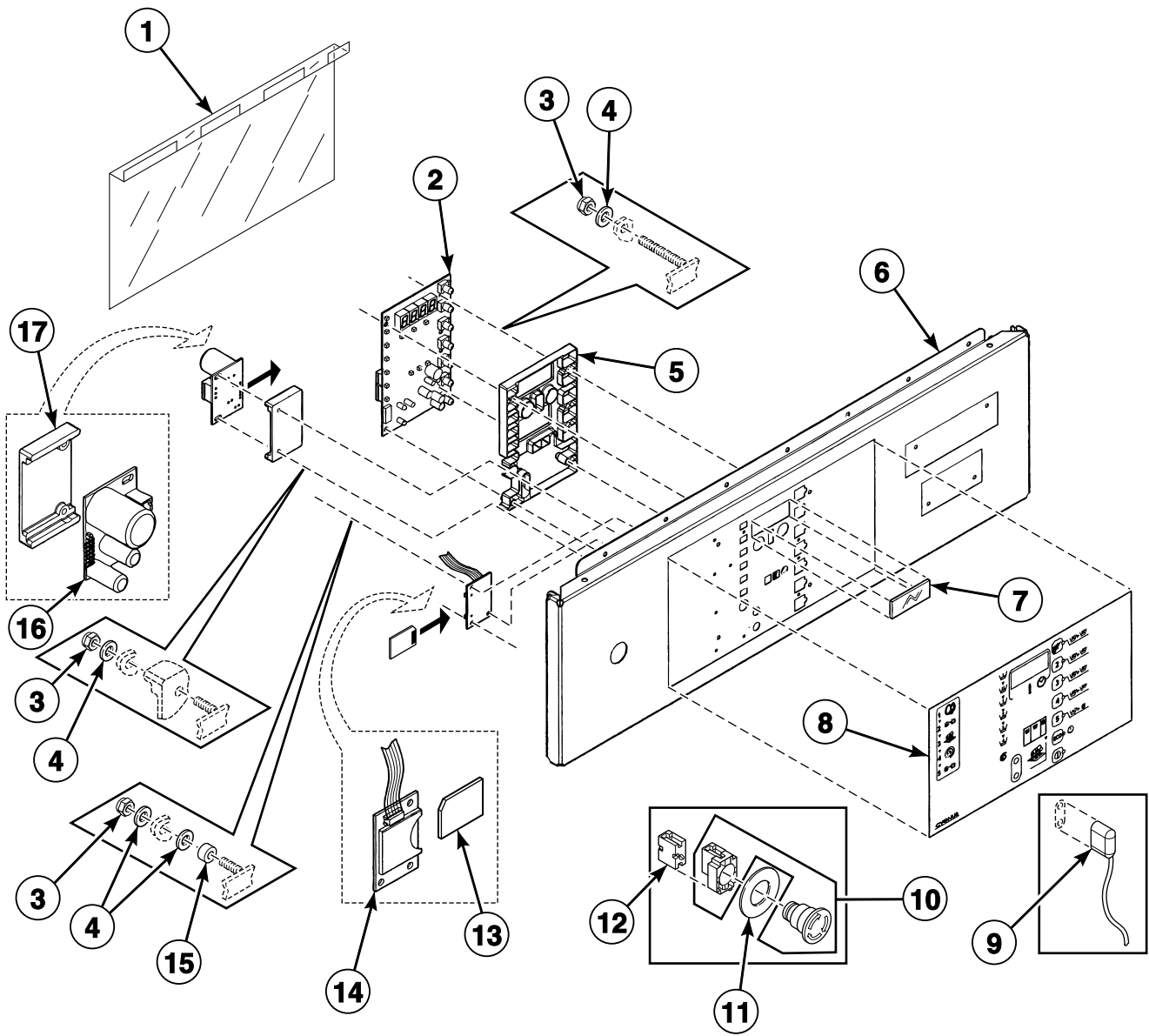


BE000873AP_D0903

Control Panel - Cygnus Premium Coin with Frontal Supply Dispenser

REF	PART NO.	DESCRIPTION	COMMENTS
1	229/00289/00	Circuit Board Cover	
2	209/02015/02	Printboard	
3	204/00116/00	Nut	
4	223/00123/00	Washer	
5	211/00128/00	Printboard Separator	
6	211/00122/00	Standoff	
7	229/00291/00	Insulating Sticker	
8	111/01907/00	Operating Panel	
9	225/00323/00	Plexi Frame	
10	225/10403/00	Operating Sticker	
11	210/00902/00	Infrared Cable	
12	209/02022/00	Datacard	
13	B12305201	Memory Card PC-Board	Models prior to 4/5/11 require a firmware upgrade
	B12538301	Data Card Ribbon Assembly	
14	209/02010/00	Door Lock PC-Board	
15	223/00374/00	Mounting Plate	

Control Panel - Cygnus Standard/Commercial OPL

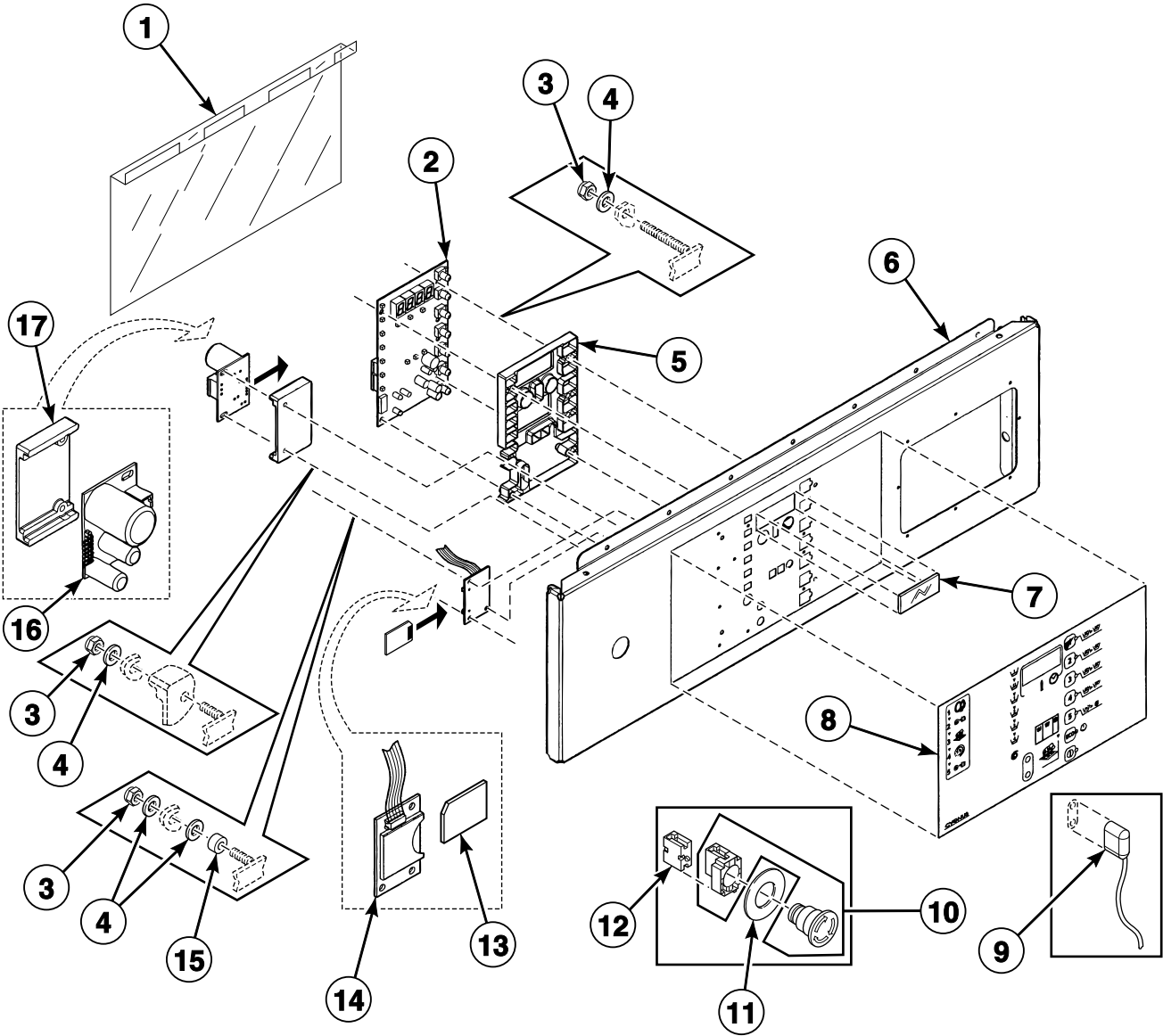


BE000867AP_D0903

Control Panel - Cygnus Standard/Commercial OPL

REF	PART NO.	DESCRIPTION	COMMENTS
1	229/00289/00	Circuit Board Cover	
2	209/02001/02	Printboard	
3	204/00116/00	Nut	
4	223/00123/00	Washer	
5	223/00330/00	Protection LED	
6	111/01828/00	Operating Panel	
7	225/00322/00	Plexi Frame	
8	225/10307/00	Operating Sticker	Models HC135_CYGNUS-STANDARD_OPL and HC165_CYGNUS-STANDARD_OPL
	225/10308/00	Operating Sticker	Models HC135_CYGNUS-COMM_OPL and HC165_CYGNUS-COMM_COIN
9	210/00902/00	Infrared Cable	
10	44018801	Pushbutton	
11	209/00520/00	Telem Sticker	
12	44018901	Contact Block	
13	209/02022/00	Datacard	
14	B12305201	Memory Card PC-Board	Models prior to 4/5/11 require a firmware upgrade
	B12538301	Data Card Ribbon Assembly	
15	211/00128/00	Printboard Separator	
16	209/02010/00	Door Lock PC-Board	
17	223/00374/00	Mounting Plate	

Control Panel - Cygnus Standard/Commercial OPL with Frontal Supply Dispenser

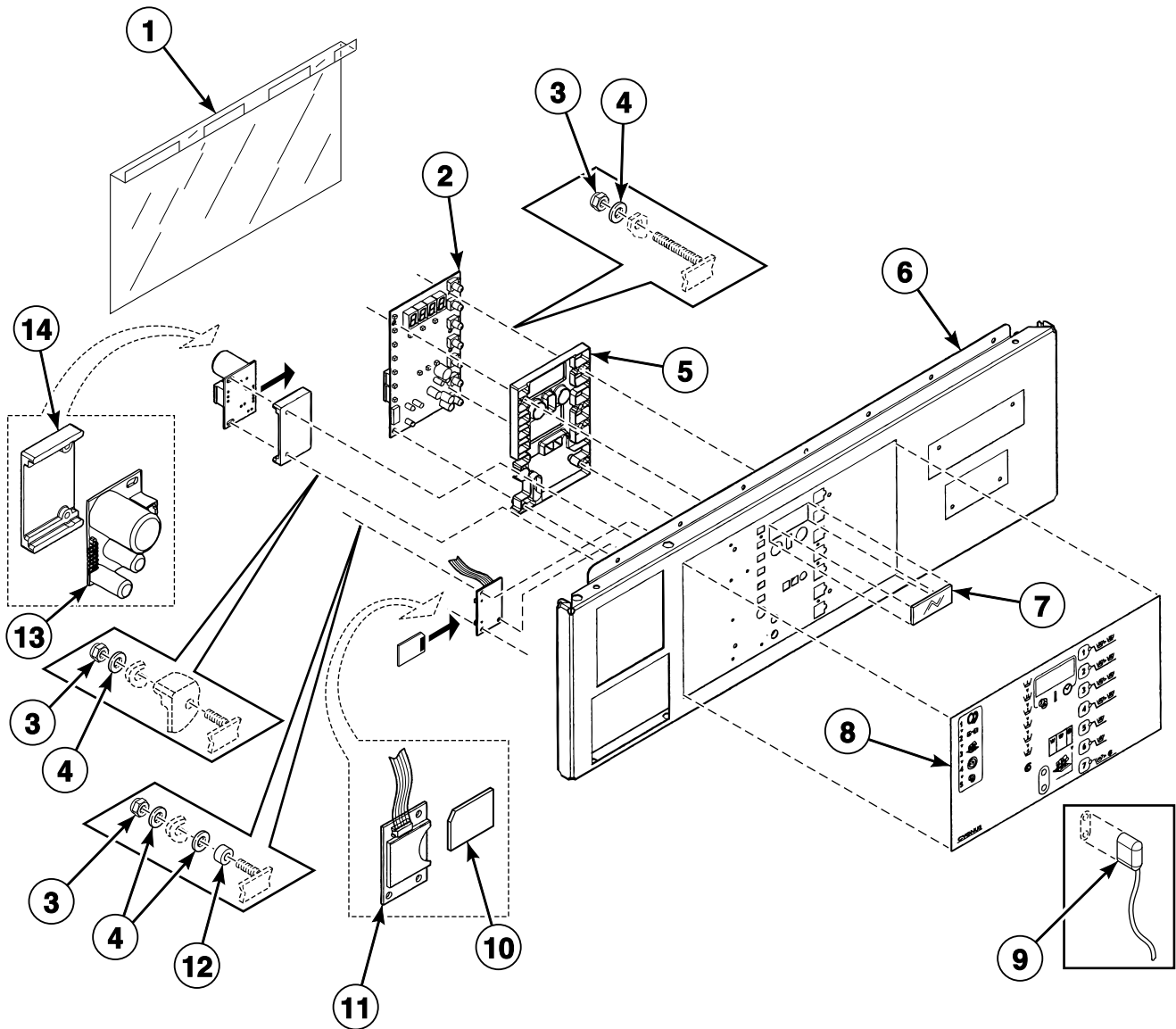


BE000868AP_D0903

Control Panel - Cygnus Standard/Commercial OPL with Frontal Supply Dispenser

REF	PART NO.	DESCRIPTION	COMMENTS
1	229/00289/00	Circuit Board Cover	
2	209/02001/02	Printboard	
3	204/00116/00	Nut	
4	223/00123/00	Washer	
5	223/00330/00	Protection LED	
6	111/01829/00	Operating Panel	
7	225/00322/00	Plexi Frame	
8	225/10307/00	Operating Sticker	Models HC135_CYGNUS-STANDARD_OPL and HC165_CYGNUS-STANDARD_OPL
	225/10308/00	Operating Sticker	Models HC135_CYGNUS-COMM_OPL and HC165_CYGNUS-COMM_OPL
9	210/00902/00	Infrared Cable	
10	44018801	Pushbutton	
11	209/00520/00	Telem Sticker	
12	44018901	Contact Block	
13	209/02022/00	Datacard	
14	B12305201	Memory Card PC-Board	Models prior to 4/5/11 require a firmware upgrade
	B12538301	Data Card Ribbon Assembly	
15	211/00128/00	Printboard Separator	
16	209/02010/00	Door Lock PC-Board	
17	223/00374/00	Mounting Plate	

Control Panel - Cygnus Standard/Commercial Coin

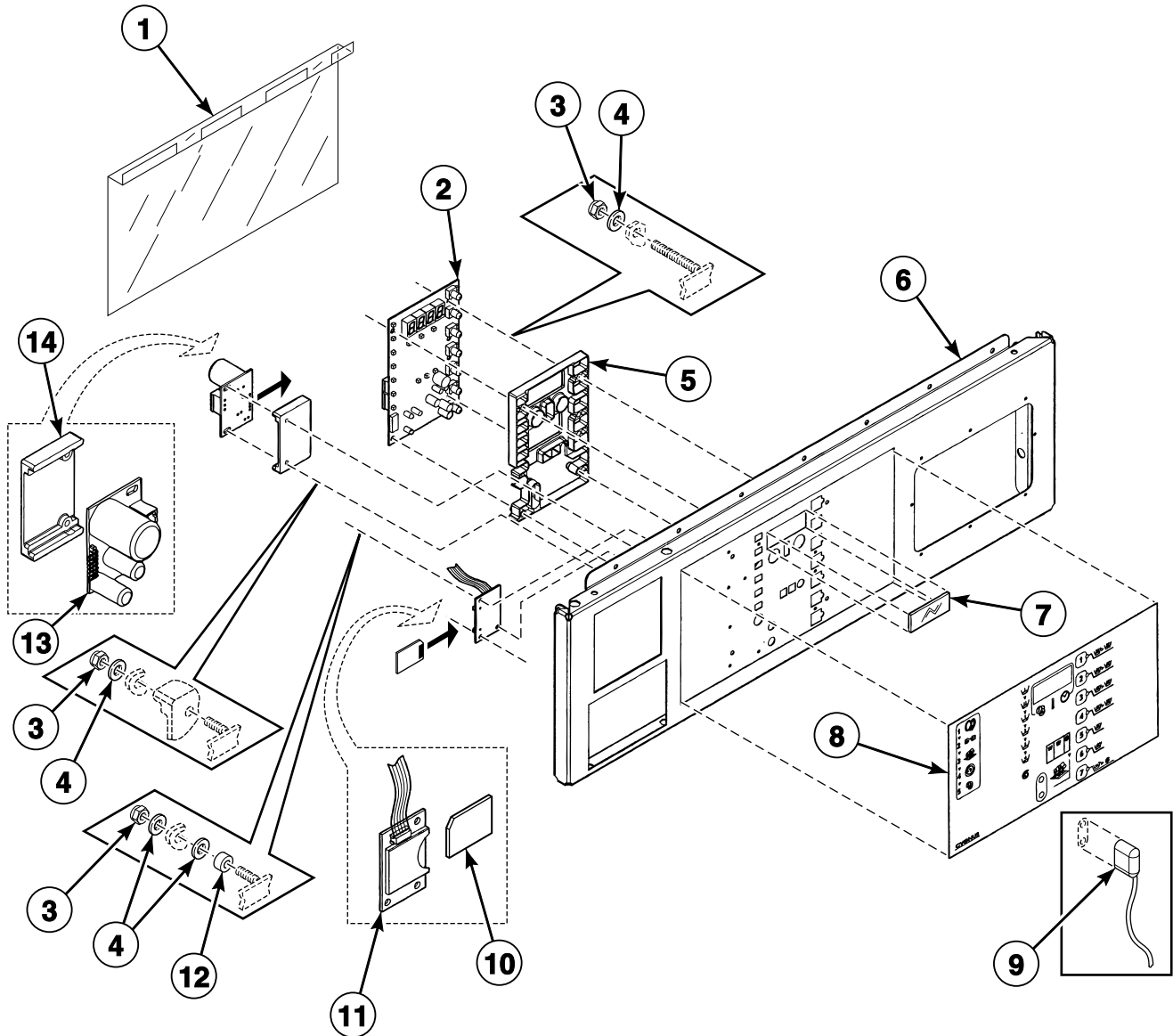


BE000874AP_D0903

Control Panel - Cygnus Standard/Commercial Coin

REF	PART NO.	DESCRIPTION	COMMENTS
1	229/00289/00	Circuit Board Cover	
2	209/02001/02	Printboard	
3	204/00116/00	Nut	
4	223/00123/00	Washer	
5	223/00330/00	Protection LED	
6	111/01819/00	Operating Panel	
7	225/00322/00	Plexi Frame	
8	225/10305/00	Operating Sticker	Models HC135_CYGNUS-STANDARD_COIN and HC165_CYGNUS-STANDARD_COIN
	225/10306/00	Operating Sticker	Models HC135_CYGNUS-COMM_COIN and HC165_CYGNUS-COMM_COIN
9	210/00902/00	Infrared Cable	
10	209/02022/00	Datacard	
11	B12305201	Memory Card PC-Board	Models prior to 4/5/11 require a firmware upgrade
	B12538301	Data Card Ribbon Assembly	
12	211/00128/00	Printboard Separator	
13	209/02010/00	Door Lock PC-Board	
14	223/00374/00	Mounting Plate	

Control Panel - Cygnus Standard/Commercial Coin with Frontal Supply Dispenser

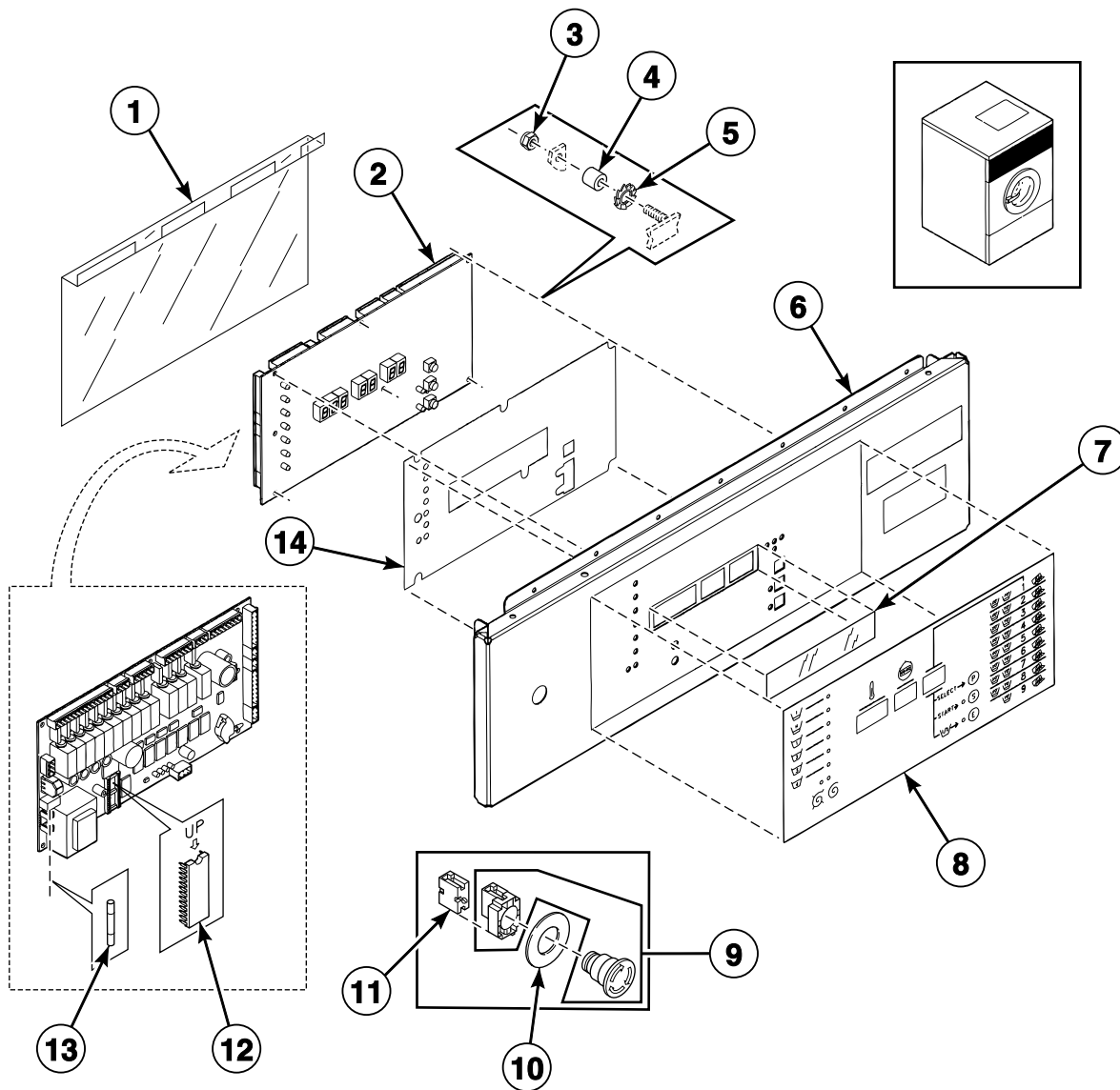


BE000869AP_D0903

Control Panel - Cygnus Standard/Commercial Coin with Frontal Supply Dispenser

REF	PART NO.	DESCRIPTION	COMMENTS
1	229/00289/00	Circuit Board Cover	
2	209/02001/02	Printboard	
3	204/00116/00	Nut	
4	223/00123/00	Washer	
5	223/00330/00	Protection LED	
6	111/01829/00	Operating Panel	
7	225/00322/00	Plexi Frame	
8	225/10305/00	Operating Sticker	Models HC135_CYGNUS-STANDARD_COIN and HC165_CYGNUS-STANDARD_COIN
	225/10306/00	Operating Sticker	Models HC135_CYGNUS-COMM_COIN and HC165_CYGNUS-COMM_COIN
9	210/00902/00	Infrared Cable	
10	209/02022/00	Datacard	
11	B12305201	Memory Card PC-Board	Models prior to 4/5/11 require a firmware upgrade
	B12538301	Data Card Ribbon Assembly	
12	211/00128/00	Printboard Separator	
13	209/02010/00	Door Lock PC-Board	
14	223/00374/00	Mounting Plate	

Control Panel - Micro-20 OPL

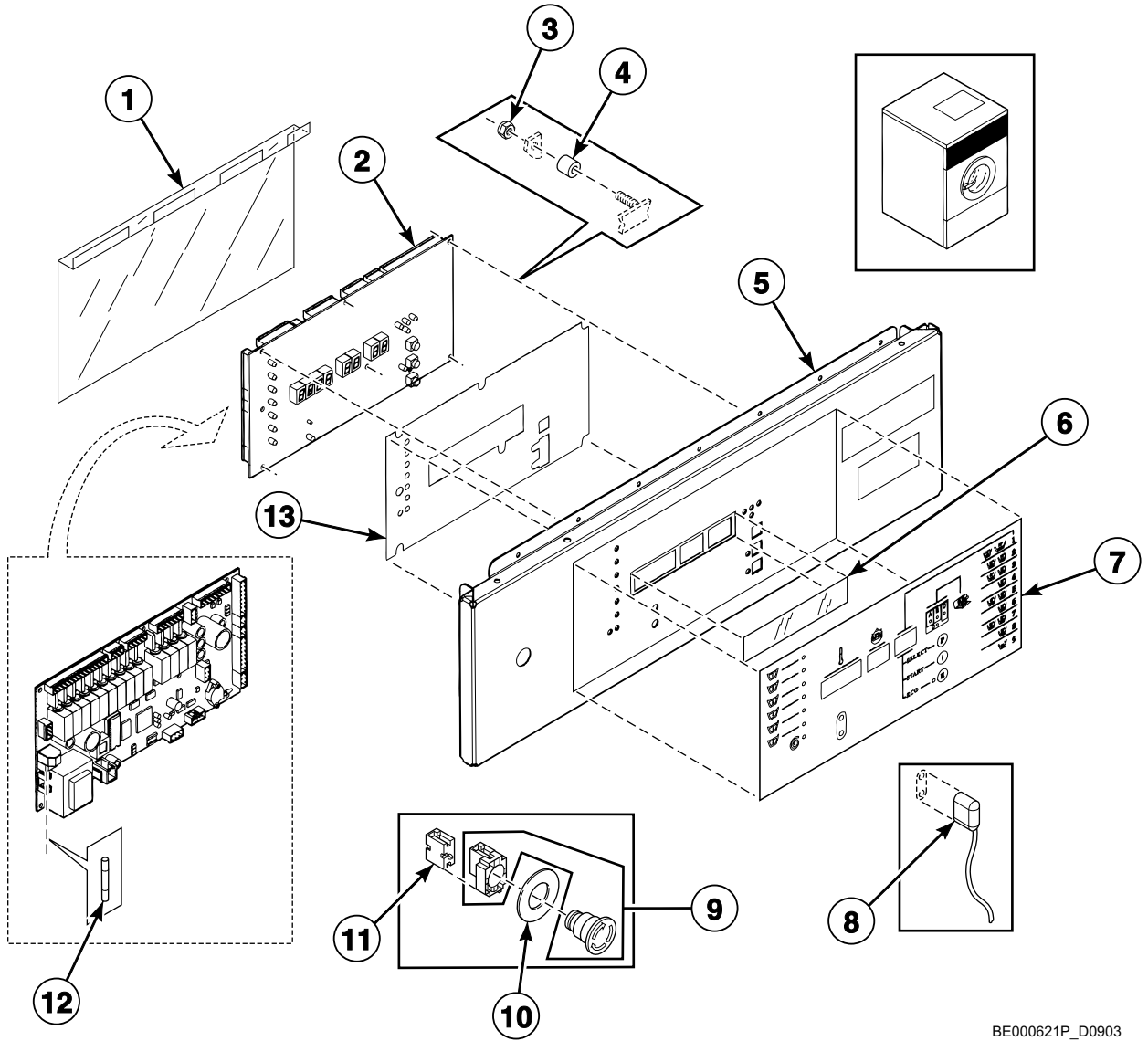


BE000620P_D0903

Control Panel - Micro-20 OPL

REF	PART NO.	DESCRIPTION	COMMENTS
1	229/00262/00	Circuit Board Cover	
2	209/00440/70	Printboard	220 Volt
	209/00440/80	Printboard	115 Volt
3	204/00116/00	Nut	
4	211/00122/00	Standoff	
5	203/00006/00	Washer	
6	111/01816/00	Upper Front Panel	
7	225/00316/00	Plexi Frame	
8	225/00407/00	Keypad Sticker	
9	44018801	Pushbutton	
10	209/00520/00	Telem Sticker	
11	44018901	Contact Block	
12	209/00266/01	Eprom	Standard software
13	209/00372/01	Fuse	125 mA; Used with 209/00552/02 Printboard
	209/00439/00	Fuse	500 mA
14	229/00255/00	Insulating Sticker	

Control Panel - Sigma OPL

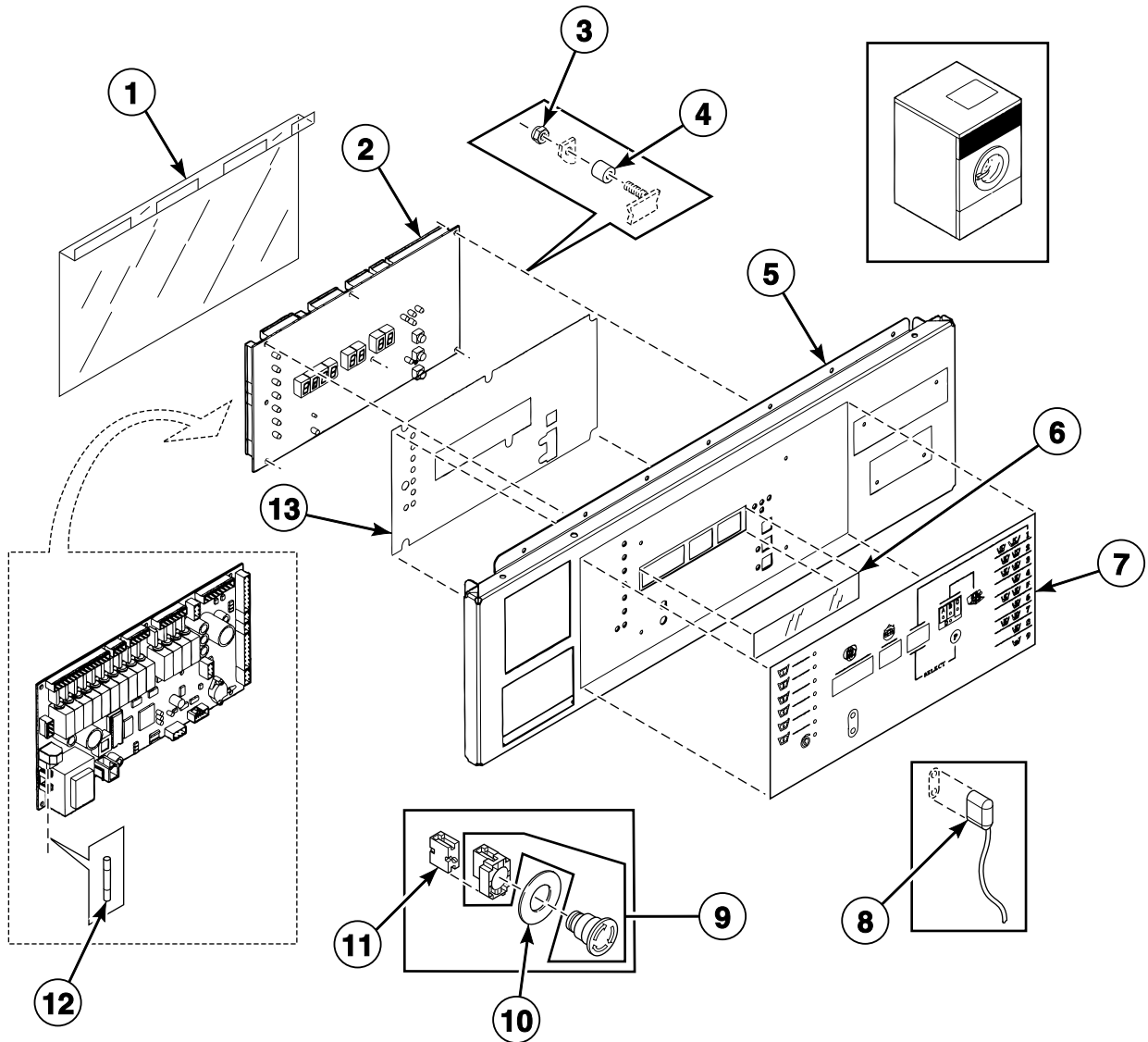


BE000621P_D0903

Control Panel - Sigma OPL

REF	PART NO.	DESCRIPTION	COMMENTS
1	229/00262/00	Circuit Board Cover	
2	209/00547/00	Control Board	
3	204/00116/00	Nut	
4	211/00122/00	Standoff	
5	111/01816/00	Upper Front Panel	
6	225/00316/00	Plexi Frame	
7	225/00404/00	Operating Sticker	
8	210/00902/00	Infrared Cable	
9	44018801	Pushbutton	
10	209/00520/00	Telem Sticker	
11	44018901	Contact Block	
12	209/00372/01	Fuse	125 mA
13	229/00255/00	Insulating Sticker	

Control Panel - Micro-20 and Sigma Coin

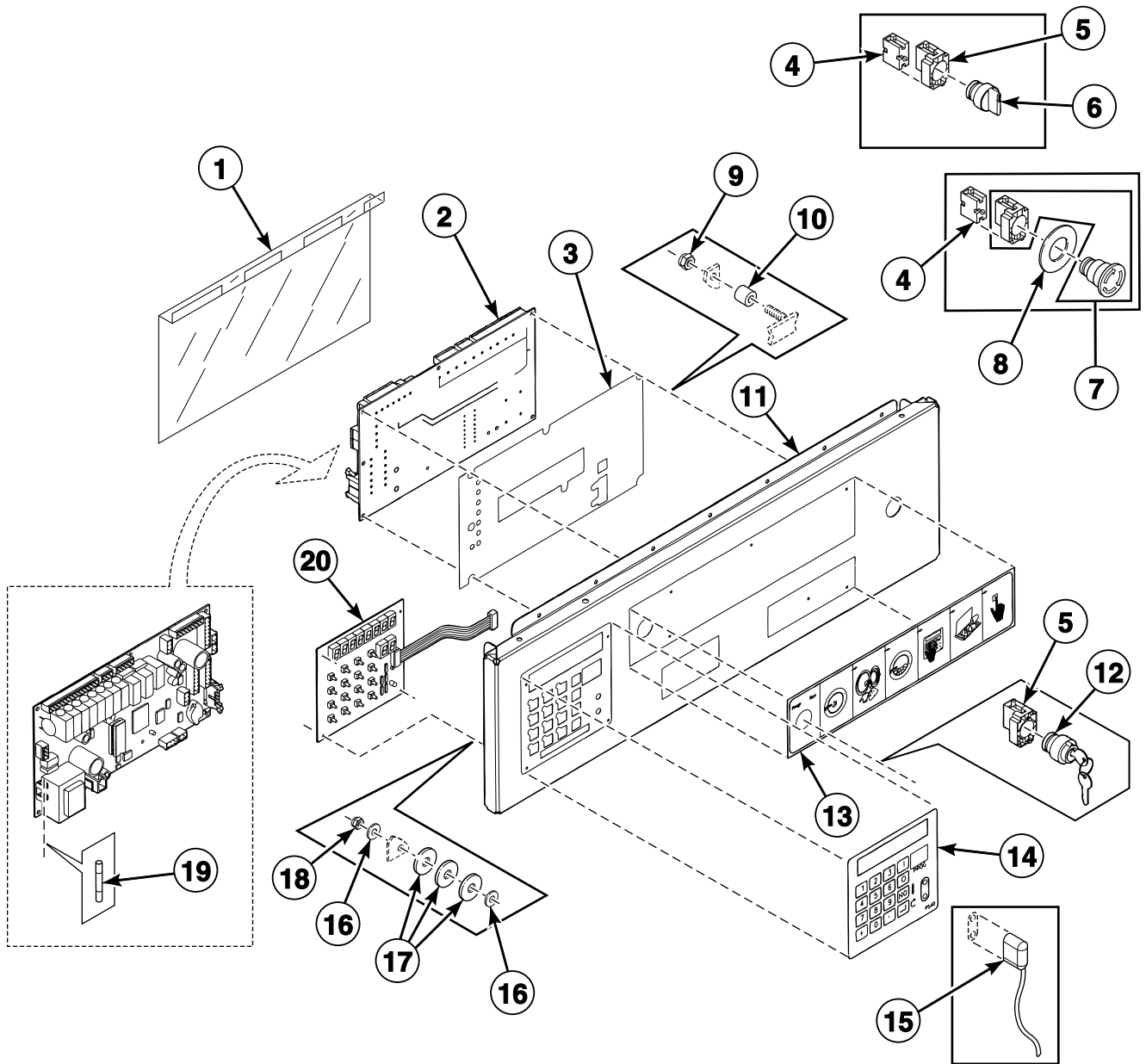


BE000629P_D0903

Control Panel - Micro-20 and Sigma Coin

REF	PART NO.	DESCRIPTION	COMMENTS
1	229/00262/00	Circuit Board Cover	
2	209/00547/00	Control Board	Sigma models
	209/00440/70	Control Board	Micro-20 models
3	204/00116/00	Nut	
4	211/00122/00	Standoff	
5	111/01811/01	Upper Front Panel	
6	225/00316/00	Plexi Frame	
7	225/00403/00	Decal	Sigma models
	225/00406/00	Operating Label	Micro-20 models
8	210/00902/00	Infrared Cable	
9	44018801	Pushbutton	
10	209/00520/00	Telem Sticker	
11	44018901	Contact Block	
12	209/00372/01	Fuse	125 mA
13	229/00255/00	Insulating Sticker	

Control Panel - PS40F

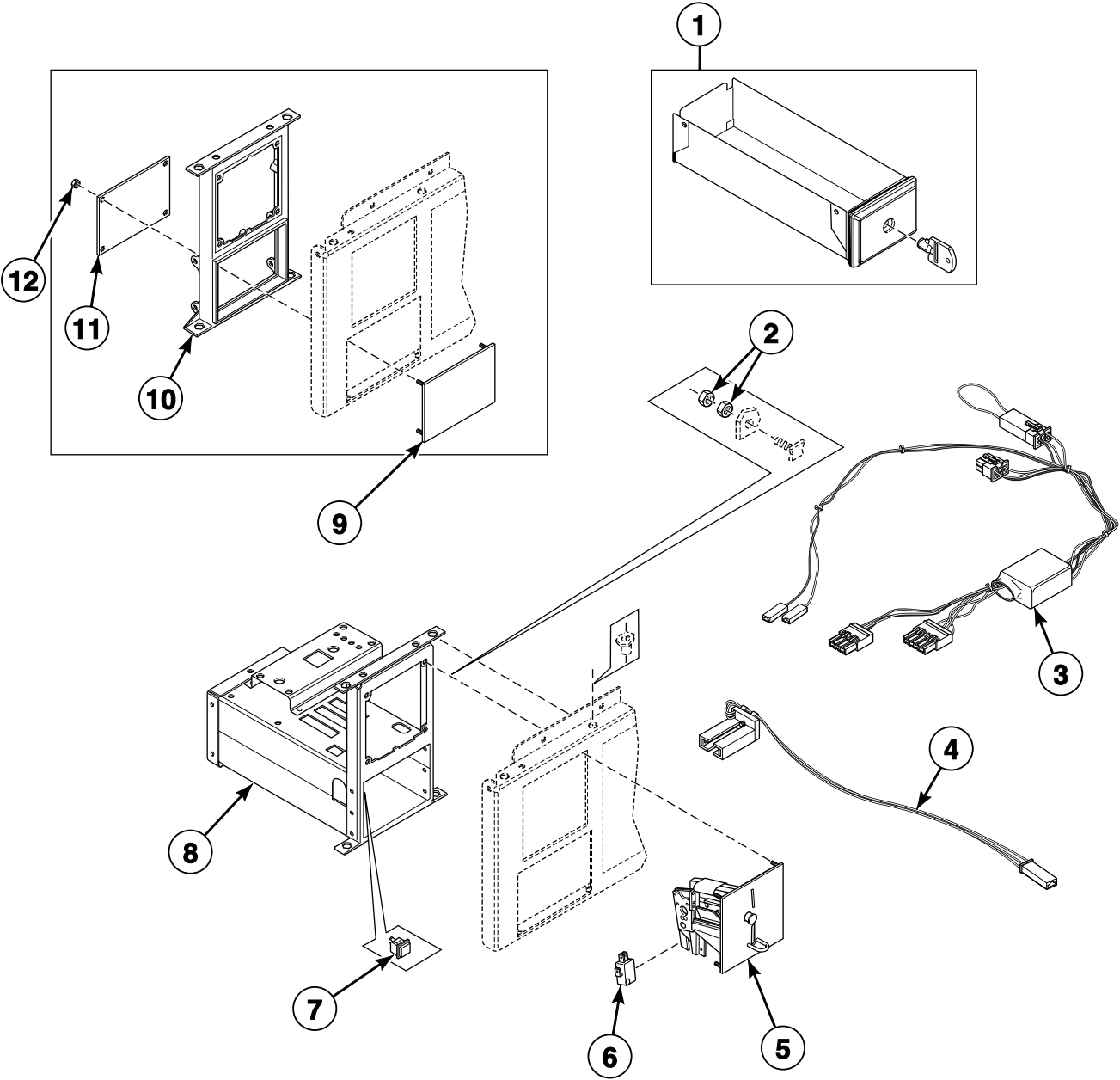


BE000622P_D0903

Control Panel - PS40F

REF	PART NO.	DESCRIPTION	COMMENTS
1	229/00262/00	Circuit Board Cover	
2	B12351701	Main Board	
3	229/00255/00	Insulating Sticker	
4	44018901	Contact Block	
5	209/00099/25	Switch Base	
6	209/00099/29	Switch Knob	
7	44018801	Pushbutton	
8	209/00520/00	Telem Sticker	
9	204/00116/00	Nut	
10	211/00122/00	Standoff	
11	111/01850/00	Facia Panel	HC and IHC models
	111/01912/00	Upper Front Panel	CHC and HC models
12	209/00326/20	Programming Key Contact Switch	
	209/00326/21	Programming Key	
13	225/00400/00	Operating Sticker	
14	225/00397/00	Label	
15	210/00902/00	Infrared Cable	
16	223/00123/00	Washer	
17	223/00051/10	Washer	
18	204/00116/00	Nut	
19	209/00372/01	Fuse	125 mA; Used with 209/00552/02 Printboard
	209/00552/11	Fuse	80 mA; Used with B12351701 Main Board
20	209/00552/01	Keypad	

Coin Drop - Mechanical Coin Meter

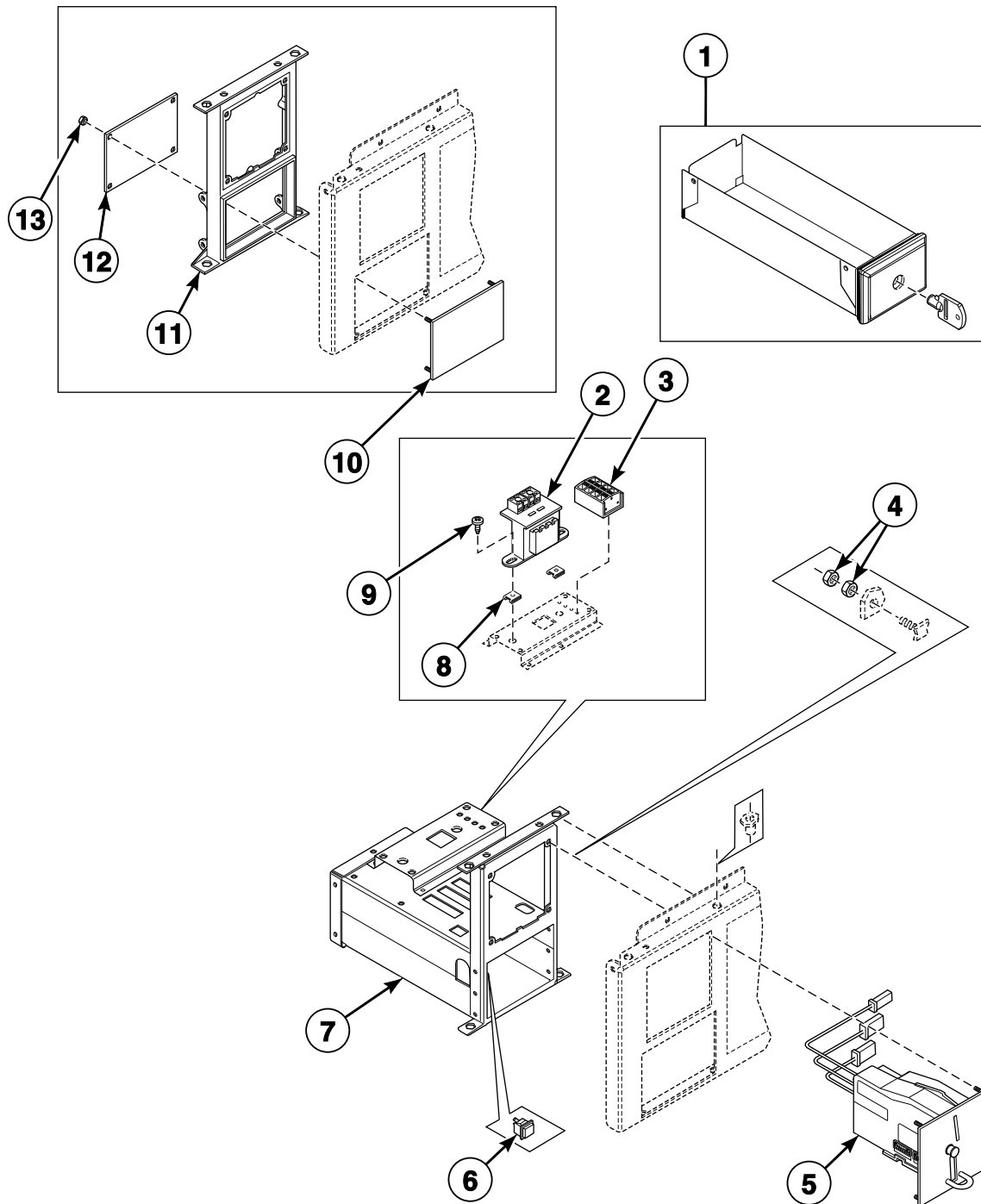


CFD512P_D0903

Coin Drop - Mechanical Coin Meter

REF	PART NO.	DESCRIPTION	COMMENTS
	B12388101	Single Drop Optical Sensor Kit	Includes items 3 and 4
	B12388102	Dual Drop Optical Sensor Kit	Includes items 3 and 4
1	254/00077/00	Coin Box	
	254/00077/02	Key	
2	204/00008/00	Nut	
3	B12359901	Wire Assembly	Micro-20 and Sigma models
4	209/00781/00	Optical Switch	Micro-20 and Sigma models
5	B12311224	Coin Drop	Mechanical; Jeton 5K
	B12311206	Coin Drop	Mechanical; Jeton 7K
	B12311201	Coin Drop	Mechanical; Jeton 10K
	B12311210	Coin Drop	Mechanical; Jeton 12K
	B12311252	Coin Drop	Mechanical; Jeton 10K and .5 euro
	B12311211	Coin Drop	Mechanical; Jeton 7K and 1 euro
	B12323901	Coin Drop	Mechanical; Jeton 15K and 7K
	B12311204	Coin Drop	Mechanical; Jeton gettone
	B12311234	Coin Drop	Mechanical; Jeton crouzet
	B12311247	Coin Drop	Mechanical; Jeton 118-1
	B12311248	Coin Drop	Mechanical; Jeton 118-5
	B12311222	Coin Drop	Mechanical; 1 euro
	B12311214	Coin Drop	Mechanical; .5 euro
	B12311202	Coin Drop	Mechanical; .5 and 1 euro
	B12311239	Coin Drop	Mechanical; .5 and 2 euro
	B12311205	Coin Drop	Mechanical; .2 and 1 euro
	B11211209	Coin Drop	Mechanical; .2 and .5 euro
	B12311218	Coin Drop	Mechanical; 1 and 1 euro
	B12311219	Coin Drop	Mechanical; 1 and 2 euro
	B12311203	Coin Drop	Mechanical; 1 and 2 frank
	B12311207	Coin Drop	Mechanical; 1 Deense kroon
	B12311225	Coin Drop	Mechanical; 10 Deense kronen
	B12311235	Coin Drop	Mechanical; 10 Tsjechische kronen
	B12311244	Coin Drop	Mechanical; 10 Noorse kronen
	B12311208	Coin Drop	Mechanical; 100 and 500 yen
	B12311212	Coin Drop	Mechanical; 15K
	B12311215	Coin Drop	Mechanical; 1 kro
	B12311226	Coin Drop	Mechanical; Australia 1.00
	B12311216	Coin Drop	Mechanical; Australia .2 and 1.00
	B12311220	Coin Drop	Mechanical; New Zealand 1.00
	B12311221	Coin Drop	Mechanical; .5 and 2 zwitsers
	B12311241	Coin Drop	Mechanical; Hong Kong 1.00
	B12311249	Coin Drop	Mechanical; Hong Kong 5.00
	B12311301	Coin Drop	Mechanical; U.S. \$0.25
	B12311302	Coin Drop	Mechanical; U.S. \$0.25 and \$1.00
	B12311304	Coin Drop	Mechanical; Canada 1.00 and .25
	B12323401	Coin Drop	Mechanical; Singapore 1.00
6	209/00600/01P	Switch	
7	209/00396/00	Pushbutton	
8	152/00112/00	Mechanical Coin Meter Housing	
9	111/01001/00	Top Panel	Gray
	111/01000/00	Front Plate	Black
10	217/00060/00	Fastening Piece	
11	111/01002/00	Backplate	
12	204/00116/00	Nut	

Coin Drop - Electronic Coin Meter

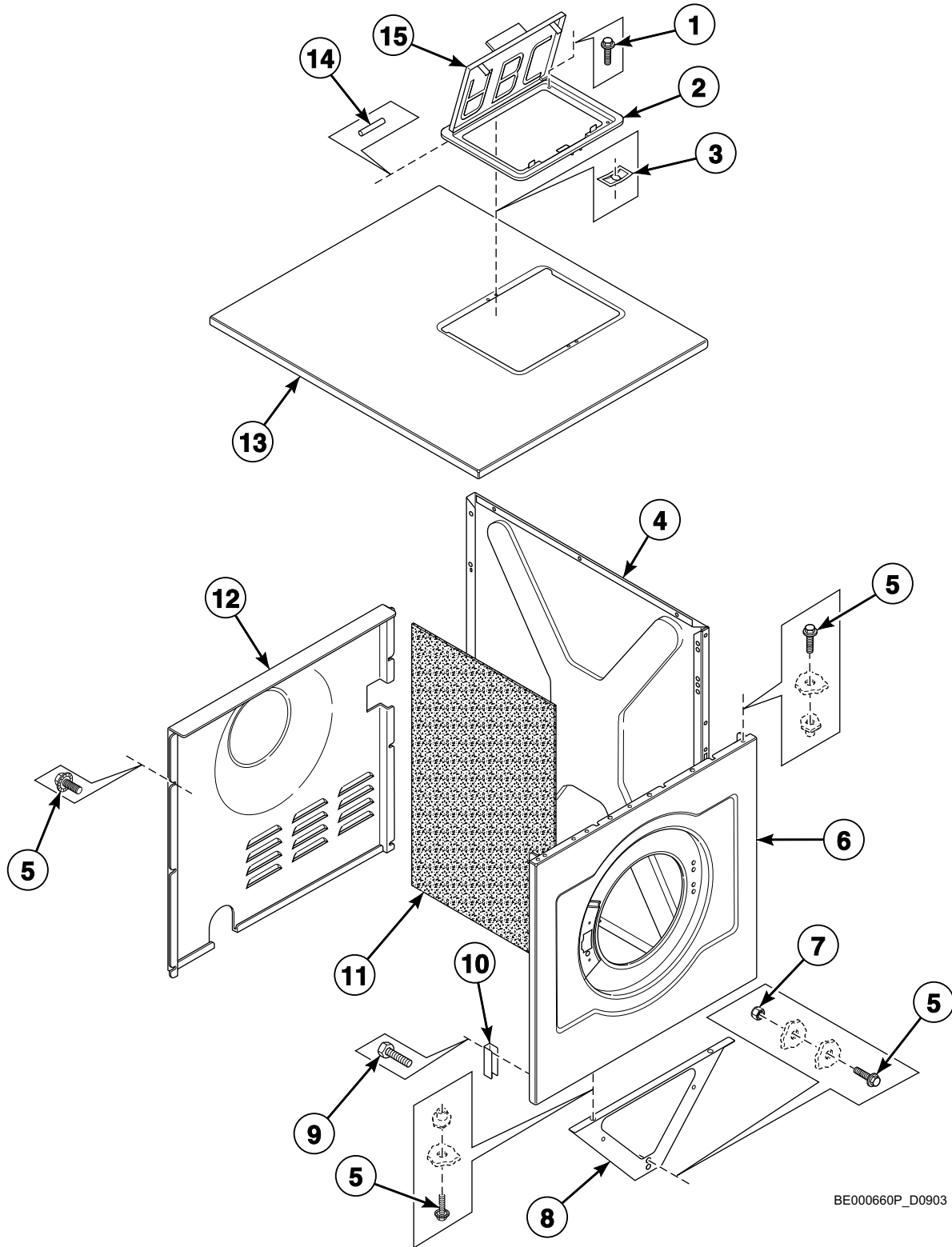


CFD511P_D0903

Coin Drop - Electronic Coin Meter

REF	PART NO.	DESCRIPTION	COMMENTS
1	254/00077/00	Coin Box	
	254/00077/02	Key	
2	209/00682/00	Transformer	
3	209/00683/00	Input Block	
4	204/00008/00	Nut	
5	B12311401	Coin Drop	Electronic; Cygnus models
6	209/00396/00	Pushbutton	
7	152/00112/50	Electronic Coin Meter Housing	
8	208/00002/00	Nut	
9	208/00014/00	Screw	
10	111/01001/00	Top Panel	Gray
	111/01000/00	Front Plate	Black
11	217/00060/00	Fastening Piece	
12	111/01002/00	Backplate	
13	204/00116/00	Nut	

Middle Front, Top, Lower Rear and Right Side Panels

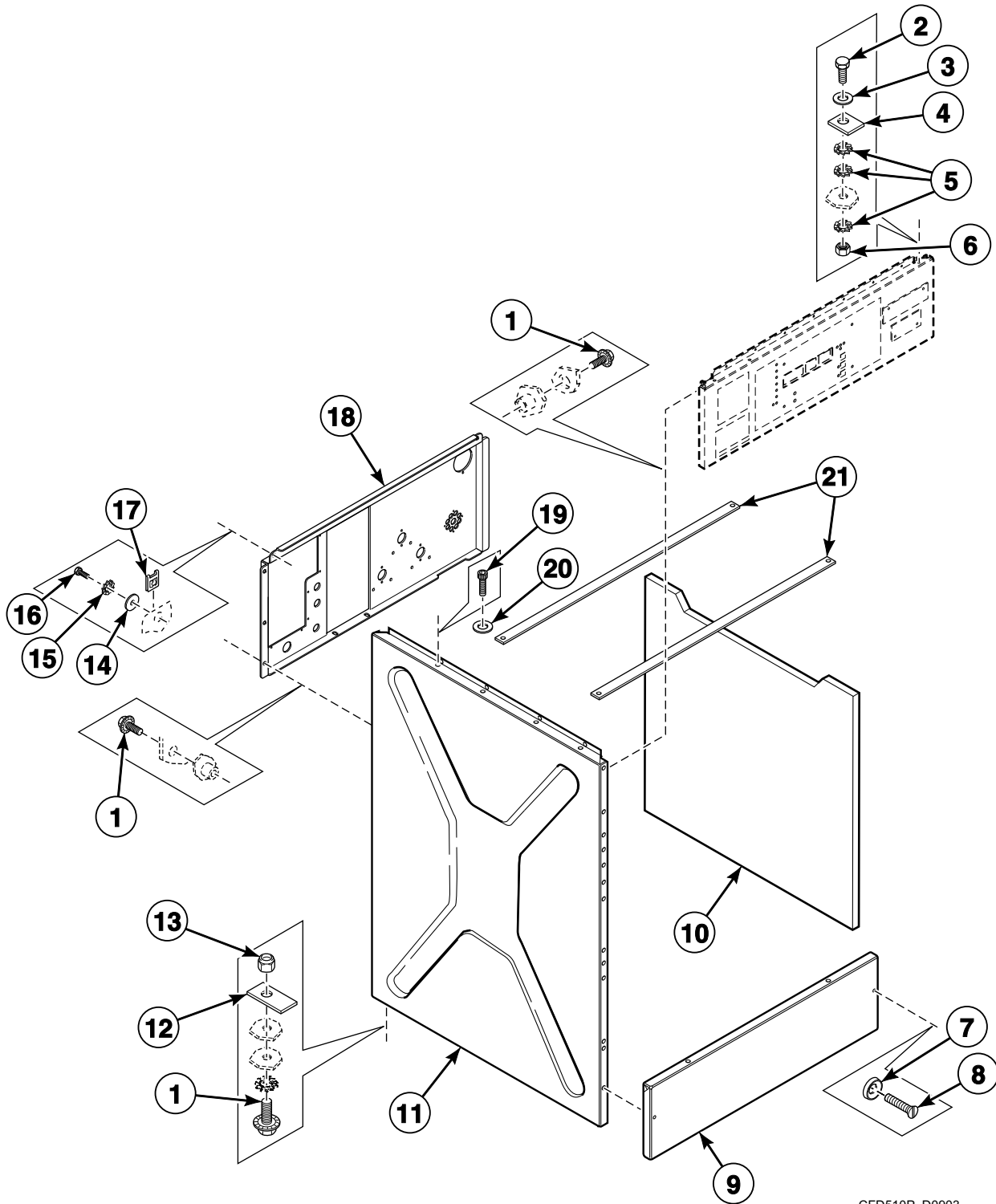


BE000660P_D0903

Middle Front, Top, Lower Rear and Right Side Panels

REF	PART NO.	DESCRIPTION	COMMENTS
1	207/00125/00	Bolt	
2	223/00103/03	Soap Dispenser Frame	
3	208/00104/00	Nut	
4	111/22723/10	Side Panel	*30 and *135 models; Stainless steel
	111/22728/10	Side Panel	*35 and *165 models; Stainless steel
	111/60035/00	Side Panel	*30 and *135 models; Black
	111/60036/00	Side Panel	*35 and *165 models; Black
5	206/00099/00	Bolt	
6	111/01802/00	Front Panel	
7	204/00009/00	Nut	
8	155/00144/00	Reinforcing Triangle	
9	206/00114/00	Bolt	
10	111/10089/01	Reinforcement Plate	
11	246/00079/00	Side Panel Gasket	
12	152/00053/02	Back Panel	
13	111/22741/00	Top Panel	*30 and *135 models
	111/22743/00	Top Panel	*35 and *165 models
14	223/00103/04	Soap Dispenser Cover Hinge Rod	2 required
15	223/00103/01	Soap Dispenser Cover	

Left Side, Upper Rear and Lower Front Panels

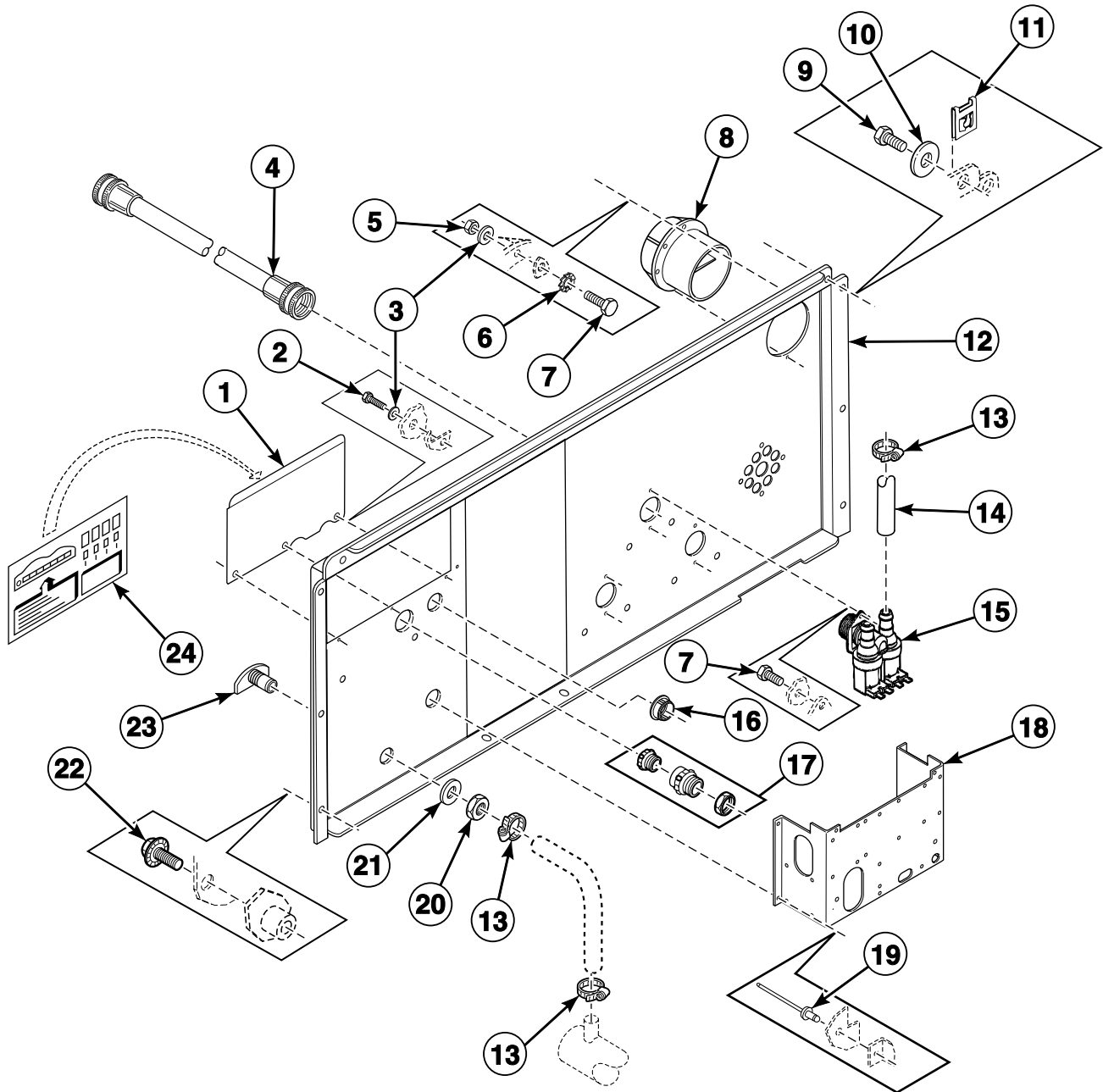


CFD510P_D0903

Left Side, Upper Rear and Lower Front Panels

REF	PART NO.	DESCRIPTION	COMMENTS
1	206/00099/00	Bolt	
2	205/00106/00	Bolt	
3	202/00003/00	Washer	
4	117/00042/00	Retaining Ring	
5	203/00005/00	Washer	
6	204/00006/00	Nut	
7	208/00009/00	Washer	
8	207/00101/00	Screw	
9	111/01803/00	Lower Front Panel	
10	246/00079/00	Side Panel Gasket	
11	111/22723/10	Side Panel	*30 and *135 models; Stainless steel
	111/22728/10	Side Panel	*35 and *165 models; Stainless steel
	111/60035/00	Side Panel	*30 and *135 models; Black
	111/60036/00	Side Panel	*35 and *165 models; Black
12	101/00007/00	Outlet Pipe Plate Assembly	
13	204/00009/00	Nut	
14	201/00006/00	Washer	
15	203/00015/00	Washer	
16	208/00014/00	Screw	
17	208/00025/00	Nut	
18	111/01833/00	Backbridge	
19	206/00113/00	Screw	
20	B12421401	Washer	
21	111/00969/00	Crossbar	

Upper Back Panel with Circular Ventilation - Models Through 12/31/05

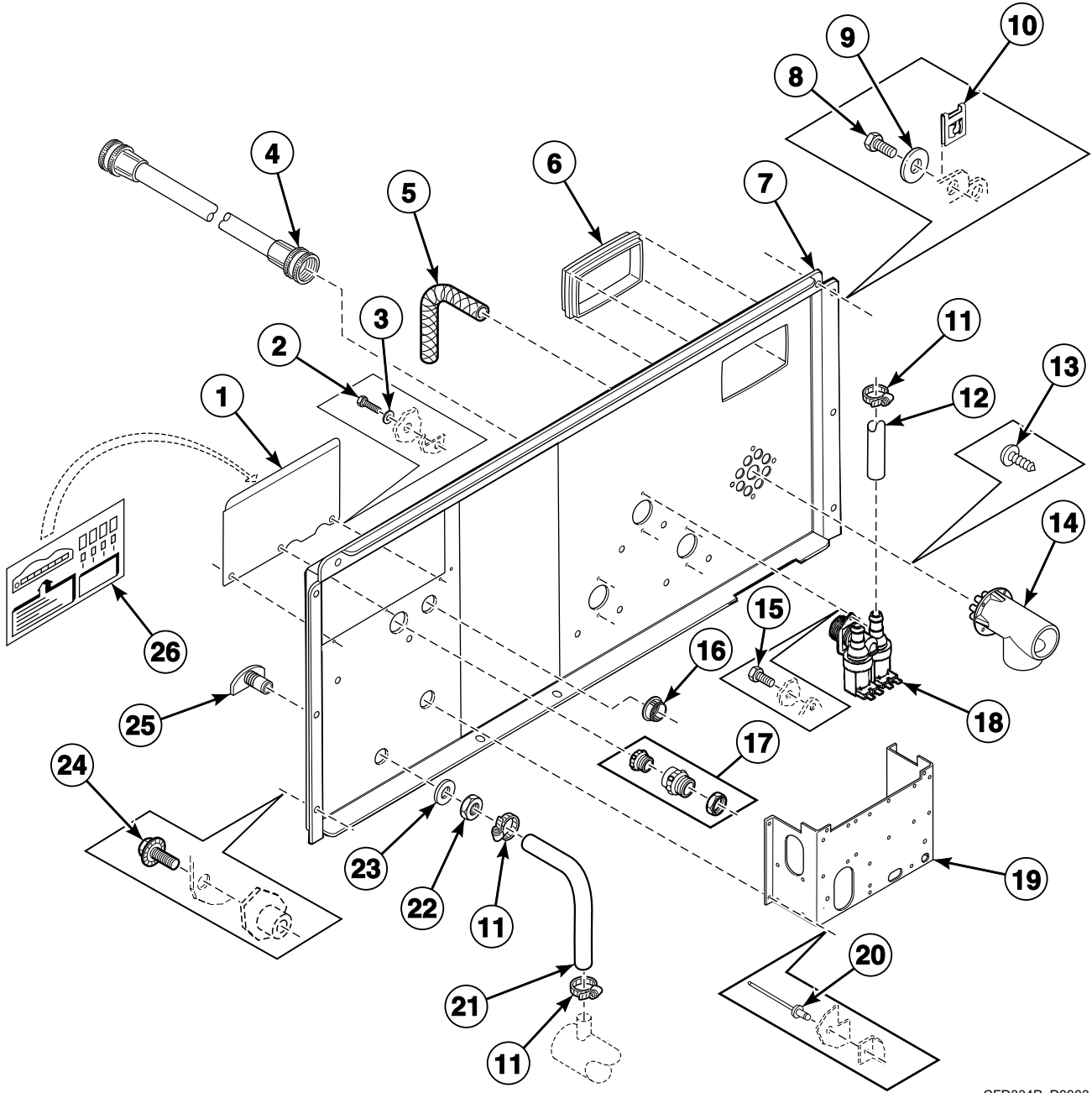


CFD333P_D0903

Upper Back Panel with Circular Ventilation - Models Through 12/31/05

REF	PART NO.	DESCRIPTION	COMMENTS
1	111/00094/10	Electrical Connection Plate	
2	206/00014/00	Bolt	
3	202/00004/00	Washer	
4	F200164	Water Hose	Standard thread
	F200166	Water Hose	Metric thread
5	203/00006/00	Washer	
6	204/00007/00	Nut	
7	206/00027/00	Bolt	
8	223/00102/07	Hose Vent	
9	208/00014/00	Screw	
10	201/00006/00	Washer	
11	208/00002/00	Nut	
12	111/01822/00	Backbridge	
13	223/00010/00	Hose Clamp	
14	223/00044/00	Water Hose	
15	209/00110/00	2-Way Inlet Valve	Metric thread
	B12519501	2-Way Inlet Valve	Standard thread; G581P3 Repair Kit
16	211/00091/00	Plug	
17	271/35945/00	Nut	
18	111/00188/06	Electrical Connection Plate	
19	208/00017/00	Rivet	
20	204/00201/00	Nut	
21	201/00002/00	Washer	
22	206/00099/00	Bolt	
23	223/00001/04	Prewash and Mainwash Nozzle	
24	229/00068/02	Electrical Connection Sticker	

Upper Back Panel with Rectangular Ventilation - Models Through 12/31/05

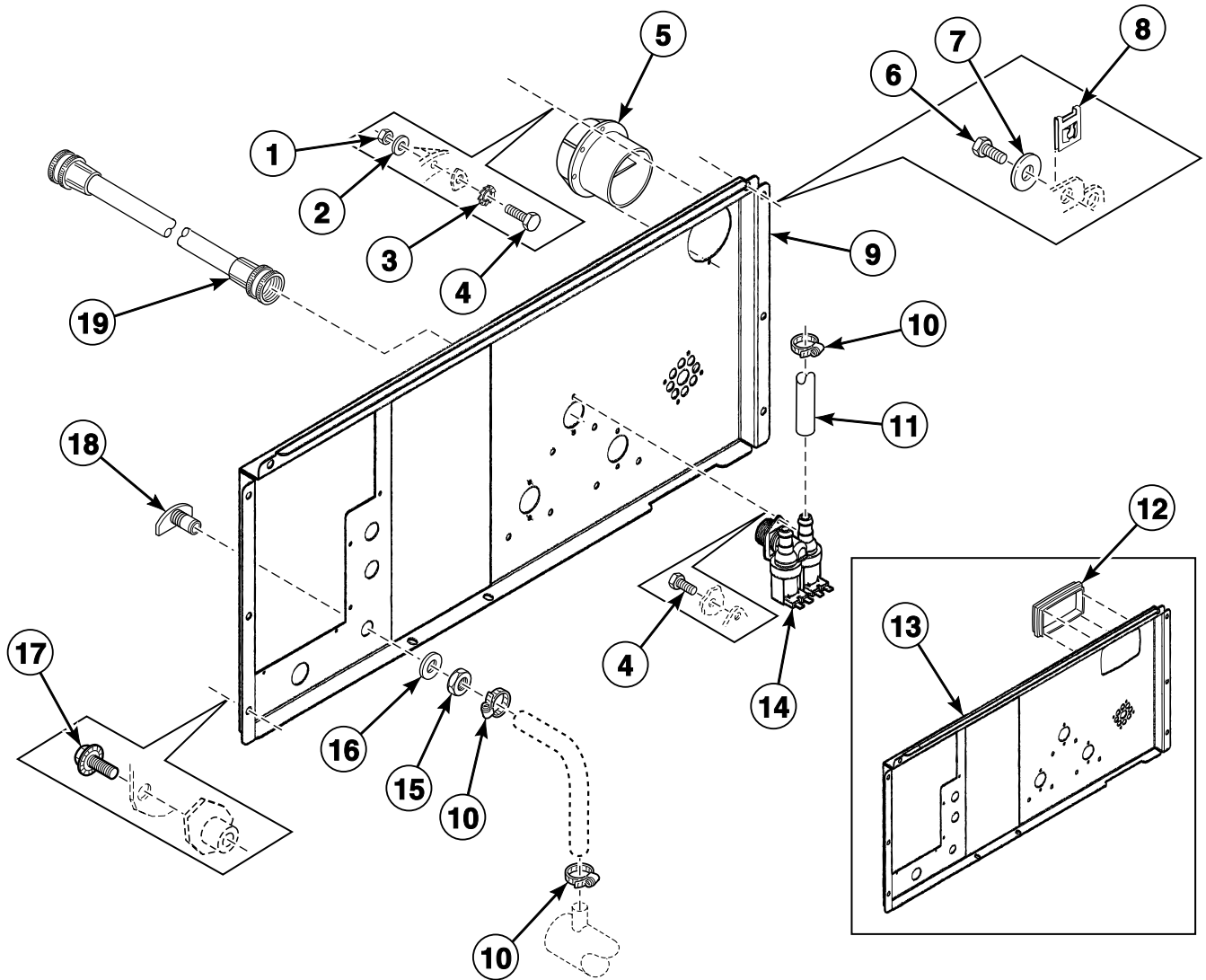


CFD334P_D0903

Upper Back Panel with Rectangular Ventilation - Models Through 12/31/05

REF	PART NO.	DESCRIPTION	COMMENTS
1	111/00094/10	Electrical Connection Plate	
2	206/00014/00	Bolt	
3	202/00004/00	Washer	
4	F200164	Water Hose	Standard thread
	F200166	Water Hose	Metric thread
5	223/00179/10	Pressure Hose	
6	223/00226/00	Vent Tube	
7	111/01859/00	Backbridge	
8	208/00014/00	Screw	
9	201/00006/00	Washer	
10	208/00025/00	Nut	
11	223/00010/00	Hose Clamp	
12	223/00044/00	Water Hose	
13	208/00130/00	Screw	
14	223/00250/00	Liquid Soap Manifold	
15	206/00027/00	Bolt	
16	211/00091/00	Plug	
17	271/35945/00	Nut	
18	209/00110/00	2-Way Inlet Valve	Metric thread
	B12519501	2-Way Inlet Valve	Standard thread; G581P3 Repair Kit
19	111/00188/06	Electrical Connection Plate	
20	208/00017/00	Rivet	
21	223/00044/00	Water Hose	
22	204/00201/00	Nut	
23	201/00002/00	Washer	
24	206/00099/00	Bolt	
25	223/00001/04	Prewash and Mainwash Nozzle	
26	229/00068/02	Electrical Connection Sticker	

Upper Back Panel - Models Starting 1/1/06

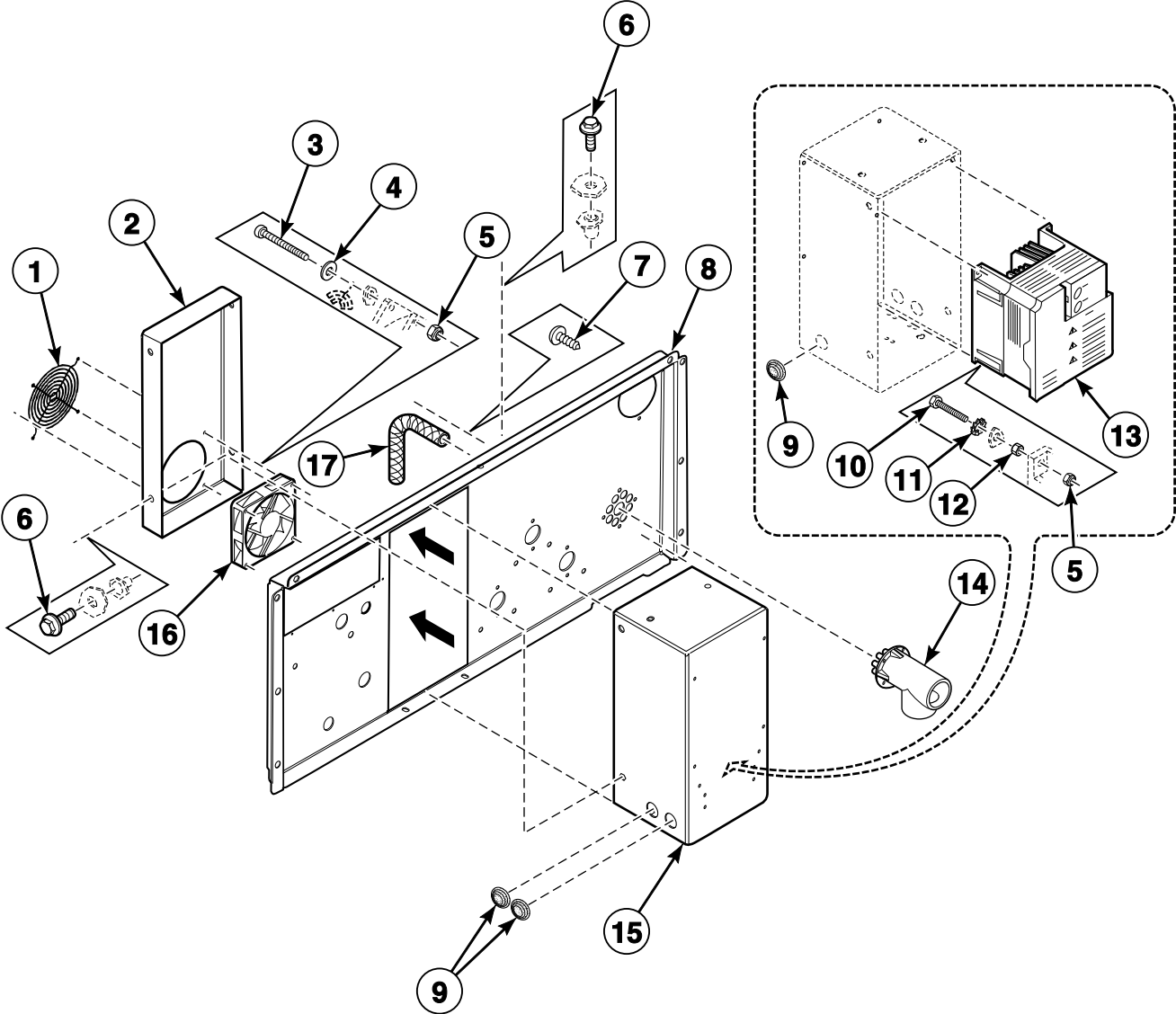


CFD332P_D0903

Upper Back Panel - Models Starting 1/1/06

REF	PART NO.	DESCRIPTION	COMMENTS
1	204/00007/00	Nut	
2	202/00004/00	Washer	
3	203/00006/00	Washer	
4	206/00027/00	Bolt	
5	223/00102/07	Hose Vent	
6	208/00014/00	Screw	
7	201/00006/00	Washer	
8	208/00002/00	Nut	
9	111/01833/00	Backbridge	Circular ventilation
10	223/00010/00	Hose Clamp	
11	223/00044/00	Water Hose	
12	223/00226/00	Vent Tube	
13	111/01833/10	Backbridge	Rectangular ventilation
14	209/00110/00	2-Way Inlet Valve	Metric thread
	B12519501	2-Way Inlet Valve	Standard thread; G581P3 Repair Kit
15	204/00201/00	Nut	
16	201/00002/00	Washer	
17	206/00099/00	Bolt	
18	223/00001/04	Prewash and Mainwash Nozzle	
19	F200164	Water Hose	Standard thread
	F200166	Water Hose	Metric thread

Inverter Drive - Models Through 9/30/08



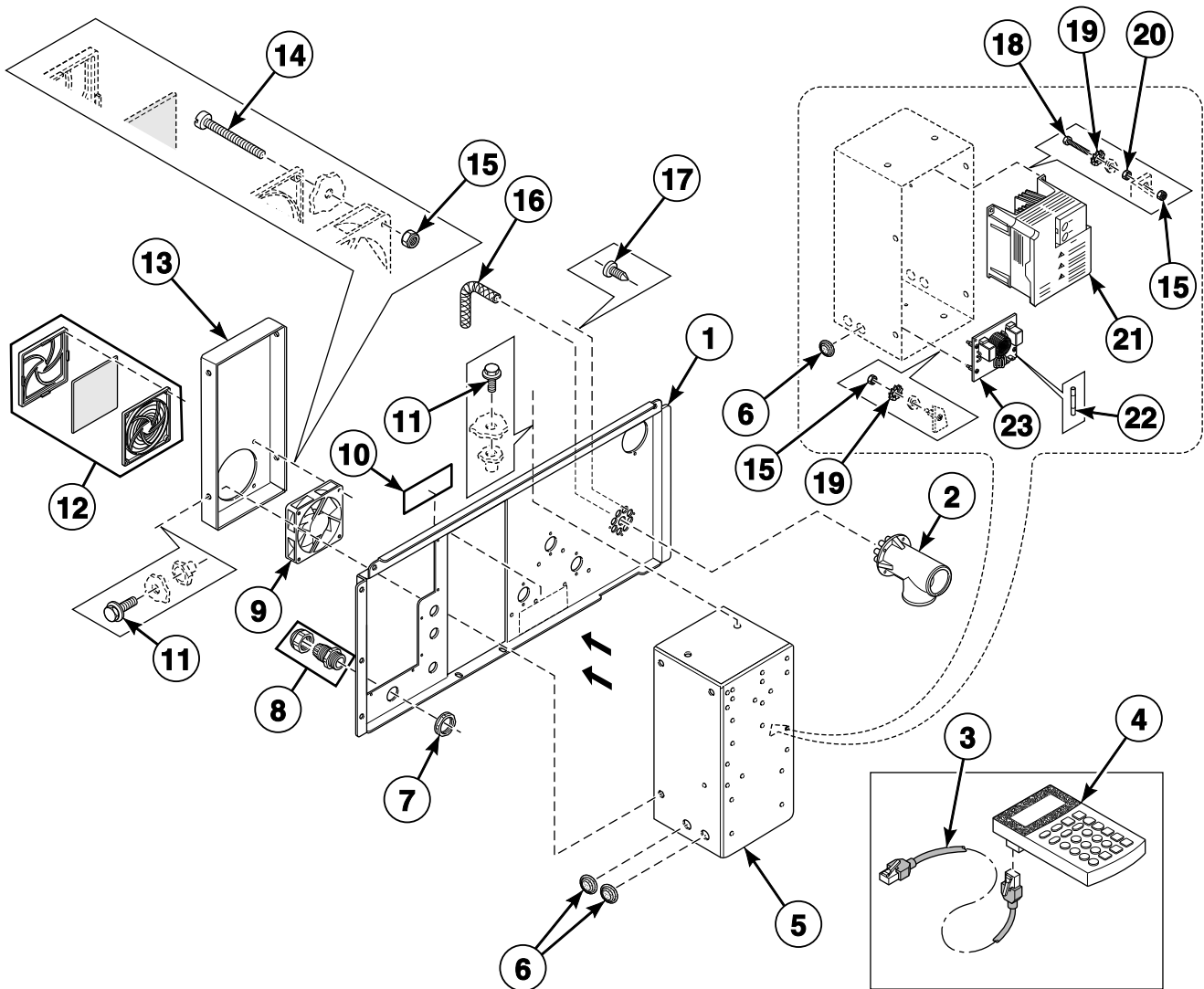
BE000639P_D0903

Inverter Drive - Models Through 9/30/08

REF	PART NO.	DESCRIPTION	COMMENTS
1	209/00287/01	Fan Grill	
2	111/01174/01	Inverter Box Cover	
3	207/00121/00	Screw	
4	202/00004/00	Washer	
5	204/00114/00	Nut	
6	206/00099/00	Bolt	
7	208/00130/00	Screw	
8	111/01822/00	Backbridge	
9	223/00174/00	Grommet	
10	206/00088/00	Bolt	
11	203/00006/00	Washer	
12	204/00007/00	Nut	
13	N/A	Inverter Drive	FR-E520 series; 1x230 Volt
	227/00168/00	Inverter Drive	FR-E540 series; 3x400 Volt
14	223/00250/00	Liquid Soap Manifold	
15	111/01174/00	Inverter Drive Box	
16	209/00287/00	Cooling Fan	
17	223/00179/10	Pressure Hose	

N/A = Part no longer available

Inverter Drive - Models Starting 10/1/08



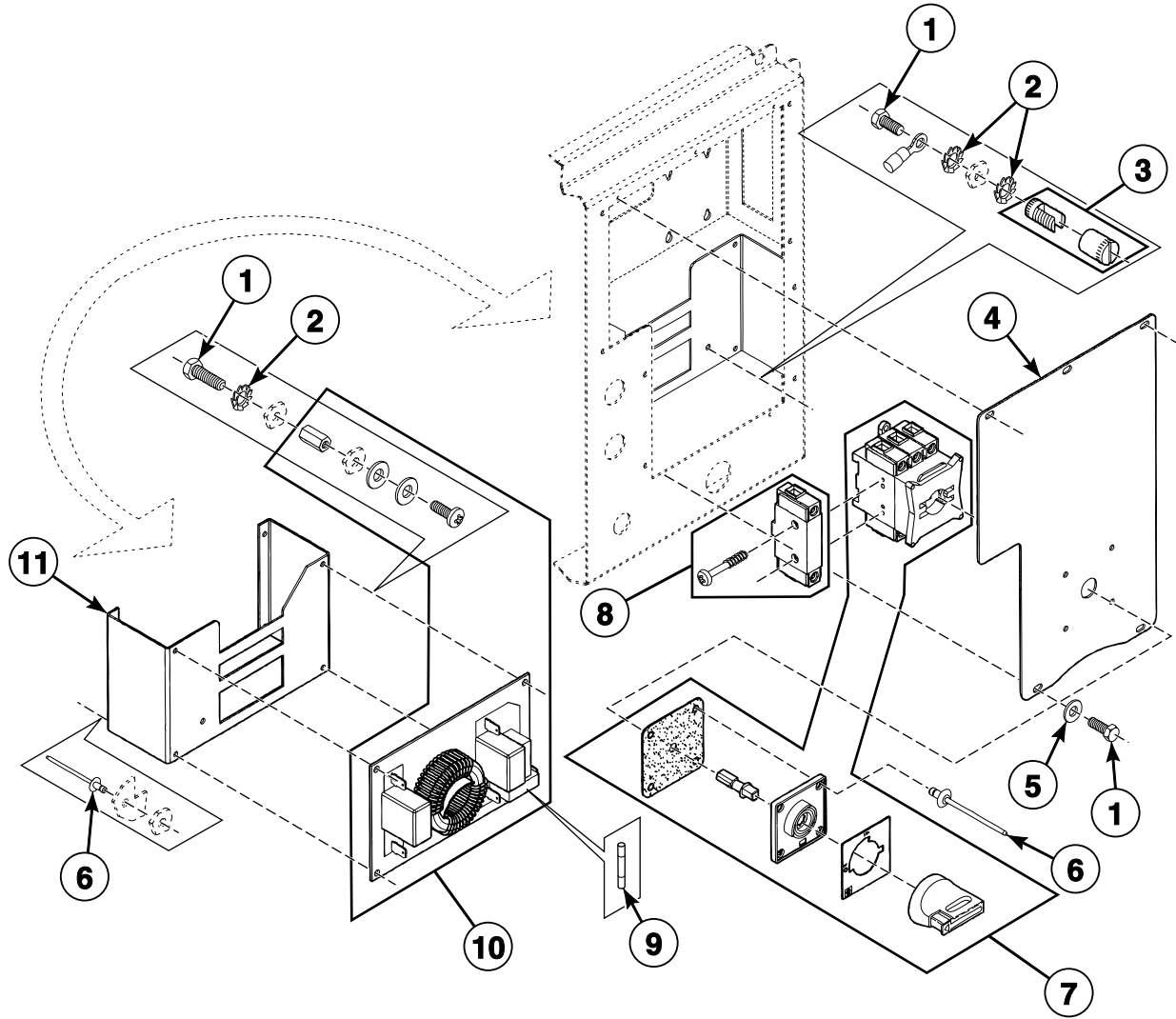
CFD507P_D0903

Inverter Drive - Models Starting 10/1/08

REF	PART NO.	DESCRIPTION	COMMENTS
1	111/01833/00	Backbridge	
2	223/00250/00	Liquid Soap Manifold	
3	227/00171/10	Parameter Unit Program Cable	
4	227/00171/00	Parameter Unit Assembly	Hand held
	F8410901	Parameter Unit Assembly	Inverter mounted; Used with 500 series inverter drives
5	111/01174/00	Inverter Drive Box	
6	223/00174/00	Grommet	
7	271/35946/00	Nut	
8	271/35945/00	Nut	
9	209/00287/00	Cooling Fan	
10	B12355001	Voltage Discharge Decal	
11	206/00099/00	Bolt	
12	209/00465/11	Fan Filter	Includes filter and holder
	209/00465/21	Filter	Filter only
13	111/01174/01	Inverter Box Cover	
14	207/00021/00	Screw	
15	204/00114/00	Nut	
16	223/00179/10	Pressure Hose	
17	208/00130/00	Screw	
18	206/00088/00	Bolt	
19	203/00006/00	Washer	
20	204/00007/00	Nut	
21	N/A	Inverter Drive	FR-E520 series; 1x230 Volt
	227/00168/00	Inverter Drive	FR-E540 series; 3x400 Volt
	F8645101P	Inverter Drive	FR-D720 series; 1x230 Volt; *135 and *165 models with Cygnus controls
	F8645201P	Inverter Drive	FR-D740 series; 3x400 Volt; *135 and *165 models with Cygnus controls
	F8420909	Inverter Drive	700 series; *030 and *135 models with Micro-20, PS40F and Sigma controls; 200 Volt/1 Phase; Models with 1.5 kW motor
	F8420910	Inverter Drive	700 series; *030 and *135 models with Micro-20, PS40F and Sigma controls; 400 Volt/3 Phase; Models with 1.5 kW motor
	F8420911	Inverter Drive	700 series; *035 and *165 models with Micro-20, PS40F and Sigma controls; 200 Volt/1 Phase; Models with 1.5 kW motor
	F8420912	Inverter Drive	700 series; *035 and *165 models with Micro-20, PS40F and Sigma controls; 400 Volt/3 Phase; Models with 1.5 kW motor
	F8420809	Inverter Drive Kit	700 series; *030 and *135 models with Micro-20, PS40F and Sigma controls; 200 Volt/1 Phase; Models with 1.5 kW motor; Includes F8420909 Drive, F8409501 Mounting Plate Assembly and F430903 Screw
	F8420810	Inverter Drive Kit	700 series; *030 and *135 models with Micro-20, PS40F and Sigma controls; 400 Volt/3 Phase; Models with 1.5 kW motor; Includes F8420910 Drive, F8409501 Mounting Plate Assembly and F430903 Screw
	F8420811	Inverter Drive Kit	700 series; *035 and *165 models with Micro-20, PS40F and Sigma controls; 200 Volt/1 Phase; Models with 1.5 kW motor; Includes F8420911 Drive, F8409501 Mounting Plate Assembly and F430903 Screw
F8420812	Inverter Drive Kit	700 series; *035 and *165 models with Micro-20, PS40F and Sigma controls; 400 Volt/3 Phase; Models with 1.5 kW motor; Includes F8420912 Drive, F8409501 Mounting Plate Assembly and F430903 Screw	
22	209/00468/00	Fuse	3.15 A; Used with B12339401 Noise Filter
23	B12339401	Noise Filter	

N/A = Part no longer available

Main Switch and Noise Filter

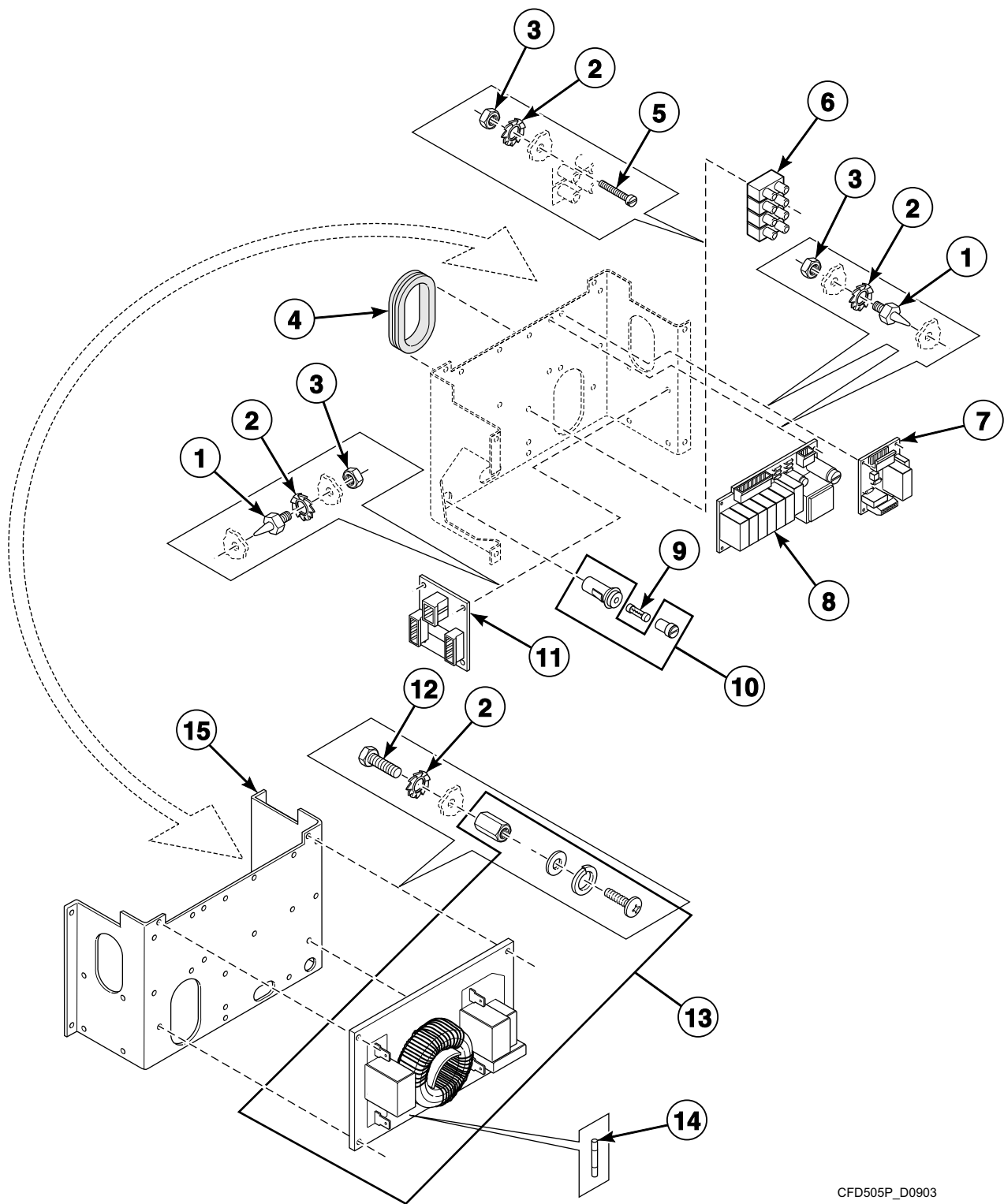


CFD504P_D0903

Main Switch and Noise Filter

REF	PART NO.	DESCRIPTION	COMMENTS
1	206/00027/00	Bolt	
2	203/00006/00	Washer	
3	209/00006/01	Ground Terminal	
4	111/01834/00	Main Switch Cover	
5	202/00004/00	Washer	
6	208/00017/00	Rivet	
7	209/00529/00	Main Switch	25A
	209/00672/00	Main Switch	40A
	209/00526/00	Main Switch	80A
8	209/00530/00	Terminal Block	25A
	209/00527/00	Terminal Block	63/80A
9	B12389501	Fuse	3.15 A, 500 Volt; Used with 227/00242/00 Filter
	209/00468/00	Fuse	3.15 A; Used with B12339301 Noise Filter and B12339401 Noise Filter
10	B12339301	Noise Filter	16A1
	B12339401	Noise Filter	30A1
	227/00242/00	Noise Filter	8A3
	227/00162/00	Noise Filter	15A3
	227/00163/00	Noise Filter	27A3
	B12331701	Filter	55A3
	B12352301	Filter	64A3
11	111/01837/01	Filter Bracket	

Soap Injection Printboard, Network Connection Printboard and Noise Filter - Sigma, PS40F and Micro-20

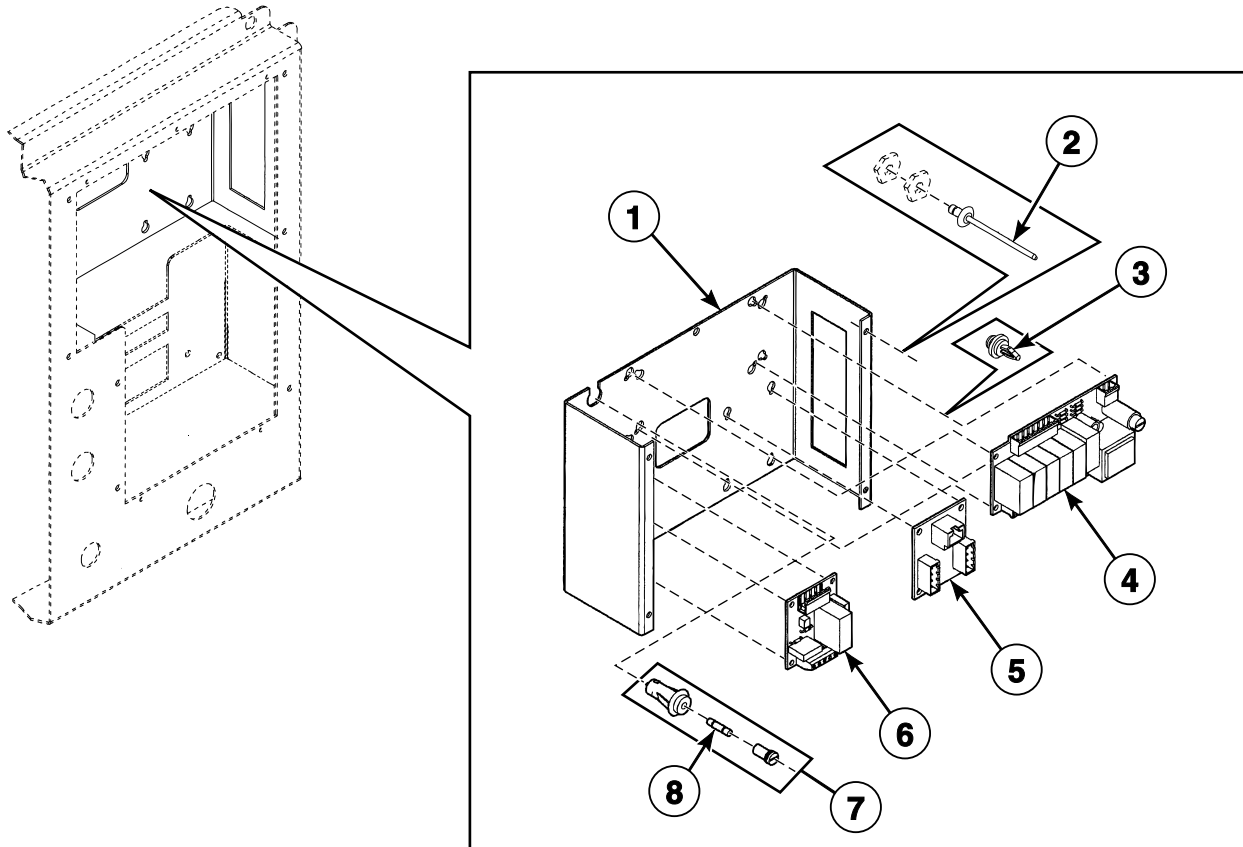


CFD505P_D0903

Soap Injection Printboard, Network Connection Printboard and Noise Filter - Sigma, PS40F and Micro-20

REF	PART NO.	DESCRIPTION	COMMENTS
1	211/00120/00	Standoff	
2	203/00006/00	Washer	
3	204/00007/00	Nut	
4	223/00203/00	Grommet	
5	207/00031/00	Screw	
6	209/00058/00	Terminal Block	
7	209/00438/50	Central Control Board	
8	209/00218/13	Soap Injection PCB with Fuse	
9	209/00468/00	Fuse	3 Amp
10	209/00202/00	Fuse Holder	
	209/00202/01	Fuse Holder	Includes item 9
11	209/00540/01	Network Connection Printboard	
12	206/00027/00	Bolt	
13	B12339301	Noise Filter	16A1
	B12339401	Noise Filter	30A1
	227/00242/00	Noise Filter	8A3
	227/00162/00	Noise Filter	15A3
	227/00163/00	Noise Filter	27A3
	B12331701	Filter	55A3
	B12352301	Filter	64A3
14	B12389501	Fuse	3.15 A, 500 Volt; Used with 227/00242/00 Filter
	209/00468/00	Fuse	3.15 A; Used with B12339301 Noise Filter and B12339401 Noise Filter
15	111/00188/06	Electrical Connection Plate	

Central Operating Panel, Network Connection and Soap Injection Printboards - Cygnus Models

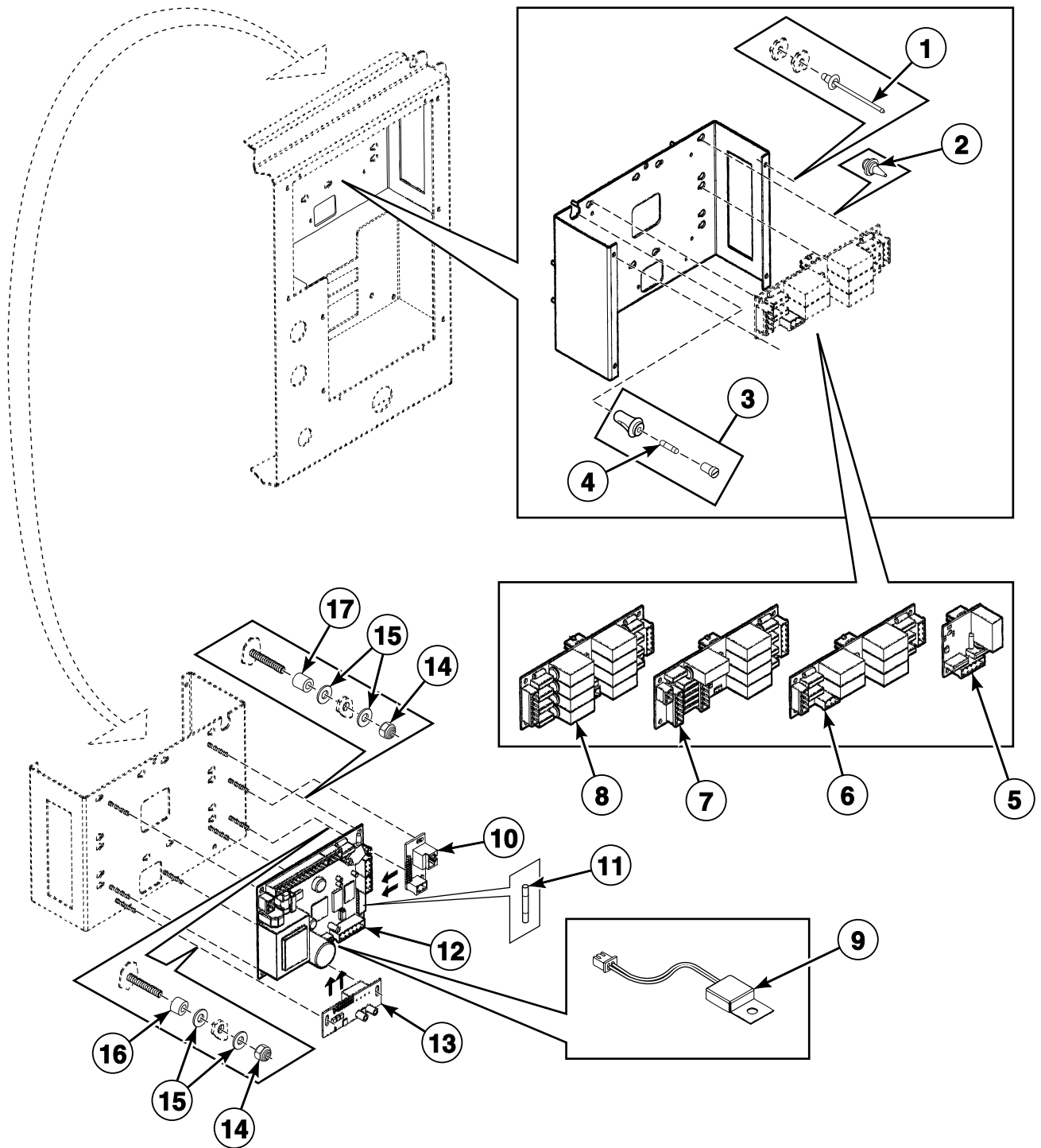


BE000800P_D0903

Central Operating Panel, Network Connection and Soap Injection Printboards - Cygnus Models

REF	PART NO.	DESCRIPTION	COMMENTS
1	111/01838/10	Printboard Support	
2	208/00017/00	Rivet	
3	211/00146/00	Standoff	
4	209/00218/13	Soap Injection PCB with Fuse	
5	209/00540/01	Network Connection Printboard	
6	209/00438/50	Central Control Board	
7	209/00202/00	Fuse Holder	
	209/00202/01	Fuse Holder	Includes item 8
8	209/00468/00	Fuse	3 Amp

Relay, Network Connection and Main Printboards - Cygnus Models

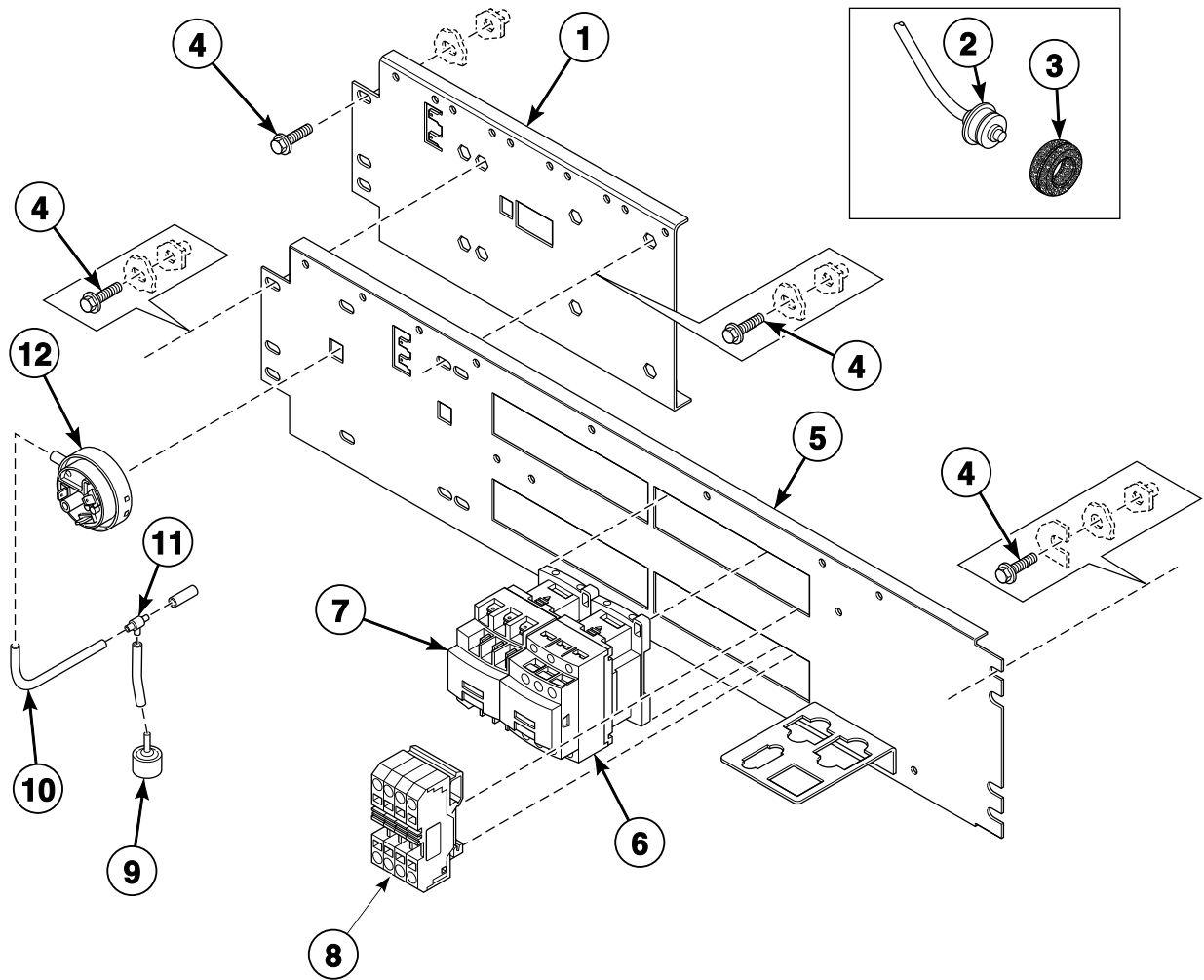


CFD502P_D0903

Relay, Network Connection and Main Printboards - Cygnus Models

REF	PART NO.	DESCRIPTION	COMMENTS
1	208/00017/00	Rivet	
2	211/00146/00	Standoff	
3	209/00202/00	Fuse Holder	
	209/00202/01	Fuse Holder	Includes item 4
4	209/00468/00	Fuse	3 Amp
5	209/02016/00	Relay PC-Board	1-1
6	209/02005/00	Detergent PC-Board	1-5
7	209/02014/00	Relay PC-Board	5-5
8	209/02008/00	Detergent PC-Board	1-8
9	209/02020/00	ID Chip	
10	209/02006/00	Inverter PC-Board	
11	209/00372/01	Fuse	125 mA; Used with 209/02000/25 Microprocessor
	B12360001	Fuse	1.25 A; Used with 209/02025/00 Microprocessor
12	209/02025/00	Microprocessor	
13	209/02007/00	Network Connection Printboard	
14	204/00116/00	Nut	
15	223/00123/00	Washer	
16	211/00128/00	Printboard Separator	
17	211/00122/00	Standoff	

Electrical Component Mounting Plate - Models Through 2/22/09

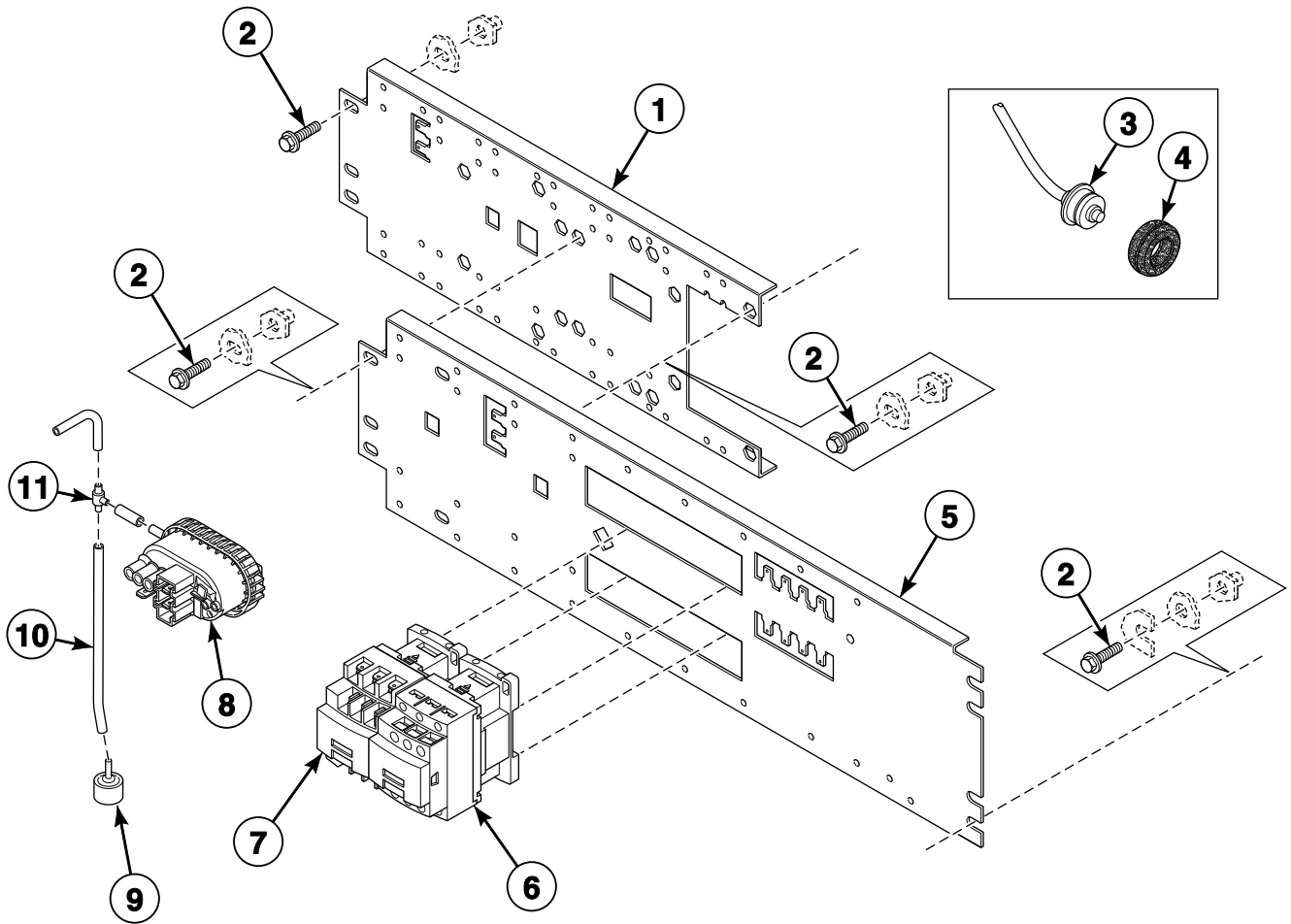


BE000627P_D0903

Electrical Component Mounting Plate - Models Through 2/22/09

REF	PART NO.	DESCRIPTION	COMMENTS
1	111/10003/40	Electrical Component Mounting Plate	
2	210/01064/16	Thermostat	
3	225/10004/00	Thermostat Grommet	
4	206/00099/00	Bolt	
5	111/10003/30	Electrical Component Mounting Plate	
	111/10003/10	Support Connector	
6	209/06148/02	Heating Contactor	
7	209/00041/04	Contactactor	
8	209/00619/00	Overload Contactor	2 pole; 6 mm; Gray; 2006-1201
	209/00620/00	Overload Contactor	2 pole; 6 mm; Blue; 2006-1204
	209/00621/00	Overload Contactor	3 pole; 6 mm; Blue; 2006-1304
	209/00622/00	Overload Contactor	3 pole; 6 mm; Gray; 2006-1301
	209/00623/00	Overload Contactor	2 pole; 10 mm; Gray; 2010-1201
	209/00624/00	Overload Contactor	2 pole; 10 mm; Blue; 2010-1204
	209/01625/00	Terminal Block	3 pole; 10 mm; Gray; 2010-1301
9	223/00035/02	Pressure Switch Cap	
10	B12700018	Pressure Hose	
11	223/00173/10	Pressure Switch Hose Tee	
12	209/00027/10	Pressure Switch	

Electrical Component Mounting Plate - Models Starting 2/23/09

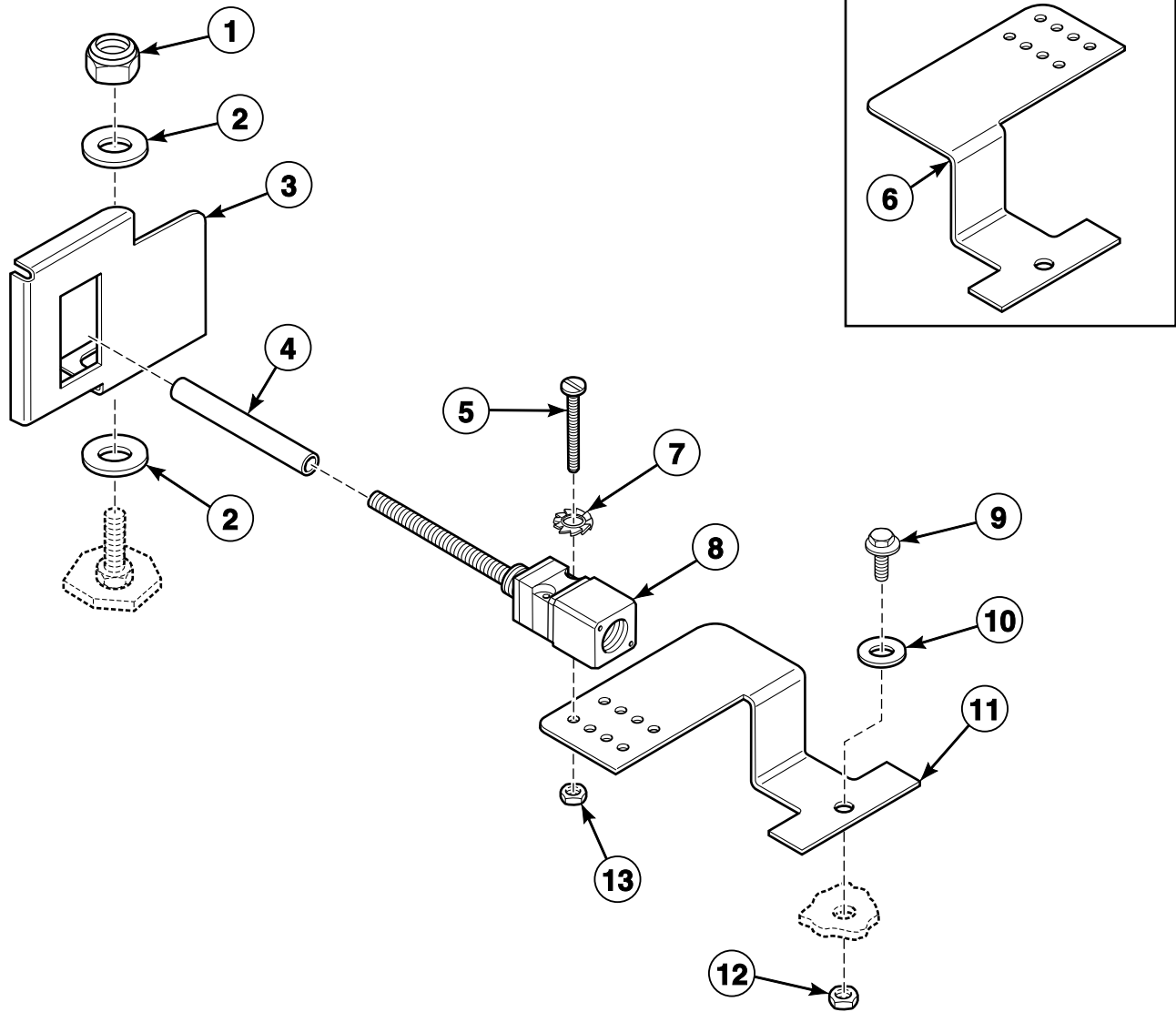


BE000802AP_D0903

Electrical Component Mounting Plate - Models Starting 2/23/09

REF	PART NO.	DESCRIPTION	COMMENTS
1	111/10003/40	Electrical Component Mounting Plate	
2	206/00099/00	Bolt	
3	210/01064/16	Thermostat	
4	225/10004/00	Thermostat Grommet	
5	111/10003/50	Electrical Component Bridge	
6	209/06148/02	Heating Contactor	LC1D18P7
7	209/00041/04	Contactor	LC1D0901M7
8	209/00027/10	Pressure Switch	
9	223/00035/02	Pressure Switch Cap	
10	B12700018	Pressure Hose	
11	223/00173/10	Pressure Switch Hose Tee	

Balance Switch

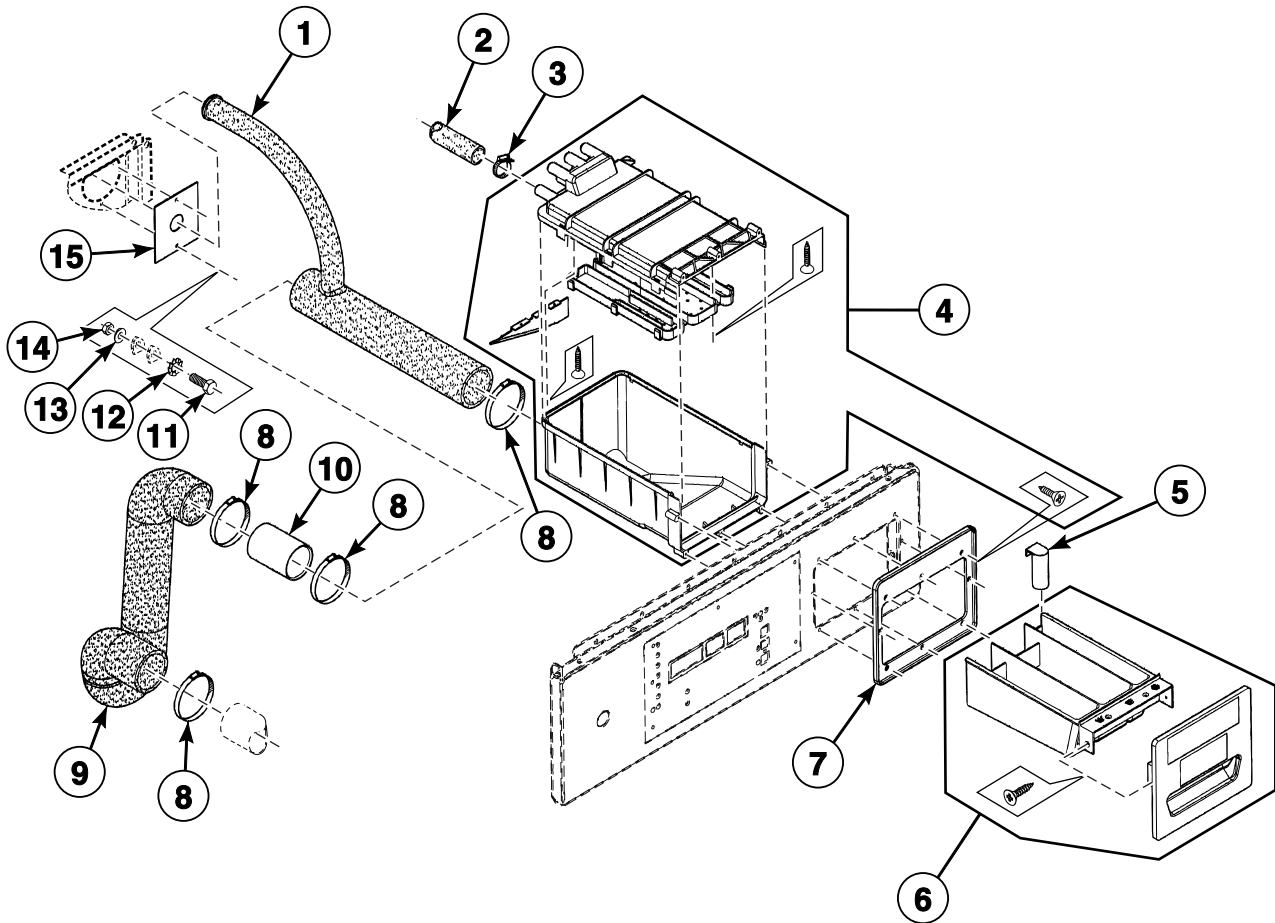


BE000625AP_D0903

Balance Switch

REF	PART NO.	DESCRIPTION	COMMENTS
1	204/00110/00	Nut	
2	201/00010/00	Washer	
3	111/01854/00	Tilt Detector Plate	
4	223/00246/00	Out-of-Balance Switch Boot	
5	207/00018/00	Screw	
6	111/01856/00	Tilt Switch Support	Left
7	203/00006/00	Washer	
8	209/00255/00	Out-of-Balance Switch	
9	206/00099/00	Bolt	
10	201/00006/00	Washer	
11	111/01855/00	Tilt Switch Support	Right
12	204/00005/00	Nut	
13	204/00007/00	Nut	

Supply Dispenser - Models with Frontal Supply Dispenser

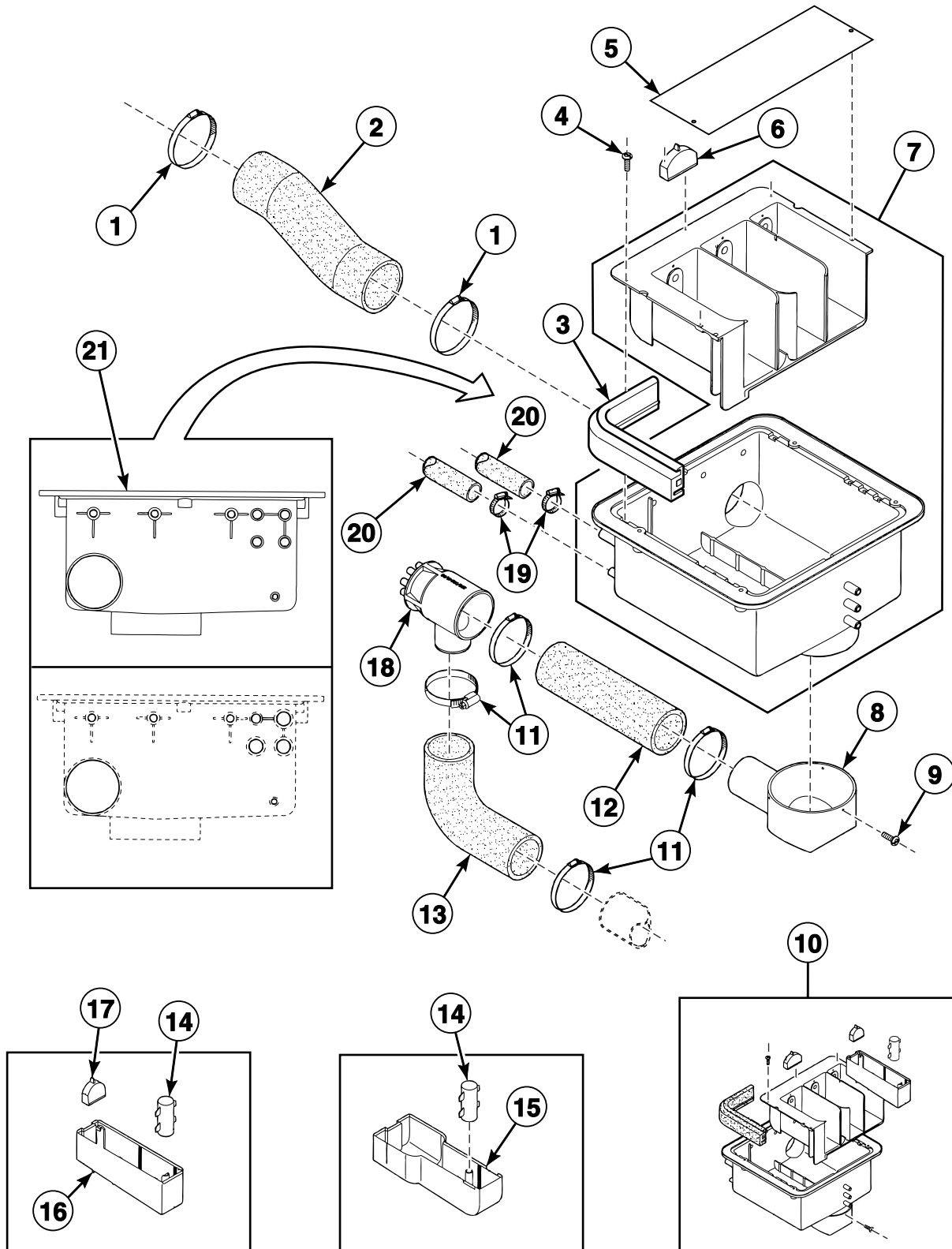


BE000663AP_D0903

Supply Dispenser - Models with Frontal Supply Dispenser

REF	PART NO.	DESCRIPTION	COMMENTS
1	223/00286/00	Hose	
2	223/00044/00	Water Hose	
3	223/00010/00	Hose Clamp	
4	223/00280/00	Outer Soapbox	
5	223/00280/03	Front Soapbox Siphon	
6	223/00280/20	Inner Soapbox	
7	223/00280/07	Soapbox Handle	
8	223/00013/00	Hose Clamp	
9	223/00298/00	Hose	
10	118/00118/03	Tube	
11	206/00027/00	Bolt	
12	203/00006/00	Washer	
13	202/00004/00	Washer	
14	204/00007/00	Nut	
15	155/00161/00	Pump Support	

Supply Dispenser with Round Ventilation Opening

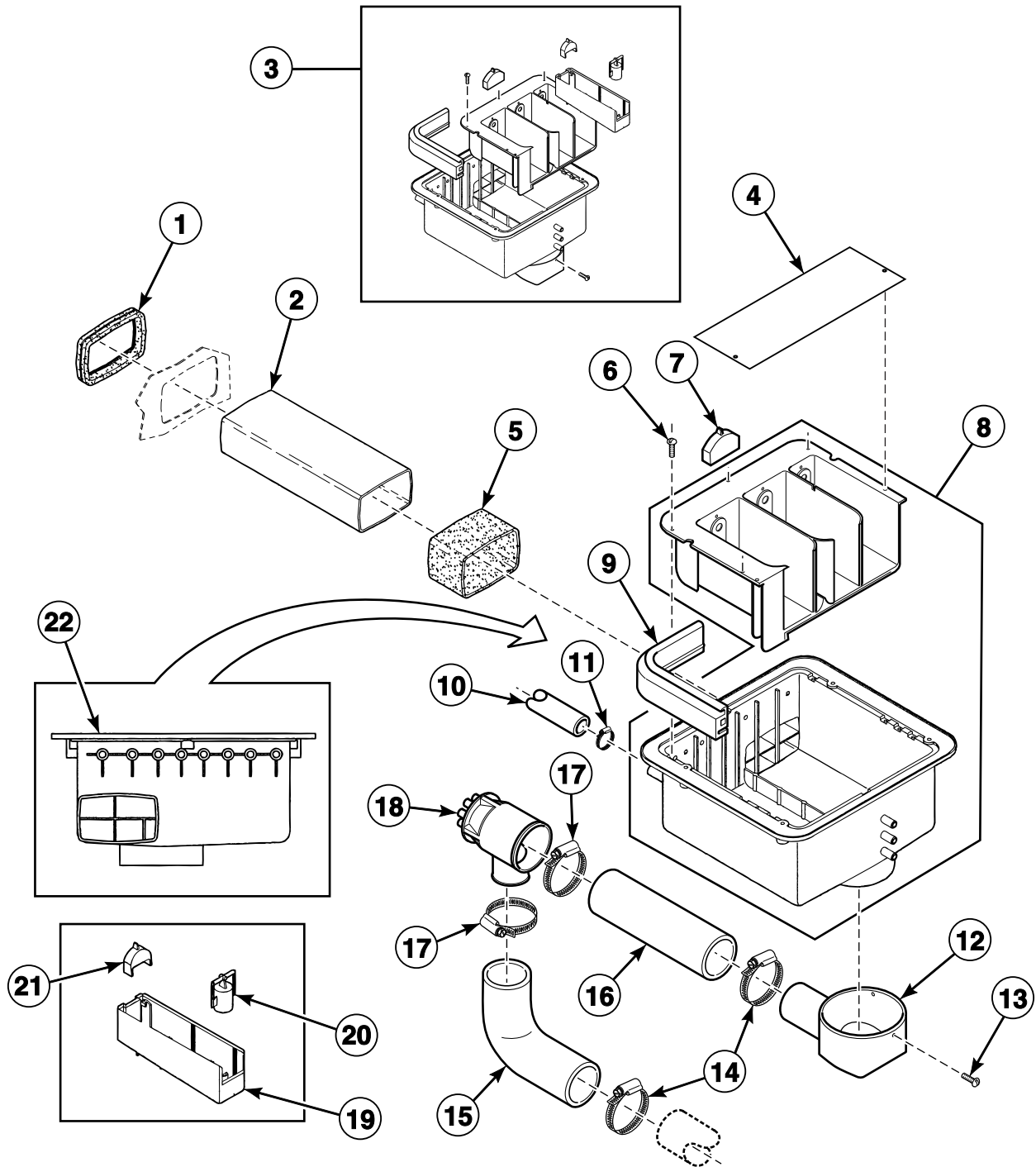


CFD330P_D0903

Supply Dispenser with Round Ventilation Opening

REF	PART NO.	DESCRIPTION	COMMENTS
1	223/00014/00	Hose Clamp	
2	223/00107/00	Soap Dispenser Air Breather Hose	410 mm
	223/00107/01	Ventilating Hose	460 mm
	223/00107/03	Vent Hose	
	223/00197/00	Vent Hose	
	223/00107/02	Vent Hose	
3	223/00109/00	Soap Dispenser Gasket	
4	B12347501	Screw	
5	123/00107/00	Anti-Splash Plate	Sigma control models
	123/00103/06	Soap Box Assembly Plate	All other models
6	223/00102/06	Soap Spray Nozzle	
7	223/00102/30	Soap Dispenser Assembly	
8	223/00195/00	Dispenser Drain Funnel	
9	B12350903	Screw	
10	223/00102/50	Soap Dispenser Assembly	
11	223/00013/00	Hose Clamp	
12	223/00261/00	Soap Dispenser Hose	
	223/00262/00	Siphon Break Dispenser Hose	*30 and *135 models; 495 mm
13	223/00266/00	Siphon Break Hose	Models through 12/7/10
	B12310302	Siphon Break Hose	Models starting 12/8/10
14	223/00102/04	Soap Dispenser Rinse Siphon	
15	223/00102/08	Liquid Soap Dispenser Insert	
16	223/00102/03	Rinse Insert	
17	223/00102/05	Softener Spray Nozzle	
18	223/00250/00	Liquid Soap Manifold	*35 and *165 models
19	223/00010/00	Hose Clamp	
20	223/00044/00	Water Hose	
21	223/00102/30	Soap Dispenser Assembly	PB3

Supply Dispenser with Rectangular Ventilation Opening

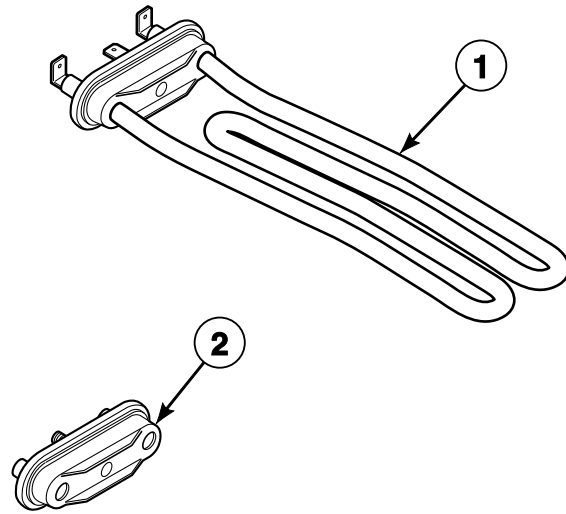


CFD331P_D0903

Supply Dispenser with Rectangular Ventilation Opening

REF	PART NO.	DESCRIPTION	COMMENTS
1	223/00226/00	Vent Tube	
2	223/00229/00	Vent Tube	
3	223/00222/00	Soap Dispenser	
4	123/00107/00	Anti-Splash Plate	Sigma control models
	123/00103/06	Soap Box Assembly Plate	All other models
5	223/00245/00	Shrink Fit	
6	B12347501	Screw	
7	223/00102/06	Soap Spray Nozzle	
8	223/00222/60	Outer and Inner Box Kit	
9	223/00109/00	Soap Dispenser Gasket	
10	223/00044/00	Water Hose	
11	223/00010/00	Hose Clamp	
12	223/00195/00	Dispenser Drain Funnel	
13	B12350903	Screw	
14	223/00013/00	Hose Clamp	
15	223/00266/00	Siphon Break Hose	Models through 12/7/10
	B12310302	Siphon Break Hose	Models starting 12/8/10
16	223/00261/00	Soap Dispenser Hose	*30 and *135 models
	223/00262/00	Siphon Break Dispenser Hose	*35 and *165 models
17	223/00013/00	Hose Clamp	
18	223/00250/00	Liquid Soap Manifold	
19	223/00222/05	Rinsing Box	
20	223/00222/04	Siphon Break	
21	223/00222/03	Softener Spray Nozzle	
22	223/00222/60	Outer and Inner Box Kit	

Electric Heating Option

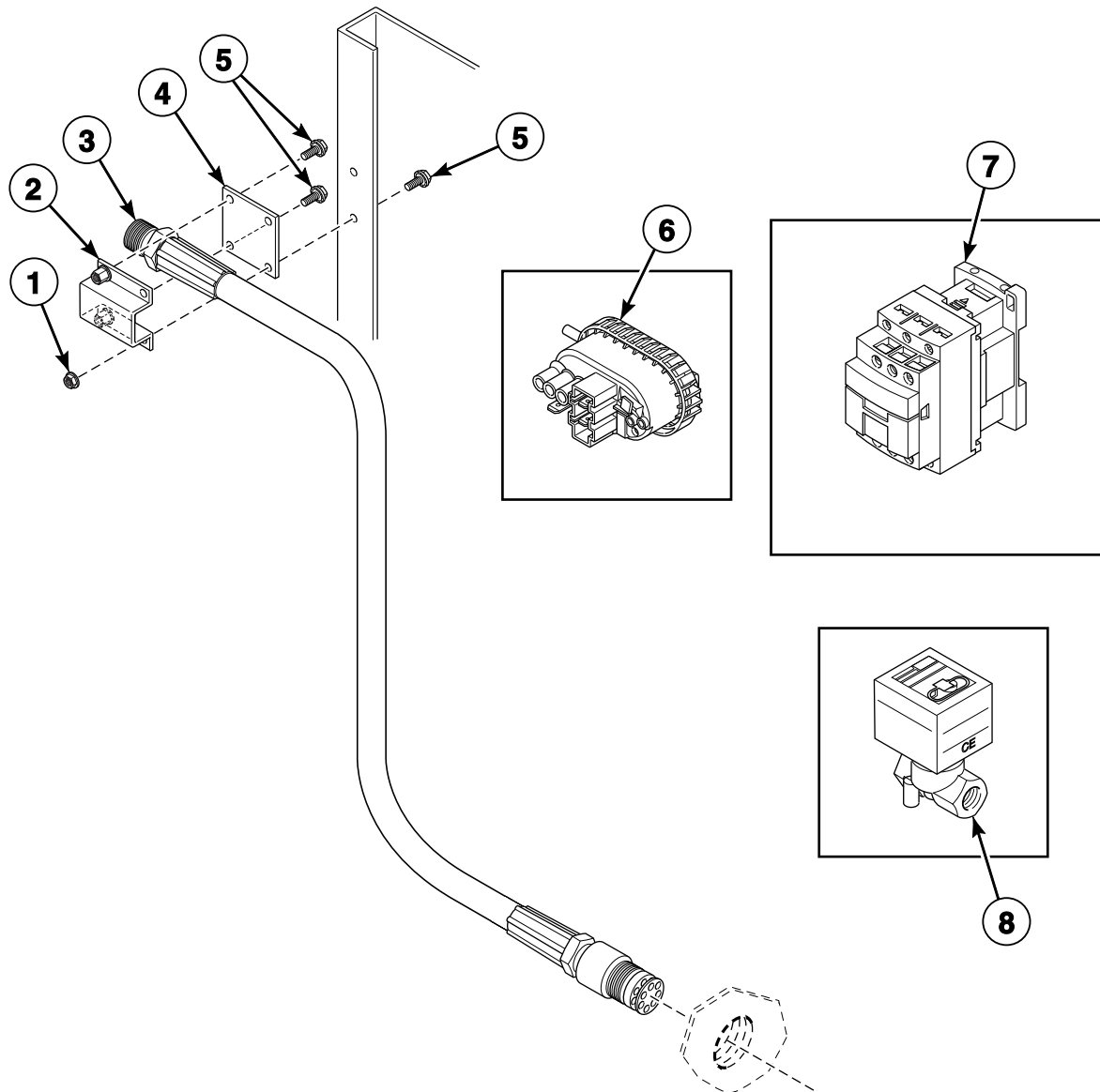


CFD533P_D0903

Electric Heating Option

REF	PART NO.	DESCRIPTION	COMMENTS
1	209/00581/10	Heating Element	4000W
	209/00562/20	Heating Element	3000W
	209/00563/20	Heating Element	2000W
	209/00564/20	Heating Element	1000W
2	F360202	Heating Element Plug	

Steam Heating Option - *HC35 and *HC165 Models

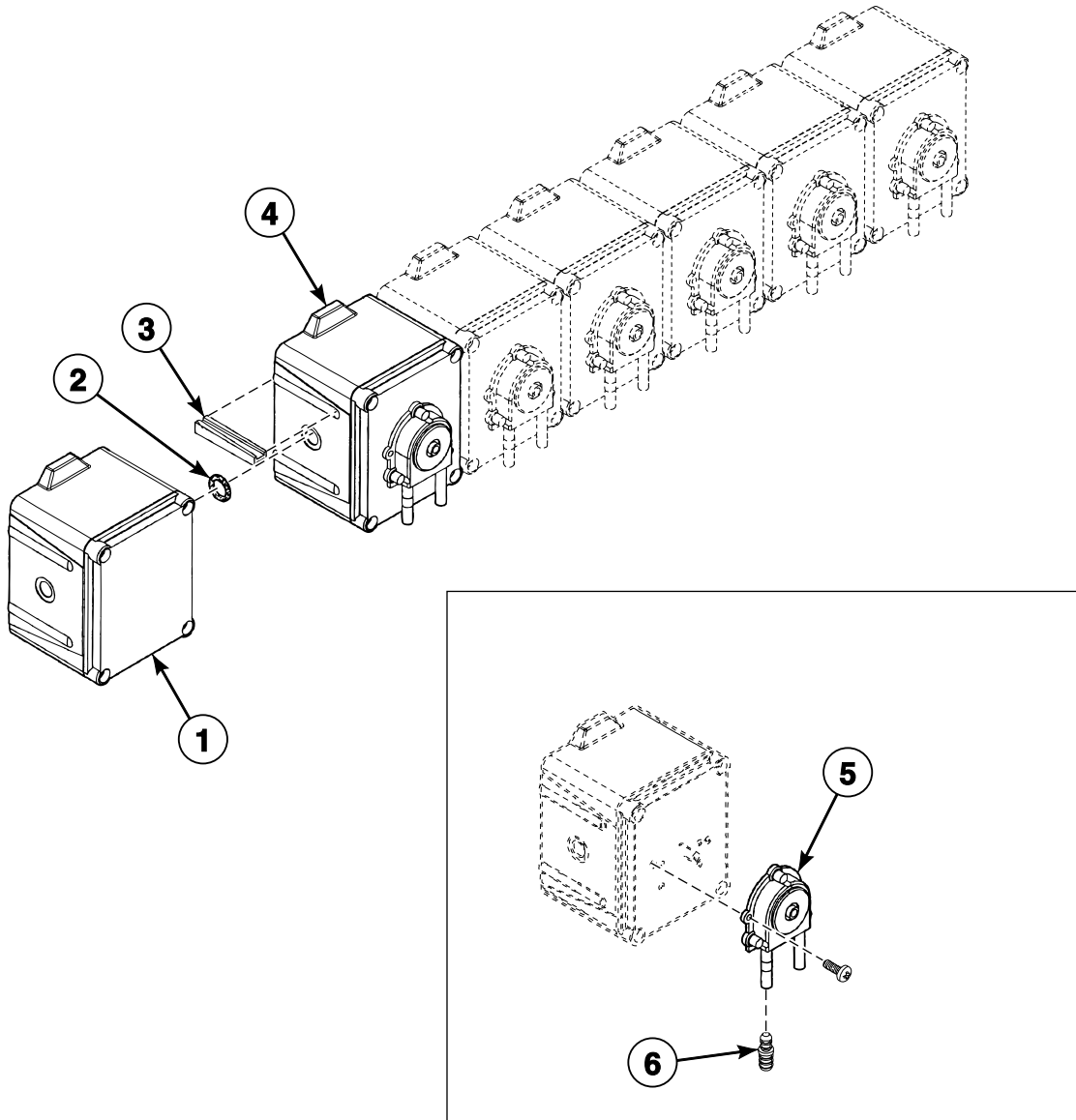


CFD534P_D0903

Steam Heating Option - *HC35 and *HC165 Models

REF	PART NO.	DESCRIPTION	COMMENTS
	924P3	Steam Heat Kit	Includes items 1-8, 209/00737/00 Connector, F140329 Strain Relief Connector and F140609 DIN Connector
	209/00737/00	Connector	
	F140329	Strain Relief Connector	
	F140609P	DIN Connector	
1	206/00101/00	Nut	
2	111/00155/00	Steam Bracket	
3	217/00063/00	Steam Hose	
4	111/00155/10	Bracket Support	
5	206/00099/00	Bolt	
6	900/00108/00	Safety Level Switch	
7	901/00217/00	Contact and Wiring Assembly	
8	209/00477/00	Steam Valve	

Soap Pumps



BE000527AP_D0903

Soap Pumps

REF	PART NO.	DESCRIPTION	COMMENTS
1	209/00554/01	Soap Pump Assembly	1 pump and 1 feeding pump
	209/00554/02	Soap Pump Assembly	2 pumps and 1 feeding pump
	209/00554/03	Soap Pump Assembly	3 pumps and 1 feeding pump
	209/00554/04	Soap Pump Assembly	4 pumps and 1 feeding pump
	209/00554/05	Soap Pump Assembly	5 pumps and 1 feeding pump
	209/00554/06	Soap Pump Assembly	6 pumps and 1 feeding pump
	209/00554/51	Feeding Liquid Soap Dosing Pump	
2	209/00554/52	Liquid Soap Dosing Pump O-Ring	
3	209/00554/53	Liquid Soap Dosing Pump Connection Piece	
4	209/00554/50	Pump	
5	209/00554/98	Hose	
6	209/00554/99	Hose Connector	

Parts Index

A

Anti-Splash Plate
123/00107/00 101, 103

B

Back Panel
152/00053/02 71

Backbridge
111/01822/00 75, 81
111/01833/00 73, 79, 83
111/01833/10 79
111/01859/00 77

Backplate
111/01002/00 67, 69

Basket and Shaft Assembly
B12380101 13, 15, 23
B12380201 15, 23
B12380501 15, 23
B12380601 15, 23

Basket Kit
B12542901 15, 23
B12543001 15, 23

Bearing
F100134 17, 19

Bearing Housing Assembly
152/10118/01 17, 19

Bearing Kit
3882P 19

Bearing Replacement Kit
388P4 17

Bearing Replacement Tool Kit
381P3 17, 19

Bearing Spacer
217/00101/00 21

Belt
226/00121/00 21, 23, 25

Bolt
205/00102/00 17, 19
205/00103/00 37
205/00104/00 17, 19
205/00106/00 73
205/00107/00 39
205/00115/00 37
206/00005/00 21, 23
206/00011/00 13
206/00014/00 75, 77
206/00027/00 75, 77, 79, 85, 87, 99
206/00032/00 15
206/00033/00 27, 29, 31, 33, 35
206/00054/00 25
206/00088/00 81, 83
206/00099/00 25, 33, 35, 71, 73, 75, 77,
79, 81, 83, 93, 95, 97, 107
206/00114/00 71
207/00125/00 71

Boot
255/00123/00 13, 15

Boot Clamp
238/00012/00 13, 15
Bracket Support
111/00155/10 107

C

Caddy Bracket
224/00051/00 17, 19
224/00052/00 17, 19

Central Control Board
209/00438/50 87, 89

Circuit Board Cover
229/00262/00 59, 61, 63, 65
229/00289/00 41, 43, 45, 47, 49, 51, 53, 55, 57

Clamp
223/00009/00 33, 35

Coin Box
254/00077/00 67, 69

Coin Drop
B11211209 67
B12311201 67
B12311202 67
B12311203 67
B12311204 67
B12311205 67
B12311206 67
B12311207 67
B12311208 67
B12311210 67
B12311211 67
B12311212 67
B12311214 67
B12311215 67
B12311216 67
B12311218 67
B12311219 67
B12311220 67
B12311221 67
B12311222 67
B12311224 67
B12311225 67
B12311226 67
B12311234 67
B12311235 67
B12311239 67
B12311241 67
B12311244 67
B12311247 67
B12311248 67
B12311249 67
B12311252 67
B12311301 67
B12311302 67
B12311304 67
B12311401 69
B12323401 67
B12323901 67

Connecting Piece
255/00017/00 33

Connector
209/00737/00 107

N/A items do not appear in index.

Contact Block 44018901	41, 43, 45, 51, 53, 59, 61, 63, 65
Contactors 209/00041/04	93, 95
Contactors and Wiring Assembly 901/00217/00	107
Control Board 209/00547/00	61, 63
Cooling Fan 209/00287/00	81, 83
Counter Ring 219/00004/00	21, 23
Crossbar 111/00969/00	73

D

Data Card Ribbon Assembly B12538301	41, 43, 45, 47, 49, 51, 53, 55, 57
Datacard 209/02022/00	41, 43, 45, 47, 49, 51, 53, 55, 57
Datacard Cover 223/00348/00	41, 43
Decal 225/00403/00	63
Detergent PC-Board 209/02005/00	91
209/02008/00	91
DIN Connector F140609P	107
Dispenser Drain Funnel 223/00195/00	101, 103
Display PC-Board 209/02002/00	41
Door Frame 118/00046/10	39
Door Glass 217/00022/00	39
Door Glass Seal 217/00015/00	39
Door Handle 217/00059/00	39
217/00065/00	39
Door Handle Stop 217/00016/00	39
Door Hinge 221/00005/00	39
Door Hinge Assembly 217/00009/02	39
Door Hinge Plate Assembly 118/00065/00	39
Door Hinge Spacer 117/00010/00	39
Door Lock Bracket B12517701	37
Door Lock Microswitch 209/00272/00	37
Door Lock PC-Board 209/02010/00	41, 43, 45, 47, 49, 51, 53, 55, 57
Door Lock Pin Kit 211/00109/02	39

Door Lock Spacer 217/00052/03	37
Door Lock Spring 224/00049/00	37
Door Release Wire 217/00052/07	37
Door Solenoid Assembly B12495102	37
Drain Hose 223/00307/00	35
Drain Piece 155/00155/00	33, 35
223/00146/00	27, 29, 33, 35
Drain Pipe 223/00297/00	31
Drain Pipe Cap 223/00294/00	31
Drain Pipe Kit 223/00157/01	33, 35
223/00157/02	33, 35
Drain Valve 209/00463/00	29, 31
209/00643/00	27
Drain Valve Coil Cover 209/00643/01	27
Drain Valve Hose 223/00303/00	27, 29, 31
Drum and Axle B12326301	15, 21, 23
B12326701	15, 21, 23
Drum and Axle Assembly 111/01810/00	13
Dual Drop Optical Sensor Kit B12388102	67

E

Electrical Component Bridge 111/10003/50	95
Electrical Component Mounting Plate 111/10003/30	93
111/10003/40	93, 95
Electrical Connection Plate 111/00094/10	75, 77
111/00188/06	75, 77, 87
Electrical Connection Sticker 229/00068/02	75, 77
Electronic Coin Meter Housing 152/00112/50	69
Emergency Switch Pushbutton 209/00099/20	41, 43, 45
Eprom 209/00266/01	59

F

Facia Panel 111/01850/00	65
Fan 209/00465/00	25
Fan Filter 209/00465/11	83

N/A items do not appear in index.

Fan Grill	209/00287/01	81
Fan Plate Assembly	152/00044/03	25
Fastening Piece	217/00060/00	67, 69
Fastening Ring	238/00013/00	15
Fastening Rubber	247/00006/00	11
	247/00007/00	11
Feeding Liquid Soap Dosing Pump	209/00554/51	109
Filter	B12331701	85, 87
	B12352301	85, 87
	209/00465/21	83
Filter Bracket	111/01837/01	85
Frame	152/00103/50	9
	152/00111/50	9
Front Panel	111/01802/00	71
Front Plate	111/01000/00	67, 69
Front Soapbox Siphon	223/00280/03	99
Fuse	B12360001	91
	B12389501	85, 87
	209/00372/01	59, 61, 63, 65, 91
	209/00439/00	59
	209/00468/00	83, 85, 87, 89, 91
	209/00552/11	65
Fuse Holder	209/00202/00	87, 89, 91
	209/00202/01	87, 89, 91

G

Grommet	223/00174/00	81, 83
	223/00203/00	87
Ground Terminal	209/00006/01	85
	210/10015/00	37

H

Hanging Drain Pump	209/00560/00	33
Heating Contactor	209/06148/02	93, 95
Heating Element	209/00562/20	105
	209/00563/20	105
	209/00564/20	105
	209/00581/10	105
Heating Element Plug	F360202	105

Hose	209/00554/98	109
	223/00286/00	99
	223/00298/00	99
Hose Barb	223/00016/00	27
Hose Clamp	223/00010/00	27, 29, 31, 75, 77, 79, 99, 101, 103
	223/00011/00	27, 33, 35
	223/00012/00	33, 35
	223/00013/00	27, 29, 31, 99, 101, 103
	223/00014/00	27, 29, 31, 33, 35, 101
Hose Connector	209/00554/99	109
Hose Vent	223/00102/07	75, 79

I

ID Chip	209/02020/00	91
Infrared Cable	210/00902/00	41, 43, 45, 47, 49, 51, 53, 55, 57, 61, 63, 65
Inlet Valve, 2-Way	B12519501	75, 77, 79
	209/00110/00	75, 77, 79
Inner Soapbox	223/00280/20	99
Input Block	209/00683/00	69
Insulating Sticker	229/00255/00	59, 61, 63, 65
	229/00268/00	41
	229/00291/00	43, 45, 47, 49
Interlock Coil Spring	224/00043/00	37
Interlock Lever	217/00052/04	37
Inverter Box Cover	111/01174/01	81, 83
Inverter Drive	F8420909	83
	F8420910	83
	F8420911	83
	F8420912	83
	F8645101P	83
	F8645201P	83
	227/00168/00	81, 83
Inverter Drive Box	111/01174/00	81, 83
Inverter Drive Kit	F8420809	83
	F8420810	83
	F8420811	83
	F8420812	83
Inverter PC-Board	209/02006/00	91

K

Key	254/00077/02	67, 69
-----	--------------	--------

N/A items do not appear in index.

Keypad	
209/00552/01	65
Keypad Sticker	
225/00407/00	59

L

Label	
225/00397/00	65
Leveling Leg	
252/00006/00	9
Lever Spring	
224/00040/00	37
Lip Seal	
B12332301	19
Liquid Soap Dispenser Insert	
223/00102/08	101
Liquid Soap Dosing Pump Connection Piece	
209/00554/53	109
Liquid Soap Dosing Pump O-Ring	
209/00554/52	109
Liquid Soap Manifold	
223/00250/00	77, 81, 83, 101, 103
Lock Protection Plate	
117/00052/08	37
Lock Shaft	
217/00017/03	37
Lower Front Panel	
111/01803/00	73

M

Main Board	
B12351701	65
Main Switch	
209/00526/00	85
209/00529/00	85
209/00672/00	85
Main Switch Cover	
111/01834/00	85
Mechanical Coin Meter Housing	
152/00112/00	67
Memory Card PC Board	
B12305201	47
Memory Card PC-Board	
B12305201	41, 43, 45, 49, 51, 53, 55, 57
Microprocessor	
209/02025/00	91
Microswitch	
B12625101	37
Motor	
B12510601	25
209/00643/11	27
Motor Pulley	
226/00123/00	25
Mounting Plate	
223/00374/00	41, 43, 45, 47, 49, 51, 53, 55, 57

N

Network Connection Printboard	
209/00540/01	87, 89
209/02007/00	91
Noise Filter	
B12339301	85, 87
B12339401	83, 85, 87
227/00162/00	85, 87
227/00163/00	85, 87
227/00242/00	85, 87
Nut	
204/00005/00	97
204/00006/00	73
204/00007/00	75, 79, 81, 83, 87, 97, 99
204/00008/00	37, 67, 69
204/00009/00	13, 15, 37, 71, 73
204/00103/00	39
204/00106/00	39
204/00109/00	25
204/00110/00	11, 13, 15, 97
204/00111/00	9, 17, 19
204/00114/00	81, 83
204/00115/00	25
204/00116/00	41, 43, 45, 47, 49, 51, 53, 55, 57, 59, 61, 63, 65, 67, 69, 91
204/00201/00	27, 29, 31, 75, 77, 79
206/00101/00	27, 29, 31, 33, 35, 107
206/00105/00	33, 35
206/00106/00	9
208/00002/00	69, 75, 79
208/00025/00	73, 77
208/00104/00	71
271/35945/00	25, 75, 77, 83
271/35946/00	83

O

Operating Label	
225/00406/00	63
Operating Panel	
111/01819/00	55
111/01828/00	51
111/01829/00	53, 57
111/01902/00	43
111/01903/00	47
111/01906/00	45
111/01907/00	49
Operating Sticker	
225/00400/00	65
225/00404/00	61
225/10305/00	55, 57
225/10306/00	55, 57
225/10307/00	51, 53
225/10308/00	51, 53
225/10313/00	41
225/10403/00	47, 49
225/10404/00	43, 45
225/10426/00	41
225/10427/00	43, 45
Optical Switch	
209/00781/00	67
O-Ring	
217/00002/00	17

N/A items do not appear in index.

Outer and Inner Box Kit 223/00222/60	103
Outer Soapbox 223/00280/00	99
Outlet Pipe Plate Assembly 101/00007/00	27, 29, 31, 33, 35, 73
Out-of-Balance Switch 209/00255/00	97
Out-of-Balance Switch Boot 223/00246/00	97
Overflow Hose 223/00150/00	27, 29, 31
Overload Contactor 209/00619/00	93
209/00620/00	93
209/00621/00	93
209/00622/00	93
209/00623/00	93
209/00624/00	93

P

Parameter Unit Assembly F8410901	83
227/00171/00	83
Parameter Unit Program Cable 227/00171/10	83
Pipe 223/00159/00	33, 35
Plexi Frame 225/00316/00	59, 61, 63
225/00321/00	41
225/00322/00	51, 53, 55, 57
225/00323/00	43, 45, 47, 49
Plug 211/00091/00	75, 77
Pressure Hose B12700018	27, 29, 31, 33, 35, 93, 95
223/00179/10	77, 81, 83
Pressure Switch 209/00027/10	93, 95
Pressure Switch Cap 223/00035/02	29, 31, 33, 35, 93, 95
Pressure Switch Elbow 223/00210/00	27
Pressure Switch Hose Tee 223/00173/10	27, 29, 31, 33, 35, 93, 95
Prewash and Mainwash Nozzle 223/00001/04	27, 29, 31, 75, 77, 79
Printboard 209/00440/70	59
209/02001/02	51, 53, 55, 57
209/02015/02	43, 45, 47, 49
Printboard Micro-20 209/00440/80	59
Printboard Separator 211/00128/00	41, 43, 45, 47, 49, 51, 53, 55, 57, 91
Printboard Support 111/01838/10	89
Printboard Support Card 111/01893/00	41, 43
Programming Key 209/00326/21	65

Programming Key Contact Switch 209/00326/20	65
Protection LED 223/00330/00	51, 53, 55, 57
Pulley 255/00117/00	21, 23
Pump 209/00554/50	109
209/00646/00	35
209/00647/00	35
Pump Support 111/00288/10	35
155/00159/00	33
155/00161/00	99
Pushbutton 209/00396/00	67, 69
44018801	51, 53, 59, 61, 63, 65

R

Reinforcement Plate 111/10089/01	71
Reinforcing Triangle 155/00144/00	71
Relay PC-Board 209/02014/00	91
209/02016/00	91
Retainer Ring 212/00006/00	17, 19
Retaining Ring 117/00042/00	25, 73
Rinse Insert 223/00102/03	101
Rinsing Box 223/00222/05	103
Rivet 208/00017/00	75, 77, 85, 89, 91

S

Safety Level Switch 900/00108/00	107
Screw B12347501	101, 103
B12350903	101, 103
B12500801	39
206/00053/00	9
206/00056/00	25
206/00057/00	17, 19
206/00113/00	73
207/00009/00	37
207/00018/00	97
207/00021/00	83
207/00031/00	87
207/00101/00	73
207/00117/00	25
207/00121/00	81
207/00126/00	39
207/00135/00	37
208/00014/00	69, 73, 75, 77, 79
208/00130/00	77, 81, 83
Seal Holder Assembly 119/00001/01	17

N/A items do not appear in index.

111/22741/00.....	71
111/22743/00.....	71
Transformer	
209/00682/00.....	69
Trap	
223/00316/00.....	27
Tub	
B12328901.....	15
B12329001.....	15
B12329201.....	13, 15
B12329301.....	13, 15
117/00203/00.....	13, 15
117/00203/50.....	13, 15
Tub Front Gasket	
B12351601.....	13, 15
Tub Front Panel	
119/00049/00.....	13, 15
Tub Front Panel Clip	
217/00008/00.....	13, 15
Tub Front Ring Clamp	
219/00007/00.....	13, 15
Tub Support	
152/00107/00.....	9
152/00108/00.....	9
Tub to Drain Valve Hose	
255/00010/00.....	29, 31, 33, 35
Tube	
118/00118/03.....	99

201/00015/00.....	11, 21, 23
201/00017/00.....	37
201/00018/00.....	37
201/00201/00.....	17, 19
202/00003/00.....	13, 73
202/00004/00.....	75, 77, 79, 81, 85, 99
202/00101/00.....	37, 39
202/00104/00.....	39
202/00108/00.....	39
202/00111/00.....	39
202/00124/00.....	37
203/00002/00.....	21, 23
203/00004/00.....	17, 19
203/00005/00.....	73
203/00006/00.....	59, 75, 79, 81, 83, 85, 87, 97, 99
203/00007/00.....	37
203/00015/00.....	73
208/00009/00.....	73
223/00051/10.....	65
223/00123/00.....	41, 43, 45, 47, 49, 51, 53, 55, 57, 65, 91
Water Hose	
F200164.....	75, 77, 79
F200166.....	75, 77, 79
223/00044/00.....	27, 29, 31, 75, 77, 79, 99, 101, 103
Wire Assembly	
B12359901.....	67

U

Upper Front Panel	
111/01811/01.....	63
111/01816/00.....	59, 61
111/01845/00.....	41
111/01912/00.....	65

V

Vent Hose	
223/00107/02.....	101
223/00107/03.....	101
223/00197/00.....	101
Vent Tube	
223/00226/00.....	77, 79, 103
223/00229/00.....	103
Ventilating Hose	
223/00107/01.....	101
Voltage Discharge Decal	
B12355001.....	83

W

Washer	
B12421401.....	73
201/00002/00.....	27, 29, 31, 75, 77, 79
201/00005/00.....	9
201/00006/00.....	25, 37, 73, 75, 77, 79, 97
201/00007/00.....	15, 27, 29, 31, 33, 35
201/00010/00.....	13, 15, 97
201/00012/00.....	17, 19

N/A items do not appear in index.