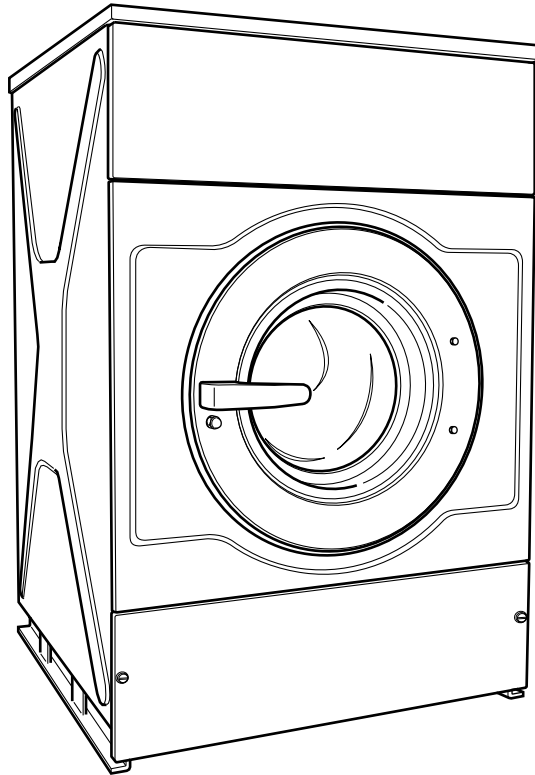


Washer-Extractor

Cabinet Freestanding
Refer to Page 5 for Model Numbers



CFD21C_D0902

Table of Contents

Title	Page
Parts Ordering Information.....	3
Serial Plate Location	3
Model Identification	5
Cabinet Freestanding Washer-Extractor Product Overview	6
Frame.....	8
Shock Absorber	10
Shell and Basket (Drawing 1 of 4)	12
Shell and Basket (Drawing 2 of 4)	14
Shell and Basket (Drawing 3 of 4)	16
Shell and Basket (Drawing 4 of 4)	18
Bearing Housing - Models Through 1/30/11	20
Bearing Housing - Models Starting 1/31/11	22
Basket, Pulley and Belt (Drawing 1 of 2)	24
Basket, Pulley and Belt (Drawing 2 of 2)	26
Motor and Belt.....	28
Drain Plumbing - Single Outlet Drain Piece with Water Level Detection on Drain Valve-Models Through 8/11/10	30
Drain Plumbing - Single Outlet Drain Piece with Water Level Detection on Drain Hose-Models Starting 8/12/10	32
Drain Plumbing - Dual Outlet Drain Piece with Water Level Detection on Drain Hose	34
Drain Plumbing - Models with Pump Drain Through 1/26/05.....	36
Drain Plumbing - Models with Pump Drain Starting 1/27/05	38
Door Lock.....	40
Door	42
Control Panel - Cygnus Professional	44
Control Panel - Cygnus Premium OPL	46
Control Panel - Cygnus Premium OPL with Frontal Supply Dispenser.....	48
Control Panel - Cygnus Premium Coin	50
Control Panel - Cygnus Premium Coin with Frontal Supply Dispenser	52
Control Panel - Cygnus Standard/Commercial OPL.....	54
Control Panel - Cygnus Standard/Commercial OPL with Frontal Supply Dispenser	56
Control Panel - Cygnus Standard/Commercial Coin.....	58
Control Panel - Cygnus Standard/Commercial Coin with Frontal Supply Dispenser	60
Control Panel - Micro-20 OPL.....	62
Control Panel - Micro-20 OPL with Frontal Supply Dispenser	64
Control Panel - Sigma OPL.....	66
Control Panel - Micro-20 and Sigma Coin	68
Control Panel - PS40F	70
Coin Drop - Mechanical Coin Meter	72
Coin Drop - Electronic Coin Meter	74
Right Side, Front, Lower Rear and Top Panels - Models with Pump Drain	76
Right Side, Front, Lower Rear and Top Panels - Models without Pump Drain	78
Left Side, Lower Front and Upper Back Panels.....	80

© Copyright 2017, Alliance Laundry Systems LLC

All rights reserved. No part of the contents of this book may be reproduced or transmitted in any form or by any means without the expressed written consent of the publisher.

Inverter Drive - Models Through 2/22/09 (Drawing 1 of 2).....	82
Inverter Drive - Models Through 2/22/09 (Drawing 2 of 2).....	84
Inverter Drive - Models Starting 2/23/09 (Drawing 1 of 2).....	86
Inverter Drive - Models Starting 2/23/09 (Drawing 2 of 2).....	88
Upper Back Panel with Circular Ventilation - Models Through 12/31/05	90
Upper Back Panel with Rectangular Ventilation - Models Through 12/31/05	92
Upper Back Panel - Models Starting 1/1/06.....	94
Main Switch and Noise Filter	96
Soap Injection Printboard, Network Connection Printboard and Noise Filter - Sigma, PS40F and Micro-20	98
Central Operating Panel, Network Connection and Soap Injection Printboards - Cygnus Models	100
Relay, Network Connection and Main Printboards - Cygnus Models	102
Electrical Component Mounting Plate - Models Through 2/22/09.....	104
Electrical Component Mounting Plate - Models Starting 2/23/09.....	106
Balance Switch	108
Supply Dispenser - Models with Frontal Supply Dispenser	110
Supply Dispenser with Round Ventilation Opening	112
Supply Dispenser with Rectangular Ventilation Opening.....	114
Electric and Steam Heating Options	116
Soap Pumps	118
Parts Index.....	121

Parts Ordering Information

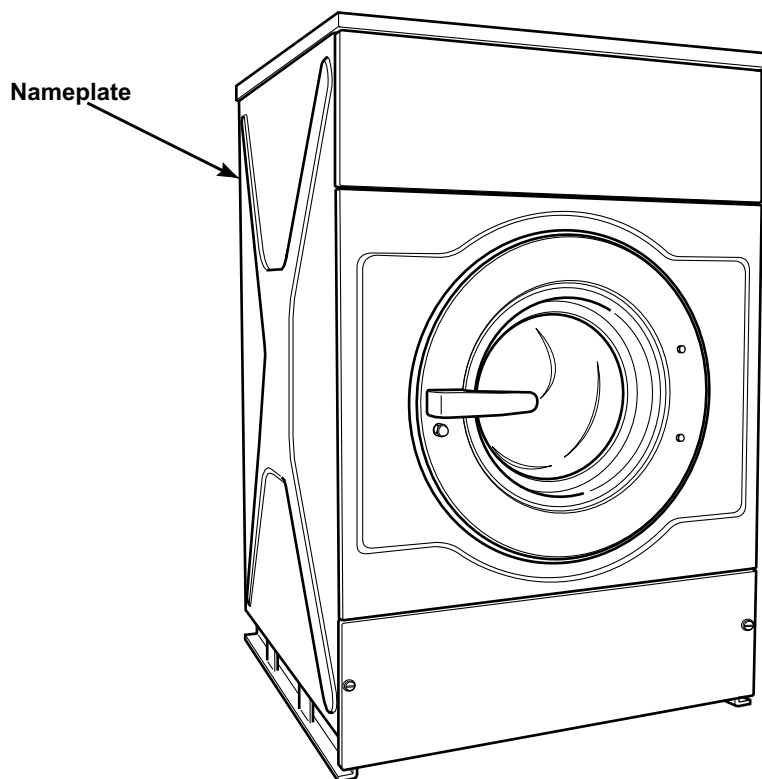
If literature or replacement parts are required, contact the source from whom the machine was purchased or contact Alliance Laundry Systems at (920) 748-3950 for the name and address of the nearest authorized parts distributor.

For technical assistance, call the number listed below:

(920) 748-3121 Ripon, Wisconsin

Serial Plate Location

When calling or writing about your product, be sure to mention model and serial numbers. Model and serial numbers are located on serial plate(s) as shown.





CFD21CA_D0902



Model Identification

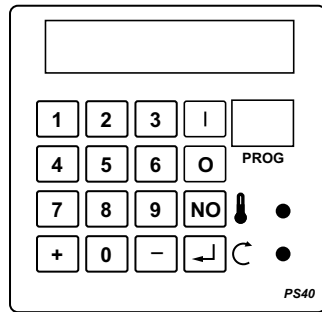
Information in this manual is applicable to these washer-extractor models:

HC60_CYGNUS-COMM_COIN	CHC012ANH	IHC025MEH	IHC075ANH
HC60_CYGNUS-COMM_OPL	CHC012MNH	IHC025MLH	IHC075MCH
HC60_CYGNUS-PREM_COIN	CHC018ANH	IHC025MNH	IHC075MDH
HC60_CYGNUS-PREM_OPL	CHC018MNH	IHC025MXH	IHC075MEH
HC60_CYGNUS-PRO	CHC025ANH	IHC025MYH	IHC075MLH
HC60_CYGNUS-STANDARD_COIN	CHC025MNH	IHC025SCH	IHC075MNH
HC60_CYGNUS-STANDARD_OPL	IHC012ANH	IHC025SDH	IHC075MRH
HC60_MICRO-20_COIN	IHC012MCH	IHC025SEH	IHC075MXH
HC60_MICRO-20_OPL	IHC012MDH	IHC025SLH	IHC075MYH
HC60_PS40F	IHC012MEH	IHC025SRH	IHC075SCH
HC60_SIGMA_COIN	IHC012MLH	IHC025SXH	IHC075SDH
HC60_SIGMA_OPL	IHC012MNH	IHC025SYH	IHC075SEH
HC65_CYGNUS-COMM_COIN	IHC012MXH	IHC060ANH	IHC075SLH
HC65_CYGNUS-COMM_OPL	IHC012MYH	IHC060MCH	IHC075SRH
HC65_CYGNUS-PREM_COIN	IHC012SCH	IHC060MDH	IHC075SXH
HC65_CYGNUS-PREM_OPL	IHC012SDH	IHC060MEH	IHC075SYH
HC65_CYGNUS-PRO	IHC012SEH	IHC060MLH	IHC075ZNH
HC65_CYGNUS-STANDARD_COIN	IHC012SLH	IHC060MNH	IHC100ANH
HC65_CYGNUS-STANDARD_OPL	IHC012SRH	IHC060MRH	IHC100MCH
HC65_MICRO-20_COIN	IHC012SXH	IHC060MXH	IHC100MDH
HC65_MICRO-20_OPL	IHC012SYH	IHC060MYH	IHC100MEH
HC65_PS40F	IHC018ANH	IHC060SCH	IHC100MLH
HC65_SIGMA_COIN	IHC018MCH	IHC060SDH	IHC100MNH
HC65_SIGMA_OPL	IHC018MDH	IHC060SEH	IHC100MRH
HC75_CYGNUS-COMM_COIN	IHC018MEH	IHC060SLH	IHC100MXH
HC75_CYGNUS-COMM_OPL	IHC018MLH	IHC060SRH	IHC100MYH
HC75_CYGNUS-PREM_COIN	IHC018MNH	IHC060SXH	IHC100SCH
HC75_CYGNUS-PREM_OPL	IHC018MXH	IHC060SYH	IHC100SDH
HC75_CYGNUS-PRO	IHC018MYH	IHC060ZNH	IHC100SEH
HC75_CYGNUS-STANDARD_COIN	IHC018SCH	IHC065ANH	IHC100SLH
HC75_CYGNUS-STANDARD_OPL	IHC018SDH	IHC065MCH	IHC100SRH
HC75_MICRO-20_COIN	IHC018SEH	IHC065MDH	IHC100SXH
HC75_MICRO-20_OPL	IHC018SLH	IHC065MEH	IHC100SYH
HC75_PS40F	IHC018SRH	IHC065MLH	IHC100ZNH
HC75_SIGMA_COIN	IHC018SXH	IHC065MNH	
HC75_SIGMA_OPL	IHC018SYH	IHC065MRH	
HC100_CYGNUS-COMM_COIN	IHC025ANH	IHC065MXH	
HC100_CYGNUS-COMM_OPL	IHC025MCH	IHC065MYH	
HC100_CYGNUS-PREM_COIN	IHC025MDH	IHC065SCH	
HC100_CYGNUS-PREM_OPL		IHC065SDH	
HC100_CYGNUS-PRO		IHC065SEH	
HC100_CYGNUS-STANDARD_COIN		IHC065SLH	
HC100_CYGNUS-STANDARD_OPL		IHC065SRH	
HC100_MICRO-20_COIN		IHC065SXH	
HC100_MICRO-20_OPL		IHC065SYH	
HC100_PS40F		IHC065ZNH	
HC100_SIGMA_COIN			
HC100_SIGMA_OPL			

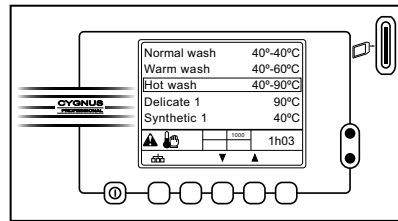
Cabinet Freestanding Washer-Extractor Product Overview

Type:	HC60C	Nr: 07110WD0339
Voltage:	3 ~ 400V 50Hz	Weight: 181 kg
Motor:	0.55kW 2.5A	Capacity: 73 L
Heating:	9kW 16A	Dry Load: 7,3 kg
Total:	9.55 kW	Drum: 530 mm
Kinetic energy:	592 Nm	Speed: 700 rpm
Manufactured in:	2007	
Water Pressure: min. 2.07 max. 5.86 Kg/cm ² IPX4 min. 20.7 max. 58.6 N/cm ²		
sfc 741837		
Alliance International BVBA Nieuwstraat 146 8560 Wevelgem Belgium Tel: +32 56 41 20 54 Fax: +32 56 41 86 74 www.ipso.be		
		

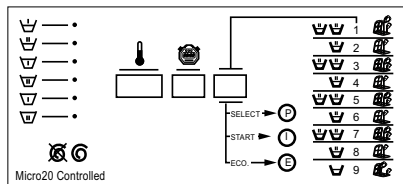
Model No: 1HC025MNHX10U03	Serial No: 0803440291
Volts Hertz: 208-240 50/60	Type: WFF75
Phase: 1 - 3	
Amps: 6 amps	Capacity: 18/7 lbs/kg
Recommended Circuit Breaker: 15 amps	Water Pressure: 30-85 psi
Interrupt Current: 10 kA	Pressure: 2.07-5.86 bar
Motor: 1 hp	Max Speed: 700 rpm
0,75 kW	Net Weight: 400 lbs
Elec Heat: N/A kW	181 kg
Steam heat: N/A psi	IPX4
N/A bar	
Alliance International BVBA Made in Belgium	
	TEL 1-920-748-3121 www.comlaundry.com
	



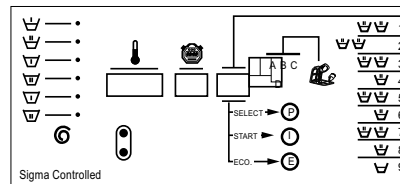
PS40



Cygnus Professional



Micro 20



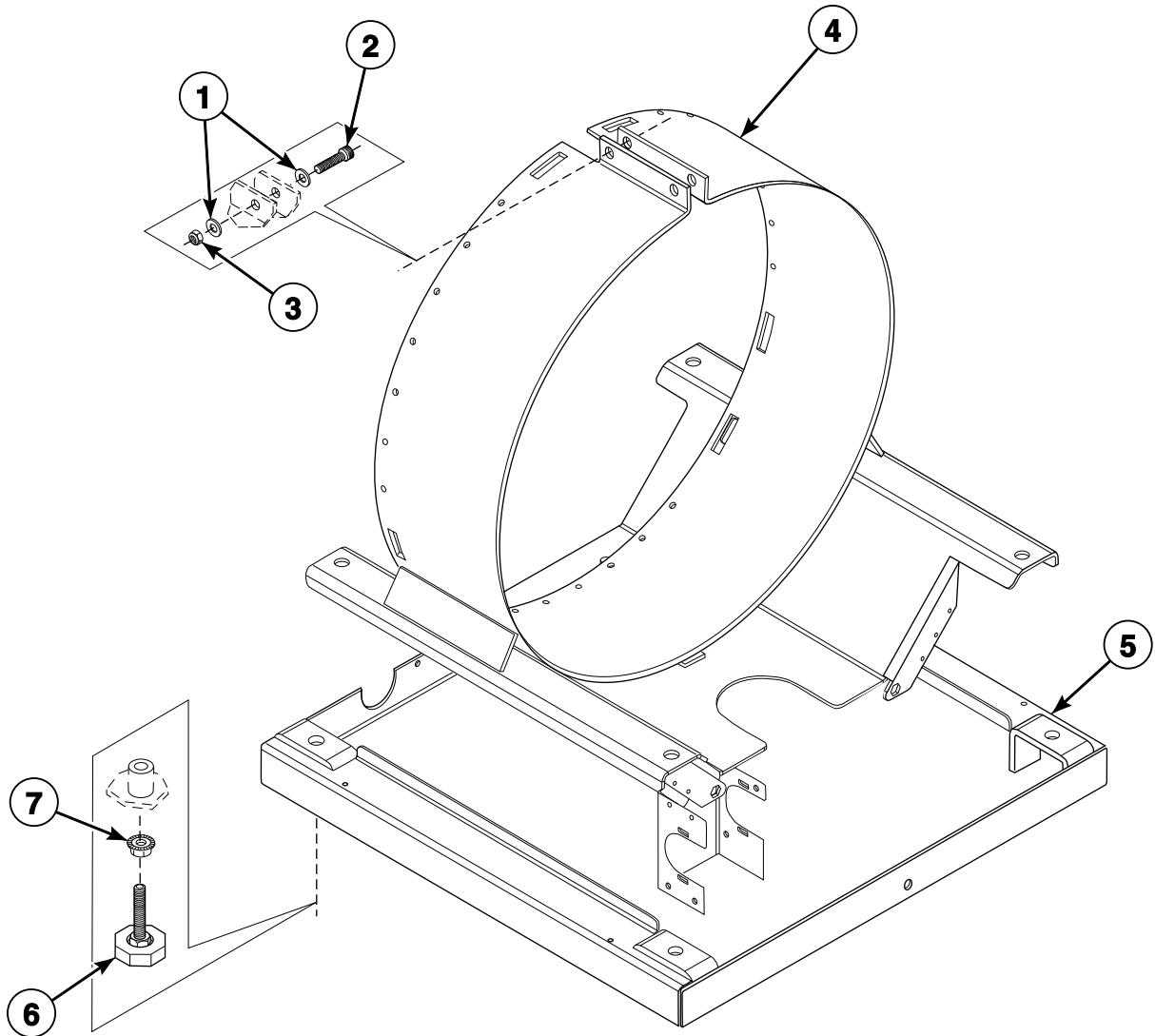
Sigma

CFD297P_D0902

Cabinet Freestanding Washer-Extractor Product Overview

REF	PART NO.	DESCRIPTION	COMMENTS
1	-	Product Family	CHC HC IHC
2	-	Capacity	12 18 25 60 65 75 100
3	-	Control	A (PS40F) Cygnus-Comm Cygnus-Prem Cygnus-Standard M (Micro-20) S (Sigma) Z (Cygnus-Pro)
4	-	Actuation	C (Coin Drop Meter) D (Dual Coin Drop) E (Electronic Drop) L (Prep for Remote or Central Pay) N (Non-Coin) R (Smart Card Ready) X (Prep for Coin) Y (Card Ready)
5	-	Speed	H (High Speed)
6	-	Voltage	N (440-480/50-60/3/3) P (380-415/50-60/3/3) Q (208-240/50-60/3/3) X (200-240/50-60/1/3)
7	-	Design	1

Frame

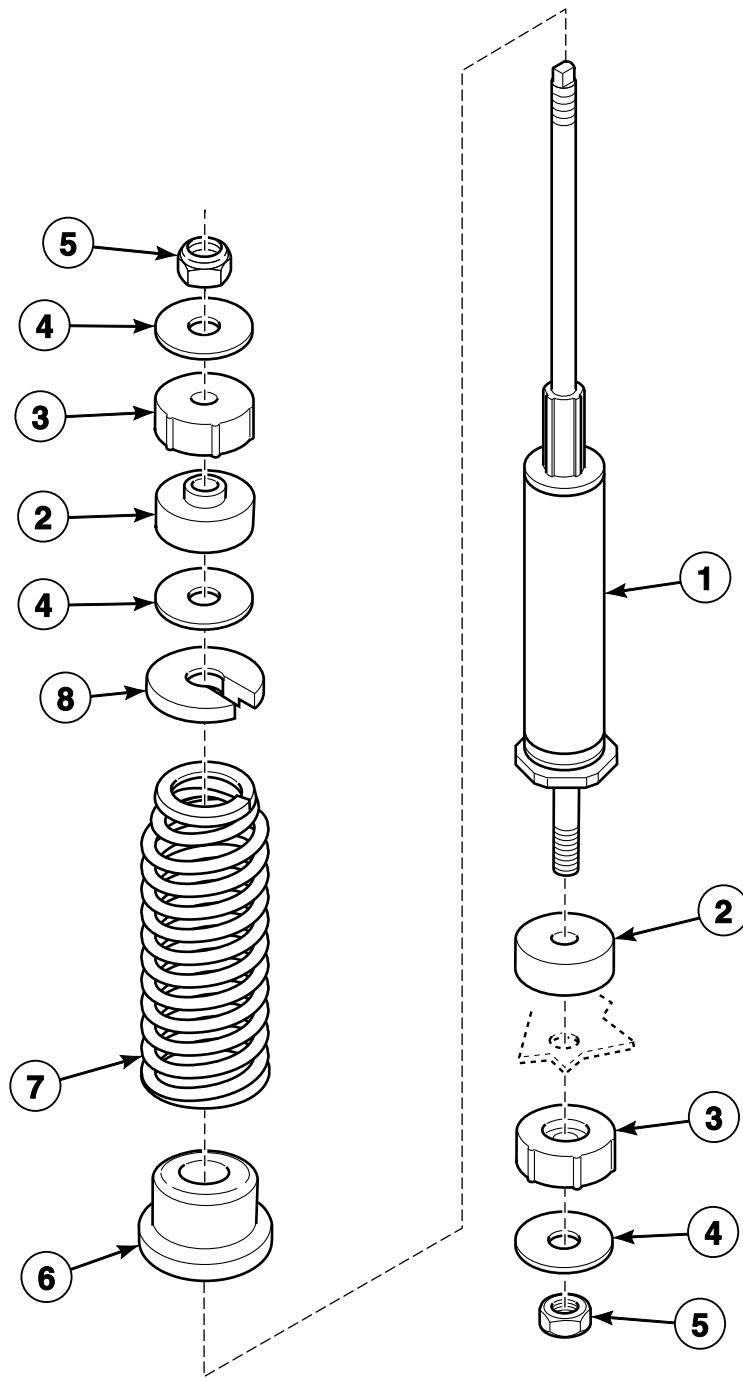


BE000614P_D0902

Frame

REF	PART NO.	DESCRIPTION	COMMENTS
1	201/00005/00	Washer	
2	206/00053/00	Screw	
3	204/00111/00	Nut	
4	152/00104/00	Tub Support	*65 models
	152/00105/00	Tub Support	*18 and *75 models
	152/00106/00	Tub Support	*25 and *100 models
	152/00122/00	Tub Support	*12 and *60 models
5	152/00101/50	Frame	*18, *65 and *75 models
	152/00102/50	Frame	*25 and *100 models
	152/00119/50	Frame	*12 and *60 models
6	252/00006/00	Leveling Leg	
7	206/00106/00	Nut	

Shock Absorber



BE000626P_D0902

Shock Absorber

REF	PART NO.	DESCRIPTION	COMMENTS
1	SPPRI611001025	Shock Absorber	
	247/00003/00	Shock Absorber	Includes items 1, 2, 4, 6, 8 and 247/00002/01 Suspension Spring
2	247/00006/00	Fastening Rubber	
3	247/00007/00	Fastening Rubber	
4	201/00015/00	Washer	
5	204/00110/00	Nut	
6	247/00001/03	Spring Seat Bottom	
7	247/00009/00	Suspension Spring	Red; 5 mm diameter
	247/00002/01	Suspension Spring	Blue; 5.5 mm diameter
	247/00001/01	Suspension Spring	Black; 4.8 mm diameter
	247/00002/03	Shock Absorber	Includes items 2, 4 and 247/00009/00 Suspension Spring
	247/00002/00	Shock Absorber	Includes items 2, 4 and 247/00001/01 Suspension Spring
8	247/00001/04	Spring Holder Top	

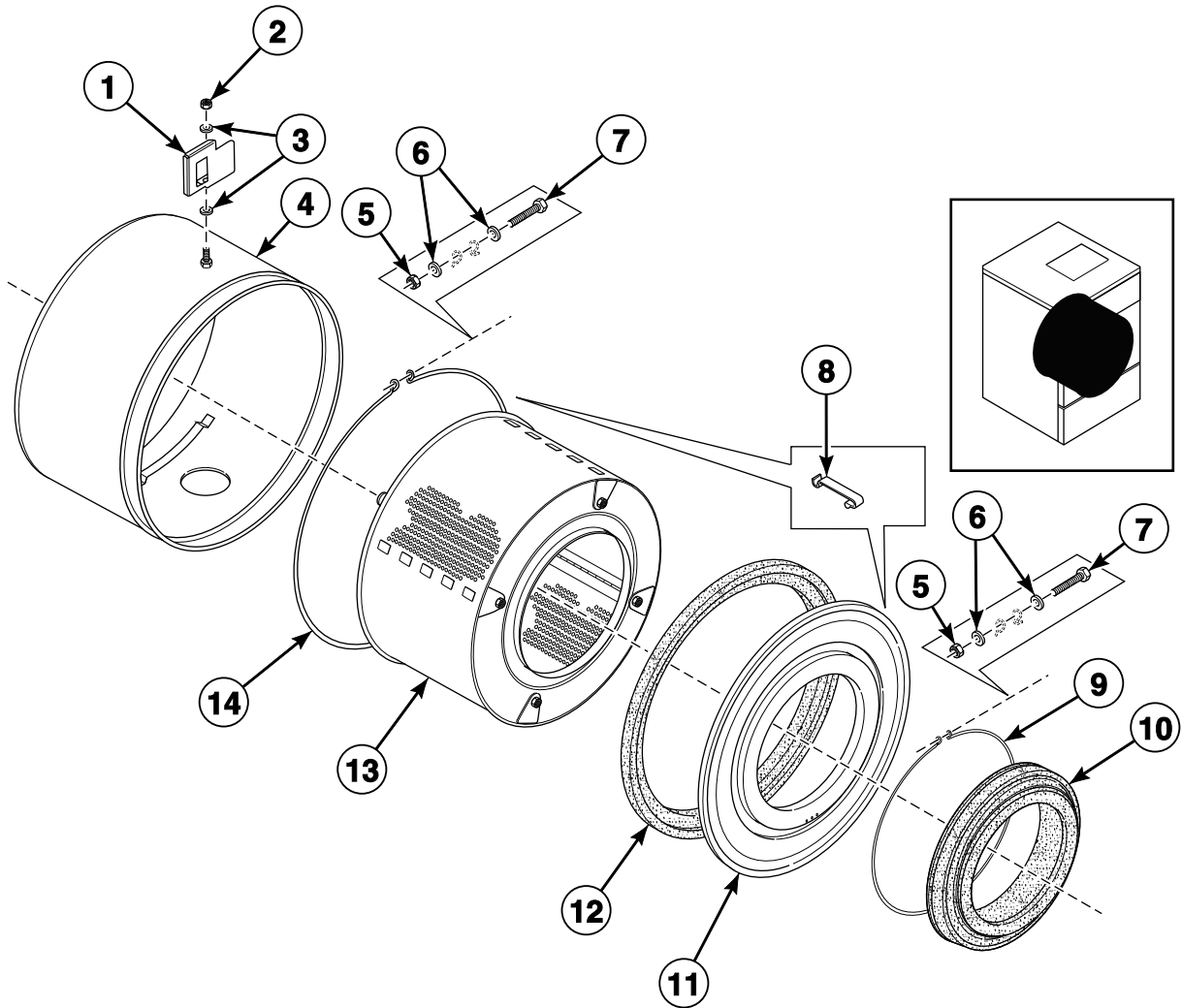
Shell and Basket (Drawing 1 of 4)

*12 and *60 Models Through Serial No. 07030H10331

*65 Models Through Serial No. 07030H20366

*18 and *75 Models Through Serial No. 07030H30253

*25 and *100 Models Through Serial No. 07030H40276



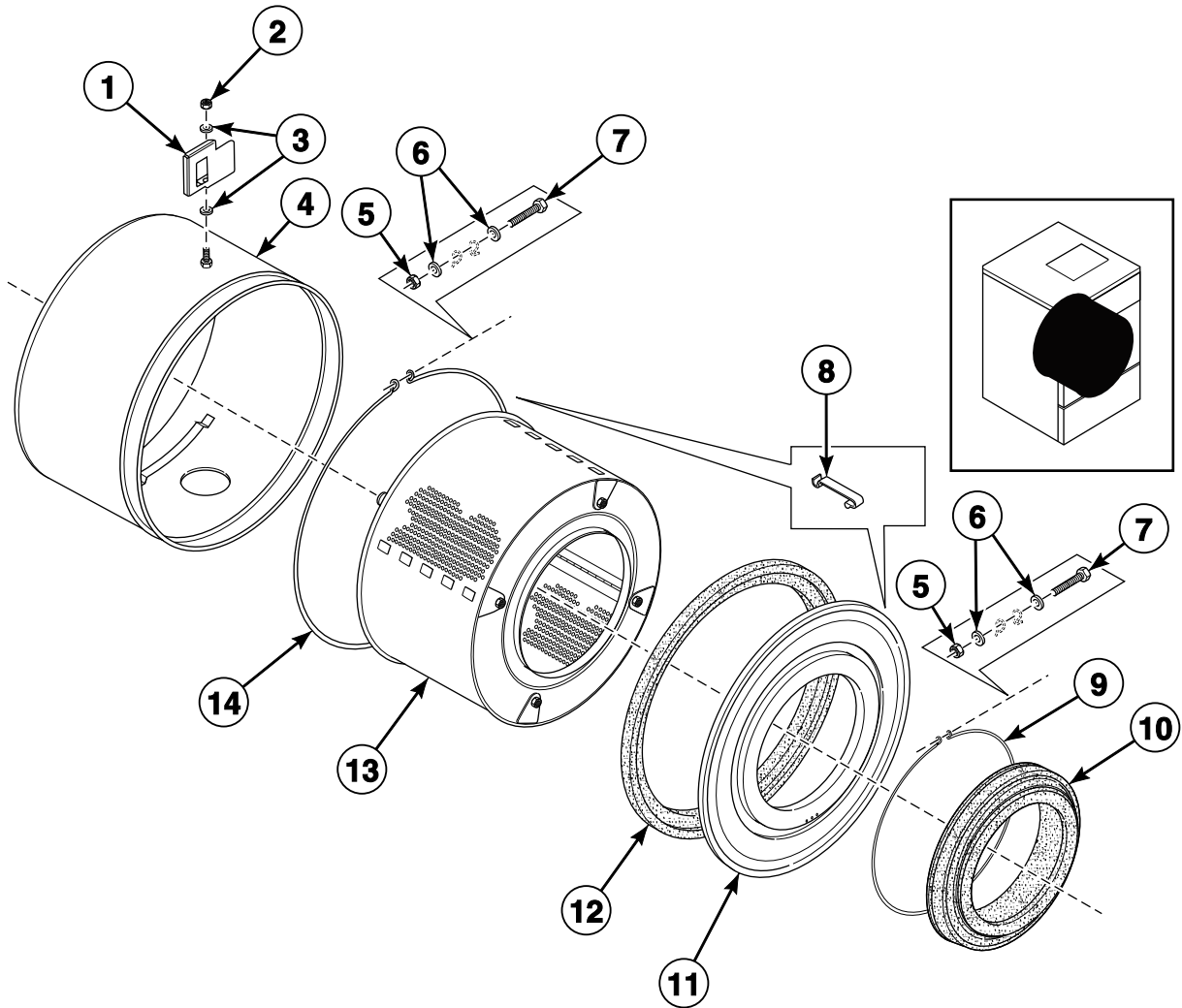
BE000615P_D0902

Shell and Basket (Drawing 1 of 4)

REF	PART NO.	DESCRIPTION	COMMENTS
1	111/01854/00	Tilt Detector Plate	
2	204/00110/00	Nut	
3	201/00010/00	Washer	
4	B12328001	Outer Tub	*65 models; Electric heat
	B12328101	Outer Tub	*65 models; Boiler fed
	B12328301	Outer Tub	*18 and *75 models; Electric heat
	B12328401	Outer Tub	*18 and *75 models; Boiler fed
	117/00202/00	Outer Tub	*25 and *100 models; Electric heat
	B12328701	Outer Tub	*25 and *100 models; Boiler fed
	B12327701	Outer Tub	*12 and *60 models; Electric heat
	B12327801	Outer Tub	*12 and *60 models; Boiler fed
5	204/00009/00	Nut	
6	202/00003/00	Washer	
7	206/00011/00	Bolt	
8	217/00008/00	Tub Front Panel Clip	
9	238/00012/00	Boot Clamp	
10	255/00123/00	Boot	
11	118/00054/03	Tub Front Panel	
12	B12351601	Tub Front Gasket	
13	111/01806/00	Cylinder and Shaft Assembly	*65 models
	111/01807/00	Cylinder and Shaft Assembly	*18 and *75 models
	B12326101	Drum and Axle	*25 and *100 models
	111/01915/00	Cylinder	*12 and *60 models
14	217/00007/00	Tub Front Ring Clamp	

Shell and Basket (Drawing 2 of 4)

*12 and *60 Models Starting Serial No. 07030H10332 Through Serial No. 07040H10387
*65 Models Starting Serial No. 07030H20367 Through Serial No. 07040H20415
*18 and *75 Models Starting Serial No. 07030H30254 Through Serial No. 07040H30274
*25 and *100 Models Starting Serial No. 07030H40277 Through Serial No. 07040H40232



BE000615P_D0902

Shell and Basket (Drawing 2 of 4)

REF	PART NO.	DESCRIPTION	COMMENTS
1	111/01854/00	Tilt Detector Plate	
2	204/00110/00	Nut	
3	201/00010/00	Washer	
4	B12328001	Outer Tub	*65 models; Electric heat
	B12328101	Outer Tub	*65 models; Boiler fed
	B12328301	Outer Tub	*18 and *75 models; Electric heat
	B12328401	Outer Tub	*18 and *75 models; Boiler fed
	117/00202/00	Outer Tub	*25 and *100 models; Electric heat
	B12328701	Outer Tub	*25 and *100 models; Boiler fed
	B12327701	Outer Tub	*12 and *60 models; Electric heat
	B12327801	Outer Tub	*12 and *60 models; Boiler fed
5	204/00009/00	Nut	
6	202/00003/00	Washer	
7	206/00011/00	Bolt	
8	217/00008/00	Tub Front Panel Clip	
9	238/00012/00	Boot Clamp	
10	255/00123/00	Boot	
11	118/00054/03	Tub Front Panel	
12	B12351601	Tub Front Gasket	
13	111/01915/00	Cylinder	*12 and *60 models
	B12325701	Drum and Axle	*65 models
	111/01917/00	Cylinder and Shaft Assembly	*18 and *75 models
	B12326101	Drum and Axle	*25 and *100 models
14	217/00007/00	Tub Front Ring Clamp	

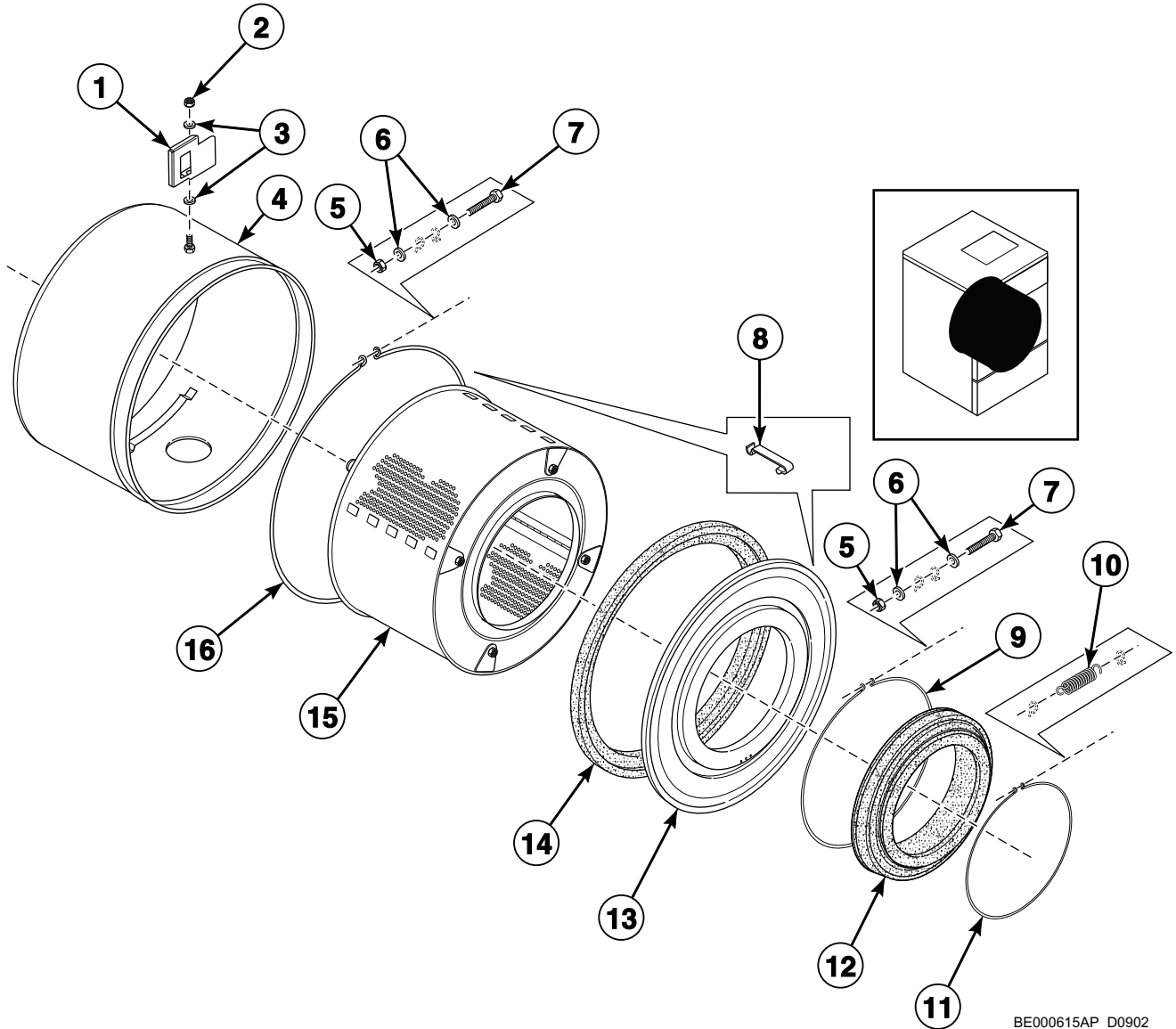
Shell and Basket (Drawing 3 of 4)

*12 and *60 Models Starting Serial No. 07040H10388 Through 6/21/09

*65 Models Starting Serial No. 07040H20416 Through 6/21/09

*18 and *75 Models Starting Serial No. 07040H30275 Through 6/21/09

*25 and *100 Models Starting Serial No. 07040H40233 Through 6/21/09



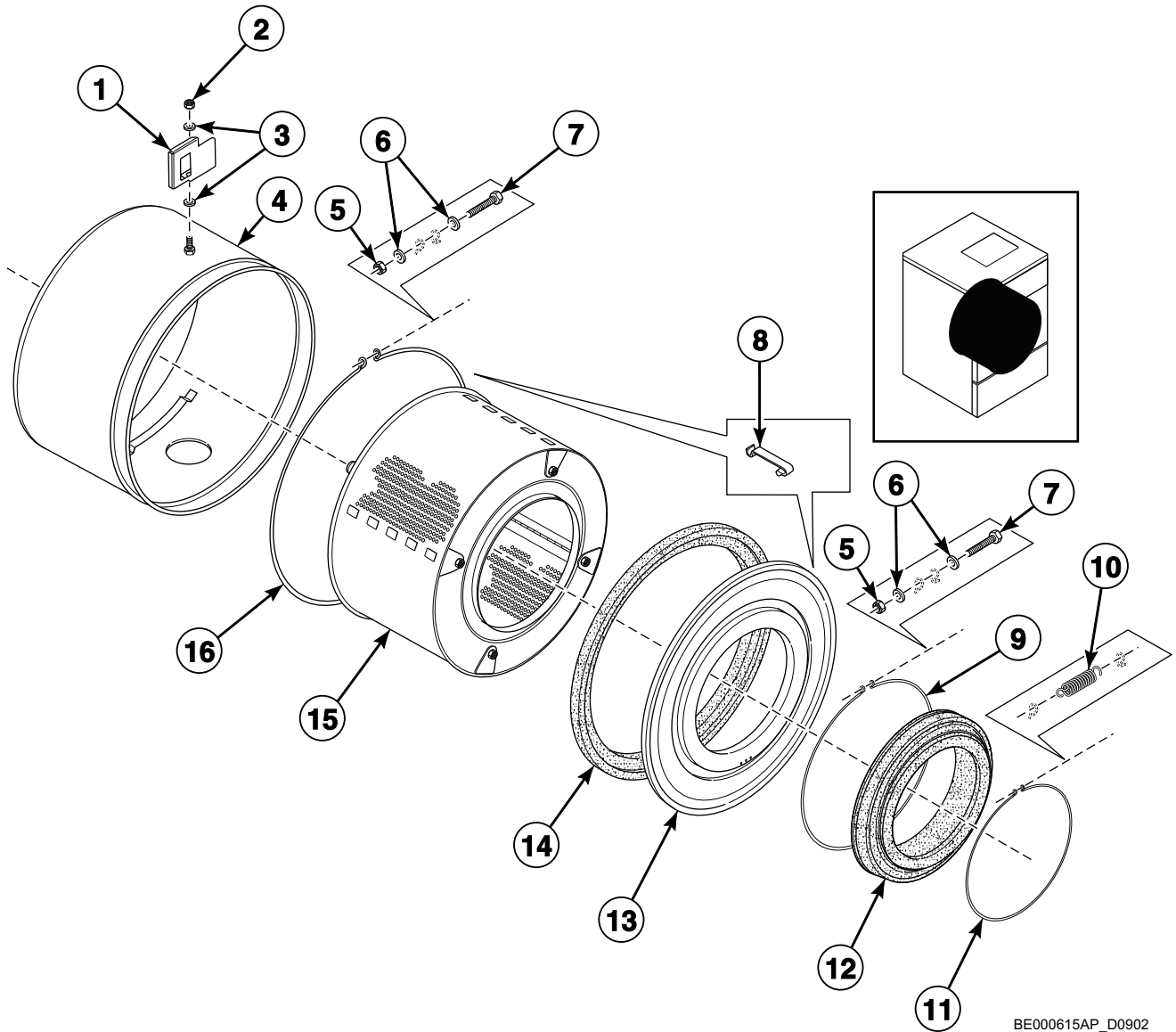
BE000615AP_D0902

Shell and Basket (Drawing 3 of 4)

REF	PART NO.	DESCRIPTION	COMMENTS
1	111/01854/00	Tilt Detector Plate	
2	204/00110/00	Nut	
3	201/00010/00	Washer	
4	B12328001	Outer Tub	*65 models; Electric heat
	B12328101	Outer Tub	*65 models; Boiler fed
	B12328301	Outer Tub	*18 and *75 models; Electric heat
	B12328401	Outer Tub	*18 and *75 models; Boiler fed
	117/00202/00	Outer Tub	*25 and *100 models; Electric heat
	B12328701	Outer Tub	*25 and *100 models; Boiler fed
	B12327701	Outer Tub	*12 and *60 models; Electric heat
	B12327801	Outer Tub	*12 and *60 models; Boiler fed
5	204/00009/00	Nut	
6	202/00003/00	Washer	
7	206/00011/00	Bolt	
8	217/00008/00	Tub Front Panel Clip	
9	238/00012/00	Boot Clamp	
10	238/00014/00	Spring	
11	238/00013/00	Fastening Ring	
12	255/00123/00	Boot	
13	118/00054/03	Tub Front Panel	
14	B12351601	Tub Front Gasket	
15	111/01915/00	Cylinder	*12 and *60 models
	B12325701	Drum and Axle	*65 models
	111/01917/00	Cylinder and Shaft Assembly	*18 and *75 models
	B12326101	Drum and Axle	*25 and *100 models
16	217/00007/00	Tub Front Ring Clamp	

Shell and Basket (Drawing 4 of 4)

Models Starting 6/22/09

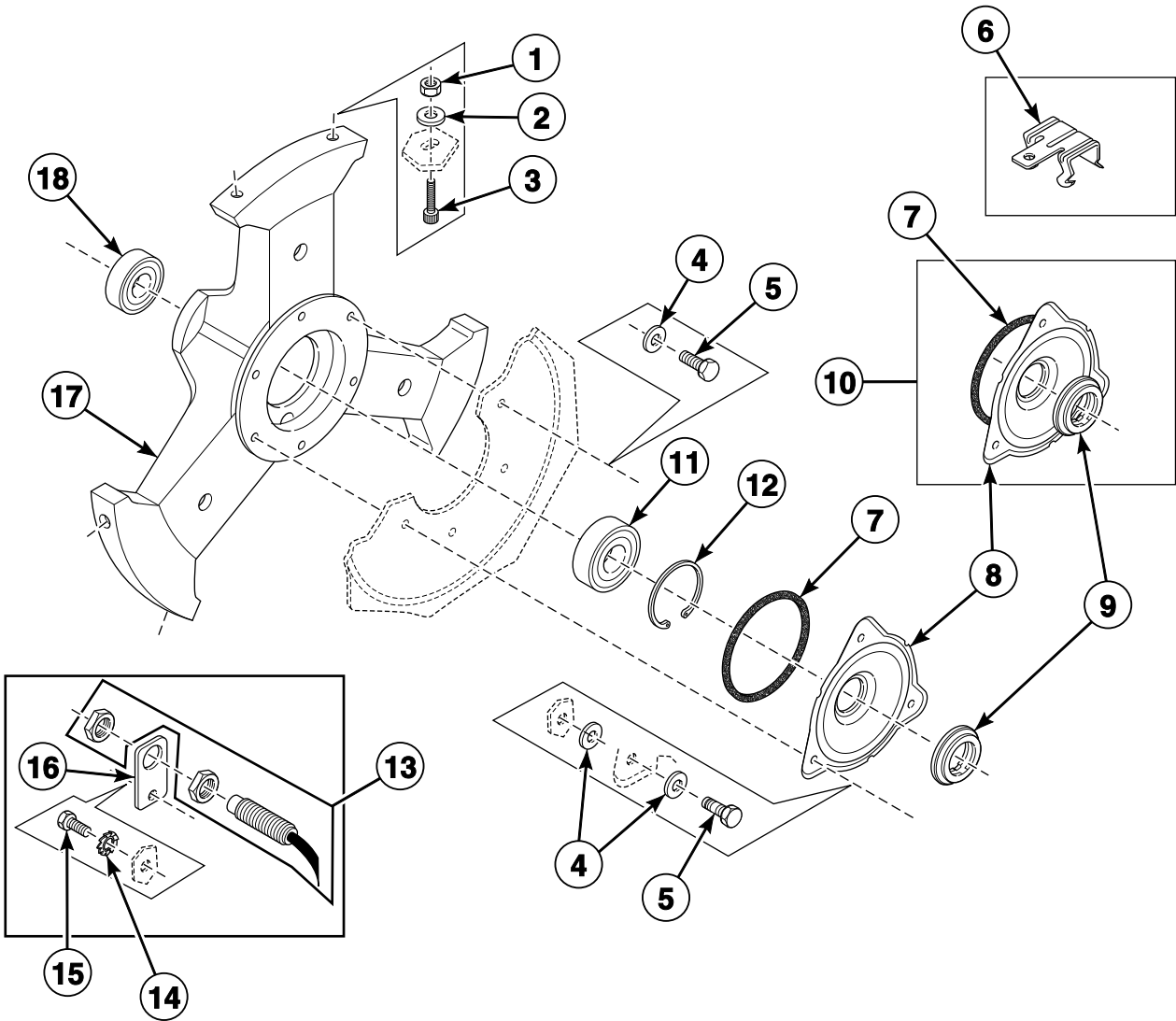


BE000615AP_D0902

Shell and Basket (Drawing 4 of 4)

REF	PART NO.	DESCRIPTION	COMMENTS
1	111/01854/00	Tilt Detector Plate	
2	204/00110/00	Nut	
3	201/00010/00	Washer	
4	B12328001	Outer Tub	*65 models; Electric heat
	B12328101	Outer Tub	*65 models; Boiler fed
	B12328301	Outer Tub	*18 and *75 models; Electric heat
	B12328401	Outer Tub	*18 and *75 models; Boiler fed
	B12328601	Outer Tub	*25 and *100 models; Electric heat
	B12328701	Outer Tub	*25 and *100 models; Boiler fed
	B12327701	Outer Tub	*12 and *60 models; Electric heat
	B12327801	Outer Tub	*12 and *60 models; Boiler fed
5	204/00009/00	Nut	
6	201/00007/00	Washer	
7	206/00032/00	Bolt	
8	217/00008/00	Tub Front Panel Clip	
9	238/00012/00	Boot Clamp	
10	238/00014/00	Spring	
11	238/00013/00	Fastening Ring	
12	255/00123/00	Boot	
13	118/00054/03	Tub Front Panel	
14	B12351601	Tub Front Gasket	
15	111/01915/00	Cylinder	*12 and *60 models through 1/30/11
	B12542501	Basket Kit	*12 and *60 models through 1/30/11; Includes B12379401 Cylinder and 3881P Bearing Kit
	B12379401	Cylinder	*12 and *60 models starting 1/31/11
	B12325701	Drum and Axle	*65 models through 1/30/11
	B12542601	Basket Kit	*65 models through 1/30/11; Includes B12379501 Basket and Shaft Assembly and 3881P Bearing Kit
	B12379501	Basket and Shaft Assembly	3 mm; *65 models starting 1/31/11
	B12379601	Basket and Shaft Assembly	9 mm; *65 models starting 1/31/11
	111/01917/00	Cylinder and Shaft Assembly	*18 and *75 models through 1/30/11
	B12542701	Basket Kit	*18 and *75 models through 1/30/11; Includes B12379701 Basket and Shaft Assembly and 3881P Bearing Kit
	B12379701	Basket and Shaft Assembly	3 mm; *18 and *75 models starting 1/31/11
	B12379801	Basket and Shaft Assembly	9 mm; *18 and *75 models starting 1/31/11
	B12326101	Drum and Axle	*25 and *100 models through 1/30/11
	B12542801	Basket Kit	*25 and *100 models through 1/30/11; Includes B12379901 Basket and Shaft Assembly and 3881P Bearing Kit
	B12379901	Basket and Shaft Assembly	3 mm; *25 and *100 models starting 1/31/11
	B12380001	Basket and Shaft Assembly	9 mm; *25 and *100 models starting 1/31/11
16	217/00007/00	Tub Front Ring Clamp	

Bearing Housing - Models Through 1/30/11

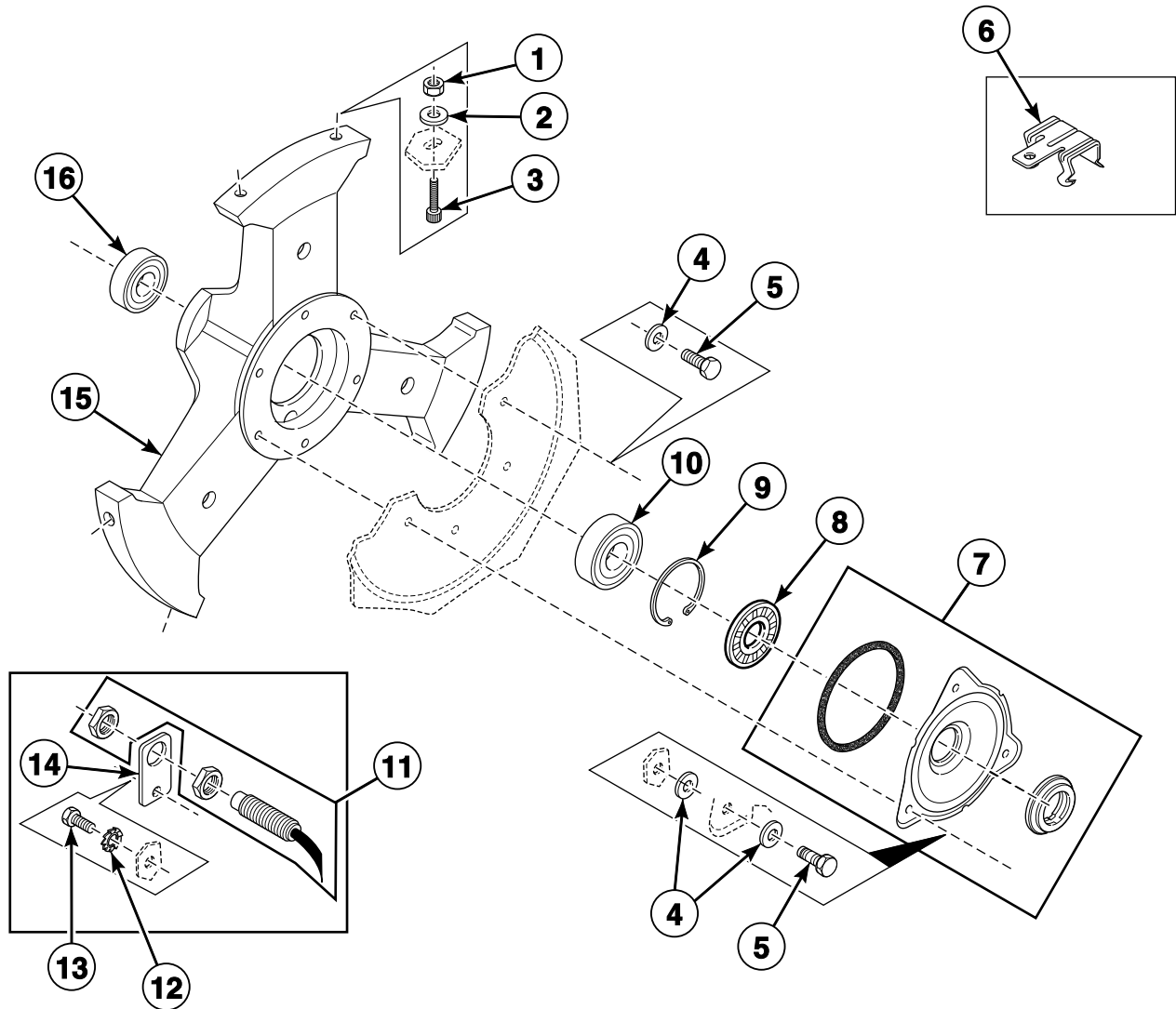


BE000616P_D0902

Bearing Housing - Models Through 1/30/11

REF	PART NO.	DESCRIPTION	COMMENTS
	387P4	Bearing Replacement Kit	Includes items 4, 5, 10, 11, 18, 217/00004/00 Counter Ring, 223/00242/10 Tub Gasket and F8382001P Deflector Inlet
	380P3	Bearing Replacement Tool Kit	
1	204/00111/00	Nut	
2	201/00012/00	Washer	
3	206/00053/00	Screw	
4	201/00201/00	Washer	
5	205/00102/00	Bolt	
6	224/00051/00	Caddy Bracket	4H58-4
	224/00052/00	Caddy Bracket	4H912
7	217/00002/00	O-Ring	
8	117/00001/00	Seal Cover	
9	217/00003/00	Shaft Seal	
10	117/00001/01	Shaft Seal Holder	
11	F100137P	Bearing	
12	212/00038/00	Retaining Ring	
13	209/00400/00	Speed Detector	
14	203/00004/00	Washer	
15	205/00104/00	Bolt	
16	152/00055/00	Speed Detector Bracket	
17	152/00117/00	Bearing Housing Assembly	
	152/10117/01	Bearing Housing Assembly	Includes items 11 and 18
18	F100136P	Bearing	

Bearing Housing - Models Starting 1/31/11



CFD646P_D0902

Bearing Housing - Models Starting 1/31/11

REF	PART NO.	DESCRIPTION	COMMENTS
	380P3	Bearing Replacement Tool Kit	
	3881P	Bearing Kit	Includes items 4, 5, 7, 8, 10, 16, 217/00004/00 Counter Ring, 223/00242/10 Tub Gasket
1	204/00111/00	Nut	
2	201/00012/00	Washer	
3	206/00053/00	Screw	
4	201/00201/00	Washer	
5	205/00102/00	Bolt	
6	224/00051/00	Caddy Bracket	4H58-4
	224/00052/00	Caddy Bracket	4H912
7	B12333601	Seal Plate Assembly	
8	B12332201	Lip Seal	
9	212/00038/00	Retaining Ring	
10	F100137P	Bearing	
11	209/00400/00	Speed Detector	
12	203/00004/00	Washer	
13	205/00104/00	Bolt	
14	152/00055/00	Speed Detector Bracket	
15	152/00117/00	Bearing Housing Assembly	
	152/10117/01	Bearing Housing Assembly	Includes items 10 and 16
16	F100136P	Bearing	

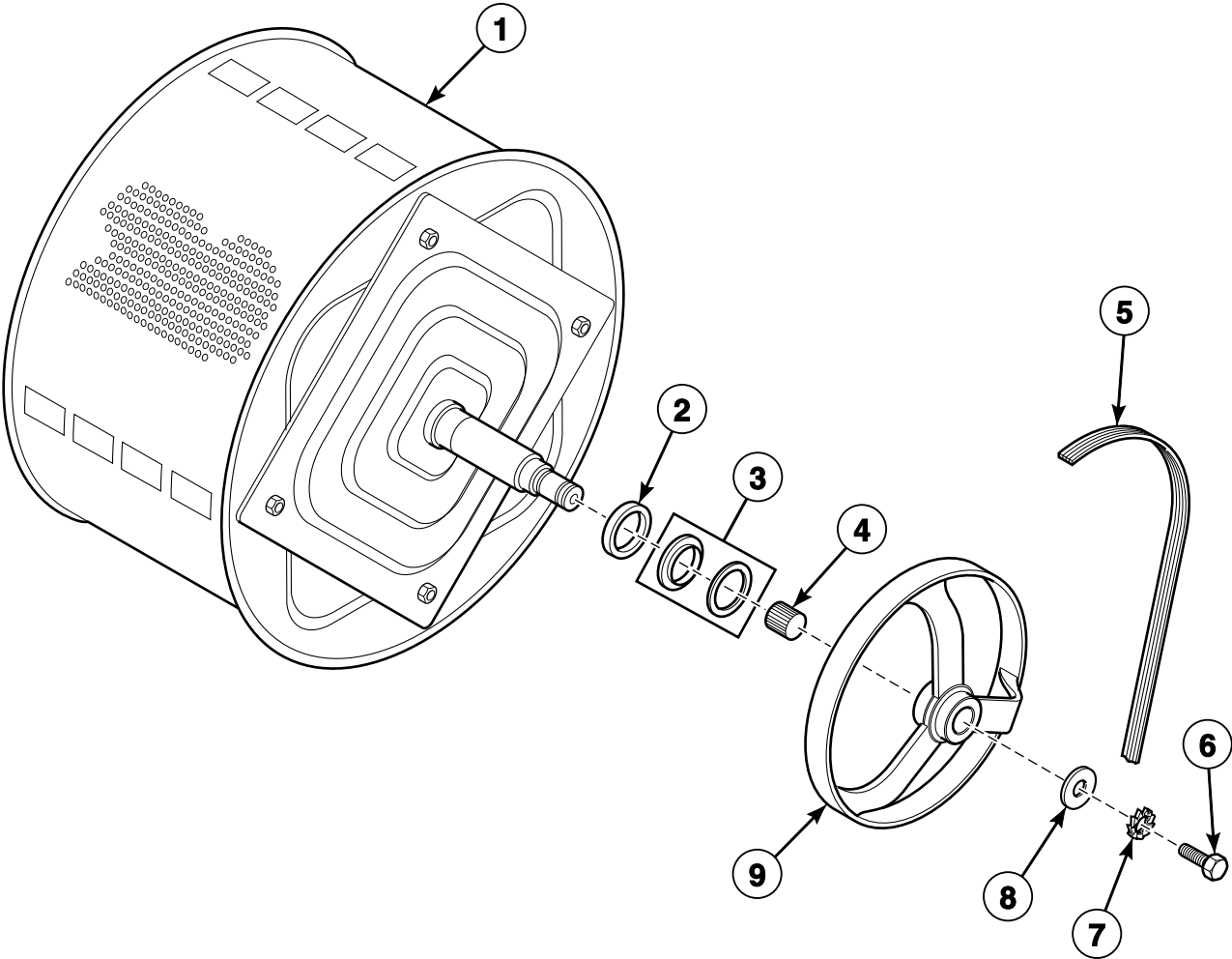
Basket, Pulley and Belt (Drawing 1 of 2)

*12 and *60 Models Through Serial No. 07030H10331

*65 Models Through Serial No. 07030H20366

*18 and *75 Models Through Serial No. 07030H30253

*25 and *100 Models Through Serial No. 07030H40276



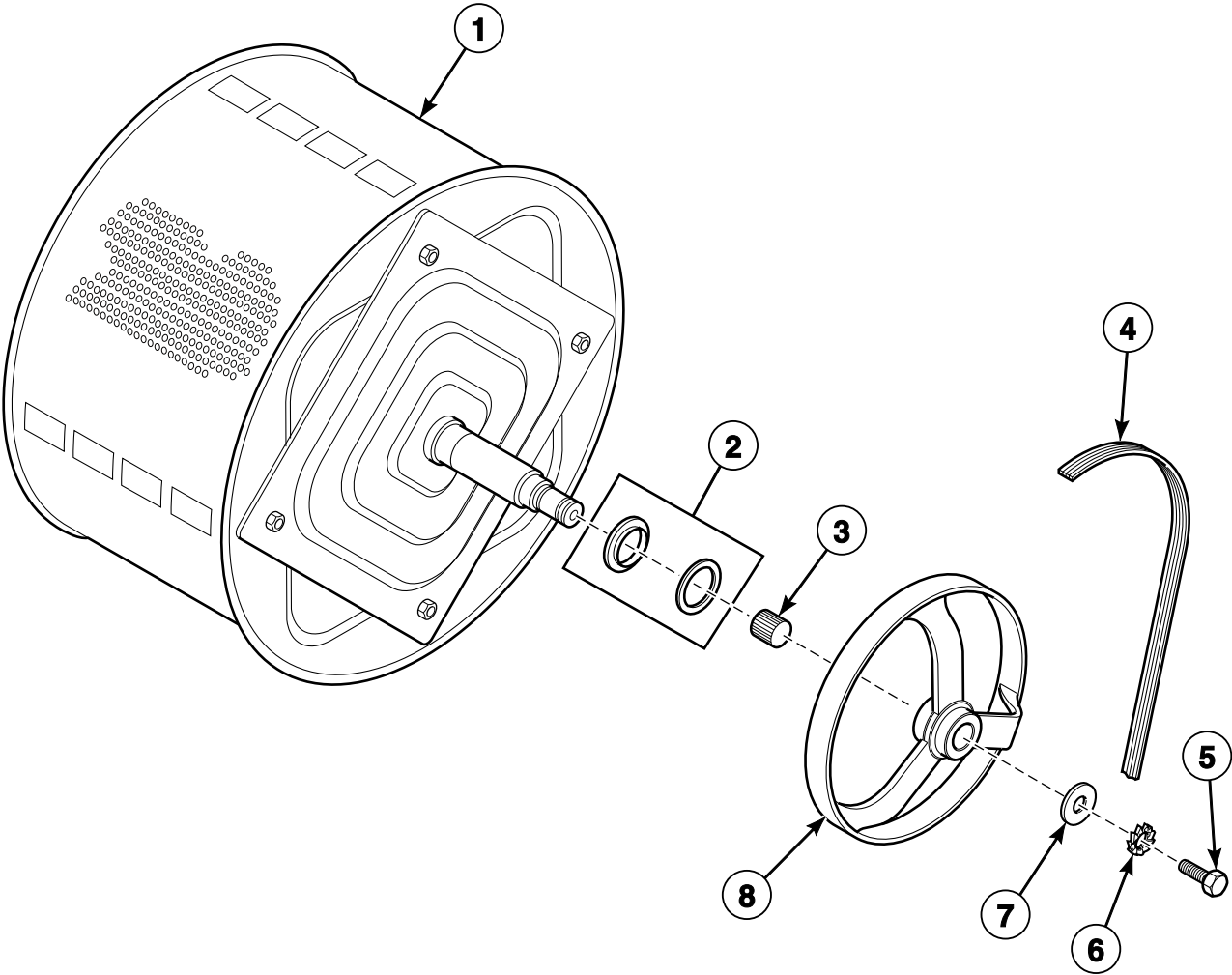
BE000617P_D0902

Basket, Pulley and Belt (Drawing 1 of 2)

REF	PART NO.	DESCRIPTION	COMMENTS
1	111/01806/00	Cylinder and Shaft Assembly	*65 models
	111/01807/00	Cylinder and Shaft Assembly	*18 and *75 models
	B12326101	Drum and Axle	*25 and *100 models
	111/01915/00	Cylinder	*12 and *60 models
2	217/00100/00	Bearing Spacer	
3	217/00004/00	Counter Ring	
4	215/00004/00	Tolerance Ring	
5	255/00013/00	Belt	
6	206/00005/00	Bolt	
7	203/00002/00	Washer	
8	201/00015/00	Washer	
9	255/00117/00	Pulley	

Basket, Pulley and Belt (Drawing 2 of 2)

*12 and *60 Models Starting Serial No. 07030H10332
*65 Models Starting Serial No. 07030H20367
*18 and *75 Models Starting Serial No. 07030H30254
*25 and *100 Models Starting Serial No. 07030H40277

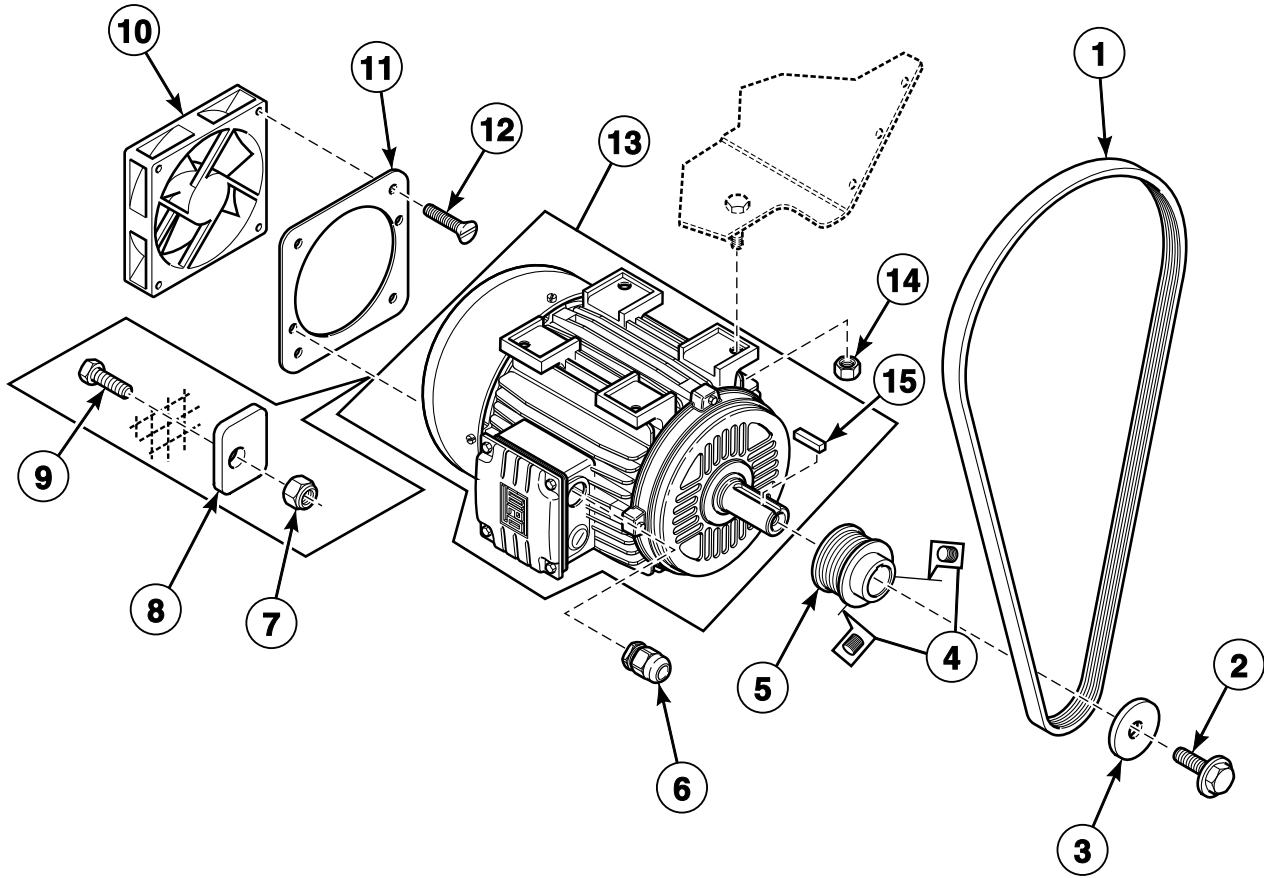


BE000839P_D0902

Basket, Pulley and Belt (Drawing 2 of 2)

REF	PART NO.	DESCRIPTION	COMMENTS
1	111/01915/00	Cylinder	*12 and *60 models through 1/30/11
	B12542501	Basket Kit	*12 and *60 models through 1/30/11; Includes B12379401 Cylinder and 3881P Bearing Kit
	B12379401	Cylinder	*12 and *60 models starting 1/31/11
	B12325701	Drum and Axle	*65 models through 1/30/11
	B12542601	Basket Kit	*65 models through 1/30/11; Includes B12379501 Basket and Shaft Assembly and 3881P Bearing Kit
	B12379501	Basket and Shaft Assembly	*65 models starting 1/31/11; 3 mm
	B12379601	Basket and Shaft Assembly	*65 models starting 1/31/11; 9 mm
	111/01917/00	Cylinder and Shaft Assembly	*18 and *75 models through 1/30/11
	B12542701	Basket Kit	*18 and *75 models through 1/30/11; Includes B12379701 Basket and Shaft Assembly and 3881P Bearing Kit
	B12379701	Basket and Shaft Assembly	*18 and *75 models starting 1/31/11; 3 mm
	B12379801	Basket and Shaft Assembly	*18 and *75 models starting 1/31/11; 9 mm
	B12326101	Drum and Axle	*25 and *100 models through 1/30/11
	B12542801	Basket Kit	*25 and *100 models through 1/30/11; Includes B12379901 Basket and Shaft Assembly and 3881P Bearing Kit
	B12379901	Basket and Shaft Assembly	*25 and *100 models starting 1/31/11; 3 mm
	B12380001	Basket and Shaft Assembly	*25 and *100 models starting 1/31/11; 9 mm
2	217/00004/00	Counter Ring	
3	215/00004/00	Tolerance Ring	
4	255/00013/00	Belt	
5	206/00005/00	Bolt	
6	203/00002/00	Washer	
7	201/00015/00	Washer	
8	255/00117/00	Pulley	

Motor and Belt

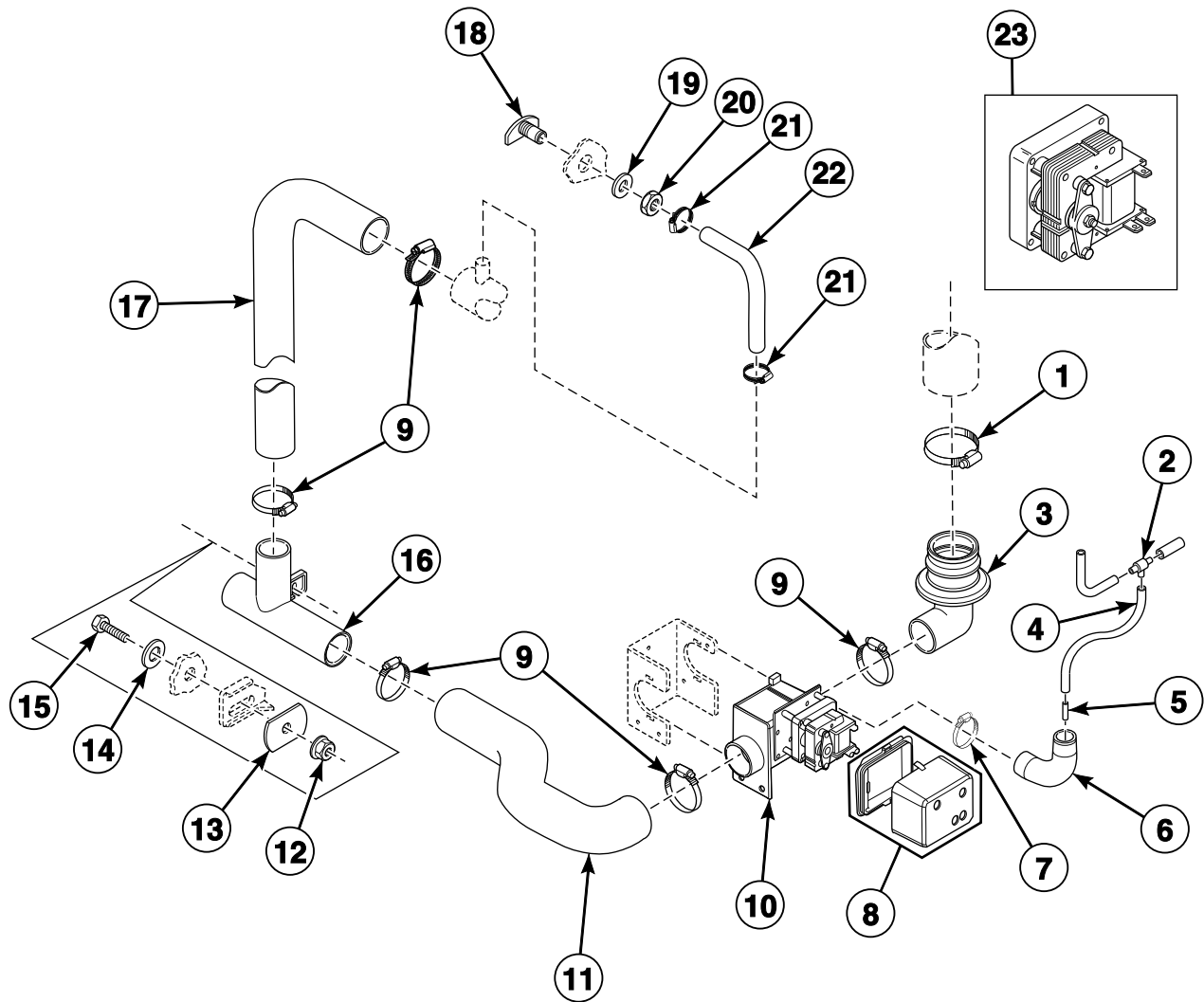


BE000618AP_D0902

Motor and Belt

REF	PART NO.	DESCRIPTION	COMMENTS
1	255/00013/00	Belt	
2	206/00099/00	Bolt	
3	201/00006/00	Washer	
4	206/00058/00	Screw	
5	255/00012/00	Motor Pulley	
6	211/00167/00	Cordlock	
7	204/00115/00	Nut	
8	117/00042/00	Retaining Ring	
9	206/00054/00	Bolt	
10	209/00465/00	Fan	
11	152/00044/03	Fan Plate Assembly	
12	207/00117/00	Screw	
13	B12510501	Motor	.75 kW
	255/00014/00	Motor	.55 kW
14	204/00109/00	Nut	
15	227/00126/01	Motor Key	

Drain Plumbing - Single Outlet Drain Piece with Water Level Detection on Drain Valve-Models Through 8/11/10

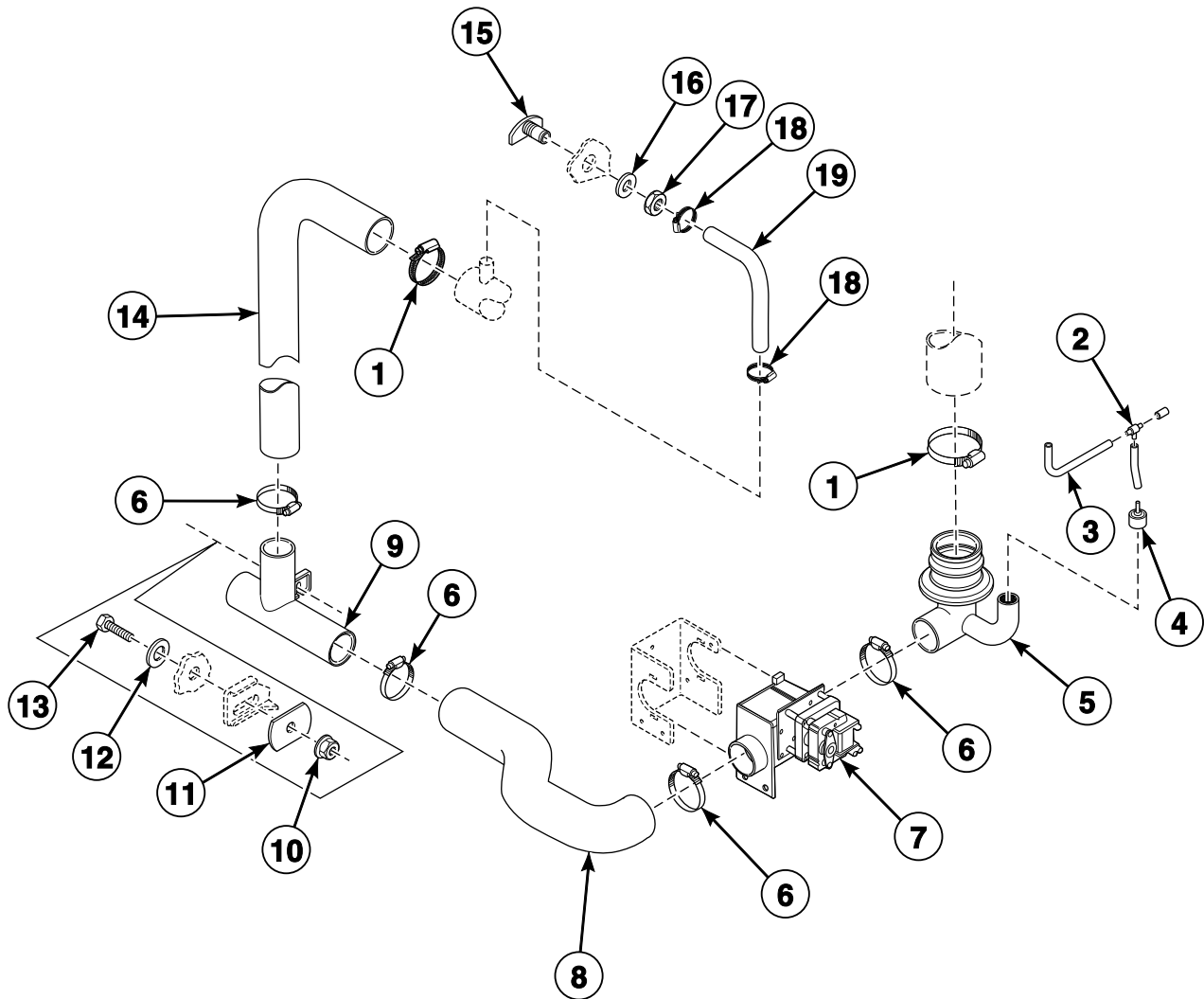


BE000619CP_D0902

Drain Plumbing - Single Outlet Drain Piece with Water Level Detection on Drain Valve-Models Through 8/11/10

REF	PART NO.	DESCRIPTION	COMMENTS
1	223/00014/00	Hose Clamp	
2	223/00173/10	Pressure Switch Hose Tee	
3	223/00316/00	Trap	
4	B12700018	Pressure Hose	
5	223/00016/00	Hose Barb	
6	223/00210/00	Pressure Switch Elbow	
7	223/00011/00	Hose Clamp	
8	209/00643/01	Drain Valve Coil Cover	
9	223/00013/00	Hose Clamp	
10	209/00643/00	Drain Valve	
11	223/00190/00	Drain Valve Hose	*12, *18, *60, *65 and *75 models
	223/00303/00	Drain Valve Hose	*25 and *100 models
12	206/00101/00	Nut	
13	101/00007/00	Outlet Pipe Plate Assembly	
14	201/00007/00	Washer	
15	206/00033/00	Bolt	
16	223/00146/00	Drain Piece	
17	223/00150/00	Overflow Hose	*12, *18, *60, *65 and *75 models
	223/00100/00	Overflow Hose	*25 and *100 models
18	223/00001/04	Prewash and Mainwash Nozzle	
19	201/00002/00	Washer	
20	204/00201/00	Nut	
21	F200205	Hose Clamp	
22	223/00044/00	Water Hose	
23	209/00643/11	Motor	

Drain Plumbing - Single Outlet Drain Piece with Water Level Detection on Drain Hose-Models Starting 8/12/10

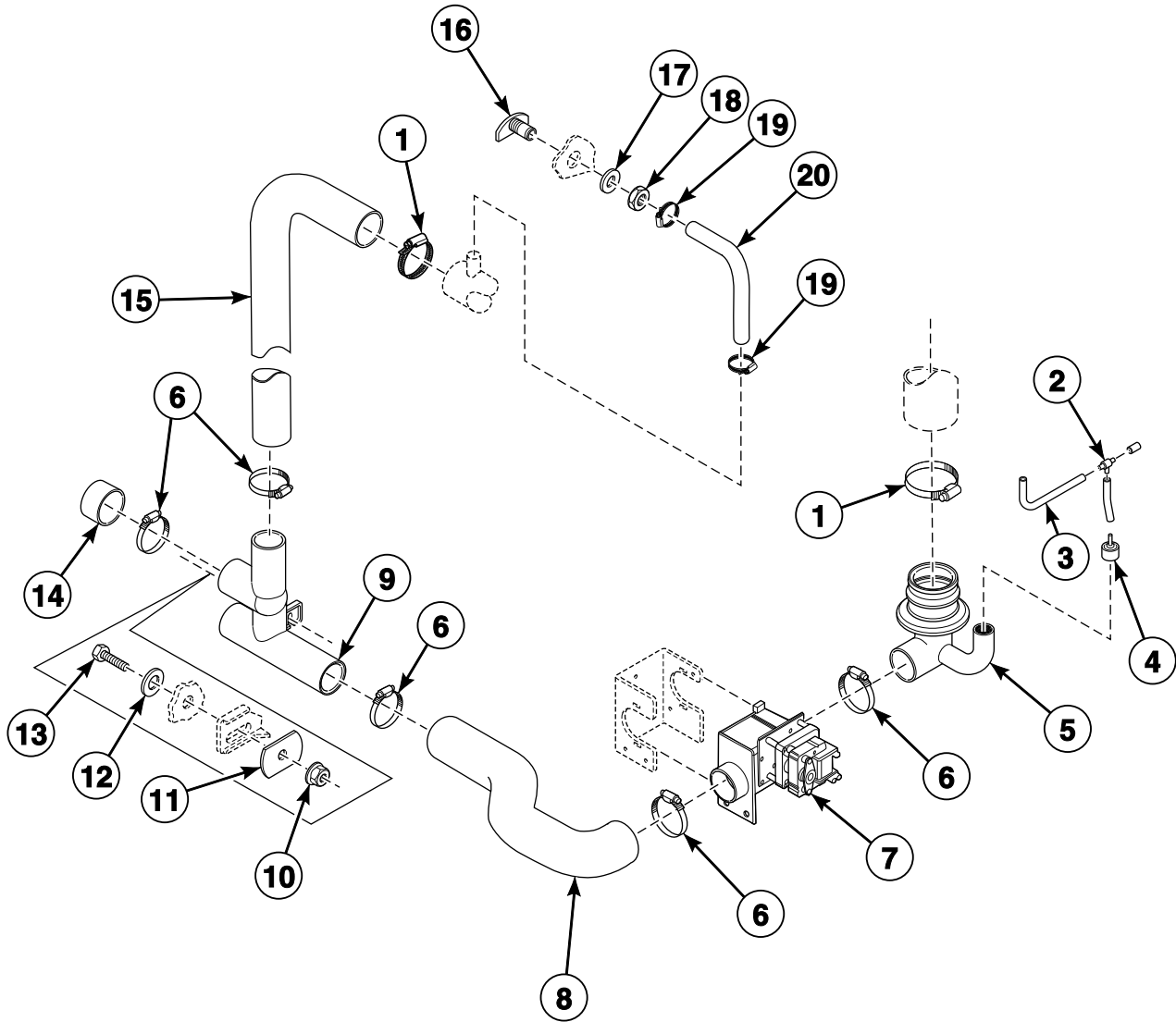


BE000619P_D0902

Drain Plumbing - Single Outlet Drain Piece with Water Level Detection on Drain Hose-Models Starting 8/12/10

REF	PART NO.	DESCRIPTION	COMMENTS
1	223/00014/00	Hose Clamp	
2	223/00173/10	Pressure Switch Hose Tee	
3	B12700018	Pressure Hose	
4	223/00035/02	Pressure Switch Cap	
5	255/00010/00	Tub to Drain Valve Hose	
6	223/00013/00	Hose Clamp	
7	209/00463/00	Drain Valve	
8	223/00190/00	Drain Valve Hose	*12, *18, *60, *65 and *75 models
	223/00303/00	Drain Valve Hose	*25 and *100 models
9	223/00146/00	Drain Piece	
10	206/00101/00	Nut	
11	101/00007/00	Outlet Pipe Plate Assembly	
12	201/00007/00	Washer	
13	206/00033/00	Bolt	
14	223/00150/00	Overflow Hose	
15	223/00001/04	Prewash and Mainwash Nozzle	
16	201/00002/00	Washer	
17	204/00201/00	Nut	
18	F200205	Hose Clamp	
19	223/00044/00	Water Hose	

Drain Plumbing - Dual Outlet Drain Piece with Water Level Detection on Drain Hose



BE000619AP_D0902

Drain Plumbing - Dual Outlet Drain Piece with Water Level Detection on Drain Hose

REF	PART NO.	DESCRIPTION	COMMENTS
1	223/00014/00	Hose Clamp	
2	223/00173/10	Pressure Switch Hose Tee	
3	B12700018	Pressure Hose	
4	223/00035/02	Pressure Switch Cap	
5	255/00010/00	Tub to Drain Valve Hose	
6	223/00013/00	Hose Clamp	
7	209/00463/00	Drain Valve	
8	223/00190/00	Drain Valve Hose	*12, *18, *60, *65 and *75 models
	223/00303/00	Drain Valve Hose	*25 and *100 models
9	223/00297/00	Drain Pipe	
10	206/00101/00	Nut	
11	101/00007/00	Outlet Pipe Plate Assembly	
12	201/00007/00	Washer	
13	206/00033/00	Bolt	
14	223/00294/00	Drain Pipe Cap	
15	223/00150/00	Overflow Hose	
16	223/00001/04	Prewash and Mainwash Nozzle	
17	201/00002/00	Washer	
18	204/00201/00	Nut	
19	F200205	Hose Clamp	
20	223/00044/00	Water Hose	

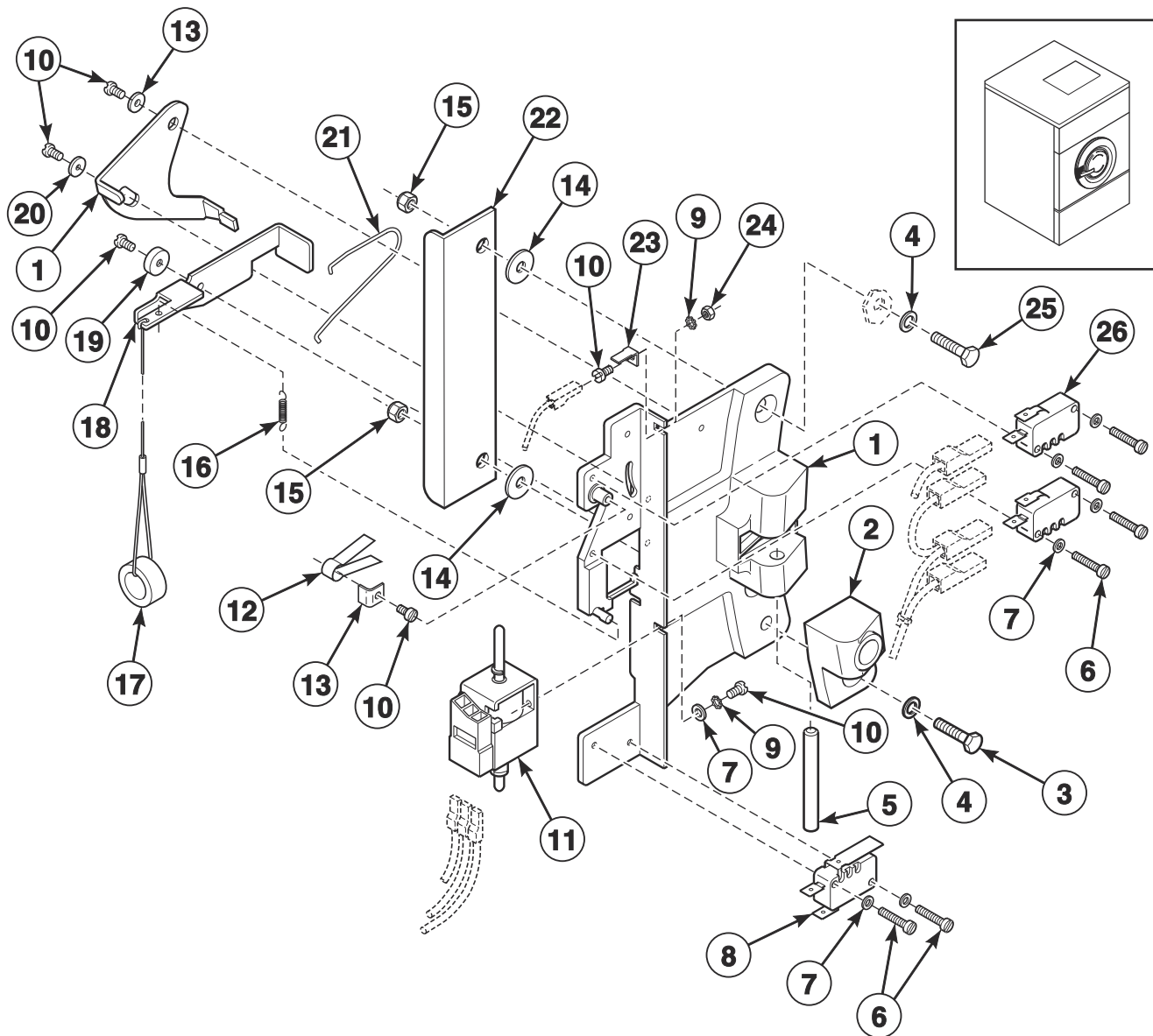
Drain Plumbing - Models with Pump Drain Through 1/26/05

REF	PART NO.	DESCRIPTION	COMMENTS
1	223/00014/00	Hose Clamp	
2	223/00173/10	Pressure Switch Hose Tee	
3	B12700018	Pressure Hose	
4	223/00035/02	Pressure Switch Cap	
5	255/00010/01	Tub to Drain Valve Hose	
6	223/00012/00	Hose Clamp	
7	155/00155/00	Drain Piece	
8	206/00105/00	Nut	
9	255/00019/00	Stopper	
10	206/00099/00	Bolt	
11	255/00017/00	Connecting Piece	
12	155/00159/00	Pump Support	
13	223/00011/00	Hose Clamp	
14	209/00560/00	Hanging Drain Pump	
15	223/00009/00	Clamp	
16	223/00159/00	Pipe	
17	223/00162/00	Stopper	
18	209/00101/00	Nut	
19	101/00007/00	Outlet Pipe Plate Assembly	
20	201/00007/00	Washer	
21	206/00033/00	Bolt	
22	223/00146/00	Drain Piece	
23	899P3	Drain Pipe Kit	

Drain Plumbing - Models with Pump Drain Starting 1/27/05

REF	PART NO.	DESCRIPTION	COMMENTS
1	223/00014/00	Hose Clamp	
2	223/00173/10	Pressure Switch Hose Tee	
3	B12700018	Pressure Hose	
4	223/00035/02	Pressure Switch Cap	
5	255/00010/00	Tub to Drain Valve Hose	
6	223/00012/00	Hose Clamp	
7	155/00155/00	Drain Piece	
8	206/00105/00	Nut	
9	206/00099/00	Bolt	
10	255/00019/00	Stopper	
11	223/00307/00	Drain Hose	
12	111/00288/10	Pump Support	
13	209/00646/00	Pump	50 Hertz
	209/00647/00	Pump	60 Hertz
14	223/00009/00	Clamp	
15	223/00159/00	Pipe	
16	223/00162/00	Stopper	
17	206/00101/00	Nut	
18	101/00007/00	Outlet Pipe Plate Assembly	
19	201/00007/00	Washer	
20	206/00033/00	Bolt	
21	223/00146/00	Drain Piece	
22	223/00011/00	Hose Clamp	
23	899P3	Drain Pipe Kit	

Door Lock

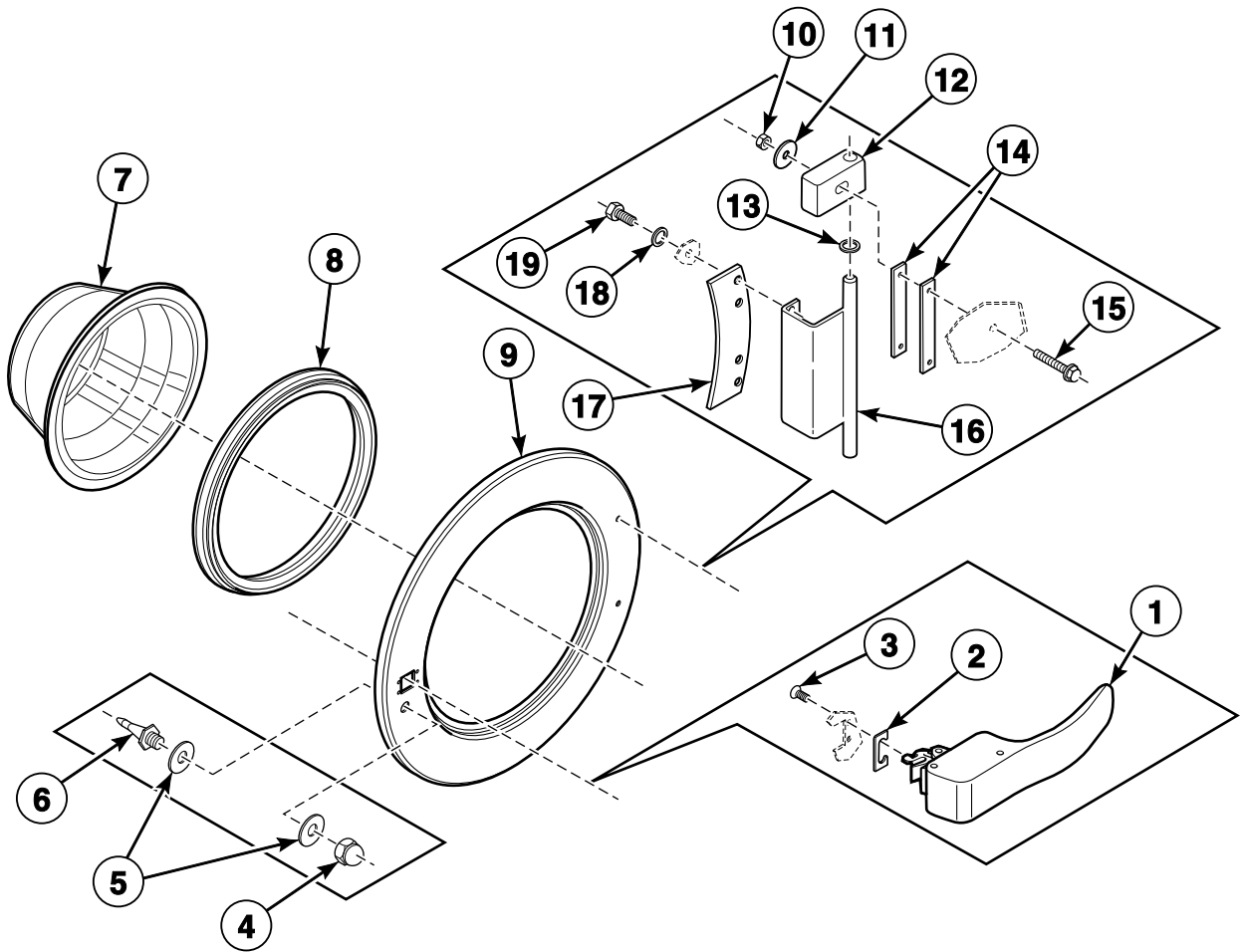


BE000112BP_D0902

Door Lock

REF	PART NO.	DESCRIPTION	COMMENTS
1	B12517701	Door Lock Assembly	
2	217/00052/11	Door Lock Bracket	
3	205/00115/00	Bolt	
4	202/00101/00	Washer	
5	217/00017/03	Lock Shaft	
6	207/00009/00	Screw	
7	201/00018/00	Washer	
8	B12625101	Microswitch	
9	203/00007/00	Washer	
10	207/00135/00	Screw	
11	B12495102	Door Solenoid Assembly	
12	224/00049/00	Door Lock Spring	
13	201/00017/00	Washer	
14	201/00006/00	Washer	
15	204/00009/00	Nut	
16	224/00043/00	Interlock Coil Spring	
17	217/00052/07	Door Release Wire	
18	217/00052/04	Interlock Lever	
19	217/00052/03	Door Lock Spacer	
20	202/00124/00	Washer	
21	224/00040/00	Lever Spring	
22	117/00052/08	Lock Protection Plate	
23	210/10015/00	Ground Terminal	
24	204/00008/00	Nut	
25	205/00103/00	Bolt	
26	209/00272/00	Door Lock Microswitch	

Door

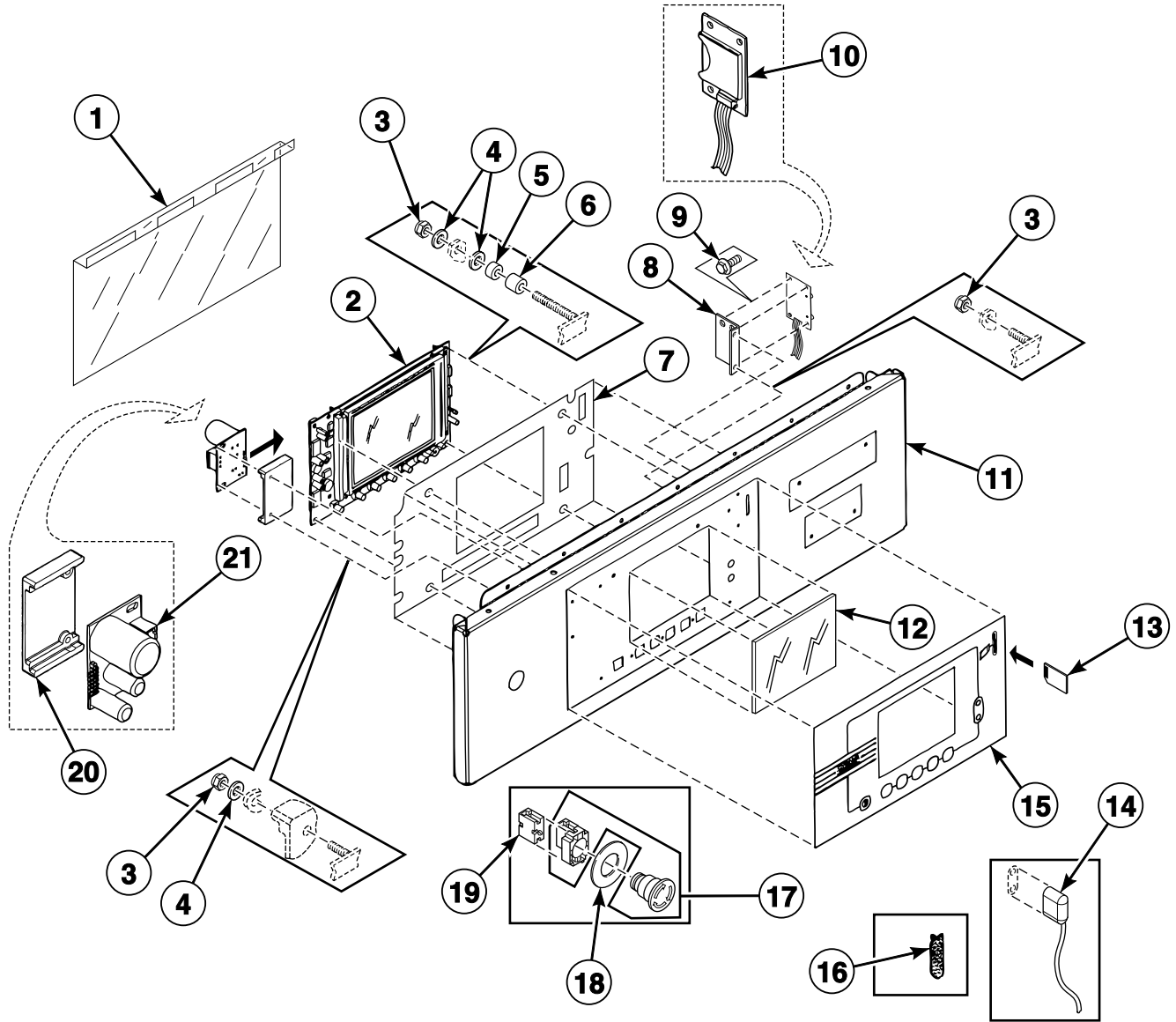


BE000033DP_D0902

Door

REF	PART NO.	DESCRIPTION	COMMENTS
1	217/00059/00	Door Handle	HC and IHC models; Black
	217/00065/00	Door Handle	CHC and HC models; Gray
2	217/00016/00	Door Handle Stop	
3	B12500801	Screw	
4	204/00103/00	Nut	
5	202/00111/00	Washer	
6	211/00109/02	Door Lock Pin Kit	
7	217/00022/00	Door Glass	
8	217/00015/00	Door Glass Seal	
9	118/00046/10	Door Frame	
10	204/00106/00	Nut	
11	202/00108/00	Washer	
12	217/00009/02	Door Hinge Assembly	
13	202/00104/00	Washer	
14	117/00010/00	Door Hinge Spacer	
15	207/00126/00	Screw	M6 x 35
	207/00125/00	Bolt	M6 x 25
16	221/00005/00	Door Hinge	
17	118/00065/00	Door Hinge Plate Assembly	
18	202/00101/00	Washer	
19	205/00107/00	Bolt	

Control Panel - Cygnus Professional

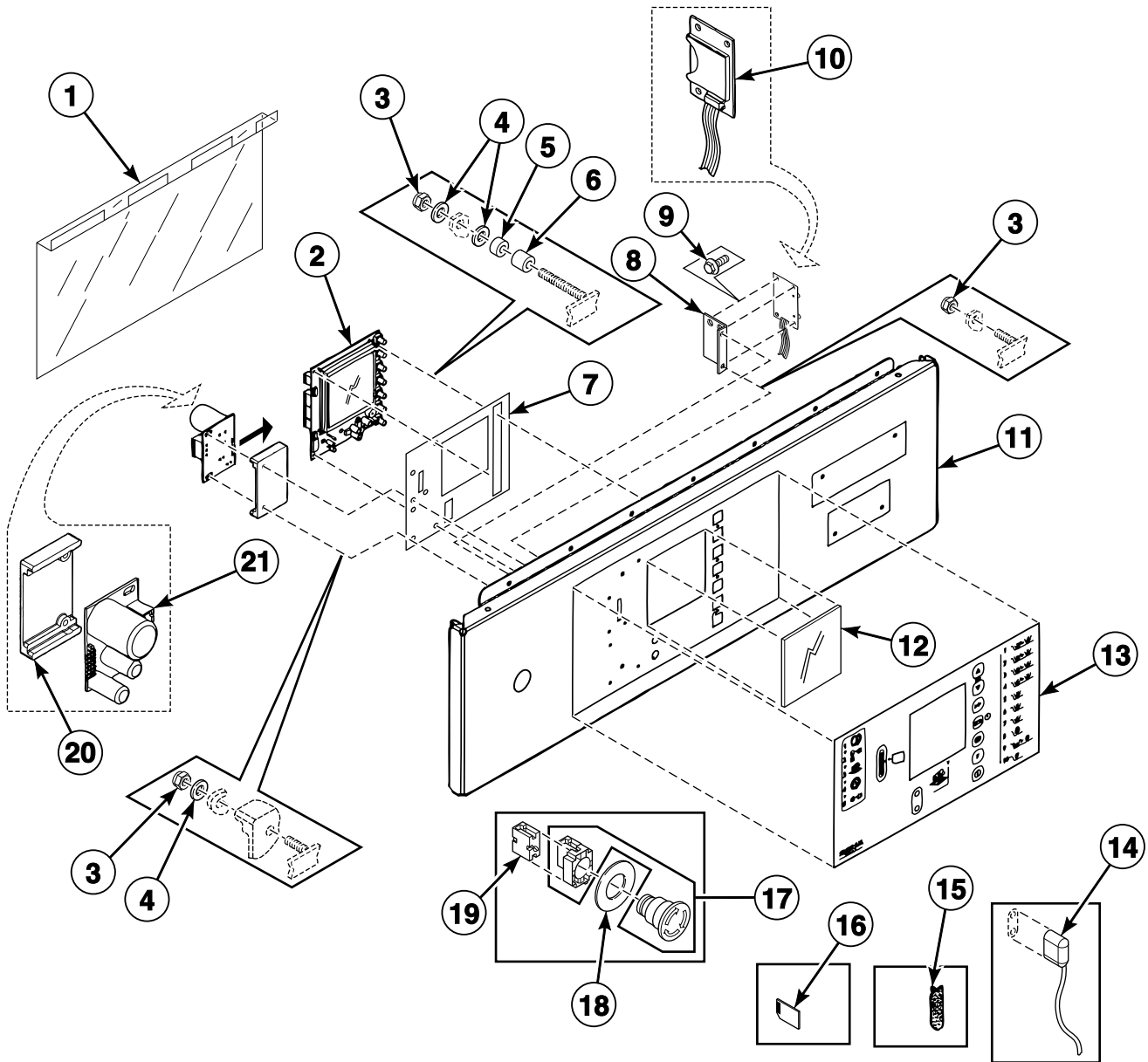


BE000804CP_D0902

Control Panel - Cygnus Professional

REF	PART NO.	DESCRIPTION	COMMENTS
1	229/00289/00	Circuit Board Cover	
2	209/02002/00	Display PC-Board	
3	204/00116/00	Nut	
4	223/00123/00	Washer	
5	211/00128/00	Printboard Separator	
6	211/00122/00	Standoff	
7	229/00268/00	Insulating Sticker	
8	111/01893/00	Printboard Support Card	
9	211/00145/00	Standoff	
10	B12305201	Memory Card PC-Board	Models prior to 4/5/11 require a firmware upgrade
	B12538301	Data Card Ribbon Assembly	
11	111/01845/00	Upper Front Panel	
12	225/00321/00	Plexi Frame	
13	209/02022/00	Datacard	
14	210/00902/00	Infrared Cable	
15	225/10313/00	Operating Sticker	Without DataFlash card opening
	225/10426/00	Operating Sticker	With DataFlash card opening
16	223/00348/00	Datacard Cover	
17	209/00099/20	Emergency Switch Pushbutton	
18	209/00520/00	Telem Sticker	
19	44018901	Contact Block	
20	223/00374/00	Mounting Plate	
21	209/02010/00	Door Lock PC-Board	

Control Panel - Cygnus Premium OPL

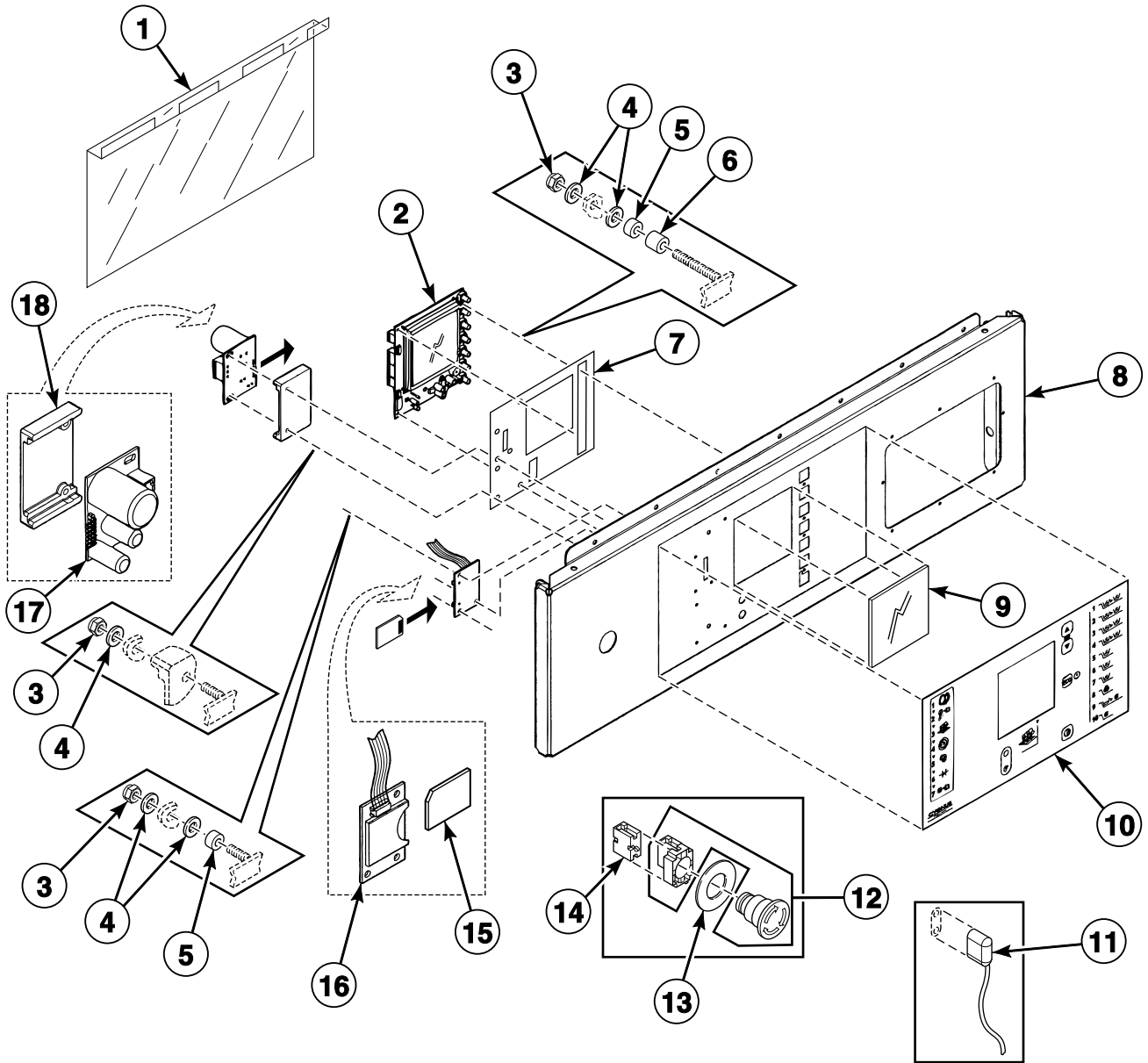


BE000871AP_D0902

Control Panel - Cygnus Premium OPL

REF	PART NO.	DESCRIPTION	COMMENTS
1	229/00289/00	Circuit Board Cover	
2	209/02015/02	Printboard	
3	204/00116/00	Nut	
4	223/00123/00	Washer	
5	211/00128/00	Printboard Separator	
6	211/00122/00	Standoff	
7	229/00291/00	Insulating Sticker	
8	111/01893/00	Printboard Support Card	
9	211/00145/00	Standoff	
10	B12305201	Memory Card PC-Board	Models prior to 4/5/11 require a firmware upgrade
	B12538301	Data Card Ribbon Assembly	
11	111/01900/00	Operating Panel	
12	225/00323/00	Plexi Frame	
13	225/10404/00	Operating Sticker	With DataFlash card opening
	225/10427/00	Operating Sticker	Without DataFlash card opening
14	210/00902/00	Infrared Cable	
15	223/00348/00	Datacard Cover	
16	209/02022/00	Datacard	
17	209/00099/20	Emergency Switch Pushbutton	
18	209/00520/00	Telem Sticker	
19	44018901	Contact Block	
20	223/00374/00	Mounting Plate	
21	209/02010/00	Door Lock PC-Board	

Control Panel - Cygnus Premium OPL with Frontal Supply Dispenser

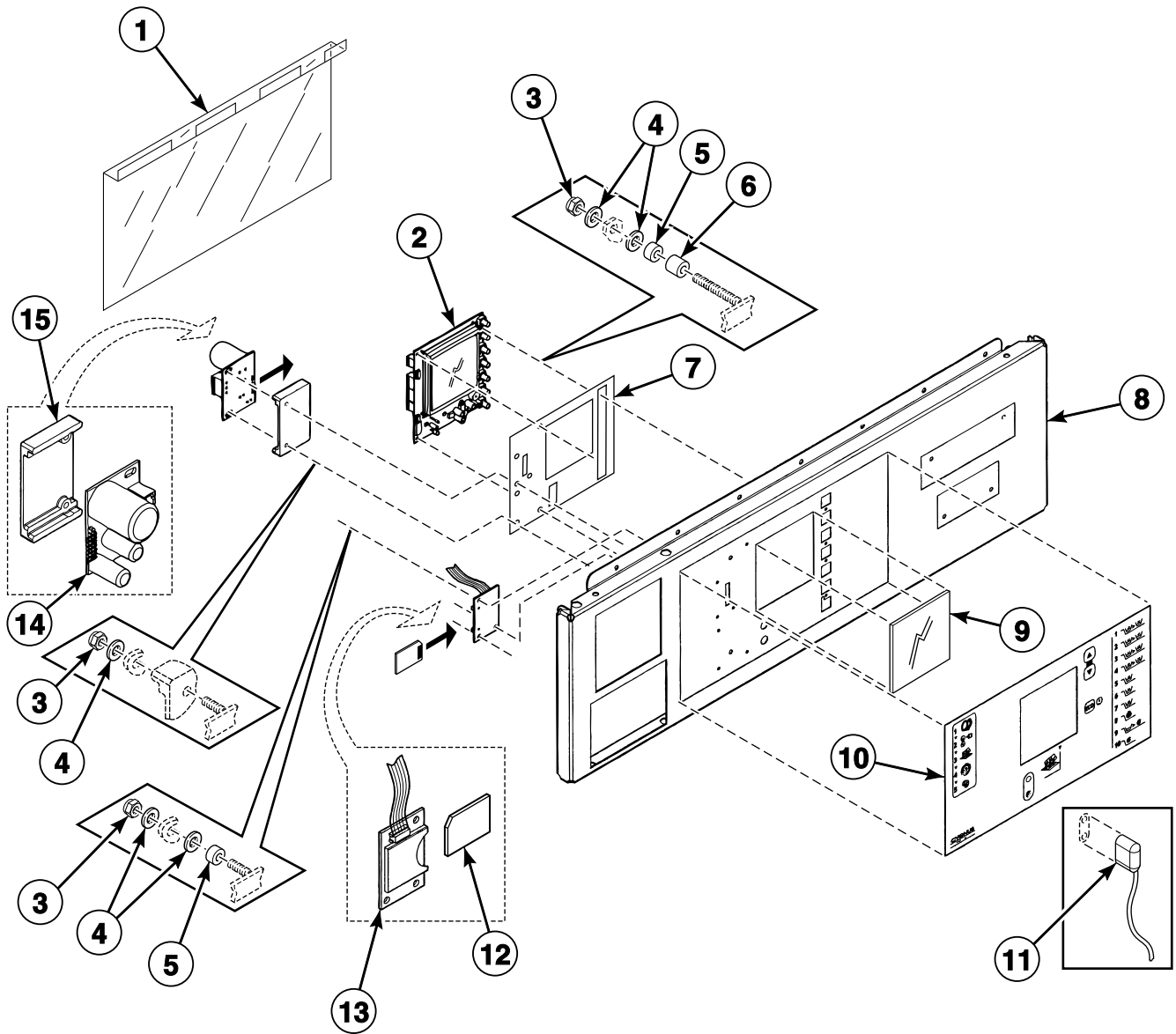


BE000870AP_D0902

Control Panel - Cygnus Premium OPL with Frontal Supply Dispenser

REF	PART NO.	DESCRIPTION	COMMENTS
1	229/00289/00	Circuit Board Cover	
2	209/02015/02	Printboard	
3	204/00116/00	Nut	
4	223/00123/00	Washer	
5	211/00128/00	Printboard Separator	
6	211/00122/00	Standoff	
7	229/00291/00	Insulating Sticker	
8	111/01904/00	Operating Panel	
9	225/00323/00	Plexi Frame	
10	225/10404/00	Operating Sticker	With DataFlash card opening
	225/10427/00	Operating Sticker	Without DataFlash card opening
11	210/00902/00	Infrared Cable	
12	209/00099/20	Emergency Switch Pushbutton	
13	209/00520/00	Telem Sticker	
14	44018901	Contact Block	
15	209/02022/00	Datacard	
16	B12305201	Memory Card PC-Board	Models prior to 4/5/11 requires a firmware upgrade
	B12538301	Data Card Ribbon Assembly	
17	209/02010/00	Door Lock PC-Board	
18	223/00374/00	Mounting Plate	

Control Panel - Cygnus Premium Coin

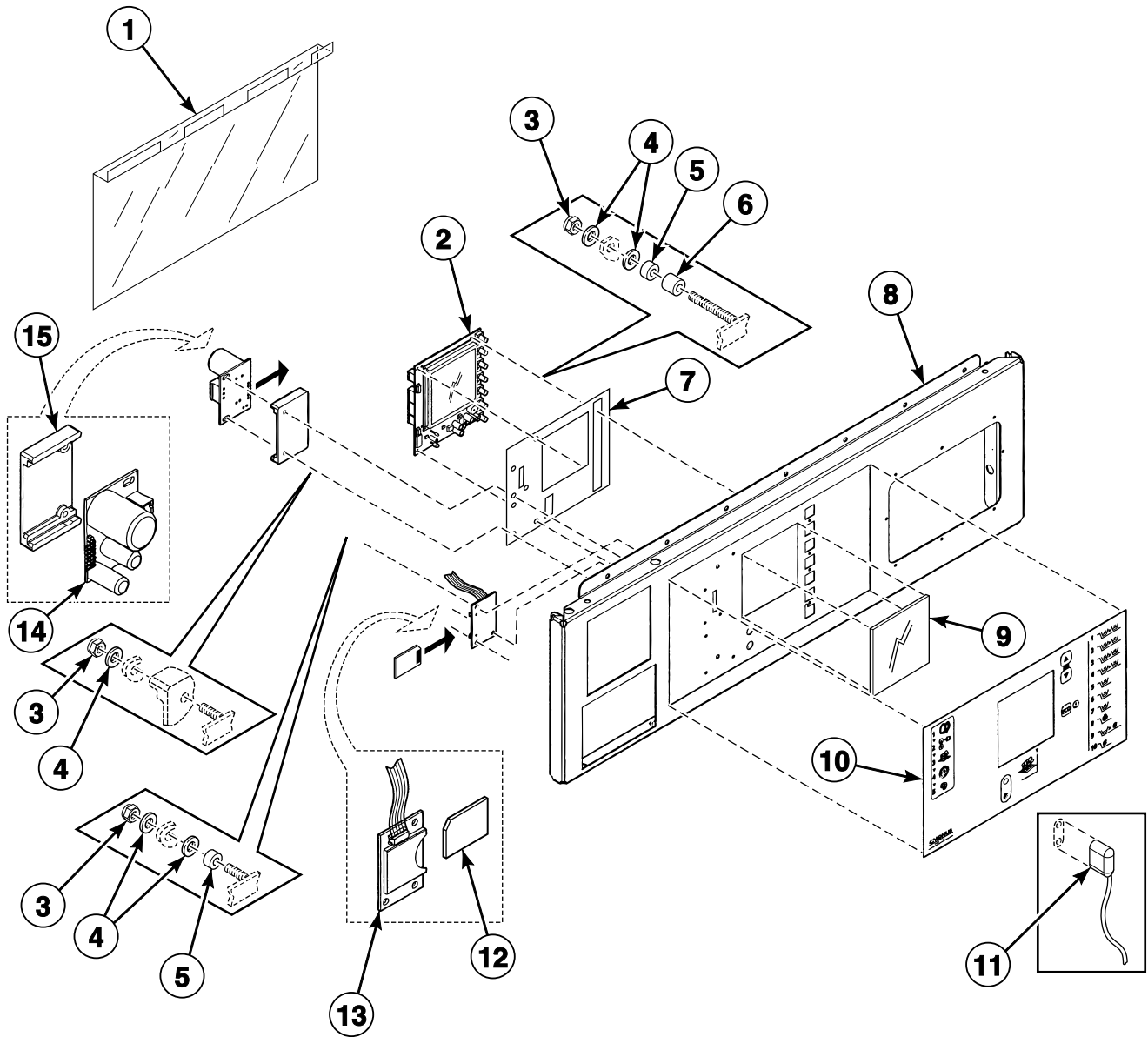


BE000872AP_D0902

Control Panel - Cygnus Premium Coin

REF	PART NO.	DESCRIPTION	COMMENTS
1	229/00289/00	Circuit Board Cover	
2	209/02015/02	Printboard	
3	204/00116/00	Nut	
4	223/00123/00	Washer	
5	211/00128/00	Printboard Separator	
6	211/00122/00	Standoff	
7	229/00291/00	Insulating Sticker	
8	111/01901/00	Operating Panel	
9	225/00323/00	Plexi Frame	
10	225/10403/00	Operating Sticker	
11	210/00902/00	Infrared Cable	
12	209/02022/00	Datacard	
13	B12305201	Memory Card PC-Board	Models prior to 4/5/11 require a firmware upgrade
	B12538301	Data Card Ribbon Assembly	
14	209/02010/00	Door Lock PC-Board	
15	223/00374/00	Mounting Plate	

Control Panel - Cygnus Premium Coin with Frontal Supply Dispenser

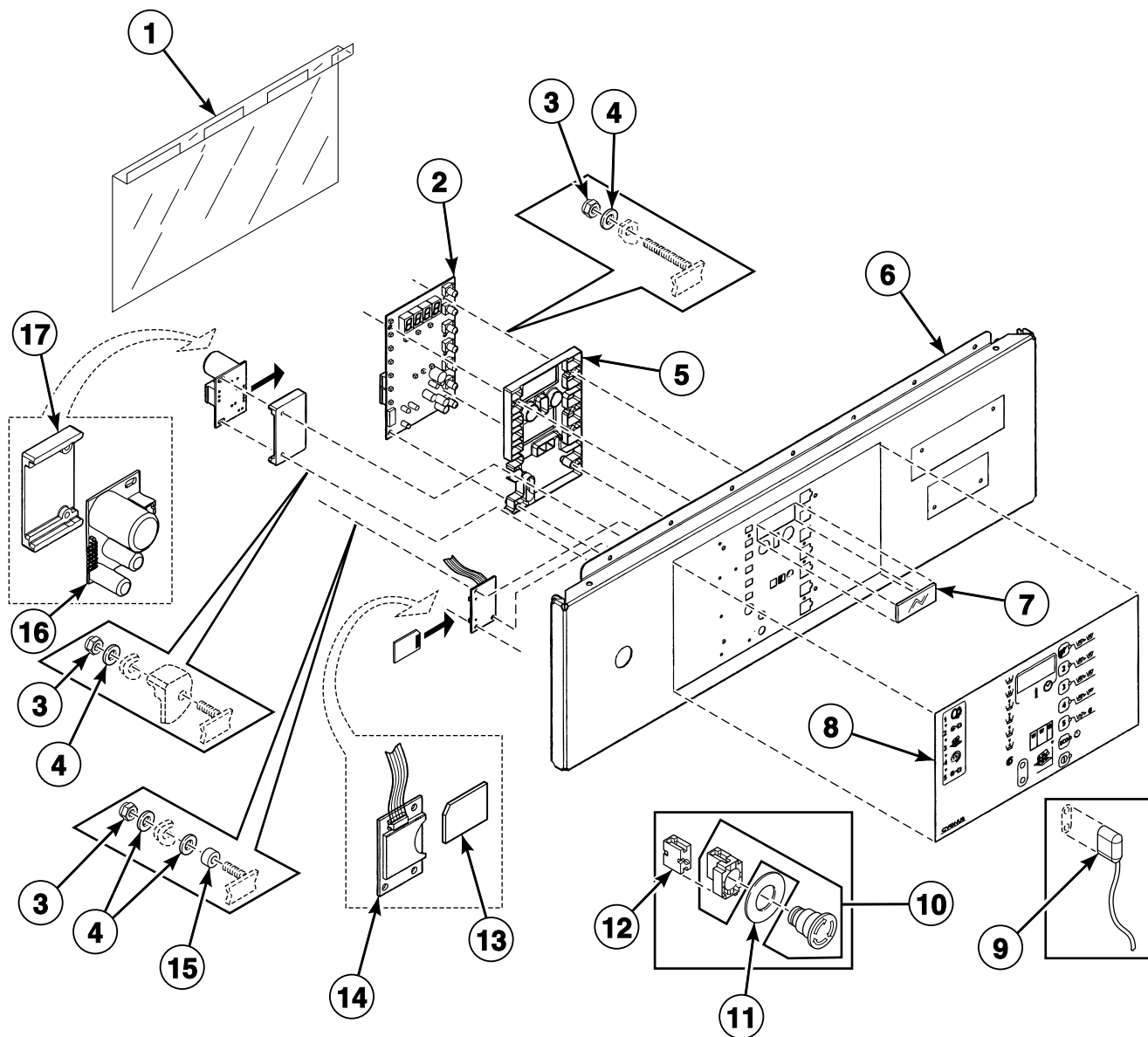


BE000873AP_D0902

Control Panel - Cygnus Premium Coin with Frontal Supply Dispenser

REF	PART NO.	DESCRIPTION	COMMENTS
1	229/00289/00	Circuit Board Cover	
2	209/02015/02	Printboard	
3	204/00116/00	Nut	
4	223/00123/00	Washer	
5	211/00128/00	Printboard Separator	
6	211/00122/00	Standoff	
7	229/00291/00	Insulating Sticker	
8	111/01905/00	Operating Panel	
9	225/00323/00	Plexi Frame	
10	225/10403/00	Operating Sticker	
11	210/00902/00	Infrared Cable	
12	209/02022/00	Datacard	
13	B12305201	Memory Card PC-Board	Models prior to 4/5/11 require a firmware upgrade
	B12538301	Data Card Ribbon Assembly	
14	209/02010/00	Door Lock PC-Board	
15	223/00374/00	Mounting Plate	

Control Panel - Cygnus Standard/Commercial OPL

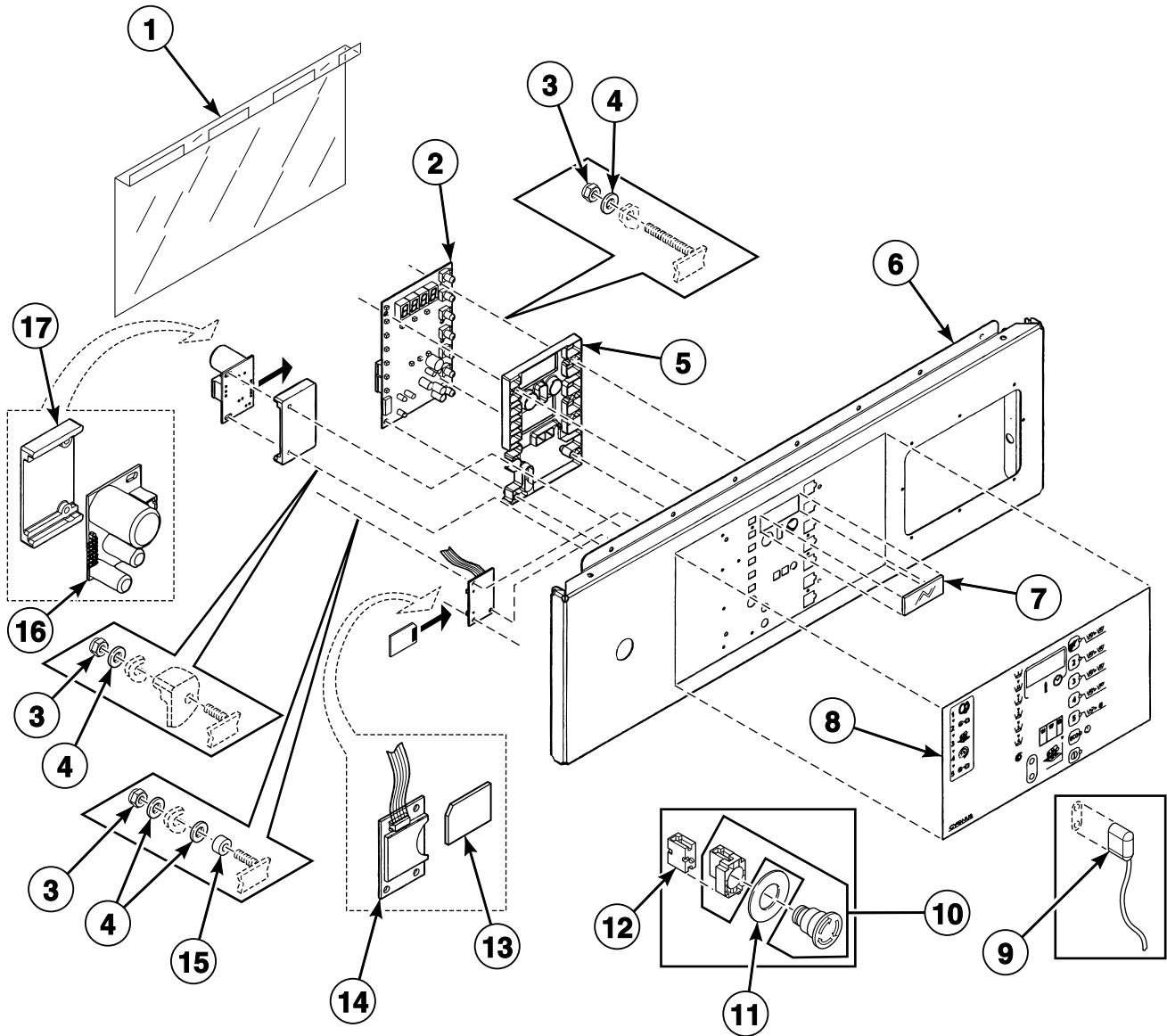


BE000867AP_D0902

Control Panel - Cygnus Standard/Commercial OPL

REF	PART NO.	DESCRIPTION	COMMENTS
1	229/00289/00	Circuit Board Cover	
2	209/02001/02	Printboard	
3	204/00116/00	Nut	
4	223/00123/00	Washer	
5	223/00330/00	Protection LED	
6	111/01817/00	Operating Panel	
7	225/00322/00	Plexi Frame	
8	225/10307/00	Operating Sticker	Models HC60_CYGNUS-STANDARD_OPL, HC65_CYGNUS-STANDARD_OPL, HC75_CYGNUS-STANDARD_OPL and HC100_CYGNUS-STANDARD_OPL
	225/10308/00	Operating Sticker	Models HC60_CYGNUS-COMM_OPL, HC65_CYGNUS-COMM_OPL, HC75_CYGNUS-COMM_OPL and HC100_CYGNUS-COMM_OPL
9	210/00902/00	Infrared Cable	
10	44018801	Pushbutton	
11	209/00520/00	Telem Sticker	
12	44018901	Contact Block	
13	209/02022/00	Datacard	
14	B12305201	Memory Card PC-Board	Models prior to 4/5/11 require a firmware upgrade
	B12538301	Data Card Ribbon Assembly	
15	211/00128/00	Printboard Separator	
16	209/02010/00	Door Lock PC-Board	
17	223/00374/00	Mounting Plate	

Control Panel - Cygnus Standard/Commercial OPL with Frontal Supply Dispenser

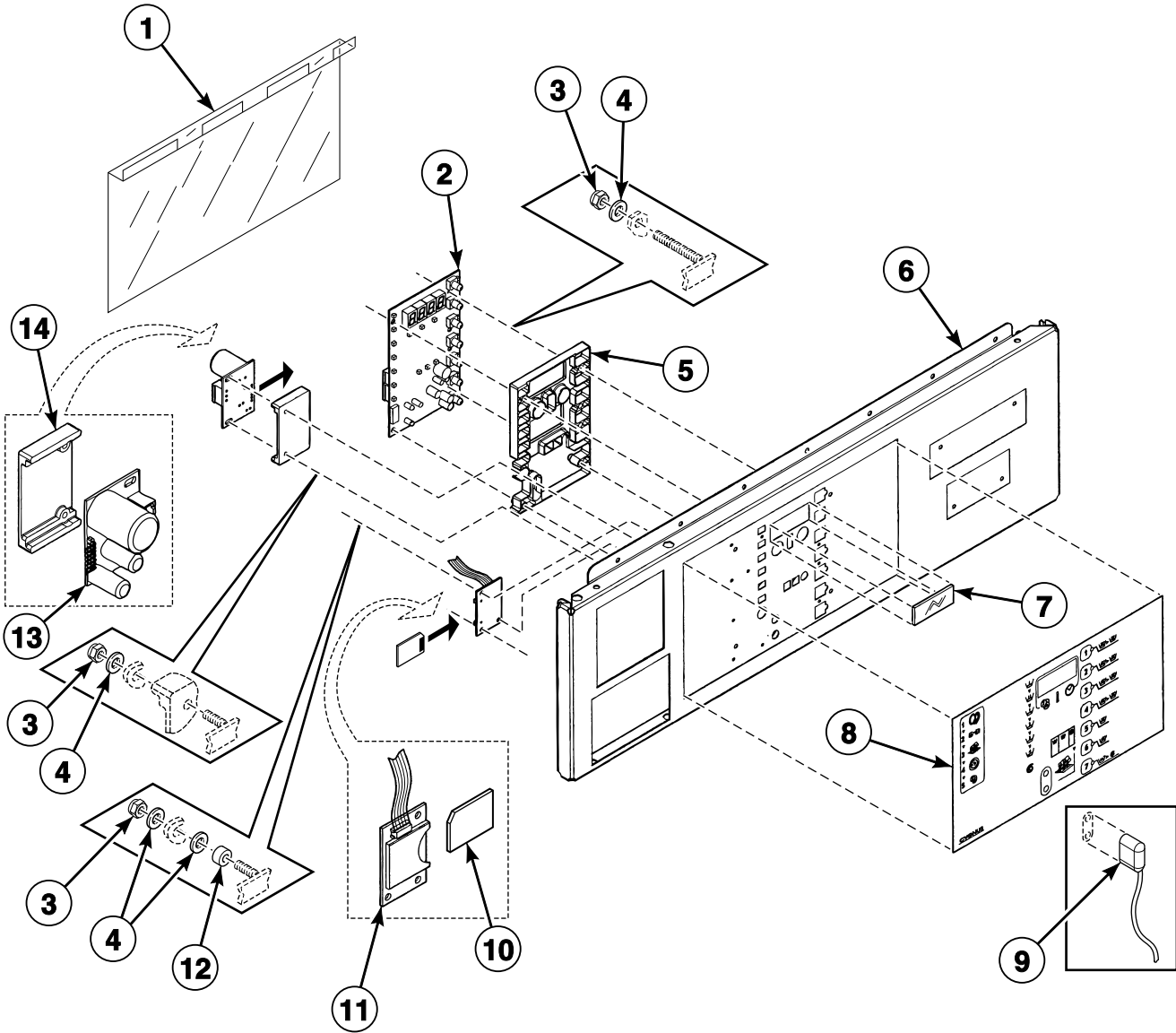


BE000868AP_D0902

Control Panel - Cygnus Standard/Commercial OPL with Frontal Supply Dispenser

REF	PART NO.	DESCRIPTION	COMMENTS
1	229/00289/00	Circuit Board Cover	
2	209/02001/02	Printboard	
3	204/00116/00	Nut	
4	223/00123/00	Washer	
5	223/00330/00	Protection LED	
6	111/01827/00	Operating Panel	
7	225/00322/00	Plexi Frame	
8	225/10307/00	Operating Sticker	Models HC60_CYGNUS-STANDARD_OPL, HC65_CYGNUS-STANDARD_OPL, HC75_CYGNUS-STANDARD_OPL and HC100_CYGNUS-STANDARD_OPL
	225/10308/00	Operating Sticker	Models HC60_CYGNUS-COMM_OPL, HC65_CYGNUS-COMM_OPL, HC75_CYGNUS-COMM_OPL and HC100_CYGNUS-COMM_OPL
9	210/00902/00	Infrared Cable	
10	44018801	Pushbutton	
11	209/00520/00	Telem Sticker	
12	44018901	Contact Block	
13	209/02022/00	Datacard	
14	B12305201	Memory Card PC-Board	Models prior to 4/5/11 require a firmware upgrade
	B12538301	Data Card Ribbon Assembly	
15	211/00128/00	Printboard Separator	
16	209/02010/00	Door Lock PC-Board	
17	223/00374/00	Mounting Plate	

Control Panel - Cygnus Standard/Commercial Coin

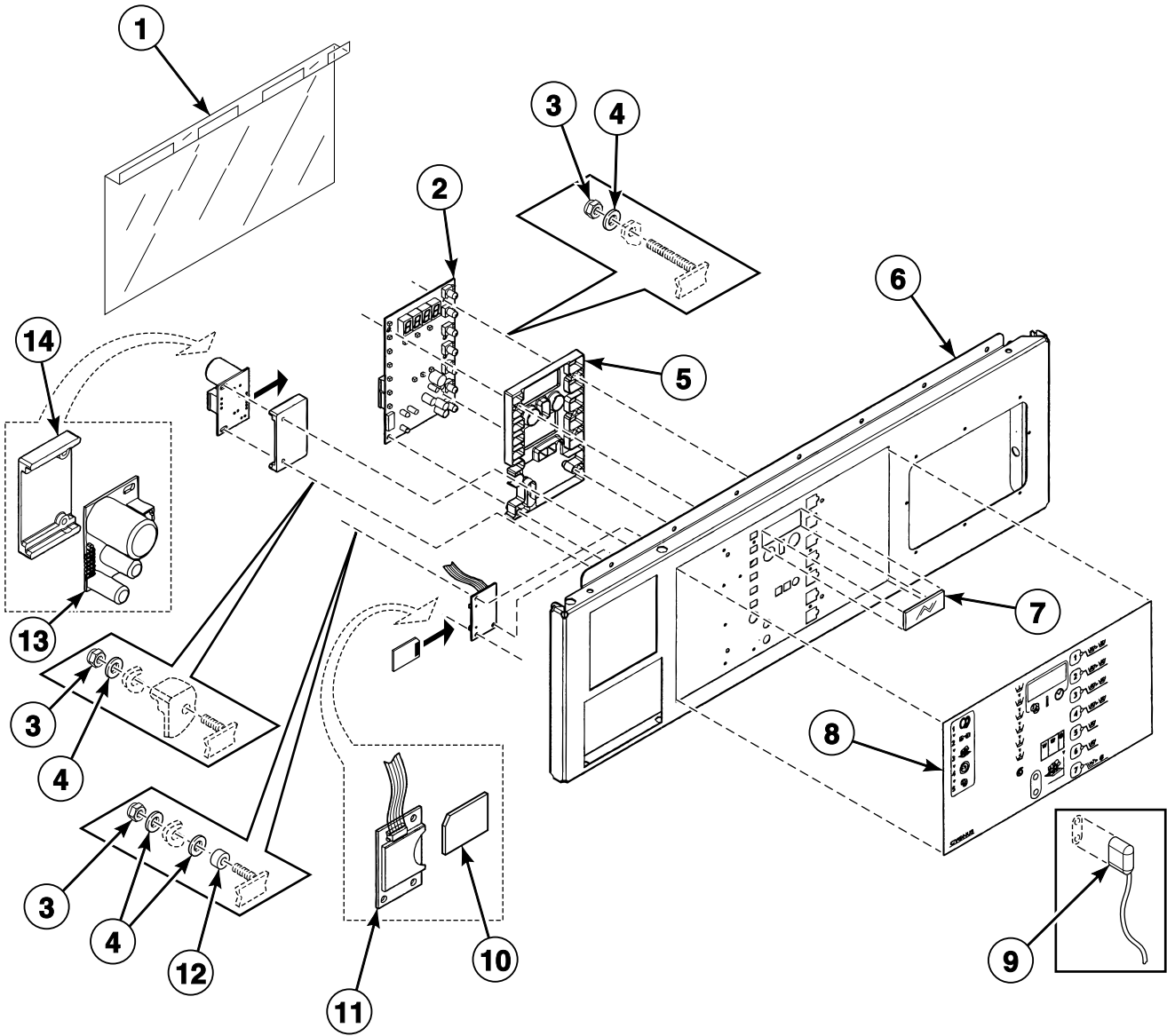


BE000874AP_D0902

Control Panel - Cygnus Standard/Commercial Coin

REF	PART NO.	DESCRIPTION	COMMENTS
1	229/00289/00	Circuit Board Cover	
2	209/02001/02	Printboard	
3	204/00116/00	Nut	
4	223/00123/00	Washer	
5	223/00330/00	Protection LED	
6	111/01818/00	Operating Panel	
7	225/00322/00	Plexi Frame	
8	225/10305/00	Operating Sticker	Models HC60_CYGNUS-STANDARD_COIN, HC65_CYGNUS-STANDARD_COIN, HC75_CYGNUS-STANDARD_COIN and HC100_CYGNUS-STANDARD_COIN
	225/10306/00	Operating Sticker	Models HC60_CYGNUS-COMM_COIN, HC65_CYGNUS-COMM_COIN, HC75_CYGNUS-COMM_COIN and HC100_CYGNUS-COMM_COIN
9	210/00902/00	Infrared Cable	
10	209/02022/00	Datacard	
11	B12305201	Memory Card PC-Board	Models prior to 4/5/11 require a firmware upgrade
	B12538301	Data Card Ribbon Assembly	
12	211/00128/00	Printboard Separator	
13	209/02010/00	Door Lock PC-Board	
14	223/00374/00	Mounting Plate	

Control Panel - Cygnus Standard/Commercial Coin with Frontal Supply Dispenser

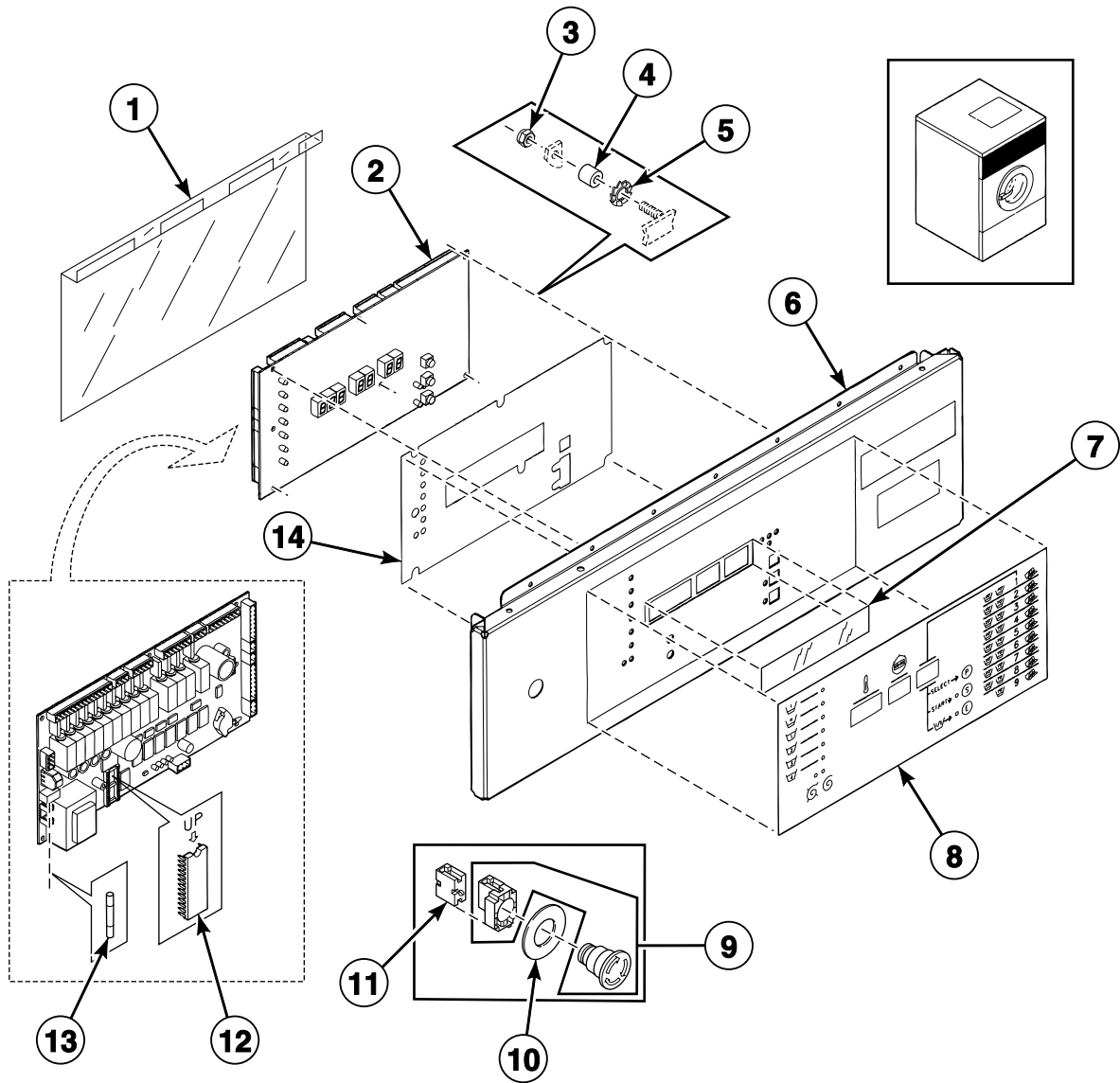


BE000869AP_D0902

Control Panel - Cygnus Standard/Commercial Coin with Frontal Supply Dispenser

REF	PART NO.	DESCRIPTION	COMMENTS
1	229/00289/00	Circuit Board Cover	
2	209/02001/02	Printboard	
3	204/00116/00	Nut	
4	223/00123/00	Washer	
5	223/00330/00	Protection LED	
6	111/01826/00	Operating Panel	
7	225/00322/00	Plexi Frame	
8	225/10305/00	Operating Sticker	Models HC60_CYGNUS-STANDARD_COIN, HC65_CYGNUS-STANDARD_COIN, HC75_CYGNUS-STANDARD_COIN and HC100_CYGNUS-STANDARD_COIN
	225/10306/00	Operating Sticker	Models HC60_CYGNUS-COMM_COIN, HC65_CYGNUS-COMM_COIN, HC75_CYGNUS-COMM_COIN and HC100_CYGNUS-COMM_COIN
9	210/00902/00	Infrared Cable	
10	209/02022/00	Datacard	
11	B12305201	Memory Card PC-Board	Models prior to 4/5/11 require a firmware upgrade
	B12538301	Data Card Ribbon Assembly	
12	211/00128/00	Printboard Separator	
13	209/02010/00	Door Lock PC-Board	
14	223/00374/00	Mounting Plate	

Control Panel - Micro-20 OPL

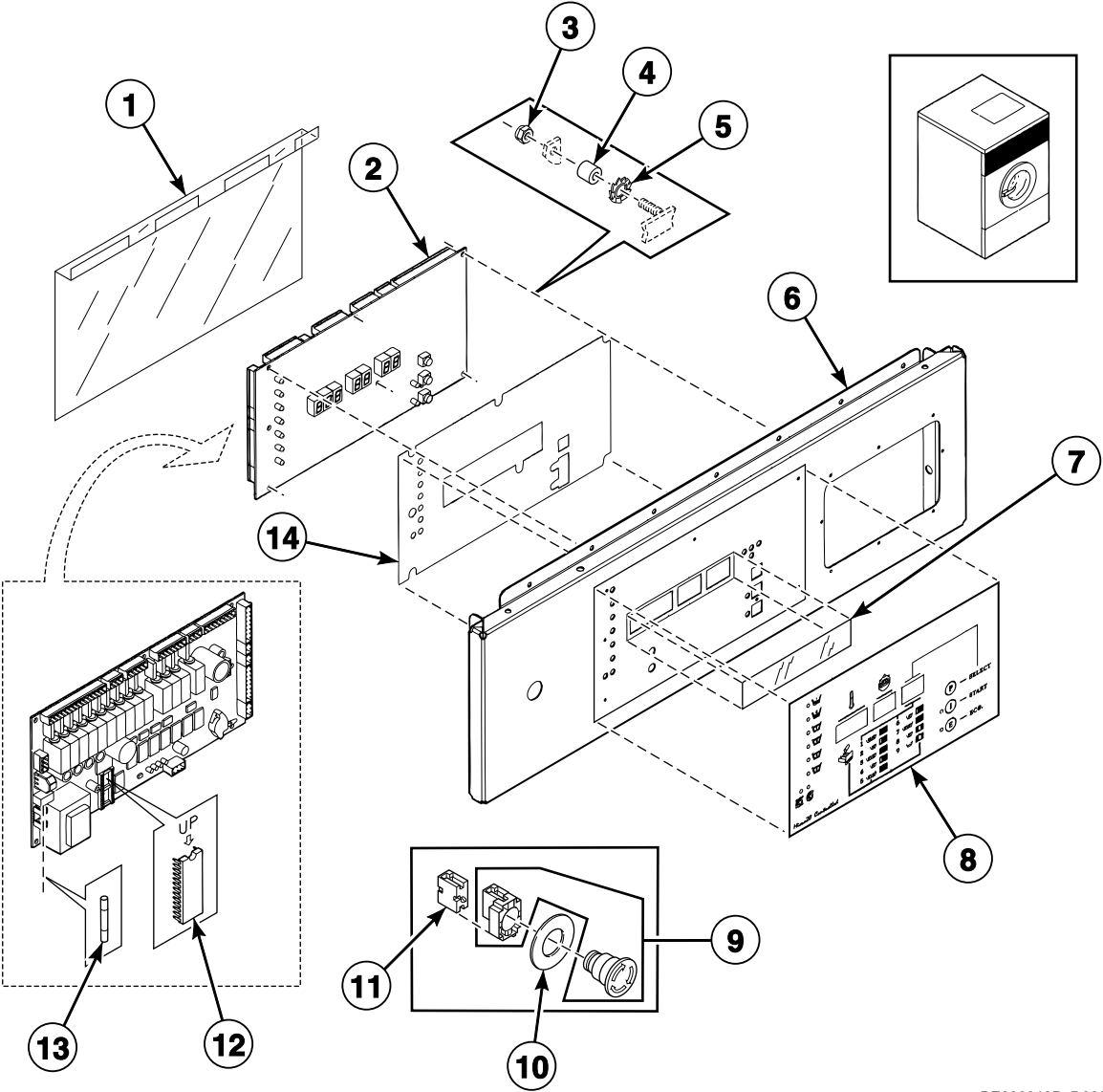


BE000620P_D0902

Control Panel - Micro-20 OPL

REF	PART NO.	DESCRIPTION	COMMENTS
1	229/00289/00	Circuit Board Cover	
2	209/00440/70	Printboard	220 Volt
	209/00440/80	Printboard	115 Volt
3	204/00116/00	Nut	
4	211/00122/00	Standoff	
5	203/00006/00	Washer	
6	111/01814/00	Upper Front Panel	
7	225/00316/00	Plexi Frame	
8	225/00407/00	Keypad Sticker	With ECO
	225/00408/00	Operating Sticker	Without ECO
9	44018801	Pushbutton	
10	209/00520/00	Telem Sticker	
11	44018901	Contact Block	
12	209/00266/01	Eprom	Standard software
13	209/00372/01	Fuse	125 mA
14	229/00255/00	Insulating Sticker	

Control Panel - Micro-20 OPL with Frontal Supply Dispenser

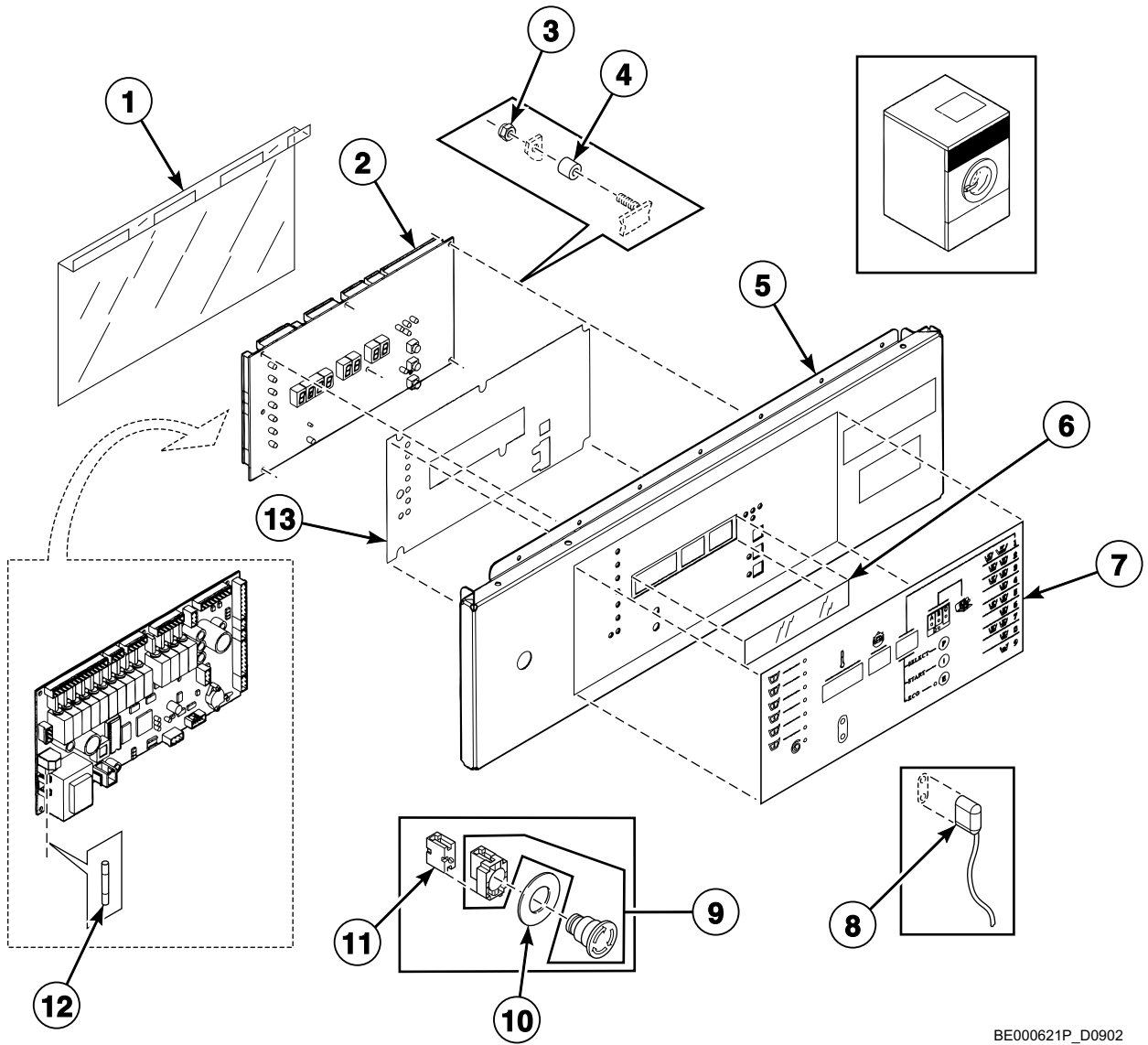


BE000818P_D0902

Control Panel - Micro-20 OPL with Frontal Supply Dispenser

REF	PART NO.	DESCRIPTION	COMMENTS
1	229/00289/00	Circuit Board Cover	
2	209/00440/70	Printboard	220 Volt
	209/00440/80	Printboard	115 Volt
3	204/00116/00	Nut	
4	211/00122/00	Standoff	
5	203/00006/00	Washer	
6	111/01813/00	Upper Front Panel	
7	225/00316/00	Plexi Frame	
8	225/00409/00	Operating Sticker	
9	44018801	Pushbutton	
10	209/00520/00	Telem Sticker	
11	44018901	Contact Block	
12	209/00266/01	Eprom	Standard software
13	209/00372/01	Fuse	125 mA
14	229/00255/00	Insulating Sticker	

Control Panel - Sigma OPL

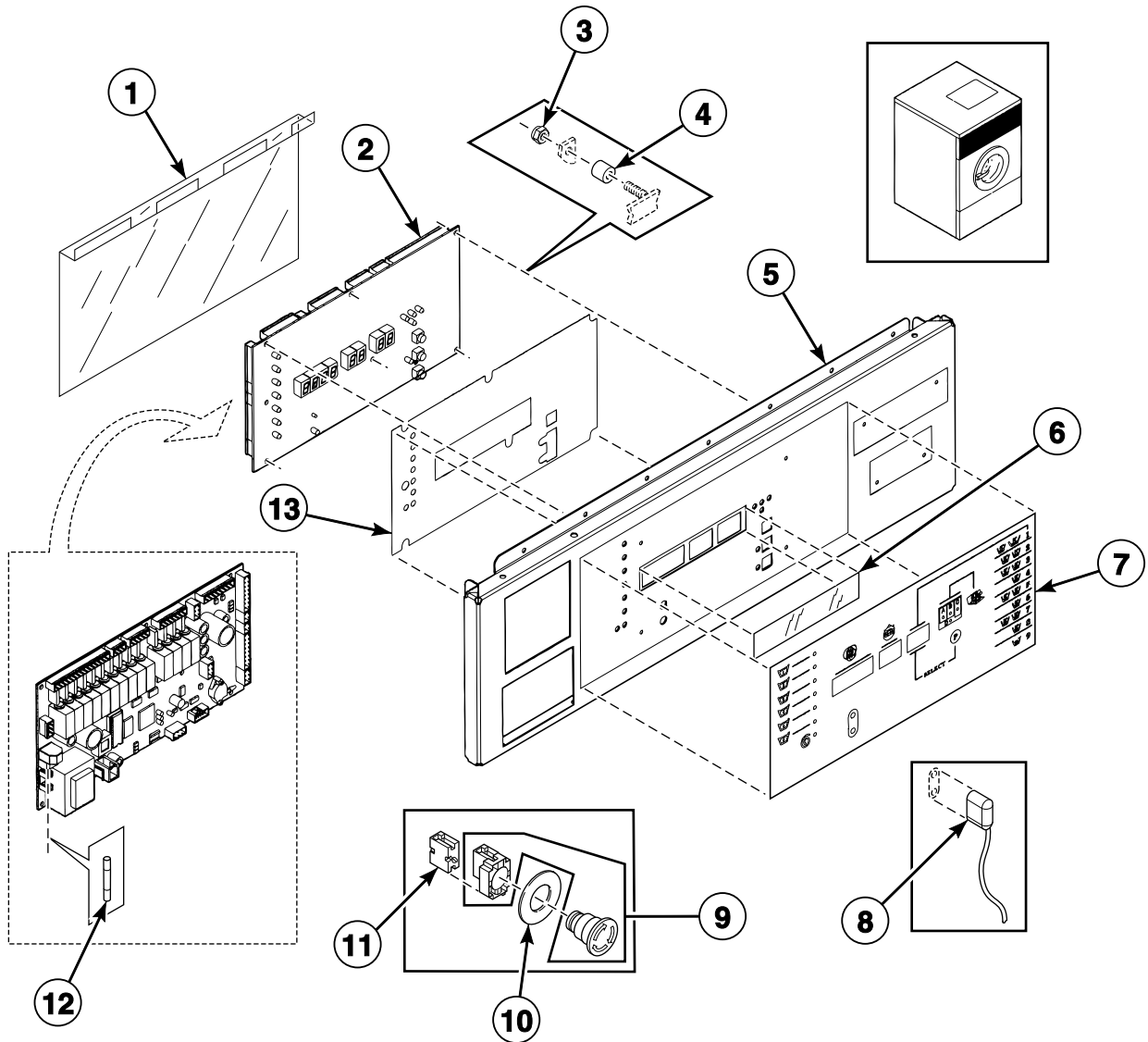


BE000621P_D0902

Control Panel - Sigma OPL

REF	PART NO.	DESCRIPTION	COMMENTS
1	229/00262/00	Circuit Board Cover	
2	209/00547/00	Control Board	
3	204/00114/00	Nut	
4	211/00122/00	Standoff	
5	111/01814/00	Upper Front Panel	
6	225/00316/00	Plexi Frame	
7	225/00404/00	Operating Sticker	With ECO
	225/00405/00	Operating Sticker	Without ECO
8	210/00902/00	Infrared Cable	
9	44018801	Pushbutton	
10	209/00520/00	Telem Sticker	
11	44018901	Contact Block	
12	209/00372/01	Fuse	125 mA
13	229/00255/00	Insulating Sticker	

Control Panel - Micro-20 and Sigma Coin

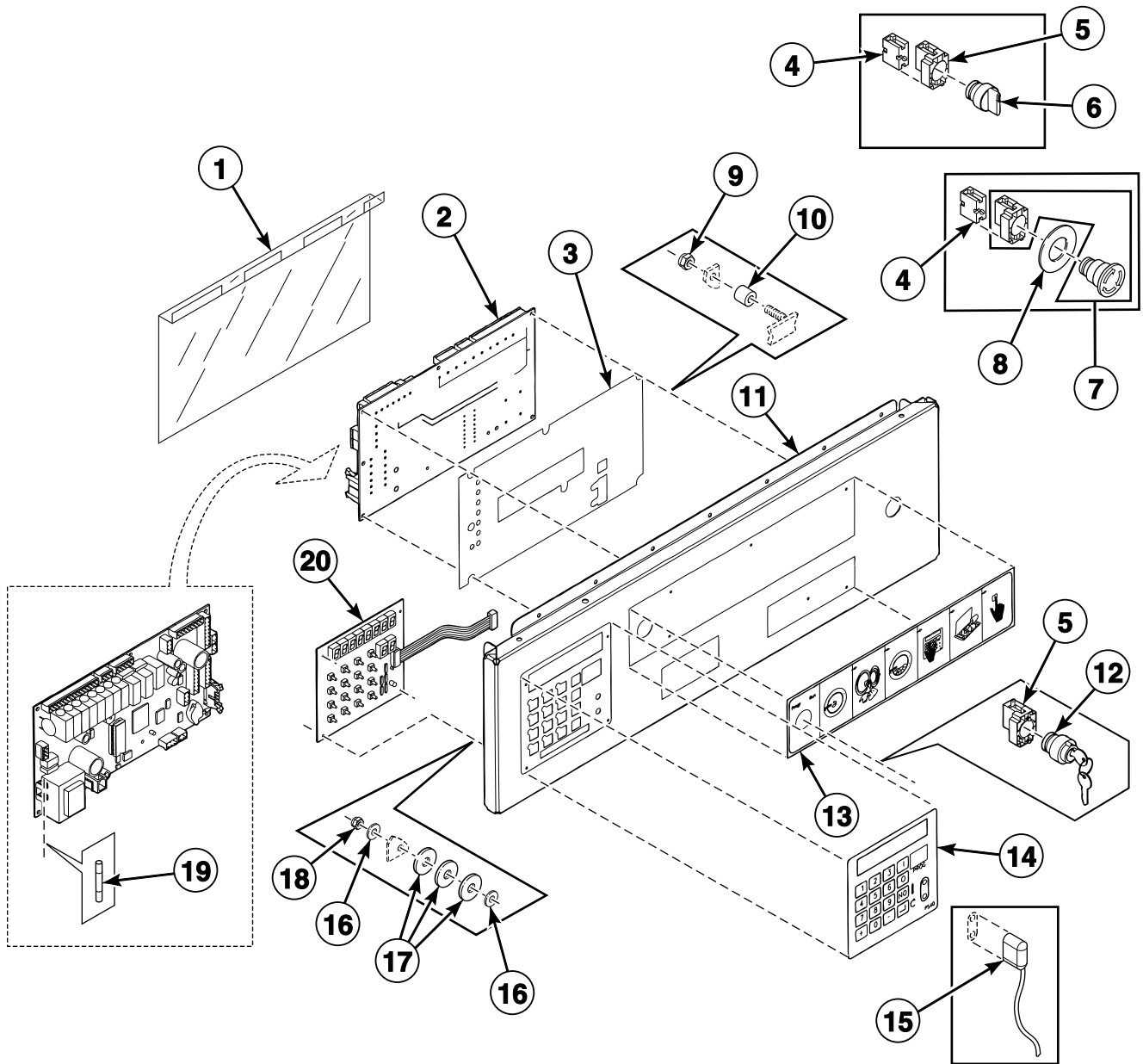


BE000629P_D0902

Control Panel - Micro-20 and Sigma Coin

REF	PART NO.	DESCRIPTION	COMMENTS
1	229/00262/00	Circuit Board Cover	
2	209/00547/00	Control Board	Sigma models
	209/00440/70	Printboard	Micro-20 models; 220 Volt
	209/00440/80	Printboard	Micro-20 models; 115 Volt
3	204/00116/00	Nut	
4	211/00122/00	Standoff	
5	245/00124/00	Facia and Outer Coin Box Assembly Kit	
6	225/00316/00	Plexi Frame	
7	225/00406/00	Operating Label	Micro-20 models
	225/00403/00	Decal	Sigma models
8	210/00902/00	Infrared Cable	
9	44018801	Pushbutton	
10	209/00520/00	Telem Sticker	
11	44018901	Contact Block	
12	209/00372/01	Fuse	125 mA
13	229/00255/00	Insulating Sticker	

Control Panel - PS40F

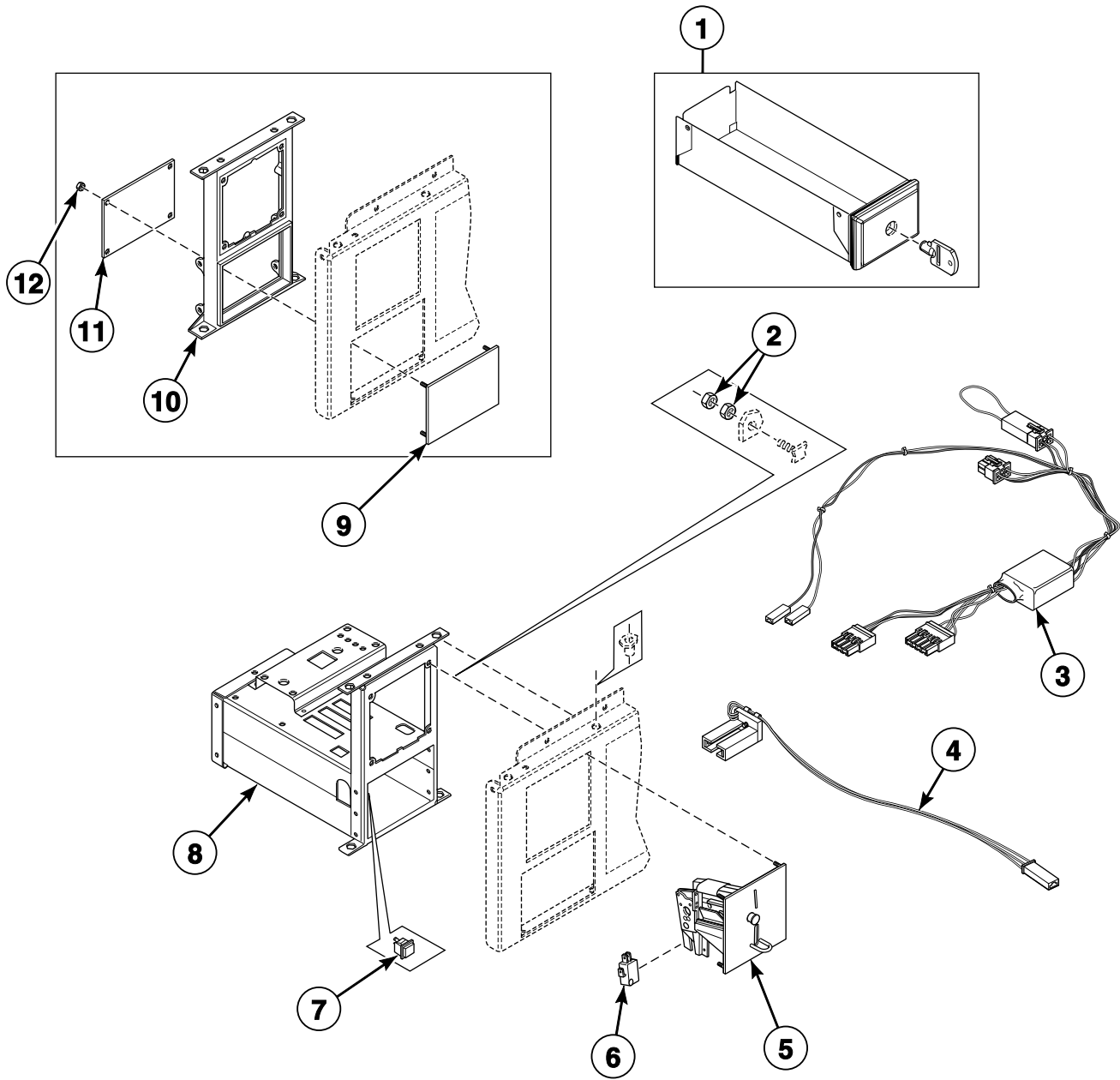


BE000622P_D0902

Control Panel - PS40F

REF	PART NO.	DESCRIPTION	COMMENTS
1	229/00262/00	Circuit Board Cover	
2	B12351701	Main Board	
3	229/00255/00	Insulating Sticker	
4	44018901	Contact Block	
5	209/00099/25	Switch Base	
6	209/00099/29	Switch Knob	
7	44018801	Pushbutton	
8	209/00520/00	Telem Sticker	
9	204/00116/00	Nut	
10	211/00122/00	Standoff	
11	111/01848/00	Upper Front Panel	HC and IHC models
	111/01963/00	Upper Front Panel	CHC and HC models
12	209/00326/20	Programming Key Contact Switch	
13	225/00400/00	Operating Sticker	
14	225/00397/00	Label	
15	210/00902/00	Infrared Cable	
16	223/00123/00	Washer	
17	223/00051/10	Washer	
18	204/00116/00	Nut	
19	209/00372/01	Fuse	125 mA; Used with 209/00552/02 Printboard
	209/00552/11	Fuse	80mA; Used with B12351701 Main Board
20	209/00552/01	Keypad	

Coin Drop - Mechanical Coin Meter

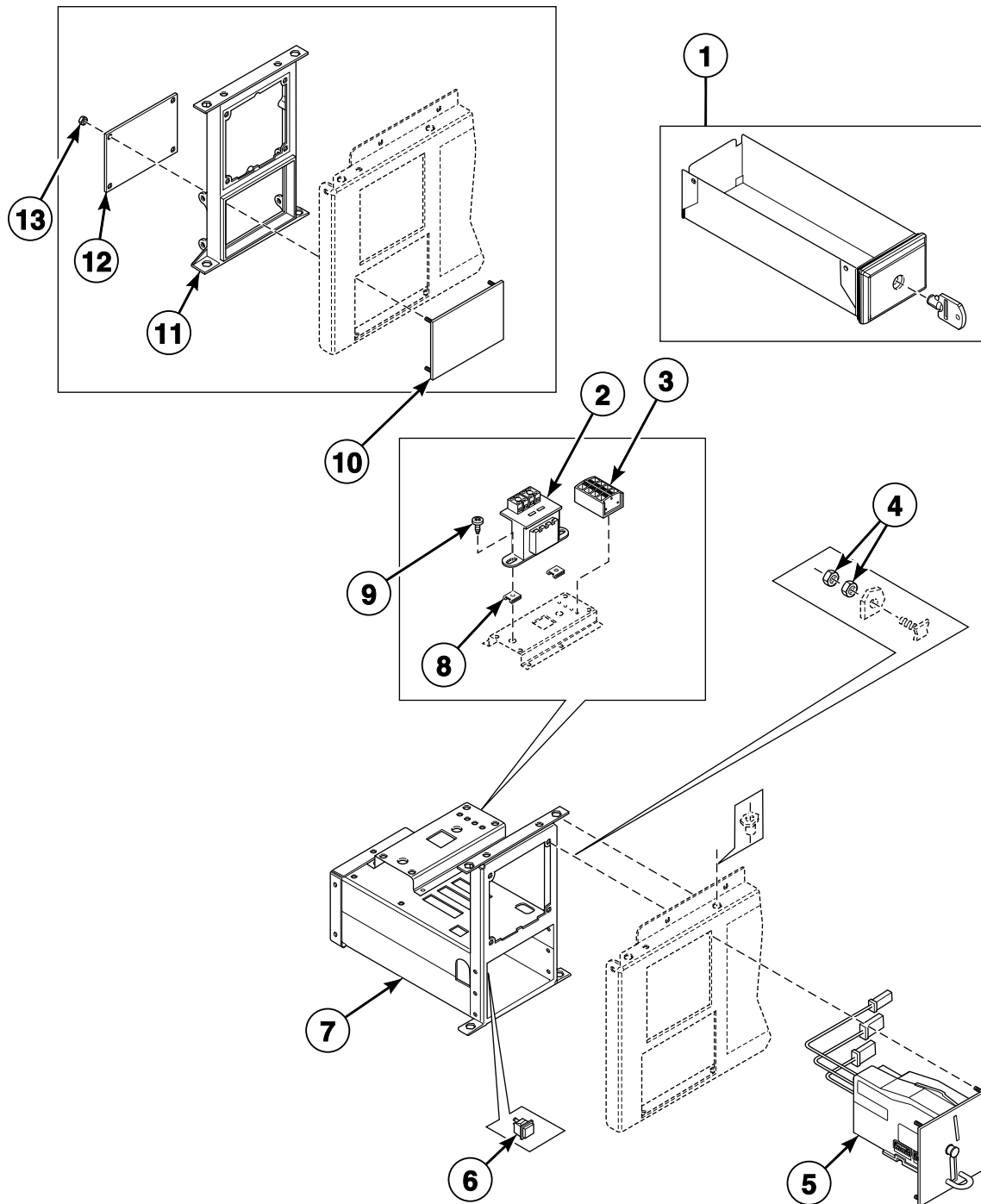


CFD512P_D0902

Coin Drop - Mechanical Coin Meter

REF	PART NO.	DESCRIPTION	COMMENTS
	B12388101	Single Drop Optical Sensor Kit	Includes items 3 and 4
	B12388102	Dual Drop Optical Sensor Kit	Includes items 3 and 4
1	254/00077/00	Coin Box	
	254/00077/02	Key	
2	204/00008/00	Nut	
3	B12359901	Wire Assembly	Micro-20 and Sigma models
4	209/00781/00	Optical Switch	Micro-20 and Sigma models
5	B12311224	Coin Drop	Mechanical; Jeton 5K
	B12311206	Coin Drop	Mechanical; Jeton 7K
	B12311201	Coin Drop	Mechanical; Jeton 10K
	B12311210	Coin Drop	Mechanical; Jeton 12K
	B12311252	Coin Drop	Mechanical; Jeton 10K and .5 euro
	B12311211	Coin Drop	Mechanical; Jeton 7K and 1 euro
	B12323901	Coin Drop	Mechanical; Jeton 15K and 7K
	B12311204	Coin Drop	Mechanical; Jeton gettone
	B12311234	Coin Drop	Mechanical; Jeton crouzet
	B12311247	Coin Drop	Mechanical; Jeton 118-1
	B12311248	Coin Drop	Mechanical; Jeton 118-5
	B12311222	Coin Drop	Mechanical; 1 euro
	B12311214	Coin Drop	Mechanical; .5 euro
	B12311202	Coin Drop	Mechanical; .5 and 1 euro
	B12311239	Coin Drop	Mechanical; .5 and 2 euro
	B12311205	Coin Drop	Mechanical; .2 and 1 euro
	B11211209	Coin Drop	Mechanical; .2 and .5 euro
	B12311218	Coin Drop	Mechanical; 1 and 1 euro
	B12311219	Coin Drop	Mechanical; 1 and 2 euro
	B12311203	Coin Drop	Mechanical; 1 and 2 frank
	B12311207	Coin Drop	Mechanical; 1 Deense kroon
	B12311225	Coin Drop	Mechanical; 10 Deense kronen
	B12311235	Coin Drop	Mechanical; 10 Tsjechische kronen
	B12311244	Coin Drop	Mechanical; 10 Noorse kronen
	B12311208	Coin Drop	Mechanical; 100 and 500 yen
	B12311212	Coin Drop	Mechanical; 15K
	B12311215	Coin Drop	Mechanical; 1 kro
	B12311226	Coin Drop	Mechanical; Australia 1.00
	B12311216	Coin Drop	Mechanical; Australia .2 and 1.00
	B12311220	Coin Drop	Mechanical; New Zealand 1.00
	B12311221	Coin Drop	Mechanical; .5 and 2 zwitsers
	B12311241	Coin Drop	Mechanical; Hong Kong 1.00
	B12311249	Coin Drop	Mechanical; Hong Kong 5.00
	B12311301	Coin Drop	Mechanical; U.S. \$0.25
	B12311302	Coin Drop	Mechanical; U.S. \$0.25 and \$1.00
	B12311304	Coin Drop	Mechanical; Canada 1.00 and .25
	B12323401	Coin Drop	Mechanical; Singapore 1.00
6	209/00600/01P	Switch	
7	209/00396/00	Pushbutton	
8	152/00112/00	Mechanical Coin Meter Housing	
9	111/01001/00	Top Panel	Gray
	111/01000/00	Front Plate	Black
10	217/00060/00	Fastening Piece	
11	111/01002/00	Backplate	
12	204/00116/00	Nut	

Coin Drop - Electronic Coin Meter

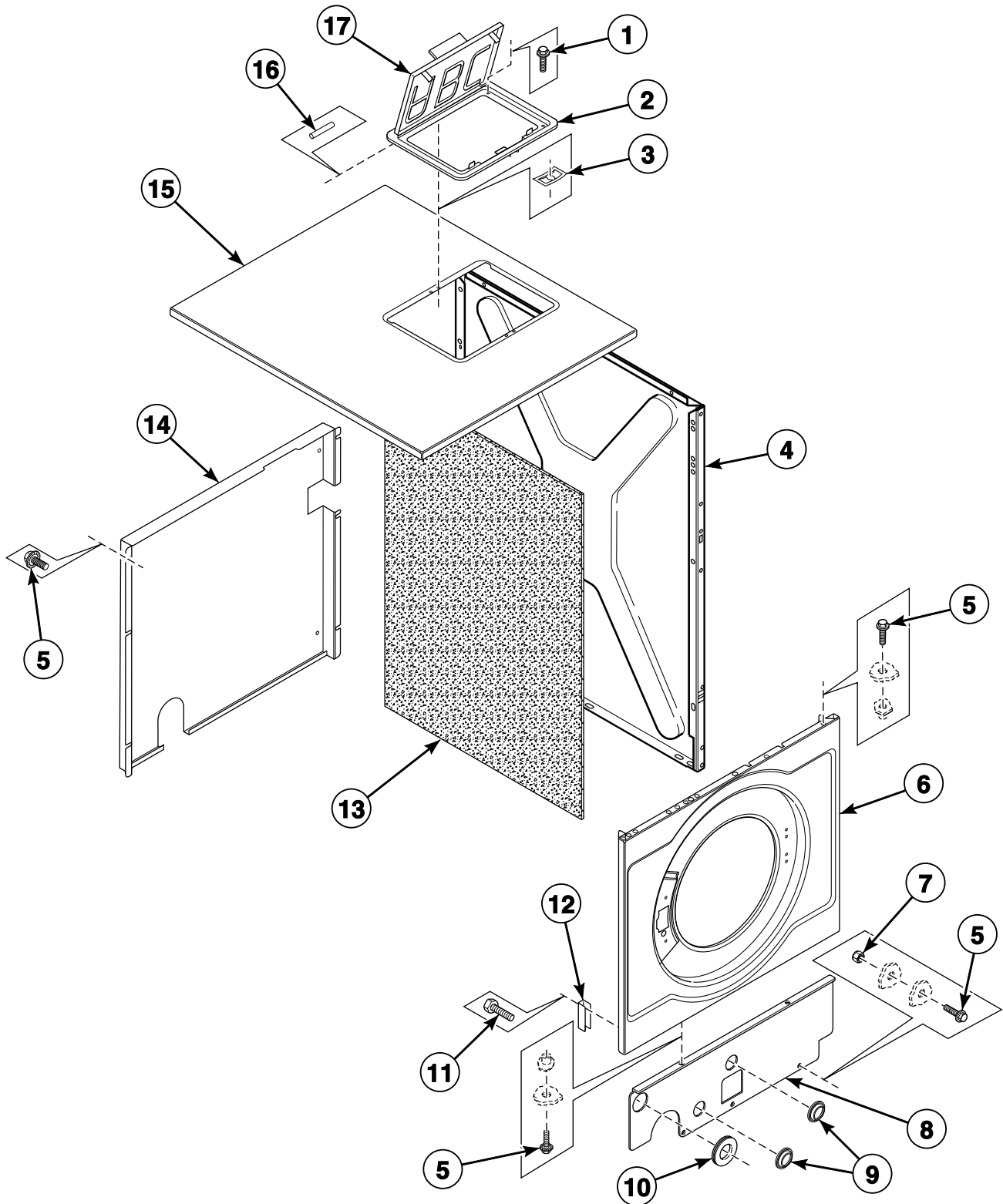


CFD511P_D0902

Coin Drop - Electronic Coin Meter

REF	PART NO.	DESCRIPTION	COMMENTS
1	254/00077/00	Coin Box	
	254/00077/02	Key	
2	209/00682/00	Transformer	
3	209/00683/00	Input Block	
4	204/00008/00	Nut	
5	B12311401	Coin Drop	Electronic; Cygnus models
6	209/00396/00	Pushbutton	
7	152/00112/50	Electronic Coin Meter Housing	
8	208/00002/00	Nut	
9	208/00014/00	Screw	
10	111/01001/00	Top Panel	Gray
	111/01000/00	Front Plate	Black
11	217/00060/00	Fastening Piece	
12	111/01002/00	Backplate	
13	204/00116/00	Nut	

Right Side, Front, Lower Rear and Top Panels - Models with Pump Drain



BE000661P_D0902

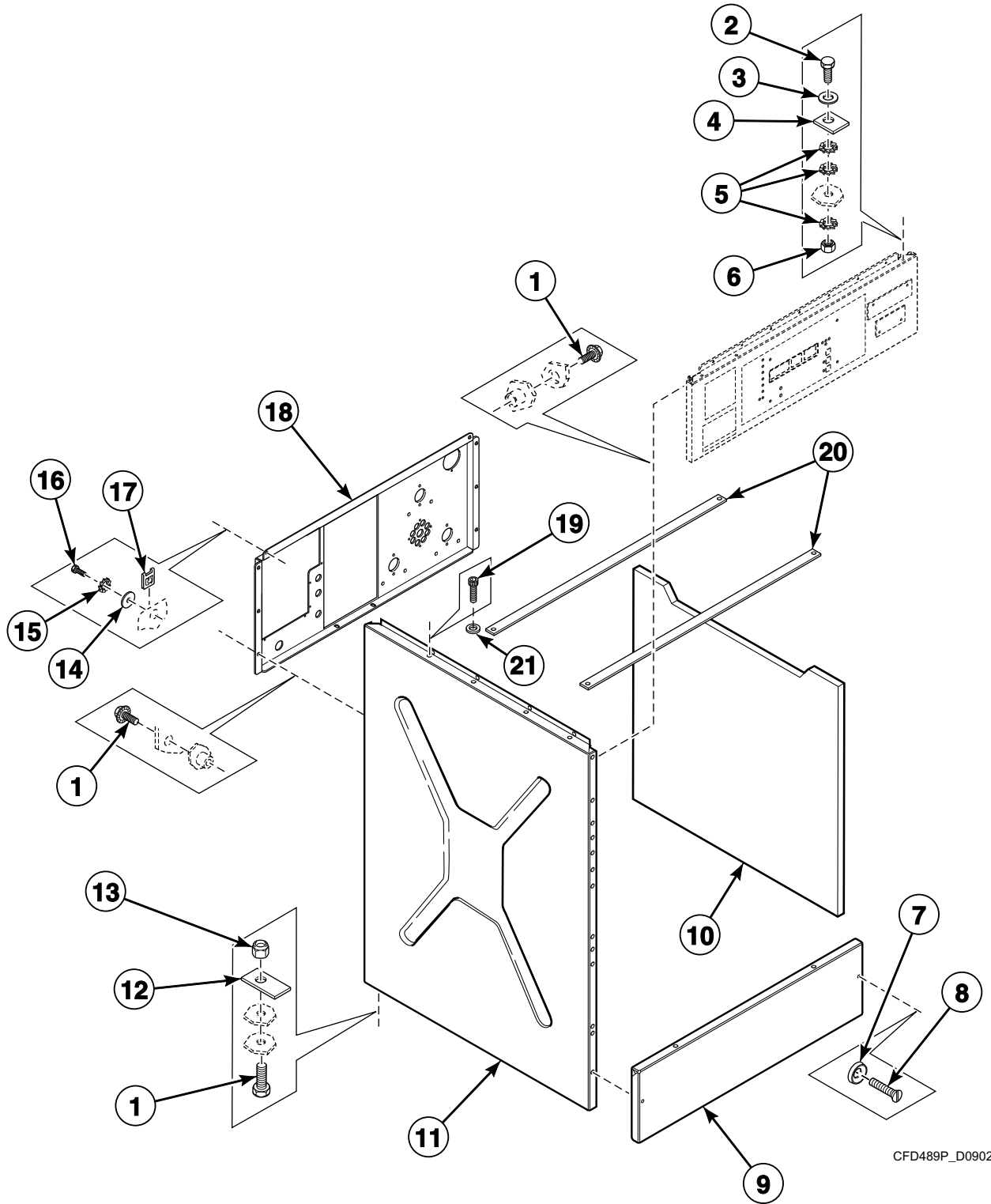
Right Side, Front, Lower Rear and Top Panels - Models with Pump Drain

REF	PART NO.	DESCRIPTION	COMMENTS
1	207/00125/00	Bolt	
2	223/00103/03	Soap Dispenser Frame	
3	208/00104/00	Nut	
4	111/10089/00	Side Panel	*18, *65 and *75 models; Stainless steel
	111/10097/00	Side Panel	*25 and *100 models; Stainless steel
	111/10128/00	Side Panel	*12 and *60 models; Stainless steel
	111/60048/00	Side Panel	*12 and *60 models; Black
	111/60031/00	Side Panel	*18, *65 and *75 models; Black
	111/60034/00	Side Panel	*25 and *100 models; Black
5	206/00099/00	Bolt	
6	111/00284/00	Front Panel	
7	204/00009/00	Nut	
8	111/00289/00	Pump Protection Plate	
9	223/00198/00	Grommet	
10	223/00231/00	Cable Duct	
11	206/00114/00	Bolt	
12	111/10089/01	Reinforcement Plate	
13	246/00079/00	Side Panel Gasket	
14	111/10427/01	Lower Rear Panel	
15	111/22141/00	Top Panel	*18, *65 and *75 models
	111/22142/00	Top Panel	*25 and *100 models
	155/00142/00	Top Panel	*12 and *60 models
16	223/00103/04	Soap Dispenser Cover Hinge Rod	2 required
17	223/00103/01	Soap Dispenser Cover	

Right Side, Front, Lower Rear and Top Panels - Models without Pump Drain

REF	PART NO.	DESCRIPTION	COMMENTS
1	207/00125/00	Bolt	
2	223/00103/03	Soap Dispenser Frame	
3	208/00104/00	Nut	
4	111/10089/00	Side Panel	*18, *65 and *75 models; Stainless steel
	111/10097/00	Side Panel	*25 and *100 models; Stainless steel
	111/10128/00	Side Panel	*12 and *60 models; Stainless steel
	111/60048/00	Side Panel	*12 and *60 models; Black
	111/60031/00	Side Panel	*18, *65 and *75 models; Black
	111/60034/00	Side Panel	*25 and *100 models; Black
5	206/00099/00	Bolt	
6	111/00284/00	Front Panel	
7	204/00009/00	Nut	
8	155/00144/00	Reinforcing Triangle	
9	206/00114/00	Bolt	
10	111/10089/01	Reinforcement Plate	
11	246/00079/00	Side Panel Gasket	
12	111/10427/01	Lower Rear Panel	
13	111/22141/00	Top Panel	*18, *65 and *75 models
	111/22142/00	Top Panel	*25 and *100 models
	155/00142/00	Top Panel	*12 and *60 models
14	223/00103/04	Soap Dispenser Cover Hinge Rod	2 required
15	223/00103/01	Soap Dispenser Cover	

Left Side, Lower Front and Upper Back Panels



CFD489P_D0902

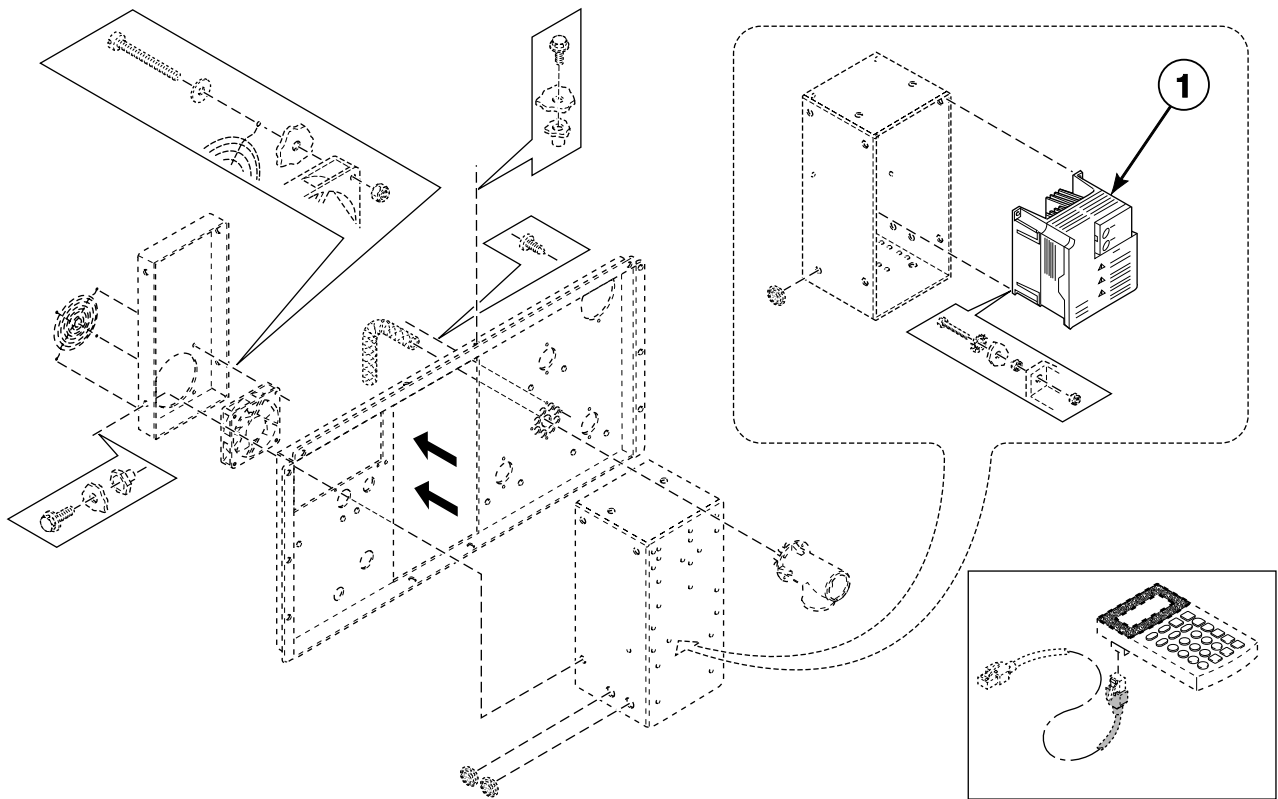
Left Side, Lower Front and Upper Back Panels

REF	PART NO.	DESCRIPTION	COMMENTS
1	206/00099/00	Bolt	
2	205/00106/00	Bolt	
3	202/00003/00	Washer	
4	117/00042/00	Retaining Ring	
5	203/00005/00	Washer	
6	204/00006/00	Nut	
7	208/00009/00	Washer	
8	207/00101/00	Screw	
9	111/00285/00	Lower Front Panel	
10	246/00079/00	Side Panel Gasket	
11	111/10089/00	Side Panel	*18, *65 and *75 models; Stainless steel
	111/10097/00	Side Panel	*25 and *100 models; Stainless steel
	111/10128/00	Side Panel	*12 and *60 models; Stainless steel
	111/60048/00	Side Panel	*12 and *60 models; Black
	111/60031/00	Side Panel	*18, *65 and *75 models; Black
	111/60034/00	Side Panel	*25 and *100 models; Black
12	101/00007/00	Outlet Pipe Plate Assembly	
13	204/00009/00	Nut	
14	201/00006/00	Washer	
15	203/00015/00	Washer	
16	208/00014/00	Screw	
17	208/00025/00	Nut	
18	111/01832/00	Backbridge	
19	206/00166/00	Screw	
20	155/00162/00	Crossbar	
21	B12421401	Washer	

Inverter Drive - Models Through 2/22/09 (Drawing 1 of 2)

REF	PART NO.	DESCRIPTION	COMMENTS
1	111/10426/90	Backbridge	
2	223/00250/00	Liquid Soap Manifold	
3	227/00171/10	Parameter Unit Program Cable	
4	227/00171/00	Parameter Unit Assembly	Hand held
	F8410901	Parameter Unit Assembly	E500 series; Inverter mounted
5	111/10425/00	Inverter Drive Box	Used with FR-E520 and FR-E540 series drivers
	111/10425/50	Inverter Drive Box	Used with FR-D720 and FR-D740 series drivers
6	223/00174/00	Grommet	
7	209/00465/00	Fan	
8	206/00099/00	Bolt	
9	209/00465/01	Fan Grill	
10	111/10425/11	Inverter Box Cover	For machines manufactured with a 520 or 540 series inverter and then converted to a 720 or 740 series
	111/10425/01	Inverter Box Cover	All other applications
11	223/00179/10	Pressure Hose	
12	207/00121/00	Screw	
13	202/00004/00	Washer	
14	204/00114/00	Nut	
15	208/00130/00	Screw	
16	204/00007/00	Nut	
17	203/00006/00	Washer	
18	206/00088/00	Bolt	

Inverter Drive - Models Through 2/22/09 (Drawing 2 of 2)

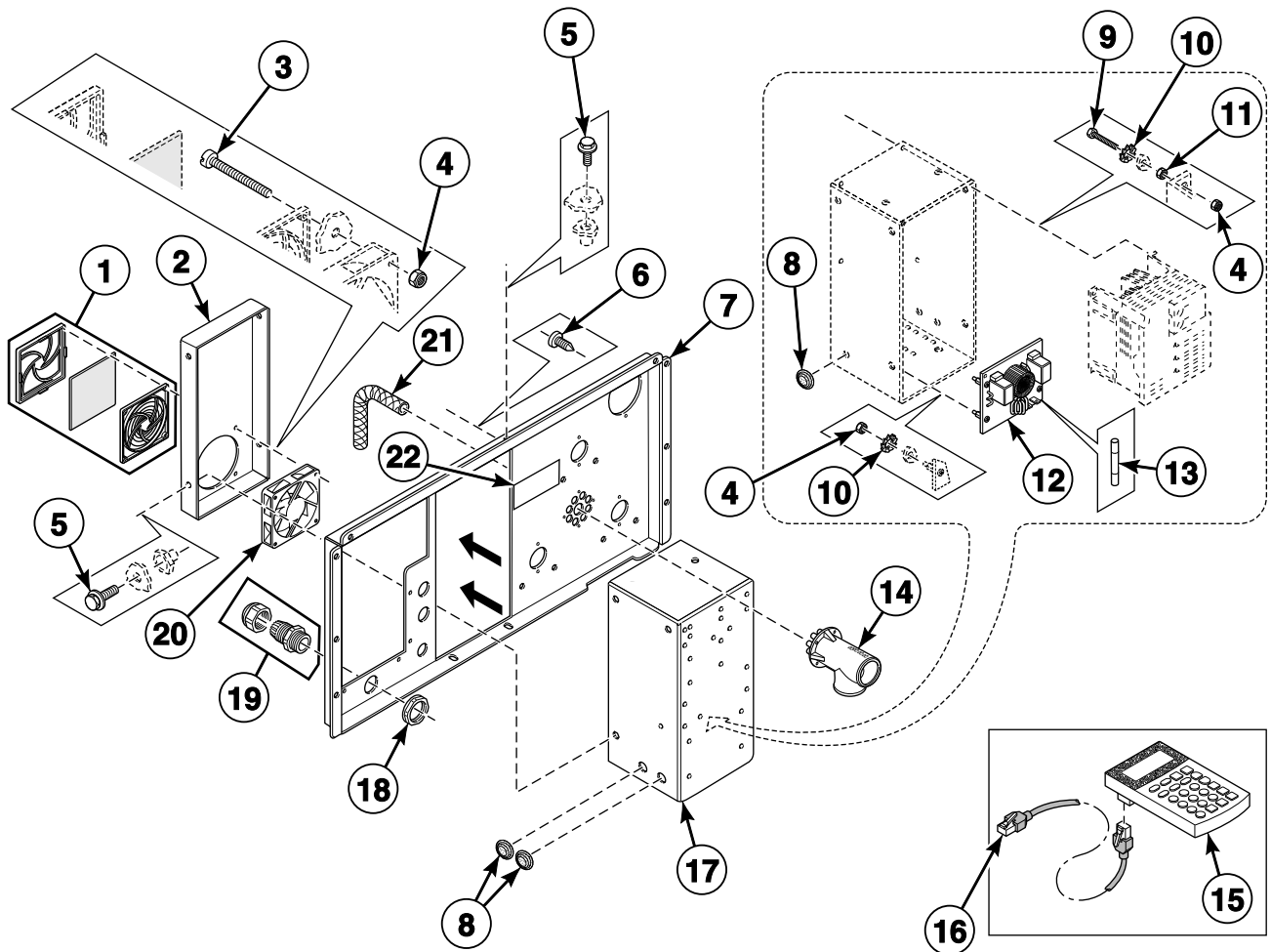


BE000575CPA_D0902

Inverter Drive - Models Through 2/22/09 (Drawing 2 of 2)

REF	PART NO.	DESCRIPTION	COMMENTS
1	227/00124/00	Inverter Drive	FR-E520 series; 1x230 Volt; .75 kW
	227/00166/00	Inverter	FR-E520 series; 1x230 Volt; .4 kW
	227/00167/00	Inverter Drive	FR-E540 series; 3x400 Volt
	F8645001P	Inverter Drive	Cygnus models; FR-D740-022-NA series; 3x400 Volt
	F8644801P	Inverter	*HC060 and HC60 Cygnus models; FR-D7205-025-NA series; 1x230 Volt; .4 kW
	F8644901P	Inverter Drive	HC65, *HC065, HC75, *HC075, HC100 and *HC100 Cygnus models; FR-D7205-042-NA series; 1x230 Volt; .75 kW
	F8420801	Inverter Drive Kit	*HC012, HC60, and *HC060 non-Cygnus models; 200 Volt/1 Phase; Used with .55 kW motor; Used to convert from 500 to 700-series inverter drive; Includes F8420901 Inverter Drive, F8409501 Mounting Plate Assembly and F430903 Screw
	F8420901	Inverter Drive	*HC012, HC60, and *HC060 non-Cygnus models; 200 Volt/1 Phase; Used with .55 kW motor; 700-series inverter drive
	F8420802	Inverter Drive Kit	*HC012, HC60, and *HC060 non-Cygnus models; 400 Volt/3 Phase; Used with .75 kW motor; Used to convert from 500 to 700-series inverter drive; Includes F8420902 Inverter Drive, F8409501 Mounting Plate Assembly and F430903 Screw
	F8420902	Inverter Drive	*HC012, HC60, and *HC060 non-Cygnus models; 400 Volt/3 Phase; Used with .75 kW motor; 700-series inverter drive
	F8420803	Inverter Drive Kit	HC65 and IHC065 non-Cygnus models; 200 Volt/1 Phase; Used with .75 kW motor; Used to convert from 500 to 700-series inverter drive; Includes F8420903 Inverter Drive, 111/10425/11 Inverter Box Cover, F8409501 Mounting Plate Assembly and F430903 Screw
	F8420903	Inverter Drive	HC65 and IHC065 non-Cygnus models; 200 Volt/1 Phase; Used with .75 kW motor; 700-series inverter drive
	F8420804	Inverter Drive Kit	HC65 and IHC065 non-Cygnus models; 400 Volt/3 Phase; Used with .75 kW motor; Used to convert from 500 to 700-series inverter drive; Includes F8420904 Inverter Drive, F8409501 Mounting Plate Assembly and F430903 Screw
	F8420904	Inverter Drive	HC65 and IHC065 non-Cygnus models; 400 Volt/3 Phase; Used with .75 kW motor; 700-series inverter drive
	F8420805	Inverter Drive Kit	*HC018, *HC075 and HC75 non-Cygnus models; 200 Volt/1 Phase; Used with .75 kW motor; Used to convert from 500 to 700-series inverter drive; Includes F8420905 Inverter Drive, 111/10425/11 Inverter Box Cover, F8409501 Mounting Plate Assembly and F430903 Screw
	F8420905	Inverter Drive	*HC018, *HC075 and HC75 non-Cygnus models; 200 Volt/1 Phase; Used with .75 kW motor; 700-series inverter drive
	F8420806	Inverter Drive Kit	*HC018, *HC075 and HC75 non-Cygnus models; 400 Volt/3 Phase; Used with .75 kW motor; Used to convert from 500 to 700-series inverter drive; Includes F8420906 Inverter Drive, F8409501 Mounting Plate Assembly and F430903 Screw
	F8420906	Inverter Drive	*HC018, *HC075 and HC75 non-Cygnus models; 400 Volt/3 Phase; Used with .75 kW motor; 700-series inverter drive
	F8420807	Inverter Drive Kit	*HC025 and *HC100 non-Cygnus models; 200 Volt/1 Phase; Used with .75 kW motor; Used to convert from 500 to 700-series inverter drive; Includes F8420907 Inverter Drive, F8409501 Mounting Plate Assembly and F430903 Screw
	F8420907	Inverter Drive	*HC025 and *HC100 non-Cygnus models; 200 Volt/1 Phase; Used with .75 kW motor; 700-series inverter drive
	F8420808	Inverter Drive Kit	*HC025 and *HC100 non-Cygnus models; 400 Volt/3 Phase; Used with .75 kW motor; Used to convert from 500 to 700-series inverter drive; Includes F8420908 Inverter Drive, F8409501 Mounting Plate Assembly and F430903 Screw
	F8420908	Inverter Drive	*HC025 and *HC100 non-Cygnus models; 400 Volt/3 Phase; Used with .75 kW motor; 700-series inverter drive

Inverter Drive - Models Starting 2/23/09 (Drawing 1 of 2)

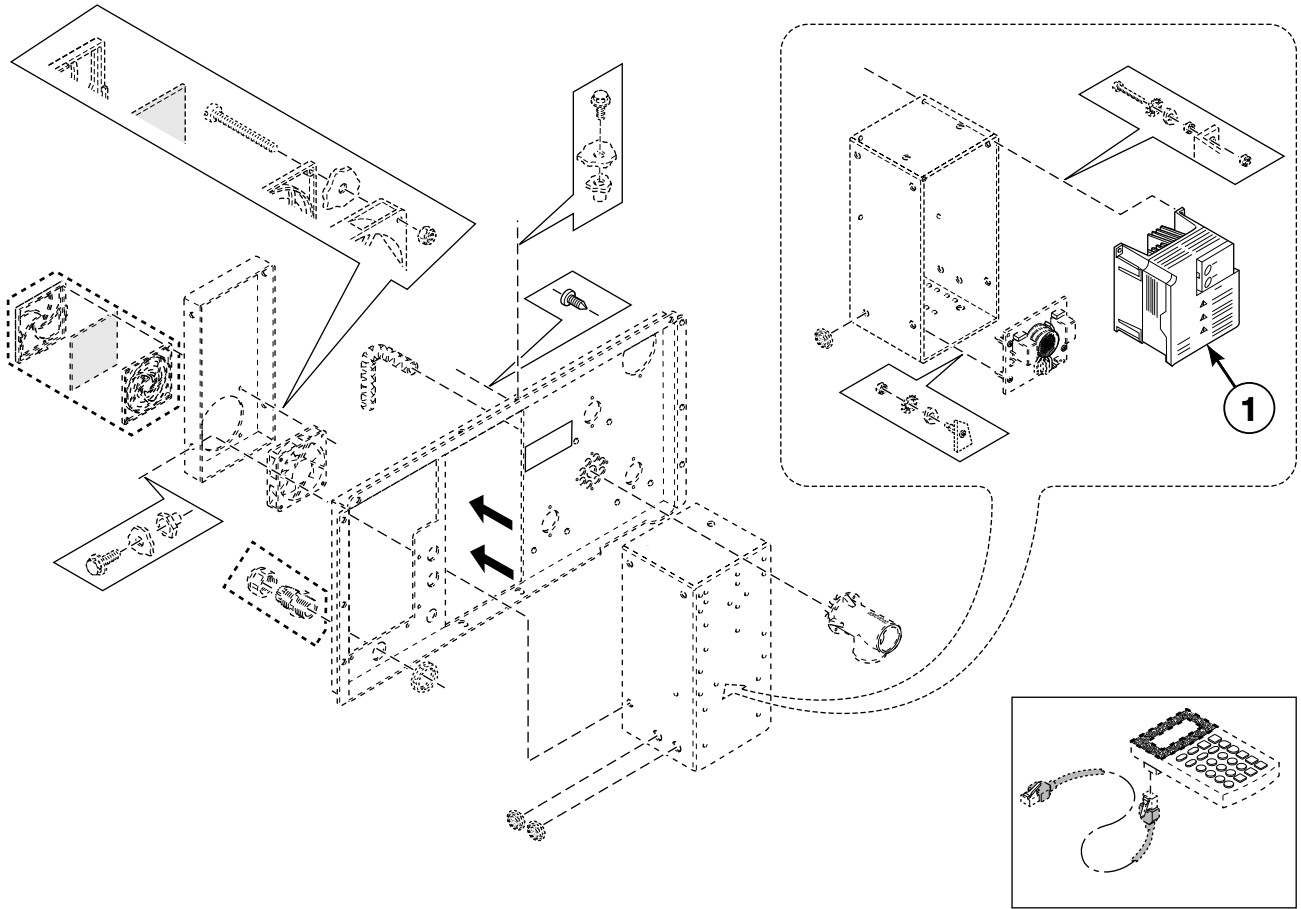


CFD503P_D0902

Inverter Drive - Models Starting 2/23/09 (Drawing 1 of 2)

REF	PART NO.	DESCRIPTION	COMMENTS
1	209/00465/11	Fan Filter	Includes filter and holder
	209/00465/21	Filter	Filter only
2	111/10425/11	Inverter Box Cover	For machines manufactured with a 520 or 540 series inverter and then converted to a 720 or 740 series
	111/10425/01	Inverter Box Cover	All other applications
3	207/00021/00	Screw	
4	204/00114/00	Nut	
5	206/00099/00	Bolt	
6	208/00130/00	Screw	
7	111/01832/00	Backbridge	
8	223/00174/00	Grommet	
9	206/00088/00	Bolt	
10	203/00006/00	Washer	
11	204/00007/00	Nut	
12	210/00027/UL00	Filter	16A1; Models through 3/09
	B12339301	Noise Filter	16A1; Models starting 4/09
	B12339401	Noise Filter	30A1
	227/00242/00	Noise Filter	8A3
	227/00162/00	Noise Filter	15A3
	227/00163/00	Noise Filter	27A3
	B12331701	Filter	55A3
	B12352301	Filter	64A3
13	209/00468/00	Fuse	3.15 A
14	223/00250/00	Liquid Soap Manifold	
15	227/00171/00	Parameter Unit Assembly	Hand held
	F8410901	Parameter Unit Assembly	E500 series; Inverter mounted
16	227/00171/10	Parameter Unit Program Cable	
17	111/10425/00	Inverter Drive Box	Used with FR-E520 and FR-E540 series drivers
	111/10425/50	Inverter Drive Box	Used with FR-D720 and FR-D740 series drivers
18	211/00171/00	Nut	
19	211/00182/00	Nut	
20	209/00465/00	Fan	
21	223/00179/10	Pressure Hose	
22	B12355001	Voltage Discharge Decal	

Inverter Drive - Models Starting 2/23/09 (Drawing 2 of 2)



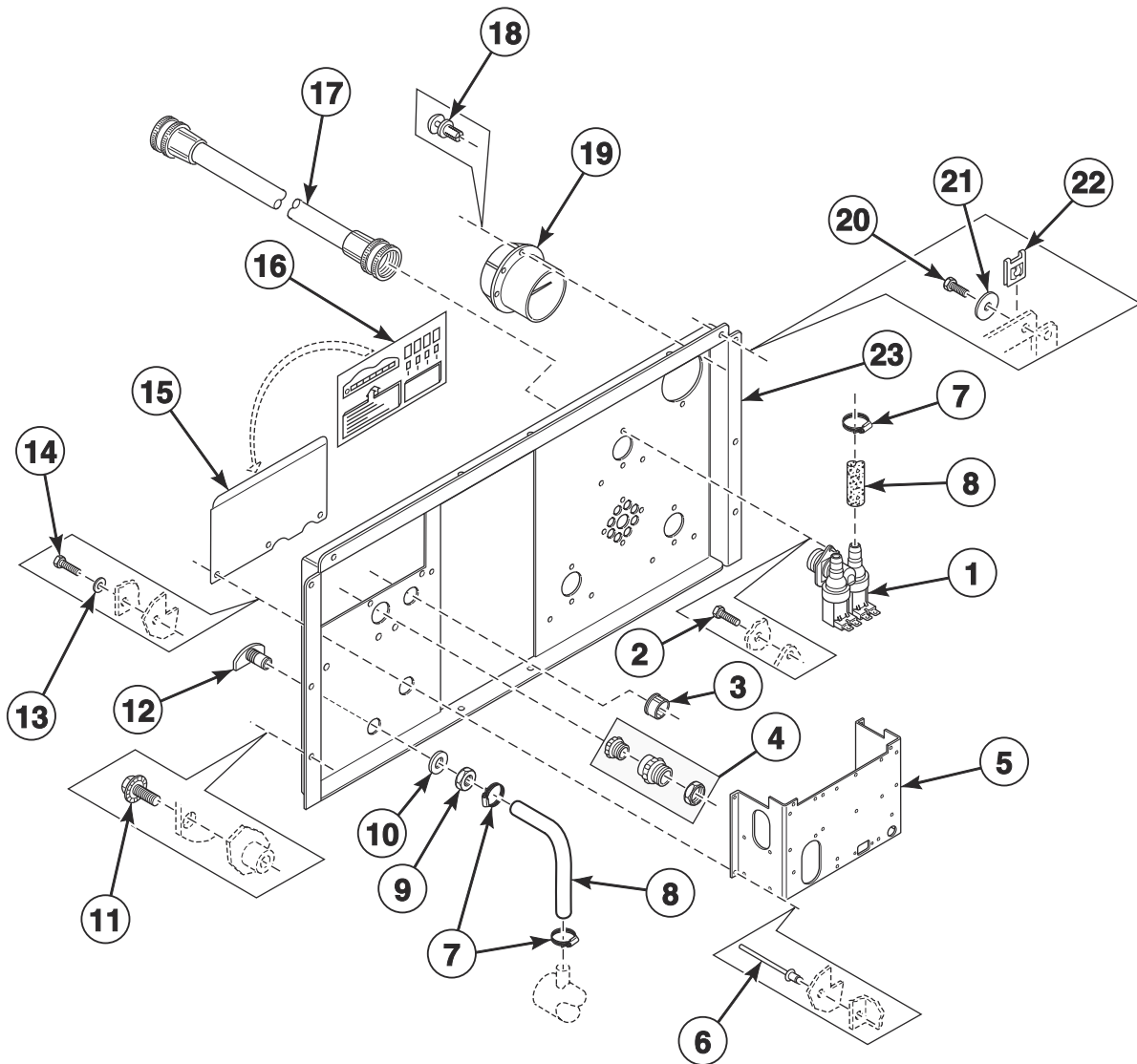
CFS1950PA_D0902

Inverter Drive - Models Starting 2/23/09 (Drawing 2 of 2)

REF	PART NO.	DESCRIPTION	COMMENTS
1	N/A	Inverter	FR-E520 series; 1x230 Volt; .4 kW
	227/00167/00	Inverter Drive	FR-E540 series; 3x400 Volt
	N/A	Inverter Drive	FR-E520 series; 1x230 Volt; .75 kW
	F8645001P	Inverter Drive	Cygnus models; FR-D740-022-NA series; 3x400 Volt
	F8644801P	Inverter	*HC060 and HC60 Cygnus models; FR-D7205-025-NA series; 1x230 Volt; .4 kW
	F8644901P	Inverter Drive	*HC065, *HC075, *HC100, HC65 and HC75 Cygnus models; FR-D7205-042-NA series; 1x230 Volt; .75 kW
	F8420801	Inverter Drive Kit	*HC012, *HC060 and HC60 non-Cygnus models; 200 Volt/1 Phase; Used with .55 kW motor; Used to convert from 500 to 700-series inverter drive; Includes F8420901 Inverter Drive, F8409501 Mounting Plate Assembly and F430903 Screw
	F8420901	Inverter Drive	*HC012, *HC060 and HC60 non-Cygnus models; 200 Volt/1 Phase; Used with .55 kW motor; 700-series inverter drive
	F8420802	Inverter Drive Kit	*HC012, *HC060 and HC60 non-Cygnus models; 400 Volt/3 Phase; Used with .75 kW motor; Used to convert from 500 to 700-series inverter drive; Includes F8420902 Inverter Drive, F8409501 Mounting Plate Assembly and F430903 Screw
	F8420902	Inverter Drive	*HC012, *HC060 and HC60 non-Cygnus models; 400 Volt/3 Phase; Used with .75 kW motor; 700-series inverter drive
	F8420803	Inverter Drive Kit	HC65 and IHC065 non-Cygnus models; 200 Volt/1 Phase; Used with .75 kW motor; Used to convert from 500 to 700-series inverter drive; Includes F8420903 Inverter Drive, 111/10425/11 Inverter Box Cover, F8409501 Mounting Plate Assembly and F430903 Screw
	F8420903	Inverter Drive	HC65 and IHC065 non-Cygnus models; 200 Volt/1 Phase; Used with .75 kW motor; 700-series inverter drive
	F8420804	Inverter Drive Kit	HC65 and IHC065 non-Cygnus models; 400 Volt/3 Phase; Used with .75 kW motor; Used to convert from 500 to 700-series inverter drive; Includes F8420904 Inverter Drive, F8409501 Mounting Plate Assembly and F430903 Screw
	F8420904	Inverter Drive	HC65 and IHC065 non-Cygnus models; 400 Volt/3 Phase; Used with .75 kW motor; 700-series inverter drive
	F8420805	Inverter Drive Kit	*HC018, *HC075 and HC75 non-Cygnus models; 200 Volt/1 Phase; Used with .75 kW motor; Used to convert from 500 to 700-series inverter drive; Includes F8420905 Inverter Drive, 111/10425/11 Inverter Box Cover, F8409501 Mounting Plate Assembly and F430903 Screw
	F8420905	Inverter Drive	*HC018, *HC075 and HC75 non-Cygnus models; 200 Volt/1 Phase; Used with .75 kW motor; 700-series inverter drive
	F8420806	Inverter Drive Kit	*HC018, *HC075 and HC75 non-Cygnus models; 400 Volt/3 Phase; Used with .75 kW motor; Used to convert from 500 to 700-series inverter drive; Includes F8420906 Inverter Drive, F8409501 Mounting Plate Assembly and F430903 Screw
	F8420906	Inverter Drive	*HC018, *HC075 and HC75 non-Cygnus models; 400 Volt/3 Phase; Used with .75 kW motor; 700-series inverter drive
	F8420807	Inverter Drive Kit	*HC025 and *HC100 non-Cygnus models; 200 Volt/1 Phase; Used with .75 kW motor; Used to convert from 500 to 700-series inverter drive; Includes F8420907 Inverter Drive, F8409501 Mounting Plate Assembly and F430903 Screw
	F8420907	Inverter Drive	*HC025 and *HC100 non-Cygnus models; 200 Volt/1 Phase; Used with .75 kW motor; 700-series inverter drive
	F8420808	Inverter Drive Kit	*HC025 and *HC100 non-Cygnus models; 400 Volt/3 Phase; Used with .75 kW motor; Used to convert from 500 to 700-series inverter drive; Includes F8420908 Inverter Drive, F8409501 Mounting Plate Assembly and F430903 Screw
	F8420908	Inverter Drive	*HC025 and *HC100 non-Cygnus models; 400 Volt/3 Phase; Used with .75 kW motor; 700-series inverter drive

N/A = Part no longer available

Upper Back Panel with Circular Ventilation - Models Through 12/31/05

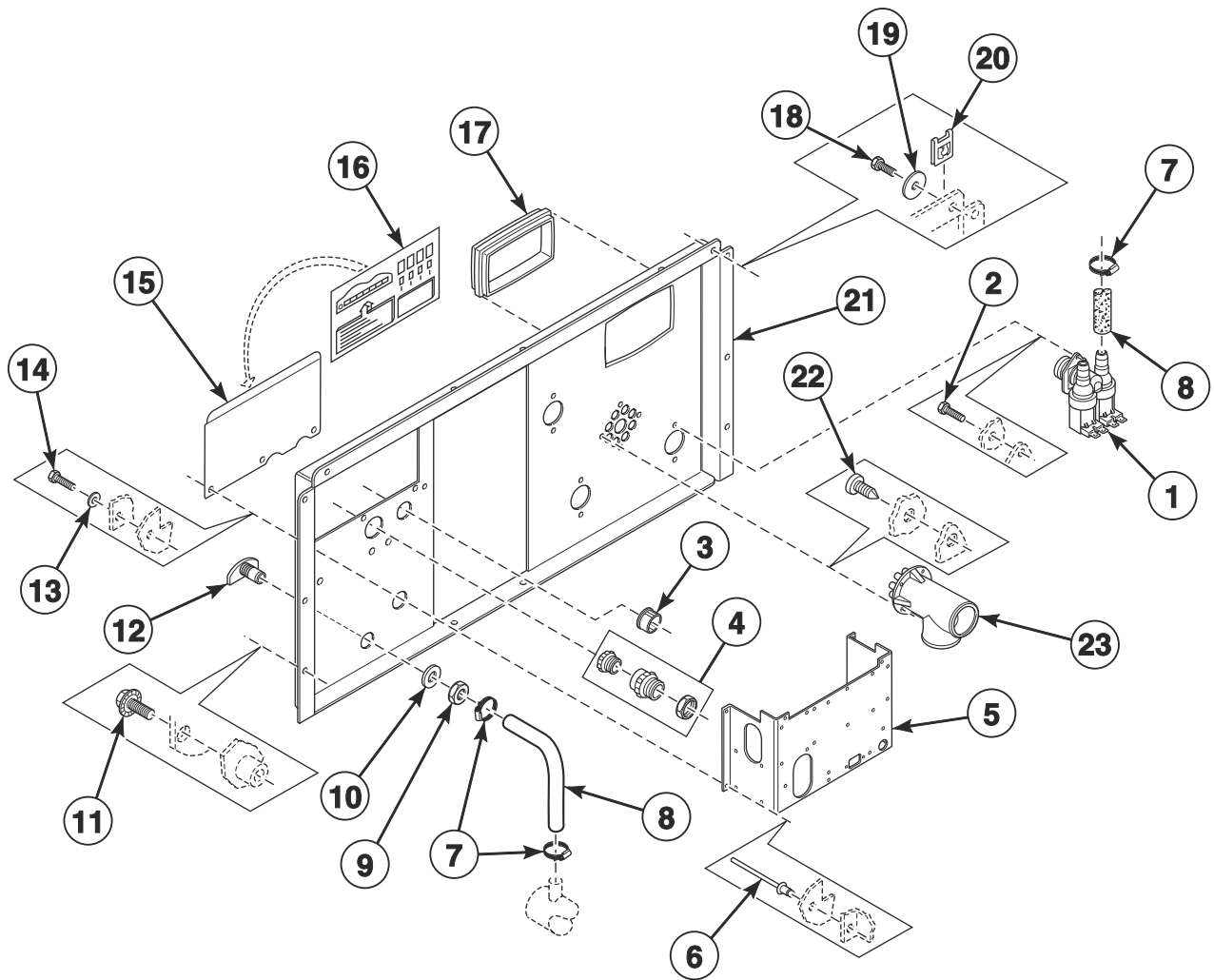


CFD329P_D0902

Upper Back Panel with Circular Ventilation - Models Through 12/31/05

REF	PART NO.	DESCRIPTION	COMMENTS
1	209/00110/00	2-Way Inlet Valve	Metric thread
	B12519501	2-Way Inlet Valve	Standard thread; G581P3 Repair Kit
2	206/00027/00	Bolt	
3	211/00091/00	Plug	
4	271/35945/00	Nut	
5	111/00188/06	Electrical Connection Plate	
6	208/00017/00	Rivet	
7	F200205	Hose Clamp	
8	223/00044/00	Water Hose	
9	204/00201/00	Nut	
10	201/00002/00	Washer	
11	206/00099/00	Bolt	
12	223/00001/04	Prewash and Mainwash Nozzle	
13	202/00004/00	Washer	
14	206/00014/00	Bolt	
15	111/00094/10	Electrical Connection Plate	
16	229/00068/02	Electrical Connection Sticker	
17	F200164	Water Hose	Standard thread
	F200166	Water Hose	Metric thread
18	211/00093/00	Rivet	
19	223/00102/07	Hose Vent	
20	208/00014/00	Screw	
21	201/00006/00	Washer	
22	208/00002/00	Nut	
23	111/10426/90	Backbridge	

Upper Back Panel with Rectangular Ventilation - Models Through 12/31/05

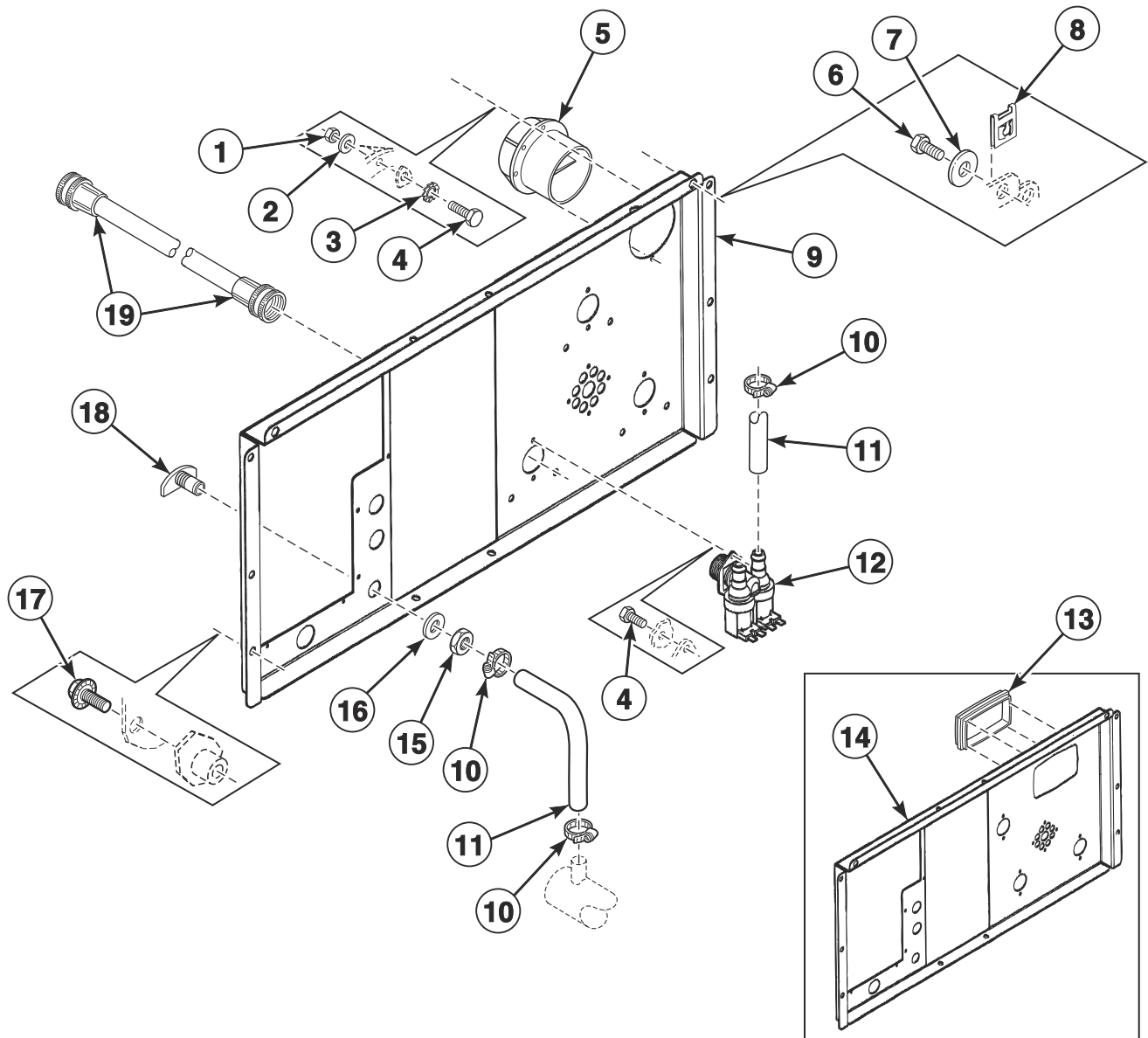


BE000580P_D0902

Upper Back Panel with Rectangular Ventilation - Models Through 12/31/05

REF	PART NO.	DESCRIPTION	COMMENTS
1	209/00110/00	2-Way Inlet Valve	Metric thread
	B12519501	2-Way Inlet Valve	Standard thread; G581P3 Repair Kit
2	206/00027/00	Bolt	
3	211/00091/00	Plug	
4	271/35945/00	Nut	
5	111/00188/06	Electrical Connection Plate	
6	208/00017/00	Rivet	
7	F200205	Hose Clamp	
8	223/00044/00	Water Hose	
9	204/00201/00	Nut	
10	201/00002/00	Washer	
11	206/00099/00	Bolt	
12	223/00001/04	Prewash and Mainwash Nozzle	
13	202/00004/00	Washer	
14	206/00014/00	Bolt	
15	111/00094/10	Electrical Connection Plate	
16	229/00068/02	Electrical Connection Sticker	
17	223/00226/00	Vent Tube	
18	208/00014/00	Screw	
19	201/00006/00	Washer	
20	208/00002/00	Nut	
21	111/10426/90	Backbridge	
22	B12350903	Screw	
23	223/00250/00	Liquid Soap Manifold	

Upper Back Panel - Models Starting 1/1/06

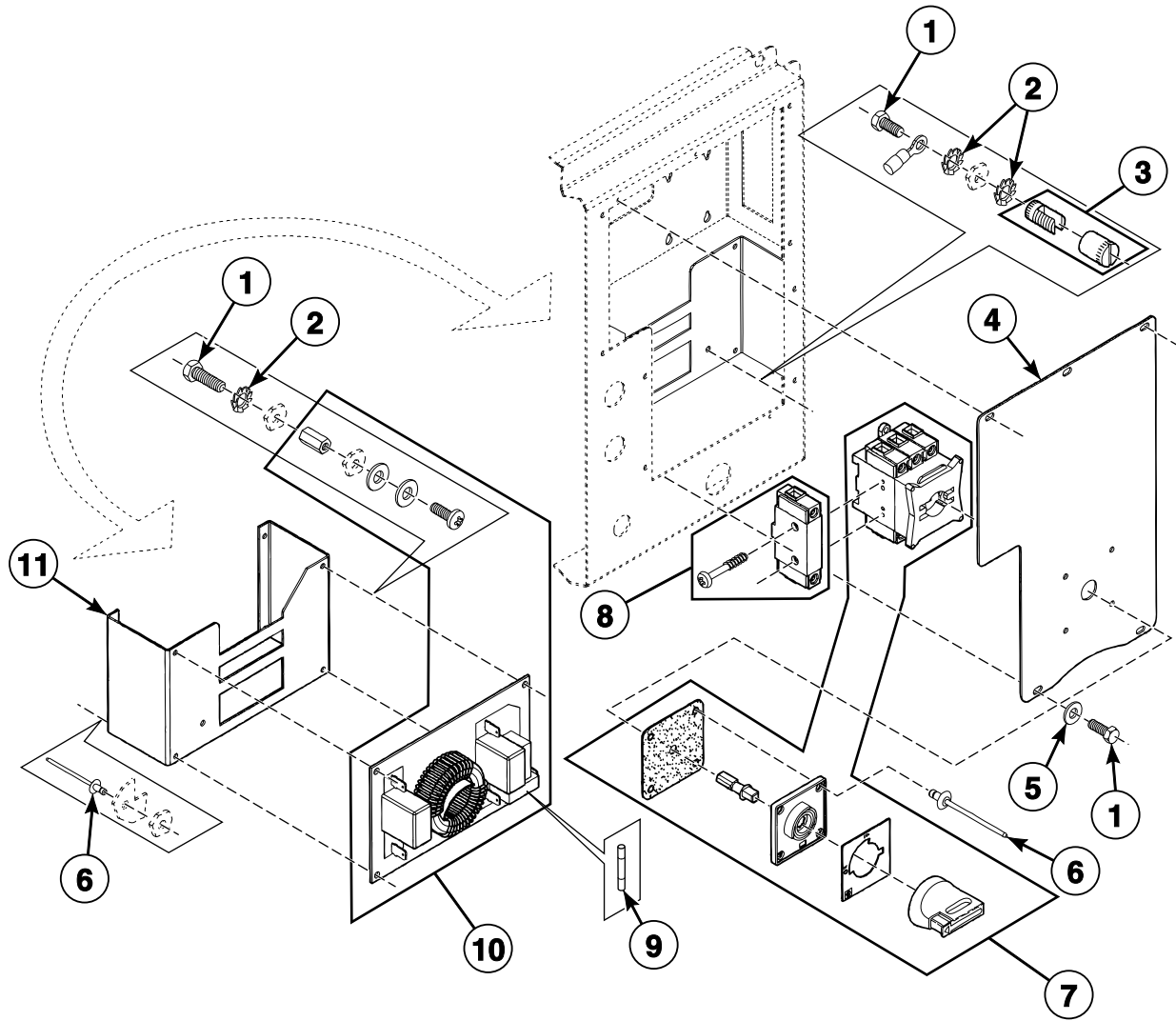


CFD328P_D0902

Upper Back Panel - Models Starting 1/1/06

REF	PART NO.	DESCRIPTION	COMMENTS
1	204/00007/00	Nut	
2	202/00004/00	Washer	
3	203/00006/00	Washer	
4	206/00027/00	Bolt	
5	223/00102/07	Hose Vent	
6	208/00014/00	Screw	
7	201/00006/00	Washer	
8	208/00002/00	Nut	
9	111/01832/00	Backbridge	Circular ventilation
10	F200205	Hose Clamp	
11	223/00044/00	Water Hose	
12	209/00110/00	2-Way Inlet Valve	Metric thread
	B12519501	2-Way Inlet Valve	Standard thread; G581P3 Repair Kit
13	223/00226/00	Vent Tube	
14	111/01832/10	Upper Backpanel	Rectangular ventilation
15	204/00201/00	Nut	
16	201/00002/00	Washer	
17	206/00099/00	Bolt	
18	223/00001/04	Prewash and Mainwash Nozzle	
19	F200164	Water Hose	Standard thread
	F200166	Water Hose	Metric thread

Main Switch and Noise Filter

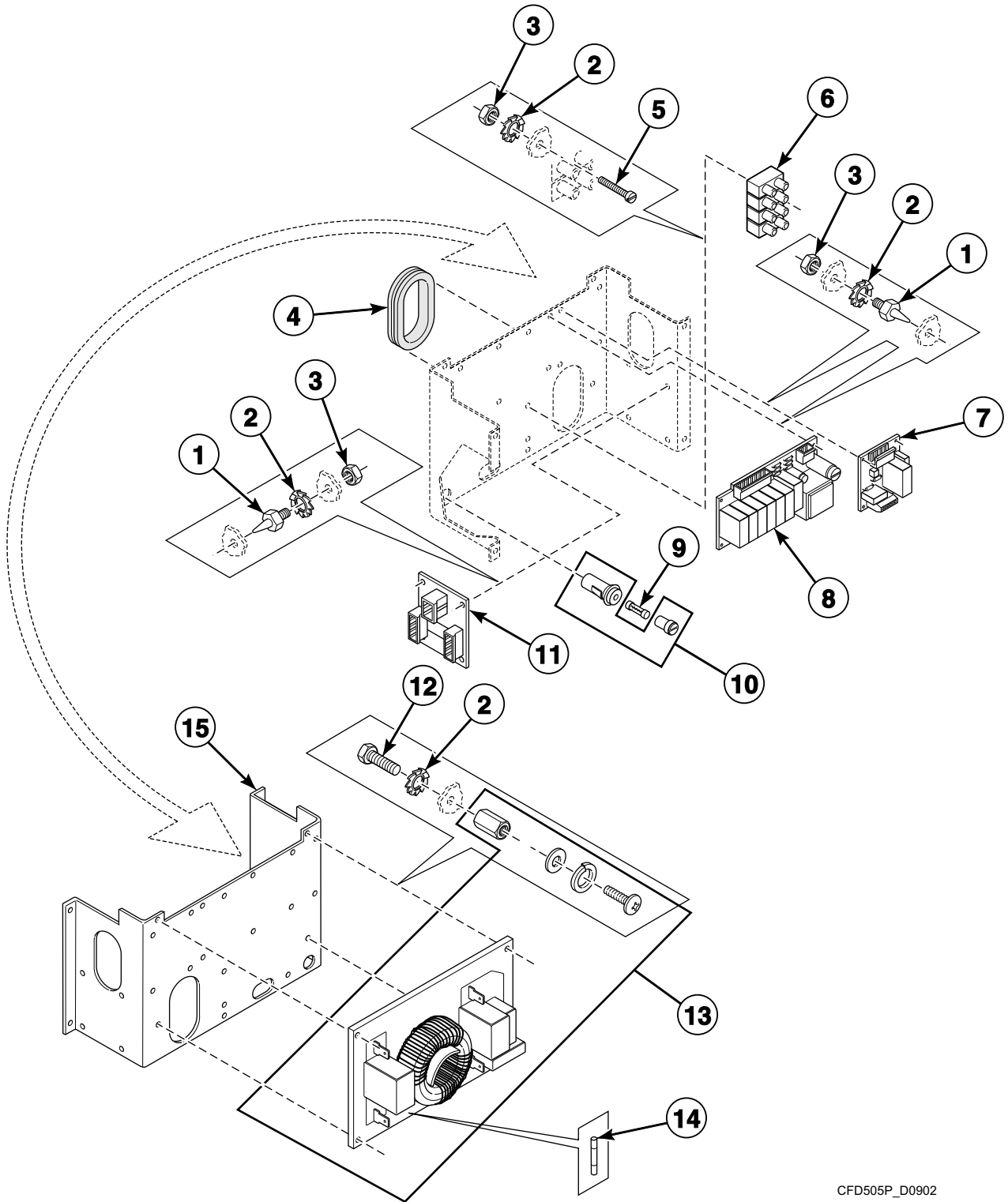


CFD504P_D0902

Main Switch and Noise Filter

REF	PART NO.	DESCRIPTION	COMMENTS
1	206/00027/00	Bolt	
2	203/00006/00	Washer	
3	209/00006/01	Ground Terminal	
4	111/01834/00	Main Switch Cover	
5	202/00004/00	Washer	
6	208/00017/00	Rivet	
7	209/00529/00	Main Switch	25A
	209/00672/00	Main Switch	40A
	209/00526/00	Main Switch	80A
8	209/00530/00	Terminal Block	25A
	209/00527/00	Terminal Block	63/80A
9	B12389501	Fuse	3.15 A; Used with 227/00242/00 Filter
10	210/00027/UL00	Filter	16A1; Models starting 11/03 through 3/09
	B12339301	Noise Filter	16A1; Models starting 4/09
	B12339401	Noise Filter	30A1
	227/00242/00	Noise Filter	8A3
	227/00162/00	Noise Filter	15A3
	227/00163/00	Noise Filter	27A3
	B12331701	Filter	55A3
	B12352301	Filter	64A3
11	111/01837/01	Filter Bracket	

Soap Injection Printboard, Network Connection Printboard and Noise Filter - Sigma, PS40F and Micro-20

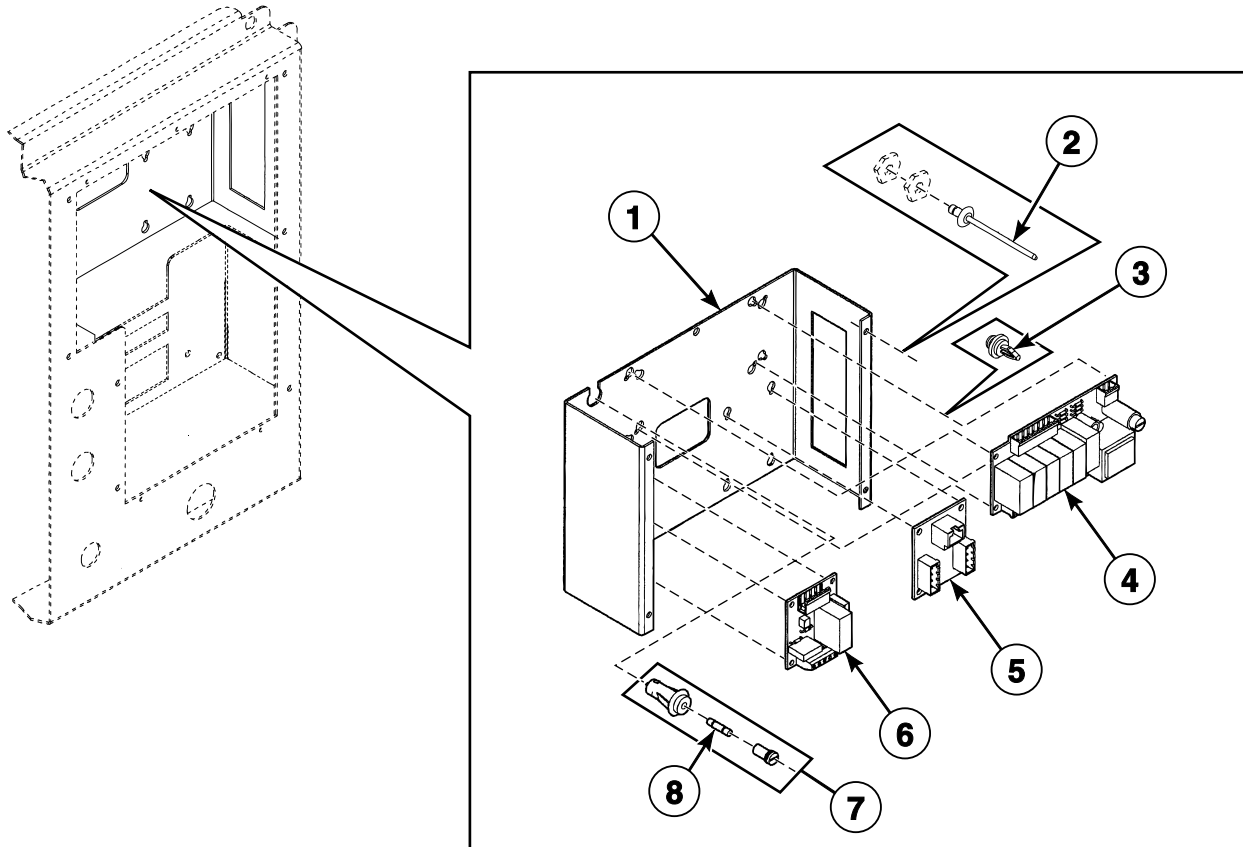


CFD505P_D0902

Soap Injection Printboard, Network Connection Printboard and Noise Filter - Sigma, PS40F and Micro-20

REF	PART NO.	DESCRIPTION	COMMENTS
1	211/00120/00	Standoff	
2	203/00006/00	Washer	
3	204/00007/00	Nut	
4	223/00203/00	Grommet	
5	207/00031/00	Screw	
6	209/00058/00	Terminal Block	
7	209/00438/50	Central Control Board	
8	209/00218/13	Soap Injection PCB with Fuse	
9	209/00468/00	Fuse	3 Amp
10	209/00202/00	Fuse Holder	
	209/00202/01	Fuse Holder	Includes item 9
11	209/00540/01	Network Connection Printboard	
12	206/00027/00	Bolt	
13	210/00027/UL00	Filter	16A1; Models starting 11/03 through 3/09
	B12339301	Noise Filter	16A1; Models starting 4/09
	B12339401	Noise Filter	30A1
	227/00242/00	Noise Filter	8A3
	227/00162/00	Noise Filter	15A3
	227/00163/00	Noise Filter	27A3
	B12331701	Filter	55A3
	B12352301	Filter	64A3
14	B12389501	Fuse	3.15 A; Used with 227/00242/00 Filter
15	111/00188/06	Electrical Connection Plate	

Central Operating Panel, Network Connection and Soap Injection Printboards - Cygnus Models

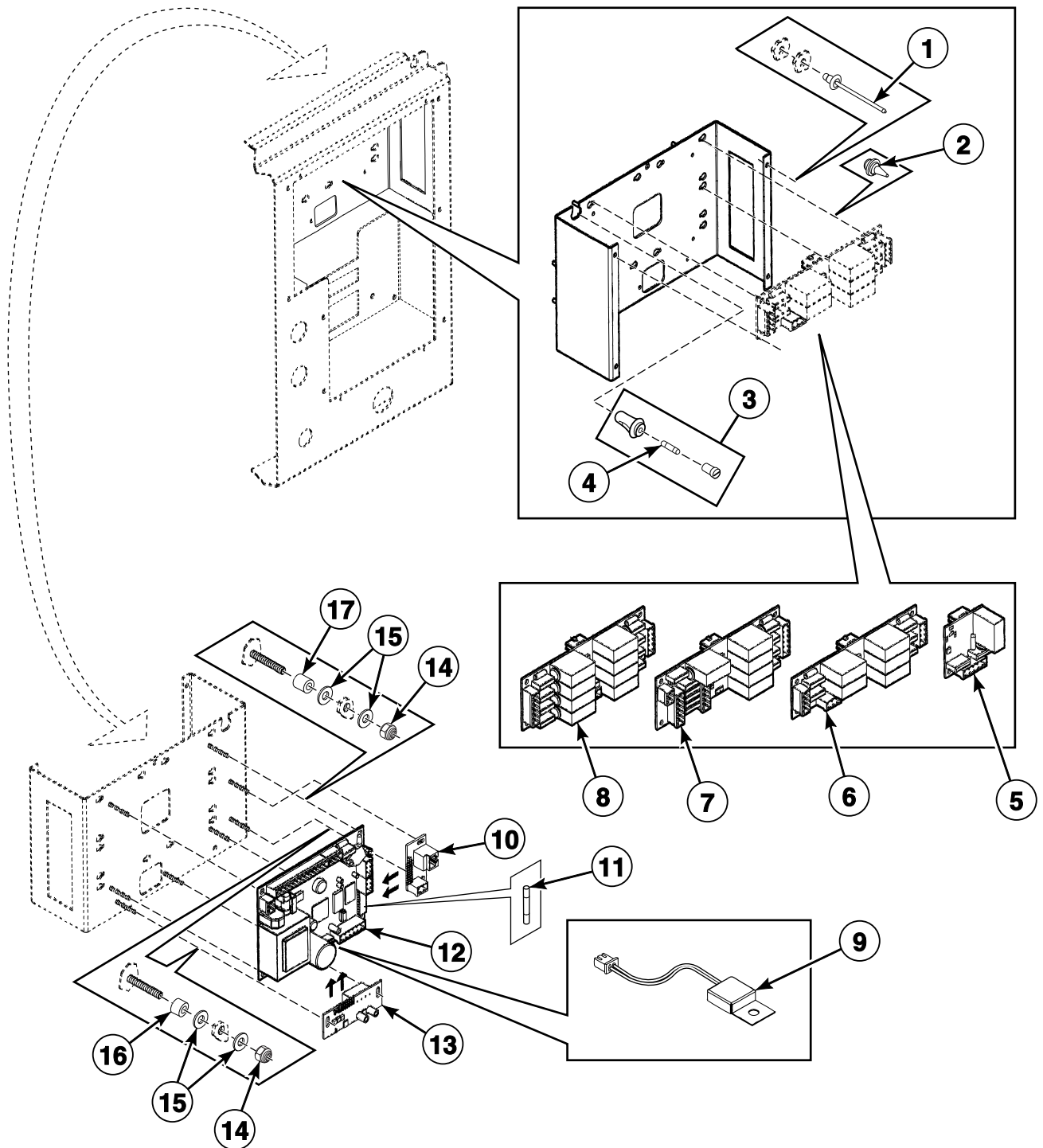


BE000800P_D0902

Central Operating Panel, Network Connection and Soap Injection Printboards - Cygnus Models

REF	PART NO.	DESCRIPTION	COMMENTS
1	111/01838/10	Printboard Support	
2	208/00017/00	Rivet	
3	211/00146/00	Standoff	
4	209/00218/13	Soap Injection PCB with Fuse	
5	209/00540/01	Network Connection Printboard	
6	209/00438/50	Central Control Board	
7	209/00202/00	Fuse Holder	
	209/00202/01	Fuse Holder	Includes item 8
8	209/00468/00	Fuse	3 Amp

Relay, Network Connection and Main Printboards - Cygnus Models

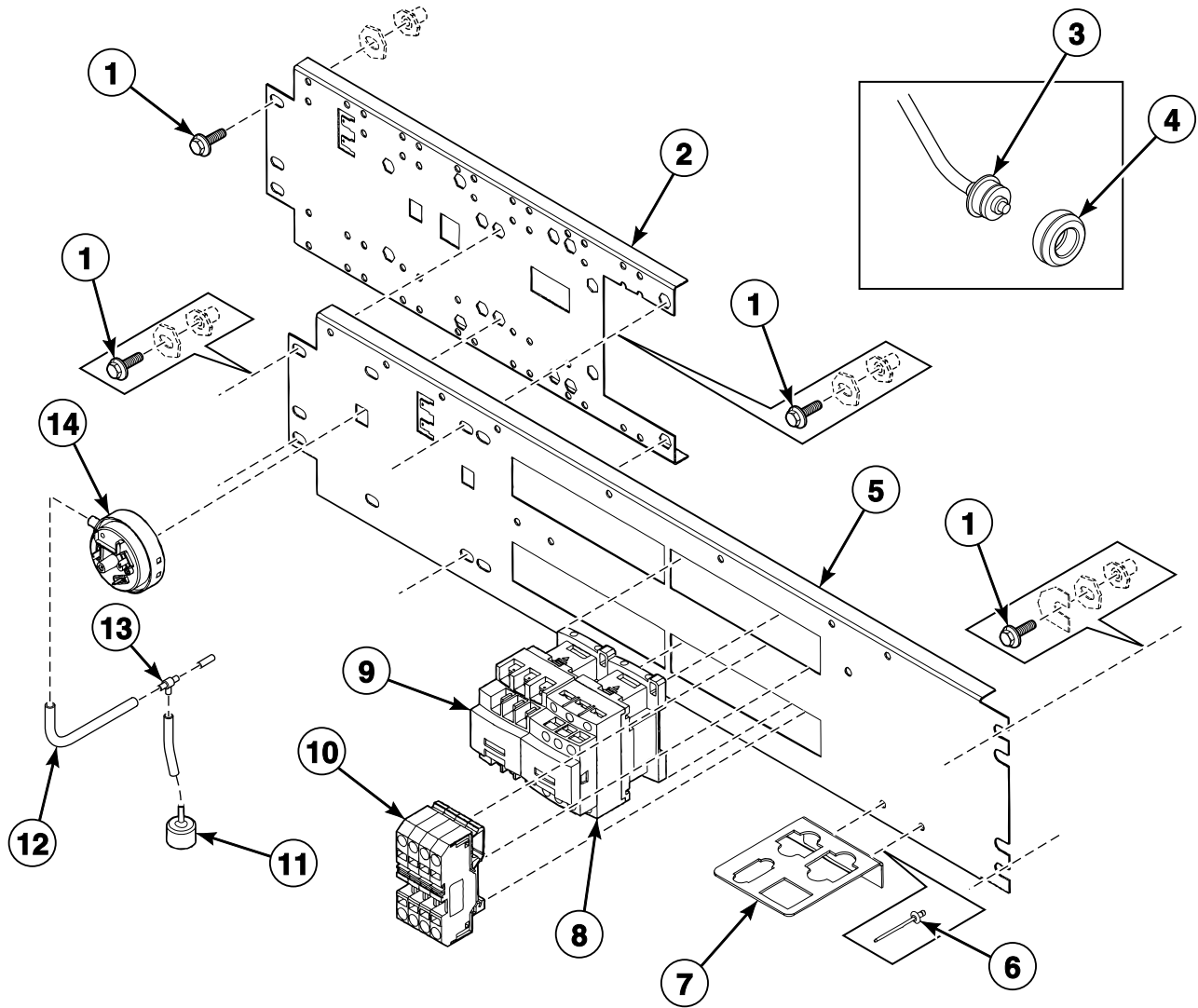


CFD502P_D0902

Relay, Network Connection and Main Printboards - Cygnus Models

REF	PART NO.	DESCRIPTION	COMMENTS
1	208/00017/00	Rivet	
2	211/00146/00	Standoff	
3	209/00202/00	Fuse Holder	
	209/00202/01	Fuse Holder	Includes item 4
4	209/00468/00	Fuse	3 Amp
5	209/02016/00	Relay PC-Board	
6	209/02005/00	Detergent PC-Board	
7	209/02014/00	Relay PC-Board	
8	209/02008/00	Detergent PC-Board	
9	209/02020/00	ID Chip	
10	209/02006/00	Inverter PC-Board	
11	209/00372/01	Fuse	125 mA; Used with 209/02000/25 Microprocessor
	B12360001	Fuse	1.25 mA; Used with 209/02025/00 Microprocessor
12	209/02025/00	Microprocessor	
13	209/02007/00	Network Connection Printboard	
14	204/00116/00	Nut	
15	223/00123/00	Washer	
16	211/00128/00	Printboard Separator	
17	211/00122/00	Standoff	

Electrical Component Mounting Plate - Models Through 2/22/09

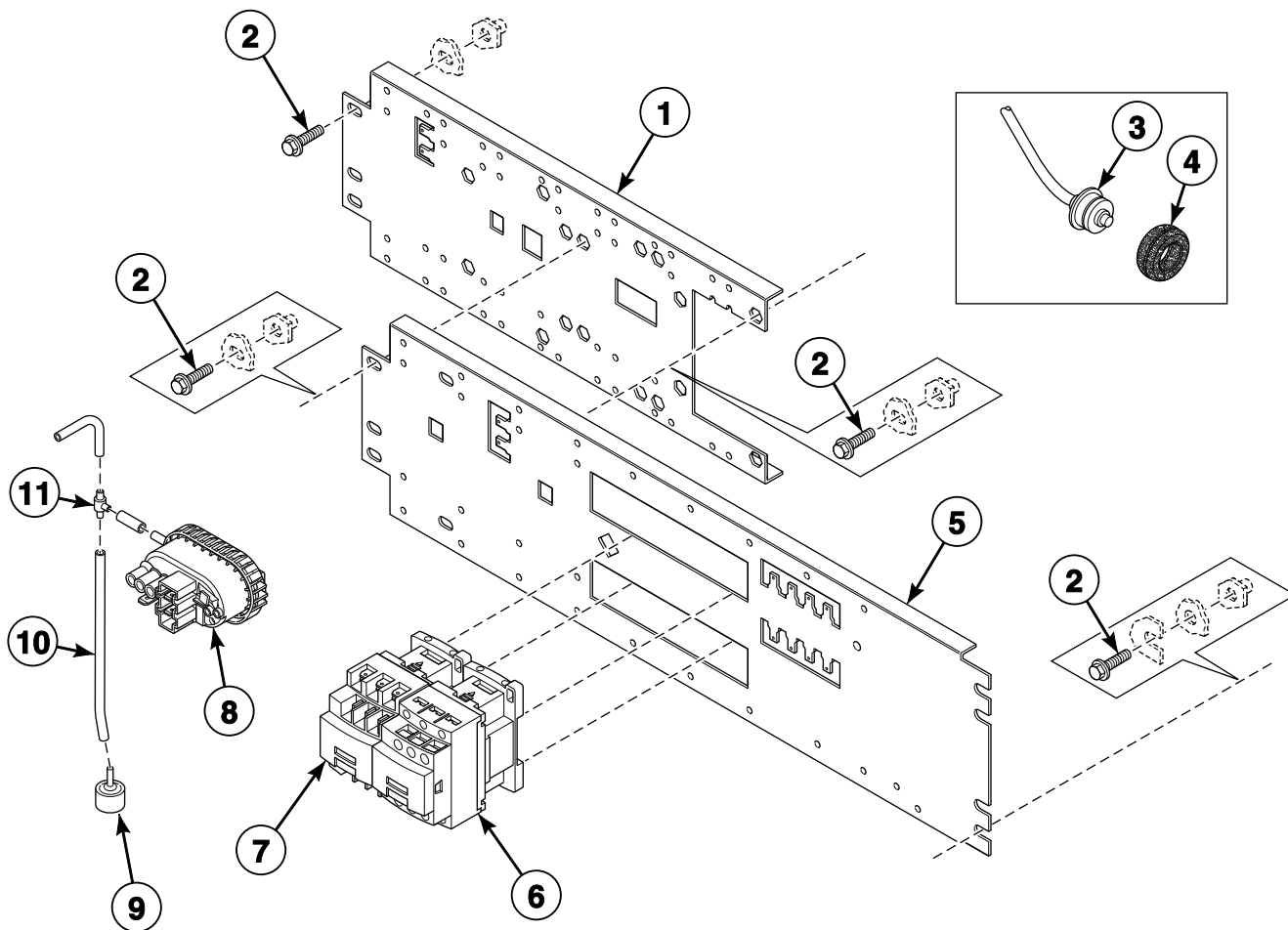


BE000802P_D0902

Electrical Component Mounting Plate - Models Through 2/22/09

REF	PART NO.	DESCRIPTION	COMMENTS
1	206/00099/00	Bolt	
2	111/10003/40	Electrical Component Mounting Plate	
3	210/00214/00	Thermostat	Cygnus control models
	210/01064/16	Thermostat	All other models
4	225/10004/00	Thermostat Grommet	
5	111/10003/30	Electrical Component Mounting Plate	
6	208/00017/00	Rivet	
7	111/10003/10	Support Connector	
8	209/06148/02	Heating Contactor	LC1D18P7
9	209/00641/04	Heating Contactor	LC1D0901M7
10	209/00619/00	Overload Contactor	2 pole; 6 mm; Gray
	209/00620/00	Overload Contactor	2 pole; 6 mm; Blue
	209/00621/00	Overload Contactor	3 pole; 6 mm; Blue
	209/00622/00	Overload Contactor	3 pole; 6 mm; Gray
	209/00623/00	Overload Contactor	2 pole; 10 mm; Gray
	209/00624/00	Overload Contactor	2 pole; 10 mm; Blue
	209/01625/00	Terminal Block	3 pole; 10 mm; Gray
	209/00619/01	Connection Clamp	2 pole; 6 mm
	209/00622/01	Connection Clamp	3 pole; 6 mm
	209/00625/01	Connection Clamp	3 pole; 10 mm
11	223/00035/02	Pressure Switch Cap	
12	B12700017	Pressure Hose	
13	223/00173/10	Pressure Switch Hose Tee	
14	209/00027/10	Pressure Switch	

Electrical Component Mounting Plate - Models Starting 2/23/09

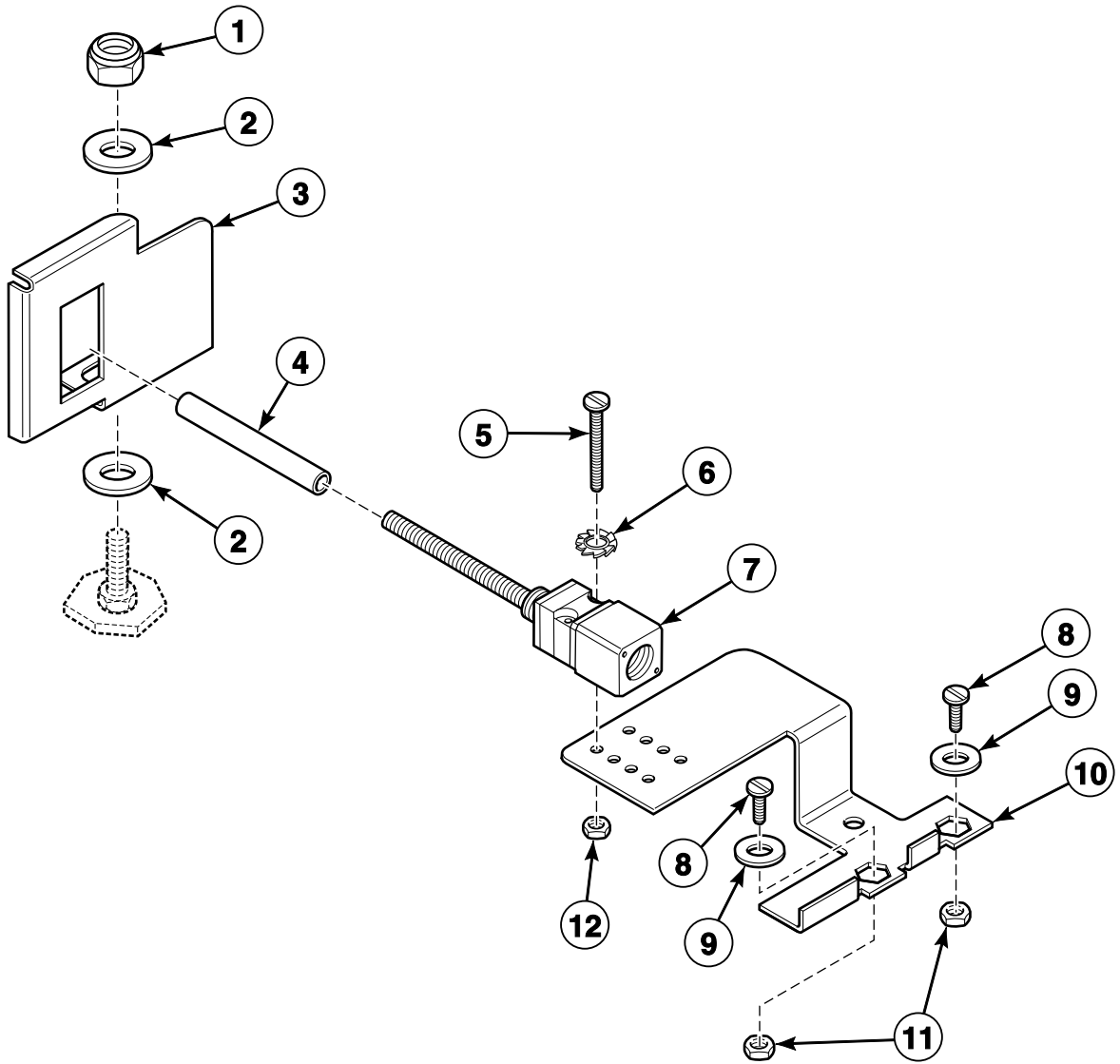


BE000802AP_D0902

Electrical Component Mounting Plate - Models Starting 2/23/09

REF	PART NO.	DESCRIPTION	COMMENTS
1	111/10003/40	Electrical Component Mounting Plate	
2	206/00099/00	Bolt	
3	210/00214/00	Thermostat	Cygnus control models
	210/01064/16	Thermostat	All other models
4	225/10004/00	Thermostat Grommet	
5	111/10003/50	Electrical Component Bridge	
6	209/06148/02	Heating Contactor	LC1D18P7
7	209/00641/04	Heating Contactor	LC1D0901M7
8	209/00027/10	Pressure Switch	
9	223/00035/02	Pressure Switch Cap	
10	B12700018	Pressure Hose	
11	223/00173/10	Pressure Switch Hose Tee	

Balance Switch

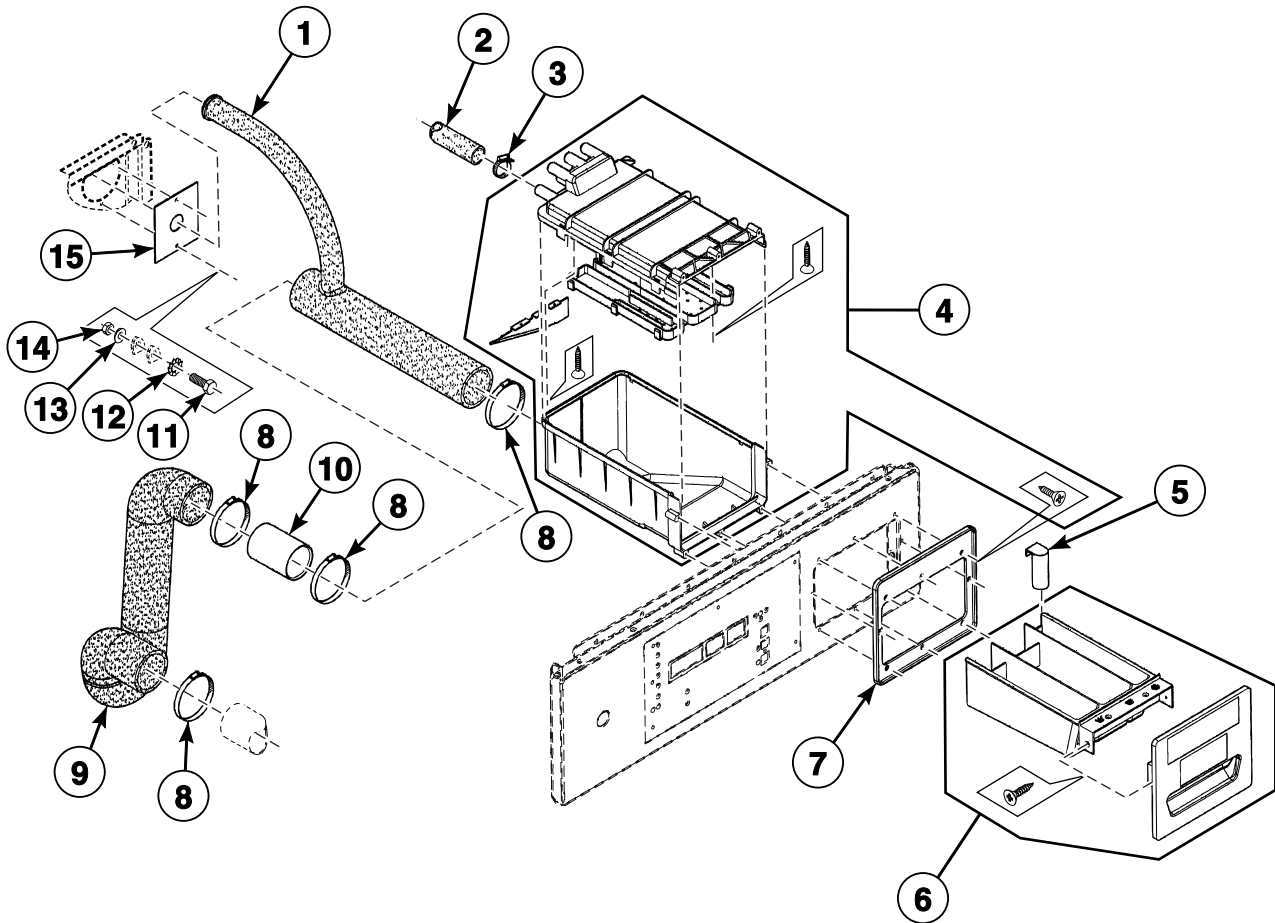


CFD544P_D0902

Balance Switch

REF	PART NO.	DESCRIPTION	COMMENTS
1	204/00110/00	Nut	
2	201/00010/00	Washer	
3	111/01854/00	Tilt Detector Plate	
4	223/00246/00	Out-of-Balance Switch Boot	
5	207/00018/00	Screw	
6	203/00006/00	Washer	
7	209/00255/00	Out-of-Balance Switch	
8	B12484601	Bolt	
9	201/00006/00	Washer	
10	111/01855/00	Tilt Switch Support	
11	204/00005/00	Nut	
12	204/00007/00	Nut	

Supply Dispenser - Models with Frontal Supply Dispenser

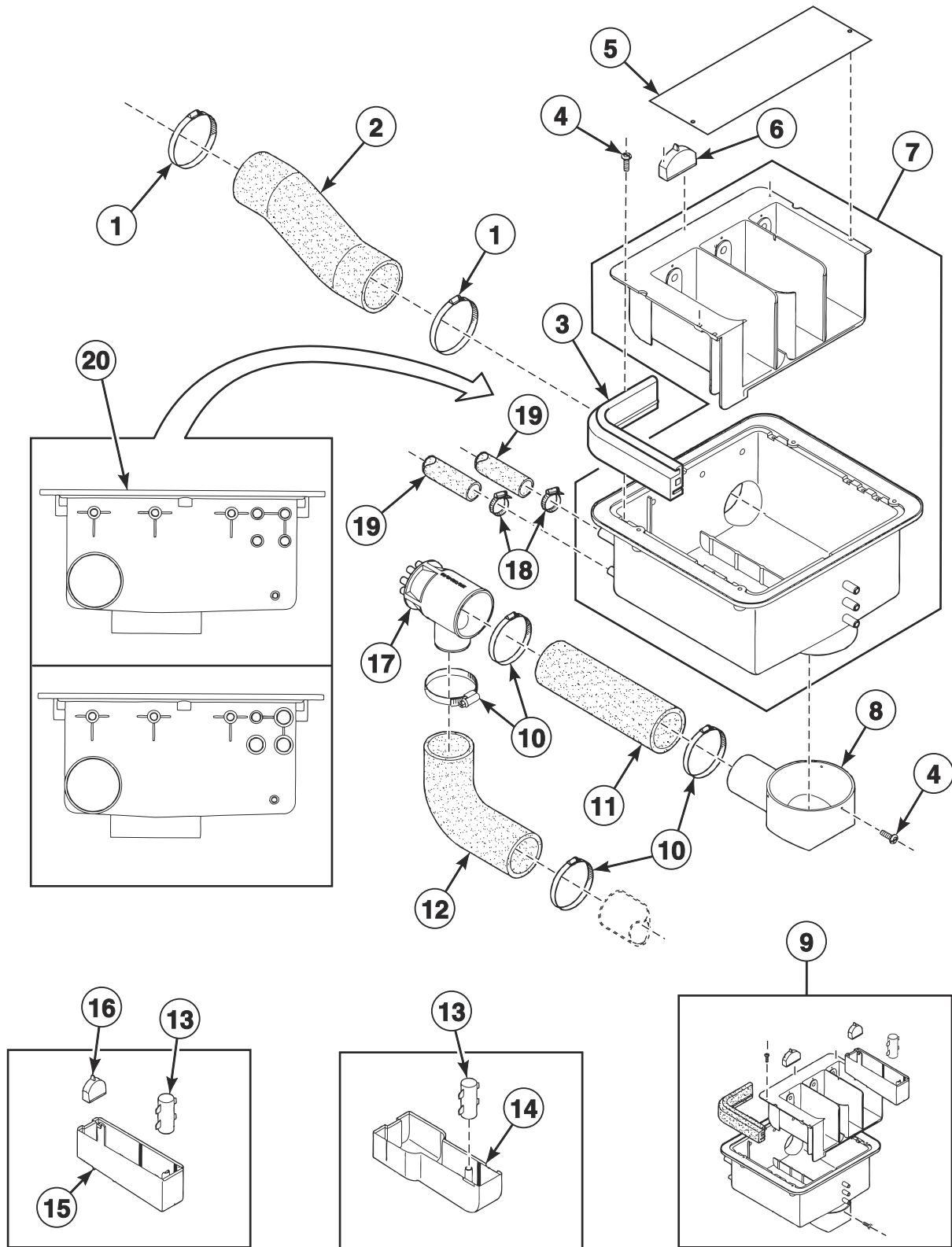


BE000663AP_D0902

Supply Dispenser - Models with Frontal Supply Dispenser

REF	PART NO.	DESCRIPTION	COMMENTS
1	223/00286/00	Hose	
2	223/00044/00	Water Hose	
3	F200205	Hose Clamp	
4	223/00280/00	Outer Soapbox	
5	223/00280/03	Front Soapbox Siphon	
6	223/00280/20	Inner Soapbox	
7	223/00280/07	Soapbox Handle	
8	223/00013/00	Hose Clamp	
9	223/00298/00	Hose	
10	118/00118/03	Tube	
11	206/00027/00	Bolt	
12	203/00006/00	Washer	
13	202/00004/00	Washer	
14	204/00007/00	Nut	
15	155/00161/00	Pump Support	

Supply Dispenser with Round Ventilation Opening

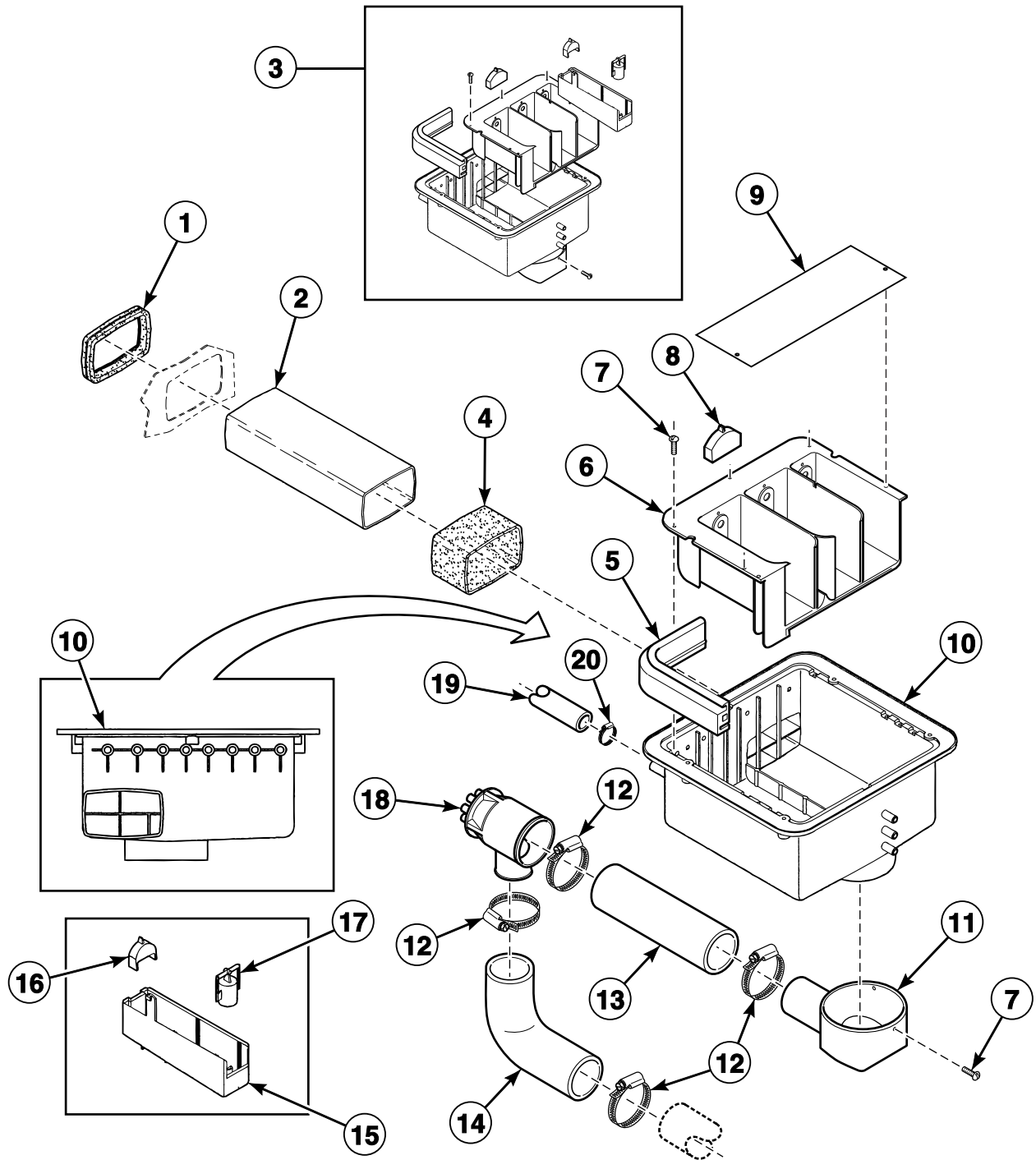


CFD330P_D0902

Supply Dispenser with Round Ventilation Opening

REF	PART NO.	DESCRIPTION	COMMENTS
1	223/00014/00	Hose Clamp	
2	223/00107/00	Soap Dispenser Air Breather Hose	
	223/00107/01	Ventilating Hose	
	223/00107/03	Vent Hose	
	223/00197/00	Vent Hose	
3	223/00109/00	Soap Dispenser Gasket	
4	B12347501	Screw	
5	123/00107/00	Anti-Splash Plate	Sigma control models
	123/00103/06	Soap Box Assembly Plate	All other models
6	223/00102/06	Soap Spray Nozzle	
7	223/00102/30	Soap Dispenser Assembly	
8	223/00195/00	Dispenser Drain Funnel	
9	223/00102/50	Soap Dispenser Assembly	
10	223/00013/00	Hose Clamp	
11	223/00260/00	Siphon Break Dispenser Hose	*12, *18, *60, *65 and *75 models
	223/00261/00	Soap Dispenser Hose	*25 and *100 models
12	223/00265/00	Siphon Break Hose	*12 and *60 models
	B12310307	Siphon Break Hose	*18, *25, *65, *75 and *100 models
13	223/00102/04	Soap Dispenser Rinse Siphon	
14	223/00102/08	Liquid Soap Dispenser Insert	
15	223/00102/03	Rinse Insert	
16	223/00102/05	Softener Spray Nozzle	
17	223/00250/00	Liquid Soap Manifold	
18	F200205	Hose Clamp	
19	223/00044/00	Water Hose	
20	223/00102/30	Soap Dispenser Assembly	PB3

Supply Dispenser with Rectangular Ventilation Opening

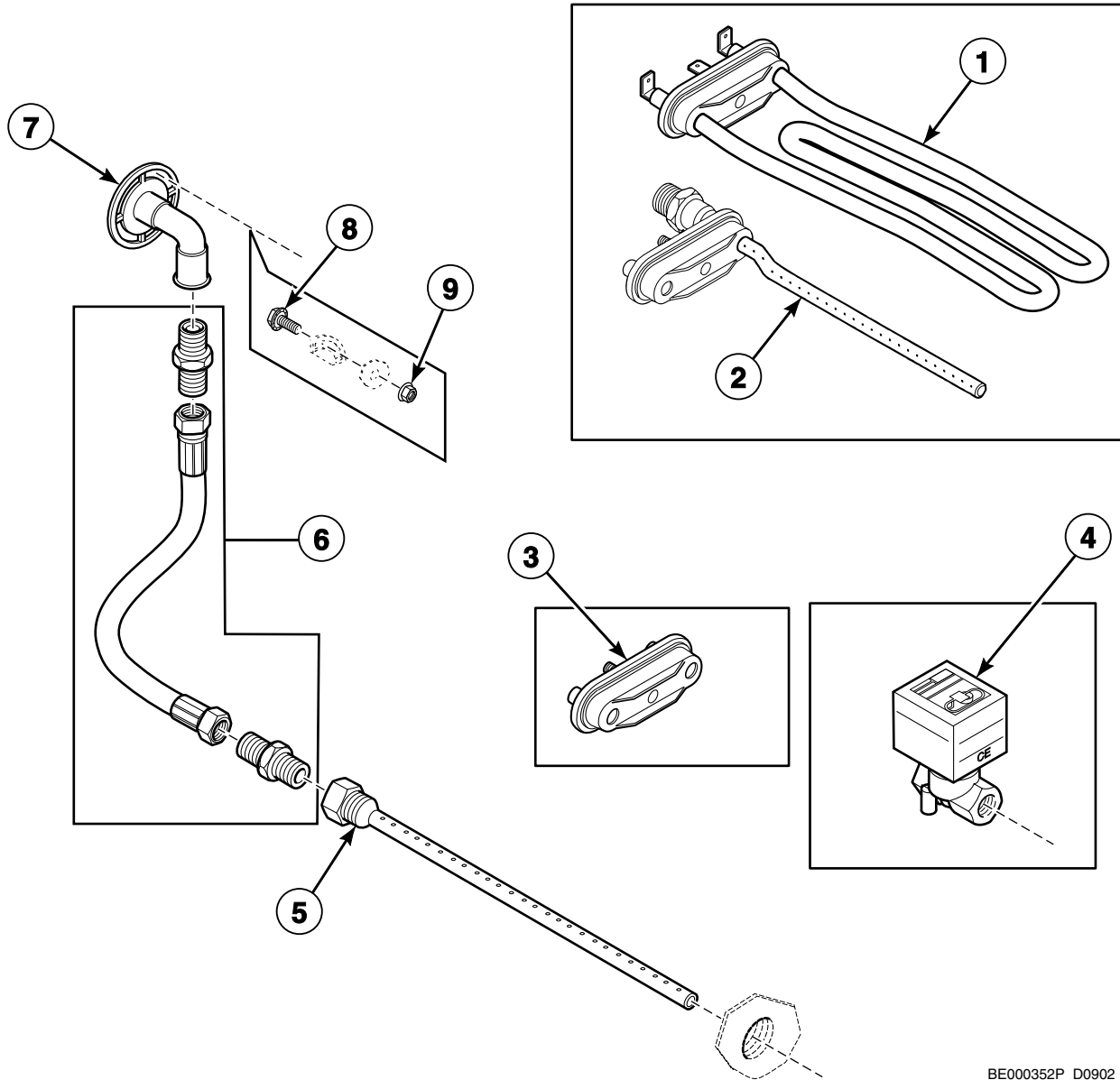


CFD331P_D0902

Supply Dispenser with Rectangular Ventilation Opening

REF	PART NO.	DESCRIPTION	COMMENTS
1	223/00226/00	Vent Tube	
2	223/00229/00	Vent Tube	
3	223/00222/00	Soap Dispenser	
4	223/00245/00	Shrink Fit	
5	223/00109/00	Soap Dispenser Gasket	
6	223/00222/60	Outer and Inner Box Kit	
7	B12347501	Screw	
8	223/00102/06	Soap Spray Nozzle	
9	123/00107/00	Anti-Splash Plate	Sigma control models
	123/00103/06	Soap Box Assembly Plate	All other models
10	223/00222/60	Outer and Inner Box Kit	
11	223/00195/00	Dispenser Drain Funnel	
12	223/00013/00	Hose Clamp	
13	223/00260/00	Siphon Break Dispenser Hose	*12, *18, *60, *65 and *75 models
	223/00261/00	Soap Dispenser Hose	*25 and *100 models
14	223/00265/00	Siphon Break Hose	*12 and *60 models
	B12310307	Siphon Break Hose	*18, *25, *65, *75 and *100 models
15	223/00222/05	Rinsing Box	
16	223/00222/03	Softener Spray Nozzle	
17	223/00222/04	Siphon Break	
18	223/00250/00	Liquid Soap Manifold	
19	223/00044/00	Water Hose	
20	F200205	Hose Clamp	

Electric and Steam Heating Options

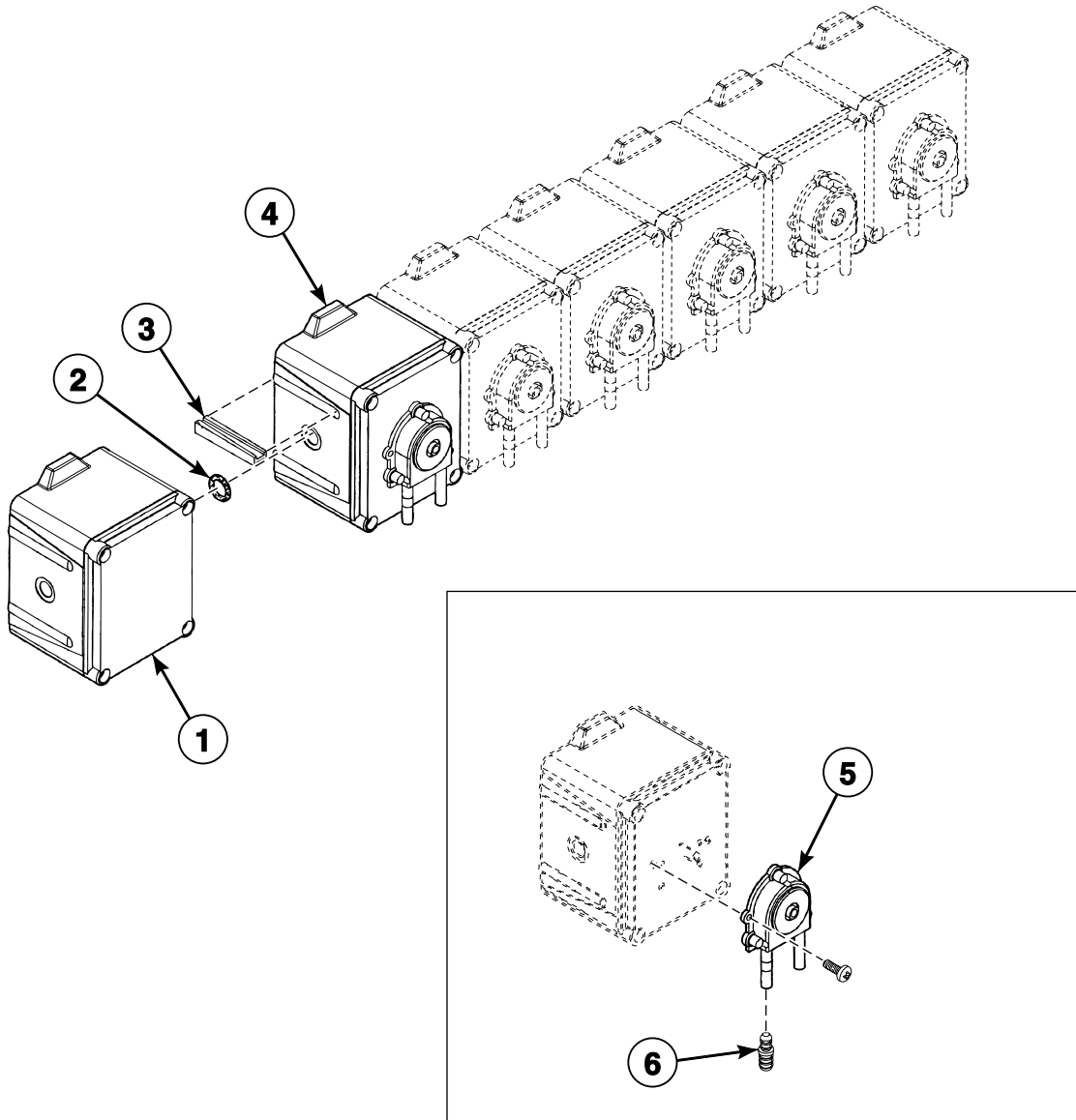


BE000352P_D0902

Electric and Steam Heating Options

REF	PART NO.	DESCRIPTION	COMMENTS
1	209/00581/10	Heating Element	4000W
	209/00562/20	Heating Element	3000W
	209/00563/20	Heating Element	2000W
	209/00564/20	Heating Element	1400W
2	118/00105/01	Steam Injector	
3	F360202	Heating Element Plug	
4	209/00477/00	Steam Valve	
5	119/00082/00	Steam Injector	
6	217/00025/00	Steam Hose	
7	118/01063/00	Steam Inlet	
8	206/00099/00	Bolt	
9	206/00101/00	Nut	

Soap Pumps



BE000527AP_D0902

Soap Pumps

REF	PART NO.	DESCRIPTION	COMMENTS
1	209/00554/01	Soap Pump Assembly	1 pump and 1 feeding pump
	209/00554/02	Soap Pump Assembly	2 pumps and 1 feeding pump
	209/00554/03	Soap Pump Assembly	3 pumps and 1 feeding pump
	209/00554/04	Soap Pump Assembly	4 pumps and 1 feeding pump
	209/00554/05	Soap Pump Assembly	5 pumps and 1 feeding pump
	209/00554/06	Soap Pump Assembly	6 pumps and 1 feeding pump
	209/00554/51	Feeding Liquid Soap Dosing Pump	
2	209/00554/52	Liquid Soap Dosing Pump O-Ring	
3	209/00554/53	Liquid Soap Dosing Pump Connection Piece	
4	209/00554/50	Pump	
5	209/00554/98	Hose	
6	209/00554/99	Hose Connector	

Parts Index

A

Anti-Splash Plate
123/00107/00 113, 115

B

Backbridge
111/01832/00 81, 87, 95
111/10426/90 83, 91, 93

Backplate
111/01002/00 73, 75

Basket and Shaft Assembly
B12379501 19, 27
B12379601 19, 27
B12379701 19, 27
B12379801 19, 27
B12379901 19, 27
B12380001 19, 27

Basket Kit
B12542501 19, 27
B12542601 19, 27
B12542701 19, 27
B12542801 19, 27

Bearing
F100136P 21, 23
F100137P 21, 23

Bearing Housing Assembly
152/00117/00 21, 23
152/10117/01 21, 23

Bearing Kit
3881P 23

Bearing Replacement Kit
387P4 21

Bearing Replacement Tool Kit
380P3 21, 23

Bearing Spacer
217/00100/00 25

Belt
255/00013/00 25, 27, 29

Bolt
B12484601 109
205/00102/00 21, 23
205/00103/00 41
205/00104/00 21, 23
205/00106/00 81
205/00107/00 43
205/00115/00 41
206/00005/00 25, 27
206/00011/00 13, 15, 17
206/00014/00 91, 93
206/00027/00 91, 93, 95, 97, 99, 111
206/00032/00 19
206/00033/00 31, 33, 35, 37, 39
206/00054/00 29
206/00088/00 83, 87
206/00099/00 29, 37, 39, 77, 79, 81, 83, 87,
91, 93, 95, 105, 107, 117
206/00114/00 77, 79
207/00125/00 43, 77, 79

Boot
255/00123/00 13, 15, 17, 19

Boot Clamp
238/00012/00 13, 15, 17, 19

C

Cable Duct
223/00231/00 77

Caddy Bracket
224/00051/00 21, 23
224/00052/00 21, 23

Central Control Board
209/00438/50 99, 101

Circuit Board Cover
229/00262/00 67, 69, 71
229/00289/00 45, 47, 49, 51, 53, 55,
57, 59, 61, 63, 65

Clamp
223/00009/00 37, 39

Coin Box
254/00077/00 73, 75

Coin Drop
B11211209 73
B12311201 73
B12311202 73
B12311203 73
B12311204 73
B12311205 73
B12311206 73
B12311207 73
B12311208 73
B12311210 73
B12311211 73
B12311212 73
B12311214 73
B12311215 73
B12311216 73
B12311218 73
B12311219 73
B12311220 73
B12311221 73
B12311222 73
B12311224 73
B12311225 73
B12311226 73
B12311234 73
B12311235 73
B12311239 73
B12311241 73
B12311244 73
B12311247 73
B12311248 73
B12311249 73
B12311252 73
B12311301 73
B12311302 73
B12311304 73
B12311401 75
B12323401 73
B12323901 73

Connecting Piece
255/00017/00 37

N/A items do not appear in index.

Connection Clamp	
209/00619/01	105
209/00622/01	105
209/00625/01	105
Contact Block	
44018901	45, 47, 49, 55, 57, 63, 65, 67, 69, 71
Control Board	
209/00547/00	67, 69
Cordlock	
211/00167/00	29
Counter Ring	
217/00004/00	25, 27
Crossbar	
155/00162/00	81
Cylinder	
B12379401	19, 27
111/01915/00	13, 15, 17, 19, 25, 27
Cylinder and Shaft Assembly	
111/01806/00	13, 25
111/01807/00	13, 25
111/01917/00	15, 17, 19, 27

D

Data Card Ribbon Assembly	
B12538301	45, 47, 49, 51, 53, 55, 57, 59, 61
Datacard	
209/02022/00	45, 47, 49, 51, 53, 55, 57, 59, 61
Datacard Cover	
223/00348/00	45, 47
Decal	
225/00403/00	69
Detergent PC-Board	
209/02005/00	103
209/02008/00	103
Dispenser Drain Funnel	
223/00195/00	113, 115
Display PC-Board	
209/02002/00	45
Door Frame	
118/00046/10	43
Door Glass	
217/00022/00	43
Door Glass Seal	
217/00015/00	43
Door Handle	
217/00059/00	43
217/00065/00	43
Door Handle Stop	
217/00016/00	43
Door Hinge	
221/00005/00	43
Door Hinge Assembly	
217/00009/02	43
Door Hinge Plate Assembly	
118/00065/00	43
Door Hinge Spacer	
117/00010/00	43
Door Lock Assembly	
B12517701	41
Door Lock Bracket	
217/00052/11	41

Door Lock Microswitch	
209/00272/00	41
Door Lock PC-Board	
209/02010/00	45, 47, 49, 51, 53, 55, 57, 59, 61
Door Lock Pin Kit	
211/00109/02	43
Door Lock Spacer	
217/00052/03	41
Door Lock Spring	
224/00049/00	41
Door Release Wire	
217/00052/07	41
Door Solenoid Assembly	
B12495102	41
Drain Hose	
223/00307/00	39
Drain Piece	
155/00155/00	37, 39
223/00146/00	31, 33, 37, 39
Drain Pipe	
223/00297/00	35
Drain Pipe Cap	
223/00294/00	35
Drain Pipe Kit	
899P3	37, 39
Drain Valve	
209/00463/00	33, 35
209/00643/00	31
Drain Valve Coil Cover	
209/00643/01	31
Drain Valve Hose	
223/00190/00	31, 33, 35
223/00303/00	31, 33, 35
Drum and Axle	
B12325701	15, 17, 19, 27
B12326101	13, 15, 17, 19, 25, 27
Dual Drop Optical Sensor Kit	
B12388102	73

E

Electrical Component Bridge	
111/10003/50	107
Electrical Component Mounting Plate	
111/10003/30	105
111/10003/40	105, 107
Electrical Connection Plate	
111/00094/10	91, 93
111/00188/06	91, 93, 99
Electrical Connection Sticker	
229/00068/02	91, 93
Electronic Coin Meter Housing	
152/00112/50	75
Emergency Switch Pushbutton	
209/00099/20	45, 47, 49
Eprom	
209/00266/01	63, 65

F

Facia and Outer Coin Box Assembly Kit	
245/00124/00	69

N/A items do not appear in index.

Fan	209/00465/00	29, 83, 87
Fan Filter	209/00465/11	87
Fan Grill	209/00465/01	83
Fan Plate Assembly	152/00044/03	29
Fastening Piece	217/00060/00	73, 75
Fastening Ring	238/00013/00	17, 19
Fastening Rubber	247/00006/00	11
	247/00007/00	11
Feeding Liquid Soap Dosing Pump	209/00554/51	119
Filter	B12331701	87, 97, 99
	B12352301	87, 97, 99
	209/00465/21	87
	210/00027/UL00	87, 97
	227/00177/00	99
Filter Bracket	111/01837/01	97
Frame	152/00101/50	9
	152/00102/50	9
	152/00119/50	9
Front Panel	111/00284/00	77, 79
Front Plate	111/01000/00	73, 75
Front Soapbox Siphon	223/00280/03	111
Fuse	B12360001	103
	B12389501	97, 99
	209/00372/01	63, 65, 67, 69, 71, 103
	209/00468/00	87, 99, 101, 103
	209/00552/11	71
Fuse Holder	209/00202/00	99, 101, 103
	209/00202/01	99, 101, 103

G

Grommet	223/00174/00	83, 87
	223/00198/00	77
	223/00203/00	99
Ground Terminal	209/00006/01	97
	210/10015/00	41

H

Hanging Drain Pump	209/00560/00	37
Heating Contactor	209/00641/04	105, 107
	209/06148/02	105, 107

Heating Element	209/00562/20	117
	209/00563/20	117
	209/00564/20	117
	209/00581/10	117
Heating Element Plug	F360202	117
Hose	209/00554/98	119
	223/00286/00	111
	223/00298/00	111
Hose Barb	223/00016/00	31
Hose Clamp	F200205	31, 33, 35, 91, 93, 95, 111, 113, 115
	223/00011/00	31, 37, 39
	223/00012/00	37, 39
	223/00013/00	31, 33, 35, 111, 113, 115
	223/00014/00	31, 33, 35, 37, 39, 113
Hose Connector	209/00554/99	119
Hose Vent	223/00102/07	91, 95

I

ID Chip	209/02020/00	103
Infrared Cable	210/00902/00	45, 47, 49, 51, 53, 55, 57, 59, 61, 67, 69, 71
Inlet Valve, 2-Way	B12519501	91, 93, 95
	209/00110/00	91, 93, 95
Inner Soapbox	223/00280/20	111
Input Block	209/00683/00	75
Insulating Sticker	229/00255/00	63, 65, 67, 69, 71
	229/00268/00	45
	229/00291/00	47, 49, 51, 53
Interlock Coil Spring	224/00043/00	41
Interlock Lever	217/00052/04	41
Inverter	F8644801P	85, 89
	227/00166/00	85
Inverter Box Cover	111/10425/01	83, 87
	111/10425/11	83, 87
Inverter Drive	F8420901	85, 89
	F8420902	85, 89
	F8420903	85, 89
	F8420904	85, 89
	F8420905	85, 89
	F8420906	85, 89
	F8420907	85, 89
	F8420908	85, 89
	F8644901P	85, 89
	F8645001P	85, 89
	227/00124/00	85

N/A items do not appear in index.

227/00167/00	85, 89
Inverter Drive Box	
111/10425/00	83, 87
111/10425/50	83, 87
Inverter Drive Kit	
F8420801	85, 89
F8420802	85, 89
F8420803	85, 89
F8420804	85, 89
F8420805	85, 89
F8420806	85, 89
F8420807	85, 89
F8420808	85, 89
Inverter PC-Board	
209/02006/00	103

K

Key	
254/00077/02	73, 75
Keypad	
209/00552/01	71
Keypad Sticker	
225/00407/00	63

L

Label	
225/00397/00	71
Leveling Leg	
252/00006/00	9
Lever Spring	
224/00040/00	41
Lip Seal	
B12332201	23
Liquid Soap Dispenser Insert	
223/00102/08	113
Liquid Soap Dosing Pump Connection Piece	
209/00554/53	119
Liquid Soap Dosing Pump O-Ring	
209/00554/52	119
Liquid Soap Manifold	
223/00250/00	83, 87, 93, 113, 115
Lock Protection Plate	
117/00052/08	41
Lock Shaft	
217/00017/03	41
Lower Front Panel	
111/00285/00	81
Lower Rear Panel	
111/10427/01	77, 79

M

Main Board	
B12351701	71
Main Switch	
209/00526/00	97
209/00529/00	97
209/00672/00	97

Main Switch Cover	
111/01834/00	97
Mechanical Coin Meter Housing	
152/00112/00	73
Memory Card PC Board	
B12305201	51
Memory Card PC-Board	
B12305201	45, 47, 49, 53, 55, 57, 59, 61
Microprocessor	
209/02025/00	103
Microswitch	
B12625101	41
Motor	
B12510501	29
209/00643/11	31
255/00014/00	29
Motor Key	
227/00126/01	29
Motor Pulley	
255/00012/00	29
Mounting Plate	
223/00374/00	45, 47, 49, 51, 53, 55, 57, 59, 61

N

Network Connection Printboard	
209/00540/01	99, 101
209/02007/00	103
Noise Filter	
B12339301	87, 97, 99
B12339401	87, 97, 99
227/00162/00	87, 97, 99
227/00163/00	87, 97, 99
227/00242/00	87, 97, 99
Nut	
204/00005/00	109
204/00006/00	81
204/00007/00	83, 87, 95, 99, 109, 111
204/00008/00	41, 73, 75
204/00009/00	13, 15, 17, 19, 41, 77, 79, 81
204/00103/00	43
204/00106/00	43
204/00109/00	29
204/00110/00	11, 13, 15, 17, 19, 109
204/00111/00	9, 21, 23
204/00114/00	67, 83, 87
204/00115/00	29
204/00116/00	45, 47, 49, 51, 53, 55, 57, 59, 61, 63, 65, 69, 71, 73, 75, 103
204/00201/00	31, 33, 35, 91, 93, 95
206/00101/00	31, 33, 35, 39, 117
206/00105/00	37, 39
206/00106/00	9
208/00002/00	75, 91, 93, 95
208/00025/00	81
208/00104/00	77, 79
209/00101/00	37
211/00171/00	87
211/00182/00	87
271/35945/00	91, 93

N/A items do not appear in index.

O

Operating Label	
225/00406/00	69
Operating Panel	
111/01817/00	55
111/01818/00	59
111/01826/00	61
111/01827/00	57
111/01900/00	47
111/01901/00	51
111/01904/00	49
111/01905/00	53
Operating Sticker	
225/00400/00	71
225/00404/00	67
225/00405/00	67
225/00408/00	63
225/00409/00	65
225/10305/00	59, 61
225/10306/00	59, 61
225/10307/00	55, 57
225/10308/00	55, 57
225/10313/00	45
225/10403/00	51, 53
225/10404/00	47, 49
225/10426/00	45
225/10427/00	47, 49
Optical Switch	
209/00781/00	73
O-Ring	
217/00002/00	21
Outer and Inner Box Kit	
223/00222/60	115
Outer Soapbox	
223/00280/00	111
Outer Tub	
B12327701	13, 15, 17, 19
B12327801	13, 15, 17, 19
B12328001	13, 15, 17, 19
B12328101	13, 15, 17, 19
B12328301	13, 15, 17, 19
B12328401	13, 15, 17, 19
B12328601	19
B12328701	13, 15, 17, 19
117/00202/00	13, 15, 17
Outlet Pipe Plate Assembly	
101/00007/00	31, 33, 35, 37, 39, 81
Out-of-Balance Switch	
209/00255/00	109
Out-of-Balance Switch Boot	
223/00246/00	109
Overflow Hose	
223/00100/00	31
223/00150/00	31, 33, 35
Overload Contactor	
209/00619/00	105
209/00620/00	105
209/00621/00	105
209/00622/00	105
209/00623/00	105
209/00624/00	105

P

Parameter Unit Assembly	
F8410901	83, 87
227/00171/00	83, 87
Parameter Unit Program Cable	
227/00171/10	83, 87
Pipe	
223/00159/00	37, 39
Plexi Frame	
225/00316/00	63, 65, 67, 69
225/00321/00	45
225/00322/00	55, 57, 59, 61
225/00323/00	47, 49, 51, 53
Plug	
211/00091/00	91, 93
Pressure Hose	
B12700017	105
B12700018	31, 33, 35, 37, 39, 107
223/00179/10	83, 87
Pressure Switch	
209/00027/10	105, 107
Pressure Switch Cap	
223/00035/02	33, 35, 37, 39, 105, 107
Pressure Switch Elbow	
223/00210/00	31
Pressure Switch Hose Tee	
223/00173/10	31, 33, 35, 37, 39, 105, 107
Prewash and Mainwash Nozzle	
223/00001/04	31, 33, 35, 91, 93, 95
Printboard	
209/00440/70	63, 65, 69
209/00440/80	63, 65, 69
209/02001/02	55, 57, 59, 61
209/02015/02	47, 49, 51, 53
Printboard Separator	
211/00128/00	45, 47, 49, 51, 53, 55, 57, 59, 61, 103
Printboard Support	
111/01838/10	101
Printboard Support Card	
111/01893/00	45, 47
Programming Key Contact Switch	
209/00326/20	71
Protection LED	
223/00330/00	55, 57, 59, 61
Pulley	
255/00117/00	25, 27
Pump	
209/00554/50	119
209/00646/00	39
209/00647/00	39
Pump Protection Plate	
111/00289/00	77
Pump Support	
111/00288/10	39
155/00159/00	37
155/00161/00	111
Pushbutton	
209/00396/00	73, 75
44018801	55, 57, 63, 65, 67, 69, 71

N/A items do not appear in index.

R

Reinforcement Plate	
111/10089/01	77, 79
Reinforcing Triangle	
155/00144/00	79
Relay PC-Board	
209/02014/00	103
209/02016/00	103
Retaining Ring	
117/00042/00	29, 81
212/00038/00	21, 23
Rinse Insert	
223/00102/03	113
Rinsing Box	
223/00222/05	115
Rivet	
208/00017/00	91, 93, 97, 101, 103, 105
211/00093/00	91

S

Screw	
B12347501	113, 115
B12350903	93
B12500801	43
206/00053/00	9, 21, 23
206/00058/00	29
206/00166/00	81
207/00009/00	41
207/00018/00	109
207/00021/00	87
207/00031/00	99
207/00101/00	81
207/00117/00	29
207/00121/00	83
207/00126/00	43
207/00135/00	41
208/00014/00	75, 81, 91, 93, 95
208/00130/00	83, 87
Seal Cover	
117/00001/00	21
Seal Plate Assembly	
B12333601	23
Shaft Seal	
217/00003/00	21
Shaft Seal Holder	
117/00001/01	21
Shock Absorber	
SPPRI611001025	11
247/00002/00	11
247/00002/03	11
247/00003/00	11
Shrink Fit	
223/00245/00	115
Side Panel	
111/10089/00	77, 79, 81
111/10097/00	77, 79, 81
111/10128/00	77, 79, 81
111/60031/00	77, 79, 81
111/60034/00	77, 79, 81
111/60048/00	77, 79, 81

Side Panel Gasket	
246/00079/00	77, 79, 81
Single Drop Optical Sensor Kit	
B12388101	73
Siphon Break	
223/00222/04	115
Siphon Break Dispenser Hose	
223/00260/00	113, 115
Siphon Break Hose	
B12310307	113, 115
223/00265/00	113, 115
Soap Box Assembly Plate	
123/00103/06	113, 115
Soap Dispenser	
223/00222/00	115
Soap Dispenser Air Breather Hose	
223/00107/00	113
Soap Dispenser Assembly	
223/00102/30	113
223/00102/50	113
Soap Dispenser Cover	
223/00103/01	77, 79
Soap Dispenser Cover Hinge Rod	
223/00103/04	77, 79
Soap Dispenser Frame	
223/00103/03	77, 79
Soap Dispenser Gasket	
223/00109/00	113, 115
Soap Dispenser Hose	
223/00261/00	113, 115
Soap Dispenser Rinse Siphon	
223/00102/04	113
Soap Injection PCB with Fuse	
209/00218/13	99, 101
Soap Pump Assembly	
209/00554/01	119
209/00554/02	119
209/00554/03	119
209/00554/04	119
209/00554/05	119
209/00554/06	119
Soap Spray Nozzle	
223/00102/06	113, 115
Soapbox Handle	
223/00280/07	111
Softener Spray Nozzle	
223/00102/05	113
223/00222/03	115
Speed Detector	
209/00400/00	21, 23
Speed Detector Bracket	
152/00055/00	21, 23
Spring	
238/00014/00	17, 19
Spring Holder Top	
247/00001/04	11
Spring Seat Bottom	
247/00001/03	11
Standoff	
211/00120/00	99
211/00122/00	45, 47, 49, 51, 53, 63, 65, 67, 69, 71, 103
211/00145/00	45, 47
211/00146/00	101, 103

N/A items do not appear in index.

Steam Hose	217/00025/00	117
Steam Injector	118/00105/01	117
	119/00082/00	117
Steam Inlet	118/01063/00	117
Steam Valve	209/00477/00	117
Stopper	223/00162/00	37, 39
	255/00019/00	37, 39
Support Connector	111/10003/10	105
Suspension Spring	247/00001/01	11
	247/00002/01	11
	247/00009/00	11
Switch	209/00600/01P	73
Switch Base	209/00099/25	71
Switch Knob	209/00099/29	71

T

Telem Sticker	209/00520/00	45, 47, 49, 55, 57, 63, 65, 67, 69, 71
Terminal Block	209/00058/00	99
	209/00527/00	97
	209/00530/00	97
	209/01625/00	105
Thermostat	210/00214/00	105, 107
	210/01064/16	105, 107
Thermostat Grommet	225/10004/00	105, 107
Tilt Detector Plate	111/01854/00	13, 15, 17, 19, 109
Tilt Switch Support	111/01855/00	109
Tolerance Ring	215/00004/00	25, 27
Top Panel	111/01001/00	73, 75
	111/22141/00	77, 79
	111/22142/00	77, 79
	155/00142/00	77, 79
Transformer	209/00682/00	75
Trap	223/00316/00	31
Tub Front Gasket	B12351601	13, 15, 17, 19
Tub Front Panel	118/00054/03	13, 15, 17, 19
Tub Front Panel Clip	217/00008/00	13, 15, 17, 19
Tub Front Ring Clamp	217/00007/00	13, 15, 17, 19

Tub Support	152/00104/00	9
	152/00105/00	9
	152/00106/00	9
	152/00122/00	9
Tub to Drain Valve Hose	255/00010/00	33, 35, 39
	255/00010/01	37
Tube	118/00118/03	111

U

Upper Backpanel	111/01832/10	95
Upper Front Panel	111/01813/00	65
	111/01814/00	63, 67
	111/01845/00	45
	111/01848/00	71
	111/01963/00	71

V

Vent Hose	223/00107/03	113
	223/00197/00	113
Vent Tube	223/00226/00	93, 95, 115
	223/00229/00	115
Ventilating Hose	223/00107/01	113
Voltage Discharge Decal	B12355001	87

W

Washer	B12421401	81
	201/00002/00	31, 33, 35, 91, 93, 95
	201/00005/00	9
	201/00006/00	29, 41, 81, 91, 93, 95, 109
	201/00007/00	19, 31, 33, 35, 37, 39
	201/00010/00	13, 15, 17, 19, 109
	201/00012/00	21, 23
	201/00015/00	11, 25, 27
	201/00017/00	41
	201/00018/00	41
	201/00201/00	21, 23
	202/00003/00	13, 15, 17, 81
	202/00004/00	83, 91, 93, 95, 97, 111
	202/00101/00	41, 43
	202/00104/00	43
	202/00108/00	43
	202/00111/00	43
	202/00124/00	41
	203/00002/00	25, 27
	203/00004/00	21, 23
	203/00005/00	81
	203/00006/00	63, 65, 83, 87, 95, 97, 99, 109, 111
	203/00007/00	41
	203/00015/00	81
	208/00009/00	81

N/A items do not appear in index.

223/00051/10	71
223/00123/00	45, 47, 49, 51, 53, 55, 57, 59, 61, 71, 103

Water Hose

F200164	91, 95
F200166	91, 95
223/00044/00	31, 35, 91, 93, 95, 111, 113, 115
223/00044/01	33

Wire Assembly

B12359901	73
-----------------	----
