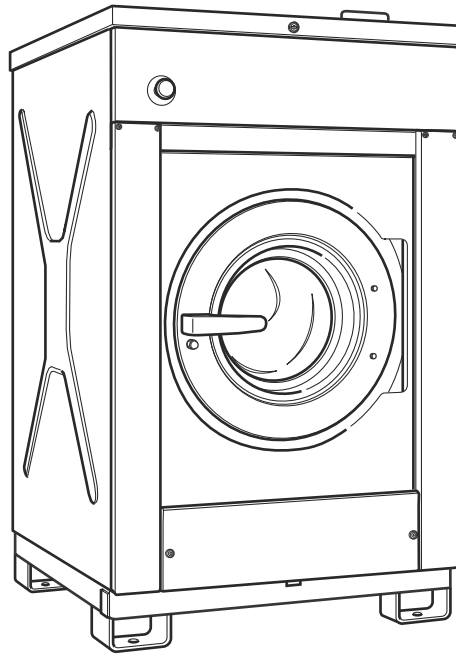


Washer-Extractor

Cabinet Freestanding
Refer to Page 3 for Model Numbers



CFD30C_D1586

Table of Contents

Title	Page
Parts Ordering Information.....	2
Serial Plate Location	2
Model Identification	3
Cabinet Freestanding Washer-Extractor Product Overview	4
Frame.....	6
Shock Absorber	8
Shell and Basket	10
Bearing Housing	12
Basket, Pulley and Belt	14
Motor and Belt.....	16
Drain Plumbing	18
Drain Plumbing - Models with Pump Drain	20
Door Lock.....	22
Door	24
Control Panel - Cygnus Professional	26
Control Panel - PRO	28
Control Panel - Cygnus Ultra Pro.....	30
Control Panel - Cygnus Premium OPL and Ultra.....	32
Control Panel - Cygnus Premium Vended	34
Control Panel - Cygnus Standard/Commercial OPL.....	36
Control Panel - Cygnus Vended and Standard/Commercial Vended	38
Control Panel - STANDARD OPL	40
Control Panel - STANDARD Vended.....	42
Control Panel - WE-8	44
Coin Drop - Mechanical Coin Meter	46
Coin Drop - Electronic Coin Meter	48
Right Side, Front, Lower Rear and Top Panels - Models with Pump Drain	50
Right Side, Front, Lower Rear and Top Panels - Models without Pump Drain	52
Left Side, Lower Front and Upper Rear Panels	54
Inverter Drive	56
Printboard Support Panel and Soap Injection Printboards - Cygnus, PRO and STANDARD Models.....	58
Printboard Support Panel and Soap Injection Printboards - WE-8 Models.....	60
Electrical Component Mounting Plate - Cygnus, PRO and STANDARD Controls.....	62
Electrical Component Mounting Plate - WE-8 Control	64
Balance Switch	66
Fill Plumbing Assembly.....	68
Electric and Steam Heating Options	70
Parts Index.....	73

© Copyright 2018, Alliance Laundry Systems LLC

All rights reserved. No part of the contents of this book may be reproduced or transmitted in any form or by any means without the expressed written consent of the publisher.

Parts Ordering Information

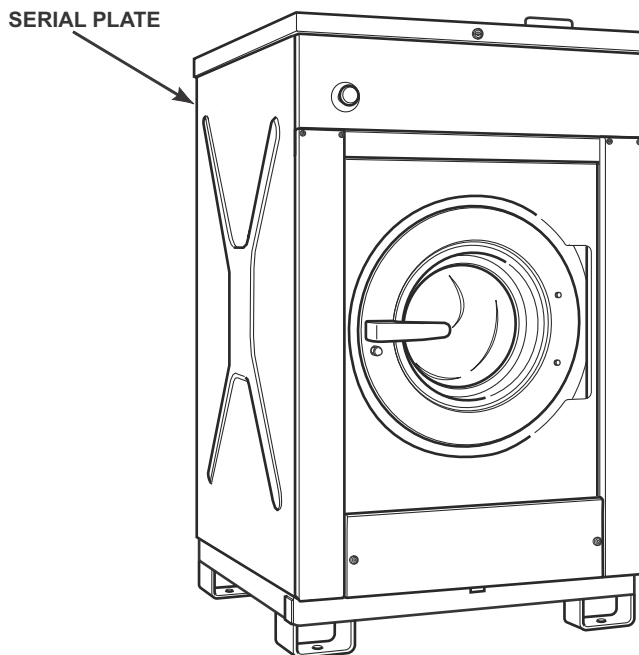
If literature or replacement parts are required, contact the source from whom the machine was purchased or contact Alliance Laundry Systems at (920) 748-3950 for the name and address of the nearest authorized parts distributor.

For technical assistance, call the number listed below:

(920) 748-3121 Ripon, Wisconsin

Serial Plate Location

When calling or writing about your product, be sure to mention model and serial numbers. Model and serial numbers are located on serial plate(s) as shown.



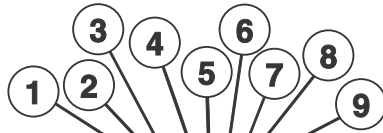
CFD30CA_D1586

Model Identification

Information in this manual is applicable to these washer-extractor models:

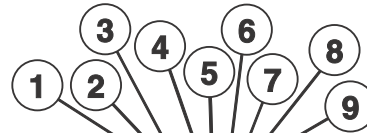
CS025_CYGNUS-ULTRA	IS025_CYGNUS-ULTRA	SX025_PRO
CS025_ULTRA-PRO	IS025_CYGNUS-VENDED	SX025_STANDARD
CXG100X	IS025_ULTRA-PRO	SX25_WE-8
CXG100Z	IXA100C	SXA100P
CXN100U	IXA100X	SXE025C
CXN100X	IXA100Y	SXE025P
CXN100Z	IXA100Z	SXE025Z
CXR025R	IXG100C	SXG100P
CXR025U	IXG100X	SXG100Z
CXR025X	IXG100Y	SXN100P
CXR025Z	IXG100Z	SXR025P
CXU100X	IXN100C	SXU100P
CXU100Z	IXN100U	SXU100Z
CXW100X	IXN100V	SXW100P
CXW100Z	IXN100X	SXW100Z
CXY025X	IXN100Y	SXY025P
CXY025Z	IXN100Z	SXY025Z
CXZ100X	IXR025R	SXZ100P
CXZ100Z	IXR025U	SXZ100Z
DXU100X	IXU100C	UX025_PRO
EXU100X	IXU100X	UX25_WE-8
HD100_CYGNUS-COMM	IXU100Y	UXA100P
HD100_CYGNUS-PREM	IXU100Z	UXE025P
HD100_CYGNUS-PRO	IXW100C	UXE025Z
HD100_CYGNUS-STANDARD	IXW100X	UXG100P
HX25_WE-8	IXW100Y	UXG100Z
HXA100P	IXW100Z	UXN100P
HXE025P	IXY025C	UXR025P
HXG100P	IXY025X	UXU100P
HXN100P	IXY025Y	UXU100Z
HXR025P	IXY025Z	UXW100P
HXU100P	IXZ100C	UXW100Z
HXW100P	IXZ100X	UXY025P
HXY025P	IXZ100Y	UXY025Z
HXZ100P	IXZ100Z	UXZ100P
	JXW100C	UXZ100Z
	JXW100Y	WXU100C
	PXU100Y	

Cabinet Freestanding Washer-Extractor Product Overview



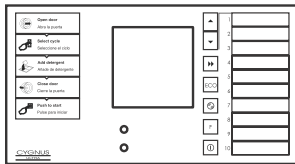
Model No: IXU135XNCUQE	Serial No: 12090AE0036
Volts: 380-415V	Type: HD135
Hertz: 50(60)Hz	1 3
Phase: 3+N	Capacity: 30/13.2 lbs/kg
Amps: 24.3 amps	Water 28-85 psi
Recommended Circuit Breaker: 25 amps	Pressure: 2-6 bar
Electrical Heating: 12-14. kW	Max Speed: 1000 rpm
Steam Heat: N/A psi	Net Weight: 788 lbs
Sound Level: 62/73 dBA	Heat: N/A bar
	Net Weight: 358 kg
	IPX4
	sfc 807393

Alliance International BVBA
 Nieuwstraat 146
 8560 Weveigem
 Belgium
 Tel: +32 56 41 20 54
 Fax: +32 56 41 86 74
 www.ipsob.be
 Country of origin: Belgium

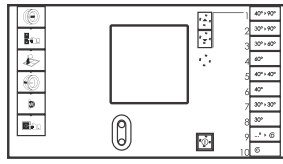


Model No: IHN185SNLXUOP	Serial No: 1209BG0043
Volts: 200-240V	Type: WD185
Hertz: 60(50)Hz	1 3
Phase: 1	Capacity: 40/18.2 lbs/kg
Amps: 3.5 amps	Water 28-85 psi
Recommended Circuit Breaker: 15 amps	Pressure: 2-6 bar
Electrical Heating: N/A kW	Max Speed: 470 rpm
Steam Heat: N/A psi	Net Weight: 618 lbs
Sound Level: 62/73 dBA	Heat: N/A bar
	Net Weight: 281 kg
	IPX4
	sfc 807410

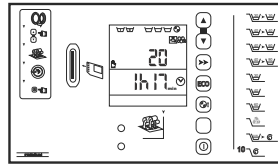
Alliance International BVBA
 Nieuwstraat 146
 8560 Weveigem
 Belgium
 Tel: +32 56 41 20 54
 Fax: +32 56 41 86 74
 www.ipsob.be
 Country of origin: Belgium



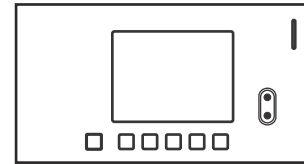
Cygnus Ultra



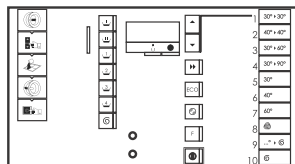
Cygnus Premium Coin



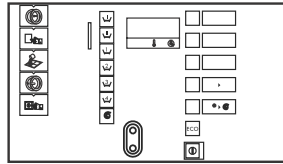
Cygnus Premium OPL



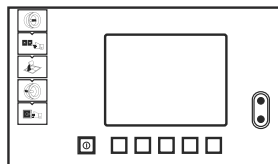
Pro



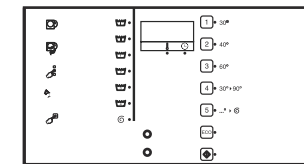
Cygnus Commercial



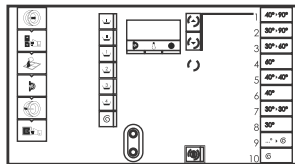
Cygnus Standard OPL



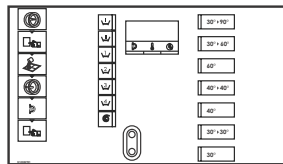
Cygnus Professional



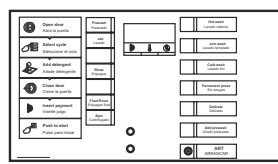
Standard



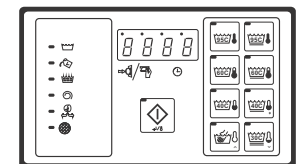
Cygnus Commercial Vended



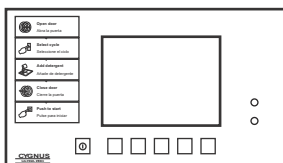
Cygnus Standard Vended



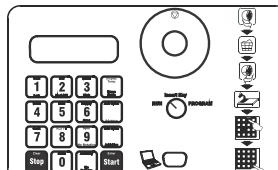
Cygnus Vended



B-Series



Cygnus Ultra Pro



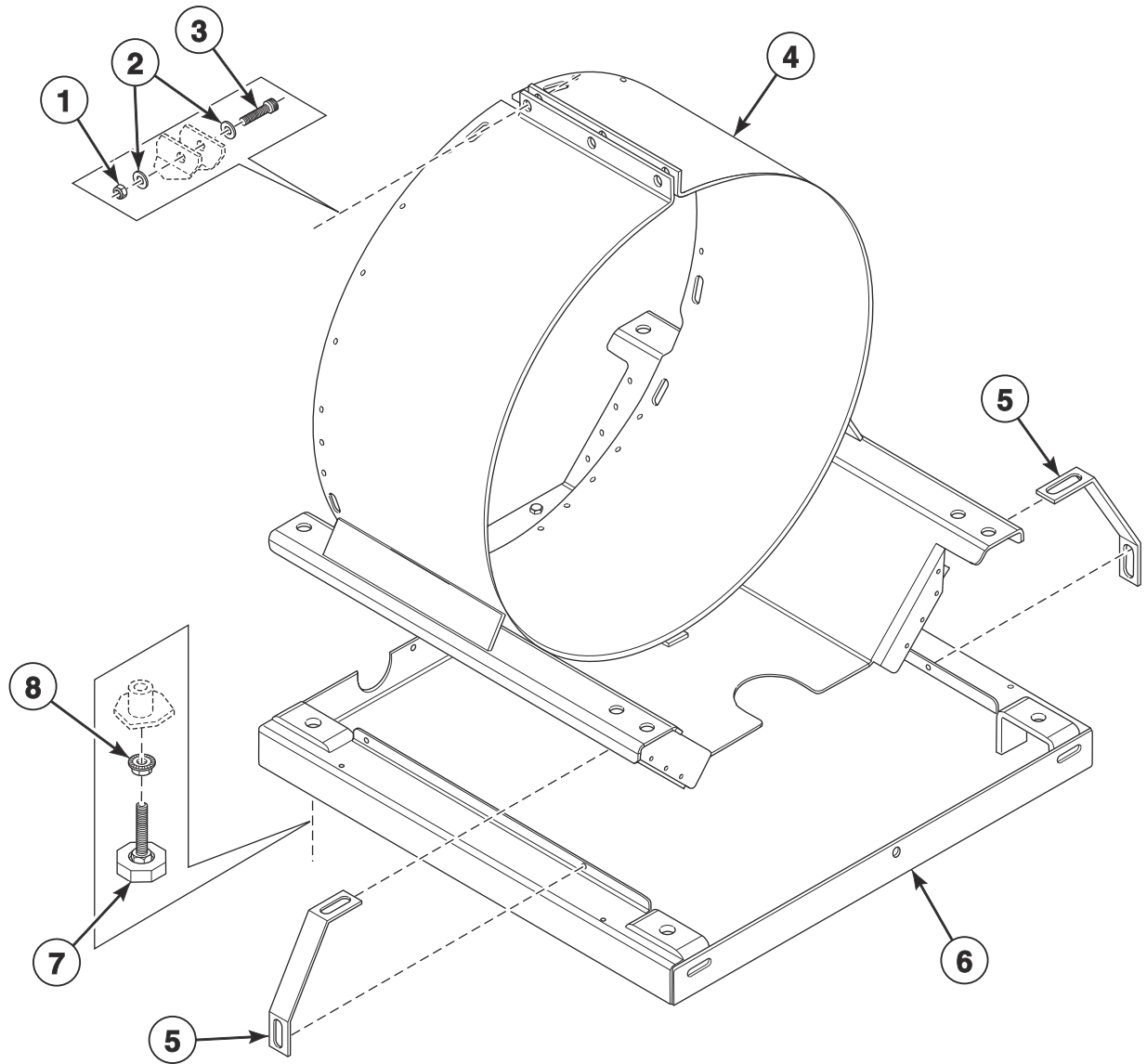
WE-8

CFD2470P_D1586

Cabinet Freestanding Washer-Extractor Product Overview

REF	PART NO.	DESCRIPTION	COMMENTS
1	-	Product Family	CS CX DX EX HD HX IS IX JX PX SX UX WX
2	-	Market	E (EU [CE] Pounds) G (GOS) N (US ETL/ETL[C]) R (US ETL/ETL[C]) U (EU [CE]) W (EU [CE] WRAS) Z (No Agency Int.)
3	-	Capacity	25 100
4	-	Control	B (B-Series) C (Cygnus Standard or STANDARD) P (WE-8) R (Cygnus Ultra Pro) U (Cygnus Ultra) V (Cygnus Vended) X (Cygnus Commercial) Y (Cygnus Premium) Z (Cygnus Professional or PRO)
5	-	Actuation	C (Single Coin Drop) D (Dual Coin Drop) E (Electronic Coin Drop) L (Central Pay Pulses) N (OPL) S (Central Pay Serial Comm)
6	-	Speed	H (High Speed)
7	-	Voltage	C (380-415V/50/60 Hertz/3Ph-4W [L1, L2, L3, N]) N (440-480V/50/60 Hertz/3Ph-3W [L1, L2, L3]) P (380-415V/50/60 Hertz/3Ph-3W[L1, L2, L3]) Q (200-208/220-240V/50/60 Hertz/3Ph-3W [L1, L2, L3]) X (200-208/220-240V/50/60 Hertz/1Ph-2W [L1, N] or 2W [L1, L2])
8	-	Cabinet	1 (Stainless Steel Side Panels) U (Standard)
9	-	Design	1

Frame

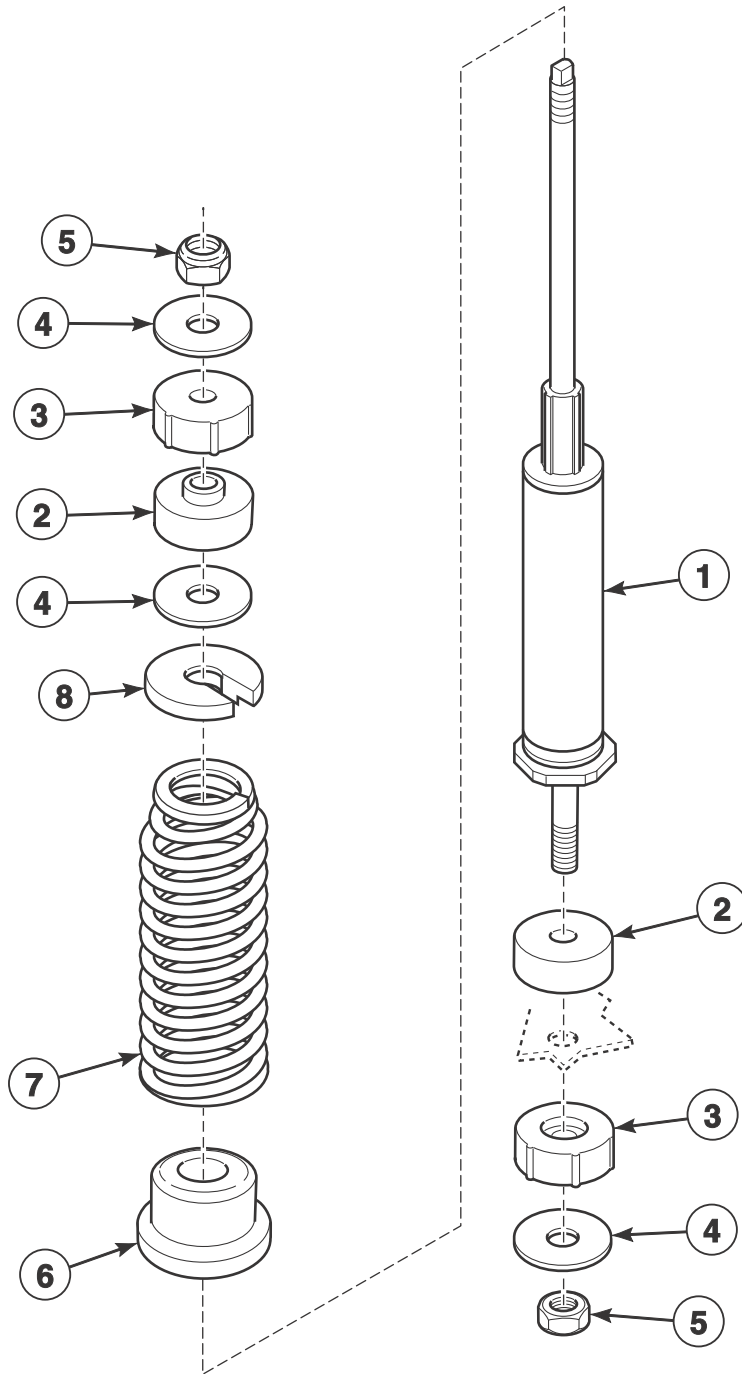


CFD552P_D1586

Frame

REF	PART NO.	DESCRIPTION	COMMENTS
1	204/00111/00	Nut	
2	201/00005/00	Washer	
3	206/00053/00	Screw	
4	B12490501	Tab Support	
5	185/00009/12	Shipping Brace	
6	152/00102/00	Frame	
7	252/00006/00	Leveling Leg	
8	206/00106/00	Nut	

Shock Absorber

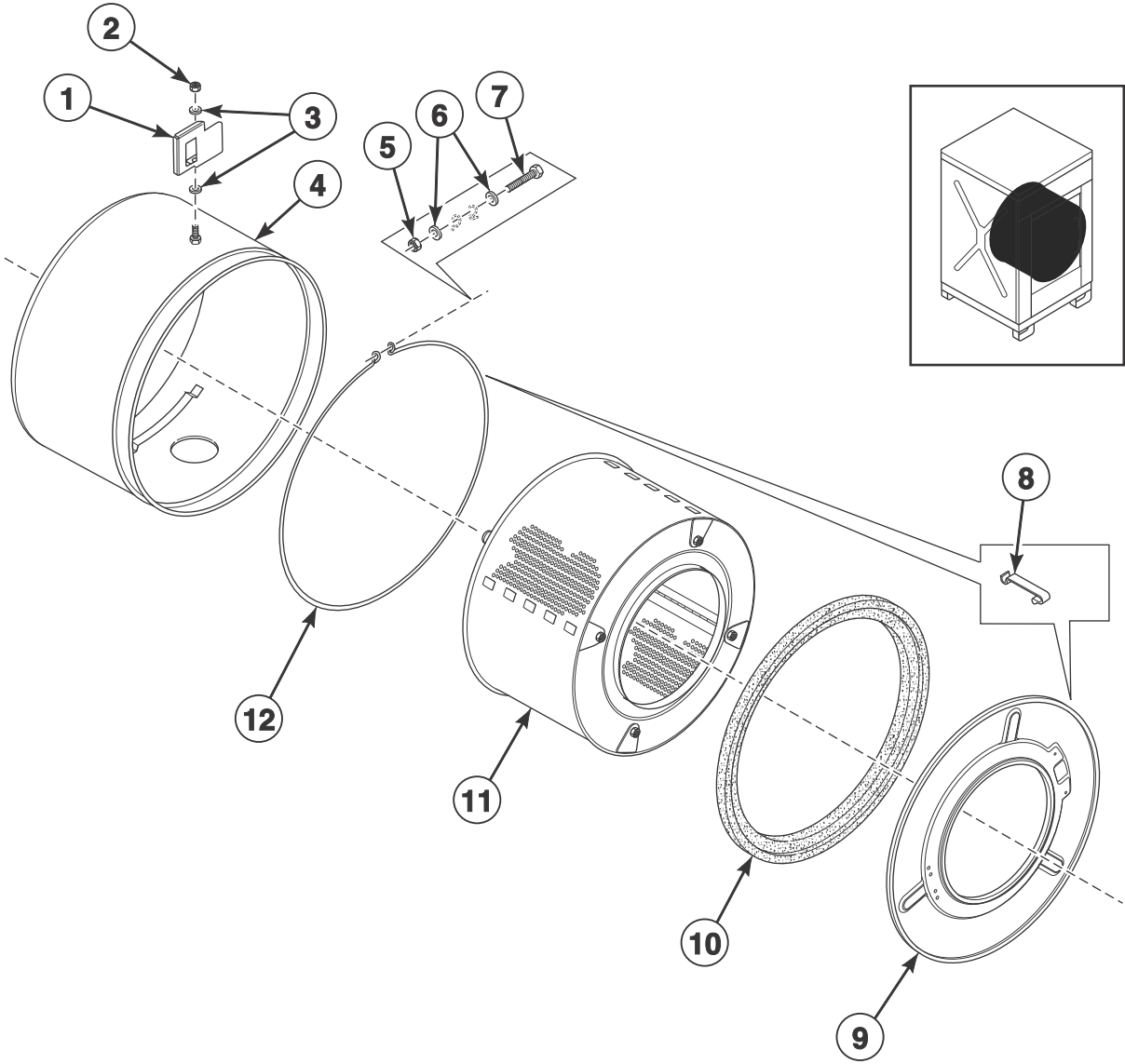


BE000626P_D1586

Shock Absorber

REF	PART NO.	DESCRIPTION	COMMENTS
1	247/00002/02	Shock Absorber	
	247/00003/00	Shock Absorber	Includes items 1, 2, 4, 6, 8 and 247/00002/01 Suspension Spring
2	247/00006/00	Fastening Rubber	
3	247/00007/00	Fastening Rubber	
4	201/00015/00	Washer	
5	204/00110/00	Nut	
6	247/00001/03	Spring Seat Bottom	
7	247/00009/00	Suspension Spring	Red; 5 mm diameter
	247/00002/01	Suspension Spring	Blue; 5.5 mm diameter
	247/00001/01	Suspension Spring	Black; 4.8 mm diameter
	247/00002/03	Shock Absorber	Includes items 2, 4 and 247/00009/00 Suspension Spring
	247/00002/00	Shock Absorber	Includes items 2, 4 and 247/00001/01 Suspension Spring
8	247/00001/04	Spring Holder Top	

Shell and Basket

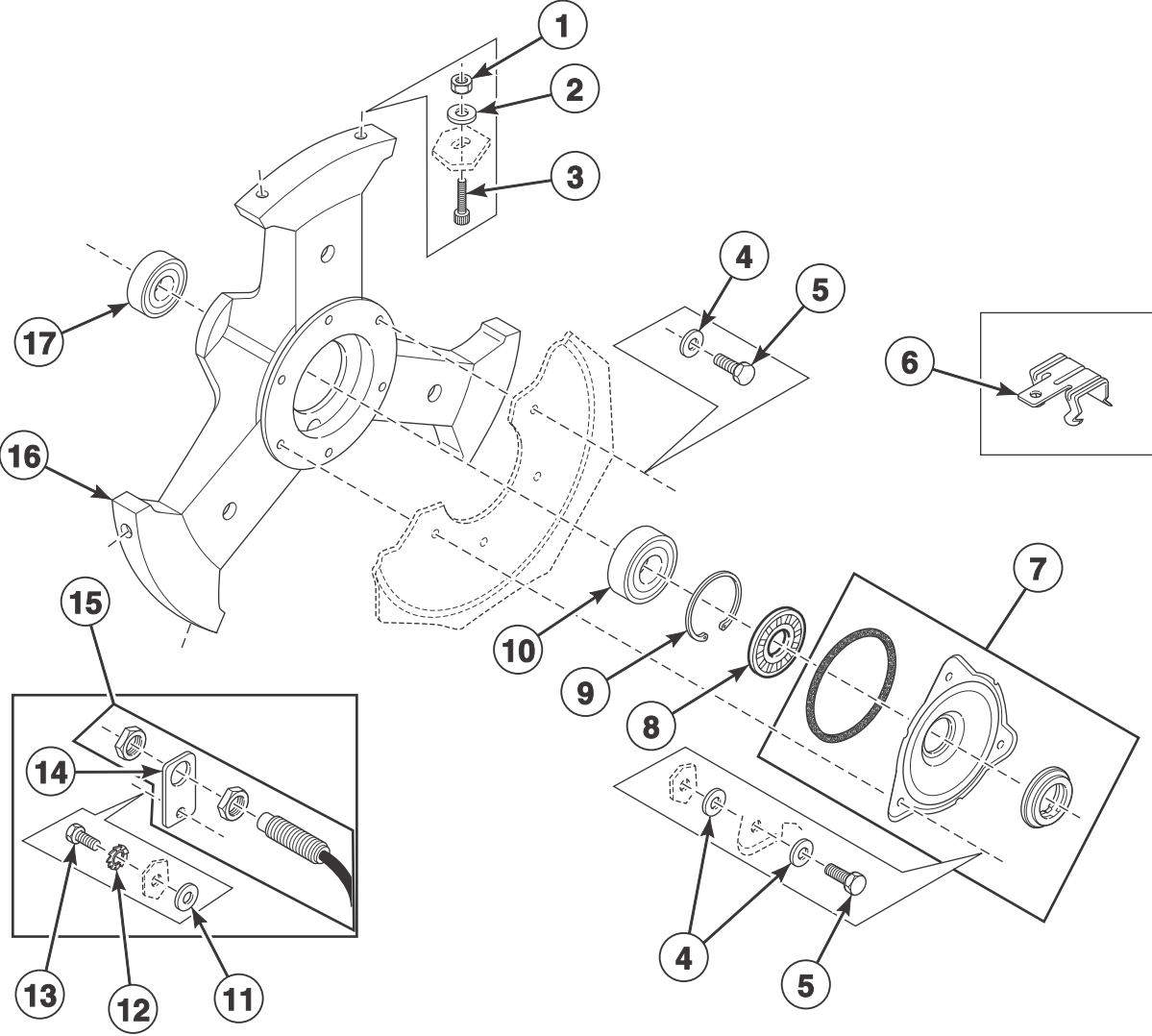


CFD553P_D1586

Shell and Basket

REF	PART NO.	DESCRIPTION	COMMENTS
1	111/01854/00	Tilt Detector Plate	
2	204/00110/00	Nut	
3	201/00010/00	Washer	
4	B12328601	Outer Tub	Electric heat
	B12328701	Outer Tub	Boiler fed
5	204/00009/00	Nut	
6	201/00007/00	Washer	
7	206/00032/00	Bolt	
8	217/00008/00	Tub Front Panel Clip	
9	B12339601	Tub Front Panel	
10	B12351601	Tub Front Gasket	
11	B12542801	Basket Kit	3 mm
	B12380001	Basket and Shaft Assembly	9 mm
12	219/00007/00	Tub Front Ring Clamp	

Bearing Housing

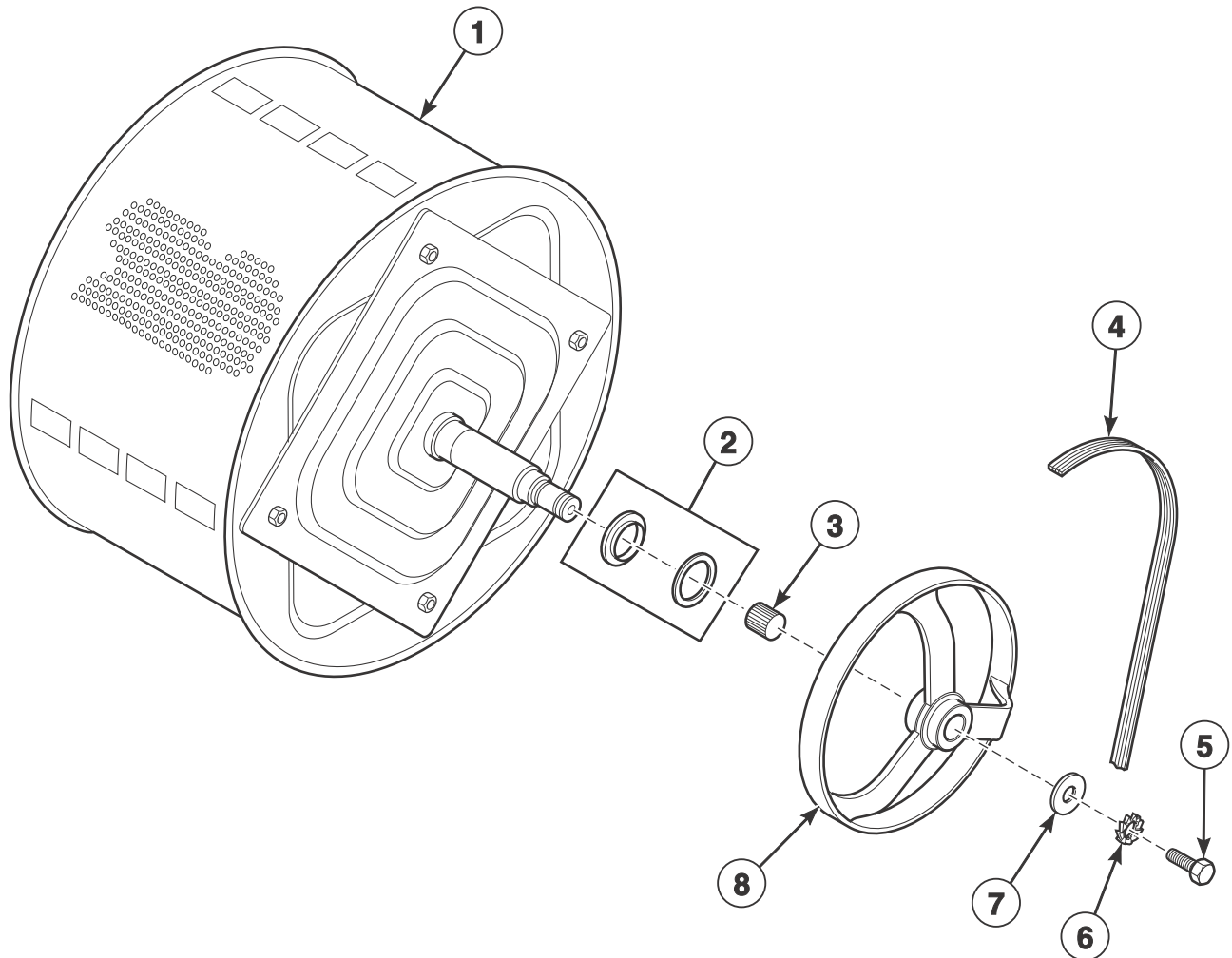


CFD583P_D1586

Bearing Housing

REF	PART NO.	DESCRIPTION	COMMENTS
	3881P	Bearing Kit	Includes items 4,5,7,8, 10, 17, 217/00004/00 Counter Ring and 223/00242/00 Tub Gasket
	380P3P	Bearing Replacement Tool Kit	Purchase
	380P3-1	Bearing Replacement Tool Kit	Rental; Requires F407P4 Hardware Kit
	F407P4	Hardware Kit	
1	204/00111/00	Nut	
2	201/00012/00	Washer	
3	206/00053/00	Screw	
4	201/00201/00	Washer	
5	205/00102/00	Bolt	
6	224/00051/00	Caddy Bracket	4H58-4
	224/00052/00	Caddy Bracket	4H912
7	B12333601	Seal Plate Assembly	
8	B12332201	Lip Seal	
9	212/00038/00	Retaining Ring	
10	F100137P	Bearing	
11	202/00003/00	Washer	
12	203/00004/00	Washer	
13	205/00104/00	Bolt	
14	152/00055/00	Speed Detector Bracket	
15	210/00074/00	Speed Detector	Includes item 14
16	152/00117/00	Bearing Housing Assembly	
17	F100136P	Bearing	

Basket, Pulley and Belt

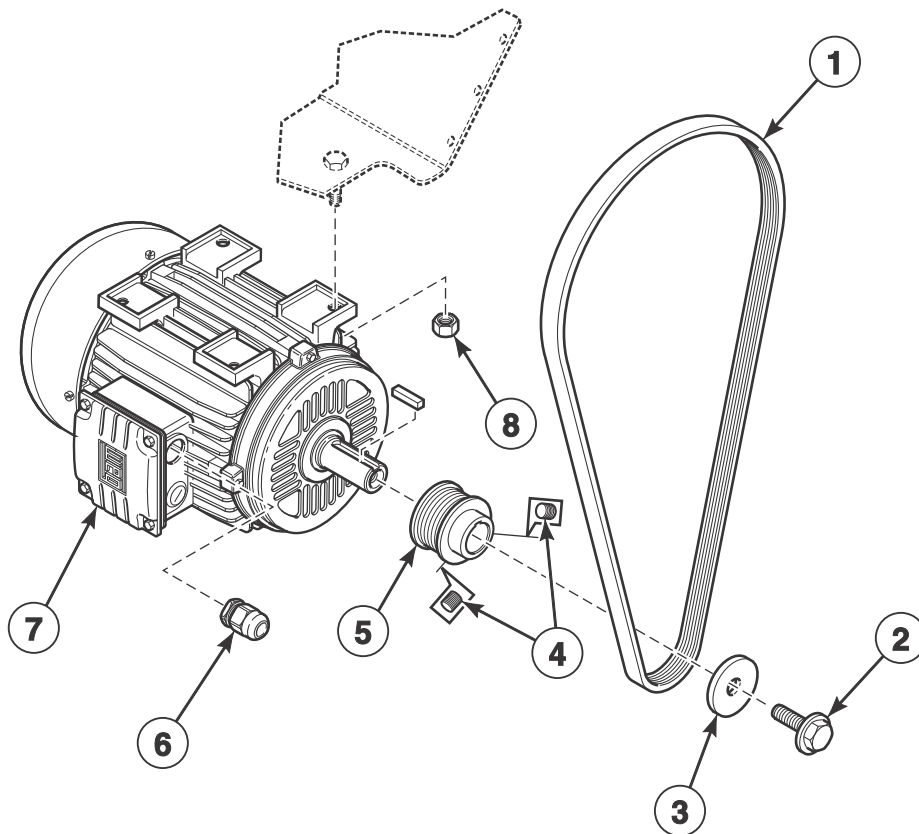


BE000839P_D1586

Basket, Pulley and Belt

REF	PART NO.	DESCRIPTION	COMMENTS
1	B12542801	Basket Kit	3 mm
	B12380001	Basket and Shaft Assembly	9 mm
2	217/00004/00	Counter Ring	
3	215/00004/00	Tolerance Ring	
4	255/00013/00	Belt	
5	206/00004/00	Bolt	
6	203/00001/00	Washer	
7	201/00003/00	Washer	
8	255/00117/00	Pulley	

Motor and Belt

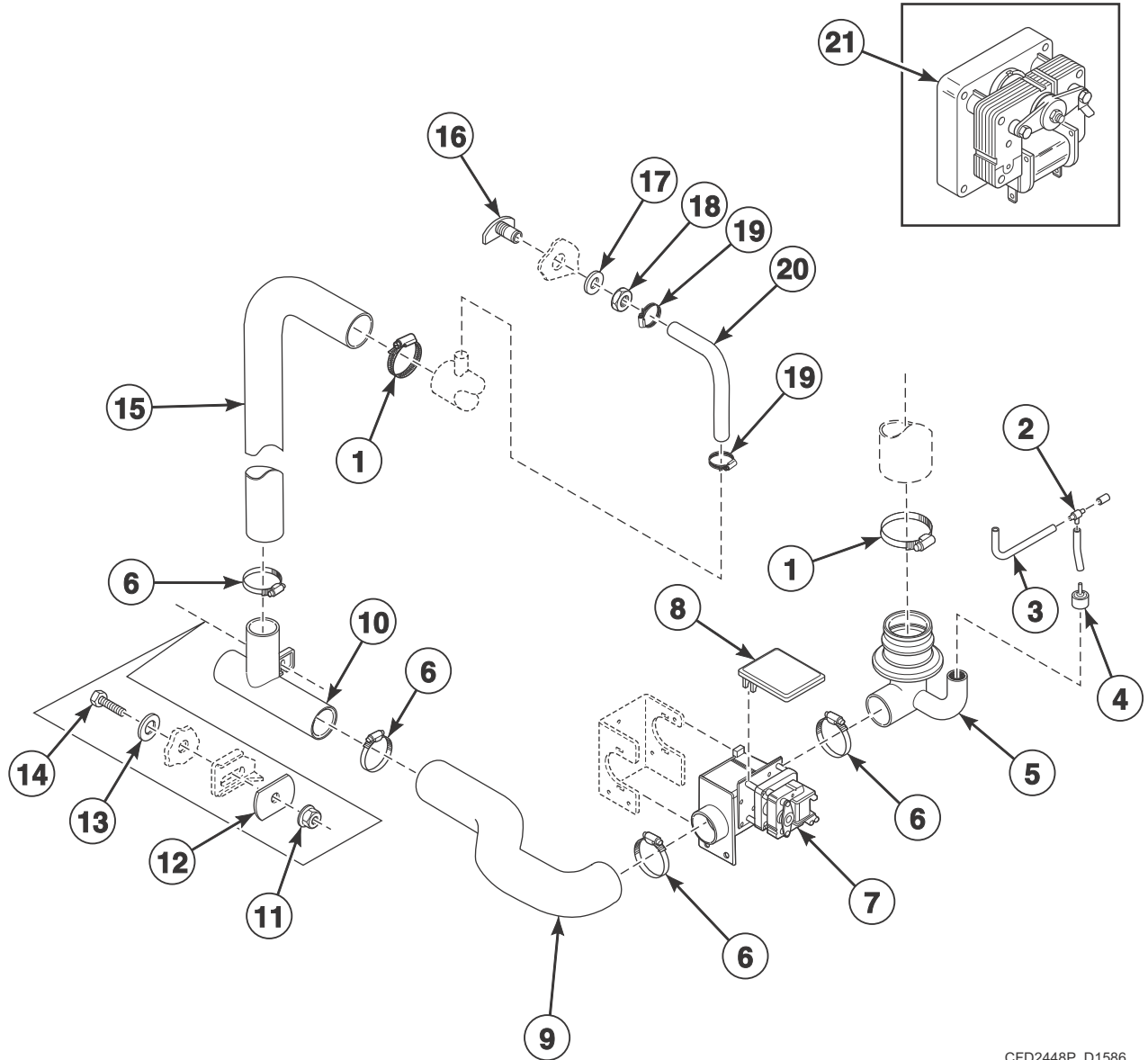


CFD574P_D1586

Motor and Belt

REF	PART NO.	DESCRIPTION	COMMENTS
	B12382101	Motor Harness	
1	255/00013/00	Belt	
2	206/00104/00	Screw	
3	201/00006/00	Washer	
4	206/00058/00	Screw	
5	255/00012/00	Motor Pulley	
6	211/00181/00	Strain Relief Connector	
7	B12510501	Motor	
8	204/00109/00	Nut	

Drain Plumbing

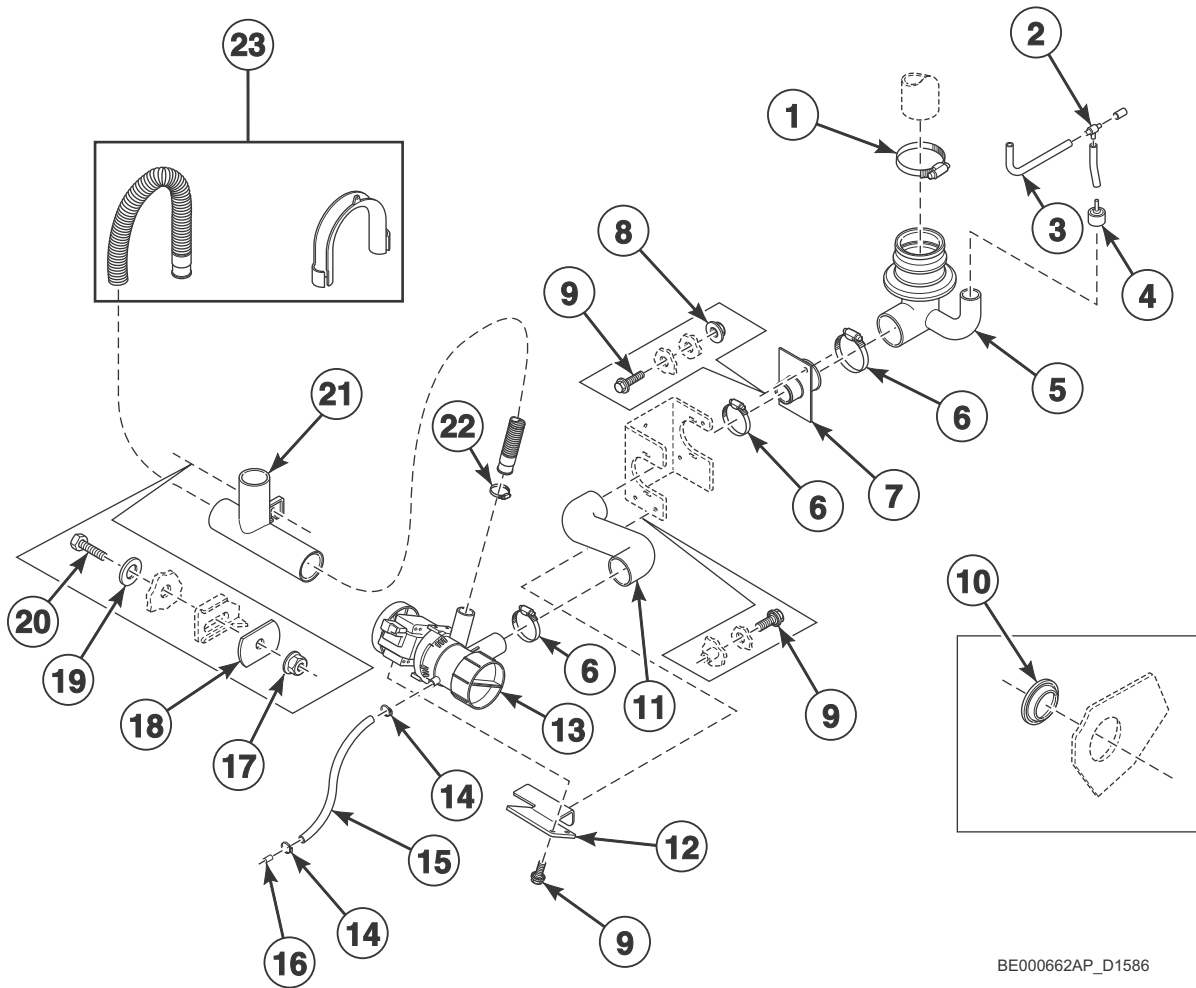


CFD2448P_D1586

Drain Plumbing

REF	PART NO.	DESCRIPTION	COMMENTS
	B12495801	Drain Valve Fuse Harness	WE-8 models
	B12349401	Drain Valve Harness	All models except WE-8 models
	B12428201	Dual Drain Kit	All models except WE-8 models
1	223/00014/00	Hose Clamp	
2	223/00173/10	Pressure Switch Hose Tee	
3	B12700018	Pressure Hose	
4	223/00035/02	Pressure Switch Cap	
5	255/00010/00	Tub to Drain Valve Hose	
6	223/00013/00	Hose Clamp	
7	209/00463/00	Drain Valve	
8	F200133600	Drain Valve Cover	
9	223/00303/00	Drain Valve Hose	
10	223/00146/00	Drain Piece	
11	206/00101/00	Nut	
12	101/00007/00	Outlet Pipe Plate Assembly	
13	201/00007/00	Washer	
14	206/00033/00	Bolt	
15	223/00150/00	Overflow Hose	
16	223/00001/04	Prewash and Mainwash Nozzle	
17	201/00002/00	Washer	
18	204/00201/00	Nut	
19	F200205	Hose Clamp	
20	223/00044/00	Water Hose	
21	209/00051/11	Drain Valve Motor	

Drain Plumbing - Models with Pump Drain

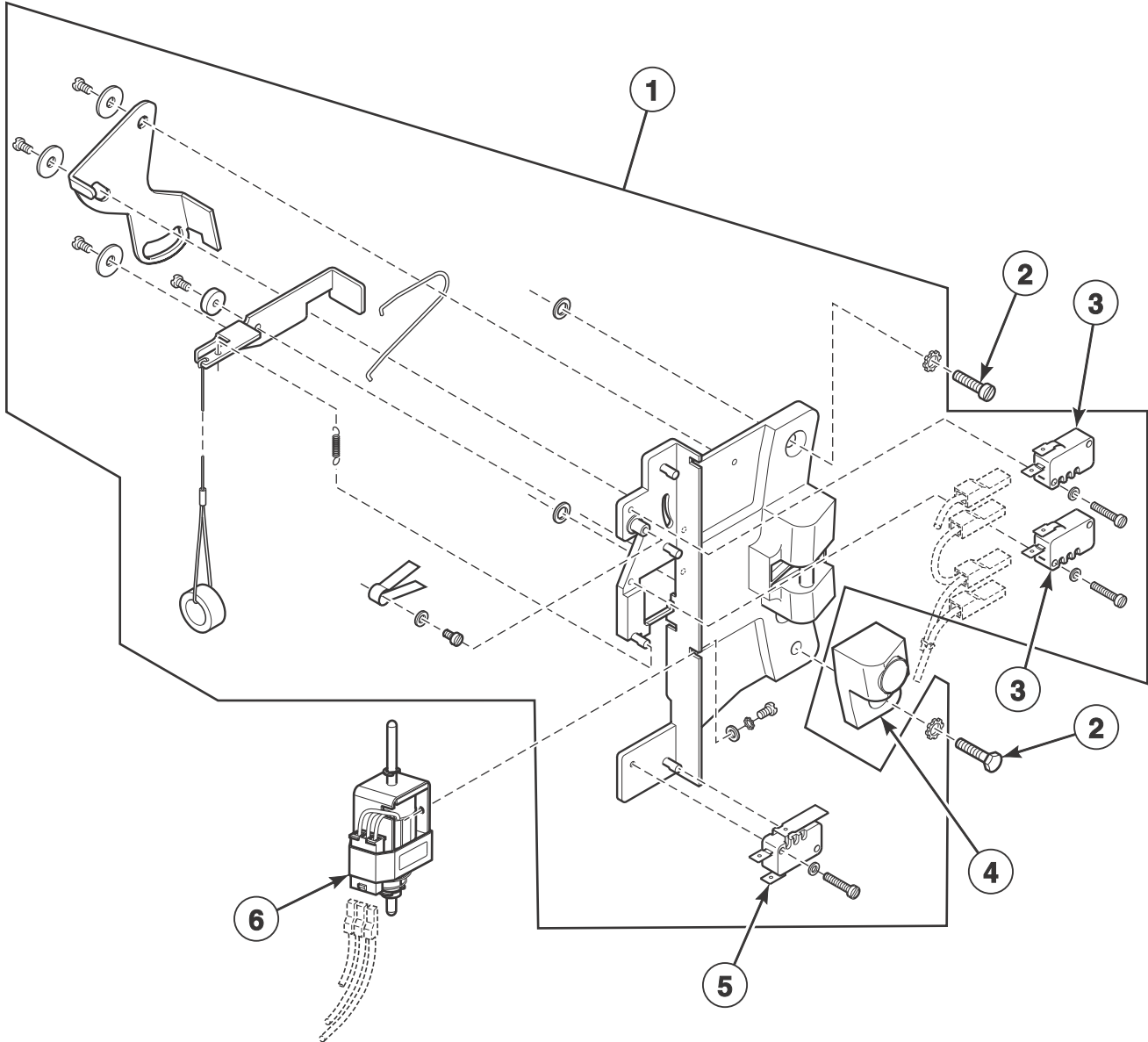


BE000662AP_D1586

Drain Plumbing - Models with Pump Drain

REF	PART NO.	DESCRIPTION	COMMENTS
1	223/00014/00	Hose Clamp	
2	223/00173/10	Pressure Switch Hose Tee	
3	B12700018	Pressure Hose	
4	223/00035/02	Pressure Switch Cap	
5	255/00010/00	Tub to Drain Valve Hose	
6	223/00012/00	Hose Clamp	
7	155/00155/00	Drain Piece	
8	206/00105/00	Nut	
9	206/00104/00	Screw	
10	255/00019/00	Stopper	
11	223/00307/00	Drain Hose	
12	111/00288/10	Pump Support	
13	209/00646/00	Pump	50 Hertz
	209/00647/00	Pump	60 Hertz
14	223/00009/00	Clamp	
15	223/00159/00	Pipe	
16	223/00162/00	Stopper	
17	206/00101/00	Nut	
18	101/00007/00	Outlet Pipe Plate Assembly	
19	201/00007/00	Washer	
20	206/00033/00	Bolt	
21	223/00146/00	Drain Piece	
22	223/00011/00	Hose Clamp	
23	899P3	Drain Pipe Kit	

Door Lock

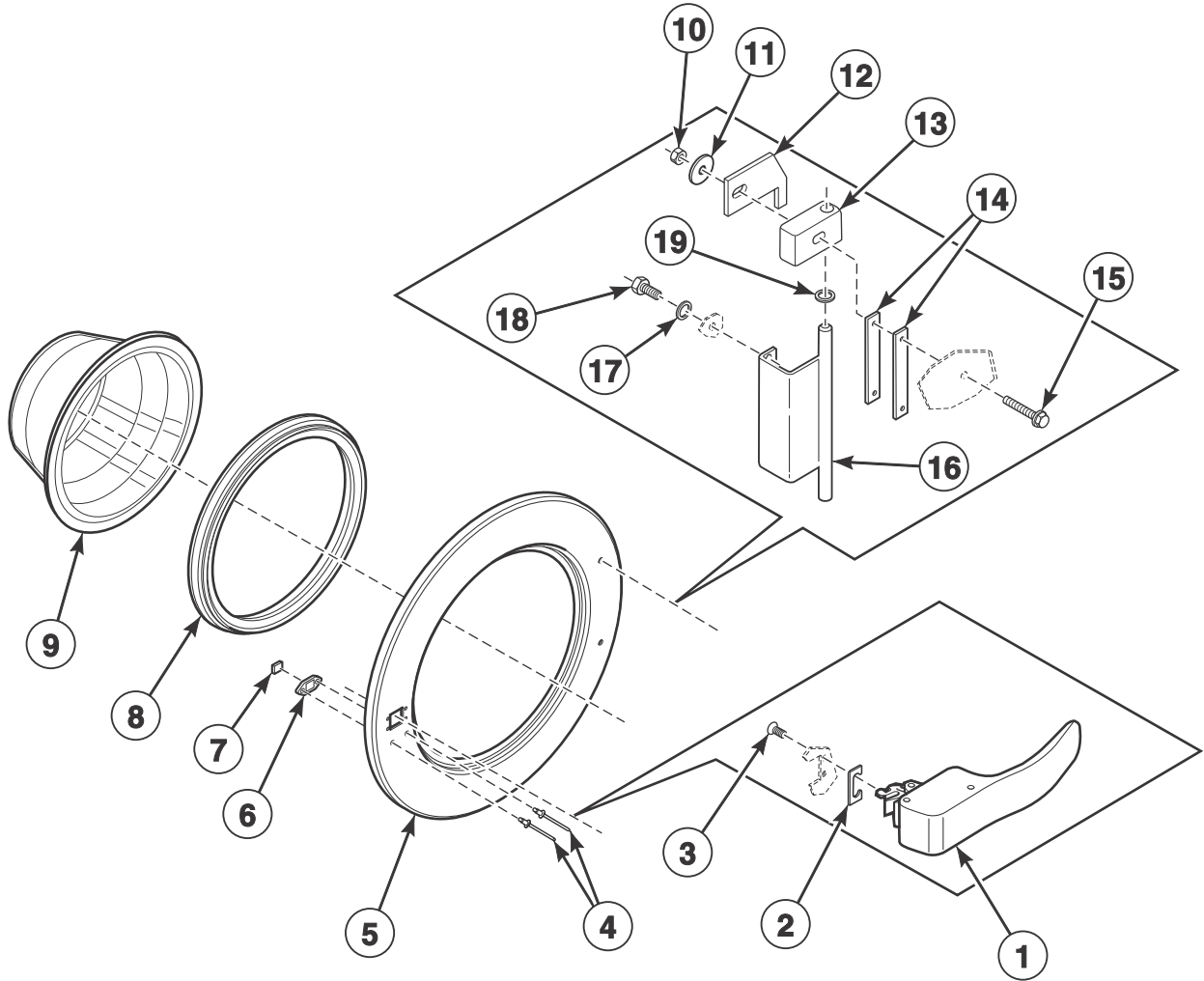


CHM3240P_D1586

Door Lock

REF	PART NO.	DESCRIPTION	COMMENTS
	B12495002	Door Lock Harness	WE-8 models
	B12495001	Door Lock Harness	All other models
1	B12517701	Door Lock Assembly	Includes item 3
2	207/00102/00	Screw	
3	209/00272/00	Door Lock Microswitch	NO
4	B12517601	Reed Switch Holder	Includes F8080405 Reed Switch Harness and B12502001 Reed Switch
5	B12625101	Microswitch	NC
6	B12518101	Door Solenoid Assembly	

Door

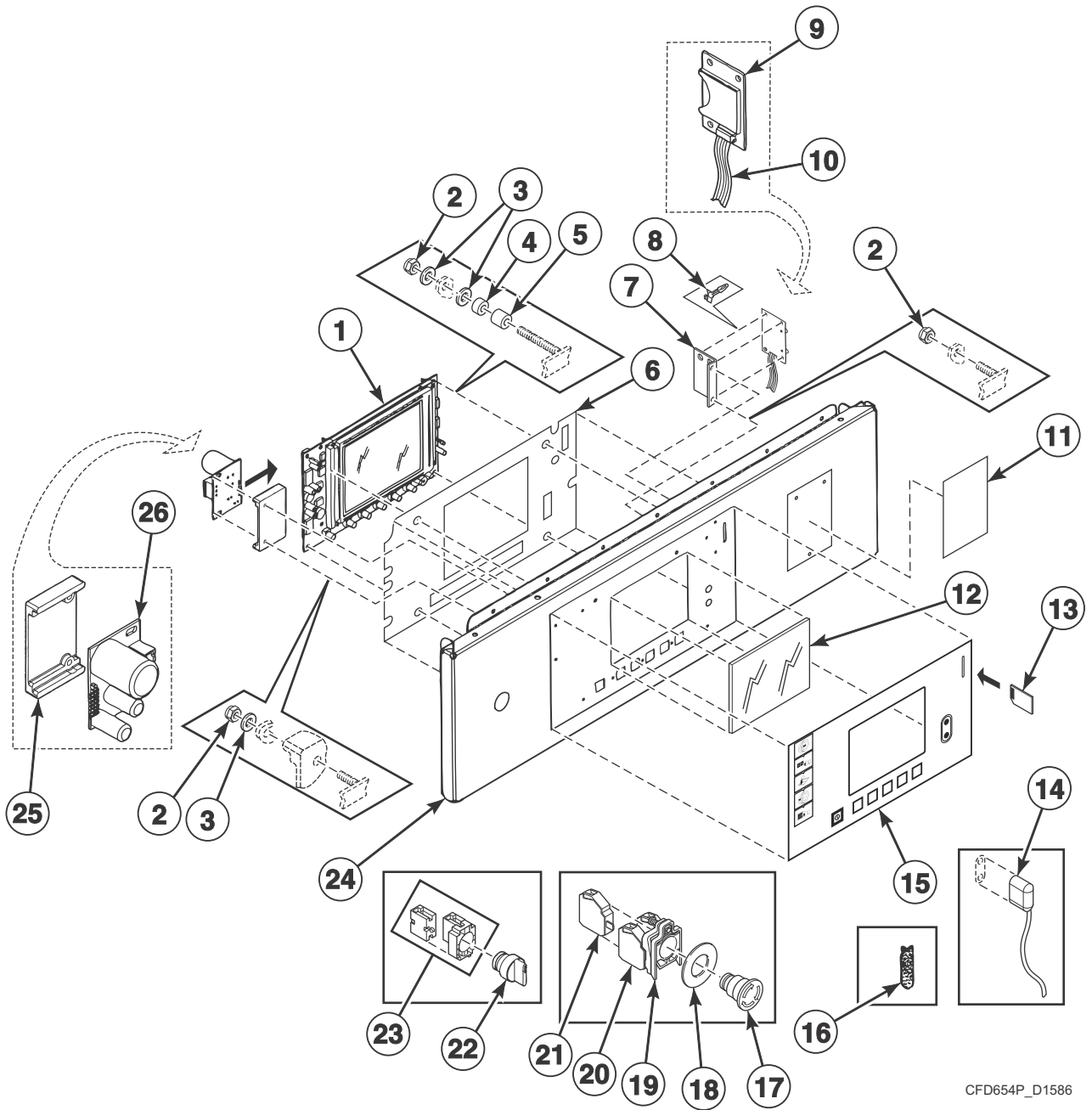


CFD3211P_D1586

Door

REF	PART NO.	DESCRIPTION	COMMENTS
1	B12336302	Door Handle	Gray; HX, SX and UX models
	B12336301	Door Handle	Black; All other models
2	217/00016/00	Door Handle Stop	
3	B12500801	Screw	
4	B12500301	Rivet	
5	B12314901	Door Frame	
6	B12389701	Magnet Holder	
7	B12363301	Magnet	
8	217/00015/00	Door Glass Seal	
9	B12449701	Door Glass	
10	204/00106/00	Nut	
11	202/00108/00	Washer	
12	118/00128/00	Hinge Plate	
13	217/00009/02	Door Hinge Assembly	
14	117/00011/00	Door Hinge Spacer	
15	207/00126/00	Screw	
16	221/00005/00	Door Hinge	
17	202/00101/00	Washer	
18	205/00107/00	Bolt	
19	202/00104/00	Washer	

Control Panel - Cygnus Professional

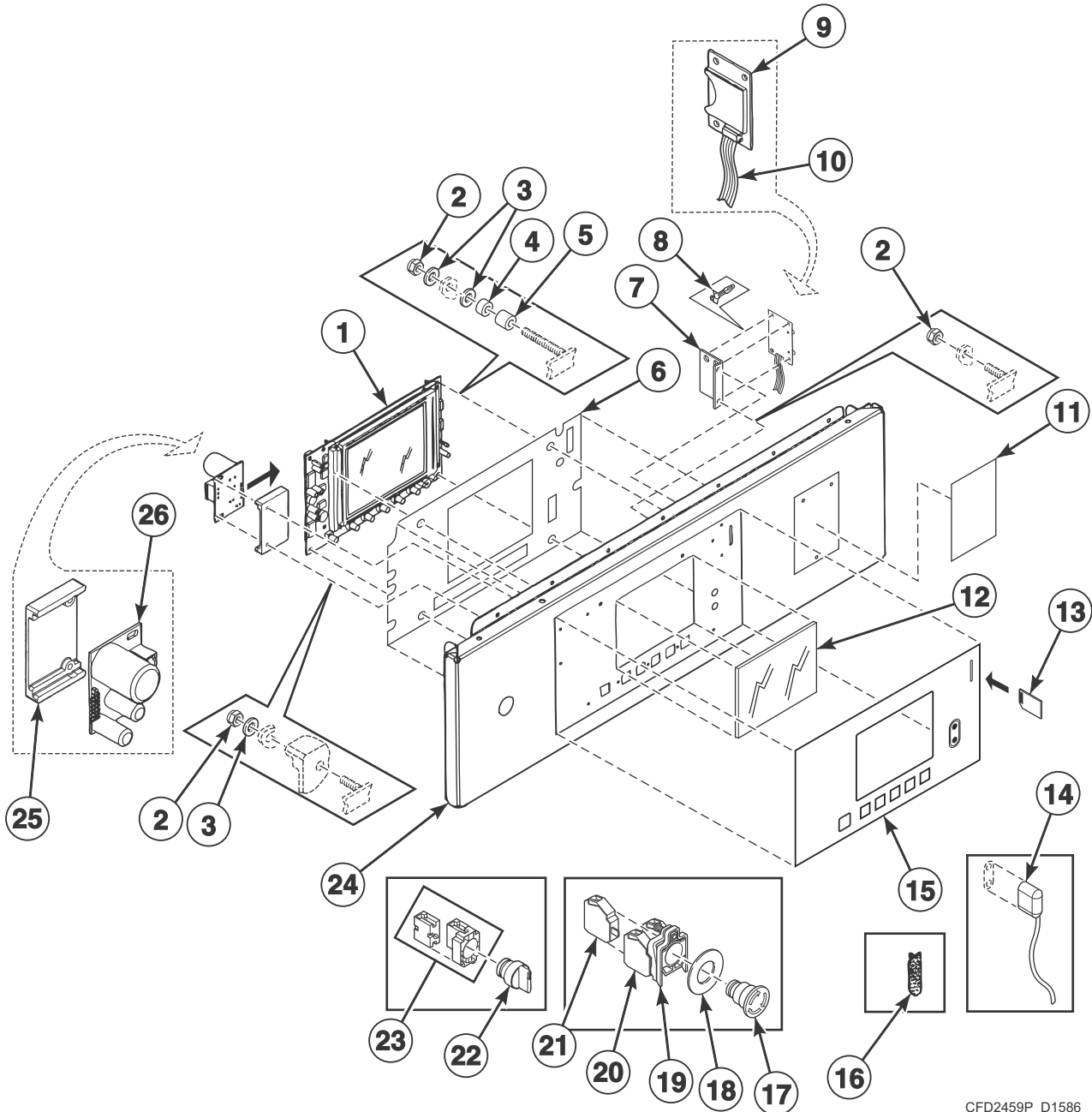


CFD654P_D1586

Control Panel - Cygnus Professional

REF	PART NO.	DESCRIPTION	COMMENTS
	B12348901	E-Stop Harness	
1	209/02002/ZB2	Display PC-Board	
2	204/00116/00	Nut	
3	223/00123/00	Washer	
4	211/00128/00	Printboard Separator	
5	211/00122/00	Standoff	
6	229/00268/00	Insulating Sticker	
7	111/01893/00	Printboard Support Card	Optional
8	211/00145/00	Standoff	
9	B12305201	Memory Card PC-Board	Optional
10	B12538301	Data Card Ribbon Assembly	Optional
11	B12389801	Nameplate	Models HD100_CYGNUS-PRO, IXA100Z, IXG100Z, IXN100Z, IXU100Z, IXW100Z, IXY025Z and IXZ100Z
	B12389802	Nameplate	Models CXG100Z, CXN100Z, CXR025Z, CXU100Z, CXW100Z, CXY025Z and CXZ100Z
12	225/00321/00	Plexi Frame	
13	209/02024/00	Datacard	
14	210/00902/00P	Infrared Cable Kit	
15	B12383601	Operating Sticker	Without datacard opening
	B12383701	Operating Sticker	With datacard opening
16	223/00348/00	Datacard Cover	
17	44018801	Pushbutton	
18	209/00520/00	Telem Sticker	
19	B12491801	Contact Harness	
20	209/00029/26	Contact Switch	NC
21	44018901	Contact Block	NO
22	209/00099/29	Switch Knob	Dual heat
	B12523901	Dual Heat Sticker	Dual heat
23	B12491701	Contact Harness	Dual heat
24	B12355901	Operating Panel	
25	223/00374/00	Mounting Plate	
26	B12388201	Door Lock PC-Board	

Control Panel - PRO

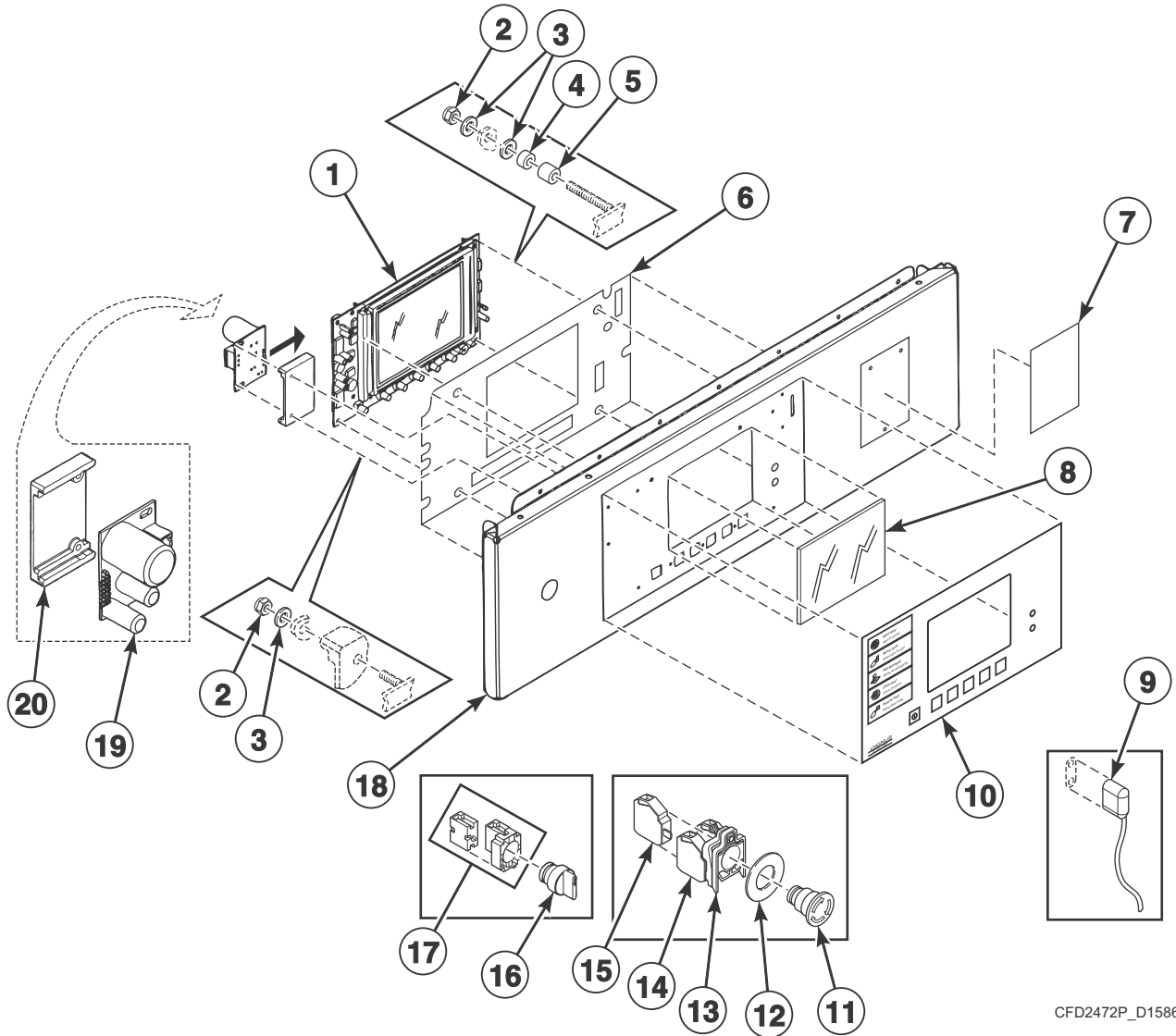


CFD2459P_D1586

Control Panel - PRO

REF	PART NO.	DESCRIPTION	COMMENTS
	B12348901	E-Stop Harness	
1	209/02002/ZB2	Display PC-Board	
2	204/00116/00	Nut	
3	223/00123/00	Washer	
4	211/00128/00	Printboard Separator	
5	211/00122/00	Standoff	
6	229/00268/00	Insulating Sticker	
7	111/01893/00	Printboard Support Card	Optional
8	211/00145/00	Standoff	
9	B12305201	Memory Card PC-Board	Optional
10	B12538301	Data Card Ribbon Assembly	Optional
11	B12568801	Overlay	Models UX025_PRO, UXE025Z, UXG100Z, UXU100Z, UXW100Z, UXY025Z and UXZ100Z
	B12568901	Overlay	Models SX025_PRO, SXE025Z, SXG100Z, SXU100Z, SXW100Z, SXY025Z and SXZ100Z
12	225/00321/00	Plexi Frame	
13	209/02024/00	Datacard	
14	210/00902/00P	Infrared Cable Kit	
15	B12383601	Operating Sticker	Without datacard opening
	B12383701	Operating Sticker	With datacard opening
16	223/00348/00	Datacard Cover	
17	44018801	Pushbutton	
18	209/00520/00	Telem Sticker	
19	B12491801	Contact Harness	
20	209/00029/26	Contact Switch	NC
21	44018901	Contact Block	NO
22	209/00099/29	Switch Knob	Dual heat
	B12523901	Dual Heat Sticker	Dual heat
23	B12491701	Contact Harness	Dual heat
24	B12570701	Control Panel	Models UX025_PRO, UXE025Z, UXG100Z, UXU100Z, UXW100Z, UXY025Z and UXZ100Z
	B12570801	Control Panel	Models SX025_PRO, SXE025Z, SXG100Z, SXU100Z, SXW100Z, SXY025Z and SXZ100Z
25	223/00374/00	Mounting Plate	
26	B12388201	Door Lock PC-Board	

Control Panel - Cygnus Ultra Pro

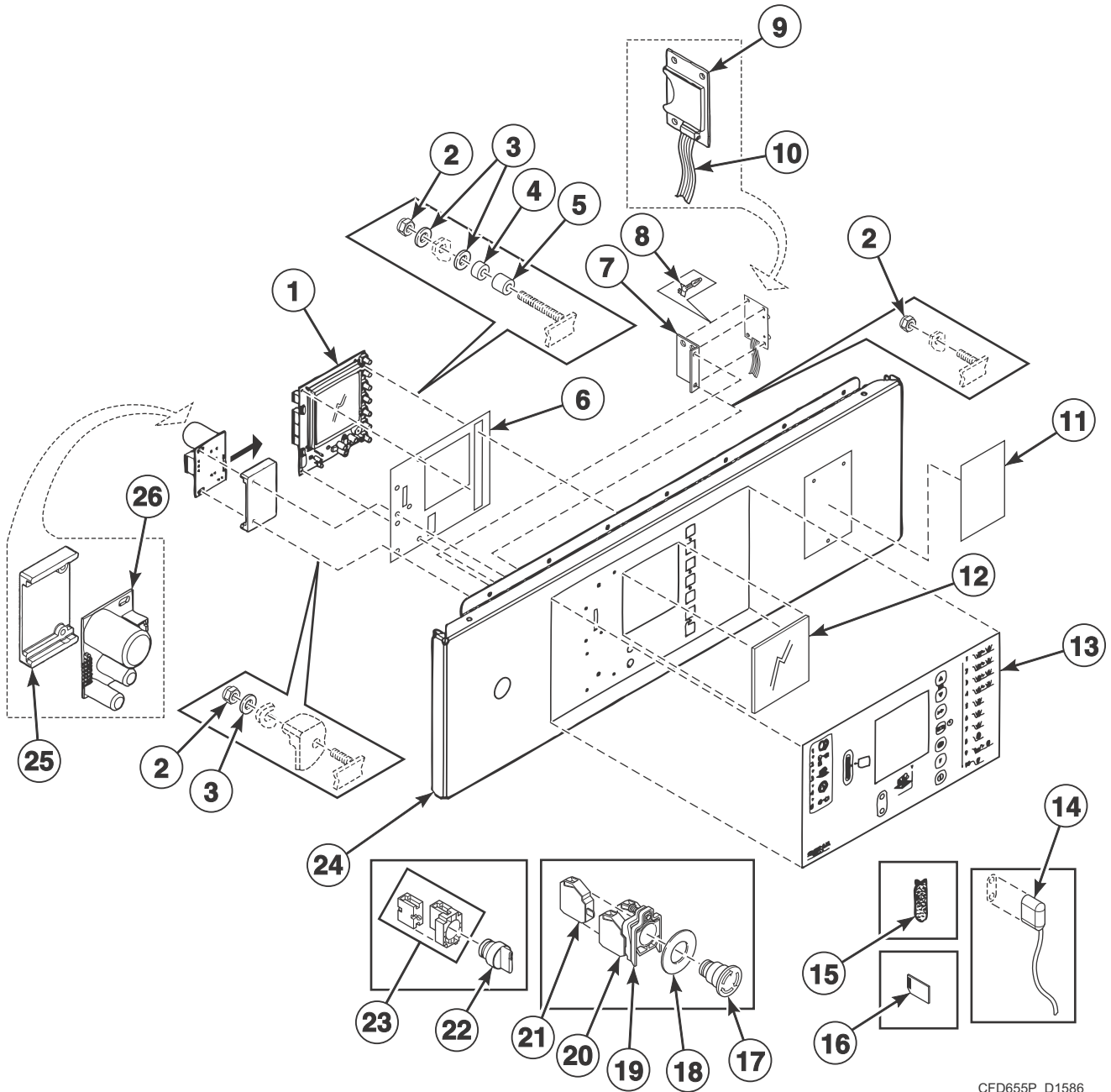


CFD2472P_D1586

Control Panel - Cygnus Ultra Pro

REF	PART NO.	DESCRIPTION	COMMENTS
	B12348901	E-Stop Harness	
1	209/02002/ZB2	Display PC-Board	
2	204/00116/00	Nut	
3	223/00123/00	Washer	
4	211/00128/00	Printboard Separator	
5	211/00122/00	Standoff	
6	229/00268/00	Insulating Sticker	
7	B12583801	Overlay	
8	225/00321/00	Plexi Frame	
9	210/00902/00P	Infrared Cable Kit	
10	B12383601	Operating Sticker	Without datacard opening
	B12383701	Operating Sticker	With datacard opening
11	44018801	Pushbutton	
12	209/00520/00	Telem Sticker	
13	B12491801	Contact Harness	
14	209/00029/26	Contact Switch	NC
15	44018901	Contact Block	NO
16	209/00099/29	Switch Knob	Dual heat
	B12523901	Dual Heat Sticker	Dual heat
17	B12491701	Contact Harness	Dual heat
18	B12355901	Operating Panel	
19	B12388201	Door Lock PC-Board	
20	223/00374/00	Mounting Plate	

Control Panel - Cygnus Premium OPL and Ultra

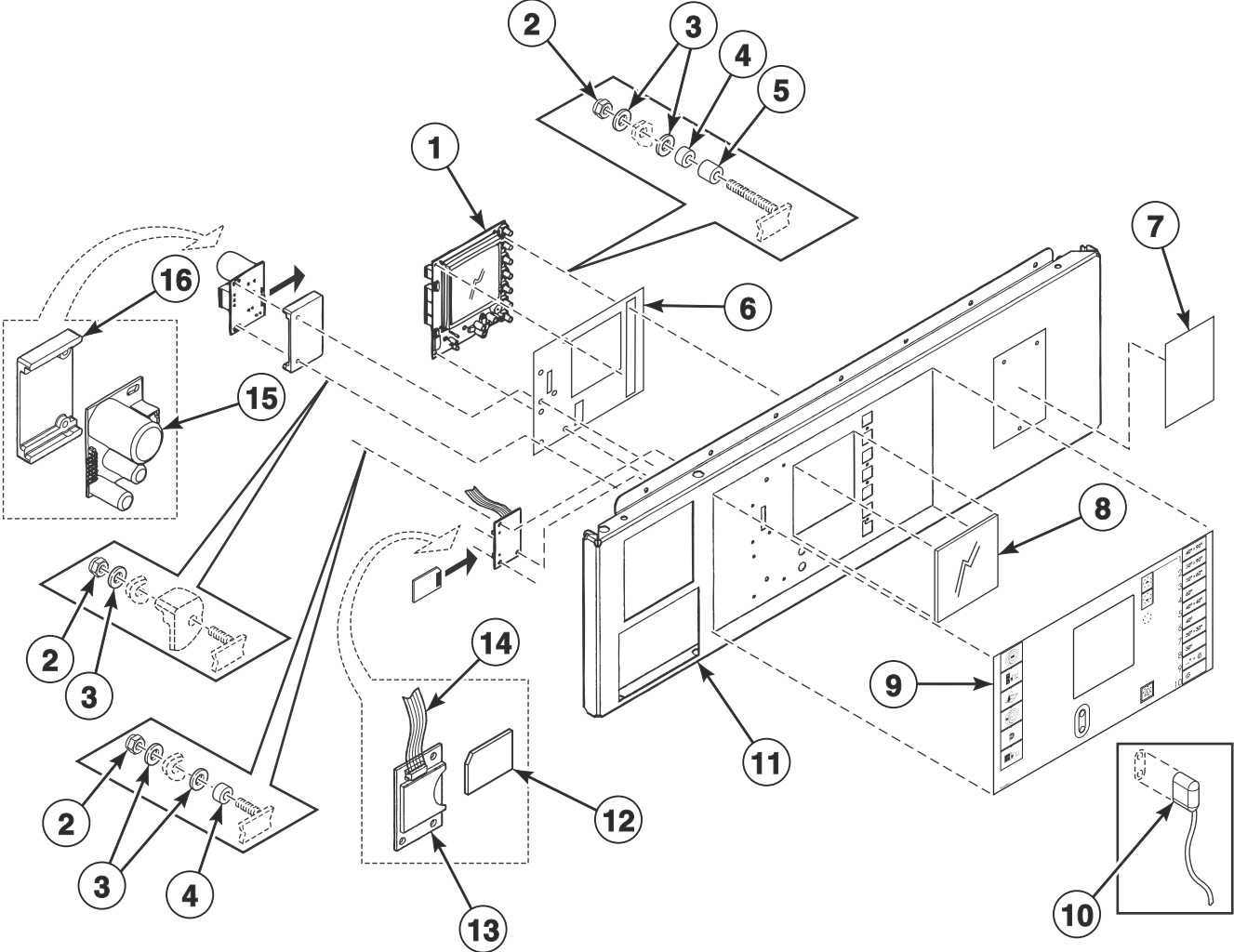


CFD655P_D1586

Control Panel - Cygnus Premium OPL and Ultra

REF	PART NO.	DESCRIPTION	COMMENTS
	B12348901	E-Stop Harness	
1	209/02015/02	Printboard	
2	204/00116/00	Nut	
3	223/00123/00	Washer	
4	211/00128/00	Printboard Separator	
5	211/00122/00	Standoff	
6	229/00291/00	Insulating Sticker	
7	111/01893/00	Printboard Support Card	Optional
8	211/00145/00	Standoff	
9	B12305201	Memory Card PC-Board	Optional
10	B12538301	Data Card Ribbon Assembly	Optional
11	B12389801	Nameplate	Models HD100_CYGNUS-PREM, IS025_CYGNUS-ULTRA, IXA100Y, IXG100Y, IXN100U, IXN100Y, IXR025U, IXU100Y, IXW100Y, IXY025Y and IXZ100Y
	B12389802	Nameplate	Models CS025_CYGNUS-ULTRA, CXN100U and CXR025U
	B12530802	Nameplate	Model JXW100Y
	B12389805	Nameplate	Model PXU100Y
12	225/00323/00	Plexi Frame	
13	B12456701	Operating Sticker	Cygnus Ultra models
	B12383401	Operating Sticker	Cygnus Premium OPL models with datacard opening
	B12383301	Operating Sticker	Cygnus Premium OPL models without datacard opening
	B12531901	Operating Sticker	Model JXW100Y
	B12531801	Operating Sticker	Model JXW100Y
14	210/00902/00P	Infrared Cable Kit	
15	223/00348/00	Datacard Cover	Cygnus Premium OPL models
16	209/02024/00	Datacard	Cygnus Premium OPL models
17	44018801	Pushbutton	
18	209/00520/00	Telem Sticker	
19	B12491801	Contact Harness	
20	209/00029/26	Contact Switch	NC
21	44018901	Contact Block	NO
22	209/00099/29	Switch Knob	Dual heat
	B12523901	Dual Heat Sticker	Dual heat
23	B12491701	Contact Harness	Dual heat
24	B12356001	Operating Panel	
25	223/00374/00	Mounting Plate	
26	B12388201	Door Lock PC-Board	

Control Panel - Cygnus Premium Vended

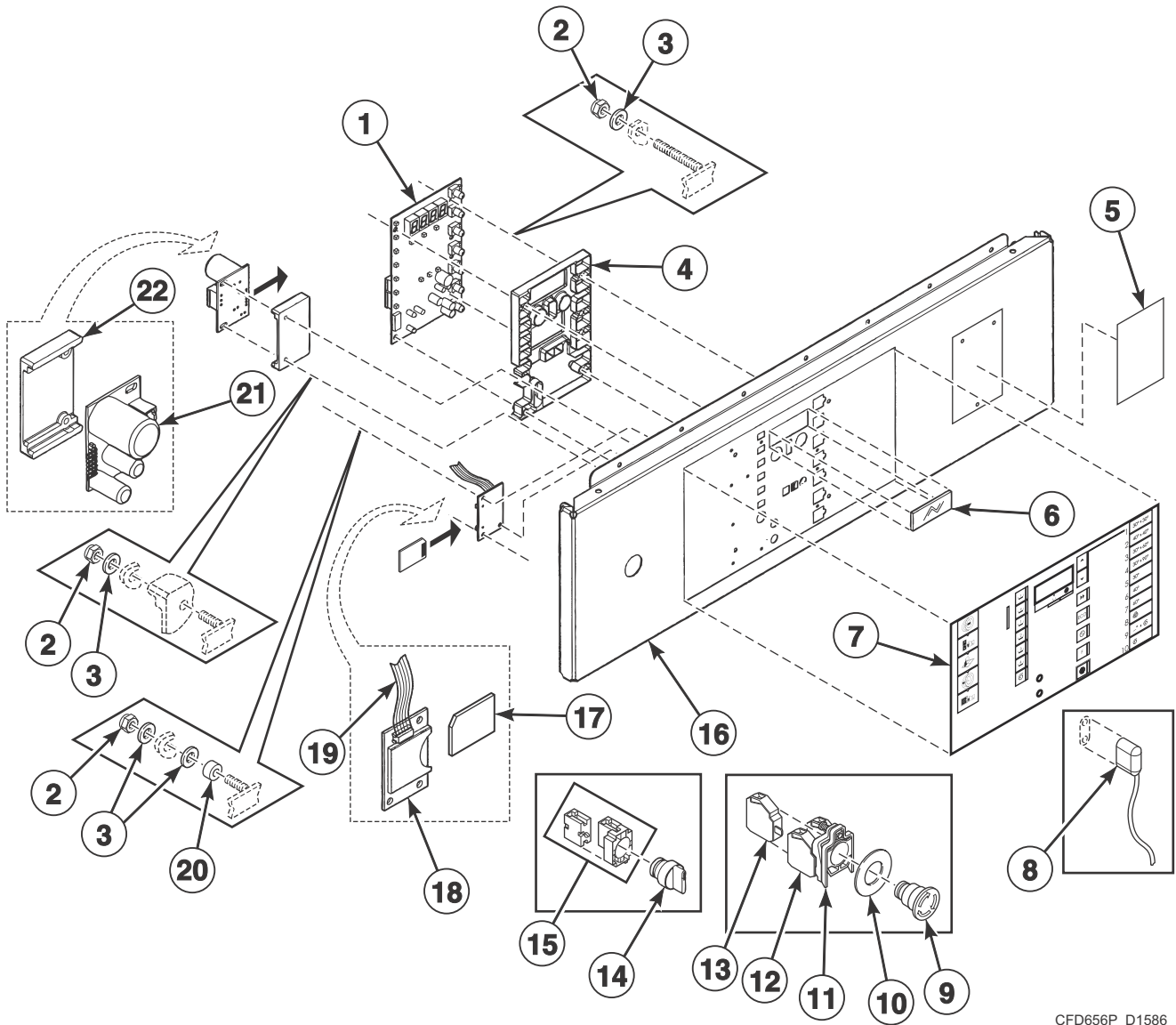


CFD621P_D1586

Control Panel - Cygnus Premium Vended

REF	PART NO.	DESCRIPTION	COMMENTS
	B12349001	E-Stop Bypass Harness	
1	209/02015/02	Printboard	
2	204/00116/00	Nut	
3	223/00123/00	Washer	
4	211/00128/00	Printboard Separator	
5	211/00122/00	Standoff	
6	229/00291/00	Insulating Sticker	
7	B12389801	Nameplate	Models HD100_CYGNUS-PREM, IXA100Y, IXG100Y, IXN100Y, IXU100Y, IXW100Y, IXY025Y and IXZ100Y
	B12530802	Nameplate	Model JXW100Y
	B12389805	Nameplate	Model PXU100Y
8	225/00323/00	Plexi Frame	
9	B12383501	Operating Sticker	
10	210/00902/00P	Infrared Cable Kit	
11	B12356101	Operating Panel	
12	209/02024/00	Datacard	
13	B12305201	Memory Card PC-Board	
14	B12538301	Data Card Ribbon Assembly	
15	B12388201	Door Lock PC-Board	
16	223/00374/00	Mounting Plate	

Control Panel - Cygnus Standard/Commercial OPL

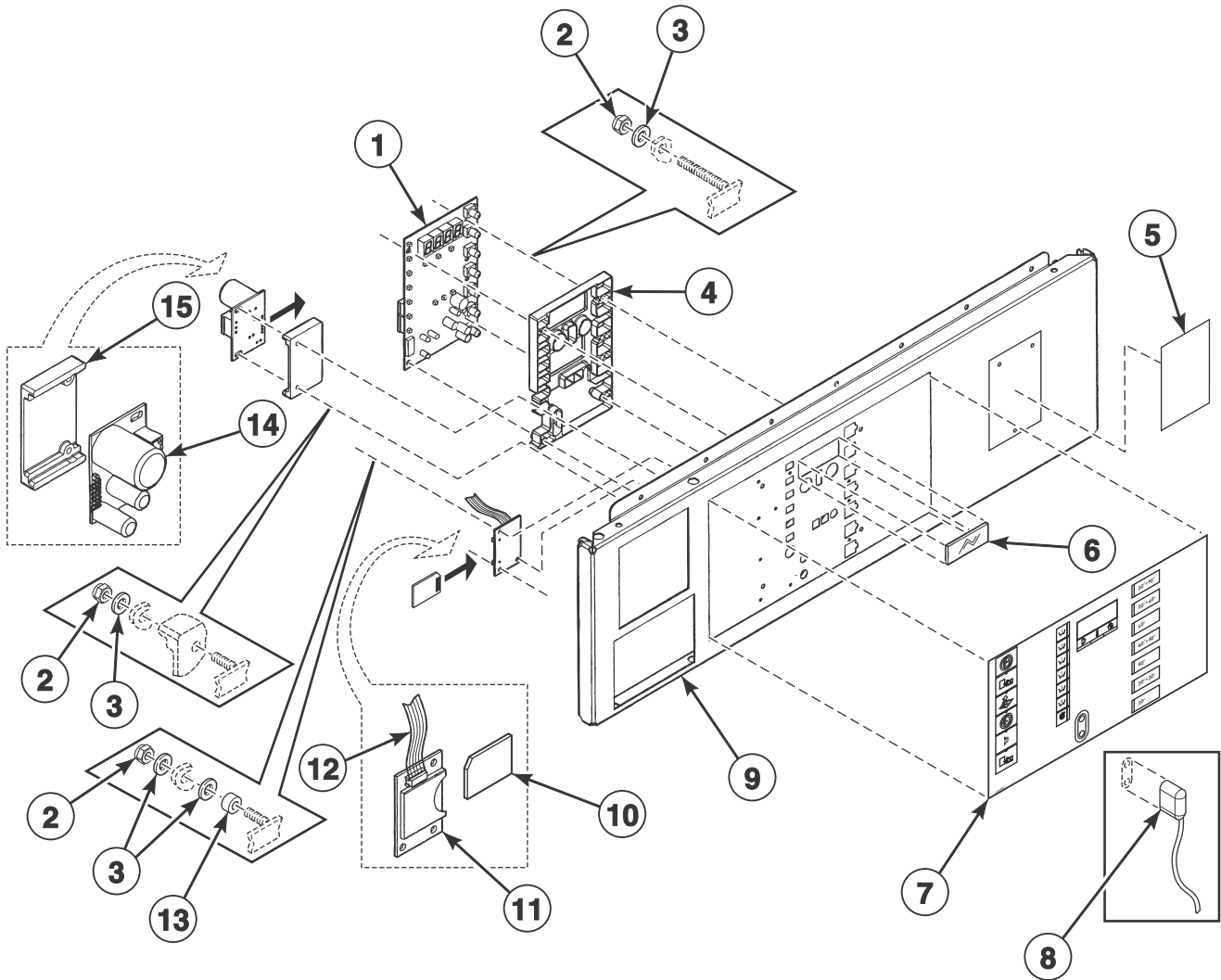


CFD656P_D1586

Control Panel - Cygnus Standard/Commercial OPL

REF	PART NO.	DESCRIPTION	COMMENTS
	B12348901	E-Stop Harness	
1	209/02001/02	Printboard	
2	204/00116/00	Nut	
3	223/00123/00	Washer	
4	223/00330/00	Protection LED	
5	B12389801	Nameplate	Models HD100_CYGNUS-COMM, HD100_CYGNUS-STANDARD, IXA100C, IXA100X, IXG100C, IXG100X, IXN100C, IXN100X, IXU100C, IXU100X, IXW100C, IXW100X, IXY025C, IXY025X, IXZ100C and IXZ100X
	B12389802	Nameplate	Models CXG100X, CXN100X, CXR025X, CXU100X, CXW100X, CXY025X and CXZ100X
	B12389803	Nameplate	Model DXU100X
	B12389804	Overlay	Model JXW100C
	B12389809	Nameplate	Model EXU100X
	B12389810	Nameplate	Model WXU100C
6	225/00322/00	Plexi Frame	
7	B12382701	Operating Sticker	Cygnus Standard OPL models without datacard opening
	B12382801	Operating Sticker	Cygnus Standard OPL models with datacard opening
	B12383001	Operating Sticker	Cygnus Commercial OPL models without datacard opening
	B12383101	Operating Sticker	Cygnus Commercial OPL models with datacard opening
	B12531801	Operating Sticker	Model JXW100C
8	210/00902/00P	Infrared Cable Kit	
9	44018801	Pushbutton	
10	209/00520/00	Telem Sticker	
11	B12491801	Contact Harness	
12	209/00029/26	Contact Switch	NC
13	44018901	Contact Block	NO
14	209/00099/29	Switch Knob	Dual heat
	B12523901	Dual Heat Sticker	Dual heat
15	B12491701	Contact Harness	Dual heat
16	B12355801	Operating Panel	
17	209/02024/00	Datacard	Optional
18	B12305201	Memory Card PC-Board	Optional
19	B12538301	Data Card Ribbon Assembly	Optional
20	211/00128/00	Printboard Separator	
21	B12388201	Door Lock PC-Board	
22	223/00374/00	Mounting Plate	

Control Panel - Cygnus Vended and Standard/Commercial Vended



CFD611P_D1586

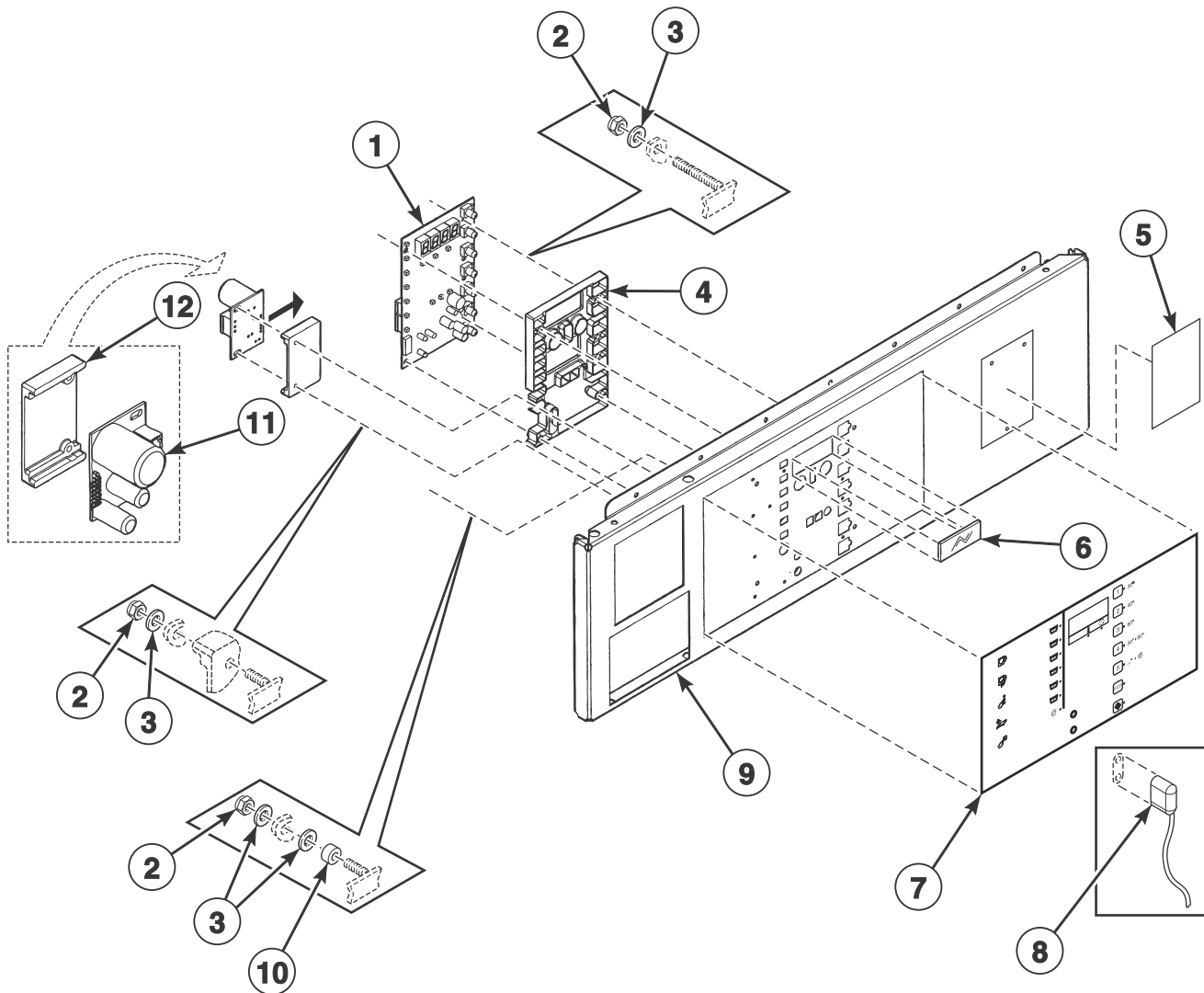
Control Panel - Cygnus Vended and Standard/Commercial Vended

REF	PART NO.	DESCRIPTION	COMMENTS
	B12349001	E-Stop Bypass Harness	
1	209/02001/02	Printboard	
2	204/00116/00	Nut	
3	223/00123/00	Washer	
4	223/00330/00	Protection LED	
5	B12389801	Nameplate	Models HD100_CYGNUS-COMM, HD100_CYGNUS-STANDARD, IS025_CYGNUS-VENDED, IXA100C, IXA100X, IXG100C, IXG100X, IXN100C, IXN100V, IXN100X, IXU100C, IXU100X, IXW100C, IXW100X, IXY025C, IXY025X, IXZ100C and IXZ100X
	B12389802	Nameplate	Models CXG100X, CXN100X, CXR025X, CXU100X, CXW100X, CXY025X and CXZ100X
	B12389803	Nameplate	Model DXU100X
	B12389804	Overlay	Model JXW100C
	B12389809	Nameplate	Model EXU100X
	B12389810	Nameplate	Model WXU100C
6	225/00322/00	Plexi Frame	
7	B12382901	Operating Sticker	Cygnus Standard vended models
	B12383201	Operating Sticker	Cygnus Commercial vended models
	B12456501	Operating Sticker	Cygnus Vended models
8	210/00902/00P	Infrared Cable Kit	
9	B12312801	Operating Panel	
10	209/02024/00	Datacard	Cygnus Standard/Commercial vended models
11	B12305201	Memory Card PC-Board	Cygnus Standard/Commercial vended models
12	B12538301	Data Card Ribbon Assembly	Cygnus Standard/Commercial vended models
13	211/00128/00	Printboard Separator	
14	B12388201	Door Lock PC-Board	
15	223/00374/00	Mounting Plate	

Control Panel - STANDARD OPL

REF	PART NO.	DESCRIPTION	COMMENTS
	B12348901	E-Stop Harness	
1	209/02001/02	Printboard	
2	204/00116/00	Nut	
3	223/00123/00	Washer	
4	223/00330/00	Protection LED	
5	B12389801	Nameplate	
6	225/00322/00	Plexi Frame	
7	B12574901	Overlay	
8	210/00902/00P	Infrared Cable Kit	
9	44018801	Pushbutton	
10	209/00520/00	Telem Sticker	
11	B12491801	Contact Harness	
12	209/00029/26	Contact Switch	NC
13	44018901	Contact Block	NO
14	209/00099/29	Switch Knob	Dual heat
	B12523901	Dual Heat Sticker	Dual heat
15	B12491701	Contact Harness	Dual heat
16	B12572101	Control Panel	
17	B12388201	Door Lock PC-Board	
18	223/00374/00	Mounting Plate	

Control Panel - STANDARD Vended

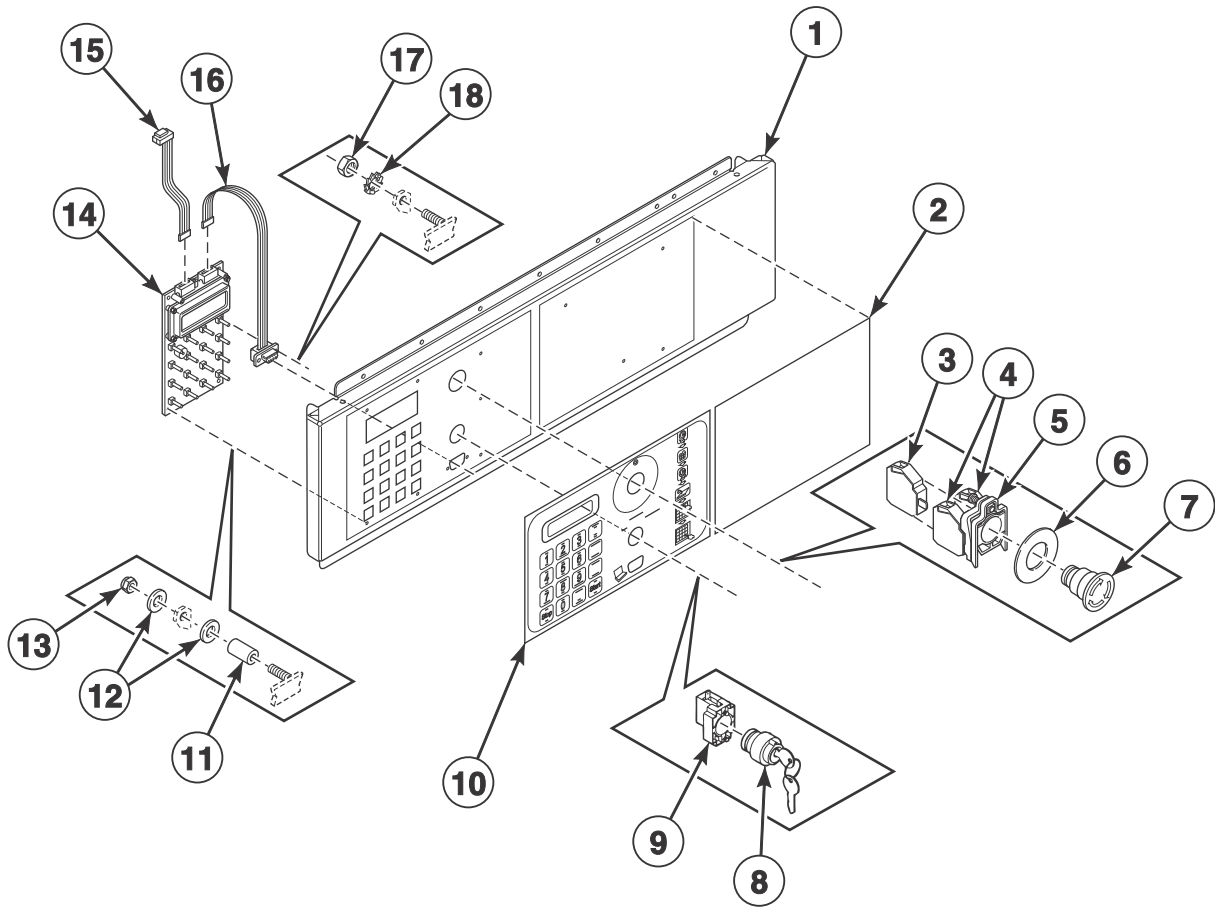


CFD2474P_D1586

Control Panel - STANDARD Vended

REF	PART NO.	DESCRIPTION	COMMENTS
	B12349001	E-Stop Bypass Harness	
1	209/02001/02	Printboard	
2	204/00116/00	Nut	
3	223/00123/00	Washer	
4	223/00330/00	Protection LED	
5	B12574901	Overlay	
6	225/00322/00	Plexi Frame	
7	B12382901	Operating Sticker	
8	210/00902/00P	Infrared Cable Kit	
9	B12572101	Control Panel	
10	211/00128/00	Printboard Separator	
11	B12388201	Door Lock PC-Board	
12	223/00374/00	Mounting Plate	

Control Panel - WE-8



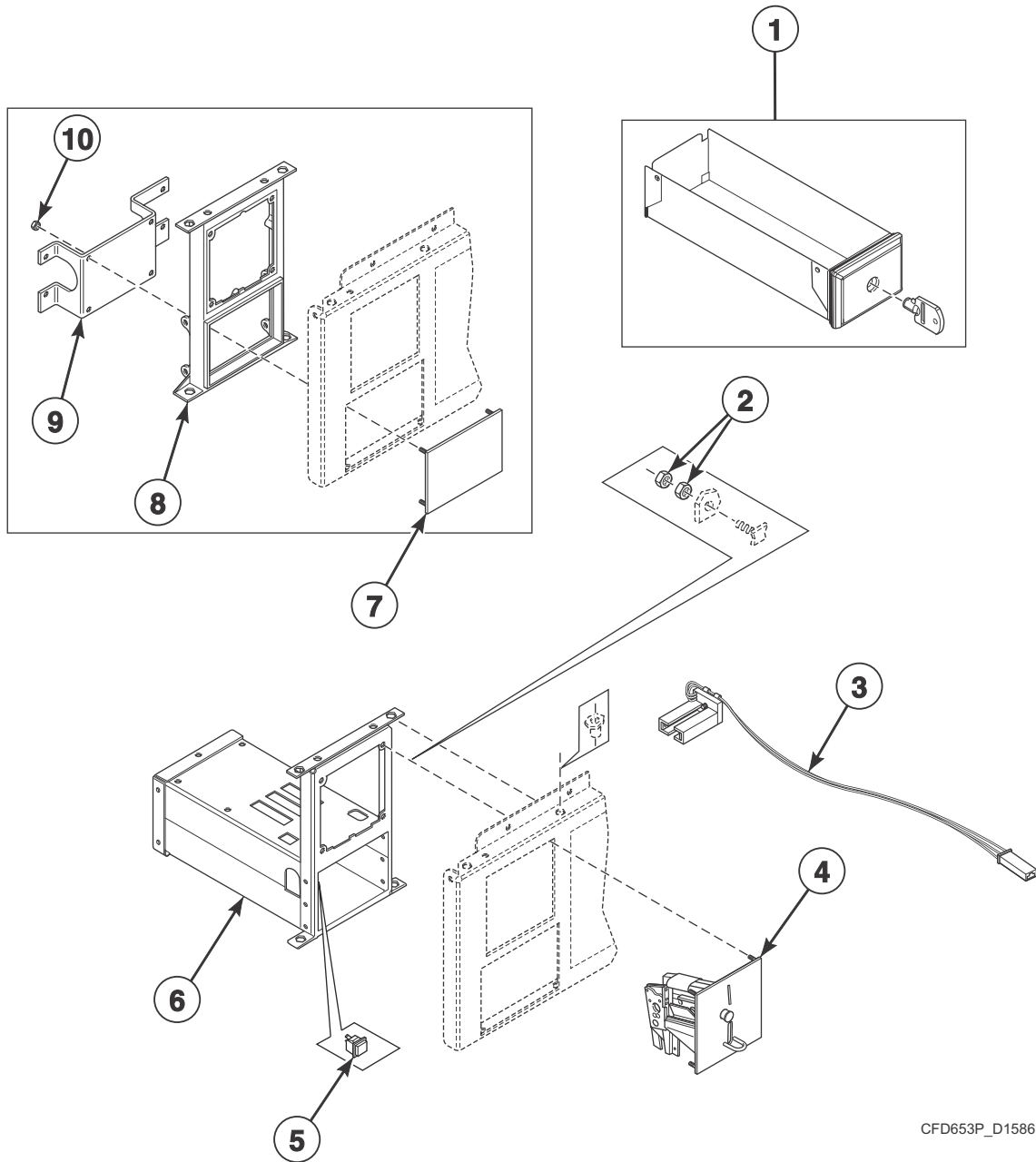
CFD657P_D1586

Control Panel - WE-8

REF	PART NO.	DESCRIPTION	COMMENTS
	B12348902	E-Stop Harness	
	B12348903	E-Stop Drive Harness	
	B12495501	Key Switch Harness	
	B12388302	Ribbon Assembly	
1	B12436201	Operating Panel	
2	F8435601	Overlay	UX models
	225/00435/00	Overlay	SX models
	225/00436/00	Logo Decal	HX models
3	44018901	Contact Block	NO
4	209/00029/26	Contact Switch	NC
5	B12491801	Contact Harness	
6	209/00520/00	Telem Sticker	
7	44018801	Pushbutton	
8	209/00326/20	Programming Key Contact Switch	
9	B12491701	Contact Harness	
10	F900156	Overlay	Control
11	211/00140/00	Spacer	
12	223/00123/00	Washer	
13	204/00116/00	Nut	
14	209/00580/03	Display	
15	B12388302	Ribbon Assembly	
16	B12388305	Ribbon Assembly	
17	204/00008/00	Nut	
18	203/00007/00	Washer	

Coin Drop - Mechanical Coin Meter

Cygnus Commercial, Cygnus Premium, Cygnus Standard, Cygnus Vended and STANDARD Models



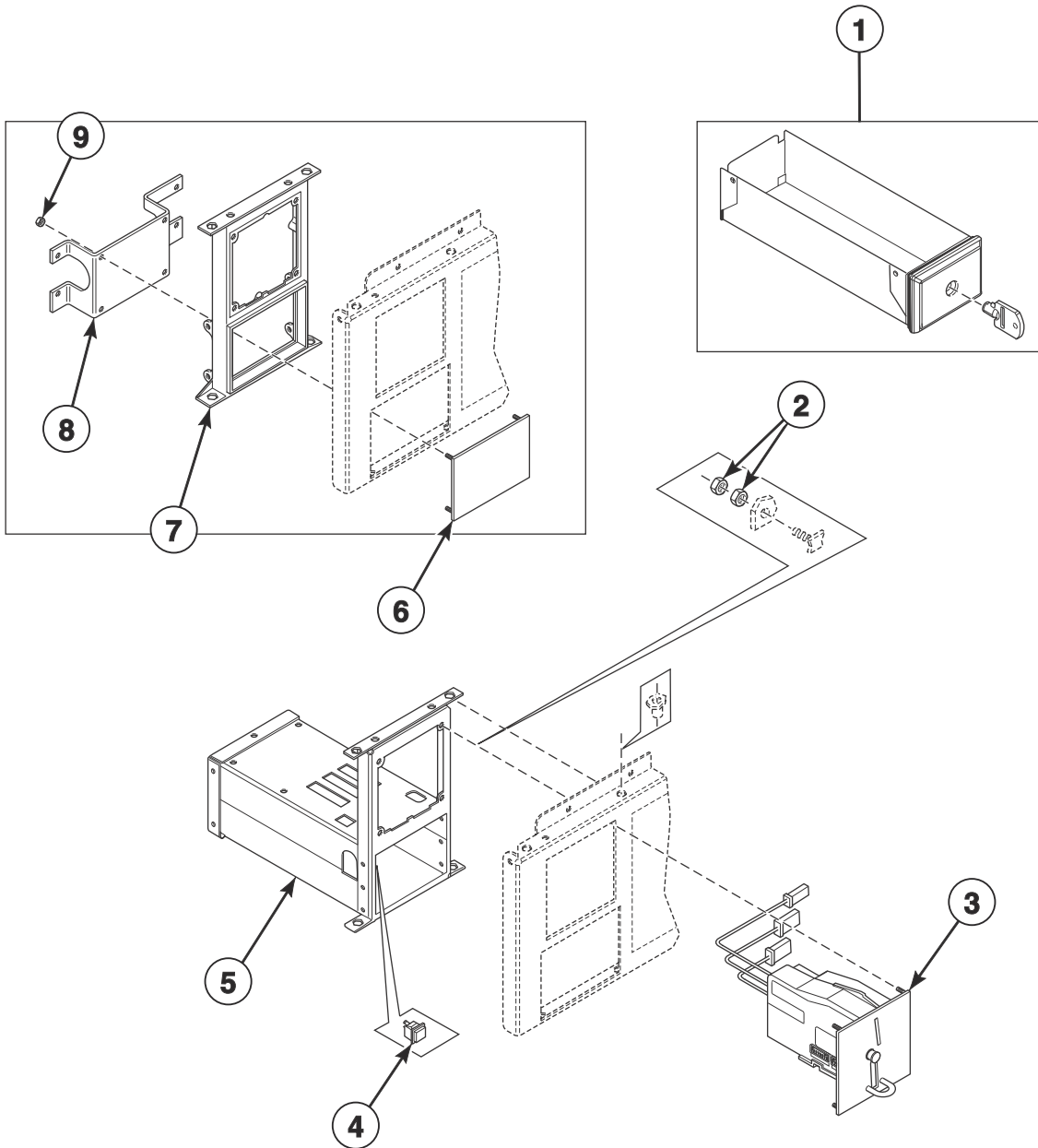
CFD653P_D1586

Coin Drop - Mechanical Coin Meter

REF	PART NO.	DESCRIPTION	COMMENTS
1	254/00077/00	Coin Box	
	254/00077/02	Key	
2	204/00116/00	Nut	
3	B12309901	Wire Harness Assembly	Single/dual drop
	B12310001	Wire Harness Assembly	Dual drop
4	B12311224	Coin Drop	Mechanical; Jeton 5K
	B12311206	Coin Drop	Mechanical; Jeton 7K
	B12311201	Coin Drop	Mechanical; Jeton 10K
	B12311210	Coin Drop	Mechanical; Jeton 12K
	B12311252	Coin Drop	Mechanical; Jeton10K and .5 euro
	B12311211	Coin Drop	Mechanical; Jeton 7K and 1 euro
	B12323901	Coin Drop	Mechanical; Jeton 15K and 7K
	B12311204	Coin Drop	Mechanical; Jeton gettone
	B12311234	Coin Drop	Mechanical; Jeton crouzet
	B12311247	Coin Drop	Mechanical; Jeton 118-1
	B12311248	Coin Drop	Mechanical; Jeton 118-5
	B12311222	Coin Drop	Mechanical; 1 euro
	B12311214	Coin Drop	Mechanical; .5 euro
	B12311202	Coin Drop	Mechanical; .5 and 1 euro
	B12311239	Coin Drop	Mechanical; .5 and 2 euro
	B12311205	Coin Drop	Mechanical; .2 and 1 euro
	B11211209	Coin Drop	Mechanical; .2 and .5 euro
	B12311218	Coin Drop	Mechanical; 1 and 1 euro
	B12311219	Coin Drop	Mechanical; 1 and 2 euro
	B12311203	Coin Drop	Mechanical; 1 and 2 frank
	B12311207	Coin Drop	Mechanical; 1 Deense kroon
	B12311225	Coin Drop	Mechanical; 10 Deense kronen
	B12311235	Coin Drop	Mechanical; 10 Tsjechische kronen
	B12311244	Coin Drop	Mechanical; 10 Noorse kronen
	B12311208	Coin Drop	Mechanical; 100 and 500 yen
	B12311212	Coin Drop	Mechanical; 15K
	B12311215	Coin Drop	Mechanical; 1 kro
	B12311226	Coin Drop	Mechanical; Australia 1.00
	B12311216	Coin Drop	Mechanical; Australia .2 and 1.00
	B12311220	Coin Drop	Mechanical; New Zeland 1.00
	B12311221	Coin Drop	Mechanical; .5 and 2 zwitsers
	B12311241	Coin Drop	Mechanical; Hong Kong 1.00
	B12311249	Coin Drop	Mechanical; Hong Kong 5.00
	B12311301	Coin Drop	Mechanical; U.S. \$.25
	B12311302	Coin Drop	Mechanical; U.S. \$.25 and 1.00
	B12311304	Coin Drop	Mechanical; Canada .25 and 1.00
B12323401	Coin Drop	Mechanical; Singapore 1.00	
	209/00781/00	Optical Switch	
5	209/00396/00	Pushbutton	
6	152/00112/00	Mechanical Coin Meter Housing	
7	111/01003/00	Top Panel	Black; Central pay option
8	217/00060/00	Fastening Piece	Central pay option
9	111/01005/00	Backplate	Central pay option
10	204/00116/00	Nut	Central pay option

Coin Drop - Electronic Coin Meter

Cygnus Commercial, Cygnus Premium, Cygnus Standard, Cygnus Vended and STANDARD Models

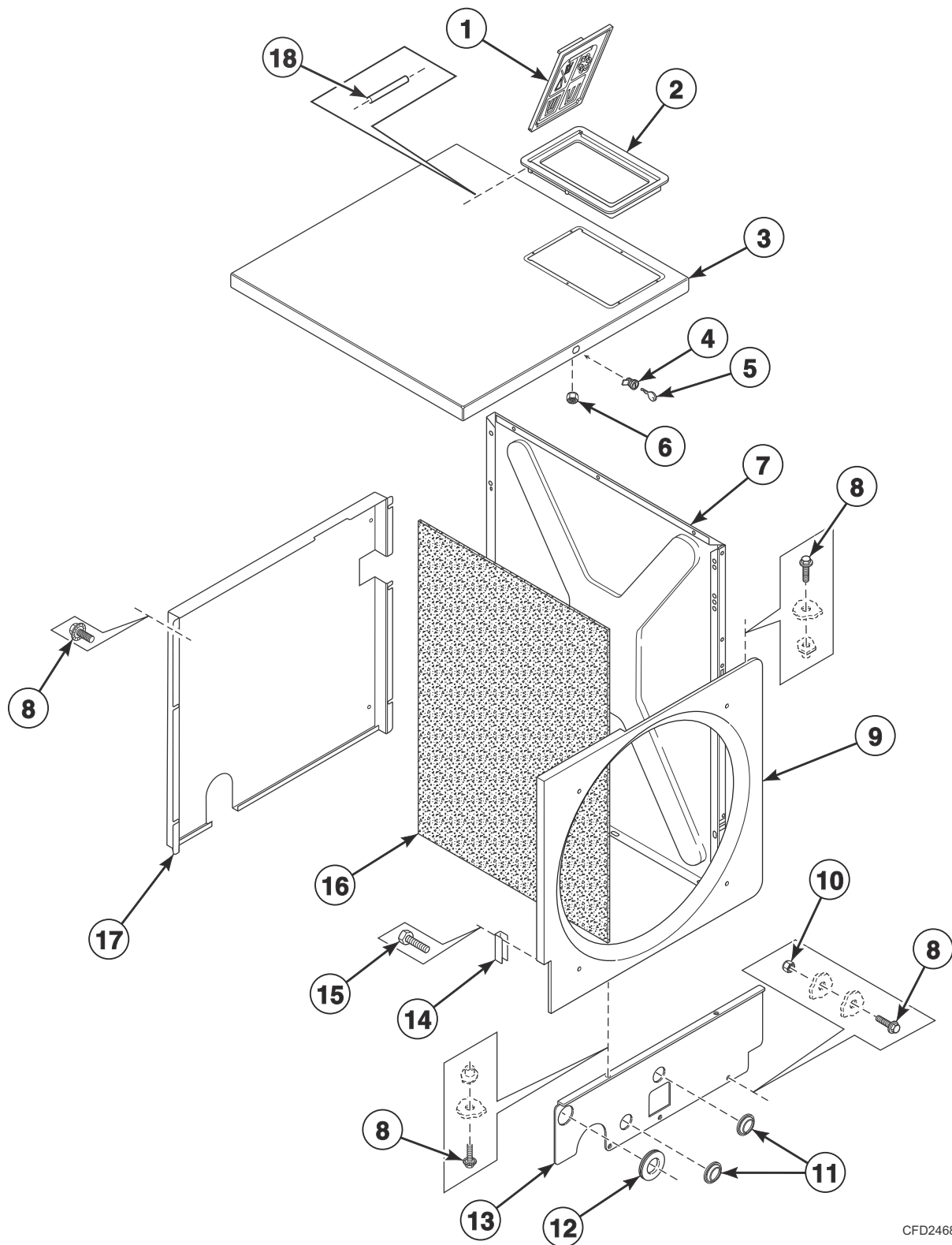


CFD617P_D1586

Coin Drop - Electronic Coin Meter

REF	PART NO.	DESCRIPTION	COMMENTS
	B12309901	Wire Harness Assembly	Single/dual drop
	B12310001	Wire Harness Assembly	Dual drop
1	254/00077/00	Coin Box	
	254/00077/02	Key	
2	204/00116/00	Nut	
3	B12311401	Coin Drop	
4	209/00396/00	Pushbutton	
5	152/00112/50	Electronic Coin Meter Housing	
6	111/01003/00	Top Panel	Black; Central pay option
7	217/00060/00	Fastening Piece	Central pay option
8	111/01005/00	Backplate	Central pay option
9	204/00116/00	Nut	Central pay option

Right Side, Front, Lower Rear and Top Panels - Models with Pump Drain

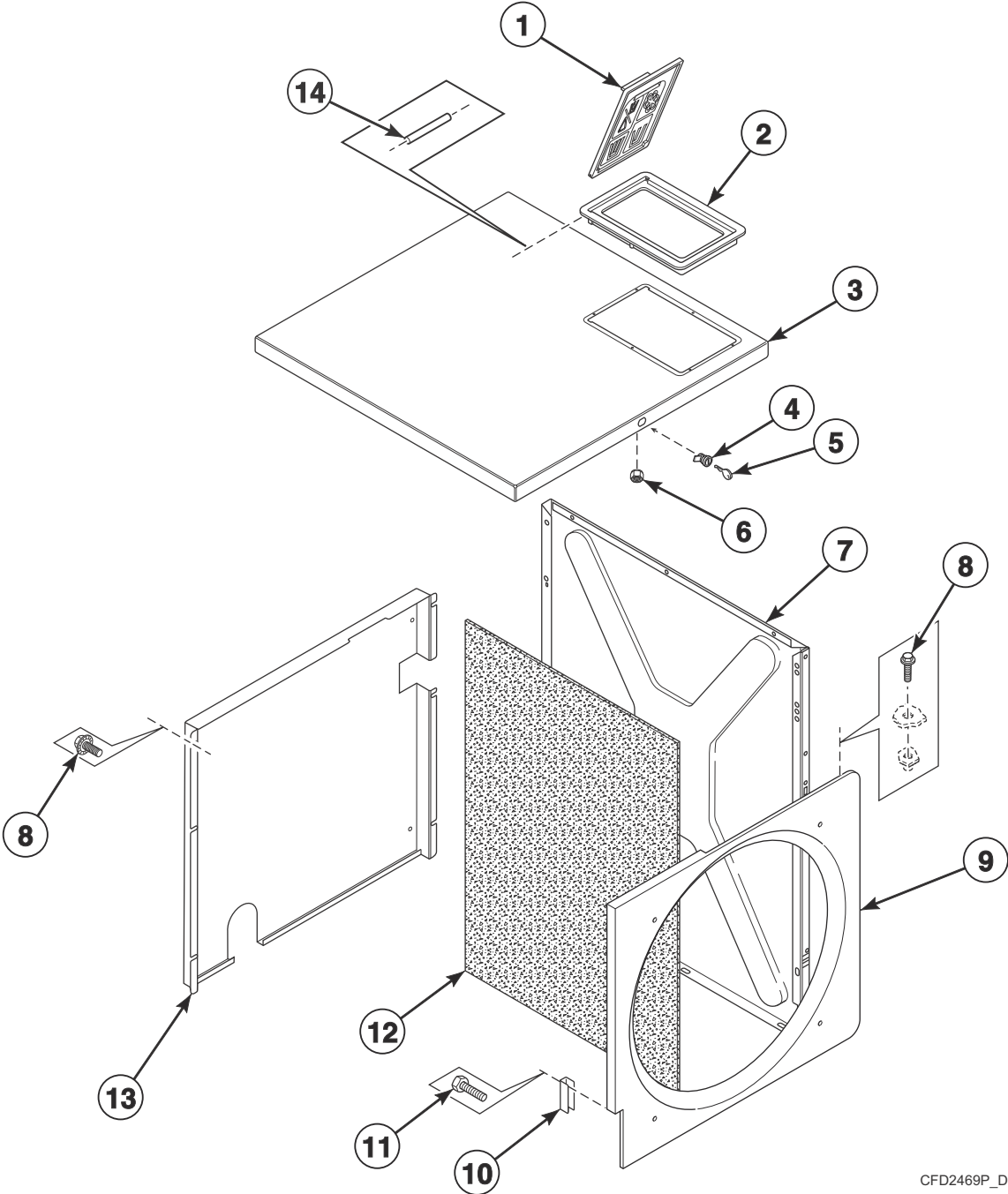


CFD2468P_D1586

Right Side, Front, Lower Rear and Top Panels - Models with Pump Drain

REF	PART NO.	DESCRIPTION	COMMENTS
1	B12319101	Supply Dispenser Cover	U.S. models
	B12356701	Supply Dispenser Cover	International models
2	B12597501	Supply Dispenser Cover Frame	
3	B12325401	Top Panel	
4	44089303P	Panel Lock	Includes item 5
5	70155603	Key	
6	B12509101	Nut	
7	111/10097/00	Side Panel	Stainless steel
	111/60034/00	Side Panel	Black
8	206/00104/00	Screw	
9	B12493001	Front Panel	
10	204/00009/00	Nut	
11	223/00198/00	Grommet	
12	223/00231/00	Cable Duct	
13	111/00289/00	Pump Protection Plate	
14	111/10089/01	Reinforcement Plate	
15	206/00114/00	Bolt	
16	246/00079/00	Side Panel Gasket	
17	B12312601	Lower Rear Panel	
18	223/00103/04	Soap Dispenser Cover Hinge Rod	2 used

Right Side, Front, Lower Rear and Top Panels - Models without Pump Drain

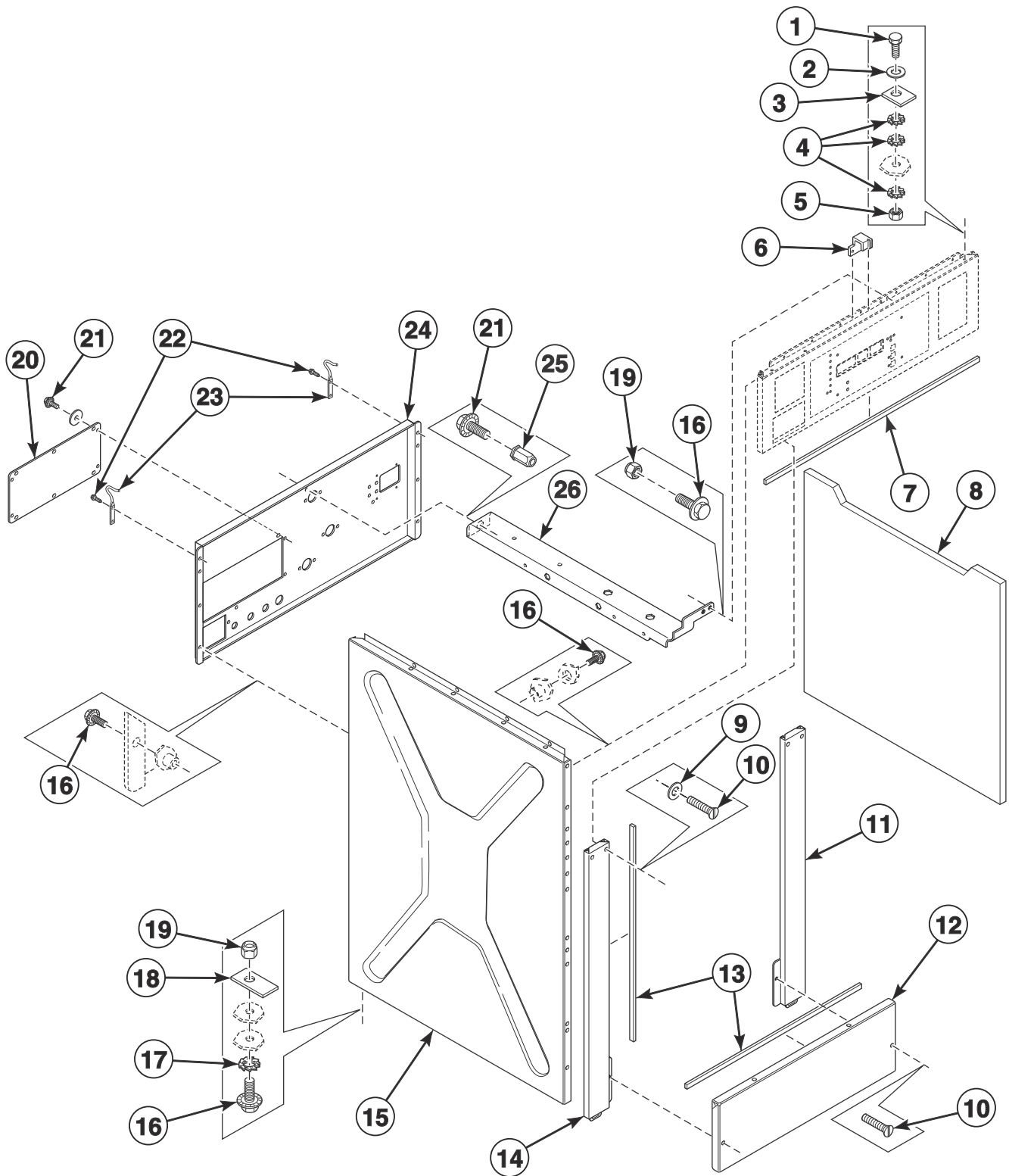


CFD2469P_D1586

Right Side, Front, Lower Rear and Top Panels - Models without Pump Drain

REF	PART NO.	DESCRIPTION	COMMENTS
1	B12319101	Supply Dispenser Cover	U.S. models
	B12356701	Supply Dispenser Cover	International models
2	B12597501	Supply Dispenser Cover Frame	
3	B12325401	Top Panel	
4	44089303P	Panel Lock	Includes item 5
5	70155603	Key	
6	B12509101	Nut	
7	111/10097/00	Side Panel	Stainless steel
	111/60034/00	Side Panel	Black
8	206/00104/00	Screw	
9	B12493001	Front Panel	
10	111/10089/01	Reinforcement Plate	
11	206/00114/00	Bolt	
12	246/00079/00	Side Panel Gasket	
13	B12312601	Lower Rear Panel	
14	223/00103/04	Soap Dispenser Cover Hinge Rod	2 used

Left Side, Lower Front and Upper Rear Panels

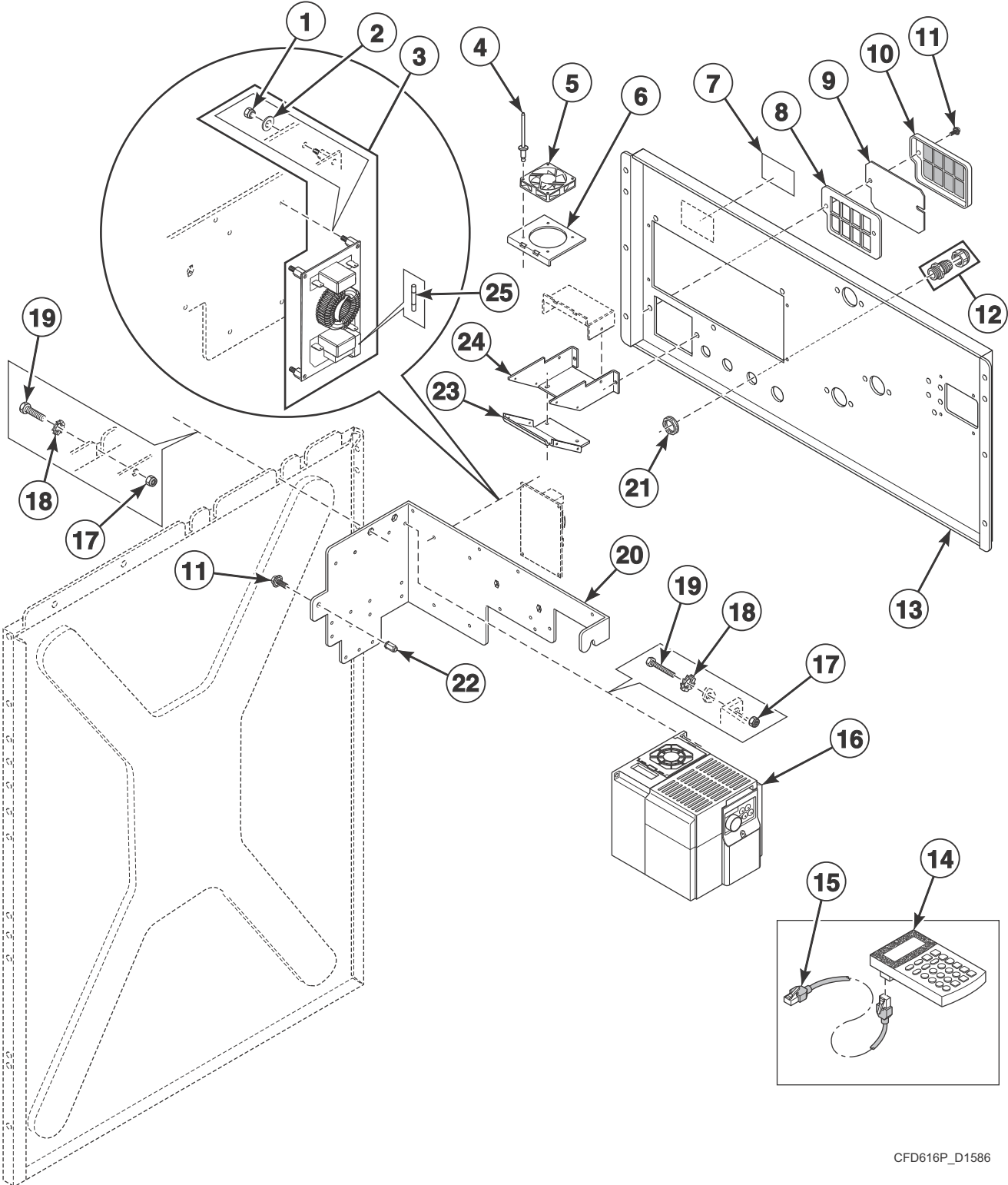


CFD2536P_D1586

Left Side, Lower Front and Upper Rear Panels

REF	PART NO.	DESCRIPTION	COMMENTS
1	205/00106/00	Bolt	
2	202/00003/00	Washer	
3	117/00042/00	Retaining Ring	
4	203/00005/00	Washer	
5	204/00107/00	Nut	
6	F8201001	Top Cover Latch	
7	246/00149/00	Gasket	
8	246/00079/00	Side Panel Gasket	
9	208/00009/00	Washer	
10	B12500701	Screw	
11	111/10146/00	Side Panel	Right
12	111/00285/00	Lower Front Panel	
13	B12525701	Cellular Rubber	
14	111/10145/00	Side Panel	Left
15	111/10097/00	Side Panel	Stainless steel
	111/60034/00	Side Panel	Black
16	205/00105/00	Bolt	
17	203/00004/00	Washer	
18	101/00007/00	Outlet Pipe Plate Assembly	
19	204/00009/00	Nut	
20	B12312501	Main Switch Cover	
21	206/00104/00	Screw	
22	B12462901	Screw	
23	F8258601	Top Cover Hinge	
24	B12312301	Backbridge	
25	204/00011/00	Nut	
26	B12324601	Supply Dispenser Crossbar	

Inverter Drive

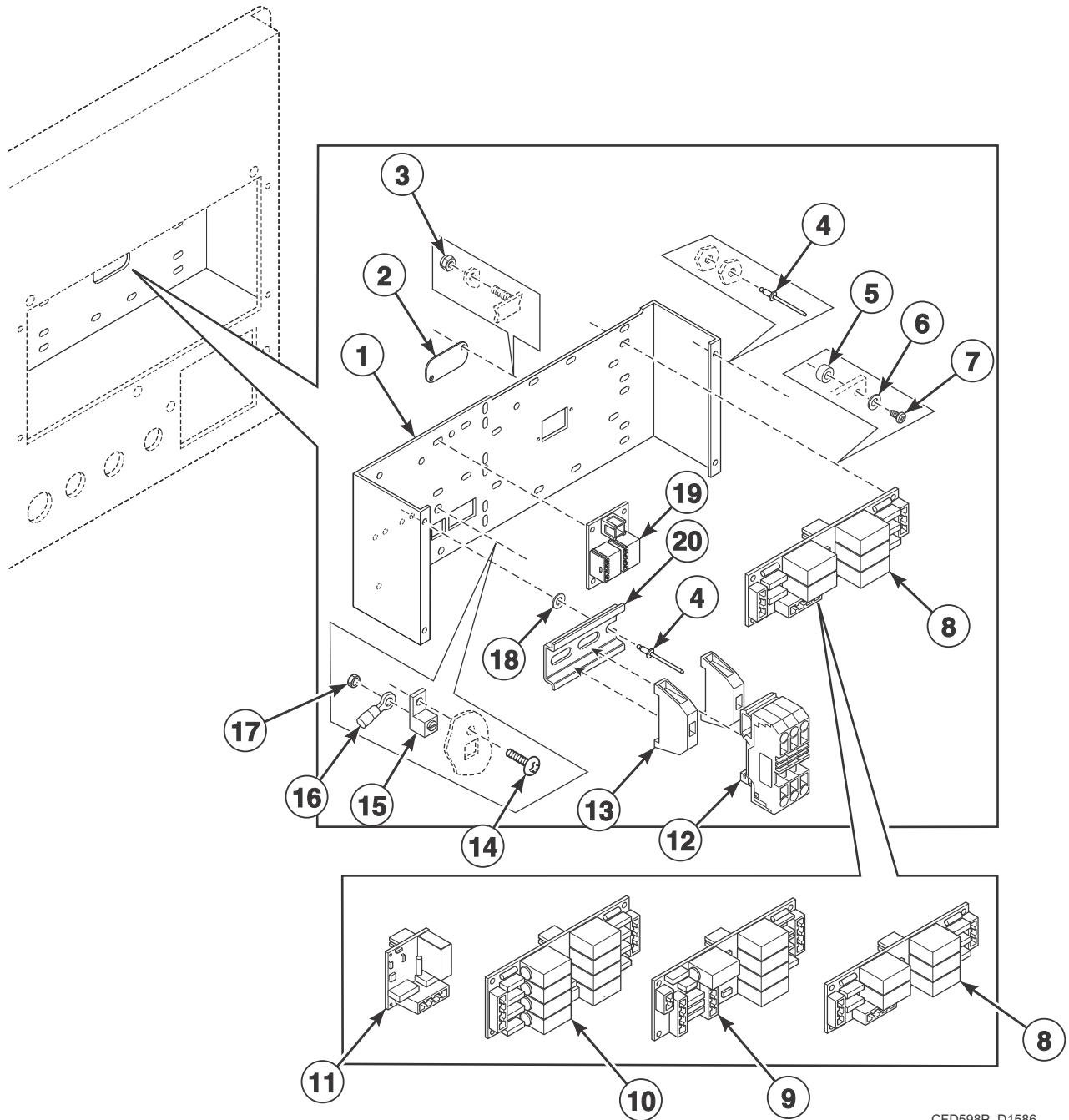


CFD616P_D1586

Inverter Drive

REF	PART NO.	DESCRIPTION	COMMENTS
	B12501502	E-Stop Drive Fan Harness	WE-8 models
	B12501501	E-Stop Drive Fan Harness	Cygnus, PRO and STANDARD models
	B12495601	Drive Source Harness	WE-8 models; C, N and P-voltage
	B12350101	Ethernet Cable	Cygnus, PRO and STANDARD models
1	204/00014/00	Nut	
2	202/00004/00	Washer	
3	B12339301	Noise Filter	15A1; 1x230 Volt; C, Q and X-voltage
	227/00242/00	Noise Filter	8A3; 3x400 Volt; N and P-voltage
4	208/00017/00	Rivet	
5	209/00465/00	Fan	
6	B12357201	Fan Mounting Plate	
7	B12355001	Voltage Discharge Decal	
8	B12551301	Air Duct	Inside
9	B12382401	Inverter Air Inlet Filter Grill	
10	B12346701	Inverter Air Inlet Filter Frame	Outside
11	206/00104/00	Screw	
12	211/00181/00	Strain Relief Connector	
13	B12312301	Backbridge	
14	227/00171/00	Parameter Unit Assembly	Hand held
15	227/00171/10	Parameter Unit Program Cable	
16	F8420915	Inverter Drive	700 series; 1x230 Volt; WE-8 models; C, Q and X-voltage
	F8644901P	Inverter Drive	700 series; 1x230 Volt; Cygnus, PRO and STANDARD models; C, Q and X-voltage
	F8420916	Inverter Drive	700 series; 3x400 Volt; WE-8 models; N and P-voltage
	F8645001P	Inverter Drive	700 series; 3x400 Volt; Cygnus, PRO and STANDARD models; N and P-voltage
17	204/00114/00	Nut	
18	203/00006/00	Washer	
19	206/00088/00	Bolt	
20	B12313101	Inverter Drive Box	
21	211/00170/00	Nut	
22	204/00011/00	Nut	
23	B12342701	Air Inlet Bottom	
24	B12342501	Air Inlet	
25	B12389501	Fuse	3.15 A; 500 Volt; Used with 227/00242/00 Noise Filter; N and P-voltage
	209/00468/00	Fuse	3.15 A; Used with B12339301 Noise Filter; C, Q and X-voltage

Printboard Support Panel and Soap Injection Printboards - Cygnus, PRO and STANDARD Models

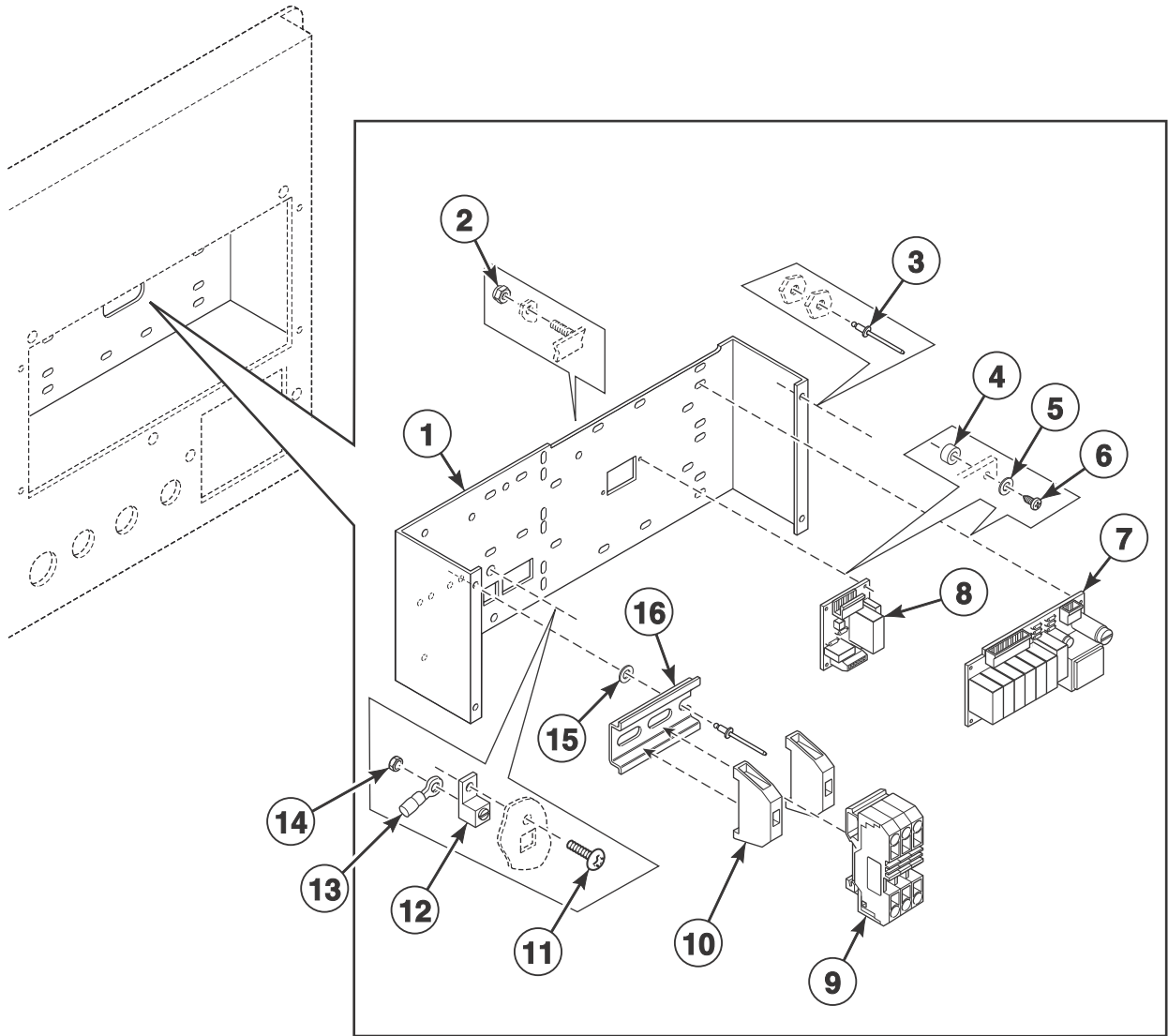


CFD598P_D1586

Printboard Support Panel and Soap Injection Printboards - Cygnus, PRO and STANDARD Models

REF	PART NO.	DESCRIPTION	COMMENTS
	B12388301	Ribbon Assembly	Used with items 8-11
	B12529201	Extension Board Kit	Used with items 8-11; Includes items 2-7, 16, B12381402 Central Supply Harness, B12388301 Ribbon Assembly, 201616 Transformer, 70030501 Mounting Clips, B12462901 Screw and B12319608 Diagram; Does not include extension board
	B12529301	Network Kit	Includes items 3, 5-7, 19, 211/00128/00 Printboard Separator, B12341801 Printboard Separator, B12341801 Printboard and B12390201 Network Connection Wiring
1	B12312401	Printboard Support	
2	B12382501	Flat Cable Plate	
3	204/00116/00	Nut	
4	208/00017/00	Rivet	
5	B12390301	Standoff	
6	223/00123/00	Washer	
7	B12393801	Screw	
8	209/02005/00	Detergent PC-Board	1-5
9	209/02014/00	Relay PC-Board	5-5
10	209/02008/00	Detergent PC-Board	1-8
11	209/02016/00	Relay PC-Board	1-1
12	209/01625/00	Terminal Block	Grey; 3 on C, N, P and Q-voltage; 1 on X-voltage
	209/01624/00	Terminal Block	Blue; 1 on C and X-voltage
	209/01625/01	Terminal End	
13	209/00633/02	End Stop	
14	206/00104/00	Screw	
15	M411283	Ground Lug Connector	
16	B12456001	Wiring Earth for Inverter	
17	206/00101/00	Nut	
18	202/00004/00	Washer	
19	B12344201	Network Board	Network models
20	B12315401	DIN Rail	60 mm

Printboard Support Panel and Soap Injection Printboards - WE-8 Models

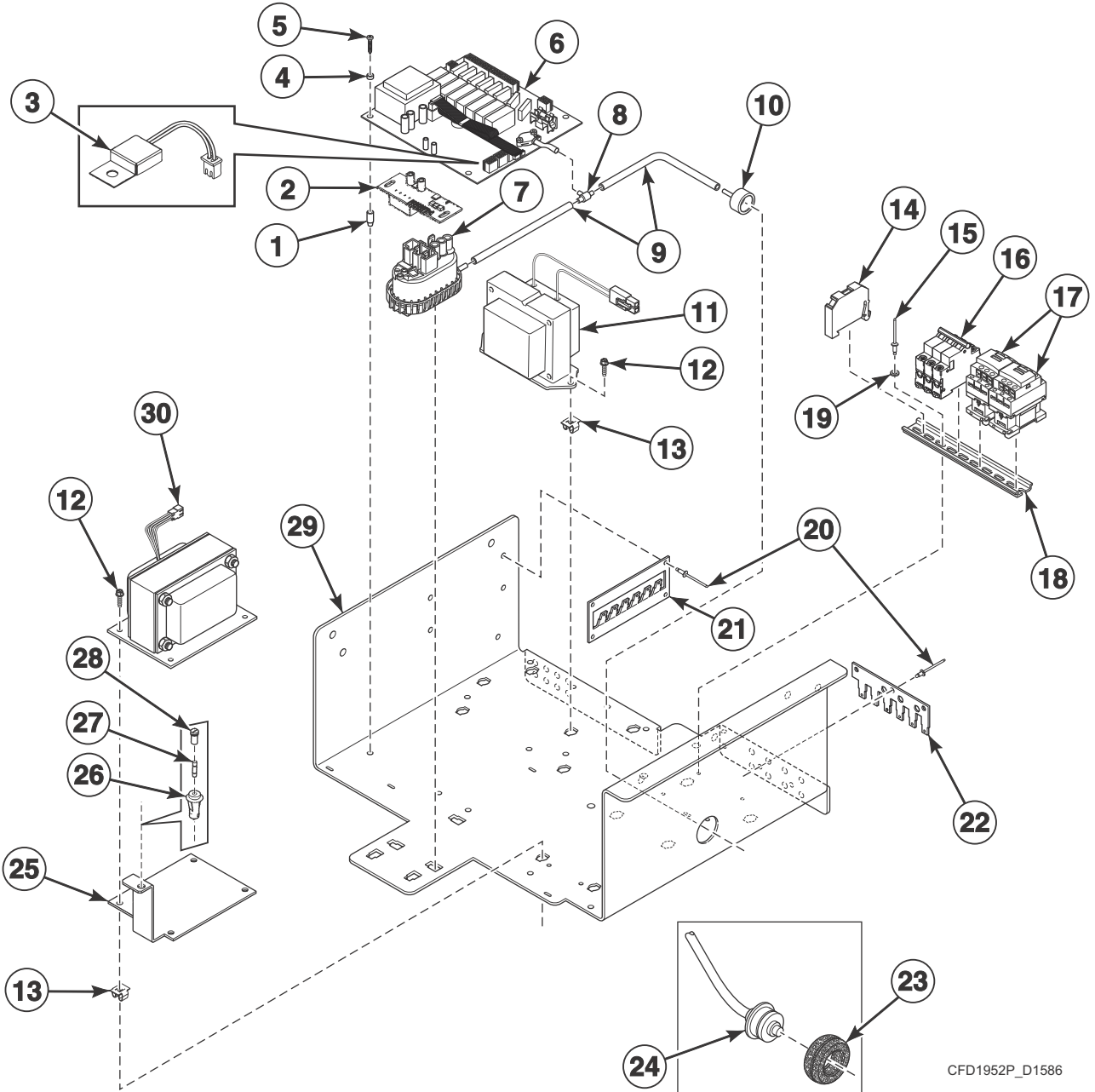


CFD2453P_D1586

Printboard Support Panel and Soap Injection Printboards - WE-8 Models

REF	PART NO.	DESCRIPTION	COMMENTS
	B12495702	Soap Board Harness	Used with item 9
1	B12312401	Printboard Support	
2	204/00116/00	Nut	
3	208/00017/00	Rivet	
4	B12390301	Standoff	
5	223/00123/00	Washer	
6	B12393801	Screw	
7	209/00218/13	Soap Injection PCB with Fuse	
8	209/00438/50	Central Control Board	240 Volt
9	209/01625/00	Terminal Block	Gray; 3 on C, N, P and Q-voltage, 1 on X-voltage
	209/01624/00	Terminal Block	Blue; 1 on C and X-voltage
	209/01625/01	Terminal End	
10	209/00633/02	End Stop	
11	206/00104/00	Screw	
12	M411283	Ground Lug Connector	
13	B12456001	Wiring Earth for Inverter	
14	206/00101/00	Nut	
15	202/00004/00	Washer	
16	B12315401	DIN Rail	60 mm

Electrical Component Mounting Plate - Cygnus, PRO and STANDARD Controls

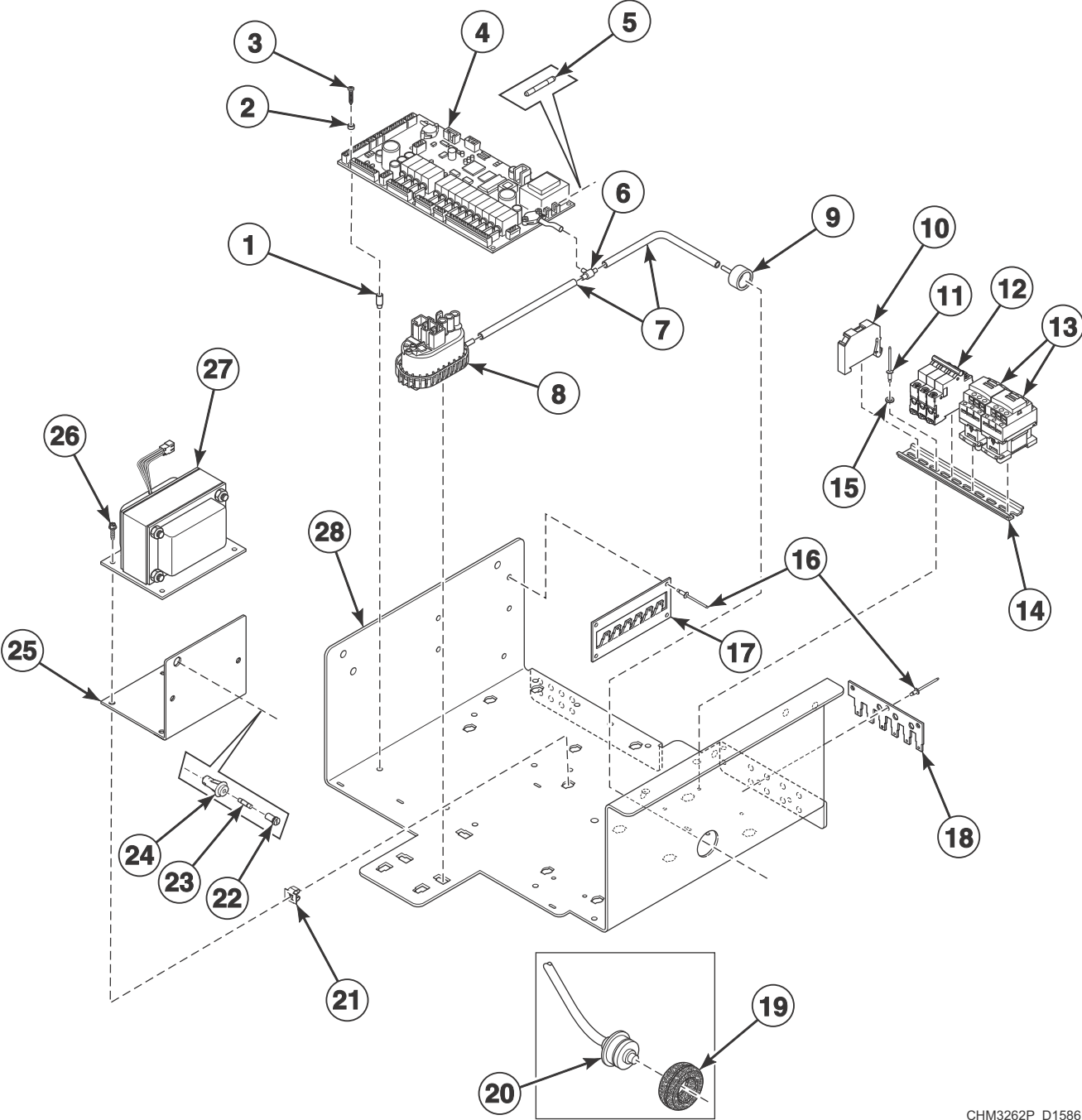


CFD1952P_D1586

Electrical Component Mounting Plate - Cygnus, PRO and STANDARD Controls

REF	PART NO.	DESCRIPTION	COMMENTS
	B12392701	Direct Fill Harness	
	B12381101	Main Control Tray Harness	
	B12348801	Control Communication Harness	
	B12348301	Control Supply Harness	N and P-voltage
	B12348101	Control Supply Harness	C, Q and X-voltage
	B12381402	Control Supply Harness	24 VAC; Direct fill
	B12390201	Network Connection Wiring	
1	B12390301	Standoff	
2	B12341801	Printboard	Network models
3	209/02020/00	ID Chip	
4	223/00123/00	Washer	
5	B12393801	Screw	
6	B12355701	Control Board	
	B12360001	Fuse	1.25A
7	209/00027/10B	Water Level Switch	Single lever; 200/160; Electric, steam and dual heat
8	223/00173/10	Pressure Switch Hose Tee	
9	B12700018	Pressure Hose	
10	223/00035/02	Pressure Switch Cap	
11	201616P	Transformer	Models with extension boards
12	B12462901	Screw	
13	70030501	Expansion Clip	N and P-voltage
14	209/00633/02	End Stop	Electric, steam or dual heat
15	208/00017/00	Rivet	
16	B12487101	Circuit Breaker	C and Q-voltage; Electric heat
	B12474601	Circuit Breaker	N and P-voltage; Electric heat
17	209/06148/02	Heating Contactor	1 on C, P and N-voltage; 2 on Q-voltage; Electric heat
18	B12315301	DIN Rail	200 mm
19	202/00004/00	Washer	
20	208/00017/00	Rivet	
21	B12395201	Earth Plate Side	
22	B12395301	Earth Plate Bottom	
23	225/10004/00	Thermostat Grommet	
24	210/01064/16	Thermostat	
25	B12439601	Transformer Fuse Mounting Plate	N and P-voltage
26	70329401P	Fuse Holder Body	N and P-voltage
27	802492	Fuse	N and P-voltage
28	70329501	Fuse Holder Cap	N and P-voltage
29	B12313001	Electrical Component Mounting Plate	
30	F8401301	Transformer	N and P-voltage

Electrical Component Mounting Plate - WE-8 Control

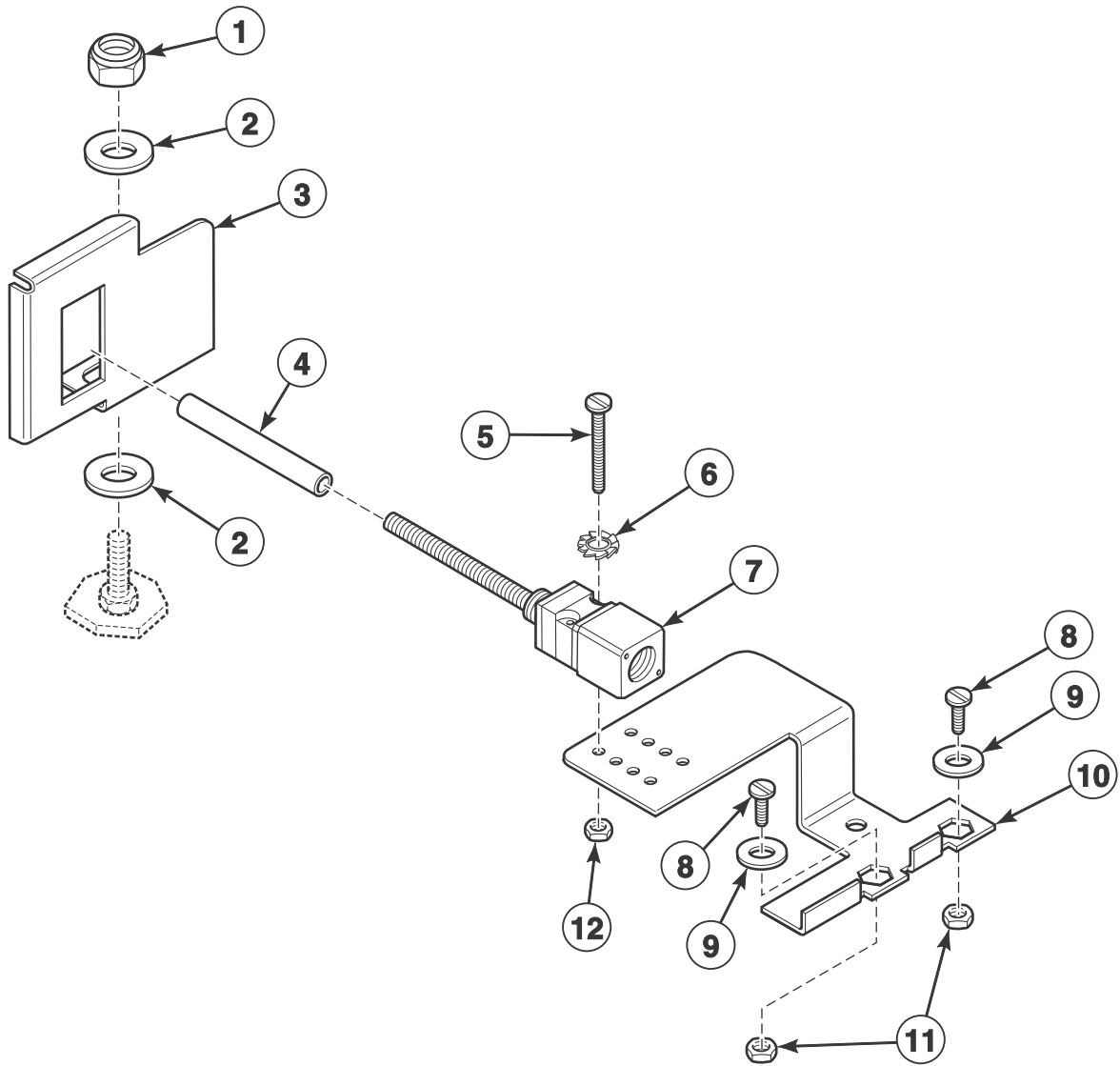


CHM3262P_D1586

Electrical Component Mounting Plate - WE-8 Control

REF	PART NO.	DESCRIPTION	COMMENTS
	B12348303	Control Supply Harness	N and P-voltage
	B12348103	Control Supply Harness	C, Q and X-voltage
	B12381103	Main Control Tray Harness	
	B12392704	Direct Fill Harness	240 Volt
1	B12390301	Standoff	
2	223/00123/00	Washer	
3	B12393801	Screw	
4	B12565801	Main Control	
5	209/00372/01	Fuse	0.125 Amps
6	223/00173/10	Pressure Switch Hose Tee	
7	B12700018	Pressure Hose	
8	209/00027/10B	Water Level Switch	Single lever; 200/160; Electric and steam heat
9	223/00035/02	Pressure Switch Cap	
10	209/00633/02	End Stop	Electric, steam or dual heat
11	208/00027/00	Rivet	
12	B12487101	Circuit Breaker	Electric heat; C and Q-voltage
13	209/06148/02	Heating Contactor	Electric heat; C and Q-voltage
14	B12315301	DIN Rail	200 mm
15	202/00004/00	Washer	
16	208/00017/00	Rivet	
17	B12395201	Earth Plate Side	
18	B12395301	Earth Plate Bottom	
19	225/10004/00	Thermostat Grommet	
20	210/01064/16	Thermostat	
21	70030501	Expansion Clip	
22	70329501	Fuse Holder Cap	N and P-voltage
23	802492	Fuse	N and P-voltage
24	70329401P	Fuse Holder Body	N and P-voltage
25	B12439701	Transformer Fuse Mounting Plate	N and P-voltage
26	B12462901	Screw	
27	F8401301	Transformer	N and P-voltage
28	B12313002	Electrical Component Mounting Plate	

Balance Switch

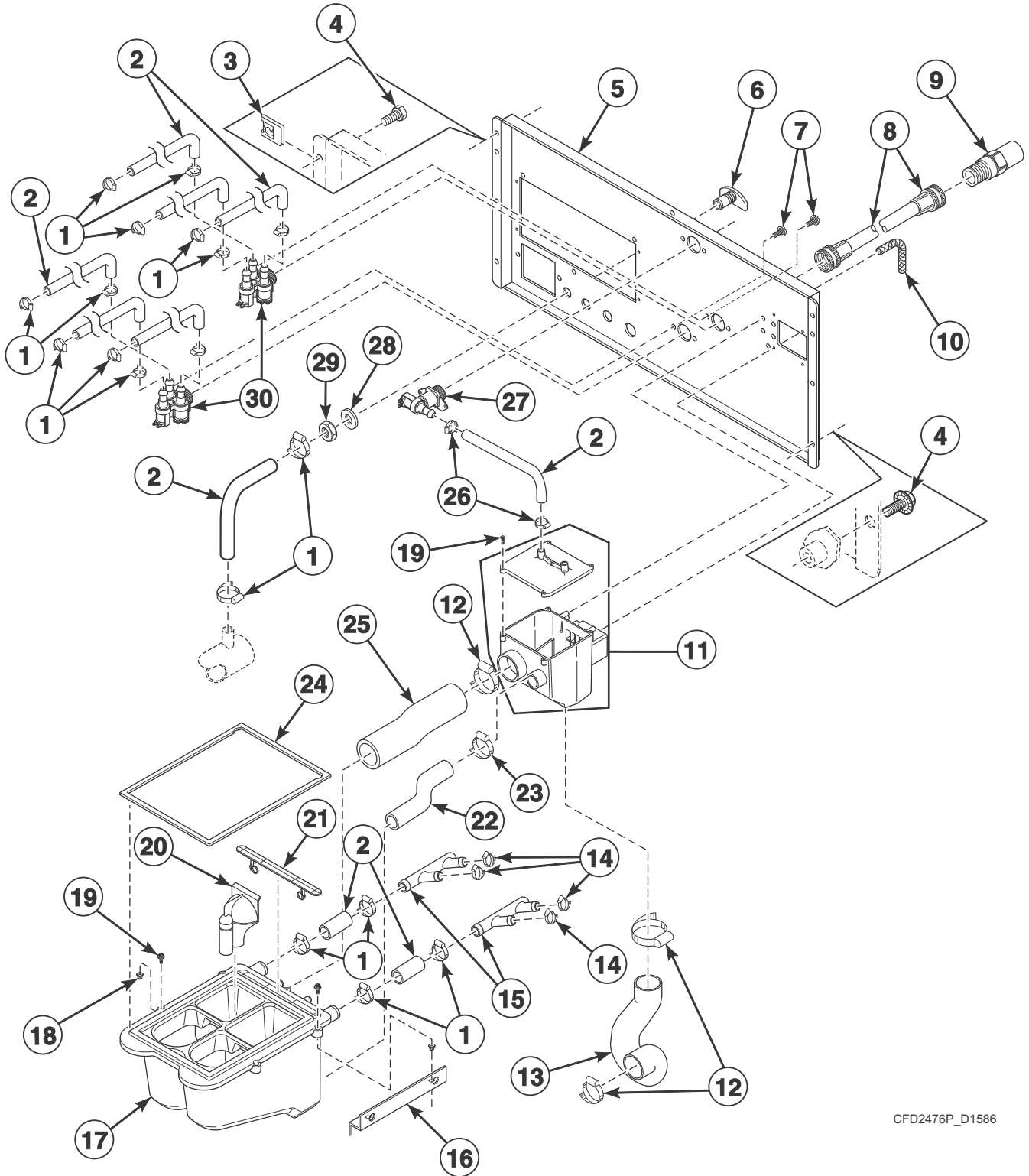


CFD544P_D1586

Balance Switch

REF	PART NO.	DESCRIPTION	COMMENTS
	B12349901	Out-of-Balance Switch Wiring Harness	Cygnus, PRO and STANDARD models
	B12349902	Out-of-Balance Switch Harness	WE-8 models
1	204/00110/00	Nut	
2	201/00010/00	Washer	
3	111/01854/00	Tilt Detector Plate	
4	223/00246/00	Out-of-Balance Switch Boot	
5	207/00018/00	Screw	
6	203/00006/00	Washer	
7	209/00255/00	Out-of-Balance Switch	
8	B12484601	Bolt	
9	201/00006/00	Washer	
10	111/01855/00	Tilt Switch Support	
11	204/00005/00	Nut	
12	204/00007/00	Nut	

Fill Plumbing Assembly

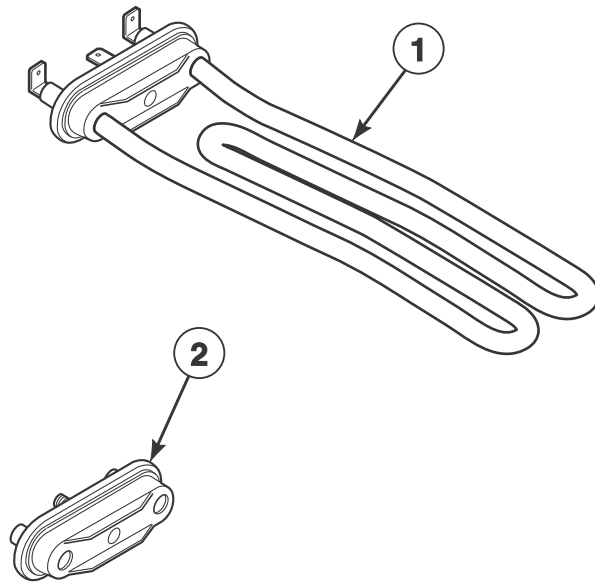


CFD2476P_D1586

Fill Plumbing Assembly

REF	PART NO.	DESCRIPTION	COMMENTS
	B12349201	Inlet Valve Harness	Cygnus, PRO and STANDARD models
	B12349202	Inlet Valve Harness	WE-8 models
1	223/00010/00	Hose Clamp	
2	223/00044/00	Water Hose	
3	B12469601	Clip	
4	B12462901	Screw	
5	B12312301	Backbridge	
6	223/00001/04	Prewash and Mainwash Nozzle	
7	206/00027/00	Bolt	
8	F200164	Water Hose	Standard thread; All models except A and Y market models
	F200166	Water Hose	Metric thread; All models except A and Y market models
	B8498901	Fill Hose	A and Y market models
9	203386	Check Valve Kit	A and Y market models
10	223/00179/10	Pressure Hose	
11	F8048601	Vacuum Breaker Assembly	Includes item 11
12	223/00014/00	Hose Clamp	
13	B12324506	Siphon Break Hose	
14	223/00011/00	Hose Clamp	
15	F8333201	Manifold	
16	B12316401	Supply Dispenser Support	
17	F8047401	Dispenser Assembly	
18	B12463001	Insert	
19	B12462801	Screw	
20	F8047901	Siphon Cover	
21	F8047801	Access Cover	
22	B12313303	Dispenser Overflow Hose	
23	223/00223/00	Hose Clamp	
24	F8308301	Dispenser Gasket	
25	B12390004	Vacuum Supply Hose	
26	223/00013/00	Hose Clamp	
27	209/00276/00	Inlet Valve	1-way; Hard water rinse option; Metric thread
	223/00050/01	Water Valve Adapter	Standard thread
28	201/00002/00	Washer	
29	204/00201/00	Nut	
30	F8286401P	3-Way Valve	3-way; Standard thread
	F8286402P	3-Way Valve	Metric thread

Electric and Steam Heating Options



CFD588P_D1586

Electric and Steam Heating Options

REF	PART NO.	DESCRIPTION	COMMENTS
	F140329	Strain Relief Connector	
	F140609P	DIN Connector	
	B12308001	Relay	Steam heat
	B12349704	Steam Heat Harness	WE-8 models
	B12349703	Steam Heat Harness	Cygnus, PRO and STANDARD models
	B12349803	Dual Heat Harness	Cygnus, PRO and STANDARD models
	B12382302	Steam Valve Harness	
	B12349604	Electric Heat Harness	WE-8 models
	B12349603	Electric Heat Harness	Cygnus, PRO and STANDARD models
	B12455802	Heat Harness	Electric heat; Q-voltage
	B12455902	Heat Harness	Electric heat; C, N and P-voltage
	B12348502	Branch Harness	Electric heat; Q-voltage
	B12348504	Branch Harness	Electric heat; C, N and P-voltage
	B12381201	Power Jumper Harness	
	209/06148/02	Heating Contactor	Electric heat
	209/00027/10B	Water Level Switch	Steam heat
1	209/00563/20	Heating Element	2 kW; 240 Volt; C, P and Q-voltage
	209/00564/20	Heating Element	3 kW; 275 Volt; N-voltage
2	F360202	Heating Element Plug	

Parts Index

A

Access Cover	
F8047801	69
Air Duct	
B12551301	57
Air Inlet	
B12342501	57
Air Inlet Bottom	
B12342701	57

B

Backbridge	
B12312301	55, 57, 69
Backplate	
111/01005/00	47, 49
Basket and Shaft Assembly	
B12380001	11, 15
Basket Kit	
B12542801	11, 15
Bearing	
F100136P	13
F100137P	13
Bearing Housing Assembly	
152/00117/00	13
Bearing Kit	
3881P	13
Bearing Replacement Tool Kit	
380P3P	13
380P3-1	13
Belt	
255/00013/00	15, 17
Bolt	
B12484601	67
205/00102/00	13
205/00104/00	13
205/00105/00	55
205/00106/00	55
205/00107/00	25
206/00004/00	15
206/00027/00	69
206/00032/00	11
206/00033/00	19, 21
206/00088/00	57
206/00114/00	51, 53
Branch Harness	
B12348502	71
B12348504	71

C

Cable Duct	
223/00231/00	51
Caddy Bracket	
224/00051/00	13
224/00052/00	13

Cellular Rubber	
B12525701	55
Central Control Board	
209/00438/50	61
Check Valve Kit	
203386	69
Circuit Breaker	
B12474601	63
B12487101	63, 65
Clamp	
223/00009/00	21
Clip	
B12469601	69
Coin Box	
254/00077/00	47, 49
Coin Drop	
B11211209	47
B12311201	47
B12311202	47
B12311203	47
B12311204	47
B12311205	47
B12311206	47
B12311207	47
B12311208	47
B12311210	47
B12311211	47
B12311212	47
B12311214	47
B12311215	47
B12311216	47
B12311218	47
B12311219	47
B12311220	47
B12311221	47
B12311222	47
B12311224	47
B12311225	47
B12311226	47
B12311234	47
B12311235	47
B12311239	47
B12311241	47
B12311244	47
B12311247	47
B12311248	47
B12311249	47
B12311252	47
B12311301	47
B12311302	47
B12311304	47
B12311401	49
B12323401	47
B12323901	47
Contact Block	
4418901	27, 29, 31, 33, 37, 41, 45
Contact Harness	
B12491701	27, 29, 31, 33, 37, 41, 45
B12491801	27, 29, 31, 33, 37, 41, 45
Contact Switch	
209/00029/26	27, 29, 31, 33, 37, 41, 45
Control Board	
B12355701	63

N/A items do not appear in index.

Control Communication Harness	
B12348801	63
Control Panel	
B12570701	29
B12570801	29
B12572101	41, 43
Control Supply Harness	
B12348101	63
B12348103	65
B12348301	63
B12348303	65
B12381402	63
Counter Ring	
217/00004/00	15

D

Data Card Ribbon Assembly	
B12538301	27, 29, 33, 35, 37, 39
Datacard	
209/02024/00	27, 29, 33, 35, 37, 39
Datacard Cover	
223/00348/00	27, 29, 33
Detergent PC-Board	
209/02005/00	59
209/02008/00	59
DIN Connector	
F140609P	71
DIN Rail	
B12315301	63, 65
B12315401	59, 61
Direct Fill Harness	
B12392701	63
B12392704	65
Dispenser Assembly	
F8047401	69
Dispenser Gasket	
F8308301	69
Dispenser Overflow Hose	
B12313303	69
Display	
209/00580/03	45
Display PC-Board	
209/02002/ZB2	27, 29, 31
Door Frame	
B12314901	25
Door Glass	
B12449701	25
Door Glass Seal	
217/00015/00	25
Door Handle	
B12336301	25
B12336302	25
Door Handle Stop	
217/00016/00	25
Door Hinge	
221/00005/00	25
Door Hinge Assembly	
217/00009/02	25
Door Hinge Spacer	
117/00011/00	25
Door Lock Assembly	
B12517701	23

Door Lock Harness	
B12495001	23
B12495002	23
Door Lock Microswitch	
209/00272/00	23
Door Lock PC-Board	
B12388201	27, 29, 31, 33, 35, 37, 39, 41, 43
Door Solenoid Assembly	
B12518101	23
Drain Hose	
223/00307/00	21
Drain Piece	
155/00155/00	21
223/00146/00	19, 21
Drain Pipe Kit	
899P3	21
Drain Valve	
209/00463/00	19
Drain Valve Cover	
F200133600	19
Drain Valve Fuse Harness	
B12495801	19
Drain Valve Harness	
B12349401	19
Drain Valve Hose	
223/00303/00	19
Drain Valve Motor	
209/00051/11	19
Drive Source Harness	
B12495601	57
Dual Drain Kit	
B12428201	19
Dual Heat Harness	
B12349803	71
Dual Heat Sticker	
B12523901	27, 29, 31, 33, 37, 41

E

Earth Plate Bottom	
B12395301	63, 65
Earth Plate Side	
B12395201	63, 65
Electric Heat Harness	
B12349603	71
B12349604	71
Electrical Component Mounting Plate	
B12313001	63
B12313002	65
Electronic Coin Meter Housing	
152/00112/50	49
End Stop	
209/00633/02	59, 61, 63, 65
E-Stop Bypass Harness	
B12349001	35, 39, 43
E-Stop Drive Fan Harness	
B12501501	57
B12501502	57
E-Stop Drive Harness	
B12348903	45
E-Stop Harness	
B12348901	27, 29, 31, 33, 37, 41
B12348902	45

N/A items do not appear in index.

Ethernet Cable	
B12350101	57
Expansion Clip	
70030501	63, 65
Extension Board Kit	
B12529201	59

F

Fan	
209/00465/00	57
Fan Mounting Plate	
B12357201	57
Fastening Piece	
217/00060/00	47, 49
Fastening Rubber	
247/00006/00	9
247/00007/00	9
Fill Hose	
B8498901	69
Flat Cable Plate	
B12382501	59
Frame	
152/00102/00	7
Front Panel	
B12493001	51, 53
Fuse	
B12360001	63
B12389501	57
209/00372/01	65
209/00468/00	57
802492	63, 65
Fuse Holder Body	
70329401P	63, 65
Fuse Holder Cap	
70329501	63, 65

G

Gasket	
246/00149/00	55
Grommet	
223/00198/00	51
Ground Lug Connector	
M411283	59, 61

H

Hardware Kit	
F407P4	13
Heat Harness	
B12455802	71
B12455902	71
Heating Contactor	
209/06148/02	63, 65, 71
Heating Element	
209/00563/20	71
209/00564/20	71
Heating Element Plug	
F360202	71

Hinge Plate	
118/00128/00	25
Hose Clamp	
F200205	19
223/00010/00	69
223/00011/00	21, 69
223/00012/00	21
223/00013/00	19, 69
223/00014/00	19, 21, 69
223/00223/00	69

I

ID Chip	
209/02020/00	63
Infrared Cable Kit	
210/00902/00P	27, 29, 31, 33, 35, 37, 39, 41, 43
Inlet Valve	
209/00276/00	69
Inlet Valve Harness	
B12349201	69
B12349202	69
Insert	
B12463001	69
Insulating Sticker	
229/00268/00	27, 29, 31
229/00291/00	33, 35
Inverter Air Inlet Filter Frame	
B12346701	57
Inverter Air Inlet Filter Grill	
B12382401	57
Inverter Drive	
F8420915	57
F8420916	57
F8644901P	57
F8645001	57
Inverter Drive Box	
B12313101	57

K

Key	
254/00077/02	47, 49
70155603	51, 53
Key Switch Harness	
B12495501	45

L

Leveling Leg	
252/00006/00	7
Lip Seal	
B12332201	13
Logo Decal	
225/00436/00	45
Lower Front Panel	
111/00285/00	55
Lower Rear Panel	
B12312601	51, 53

N/A items do not appear in index.

M

Magnet	
B12363301	25
Magnet Holder	
B12389701	25
Main Control	
B12565801	65
Main Control Tray Harness	
B12381101	63
B12381103	65
Main Switch Cover	
B12312501	55
Manifold	
F8333201	69
Mechanical Coin Meter Housing	
152/00112/00	47
Memory Card PC Board	
B12305201	35
Memory Card PC-Board	
B12305201	27, 29, 33, 37, 39
Microswitch	
B12625101	23
Motor	
B12510501	17
Motor Harness	
B12382101	17
Motor Pulley	
255/00012/00	17
Mounting Plate	
223/00374/00	27, 29, 31, 33, 35, 37, 39, 41, 43

N

Nameplate	
B12389801	27, 33, 35, 37, 39, 41
B12389802	27, 33, 37, 39
B12389803	37, 39
B12389805	33, 35
B12389809	37, 39
B12389810	37, 39
B12530802	33, 35
Network Board	
B12344201	59
Network Connection Wiring	
B12390201	63
Network Kit	
B12529301	59
Noise Filter	
B12339301	57
227/00242/00	57
Nut	
B12509101	51, 53
204/00005/00	67
204/00007/00	67
204/00008/00	45
204/00009/00	11, 51, 55
204/00011/00	55, 57
204/00014/00	57
204/00106/00	25
204/00107/00	55
204/00109/00	17
204/00110/00	9, 11, 67

N/A items do not appear in index.

204/00111/00	7, 13
204/00114/00	57
204/00116/00	27, 29, 31, 33, 35, 37, 39, 41, 43, 45, 47, 49, 59, 61
204/00201/00	19, 69
206/00101/00	19, 21, 59, 61
206/00105/00	21
206/00106/00	7
211/00170/00	57

O

Operating Panel	
B12312801	39
B12355801	37
B12355901	27, 31
B12356001	33
B12356101	35
B12436201	45
Operating Sticker	
B12382701	37
B12382801	37
B12382901	39, 43
B12383001	37
B12383101	37
B12383201	39
B12383301	33
B12383401	33
B12383501	35
B12383601	27, 29, 31
B12383701	27, 29, 31
B12456501	39
B12456701	33
B12531801	33, 37
B12531901	33
Optical Switch	
209/00781/00	47
Outer Tub	
B12328601	11
B12328701	11
Outlet Pipe Plate Assembly	
101/00007/00	19, 21, 55
Out-of-Balance Switch	
209/00255/00	67
Out-of-Balance Switch Boot	
223/00246/00	67
Out-of-Balance Switch Harness	
B12349902	67
Out-of-Balance Switch Wiring Harness	
B12349901	67
Overflow Hose	
223/00150/00	19
Overlay	
B12389804	37, 39
B12568801	29
B12568901	29
B12574901	41, 43
B12583801	31
F8435601	45
F900156	45
225/00435/00	45

P

Panel Lock	
44089303P	51, 53
Parameter Unit Assembly	
227/00171/00	57
Parameter Unit Program Cable	
227/00171/10	57
Pipe	
223/00159/00	21
Plexi Frame	
225/00321/00	27, 29, 31
225/00322/00	37, 39, 41, 43
225/00323/00	33, 35
Power Jumper Harness	
B12381201	71
Pressure Hose	
B12700018	19, 21, 63, 65
223/00179/10	69
Pressure Switch Cap	
223/00035/02	19, 21, 63, 65
Pressure Switch Hose Tee	
223/00173/10	19, 21, 63, 65
Prewash and Mainwash Nozzle	
223/00001/04	19, 69
Printboard	
B12341801	63
209/02001/02	37, 39, 41, 43
209/02015/02	33, 35
Printboard Separator	
211/00128/00	27, 29, 31, 33, 35, 37, 39, 43
Printboard Support	
B12312401	59, 61
Printboard Support Card	
111/01893/00	27, 29, 33
Programming Key Contact Switch	
209/00326/20	45
Protection LED	
223/00330/00	37, 39, 41, 43
Pulley	
255/00117/00	15
Pump	
209/00646/00	21
209/00647/00	21
Pump Protection Plate	
111/00289/00	51
Pump Support	
111/00288/10	21
Pushbutton	
209/00396/00	47, 49
44018801	27, 29, 31, 33, 37, 41, 45

R

Reed Switch Holder	
B12517601	23
Reinforcement Plate	
111/10089/01	51, 53
Relay	
B12308001	71
Relay PC-Board	
209/02014/00	59

209/02016/00	59
Retaining Ring	
117/00042/00	55
212/00038/00	13
Ribbon Assembly	
B12388301	59
B12388302	45
B12388305	45
Rivet	
B12500301	25
208/00017/00	57, 59, 61, 63, 65
208/00027/00	65

S

Screw	
B12393801	59, 61, 63, 65
B12462801	69
B12462901	55, 63, 65, 69
B12500701	55
B12500801	25
206/00053/00	7, 13
206/00058/00	17
206/00104/00	17, 21, 51, 53, 55, 57, 59, 61
207/00018/00	67
207/00102/00	23
207/00126/00	25
Seal Plate Assembly	
B12333601	13
Shipping Brace	
185/00009/12	7
Shock Absorber	
247/00002/00	9
247/00002/02	9
247/00002/03	9
247/00003/00	9
Side Panel	
111/10097/00	51, 53, 55
111/10145/00	55
111/10146/00	55
111/60034/00	51, 53, 55
Side Panel Gasket	
246/00079/00	51, 53, 55
Siphon Break Hose	
B12324506	69
Siphon Cover	
F8047901	69
Soap Board Harness	
B12495702	61
Soap Dispenser Cover Hinge Rod	
223/00103/04	51, 53
Soap Injection PCB with Fuse	
209/00218/13	61
Spacer	
211/00140/00	45
Speed Detector	
210/00074/00	13
Speed Detector Bracket	
152/00055/00	13
Spring Holder Top	
247/00001/04	9
Spring Seat Bottom	
247/00001/03	9

N/A items do not appear in index.

Standoff	
B12390301	59, 61, 63, 65
211/00122/00	27, 29, 31, 33, 35
211/00145/00	27, 29, 33
Steam Heat Harness	
B12349703	71
B12349704	71
Steam Valve Harness	
B12382302	71
Stopper	
223/00162/00	21
255/00019/00	21
Strain Relief Connector	
F140329	71
211/00181/00	17, 57
Supply Dispenser Cover	
B12319101	51, 53
B12356701	51, 53
Supply Dispenser Cover Frame	
B12597501	51, 53
Supply Dispenser Crossbar	
B12324601	55
Supply Dispenser Support	
B12316401	69
Suspension Spring	
247/00001/01	9
247/00002/01	9
247/00009/00	9
Switch Knob	
209/00099/29	27, 29, 31, 33, 37, 41

T

Telem Sticker	
209/00520/00	27, 29, 31, 33, 37, 41, 45
Terminal Block	
209/01624/00	59, 61
209/01625/00	59, 61
Terminal End	
209/01625/01	59, 61
Thermostat	
210/01064/16	63, 65
Thermostat Grommet	
225/10004/00	63, 65
Tilt Detector Plate	
111/01854/00	11, 67
Tilt Switch Support	
111/01855/00	67
Tolerance Ring	
215/00004/00	15
Top Cover Hinge	
F8258601	55
Top Cover Latch	
F8201001	55
Top Panel	
B12325401	51, 53
111/01003/00	47, 49
Transformer	
F8401301	63, 65
201616P	63
Transformer Fuse Mounting Plate	
B12439601	63
B12439701	65

Tub Front Gasket	
B12351601	11
Tub Front Panel	
B12339601	11
Tub Front Panel Clip	
217/00008/00	11
Tub Front Ring Clamp	
219/00007/00	11
Tub Support	
B12490501	7
Tub to Drain Valve Hose	
255/00010/00	19, 21

V

Vacuum Breaker Assembly	
F8048601	69
Vacuum Supply Hose	
B12390004	69
Valve, 3-Way	
F8286401P	69
F8286402P	69
Voltage Discharge Decal	
B12355001	57

W

Washer	
201/00002/00	19, 69
201/00003/00	15
201/00005/00	7
201/00006/00	17, 67
201/00007/00	11, 19, 21
201/00010/00	11, 67
201/00012/00	13
201/00015/00	9
201/00201/00	13
202/00003/00	13, 55
202/00004/00	57, 59, 61, 63, 65
202/00101/00	25
202/00104/00	25
202/00108/00	25
203/00001/00	15
203/00004/00	13, 55
203/00005/00	55
203/00006/00	57, 67
203/00007/00	45
208/00009/00	55
223/00123/00	27, 29, 31, 33, 35, 37, 39, 41, 43, 45, 59, 61, 63, 65
Water Hose	
F200164	69
F200166	69
223/00044/00	19, 69
Water Level Switch	
209/00027/10B	63, 65, 71
Water Valve Adapter	
223/00050/01	69
Wire Harness Assembly	
B12309901	47, 49
B12310001	47, 49
Wiring Earth for Inverter	
B12456001	59, 61

N/A items do not appear in index.



