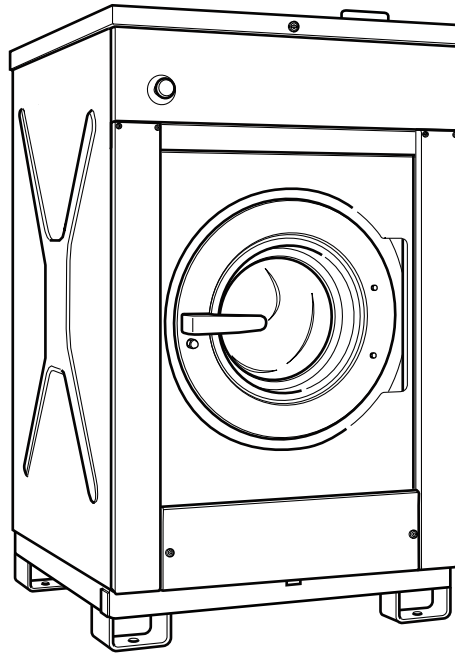


Washer-Extractor

Cabinet Freestanding
Refer to Page 3 for Model Numbers



CFD30C_D1360

Table of Contents

Title	Page
Parts Ordering Information	2
Serial Plate Location	2
Model Identification	3
Cabinet Freestanding Washer-Extractor Product Overview	4
Frame - *55 and *235 Models	6
Frame - *75 and *305 Models	8
Shock and Spring Assembly - *55 and *235 Models	10
Shock and Spring Assembly - *75 and *305 Models	12
Tub and Drum - *55 and *235 Models	14
Tub and Drum - *75 and *305 Models	16
Bearing Assembly - *55 and *235 Models	18
Bearing Assembly - *75 and *305 Models	20
Basket, Pulley and Belt - *55 and *235 Models	22
Basket, Pulley and Belt - *75 and *305 Models	24
Motor - *55 and *235 Models	26
Motor - *75 and *305 Models	28
Drain Assembly - *55 and *235 Models	30
Drain Assembly - *75 and *305 Models	32
Door Lock	34
Door	36
Control Panel - Cygnus Professional	38
Control Panel - PRO	40
Control Panel - Cygnus Ultra Pro	42
Control Panel - Cygnus Premium OPL and Ultra	44
Control Panel - Cygnus Standard/Commercial OPL	46
Control Panel - STANDARD	48
Control Panel - WE-8	50
Left Side, Lower Front and Upper Rear Panels - *55 and *235 Models	52
Left Side, Lower Front and Upper Rear Panels - *75 and *305 Models	54
Top, Right Side and Lower Back Panels - *55 and *235 Models	56
Top, Right Side and Lower Back Panels - *75 and *305 Models	58
Inverter Drive	60
Printboard Support Panel and Soap Injection Printboards - Cygnus, PRO and STANDARD Models	62
Printboard Support Panel and Soap Injection Printboards - WE-8 Models	64
Electrical Component Mounting Plate - Cygnus, PRO and STANDARD Models	66
Electrical Component Mounting Plate - WE-8 Models	68
Balance Switch	70
Fill Plumbing Assembly	72
Steam and Electric Heating Options	74
Spray Pump	76
Parts Index	79

© Copyright 2018, Alliance Laundry Systems LLC

All rights reserved. No part of the contents of this book may be reproduced or transmitted in any form or by any means without the expressed written consent of the publisher.

Parts Ordering Information

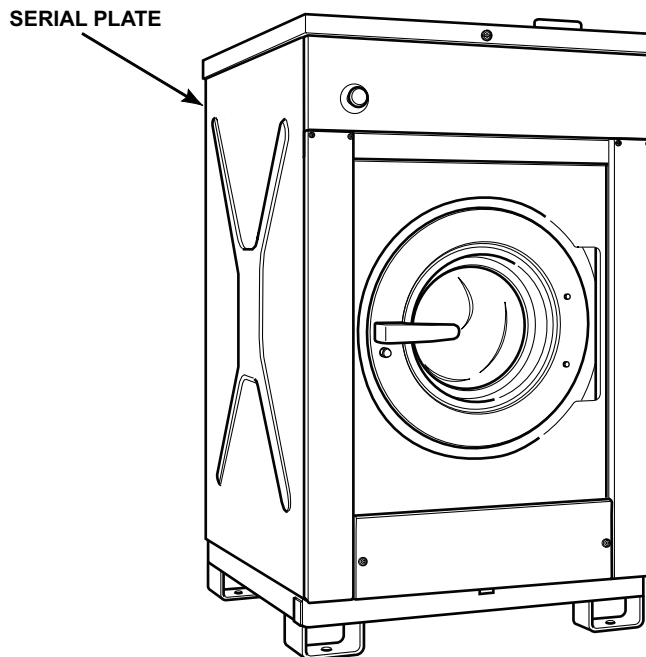
If literature or replacement parts are required, contact the source from whom the machine was purchased or contact Alliance Laundry Systems at (920) 748-3950 for the name and address of the nearest authorized parts distributor.

For technical assistance, call the number listed below:

(920) 748-3121 Ripon, Wisconsin

Serial Plate Location

When calling or writing about your product, be sure to mention model and serial numbers. Model and serial numbers are located on serial plate(s) as shown.



CFD30CA_D1360

Model Identification

Information in this manual is applicable to these washer-extractor models:

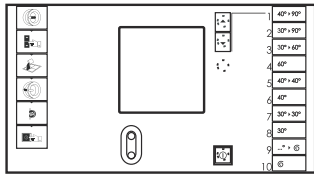
CS055_CYGNUS-ULTRA	CXR055R	IXA235C	IXY055C	SXW235P
CS055_ULTRA-PRO	CXR055U	IXA235X	IXY055X	SXW235Z
CS075_CYGNUS-ULTRA	CXR055X	IXA235Y	IXY055Y	SXW305P
CS075_ULTRA-PRO	CXR055Z	IXA235Z	IXY055Z	SXW305Z
HD235_CYGNUS-COMM	CXR075R	IXA305C	IXY075C	SXY055P
HD235_CYGNUS-PREM	CXR075U	IXA305X	IXY075X	SXY055Z
HD235_CYGNUS-PRO	CXR075X	IXA305Y	IXY075Y	SXY075P
HD235_CYGNUS-STANDARD	CXR075Z	IXA305Z	IXY075Z	SXY075Z
HD305_CYGNUS-COMM	CXU235X	IXG235C	IXZ235C	SXZ235P
HD305_CYGNUS-PREM	CXU235Z	IXG235X	IXZ235X	SXZ235Z
HD305_CYGNUS-PRO	CXU305X	IXG235Y	IXZ235Y	SXZ305P
HD305_CYGNUS-STANDARD	CXU305Z	IXG235Z	IXZ235Z	SXZ305Z
HX55_WE-8	CXW235X	IXG305C	IXZ305C	UXA235P
HX75_WE-8	CXW235Z	IXG305X	IXZ305X	UXA305P
IS055_CYGNUS-ULTRA	CXW305X	IXG305Y	IXZ305Y	UXE055P
IS055_ULTRA-PRO	CXW305Z	IXG305Z	IXZ305Z	UXE055Z
IS075_CYGNUS-ULTRA	CXY055X	IXN235C	JXW235C	UXE075P
IS075_ULTRA-PRO	CXY055Z	IXN235U	JXW235X	UXE075Z
SX055_PRO	CXY075X	IXN235X	JXW235Y	UXG235P
SX055_STANDARD	CXY075Z	IXN235Y	JXW235Z	UXG235Z
SX075_PRO	CXZ235X	IXN235Z	JXW305C	UXG305P
SX075_STANDARD	CXZ235Z	IXN305C	JXW305X	UXG305Z
SX55_WE-8	CXZ305X	IXN305U	JXW305Y	UXN235P
SX75_WE-8	CXZ305Z	IXN305X	JXW305Z	UXN305P
UX055_PRO	DXU235X	IXN305Y	PXU235Y	UXR055P
UX075_PRO	DXU305X	IXN305Z	PXU305Y	UXR075P
UX55_WE-8	HXA235P	IXR055R	SXA235P	UXU235P
UX75_WE-8	HXA305P	IXR055U	SXA305P	UXU235Z
CXE055X	HXE055P	IXR075R	SXE055C	UXU305P
CXE055Z	HXE075P	IXR075U	SXE055P	UXU305Z
CXE075X	HXG235P	IXU235C	SXE055Z	UXW235P
CXE075Z	HXG305P	IXU235X	SXE075C	UXW235Z
CXG235X	HXN235P	IXU235Y	SXE075P	UXW305P
CXG235Z	HXN305P	IXU235Z	SXE075Z	UXW305Z
CXG305X	HXR055P	IXU305C	SXG235P	UXY055P
CXG305Z	HXR075P	IXU305X	SXG235Z	UXY055Z
CXN235U	HXU235P	IXU305Y	SXG305P	UXY075P
CXN235X	HXU305P	IXU305Z	SXG305Z	UXY075Z
CXN235Z	HXW235P	IXW235C	SXN235P	UXZ235P
CXN305U	HXW305P	IXW235X	SXN305P	UXZ235Z
CXN305X	HXY055P	IXW235Y	SXR055P	UXZ305P
CXN305Z	HXY075P	IXW235Z	SXR075P	UXZ305Z
	HXZ235P	IXW305C	SXU235P	WXU235C
	HXZ305P	IXW305X	SXU235Z	WXU305C
		IXW305Y	SXU305P	
		IXW305Z	SXU305Z	

Cabinet Freestanding Washer-Extractor Product Overview

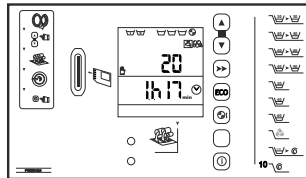
Model No: **IXU135XNCU0E** Serial No: 12090AE0036

Volts: 380-415V	Type: HD 135
Hertz: 50(60)Hz	Capacity: 30/13.2 lbs/kg
Phase: 3+N	Water Pressure: 28-85 psi
Amps: 24.3 amps	Pressure: 2 - 6 bar
Recommended Circuit Breaker: 25 amps	Max Speed: 1000 rpm
Electrical Heating: 12-14. kW	Net Weight: 788 lbs
Steam Heat: N/A psi / N/A bar	Weight: 358 kg
Sound Level: 62/73 dBA	IPX4
	sfc 807393

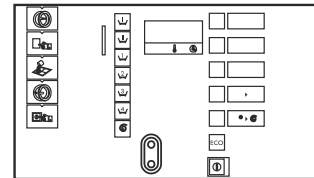
Alliance International BVBA
 Nieuwstraat 146
 8560 Wevelgem
 Belgium
 Tel: +32 56 41 20 54
 Fax: +32 56 41 86 74
 www.ipso.be
 Country of origin: Belgium



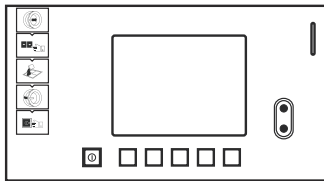
Cygnus Premium Coin



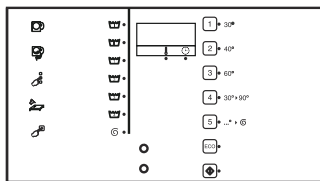
Cygnus Premium OPL



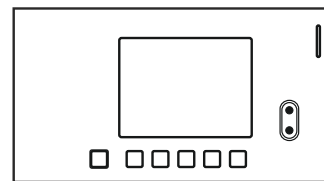
Cygnus Standard OPL



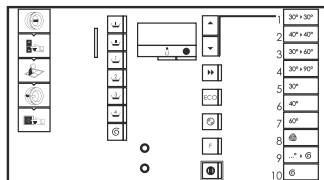
Cygnus Professional



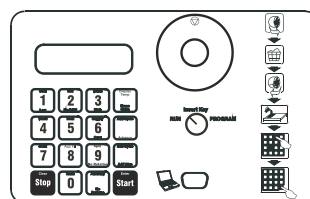
Standard



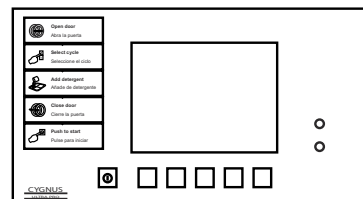
Pro



Cygnus Commercial



WE-8



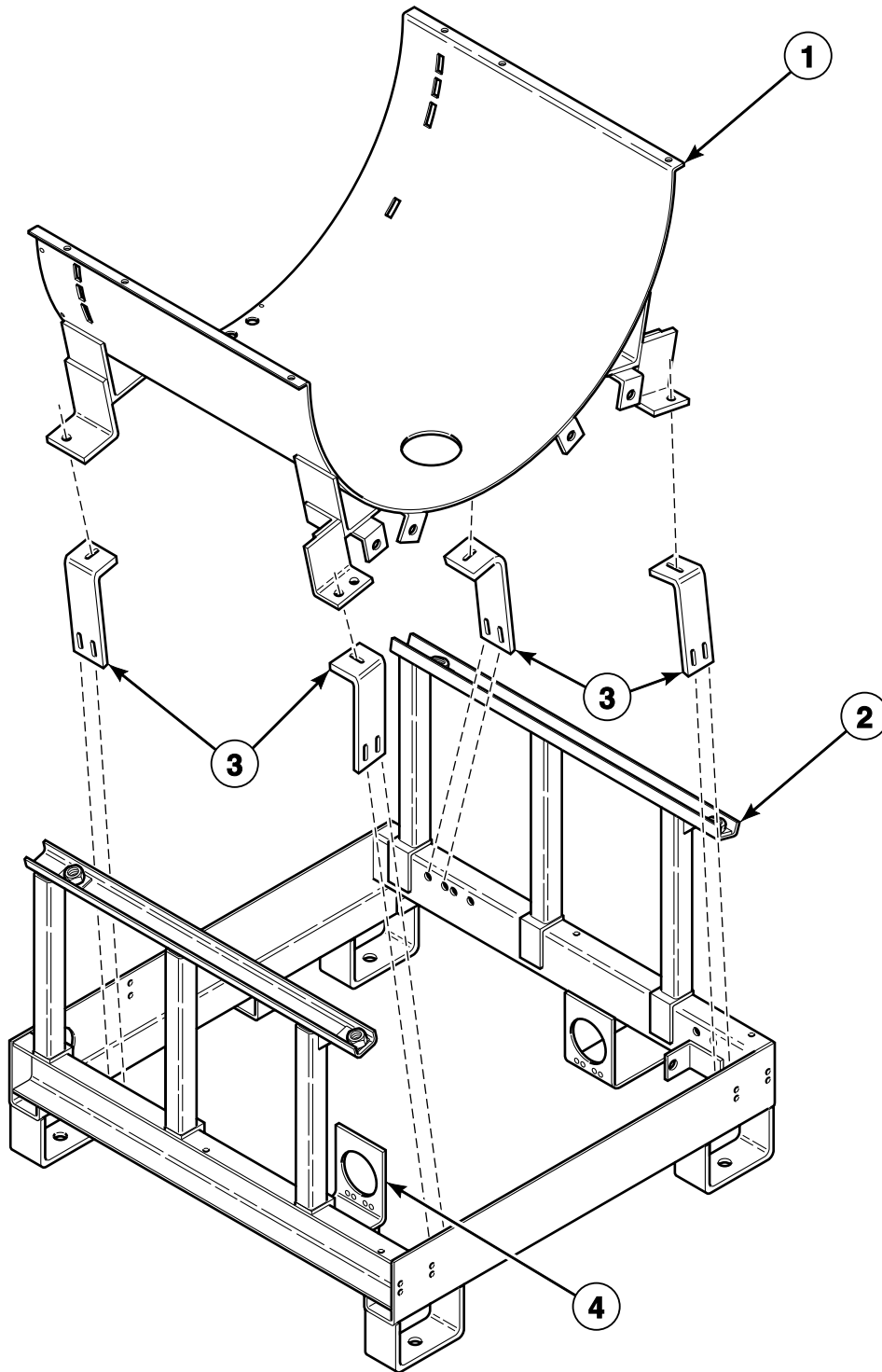
Ultra Pro

CFD2458P_D1360

Cabinet Freestanding Washer-Extractor Product Overview

REF	PART NO.	DESCRIPTION	COMMENTS
1	-	Product Family	CS CX DX HD HX IS IX JX PX SX UX WX
2	-	Market	A (Australian Watermark [CE] Liters) E (EU [CE] Pounds) G (GOS) N (US ETL/ETL[C]) R (US ETL/ETL[C]) U (EU [CE]) W (EU [CE] WRAS) Y (Australian Watermark [CE] Pounds) Z (No Agency Int.)
3	-	Capacity	55 75 235 305
4	-	Control	C (Cygnus Standard and STANDARD) P (WE-8) R (Cygnus Ultra Pro) U (Cygnus Ultra) X (Cygnus Commercial) Y (Cygnus Premium) Z (Cygnus Professional and PRO)
5	-	Actuation	C (Single coin drop) D (Dual coin drop) E (Electronic coin drop) L (Central pay pulses) N (OPL) S (Central pay serial comm) Y (Prep for card)
6	-	Speed	H (High speed)
7	-	Voltage	C (380-415V/50/60 Hertz/3Ph-4W [L1, L2, L3, N]) N (440-480V/50/60 Hertz/3Ph-3W [L1, L2, L3]) P (380-415V/50/60 Hertz/3Ph-3W [L1, L2, L3]) Q (200-208/220-240V/50/60 Hertz/3Ph-3W [L1, L2, L3]) X (200-208/220-240V/50/60 Hertz/1Ph-2W [L1, N] or 2W [L1, L2])
8	-	Cabinet	1 (Stainless steel side panels) U (Standard)
9	-	Design	1

Frame - *55 and *235 Models

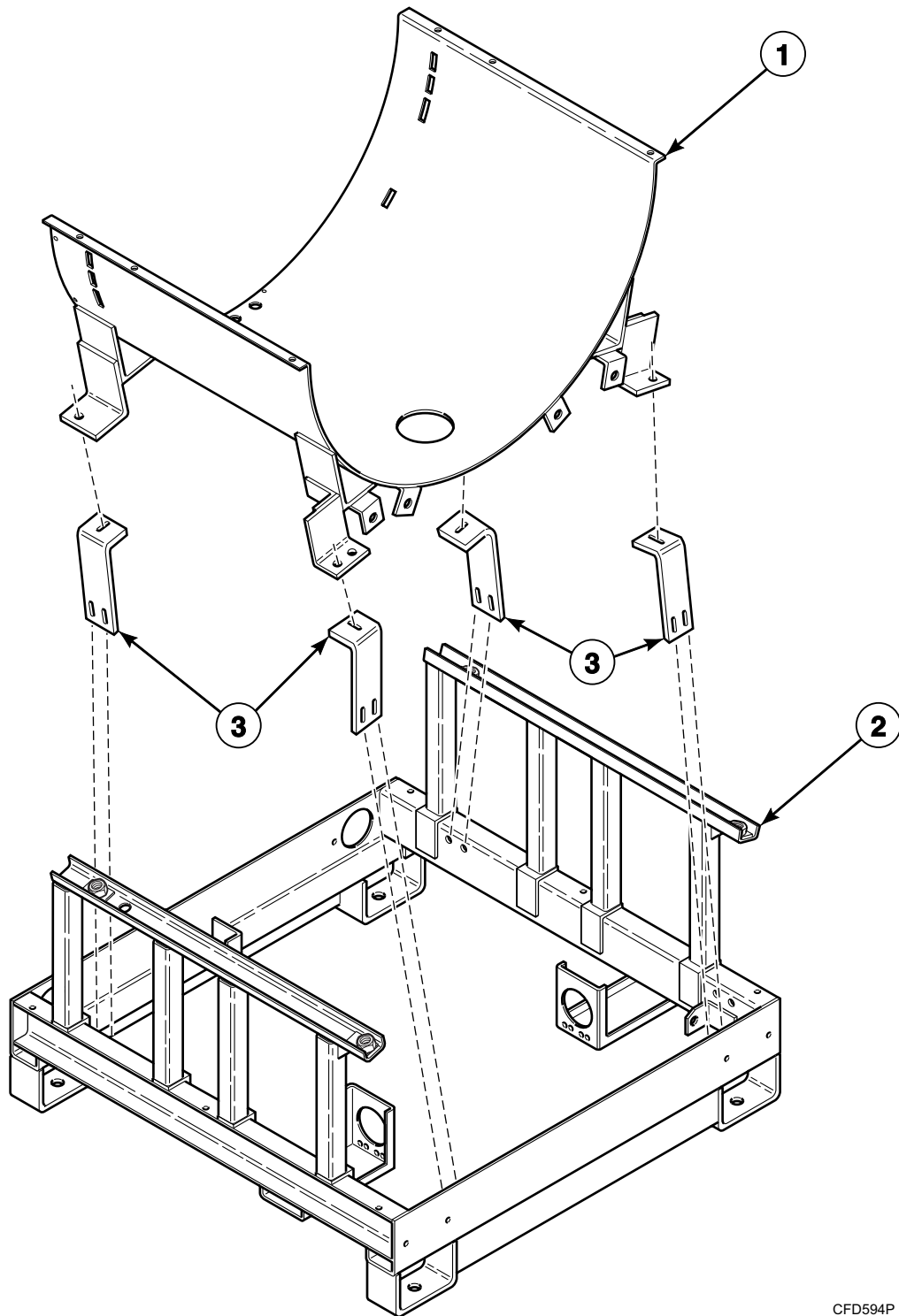


CFD593P_D1360

Frame - *55 and *235 Models

REF	PART NO.	DESCRIPTION	COMMENTS
1	B12616001	Tub Support	
2	114/00019/50	Frame	
3	114/00024/00	Shipping Brace	
4	B12475501	Bracket	

Frame - *75 and *305 Models

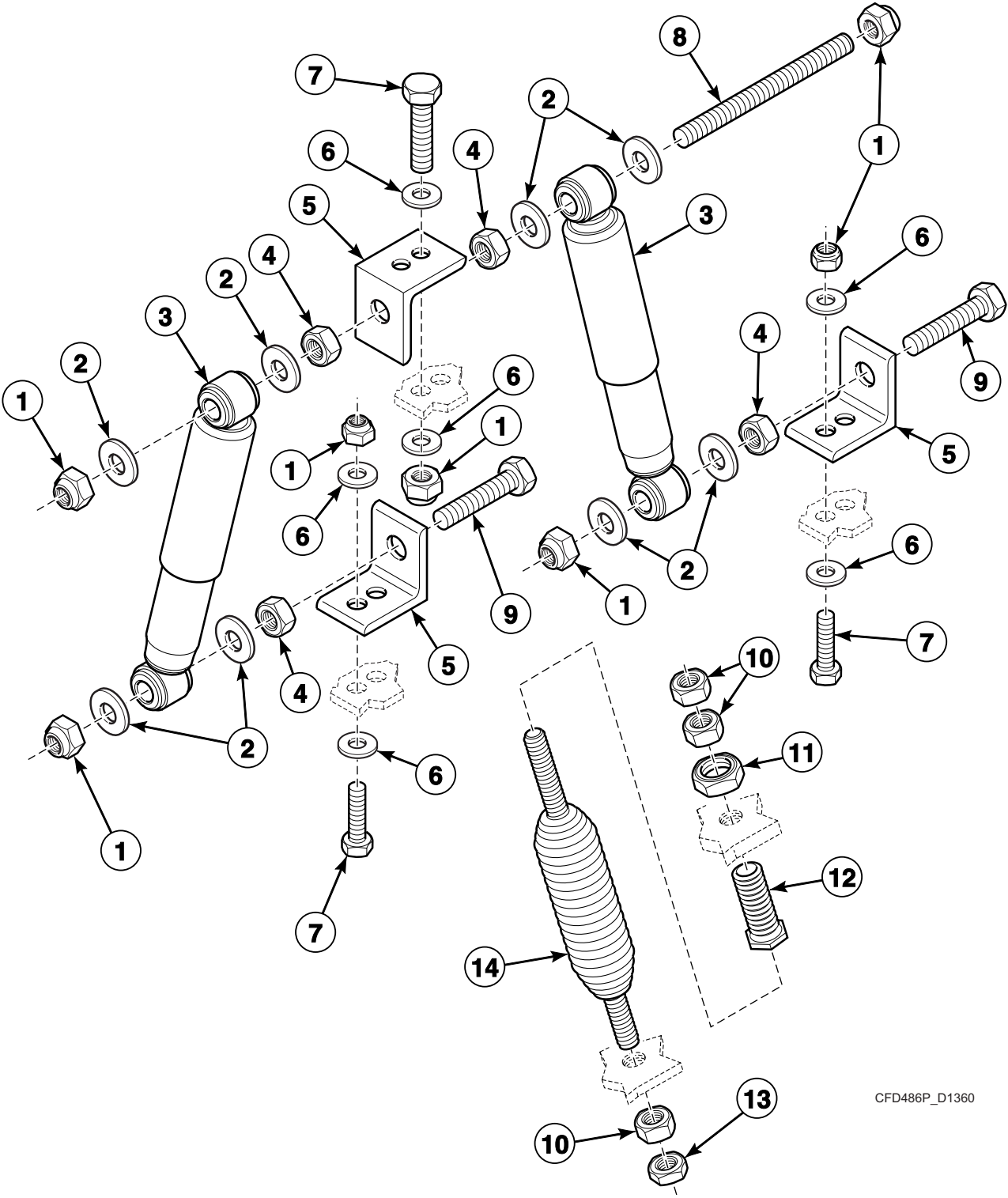


CFD594P_D1360

Frame - *75 and *305 Models

REF	PART NO.	DESCRIPTION	COMMENTS
1	115/00118/00	Tub Support	
2	114/00018/50	Frame	
3	114/00023/00	Shipping Brace	

Shock and Spring Assembly - *55 and *235 Models

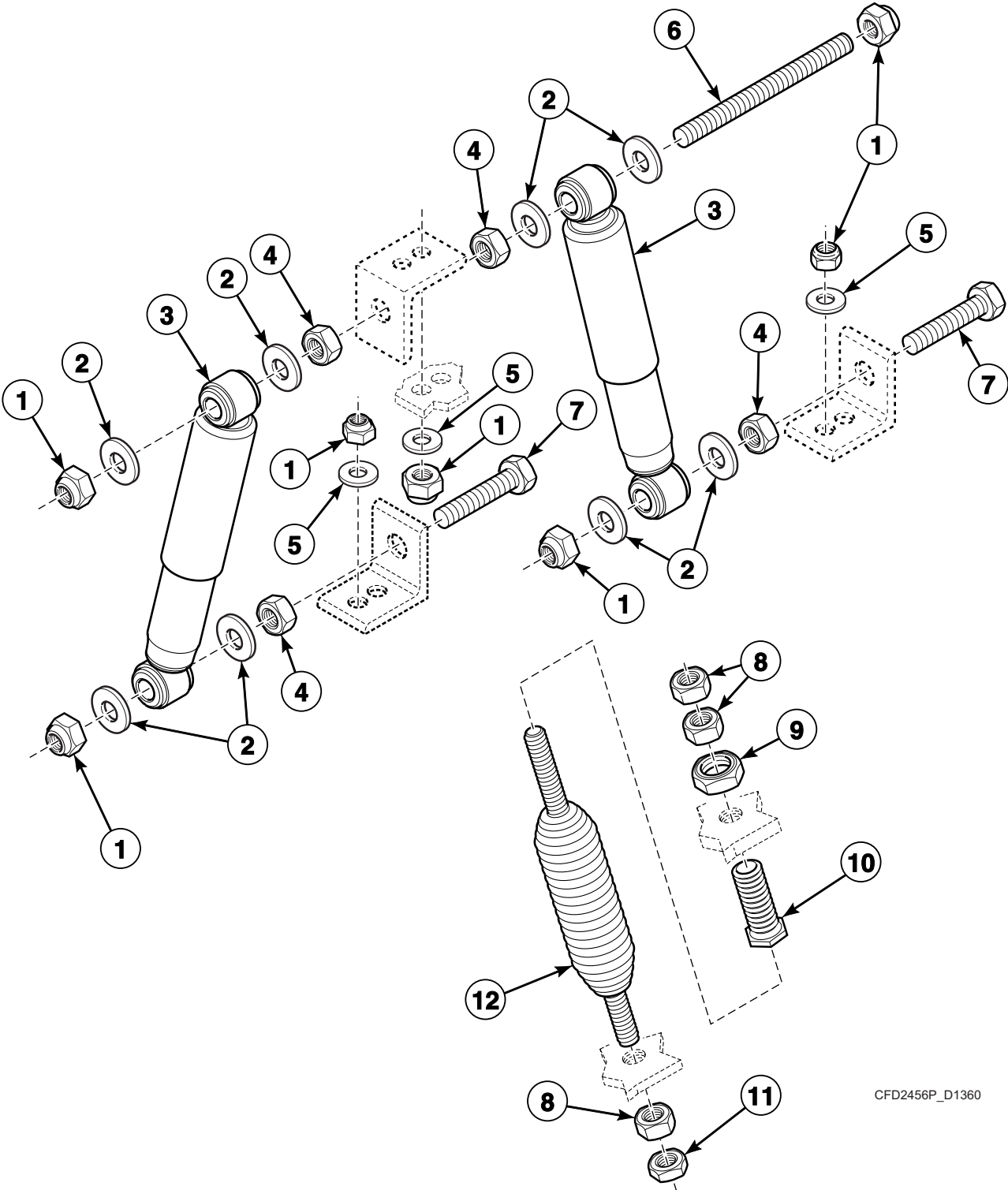


CFD486P_D1360

Shock and Spring Assembly - *55 and *235 Models

REF	PART NO.	DESCRIPTION	COMMENTS
	B12419101	Shock Absorber Service Kit	Includes items 1-3, 5, 6 and 8-10, 206/00119/00 Bolt, 204/00110/00 Nut, 111/10101/00 Dispenser Front Mounting Plate, 111/10102/00 Dispenser Rear Mounting Plate, 206/00027/00 Bolt, 202/00004/00 Washer, 204/00114/00 Nut, B12419501 Small Caliber and B12419401 Large Caliber
1	204/00113/00	Nut	
2	201/00001/00	Washer	
3	247/00008/00	Shock Absorber	
4	204/00012/00	Nut	
5	B12418401	Support	
6	201/00010/00	Washer	
7	206/00087/00	Bolt	
8	B12511601	Threaded Rod	
9	206/00153/00	Bolt	
10	204/00012/00	Nut	
11	204/00016/00	Nut	
12	224/00046/00	Bolt	
13	204/00019/00	Nut	
14	B12456301	Suspension Spring	

Shock and Spring Assembly - *75 and *305 Models

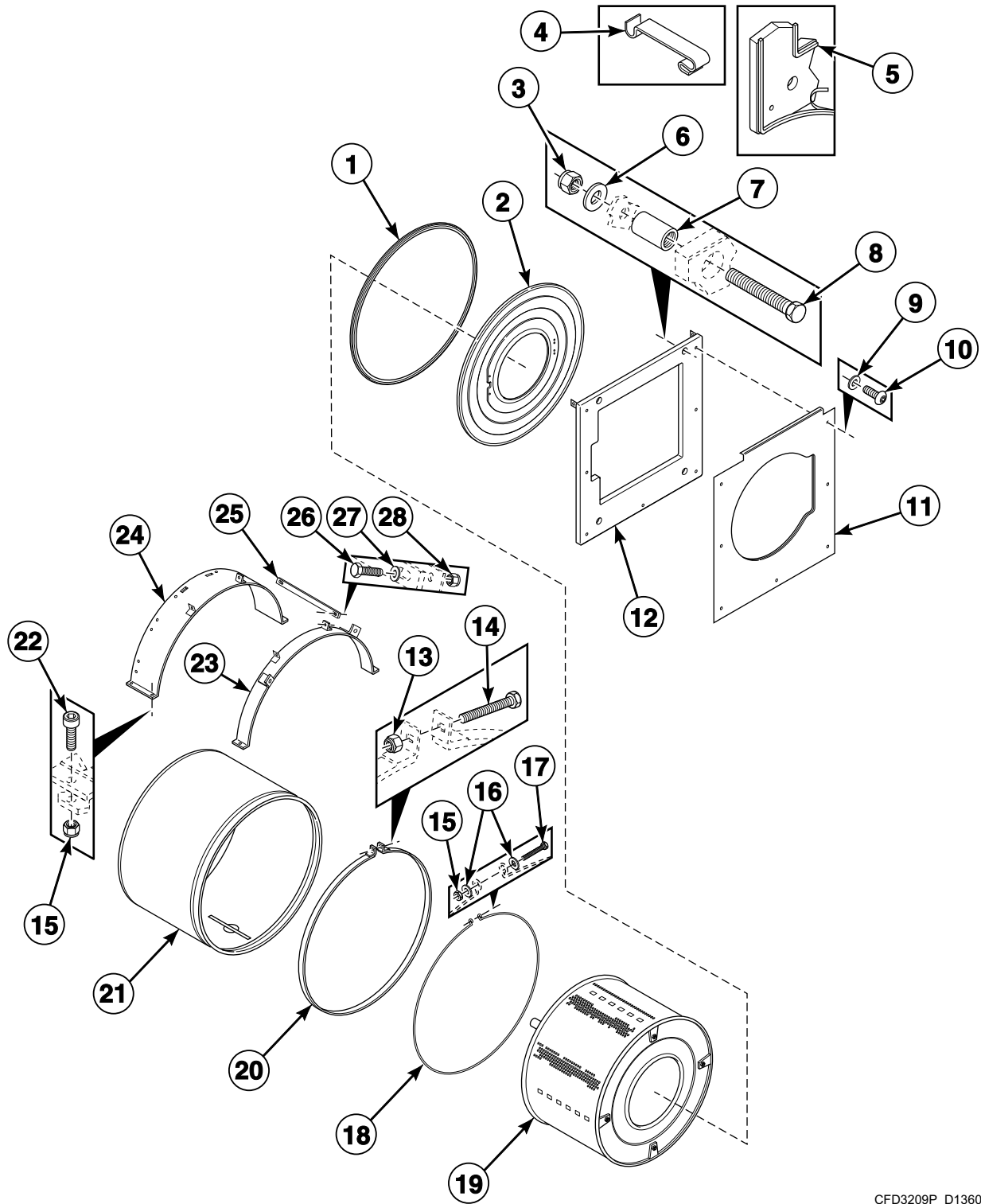


CFD2456P_D1360

Shock and Spring Assembly - *75 and *305 Models

REF	PART NO.	DESCRIPTION	COMMENTS
	B12460901	Shock Absorber Service Kit	Includes items 1-3, 5, 6, 8-11 and 16, 206/00119/00 Bolt, 204/00110/00 Nut, B12459801 Out-of-Balance Frame, B12456101 Support Bracket, B12456201 Support Bracket, 206/00027/00 Bolt, 202/00004/00 Washer, 204/00114/00 Nut, B12463301 Small Caliber, B12463201 Large Caliber
1	204/00113/00	Nut	
2	201/00001/00	Washer	
3	247/00008/00	Shock Absorber	
4	204/00012/00	Nut	
5	201/00010/00	Washer	
6	B12511601	Threaded Rod	
7	206/00153/00	Bolt	
8	204/00012/00	Nut	
9	204/00016/00	Nut	
10	224/00046/00	Bolt	
11	204/00019/00	Nut	
12	B12440101	Suspension Spring	

Tub and Drum - *55 and *235 Models



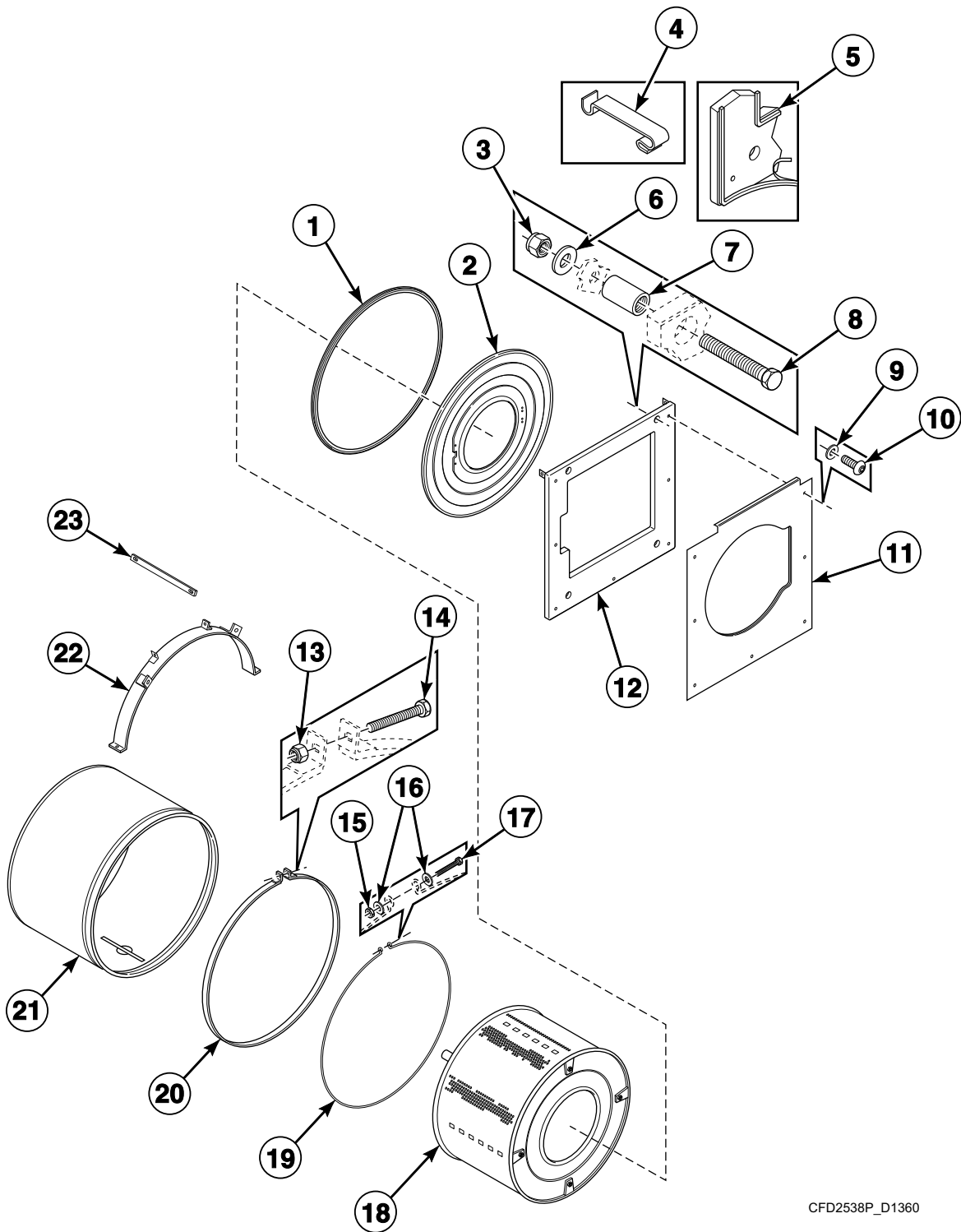
CFD3209P_D1360

Tub and Drum - *55 and *235 Models

REF	PART NO.	DESCRIPTION	COMMENTS
1	B12351601	Tub Front Gasket	
2	138/00001/00	Tub Front	
3	204/00113/00	Nut	
4	217/00008/00	Tub Front Panel Clip	
5	246/00092/00	Gasket	Per meter
6	201/00001/00	Washer	
7	115/00151/00	Spacer	
8	206/00071/00	Bolt	
9	202/00112/00	Washer	
10	205/00103/00	Bolt	
11	111/05015/00	Door Front Panel	
12	115/00140/00	Counterweight	
13	204/00111/00	Nut	
14	206/00066/00	Bolt	
15	204/00009/00	Nut	
16	201/00007/00	Washer	
17	206/00032/00	Bolt	
18	238/00011/00	Tub Clamp Ring	
19	B12380901	Basket	3 mm; Used with B12333701 Seal Holder Assembly
	B12381001	Basket	9 mm; Used with B12333701 Seal Holder Assembly
20	137/00008/00	Tub Mounting Strap	
21	B12330101	Tub	Electric heat
	B12330301	Tub	Steam heat
	B12330201	Tub	Hot and cold water inlets
	119/00250/00	Tub	Electric and steam heat
	119/00253/00	Tub	Electric and steam heat with circulation pump
22	206/00111/00	Screw	
23	115/00161/00	Tub Front Mounting Strap	
24	N/A	Tightening Ring	
25	N/A	Tightening Ring Assembly	
26	206/00009/00	Bolt	
27	201/00010/00	Washer	
28	204/00109/00	Nut	

N/A = Part no longer available

Tub and Drum - *75 and *305 Models

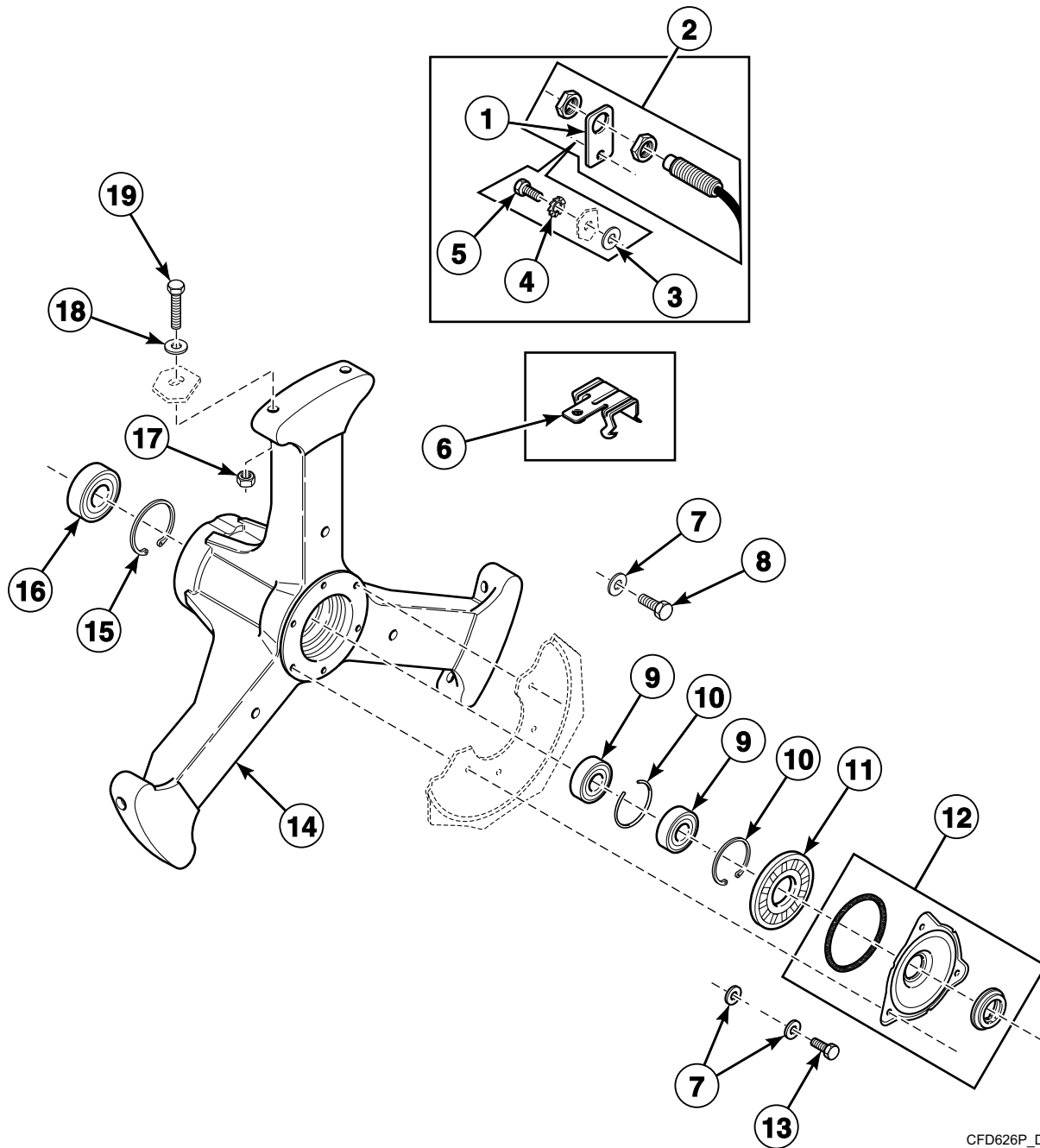


CFD2538P_D1360

Tub and Drum - *75 and *305 Models

REF	PART NO.	DESCRIPTION	COMMENTS
1	223/00242/00	Tub Front Gasket	
2	131/00002/00	Front Panel	
3	204/00113/00	Nut	
4	217/00008/00	Tub Front Panel Clip	
5	246/00092/00	Gasket	Per meter
6	201/00001/00	Washer	
7	115/00151/00	Spacer	
8	206/00071/00	Bolt	
9	202/00101/00	Washer	
10	205/00103/00	Bolt	
11	111/32945/00	Door Front Panel	
12	115/00136/00	Counterweight	
13	204/00009/00	Nut	
14	206/00066/00	Bolt	
15	204/00009/00	Nut	
16	201/00007/00	Washer	
17	206/00032/00	Bolt	
18	B12327301	Drum	
19	231/00010/00	Tub Front Ring Clamp	
20	131/00010/00	Tub Strap	
21	B12330601	Tub	Boiler fed
	119/10210/00	Tub	Steam heat
	B12330501	Tub	Electric and steam heat
22	115/00163/00	Tub Tightening Ring	
23	115/00125/00	Tub Mount Rings Bracket	

Bearing Assembly - *55 and *235 Models

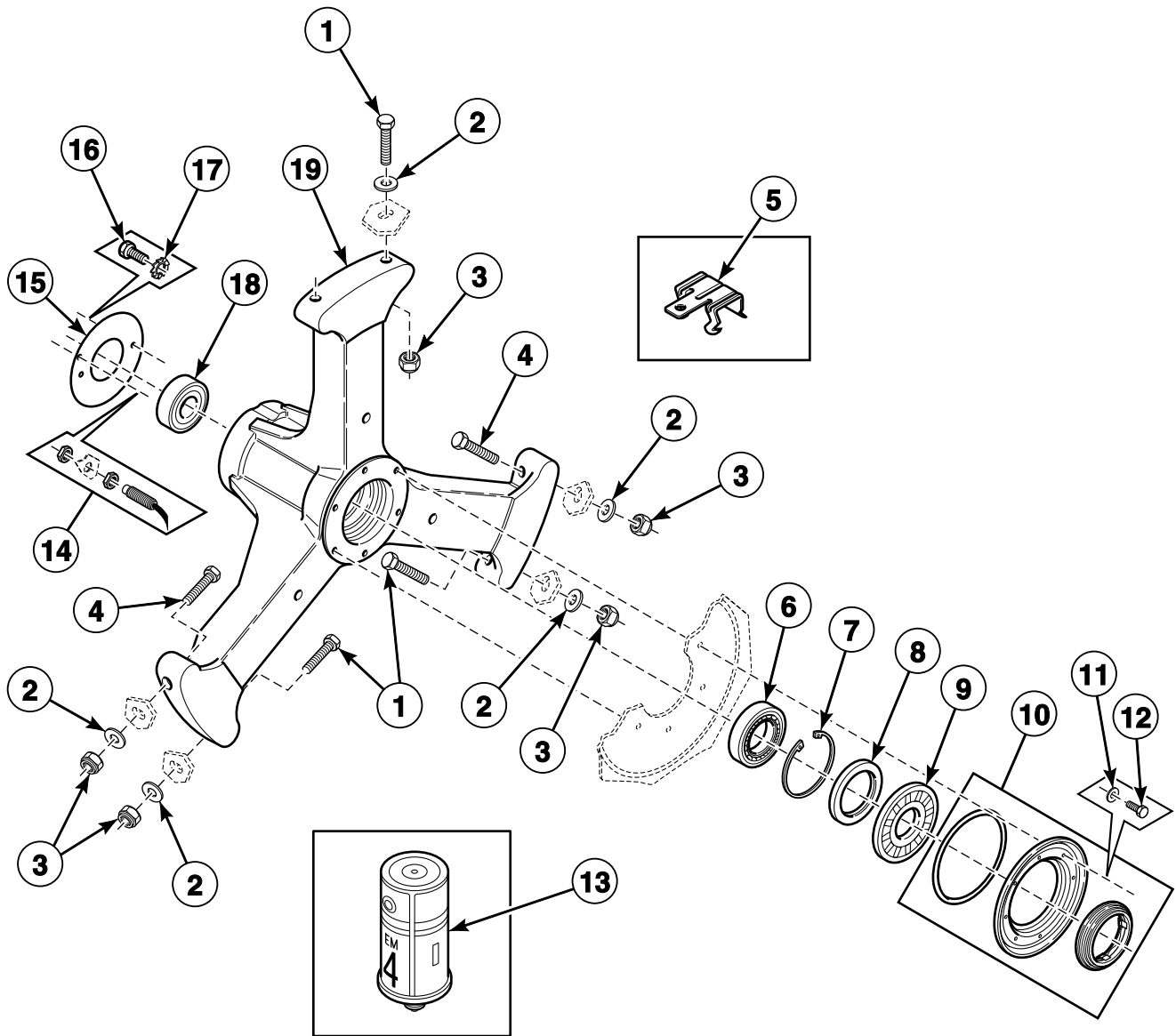


CFD626P_D1360

Bearing Assembly - *55 and *235 Models

REF	PART NO.	DESCRIPTION	COMMENTS
	3884P	Bearing and Seal Kit	Includes items 4, 9, 11, 12, 13, 16, 219/00004/00 Counter Ring and 223/00242/00 Tub Front Gasket
	381P3P	Bearing Replacement Tool Kit	Purchase
	381P3-1	Bearing Replacement Tool Kit	Rental; Requires F407P4 Hardware Kit
	F407P4	Hardware Kit	
1	152/00055/00	Speed Detector Bracket	
2	210/00074/00	Speed Detector	Includes item 1
3	202/00003/00	Washer	
4	203/00004/00	Washer	
5	205/00104/00	Bolt	
6	224/00051/00	Caddy Bracket	
	224/00052/00	Caddy Bracket	
7	201/00201/00	Washer	
8	206/00014/00	Bolt	
9	212/00004/00	Ball Bearing	
10	212/00006/00	Retainer Ring	
11	B12332301	Lip Seal	
12	B12333701	Seal Plate Assembly	
13	205/00102/00	Bolt	
14	139/10006/00	Bearing Housing Assembly	
15	212/00037/00	Retainer Ring	
16	F100134	Bearing	
17	204/00113/00	Nut	
18	201/00001/00	Washer	
19	248/00114/00	Bolt	

Bearing Assembly - *75 and *305 Models

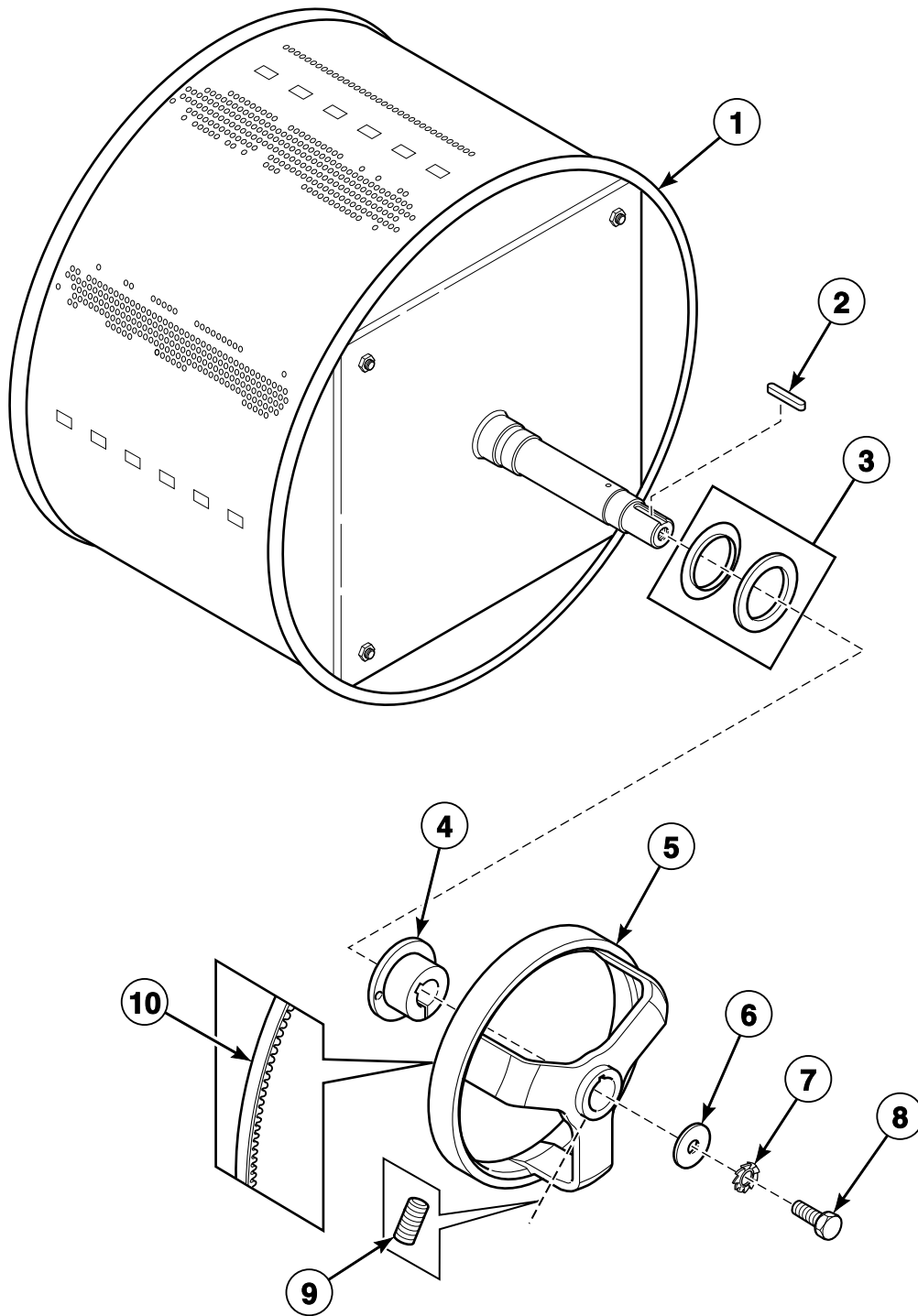


CFD627P_D1360

Bearing Assembly - *75 and *305 Models

REF	PART NO.	DESCRIPTION	COMMENTS
	892P3	Bearing Replacement Kit	Includes items 6, 9-12, 18, 232/00008/00 Counter Ring and 223/00242/00 Tub Front Gasket
	385P4P	Bearing Replacement Tool Kit	Purchase
	385P4-1	Bearing Replacement Tool Kit	Rental; Requires F405P4 Hardware Kit
	F405P4	Hardware Kit	
1	206/00122/00	Bolt	
2	201/00001/00	Washer	
3	204/00113/00	Nut	
4	206/00047/00	Bolt	
5	224/00052/00	Caddy Bracket	
	224/00051/00	Caddy Bracket	
6	212/00005/00	Roller Bearing	
7	212/00006/00	Retainer Ring	
8	132/00009/00	Shaft Seal	
9	212/00007/00	Grease Ring	
10	131/00035/01	Seal Holder Assembly	
11	201/00202/00	Washer	
12	205/00104/00	Bolt	
13	212/00002/00	Lubricator	
14	210/00075/00	Speed Detector	Includes 152/00055/00 Speed Detector Bracket
15	112/00004/00	Bearing Housing Cover	
16	206/00010/00	Bolt	
17	203/00003/00	Washer	
18	212/00004/00	Ball Bearing	
19	212/10036/01	Bearing Housing Assembly	Includes items 6-12 and 15-18

Basket, Pulley and Belt - *55 and *235 Models

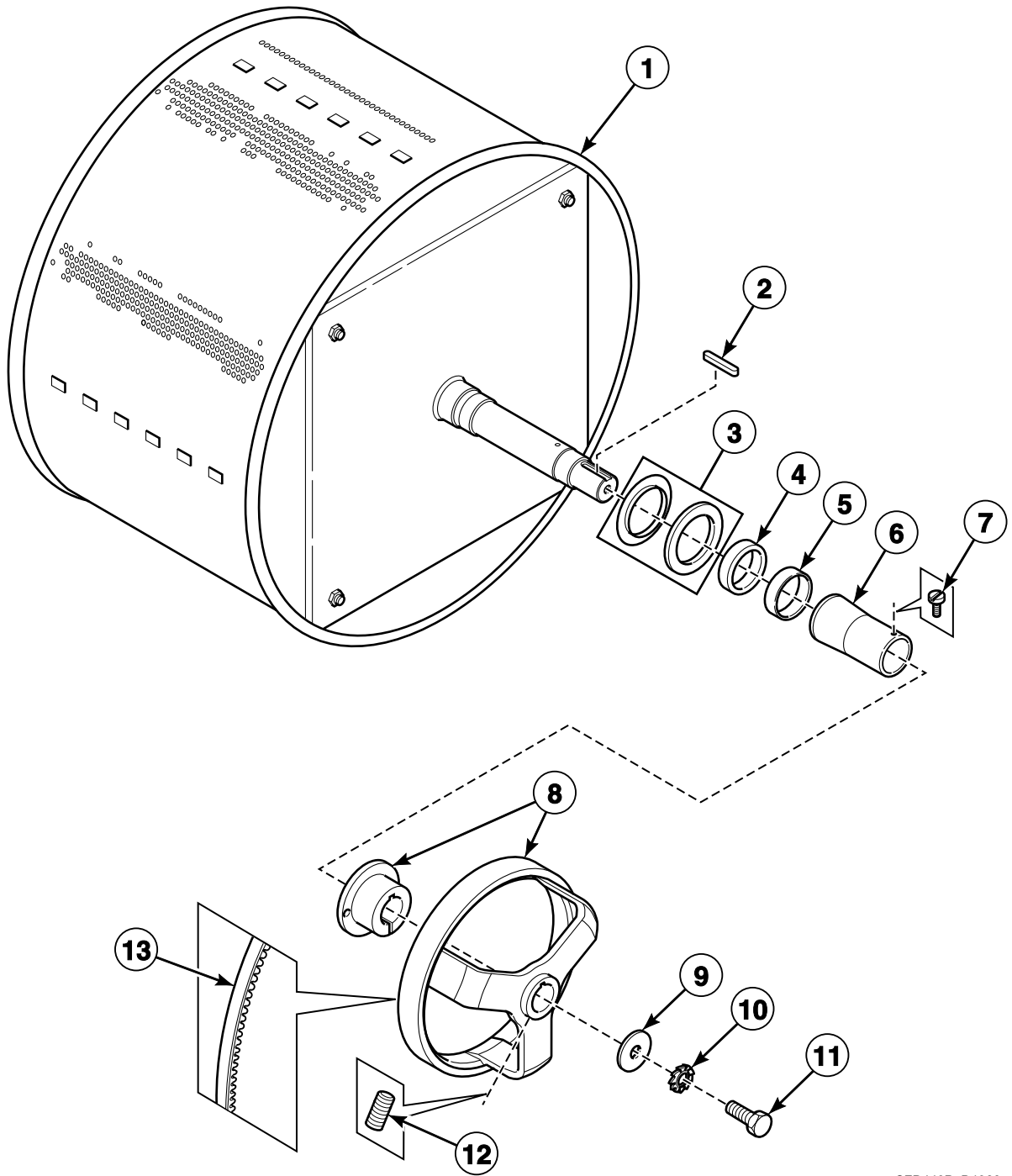


CFD637P_D1360

Basket, Pulley and Belt - *55 and *235 Models

REF	PART NO.	DESCRIPTION	COMMENTS
1	B12543201	Basket Kit	Used with B12333701 Seal Holder Assembly; 3 mm
	B12381001	Basket	Used with B12333701 Seal Holder Assembly; 9 mm
2	212/00026/00	Key	
3	219/00004/00	Counter Ring	
4	239/00013/00	Pulley	
5	226/00148/00	Pulley	
6	201/00011/00	Washer	
7	203/00001/00	Washer	
8	206/00004/00	Bolt	
9	206/00056/00	Screw	
10	226/00149/00	Belt	

Basket, Pulley and Belt - *75 and *305 Models

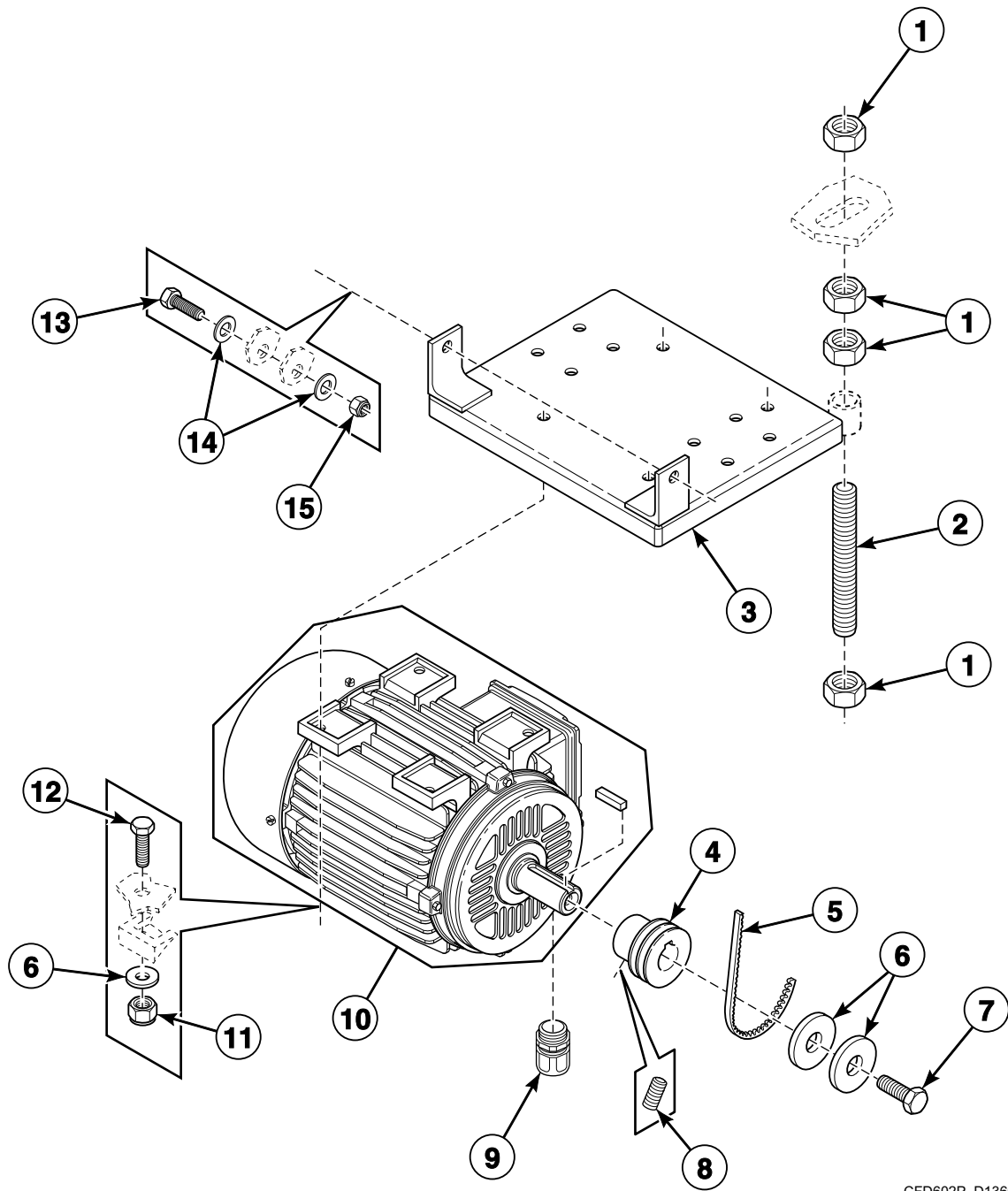


CFD449P_D1360

Basket, Pulley and Belt - *75 and *305 Models

REF	PART NO.	DESCRIPTION	COMMENTS
1	B12327301	Drum	
2	212/00026/00	Key	
3	232/00008/00	Counter Ring	
4	132/00009/00	Shaft Seal	
5	212/00005/00	Roller Bearing	
6	232/00020/00	Bearing Spacer	
7	207/00110/00	Screw	
8	226/00150/00	Pulley	
9	201/00011/00	Washer	
10	203/00001/00	Washer	
11	206/00004/00	Bolt	
12	206/00056/00	Screw	
13	226/00151/00	Belt	

Motor - *55 and *235 Models

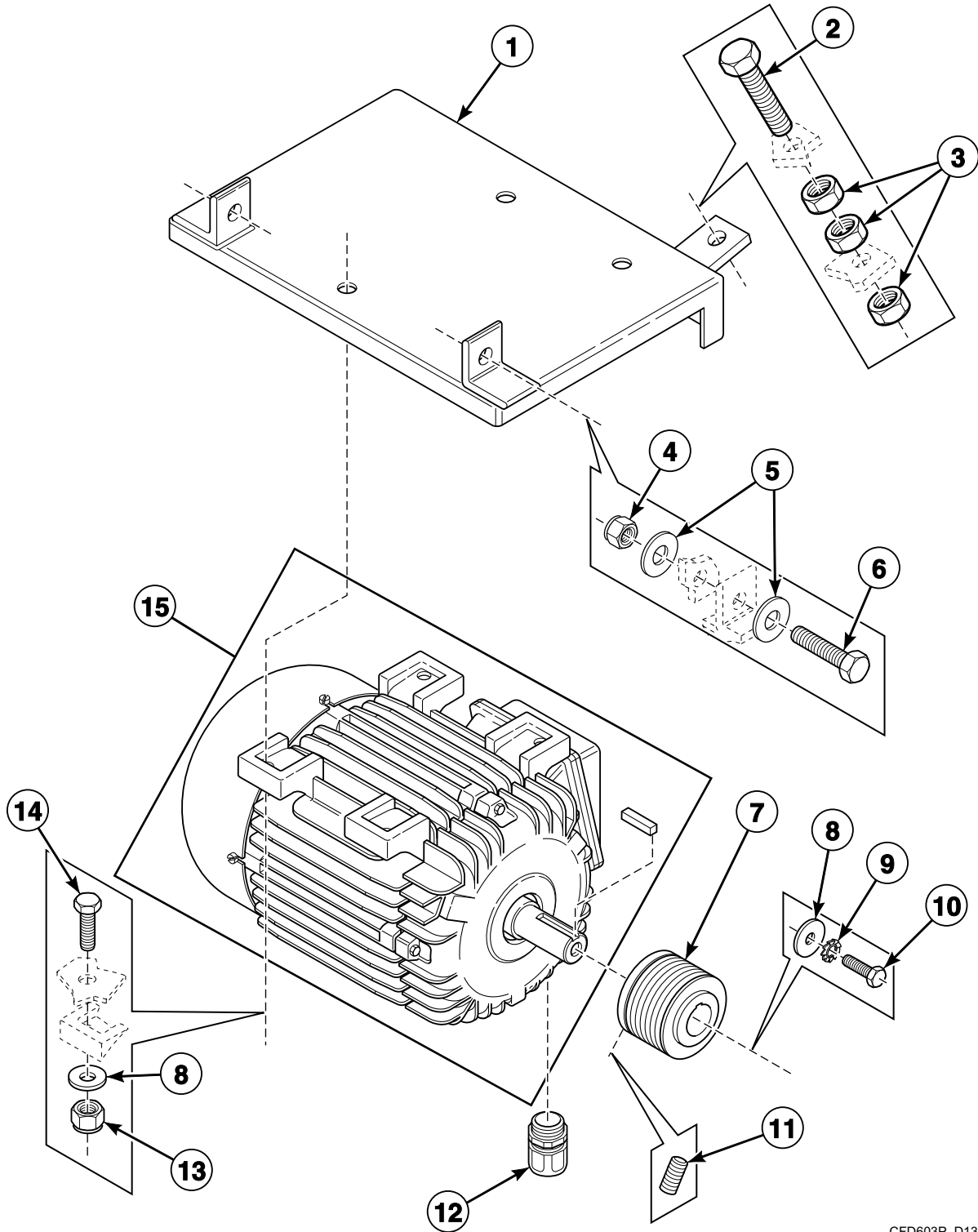


CFD602P_D1360

Motor - *55 and *235 Models

REF	PART NO.	DESCRIPTION	COMMENTS
	B12382103	Motor Harness	
1	204/00019/00	Nut	
2	B12511601	Threaded Rod	
3	115/10126/00	Motor Plate	
4	185/00086/00	Pulley	
5	226/00149/00	Belt	
6	201/00004/00	Washer	
7	206/00006/00	Bolt	
8	206/00049/00	Screw	
9	211/00183/00	Nut	
10	B12527801	Motor	3 kW; 230 or 400 Volt/50 or 60 Hertz
11	204/00111/00	Nut	
12	206/00003/00	Bolt	
13	206/00072/00	Bolt	
14	201/00002/00	Washer	
15	204/00113/00	Nut	

Motor - *75 and *305 Models

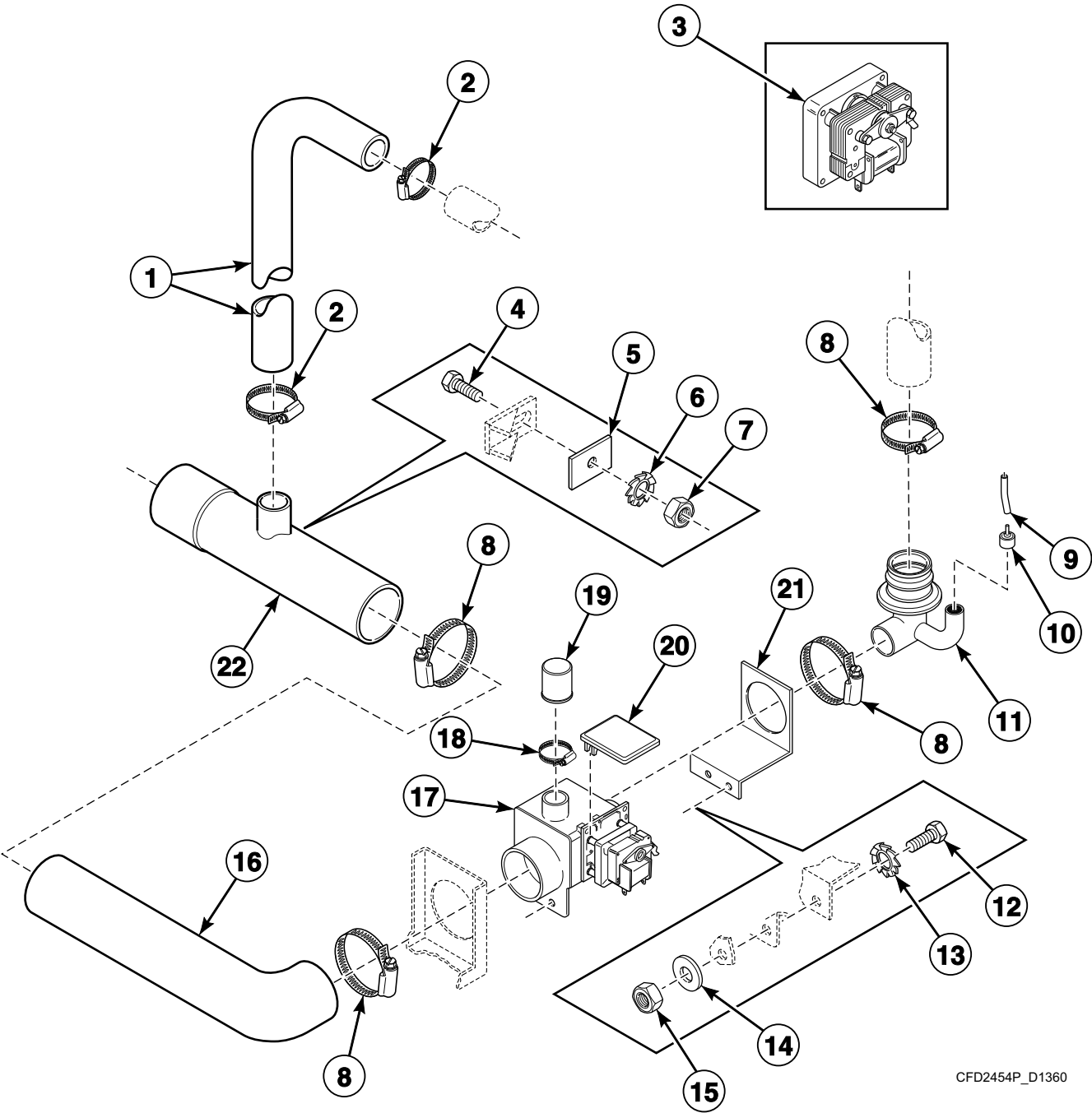


CFD603P_D1360

Motor - *75 and *305 Models

REF	PART NO.	DESCRIPTION	COMMENTS
	B12382104	Motor Harness	
1	115/10117/00	Motor Plate	
2	206/00047/00	Bolt	
3	204/00012/00	Nut	
4	204/00113/00	Nut	
5	201/00001/00	Washer	
6	206/00072/00	Bolt	
7	226/00152/00	Pulley	
8	201/00004/00	Washer	
9	203/00002/00	Washer	
10	206/00006/00	Bolt	
11	206/00056/00	Screw	
12	211/00183/00	Nut	
13	204/00111/00	Nut	
14	206/00003/00	Bolt	
15	B12510401	Motor	4 kW; 230 or 400 Volt/50 or 60 Hertz

Drain Assembly - *55 and *235 Models

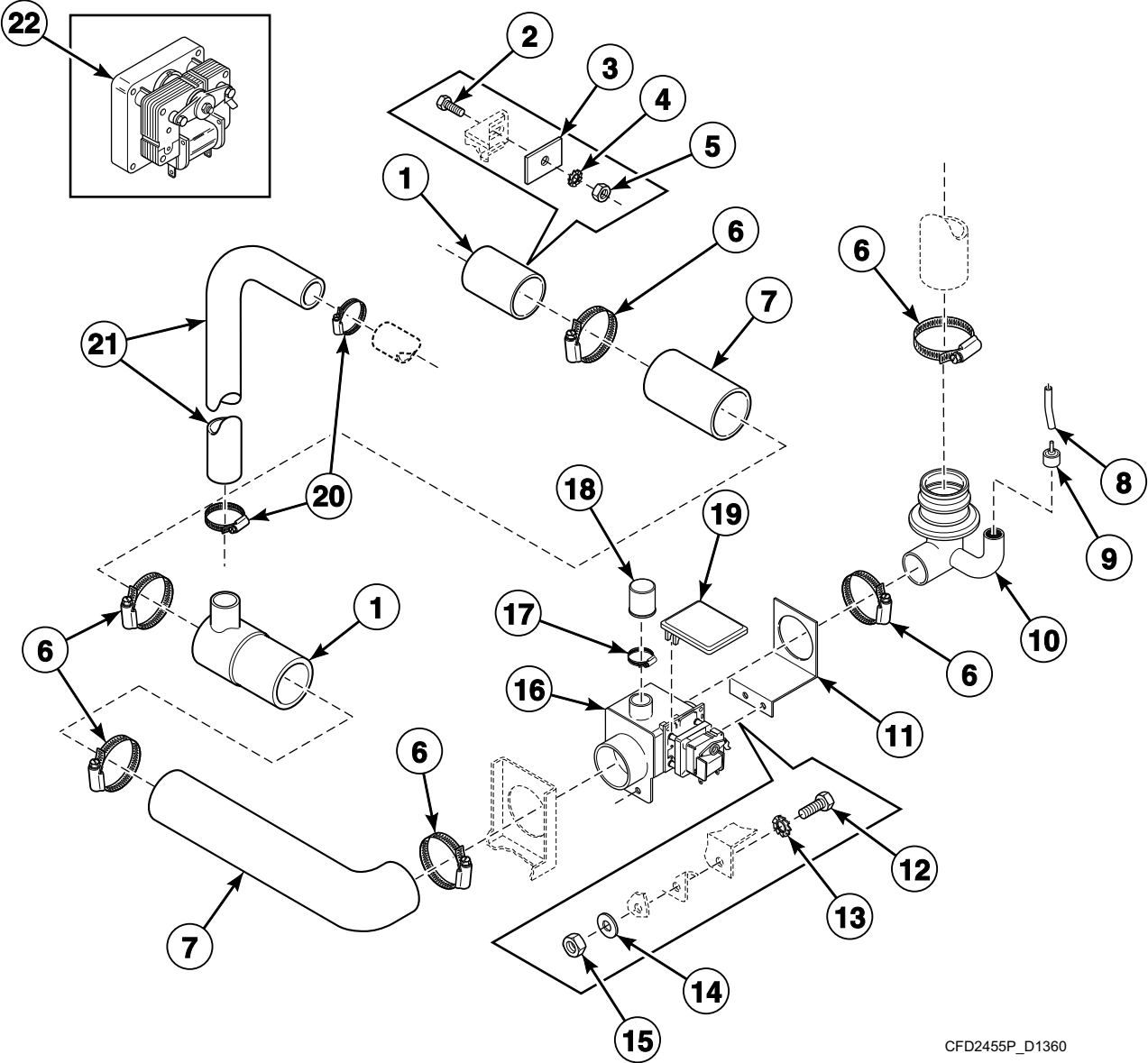


CFD2454P_D1360

Drain Assembly - *55 and *235 Models

REF	PART NO.	DESCRIPTION	COMMENTS
	B12495801	Drain Valve Fuse Harness	WE-8 models
	B12428201	Dual Drain Kit	All other models
	B12349401	Drain Valve Harness	
1	223/00131/00	Overflow Hose	
2	223/00013/00	Hose Clamp	
3	209/00051/11	Drain Valve Motor	
4	205/00103/00	Bolt	
5	101/00007/00	Outlet Pipe Plate Assembly	
6	203/00004/00	Washer	
7	204/00106/00	Nut	
8	223/00071/00	Hose Clamp	
9	B12700018	Pressure Hose	
10	223/00035/02	Pressure Switch Cap	
11	B12403201	Drain Tub to Drain Valve Hose	
12	206/00009/00	Bolt	
13	203/00003/00	Washer	
14	202/00002/00	Washer	
15	204/00004/00	Nut	
16	223/00328/00	Drain Valve to Drain Tube Hose	
17	B12630701	Drain Valve Kit	
18	223/00012/00	Hose Clamp	
19	223/00086/00	Drain Valve Overflow Plug	
20	223/00225/00	Drain Valve Cover	
21	114/00010/00	Drain Valve Plate Assembly	
22	223/00106/00	Drain Pipe	

Drain Assembly - *75 and *305 Models

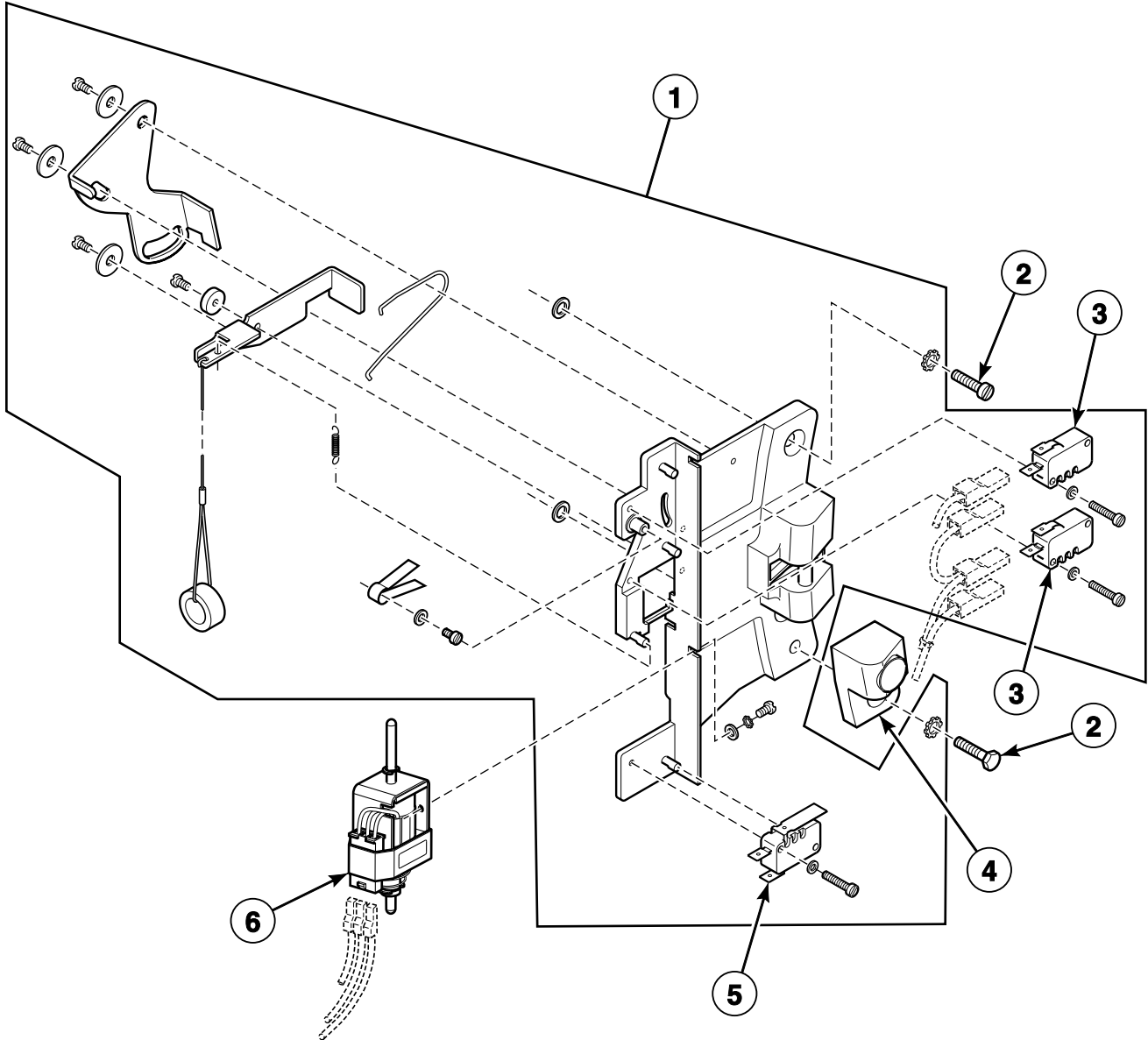


CFD2455P_D1360

Drain Assembly - *75 and *305 Models

REF	PART NO.	DESCRIPTION	COMMENTS
	B12495801	Drain Valve Fuse Harness	WE-8 models
	B12428201	Dual Drain Kit	All other models
	B12349401	Drain Valve Harness	
1	223/00106/00	Drain Pipe	
2	205/00103/00	Bolt	
3	101/00007/00	Outlet Pipe Plate Assembly	
4	203/00004/00	Washer	
5	204/00106/00	Nut	
6	223/00071/00	Hose Clamp	
7	223/00328/00	Drain Valve to Drain Tube Hose	
8	B12700018	Pressure Hose	
9	223/00035/02	Pressure Switch Cap	
10	B12403201	Drain Tub to Drain Valve Hose	
11	114/00010/00	Drain Valve Plate Assembly	
12	206/00009/00	Bolt	
13	203/00003/00	Washer	
14	202/00002/00	Washer	
15	204/00004/00	Nut	
16	B12630701	Drain Valve Kit	
17	223/00012/00	Hose Clamp	
18	223/00086/00	Drain Valve Overflow Plug	
19	223/00225/00	Drain Valve Cover	
20	223/00013/00	Hose Clamp	
21	223/00131/00	Overflow Hose	
22	209/00051/11	Drain Valve Motor	

Door Lock

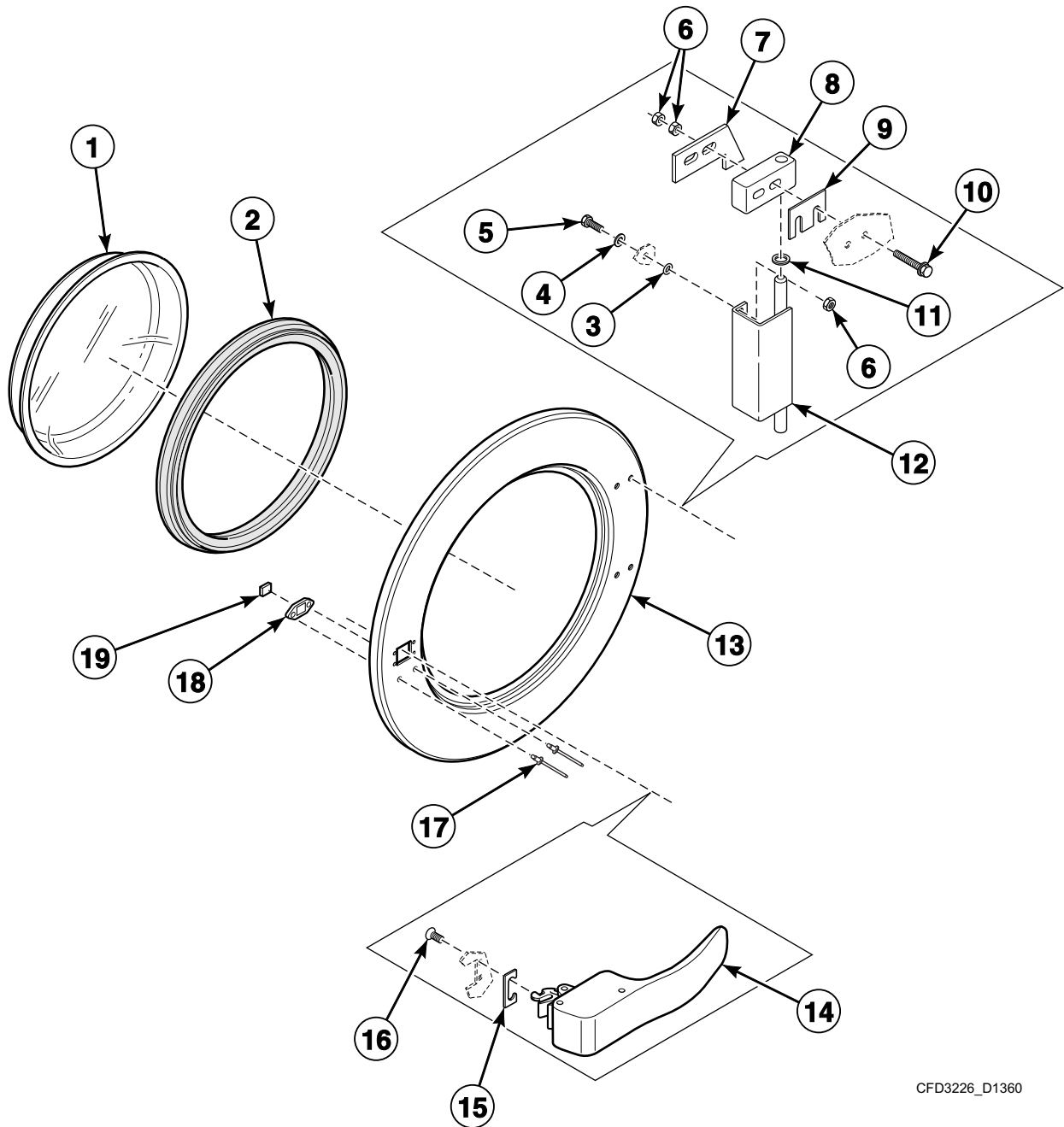


CHM3240P_D1360

Door Lock

REF	PART NO.	DESCRIPTION	COMMENTS
	B12495002	Door Lock Harness	WE-8 models
	B12495001	Door Lock Harness	All other models
1	B12517701	Door Lock Assembly	Includes item 4
2	207/00102/00	Screw	
3	209/00272/00	Door Lock Microswitch	
4	B12517601	Reed Switch Holder	Includes F8080405 Reed Switch Harness and B12502001 Reed Switch
5	B12625101	Microswitch	
6	B12518101	Door Solenoid Assembly	

Door

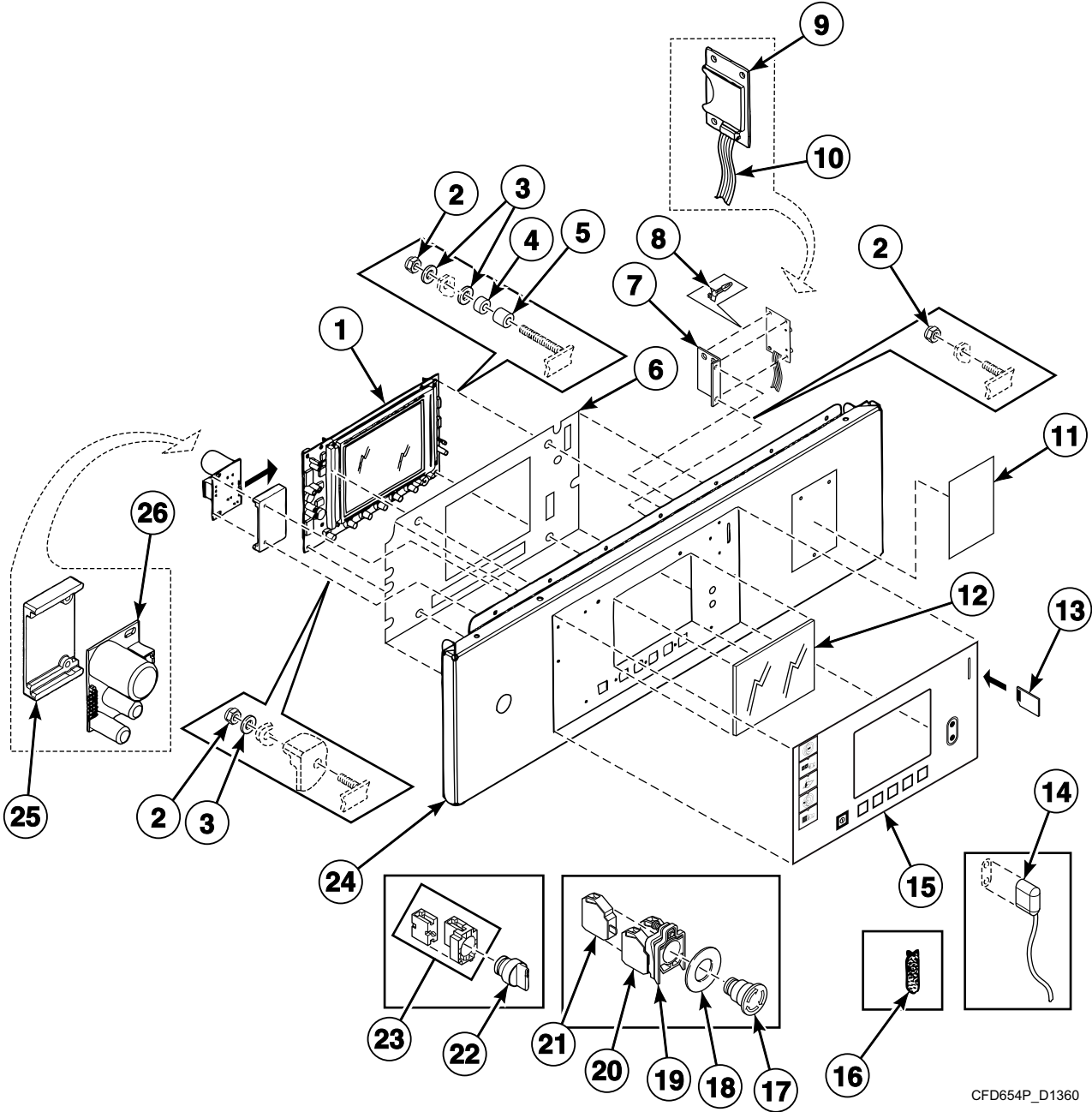


CFD3226_D1360

Door

REF	PART NO.	DESCRIPTION	COMMENTS
1	B12449801	Door Glass	
2	223/00068/00	Door Glass Seal	
3	217/00021/00	O-Ring	
4	202/00101/00	Washer	
5	205/00104/00	Bolt	
6	204/00106/00	Nut	
7	B12565001	Door Hinge Blocking Plate	
8	253/00022/00	Door Hinge Block	
9	118/00124/00	Door Hinge Spacer	2 mm
10	207/00126/00	Screw	
11	202/00104/00	Washer	
12	221/00004/00	Hinge	Fixed part
13	B12337201	Door Frame	
14	B12336301	Door Handle	Black
	B12336302	Door Handle	Gray
15	217/00016/00	Door Handle Stop	
16	B12500801	Screw	
17	B12500301	Rivet	
18	B12389701	Magnet Holder	
19	B12363301	Magnet	

Control Panel - Cygnus Professional

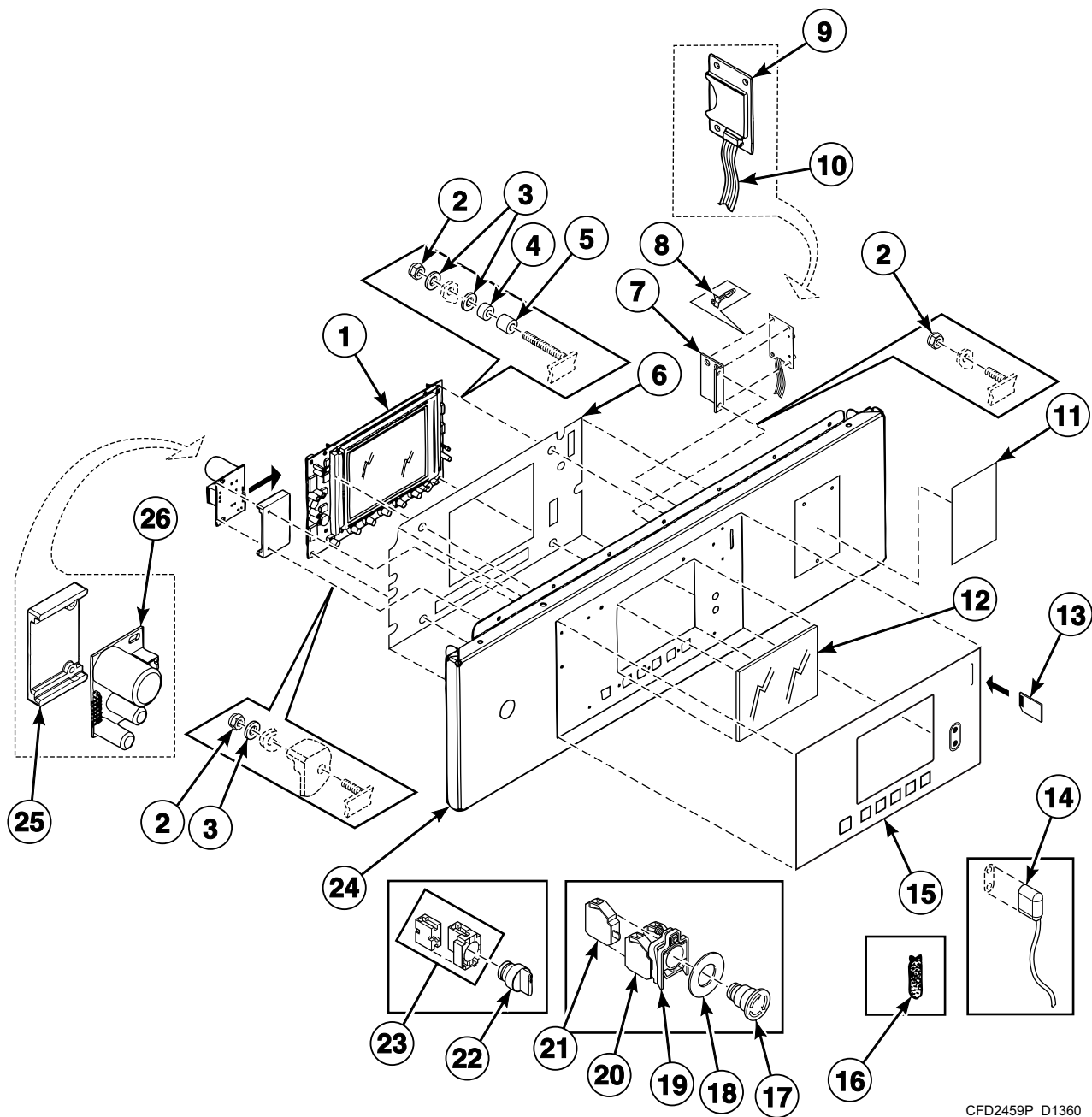


CFD654P_D1360

Control Panel - Cygnus Professional

REF	PART NO.	DESCRIPTION	COMMENTS
	B12348901	E-Stop Harness	
1	209/02002/ZB2	Display PC-Board	
2	204/00116/00	Nut	
3	223/00123/00	Washer	
4	211/00128/00	Printboard Separator	
5	211/00122/00	Standoff	
6	229/00268/00	Insulating Sticker	
7	111/01893/00	Printboard Support Card	Optional
8	211/00145/00	Standoff	
9	B12305201	Memory Card PC-Board	Optional
10	B12538301	Data Card Ribbon Assembly	Optional
11	B12389801	Nameplate	Models HD235_CYGNUS-PRO, HD305_CYGNUS-PRO, IXA235Z, IXA305Z, IXG235Z, IXG305Z, IXN235Z, IXN305Z, IXU235Z, IXU305Z, IXW235Z, IXW305Z, IXY055Z and IXY075Z
	B12389802	Nameplate	Models CXE055Z, CXE075Z, CXG235Z, CXG305Z, CXN235Z, CXN305Z, CXR055Z, CXR075Z, CXU235Z, CXU305Z, CXW235Z, CXW305Z, CXY055Z, CXY075Z, CXZ235Z and CXZ305Z
	B12530806	Nameplate	Model JXW235Z
	B12530807	Nameplate	Model JXW305Z
12	225/00321/00	Plexi Frame	
13	209/02024/00	Datacard	
14	210/00902/00	Infrared Cable	
15	B12583501	Operating Sticker	
	B12383601	Operating Sticker	Without datacard opening
	B12383701	Operating Sticker	With datacard opening
	B12532001	Operating Sticker	Models JXW235Z and JXW305Z
16	223/00348/00	Datacard Cover	
17	209/00248/20	Mushroom Pushbutton	
18	209/00520/00	Telem Sticker	
19	B12491801	Contact Harness	
20	209/00029/26	Contact Switch	NC
21	209/00099/26	Contact Switch	NO
22	209/00099/29	Switch Knob	Dual heat
	B12523901	Dual Heat Sticker	Dual heat
23	B12491701	Contact Harness	Dual heat
24	B12384101	Operating Panel	
25	223/00374/00	Mounting Plate	
26	B12388201	Door Lock PC-Board	

Control Panel - PRO

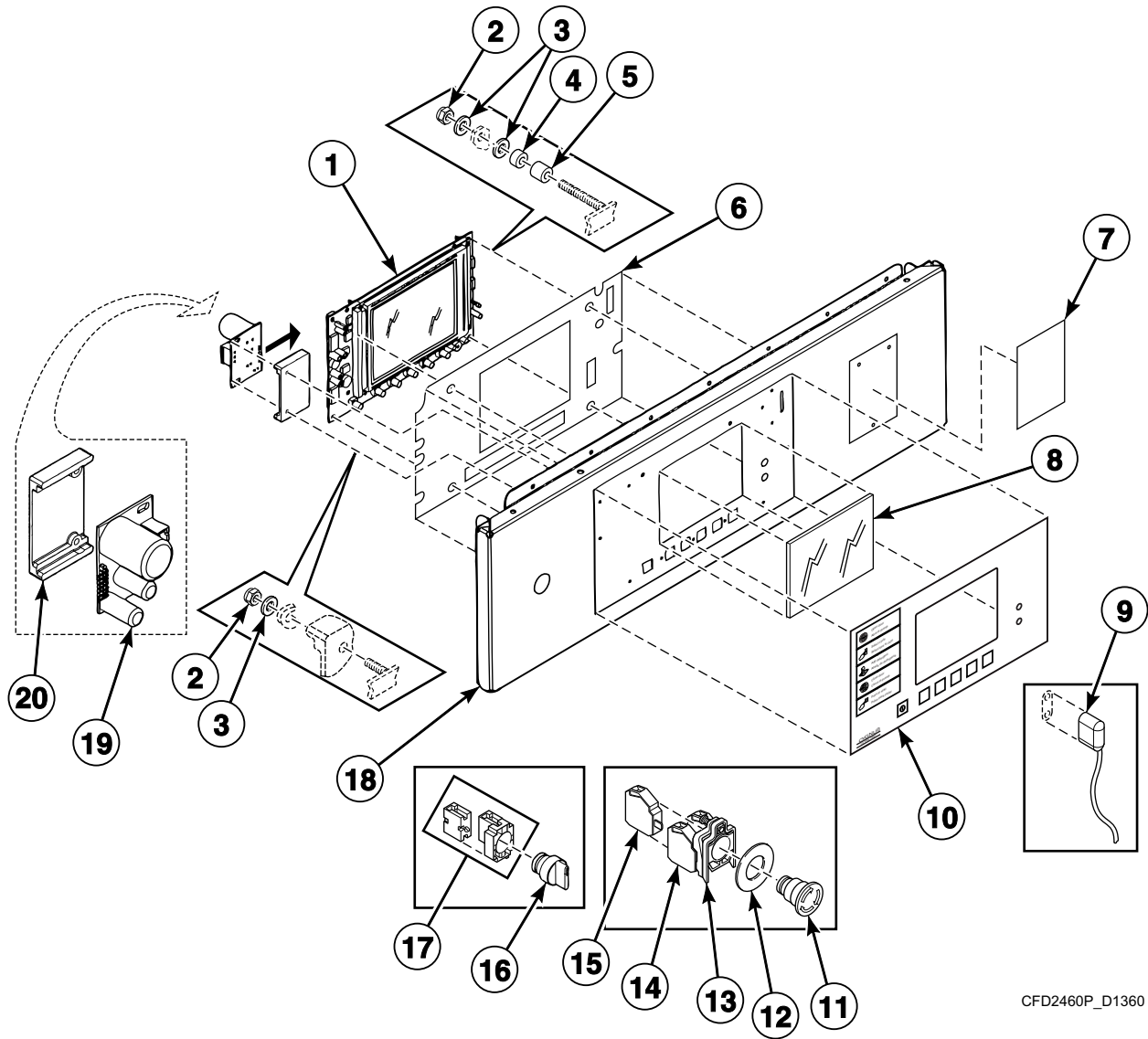


CFD2459P_D1360

Control Panel - PRO

REF	PART NO.	DESCRIPTION	COMMENTS
	B12348901	E-Stop Harness	
1	209/02002/ZB2	Display PC-Board	
2	204/00116/00	Nut	
3	223/00123/00	Washer	
4	211/00128/00	Printboard Separator	
5	211/00122/00	Standoff	
6	229/00268/00	Insulating Sticker	
7	111/01893/00	Printboard Support Card	Optional
8	211/00145/00	Standoff	
9	B12305201	Memory Card PC-Board	Optional
10	B12538301	Data Card Ribbon Assembly	Optional
11	B8443101	Logo	Models UX055_PRO, UX075_PRO, UXE055Z, UXE075Z, UXG235Z, UXG305Z, UXU235Z, UXU305Z, UXW235Z, UXW305Z, UXY055Z, UXY075Z, UXZ235Z and UXZ305Z
12	225/00321/00	Plexi Frame	
13	209/02024/00	Datacard	
14	210/00902/00	Infrared Cable	
15	B12568801	Overlay	Models UX055_PRO, UX075_PRO, UXE055Z, UXE075Z, UXG235Z, UXG305Z, UXU235Z, UXU305Z, UXW235Z, UXW305Z, UXY055Z, UXY075Z, UXZ235Z and UXZ305Z
	B12568901	Overlay	Models SX055_PRO, SX075_PRO, SXE055Z, SXE075Z, SXG235Z, SXG305Z, SXU235Z, SXU305Z, SXW235Z, SXW305Z, SXY055Z, SXY075Z, SXZ235Z and SXZ305Z
16	223/00348/00	Datacard Cover	
17	209/00248/20	Mushroom Pushbutton	
18	209/00520/00	Telem Sticker	
19	B12491801	Contact Harness	
20	209/00029/26	Contact Switch	NC
21	209/00099/26	Contact Switch	NO
22	209/00099/29	Switch Knob	Dual heat
	B12523901	Dual Heat Sticker	Dual heat
23	B12491701	Contact Harness	Dual heat
24	B12569901	Control Panel	Models UX055_PRO, UXE055Z, UXG235Z, UXU235Z, UXW235Z, UXY055Z and UXZ235Z
	B12570001	Control Panel	Models SX055_PRO, SXE055Z, SXG235Z, SXU235Z, SXW235Z, SXY055Z and SXZ235Z
	B12570501	Control Panel	Models UX075_PRO, UXE075Z, UXG305Z, UXU305Z, UXW305Z, UXY075Z and UXZ305Z
	B12570601	Control Panel	Models SX075_PRO, SXE075Z, SXG305Z, SXU305Z, SXW305Z, SXY075Z and SXZ305Z
25	223/00374/00	Mounting Plate	
26	B12388201	Door Lock PC-Board	

Control Panel - Cygnus Ultra Pro

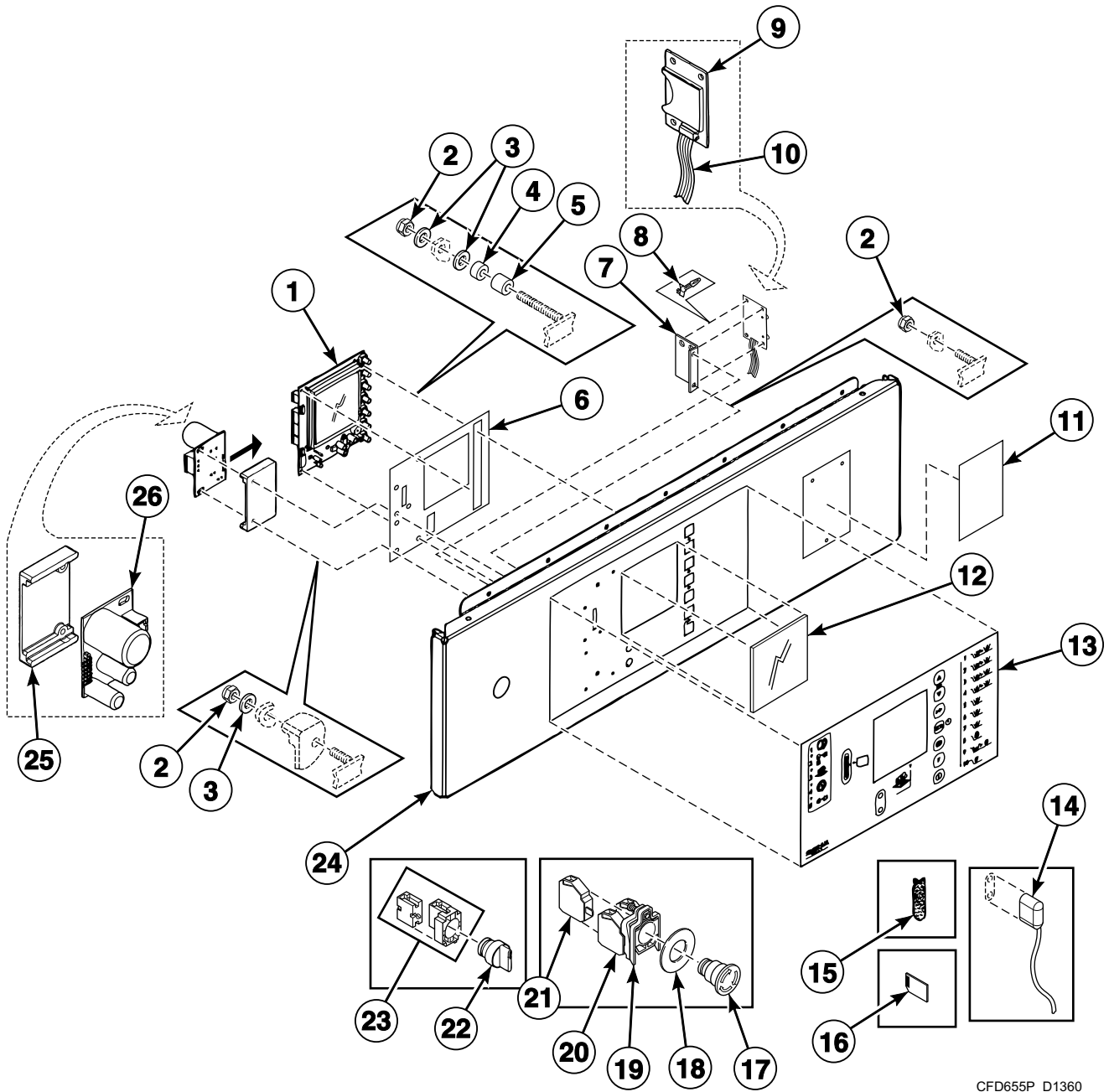


CFD2460P_D1360

Control Panel - Cygnus Ultra Pro

REF	PART NO.	DESCRIPTION	COMMENTS
	B12348901	E-Stop Harness	
1	209/02002/ZB2	Display PC-Board	
2	204/00116/00	Nut	
3	223/00123/00	Washer	
4	211/00128/00	Printboard Separator	
5	211/00122/00	Standoff	
6	229/00268/00	Insulating Sticker	
7	B12389801	Nameplate	Models IS055_ULTRA-PRO, IS075_ULTRA-PRO, IXR055R and IXR075R
	B12389802	Nameplate	Models CS055_ULTRA-PRO, CS075_ULTRA-PRO, CXR055R and CXR075R
8	225/00321/00	Plexi Frame	
9	210/00902/00	Infrared Cable	
10	B12583801	Overlay	
11	209/00248/20	Mushroom Pushbutton	
12	209/00520/00	Telem Sticker	
13	B12491801	Contact Harness	
14	209/00029/26	Contact Switch	NC
15	209/00099/26	Contact Switch	NO
16	209/00099/29	Switch Knob	Dual heat
	B12523901	Dual Heat Sticker	Dual heat
17	B12491701	Contact Harness	Dual heat
18	B12384101	Operating Panel	
19	B12388201	Door Lock PC-Board	
20	223/00374/00	Mounting Plate	

Control Panel - Cygnus Premium OPL and Ultra

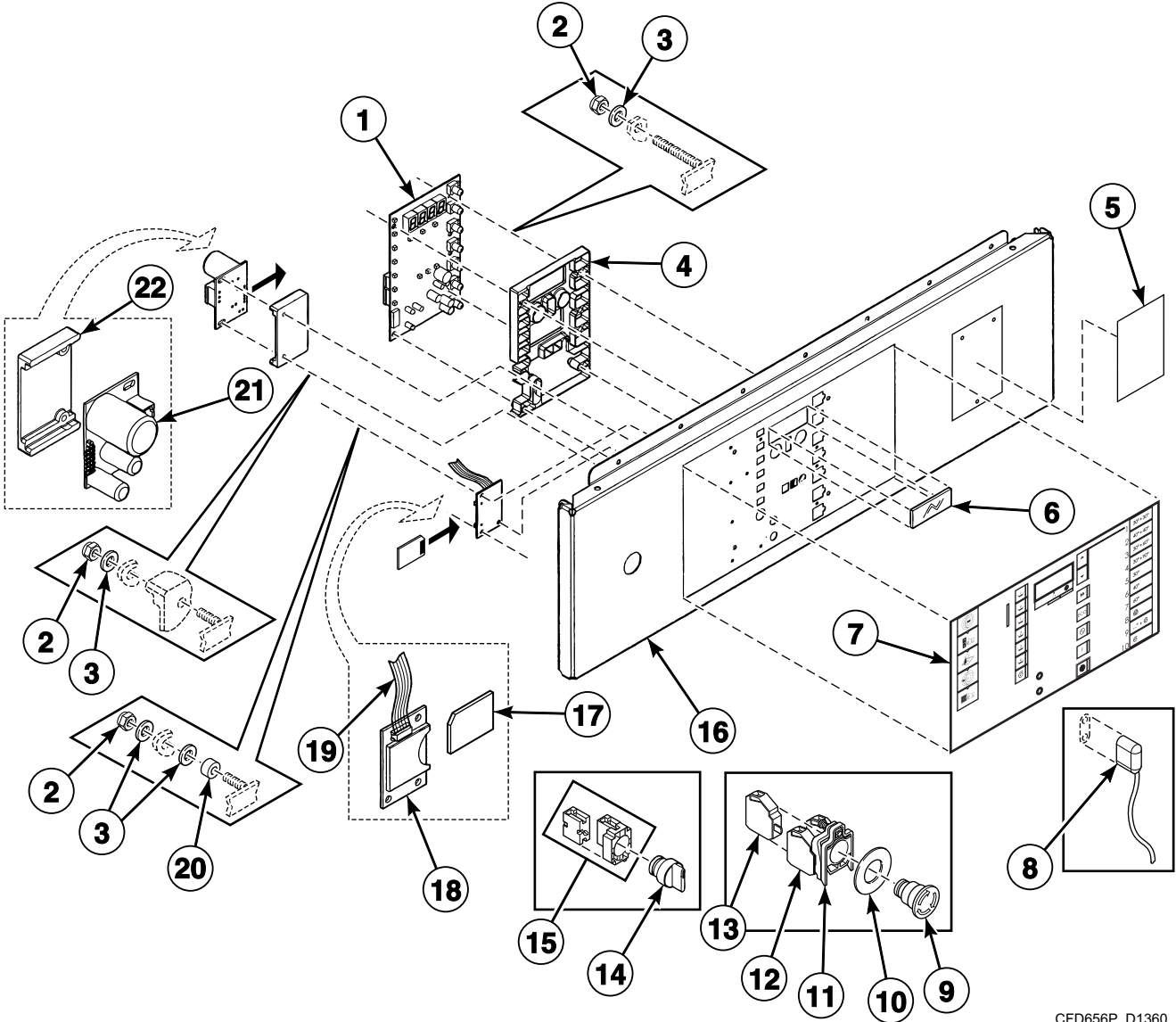


CFD655P_D1360

Control Panel - Cygnus Premium OPL and Ultra

REF	PART NO.	DESCRIPTION	COMMENTS
	B12348901	E-Stop Harness	
1	209/02015/02	Printboard	
2	204/00116/00	Nut	
3	223/00123/00	Washer	
4	211/00128/00	Printboard Separator	
5	211/00122/00	Standoff	
6	229/00291/00	Insulating Sticker	
7	111/01893/00	Printboard Support Card	Optional
8	211/00145/00	Standoff	
9	B12305201	Memory Card PC-Board	Optional
10	B12538301	Data Card Ribbon Assembly	Optional
11	B12389801	Nameplate	Models HD235_CYGNUS-PREM, HD305_CYGNUS-PREM, IS055_CYGNUS-ULTRA, IS075_CYGNUS-ULTRA, IXA235Y, IXA305Y, IXG235Y, IXG305Y, IXN235U, IXN235Y, IXN305U, IXN305Y, IXR055U, IXR075U, IXU235Y, IXU305Y, IXW235Y, IXW305Y, IXY055Y, IXY075Y, IXZ235Y and IXZ305Y
	B12389802	Nameplate	Models CS055_CYGNUS-ULTRA, CS075_CYGNUS-ULTRA, CXN235U, CXN305U, CXR055U and CXR075U
	B12389806	Nameplate	Model JXW235Y
	B12530807	Nameplate	Model JXW305Y
12	225/00323/00	Plexi Frame	
13	B12456701	Operating Sticker	Cygnus Ultra models
	B12383401	Operating Sticker	Cygnus Premium OPL models with datacard opening
	B12383301	Operating Sticker	Cygnus Premium OPL models without datacard opening
	B12531901	Operating Sticker	Models JXW235Y and JXW305Y; Non-ozone
	B12534801	Operating Sticker	Models JXW235Y and JXW305Y; Ozone
14	210/00902/00	Infrared Cable	
15	223/00348/00	Datacard Cover	Cygnus Premium OPL models
16	209/02024/00	Datacard	Cygnus Premium OPL models
17	209/00248/20	Mushroom Pushbutton	
18	209/00520/00	Telem Sticker	
19	B12491801	Contact Harness	
20	209/00029/26	Contact Switch	NC
21	209/00099/26	Contact Switch	NO
22	209/00099/29	Switch Knob	Dual heat
	B12523901	Dual Heat Sticker	Dual heat
23	B12491701	Contact Harness	Dual heat
24	B12384201	Operating Panel	
25	223/00374/00	Mounting Plate	
26	B12388201	Door Lock PC-Board	

Control Panel - Cygnus Standard/Commercial OPL

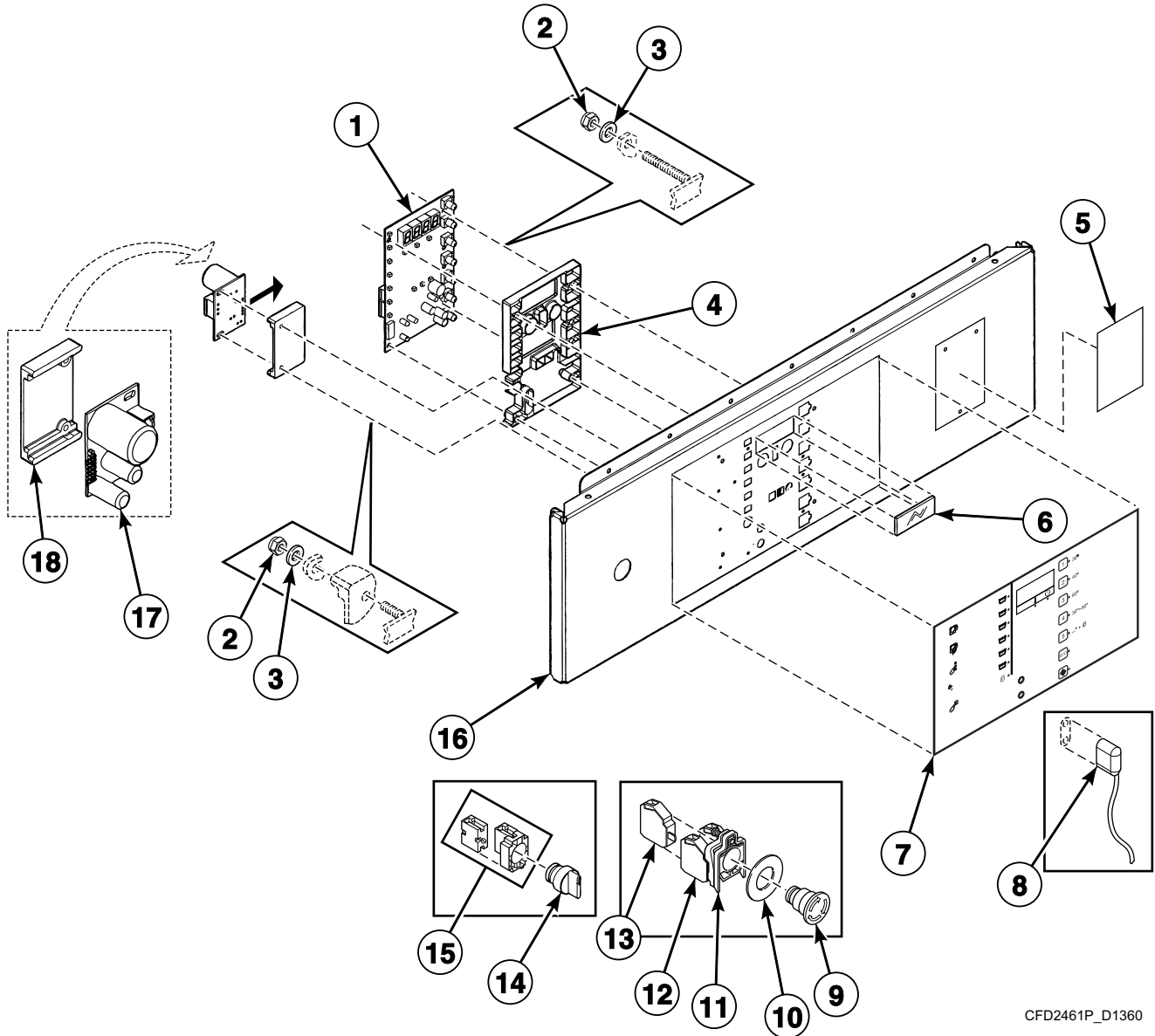


CFD656P_D1360

Control Panel - Cygnus Standard/Commercial OPL

REF	PART NO.	DESCRIPTION	COMMENTS
	B12348901	E-Stop Harness	
1	209/02001/02	Printboard	
2	204/00116/00	Nut	
3	223/00123/00	Washer	
4	223/00330/00	Protection LED	
5	B12389801	Nameplate	Models HD235_CYGNUS-COMM, HD235_CYGNUS-STANDARD, HD305_CYGNUS-COMM, HD305_CYGNUS-STANDARD, IXA235C, IXA235X, IXA305C, IXA305X, IXG235C, IXG235X, IXG305C, IXG305X, IXN235C, IXN235X, IXN305C, IXN305X, IXU235C, IXU235X, IXU305C, IXU305X, IXW235C, IXW235X, IXW305C, IXW305X, IXY055C, IXY055X, IXY075C, IXY075X, IXZ235C, IXZ235X, IXZ305C and IXZ305X
	B12389802	Nameplate	Models CXE055X, CXE075X, CXG235X, CXG305X, CXN235X, CXN305X, CXR055X, CXR075X, CXU235X, CXU305X, CXW235X, CXW305X, CXY055X, CXY075X, CXZ235X and CXZ305X
	B12389803	Nameplate	Models DXU235X and DXU305X
	B12389806	Nameplate	Model JXW235X
	B12530807	Nameplate	Model JXW305X
	B12389810	Nameplate	Models WXU235C and WXU305C
6	225/00322/00	Plexi Frame	
7	B12382701	Operating Sticker	Cygnus Standard OPL models without datacard opening
	B12382801	Operating Sticker	Cygnus Standard OPL models with datacard opening
	B12383001	Operating Sticker	Cygnus Commercial OPL models without datacard opening
	B12383101	Operating Sticker	Cygnus Commercial OPL models with datacard opening
	B12531801	Operating Sticker	Models JXW235X and JXW305X
8	210/00902/00	Infrared Cable	
9	209/00248/20	Mushroom Pushbutton	
10	209/00520/00	Telem Sticker	
11	B12491801	Contact Harness	
12	209/00029/26	Contact Switch	NC
13	209/00099/26	Contact Switch	NO
14	209/00099/29	Switch Knob	Dual heat
	B12523901	Dual Heat Sticker	Dual heat
15	B12491701	Contact Harness	Dual heat
16	B12385601	Operating Panel	
17	209/02024/00	Datacard	Optional
18	B12305201	Memory Card PC-Board	Optional
19	B12538301	Data Card Ribbon Assembly	Optional
20	211/00128/00	Printboard Separator	
21	B12388201	Door Lock PC-Board	
22	223/00374/00	Mounting Plate	

Control Panel - STANDARD

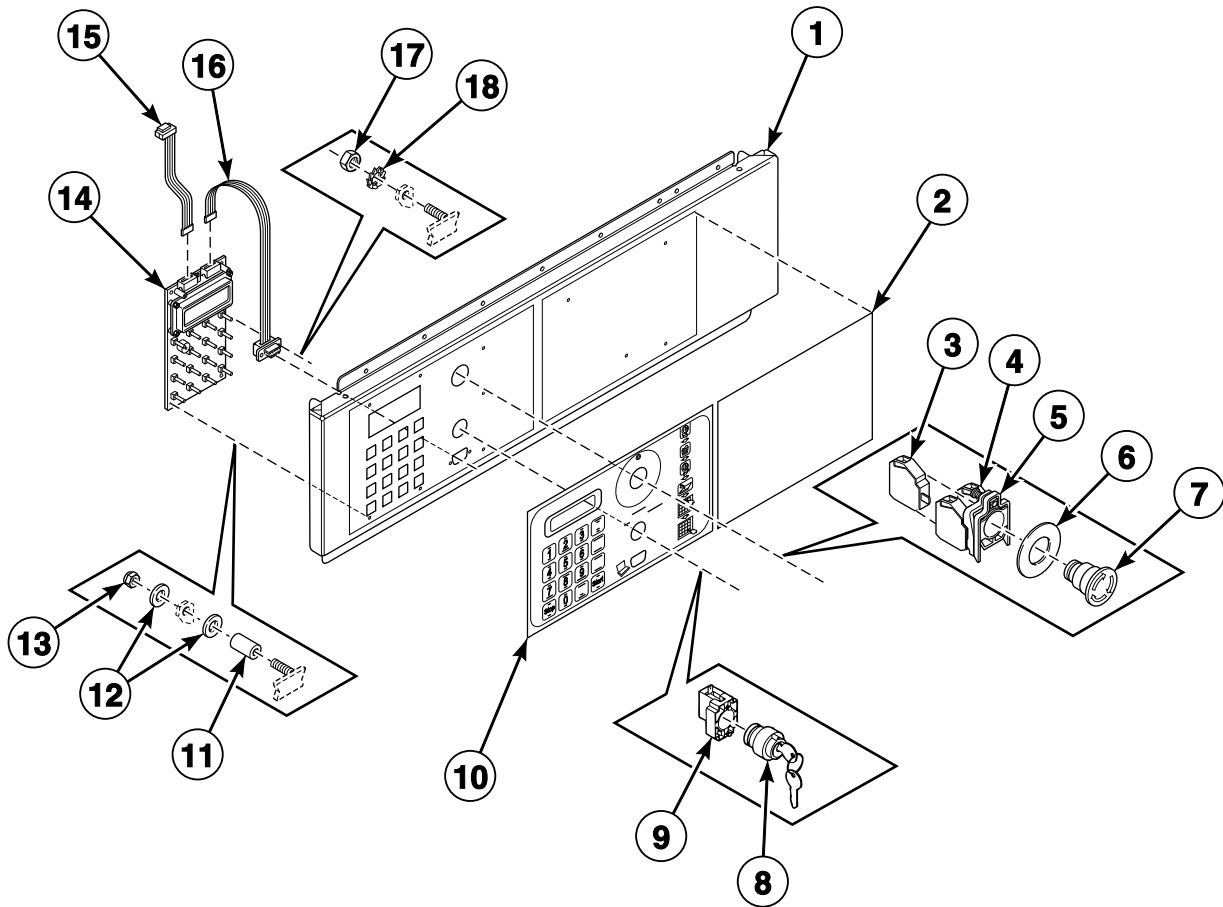


CFD2461P_D1360

Control Panel - STANDARD

REF	PART NO.	DESCRIPTION	COMMENTS
	B12348901	E-Stop Harness	
1	209/02001/02	Printboard	
2	204/00116/00	Nut	
3	223/00123/00	Washer	
4	223/00330/00	Protection LED	
5	B12389801	Nameplate	
6	225/00322/00	Plexi Frame	
7	B12574901	Overlay	
8	210/00902/00	Infrared Cable	
9	209/00248/20	Mushroom Pushbutton	
10	209/00520/00	Telem Sticker	
11	B12491801	Contact Harness	
12	209/00029/26	Contact Switch	NC
13	209/00099/26	Contact Switch	NO
14	209/00099/29	Switch Knob	Dual heat
	B12523901	Dual Heat Sticker	Dual heat
15	B12491701	Contact Harness	Dual heat
16	B12571901	Control Panel	Models SX055_STANDARD and SXE055C
	B12572501	Control Panel	Models SX075_STANDARD and SXE075C
17	B12388201	Door Lock PC-Board	
18	223/00374/00	Mounting Plate	

Control Panel - WE-8

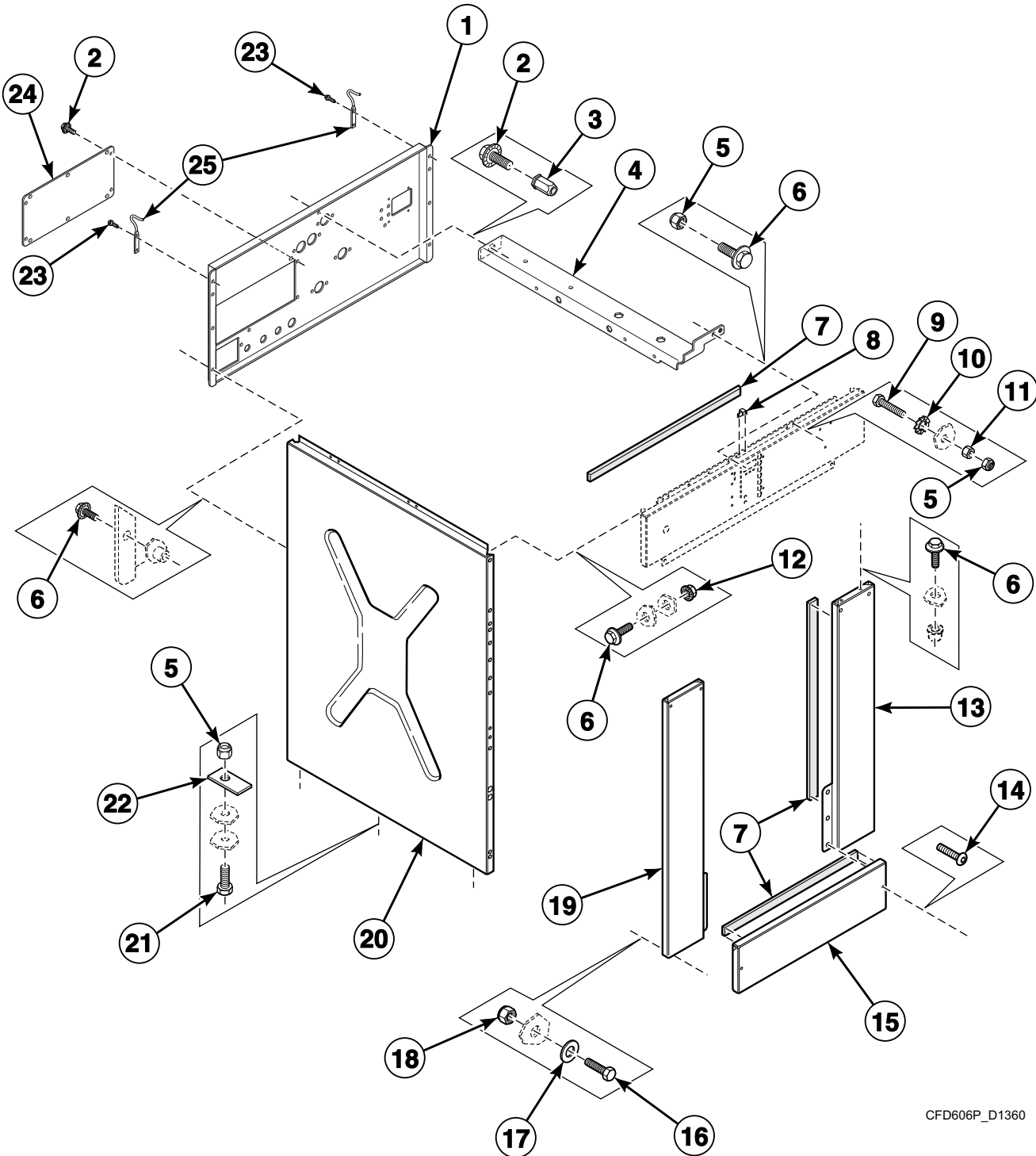


CFD657P_D1360

Control Panel - WE-8

REF	PART NO.	DESCRIPTION	COMMENTS
	B12348902	E-Stop Harness	
	B12348903	E-Stop Drive Harness	
	B12495501	Key Switch Harness	
	B12388302	Ribbon Assembly	
1	B12436401	Operating Panel	*55 and *235 models
	B12436501	Operating Panel	*75 and *305 models
2	F8435601	Overlay	UX models
	225/00435/00	Overlay	SX models
	225/00436/00	Logo Decal	HX models
3	209/00099/26	Contact Switch	NO
4	209/00029/26	Contact Switch	NC
5	B12491801	Contact Harness	
6	209/00520/00	Telem Sticker	
7	209/00248/00	Mushroom Pushbutton	
8	209/00326/20	Programming Key Contact Switch	
9	B12491701	Contact Harness	
10	225/00388/00	Overlay	Control
11	211/00140/00	Spacer	
12	223/00123/00	Washer	
13	204/00116/00	Nut	
14	209/00580/03	Display	
15	B12388302	Ribbon Assembly	
16	B12388305	Ribbon Assembly	
17	204/00008/00	Nut	
18	203/00007/00	Washer	

Left Side, Lower Front and Upper Rear Panels - *55 and *235 Models

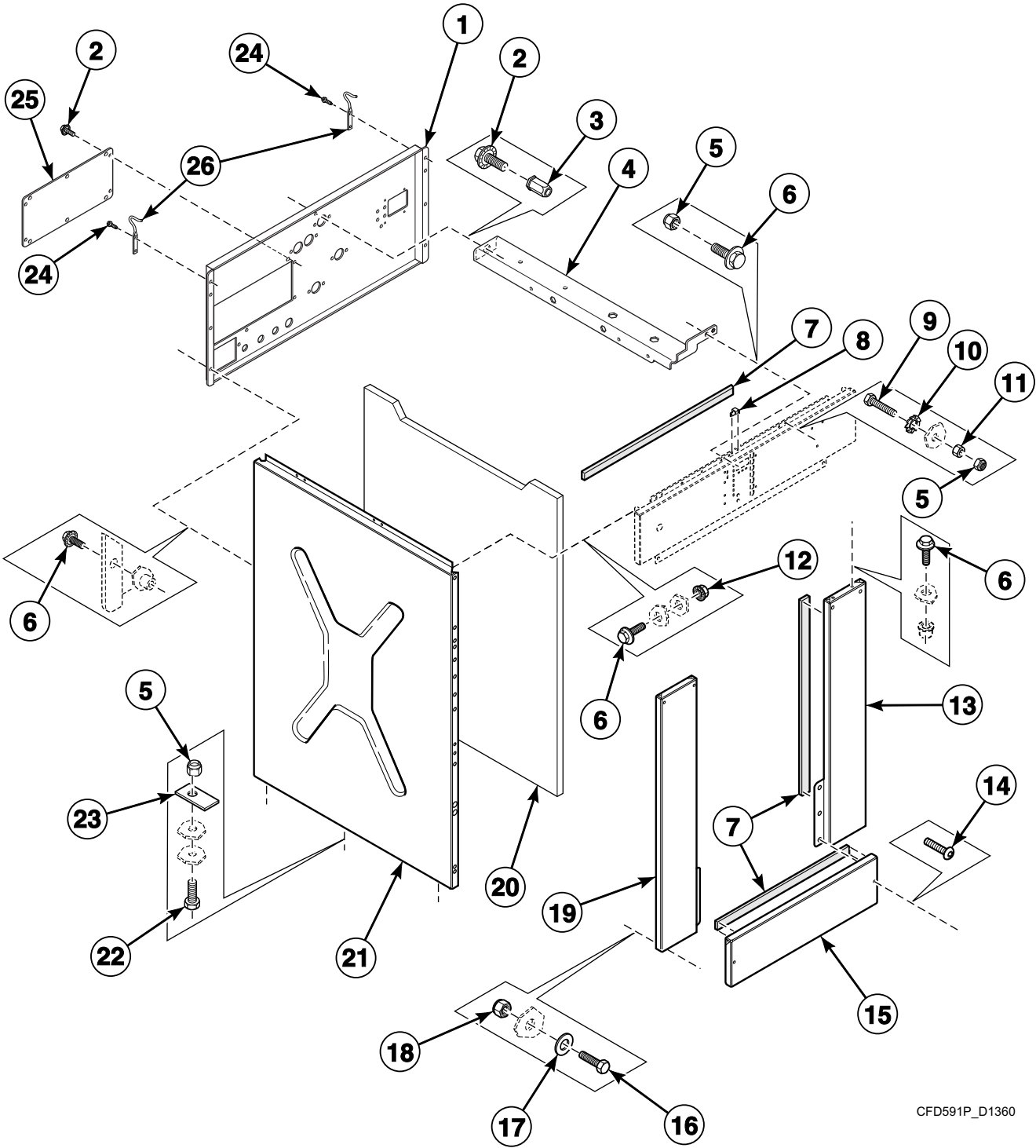


CFD606P_D1360

Left Side, Lower Front and Upper Rear Panels - *55 and *235 Models

REF	PART NO.	DESCRIPTION	COMMENTS
	B12612101	Noise and Vibration Reduction Kit	
1	B12354601	Backbridge	
2	206/00104/00	Screw	
3	204/00011/00	Nut	
4	B12354901	Supply Dispenser Crossbar	
5	204/00009/00	Nut	
6	205/00105/00	Bolt	
7	246/00149/00	Gasket	
8	F8201001	Top Cover Latch	
9	205/00103/00	Bolt	
10	203/00004/00	Washer	
11	204/00106/00	Nut	
12	206/00101/00	Nut	
13	111/32957/50	Right Front Panel	
14	B12500601	Screw	
15	111/32943/00	Kickplate	
16	206/00042/00	Bolt	
17	201/00010/00	Washer	
18	204/00109/00	Nut	
19	111/32951/50	Left Front Panel	
20	140/00007/60	Side Panel	Horizontal embossment; HX, SX and UX models
	140/00007/00	Side Panel	X embossment; All other models
21	205/00105/00	Bolt	
22	101/00007/00	Outlet Pipe Plate Assembly	
23	B12462901	Screw	
24	B12312501	Main Switch Cover	
25	B12487401	Top Cover Hinge	

Left Side, Lower Front and Upper Rear Panels - *75 and *305 Models

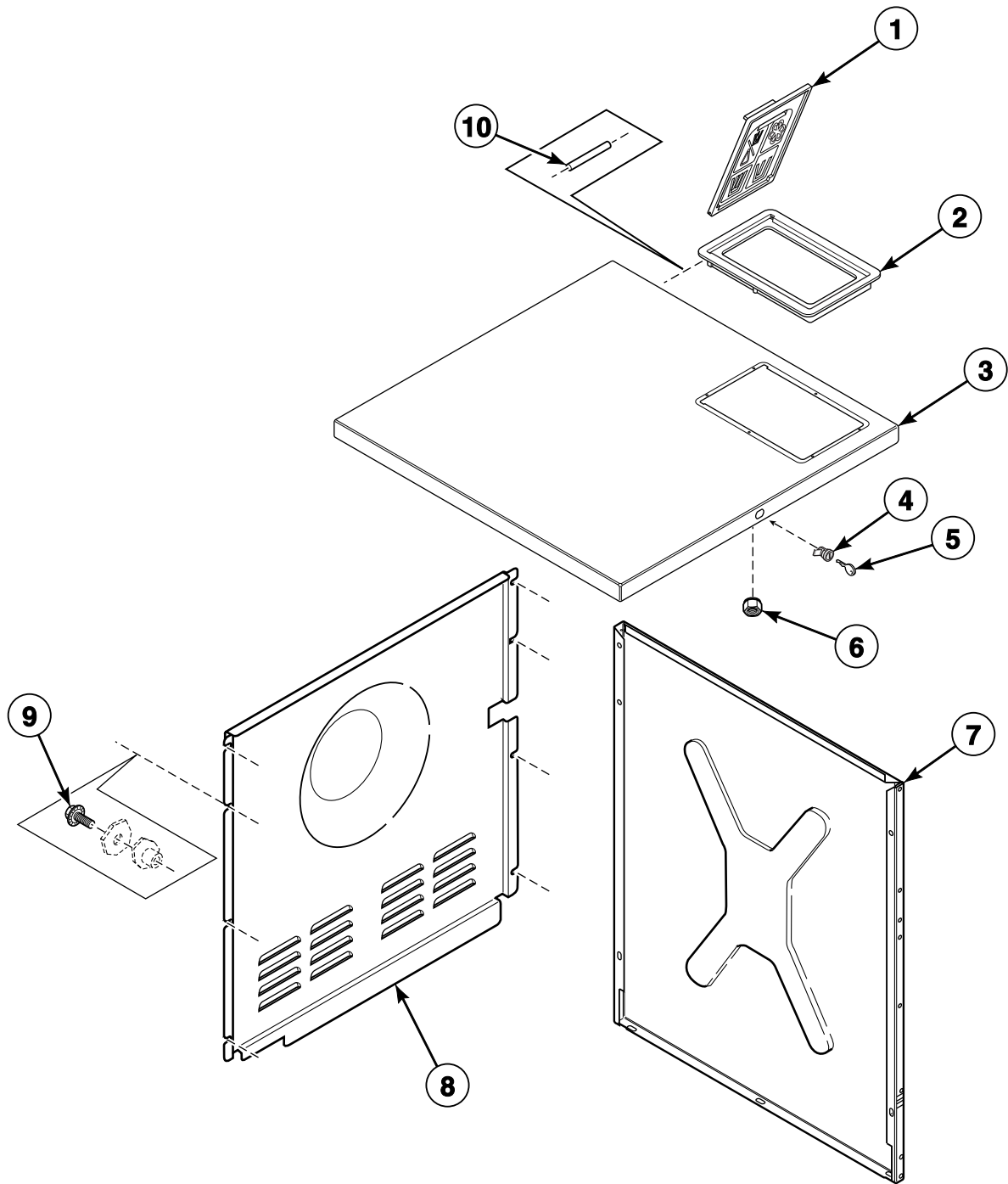


CFD591P_D1360

Left Side, Lower Front and Upper Rear Panels - *75 and *305 Models

REF	PART NO.	DESCRIPTION	COMMENTS
	B12612101	Noise and Vibration Reduction Kit	
1	B12339701	Backbridge	
2	206/00104/00	Screw	
3	204/00011/00	Nut	
4	B12338101	Supply Dispenser Crossbar	
5	204/00009/00	Nut	
6	205/00105/00	Bolt	
7	246/00149/00	Gasket	
8	F8201001	Top Cover Latch	
9	205/00103/00	Bolt	
10	203/00004/00	Washer	
11	204/00106/00	Nut	
12	206/00101/00	Nut	
13	111/32960/50	Right Front Panel	
14	B12500601	Screw	
15	111/32943/00	Kickplate	
16	206/00042/00	Bolt	
17	201/00010/00	Washer	
18	204/00109/00	Nut	
19	111/32948/50	Left Front Panel	
20	246/00079/00	Side Panel Gasket	
21	133/00126/00	Side Panel	
22	205/00105/00	Bolt	
23	101/00007/00	Outlet Pipe Plate Assembly	
24	B12462901	Screw	
25	B12312501	Main Switch Cover	
26	B12487401	Top Cover Hinge	

Top, Right Side and Lower Back Panels - *55 and *235 Models

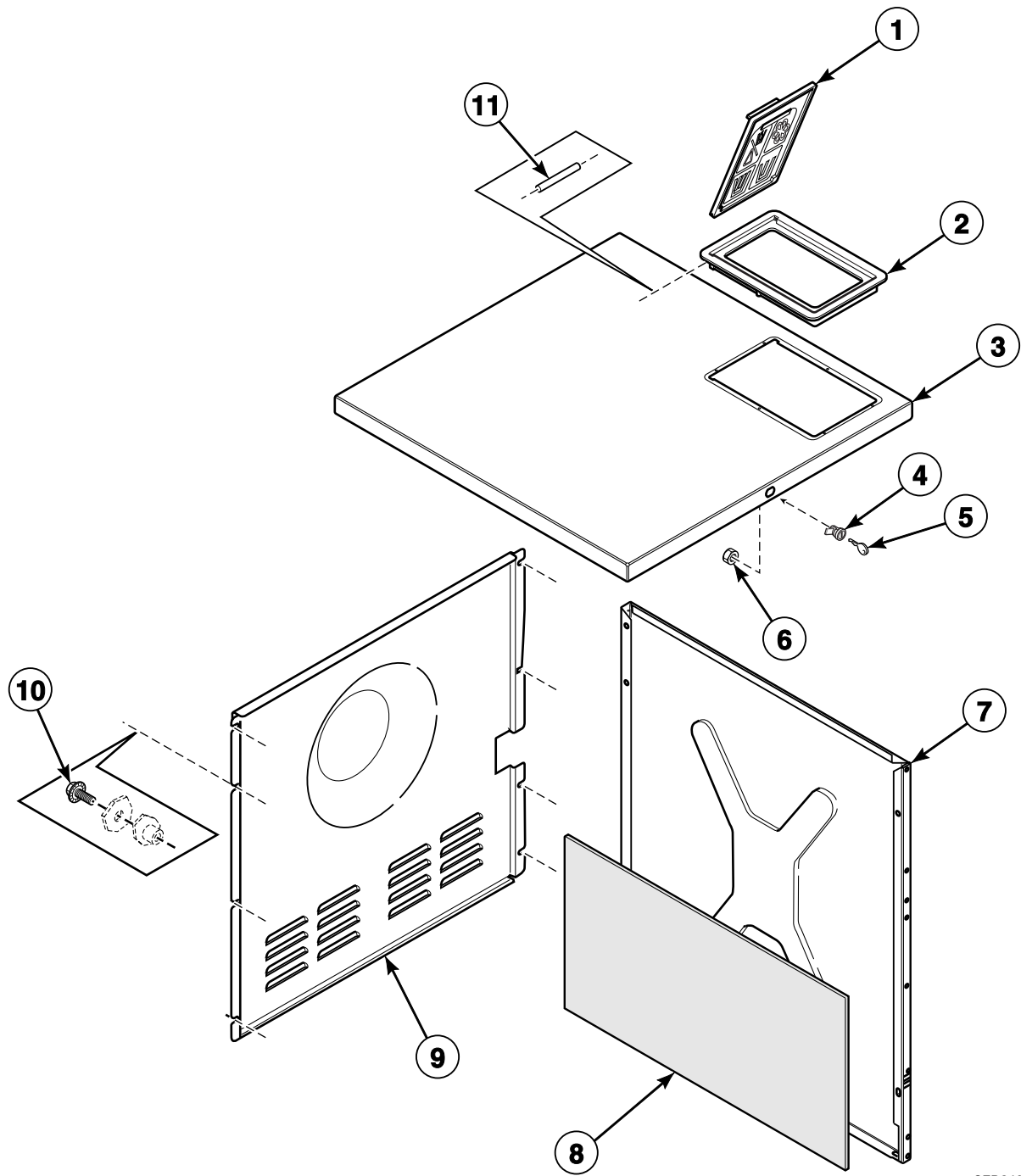


CFD2462P_D1360

Top, Right Side and Lower Back Panels - *55 and *235 Models

REF	PART NO.	DESCRIPTION	COMMENTS
1	B12319101	Supply Dispenser Cover	U.S.
	B12356701	Supply Dispenser Cover	International
2	B12597501	Supply Dispenser Cover Frame	
3	B12354801	Top Panel	
4	44089303P	Panel Lock	Includes item 5
5	70155603	Key	
6	B12509101	Nut	
7	140/00007/00	Side Panel	
8	B12354701	Lower Rear Panel	
9	206/00104/00	Screw	
10	223/00103/04	Soap Dispenser Cover Hinge Rod	2 required

Top, Right Side and Lower Back Panels - *75 and *305 Models

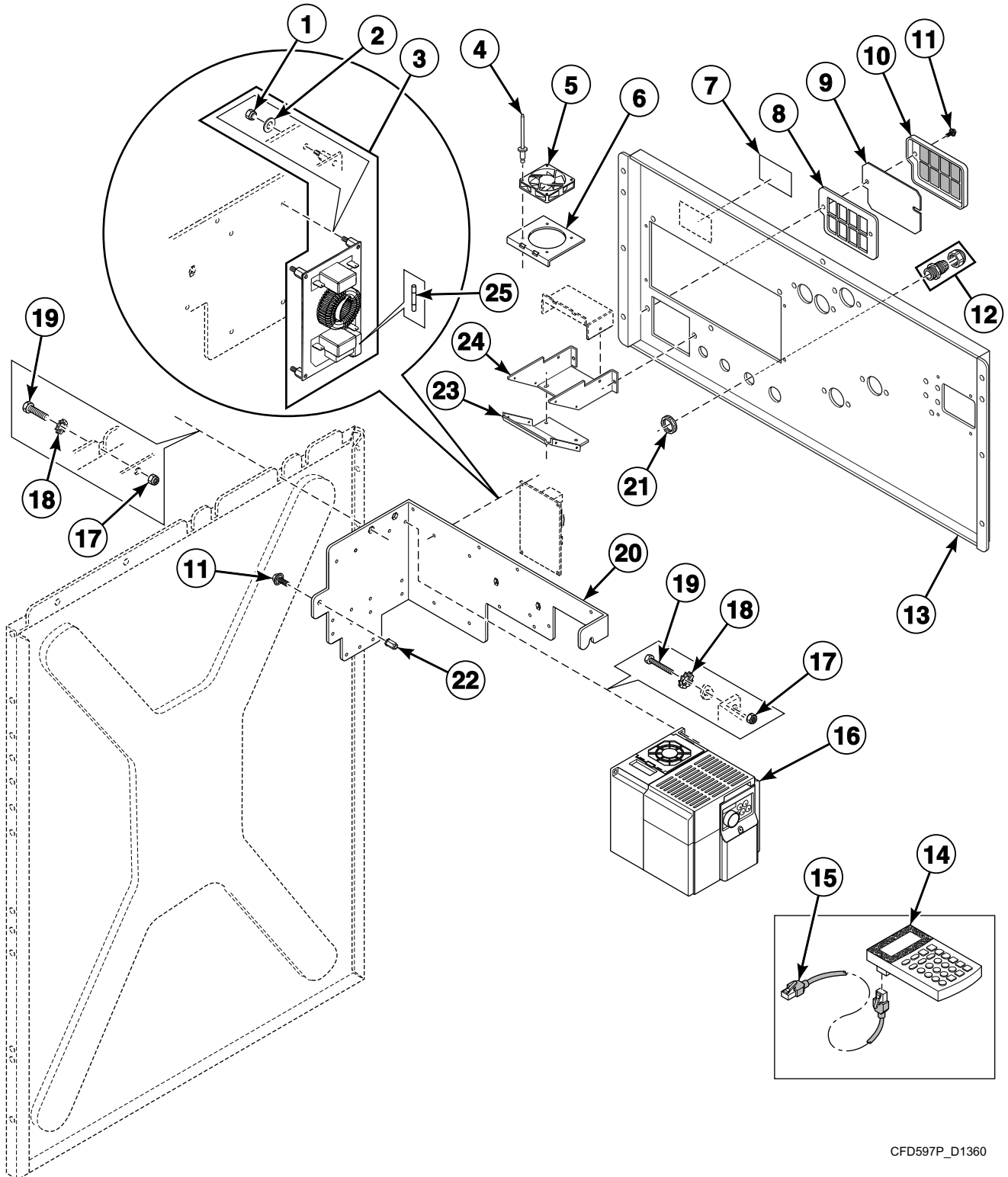


CFD2463P_D1360

Top, Right Side and Lower Back Panels - *75 and *305 Models

REF	PART NO.	DESCRIPTION	COMMENTS
1	B12319101	Supply Dispenser Cover	U.S.
	B12356701	Supply Dispenser Cover	International
2	B12597501	Supply Dispenser Cover Frame	
3	B12339901	Top Panel	
4	44089303P	Panel Lock	Includes item 5
5	70155603	Key	
6	B12509101	Nut	
7	133/00126/00	Side Panel	
8	246/00079/00	Side Panel Gasket	
9	B12339801	Lower Rear Panel	
10	206/00104/00	Screw	
11	223/00103/04	Soap Dispenser Cover Hinge Rod	2 required

Inverter Drive

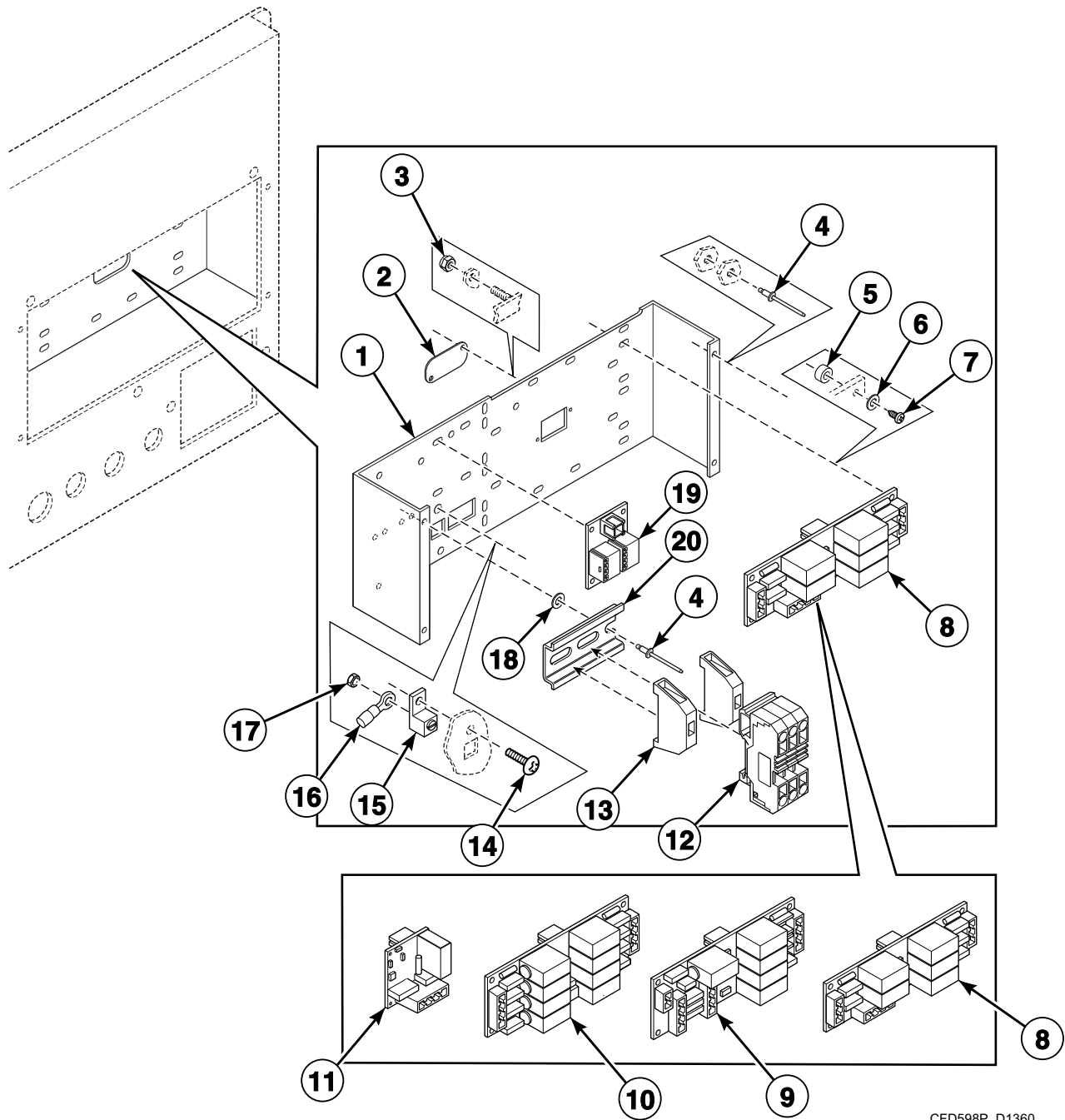


CFD597P_D1360

Inverter Drive

REF	PART NO.	DESCRIPTION	COMMENTS
	B12348201	Control Supply Harness	WE-8 *75 and *305 models; N, P and Q-voltage
	B12348401	Control Supply Harness	WE-8 *75 and *305 models; C-voltage
	B12501502	E-Stop Drive Fan Harness	WE-8 models
	B12501501	E-Stop Drive Fan Harness	Cygnus, PRO and STANDARD models
	B12495601	Drive Source Harness	WE-8 models except *75 and *305 with Q-voltage
	B12495602	Drive Source Harness	WE-8 *55 and *235 models; Q-voltage
	B12350101	Ethernet Cable	Cygnus, PRO and STANDARD models
1	204/00014/00	Nut	
2	202/00004/00	Washer	
3	B12339401	Noise Filter	30A1; 1x230 Volt; *55 and *235 models; C, Q and X-voltage
	227/00242/00	Noise Filter	8A3; 3x400 Volt; *55 and *235 models; N and P-voltage
	227/00163/00	Noise Filter	27A3; 3x230 Volt; *75 and *305 models; Q-voltage
	227/00162/00	Noise Filter	15A3; 3x230 Volt; *75 and *305 models; C, N and P-voltage
4	208/00017/00	Rivet	
5	209/00465/00	Fan	
6	B12357201	Fan Mounting Plate	
7	B12355001	Voltage Discharge Decal	
8	B12551301	Air Duct	Inside
9	B12382401	Inverter Air Inlet Filter Grill	
10	B12346701	Inverter Air Inlet Filter Frame	Outside
11	206/00104/00	Screw	
12	211/00183/00	Nut	
13	B12339701	Backbridge	*75 and *305 models
	B12354601	Backbridge	*55 and *235 models
14	227/00171/00	Parameter Unit Assembly	Hand held
15	227/00171/10	Parameter Unit Program Cable	
16	F8420919	Inverter Drive	700 series; 1x230 Volt; WE-8 *55 and *235 models; C, Q and X-voltage
	F8420920	Inverter Drive	700 series; 3x400 Volt; WE-8 *55 and *235 models; N and P-voltage
	F8420921	Inverter Drive	700 series; 1x230 Volt; WE-8 *75 and *305 models; C, Q and X-voltage
	F8420922	Inverter Drive	700 series; 3x400 Volt; WE-8 *75 and *305 models; N and P-voltage
	F8645301P	Inverter Drive	FR-D7205-100-E8 series; 1x200 Volt; *55 and *235 Cygnus, PRO and STANDARD models; C, Q and X-voltage
	F8645401P	Inverter	FR-D740-050-NAseries; 3x400 Volt; *55 and *235 Cygnus, PRO and STANDARD models; N and P-voltage
	F8645501P	Inverter	FR-D720-165-NAseries; 3x230 Volt; *75 and *305 Cygnus, PRO and STANDARD models; Q-voltage
	F8645601P	Inverter	FR-D740-080-NAseries; 3x400 Volt; *75 and *305 Cygnus, PRO and STANDARD models; C, N and P-voltage
17	204/00114/00	Nut	
18	203/00006/00	Washer	
19	206/00088/00	Bolt	
20	B12333201	Inverter Drive Box	*55 and *235 models
	B12357401	Inverter Drive Box	*75 and *305 models
	B12396101	Inverter Mounting Plate	*75 and *305 models
21	211/00170/00	Nut	
22	204/00011/00	Nut	
23	B12342701	Air Inlet Bottom	
24	B12342501	Air Inlet	
25	B12389501	Fuse	3.15 A; 500 Volt; Used with 227/00242/00 Filter; *55 and *235 models; N and P-voltage
	209/00468/00	Fuse	3.15 A; Used with B12339401 Noise Filter; *55 and *235 models; C, Q and X-voltage

Printboard Support Panel and Soap Injection Printboards - Cygnus, PRO and STANDARD Models

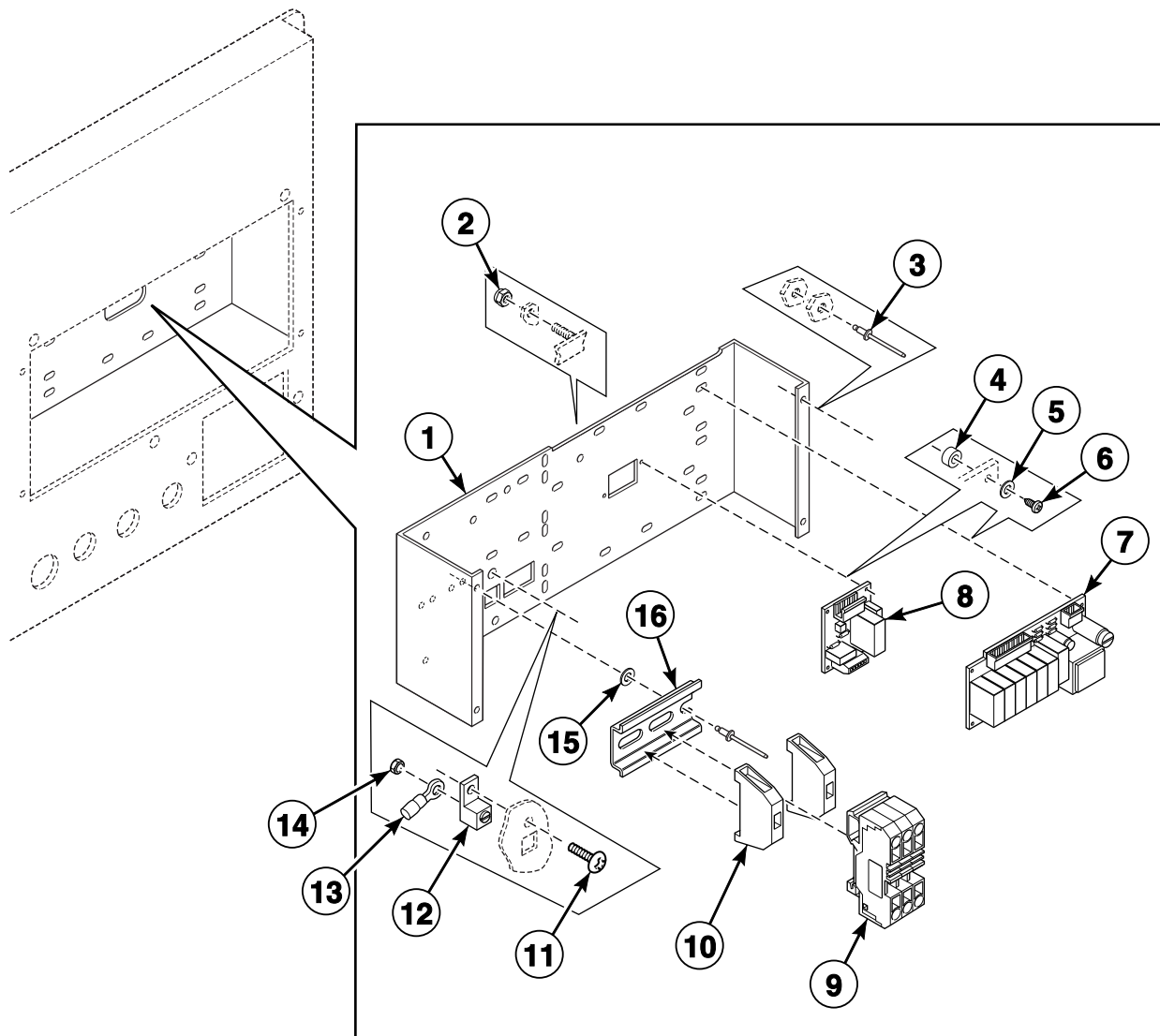


CFD598P_D1360

Printboard Support Panel and Soap Injection Printboards - Cygnus, PRO and STANDARD Models

REF	PART NO.	DESCRIPTION	COMMENTS
	B12388301	Ribbon Assembly	Used with items 8-11
	B12529201	Extension Board Kit	Used with items 8-11; includes items 2-7, 18, B12381402 Control Supply Harness, B12388301 Ribbon Assembly, 201616 Transformer, 70030501 Expansion Clip, B12462901 Screw and B12319608 Diagram; Does not include extension board
	B12529301	Network Kit	Includes items 3, 5-7, 19, 211/00128/00 Printboard Separator, B12341801 Printboard and B12390201 Network Connection Wiring
1	B12312401	Printboard Support	
2	B12382501	Flat Cable Plate	
3	204/00116/00	Nut	
4	208/00017/00	Rivet	
5	B12390301	Standoff	
6	223/00123/00	Washer	
7	B12393801	Screw	
8	209/02005/00	Detergent PC-Board	1-5
9	209/02014/00	Relay PC-Board	5-5
10	209/02008/00	Detergent PC-Board	1-8
11	209/02016/00	Relay PC-Board	1-1
12	209/01625/00	Terminal Block	Gray; 3 on C, N, P, Q and X-voltage
	209/01624/00	Terminal Block	Blue; 1 on C-voltage
	209/01625/01	Terminal End	
13	209/00633/02	End Stop	
14	206/00104/00	Screw	
15	M411283	Ground Lug Connector	
16	B12456001	Wiring Earth for Inverter	
17	206/00101/00	Nut	
18	202/00004/00	Washer	
19	B12344201	Network Board	Network models
20	B12315401	DIN Rail	60 mm

Printboard Support Panel and Soap Injection Printboards - WE-8 Models

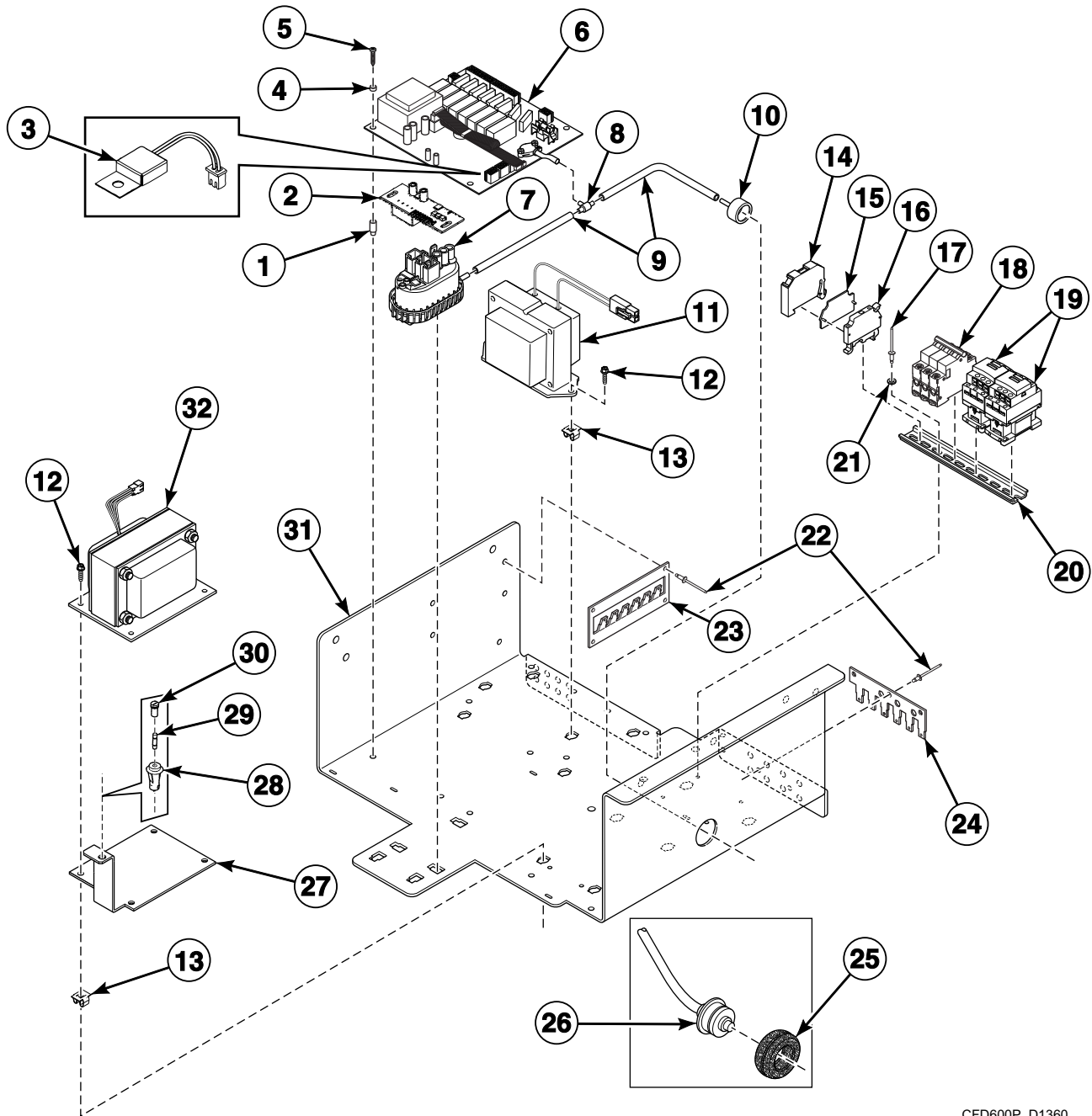


CFD2453P_D1360

Printboard Support Panel and Soap Injection Printboards - WE-8 Models

REF	PART NO.	DESCRIPTION	COMMENTS
	B12495702	Soap Board Harness	
1	B12312401	Printboard Support	
2	204/00116/00	Nut	
3	208/00017/00	Rivet	
4	B1239031	Spacer	
5	223/00123/00	Washer	
6	B12393801	Screw	
7	209/00218/13	Soap Injection PCB with Fuse	
8	209/00438/50	Central Control Board	240 Volt
9	209/01625/00	Terminal Block	Gray; 3 on C, N, P, Q and X-voltage
	209/01624/00	Terminal Block	Blue; 1 on C-voltage
	209/01625/01	Terminal End	
10	209/00633/02	End Stop	
11	206/00104/00	Screw	
12	M411283	Ground Lug Connector	
13	B12456002	Wiring Earth for Tub	
14	206/00101/00	Nut	
15	202/00004/00	Washer	
16	B12315401	DIN Rail	60 mm

Electrical Component Mounting Plate - Cygnus, PRO and STANDARD Models

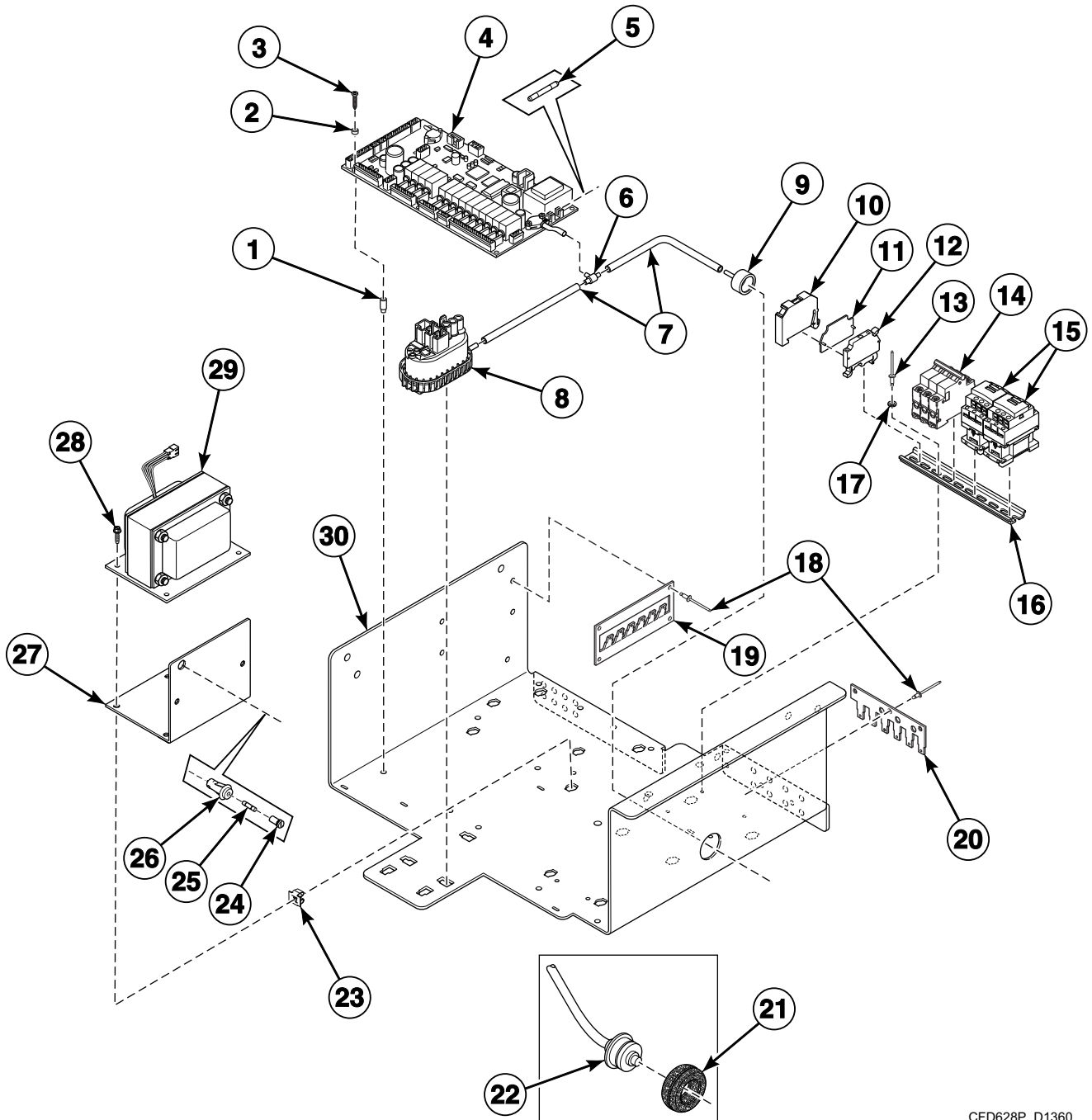


CFD600P_D1360

Electrical Component Mounting Plate - Cygnus, PRO and STANDARD Models

REF	PART NO.	DESCRIPTION	COMMENTS
	B12392701	Direct Fill Harness	
	B12381101	Main Control Tray Harness	
	B12348102	Control Supply Harness	*75 and *305 models; C and Q-voltage
	B12348801	Control Communication Harness	
	B12348301	Control Supply Harness	*55 and *235 models; N and P-voltage
	B12348302	Control Supply Harness	*75 and *305 models; N and P-voltage
	B12348101	Control Supply Harness	*55 and *235 models; C, Q and X-voltage
	B12381402	Control Supply Harness	24 VAC
	B12390201	Network Connection Wiring	
1	B12390301	Standoff	
2	B12341801	Printboard	Network models
3	209/02020/00	ID Chip	
4	223/00123/00	Washer	
5	B12393801	Screw	
6	B12355701	Control Board	
	B12360001	Fuse	1.25A
7	B12548401	Pressure Switch	Single lever; 300/255; Steam and electric heat
8	223/00173/10	Pressure Switch Hose Tee	
9	B12700018	Pressure Hose	
10	223/00035/02	Pressure Switch Cap	
11	201616P	Transformer	Models with extension boards
12	B12462901	Screw	
13	70030501	Expansion Clip	
14	209/00633/02	End Stop	Electric, steam or dual heat; 2 on *75 and *305 models without heat
15	260/00036/01	Connection Clamp Fuse Holder Final Plate	*75 and *305 models
16	260/00036/00	Connection Clamp Fuse Holder	*75 and *305 models
	B12389501	Fuse	*75 and *305 models
17	208/00017/00	Rivet	
18	B12487101	Circuit Breaker	Electric heat; C and Q-voltage; *55 and *235 models
	B12474601	Circuit Breaker	Electric heat; N and P-voltage; *75 and *305 models with C and Q-voltage
19	209/06148/02	Heating Contactor	Electric heat
20	B12315301	DIN Rail	200 mm
21	202/00004/00	Washer	
22	208/00017/00	Rivet	
23	B12395201	Earth Plate Side	
24	B12395301	Earth Plate Bottom	
25	225/10004/00	Thermostat Grommet	
26	210/01064/16	Thermostat	
27	B12439601	Transformer Fuse Mounting Plate	N and P-voltage
28	70329401P	Fuse Holder Body	N and P-voltage
29	802492	Fuse	N and P-voltage
30	70329501	Fuse Holder Cap	N and P-voltage
31	B12313001	Electrical Component Mounting Plate	
32	F8401301	Transformer	N and P-voltage

Electrical Component Mounting Plate - WE-8 Models

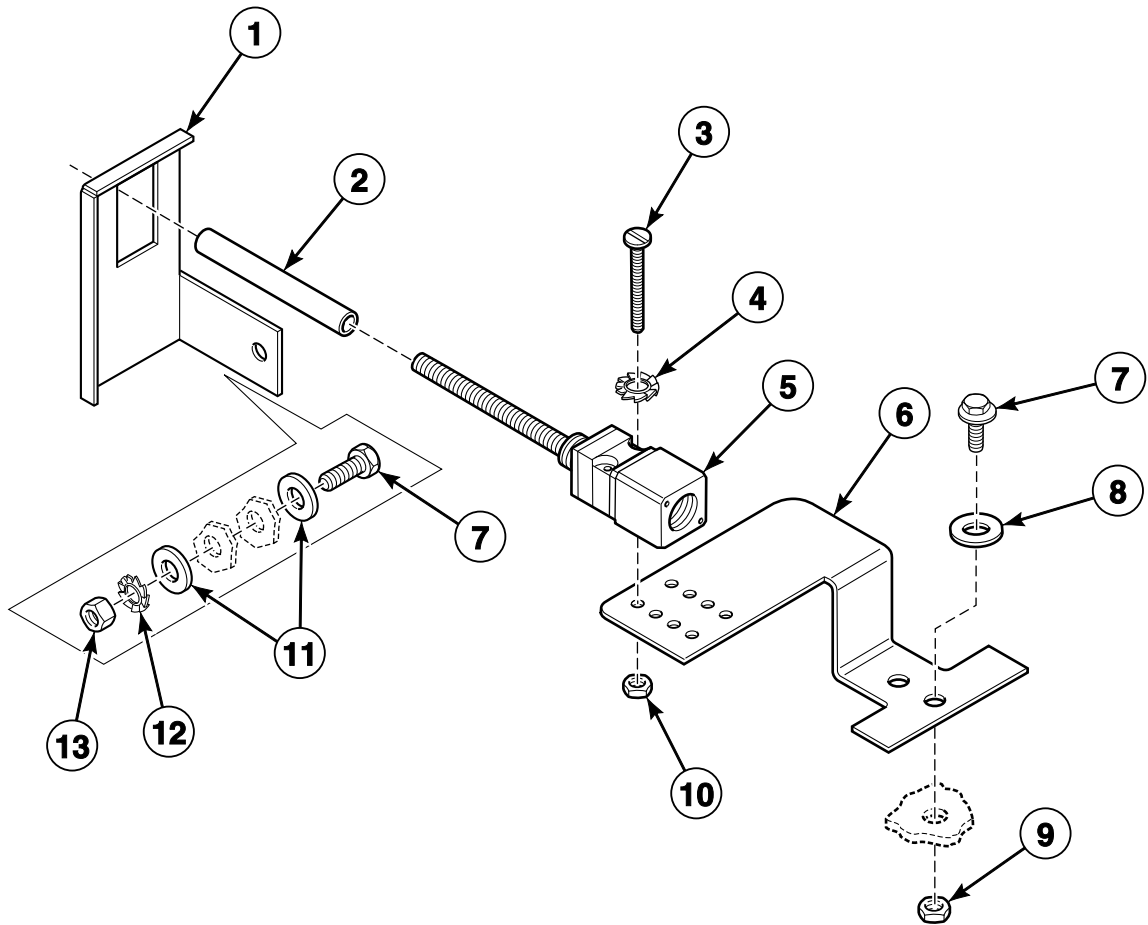


CFD628P_D1360

Electrical Component Mounting Plate - WE-8 Models

REF	PART NO.	DESCRIPTION	COMMENTS
	B12348303	Control Supply Harness	*55 and *235 models; N and P-voltage
	B12348103	Control Supply Harness	*55 and *235 models; C, Q and X-voltage
	B12348304	Control Supply Harness	*75 and *305 models; N and P-voltage
	B12381103	Main Control Tray Harness	
	B12392704	Direct Fill Harness	240 Volt
	B12348104	Control Supply Harness	*75 and *305 models; C and Q-voltage
1	B12390301	Standoff	
2	223/00123/00	Washer	
3	B12393801	Screw	
4	B12565801	Main Control	
5	209/00372/01	Fuse	0.125 Amps
6	223/00173/10	Pressure Switch Hose Tee	
7	B12700018	Pressure Hose	
8	B12548401	Pressure Switch	Single lever; 300/255; Electric and steam heat
9	223/00035/02	Pressure Switch Cap	
10	209/00633/02	End Stop	Electric and steam heat; 2 on *75 and *305 models without heat
11	260/00036/01	Connection Clamp Fuse Holder Final Plate	*75 and *305 models
12	260/00036/00	Connection Clamp Fuse Holder	*75 and *305 models
	B12389501	Fuse	*75 and *305 models
13	208/00017/00	Rivet	
14	B12487101	Circuit Breaker	Electric heat; C and Q-voltage; *55 and *235 models
	B12474601	Circuit Breaker	Electric heat; N and P-voltage; *75 and *305 models with C and Q-voltage
15	209/06148/02	Heating Contactor	Electric heat
16	B12315301	DIN Rail	200 mm
17	202/00004/00	Washer	
18	208/00017/00	Rivet	
19	B12395201	Earth Plate Side	
20	B12395301	Earth Plate Bottom	
21	225/10004/00	Thermostat Grommet	
22	210/01064/16	Thermostat	
23	70030501	Expansion Clip	
24	70329501	Fuse Holder Cap	N and P-voltage
25	802492	Fuse	N and P-voltage
26	70329401P	Fuse Holder Body	N and P-voltage
27	B12439701	Transformer Fuse Mounting Plate	N and P-voltage
28	B12462901	Screw	
29	B12313002	Electrical Component Mounting Plate	
30	F8401301	Transformer	N and P-voltage

Balance Switch

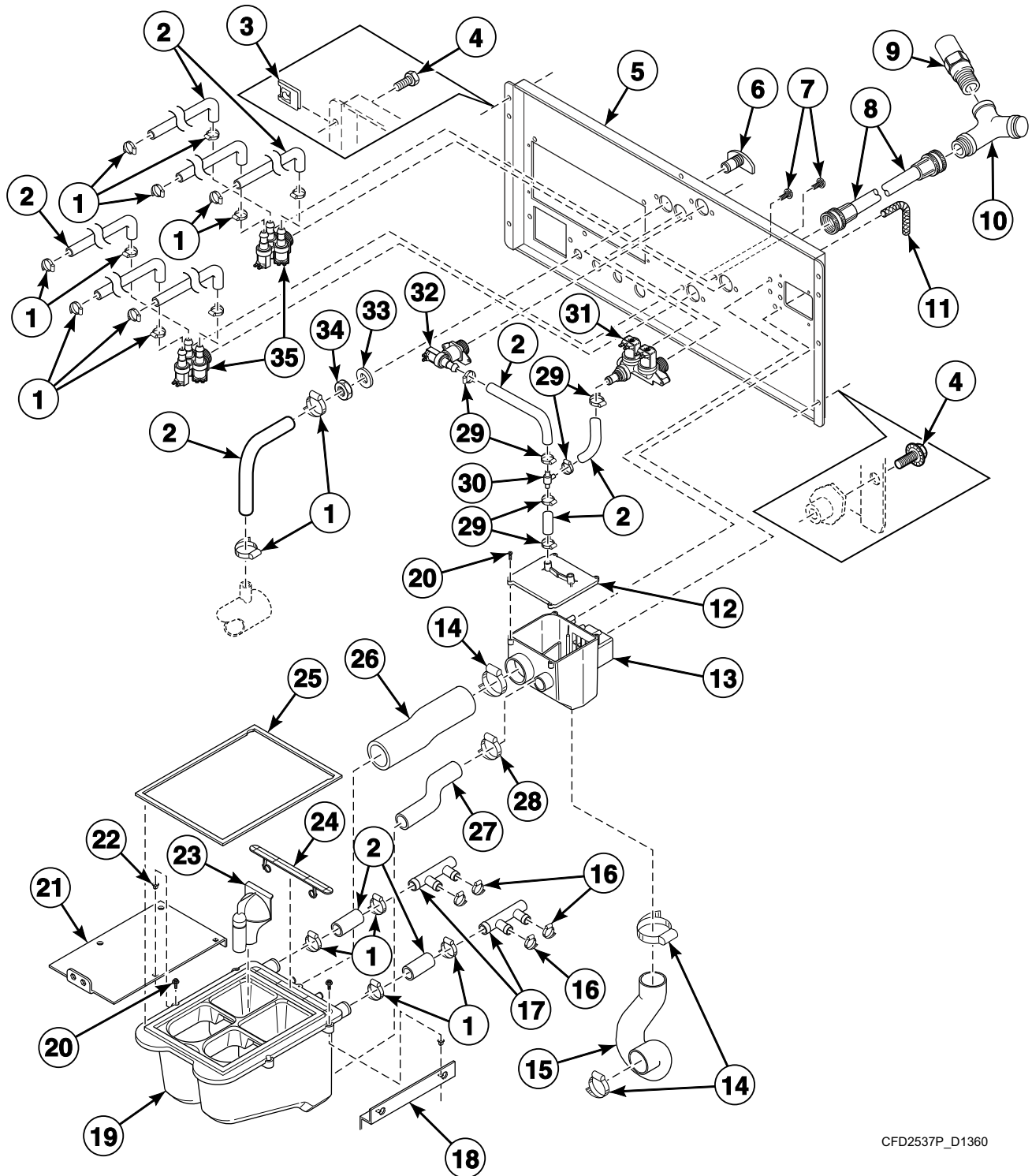


CFD622P_D1360

Balance Switch

REF	PART NO.	DESCRIPTION	COMMENTS
	B12349902	Out-of-Balance Switch Harness	
1	B12529601	Out-of-Balance Switch Bracket	
2	223/00246/00	Out-of-Balance Switch Boot	
3	207/00018/00	Screw	
4	203/00006/00	Washer	
5	209/00255/00	Out-of-Balance Switch	
6	B12430301	Tilt Switch Support	
7	205/00107/00	Bolt	
8	202/00101/00	Washer	
9	204/00009/00	Nut	
10	204/00007/00	Nut	
11	201/00010/00	Washer	
12	203/00003/00	Washer	
13	204/00004/00	Nut	

Fill Plumbing Assembly

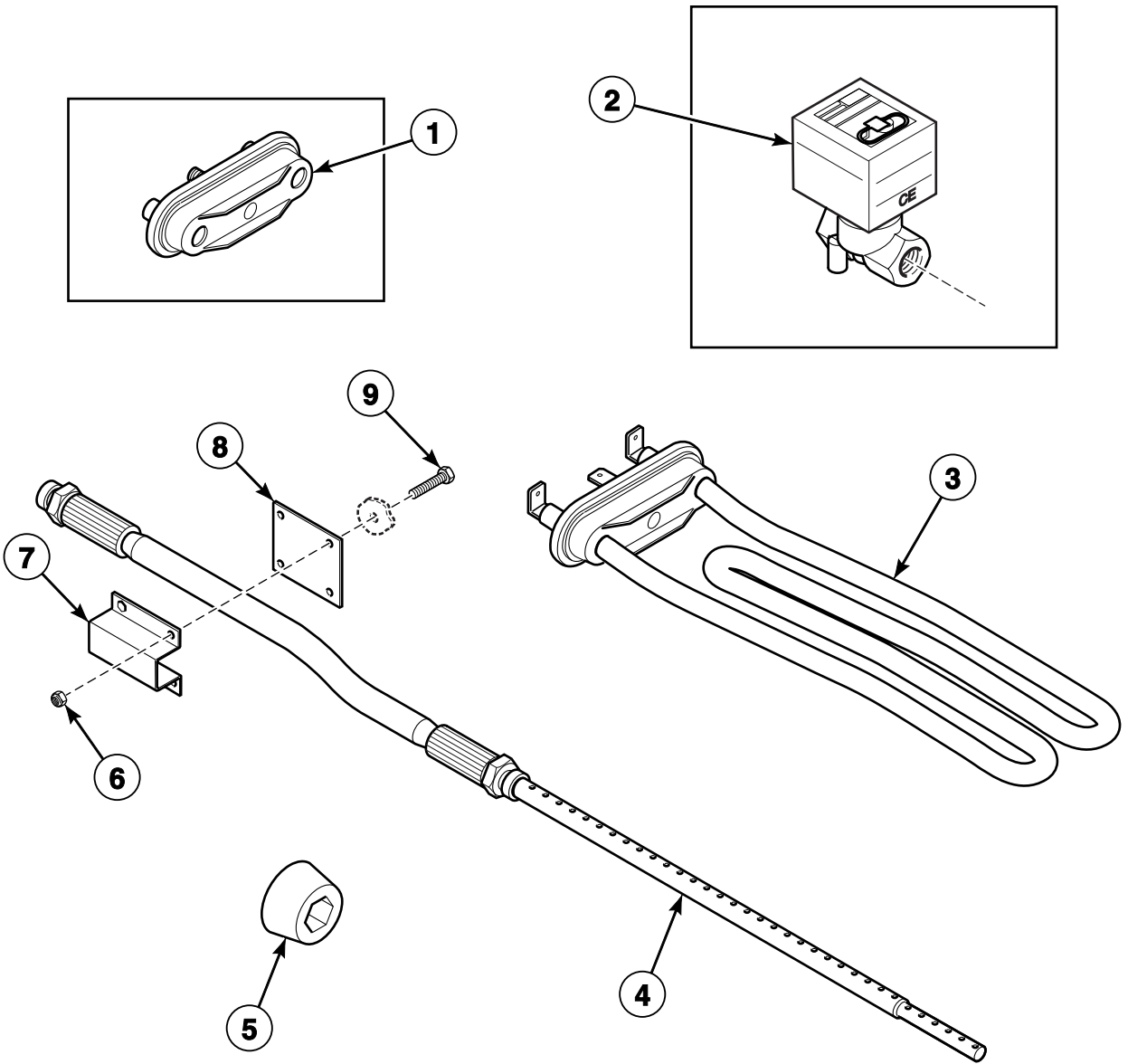


CFD2537P_D1360

Fill Plumbing Assembly

REF	PART NO.	DESCRIPTION	COMMENTS
	B12349201	Inlet Valve Harness	*55 and *235 Cygnus, PRO and STANDARD models
	B12349203	Inlet Valve Harness	*75 and *305 Cygnus, PRO and STANDARD models
	B12349202	Inlet Valve Harness	WE-8 *55 and *235 models
	B12349204	Inlet Valve Harness	WE-8 *75 and *305 models
1	223/00010/00	Hose Clamp	
2	223/00044/00	Water Hose	
3	70030501	Expansion Clip	
4	B12462901	Screw	
5	B12354601	Backbridge	*55 and *235 models
	B12339701	Backbridge	*75 and *305 models
6	223/00001/04	Prewash and Mainwash Nozzle	
7	206/00027/00	Bolt	
8	F200164	Water Hose	Standard thread; All models except A and Y market models
	F200166	Water Hose	Metric thread; All models except A and Y market models
	B8498401	Fill Hose	A and Y market models
9	B12543901	Check Valve	A and Y market models
10	44069101	Hose Fitting	*75 and *305 models; Standard thread
	223/00243/00	Y-Connector	*75 and *305 models; Metric thread
11	B12687401	Pressure Hose	
12	F8048601	Vacuum Breaker Assembly	
13	F8048601	Vacuum Breaker Assembly	Includes item 11
14	223/00014/00	Hose Clamp	
15	B12324403	Siphon Break Hose	*55 and *235 models
	B12324402	Siphon Break Hose	*75 and *305 models
16	223/00011/00	Hose Clamp	
17	F8333201	Manifold	
18	B12316401	Supply Dispenser Support	
19	F8047401	Dispenser Assembly	
20	B12462801	Screw	
21	B12337301	Supply Dispenser Mounting Plate	
22	B12463001	Insert	
23	F8047901	Siphon Cover	
24	F8047801	Access Cover	
25	F8308301	Dispenser Gasket	
26	B12390006	Vacuum Supply Hose	*55 and *235 models
	B12390001	Vacuum Supply Hose	*75 and *305 models
27	B12313304	Dispenser Overflow Hose	
28	223/00223/00	Hose Clamp	
29	223/00013/00	Hose Clamp	
30	223/00041/00	Water Inlet Tee	
31	F8434001	Mixing Valve	Standard thread
	F8434002	Mixing Valve	Metric thread
32	209/00276/00	Inlet Valve	1-way; Metric thread; Hard water rinse optional
	223/00050/01	Water Valve Adapter	Standard thread
33	201/00002/00	Washer	
34	204/00201/00	Nut	
35	B12496101	Inlet Valve	3-way; Standard thread
	B12496201	Inlet Valve	3-way; Metric thread

Steam and Electric Heating Options

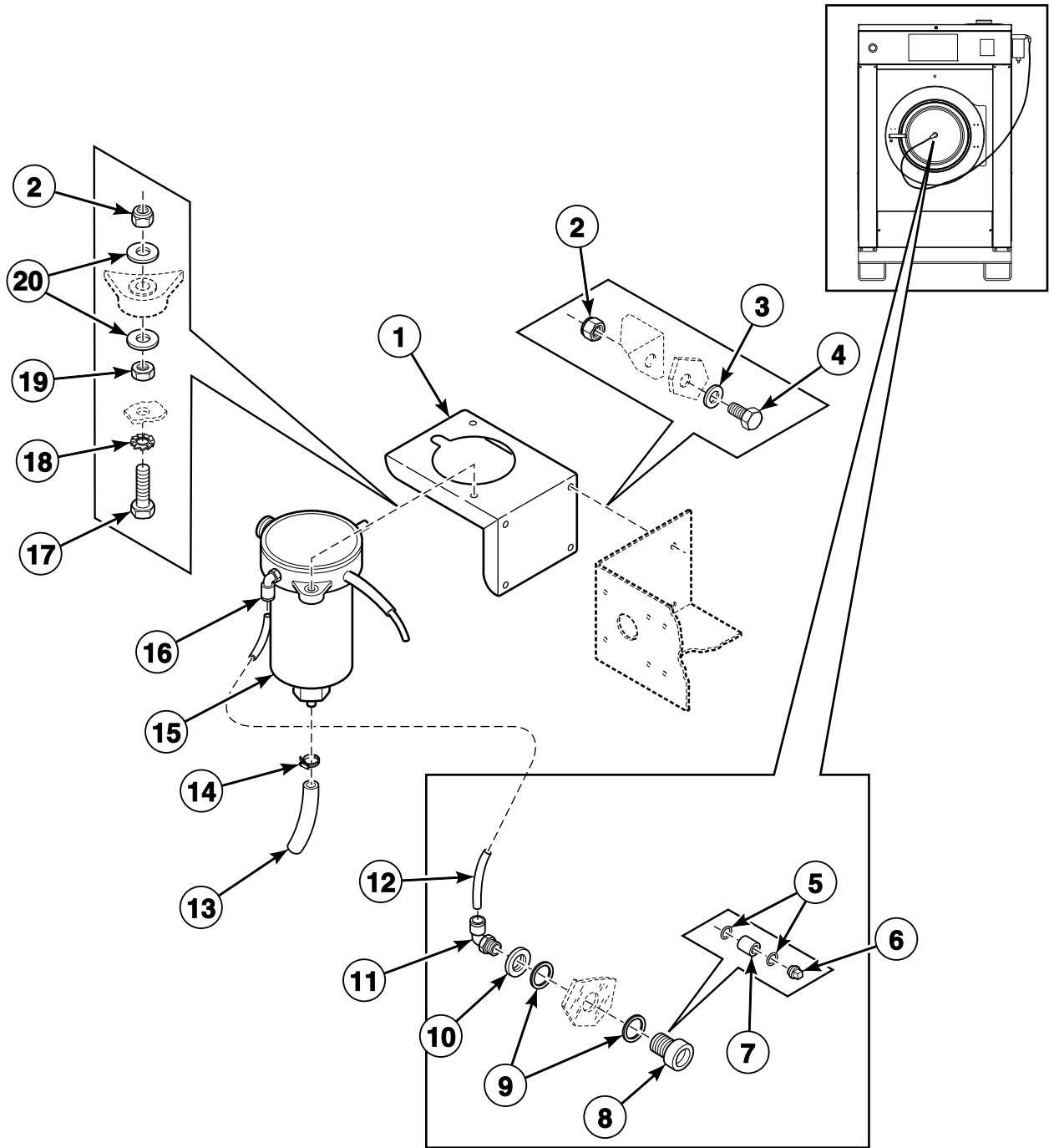


CFD3538P_D1360

Steam and Electric Heating Options

REF	PART NO.	DESCRIPTION	COMMENTS
	B12551001	Steam Heat Kit	Includes items 2, 4-9, 209/06148/02 Heating Contactor, B12382302 Steam Valve Harness, B12349701 Steam Heat Harness, B12349702 Steam Heat Harness, B12315301 DIN Rail, 209/00633/02 End Stop, 223/00173/10 Pressure Switch Hose Tee, 223/00333/00 Pressure Hose, B12509701 Pressure Switch, 211/00181/00 Strain Relief Connector and 211/00170/00 Nut
	209/06148/02	Heating Contactor	
	B12308001	Relay	Steam heat
	B12382302	Steam Valve Harness	
	B12348501	Branch Harness	Electric heat; N-voltage; *55 and *235 models with P-voltage
	B12348502	Branch Harness	Electric heat; C-voltage; *55 and *235 models
	B12348506	Branch Harness	Electric heat; Q-voltage; *75 and *305 models with C and P-voltage
	B12349603	Electric Heat Harness	Cygnus, PRO and STANDARD models
	B12349604	Electric Heat Harness	WE-8 models
	B12349703	Steam Heat Harness	Cygnus, PRO and STANDARD models
	B12349704	Steam Heat Harness	WE-8 models
	B12349803	Dual Heat Harness	Cygnus, PRO and STANDARD models
	B12349802	Dual Heat Harness	WE-8 models
	B12381204	Power Jumper Harness	Electric heat; Q-voltage; *55 and *235 models
	B12381203	Power Jumper Harness	Electric heat; Q-voltage; *75 and *305 models
	B12381301	Heating Harness	Electric heat; Q-voltage; *75 and *305 models with C and P-voltage
	B12455804	Heat Harness	Electric heat; 1; Q-voltage; *75 and *305 models with C and P-voltage
	B12455805	Heat Harness	Electric heat; 2; Q-voltage; *75 and *305 models with C and P-voltage
	B12455904	Heat Harness	Electric heat; 1; N-voltage; *55 and *235 models with C and P-voltage
	B12455905	Heat Harness	Electric heat; 2; N-voltage; *55 and *235 models with C and P-voltage
1	F360202	Heating Element Plug	
2	209/00476/00	Steam Valve	
3	209/00581/10	Heating Element	4 kW; 380 Volt; C, N and P-voltage; *75 and *305 models
	209/00562/20	Heating Element	3 kW; 240 Volt; Q-voltage; 55 and *235 models with C, N and P-voltage
4	119/00087/50	Steam Injector	
5	206/00178/00	Steam Connection Plug	
6	206/00101/00	Nut	
7	111/00155/10	Bracket Support	
8	111/00155/00	Steam Bracket	
9	206/00104/00	Screw	

Spray Pump



CFD630P_D1360

Spray Pump

REF	PART NO.	DESCRIPTION	COMMENTS
1	111/10179/00	Spray Pump Mounting Plate	
2	204/00009/00	Nut	
3	201/00007/00	Washer	
4	205/00107/00	Bolt	
5	223/00177/00	O-Ring	
6	223/00178/00	Soap Injector Orifice	
7	211/00126/00	Soap Injector Orifice Nipple	
8	211/00127/00	Soap Injector Connector	
9	223/00176/00	O-Ring	
10	211/10106/00	Nut	
11	223/00182/00	Soap Injector Coupling	
12	223/00180/00	Soap Injector Hose	
13	223/00179/10	Pressure Hose	
14	F140605	Cable Tie	
15	209/00369/00	Liquid Soap Spray Pump	
16	223/00181/00	Soap Injector Elbow Coupling	
17	205/00103/00	Bolt	
18	203/00004/00	Washer	
19	204/00106/00	Nut	
20	202/00101/00	Washer	

Parts Index

A

Access Cover	
F8047801	73
Air Duct	
B12551301	61
Air Inlet	
B12342501	61
Air Inlet Bottom	
B12342701	61

B

Backbridge	
B12339701	55, 61, 73
B12354601	53, 61, 73
Ball Bearing	
212/00004/00	19, 21
Basket	
B12380901	15
B12381001	15, 23
Basket Kit	
B12543201	23
Bearing	
F100134	19
Bearing and Seal Kit	
3884P	19
Bearing Housing Assembly	
139/10006/00	19
212/10036/01	21
Bearing Housing Cover	
112/00004/00	21
Bearing Replacement Kit	
892P3	21
Bearing Replacement Tool Kit	
381P3P	19
381P3-1	19
385P4P	21
385P4-1	21
Bearing Spacer	
232/00020/00	25
Belt	
226/00149/00	23, 27
226/00151/00	25
Bolt	
205/00102/00	19
205/00103/00	15, 17, 31, 33, 53, 55, 77
205/00104/00	19, 21, 37
205/00105/00	53, 55
205/00107/00	71, 77
206/00003/00	27, 29
206/00004/00	23, 25
206/00006/00	27, 29
206/00009/00	15, 31, 33
206/00010/00	21
206/00014/00	19
206/00027/00	73
206/00032/00	15, 17
206/00042/00	53, 55
206/00047/00	21, 29

206/00066/00	15, 17
206/00071/00	15, 17
206/00072/00	27, 29
206/00087/00	11
206/00088/00	61
206/00122/00	21
206/00153/00	11, 13
224/00046/00	11, 13
248/00114/00	19

Bracket	
B12475501	7
Bracket Support	
111/00155/10	75
Branch Harness	
B12348501	75
B12348502	75
B12348506	75

C

Cable Tie	
F140605	77
Caddy Bracket	
224/00051/00	19, 21
224/00052/00	19, 21
Central Control Board	
209/00438/50	65
Check Valve	
B12543901	73
Circuit Breaker	
B12474601	67, 69
B12487101	67, 69
Clip	
224/00052/00	19
Connection Clamp Fuse Holder	
260/00036/00	67, 69
Connection Clamp Fuse Holder Final Plate	
260/00036/01	67, 69
Contact Harness	
B12491701	39, 41, 43, 45, 47, 49, 51
B12491801	39, 41, 43, 45, 47, 49, 51
Contact Switch	
209/00029/26	39, 41, 43, 45, 47, 49, 51
209/00099/26	39, 41, 43, 45, 47, 49, 51
Control Board	
B12355701	67
Control Communication Harness	
B12348801	67
Control Panel	
B12569901	41
B12570001	41
B12570501	41
B12570601	41
B12571901	49
B12572501	49
Control Supply Harness	
B12348102	67
B12348103	69
B12348104	69
B12348201	61
B12348301	67

N/A items do not appear in index.

B12348302.....	67
B12348303.....	69
B12348304.....	69
B12348401.....	61
B12381402.....	67
Controll Supply Harness	
B12348101.....	67
Counter Ring	
219/00004/00.....	23
232/00008/00.....	25
Counterweight	
115/00136/00.....	17
115/00140/00.....	15

D

Data Card Ribbon Assembly	
B12538301.....	39, 41, 45, 47
Datocard	
209/02024/00.....	39, 41, 45, 47
Datocard Cover	
223/00348/00.....	39, 41, 45
Detergent PC-Board	
209/02005/00.....	63
209/02008/00.....	63
DIN Rail	
B12315301.....	67, 69
B12315401.....	63, 65
Direct Fill Harness	
B12392701.....	67
B12392704.....	69
Dispenser Assembly	
F8047401.....	73
Dispenser Gasket	
F8308301.....	73
Dispenser Overflow Hose	
B12313304.....	73
Display	
209/00580/03.....	51
Display PC-Board	
209/02002/ZB2.....	39, 41, 43
Door Frame	
B12337201.....	37
Door Front Panel	
111/05015/00.....	15
111/32945/00.....	17
Door Glass	
B12449801.....	37
Door Glass Seal	
223/00068/00.....	37
Door Handle	
B12336301.....	37
B12336302.....	37
Door Handle Stop	
217/00016/00.....	37
Door Hinge Block	
253/00022/00.....	37
Door Hinge Blocking Plate	
B12565001.....	37
Door Hinge Spacer	
118/00124/00.....	37
Door Lock Assembly	
B12517701.....	35

N/A items do not appear in index.

Door Lock Harness	
B12495001.....	35
B12495002.....	35
Door Lock Microswitch	
209/00272/00.....	35
Door Lock PC-Board	
B12388201.....	39, 41, 43, 45, 47, 49
Door Solenoid Assembly	
B12518101.....	35
Drain Pipe	
223/00106/00.....	31, 33
Drain Tub to Drain Valve Hose	
B12403201.....	31, 33
Drain Valve Cover	
223/00225/00.....	31, 33
Drain Valve Fuse Harness	
B12495801.....	31, 33
Drain Valve Harness	
B12349401.....	31, 33
Drain Valve Kit	
B12630701.....	31, 33
Drain Valve Motor	
209/00051/11.....	31, 33
Drain Valve Overflow Plug	
223/00086/00.....	31, 33
Drain Valve Plate Assembly	
114/00010/00.....	31, 33
Drain Valve to Drain Tube Hose	
223/00328/00.....	31, 33
Drive Source Harness	
B12495601.....	61
B12495602.....	61
Drum	
B12327301.....	17, 25
Dual Drain Kit	
B12428201.....	31, 33
Dual Heat Harness	
B12349802.....	75
B12349803.....	75
Dual Heat Sticker	
B12523901.....	39, 41, 43, 45, 47, 49

E

Earth Plate Bottom	
B12395301.....	67, 69
Earth Plate Side	
B12395201.....	67, 69
Electric Heat Harness	
B12349603.....	75
B12349604.....	75
Electrical Component Mounting Plate	
B12313001.....	67
B12313002.....	69
End Stop	
209/00633/02.....	63, 65, 67, 69
E-Stop Drive Fan Harness	
B12501501.....	61
B12501502.....	61
E-Stop Drive Harness	
B12348903.....	51
E-Stop Harness	
B12348901.....	39, 41, 43, 45, 47, 49

B12348902	51
Ethernet Cable	
B12350101	61
Expansion Clip	
70030501	67, 69, 73
Extension Board Kit	
B12529201	63

F

Fan	
209/00465/00	61
Fan Mounting Plate	
B12357201	61
Fill Hose	
B8498401	73
Flat Cable Plate	
B12382501	63
Frame	
114/00018/50	9
114/00019/50	7
Front Panel	
131/00002/00	17
Fuse	
B12360001	67
B12389501	61, 67, 69
209/00372/01	69
209/00468/00	61
802492	67, 69
Fuse Holder Body	
70329401P	67, 69
Fuse Holder Cap	
70329501	67, 69

G

Gasket	
246/00092/00	15, 17
246/00149/00	53, 55
Grease Ring	
212/00007/00	21
Ground Lug Connector	
M411283	63, 65

H

Hardware Kit	
F405P4	21
F407P4	19
Heat Harness	
B12455804	75
B12455805	75
B12455904	75
B12455905	75
Heating Contactor	
209/06148/02	67, 69, 75
Heating Element	
209/00562/20	75
209/00581/10	75
Heating Element Plug	
F360202	75

Heating Harness	
B12381301	75
Hinge	
221/00004/00	37
Hose Clamp	
223/00010/00	73
223/00011/00	73
223/00012/00	31, 33
223/00013/00	31, 33, 73
223/00014/00	73
223/00071/00	31, 33
223/00223/00	73
Hose Fitting	
44069101	73

I

ID Chip	
209/02020/00	67
Infrared Cable	
210/00902/00	39, 41, 43, 45, 47, 49
Inlet Valve	
B12496101	73
B12496201	73
209/00276/00	73
Inlet Valve Harness	
B12349201	73
B12349202	73
B12349203	73
B12349204	73
Insert	
B12463001	73
Insulating Sticker	
229/00268/00	39, 41, 43
229/00291/00	45
Inverter	
F8645401P	61
F8645501P	61
F8645601P	61
Inverter Air Inlet Filter Frame	
B12346701	61
Inverter Air Inlet Filter Grill	
B12382401	61
Inverter Drive	
F8420919	61
F8420920	61
F8420921	61
F8420922	61
F8645201P	61
Inverter Drive Box	
B12333201	61
B12357401	61
Inverter Mounting Plate	
B12396101	61

K

Key	
212/00026/00	23, 25
70155603	57, 59
Key Switch Harness	
B12495501	51

N/A items do not appear in index.

Kickplate	
111/32943/00	53, 55

L

Left Front Panel	
111/32948/50	55
111/32951/50	53
Lip Seal	
B12332301	19
Liquid Soap Spray Pump	
209/00369/00	77
Logo	
B8443101	41
Logo Decal	
225/00436/00	51
Lower Rear Panel	
B12339801	59
B12354701	57
Lubricator	
212/00002/00	21

M

Magnet	
B12389701	37
Magnet Holder	
B12389701	37
Main Control	
B12565801	69
Main Control Tray Harness	
B12381101	67
B12381103	69
Main Switch Cover	
B12312501	53, 55
Manifold	
F8333201	73
Memory Card PC-Board	
B12305201	39, 41, 45, 47
Microswitch	
B12625101	35
Mixing Valve	
F8434001	73
F8434002	73
Motor	
B12510401	29
B12527801	27
Motor Harness	
B12382103	27
B12382104	29
Motor Plate	
115/10117/00	29
115/10126/00	27
Mounting Plate	
223/00374/00	39, 41, 43, 45, 47, 49
Mushroom Pushbutton	
209/00248/00	51
209/00248/20	39, 41, 43, 45, 47, 49

N

Nameplate	
B12389801	39, 43, 45, 47, 49
B12389802	39, 43, 45, 47
B12389803	47
B12389806	39, 45, 47
B12389807	39
B12389810	47
B12530807	45, 47
Network Board	
B12344201	63
Network Connection Wiring	
B12390201	67
Network Kit	
B12529301	63
Noise and Vibration Reduction Kit	
B12612101	53, 55
Noise Filter	
B12339401	61
227/00136/00	61
227/00162/00	61
227/00242/00	61
Nut	
B12509101	57, 59
204/00004/00	31, 33, 71
204/00007/00	71
204/00008/00	51
204/00009/00	15, 17, 53, 55, 71, 77
204/00011/00	53, 55, 61
204/00012/00	11, 13, 29
204/00014/00	61
204/00016/00	11, 13
204/00019/00	11, 13, 27
204/00106/00	31, 33, 37, 53, 55, 77
204/00109/00	15, 53, 55
204/00111/00	15, 27, 29
204/00113/00	11, 13, 15, 17, 19, 21, 27, 29
204/00114/00	61
204/00116/00	39, 41, 43, 45, 47, 49, 51, 63, 65
204/00201/00	73
206/00101/00	53, 55, 63, 65, 75
211/00170/00	61
211/00183/00	27, 29, 61
211/10106/00	77

O

Operating Panel	
B12384101	39, 43
B12384201	45
B12385601	47
B12436401	51
B12436501	51
Operating Sticker	
B12382701	47
B12382801	47
B12383001	47
B12383101	47
B12383301	45
B12383401	45
B12383601	39
B12383701	39
B12456701	45
B12531801	47

N/A items do not appear in index.

B12531901	45
B12532001	39
B12534801	45
B12583501	39
O-Ring	
217/00021/00	37
223/00176/00	77
223/00177/00	77
Outlet Pipe Plate Assembly	
101/00007/00	31, 33, 53, 55
Out-of-Balance Switch	
209/00255/00	71
Out-of-Balance Switch Boot	
223/00246/00	71
Out-of-Balance Switch Bracket	
B12529601	71
Out-of-Balance Switch Harness	
B12349902	71
Overflow Hose	
223/00131/00	31, 33
Overlay	
B12568801	41
B12568901	41
B12574901	49
B12583801	43
F8435601	51
225/000435/00	51
225/00388/00	51

P

Panel Lock	
44089303P	57, 59
Parameter Unit Assembly	
227/00171/00	61
Parameter Unit Program Cable	
227/00171/10	61
Plexi Frame	
225/00321/00	39, 41, 43
225/00322/00	47, 49
225/00323/00	45
Power Jumper Harness	
B12381203	75
B12381204	75
Pressure Hose	
B12687401	73
B12700018	31, 33, 67, 69
223/00179/10	77
Pressure Switch	
B12548401	67, 69
Pressure Switch Cap	
223/00035/02	31, 33, 67, 69
Pressure Switch Hose Tee	
223/00173/10	67, 69
Prewash and Mainwash Nozzle	
223/00001/04	73
Printboard	
B12341801	67
209/02001/02	47, 49
209/02015/02	45
Printboard Separator	
211/00128/00	39, 41, 43, 45, 47

Printboard Support	
B12312401	63, 65
Printboard Support Card	
111/01893/00	39, 41, 45
Programming Key Contact Switch	
209/00326/20	51
Protection LED	
223/00330/00	47, 49
Pulley	
185/00086/00	27
226/00148/00	23
226/00150/00	25
226/00152/00	29
239/00013/00	23

R

Reed Switch Holder	
B12517601	35
Relay	
B12308001	75
Relay PC-Board	
209/02014/00	63
209/02016/00	63
Retainer Ring	
212/00006/00	19, 21
212/00037/00	19
Ribbon Assembly	
B12388301	63
B12388302	51
B12388305	51
Right Front Panel	
111/32957/50	53
111/32960/50	55
Rivet	
B12500301	37
208/00017/00	61, 63, 65, 67, 69
Roller Bearing	
212/00005/00	25

S

Screw	
B12393801	63, 65, 67, 69
B12462801	73
B12462901	53, 55, 67, 69, 73
B12500601	53, 55
B12500801	37
206/00049/00	27
206/00056/00	23, 25, 29
206/00104/00	53, 55, 57, 59, 61, 63, 65, 75
206/00111/00	15
207/00018/00	71
207/00102/00	35
207/00110/00	25
207/00126/00	37
Seal Holder Assembly	
131/00035/01	21
Seal Plate Assembly	
B12333701	19
Shaft Seal	
132/00009/00	21, 25

N/A items do not appear in index.

Shipping Brace		
114/00023/00.....	9	
114/00024/00.....	7	
Shock Absorber		
247/00008/00.....	11, 13	
Shock Absorber Service Kit		
B12419101.....	11	
B12460901.....	13	
Side Panel		
133/00126/00.....	55, 59	
140/00007/00.....	53, 57	
140/00007/60.....	53	
Side Panel Gasket		
246/00079/00.....	55, 59	
Siphon Break Hose		
B12324402.....	73	
B12324403.....	73	
Siphon Cover		
F8047901.....	73	
Soap Board Harness		
B12495702.....	65	
Soap Dispenser Cover Hinge Rod		
223/00103/04.....	57, 59	
Soap Injection PCB with Fuse		
209/00218/13.....	65	
Soap Injector Connector		
211/00127/00.....	77	
Soap Injector Coupling		
223/00182/00.....	77	
Soap Injector Elbow Coupling		
223/00181/00.....	77	
Soap Injector Hose		
223/00180/00.....	77	
Soap Injector Orifice		
223/00178/00.....	77	
Soap Injector Orifice Nipple		
211/00126/00.....	77	
Spacer		
B1239031.....	65	
115/00151/00.....	15, 17	
211/00140/00.....	51	
Speed Detector		
210/00074/00.....	19	
210/00075/00.....	21	
Speed Detector Bracket		
152/00055/00.....	19	
Spray Pump Mounting Plate		
111/10179/00.....	77	
Standoff		
B12390301.....	63, 67, 69	
211/00122/00.....	39, 41, 43, 45	
211/00145/00.....	39, 41, 45	
Steam Bracket		
111/00155/00.....	75	
Steam Connection Plug		
206/00178/00.....	75	
Steam Heat Harness		
B12349703.....	75	
B12349704.....	75	
Steam Heat Kit		
B12551001.....	75	
Steam Injector		
119/00087/50.....	75	
Steam Valve		
209/00476/00.....	75	
Steam Valve Harness		
B12382302.....	75	
Supply Dispenser Cover		
B12319101.....	57, 59	
B12356701.....	57, 59	
Supply Dispenser Cover Frame		
B12597501.....	57, 59	
Supply Dispenser Crossbar		
B12338101.....	55	
B12354901.....	53	
Supply Dispenser Mounting Plate		
B12337301.....	73	
Supply Dispenser Support		
B12316401.....	73	
Support		
B12418401.....	11	
Suspension Spring		
B12440101.....	13	
B12456301.....	11	
Switch Knob		
209/00099/29.....	39, 41, 43, 45, 47, 49	
<hr/>		
T		
Telem Sticker		
209/00520/00.....	39, 41, 43, 45, 47, 49, 51	
Terminal Block		
209/01624/00.....	63, 65	
209/01625/00.....	63, 65	
Terminal End		
209/01625/01.....	63, 65	
Thermostat		
210/01064/16.....	67, 69	
Thermostat Grommet		
225/10004/00.....	67, 69	
Threaded Rod		
B12511601.....	11, 13, 27	
Tilt Switch Support		
B12430301.....	71	
Top Cover Hinge		
B12487401.....	53, 55	
Top Cover Latch		
F8201001.....	53, 55	
Top Panel		
B12339901.....	59	
B12354801.....	57	
Transformer		
F8401301.....	67, 69	
201616P.....	67	
Transformer Fuse Mounting Plate		
B12439601.....	67	
B12439701.....	69	
Tub		
B12330101.....	15	
B12330201.....	15	
B12330301.....	15	
B12330501.....	17	
B12330601.....	17	
119/00250/00.....	15	
119/00251/00.....	15	
119/00253/00.....	15	

N/A items do not appear in index.

119/10210/00.....	17
Tub Clamp Ring 238/00011/00.....	15
Tub Front 138/00001/00	15
Tub Front Clamp Ring 231/00010/00	17
Tub Front Gasket B12351601	15
223/00242/00	17
Tub Front Mounting Strap 115/00161/00.....	15
Tub Front Panel Clip 217/00008/00	15, 17
Tub Mount Rings Bracket 115/00125/00.....	17
Tub Mounting Strap 137/00008/00	15
Tub Strap 131/00010/00	17
Tub Support B12616001	7
115/00118/00.....	9
Tub Tightening Ring 115/00163/00.....	17

F200166	73
223/00044/00.....	73
Water Inlet Tee 223/00041/00.....	73
Water Valve Adapter 223/00050/01.....	73
Wiring Earth for Inverter B12456001	63
Wiring Earth for Tub B12456002	65

Y

Y-Connector 223/002423/00.....	73
-----------------------------------	----

V

Vacuum Breaker Assembly F8048601	73
Vacuum Supply Hose B12390001	73
B12390006.....	73
Voltage Discharge Decal B12355001	61

W

Washer	
201/00001/00	11, 13, 15, 17, 19, 21, 29
201/00002/00	27, 73
201/00004/00	27, 29
201/00007/00	15, 17, 77
201/00010/00	11, 13, 15, 53, 55, 71
201/00011/00	23, 25
201/00201/00	19
201/00202/00	21
202/00002/00	31, 33
202/00003/00	19
202/00004/00	61, 63, 65, 67, 69
202/00101/00	17, 37, 71, 77
202/00104/00	37
202/00112/00.....	15
203/00001/00	23, 25
203/00002/00	29
203/00003/00	21, 31, 33, 71
203/00004/00	19, 31, 33, 53, 55, 77
203/00006/00	61, 71
203/00007/00	51
223/00123/00	39, 41, 43, 45, 47, 49, 51, 63, 65, 67, 69
Water Hose F200164	73

N/A items do not appear in index.

