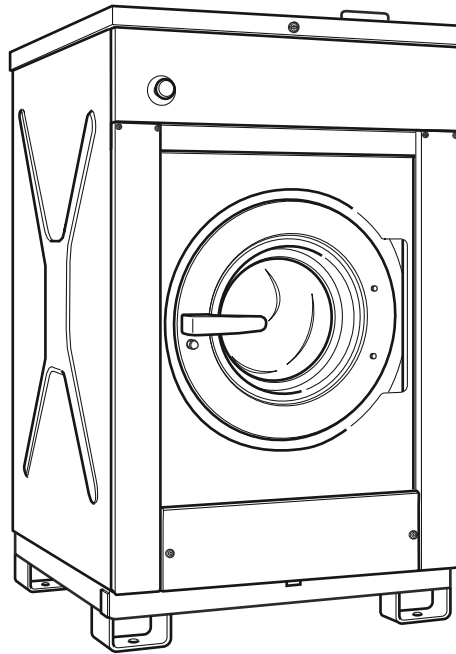


Washer-Extractor

Cabinet Freestanding
Refer to Page 3 for Model Numbers



CFD30C_D1358

Table of Contents

Title	Page
Parts Ordering Information.....	2
Serial Plate Location	2
Model Identification	3
Cabinet Freestanding Washer-Extractor Product Overview	4
Frame.....	6
Shock Absorber	8
Shell and Basket	10
Bearing Housing	12
Basket, Pulley and Belt	14
Motor and Belt.....	16
Drain Plumbing	18
Drain Plumbing - Models with Pump Drain	20
Door Lock.....	22
Door	24
Control Panel - Cygnus Professional	26
Control Panel - PRO	28
Control Panel - Cygnus Ultra Pro.....	30
Control Panel - Cygnus Premium OPL and Ultra.....	32
Control Panel - Cygnus Premium Vended	34
Control Panel - Cygnus Standard/Commercial OPL.....	36
Control Panel - Cygnus Standard/Commercial Vended and Vended	38
Control Panel - WE-8.....	40
Control Panel - B-Series	42
Coin Drop - Mechanical Coin Meter.....	44
Coin Drop - Electronic Coin Meter	46
Right Side, Front, Lower Rear and Top Panels - Models with Pump Drain	48
Right Side, Front, Lower Rear and Top Panels - Models without Pump Drain	50
Left Side, Lower Front and Upper Rear Panels	52
Inverter Drive	54
Printboard Support Panel and Soap Injection Printboards - Cygnus and PRO Models.....	56
Printboard Support Panel and Soap Injection Printboards - WE-8 and B-Series Models.....	58
Electrical Component Mounting Plate - Cygnus and PRO Controls	60
Electrical Component Mounting Plate - WE-8 and B-Series Control	62
Balance Switch	64
Fill Plumbing Assembly	66
Electric and Steam Heating Options	68
Parts Index.....	71

© Copyright 2017, Alliance Laundry Systems LLC

All rights reserved. No part of the contents of this book may be reproduced or transmitted in any form or by any means without the expressed written consent of the publisher.

Parts Ordering Information

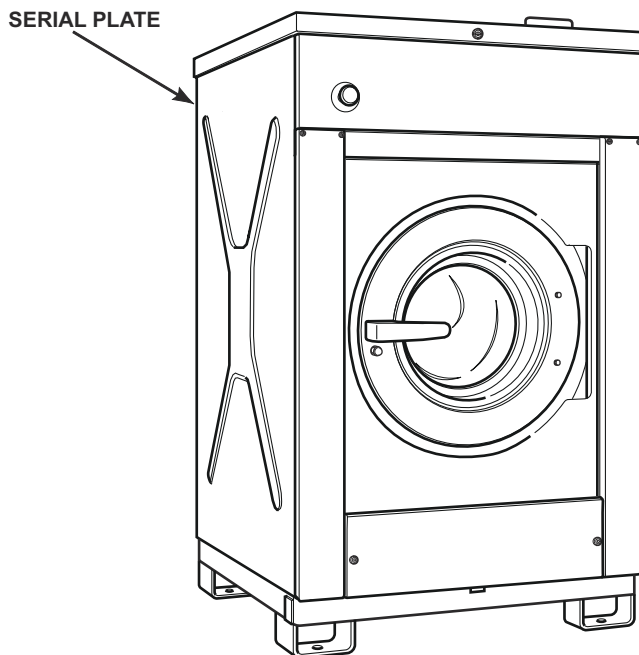
If literature or replacement parts are required, contact the source from whom the machine was purchased or contact Alliance Laundry Systems at (920) 748-3950 for the name and address of the nearest authorized parts distributor.

For technical assistance, call the number listed below:

(920) 748-3121 Ripon, Wisconsin

Serial Plate Location

When calling or writing about your product, be sure to mention model and serial numbers. Model and serial numbers are located on serial plate(s) as shown.



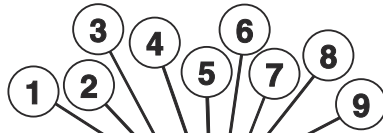
CFD30CA_D1358

Model Identification

Information in this manual is applicable to these washer-extractor models:



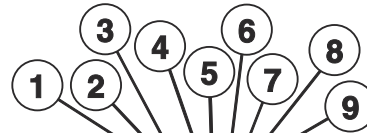
CS018_CYGNUS-ULTRA	CXU060X	IXA075C	IXW060C	SX18_B-CONTROL
CS018_ULTRA-PRO	CXU060Z	IXA075X	IXW060X	SX18_WE-8
HD60_CYGNUS-COMM	CXU065X	IXA075Y	IXW060Y	SXA075B
HD60_CYGNUS-PREM	CXU065Z	IXA075Z	IXW060Z	SXA075P
HD60_CYGNUS-PRO	CXU075X	IXG060C	IXW065C	SXE018P
HD60_CYGNUS-STANDARD	CXU075Z	IXG060X	IXW065X	SXE018Z
HD65_CYGNUS-COMM	CXW060X	IXG060Y	IXW065Y	SXG075P
HD65_CYGNUS-PREM	CXW060Z	IXG060Z	IXW065Z	SXG075Z
HD65_CYGNUS-PRO	CXW065X	IXG065C	IXW075C	SXN075B
HD65_CYGNUS-STANDARD	CXW065Z	IXG065X	IXW075X	SXN075P
HD75_CYGNUS-COMM	CXW075X	IXG065Y	IXW075Y	SXR018P
HD75_CYGNUS-PREM	CXW075Z	IXG065Z	IXW075Z	SXU075P
HD75_CYGNUS-PRO	CXY018X	IXG075C	IXY012C	SXU075Z
HD75_CYGNUS-STANDARD	CXY018Z	IXG075X	IXY012X	SXW075P
IS012_CYGNUS-ULTRA	CXZ060X	IXG075Y	IXY012Y	SXW075Z
IS012_CYGNUS-VENDED	CXZ060Z	IXG075Z	IXY012Z	SXY018B
IS012_ULTRA-PRO	CXZ065X	IXN060C	IXY014C	SXY018P
IS018_CYGNUS-ULTRA	CXZ065Z	IXN060U	IXY014X	SXY018Z
IS018_CYGNUS-VENDED	CXZ075X	IXN060V	IXY014Y	SXZ075P
IS018_ULTRA-PRO	CXZ075Z	IXN060X	IXY014Z	SXZ075Z
SX018_PRO	DXU060X	IXN060Y	IXY018C	UX18_WE-8
UX018_PRO	DXU065X	IXN060Z	IXY018X	UXA075P
CXE012X	DXU075X	IXN065C	IXY018Y	UXE018P
CXE012Z	EXU065X	IXN065X	IXY018Z	UXE018Z
CXE014X	EXU075X	IXN065Y	IXZ060C	UXG075P
CXE014Z	HX18_B-CONTROL	IXN065Z	IXZ060X	UXG075Z
CXE018X	HX18_WE-8	IXN075C	IXZ060Y	UXN075P
CXE018Z	HXA075B	IXN075U	IXZ060Z	UXR018P
CXG060X	HXA075P	IXN075V	IXZ065C	UXU075P
CXG060Z	HXE018P	IXN075X	IXZ065X	UXU075Z
CXG065X	HXG075P	IXN075Y	IXZ065Y	UXW075P
CXG065Z	HXN075B	IXN075Z	IXZ065Z	UXW075Z
CXG075X	HXN075P	IXR012R	IXZ075C	UXY018P
CXG075Z	HXR018P	IXR012U	IXZ075X	UXY018Z
CXN060X	HXU075P	IXR018R	IXZ075Y	UXZ075P
CXN060Z	HXW075P	IXR018U	IXZ075Z	UXZ075Z
CXN065X	HXY018B	IXU060C	JXW060C	WXU060C
CXN065Z	HXY018P	IXU060X	JXW060Y	WXU065C
CXN075U	HXZ075P	IXU060Y	JXW060Z	WXU075C
CXN075X	IXA060C	IXU060Z	JXW065C	
CXN075Z	IXA060X	IXU065C	JXW065Y	
CXR012X	IXA060Y	IXU065X	JXW075C	
CXR014X	IXA060Z	IXU065Y	JXW075Y	
CXR014Z	IXA065C	IXU065Z	PXU060Y	
CXR018R	IXA065X	IXU075C	PXU065Y	
CXR018U	IXA065Y	IXU075X	PXU075Y	
CXR018X	IXA065Z	IXU075Y		
CXR018Z		IXU075Z		

Cabinet Freestanding Washer-Extractor Product Overview





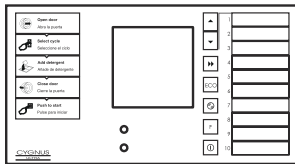
Model No: IXU135XNCUQE	Serial No: 12090AE0036
Volts: 380-415V	Type: HD135
Hertz: 50(60)Hz	1 3
Phase: 3+N	Capacity: 30/13.2 lbs/kg
Amps: 24.3 amps	Water 28-85 psi
Recommended Circuit Breaker: 25 amps	Pressure: 2-6 bar
Electrical Heating: 12-14. kW	Max Speed: 1000 rpm
Steam Heat: N/A psi	Net 788 lbs
Sound Level: 62/73 dBA	Heat: N/A bar
	Weight: 358 kg
	IPX4
	sfc 807393

Alliance International BVBA
 Nieuwstraat 146
 8560 Weveigem
 Belgium
 Tel: +32 56 41 20 54
 Fax: +32 56 41 86 74
 www.ipso.be
 Country of origin: Belgium

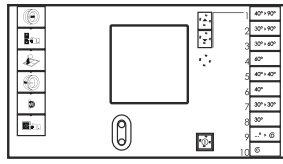




Model No: IHN185SNLXUOP	Serial No: 1209BG0043
Volts: 200-240V	Type: WD185
Hertz: 60(50)Hz	1 3
Phase: 1	Capacity: 40/18.2 lbs/kg
Amps: 3.5 amps	Water 28-85 psi
Recommended Circuit Breaker: 15 amps	Pressure: 2-6 bar
Electrical Heating: N/A kW	Max Speed: 470 rpm
Steam Heat: N/A psi	Net 618 lbs
Sound Level: 62/73 dBA	Heat: N/A bar
	Weight: 281 kg
	IPX4
	sfc 807410

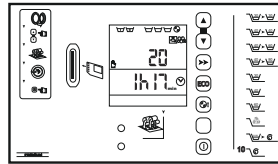
Alliance International BVBA
 Nieuwstraat 146
 8560 Weveigem
 Belgium
 Tel: +32 56 41 20 54
 Fax: +32 56 41 86 74
 www.ipso.be
 Country of origin: Belgium

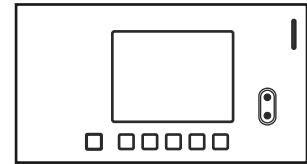
Cygnus Ultra



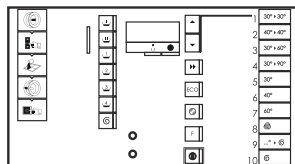
Cygnus Premium Coin



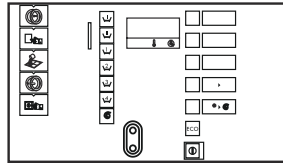
Cygnus Premium OPL



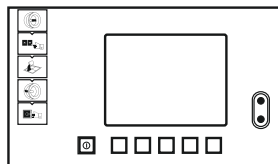
Pro



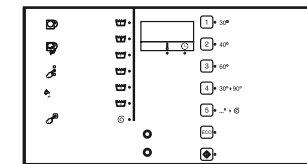
Cygnus Commercial



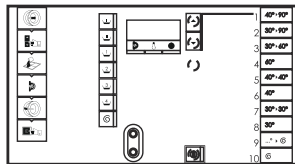
Cygnus Standard OPL



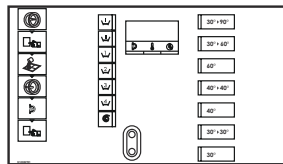
Cygnus Professional



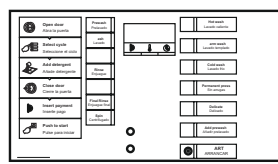
Standard



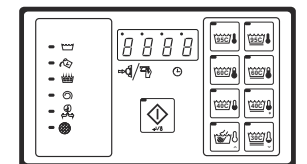
Cygnus Commercial Vended



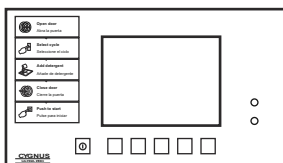
Cygnus Standard Vended



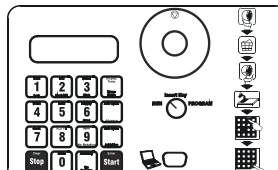
Cygnus Vended



B-Series



Cygnus Ultra Pro



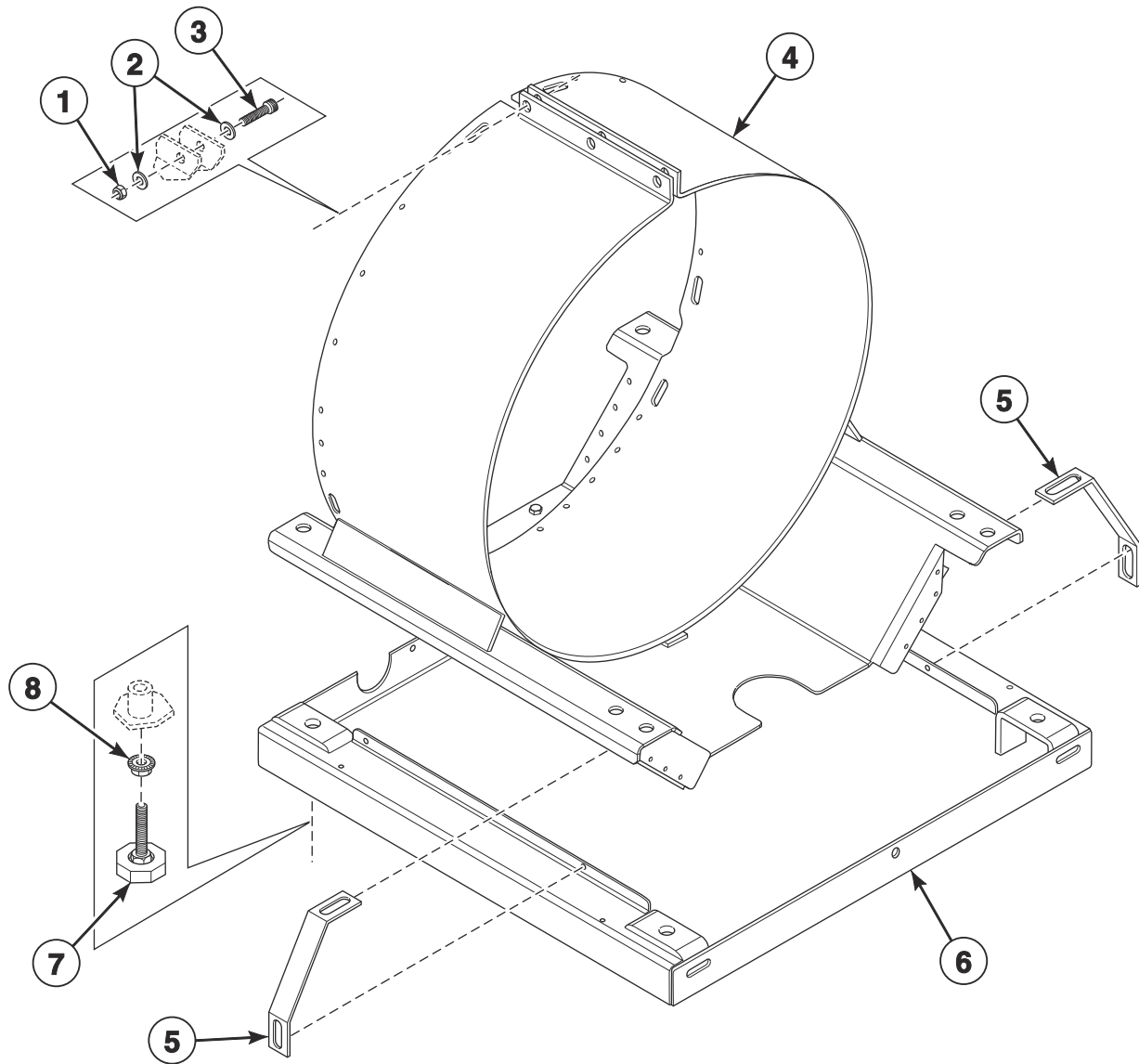
WE-8

CFD2470P_D1358

Cabinet Freestanding Washer-Extractor Product Overview

REF	PART NO.	DESCRIPTION	COMMENTS
1	-	Product Family	CS CX DX EX HD HX IS IX JX PX SX UX WX
2	-	Market	E (EU [CE] Pounds) G (GOS) N (US ETL/ETL[C]) R (US ETL/ETL[C]) U (EU [CE]) W (EU [CE] WRAS) Z (No Agency Int.)
3	-	Capacity	12 14 18 60 65 75
4	-	Control	B (B-Series) C (Cygnus Standard) P (WE-8) R (Cygnus Ultra Pro) U (Cygnus Ultra) V (Cygnus Vended) X (Cygnus Commercial) Y (Cygnus Premium) Z (Cygnus Professional or PRO)
5	-	Actuation	C (Single Coin Drop) D (Dual Coin Drop) E (Electronic Coin Drop) L (Central Pay Pulses) N (OPL) S (Central Pay Serial Comm)
6	-	Speed	H (High Speed)
7	-	Voltage	C (380-415V/50/60 Hertz/3Ph-4W [L1, L2, L3, N]) N (440-480V/50/60 Hertz/3Ph-3W [L1, L2, L3]) P (380-415V/50/60 Hertz/3Ph-3W[L1, L2, L3]) Q (200-208/220-240V/50/60 Hertz/3Ph-3W [L1, L2, L3]) X (200-208/220-240V/50/60 Hertz/1Ph-2W [L1, N] or 2W [L1, L2])
8	-	Cabinet	1 (Stainless Steel Side Panels) U (Standard)
9	-	Design	1

Frame

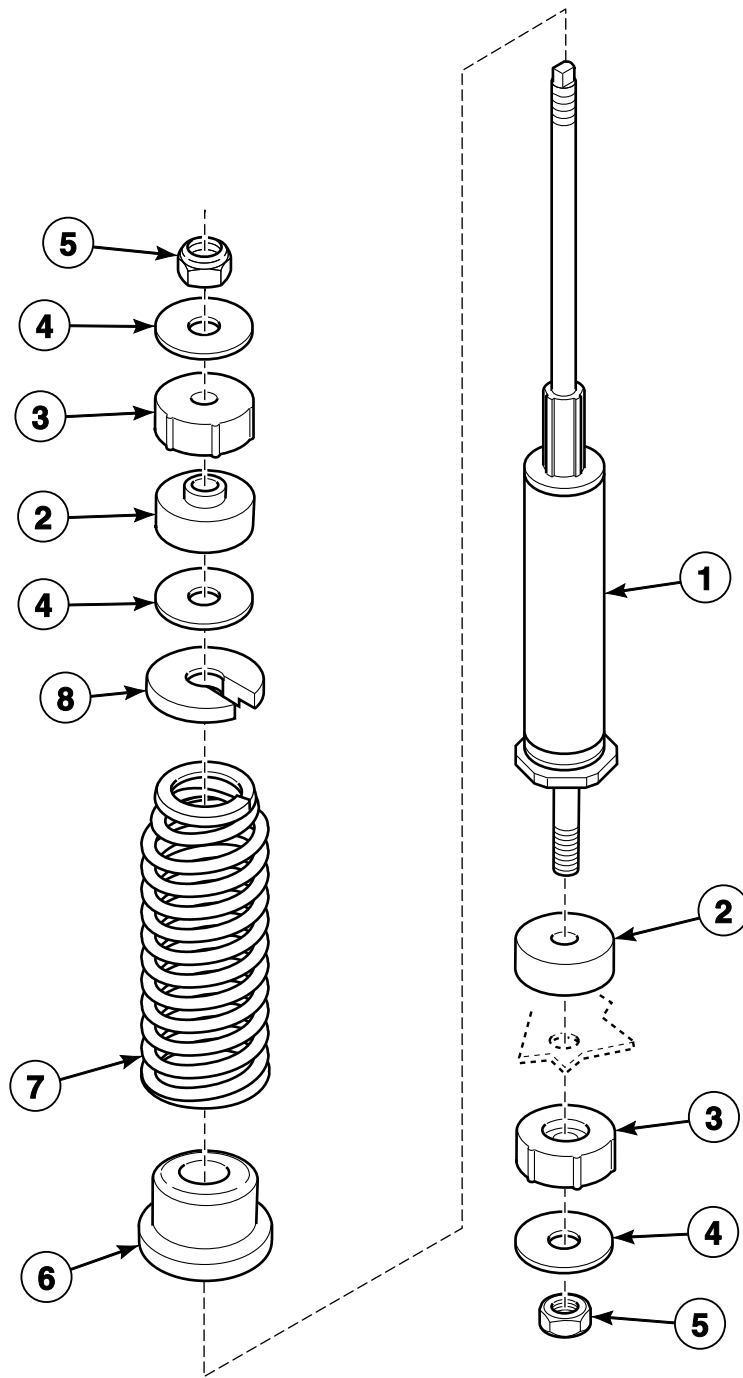


CFD552P_D1358

Frame

REF	PART NO.	DESCRIPTION	COMMENTS
1	204/00111/00	Nut	
2	201/00005/00	Washer	
3	206/00053/00	Screw	
4	B12490201	Tab Support	
5	B12364401	Transportation Back	*12, *14, *60 and *65 models
	B12364501	Transportation Side	*18 and *75 models
6	B12344001	Frame	
7	252/00006/00	Leveling Leg	
8	206/00106/00	Nut	

Shock Absorber

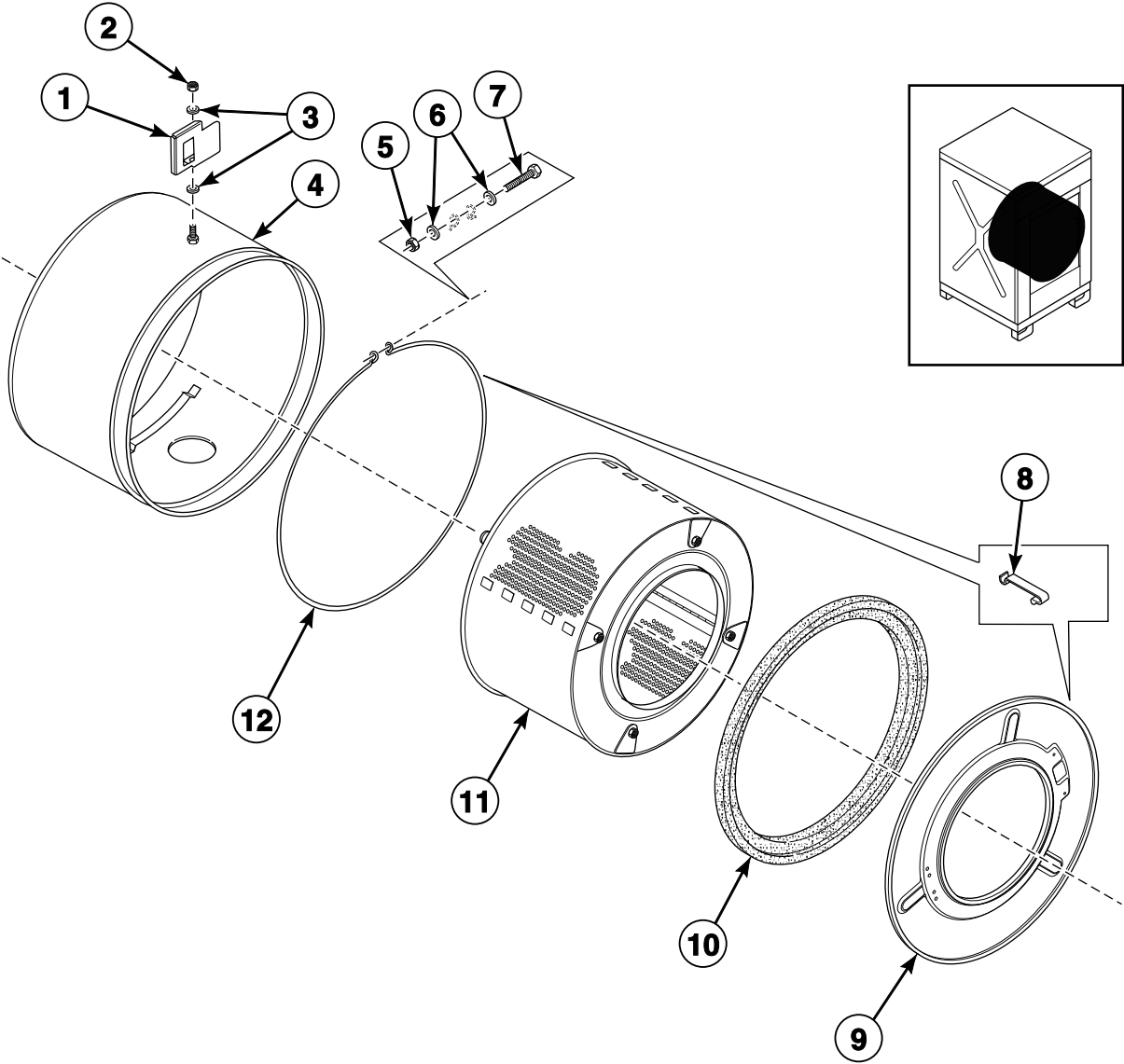


BE000626P_D1358

Shock Absorber

REF	PART NO.	DESCRIPTION	COMMENTS
1	SPPRI611001025	Shock Absorber	
	247/00003/00	Shock Absorber	Includes items 1, 2, 4, 6, 8 and 247/00002/01 Suspension Spring
2	247/00006/00	Fastening Rubber	
3	247/00007/00	Fastening Rubber	
4	201/00015/00	Washer	
5	204/00110/00	Nut	
6	247/00001/03	Spring Seat Bottom	
7	247/00009/00	Suspension Spring	Red; 5 mm diameter
	247/00002/01	Suspension Spring	Blue; 5.5 mm diameter
	247/00001/01	Suspension Spring	Black; 4.8 mm diameter
	247/00002/03	Shock Absorber	Includes items 2, 4 and 247/00009/00 Suspension Spring
	247/00002/00	Shock Absorber	Includes items 2, 4 and 247/00001/01 Suspension Spring
8	247/00001/04	Spring Holder Top	

Shell and Basket

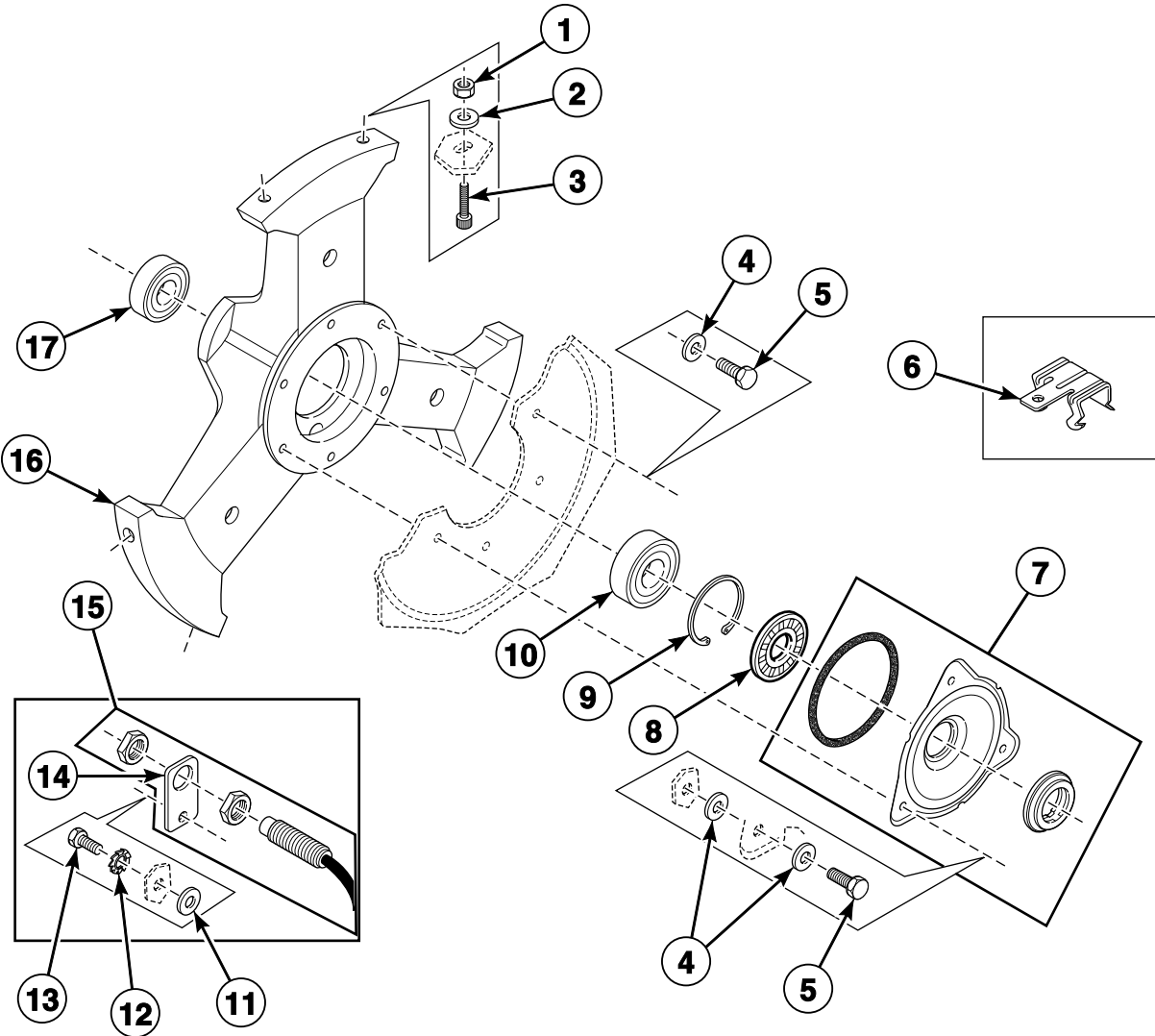


CFD553P_D1358

Shell and Basket

REF	PART NO.	DESCRIPTION	COMMENTS
1	111/01854/00	Tilt Detector Plate	
2	204/00110/00	Nut	
3	201/00010/00	Washer	
4	B12327701	Outer Tub	*12 and *60 models; Electric heat
	B12327801	Outer Tub	*12 and *60 models; Boiler fed
	B12328001	Outer Tub	*14 and *65 models; Electric heat
	B12328101	Outer Tub	*14 and *65 models; Boiler fed
	B12328301	Outer Tub	*18 and *75 models; Electric heat
	B12328401	Outer Tub	*18 and *75 models; Boiler fed
5	204/00009/00	Nut	
6	201/00007/00	Washer	
7	206/00032/00	Bolt	
8	217/00008/00	Tub Front Panel Clip	
9	B12339601	Tub Front Panel	
10	B12351601	Tub Front Gasket	
11	B12542501	Basket Kit	*12 and *60 models
	B12542601	Basket Kit	*14 and *65 models; 3 mm
	B12379601	Basket and Shaft Assembly	*14 and *65 models; 9 mm
	B12542701	Basket Kit	*18 and *75 models; 3 mm
	B12379801	Basket and Shaft Assembly	*18 and *75 models; 9 mm
12	219/00007/00	Tub Front Ring Clamp	

Bearing Housing

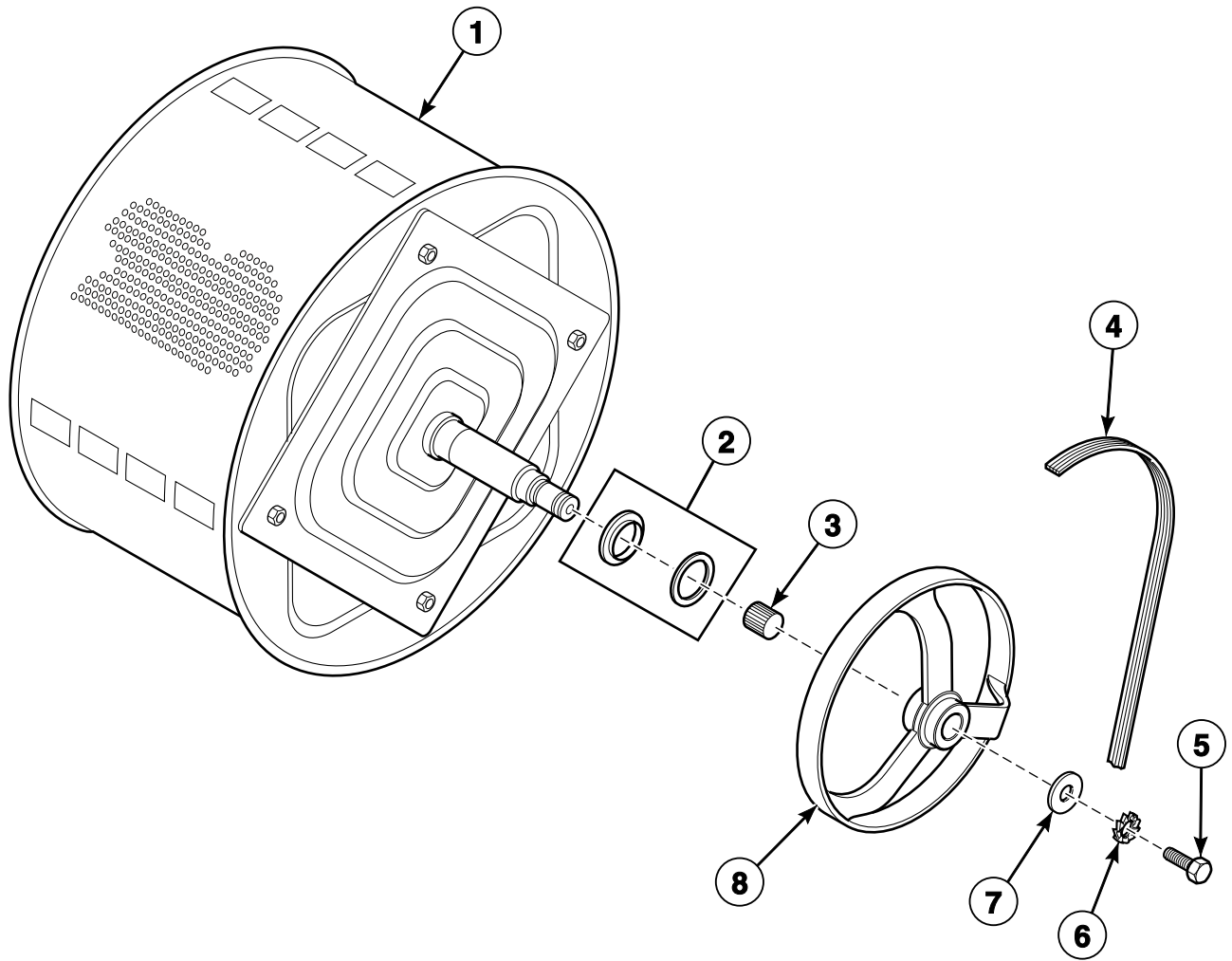


CFD583P_D1358

Bearing Housing

REF	PART NO.	DESCRIPTION	COMMENTS
	3881P	Bearing Kit	Includes items 4,5,7,8, 10, 17, 217/00004/00 Counter Ring and 223/00242/00 Tub Gasket
	380P3P	Bearing Replacement Tool Kit	Purchase
	380P3-1	Bearing Replacement Tool Kit	Rental; Requires F407P4 Hardware Kit
	F407P4	Hardware Kit	
1	204/00111/00	Nut	
2	201/00012/00	Washer	
3	206/00053/00	Screw	
4	201/00201/00	Washer	
5	205/00102/00	Bolt	
6	224/00051/00	Caddy Bracket	4H58-4
	224/00052/00	Caddy Bracket	4H912
7	B12333601	Seal Plate Assembly	
8	B12332201	Lip Seal	
9	212/00038/00	Retaining Ring	
10	F100137P	Bearing	
11	202/00003/00	Washer	
12	203/00004/00	Washer	
13	205/00104/00	Bolt	
14	152/00055/00	Speed Detector Bracket	
15	210/00074/00	Speed Detector	Includes item 14
16	152/00117/00	Bearing Housing Assembly	
17	F100136P	Bearing	

Basket, Pulley and Belt

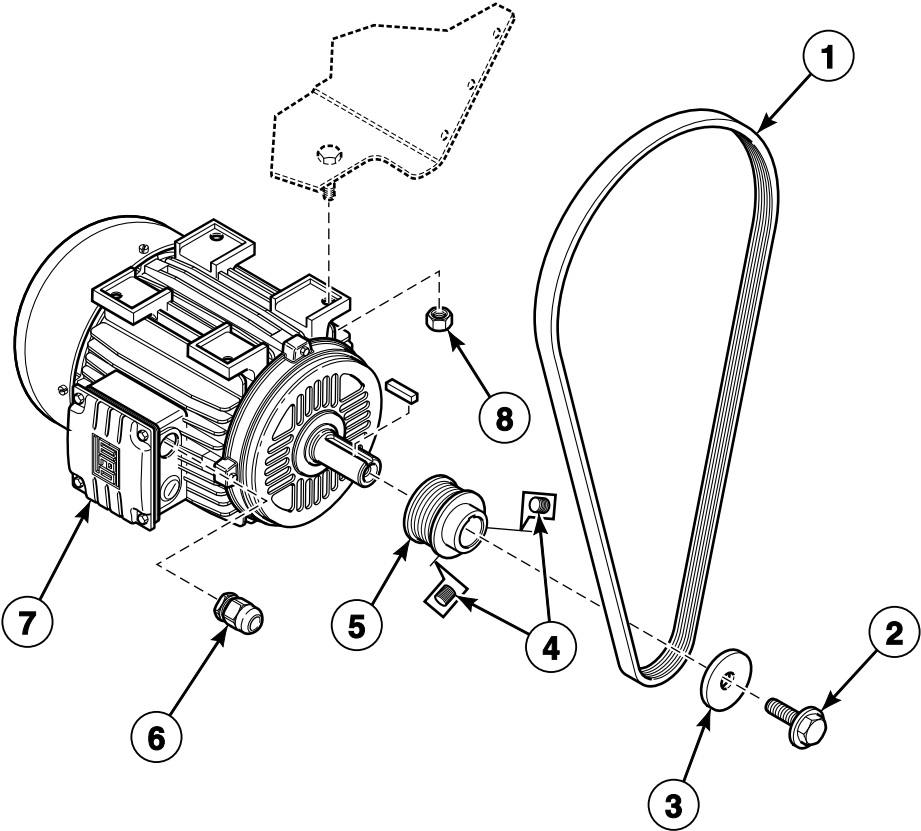


BE000839P_D1358

Basket, Pulley and Belt

REF	PART NO.	DESCRIPTION	COMMENTS
1	B12542501	Basket Kit	*12 and *60 models
	B12542601	Basket Kit	*14 and *65 models; 3 mm
	B12379601	Basket and Shaft Assembly	*14 and *65 models; 9 mm
	B12542701	Basket Kit	*18 and *75 models; 3 mm
	B12379801	Basket and Shaft Assembly	*18 and *75 models; 9 mm
2	217/00004/00	Counter Ring	
3	215/00004/00	Tolerance Ring	
4	255/00013/00	Belt	
5	206/00004/00	Bolt	
6	203/00001/00	Washer	
7	201/00003/00	Washer	
8	255/00117/00	Pulley	

Motor and Belt

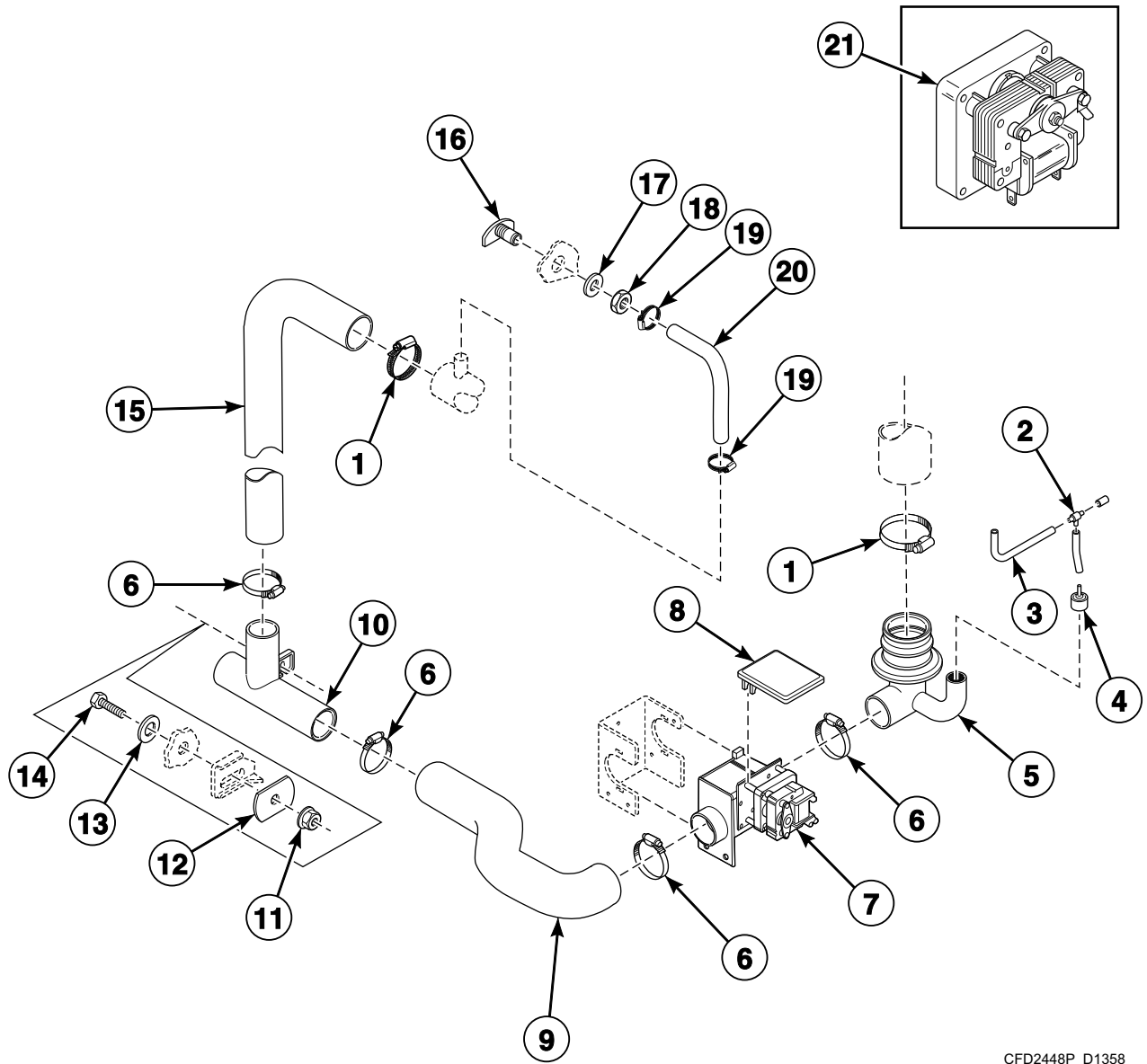


CFD574P_D1358

Motor and Belt

REF	PART NO.	DESCRIPTION	COMMENTS
	B12382101	Motor Harness	
1	255/00013/00	Belt	
2	206/00104/00	Screw	
3	201/00006/00	Washer	
4	206/00058/00	Screw	
5	255/00012/00	Motor Pulley	
6	211/00181/00	Strain Relief Connector	
7	B12510501	Motor	
8	204/00109/00	Nut	

Drain Plumbing

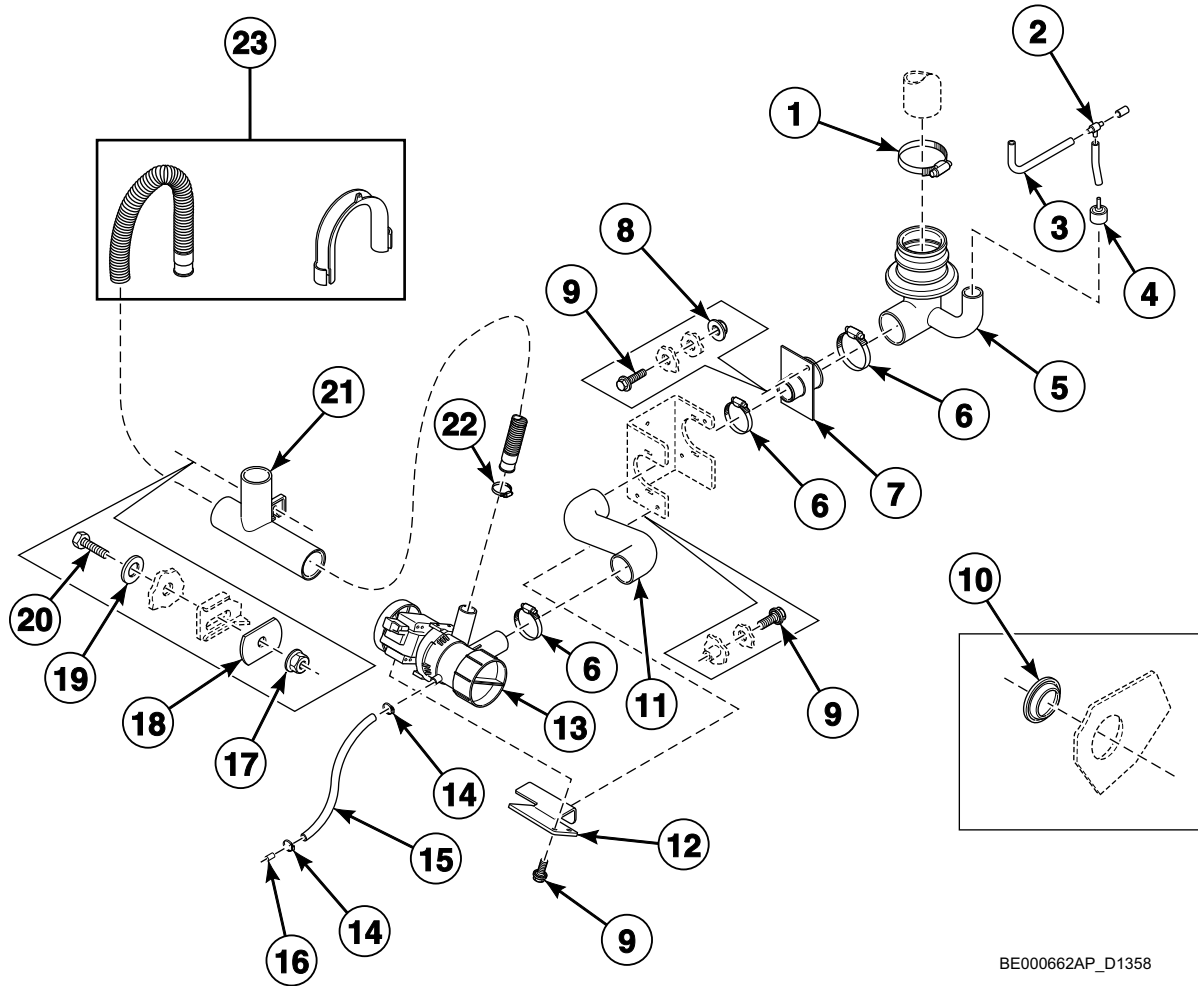


CFD2448P_D1358

Drain Plumbing

REF	PART NO.	DESCRIPTION	COMMENTS
	B12495801	Drain Valve Fuse Harness	WE-8 models
	B12349401	Drain Valve Harness	All other models
	B12428201	Dual Drain Kit	All models except WE-8 models and B-Series models
1	223/00014/00	Hose Clamp	
2	223/00173/10	Pressure Switch Hose Tee	
3	B12700018	Pressure Hose	
4	223/00035/02	Pressure Switch Cap	
5	255/00010/00	Tub to Drain Valve Hose	
6	223/00013/00	Hose Clamp	
7	209/00463/00	Drain Valve	
8	F200133600	Drain Valve Cover	
9	223/00303/00	Drain Valve Hose	
10	223/00146/00	Drain Piece	
11	206/00101/00	Nut	
12	101/00007/00	Outlet Pipe Plate Assembly	
13	201/00007/00	Washer	
14	206/00033/00	Bolt	
15	223/00150/00	Overflow Hose	
16	223/00001/04	Prewash and Mainwash Nozzle	
17	201/00002/00	Washer	
18	204/00201/00	Nut	
19	F200205	Hose Clamp	
20	223/00044/00	Water Hose	
21	209/00051/11	Drain Valve Motor	

Drain Plumbing - Models with Pump Drain

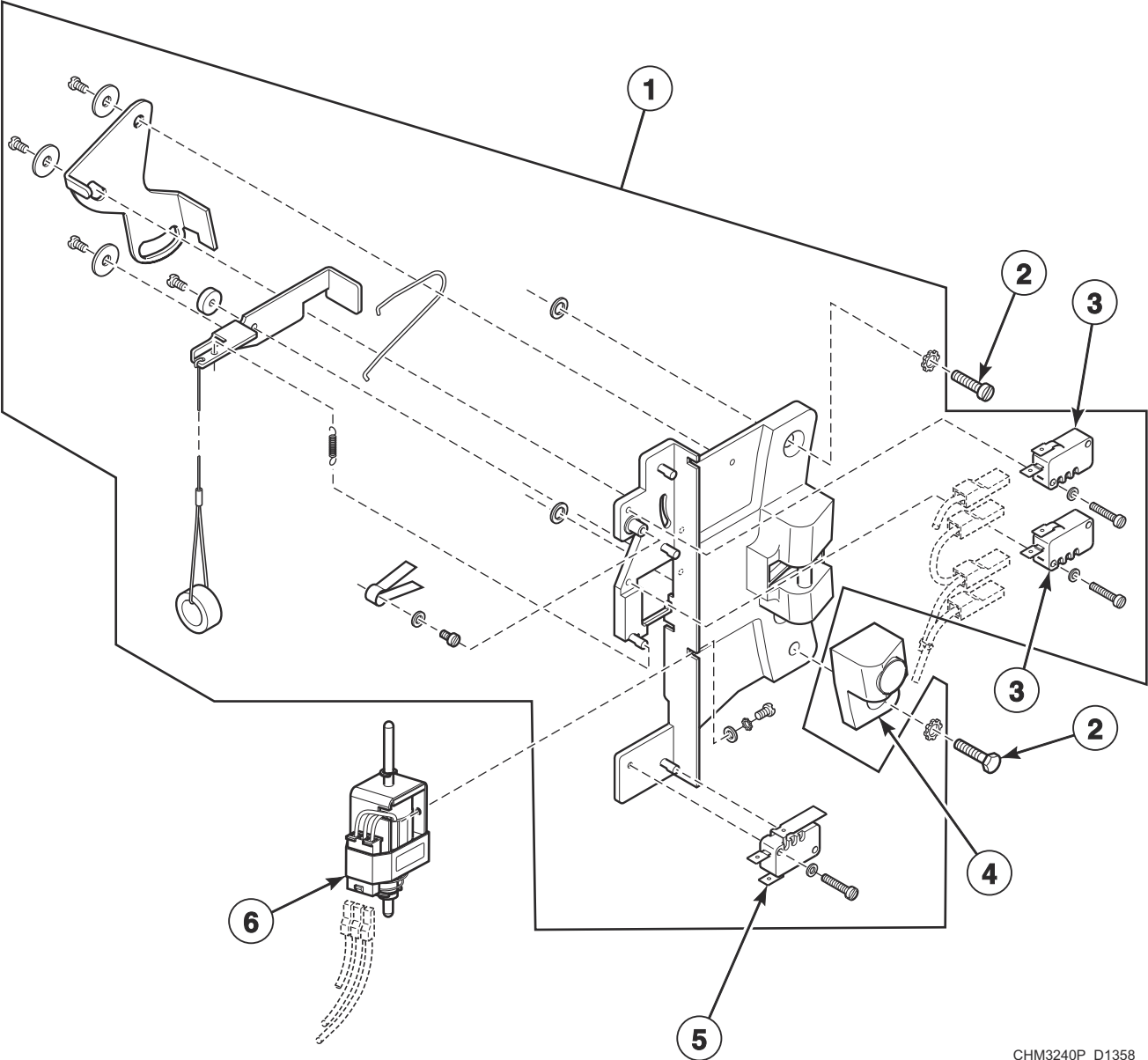


BE000662AP_D1358

Drain Plumbing - Models with Pump Drain

REF	PART NO.	DESCRIPTION	COMMENTS
1	223/00014/00	Hose Clamp	
2	223/00173/10	Pressure Switch Hose Tee	
3	B12700018	Pressure Hose	
4	223/00035/02	Pressure Switch Cap	
5	255/00010/00	Tub to Drain Valve Hose	
6	223/00012/00	Hose Clamp	
7	155/00155/00	Drain Piece	
8	206/00105/00	Nut	
9	206/00104/00	Screw	
10	255/00019/00	Stopper	
11	223/00307/00	Drain Hose	
12	111/00288/10	Pump Support	
13	209/00646/00	Pump	50 Hertz
	209/00647/00	Pump	60 Hertz
14	223/00009/00	Clamp	
15	223/00159/00	Pipe	
16	223/00162/00	Stopper	
17	206/00101/00	Nut	
18	101/00007/00	Outlet Pipe Plate Assembly	
19	201/00007/00	Washer	
20	206/00033/00	Bolt	
21	223/00146/00	Drain Piece	
22	223/00011/00	Hose Clamp	
23	899P3	Drain Pipe Kit	

Door Lock

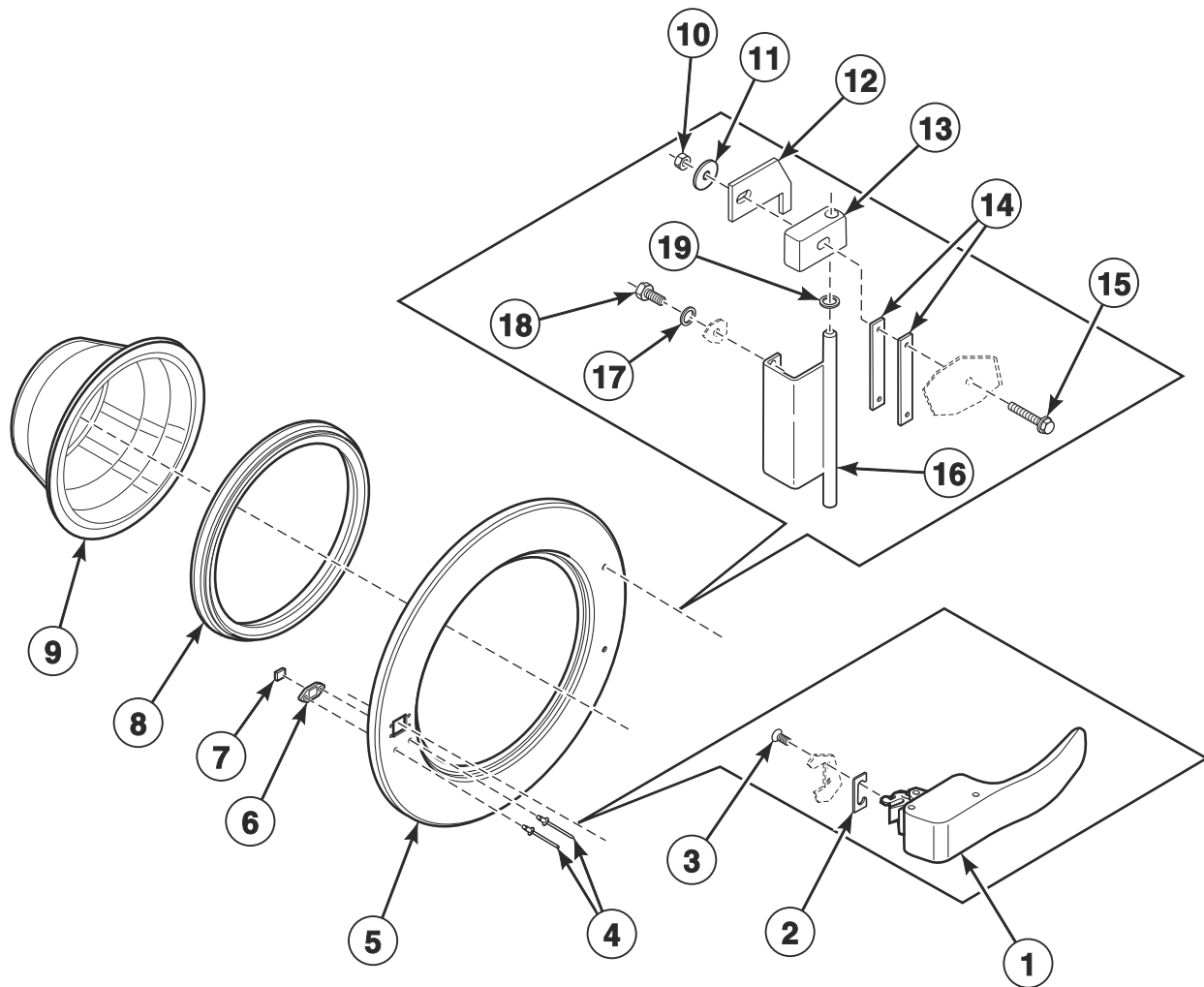


CHM3240P_D1358

Door Lock

REF	PART NO.	DESCRIPTION	COMMENTS
	B12495002	Door Lock Harness	WE-8 models
	B12495001	Door Lock Harness	All other models
1	B12517701	Door Lock Assembly	Includes item 5
2	207/00102/00	Screw	
3	209/00272/00	Door Lock Microswitch	NO
4	B12517601	Reed Switch Holder	Includes F8080405 Reed Switch Harness and B12502001 Reed Switch
5	B12625101	Microswitch	NC
6	B12518101	Door Solenoid Assembly	

Door

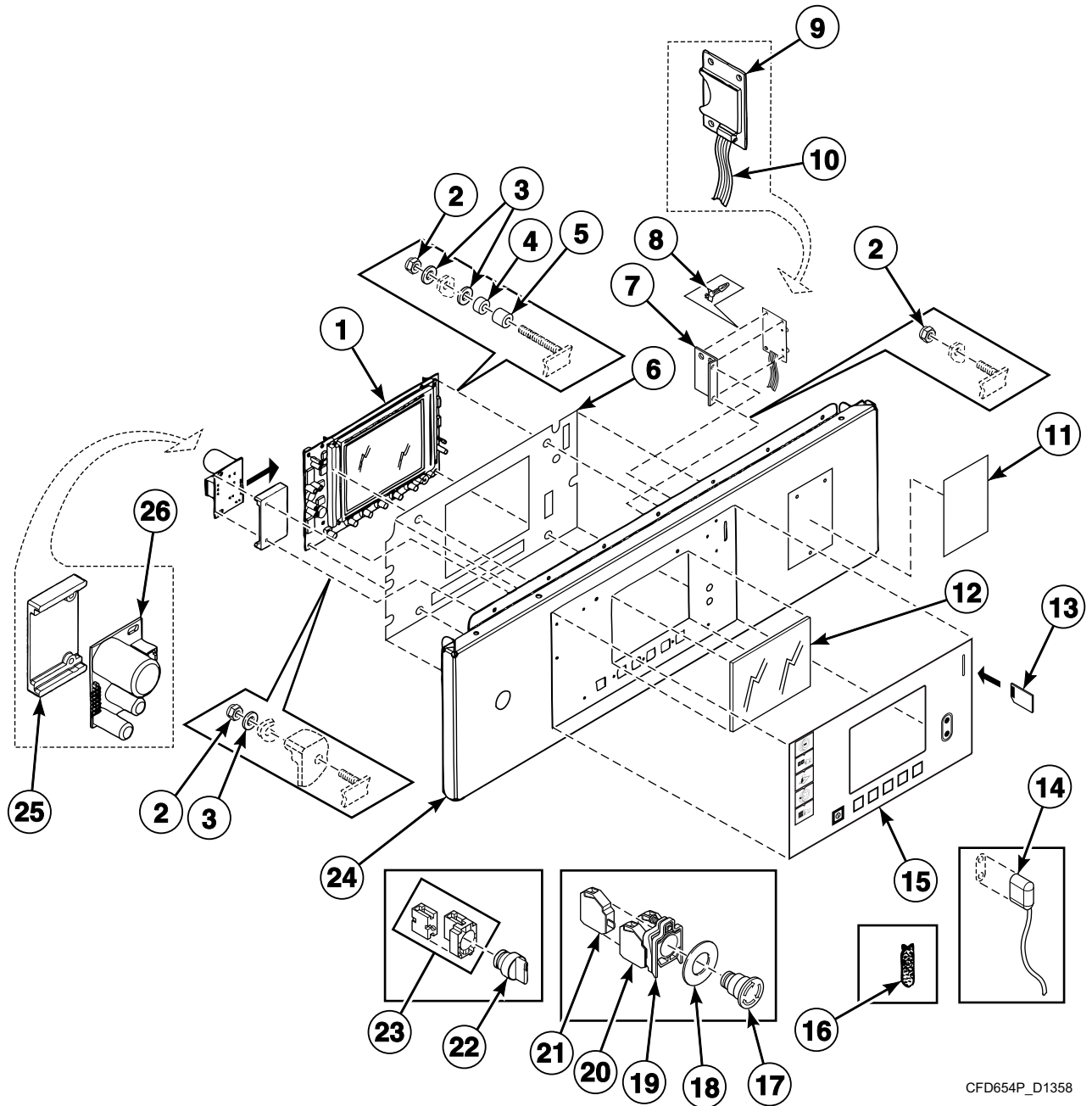


CFD3211P_D1358

Door

REF	PART NO.	DESCRIPTION	COMMENTS
1	B12336302	Door Handle	Gray; HX, SX and UX models
	B12336301	Door Handle	Black; All other models
2	217/00016/00	Door Handle Stop	
3	B12500801	Screw	
4	B12500301	Rivet	
5	B12314901	Door Frame	
6	B12389701	Magnet Holder	
7	B12363301	Magnet	
8	217/00015/00	Door Glass Seal	
9	B12449701	Door Glass	
10	204/00106/00	Nut	
11	202/00108/00	Washer	
12	118/00128/00	Hinge Plate	
13	217/00009/02	Door Hinge Assembly	
14	117/00011/00	Door Hinge Spacer	
15	207/00126/00	Screw	
16	221/00005/00	Door Hinge	
17	202/00101/00	Washer	
18	205/00107/00	Bolt	
19	202/00104/00	Washer	

Control Panel - Cygnus Professional

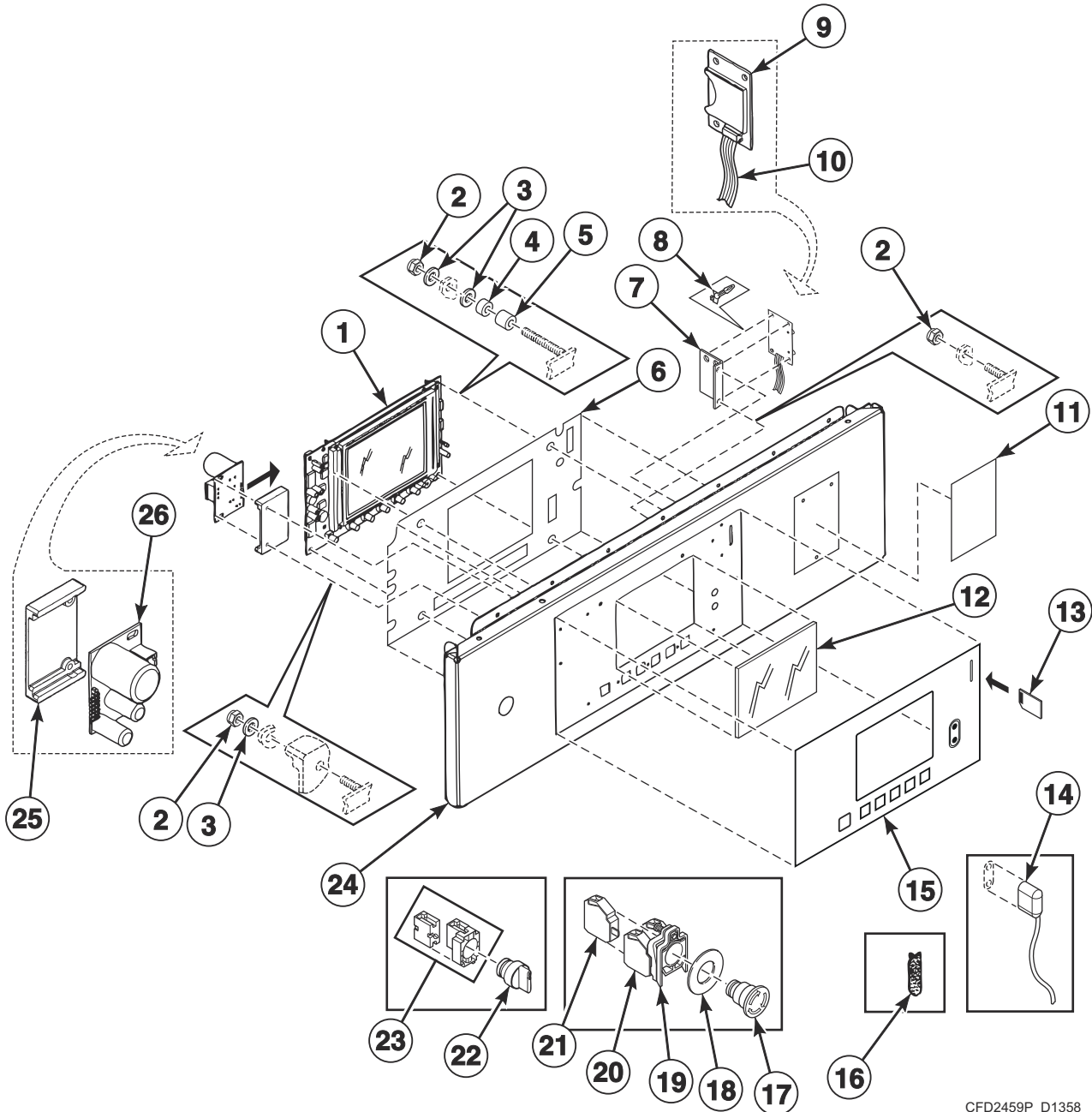


CFD654P_D1358

Control Panel - Cygnus Professional

REF	PART NO.	DESCRIPTION	COMMENTS
	B12348901	E-Stop Harness	
1	209/02002/ZB2	Display PC-Board	
2	204/00116/00	Nut	
3	223/00123/00	Washer	
4	211/00128/00	Printboard Separator	
5	211/00122/00	Standoff	
6	229/00268/00	Insulating Sticker	
7	111/01893/00	Printboard Support Card	Optional
8	211/00145/00	Standoff	
9	B12305201	Memory Card PC-Board	Optional
10	B12538301	Data Card Ribbon Assembly	Optional
11	B12389801	Nameplate	Models HD60_CYGNUS-PRO, HD65_CYGNUS-PRO, HD75_CYGNUS-PRO, IXA060Z, IXA065Z, IXA075Z, IXG060Z, IXG065Z, IXG075Z, IXN060Z, IXN065Z, IXN075Z, IXU060Z, IXU065Z, IXU075Z, IXW060Z, IXW065Z, IXW075Z, IXY012Z, IXY014Z, IXY018Z, IXZ060Z, IXZ065Z and IXZ075Z
	B12389802	Nameplate	Models CXE012Z, CXE014Z, CXE018Z, CXG060Z, CXG065Z, CXG075Z, CXN060Z, CXN065Z, CXN075Z, CXR014Z, CXR018Z, CXU060Z, CXU065Z, CXU075Z, CXW060Z, CXW065Z, CXW075Z, CXY018Z, CXZ060Z, CXZ065Z and CXZ075Z
	B12389804	Overlay	Model JXW060Z
12	225/00321/00	Plexi Frame	
13	209/02024/00	Datacard	
14	210/00902/00P	Infrared Cable Kit	
15	B12383601	Operating Sticker	Without datacard opening
	B12383701	Operating Sticker	With datacard opening
	B12532001	Operating Sticker	Model JXW060Z
16	223/00348/00	Datacard Cover	
17	44018801	Pushbutton	
18	209/00520/00	Telem Sticker	
19	B12491801	Contact Harness	
20	209/00029/26	Contact Switch	NC
21	44018901	Contact Block	NO
22	209/00099/29	Switch Knob	Dual heat
	B12523901	Dual Heat Sticker	Dual heat
23	B12491701	Contact Harness	Dual heat
24	B12355901	Operating Panel	
25	223/00374/00	Mounting Plate	
26	B12388201	Door Lock PC-Board	

Control Panel - PRO

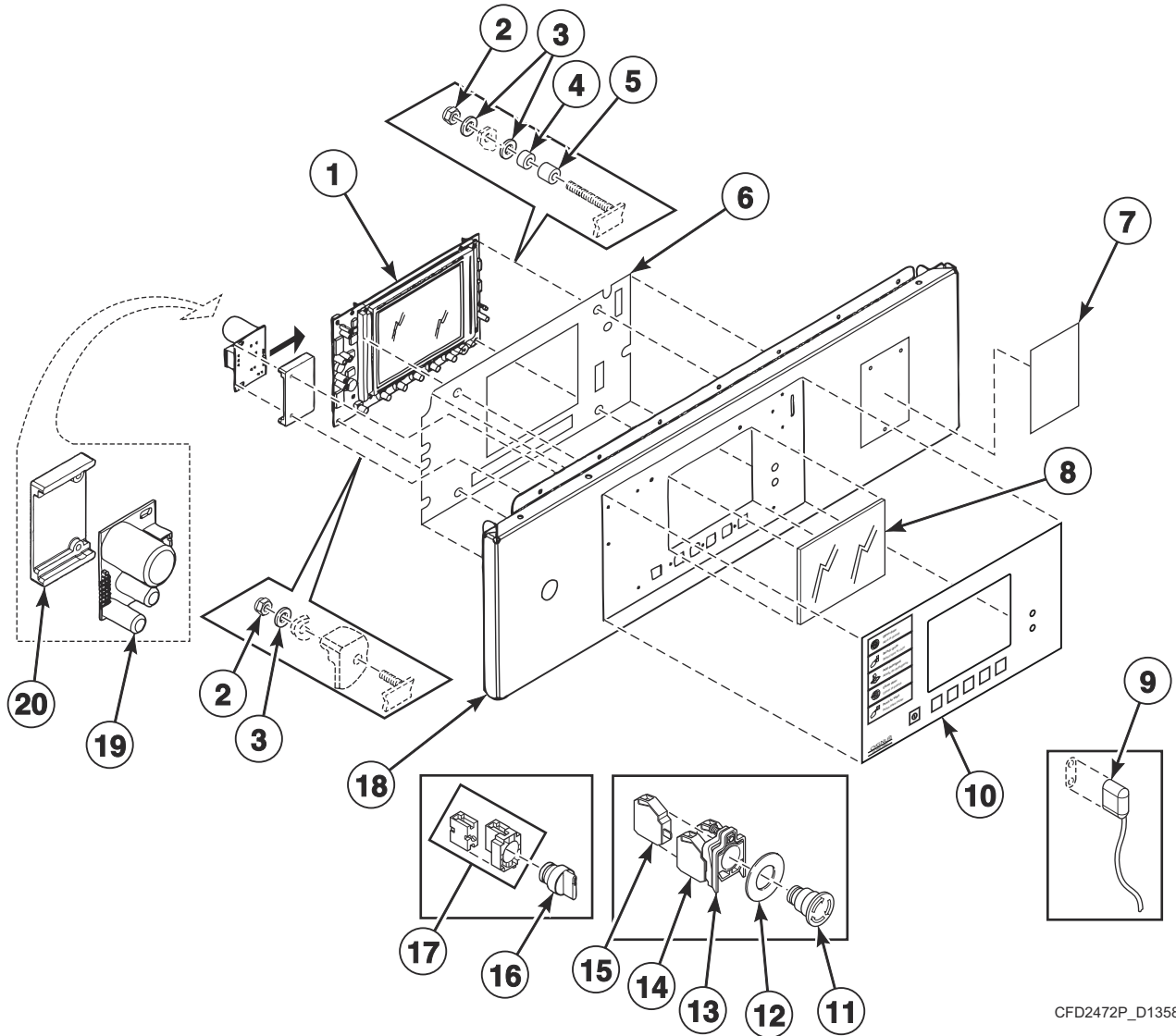


CFD2459P_D1358

Control Panel - PRO

REF	PART NO.	DESCRIPTION	COMMENTS
	B12348901	E-Stop Harness	
1	209/02002/ZB2	Display PC-Board	
2	204/00116/00	Nut	
3	223/00123/00	Washer	
4	211/00128/00	Printboard Separator	
5	211/00122/00	Standoff	
6	229/00268/00	Insulating Sticker	
7	111/01893/00	Printboard Support Card	Optional
8	211/00145/00	Standoff	
9	B12305201	Memory Card PC-Board	Optional
10	B12538301	Data Card Ribbon Assembly	Optional
11	B12568801	Overlay	Models UX018_PRO, UXE018Z, UXG075Z, UXU075Z, UXW075Z, UXY018Z and UXZ075Z
	B12568901	Overlay	Models SX018_PRO, SXE018Z, SXG075Z, SXU075Z, SXW075Z, SXY018Z and SXZ075Z
12	225/00321/00	Plexi Frame	
13	209/02024/00	Datacard	
14	210/00902/00P	Infrared Cable Kit	
15	B12383601	Operating Sticker	Without datacard opening
	B12383701	Operating Sticker	With datacard opening
16	223/00348/00	Datacard Cover	
17	44018801	Pushbutton	
18	209/00520/00	Telem Sticker	
19	B12491801	Contact Harness	
20	209/00029/26	Contact Switch	NC
21	44018901	Contact Block	NO
22	209/00099/29	Switch Knob	Dual heat
	B12523901	Dual Heat Sticker	Dual heat
23	B12491701	Contact Harness	Dual heat
24	B12570701	Control Panel	Models UX018_PRO, UXE018Z, UXG075Z, UXU075Z, UXW075Z, UXY018Z and UXZ075Z
	B12570801	Control Panel	Models SX018_PRO, SXE018Z, SXG075Z, SXU075Z, SXW075Z, SXY018Z and SXZ075Z
25	223/00374/00	Mounting Plate	
26	B12388201	Door Lock PC-Board	

Control Panel - Cygnus Ultra Pro

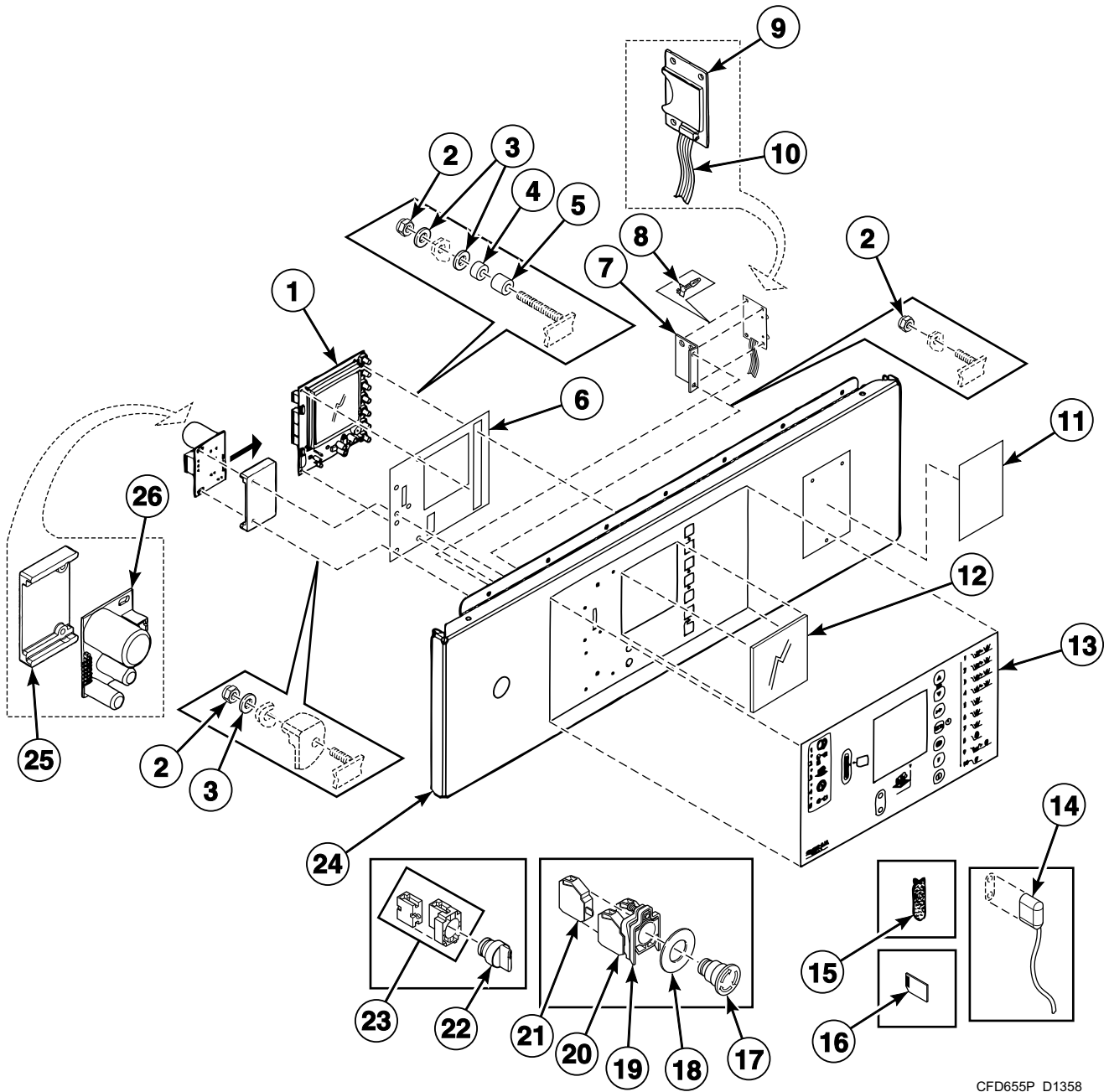


CFD2472P_D1358

Control Panel - Cygnus Ultra Pro

REF	PART NO.	DESCRIPTION	COMMENTS
	B12348901	E-Stop Harness	
1	209/02002/ZB2	Display PC-Board	
2	204/00116/00	Nut	
3	223/00123/00	Washer	
4	211/00128/00	Printboard Separator	
5	211/00122/00	Standoff	
6	229/00268/00	Insulating Sticker	
7	B12583801	Overlay	
8	225/00321/00	Plexi Frame	
9	210/00902/00P	Infrared Cable Kit	
10	B12383601	Operating Sticker	Without datacard opening
	B12383701	Operating Sticker	With datacard opening
11	44018801	Pushbutton	
12	209/00520/00	Telem Sticker	
13	B12491801	Contact Harness	
14	209/00029/26	Contact Switch	NC
15	44018901	Contact Block	NO
16	209/00099/29	Switch Knob	Dual heat
	B12523901	Dual Heat Sticker	Dual heat
17	B12491701	Contact Harness	Dual heat
18	B12355901	Operating Panel	
19	B12388201	Door Lock PC-Board	
20	223/00374/00	Mounting Plate	

Control Panel - Cygnus Premium OPL and Ultra



CFD655P_D1358

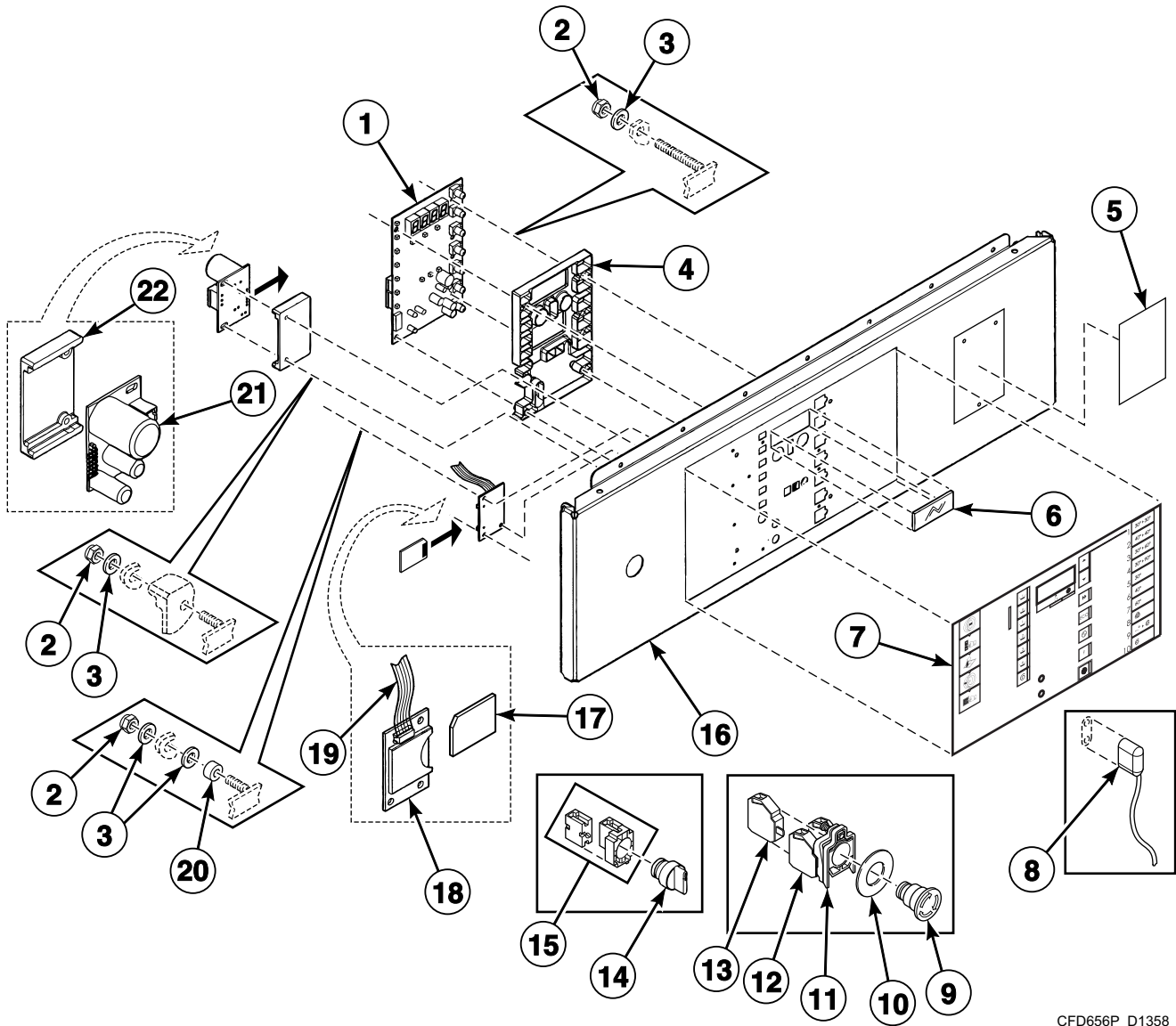
Control Panel - Cygnus Premium OPL and Ultra

REF	PART NO.	DESCRIPTION	COMMENTS
	B12348901	E-Stop Harness	
1	209/02015/02	Printboard	
2	204/00116/00	Nut	
3	223/00123/00	Washer	
4	211/00128/00	Printboard Separator	
5	211/00122/00	Standoff	
6	229/00291/00	Insulating Sticker	
7	111/01893/00	Printboard Support Card	Optional
8	211/00145/00	Standoff	
9	B12305201	Memory Card PC-Board	Optional
10	B12538301	Data Card Ribbon Assembly	Optional
11	B12389801	Nameplate	Models HD60_CYGNUS-PREM, HD65_CYGNUS-PREM, HD75_CYGNUS-PREM, IS012_CYGNUS-ULTRA, IS018_CYGNUS-ULTRA, IXA060Y, IXA065Y, IXA075Y, IXG060Y, IXG065Y, IXG075Y, IXN060U, IXN060Y, IXN065Y, IXN075U, IXN075Y, IXR012U, IXR018U, IXU060Y, IXU065Y, IXU075Y, IXW060Y, IXW065Y, IXW075Y, IXY012Y, IXY014Y, IXY018Y, IXZ060Y, IXZ065Y and IXZ075Y
	B12389802	Nameplate	Models CS018_CYGNUS-ULTRA, CXN075U and CXR018U
	B12389804	Overlay	Models JXW060Y and JXW065Y
	B12530801	Nameplate	Model JXW075Y
	B12389805	Nameplate	Models PXU060Y, PXU065Y and PXU075Y
12	225/00323/00	Plexi Frame	
13	B12456701	Operating Sticker	Cygnus Ultra models
	B12383401	Operating Sticker	Cygnus Premium OPL models with datacard opening
	B12383301	Operating Sticker	Cygnus Premium OPL models without datacard opening
	B12531901	Operating Sticker	Models JXW060Y, JXW065Y and JXW075Y
	B12531801	Operating Sticker	Models JXW060Y, JXW065Y and JXW075Y
14	210/00902/00P	Infrared Cable Kit	
15	223/00348/00	Datacard Cover	Cygnus Premium OPL models
16	209/02024/00	Datacard	Cygnus Premium OPL models
17	44018801	Pushbutton	
18	209/00520/00	Telem Sticker	
19	B12491801	Contact Harness	
20	209/00029/26	Contact Switch	NC
21	44018901	Contact Block	NO
22	209/00099/29	Switch Knob	Dual heat
	B12523901	Dual Heat Sticker	Dual heat
23	B12491701	Contact Harness	Dual heat
24	B12356001	Operating Panel	
25	223/00374/00	Mounting Plate	
26	B12388201	Door Lock PC-Board	

Control Panel - Cygnus Premium Vended

REF	PART NO.	DESCRIPTION	COMMENTS
	B12349001	E-Stop Bypass Harness	
1	209/02015/02	Printboard	
2	204/00116/00	Nut	
3	223/00123/00	Washer	
4	211/00128/00	Printboard Separator	
5	211/00122/00	Standoff	
6	229/00291/00	Insulating Sticker	
7	B12389801	Nameplate	Models HD60_CYGNUS-PREM, HD65_CYGNUS-PREM, HD75_CYGNUS-PREM, IXA060Y, IXA065Y, IXA075Y, IXG060Y, IXG065Y, IXG075Y, IXN060Y, IXN065Y, IXN075Y, IXU060Y, IXU065Y, IXU075Y, IXW060Y, IXW065Y, IXW075Y, IXY012Y, IXY014Y, IXY018Y, IXZ060Y, IXZ065Y and IXZ075Y
	B12389804	Overlay	Models JXW060Y and JXW065Y
	B12530801	Nameplate	Model JXW075Y
	B12389805	Nameplate	Models PXU060Y, PXU065Y and PXU075Y
8	225/00323/00	Plexi Frame	
9	B12383501	Operating Sticker	
10	210/00902/00P	Infrared Cable Kit	
11	B12356101	Operating Panel	
12	209/02024/00	Datacard	
13	B12305201	Memory Card PC-Board	
14	B12538301	Data Card Ribbon Assembly	
15	B12388201	Door Lock PC-Board	
16	223/00374/00	Mounting Plate	

Control Panel - Cygnus Standard/Commercial OPL

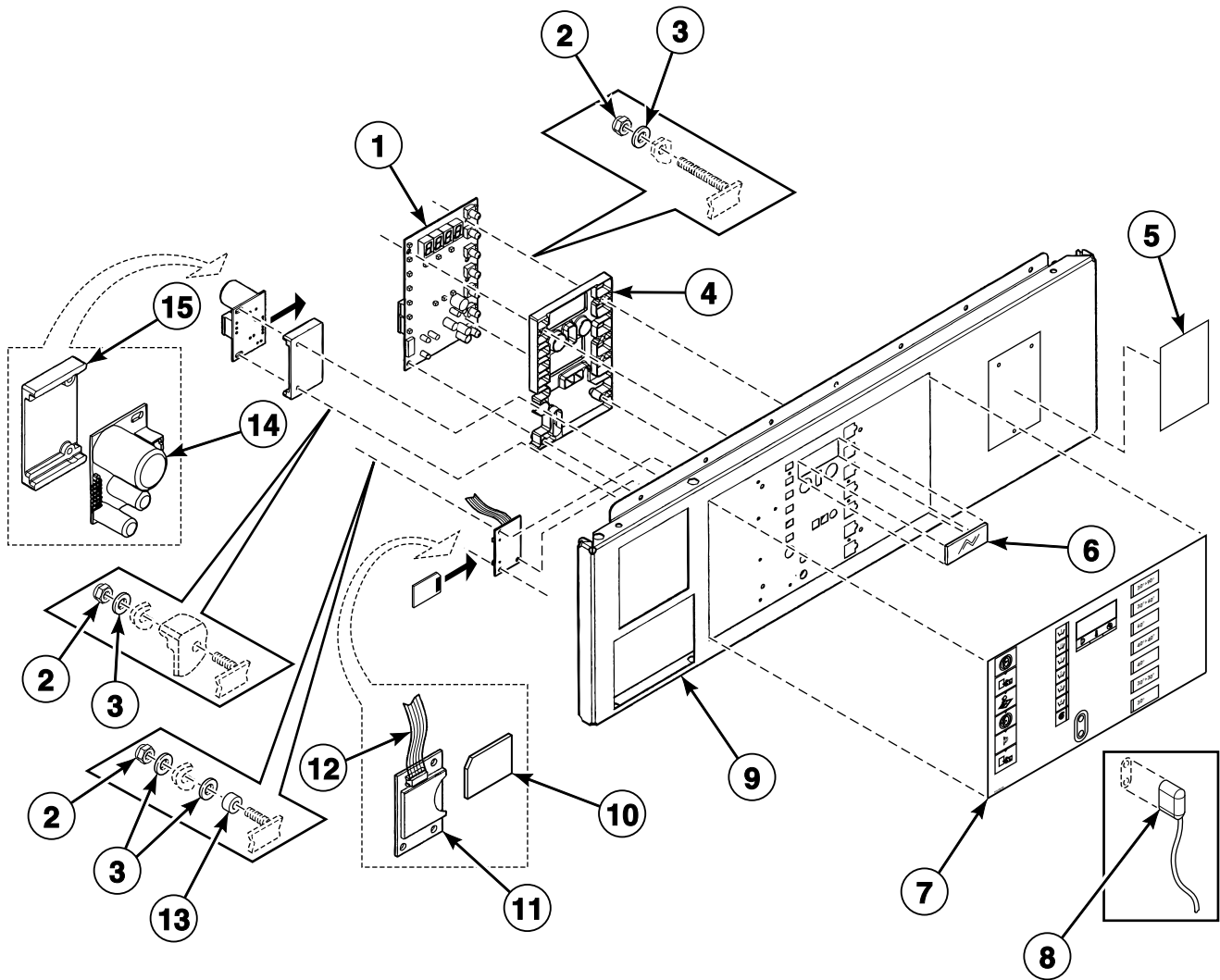


CFD656P_D1358

Control Panel - Cygnus Standard/Commercial OPL

REF	PART NO.	DESCRIPTION	COMMENTS
	B12348901	E-Stop Harness	
1	209/02001/02	Printboard	
2	204/00116/00	Nut	
3	223/00123/00	Washer	
4	223/00330/00	Protection LED	
5	B12389801	Nameplate	Models HD60_CYGNUS-COMM, HD60_CYGNUS-STANDARD, HD65_CYGNUS-COMM, HD65_CYGNUS-STANDARD, HD75_CYGNUS-COMM, HD75_CYGNUS-STANDARD, IXA060C, IXA060X, IXA065C, IXA065X, IXA075C, IXA075X, IXG060C, IXG060X, IXG065C, IXG065X, IXG075C, IXG075X, IXN060C, IXN060X, IXN065C, IXN065X, IXN075C, IXN075X, IXU060C, IXU060X, IXU065C, IXU065X, IXU075C, IXU075X, IXW060C, IXW060X, IXW065C, IXW065X, IXW075C, IXW075X, IXY012C, IXY012X, IXY014C, IXY014X, IXY018C, IXY018X, IXZ060C, IXZ060X, IXZ065C, IXZ065X, IXZ075C and IXZ075X
	B12389802	Nameplate	Models CXE012X, CXE014X, CXE018X, CXG060X, CXG065X, CXG075X, CXN060X, CXN065X, CXN075X, CXR012X, CXR014X, CXR018X, CXU060X, CXU065X, CXU075X, CXW060X, CXW065X, CXW075X, CXY018X, CXZ060X, CXZ065X and CXZ075X
	B12389803	Nameplate	Models DXU060X, DXU065X and DXU075X
	B12389804	Overlay	Models JXW060C, JXW065C and JXW075C
	B12389809	Nameplate	Models EXU065X and EXU075X
	B12389810	Nameplate	Models WXU060C, WXU065C and WXU075C
6	225/00322/00	Plexi Frame	
7	B12382701	Operating Sticker	Cygnus Standard OPL models without datacard opening
	B12382801	Operating Sticker	Cygnus Standard OPL models with datacard opening
	B12383001	Operating Sticker	Cygnus Commercial OPL models without datacard opening
	B12383101	Operating Sticker	Cygnus Commercial OPL models with datacard opening
	B12531801	Operating Sticker	Models JXW060C, JXW065C and JXW075C
8	210/00902/00P	Infrared Cable Kit	
9	44018801	Pushbutton	
10	209/00520/00	Telem Sticker	
11	B12491801	Contact Harness	
12	209/00029/26	Contact Switch	NC
13	44018901	Contact Block	NO
14	209/00099/29	Switch Knob	Dual heat
	B12523901	Dual Heat Sticker	Dual heat
15	B12491701	Contact Harness	Dual heat
16	B12355801	Operating Panel	
17	209/02024/00	Datacard	Optional
18	B12305201	Memory Card PC-Board	Optional
19	B12538301	Data Card Ribbon Assembly	Optional
20	211/00128/00	Printboard Separator	
21	B12388201	Door Lock PC-Board	
22	223/00374/00	Mounting Plate	

Control Panel - Cygnus Standard/Commercial Vended and Vended

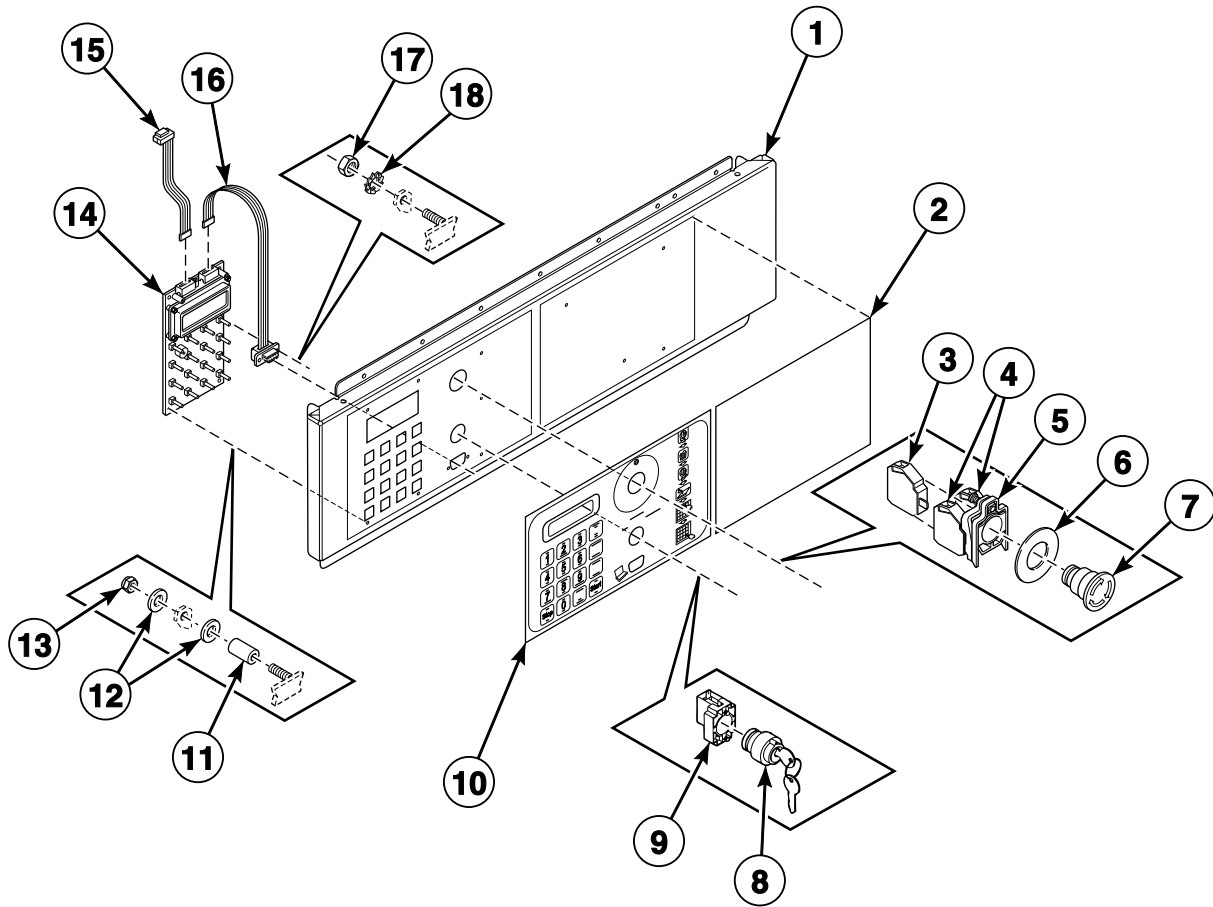


CFD611P_D1358

Control Panel - Cygnus Standard/Commercial Vended and Vended

REF	PART NO.	DESCRIPTION	COMMENTS
	B12349001	E-Stop Bypass Harness	
1	209/02001/02	Printboard	
2	204/00116/00	Nut	
3	223/00123/00	Washer	
4	223/00330/00	Protection LED	
5	B12389801	Nameplate	Models HD60_CYGNUS-COMM, HD60_CYGNUS-STANDARD, HD65_CYGNUS-COMM, HD65_CYGNUS-STANDARD, HD75_CYGNUS-COMM, HD75_CYGNUS-STANDARD, IS012_CYGNUS-VENDED, IS018_CYGNUS-VENDED, IXA060C, IXA060X, IXA065C, IXA065X, IXA075C, IXA075X, IXG060C, IXG060X, IXG065C, IXG065X, IXG075C, IXG075X, IXN060C, IXN060V, IXN060X, IXN065C, IXN065X, IXN075C, IXN075V, IXN075X, IXU060C, IXU060X, IXU065C, IXU065X, IXU075C, IXU075X, IXW060C, IXW060X, IXW065C, IXW065X, IXW075C, IXW075X, IXY012C, IXY012X, IXY014C, IXY014X, IXY018C, IXY018X, IXZ060C, IXZ060X, IXZ065C, IXZ065X, IXZ075C and IXZ075X
	B12389802	Nameplate	Models CXE012X, CXE014X, CXE018X, CXG060X, CXG065X, CXG075X, CXN060X, CXN065X, CXN075X, CXR012X, CXR014X, CXR018X, CXU060X, CXU065X, CXU075X, CXW060X, CXW065X, CXW075X, CXY018X, CXZ060X, CXZ065X and CXZ075X
	B12389803	Nameplate	Models DXU060X, DXU065X and DXU075X
	B12389804	Overlay	Models JXW060C, JXW065C and JXW075C
	B12389809	Nameplate	Models EXU065X and EXU075X
	B12389810	Nameplate	Models WXU060C, WXU065C and WXU075C
6	225/00322/00	Plexi Frame	
7	B12382901	Operating Sticker	Cygnus Standard vended models
	B12383201	Operating Sticker	Cygnus Commercial vended models
	B12456501	Operating Sticker	Cygnus Vended models
8	210/00902/00P	Infrared Cable Kit	
9	B12312801	Operating Panel	
10	209/02024/00	Datacard	Cygnus Standard/Commercial vended models
11	B12305201	Memory Card PC-Board	Cygnus Standard/Commercial vended models
12	B12538301	Data Card Ribbon Assembly	Cygnus Standard/Commercial vended models
13	211/00128/00	Printboard Separator	
14	B12388201	Door Lock PC-Board	
15	223/00374/00	Mounting Plate	

Control Panel - WE-8

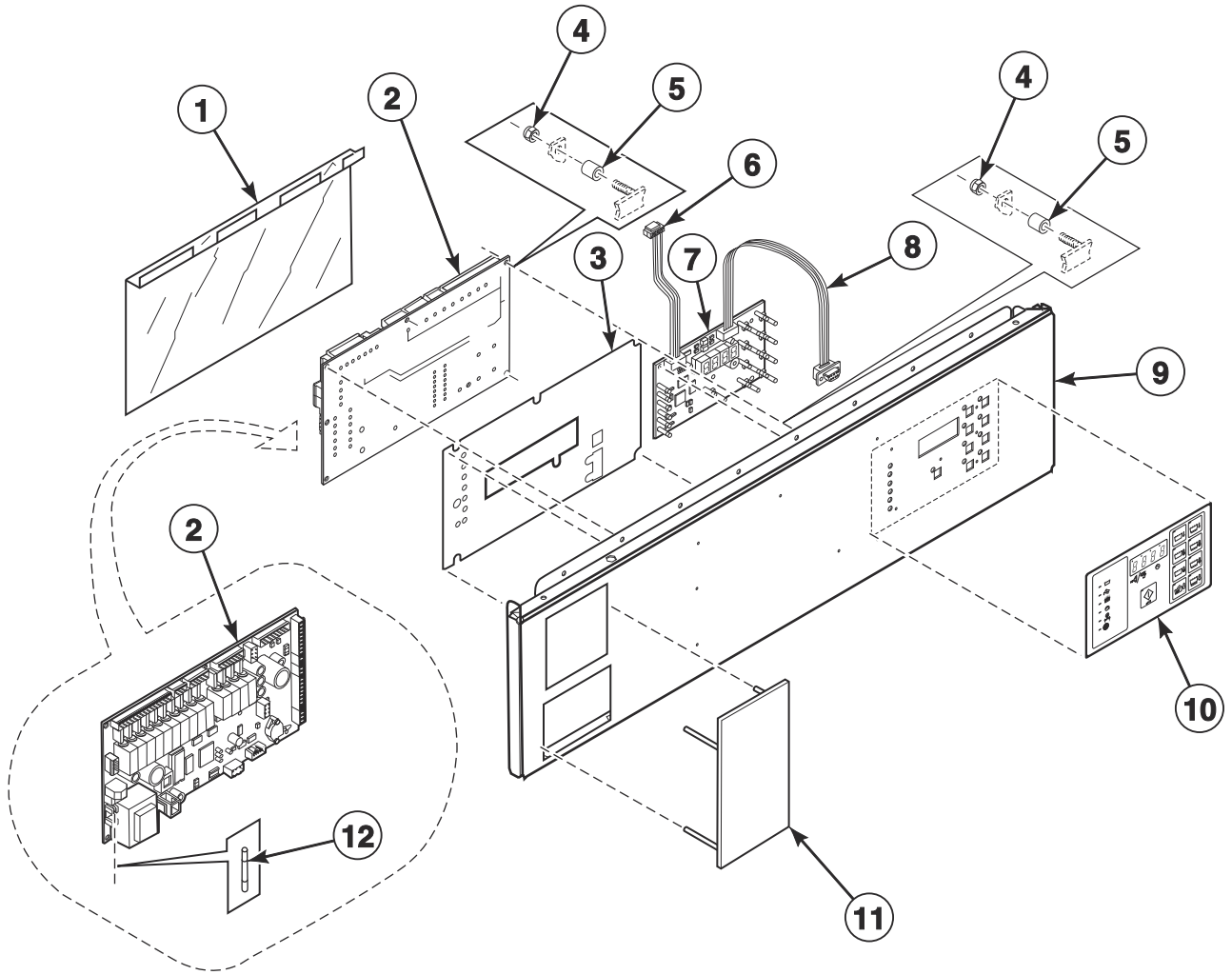


CFD657P_D1358

Control Panel - WE-8

REF	PART NO.	DESCRIPTION	COMMENTS
	B12348902	E-Stop Harness	
	B12348903	E-Stop Drive Harness	
	B12495501	Key Switch Harness	
	B12388302	Ribbon Assembly	
1	B12436201	Operating Panel	
2	F8435601	Overlay	UX models
	225/00435/00	Overlay	SX models
	225/00436/00	Logo Decal	HX models
3	44018901	Contact Block	NO
4	209/00029/26	Contact Switch	NC
5	B12491801	Contact Harness	
6	209/00520/00	Telem Sticker	
7	44018801	Pushbutton	
8	209/00326/20	Programming Key Contact Switch	
9	B12491701	Contact Harness	
10	F9001561	Overlay	Control
11	211/00140/00	Spacer	
12	223/00123/00	Washer	
13	204/00116/00	Nut	
14	209/00580/03	Display	
15	B12388302	Ribbon Assembly	
16	B12388305	Ribbon Assembly	
17	204/00008/00	Nut	
18	203/00007/00	Washer	

Control Panel - B-Series



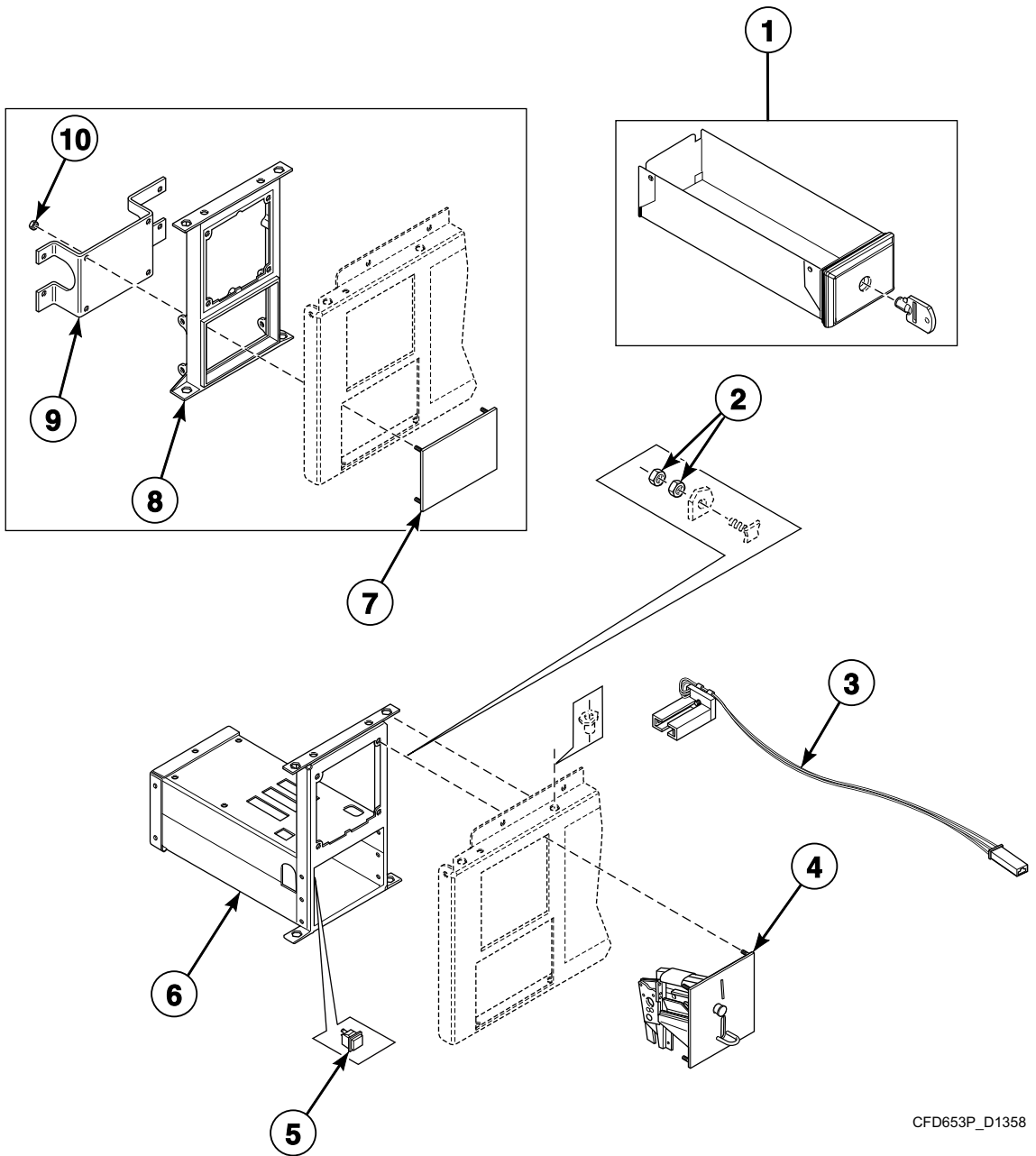
CFD2475P_D1358

Control Panel - B-Series

REF	PART NO.	DESCRIPTION	COMMENTS
	B12530201	Coin Drop Power Harness	
	B12531201	Central Payment Key Switch Harness	
	B12531301	Direct Fill and Central Payment Harness	
	B12531401	Central Payment Harness	
	B12392705	Direct Fill Harness	
	B12348904	Drive Stop or Bypass Harness	
1	229/00262/50	Circuit Board Cover	
2	209/0058000/98	Main Control	
3	229/00255/00	Insulating Sticker	
4	204/00116/00	Nut	
5	211/00107/00	Spacer	
6	B12388303	Programming Cable	Program switch
7	9002063	Computer Board	
8	B12388306	Programming Cable	
9	B12523401	Operation Panel	With coin meter
	B12540601	Operation Panel	With central payment
10	B12524901	Overlay	
11	111/01004/00	Front Panel	Gray
	111/01003/00	Top Panel	Black
12	209/00372/01	Fuse	

Coin Drop - Mechanical Coin Meter

Cygnus Commercial, Cygnus Premium, Cygnus Standard, Cygnus Vended and B-Series Models



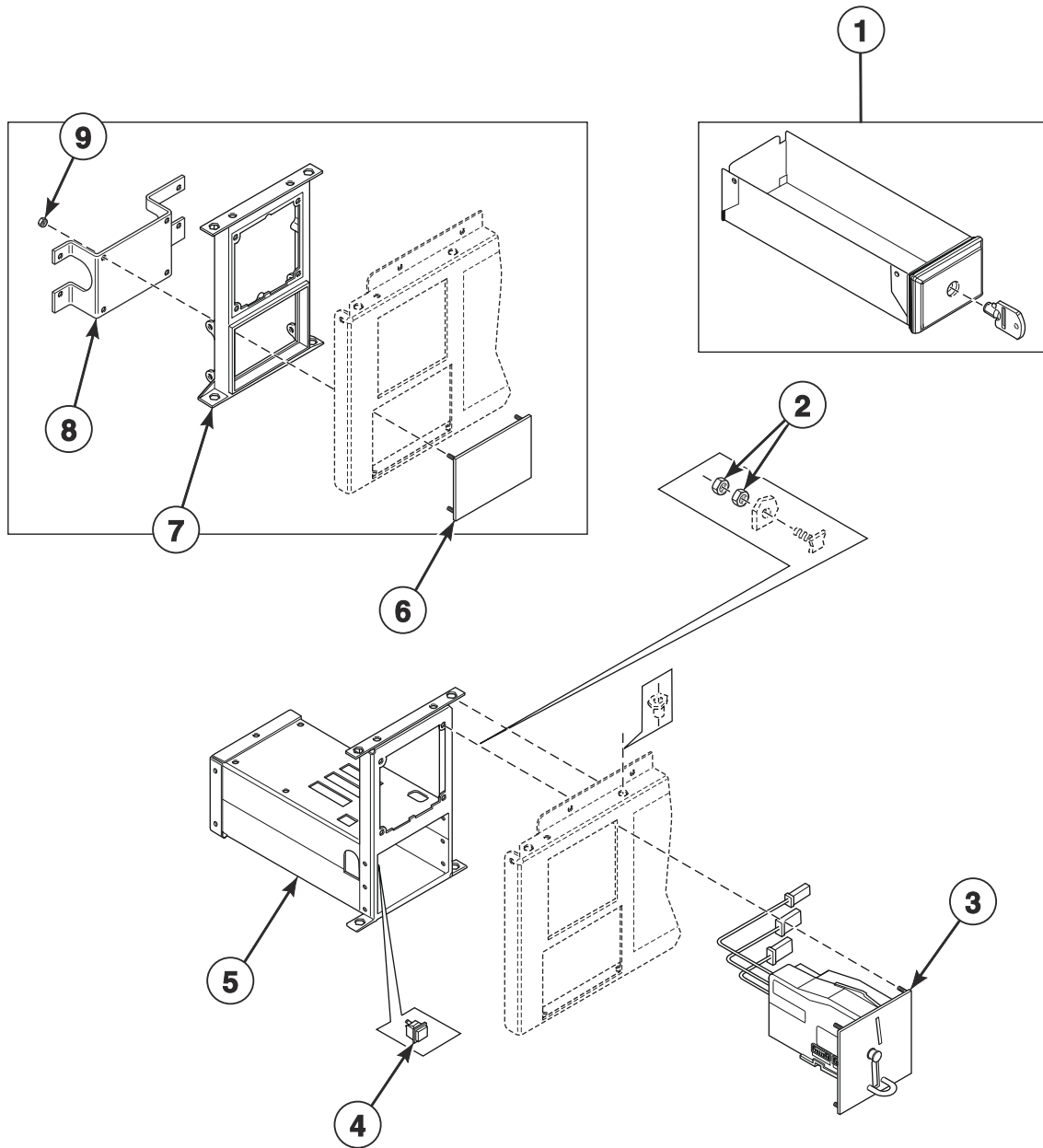
CFD653P_D1358

Coin Drop - Mechanical Coin Meter

REF	PART NO.	DESCRIPTION	COMMENTS	
1	254/00077/00	Coin Box		
	254/00077/02	Key		
2	204/00116/00	Nut		
3	B12309901	Wire Harness Assembly	Single/dual drop	
	B12310001	Wire Harness Assembly	Dual drop	
	B12359902	Optical Coin Drop Switch	B-series models; Single/dual drop	
4	B12311224	Coin Drop	Mechanical; Jeton 5K	
	B12311206	Coin Drop	Mechanical; Jeton 7K	
	B12311201	Coin Drop	Mechanical; Jeton 10K	
	B12311210	Coin Drop	Mechanical; Jeton 12K	
	B12311252	Coin Drop	Mechanical; Jeton10K and .5 euro	
	B12311211	Coin Drop	Mechanical; Jeton 7K and 1 euro	
	B12323901	Coin Drop	Mechanical; Jeton 15K and 7K	
	B12311204	Coin Drop	Mechanical; Jeton gettone	
	B12311234	Coin Drop	Mechanical; Jeton crouzet	
	B12311247	Coin Drop	Mechanical; Jeton 118-1	
	B12311248	Coin Drop	Mechanical; Jeton 118-5	
	B12311222	Coin Drop	Mechanical; 1 euro	
	B12311214	Coin Drop	Mechanical; .5 euro	
	B12311202	Coin Drop	Mechanical; .5 and 1 euro	
	B12311239	Coin Drop	Mechanical; .5 and 2 euro	
	B12311205	Coin Drop	Mechanical; .2 and 1 euro	
	B11211209	Coin Drop	Mechanical; .2 and .5 euro	
	B12311218	Coin Drop	Mechanical; 1 and 1 euro	
	B12311219	Coin Drop	Mechanical; 1 and 2 euro	
	B12311203	Coin Drop	Mechanical; 1 and 2 frank	
	B12311207	Coin Drop	Mechanical; 1 Deense kroon	
	B12311225	Coin Drop	Mechanical; 10 Deense kronen	
	B12311235	Coin Drop	Mechanical; 10 Tsjechische kronen	
	B12311244	Coin Drop	Mechanical; 10 Noorse kronen	
	B12311208	Coin Drop	Mechanical; 100 and 500 yen	
	B12311212	Coin Drop	Mechanical; 15K	
	B12311215	Coin Drop	Mechanical; 1 kro	
	B12311226	Coin Drop	Mechanical; Australia 1.00	
	B12311216	Coin Drop	Mechanical; Australia .2 and 1.00	
	B12311220	Coin Drop	Mechanical; New Zeland 1.00	
	B12311221	Coin Drop	Mechanical; .5 and 2 zwitsers	
	B12311241	Coin Drop	Mechanical; Hong Kong 1.00	
	B12311249	Coin Drop	Mechanical; Hong Kong 5.00	
	B12311301	Coin Drop	Mechanical; U.S. \$.25	
	B12311302	Coin Drop	Mechanical; U.S. \$.25 and 1.00	
	B12311304	Coin Drop	Mechanical; Canada .25 and 1.00	
	B12323401	Coin Drop	Mechanical; Singapore 1.00	
		209/00781/00	Optical Switch	
	5	209/00396/00	Pushbutton	
	6	152/00112/00	Mechanical Coin Meter Housing	
	7	111/01003/00	Top Panel	Black; Central pay option
8	217/00060/00	Fastening Piece	Central pay option	
9	111/01005/00	Backplate	Central pay option	
10	204/00116/00	Nut	Central pay option	

Coin Drop - Electronic Coin Meter

Cygnus Commercial, Cygnus Premium, Cygnus Standard, Cygnus Vended and B-Series Models

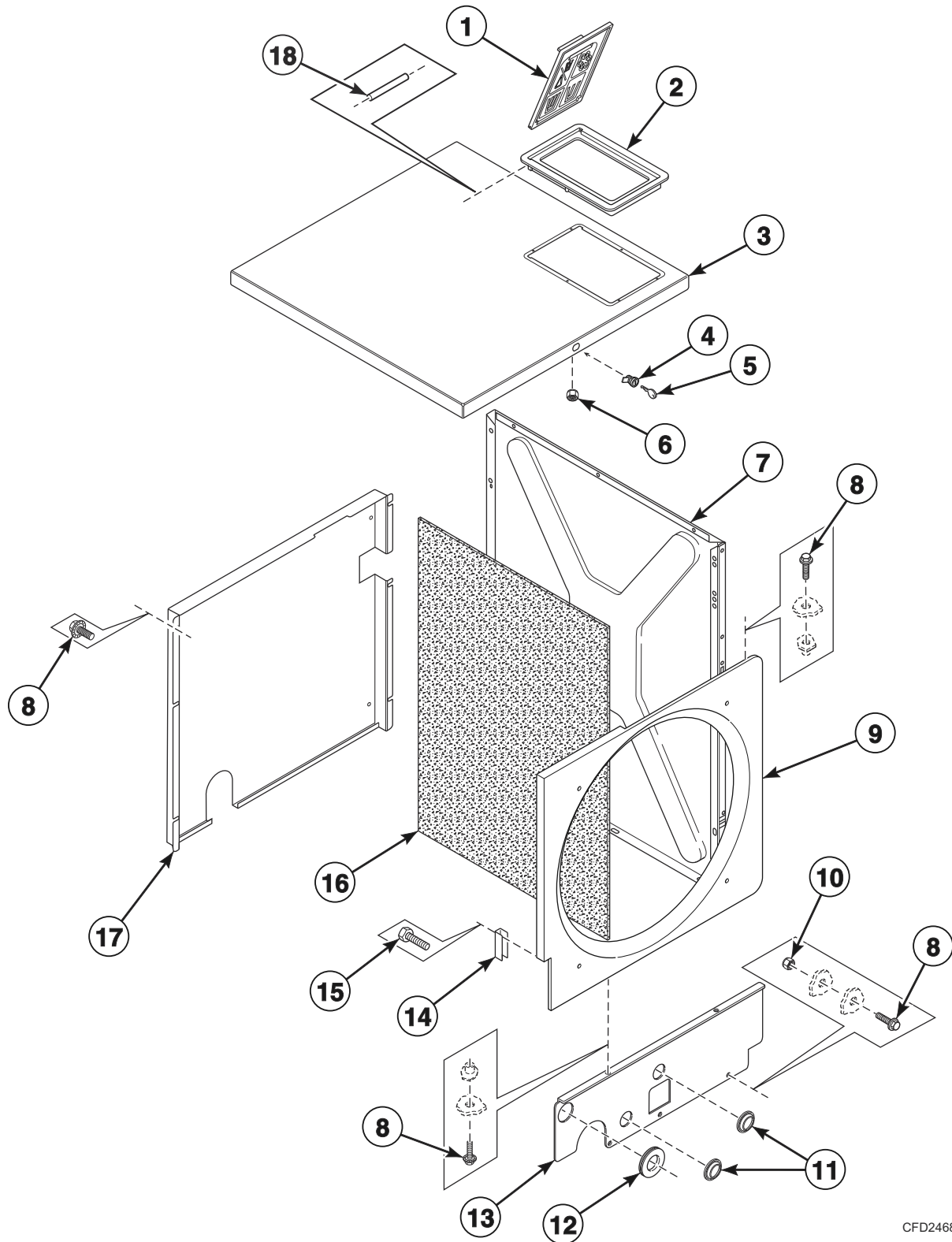


CFD617P_D1358

Coin Drop - Electronic Coin Meter

REF	PART NO.	DESCRIPTION	COMMENTS
	B12309901	Wire Harness Assembly	Single/dual drop
	B12310001	Wire Harness Assembly	Dual drop
	B12359902	Optical Coin Drop Switch	B-series models; Single/dual drop
1	254/00077/00	Coin Box	
	254/00077/02	Key	
2	204/00116/00	Nut	
3	B12311401	Coin Drop	
4	209/00396/00	Pushbutton	
5	152/00112/50	Electronic Coin Meter Housing	
6	111/01003/00	Top Panel	Black; Central pay option
7	217/00060/00	Fastening Piece	Central pay option
8	111/01005/00	Backplate	Central pay option
9	204/00116/00	Nut	Central pay option

Right Side, Front, Lower Rear and Top Panels - Models with Pump Drain

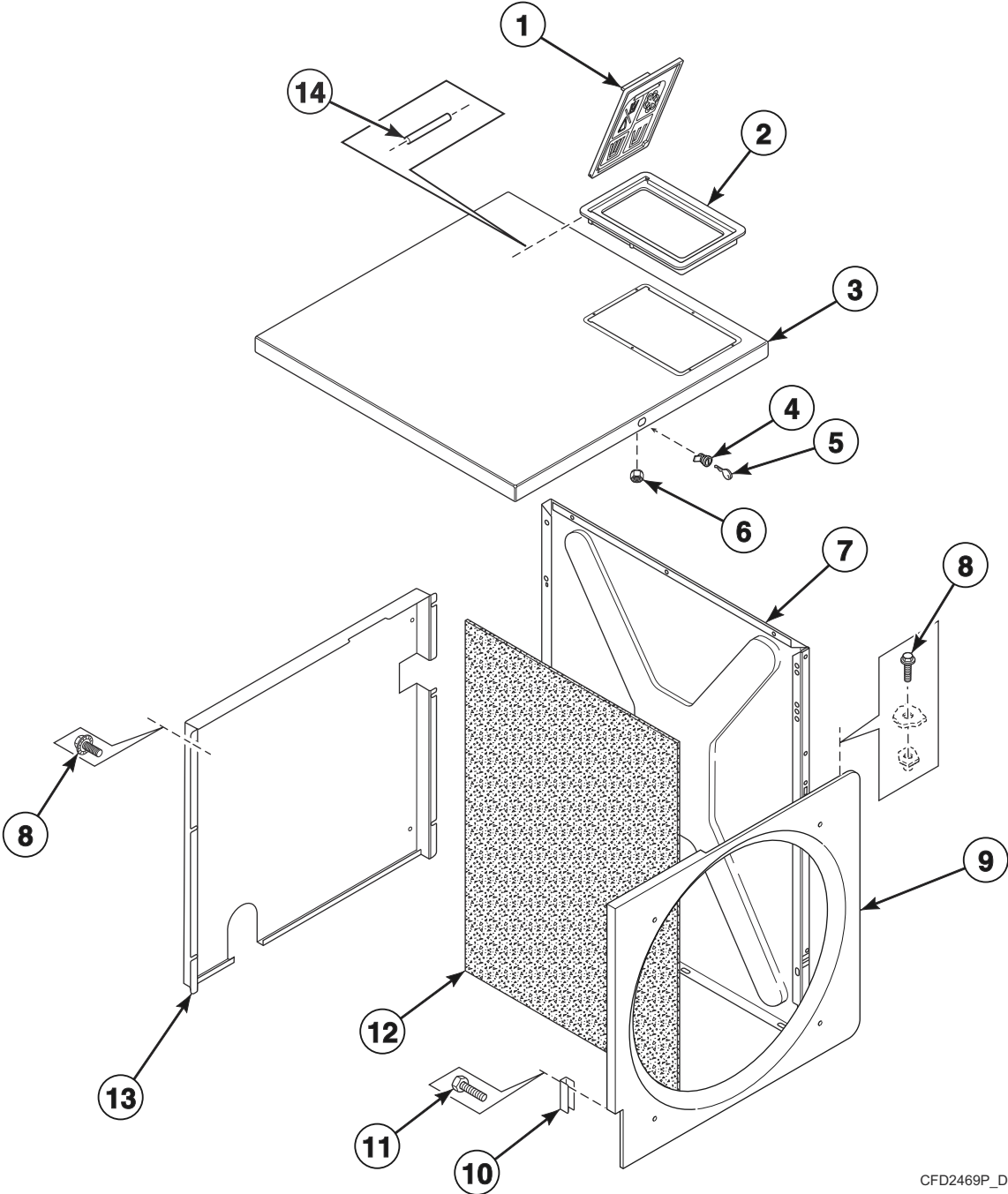


CFD2468P_D1358

Right Side, Front, Lower Rear and Top Panels - Models with Pump Drain

REF	PART NO.	DESCRIPTION	COMMENTS
1	B12319101	Supply Dispenser Cover	U.S. models
	B12356701	Supply Dispenser Cover	International models
2	B12597501	Supply Dispenser Cover Frame	
3	B12324301	Top Panel	
4	44089303P	Panel Lock	Includes item 5
5	70155603	Key	
6	B12509101	Nut	
7	111/10128/00	Side Panel	*12 and *60 models; Stainless steel
	111/10089/00	Side Panel	*14, *18, *65 and *75 models; Stainless steel
	111/60048/00	Side Panel	*12 and *60 models; Black
	111/60031/00	Side Panel	*14, *18, *65 and *75 models; Black
8	206/00104/00	Screw	
9	B12493001	Front Panel	
10	204/00009/00	Nut	
11	223/00198/00	Grommet	
12	223/00231/00	Cable Duct	
13	111/00289/00	Pump Protection Plate	
14	111/10089/01	Reinforcement Plate	
15	206/00114/00	Bolt	
16	246/00079/00	Side Panel Gasket	
17	B12312601	Lower Rear Panel	
18	223/00103/04	Soap Dispenser Cover Hinge Rod	2 used

Right Side, Front, Lower Rear and Top Panels - Models without Pump Drain

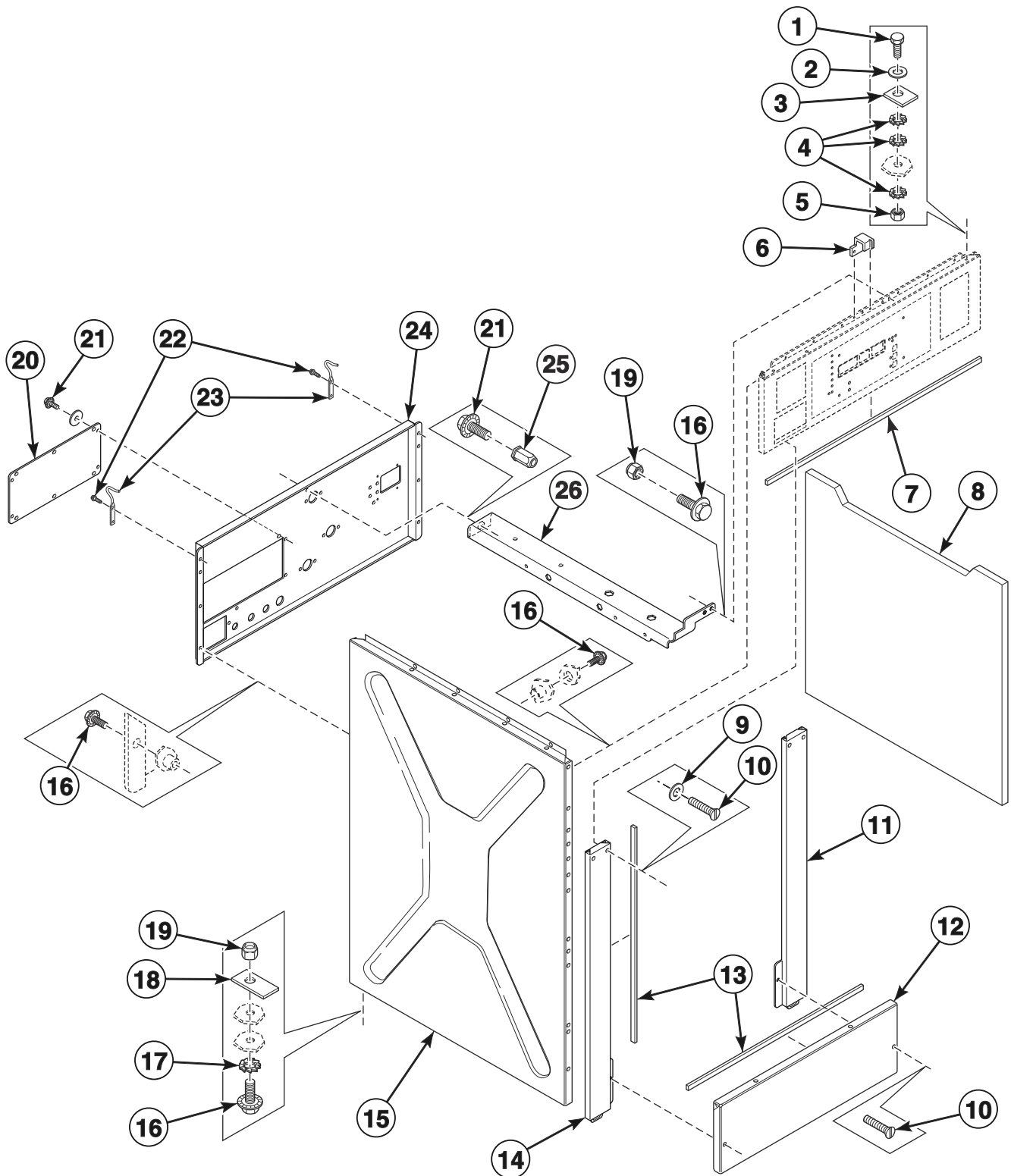


CFD2469P_D1358

Right Side, Front, Lower Rear and Top Panels - Models without Pump Drain

REF	PART NO.	DESCRIPTION	COMMENTS
1	B12319101	Supply Dispenser Cover	U.S. models
	B12356701	Supply Dispenser Cover	International models
2	B12597501	Supply Dispenser Cover Frame	
3	B12324301	Top Panel	
4	44089303P	Panel Lock	Includes item 5
5	70155603	Key	
6	44088801	Nut	
7	111/10128/00	Side Panel	*12 and *60 models; Stainless steel
	111/10089/00	Side Panel	*14, *18, *65 and *75 models; Stainless steel
	111/60048/00	Side Panel	*12 and *60 models; Black
	111/60031/00	Side Panel	*14, *18, *65 and *75 models; Black
8	206/00104/00	Screw	
9	B12493001	Front Panel	
10	111/10089/01	Reinforcement Plate	
11	206/00114/00	Bolt	
12	246/00079/00	Side Panel Gasket	
13	B12312601	Lower Rear Panel	
14	223/00103/04	Soap Dispenser Cover Hinge Rod	2 used

Left Side, Lower Front and Upper Rear Panels

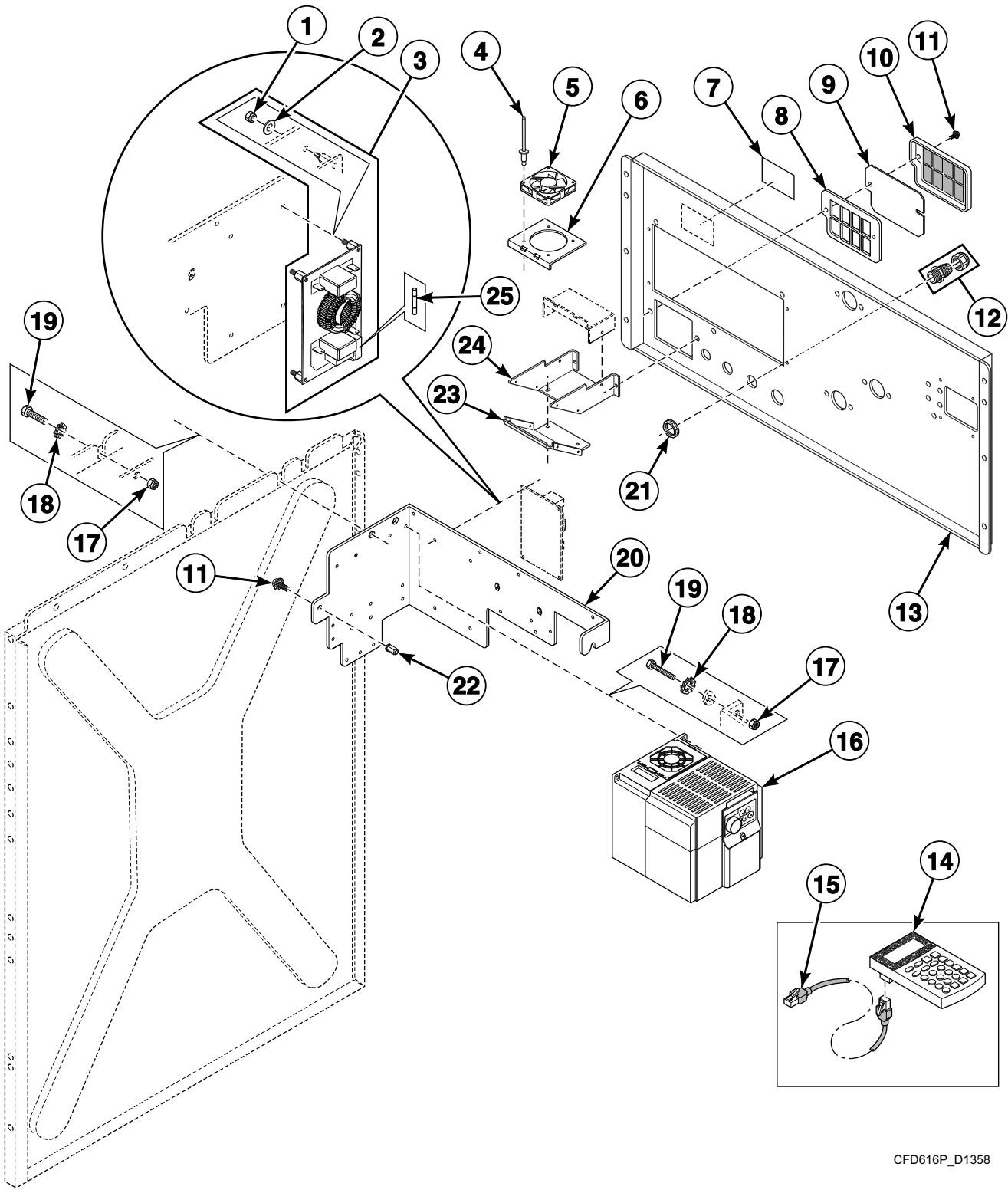


CFD2536P_D1358

Left Side, Lower Front and Upper Rear Panels

REF	PART NO.	DESCRIPTION	COMMENTS
1	205/00106/00	Bolt	
2	202/00003/00	Washer	
3	117/00042/00	Retaining Ring	
4	203/00005/00	Washer	
5	204/00107/00	Nut	
6	F8201001	Top Cover Latch	
7	246/00149/00	Gasket	
8	246/00079/00	Side Panel Gasket	
9	208/00009/00	Washer	
10	B12500701	Screw	
11	111/10146/00	Side Panel	Right
12	111/00285/00	Lower Front Panel	
13	B12525701	Cellular Rubber	
14	111/10145/00	Side Panel	Left
15	111/10128/00	Side Panel	*12 and *60 models; Stainless steel
	111/10089/00	Side Panel	*14, *18, *65 and *75 models; Stainless steel
	111/60048/00	Side Panel	*12 and *60 models; Black
	111/60031/00	Side Panel	*14, *18, *65 and *75 models; Black
16	205/00105/00	Bolt	
17	203/00004/00	Washer	
18	101/00007/00	Outlet Pipe Plate Assembly	
19	204/00009/00	Nut	
20	B12312501	Main Switch Cover	
21	206/00104/00	Screw	
22	B12462901	Screw	
23	F8258601	Top Cover Hinge	
24	B12312301	Backbridge	
25	204/00011/00	Nut	
26	B12324101	Supply Dispenser Crossbar	

Inverter Drive

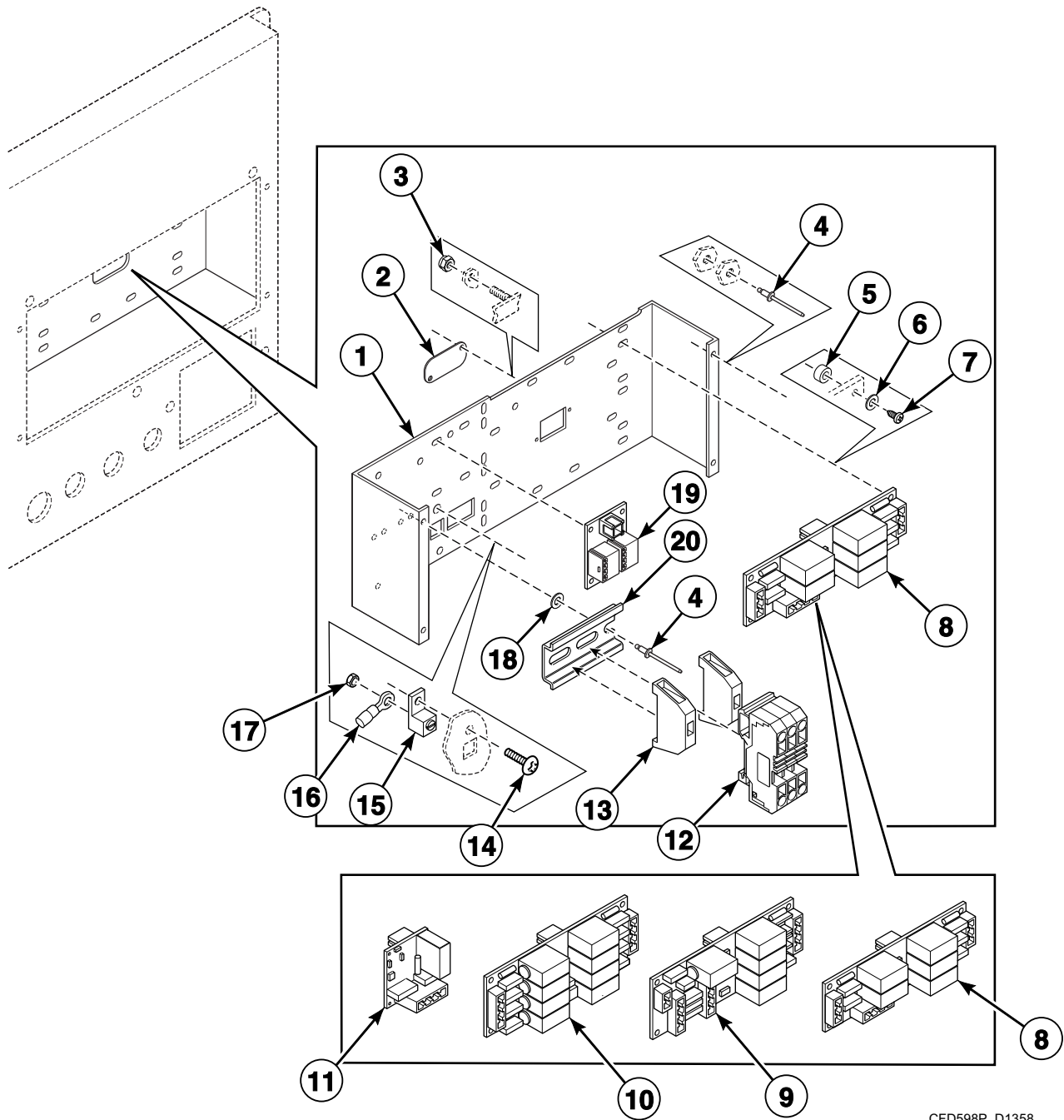


CFD616P_D1358

Inverter Drive

REF	PART NO.	DESCRIPTION	COMMENTS
	B12501502	E-Stop Drive Fan Harness	WE-8 models
	B12501501	E-Stop Drive Fan Harness	Cygnus, B-Series and PRO models
	B12495601	Drive Source Harness	WE-8 models; C, N and P-voltage
	B12350101	Ethernet Cable	Cygnus , B-Series and PRO models
1	204/00014/00	Nut	
2	202/00004/00	Washer	
3	B12339301	Noise Filter	15A1; 1x230 Volt; C, Q and X-voltage
	227/00242/00	Noise Filter	8A3; 3x400 Volt; N and P-voltage
4	208/00017/00	Rivet	
5	209/00465/00	Fan	
6	B12357201	Fan Mounting Plate	
7	B12355001	Voltage Discharge Decal	
8	B12551301	Air Duct	Inside
9	B12382401	Inverter Air Inlet Filter Grill	
10	B12346701	Inverter Air Inlet Filter Frame	Outside
11	206/00104/00	Screw	
12	211/00181/00	Strain Relief Connector	
13	B12312301	Backbridge	
14	227/00171/00	Parameter Unit Assembly	Hand held
15	227/00171/10	Parameter Unit Program Cable	
16	F8644901P	Inverter Drive	FR-D7205-042-NA series; 1x230 Volt; C, Q and X-voltage
	F8645001P	Inverter Drive	FR-D740-022-NA series; 3x400 Volt; N and P-voltage
17	204/00114/00	Nut	
18	203/00006/00	Washer	
19	206/00088/00	Bolt	
20	B12313101	Inverter Drive Box	
21	211/00170/00	Nut	
22	204/00011/00	Nut	
23	B12342701	Air Inlet Bottom	
24	B12342501	Air Inlet	
25	B12389501	Fuse	3.15 A; 500 Volt; Used with 227/00242/00 Noise Filter; N and P-voltage
	209/00468/00	Fuse	3.15 A; Used with B12339301 Noise Filter; C, Q and X-voltage

Printboard Support Panel and Soap Injection Printboards - Cygnus and PRO Models

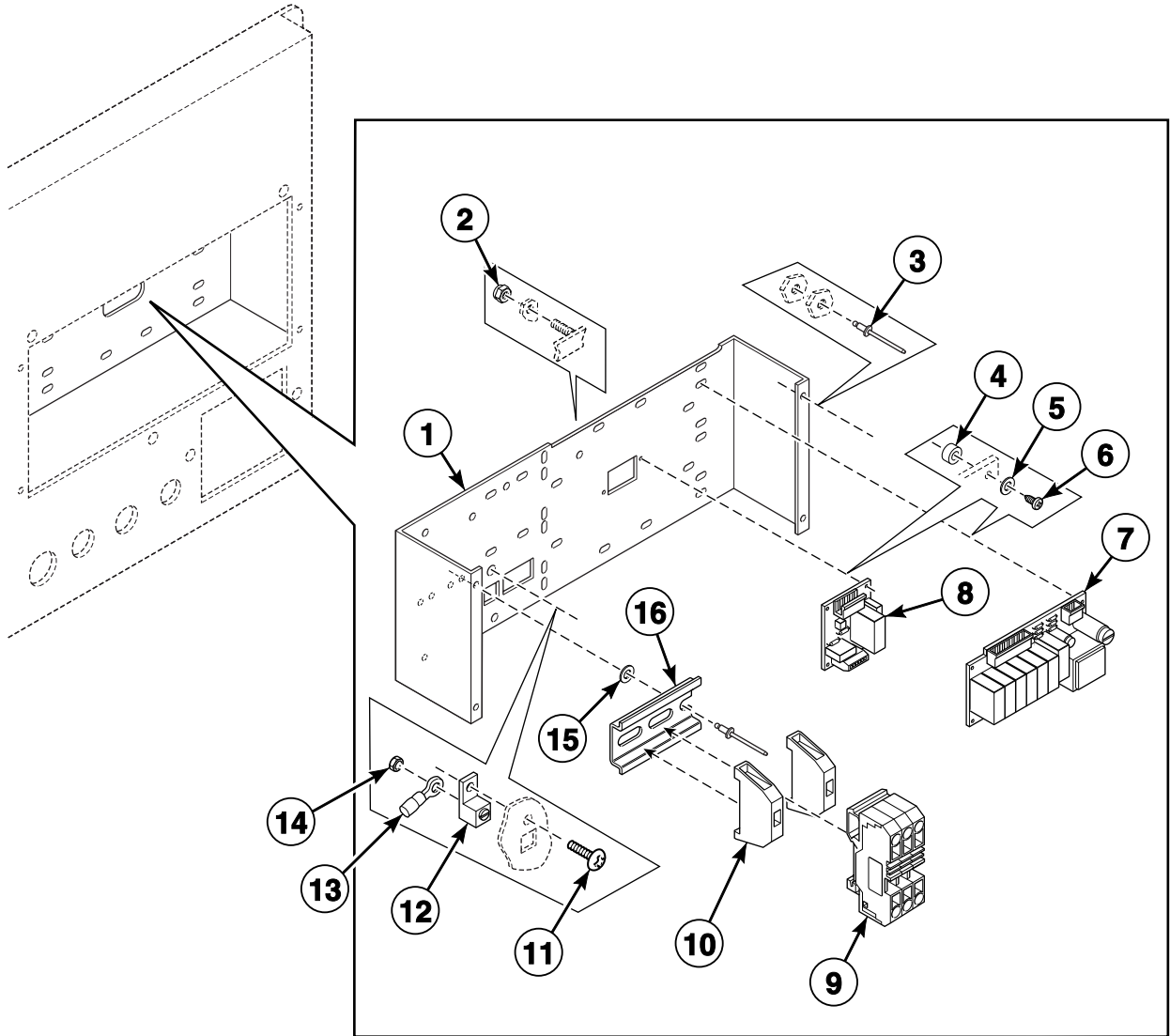


CFD598P_D1358

Printboard Support Panel and Soap Injection Printboards - Cygnus and PRO Models

REF	PART NO.	DESCRIPTION	COMMENTS
	B12388301	Ribbon Assembly	Used with items 8-11
	B12529201	Extension Board Kit	Used with items 8-11; Includes items 2-7, 16, B12381402 Central Supply Harness, B12388301 Ribbon Assembly, 201616 Transformer, 70030501 Mounting Clips, B12462901 Screw and B12319608 Diagram; Does not include extension board
	B12529301	Network Kit	Includes items 3, 5-7, 19, 211/00128/00 Printboard Separator, B12341801 Printboard Separator, B12341801 Printboard and B12390201 Network Connection Wiring
1	B12312401	Printboard Support	
2	B12382501	Flat Cable Plate	
3	204/00116/00	Nut	
4	208/00017/00	Rivet	
5	B12390301	Standoff	
6	223/00123/00	Washer	
7	B12393801	Screw	
8	209/02005/00	Detergent PC-Board	1-5
9	209/02014/00	Relay PC-Board	5-5
10	209/02008/00	Detergent PC-Board	1-8
11	209/02016/00	Relay PC-Board	1-1
12	209/01625/00	Terminal Block	Grey; 3 on C, N, P and Q-voltage; 1 on X-voltage
	209/01624/00	Terminal Block	Blue; 1 on C and X-voltage
	209/01625/01	Terminal End	
13	209/00633/02	End Stop	
14	206/00104/00	Screw	
15	M411283	Ground Lug Connector	
16	B12456001	Wiring Earth for Inverter	
17	206/00101/00	Nut	
18	202/00004/00	Washer	
19	B12344201	Network Board	Network models
20	B12315401	DIN Rail	60 mm

Printboard Support Panel and Soap Injection Printboards - WE-8 and B-Series Models

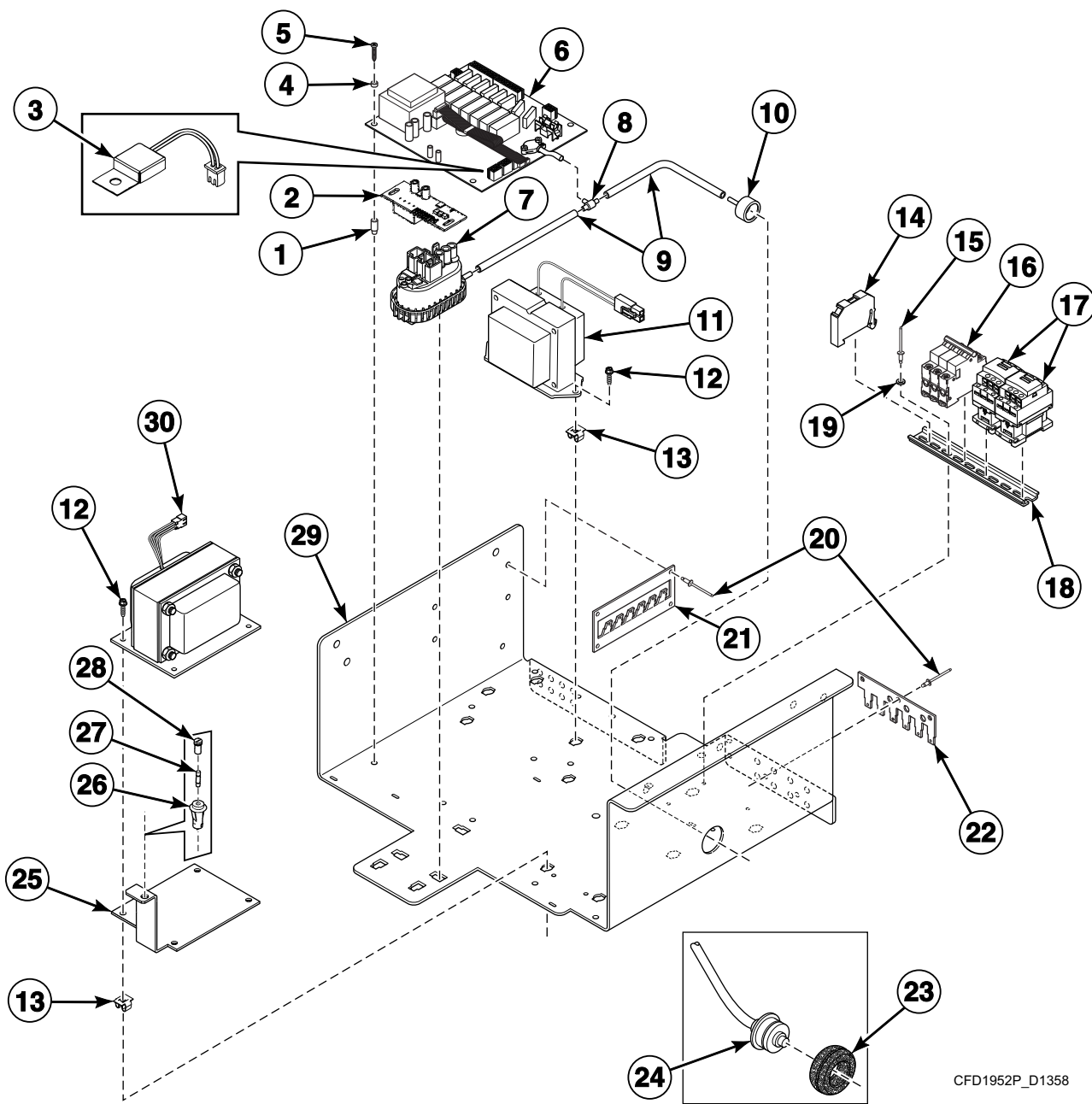


CFD2453P_D1358

Printboard Support Panel and Soap Injection Printboards - WE-8 and B-Series Models

REF	PART NO.	DESCRIPTION	COMMENTS
	B12495702	Soap Board Harness	Used with item 9
1	B12312401	Printboard Support	
2	204/00116/00	Nut	
3	208/00017/00	Rivet	
4	B12390301	Standoff	
5	223/00123/00	Washer	
6	B12393801	Screw	
7	209/00218/13	Soap Injection PCB with Fuse	
8	209/00438/50	Central Control Board	240 Volt
9	209/01625/00	Terminal Block	Gray; 3 on C, N, P and Q-voltage, 1 on X-voltage
	209/01624/00	Terminal Block	Blue; 1 on C and X-voltage
	209/01625/01	Terminal End	
10	209/00633/02	End Stop	
11	206/00104/00	Screw	
12	M411283	Ground Lug Connector	
13	B12456001	Wiring Earth for Inverter	
14	206/00101/00	Nut	
15	202/00004/00	Washer	
16	B12315401	DIN Rail	60 mm

Electrical Component Mounting Plate - Cygnus and PRO Controls

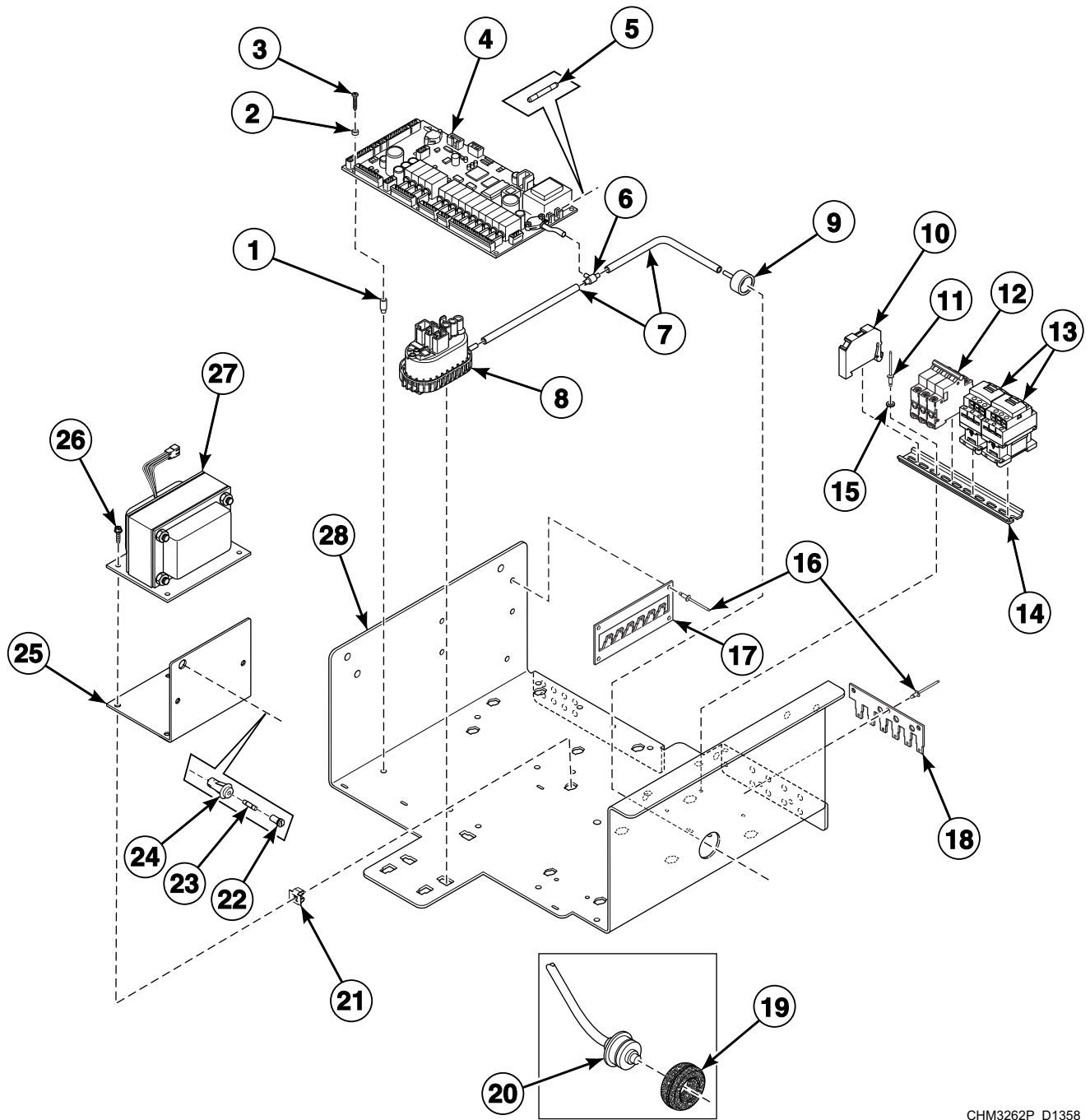


CFD1952P_D1358

Electrical Component Mounting Plate - Cygnus and PRO Controls

REF	PART NO.	DESCRIPTION	COMMENTS
	B12392701	Direct Fill Harness	
	B12381101	Main Control Tray Harness	
	B12348801	Control Communication Harness	
	B12348301	Control Supply Harness	N and P-voltage
	B12348101	Control Supply Harness	C, Q and X-voltage
	B12381402	Control Supply Harness	24 VAC; Direct fill
	B12390201	Network Connection Wiring	
1	B12390301	Standoff	
2	B12341801	Printboard	Network models
3	209/02020/00	ID Chip	
4	223/00123/00	Washer	
5	B12393801	Screw	
6	B12355701	Control Board	
	B12360001	Fuse	1.25A
7	209/00027/10B	Water Level Switch	Single lever; 200/160; Electric, steam and dual heat
8	223/00173/10	Pressure Switch Hose Tee	
9	B12700018	Pressure Hose	
10	223/00035/02	Pressure Switch Cap	
11	201616P	Transformer	Models with extension boards
12	B12462901	Screw	
13	70030501	Expansion Clip	N and P-voltage
14	209/00633/02	End Stop	Electric, steam or dual heat
15	208/00017/00	Rivet	
16	B12487101	Circuit Breaker	C and Q-voltage; Electric heat
	B12474601	Circuit Breaker	N and P-voltage; Electric heat
17	209/06148/02	Heating Contactor	1 on C, P and N-voltage; 2 on Q-voltage; Electric heat
18	B12315301	DIN Rail	200 mm
19	202/00004/00	Washer	
20	208/00017/00	Rivet	
21	B12395201	Earth Plate Side	
22	B12395301	Earth Plate Bottom	
23	225/10004/00	Thermostat Grommet	
24	210/01064/16	Thermostat	
25	B12439601	Transformer Fuse Mounting Plate	N and P-voltage
26	70329401P	Fuse Holder Body	N and P-voltage
27	802492	Fuse	N and P-voltage
28	70329501	Fuse Holder Cap	N and P-voltage
29	B12313001	Electrical Component Mounting Plate	
30	F8401301	Transformer	N and P-voltage

Electrical Component Mounting Plate - WE-8 and B-Series Control

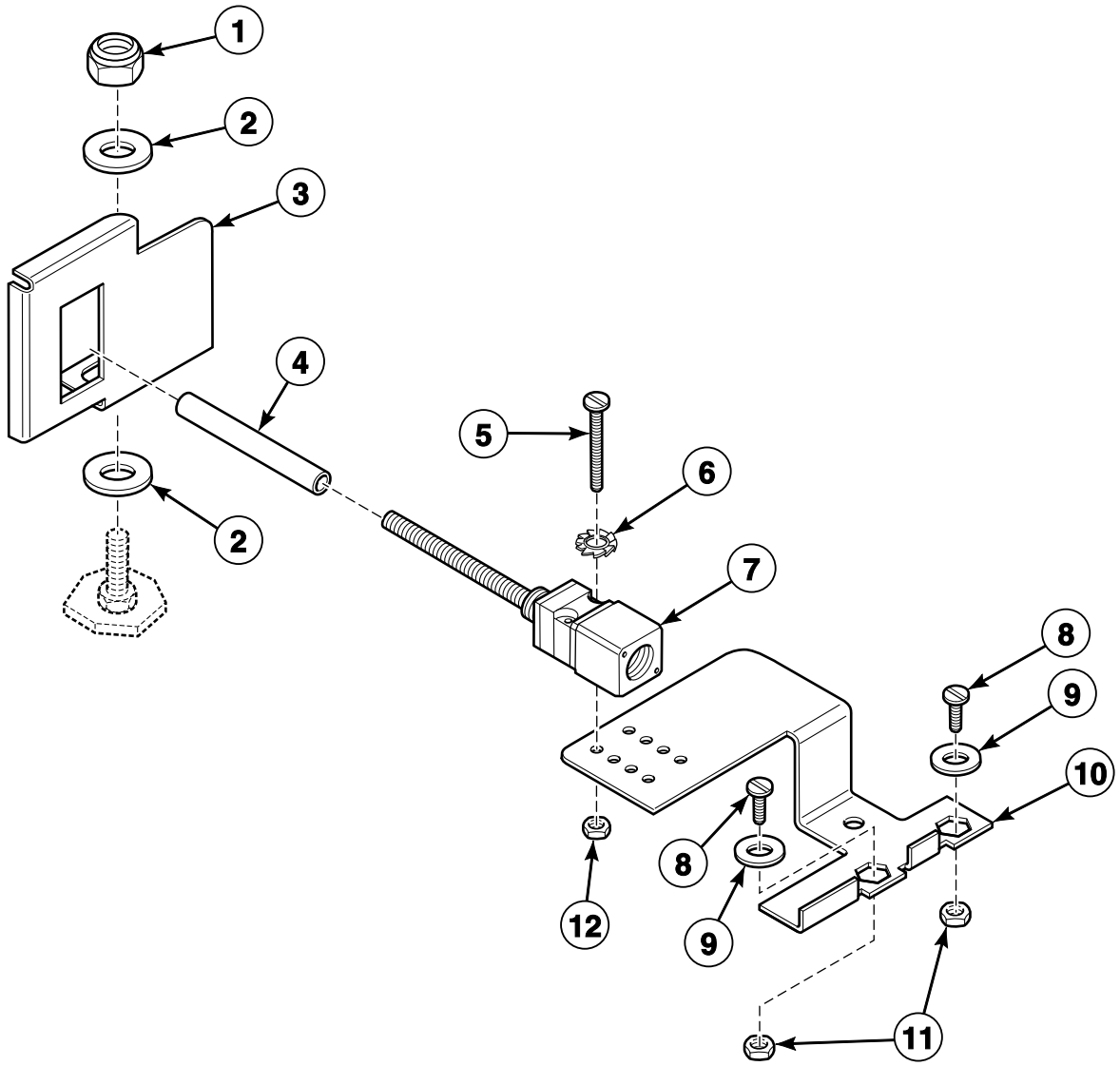


CHM3262P_D1358

Electrical Component Mounting Plate - WE-8 and B-Series Control

REF	PART NO.	DESCRIPTION	COMMENTS
	B12348303	Control Supply Harness	N and P-voltage
	B12348103	Control Supply Harness	C, Q and X-voltage
	B12381103	Main Control Tray Harness	
	B12392704	Direct Fill Harness	240 Volt
1	B12390301	Standoff	
2	223/00123/00	Washer	
3	B12393801	Screw	
4	B12565801	Main Control	
5	209/00372/01	Fuse	0.125 Amps
6	223/00173/10	Pressure Switch Hose Tee	
7	B12700018	Pressure Hose	
8	209/00027/10B	Water Level Switch	Single lever; 200/160; Electric and steam heat
9	223/00035/02	Pressure Switch Cap	
10	209/00633/02	End Stop	Electric, steam or dual heat
11	208/00027/00	Rivet	
12	B12487101	Circuit Breaker	Electric heat; C and Q-voltage; *18 and *75 models with X-voltage
13	209/06148/02	Heating Contactor	Electric heat; C and Q-voltage; *18 and *75 models with X-voltage
14	B12315301	DIN Rail	200 mm
15	202/00004/00	Washer	
16	208/00017/00	Rivet	
17	B12395201	Earth Plate Side	
18	B12395301	Earth Plate Bottom	
19	225/10004/00	Thermostat Grommet	
20	210/01064/16	Thermostat	
21	70030501	Expansion Clip	
22	70329501	Fuse Holder Cap	N and P-voltage
23	802492	Fuse	N and P-voltage
24	70329401P	Fuse Holder Body	N and P-voltage
25	B12439701	Transformer Fuse Mounting Plate	N and P-voltage
26	B12462901	Screw	
27	F8401301	Transformer	N and P-voltage
28	B12313002	Electrical Component Mounting Plate	

Balance Switch



CFD544P_D1358

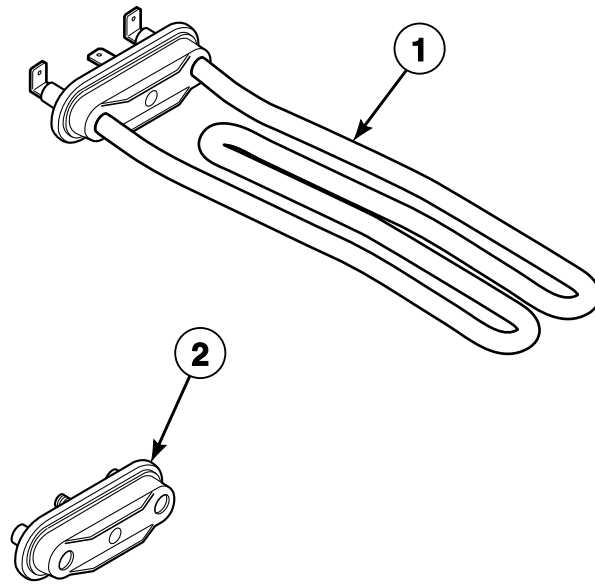
Balance Switch

REF	PART NO.	DESCRIPTION	COMMENTS
	B12349901	Out-of-Balance Switch Wiring Harness	Cygnus and PRO models
	B12349902	Out-of-Balance Switch Harness	WE-8 and B-Series models
1	204/00110/00	Nut	
2	201/00010/00	Washer	
3	111/01854/00	Tilt Detector Plate	
4	223/00246/00	Out-of-Balance Switch Boot	
5	207/00018/00	Screw	
6	203/00006/00	Washer	
7	209/00255/00	Out-of-Balance Switch	
8	B12484601	Bolt	
9	201/00006/00	Washer	
10	111/01855/00	Tilt Switch Support	
11	204/00005/00	Nut	
12	204/00007/00	Nut	

Fill Plumbing Assembly

REF	PART NO.	DESCRIPTION	COMMENTS
	B12349201	Inlet Valve Harness	Cygnus and PRO models
	B12349202	Inlet Valve Harness	WE-8 and B-Series models
1	223/00010/00	Hose Clamp	
2	223/00044/00	Water Hose	
3	B12469601	Clip	
4	B12462901	Screw	
5	B12312301	Backbridge	
6	223/00001/04	Prewash and Mainwash Nozzle	
7	206/00027/00	Bolt	
8	F200164	Water Hose	Standard thread; All models except A and Y market models
	F200166	Water Hose	Metric thread; All models except A and Y market models
	B8498901	Fill Hose	A and Y market models
9	203386	Check Valve Kit	A and Y market models
10	223/00179/10	Pressure Hose	
11	F8048601	Vacuum Breaker Assembly	
12	F8048601	Vacuum Breaker Assembly	Includes item 11
13	223/00014/00	Hose Clamp	
14	B12324506	Siphon Break Hose	
15	223/00011/00	Hose Clamp	
16	F8333201	Manifold	
17	B12316401	Supply Dispenser Support	
18	F8047401	Dispenser Assembly	
19	B12463001	Insert	
20	B12462801	Screw	
21	F8047901	Siphon Cover	
22	F8047801	Access Cover	
23	B12313303	Dispenser Overflow Hose	
24	223/00223/00	Hose Clamp	
25	F8308301	Dispenser Gasket	
26	B12390004	Vacuum Supply Hose	
27	223/00013/00	Hose Clamp	
28	209/00276/00	Inlet Valve	1-way; Hard water rinse option; Metric thread
	223/00050/01	Water Valve Adapter	Standard thread
29	201/00002/00	Washer	
30	204/00201/00	Nut	
31	F8286401	3-Way Valve	3-way; Standard thread
	F8286402P	3-Way Valve	3-way; Metric thread

Electric and Steam Heating Options



CFD588P_D1358

Electric and Steam Heating Options

REF	PART NO.	DESCRIPTION	COMMENTS
	F140329	Strain Relief Connector	
	F140609P	DIN Connector	
	B12308001	Relay	Steam heat
	B12349704	Steam Heat Harness	WE-8 and B-Series models
	B12349703	Steam Heat Harness	Cygnus and PRO models
	B12349803	Dual Heat Harness	Cygnus and PRO models
	B12382302	Steam Valve Harness	
	B12349604	Electric Heat Harness	WE-8 and B-Series models
	B12349603	Electric Heat Harness	Cygnus and PRO models
	B12382201	Heat Harness	Electric heat; X-voltage; *12 and *60 models
	B12455802	Heat Harness	Electric heat; Q-voltage; *18 and *75 models with X-voltage
	B12455902	Heat Harness	Electric heat; C, N and P-voltage
	B12348502	Branch Harness	Electric heat; Q-voltage; *18 and *75 models
	B12348503	Branch Harness	Electric heat; X-voltage; *12 and *60 models
	B12348504	Branch Harness	Electric heat; C, N and P-voltage; *12, *14, *60 and *65 models with Q-voltage
	B12348505	Branch Harness	Electric heat; X-voltage; *18 and *75 models
	B12381202	Power Jumper Harness	Electric heat; X-voltage; *18 and *75 models
	B12381201	Power Jumper Harness	
	209/06148/02	Heating Contactor	Electric heat
	209/00027/10B	Water Level Switch	Steam heat
1	209/00562/20	Heating Element	3 kW; 240 Volt; X-voltage; *12 and *60 models
	209/00563/20	Heating Element	2 kW; 240 Volt; C, P and Q-voltage; *18 and *75 models with X-voltage
	209/00564/20	Heating Element	3 kW; 275 Volt; N-voltage
2	F360202	Heating Element Plug	

Parts Index

A

Access Cover	
F8047801	67
Air Duct	
B12551301	55
Air Inlet	
B12342501	55
Air Inlet Bottom	
B12342701	55

B

Backbridge	
B12312301	53, 55, 67
Backplate	
111/01005/00	45, 47
Basket and Shaft Assembly	
B12379601	11, 15
B12379801	11, 15
Basket Kit	
B12542501	11, 15
B12542601	11, 15
B12542701	11, 15
Bearing	
F100136P	13
F100137P	13
Bearing Housing Assembly	
152/00117/00	13
Bearing Kit	
3881P	13
Bearing Replacement Tool Kit	
380P3P	13
380P3-1	13
Belt	
255/00013/00	15, 17
Bolt	
B12484601	65
205/00102/00	13
205/00104/00	13
205/00105/00	53
205/00106/00	53
205/00107/00	25
206/00004/00	15
206/00027/00	67
206/00032/00	11
206/00033/00	19, 21
206/00088/00	55
206/00114/00	49, 51
Branch Harness	
B12348502	69
B12348503	69
B12348504	69
B12348505	69

C

Cable Duct	
223/00231/00	49

Caddy Bracket	
224/00051/00	13
224/00052/00	13
Cellular Rubber	
B12525701	53
Central Control Board	
209/00438/50	59
Central Payment Harness	
B12531401	43
Central Payment Key Switch Harness	
B12531201	43
Check Valve Kit	
203386	67
Circuit Board Cover	
229/00262/50	43
Circuit Breaker	
B12474601	61
B12487101	61, 63
Clamp	
223/00009/00	21
Clip	
B12469601	67
Coin Box	
254/00077/00	45, 47
Coin Drop	
B11211209	45
B12311201	45
B12311202	45
B12311203	45
B12311204	45
B12311205	45
B12311206	45
B12311207	45
B12311208	45
B12311210	45
B12311211	45
B12311212	45
B12311214	45
B12311215	45
B12311216	45
B12311218	45
B12311219	45
B12311220	45
B12311221	45
B12311222	45
B12311224	45
B12311225	45
B12311226	45
B12311234	45
B12311235	45
B12311239	45
B12311241	45
B12311244	45
B12311247	45
B12311248	45
B12311249	45
B12311252	45
B12311301	45
B12311302	45
B12311304	45
B12311401	47
B12323401	45
B12323901	45

N/A items do not appear in index.

Coin Drop Power Harness B12530201	43
Computer Board 9002063	43
Contact Block 44018901	27, 29, 31, 33, 37, 41
Contact Harness B12491701	27, 29, 31, 33, 37, 41
B12491801	27, 29, 31, 33, 37, 41
Contact Switch 209/00029/26	27, 29, 31, 33, 37, 41
Control Board B12355701	61
Control Communication Harness B12348801	61
Control Panel B12570701	29
B12570801	29
Control Supply Harness B12348101	61
B12348103	63
B12348301	61
B12348303	63
B12381402	61
Counter Ring 217/00004/00	15

D

Data Card Ribbon Assembly B12538301	27, 29, 33, 35, 37, 39
Datacard 209/02024/00	27, 29, 33, 35, 37, 39
Datacard Cover 223/00348/00	27, 29, 33
Detergent PC-Board 209/02005/00	57
209/02008/00	57
DIN Connector F140609P	69
DIN Rail B12315301	61, 63
B12315401	57, 59
Direct Fill and Central Payment Harness B12531301	43
Direct Fill Harness B12392701	61
B12392704	63
B12392705	43
Dispenser Assembly F8047401	67
Dispenser Gasket F8308301	67
Dispenser Overflow Hose B12313303	67
Display 209/00580/03	41
Display PC-Board 209/02002/ZB2	27, 29, 31
Door Frame B12314901	25
Door Glass B12449701	25

Door Glass Seal 217/00015/00	25
Door Handle B12336301	25
B12336302	25
Door Handle Stop 217/00016/00	25
Door Hinge 221/00005/00	25
Door Hinge Assembly 217/00009/02	25
Door Hinge Spacer 117/00011/00	25
Door Lock Assembly B12517701	23
Door Lock Harness B12495001	23
B12495002	23
Door Lock Microswitch 209/00272/00	23
Door Lock PC-Board B12388201	27, 29, 31, 33, 35, 37, 39
Door Solenoid Assembly B12518101	23
Drain Hose 223/00307/00	21
Drain Piece 155/00155/00	21
223/00146/00	19, 21
Drain Pipe Kit 899P3	21
Drain Valve 209/00463/00	19
Drain Valve Cover F200133600	19
Drain Valve Fuse Harness B12495801	19
Drain Valve Harness B12349401	19
Drain Valve Hose 223/00303/00	19
Drain Valve Motor 209/00051/11	19
Drive Source Harness B12495601	55
Drive Stop or Bypass Harness B12348904	43
Dual Drain Kit B12428201	19
Dual Heat Harness B12349803	69
Dual Heat Sticker B12523901	27, 29, 31, 33, 37

E

Earth Plate Bottom B12395301	61, 63
Earth Plate Side B12395201	61, 63
Electric Heat Harness B12349603	69

N/A items do not appear in index.

B12349604.....	69
Electrical Component Mounting Plate	
B12313001.....	61
B12313002.....	63
Electronic Coin Meter Housing	
152/00112/50.....	47
End Stop	
209/00633/02.....	57, 59, 61, 63
E-Stop Bypass Harness	
B12349001.....	35, 39
E-Stop Drive Fan Harness	
B12501501.....	55
B12501502.....	55
E-Stop Drive Harness	
B12348903.....	41
E-Stop Harness	
B12348901.....	27, 29, 31, 33, 37
B12348902.....	41
Ethernet Cable	
B12350101.....	55
Expansion Clip	
70030501.....	61, 63
Extension Board Kit	
B12529201.....	57

F

Fan	
209/00465/00.....	55
Fan Mounting Plate	
B12357201.....	55
Fastening Piece	
217/00060/00.....	45, 47
Fastening Rubber	
247/00006/00.....	9
247/00007/00.....	9
Fill Hose	
B8498901.....	67
Flat Cable Plate	
B12382501.....	57
Frame	
B12344001.....	7
Front Panel	
B12493001.....	49, 51
111/01003/00.....	43
111/01004/00.....	43
Fuse	
B12360001.....	61
B12389501.....	55
209/00372/01.....	43, 63
209/00468/00.....	55
802492.....	61, 63
Fuse Holder Body	
70329401P.....	61, 63
Fuse Holder Cap	
70329501.....	61, 63

G

Gasket	
246/00149/00.....	53

Grommet	
223/00198/00.....	49
Ground Lug Connector	
M411283.....	57, 59

H

Hardware Kit	
F407P4.....	13
Heat Harness	
B12382201.....	69
B12455802.....	69
B12455902.....	69
Heating Contactor	
209/06148/02.....	61, 63, 69
Heating Element	
209/00562/20.....	69
209/00563/20.....	69
209/00564/20.....	69
Heating Element Plug	
F360202.....	69
Hinge Plate	
118/00128/00.....	25
Hose Clamp	
F200205.....	19
223/00010/00.....	67
223/00011/00.....	21, 67
223/00012/00.....	21
223/00013/00.....	19, 67
223/00014/00.....	19, 21, 67
223/00223/00.....	67

I

ID Chip	
209/02020/00.....	61
Infrared Cable Kit	
210/00902/00P.....	27, 29, 31, 33, 35, 37, 39
Inlet Valve	
209/00276/00.....	67
Inlet Valve Harness	
B12349201.....	67
B12349202.....	67
Insert	
B12463001.....	67
Insulating Sticker	
229/00255/00.....	43
229/00268/00.....	27, 29, 31
229/00291/00.....	33, 35
Inverter Air Inlet Filter Frame	
B12346701.....	55
Inverter Air Inlet Filter Grill	
B12382401.....	55
Inverter Drive	
F8644901P.....	55
F8645001P.....	55
Inverter Drive Box	
B12313101.....	55

N/A items do not appear in index.

K

Key	
254/00077/02	45, 47
70155603	49, 51
Key Switch Harness	
B12495501	41

L

Leveling Leg	
252/00006/00	7
Lip Seal	
B12332201	13
Logo Decal	
225/00436/00	41
Lower Front Panel	
111/00285/00	53
Lower Rear Panel	
B12312601	49, 51

M

Magnet	
B12363301	25
Magnet Holder	
B12389701	25
Main Control	
B12565801	63
209/0058000/98	43
Main Control Tray Harness	
B12381101	61
B12381103	63
Main Switch Cover	
B12312501	53
Manifold	
F8333201	67
Mechanical Coin Meter Housing	
152/00112/00	45
Memory Card PC Board	
B12305201	35
Memory Card PC-Board	
B12305201	27, 29, 33, 37, 39
Microswitch	
B12700018	23
Motor	
B12510501	17
Motor Harness	
B12382101	17
Motor Pulley	
255/00012/00	17
Mounting Plate	
223/00374/00	27, 29, 31, 33, 35, 37, 39

N

Nameplate	
B12389801	27, 33, 35, 37, 39
B12389802	27, 33, 37, 39

B12389803	37, 39
B12389805	33, 35
B12389809	37, 39
B12389810	37, 39
B12530801	33, 35
Network Board	
B12344201	57
Network Connection Wiring	
B12390201	61
Network Kit	
B12529301	57
Noise Filter	
B12339301	55
227/00242/00	55
Nut	
B12509101	49
204/00005/00	65
204/00007/00	65
204/00008/00	41
204/00009/00	11, 49, 53
204/00011/00	53, 55
204/00014/00	55
204/00106/00	25
204/00107/00	53
204/00109/00	17
204/00110/00	9, 11, 65
204/00111/00	7, 13
204/00114/00	55
204/00116/00	27, 29, 31, 33, 35, 37, 39, 41, 43, 45, 47, 57, 59
204/00201/00	19, 67
206/00101/00	19, 21, 57, 59
206/00105/00	21
206/00106/00	7
211/00170/00	55
44088801	51

O

Operating Panel	
B12312801	39
B12355801	37
B12355901	27, 31
B12356001	33
B12356101	35
B12436201	41
Operating Sticker	
B12382701	37
B12382801	37
B12382901	39
B12383001	37
B12383101	37
B12383201	39
B12383301	33
B12383401	33
B12383501	35
B12383601	27, 29, 31
B12383701	27, 29, 31
B12456501	39
B12456701	33
B12531801	33, 37
B12531901	33
B12532001	27
Operation Panel	
B12523401	43
B12540601	43

N/A items do not appear in index.

Optical Coin Drop Switch B12359902.....	45, 47
Optical Switch 209/00781/00.....	45
Outer Tub	
B12327701.....	11
B12327801.....	11
B12328001.....	11
B12328101.....	11
B12328301.....	11
B12328401.....	11
Outlet Pipe Plate Assembly 101/00007/00.....	19, 21, 53
Out-of-Balance Switch 209/00255/00.....	65
Out-of-Balance Switch Boot 223/00246/00.....	65
Out-of-Balance Switch Harness B12349902.....	65
Out-of-Balance Switch Wiring Harness B12349901.....	65
Overflow Hose 223/00150/00.....	19
Overlay	
B12389804.....	27, 33, 35, 37, 39
B12524901.....	43
B12568801.....	29
B12568901.....	29
B12583801.....	31
F8435601.....	41
F9001561.....	41
225/00435/00.....	41

P

Panel Lock 44089303P.....	49, 51
Parameter Unit Assembly 227/00171/00.....	55
Parameter Unit Program Cable 227/00171/10.....	55
Pipe 223/00159/00.....	21
Plexi Frame	
225/00321/00.....	27, 29, 31
225/00322/00.....	37, 39
225/00323/00.....	33, 35
Power Jumper Harness B12381201.....	69
B12381202.....	69
Pressure Hose B12700018.....	19, 21, 61, 63
223/00179/10.....	67
Pressure Switch Cap 223/00035/02.....	19, 21, 61, 63
Pressure Switch Hose Tee 223/00173/10.....	19, 21, 61, 63
Prewash and Mainwash Nozzle 223/00001/04.....	19, 67
Printboard	
B12341801.....	61
209/02001/02.....	37, 39
209/02015/02.....	33, 35

Printboard Separator 211/00128/00.....	27, 29, 31, 33, 35, 37, 39
Printboard Support B12312401.....	57, 59
Printboard Support Card 111/01893/00.....	27, 29, 33
Programming Cable B12388303.....	43
B12388306.....	43
Programming Key Contact Switch 209/00326/20.....	41
Protection LED 223/00330/00.....	37, 39
Pulley 255/00117/00.....	15
Pump	
209/00646/00.....	21
209/00647/00.....	21
Pump Protection Plate 111/00289/00.....	49
Pump Support 111/00288/10.....	21
Pushbutton	
.....	37
209/00396/00.....	45, 47
44018801.....	27, 29, 31, 33, 41

R

Reed Switch Holder B12517601.....	23
Reinforcement Plate 111/10089/01.....	49, 51
Relay B12308001.....	69
Relay PC-Board	
209/02014/00.....	57
209/02016/00.....	57
Retaining Ring 117/00042/00.....	53
212/00038/00.....	13
Ribbon Assembly	
B12388301.....	57
B12388302.....	41
B12388305.....	41
Rivet	
B12500301.....	25
208/00017/00.....	55, 57, 59, 61, 63
208/00027/00.....	63

S

Screw	
B12393801.....	57, 59, 61, 63
B12462801.....	67
B12462901.....	53, 61, 63, 67
B12500701.....	53
B12500801.....	25
206/00053/00.....	7, 13
206/00058/00.....	17
206/00104/00.....	17, 21, 49, 51, 53, 55, 57, 59
207/00018/00.....	65
207/00102/00.....	23

N/A items do not appear in index.

207/00126/00	25
Seal Plate Assembly B12333601	13
Shock Absorber SPPRI611001025.....	9
247/00002/00	9
247/00002/03	9
247/00003/00	9
Side Panel 111/10089/00.....	49, 51, 53
111/10128/00.....	49, 51, 53
111/10145/00.....	53
111/10146/00.....	53
111/60031/00.....	49, 51, 53
111/60048/00.....	49, 51, 53
Side Panel Gasket 246/00079/00	49, 51, 53
Siphon Break Hose B12324506.....	67
Siphon Cover F8047901	67
Soap Board Harness B12495702.....	59
Soap Dispenser Cover Hinge Rod 223/00103/04	49, 51
Soap Injection PCB with Fuse 209/00218/13	59
Spacer 211/00107/00	43
211/00140/00	41
Speed Detector 210/00074/00	13
Speed Detector Bracket 152/00055/00	13
Spring Holder Top 247/00001/04	9
Spring Seat Bottom 247/00001/03	9
Standoff B12390301.....	57, 59, 61, 63
211/00122/00	27, 29, 31, 33, 35
211/00145/00	27, 29, 33
Steam Heat Harness B12349703.....	69
B12349704.....	69
Steam Valve Harness B12382302.....	69
Stopper 223/00162/00	21
255/00019/00	21
Strain Relief Connector F140329.....	69
211/00181/00	17, 55
Supply Dispenser Cover B12319101.....	49, 51
B12356701.....	49, 51
Supply Dispenser Cover Frame B12597501.....	49, 51
Supply Dispenser Crossbar B12324101.....	53
Supply Dispenser Support B12316401.....	67
Suspension Spring 247/00001/01	9

247/00002/01	9
247/00009/00	9
Switch Knob 209/00099/29	27, 29, 31, 33, 37

T

Telem Sticker 209/00520/00	27, 29, 31, 33, 37, 41
Terminal Block 209/01624/00	57, 59
209/01625/00	57, 59
Terminal End 209/01625/01	57, 59
Thermostat 210/01064/16	61, 63
Thermostat Grommet 225/10004/00	61, 63
Tilt Detector Plate 111/01854/00	11, 65
Tilt Switch Support 111/01855/00	65
Tolerance Ring 215/00004/00	15
Top Cover Hinge F8258601	53
Top Cover Latch F8201001	53
Top Panel B12324301	49, 51
111/01003/00	45, 47
Transformer F8401301	61, 63
201616P	61
Transformer Fuse Mounting Plate B12439601	61
B12439701	63
Transportation Back B12364401	7
Transportation Side B12364501	7
Tub Front Gasket B12351601	11
Tub Front Panel B12339601	11
Tub Front Panel Clip 217/00008/00	11
Tub Front Ring Clamp 219/00007/00	11
Tub Support B12490201	7
Tub to Drain Valve Hose 255/00010/00	19, 21

V

Vacuum Breaker Assembly F8048601	67
Vacuum Supply Hose B12390004	67

N/A items do not appear in index.

Valve, 3-Way	
F8286401	67
F8286402P	67
Voltage Discharge Decal	
B12355001	55

W

Washer	
201/00002/00	19, 67
201/00003/00	15
201/00005/00	7
201/00006/00	17, 65
201/00007/00	11, 19, 21
201/00010/00	11, 65
201/00012/00	13
201/00015/00	9
201/00201/00	13
202/00003/00	13, 53
202/00004/00	55, 57, 59, 61, 63
202/00101/00	25
202/00104/00	25
202/00108/00	25
203/00001/00	15
203/00004/00	13, 53
203/00005/00	53
203/00006/00	55, 65
203/00007/00	41
208/00009/00	53
223/00123/00	27, 29, 31, 33, 35, 37, 39, 41, 57, 59, 61, 63
Water Hose	
F200164	67
F200166	67
223/00044/00	19, 67
Water Level Switch	
209/00027/10B	61, 63, 69
Water Valve Adapter	
223/00050/01	67
Wire Harness Assembly	
B12309901	45, 47
B12310001	45, 47
Wiring Earth for Inverter	
B12456001	57, 59
