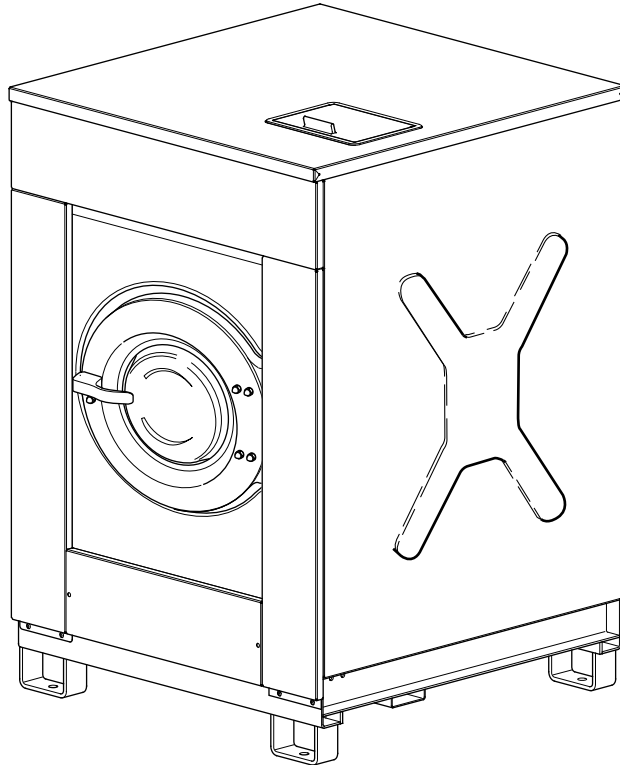


# Washer-Extractor

Cabinet Freestanding  
Refer to Page 5 for Model Numbers



CFD22C\_D0246



# Table of Contents

Title	Page
Parts Ordering Information.....	3
Nameplate Location.....	3
Model Identification.....	5
Cabinet Freestanding Washer-Extractor Product Overview.....	6
Drain Plumbing with MDP100 Drain Valve.....	8
Drain Plumbing with MDP90 Drain Valve.....	10
Drain Valve - 2-Inch with Lid.....	12
Drain Valve - MDP100 Normally Open.....	14
Drain Valve - MDP100 Normally Closed.....	16
Drain Valve - MDP90 Normally Open.....	18
Drain Valve - MDP90 Normally Closed.....	20
Upper Back Panel.....	22
Water Inlet Valves.....	24
Water Inlet Valves - Invensys.....	26
Water Inlet Valves - Elbi.....	28
Water Inlet Valves - Techno.....	30
Supply Dispenser.....	32
Control Panel - Ramstetter.....	34
Control Panel - Fiber Control.....	36
Control Panel - 10 Button.....	38
Control Panel - PLC9 OPL.....	40
Control Panel - PLC9 Coin.....	42
Control Panel - PC20 and PC30.....	44
Control Panel.....	46
Electrical Component Mounting Plate - Mechanical Timer.....	48
Electrical Component Mounting Plate - Ramstetter.....	50
Electrical Component Mounting Plate - Fiber.....	52
Electrical Component Mounting Plate - 10 Button.....	54
Electrical Component Mounting Plate - PC30.....	56
Door Lock - One Coil.....	58
Door Lock - Two Coils.....	60
Door Lock - Electronic.....	62
Manual Door Unlock Components.....	64
Door Handle.....	66
Door.....	68
Basket, Shell, Electrical Heating Element and Steam Heat Injector.....	70
Bearing Housing.....	72
Basket and Pulley.....	74
Pulley and Belt.....	76
Top and Back Panels.....	78
Front and Side Panels.....	80

© Copyright 2014, Alliance Laundry Systems LLC

All rights reserved. No part of the contents of this book may be reproduced or transmitted in any form or by any means without the expressed written consent of the publisher.

Motor .....	82
Frame - *110 Models .....	84
Frame - *132 and *165 Models .....	86
Shock Absorber .....	88
Coin Vault .....	90
Coin Meter and Transformer .....	92
Coin Meter and Heating Element Plug .....	94
Liquid Supply Pump .....	96
Parts Index .....	99

## Parts Ordering Information

If literature or replacement parts are required, contact the source from whom the machine was purchased or contact Alliance Laundry Systems at (920) 748-3950 for the name and address of the nearest authorized parts distributor.

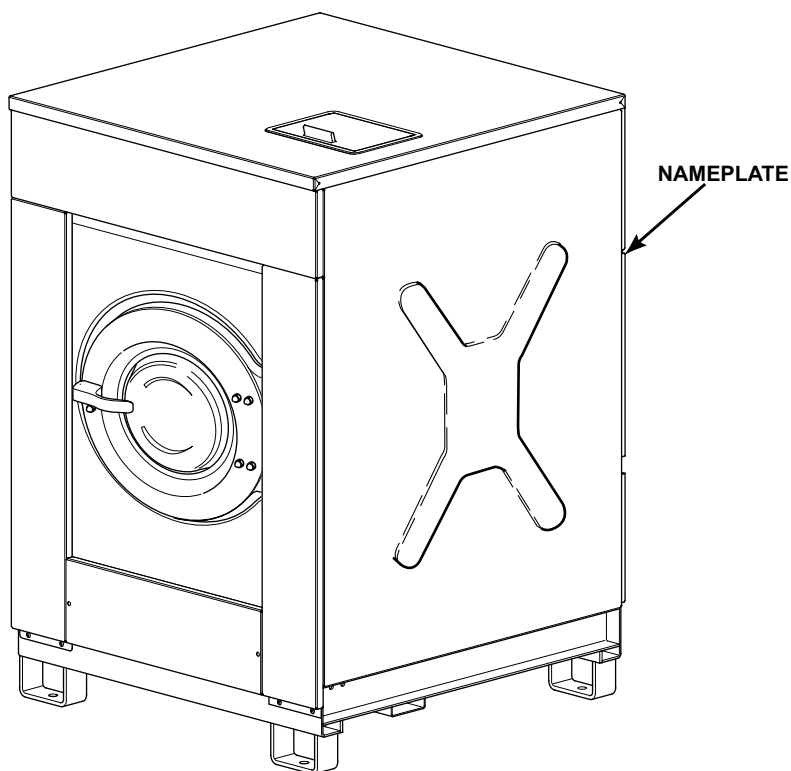
For technical assistance, call either of the numbers listed below:

(920) 748-3121 Ripon, Wisconsin

+32 56 41 20 54 Wevelgem, Belgium

## Nameplate Location

When calling or writing about your product, be sure to mention model and serial numbers. Model and serial numbers are located on nameplate(s). The nameplate is located at the rear of the machine as shown.



CFD22CA\_D0246



## Model Identification

Information in this manual is applicable to these washer-extractor models:



HF110\_CAM-TIMER  
HF110\_MICRO-20\_COIN  
HF110\_MICRO-20\_OPL  
HF110\_PC30

HF132\_CAM-TIMER  
HF132\_MICRO-20\_COIN  
HF132\_MICRO-20\_OPL  
HF132\_PC30

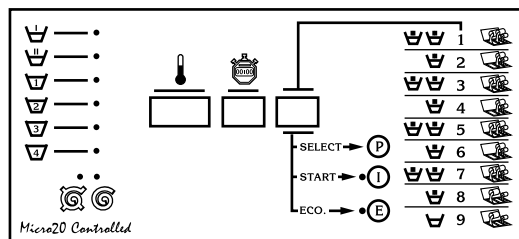
HF165\_CAM-TIMER  
HF165\_MICRO-20\_COIN  
HF165\_MICRO-20\_OPL  
HF165\_PC30

# Cabinet Freestanding Washer-Extractor Product Overview

1      2

Type:	HF165P	Nr:	07110580147
Voltage:	3 ~ 380V 50Hz	Weight:	1787 kg
Motor:	7.5 kW 20 A	Capacity:	575 L
Heating:	36 kW 60 A	Dry Load:	57 kg
Total:	43.50 kW	Drum:	980 mm
Kinetic energy:	23257N/M	Speed:	800 rpm
Manufactured in:	2007		
Water Pressure: min. 2.07 max. 5.86 Kg/cm <sup>2</sup>		IPX4	
min. 20.7 max. 58.6 N/cm <sup>2</sup>			
sfc 741295			
 <b>Alliance International BVBA</b> Nieuwstraat 146 8560 Wevelgem Belgium Tel: +32 56 41 20 54 Fax: +32 56 41 86 74 www.ipso.be			

Label 1



Micro 20

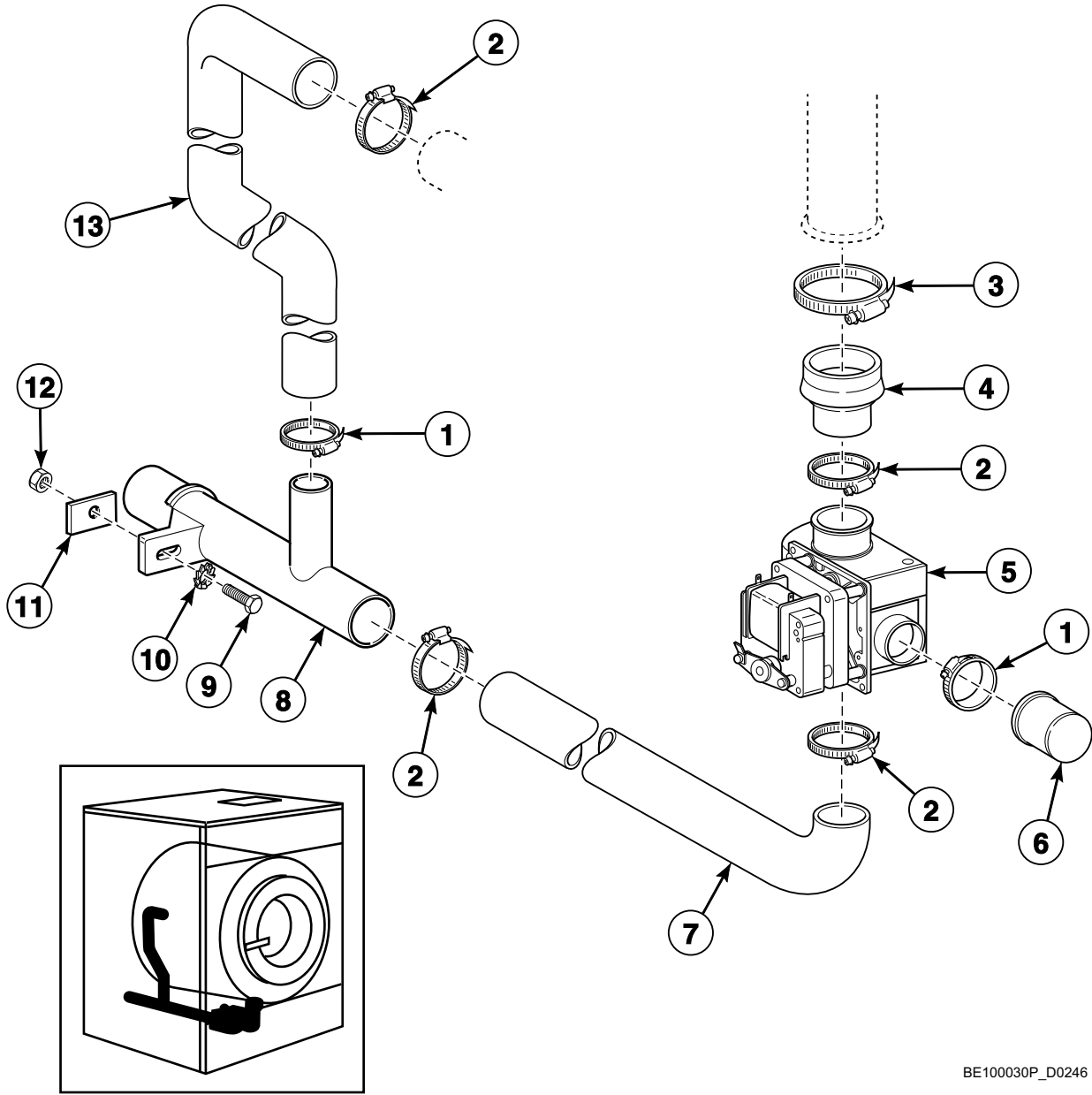
CFD307P\_D0246



# Cabinet Freestanding Washer-Extractor Product Overview

REF	PART NO.	DESCRIPTION	COMMENTS
1	-	Product Family	HF
2	-	Capacity	100 132 165

# Drain Plumbing with MDP100 Drain Valve

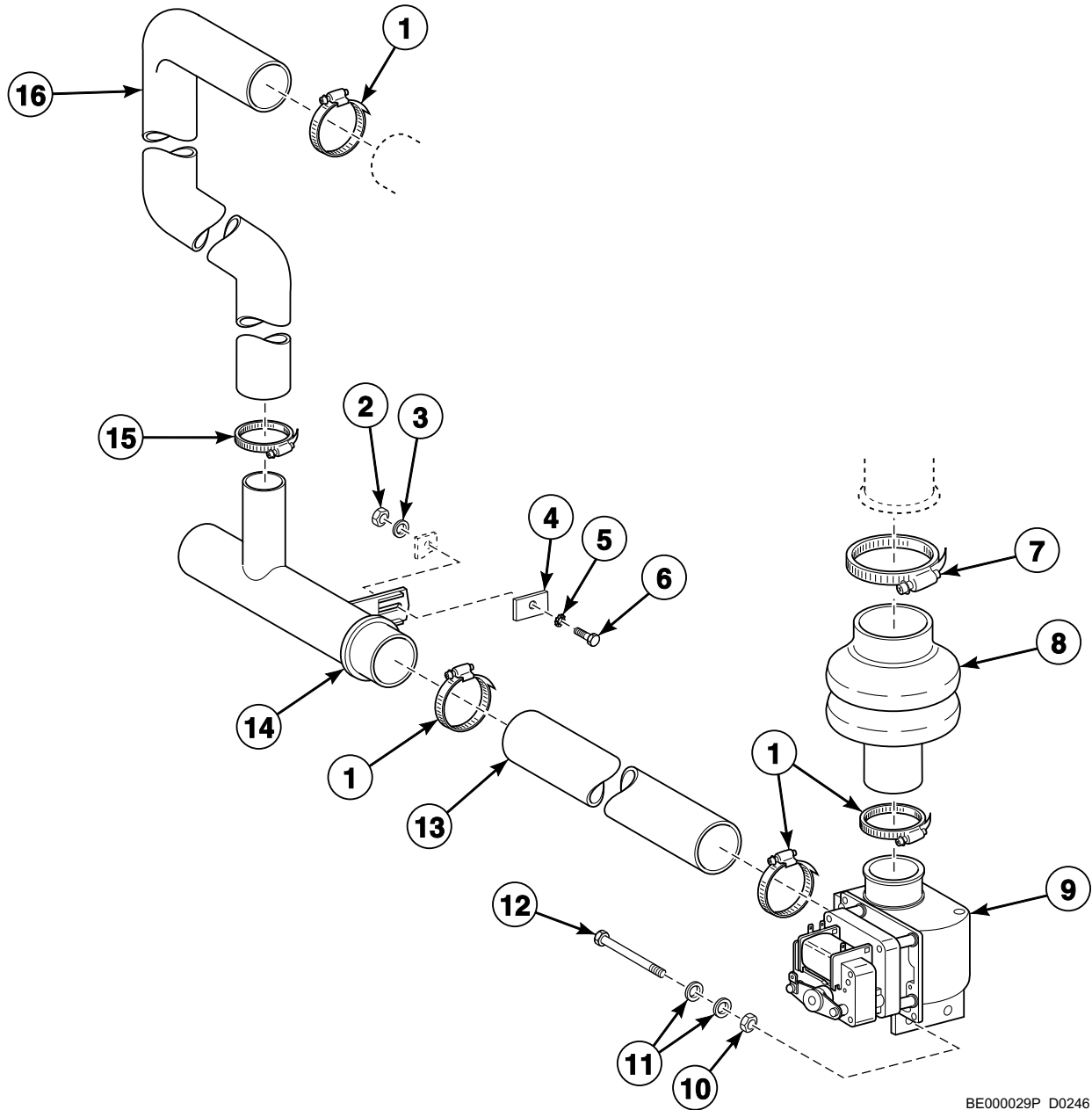


BE100030P\_D0246

## Drain Plumbing with MDP100 Drain Valve

REF	PART NO.	DESCRIPTION	COMMENTS
1	223/00012/00	Hose Clamp	
2	223/00013/00	Hose Clamp	
3	223/00014/00	Hose Clamp	
4	223/00116/00	Tub Drain Exhaust Valve	
5	209/00203/00	Drain Valve	24 Volt/50 Hertz; NO
	209/00051/00	Drain Valve	240 Volt/50 or 60 Hertz; NO
	209/00115/00	Drain Valve	240 Volt/50 or 60 Hertz; NC
	209/00052/00	Drain Valve	115 Volt/50 or 60 Hertz; NO
6	223/00086/00	Drain Valve Overflow Plug	
7	223/00117/00	Exhaust Valve Hose	
8	223/00105/00	Drain Pipe	
9	206/00014/00	Bolt	
10	203/00004/00	Washer	
11	101/00007/00	Outlet Pipe Plate Assembly	
12	204/00005/00	Nut	
13	223/00084/00	Overflow Pipe	

# Drain Plumbing with MDP90 Drain Valve

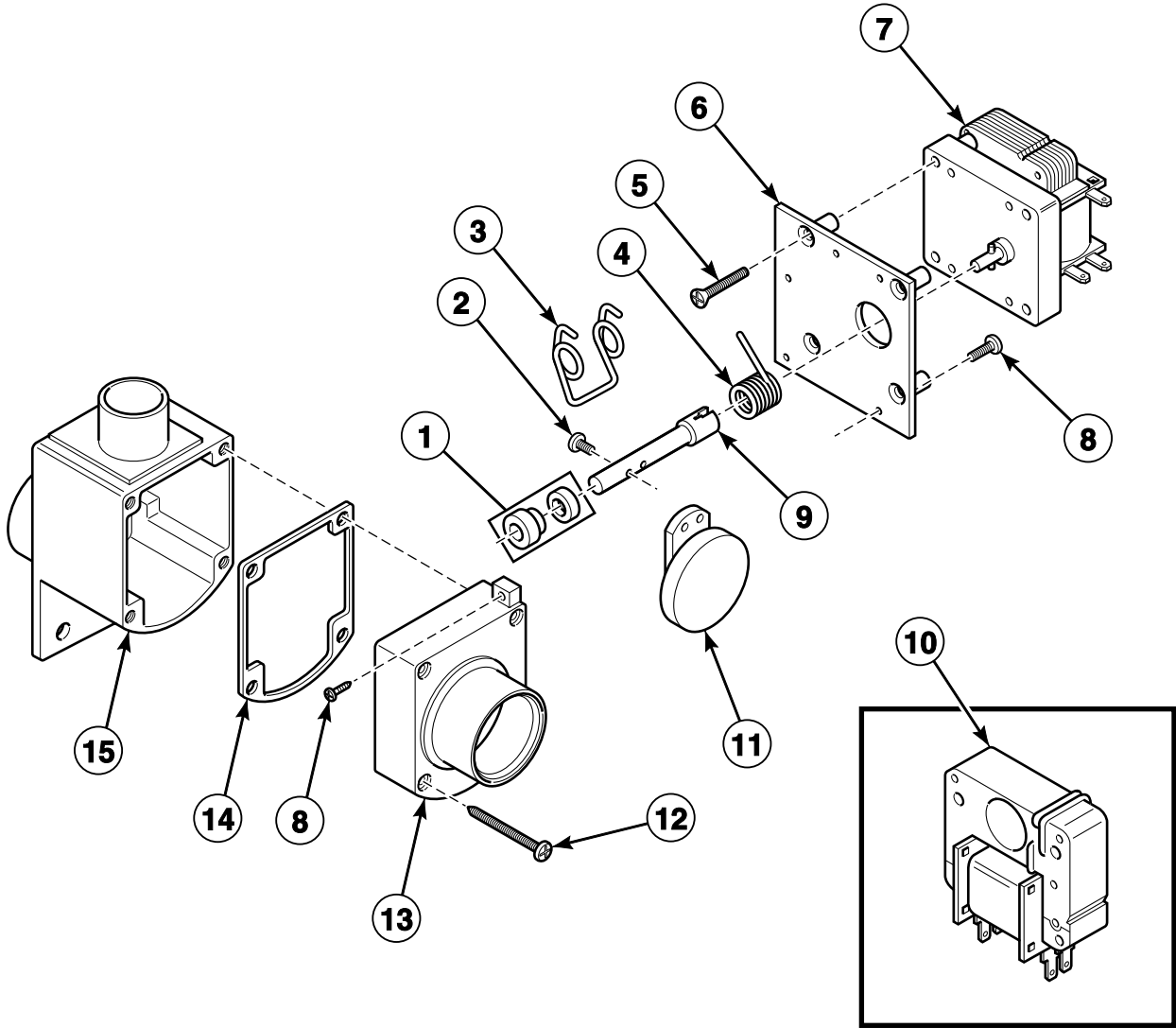


BE000029P\_D0246

## Drain Plumbing with MDP90 Drain Valve

REF	PART NO.	DESCRIPTION	COMMENTS
1	223/00013/00	Hose Clamp	
2	204/00005/00	Nut	
3	202/00003/00	Washer	
4	101/00007/00	Outlet Pipe Plate Assembly	
5	203/00004/00	Washer	
6	206/00014/00	Bolt	
7	223/00014/00	Hose Clamp	
8	223/00129/00	Tub Drain Valve	
9	209/00256/00	Drain Valve	NO
	209/00292/00	Exhaust Valve	NC
10	204/00109/00	Nut	
11	202/00002/00	Washer	
12	206/00068/00	Bolt	
13	223/00139/00	Drain Hose	*110 and *132 models
	223/00140/00	Drain Hose	*165 models
14	223/00105/00	Drain Pipe	
15	223/00012/00	Hose Clamp	
16	223/00084/00	Overflow Pipe	

# Drain Valve - 2-Inch with Lid

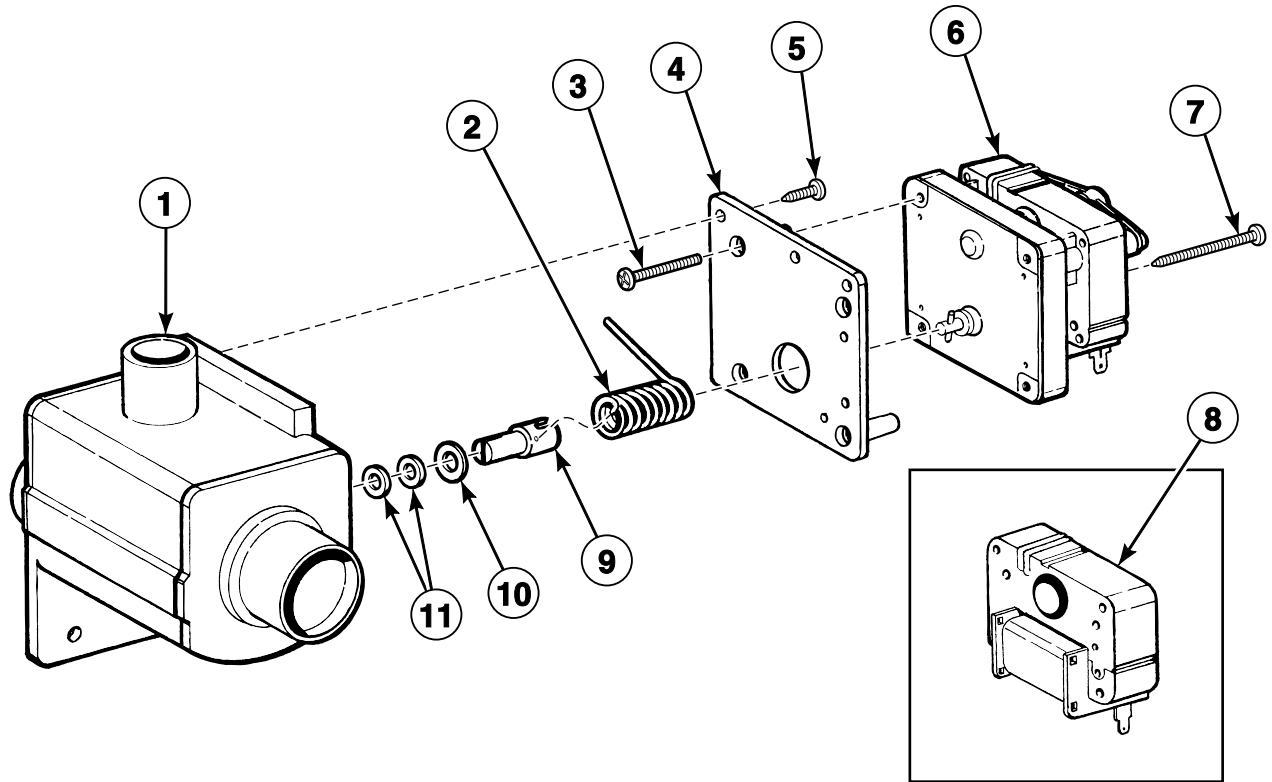


BE100031P\_D0246

## Drain Valve - 2-Inch with Lid

REF	PART NO.	DESCRIPTION	COMMENTS
1	209/00025/10	Drain Valve Shaft Seal	
2	209/00025/09	Screw	
3	209/00025/03	Drain Valve Spring	
4	209/00025/13	Drain Valve Spring	
5	209/00025/08	Screw	
6	209/00025/07	Drain Valve Motor Mounting Plate	
7	209/00203/11	Drain Valve Motor	24 Volt
	209/00052/11	Drain Valve Motor	110 Volt/60 Hertz
	209/00051/11	Drain Valve Motor	220 Volt/50 or 60 Hertz
8	209/00025/04	Screw	
9	209/00025/15	Valve Axle	
10	209/00203/21	Coil	24 Volt
	209/00052/21	Coil	115 Volt/60 Hertz
	209/00051/21	Coil	220 Volt/50 or 60 Hertz
11	209/00025/16	Sealing Plate Assembly	
12	209/00025/06	Screw	
13	209/00025/05	Valve Housing	
14	209/00025/02	Drain Housing Gasket	
15	209/00025/01	Exhaust Valve Housing	

# Drain Valve - MDP100 Normally Open



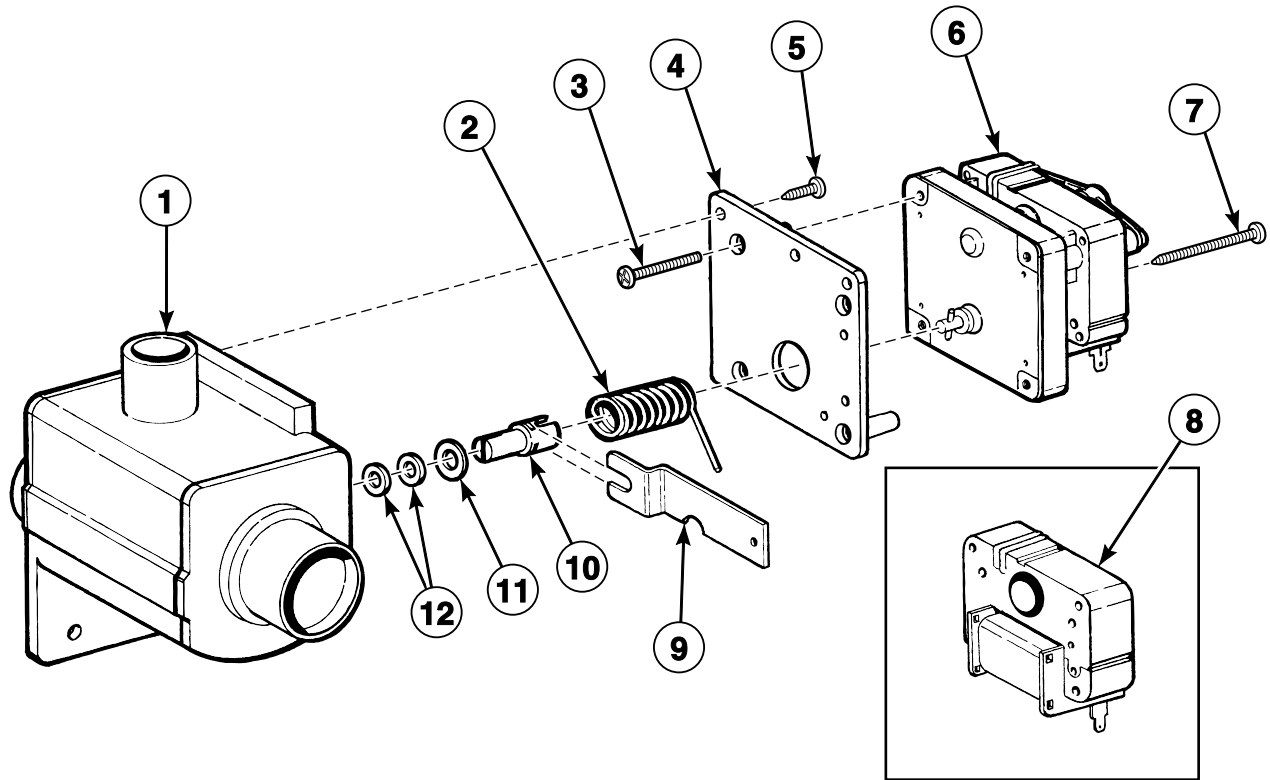
BE100032P\_D0246



## Drain Valve - MDP100 Normally Open

REF	PART NO.	DESCRIPTION	COMMENTS
1	209/00170/01	Exhaust Valve	
2	209/00170/02	Drain Valve Spring	
3	209/00025/08	Screw	
4	209/00170/04	Motor Mounting Plate	
5	209/00170/05	Screw	
6	209/00203/12	Drain Valve Motor	24 Volt
	209/00052/12	Drain Valve Motor	110 Volt/60 Hertz
	209/00170/06	Drain Valve Motor Assembly	220 Volt/50 or 60 Hertz
7	209/00170/07	Screw	
8	209/00203/21	Coil	24 Volt
	209/00052/21	Coil	115 Volt/60 Hertz
	209/00051/21	Coil	220 Volt/50 or 60 Hertz
9	209/00170/10	Drain Valve Shaft	
10	209/00025/12	Washer	
11	209/00025/10	Drain Valve Shaft Seal	

# Drain Valve - MDP100 Normally Closed

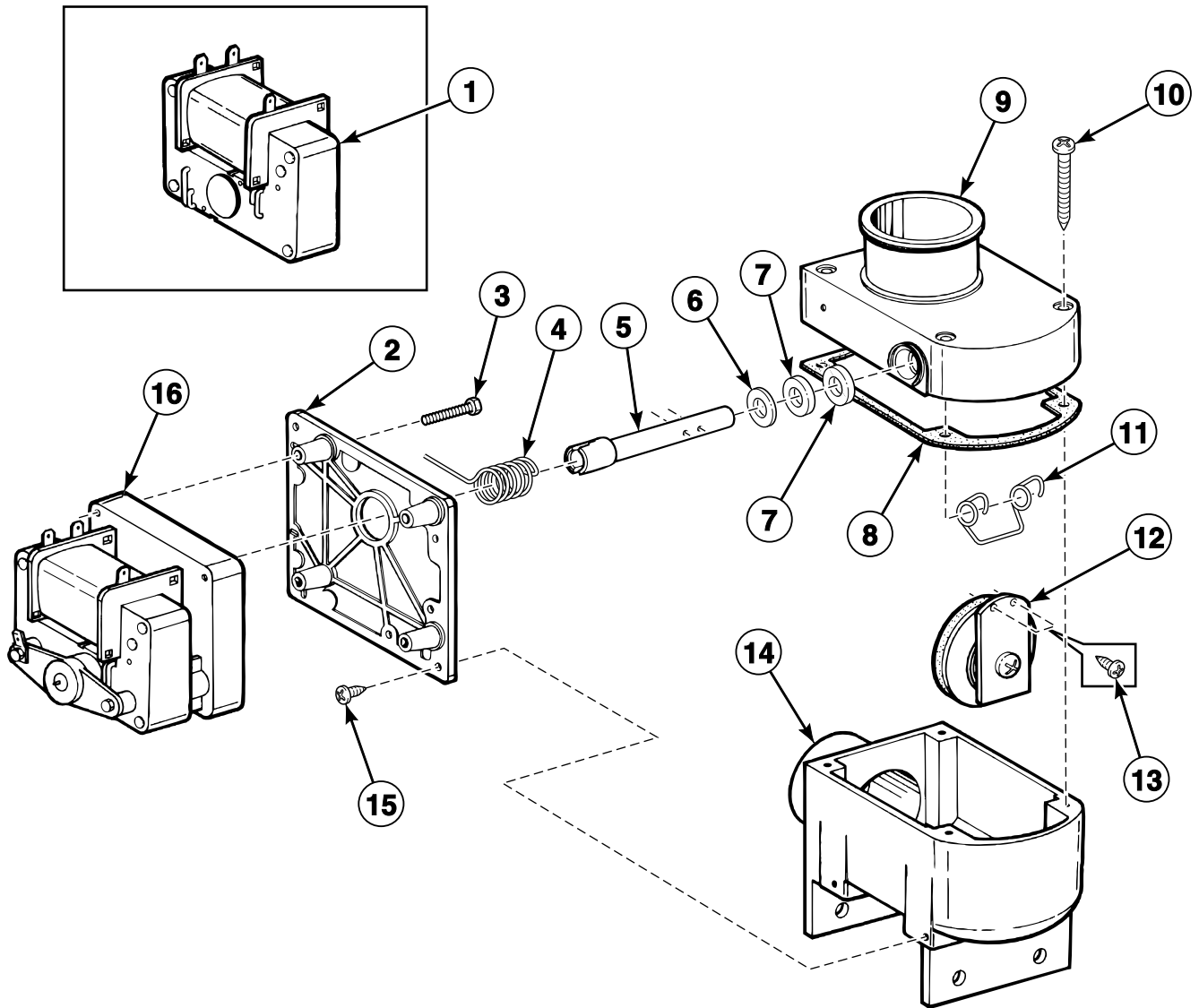


BE100033P\_D0246

## Drain Valve - MDP100 Normally Closed

REF	PART NO.	DESCRIPTION	COMMENTS
1	209/00170/01	Exhaust Valve	
2	209/00025/13	Drain Valve Spring	
3	209/00025/08	Screw	
4	209/00115/04	Drain Valve Motor Mounting Plate	
5	209/00170/05	Screw	
6	209/00203/11	Drain Valve Motor	24 Volt
	209/00052/11	Drain Valve Motor	110 Volt/60 Hertz
	209/00051/11	Drain Valve Motor	220 Volt/50 or 60 Hertz
7	209/00170/07	Screw	
8	209/00203/21	Coil	24 Volt
	209/00052/21	Coil	115 Volt/60 Hertz
	209/00051/21	Coil	220 Volt/50 or 60 Hertz
9	209/00115/11	Drain Valve Handle	
10	209/00170/10	Drain Valve Shaft	
11	209/00025/12	Washer	
12	209/00025/10	Drain Valve Shaft Seal	

# Drain Valve - MDP90 Normally Open

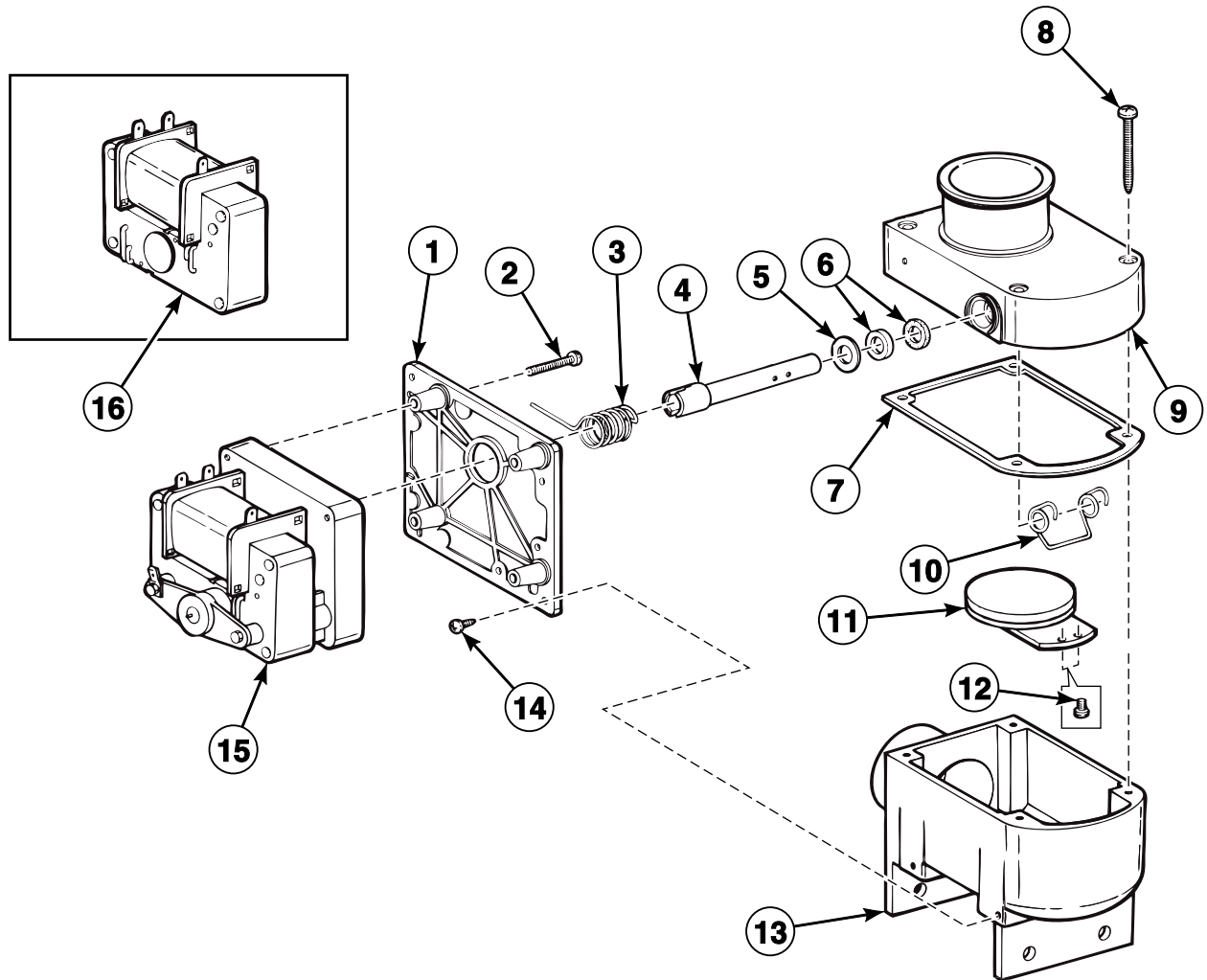


BE000030AP\_D0246

## Drain Valve - MDP90 Normally Open

REF	PART NO.	DESCRIPTION	COMMENTS
1	209/00203/21	Coil	24 Volt
	209/00052/21	Coil	115 Volt/60 Hertz
	209/00051/21	Coil	220 Volt/50 or 60 Hertz
2	209/00025/07	Drain Valve Motor Mounting Plate	
3	209/00025/08	Screw	
4	209/00025/13	Drain Valve Spring	
5	209/00025/15	Valve Axle	
6	209/00025/12	Washer	
7	209/00025/10	Drain Valve Shaft Seal	
8	209/00025/02	Drain Housing Gasket	
9	209/00256/05	Valve	
10	209/00025/06	Screw	
11	209/00025/03	Drain Valve Spring	
12	209/00025/16	Sealing Plate Assembly	
13	209/00025/09	Screw	
14	209/00256/01	Valve	
15	209/00170/05	Screw	
16	209/00203/11	Drain Valve Motor	24 Volt
	209/00052/11	Drain Valve Motor	110 Volt/60 Hertz
	209/00051/11	Drain Valve Motor	220 Volt/50 or 60 Hertz

# Drain Valve - MDP90 Normally Closed

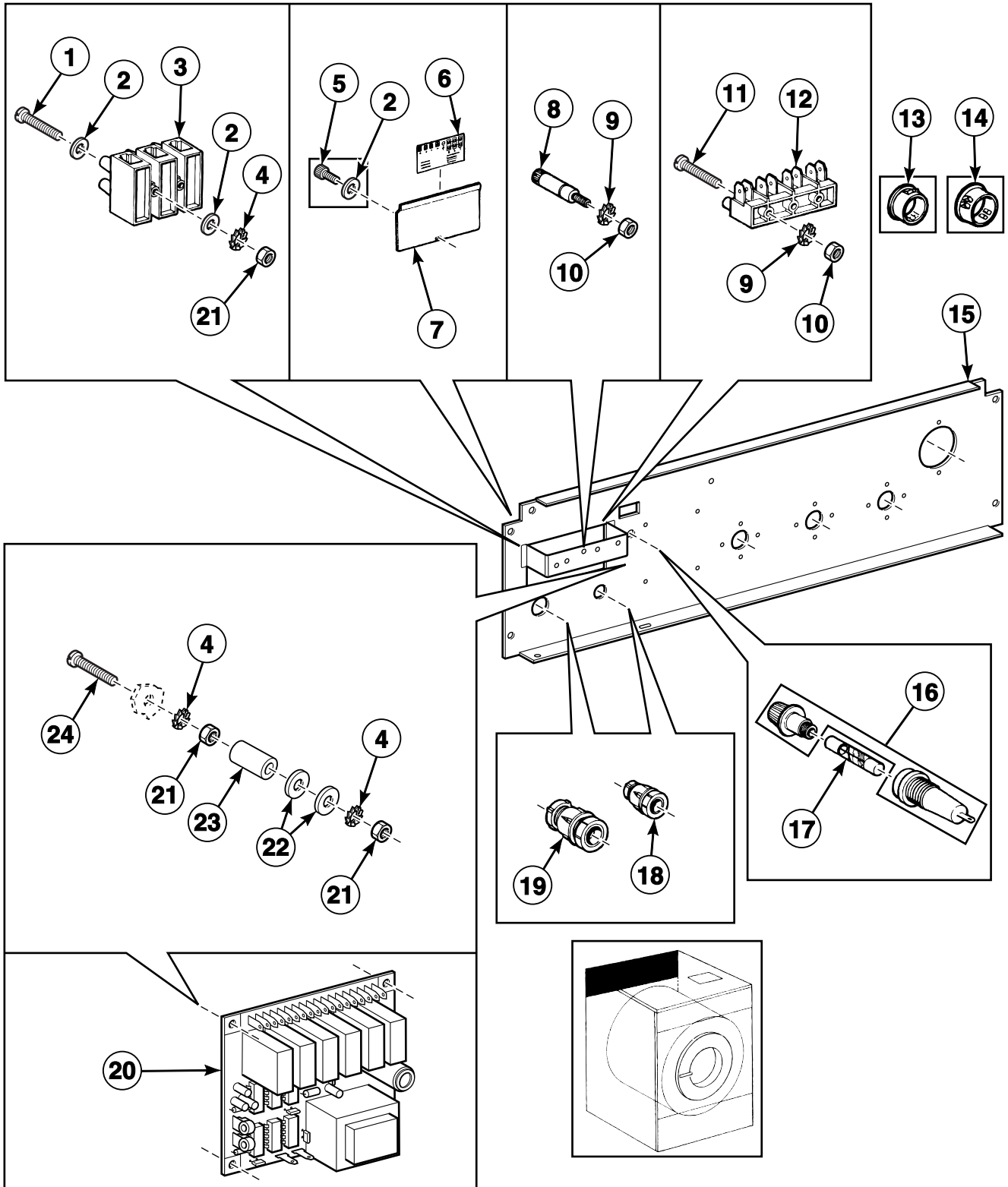


BE000031AP\_D0246

## Drain Valve - MDP90 Normally Closed

REF	PART NO.	DESCRIPTION	COMMENTS
1	209/00025/07	Drain Valve Motor Mounting Plate	
2	209/00025/08	Screw	
3	209/00170/02	Drain Valve Spring	
4	209/00025/15	Valve Axle	
5	209/00025/12	Washer	
6	209/00025/10	Drain Valve Shaft Seal	
7	209/00025/02	Drain Housing Gasket	
8	209/00025/06	Screw	
9	209/00256/05	Valve	
10	209/00025/03	Drain Valve Spring	
11	209/00025/16	Sealing Plate Assembly	
12	209/00025/09	Screw	
13	209/00256/01	Valve	
14	209/00170/05	Screw	
15	209/00203/12	Drain Valve Motor	24 Volt
	209/00052/12	Drain Valve Motor	110 Volt/60 Hertz
	209/00170/06	Drain Valve Motor Assembly	220 Volt/50 or 60 Hertz
16	209/00203/21	Coil	24 Volt
	209/00052/21	Coil	115 Volt/60 Hertz
	209/00051/21	Coil	220 Volt/50 or 60 Hertz

# Upper Back Panel



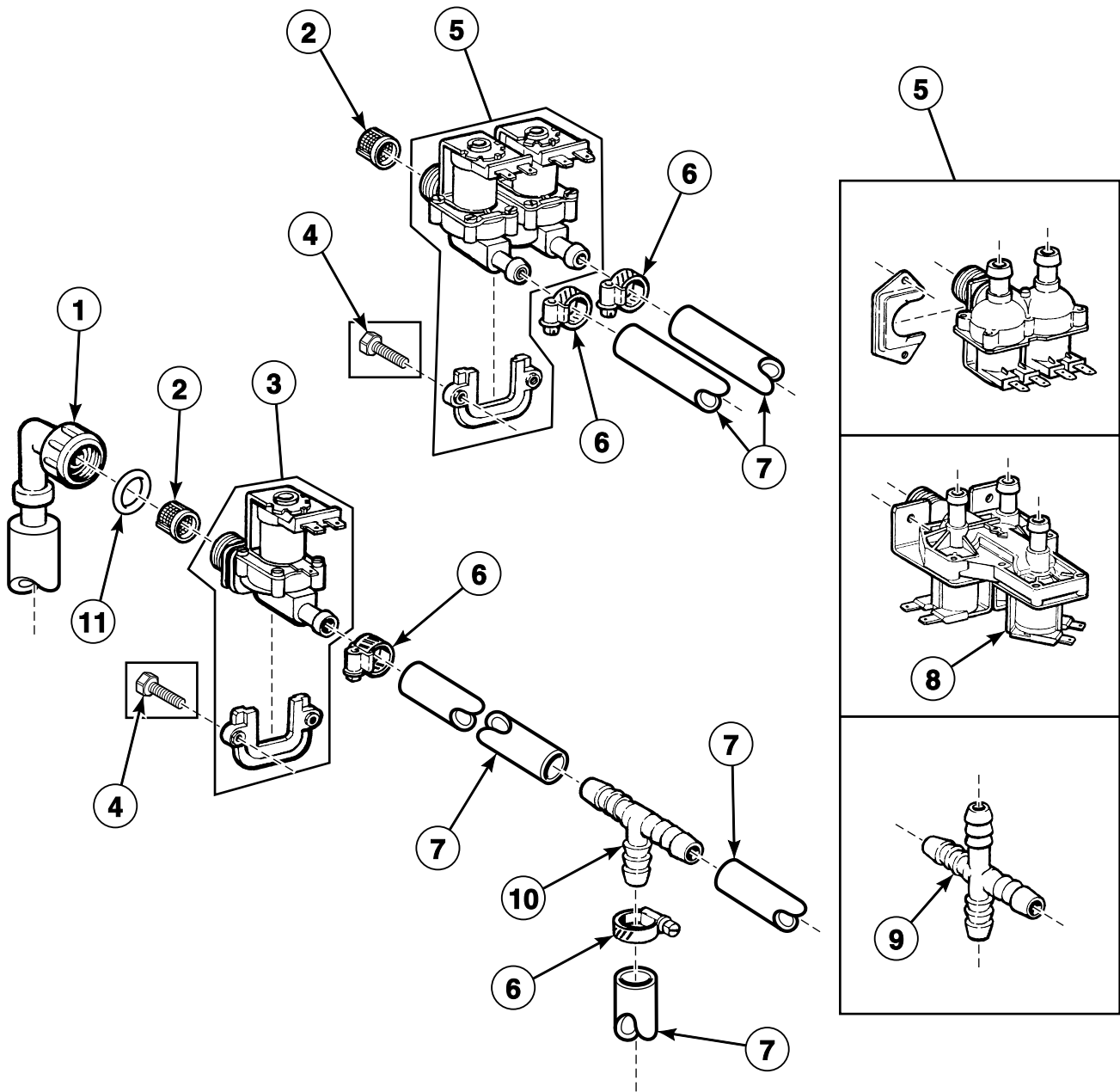
BE100034P\_D0246



## Upper Back Panel

REF	PART NO.	DESCRIPTION	COMMENTS
1	207/00006/00	Screw	
2	202/00004/00	Washer	
3	209/00057/00	Terminal	
4	203/00007/00	Washer	
5	208/00007/00	Screw	
6	229/00001/00	Sticker	
7	111/00200/00	Cover Plate	
8	209/00006/00	Terminal	
9	203/00006/00	Washer	
10	204/00007/00	Nut	
11	207/00003/00	Screw	
12	209/00005/00	Terminal Block	
13	211/00084/00	Plug	20.5 mm diameter
	211/00085/00	Stopper	25.5 mm diameter
14	211/00086/00	Stopper	28 mm diameter
	211/00087/00	Plug	30 mm diameter
15	111/32104/00	Rear Bridge	
16	209/00202/00	Fuse Holder	
17	209/00195/00	Fuse	
18	211/00022/00	Nut	
19	211/00138/00	Cordlock	PG21
	211/00097/00	Cordlock	PG29
20	209/00408/00	Printboard	
21	204/00008/00	Nut	
22	223/00123/00	Washer	
23	211/00106/00	Spacer	
24	207/00014/00	Screw	

# Water Inlet Valves

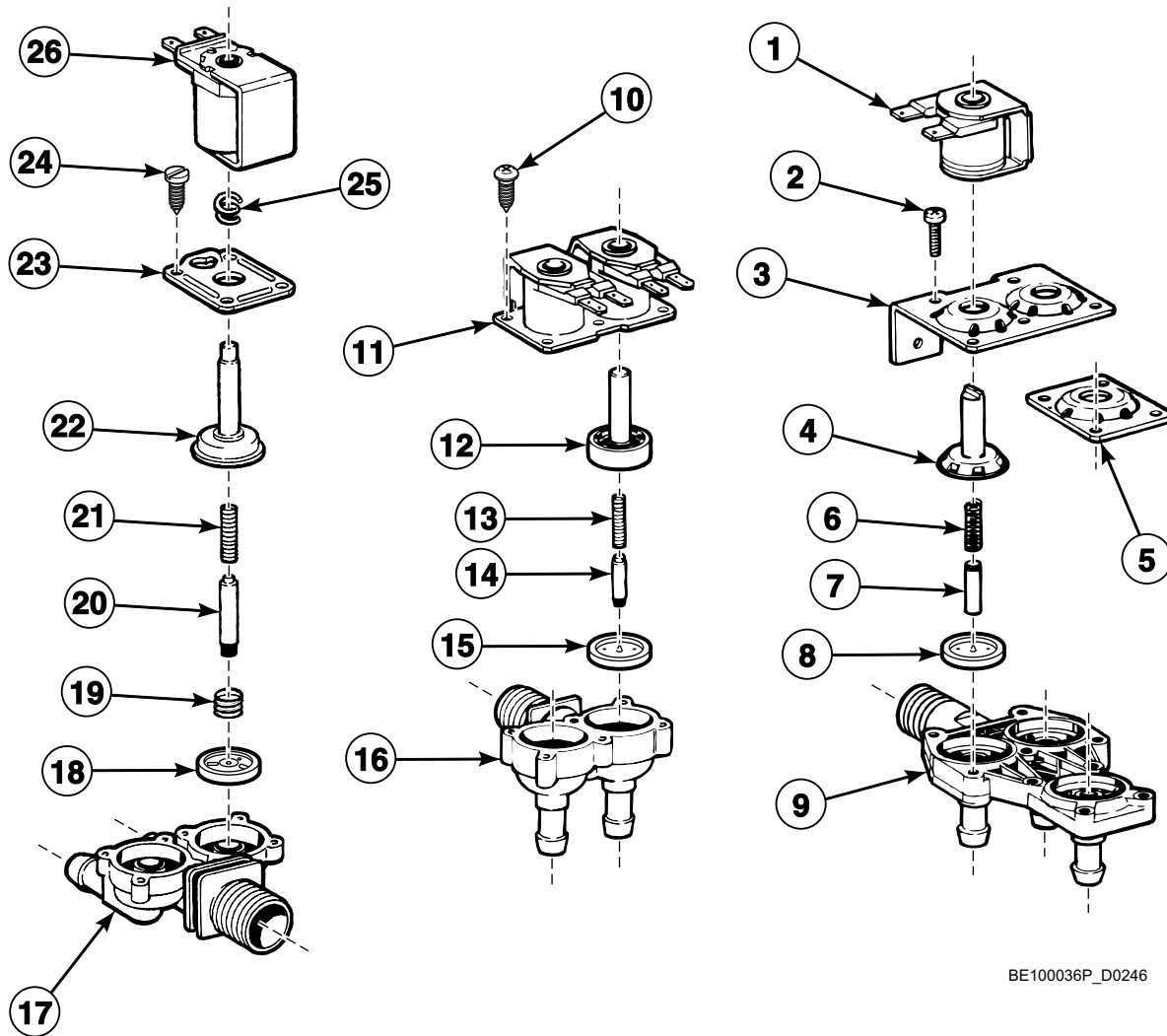


BE100035P\_D0246

# Water Inlet Valves

REF	PART NO.	DESCRIPTION	COMMENTS
1	F200165	Water Hose	
2	209/00001/10	Filter	Used with Elbi valve
	223/00051/08	Filter	Used with Techno valve
3	209/00276/00	Inlet Valve	
4	207/00004/00	Screw	
5	209/00110/00	2-Way Inlet Valve	
6	223/00010/00	Hose Clamp	
7	223/00044/00	Water Hose	
8	209/00277/00	3-Way Inlet Valve	
9	223/00073/00	Connector	
10	223/00041/00	Water Inlet Tee	
11	223/00049/01	Joint	

# Water Inlet Valves - Invensys

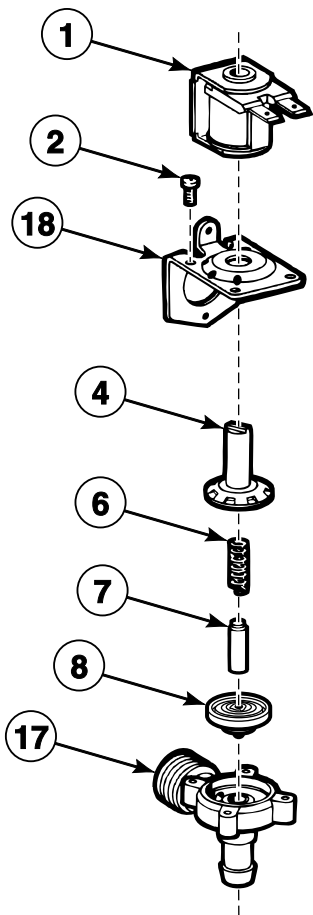


BE100036P\_D0246

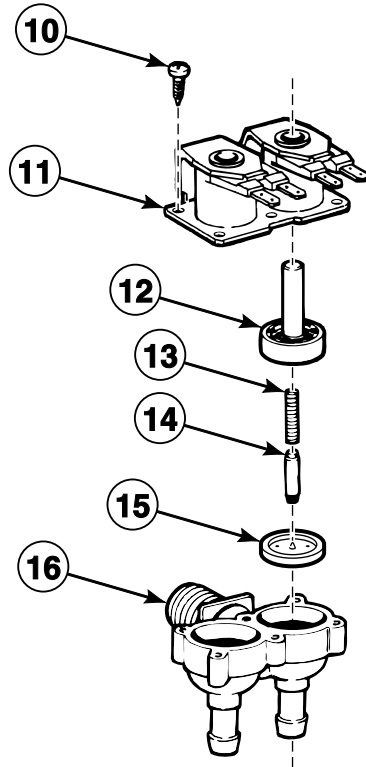
## Water Inlet Valves - Invensys

REF	PART NO.	DESCRIPTION	COMMENTS
1	209/00001/01	Coil	
2	209/00001/02	Screw	
3	209/00001/03	2-Way Plate	
4	209/00001/04	Core Holder	
5	209/00001/11	1-Way Plate	
6	209/00001/05	Spring	
7	209/00001/06	Core	
8	209/00001/07	Diaphragm	
9	209/00001/08	3-Way Inlet Valve	Elbi
	209/00112/12	3-Way Valve	Mueller
10	223/00051/01	Screw	
11	223/00051/02	2-Way Inlet Valve	
12	223/00051/03	Core Holder	
13	223/00051/04	Spring	
14	223/00051/05	Core	
15	223/00051/06	Diaphragm	
16	209/00114/08	2-Way Valve	
17	209/00090/12	2-Way Valve	
18	209/00090/08	Diaphragm	
19	209/00090/15	Spring	
20	209/00090/07	Core	
21	209/00090/06	Spring	
22	209/00090/05	Core Holder	
23	209/00045/07	Assembly Plate	
24	209/00090/03	Screw	
25	209/00090/02	Spring	
26	209/00090/01	Inlet Valve Solenoid	

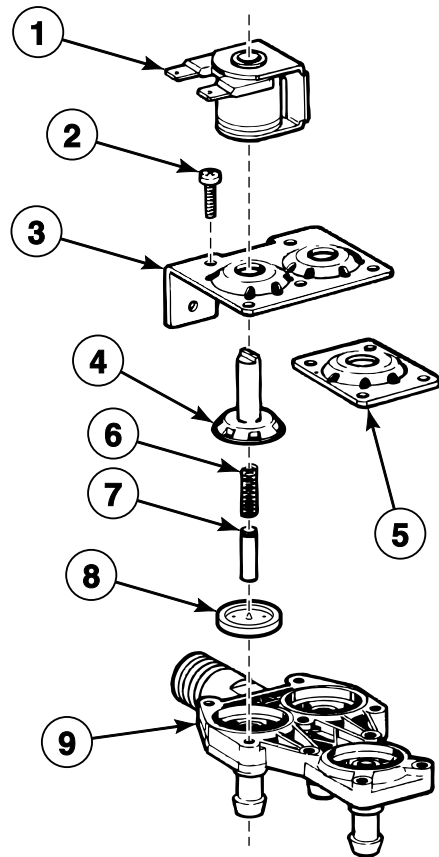
# Water Inlet Valves - Elbi



ELBI



TECHNO



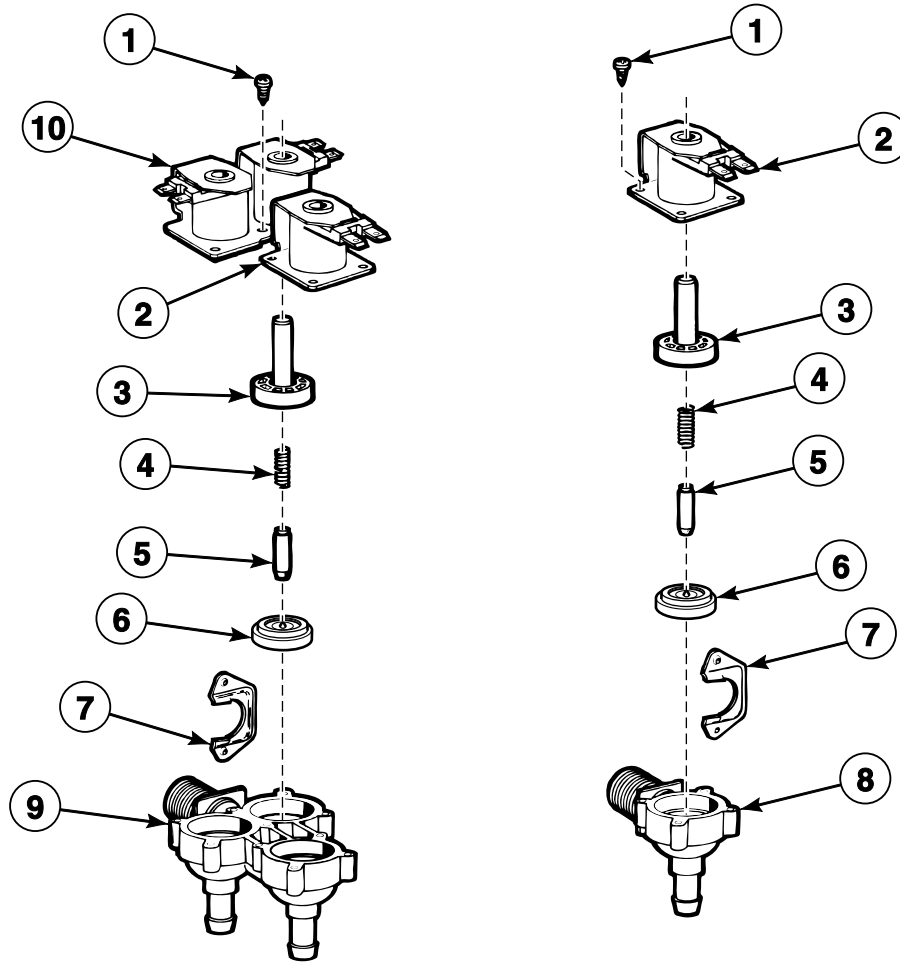
ELBI

BE100008P\_D0246

## Water Inlet Valves - Elbi

REF	PART NO.	DESCRIPTION	COMMENTS
1	209/00001/01	Coil	
2	209/00001/02	Screw	
3	209/00001/03	2-Way Plate	
4	209/00001/04	Core Holder	
5	209/00001/11	1-Way Plate	
6	209/00001/05	Spring	
7	209/00001/06	Core	
8	209/00001/07	Diaphragm	
9	209/00001/08	3-Way Inlet Valve	
10	223/00051/01	Screw	
11	223/00051/02	2-Way Inlet Valve	
12	223/00051/03	Core Holder	
13	223/00051/04	Spring	
14	223/00051/05	Core	
15	223/00051/06	Diaphragm	
16	223/00051/07	2-Way Inlet Valve	
17	209/00048/08	1-Way Inlet Valve	
18	209/00048/03	1-Outlet Plate	

# Water Inlet Valves - Techno



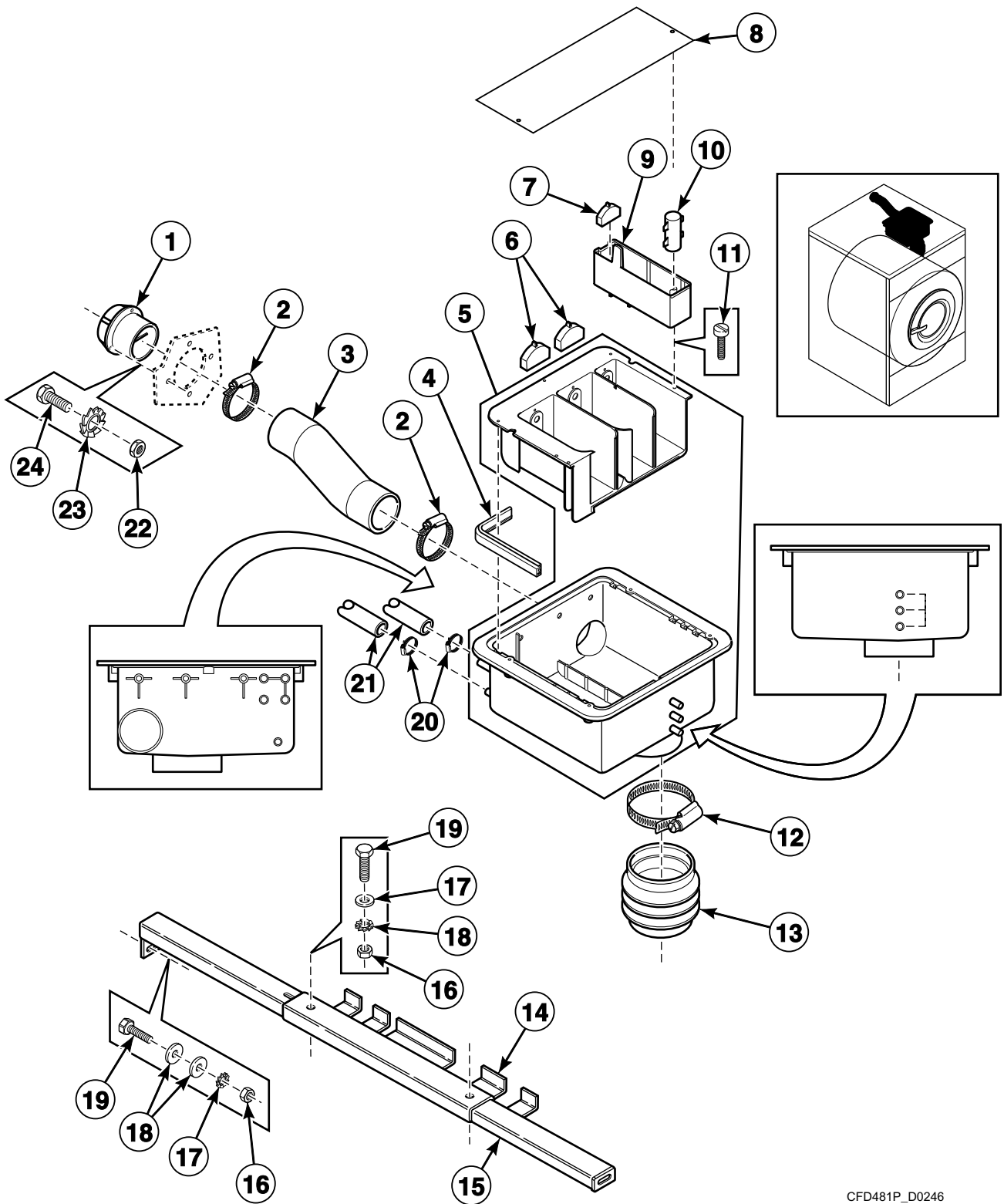
BE100009P\_D0246



## Water Inlet Valves - Techno

REF	PART NO.	DESCRIPTION	COMMENTS
1	223/00051/01	Screw	
2	223/00051/11	Coil	
3	223/00051/03	Core Holder	
4	223/00051/04	Spring	
5	223/00051/05	Core	
6	223/00051/06	Diaphragm	
7	223/00051/09	Plate	
8	223/00051/12	1-Way Inlet Valve	
9	223/00051/13	3-Way Inlet Valve	
10	223/00051/02	2-Way Inlet Valve	

# Supply Dispenser

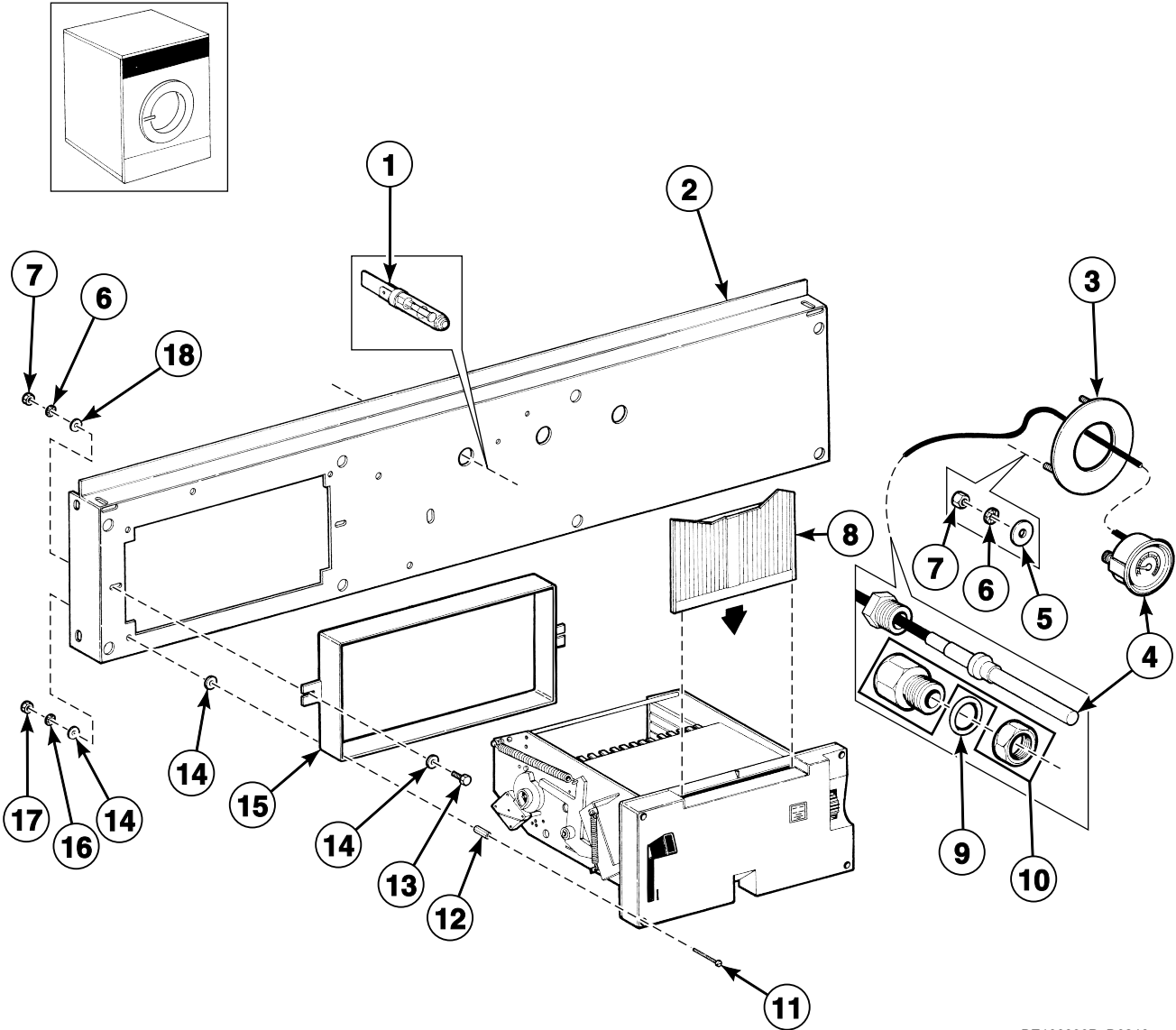


CFD481P\_D0246

# Supply Dispenser

REF	PART NO.	DESCRIPTION	COMMENTS
1	223/00102/07	Hose Vent	
2	223/00014/00	Hose Clamp	
3	223/00107/00	Soap Dispenser Air Breather Hose	*110 and *132 models
	223/00107/02	Vent Hose	*165 models
4	223/00109/00	Soap Dispenser Gasket	
5	223/00102/30	Soap Dispenser Assembly	
6	223/00102/06	Soap Spray Nozzle	
7	223/00102/05	Softener Spray Nozzle	
8	123/00103/06	Soap Box Assembly Plate	
9	223/00102/03	Rinse Insert	
10	223/00102/04	Soap Dispenser Rinse Siphon	
11	208/00130/00	Screw	
12	223/00023/00	Hose Clamp	
13	223/00115/00	Hose	
14	111/00117/00	Soap Box Support Plate	
15	111/00119/00	Cover Plate Support	*110 and *132 models
	111/00120/00	Cover Plate Support	*165 models
16	204/00005/00	Nut	
17	203/00004/00	Washer	
18	201/00007/00	Washer	
19	206/00014/00	Bolt	
20	223/00010/00	Hose Clamp	
21	223/00044/00	Water Hose	
22	204/00007/00	Nut	
23	203/00006/00	Washer	
24	206/00027/00	Bolt	

# Control Panel - Ramstetter

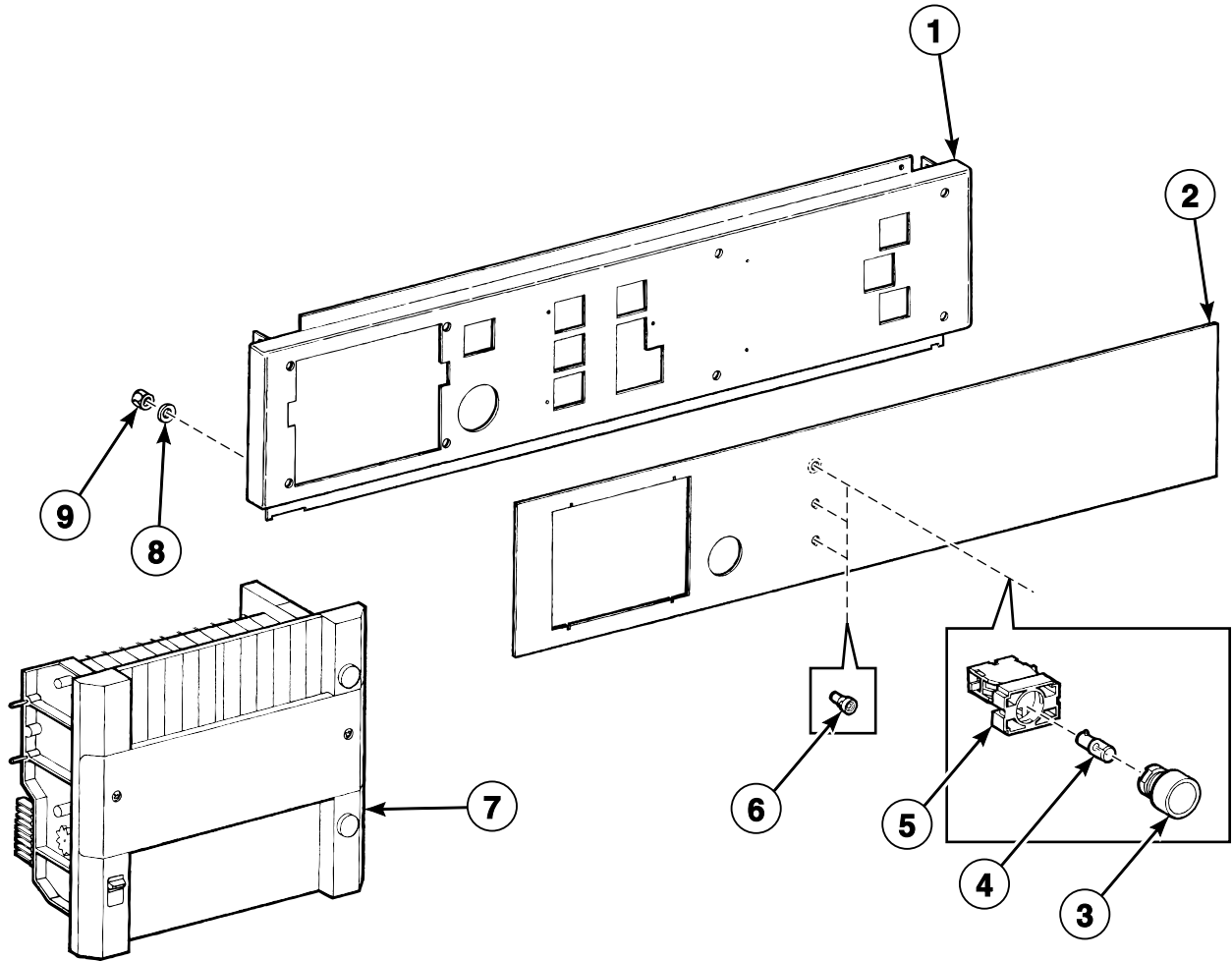


BE100039P\_D0246

## Control Panel - Ramstetter

REF	PART NO.	DESCRIPTION	COMMENTS
1	209/00151/00	Lamp	
2	111/32702/00	Front Bridge	
3	111/10140/00	Assembly Plate	
4	211/00115/00	Thermostat	
5	201/00008/00	Washer	
6	203/00006/00	Washer	
7	204/00007/00	Nut	
8	209/00082/00	Program Card	
9	223/00065/01	Washer	
10	223/00065/00	Thermostat Seal	
11	207/00011/00	Screw	
12	224/00036/00	Fastener	
13	206/00027/00	Bolt	
14	202/00004/00	Washer	
15	111/00079/00	Assembly Plate	
16	203/00007/00	Washer	
17	204/00008/00	Nut	
18	202/00003/00	Washer	

# Control Panel - Fiber Control

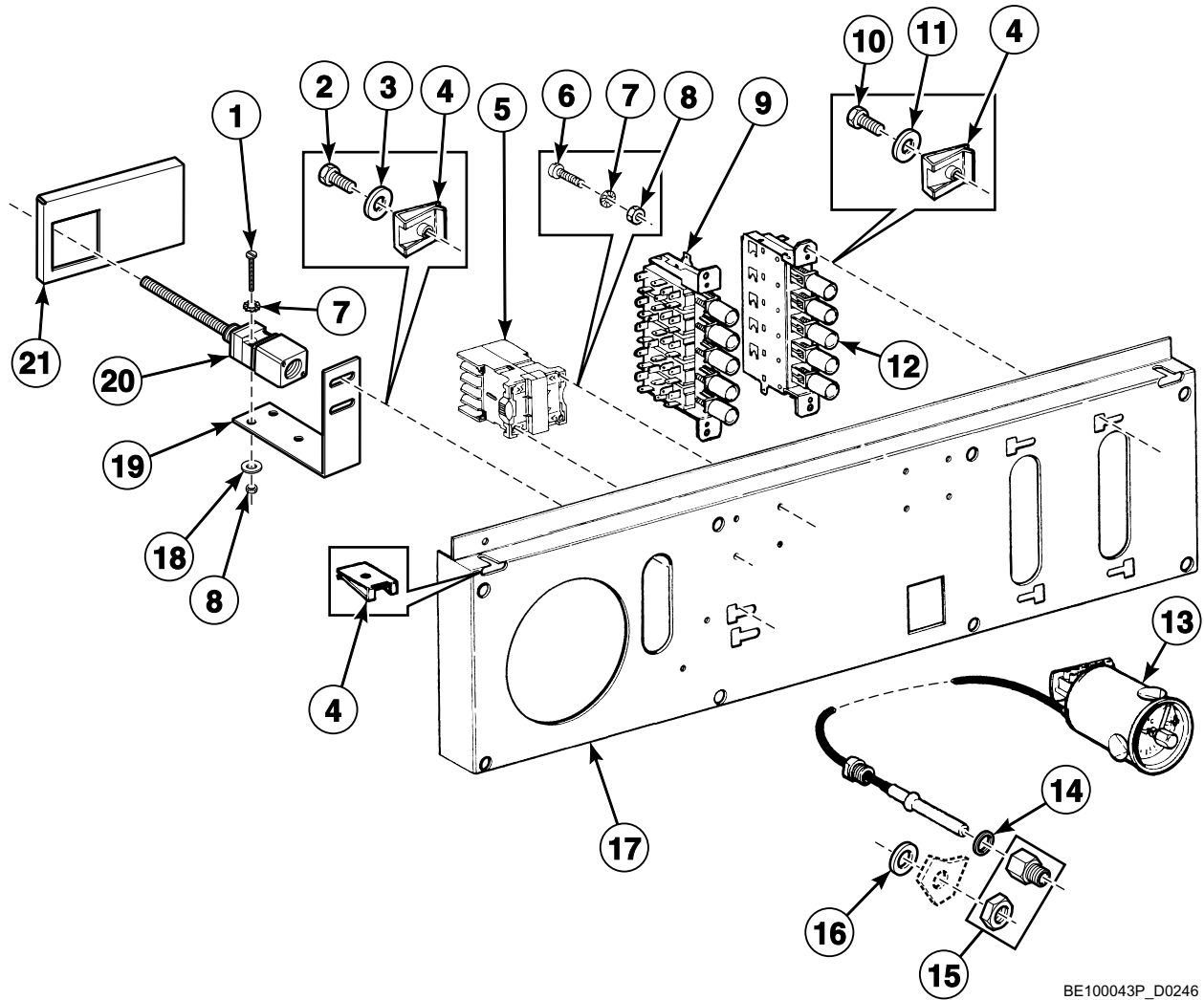


BE100041P\_D0246

## Control Panel - Fiber Control

REF	PART NO.	DESCRIPTION	COMMENTS
1	111/31109/00	Front Bridge	
2	125/00258/OOL	Front Panel	
3	209/00254/21	Pushbutton	
4	209/00249/00	Pilot Light	
5	209/00254/00	Pushbutton	
6	209/00152/00	Lens Cover	
7	209/00257/00	Card Reader	
8	201/00008/00	Washer	
9	204/00007/00	Nut	

# Control Panel - 10 Button



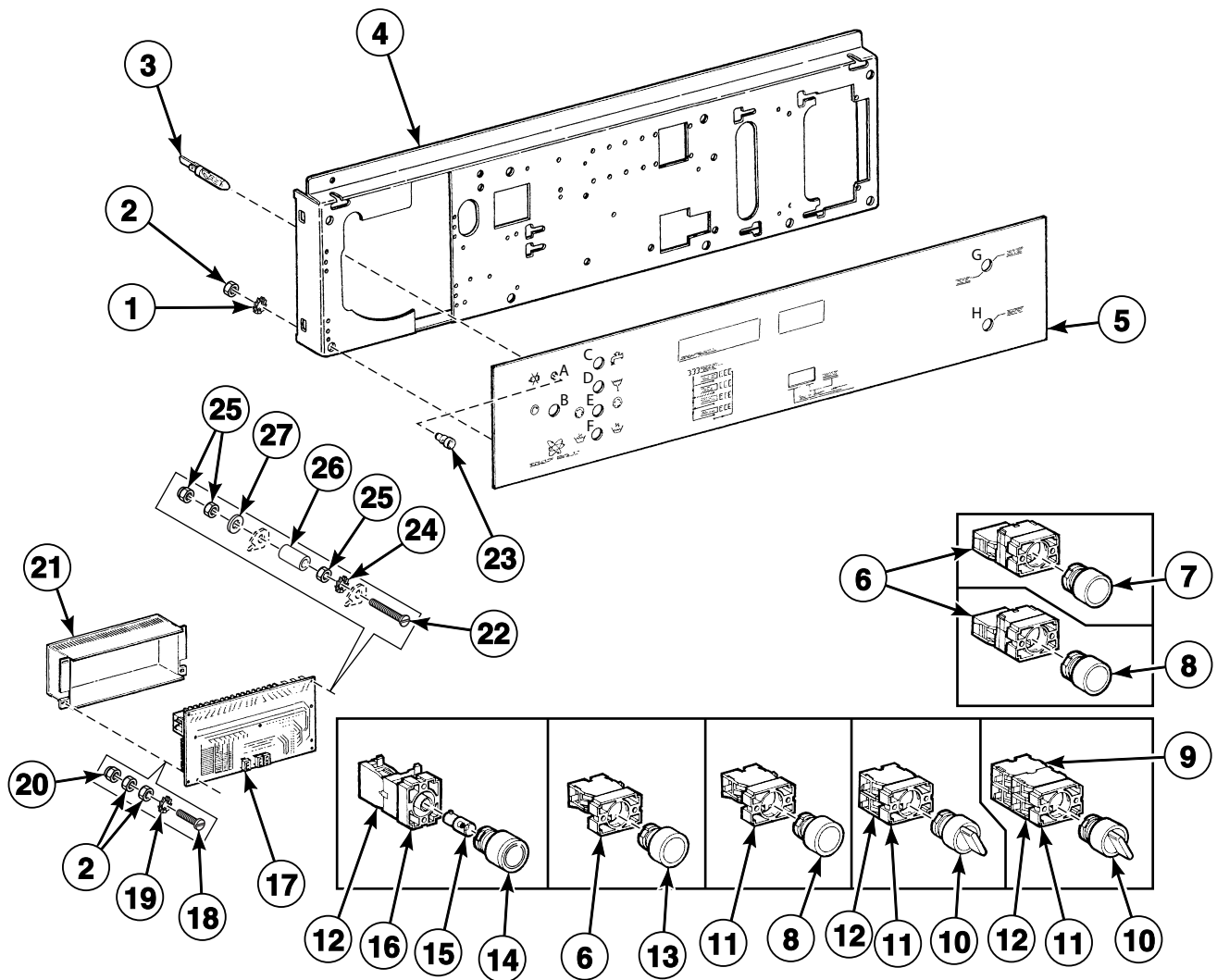
BE100043P\_D0246



## Control Panel - 10 Button

REF	PART NO.	DESCRIPTION	COMMENTS
1	207/00018/00	Screw	
2	206/00054/00	Bolt	
3	201/00007/00	Washer	
4	204/00013/00	Nut	
5	209/00124/00	Contactora	
6	207/00008/00	Screw	
7	203/00006/00	Washer	
8	204/00007/00	Nut	
9	209/00175/00	Selector Switch	
10	206/00016/00	Bolt	
11	202/00003/00	Washer	
12	209/00176/00	Selector Switch	
13	209/00144/00	Thermostat	2 temperature
	209/00143/00	Thermostat	3 temperature
14	223/00065/02	Thermostat Joint	
15	223/00065/00	Thermostat Seal	
16	223/00065/01	Washer	
17	111/32704/00	Front Panel	
18	202/00004/00	Washer	
19	111/00107/00	Tilt Switch Bracket	
20	209/00255/00	Out-of-Balance Switch	
21	111/00108/00	Tilt Detector Plate	

# Control Panel - PLC9 OPL

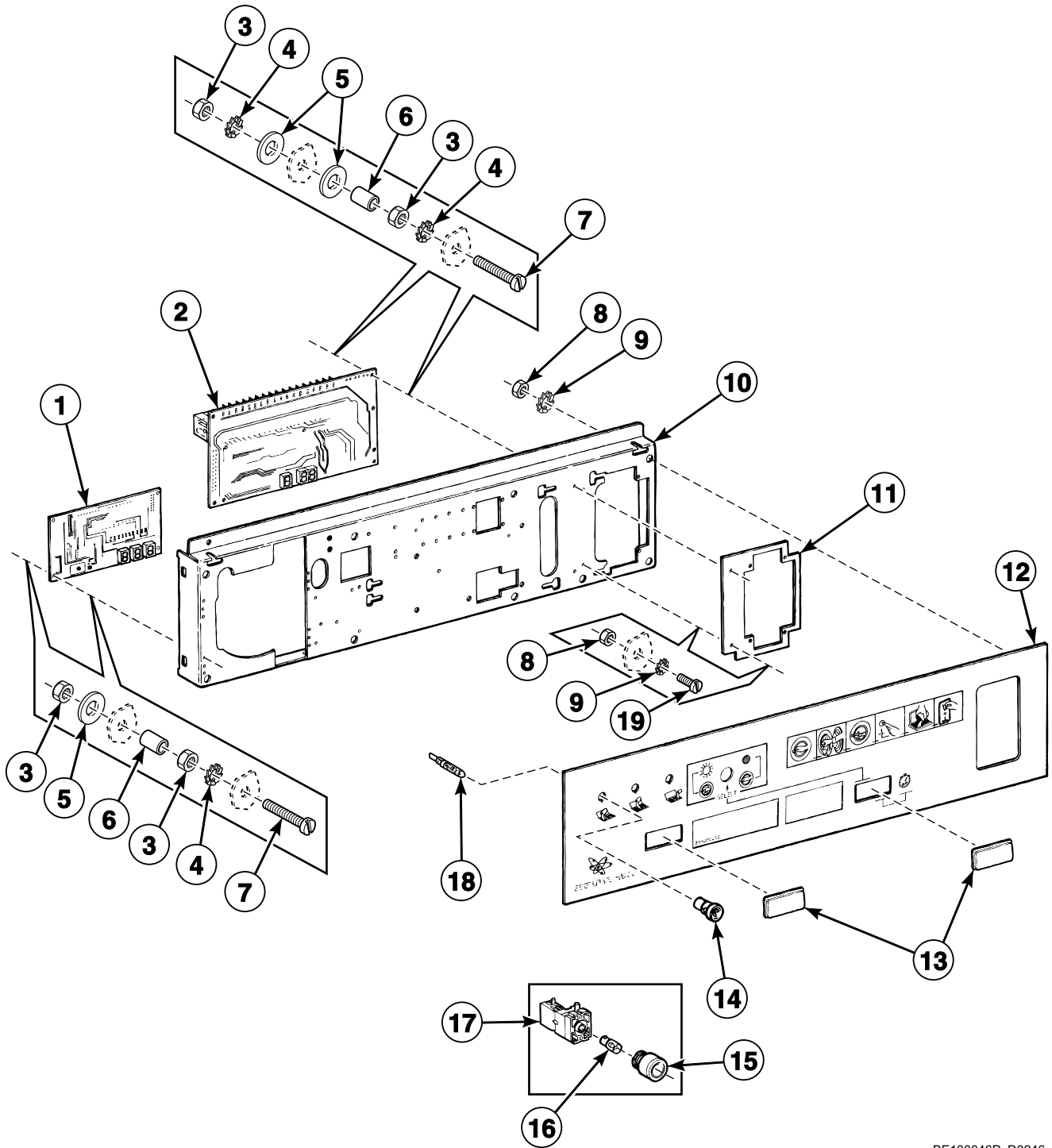


CFD320P\_D0246

## Control Panel - PLC9 OPL

REF	PART NO.	DESCRIPTION	COMMENTS
1	201/00008/00	Washer	
2	204/00007/00	Nut	
3	209/00151/00	Lamp	
4	111/31107/00	Front Panel	
5	225/00262/AOL	Facia Panel	
6	209/00132/00	Protector	
7	209/00099/04	Button	
8	209/00252/00	Button	
9	209/00099/06	Contact Switch	
10	209/00099/08	Button	
11	209/00253/00	Emergency Stop Button Kit	
12	209/00099/07	Contact Switch	
13	209/00251/00	Button	
14	209/00280/01	Button	
15	209/00249/00	Pilot Light	
16	209/00254/00	Pushbutton	
17	209/00266/00	Timer	
18	207/00008/00	Screw	
19	203/00006/00	Washer	
20	204/00114/00	Nut	
21	111/32106/00	Plate	
22	207/00025/00	Screw	
23	209/00152/00	Lens Cover	
24	203/00007/00	Washer	
25	204/00008/00	Nut	
26	211/00106/00	Spacer	
27	223/00123/00	Washer	

# Control Panel - PLC9 Coin

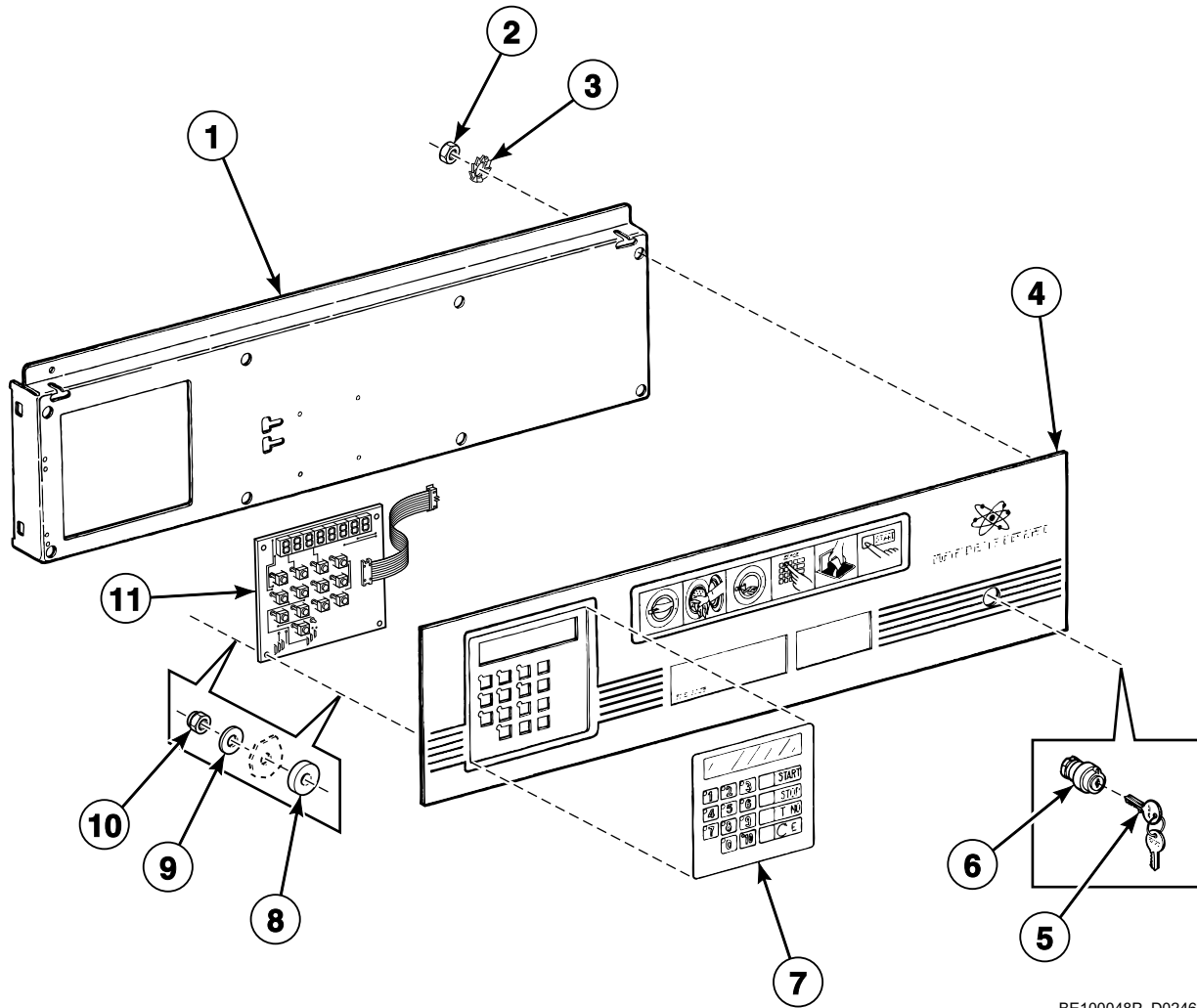


BE100046P\_D0246

## Control Panel - PLC9 Coin

REF	PART NO.	DESCRIPTION	COMMENTS
1	209/00217/00	Coin Display	
2	209/00266/00	Timer	
3	204/00008/00	Nut	
4	203/00007/00	Washer	
5	223/00123/00	Washer	
6	211/00106/00	Spacer	
7	207/00025/00	Screw	
8	204/00007/00	Nut	
9	203/00006/00	Washer	
10	111/32704/00	Front Panel	
11	111/00062/00	Assembly Plate	
12	225/00279/AOL	Facia Panel	
13	223/10066/00	Display	
14	209/00152/00	Lens Cover	Red
	209/00154/00	Lens Cover	Orange
15	209/00280/01	Button	
16	209/00249/00	Pilot Light	
17	209/00099/07	Contact Switch	
	209/00254/00	Pushbutton	Includes item 16
18	209/00151/00	Lamp	
19	207/00008/00	Screw	

# Control Panel - PC20 and PC30

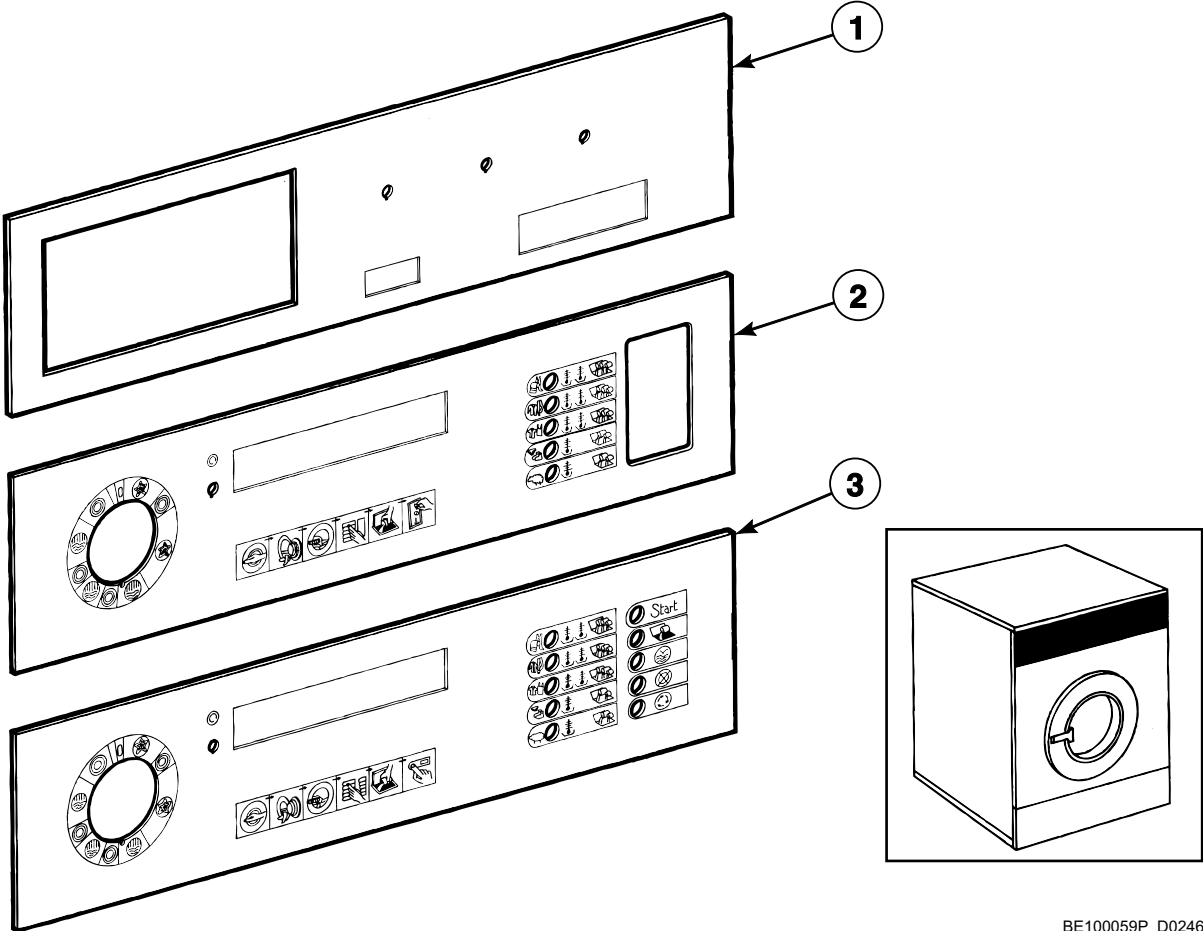


BE100048P\_D0246

## Control Panel - PC20 and PC30

REF	PART NO.	DESCRIPTION	COMMENTS
1	111/00144/00	Front Panel	
2	204/00007/00	Nut	
3	203/00006/00	Washer	
4	225/00204/AOL	Front Panel	
5	209/00132/00	Protector	
6	209/00326/00	Programming Switch	
7	229/00244/00	Keypad	
8	201/00008/00	Washer	
9	202/00004/00	Washer	
10	204/00116/00	Nut	
11	209/00290/02	Keyboard	

# Control Panel



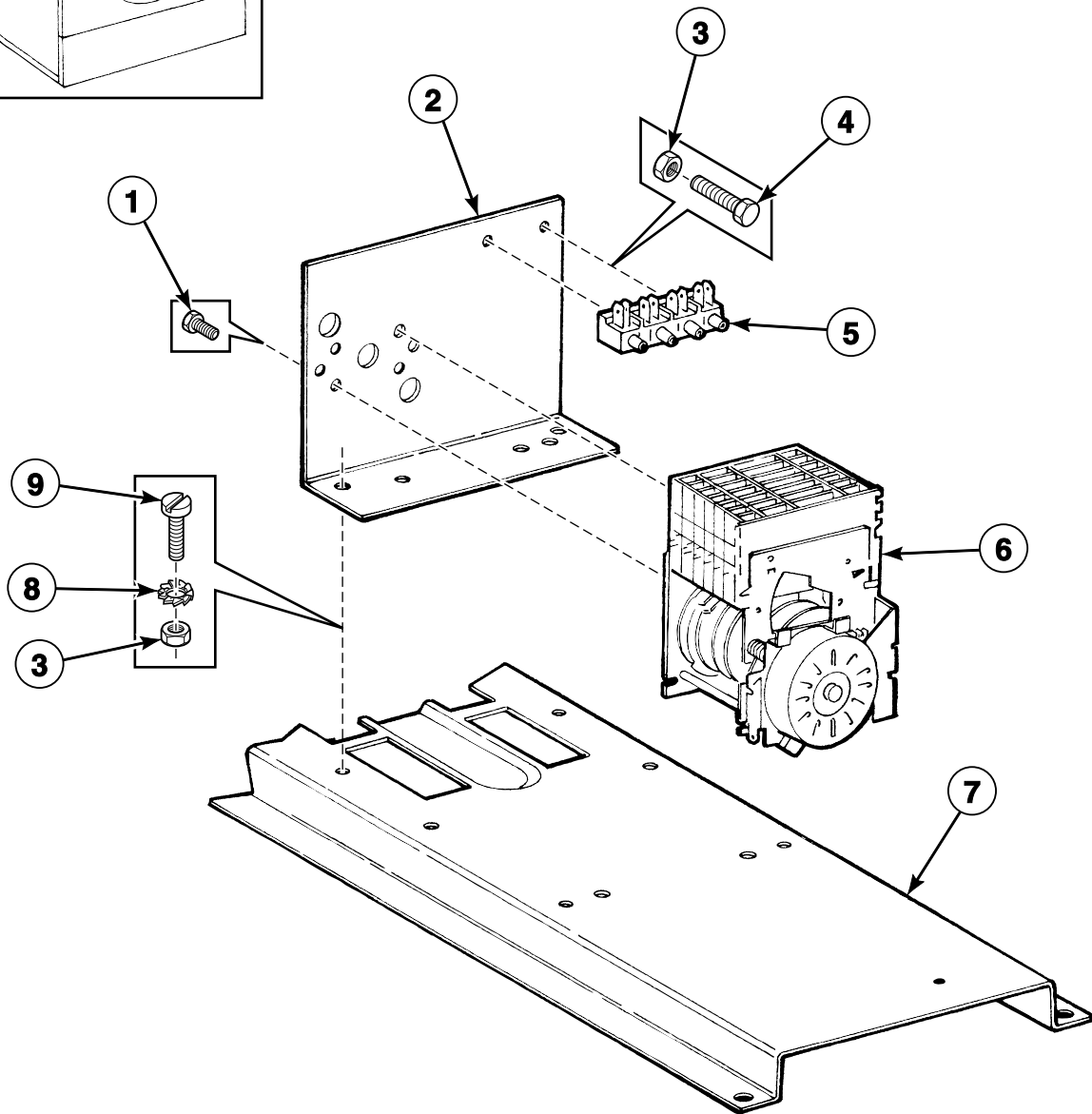
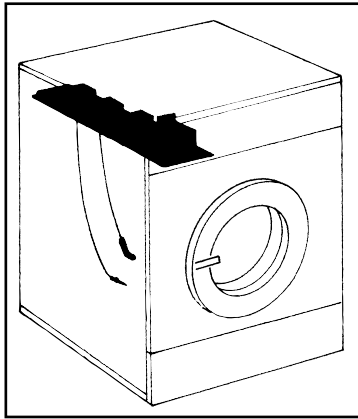
BE100059P\_D0246



# Control Panel

REF	PART NO.	DESCRIPTION	COMMENTS
1	225/00246/ABL	Facia Panel	
2	325/00231/ABL	Facia Panel	*165 models; Coin; French
	225/00222/ABL	Facia Panel	*165 models; Coin; Icon
3	225/00221/ABL	Facia Panel	*165 models; OPL; Icon
	325/00282/ABL	Facia Panel	*165 models; OPL; Swedish

# Electrical Component Mounting Plate - Mechanical Timer

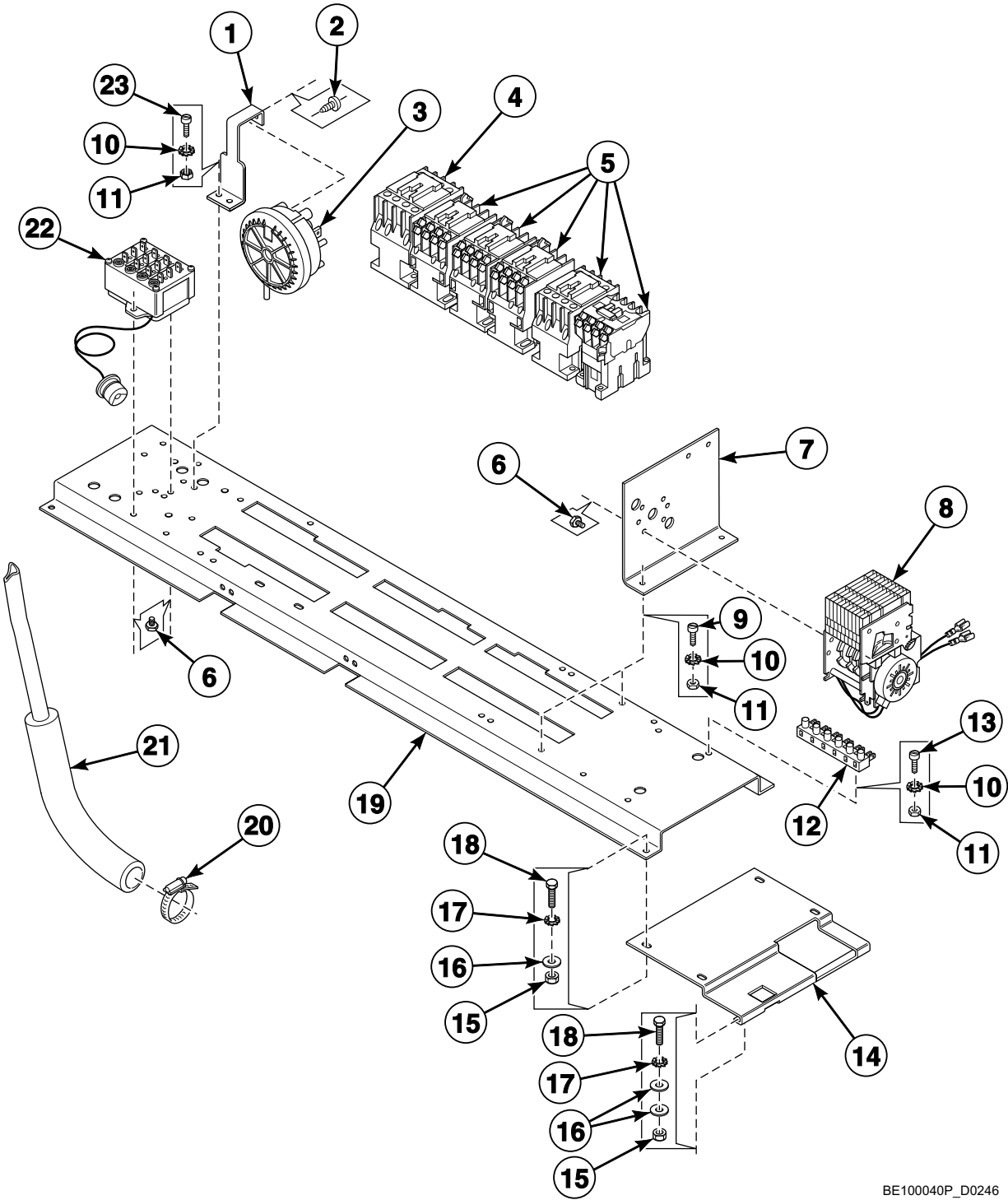


BE100038P\_D0246

## Electrical Component Mounting Plate - Mechanical Timer

REF	PART NO.	DESCRIPTION	COMMENTS
1	206/00021/00	Screw	
2	111/00035/00	Mounting Plate	
3	204/00007/00	Nut	
4	207/00008/00	Screw	
5	209/00005/00	Terminal Block	
6	209/00012/00	Reversing Timer	50 Hertz
	209/00013/00	Reversing Timer	60 Hertz
7	111/00173/AO	Mounting Plate	*110 and *132 models
	111/00039/AO	Mounting Plate	*165 models
8	203/00008/00	Washer	
9	207/00004/00	Screw	

# Electrical Component Mounting Plate - Ramstetter

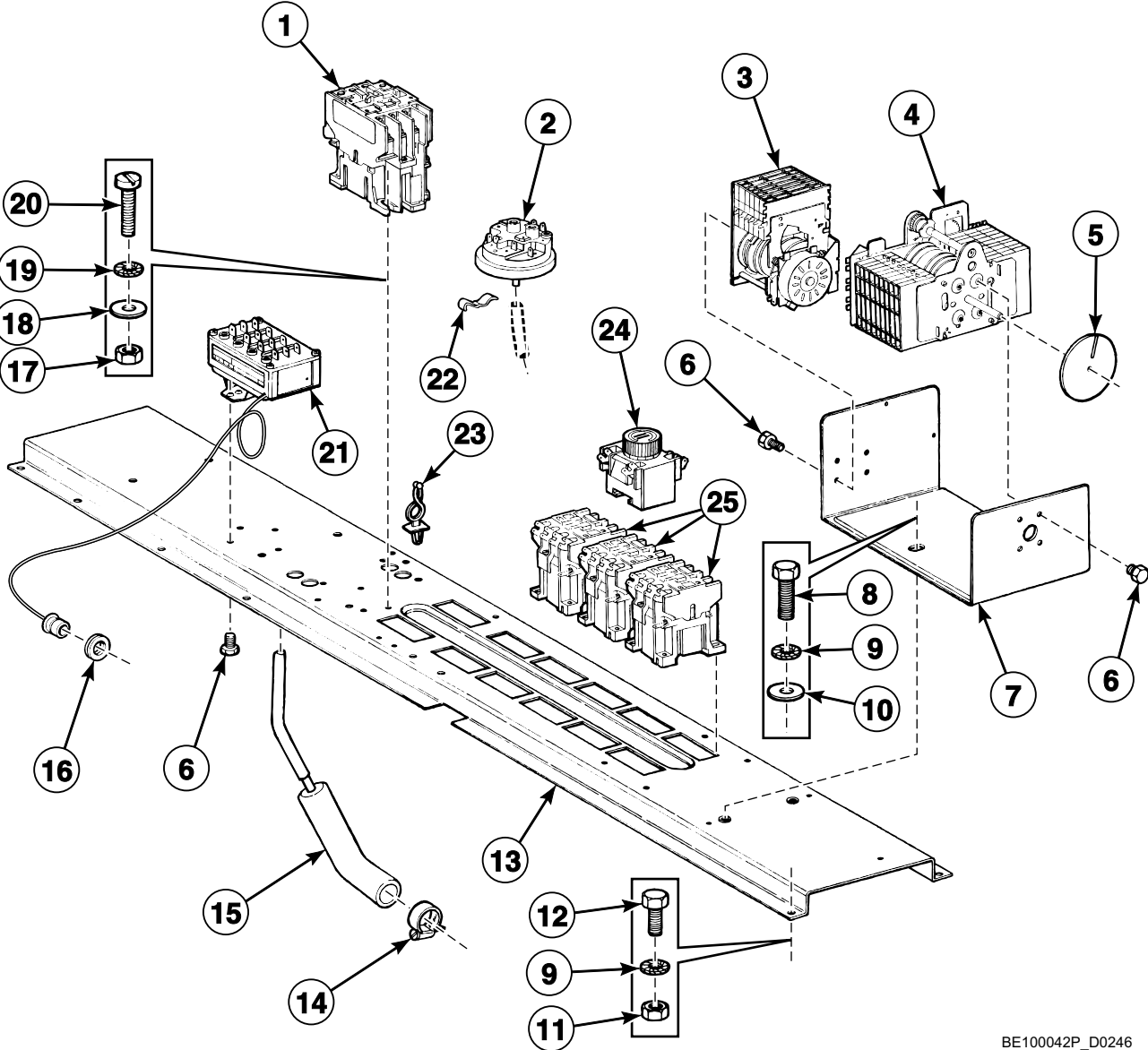


BE100040P\_D0246

## Electrical Component Mounting Plate - Ramstetter

REF	PART NO.	DESCRIPTION	COMMENTS
1	111/00424/00	Pressure Switch Bracket	
2	208/00007/00	Screw	
3	209/00007/30	Pressure Switch	
4	209/00056/02	Contactor	LC1D4011M5
	209/06150/02	Contactor	LC1D5011M5
	209/00149/02	Contactor	LC1D3210M5
	209/00041/04	Contactor	LC1D0901M5
	209/00148/02	Contactor	LC1D1810M5
	209/00177/02	Contactor	LC1D2510M5
5	209/00041/03	Contactor	
6	206/00021/00	Screw	
7	111/00035/00	Mounting Plate	
8	209/00012/00	Reversing Timer	220 Volt/50 Hertz
	209/00013/00	Reversing Timer	220 Volt/60 Hertz
9	207/00004/00	Screw	
10	203/00006/00	Washer	
11	204/00007/00	Nut	
12	210/10007/00	Connection	
13	207/00003/00	Screw	
14	111/32952/01	Assembly Plate	
15	204/00005/00	Nut	
16	202/00003/00	Washer	
17	203/00004/00	Washer	
18	206/00015/00	Bolt	
19	111/00037/AO	Assembly Plate	*110 and *132 models
	111/00037/BO	Assembly Plate	*165 models
20	223/00011/00	Hose Clamp	
21	223/00119/00	Hose	
22	209/00243/00	Thermostat	
23	207/00008/00	Screw	

# Electrical Component Mounting Plate - Fiber

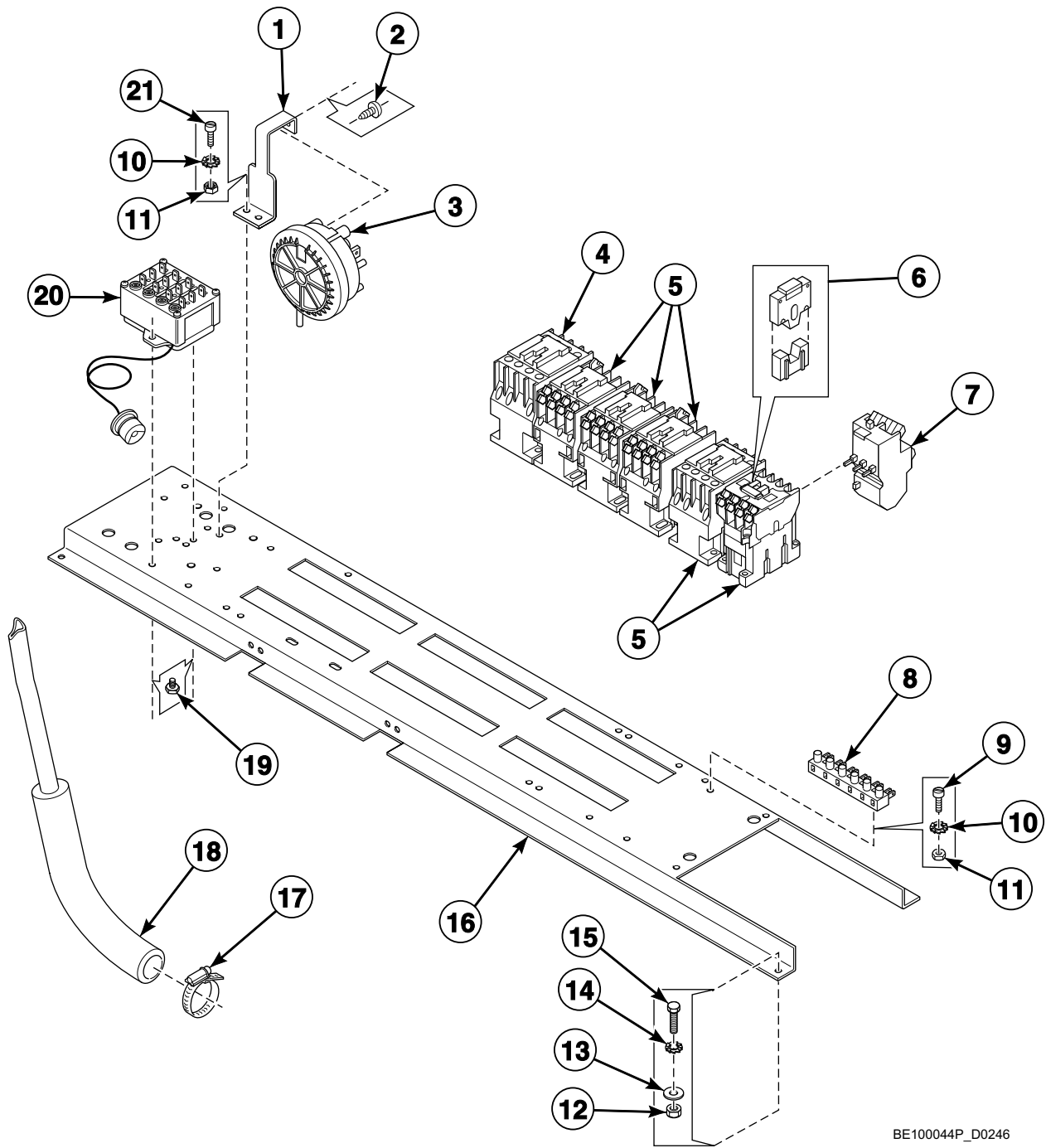


BE100042P\_D0246

## Electrical Component Mounting Plate - Fiber

REF	PART NO.	DESCRIPTION	COMMENTS
1	209/00041/04	Contactactor	LC1D0901M5
	209/00148/02	Contactactor	LC1D1810M5
	209/00149/02	Contactactor	LC1D3210M5
	209/06150/02	Contactactor	LC1D5011M5
	209/00177/02	Contactactor	LC1D2510M5
	209/00056/02	Contactactor	LC1D4011M5
2	209/00007/10	Water Level Switch	
3	209/00012/00	Reversing Timer	220 Volt/50 Hertz
	209/00013/00	Reversing Timer	220 Volt/60 Hertz
4	209/00107/00R	Timer	220 Volt/50 Hertz
	209/00108/00	Timer	220 Volt/50 Hertz; Green
	209/06150/02	Contactactor	220 Volt/60 Hertz
	209/00109/00	Timer	220 Volt/60 Hertz; Green
5	225/00001/00	Program Indicator	
6	206/00021/00	Screw	
7	111/00016/00	Mounting Plate	
8	206/00014/00	Bolt	
9	203/00004/00	Washer	
10	201/00007/00	Washer	
11	204/00005/00	Nut	
12	206/00015/00	Bolt	
13	111/00037/AO	Assembly Plate	*110 and *132 models
	111/00038/AO	Assembly Plate	*165 models
14	223/00011/00	Hose Clamp	
15	223/00119/00	Hose	
16	225/10004/00	Thermostat Seal	
17	204/00007/00	Nut	
18	202/00004/00	Washer	
19	203/00006/00	Washer	
20	207/00003/00	Screw	
21	209/00243/00	Thermostat	
22	209/00007/01	Clip	
23	211/00083/00	Wire Holder	
24	209/00101/02	Switch	LA2DT49
	209/00103/02	Switch	LA3-DR49
25	209/00041/03	Contactactor	

# Electrical Component Mounting Plate - 10 Button



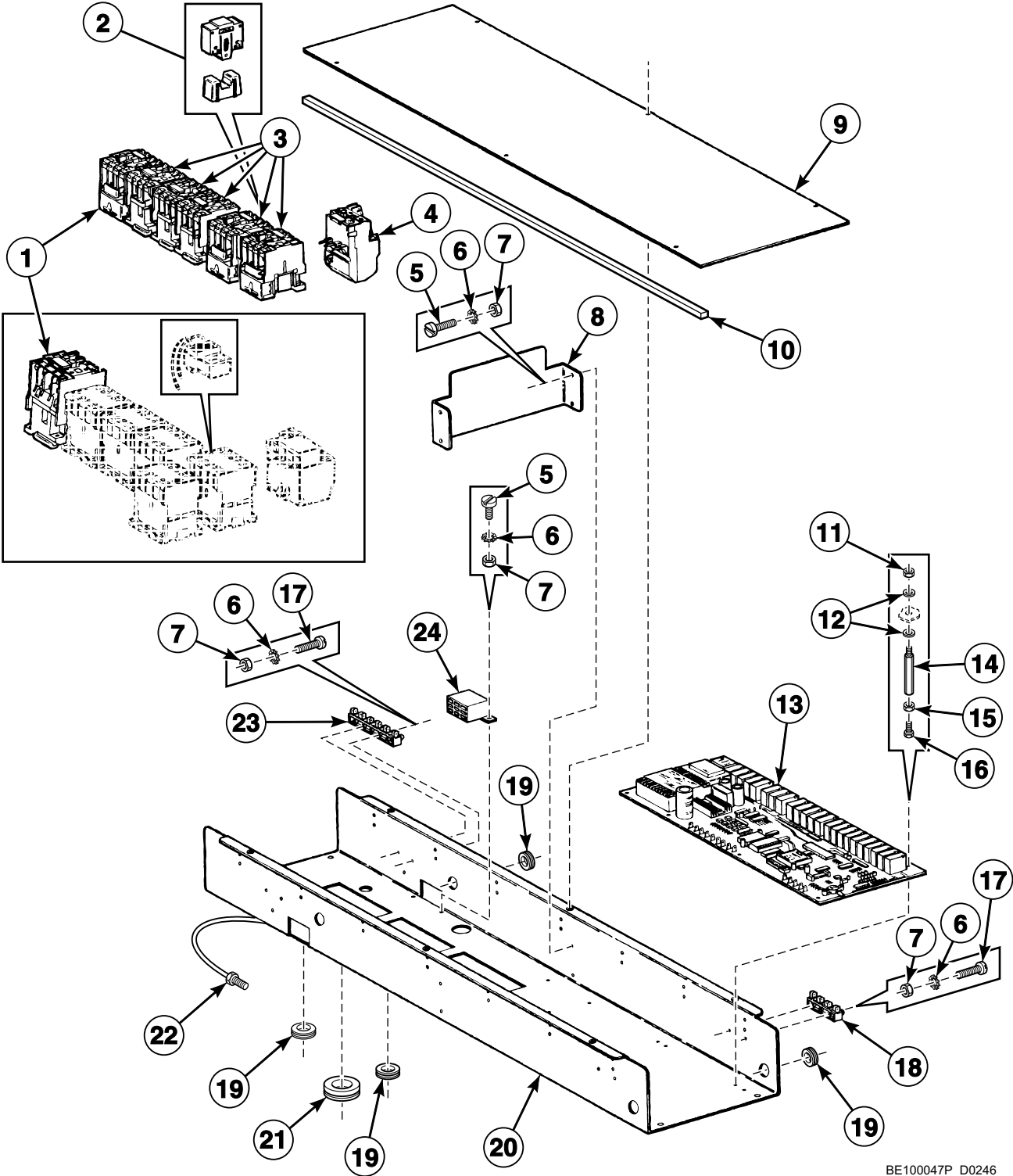
BE100044P\_D0246



## Electrical Component Mounting Plate - 10 Button

REF	PART NO.	DESCRIPTION	COMMENTS
1	111/00424/00	Pressure Switch Bracket	
2	208/00007/00	Screw	
3	209/00007/30	Pressure Switch	
4	209/00149/02	Contactactor	LC1D3210M5
	209/06150/02	Contactactor	LC1D5011M5
	209/00056/02	Contactactor	LC1D4011M5
	209/00041/04	Contactactor	LC1D0901M5
	209/00177/02	Contactactor	LC1D2510M5
	209/00148/02	Contactactor	LC1D1810M5
5	209/00041/03	Contactactor	
6	209/00279/00	Lock	
7	209/00263/00	Protector	LR2-D1308/2.5-4A
	209/00264/00	Protector	LR2-D1310/4-6A
	209/00283/00	Protector	LR2-D1306/1-1.6A
	209/00132/00	Protector	LR1-DO9321/13-18A
	209/00299/00	Protector	LR2-D13169/9-13A
	209/00285/00	Protector	LR2-D1312/5.5-8A
	209/00284/00	Protector	LR2-D1307/1.6-2.5A
	209/00265/00	Protector	LR2-D1314/7-10A
8	209/00005/00	Terminal Block	
9	207/00003/00	Screw	
10	203/00006/00	Washer	
11	204/00007/00	Nut	
12	204/00005/00	Nut	
13	202/00003/00	Washer	
14	203/00004/00	Washer	
15	206/00015/00	Bolt	
16	111/00037/BO	Assembly Plate	*110 and *132 models
	111/00037/AO	Assembly Plate	*165 models
17	223/00011/00	Hose Clamp	
18	223/00119/00	Hose	
19	206/00021/00	Screw	
20	209/00243/00	Thermostat	
21	207/00008/00	Screw	

# Electrical Component Mounting Plate - PC30

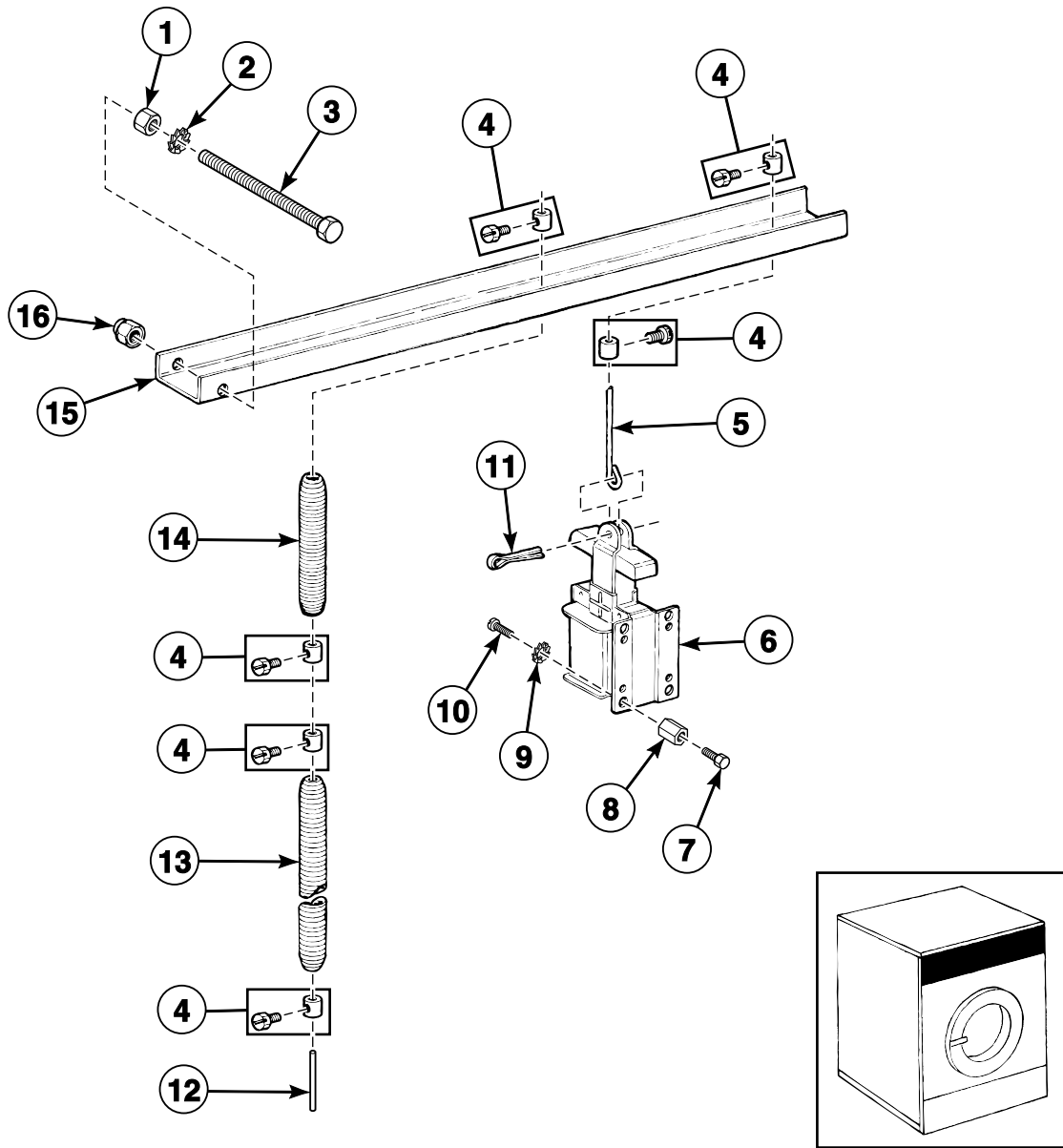


BE100047P\_D0246

## Electrical Component Mounting Plate - PC30

REF	PART NO.	DESCRIPTION	COMMENTS
1	209/00177/02	Contactactor	LC1D2510M5
	209/00148/02	Contactactor	LC1D1810M5
	209/06150/02	Contactactor	LC1D5011M5
	209/00056/02	Contactactor	LC1D4011M5
	209/00149/02	Contactactor	LC1D3210M5
	209/00041/04	Contactactor	LC1D0901M5
2	209/00279/00	Lock	
3	209/00041/03	Contactactor	
4	209/00283/00	Protector	LR2-D1306/1-1.6A
	209/00264/00	Protector	LR2-D1310/4-6A
	209/00265/00	Protector	LR2-D1314/7-10A
	209/00284/00	Protector	LR2-D1307/1.6-2.5A
	209/00263/00	Protector	LR2-D1308/2.5-4A
	209/00285/00	Protector	LR2-D1312/5.5-8A
	209/00132/00	Protector	LR1-D09321/13-18A
	209/00299/00	Protector	LR2-D13169/9-13A
5	207/00004/00	Screw	
6	203/00006/00	Washer	
7	204/00007/00	Nut	
8	111/00137/00	Assembly Plate	
9	111/00106/00	Cover Plate	Models HF110_PC30 and HF132_PC30
	111/00142/00	Cover Plate	Model HF165_PC30
10	246/00092/00	Gasket	
11	204/00008/00	Nut	
12	223/00123/00	Washer	
13	209/00290/01	Printboard	
14	111/00138/00	Axle	
15	203/00007/00	Washer	
16	207/00118/00	Screw	
17	207/00003/00	Screw	
18	209/00005/00	Terminal Block	
19	225/00019/00	Holder	
20	111/00140/00	Assembly Plate	Models HF110_PC30 and HF132_PC30
	111/00143/00	Assembly Plate	Model HF165_PC30
21	225/00027/00	Cable Duct	
22	209/00290/06	Detector	
23	210/10007/00	Connection	
24	209/00141/00	Plug	

# Door Lock - One Coil

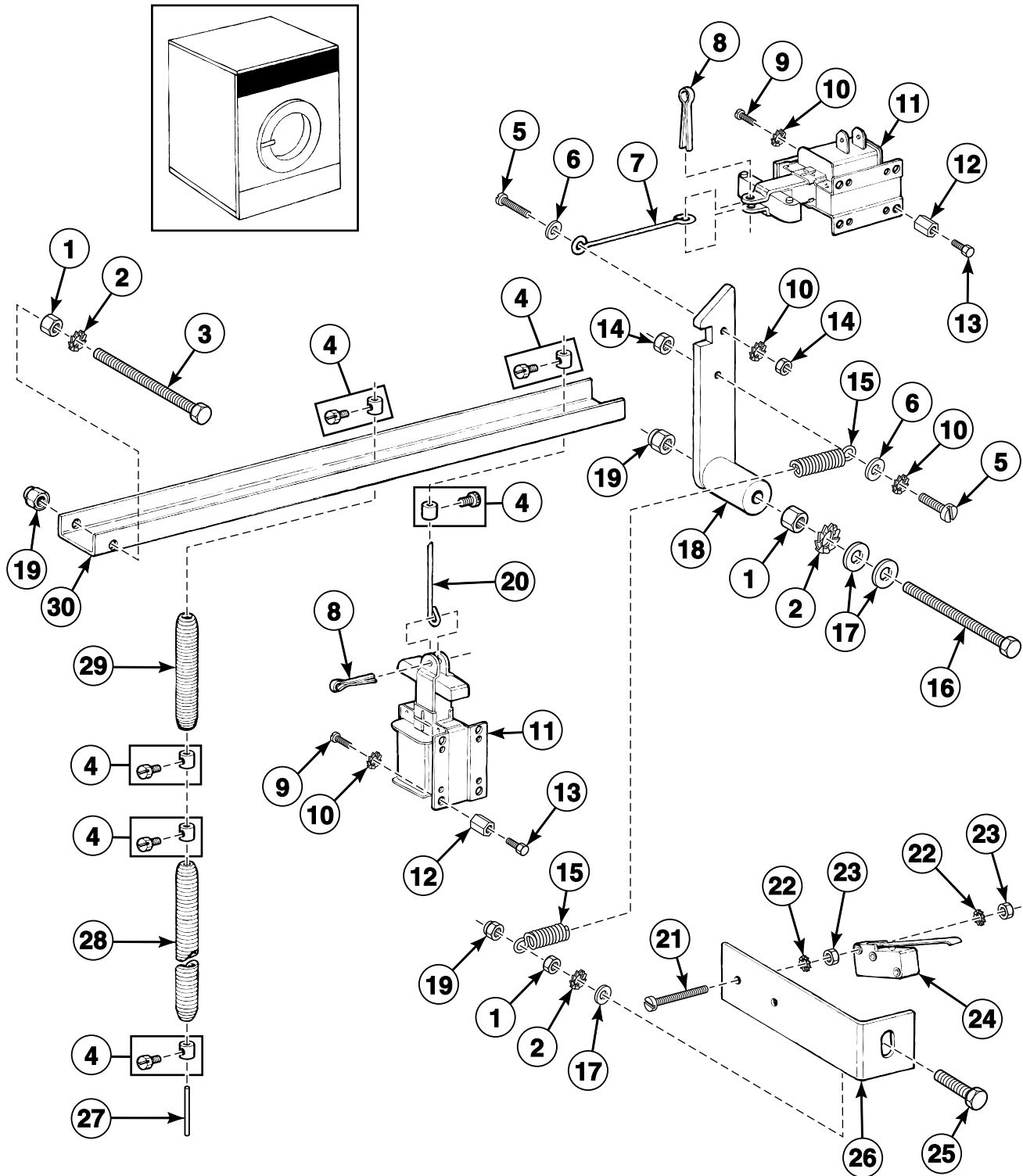


BE100049P\_D0246

## Door Lock - One Coil

REF	PART NO.	DESCRIPTION	COMMENTS
1	204/00005/00	Nut	
2	203/00004/00	Washer	
3	206/00012/00	Bolt	
4	208/00008/00	Clamp	
5	124/00004/00	Connection Rod	
6	209/00017/00	Door Interlock Coil	220 Volt/50 Hertz
	209/00018/00	Door Interlock Coil	220 Volt/60 Hertz
7	206/00021/00	Screw	
8	224/00006/00	Solenoid	
9	203/00006/00	Washer	
10	207/00004/00	Screw	
11	208/00003/00	Cotter Pin	
12	124/00005/00	Wire Bridge	
13	224/00007/00	Spring	
14	224/00008/00	Spring	
15	124/00002/00	Bridge	
16	204/00009/00	Nut	

# Door Lock - Two Coils

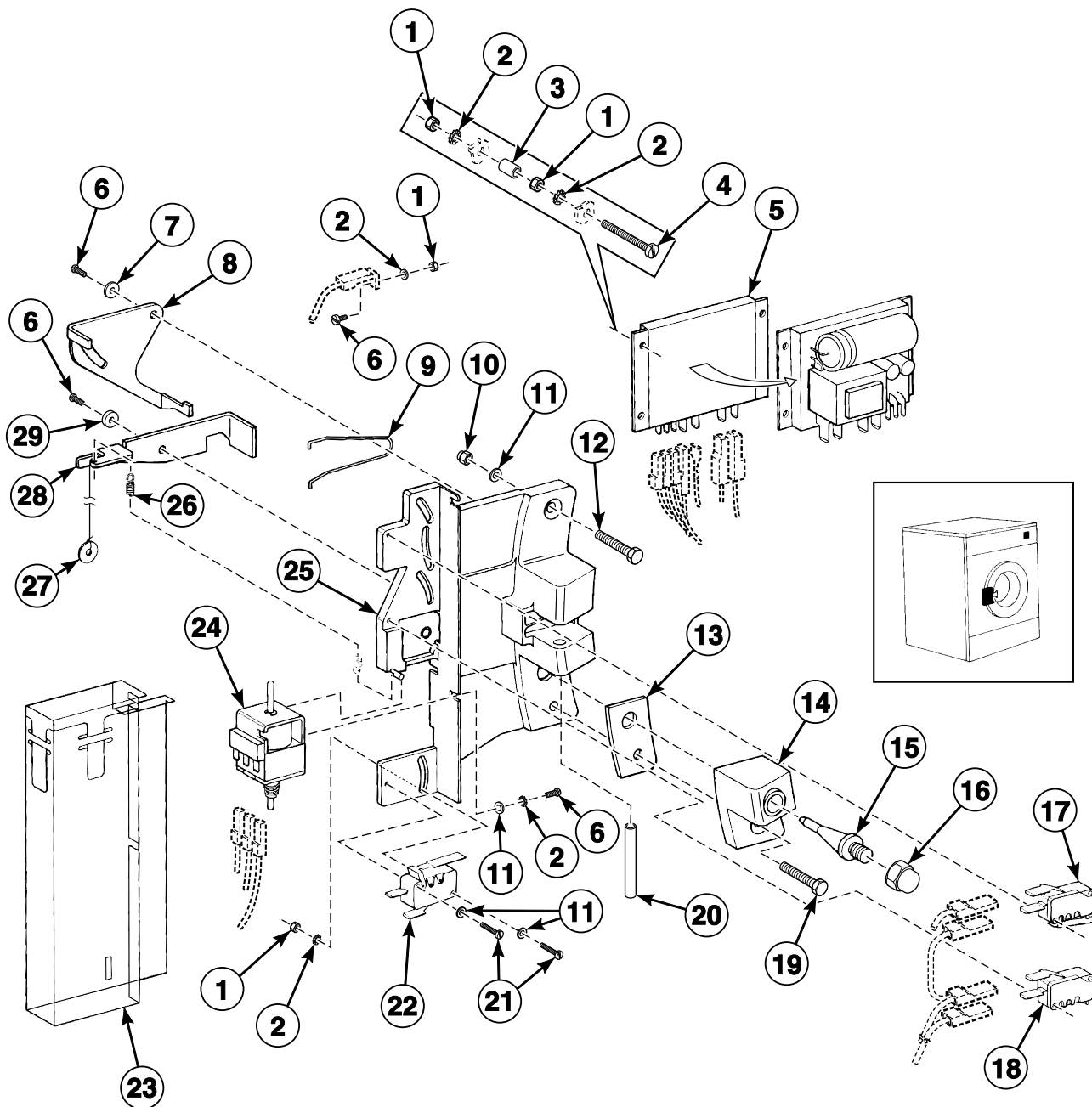


BE100050P\_D0246

## Door Lock - Two Coils

REF	PART NO.	DESCRIPTION	COMMENTS
1	204/00005/00	Nut	
2	203/00004/00	Washer	
3	206/00012/00	Bolt	
4	208/00008/00	Clamp	
5	207/00003/00	Screw	
6	202/00004/00	Washer	
7	124/00029/00	Unlatching Wire	
8	208/00003/00	Cotter Pin	
9	207/00004/00	Screw	
10	203/00006/00	Washer	
11	209/00017/00	Door Interlock Coil	220 Volt/50 Hertz
	209/00018/00	Door Interlock Coil	220 Volt/60 Hertz
12	224/00006/00	Solenoid	
13	206/00021/00	Screw	
14	204/00007/00	Nut	
15	224/00021/00	Lock Spring	
16	206/00011/00	Bolt	
17	202/00003/00	Washer	
18	124/00020/00	Lock	
19	204/00009/00	Nut	
20	124/00004/00	Connection Rod	
21	207/00006/00	Screw	
22	203/00007/00	Washer	
23	204/00008/00	Nut	
24	209/00145/00	Microswitch	
25	206/00015/00	Bolt	
26	124/00023/00	Assembly Plate	
27	124/00005/01	Wire Bridge Lock	
28	224/00007/00	Spring	
29	224/00008/00	Spring	
30	124/00019/00	Panel	

# Door Lock - Electronic



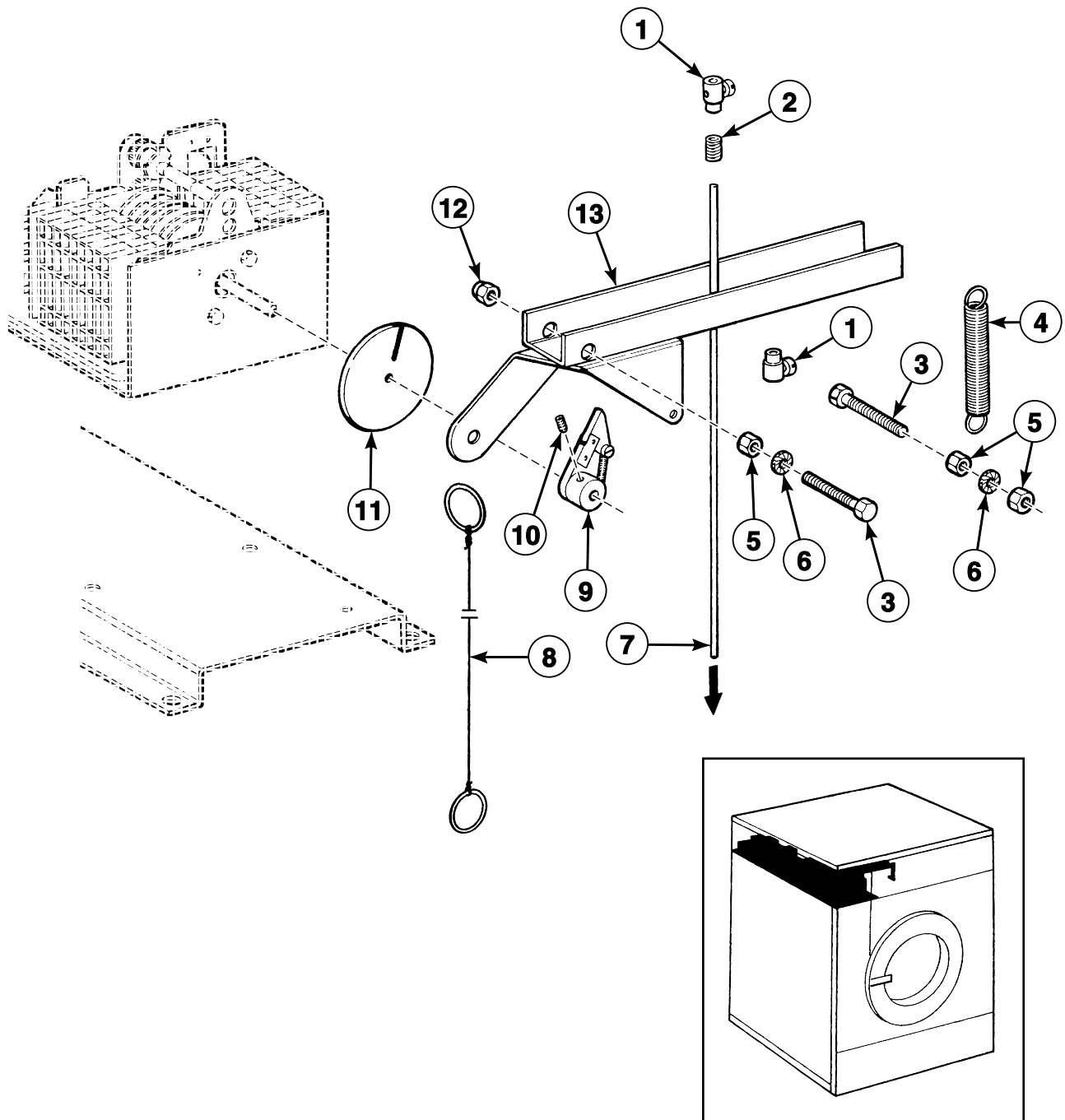
BE100052\_D0246



## Door Lock - Electronic

REF	PART NO.	DESCRIPTION	COMMENTS
1	204/00008/00	Nut	
2	203/00007/00	Washer	
3	211/00106/00	Spacer	
4	207/00006/00	Screw	
5	209/00275/04	Door Lock Board	
	209/00320/00	Filter	
6	207/00135/00	Screw	
7	201/00017/00	Washer	
8	217/00052/05	Switch Lever	
9	224/00040/00	Lever Spring	
10	204/00009/00	Nut	
11	201/00018/00	Washer	
12	205/00105/00	Bolt	
13	223/00136/00	Lock	
14	217/00052/02	Door Lock Pin Kit	
15	211/00109/00	Door Lock Pin Kit	
16	204/00103/00	Nut	
17	209/00271/00	Microswitch	
18	209/00272/00	Door Lock Microswitch	
19	205/00103/00	Bolt	
20	217/00017/03	Lock Shaft	
21	207/00109/00	Screw	
22	209/00273/00	Light Microswitch	
23	211/00110/00	Lock	
24	209/00274/00	Door Lock Solenoid	
25	217/00052/01	Door Lock Assembly	
26	224/00043/00	Interlock Coil Spring	
27	224/00015/00	Door Latch Cord	
28	217/00052/04	Interlock Lever	
29	217/00052/03	Door Lock Spacer	

# Manual Door Unlock Components

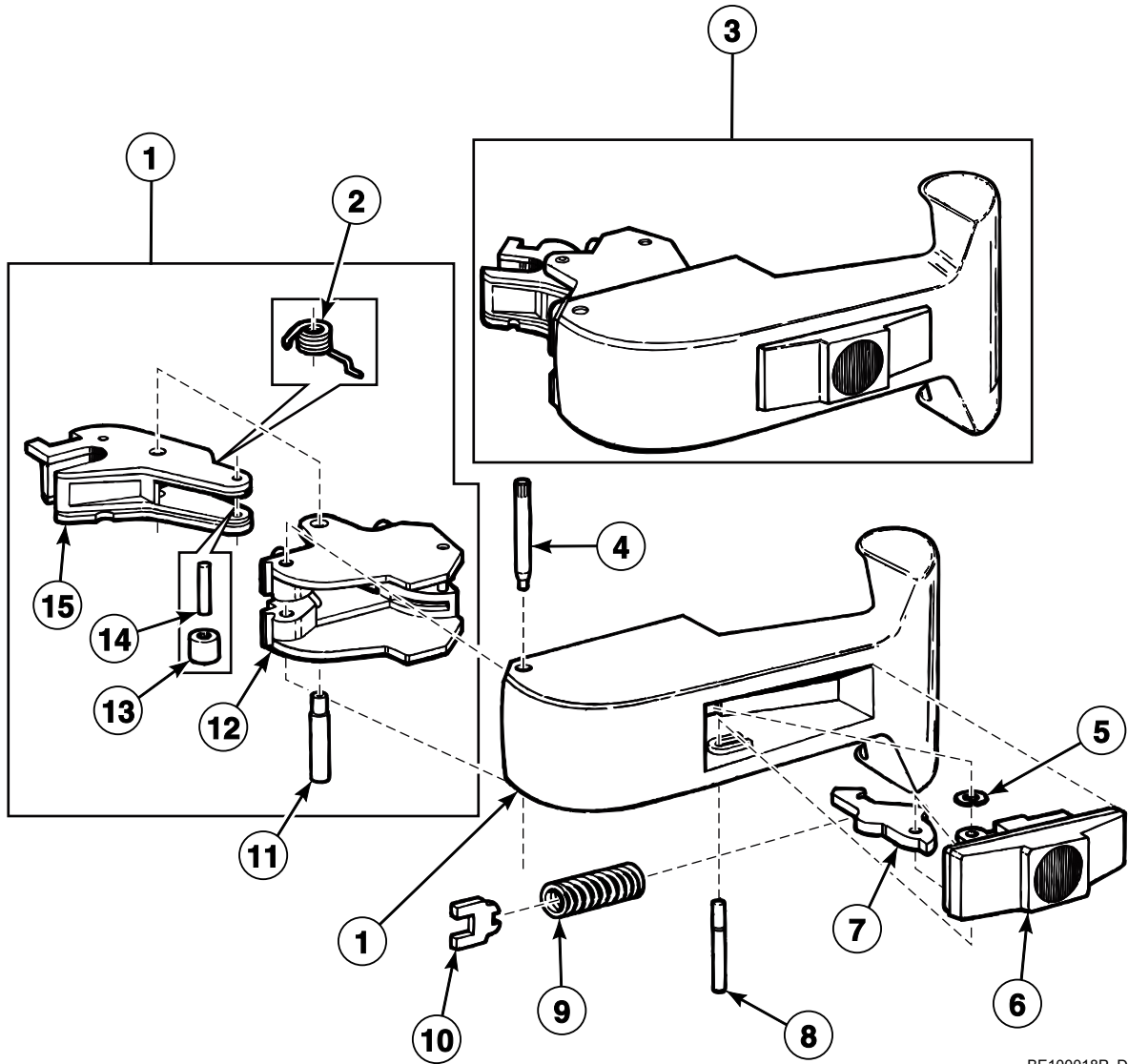


BE100051P\_D0246

## Manual Door Unlock Components

REF	PART NO.	DESCRIPTION	COMMENTS
1	208/00008/00	Clamp	
2	217/00020/00	Spring	
3	206/00012/00	Bolt	
4	224/00009/00	Door Lock Spring	
5	204/00005/00	Nut	
6	203/00004/00	Washer	
7	124/00005/01	Wire Bridge Lock	
8	224/00015/00	Door Latch Cord	
9	124/00010/00	Door Lock	
10	206/00018/00	Screw	
11	225/00001/00	Program Indicator	
12	204/00009/00	Nut	
13	124/00013/00	Bridge	

# Door Handle

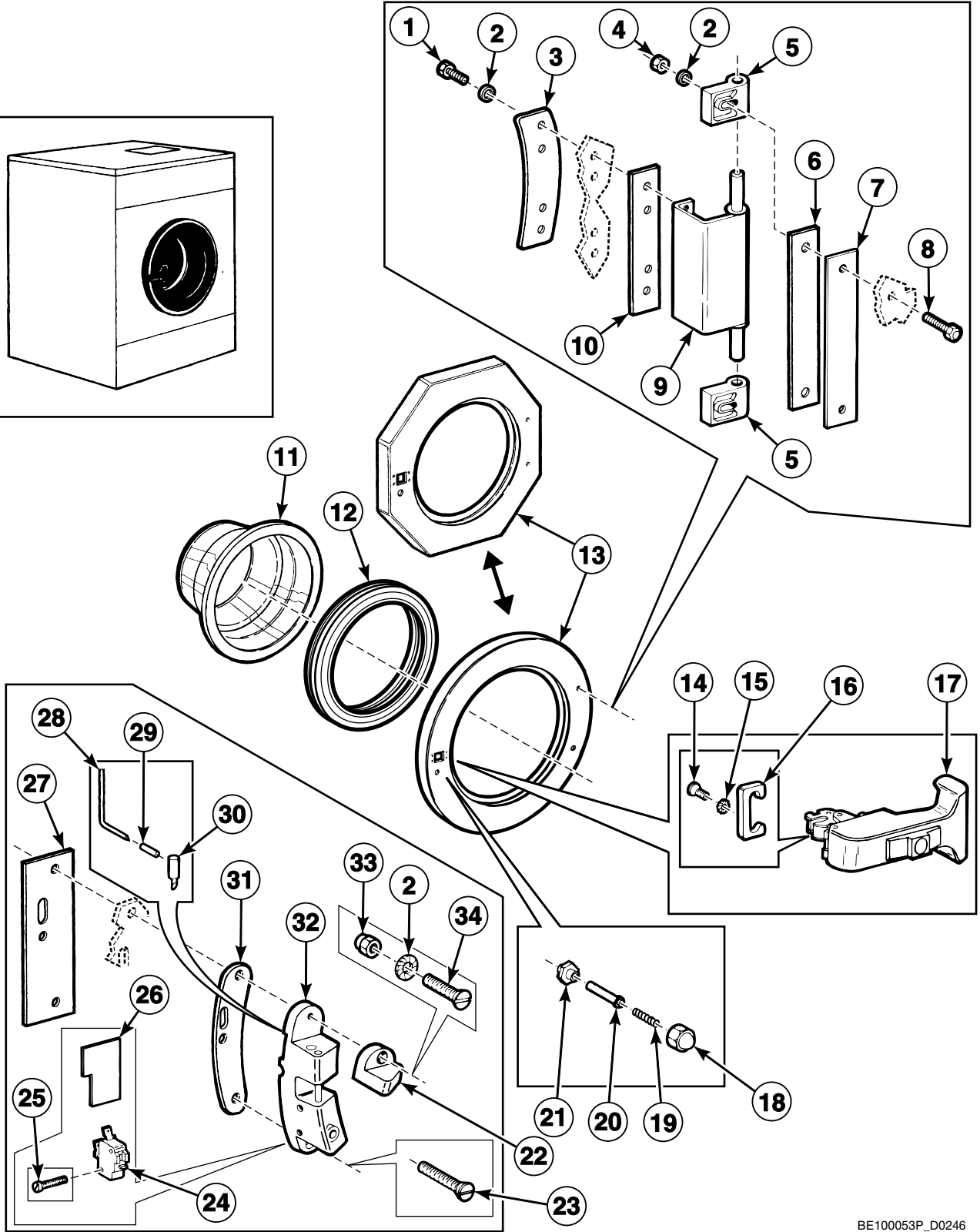
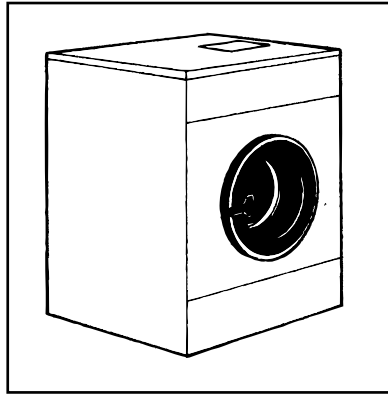


BE100018P\_D0246

# Door Handle

REF	PART NO.	DESCRIPTION	COMMENTS
1	217/00013/02	Door Handle	
2	217/00013/03	Door Lock Spring	
3	217/00051/00	Door Handle	
4	217/00013/09	Door Mounting Pin	
5	217/00013/11	Door Circlip	
6	217/00013/12	Door Handle	
7	217/00013/13	Door Handle Hook	
8	217/00013/15	Door Handle Locking Pin	
9	217/00013/14	Door Handle Spring	
10	217/00013/16	Door Handle Assembly Plate	
11	217/00013/08	Door Locking Pin	
12	217/00013/07	Door Locking Grip	
13	217/00013/06	Door Roller	
14	217/00013/05	Door Axle Roller	
15	217/00013/04	Door Handle Latch	

# Door

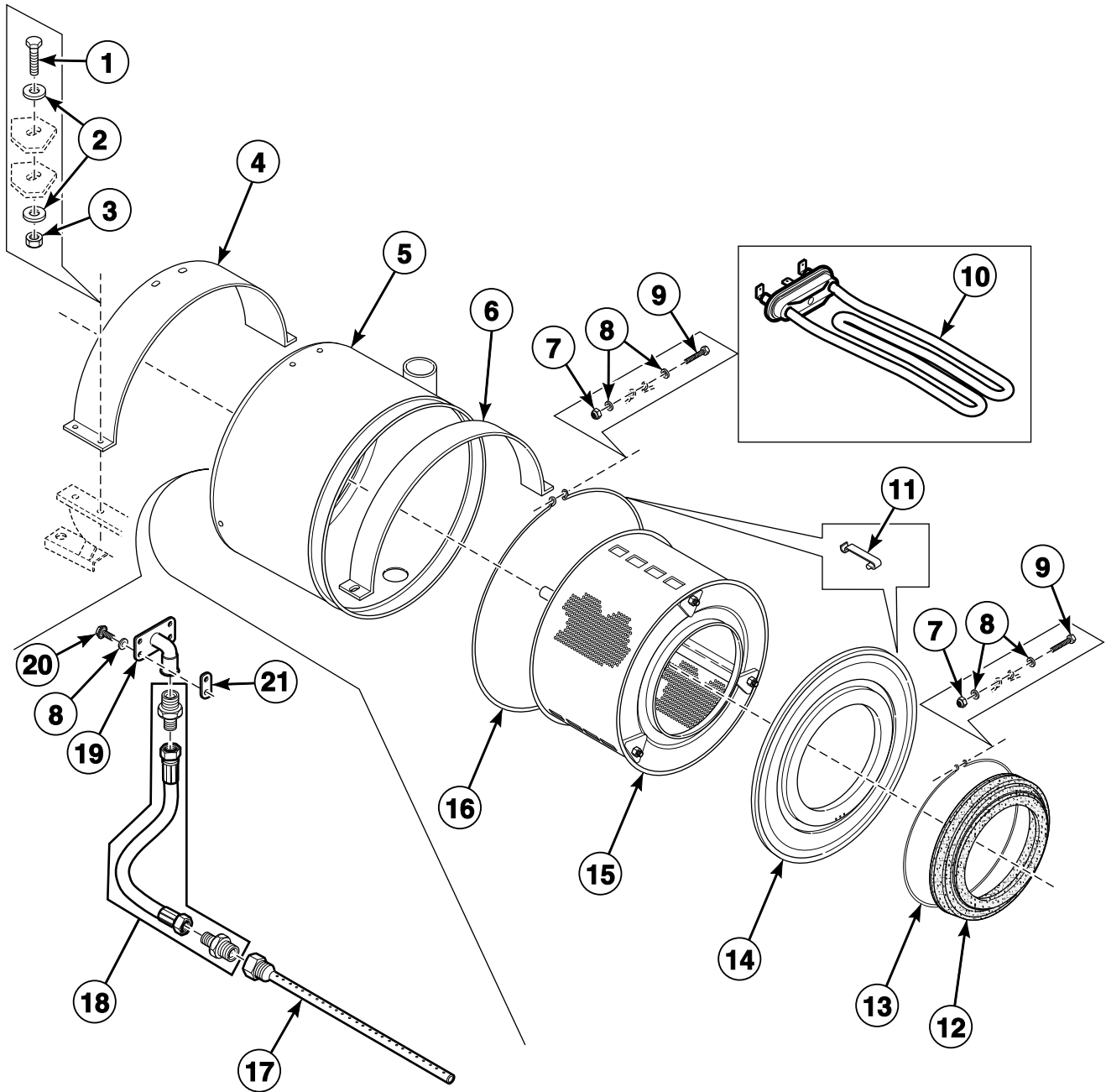


BE100053P\_D0246

# Door

REF	PART NO.	DESCRIPTION	COMMENTS
1	205/00107/00	Bolt	
2	202/00101/00	Washer	
3	218/00065/00	Door Hinge Assembly Plate	
4	204/00106/00	Nut	
5	217/00009/02	Door Hinge Assembly	
6	117/00010/00	Door Hinge Spacer	
7	117/00011/00	Door Hinge Spacer	
8	207/00116/00	Screw	
9	221/00005/00	Door Hinge	
10	223/00113/00	Seal	
11	217/00022/00	Door Glass	
12	217/00015/00	Door Glass Seal	
13	118/00046/10	Door Frame	Round
	118/00064/00	Door	Octagonal
14	B12500801	Screw	
15	203/00008/00	Washer	
16	217/00016/00	Door Handle Stop	
17	217/00051/00	Door Handle	
18	204/00103/00	Nut	
19	217/00020/00	Spring	
20	211/00105/00	Pin	
21	217/00019/00	Holder	
22	217/00017/02	Protection Block	
23	207/00102/00	Screw	
24	209/00023/00	Door Switch	
25	207/00109/00	Screw	
26	217/00038/00	Insulation Plate	
27	118/00067/00	Cover Plate	
28	124/00005/01	Wire Bridge Lock	
29	208/00004/00	Pin	
30	224/00003/00	Interlock Pin	
31	118/00066/00	Assembly Plate	Metal
	223/00114/00	Seal	Rubber
32	217/00017/00	Door Lock Assembly	
33	204/00009/00	Nut	
34	207/00115/00	Screw	

# Basket, Shell, Electrical Heating Element and Steam Heat Injector



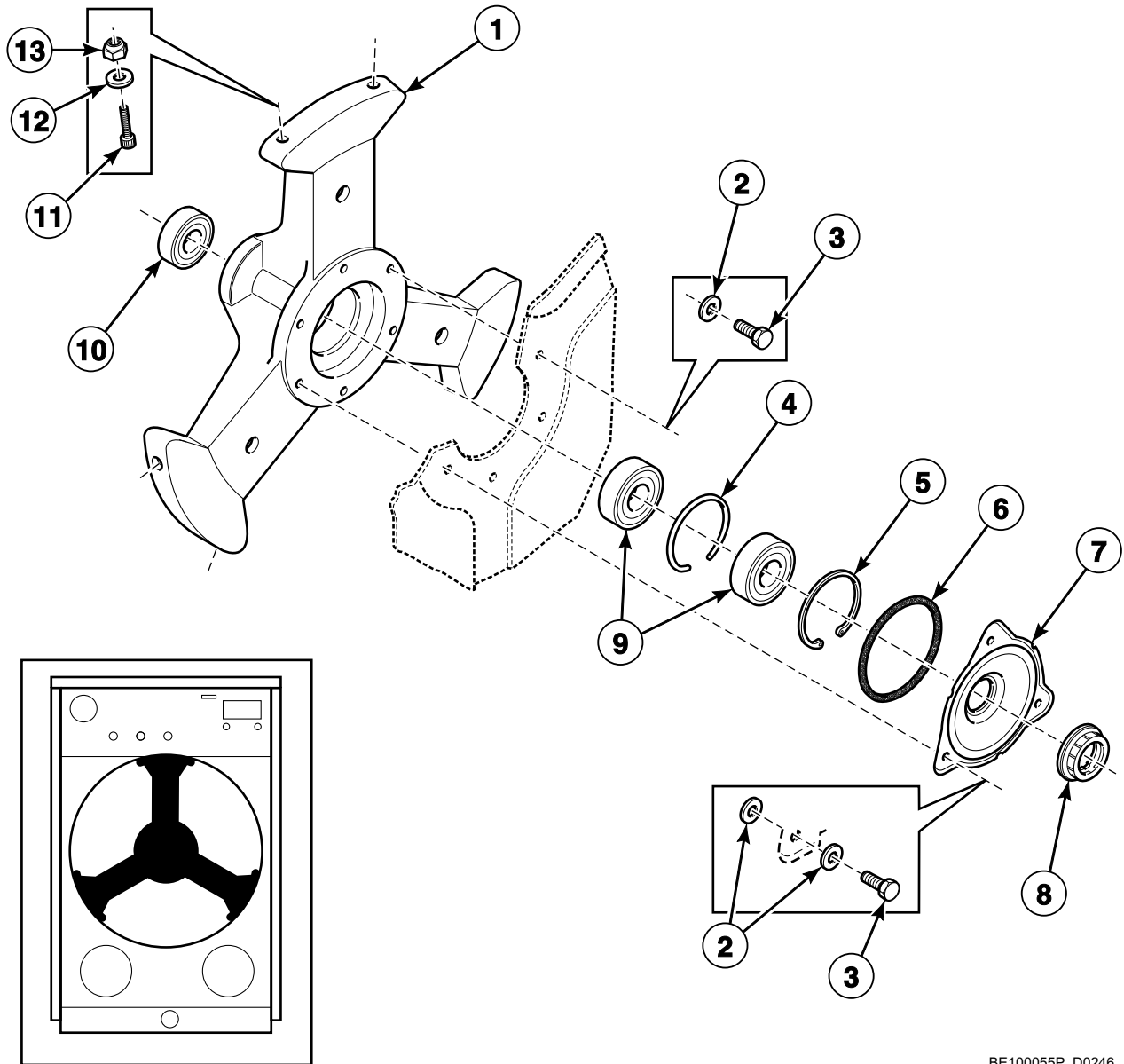
BE100054P\_D0246



# Basket, Shell, Electrical Heating Element and Steam Heat Injector

REF	PART NO.	DESCRIPTION	COMMENTS
1	206/00030/00	Bolt	
2	201/00010/00	Washer	
3	204/00110/00	Nut	
4	115/00111/00	Ring	
5	119/00052/00	Tub	*110 models; Boiler
	119/00053/00	Tub	*110 models; Electric heat
	119/00054/00	Tub	*110 models; Steam heat
	119/00055/00	Tub	*110 models; Electric and steam heat
	119/00056/00	Tub	*132 models; Boiler
	119/00057/00	Tub	*132 models; Electric heat
	119/00058/00	Tub	*132 models; Steam heat
	119/00059/00	Tub	*132 models; Electric and steam heat
	119/00060/00	Tub	*165 models; Boiler
	119/00061/00	Tub	*165 models; Electric heat
	119/00062/00	Tub	*165 models; Steam heat
	119/00063/00	Tub	*165 models; Electric and steam heat
	6	115/00110/00	Ring
7	204/00009/00	Nut	
8	202/00003/00	Washer	
9	206/00011/00	Bolt	
10	209/00116/01	Heating Element	1400W; 220 Volt
	209/00024/01	Heating Element	2000W; 220 Volt
	209/00049/01	Heating Element	3000W; 220 Volt
	209/00050/01	Heating Element	4000W; 380 Volt
11	217/00008/00	Tub Front Panel Clip	
12	223/00122/00	Door Boot	
13	238/00017/00	Clamp	
14	119/00049/00	Tub Front Panel	
15	123/00003/00	Drum and Axle	*110 models
	122/00028/00	Drum and Axle	*110 models
	136/10017/00	Drum and Axle	*132 models
	122/10030/00	Drum and Axle	*132 models
	122/10029/00	Drum and Axle	*165 models
	111/01962/00	Cylinder and Trunnion Assembly	*165 models
16	219/00007/00	Tub Front Ring Clamp	
17	118/00062/00	Steam Injector	
18	217/00025/00	Steam Hose	
19	118/00063/00	Steam Hose Connector	
20	206/00013/00	Bolt	
21	118/00063/01	Steam Connection Plate	

# Bearing Housing

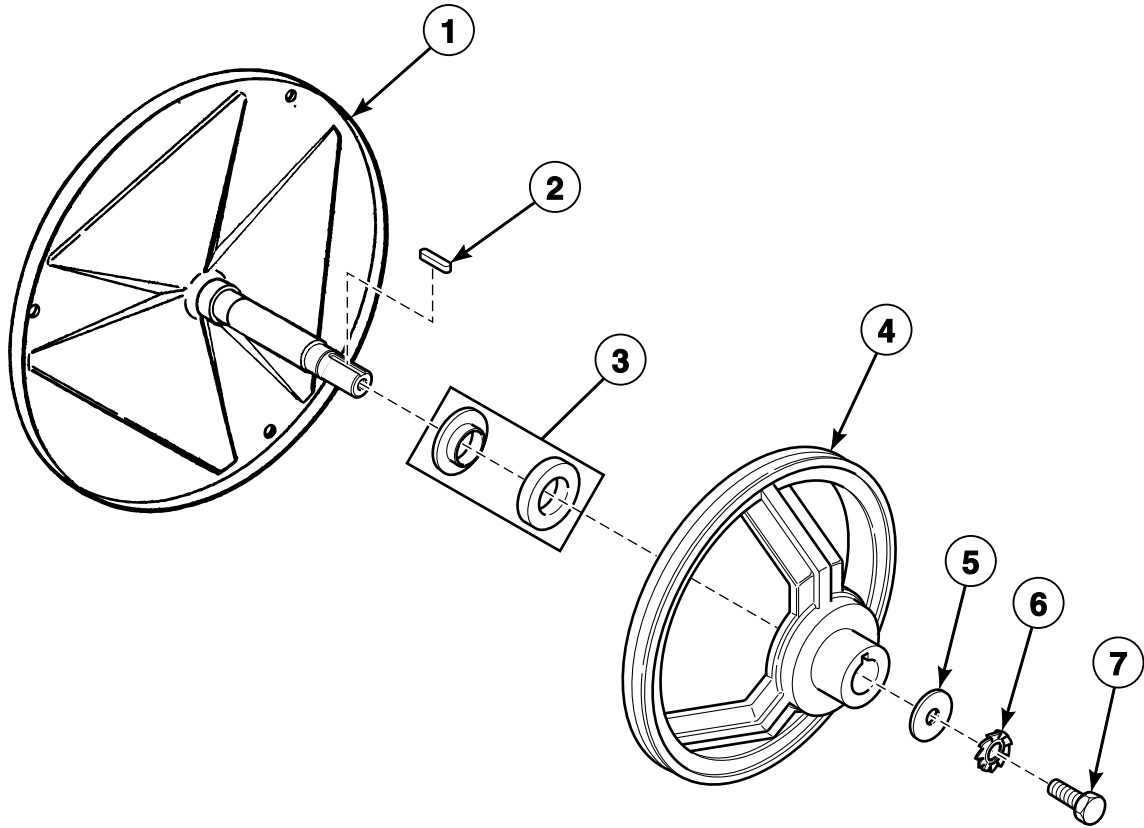


BE100055P\_D0246

# Bearing Housing

REF	PART NO.	DESCRIPTION	COMMENTS
1	116/00101/00	Bearing Housing	
2	201/00201/00	Washer	
3	205/00102/00	Bolt	
4	212/00031/00	Retainer Ring	
5	212/00029/00	Retainer Ring	
6	217/00002/00	O-Ring	
7	119/00001/00	Seal Plate	
8	219/00003/00	Shaft Seal	
9	216/00001/03	Ball Bearing	
10	216/00001/02	Ball Bearing	
11	206/00057/00	Screw	
12	201/00012/00	Washer	
13	204/00112/00	Nut	

# Basket and Pulley

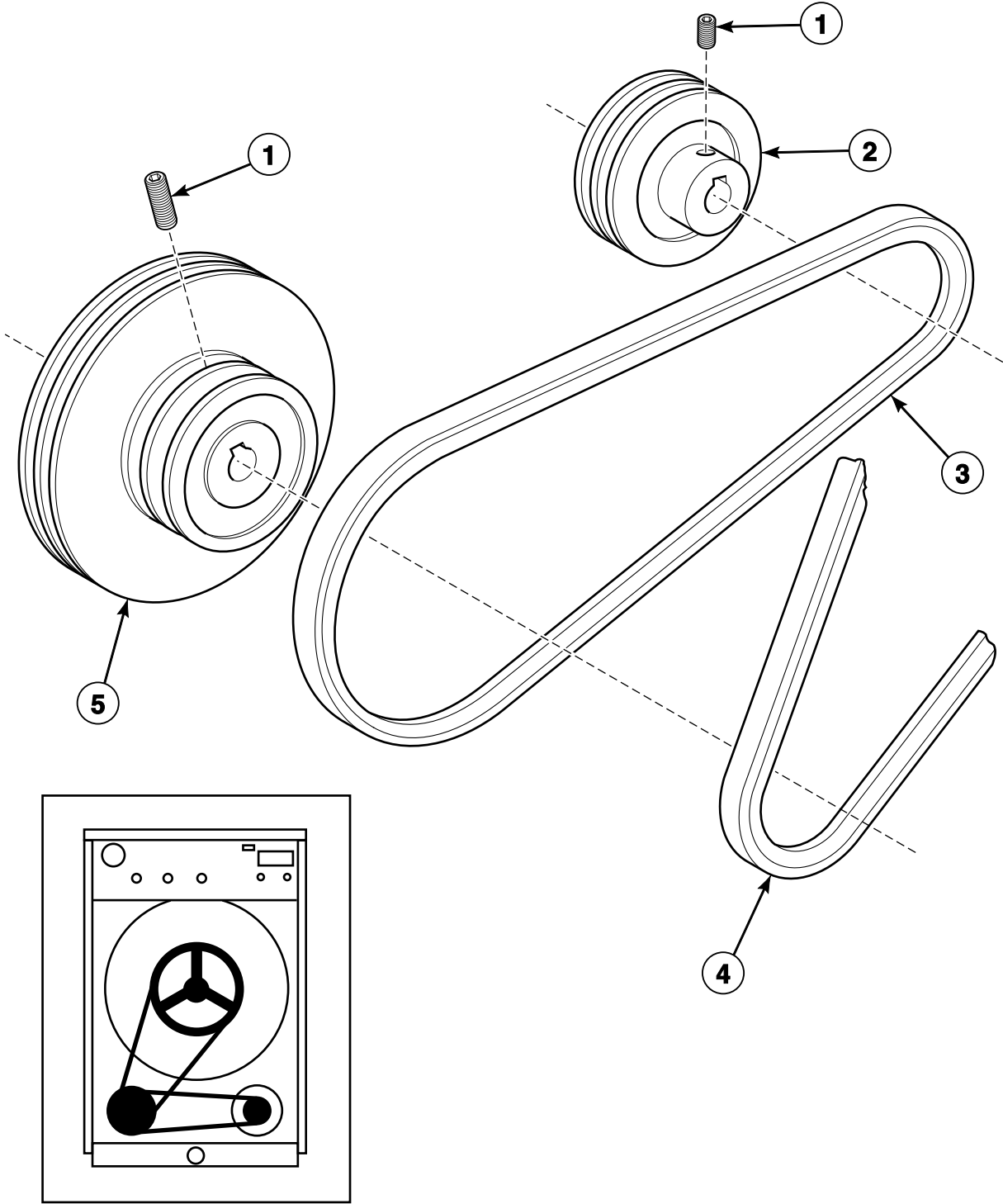


BE100056P\_D0246

# Basket and Pulley

REF	PART NO.	DESCRIPTION	COMMENTS
1	122/00018/02	Trunnion Assembly	
2	216/00002/04	Cylinder Shaft Key	
3	219/00004/00	Counter Ring	
4	226/00070/00	Pulley	
5	201/00003/00	Washer	
6	203/00001/00	Washer	
7	206/00004/00	Bolt	

# Pulley and Belt

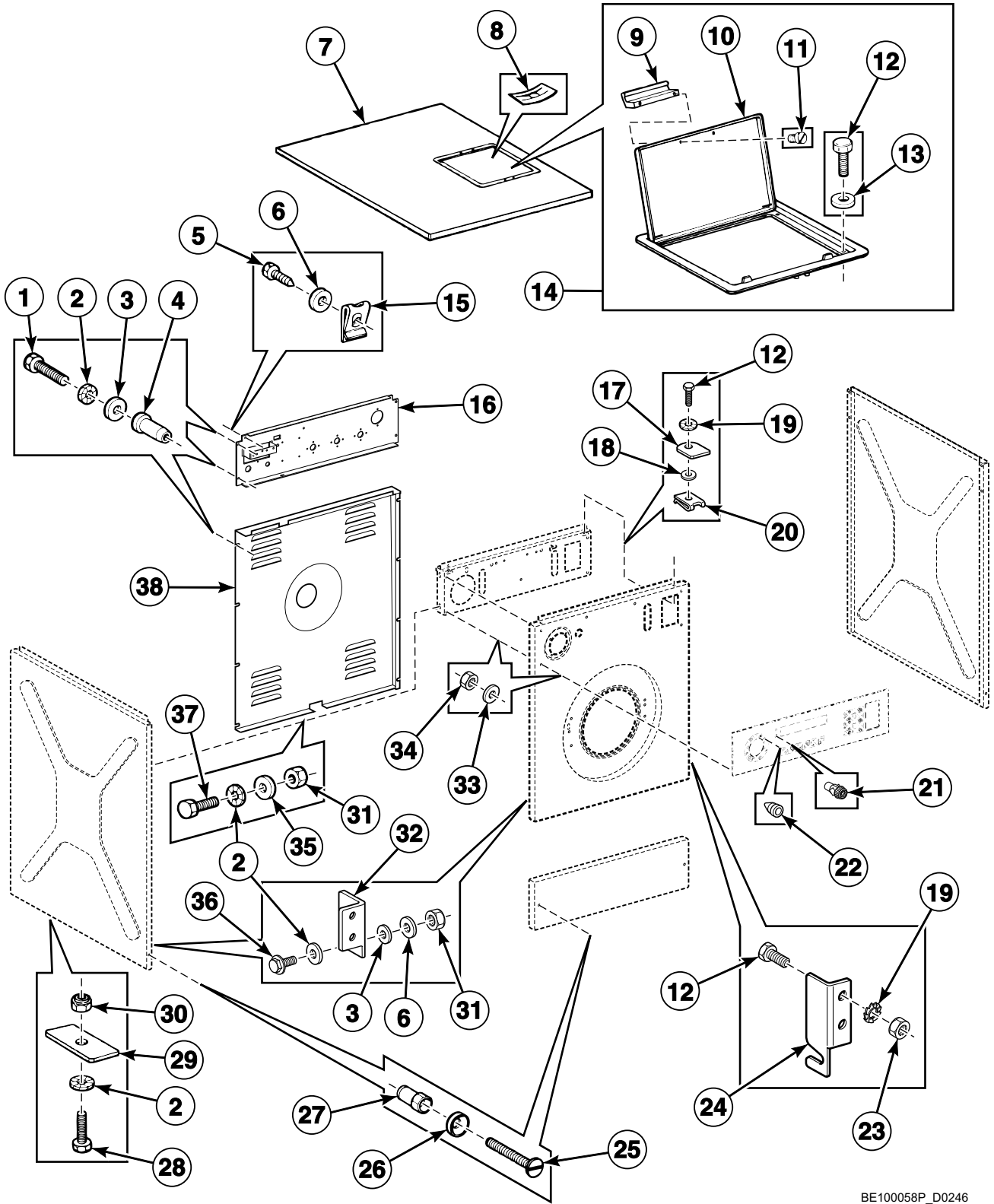


BE100057P\_D0246

# Pulley and Belt

REF	PART NO.	DESCRIPTION	COMMENTS
1	206/00048/00	Screw	
2	239/00012/00	Pulley	
3	226/00094/00	Belt	
4	226/00096/00	Belt	50 Hertz
	226/00082/00	Belt	60 Hertz
5	226/00080/00	Pulley	
	226/00081/00	Pulley	

# Top and Back Panels



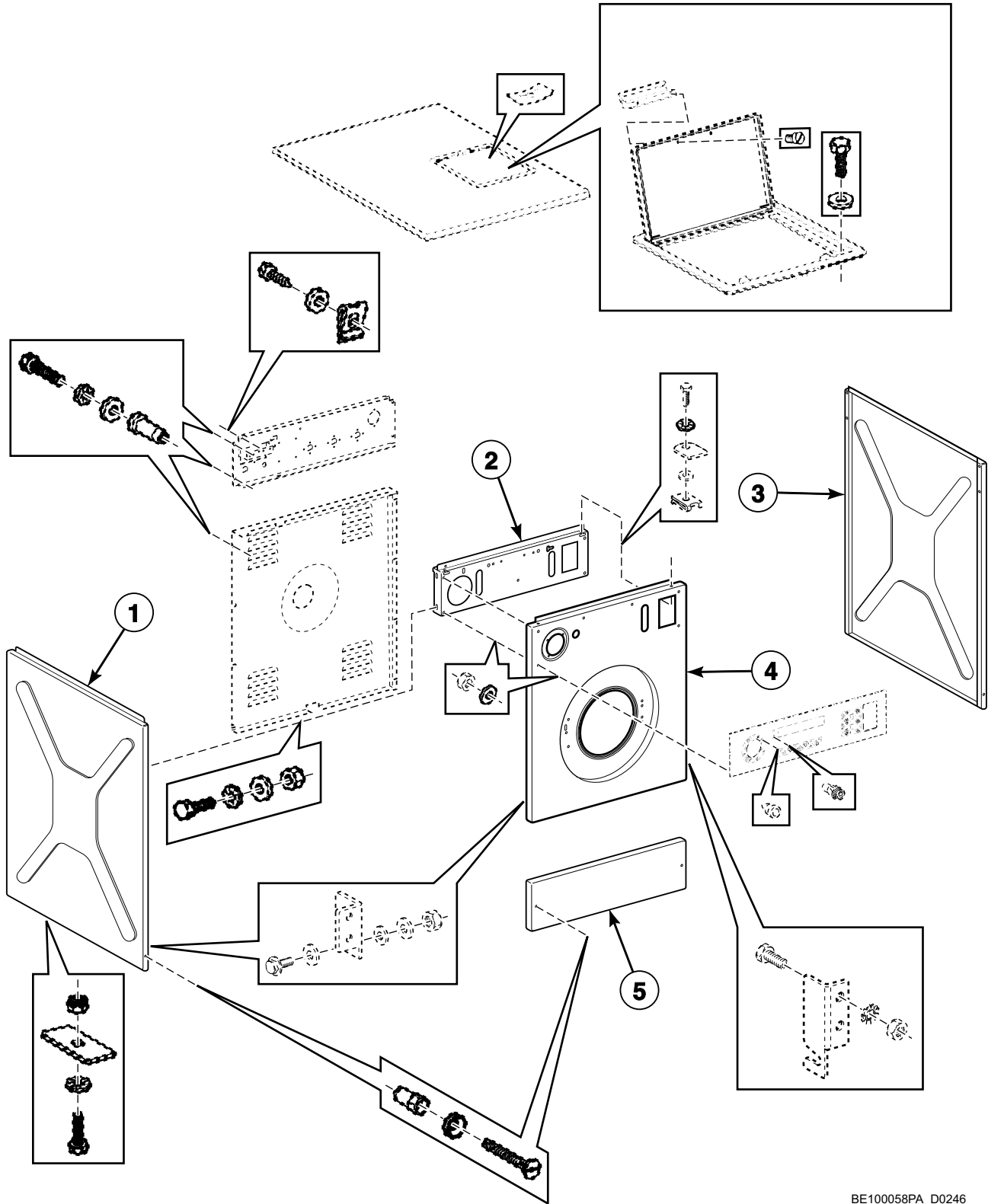
BE100058P\_D0246



## Top and Back Panels

REF	PART NO.	DESCRIPTION	COMMENTS
1	206/00014/00	Bolt	
2	203/00004/00	Washer	
3	201/00007/00	Washer	
4	204/00301/00	Bushing	
5	208/00001/00	Screw	
6	201/00006/00	Washer	
7	111/32741/00	Top Panel	*110 and *132 models
	111/32742/00	Top Panel	*165 models
	111/32741/BO	Top Panel	*110 and *132 models; Lock
	111/32742/BO	Top Panel	*165 models; Lock
	111/32743/00	Top Panel	*110 and *132 models; White
	111/32745/00	Top Panel	*165 models; White
	111/32744/00	Top Panel	*110 and *132 models; Orange
	111/32746/00	Top Panel	*165 models; Orange
8	208/00104/00	Nut	
9	223/00008/05	Soap Dispenser Cover Handle	
10	123/00103/01	Soap Dispenser Cover	
	223/00103/02	Soap Dispenser Frame	
	123/00103/03	Soap Dispenser Cover Hinge	
11	207/00133/00	Screw	
12	205/00106/00	Bolt	
13	202/00101/00	Washer	
14	223/00103/00	Soap Dispenser Cover	
15	208/00002/00	Nut	
16	111/32104/00	Rear Bridge	
17	117/00042/00	Retaining Ring	
18	202/00103/00	Washer	
19	203/00005/00	Washer	
20	204/00013/00	Nut	
21	209/00152/00	Lens Cover	
22	225/10023/00	Fastener	
23	204/00107/00	Nut	
24	111/00002/00	Hook	
25	207/00101/00	Screw	
26	206/00009/00	Bolt	
27	204/00011/00	Nut	
28	205/00105/00	Bolt	
29	101/00007/00	Outlet Pipe Plate Assembly	
30	204/00106/00	Nut	
31	204/00005/00	Nut	
32	111/00001/00	Hook	
33	203/00006/00	Washer	Lock
	201/00008/00	Washer	Flat
34	204/00007/00	Nut	
35	202/00003/00	Washer	
36	205/00104/00	Bolt	
37	206/00015/00	Bolt	
38	111/00123/BO	Rear Panel	

# Front and Side Panels

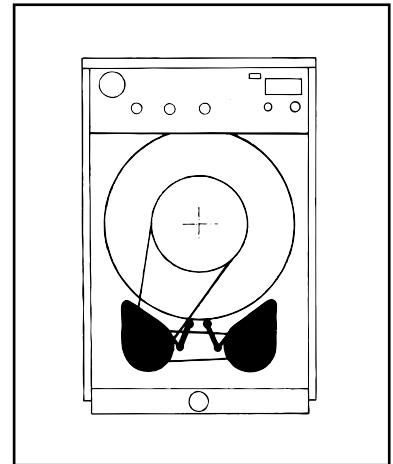
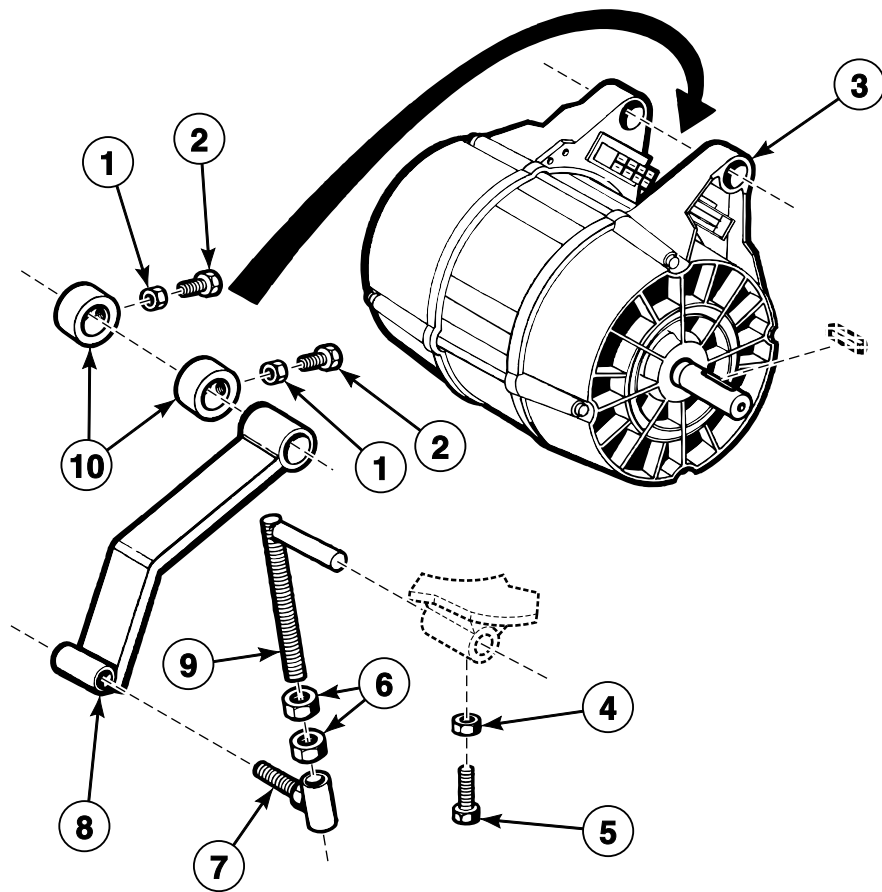


BE100058PA\_D0246

## Front and Side Panels

REF	PART NO.	DESCRIPTION	COMMENTS	
1	111/32725/00	Side Panel	*110 and *132 models	
	111/32726/00	Side Panel	*165 models	
2	111/32702/00	Front Bridge	Ramstetter control	
	111/32704/00	Front Panel	OPL models	
	111/31109/00	Front Bridge	Fiber control	
	111/00144/00	Front Panel	PC20 control	
	111/31107/00	Front Panel	PLC9 control	
	3	111/32725/00	Side Panel	*110 and *132 models
111/32726/00		Side Panel	*165 models	
4	111/32711/00	Front Panel	OPL models; Round; Stainless steel	
	111/32712/00	Front Panel	Coin models; Round; Stainless steel	
	111/32714/00	Front Panel	Ramstetter control; Round; Stainless steel	
	111/32215/00	Front Panel	OPL models; Round; White	
	111/32217/00	Front Panel	Coin models; Round; White	
	111/32415/00	Front Panel	OPL models; Round; Orange	
	111/32417/00	Front Panel	Coin models; Round; Orange	
	111/32418/00	Front Panel	Coin models; Octagonal; Orange	
	111/32218/00	Front Panel	Coin models; Octagonal; White	
	111/32216/00	Front Panel	OPL models; Octagonal; White	
	111/32753/00	Front Panel	Ramstetter control; Octagonal; Stainless steel	
	111/32752/00	Front Panel	Coin models; Octagonal; Stainless steel	
	111/32751/00	Front Panel	OPL models; Octagonal; Stainless steel	
	111/32416/00	Front Panel	OPL models; Octagonal; Orange	
	111/32550/00	Front Panel	Fiber control; Round lock; Stainless steel	
	111/32539/00	Front Panel	Coin models; Octagonal lock; Orange	
	111/32546/00	Front Panel	Coin models; Round lock; White	
	111/32545/00	Front Panel	OPL models; Octagonal lock; White	
	111/32544/00	Front Panel	OPL models; Round lock; White	
	111/32531/00	Front Panel	Ramstetter control; Octagonal lock	
	111/32503/00	Front Panel	PLC9 control; Octagonal lock; Stainless steel	
	111/32528/00	Front Panel	Coin models; Round lock; Stainless steel	
	111/32755/00	Front Panel	Fiber control; Octagonal; Stainless steel	
	111/32754/00	Front Panel	Fiber control; Round; Stainless steel	
	111/32717/00	Front Panel	PLC9 control; Octagonal; Stainless steel	
	111/32716/00	Front Panel	PLC9 control; Round; Stainless steel	
	111/32502/00	Front Panel	PLC9 control; Round lock; Stainless steel	
	111/32537/00	Front Panel	OPL models; Octagonal lock; Orange	
	111/32536/00	Front Panel	OPL models; Round lock; Orange	
	111/32527/00	Front Panel	OPL models; Octagonal lock; Stainless steel	
	111/32526/00	Front Panel	OPL models; Round lock; Stainless steel	
	111/32551/00	Front Panel	Fiber control; Octagonal lock; Stainless steel	
	111/32530/00	Front Panel	Ramstetter control; Round lock; Stainless steel	
	111/32529/00	Front Panel	Coin models; Octagonal lock; Stainless steel	
	111/32538/00	Front Panel	Coin models; Round lock; Orange	
	111/32547/00	Front Panel	Coin models; Octagonal lock; White	
	5	111/32731/00	Lower Front Panel	Stainless steel
		111/32231/01	Lower Front Panel	White
		111/32431/01	Lower Front Panel	Orange

# Motor

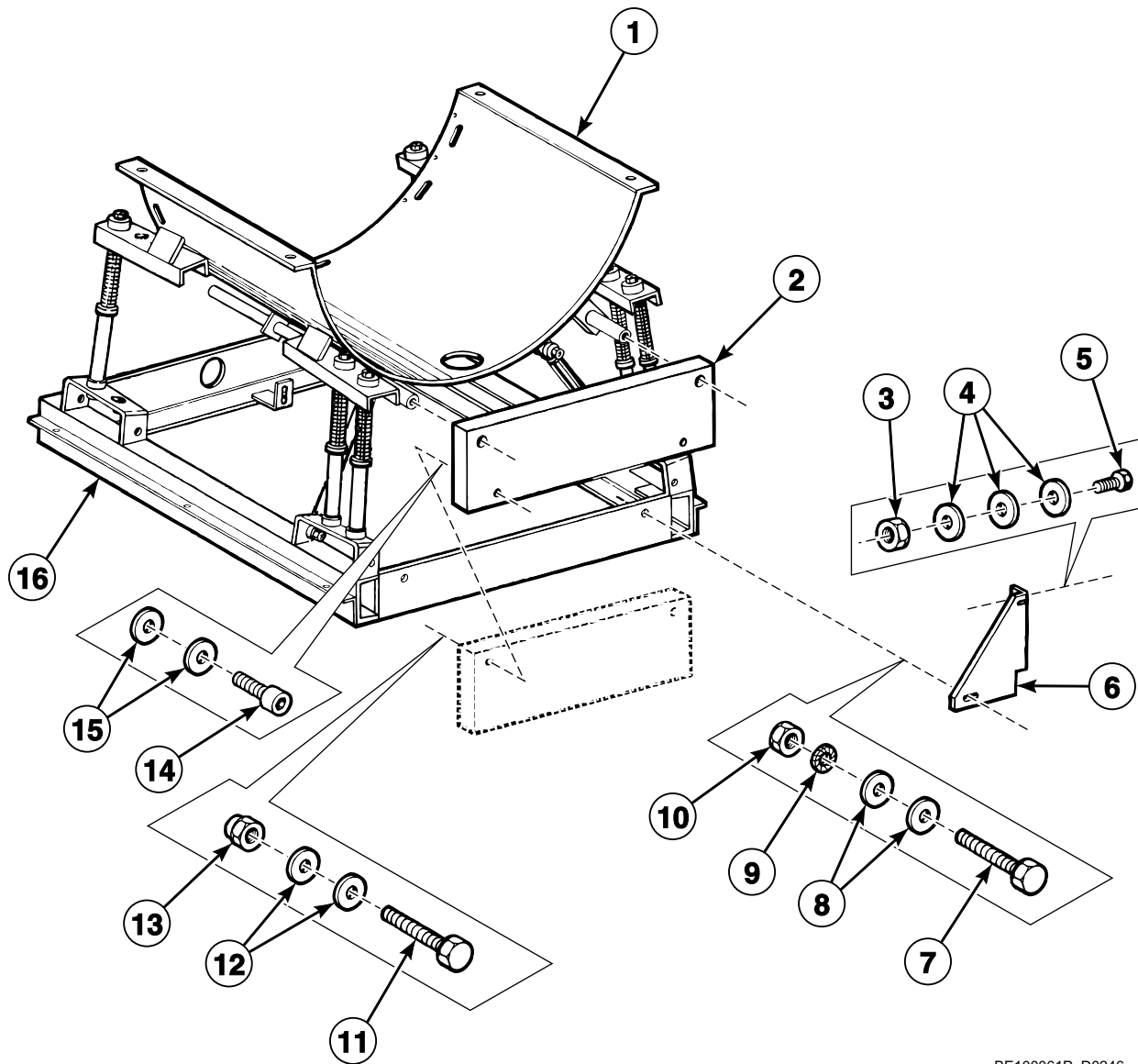


BE100060P\_D0246

# Motor

REF	PART NO.	DESCRIPTION	COMMENTS
1	204/00004/00	Nut	
2	206/00042/00	Bolt	
3	228/00007/01	Motor	200 Volt/50 Hertz; 132D/2-18-2T-2572
	228/00110/01	Motor	200 Volt/60 Hertz; 132D/2-18-21-2572
	228/00107/01	Motor	208-240 Volt/60 Hertz; 132C/3228
	228/00105/01	Motor	208-240 Volt/60 Hertz; 132D/2572
	228/00001/01	Motor	220 or 380 Volt/50 Hertz; 132C/3229
	228/00004/01	Motor	220 or 380 Volt/50 Hertz; 132D/2573
	228/00002/01	Motor	380-415 Volt/50 Hertz; 132C/3228
	228/00005/01	Motor	400-440 Volt/50 Hertz; 132D/2572
4	204/00005/00	Nut	
5	206/00014/00	Bolt	
6	204/00012/00	Nut	
7	113/00045/00	Rod	
8	113/00033/00	Belt	
9	113/00038/00	Belt Rod	
10	226/00069/00	Safety Ring	

# Frame - \*110 Models

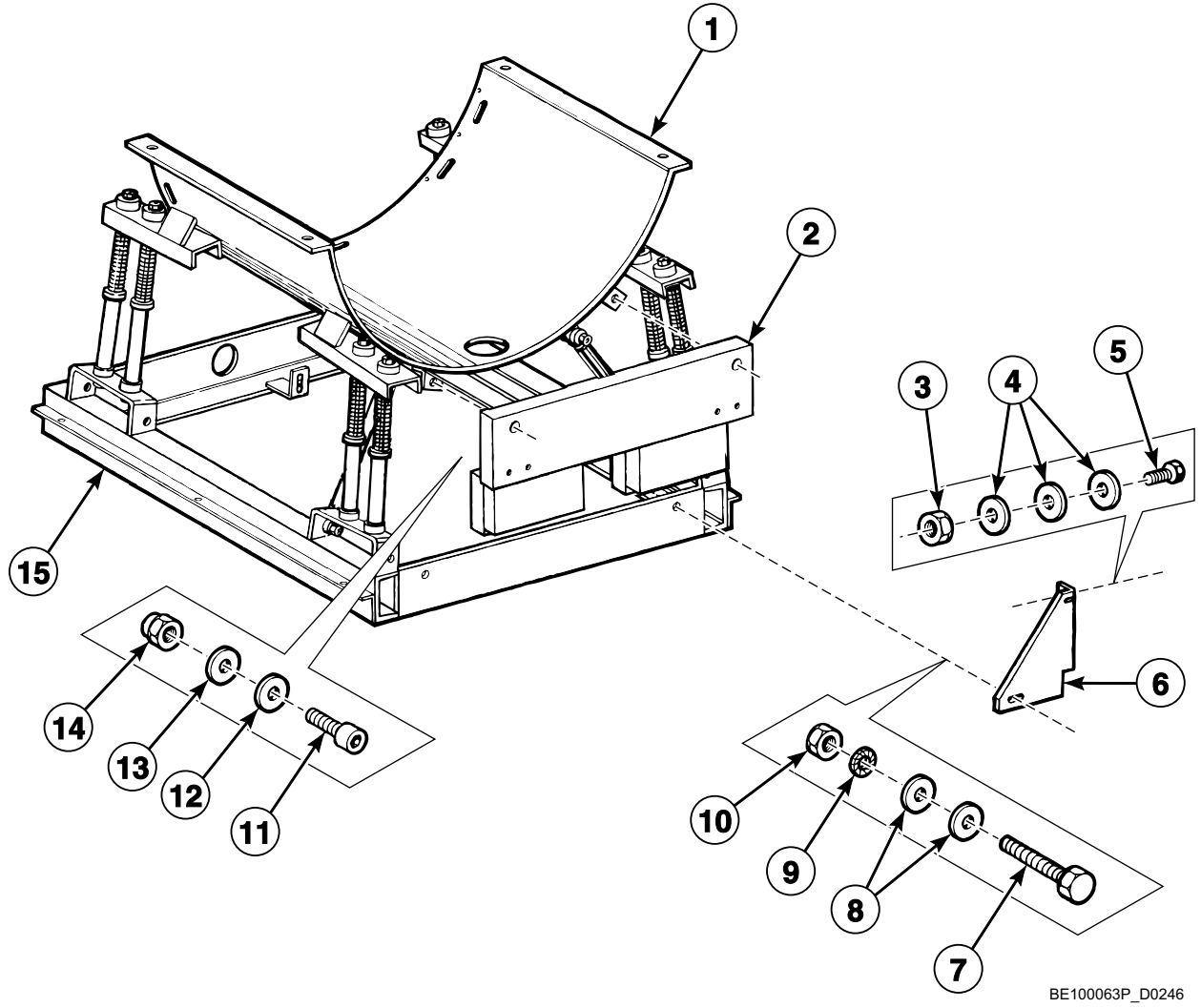


BE100061P\_D0246

## Frame - \*110 Models

REF	PART NO.	DESCRIPTION	COMMENTS
1	115/00103/00	Shell	
2	113/00036/00	Counterweight	
3	204/00106/00	Nut	
4	201/00006/00	Washer	Flat; 6.3 x 20 x 2 mm
	201/00007/00	Washer	Flat; 6.5 x 16 x 2 mm
	203/00004/00	Washer	Lock
5	205/00104/00	Bolt	
6	111/00109/00	Triangle Support	Right
	111/00118/00	Triangle Support	Left
7	206/00030/00	Bolt	
8	201/00010/00	Washer	
9	203/00002/00	Washer	
10	204/00003/00	Nut	
11	206/00047/00	Bolt	
12	201/00001/00	Washer	
13	204/00113/00	Nut	
14	206/00064/00	Screw	
15	201/00013/00	Washer	
	201/00014/00	Washer	
16	114/00015/00	Base	

# Frame - \*132 and \*165 Models



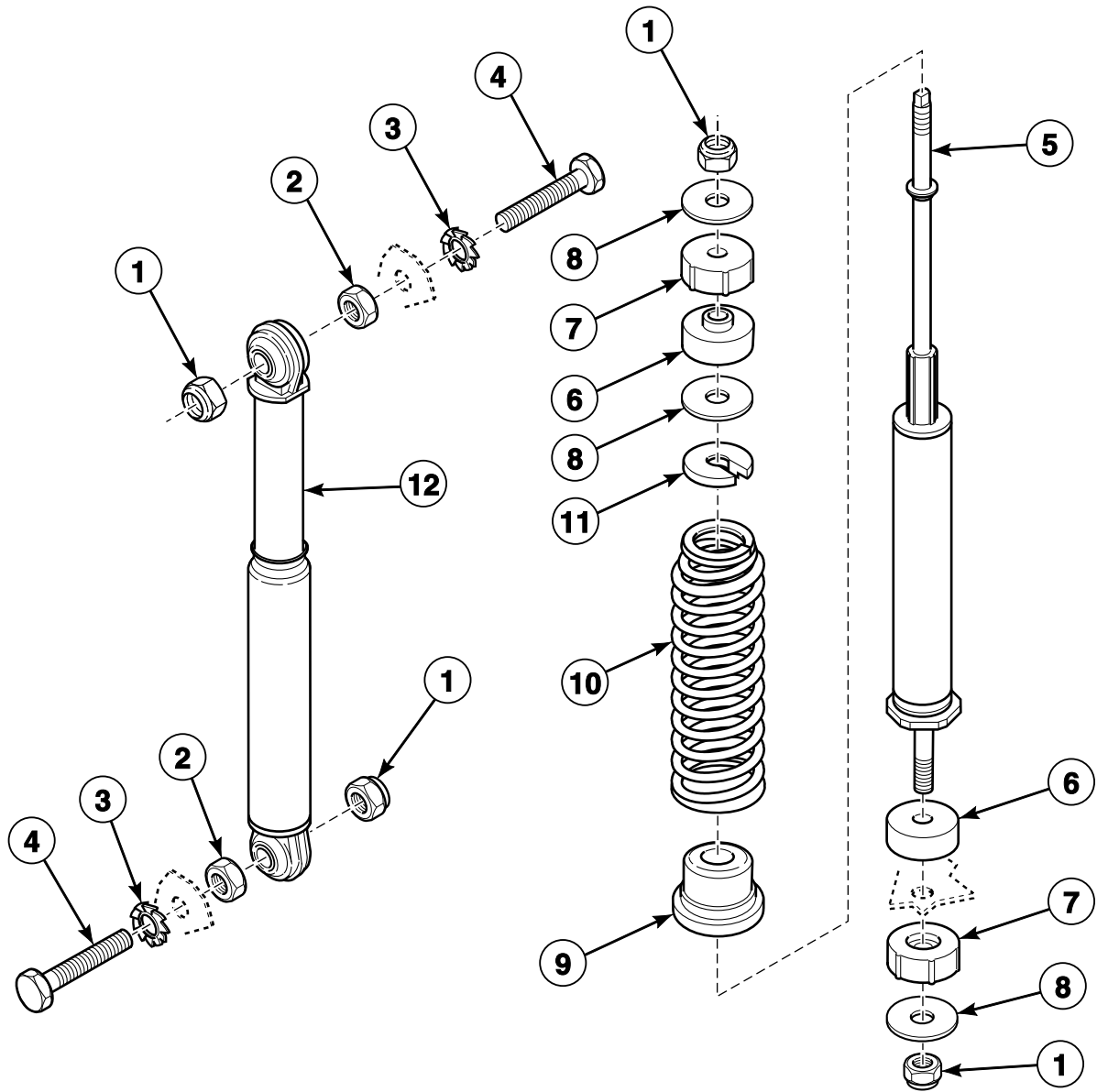
BE100063P\_D0246



## Frame - \*132 and \*165 Models

REF	PART NO.	DESCRIPTION	COMMENTS
1	115/00104/00	Shell	*165 models
	115/00107/00	Shell	*132 models
2	115/00152/00	Counterweight	
3	204/00106/00	Nut	
4	201/00007/00	Washer	Flat; 6.5 x 16 x 2 mm
	203/00004/00	Washer	Lock
	201/00006/00	Washer	Flat; 6.3 x 20 x 2 mm
5	205/00104/00	Bolt	
6	111/00109/00	Triangle Support	Right
	111/00118/00	Triangle Support	Left
7	206/00030/00	Bolt	
8	201/00010/00	Washer	
9	203/00002/00	Washer	
10	204/00003/00	Nut	
11	206/00064/00	Screw	
12	201/00014/00	Washer	
13	201/00013/00	Washer	
14	204/00112/00	Nut	
15	114/00015/00	Base	*132 models
	114/00016/00	Base	*165 models

# Shock Absorber

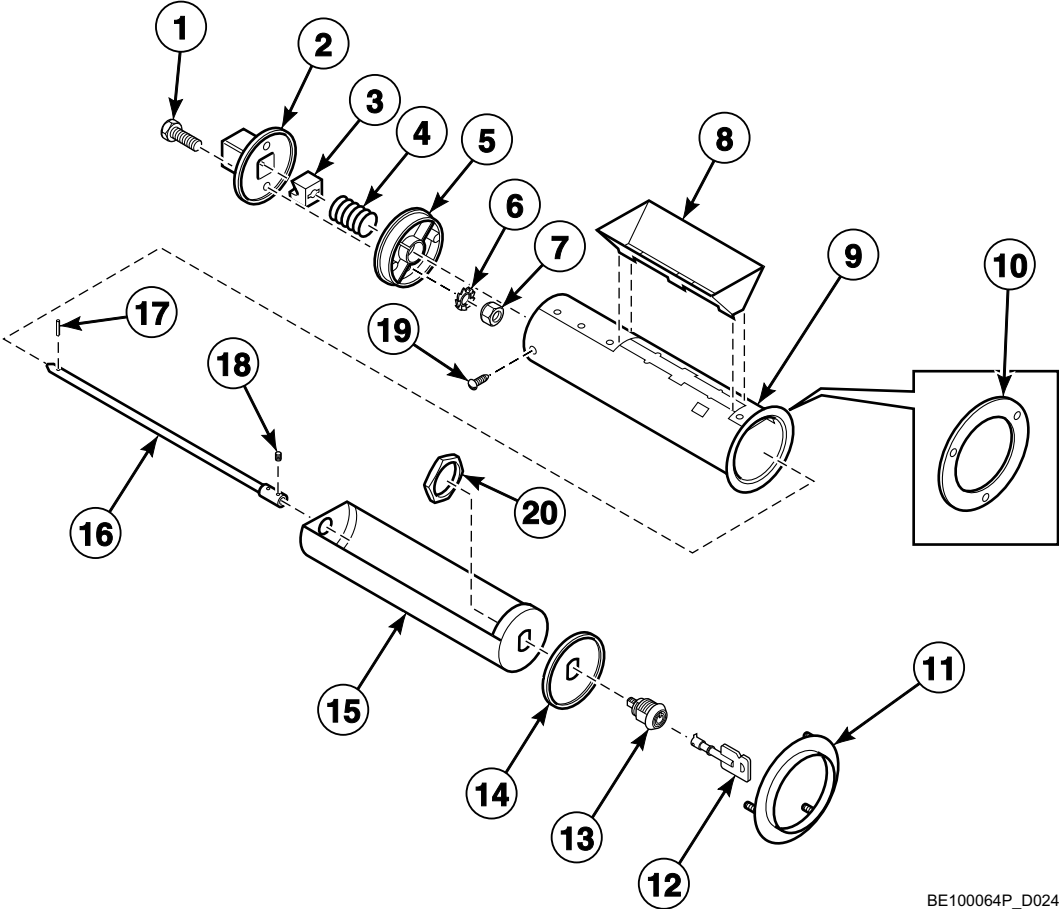


BE100062P\_D0246

# Shock Absorber

REF	PART NO.	DESCRIPTION	COMMENTS
1	204/00110/00	Nut	
2	204/00003/00	Nut	
3	203/00002/00	Washer	
4	206/00030/00	Bolt	
5	247/00002/02	Shock Absorber	
6	247/00006/00	Fastening Rubber	
7	247/00007/00	Fastening Rubber	
8	201/00015/00	Washer	
9	247/00001/03	Spring Seat Bottom	
10	247/00001/01	Suspension Spring	Black; 4.8 mm diameter
	247/00002/01	Suspension Spring	Blue; 5.5 mm diameter
11	247/00001/04	Spring Holder Top	
12	247/00004/00	Shock Absorber	

# Coin Vault

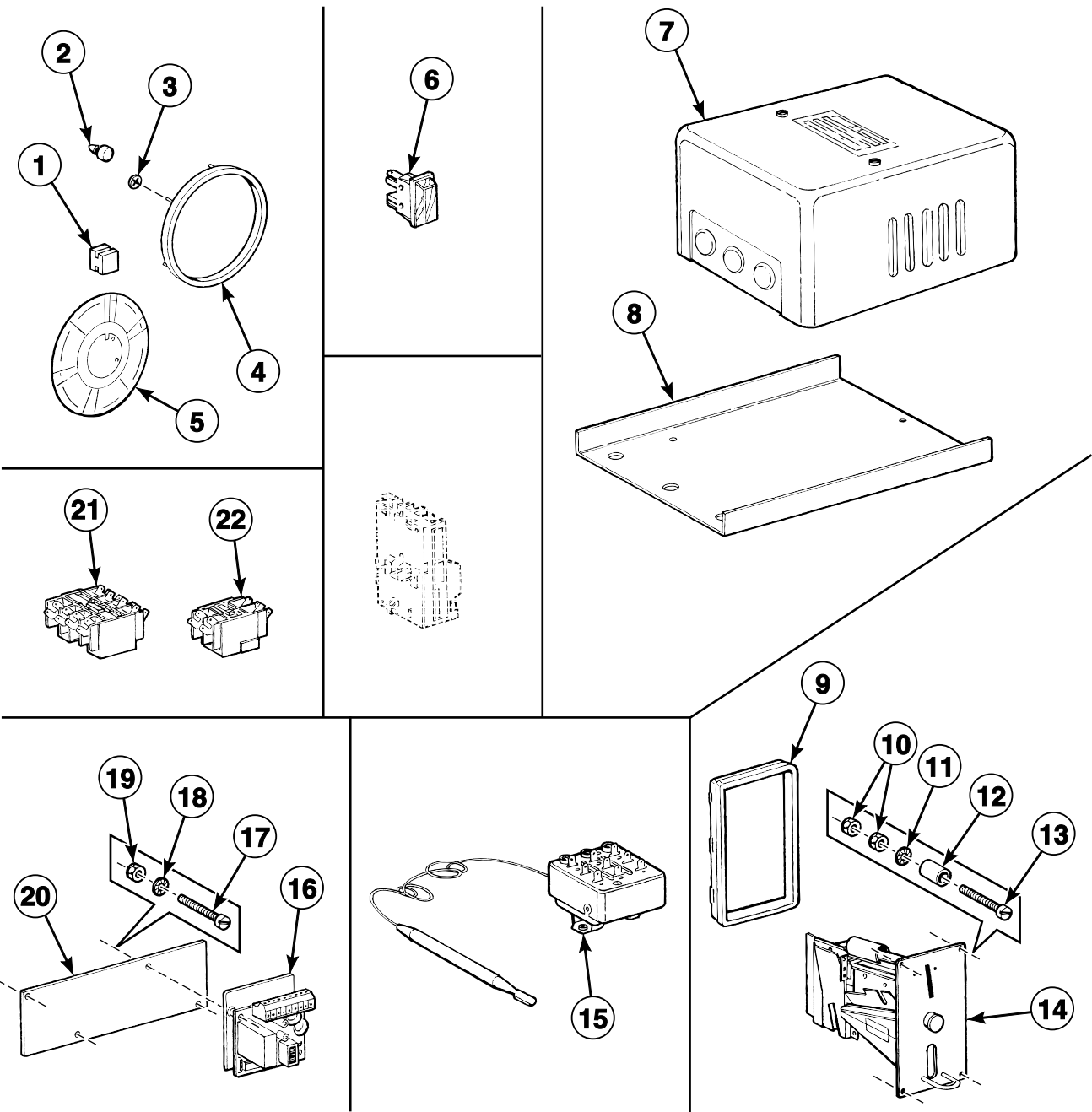


BE100064P\_D0246

# Coin Vault

REF	PART NO.	DESCRIPTION	COMMENTS
1	206/00033/00	Bolt	
2	211/00070/01	Outer Cabinet Lock	
3	211/00070/02	Washer	
4	211/00070/04	Spring	
5	211/00070/03	Inner Coin Box	
6	203/00004/00	Washer	
7	204/00005/00	Nut	
8	211/00071/00	Coin Box	
9	211/00100/00	Outer Coin Box	
10	111/00100/00	Coin Box Ring Assembly	
11	111/00066/00	Coin Box Ring	
12	211/00065/02	Coin Box Key	
13	211/00065/00	Coin Box Lock	
14	111/00068/00	Front Plate	
15	111/00067/00	Coin Box	
16	111/00069/00	Spindle	
17	208/00013/00	Roll Pin	
18	206/00038/00	Screw	
19	208/00007/00	Screw	
20	211/00065/01	Nut	

# Coin Meter and Transformer



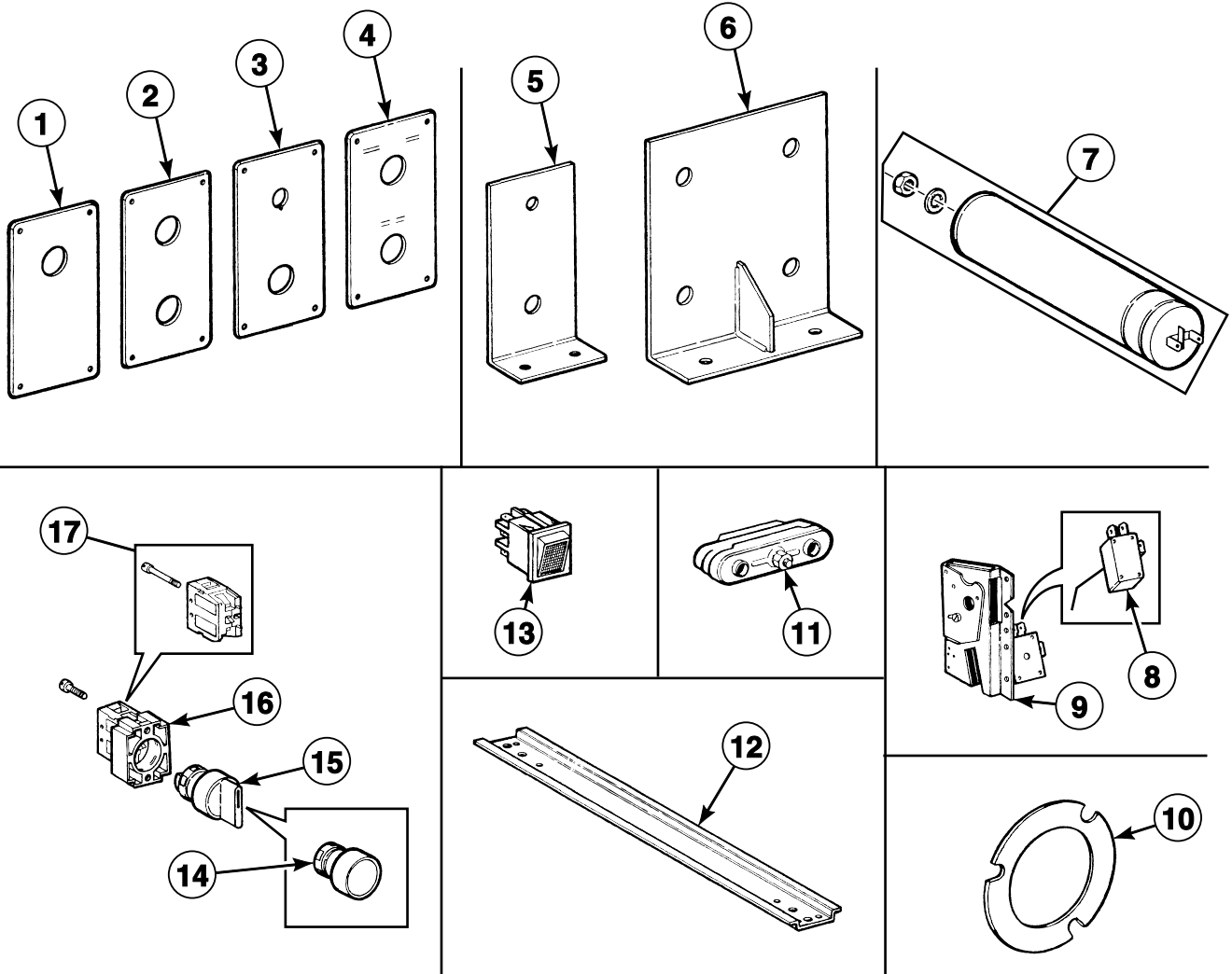
BE100065P\_D0246

## Coin Meter and Transformer

REF	PART NO.	DESCRIPTION	COMMENTS
1	223/00053/00	Fastening Rubber	
2	225/10023/00	Fastener	
3	208/00010/00	Washer	
4	225/00014/00	Ring	
5	225/10000/00	Program Indicator	
6	209/00125/00	Button	
7	209/00311/00	Transformer	
8	111/00075/00	Assembly Plate	
9	225/00020/00	Coin Meter Frame	
10	204/00008/00	Nut	
11	203/00007/00	Washer	
12	211/00050/00	Mounting Assembly	
13	207/00108/00	Screw	
14	209/00060/00	Coin Drop	Token; 5K
	209/00061/00	Coin Meter	Token; 7K
	209/00069/00	Coin Meter	Token; 12K
	209/00070/00	Coin Meter	Token; 15K
	209/00117/00	Coin Meter	20 BF/5 BF
	209/00305/00	Coin Meter	20 BF/50 BF
	209/00063/00	Coin Meter	5 BF or 1 FF
	209/00270/00	Coin Meter	10 FF/1 FF
	209/00237/00	Coin Meter	10 FF/2 FF
	209/00289/00	Coin Meter	10 FF/5 FF
	209/00064/00	Coin Meter	Australia; .20
	209/00111/00	Coin Meter	\$0.25
	209/00216/00	Coin Meter	100 yen
	209/00278/00	Coin Meter	100 yen and 500 yen
	209/00156/00	Coin Meter	Token; Gettone per
	209/00068/00	Coin Meter	Token; 10K
15	209/00054/00	Thermostat	
16	209/00113/00	Electronic Stepper	
17	207/00009/00	Screw	
18	203/00007/00	Washer	
19	204/00008/00	Nut	
20	111/00095/00	Assembly Plate	
21	N/A	Connector	
22	N/A	Connector	

N/A = Part no longer available

# Coin Meter and Heating Element Plug



BE100066P\_D0246

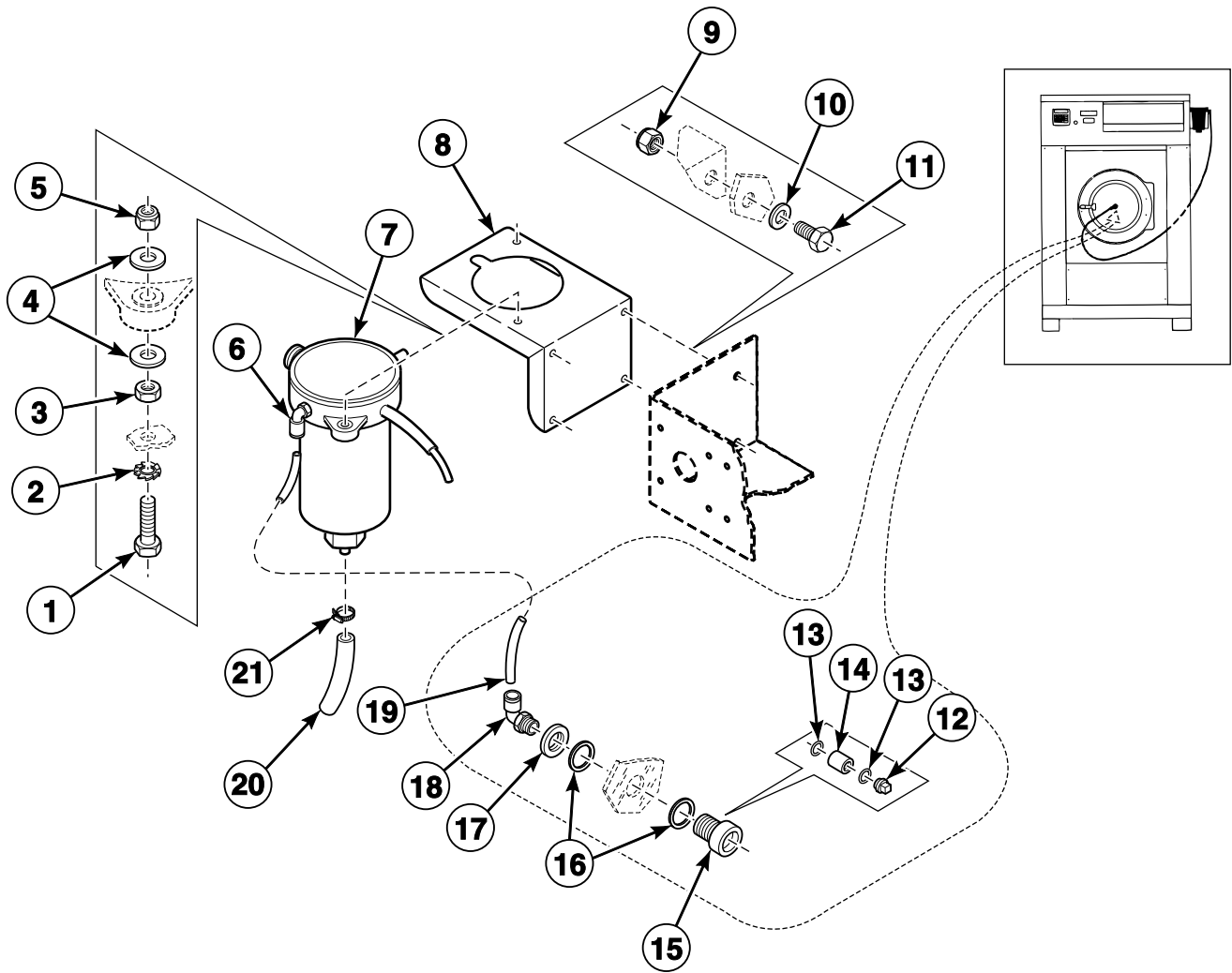


## Coin Meter and Heating Element Plug

REF	PART NO.	DESCRIPTION	COMMENTS
1	211/10131/00	Front Plate	
2	211/10132/00	Front Plate	
3	211/10133/00	Front Plate	
4	211/10134/00	Front Plate	
5	N/A	Assembly Plate	
6	N/A	Assembly Plate	
7	N/A	Capacitor	
8	209/00060/12	Coin Drop Microswitch	
9	211/10125/00	Coin Meter	Stacker; 5FF
	211/10126/00	Coin Meter	Stacker; 5BF
	211/10142/00	Coin Meter	Stacker; 10K
	211/10123/00	Coin Meter	Stacker; 10FF
	211/10124/00	Coin Meter	Stacker; 5K
	211/10145/00	Coin Meter	Stacker; 2FF
	211/10144/00	Coin Meter	Stacker; 12K
	211/10128/00	Stacker	Drop shaft coin meter; Right
	211/10127/00	Stacker	Drop shaft coin meter; Left
10	211/00051/00	Rubber Seal	
11	209/00196/00	Heating Element Plug	
12	N/A	Rail	
13	209/00181/00	Button	
14	209/00099/03	Button	ZB2-BA3; Green
	209/00099/04	Button	ZB2-BA4; Red
15	209/00099/08	Button	ZB2-BD5
	209/00099/09	Button	ZB2-BD2
16	209/00132/00	Protector	
17	209/00099/06	Contact Switch	ZB2-BE102
	209/00099/07	Contact Switch	ZB2-BE101

**N/A = Part no longer available**

# Liquid Supply Pump



BE000068P\_D0246

# Liquid Supply Pump

REF	PART NO.	DESCRIPTION	COMMENTS
1	205/00103/00	Bolt	
2	203/00004/00	Washer	
3	204/00106/00	Nut	
4	202/00101/00	Washer	
5	204/00009/00	Nut	
6	223/00181/00	Soap Injector Elbow Coupling	
7	209/00369/00	Liquid Soap Spray Pump	
8	111/10179/00	Spray Pump Mounting Plate	
9	204/00009/00	Nut	
10	201/00007/00	Washer	
11	205/00107/00	Bolt	
12	223/00178/00	Soap Injector Orifice	
13	223/00177/00	O-Ring	
14	211/00126/00	Soap Injector Orifice Nipple	
15	211/00127/00	Soap Injector Connector	
16	223/00176/00	O-Ring	
17	211/10106/00	Nut	
18	223/00182/00	Soap Injector Coupling	
19	223/00180/00	Soap Injector Hose	
20	223/00179/10	Pressure Hose	
21	211/00088/00	Cable Tie	



# Parts Index

## A

Assembly Plate	
111/00037/AO .....	51, 53, 55
111/00037/BO .....	51, 55
111/00038/AO .....	53
111/00062/00 .....	43
111/00075/00 .....	93
111/00079/00 .....	35
111/00095/00 .....	93
111/00137/00 .....	57
111/00140/00 .....	57
111/00143/00 .....	57
111/10140/00 .....	35
111/32952/01 .....	51
118/00066/00 .....	69
124/00023/00 .....	61
209/00045/07 .....	27
Axle	
111/00138/00 .....	57

## B

Ball Bearing	
216/00001/02 .....	73
216/00001/03 .....	73
Base	
114/00015/00 .....	85, 87
114/00016/00 .....	87
Bearing Housing	
116/00101/00 .....	73
Belt	
113/00033/00 .....	83
226/00082/00 .....	77
226/00094/00 .....	77
226/00096/00 .....	77
Belt Rod	
113/00038/00 .....	83
Bolt	
205/00102/00 .....	73
205/00103/00 .....	63, 97
205/00104/00 .....	79, 85, 87
205/00105/00 .....	63, 79
205/00106/00 .....	79
205/00107/00 .....	69, 97
206/00004/00 .....	75
206/00009/00 .....	79
206/00011/00 .....	61, 71
206/00012/00 .....	59, 61, 65
206/00013/00 .....	71
206/00014/00 .....	9, 11, 33, 53, 79, 83
206/00015/00 .....	51, 53, 55, 61, 79
206/00016/00 .....	39
206/00027/00 .....	33, 35
206/00030/00 .....	71, 85, 87, 89
206/00033/00 .....	91
206/00042/00 .....	83
206/00047/00 .....	85
206/00054/00 .....	39
206/00068/00 .....	11
Bridge	
124/00002/00 .....	59

124/00013/00 .....	65
Bushing	
204/00301/00 .....	79
Button	
209/00099/03 .....	95
209/00099/04 .....	41, 95
209/00099/08 .....	41, 95
209/00099/09 .....	95
209/00125/00 .....	93
209/00181/00 .....	95
209/00251/00 .....	41
209/00252/00 .....	41
209/00280/01 .....	41, 43

## C

Cable Duct	
225/00027/00 .....	57
Cable Tie	
211/00088/00 .....	97
Card Reader	
209/00257/00 .....	37
Clamp	
208/00008/00 .....	59, 61, 65
238/00017/00 .....	71
Clip	
209/00007/01 .....	53
Coil	
209/00001/01 .....	27, 29
209/00051/21 .....	13, 15, 17, 19, 21
209/00052/21 .....	13, 15, 17, 19, 21
209/00203/21 .....	13, 15, 17, 19, 21
223/00051/11 .....	31
Coin Box	
111/00067/00 .....	91
211/00071/00 .....	91
Coin Box Key	
211/00065/02 .....	91
Coin Box Lock	
211/00065/00 .....	91
Coin Box Ring	
111/00066/00 .....	91
Coin Box Ring Assembly	
111/00100/00 .....	91
Coin Display	
209/00217/00 .....	43
Coin Drop	
209/00060/00 .....	93
Coin Drop Microswitch	
209/00060/12 .....	95
Coin Meter	
209/00061/00 .....	93
209/00063/00 .....	93
209/00064/00 .....	93
209/00068/00 .....	93
209/00069/00 .....	93
209/00070/00 .....	93
209/00111/00 .....	93
209/00117/00 .....	93
209/00156/00 .....	93
209/00216/00 .....	93

N/A items do not appear in index.

209/00237/00	93
209/00270/00	93
209/00278/00	93
209/00289/00	93
209/00305/00	93
211/10123/00	95
211/10125/00	95
211/10126/00	95
211/10142/00	95
211/10144/00	95
211/10145/00	95
Coin Meter Frame	
225/00020/00	93
Connection	
210/10007/00	51, 57
Connection Rod	
124/00004/00	59, 61
Connector	
223/00073/00	25
Contact Switch	
209/00099/06	41, 95
209/00099/07	41, 43, 95
Contacto	
209/00041/03	51, 53, 55, 57
209/00041/04	51, 53, 55, 57
209/00056/02	51, 53, 55, 57
209/00124/00	39
209/00148/02	51, 53, 55, 57
209/00149/02	51, 53, 55, 57
209/00177/02	51, 53, 55, 57
209/06150/02	51, 53, 55, 57
Cordlock	
211/00097/00	23
211/00138/00	23
Core	
209/00001/06	27, 29
209/00090/07	27
223/00051/05	27, 29, 31
Core Holder	
209/00001/04	27, 29
209/00090/05	27
223/00051/03	27, 29, 31
Cotter Pin	
208/00003/00	59, 61
Counter Ring	
219/00004/00	75
Counterweight	
113/00036/00	85
115/00152/00	87
Cover Plate	
111/00106/00	57
111/00142/00	57
111/00200/00	23
118/00067/00	69
Cover Plate Support	
111/00119/00	33
111/00120/00	33
Cylinder and Trunnion Assembly	
111/01962/00	71
Cylinder Shaft Key	
216/00002/04	75

## D

Detector	
209/00290/06	57
Diaphragm	
209/00001/07	27, 29
209/00090/08	27
223/00051/06	27, 29, 31
Display	
223/10066/00	43
Door	
118/00064/00	69
Door Axle Roller	
217/00013/05	67
Door Boot	
223/00122/00	71
Door Circlip	
217/00013/11	67
Door Frame	
118/00046/10	69
Door Glass	
217/00022/00	69
Door Glass Seal	
217/00015/00	69
Door Handle	
217/00013/02	67
217/00013/12	67
217/00051/00	67, 69
Door Handle Assembly Plate	
217/00013/16	67
Door Handle Hook	
217/00013/13	67
Door Handle Latch	
217/00013/04	67
Door Handle Locking Pin	
217/00013/15	67
Door Handle Spring	
217/00013/14	67
Door Handle Stop	
217/00016/00	69
Door Hinge	
221/00005/00	69
Door Hinge Assembly	
217/00009/02	69
Door Hinge Assembly Plate	
218/00065/00	69
Door Hinge Spacer	
117/00010/00	69
117/00011/00	69
Door Interlock Coil	
209/00017/00	59, 61
209/00018/00	59, 61
Door Latch Cord	
224/00015/00	63, 65
Door Lock	
124/00010/00	65
Door Lock Assembly	
217/00017/00	69
217/00052/01	63
Door Lock Board	
209/00275/04	63
Door Lock Microswitch	
209/00272/00	63

N/A items do not appear in index.

Door Lock Pin Kit	
211/00109/00 .....	63
217/00052/02 .....	63
Door Lock Solenoid	
209/00274/00 .....	63
Door Lock Spacer	
217/00052/03 .....	63
Door Lock Spring	
217/00013/03 .....	67
224/00009/00 .....	65
Door Locking Grip	
217/00013/07 .....	67
Door Locking Pin	
217/00013/08 .....	67
Door Mounting Pin	
217/00013/09 .....	67
Door Roller	
217/00013/06 .....	67
Door Switch	
209/00023/00 .....	69
Drain Hose	
223/00139/00 .....	11
223/00140/00 .....	11
Drain Housing Gasket	
209/00025/02 .....	13, 19, 21
Drain Pipe	
223/00105/00 .....	9, 11
Drain Valve	
209/00051/00 .....	9
209/00052/00 .....	9
209/00115/00 .....	9
209/00203/00 .....	9
209/00256/00 .....	11
Drain Valve Handle	
209/00115/11 .....	17
Drain Valve Motor	
209/00051/11 .....	13, 17, 19
209/00052/11 .....	13, 17, 19
209/00052/12 .....	15, 21
209/00203/11 .....	13, 17, 19
209/00203/12 .....	15, 21
Drain Valve Motor Assembly	
209/00170/06 .....	15, 21
Drain Valve Motor Mounting Plate	
209/00025/07 .....	13, 19, 21
209/00115/04 .....	17
Drain Valve Overflow Plug	
223/00086/00 .....	9
Drain Valve Shaft	
209/00170/10 .....	15, 17
Drain Valve Shaft Seal	
209/00025/10 .....	13, 15, 17, 19, 21
Drain Valve Spring	
209/00025/03 .....	13, 19, 21
209/00025/13 .....	13, 17, 19
209/00170/02 .....	15, 21
Drum and Axle	
122/00028/00 .....	71
122/10029/00 .....	71
122/10030/00 .....	71
123/00003/00 .....	71
136/10017/00 .....	71

## E

Electronic Stepper	
209/00113/00 .....	93
Emergency Stop Button Kit	
209/00253/00 .....	41
Exhaust Valve	
209/00170/01 .....	15, 17
209/00292/00 .....	11
Exhaust Valve Hose	
223/00117/00 .....	9
Exhaust Valve Housing	
209/00025/01 .....	13

## F

Facia Panel	
225/00221/ABL .....	47
225/00222/ABL .....	47
225/00246/ABL .....	47
225/00262/AOL .....	41
225/00279/AOL .....	43
325/00231/ABL .....	47
325/00282/ABL .....	47
Fastener	
224/00036/00 .....	35
225/10023/00 .....	79, 93
Fastening Rubber	
223/00053/00 .....	93
247/00006/00 .....	89
247/00007/00 .....	89
Filter	
209/00001/10 .....	25
209/00320/00 .....	63
223/00051/08 .....	25
Front Bridge	
111/31109/00 .....	37, 81
111/32702/00 .....	35, 81
Front Panel	
111/00144/00 .....	45, 81
111/31107/00 .....	41, 81
111/32215/00 .....	81
111/32216/00 .....	81
111/32217/00 .....	81
111/32218/00 .....	81
111/32415/00 .....	81
111/32416/00 .....	81
111/32417/00 .....	81
111/32418/00 .....	81
111/32502/00 .....	81
111/32503/00 .....	81
111/32526/00 .....	81
111/32527/00 .....	81
111/32528/00 .....	81
111/32529/00 .....	81
111/32530/00 .....	81
111/32531/00 .....	81
111/32536/00 .....	81
111/32537/00 .....	81
111/32538/00 .....	81
111/32539/00 .....	81
111/32544/00 .....	81
111/32545/00 .....	81
111/32546/00 .....	81

N/A items do not appear in index.

111/32547/00.....	81
111/32550/00.....	81
111/32551/00.....	81
111/32704/00.....	39, 43, 81
111/32711/00.....	81
111/32712/00.....	81
111/32714/00.....	81
111/32716/00.....	81
111/32717/00.....	81
111/32751/00.....	81
111/32752/00.....	81
111/32753/00.....	81
111/32754/00.....	81
111/32755/00.....	81
125/00258/OOL.....	37
225/00204/AOL.....	45
Front Plate	
111/00068/00.....	91
211/10131/00.....	95
211/10132/00.....	95
211/10133/00.....	95
211/10134/00.....	95
Fuse	
209/00195/00.....	23
Fuse Holder	
209/00202/00.....	23

## G

Gasket	
246/00092/00.....	57

## H

Heating Element	
209/00024/01.....	71
209/00049/01.....	71
209/00050/01.....	71
209/00116/01.....	71
Heating Element Plug	
209/00196/00.....	95
Holder	
217/00019/00.....	69
225/00019/00.....	57
Hook	
111/00001/00.....	79
111/00002/00.....	79
Hose	
223/00115/00.....	33
223/00119/00.....	51, 53, 55
Hose Clamp	
223/00010/00.....	25, 33
223/00011/00.....	51, 53, 55
223/00012/00.....	9, 11
223/00013/00.....	9, 11
223/00014/00.....	9, 11, 33
223/00023/00.....	33
Hose Vent	
223/00102/07.....	33

## I

Inlet Valve	
209/00276/00.....	25
Inlet Valve Solenoid	
209/00090/01.....	27
Inlet Valve, 1-Way	
209/00048/08.....	29
223/00051/12.....	31
Inlet Valve, 2-Way	
209/00110/00.....	25
223/00051/02.....	27, 29, 31
223/00051/07.....	29
Inlet Valve, 3-Way	
209/00001/08.....	27, 29
209/00277/00.....	25
223/00051/13.....	31
Inner Coin Box	
211/00070/03.....	91
Insulation Plate	
217/00038/00.....	69
Interlock Coil Spring	
224/00043/00.....	63
Interlock Lever	
217/00052/04.....	63
Interlock Pin	
224/00003/00.....	69

## J

Joint	
223/00049/01.....	25

## K

Keyboard	
209/00290/02.....	45
Keypad	
229/00244/00.....	45

## L

Lamp	
209/00151/00.....	35, 41, 43
Lens Cover	
209/00152/00.....	37, 41, 43, 79
209/00154/00.....	43
Lever Spring	
224/00040/00.....	63
Light Microswitch	
209/00273/00.....	63
Liquid Soap Spray Pump	
209/00369/00.....	97
Lock	
124/00020/00.....	61
209/00279/00.....	55, 57
211/00110/00.....	63
223/00136/00.....	63
Lock Shaft	
217/00017/03.....	63

N/A items do not appear in index.



Lock Spring	
224/00021/00 .....	61
Lower Front Panel	
111/32231/01 .....	81
111/32431/01 .....	81
111/32731/00 .....	81

## M

Microswitch	
209/00145/00 .....	61
209/00271/00 .....	63
Motor	
228/00001/01 .....	83
228/00002/01 .....	83
228/00004/01 .....	83
228/00005/01 .....	83
228/00007/01 .....	83
228/00105/01 .....	83
228/00107/01 .....	83
228/00110/01 .....	83
Motor Mounting Plate	
209/00170/04 .....	15
Mounting Assembly	
211/00050/00 .....	93
Mounting Plate	
111/00016/00 .....	53
111/00035/00 .....	49, 51
111/00039/AO .....	49
111/00173/AO .....	49

## N

Nut	
204/00003/00 .....	85, 87, 89
204/00004/00 .....	83
204/00005/00 .....	9, 11, 33, 51, 53, 55, 59, 61, 65, 79, 83, 91
204/00007/00 .....	23, 33, 35, 37, 39, 41, 43, 45, 49, 51, 53, 55, 57, 61, 79
204/00008/00 .....	23, 35, 41, 43, 57, 61, 63, 93
204/00009/00 .....	59, 61, 63, 65, 69, 71, 97
204/00011/00 .....	79
204/00012/00 .....	83
204/00013/00 .....	39, 79
204/00103/00 .....	63, 69
204/00106/00 .....	69, 79, 85, 87, 97
204/00107/00 .....	79
204/00109/00 .....	11
204/00110/00 .....	71, 89
204/00112/00 .....	73, 87
204/00113/00 .....	85
204/00114/00 .....	41
204/00116/00 .....	45
208/00002/00 .....	79
208/00104/00 .....	79
211/00022/00 .....	23
211/00065/01 .....	91
211/10106/00 .....	97

## O

O-Ring	
217/00002/00 .....	73
223/00176/00 .....	97
223/00177/00 .....	97
Outer Cabinet Lock	
211/00070/01 .....	91
Outer Coin Box	
211/00100/00 .....	91
Outlet Pipe Plate Assembly	
101/00007/00 .....	9, 11, 79
Out-of-Balance Switch	
209/00255/00 .....	39
Overflow Pipe	
223/00084/00 .....	9, 11

## P

Panel	
124/00019/00 .....	61
Pilot Light	
209/00249/00 .....	37, 41, 43
Pin	
208/00004/00 .....	69
211/00105/00 .....	69
Plate	
111/32106/00 .....	41
223/00051/09 .....	31
Plate, 1-Outlet	
209/00048/03 .....	29
Plate, 1-Way	
209/00001/11 .....	27, 29
Plate, 2-Way	
209/00001/03 .....	27, 29
Plug	
209/00141/00 .....	57
211/00084/00 .....	23
211/00087/00 .....	23
Pressure Hose	
223/00179/10 .....	97
Pressure Switch	
209/00007/30 .....	51, 55
Pressure Switch Bracket	
111/00424/00 .....	51, 55
Printboard	
209/00290/01 .....	57
209/00408/00 .....	23
Program Card	
209/00082/00 .....	35
Program Indicator	
225/00001/00 .....	65
225/10000/00 .....	93
Programming Switch	
209/00326/00 .....	45
Program Indicator	
225/00001/00 .....	53
Protection Block	
217/00017/02 .....	69
Protector	
209/00132/00 .....	41, 45, 55, 57, 95
209/00263/00 .....	55, 57

N/A items do not appear in index.

209/00264/00	55, 57
209/00265/00	55, 57
209/00283/00	55, 57
209/00284/00	55, 57
209/00285/00	55, 57
209/00299/00	55, 57
<b>Pulley</b>	
226/00070/00	75
226/00080/00	77
226/00081/00	77
239/00012/00	77
<b>Pushbutton</b>	
209/00254/00	37, 41, 43
209/00254/21	37

## R

<b>Rear Bridge</b>	
111/32104/00	23, 79
<b>Rear Panel</b>	
111/00123/BO	79
<b>Retainer Ring</b>	
212/00029/00	73
212/00031/00	73
<b>Retaining Ring</b>	
117/00042/00	79
<b>Reversing Timer</b>	
209/00012/00	49, 51, 53
209/00013/00	49, 51, 53
<b>Ring</b>	
115/00110/00	71
115/00111/00	71
225/00014/00	93
<b>Rinse Insert</b>	
223/00102/03	33
<b>Rod</b>	
113/00045/00	83
<b>Roll Pin</b>	
208/00013/00	91
<b>Rubber Seal</b>	
211/00051/00	95

## S

<b>Safety Ring</b>	
226/00069/00	83
<b>Screw</b>	
B12500801	69
206/00018/00	65
206/00021/00	49, 51, 53, 55, 59, 61
206/00038/00	91
206/00048/00	77
206/00057/00	73
206/00064/00	85, 87
20700004/00	51, 57
207/00003/00	23, 51, 53, 55, 57, 61
207/00004/00	25, 49, 59, 61
207/00006/00	23, 61, 63
207/00008/00	39, 41, 43, 49, 51, 55
207/00009/00	93
207/00011/00	35
207/00014/00	23
207/00018/00	39

207/00025/00	41, 43
207/00101/00	79
207/00102/00	69
207/00108/00	93
207/00109/00	63, 69
207/00115/00	69
207/00116/00	69
207/00118/00	57
207/00133/00	79
207/00135/00	63
208/00001/00	79
208/00007/00	23, 51, 55, 91
208/00130/00	33
209/00001/02	27, 29
209/00025/04	13
209/00025/06	13, 19, 21
209/00025/08	13, 15, 17, 19, 21
209/00025/09	13, 19, 21
209/00090/03	27
209/00170/05	15, 17, 19, 21
209/00170/07	15, 17
223/00051/01	27, 29, 31
<b>Seal</b>	
223/00113/00	69
223/00114/00	69
<b>Seal Plate</b>	
119/00001/00	73
<b>Sealing Plate Assembly</b>	
209/00025/16	13, 19, 21
<b>Selector Switch</b>	
209/00175/00	39
209/00176/00	39
<b>Shaft Seal</b>	
219/00003/00	73
<b>Shell</b>	
115/00103/00	85
115/00104/00	87
115/00107/00	87
<b>Shock Absorber</b>	
247/00002/02	89
247/00004/00	89
<b>Side Panel</b>	
111/32725/00	81
111/32726/00	81
<b>Soap Box Assembly Plate</b>	
123/00103/06	33
<b>Soap Box Support Plate</b>	
111/00117/00	33
<b>Soap Dispenser Air Breather Hose</b>	
223/00107/00	33
<b>Soap Dispenser Assembly</b>	
223/00102/30	33
<b>Soap Dispenser Cover</b>	
123/00103/01	79
223/00103/00	79
<b>Soap Dispenser Cover Handle</b>	
223/00008/05	79
<b>Soap Dispenser Cover Hinge</b>	
123/00103/03	79
<b>Soap Dispenser Frame</b>	
223/00103/02	79
<b>Soap Dispenser Gasket</b>	
223/00109/00	33
<b>Soap Dispenser Rinse Siphon</b>	
223/00102/04	33

N/A items do not appear in index.

Soap Injector Connector	211/00127/00	97
Soap Injector Coupling	223/00182/00	97
Soap Injector Elbow Coupling	223/00181/00	97
Soap Injector Hose	223/00180/00	97
Soap Injector Orifice	223/00178/00	97
Soap Injector Orifice Nipple	211/00126/00	97
Soap Spray Nozzle	223/00102/06	33
Softener Spray Nozzle	223/00102/05	33
Solenoid	224/00006/00	59, 61
Spacer	211/00106/00	23, 41, 43, 63
Spindle	111/00069/00	91
Spray Pump Mounting Plate	111/10179/00	97
Spring	209/00001/05	27, 29
	209/00090/02	27
	209/00090/06	27
	209/00090/15	27
	211/00070/04	91
	217/00020/00	65, 69
	223/00051/04	27, 29, 31
	224/00007/00	59, 61
	224/00008/00	59, 61
Spring Holder Top	247/00001/04	89
Spring Seat Bottom	247/00001/03	89
Stacker	211/10124/00	95
	211/10127/00	95
	211/10128/00	95
Steam Connection Plate	118/00063/01	71
Steam Hose	217/00025/00	71
Steam Hose Connector	118/00063/00	71
Steam Injector	118/00062/00	71
Sticker	229/00001/00	23
Stopper	211/00085/00	23
	211/00086/00	23
Suspension Spring	247/00001/01	89
	247/00002/01	89
Switch	209/00101/02	53
	209/00103/02	53
Switch Lever	217/00052/05	63

## T

Terminal	209/00006/00	23
	209/00057/00	23
Terminal Block	209/00005/00	23, 49, 55, 57
Thermostat	209/00054/00	93
	209/00143/00	39
	209/00144/00	39
	209/00243/00	51, 53, 55
	211/00115/00	35
Thermostat Joint	223/00065/02	39
Thermostat Seal	223/00065/00	35, 39
	225/10004/00	53
Tilt Detector Plate	111/00108/00	39
Tilt Switch Bracket	111/00107/00	39
Timer	209/00107/00R	53
	209/00108/00	53
	209/00109/00	53
	209/00266/00	41, 43
Top Panel	111/32741/BO	79
	111/32741/00	79
	111/32742/BO	79
	111/32742/00	79
	111/32743/00	79
	111/32744/00	79
	111/32745/00	79
	111/32746/00	79
Transformer	209/00311/00	93
Triangle Support	111/00109/00	85, 87
	111/00118/00	85, 87
Trunnion Assembly	122/00018/02	75
Tub	119/00052/00	71
	119/00053/00	71
	119/00054/00	71
	119/00055/00	71
	119/00056/00	71
	119/00057/00	71
	119/00058/00	71
	119/00059/00	71
	119/00060/00	71
	119/00061/00	71
	119/00062/00	71
	119/00063/00	71
Tub Drain Exhaust Valve	223/00116/00	9
Tub Drain Valve	223/00129/00	11
Tub Front Panel	119/00049/00	71
Tub Front Panel Clip	217/00008/00	71

N/A items do not appear in index.

Tub Front Ring Clamp 219/00007/00 .....	71
--	----

---

## U

Unlatching Wire 124/00029/00 .....	61
---------------------------------------	----

---

## V

Valve	
209/00256/01 .....	19, 21
209/00256/05 .....	19, 21
Valve Axle	
209/00025/15 .....	13, 19, 21
Valve Housing	
209/00025/05 .....	13
Valve, 2-Way	
209/00090/12 .....	27
209/00114/08 .....	27
Valve, 3-Way	
209/00112/12 .....	27
Vent Hose	
223/00107/02 .....	33

---

## W

Washer	
201/00001/00 .....	85
201/00003/00 .....	75
201/00006/00 .....	79, 85, 87
201/00007/00 .....	33, 39, 53, 79, 85, 87, 97
201/00008/00 .....	35, 37, 41, 45, 79
201/00010/00 .....	71, 85, 87
201/00012/00 .....	73
201/00013/00 .....	85, 87
201/00014/00 .....	85, 87
201/00015/00 .....	89
201/00017/00 .....	63
201/00018/00 .....	63
201/00201/00 .....	73
202/00002/00 .....	11
202/00003/00 .....	11, 35, 39, 51, 55, 61, 71, 79
202/00004/00 .....	23, 35, 39, 45, 53, 61
202/00101/00 .....	69, 79, 97
202/00103/00 .....	79
203/00001/00 .....	75
203/00002/00 .....	85, 87, 89
203/00004/00 .....	9, 11, 33, 51, 53, 55, 59, 61, 65, 79, 85, 87, 91, 97
203/00005/00 .....	79
203/00006/00 .....	23, 33, 35, 39, 41, 43, 45, 51, 53, 55, 57, 59, 61, 79
203/00007/00 .....	23, 35, 41, 43, 57, 61, 63, 93
203/00008/00 .....	49, 69
208/00010/00 .....	93
209/00025/12 .....	15, 17, 19, 21
211/00070/02 .....	91
223/00065/01 .....	35, 39
223/00123/00 .....	23, 41, 43, 57
Water Hose	
F200165 .....	25
223/00044/00 .....	25, 33

Water Inlet Tee 223/00041/00 .....	25
Water Level Switch 209/00007/10 .....	53
Wire Bridge 124/00005/00 .....	59
Wire Bridge Lock 124/00005/01 .....	61, 65, 69
Wire Holder 211/00083/00 .....	53

---

N/A items do not appear in index.