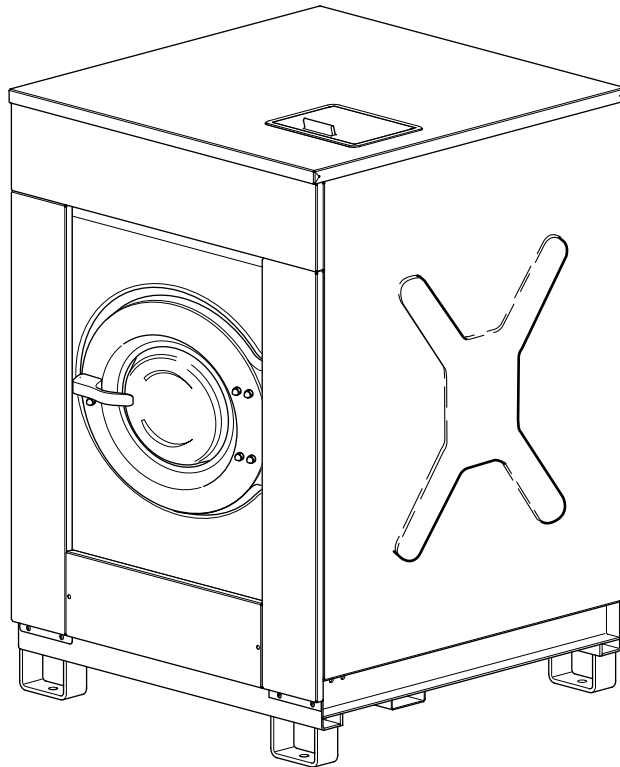


Washer-Extractor

Cabinet Freestanding
Refer to Page 5 for Model Numbers



CFD22C_D0901

Table of Contents

Title	Page
Parts Ordering Information.....	3
Nameplate Location.....	3
Model Identification.....	5
Cabinet Freestanding Washer-Extractor Product Overview.....	6
Drain Plumbing.....	8
Drain Valve - Normally Open.....	10
Drain Valve - Normally Closed.....	12
Panels.....	14
Supply Dispenser - 13 mm Inlet Hoses.....	16
Supply Dispenser - Models Through 08/2005 with 20 mm Inlet Hoses.....	18
Supply Dispenser - Models with 25 mm Inlet Hoses and Models Starting 09/2005 with 20 mm Inlet Hoses.....	20
Upper Back Panel (Drawing 1 of 2).....	22
Upper Back Panel (Drawing 2 of 2).....	24
Water Inlet Valve (Drawing 1 of 4).....	26
Water Inlet Valve (Drawing 2 of 4).....	28
Water Inlet Valve (Drawing 3 of 4).....	30
Water Inlet Valve (Drawing 4 of 4).....	32
Door Lock.....	34
Door.....	36
Door Handle (Drawing 1 of 2).....	38
Door Handle (Drawing 2 of 2).....	40
Shell.....	42
Basket.....	44
Pulley and Belt.....	46
Bearing Housing.....	48
Frame.....	50
Motor.....	52
Shock Absorber.....	54
Control Panel - Fiber Card System.....	56
Control Panel - PLC9.....	58
Control Panel - 10-Button Mechanical Timer.....	60
Control Panel - PS40F.....	62
Control Panel - PC30.....	64
Control Panel - Micro 20.....	66
Electrical Component Mounting Plate - Red Mechanical Timer.....	68
Electrical Component Mounting Plate - Yellow Mechanical Timer.....	70
Electrical Component Mounting Plate - Models with Boiler Fed or Steam Heating.....	72
Electrical Component Mounting Plate - Models with Electric Heating.....	74
Electrical Component Mounting Plate - Micro-20.....	76
Inverter Drive.....	78
Soap Pumps - Knight.....	80

© Copyright 2013, Alliance Laundry Systems LLC

All rights reserved. No part of the contents of this book may be reproduced or transmitted in any form or by any means without the expressed written consent of the publisher.

Soap Pumps - Brightwell.....	82
Liquid Soap Pump.....	84
Parts Index.....	87

Parts Ordering Information

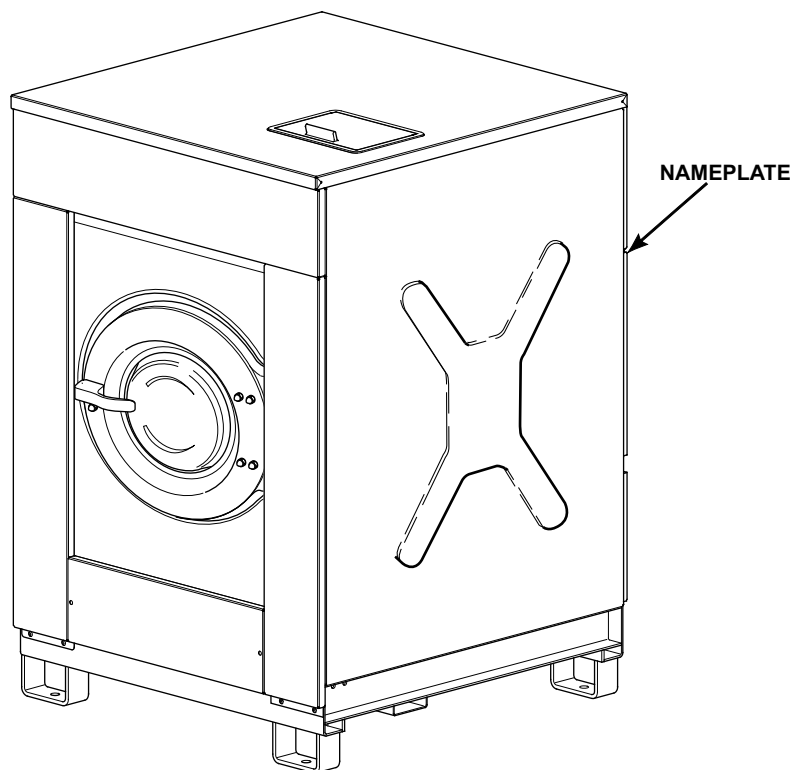
If literature or replacement parts are required, contact the source from whom the machine was purchased or contact Alliance Laundry Systems at (920) 748-3950 for the name and address of the nearest authorized parts distributor.

For technical assistance, call either of the numbers listed below:

(920) 748-3121 Ripon, Wisconsin
+32 56 41 20 54 Wevelgem, Belgium

Nameplate Location

When calling or writing about your product, be sure to mention model and serial numbers. Model and serial numbers are located on nameplate(s) as shown.



CFD22CA_D0901



Model Identification

Information in this manual is applicable to these washer-extractor models:

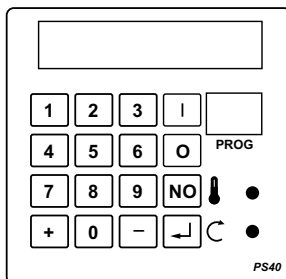
HF145_CAM-TIMER
HF145_MICRO-20_COIN
HF145_MICRO-20_OPL
HF145_PC30
HF145_PS40
HF145_PS40F
HF145_SIGMA_COIN
HF145_SIGMA_OPL

HF205_CAM-TIMER
HF205_MICRO-20_COIN
HF205_MICRO-20_OPL
HF205_PC30
HF205_PS40
HF205_PS40F
HF205_SIGMA_COIN
HF205_SIGMA_OPL

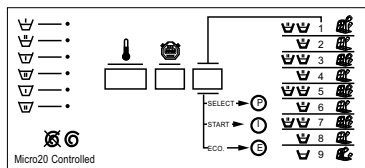
Cabinet Freestanding Washer-Extractor Product Overview

Type:	HF145P	Nr:	07110580147
Voltage:	3 ~ 380V 50Hz	Weight:	1787 kg
Motor:	7.5 kW 20 A	Capacity:	575 L
Heating:	36 kW 60 A	Dry Load:	57 kg
Total:	43.50 kW	Drum:	980 mm
Kinetic energy:	23257N/M	Speed:	800 rpm
Manufactured in:	2007		
Water Pressure: min. 2.07 max. 5.86 Kg/cm ² IPX4 min. 20.7 max. 58.6 N/cm ²			
sfc 741295			
 Alliance International BVBA Nieuwstraat 146 8560 Wevelgem Belgium Tel: +32 56 41 20 54 Fax: +32 56 41 86 74 www.ipso.be			

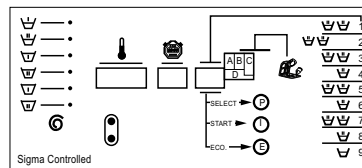
Label 1



PS40



Micro 20



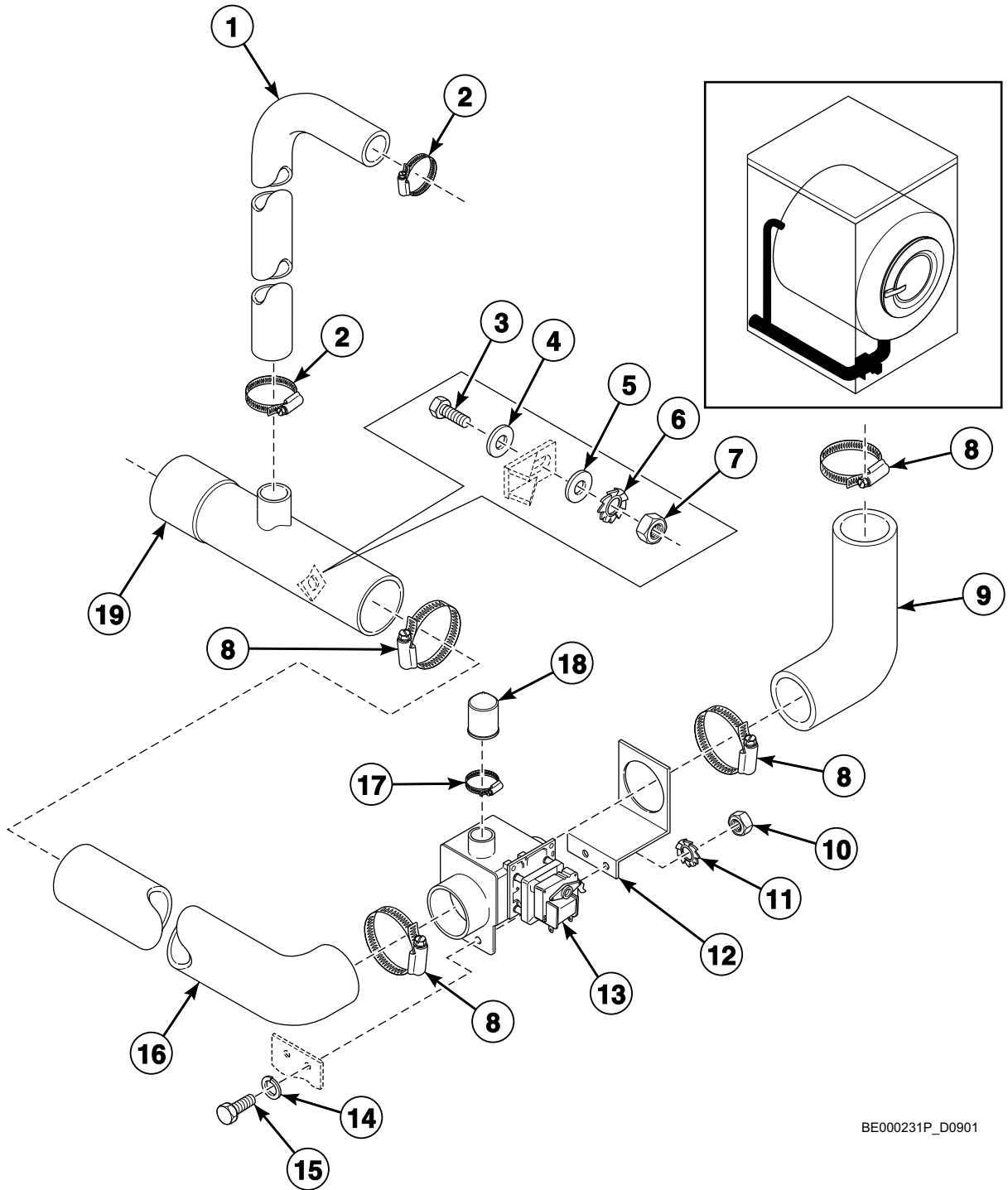
Sigma

CFD302P_D0901

Cabinet Freestanding Washer-Extractor Product Overview

REF	PART NO.	DESCRIPTION	COMMENTS
1	-	Product Family	HF
2	-	Capacity	145 205

Drain Plumbing

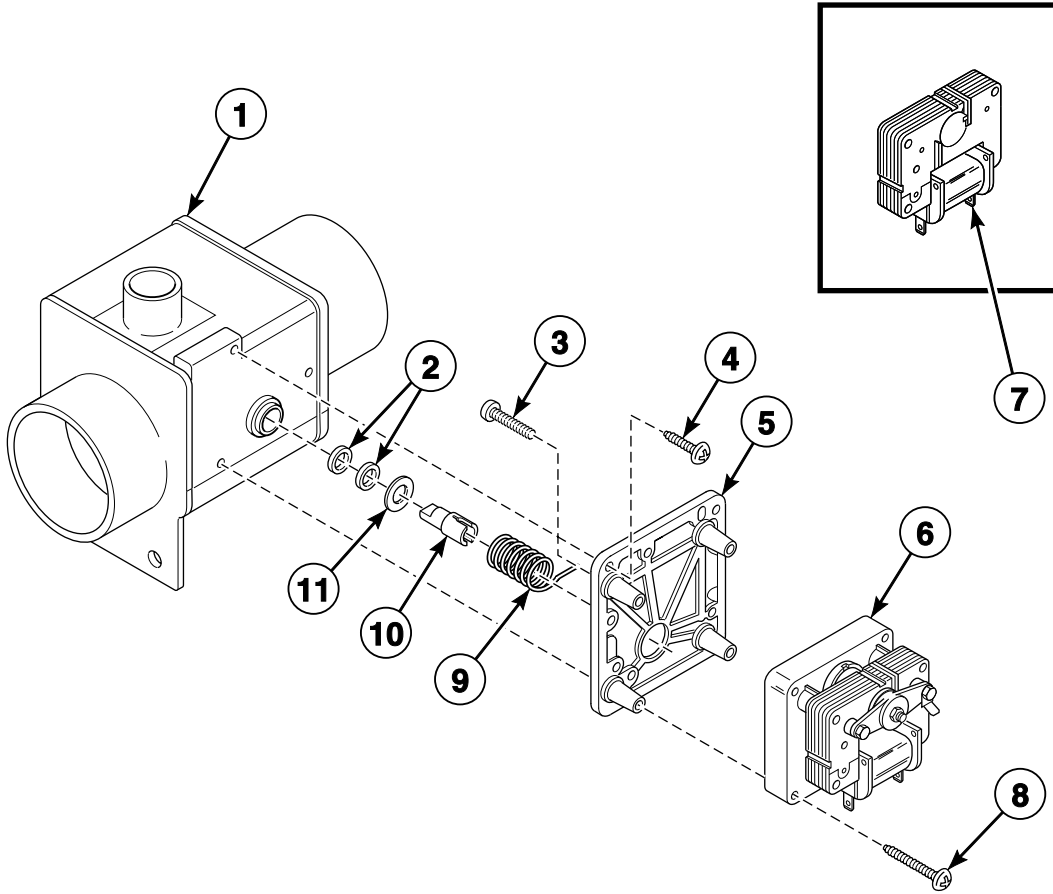


BE000231P_D0901

Drain Plumbing

REF	PART NO.	DESCRIPTION	COMMENTS
1	223/00131/00	Overflow Hose	
2	223/00013/00	Hose Clamp	
3	206/00014/00	Bolt	
4	201/00007/00	Washer	
5	202/00003/00	Washer	
6	203/00004/00	Washer	
7	204/00005/00	Nut	
8	223/00023/00	Hose Clamp	
9	223/00133/00	Drain Tub to Drain Valve Hose	
10	204/00004/00	Nut	
11	203/00003/00	Washer	
12	114/00019/07	Drain Valve Support	
13	209/00075/00	Drain Valve	NO
	209/00171/00	Drain Valve	NC
14	202/00002/00	Washer	
15	206/00010/00	Bolt	
16	223/00135/00	Drain Valve to Drain Pipe Hose	
17	223/00012/00	Hose Clamp	
18	223/00086/00	Drain Valve Overflow Plug	
19	223/00106/00	Drain Pipe	

Drain Valve - Normally Open

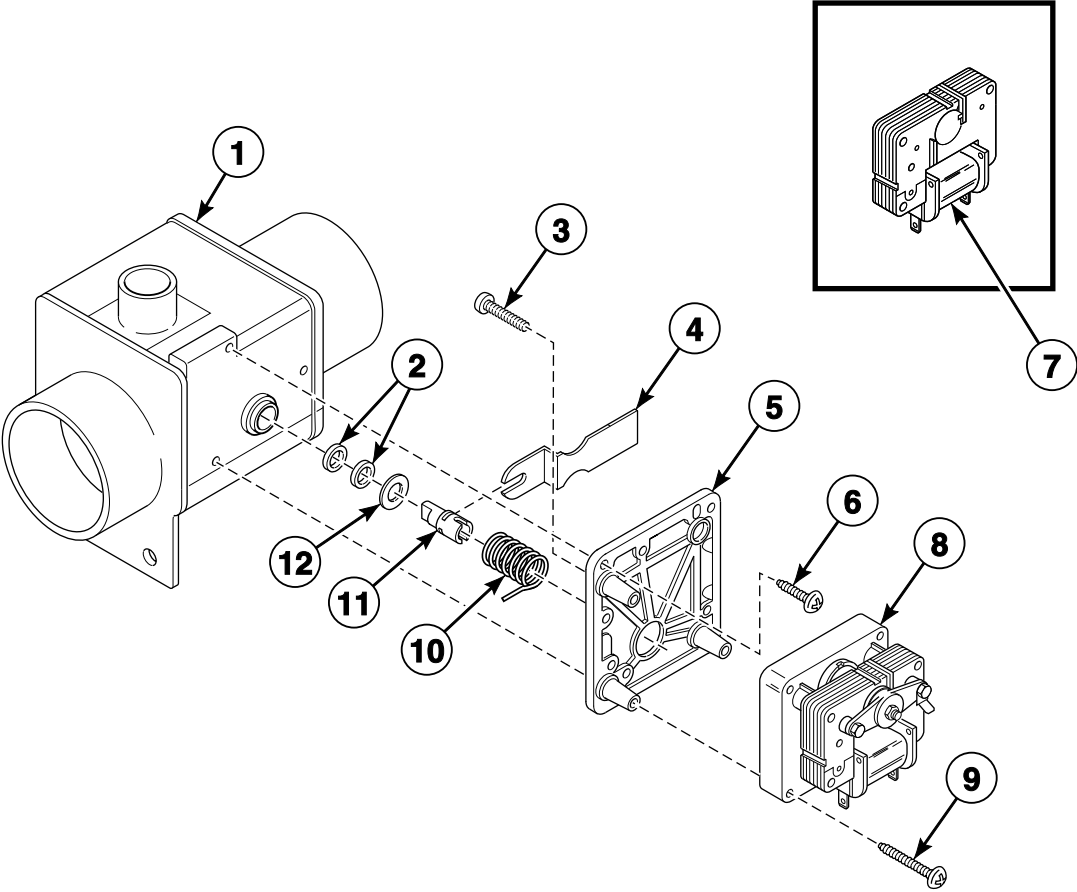


BE000058P_D0901

Drain Valve - Normally Open

REF	PART NO.	DESCRIPTION	COMMENTS
1	209/00075/05	Drain Valve	
2	209/00025/10	Drain Valve Shaft Seal	
3	209/00025/08	Screw	
4	209/00170/05	Screw	
5	209/00025/07	Drain Valve Motor Mounting Plate	
6	209/00203/11	Drain Valve Motor	24 Volt
	209/00052/11	Drain Valve Motor	110 Volt/60 Hertz
	209/00051/11	Drain Valve Motor	220 Volt/50 or 60 Hertz
7	209/00203/21	Coil	24 Volt
	209/00052/21	Coil	115 Volt/60 Hertz
	209/00051/21	Coil	220 Volt/50 or 60 Hertz
8	209/00170/07	Screw	
9	209/00025/13	Drain Valve Spring	
10	209/00170/10	Drain Valve Shaft	
11	209/00025/12	Washer	

Drain Valve - Normally Closed

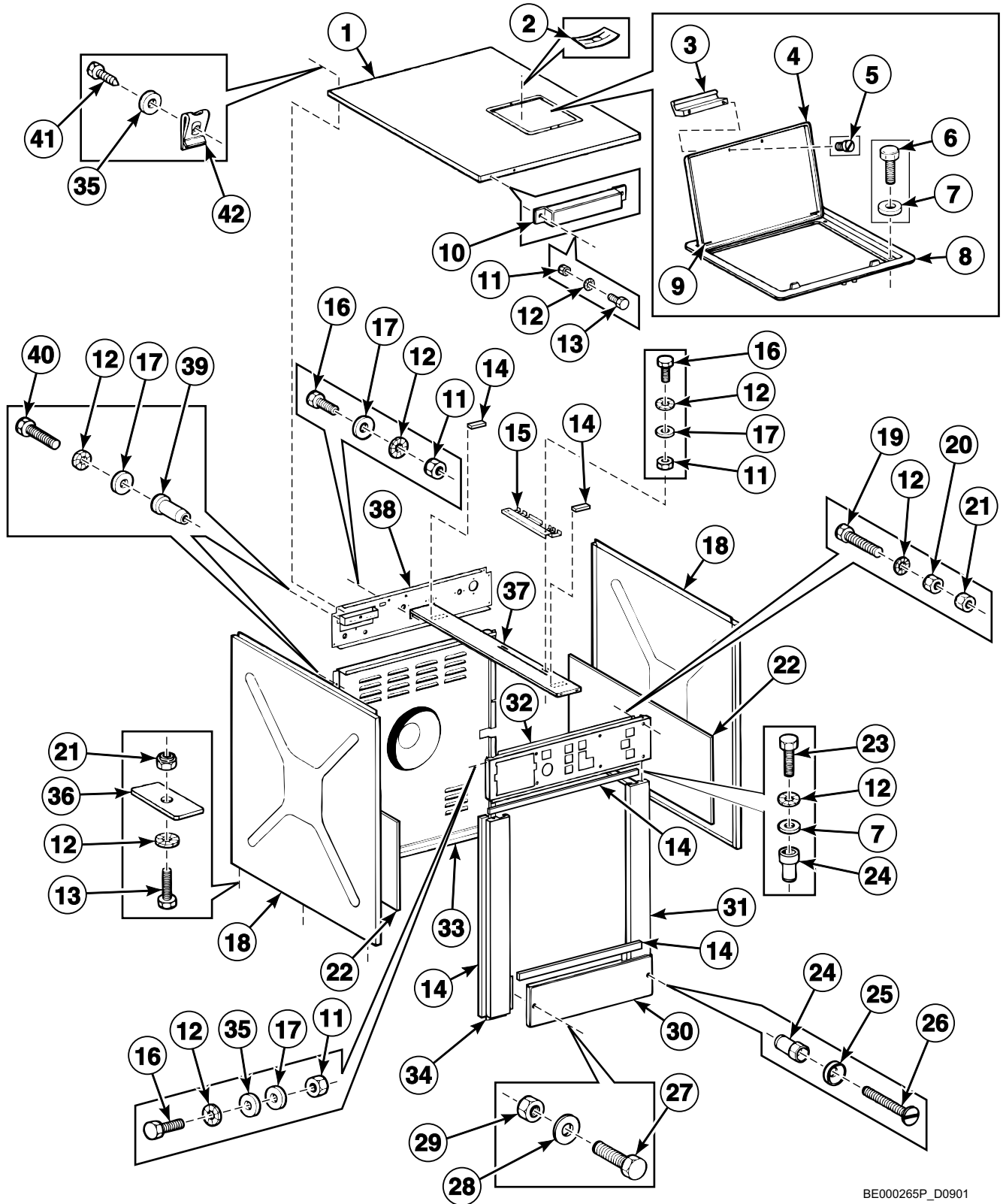


BE000057P_D0901

Drain Valve - Normally Closed

REF	PART NO.	DESCRIPTION	COMMENTS
1	209/00075/05	Drain Valve	
2	209/00025/10	Drain Valve Shaft Seal	
3	209/00025/08	Screw	
4	209/00115/11	Drain Valve Handle	
5	209/00115/04	Drain Valve Motor Mounting Plate	
6	209/00170/05	Screw	
7	209/00212/11	Coil	24 Volt
	209/00052/21	Coil	115 Volt/60 Hertz
	209/00051/21	Coil	220 Volt/50 or 60 Hertz
8	209/00203/12	Drain Valve Motor	24 Volt
	209/00052/12	Drain Valve Motor	110 Volt/60 Hertz
	209/00170/06	Drain Valve Motor Assembly	220 Volt/50 or 60 Hertz
9	209/00170/07	Screw	
10	209/00170/02	Drain Valve Spring	
11	209/00170/10	Drain Valve Shaft	
12	209/00025/12	Washer	

Panels

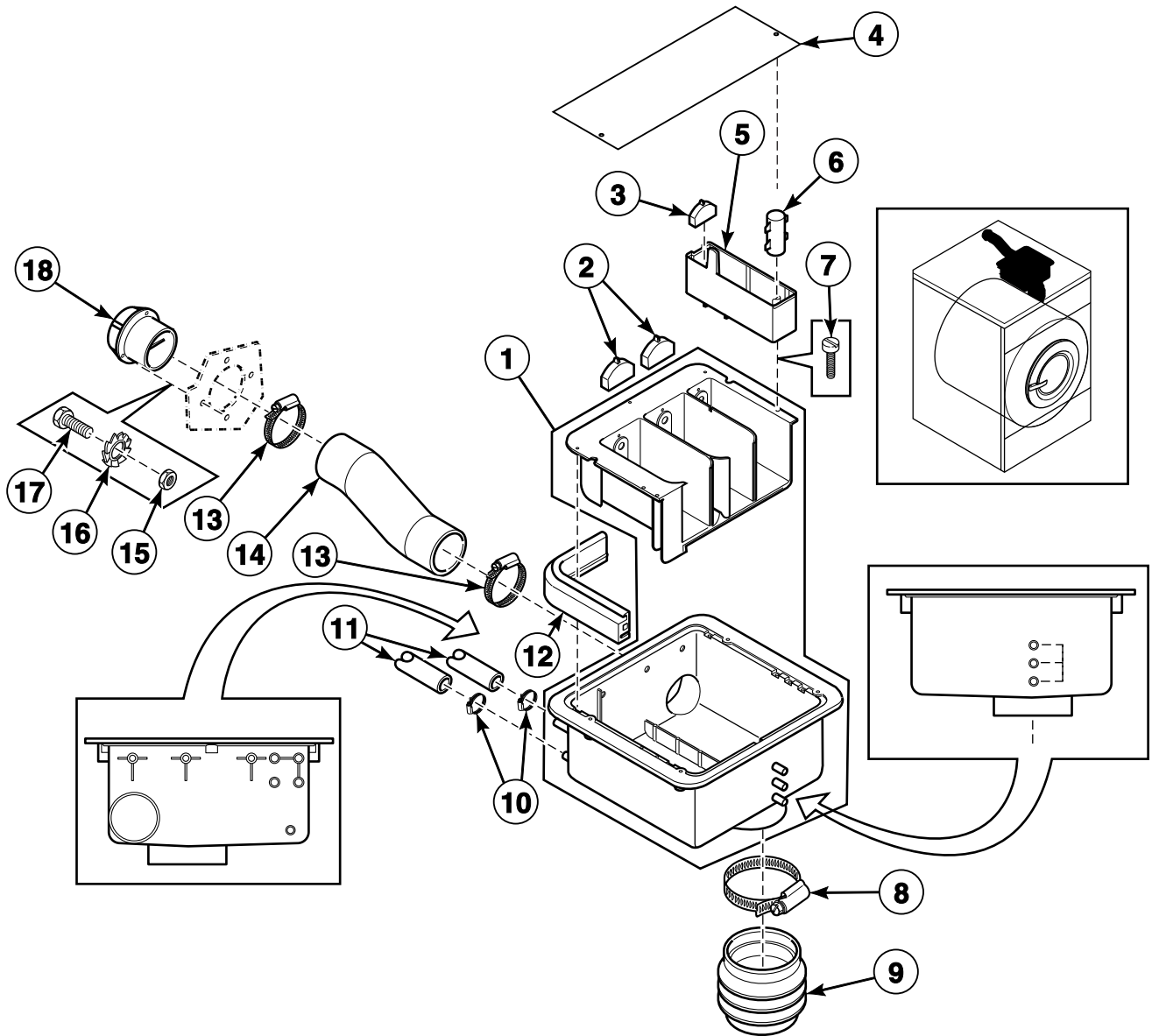


BE000265P_D0901

Panels

REF	PART NO.	DESCRIPTION	COMMENTS
1	111/32961/00	Cabinet Top Panel	HF145 models
	140/00045/01	Top Panel	HF205 models
2	208/00104/00	Nut	
3	223/00008/05	Soap Dispenser Cover Handle	
4	223/00103/01	Soap Dispenser Cover	
5	207/00110/00	Screw	
6	205/00108/00	Bolt	
7	202/00101/00	Washer	
8	223/00103/03	Soap Dispenser Frame	
9	223/00103/04	Soap Dispenser Cover Hinge Rod	2 required
10	111/00204/00	Guide	
11	204/00005/00	Nut	
12	203/00004/00	Washer	
13	205/00105/00	Bolt	
14	246/00149/00	Gasket	
15	111/00117/00	Soap Box Support Plate	
16	206/00014/00	Bolt	
17	201/00007/00	Washer	
18	111/32727/00	Side Panel	HF145 models
	140/00007/00	Side Panel	HF205 models
19	205/00103/00	Bolt	
20	204/00106/00	Nut	
21	204/00009/00	Nut	
22	246/00079/00	Side Panel Gasket	
23	205/00104/00	Bolt	
24	204/00011/00	Nut	
25	208/00009/00	Washer	
26	207/00101/00	Screw	
27	206/00006/00	Bolt	
28	201/00010/00	Washer	
29	204/00110/00	Nut	
30	111/32943/00	Kickplate	
31	111/32957/00	Front Panel	
32	111/32705/00	Front Panel	
33	111/00127/00	Rear Panel	
34	111/32951/00	Front Panel	
35	201/00006/00	Washer	
36	101/00007/00	Outlet Pipe Plate Assembly	
37	111/00134/00	Cover Plate	HF145 models
	111/00130/00	Cover Plate	HF205 models
38	140/00004/AO	Backbridge	
39	204/00301/00	Bushing	
40	206/00013/00	Bolt	
41	208/00001/00	Screw	
42	208/00002/00	Nut	

Supply Dispenser - 13 mm Inlet Hoses

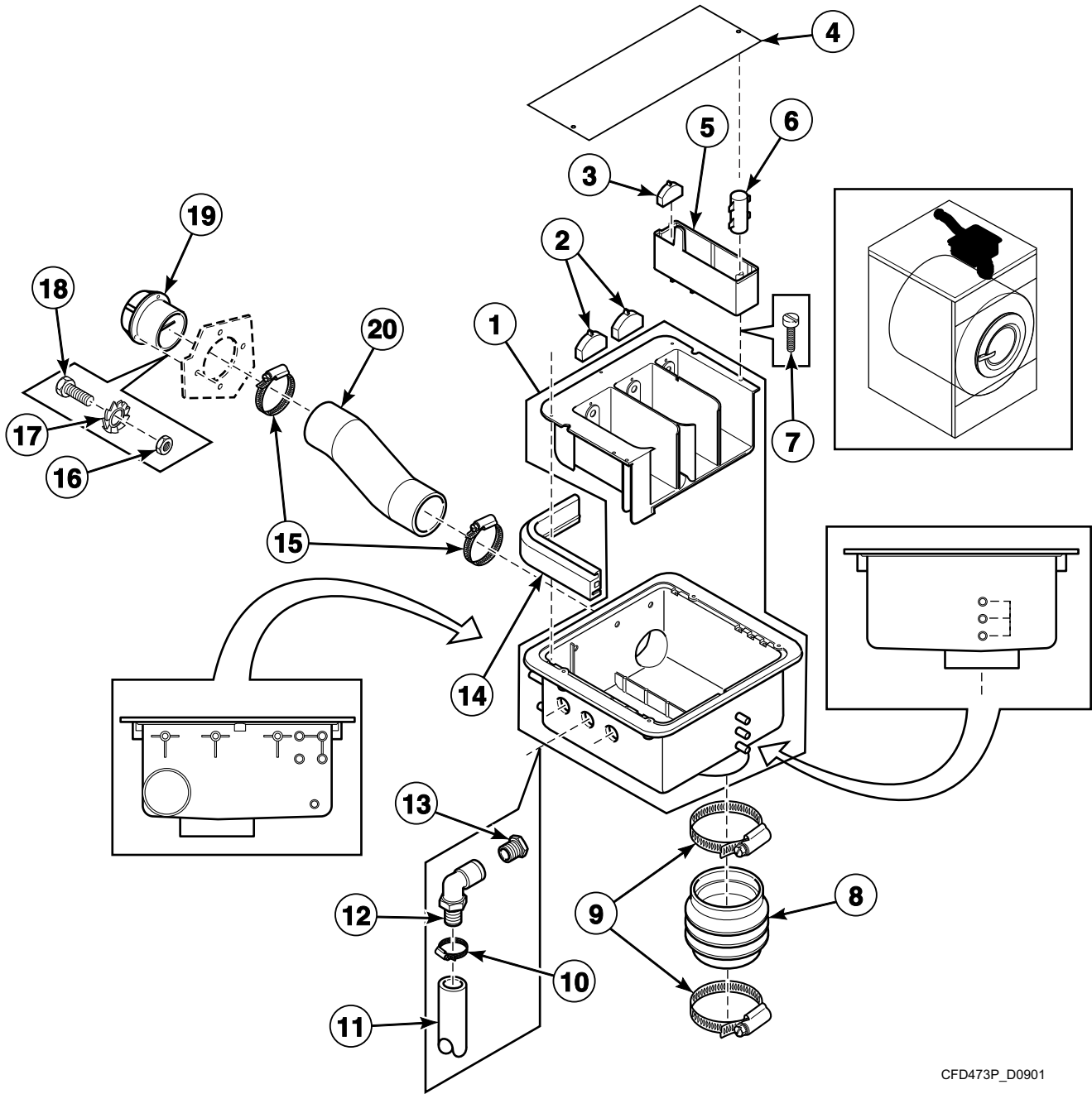


CFD472P_D0901

Supply Dispenser - 13 mm Inlet Hoses

REF	PART NO.	DESCRIPTION	COMMENTS
1	223/00102/30	Soap Dispenser Assembly	
2	223/00102/06	Soap Spray Nozzle	
3	223/00102/05	Softener Spray Nozzle	
4	123/00107/00	Anti-Splash Plate	Sigma models
	123/00103/06	Soap Box Assembly Plate	All other models
5	223/00102/03	Rinse Insert	
6	223/00102/04	Soap Dispenser Rinse Siphon	
7	208/00130/00	Screw	
8	223/00023/00	Hose Clamp	
9	223/00115/00	Hose	
10	223/00010/00	Hose Clamp	
11	223/00044/00	Water Hose	13 mm diameter; Sold per meter
12	223/00109/00	Soap Dispenser Gasket	
13	223/00014/00	Hose Clamp	
14	223/00107/01	Ventilating Hose	HF205 models
	223/00107/02	Vent Hose	HF145 models
15	204/00007/00	Nut	
16	203/00006/00	Washer	M4
	202/00004/00	Washer	M6
17	206/00027/00	Bolt	
18	223/00102/07	Hose Vent	

Supply Dispenser - Models Through 08/2005 with 20 mm Inlet Hoses

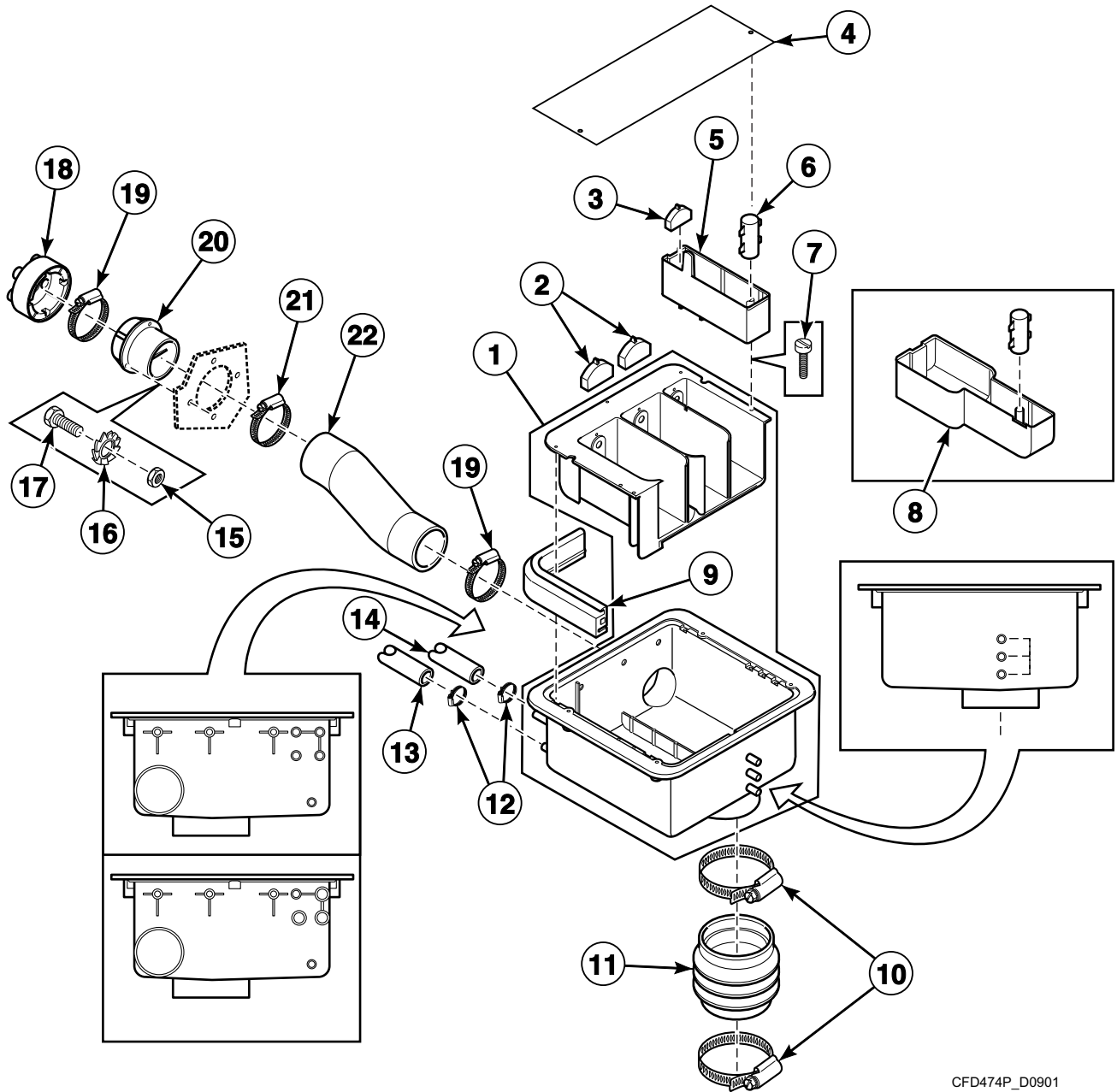


CFD473P_D0901

Supply Dispenser - Models Through 08/2005 with 20 mm Inlet Hoses

REF	PART NO.	DESCRIPTION	COMMENTS
1	223/00102/30	Soap Dispenser Assembly	
2	223/00102/06	Soap Spray Nozzle	
3	223/00102/05	Softener Spray Nozzle	
4	123/00107/00	Anti-Splash Plate	Sigma models
	123/00103/06	Soap Box Assembly Plate	All other models
5	223/00102/03	Rinse Insert	
6	223/00102/04	Soap Dispenser Rinse Siphon	
7	208/00130/00	Screw	
8	223/00115/00	Hose	
9	223/00023/00	Hose Clamp	
10	223/00011/00	Hose Clamp	
11	223/00059/00	Water Hose	20 mm diameter; Sold per meter
12	211/10149/00	Flow Nozzle	
13	211/10147/00	Mounting Piece	
14	223/00109/00	Soap Dispenser Gasket	
15	223/00014/00	Hose Clamp	
16	204/00007/00	Nut	
17	203/00006/00	Washer	M4
	202/00004/00	Washer	M6
18	206/00027/00	Bolt	
19	223/00102/07	Hose Vent	
20	223/00107/02	Vent Hose	HF145 models
	223/00107/01	Ventilating Hose	HF205 models

Supply Dispenser - Models with 25 mm Inlet Hoses and Models Starting 09/2005 with 20 mm Inlet Hoses

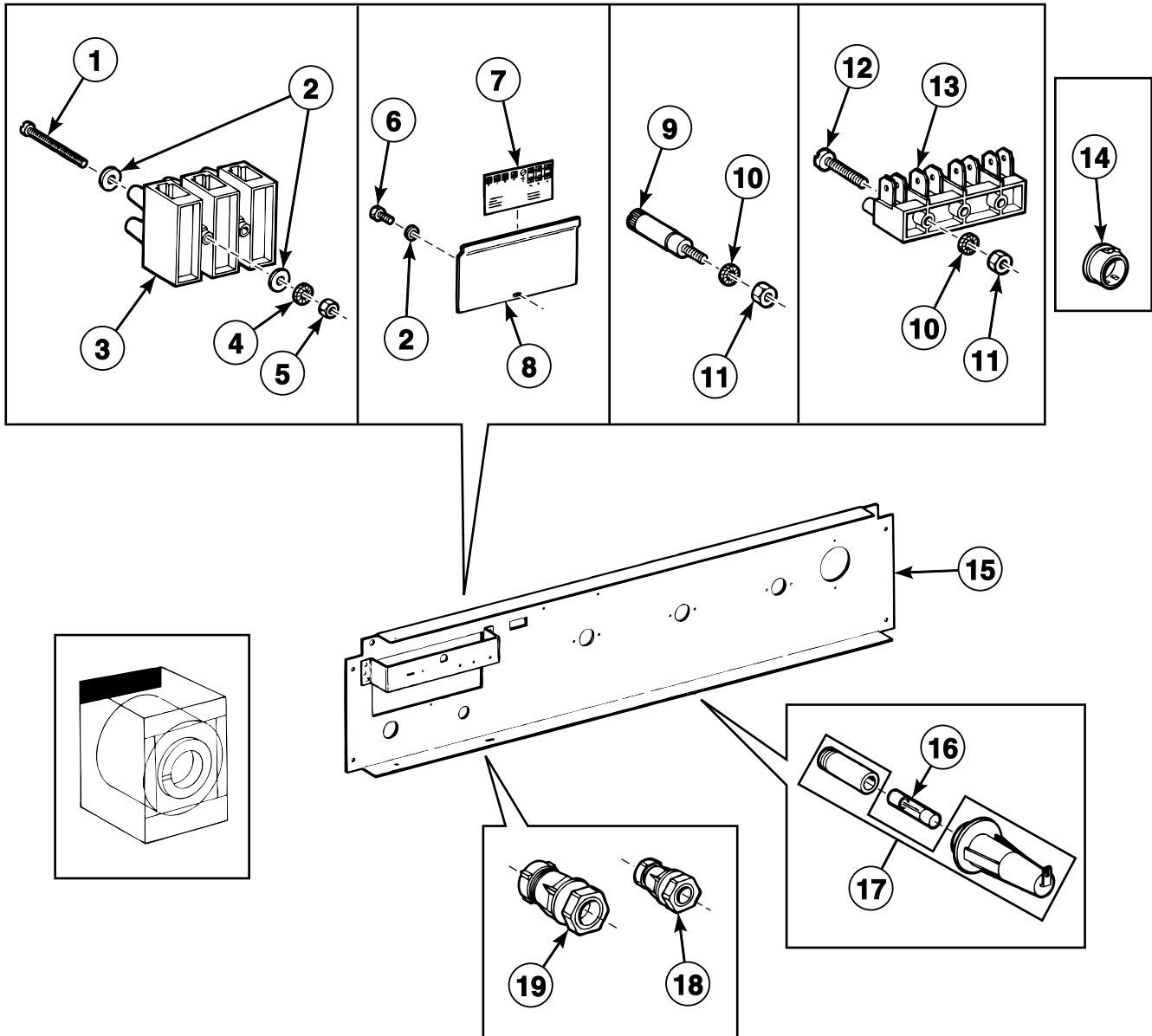


CFD474P_D0901

Supply Dispenser - Models with 25 mm Inlet Hoses and Models Starting 09/2005 with 20 mm Inlet Hoses

REF	PART NO.	DESCRIPTION	COMMENTS
1	223/00102/30	Soap Dispenser Assembly	
2	223/00102/06	Soap Spray Nozzle	
3	223/00102/05	Softener Spray Nozzle	
4	123/00107/00	Anti-Splash Plate	Sigma models
	123/00103/06	Soap Box Assembly Plate	All other models
5	223/00102/03	Rinse Insert	
6	223/00102/04	Soap Dispenser Rinse Siphon	
7	208/00130/00	Screw	
8	223/00102/08	Liquid Soap Dispenser Insert	
9	223/00109/00	Soap Dispenser Gasket	
10	223/00023/00	Hose Clamp	
11	223/00115/00	Hose	
12	223/00009/00	Clamp	
13	223/00059/00	Water Hose	20 mm diameter; Sold per meter
14	223/00188/00	Hose	25 mm diameter; Sold per meter
15	204/00105/00	Nut	
16	203/00008/00	Washer	
17	207/00106/00	Screw	
18	223/00160/00	Liquid Soap Hose	
19	223/00014/00	Hose Clamp	
20	223/00102/07	Hose Vent	
21	223/00013/00	Hose Clamp	
22	223/00107/01	Ventilating Hose	

Upper Back Panel (Drawing 1 of 2)

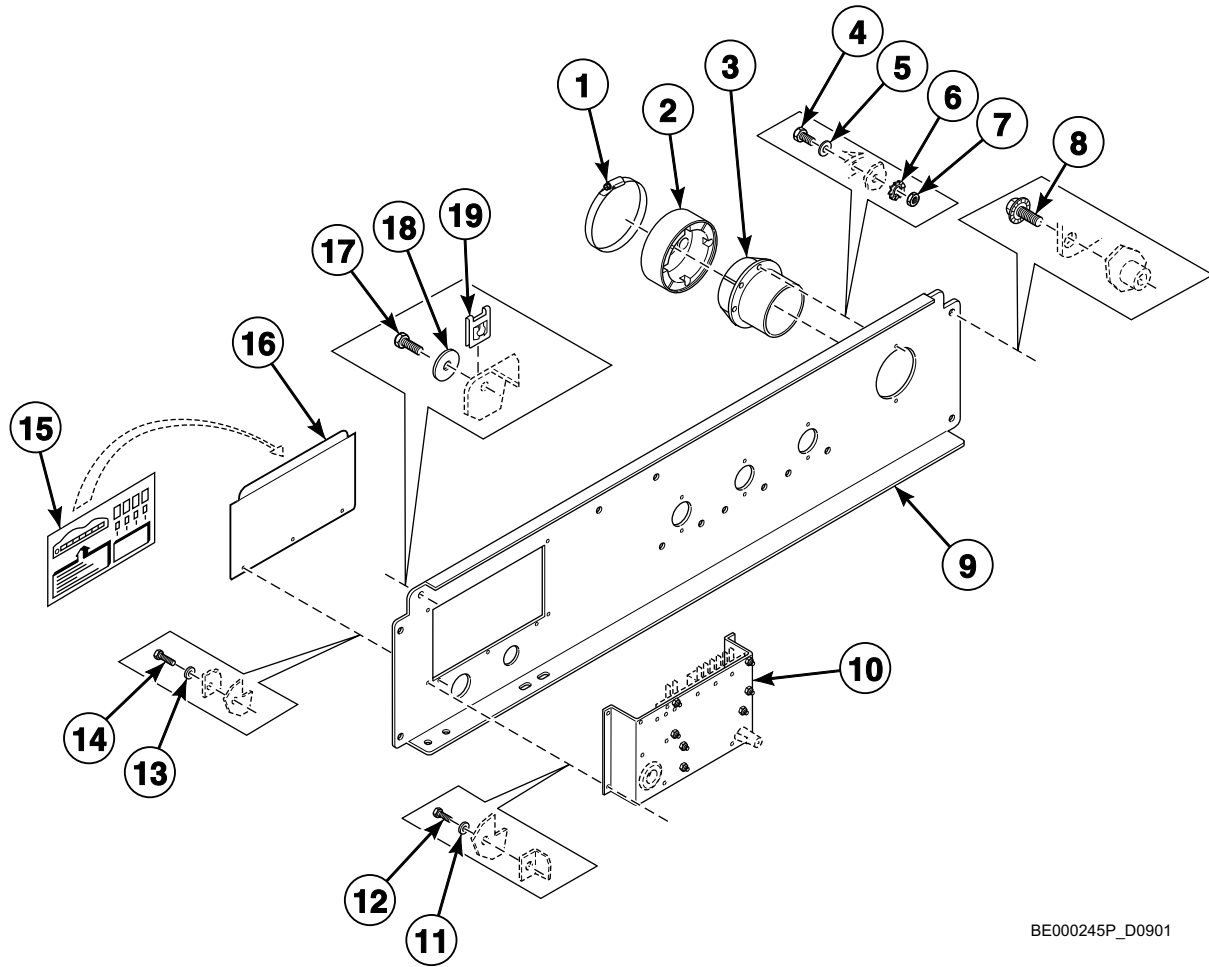


BE000232P_D0901

Upper Back Panel (Drawing 1 of 2)

REF	PART NO.	DESCRIPTION	COMMENTS
1	207/00014/00	Screw	
2	202/00004/00	Washer	
3	209/00058/00	Terminal Block	4 pole
	209/00291/00	Terminal	12 pole
4	203/00007/00	Washer	
5	204/00008/00	Nut	
6	206/00027/00	Bolt	
7	229/00001/00	Sticker	
8	140/00010/00	Cover Plate	
9	209/00006/01	Ground Terminal	
10	203/00006/00	Washer	
11	204/00007/00	Nut	
12	207/00003/00	Screw	
13	209/00005/00	Terminal Block	
14	211/00084/00	Plug	20.5 mm diameter
	211/00085/00	Stopper	25.5 mm diameter
	211/00086/00	Stopper	28 mm diameter
	211/00087/00	Plug	30 mm diameter
15	140/00004/AO	Backbridge	
16	209/00195/00	Fuse	
17	209/00202/00	Fuse Holder	
18	211/00117/00	Cordlock	
19	211/00138/00	Cordlock	PG21
	211/00097/00	Cordlock	PG29

Upper Back Panel (Drawing 2 of 2)

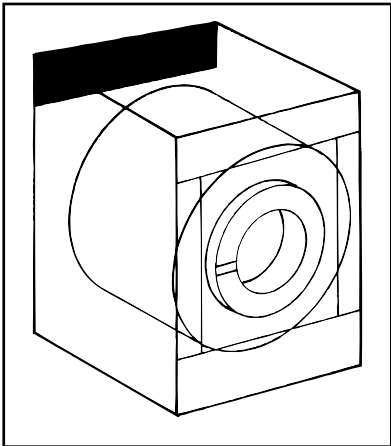
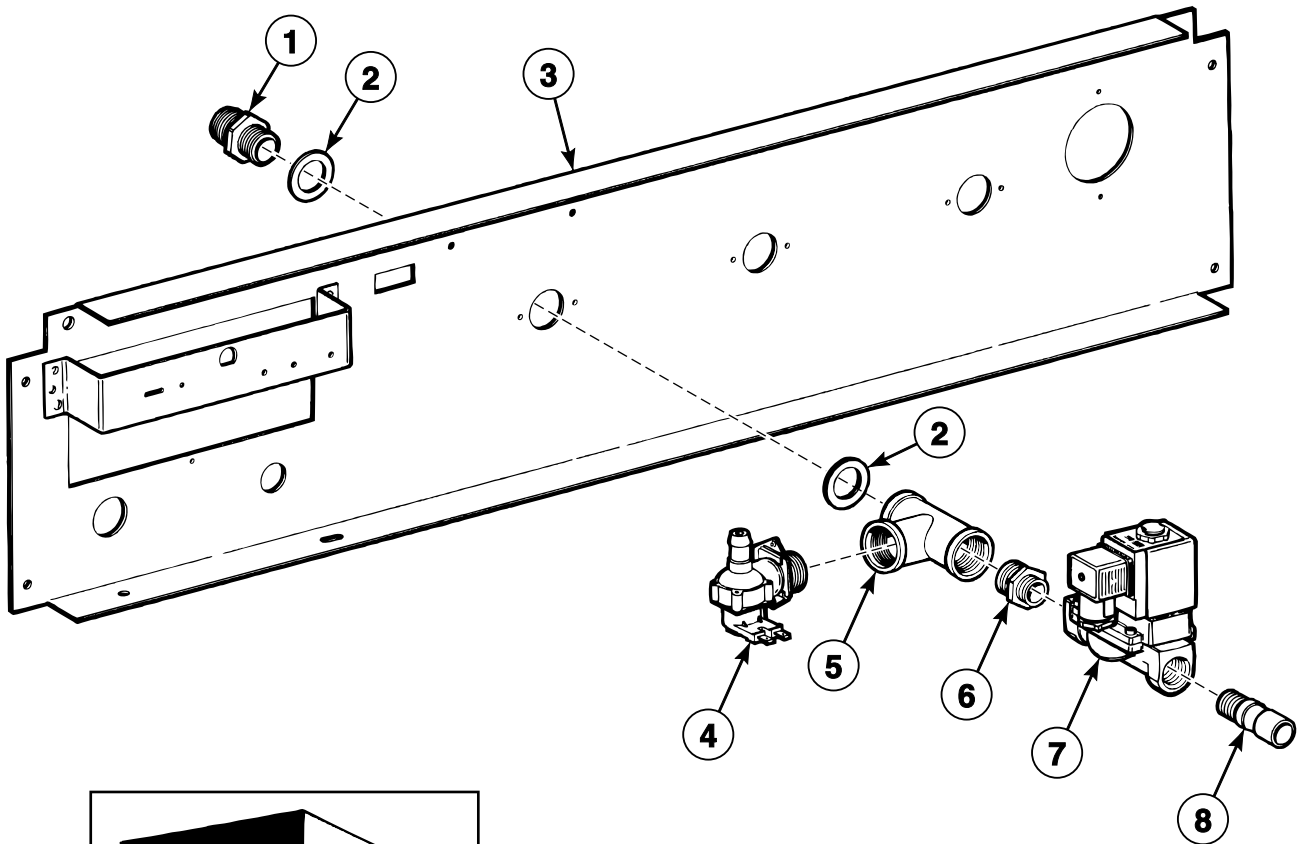


BE000245P_D0901

Upper Back Panel (Drawing 2 of 2)

REF	PART NO.	DESCRIPTION	COMMENTS
1	223/00014/00	Hose Clamp	
2	223/00160/00	Liquid Soap Hose	
3	223/00102/07	Hose Vent	
4	206/00027/00	Bolt	
5	202/00004/00	Washer	
6	203/00006/00	Washer	
7	204/00007/00	Nut	
8	206/00099/00	Bolt	
9	140/00004/AO	Backbridge	
10	111/00188/03	Assembly Plate	
11	202/00109/00	Washer	
12	207/00004/00	Screw	
13	202/00102/00	Washer	
14	207/00110/00	Screw	
15	229/00068/02	Electrical Connection Sticker	
16	140/00010/00	Cover Plate	
17	208/00001/00	Screw	
18	201/00006/00	Washer	
19	208/00002/00	Nut	

Water Inlet Valve (Drawing 1 of 4)



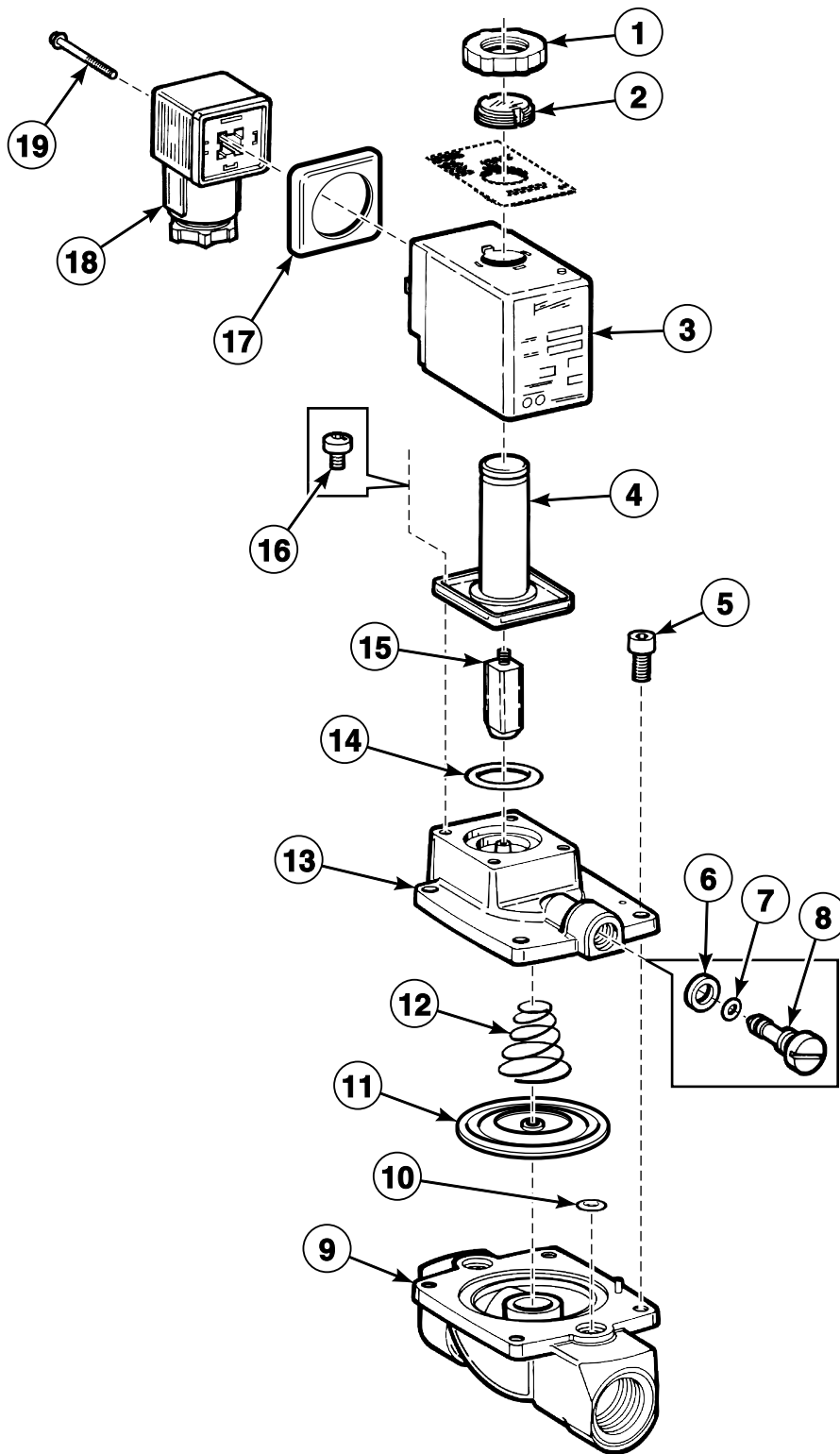
BE000246P_D0901

Water Inlet Valve (Drawing 1 of 4)

REF	PART NO.	DESCRIPTION	COMMENTS
1	711/00026/01	Nipple	
2	223/00042/00	O-Ring	
3	140/00004/AO	Backbridge	
4	209/00276/00	Inlet Valve	
5	223/00043/00	T-Piece	
6	711/00026/00	Nipple	
7	209/00306/02	Coil	Models through August, 2003
	209/00306/01	Valve Coil	Models through August, 2003
8	211/10148/00	Hose Mounting Piece	

Water Inlet Valve (Drawing 2 of 4)

Models Through August, 2003

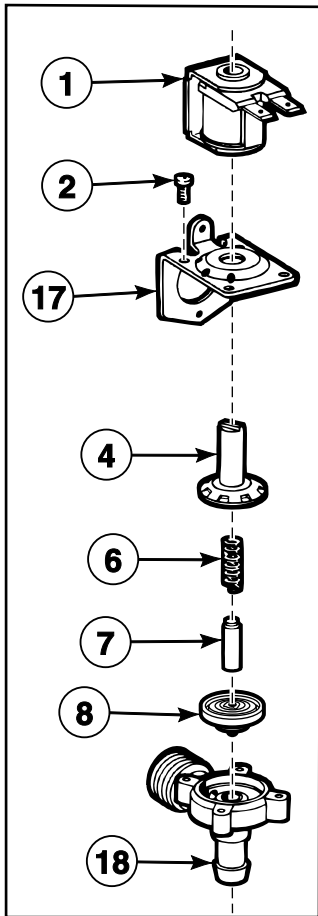


BE000247P_D0901

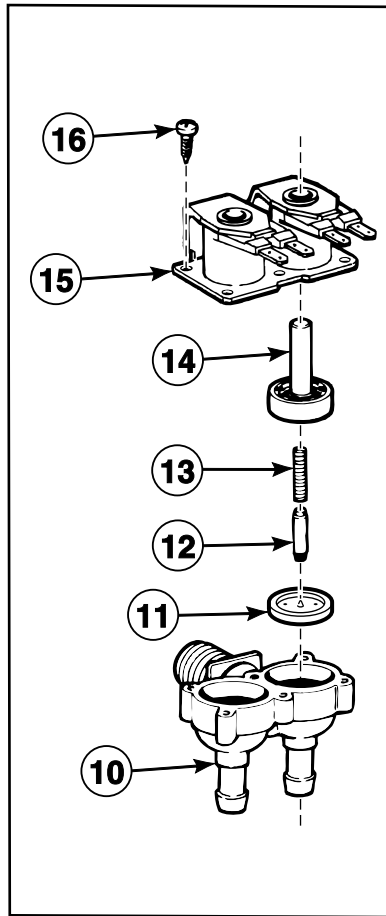
Water Inlet Valve (Drawing 2 of 4)

REF	PART NO.	DESCRIPTION	COMMENTS
1	209/01306/00	Nut	
2	209/02306/00	Clip	
3	209/00306/02	Coil	
4	209/00306/04	Core Holder	
5	209/00306/07	Screw	
6	209/00306/09	Washer	
7	209/00306/10	O-Ring	
8	209/00306/11	Screw	
9	209/00306/15	Chair	
10	209/00306/12	O-Ring	
11	209/00306/14	Diaphragm	
12	209/00306/13	Spring	
13	209/00306/08	Chair	
14	209/00306/06	O-Ring	
15	209/00306/05	Core	
16	209/00306/16	Screw	
17	209/00306/17	Seal	
18	209/00306/18	Terminal Connector	
19	209/00306/19	Screw	

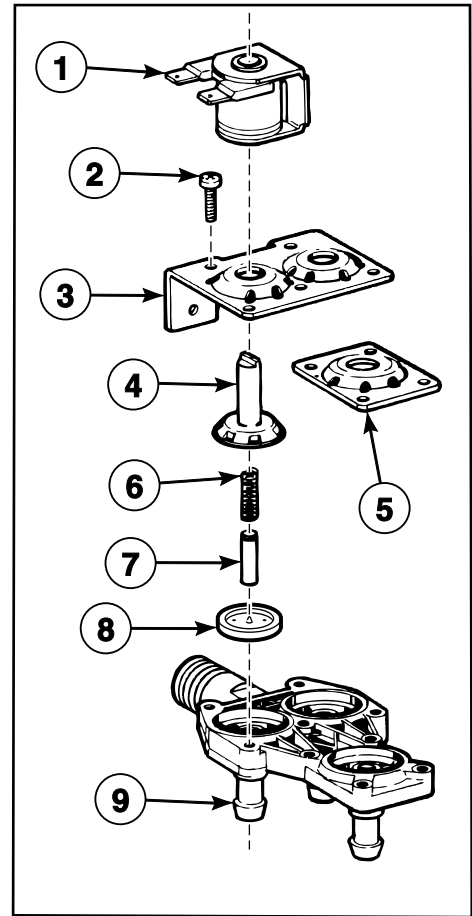
Water Inlet Valve (Drawing 3 of 4)



Elbi; Models through August, 2003



Techno; Models through October, 2006



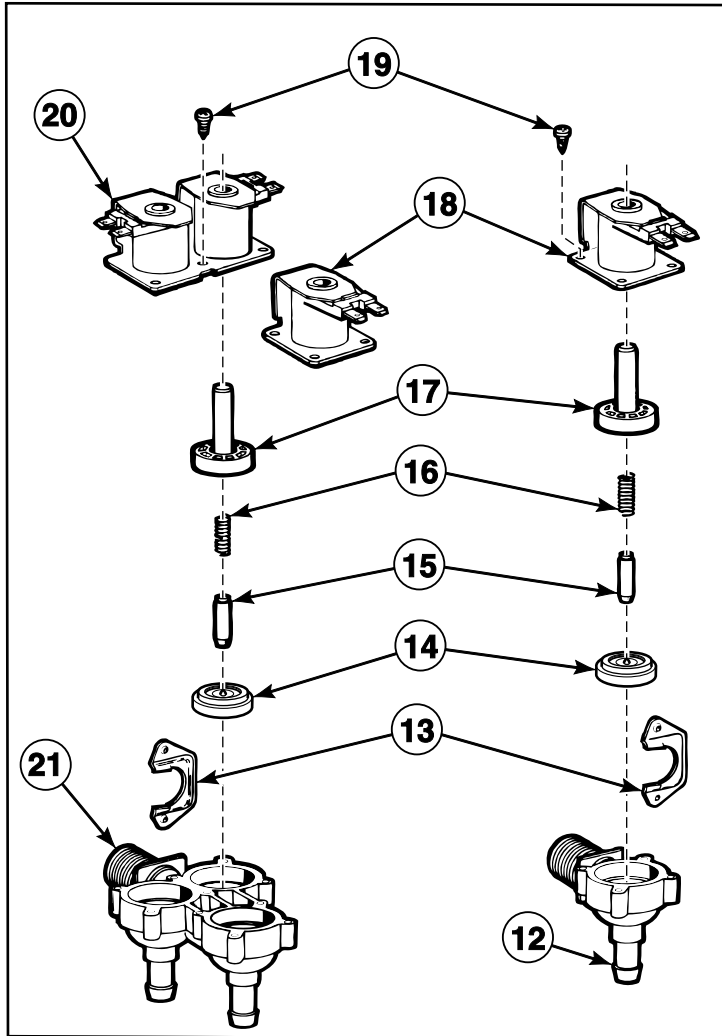
Elbi; Models through August, 2003

BE000248P_D0901

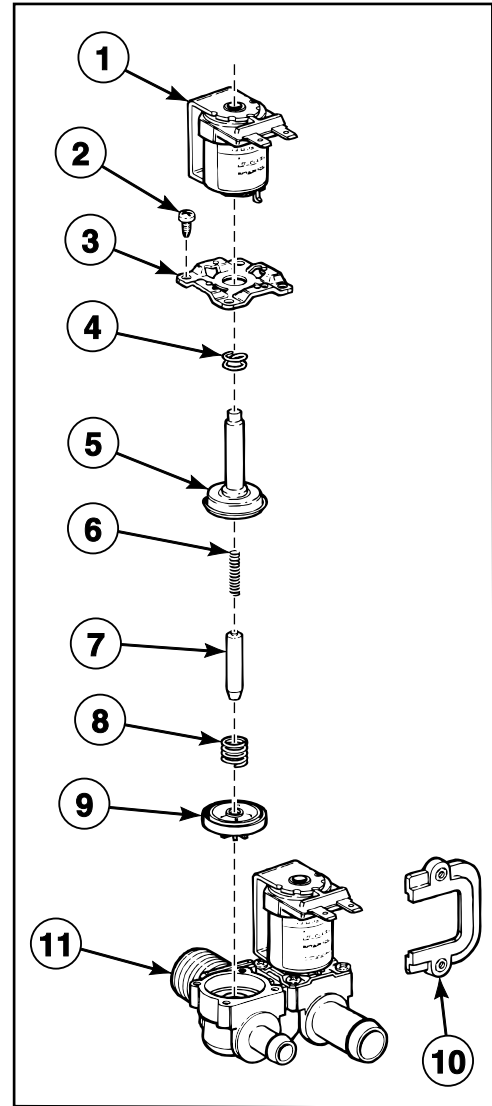
Water Inlet Valve (Drawing 3 of 4)

REF	PART NO.	DESCRIPTION	COMMENTS
1	209/00001/01	Coil	
2	209/00001/02	Screw	
3	209/00001/11	1-Way Plate	
4	209/00001/04	Core Holder	
5	209/00001/03	2-Way Plate	
6	209/00001/05	Spring	
7	209/00001/06	Core	
8	209/00001/07	Diaphragm	
9	209/00001/08	3-Way Inlet Valve	
10	209/00110/00	2-Way Inlet Valve	
11	223/00051/06	Diaphragm	
12	223/00051/05	Core	
13	223/00051/04	Spring	
14	223/00051/03	Core Holder	
15	223/00051/02	2-Way Inlet Valve	
16	223/00051/01	Screw	
17	209/00048/03	1-Outlet Plate	
18	209/00048/08	1-Way Inlet Valve	

Water Inlet Valve (Drawing 4 of 4)



Techno; Models through October, 2003



Mueller

BE000249P_D0901

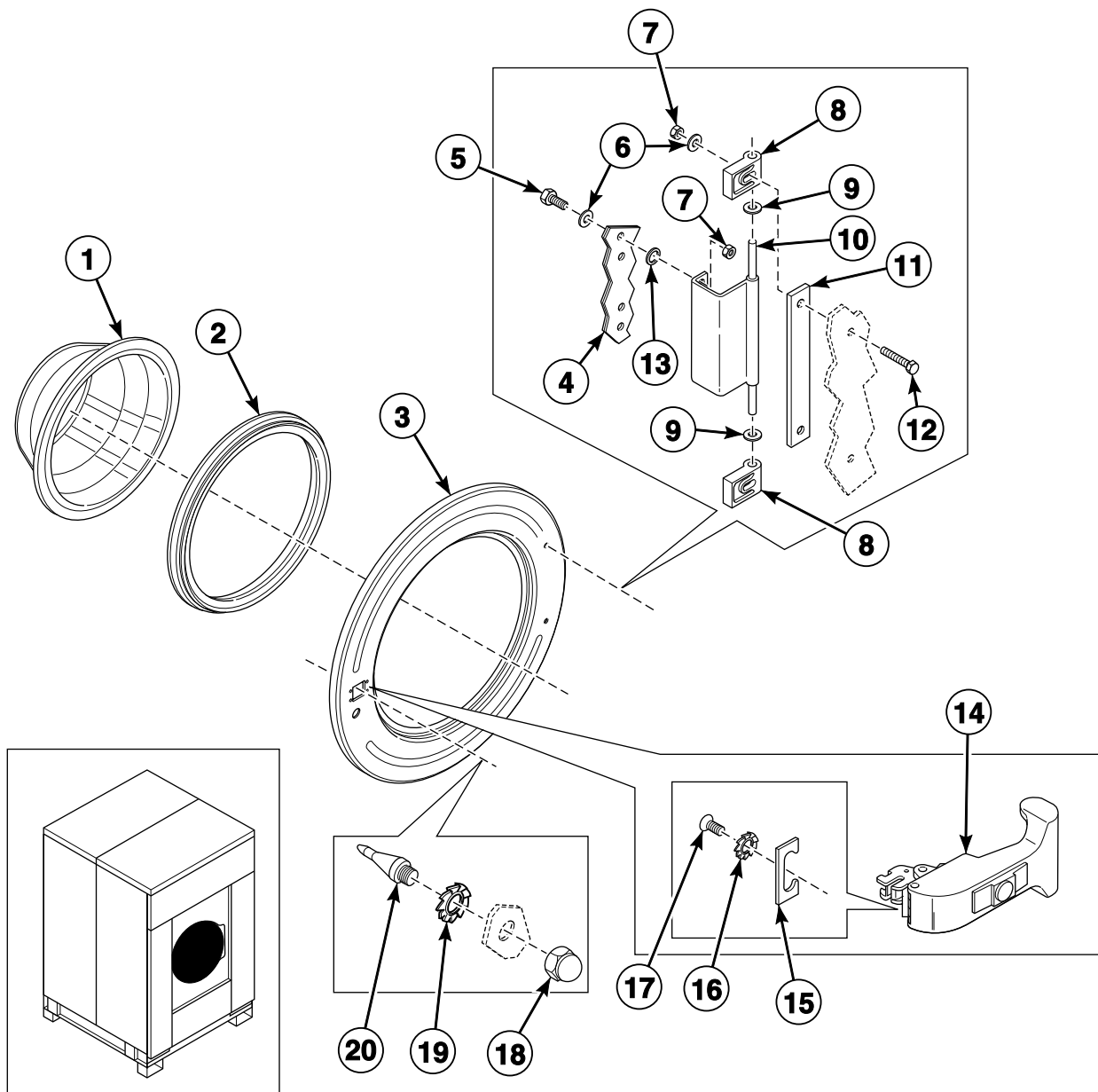
Water Inlet Valve (Drawing 4 of 4)

REF	PART NO.	DESCRIPTION	COMMENTS
1	209/00090/01	Inlet Valve Solenoid	
2	209/00090/03	Screw	
3	209/00090/04	Assembly Plate	
4	209/00090/02	Spring	
5	209/00090/05	Core Holder	
6	209/00090/06	Spring	
7	209/00090/07	Core	
8	209/00090/15	Spring	
9	209/00316/02	Diaphragm	
10	209/00090/18	Assembly Plate	
11	209/00316/01	2-Way Inlet Valve	
12	223/00051/12	1-Way Inlet Valve	
13	223/00051/09	Plate	
14	223/00051/06	Diaphragm	
15	223/00051/05	Core	
16	223/00051/04	Spring	
17	223/00051/03	Core Holder	
18	223/00051/11	Coil	
19	223/00051/01	Screw	
20	223/00051/02	2-Way Inlet Valve	
21	223/00051/13	3-Way Inlet Valve	

Door Lock

REF	PART NO.	DESCRIPTION	COMMENTS
1	224/00040/00	Lever Spring	
2	217/00021/00	O-Ring	
3	207/00135/00	Screw	
4	210/10015/00	Ground Terminal	
5	203/00007/00	Washer	
6	204/00008/00	Nut	
7	203/00010/00	Washer	
8	207/00103/00	Screw	
9	209/00272/00	Door Lock Microswitch	
10	201/00018/00	Washer	
11	207/00009/00	Screw	
12	217/00052/01A	Door Lock Assembly	
13	217/00052/02	Door Lock Pin Kit	
14	207/00102/00	Screw	
15	217/00017/03	Lock Shaft	
16	209/00273/00	Light Microswitch	
17	209/00274/00	Door Lock Solenoid	
18	209/00275/04	Door Lock Board	
19	211/00120/00	Standoff	
20	203/00006/00	Washer	
21	204/00007/00	Nut	
22	217/00052/08	Washer	
23	224/00049/00	Door Lock Spring	
24	224/00015/00	Door Latch Cord	
25	224/00043/00	Interlock Coil Spring	
26	217/00052/04	Interlock Lever	
27	217/00052/03	Door Lock Spacer	
28	201/00017/00	Washer	
29	217/00052/05	Switch Lever	

Door

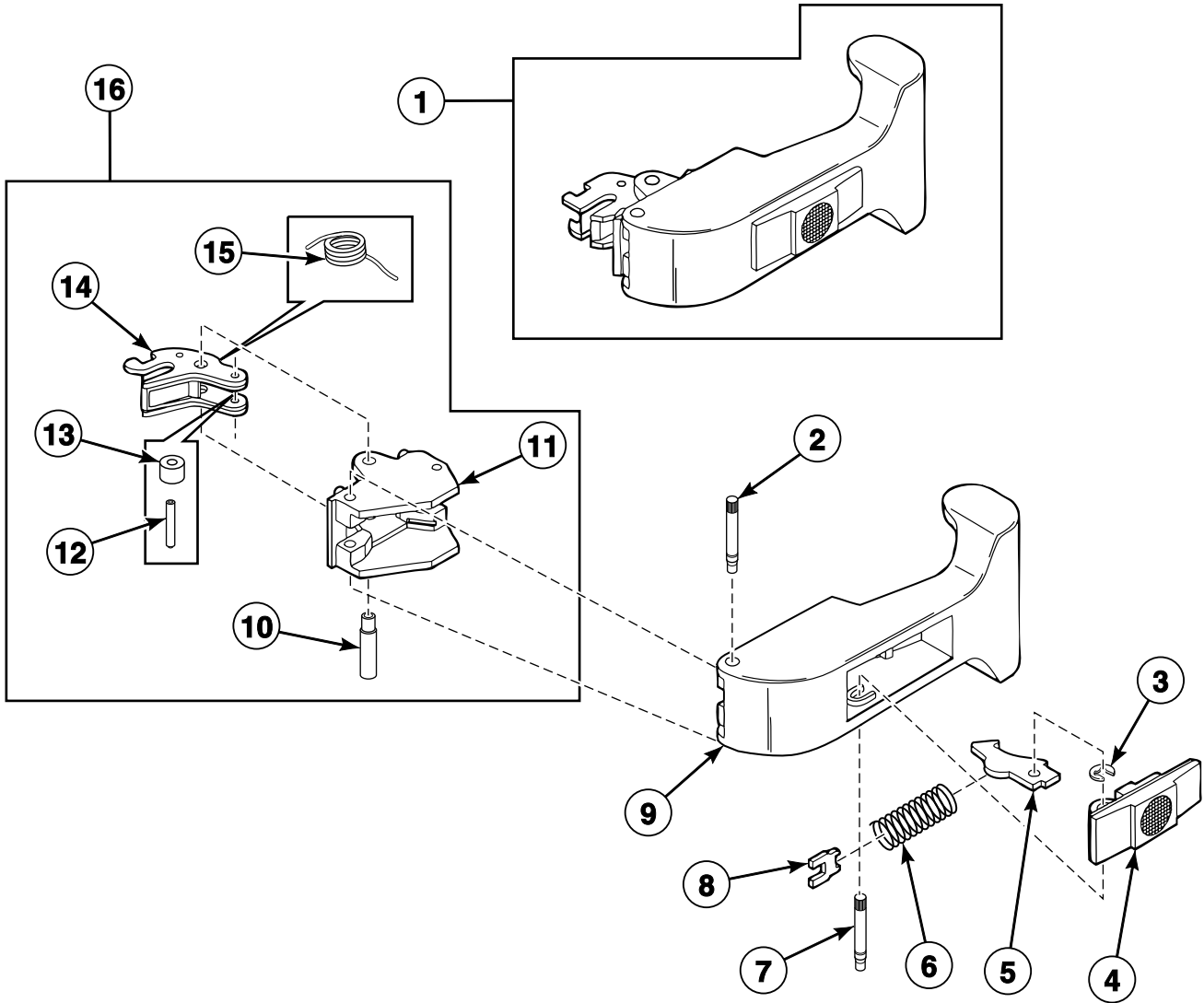


BE000255P_D0901

Door

REF	PART NO.	DESCRIPTION	COMMENTS
1	B12449801	Door Glass	
2	223/00068/00	Door Glass Seal	
3	118/00125/00	Door	
4	138/00001/00	Tub Front	
5	205/00104/00	Bolt	
6	202/00101/00	Washer	
7	204/00106/00	Nut	
8	217/00009/02	Door Hinge Assembly	
9	202/00104/00	Washer	
10	131/00046/00	Hinge	
11	117/00010/00	Door Hinge Spacer	1 mm
	117/00011/00	Door Hinge Spacer	2 mm
12	205/00103/00	Bolt	
13	217/00021/00	O-Ring	
14	217/00051/00	Door Handle	
15	217/00016/00	Door Handle Stop	
16	203/00008/00	Washer	
17	207/00020/00	Screw	
18	204/00103/00	Nut	
19	203/00011/00	Washer	
20	211/00109/01	Door Lock Pin Kit	

Door Handle (Drawing 1 of 2)

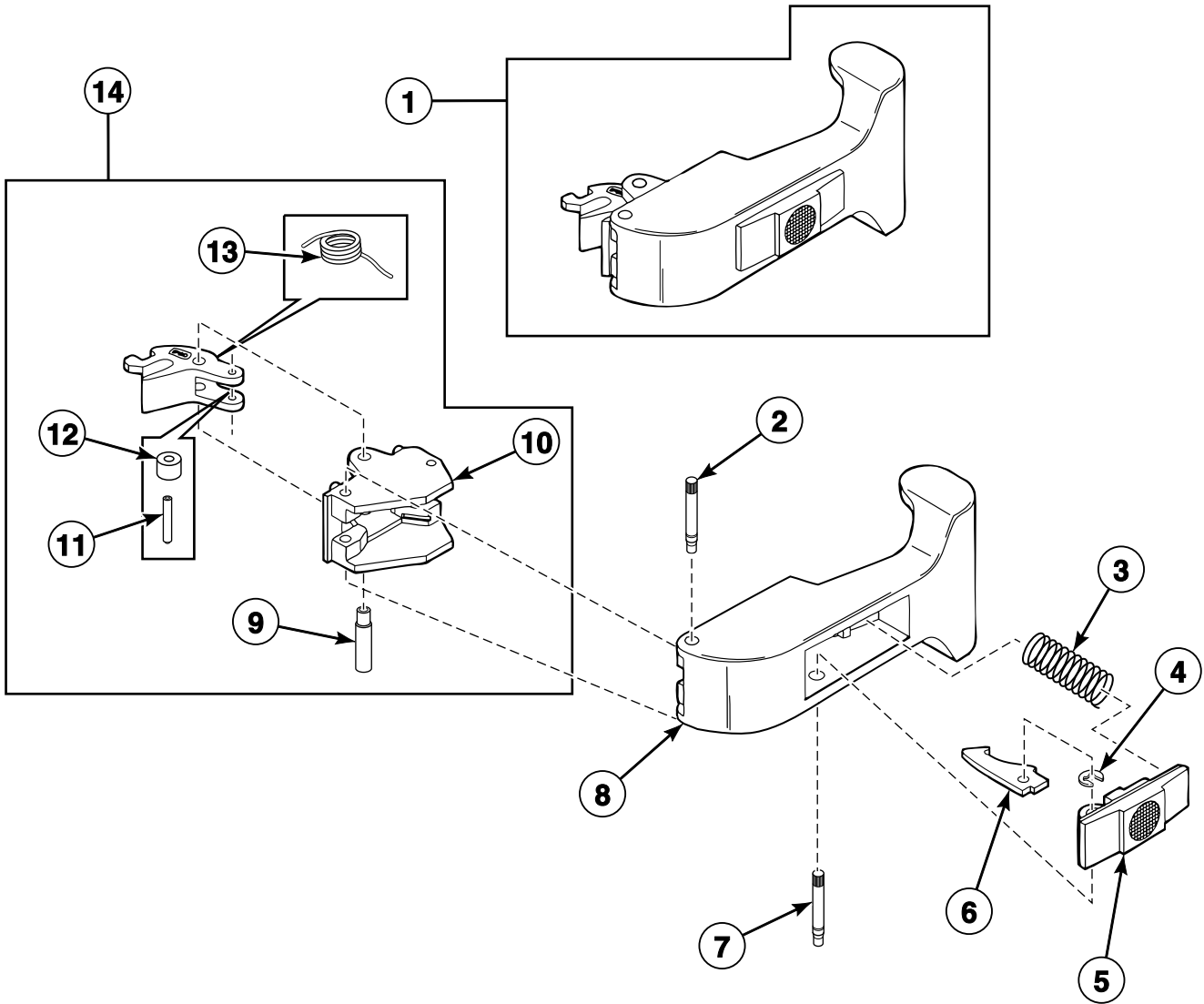


BE000034AP_D0901

Door Handle (Drawing 1 of 2)

REF	PART NO.	DESCRIPTION	COMMENTS
1	217/00051/00	Door Handle	
2	217/00013/09	Door Mounting Pin	
3	217/00013/11	Door Circlip	
4	217/00013/12	Door Handle	
5	217/00013/13	Door Handle Hook	
6	217/00013/14	Door Handle Spring	
7	217/00013/15	Door Handle Locking Pin	
8	217/00013/16	Door Handle Assembly Plate	
9	217/00051/00	Door Handle	
10	217/00013/08	Door Locking Pin	
11	217/00013/07	Door Locking Grip	
12	217/00013/05	Door Axle Roller	
13	217/00013/06	Door Roller	
14	217/00013/04	Door Handle Latch	
15	217/00013/03	Door Lock Spring	
16	217/00051/14	Door Handle Latch	

Door Handle (Drawing 2 of 2)

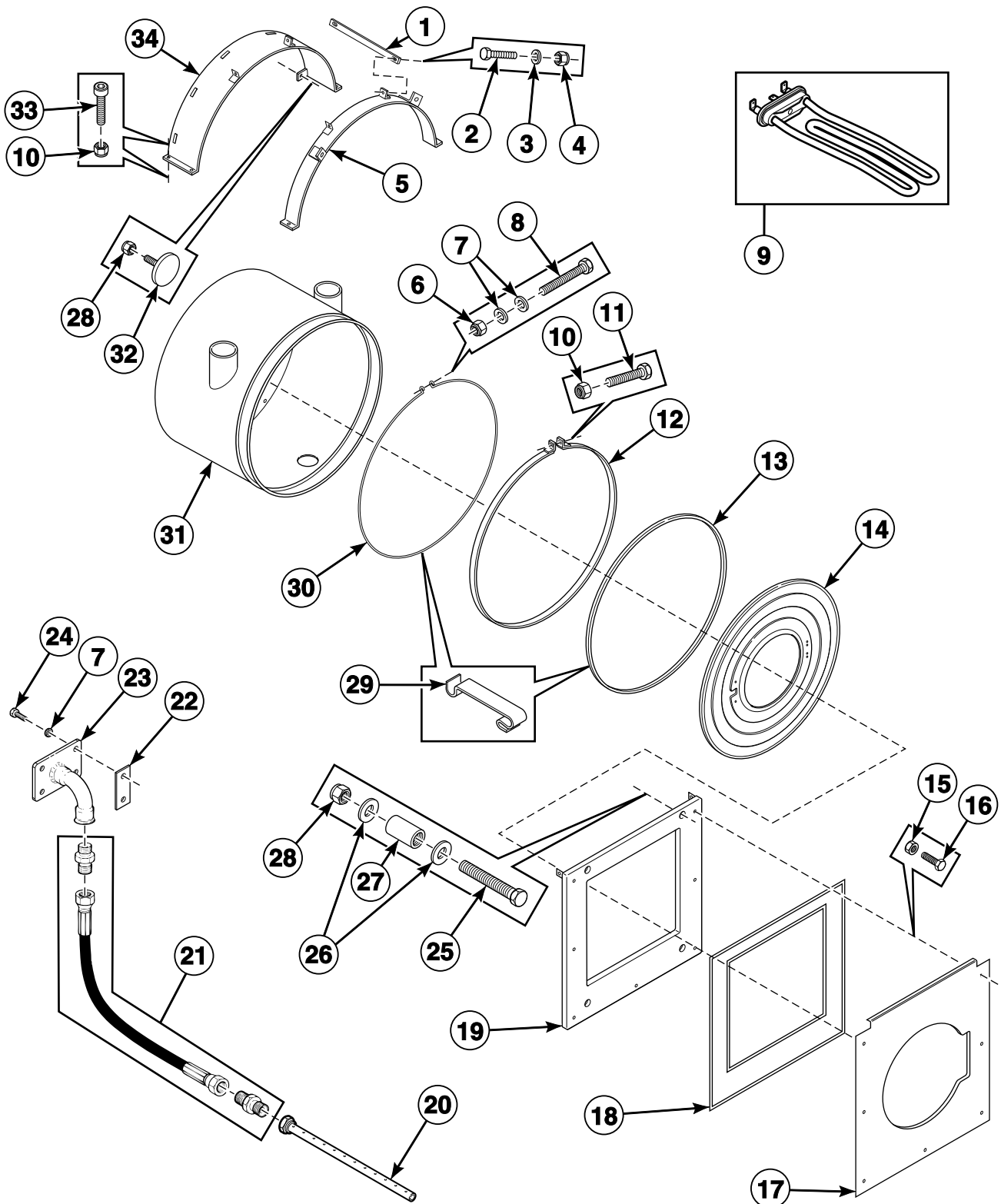


BE000034BP_D0901

Door Handle (Drawing 2 of 2)

REF	PART NO.	DESCRIPTION	COMMENTS
1	217/00051/00	Door Handle	
2	217/00013/09	Door Mounting Pin	
3	217/00013/14	Door Handle Spring	
4	217/00013/11	Door Circlip	
5	217/00013/12	Door Handle	
6	217/00051/13	Door Handle Catch	
7	217/00051/15	Door Locking Pin	
8	217/00051/00	Door Handle	
9	217/00013/07	Door Locking Grip	
10	217/00013/08	Door Locking Pin	
11	217/00013/05	Door Axle Roller	
12	217/00013/06	Door Roller	
13	217/00013/03	Door Lock Spring	
14	217/00051/14	Door Handle Latch	

Shell

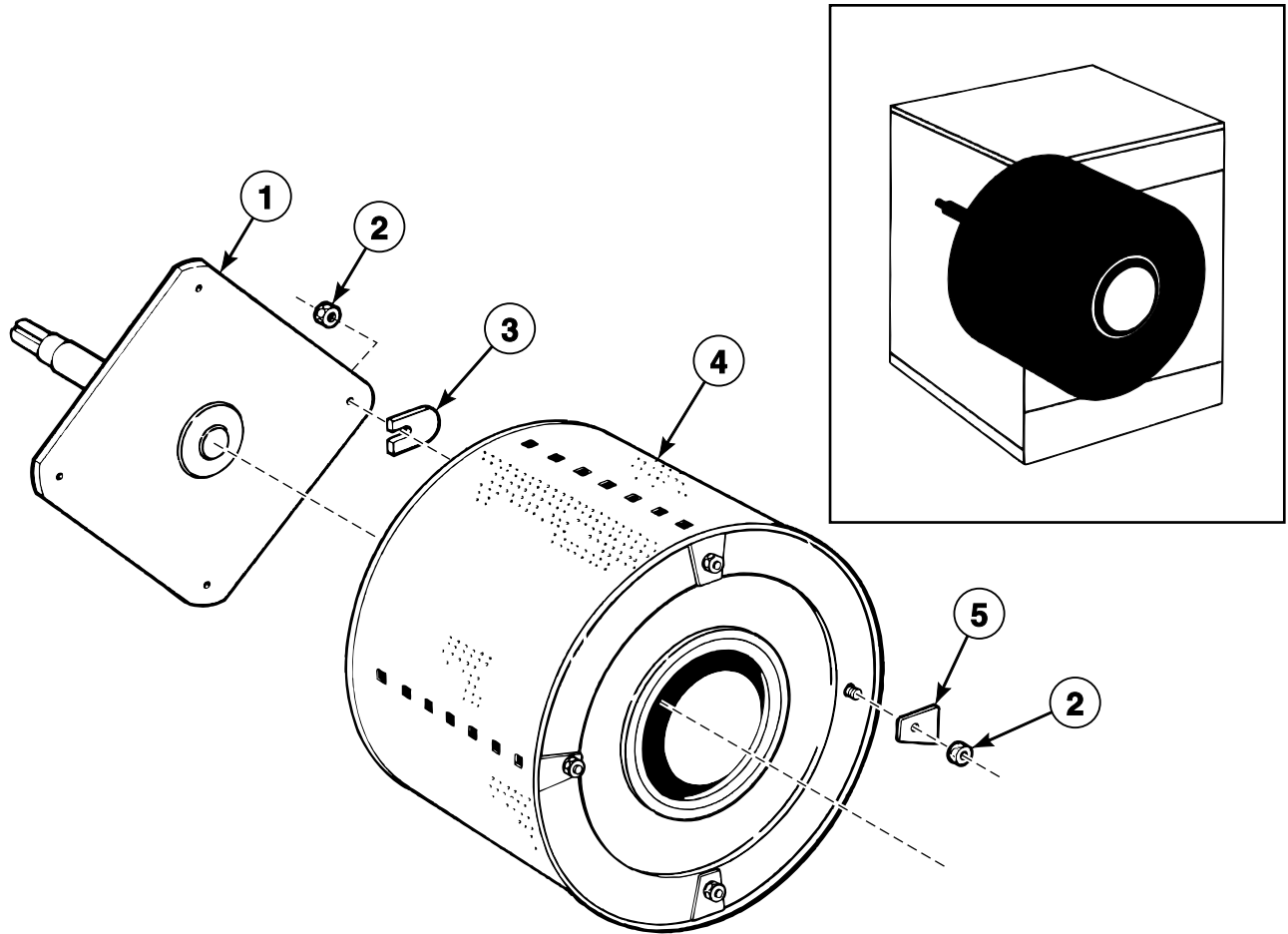


BE000256P_D0901

Shell

REF	PART NO.	DESCRIPTION	COMMENTS
1	115/00149/00	Tightening Assembly Ring	HF145 models
	115/00141/00	Tightening Assembly Ring	HF205 models
2	206/00005/00	Bolt	
3	201/00010/00	Washer	
4	204/00110/00	Nut	
5	115/00161/00	Tub Front Mounting Strap	
6	204/00005/00	Nut	
7	202/00003/00	Washer	
8	206/00011/00	Bolt	
9	209/00116/00	Heating Element	1400W; 220 Volt
	209/00563/30	Heating Element	2000W; 220/240 Volt
	209/00049/00	Heating Element	3000W; 220/240 Volt
	209/00581/00	Heating Element	4000W; 380 Volt
10	204/00111/00	Nut	
11	206/00066/00	Bolt	
12	137/00008/00	Tub Mounting Strap	
13	223/00242/40	Tub Front Panel Gasket	
14	138/00001/00	Tub Front	
15	202/00101/00	Washer	
16	205/00103/00	Bolt	
17	111/05015/00	Door Front Panel	
18	115/00140/00	Counterweight	
19	246/00092/00	Gasket	Sold per meter
20	131/00006/00	Steam Injector	
21	217/00025/00	Steam Hose	
22	118/00063/01	Steam Connection Plate	
23	118/00063/00	Steam Hose Connector	
24	206/00013/00	Bolt	
25	248/00115/00	Bolt	
26	201/00001/00	Washer	
27	115/00151/00	Spacer	
28	204/00113/00	Nut	
29	217/00008/00	Tub Front Panel Clip	
30	238/00011/00	Tub Clamp Ring	
31	119/00224/00	Outer Tub	HF145 models; Boiler fed
	119/00221/00	Outer Tub	HF145 models; Electric heat
	119/00222/00	Outer Tub	HF145 models; Electric and steam heat
	119/00223/00	Outer Tub	HF145 models; Steam heat
	119/00200/00	Outer Tub	HF205 models; Boiler fed
	119/00201/00	Outer Tub	HF205 models; Electric heat
	119/00203/00	Outer Tub	HF205 models; Electric and steam heat
	119/00202/00	Outer Tub	HF205 models; Steam heat
32	217/00050/00	Mounting Piece	
33	206/00111/00	Screw	
34	115/00162/00	Tub Tightening Ring	

Basket

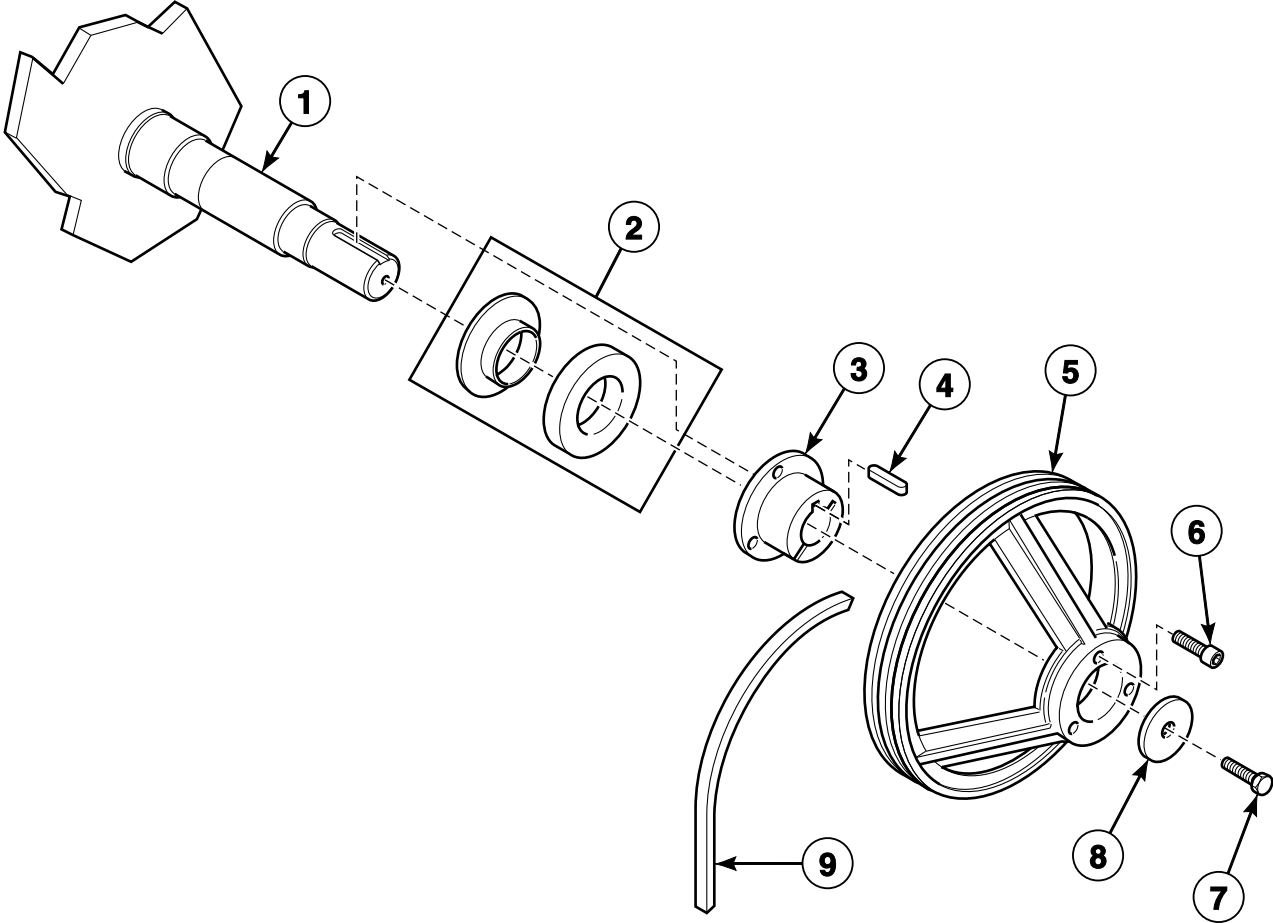


BE000257P_D0901

Basket

REF	PART NO.	DESCRIPTION	COMMENTS
1	132/00002/02	Shaft	
2	204/00108/00	Nut	
3	132/00002/00	Washer	
4	119/10081/96	Drum and Axle	HF145 models
	119/10081/99	Drum and Axle	HF205 models
	123/10012/00	Drum and Axle	HF145 models; Includes axle
	123/10006/00	Drum and Axle	HF205 models; Includes axle
5	139/00004/05	Cylinder Plate	

Pulley and Belt

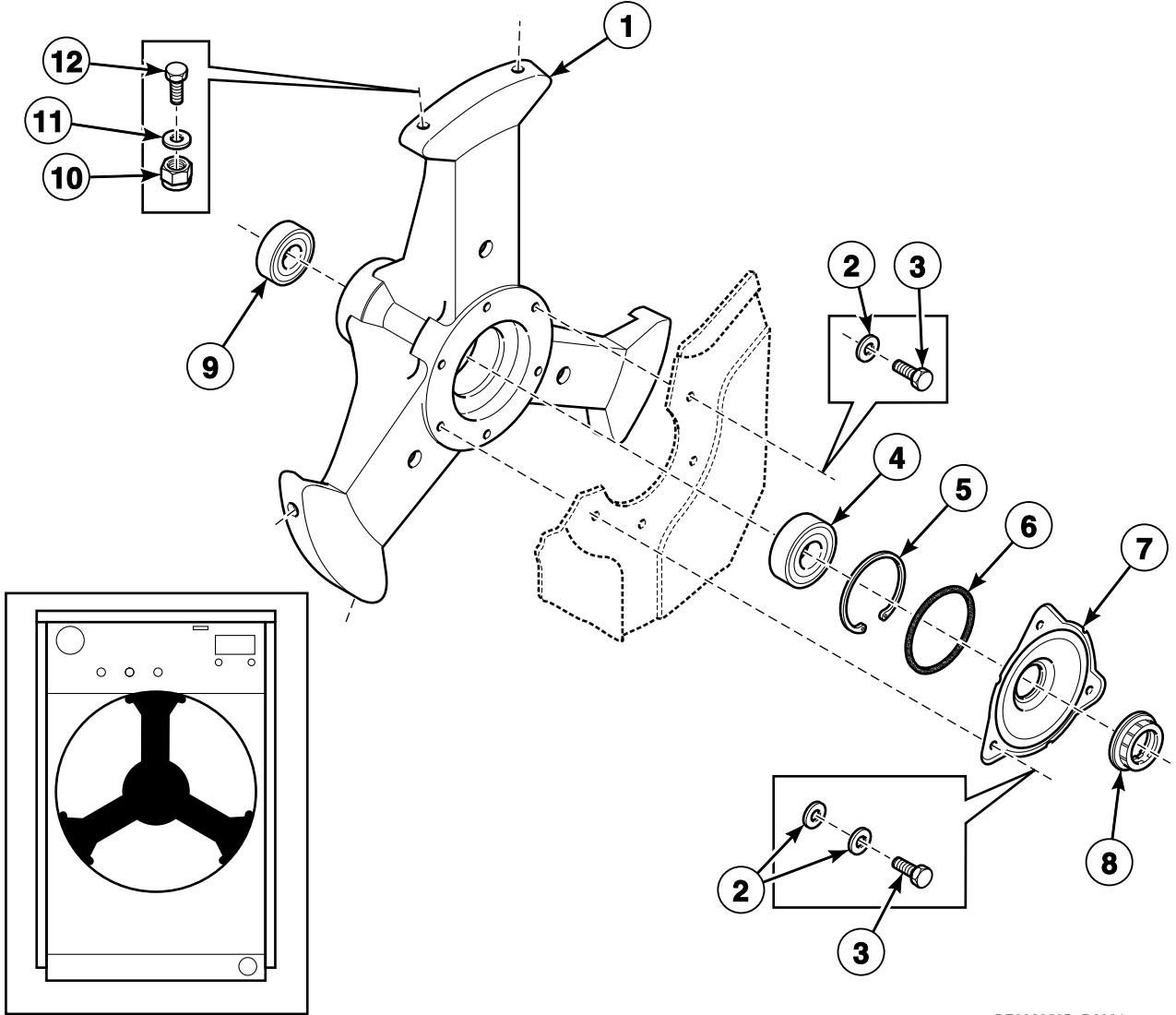


BE000258P_D0901

Pulley and Belt

REF	PART NO.	DESCRIPTION	COMMENTS
1	132/00002/02	Shaft	
2	219/00004/00	Counter Ring	
3	239/00013/00	Pulley	
4	212/00026/00	Key	
5	226/00100/01	Pulley	
6	239/00005/03	Bolt	
7	206/00004/00	Bolt	
8	201/00011/00	Washer	
9	226/00043/00	Belt	Models with 2 motors
	226/00102/01	Belt	Models with an inverter drive

Bearing Housing

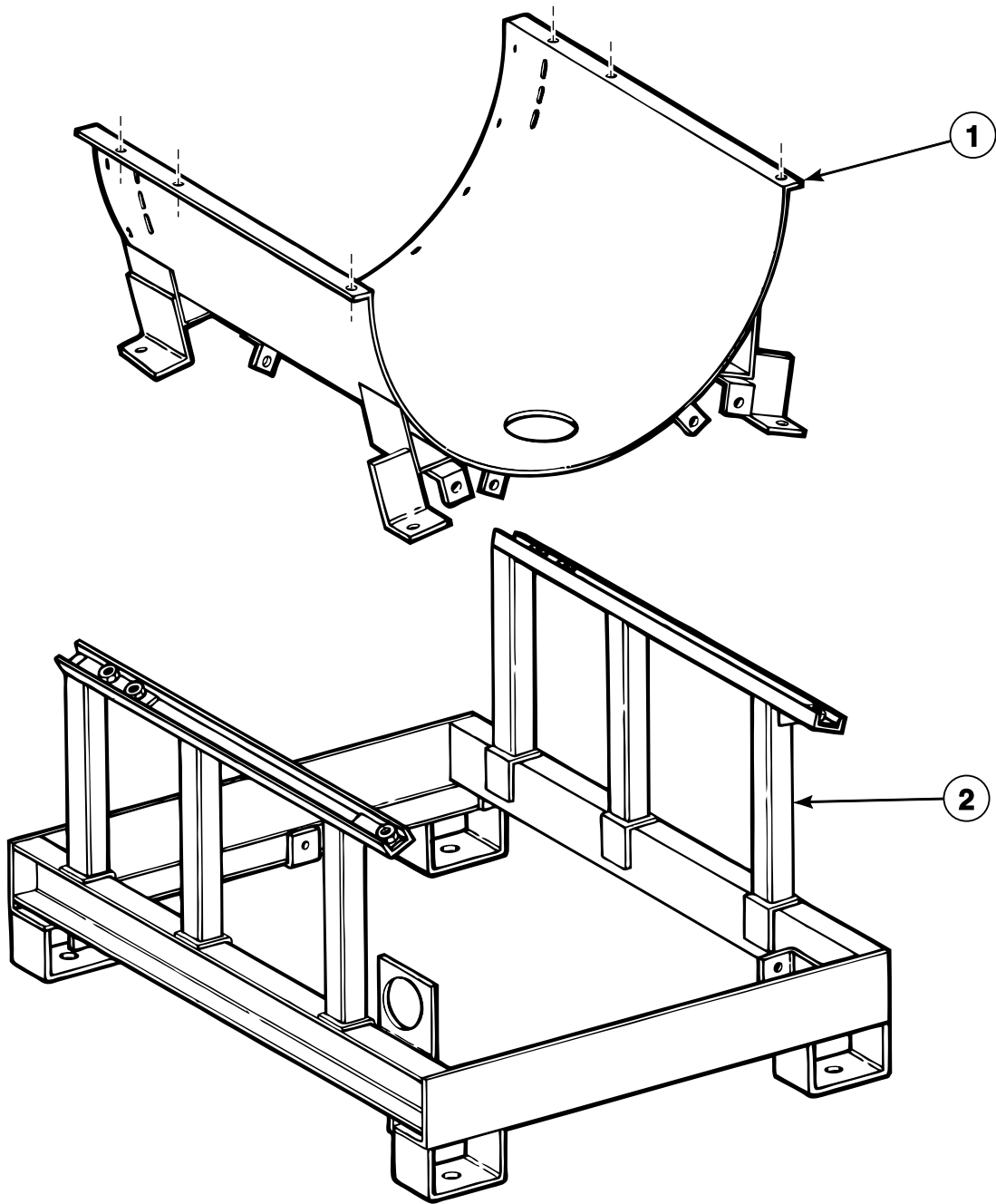


BE000259P_D0901

Bearing Housing

REF	PART NO.	DESCRIPTION	COMMENTS
1	139/10006/00	Bearing Housing Assembly	
2	201/00201/00	Washer	
3	205/00102/00	Bolt	
4	212/00004/00	Ball Bearing	
5	212/00006/00	Retainer Ring	
6	217/00002/00	O-Ring	
7	119/00001/00	Seal Plate	
8	219/00003/00	Shaft Seal	
9	212/00024/00	Ball Bearing	
10	204/00113/00	Nut	
11	201/00002/00	Washer	
12	248/00114/00	Bolt	

Frame

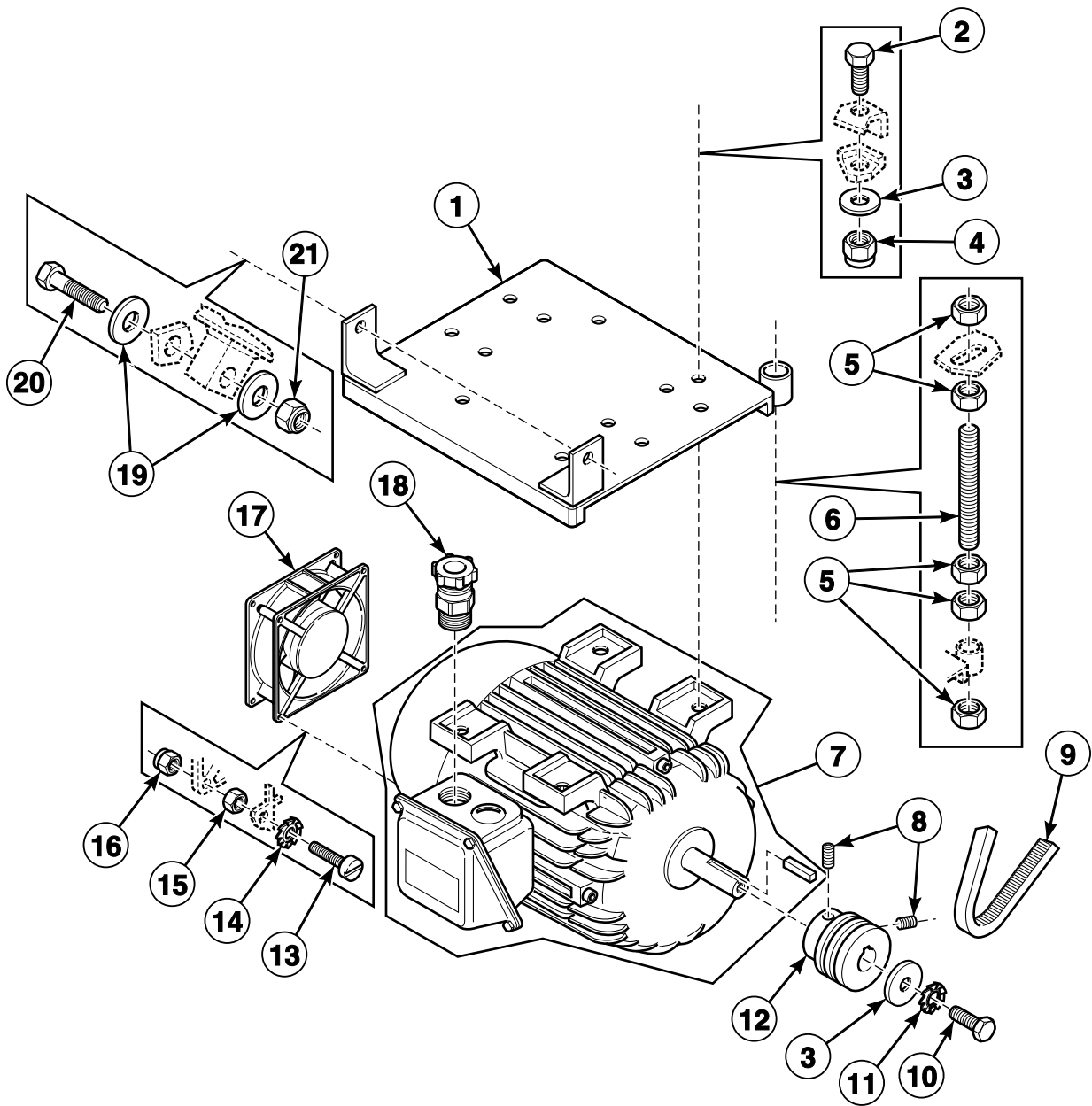


BE000260P_D0901

Frame

REF	PART NO.	DESCRIPTION	COMMENTS
1	115/00143/00	Tub Support	HF145 models
	115/00126/00	Tub Support	HF205 models
2	114/00009/00	Frame	
	114/00019/50	Frame	

Motor

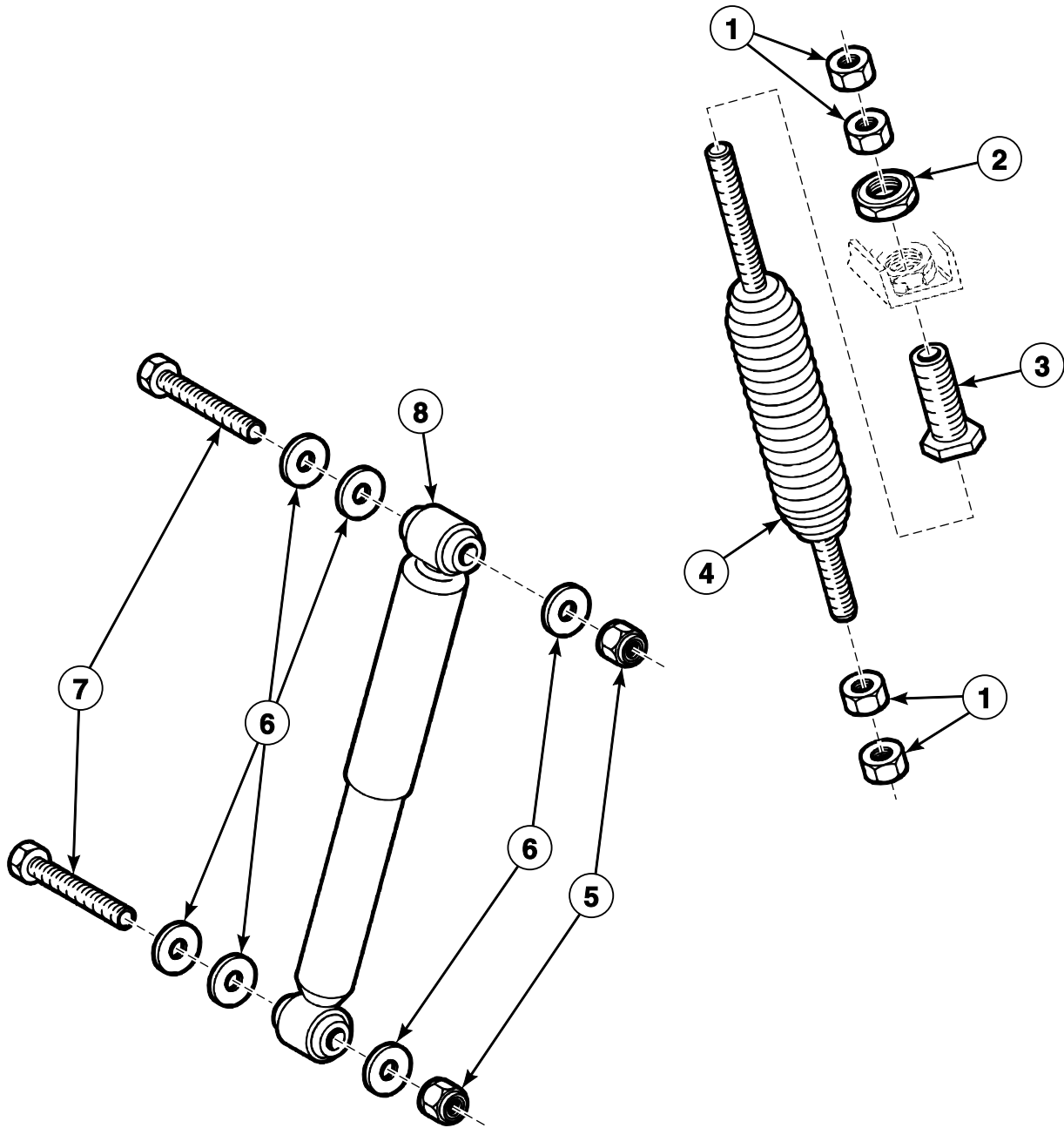


BE000263P_D0901

Motor

REF	PART NO.	DESCRIPTION	COMMENTS
1	115/00126/12	Motor Plate	
2	206/00003/00	Bolt	
3	201/00004/00	Washer	
4	204/00111/00	Nut	
5	204/00019/00	Nut	
6	115/00126/16	Belt Adjusting Rod	
7	B12511401	Motor	
8	206/00049/00	Screw	
9	226/00043/00	Belt	Models with 2 motors
	226/00102/01	Belt	Models with an inverter drive
10	206/00006/00	Bolt	
11	203/00002/00	Washer	
12	226/00105/00	Pulley	
13	206/00088/00	Bolt	
14	203/00006/00	Washer	
15	204/00007/00	Nut	
16	204/00114/00	Nut	
17	209/00287/00	Cooling Fan	
18	211/00138/00	Cordlock	
19	201/00002/00	Washer	
20	206/00001/00	Screw	
21	204/00113/00	Nut	

Shock Absorber

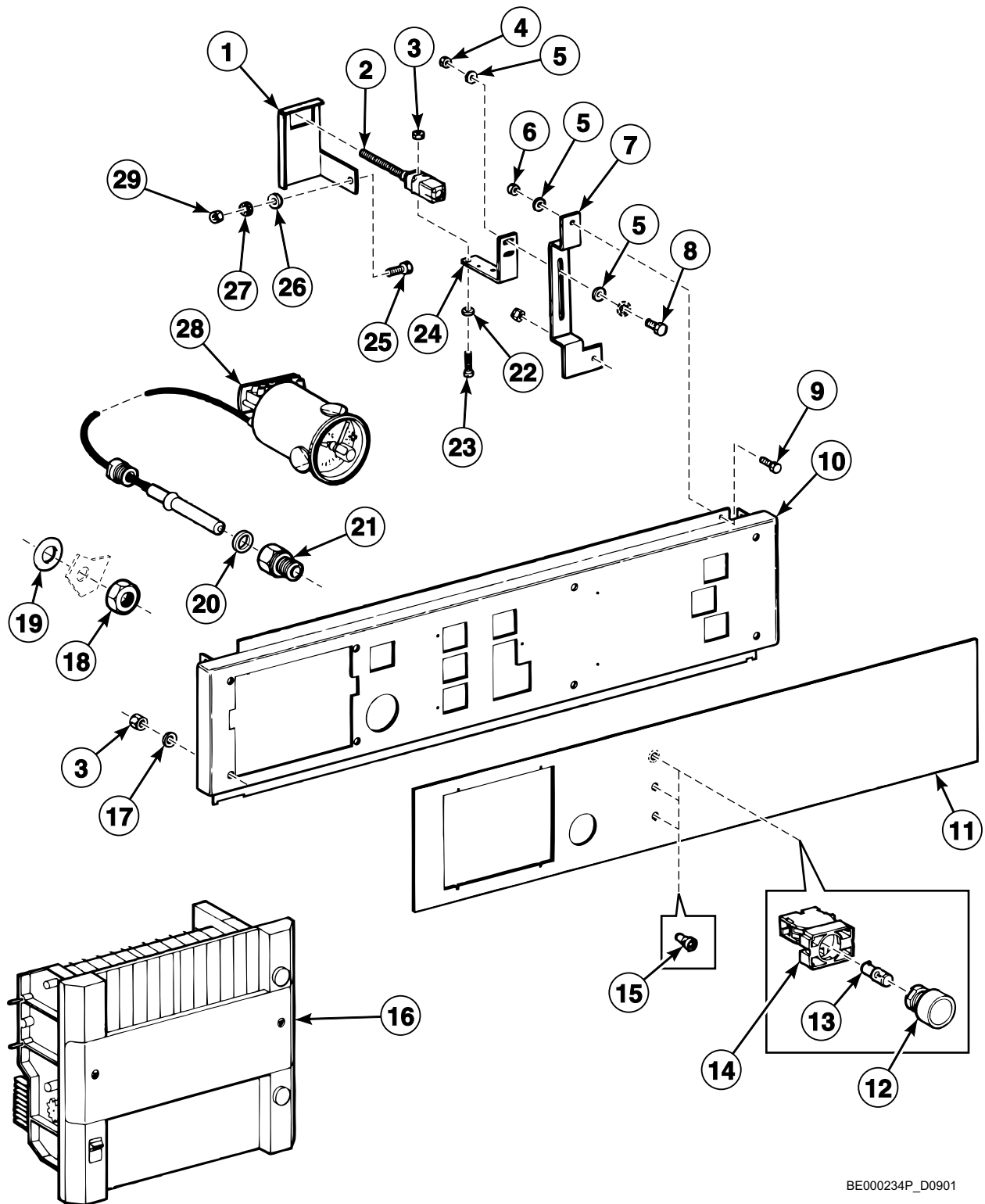


BE000264P_D0901

Shock Absorber

REF	PART NO.	DESCRIPTION	COMMENTS
1	204/00012/00	Nut	
2	204/00016/00	Nut	
3	224/00046/00	Bolt	
4	B12456301	Suspension Spring	
5	204/00112/00	Nut	
6	201/00012/00	Washer	
7	206/00045/00	Bolt	
8	247/00008/00	Shock Absorber	

Control Panel - Fiber Card System

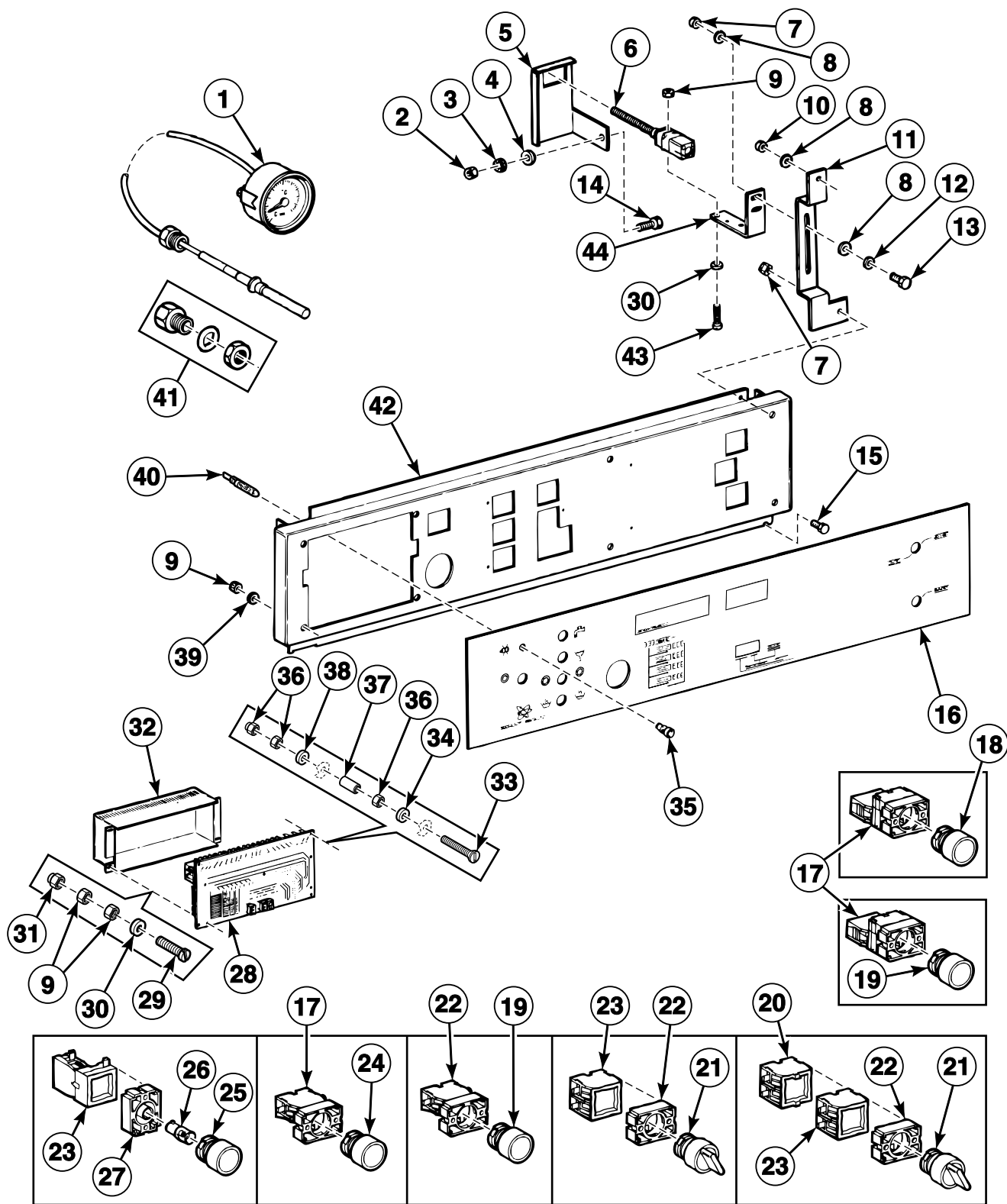


BE000234P_D0901

Control Panel - Fiber Card System

REF	PART NO.	DESCRIPTION	COMMENTS
1	111/32959/00	Out-of-Balance Switch Bracket	
2	209/00255/00	Out-of-Balance Switch	
3	204/00007/00	Nut	
4	204/00005/00	Nut	
5	201/00007/00	Washer	
6	204/00009/00	Nut	
7	209/00255/01	Switch	
8	206/00014/00	Bolt	
9	206/00015/00	Bolt	
10	111/32705/00	Front Panel	
11	225/00274/AOL	Facia Panel	
12	209/00254/21	Pushbutton	
13	209/00249/00	Pilot Light	
14	209/00254/00	Pushbutton	
15	209/00152/00	Lens Cover	
16	209/00257/00	Card Reader	
17	201/00008/00	Washer	
18	223/00038/01	Nut	
19	223/00065/01	Washer	
20	223/00065/02	Thermostat Joint	
21	223/00065/00	Thermostat Seal	
22	203/00006/00	Washer	
23	207/00018/00	Screw	
24	111/00107/00	Tilt Switch Bracket	
25	206/00005/00	Bolt	
26	201/00010/00	Washer	
27	203/00002/00	Washer	
28	209/00143/00	Thermostat	3 temperature
	209/00144/00	Thermostat	2 temperature
29	204/00003/00	Nut	

Control Panel - PLC9

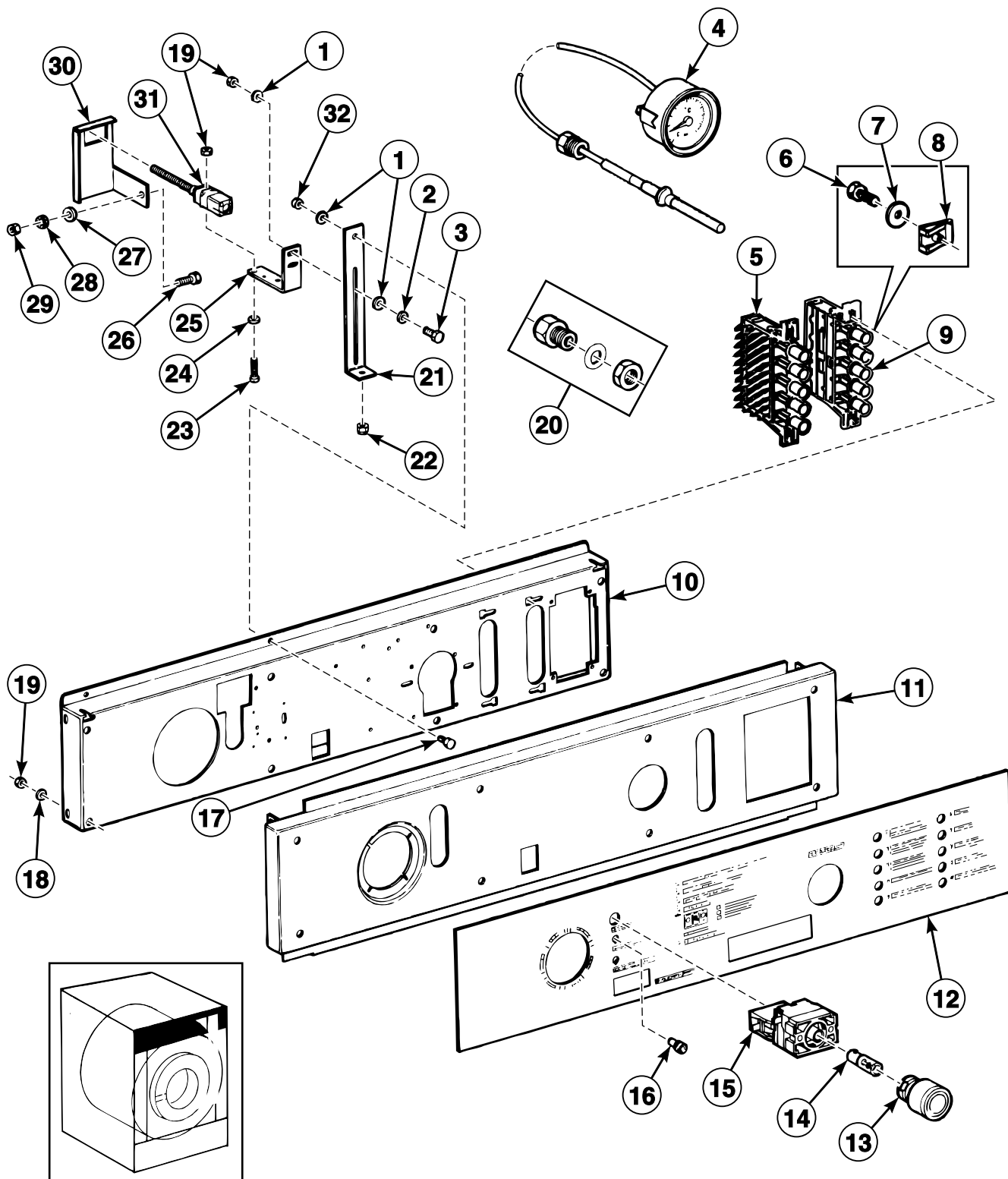


BE000236P_D0901

Control Panel - PLC9

REF	PART NO.	DESCRIPTION	COMMENTS
1	211/00115/00	Thermostat	
2	204/00003/00	Nut	
3	203/00002/00	Washer	
4	201/00010/00	Washer	
5	111/32959/00	Out-of-Balance Switch Bracket	
6	209/00255/00	Out-of-Balance Switch	
7	204/00009/00	Nut	
8	201/00007/00	Washer	
9	204/00007/00	Nut	
10	204/00005/00	Nut	
11	209/00255/02	Switch	
12	203/00004/00	Washer	
13	206/00014/00	Bolt	
14	206/00005/00	Bolt	
15	206/00015/00	Bolt	
16	225/00202/AOL	Facia Panel	
17	209/00099/05	Contact	
18	209/00099/04	Button	
19	209/00252/00	Button	
20	209/00099/06	Contact Switch	
21	209/00099/08	Button	
22	209/00253/00	Emergency Stop Button Kit	
23	209/00099/07	Contact Switch	
24	209/00251/00	Button	
25	209/00280/01	Button	
26	209/00249/00	Pilot Light	
27	209/00254/00	Pushbutton	
28	209/00266/00	Timer	
29	207/00008/00	Screw	
30	203/00006/00	Washer	
31	204/00114/00	Nut	
32	111/32106/00	Plate	
33	207/00025/00	Screw	
34	203/00007/00	Washer	
35	209/00152/00	Lens Cover	
36	204/00008/00	Nut	
37	211/00106/00	Spacer	
38	223/00123/00	Washer	
39	201/00008/00	Washer	
40	209/00151/00	Lamp	
41	223/00065/00	Thermostat Seal	
42	111/32705/00	Front Panel	
43	207/00018/00	Screw	
44	111/00107/00	Tilt Switch Bracket	

Control Panel - 10-Button Mechanical Timer

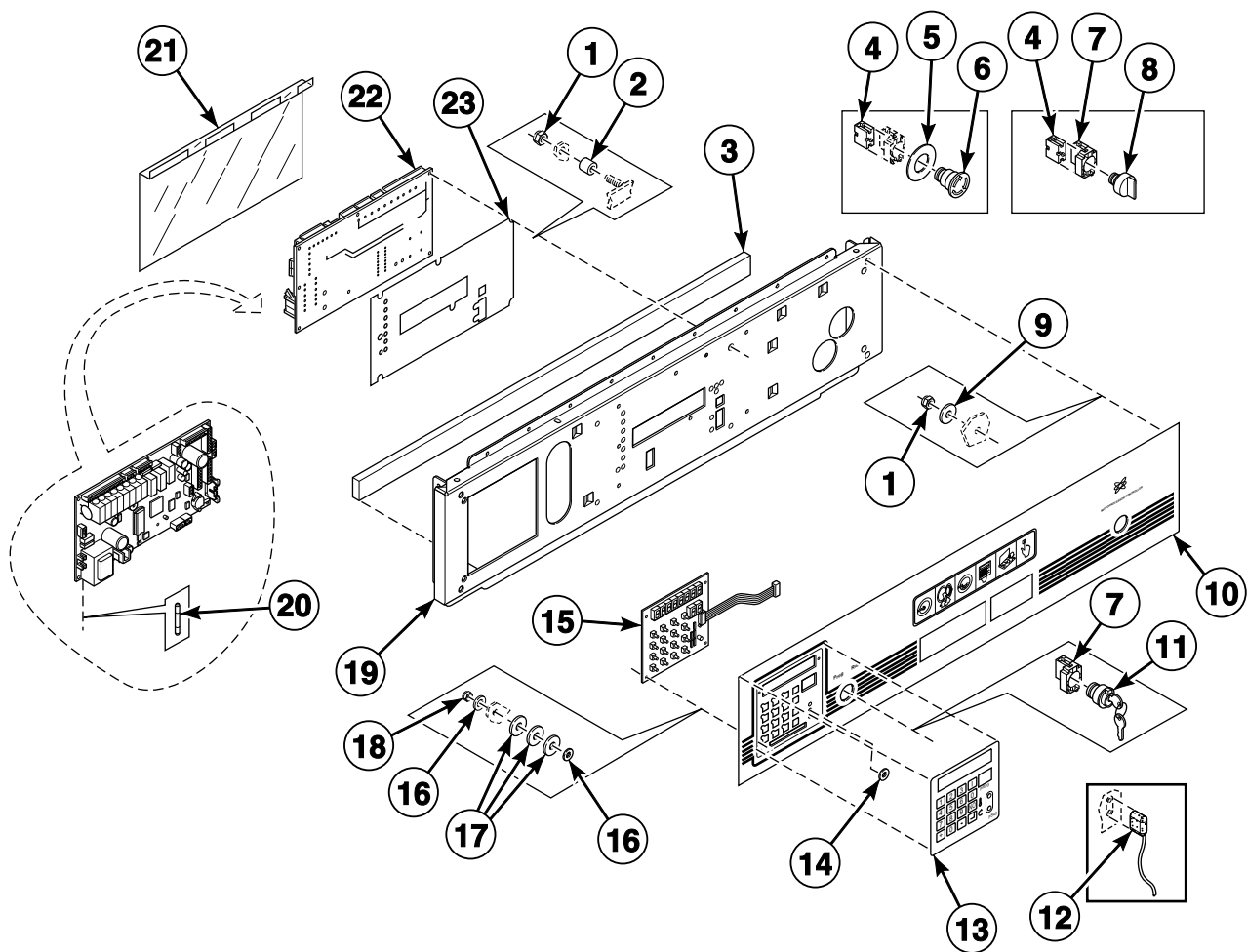


BE000238P_D0901

Control Panel - 10-Button Mechanical Timer

REF	PART NO.	DESCRIPTION	COMMENTS
1	201/00007/00	Washer	
2	203/00004/00	Washer	
3	206/00014/00	Bolt	
4	211/00115/00	Thermostat	
5	209/00175/00	Selector Switch	
6	206/00016/00	Bolt	
7	202/00003/00	Washer	
8	204/00013/00	Nut	
9	209/00176/00	Selector Switch	
10	140/00001/00	Bridge	
11	111/32706/00	Bridge	
12	225/00158/ABL	Front Panel	Dutch
	225/00159/ABL	Front Panel	French
	225/00160/ABL	Facia Panel	English
	225/00161/ABL	Front Panel	Spanish
13	209/00254/21	Pushbutton	
14	209/00249/00	Pilot Light	
15	209/00254/00	Pushbutton	
16	209/00152/00	Lens Cover	
17	206/00015/00	Bolt	
18	201/00008/00	Washer	
19	204/00007/00	Nut	
20	223/00065/00	Thermostat Seal	
21	209/00255/01	Switch	
22	204/00005/00	Nut	
23	207/00018/00	Screw	
24	203/00006/00	Washer	
25	111/00107/00	Tilt Switch Bracket	
26	206/00005/00	Bolt	
27	201/00010/00	Washer	
28	203/00002/00	Washer	
29	204/00003/00	Nut	
30	111/32959/00	Out-of-Balance Switch Bracket	
31	209/00255/00	Out-of-Balance Switch	
32	204/00009/00	Nut	

Control Panel - PS40F

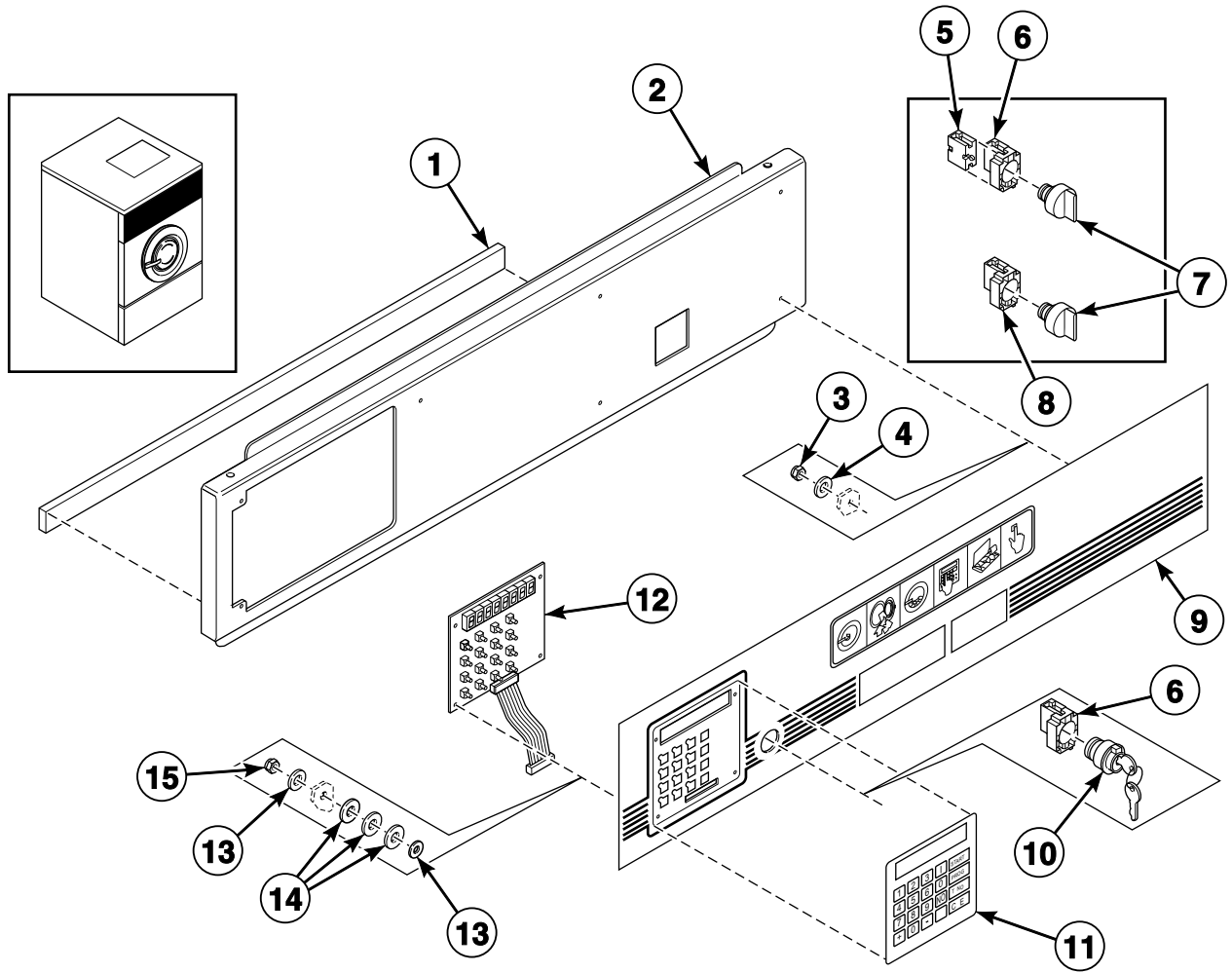


BE000555P_D0901

Control Panel - PS40F

REF	PART NO.	DESCRIPTION	COMMENTS
1	204/00116/00	Nut	
2	211/00122/00	Standoff	
3	246/00149/00	Gasket	
4	209/00099/26	Contact Switch	
5	209/00520/00	Telem Sticker	
6	209/00248/20	Mushroom Pushbutton	
7	209/00099/25	Switch Base	
8	209/00099/29	Switch Knob	
9	201/00008/00	Washer	
10	225/00272/00	Upper Front Panel	
11	209/00326/20	Programming Key Contact Switch	
12	210/00902/00	Infrared Cable	
13	225/00365/00	Overlay	
14	202/00120/00	Metal Disc	
15	209/00552/01	Keypad	
16	223/00123/00	Washer	
17	223/00051/10	Washer	
18	204/00116/00	Nut	
19	111/32710/00	Front Panel	
20	209/00372/01	Fuse	
21	229/00262/00	Circuit Board Cover	
22	B12351701	Main Board	
23	229/00255/00	Insulating Sticker	

Control Panel - PC30

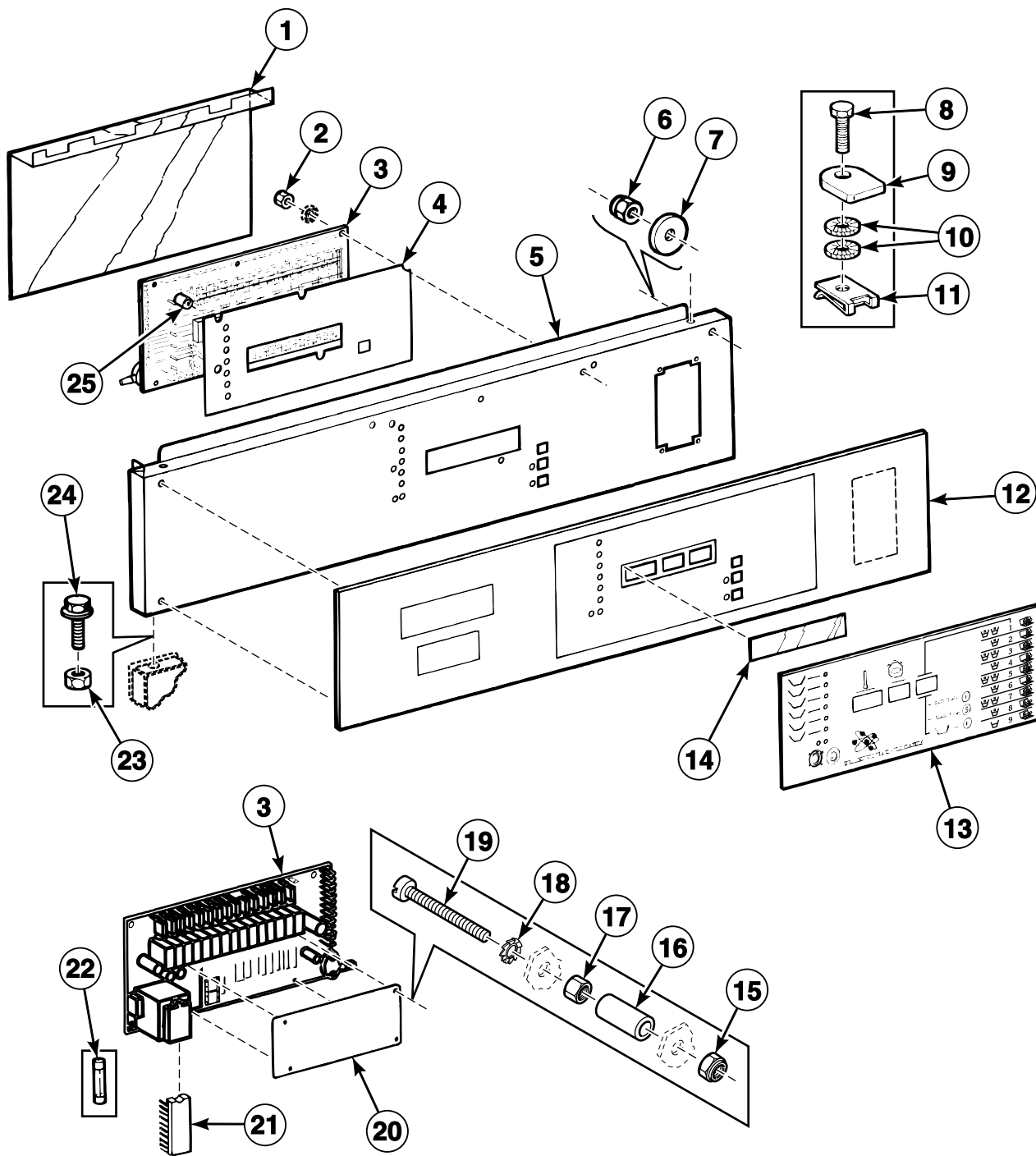


BE000242P_D0901

Control Panel - PC30

REF	PART NO.	DESCRIPTION	COMMENTS
1	246/00149/00	Gasket	
2	111/32710/00	Front Panel	
3	204/00114/00	Nut	
4	201/00008/00	Washer	
5	209/00099/07	Contact Switch	NC
	209/00099/06	Contact Switch	NO
6	209/00099/05	Contact	
7	209/00099/09	Button	
8	209/00253/00	Emergency Stop Button Kit	
9	225/00302/00	Front Panel	
10	209/00326/00	Programming Switch	
11	229/00245/00	Label	
12	209/00323/01	Keyboard	
13	223/00123/00	Washer	
14	223/00051/10	Washer	
15	204/00116/00	Nut	

Control Panel - Micro 20

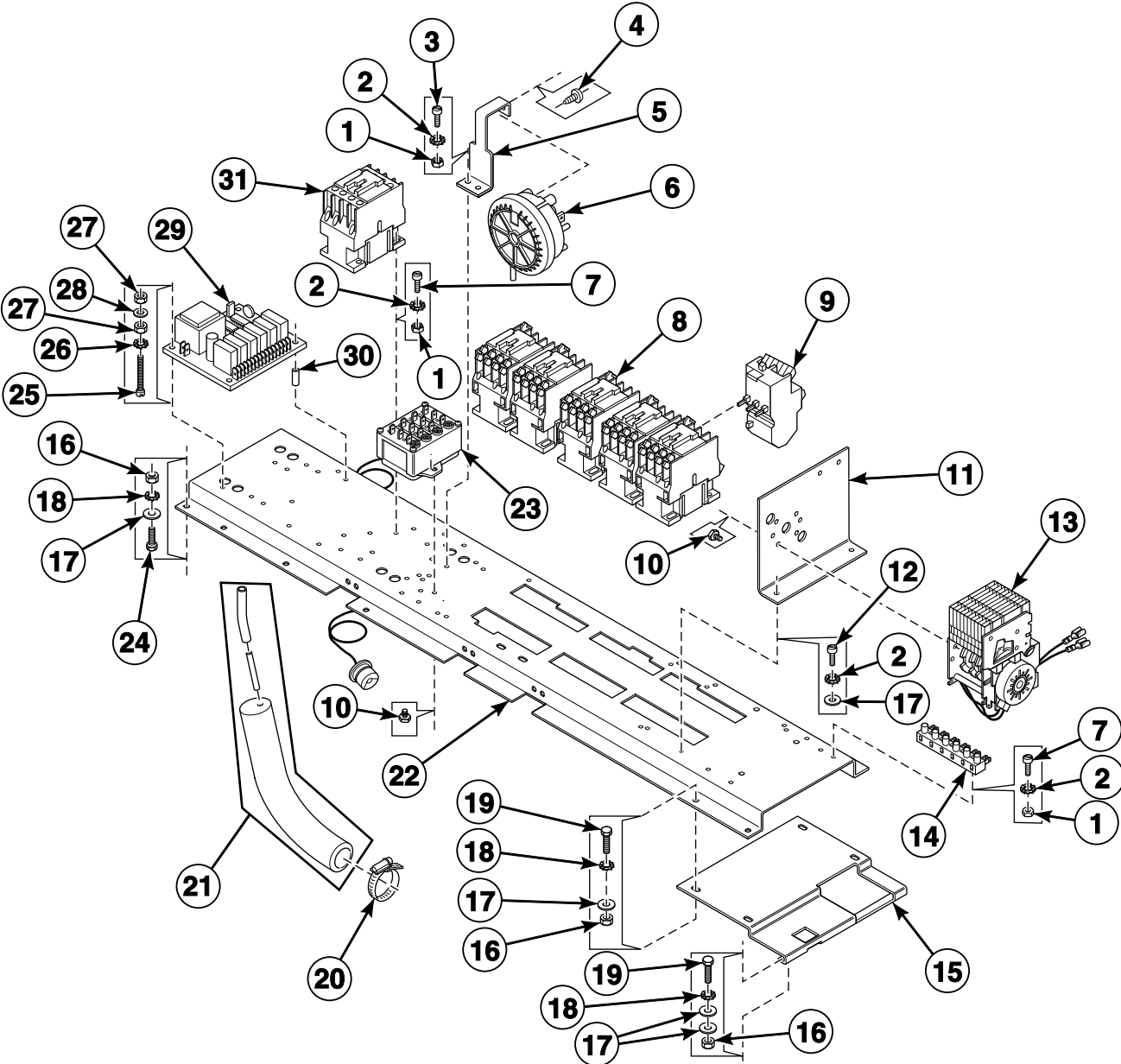


BE000244P_D0901

Control Panel - Micro 20

REF	PART NO.	DESCRIPTION	COMMENTS
1	229/00262/00	Circuit Board Cover	
2	204/00116/00	Nut	
3	209/00440/00	Printboard	
4	229/00255/00	Insulating Sticker	
5	111/32708/00	Bridge	
6	204/00009/00	Nut	
7	201/00007/00	Washer	
8	205/00106/00	Bolt	
9	117/00042/00	Retaining Ring	
10	203/00005/00	Washer	
11	204/00013/00	Nut	
12	225/00298/AOL	Facia Panel	Models HF145_MICRO-20_OPL and HF205_MICRO-20_OPL
	225/00306/AOL	Facia Panel	Models HF145_MICRO-20_COIN and HF205_MICRO-20_COIN
13	225/00309/00	Sticker	Models HF145_MICRO-20_OPL and HF205_MICRO-20_OPL
	225/00308/00	Sticker	Models HF145_MICRO-20_COIN and HF205_MICRO-20_COIN
14	225/00316/00	Plexi Frame	
15	204/00116/00	Nut	
16	211/00106/00	Spacer	
17	204/00008/00	Nut	
18	203/00007/00	Washer	
19	207/00006/00	Screw	
20	111/05006/00	Plate	
21	209/00266/01	Eprom	
22	209/00439/00	Fuse	
23	204/00005/00	Nut	
24	206/00014/00	Bolt	
25	211/00128/00	Printboard Separator	5 mm
	211/00122/00	Standoff	7.5 mm

Electrical Component Mounting Plate - Red Mechanical Timer

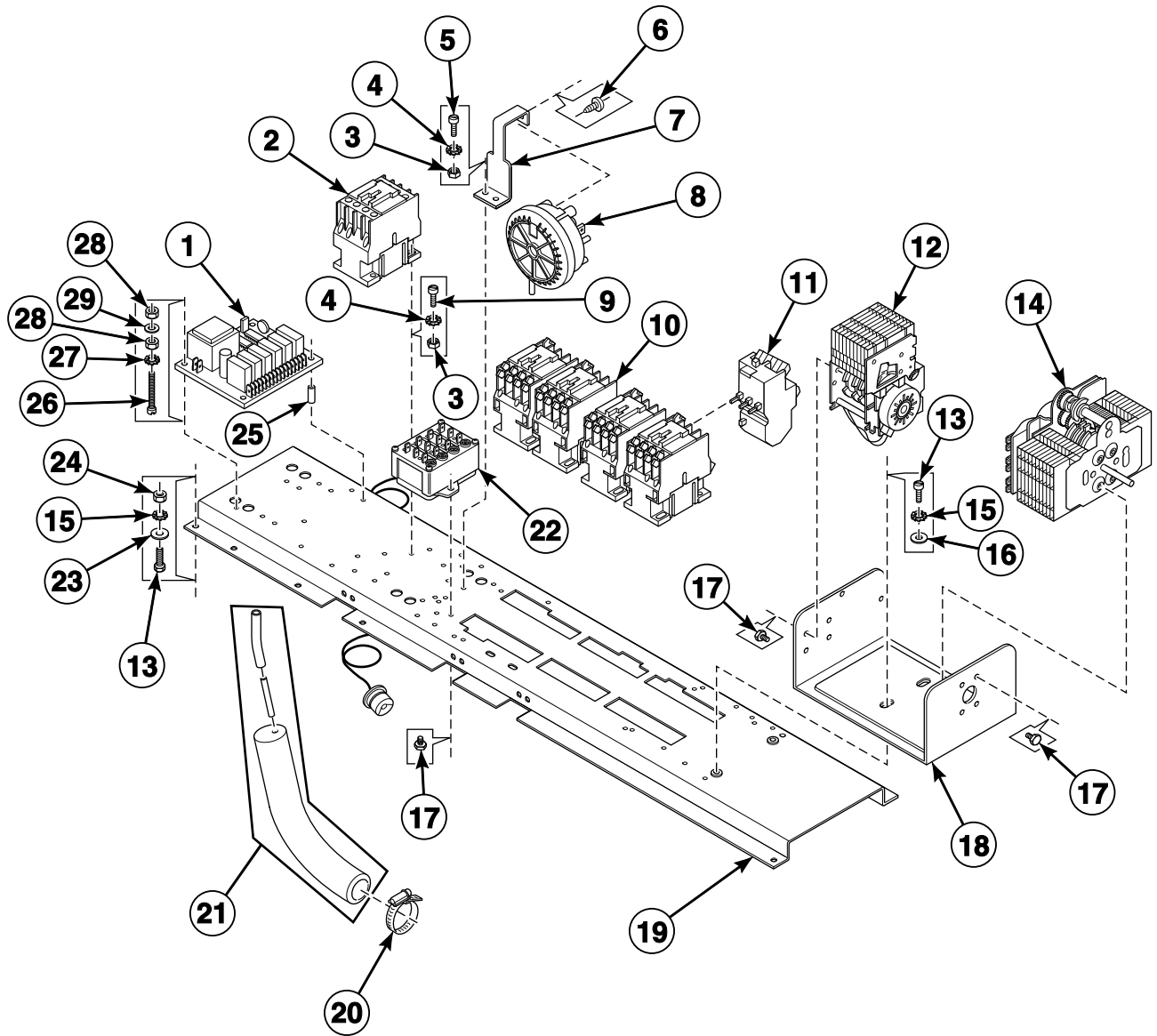


BE000233P_D0901

Electrical Component Mounting Plate - Red Mechanical Timer

REF	PART NO.	DESCRIPTION	COMMENTS
1	204/00007/00	Nut	
2	203/00006/00	Washer	
3	207/00008/00	Screw	
4	208/00007/00	Screw	
5	111/00424/00	Pressure Switch Bracket	
6	209/00007/30	Pressure Switch	
7	207/00003/00	Screw	
8	209/00041/03	Contactora	
9	209/00283/00	Protector	1-1.6A
	209/00284/00	Protector	1.6-2.5A
	209/00263/00	Protector	2.5-4A
	209/00264/00	Protector	4-6A
	209/00285/00	Protector	5.5-8A
	209/00265/00	Protector	7-10A
	209/00299/00	Protector	9-13A
	209/00132/00	Protector	13-18A
10	206/00021/00	Screw	
11	111/00035/00	Mounting Plate	
12	207/00004/00	Screw	
13	209/00012/00	Reversing Timer	220 Volt/50 Hertz
	209/00013/00	Reversing Timer	220 Volt/60 Hertz
14	210/10007/00	Connection	
15	111/32952/01	Assembly Plate	
16	204/00005/00	Nut	
17	202/00003/00	Washer	
18	203/00004/00	Washer	
19	206/00015/00	Bolt	
20	223/00011/00	Hose Clamp	
21	223/00127/00	Sleeve	
22	111/32962/00	Assembly Plate	HF145 models
	111/32952/00	Assembly Plate	HF205 models
23	209/00243/00	Thermostat	
24	206/00014/00	Bolt	
25	207/00014/00	Screw	
26	203/00007/00	Washer	
27	204/00008/00	Nut	
28	223/00123/00	Washer	
29	209/00408/00	Printboard	
30	211/00106/00	Spacer	
31	209/00041/04	Contactora	LC1D0901M7
	209/00148/02	Contactora	LC1D1810M7
	209/00177/02	Contactora	LC1-D2510M5
	209/00149/02	Contactora	LC1-D3210M5
	209/00056/02	Contactora	LC1D4011M5
	209/06150/02	Contactora	LC1D5011M5

Electrical Component Mounting Plate - Yellow Mechanical Timer

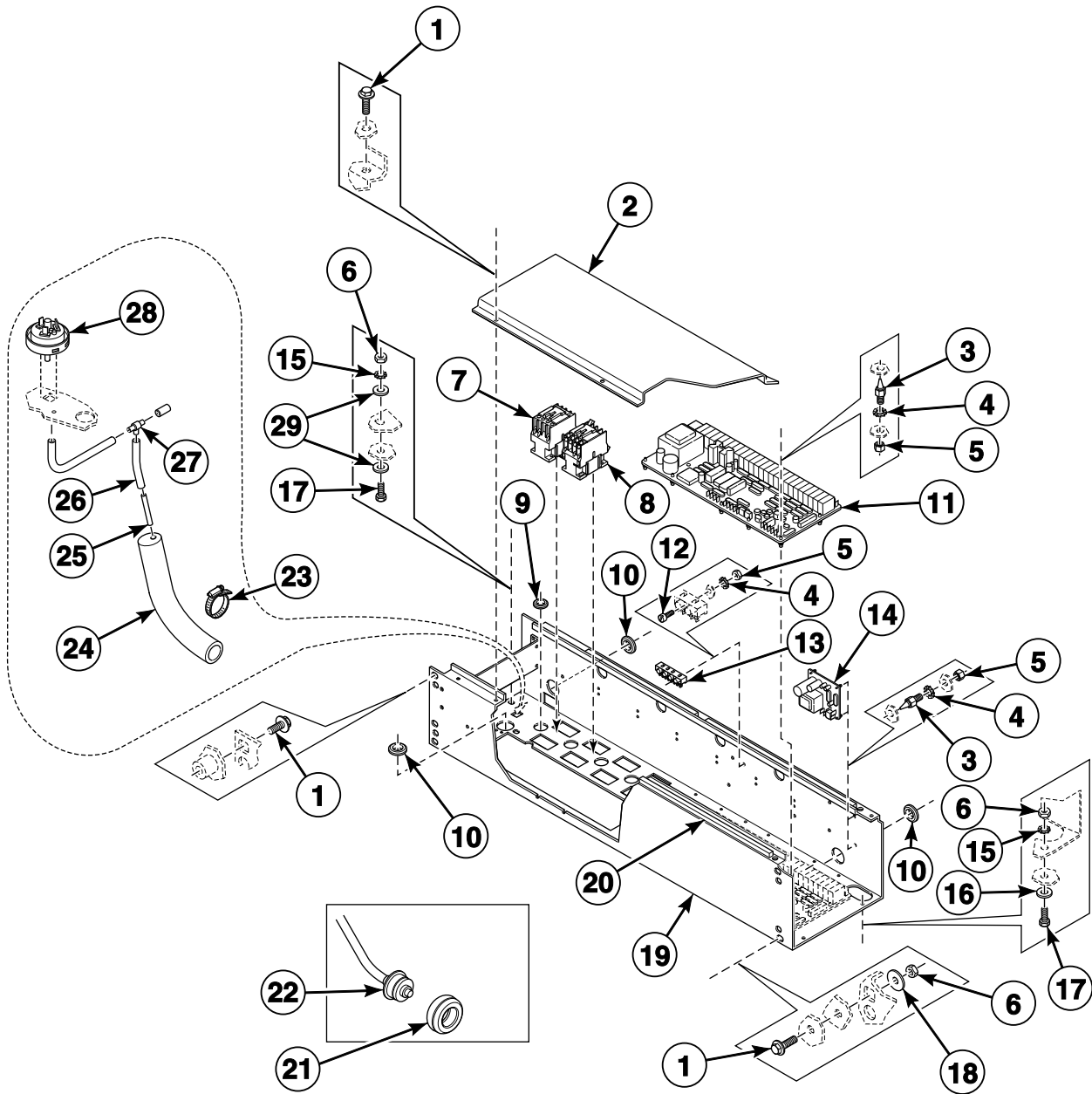


BE000237P_D0901

Electrical Component Mounting Plate - Yellow Mechanical Timer

REF	PART NO.	DESCRIPTION	COMMENTS
1	209/00408/00	Printboard	
2	209/00041/04	Contactactor	LC1D0901M7; Heating
	209/00148/02	Contactactor	LC1D1810M7
	209/00177/02	Contactactor	LC1-D2510M5
	209/00149/02	Contactactor	LC1-D3210M5
	209/00056/02	Contactactor	LC1D4011M5
	209/06150/02	Contactactor	LC1D5011M5
3	204/00007/00	Nut	
4	203/00006/00	Washer	
5	207/00008/00	Screw	
6	208/00007/00	Screw	
7	111/00424/00	Pressure Switch Bracket	
8	209/00007/30	Pressure Switch	3 levels
9	207/00003/00	Screw	
10	209/00041/03	Contactactor	
11	209/00283/00	Protector	1-1.6A
	209/00284/00	Protector	1.6-2.5A
	209/00263/00	Protector	2.5-4A
	209/00264/00	Protector	4-6A
	209/00285/00	Protector	5.5-8A
	209/00265/00	Protector	7-10A
	209/00299/00	Protector	9-13A
	209/00132/00	Protector	13-18A
12	209/00012/00	Reversing Timer	220 Volt/50 Hertz
	209/00013/00	Reversing Timer	220 Volt/60 Hertz
13	206/00014/00	Bolt	
14	209/00107/00	Timer	
15	203/00004/00	Washer	
16	201/00007/00	Washer	
17	206/00021/00	Screw	
18	111/00016/00	Mounting Plate	
19	140/00011/AO	Assembly Plate	HF205 models
	111/32964/00	Assembly Plate	HF145 models
20	223/00011/00	Hose Clamp	
21	223/00127/00	Sleeve	
22	209/00243/00	Thermostat	
23	202/00003/00	Washer	
24	204/00005/00	Nut	
25	211/00106/00	Spacer	
26	207/00014/00	Screw	
27	203/00007/00	Washer	
28	204/00008/00	Nut	
29	223/00123/00	Washer	

Electrical Component Mounting Plate - Models with Boiler Fed or Steam Heating

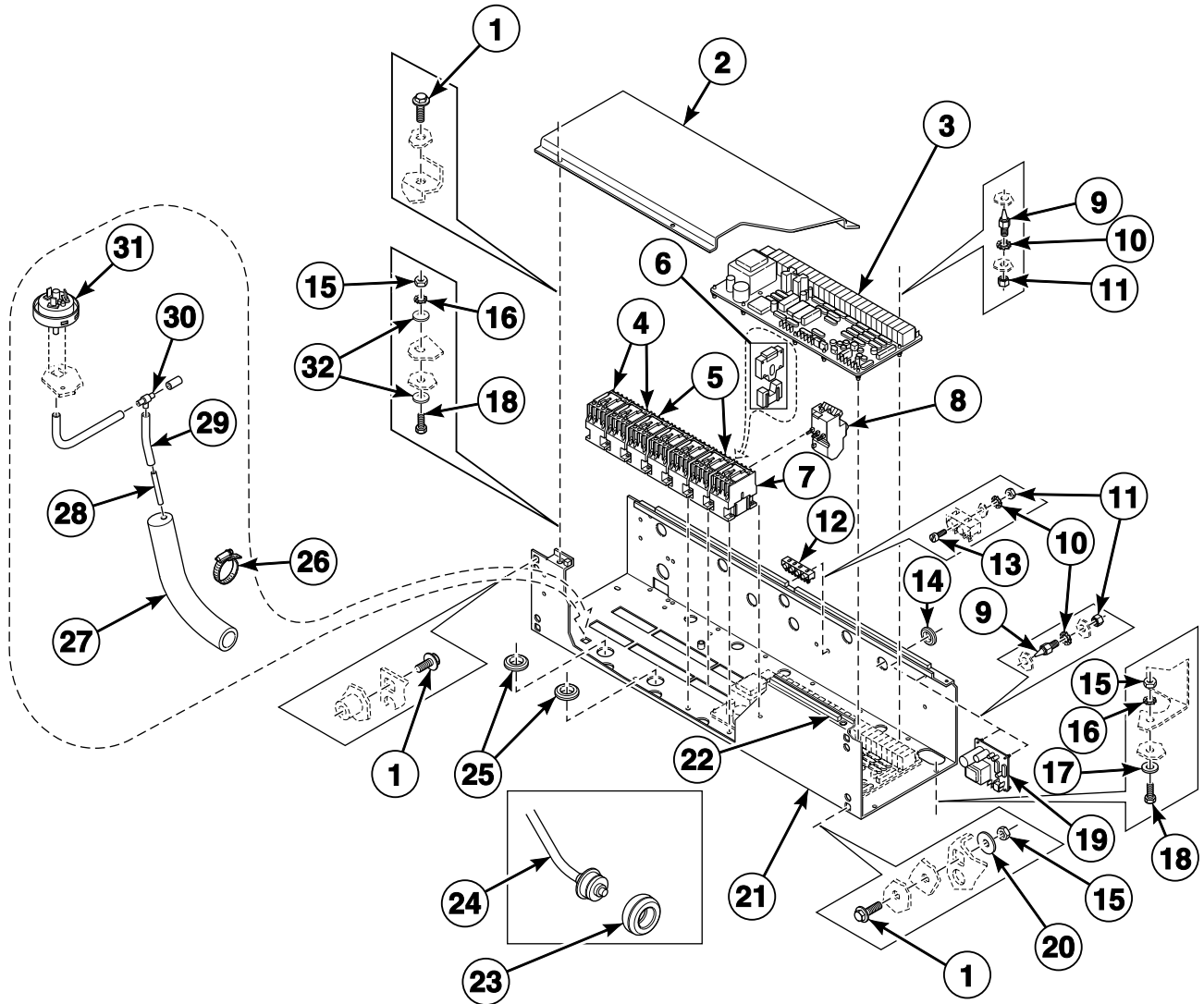


BE000239P_D0901

Electrical Component Mounting Plate - Models with Boiler Fed or Steam Heating

REF	PART NO.	DESCRIPTION	COMMENTS
1	206/00099/00	Bolt	
2	111/00188/01	Assembly Plate	Model HF145_PC30
	111/05007/01	Assembly Plate	Model HF205_PC30
3	211/00120/00	Standoff	
4	203/00006/00	Washer	
5	204/00007/00	Nut	
6	204/00005/00	Nut	
7	209/00148/02	Contactora	LC1D1810M7
8	209/00041/03	Contactora	LC1-D09019M7
9	225/00019/00	Holder	
10	223/00198/00	Grommet	
11	209/00323/02	Printboard	
12	207/00003/00	Screw	
13	209/00005/00	Terminal Block	
14	209/00275/04	Door Lock Board	
15	203/00004/00	Washer	
16	202/00101/00	Washer	
17	206/00014/00	Bolt	
18	201/00006/00	Washer	
19	111/00188/00	Assembly Plate	Model HF145_PC30
	111/05007/00	Assembly Plate	Model HF205_PC30
20	246/00092/00	Gasket	Sold per meter
21	225/10004/00	Thermostat Seal	
22	209/00266/08	Thermostat	
23	223/00011/00	Hose Clamp	
24	223/00015/00	Level Switch Elbow	
25	223/00016/00	Hose Barb	
26	223/00212/00	Pressure Switch Hose	
27	223/00173/10	Pressure Switch Hose Tee	
28	209/00007/50	Pressure Switch	
29	201/00007/00	Washer	

Electrical Component Mounting Plate - Models with Electric Heating

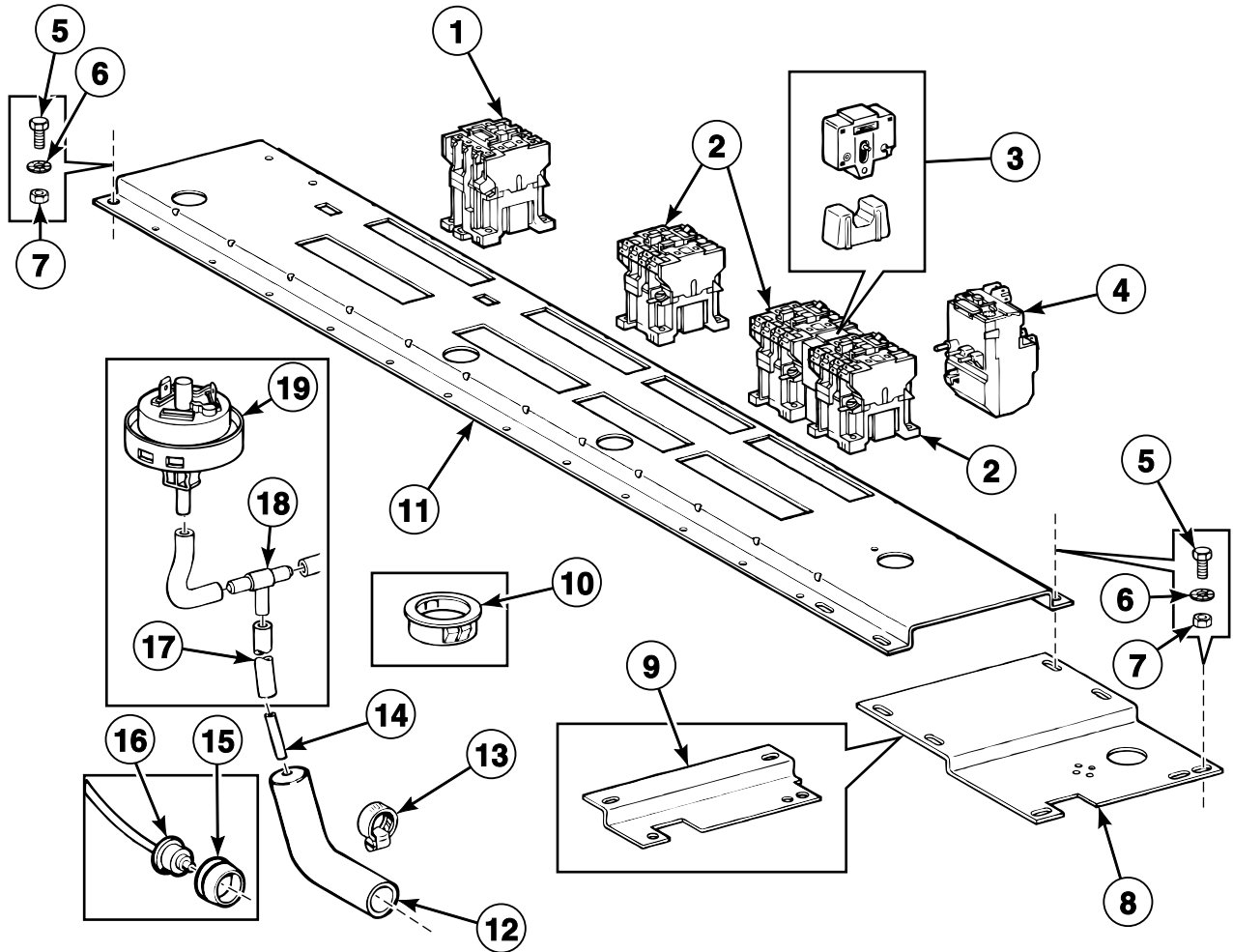


BE000241P_D0901

Electrical Component Mounting Plate - Models with Electric Heating

REF	PART NO.	DESCRIPTION	COMMENTS
1	206/00099/00	Bolt	
2	111/00188/01	Assembly Plate	Model HF145_PC30
	111/05007/01	Assembly Plate	Model HF205_PC30
3	209/00323/02	Printboard	
4	209/00148/02	Contactora	LC1D1810M7
	209/00041/04	Contactora	LC1D0901M7
5	209/00041/03	Contactora	LC1-D09019M7
6	209/00279/00	Lock	
7	209/00041/05	Contactora	LC1D0901M7S061
8	209/00263/00	Protector	2.5-4A
	209/00264/00	Protector	4-6A
	209/00285/00	Protector	5.5-8A
	209/00265/00	Protector	7-10A
	209/00299/00	Protector	9-13A
9	211/00120/00	Standoff	
10	203/00006/00	Washer	
11	204/00007/00	Nut	
12	209/00005/00	Terminal Block	
13	207/00003/00	Screw	
14	225/00019/00	Holder	
15	204/00005/00	Nut	
16	203/00004/00	Washer	
17	202/00101/00	Washer	
18	206/00014/00	Bolt	
19	209/00275/04	Door Lock Board	
20	201/00006/00	Washer	
21	111/00255/00	Assembly Plate	Model HF145_PC30
	111/00242/00	Assembly Plate	Model HF205_PC30
22	246/00092/00	Gasket	Sold per meter
23	225/10004/00	Thermostat Seal	
24	209/00266/08	Thermostat	
25	223/00198/00	Grommet	
26	223/00011/00	Hose Clamp	
27	223/00015/00	Level Switch Elbow	
28	223/00016/00	Hose Barb	
29	223/00212/00	Pressure Switch Hose	
30	223/00173/10	Pressure Switch Hose Tee	
31	209/00007/50	Pressure Switch	
32	201/00007/00	Washer	

Electrical Component Mounting Plate - Micro-20

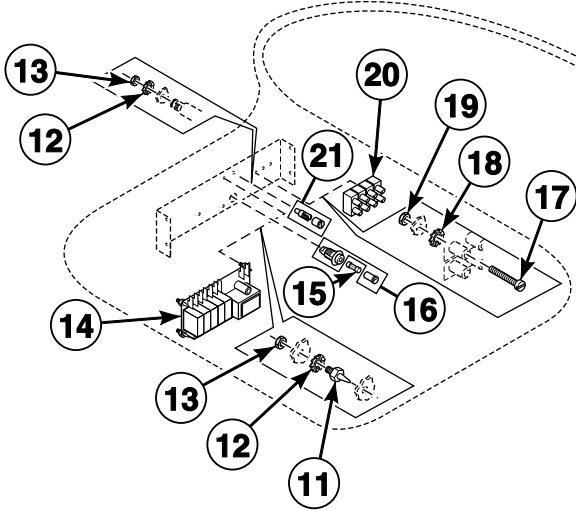
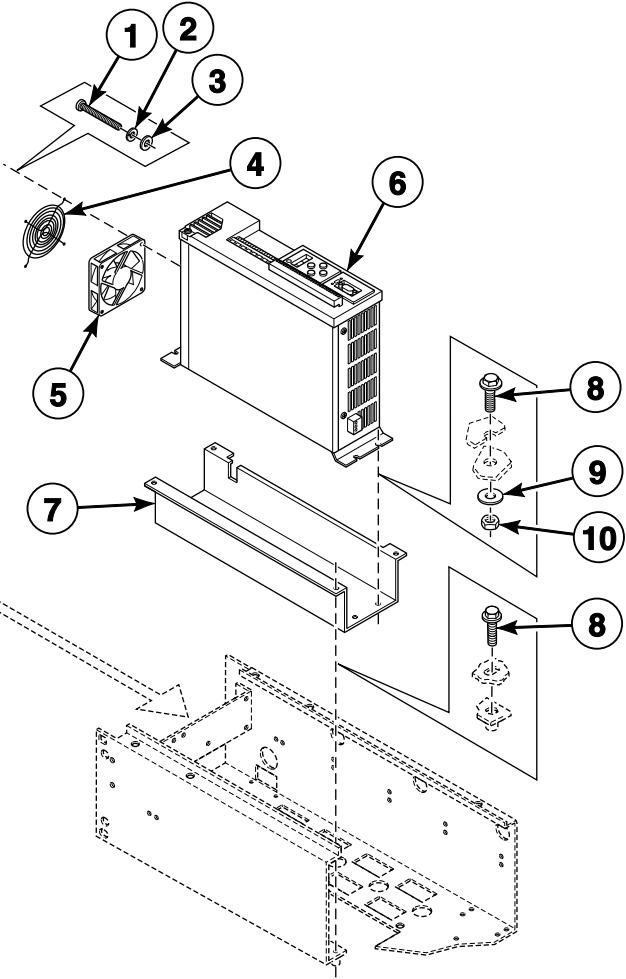
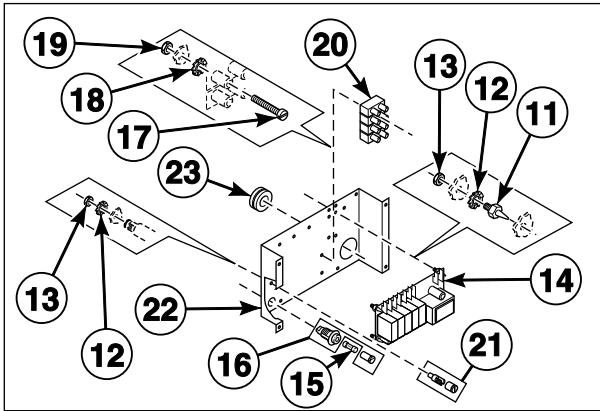


BE000243P_D0901

Electrical Component Mounting Plate - Micro-20

REF	PART NO.	DESCRIPTION	COMMENTS
1	209/00041/04	Contactactor	LC1D0901M7; Heating
	209/00148/02	Contactactor	LC1D1810M7
	209/00149/02	Contactactor	LC1-D3210M5
	209/00056/02	Contactactor	LC1D4011M5
	209/06150/02	Contactactor	LC1D5011M5
2	209/00041/03	Contactactor	LC1-D09019M7; 220 Volt
3	209/00279/00	Lock	
4	209/00283/00	Protector	1-1.6A
	209/00284/00	Protector	1.6-2.5A
	209/00263/00	Protector	2.5-4A
	209/00264/00	Protector	4-6A
	209/00285/00	Protector	5.5-8A
	209/00265/00	Protector	7-10A
	209/00299/00	Protector	9-13A
	209/00132/00	Protector	13-18A
5	206/00014/00	Bolt	
6	203/00004/00	Washer	
7	204/00005/00	Nut	
8	140/00021/00	Electrical Component Extension Plate	
9	111/00124/00	Mounting Plate	
10	223/00198/00	Grommet	
11	140/00011/AO	Assembly Plate	HF205 models
	111/32964/00	Assembly Plate	HF145 models
12	223/00015/00	Level Switch Elbow	
13	223/00011/00	Hose Clamp	
14	223/00016/00	Hose Barb	
15	225/10004/00	Thermostat Seal	
16	209/00266/08	Thermostat	
17	223/00212/00	Pressure Switch Hose	
18	223/00173/10	Pressure Switch Hose Tee	
19	209/00007/50	Pressure Switch	

Inverter Drive

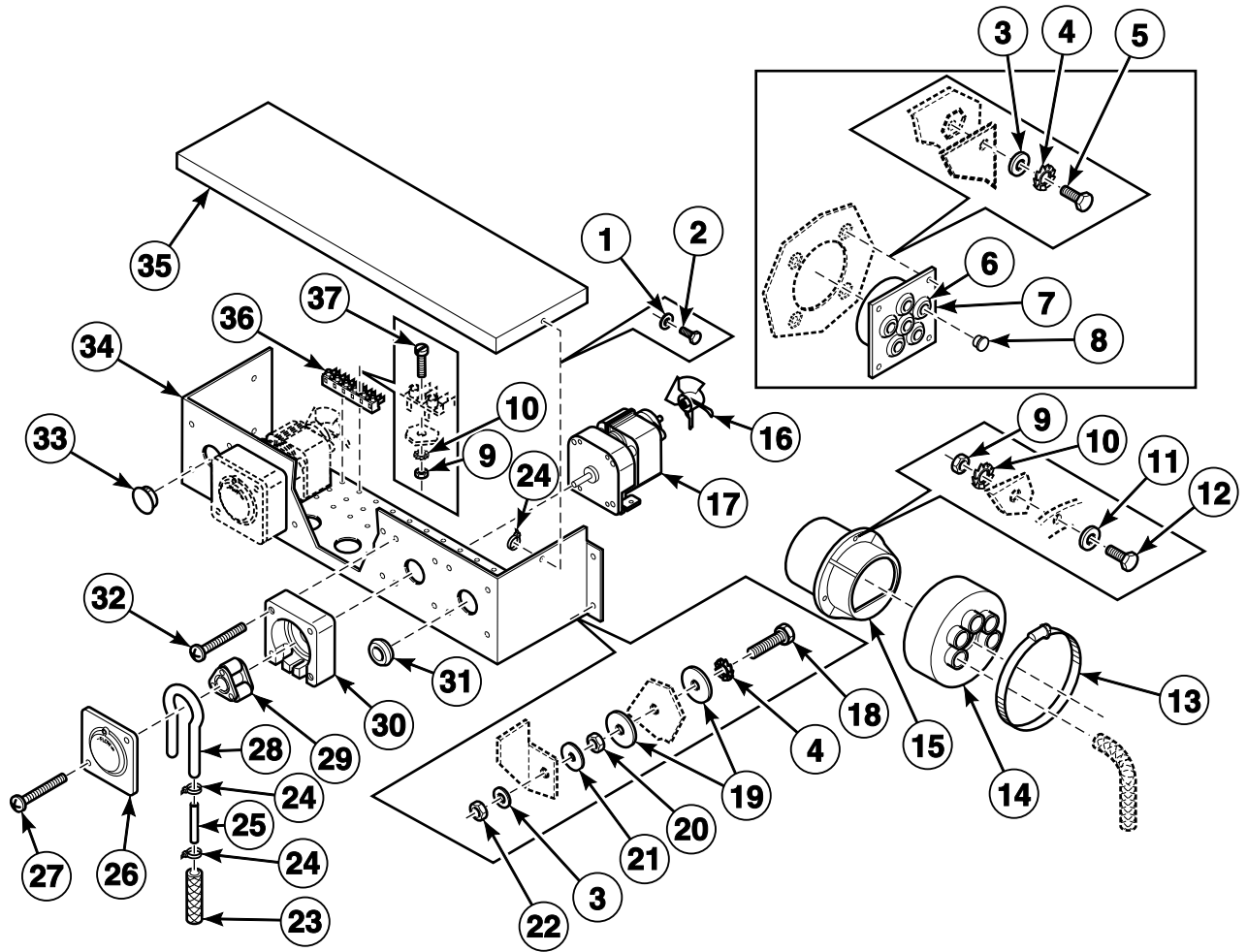


BE000240P_D0901

Inverter Drive

REF	PART NO.	DESCRIPTION	COMMENTS
1	227/00120/03	Screw	
2	227/00120/04	Washer	
3	227/00120/05	Washer	
4	227/00120/01	Fan	
5	227/00120/02	Fan	
6	227/00117/00	Inverter	3 x 380 Volt
	227/00118/00	Inverter	3 x 220 Volt
	227/00119/00	Inverter	1 x 220 Volt
7	111/00188/02	Inverter Plate	
8	206/00099/00	Bolt	
9	201/00007/00	Washer	
10	204/00005/00	Nut	
11	211/00120/00	Standoff	
12	203/00006/00	Washer	
13	204/00007/00	Nut	
14	209/00218/03	Printboard	
15	209/00195/00	Fuse	
16	209/00202/00	Fuse Holder	
17	207/00014/00	Screw	
18	203/00007/00	Washer	
19	204/00008/00	Nut	
20	209/00058/00	Terminal Block	
21	209/00006/01	Ground Terminal	
22	111/00188/03	Assembly Plate	
23	223/00198/00	Grommet	

Soap Pumps - Knight

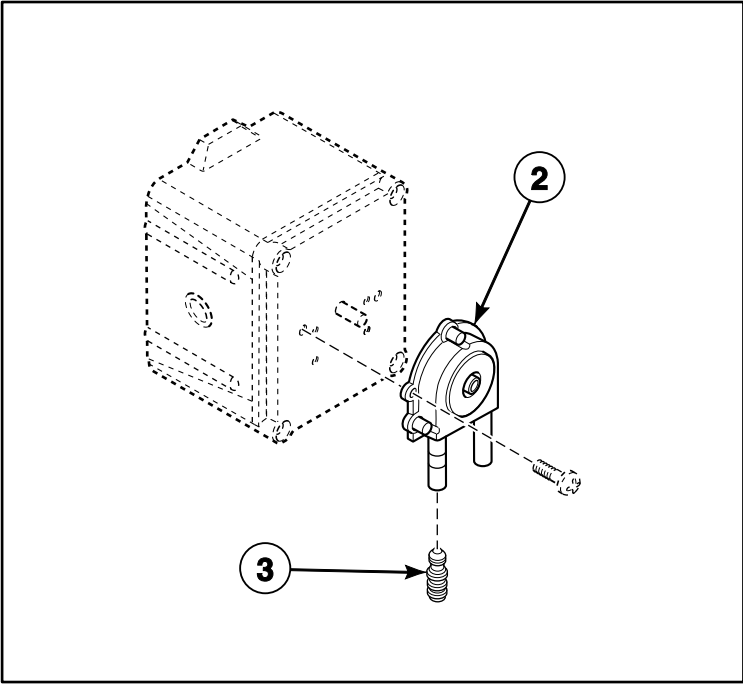
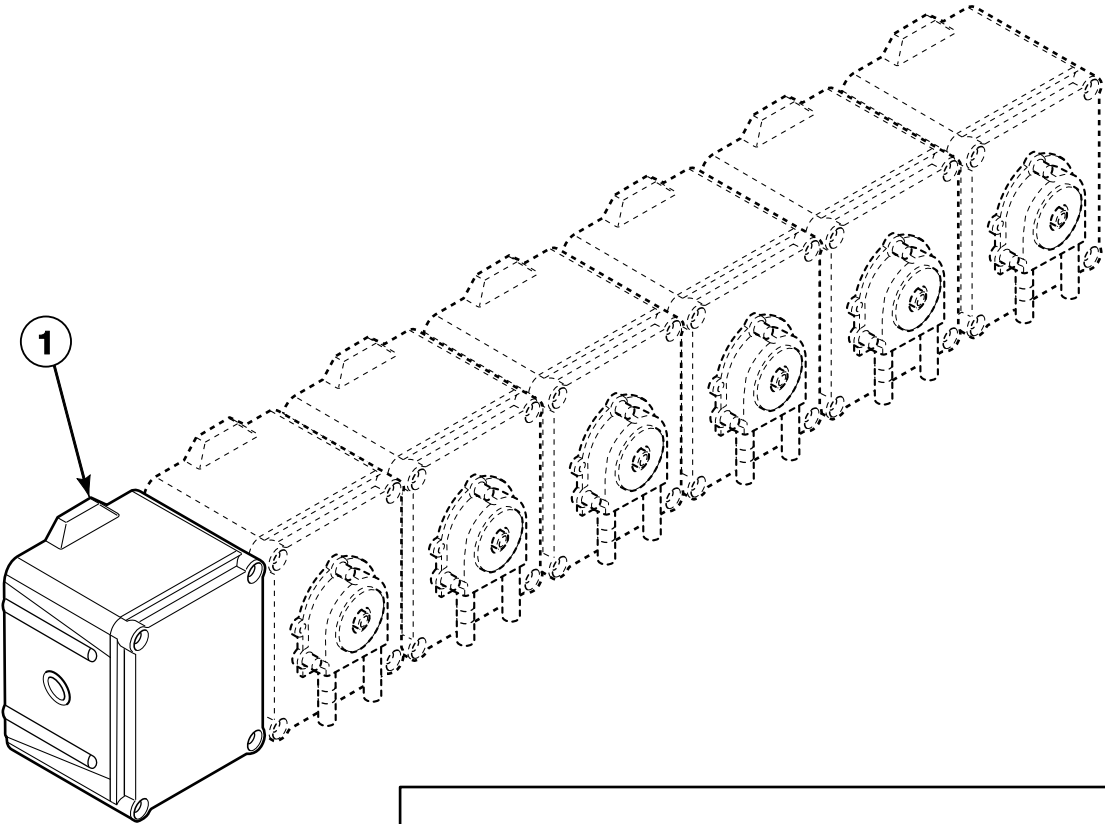


BE000266P_D0901

Soap Pumps - Knight

REF	PART NO.	DESCRIPTION	COMMENTS
1	202/00109/00	Washer	
2	205/00113/00	Bolt	
3	202/00101/00	Washer	
4	203/00004/00	Washer	
5	205/00104/00	Bolt	
6	225/00019/00	Holder	
7	153/00043/00	Inlet	
8	211/00129/00	Plug	
9	204/00007/00	Nut	
10	203/00006/00	Washer	
11	202/00004/00	Washer	
12	206/00027/00	Bolt	
13	223/00014/00	Hose Clamp	
14	223/00160/00	Liquid Soap Hose	
15	223/00102/07	Hose Vent	
16	209/00413/06	Fan Motor	
17	209/00413/08	Motor	
18	205/00103/00	Bolt	
19	202/00108/00	Washer	
20	204/00005/00	Nut	
21	202/00106/00	Washer	
22	204/00009/00	Nut	
23	223/00179/10	Pressure Hose	
24	211/00088/00	Cable Tie	
25	223/00180/00	Soap Injector Hose	
26	209/00413/09	Cover Plate	
27	209/00413/05	Screw	
28	209/00413/03	Hose	
29	209/00413/07	Pressure Roller	
30	209/00413/10	Pump Housing	
31	223/00198/00	Grommet	
32	209/00413/04	Screw	
33	211/00087/00	Plug	
34	111/00190/00	Pump Assembly Plate	
35	111/00190/01	Pump Top Plate	
36	210/10007/00	Connection	
37	207/00003/00	Screw	

Soap Pumps - Brightwell

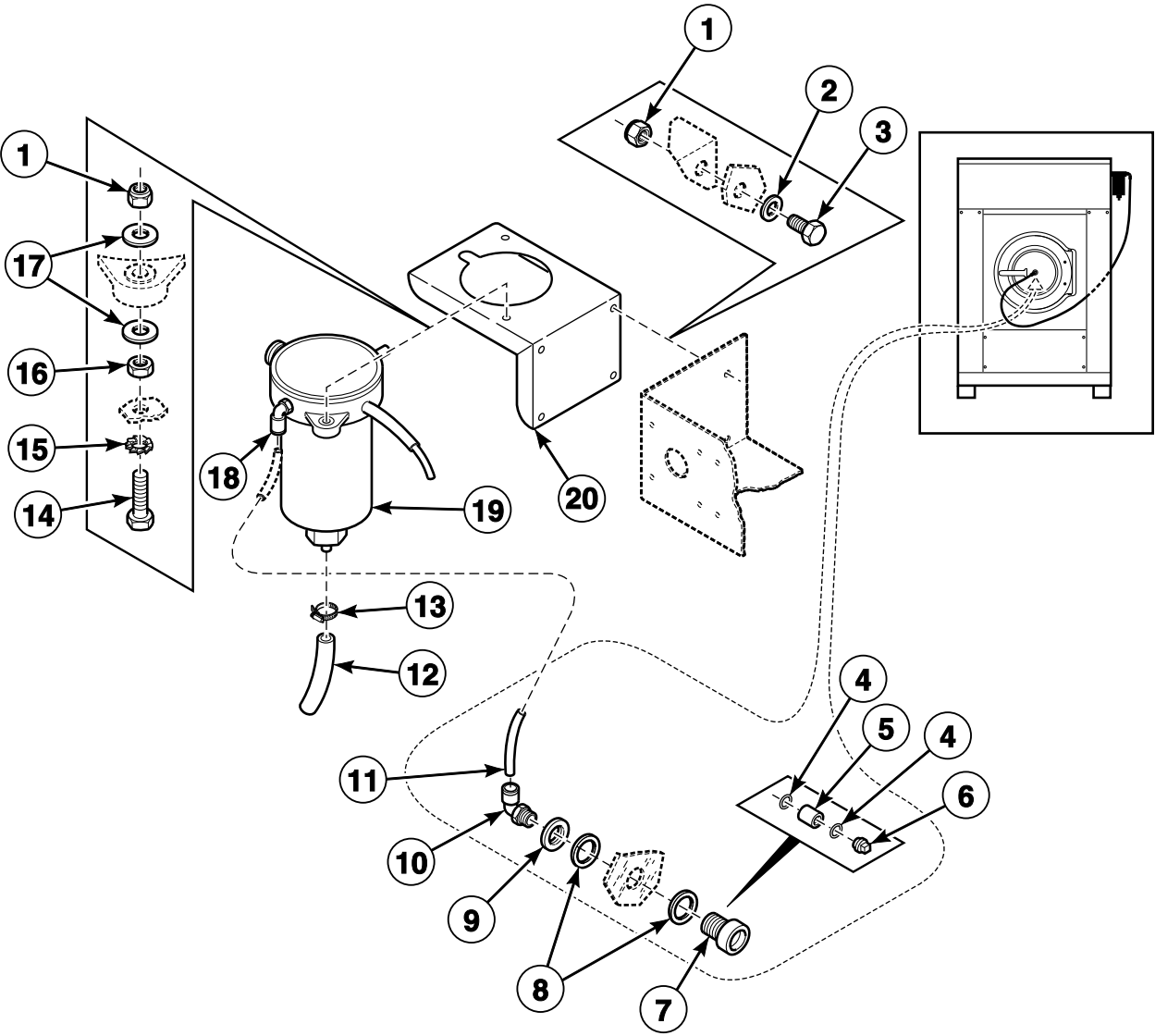


BE000527P_D0901

Soap Pumps - Brightwell

REF	PART NO.	DESCRIPTION	COMMENTS
1	209/00554/01	Soap Pump Assembly	1 small pump
	209/00554/02	Soap Pump Assembly	2 small pumps
	209/00554/03	Soap Pump Assembly	3 small pumps
	209/00554/04	Soap Pump Assembly	4 small pumps
	209/00554/05	Soap Pump Assembly	5 small pumps
	209/00554/06	Soap Pump Assembly	6 small pumps
2	209/00554/98	Hose	
3	209/00554/99	Hose Connector	

Liquid Soap Pump



BE000267P_D0901

Liquid Soap Pump

REF	PART NO.	DESCRIPTION	COMMENTS
1	204/00009/00	Nut	
2	201/00007/00	Washer	
3	205/00107/00	Bolt	
4	223/00177/00	O-Ring	
5	211/00126/00	Soap Injector Orifice Nipple	
6	223/00178/00	Soap Injector Orifice	
7	211/00127/00	Soap Injector Connector	
8	223/00176/00	O-Ring	
9	211/10106/00	Nut	
10	223/00182/00	Soap Injector Coupling	
11	223/00180/00	Soap Injector Hose	
12	223/00179/10	Pressure Hose	
13	211/00088/00	Cable Tie	
14	205/00103/00	Bolt	
15	203/00004/00	Washer	
16	204/00106/00	Nut	
17	202/00101/00	Washer	
18	223/00181/00	Soap Injector Elbow Coupling	
19	209/00369/00	Liquid Soap Spray Pump	
20	111/10179/00	Spray Pump Mounting Plate	

Parts Index

A

Anti-Splash Plate	
123/00107/00	17, 19, 21
Assembly Plate	
111/00188/00	73
111/00188/01	73, 75
111/00188/03	25, 79
111/00242/00	75
111/00255/00	75
111/05007/00	73
111/05007/01	73, 75
111/32952/00	69
111/32952/01	69
111/32962/00	69
111/32964/00	71, 77
140/00011/AO	71, 77
209/00090/04	33
209/00090/18	33

B

Backbridge	
140/00004/AO	15, 23, 25, 27
Ball Bearing	
212/00004/00	49
212/00024/00	49
Bearing Housing Assembly	
139/10006/00	49
Belt	
226/00043/00	47, 53
226/00102/01	47, 53
Belt Adjusting Rod	
115/00126/16	53
Bolt	
205/00102/00	49
205/00103/00	15, 37, 43, 81, 85
205/00104/00	15, 37, 81
205/00105/00	15
205/00106/00	67
205/00107/00	85
205/00108/00	15
205/00113/00	81
206/00003/00	53
206/00004/00	47
206/00005/00	43, 57, 59, 61
206/00006/00	15, 53
206/00010/00	9
206/00011/00	43
206/00013/00	15, 43
206/00014/00	9, 15, 57, 59, 61, 67, 69, 71, 73, 75, 77
206/00015/00	57, 59, 61, 69
206/00016/00	61
206/00027/00	17, 19, 23, 25, 81
206/00045/00	55
206/00066/00	43
206/00088/00	53
206/00099/00	25, 73, 75, 79
224/00046/00	55
239/00005/03	47
248/00114/00	49

248/00115/00	43
Bridge	
111/32706/00	61
111/32708/00	67
140/00001/00	61
Bushing	
204/00301/00	15
Button	
209/00099/04	59
209/00099/08	59
209/00099/09	65
209/00251/00	59
209/00252/00	59
209/00280/01	59

C

Cabinet Top Panel	
111/32961/00	15
Cable Tie	
211/00088/00	81, 85
Card Reader	
209/00257/00	57
Chair	
209/00306/08	29
209/00306/15	29
Circuit Board Cover	
229/00262/00	63, 67
Clamp	
223/00009/00	21
Clip	
209/02306/00	29
Coil	
209/00001/01	31
209/00051/21	11, 13
209/00052/21	11, 13
209/00203/21	11
209/00212/11	13
209/00306/02	27, 29
223/00051/11	33
Connection	
210/10007/00	69, 81
Contact	
209/00099/05	59, 65
Contact Switch	
209/00099/06	59, 65
209/00099/07	59, 65
209/00099/26	63
Contacto	
209/00041/03	69, 71, 73, 75, 77
209/00041/04	69, 71, 75, 77
209/00041/05	75
209/00056/02	69, 71, 77
209/00148/02	69, 71, 73, 75, 77
209/00149/02	69, 71, 77
209/00177/02	69, 71
209/06150/02	69, 71, 77
Cooling Fan	
209/00287/00	53
Cordlock	
211/00097/00	23

N/A items do not appear in index.

211/00117/00	23
211/00138/00	23, 53
Core	
209/00001/06	31
209/00090/07	33
209/00306/05	29
223/00051/05	31, 33
Core Holder	
209/00001/04	31
209/00090/05	33
209/00306/04	29
223/00051/03	31, 33
Counter Ring	
219/00004/00	47
Counterweight	
115/00140/00	43
Cover Plate	
111/00130/00	15
111/00134/00	15
140/00010/00	23, 25
209/00413/09	81
Cylinder Plate	
139/00004/05	45

D

Diaphragm	
209/00001/07	31
209/00306/14	29
209/00316/02	33
223/00051/06	31, 33
Door	
118/00125/00	37
Door Axle Roller	
217/00013/05	39, 41
Door Circlip	
217/00013/11	39, 41
Door Front Panel	
111/05015/00	43
Door Glass	
B12449801	37
Door Glass Seal	
223/00068/00	37
Door Handle	
217/00013/12	39, 41
217/00051/00	37, 39, 41
Door Handle Assembly Plate	
217/00013/16	39
Door Handle Catch	
217/00051/13	41
Door Handle Hook	
217/00013/13	39
Door Handle Latch	
217/00013/04	39
217/00051/14	39, 41
Door Handle Locking Pin	
217/00013/15	39
Door Handle Spring	
217/00013/14	39, 41
Door Handle Stop	
217/00016/00	37
Door Hinge Assembly	
217/00009/02	37

Door Hinge Spacer	
117/00010/00	37
117/00011/00	37
Door Latch Cord	
224/00015/00	35
Door Lock Assembly	
217/00052/01A	35
Door Lock Board	
209/00275/04	35, 73, 75
Door Lock Microswitch	
209/00272/00	35
Door Lock Pin Kit	
211/00109/01	37
217/00052/02	35
Door Lock Solenoid	
209/00274/00	35
Door Lock Spacer	
217/00052/03	35
Door Lock Spring	
217/00013/03	39, 41
224/00049/00	35
Door Locking Grip	
217/00013/07	39, 41
Door Locking Pin	
217/00013/08	39, 41
217/00051/15	41
Door Mounting Pin	
217/00013/09	39, 41
Door Roller	
217/00013/06	39, 41
Drain Pipe	
223/00106/00	9
Drain Tub to Drain Valve Hose	
223/00133/00	9
Drain Valve	
209/00075/00	9
209/00075/05	11, 13
209/00171/00	9
Drain Valve Handle	
209/00115/11	13
Drain Valve Motor	
209/00051/11	11
209/00052/11	11
209/00052/12	13
209/00203/11	11
209/00203/12	13
Drain Valve Motor Assembly	
209/00170/06	13
Drain Valve Motor Mounting Plate	
209/00025/07	11
209/00115/04	13
Drain Valve Overflow Plug	
223/00086/00	9
Drain Valve Shaft	
209/00170/10	11, 13
Drain Valve Shaft Seal	
209/00025/10	11, 13
Drain Valve Spring	
209/00025/13	11
209/00170/02	13
Drain Valve Support	
114/00019/07	9
Drain Valve to Drain Pipe Hose	
223/00135/00	9

N/A items do not appear in index.

Drum and Axle	
119/10081/96	45
119/10081/99	45
123/10006/00	45
123/10012/00	45

E

Electrical Component Extension Plate	
140/00021/00	77
Electrical Connection Sticker	
229/00068/02	25
Emergency Stop Button Kit	
209/00253/00	59, 65
Eprom	
209/00266/01	67

F

Facia Panel	
225/00160/ABL	61
225/00202/AOL	59
225/00274/AOL	57
225/00298/AOL	67
225/00306/AOL	67
Fan	
227/00120/01	79
227/00120/02	79
Fan Motor	
209/00413/06	81
Flow Nozzle	
211/10149/00	19
Frame	
114/00009/00	51
114/00019/50	51
Front Panel	
111/32705/00	15, 57, 59
111/32710/00	63, 65
111/32951/00	15
111/32957/00	15
225/00158/ABL	61
225/00159/ABL	61
225/00161/ABL	61
225/00302/00	65
Fuse	
209/00195/00	23, 79
209/00372/01	63
209/00439/00	67
Fuse Holder	
209/00202/00	23, 79

G

Gasket	
246/00092/00	43, 73, 75
246/00149/00	15, 63, 65
Grommet	
223/00198/00	73, 75, 77, 79, 81
Ground Terminal	
209/00006/01	23, 79
210/10015/00	35

Guide	
111/00204/00	15

H

Heating Element	
209/00049/00	43
209/00116/00	43
209/00563/30	43
209/00581/00	43
Hinge	
131/00046/00	37
Holder	
225/00019/00	73, 75, 81
Hose	
209/00413/03	81
209/00554/98	83
223/00115/00	17, 19, 21
223/00188/00	21
Hose Barb	
223/00016/00	73, 75, 77
Hose Clamp	
223/00010/00	17
223/00011/00	19, 69, 71, 73, 75, 77
223/00012/00	9
223/00013/00	9, 21
223/00014/00	17, 19, 21, 25, 81
223/00023/00	9, 17, 19, 21
Hose Connector	
209/00554/99	83
Hose Mounting Piece	
211/10148/00	27
Hose Vent	
223/00102/07	17, 19, 21, 25, 81

I

Infrared Cable	
210/00902/00	63
Inlet	
153/00043/00	81
Inlet Valve	
209/00276/00	27
Inlet Valve Solenoid	
209/00090/01	33
Inlet Valve, 1-Way	
209/00048/08	31
223/00051/12	33
Inlet Valve, 2-Way	
209/00110/00	31
209/00316/01	33
223/00051/02	31, 33
Inlet Valve, 3-Way	
209/00001/08	31
223/00051/13	33
Insulating Sticker	
229/00255/00	63, 67
Interlock Coil Spring	
224/00043/00	35
Interlock Lever	
217/00052/04	35

N/A items do not appear in index.

Inverter	
227/00117/00	79
227/00118/00	79
227/00119/00	79
Inverter Plate	
111/00188/02	79

K

Key	
212/00026/00	47
Keyboard	
209/00323/01	65
Keypad	
209/00552/01	63
Kickplate	
111/32943/00	15

L

Label	
229/00245/00	65
Lamp	
209/00151/00	59
Lens Cover	
209/00152/00	57, 59, 61
Level Switch Elbow	
223/00015/00	73, 75, 77
Lever Spring	
224/00040/00	35
Light Microswitch	
209/00273/00	35
Liquid Soap Dispenser Insert	
223/00102/08	21
Liquid Soap Hose	
223/00160/00	21, 25, 81
Liquid Soap Spray Pump	
209/00369/00	85
Lock	
209/00279/00	75, 77
Lock Shaft	
217/00017/03	35

M

Main Board	
B12351701	63
Metal Disc	
202/00120/00	63
Motor	
B12511401	53
209/00413/08	81
Motor Plate	
115/00126/12	53
Mounting Piece	
211/10147/00	19
217/00050/00	43
Mounting Plate	
111/00016/00	71
111/00035/00	69

111/00124/00	77
Mushroom Pushbutton	
209/00248/20	63

N

Nipple	
711/00026/00	27
711/00026/01	27
Nut	
204/00003/00	57, 59, 61
204/00004/00	9
204/00005/00	9, 15, 43, 57, 59, 61, 67, 69, 71, 73, 75, 77, 79, 81
204/00007/00	17, 19, 23, 25, 35, 53, 57, 59, 61, 69, 71, 73, 75, 79, 81
204/00008/00	23, 35, 59, 67, 69, 71, 79
204/00009/00	15, 57, 59, 61, 67, 81, 85
204/00011/00	15
204/00012/00	55
204/00013/00	61, 67
204/00016/00	55
204/00019/00	53
204/00103/00	37
204/00105/00	21
204/00106/00	15, 37, 85
204/00108/00	45
204/00110/00	15, 43
204/00111/00	43, 53
204/00112/00	55
204/00113/00	43, 49, 53
204/00114/00	53, 59, 65
204/00116/00	63, 65, 67
208/00002/00	15, 25
208/00104/00	15
209/01306/00	29
211/10106/00	85
223/00038/01	57

O

O-Ring	
209/00306/06	29
209/00306/10	29
209/00306/12	29
217/00002/00	49
217/00021/00	35, 37
223/00042/00	27
223/00176/00	85
223/00177/00	85
Outer Tub	
119/00200/00	43
119/00201/00	43
119/00202/00	43
119/00203/00	43
119/00221/00	43
119/00222/00	43
119/00223/00	43
119/00224/00	43
Outlet Pipe Plate Assembly	
101/00007/00	15
Out-of-Balance Switch	
209/00255/00	57, 59, 61
Out-of-Balance Switch Bracket	
111/32959/00	57, 59, 61

N/A items do not appear in index.

Overflow Hose	
223/00131/00	9
Overlay	
225/00365/00	63

P

Pilot Light	
209/00249/00	57, 59, 61
Plate	
111/05006/00	67
111/32106/00	59
223/00051/09	33
Plate, 1-Outlet	
209/00048/03	31
Plate, 1-Way	
209/00001/11	31
Plate, 2-Way	
209/00001/03	31
Plexi Frame	
225/00316/00	67
Plug	
211/00084/00	23
211/00087/00	23, 81
211/00129/00	81
Pressure Hose	
223/00179/10	81, 85
Pressure Roller	
209/00413/07	81
Pressure Switch	
209/00007/30	69, 71
209/00007/50	73, 75, 77
Pressure Switch Bracket	
111/00424/00	69, 71
Pressure Switch Hose	
223/00212/00	73, 75, 77
Pressure Switch Hose Tee	
223/00173/10	73, 75, 77
Printboard	
209/00218/03	79
209/00323/02	73, 75
209/00408/00	69, 71
209/00440/00	67
Printboard Separator	
211/00128/00	67
Programming Key Contact Switch	
209/00326/20	63
Programming Switch	
209/00326/00	65
Protector	
209/00132/00	69, 71, 77
209/00263/00	69, 71, 75, 77
209/00264/00	69, 71, 75, 77
209/00265/00	69, 71, 75, 77
209/00283/00	69, 71, 77
209/00284/00	69, 71, 77
209/00285/00	69, 71, 75, 77
209/00299/00	69, 71, 75, 77
Pulley	
226/00100/01	47
226/00105/00	53
239/00013/00	47
Pump Assembly Plate	
111/00190/00	81

Pump Housing	
209/00413/10	81
Pump Top Plate	
111/00190/01	81
Pushbutton	
209/00254/00	57, 59, 61
209/00254/21	57, 61

R

Rear Panel	
111/00127/00	15
Retainer Ring	
212/00006/00	49
Retaining Ring	
117/00042/00	67
Reversing Timer	
209/00012/00	69, 71
209/00013/00	69, 71
Rinse Insert	
223/00102/03	17, 19, 21

S

Screw	
206/00001/00	53
206/00021/00	69, 71
206/00049/00	53
206/00111/00	43
207/00003/00	23, 69, 71, 73, 75, 81
207/00004/00	25, 69
207/00006/00	67
207/00008/00	59, 69, 71
207/00009/00	35
207/00014/00	23, 69, 71, 79
207/00018/00	57, 59, 61
207/00020/00	37
207/00025/00	59
207/00101/00	15
207/00102/00	35
207/00103/00	35
207/00106/00	21
207/00110/00	15, 25
207/00135/00	35
208/00001/00	15, 25
208/00007/00	69, 71
208/00130/00	17, 19, 21
209/00001/02	31
209/00025/08	11, 13
209/00090/03	33
209/00170/05	11, 13
209/00170/07	11, 13
209/00306/07	29
209/00306/11	29
209/00306/16	29
209/00306/19	29
209/00413/04	81
209/00413/05	81
223/00051/01	31, 33
227/00120/03	79
Seal	
209/00306/17	29
Seal Plate	
119/00001/00	49

N/A items do not appear in index.

Selector Switch	209/00175/00	61	209/00090/02	33
	209/00176/00	61	209/00090/06	33
Shaft	132/00002/02	45, 47	209/00090/15	33
Shaft Seal	219/00003/00	49	209/00306/13	29
Shock Absorber	247/00008/00	55	223/00051/04	31, 33
Side Panel	111/32727/00	15	Standoff	
	140/00007/00	15	211/00120/00	35, 73, 75, 79
Side Panel Gasket	246/00079/00	15	211/00122/00	63, 67
Sleeve	223/00127/00	69, 71	Steam Connection Plate	
Soap Box Assembly Plate	123/00103/06	17, 19, 21	118/00063/01	43
Soap Box Support Plate	111/00117/00	15	Steam Hose	
Soap Dispenser Assembly	223/00102/30	17, 19, 21	217/00025/00	43
Soap Dispenser Cover	223/00103/01	15	Steam Hose Connector	
Soap Dispenser Cover Handle	223/00008/05	15	118/00063/00	43
Soap Dispenser Cover Hinge Rod	223/00103/04	15	Steam Injector	
Soap Dispenser Frame	223/00103/03	15	131/00006/00	43
Soap Dispenser Gasket	223/00109/00	17, 19, 21	Sticker	
Soap Dispenser Rinse Siphon	223/00102/04	17, 19, 21	225/00308/00	67
Soap Injector Connector	211/00127/00	85	225/00309/00	67
Soap Injector Coupling	223/00182/00	85	229/00001/00	23
Soap Injector Elbow Coupling	223/00181/00	85	Stopper	
Soap Injector Hose	223/00180/00	81, 85	211/00085/00	23
Soap Injector Orifice	223/00178/00	85	211/00086/00	23
Soap Injector Orifice Nipple	211/00126/00	85	Suspension Spring	
Soap Pump Assembly	209/00554/01	83	B12456301	55
	209/00554/02	83	Switch	
	209/00554/03	83	209/00255/01	57, 61
	209/00554/04	83	209/00255/02	59
	209/00554/05	83	Switch Base	
	209/00554/06	83	209/00099/25	63
Soap Spray Nozzle	223/00102/06	17, 19, 21	Switch Knob	
Softener Spray Nozzle	223/00102/05	17, 19, 21	209/00099/29	63
Spacer	115/00151/00	43	Switch Lever	
	211/00106/00	59, 67, 69, 71	217/00052/05	35
Spray Pump Mounting Plate	111/10179/00	85		
Spring	209/00001/05	31		

T

Telem Sticker	209/00520/00	63
Terminal	209/00291/00	23
Terminal Block	209/00005/00	23, 73, 75
	209/00058/00	23, 79
Terminal Connector	209/00306/18	29
Thermostat	209/00143/00	57
	209/00144/00	57
	209/00243/00	69, 71
	209/00266/08	73, 75, 77
	211/00115/00	59, 61
Thermostat Joint	223/00065/02	57
Thermostat Seal	223/00065/00	57, 59, 61
	225/10004/00	73, 75, 77
Tightening Assembly Ring	115/00141/00	43
	115/00149/00	43
Tilt Switch Bracket	111/00107/00	57, 59, 61

N/A items do not appear in index.

Timer	209/00107/00 71	202/00106/00 81
	209/00266/00 59	202/00108/00 81
Top Panel		202/00109/00 25, 81
140/00045/01 15		203/00002/00 53, 57, 59, 61
T-Piece		203/00003/00 9
223/00043/00 27		203/00004/00 9, 15, 59, 61, 69, 71, 73, 75, 77, 81, 85
Tub Clamp Ring		203/00005/00 67
238/00011/00 43		203/00006/00 17, 19, 23, 25, 35, 53, 57, 59, 61, 69, 71, 73, 75, 79, 81
Tub Front		203/00007/00 23, 35, 59, 67, 69, 71, 79
138/00001/00 37, 43		203/00008/00 21, 37
Tub Front Mounting Strap		203/00010/00 35
115/00161/00 43		203/00011/00 37
Tub Front Panel Clip		208/00009/00 15
217/00008/00 43		209/00025/12 11, 13
Tub Front Panel Gasket		209/00306/09 29
223/00242/40 43		217/00052/08 35
Tub Mounting Strap		223/00051/10 63, 65
137/00008/00 43		223/00065/01 57
Tub Support		223/00123/00 59, 63, 65, 69, 71
115/00126/00 51		227/00120/04 79
115/00143/00 51		227/00120/05 79
Tub Tightening Ring		Water Hose
115/00162/00 43		223/00044/00 17
		223/00059/00 19, 21

U

Upper Front Panel	225/00272/00 63
-------------------	-----------------------

V

Valve Coil	209/00306/01 27
Vent Hose	223/00107/02 17, 19
Ventilating Hose	223/00107/01 17, 19, 21

W

Washer	132/00002/00 45
	201/00001/00 43
	201/00002/00 49, 53
	201/00004/00 53
	201/00006/00 15, 25, 73, 75
	201/00007/00 9, 15, 57, 59, 61, 67, 71, 73, 75, 79, 85
	201/00008/00 57, 59, 61, 63, 65
	201/00010/00 15, 43, 57, 59, 61
	201/00011/00 47
	201/00012/00 55
	201/00017/00 35
	201/00018/00 35
	201/00201/00 49
	202/00002/00 9
	202/00003/00 9, 43, 61, 69, 71
	202/00004/00 17, 19, 23, 25, 81
	202/00101/00 15, 37, 43, 73, 75, 81, 85
	202/00102/00 25
	202/00104/00 37

N/A items do not appear in index.

