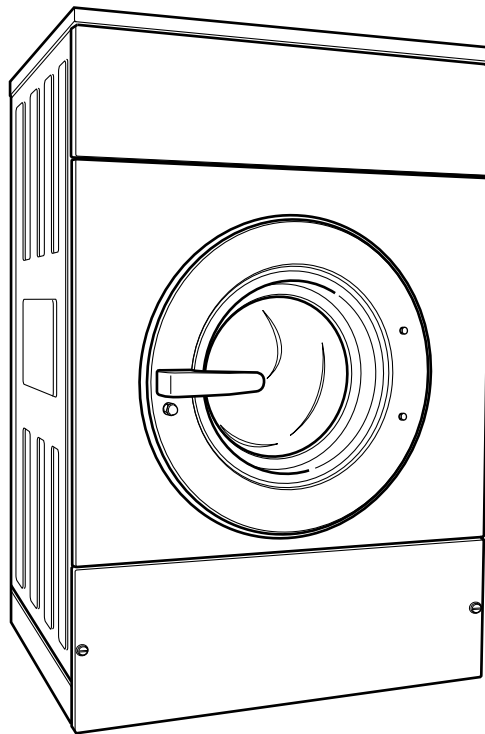


Washer-Extractor

Cabinet Freestanding
Refer to Page 3 for Model Numbers



CFD299C_D0241

Table of Contents

Title	Page
Parts Ordering Information.....	2
Nameplate Location.....	2
Model Identification.....	3
Cabinet Freestanding Washer-Extractor Product Overview.....	4
Frame.....	6
Shock Absorber.....	8
Shell and Basket.....	10
Bearing Housing.....	12
Pulley and Belt.....	14
Motor.....	16
Drain Plumbing.....	18
Door Lock.....	20
Door.....	22
Control Panel - Micro-20.....	24
Control Panel - Sigma.....	26
Control Panel - PS40F.....	28
Coin Meter and Coin Vault (Drawing 1 of 2).....	30
Coin Meter and Coin Vault (Drawing 2 of 2).....	32
Left Side, Lower Front and Upper Back Panels.....	34
Right Side, Front, Lower Rear and Top Panels.....	36
Inverter Drive.....	38
Upper Back Panel with Circular Ventilation.....	40
Upper Back Panel with Rectangular Ventilation.....	42
Soap Injection Printboard, Network Connection Printboard and Noise Filter.....	44
Electrical Component Mounting Plate.....	46
Balance Switch.....	48
Supply Dispenser with Round Ventilation Opening.....	50
Supply Dispenser with Rectangular Ventilation Opening.....	52
Electric and Steam Heating Options.....	54
Soap Pumps.....	56
Parts Index.....	59

© Copyright 2014, Alliance Laundry Systems LLC

All rights reserved. No part of the contents of this book may be reproduced or transmitted in any form or by any means without the expressed written consent of the publisher.

Parts Ordering Information

If literature or replacement parts are required, contact the source from whom the machine was purchased or contact Alliance Laundry Systems at (920) 748-3950 for the name and address of the nearest authorized parts distributor.

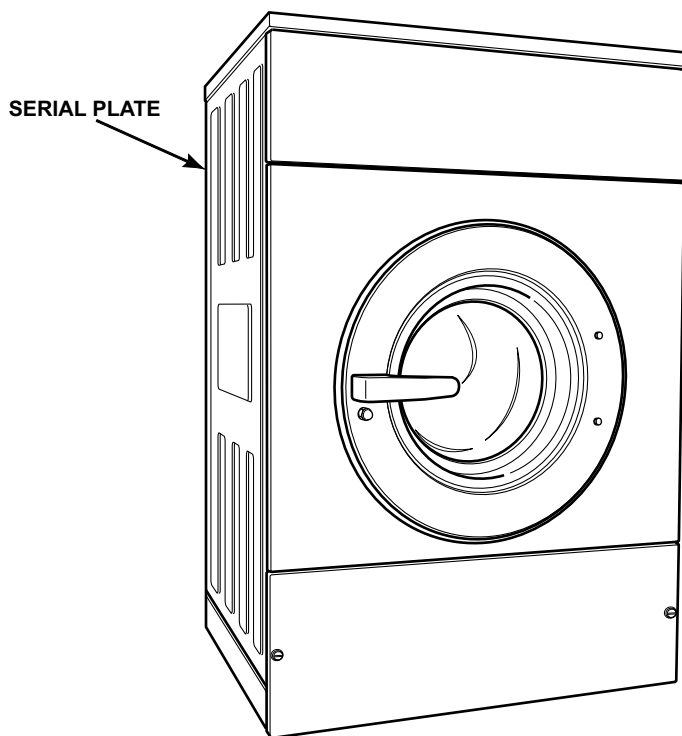
For technical assistance, call either of the numbers listed below:

(920) 748-3121 Ripon, Wisconsin

+32 56 41 20 54 Wevelgem, Belgium

Serial Plate Location

When calling or writing about your product, be sure to mention model and serial numbers. Model and serial numbers are located on serial plate(s) as shown.



CFD299CA_D0241

Model Identification

Information in this manual is applicable to these washer models:

HW131_MICRO-20
HW131_PS40
HW131_SIGMA
HW164_MICRO-20
HW164_PS40
HW164_SIGMA
IHW035ANH

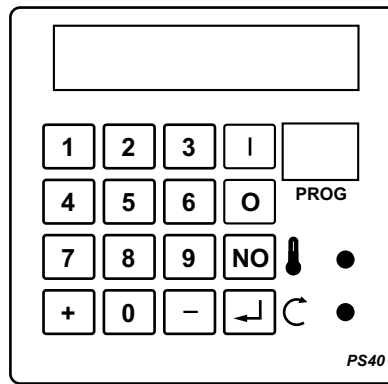
Cabinet Freestanding Washer-Extractor Product Overview

Type:	HW131P	Nr:	07110580147
Voltage:	3 ~ 380V 50Hz	Weight:	1787 kg
Motor:	7.5 kW 20 A	Capacity:	575 L
Heating:	36 kW 60 A	Dry Load:	57 kg
Total:	43.50 kW	Drum:	980 mm
Kinetic energy:	23257N/M	Speed:	800 rpm
Manufactured in:	2007		
Water Pressure: min. 2.07 max. 5.86 Kg/cm ²		IPX4	
min. 20.7 max. 58.6 N/cm ²			
sfc 741295			
Alliance International BVBA Nieuwstraat 146 8560 Wevelgem Belgium Tel: +32 56 41 20 54 Fax: +32 56 41 86 74 www.ipso.be			

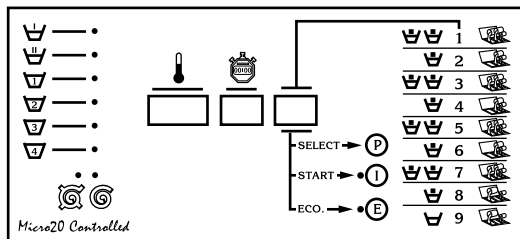
Label 1

Model No:	HW135ANHX10	U01	Serial No: 0710740113
Volts Hertz:	208-240 50/60	Type:	HF730P
Phase:	3		
Amps:	20 amps	Capacity:	165/73 lbs/kg
Recommended Circuit Breaker:	25 amps	Water Pressure:	30-85 psi
Interrupt Current:	10 kA	Pressure:	2.07-5.86 bar
Motor:	15 hp 11 kW	Max Speed:	750 rpm
Elec Heat:	N/A kW	Net Weight:	3520 lbs 5070 kg
Steam heat:	N/A psi N/A bar		IPX4
Alliance International BVBA Made in Belgium			
TEL 1-920-748-3121 www.comlaundry.com		100740 CONFORMS TO ANSUL STD Z157 CERTIFIED TO CANICSA STD C22.2 NO:169	

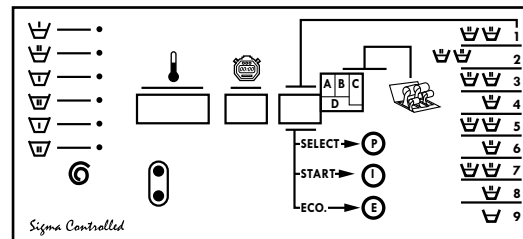
Label 2



PS40



Micro 20



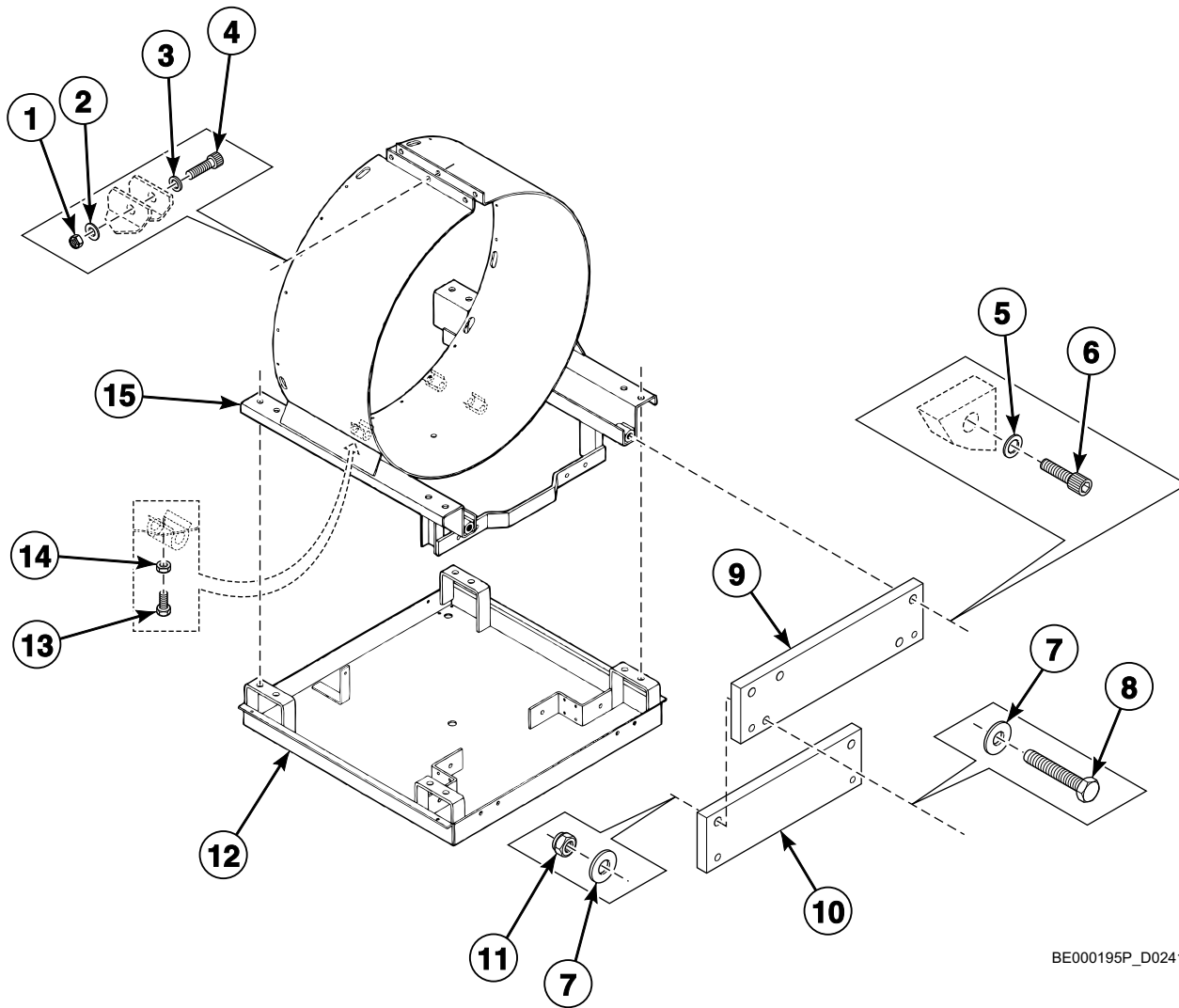
Sigma

CFD309P_D0241

Cabinet Freestanding Washer-Extractor Product Overview

REF	PART NO.	DESCRIPTION	COMMENTS
1	-	Product Family	HW IHW
2	-	Capacity	035 131 164
3	-	Control	A (PS40F) M (Micro-20) PS40 S (Sigma)
4	-	Actuation	N (Non-Coin)
5	-	Speed	H (High)
6	-	Voltage	N (440-480/50-60/3/3) P (380-415/50-60/3/3) Q (208-240/50-60/3/3) X (200-240/50-60/1/3)
7	-	Design	1

Frame

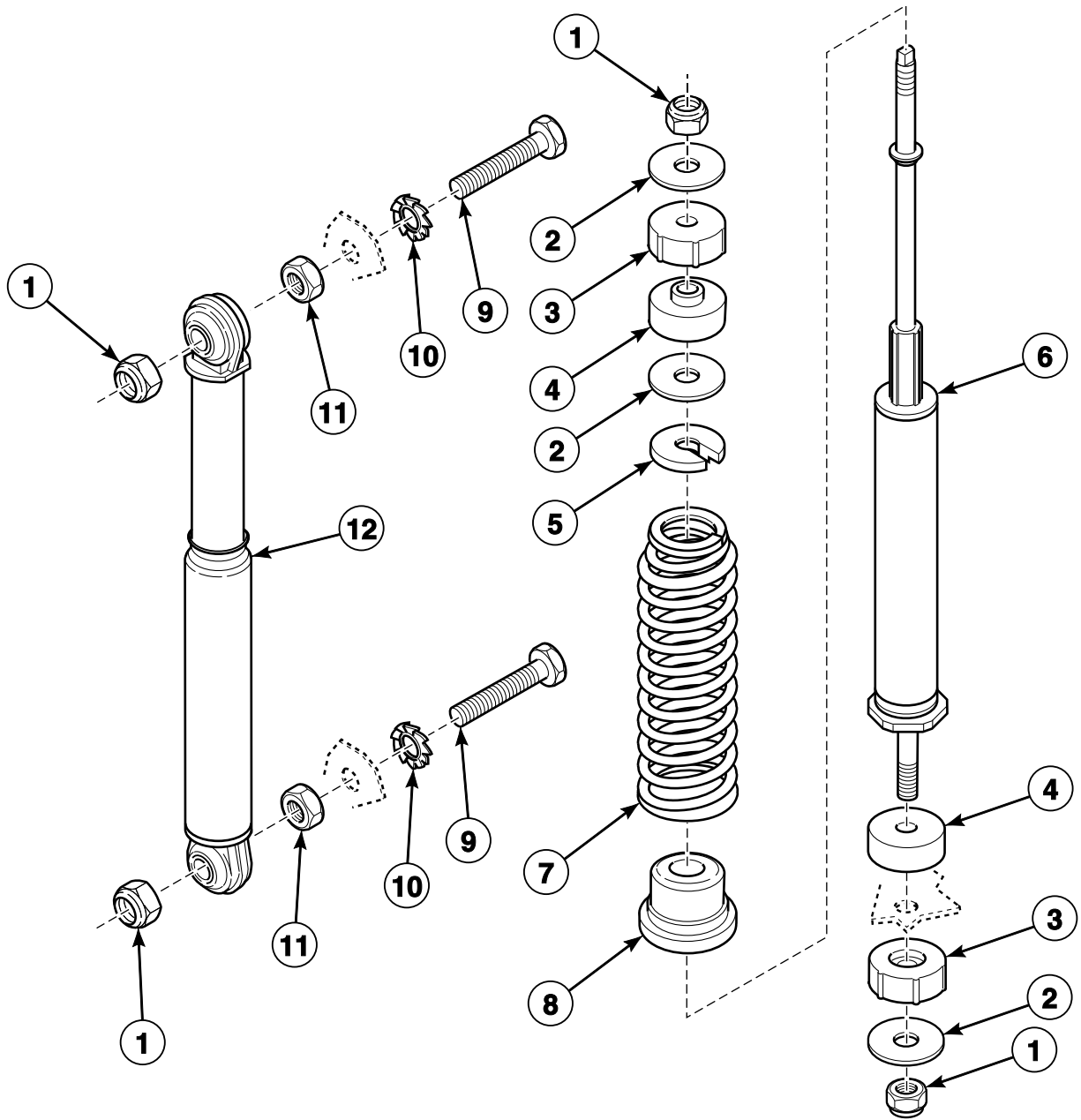


BE000195P_D0241

Frame

REF	PART NO.	DESCRIPTION	COMMENTS
1	204/00111/00	Nut	
2	201/00005/00	Washer	
3	203/00001/00	Washer	
4	206/00053/00	Screw	
5	201/00014/00	Washer	
6	206/00055/00	Screw	
7	201/00001/00	Washer	
8	206/00047/00	Bolt	
9	113/00036/00	Counterweight	
10	113/00035/00	Counterweight	
11	204/00113/00	Nut	
12	152/00049/50	Frame	*131 models
	152/00050/50	Frame	*35 and *164 models
13	206/00014/00	Bolt	
14	204/00005/00	Nut	
15	152/00046/00	Tub Support	*131 models
	152/00047/00	Tub Support	*35 and *164 models

Shock Absorber

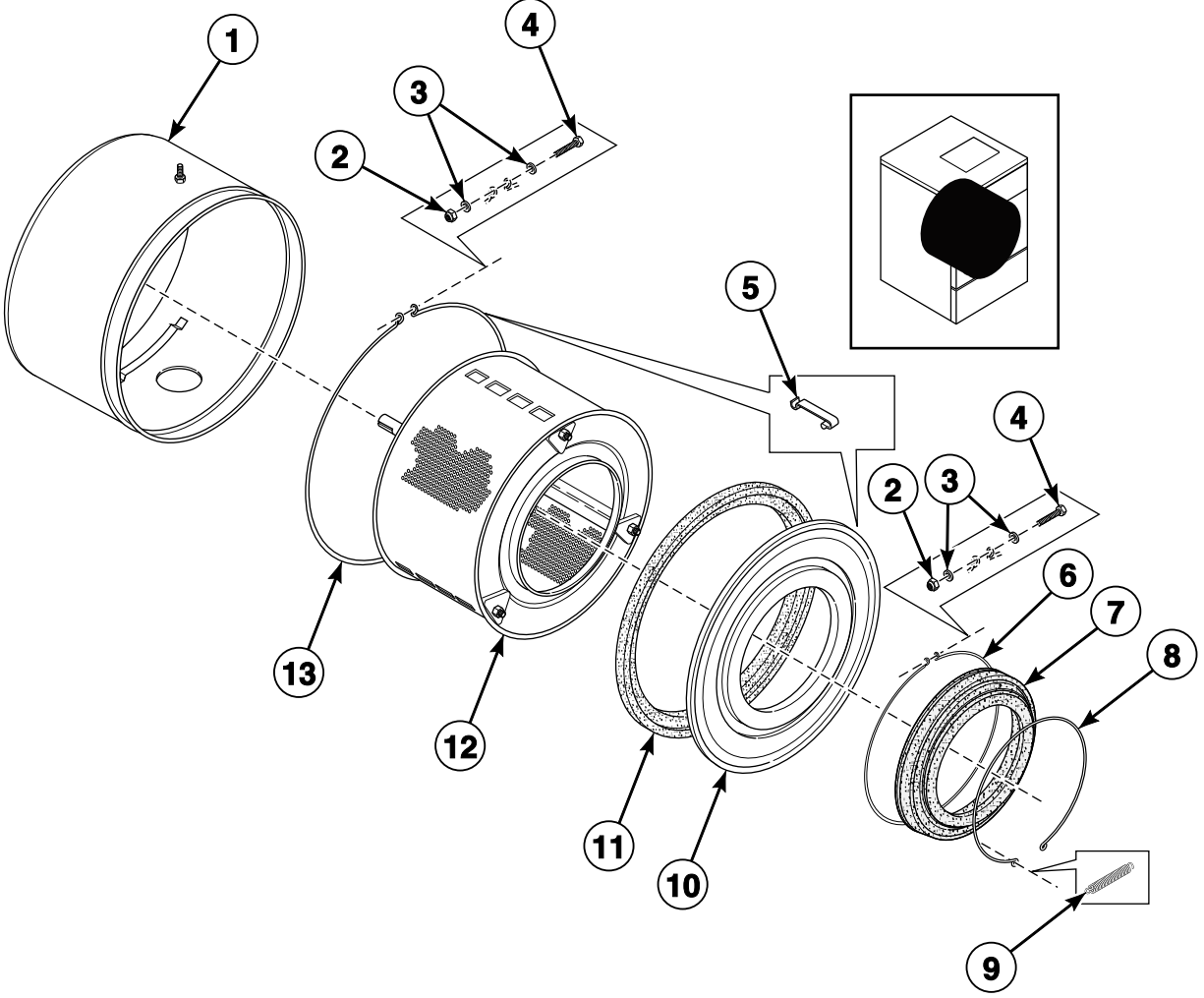


BE000196P_D0241

Shock Absorber

REF	PART NO.	DESCRIPTION	COMMENTS
1	204/00110/00	Nut	
2	201/00015/00	Washer	
3	247/00007/00	Fastening Rubber	
4	247/00006/00	Fastening Rubber	
5	247/00001/04	Spring Holder Top	
6	247/00002/02	Shock Absorber	
	247/00003/00	Shock Absorber	Includes items 2, 4-6, 8 and 247/00002/01 Suspension Spring
7	247/00002/01	Suspension Spring	Blue; 5.5 mm diameter
	247/00001/01	Suspension Spring	Black; 4.8 mm diameter
	247/00002/00	Shock Absorber	Includes items 2, 4 and 247/00001/01 Suspension Spring
8	247/00001/03	Spring Seat Bottom	
9	208/00030/00	Bolt	
10	203/00002/00	Washer	
11	204/00003/00	Nut	
12	247/00004/00	Shock Absorber	

Shell and Basket

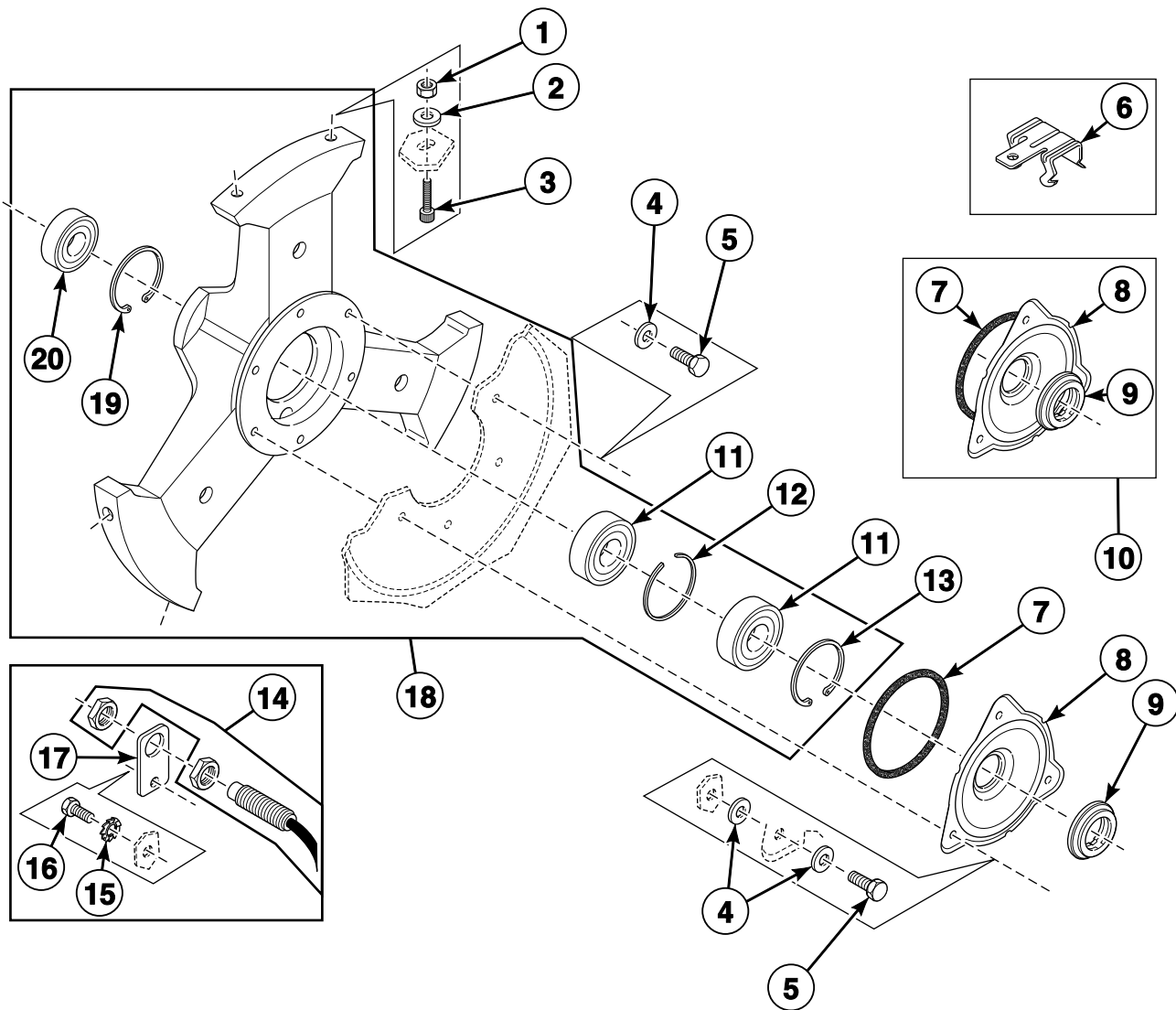


BE000104BP_D0241

Shell and Basket

REF	PART NO.	DESCRIPTION	COMMENTS
1	118/10070/00	Tub	*131 models; Electric and steam
	118/10071/00	Tub	*131 models; Boiler
	118/10072/00	Tub	*35 and *164 models; Electric and steam
	118/10073/00	Tub	*35 and *164 models; Boiler
2	204/00009/00	Nut	
3	202/00003/00	Washer	
4	206/00011/00	Bolt	
5	217/00008/00	Tub Front Panel Clip	
6	238/00017/00	Clamp	
7	223/00122/00	Door Boot	
8	238/00013/00	Fastening Ring	
9	238/00014/00	Spring	
10	119/00049/00	Tub Front Panel	
11	223/00242/00	Tub Front Gasket	
12	136/10017/00	Drum and Axle	*131 models
	111/01962/00	Cylinder and Trunnion Assembly	*35 and *164 models
13	219/00007/00	Tub Front Ring Clamp	

Bearing Housing

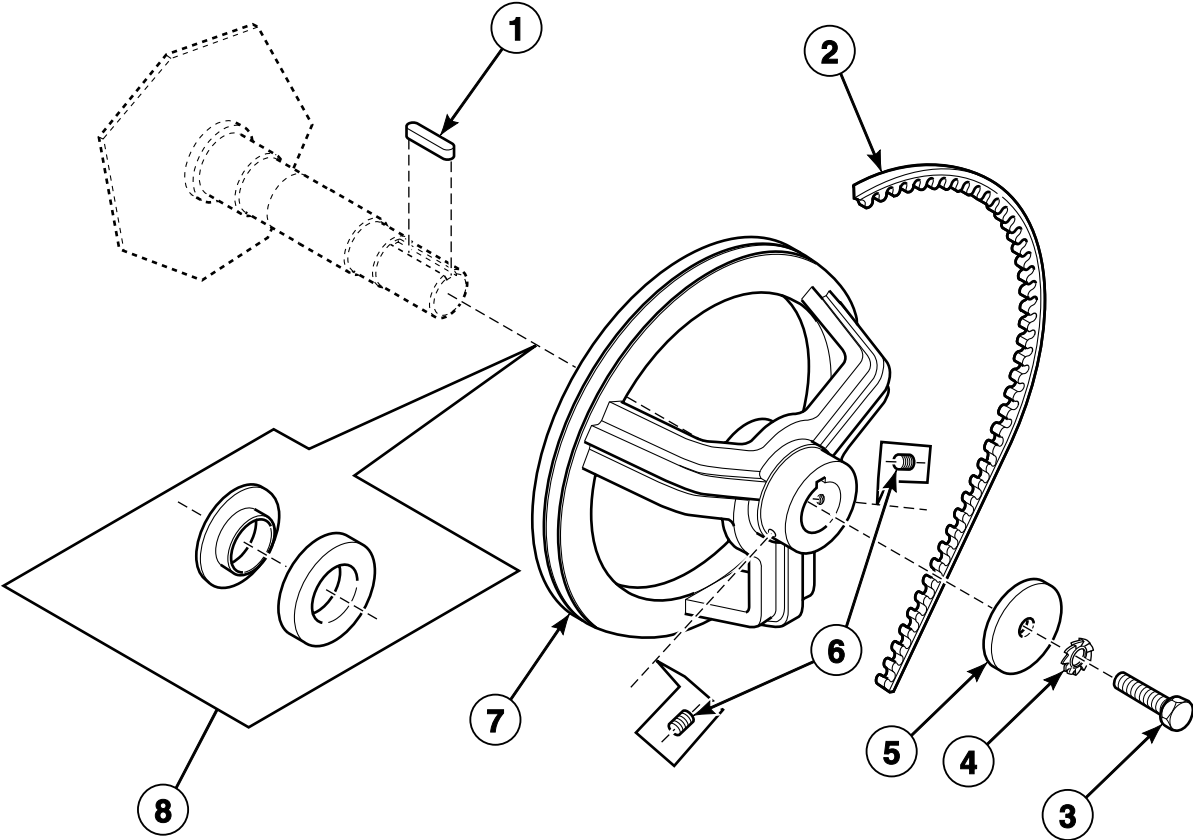


BE000363BP_D0241

Bearing Housing

REF	PART NO.	DESCRIPTION	COMMENTS
	KBRGHW131/164	Bearing Kit	Includes items 4, 5, 9, 10, 12, 13, F100137 Bearing, F100123 Motor Bearing, 119/00001/00 Seal Plate, 219/00004/00 Counter Ring, 223/00242/00 Tub Front Gasket and F8382001P Deflector Inlet
1	204/00112/00	Nut	
2	201/00012/00	Washer	
3	206/00057/00	Screw	
4	201/00201/00	Washer	
5	205/00102/00	Bolt	
6	224/00051/00	Caddy Bracket	4H58-4
	224/00052/00	Caddy Bracket	4H912
7	217/00002/00	O-Ring	
8	117/00001/01	Shaft Seal Holder	
9	219/00003/00	Shaft Seal	
10	119/00001/01	Seal Holder Assembly	
11	216/00001/03	Ball Bearing	
12	212/00031/00	Retainer Ring	
13	212/00029/00	Retainer Ring	
14	209/00400/00	Speed Detector	
15	203/00004/00	Washer	
16	205/00104/00	Bolt	
17	152/00055/00	Speed Detector Bracket	
18	116/00301/01	Bearing Assembly	Includes items 11-13, 19 and 20
19	212/00038/00	Retaining Ring	
20	216/00001/02	Ball Bearing	

Pulley and Belt

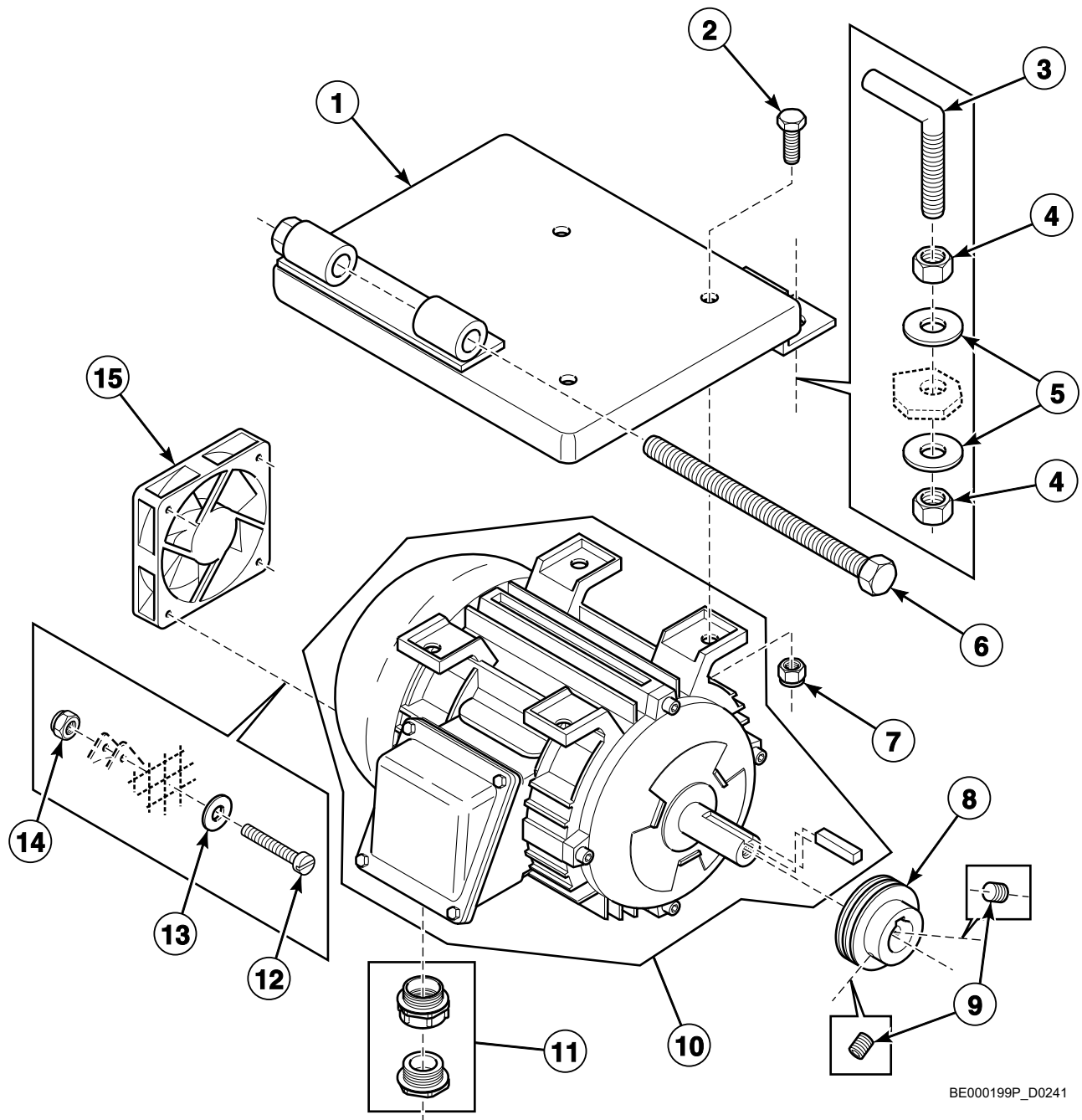


BE000198P_D0241

Pulley and Belt

REF	PART NO.	DESCRIPTION	COMMENTS
1	216/00002/04	Cylinder Shaft Key	
2	226/00114/00	Belt	
3	206/00003/00	Bolt	
4	203/00001/00	Washer	
5	203/00011/00	Washer	
6	206/00056/00	Screw	
7	226/00070/00	Pulley	
8	219/00004/00	Counter Ring	

Motor

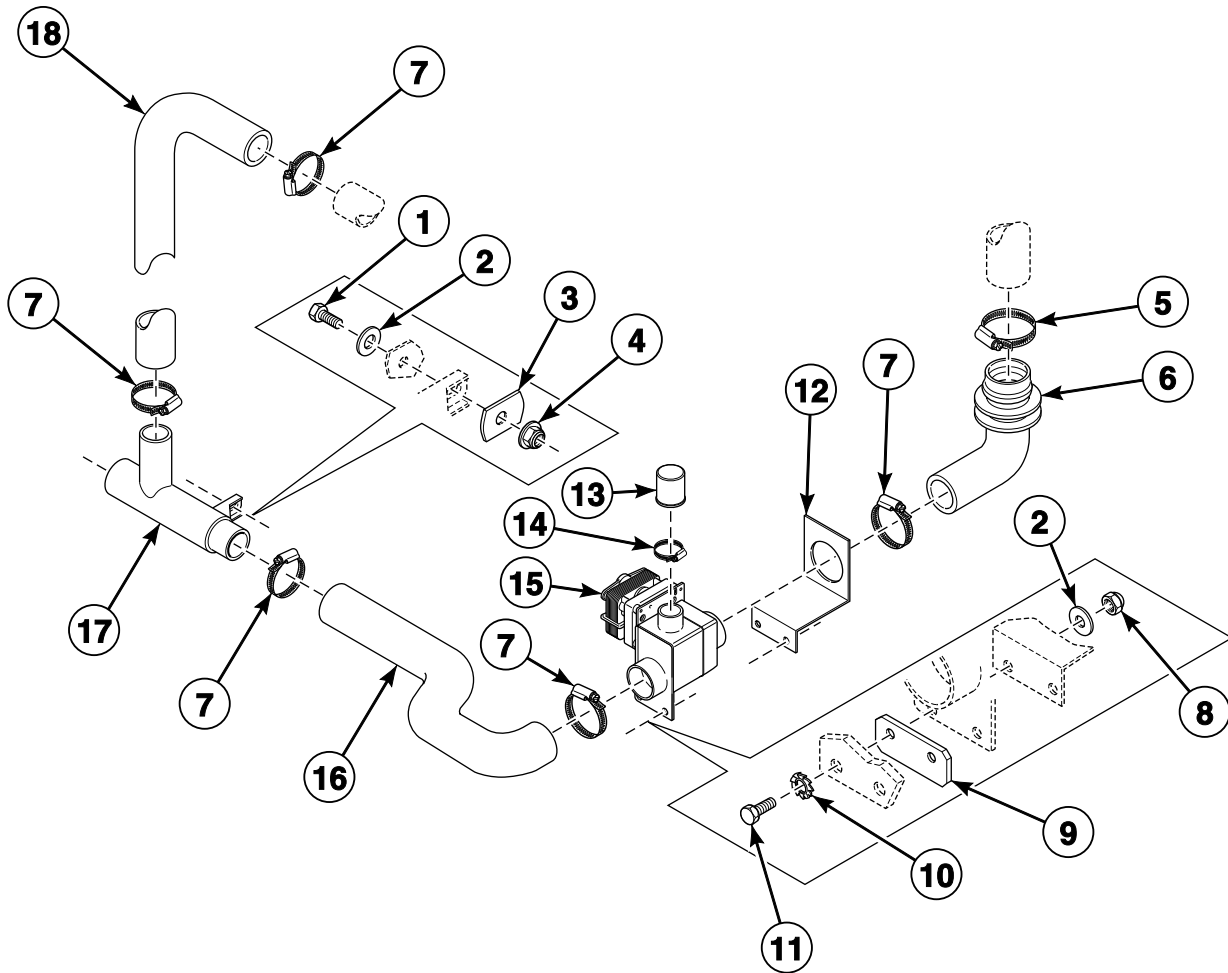


BE000199P_D0241

Motor

REF	PART NO.	DESCRIPTION	COMMENTS
1	152/00054/00	Motor Plate	
2	206/00005/00	Bolt	
3	113/00038/00	Belt Rod	
4	204/00012/00	Nut	
5	201/00001/00	Washer	
6	206/00127/00	Bolt	
7	204/00110/00	Nut	
8	226/00062/00	Pulley	
9	206/00056/00	Screw	
10	227/00127/00	Motor	
11	211/00117/00	Cordlock	
12	207/00021/00	Screw	
13	201/00008/00	Washer	
14	204/00114/00	Nut	
15	209/00465/00	Fan	

Drain Plumbing

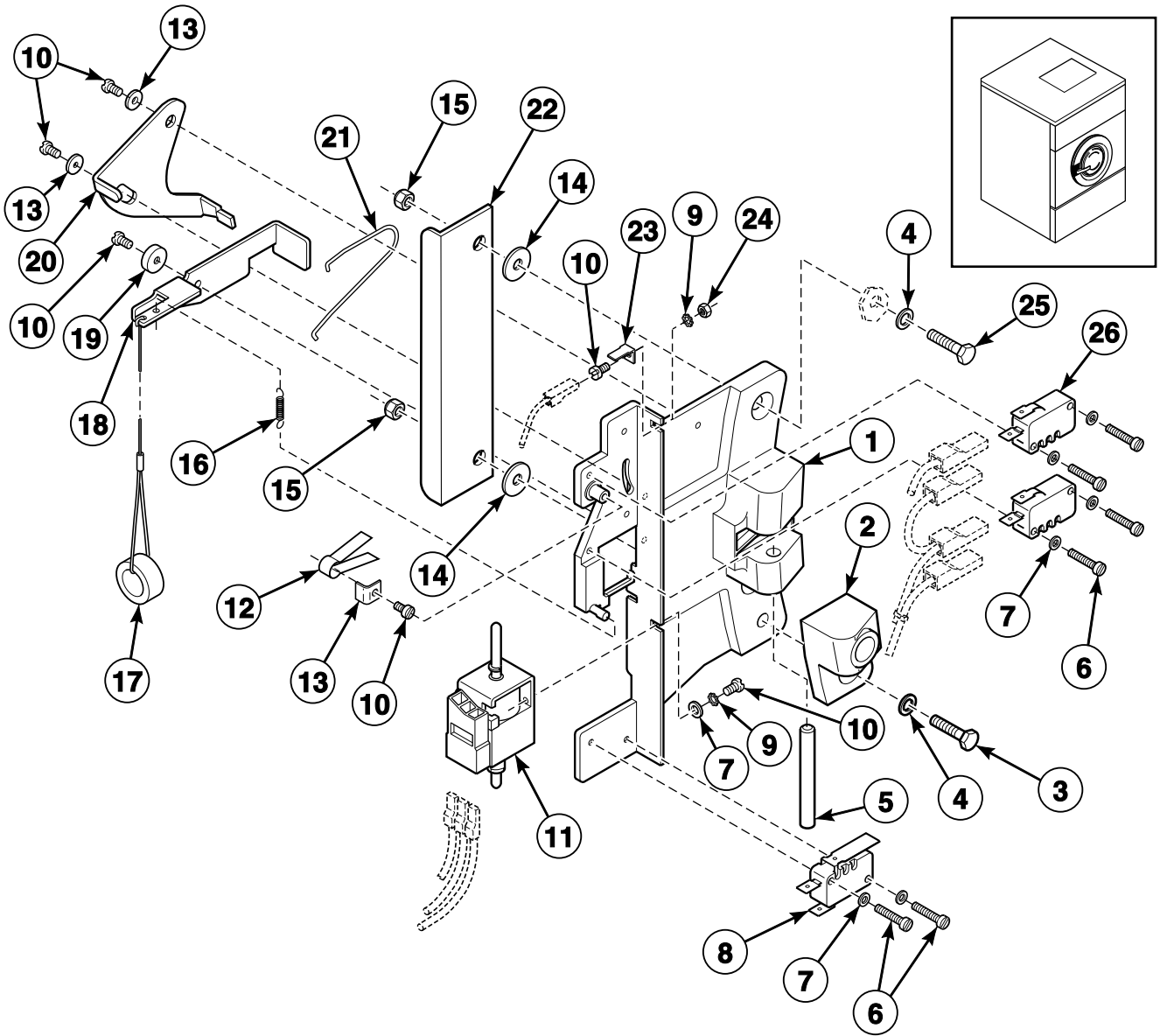


BE000200BP_D0241

Drain Plumbing

REF	PART NO.	DESCRIPTION	COMMENTS
1	206/00033/00	Bolt	
2	201/00007/00	Washer	
3	101/00007/00	Outlet Pipe Plate Assembly	
4	206/00101/00	Nut	
5	223/00014/00	Hose Clamp	
6	223/00189/00	Valve Hose	
7	223/00013/00	Hose Clamp	
8	204/00009/00	Nut	
9	152/00041/06	Drain Valve Plate	
10	203/00004/00	Washer	
11	206/00086/00	Screw	
12	114/00030/00	Drain Valve Plate Assembly	
13	223/00086/00	Drain Valve Overflow Plug	
14	223/00012/00	Hose Clamp	
15	209/00051/00	Drain Valve	
16	223/00190/00	Drain Valve Hose	
17	223/00105/00	Drain Pipe	
18	223/00100/00	Overflow Hose	

Door Lock

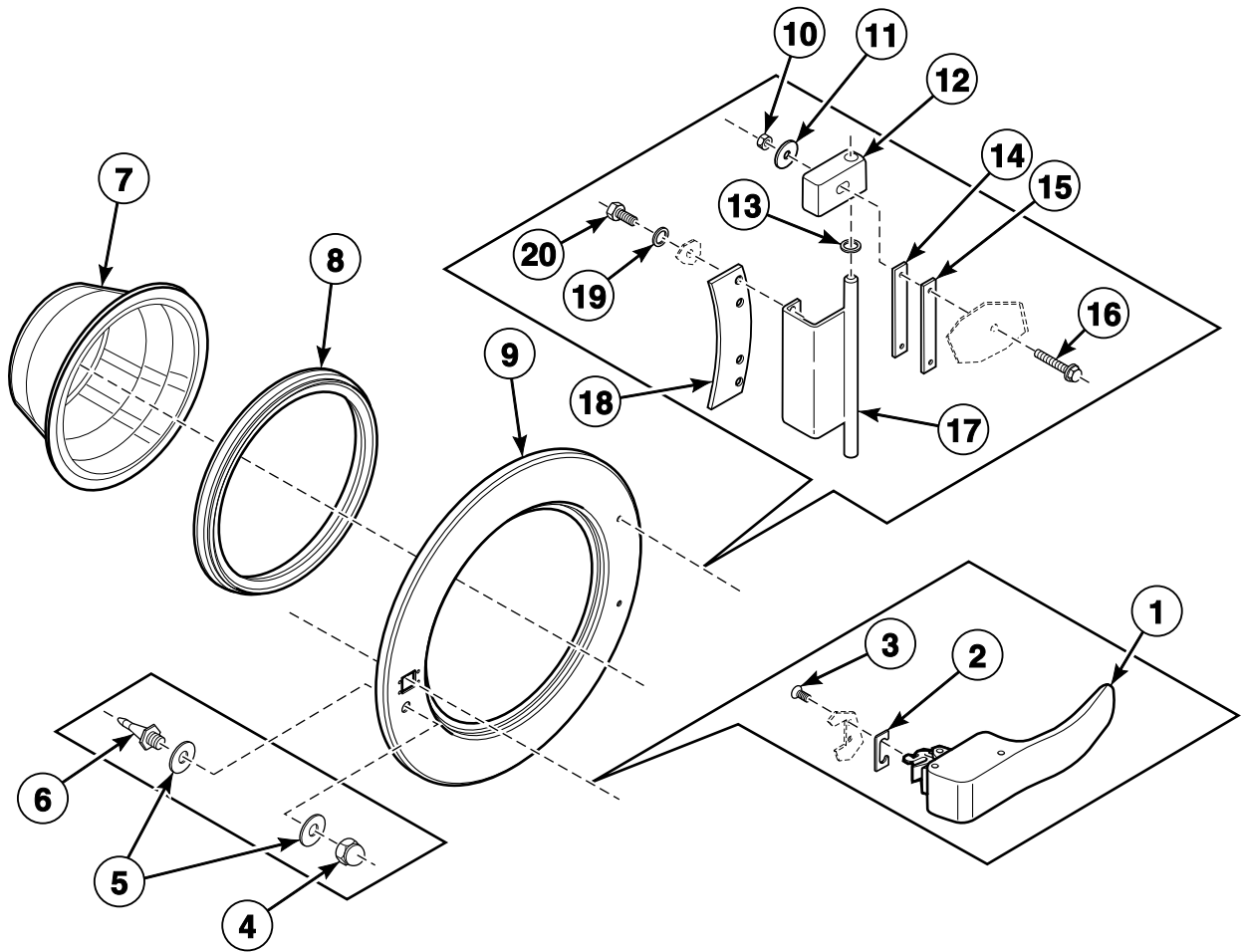


BE000112BP_D0241

Door Lock

REF	PART NO.	DESCRIPTION	COMMENTS
1	217/00052/01A	Door Lock Assembly	
2	217/00052/02	Door Lock Pin Kit	
3	205/00115/00	Bolt	
4	202/00101/00	Washer	
5	217/00017/03	Lock Shaft	
6	207/00009/00	Screw	
7	201/00018/00	Washer	
8	209/00273/00	Light Microswitch	
9	203/00007/00	Washer	
10	207/00135/00	Screw	
11	209/00274/00	Door Lock Solenoid	
12	224/00049/00	Door Lock Spring	
13	201/00017/00	Washer	
14	201/00006/00	Washer	
15	204/00009/00	Nut	
16	224/00043/00	Interlock Coil Spring	
17	217/00052/07	Door Release Wire	
18	217/00052/04	Interlock Lever	
19	217/00052/03	Door Lock Spacer	
20	217/00052/05	Switch Lever	
21	224/00040/00	Lever Spring	
22	117/00052/08	Lock Protection Plate	
23	210/10015/00	Ground Terminal	
24	204/00008/00	Nut	
25	205/00103/00	Bolt	
26	209/00272/00	Door Lock Microswitch	

Door

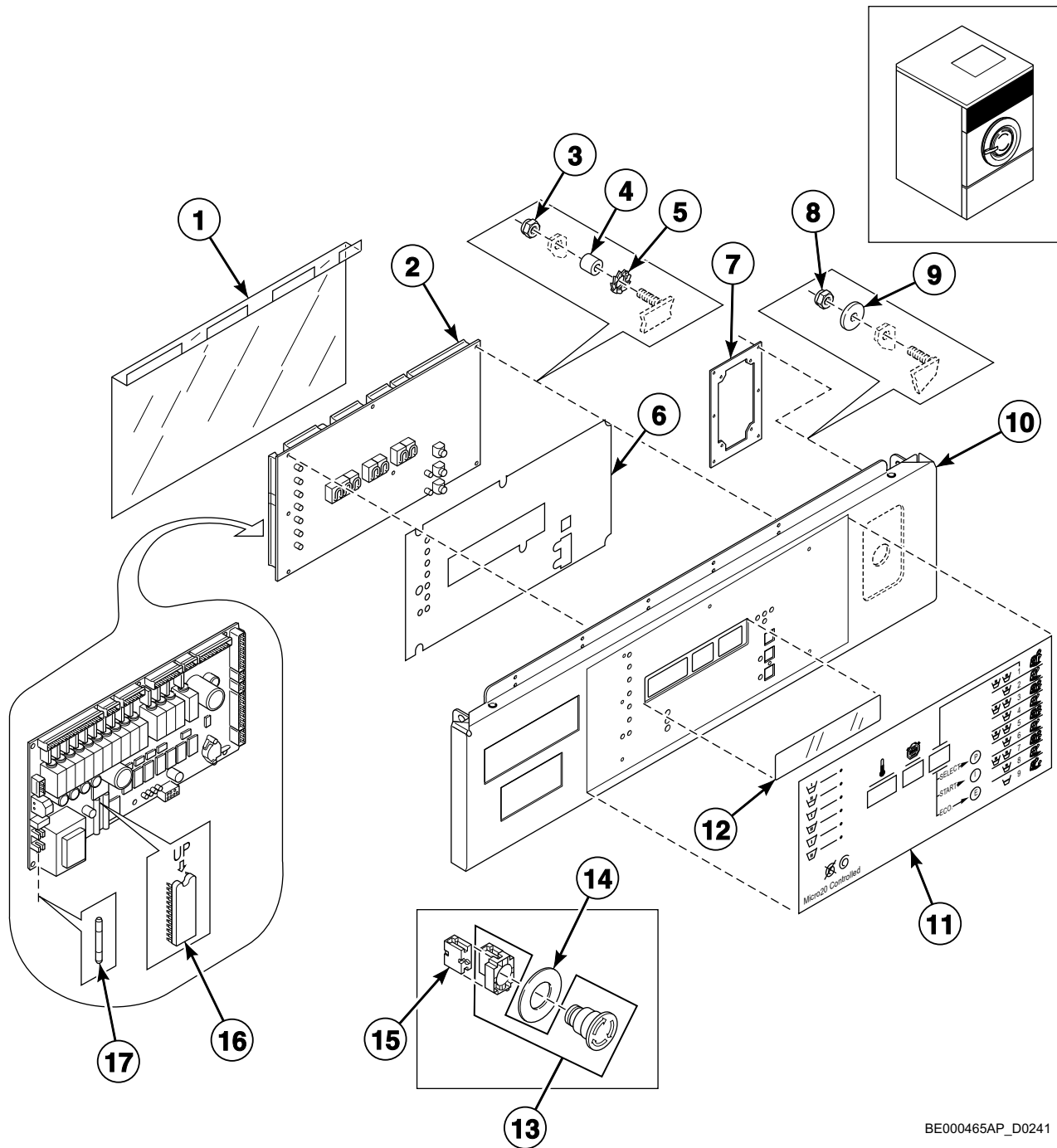


BE000033DP_D0241

Door

REF	PART NO.	DESCRIPTION	COMMENTS
1	217/00059/00	Door Handle	
2	217/00016/00	Door Handle Stop	
3	B12500801	Screw	
4	204/00103/00	Nut	
5	202/00111/00	Washer	
6	211/00109/01	Door Lock Pin Kit	
7	217/00022/00	Door Glass	
8	217/00015/00	Door Glass Seal	
9	118/00046/10	Door Frame	
10	204/00106/00	Nut	
11	202/00108/00	Washer	
12	217/00009/02	Door Hinge Assembly	
13	202/00104/00	Washer	
14	117/00011/00	Door Hinge Spacer	2 mm
15	117/00010/00	Door Hinge Spacer	1 mm
16	207/00126/00	Screw	M6 x 35
	207/00125/00	Bolt	M6 x 25
17	221/00005/00	Door Hinge	
18	118/00065/00	Door Hinge Plate Assembly	
19	202/00101/00	Washer	
20	205/00107/00	Bolt	

Control Panel - Micro-20

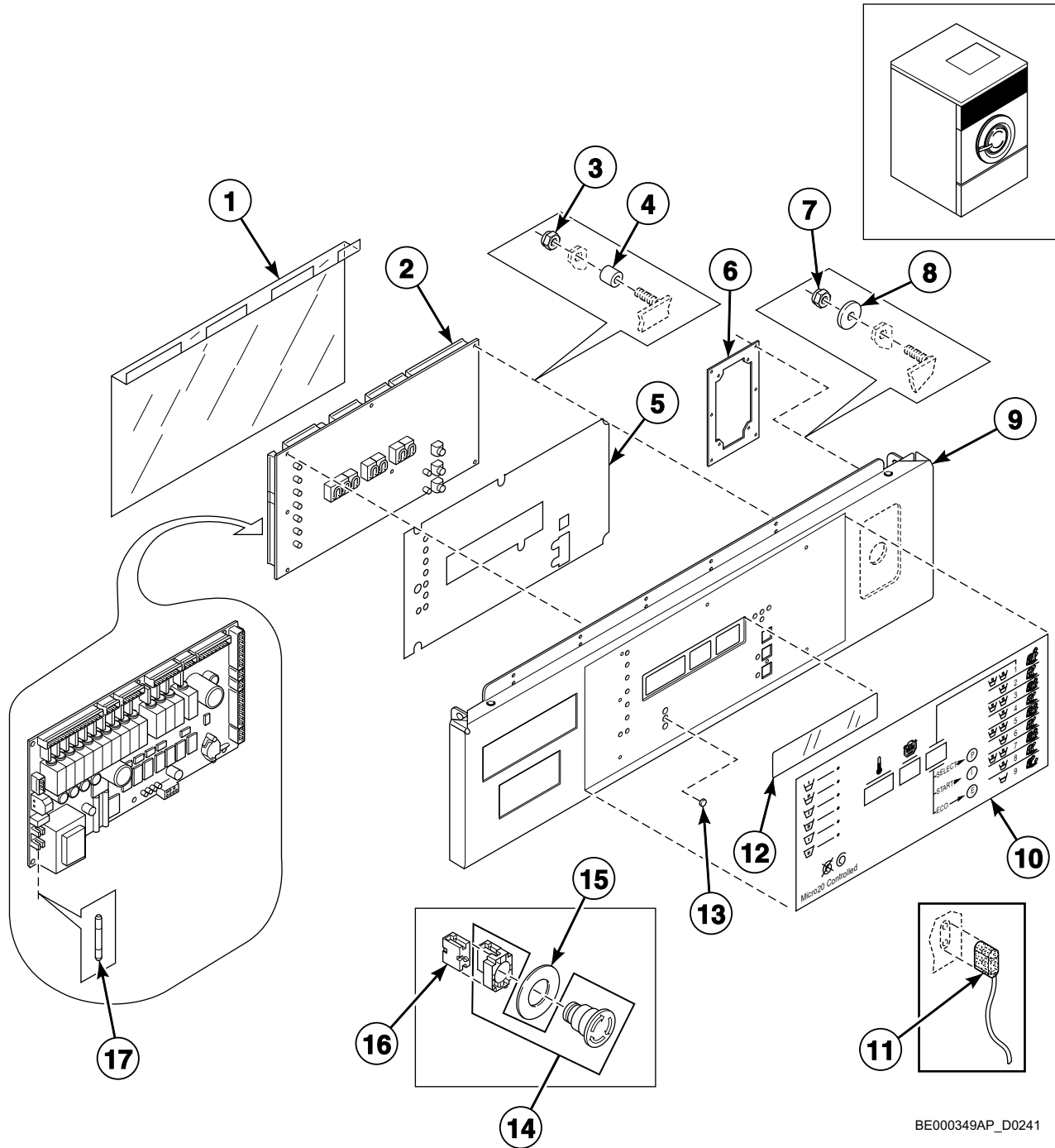


BE000465AP_D0241

Control Panel - Micro-20

REF	PART NO.	DESCRIPTION	COMMENTS
1	229/00262/00	Circuit Board Cover	
2	209/00440/70	Printboard	
3	204/00116/00	Nut	
4	211/00122/00	Standoff	
5	203/00006/00	Washer	
6	229/00255/00	Insulating Sticker	
7	111/00257/00	Coin Meter Plate	
8	204/00009/00	Nut	
9	201/00008/00	Washer	
10	111/01703/00	Front Panel	OPL
	111/01704/00	Front Panel	Coin
11	225/00407/00	Keypad Sticker	OPL
	225/00406/00	Operating Label	Coin
	225/00408/00	Operating Sticker	Coin models with central payment
12	225/00316/00	Plexi Frame	
13	209/00248/20	Mushroom Pushbutton	
14	209/00520/00	Telem Sticker	
15	209/00099/26	Contact Switch	
16	209/00266/01	Eprom	Standard software
17	209/00439/00	Fuse	500 mA

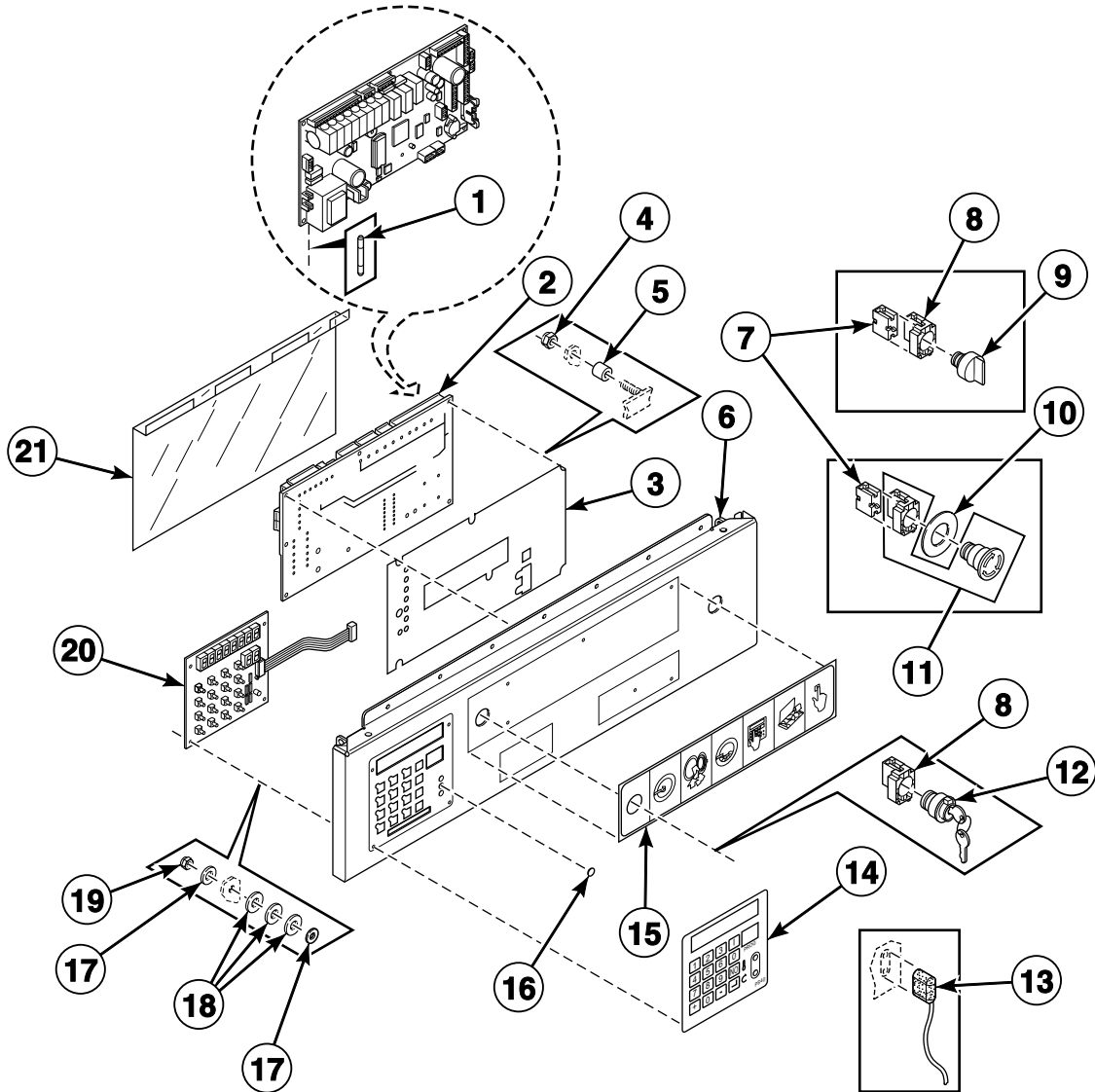
Control Panel - Sigma



Control Panel - Sigma

REF	PART NO.	DESCRIPTION	COMMENTS
1	229/00262/00	Circuit Board Cover	
2	209/00547/00	Control Board	
3	204/00116/00	Nut	
4	211/00122/00	Standoff	For printboards
5	229/00255/00	Insulating Sticker	
6	111/00257/00	Coin Meter Plate	
7	204/00009/00	Nut	
8	201/00008/00	Washer	
9	111/01703/00	Front Panel	OPL
	111/01704/00	Front Panel	Coin
10	225/00404/00	Operating Sticker	OPL
	225/00403/00	Decal	Coin
	225/00405/00	Operating Sticker	Coin models with central payment
11	210/00902/00	Infrared Cable	
12	225/00316/00	Plexi Frame	
13	202/00120/00	Metal Disc	
14	209/00248/20	Mushroom Pushbutton	
15	209/00520/00	Telem Sticker	
16	209/00099/26	Contact Switch	
17	209/00439/00	Fuse	500 mA

Control Panel - PS40F

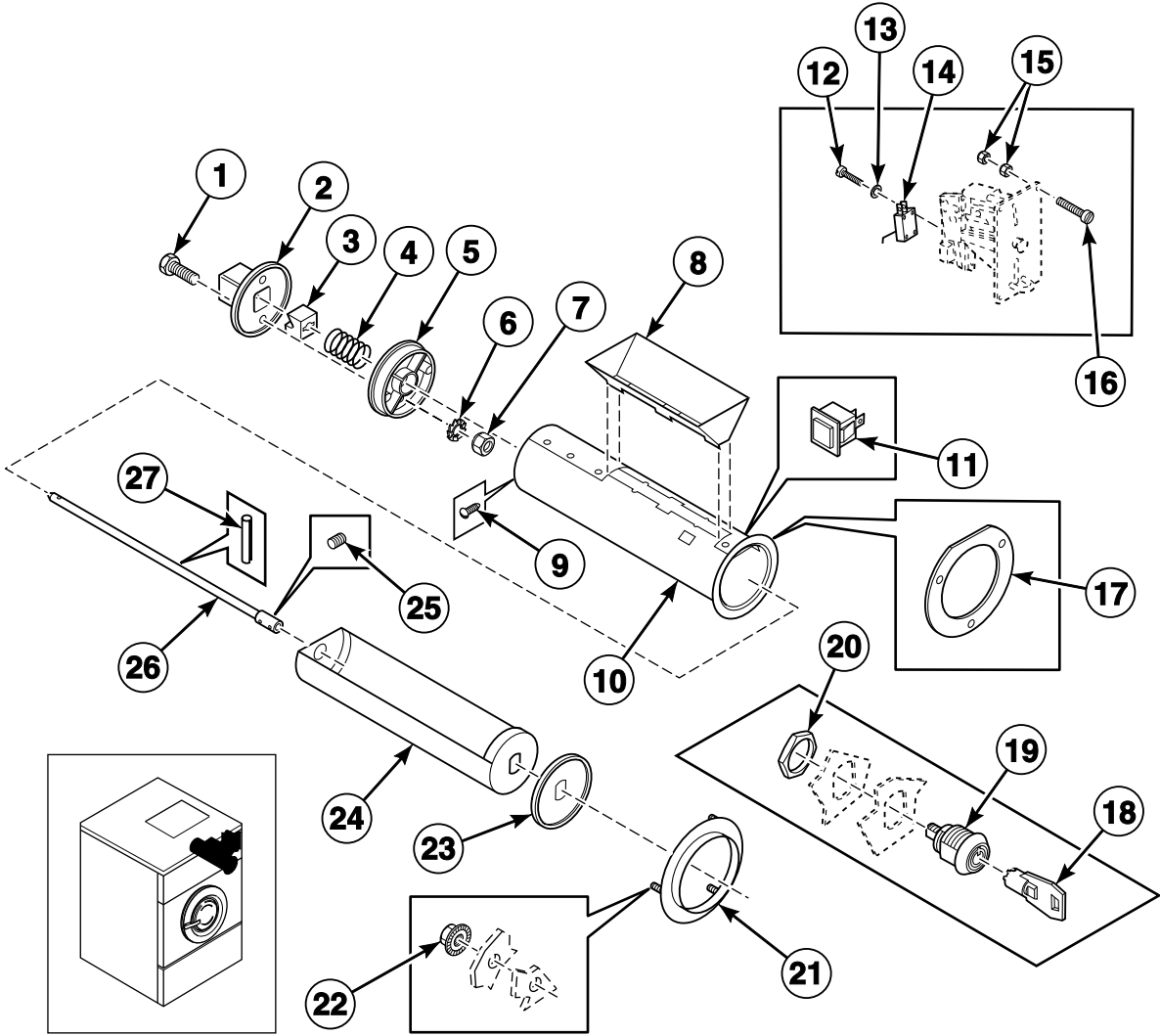


BE000558AP_D0241

Control Panel - PS40F

REF	PART NO.	DESCRIPTION	COMMENTS
1	209/00372/01	Fuse	
2	B12351701	Main Board	
3	229/00255/00	Insulating Sticker	
4	204/00116/00	Nut	
5	211/00122/00	Standoff	
6	111/01705/00	Front Panel	
7	209/00099/26	Contact Switch	
8	209/00099/25	Switch Base	
9	209/00099/29	Switch Knob	
10	209/00520/00	Telem Sticker	
11	209/00248/20	Mushroom Pushbutton	
12	209/00326/20	Programming Key Contact Switch	
13	210/00902/00	Infrared Cable	
14	225/00397/00	Label	
15	225/00400/00	Operating Sticker	
16	202/00120/00	Metal Disc	
17	223/00123/00	Washer	
18	223/00051/10	Washer	
19	204/00116/00	Nut	
20	209/00552/01	Keypad	
21	229/00262/00	Circuit Board Cover	

Coin Meter and Coin Vault (Drawing 1 of 2)



BE000042BP_D0241

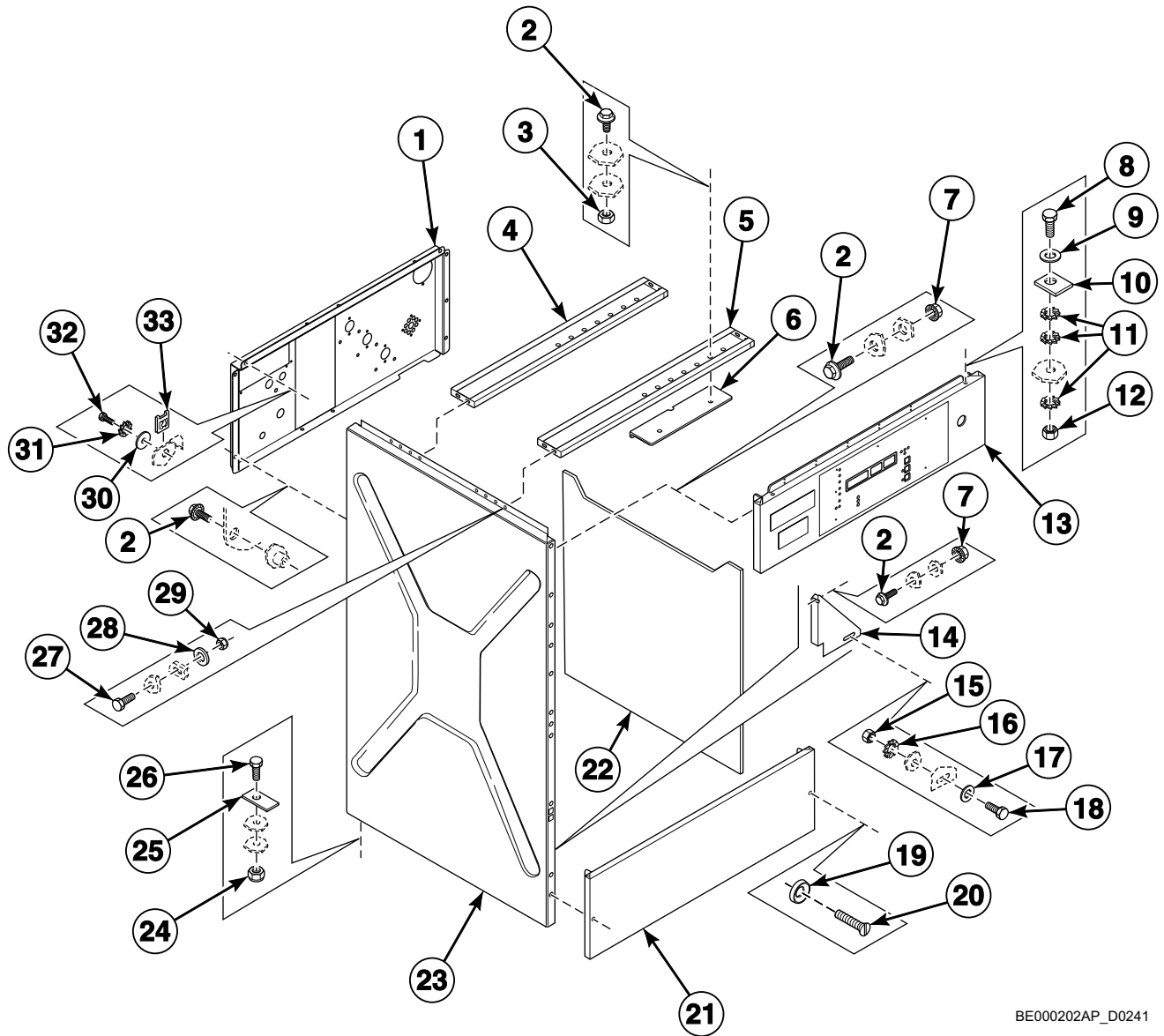
Coin Meter and Coin Vault (Drawing 1 of 2)

REF	PART NO.	DESCRIPTION	COMMENTS
1	206/00033/00	Bolt	
2	211/00070/01	Outer Cabinet Lock	
3	211/00070/02	Washer	
4	211/00070/04	Spring	
5	211/00070/03	Inner Coin Box	
6	203/00004/00	Washer	
7	204/00005/00	Nut	
8	211/00071/00	Coin Box	
9	208/00007/00	Screw	
10	211/00100/00	Outer Coin Box	
11	209/00396/00	Pushbutton	
12	207/00009/00	Screw	
13	203/00007/00	Washer	
14	209/00060/12	Coin Drop Microswitch	
15	204/00116/00	Nut	
16	207/00108/00	Screw	
17	111/00100/00	Coin Box Ring Assembly	
18	211/00065/02	Coin Box Key	
19	211/00065/00	Coin Box Lock	
20	211/00065/01	Nut	
21	111/00066/00	Coin Box Ring	
22	206/00099/00	Bolt	
23	111/00068/00	Front Plate	
24	111/00101/00	Coin Box	
25	206/00038/00	Screw	
26	111/00069/00	Spindle	
27	208/00013/00	Roll Pin	

Coin Meter and Coin Vault (Drawing 2 of 2)

REF	PART NO.	DESCRIPTION	COMMENTS
1	209/00389/00	Coin Meter	Euro; .10
	209/00388/00	Coin Meter	Euro; .20
	209/00387/00	Coin Meter	Euro; .50
	209/00390/00	Coin Meter	Euro; 1.00
	209/00391/00	Coin Meter	Euro; 1.00 (LVN)
	209/00119/00	Coin Meter	Euro; .20 and .50
	209/00120/00	Coin Meter	Euro; 1.00 and .20
	209/00166/00	Coin Meter	Euro; 1.00 and .50
	209/00576/00	Coin Meter	Euro; 2.00 and .50
	209/00111/00	Coin Meter	\$.25
	209/00414/00	Coin Meter	Canada; .25 and 1.00
	209/00378/00	Coin Meter	Australia; 1.00 and 2.00
	209/00229/00	Coin Meter	Australia; 1.00 and .20
	209/00065/00	Coin Meter	Hong Kong; 1 dollar
	209/00418/00	Coin Meter	Malaysia; 1 dollar
	209/00364/00	Coin Meter	England; 1 pound and 20 pence
	209/00437/00	Coin Meter	South Africa; 1 rand and 2 rand
	209/00442/00	Coin Meter	Israel; 1 shekel and 5 shekel
	209/00375/00	Coin Meter	Singapore; 1 dollar
	209/00383/00	Coin Meter	New Zealand; 2 dollar and 1 dollar
	209/00500/00	Coin Meter	Morocco; 5 MDh and 10 MDh
	209/00404/00	Coin Meter	5 NoCr and 10 NoCr
	209/00402/00	Coin Meter	10 dek and 2 dek
	209/00460/00	Coin Meter	2 dek
	209/00064/00	Coin Meter	Australia; .20
	209/00415/00	Coin Meter	Hong Kong; 5 dollar
	209/00501/00	Coin Meter	Norway; 50 kronur and 100 kronur
	209/00402/01	Coin Meter	Token; .800
	209/00402/03	Coin Meter	Token; Coin meter token
	209/00502/00	Coin Meter	Token; Small Muller
	209/00402/04	Coin Meter	Token; Prinz; 28 x 2.7 mm
	209/00402/02	Coin Meter	Token; Prinz; 22.85 x 2.1 mm
	209/00407/00	Coin Meter	Token; Prinz 26 x 2.05 mm
	209/00469/00	Coin Meter	NRI; Electronic
	209/00216/00	Coin Meter	Japan; 100 yen
	209/00278/00	Coin Meter	Japan; 100 yen and 500 yen
	209/00373/00	Coin Meter	Korea; 500 won
	209/00522/00	Coin Meter	Trenner; Electronic
	209/00061/00	Coin Meter	Token; 7K
	209/00068/00	Coin Meter	Token; 10K
	209/00069/00	Coin Meter	Token; 12K
	209/00070/00	Coin Meter	Token; 15K
	209/00121/00	Coin Meter	Profiled token
	209/00161/00	Coin Meter	1 dek
	209/00158/00	Coin Meter	1 rial
	209/00160/00	Coin Meter	5 dek
	209/00269/00	Coin Meter	Korea; 100 won and 500 won
	209/00162/00	Coin Meter	Token; Vasketeria and 5 DK
	209/00066/00	Coin Meter	Token; Vasketeria and 2x1 DK
	209/00553/00	Coin Meter	USA; \$1.00 and \$.25
	209/00548/00	Coin Meter	100 pesetas and 25 pesetas

Left Side, Lower Front and Upper Back Panels

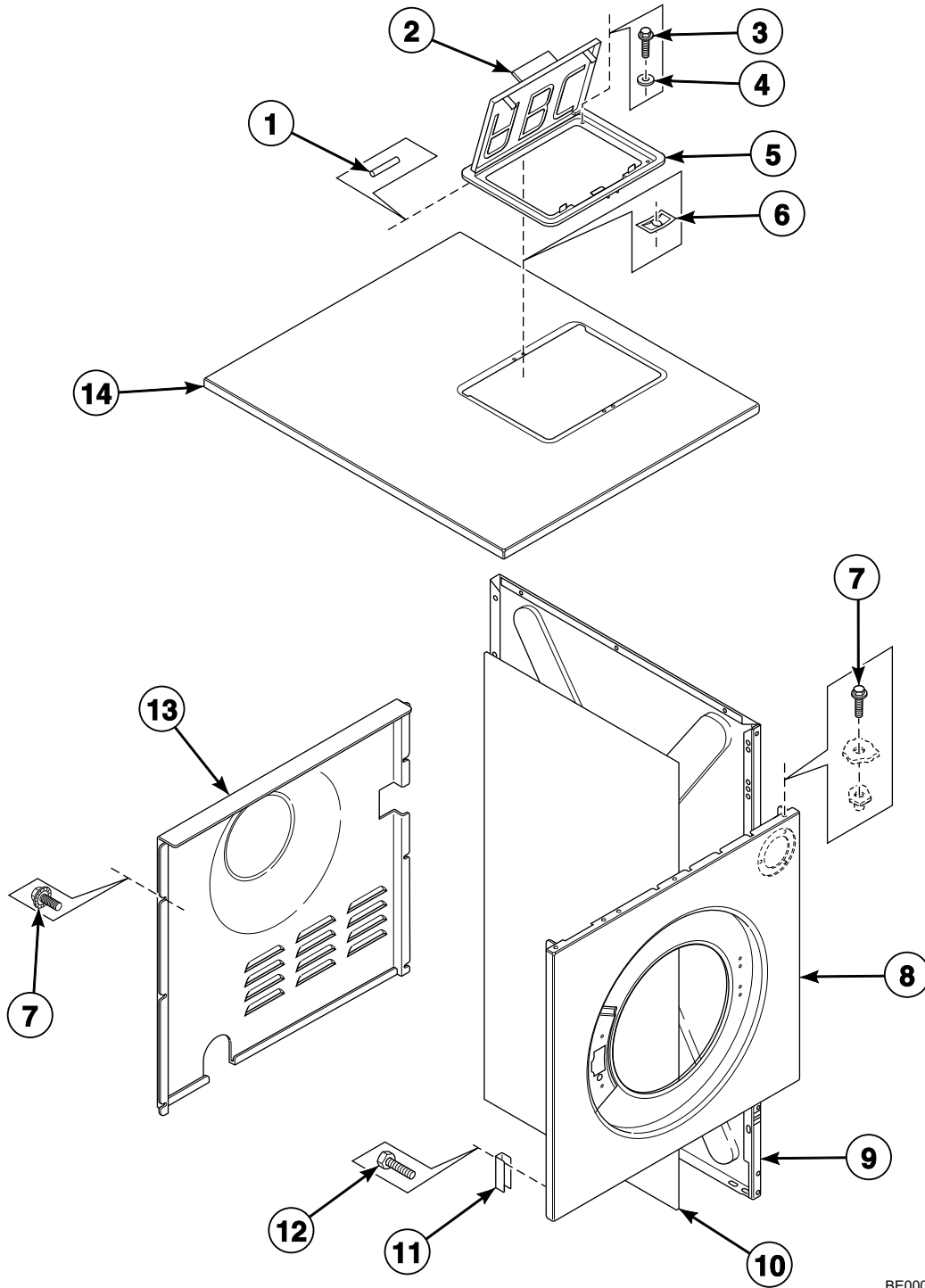


BE000202AP_D0241

Left Side, Lower Front and Upper Back Panels

REF	PART NO.	DESCRIPTION	COMMENTS
1	111/01164/90	Backbridge	
2	206/00099/00	Bolt	
3	204/00005/00	Nut	
4	111/10099/00	Rear Plate	
5	111/10098/00	Front Plate	
6	111/10093/00	Mounting Plate	
7	206/00101/00	Nut	
8	205/00106/00	Bolt	
9	202/00003/00	Washer	
10	117/00042/00	Retaining Ring	
11	203/00005/00	Washer	
12	204/00006/00	Nut	
13	111/01703/00	Front Panel	OPL
	111/01704/00	Front Panel	Coin
14	111/00109/00	Triangle Support	Right
	111/00118/00	Triangle Support	Left
15	204/00003/00	Nut	
16	203/00002/00	Washer	
17	201/00010/00	Washer	
18	206/00005/00	Bolt	
19	208/00009/00	Washer	
20	207/00130/00	Screw	
21	111/22731/00	Lower Front Panel	Stainless steel
	111/23731/00	Lower Front Panel	Epoxy
22	246/00079/00	Side Panel Gasket	
23	111/22723/10	Side Panel	*131 models; Stainless steel
	111/22728/10	Side Panel	*35 and *164 models; Stainless steel
	111/22723/20	Side Panel	*131 models; Epoxy
	111/22728/20	Side Panel	*35 and *164 models; Epoxy
24	204/00009/00	Nut	
25	101/00007/00	Outlet Pipe Plate Assembly	
26	205/00104/00	Bolt	
27	206/00027/00	Bolt	
28	202/00004/00	Washer	
29	204/00114/00	Nut	
30	201/00006/00	Washer	
31	203/00015/00	Washer	
32	208/00001/00	Screw	
33	208/00025/00	Nut	

Right Side, Front, Lower Rear and Top Panels

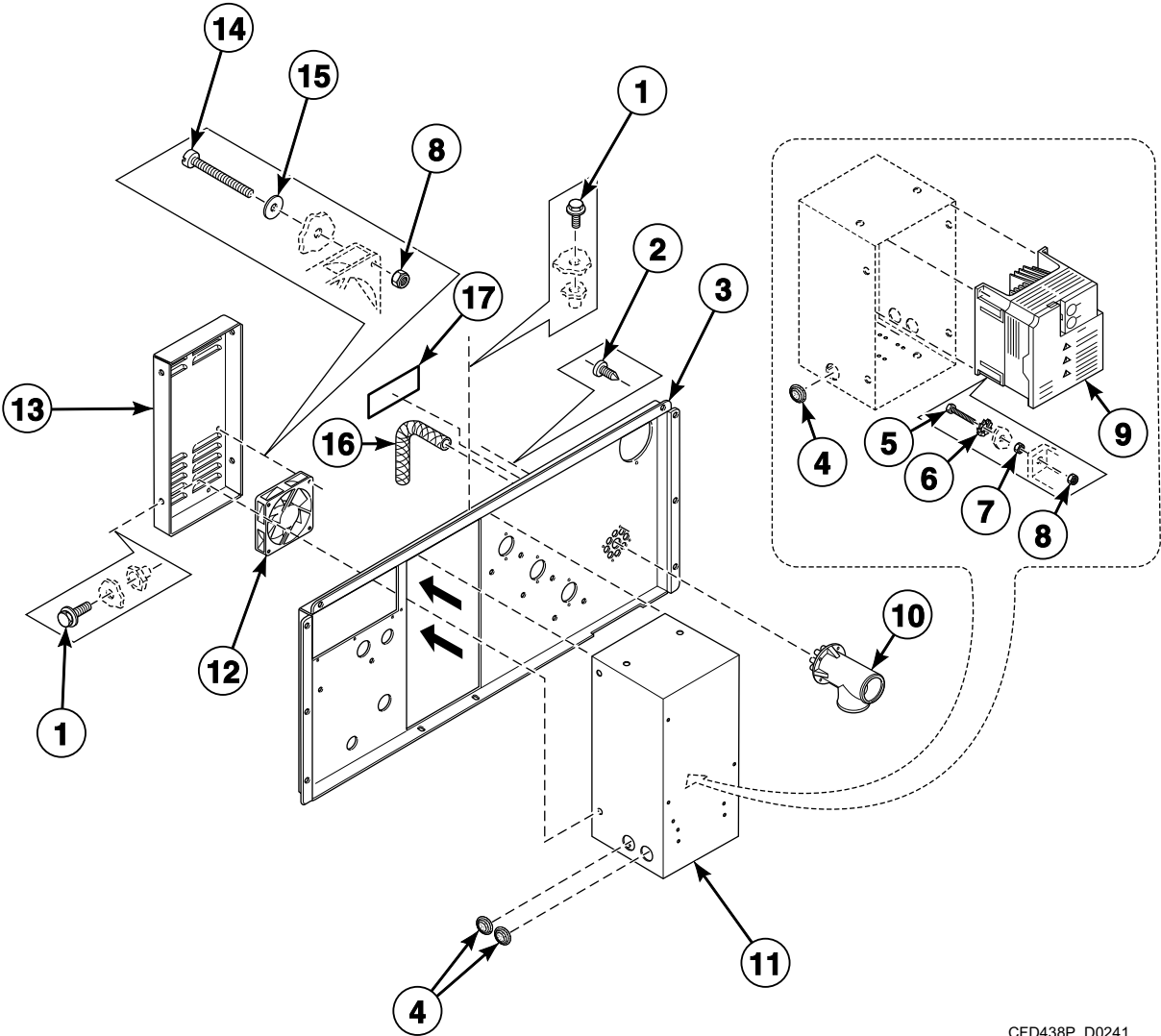


BE000203P_D0241

Right Side, Front, Lower Rear and Top Panels

REF	PART NO.	DESCRIPTION	COMMENTS
1	223/00103/04	Soap Dispenser Cover Hinge Rod	2 required
2	223/00103/01	Soap Dispenser Cover	
3	205/00108/00	Bolt	
4	202/00101/00	Washer	
5	223/00103/03	Soap Dispenser Frame	
6	208/00104/00	Nut	
7	206/00099/00	Bolt	
8	111/10094/00	Lower Front Panel	OPL; Stainless steel
	111/10095/00	Lower Front Panel	Coin; Stainless steel
	111/10094/10	Lower Front Panel	OPL; Epoxy
	111/10095/10	Lower Front Panel	Coin; Epoxy
9	111/22723/10	Side Panel	*131 models; Stainless steel
	111/22728/10	Side Panel	*35 and *164 models; Stainless steel
	111/22723/20	Side Panel	*131 models; Epoxy
	111/22728/20	Side Panel	*35 and *164 models; Epoxy
10	246/00079/00	Side Panel Gasket	
11	111/10089/01	Reinforcement Plate	
12	206/00114/00	Bolt	
13	152/00053/02	Back Panel	
14	111/22741/00	Top Panel	*131 models; Stainless steel
	111/22742/00	Top Panel	*131 models; Stainless steel with lock
	111/23741/00	Top Panel	*131 models; White
	111/22743/00	Top Panel	*35 and *164 models; Stainless steel
	111/22744/00	Top Panel	*35 and *164 models; Stainless steel with lock
	111/23743/00	Top Panel	*35 and *164 models; White

Inverter Drive

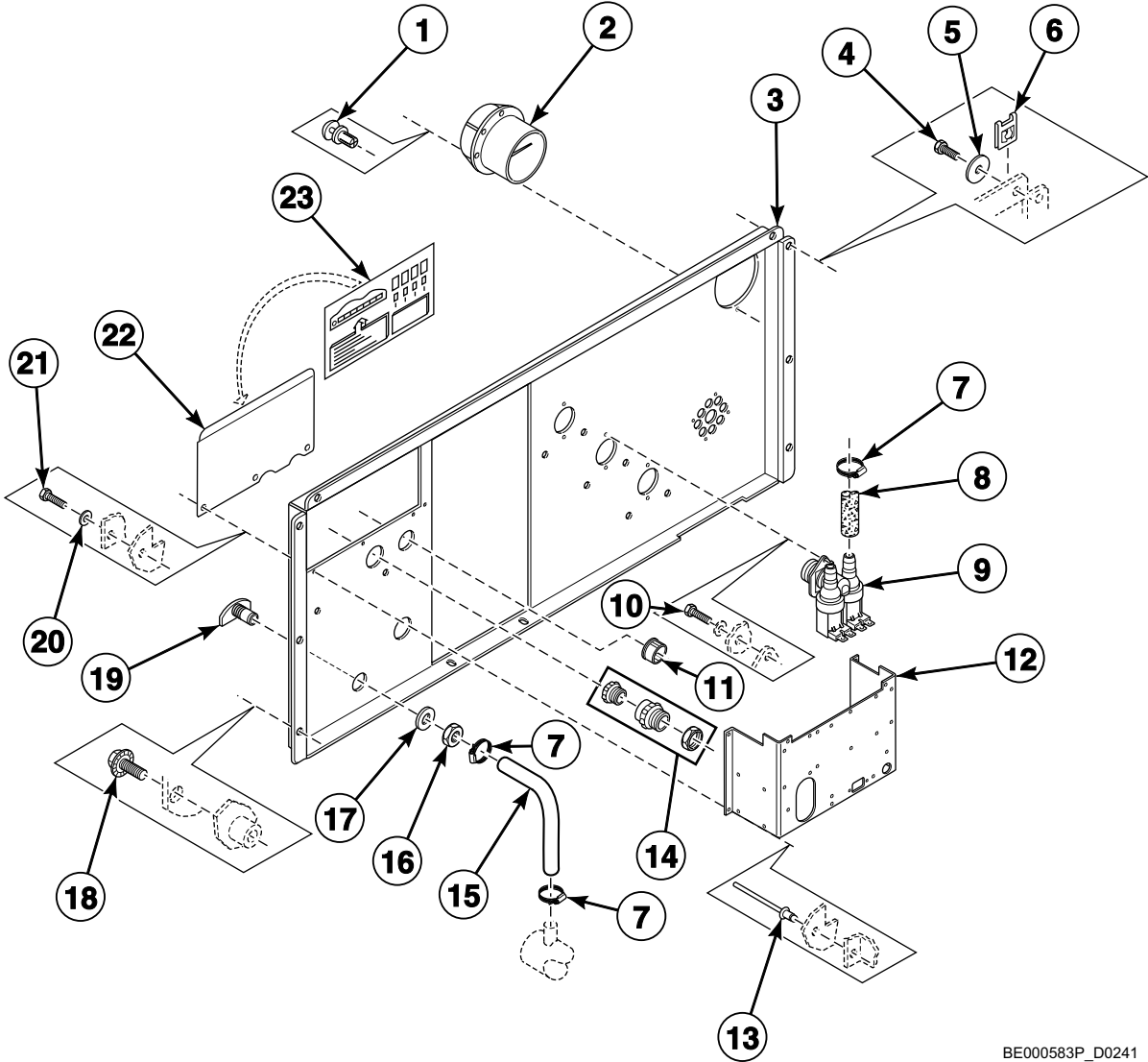


CFD438P_D0241

Inverter Drive

REF	PART NO.	DESCRIPTION	COMMENTS
	F8410901	Parameter Unit Assembly	Mounts to inverter drive; Used with 500-series inverter drives
	227/00171/00	Parameter Unit Assembly	Hand held
1	206/00099/00	Bolt	
2	208/00130/00	Screw	
3	111/01164/90	Backbridge	
4	223/00174/00	Grommet	
5	206/00088/00	Bolt	
6	203/00006/00	Washer	
7	204/00007/00	Nut	
8	204/00114/00	Nut	
9	F8420608	Inverter Drive Kit	HW131 models; 200 Volt/1 Phase; Used to convert from 500 to 700-series inverter drive; Includes F8420708 Inverter Drive, F8409501 Mounting Plate Assembly and F430903 Screw
	F8420708	Inverter Drive	HW131 models; 200 Volt/1 Phase; 700-series
	F8420609	Inverter Drive Kit	HW131 models; 400 Volt/3 Phase; Used to convert from 500 to 700-series inverter drive; Includes F8420709 Inverter Drive, F8409501 Mounting Plate Assembly and F430903 Screw
	F8420709	Inverter Drive	HW131 models; 400 Volt/3 Phase; 700-series
	F8420610	Inverter Drive Kit	HW164 and IHW035 models; 200 Volt/1 Phase; Used to convert from 500 to 700-series inverter drive; Includes F8420710 Inverter Drive, F8409501 Mounting Plate Assembly and F430903 Screw
	F8420710	Inverter Drive	HW164 and IHW035 models; 200 Volt/1 Phase; 700-series
	F8420611	Inverter Drive Kit	HW164 and IHW035 models; 400 Volt/3 Phase; Used to convert from 500 to 700-series inverter drive; Includes F8420711 Inverter Drive, F8409501 Mounting Plate Assembly and F430903 Screw
	F8420711	Inverter Drive	HW164 and IHW035 models; 400 Volt/3 Phase; 700-series
10	223/00250/00	Liquid Soap Manifold	
11	111/01174/00	Inverter Drive Box	
12	209/00287/00	Cooling Fan	
13	111/01174/01	Inverter Box Cover	
14	207/00121/00	Screw	
15	202/00004/00	Washer	
16	223/00179/10	Pressure Hose	
17	B12355001	Voltage Discharge Decal	Inverter drive discharge

Upper Back Panel with Circular Ventilation

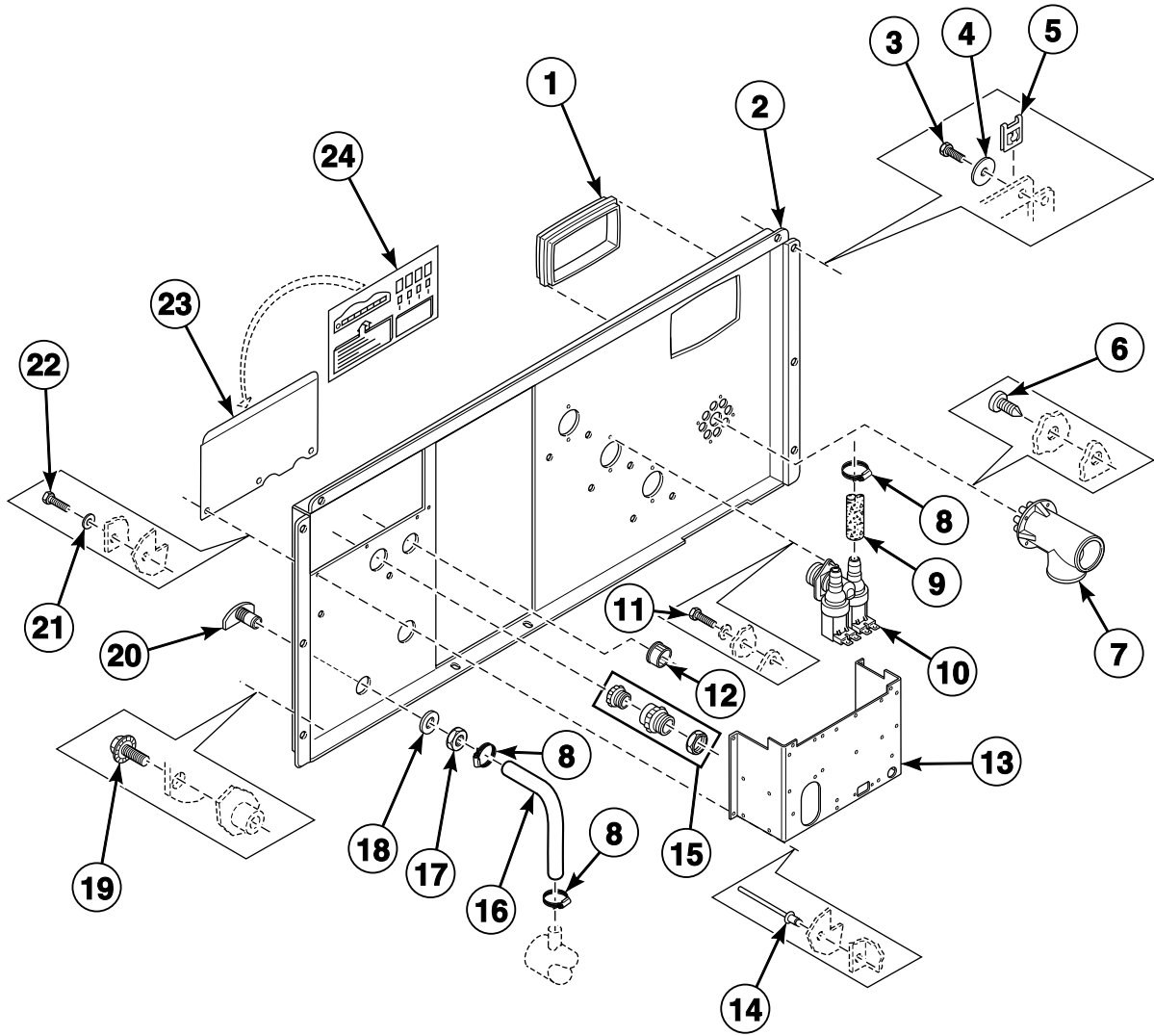


BE000583P_D0241

Upper Back Panel with Circular Ventilation

REF	PART NO.	DESCRIPTION	COMMENTS
1	211/00093/00	Rivet	
2	223/00102/07	Hose Vent	
3	111/01164/90	Backbridge	
4	208/00001/00	Screw	
5	201/00006/00	Washer	
6	208/00002/00	Nut	
7	223/00010/00	Hose Clamp	
8	223/00044/01	Water Hose	Sold per meter
9	209/00110/00	2-Way Inlet Valve	
	B12519501	2-Way Inlet Valve	G581P3 Diaphragm and Guide Kit
10	206/00027/00	Bolt	
11	211/00091/00	Plug	
12	111/00188/06	Electrical Connection Plate	
13	208/00017/00	Rivet	
14	211/00087/00	Plug	
15	223/00044/00	Water Hose	Sold per meter
16	204/00201/00	Nut	
17	201/00002/00	Washer	
18	206/00099/00	Bolt	
19	223/00001/04	Prewash and Mainwash Nozzle	
20	202/00004/00	Washer	
21	206/00014/00	Bolt	
22	111/00094/10	Electrical Connection Plate	
23	229/00068/02	Electrical Connection Sticker	

Upper Back Panel with Rectangular Ventilation

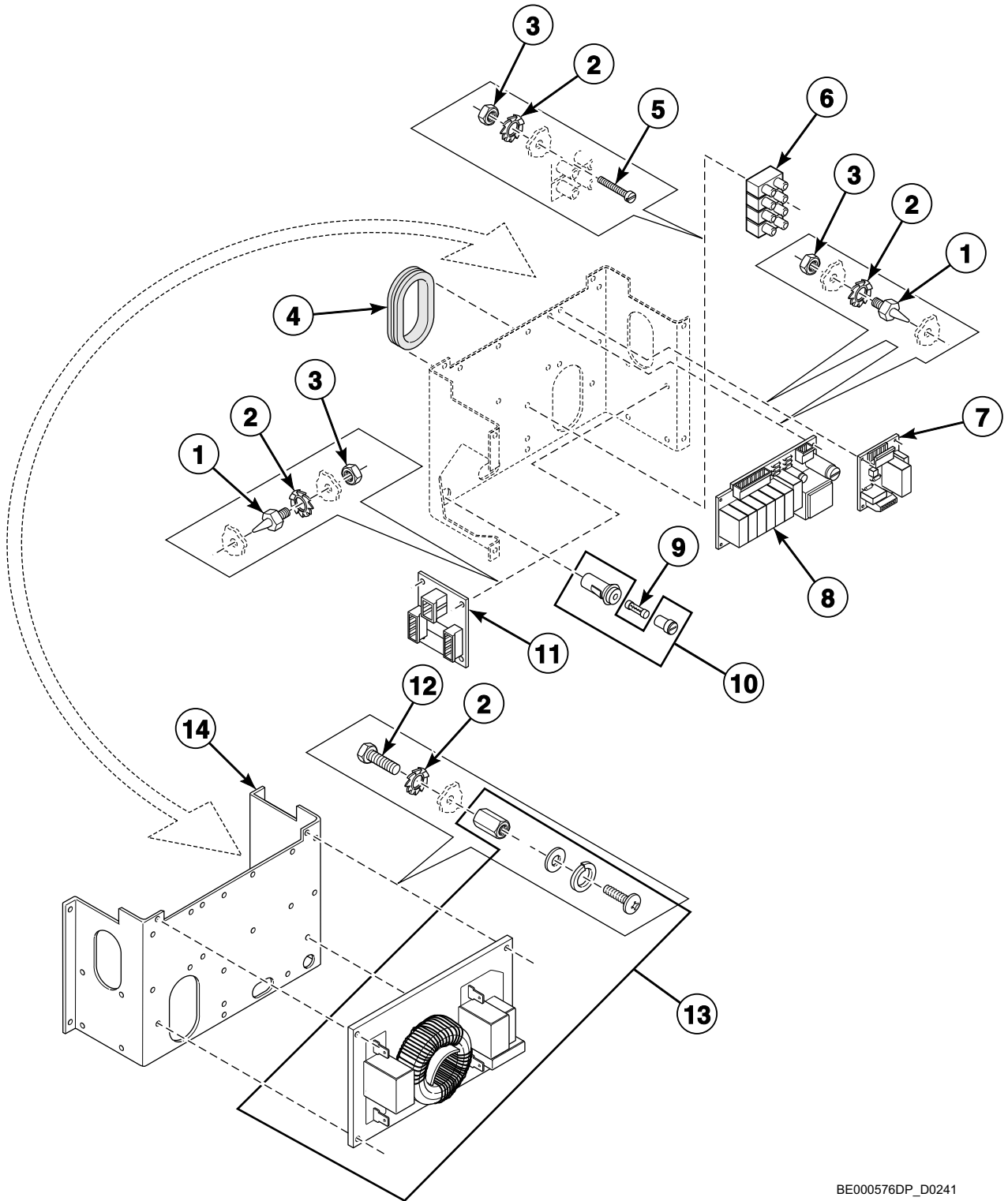


BE000584P_D0241

Upper Back Panel with Rectangular Ventilation

REF	PART NO.	DESCRIPTION	COMMENTS
1	223/00226/00	Vent Tube	
2	111/01164/85	Backbridge	
3	208/00001/00	Screw	
4	201/00006/00	Washer	
5	208/00002/00	Nut	
6	208/00130/00	Screw	
7	223/00250/00	Liquid Soap Manifold	
8	223/00010/00	Hose Clamp	
9	223/00044/01	Water Hose	Sold per meter
10	209/00110/00	2-Way Inlet Valve	Metric thread
	B12519501	2-Way Inlet Valve	Standard thread; G581P3 Diaphragm and Guide Kit
11	206/00027/00	Bolt	
12	211/00091/00	Plug	
13	111/00188/06	Electrical Connection Plate	
14	208/00017/00	Rivet	
15	211/00087/00	Plug	
16	223/00044/00	Water Hose	Sold per meter
17	204/00201/00	Nut	
18	201/00002/00	Washer	
19	206/00099/00	Bolt	
20	223/00001/04	Prewash and Mainwash Nozzle	
21	202/00004/00	Washer	
22	206/00014/00	Bolt	
23	111/00094/10	Electrical Connection Plate	
24	229/00068/02	Electrical Connection Sticker	

Soap Injection Printboard, Network Connection Printboard and Noise Filter

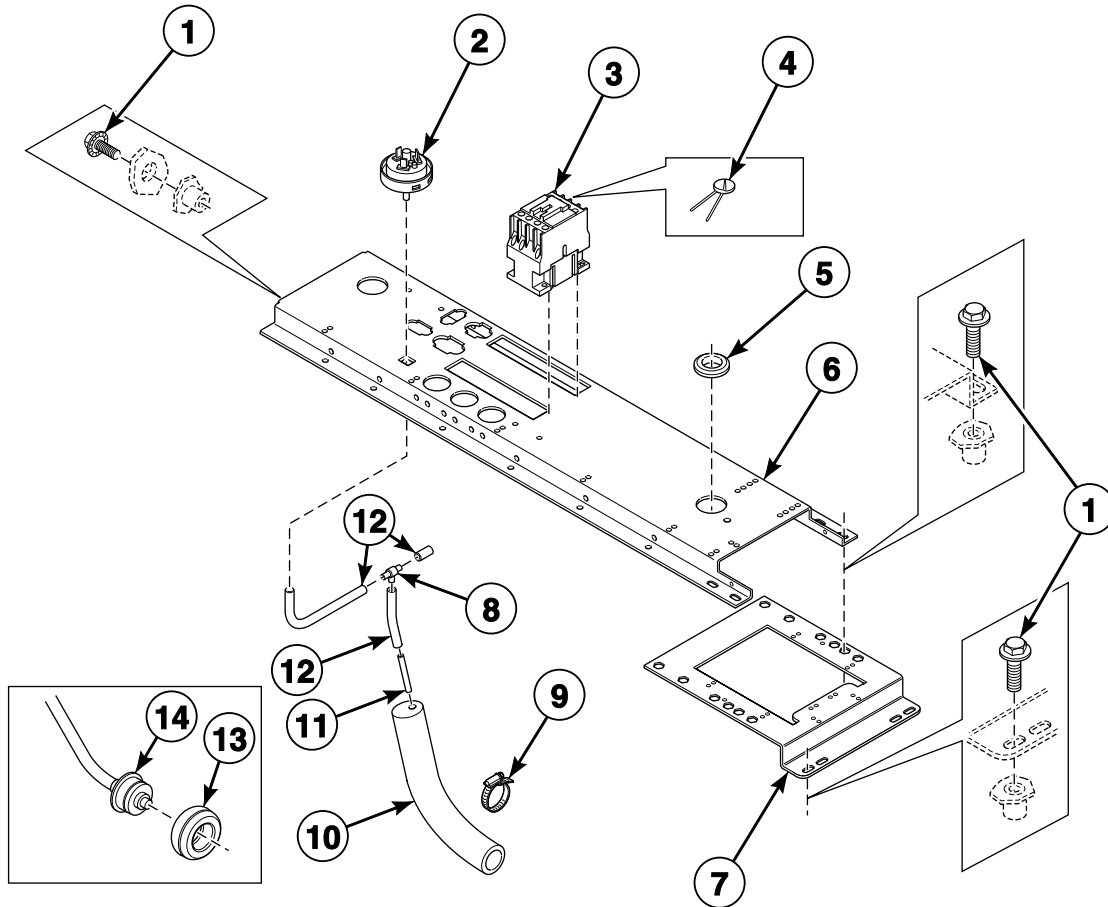


BE000576DP_D0241

Soap Injection Printboard, Network Connection Printboard and Noise Filter

REF	PART NO.	DESCRIPTION	COMMENTS
1	211/00120/00	Standoff	
2	203/00006/00	Washer	
3	204/00007/00	Nut	
4	223/00203/00	Grommet	
5	207/00031/00	Screw	
6	209/00058/00	Terminal Block	
7	209/00438/50	Central Control Board	
8	209/00218/13	Soap Injection PCB with Fuse	
9	209/00468/00	Fuse	
10	209/00202/00	Fuse Holder	
	209/00202/01	Fuse Holder	Includes item 9
11	209/00540/00	Network Connection Printboard	
12	206/00027/00	Bolt	
13	227/00177/00	Filter	16A1
	227/00242/00	Noise Filter	16A3
	227/00179/00	Filter	40A3
	227/00180/00	Filter	45A1
	227/00183/00	Filter	53A3
14	111/00188/06	Electrical Connection Plate	

Electrical Component Mounting Plate

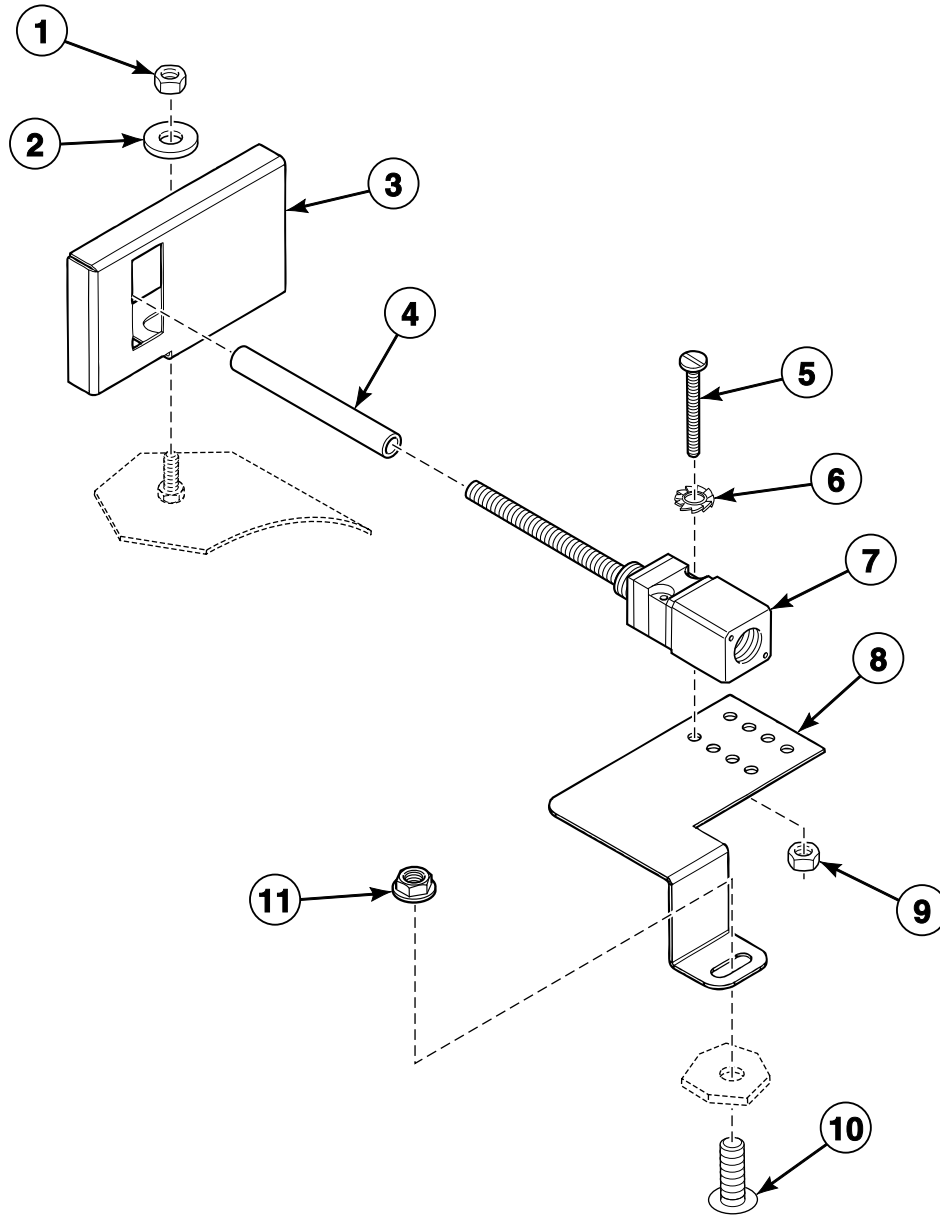


BE000581P_D0241

Electrical Component Mounting Plate

REF	PART NO.	DESCRIPTION	COMMENTS
1	206/00099/00	Bolt	
2	209/00007/50	Pressure Switch	
3	209/00148/02	Contactactor	LC1D1810M7
	209/00041/04	Contactactor	LC1D0901M7
4	209/00356/00	Noise Suppressor	
5	223/00198/00	Grommet	
6	111/10002/00	Mounting Plate	
7	111/10001/10	Mounting Plate	
8	223/00011/00	Hose Clamp	
9	223/00210/00	Pressure Switch Elbow	
10	223/00016/00	Hose Barb	
11	223/00212/00	Pressure Switch Hose	
12	223/00173/10	Pressure Switch Hose Tee	
13	209/00309/02	Thermostat Assembly	
14	225/10004/00	Thermostat Seal	

Balance Switch

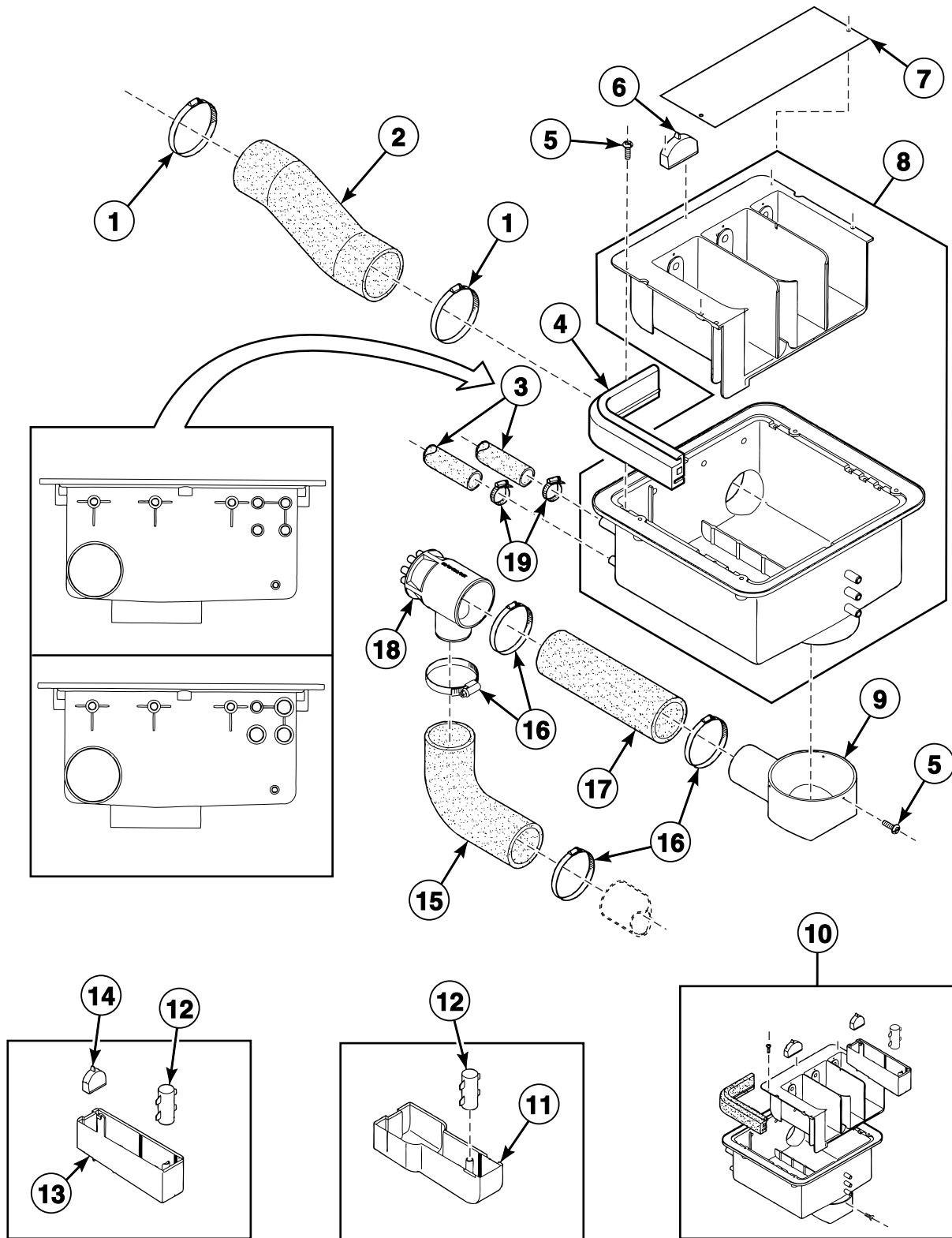


BE000536AP_D0241

Balance Switch

REF	PART NO.	DESCRIPTION	COMMENTS
1	204/00110/00	Nut	
2	201/00010/00	Washer	
3	111/00108/01	Tilt Detector Plate	
4	223/00246/00	Out-of-Balance Switch Boot	
5	207/00018/00	Screw	
6	203/00006/00	Washer	
7	209/00255/00	Out-of-Balance Switch	
8	111/00107/01	Tilt Switch Bracket	
9	204/00007/00	Nut	
10	208/00120/00	Screw	
11	206/00101/00	Nut	

Supply Dispenser with Round Ventilation Opening

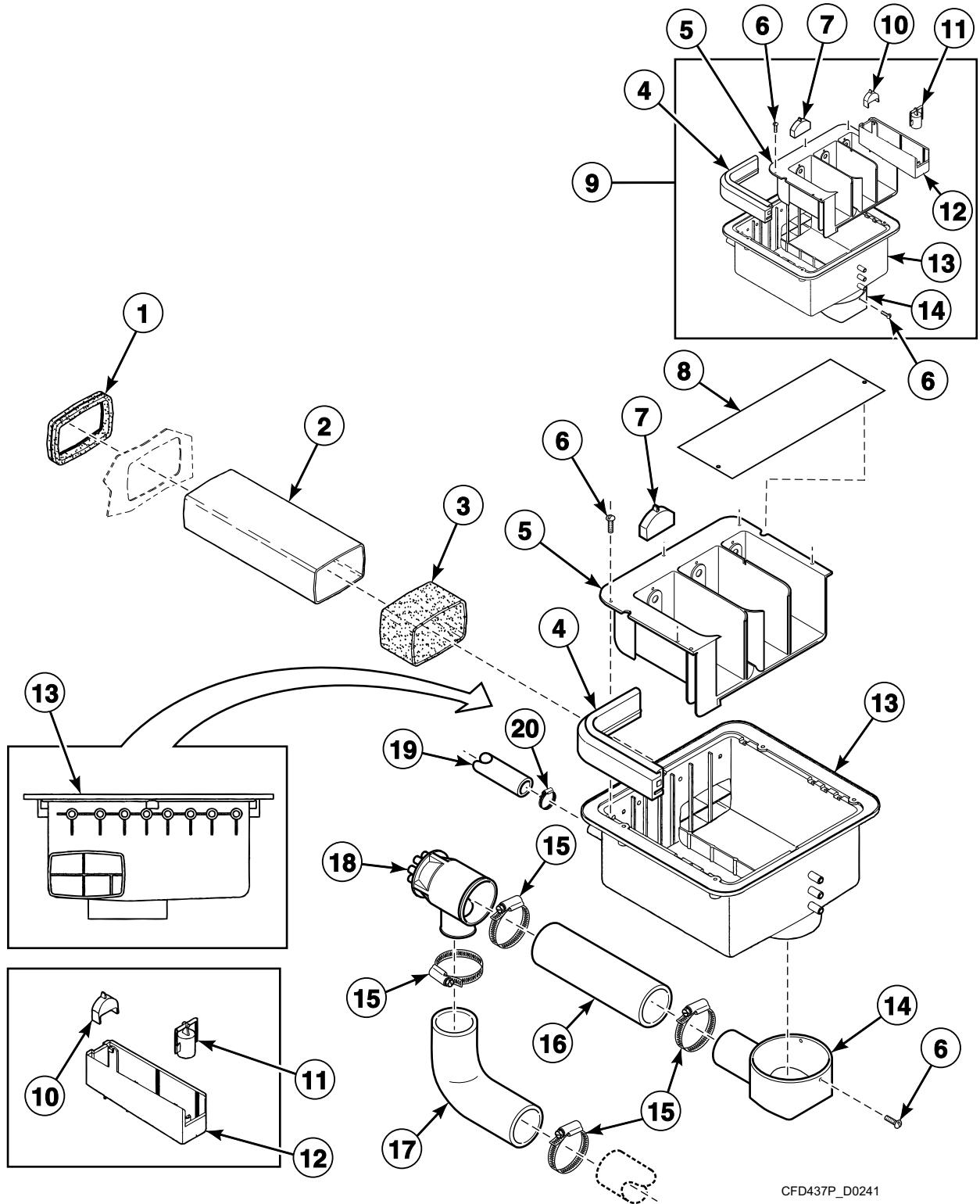


CFD436P_D0241

Supply Dispenser with Round Ventilation Opening

REF	PART NO.	DESCRIPTION	COMMENTS
1	223/00014/00	Hose Clamp	
2	223/00107/00	Soap Dispenser Air Breather Hose	
3	223/00044/01	Water Hose	
4	223/00109/00	Soap Dispenser Gasket	
5	208/00130/00	Screw	
6	223/00102/06	Soap Spray Nozzle	
7	123/00107/00	Anti-Splash Plate	Sigma models
	123/00103/06	Soap Box Assembly Plate	All other models
8	223/00102/30	Soap Dispenser Assembly	
9	223/00195/00	Dispenser Drain Funnel	
10	223/00102/50	Soap Dispenser Assembly	
11	223/00102/08	Liquid Soap Dispenser Insert	
12	223/00102/04	Soap Dispenser Rinse Siphon	
13	223/00102/03	Rinse Insert	
14	223/00102/05	Softener Spray Nozzle	
15	223/00266/00	Siphon Break Hose	
16	223/00013/00	Hose Clamp	
17	223/00261/00	Soap Dispenser Hose	*131 models
	223/00260/00	Siphon Break Dispenser Hose	*35 and *164 models
18	223/00250/00	Liquid Soap Manifold	
19	223/00010/00	Hose Clamp	

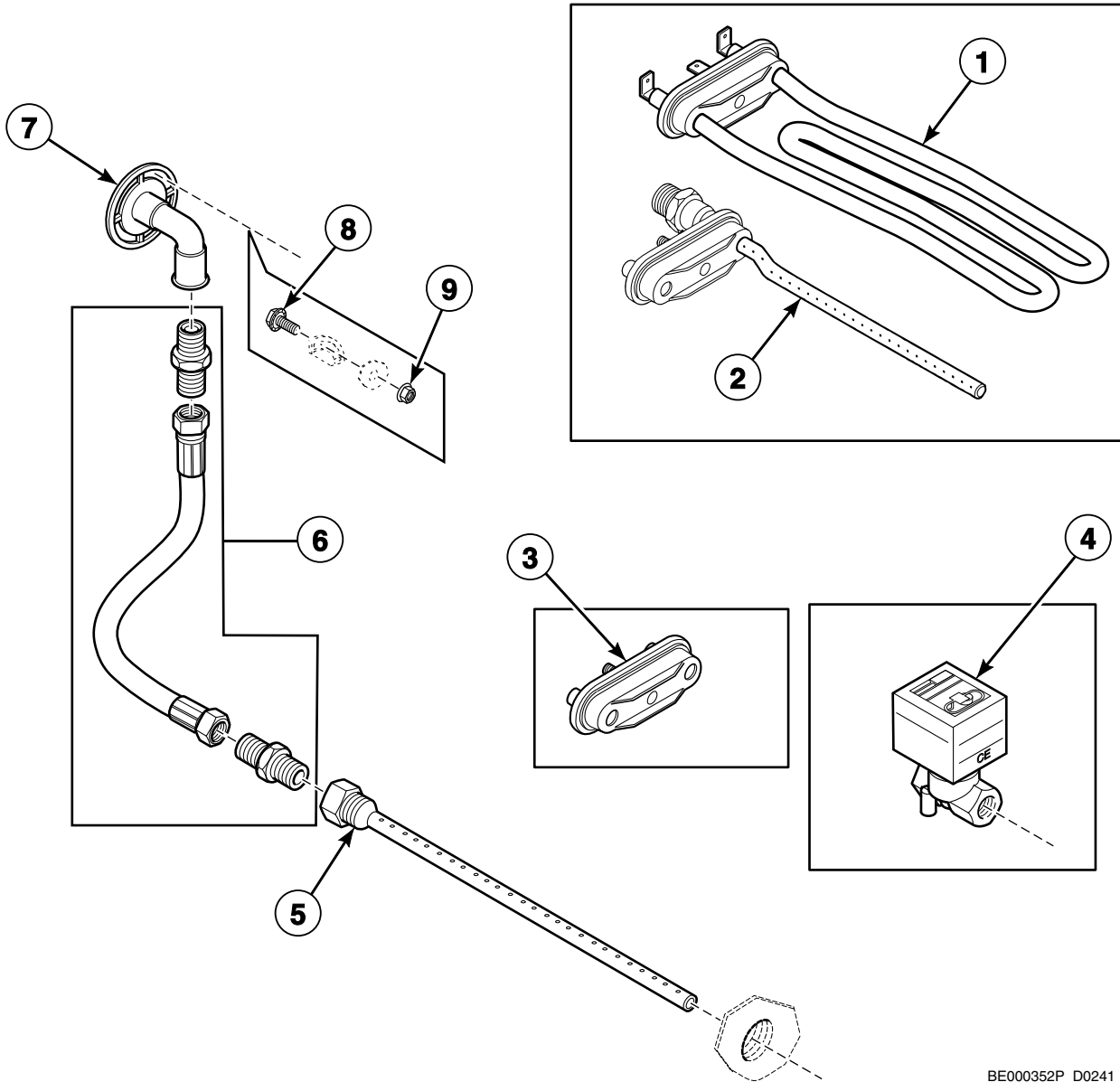
Supply Dispenser with Rectangular Ventilation Opening



Supply Dispenser with Rectangular Ventilation Opening

REF	PART NO.	DESCRIPTION	COMMENTS
1	223/00226/00	Vent Tube	
2	223/00229/00	Vent Tube	
3	223/00245/00	Shrink Fit	
4	223/00109/00	Soap Dispenser Gasket	
5	223/00222/60	Outer and Inner Box Kit	
6	208/00130/00	Screw	
7	223/00102/06	Soap Spray Nozzle	
8	123/00107/00	Anti-Splash Plate	Sigma models
	123/00103/06	Soap Box Assembly Plate	All other models
9	223/00222/00	Soap Dispenser	
10	223/00222/03	Softener Spray Nozzle	
11	223/00222/04	Siphon Break	
12	223/00222/05	Rinsing Box	
13	223/00222/01	Exterior Box	
14	223/00195/00	Dispenser Drain Funnel	
15	223/00013/00	Hose Clamp	
16	223/00262/00	Siphon Break Dispenser Hose	
17	223/00266/00	Siphon Break Hose	
18	223/00250/00	Liquid Soap Manifold	
19	223/00044/00	Water Hose	
20	223/00010/00	Hose Clamp	

Electric and Steam Heating Options

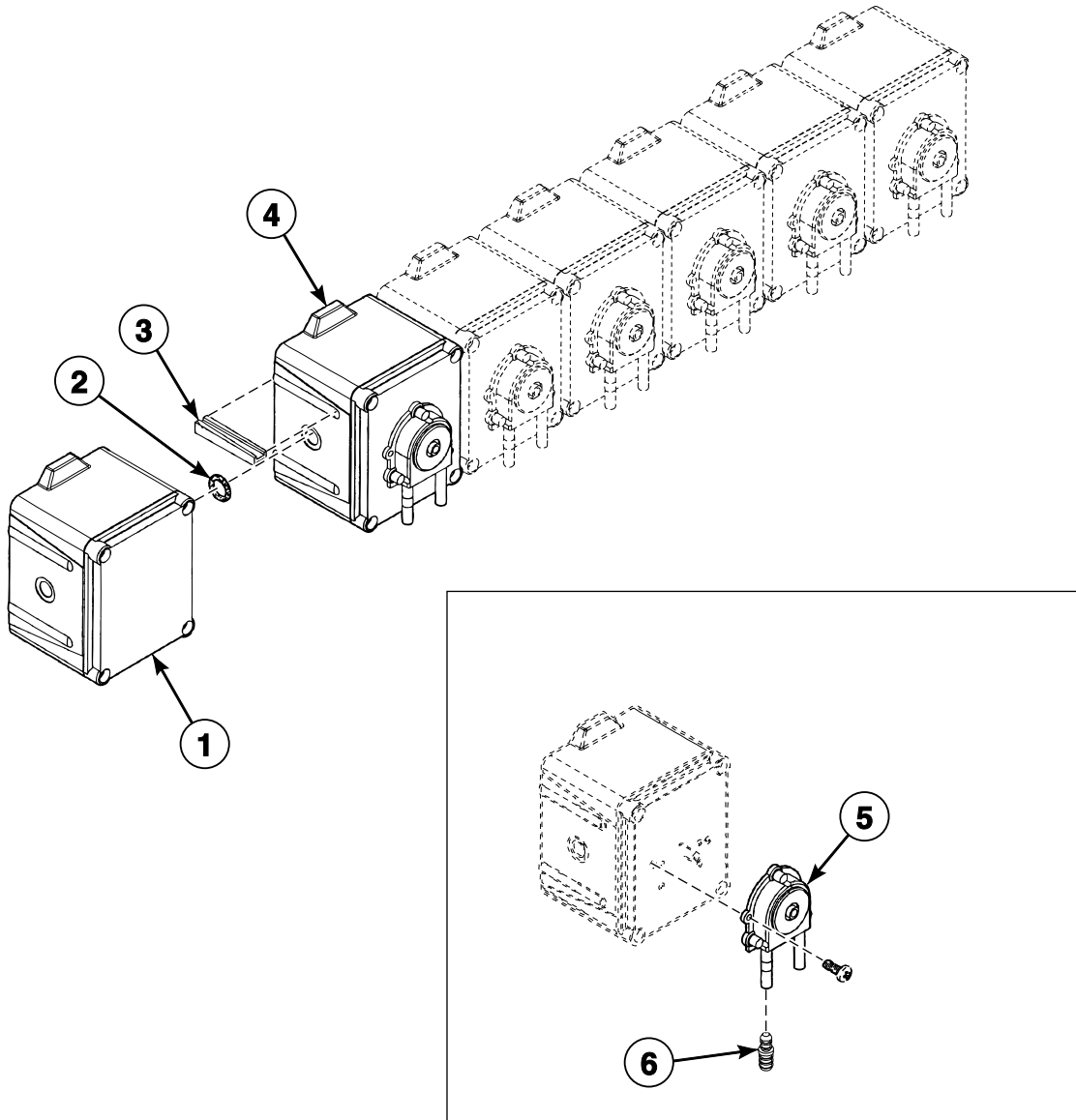


BE000352P_D0241

Electric and Steam Heating Options

REF	PART NO.	DESCRIPTION	COMMENTS
1	209/00581/10	Heating Element	4000W
	209/00562/20	Heating Element	3000W
	209/00563/20	Heating Element	2000W
	209/00564/20	Heating Element	1400W
2	118/00105/01	Steam Injector	
3	209/00196/00	Heating Element Plug	
4	209/00477/00	Steam Valve	
5	119/00082/00	Steam Injector	
6	217/00025/00	Steam Hose	
7	118/01063/00	Steam Inlet	
8	206/00099/00	Bolt	
9	206/00101/00	Nut	

Soap Pumps



BE000527AP_D0241

Soap Pumps

REF	PART NO.	DESCRIPTION	COMMENTS
1	209/00554/01	Soap Pump Assembly	1 pump
	209/00554/02	Soap Pump Assembly	2 pumps
	209/00554/03	Soap Pump Assembly	3 pumps
	209/00554/04	Soap Pump Assembly	4 pumps
	209/00554/05	Soap Pump Assembly	5 pumps
	209/00554/06	Soap Pump Assembly	6 pumps
	209/00554/51	Feeding Liquid Soap Dosing Pump	
2	209/00554/52	Liquid Soap Dosing Pump O-Ring	
3	209/00554/53	Liquid Soap Dosing Pump Connection Piece	
4	209/00554/50	Pump	
5	209/00554/98	Hose	
6	209/00554/99	Hose Connector	

Parts Index

A

Anti-Splash Plate	
123/00107/00	51, 53

B

Back Panel	
152/00053/02	37
Backbridge	
111/01164/85	43
111/01164/90	35, 39, 41
Ball Bearing	
216/00001/02	13
216/00001/03	13
Bearing Assembly	
116/00301/01	13
Bearing Kit	
KBRGHW131/164	13
Belt	
226/00114/00	15
Belt Rod	
113/00038/00	17
Bolt	
205/00102/00	13
205/00103/00	21
205/00104/00	13, 35
205/00106/00	35
205/00107/00	23
205/00108/00	37
205/00115/00	21
206/00003/00	15
206/00005/00	17, 35
206/00011/00	11
206/00014/00	7, 41, 43
206/00027/00	35, 41, 43, 45
206/00033/00	19, 31
206/00047/00	7
206/00088/00	39
206/00099/00	31, 35, 37, 39, 41, 43, 47, 55
206/00114/00	37
206/00127/00	17
207/00125/00	23
208/00030/00	9

C

Caddy Bracket	
224/00051/00	13
224/00052/00	13
Central Control Board	
209/00438/50	45
Circuit Board Cover	
229/00262/00	25, 27, 29
Circuit Board Insulation	
229/00255/00	25
Clamp	
238/00017/00	11

Coin Box	
111/00101/00	31
211/00071/00	31
Coin Box Key	
211/00065/02	31
Coin Box Lock	
211/00065/00	31
Coin Box Ring	
111/00066/00	31
Coin Box Ring Assembly	
111/00100/00	31
Coin Drop Microswitch	
209/00060/12	31
Coin Meter	
209/00061/00	33
209/00064/00	33
209/00065/00	33
209/00066/00	33
209/00068/00	33
209/00069/00	33
209/00070/00	33
209/00111/00	33
209/00119/00	33
209/00120/00	33
209/00121/00	33
209/00158/00	33
209/00160/00	33
209/00161/00	33
209/00162/00	33
209/00166/00	33
209/00216/00	33
209/00229/00	33
209/00269/00	33
209/00278/00	33
209/00364/00	33
209/00373/00	33
209/00375/00	33
209/00378/00	33
209/00383/00	33
209/00387/00	33
209/00388/00	33
209/00389/00	33
209/00390/00	33
209/00391/00	33
209/00402/00	33
209/00402/01	33
209/00402/02	33
209/00402/03	33
209/00402/04	33
209/00404/00	33
209/00407/00	33
209/00414/00	33
209/00415/00	33
209/00418/00	33
209/00437/00	33
209/00442/00	33
209/00460/00	33
209/00469/00	33
209/00500/00	33
209/00501/00	33
209/00502/00	33
209/00522/00	33
209/00548/00	33
209/00553/00	33
209/00576/00	33

N/A items do not appear in index.

Coin Meter Plate	
111/00257/00	25, 27
Contact Switch	
209/00099/26	25, 27, 29
Contactactor	
209/00041/04	47
209/00148/02	47
Control Board	
209/00547/00	27
Cooling Fan	
209/00287/00	39
Cordlock	
211/00117/00	17
Counter Ring	
219/00004/00	15
Counterweight	
113/00035/00	7
113/00036/00	7
Cylinder and Trunnion Assembly	
111/01962/00	11
Cylinder Shaft Key	
216/00002/04	15

D

Decal	
225/00403/00	27
Dispenser Drain Funnel	
223/00195/00	51, 53
Door Boot	
223/00122/00	11
Door Frame	
118/00046/10	23
Door Glass	
217/00022/00	23
Door Glass Seal	
217/00015/00	23
Door Handle	
217/00059/00	23
Door Handle Stop	
217/00016/00	23
Door Hinge	
221/00005/00	23
Door Hinge Assembly	
217/00009/02	23
Door Hinge Plate Assembly	
118/00065/00	23
Door Hinge Spacer	
117/00010/00	23
117/00011/00	23
Door Lock Assembly	
217/00052/01A	21
Door Lock Microswitch	
209/00272/00	21
Door Lock Pin Kit	
211/00109/01	23
217/00052/02	21
Door Lock Solenoid	
209/00274/00	21
Door Lock Spacer	
217/00052/03	21

Door Lock Spring	
224/00049/00	21
Door Release Wire	
217/00052/07	21
Drain Pipe	
223/00105/00	19
Drain Valve	
209/00051/00	19
Drain Valve Hose	
223/00190/00	19
Drain Valve Overflow Plug	
223/00086/00	19
Drain Valve Plate	
152/00041/06	19
Drain Valve Plate Assembly	
114/00030/00	19
Drum and Axle	
136/10017/00	11

E

Electrical Connection Plate	
111/00094/10	41, 43
111/00188/06	41, 43, 45
Electrical Connection Sticker	
229/00068/02	41, 43
Eprom	
209/00266/01	25
Exterior Box	
223/00222/01	53

F

Fan	
209/00465/00	17
Fastening Ring	
238/00013/00	11
Fastening Rubber	
247/00006/00	9
247/00007/00	9
Feeding Liquid Soap Dosing Pump	
209/00554/51	57
Filter	
227/00177/00	45
227/00179/00	45
227/00180/00	45
227/00183/00	45
Frame	
152/00049/50	7
152/00050/50	7
Front Panel	
111/01703/00	25, 27, 35
111/01704/00	25, 27, 35
111/01705/00	29
Front Plate	
111/00068/00	31
111/10098/00	35
Fuse	
209/00372/01	29
209/00439/00	25, 27
209/00468/00	45

N/A items do not appear in index.

Fuse Holder	
209/00202/00	45
209/00202/01	45

G

Grommet	
223/00174/00	39
223/00198/00	47
223/00203/00	45
Ground Terminal	
210/10015/00	21

H

Heating Element	
209/00562/20	55
209/00563/20	55
209/00564/20	55
209/00581/10	55
Heating Element Plug	
209/00196/00	55
Hose	
209/00554/98	57
Hose Barb	
223/00016/00	47
Hose Clamp	
223/00010/00	41, 43, 51, 53
223/00011/00	47
223/00012/00	19
223/00013/00	19, 51, 53
223/00014/00	19, 51
Hose Connector	
209/00554/99	57
Hose Vent	
223/00102/07	41

I

Infrared Cable	
210/00902/00	27, 29
Inlet Valve, 2-Way	
B12519501	41, 43
209/00110/00	41, 43
Inner Coin Box	
211/00070/03	31
Insulating Sticker	
229/00255/00	27, 29
Interlock Coil Spring	
224/00043/00	21
Interlock Lever	
217/00052/04	21
Inverter Drive	
F8420708	39
F8420709	39
F8420710	39
F8420711	39
Inverter Drive Box	
111/01174/00	39

Inverter Drive Kit	
F8420608	39
F8420609	39
F8420610	39
F8420611	39

K

Keypad	
209/00552/01	29
Keypad Sticker	
225/00407/00	25

L

Label	
225/00397/00	29
Lever Spring	
224/00040/00	21
Light Microswitch	
209/00273/00	21
Liquid Soap Dispenser Insert	
223/00102/08	51
Liquid Soap Dosing Pump Connection Piece	
209/00554/53	57
Liquid Soap Dosing Pump O-Ring	
209/00554/52	57
Liquid Soap Manifold	
223/00250/00	39, 43, 51, 53
Lock Protection Plate	
117/00052/08	21
Lock Shaft	
217/00017/03	21
Lower Front Panel	
111/10094/00	37
111/10094/10	37
111/10095/00	37
111/10095/10	37
111/22731/00	35
111/23731/00	35

M

Main Board	
B12351701	29
Metal Disc	
202/00120/00	27, 29
Motor	
227/00127/00	17
Motor Plate	
152/00054/00	17
Mounting Plate	
111/10001/10	47
111/10002/00	47
111/10093/00	35
Mushroom Pushbutton	
209/00248/20	25, 27, 29

N/A items do not appear in index.

N

Network Connection Printboard	
209/00540/00	45
Noise Filter	
227/00242/00	45
Noise Suppressor	
209/00356/00	47
Nut	
204/00003/00	9, 35
204/00005/00	7, 31, 35
204/00006/00	35
204/00007/00	39, 45, 49
204/00008/00	21
204/00009/00	11, 19, 21, 25, 27, 35
204/00012/00	17
204/00103/00	23
204/00106/00	23
204/00110/00	9, 17, 49
204/00111/00	7
204/00112/00	13
204/00113/00	7
204/00114/00	17, 35, 39
204/00116/00	25, 27, 29, 31
204/00201/00	41, 43
206/00101/00	19, 35, 49, 55
208/00002/00	41, 43
208/00025/00	35
208/00104/00	37
211/00065/01	31

O

Operating Label	
225/00406/00	25
Operating Sticker	
225/00400/00	29
225/00404/00	27
225/00405/00	27
225/00408/00	25
O-Ring	
217/00002/00	13
Outer and Inner Box Kit	
223/00222/60	53
Outer Cabinet Lock	
211/00070/01	31
Outer Coin Box	
211/00100/00	31
Outlet Pipe Plate Assembly	
101/00007/00	19, 35
Out-of-Balance Switch	
209/00255/00	49
Out-of-Balance Switch Boot	
223/00246/00	49
Overflow Hose	
223/00100/00	19

P

Parameter Unit Assembly	
F8410901	39
227/00171/00	39

Plexi Frame	
225/00316/00	25, 27
Plug	
211/00087/00	41, 43
211/00091/00	41, 43
Pressure Hose	
223/00179/10	39
Pressure Switch	
209/00007/50	47
Pressure Switch Elbow	
223/00210/00	47
Pressure Switch Hose	
223/00212/00	47
Pressure Switch Hose Tee	
223/00173/10	47
Prewash and Mainwash Nozzle	
223/00001/04	41, 43
Printboard	
209/00440/50	25
Programming Key Contact Switch	
209/00326/20	29
Pulley	
226/00062/00	17
226/00070/00	15
Pump	
209/00554/50	57
Pushbutton	
209/00396/00	31

R

Rear Plate	
111/10099/00	35
Reinforcement Plate	
111/10089/01	37
Retainer Ring	
212/00029/00	13
212/00031/00	13
Retaining Ring	
117/00042/00	35
212/00038/00	13
Rinse Insert	
223/00102/03	51
Rinsing Box	
223/00222/05	53
Rivet	
208/00017/00	41, 43
211/00093/00	41
Roll Pin	
208/00013/00	31

S

Screw	
B12500801	23
206/00038/00	31
206/00053/00	7
206/00055/00	7
206/00056/00	15, 17
206/00057/00	13
206/00086/00	19
207/00009/00	21, 31

N/A items do not appear in index.

207/00018/00	49	209/00554/03	57
207/00021/00	17	209/00554/04	57
207/00031/00	45	209/00554/05	57
207/00108/00	31	209/00554/06	57
207/00121/00	39	Soap Spray Nozzle	
207/00126/00	23	223/00102/06	51, 53
207/00130/00	35	Softener Spray Nozzle	
207/00135/00	21	223/00102/05	51
208/00001/00	35, 41, 43	223/00222/03	53
208/00007/00	31	Speed Detector	
208/00120/00	49	209/00400/00	13
208/00130/00	39, 43, 51, 53	Speed Detector Bracket	
Seal Holder Assembly		152/00055/00	13
119/00001/01	13	Spindle	
Shaft Seal		111/00069/00	31
219/00003/00	13	Spring	
Shaft Seal Holder		211/00070/04	31
117/00001/01	13	238/00014/00	11
Shock Absorber		Spring Holder Top	
247/00002/00	9	247/00001/04	9
247/00002/02	9	Spring Seat Bottom	
247/00003/00	9	247/00001/03	9
247/00004/00	9	Standoff	
Shrink Fit		211/00120/00	45
223/00245/00	53	211/00122/00	25, 27, 29
Side Panel		Steam Hose	
111/22723/10	35, 37	217/00025/00	55
111/22723/20	35, 37	Steam Injector	
111/22728/10	35, 37	118/00105/01	55
111/22728/20	35, 37	119/00082/00	55
Side Panel Gasket		Steam Inlet	
246/00079/00	35, 37	118/01063/00	55
Siphon Break		Steam Valve	
223/00222/04	53	209/00477/00	55
Siphon Break Dispenser Hose		Suspension Spring	
223/00260/00	51	247/00001/01	9
223/00262/00	53	247/00002/01	9
Siphon Break Hose		Switch Base	
223/00266/00	51, 53	209/00099/25	29
Soap Box Assembly Plate		Switch Knob	
123/00103/06	51, 53	209/00099/29	29
Soap Dispenser		Switch Lever	
223/00222/00	53	217/00052/05	21
Soap Dispenser Air Breather Hose			
223/00107/00	51		
Soap Dispenser Assembly			
223/00102/30	51		
223/00102/50	51		
Soap Dispenser Cover			
223/00103/01	37		
Soap Dispenser Cover Hinge Rod			
223/00103/04	37		
Soap Dispenser Frame			
223/00103/03	37		
Soap Dispenser Gasket			
223/00109/00	51, 53		
Soap Dispenser Hose			
223/00261/00	51		
Soap Dispenser Rinse Siphon			
223/00102/04	51		
Soap Injection PCB with Fuse			
209/00218/13	45		
Soap Pump Assembly			
209/00554/01	57		
209/00554/02	57		

T

Telem Sticker	
209/00520/00	25, 27, 29
Terminal Block	
209/00058/00	45
Thermostat Assembly	
209/00309/02	47
Thermostat Seal	
225/10004/00	47
Tilt Detector Plate	
111/00108/01	49
Tilt Switch Bracket	
111/00107/01	49
Top Panel	
111/22741/00	37
111/22742/00	37
111/22743/00	37
111/22744/00	37

N/A items do not appear in index.

111/23741/00.....	37
111/23743/00.....	37
Triangle Support	
111/00109/00.....	35
111/00118/00.....	35
Tub	
118/10070/00.....	11
118/10071/00.....	11
118/10072/00.....	11
118/10073/00.....	11
Tub Front Gasket	
223/00242/00.....	11
Tub Front Panel	
119/00049/00.....	11
Tub Front Panel Clip	
217/00008/00.....	11
Tub Front Ring Clamp	
219/00007/00.....	11
Tub Support	
152/00046/00.....	7
152/00047/00.....	7

223/00051/10.....	29
223/00123/00.....	29
Water Hose	
223/00044/00.....	41, 43, 53
223/00044/01.....	41, 43, 51

V

Valve Hose	
223/00189/00.....	19
Vent Tube	
223/00226/00.....	43, 53
223/00229/00.....	53
Voltage Discharge Decal	
B12355001.....	39

W

Washer	
201/00001/00.....	7, 17
201/00002/00.....	41, 43
201/00005/00.....	7
201/00006/00.....	21, 35, 41, 43
201/00007/00.....	19
201/00008/00.....	17, 25, 27
201/00010/00.....	35, 49
201/00012/00.....	13
201/00014/00.....	7
201/00015/00.....	9
201/00017/00.....	21
201/00018/00.....	21
201/00201/00.....	13
202/00003/00.....	11, 35
202/00004/00.....	35, 39, 41, 43
202/00101/00.....	21, 23, 37
202/00104/00.....	23
202/00108/00.....	23
202/00111/00.....	23
203/00001/00.....	7, 15
203/00002/00.....	9, 35
203/00004/00.....	13, 19, 31
203/00005/00.....	35
203/00006/00.....	25, 39, 45, 49
203/00007/00.....	21, 31
203/00011/00.....	15
203/00015/00.....	35
208/00009/00.....	35
211/00070/02.....	31

N/A items do not appear in index.