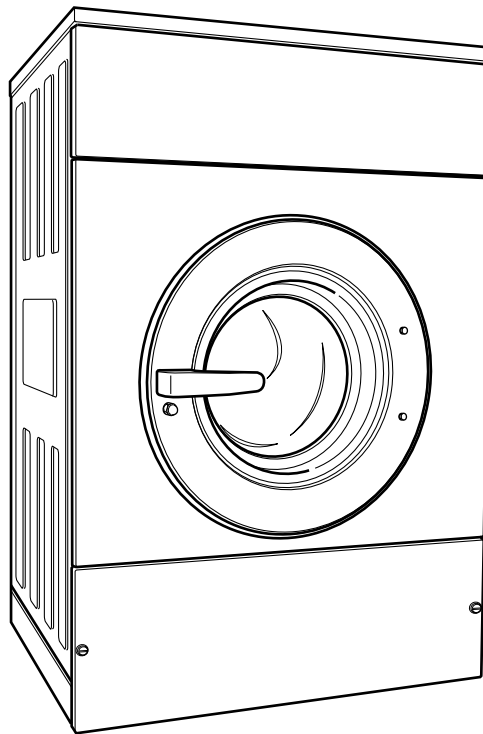


Washer-Extractor

Cabinet Hardmount

Refer to Page 3 for Model Numbers



CFD299C_D0239

Table of Contents

Title	Page
Parts Ordering Information.....	2
Nameplate Location.....	2
Model Identification.....	3
Cabinet Hardmount Washer-Extractor Product Overview.....	4
Frame.....	6
Shock Absorber - Models Through 2/5/04.....	8
Shock Absorber - Models Starting 2/6/04.....	10
Shell, Basket and Heating Elements.....	12
Bearing Housing.....	14
Basket, Pulley and Belt.....	16
Motor.....	18
Drain Plumbing.....	20
Drain Plumbing with Pump.....	22
Door Lock.....	24
Door.....	26
Control Panel - Micro-20.....	28
Control Panel - Sigma.....	30
Control Panel - PS40F.....	32
Coin Meter and Coin Vault (Drawing 1 of 2).....	34
Coin Meter and Coin Vault (Drawing 2 of 2).....	36
Left Side, Lower Front and Upper Back Panels.....	38
Right Side, Front, Lower Rear and Top Panels.....	40
Inverter Drive.....	42
Upper Back Panel with Circular Ventilation.....	44
Upper Back Panel with Rectangular Ventilation.....	46
Noise Filter, Central Operating Panel Printboard and Soap Injection Printboard.....	48
Electrical Component Mounting Plate.....	50
Balance Switch.....	52
Supply Dispenser with Round Ventilation Opening.....	54
Supply Dispenser with Rectangular Ventilation Opening.....	56
Soap Pumps.....	58
Parts Index.....	61

© Copyright 2013, Alliance Laundry Systems LLC

All rights reserved. No part of the contents of this book may be reproduced or transmitted in any form or by any means without the expressed written consent of the publisher.

Parts Ordering Information

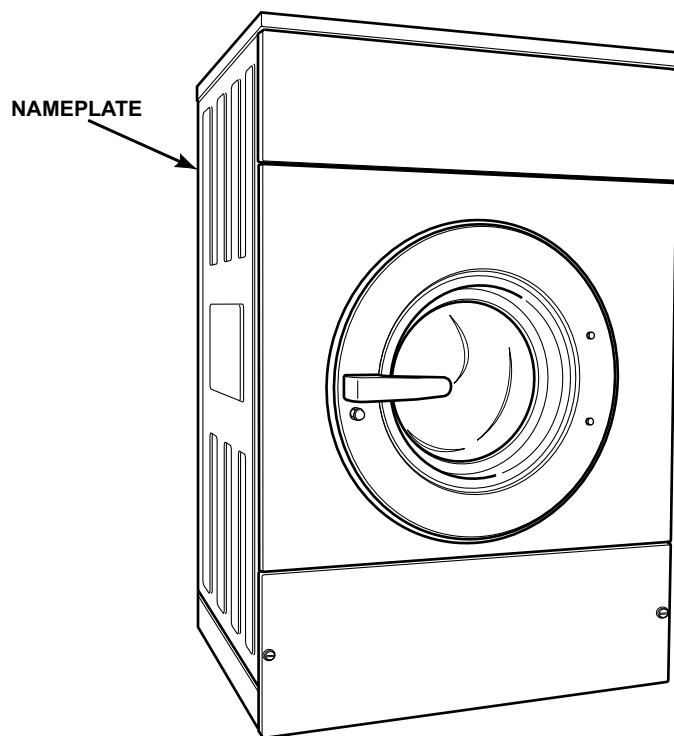
If literature or replacement parts are required, contact the source from whom the machine was purchased or contact Alliance Laundry Systems at (920) 748-3950 for the name and address of the nearest authorized parts distributor.

For technical assistance, call either of the numbers listed below:

(920) 748-3121 Ripon, Wisconsin
+32 56 41 20 54 Wevelgem, Belgium

Nameplate Location

When calling or writing about your product, be sure to mention model and serial numbers. Model and serial numbers are located on nameplate(s) as shown.



CFD299CA_D0239

Model Identification

Information in this manual is applicable to these washer-extractor models:

HW55_MICRO-20_COIN



HW55_MICRO-20_OPL

HW55_PS40F

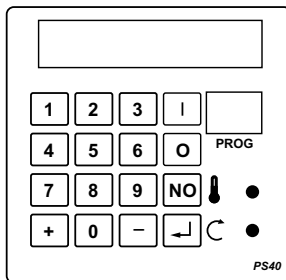
HW55_SIGMA_COIN

HW55_SIGMA_OPL

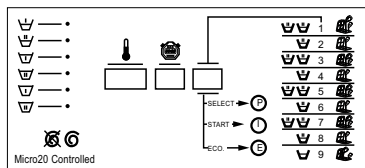
Cabinet Hardmount Washer-Extractor Product Overview

Type:	HW55P	Nr:	07110580147
Voltage:	3 ~ 380V 50Hz	Weight:	1787 kg
Motor:	7.5 kW 20 A	Capacity:	575 L
Heating:	36 kW 60 A	Dry Load:	57 kg
Total:	43.50 kW	Drum:	980 mm
Kinetic energy:	23257N/M	Speed:	800 rpm
Manufactured in:	2007		
Water Pressure: min. 2.07 max. 5.86 Kg/cm ² IPX4 min. 20.7 max. 58.6 N/cm ²			
sfc 741295			
 Alliance International BVBA Nieuwstraat 146 8560 Wevelgem Belgium Tel: +32 56 41 20 54 Fax: +32 56 41 86 74 www.ipso.be			

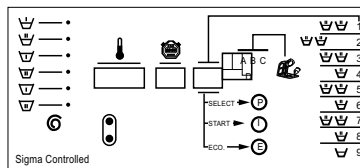
Label 1



PS40



Micro 20



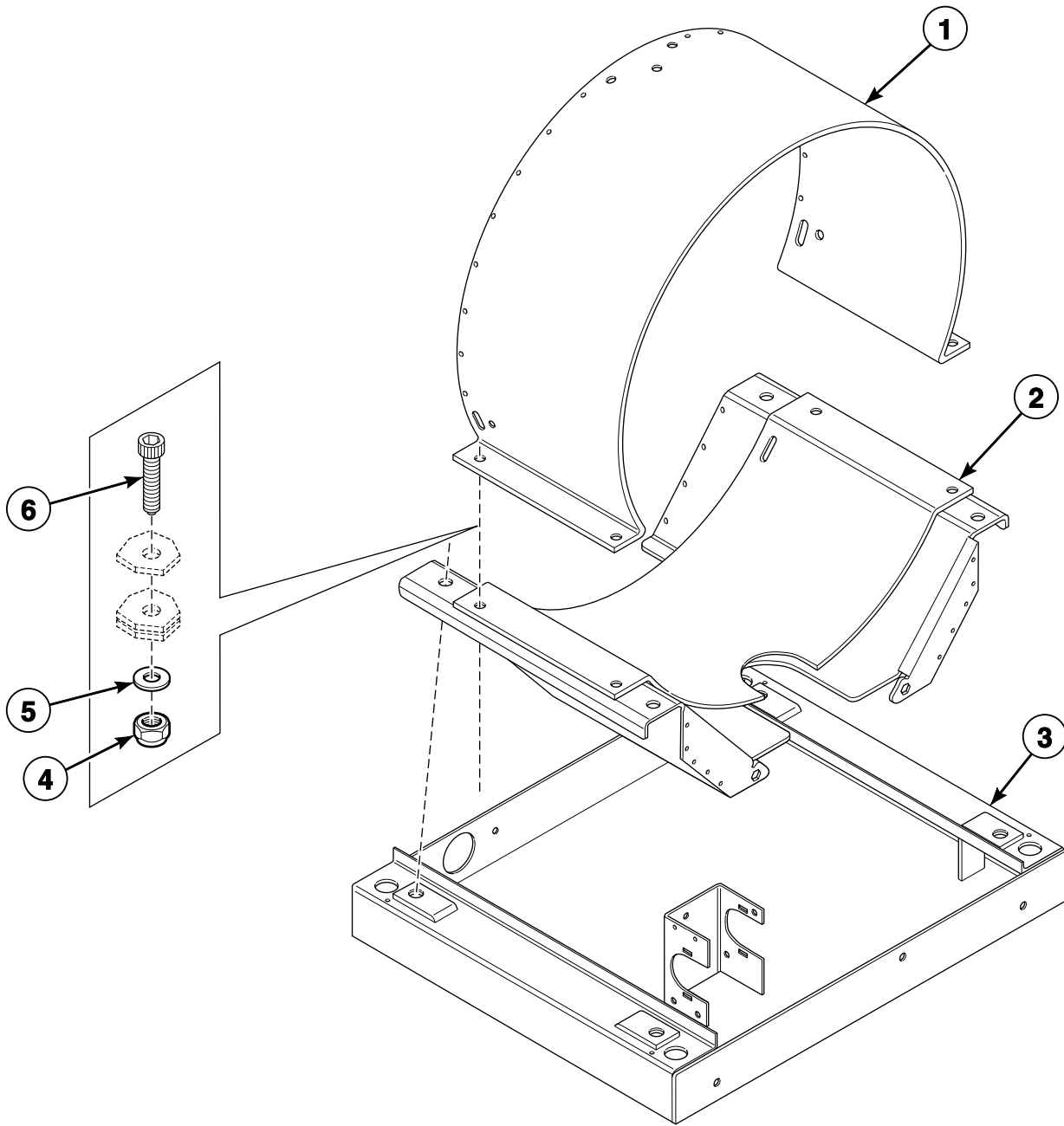
Sigma

CFD300P_D0239

Cabinet Hardmount Washer-Extractor Product Overview

REF	PART NO.	DESCRIPTION	COMMENTS
1	-	Product Family	HW
2	-	Capacity	55

Frame

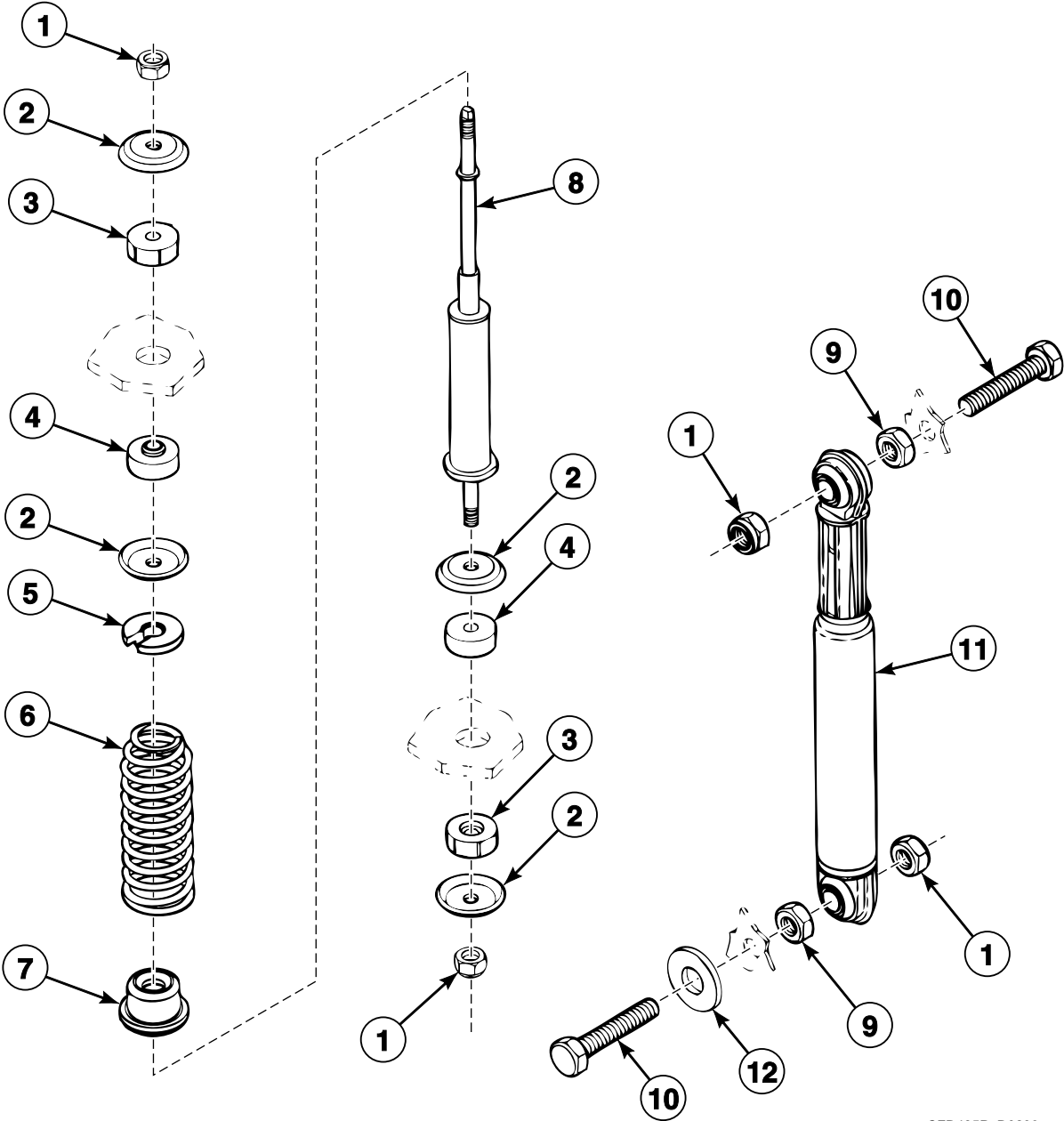


BE000458CP_D0239

Frame

REF	PART NO.	DESCRIPTION	COMMENTS
1	155/00123/00	Support Ring	
2	155/00134/00	Tub Support Assembly	
3	155/00131/50	Frame Assembly	
4	204/00110/00	Nut	
5	201/00010/00	Washer	
6	206/00151/00	Screw	

Shock Absorber - Models Through 2/5/04

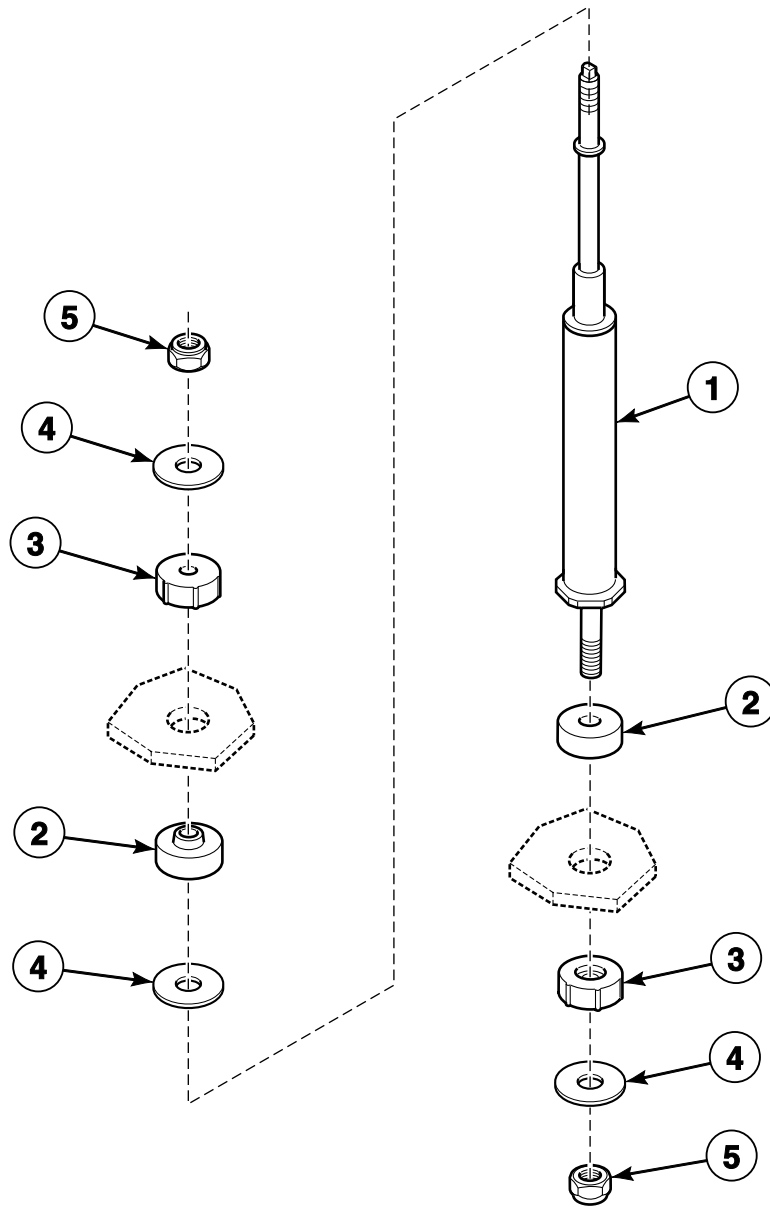


CFD485P_D0239

Shock Absorber - Models Through 2/5/04

REF	PART NO.	DESCRIPTION	COMMENTS
1	204/00110/00	Nut	
2	115/00151/00	Spacer	
3	247/00007/00	Fastening Rubber	
4	247/00006/00	Fastening Rubber	
5	247/00001/04	Spring Holder Top	
6	247/00001/01	Suspension Spring	
7	247/00001/03	Spring Seat Bottom	
8	247/00002/02	Shock Absorber	
9	204/00003/00	Nut	
10	206/00110/00	Bolt	
11	247/00005/00	Shock Absorber	
12	201/00010/00	Washer	

Shock Absorber - Models Starting 2/6/04

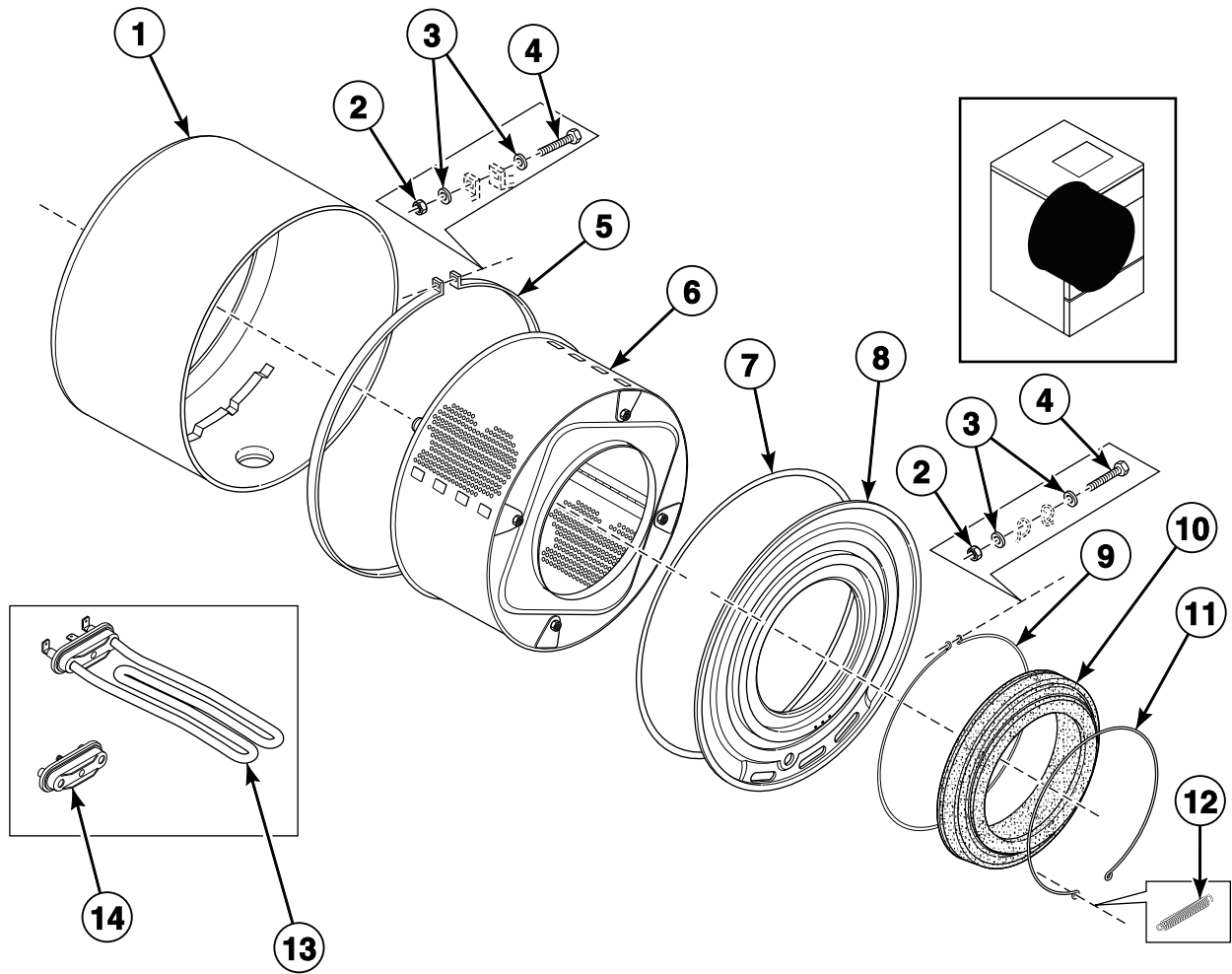


BE000459BP_D0239

Shock Absorber - Models Starting 2/6/04

REF	PART NO.	DESCRIPTION	COMMENTS
1	252/00019/00	Shock Absorber	
2	247/00006/00	Fastening Rubber	
3	247/00007/00	Fastening Rubber	
4	201/00015/00	Washer	
5	204/00110/00	Nut	

Shell, Basket and Heating Elements

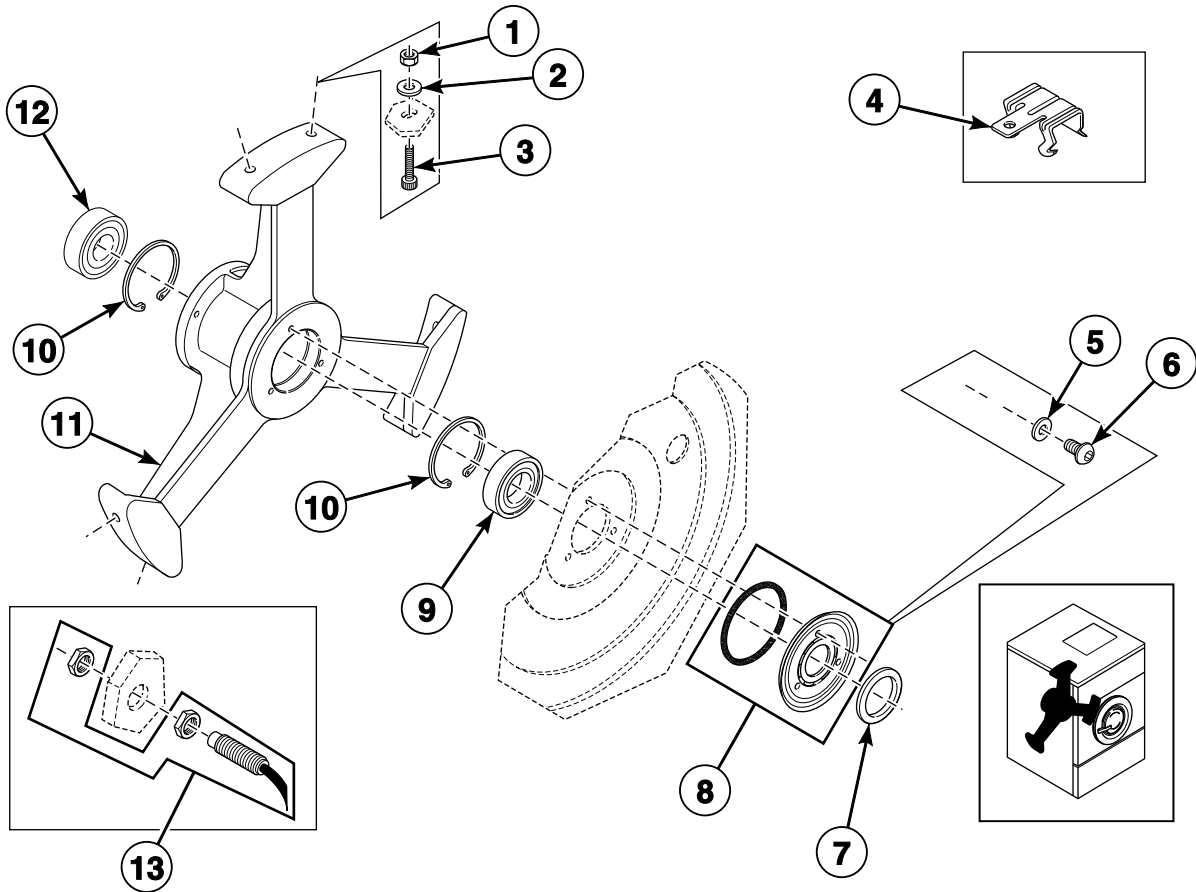


BE000460AP_D0239

Shell, Basket and Heating Elements

REF	PART NO.	DESCRIPTION	COMMENTS
1	155/00106/00	Tub Outer	
2	204/00009/00	Nut	
3	202/00003/00	Washer	
4	206/00032/00	Bolt	
5	155/00104/00	Ring	
6	155/00115/00	Drum and Axle	
7	223/00258/00	Gasket	
8	155/00102/EV3	Front Panel	
9	238/00017/00	Clamp	
10	255/00123/00	Boot	
11	238/00013/00	Fastening Ring	
12	238/00014/00	Spring	
13	209/00562/01	Heating Element	3000W
	209/00563/01	Heating Element	2000W
	209/00564/01	Heating Element	1400W
14	209/00196/00	Heating Element Plug	

Bearing Housing

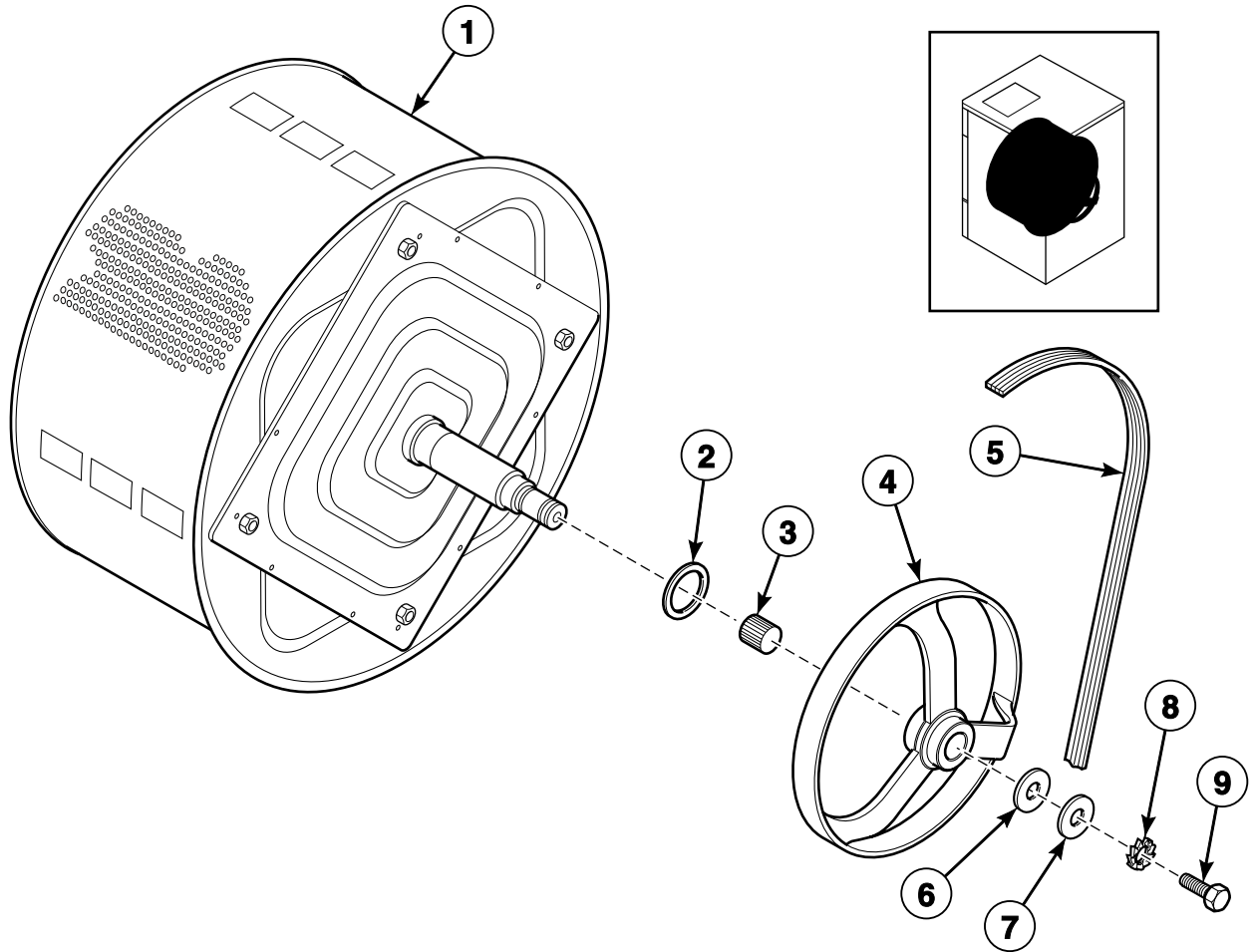


BE000461CP_D0239

Bearing Housing

REF	PART NO.	DESCRIPTION	COMMENTS
1	204/00110/00	Nut	
2	201/00010/00	Washer	
3	206/00151/00	Screw	
4	224/00051/00	Caddy Bracket	
5	201/00204/00	Washer	
6	208/00123/00	Screw	
7	255/00015/00	Lip Seal	
8	117/00002/50	Plate Seal	
9	215/00016/00	Ball Bearing	
10	212/00028/00	Retaining Ring	
11	255/00120/00	Bearing Housing Assembly	Includes items 9 and 12
	255/00116/01	Bearing Housing	
12	215/00001/03	Ball Bearing	
13	209/00400/00	Speed Detector	

Basket, Pulley and Belt

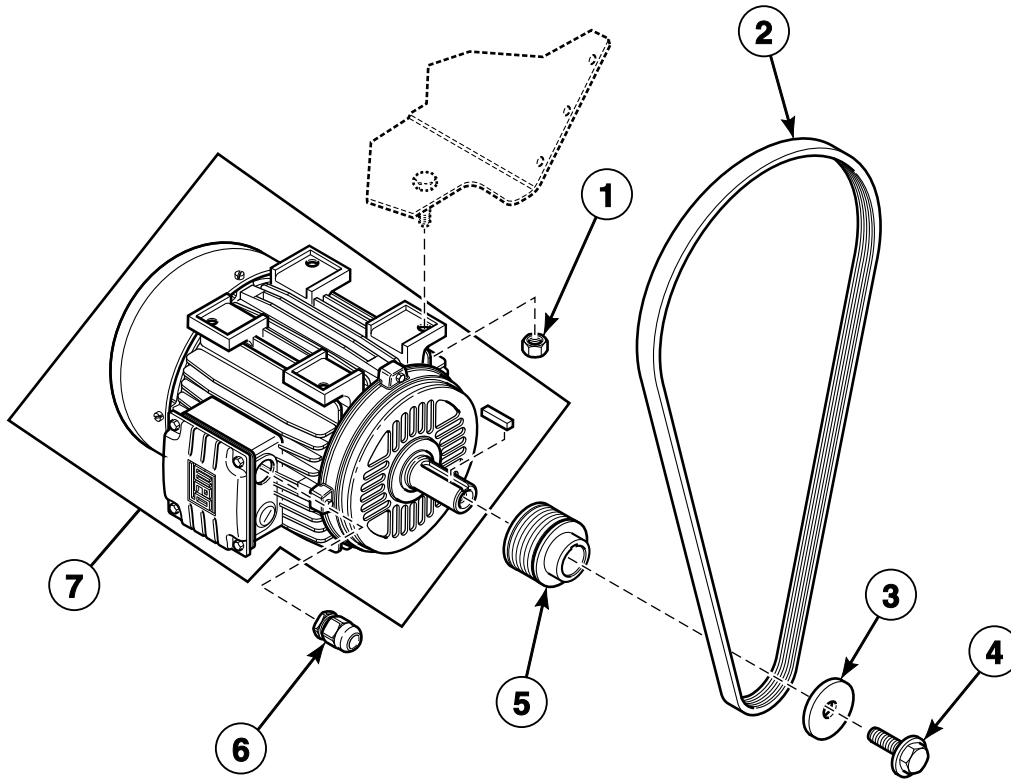


BE000462AP_D0239

Basket, Pulley and Belt

REF	PART NO.	DESCRIPTION	COMMENTS
1	155/00115/00	Drum and Axle	
2	255/00015/00	Lip Seal	
3	215/00004/00	Tolerance Ring	
4	255/00117/00	Pulley	
5	255/00013/00	Belt	
6	201/00015/00	Washer	
7	201/00004/00	Washer	
8	203/00002/00	Washer	
9	206/00005/00	Bolt	

Motor

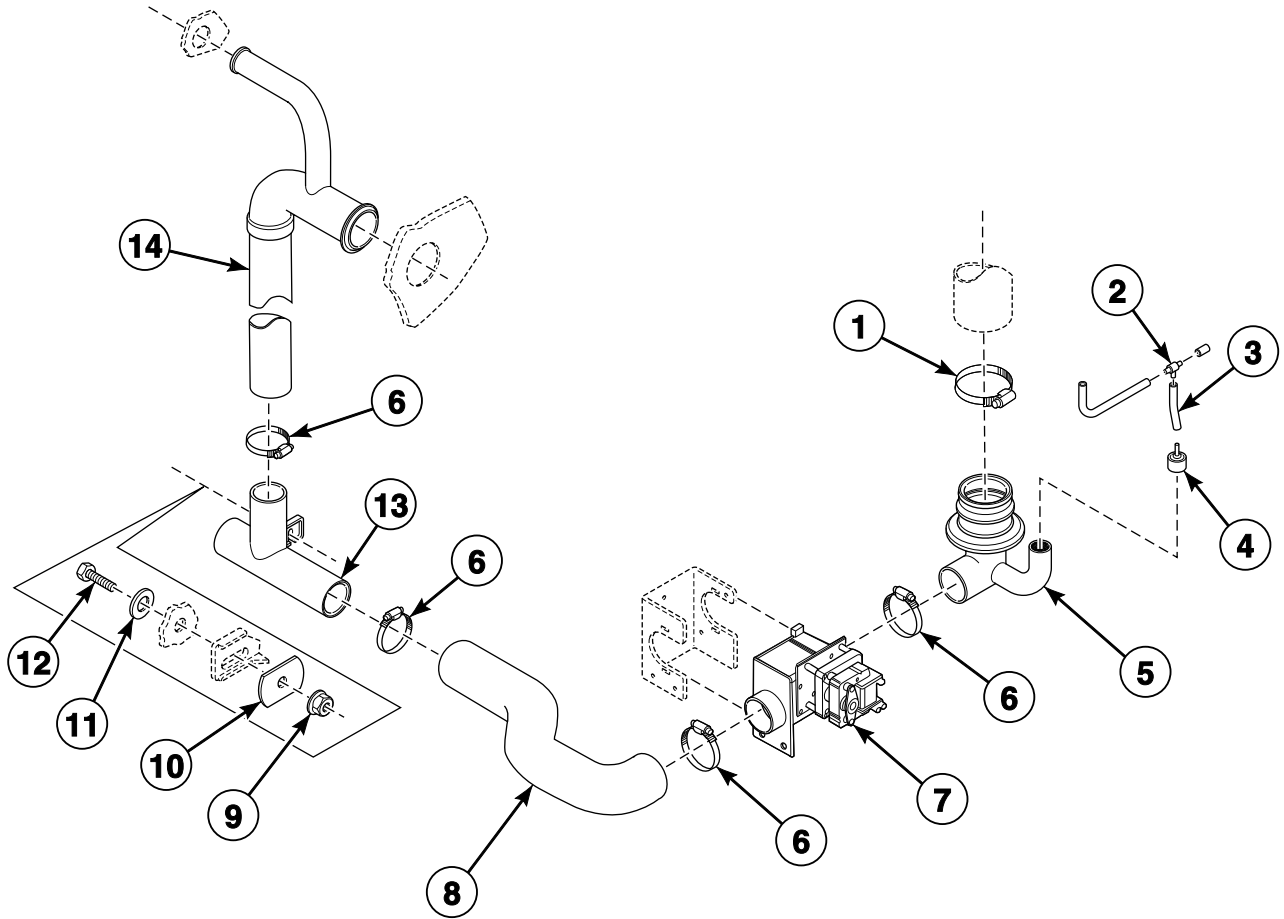


BE000466AP_D0239

Motor

REF	PART NO.	DESCRIPTION	COMMENTS
1	204/00109/00	Nut	
2	255/00013/00	Belt	
3	201/00006/00	Washer	
4	206/00099/00	Bolt	
5	255/00012/00	Motor Pulley	
6	211/00167/00	Cordlock	
7	255/00014/00	Motor	

Drain Plumbing

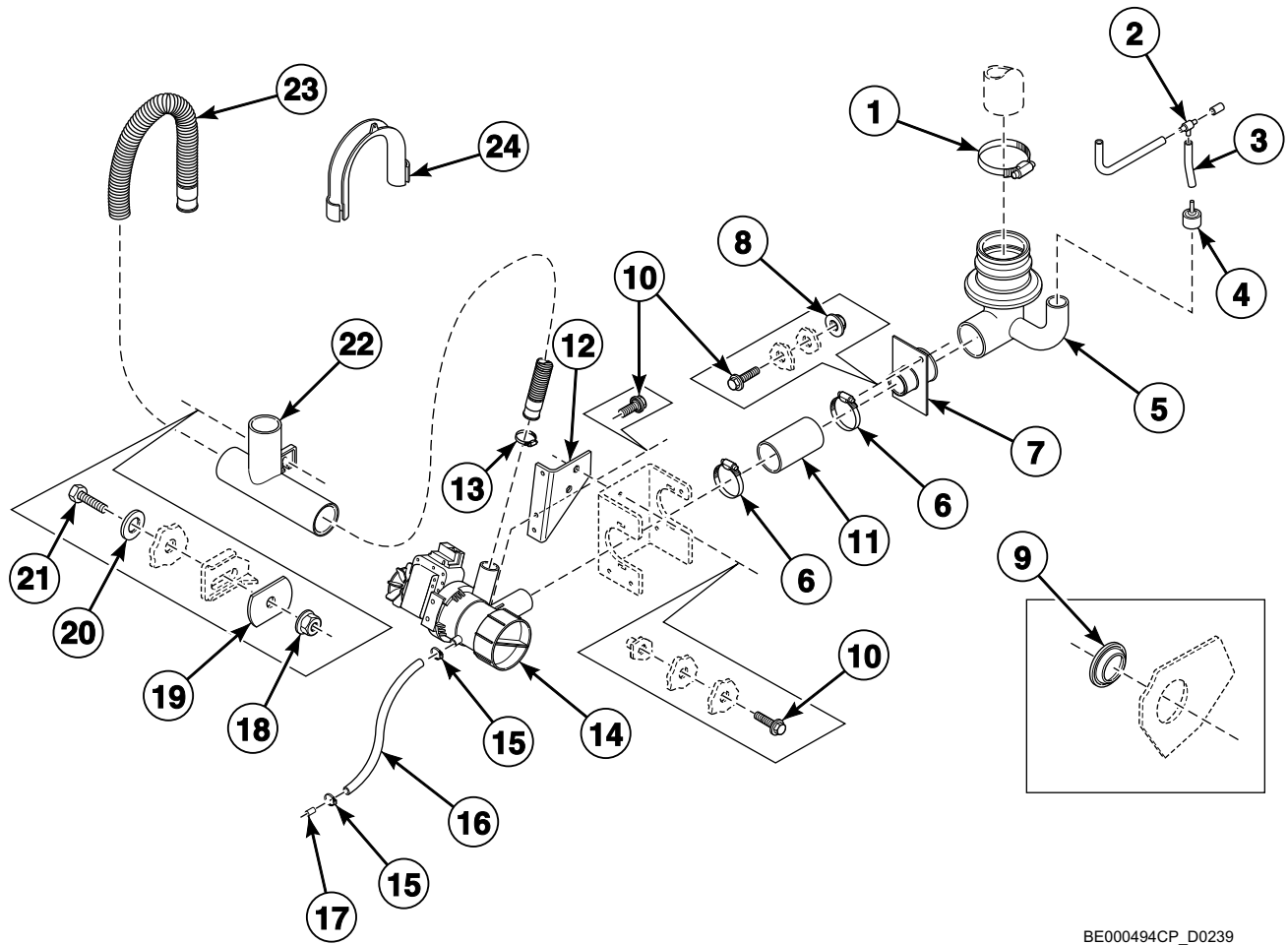


BE000541AP_D0239

Drain Plumbing

REF	PART NO.	DESCRIPTION	COMMENTS
1	223/00014/00	Hose Clamp	
2	223/00173/10	Pressure Switch Hose Tee	
3	223/00212/00	Pressure Switch Hose	
4	223/00035/02	Pressure Switch Cap	
5	255/00010/00	Tub to Drain Valve Hose	
6	223/00013/00	Hose Clamp	
7	209/00463/00	Drain Valve	
8	223/00126/00	Valve to Drain Hose	
9	206/00101/00	Nut	
10	101/00007/00	Outlet Pipe Plate Assembly	
11	201/00007/00	Washer	
12	206/00033/00	Bolt	
13	223/00146/00	Drain Piece	
14	223/00149/50	Overflow Hose	

Drain Plumbing with Pump

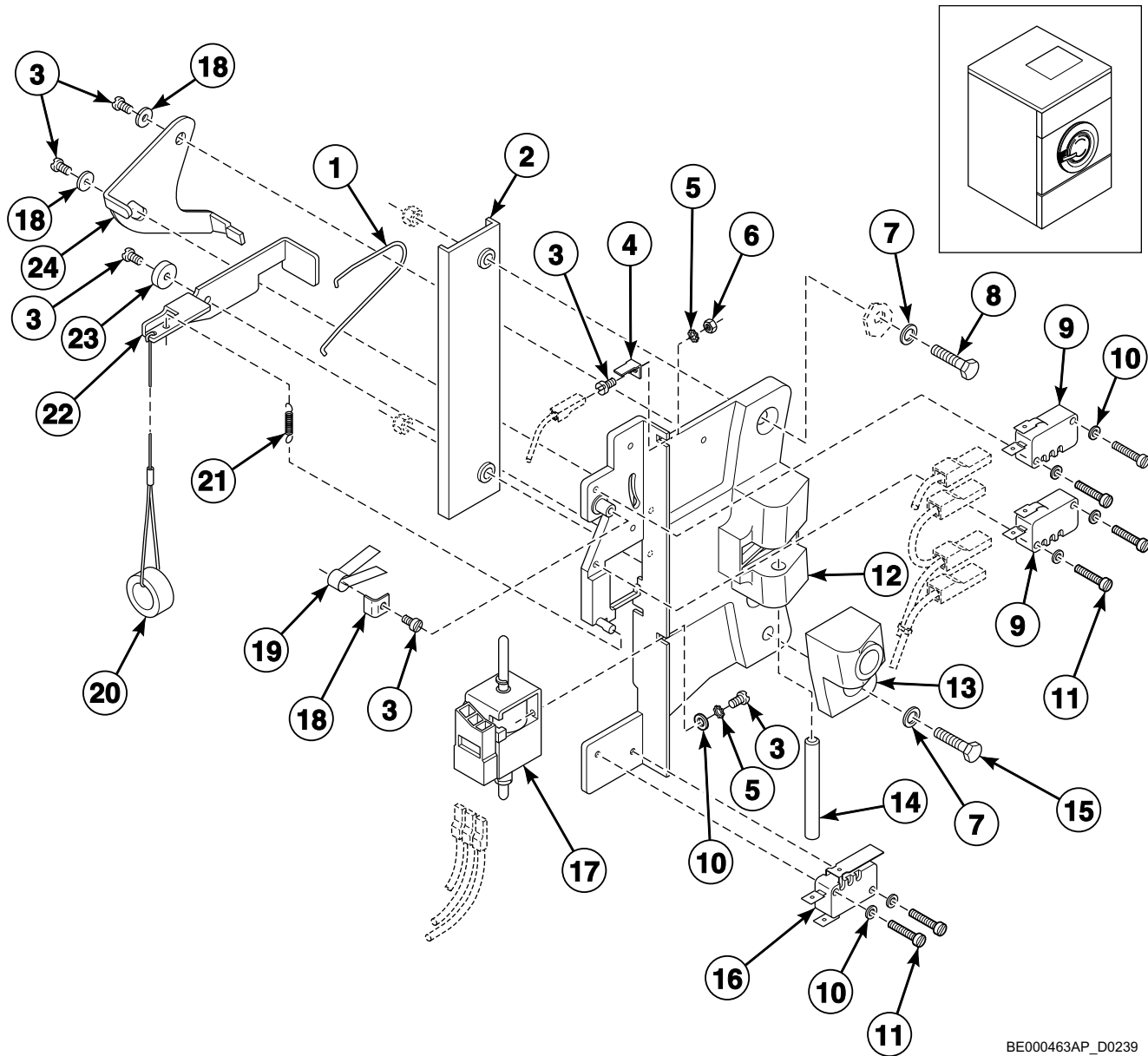


BE000494CP_D0239

Drain Plumbing with Pump

REF	PART NO.	DESCRIPTION	COMMENTS
1	223/00014/00	Hose Clamp	
2	223/00173/10	Pressure Switch Hose Tee	
3	223/00212/00	Pressure Switch Hose	
4	223/00035/02	Pressure Switch Cap	
5	255/00010/01	Tub to Drain Valve Hose	
6	223/00012/00	Hose Clamp	
7	155/00155/00	Drain Piece	
8	206/00105/00	Nut	
9	255/00019/00	Stopper	
10	206/00099/00	Bolt	
11	255/00017/00	Connecting Piece	
12	155/00159/00	Pump Support	
13	223/00011/00	Hose Clamp	
14	209/00560/00	Hanging Drain Pump	
15	223/00009/00	Clamp	
16	223/00159/00	Pipe	
17	223/00162/00	Stopper	
18	206/00101/00	Nut	
19	101/00007/00	Outlet Pipe Plate Assembly	
20	201/00007/00	Washer	
21	206/00033/00	Bolt	
22	223/00146/00	Drain Piece	
23	223/00157/01	Drain Pipe Kit	
24	223/00157/02	Drain Pipe Kit	

Door Lock

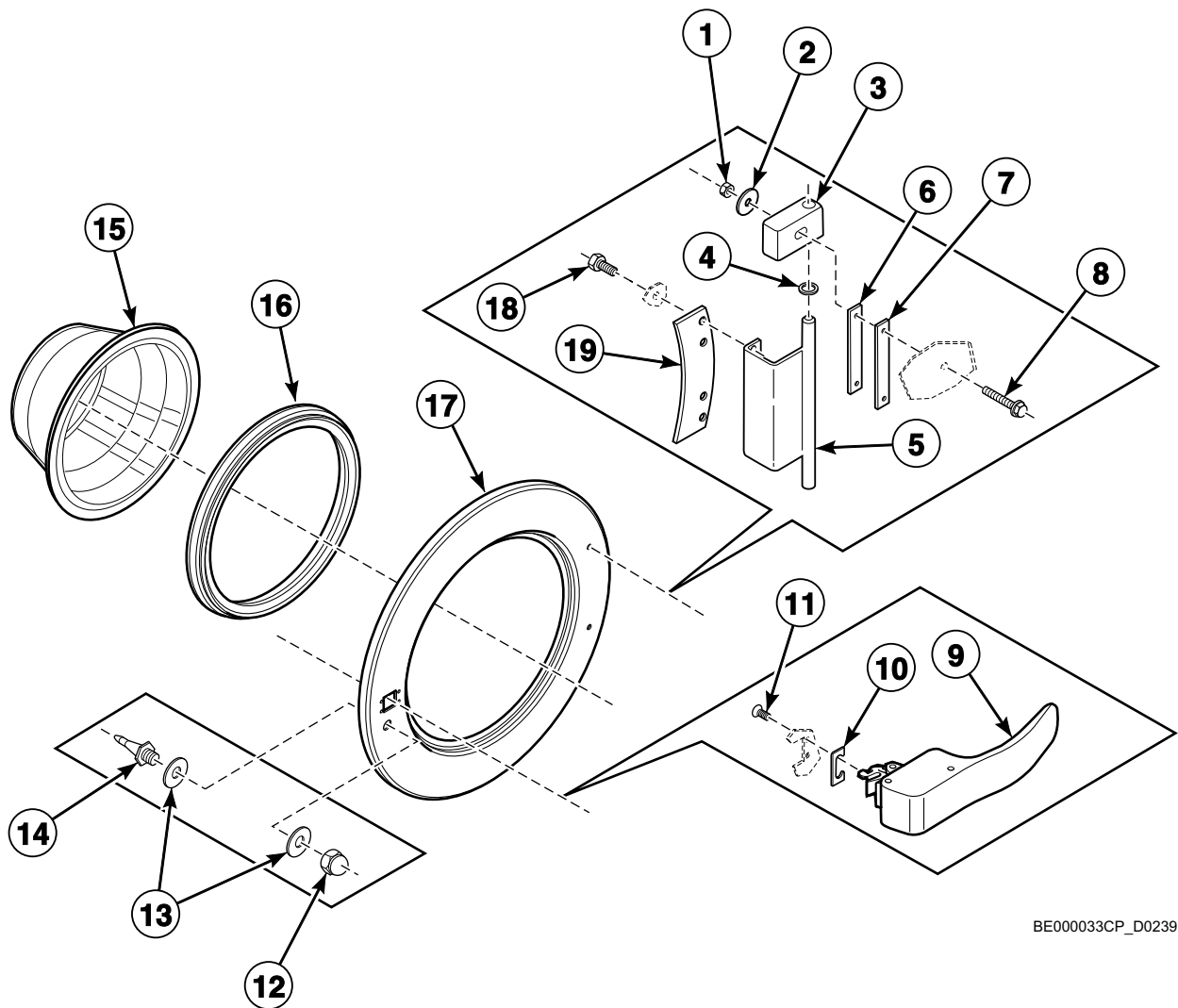


BE000463AP_D0239

Door Lock

REF	PART NO.	DESCRIPTION	COMMENTS
1	224/00040/00	Lever Spring	
2	155/00150/00	Plate Cover	
3	207/00135/00	Screw	
4	210/10015/00	Ground Terminal	
5	203/00007/00	Washer	
6	204/00008/00	Nut	
7	202/00101/00	Washer	
8	205/00105/00	Bolt	
9	209/00272/00	Door Lock Microswitch	
10	201/00018/00	Washer	
11	207/00009/00	Screw	
12	217/00052/01A	Door Lock Assembly	
13	217/00052/02	Door Lock Pin Kit	
14	217/00017/03	Lock Shaft	
15	205/00115/00	Bolt	
16	209/00273/00	Light Microswitch	
17	209/00274/00	Door Lock Solenoid	
18	201/00017/00	Washer	
19	224/00049/00	Door Lock Spring	
20	217/00052/07	Door Release Wire	
21	224/00043/00	Interlock Coil Spring	
22	217/00052/04	Interlock Lever	
23	217/00052/03	Door Lock Spacer	
24	217/00052/05	Switch Lever	

Door

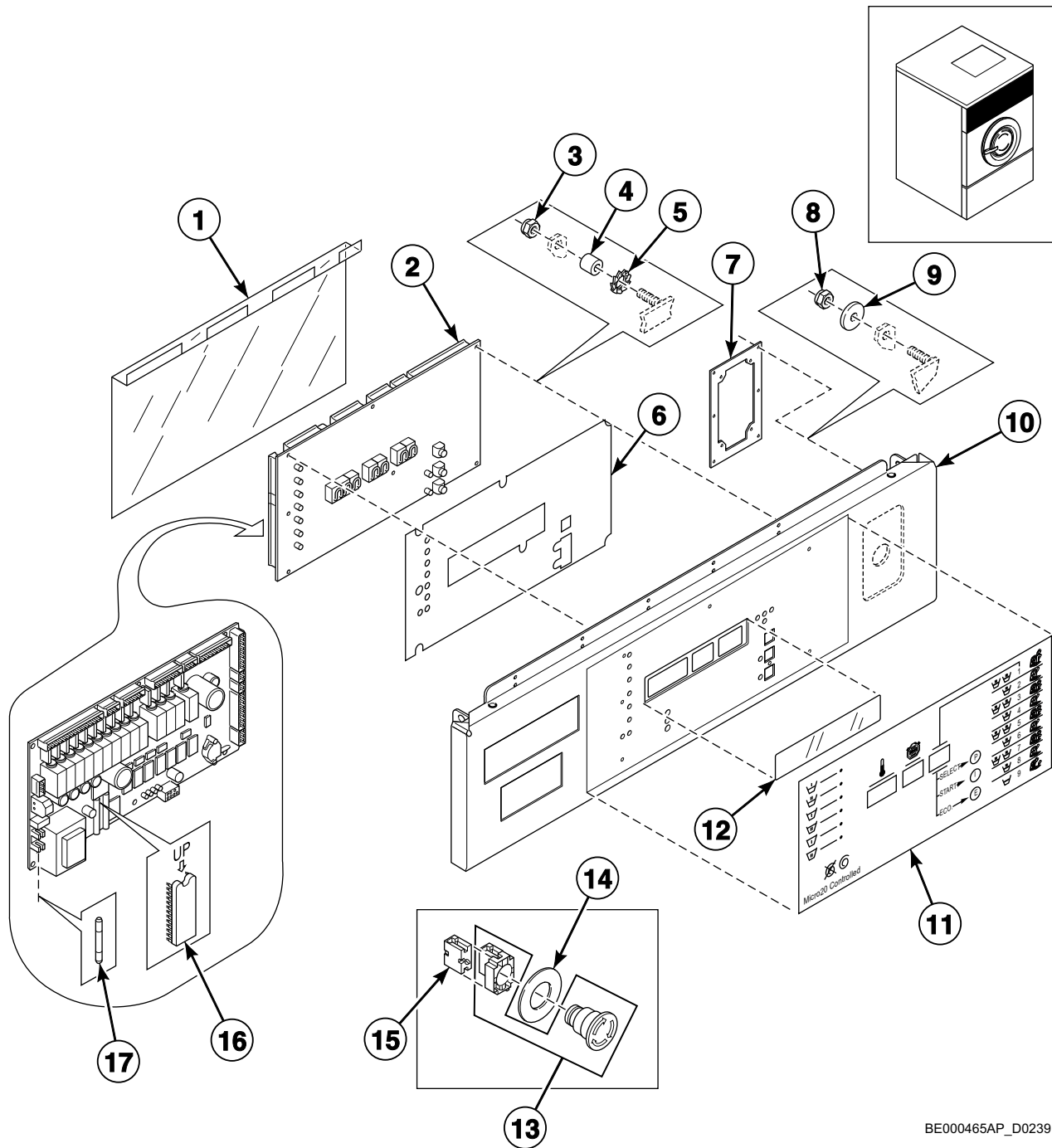


BE000033CP_D0239

Door

REF	PART NO.	DESCRIPTION	COMMENTS
1	204/00106/00	Nut	
2	202/00108/00	Washer	
3	217/00009/02	Door Hinge Assembly	
4	202/00104/00	Washer	
5	221/00005/00	Door Hinge	
6	117/00011/00	Door Hinge Spacer	2 mm
7	117/00010/00	Door Hinge Spacer	1 mm
8	207/00126/00	Screw	
	207/00125/00	Bolt	
9	217/00059/00	Door Handle	
10	217/00016/00	Door Handle Stop	
11	B12500801	Screw	
12	204/00103/00	Nut	
13	202/00111/00	Washer	
14	211/00109/01	Door Lock Pin Kit	
15	217/00022/00	Door Glass	
16	217/00015/00	Door Glass Seal	
17	155/00138/00	Door	
18	206/00146/00	Screw	
19	118/00065/00	Door Hinge Plate Assembly	

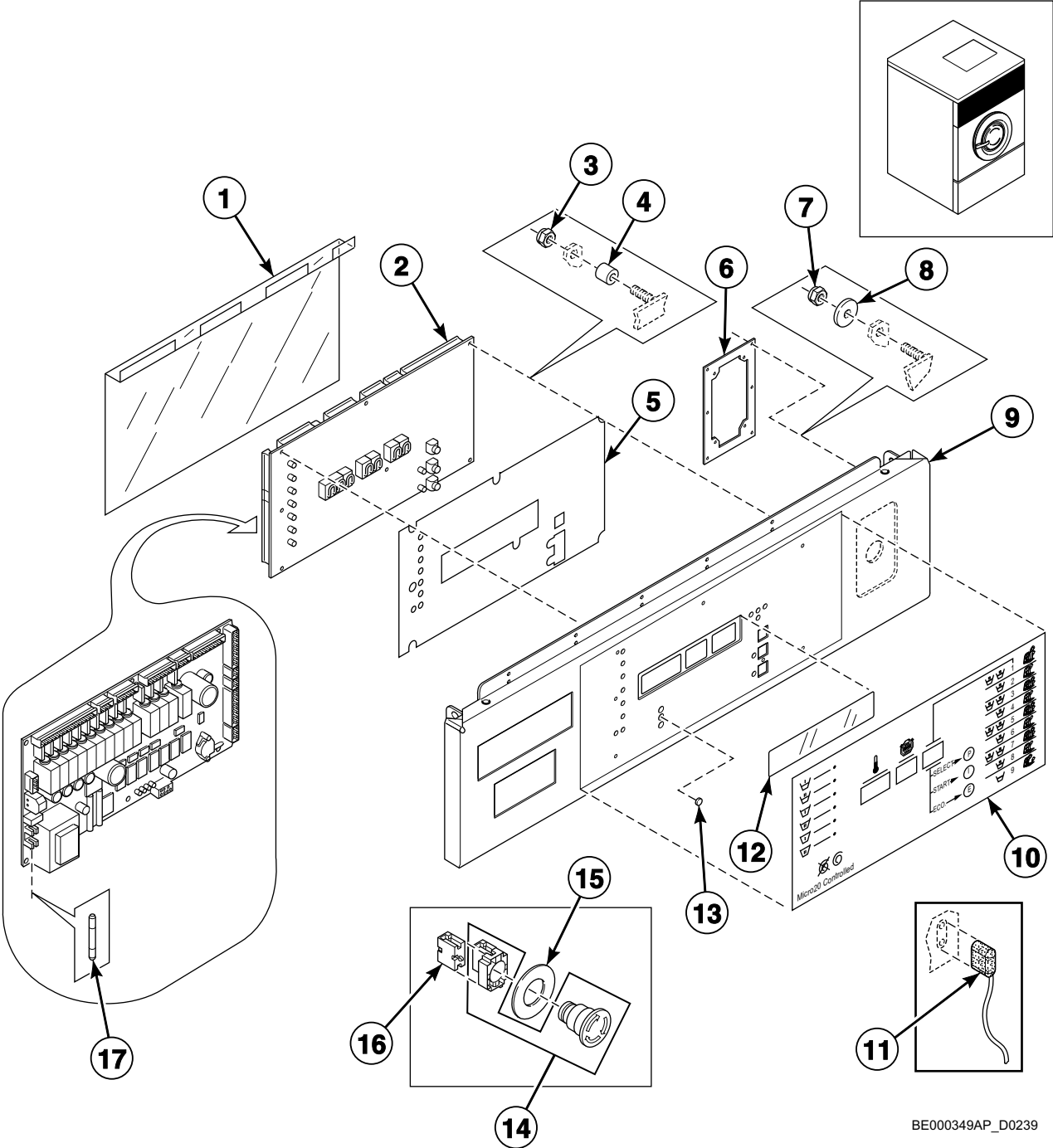
Control Panel - Micro-20



Control Panel - Micro-20

REF	PART NO.	DESCRIPTION	COMMENTS
1	229/00262/00	Circuit Board Cover	
2	209/00440/70	Printboard	
3	204/00116/00	Nut	
4	211/00122/00	Standoff	
5	203/00006/00	Washer	
6	229/00255/00	Insulating Sticker	
7	111/00257/00	Coin Meter Plate	
8	204/00009/00	Nut	
9	201/00008/00	Washer	
10	111/01700/00	Upper Front Panel	Model HW55_MICRO-20_OPL
	111/01701/00	Front Panel	Model HW55_MICRO-20_COIN
11	225/00407/00	Keypad Sticker	Model HW55_MICRO-20_OPL
	225/00406/00	Operating Label	Model HW55_MICRO-20_COIN
	225/00408/00	Operating Sticker	Central payment models; Without temperature or ECO
12	225/00316/00	Plexi Frame	
13	209/00248/20	Mushroom Pushbutton	
14	209/00520/00	Telem Sticker	
15	209/00099/26	Contact Switch	
16	209/00266/01	Eprom	Standard software
17	209/00439/00	Fuse	500 mA

Control Panel - Sigma

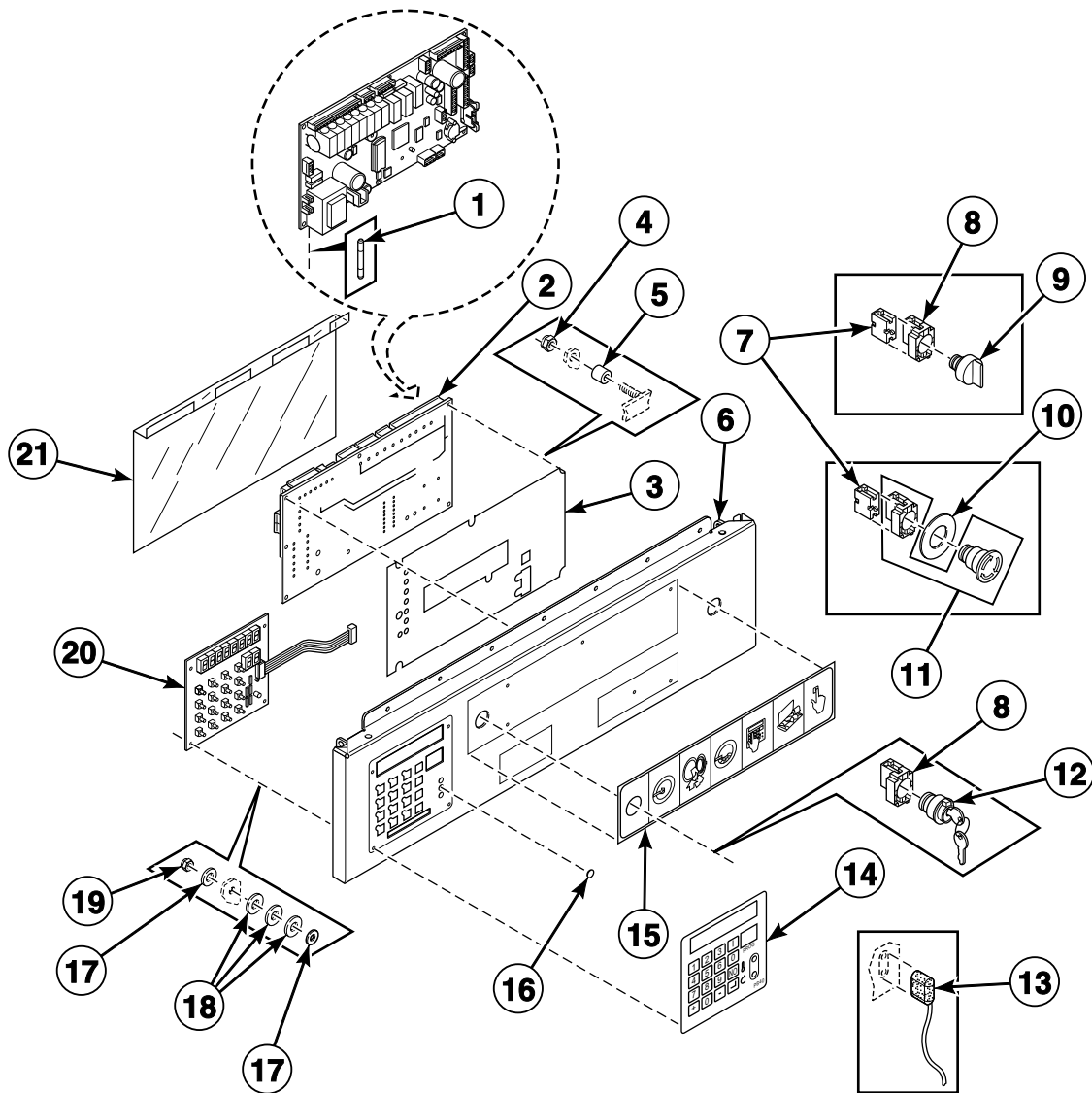


BE000349AP_D0239

Control Panel - Sigma

REF	PART NO.	DESCRIPTION	COMMENTS
1	229/00262/00	Circuit Board Cover	
2	209/00547/00	Control Board	
3	204/00114/00	Nut	
4	211/00122/00	Standoff	For printboards
5	229/00255/00	Insulating Sticker	
6	111/00257/00	Coin Meter Plate	
7	204/00009/00	Nut	
8	201/00008/00	Washer	
9	111/01700/00	Upper Front Panel	Model HW55_SIGMA_OPL
	111/01701/00	Front Panel	Model HW55_SIGMA_COIN
10	225/00404/00	Operating Sticker	Model HW55_SIGMA_OPL
	225/00403/00	Decal	Model HW55_SIGMA_COIN
	225/00405/00	Operating Sticker	Central payment models; Without temperature or ECO
11	210/00902/00	Infrared Cable	
12	225/00316/00	Plexi Frame	
13	202/00120/00	Metal Disc	
14	209/00248/20	Mushroom Pushbutton	
15	209/00520/00	Telem Sticker	
16	209/00099/26	Contact Switch	
17	209/00439/00	Fuse	500 mA

Control Panel - PS40F

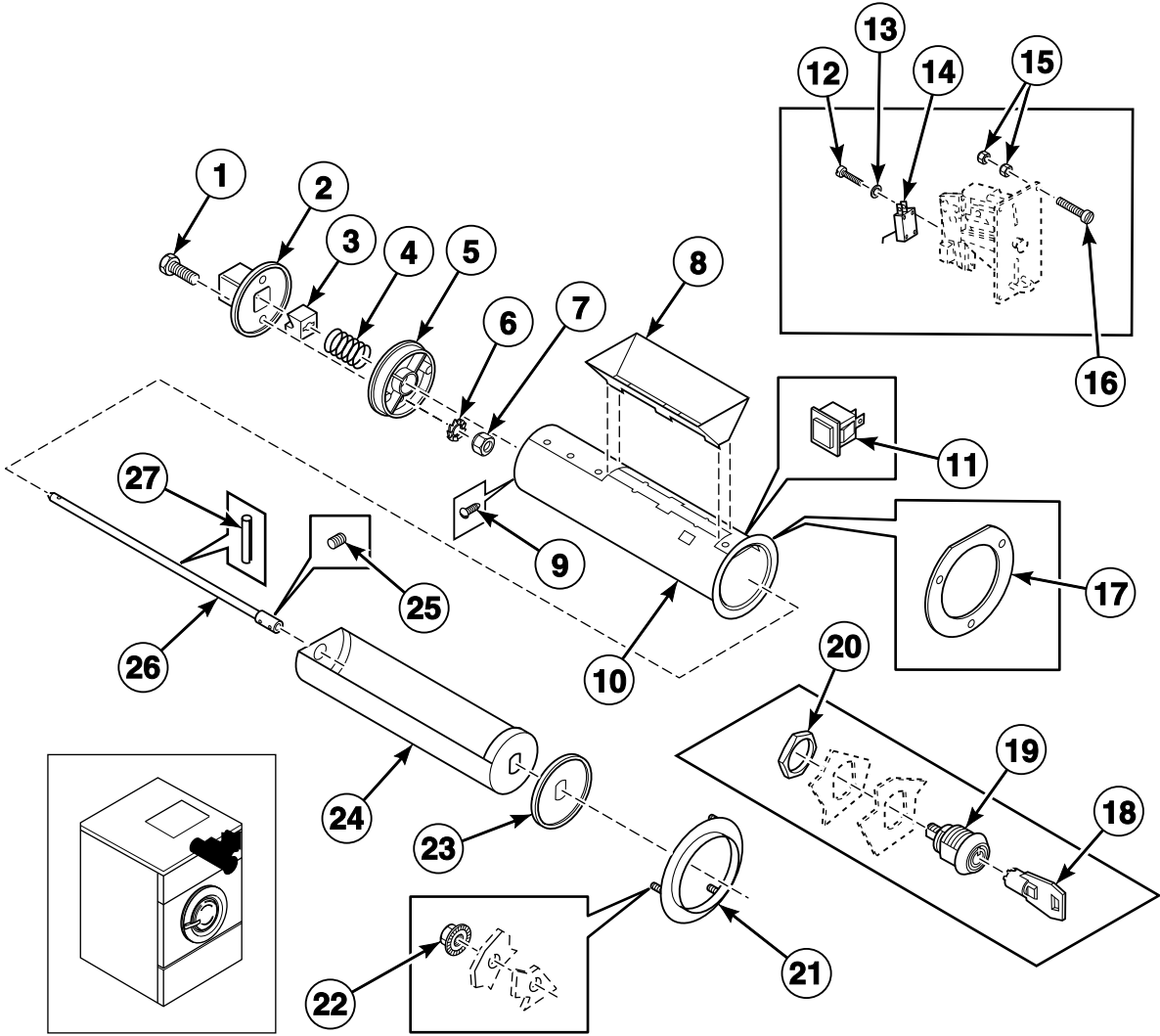


BE000558AP_D0239

Control Panel - PS40F

REF	PART NO.	DESCRIPTION	COMMENTS
1	209/00372/01	Fuse	
2	B12351701	Main Board	
3	229/00255/00	Insulating Sticker	
4	204/00116/00	Nut	
5	211/00122/00	Standoff	
6	111/01702/00	Front Panel	
7	209/00099/26	Contact Switch	
8	209/00099/25	Switch Base	
9	209/00099/29	Switch Knob	
10	209/00520/00	Telem Sticker	
11	209/00248/20	Mushroom Pushbutton	
12	209/00326/20	Programming Key Contact Switch	
13	210/00902/00	Infrared Cable	
14	225/00397/00	Label	
15	225/00400/00	Operating Sticker	
16	202/00120/00	Metal Disc	
17	223/00123/00	Washer	
18	223/00051/10	Washer	
19	204/00116/00	Nut	
20	209/00552/01	Keypad	
21	229/00262/00	Circuit Board Cover	

Coin Meter and Coin Vault (Drawing 1 of 2)

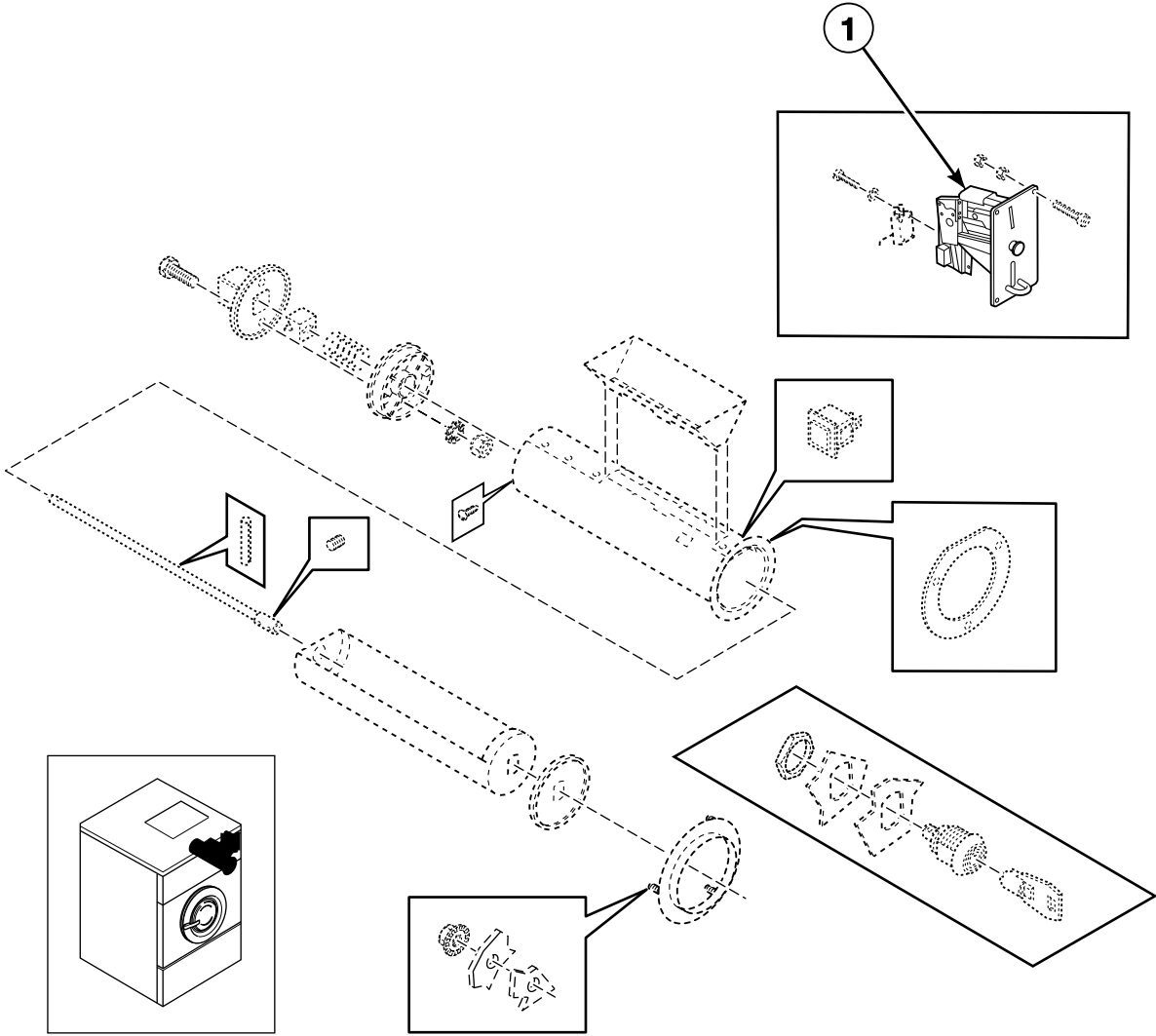


BE000042BP_D0239

Coin Meter and Coin Vault (Drawing 1 of 2)

REF	PART NO.	DESCRIPTION	COMMENTS
1	206/00033/00	Bolt	
2	211/00070/01	Outer Cabinet Lock	
3	211/00070/02	Washer	
4	211/00070/04	Spring	
5	211/00070/03	Inner Coin Box	
6	203/00004/00	Washer	
7	204/00005/00	Nut	
8	211/00071/00	Coin Box	
9	208/00007/00	Screw	
10	211/00100/00	Outer Coin Box	
11	209/00396/00	Pushbutton	
12	207/00009/00	Screw	
13	203/00007/00	Washer	
14	209/00060/12	Coin Drop Microswitch	
15	204/00116/00	Nut	
16	207/00108/00	Screw	
17	111/00100/00	Coin Box Ring Assembly	
18	211/00065/02	Coin Box Key	
19	211/00065/00	Coin Box Lock	
20	211/00065/01	Nut	
21	111/00066/00	Coin Box Ring	
22	206/00099/00	Bolt	
23	111/00068/00	Front Plate	
24	211/00101/00	Coin Box	
25	206/00038/00	Screw	
26	111/00069/00	Spindle	
27	208/00013/00	Roll Pin	

Coin Meter and Coin Vault (Drawing 2 of 2)

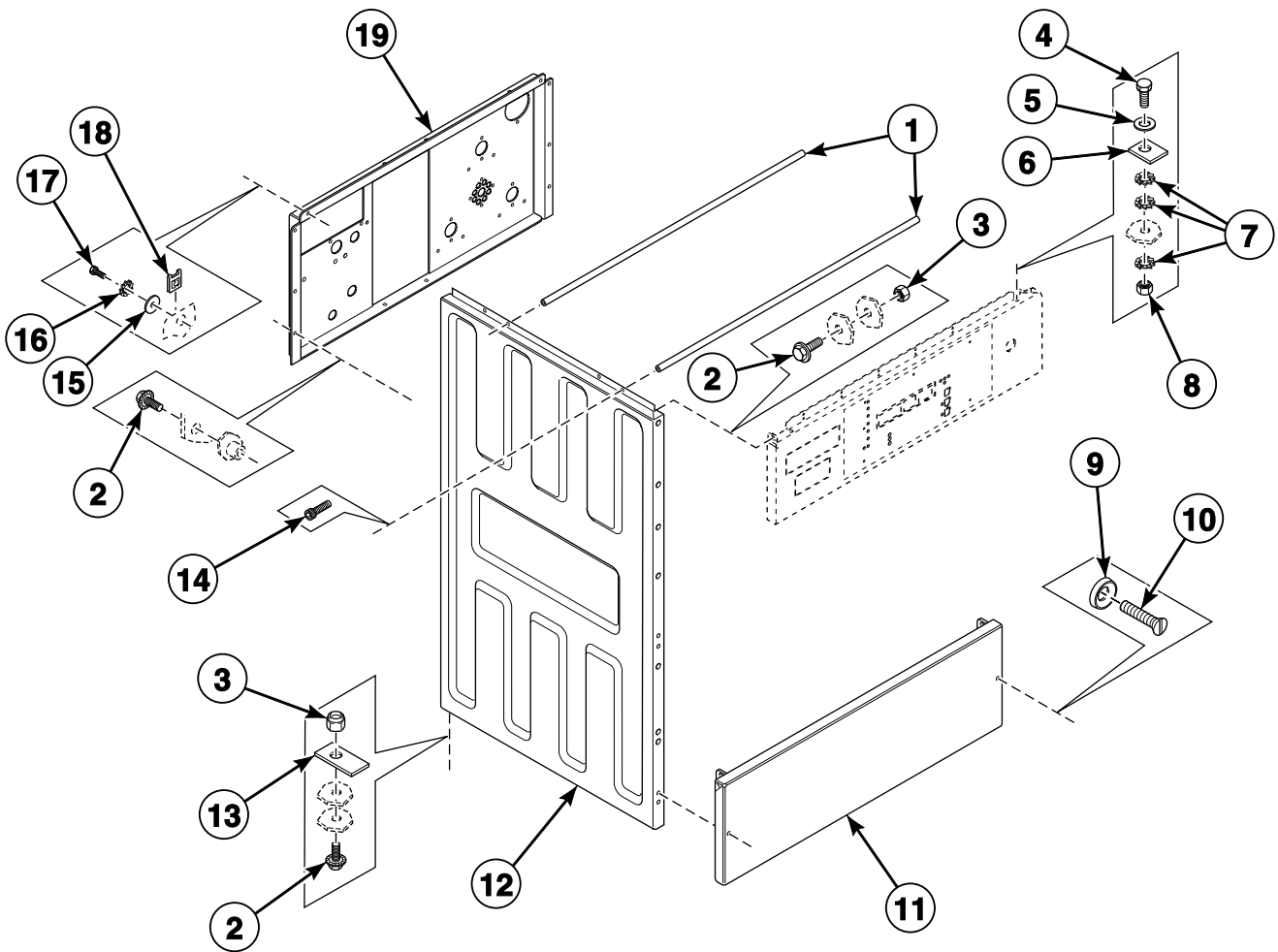


BE000042BPA_D0239

Coin Meter and Coin Vault (Drawing 2 of 2)

REF	PART NO.	DESCRIPTION	COMMENTS
1	209/00389/00	Coin Meter	Euro; .10
	209/00388/00	Coin Meter	Euro; .20
	209/00387/00	Coin Meter	Euro; .50
	209/00390/00	Coin Meter	Euro; 1.00
	209/00391/00	Coin Meter	Euro; 1.00 (LVN)
	209/00119/00	Coin Meter	Euro; .20 and .50
	209/00120/00	Coin Meter	Euro; 1.00 and .20
	209/00166/00	Coin Meter	Euro; 1.00 and .50
	209/00576/00	Coin Meter	Euro; 2.00 and .50
	209/00111/00	Coin Meter	\$.25
	209/00414/00	Coin Meter	Canada; .25 and 1.00
	209/00378/00	Coin Meter	Australia; 1.00 and 2.00
	209/00229/00	Coin Meter	Australia; 1.00 and .20
	209/00065/00	Coin Meter	Hong Kong; 1 dollar
	209/00418/00	Coin Meter	Malaysia; 1 dollar
	209/00364/00	Coin Meter	England; 1 pound and 20 pence
	209/00437/00	Coin Meter	South Africa; 1 rand and 2 rand
	209/00442/00	Coin Meter	Israel; 1 shekel and 5 shekel
	209/00375/00	Coin Meter	Singapore; 1 dollar
	209/00383/00	Coin Meter	New Zealand; 2 dollar and 1 dollar
	209/00500/00	Coin Meter	Morocco; 5 MDh and 10 MDh
	209/00404/00	Coin Meter	5 NoCr and 10 NoCr
	209/00402/08	Coin Meter	10 dek and 2 dek
	209/00460/00	Coin Meter	2 dek
	209/00064/00	Coin Meter	Australia; .20
	209/00415/00	Coin Meter	Hong Kong; 5 dollar
	209/00501/00	Coin Meter	Norway; 50 kronur and 100 kronur
	209/00402/01	Coin Meter	Token; .800
	209/00402/03	Coin Meter	Token; Coin meter token
	209/00502/00	Coin Meter	Token; Small Muller
	209/00402/04	Coin Meter	Token; Prinz; 28 x 2.7 mm
	209/00402/02	Coin Meter	Token; Prinz; 22.85 x 2.1 mm
	209/00407/00	Coin Meter	Token; Prinz 26 x 2.05 mm
	209/00469/00	Coin Meter	NRI; Electronic
	209/00216/00	Coin Meter	Japan; 100 yen
	209/00278/00	Coin Meter	Japan; 100 yen and 500 yen
	209/00373/00	Coin Meter	Korea; 500 won
	209/00522/00	Coin Meter	Trenner; Electronic
	209/00061/00	Coin Meter	Token; 7K
	209/00068/00	Coin Meter	Token; 10K
	209/00069/00	Coin Meter	Token; 12K
	209/00070/00	Coin Meter	Token; 15K
	209/00121/00	Coin Meter	Profiled token
	209/00161/00	Coin Meter	1 dek
	209/00158/00	Coin Meter	1 rial
209/00160/00	Coin Meter	5 dek	
209/00269/00	Coin Meter	Korea; 100 won and 500 won	
209/00162/00	Coin Meter	Token; Vasketeria and 5 DK	
209/00066/00	Coin Meter	Token; Vasketeria and 2x1 DK	
209/00553/00	Coin Meter	USA; \$1.00 and \$.25	
209/00548/00	Coin Meter	100 pesetas and 25 pesetas	

Left Side, Lower Front and Upper Back Panels

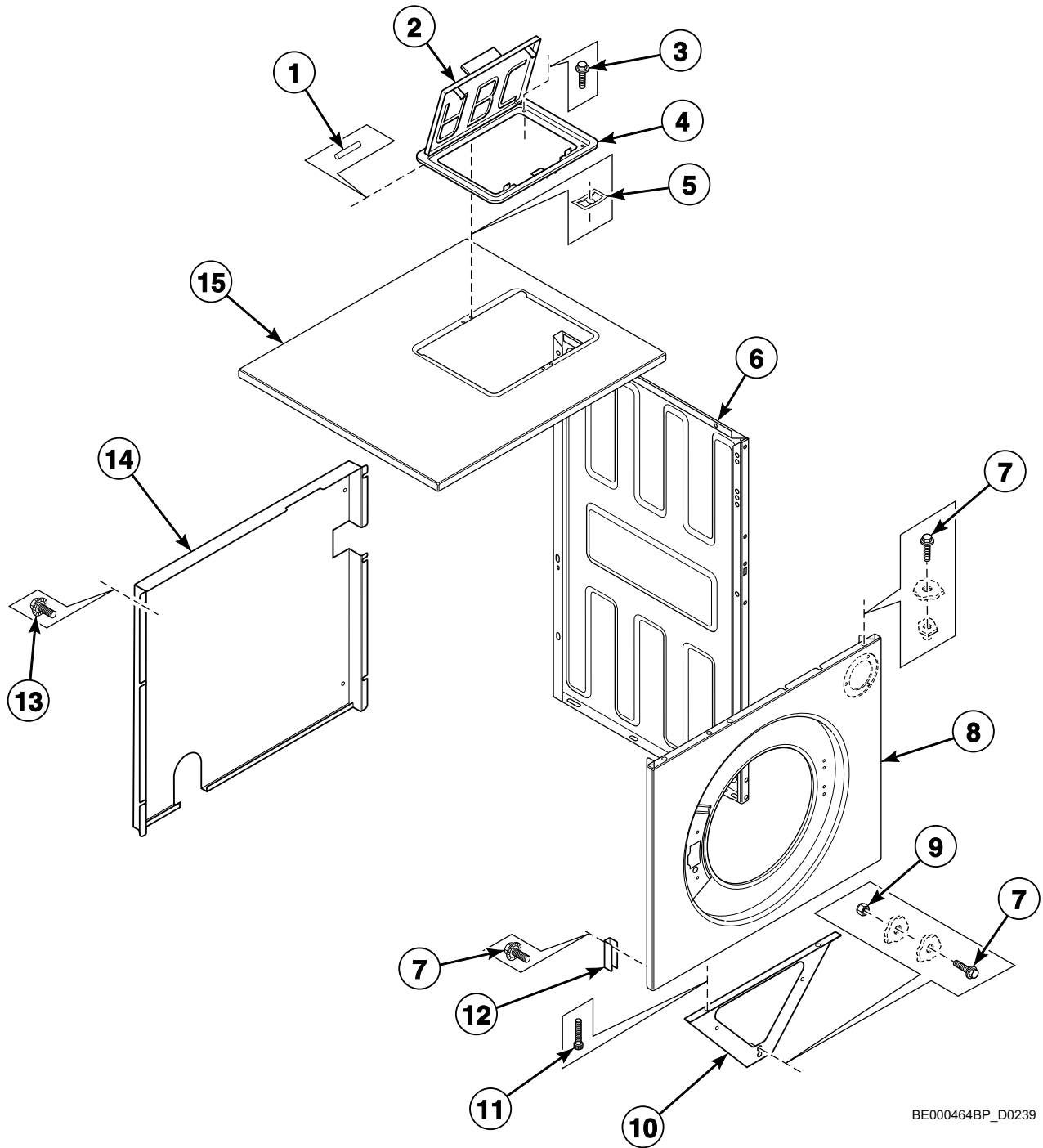


BE000468BP_D0239

Left Side, Lower Front and Upper Back Panels

REF	PART NO.	DESCRIPTION	COMMENTS
1	155/00145/00	Crossbar	
2	206/00099/00	Bolt	
3	206/00101/00	Nut	
4	205/00106/00	Bolt	
5	202/00003/00	Washer	
6	117/00042/00	Retaining Ring	
7	203/00005/00	Washer	
8	204/00006/00	Nut	
9	208/00009/00	Washer	
10	207/00101/00	Screw	
11	111/22131/00	Lower Front Panel	
12	155/00140/00	Side Panel	
13	101/00007/00	Outlet Pipe Plate Assembly	
14	206/00074/00	Screw	
15	201/00006/00	Washer	
16	203/00015/00	Washer	
17	208/00001/00	Screw	
18	208/00025/00	Nut	
19	111/10426/40	Backbridge	

Right Side, Front, Lower Rear and Top Panels

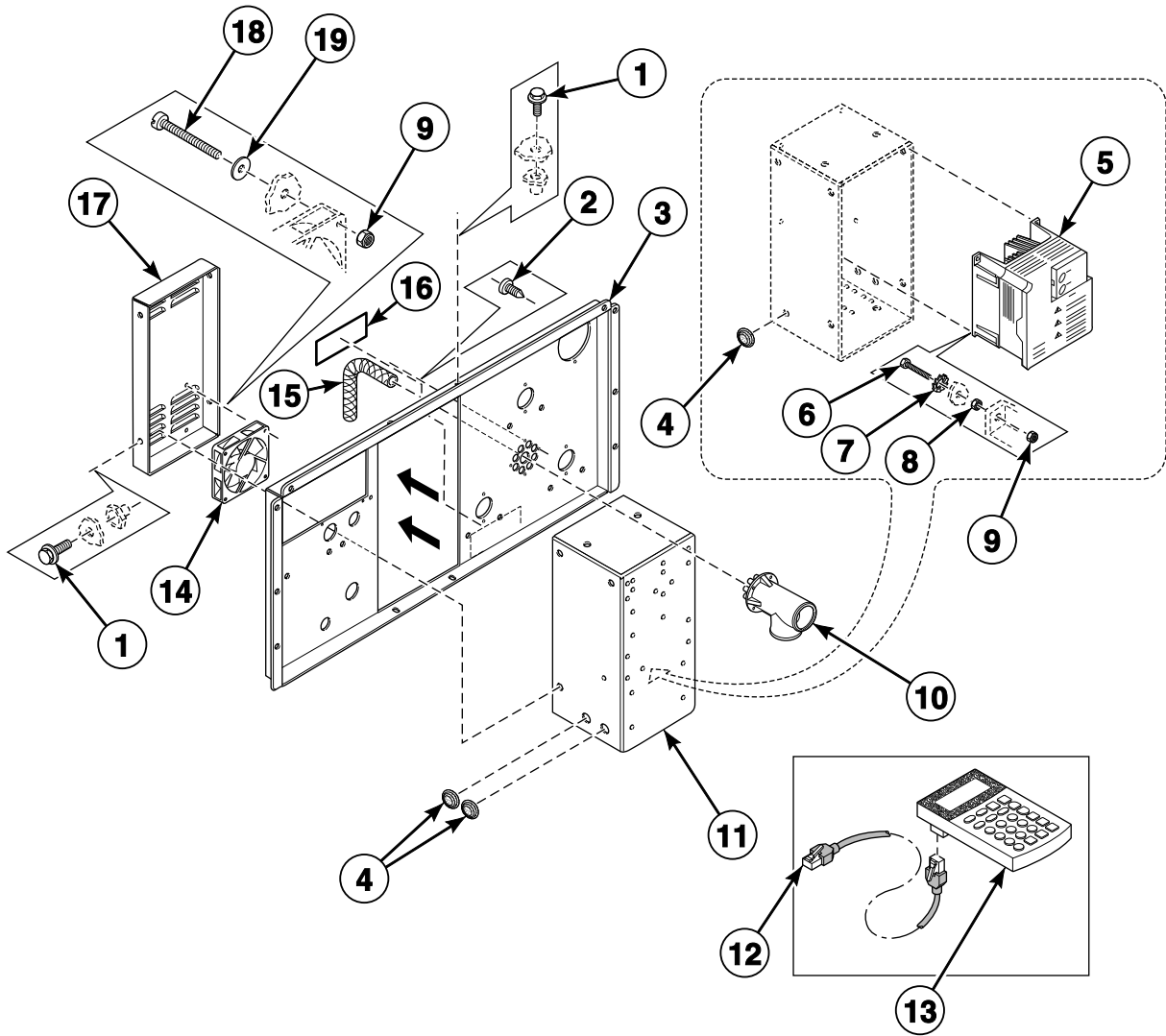


BE000464BP_D0239

Right Side, Front, Lower Rear and Top Panels

REF	PART NO.	DESCRIPTION	COMMENTS
1	223/00103/04	Soap Dispenser Cover Hinge Rod	2 required
2	223/00103/01	Soap Dispenser Cover	
3	207/00131/00	Bolt	
4	223/00103/03	Soap Dispenser Frame	
5	208/00104/00	Nut	
6	155/00140/00	Side Panel	
7	206/00099/00	Bolt	
8	111/10090/00	Lower Front Panel	Models HW55_MICRO-20_OPL, HW55_PS40F and HW55_SIGMA_OPL
	111/10088/00	Lower Front Panel	Models HW55_MICRO-20_COIN and HW55_SIGMA_COIN
9	204/00009/00	Nut	
10	155/00144/00	Reinforcing Triangle	
11	206/00074/00	Screw	
12	111/10089/01	Reinforcement Plate	
13	206/00086/00	Screw	
14	111/10427/01	Lower Rear Panel	
15	155/00142/00	Top Panel	

Inverter Drive

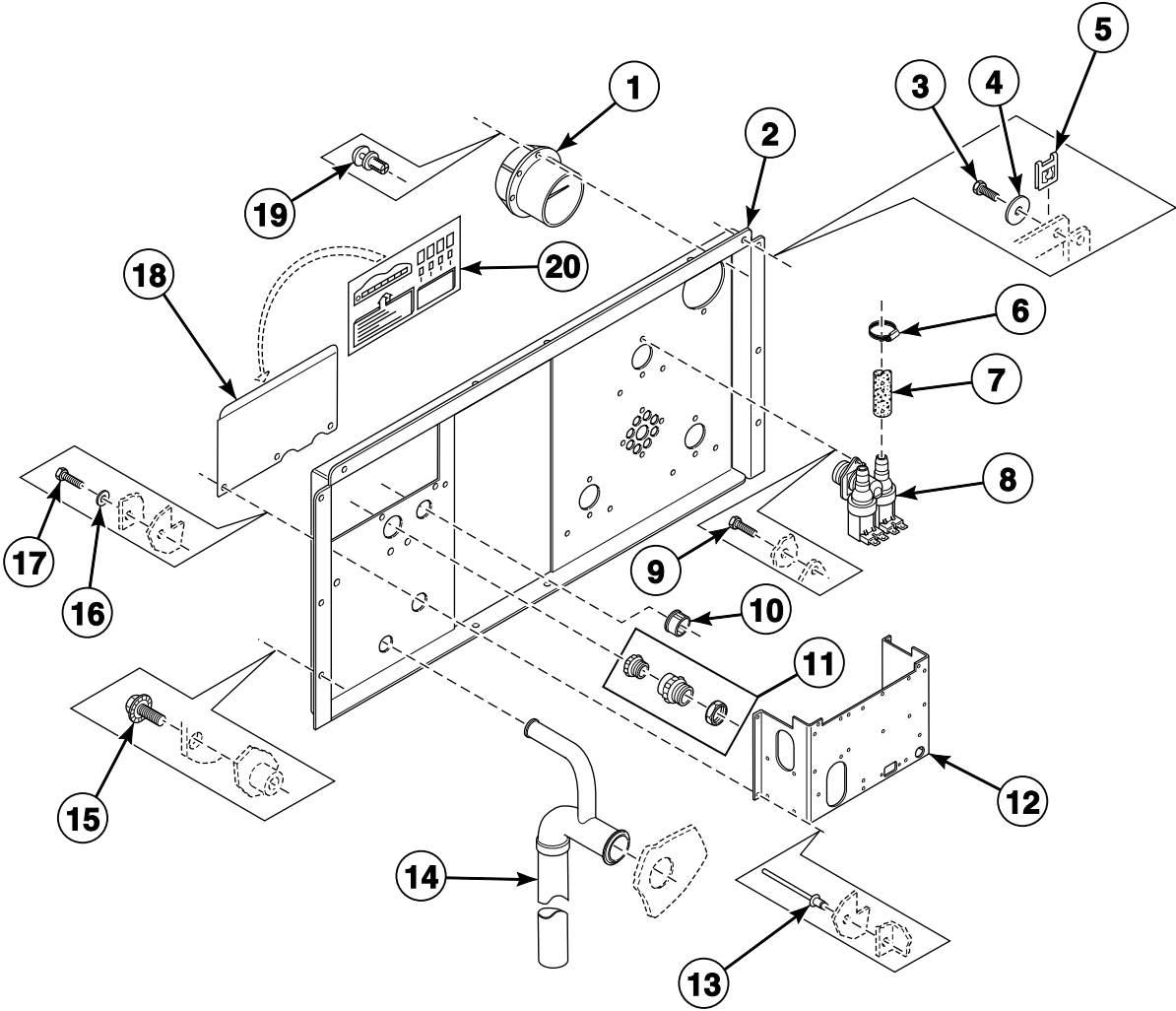


CFD484P_D0239

Inverter Drive

REF	PART NO.	DESCRIPTION	COMMENTS
1	206/00099/00	Bolt	
2	208/00130/00	Screw	
3	111/10426/40	Backbridge	
4	223/00174/00	Grommet	
5	227/00227/00	Inverter	500 series
	F8420601	Inverter Drive Kit	700 series; 200 Volt/1 Phase; Models with .55 kW motor; Includes F8420701 Drive, F8409501 Mounting Plate Assembly and F430903 Screw
	F8420701	Inverter Drive	700 series; 200 Volt/1 Phase; Models with .55 kW motor
6	206/00088/00	Bolt	
7	203/00006/00	Washer	
8	204/00007/00	Nut	
9	204/00114/00	Nut	
10	223/00250/00	Liquid Soap Manifold	
11	111/10425/00	Inverter Drive Box	
12	F8410901	Parameter Unit Assembly	Inverter mounted; Used with 500 series inverter drives
	227/00171/00	Parameter Unit Assembly	Hand held
13	227/00171/10	Parameter Unit Program Cable	
14	209/00465/00	Fan	
15	223/00179/10	Pressure Hose	
16	B12355001	Voltage Discharge Decal	
17	111/10425/01	Inverter Box Cover	
18	207/00121/00	Screw	
19	202/00004/00	Washer	

Upper Back Panel with Circular Ventilation

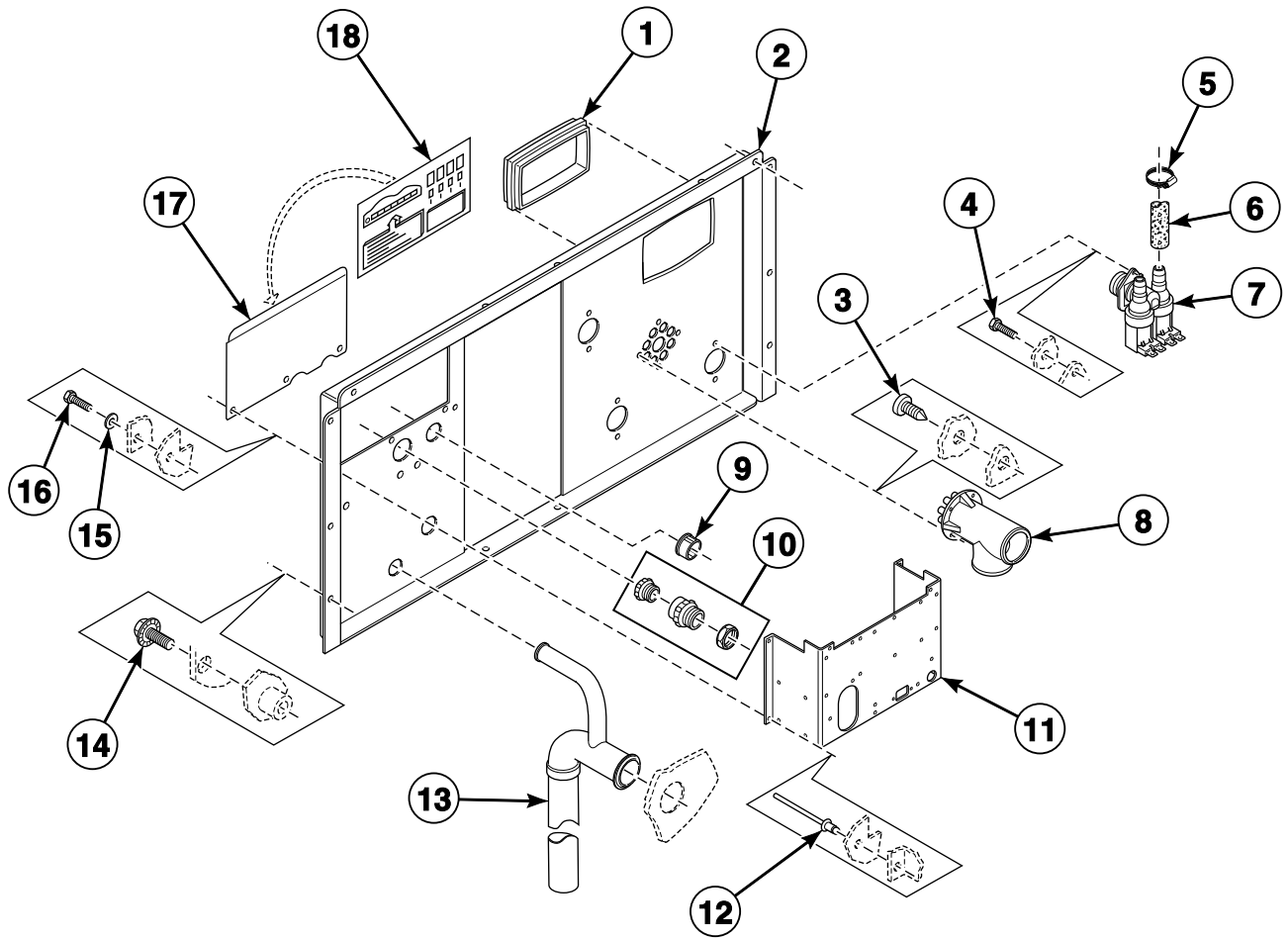


BE000577P_D0239

Upper Back Panel with Circular Ventilation

REF	PART NO.	DESCRIPTION	COMMENTS
1	223/00102/07	Hose Vent	
2	111/10426/40	Backbridge	
3	208/00001/00	Screw	
4	201/00006/00	Washer	
5	208/00002/00	Nut	
6	223/00010/00	Hose Clamp	
7	223/00044/01	Water Hose	13 mm diameter; Sold per meter
8	209/00110/00	2-Way Inlet Valve	Metric thread
	B12519501	2-Way Inlet Valve	Standard thread; G581P3 Diaphragm and Guide Kit
9	206/00027/00	Bolt	
10	211/00091/00	Plug	
11	211/00087/00	Plug	
12	111/00188/06	Electrical Connection Plate	
13	208/00017/00	Rivet	
14	223/00149/50	Overflow Hose	
15	206/00009/00	Bolt	
16	202/00004/00	Washer	
17	206/00014/00	Bolt	
18	111/00094/10	Electrical Connection Plate	
19	211/00093/00	Rivet	
20	229/00068/02	Electrical Connection Sticker	

Upper Back Panel with Rectangular Ventilation

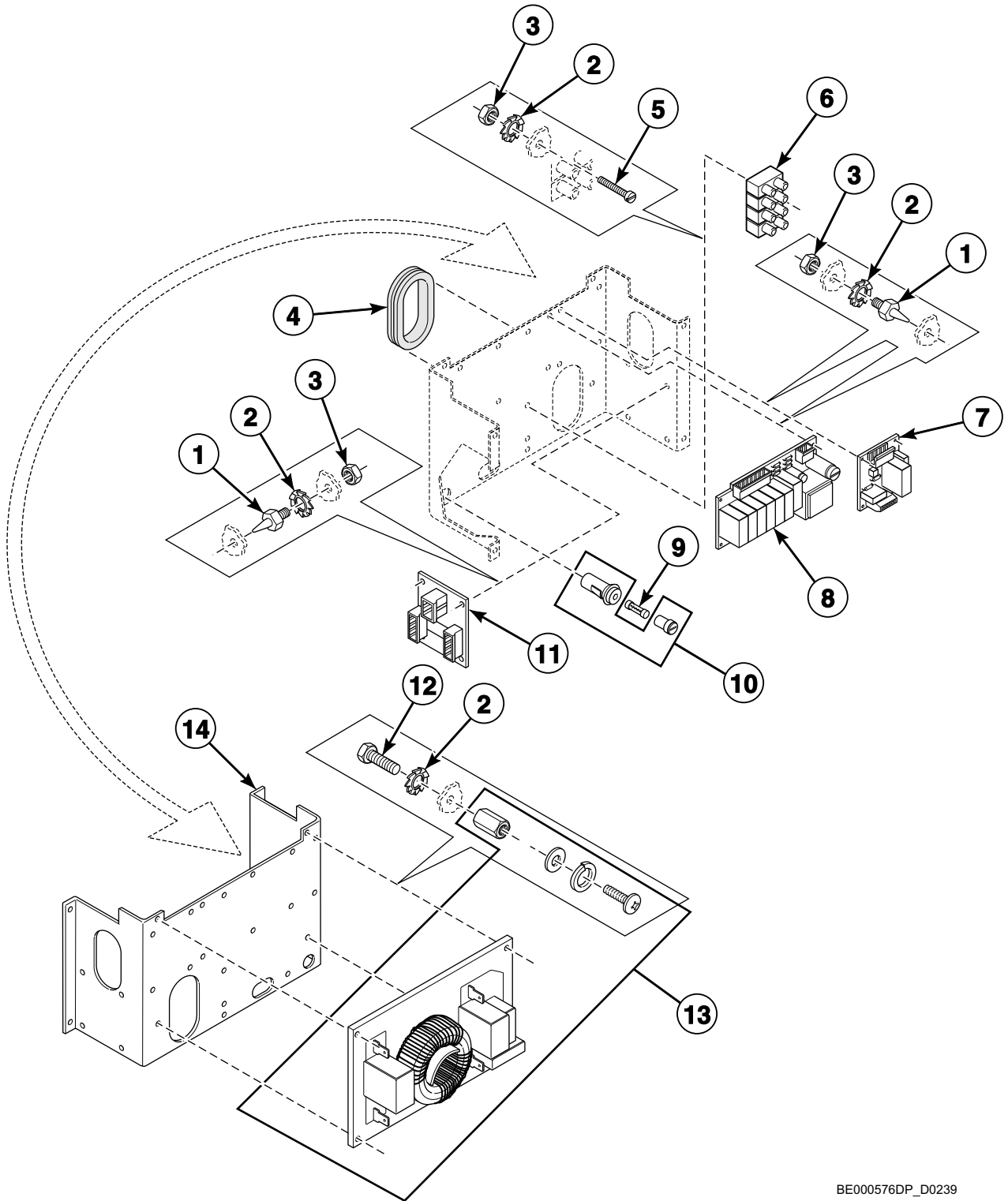


BE000578P_D0239

Upper Back Panel with Rectangular Ventilation

REF	PART NO.	DESCRIPTION	COMMENTS
1	223/00226/00	Vent Tube	
2	111/10426/70	Backbridge	
3	208/00130/00	Screw	
4	206/00027/00	Bolt	
5	223/00010/00	Hose Clamp	
6	223/00044/01	Water Hose	13 mm diameter; Sold per meter
7	209/00110/00	2-Way Inlet Valve	Metric thread
	B12519501	2-Way Inlet Valve	Standard thread; G581P3 Diaphragm and Guide Kit
8	223/00250/00	Liquid Soap Manifold	
9	211/00091/00	Plug	
10	211/00087/00	Plug	
11	111/00188/06	Electrical Connection Plate	
12	208/00017/00	Rivet	
13	223/00149/50	Overflow Hose	
14	206/00099/00	Bolt	
15	202/00004/00	Washer	
16	206/00014/00	Bolt	
17	111/00094/10	Electrical Connection Plate	
18	229/00068/02	Electrical Connection Sticker	

Noise Filter, Central Operating Panel Printboard and Soap Injection Printboard

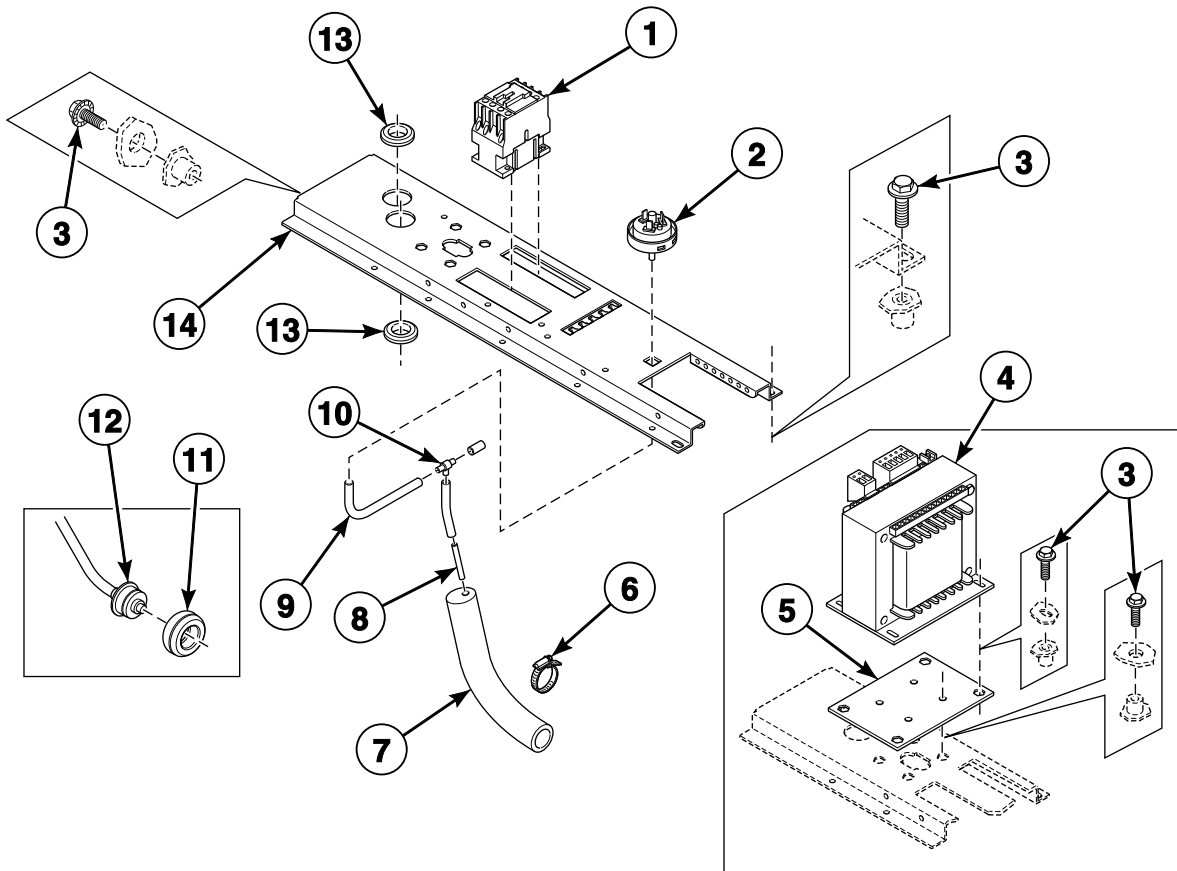


BE000576DP_D0239

Noise Filter, Central Operating Panel Printboard and Soap Injection Printboard

REF	PART NO.	DESCRIPTION	COMMENTS
1	211/00120/00	Standoff	
2	203/00006/00	Washer	
3	204/00007/00	Nut	
4	223/00203/00	Grommet	
5	207/00031/00	Screw	
6	209/00058/00	Terminal Block	
7	209/00438/50	Central Control Board	
8	209/00218/13	Soap Injection PCB with Fuse	
9	209/00468/00	Fuse	
10	209/00202/00	Fuse Holder	
11	209/00540/00	Network Connection Printboard	
12	206/00027/00	Bolt	
13	227/00177/00	Filter	B0301044/16A1
	227/00242/00	Noise Filter	B0211098/16A3
	227/00179/00	Filter	B0211067/40A3
	227/00180/00	Filter	B0308117/45A1
14	111/00188/06	Electrical Connection Plate	

Electrical Component Mounting Plate

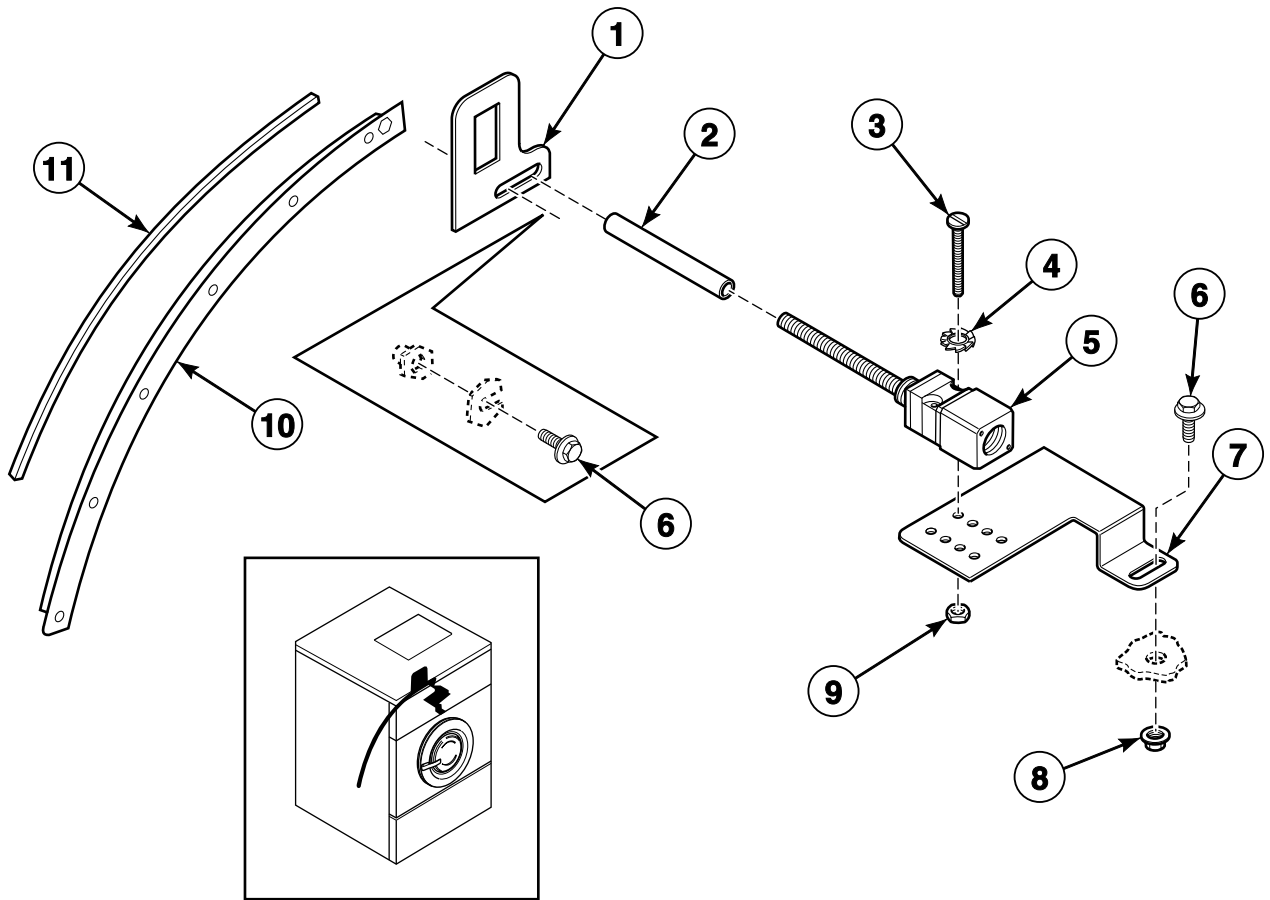


BE000495AP_D0239

Electrical Component Mounting Plate

REF	PART NO.	DESCRIPTION	COMMENTS
1	209/00041/04	Contactator	
2	209/00007/80	Water Level Switch	
3	206/00099/00	Bolt	
4	209/00478/00	Transformer	
5	155/00154/00	Transformer Mounting Plate	
6	223/00011/00	Hose Clamp	
7	223/00210/00	Pressure Switch Elbow	
8	223/00016/00	Hose Barb	
9	223/00212/00	Pressure Switch Hose	
10	223/00173/10	Pressure Switch Hose Tee	
11	225/10004/00	Thermostat Seal	
12	209/00309/02	Thermostat Assembly	
13	223/00198/00	Grommet	
14	155/00160/00	Electrical Mounting Plate	

Balance Switch



BE000488AP_D0239

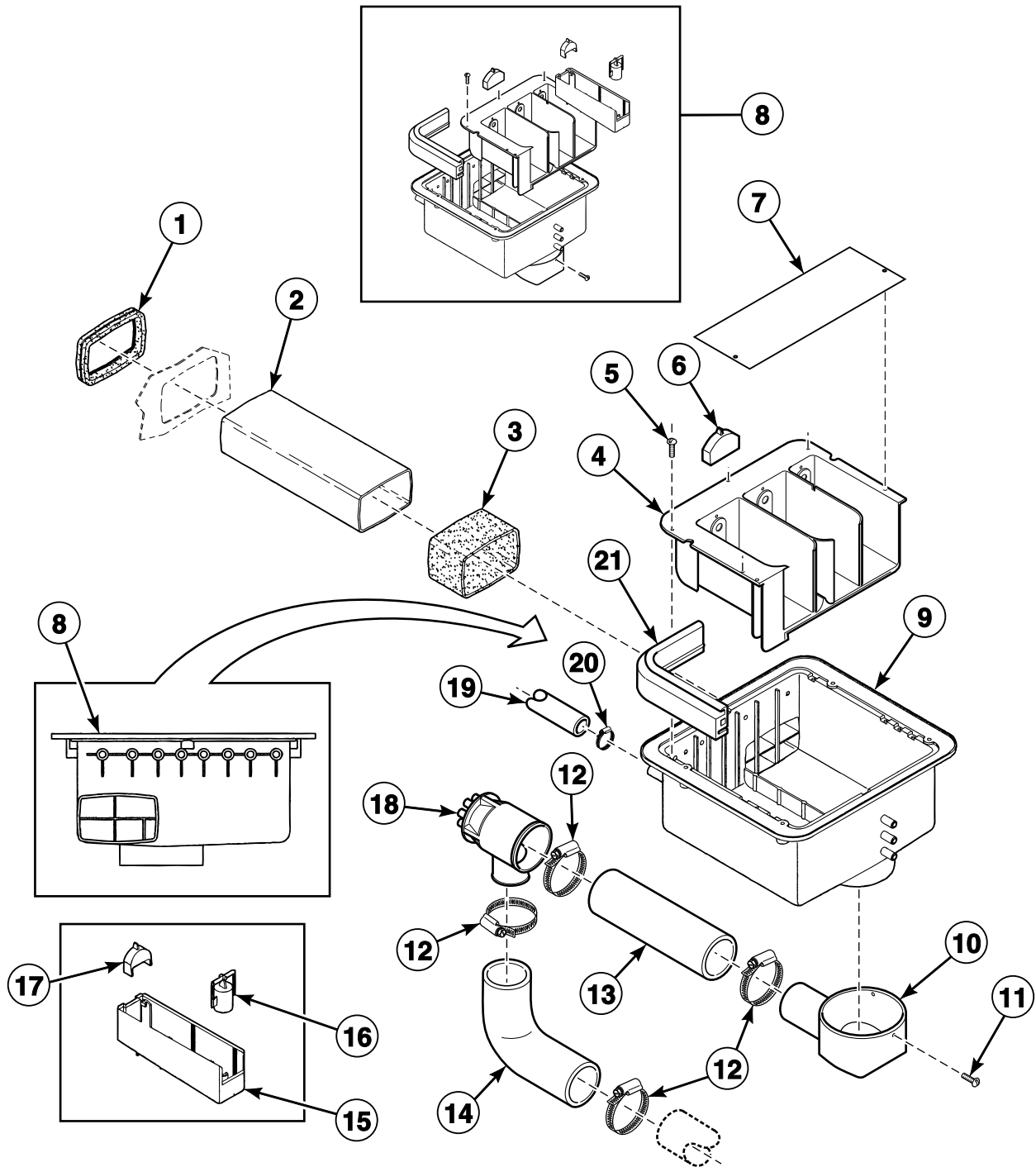
Balance Switch

REF	PART NO.	DESCRIPTION	COMMENTS
1	155/00135/01	Tilt Detector Plate	
2	223/00246/00	Out-of-Balance Switch Boot	
3	207/00018/00	Screw	
4	203/00006/00	Washer	
5	209/00255/00	Out-of-Balance Switch	
6	204/00007/00	Nut	
7	111/00107/01	Tilt Switch Bracket	
8	206/00105/00	Nut	
9	206/00099/00	Bolt	
10	155/00135/00	Tilt Detector Plate	
11	211/00142/00	Protection Strip	

Supply Dispenser with Round Ventilation Opening

REF	PART NO.	DESCRIPTION	COMMENTS
1	223/00014/00	Hose Clamp	
2	223/00107/03	Vent Hose	
3	223/00044/01	Water Hose	13 mm diameter; Sold per meter
4	223/00109/00	Soap Dispenser Gasket	
5	B12347501	Screw	
6	223/00102/06	Soap Spray Nozzle	
7	123/00107/00	Anti-Splash Plate	Models HW55_SIGMA_COIN and HW55_SIGMA_OPL
	123/00103/06	Soap Box Assembly Plate	Models HW55_MICRO-20_COIN, HW55_MICRO-20_OPL and HW55_PS40F
8	223/00102/30	Soap Dispenser Assembly	
9	223/00195/00	Dispenser Drain Funnel	
10	B12350903	Screw	
11	223/00102/50	Soap Dispenser Assembly	
12	223/00102/08	Liquid Soap Dispenser Insert	
13	223/00102/04	Soap Dispenser Rinse Siphon	
14	223/00102/03	Rinse Insert	
15	223/00102/05	Softener Spray Nozzle	
16	223/00265/00	Siphon Break Hose	
17	223/00013/00	Hose Clamp	
18	223/00260/00	Siphon Break Dispenser Hose	
19	223/00250/00	Liquid Soap Manifold	
20	223/00010/00	Hose Clamp	

Supply Dispenser with Rectangular Ventilation Opening

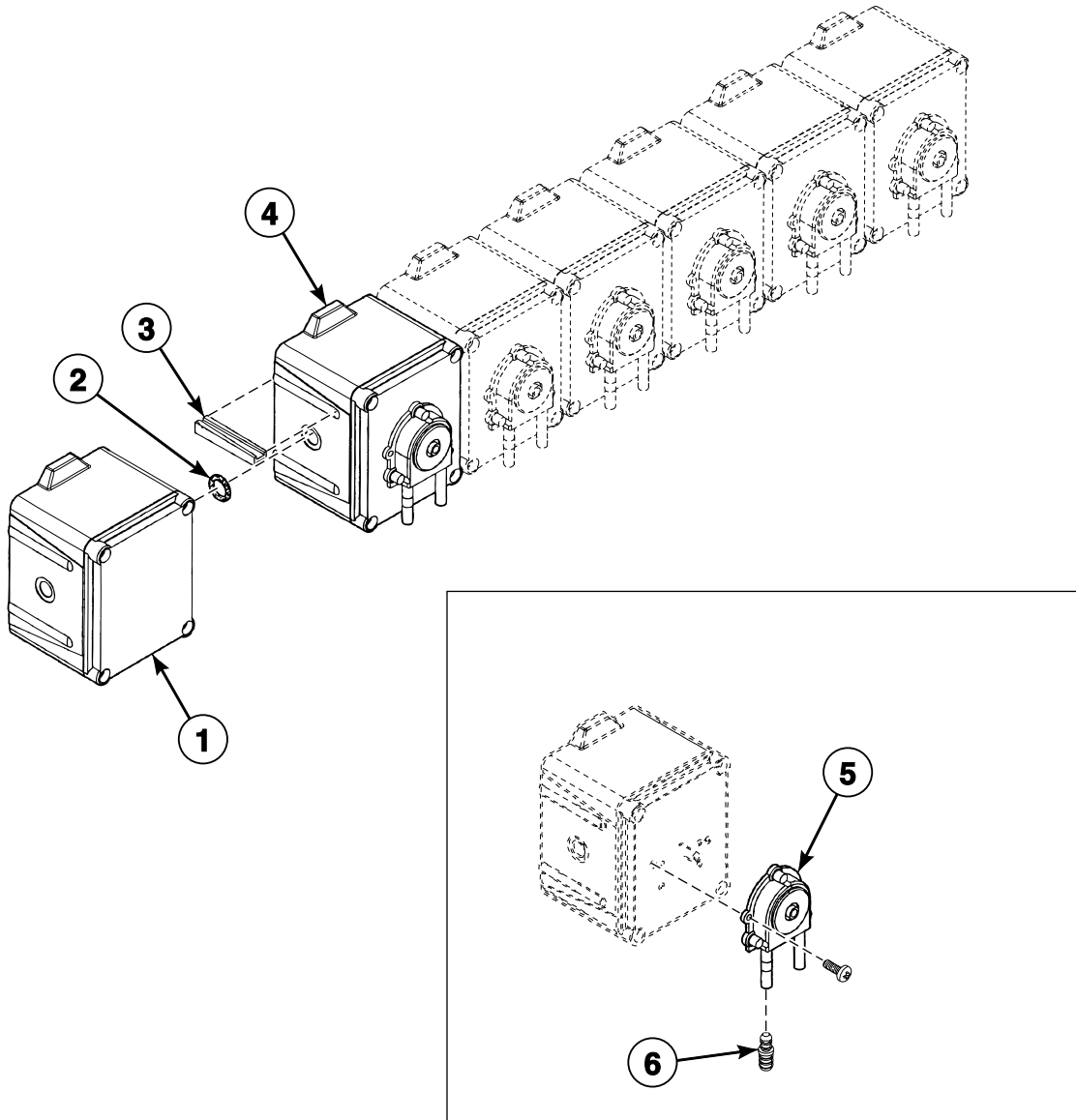


CFD331P_D0239

Supply Dispenser with Rectangular Ventilation Opening

REF	PART NO.	DESCRIPTION	COMMENTS
1	223/00226/00	Vent Tube	
2	223/00229/00	Vent Tube	
3	223/00245/00	Shrink Fit	
4	223/00222/60	Outer and Inner Box Kit	
5	B12347501	Screw	
6	223/00102/06	Soap Spray Nozzle	
7	123/00107/00	Anti-Splash Plate	Models HW55_SIGMA_COIN and HW55_SIGMA_OPL
	123/00103/06	Soap Box Assembly Plate	Models HW55_MICRO-20_COIN, HW55_MICRO-20_OPL and HW55_PS40F
8	223/00222/00	Soap Dispenser	
9	223/00222/01	Exterior Box	
10	223/00195/00	Dispenser Drain Funnel	
11	B12350903	Screw	
12	223/00013/00	Hose Clamp	
13	223/00260/00	Siphon Break Dispenser Hose	
14	223/00265/00	Siphon Break Hose	
15	223/00222/05	Rinsing Box	
16	223/00222/04	Siphon Break	
17	223/00222/03	Softener Spray Nozzle	
18	223/00250/00	Liquid Soap Manifold	
19	223/00044/00	Water Hose	13 mm diameter; Sold per meter
20	223/00010/00	Hose Clamp	
21	223/00109/00	Soap Dispenser Gasket	

Soap Pumps



BE000527AP_D0239

Soap Pumps

REF	PART NO.	DESCRIPTION	COMMENTS
1	209/00554/01	Soap Pump Assembly	1 pump and 1 feeding pump
	209/00554/02	Soap Pump Assembly	2 pumps and 1 feeding pump
	209/00554/03	Soap Pump Assembly	3 pumps and 1 feeding pump
	209/00554/04	Soap Pump Assembly	4 pumps and 1 feeding pump
	209/00554/05	Soap Pump Assembly	5 pumps and 1 feeding pump
	209/00554/06	Soap Pump Assembly	6 pumps and 1 feeding pump
	209/00554/51	Feeding Liquid Soap Dosing Pump	
2	209/00554/52	Liquid Soap Dosing Pump O-Ring	
3	209/00554/53	Liquid Soap Dosing Pump Connection Piece	
4	209/00554/50	Pump	
5	209/00554/98	Hose	
6	209/00554/99	Hose Connector	

Parts Index

A

Anti-Splash Plate	
123/00107/00	55, 57

B

Backbridge	
111/10426/40	39, 43, 45
111/10426/70	47
Ball Bearing	
215/00001/03	15
215/00016/00	15
Bearing Housing	
255/00116/01	15
Bearing Housing Assembly	
255/00120/00	15
Belt	
255/00013/00	17, 19
Bolt	
205/00105/00	25
205/00106/00	39
205/00115/00	25
206/00005/00	17
206/00009/00	45
206/00014/00	45, 47
206/00027/00	45, 47, 49
206/00032/00	13
206/00033/00	21, 23, 35
206/00088/00	43
206/00099/00	19, 23, 35, 39, 41, 43, 47, 51, 53
206/00110/00	9
207/00125/00	27
207/00131/00	41
Boot	
255/00123/00	13
Boot and Clamp Assembly	
238/00017/00	13

C

Caddy Bracket	
224/00051/00	15
Central Control Board	
209/00438/50	49
Circuit Board Cover	
229/00262/00	29, 31, 33
Clamp	
223/00009/00	23
Coin Box	
211/00071/00	35
211/00101/00	35
Coin Box Key	
211/00065/02	35
Coin Box Lock	
211/00065/00	35
Coin Box Ring	
111/00066/00	35

Coin Box Ring Assembly	
111/00100/00	35
Coin Drop Microswitch	
209/00060/12	35
Coin Meter	
209/00061/00	37
209/00064/00	37
209/00065/00	37
209/00066/00	37
209/00068/00	37
209/00069/00	37
209/00070/00	37
209/00111/00	37
209/00119/00	37
209/00120/00	37
209/00121/00	37
209/00158/00	37
209/00160/00	37
209/00161/00	37
209/00162/00	37
209/00166/00	37
209/00216/00	37
209/00229/00	37
209/00269/00	37
209/00278/00	37
209/00364/00	37
209/00373/00	37
209/00375/00	37
209/00378/00	37
209/00383/00	37
209/00387/00	37
209/00388/00	37
209/00389/00	37
209/00390/00	37
209/00391/00	37
209/00402/01	37
209/00402/02	37
209/00402/03	37
209/00402/04	37
209/00402/08	37
209/00404/00	37
209/00407/00	37
209/00414/00	37
209/00415/00	37
209/00418/00	37
209/00437/00	37
209/00442/00	37
209/00460/00	37
209/00469/00	37
209/00500/00	37
209/00501/00	37
209/00502/00	37
209/00522/00	37
209/00548/00	37
209/00553/00	37
209/00576/00	37
Coin Meter Plate	
111/00257/00	29, 31
Connecting Piece	
255/00017/00	23
Contact Switch	
209/00099/26	29, 31, 33
Contacto	
209/00041/04	51

N/A items do not appear in index.

Control Board	
209/00547/00	31
Cordlock	
211/00167/00	19
Crossbar	
155/00145/00	39

D

Decal	
225/00403/00	31
Dispenser Drain Funnel	
223/00195/00	55, 57
Door	
155/00138/00	27
Door Glass	
217/00022/00	27
Door Glass Seal	
217/00015/00	27
Door Handle	
217/00059/00	27
Door Handle Stop	
217/00016/00	27
Door Hinge	
221/00005/00	27
Door Hinge Assembly	
217/00009/02	27
Door Hinge Plate Assembly	
118/00065/00	27
Door Hinge Spacer	
117/00010/00	27
117/00011/00	27
Door Lock Assembly	
217/00052/01A.....	25
Door Lock Microswitch	
209/00272/00	25
Door Lock Pin Kit	
211/00109/01	27
217/00052/02	25
Door Lock Solenoid	
209/00274/00	25
Door Lock Spacer	
217/00052/03	25
Door Lock Spring	
224/00049/00	25
Door Release Wire	
217/00052/07	25
Drain Piece	
155/00155/00	23
223/00146/00	21, 23
Drain Pipe Kit	
223/00157/01	23
223/00157/02	23
Drain Valve	
209/00463/00	21
Drum and Axle	
155/00115/00	13, 17

E

Electrical Connection Plate	
111/00094/10	45, 47
111/00188/06	45, 47, 49
Electrical Connection Sticker	
229/00068/02	45, 47
Electrical Mounting Plate	
155/00160/00	51
Eprom	
209/00266/01	29
Exterior Box	
223/00222/01	57

F

Fan	
209/00465/00	43
Fastening Ring	
238/00013/00	13
Fastening Rubber	
247/00006/00	9, 11
247/00007/00	9, 11
Feeding Liquid Soap Dosing Pump	
209/00554/51	59
Filter	
227/00177/00	49
227/00179/00	49
227/00180/00	49
227/00242/00	49
Frame Assembly	
155/00131/50	7
Front Panel	
111/01701/00	29, 31
111/01702/00	33
155/00102/EV3.....	13
Front Plate	
111/00068/00	35
Fuse	
209/00372/01	33
209/00439/00	29, 31
209/00468/00	49
Fuse Holder	
209/00202/00	49

G

Gasket	
223/00258/00	13
Grommet	
223/00174/00	43
223/00198/00	51
223/00203/00	49
Ground Terminal	
210/10015/00	25

H

Hanging Drain Pump	
209/00560/00	23

N/A items do not appear in index.

Heating Element	
209/00562/01	13
209/00563/01	13
209/00564/01	13
Heating Element Plug	
209/00196/00	13
Hose	
209/00554/98	59
Hose Barb	
223/00016/00	51
Hose Clamp	
223/00010/00	45, 47, 55, 57
223/00011/00	23, 51
223/00012/00	23
223/00013/00	21, 55, 57
223/00014/00	21, 23, 55
Hose Connector	
209/00554/99	59
Hose Vent	
223/00102/07	45

I

Infrared Cable	
210/00902/00	31, 33
Inlet Valve, 2-Way	
B12519501	45, 47
209/00110/00	45, 47
Inner Coin Box	
211/00070/03	35
Insulating Sticker	
229/00255/00	29, 31, 33
Interior Box	
223/00222/02	57
Interlock Coil Spring	
224/00043/00	25
Interlock Lever	
217/00052/04	25
Inverter	
227/00227/00	43
Inverter Box Cover	
111/10425/01	43
Inverter Drive	
F8420701	43
Inverter Drive Box	
111/10425/00	43
Inverter Drive Kit	
F8420601	43

K

Keypad	
209/00552/01	33
Keypad Sticker	
225/00407/00	29

L

Label	
225/00397/00	33

Lever Spring	
224/00040/00	25
Light Microswitch	
209/00273/00	25
Lip Seal	
255/00015/00	15, 17
Liquid Soap Dispenser Insert	
223/00102/08	55
Liquid Soap Dosing Pump Connection Piece	
209/00554/53	59
Liquid Soap Dosing Pump O-Ring	
209/00554/52	59
Liquid Soap Manifold	
223/00250/00	43, 47, 55, 57
Lock Shaft	
217/00017/03	25
Lower Front Panel	
111/10088/00	41
111/10090/00	41
111/22131/00	39
Lower Rear Panel	
111/10427/01	41

M

Main Board	
B12351701	33
Metal Disc	
202/00120/00	31, 33
Motor	
255/00014/00	19
Motor Pulley	
255/00012/00	19
Mushroom Pushbutton	
209/00248/20	29, 31, 33

N

Network Connection Printboard	
209/00540/00	49
Nut	
204/00003/00	9
204/00005/00	35
204/00006/00	39
204/00007/00	43, 49, 53
204/00008/00	25
204/00009/00	13, 29, 31, 41
204/00103/00	27
204/00106/00	27
204/00109/00	19
204/00110/00	7, 9, 11, 15
204/00114/00	31, 43
204/00116/00	29, 33, 35
206/00101/00	21, 23, 39
206/00105/00	23, 53
208/00002/00	45
208/00025/00	39
208/00104/00	41
211/00065/01	35

N/A items do not appear in index.

O

Operating Label	225/00406/00	29
Operating Sticker	225/00400/00	33
	225/00404/00	31
	225/00405/00	31
	225/00408/00	29
Outer Cabinet Lock	211/00070/01	35
Outer Coin Box	211/00100/00	35
Outlet Pipe Plate Assembly	101/00007/00	21, 23, 39
Out-of-Balance Switch	209/00255/00	53
Out-of-Balance Switch Boot	223/00246/00	53
Overflow Hose	223/00149/50	21, 45, 47

P

Parameter Unit Assembly	F8410901	43
	227/00171/00	43
Parameter Unit Program Cable	227/00171/10	43
Pipe	223/00159/00	23
Plate Cover	155/00150/00	25
Plate Seal	117/00002/50	15
Plexi Frame	225/00316/00	29, 31
Plug	211/00087/00	45, 47
	211/00091/00	45, 47
Pressure Hose	223/00179/10	43
Pressure Switch Cap	223/00035/02	21, 23
Pressure Switch Elbow	223/00210/00	51
Pressure Switch Hose	223/00212/00	21, 23, 51
Pressure Switch Hose Tee	223/00173/10	21, 23, 51
Printboard	209/00440/70	29
Programming Key Contact Switch	209/00326/20	33
Protection Strip	211/00142/00	53
Pulley	255/00117/00	17
Pump	209/00554/50	59

Pump Support	155/00159/00	23
Pushbutton	209/00396/00	35

R

Reinforcement Plate	111/10089/01	41
Reinforcing Triangle	155/00144/00	41
Retaining Ring	117/00042/00	39
	212/00028/00	15
Ring	155/00104/00	13
Rinse Insert	223/00102/03	55
Rinsing Box	223/00222/05	57
Rivet	208/00017/00	45, 47
	211/00093/00	45
Roll Pin	208/00013/00	35

S

Screw	B12347501	55, 57
	B12350903	55, 57
	B12500801	27
	206/00038/00	35
	206/00074/00	39, 41
	206/00086/00	41
	206/00146/00	27
	206/00151/00	7, 15
	207/00009/00	25, 35
	207/00018/00	53
	207/00031/00	49
	207/00101/00	39
	207/00108/00	35
	207/00121/00	43
	207/00126/00	27
	207/00135/00	25
	208/00001/00	39, 45
	208/00007/00	35
	208/00123/00	15
	208/00130/00	43, 47
Shock Absorber	247/00002/02	9
	247/00005/00	9
	252/00019/00	11
Shrink Fit	223/00245/00	57
Side Panel	155/00140/00	39, 41
Siphon Break	223/00222/04	57
Siphon Break Dispenser Hose	223/00260/00	55, 57
Siphon Break Hose	223/00265/00	55, 57

N/A items do not appear in index.

Soap Box Assembly Plate 123/00103/06	55, 57
Soap Dispenser 223/00222/00	57
Soap Dispenser Assembly 223/00102/30	55
223/00102/50	55
Soap Dispenser Cover 223/00103/01	41
Soap Dispenser Cover Hinge Rod 223/00103/04	41
Soap Dispenser Frame 223/00103/03	41
Soap Dispenser Gasket 223/00109/00	55, 57
Soap Dispenser Rinse Siphon 223/00102/04	55
Soap Injection PCB with Fuse 209/00218/13	49
Soap Pump Assembly 209/00554/01	59
209/00554/02	59
209/00554/03	59
209/00554/04	59
209/00554/05	59
209/00554/06	59
Soap Spray Nozzle 223/00102/06	55, 57
Softener Spray Nozzle 223/00102/05	55
223/00222/03	57
Spacer 115/00151/00	9
Speed Detector 209/00400/00	15
Spindle 111/00069/00	35
Spring 211/00070/04	35
238/00014/00	13
Spring Holder Top 247/00001/04	9
Spring Seat Bottom 247/00001/03	9
Standoff 211/00120/00	49
211/00122/00	29, 31, 33
Stopper 223/00162/00	23
255/00019/00	23
Support Ring 155/00123/00	7
Suspension Spring 247/00001/01	9
Switch Base 209/00099/25	33
Switch Knob 209/00099/29	33
Switch Lever 217/00052/05	25

T

Telem Sticker 209/00520/00	29, 31, 33
Terminal Block 209/00058/00	49
Thermostat Assembly 209/00309/02	51
Thermostat Seal 225/10004/00	51
Tilt Detector Plate 155/00135/00	53
155/00135/01	53
Tilt Switch Bracket 111/00107/01	53
Tolerance Ring 215/00004/00	17
Top Panel 155/00142/00	41
Transformer 209/00478/00	51
Transformer Mounting Plate 155/00154/00	51
Tub Outer 155/00106/00	13
Tub Support Assembly 155/00134/00	7
Tub to Drain Valve Hose 255/00010/00	21
255/00010/01	23

U

Upper Front Panel 111/01700/00	29, 31
---	--------

V

Valve to Drain Hose 223/00126/00	21
Vent Hose 223/00107/03	55
Vent Tube 223/00226/00	47, 57
223/00229/00	57
Voltage Discharge Decal B12355001	43

W

Washer 201/00004/00	17
201/00006/00	19, 39, 45
201/00007/00	21, 23
201/00008/00	29, 31
201/00010/00	7, 9, 15
201/00015/00	11, 17
201/00017/00	25
201/00018/00	25
201/00204/00	15

N/A items do not appear in index.

202/00003/00	13, 39
202/00004/00	43, 45, 47
202/00101/00	25
202/00104/00	27
202/00108/00	27
202/00111/00	27
203/00002/00	17
203/00004/00	35
203/00005/00	39
203/00006/00	29, 43, 49, 53
203/00007/00	25, 35
203/00015/00	39
208/00009/00	39
211/00070/02	35
223/00051/10	33
223/00123/00	33
Water Hose	
223/00044/00	57
223/00044/01	45, 47, 55
Water Level Switch	
209/00007/80	51
