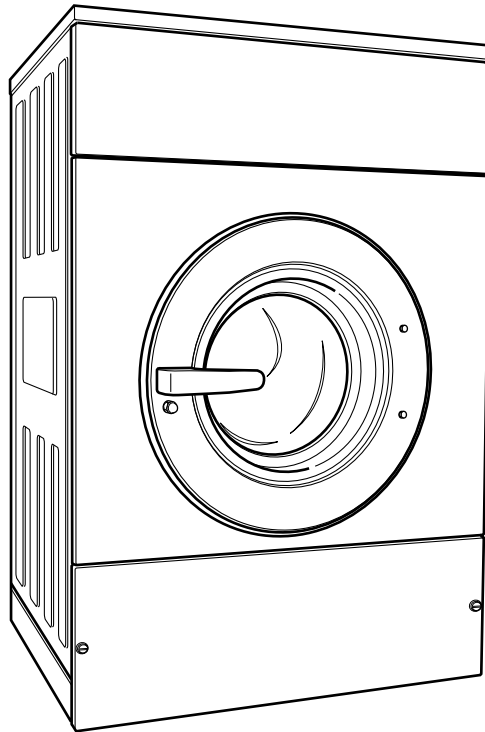


Washer-Extractor

Cabinet Freestanding
Refer to Page 3 for Model Numbers



CFD299C_D0240

Table of Contents

Title	Page
Parts Ordering Information.....	2
SerialPlate Location.....	2
Model Identification.....	3
Cabinet Freestanding Washer-Extractor Product Overview.....	4
Frame.....	6
Shock Absorber.....	8
Basket and Shell.....	10
Bearing Housing.....	12
Basket, Pulley and Belt.....	14
Motor.....	16
Drain Plumbing - Single Drain.....	18
Drain Plumbing - Dual Drain.....	20
Door Lock.....	22
Door.....	24
Control Panel - Micro-20.....	26
Control Panel - Sigma.....	28
Control Panel - PS40F.....	30
Coin Meter and Coin Vault (Drawing 1 of 2).....	32
Coin Meter and Coin Vault (Drawing 2 of 2).....	34
Left Side, Lower Front and Upper Back Panels.....	36
Right Side, Front, Lower Rear and Top Panels.....	38
Inverter Drive.....	40
Upper Back Panel with Circular Ventilation.....	42
Upper Back Panel with Rectangular Ventilation.....	44
Noise Filter, Central Operating Panel Printboard and Soap Injection Printboard.....	46
Electrical Component Mounting Plate.....	48
Balance Switch.....	50
Supply Dispenser with Round Ventilation Opening.....	52
Supply Dispenser with Rectangular Ventilation Opening.....	54
Electric and Steam Heating Options.....	56
Soap Pumps.....	58
Parts Index.....	61

© Copyright 2014, Alliance Laundry Systems LLC

All rights reserved. No part of the contents of this book may be reproduced or transmitted in any form or by any means without the expressed written consent of the publisher.

Parts Ordering Information

If literature or replacement parts are required, contact the source from whom the machine was purchased or contact Alliance Laundry Systems at (920) 748-3950 for the name and address of the nearest authorized parts distributor.

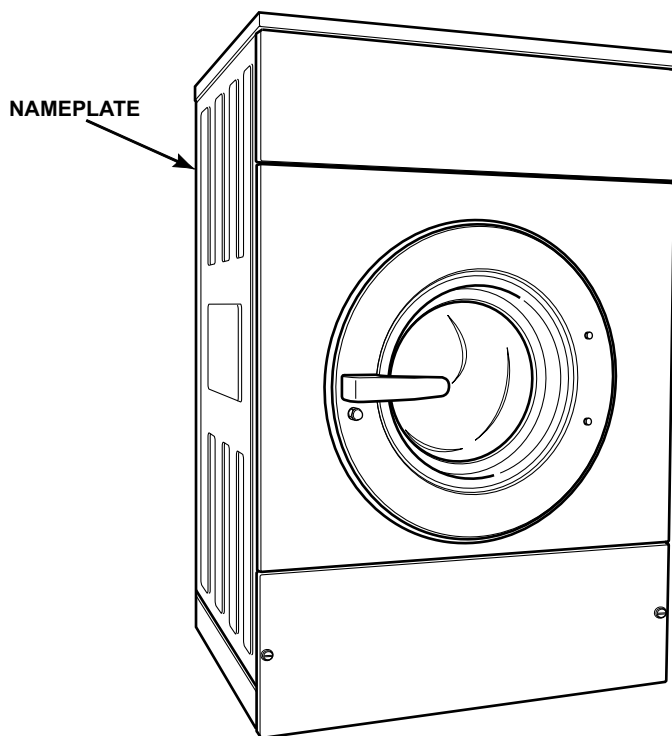
For technical assistance, call either of the numbers listed below:

(920) 748-3121 Ripon, Wisconsin

+32 56 41 20 54 Wevelgem, Belgium

SerialPlate Location

When calling or writing about your product, be sure to mention model and serial numbers. Model and serial numbers are located on serialplate(s) as shown.




CFD299CA_D0240

Model Identification



Information in this manual is applicable to these washer-extractor models:

HW64_MICRO-20
HW64_PS40
HW64_SIGMA
HW72_MICRO-20
HW72_PS40
HW72_SIGMA
HW94_MICRO-20
HW94_PS40
HW94_SIGMA
IHW018ANH
IHW025ANH

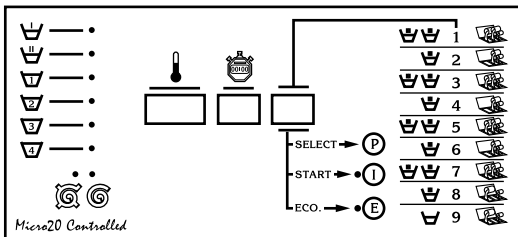
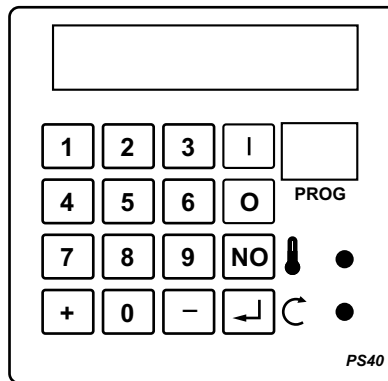
Cabinet Freestanding Washer-Extractor Product Overview

Type:	HW72P	Nr:	07110580147
Voltage:	3 ~ 380V 50Hz	Weight:	1787 kg
Motor:	7.5 kW 20 A	Capacity:	575 L
Heating:	36 kW 60 A	Dry Load:	57 kg
Total:	43.50 kW	Drum:	980 mm
Kinetic energy:	23257N/M	Speed:	800 rpm
Manufactured in:	2007		
Water Pressure: min. 2.07 max. 5.86 Kg/cm ² min. 20.7 max. 58.6 N/cm ²		IPX4	
sfc 741295			
Alliance International BVBA Nieuwstraat 146 8560 Wevelgem Belgium Tel: +32 56 41 20 54 Fax: +32 56 41 86 74 www.ipso.be			

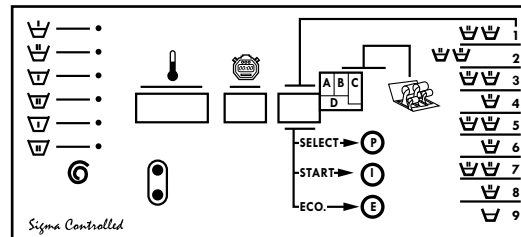
Label 1

Model No:	IHW025ANHM0U01	Serial No:	0710740113
Volts Hertz:	208-240 50/60	Type:	HF730P
Phase:	3		
Amps:	20 amps	Capacity:	165/73 lbs/kg
Recommended Circuit Breaker:	25 amps	Water Pressure:	30-85 psi
Interrupt Current:	10 kA	Pressure:	2.07-5.86 bar
Motor:	15 hp 11 kW	Max Speed:	750 rpm
Elec Heat:	N/A kW	Net Weight:	3520 lbs 5070 kg
Steam heat:	N/A psi		IPX4
Alliance International BVBA Made in Belgium			
 TEL 1-920-748-3121 www.comlaundry.com		CONFORMS TO ANSUL STD 2597 CERTIFIED TO CAN/CSA STD C22.2 NO.169	

Label 2



Micro 20



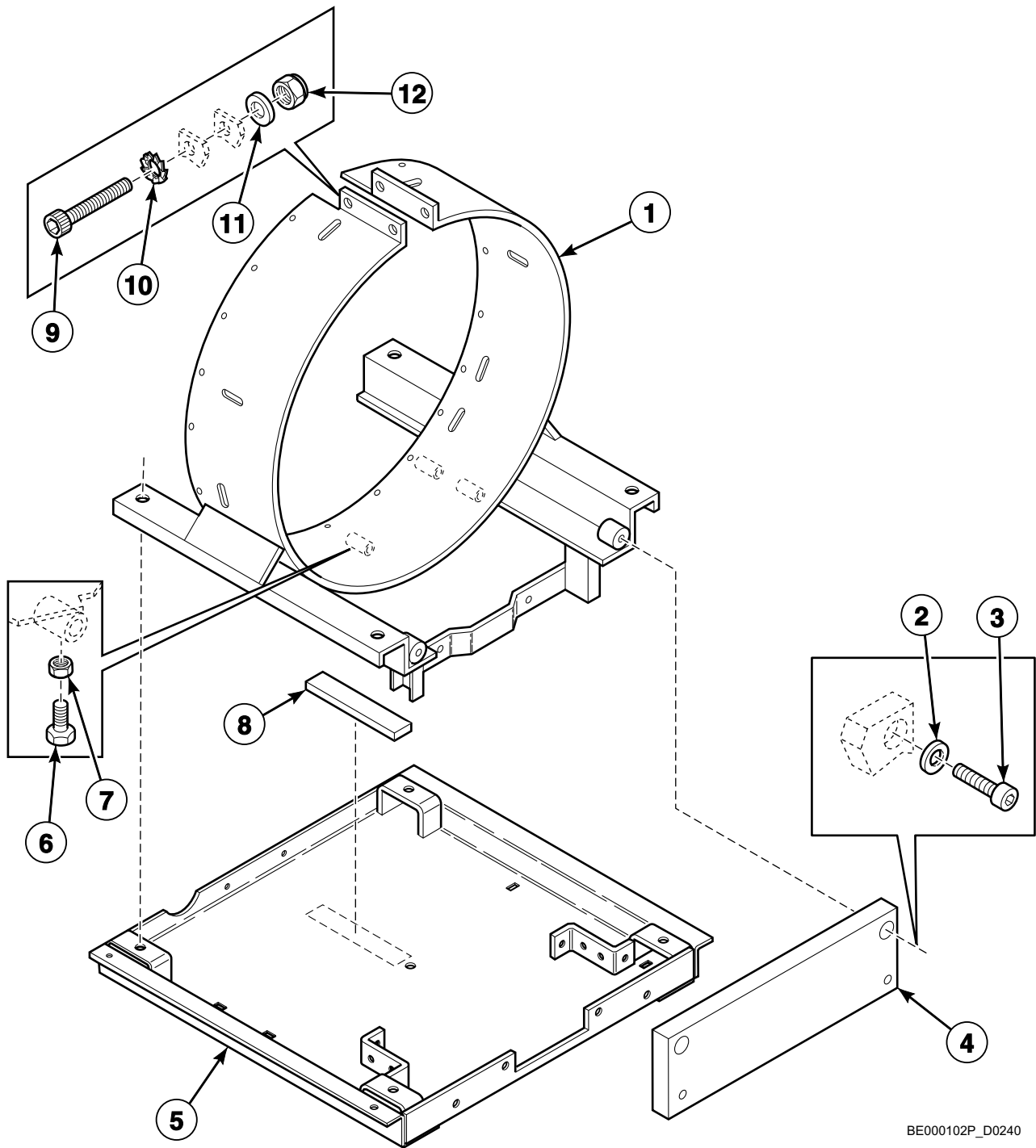
Sigma

CFD308P_D0240

Cabinet Freestanding Washer-Extractor Product Overview

REF	PART NO.	DESCRIPTION	COMMENTS
1	-	Product Family	HW IHW
2	-	Capacity	18 25 64 72 94
3	-	Control	A (PS40F)
4	-	Actuation	N (Non-Coin)
5	-	Speed	H (High Speed)
6	-	Voltage	N (440-480/50-60/3/3) P (380-415/50-60/3/3) Q (208-240/50-60/3/3) X (200-240/50-60/1/3)
7	-	Design	1

Frame

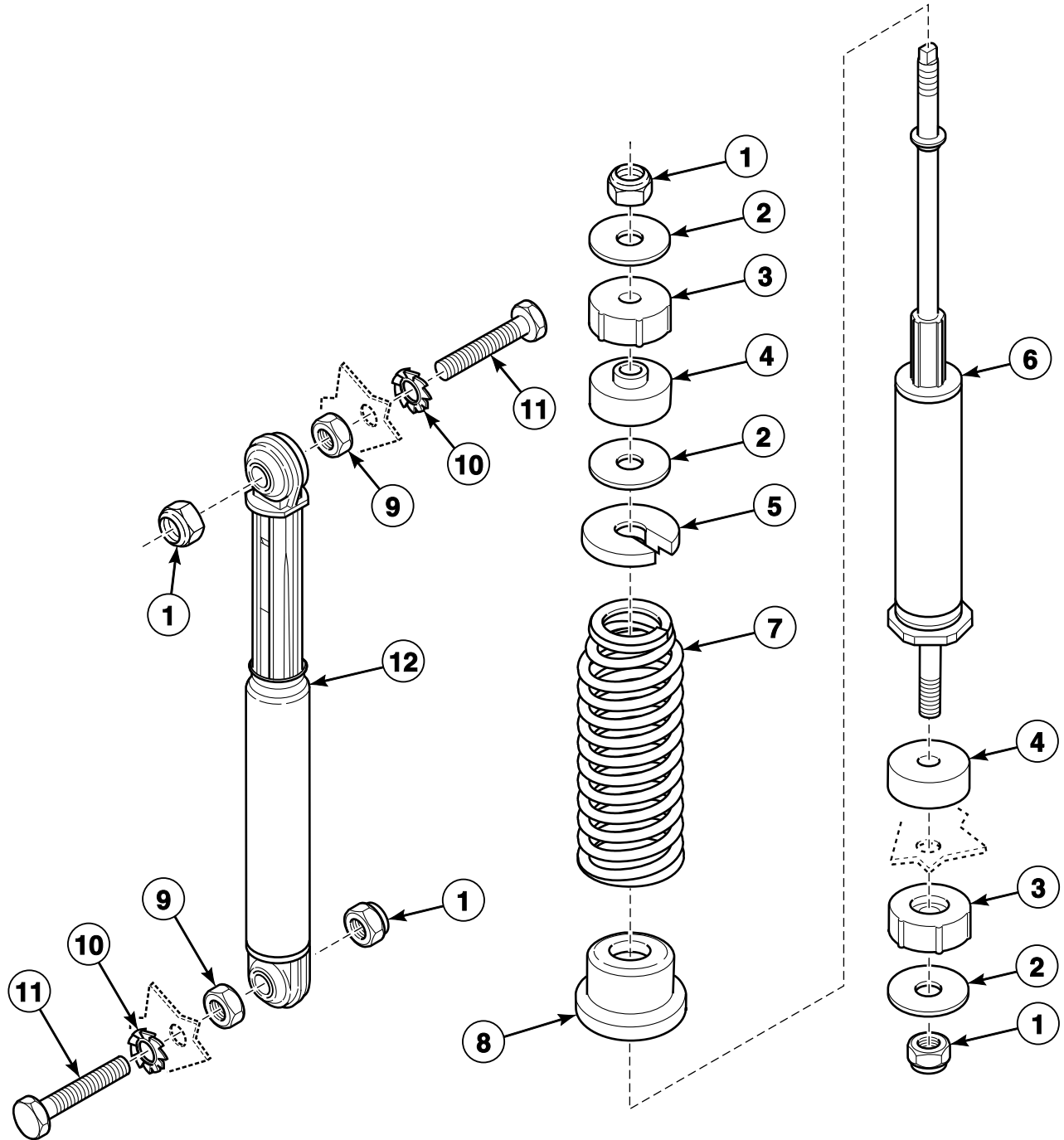


BE000102P_D0240

Frame

REF	PART NO.	DESCRIPTION	COMMENTS
1	152/00059/00	Tube Support	*18 and *72 models
	152/00042/00	Tube Support	*64 models
	152/00044/00	Tube Support	*25 and *94 models
2	201/00014/00	Washer	
3	206/00055/00	Screw	
4	113/00035/00	Counterweight	
5	152/00041/50	Frame	*18, *64 and *72 models
	152/00048/50	Frame	*25 and *94 models
6	206/00014/00	Bolt	
7	204/00005/00	Nut	
8	246/00149/00	Gasket	
9	206/00053/00	Screw	
10	203/00001/00	Washer	
11	201/00005/00	Washer	
12	204/00111/00	Nut	

Shock Absorber

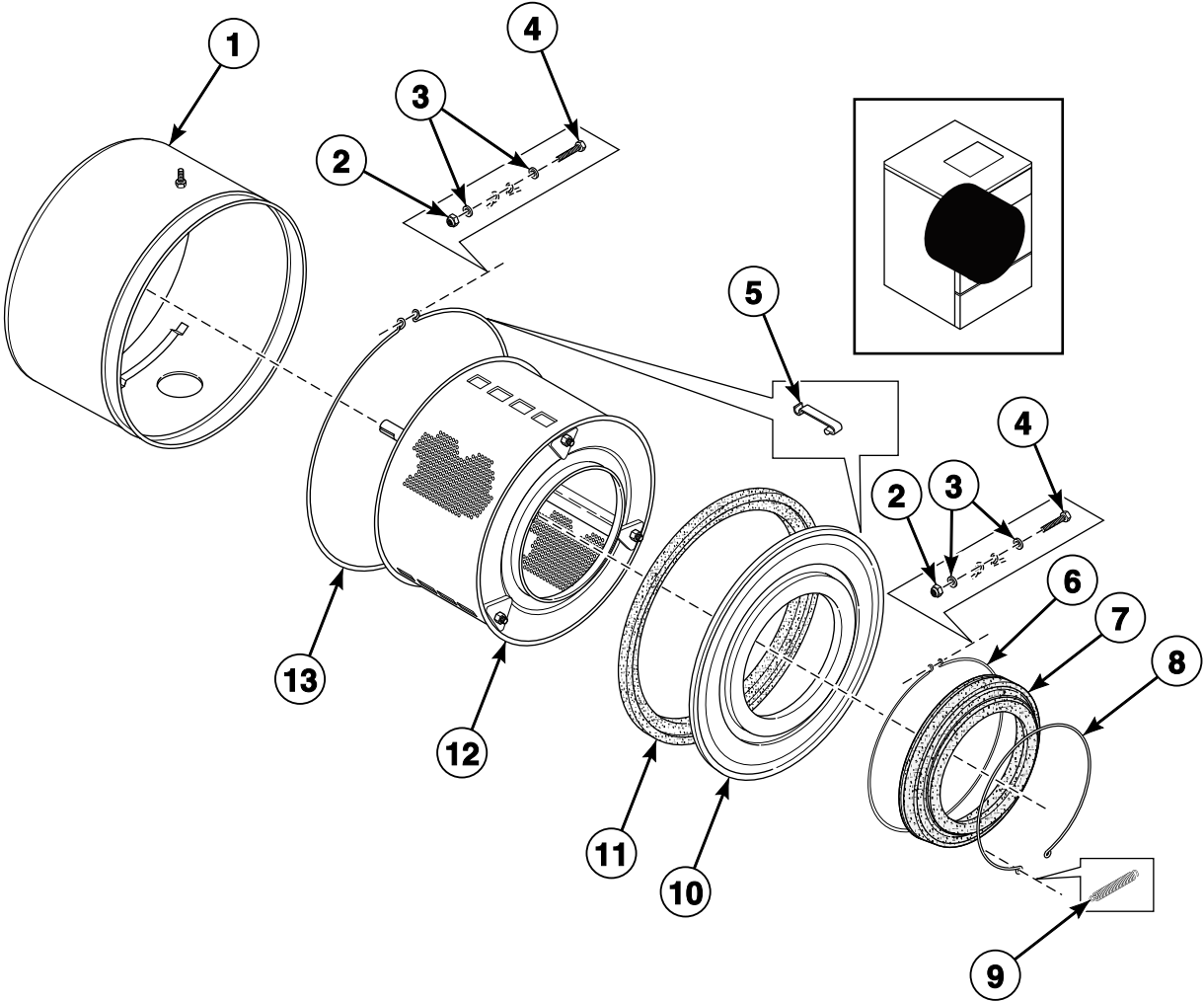


BE000103AP_D0240

Shock Absorber

REF	PART NO.	DESCRIPTION	COMMENTS
1	204/00110/00	Nut	
2	201/00015/00	Washer	
3	247/00007/00	Fastening Rubber	
4	247/00006/00	Fastening Rubber	
5	247/00001/04	Spring Holder Top	
6	247/00002/02	Shock Absorber	
	247/00003/00	Shock Absorber	Includes 247/00002/01 Suspension Spring and items 2 and 4-8
7	247/00009/00	Suspension Spring	
	247/00002/03	Shock Absorber	Includes items 2, 4 and 7
8	247/00001/03	Spring Seat Bottom	
9	204/00003/00	Nut	
10	203/00002/00	Washer	
11	206/00030/00	Bolt	
12	247/00004/00	Shock Absorber	

Basket and Shell

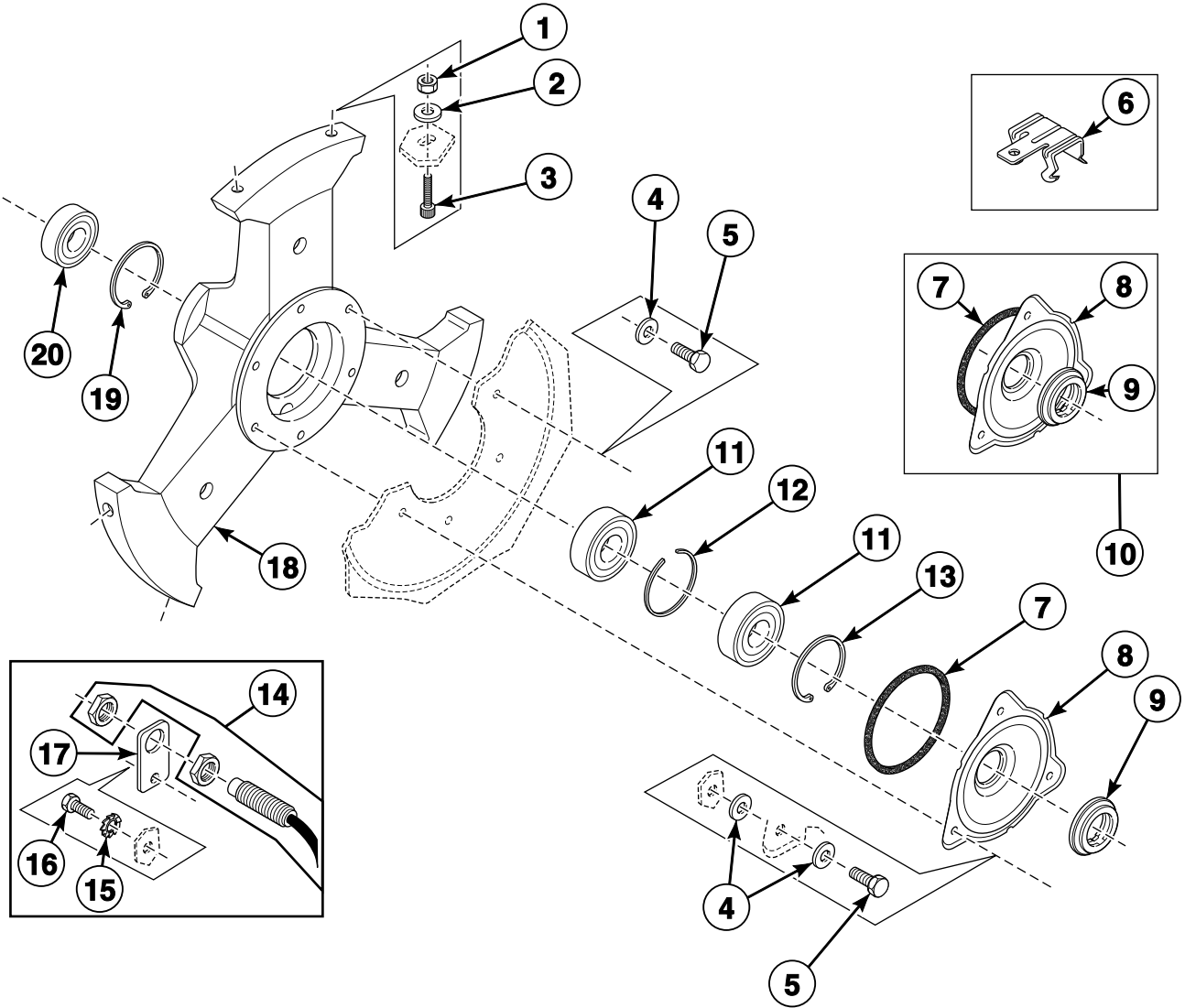


BE000104BP_D0240

Basket and Shell

REF	PART NO.	DESCRIPTION	COMMENTS
1	118/10084/00	Tub	*18 and *72 models; Electric heat
	118/10086/00	Tub	*18 and *72 models; Steam
	118/10085/00	Tub	*18 and *72 models; Boiler
	118/10078/00	Tub	*25 and *94 models; Electric heat
	118/10066/00	Tub	*25 and *94 models; Electric heat and steam
	118/10079/00	Tub	*25 and *94 models; Steam
	118/10067/00	Tub	*25 and *94 models; Boiler
	118/10074/00	Tub	*64 models; Electric heat
	118/10062/00	Tub	*64 models; Electric heat and steam
	118/10075/00	Tub	*64 models; Steam
	118/10063/00	Tub	*64 models; Boiler
	118/10063/20	Tub	*64 models; Gas
2	204/00009/00	Nut	
3	202/00003/00	Washer	
4	206/00011/00	Bolt	
5	217/00008/00	Tub Front Panel Clip	
6	238/00017/00	Clamp	
7	223/00122/00	Door Boot	
8	238/00013/00	Fastening Ring	
9	238/00014/00	Spring	
10	118/00054/03	Tub Front Panel	
11	223/00242/00	Tub Front Gasket	
12	123/10001/00	Cylinder and Trunnion Assembly	*64 models
	120/10031/00	Cylinder and Trunnion Assembly	*25 and *94 models
	123/10003/00	Cylinder and Trunnion Assembly	*18 and *72 models
13	217/00007/00	Tub Front Ring Clamp	

Bearing Housing

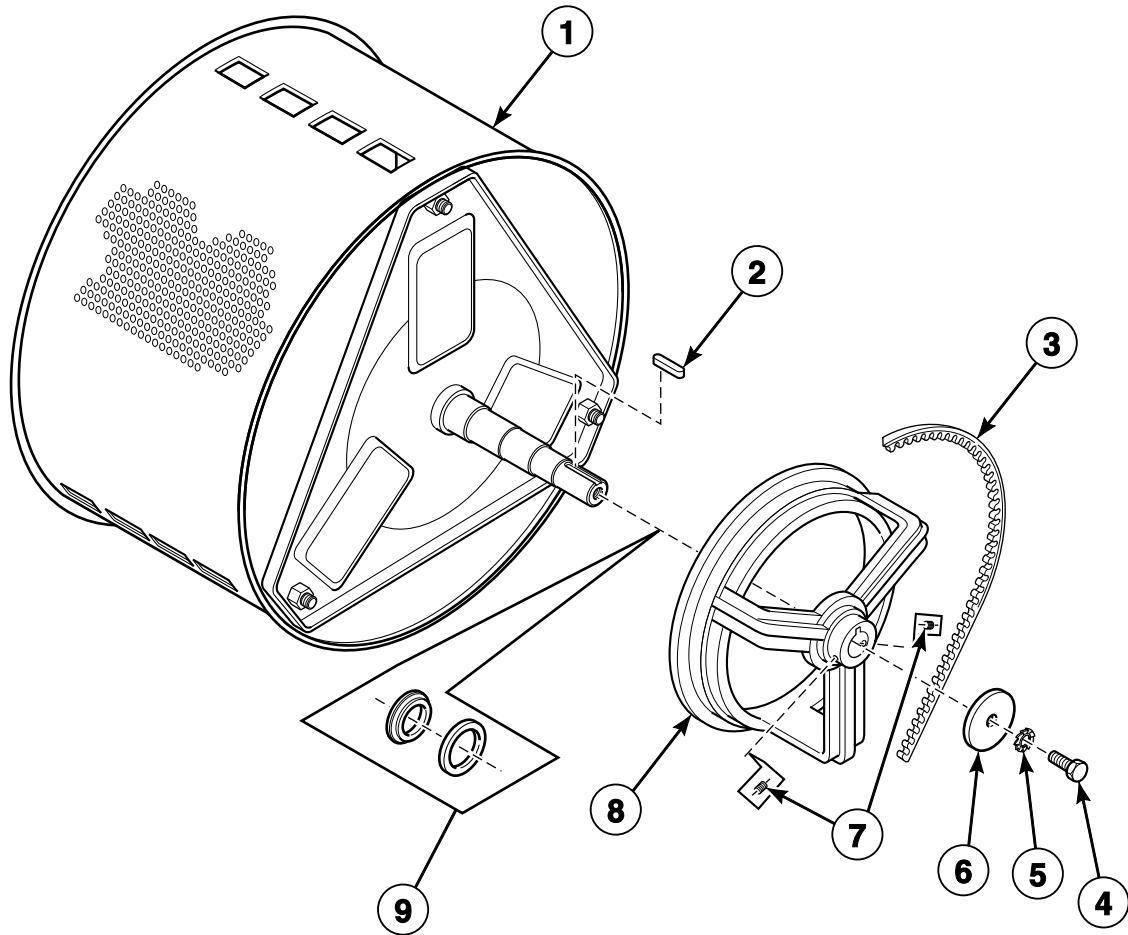


BE000363BP_D0240

Bearing Housing

REF	PART NO.	DESCRIPTION	COMMENTS
1	204/00111/00	Nut	
2	201/00013/00	Washer	
3	206/00053/00	Screw	
4	201/00201/00	Washer	
5	205/00102/00	Bolt	
6	224/00051/00	Caddy Bracket	
7	217/00002/00	O-Ring	
8	117/00001/00	Seal Cover	
9	217/00003/00	Shaft Seal	
10	117/00001/01	Shaft Seal Holder	
11	215/00001/03	Ball Bearing	
12	212/00030/00	Retaining Ring	
13	212/00028/00	Retaining Ring	
14	209/00400/00	Speed Detector	
15	203/00004/00	Washer	
16	205/00104/00	Bolt	
17	152/00055/00	Speed Detector Bracket	
18	115/00201/01	Bearing Housing Assembly	
19	252/00027/00	Retaining Ring	
20	215/00001/12	Ball Bearing	

Basket, Pulley and Belt

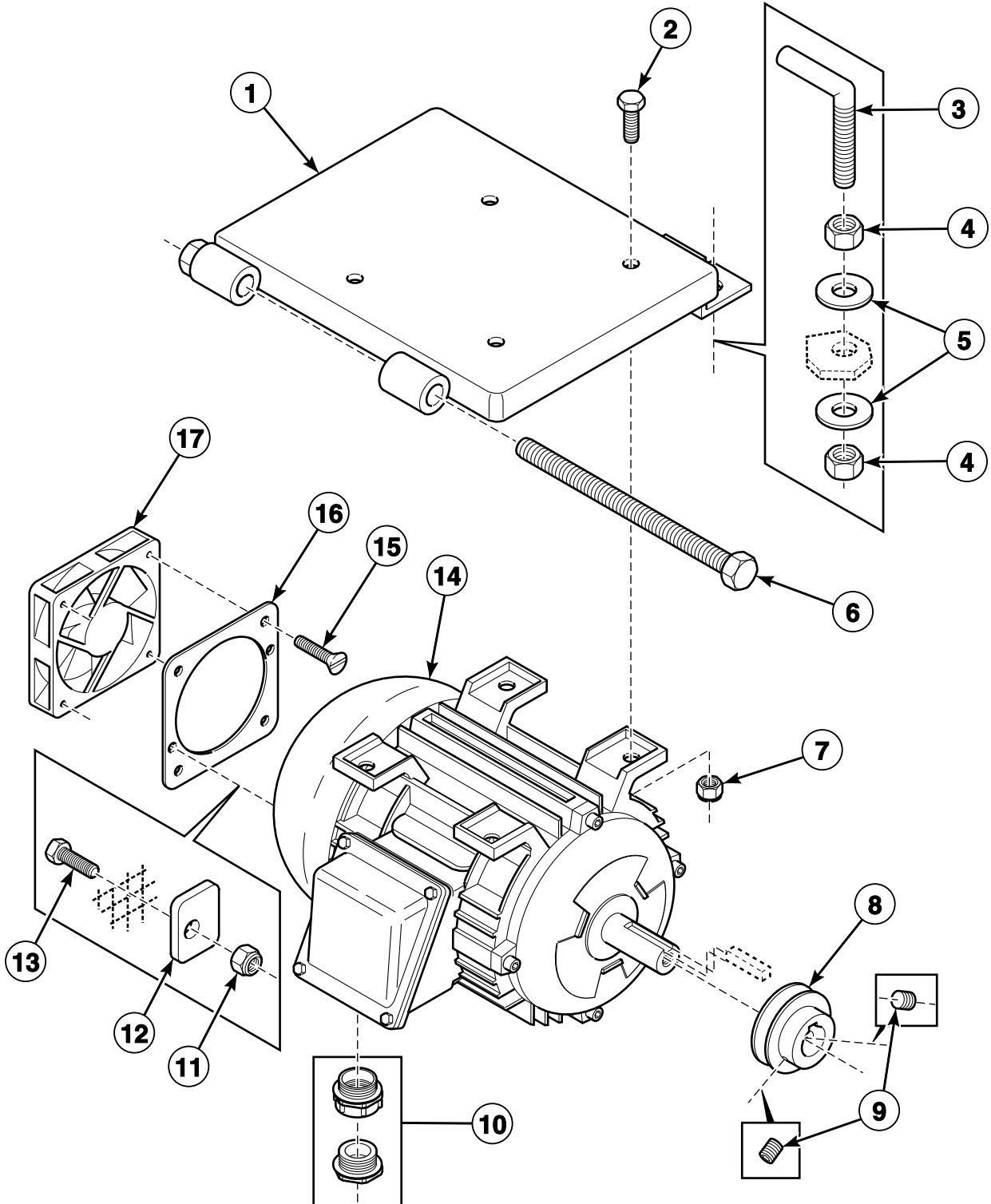


BE000026AP_D0240

Basket, Pulley and Belt

REF	PART NO.	DESCRIPTION	COMMENTS
1	123/10001/00	Cylinder and Trunnion Assembly	*64 models
	123/10003/00	Cylinder and Trunnion Assembly	*18 and *72 models
	120/10031/00	Cylinder and Trunnion Assembly	*25 and *94 models
2	216/00007/00	Cylinder Shaft Key	
3	226/00111/00	Belt	
4	206/00004/00	Bolt	
5	203/00001/00	Washer	
6	201/00003/00	Washer	
7	206/00056/00	Screw	
8	226/00071/00	Pulley	
9	217/00004/00	Counter Ring	

Motor

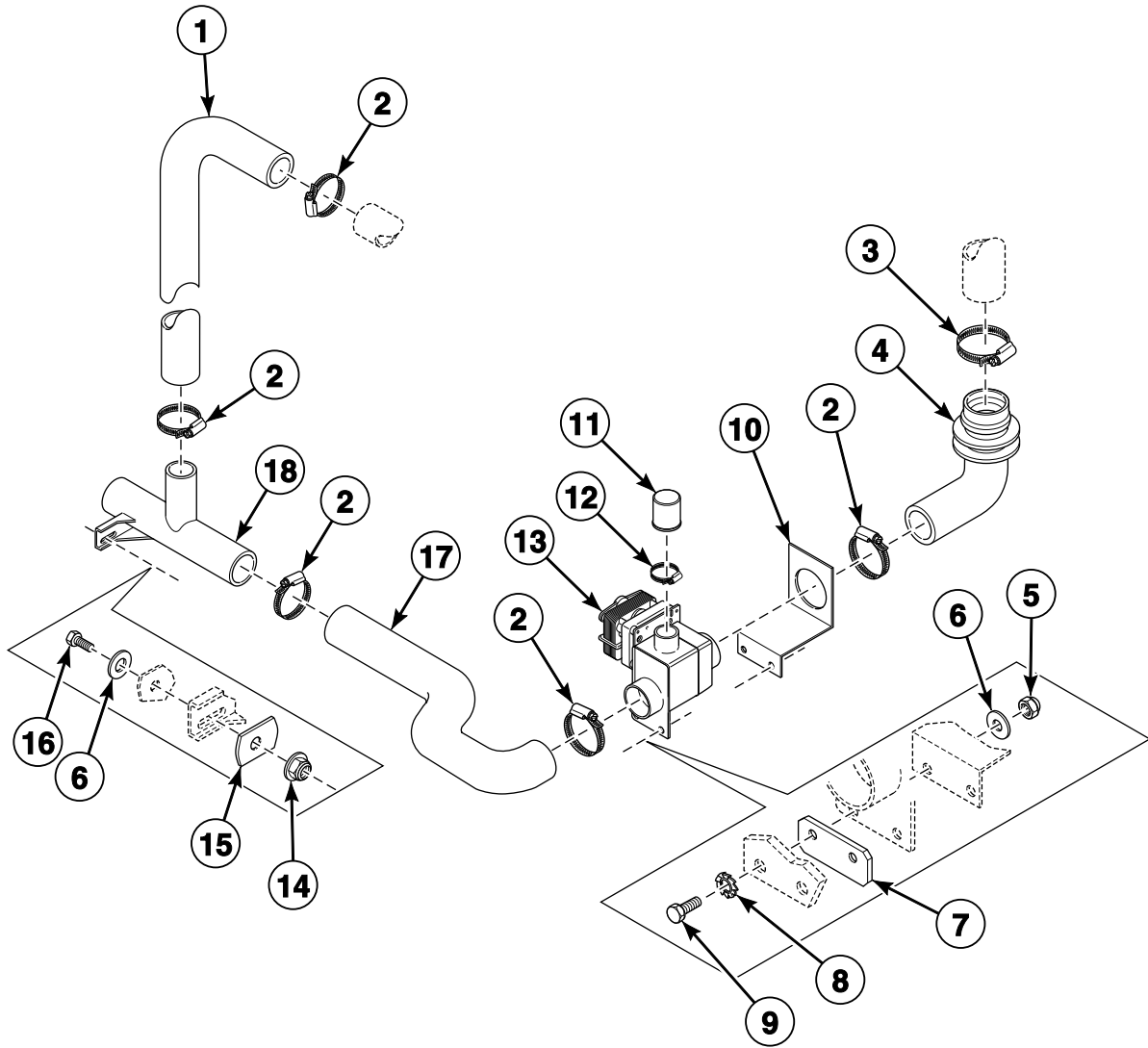


BE000107AP_D0240

Motor

REF	PART NO.	DESCRIPTION	COMMENTS
1	152/00040/00	Motor Plate	
2	206/00005/00	Bolt	
3	113/00038/00	Belt Rod	
4	204/00012/00	Nut	
5	201/00001/00	Washer	
6	206/00127/00	Bolt	
7	204/00110/00	Nut	
8	226/00110/00	Pulley	
9	206/00056/00	Screw	
10	211/00138/00	Cordlock	
11	204/00115/00	Nut	
12	117/00042/00	Retaining Ring	
13	206/00054/00	Bolt	
14	B12510501	Motor	
15	207/00117/00	Screw	
16	152/00044/03	Fan Plate Assembly	
17	209/00465/00	Fan	

Drain Plumbing - Single Drain

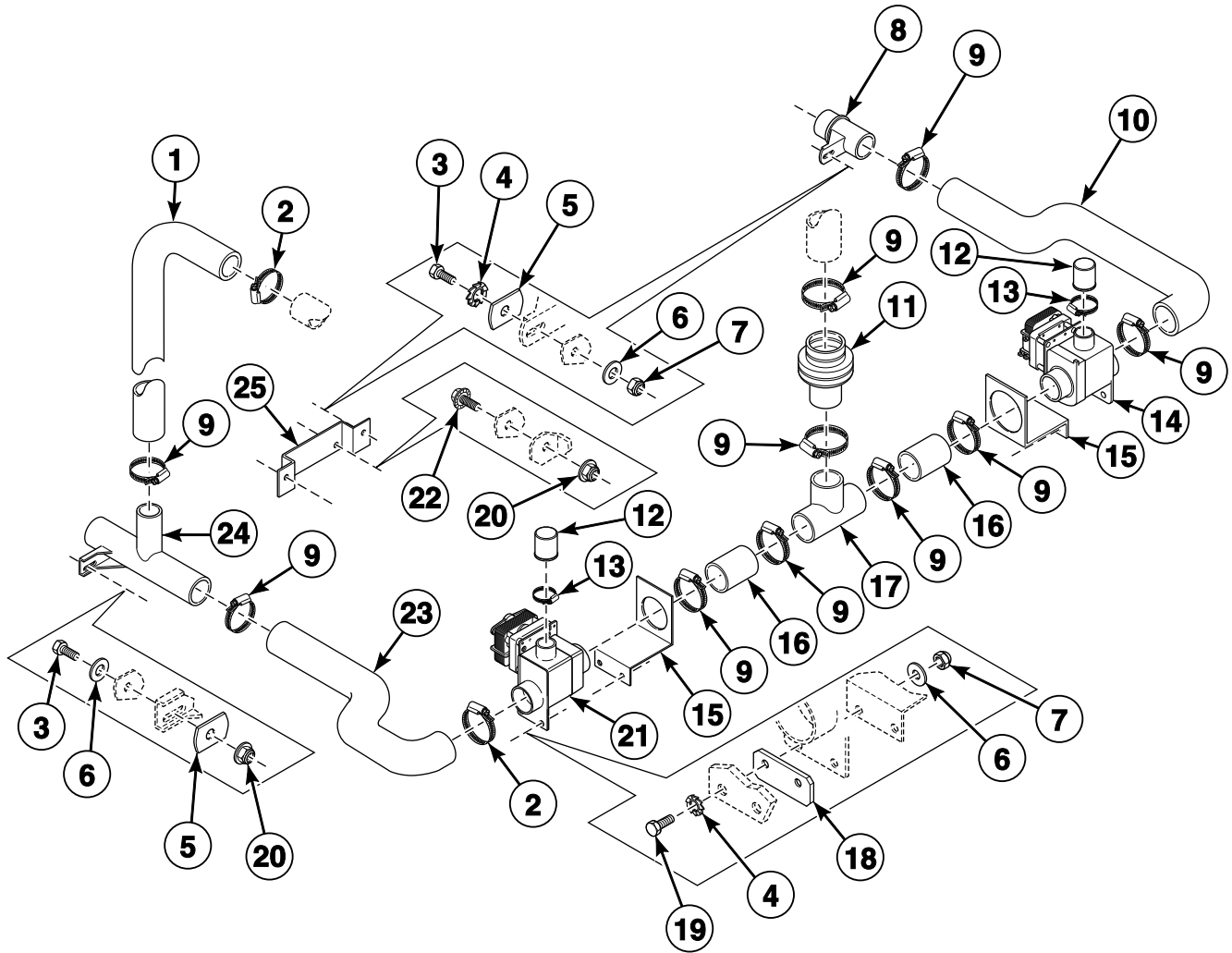


CHM3150P_D0240

Drain Plumbing - Single Drain

REF	PART NO.	DESCRIPTION	COMMENTS
1	223/00148/00	Overflow Hose	
2	223/00013/00	Hose Clamp	
3	223/00014/00	Hose Clamp	
4	223/00189/00	Valve Hose	
5	204/00009/00	Nut	
6	201/00007/00	Washer	
7	152/00041/06	Drain Valve Plate	
8	203/00004/00	Washer	
9	206/00086/00	Screw	
10	114/00030/00	Drain Valve Plate Assembly	
11	223/00086/00	Drain Valve Overflow Plug	
12	223/00012/00	Hose Clamp	
13	209/00051/00	Drain Valve	
14	206/00101/00	Nut	
15	101/00007/00	Outlet Pipe Plate Assembly	
16	206/00033/00	Bolt	
17	223/00190/00	Drain Valve Hose	
18	223/00228/00	Drain Pipe	

Drain Plumbing - Dual Drain

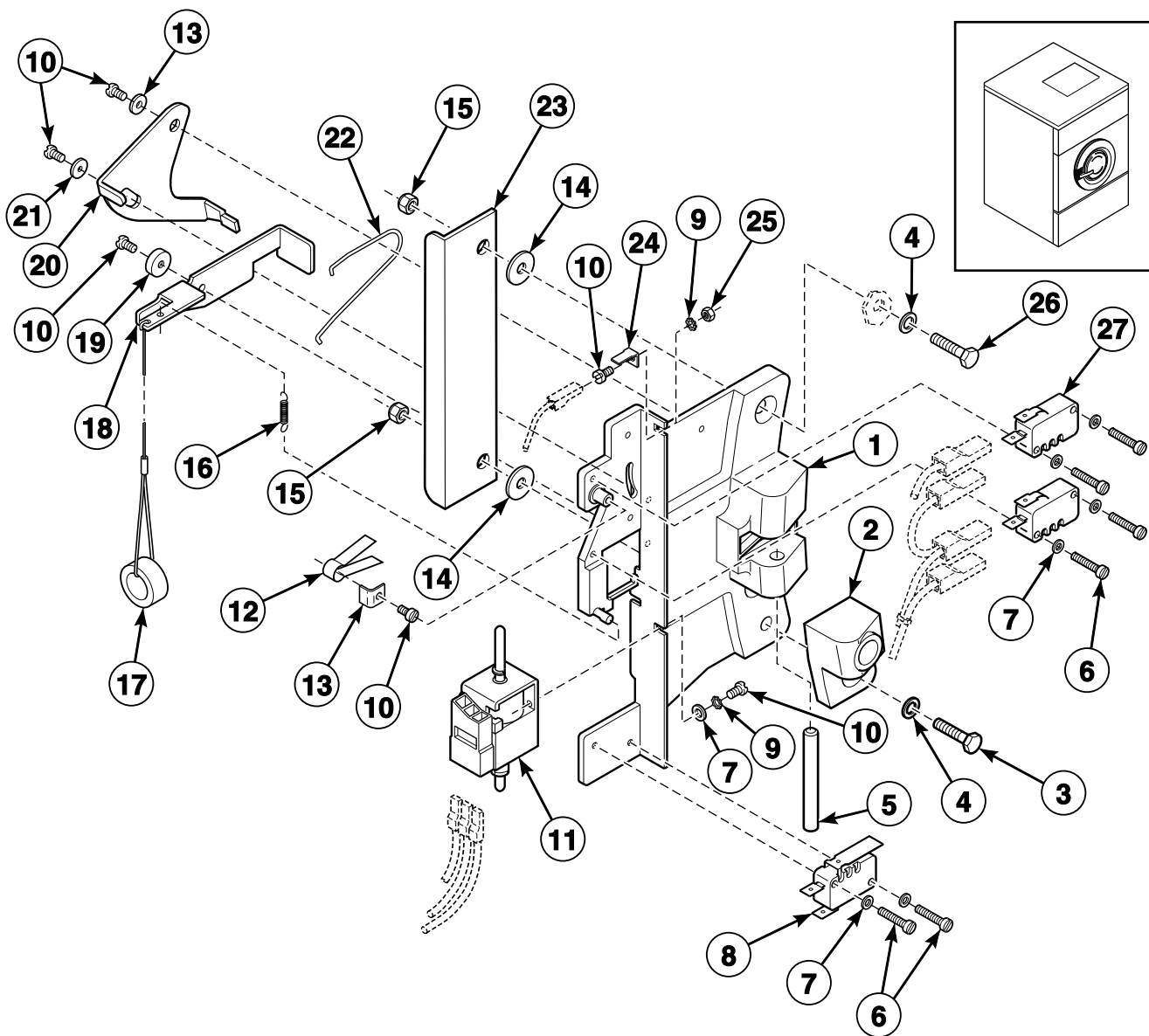


CHM3151P_D0240

Drain Plumbing - Dual Drain

REF	PART NO.	DESCRIPTION	COMMENTS
1	223/00148/00	Overflow Hose	
2	223/00014/00	Hose Clamp	
3	206/00033/00	Bolt	
4	203/00004/00	Washer	
5	101/00007/00	Outlet Pipe Plate Assembly	
6	201/00007/00	Washer	
7	204/00009/00	Nut	
8	223/00105/00	Drain Pipe	
9	223/00013/00	Hose Clamp	
10	223/00204/00	Valve Exhaust to Drain Piece	
11	223/00129/00	Tub Drain Valve	
12	223/00086/00	Drain Valve Overflow Plug	
13	223/00012/00	Hose Clamp	
14	209/00463/00	Drain Valve	
15	114/00030/00	Drain Valve Plate Assembly	
16	223/00205/00	Connector	
17	118/00043/06	T-Piece	
18	152/00041/06	Drain Valve Plate	
19	206/00086/00	Screw	
20	206/00101/00	Nut	
21	209/00051/00	Drain Valve	
22	206/00099/00	Bolt	
23	223/00190/00	Drain Valve Hose	
24	223/00228/00	Drain Pipe	
25	152/00041/05	Drain Pipe Plate Assembly	

Door Lock

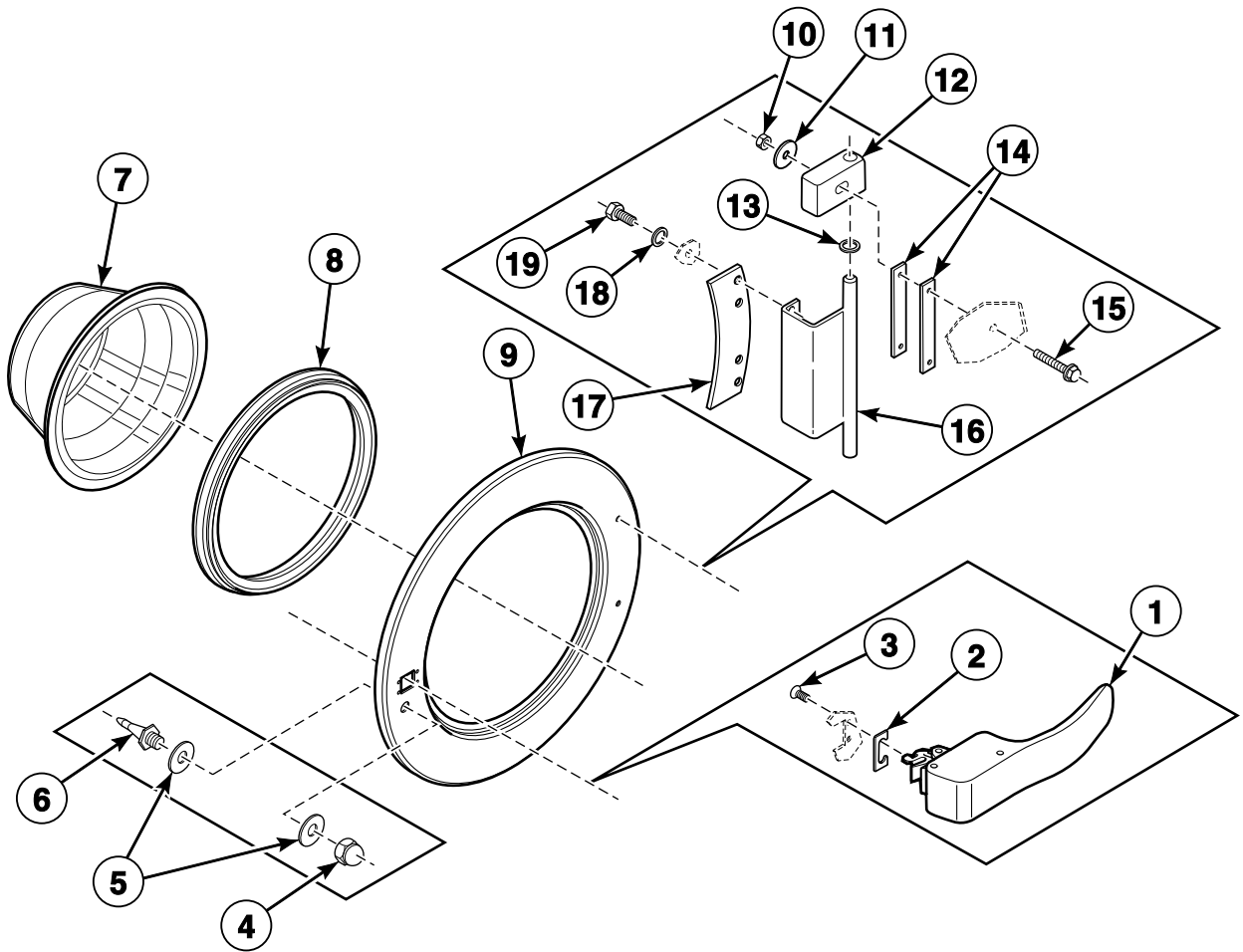


BE000112BP_D0240

Door Lock

REF	PART NO.	DESCRIPTION	COMMENTS
1	B12517701	Door Lock Assembly	
2	217/00052/02	Door Lock Pin Kit	
3	205/00115/00	Bolt	
4	202/00101/00	Washer	
5	217/00017/03	Lock Shaft	
6	207/00009/00	Screw	
7	201/00018/00	Washer	
8	209/00273/00	Light Microswitch	
9	203/00007/00	Washer	
10	207/00135/00	Screw	
11	209/00274/00	Door Lock Solenoid	
12	224/00049/00	Door Lock Spring	
13	201/00017/00	Washer	
14	201/00006/00	Washer	
15	204/00009/00	Nut	
16	224/00043/00	Interlock Coil Spring	
17	217/00052/07	Door Release Wire	
18	217/00052/04	Interlock Lever	
19	217/00052/03	Door Lock Spacer	
20	217/00052/05	Switch Lever	
21	202/00124/00	Washer	
22	224/00040/00	Lever Spring	
23	117/00052/08	Lock Protection Plate	
24	210/10015/00	Ground Terminal	
25	204/00008/00	Nut	
26	205/00103/00	Bolt	
27	209/00272/00	Door Lock Microswitch	

Door

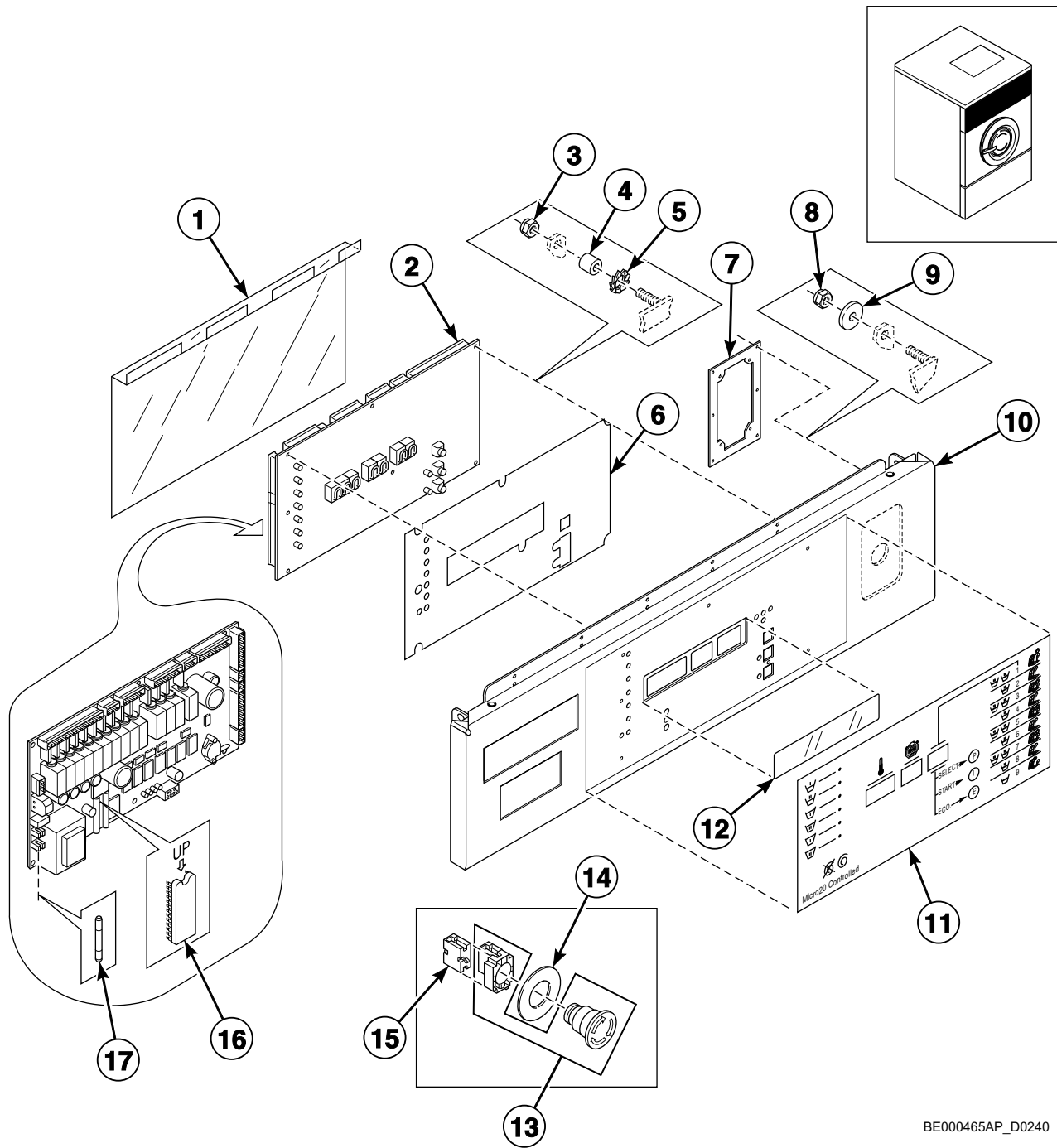


BE000033DP_D0240

Door

REF	PART NO.	DESCRIPTION	COMMENTS
1	217/00059/00	Door Handle	
2	217/00016/00	Door Handle Stop	
3	B12500801	Screw	
4	204/00103/00	Nut	
5	202/00111/00	Washer	
6	211/00109/01	Door Lock Pin Kit	
7	217/00022/00	Door Glass	
8	217/00015/00	Door Glass Seal	
9	118/00046/10	Door Frame	
10	204/00106/00	Nut	
11	202/00108/00	Washer	
12	217/00009/02	Door Hinge Assembly	
13	202/00104/00	Washer	
14	117/00011/00	Door Hinge Spacer	
15	207/00126/00	Screw	
	207/00125/00	Bolt	
16	221/00005/00	Door Hinge	
17	118/00065/00	Door Hinge Plate Assembly	
18	202/00101/00	Washer	
19	205/00107/00	Bolt	

Control Panel - Micro-20

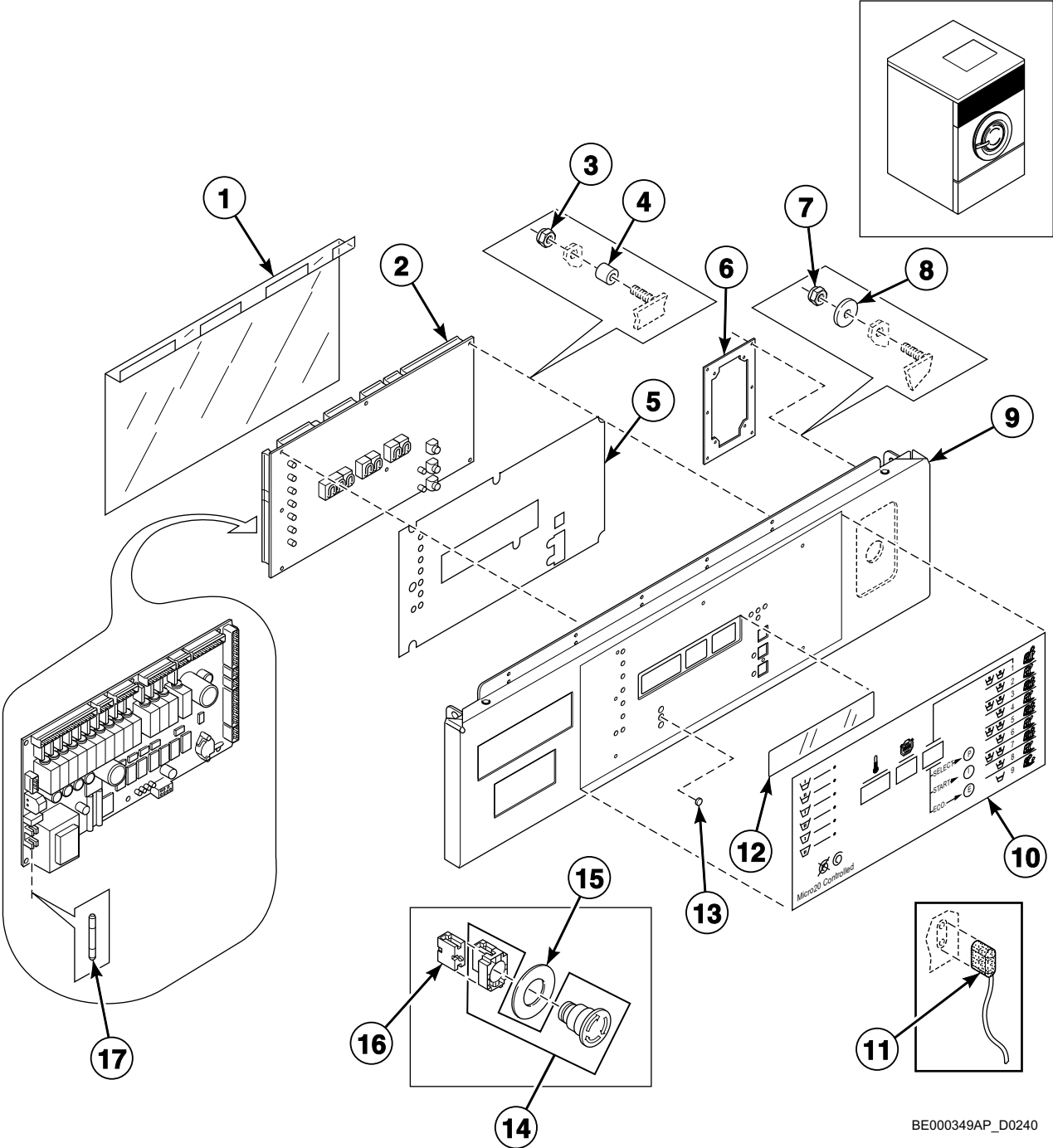


BE000465AP_D0240

Control Panel - Micro-20

REF	PART NO.	DESCRIPTION	COMMENTS
1	229/00262/00	Circuit Board Cover	
2	209/00440/70	Printboard	
3	204/00116/00	Nut	
4	211/00122/00	Standoff	
5	203/00006/00	Washer	
6	229/00255/00	Insulating Sticker	
7	111/00257/00	Coin Meter Plate	
8	204/00009/00	Nut	
9	201/00008/00	Washer	
10	111/01700/00	Upper Front Panel	OPL
	111/01701/00	Front Panel	Coin
11	225/00407/00	Keypad Sticker	OPL
	225/00406/00	Operating Label	Coin
	225/00408/00	Operating Sticker	Central payment
12	225/00316/00	Plexi Frame	
13	209/00248/00	Mushroom Pushbutton	
14	209/00520/00	Telem Sticker	
15	209/00099/26	Contact Switch	
16	209/00266/01	Eprom	
17	209/00439/00	Fuse	

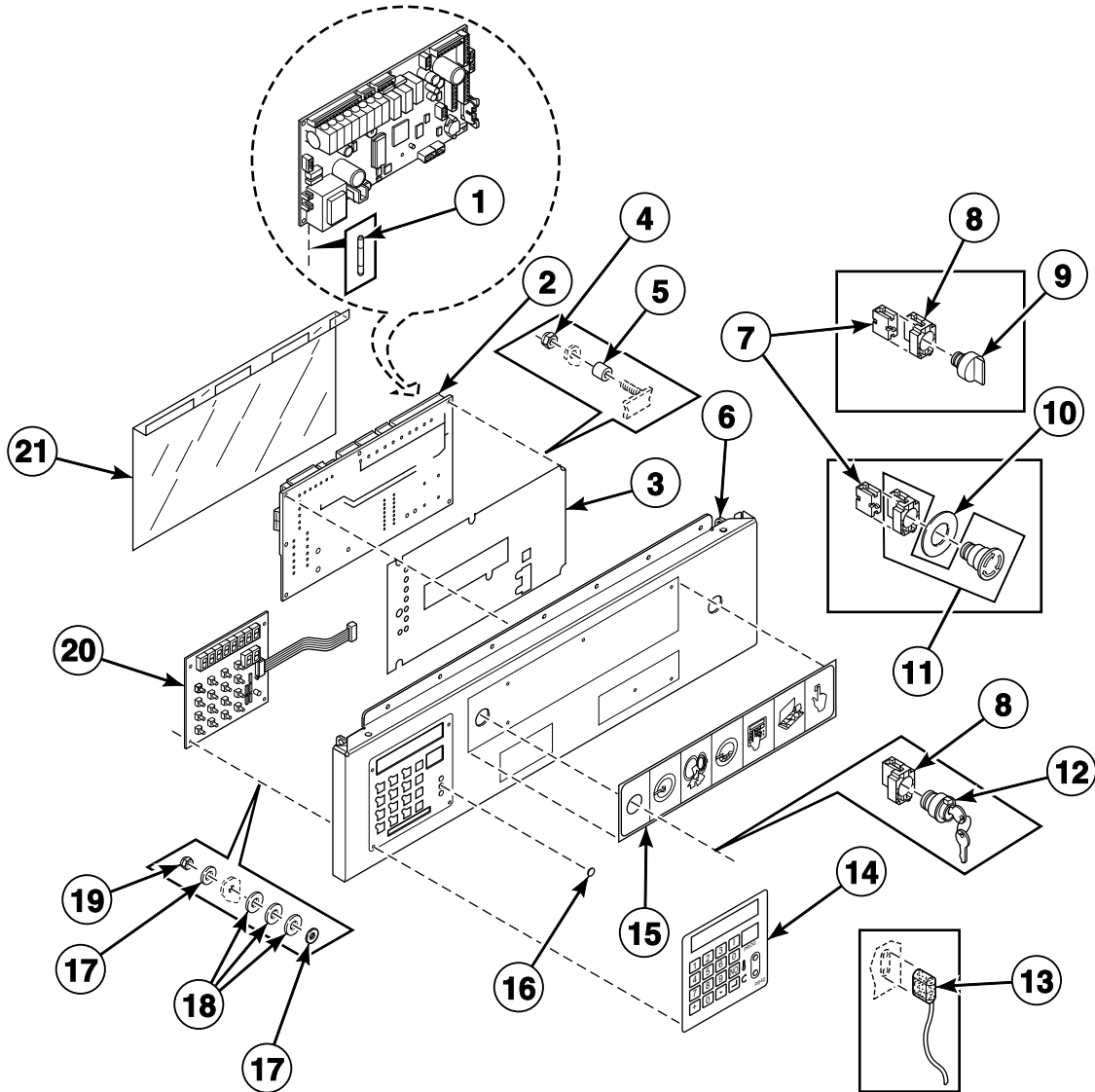
Control Panel - Sigma



Control Panel - Sigma

REF	PART NO.	DESCRIPTION	COMMENTS
1	229/00262/00	Circuit Board Cover	
2	209/00547/00	Control Board	
3	204/00114/00	Nut	
4	211/00122/00	Standoff	
5	229/00255/00	Insulating Sticker	
6	111/00257/00	Coin Meter Plate	
7	204/00009/00	Nut	
8	201/00008/00	Washer	
9	111/01701/00	Front Panel	Vended
	111/01700/00	Upper Front Panel	OPL
10	225/00404/00	Operating Sticker	OPL
	225/00403/00	Decal	Vended
	225/00405/00	Operating Sticker	Central payment
11	210/00902/00	Infrared Cable Kit	
12	225/00316/00	Plexi Frame	
13	202/00120/00	Metal Disc	
14	209/00248/00	Mushroom Pushbutton	
15	209/00520/00	Telem Sticker	
16	209/00099/26	Contact Switch	
17	209/00439/00	Fuse	

Control Panel - PS40F

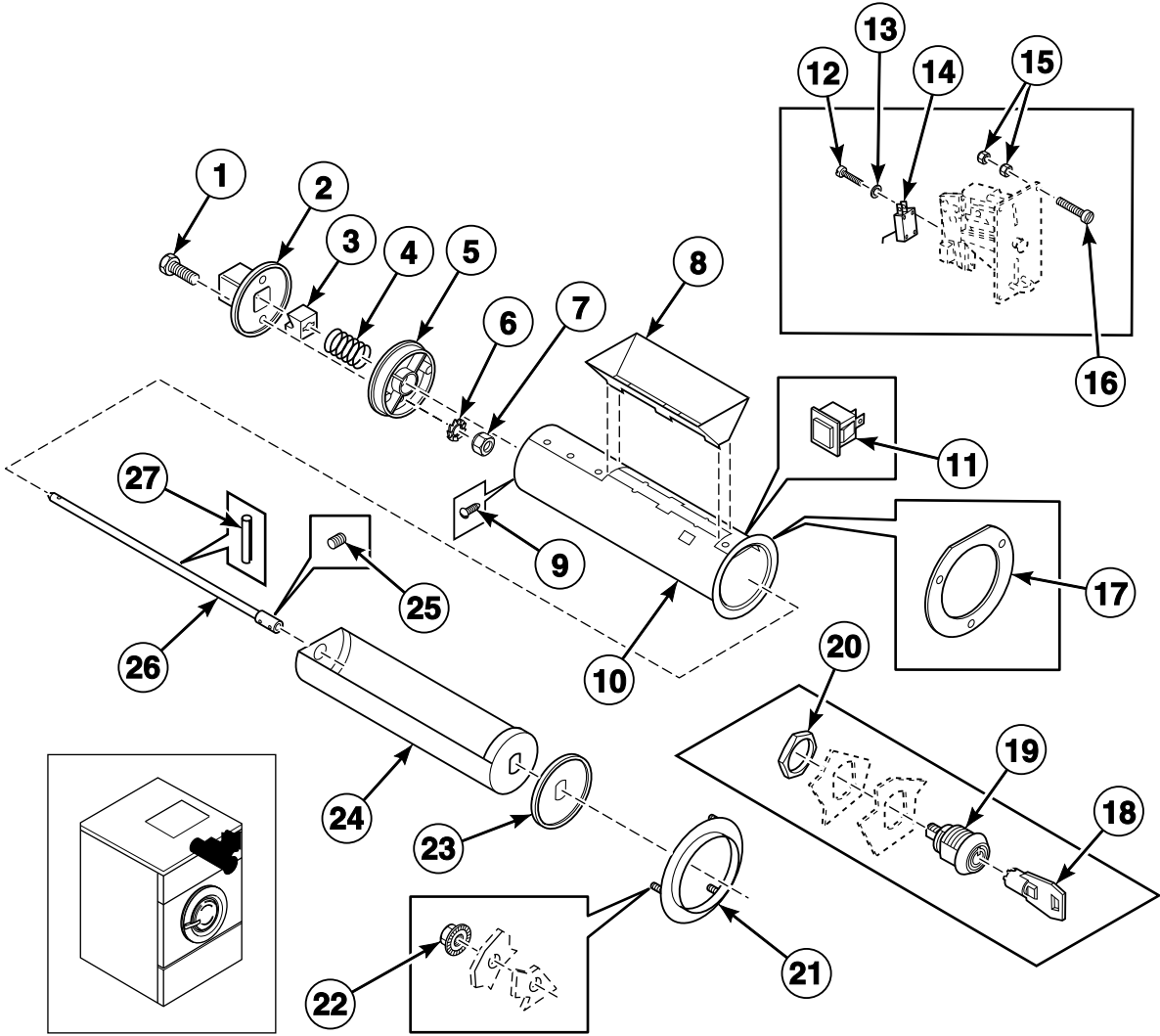


BE000558AP_D0240

Control Panel - PS40F

REF	PART NO.	DESCRIPTION	COMMENTS
1	209/00372/01	Fuse	
2	B12351701	Main Board	
3	229/00255/00	Insulating Sticker	
4	204/00116/00	Nut	
5	211/00122/00	Standoff	
6	111/01702/00	Front Panel	
7	209/00099/26	Contact Switch	
8	209/00099/25	Switch Base	
9	209/00099/29	Switch Knob	
10	209/00520/00	Telem Sticker	
11	209/00248/20	Mushroom Pushbutton	
12	209/00326/00	Programming Switch	
13	210/00902/00	Infrared Cable	
14	225/00397/00	Label	
15	225/00400/00	Operating Sticker	
16	202/00120/00	Metal Disc	
17	223/00123/00	Washer	
18	223/00051/10	Washer	
19	204/00116/00	Nut	
20	209/00552/01	Keypad	
21	229/00262/00	Circuit Board Cover	

Coin Meter and Coin Vault (Drawing 1 of 2)

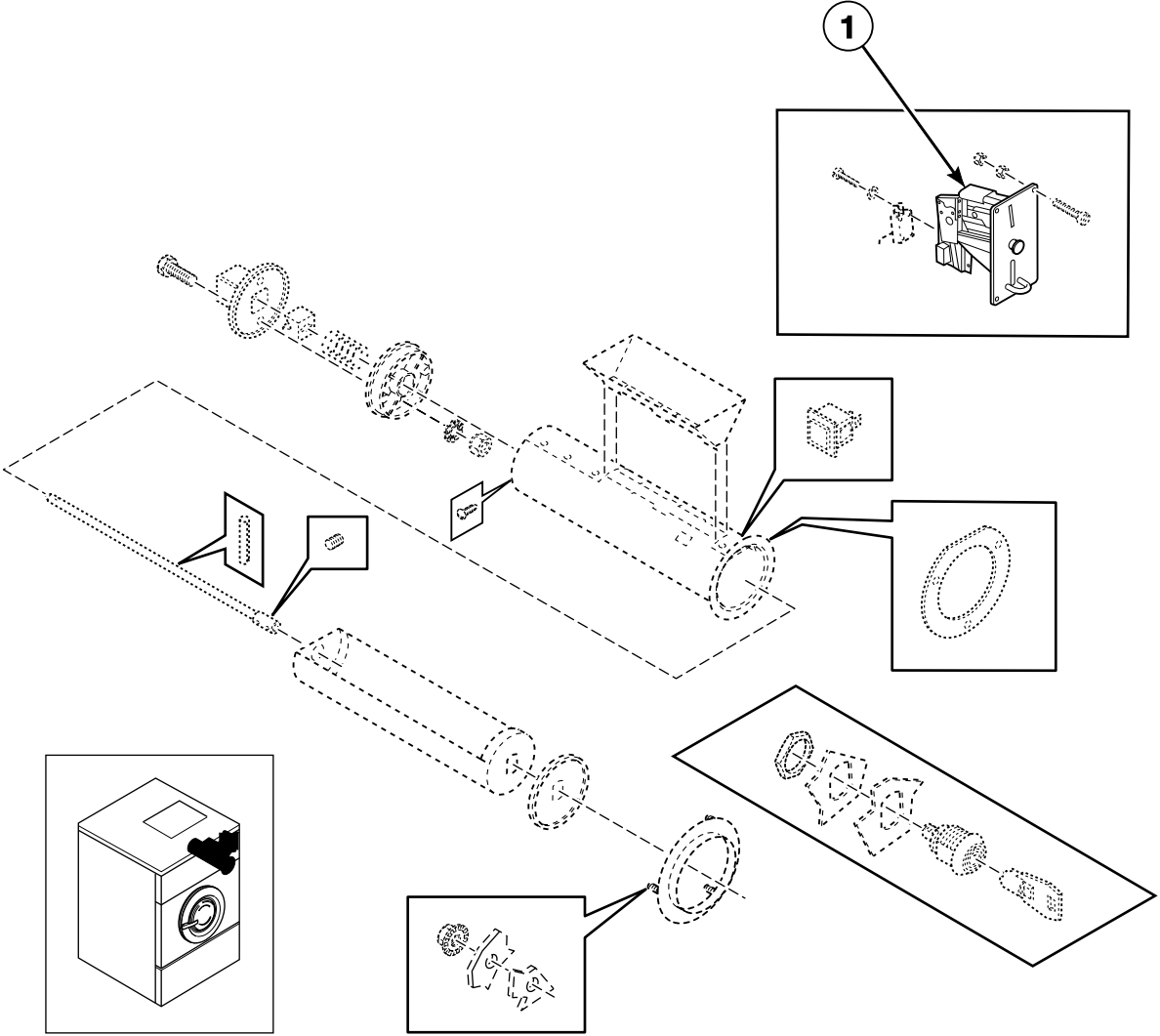


BE000042BP_D0240

Coin Meter and Coin Vault (Drawing 1 of 2)

REF	PART NO.	DESCRIPTION	COMMENTS
1	206/00033/00	Bolt	
2	211/00070/01	Outer Cabinet Lock	
3	211/00070/02	Washer	
4	211/00070/04	Spring	
5	211/00070/03	Inner Coin Box	
6	203/00004/00	Washer	
7	204/00005/00	Nut	
8	211/00071/00	Coin Box	
9	208/00007/00	Screw	
10	211/00100/00	Outer Coin Box	
11	209/00396/00	Pushbutton	
12	207/00009/00	Screw	
13	203/00007/00	Washer	
14	209/00060/12	Coin Drop Microswitch	
15	204/00116/00	Nut	
16	207/00108/00	Screw	
17	111/00100/00	Coin Box Ring Assembly	
18	211/00065/02	Coin Box Key	
19	211/00065/00	Coin Box Lock	
20	211/00065/01	Nut	
21	111/00066/00	Coin Box Ring	
22	206/00099/00	Bolt	
23	111/00068/00	Front Plate	
24	211/00101/00	Coin Box	
25	206/00038/00	Screw	
26	111/00069/00	Spindle	
27	208/00013/00	Roll Pin	

Coin Meter and Coin Vault (Drawing 2 of 2)

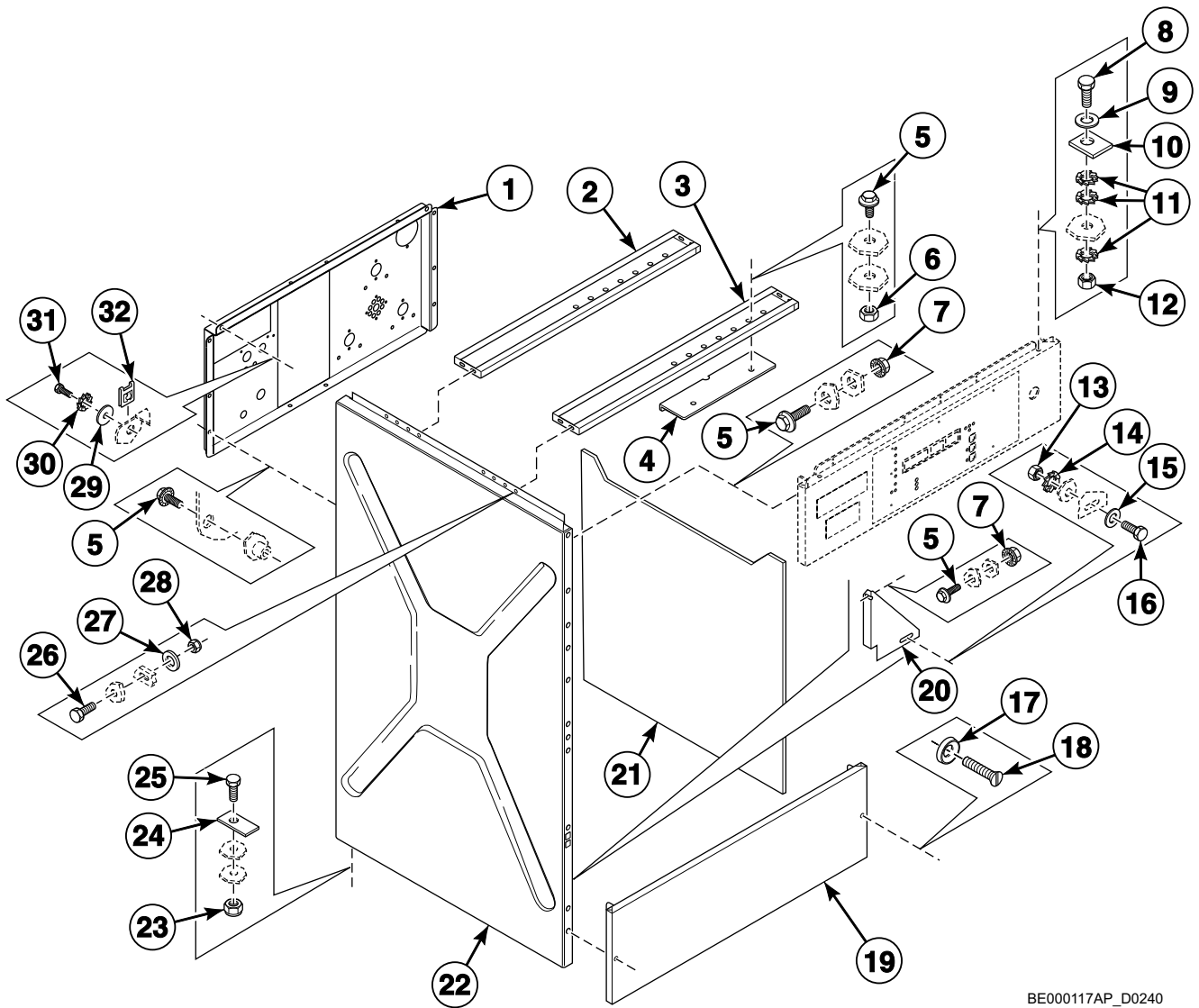


BE000042BPA_D0240

Coin Meter and Coin Vault (Drawing 2 of 2)

REF	PART NO.	DESCRIPTION	COMMENTS
1	209/00389/00	Coin Meter	0.10 euro
	209/00388/00	Coin Meter	0.20 euro
	209/00387/00	Coin Meter	0.50 euro
	209/00390/00	Coin Meter	1 euro
	209/00391/00	Coin Meter	1 euro (LVN)
	209/00119/00	Coin Meter	0.50 and 0.20 euro
	209/00120/00	Coin Meter	1 and 0.20 euro
	209/00166/00	Coin Meter	1 and 0.50 euro
	209/00576/00	Coin Meter	2 and 0.50 euro
	209/00111/00	Coin Meter	\$0.25
	209/00414/00	Coin Meter	Canada; 0.25 (L) and 1.00
	209/00378/00	Coin Meter	Australia; 1.00 and 2.00 (L)
	209/00229/00	Coin Meter	Australia; 1.00 and .20 (L)
	209/00065/00	Coin Meter	Hong Kong; 1.00
	209/00418/00	Coin Meter	Malaysia; 1.00
	209/00364/00	Coin Meter	1 (L) and 20 pence
	209/00437/00	Coin Meter	1 rand (L) and 2 rand
	209/00442/00	Coin Meter	1 shekel (L) and 5 shekel
	209/00375/00	Coin Meter	Singapore; 1.00
	209/00383/00	Coin Meter	New Zealand; 2.00 (L) and 1.00
	209/00500/00	Coin Meter	5 Mdh (L) and 10 Mdh
	209/00404/00	Coin Meter	5 NoCr (L) and 10 NoCr ®
	209/00402/08	Coin Meter	10 dek (L) + 2 dek
	209/00460/00	Coin Meter	2 dek
	209/00064/00	Coin Meter	Australia; .20
	209/00415/00	Coin Meter	Hong Kong; 5.00
	209/00501/00	Coin Meter	50 kronur (L) and 100 kronur
	209/00402/01	Coin Meter	Token .800
	209/00402/03	Coin Meter	Token
	209/00502/00	Coin Meter	Small Muller token
	209/00402/04	Coin Meter	Token Prinz; Diameter 28 x 2.7 mm
	209/00402/02	Coin Meter	Token Prinz; Diameter 22.85 x 2.1 mm
	209/00407/00	Coin Meter	Token Prinz; Diameter 26 x 2.05 mm
	209/00469/00	Coin Meter	Electronic; NRI
	209/00216/00	Coin Meter	100 yen
	209/00278/00	Coin Meter	100 yen (L) and 500 yen
	209/00373/00	Coin Meter	500 won
	209/00522/00	Coin Meter	Electronic; Trenner
	209/00061/00	Coin Meter	Token; 7K
	209/00068/00	Coin Meter	Tokenk; 10K
	209/00069/00	Coin Meter	Token; 12K
	209/00070/00	Coin Meter	Token; 15K
209/00121/00	Coin Meter	Profiled token	
209/00161/00	Coin Meter	1 dek	
209/00158/00	Coin Meter	1 rial	
209/00160/00	Coin Meter	5 dek	
209/00269/00	Coin Meter	100 won and 500 won	
209/00162/00	Coin Meter	Token; Vasketeria and 5 DK	
209/00066/00	Coin Meter	Token; Vasketeria and 2 x 1 DK	
209/00553/00	Coin Meter	US: \$1.00 and \$0.25 (L)	
209/00548/00	Coin Meter	100 and 25 pesetas	

Left Side, Lower Front and Upper Back Panels

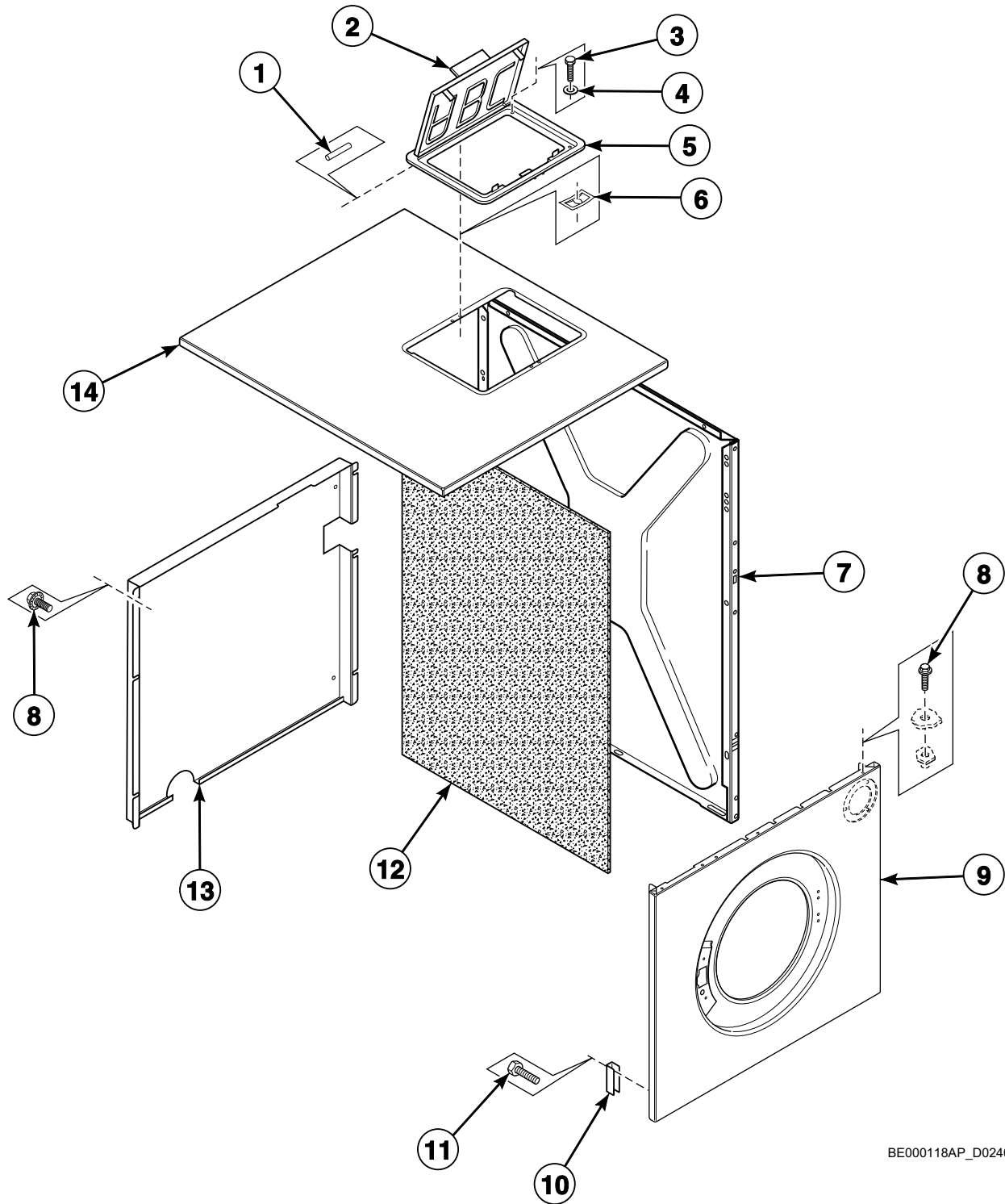


BE000117AP_D0240

Left Side, Lower Front and Upper Back Panels

REF	PART NO.	DESCRIPTION	COMMENTS
1	111/10426/90	Backbridge	
2	111/10092/00	Rear Plate	
3	111/10091/00	Front Plate	
4	111/10093/00	Mounting Plate	
5	206/00099/00	Bolt	
6	204/00005/00	Nut	
7	206/00101/00	Nut	
8	205/00106/00	Bolt	
9	202/00003/00	Washer	
10	117/00042/00	Retaining Ring	
11	203/00005/00	Washer	
12	204/00006/00	Nut	
13	204/00003/00	Nut	
14	203/00002/00	Washer	
15	201/00010/00	Washer	
16	206/00005/00	Bolt	
17	208/00009/00	Washer	
18	207/00101/00	Screw	
19	111/22131/00	Lower Front Panel	Stainless steel
	111/23131/00	Lower Front Panel	Epoxy
20	111/00109/00	Triangle Support	Right
	111/00118/00	Triangle Support	Left
21	246/00079/00	Side Panel Gasket	
22	111/10089/10	Side Panel	*18, *64 and *72 models; Epoxy
	111/10089/00	Side Panel	*18, *64 and *72 models; Stainless steel
	111/10097/10	Side Panel	*25 and *94 models; Epoxy
	111/10097/00	Side Panel	*25 and *94 models; Stainless steel
23	204/00009/00	Nut	
24	101/00007/00	Outlet Pipe Plate Assembly	
25	205/00104/00	Bolt	
26	206/00027/00	Bolt	
27	202/00004/00	Washer	
28	204/00114/00	Nut	
29	201/00006/00	Washer	
30	203/00015/00	Washer	
31	208/00001/00	Screw	
32	208/00025/00	Nut	

Right Side, Front, Lower Rear and Top Panels

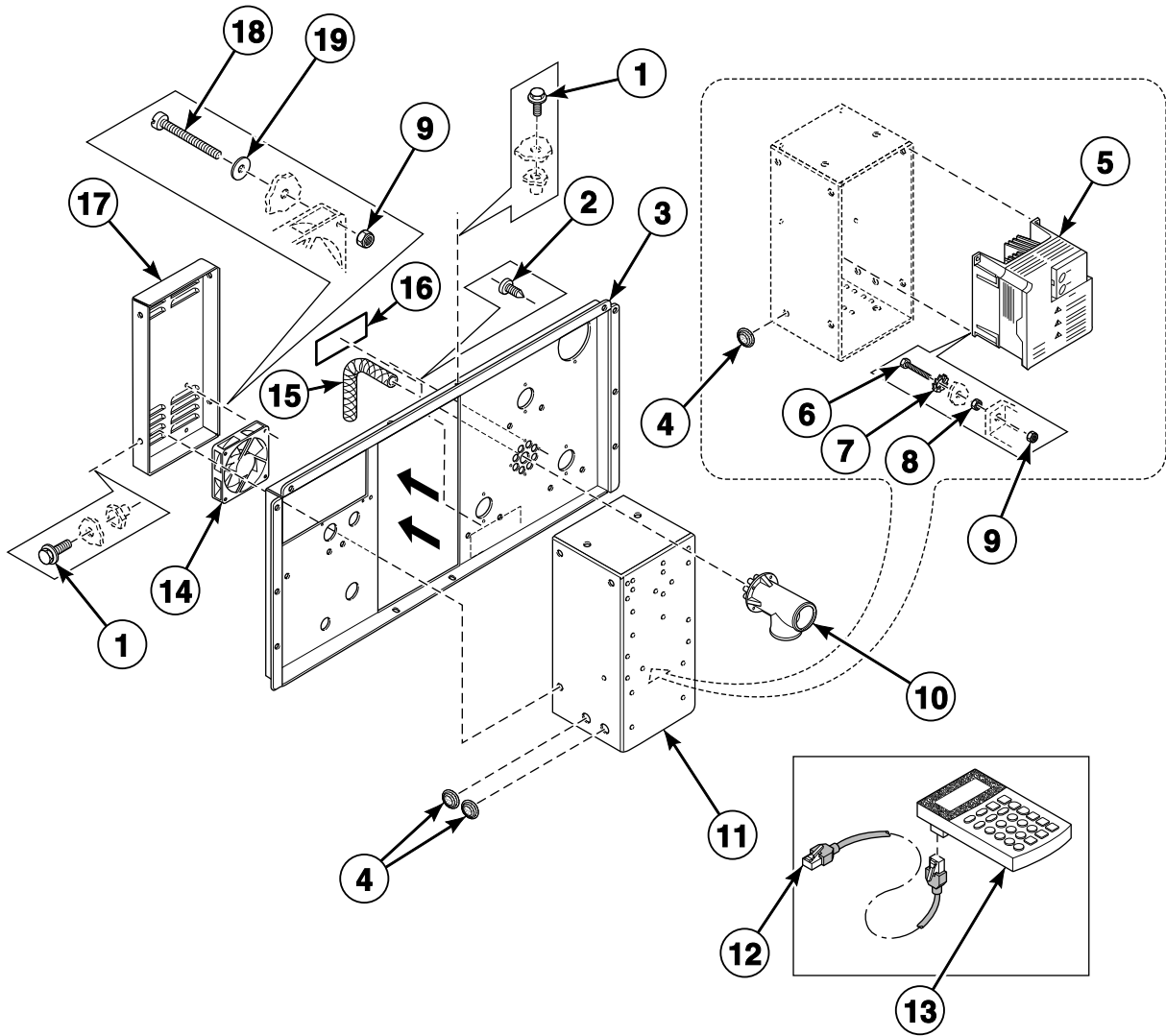


BE000118AP_D0240

Right Side, Front, Lower Rear and Top Panels

REF	PART NO.	DESCRIPTION	COMMENTS	
1	223/00103/04	Soap Dispenser Cover Hinge Rod	2 required	
2	223/00103/01	Soap Dispenser Cover		
3	203/00103/00	Bolt		
4	202/00101/00	Washer		
5	223/00103/03	Soap Dispenser Frame		
6	208/00104/00	Nut		
7	111/10089/10	Side Panel	*18, *64 and *72 models; Epoxy	
	111/10089/00	Side Panel	*18, *64 and *72 models; Stainless steel	
	111/10097/10	Side Panel	*25 and *94 models; Epoxy	
	111/10097/00	Side Panel	*25 and *94 models; Stainless steel	
8	206/00099/00	Bolt		
	9	111/10088/00	Lower Front Panel	Coin; Stainless steel
		111/10088/10	Lower Front Panel	Coin; Epoxy
		111/10090/10	Lower Front Panel	OPL; Epoxy
111/10090/00		Lower Front Panel	OPL; Stainless steel	
10	111/10089/01	Reinforcement Plate		
11	206/00114/00	Bolt		
12	246/00079/00	Side Panel Gasket		
13	111/10427/01	Lower Rear Panel		
14	111/22141/00	Top Panel	*18, *64 and *72 models; Stainless steel	
	111/23141/00	Top Panel	*18, *64 and *72 models; Epoxy	
	111/22144/00	Top Panel	*18, *64 and *72 models; Lock	
	111/22142/00	Top Panel	*25 and *94 models; Stainless steel	
	111/23142/00	Top Panel	*25 and *94 models; Epoxy	
	111/22143/00	Top Panel	*25 and *94 models; Lock	

Inverter Drive



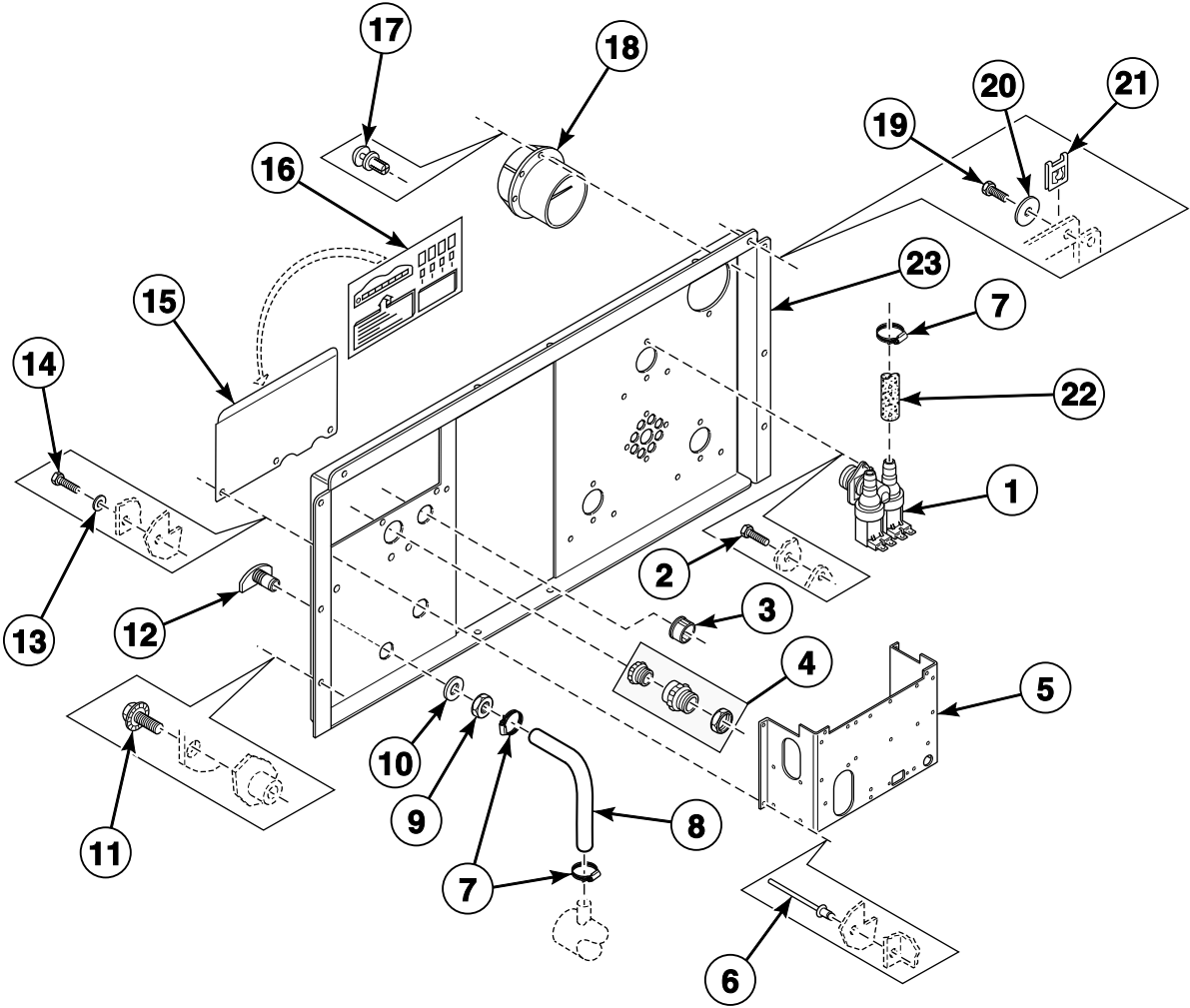
CFD484P_D0240

Inverter Drive

REF	PART NO.	DESCRIPTION	COMMENTS
1	206/00099/00	Bolt	
2	208/00130/00	Screw	
3	111/10426/90	Backbridge	
4	223/00174/00	Grommet	
5	N/A	Inverter Drive	500 series
	F8420702	Inverter Drive	700 series; Models HW64_MICRO-20, HW64_PS40 and HW64_SIGMA; 200 Volt/1 Phase; Models with .75 kW motor
	F8420703	Inverter Drive	700 series; Models HW64_MICRO-20, HW64_PS40 and HW64_SIGMA; 400 Volt/3 Phase; Models with .75 kW motor
	F8420704	Inverter Drive	700 series; Models HW72_MICRO-20, HW72_PS40, HW72_SIGMA and IHW018ANH; 200 Volt/1 Phase; Models with .75 kW motor
	F8420705	Inverter Drive	700 series; Models HW72_MICRO-20, HW72_PS40, HW72_SIGMA and IHW018ANH; 400 Volt/3 Phase; Models with .75 kW motor
	F8420706	Inverter Drive	700 series; Models HW94_MICRO-20, HW94_PS40, HW94_SIGMA and IHW025ANH; 200 Volt/1 Phase; Models with .75 kW motor
	F8420707	Inverter Drive	700 series; Models HW94_MICRO-20, HW94_PS40, HW94_SIGMA and IHW025ANH; 400 Volt/3 Phase; Models with .75 kW motor
	F8420602	Inverter Drive Kit	700 series; Models HW64_MICRO-20, HW64_PS40 and HW64_SIGMA; 200 Volt/1 Phase; Models with .75 kW motor; Includes F8420702 Inverter Drive, 111/10425/11 Inverter Box Cover, F8409501 Mounting Plate Assembly and F430903 Screw
	F8420603	Inverter Drive Kit	700 series; Models HW64_MICRO-20, HW64_PS40 and HW64_SIGMA; 400 Volt/3 Phase; Models with .75 kW motor; Includes F8420703 Inverter Drive, F8409501 Mounting Plate Assembly and F430903 Screw
	F8420604	Inverter Drive Kit	700 series; Models HW72_MICRO-20, HW72_PS40, HW72_SIGMA and IHW018ANH; 200 Volt/1 Phase; Models with .75 kW motor; Includes F8420704 Inverter Drive, 111/10425/11 Inverter Box Cover, F8409501 Mounting Plate Assembly and F430903 Screw
	F8420605	Inverter Drive Kit	700 series; Models HW72_MICRO-20, HW72_PS40, HW72_SIGMA and IHW018ANH; 400 Volt/3 Phase; Models with .75 kW motor; Includes F8420705 Inverter Drive, F8409501 Mounting Plate Assembly and F430903 Screw
	F8420606	Inverter Drive Kit	700 series; Models HW94_MICRO-20, HW94_PS40, HW94_SIGMA and IHW025ANH; 200 Volt/1 Phase; Models with .75 kW motor; Includes F8420706 Inverter Drive, 111/10425/11 Inverter Box Cover, F8409501 Mounting Plate Assembly and F430903 Screw
	F8420607	Inverter Drive Kit	700 series; Models HW94_MICRO-20, HW94_PS40, HW94_SIGMA and IHW025ANH; 400 Volt/3 Phase; Models with .75 kW motor; Includes F8420707 Inverter Drive, F8409501 Mounting Plate Assembly and F430903 Screw
6	206/00088/00	Bolt	
7	203/00006/00	Washer	
8	204/00007/00	Nut	
9	204/00114/00	Nut	
10	223/00250/00	Liquid Soap Manifold	
11	111/10425/00	Inverter Drive Box	
12	227/00171/10	Parameter Unit Program Cable	
13	227/00171/00	Parameter Unit Assembly	Hand held
	F8410901	Parameter Unit Assembly	Inverter mounted; Used with 500 series inverter drives
14	209/00465/00	Fan	
15	223/00179/10	Pressure Hose	
16	B12355001	Voltage Discharge Decal	
17	111/10425/01	Inverter Box Cover	
18	207/00121/00	Screw	
19	202/00004/00	Washer	

N/A = Part no longer available

Upper Back Panel with Circular Ventilation

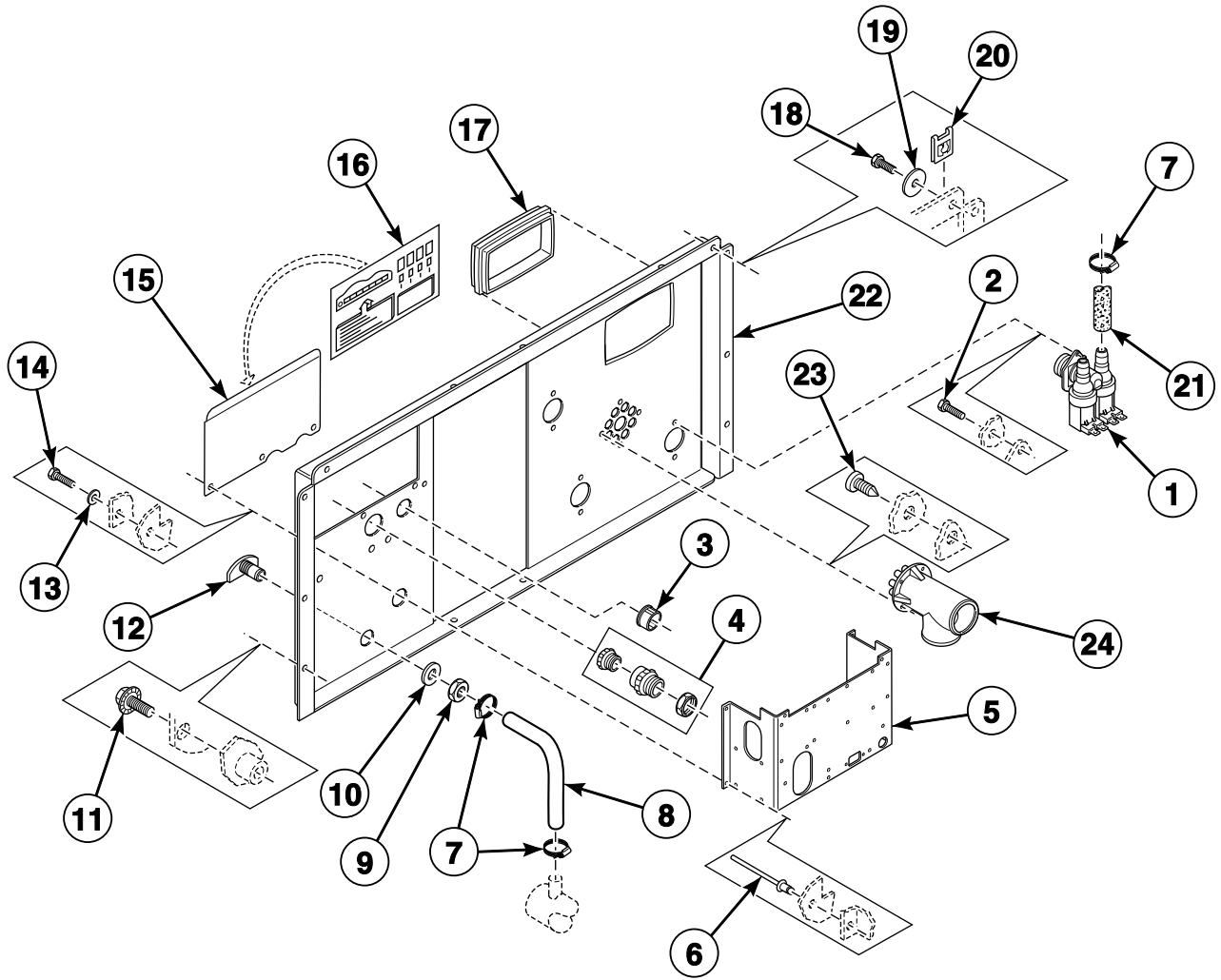


BE000579AP_D0240

Upper Back Panel with Circular Ventilation

REF	PART NO.	DESCRIPTION	COMMENTS
1	209/00110/00	2-Way Inlet Valve	Metric thread
	B12519501	2-Way Inlet Valve	Standard thread; G581P3 Diaphragm and Guide Kit
2	206/00027/00	Bolt	
3	211/00091/00	Plug	
4	211/00087/00	Plug	
5	111/00188/06	Electrical Connection Plate	
6	208/00017/00	Rivet	
7	223/00010/00	Hose Clamp	
8	223/00044/00	Water Hose	
9	204/00201/00	Nut	
10	201/00002/00	Washer	
11	206/00099/00	Bolt	
12	223/00001/04	Prewash and Mainwash Nozzle	
13	202/00004/00	Washer	
14	206/00014/00	Bolt	
15	111/00094/10	Electrical Connection Plate	
16	229/00068/02	Electrical Connection Sticker	
17	211/00093/00	Rivet	
18	223/00102/07	Hose Vent	
19	208/00001/00	Screw	
20	201/00006/00	Washer	
21	208/00002/00	Nut	
22	223/00044/01	Water Hose	
23	111/10426/90	Backbridge	

Upper Back Panel with Rectangular Ventilation

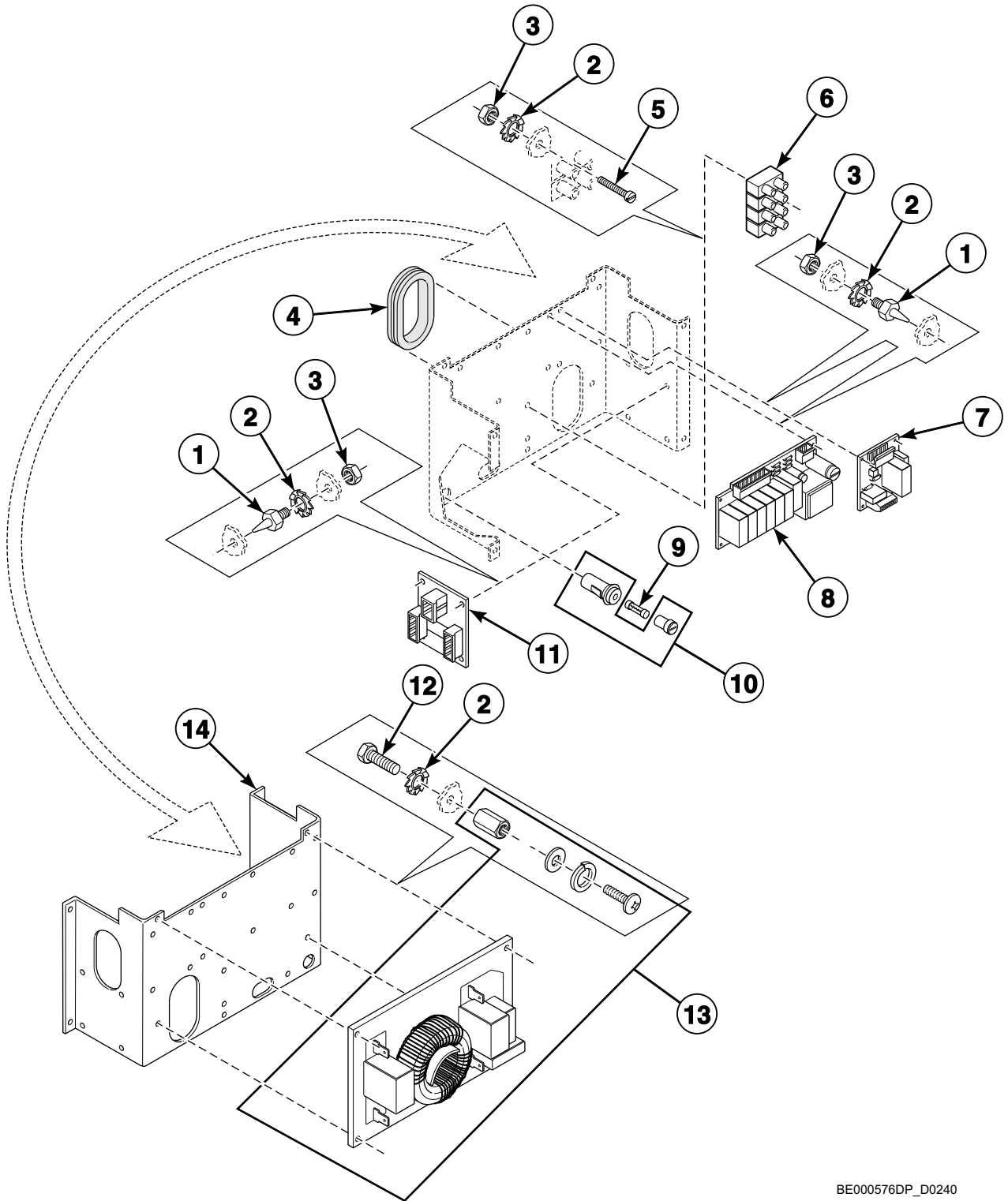


BE000580P_D0240

Upper Back Panel with Rectangular Ventilation

REF	PART NO.	DESCRIPTION	COMMENTS
1	209/00110/00	2-Way Inlet Valve	Metric thread
	B12519501	2-Way Inlet Valve	Standard thread; G581P3 Diaphragm and Guide Kit
2	208/00130/00	Screw	
3	211/00091/00	Plug	
4	211/00087/00	Plug	
5	111/00188/06	Electrical Connection Plate	
6	208/00017/00	Rivet	
7	223/00010/00	Hose Clamp	
8	223/00044/00	Water Hose	
9	204/00201/00	Nut	
10	201/00002/00	Washer	
11	206/00099/00	Bolt	
12	223/00001/04	Prewash and Mainwash Nozzle	
13	202/00004/00	Washer	
14	206/00014/00	Bolt	
15	111/00094/10	Electrical Connection Plate	
16	229/00068/02	Electrical Connection Sticker	
17	223/00226/00	Vent Tube	
18	208/00001/00	Screw	
19	201/00006/00	Washer	
20	208/00002/00	Nut	
21	223/00044/01	Water Hose	
22	223/00102/07	Hose Vent	
23	206/00027/00	Bolt	
24	223/00250/00	Liquid Soap Manifold	

Noise Filter, Central Operating Panel Printboard and Soap Injection Printboard

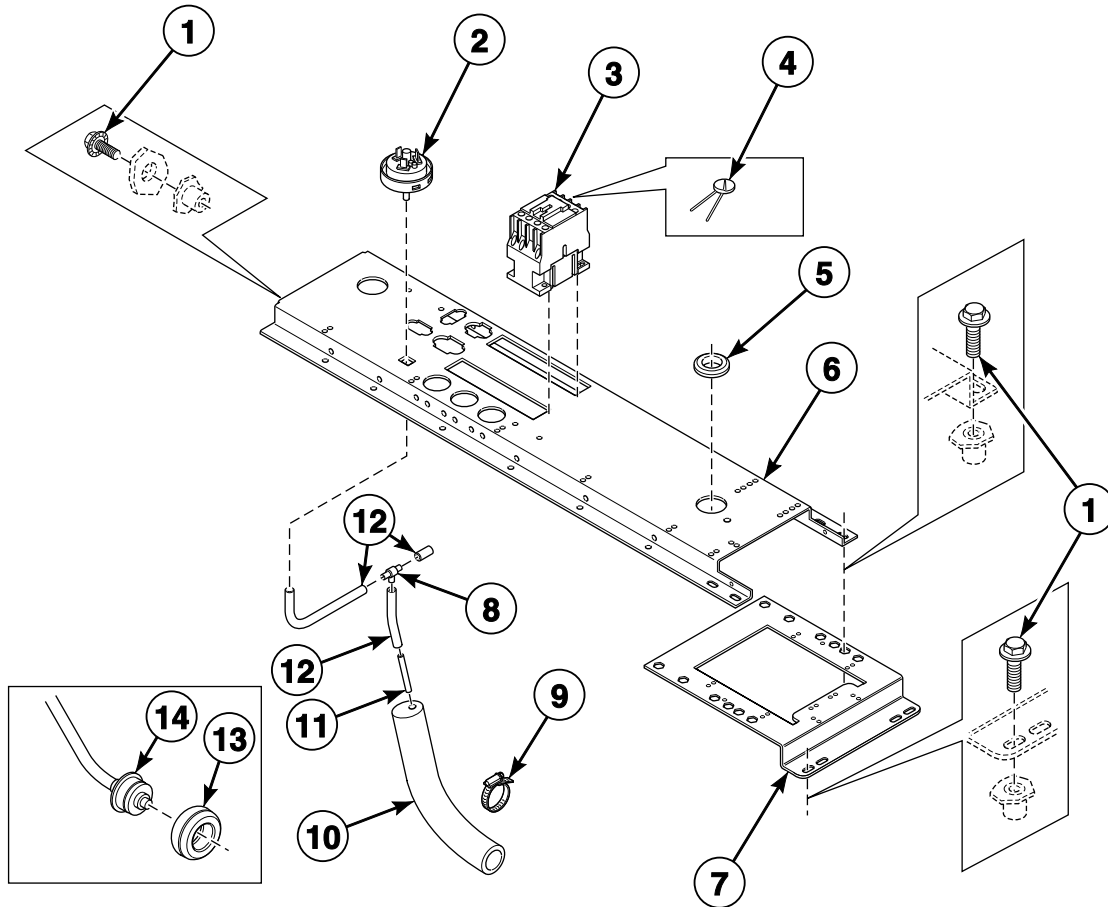


BE000576DP_D0240

Noise Filter, Central Operating Panel Printboard and Soap Injection Printboard

REF	PART NO.	DESCRIPTION	COMMENTS
1	211/00120/00	Standoff	
2	203/00006/00	Washer	
3	204/00007/00	Nut	
4	223/00203/00	Grommet	
5	207/00031/00	Screw	
6	209/00058/00	Terminal Block	
7	209/00438/50	Central Control Board	
8	209/00218/13	Soap Injection PCB with Fuse	
9	209/00468/00	Fuse	
10	209/00202/00	Fuse Holder	
11	209/00540/00	Network Connection Printboard	
12	206/00027/00	Bolt	
13	210/00027/UL00	Filter	B0301044/16A1
	227/00242/00	Noise Filter	B0211098/16A3
	227/00179/00	Filter	B0211067/40A3
	227/00180/00	Filter	B0308117/45A1
14	111/00188/06	Electrical Connection Plate	

Electrical Component Mounting Plate

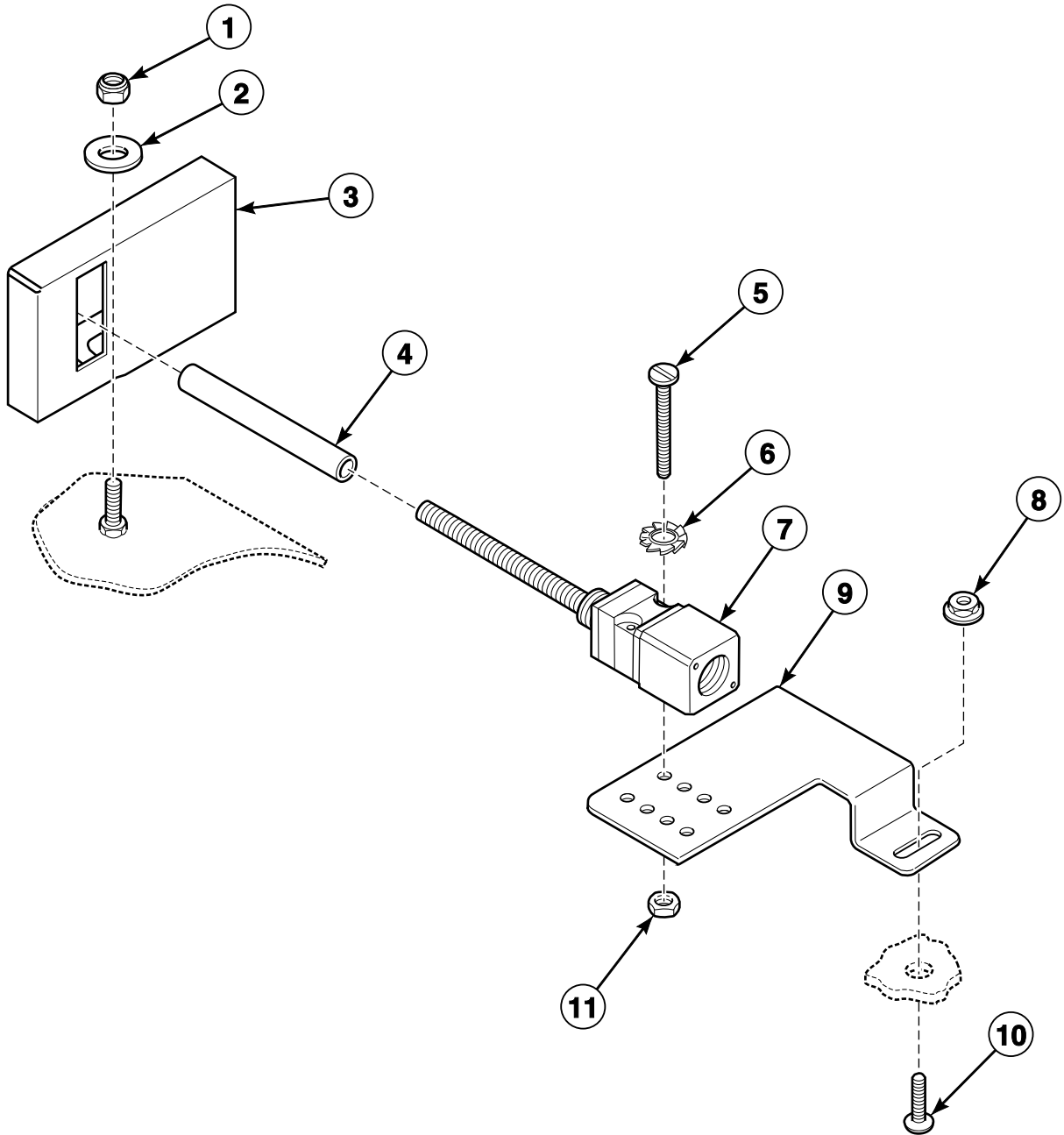


BE000581P_D0240

Electrical Component Mounting Plate

REF	PART NO.	DESCRIPTION	COMMENTS
1	206/00099/00	Bolt	
2	209/00007/50	Pressure Switch	
3	209/00148/02	Contactactor	LC1D1810M7
	209/00041/04	Contactactor	LC1D0901M7
4	209/00356/00	Noise Suppressor	
5	223/00198/00	Grommet	
6	111/10002/00	Mounting Plate	
7	111/10001/10	Mounting Plate	
8	223/00173/10	Pressure Switch Hose Tee	
9	223/00011/00	Hose Clamp	
10	223/00210/00	Pressure Switch Elbow	
11	223/00016/00	Hose Barb	
12	223/00212/00	Pressure Switch Hose	
13	225/10004/00	Thermostat Seal	Spade terminal connection
	210/01304/16	Thermostat	Phoenix terminal connection
14	209/00309/02	Thermostat Assembly	

Balance Switch

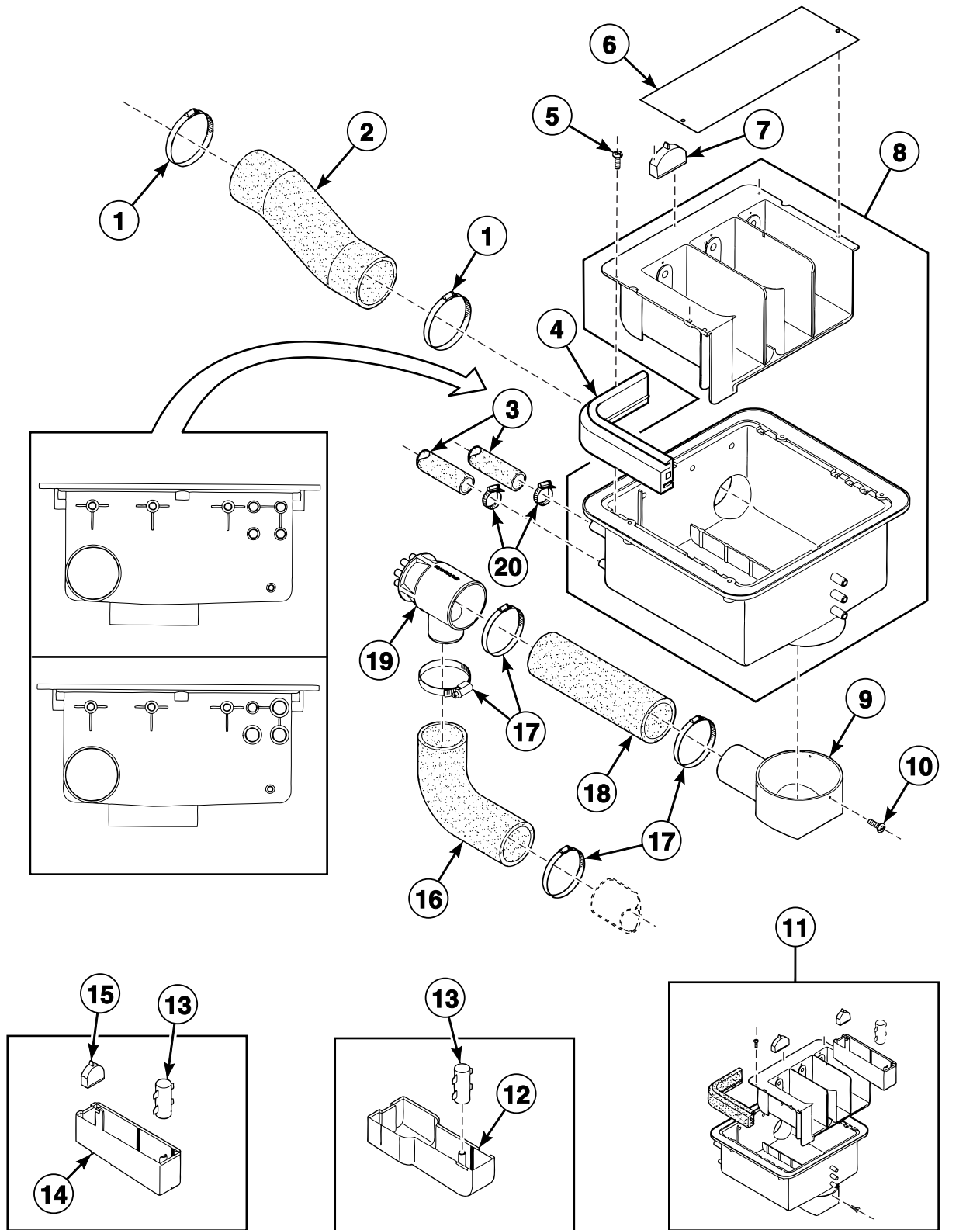


BE000470BP_D0240

Balance Switch

REF	PART NO.	DESCRIPTION	COMMENTS
1	204/00110/00	Nut	
2	201/00010/00	Washer	
3	111/00108/01	Tilt Detector Plate	
4	223/00246/00	Out-of-Balance Switch Boot	
5	207/00018/00	Screw	
6	203/00006/00	Washer	
7	209/00255/00	Out-of-Balance Switch	
8	206/00101/00	Nut	
9	111/01171/00	Out-of-Balance Switch Bracket	
10	208/00120/00	Screw	
11	204/00007/00	Nut	

Supply Dispenser with Round Ventilation Opening

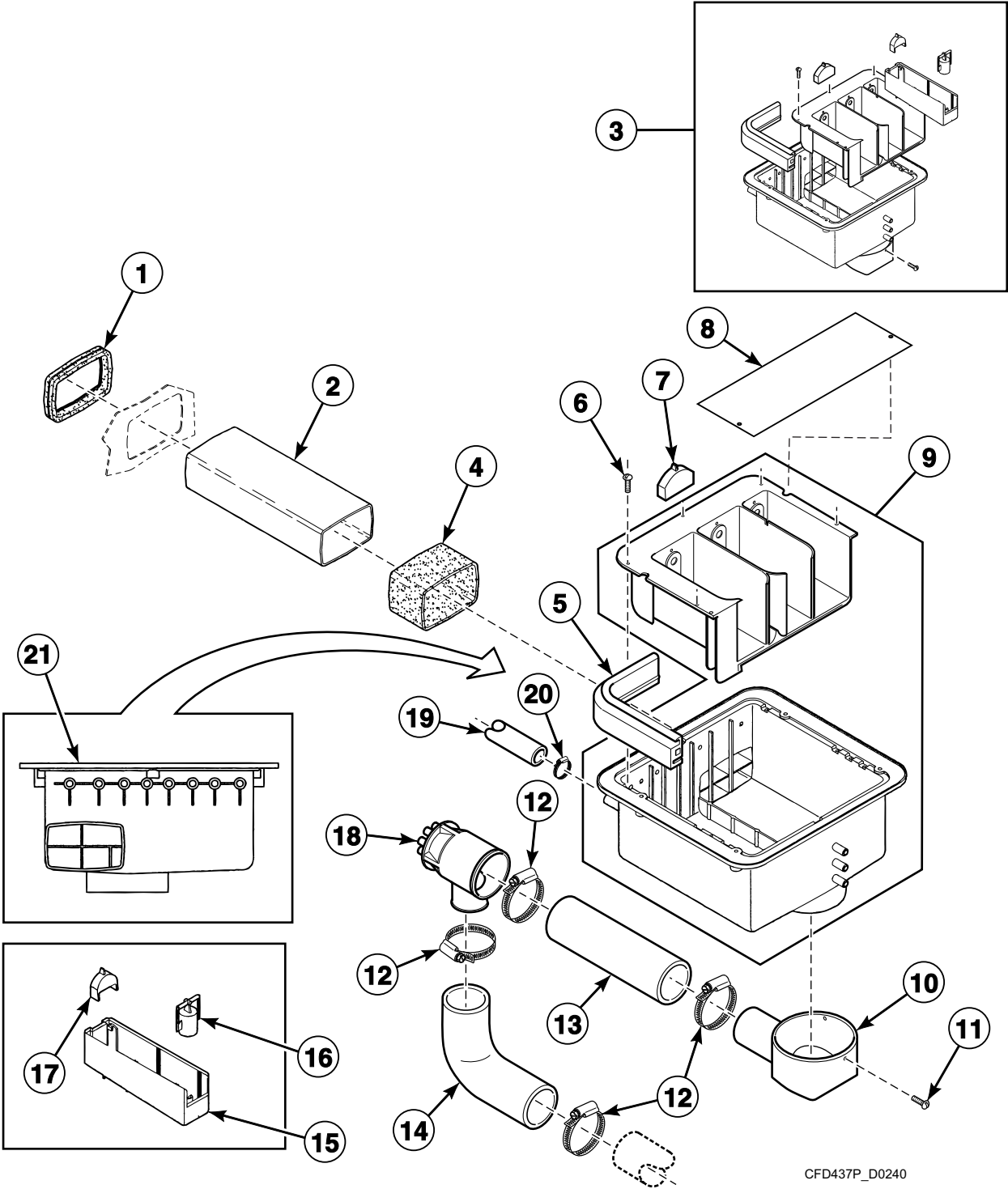


CFD343P_D0240

Supply Dispenser with Round Ventilation Opening

REF	PART NO.	DESCRIPTION	COMMENTS
1	223/00014/00	Hose Clamp	
2	223/00107/00	Soap Dispenser Air Breather Hose	*25 and *94 models
	223/00197/00	Vent Hose	*18, *64 and *72 models
3	223/00044/01	Water Hose	
4	223/00109/00	Soap Dispenser Gasket	
5	B12347501	Screw	
6	123/00107/00	Anti-Splash Plate	Models HW64_SIGMA, HW72_SIGMA and HW94_SIGMA
	123/00103/06	Soap Box Assembly Plate	All other models
7	223/00102/06	Soap Spray Nozzle	
8	223/00102/30	Soap Dispenser Assembly	
9	223/00195/00	Dispenser Drain Funnel	
10	B12350903	Screw	
11	223/00102/50	Soap Dispenser Assembly	
12	223/00102/08	Liquid Soap Dispenser Insert	
13	223/00102/04	Soap Dispenser Rinse Siphon	
14	223/00102/03	Rinse Insert	
15	223/00102/05	Softener Spray Nozzle	
16	223/00265/00	Siphon Break Hose	
17	223/00013/00	Hose Clamp	
18	223/00262/00	Siphon Break Dispenser Hose	
19	223/00250/00	Liquid Soap Manifold	
20	223/00010/00	Hose Clamp	

Supply Dispenser with Rectangular Ventilation Opening

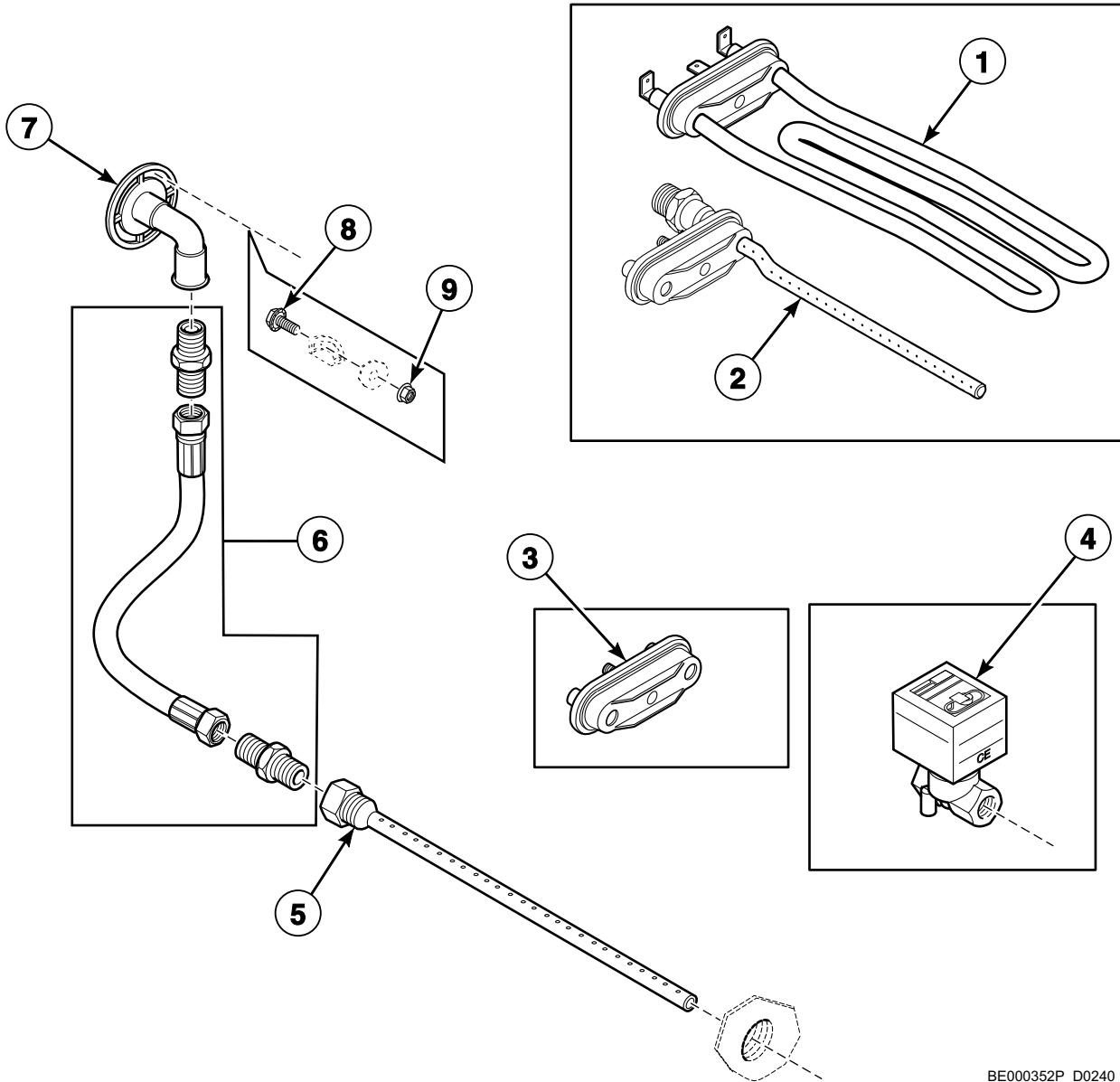


CFD437P_D0240

Supply Dispenser with Rectangular Ventilation Opening

REF	PART NO.	DESCRIPTION	COMMENTS
1	223/00226/00	Vent Tube	
2	223/00229/00	Vent Tube	
3	223/00222/00	Soap Dispenser	
4	223/00245/00	Shrink Fit	
5	223/00109/00	Soap Dispenser Gasket	
6	B12347501	Screw	
7	223/00102/06	Soap Spray Nozzle	
8	123/00107/00	Anti-Splash Plate	Models HW64_SIGMA, HW72_SIGMA and HW94_SIGMA
	123/00103/06	Soap Box Assembly Plate	All other models
9	223/00222/60	Outer and Inner Box Kit	
10	223/00195/00	Dispenser Drain Funnel	
11	B12350903	Screw	
12	223/00013/00	Hose Clamp	
13	223/00262/00	Siphon Break Dispenser Hose	
14	223/00266/00	Siphon Break Hose	
15	223/00222/05	Rinsing Box	
16	223/00222/04	Siphon Break	
17	223/00222/03	Softener Spray Nozzle	
18	223/00250/00	Liquid Soap Manifold	
19	223/00044/00	Water Hose	
20	223/00010/00	Hose Clamp	
21	223/00222/01	Exterior Box	

Electric and Steam Heating Options

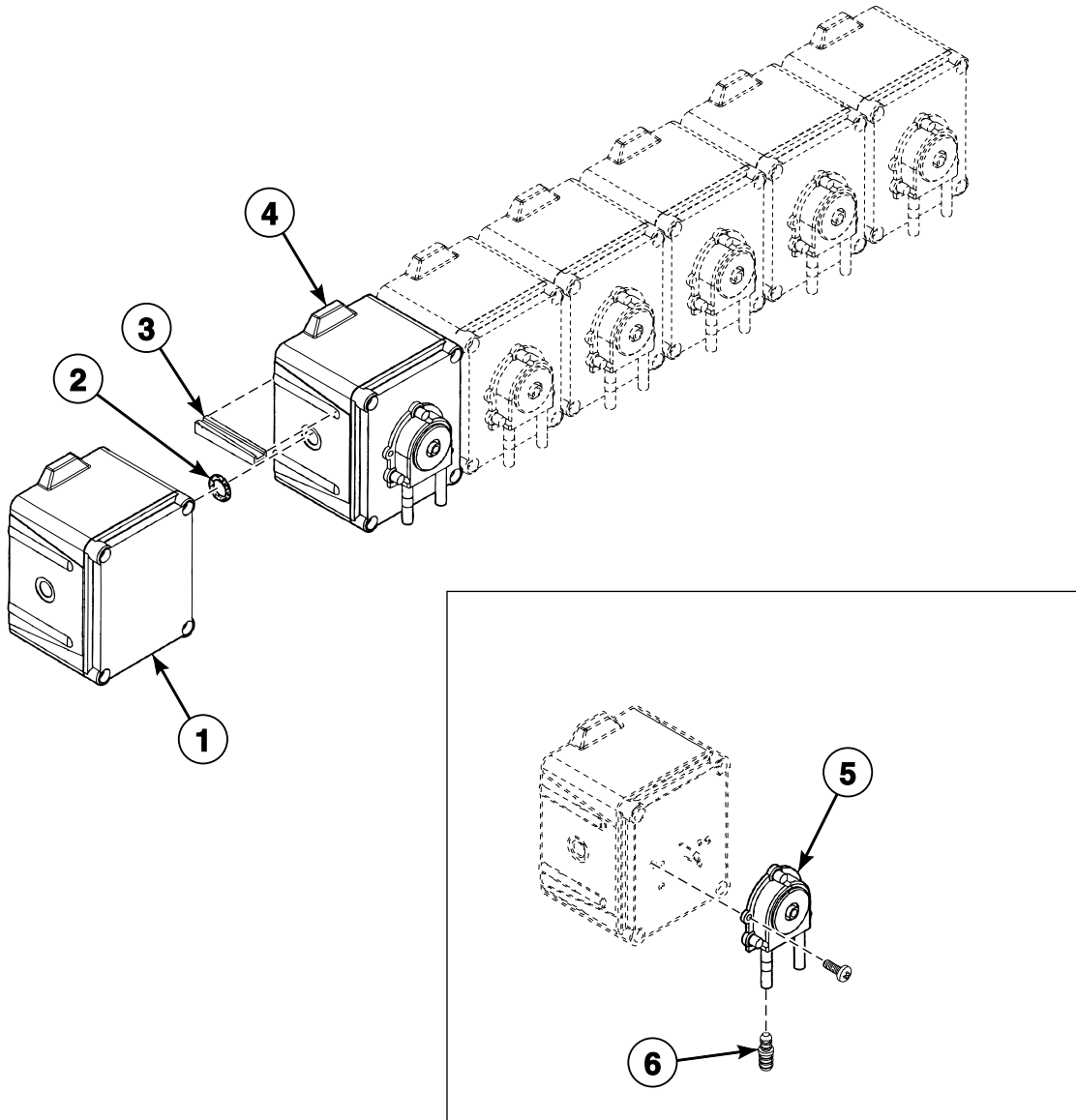


BE000352P_D0240

Electric and Steam Heating Options

REF	PART NO.	DESCRIPTION	COMMENTS
1	209/00564/20	Heating Element	1400W; 220/240 Volt
	209/00563/20	Heating Element	2000W; 220/240 Volt
	209/00562/20	Heating Element	3000W; 220/240 Volt
	209/00581/10	Heating Element	4000W; 380 Volt
2	118/00105/01	Steam Injector	
3	209/00196/00	Heating Element Plug	
4	209/00477/00	Steam Valve	
5	119/00082/00	Steam Injector	
6	217/00025/00	Steam Hose	
7	118/01063/00	Steam Inlet	
8	206/00099/00	Bolt	
9	206/00101/00	Nut	

Soap Pumps



BE000527AP_D0240

Soap Pumps

REF	PART NO.	DESCRIPTION	COMMENTS
1	209/00554/01	Soap Pump Assembly	1 pump and 1 feeding pump
	209/00554/02	Soap Pump Assembly	2 pumps and 1 feeding pump
	209/00554/03	Soap Pump Assembly	3 pumps and 1 feeding pump
	209/00554/04	Soap Pump Assembly	4 pumps and 1 feeding pump
	209/00554/05	Soap Pump Assembly	5 pumps and 1 feeding pump
	209/00554/06	Soap Pump Assembly	6 pumps and 1 feeding pump
	209/00554/51	Feeding Liquid Soap Dosing Pump	
2	209/00554/52	Liquid Soap Dosing Pump O-Ring	
3	209/00554/53	Liquid Soap Dosing Pump Connection Piece	
4	209/00554/50	Pump	
5	209/00554/98	Hose	
6	209/00554/99	Hose Connector	

Parts Index

A

Anti-Splash Plate
123/00107/00 53, 55

B

Backbridge
111/10426/90 37, 41, 43

Ball Bearing
215/00001/03 13
215/00001/12 13

Bearing Housing Assembly
115/00201/01 13

Belt
226/00111/00 15

Belt Rod
113/00038/00 17

Bolt
203/00103/00 39
205/00102/00 13
205/00103/00 23
205/00104/00 13, 37
205/00106/00 37
205/00107/00 25
205/00115/00 23
206/00004/00 15
206/00005/00 17, 37
206/00011/00 11
206/00014/00 7, 43, 45
206/00027/00 37, 43, 45, 47
206/00030/00 9
206/00033/00 19, 21, 33
206/00054/00 17
206/00088/00 41
206/00099/00 21, 33, 37, 39, 41, 43, 45, 49, 57
206/00114/00 39
206/00127/00 17
207/00125/00 25

C

Caddy Bracket
224/00051/00 13

Central Control Board
209/00438/50 47

Circuit Board Cover
229/00262/00 27, 29, 31

Clamp
238/00017/00 11

Coin Box
211/00071/00 33
211/00101/00 33

Coin Box Key
211/00065/02 33

Coin Box Lock
211/00065/00 33

Coin Box Ring
111/00066/00 33

Coin Box Ring Assembly
111/00100/00 33

Coin Drop Microswitch
209/00060/12 33

Coin Meter
209/00061/00 35
209/00064/00 35
209/00065/00 35
209/00066/00 35
209/00068/00 35
209/00069/00 35
209/00070/00 35
209/00111/00 35
209/00119/00 35
209/00120/00 35
209/00121/00 35
209/00158/00 35
209/00160/00 35
209/00161/00 35
209/00162/00 35
209/00166/00 35
209/00216/00 35
209/00229/00 35
209/00269/00 35
209/00278/00 35
209/00364/00 35
209/00373/00 35
209/00375/00 35
209/00378/00 35
209/00383/00 35
209/00387/00 35
209/00388/00 35
209/00389/00 35
209/00390/00 35
209/00391/00 35
209/00402/01 35
209/00402/02 35
209/00402/03 35
209/00402/04 35
209/00402/08 35
209/00404/00 35
209/00407/00 35
209/00414/00 35
209/00415/00 35
209/00418/00 35
209/00437/00 35
209/00442/00 35
209/00460/00 35
209/00469/00 35
209/00500/00 35
209/00501/00 35
209/00502/00 35
209/00522/00 35
209/00548/00 35
209/00553/00 35
209/00576/00 35

Coin Meter Plate
111/00257/00 27, 29

Connector
223/00205/00 21

Contact Switch
209/00099/26 27, 29, 31

Contactoer
209/00041/04 49
209/00148/02 49

N/A items do not appear in index.

Control Board	
209/00547/00	29
Cordlock	
211/00138/00	17
Counter Ring	
217/00004/00	15
Counterweight	
113/00035/00	7
Cylinder and Trunnion Assembly	
120/10031/00	11, 15
123/10001/00	11, 15
123/10003/00	11, 15
Cylinder Shaft Key	
216/00007/00	15

D

Decal	
225/00403/00	29
Dispenser Drain Funnel	
223/00195/00	53, 55
Door Boot	
223/00122/00	11
Door Frame	
118/00046/10	25
Door Glass	
217/00022/00	25
Door Glass Seal	
217/00015/00	25
Door Handle	
217/00059/00	25
Door Handle Stop	
217/00016/00	25
Door Hinge	
221/00005/00	25
Door Hinge Assembly	
217/00009/02	25
Door Hinge Plate Assembly	
118/00065/00	25
Door Hinge Spacer	
117/00011/00	25
Door Lock Assembly	
B12517701	23
Door Lock Microswitch	
209/00272/00	23
Door Lock Pin Kit	
211/00109/01	25
217/00052/02	23
Door Lock Solenoid	
209/00274/00	23
Door Lock Spacer	
217/00052/03	23
Door Lock Spring	
224/00049/00	23
Door Release Wire	
217/00052/07	23
Drain Pipe	
223/00105/00	21
223/00228/00	19, 21
Drain Pipe Plate Assembly	
152/00041/05	21

Drain Valve	
209/00051/00	19, 21
209/00463/00	21
Drain Valve Hose	
223/00190/00	19, 21
Drain Valve Overflow Plug	
223/00086/00	19, 21
Drain Valve Plate	
152/00041/06	19, 21
Drain Valve Plate Assembly	
114/00030/00	19, 21

E

Electrical Connection Plate	
111/00094/10	43, 45
111/00188/06	43, 45, 47
Electrical Connection Sticker	
229/00068/02	43, 45
Eprom	
209/00266/01	27
Exterior Box	
223/00222/01	55

F

Fan	
209/00465/00	17, 41
Fan Plate Assembly	
152/00044/03	17
Fastening Ring	
238/00013/00	11
Fastening Rubber	
247/00006/00	9
247/00007/00	9
Feeding Liquid Soap Dosing Pump	
209/00554/51	59
Filter	
210/00027/UL00	47
227/00179/00	47
227/00180/00	47
Frame	
152/00041/50	7
152/00048/50	7
Front Panel	
111/01701/00	27, 29
111/01702/00	31
Front Plate	
111/00068/00	33
111/10091/00	37
Fuse	
209/00372/01	31
209/00439/00	27, 29
209/00468/00	47
Fuse Holder	
209/00202/00	47

G

Gasket	
246/00149/00	7

N/A items do not appear in index.

Grommet	
223/00174/00	41
223/00198/00	49
223/00203/00	47
Ground Terminal	
210/10015/00	23

H

Heating Element	
209/00562/20	57
209/00563/20	57
209/00564/20	57
209/00581/10	57
Heating Element Plug	
209/00196/00	57
Hose	
209/00554/98	59
Hose Barb	
223/00016/00	49
Hose Clamp	
223/00010/00	43, 45, 53, 55
223/00011/00	49
223/00012/00	19, 21
223/00013/00	19, 21, 53, 55
223/00014/00	19, 21, 53
Hose Connector	
209/00554/99	59
Hose Vent	
223/00102/07	43, 45

I

Infrared Cable Kit	
210/00902/00	29
210/00902/00P	31
Inlet Valve, 2-Way	
B12519501	43, 45
209/00110/00	43, 45
Inner Coin Box	
211/00070/03	33
Insulating Sticker	
229/00255/00	27, 29, 31
Interlock Coil Spring	
224/00043/00	23
Interlock Lever	
217/00052/04	23
Inverter Box Cover	
111/10425/01	41
Inverter Drive	
F8420702	41
F8420703	41
F8420704	41
F8420705	41
F8420706	41
F8420707	41
Inverter Drive Box	
111/10425/00	41
Inverter Drive Kit	
F8420602	41
F8420603	41
F8420604	41
F8420605	41

F8420606	41
F8420607	41

K

Keypad	
209/00552/01	31
Keypad Sticker	
225/00407/00	27

L

Label	
225/00397/00	31
Lever Spring	
224/00040/00	23
Light Microswitch	
209/00273/00	23
Liquid Soap Dispenser Insert	
223/00102/08	53
Liquid Soap Dosing Pump Connection Piece	
209/00554/53	59
Liquid Soap Dosing Pump O-Ring	
209/00554/52	59
Liquid Soap Manifold	
223/00250/00	41, 45, 53, 55
Lock Protection Plate	
117/00052/08	23
Lock Shaft	
217/00017/03	23
Lower Front Panel	
111/10088/00	39
111/10088/10	39
111/10090/00	39
111/10090/10	39
111/22131/00	37
111/23131/00	37
Lower Rear Panel	
111/10427/01	39

M

Main Board	
B12351701	31
Metal Disc	
202/00120/00	29, 31
Motor	
B12510501	17
Motor Plate	
152/00040/00	17
Mounting Plate	
111/10001/10	49
111/10002/00	49
111/10093/00	37
Mushroom Pushbutton	
209/00248/00	27, 29
209/00248/20	31

N/A items do not appear in index.

N

Network Connection Printboard	
209/00540/00	47
Noise Filter	
227/00242/00	47
Noise Suppressor	
209/00356/00	49
Nut	
204/00003/00	9, 37
204/00005/00	7, 33, 37
204/00006/00	37
204/00007/00	41, 47, 51
204/00008/00	23
204/00009/00	11, 19, 21, 23, 27, 29, 37
204/00012/00	17
204/00103/00	25
204/00106/00	25
204/00110/00	9, 17, 51
204/00111/00	7, 13
204/00114/00	29, 37, 41
204/00115/00	17
204/00116/00	27, 31, 33
204/00201/00	43, 45
206/00101/00	19, 21, 37, 51, 57
208/00002/00	43, 45
208/00025/00	37
208/00104/00	39
211/00065/01	33

O

Operating Label	
225/00406/00	27
Operating Sticker	
225/00400/00	31
225/00404/00	29
225/00405/00	29
225/00408/00	27
O-Ring	
217/00002/00	13
Outer and Inner Box Kit	
223/00222/60	55
Outer Cabinet Lock	
211/00070/01	33
Outer Coin Box	
211/00100/00	33
Outlet Pipe Plate Assembly	
101/00007/00	19, 21, 37
Out-of-Balance Switch	
209/00255/00	51
Out-of-Balance Switch Boot	
223/00246/00	51
Out-of-Balance Switch Bracket	
111/01171/00	51
Overflow Hose	
223/00148/00	19, 21

P

Parameter Unit Assembly	
F8410901	41

N/A items do not appear in index.

227/00171/00	41
Parameter Unit Program Cable	
227/00171/10	41
Plexi Frame	
225/00316/00	27, 29
Plug	
211/00087/00	43, 45
211/00091/00	43, 45
Pressure Hose	
223/00179/10	41
Pressure Switch	
209/00007/50	49
Pressure Switch Elbow	
223/00210/00	49
Pressure Switch Hose	
223/00212/00	49
Pressure Switch Hose Tee	
223/00173/10	49
Prewash and Mainwash Nozzle	
223/00001/04	43, 45
Printboard	
209/00440/70	27
Programming Switch	
209/00326/00	31
Pulley	
226/00071/00	15
226/00110/00	17
Pump	
209/00554/50	59
Pushbutton	
209/00396/00	33

R

Rear Plate	
111/10092/00	37
Reinforcement Plate	
111/10089/01	39
Retaining Ring	
117/00042/00	17, 37
212/00028/00	13
212/00030/00	13
252/00027/00	13
Rinse Insert	
223/00102/03	53
Rinsing Box	
223/00222/05	55
Rivet	
208/00017/00	43, 45
211/00093/00	43
Roll Pin	
208/00013/00	33

S

Screw	
B12347501	53, 55
B12350903	53, 55
B12500801	25
206/00038/00	33
206/00053/00	7, 13
206/00055/00	7

206/00056/00	15, 17	209/00554/02	59
206/00086/00	19, 21	209/00554/03	59
207/00009/00	23, 33	209/00554/04	59
207/00018/00	51	209/00554/05	59
207/00031/00	47	209/00554/06	59
207/00101/00	37	Soap Spray Nozzle	
207/00108/00	33	223/00102/06	53, 55
207/00117/00	17	Softener Spray Nozzle	
207/00121/00	41	223/00102/05	53
207/00126/00	25	223/00222/03	55
207/00135/00	23	Speed Detector	
208/00001/00	37, 43, 45	209/00400/00	13
208/00007/00	33	Speed Detector Bracket	
208/00120/00	51	152/00055/00	13
208/00130/00	41, 45	Spindle	
Seal Cover		111/00069/00	33
117/00001/00	13	Spring	
Shaft Seal		211/00070/04	33
217/00003/00	13	238/00014/00	11
Shaft Seal Holder		Spring Holder Top	
117/00001/01	13	247/00001/04	9
Shock Absorber		Spring Seat Bottom	
247/00002/02	9	247/00001/03	9
247/00002/03	9	Standoff	
247/00003/00	9	211/00120/00	47
247/00004/00	9	211/00122/00	27, 29, 31
Shrink Fit		Steam Hose	
223/00245/00	55	217/00025/00	57
Side Panel		Steam Injector	
111/10089/00	37, 39	118/00105/01	57
111/10089/10	37, 39	119/00082/00	57
111/10097/00	37, 39	Steam Inlet	
111/10097/10	37, 39	118/01063/00	57
Side Panel Gasket		Steam Valve	
246/00079/00	37, 39	209/00477/00	57
Siphon Break		Suspension Spring	
223/00222/04	55	247/00009/00	9
Siphon Break Dispenser Hose		Switch Base	
223/00262/00	53, 55	209/00099/25	31
Siphon Break Hose		Switch Knob	
223/00265/00	53	209/00099/29	31
223/00266/00	55	Switch Lever	
Soap Box Assembly Plate		217/00052/05	23
123/00103/06	53, 55		
Soap Dispenser			
223/00222/00	55		
Soap Dispenser Air Breather Hose			
223/00107/00	53		
Soap Dispenser Assembly			
223/00102/30	53		
223/00102/50	53		
Soap Dispenser Cover			
223/00103/01	39		
Soap Dispenser Cover Hinge Rod			
223/00103/04	39		
Soap Dispenser Frame			
223/00103/03	39		
Soap Dispenser Gasket			
223/00109/00	53, 55		
Soap Dispenser Rinse Siphon			
223/00102/04	53		
Soap Injection PCB with Fuse			
209/00218/13	47		
Soap Pump Assembly			
209/00554/01	59		

T

Telem Sticker		209/00520/00	27, 29, 31
Terminal Block		209/00058/00	47
Thermostat		210/01304/16	49
Thermostat Assembly		209/00309/02	49
Thermostat Seal		225/10004/00	49
Tilt Detector Plate		111/00108/01	51
Top Panel		111/22141/00	39
		111/22142/00	39
		111/22143/00	39
		111/22144/00	39

N/A items do not appear in index.

111/23141/00.....	39
111/23142/00.....	39
T-Piece	
118/00043/06.....	21
Triangle Support	
111/00109/00.....	37
111/00118/00.....	37
Tub	
118/10062/00.....	11
118/10063/00.....	11
118/10063/20.....	11
118/10066/00.....	11
118/10067/00.....	11
118/10074/00.....	11
118/10075/00.....	11
118/10078/00.....	11
118/10079/00.....	11
118/10084/00.....	11
118/10085/00.....	11
118/10086/00.....	11
Tub Drain Valve	
223/00129/00.....	21
Tub Front Gasket	
223/00242/00.....	11
Tub Front Panel	
118/00054/03.....	11
Tub Front Panel Clip	
217/00008/00.....	11
Tub Front Ring Clamp	
217/00007/00.....	11
Tub Support	
152/00042/00.....	7
152/00044/00.....	7
152/00059/00.....	7

201/00007/00.....	19, 21
201/00008/00.....	27, 29
201/00010/00.....	37, 51
201/00013/00.....	13
201/00014/00.....	7
201/00015/00.....	9
201/00017/00.....	23
201/00018/00.....	23
201/00201/00.....	13
202/00003/00.....	11, 37
202/00004/00.....	37, 41, 43, 45
202/00101/00.....	23, 25, 39
202/00104/00.....	25
202/00108/00.....	25
202/00111/00.....	25
202/00124/00.....	23
203/00001/00.....	7, 15
203/00002/00.....	9, 37
203/00004/00.....	13, 19, 21, 33
203/00005/00.....	37
203/00006/00.....	27, 41, 47, 51
203/00007/00.....	23, 33
203/00015/00.....	37
208/00009/00.....	37
211/00070/02.....	33
223/00051/10.....	31
223/00123/00.....	31
Water Hose	
223/00044/00.....	43, 45, 55
223/00044/01.....	43, 45, 53

U

Upper Front Panel	
111/01700/00.....	27, 29

V

Valve Exhaust to Drain Piece	
223/00204/00.....	21
Valve Hose	
223/00189/00.....	19
Vent Hose	
223/00197/00.....	53
Vent Tube	
223/00226/00.....	45, 55
223/00229/00.....	55
Voltage Discharge Decal	
B12355001.....	41

W

Washer	
201/00001/00.....	17
201/00002/00.....	43, 45
201/00003/00.....	15
201/00005/00.....	7
201/00006/00.....	23, 37, 43, 45

N/A items do not appear in index.