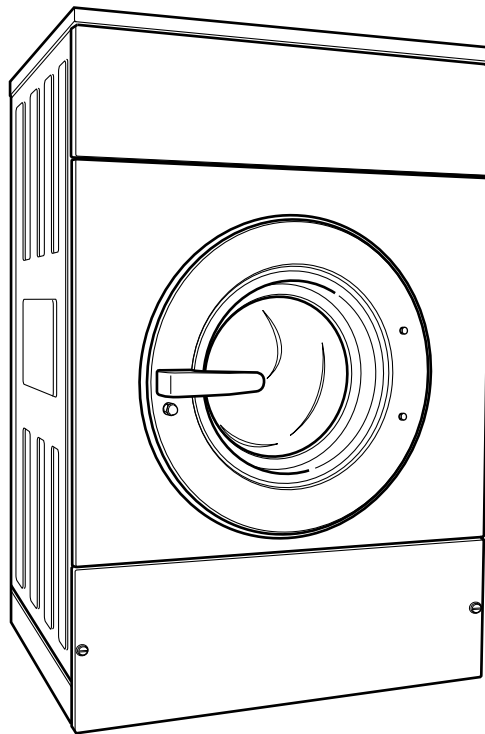


# Washer-Extractor

Cabinet Freestanding  
Refer to Page 5 for Model Numbers



CFD299C\_D0904



# Table of Contents

Title	Page
Parts Ordering Information.....	3
Nameplate Location.....	3
Model Identification.....	5
Cabinet Freestanding Washer-Extractor Product Overview.....	6
Frame.....	8
Shock Absorber.....	10
Shell and Basket.....	12
Bearing Housing.....	14
Pulley and Belt.....	16
Motor.....	18
Drain Plumbing - Single Drain with One Connection.....	20
Drain Plumbing - Single Drain with Two Connections.....	22
Drain Plumbing - Dual Drain with One Connection.....	24
Drain Plumbing - Dual Drain with Two Connections.....	26
Drain Valve - Normally Open.....	28
Drain Valve - Normally Closed.....	30
Door Lock.....	32
Door.....	34
Door Handle (Drawing 1 of 2).....	36
Door Handle (Drawing 2 of 2).....	38
Control Panel - Micro-20.....	40
Control Panel - Sigma.....	42
Coin Meter and Coin Vault (Drawing 1 of 3).....	44
Coin Meter and Coin Vault (Drawing 2 of 3).....	46
Coin Meter and Coin Vault (Drawing 3 of 3).....	48
Right Side, Front, Lower Rear and Top Panels - Models without Inverter Drive.....	50
Right Side, Front, Lower Rear and Top Panels - Models with Inverter Drive.....	52
Left Side, Lower Front and Upper Back Panels (Drawing 1 of 2).....	54
Left Side, Lower Front and Upper Back Panels (Drawing 2 of 2).....	56
Upper Back Panel.....	58
Upper Back Panel - Models without Inverter Drive with One Soap Pump.....	60
Upper Back Panel - Coin Models with Mitsubishi Noise Filter and Circular Vent Opening.....	62
Upper Back Panel - Coin Models with Block Filter and Circular Vent Opening.....	64
Upper Back Panel - OPL Models with Circular Vent Opening.....	66
Upper Back Panel - Models with Rectangular Vent Opening.....	68
Electrical Component Mounting Plate.....	70
Balance Switch.....	72
Supply Dispenser with Round Ventilation Opening.....	74
Supply Dispenser with Rectangular Ventilation Opening.....	76
Electric and Steam Heating Options.....	78
Soap Pumps - Knight.....	80

© Copyright 2013, Alliance Laundry Systems LLC

All rights reserved. No part of the contents of this book may be reproduced or transmitted in any form or by any means without the expressed written consent of the publisher.

Soap Pumps - Brightwell..... 82  
Parts Index..... 85

## Parts Ordering Information

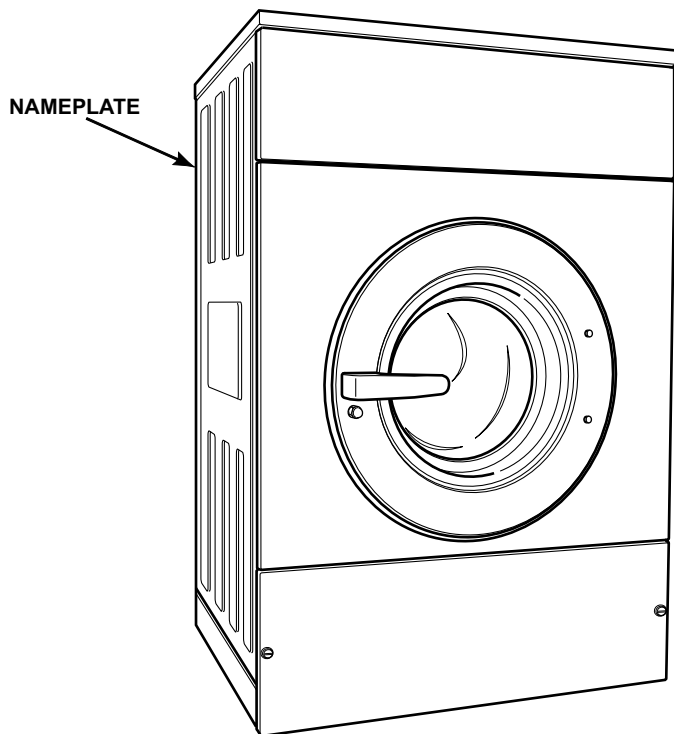
If literature or replacement parts are required, contact the source from whom the machine was purchased or contact Alliance Laundry Systems at (920) 748-3950 for the name and address of the nearest authorized parts distributor.

For technical assistance, call either of the numbers listed below:

(920) 748-3121 Ripon, Wisconsin  
+32 56 41 20 54 Wevelgem, Belgium

## Nameplate Location

When calling or writing about your product, be sure to mention model and serial numbers. Model and serial numbers are located on nameplate(s) as shown.



CFD299CA\_D0904



## Model Identification



Information in this manual is applicable to these washer-extractor models:

HW75\_MICRO-20

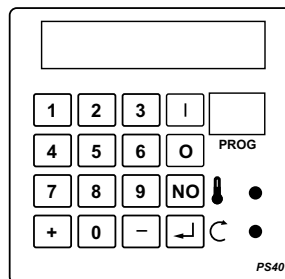
HW75\_PS40

HW75\_SIGMA

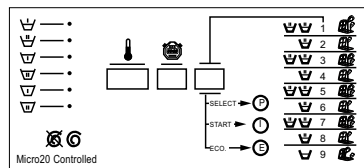
# Cabinet Freestanding Washer-Extractor Product Overview

Type:	HW75P	Nr:	07110580147
Voltage:	3 ~ 380V 50Hz	Weight:	1787 kg
Motor:	7.5 kW 20 A	Capacity:	575 L
Heating:	36 kW 60 A	Dry Load:	57 kg
Total:	43.50 kW	Drum:	980 mm
Kinetic energy:	23257N/M	Speed:	800 rpm
Manufactured in:	2007		
Water Pressure: min. 2.07 max. 5.86 Kg/cm <sup>2</sup> IPX4 min. 20.7 max. 58.6 N/cm <sup>2</sup>			
sfc 741295			
 <b>Alliance International BVBA</b> Nieuwstraat 146 8560 Wevelgem Belgium Tel: +32 56 41 20 54 Fax: +32 56 41 86 74 www.ipso.be			

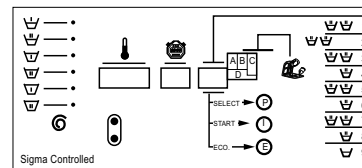
Label 1



PS40



Micro 20



Sigma

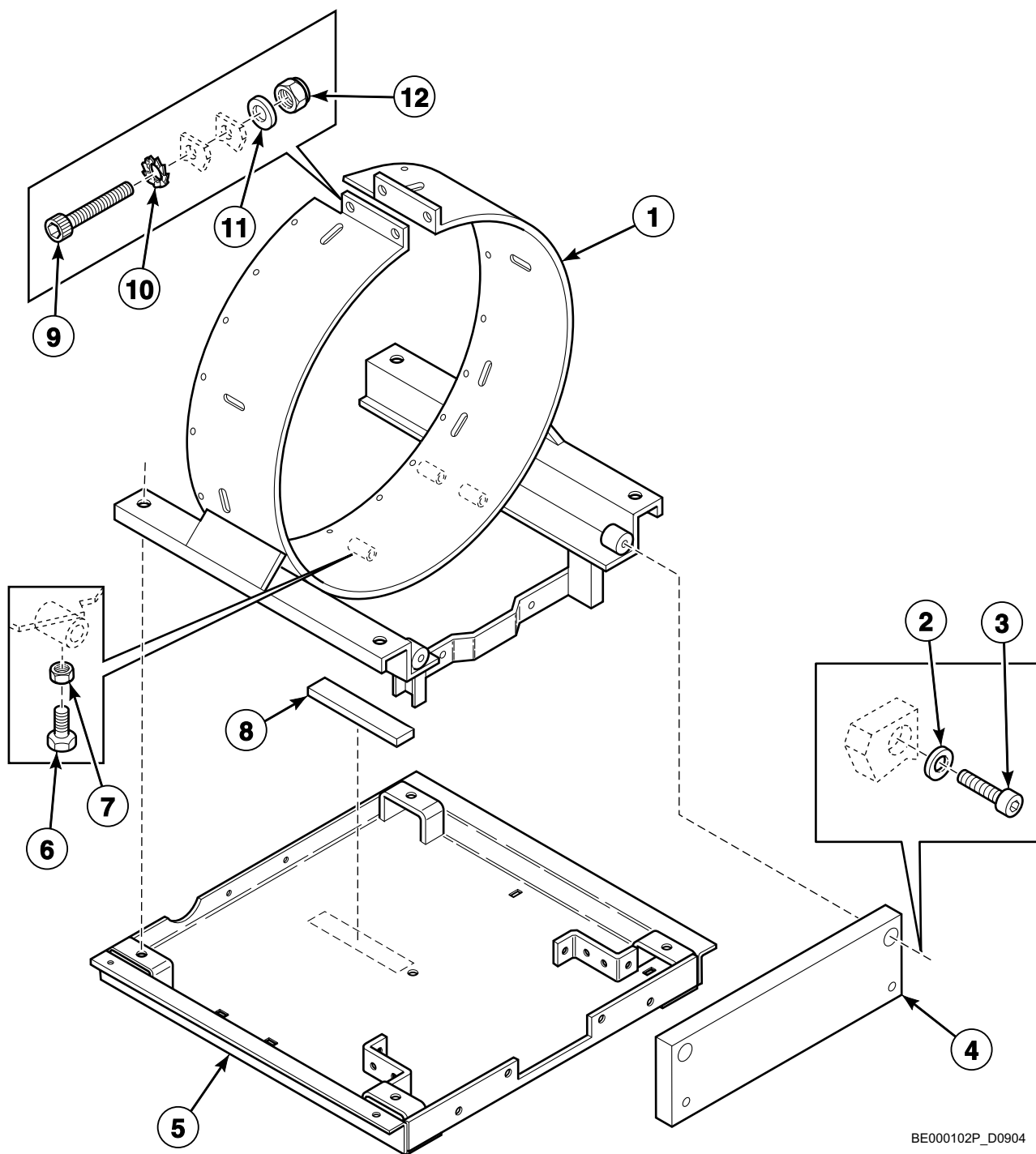
CFD306P\_D0904



# Cabinet Freestanding Washer-Extractor Product Overview

REF	PART NO.	DESCRIPTION	COMMENTS
1	-	Product Family	HW
2	-	Capacity	75

# Frame

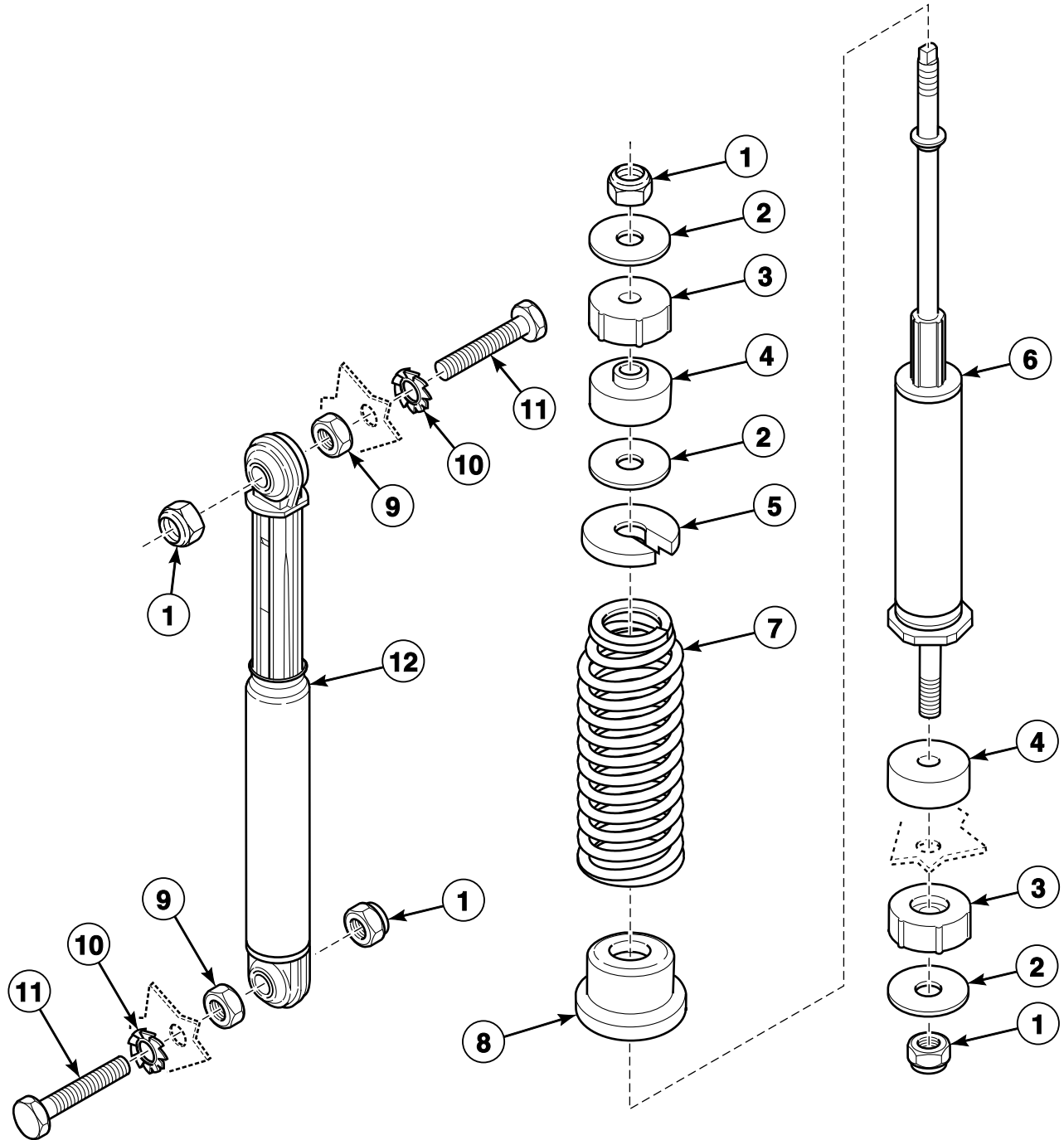


BE000102P\_D0904

# Frame

REF	PART NO.	DESCRIPTION	COMMENTS
1	152/00043/00	Tub Support	
2	201/00014/00	Washer	
3	206/00055/00	Screw	
4	113/00035/00	Counterweight	
5	152/00041/50	Frame	
6	206/00014/00	Bolt	
7	204/00005/00	Nut	
8	246/00149/00	Gasket	
9	206/00053/00	Screw	
10	203/00001/00	Washer	
11	201/00005/00	Washer	
12	204/00111/00	Nut	

# Shock Absorber

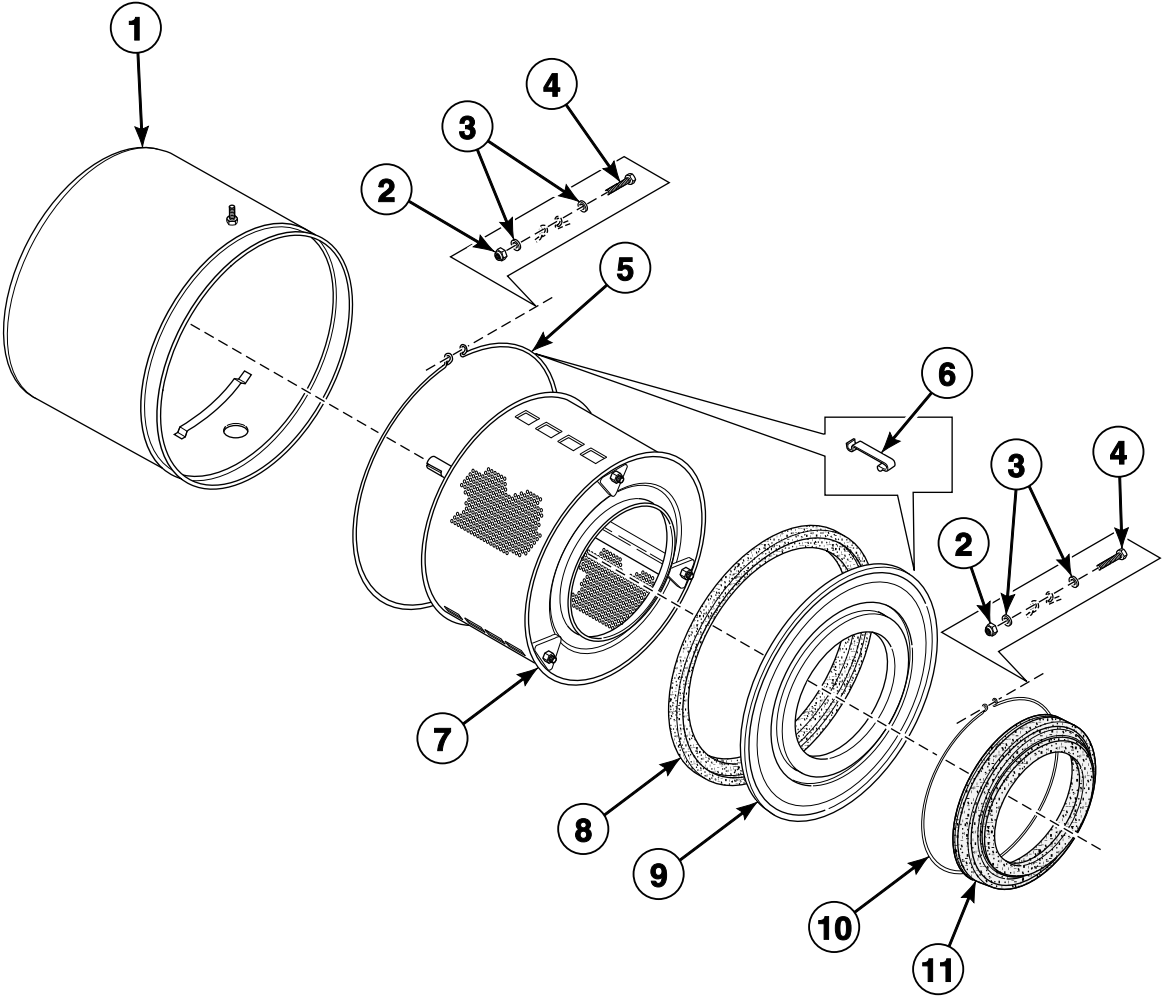


BE000103AP\_D0904

# Shock Absorber

REF	PART NO.	DESCRIPTION	COMMENTS
1	204/00110/00	Nut	
2	201/00015/00	Washer	
3	247/00007/00	Fastening Rubber	
4	247/00006/00	Fastening Rubber	
5	247/00001/04	Spring Holder Top	
6	247/00002/02	Shock Absorber	
7	247/00009/00	Suspension Spring	
8	247/00001/03	Spring Seat Bottom	
9	204/00003/00	Nut	
10	203/00002/00	Washer	
11	206/00030/00	Bolt	
12	247/00004/00	Shock Absorber	

# Shell and Basket

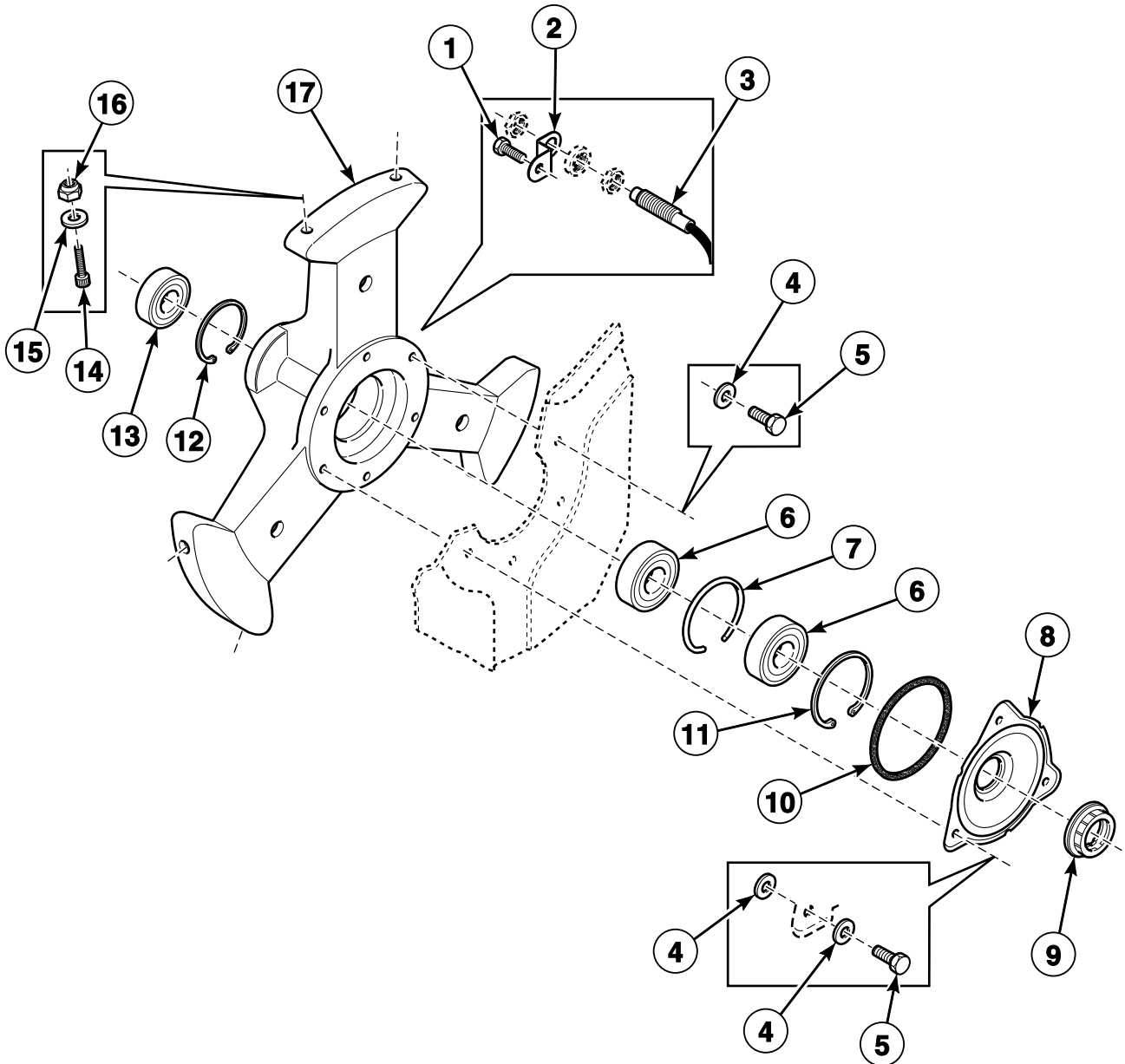


BE000104P\_D0904

## Shell and Basket

REF	PART NO.	DESCRIPTION	COMMENTS
1	118/10064/00	Tub	Electric and steam heat
	118/10065/00	Tub	Boiler
2	204/00009/00	Nut	
3	202/00003/00	Washer	
4	206/00011/00	Bolt	
5	217/00007/00	Tub Front Ring Clamp	
6	217/00008/00	Tub Front Panel Clip	
7	123/10002/00	Basket	
8	223/00242/10	Tub Gasket	
9	118/00054/03	Tub Front Panel	
10	238/00017/00	Clamp	
11	223/00122/00	Door Boot	

# Bearing Housing



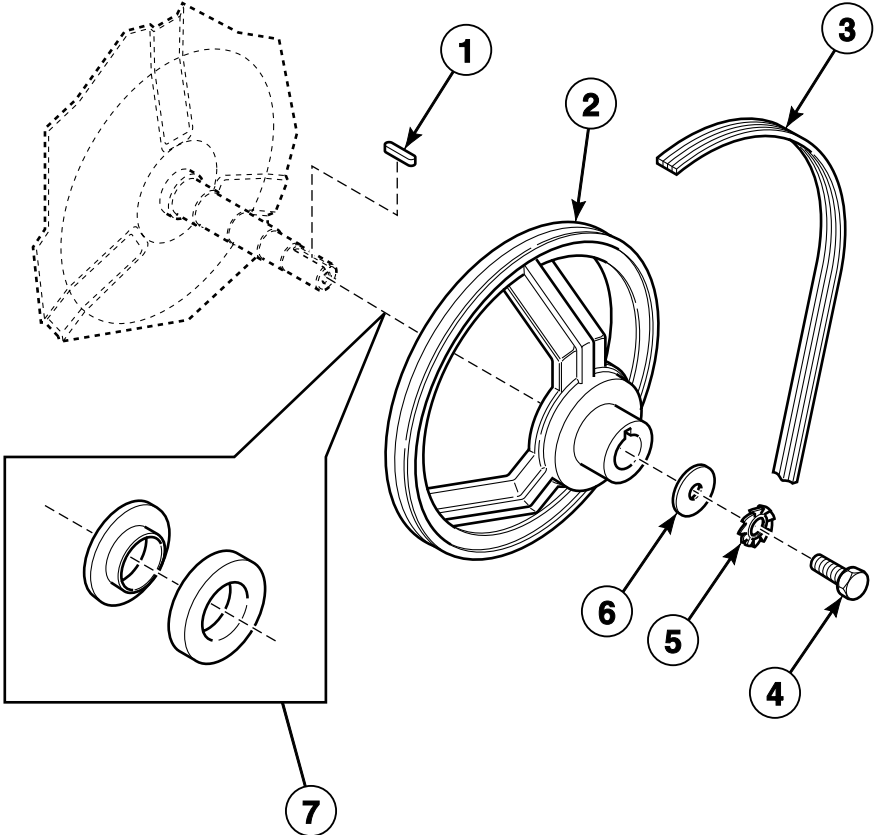
BE000105P\_D0904



# Bearing Housing

REF	PART NO.	DESCRIPTION	COMMENTS
1	205/00104/00	Bolt	
2	152/00052/00	Speed Detector Assembly Plate	
3	209/00400/00	Speed Detector	
4	201/00201/00	Washer	
5	205/00102/00	Bolt	
6	215/00001/03	Ball Bearing	
7	212/00030/00	Retaining Ring	
8	117/00001/00	Seal Cover	
9	217/00003/00	Shaft Seal	
10	217/00002/00	O-Ring	
11	212/00028/00	Retaining Ring	
12	252/00027/00	Retaining Ring	
13	215/00001/12	Ball Bearing	
14	206/00053/00	Screw	
15	201/00013/00	Washer	
16	204/00111/00	Nut	
17	115/00201/01	Bearing Housing Assembly	Includes items 6 and 13

# Pulley and Belt

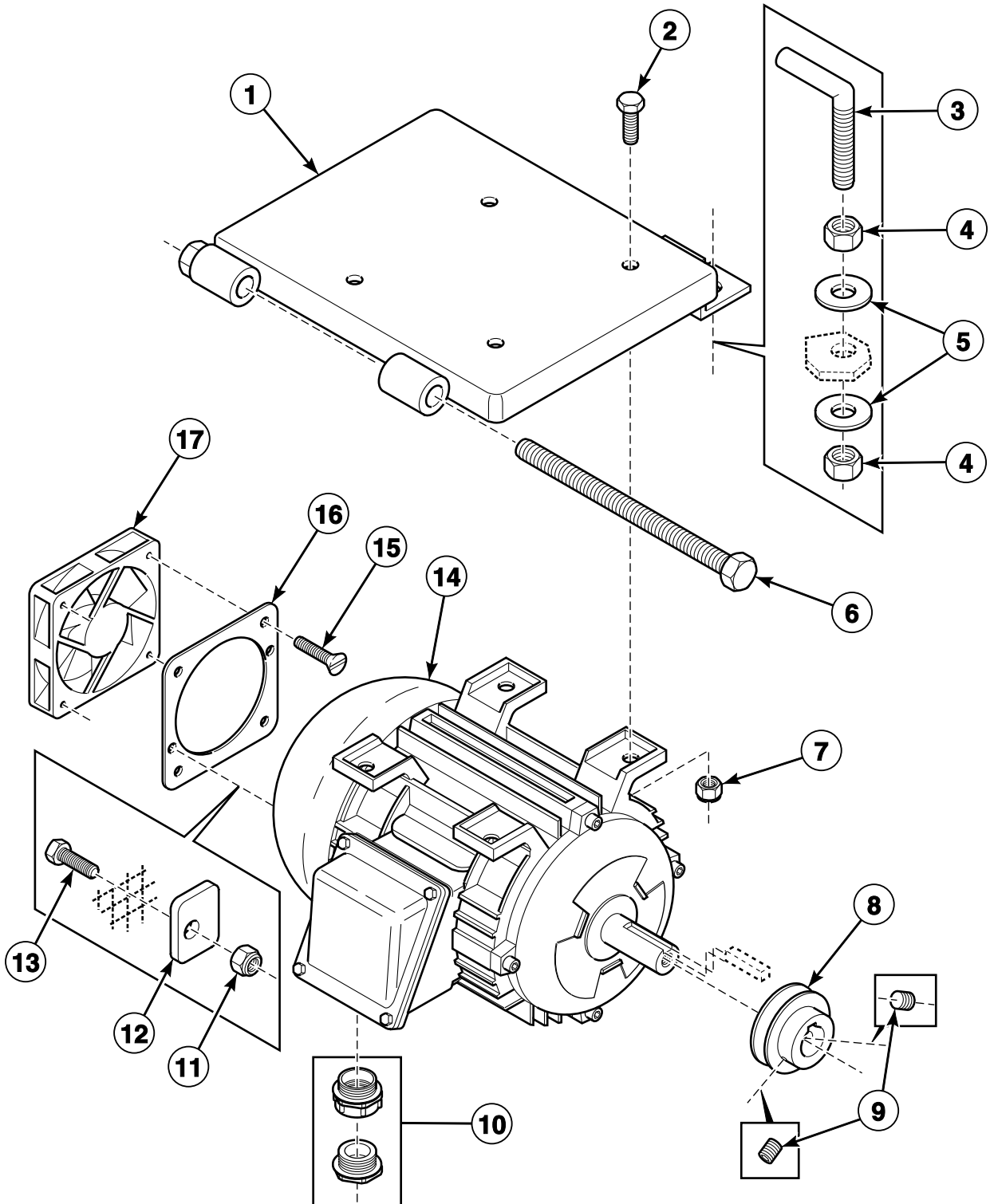


BE000106P\_D0904

## Pulley and Belt

REF	PART NO.	DESCRIPTION	COMMENTS
1	216/00007/00	Cylinder Shaft Key	
2	226/00071/00	Pulley	
3	226/00111/00	Belt	
4	206/00003/00	Bolt	
5	203/00001/00	Washer	
6	201/00003/00	Washer	
7	217/00004/00	Counter Ring	

# Motor

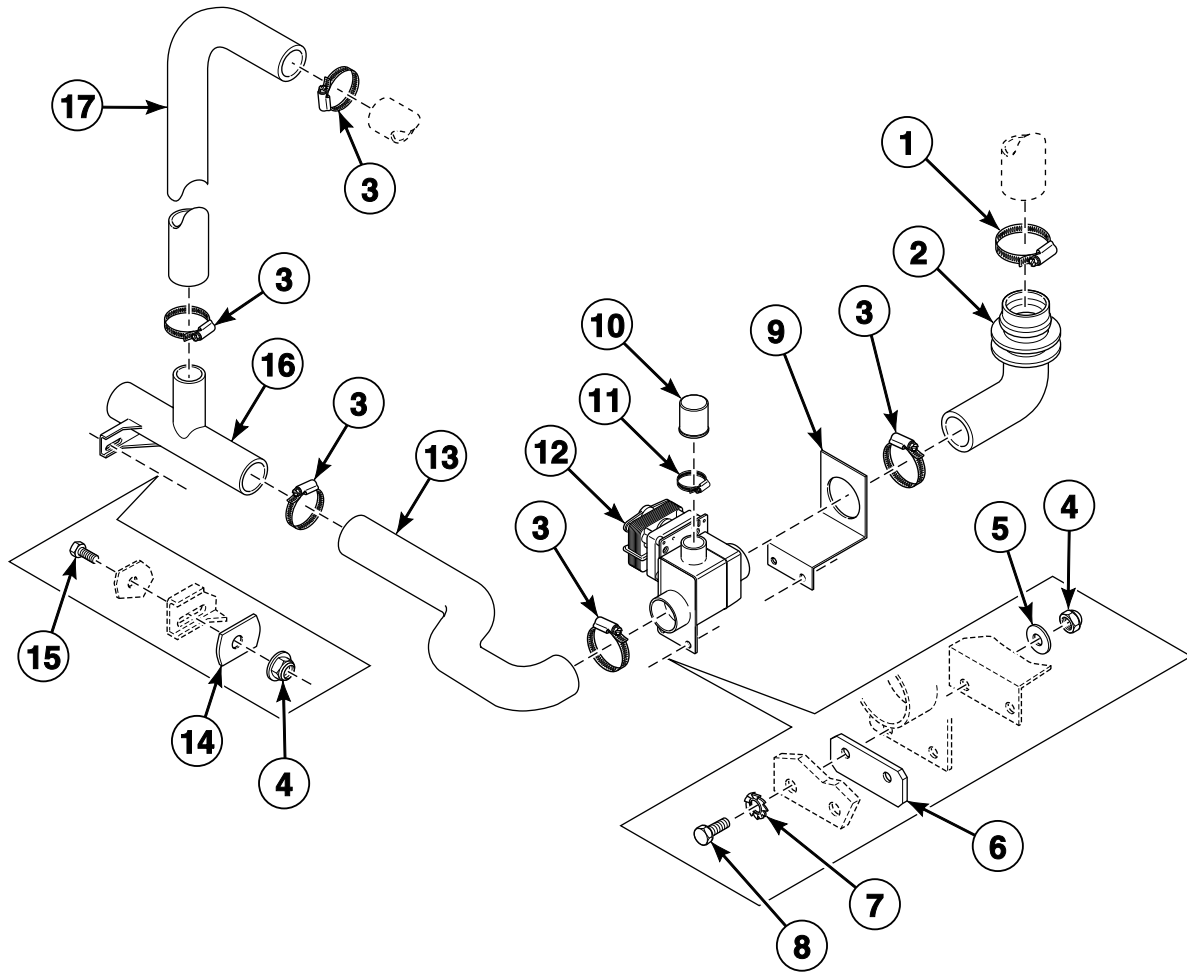


BE000107AP\_D0904

# Motor

REF	PART NO.	DESCRIPTION	COMMENTS
1	152/00040/00	Motor Plate	
2	206/00005/00	Bolt	
3	113/00038/00	Belt Rod	
4	204/00012/00	Nut	
5	201/00001/00	Washer	
6	206/00127/00	Bolt	
7	204/00110/00	Nut	
8	226/00110/00	Pulley	
9	206/00056/00	Screw	
10	211/00138/00	Cordlock	
11	204/00115/00	Nut	
12	117/00042/00	Retaining Ring	
13	206/00054/00	Bolt	
14	B12510501	Motor	
15	207/00117/00	Screw	
16	152/00044/03	Fan Plate Assembly	
17	209/00465/00	Fan	

# Drain Plumbing - Single Drain with One Connection

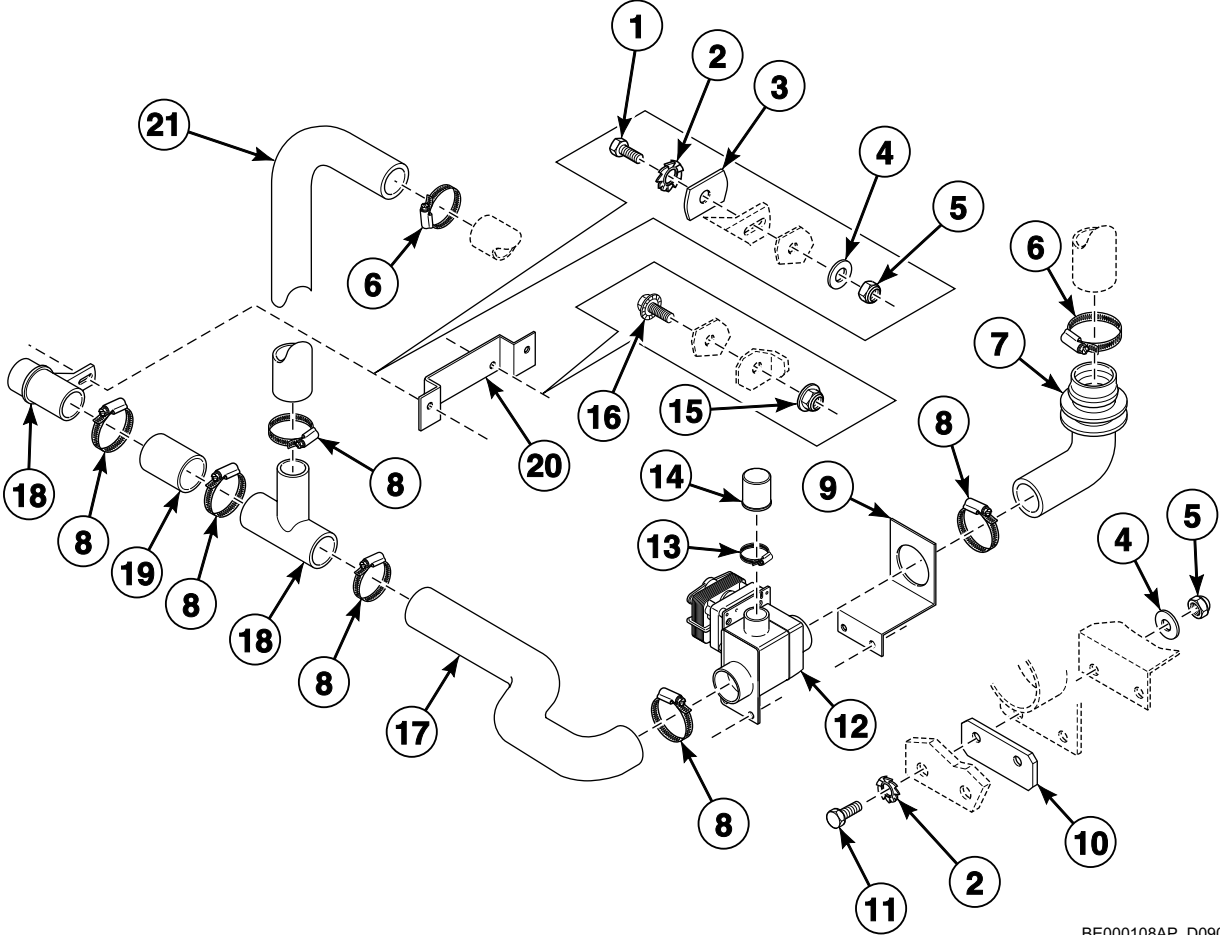


BE000341AP\_D0904

## Drain Plumbing - Single Drain with One Connection

REF	PART NO.	DESCRIPTION	COMMENTS
1	223/00014/00	Hose Clamp	
2	223/00189/00	Valve Hose	
3	223/00013/00	Hose Clamp	
4	204/00009/00	Nut	
5	201/00007/00	Washer	
6	152/00041/06	Drain Valve Plate	
7	203/00004/00	Washer	
8	206/00086/00	Screw	
9	114/00030/00	Drain Valve Plate Assembly	
10	223/00086/00	Drain Valve Overflow Plug	
11	223/00012/00	Hose Clamp	
12	209/00051/00	Drain Valve	
13	223/00190/00	Drain Valve Hose	
14	101/00007/00	Outlet Pipe Plate Assembly	
15	206/00099/00	Bolt	
16	223/00228/00	Drain Pipe	
17	223/00148/00	Overflow Hose	

# Drain Plumbing - Single Drain with Two Connections



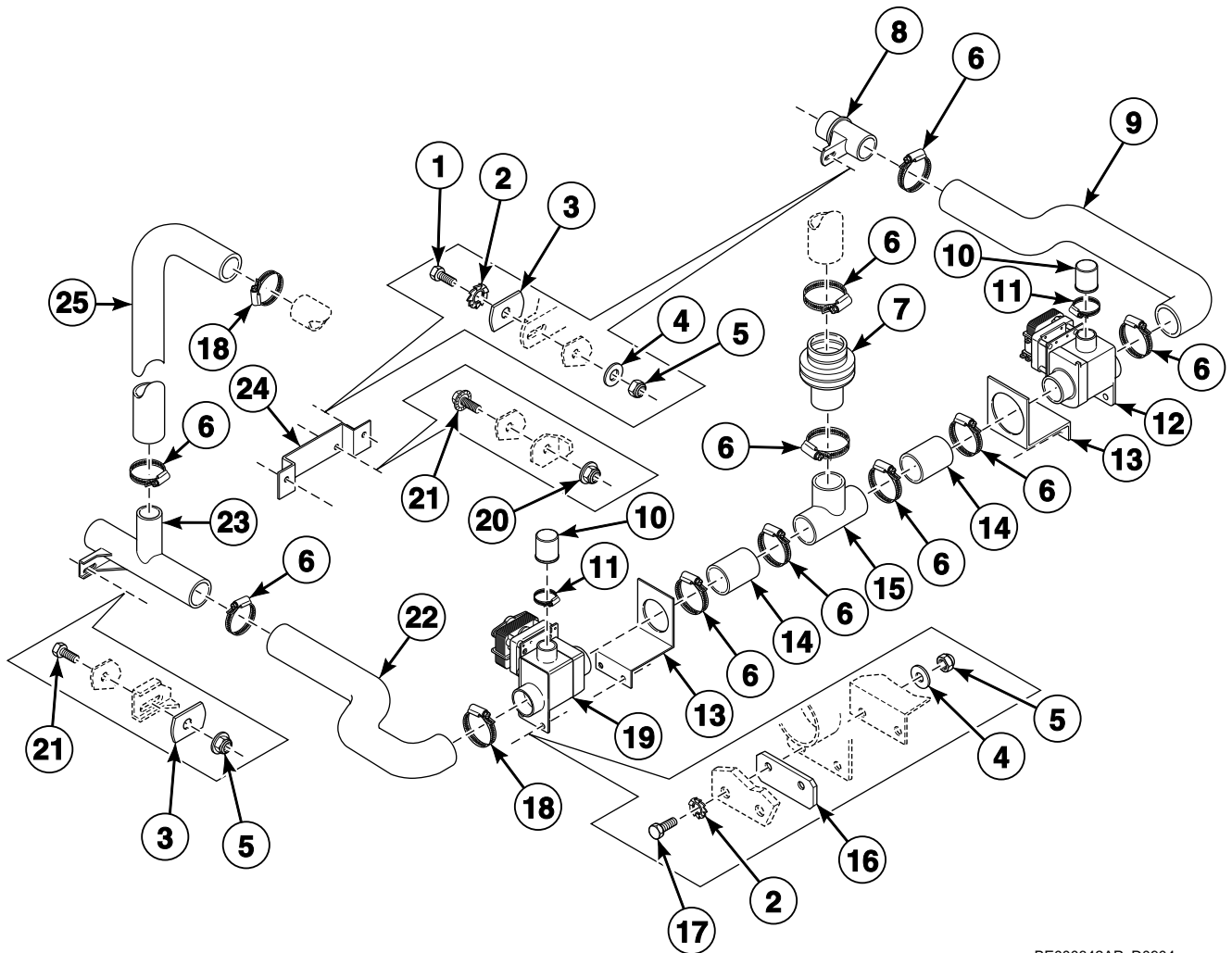
BE000108AP\_D0904



## Drain Plumbing - Single Drain with Two Connections

REF	PART NO.	DESCRIPTION	COMMENTS
1	206/00033/00	Bolt	
2	203/00004/00	Washer	
3	101/00007/00	Outlet Pipe Plate Assembly	
4	201/00007/00	Washer	
5	204/00009/00	Nut	
6	223/00014/00	Hose Clamp	
7	223/00189/00	Valve Hose	
8	223/00013/00	Hose Clamp	
9	114/00030/00	Drain Valve Plate Assembly	
10	152/00041/06	Drain Valve Plate	
11	206/00086/00	Screw	
12	209/00051/00	Drain Valve	
13	223/00012/00	Hose Clamp	
14	223/00086/00	Drain Valve Overflow Plug	
15	206/00101/00	Nut	
16	206/00099/00	Bolt	
17	223/00190/00	Drain Valve Hose	
18	223/00105/00	Drain Pipe	
19	223/00205/00	Connector	
20	152/00041/05	Drain Pipe Plate Assembly	
21	223/00148/00	Overflow Hose	

# Drain Plumbing - Dual Drain with One Connection

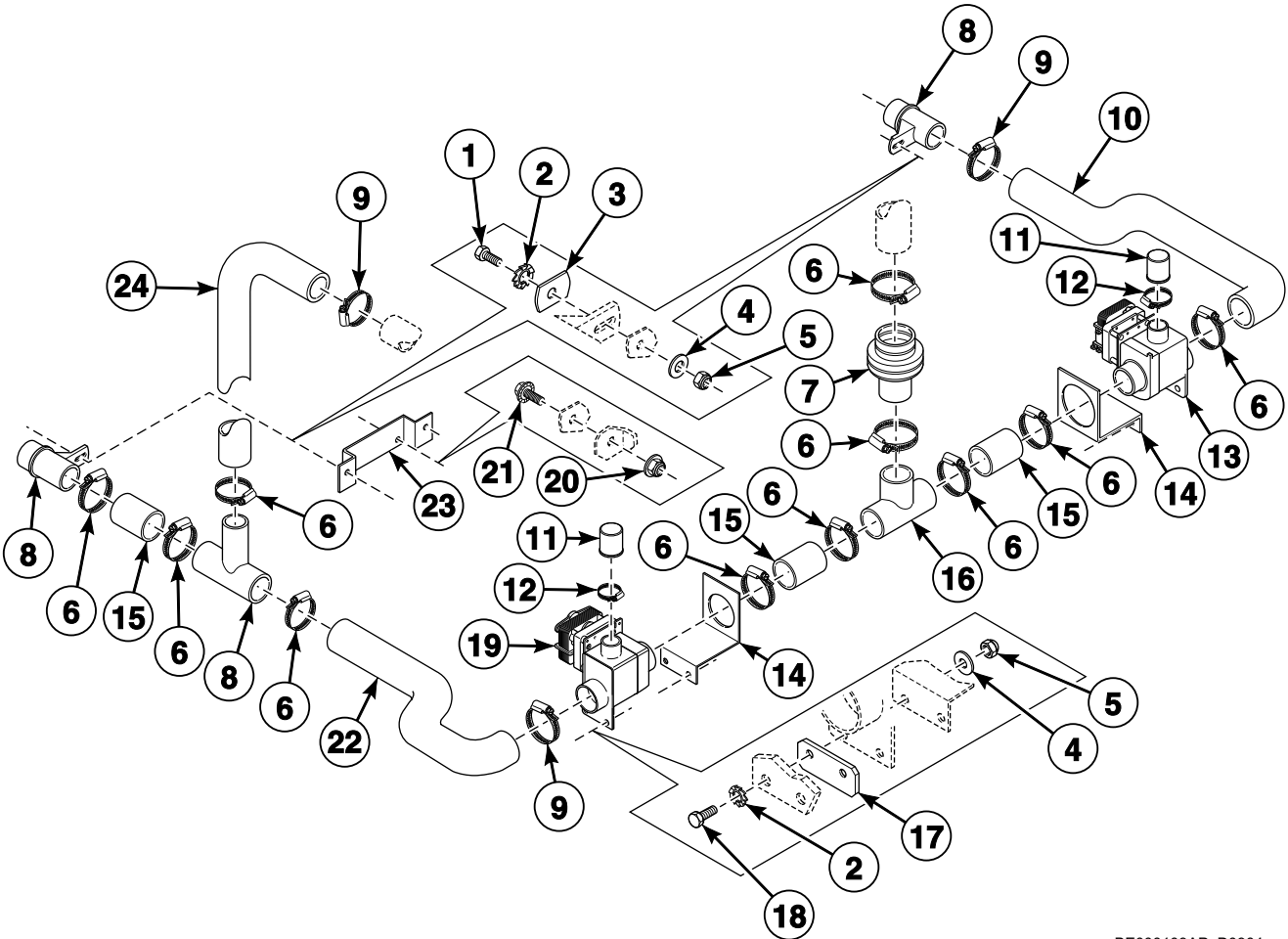


BE000342AP\_D0904

## Drain Plumbing - Dual Drain with One Connection

REF	PART NO.	DESCRIPTION	COMMENTS
1	206/00033/00	Bolt	
2	203/00004/00	Washer	
3	101/00007/00	Outlet Pipe Plate Assembly	
4	201/00007/00	Washer	
5	204/00009/00	Nut	
6	223/00013/00	Hose Clamp	
7	223/00129/00	Tub Drain Valve	
8	223/00105/00	Drain Pipe	
9	223/00204/00	Valve Exhaust to Drain Piece	
10	223/00086/00	Drain Valve Overflow Plug	
11	223/00012/00	Hose Clamp	
12	209/00463/00	Drain Valve	
13	114/00030/00	Drain Valve Plate Assembly	
14	223/00205/00	Connector	
15	118/00043/06	T-Piece	
16	152/00041/06	Drain Valve Plate	
17	206/00086/00	Screw	
18	223/00014/00	Hose Clamp	
19	209/00051/00	Drain Valve	
20	206/00101/00	Nut	
21	206/00099/00	Bolt	
22	223/00190/00	Drain Valve Hose	
23	223/00228/00	Drain Pipe	
24	152/00041/05	Drain Pipe Plate Assembly	
25	223/00148/00	Overflow Hose	

# Drain Plumbing - Dual Drain with Two Connections

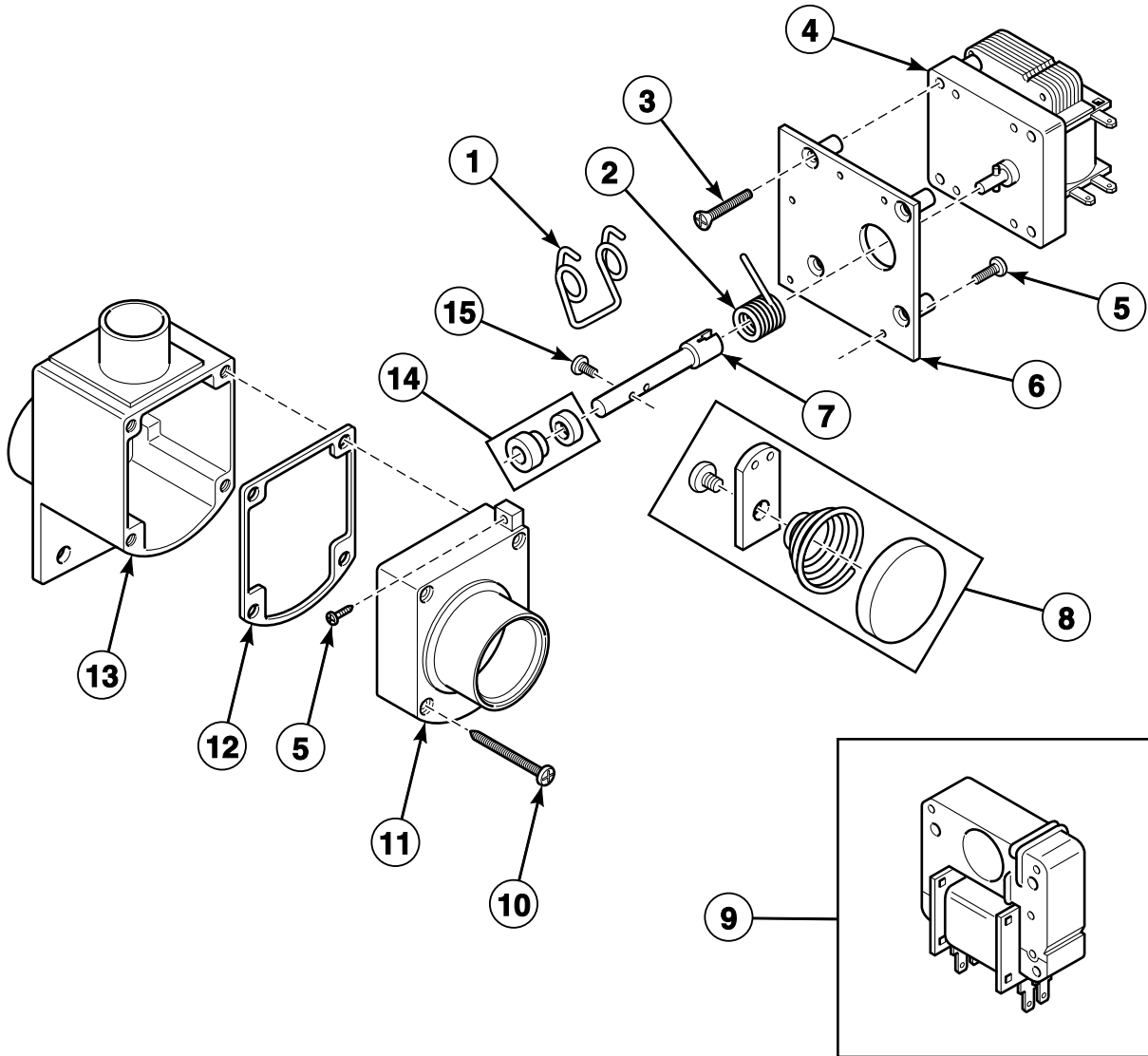


BE000109AP\_D0904

## Drain Plumbing - Dual Drain with Two Connections

REF	PART NO.	DESCRIPTION	COMMENTS
1	206/00033/00	Bolt	
2	203/00004/00	Washer	
3	101/00007/00	Outlet Pipe Plate Assembly	
4	201/00007/00	Washer	
5	204/00009/00	Nut	
6	223/00013/00	Hose Clamp	
7	223/00129/00	Tub Drain Valve	
8	223/00105/00	Drain Pipe	
9	223/00014/00	Hose Clamp	
10	223/00204/00	Valve Exhaust to Drain Piece	
11	223/00086/00	Drain Valve Overflow Plug	
12	223/00012/00	Hose Clamp	
13	209/00463/00	Drain Valve	
14	114/00030/00	Drain Valve Plate Assembly	
15	223/00205/00	Connector	
16	118/00043/06	T-Piece	
17	152/00041/06	Drain Valve Plate	
18	206/00086/00	Screw	
19	209/00051/00	Drain Valve	
20	206/00101/00	Nut	
21	206/00099/00	Bolt	
22	223/00190/00	Drain Valve Hose	
23	152/00041/05	Drain Pipe Plate Assembly	
24	223/00148/00	Overflow Hose	

# Drain Valve - Normally Open

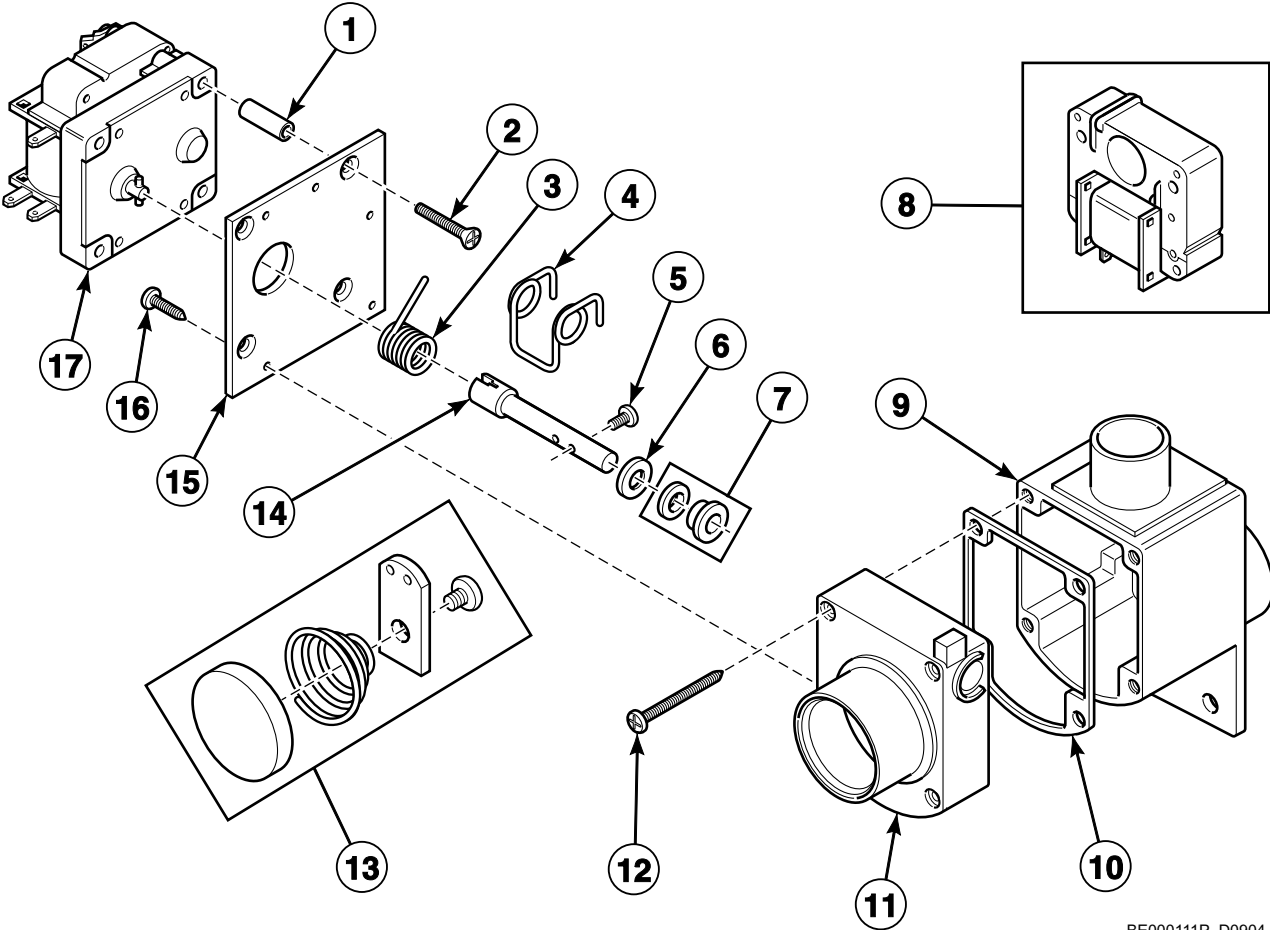


BE000110P\_D0904

## Drain Valve - Normally Open

REF	PART NO.	DESCRIPTION	COMMENTS
1	209/00025/03	Drain Valve Spring	
2	209/00025/13	Drain Valve Spring	
3	209/00025/08	Screw	
4	209/00203/11	Drain Valve Motor	24 Volt
	209/00052/11	Drain Valve Motor	110 Volt/60 Hertz
	209/00051/11	Drain Valve Motor	220 Volt/50 or 60 Hertz
5	209/00025/04	Screw	
6	209/00025/07	Drain Valve Motor Mounting Plate	
7	209/00025/15	Valve Axle	
8	209/00025/16	Sealing Plate Assembly	
9	209/00203/21	Coil	24 Volt
	209/00052/21	Coil	115 Volt/60 Hertz
	209/00051/21	Coil	220 Volt/50 or 60 Hertz
10	209/00025/06	Screw	
11	209/00025/05	Valve Housing	
12	209/00025/02	Drain Housing Gasket	
13	209/00025/01	Exhaust Valve Housing	
14	209/00025/10	Drain Valve Shaft Seal	
15	209/00025/09	Screw	

# Drain Valve - Normally Closed



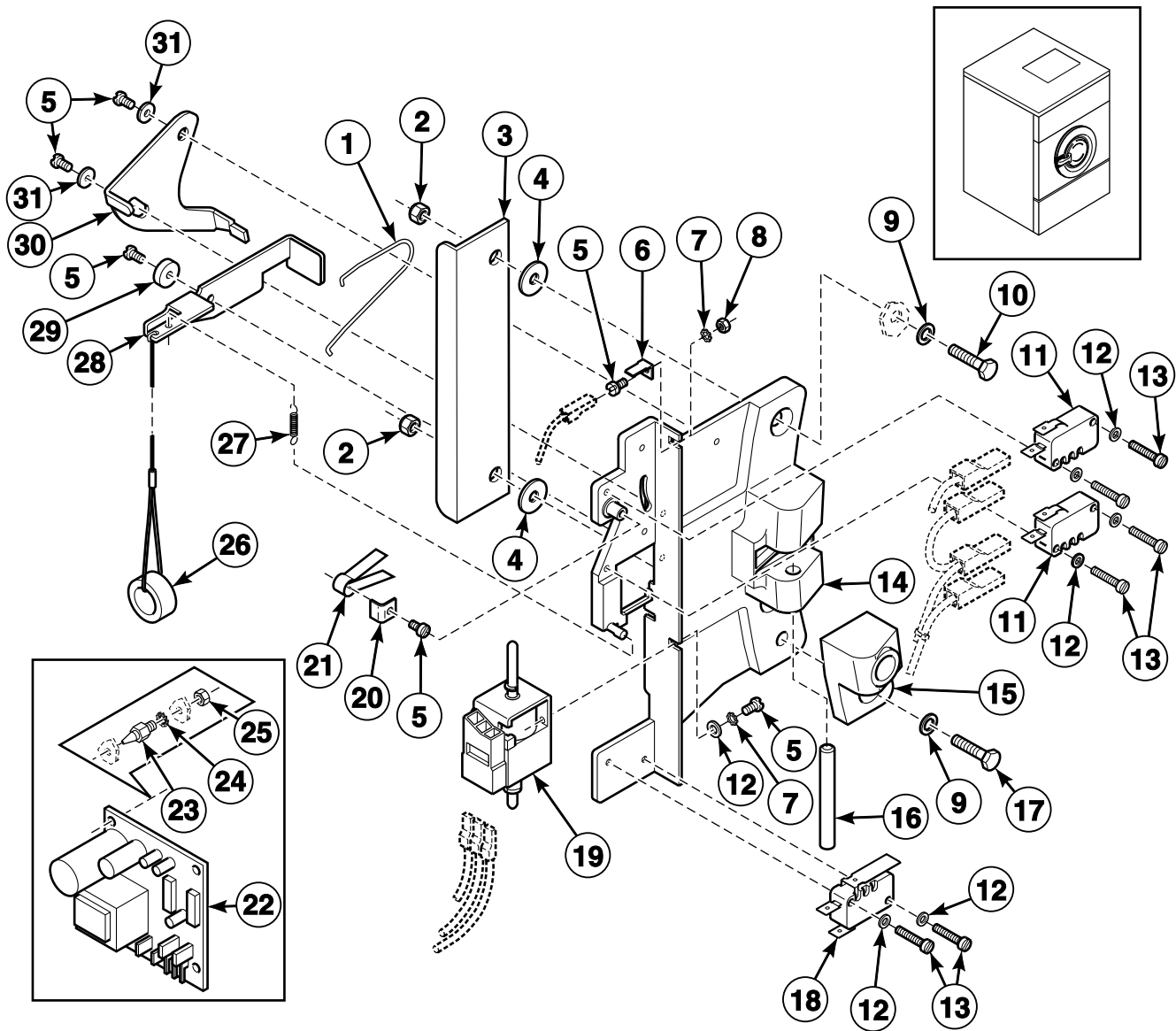
BE000111P\_D0904



## Drain Valve - Normally Closed

REF	PART NO.	DESCRIPTION	COMMENTS
1	209/00463/02	Motor Plate Pipe Assembly	
2	209/00463/03	Screw	
3	209/00170/02	Drain Valve Spring	
4	209/00025/03	Drain Valve Spring	
5	209/00025/09	Screw	
6	209/00025/12	Washer	
7	209/00025/10	Drain Valve Shaft Seal	
8	209/00203/21	Coil	24 Volt
	209/00052/21	Coil	115 Volt/60 Hertz
	209/00051/21	Coil	220 Volt/50 or 60 Hertz
9	209/00025/01	Exhaust Valve Housing	
10	209/00025/02	Drain Housing Gasket	
11	209/00463/04	Valve Housing	
12	209/00025/06	Screw	
13	209/00025/16	Sealing Plate Assembly	
14	209/00025/15	Valve Axle	
15	209/00463/01	Assembly Plate	
16	209/00025/04	Screw	
17	209/00203/12	Drain Valve Motor	24 Volt
	209/00052/12	Drain Valve Motor	110 Volt/60 Hertz
	209/00170/06	Drain Valve Motor Assembly	220 Volt/50 or 60 Hertz

# Door Lock

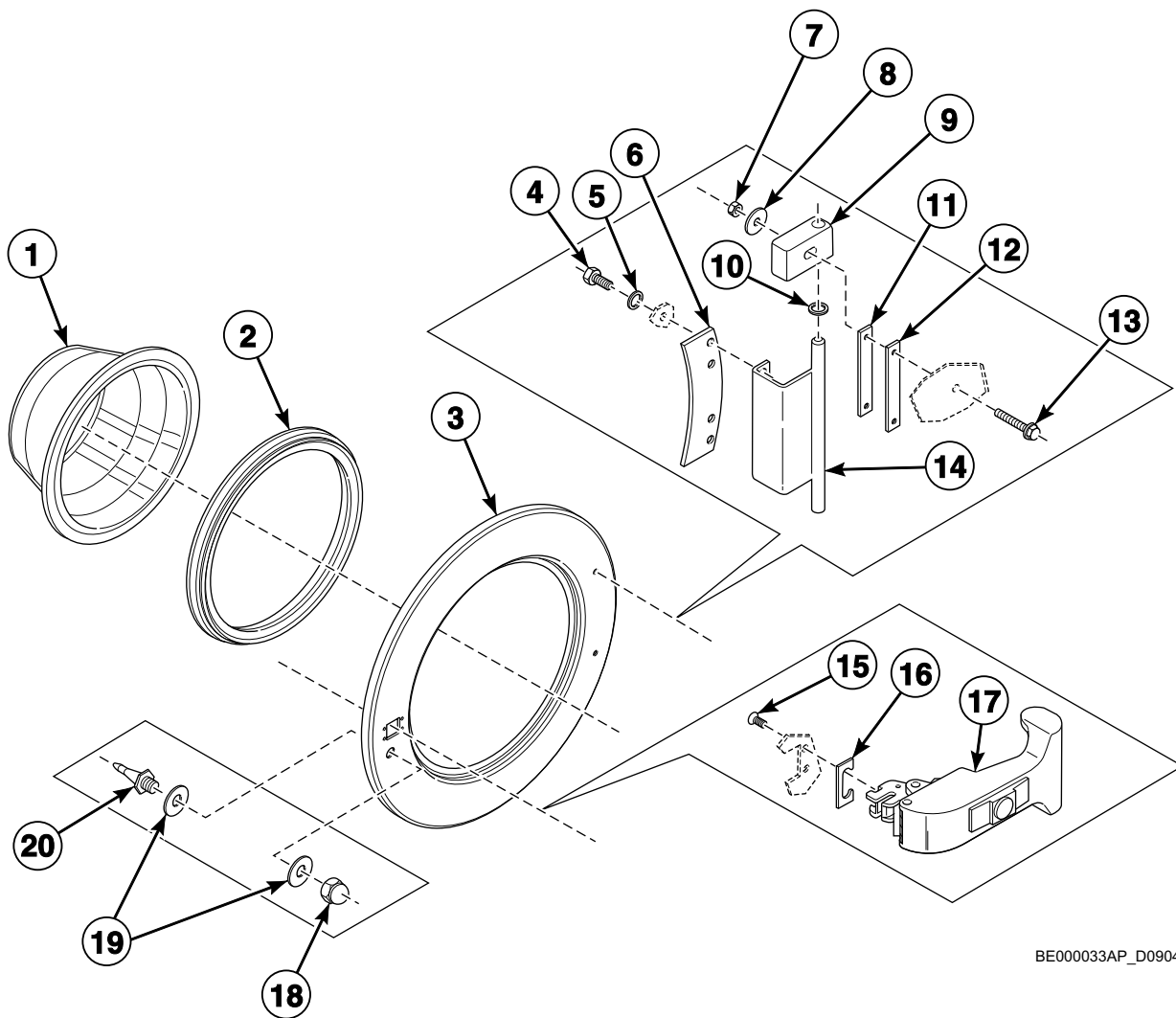


BE000112P\_D0904

# Door Lock

REF	PART NO.	DESCRIPTION	COMMENTS
1	224/00040/00	Lever Spring	
2	204/00009/00	Nut	
3	117/00052/08	Lock Protection Plate	
4	201/00006/00	Washer	
5	207/00135/00	Screw	
6	210/10015/00	Ground Terminal	
7	203/00007/00	Washer	
8	204/00008/00	Nut	
9	202/00101/00	Washer	
10	205/00103/00	Bolt	
11	209/00272/00	Door Lock Microswitch	
12	201/00018/00	Washer	
13	207/00009/00	Screw	
14	217/00052/01A	Door Lock Assembly	
15	217/00052/02	Door Lock Pin Kit	
16	217/00017/03	Lock Shaft	
17	205/00115/00	Bolt	
18	209/00273/00	Light Microswitch	
19	209/00274/00	Door Lock Solenoid	
20	217/00052/08	Washer	
21	224/00049/00	Door Lock Spring	
22	209/00275/04	Door Lock Board	
23	211/00120/00	Standoff	
24	203/00006/00	Washer	
25	204/00007/00	Nut	
26	224/00015/00	Door Latch Cord	
27	224/00043/00	Interlock Coil Spring	
28	217/00052/04	Interlock Lever	
29	217/00052/03	Door Lock Spacer	
30	217/00052/05	Switch Lever	
31	201/00017/00	Washer	

# Door

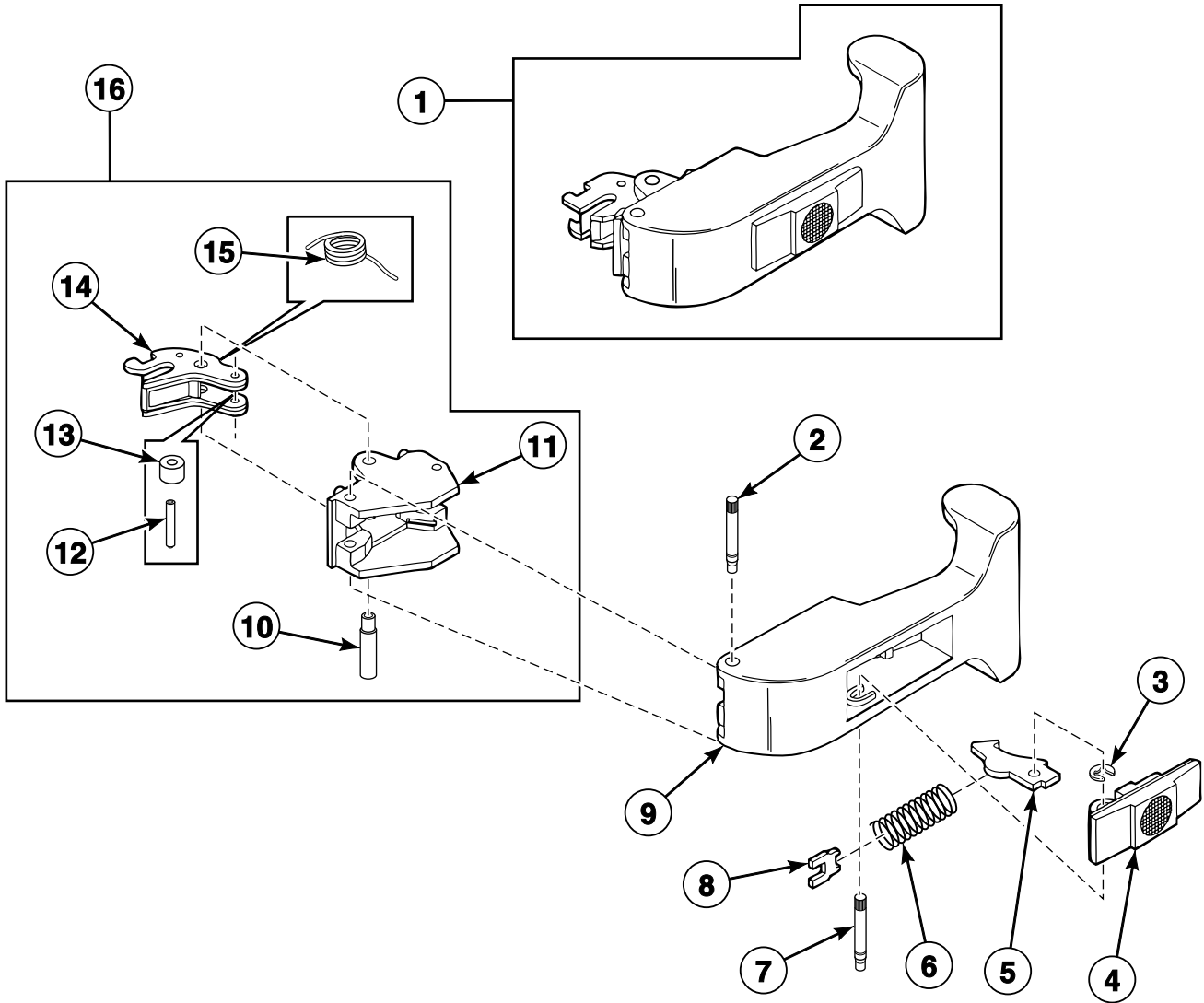


BE000033AP\_D0904

# Door

REF	PART NO.	DESCRIPTION	COMMENTS
1	217/00022/00	Door Glass	
2	217/00015/00	Door Glass Seal	
3	118/00046/10	Door Frame	
4	205/00107/00	Bolt	
5	202/00101/00	Washer	
6	118/00065/00	Door Hinge Plate Assembly	
7	204/00106/00	Nut	
8	202/00108/00	Washer	
9	217/00009/02	Door Hinge Assembly	
10	202/00104/00	Washer	
11	117/00011/00	Door Hinge Spacer	
12	117/00010/00	Door Hinge Spacer	
13	207/00126/00	Screw	M6 x 35
	207/00125/00	Bolt	M6 x 25
14	221/00005/00	Door Hinge	
15	B12500801	Screw	
16	217/00016/00	Door Handle Stop	
17	217/00051/00	Door Handle	
18	204/00103/00	Nut	
19	202/00111/00	Washer	
20	211/00109/01	Door Lock Pin Kit	

# Door Handle (Drawing 1 of 2)

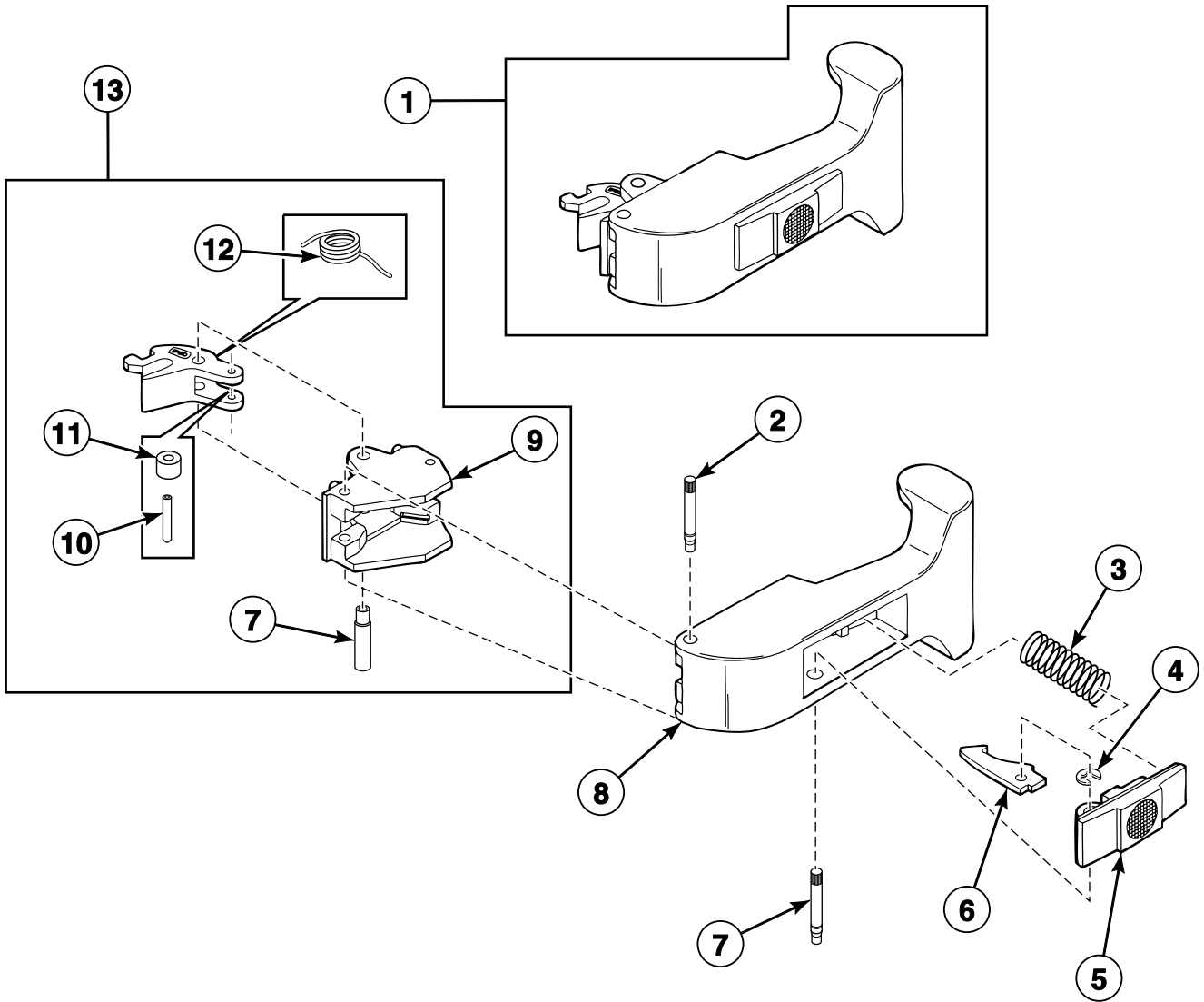


BE000034AP\_D0904

## Door Handle (Drawing 1 of 2)

REF	PART NO.	DESCRIPTION	COMMENTS
1	217/00051/00	Door Handle	
2	217/00013/09	Door Mounting Pin	
3	217/00013/11	Door Circlip	
4	217/00013/12	Door Handle	
5	217/00013/13	Door Handle Hook	
6	217/00013/14	Door Handle Spring	
7	217/00013/15	Door Handle Locking Pin	
8	217/00013/16	Door Handle Assembly Plate	
9	217/00051/00	Door Handle	
10	217/00013/08	Door Locking Pin	
11	217/00013/07	Door Locking Grip	
12	217/00013/05	Door Axle Roller	
13	217/00013/06	Door Roller	
14	217/00013/04	Door Handle Latch	
15	217/00013/03	Door Lock Spring	
16	217/00051/14	Door Handle Latch	

# Door Handle (Drawing 2 of 2)



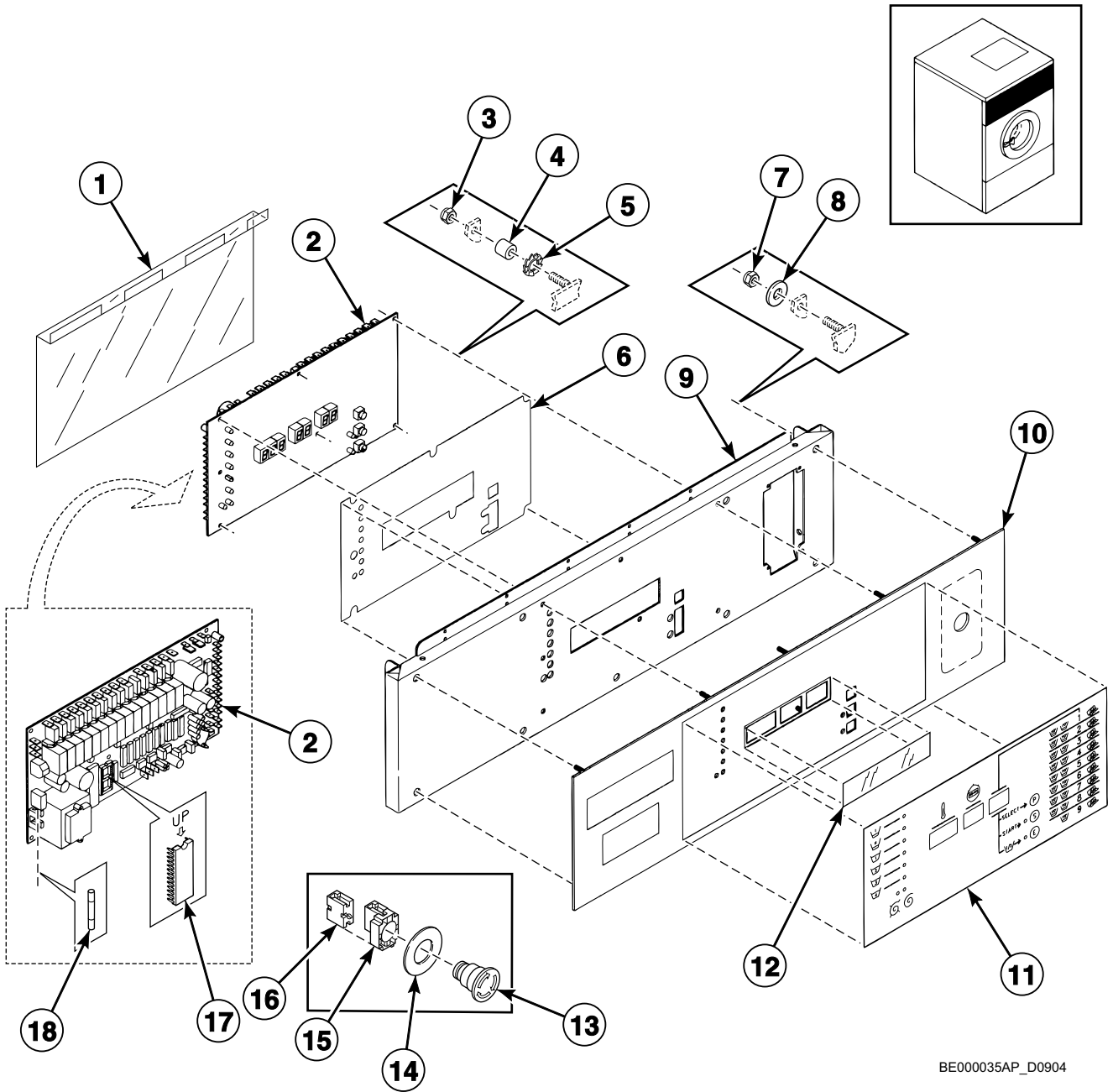
BE000034BP\_D0904



## Door Handle (Drawing 2 of 2)

REF	PART NO.	DESCRIPTION	COMMENTS
1	217/00051/00	Door Handle	
2	217/00013/09	Door Mounting Pin	
3	217/00013/14	Door Handle Spring	
4	217/00013/11	Door Circlip	
5	217/00013/12	Door Handle	
6	217/00051/13	Door Handle Catch	
7	217/00013/08	Door Locking Pin	
8	217/00051/00	Door Handle	
9	217/00013/07	Door Locking Grip	
10	217/00013/05	Door Axle Roller	
11	217/00013/06	Door Roller	
12	217/00013/03	Door Lock Spring	
13	217/00051/14	Door Handle Latch	

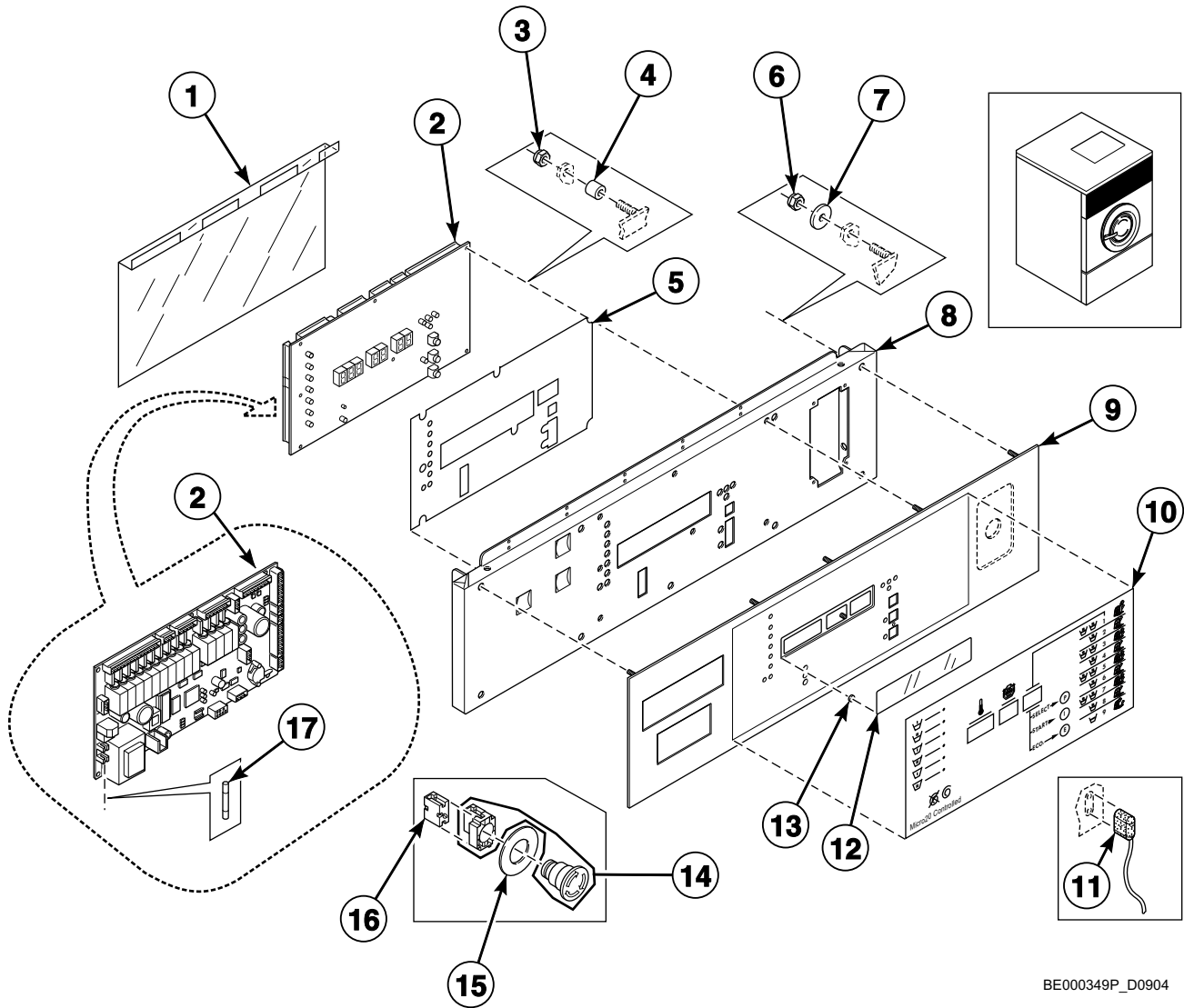
# Control Panel - Micro-20



## Control Panel - Micro-20

REF	PART NO.	DESCRIPTION	COMMENTS
1	229/00262/00	Circuit Board Cover	
2	209/00440/00	Printboard	
3	204/00116/00	Nut	
4	211/00122/00	Standoff	
5	203/00006/00	Washer	
6	229/00255/00	Insulating Sticker	
7	204/00009/00	Nut	
8	201/00008/00	Washer	
9	111/00180/00	Electrical Connection Plate	Stainless steel
	111/00180/10	Electrical Connection Plate	Epoxy
10	225/00289/AOL	Facia Panel	Coin
	225/00290/AOL	Facia Panel	OPL
11	225/00308/00	Sticker	Coin
	225/00309/00	Sticker	OPL
12	225/00316/00	Plexi Frame	
13	209/00248/00	Mushroom Pushbutton	
14	209/00520/00	Telem Sticker	
15	209/00253/00	Emergency Stop Button Kit	
16	209/00099/06	Contact Switch	
17	209/00266/01	Eprom	
18	209/00439/00	Fuse	

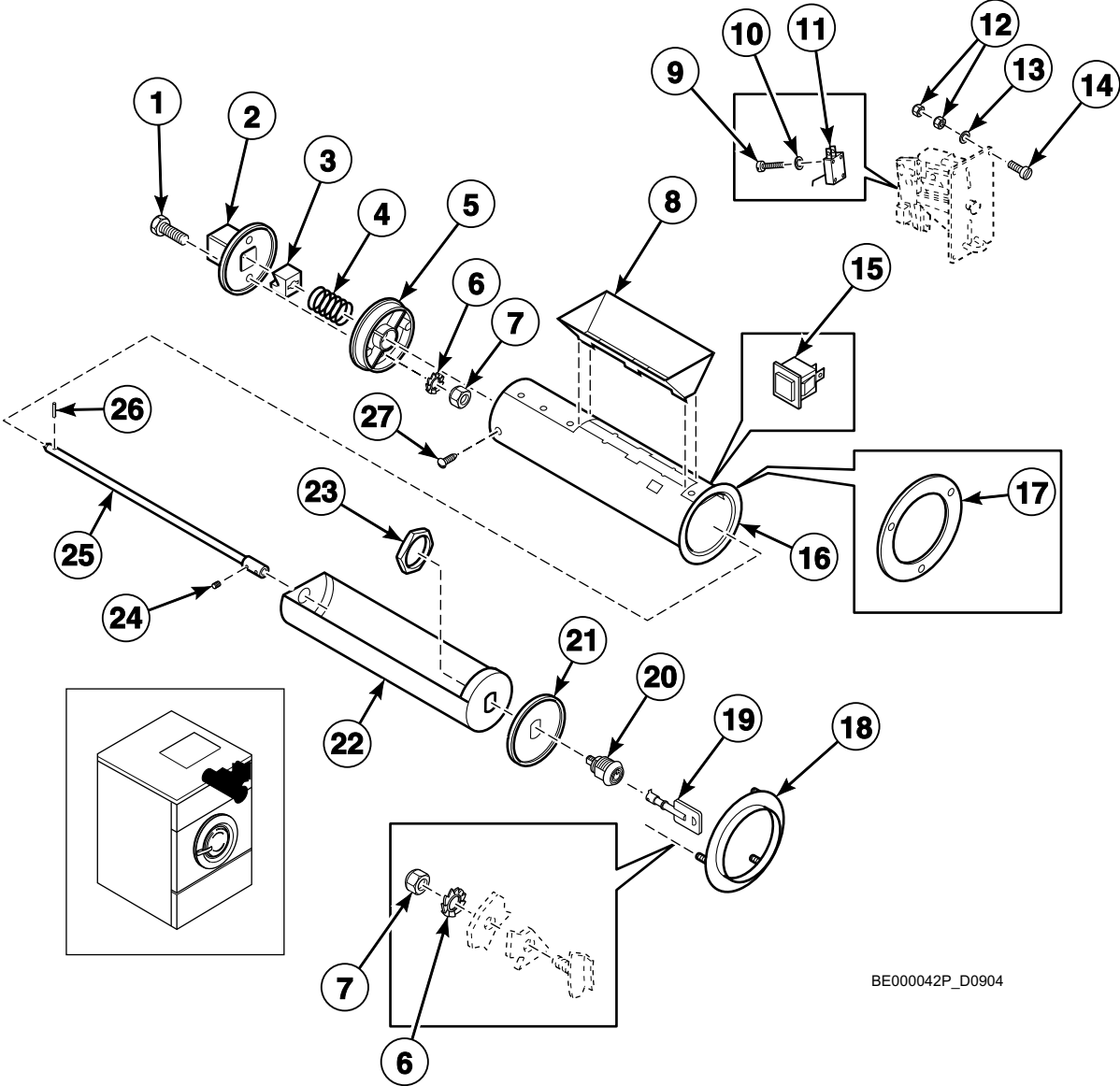
# Control Panel - Sigma



## Control Panel - Sigma

REF	PART NO.	DESCRIPTION	COMMENTS
1	229/00262/00	Circuit Board Cover	
2	209/00547/00	Control Board	
3	204/00116/00	Nut	
4	211/00122/00	Standoff	
5	229/00255/00	Insulating Sticker	
6	204/00009/00	Nut	
7	201/00008/00	Washer	
8	111/00180/00	Electrical Connection Plate	Stainless steel
	111/00180/10	Electrical Connection Plate	Epoxy
9	225/00289/AOL	Facia Panel	Coin
	225/00290/AOL	Facia Panel	OPL
10	225/00403/00	Decal	Coin
	225/00361/00	Front Label	OPL
	225/00367/00	Front Label	Models without ECO or temperature
11	210/00902/00	Infrared Cable	
12	225/00316/00	Plexi Frame	
13	202/00120/00	Metal Disc	
14	209/00248/20	Mushroom Pushbutton	
15	209/00520/00	Telem Sticker	
16	209/00099/26	Contact Switch	
17	209/00439/00	Fuse	

# Coin Meter and Coin Vault (Drawing 1 of 3)

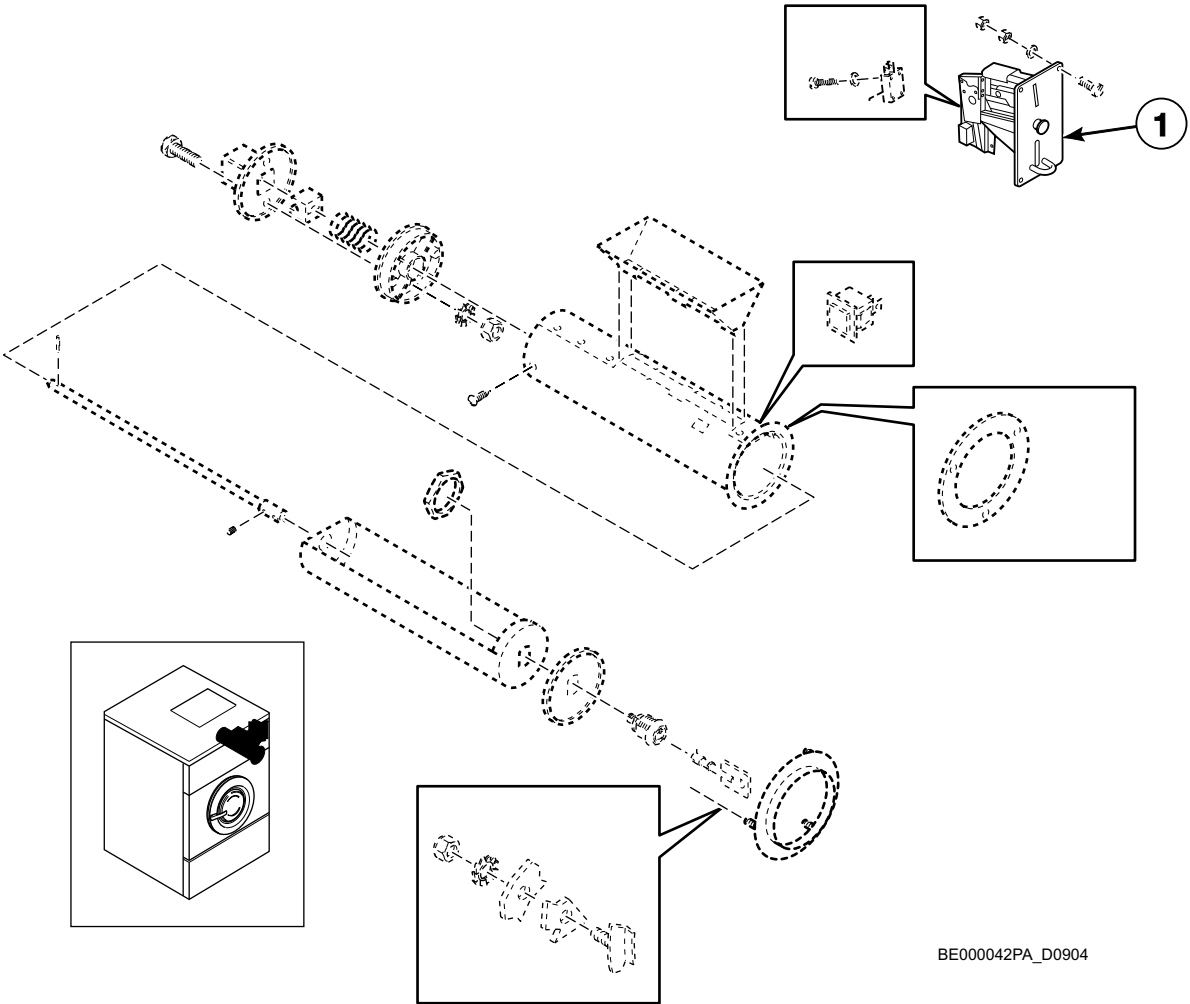


BE000042P\_D0904

## Coin Meter and Coin Vault (Drawing 1 of 3)

REF	PART NO.	DESCRIPTION	COMMENTS
1	206/00033/00	Bolt	
2	211/00070/01	Outer Cabinet Lock	
3	211/00070/02	Washer	
4	211/00070/04	Spring	
5	211/00070/03	Inner Coin Box	
6	203/00004/00	Washer	
7	204/00005/00	Nut	
8	211/00071/00	Coin Box	
9	207/00009/00	Screw	
10	203/00007/00	Washer	
11	209/00060/12	Coin Drop Microswitch	
12	204/00008/00	Nut	
13	203/00007/00	Washer	
14	207/00108/00	Screw	
15	209/00396/00	Pushbutton	
16	211/00100/00	Outer Coin Box	
17	111/00100/00	Coin Box Ring Assembly	
18	111/00066/00	Coin Box Ring	
19	211/00065/02	Coin Box Key	
20	211/00065/00	Coin Box Lock	
21	111/00068/00	Front Plate	
22	211/00101/00	Coin Box	
23	211/00065/01	Nut	
24	206/00038/00	Screw	
25	111/00069/00	Spindle	
26	208/00013/00	Roll Pin	
27	208/00007/00	Screw	

# Coin Meter and Coin Vault (Drawing 2 of 3)

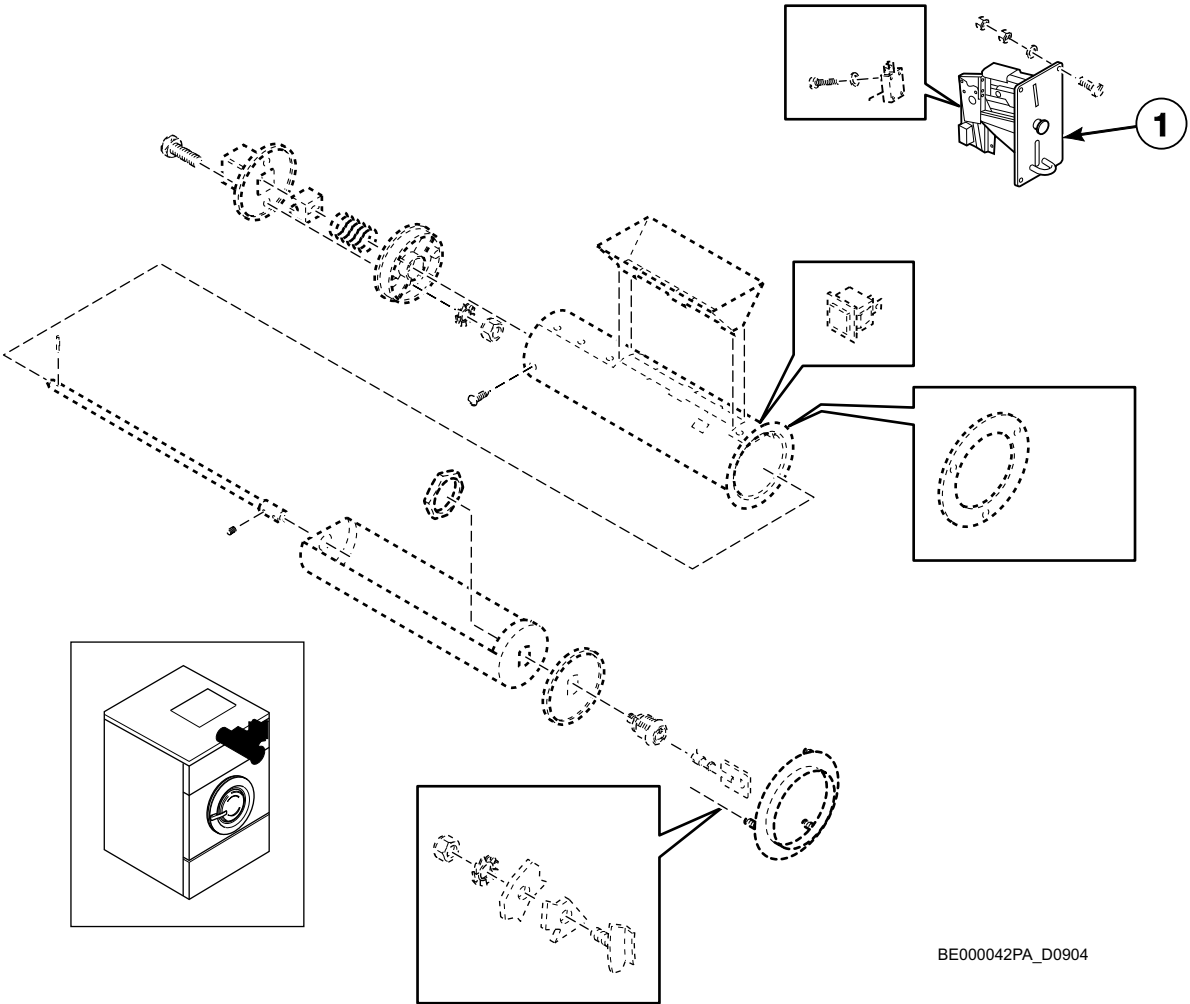




## Coin Meter and Coin Vault (Drawing 2 of 3)

REF	PART NO.	DESCRIPTION	COMMENTS
1	209/00389/00	Coin Meter	.10 euro
	209/00388/00	Coin Meter	.20 euro
	209/00387/00	Coin Meter	.50 euro
	209/00390/00	Coin Meter	1 euro
	209/00391/00	Coin Meter	1 euro (LVN)
	209/00119/00	Coin Meter	.50 and .20 euro
	209/00120/00	Coin Meter	1 and .20 euro
	209/00166/00	Coin Meter	1 and .50 euro
	209/00576/00	Coin Meter	2 and .50 euro
	209/00111/00	Coin Meter	\$0.25
	209/00111/10	Coin Meter	\$.25; Laundercenter
	209/00215/00	Coin Meter	.25 and \$1 HFI
	209/00414/00	Coin Meter	Canada; .25 and 1.00
	209/00214/00	Coin Meter	.25 HFL
	209/00378/00	Coin Meter	Australia; \$1 and \$2
	209/00229/00	Coin Meter	Australia; \$1 and .20
	209/00403/00	Coin Meter	1 fin and 5 fin
	209/00065/00	Coin Meter	Hong Kong; \$1
	209/00418/00	Coin Meter	Malaysia; \$1
	209/00364/00	Coin Meter	1 pound and 20 pence
	209/00437/00	Coin Meter	1 rand and 2 rand
	209/00442/00	Coin Meter	1 shekel and 5 shekel
	209/00375/00	Coin Meter	Singapore; \$1
	209/00383/00	Coin Meter	New Zealand; \$1 and \$2
	209/00500/00	Coin Meter	5 Mdh and 10 Mdh
	209/00404/00	Coin Meter	5 NoCr and 10 NoCr
	209/00215/01	Coin Meter	1 HFI
	209/00402/08	Coin Meter	10 dek and 2 dek
	209/00460/00	Coin Meter	2 dek
	209/00064/00	Coin Meter	Australian; .20
	209/10215/00	Coin Meter	5 and 1 HFI
	209/00415/00	Coin Meter	Hong Kong; \$5
	209/00501/00	Coin Meter	50 kronur and 100 kronur
	209/00402/01	Coin Meter	.800 token
	209/00402/03	Coin Meter	Token
	209/00402/07	Coin Meter	Token; Wash club
	209/00428/00	Coin Meter	Token; Custruzione
	209/00502/00	Coin Meter	Token; Muller
	209/00402/04	Coin Meter	Token Prinz; 28 x 2.7 mm diameter
	209/00402/02	Coin Meter	Token Prinz; 22.85 x 2.05 mm diameter
	209/00407/00	Coin Meter	Token Prinz; 26 x 2.05 mm diameter
	209/00469/00	Coin Meter	Electronic; NRI
	209/00216/00	Coin Meter	100 yen
	209/00278/00	Coin Meter	100 yen and 500 yen
	209/00373/00	Coin Meter	500 won
	209/00522/00	Coin Meter	Electronic; Trenner

# Coin Meter and Coin Vault (Drawing 3 of 3)

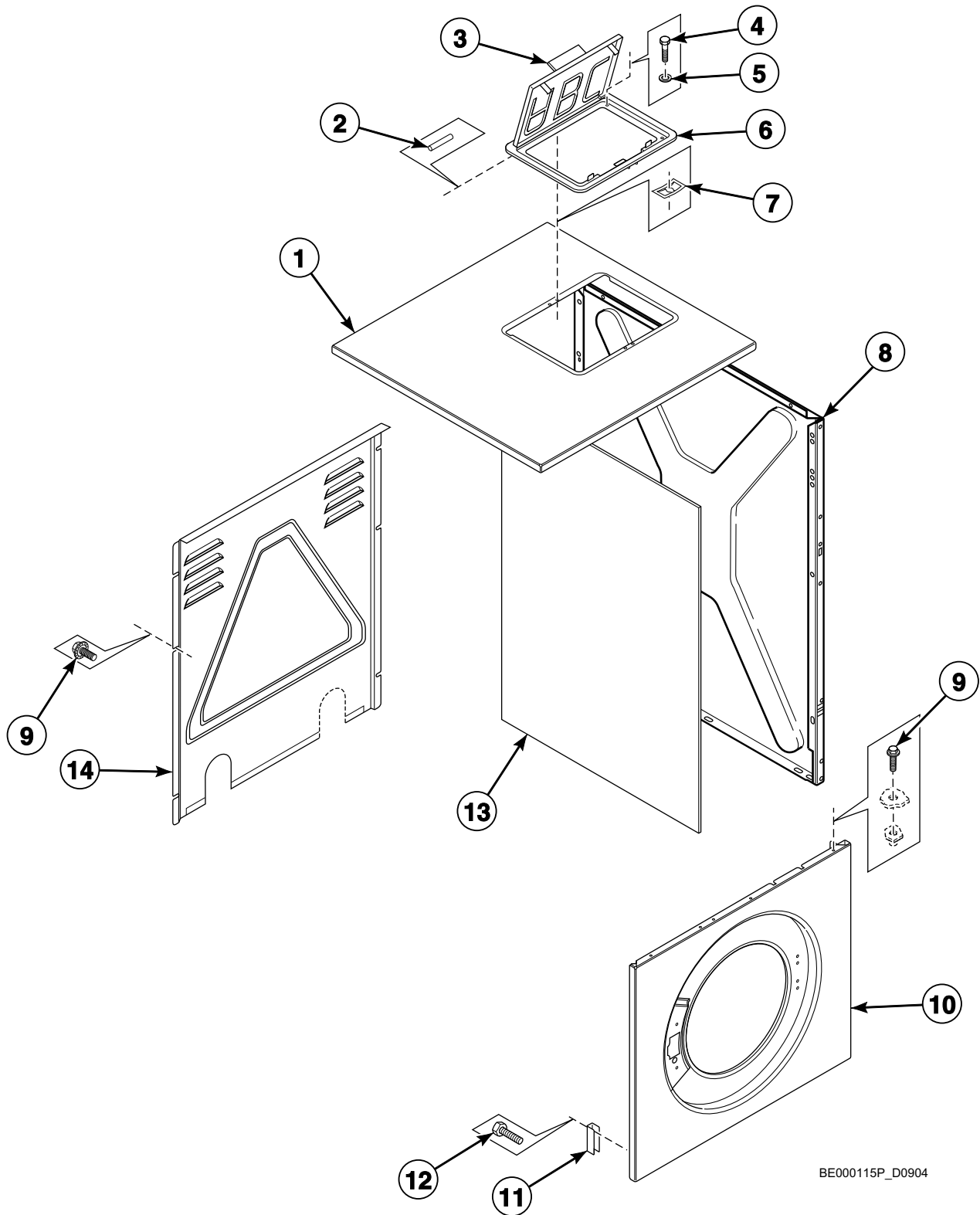


BE000042PA\_D0904

## Coin Meter and Coin Vault (Drawing 3 of 3)

REF	PART NO.	DESCRIPTION	COMMENTS
1	209/00060/00	Coin Drop	Token; 5K
	209/00061/00	Coin Meter	Token; 7K
	209/00068/00	Coin Meter	Token; 10K
	209/00069/00	Coin Meter	Token; 12K
	209/00070/00	Coin Meter	Token; 15K
	209/00122/00	Coin Meter	Token; Boissevaru
	209/00411/00	Coin Meter	Token; Larsen
	209/00156/00	Coin Meter	Token; Gettone
	209/00121/00	Coin Meter	Profiled token
	209/00062/00	Coin Meter	Token; Vasketeria
	209/00161/00	Coin Meter	1 dek
	209/00158/00	Coin Meter	1 rial
	209/00160/00	Coin Meter	5 dek
	209/00269/00	Coin Meter	100 won and 500 won
	209/00286/00	Coin Meter	Token; Blanc Club Lavage
	209/00296/00	Coin Meter	Token; Clean Wash
	209/00123/00	Coin Meter	Token; Jessoruigg
	209/00162/00	Coin Meter	Token; Vasketeria and 5 DK
	209/00066/00	Coin Meter	Token; Vasketeria and 2 x 1 DK
	209/00072/00	Coin Meter	Token; Wascatos
	209/00553/00	Coin Meter	U.S.; \$.25 and \$1
	209/00548/00	Coin Meter	100 pesetas and 25 pesetas

# Right Side, Front, Lower Rear and Top Panels - Models without Inverter Drive

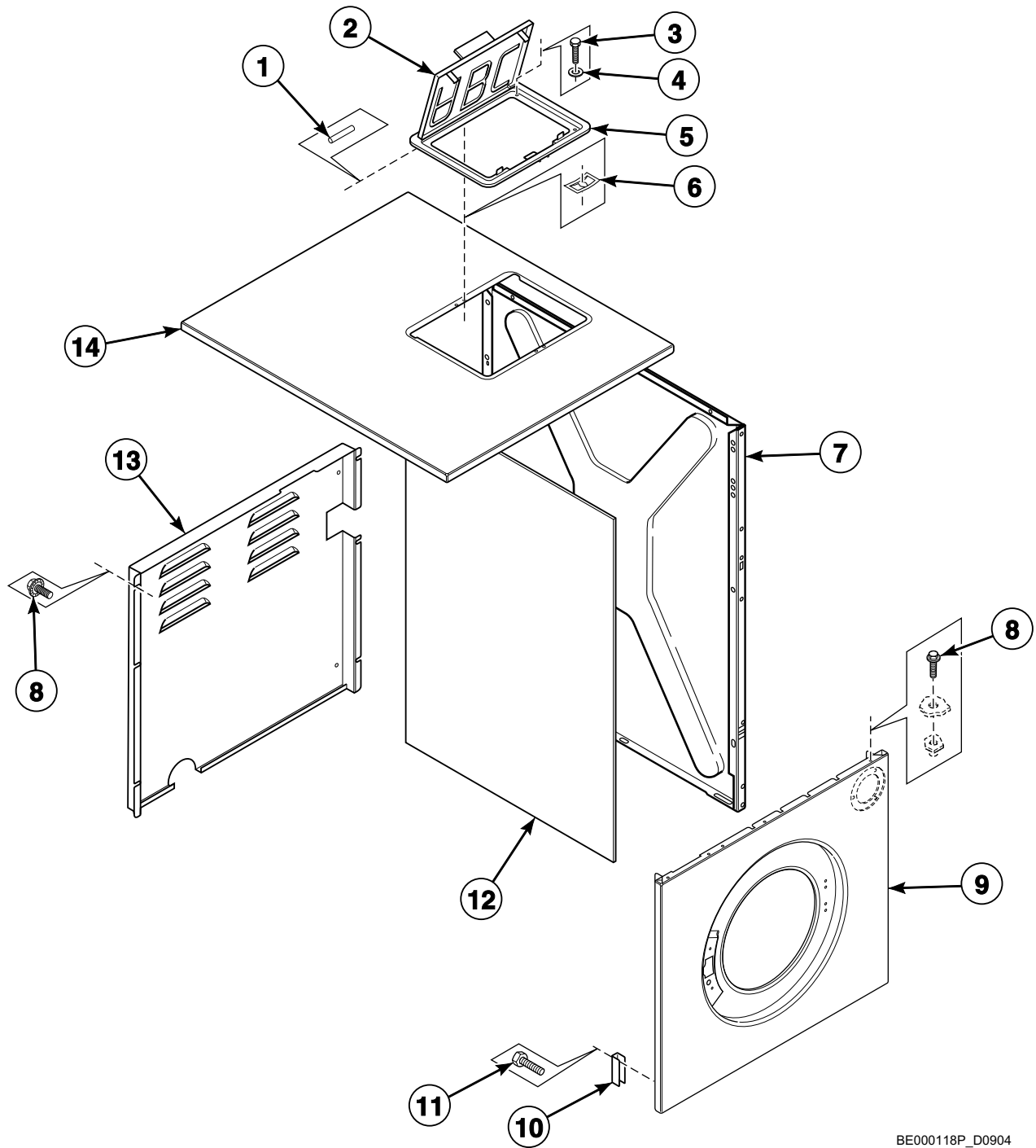


BE000115P\_D0904

## Right Side, Front, Lower Rear and Top Panels - Models without Inverter Drive

REF	PART NO.	DESCRIPTION	COMMENTS
1	111/22141/00	Top Panel	Stainless steel
	111/23141/00	Top Panel	White
	111/22144/00	Top Panel	Stainless steel with lock
2	223/00103/04	Soap Dispenser Cover Hinge Rod	2 required
3	223/00103/01	Soap Dispenser Cover	
4	205/00103/00	Bolt	
5	202/00101/00	Washer	
6	223/00103/03	Soap Dispenser Frame	
7	208/00104/00	Nut	
8	111/10089/10	Side Panel	Epoxy
	111/10089/00	Side Panel	Stainless steel
9	206/00099/00	Bolt	
10	111/10088/00	Lower Front Panel	Coin; Stainless steel
	111/10088/10	Lower Front Panel	Coin; Epoxy
	111/10090/00	Lower Front Panel	OPL; Stainless steel
	111/10090/10	Lower Front Panel	OPL; Epoxy
11	111/10089/01	Reinforcement Plate	
12	206/00114/00	Bolt	
13	246/00079/00	Side Panel Gasket	
14	111/00427/00	Rear Panel	

# Right Side, Front, Lower Rear and Top Panels - Models with Inverter Drive

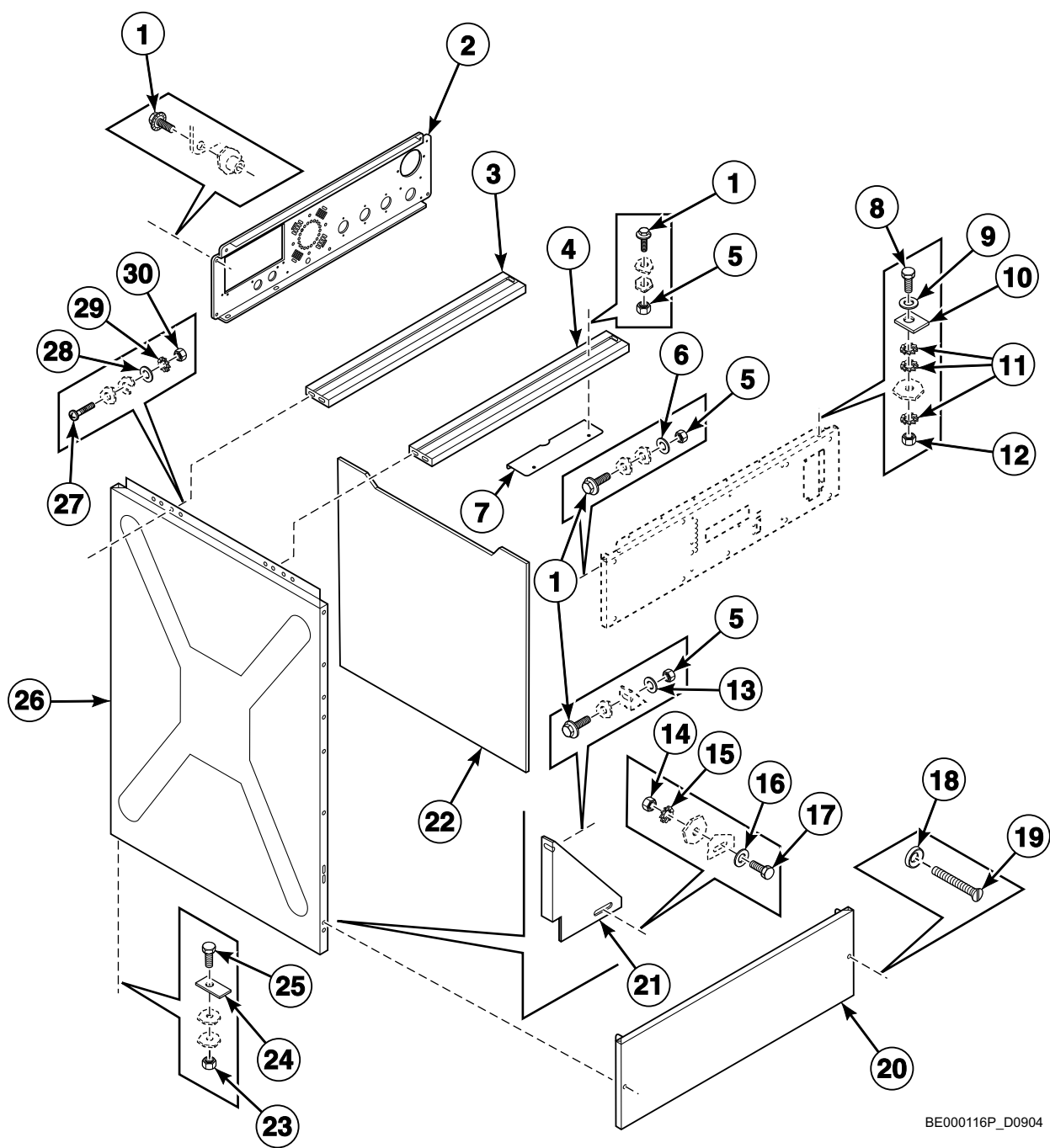


BE000118P\_D0904

## Right Side, Front, Lower Rear and Top Panels - Models with Inverter Drive

REF	PART NO.	DESCRIPTION	COMMENTS
1	223/00103/04	Soap Dispenser Cover Hinge Rod	2 required
2	223/00103/01	Soap Dispenser Cover	
3	205/00103/00	Bolt	
4	202/00101/00	Washer	
5	223/00103/03	Soap Dispenser Frame	
6	208/00104/00	Nut	
7	111/10089/10	Side Panel	Epoxy
	111/10089/00	Side Panel	Stainless steel
8	206/00099/00	Bolt	
9	111/10088/00	Lower Front Panel	Coin; Stainless steel
	111/10088/10	Lower Front Panel	Coin; Epoxy
	111/10090/00	Lower Front Panel	OPL; Stainless steel
	111/10090/10	Lower Front Panel	OPL; Epoxy
10	111/10089/01	Reinforcement Plate	
11	206/00114/00	Bolt	
12	246/00079/00	Side Panel Gasket	
13	111/10427/01	Lower Rear Panel	Single drain outlet
	111/10427/02	Lower Rear Panel	Dual drain outlet
14	111/22141/00	Top Panel	Stainless steel
	111/23141/00	Top Panel	White
	111/22144/00	Top Panel	Stainless steel with lock

# Left Side, Lower Front and Upper Back Panels (Drawing 1 of 2)



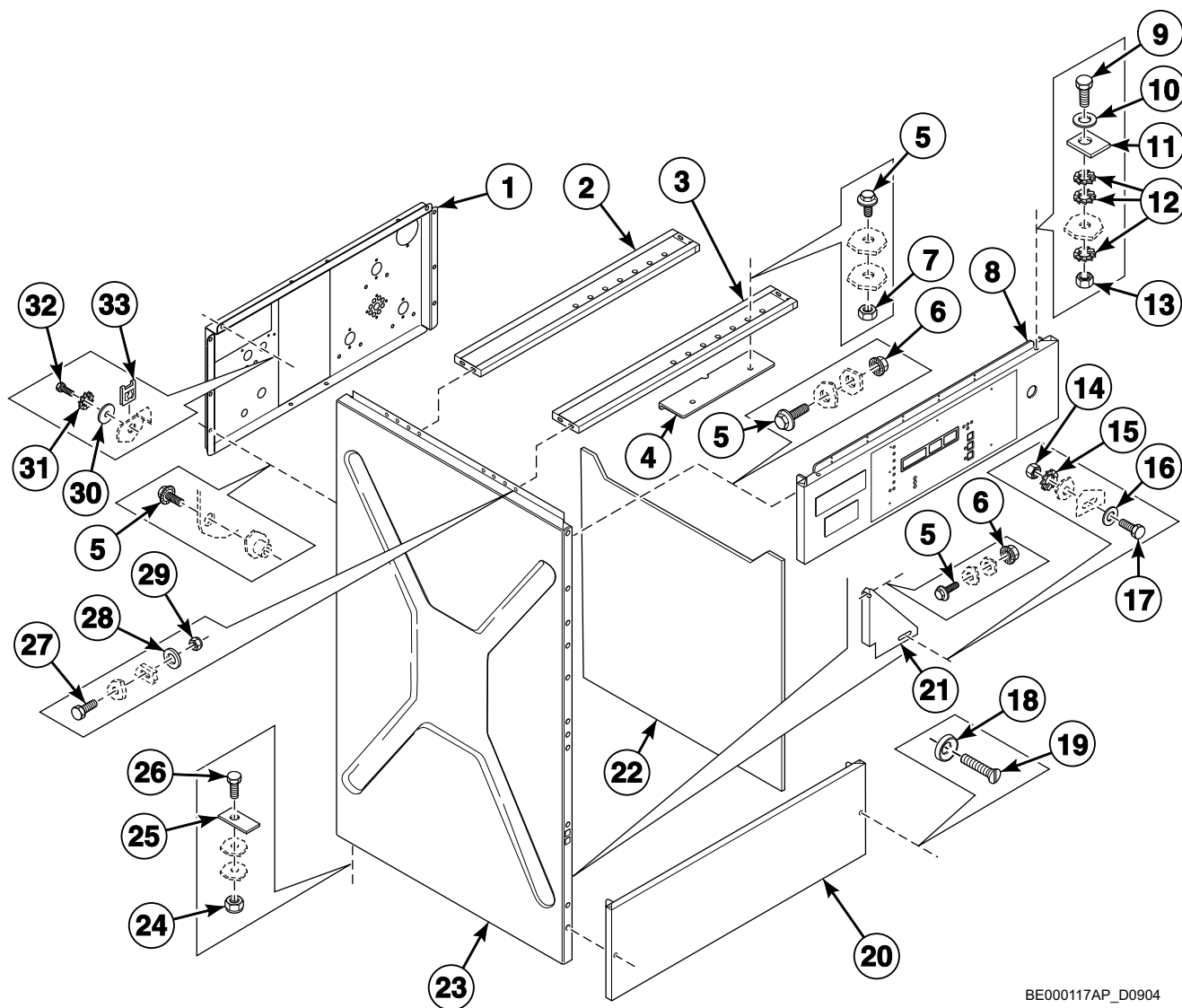
BE000116P\_D0904



## Left Side, Lower Front and Upper Back Panels (Drawing 1 of 2)

REF	PART NO.	DESCRIPTION	COMMENTS
1	206/00099/00	Bolt	
2	111/00426/00	Backbridge	Models without a soap pump
	111/00426/10	Backbridge	Models with a soap pump
3	111/10092/00	Rear Plate	
4	111/10091/00	Front Plate	
5	204/00005/00	Nut	
6	201/00007/00	Washer	
7	111/10093/00	Mounting Plate	
8	205/00106/00	Bolt	
9	202/00003/00	Washer	
10	117/00042/00	Retaining Ring	
11	203/00005/00	Washer	
12	204/00006/00	Nut	
13	201/00006/00	Washer	
14	204/00003/00	Nut	
15	203/00002/00	Washer	
16	201/00010/00	Washer	
17	206/00005/00	Bolt	
18	208/00009/00	Washer	
19	207/00101/00	Screw	
20	111/22131/00	Lower Front Panel	
21	111/00109/00	Triangle Support	Right
	111/00118/00	Triangle Support	Left
22	246/00079/00	Side Panel Gasket	
23	204/00009/00	Nut	
24	101/00007/00	Outlet Pipe Plate Assembly	
25	205/00104/00	Bolt	
26	111/10089/00	Side Panel	Stainless steel
	111/10089/10	Side Panel	Epoxy
27	207/00032/00	Screw	
28	202/00004/00	Washer	
29	203/00006/00	Washer	
30	204/00007/00	Nut	

# Left Side, Lower Front and Upper Back Panels (Drawing 2 of 2)

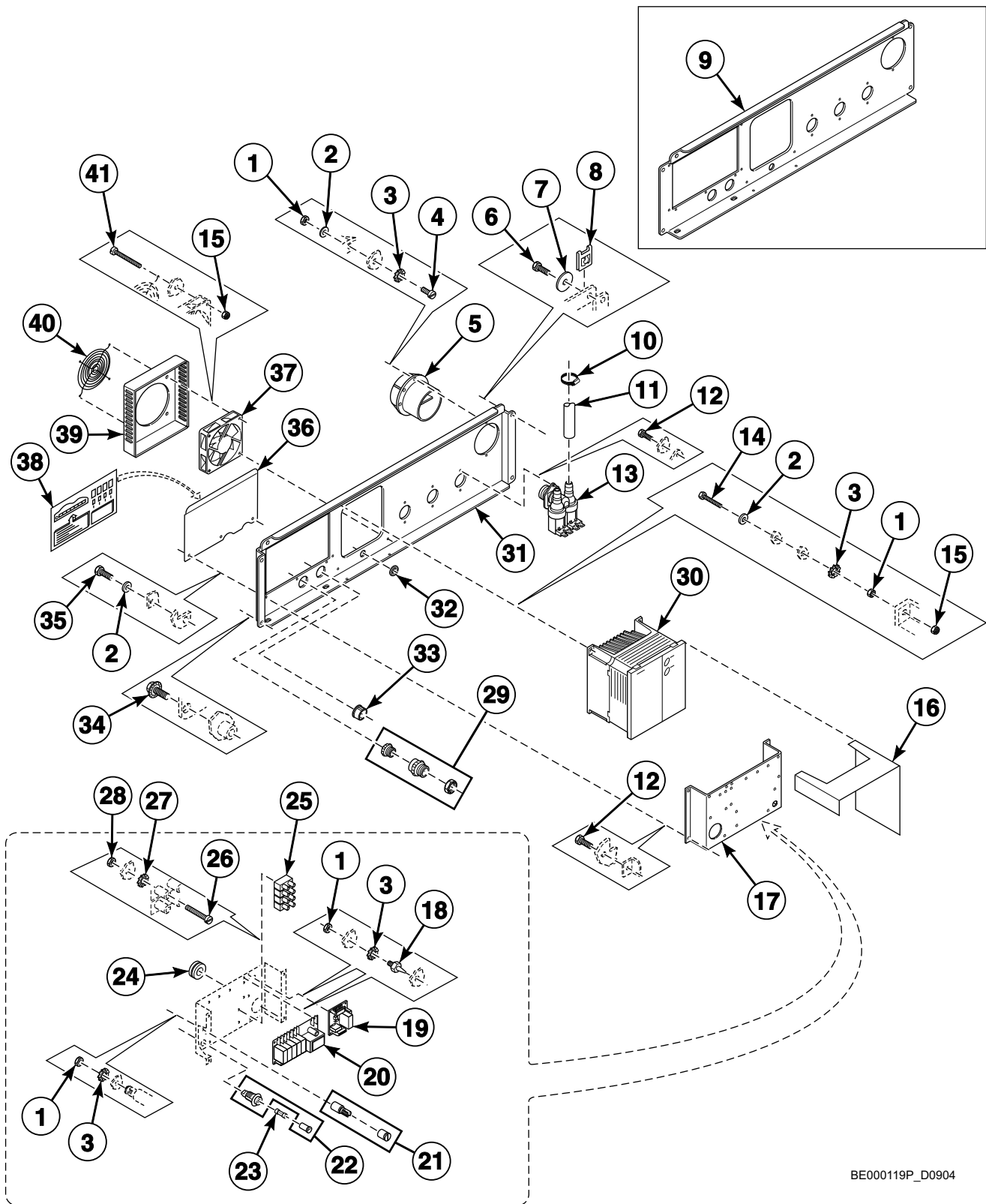


BE000117AP\_D0904

## Left Side, Lower Front and Upper Back Panels (Drawing 2 of 2)

REF	PART NO.	DESCRIPTION	COMMENTS
1	111/10426/00	Backbridge	
2	111/10092/00	Rear Plate	
3	111/10091/00	Front Plate	
4	111/10093/00	Mounting Plate	
5	206/00099/00	Bolt	
6	206/00101/00	Nut	
7	204/00005/00	Nut	
8	111/00180/10	Electrical Connection Plate	Epoxy
	111/00180/00	Electrical Connection Plate	Stainless steel
9	205/00106/00	Bolt	
10	202/00003/00	Washer	
11	117/00042/00	Retaining Ring	
12	203/00005/00	Washer	
13	204/00006/00	Nut	
14	204/00003/00	Nut	
15	203/00002/00	Washer	
16	201/00010/00	Washer	
17	206/00005/00	Bolt	
18	208/00009/00	Washer	
19	207/00101/00	Screw	
20	111/22131/00	Lower Front Panel	Stainless steel
	111/23131/00	Lower Front Panel	Epoxy
21	111/00109/00	Triangle Support	Right
	111/00118/00	Triangle Support	Left
22	246/00079/00	Side Panel Gasket	
23	111/10089/00	Side Panel	Stainless steel
	111/10089/10	Side Panel	Epoxy
24	204/00009/00	Nut	
25	101/00007/00	Outlet Pipe Plate Assembly	
26	205/00104/00	Bolt	
27	206/00027/00	Bolt	
28	202/00004/00	Washer	
29	204/00114/00	Nut	
30	201/00006/00	Washer	
31	203/00015/00	Washer	
32	208/00001/00	Screw	
33	208/00025/00	Nut	

# Upper Back Panel



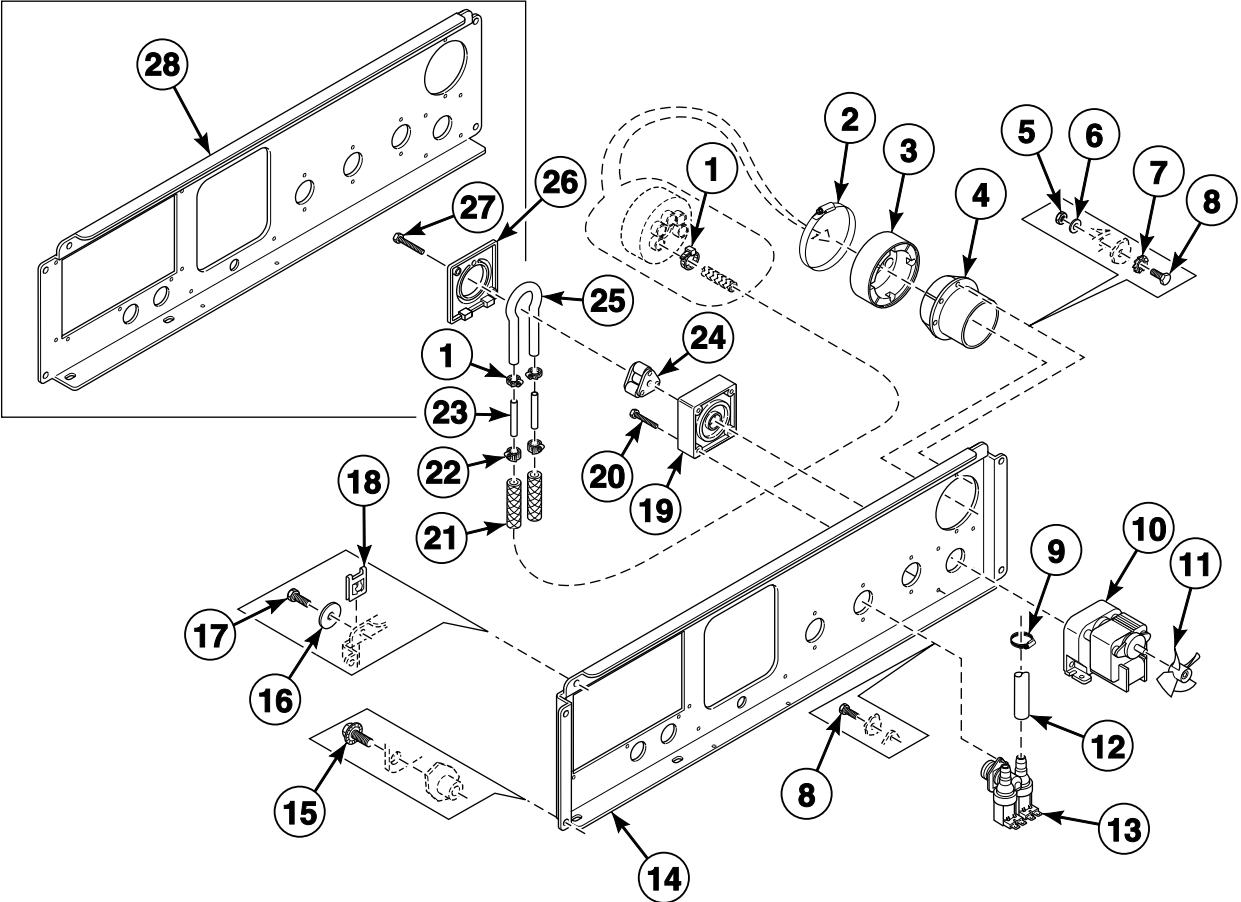
BE000119P\_D0904

## Upper Back Panel

REF	PART NO.	DESCRIPTION	COMMENTS
1	204/00007/00	Nut	
2	202/00004/00	Washer	
3	203/00006/00	Washer	
4	207/00106/00	Screw	
5	223/00102/07	Hose Vent	
6	208/00001/00	Screw	
7	201/00006/00	Washer	
8	208/00002/00	Nut	
9	111/10426/00	Backbridge	
10	223/00010/00	Hose Clamp	
11	223/00044/00	Water Hose	Sold per meter
12	206/00027/00	Bolt	
13	209/00110/00	2-Way Inlet Valve	
14	206/00136/00	Bolt	
15	204/00114/00	Nut	
16	229/00270/00	Sticker	
17	111/00188/03	Assembly Plate	
18	211/00120/00	Standoff	
19	209/00438/00	Central Control Board	
20	209/00218/01	Printboard	
21	209/00006/00	Terminal	
22	209/00202/00	Fuse Holder	
23	209/00195/00	Fuse	
24	223/00198/00	Grommet	
25	209/00058/00	Terminal Block	
26	207/00014/00	Screw	
27	203/00007/00	Washer	
28	204/00008/00	Nut	
29	211/00022/00	Nut	
30	N/A	Inverter Drive	
31	111/01172/00	Backbridge	
32	223/00199/00	Grommet	
33	B12500101	Plug	
34	206/00099/00	Bolt	
35	205/00113/00	Bolt	
36	111/00426/01	Electrical Connection Cover	
37	209/00465/00	Fan	
38	229/00068/01	Electrical Connection Sticker	
39	111/00426/03	Fan Cover Plate	
40	209/00465/01	Fan Grill	
41	207/00021/00	Screw	

**N/A = Part no longer available**

# Upper Back Panel - Models without Inverter Drive with One Soap Pump

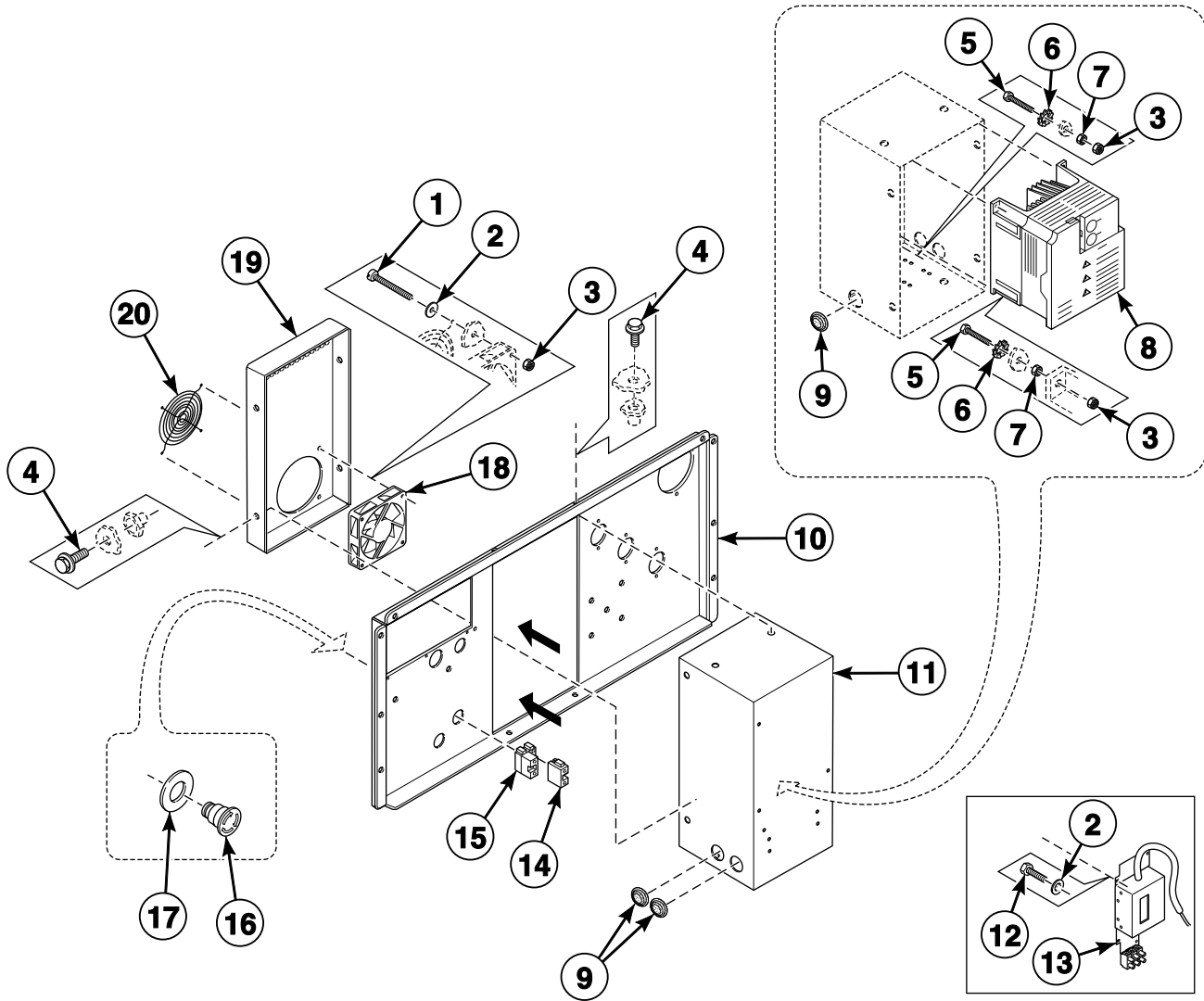


BE000120P\_D0904

## Upper Back Panel - Models without Inverter Drive with One Soap Pump

REF	PART NO.	DESCRIPTION	COMMENTS
1	211/00088/00	Cable Tie	
2	223/00014/00	Hose Clamp	
3	223/00160/00	Liquid Soap Hose	
4	223/00102/07	Hose Vent	
5	204/00007/00	Nut	
6	202/00004/00	Washer	
7	203/00006/00	Washer	
8	206/00027/00	Bolt	
9	223/00010/00	Hose Clamp	
10	209/00413/08	Motor	
11	209/00413/06	Fan Motor	
12	223/00044/01	Water Hose	Sold per meter
13	209/00110/00	2-Way Inlet Valve	
14	111/01172/10	Backbridge	
15	206/00099/00	Bolt	
16	201/00006/00	Washer	
17	208/00001/00	Screw	
18	208/00002/00	Nut	
19	209/00413/10	Pump Housing	
20	209/00413/04	Screw	
21	223/00179/00	Soap Injector Hose	
22	223/00009/00	Clamp	
23	223/00180/01	Hose	
24	209/00413/07	Pressure Roller	
25	209/00413/03	Hose	
26	209/00413/09	Cover Plate	
27	209/00413/05	Screw	
28	111/00426/10	Backbridge	

# Upper Back Panel - Coin Models with Mitsubishi Noise Filter and Circular Vent Opening



BE000348AP\_D0904

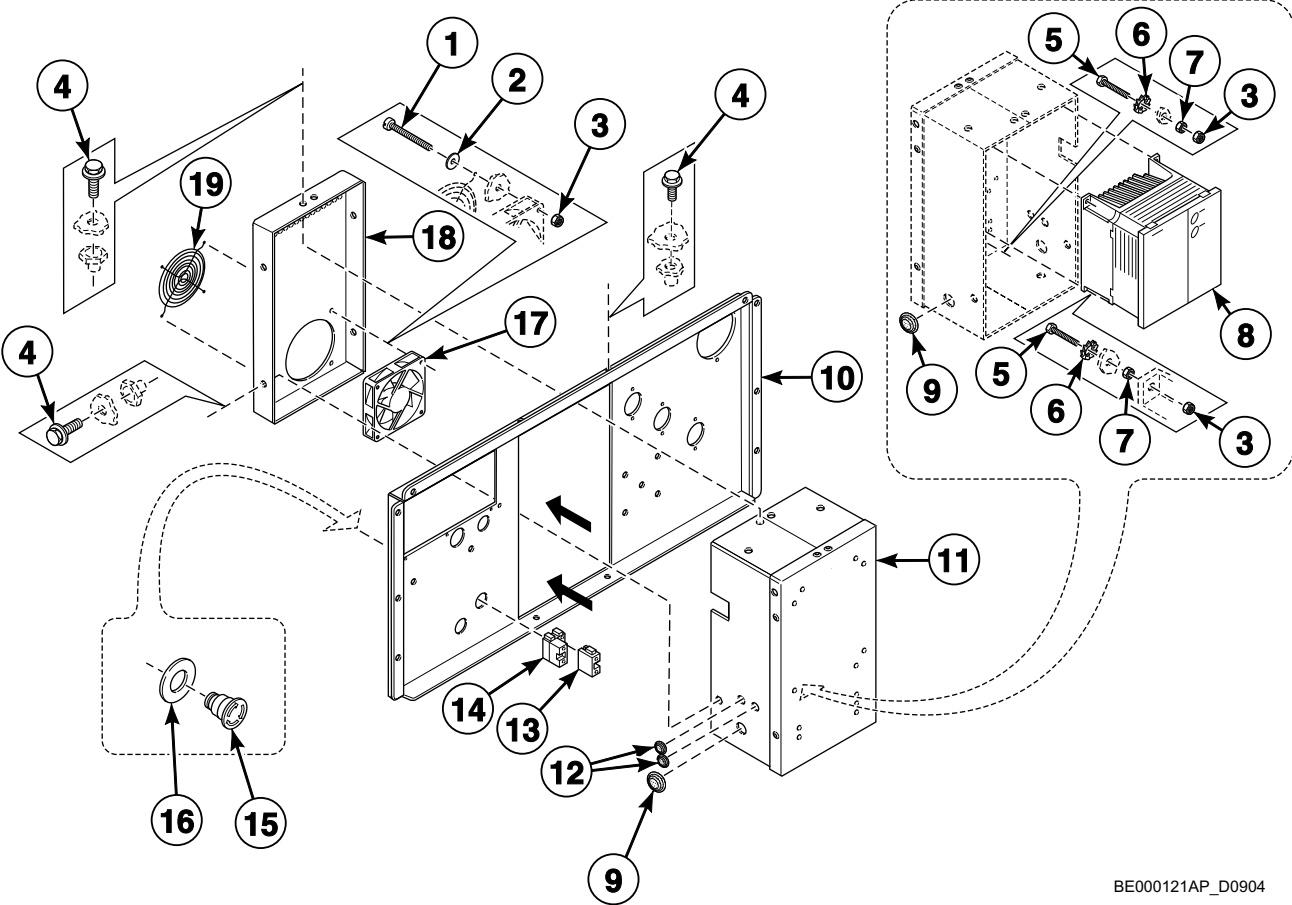


## Upper Back Panel - Coin Models with Mitsubishi Noise Filter and Circular Vent Opening

REF	PART NO.	DESCRIPTION	COMMENTS
1	207/00121/00	Screw	
2	202/00004/00	Washer	
3	204/00114/00	Nut	
4	206/00099/00	Bolt	
5	206/00088/00	Bolt	
6	203/00006/00	Washer	
7	204/00007/00	Nut	
8	N/A	Inverter Drive	
9	223/00174/00	Grommet	
10	111/10426/00	Backbridge	
11	111/10426/12	Inverter	
12	207/00004/00	Screw	
13	227/00164/00	Noise Filter	
14	209/00099/06	Contact Switch	
15	209/00253/00	Emergency Stop Button Kit	
16	209/00248/00	Mushroom Pushbutton	
17	209/00520/00	Telem Sticker	
18	209/00465/00	Fan	
19	111/10426/11	Inverter	
20	209/00465/01	Fan Grill	

**N/A = Part no longer available**

# Upper Back Panel - Coin Models with Block Filter and Circular Vent Opening



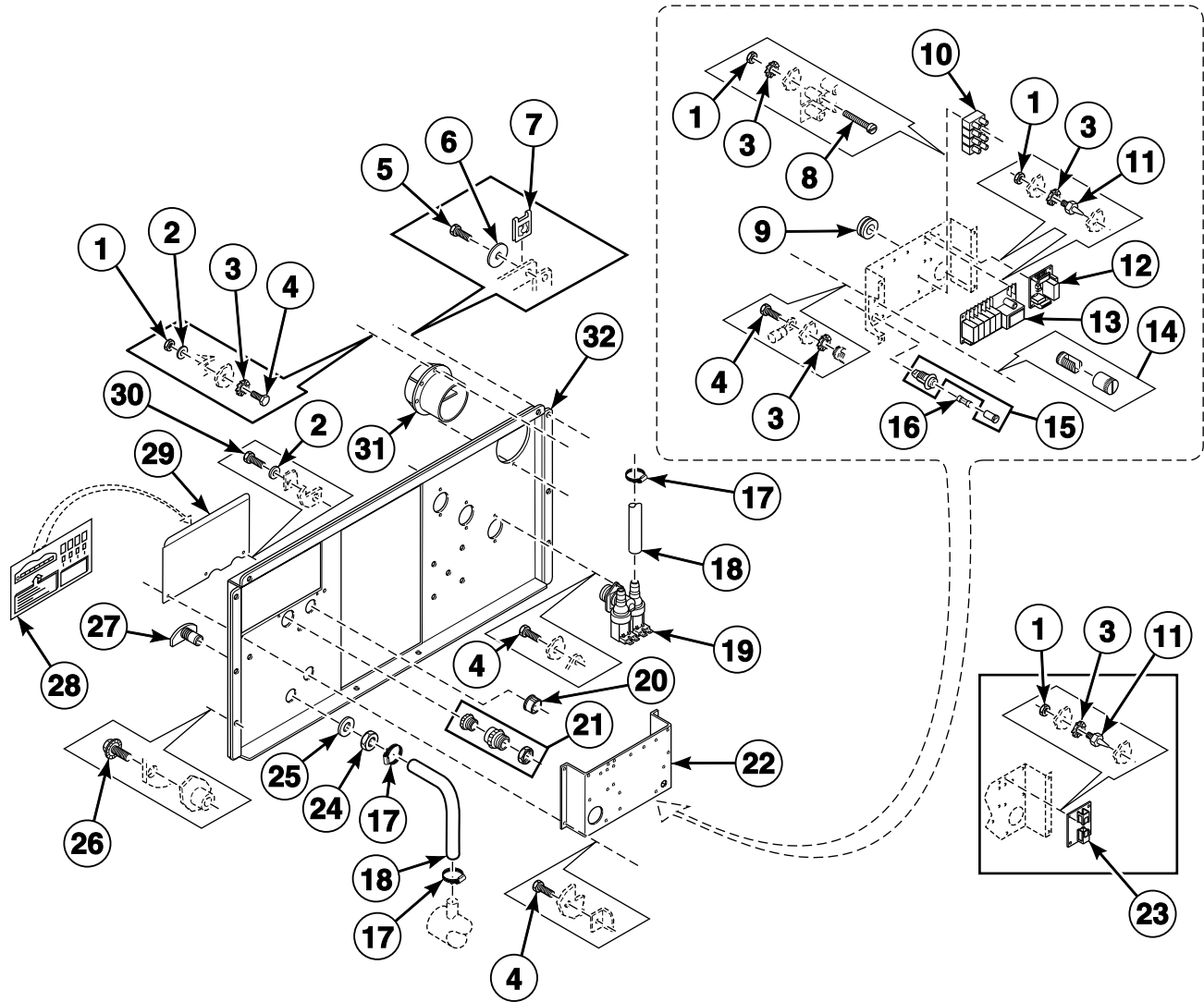
BE000121AP\_D0904

## Upper Back Panel - Coin Models with Block Filter and Circular Vent Opening

REF	PART NO.	DESCRIPTION	COMMENTS
1	207/00121/00	Screw	
2	202/00004/00	Washer	
3	204/00114/00	Nut	
4	206/00099/00	Bolt	
5	206/00088/00	Bolt	
6	203/00006/00	Washer	
7	204/00007/00	Nut	
8	N/A	Inverter Drive	
9	223/00174/00	Grommet	
10	111/10426/00	Backbridge	
11	111/10426/99	Inverter	
12	223/00199/00	Grommet	
13	209/00099/06	Contact Switch	
14	209/00099/05	Contact	
15	209/00248/00	Mushroom Pushbutton	
16	209/00520/00	Telem Sticker	
17	209/00465/00	Fan	
18	111/10426/01	Inverter	
19	209/00465/01	Fan Grill	

**N/A = Part no longer available**

# Upper Back Panel - OPL Models with Circular Vent Opening

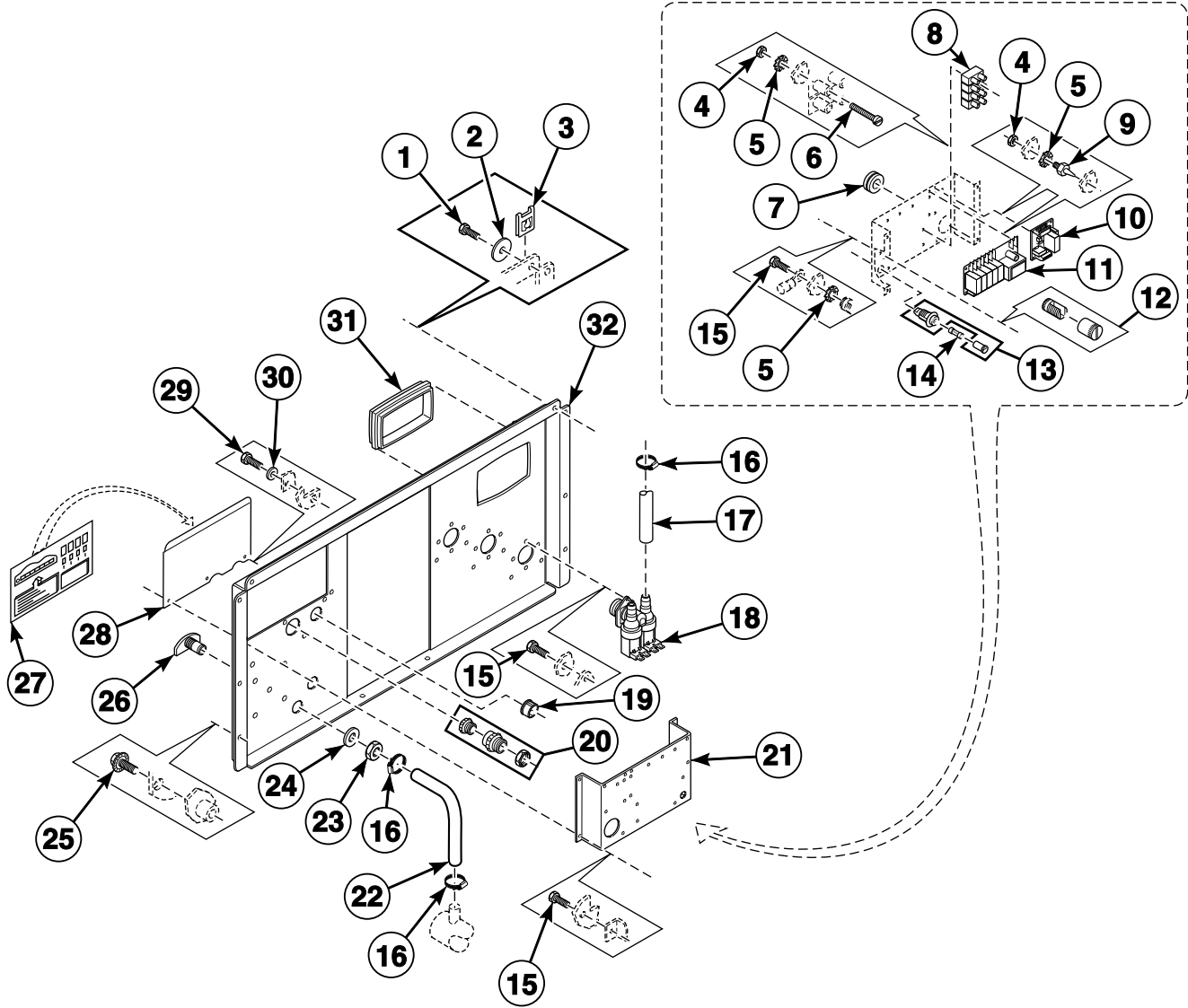


BE000122BP\_D0904

## Upper Back Panel - OPL Models with Circular Vent Opening

REF	PART NO.	DESCRIPTION	COMMENTS
1	204/00007/00	Nut	
2	202/00004/00	Washer	
3	203/00006/00	Washer	
4	206/00027/00	Bolt	
5	208/00001/00	Screw	
6	201/00006/00	Washer	
7	208/00002/00	Nut	
8	207/00031/00	Screw	
9	223/00198/00	Grommet	
10	209/00058/00	Terminal Block	
11	211/00120/00	Standoff	
12	209/00438/00	Central Control Board	Without connectors
	209/00438/50	Central Control Board	Includes connectors
13	209/00218/13	Soap Injection PCB with Fuse	
14	209/00006/01	Ground Terminal	
15	209/00202/00	Fuse Holder	
16	209/00468/00	Fuse	
17	223/00010/00	Hose Clamp	
18	223/00044/01	Water Hose	
19	209/00110/00	2-Way Inlet Valve	Metric thread
	B12519501	2-Way Inlet Valve	Standard thread; G581P3 Repair Kit
20	211/00091/00	Plug	M20
	211/00087/00	Plug	M30
21	211/00168/00	Cordlock	M25
	211/00171/00	Nut	M25
	211/00167/00	Cordlock	M20
	211/00170/00	Nut	M20
22	111/00188/04	Electrical Connection Plate	
23	209/00540/00	Network Connection Printboard	
24	204/00201/00	Nut	
25	201/00002/00	Washer	
26	206/00009/00	Bolt	
27	223/00001/04	Prewash and Mainwash Nozzle	
28	229/00068/02	Electrical Connection Sticker	
29	111/00094/10	Electrical Connection Plate	
30	206/00014/00	Bolt	
31	223/00102/07	Hose Vent	
32	111/10426/00	Backbridge	

# Upper Back Panel - Models with Rectangular Vent Opening



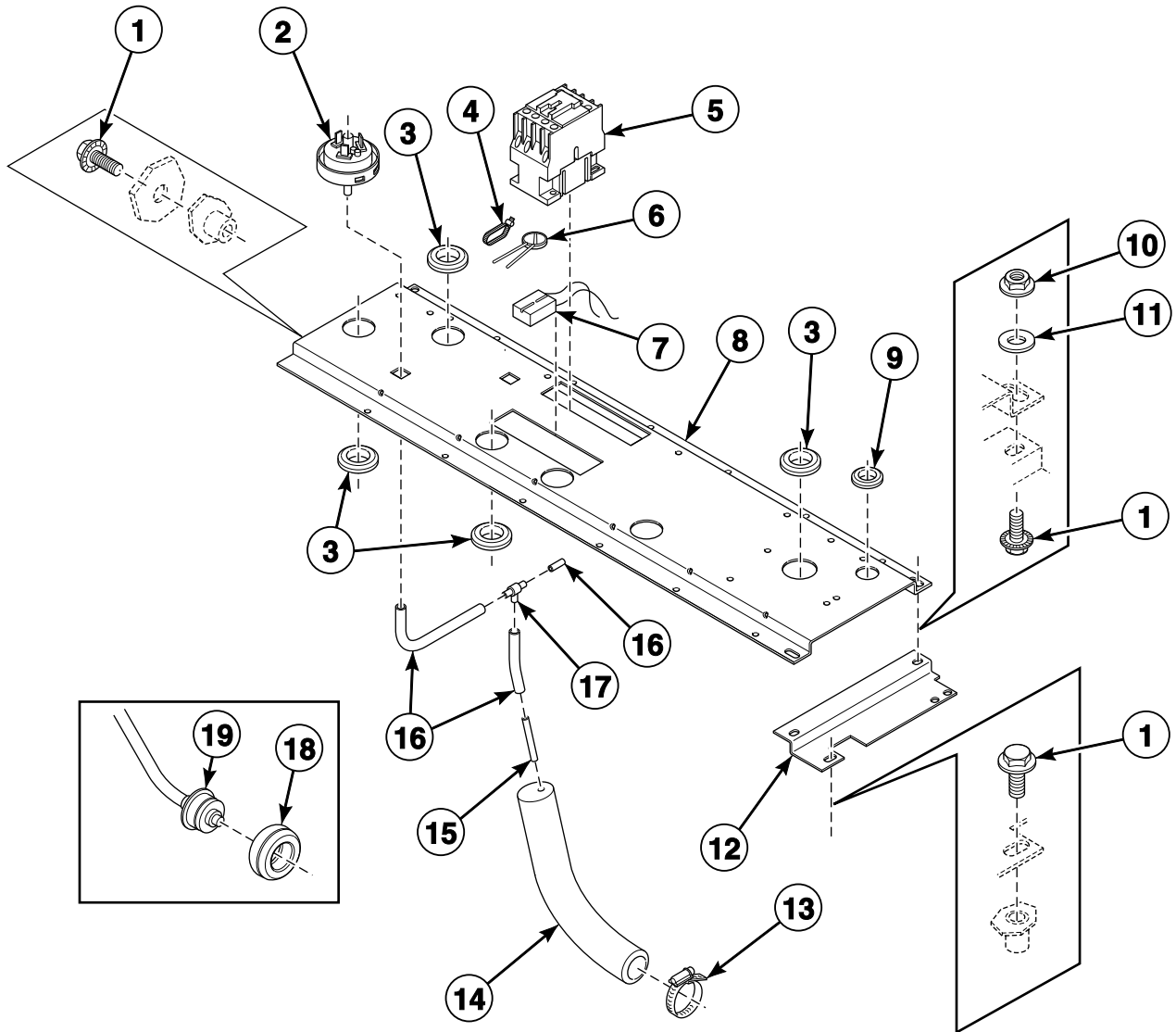
BE000273P\_D0904

## Upper Back Panel - Models with Rectangular Vent Opening

REF	PART NO.	DESCRIPTION	COMMENTS
1	208/00001/00	Screw	
2	201/00006/00	Washer	
3	208/00002/00	Nut	
4	204/00007/00	Nut	
5	203/00006/00	Washer	
6	207/00031/00	Screw	
7	223/00198/00	Grommet	
8	209/00058/00	Terminal Block	
9	211/00120/00	Standoff	
10	209/00438/00	Central Control Board	
11	209/00218/03	Printboard	
12	209/00006/01	Ground Terminal	
13	209/00202/00	Fuse Holder	
14	209/00195/00	Fuse	
15	206/00027/00	Bolt	
16	223/00010/00	Hose Clamp	
17	223/00044/01	Water Hose	Sold per meter
18	209/00110/00	2-Way Inlet Valve	
19	B12500101	Plug	
20	211/00117/00	Cordlock	
21	111/00188/03	Assembly Plate	
22	223/00044/00	Water Hose	Sold per meter
23	204/00201/00	Nut	
24	201/00002/00	Washer	
25	206/00009/00	Bolt	
26	223/00001/04	Prewash and Mainwash Nozzle	
27	229/00068/01	Electrical Connection Sticker	
28	111/00426/01	Electrical Connection Cover	
29	206/00014/00	Bolt	
30	202/00004/00	Washer	
31	223/00226/00	Vent Tube	
32	111/10426/20	Backbridge	

# Electrical Component Mounting Plate

Model HW75\_MICRO-20



BE000124P\_D0904

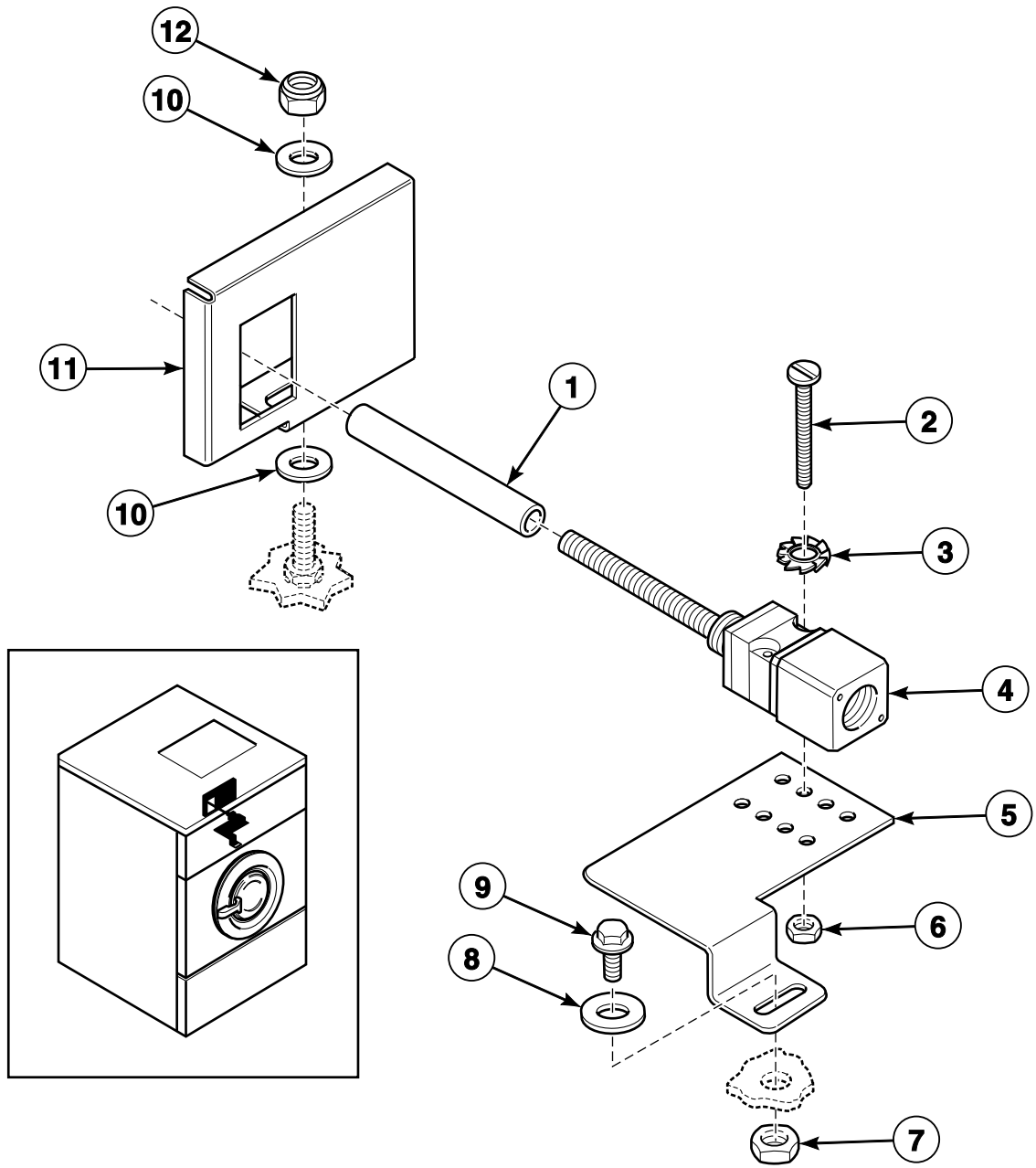


## Electrical Component Mounting Plate

REF	PART NO.	DESCRIPTION	COMMENTS
1	206/00099/00	Bolt	
2	209/00007/50	Pressure Switch	
3	223/00198/00	Grommet	
4	211/00108/00	Fastener	
5	209/00148/02	Contactactor	LC1D18
	209/00041/04	Contactactor	LC1D09
6	209/00356/00	Noise Suppressor	
7	209/00320/00	Filter	
8	111/00191/20	Mounting Plate	
9	223/00174/00	Grommet	
10	204/00005/00	Nut	
11	201/00007/00	Washer	
12	111/00146/00	Assembly Plate	
13	223/00011/00	Hose Clamp	
14	223/00015/00	Level Switch Elbow	
15	223/00016/00	Hose Barb	
16	223/00082/00	Pressure Hose	
17	223/00173/00	Pressure Switch Hose Tee	
18	225/10004/00	Thermostat Seal	
19	209/00309/02	Thermostat Assembly	

# Balance Switch

Model HW75\_MICRO-20

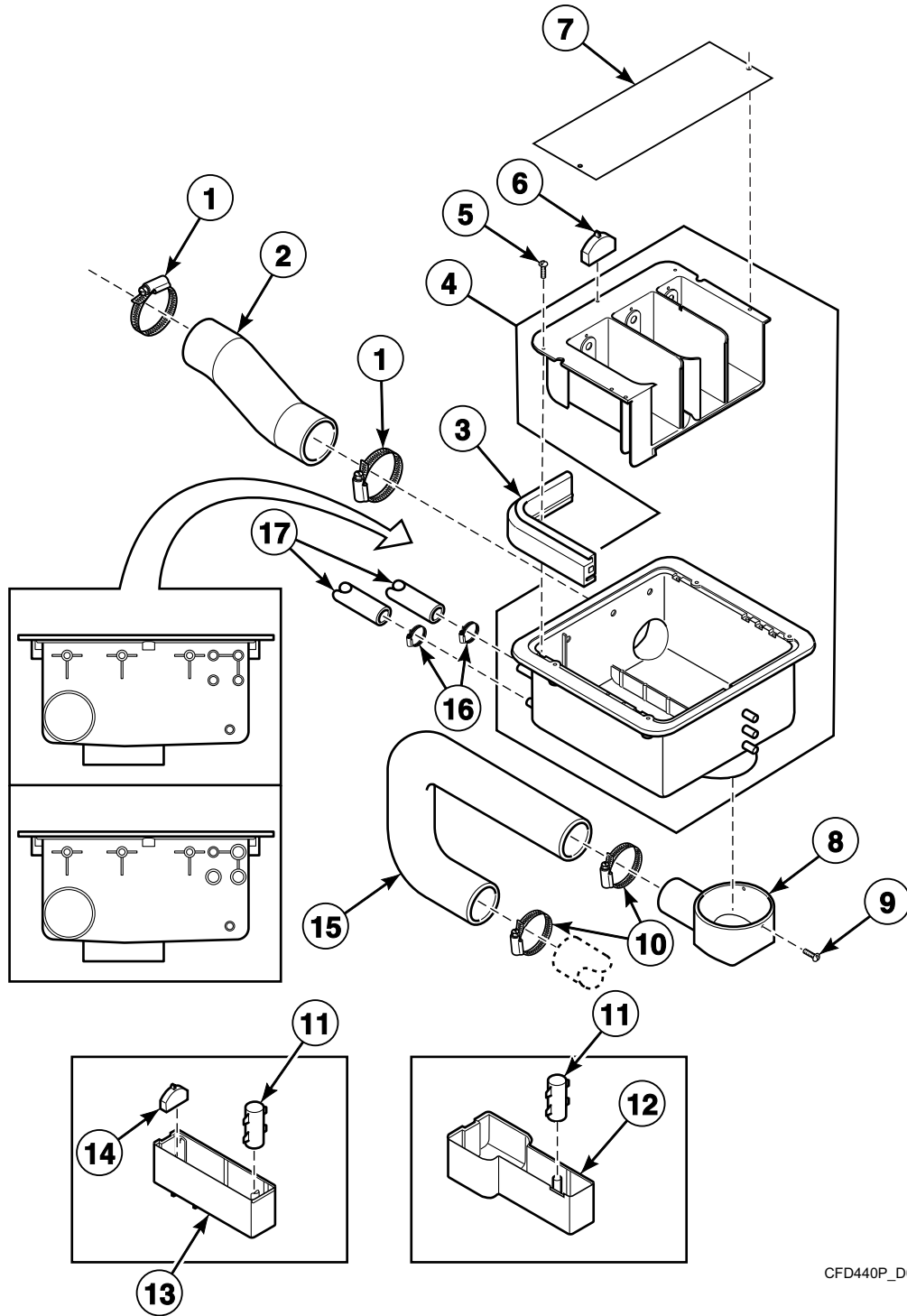


BE000126P\_D0904

# Balance Switch

REF	PART NO.	DESCRIPTION	COMMENTS
1	223/00201/00	Out-of-Balance Switch Boot	
2	207/00018/00	Screw	
3	203/00006/00	Washer	
4	209/00255/00	Out-of-Balance Switch	
5	111/00107/01	Tilt Switch Bracket	
6	204/00007/00	Nut	
7	204/00005/00	Nut	
8	202/00003/00	Washer	
9	206/00099/00	Bolt	
10	201/00010/00	Washer	
11	111/00108/01	Tilt Detector Plate	
12	204/00110/00	Nut	

# Supply Dispenser with Round Ventilation Opening

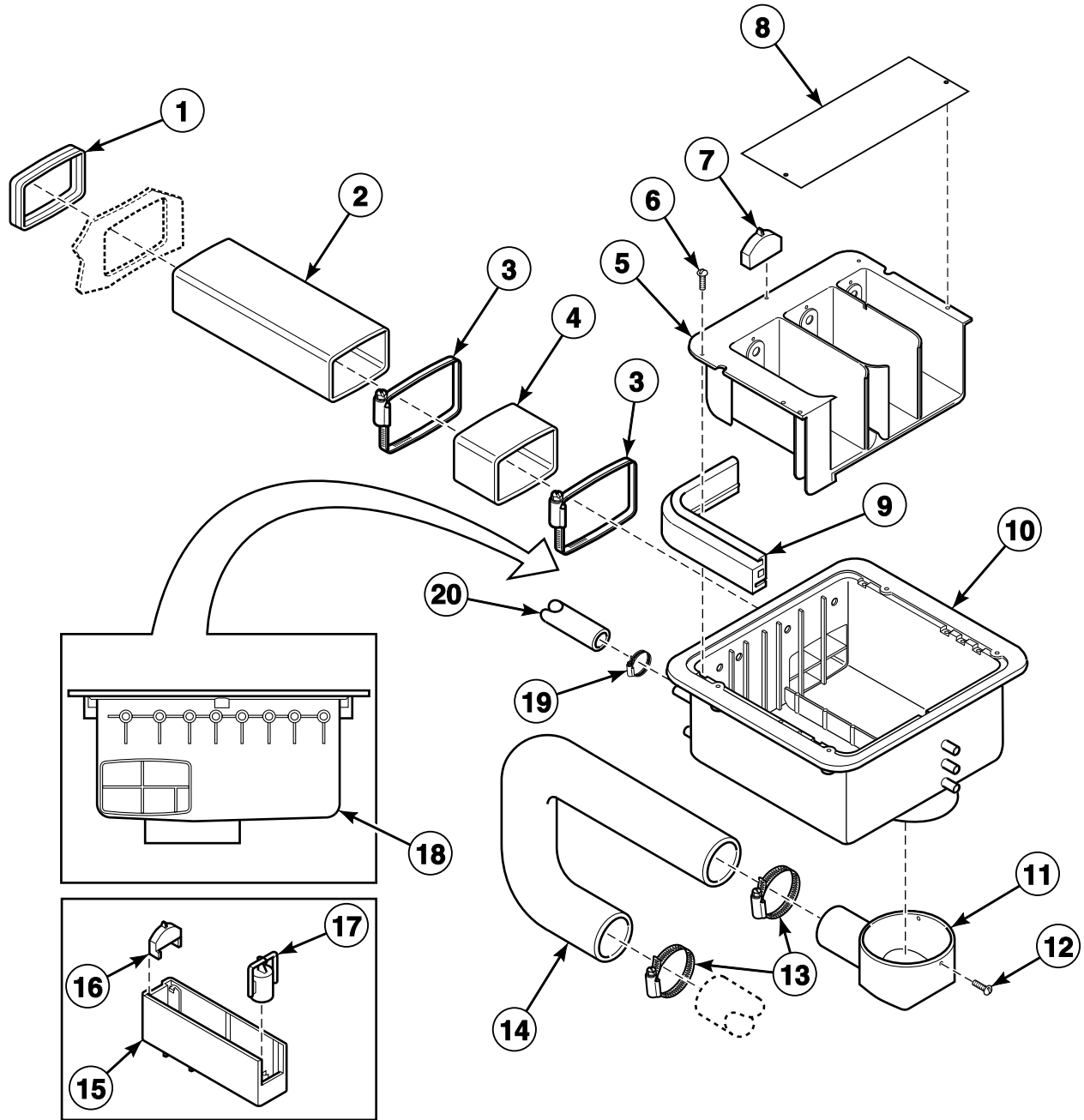


CFD440P\_D0904

## Supply Dispenser with Round Ventilation Opening

REF	PART NO.	DESCRIPTION	COMMENTS
1	223/00014/00	Hose Clamp	
2	223/00197/00	Vent Hose	
3	223/00109/00	Soap Dispenser Gasket	
4	223/00102/30	Soap Dispenser Assembly	
5	B12347501	Screw	
6	223/00102/06	Soap Spray Nozzle	
7	123/00107/00	Anti-Splash Plate	Model HW75_SIGMA
	123/00103/06	Soap Box Assembly Plate	Models HW75_MICRO-20 and HW75_PS40
8	223/00195/00	Dispenser Drain Funnel	
9	B12350903	Screw	
10	223/00013/00	Hose Clamp	
11	223/00102/04	Soap Dispenser Rinse Siphon	
12	223/00102/08	Liquid Soap Dispenser Insert	
13	223/00102/03	Rinse Insert	
14	223/00102/05	Softener Spray Nozzle	
15	223/00191/00	Hose	
16	223/00010/00	Hose Clamp	
17	223/00044/01	Water Hose	

# Supply Dispenser with Rectangular Ventilation Opening

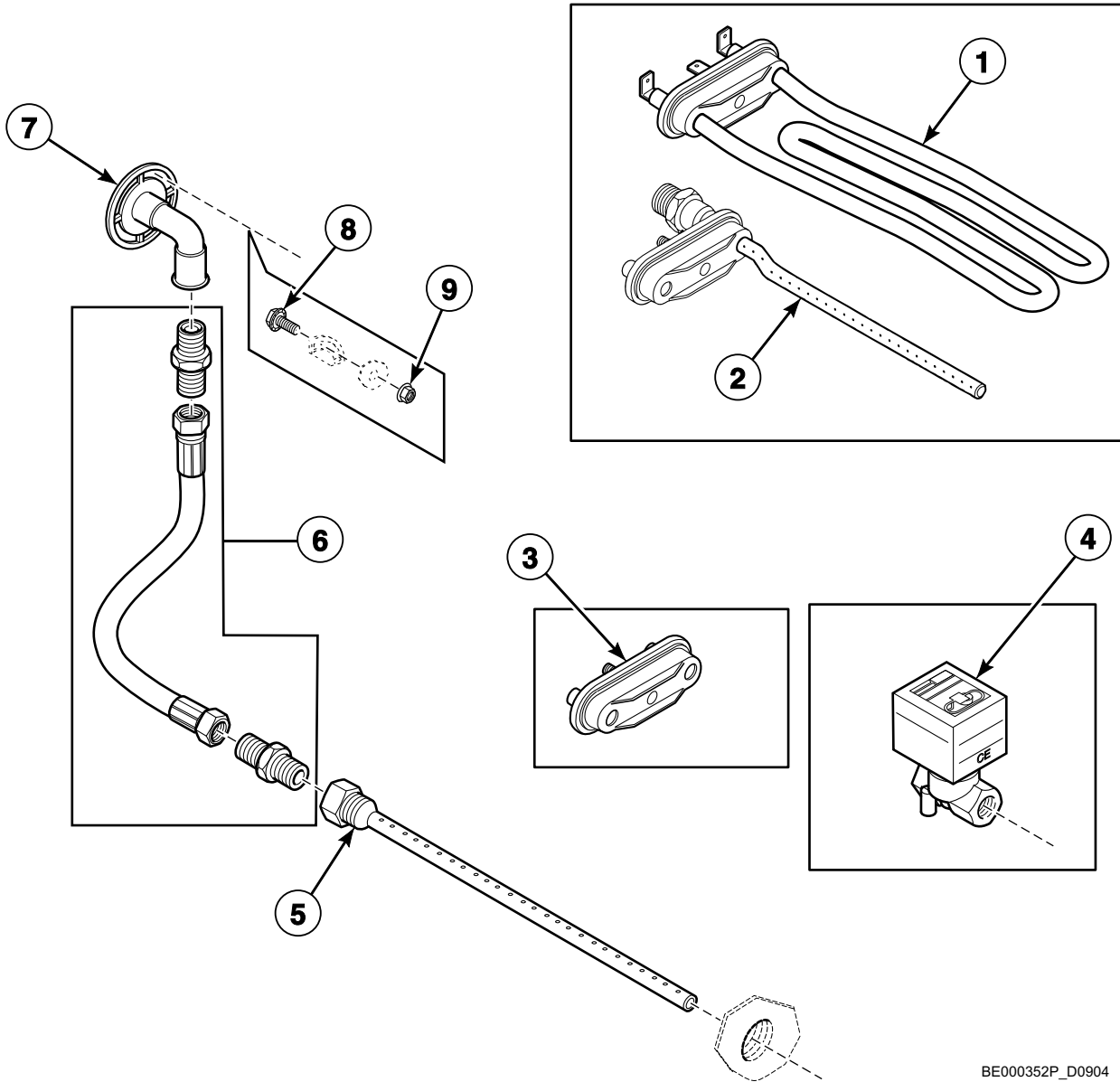


CFD478P\_D0904

# Supply Dispenser with Rectangular Ventilation Opening

REF	PART NO.	DESCRIPTION	COMMENTS
1	223/00226/00	Vent Tube	
2	223/00229/01	Vent Tube	
3	223/00023/00	Hose Clamp	
4	223/00227/00	Dispenser Vent Tub	
5	223/00222/60	Outer and Inner Box Kit	
6	B12347501	Screw	
7	223/00102/06	Soap Spray Nozzle	
8	123/00107/00	Anti-Splash Plate	Model HW75_SIGMA
	123/00103/06	Soap Box Assembly Plate	Models HW75_MICRO-20 and HW75_PS40
9	223/00109/00	Soap Dispenser Gasket	
10	223/00222/01	Exterior Box	
11	223/00195/00	Dispenser Drain Funnel	
12	B12350903	Screw	
13	223/00013/00	Hose Clamp	
14	223/00191/00	Hose	
15	223/00222/05	Rinsing Box	
16	223/00222/03	Softener Spray Nozzle	
17	223/00222/04	Siphon Break	
18	223/00222/00	Soap Dispenser	
19	223/00010/00	Hose Clamp	
20	223/00044/01	Water Hose	Sold per meter

# Electric and Steam Heating Options



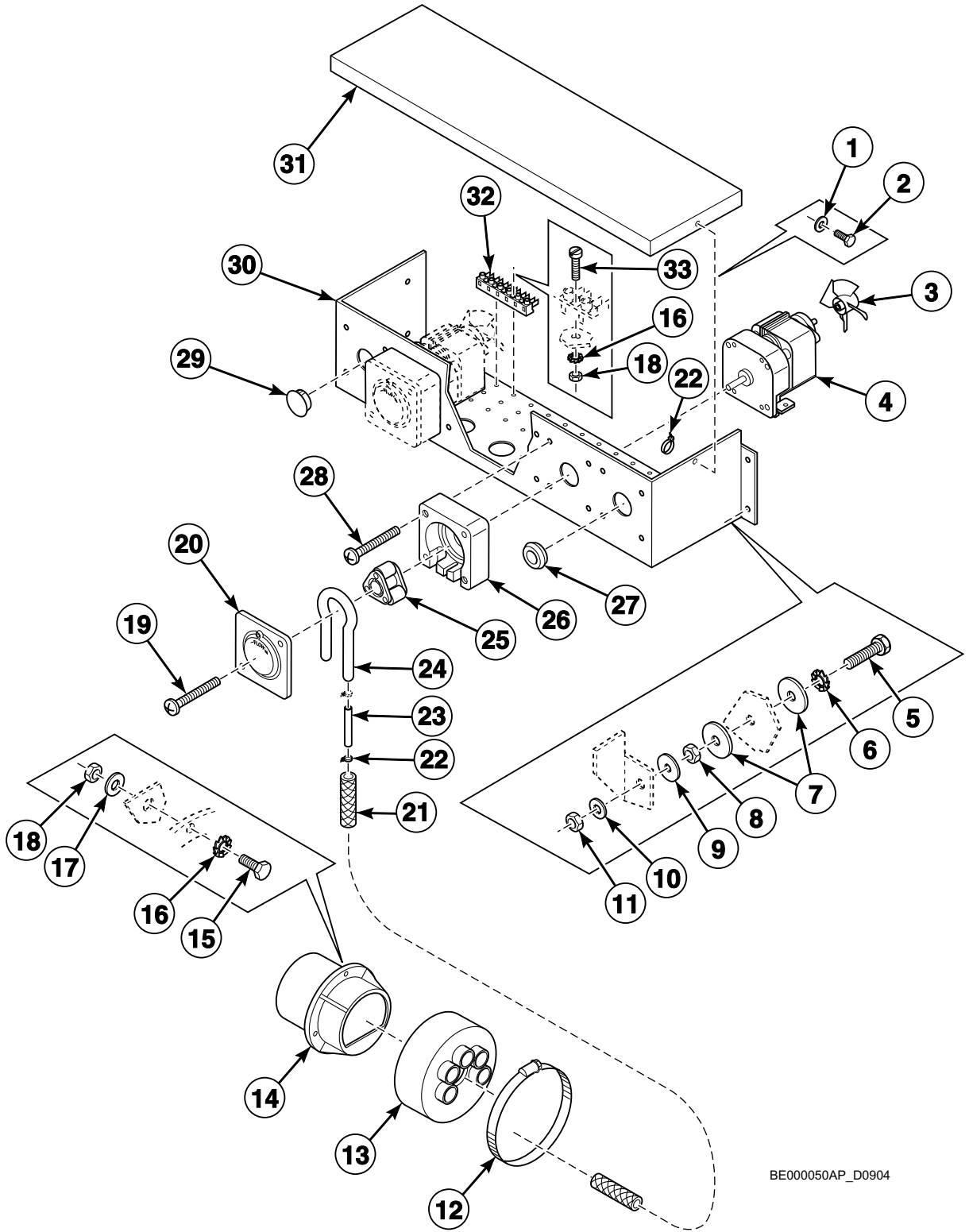
BE000352P\_D0904



## Electric and Steam Heating Options

REF	PART NO.	DESCRIPTION	COMMENTS
1	209/00581/10	Heating Element	4000W
	209/00562/20	Heating Element	3000W
	209/00563/20	Heating Element	2000W
	209/00564/20	Heating Element	1400W
2	118/00105/07	Steam Injector	
3	209/00196/00	Heating Element Plug	
4	209/00477/00	Steam Valve	
5	118/00062/00	Steam Injector	
6	217/00025/00	Steam Hose	
7	118/01063/00	Steam Inlet	
8	206/00099/00	Bolt	
9	206/00101/00	Nut	

# Soap Pumps - Knight

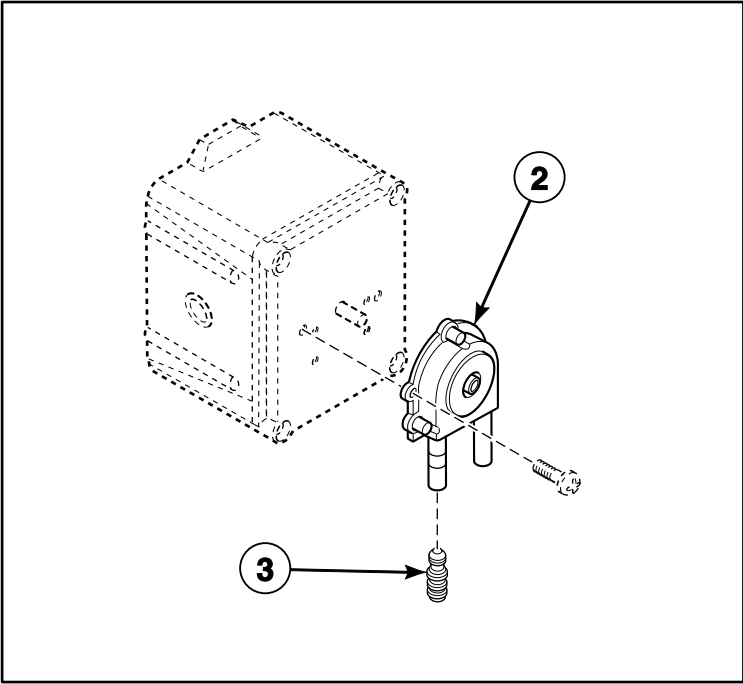
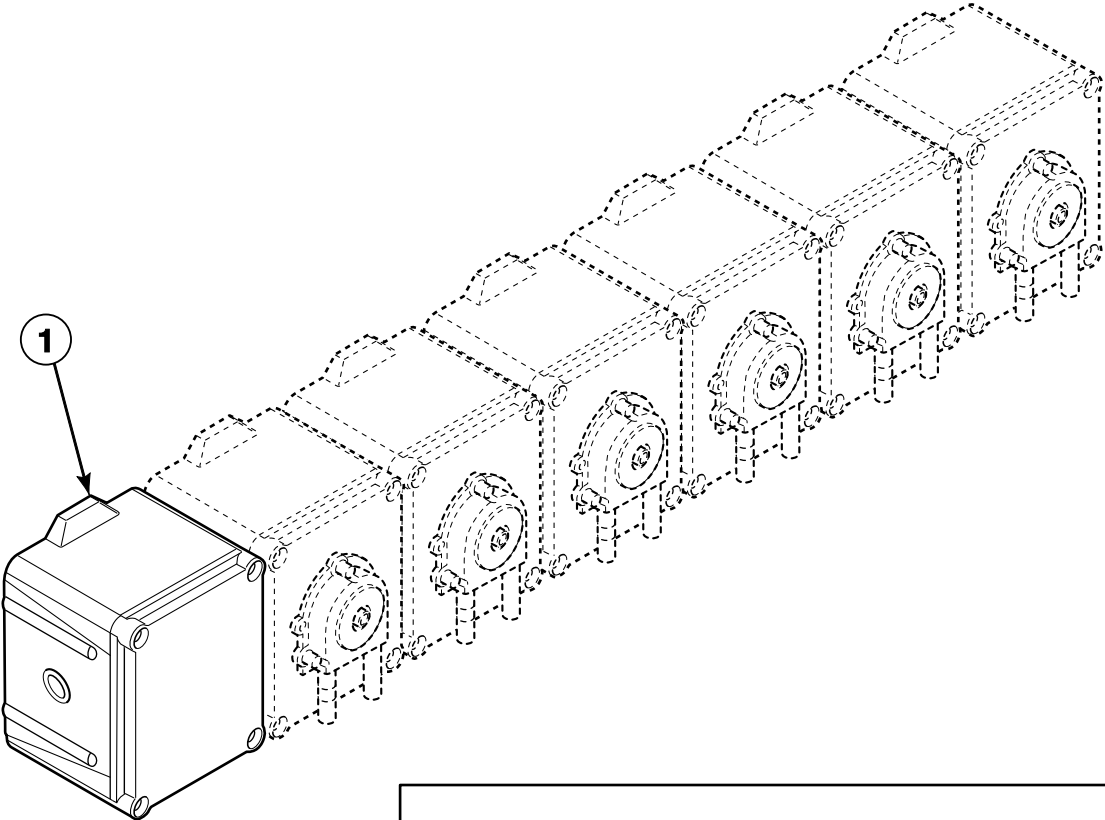


BE000050AP\_D0904

## Soap Pumps - Knight

REF	PART NO.	DESCRIPTION	COMMENTS
1	202/00109/00	Washer	
2	205/00113/00	Bolt	
3	209/00413/08	Motor	
4	209/00413/06	Fan Motor	
5	205/00103/00	Bolt	
6	203/00004/00	Washer	
7	202/00108/00	Washer	
8	204/00005/00	Nut	
9	202/00106/00	Washer	
10	202/00101/00	Washer	
11	204/00009/00	Nut	
12	223/00014/00	Hose Clamp	
13	223/00160/00	Liquid Soap Hose	
14	223/00102/07	Hose Vent	
15	206/00027/00	Bolt	
16	203/00006/00	Washer	
17	202/00004/00	Washer	
18	204/00007/00	Nut	
19	209/00413/05	Screw	
20	209/00413/09	Cover Plate	
21	223/00179/00	Soap Injector Hose	
22	211/00088/00	Cable Tie	
23	223/00180/01	Hose	
24	209/00413/03	Hose	
25	209/00413/07	Pressure Roller	
26	209/00413/10	Pump Housing	
27	223/00198/00	Grommet	
28	209/00413/04	Screw	
29	211/00087/00	Plug	
30	211/00190/00	Assembly Plate	
31	111/00190/01	Pump Top Plate	
32	210/10007/00	Connection	
33	207/00003/00	Screw	

# Soap Pumps - Brightwell



BE000527P\_D0904

## Soap Pumps - Brightwell

REF	PART NO.	DESCRIPTION	COMMENTS
1	209/00554/01	Soap Pump Assembly	1 small pump
	209/00554/02	Soap Pump Assembly	2 small pumps
	209/00554/03	Soap Pump Assembly	3 small pumps
	209/00554/04	Soap Pump Assembly	4 small pumps
	209/00554/05	Soap Pump Assembly	5 small pumps
	209/00554/06	Soap Pump Assembly	6 small pumps
2	209/00554/98	Hose	For dosing pump and cap
3	209/00554/99	Hose Connector	For hose dosing pump



# Parts Index

## A

Anti-Splash Plate	
123/00107/00 .....	75, 77
Assembly Plate	
111/00146/00 .....	71
111/00188/03 .....	59, 69
209/00463/01 .....	31
211/00190/00 .....	81

## B

Backbridge	
111/00426/00 .....	55
111/00426/10 .....	55, 61
111/01172/00 .....	59
111/01172/10 .....	61
111/10426/00 .....	57, 59, 63, 65, 67
111/10426/20 .....	69
Ball Bearing	
215/00001/03 .....	15
215/00001/12 .....	15
Basket	
123/10002/00 .....	13
Bearing Housing Assembly	
115/00201/01 .....	15
Belt	
226/00111/00 .....	17
Belt Rod	
113/00038/00 .....	19
Bolt	
205/00102/00 .....	15
205/00103/00 .....	33, 51, 53, 81
205/00104/00 .....	15, 55, 57
205/00106/00 .....	55, 57
205/00107/00 .....	35
205/00113/00 .....	59, 81
205/00115/00 .....	33
206/00003/00 .....	17
206/00005/00 .....	19, 55, 57
206/00009/00 .....	67, 69
206/00011/00 .....	13
206/00014/00 .....	9, 67, 69
206/00027/00 .....	57, 59, 61, 67, 69, 81
206/00030/00 .....	11
206/00033/00 .....	23, 25, 27, 45
206/00054/00 .....	19
206/00088/00 .....	63, 65
206/00099/00 .....	21, 23, 25, 27, 51, 53, 55, 57, 59, 61, 63, 65, 71, 73, 79
206/00114/00 .....	51, 53
206/00127/00 .....	19
206/00136/00 .....	59
207/00125/00 .....	35

## C

Cable Tie	
211/00088/00 .....	61, 81

Central Control Board	
209/00438/00 .....	59, 67, 69
209/00438/50 .....	67
Circuit Board Cover	
229/00262/00 .....	41, 43
Clamp	
223/00009/00 .....	61
238/00017/00 .....	13
Coil	
209/00051/21 .....	29, 31
209/00052/21 .....	29, 31
209/00203/21 .....	29, 31
Coin Box	
211/00071/00 .....	45
211/00101/00 .....	45
Coin Box Key	
211/00065/02 .....	45
Coin Box Lock	
211/00065/00 .....	45
Coin Box Ring	
111/00066/00 .....	45
Coin Box Ring Assembly	
111/00100/00 .....	45
Coin Drop	
209/00060/00 .....	49
Coin Drop Microswitch	
209/00060/12 .....	45
Coin Meter	
209/00061/00 .....	49
209/00062/00 .....	49
209/00064/00 .....	47
209/00065/00 .....	47
209/00066/00 .....	49
209/00068/00 .....	49
209/00069/00 .....	49
209/00070/00 .....	49
209/00072/00 .....	49
209/00111/00 .....	47
209/00111/10 .....	47
209/00119/00 .....	47
209/00120/00 .....	47
209/00121/00 .....	49
209/00122/00 .....	49
209/00123/00 .....	49
209/00156/00 .....	49
209/00158/00 .....	49
209/00160/00 .....	49
209/00161/00 .....	49
209/00162/00 .....	49
209/00166/00 .....	47
209/00214/00 .....	47
209/00215/00 .....	47
209/00215/01 .....	47
209/00216/00 .....	47
209/00229/00 .....	47
209/00269/00 .....	49
209/00278/00 .....	47
209/00286/00 .....	49
209/00296/00 .....	49
209/00364/00 .....	47
209/00373/00 .....	47
209/00375/00 .....	47
209/00378/00 .....	47
209/00383/00 .....	47

N/A items do not appear in index.

209/00387/00 .....	47	Dispenser Vent Tub	
209/00388/00 .....	47	223/00227/00 .....	77
209/00389/00 .....	47	Door Axle Roller	
209/00390/00 .....	47	217/00013/05 .....	37, 39
209/00391/00 .....	47	Door Boot	
209/00402/01 .....	47	223/0012200 .....	13
209/00402/02 .....	47	Door Circlip	
209/00402/03 .....	47	217/00013/11 .....	37, 39
209/00402/04 .....	47	Door Frame	
209/00402/07 .....	47	118/00046/10 .....	35
209/00402/08 .....	47	Door Glass	
209/00403/00 .....	47	217/00022/00 .....	35
209/00404/00 .....	47	Door Glass Seal	
209/00407/00 .....	47	217/00015/00 .....	35
209/00411/00 .....	49	Door Handle	
209/00414/00 .....	47	217/00013/12 .....	37, 39
209/00415/00 .....	47	217/00051/00 .....	35, 37, 39
209/00418/00 .....	47	Door Handle Assembly Plate	
209/00428/00 .....	47	217/00013/16 .....	37
209/00437/00 .....	47	Door Handle Catch	
209/00442/00 .....	47	217/00051/13 .....	39
209/00460/00 .....	47	Door Handle Hook	
209/00469/00 .....	47	217/00013/13 .....	37
209/00500/00 .....	47	Door Handle Latch	
209/00501/00 .....	47	217/00013/04 .....	37
209/00502/00 .....	47	217/00051/14 .....	37, 39
209/00522/00 .....	47	Door Handle Locking Pin	
209/00548/00 .....	49	217/00013/15 .....	37
209/00553/00 .....	49	Door Handle Spring	
209/00576/00 .....	47	217/00013/14 .....	37, 39
209/10215/00 .....	47	Door Handle Stop	
Connection		217/00016/00 .....	35
210/10007/00 .....	81	Door Hinge	
Connector		221/00005/00 .....	35
223/00205/00 .....	23, 25, 27	Door Hinge Assembly	
Contact		217/00009/02 .....	35
209/00099/05 .....	65	Door Hinge Plate Assembly	
Contact Switch		118/00065/00 .....	35
209/00099/06 .....	41, 63, 65	Door Hinge Spacer	
209/00099/26 .....	43	117/00010/00 .....	35
Contactors		117/00011/00 .....	35
209/00041/04 .....	71	Door Latch Cord	
209/00148/02 .....	71	224/00015/00 .....	33
Control Board		Door Lock Assembly	
209/00547/00 .....	43	217/00052/01A .....	33
Cordlock		Door Lock Board	
211/00117/00 .....	69	209/00275/04 .....	33
211/00138/00 .....	19	Door Lock Microswitch	
211/00167/00 .....	67	209/00272/00 .....	33
211/00168/00 .....	67	Door Lock Pin Kit	
Counter Ring		211/00109/01 .....	35
217/00004/00 .....	17	217/00052/02 .....	33
Counterweight		Door Lock Solenoid	
113/00035/00 .....	9	209/00274/00 .....	33
Cover Plate		Door Lock Spacer	
209/00413/09 .....	61, 81	217/00052/03 .....	33
Cylinder Shaft Key		Door Lock Spring	
216/00007/00 .....	17	217/00013/03 .....	37, 39
		224/00049/00 .....	33
		Door Locking Grip	
		217/00013/07 .....	37, 39
		Door Locking Pin	
		217/00013/08 .....	37, 39

## D

Decal	
225/00403/00 .....	43
Dispenser Drain Funnel	
223/00195/00 .....	75, 77

N/A items do not appear in index.



Door Mounting Pin	217/00013/09	37, 39
Door Roller	217/00013/06	37, 39
Drain Housing Gasket	209/00025/02	29, 31
Drain Pipe	223/00105/00	23, 25, 27
	223/00228/00	21, 25
Drain Pipe Plate Assembly	152/00041/05	23, 25, 27
Drain Valve	209/00051/00	21, 23, 25, 27
	209/00463/00	25, 27
Drain Valve Hose	223/00190/00	21, 23, 25, 27
Drain Valve Motor	209/00051/11	29
	209/00052/11	29
	209/00052/12	31
	209/00203/11	29
	209/00203/12	31
Drain Valve Motor Assembly	209/00170/06	31
Drain Valve Motor Mounting Plate	209/00025/07	29
Drain Valve Overflow Plug	223/00086/00	21, 23, 25, 27
Drain Valve Plate	152/00041/06	21, 23, 25, 27
Drain Valve Plate Assembly	114/00030/00	21, 23, 25, 27
Drain Valve Shaft Seal	209/00025/10	29, 31
Drain Valve Spring	209/00025/03	29, 31
	209/00025/13	29
	209/00170/02	31

## E

Electrical Connection Cover	111/00426/01	59, 69
Electrical Connection Plate	111/00094/10	67
	111/00180/00	41, 43, 57
	111/00180/10	41, 43, 57
	111/00188/04	67
Electrical Connection Sticker	229/00068/01	59, 69
	229/00068/02	67
Emergency Stop Button Kit	209/00253/00	41, 63
Eprom	209/00266/01	41
Exhaust Valve Housing	209/00025/01	29, 31
Exterior Box	223/00222/01	77

## F

Facia Panel	225/00289/AOL	41, 43
	225/00290/AOL	41, 43
Fan	209/00465/00	19, 59, 63, 65
Fan Cover Plate	111/00426/03	59
Fan Grill	209/00465/01	59, 63, 65
Fan Motor	209/00413/06	61, 81
Fan Plate Assembly	152/00044/03	19
Fastener	211/00108/00	71
Fastening Rubber	247/00006/00	11
	247/00007/00	11
Filter	209/00320/00	71
Frame	152/00041/50	9
Front Label	225/00361/00	43
	225/00367/00	43
Front Plate	111/00068/00	45
	111/10091/00	55, 57
Fuse	209/00195/00	59, 69
	209/00439/00	41, 43
	209/00468/00	67
Fuse Holder	209/00202/00	59, 67, 69

## G

Gasket	246/00149/00	9
Grommet	223/00174/00	63, 65, 71
	223/00198/00	59, 67, 69, 71, 81
	223/00199/00	59, 65
Ground Terminal	209/00006/01	67, 69
	210/10015/00	33

## H

Heating Element	209/00562/20	79
	209/00563/20	79
	209/00564/20	79
	209/00581/10	79
Heating Element Plug	209/00196/00	79
Hose	209/00413/03	61, 81
	209/00554/98	83

N/A items do not appear in index.

223/00180/01 .....	61, 81
223/00191/00 .....	75, 77
<b>Hose Barb</b>	
223/00016/00 .....	71
<b>Hose Clamp</b>	
223/00010/00 .....	59, 61, 67, 69, 75, 77
223/00011/00 .....	71
223/00012/00 .....	21, 23, 25, 27
223/00013/00 .....	21, 23, 25, 27, 75, 77
223/00014/00 .....	21, 23, 25, 27, 61, 75, 81
223/00023/00 .....	77
<b>Hose Connector</b>	
209/00554/99 .....	83
<b>Hose Vent</b>	
223/00102/07 .....	59, 61, 67, 81

## I

<b>Infrared Cable</b>	
210/00902/00 .....	43
<b>Inlet Valve, 2-Way</b>	
B12519501 .....	67
209/00110/00 .....	59, 61, 67, 69
<b>Inner Coin Box</b>	
211/00070/03 .....	45
<b>Insulating Sticker</b>	
229/00255/00 .....	41, 43
<b>Interlock Coil Spring</b>	
224/00043/00 .....	33
<b>Interlock Lever</b>	
217/00052/04 .....	33
<b>Inverter</b>	
111/10426/01 .....	65
111/10426/11 .....	63
111/10426/12 .....	63
111/10426/99 .....	65

## L

<b>Level Switch Elbow</b>	
223/00015/00 .....	71
<b>Lever Spring</b>	
224/00040/00 .....	33
<b>Light Microswitch</b>	
209/00273/00 .....	33
<b>Liquid Soap Dispenser Insert</b>	
223/00102/08 .....	75
<b>Liquid Soap Hose</b>	
223/00160/00 .....	61, 81
<b>Lock Protection Plate</b>	
117/00052/08 .....	33
<b>Lock Shaft</b>	
217/00017/03 .....	33
<b>Lower Front Panel</b>	
111/10088/00 .....	51, 53
111/10088/10 .....	51, 53
111/10090/00 .....	51, 53
111/10090/10 .....	51, 53
111/22131/00 .....	55, 57
111/23131/00 .....	57
<b>Lower Rear Panel</b>	
111/10427/01 .....	53

111/10427/02 .....	53
--------------------	----

## M

<b>Metal Disc</b>	
202/00120/00 .....	43
<b>Motor</b>	
B12510501 .....	19
209/00413/08 .....	61, 81
<b>Motor Plate</b>	
152/00040/00 .....	19
<b>Motor Plate Pipe Assembly</b>	
209/00463/02 .....	31
<b>Mounting Plate</b>	
111/00191/20 .....	71
111/10093/00 .....	55, 57
<b>Mushroom Pushbutton</b>	
209/00248/00 .....	41, 63, 65
209/00248/20 .....	43

## N

<b>Network Connection Printboard</b>	
209/00540/00 .....	67
<b>Noise Filter</b>	
227/00164/00 .....	63
<b>Noise Suppressor</b>	
209/00356/00 .....	71
<b>Nut</b>	
204/00003/00 .....	11, 55, 57
204/00005/00 .....	9, 45, 55, 57, 71, 73, 81
204/00006/00 .....	55, 57
204/00007/00 .....	33, 55, 59, 61, 63, 65, 67, 69, 73, 81
204/00008/00 .....	33, 45, 59
204/00009/00 .....	13, 21, 23, 25, 27, 33, 41, 43, 55, 57, 81
204/00012/00 .....	19
204/00103/00 .....	35
204/00106/00 .....	35
204/00110/00 .....	11, 19, 73
204/00111/00 .....	9, 15
204/00114/00 .....	57, 59, 63, 65
204/00115/00 .....	19
204/00116/00 .....	41, 43
204/00201/00 .....	67, 69
206/00101/00 .....	23, 25, 27, 57, 79
208/00002/00 .....	59, 61, 67, 69
208/00025/00 .....	57
208/00104/00 .....	51, 53
211/00022/00 .....	59
211/00065/01 .....	45
211/00170/00 .....	67
211/00171/00 .....	67

## O

<b>O-Ring</b>	
217/00002/00 .....	15
<b>Outer and Inner Box Kit</b>	
223/00222/60 .....	77
<b>Outer Cabinet Lock</b>	
211/00070/01 .....	45

N/A items do not appear in index.

Outer Coin Box	
211/00100/00	45
Outlet Pipe Plate Assembly	
101/00007/00	21, 23, 25, 27, 55, 57
Out-of-Balance Switch	
209/00255/00	73
Out-of-Balance Switch Boot	
223/00201/00	73
Overflow Hose	
223/00148/00	21, 23, 25, 27

## P

Plexi Frame	
225/00316/00	41, 43
Plug	
B12500101	59, 69
211/00087/00	67, 81
211/00091/00	67
Pressure Hose	
223/00082/00	71
Pressure Roller	
209/00413/07	61, 81
Pressure Switch	
209/00007/50	71
Pressure Switch Hose Tee	
223/00173/00	71
Prewash and Mainwash Nozzle	
223/00001/04	67, 69
Printboard	
209/00218/01	59
209/00218/03	69
209/00440/00	41
Pulley	
226/00071/00	17
226/00110/00	19
Pump Housing	
209/00413/10	61, 81
Pump Top Plate	
111/00190/01	81
Pushbutton	
209/00396/00	45

## R

Rear Panel	
111/00427/00	51
Rear Plate	
111/10092/00	55, 57
Reinforcement Plate	
111/10089/01	51, 53
Retaining Ring	
117/00042/00	19, 55, 57
212/00028/00	15
212/00030/00	15
252/00027/00	15
Rinse Insert	
223/00102/03	75
Rinsing Box	
223/00222/05	77
Rollpin	
208/00013/00	45

## S

Screw	
B12347501	75, 77
B12350903	75, 77
B12500801	35
206/00038/00	45
206/00053/00	9, 15
206/00055/00	9
206/00056/00	19
206/00086/00	21, 23, 25, 27
207/00003/00	81
207/00004/00	63
207/00009/00	33, 45
207/00014/00	59
207/00018/00	73
207/00021/00	59
207/00031/00	67, 69
207/00032/00	55
207/00101/00	55, 57
207/00106/00	59
207/00108/00	45
207/00117/00	19
207/00121/00	63, 65
207/00126/00	35
207/00135/00	33
208/00001/00	57, 59, 61, 67, 69
208/00007/00	45
209/00025/04	29, 31
209/00025/06	29, 31
209/00025/08	29
209/00025/09	29, 31
209/00413/04	61, 81
209/00413/05	61, 81
209/00463/03	31
Seal Cover	
117/00001/00	15
Sealing Plate Assembly	
209/00025/16	29, 31
Shaft Seal	
217/00003/00	15
Shock Absorber	
247/00002/02	11
247/00004/00	11
Side Panel	
111/10089/00	51, 53, 55, 57
111/10089/10	51, 53, 55, 57
Side Panel Gasket	
246/00079/00	51, 53, 55, 57
Siphon Break	
223/00222/04	77
Soap Box Assembly Plate	
123/00103/06	75, 77
Soap Dispenser	
223/00222/00	77
Soap Dispenser Assembly	
223/00102/30	75
Soap Dispenser Cover	
223/00103/01	51, 53
Soap Dispenser Cover Hinge Rod	
223/00103/04	51, 53
Soap Dispenser Frame	
223/00103/03	51, 53
Soap Dispenser Gasket	
223/00109/00	75, 77

N/A items do not appear in index.

Soap Dispenser Rinse Siphon 223/00102/04 .....	75
Soap Injection PCB with Fuse 209/00218/13 .....	67
Soap Injector Hose 223/00179/00 .....	61, 81
Soap Pump Assembly 209/00554/01 .....	83
209/00554/02 .....	83
209/00554/03 .....	83
209/00554/04 .....	83
209/00554/05 .....	83
209/00554/06 .....	83
Soap Spray Nozzle 223/00102/06 .....	75, 77
Softener Spray Nozzle 223/00102/05 .....	75
223/00222/03 .....	77
Speed Detector 209/00400/00 .....	15
Speed Detector Assembly Plate 152/00052/00 .....	15
Spindle 111/00069/00 .....	45
Spring 211/00070/04 .....	45
Spring Holder Top 247/00001/04 .....	11
Spring Seat Bottom 247/00001/03 .....	11
Standoff 211/00120/00 .....	33, 59, 67, 69
211/00122/00 .....	41, 43
Steam Hose 217/00025/00 .....	79
Steam Injector 118/00062/00 .....	79
118/00105/07 .....	79
Steam Inlet 118/01063/00 .....	79
Steam Valve 209/00477/00 .....	79
Sticker 225/00308/00 .....	41
225/00309/00 .....	41
229/00270/00 .....	59
Suspension Spring 247/00009/00 .....	11
Switch Lever 217/00052/05 .....	33

## T

Telem Sticker 209/00520/00 .....	41, 43, 63, 65
Terminal 209/00006/00 .....	59
Terminal Block 209/00058/00 .....	59, 67, 69
Thermostat Assembly 209/00309/02 .....	71
Thermostat Seal 225/10004/00 .....	71

N/A items do not appear in index.

Tilt Detector Plate 111/00108/01 .....	73
Tilt Switch Bracket 111/00107/01 .....	73
Top Panel 111/22141/00 .....	51, 53
111/22144/00 .....	51, 53
111/23141/00 .....	51, 53
T-Piece 118/00043/06 .....	25, 27
Triangle Support 111/00109/00 .....	55, 57
111/00118/00 .....	55, 57
Tub 118/10064/00 .....	13
118/10065/00 .....	13
Tub Drain Valve 223/00129/00 .....	25, 27
Tub Front Panel 118/00054/03 .....	13
Tub Front Panel Clip 217/00008/00 .....	13
Tub Front Ring Clamp 217/00007/00 .....	13
Tub Gasket 223/00242/10 .....	13
Tub Support 152/00043/00 .....	9

## V

Valve Axle 209/00025/15 .....	29, 31
Valve Exhaust to Drain Piece 223/00204/00 .....	25, 27
Valve Hose 223/00189/00 .....	21, 23
Valve Housing 209/00025/05 .....	29
209/00463/04 .....	31
Vent Hose 223/00197/00 .....	75
Vent Tube 223/00226/00 .....	69, 77
223/00229/01 .....	77

## W

Washer 201/00001/00 .....	19
201/00002/00 .....	67, 69
201/00003/00 .....	17
201/00005/00 .....	9
201/00006/00 .....	33, 55, 57, 59, 61, 67, 69
201/00007/00 .....	21, 23, 25, 27, 55, 71
201/00008/00 .....	41, 43
201/00010/00 .....	55, 57, 73
201/00013/00 .....	15
201/00014/00 .....	9
201/00015/00 .....	11
201/00017/00 .....	33
201/00018/00 .....	33
201/00201/00 .....	15

202/00003/00 .....	13, 55, 57, 73
202/00004/00 .....	55, 57, 59, 61, 63, 65, 67, 69, 81
202/00101/00 .....	33, 35, 51, 53, 81
202/00104/00 .....	35
202/00106/00 .....	81
202/00108/00 .....	35, 81
202/00109/00 .....	81
202/00111/00 .....	35
203/00001/00 .....	9, 17
203/00002/00 .....	11, 55, 57
203/00004/00 .....	21, 23, 25, 27, 45, 81
203/00005/00 .....	55, 57
203/00006/00 .....	33, 41, 55, 59, 61, 63, 65, 67, 69, 73, 81
203/00007/00 .....	33, 45, 59
203/00015/00 .....	57
208/00009/00 .....	55, 57
209/00025/12 .....	31
211/00070/02 .....	45
217/00052/08 .....	33

Water Hose

223/00044/00 .....	59, 69
223/00044/01 .....	61, 67, 69, 75, 77

---

