

Washer-Extractor

Cabinet Hardmount

Refer to Page 5 for Model Numbers



Table of Contents

Title	Page
Parts Ordering Information.....	3
Serial Plate Location	3
Model Identification	5
Serial Label	6
Frame.....	8
Cabinet - A, IA and WMA Models (Drawing 1 of 2).....	10
Cabinet - A, IA and WMA Models (Drawing 2 of 2).....	12
Cabinet - AR Non-Brand, NA and SA Models (Drawing 1 of 2).....	14
Cabinet - AR Non-Brand, NA and SA Models (Drawing 2 of 2).....	16
Cabinet (Drawing 1 of 4).....	18
Cabinet (Drawing 2 of 4).....	20
Cabinet (Drawing 3 of 4).....	22
Cabinet (Drawing 4 of 4).....	24
Cabinet (Drawing 1 of 3).....	26
Cabinet (Drawing 2 of 3).....	28
Cabinet (Drawing 3 of 3).....	30
Control Panel - A, IA and WMA Models.....	32
Coin Meter - A, IA and WMA Models (Drawing 1 of 3).....	34
Coin Meter - A, IA and WMA Models (Drawing 2 of 3).....	36
Coin Meter - A, IA and WMA Models (Drawing 3 of 3).....	38
Control Panel - AR Non-Brand, NA and SA Models	40
Coin Meter - AR Non-Brand, NA and SA Models (Drawing 1 of 4).....	42
Coin Meter - AR Non-Brand, NA and SA Models (Drawing 2 of 4).....	44
Coin Meter - AR Non-Brand, NA and SA Models (Drawing 3 of 4).....	46
Coin Meter - AR Non-Brand, NA and SA Models (Drawing 4 of 4).....	48
Control Panel (Drawing 1 of 2).....	50
Control Panel (Drawing 2 of 2).....	52
Control Panel OPL.....	54
Control Panel Vended.....	56
Control Panel for Central Payment System	58
Coin Meter Case	60
Coin Meter Case.....	62
Coin Meter - AR, IA, LA, LW, MWC, NA, NX, PA and RX, SA and UA Models (Drawing 1 of 4).....	64
Coin Meter - AR, IA, LA, LW, MWC, NA, NX, PA and RX, SA and UA Models (Drawing 2 of 4).....	66
Coin Meter - AR, IA, LA, LW, MWC, NA, NX, PA and RX, SA and UA Models (Drawing 3 of 4).....	68
Coin Meter - AR, IA, LA, LW, MWC, NA, NX, PA and RX, SA and UA Models (Drawing 4 of 4).....	70
Door (Drawing 1 of 3).....	72
Door (Drawing 2 of 3).....	74
Door (Drawing 3 of 3).....	76
Water Inlet System (Drawing 1 of 4).....	78
Water Inlet System (Drawing 2 of 4).....	80

© Copyright 2023, Alliance Laundry Systems LLC

All rights reserved. No part of the contents of this book may be reproduced or transmitted in any form or by any means without the expressed written consent of the publisher.

Water Inlet System (Drawing 3 of 4)	82
Water Inlet System (Drawing 4 of 4)	84
Drain System	86
Drain System	88
Rear Panel (Drawing 1 of 2)	90
Rear Panel (Drawing 2 of 2)	92
Rear Panel - 230V 1/3AC, 400V with Neutral, CE (Drawing 1 of 2).....	94
Rear Panel - 230V 1/3AC, 400V with Neutral, CE (Drawing 2 of 2).....	96
Rear Panel - 400V 440-480V, CE (Drawing 1 of 2)	98
Rear Panel - 400V 440-480V, CE (Drawing 2 of 2)	100
Steam Heating	102
Steam Heating	104
Drive (Drawing 1 of 2)	106
Drive (Drawing 2 of 2)	108
Elevated Base Frame	110
Washing Drum	112
External Tub and Bearing Housing	114
Bearing Housing	116
Liquid Soap Supply System - Pumps.....	118
Wire Harnesses	120
Parts Index.....	121

Parts Ordering Information

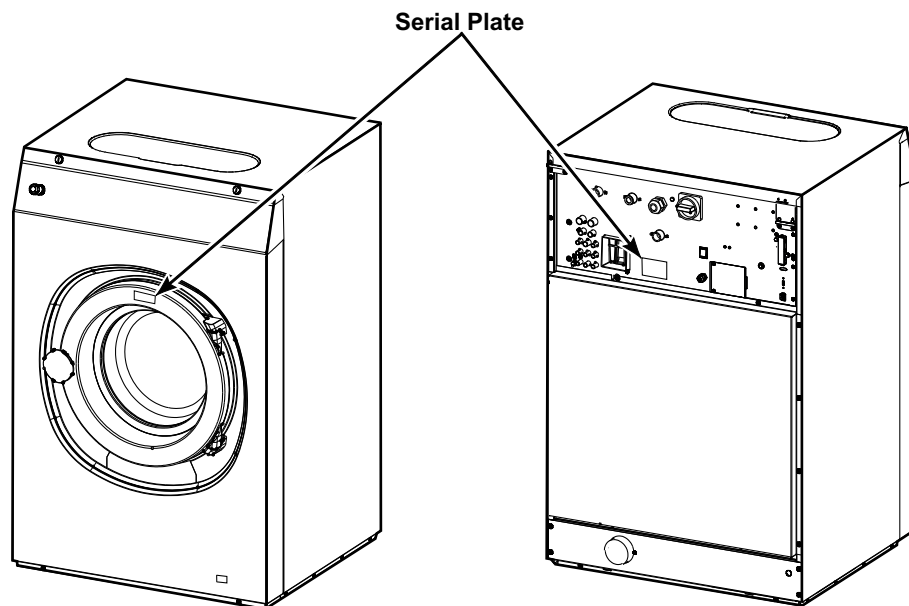
If literature or replacement parts are required, contact the source from whom the machine was purchased or contact Alliance Laundry Systems at (920) 748-3950 for the name and address of the nearest authorized parts distributor.

For technical assistance, call the number listed below:

(920) 748-3121 Ripon, Wisconsin

Serial Plate Location

When calling or writing about your product, be sure to mention model and serial numbers. Model and serial numbers are located on serial plate(s).



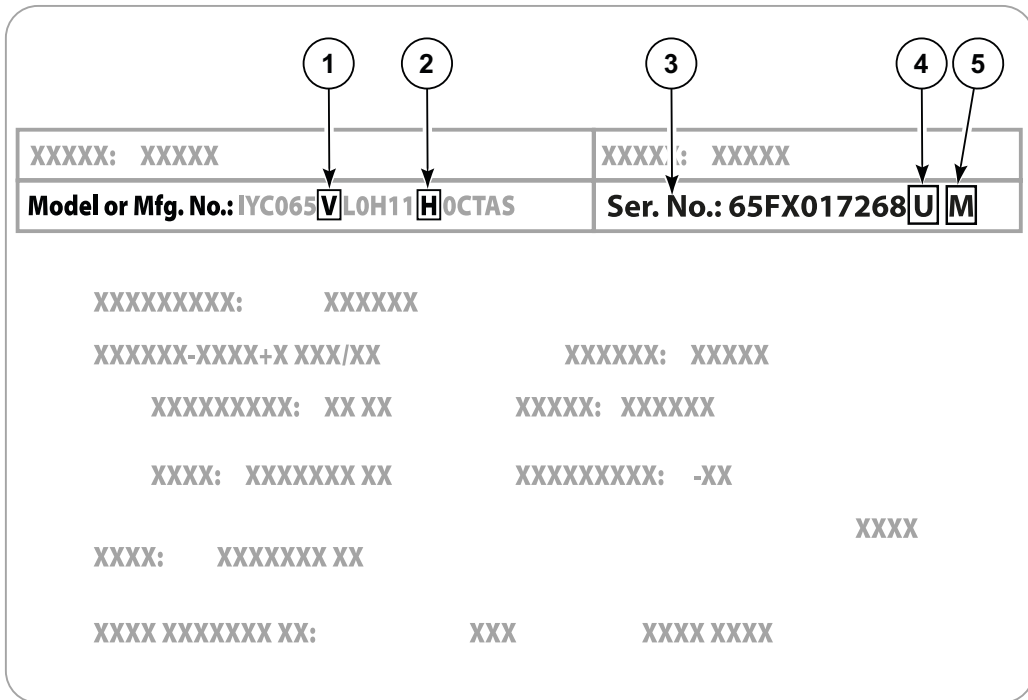
CFD3559P_D2311

Model Identification

Information in this manual is applicable to these washer-extractor models:

A180_ARIES	IAR180R	PAC180G
AR180M_BASIC	IAU180G	PAC180T
AR180M_PROFESSIONAL	IAU180J	PAC180X
AR180M_X_CONTROL	IAU180R	PAE180T
AR180M_X_CONTROL_PLUS	IAW180J	PAE180X
AR180N_BASIC	IAW180R	PAH180T
AR180N_PROFESSIONAL	IAX180J	PAH180X
AR180N_X_CONTROL	IAX180R	PAK180T
AR180N_X_CONTROL_PLUS	IAY180J	PAK180X
IA180_ARIES	IAY180R	PAM180G
IA180_ARIES-ELITE	LAC180T	PAM180T
IA180_JLA	LAC180X	PAM180X
LW20_X_CONTROL	LAE180T	PAN040T
MWCS40	LAE180X	PAN040X
MWCX40_X_CONTROL	LAH180T	PAR180T
MWCX40_X_CONTROL_PLUS	LAH180X	PAR180X
MWCX40M_X_CONTROL	LAU180T	PAU180G
MWCX40M_X_CONTROL_PLUS	LAU180X	PAU180T
MWCX40N_X_CONTROL	LAX180T	PAU180X
MWCX40N_X_CONTROL_PLUS	LAX180X	PAX180T
NX180_X_CONTROL	LAY180T	PAX180X
NX180M_X_CONTROL	LAY180X	PAY180T
NX180M_X_CONTROL_PLUS	NAC180G	PAY180X
PA40_X_CONTROL	NAC180T	SAC180A
PA40_X_CONTROL_PLUS	NAC180X	SAC180D
PAN040TN0MZA20CTAA	NAE180T	SAC180G
RX180M_X_CONTROL	NAE180X	SAE180D
RX180M_X_CONTROL_PLUS	NAH180T	SAH180A
RX180N_X_CONTROL	NAH180X	SAH180D
RX180N_X_CONTROL_PLUS	NAM180G	SAM180G
WMA203E	NAM180T	SAU180A
WMA203E_ARIES	NAM180X	SAU180D
IAB180J	NAR180T	SAU180G
IAB180R	NAR180X	SAX180A
IAC180G	NAU180G	SAX180D
IAC180J	NAU180T	SAY180A
IAC180R	NAU180X	SAY180D
IAE180J	NAX180T	UAC180G
IAE180R	NAX180X	UAC180I
IAG180J	NAY180T	UAH180I
IAG180R	NAY180X	UAM180G
IAH180J		UAM180I
IAH180R		UAR180I
IAK180J		UAU180I
IAK180R		UAU180G
IAM180G		UAX180I
IAM180J		
IAM180R		
IAR180J		

Serial Label

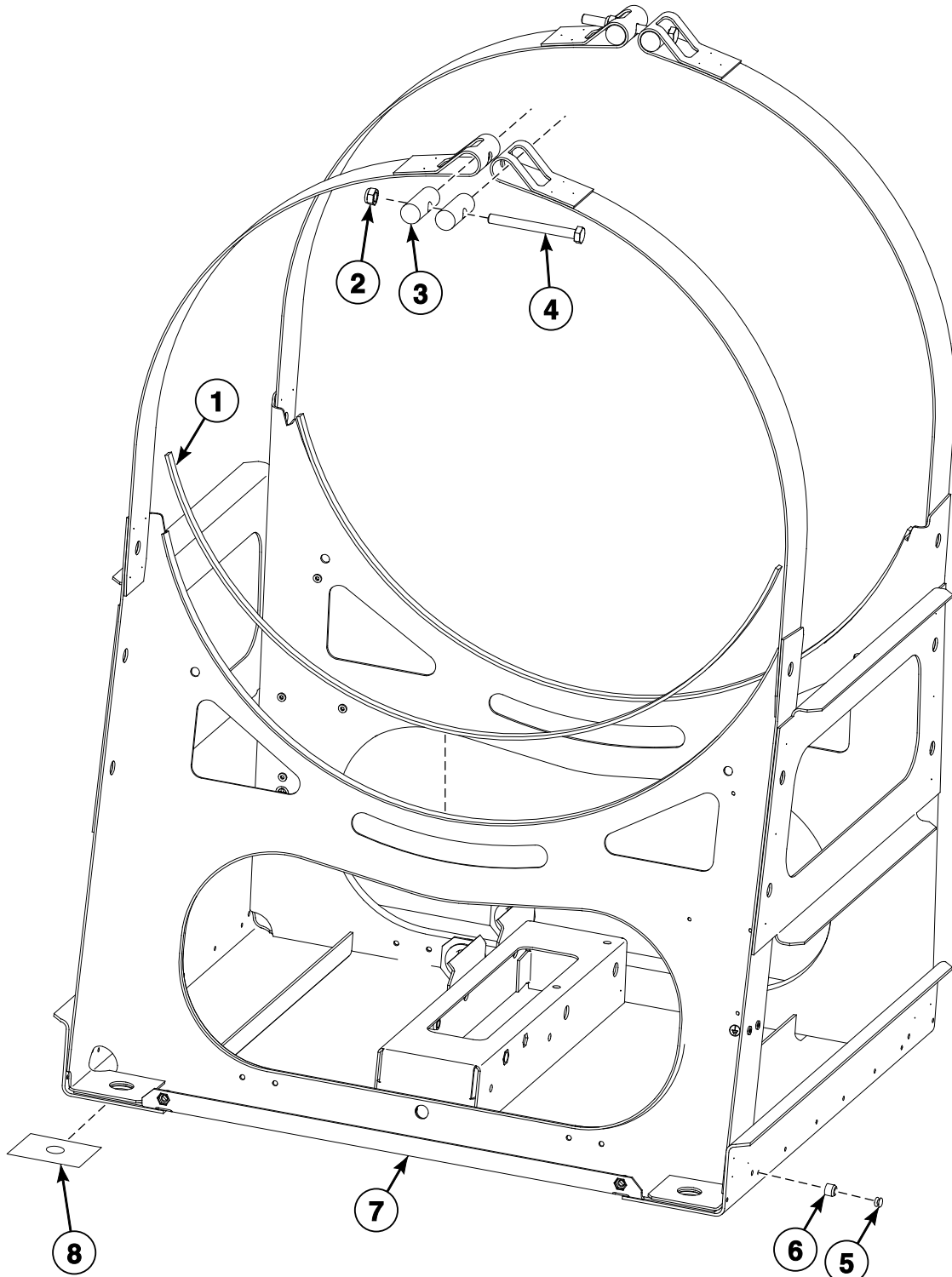


CZW489P

Serial Label

REF	PART NO.	DESCRIPTION	COMMENTS
1	-	Control	A, D, G, I, J, R, T or X letter in 7th position of the model number
2	-	Design	1, 2, 3, 4, 5, 6, 7, 8, A, B, C, D, L, M, N or P digits or characters in 13th Position
3	-	Serial Number	
4	-	Manufacturing Date - Year	2009: P 2010: R 2011: T 2012: V 2013: X 2014: B 2015: D 2016: F 2017: H 2018: K 2019: M 2020: Q 2021: S 2022: U 2023: W 2024: Y 2025: Z
5	-	Manufacturing Date - Month	January: A or B February: C or D March: E or F April: G or H May: J or K June: L or M July: N or Q August: P or S September: R or U October: T or W November: V or Y December: X or Z

Frame



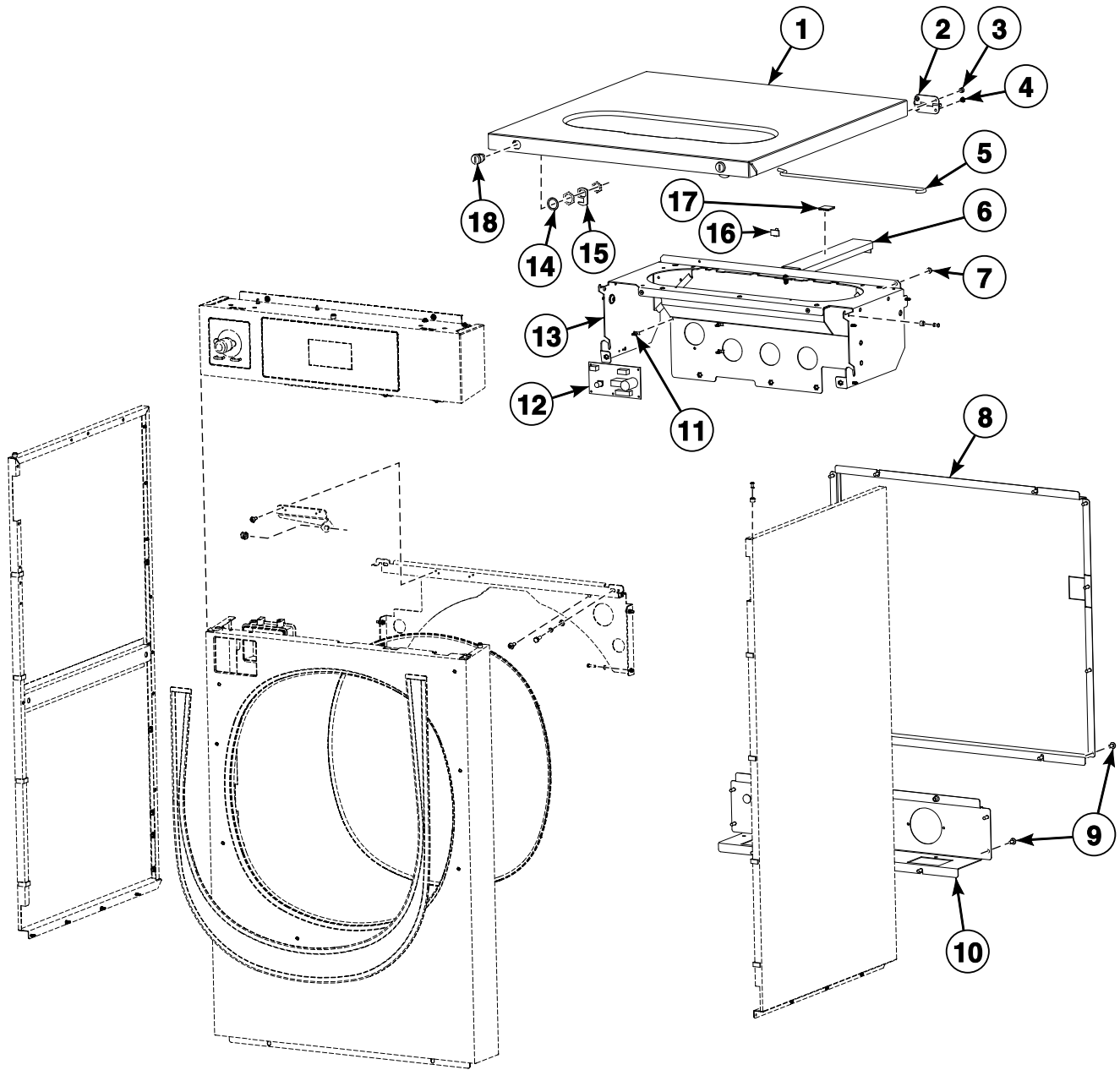
CFD3579P_D2064

Frame

REF	PART NO.	DESCRIPTION	COMMENTS
	560079	Mounting Bolt Hole Template	Models with M in 10th position of the model number
	572488	Mounting Bolt Hole Template	Models with N in 10th position of the model number
1	SP517232	Seal	Self-adhesive foam
2	SP310985000008	Nut	M8
3	SP533738	Cover Strip Pin	
4	SP527093	Bolt	M8x100
5	SP547779	Rivet	4x16.7 with a crank
6	SP520408	Pin Insertion	
7	SP533960	Frame	Normal spin
	SP555520	Frame	Medium spin
8	570551	Spacing Washer Set	Includes 10pcs; optional, as needed

Cabinet - A, IA and WMA Models (Drawing 1 of 2)

Models Through Serial No. 180RX008698SB



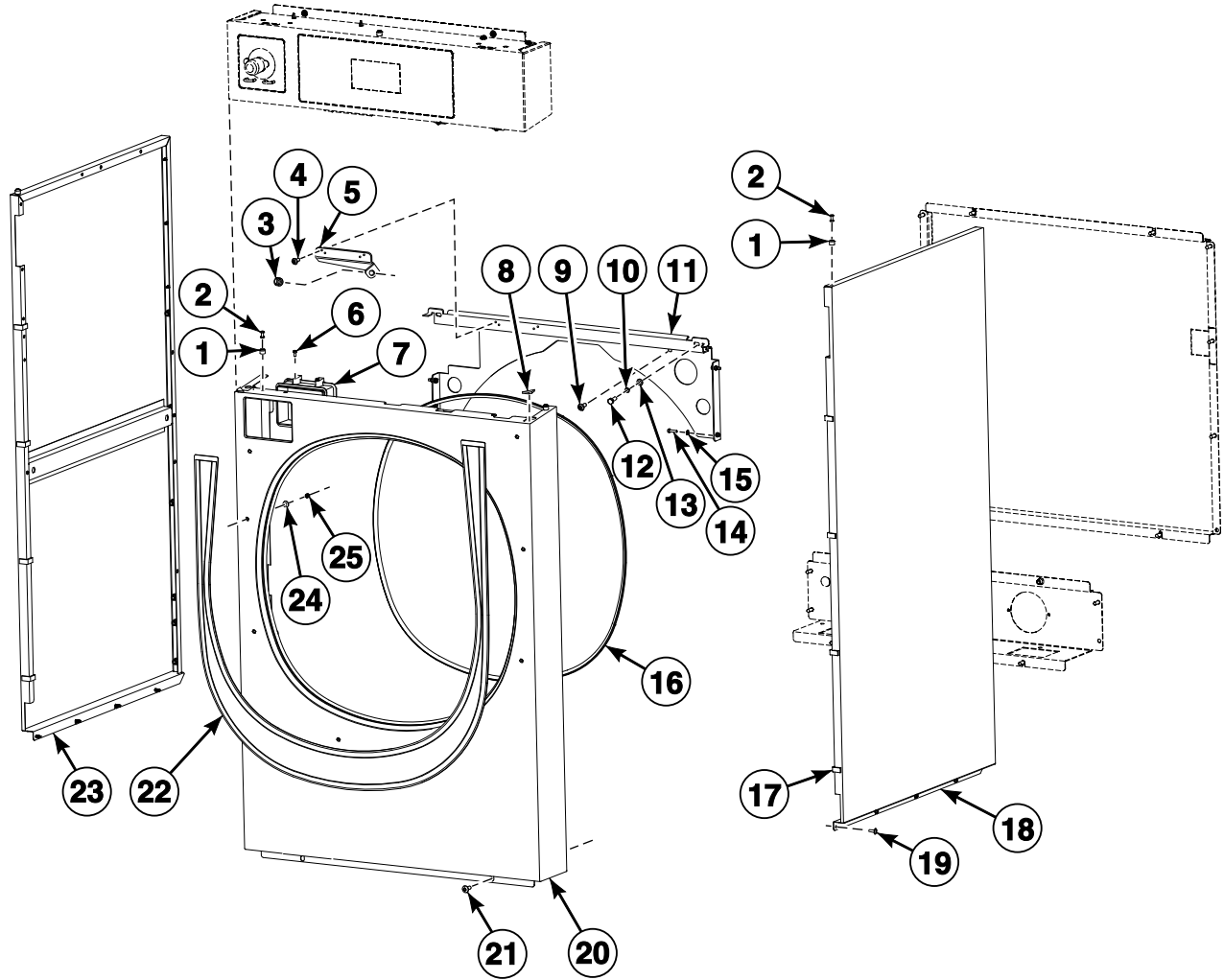
CZW66P_D2311

Cabinet - A, IA and WMA Models (Drawing 1 of 2)

REF	PART NO.	DESCRIPTION	COMMENTS
1	SP558866	Top Cover	
2	SP516832	Hinge	
3	SP313250048103	Rivet	4.8x10.3 with a crank
4	SP529206	Screw	M4x11
5	SP533341	Upper Lid Prop	
6	SP550249	Top Cover Reinforcement	
7	SP273121005052	Cable Passage	5.5x2
8	SP550247	Rear Cover	
	SP555544	Rear Cover	
9	SP555658	Bolt	M6x16
10	SP550241	Lower Rear Cover	
11	SPPRI326002004	Holder	
12	SP552489	Automatic Unlocking Module Assembly	MC7; Includes item 11, SP553406 Automatic Door Opening Module, SP345000160971 Binding Strip, SP552455 Automatic Door Opening Module Wiring and SP552381 Power Terminal Protection
13	SP558864	Panel Holder	Normal speed
	SP557087	Panel Holder	Medium speed
14	SPPRI522000012	Washer	21x27x1
15	SPPRI610002007	Hook Lock	Small
16	SPPRI551016250	Hook	Stick-on
17	SP550115	Fastener	Velcro (hook and loop)
18	SP547527	Lock	

Cabinet - A, IA and WMA Models (Drawing 2 of 2)

Models Through Serial No. 180RX008698SB



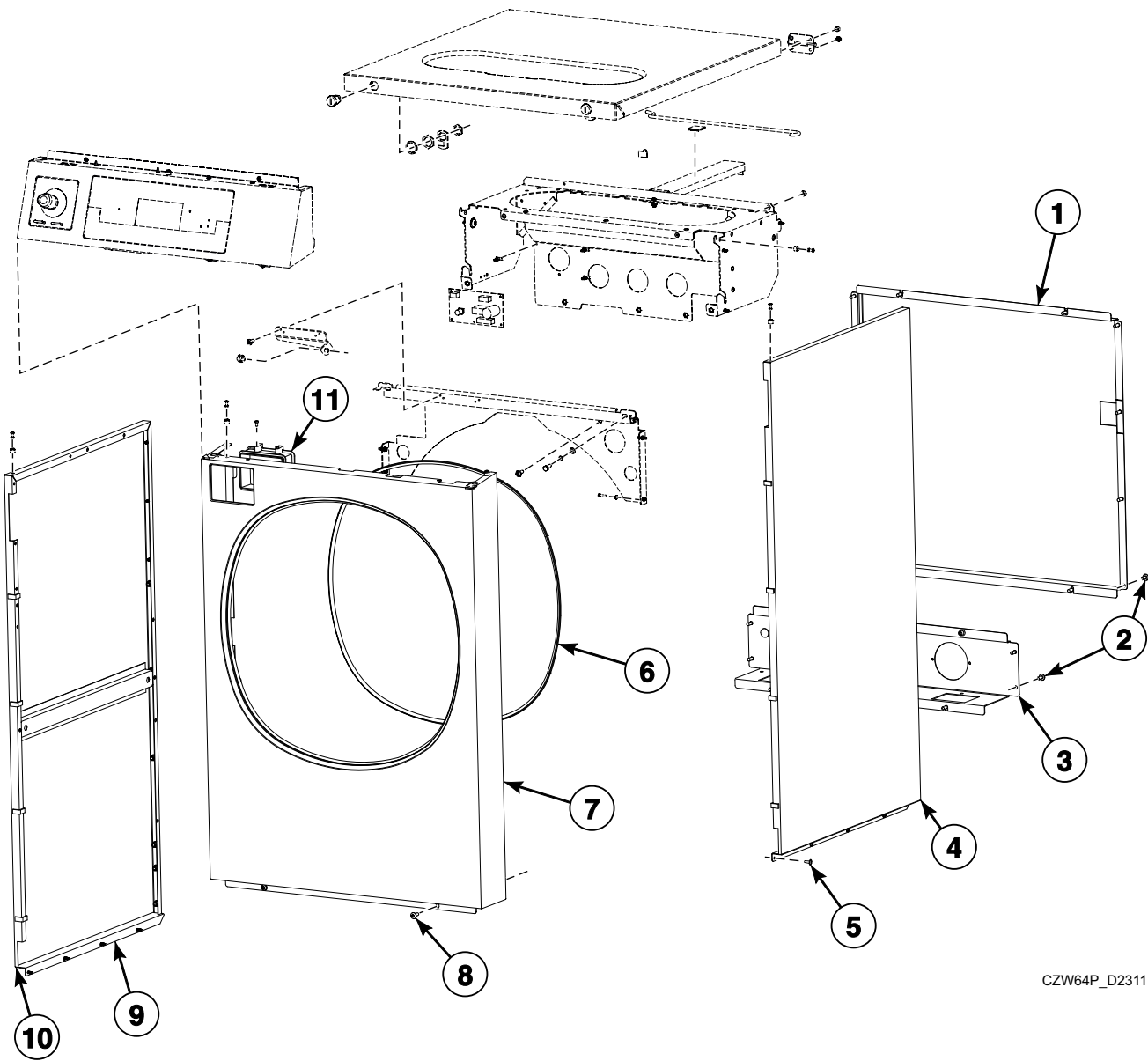
CZW67P_D2311

Cabinet - A, IA and WMA Models (Drawing 2 of 2)

REF	PART NO.	DESCRIPTION	COMMENTS
	SP245704003021	Adhesive	Loctite 243; Used with item 19
1	SP520408	Pin Insertion	
2	SP547779	Rivet	4x16.7 with a crank
3	SP310934000008	Nut	M8
4	SP529206	Screw	M4x11
5	567934	Cabinet Holder	
6	SP309084000408	Bolt	M4x8
7	SP533103	Coin Vault Plate	
	566737	Coin Vault Plate	Vend; Starting Serial No. 180RX004128HM; Large coin meter
8	SP555405	End Stop	
9	SP555658	Bolt	M6x16
10	SP311127000006	Washer	6
11	SP550499	Cabinet Reinforcement	
12	SP309933000616	Bolt	M6x16
13	SP311125000006	Washer	6.4
14	SP309084000416	Bolt	M4x16
15	SP311679800004	Washer	M4
16	SPPRI505000058	Profiled Sealing	
17	SP517232	Seal	Self-adhesive foam
18	SP557105	Side Panel	Right; Black
	SP557103	Side Panel	Right; Stainless steel
19	SP555658	Bolt	M6x16; Loctite 243 required for installation
20	SP557051	Front Panel	OPL; Includes 550112 Antivibration Foil
	SP557066	Front Panel	Vend; Includes 550112 Antivibration Foil
	568067	Front Panel	Vend; Starting Serial No. 180RX004128HM; Large coin meter; Includes 550112 Antivibration Foil
21	SP555658	Bolt	M6x16
22	SP556995	U Shape	OPL
	SP556996	U Shape	Vend
	568069	U Shape	Vend; Starting Serial No. 180RX004128HM; Large coin meter
23	SP557104	Side Panel	Left; Black
	SP557102	Side Panel	Left; Stainless steel
24	SP311902100004	Washer	4
25	SP514193	Nut	M4

Cabinet - AR Non-Brand, NA and SA Models (Drawing 1 of 2)

Models Through Serial No. 180RX008698SB



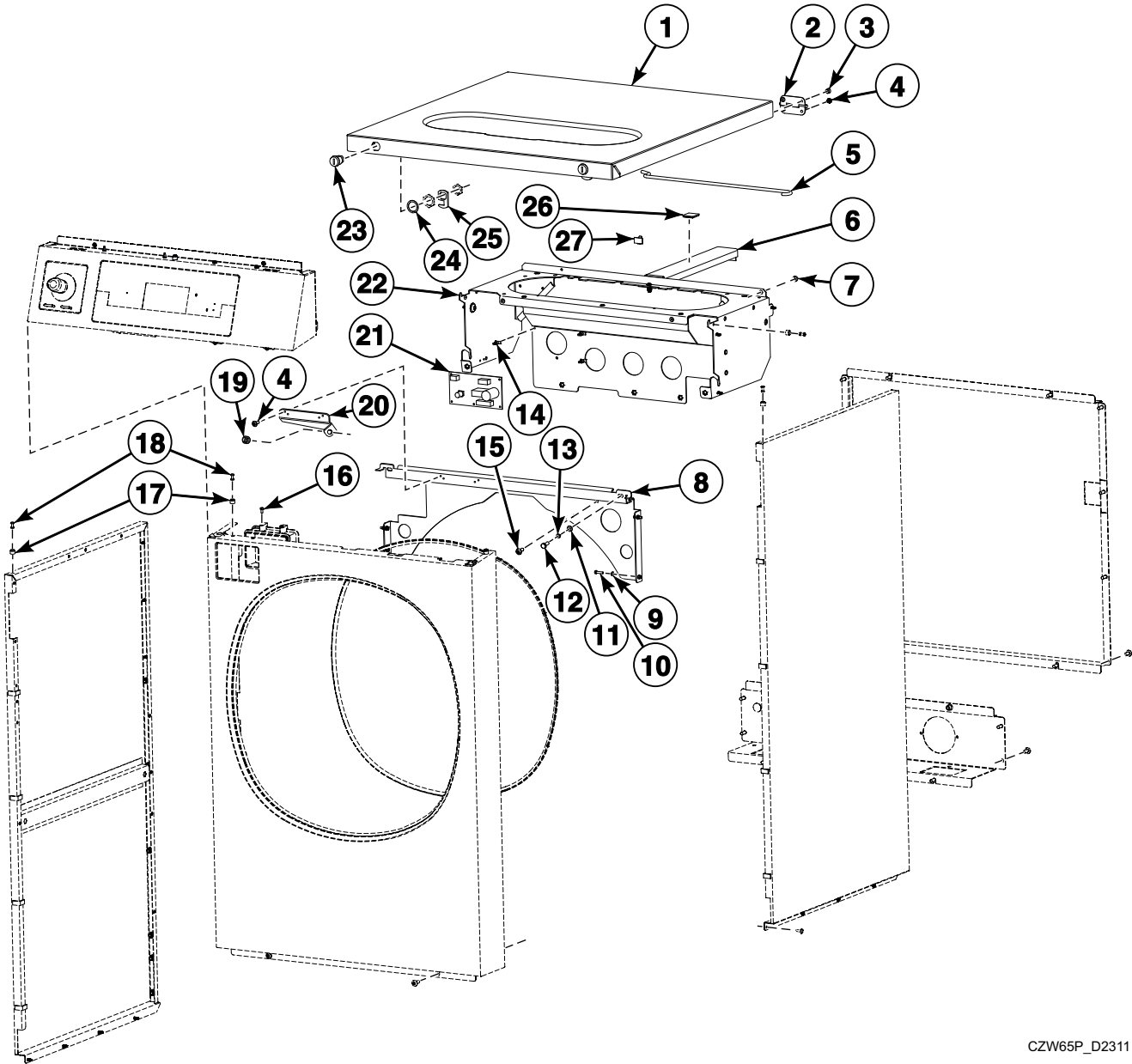
CZW64P_D2311

Cabinet - AR Non-Brand, NA and SA Models (Drawing 1 of 2)

REF	PART NO.	DESCRIPTION	COMMENTS
	SP245704003021	Adhesive	Loctite 243; Used with item 5
1	SP550247	Rear Cover	
	SP555544	Rear Cover	With G-factor 175
2	SP555658	Bolt	M6x16
3	SP550241	Lower Rear Cover	
4	SP557103	Side Panel	Right; Stainless steel
	SP558855	Side Panel	Right; Painted; Through Serial No. 180RX002190FD
	563578	Side Panel	Right; Painted; Starting Serial No. 180RX002191FD
5	SP529206	Screw	4x11; Loctite 243 required for installation
6	SPPRI505000058	Profiled Sealing	
7	SP550227	Front Panel	OPL; Stainless steel; Includes 550112 Antivibration Foil
	SP550223	Front Panel	OPL; Painted; Includes 550112 Antivibration Foil; Through Serial No. 180RX002190FD
	563536	Front Panel	OPL; Painted; Includes 550112 Antivibration Foil; Starting Serial No. 180RX002191FD
	568055	Front Panel	AR Non-Brand and NA models; Vend; Painted; Includes 550112 Antivibration Foil; Starting Serial No. 180RX004128HM; Large coin meter
	SP550229	Front Panel	Vend; Stainless steel; Includes 550112 Antivibration Foil
	568053	Front Panel	Vend; Stainless steel; Includes 550112 Antivibration Foil; Starting Serial No. 180RX004128HM; Large coin meter
	SP550225	Front Panel	Vend; Painted; Includes 550112 Antivibration Foil; Through Serial No. 180RX002190FD
	563538	Front Panel	Vend; Painted; Includes 550112 Antivibration Foil; Starting Serial No. 180RX002191FD
8	SP555658	Bolt	M6x16
9	SP557102	Side Panel	Left; Stainless steel
	SP558853	Side Panel	Left; Painted; Through Serial No. 180RX002190FD
	SP563576	Side Panel	Left; Painted; Starting Serial No. 180RX002191FD
10	SP517232	Seal	Self-adhesive foam
11	SP533103	Coin Vault Plate	
	566737	Coin Vault Plate	Vended; Starting Serial No. 180RX004128HM; Large coin meter

Cabinet - AR Non-Brand, NA and SA Models (Drawing 2 of 2)

Models Through Serial No. 180RX008698SB



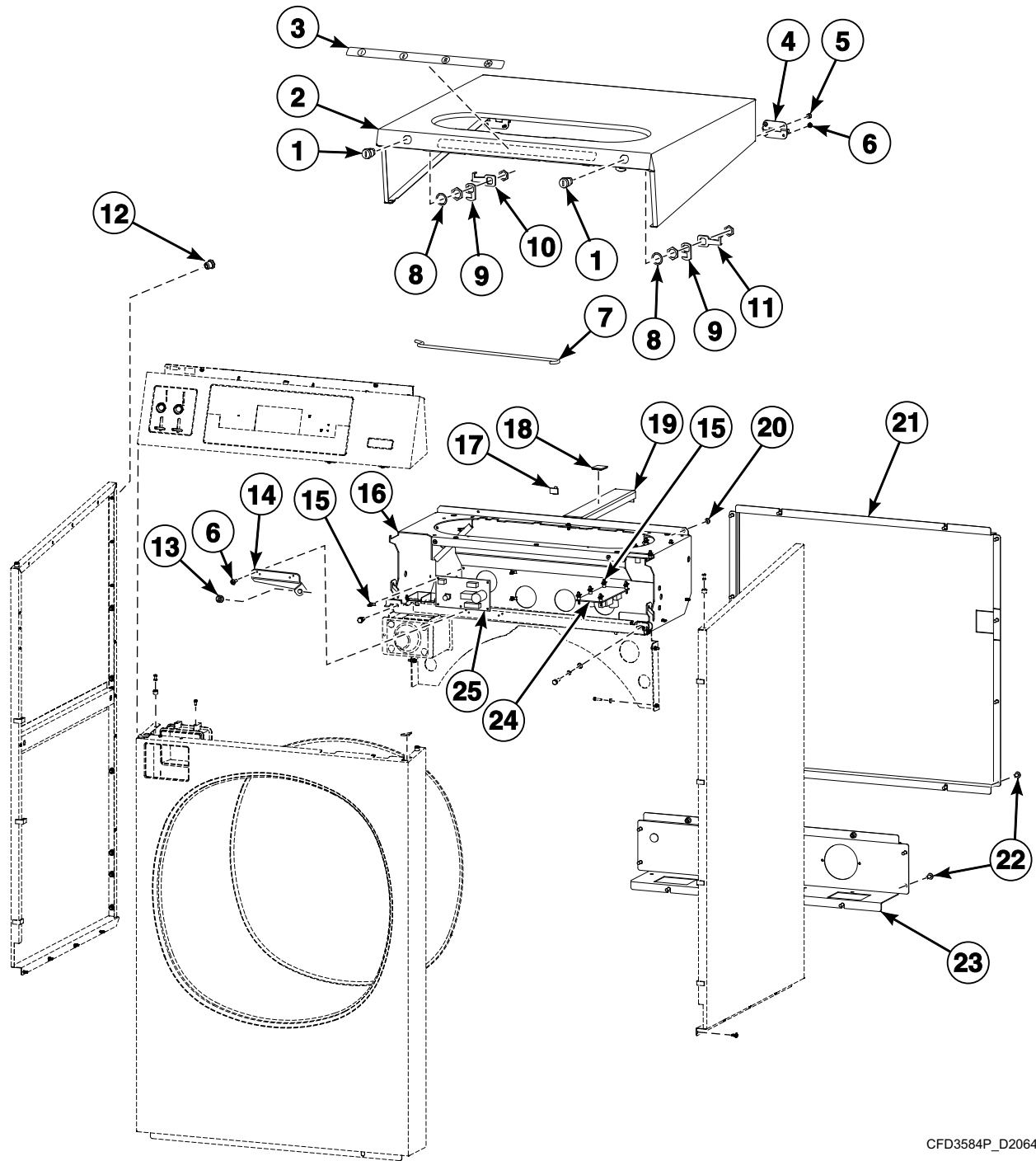
CZW65P_D2311

Cabinet - AR Non-Brand, NA and SA Models (Drawing 2 of 2)

REF	PART NO.	DESCRIPTION	COMMENTS
1	SP560465	Top Cover	
2	SP516832	Hinge	
3	SP313250048103	Rivet	4.8x10.3 with a crank
4	SP529206	Screw	4x11
5	SP533341	Upper Lid Prop	
6	SP550249	Top Cover Reinforcement	
7	SP273121005052	Cable Passage	5x2
8	SP550499	Cabinet Reinforcement	
9	SP311679800004	Washer	M4
10	SP309084000416	Bolt	M4x16
11	SP311125000006	Washer	6.4
12	SP309933000616	Bolt	M6x16
13	SP311127000006	Washer	6
14	SPPRI326002004	Holder	
15	SP555658	Bolt	M6x16
16	SP309084000408	Bolt	M4x8
17	SP520408	Pin Insertion	
18	SP547779	Rivet	4x16.7 with a crank
19	SP310934000008	Nut	M8
20	567934	Cabinet Holder	
21	SP552489	Automatic Unlocking Module Assembly	MC7; Includes item 14, SP553406 Automatic Door Opening Module, SP345000160971 Binding Strip, SP552455 Automatic Door Opening Module Wiring and SP552381 Power Terminal Protection
22	SP560471	Panel Holder	Normal speed
	SP560479	Panel Holder	Medium speed
23	SP547527	Lock	
24	SPPRI522000012	Washer	21x27x1
25	SPPRI610002007	Hook Lock	Small
26	SP550115	Fastener	Velcro (hook and loop)
27	SPPRI551016250	Hook	Stick-on

Cabinet (Drawing 1 of 4)

AR, LA, LW, MWC, NX, PA and RX Models with T or X in 7th Position of the model number;
IA, NA, SA and UA Models Starting Serial No. 180RX008699SB with A, D, I, J, R, T or X in 7th Position of the model number



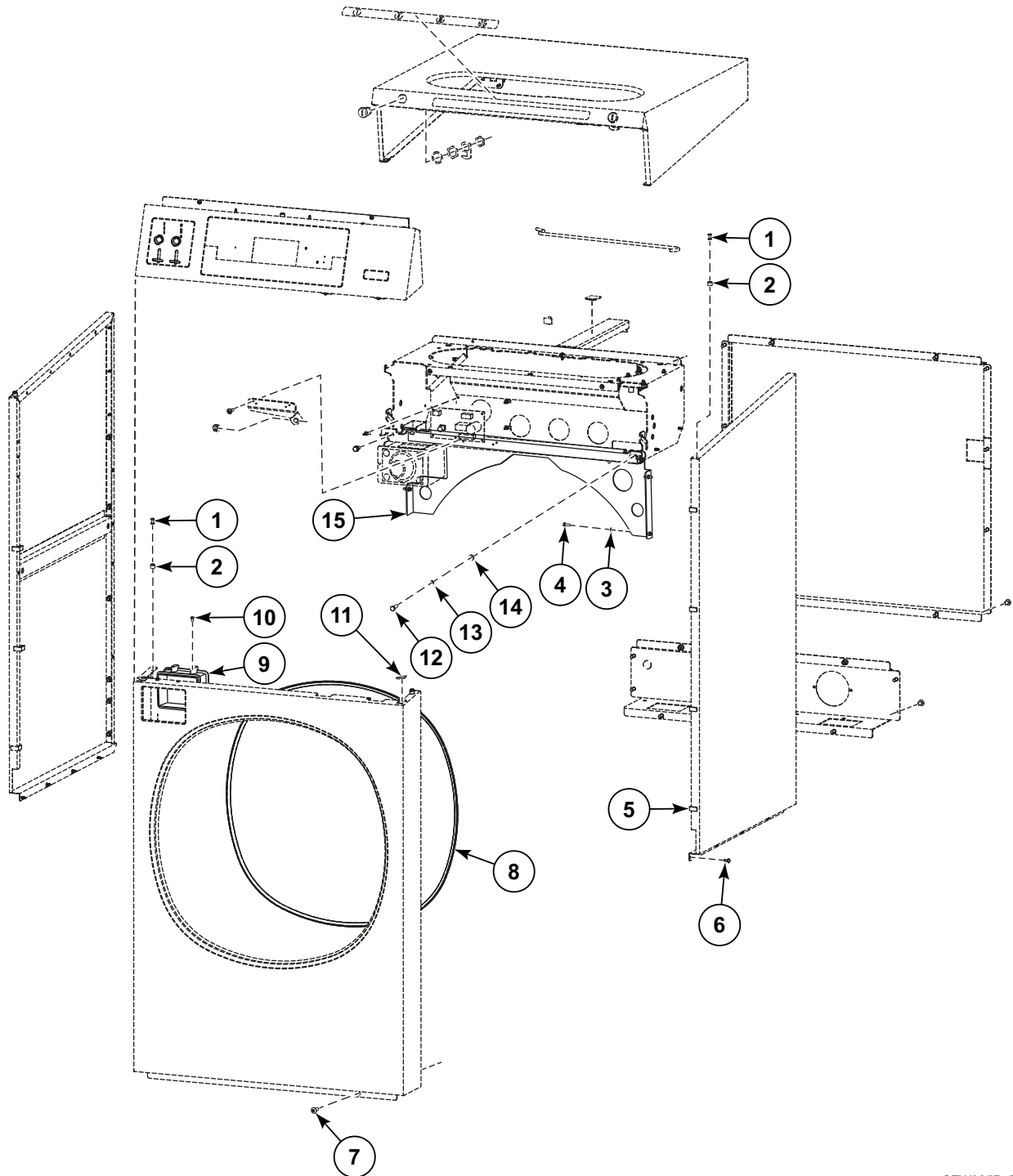
CFD3584P_D2064

Cabinet (Drawing 1 of 4)

REF	PART NO.	DESCRIPTION	COMMENTS
1	SP547527	Lock	Requires SP550616 Key
2	SP550245	Top Cover	
	SP555680	Top Cover	Without soap hopper opening
3	560786	Label	PAN models; Soap hopper; Vend
4	SP516832	Hinge	
5	SP313250048103	Rivet	4.8x10.3 with a crank
6	SP529206	Screw	4x11
7	SP533341	Upper Lid Prop	
8	SPPRI522000012	Washer	21x27x1
9	SPPRI610002007	Hook Lock	Small; PAN; CSA; Vend: Through 8/31/2017
10	569579	Hook Lock	PAN040T and PAN040X models; Vended; Starting Serial No. 180RX004453HU; Left
11	569580	Hook Lock	PAN040T and PAN040X models; Vended; Starting Serial No. 180RX004453HU; Right
12	SP313251000006	Nut	M6
13	SP310934000008	Nut	M8
14	567934	Cabinet Holder	
15	SPPRI326002004	Holder	
16	SP550243	Panel Holder	Normal spin
	SP555644	Panel Holder	Medium spin
17	SPPRI551016250	Hook	Stick-on
18	SP550115	Fastener	Velcro (hook and loop)
19	SP550249	Top Cover Reinforcement	
20	SP273121005052	Cable Passage	5.5x2
21	SP550247	Rear Cover	Normal spin
	SP555544	Rear Cover	Medium spin
22	SP555658	Bolt	M6x10
23	SP550241	Lower Rear Cover	
24	SP552489	Automatic Unlocking Module Assembly	MC7; Includes item 15, SP553406 Automatic Door Opening Module, SP345000160971 Binding Strip, SP552455 Automatic Door Opening Module Wiring and SP552381 Power Terminal Protection
25	SP545238	Automatic Unlocking Module Assembly	MC6; Includes item 15, SP547004 Automatic Door Opening Module, SP345000160971 Binding Strip and SP545235 Door Timer Wiring

Cabinet (Drawing 2 of 4)

AR, LA, LW, MWC, NX, PA and RX Models with T or X in 7th Position of the model number;
IA, NA, SA and UA Models Starting Serial No. 180RX008699SB with A, D, I, J, R, T or X in 7th Position of the model number



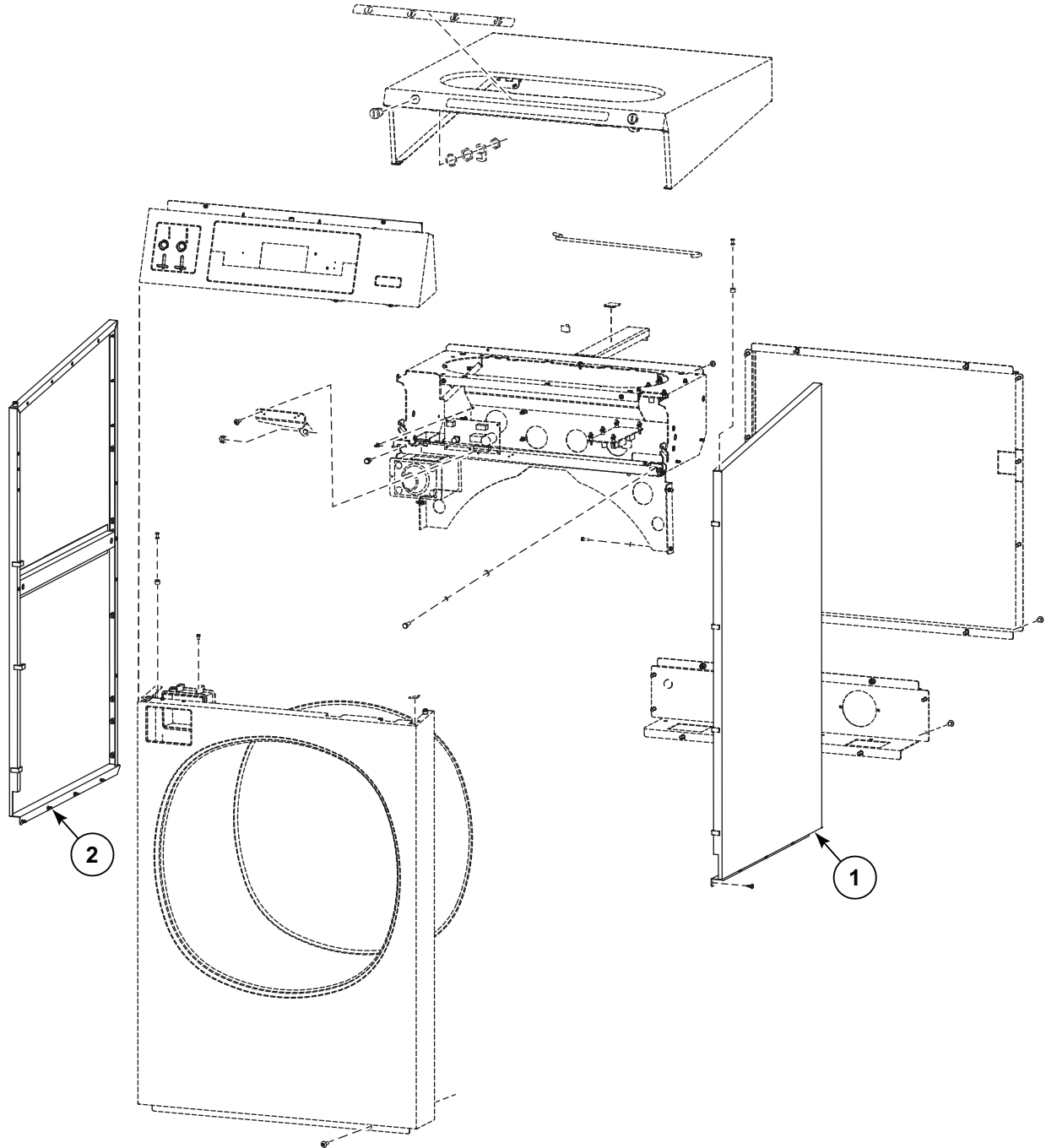
CZW395P_D2064

Cabinet (Drawing 2 of 4)

REF	PART NO.	DESCRIPTION	COMMENTS
	SP245704003021	Adhesive	Loctite 243; Used with item 6
1	SP547779	Rivet	4x16.7 with a crank
2	SP520408	Pin Insertion	
3	SP311679800004	Washer	M4
4	SP309084000416	Bolt	M4x16
5	SP517232	Seal	Self-adhesive foam
6	SP555658	Bolt	M6x16; Loctite 243 required for installation
7	SP555658	Bolt	M6x16
8	SPPRI505000058	Profiled Sealing	
9	SP533103	Coin Vault Plate	Vend; Small coin meter
	566737	Coin Vault Plate	Vend; Large coin meter; Starting Serial No. 180RX004128HM
10	SP309084000408	Bolt	M4x8
11	SP555405	End Stop	
12	SP309933000616	Bolt	M6x16
13	SP311127000006	Washer	6
14	SP311125000006	Washer	6.4
15	SP550499	Cabinet Reinforcement	

Cabinet (Drawing 3 of 4)

AR, LA, LW, MWC, NX, PA and RX Models with T or X in 7th Position of the model number;
IA, NA, SA and UA Models Starting Serial No. 180RX008699SB with A, D, I, J, R, T or X in 7th Position of the model number



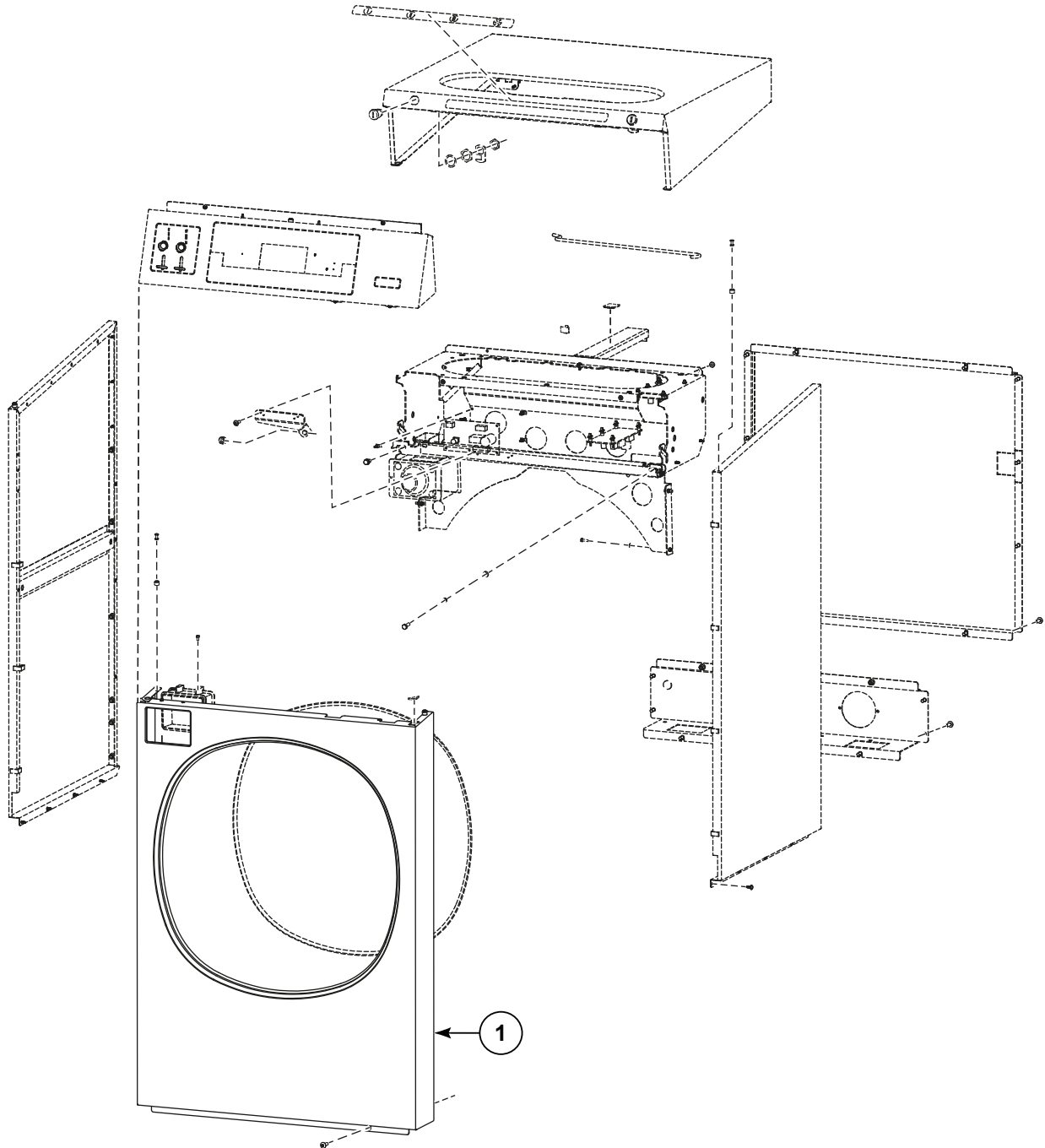
CZW394P_D2064

Cabinet (Drawing 3 of 4)

REF	PART NO.	DESCRIPTION	COMMENTS
1	SP550219	Side Panel	Right; Stainless steel
	SP550214	Side Panel	Right; Painted; Through Serial No. 180RX002190FD
	563554	Side Panel	(LW, MWC, NX, PA and RX models starting Serial No. 180RX002191FD); (AR and NA models starting Serial No. 180RX008699SB); (PAN040TN0MZA20CTAA models); Right; Painted
	577115	Side Panel	IA and SA models; Right; Black, Starting Serial No. 180RX008699SB
2	SP550221	Side Panel	Left; Stainless steel
	SP550217	Side Panel	Left; Painted; Through Serial No. 180RX002190FD
	SP563552	Side Panel	(LW, MWC, NX, PA and RX models starting Serial No. 180RX002191FD); (AR and NA models starting Serial No. 180RX008699SB); (PAN040TN0MZA20CTAA models); Left; Painted
	577113	Side Panel	IA and SA models; Left; Black, Starting Serial No. 180RX008699SB

Cabinet (Drawing 4 of 4)

AR, LA, LW, MWC, NX, PA and RX Models with T or X in 7th Position of the model number;
IA, NA, SA and UA Models Starting Serial No. 180RX008699SB with A, D, I, J, R, T or X in 7th Position of the model number



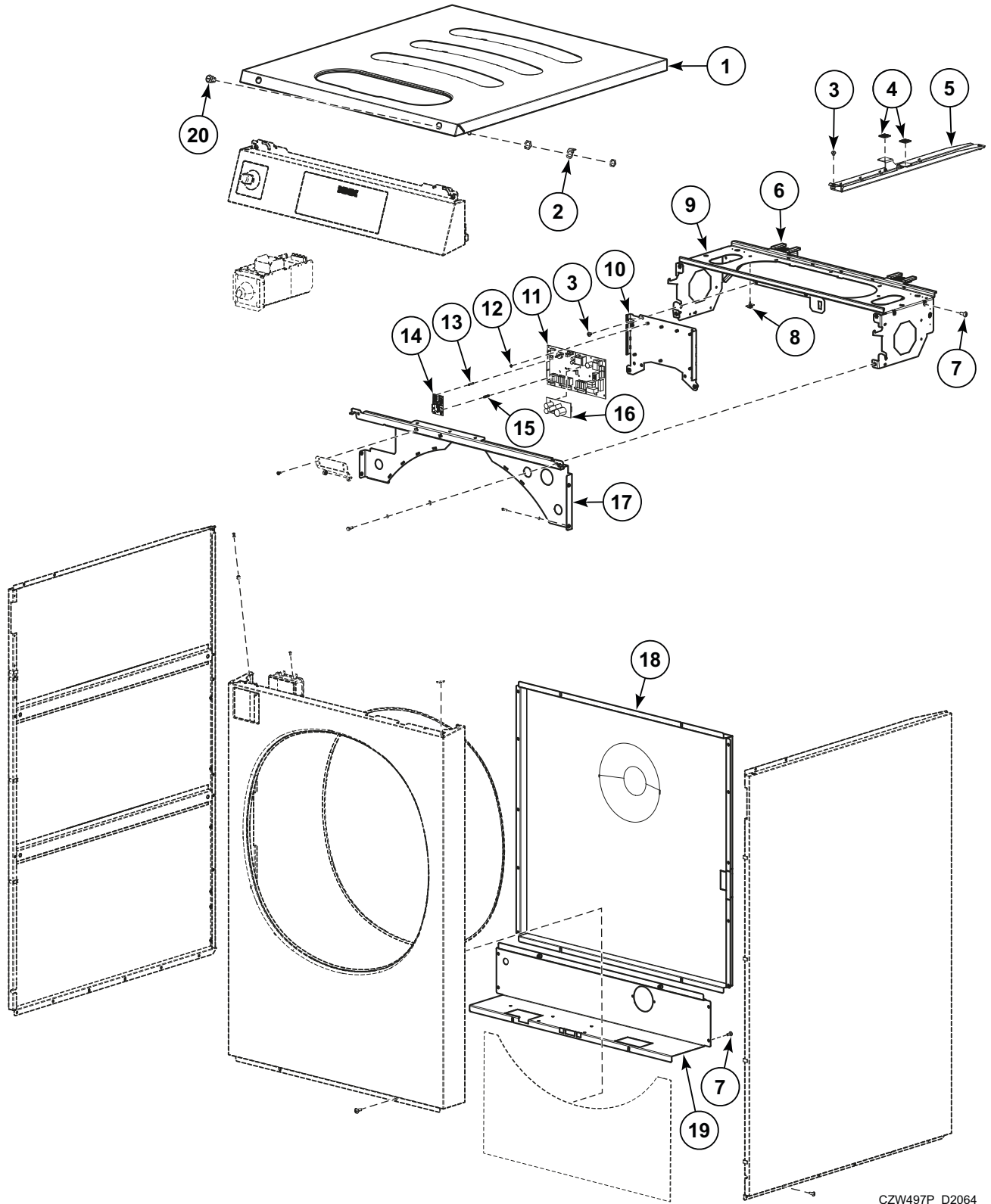
CZW393P_D2064

Cabinet (Drawing 4 of 4)

REF	PART NO.	DESCRIPTION	COMMENTS
1	SP550223	Front Panel	OPL; Painted; Includes 550112 Antivibration Foil; Through Serial No. 180RX002190FD
	563536	Front Panel	OPL; Painted; Includes 550112 Antivibration Foil; Starting Serial No. 180RX002191FD
	SP550227	Front Panel	OPL; Stainless steel; Includes 550112 Antivibration Foil
	SP550225	Front Panel	Vend; Painted; Includes 550112 Antivibration Foil; Through Serial No. 180RX002190FD
	563538	Front Panel	Vend; Painted; Includes 550112 Antivibration Foil; Starting Serial No. 180RX002191FD
	568055	Front Panel	Vend; Painted; Includes 550112 Antivibration Foil; Large coin meter; Starting Serial No. 180RX004128HM
	SP550229	Front Panel	Vend; Stainless steel; Includes 550112 Antivibration Foil
	568053	Front Panel	Vend; Stainless steel; Includes 550112 Antivibration Foil; Large coin meter; Starting Serial No. 180RX004128HM

Cabinet (Drawing 1 of 3)

Models with G in 7th Position of the model number



CZW497P_D2064

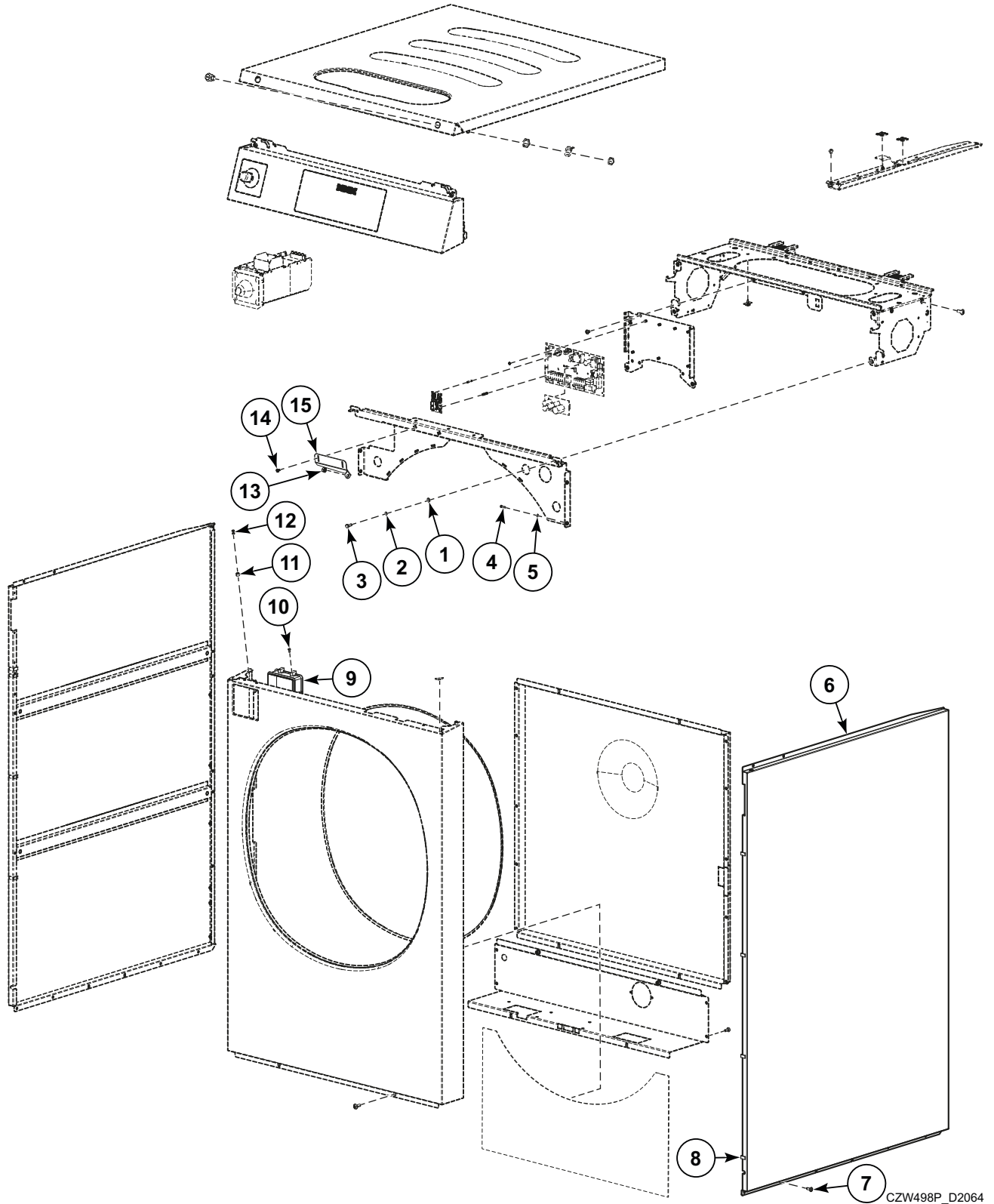
Cabinet (Drawing 1 of 3)

REF	PART NO.	DESCRIPTION	COMMENTS
1	577699	Top Cover	
	577502	Top Cover	Without soap hopper opening
2	581001	Lock Hook	
3	SP506012	Bolt	M6x10
4	N/A	Fastener	Velcro (hook and loop)
5	N/A	Top Cover Reinforcement	
6	564202	Seal	0.1m
7	555658	Bolt	M6x16
8	SP528313	Cable Holder	
9	577661	Panel Holder	
10	577668	Control Board Holder	
11	553444	Control Board I/O	MC10; Power; Used with 569702 Interconnection Flat Cable
12	563123	Bolt	M3x6
13	577689	Plastic Post	
14	553439	Conversion Board	
15	577693	Plastic Post	
16	553189	Module	Door Lock
17	SP550499	Cabinet Reinforcement	
18	581018	Rear Cover	
19	550241	Rear Cover	Lower
20	SP547527	Lock	Requires SP550616 Key

N/A = Part no longer available

Cabinet (Drawing 2 of 3)

Models with G in 7th Position of the model number

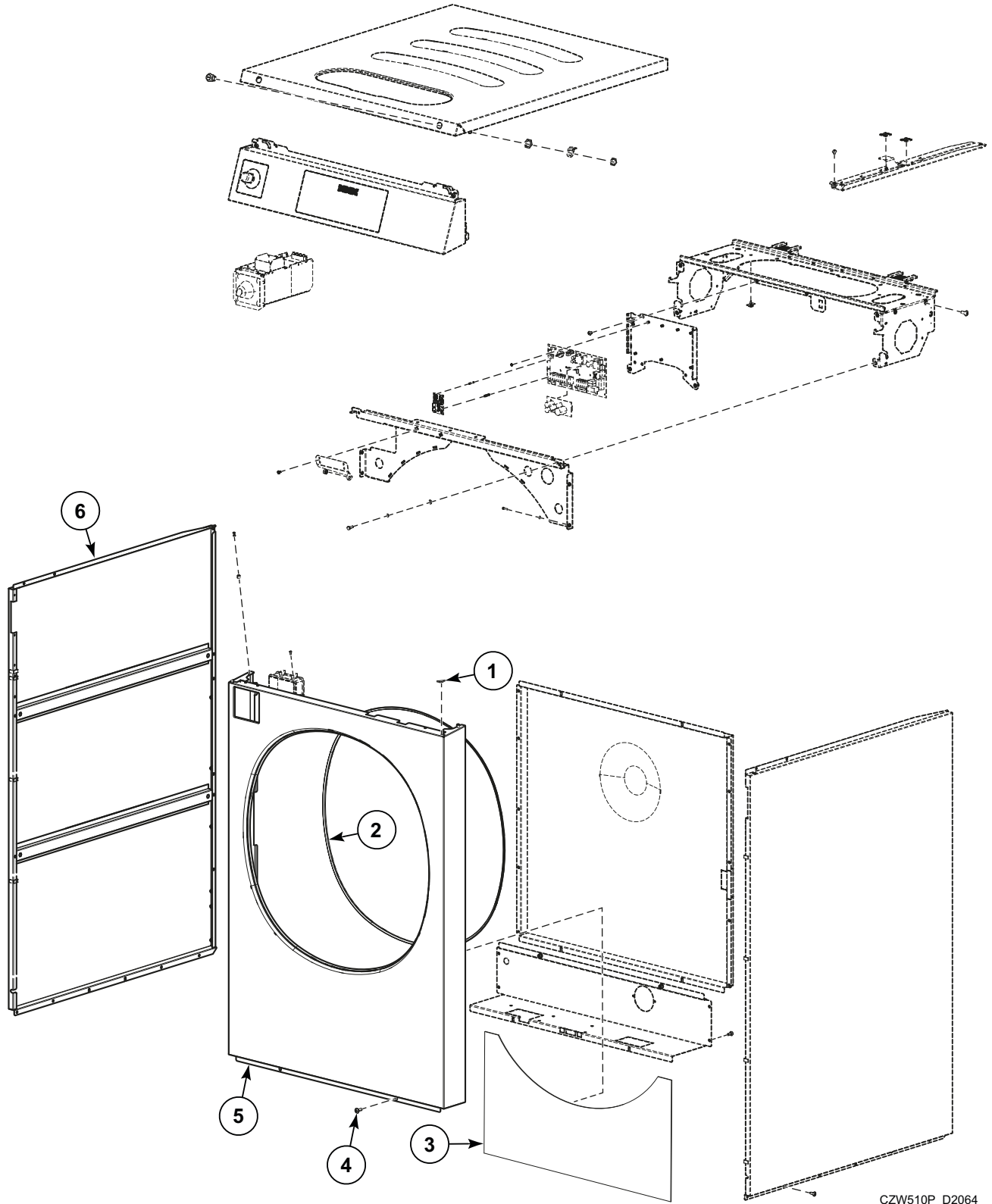


Cabinet (Drawing 2 of 3)

REF	PART NO.	DESCRIPTION	COMMENTS
1	SP311125000006	Washer	6.4
2	SP311127000006	Washer	6
3	SP309933000616	Bolt	M6x16
4	SP555504	Bolt	M4x12
5	SP311679800004	Washer	M4
6	580804	Side Panel	Right; Stainless steel
	577454	Side Panel	IA models; Right; Black
	580808	Side Panel	AR, NA, PA and RX models; Right; Painted
7	555658	Bolt	M6x16
8	SP517232	Seal	Self-adhesive foam
9	566737	Coin Vault Plate	
10	SP309084000408	Bolt	M4x8
11	SP520408	Pin Insertion	
12	SP547779	Rivet	4x16.7 with a crank
13	SP310934000008	Nut	M8
14	SP529206	Screw	4x11
15	567934	Cabinet Holder	

Cabinet (Drawing 3 of 3)

Models with G in 7th Position of the model number



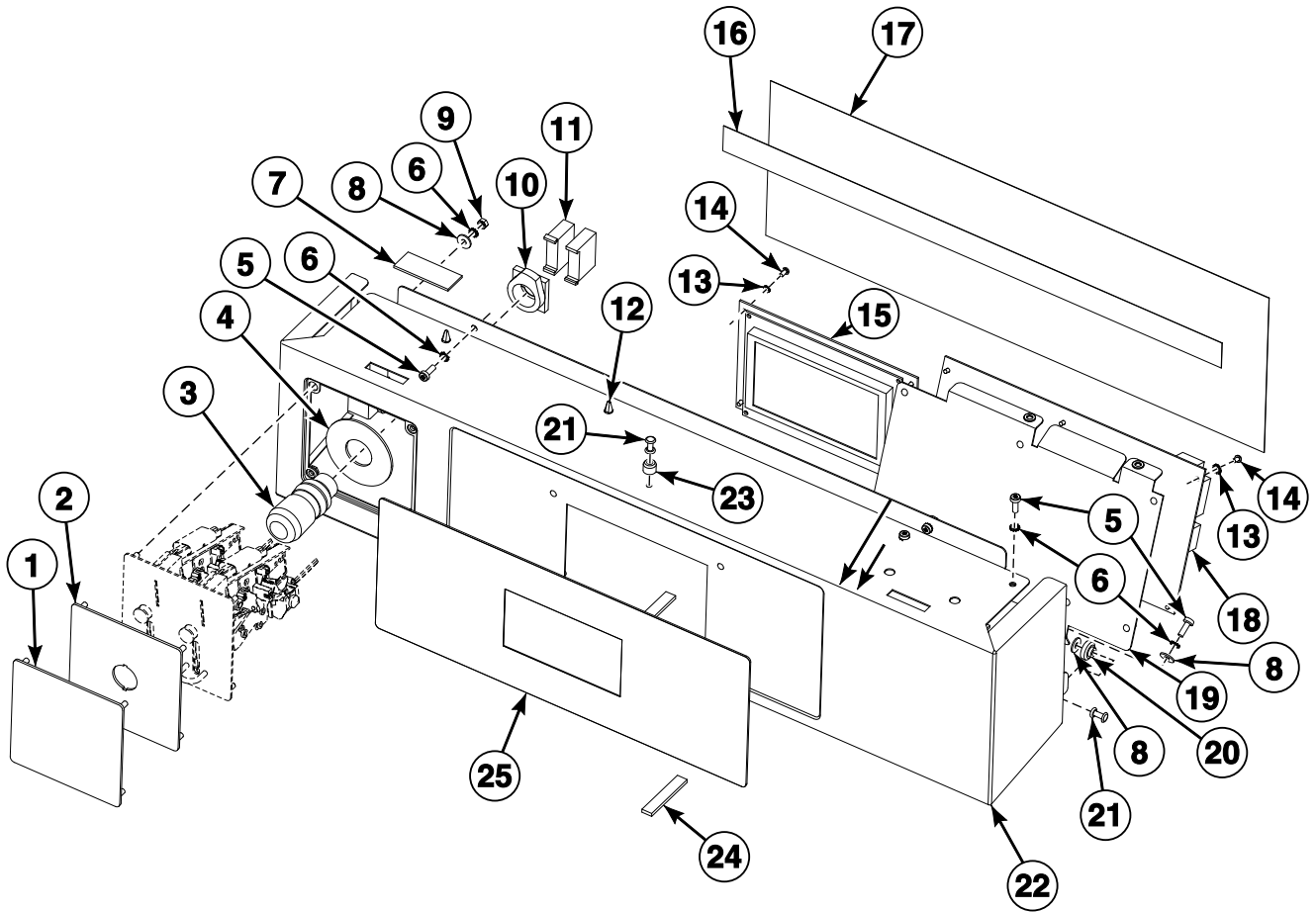
CZW510P_D2064

Cabinet (Drawing 3 of 3)

REF	PART NO.	DESCRIPTION	COMMENTS
1	SP555405	End Stop	
2	SPPRI505000058	Profiled Sealing	
3	550112	Antivibration Foil	
4	555658	Bolt	M6x16
5	563536	Front Panel	AR, NA, PA and RX models; OPL; Painted; Includes 550112 Antivibration Foil
	SP550227	Front Panel	OPL; Stainless steel; Includes 550112 Antivibration Foil
	568053	Front Panel	Vend; Stainless steel; Includes 550112 Antivibration Foil
	568055	Front Panel	AR, NA, PA and RX models; Vend; Painted; Includes 550112 Antivibration Foil
6	580802	Side Panel	Left; Stainless steel
	577453	Side Panel	IA models; Left; Black
	580806	Side Panel	AR, NA, PA and RX models; Left; Painted

Control Panel - A, IA and WMA Models

Models Through Serial No. 180RX008698SB



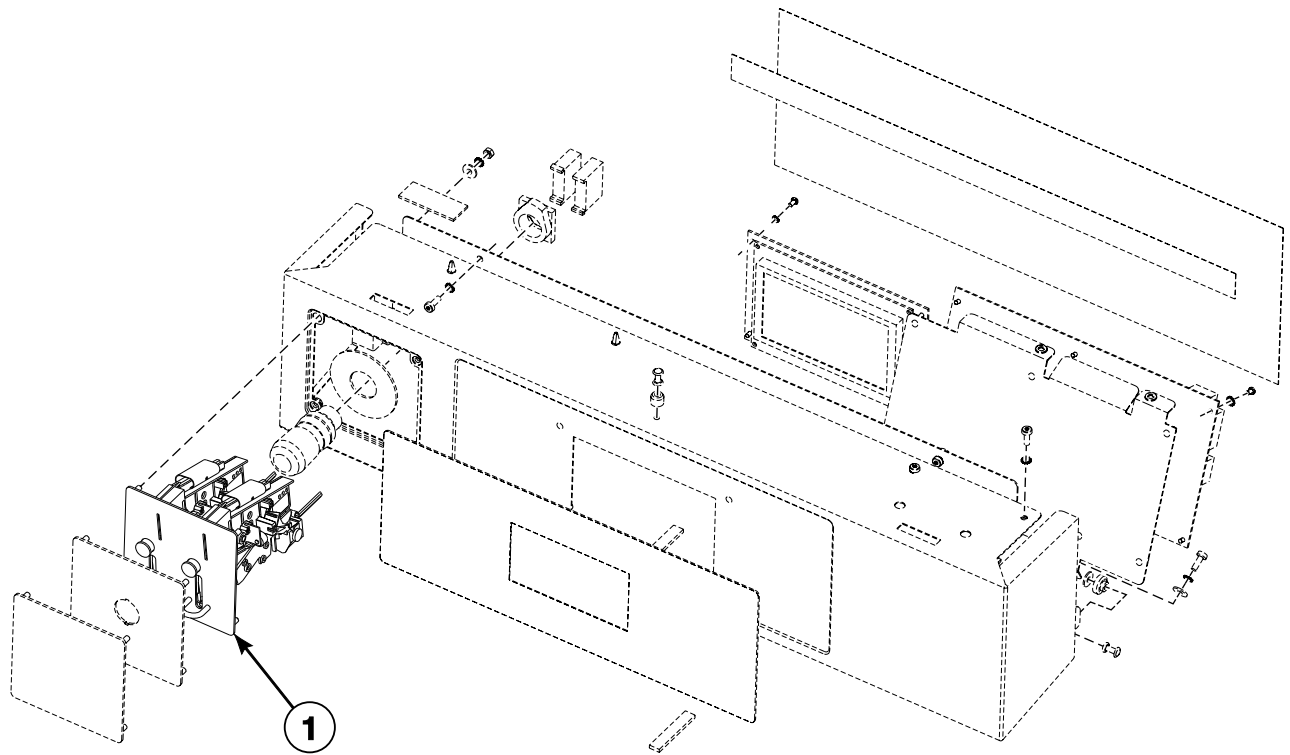
CFD2939P_D2311

Control Panel - A, IA and WMA Models

REF	PART NO.	DESCRIPTION	COMMENTS
	SP520033	Emergency Stop Interconnection	Vended
	F8600501	Programming Cable	
	569593	Network Installation Kit	Includes 569595 Holder, 203532 Wireless Network Control Assembly, 568363 Power Supply, 568362 Cable, 568378 Wiring, 568379 Wiring Diagram, SP345000626088 Binding Strip, and connection accessories
1	SP550149	Cover Plate	Central payment system
2	SP547565	Coin Meter Cover	
3	SP528310	Emergency Stop Knob	
	SP520032	Emergency Stop Wiring	OPL
4	SPPRI551005248	Emergency Stop Label	Yellow
5	SP555504	Bolt	M4x12
6	SP311679800004	Washer	M4
7	SPMEC001410	Self-Adhesive Pad	
8	SP311902100004	Washer	M4
9	SP310934000004	Nut	M4
10	SP528311	Emergency Stop Connector	
11	SP528312	Switching Unit	
12	SP528313	Cable Holder	
13	SP311679800003	Washer	M3
14	SP309798500306	Bolt	M3x6
15	SP553419	Control Board	MC7
16	SP510846	Tape	Self-adhesive
17	SPPRI543000004	Cover	
18	SP553405	Control Board I/O	MC7
	SP547005	Board Interconnection Cable	
19	SP558813	Programmer Holder	
20	SP550113	Leading Pin	
21	SP547779	Rivet	4x16.7 with a crank
22	SP557048	Control Panel	
23	SP520408	Pin Insertion	
24	SP284000012003	Tape	Self-adhesive
25	SP557565	Keyboard	IA models; Aries Elite; OPL
	SP557566	Keyboard	IA models; Aries
	SP560747	Keyboard	Without logo and without numeric keypad
	SP560748	Keyboard	Without logo and with numeric keypad; OPL

Coin Meter - A, IA and WMA Models (Drawing 1 of 3)

Models Through Serial No. 180RX008698SB



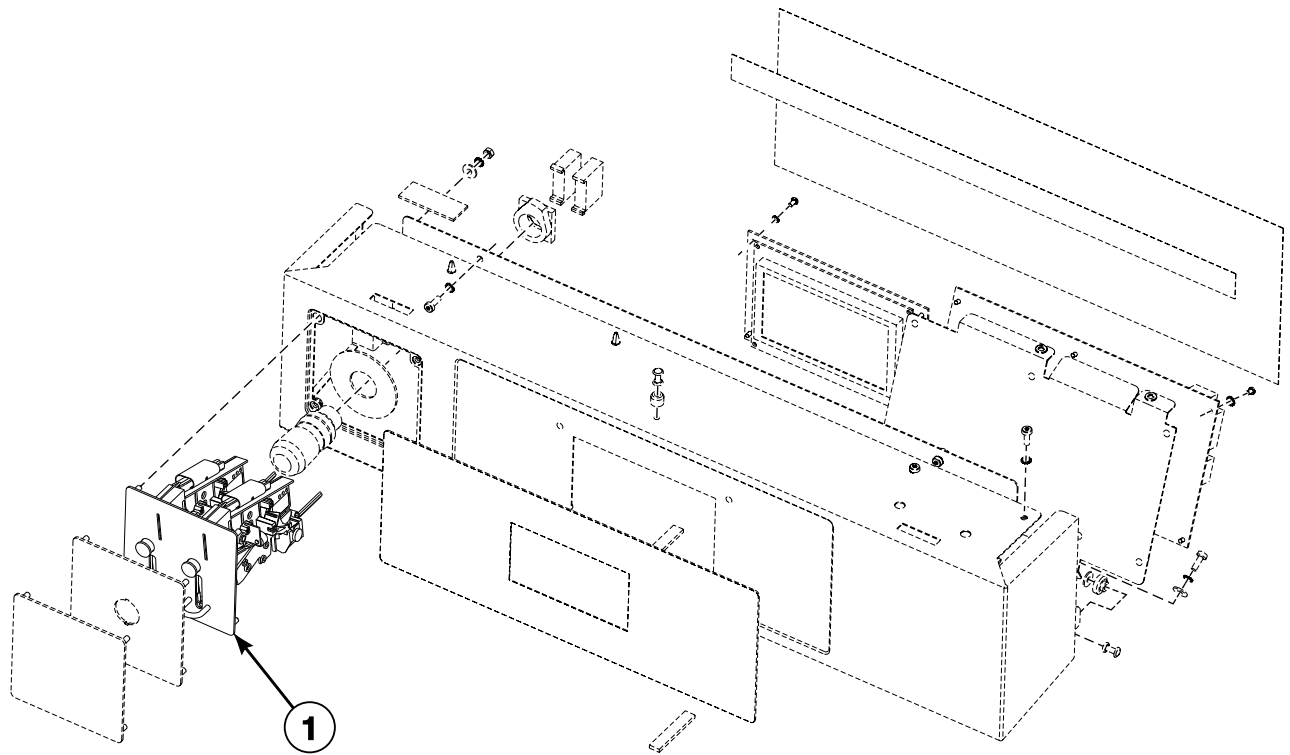
CFD2940P_D2311

Coin Meter - A, IA and WMA Models (Drawing 1 of 3)

REF	PART NO.	DESCRIPTION	COMMENTS
1	569922	Coin Meter	0.2GBP, 0.5GBP, 1GBP, 2GBP, 0.1EUR, 0.2EUR, 0.5EUR, 1EUR, 2EUR; Electronic EMPv7
	SP558958	Coin Meter	0.25USD
	SP558959	Coin Meter	0.5EUR and 1EUR
	SP560310	Coin Meter	1EUR
	SP560311	Coin Meter	0.5EUR
	SP560312	Coin Meter	1EUR and 2EUR
	SP559933	Coin Meter	5K Primus jeton
	SP559934	Coin Meter	10K Primus jeton
	569965	Coin Meter	0.2GBP, 0.5GBP, 1GBP, 2GBP, 0.1EUR, 0.2EUR, 0.5EUR, 1EUR, 2EUR, jeton "KWL Aqua", jeton "Gettone"; Electronic EMPv7
	SP559938	Coin Meter	STD 118-1 jeton
	SP560309	Coin Meter	7K Primus jeton
	SP560405	Coin Meter	12K Primus jeton
	SP560406	Coin Meter	15K Primus jeton
	SP560407	Coin Meter	2EUR
	SP560408	Coin Meter	0.2EUR and 0.5EUR
	SP560409	Coin Meter	0.2EUR
	SP560410	Coin Meter	1EUR and 0.2EUR
	SP560411	Coin Meter	2EUR and 0.5EUR
	SP560412	Coin Meter	1AUD and 0.2AUD
	SP560413	Coin Meter	1GBP and 20PC
	SP560414	Coin Meter	1GBP and 50PC
	SP560415	Coin Meter	100JPY
	SP560416	Coin Meter	500JPY and 100 JPY
	SP560417	Coin Meter	1AUD and 2AUD
	SP560418	Coin Meter	1AUD
	SP560419	Coin Meter	20PC
	SP560420	Coin Meter	50 Malaysian cent
	SP560421	Coin Meter	1SGD; New Singaporean dollar
	SP560422	Coin Meter	2MYR and 0.5MYR
	SP560423	Coin Meter	1SGD
	SP560424	Coin Meter	1NZD and 2NZD
	SP560425	Coin Meter	Easy games jeton
	SP560426	Coin Meter	Flat polis jeton
	SP560427	Coin Meter	Butzi wash jeton
	SP560428	Coin Meter	Speedy matic jeton
	SP560429	Coin Meter	Laundromatic Belgium jeton; Diameter 22.3mm
	569940	Coin Meter	0.1SGD, 0.2SGD, 0.5SGD, 1SGD; Electronic EMPv7
	569934	Coin Meter	0.1EUR, 0.2EUR, 0.5EUR, 1EUR, 2EUR; Electronic EMPv7
	SP560432	Coin Meter	500WON
	SP560745	Coin Meter	Dobi ekspres jeton
	SP560751	Coin Meter	Lucky winner jeton
	SP559969	Coin Meter	Gettone jeton
	SP559949	Coin Meter	10 Taiwan dollar
	SP560090	Coin Meter	5K IPSO jeton
	SP560091	Coin Meter	7K IPSO jeton
	SP560092	Coin Meter	10K IPSO jeton
	SP560093	Coin Meter	12K IPSO jeton
	SP560094	Coin Meter	15K IPSO jeton
	SP560100	Coin Meter	Electrolux Asard jeton
	SP560087	Coin Meter	Gettone jeton

Coin Meter - A, IA and WMA Models (Drawing 2 of 3)

Models Through Serial No. 180RX008698SB



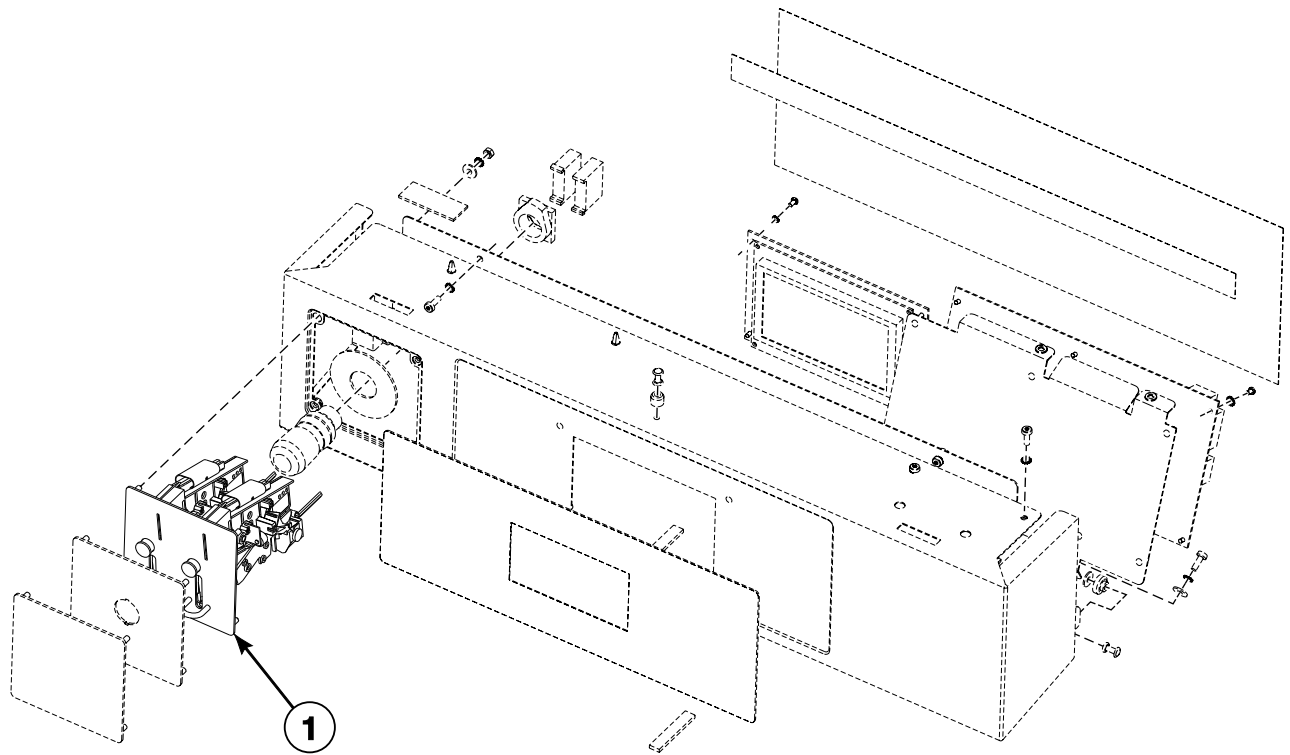
CFD2940P_D2311

Coin Meter - A, IA and WMA Models (Drawing 2 of 3)

REF	PART NO.	DESCRIPTION	COMMENTS
1	SP560075	Coin Meter	5+1 Shekel
	SP560071	Coin Meter	1HKD
	569968	Coin Meter	0.1EUR, 0.2EUR, 0.5EUR, 1EUR, 2EUR, jeton G-FIS "LAVOIR BIANCA"; Electronic EMPv7
	569946	Coin Meter	1HRK, 2HRK, 5HRK; Electronic EMPv7
	569974	Coin Meter	1AUD, 2AUD, jeton "No Cash Value"; Electronic EMPv7
	561497	Coin Meter	Jeton Prinz Firbitex
	563405	Coin Meter	Token Ldl Chamberland Washing Machine
	569943	Coin Meter	0.1MYR, 0.2MYR, 0.5MYR, 0.5SGD, 1SGD; Electronic EMPv7
	569925	Coin Meter	1DKK, 2DKK, 5DKK, 10DKK, 20DKK, 1NOK, 5NOK, 10NOK, 20NOK, 0.2EUR, 0.5EUR, 1EUR, 2EUR; Electronic EMPv7
	564485	Coin Meter	Token 118-5
	564487	Coin Meter	Token Barisart (Ldl)
	569971	Coin Meter	0.5MYR, jeton "DOBI PAPA"; Electronic EMPv7
	553156	Coin Meter	Token Rotondi
	569905	Coin Meter	Brass jeton
	569911	Coin Meter	0.5CHF, 2CHF
	569919	Coin Meter	0.25USD, 1USD, 0.25CAD, 1CAD, 2CAD; Electronic EMPv7
	569928	Coin Meter	0.2AUD, 1AUD, 2AUD, 0.2NZD, 1NZD, 2NZD, 5HKD, 10HKD, 500KRW; Electronic EMPv7
	569931	Coin Meter	1CNY, 0.1MYR, 0.2MYR, 0.5MYR; Electronic EMPv7
	569937	Coin Meter	1PHP, 5PHP, 10PHP; Electronic EMPv7
	569949	Coin Meter	5CZK, 10CZK, 20CZK, 50CZK; Electronic EMPv7
	569952	Coin Meter	0.5MAD, 1MAD, 2MAD, 5MAD, 10MAD; Electronic EMPv7
	569955	Coin Meter	1PLN, 2PLN, 5PLN, 0.1EUR, 0.2EUR, 0.5EUR, 1EUR, 2EUR, 10ISK, 50ISK, 100ISK; Electronic EMPv7
	569962	Coin Meter	0.1EUR, 0.2EUR, 0.5EUR, 1EUR, 2EUR, jeton IPRSO 5K; Electronic EMPv7
	569980	Coin Meter	0.5MYR, jeton "BUBBLELAB"; Electronic EMPv7
569993	Coin Meter	Jeton 08 MS	
569988	Coin Meter	Jeton HAUCK 2018	
569995	Coin Meter	Jeton D	

Coin Meter - A, IA and WMA Models (Drawing 3 of 3)

Models Through Serial No. 180RX008698SB



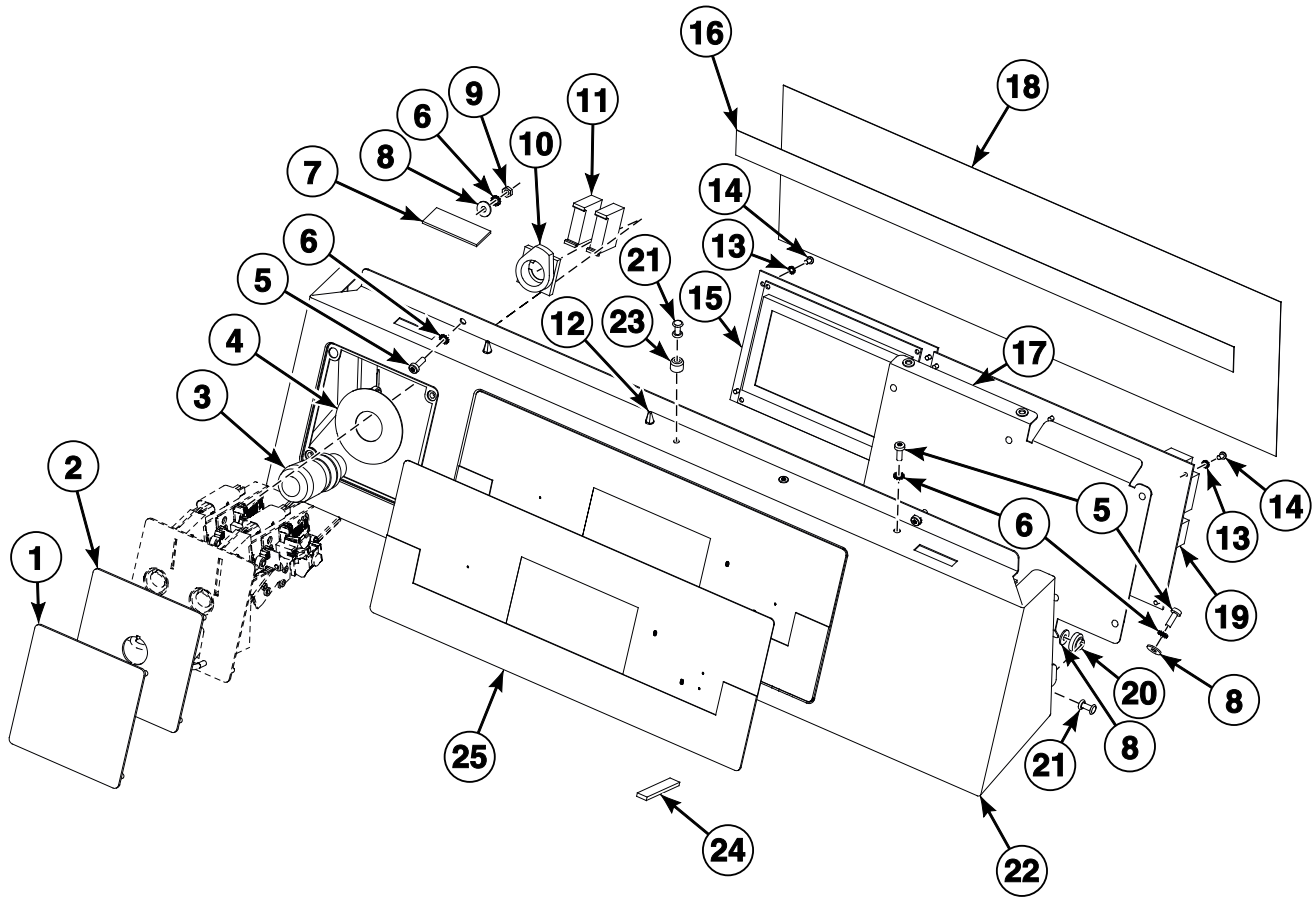
CFD2940P_D2311

Coin Meter - A, IA and WMA Models (Drawing 3 of 3)

REF	PART NO.	DESCRIPTION	COMMENTS
1	569999	Coin Meter	10+50 TWD
	570000	Coin Meter	100+500 ISK
	572302	Coin Meter	Token 118-16
	572305	Coin Meter	1ILS, 2ILS, 5ILS, 10ILS; Electronic EMPv7
	572308	Coin Meter	1ZAR, 2ZAR, 5ZAR; Electronic EMPv7
	572311	Coin Meter	5RUB, 10RUB; Electronic EMPv7
	572314	Coin Meter	50CLP, 100CLP, 500CLP; Electronic EMPv7
	572318	Coin Meter	100JPY, 500JPY, 10TWD, 50TWD; Electronic EMPv7
	572321	Coin Meter	0.5GEL, 1GEL, 2GEL; Electronic EMPv7
	572324	Coin Meter	0.2EUR, 0.5EUR, 1EUR, 2EUR, Jeton 7K; Electronic EMPv7
	572327	Coin Meter	20HUF, 50HUF, 100HUF, 200HUF; Electronic EMPv7
	572343	Coin Meter	Token WH121
	572384	Coin Meter	0.2CHF, 0.5CHF, 1CHF, 2CHF; TK1, TK2; Electronic EMPv7
	572389	Coin Meter	0.25CAD
	575276	Coin Meter	0.25USD + 1USD
	575277	Coin Meter	0.25CAD + 1CAD
	572355	Coin Meter	Token Nr. 1699360
	572359	Coin Meter	1THB, 2THB, 5THB, 10THB / TK1+2, Electronic EMPv7

Control Panel - AR Non-Brand, NA and SA Models

Models Through Serial No. 180RX008698SB



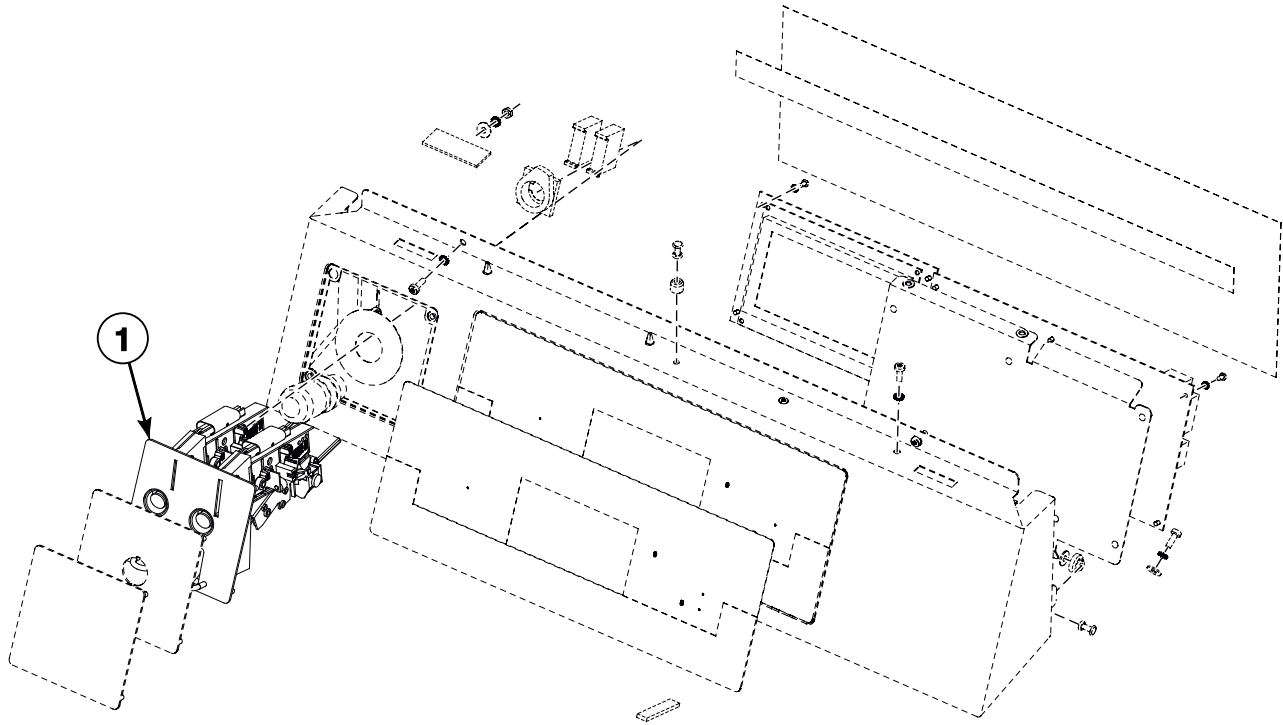
CFD2946P_D2311

Control Panel - AR Non-Brand, NA and SA Models

REF	PART NO.	DESCRIPTION	COMMENTS
	F8600501	Programming Cable	
	SP520033	Emergency Stop Interconnection	Vend
1	SP550149	Cover Plate	Central payment system
2	SP547565	Coin Meter Cover	
3	SP528310	Emergency Stop Knob	
	SP520032	Emergency Stop Wiring	OPL
4	SPPRI551005248	Emergency Stop Label	Yellow
5	SP555504	Bolt	M4x12
6	SP311679800004	Washer	M4
7	SPMEC001410	Self-Adhesive Pad	
8	SP311902100004	Washer	4
9	SP310934000004	Nut	M4
10	SP528311	Emergency Stop Connector	
11	SP528312	Switching Unit	
12	SP528313	Cable Holder	
13	SP311679800003	Washer	M3
14	SP309798500306	Bolt	M3x6
15	SP553411	Control Board	AR Non-Brand and NA models; Blue display; MC7
	SP553412	Control Board	SA models
16	SP510846	Tape	Self-adhesive
17	SP560448	Programmer Holder	
18	SPPRI543000004	Cover	
19	SP553405	Control Board I/O	MC7
	SP547005	Board Interconnection Cable	
20	SP550113	Leading Pin	
21	SP547779	Rivet	4x16.7 with a crank
22	SP560469	Control Panel	
23	SP520408	Pin Insertion	
24	SP284000012003	Tape	
25	SP547087	Keyboard	AR Non-Brand and NA models; Professional; Black; OPL
	SP547088	Keyboard	AR Non-Brand and NA models; Basic; Black
	SP557130	Keyboard	SA models; OPL

Coin Meter - AR Non-Brand, NA and SA Models (Drawing 1 of 4)

Models Through Serial No. 180RX008698SB



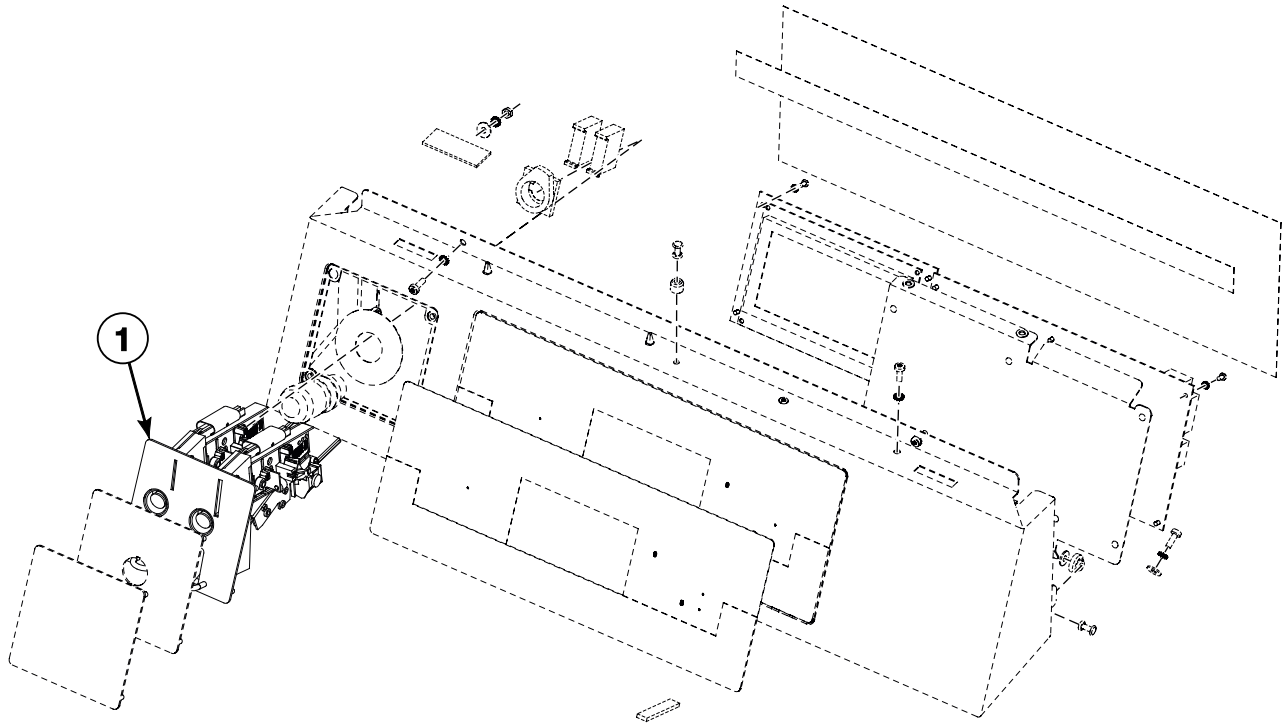
CFD3484P_D2311

Coin Meter - AR Non-Brand, NA and SA Models (Drawing 1 of 4)

REF	PART NO.	DESCRIPTION	COMMENTS
1	SP547601	Coin Meter	5K Primus jeton
	SP547602	Coin Meter	7K Primus jeton
	SP547603	Coin Meter	10K Primus jeton
	SP547604	Coin Meter	12K Primus jeton
	SP547605	Coin Meter	15K Primus jeton
	SP547606	Coin Meter	D jeton
	SP547648	Coin Meter	0.05EUR
	SP547638	Coin Meter	0.2EUR
	SP547616	Coin Meter	0.5EUR
	SP547614	Coin Meter	1EUR
	SP547647	Coin Meter	2EUR
	SP547622	Coin Meter	0.2EUR + 0.5EUR
	SP547639	Coin Meter	0.2EUR + 1EUR
	SP547617	Coin Meter	0.5EUR + 1EUR
	SP547656	Coin Meter	0.5EUR + 2EUR
	SP547631	Coin Meter	1EUR + 2EUR
	SP547652	Coin Meter	7K + D jeton
	SP547666	Coin Meter	7K jeton and 2EUR
	SP547665	Coin Meter	D jeton and 2EUR
	SP547600	Coin Meter	1AUD + 20C
	SP547607	Coin Meter	1POND + 20PC
	SP547608	Coin Meter	1POND + 50PC
	SP547609	Coin Meter	100YEN
	SP547610	Coin Meter	500JPY + 100JPY
	SP547611	Coin Meter	5DKK
	SP547612	Coin Meter	20DKK
	SP547613	Coin Meter	5ILS + 1ILS
	SP547615	Coin Meter	1MYR
	SP547618	Coin Meter	1DKK + 5DKK
	SP547619	Coin Meter	10NOK + 20NOK
	SP547620	Coin Meter	2DKK + 5DKK
	SP547621	Coin Meter	5NOK
	SP547623	Coin Meter	1NZD + 2NZD
	SP547624	Coin Meter	10 NOK
	SP547625	Coin Meter	10NT + 50NT
	SP547626	Coin Meter	2DKK
	SP547627	Coin Meter	Lucky Winner jeton
	SP547628	Coin Meter	10TWD
	SP547629	Coin Meter	10CZK + 20CZK
	SP547630	Coin Meter	7K Equipos Par Lavar jeton
	569921	Coin Meter	0.2GBP, 0.5GBP, 1GBP, 2GBP, 0.1EUR, 0.2EUR, 0.5EUR, 1EUR, 2EUR; Electronic EMPv7
	SP547634	Coin Meter	500WON
	SP547635	Coin Meter	0.25USD
	SP547636	Coin Meter	1AUD + 2AUD
	SP547637	Coin Meter	5DK + 10DK

Coin Meter - AR Non-Brand, NA and SA Models (Drawing 2 of 4)

Models Through Serial No. 180RX008698SB



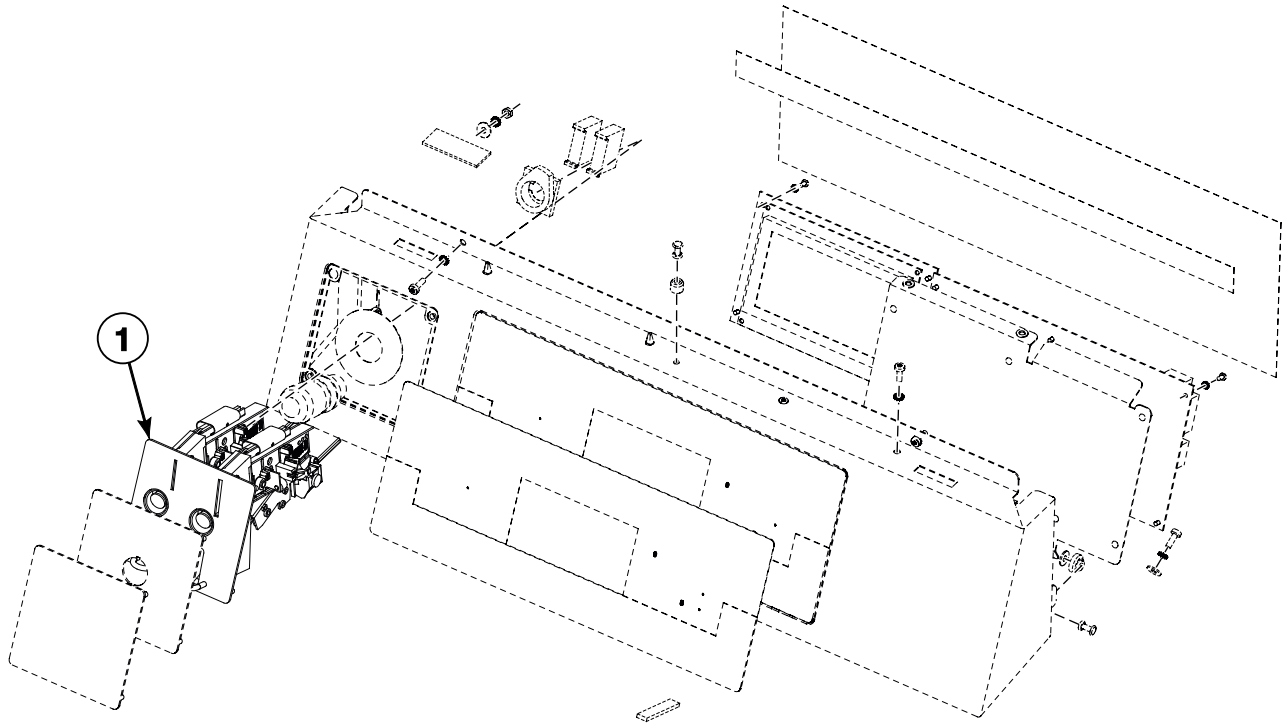
CFD3484P_D2311

Coin Meter - AR Non-Brand, NA and SA Models (Drawing 2 of 4)

REF	PART NO.	DESCRIPTION	COMMENTS
1	SP547641	Coin Meter	2DK + 10DK
	SP547642	Coin Meter	1AUD
	SP547643	Coin Meter	1CHF
	SP547644	Coin Meter	5NOK + 10NOK
	SP547645	Coin Meter	1 TopMos jeton + 1LEV jeton
	SP547646	Coin Meter	1 Vendo jeton
	SP547649	Coin Meter	1 jeton
	569951	Coin Meter	0.5MAD, 1MAD, 2MAD, 5MAD, 10MAD; Electronic EMPv7
	SP547651	Coin Meter	20 penny
	SP547653	Coin Meter	1 Wascator jeton, jeton diamater 22.2 mm
	SP547654	Coin Meter	1 Unibel jeton, jeton diamater 18.55 mm
	SP547657	Coin Meter	50HUF + 100HUF
	SP547658	Coin Meter	1 jeton without coining, jeton diamater 20 mm
	SP547659	Coin Meter	1 Volund jeton, jeton diamater 22.5 mm
	SP547660	Coin Meter	1 Wascator jeton, jeton diamater 19 mm
	SP547661	Coin Meter	1 Miele jeton
	SP547662	Coin Meter	1 jeton without coining, jeton diamater 26 mm
	SP547663	Coin Meter	Three-groove jeton; jeton diamater 27 mm
	SP547664	Coin Meter	Three-groove jeton; jeton diamater 24.9 mm
	SP537996	Coin Meter	Top-Mosr jeton
	SP547667	Coin Meter	Milano Italy jeton
	SP547668	Coin Meter	5PLN + 1PLN
	SP547669	Coin Meter	Two-grooves jeton; jeton diamater 27 mm
	SP547670	Coin Meter	A.S.A.R.D. jeton, jeton diamater 25.8 mm
	SP547671	Coin Meter	20CZK
	SP547672	Coin Meter	Jeton ASARD, jeton diamater 22.3 mm
	SP547673	Coin Meter	Jeton Laundromatic Belgium, jeton diamater 22.3 mm
	SP547674	Coin Meter	1SGD
	SP547675	Coin Meter	Jeton Asard Wascator, jeton diamater 19.9 mm
	SP555502	Coin Meter	Easy Games jeton
	SP555543	Coin Meter	Brev.C jeton
	SP555546	Coin Meter	50 Malaysian cent
	SP555549	Coin Meter	Flat Polis jeton
	SP555550	Coin Meter	Butzi Wash jeton
	SP555578	Coin Meter	1 New Singapore Dollar
	SP555558	Coin Meter	Copper without grooves jeton
	569939	Coin Meter	0.1SGD, 0.2SGD, 0.5SGD, 1SGD; Electronic EMPv7
	SP555666	Coin Meter	2x50 Malaysian cent
	569933	Coin Meter	0.1EUR, 0.2EUR, 0.5EUR, 1EUR, 2EUR; Electronic EMPv7
	SP555559	Coin Meter	Speedy Matic jeton
	SP555579	Coin Meter	Was-Salon Lavoir jeton
	569948	Coin Meter	5CZK, 10CZK, 20CZK, 50CZK; Electronic EMPv7
	SP560744	Coin Meter	Electronic for Dobi Ekspress jeton
	569964	Coin Meter	0.2GBP, 0.5GBP, 1GBP, 2GBP, 0.1EUR, 0.2EUR, 0.5EUR, 1EUR, 2EUR, jeton "KWL Aqua", jeton "Gettone"; Electronic EMPv7
	SP560089	Coin Meter	STD 118-1 jeton

Coin Meter - AR Non-Brand, NA and SA Models (Drawing 3 of 4)

Models Through Serial No. 180RX008698SB



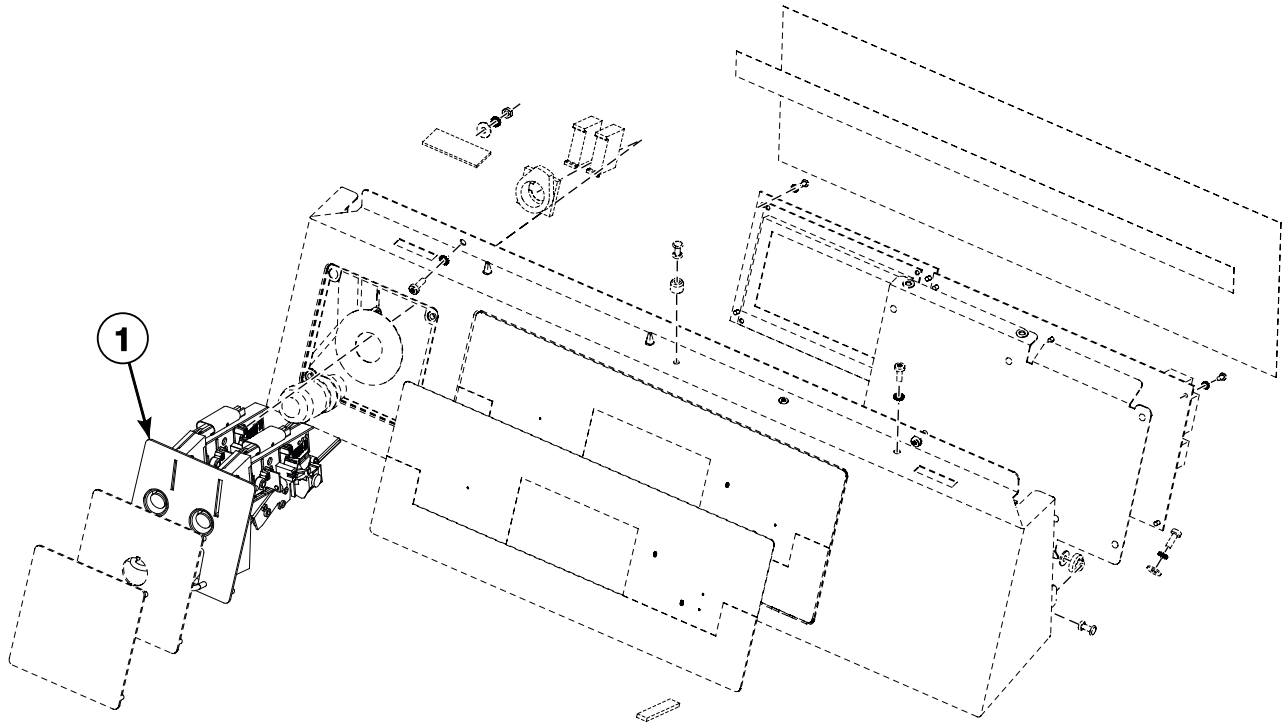
CFD3484P_D2311

Coin Meter - AR Non-Brand, NA and SA Models (Drawing 3 of 4)

REF	PART NO.	DESCRIPTION	COMMENTS
1	SP560082	Coin Meter	5k IPSO jeton
	SP547640	Coin Meter	Sun Wash jeton
	SP560083	Coin Meter	7k IPSO jeton
	SP560084	Coin Meter	10k IPSO jeton
	SP560085	Coin Meter	12k IPSO jeton
	SP560086	Coin Meter	15k IPSO jeton
	561378	Coin Meter	10 Moroccan Dirham
	569918	Coin Meter	0.25USD, 1USD, 0.25CAD, 1CAD, 2CAD; Electronic EMPv7
	560073	Coin Meter	0.25 USD/1 USD
	569930	Coin Meter	1CNY, 0.1MYR, 0.2MYR, 0.5MYR; Electronic EMPv7
	569927	Coin Meter	0.2AUD, 1AUD, 2AUD, 0.2NZD, 1NZD, 2NZD, 5HKD, 10HKD, 500KRW; Electronic EMPv7
	561496	Coin Meter	Jeton Grupo Azkoyen CDS Automaten
	569936	Coin Meter	1PHP, 5PHP, 10PHP; Electronic EMPv7
	569942	Coin Meter	0.1MYR, 0.2MYR, 0.5MYR, 0.5SGD, 1SGD; Electronic EMPv7
	569945	Coin Meter	1HRK, 2HRK, 5HRK; Electronic EMPv7
	569924	Coin Meter	1DKK, 2DKK, 5DKK, 10DKK, 20DKK, 1NOK, 5NOK, 10NOK, 20NOK, 0.2EUR, 0.5EUR, 1EUR, 2EUR; Electronic EMPv7
	SP564484	Coin Meter	Jeton 118-5
	SP564486	Coin Meter	Jeton Barisart (LDL)
	569961	Coin Meter	0.1EUR, 0.2EUR, 0.5EUR, 1EUR, 2EUR, jeton IPSO 5K; Electronic EMPv7
	564489	Coin Meter	Jeton Sporrong
	569970	Coin Meter	0.5MYR, jeton "DOBI PAPA"; Electronic EMPv7
	553150	Coin Meter	Jeton with hole
	553151	Coin Meter	Jeton Deton Wash
	569901	Coin Meter	Brass jeton
	569912	Coin Meter	Jeton Wassalon lavoir
	569954	Coin Meter	1PLN, 2PLN, 5PLN, 0.1EUR, 0.2EUR, 0.5EUR, 1EUR, 2EUR, 10ISK, 50ISK, 100ISK; Electronic EMPv7
	569967	Coin Meter	0.1EUR, 0.2EUR, 0.5EUR, 1EUR, 2EUR, jeton G-FIS "LAVOIR BIANCA"; Electronic EMPv7
	569973	Coin Meter	1AUD, 2AUD, jeton "No Cash Value"; Electronic EMPv7
	569979	Coin Meter	0.5MYR, jeton "BUBBLELAB"; Electronic EMPv7
	569987	Coin Meter	Jeton HAUCK 2018

Coin Meter - AR Non-Brand, NA and SA Models (Drawing 4 of 4)

Models Through Serial No. 180RX008698SB



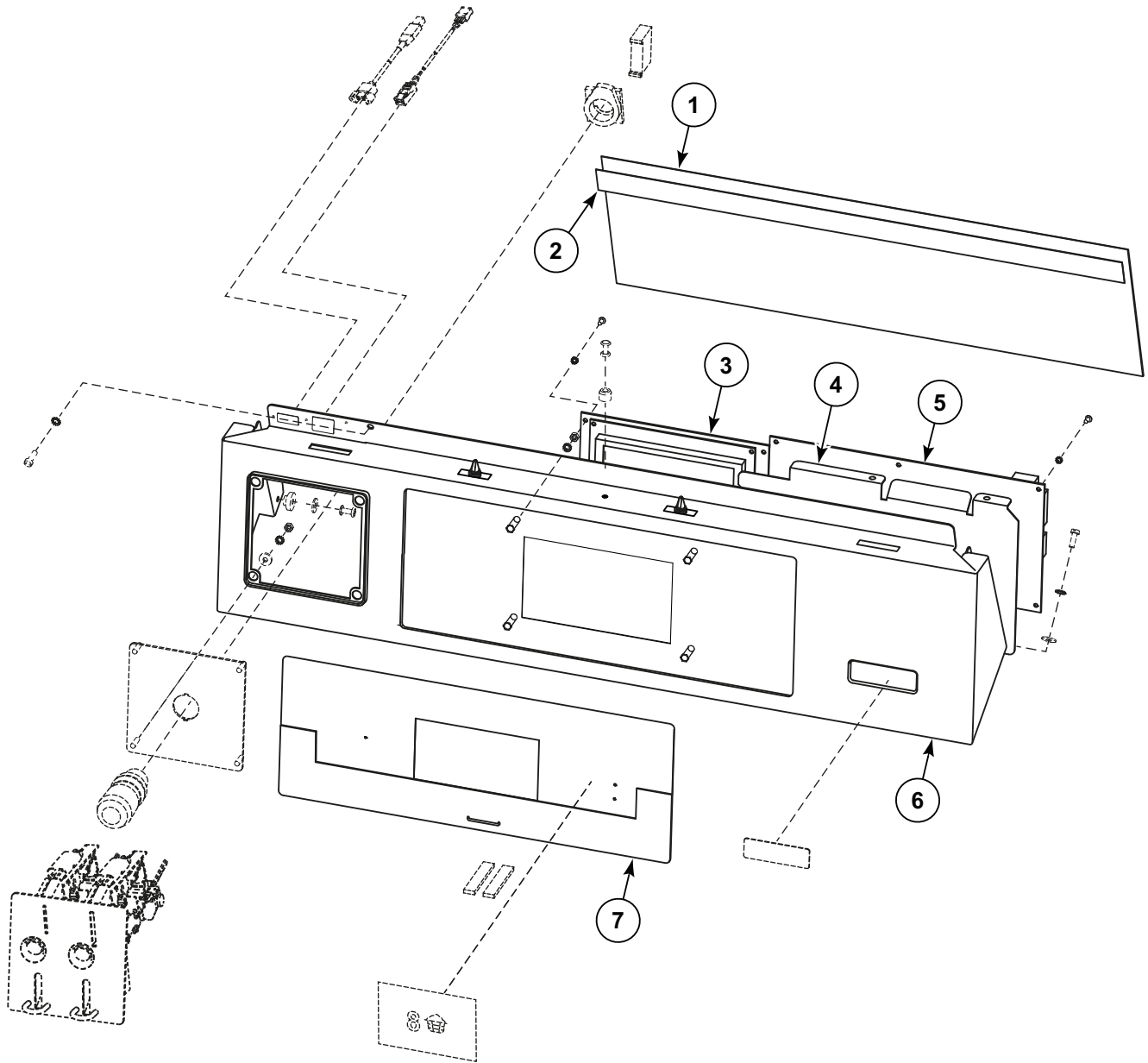
CFD3484P_D2311

Coin Meter - AR Non-Brand, NA and SA Models (Drawing 4 of 4)

REF	PART NO.	DESCRIPTION	COMMENTS
1	569998	Coin Meter	100+500 ISK
	572301	Coin Meter	Token 118-16
	572304	Coin Meter	1ILS, 2ILS, 5ILS, 10ILS; Electronic EMPv7
	572307	Coin Meter	1ZAR, 2ZAR, 5ZAR; Electronic EMPv7
	572310	Coin Meter	5RUB, 10RUB; Electronic EMPv7
	572313	Coin Meter	50CLP, 100CLP, 500CLP; Electronic EMPv7
	572317	Coin Meter	100JPY, 500JPY, 10TWD, 50TWD; Electronic EMPv7
	572320	Coin Meter	0.5GEL, 1GEL, 2GEL; Electronic EMPv7
	572323	Coin Meter	0.2EUR, 0.5EUR, 1EUR, 2EUR, Jeton 7K; Electronic EMPv7
	572326	Coin Meter	20HUF, 50HUF, 100HUF, 200HUF; Electronic EMPv7
	572339	Coin Meter	Gettone Jeton (26mm diameter x 1.7mm)
	572342	Coin Meter	Token WH121
	572358	Coin Meter	1THB, 2THB, 5THB, 10THB/TK1+2; Electronic EMPv7

Control Panel (Drawing 1 of 2)

AR, LA, LW, MWC, NX, PA and RX Models with T or X in 7th Position of the model number;
AR, IA, NA, SA and UA Models Starting Serial No. 180RX008699SB with A, D, I, J, R, T or X in 7th Position of the model number



CZW388P_D2064

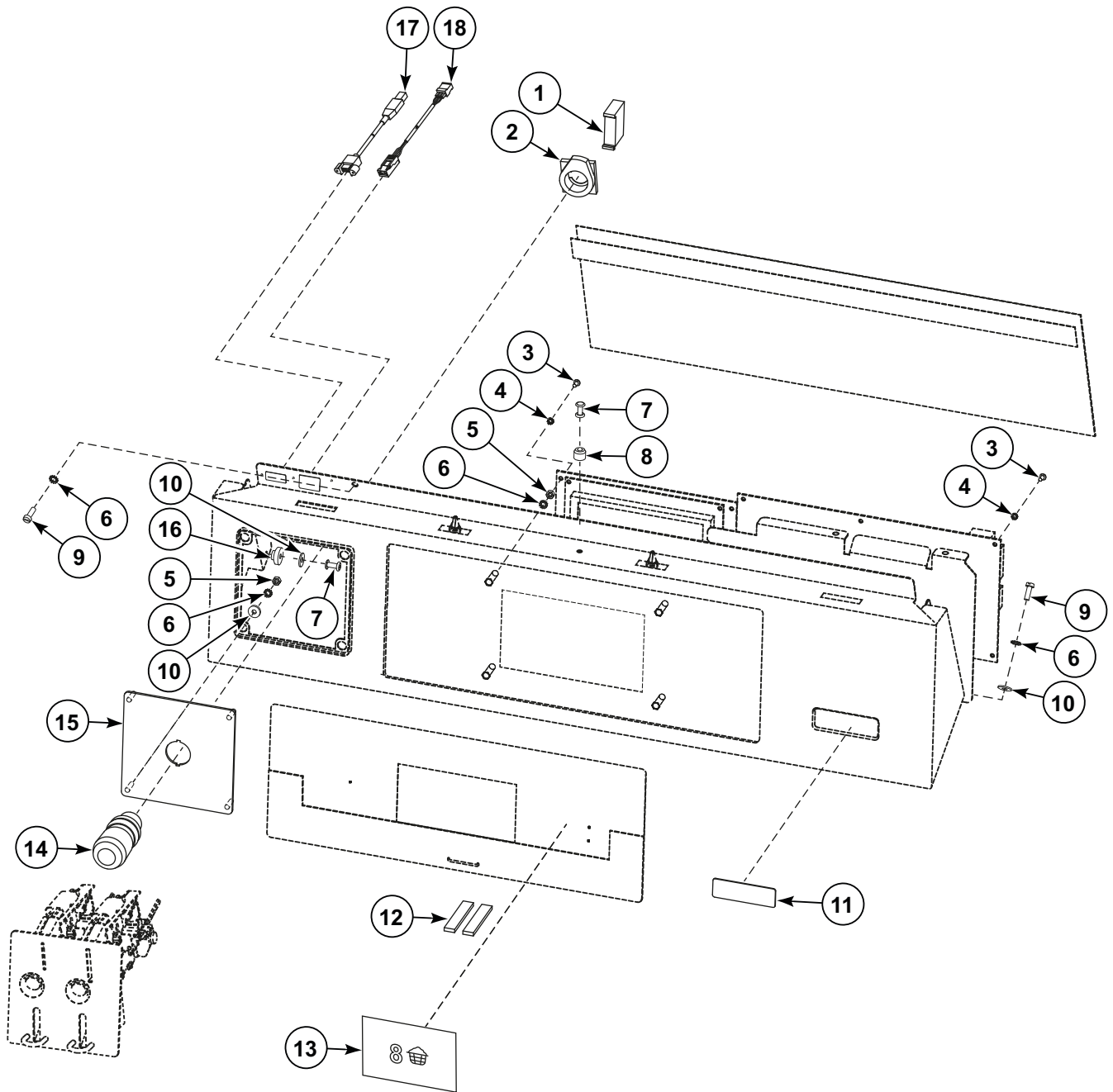
Control Panel (Drawing 1 of 2)

REF	PART NO.	DESCRIPTION	COMMENTS
1	SPPRI543000004	Cover	
2	SP510846	Tape	Self-adhesive
3	SP547001	Control Board	MC6 (green color); Models through Serial No. 180RX000810DB; Refer to NOTE*
	SP553411	Control Board	AR, LA, LW, MWC, NA, NX, PA and RX Models, MC7 (blue color), Models starting Serial No. 180RX001036DF; Refer to NOTE*
	SP553419	Control Board	IA Models; MC7; Red;
	SP553412	Control Board	SA and UA Models; MC7; Green;
4	SP550117	Control Board Holder	
5	SP547002	Control Board I/O	MC6
	SP553405	Control Board I/O	MC7
	SP547005	Board Interconnection Cable	
6	SP550240	Control Panel	AR, LA, LW, MWC, NX, PA and RX Models
	575944	Control Panel	IA, AR, NA, SA, UA models Starting Serial No. 180RX008699SB
7	SP547088	Keyboard	AR, LA and NA models; X_Control; Black
	SP547087	Keyboard	AR, LA, NA and PAN040TN0MZA20CTAA models; X_Control Plus; Black; OPL
	SP561588	Keyboard	LW models
	SP552992	Keyboard	NX models
	SP553423	Keyboard	PAN models; X_Control; CSA; Models through Serial No. 180RX006857MF
	SP547086	Keyboard	MWC, PA and RX models; X_Control; Gray-black
	SP547085	Keyboard	MWC, PA and RX models; (PAN models Starting Serial No. 180RX006858MF); X_Control Plus; Gray-black; OPL
	559862	Keyboard	UA models; OPL; PROform
	557130	Keyboard	SA models; OPL; QED Select
	SP557565	Keyboard	IA models; Aries Elite
	SP557566	Keyboard	IA models; Aries
	SP560747	Keyboard	IA models; Without logo and without numeric keyboard
	SP560748	Keyboard	IA models; Without logo and with numeric keyboard

* NOTE: For machines within the Serial No. range 180RX000811DB - 180RX001035DF, contact the After Sales department.

Control Panel (Drawing 2 of 2)

AR, LA, LW, MWC, NX, PA and RX Models with T or X in 7th Position of the model number;
AR, IA, NA, SA and UA Models Starting Serial No. 180RX008699SB with A, D, I, J, R, T or X in 7th Position of the model number



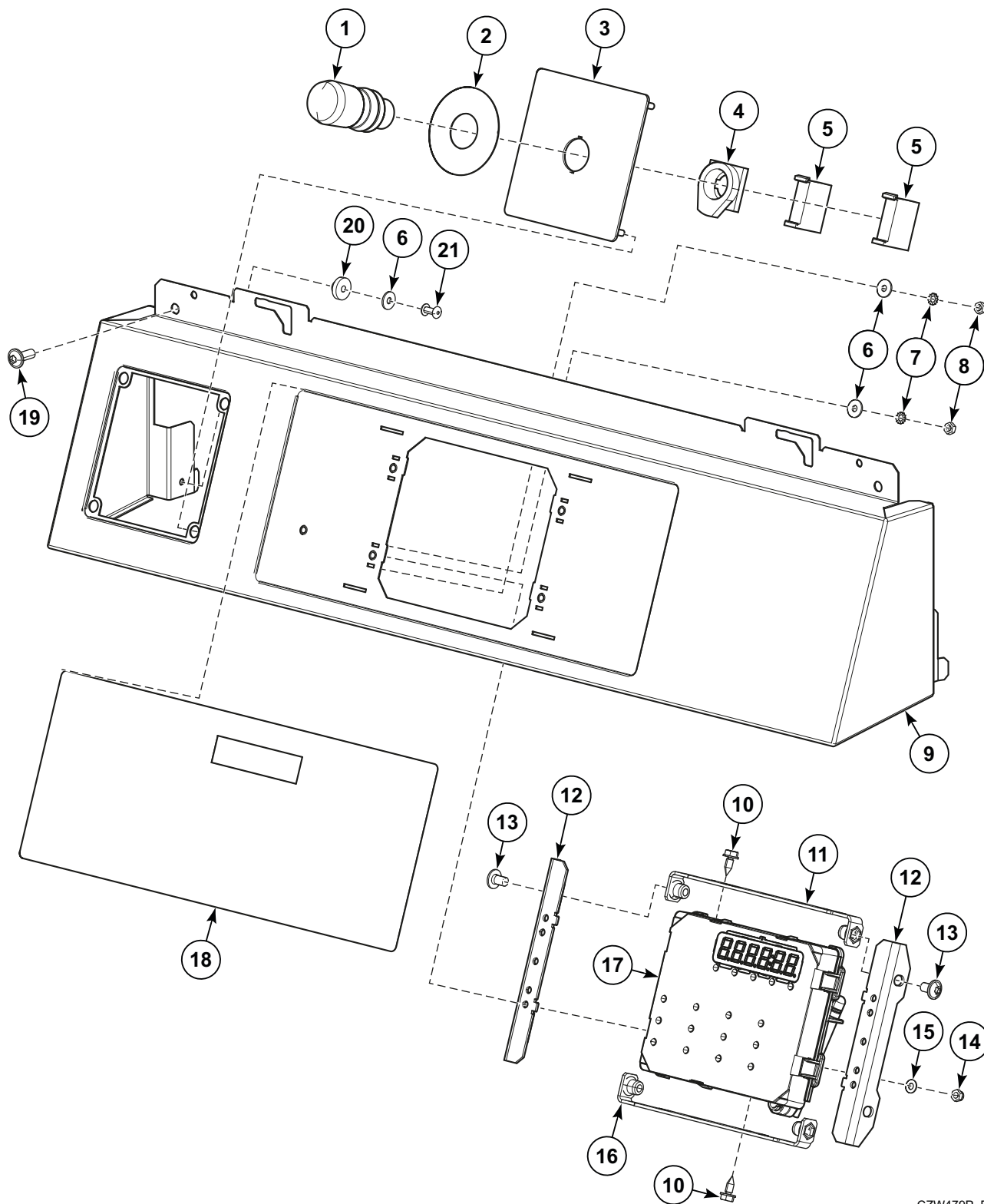
CZW389P_D2064

Control Panel (Drawing 2 of 2)

REF	PART NO.	DESCRIPTION	COMMENTS
	SP520033	Emergency Stop Interconnection	Vended
	F8600501	Programming Cable	
	569593	Network Installation Kit	Includes 569595 Holder, 203532 Wireless Network Control Assembly, 568363 Power Supply, 568362 Cable, 568378 Wiring, 568379 Wiring Diagram, SP345000626088 Binding Strip, and connection accessories
1	SP528312	Switching Unit	
2	SP528311	Emergency Stop Connector	
3	SP309798500306	Bolt	M3x6
4	SP311679800003	Washer	M3
5	SP310934000004	Nut	M4
6	SP311679800004	Washer	M4
7	SP547779	Rivet	4x16.7 with a crank
8	SP520408	Pin Insertion	
9	SP555504	Bolt	M4x12
10	SP311902100004	Washer	M4
11	SP556155	Logo Label	NX models
	SP547043	Logo Label	AR and LA models
	SP547046	Logo Label	LW models
	567887	Logo Label	PA and RX models
	547055	Logo Label	MWC models
12	SP284000012003	Tape	Self-adhesive
13	SP563292	Label	Basket capacity; Vended
14	SP528310	Emergency Stop Knob	
	SP520032	Emergency Stop Wiring	OPL
15	SP547565	Coin Meter Cover	
	SP550149	Cover Plate	Central payment system
16	SP550113	Leading Pin	
17	569668	USB Cable	0.61m; PAN040T and PAN040X models; Vended; Starting 180RX004453HS
18	545234	USB Cable	RS485; with connectors; PAN040T and PAN040X Models; Vended; Starting 80RX003437HU

Control Panel OPL

Models with G in 7th Position of the model number



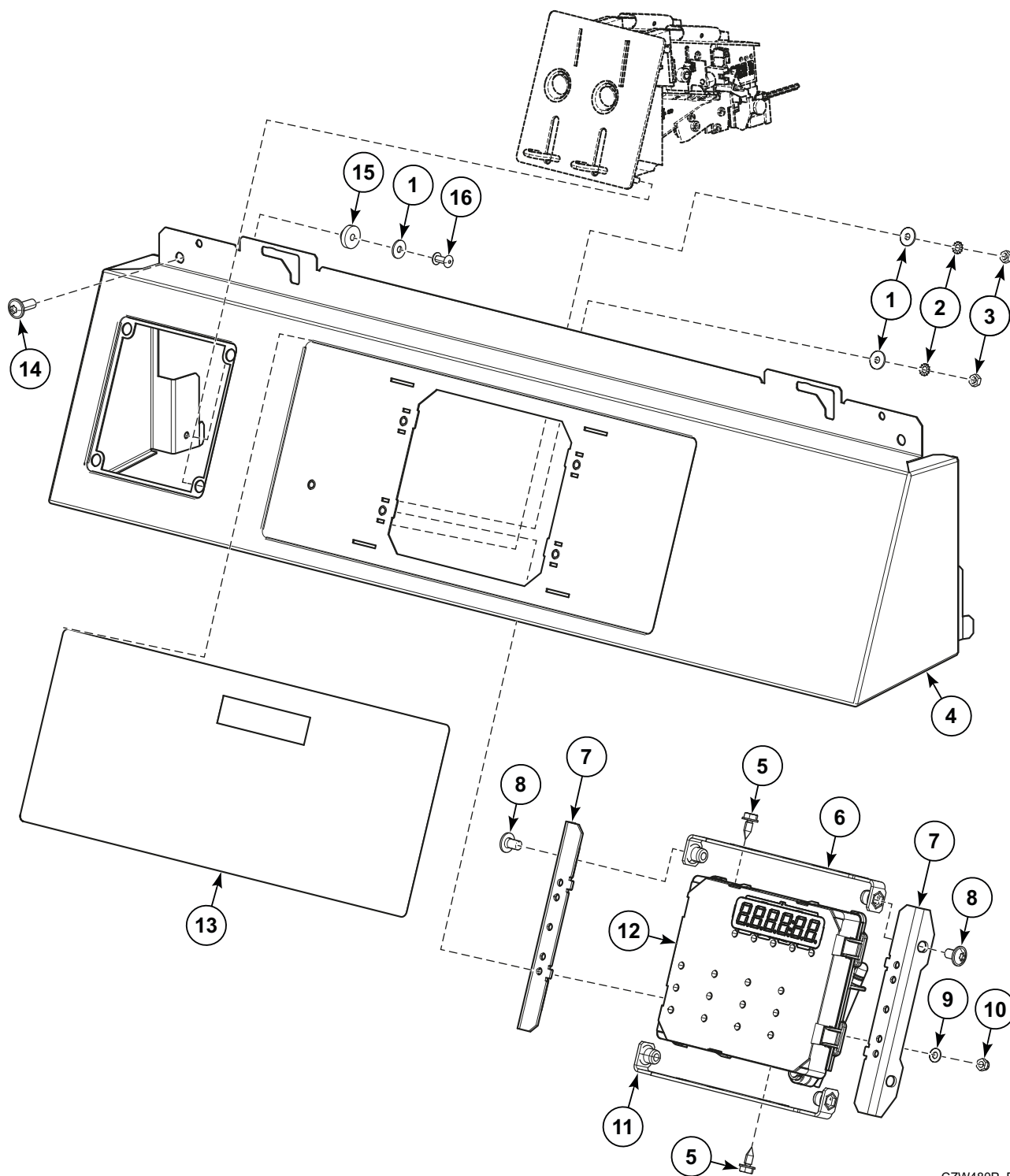
CZW479P_D2064

Control Panel OPL

REF	PART NO.	DESCRIPTION	COMMENTS
1	SP528310	Emergency Stop Knob	Used with SP520032 Emergency Stop Wiring
2	SPPRI551005248	Emergency Stop Label	Yellow
3	SP547565	Coin Meter Cover	
4	SP528311	Emergency Stop Connector	
5	SP528312	Switching Unit	
6	SP311902100004	Washer	M4
7	SP311679800004	Washer	M4
8	SP310934000004	Nut	M4
9	580852	Control Panel	
10	SP100218	Screw	
11	581020	Control Holder	upper
12	581009	Control Support	
13	SP506012	Bolt	M6x10
14	SP514193	Nut	M4
15	SP311125000004	Washer	4x3
16	581021	Control Holder	lower
17	204890	Control Board	
	575865	Board Interconnection Cable	15.75 inch (0.4 m)
18	577656	Keyboard	
19	555658	Bolt	M6x16
20	SP550113	Leading Pin	
21	SP313250004125	Rivet	4x12.5

Control Panel Vended

Models with G in 7th Position of the model number



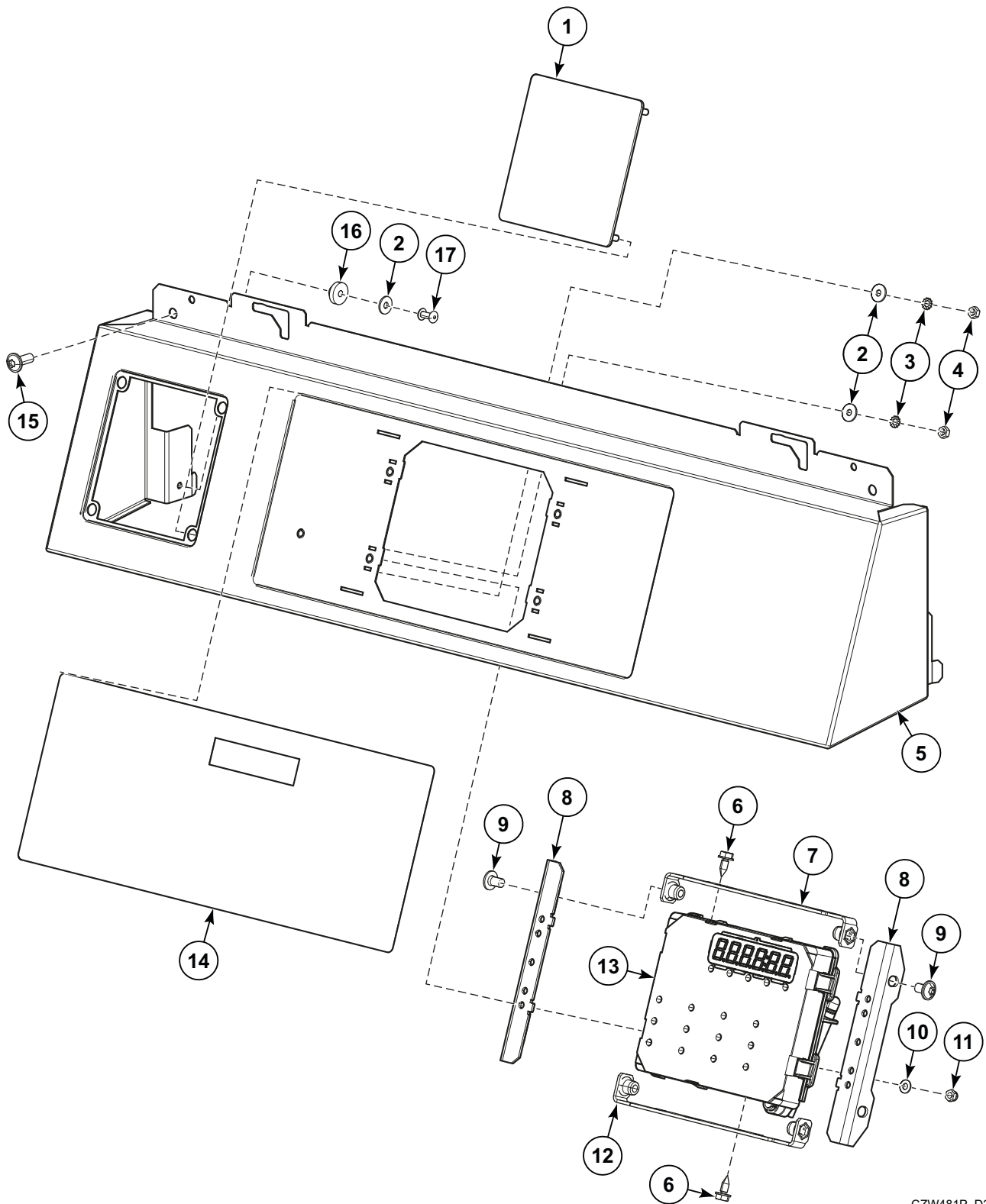
CZW480P_D2064

Control Panel Vended

REF	PART NO.	DESCRIPTION	COMMENTS
	SP520033	Emergency Stop Interconnection	Vend
1	SP311902100004	Washer	M4
2	SP311679800004	Washer	M4
3	SP310934000004	Nut	M4
4	580852	Control Panel	
5	SP100218	Screw	
6	581020	Control Holder	upper
7	581009	Control Support	
8	SP506012	Bolt	M6x10
9	SP311125000004	Washer	4x3
10	SP514193	Nut	M4
11	581021	Control Holder	lower
12	204890	Control Board	
	575865	Board Interconnection Cable	15.75 inch (0.4 m)
13	577656	Keyboard	
14	555658	Bolt	M6x16
15	SP550113	Leading Pin	
16	SP313250004125	Rivet	4x12.5

Control Panel for Central Payment System

Models with G in 7th Position of the model number



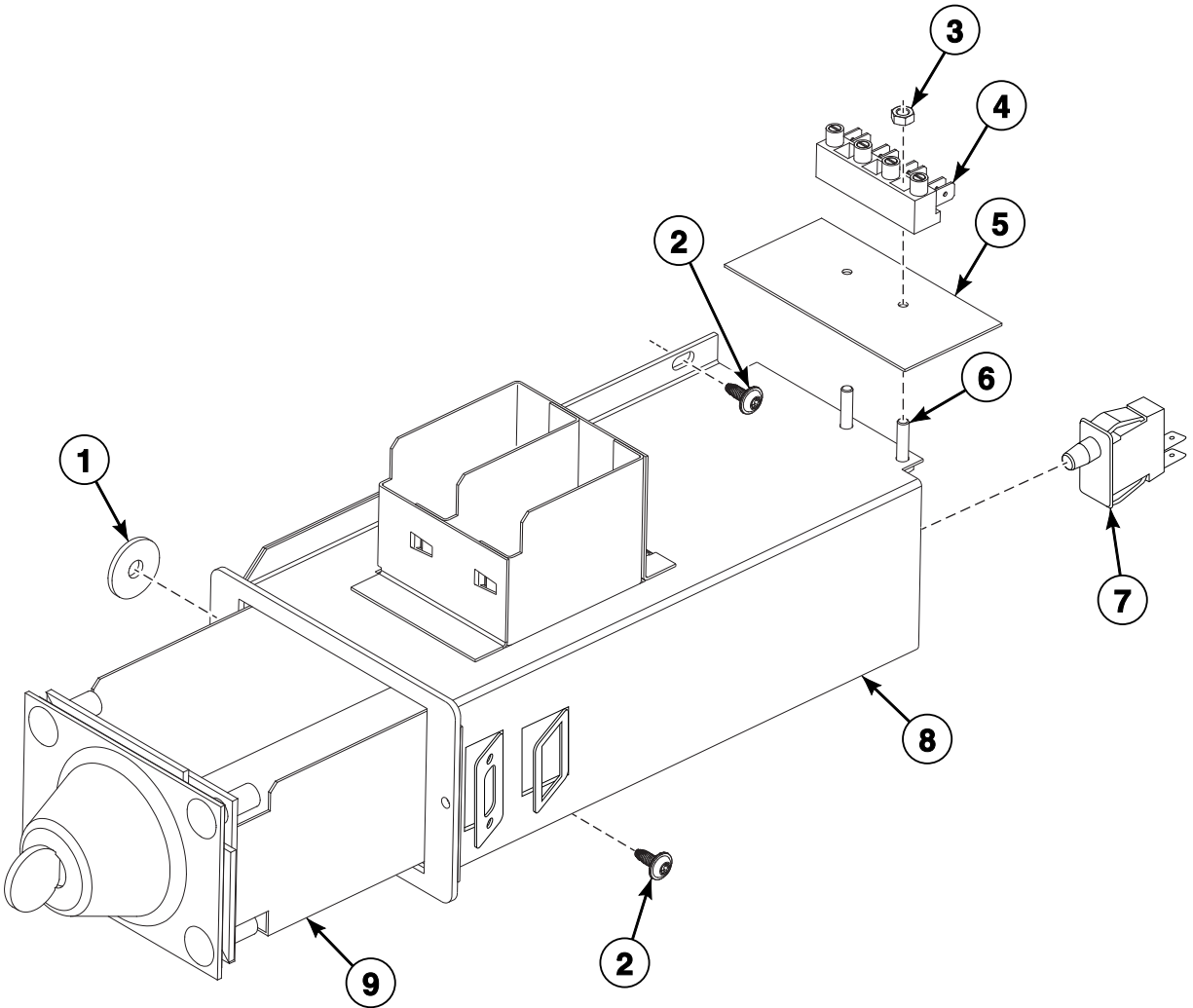
CZW481P_D2064

Control Panel for Central Payment System

REF	PART NO.	DESCRIPTION	COMMENTS
	571485	Emergency Stop Interconnection	Central Payment System
1	SP550149	Cover Plate	Central Payment System
2	SP311902100004	Washer	M4
3	SP311679800004	Washer	M4
4	SP310934000004	Nut	M4
5	580852	Control Panel	
6	SP100218	Screw	
7	581020	Control Holder	upper
8	581009	Control Support	
9	SP506012	Bolt	M6x10
10	SP311125000004	Washer	4x3
11	SP514193	Nut	M4
12	581021	Control Holder	lower
13	204890	Control Board	
	575865	Board Interconnection Cable	15.75 inch (0.4 m)
14	577656	Keyboard	
15	555658	Bolt	M6x16
16	SP550113	Leading Pin	
17	SP313250004125	Rivet	4x12.5

Coin Meter Case

Models Through Serial No. 180RX006971MK



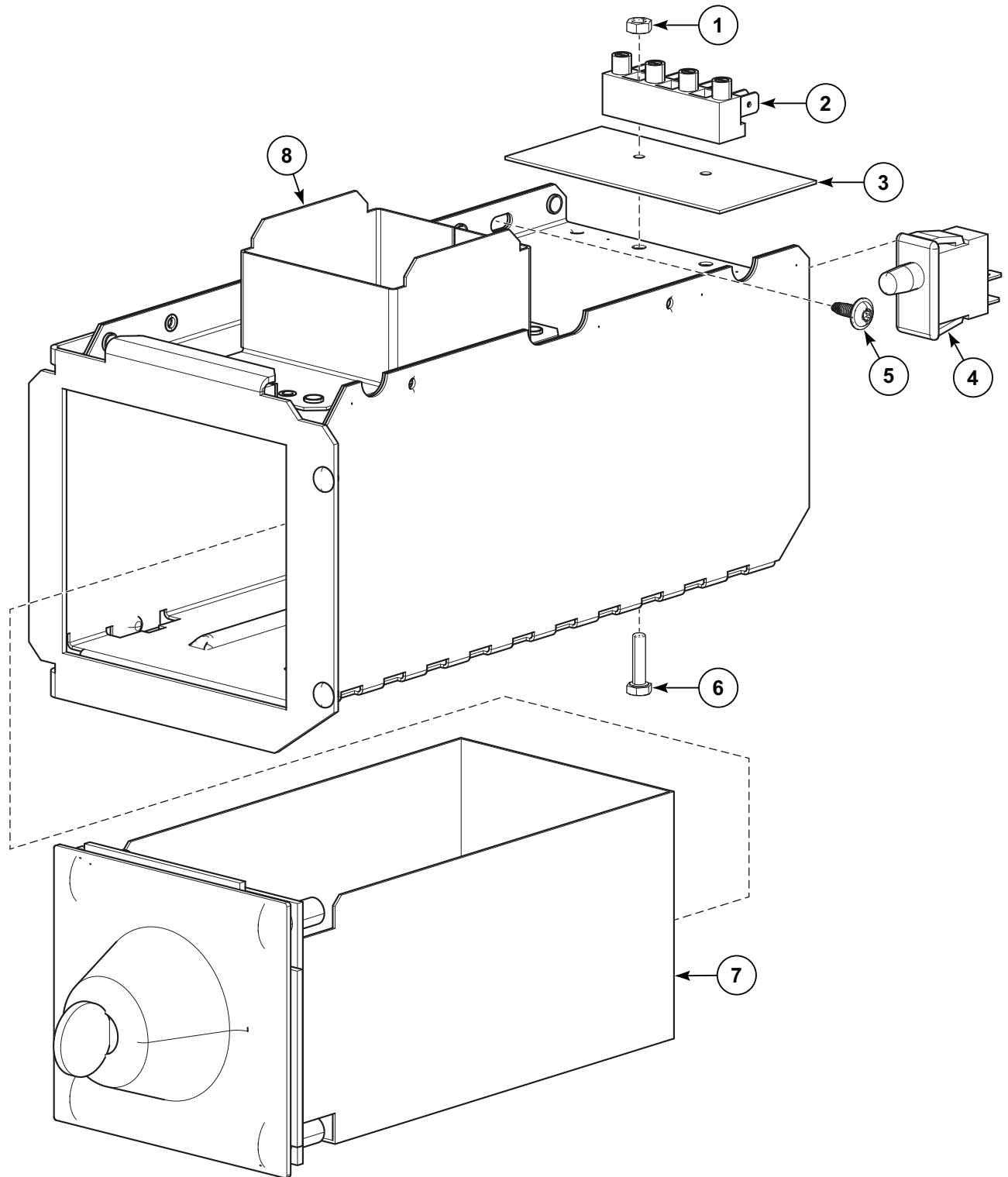
CHM3504P_D2311

Coin Meter Case

REF	PART NO.	DESCRIPTION	COMMENTS
	568094	Large Coin Box Kit	PA models
1	SP568037	Washer	
2	SP529206	Screw	4x11
3	SP310934000004	Nut	M4
4	SPPRI350000007	Terminal Board	
5	SPPRI350012007	Isolation Paper	
6	SP309933000416	Bolt	M4x16
7	SP506045	Microswitch	PAN models; CSA; Vend
8	SP550436	Coin Meter Case	AR, AR Non-Brand, LA, LW, MWC, NA, NX, PA, RX and SA models; Without cuts for cables
	568041	Coin Meter Case	AR, AR Non-Brand, LA, LW, MWC, NA, NX, PA, RX and SA models; Starting Serial No. 180RX004128HM; Vend; Large coin meter
	SP547548	Coin Meter Case	A, IA and WMA models
	568039	Coin Meter Case	A, IA and WMA models; Starting Serial No. 180RX004128HM; Vend; Large coin meter
9	SP102532	Coin Meter Box	CE and Watermark
	100498	Coin Meter Box	CE and Watermark models starting Serial No. 180RX004128HM; Vend; Large coin meter

Coin Meter Case

Models Starting Serial No. 180RX006972MK



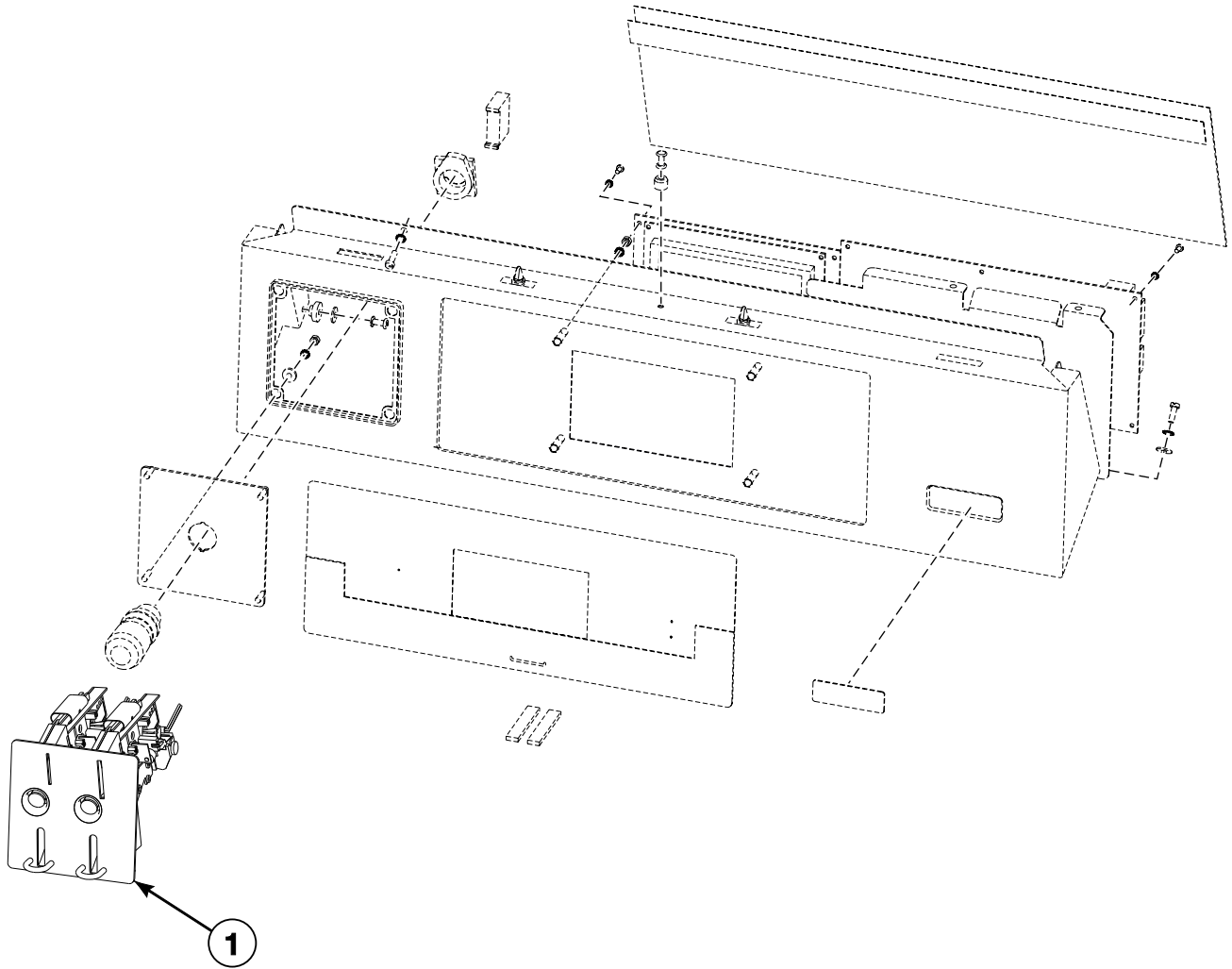
CZW499P_D2064

Coin Meter Case

REF	PART NO.	DESCRIPTION	COMMENTS
1	SP310934000004	Nut	M4
2	SPPRI350000007	Terminal Board	
3	SPPRI350012007	Isolation Paper	
4	N/A	Microswitch	
5	SP529206	Screw	4x11
6	SP309933000416	Bolt	M4x16
7	100498	Coin Meter Box	
8	572120	Coin Meter Case	

N/A = Part no longer available

Coin Meter - AR, IA, LA, LW, MWC, NA, NX, PA and RX, SA and UA Models (Drawing 1 of 4)

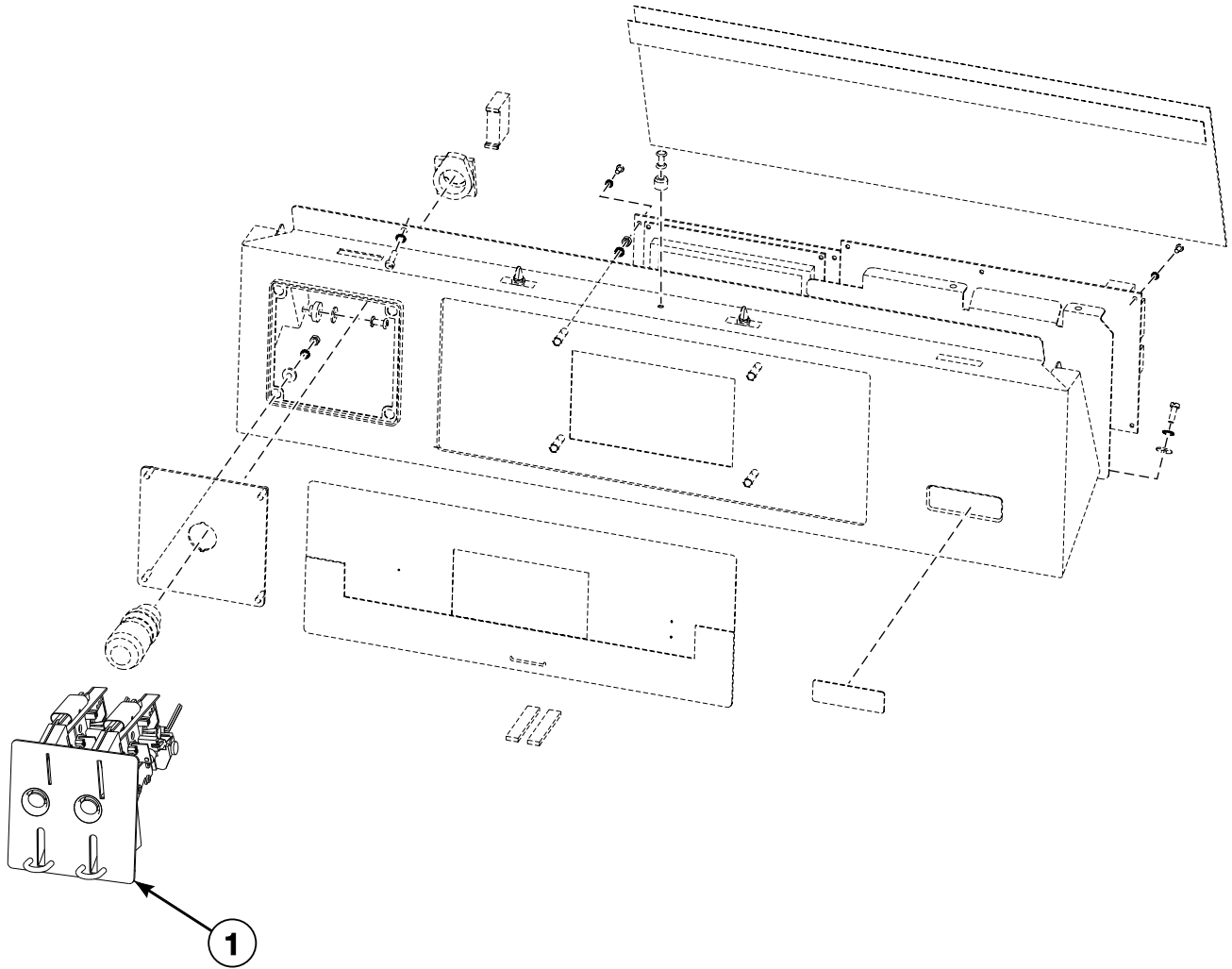


CFD2911P_D2311

Coin Meter - AR, IA, LA, LW, MWC, NA, NX, PA and RX, SA and UA Models (Drawing 1 of 4)

REF	PART NO.	DESCRIPTION	COMMENTS
1	SP547601	Coin Meter	5K Primus jeton
	SP547602	Coin Meter	7K Primus jeton
	SP547603	Coin Meter	10K Primus jeton
	SP547604	Coin Meter	12K Primus jeton
	SP547605	Coin Meter	15K Primus jeton
	SP547606	Coin Meter	D jeton
	SP547648	Coin Meter	0.05EUR
	SP547638	Coin Meter	0.2EUR
	SP547616	Coin Meter	0.5EUR
	SP547614	Coin Meter	1EUR
	SP547647	Coin Meter	2EUR
	SP547622	Coin Meter	0.2EUR + 0.5EUR
	SP547639	Coin Meter	0.2EUR + 1EUR
	SP547617	Coin Meter	0.5EUR + 1EUR
	SP547656	Coin Meter	0.5EUR + 2EUR
	SP547631	Coin Meter	1EUR + 2EUR
	SP547652	Coin Meter	7K + D jeton
	SP547666	Coin Meter	7K jeton and 2EUR
	SP547665	Coin Meter	D jeton and 2EUR
	SP547600	Coin Meter	1AUD + 20C
	SP547607	Coin Meter	1POND + 20PC
	SP547608	Coin Meter	1POND + 50PC
	SP547609	Coin Meter	100YEN
	SP547610	Coin Meter	500JPY + 100JPY
	SP547611	Coin Meter	5DKK
	SP547612	Coin Meter	20DKK
	SP547613	Coin Meter	5ILS + 1ILS
	SP547615	Coin Meter	1MYR
	SP547618	Coin Meter	1DKK + 5DKK
	SP547619	Coin Meter	10NOK + 20NOK
	SP547620	Coin Meter	2DKK + 5DKK
	SP547621	Coin Meter	5NOK
	SP547623	Coin Meter	1NZD + 2NZD
	SP547624	Coin Meter	10 NOK
	SP547625	Coin Meter	10NT + 50NT
	SP547626	Coin Meter	2DKK
	SP547627	Coin Meter	Lucky Winner jeton
	SP547628	Coin Meter	10TWD
	SP547629	Coin Meter	10CZK + 20CZK
	SP547630	Coin Meter	7K Equipos Par Lavar jeton
	569921	Coin Meter	0.2GBP, 0.5GBP, 1GBP, 2GBP, 0.1EUR, 0.2EUR, 0.5EUR, 1EUR, 2EUR; Electronic EMPv7
	SP547634	Coin Meter	500WON
	SP547635	Coin Meter	0.25USD
	SP547636	Coin Meter	1AUD + 2AUD

Coin Meter - AR, IA, LA, LW, MWC, NA, NX, PA and RX, SA and UA Models (Drawing 2 of 4)

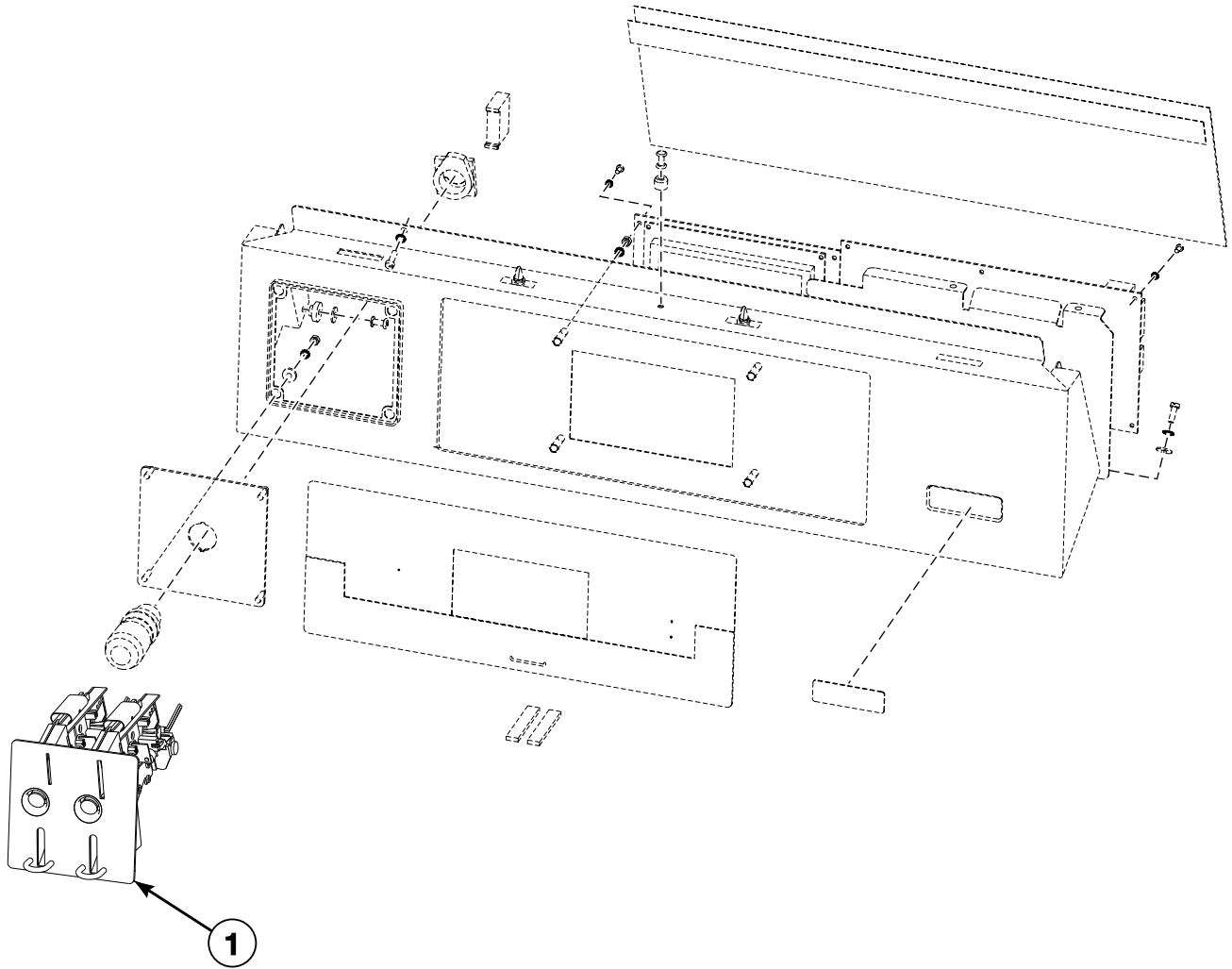


CFD2911P_D2311

Coin Meter - AR, IA, LA, LW, MWC, NA, NX, PA and RX, SA and UA Models (Drawing 2 of 4)

REF	PART NO.	DESCRIPTION	COMMENTS
1	SP547641	Coin Meter	2DK + 10DK
	SP547637	Coin Meter	5DK + 10DK
	SP547640	Coin Meter	Sun Wash jeton
	SP547642	Coin Meter	1AUD
	SP547643	Coin Meter	1CHF
	SP547644	Coin Meter	5NOK + 10NOK
	SP547645	Coin Meter	1 TopMos jeton + 1LEV jeton
	SP547646	Coin Meter	1 Vendo jeton
	SP547649	Coin Meter	1 jeton
	569951	Coin Meter	0.5MAD, 1MAD, 2MAD, 5MAD, 10MAD; Electronic EMPv7
	SP547651	Coin Meter	20 penny
	SP547653	Coin Meter	1 Wascator jeton, jeton diamater 22.2 mm
	SP547654	Coin Meter	1 Unibel jeton, jeton diamater 18.55 mm
	SP547657	Coin Meter	50HUF + 100HUF
	SP547658	Coin Meter	1 jeton without coining, jeton diamater 20 mm
	SP547659	Coin Meter	1 Volund jeton, jeton diamater 22.5 mm
	SP547660	Coin Meter	1 Wascator jeton, jeton diamater 19 mm
	SP547661	Coin Meter	1 Miele jeton
	SP547662	Coin Meter	1 jeton without coining, jeton diamater 26 mm
	SP547663	Coin Meter	Three-groove jeton; jeton diamater 27 mm
	SP547664	Coin Meter	Three-groove jeton; jeton diamater 25 mm
	SP537996	Coin Meter	Top-Mosr jeton
	SP547667	Coin Meter	Milano Italy jeton
	SP547668	Coin Meter	5PLN + 1PLN
	SP547669	Coin Meter	Two-grooves jeton; jeton diamater 27 mm
	SP547670	Coin Meter	A.S.A.R.D. jeton, jeton diamater 25.8 mm
	SP547671	Coin Meter	20CZK
	SP547672	Coin Meter	Jeton ASARD, jeton diamater 22.3 mm
	SP547673	Coin Meter	Jeton Laundromatic Belgium, jeton diamater 22.3 mm
	SP547674	Coin Meter	1SGD
	SP547675	Coin Meter	Jeton Asard Wascator, jeton diamater 19.9 mm
	SP555502	Coin Meter	Easy Games jeton
	SP555543	Coin Meter	Brev.C jeton
	SP555546	Coin Meter	50 Malaysian cent
	SP555549	Coin Meter	Flat Polis jeton
	SP555550	Coin Meter	Butzi Wash jeton
	SP555578	Coin Meter	1 New Singapore Dollar
	SP555558	Coin Meter	Copper without grooves jeton
	569939	Coin Meter	0.1SGD, 0.2SGD, 0.5SGD, 1SGD; Electronic EMPv7
	SP555666	Coin Meter	2x50 Malaysian cent
	569933	Coin Meter	0.1EUR, 0.2EUR, 0.5EUR, 1EUR, 2EUR; Electronic EMPv7
	SP555559	Coin Meter	Speedy Matic jeton
	SP555579	Coin Meter	Electronic EMP500.12v5 Was-Salon Lavoir jeton
	569948	Coin Meter	5CZK, 10CZK, 20CZK, 50CZK; Electronic EMPv7
	SP560744	Coin Meter	Electronic for Dobi Ekspress jeton

Coin Meter - AR, IA, LA, LW, MWC, NA, NX, PA and RX, SA and UA Models (Drawing 3 of 4)

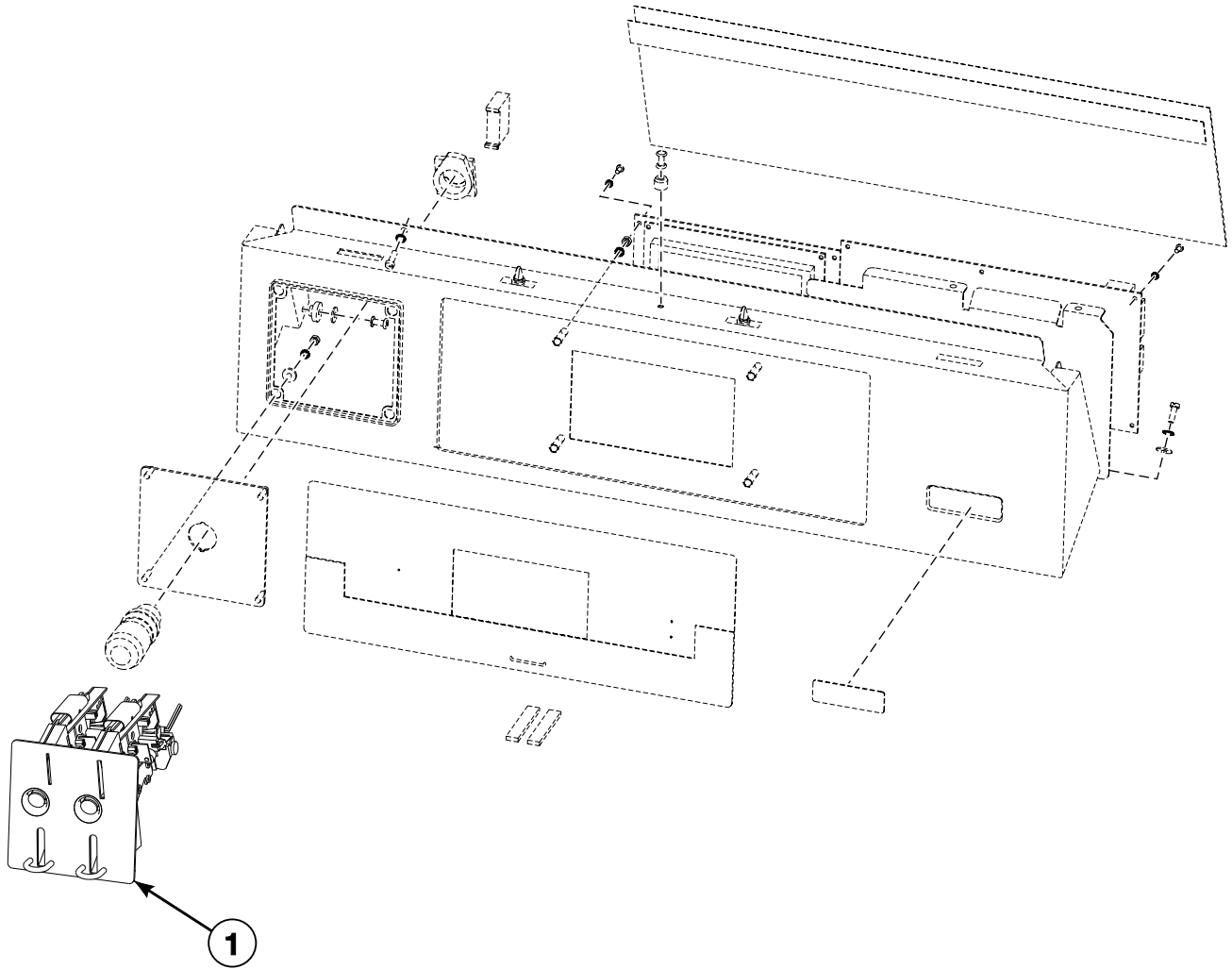


CFD2911P_D2311

Coin Meter - AR, IA, LA, LW, MWC, NA, NX, PA and RX, SA and UA Models (Drawing 3 of 4)

REF	PART NO.	DESCRIPTION	COMMENTS
1	SP560082	Coin Meter	5k IPSO jeton
	569964	Coin Meter	0.2GBP, 0.5GBP, 1GBP, 2GBP, 0.1EUR, 0.2EUR, 0.5EUR, 1EUR, 2EUR, jeton "KWL Aqua", jeton "Gettone"; Electronic EMPv7
	SP560089	Coin Meter	STD 118-1 jeton
	SP560083	Coin Meter	7k IPSO jeton
	SP560084	Coin Meter	10k IPSO jeton
	SP560085	Coin Meter	12k IPSO jeton
	SP560086	Coin Meter	15k IPSO jeton
	561378	Coin Meter	10 Moroccan Dirham
	569918	Coin Meter	0.25USD, 1USD, 0.25CAD, 1CAD, 2CAD; Electronic EMPv7
	560073	Coin Meter	0.25 USD/1 USD
	569930	Coin Meter	1CNY, 0.1MYR, 0.2MYR, 0.5MYR; Electronic EMPv7
	569927	Coin Meter	0.2AUD, 1AUD, 2AUD, 0.2NZD, 1NZD, 2NZD, 5HKD, 10HKD, 500KRW; Electronic EMPv7
	561496	Coin Meter	Jeton Grupo Azkoyen CDS Automaten
	569936	Coin Meter	1PHP, 5PHP, 10PHP; Electronic EMPv7
	569942	Coin Meter	0.1MYR, 0.2MYR, 0.5MYR, 0.5SGD, 1SGD; Electronic EMPv7
	569945	Coin Meter	1HRK, 2HRK, 5HRK; Electronic EMPv7
	569924	Coin Meter	1DKK, 2DKK, 5DKK, 10DKK, 20DKK, 1NOK, 5NOK, 10NOK, 20NOK, 0.2EUR, 0.5EUR, 1EUR, 2EUR; Electronic EMPv7
	SP564484	Coin Meter	Jeton 118-5
	SP564486	Coin Meter	Jeton Barisart (LDL)
	569961	Coin Meter	0.1EUR, 0.2EUR, 0.5EUR, 1EUR, 2EUR, jeton IPSO 5K; Electronic EMPv7
	564489	Coin Meter	Jeton Sporrong
	569970	Coin Meter	0.5MYR, jeton "DOBI PAPA"; Electronic EMPv7
	553150	Coin Meter	Jeton with hole
	553151	Coin Meter	Jeton Deton Wash
	569901	Coin Meter	Brass jeton
	569912	Coin Meter	Jeton Wassalon lavoir
	569954	Coin Meter	1PLN, 2PLN, 5PLN, 0.1EUR, 0.2EUR, 0.5EUR, 1EUR, 2EUR, 10ISK, 50ISK, 100ISK; Electronic EMPv7
	569967	Coin Meter	0.1EUR, 0.2EUR, 0.5EUR, 1EUR, 2EUR, jeton G-FIS "LAVOIR BIANCA"; Electronic EMPv7
	569973	Coin Meter	1AUD, 2AUD, jeton "No Cash Value"; Electronic EMPv7
	569979	Coin Meter	0.5MYR, jeton "BUBBLELAB"; Electronic EMPv7
	569987	Coin Meter	Jeton HAUCK 2018
	572383	Coin Meter	0.2CHF, 0.5CHF, 1CHF, 2CHF; TK1, TK2; Electronic EMPv7
	572391	Coin Meter	0.25CAD
	572339	Coin Meter	Gettone jeton [26mm diameter x 1.7mm]
	572342	Coin Meter	Token WH121
	572358	Coin Meter	1 THB, 2 THB, 5THB, 10THB / TK1+2; Electronic EMPv7
	569998	Coin Meter	100+500 ISK
	572301	Coin Meter	Token 118-16
	572304	Coin Meter	1ILS, 2ILS, 5ILS, 10ILS; Electronic EMPv7
	572307	Coin Meter	1ZAR, 2ZAR, 5ZAR; Electronic EMPv7

Coin Meter - AR, IA, LA, LW, MWC, NA, NX, PA and RX, SA and UA Models (Drawing 4 of 4)

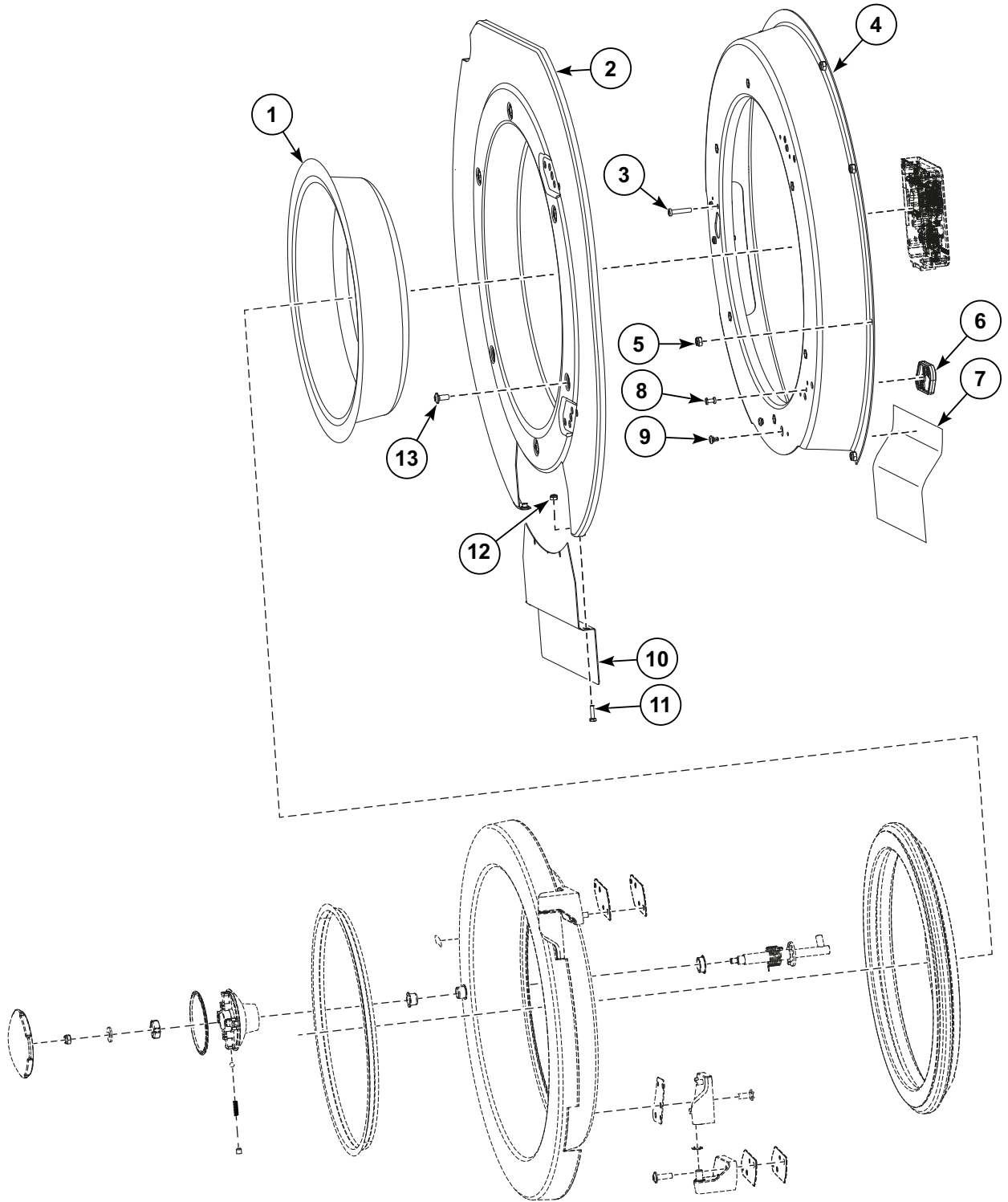


CFD2911P_D2311

Coin Meter - AR, IA, LA, LW, MWC, NA, NX, PA and RX, SA and UA Models (Drawing 4 of 4)

REF	PART NO.	DESCRIPTION	COMMENTS
1	572310	Coin Meter	5RUB, 10RUB; Electronic EMPv7
	572313	Coin Meter	50CLP, 100CLP, 500CLP; Electronic EMPv7
	572317	Coin Meter	100JPY, 500JPY, 10TWD, 50TWD; Electronic EMPv7
	572320	Coin Meter	0.5GEL, 1GEL, 2GEL; Electronic EMPv7
	572323	Coin Meter	0.2EUR, 0.5EUR, 1EUR, 2EUR, Jeton 7K; Electronic EMPv7
	579808	Coin Meter	1EAD, 1TK, 2TK; Electronic EMPv7
	579812	Coin Meter	20HUF, 50HUF, 100HUF, 200HUF; TK1, TK2; Electronic EMPv7

Door (Drawing 1 of 3)

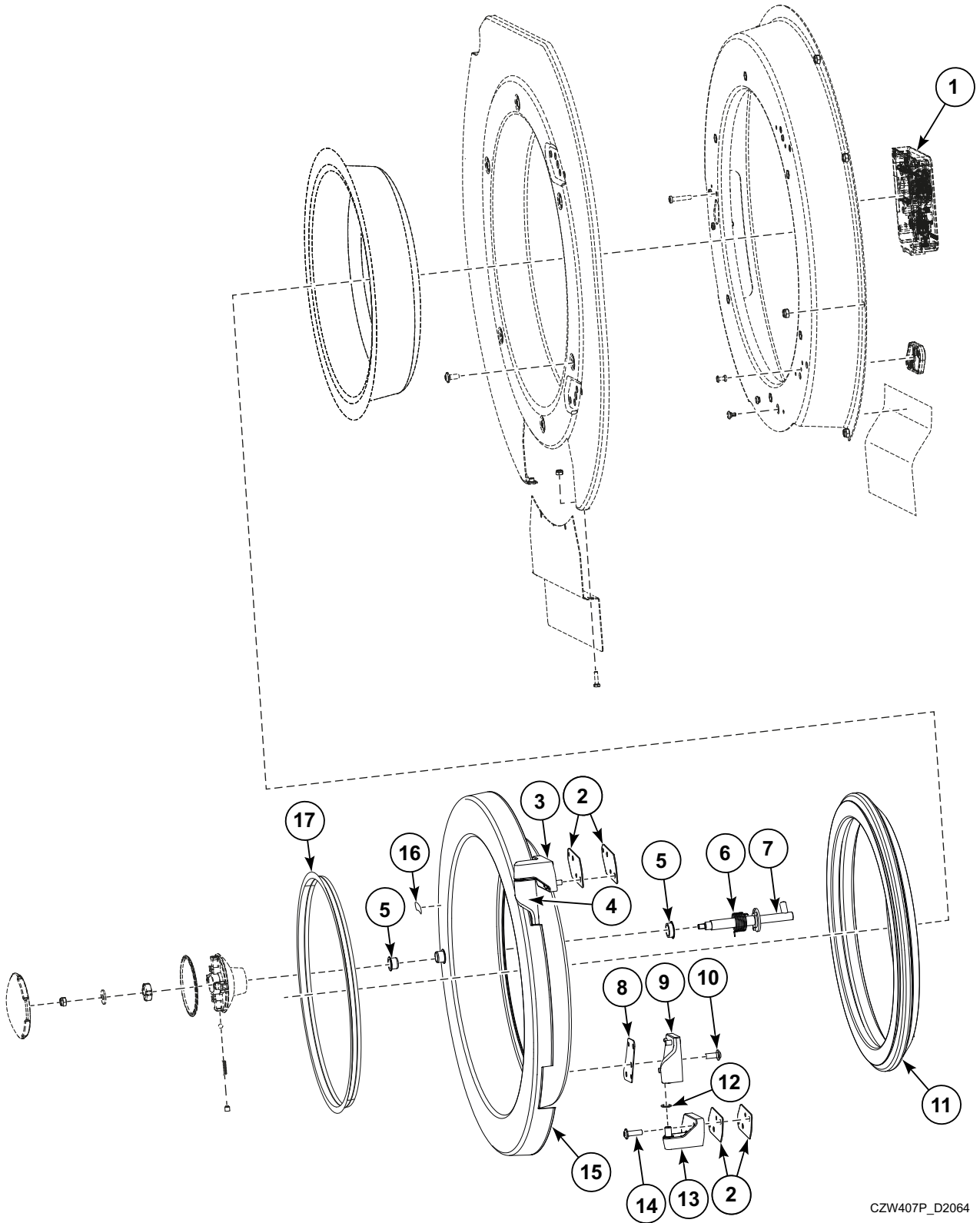


CZW370P_D2064

Door (Drawing 1 of 3)

REF	PART NO.	DESCRIPTION	COMMENTS
	553532	Door Assembly	LA, LW, MWC, NX, PA and RX Models; Includes items 1-13 in (Drawing 1 of 3), 1-17 in (Drawing 2 of 3) and 1-10 in (Drawing 3 of 3)
	576073	Door Assembly	IA Models with J or R in 7th position of the model number; Includes items 1-13 in (Drawing 1 of 3), 1-17 in (Drawing 2 of 3) and 1-10 in (Drawing 3 of 3)
	576076	Door Assembly	AR, NA, SA and UA Models; IA Models with G in 7th position of the model number; Includes items 1-13 in (Drawing 1 of 3), 1-17 in (Drawing 2 of 3) and 1-10 in (Drawing 3 of 3)
	SP552454	Door Lock Wiring	PAN models with T or X in 7th position of the model number; CSA; MC7 control board
	SP552453	Door Lock Wiring	Models with A, D, I, J, R, T or X in 7th position of the model number except PAN models; CE; MC7 control board
	SP528270	Door Lock Wiring	Models with A, D, I, J, R, T or X in 7th position of the model number except PAN models; CE; MC6 control board
	SP245704003021	Adhesive	Loctite 243
	SP245704000603	Adhesive	Loctite 603; Use with SP537854 Bolt
	SP537896	Adhesive	Reversible tape
	SP284000012003	Tape	Self-adhesive
	568989	Service Door Kit	Includes 569352 Door Seal, 568804 Shim, 560069 Shim, SPPRI722000004 Plastic Protection, SPPRI722000001 Plastic Protection and SP345000160971 Binding Strip
1	SP556228	Door Glass	IA models with J or R in 7th position of the model number; With logo
	535439	Door Glass	AR, LA, LW, MWC, NA, NX, PA, RX, SA and UA Models; IA Models with G in 7th position of the model number; Without logo
2	571723	Front Panel	SP563275 must also be ordered; Black
	571726	Front Panel	568987 must also be ordered; Stainless steel
3	SP556137	Bolt	M5x25
4	SP537883	Door and Lock Holder	
5	SP310985000006	Nut	M6
6	SP537849	Hinge Spacer	
7	SPPRI543000004	Cover	
8	SP547779	Rivet	4x16.7 with a crank
9	SP537856	Connector	
10	SP537927	Heating Element Front Cover	Through Serial No. 180RX008698SB; Black
	SP556237	Heating Element Front Cover	Through Serial No. 180RX008698SB; Stainless steel
	SP563275	Heating Element Front Cover	Models Starting Serial No. 180RX008699SB; Black
	568987	Heating Element Front Cover	Models Starting Serial No. 180RX008699SB; Stainless steel
11	SP309084000416	Bolt	M4x16
12	SP313251002104	Nut	M4; Riveting
13	SP537854	Bolt	M6x14

Door (Drawing 2 of 3)

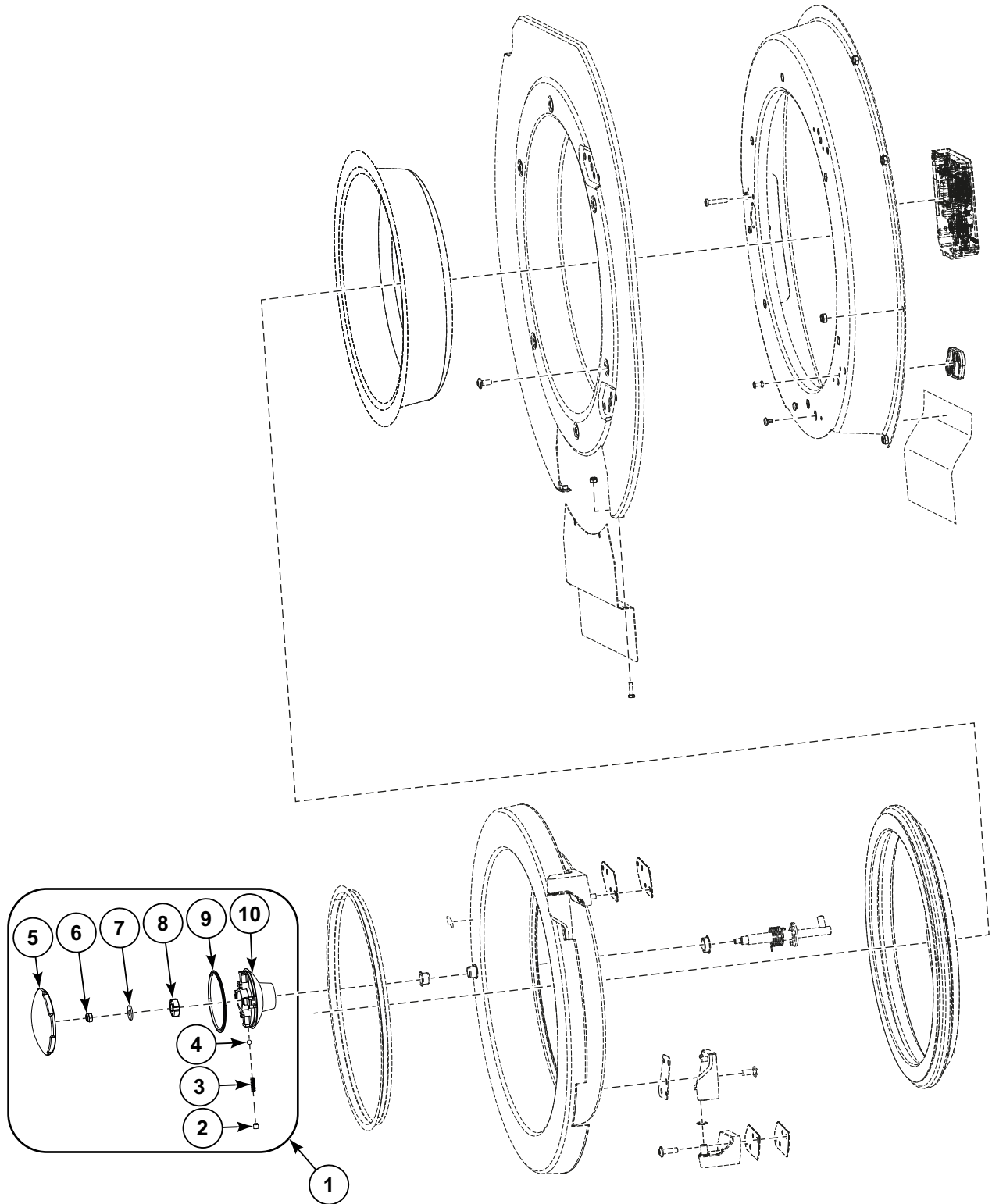


CZW407P_D2064

Door (Drawing 2 of 3)

REF	PART NO.	DESCRIPTION	COMMENTS
	570554	Kit of Hinges	Models with A, D, I, J, R, T or X in 7th Position; Chrome; Includes 568981, 568984, 575962, 575965 and 571642
	570553	Kit of Hinges	Black; Includes 568979, 568982, 575960, 575963 and 571642
1	SP537760	Lock	
2	568804	Shim	
3	568981	Fixed Upper Hinge	Chrome
	568979	Fixed Upper Hinge	Black
4	575962	Upper Hinge	Chrome; with case
	575960	Upper Hinge	Black; with case
5	SP529739	Casing	
6	SP535402	Handle Torsion Spring	
7	SP537933	Lock Pin	
8	SP535421	Hinge Spacer	
9	575965	Lower Hinge	Chrome; with case
	575963	Lower Hinge	Black; with case
10	SP537864	Bolt	M6x16
11	568989	Service Door Kit	
12	571642	Washer	
13	568984	Fixed Lower Hinge	Chrome
	568982	Fixed Lower Hinge	Black
14	SP535479	Bolt	M6x25
15	SP535445	Door	A, AR, AR Non-Brand, IA, LA, NA and WMA models; Models Through Serial No. 180RX008698SB; Black
	SP535443	Door	SA and UA models; Through Serial No. 180RX010578UZ; Chrome
	568838	Door	IA, AR, NA, WMA Models Starting Serial No. 180RX008699SB; Black; SA and UA Models Starting Serial No. 180RX010579UZ
	SP553527	Door	LW, MWC, NX, PA and RX models; Gray
16	SP564831	Label	PAN models; CSA; Door Lock; Vend
17	562547	Trim	IA models with J or R in 7th position of the model number; Models Starting Serial No. 180RX008699SB

Door (Drawing 3 of 3)

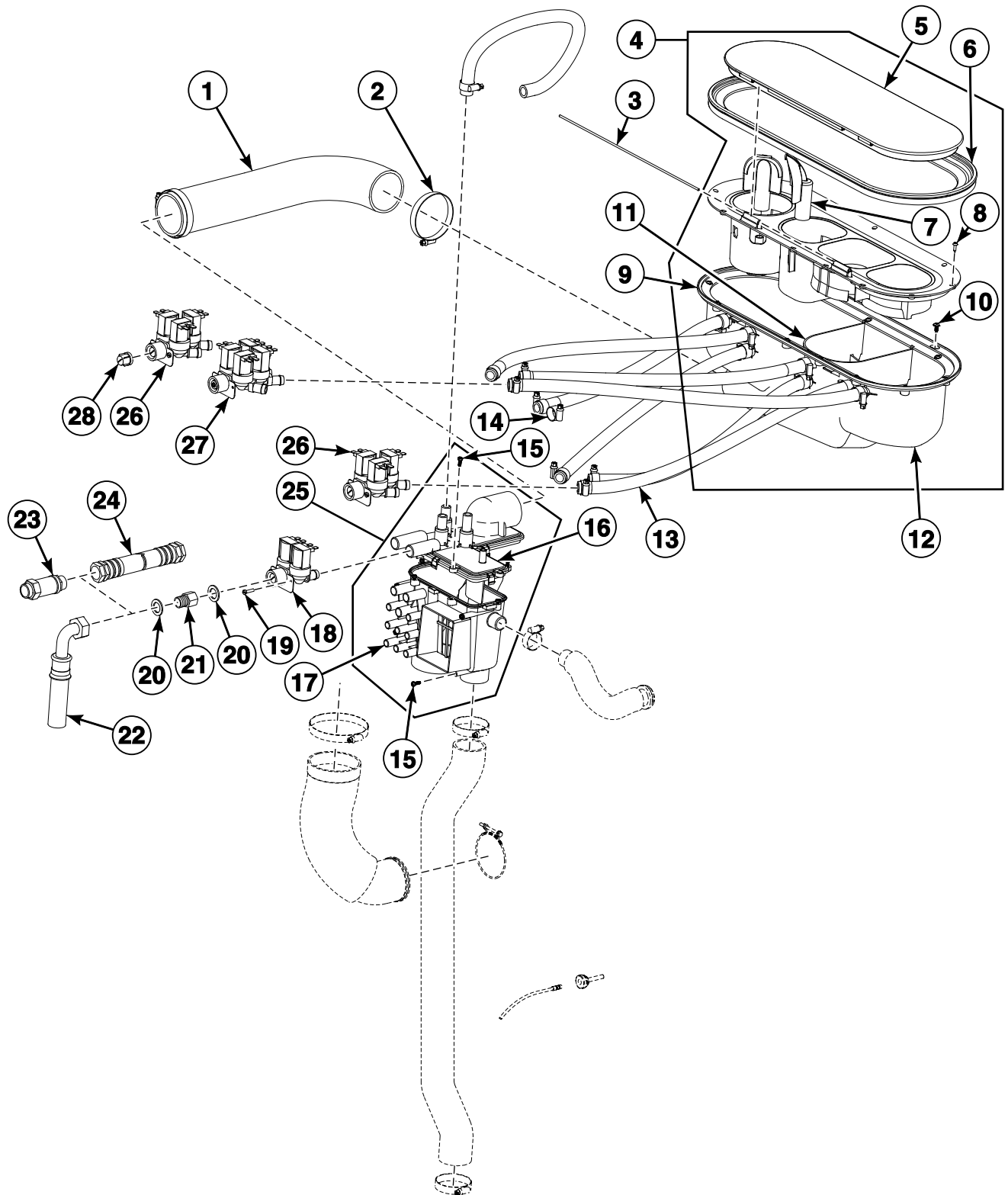


CZW372P_D2064

Door (Drawing 3 of 3)

REF	PART NO.	DESCRIPTION	COMMENTS
1	SP552917	Handle	A, AR, AR Non-Brand, IA, LA, NA and WMA models; Models Through Serial No. 180RX008698SB
	576081	Handle	IA, AR, NA, WMA Models Starting Serial No. 180RX008699SB; SA and UA Models
	SP552916	Handle	LW, MWC, NX, PA and RX models
2	SP553524	Bolt	M6x6
3	SP535406	Compression Spring	
4	SP535407	Handle Ball	
5	SP535436	Holder Cover	A, AR, AR Non-Brand, IA, LA, NA, SA, UA and WMA models
	SP535412	Holder Cover	LW, MWC, NX, PA and RX models
6	SP310985000006	Nut	M6
7	SP311902100006	Washer	M6
8	SP529710	Locating Segment	
9	SP535437	Distinguishing Ring	A, AR, AR Non-Brand, IA, LA, NA and WMA models; Models Through Serial No. 180RX008698SB; Red
	571733	Distinguishing Ring	IA, AR, NA, WMA Models Starting Serial No. 180RX008699SB; SA and UA Models; Red
	SP535411	Distinguishing Ring	LW, MWC, NX, PA, RX and SA models; Blue
10	SP535429	Handle Lower Part	

Water Inlet System (Drawing 1 of 4)

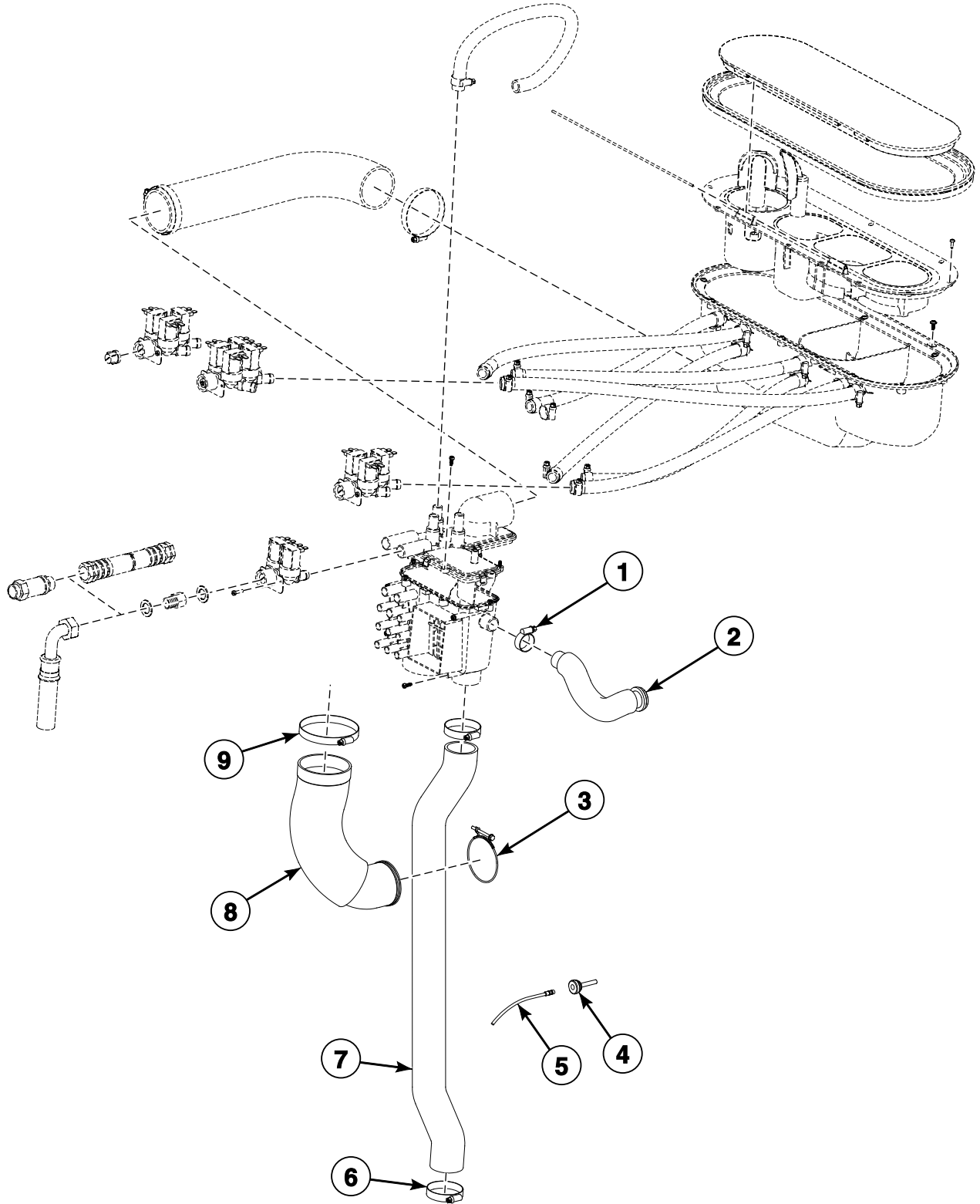


CZW70P_D2311

Water Inlet System (Drawing 1 of 4)

REF	PART NO.	DESCRIPTION	COMMENTS
	SP526468	Soap Hopper Plug	Optional
	F8301201	Double Check Valve	Model IA180_JLA; Used with SPPRI426001217 Pipe Nipple; CE
1	SP547994	Dispenser Elbow Pipe	
2	SPPRI240000021	Hose Clamp	60-80
3	SP540117	Pin	
4	SP540164	Soap Hopper	A, AR, IA, LA, LW, MWC, NA, NX, PA, RX and WMA models; SA and UA models with G in 7th position of the models number
	SP554214	Soap Hopper	SA and UA models with A, D or I in 7th position of the model number
5	SP526461	Dispenser Lid	Black
	551695	Dispenser Lid	Gray
6	SP540158	Dispenser Seal	
7	SP540113	Flap	
8	SP309798124313	Screw	ST3.5x13
9	SP540112	Soap Hopper Upper Cover	
10	SP529206	Screw	4x11
11	SP540116	Internal Vessel	
12	SP540115	Main Vessel	
13	SPPRI540000014	Hose	13/19
	SP101745	Hose Pipe	For water approval
14	SPPRI240000002	Hose Clamp	12-22
15	SP526497	Screw	4x12
16	SP526557	Mixer Lid	
17	SP526565	Mixer Body	
18	SP547958	2-Way Valve	3/4 inch
19	SP309084000416	Bolt	4x16
20	SPPRI520001009	Seal	
21	567174	Reduction	PAN040T, PAN040X, PAN040TN0MZA20CTAA models; CSA; 3/4 inch; BSP/GHT
22	SPPRI505000054	Filling Hose Pipe	Cold water
	SP547980	Filling Hose Pipe	Hot water
	SP101621	Filling Hose Pipe	For water approval
	F200164	Water Hose	PAN models; CSA
23	B12543901	Double Reverse Valve	IAY, LAY, NAY, PAY and SAY models
24	RSPF200166	Filling Hose Pipe	IAY, LAY, NAY, PAY and SAY models
25	SP526558	Mixer	
26	SP547959	3-Way Valve	3/4 inch
27	SP548933	4-Way Valve	3/4 inch
28	SPPRI340004030	Filter	

Water Inlet System (Drawing 2 of 4)

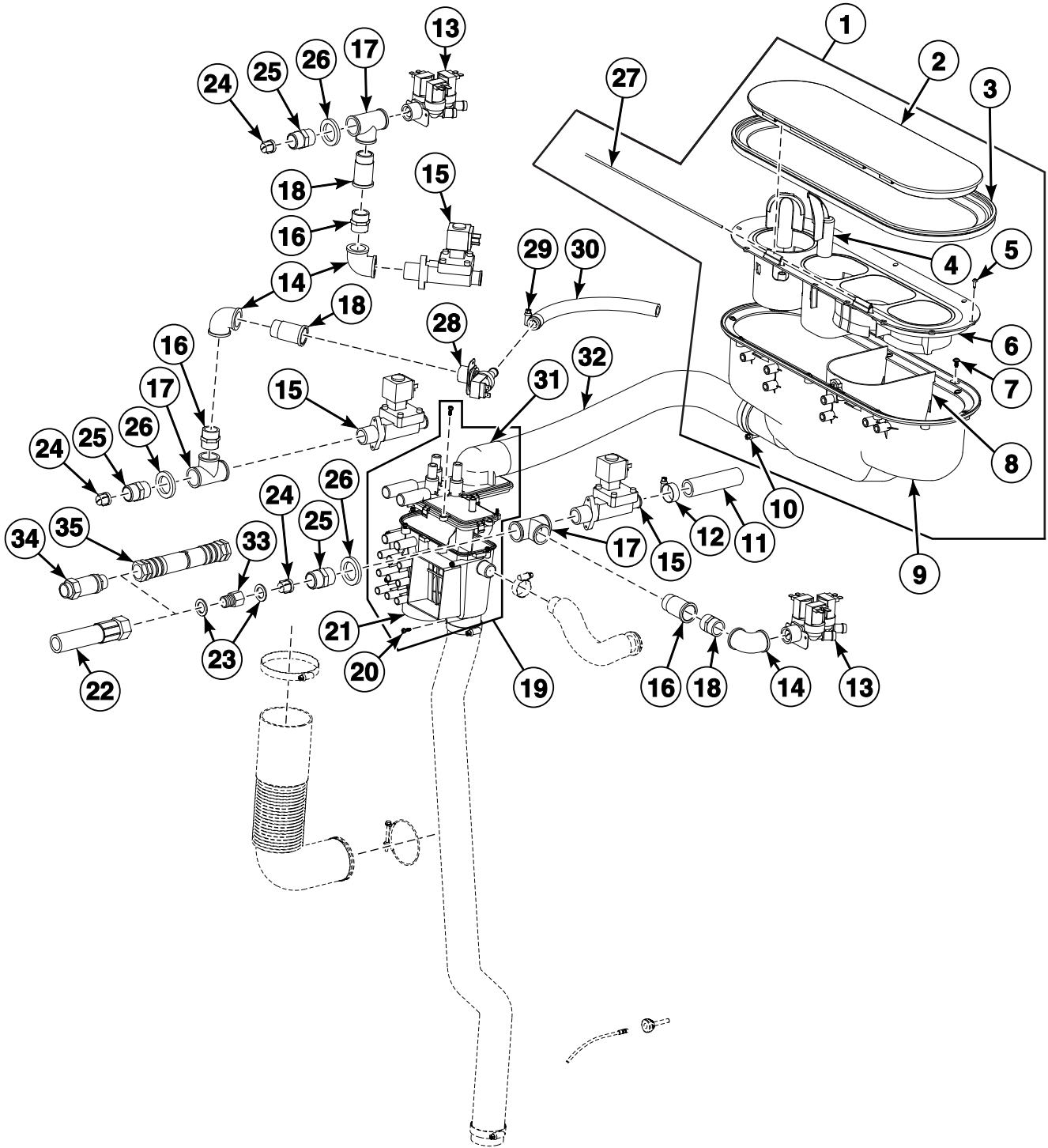


CZW71P_D2311

Water Inlet System (Drawing 2 of 4)

REF	PART NO.	DESCRIPTION	COMMENTS
1	SPPRI240000003	Hose Clamp	20-32
2	SP526509	Vent Hose	
3	SP526491	Hose Clamp	62-70
4	SP526439	Temperature Sensor Seal	
5	SP503839	Temperature Sensor	
6	SPPRI240000017	Hose Clamp	40-60
7	SP554176	Overflow Tube	
8	SP526484	Filling Elbow Pipe	
9	SPPRI240000007	Hose Clamp	70-90

Water Inlet System (Drawing 3 of 4)

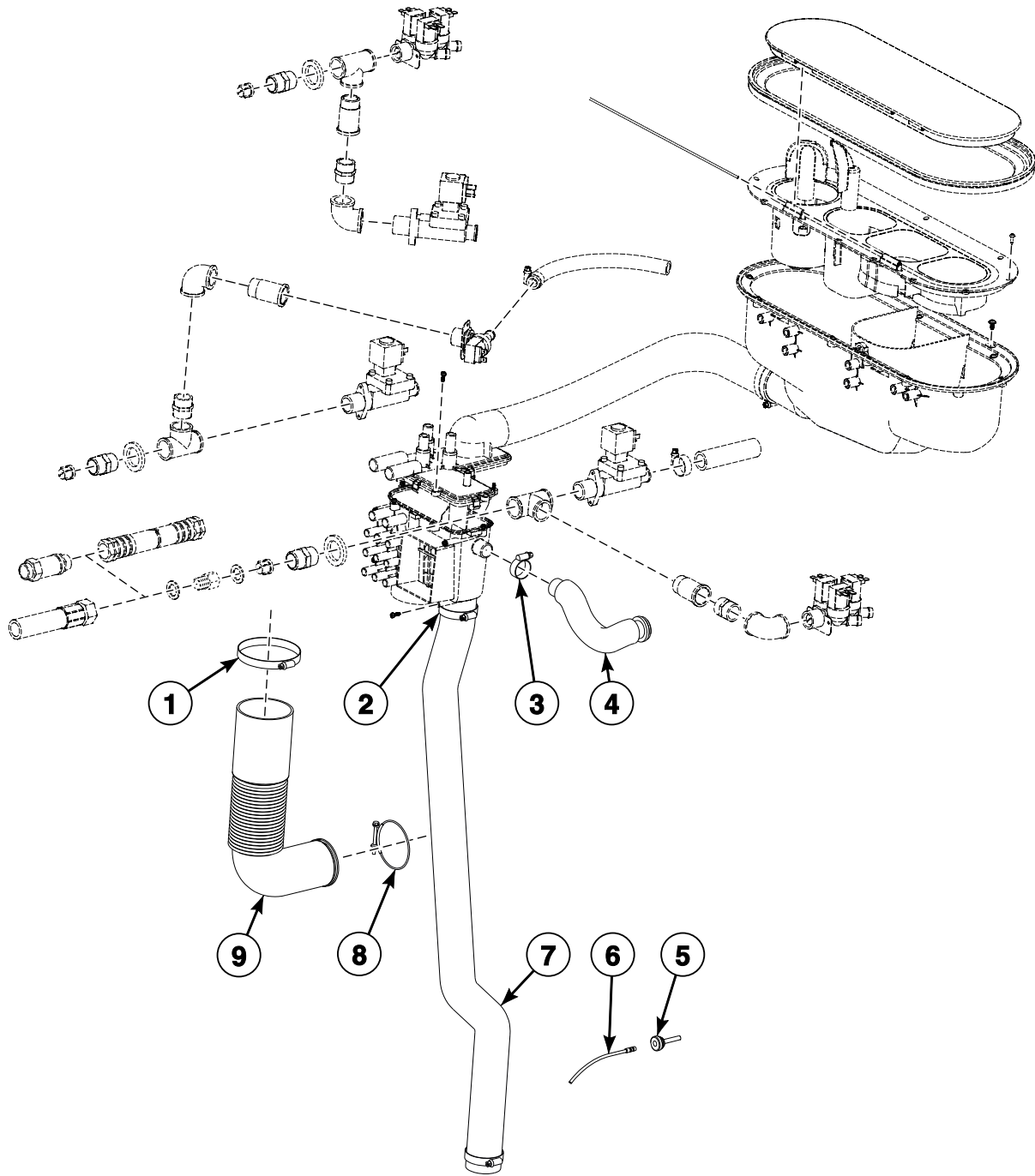


CZW35P_D2311

Water Inlet System (Drawing 3 of 4)

REF	PART NO.	DESCRIPTION	COMMENTS
	SP548933	4-Way Valve	3/4 inch
	SP526468	Soap Hopper Plug	Optional
1	SP540164	Soap Hopper	A, AR, IA, LA, LW, MWC, NA, NX, PA, RX and WMA models; SA and UA models with G in 7th position of the models number
	SP554214	Soap Hopper	SA and UA models with A, D or I in 7th position of the model number
2	SP526461	Dispenser Lid	Black
	551695	Dispenser Lid	Gray
3	SP540158	Dispenser Seal	
4	SP540113	Flap	
5	SP309798124313	Screw	ST3.5x13
6	SP540112	Soap Hopper Upper Cover	
7	SP529206	Screw	4x11
8	SP540116	Internal Vessel	
9	SP540115	Main Vessel	
10	SPPRI240000021	Hose Clamp	60-80
11	SPPRI540001019	Hose	
12	SPPRI240000003	Hose Clamp	20-32
13	SP547959	3-Way Valve	3/4 inch
14	SPPRI426002072	Elbow	3/4 inch
15	SP567064	1-Way Valve	3/4 inch; Uses SP525821 Valve Repair Kit
16	SPPRI426003217	Extension	3/4 inch x 40
17	SPPRI426001107	Tee	3/4 inch
18	SPPRI426001217	Pipe Nipple	3/4 inch
19	SP526558	Mixer	
20	SP526497	Screw	4x12
21	SP526565	Mixer Body	
22	F200164	Water Hose	PAN040T, PAN040X, PAN040TN0MZA20CTAA models; CSA
	SP533036	Filling Hose Pipe	A, AR, IA, LA, LW, MWC, NA, NX, PA, RX, SA, UA and WMA models; CE models
23	SPPRI520001009	Seal	
24	SPPRI340004030	Filter	
25	SP510120	Pipe Nipple	3/4 inch
26	SPPRI231000062	Washer	28x42x5
27	SP540117	Pin	
28	SP554211	1-Way Valve	3/4 inch
29	SPPRI240000002	Hose Clamp	12-22
30	SPPRI540000014	Hose	13/19
31	SP526557	Mixer Lid	
32	SP547994	Dispenser Elbow Pipe	
33	567174	Reduction	PAN040T, PAN040X, PAN040TN0MZA20CTAA models; CSA; 3/4 inch; BSP/GHT
34	B12543901	Double Reverse Valve	IAY, LAY, NAY, PAY and SAY models
35	RSPF200166	Filling Hose Pipe	IAY, LAY, NAY, PAY and SAY models

Water Inlet System (Drawing 4 of 4)



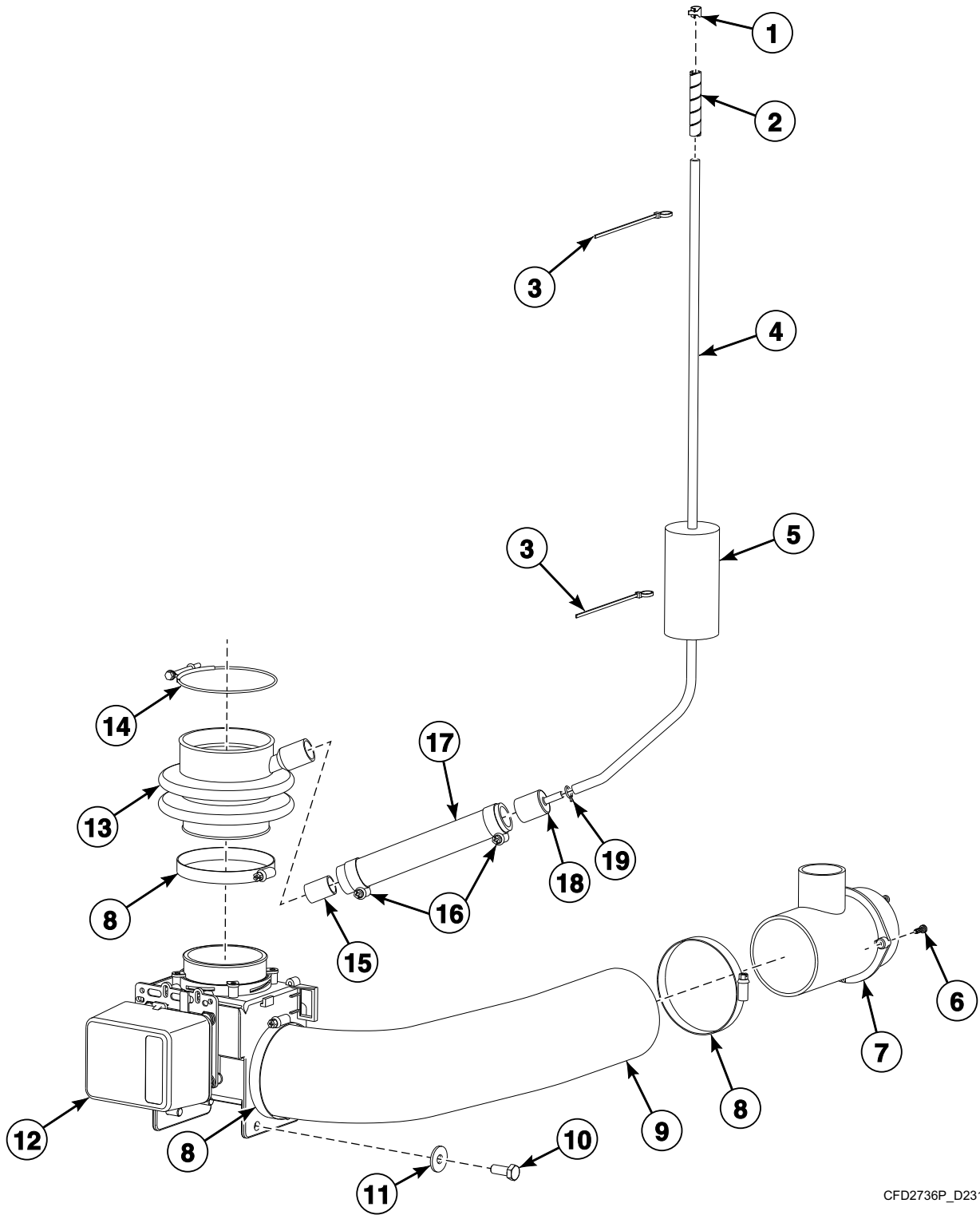
CZW36P_D2311

Water Inlet System (Drawing 4 of 4)

REF	PART NO.	DESCRIPTION	COMMENTS
1	SPPRI240000007	Hose Clamp	70-90
2	SPPRI240000017	Hose Clamp	40-60
3	SPPRI240000003	Hose Clamp	20-32
4	SP526509	Vent Hose	
5	SP526439	Temperature Sensor Seal	
6	SP503839	Temperature Sensor	
7	SP554176	Overflow Tube	
8	SP526491	Hose Clamp	62-70
9	SP526484	Filling Elbow Pipe	

Drain System

Models with A, D, I, J, R, T or X in 7th Position of the model number



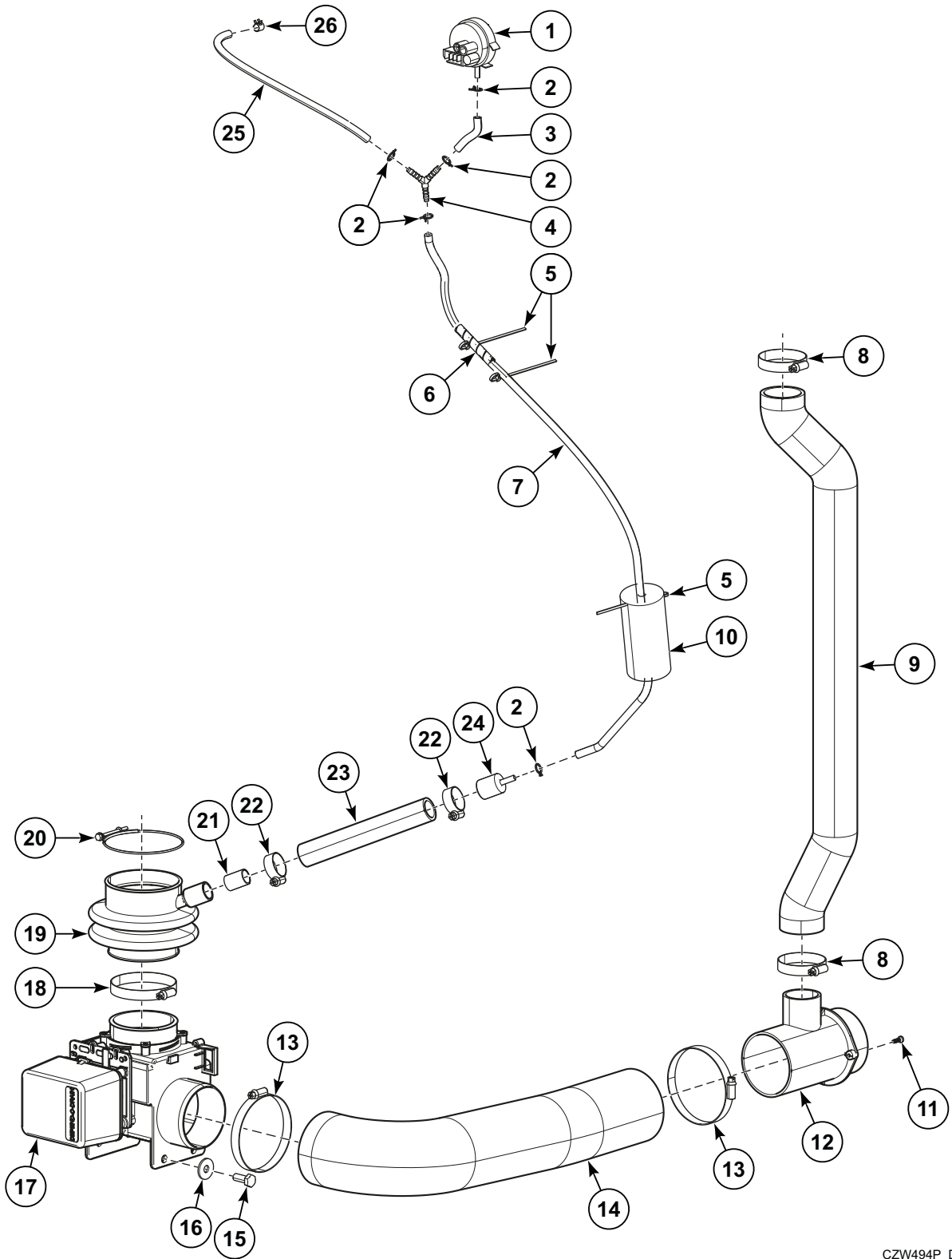
CFD2736P_D2311

Drain System

REF	PART NO.	DESCRIPTION	COMMENTS
1	SP540183	Spring Clamp	
2	SP283449080200	Spiral	
3	SP345000626088	Binding Strip	
4	SPPRI540001003	Water Level Switch Hose	
5	SP100188	Foam Roller	
6	SP526497	Screw	4x12
7	SP526454	Tee	
8	SPPRI240000007	Hose Clamp	70-90
9	SP547965	Drain Elbow	
10	SP309933000820	Bolt	M8x20
11	SP311902100008	Washer	8
12	SP526460	Drain Valve	Black; Includes 553195 Drain Valve Chamber, SPPRI340002051 Drain Valve Motor and 554276 Drain Valve Seal
	SP547821	Reverse Function Drain Valve	Black; Includes 553195 Drain Valve Chamber, SPPRI340002051 Drain Valve Motor and 554276 Drain Valve Seal
	553195	Drain Valve Chamber	Black
	SPPRI340002051	Drain Valve Motor	Includes gearbox
	554276	Drain Valve Seal	
13	SP526492	Drain Hose Pipe	
14	SP526532	Hose Clamp	82-90
15	SP500125	Reinforcement Tube	
16	SPPRI240000003	Hose Clamp	20-32
17	SPPRI503002049	Hose	
18	SPPRI503000027	Air Trap Reduction	
19	SPPRI241000017	Hose Clamp	A5.5

Drain System

Models with G in 7th Position of the model number



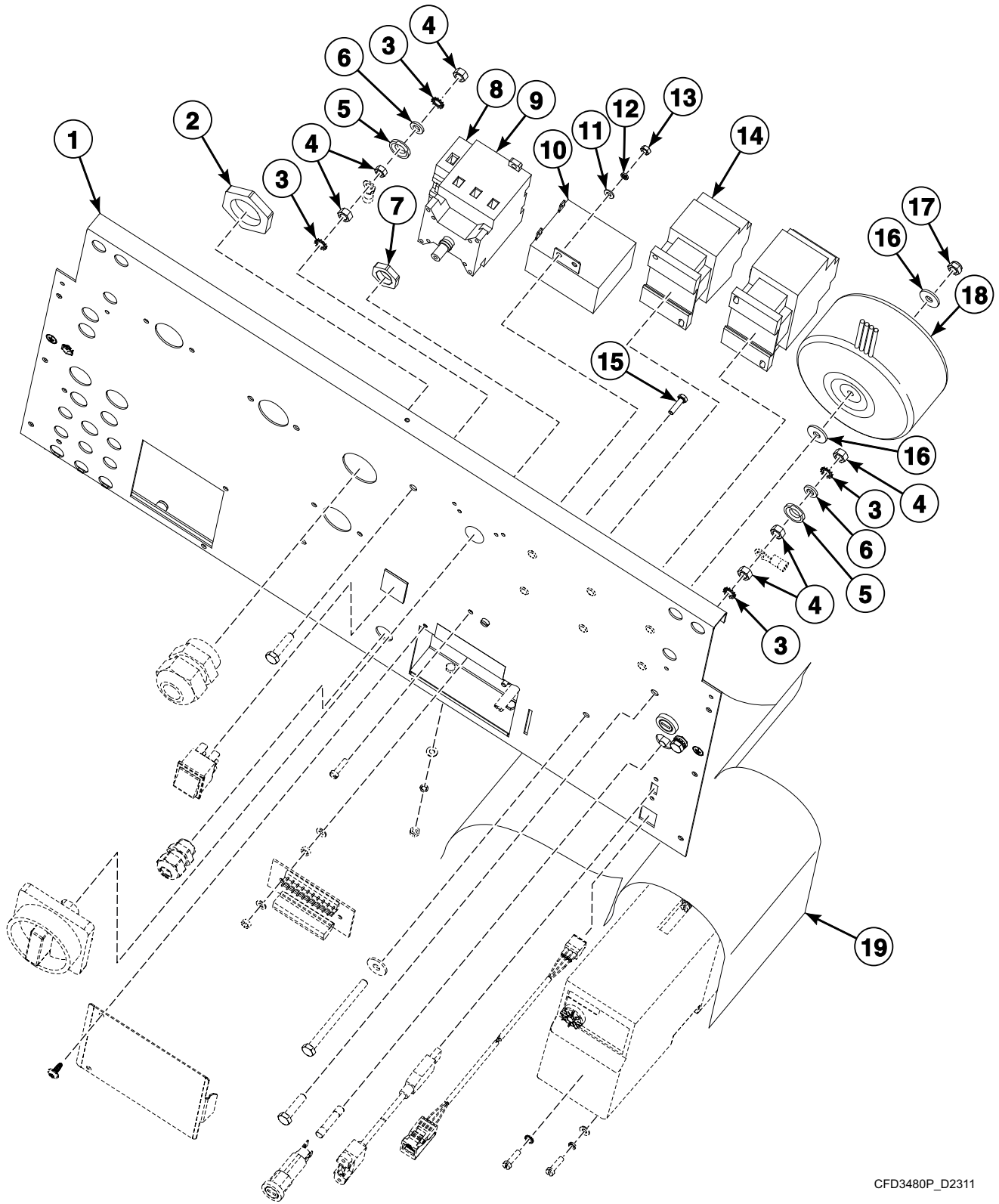
CZW494P_D2064

Drain System

REF	PART NO.	DESCRIPTION	COMMENTS
1	570315	Water Level Switch	
2	SPPRI241000017	Hose Clamp	A5.5
3	SPPRI540001003	Water Level Switch Hose	1.77 inch (0.045 m)
4	SPPRI503000028	Y-Piece	
5	SP345000626088	Binding Strip	
6	SP283449080200	Spiral	
7	SPPRI540001003	Water Level Switch Hose	43.31 inch (1.1 m)
8	SPPRI240000017	Hose Clamp	70-90
9	SP554176	Overflow Tube	
10	SP100188	Foam Roller	
11	SP526497	Screw	4x12
12	SP526454	Tee	
13	SPPRI240000007	Hose Clamp	70-90
14	SP547963	Drain Elbow	240 models
	SP554106	Drain Elbow	280 models
15	SP309933000820	Bolt	M8x20
16	SP311902100008	Washer	8
17	SP526460	Drain Valve	Black; Includes SPPRI340002051 Drain Valve Motor and 554276 Drain Valve Seal
	SP547821	Reverse Function Drain Valve	Black; Includes SPPRI340002051 Drain Valve Motor and 554276 Drain Valve Seal
	SPPRI340002051	Drain Valve Motor	Includes gearbox
	554276	Drain Valve Seal	
18	SPPRI240000021	Hose Clamp	60-80
19	SP526492	Drain Hose Pipe	
20	SP526532	Hose Clamp	82-90
21	SP500125	Reinforcement Tube	
22	SPPRI240000003	Hose Clamp	20-32
23	SPPRI503002049	Hose	Air trap
24	SPPRI503000027	Air Trap Reduction	
25	SPPRI540001003	Water Level Switch Hose	10.63 inch (0.27 m)
26	SP540183	Spring Clamp	

Rear Panel (Drawing 1 of 2)

Models with A, D, I, J, R, T or X in 7th Position of the model number



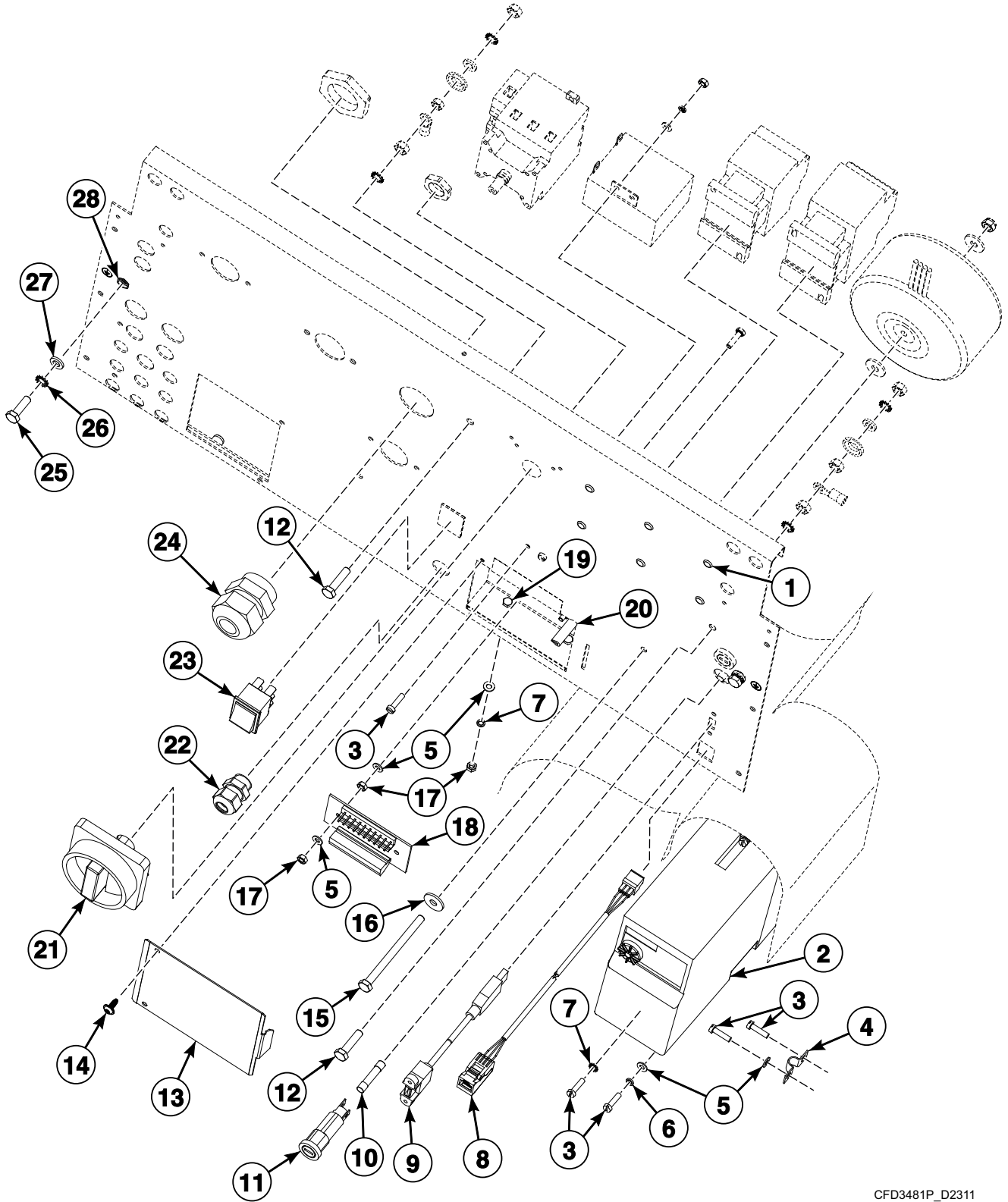
CFD3480P_D2311

Rear Panel (Drawing 1 of 2)

REF	PART NO.	DESCRIPTION	COMMENTS
1	SP559240	Rear Panel	A, AR Non-Brand, IA, NA, SA and WMA models; Models Through Serial No. 180RX008698SB
	SP547988	Rear Panel	
2	SP101419	Nut	Cable bushing; M32x1.5
3	SP311679824006	Washer	M6
4	SP310934100006	Nut	M6
5	563361	Washer	PAN models; CSA
6	SP311125100006	Washer	6.4
7	SP101416	Nut	Cable bushing; M16
8	SP506407	Main Switch	25A; Fourth pole
	SPPRI404001098	Main Switch	32A; Fourth pole
	SPPRI404001099	Main Switch	63A; Fourth pole
9	SPPRI404000097	Main Switch	25A
	SPPRI404000098	Main Switch	32A
	SPPRI404000099	Main Switch	63A
10	SP516012	Filter	20MSW6
	SP525935	Filter	FFR-CSH-80-16A-RF1-LL
11	SP311125000004	Washer	4.3
12	SP311127000004	Washer	4
13	SP310934000004	Nut	M4
14	SP514038	Contacto	LC1-D09M7
	SP514042	Contacto	LC1-D18M7
	SPPRI345002019	Contacto	LC1-D32M7
	SP514043	Contacto	LC1-D50M7
15	SP309933000416	Bolt	M4x16
16	SP311902100006	Washer	M6
17	SP310985000006	Nut	M6
18	SP516648	Transformer	
19	SP547996	Motor and Frequency Inverter Cover	A, AR, IA, LA, LW, MWC, NA, NX, PA, RX, SA, UA and WMA models; CE models; Normal spin
	SP562877	Motor and Frequency Inverter Cover	PAN040T, PAN040X, PAN040TN0MZA20CTAA models; CSA
	SP554267	Motor and Frequency Inverter Cover	A, AR, IA, LA, LW, MWC, NA, NX, PA, RX, SA, UA and WMA models; CE models; Medium spin

Rear Panel (Drawing 2 of 2)

Models with A, D, I, J, R, T or X in 7th Position of the model number



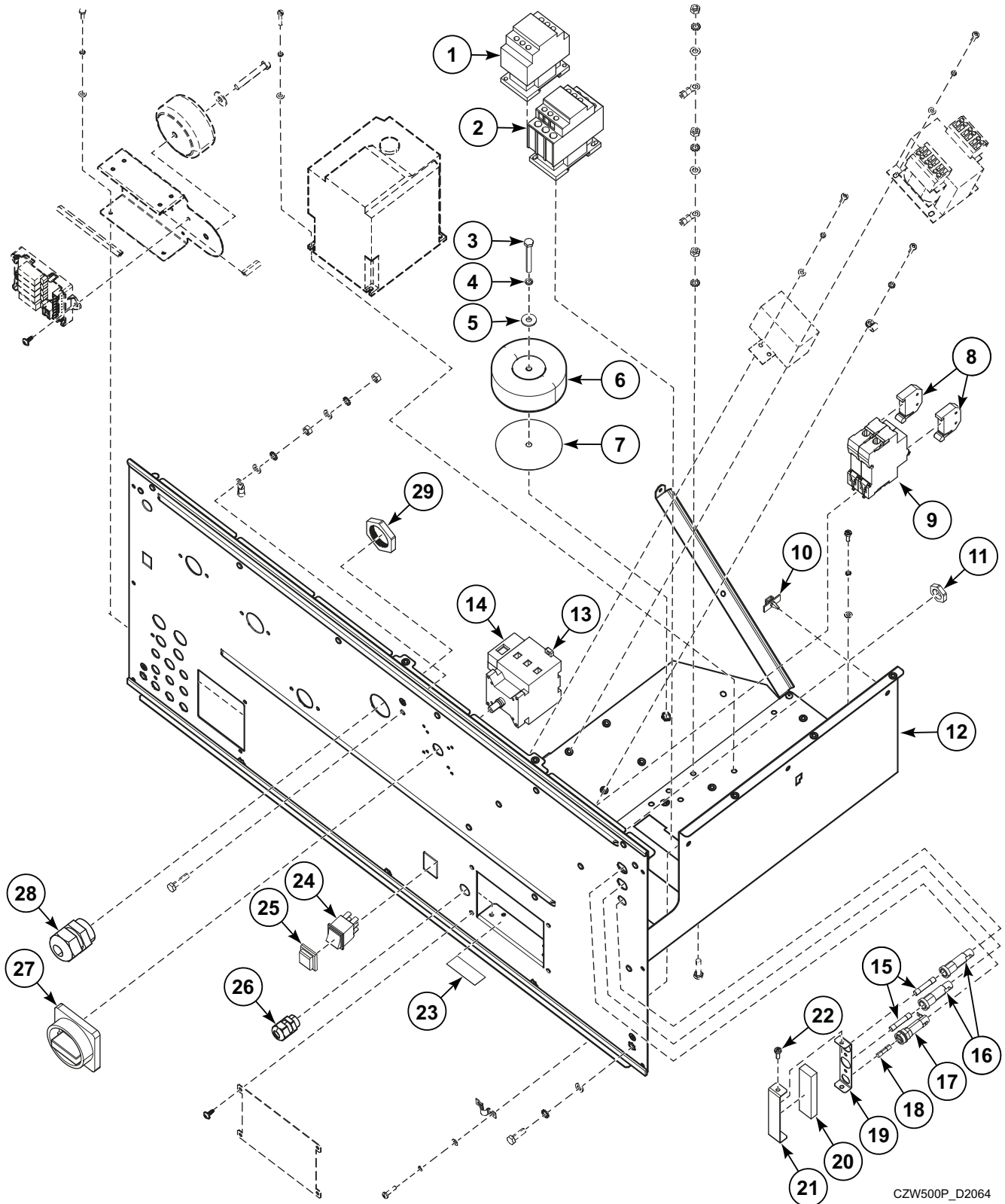
CFD3481P_D2311

Rear Panel (Drawing 2 of 2)

REF	PART NO.	DESCRIPTION	COMMENTS
	557982	Cable	Extra price option
	SP506575	Terminal Board	Extra price option
	557981	Label	Extra price option
	SP557767	MC7 Control Board Main Wiring	A, AR, IA, LA, LW, MWC, NA, NX, PA, RX, SA, UA and WMA models
	552310	MC6 Control Board Main Wiring	A, AR, IA, LA, LW, MWC, NA, NX, PA, RX, SA, UA and WMA models
	SP552474	MC7 Control Board Main Wiring	PAN040T, PAN040X, PAN040TN0MZA20CTAA models; CSA
	SP528443	Liquid Soap Supply Connection Kit	
1	SP313250004007	Rivet	4x7 with a crank
2	571471	Frequency Inverter	FR-D720S-042-SC-E8
	571472	Frequency Inverter	FR-D720S-070-SC-E8
	571474	Frequency Inverter	FR-D740-036-SC-E8
3	SP309084000416	Bolt	M4x16
4	SP528392	Cable Clamp	
5	SP311125000004	Washer	4.3
6	SP311127000004	Washer	4
7	SP311679800004	Washer	M4
8	SP545234	Cable	RS485; With connectors
9	SP547006	USB Cable	Rear panel
10	SP345805005020	Fuse	5x20mm; T0.5A/250V
	SP345805163032	Fuse	6.3x32mm; T1A/500V
11	SPPRI401003020	Fuse Housing	6.3x32mm
	SPPRI401001020	Fuse Holder	5x20mm
12	SP309933100625	Bolt	M6x25
13	SP547886	Rear Panel Lid	
14	SP529206	Screw	4x11
15	SP547925	Bolt	M6x80
16	SP311902100006	Washer	M6
17	SP310934000004	Nut	M4
18	SP524714	Soap Relay Board	
	SP528150	Pump Relay Board to LED Terminal Cable	
	SP557944	Soap Link Kit	SP557947 External Block Signal Cable; 2.8m
19	SP309933240408	Bolt	M4x8
20	SPPRI505000058	Profiled Sealing	
21	SPPRI404000095	Main Switch Knob	
22	SP101406	Bushing	M16
23	SP100388	Switch	
24	SP101409	Bushing	M32x1.5
	SP557952	Cable Bushing Insert	M32; Use with small diameter cables
25	SP309933000620	Bolt	M6x20
26	SP311679824006	Washer	M6
27	SP311125240006	Washer	6.4
28	SP313251000006	Nut	M6

Rear Panel - 230V 1/3AC, 400V with Neutral, CE (Drawing 1 of 2)

Models with G in 7th Position of the model number



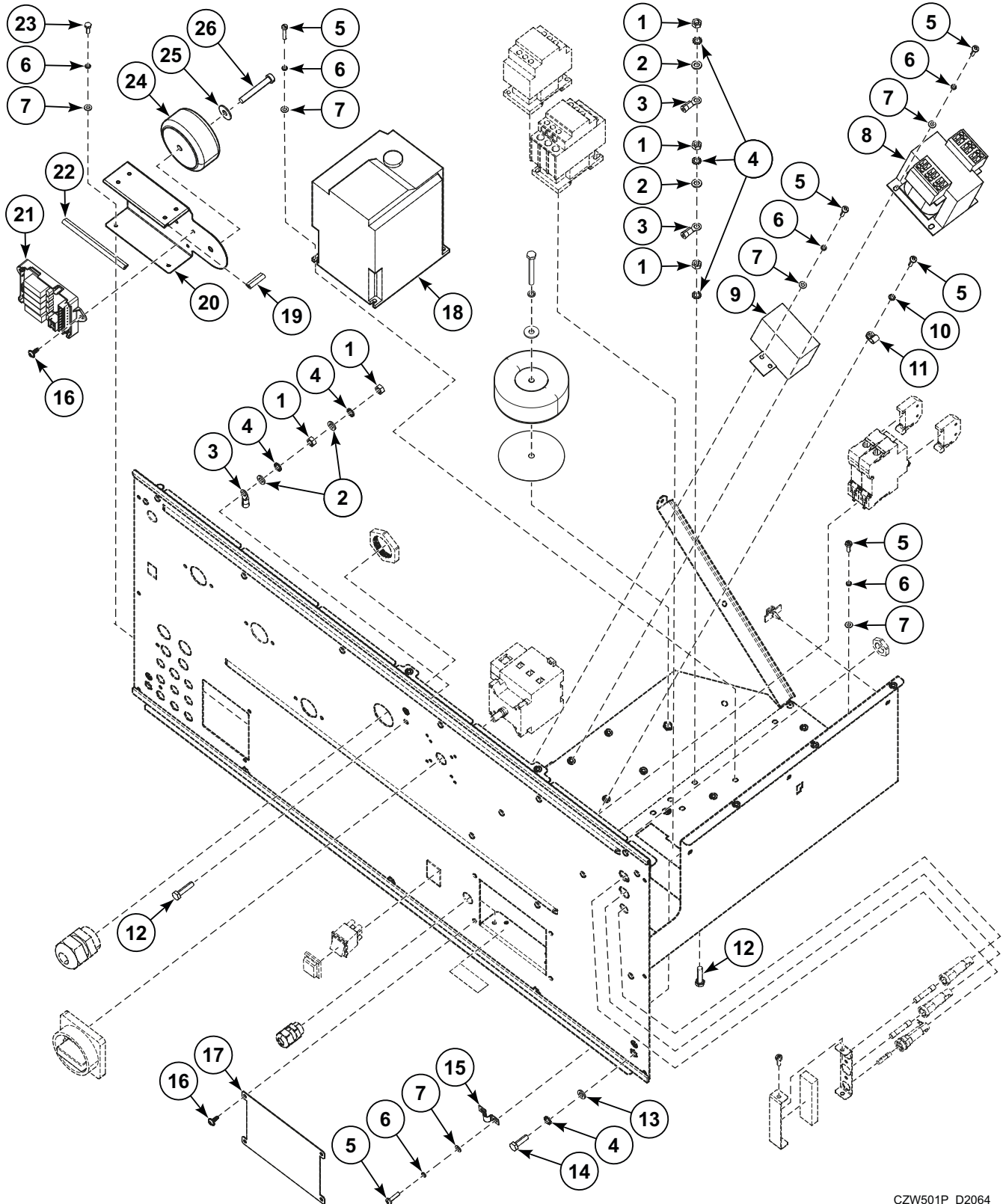
CZW500P_D2064

Rear Panel - 230V 1/3AC, 400V with Neutral, CE (Drawing 1 of 2)

REF	PART NO.	DESCRIPTION	COMMENTS
	568393	Main Wiring	
1	SP514038	Contactors	LC1-D09M7; Used with frequency inverter
2	SPPRI345002019	Contactors	LC1D3201; Electric heating
	SP514038	Contactors	LC1-D09M7; Electric heating
	SP514042	Contactors	LC1D18M7; Electric heating
3	SP309933000660	Bolt	M6x60
4	SP311127000006	Washer	6
5	SP311902100006	Washer	6
6	571455	DC Choke	Supply 230V / 400V+N
7	571458	Insulation Washer	
8	SP346000209101	End Stop	
9	571462	Circuit Breaker	10A - 2 poles
10	SP528313	Cable Holder	
11	SP101416	Nut	M16
12	577429	Rear Panel	
13	SPPRI404000097	Main Switch	25A
	SPPRI404000098	Main Switch	32A
	SPPRI404000099	Main Switch	63A
14	SP506407	Main Switch	Fourth Pole; 25A
	SPPRI404001098	Main Switch	Fourth Pole; 32A
	SPPRI404001099	Main Switch	Fourth Pole; 63A
15	SP345805163032	Fuse	6.3x32mm, T1A/500V; 2 pieces
16	SPPRI401003020	Fuse Housing	2 pieces
17	SPPRI401001020	Fuse Holder	
18	SP345805005020	Fuse	0.5A/250V
19	SP554310	Fuse Holder	
20	570387	Self-Adhesive Profile	
21	SP554311	Fuse Cover	
22	SP555504	Bolt	
23	577441	Label	Models with Transformer
	577440	Label	Models without Transformer
24	SP100388	Switch	
25	SPPRI543000003	Push Button Cover	
26	SP101406	Bushing	M16
27	SPPRI404000095	Main Switch Knob	
28	SP101409	Bushing	M32x1.5
29	SP101419	Nut	M32

Rear Panel - 230V 1/3AC, 400V with Neutral, CE (Drawing 2 of 2)

Models with G in 7th Position of the model number



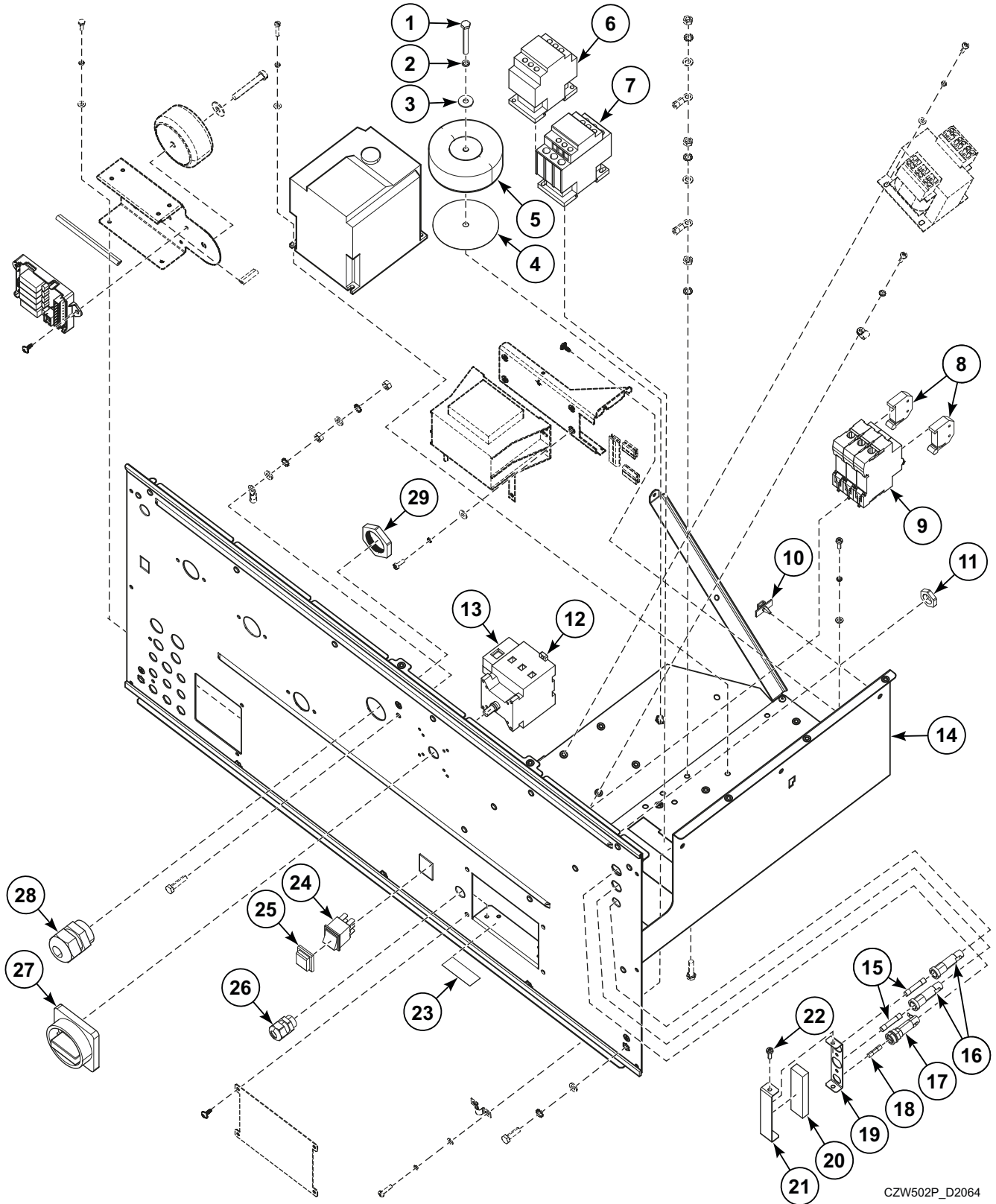
CZW501P_D2064

Rear Panel - 230V 1/3AC, 400V with Neutral, CE (Drawing 2 of 2)

REF	PART NO.	DESCRIPTION	COMMENTS
1	SP310934100006	Nut	M6
2	SP311125100006	Washer	6
3	SP345000165034	Cable Eye	
4	SP311679824006	Washer	6
5	SP309084000416	Bolt	M4x16
6	SP311127000004	Washer	4
7	SP311125000004	Washer	4.3
8	SP516648	Transformer	
9	568380	Filter	20A 250V
10	SP311679800004	Washer	M4
11	SP502214	Clip	
12	SP309933100625	Bolt	M6x25
13	SP311125240006	Washer	6
14	SP309933000620	Bolt	M6x20
15	SP528392	Cable Clamp	
16	SP529206	Screw	4x11
17	566549	Cover	
18	571471	Frequency Inverter	FR-D720S-042-SC-E8; Normal spin
	571472	Frequency Inverter	FR-D720S-070-SC-E8; Medium spin
	SP528324	Communication Cable	
	557961	Ferrite Core	Used with frequency inverter
19	SPPRI505000058	Profiled Sealing	1 inch (0.025 m)
20	570318	Holder	
21	804528	Soap Relay Board	
22	SPPRI505000058	Profiled Sealing	4.1 inch (0.105 m)
23	SP309933240412	Bolt	M4x12
24	564561	Transformer	24V
25	SP505430	Washer	5
26	SP309084000535	Bolt	M5x35

Rear Panel - 400V 440-480V, CE (Drawing 1 of 2)

Models with G in 7th Position of the model number



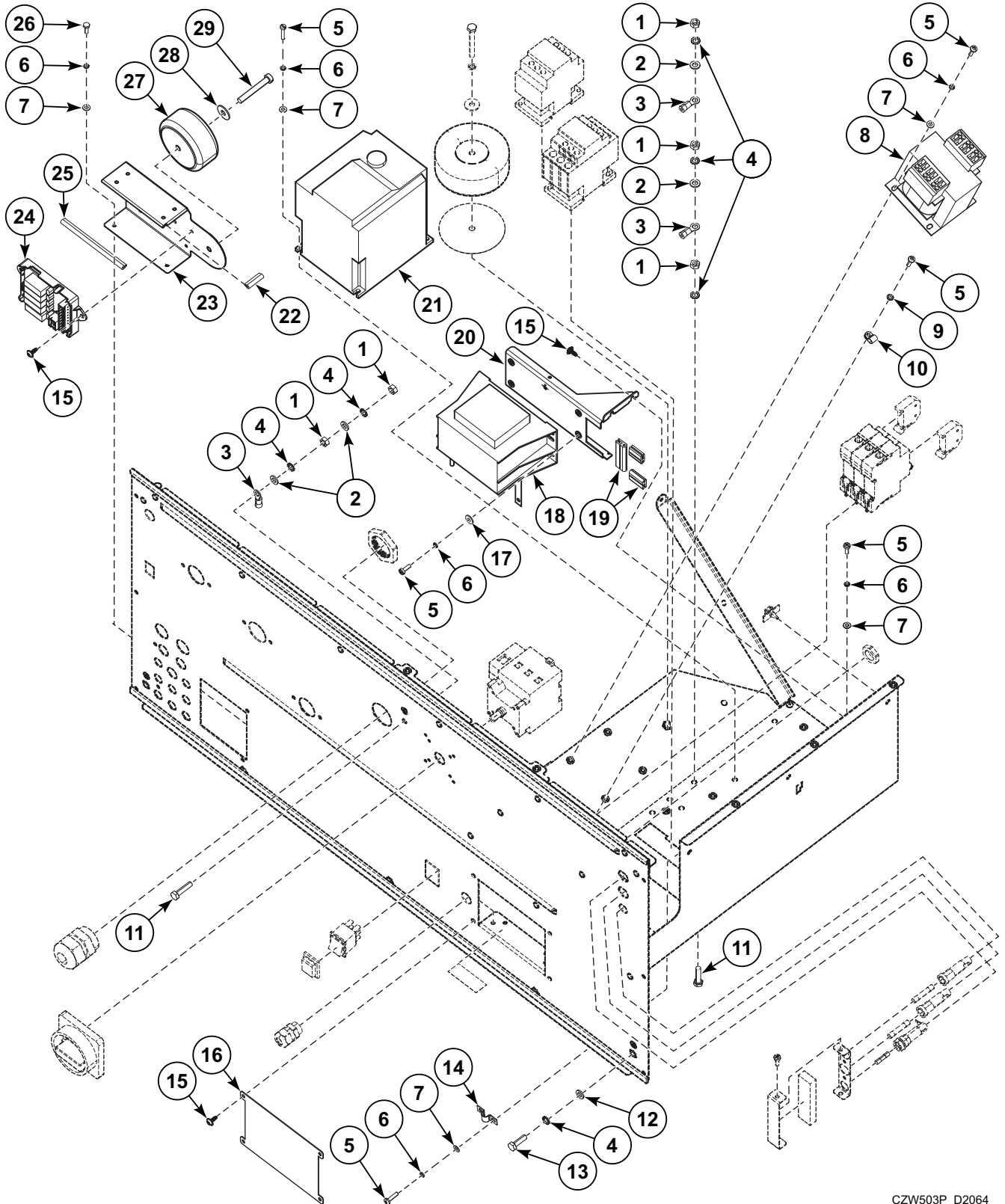
CZW502P_D2064

Rear Panel - 400V 440-480V, CE (Drawing 1 of 2)

REF	PART NO.	DESCRIPTION	COMMENTS
	568393	Main Wiring	
1	SP309933000660	Bolt	M6x60
2	SP311127000006	Washer	6
3	SP311902100006	Washer	6
4	571458	Insulation Washer	
5	571454	DC Choke	9.7mH; Supply 400V / 440V
6	SP514038	Contactactor	LC1-D09M7; Used with frequency inverter
7	SP514042	Contactactor	LC1D18M7; Electric heating; 18kW 400V/440V
8	SP346000209101	End Stop	
9	571464	Circuit Breaker	10A - 3 poles
10	SP528313	Cable Holder	
11	SP101416	Nut	M16
12	SPPRI404000097	Main Switch	25A
	SPPRI404000098	Main Switch	32A
	SPPRI404000099	Main Switch	63A
13	N/A	Main Switch	Fourth Pole
14	577429	Rear Panel	
15	SP345805163032	Fuse	6.3x32mm, T1A/500V; 2 pieces
16	SPPRI401003020	Fuse Housing	2 pieces
17	SPPRI401001020	Fuse Holder	
18	SP345805005020	Fuse	0.5A/250V
19	SP554310	Fuse Holder	
20	570387	Self-Adhesive Profile	
21	SP554311	Fuse Cover	
22	SP555504	Bolt	
23	577441	Label	Models with Transformer
	577440	Label	Models without Transformer
24	SP100388	Switch	
25	SPPRI543000003	Push Buttom Cover	
26	SP101406	Bushing	M16
27	SPPRI404000095	Main Switch Knob	
28	SP101409	Bushing	M32x1.5
29	SP101419	Nut	M32

Rear Panel - 400V 440-480V, CE (Drawing 2 of 2)

Models with G in 7th Position of the model number



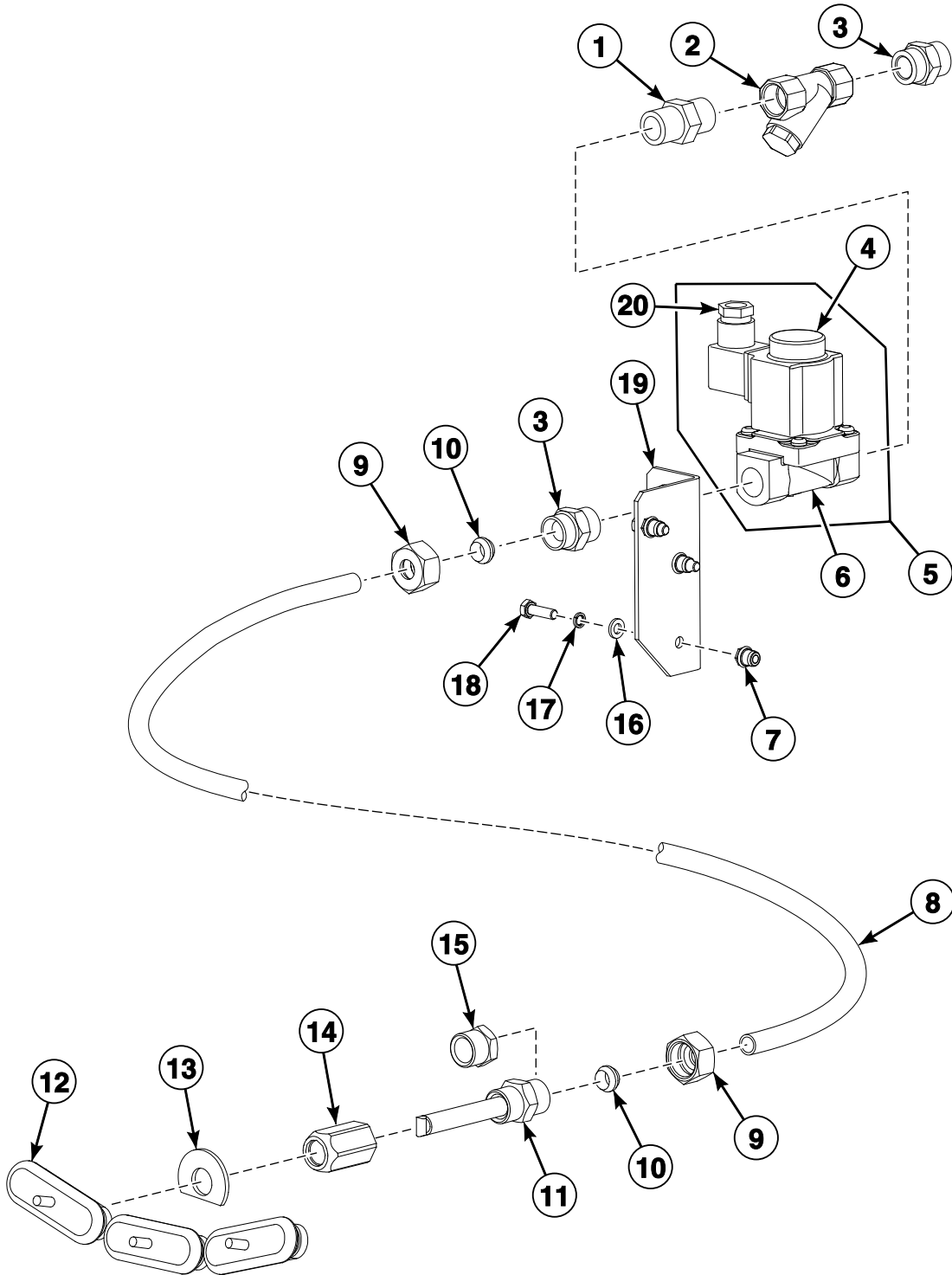
CZW503P_D2064

Rear Panel - 400V 440-480V, CE (Drawing 2 of 2)

REF	PART NO.	DESCRIPTION	COMMENTS
1	SP310934100006	Nut	M6
2	SP311125100006	Washer	6
3	SP345000165034	Cable Eye	
4	SP311679824006	Washer	6
5	SP309084000416	Bolt	M4x16
6	SP311127000004	Washer	4
7	SP311125000004	Washer	4.3
8	SP516648	Transformer	
9	SP311679800004	Washer	M4
10	SP502214	Clip	
11	SP309933100625	Bolt	M6x25
12	SP311125240006	Washer	6
13	SP309933000620	Bolt	M6x20
14	SP528392	Cable Clamp	
15	SP529206	Screw	4x11
16	566549	Cover	
17	SP311902100004	Washer	4
18	SP557932	Frequency Inverter Filter	
19	SP529068	Edge Protection	0.014m
20	572126	Filter Holder	Used with SP313251002104 Nut
21	571474	Frequency Inverter	FR-D740S-036-SC-E8
	SP528324	Communication Cable	
	557961	Ferrite Core	Used with frequency inverter
22	SPPRI505000058	Profiled Sealing	1 inch (0.025 m)
23	570318	Holder	
24	804528	Soap Relay Board	
25	SPPRI505000058	Profiled Sealing	4.1 inch (0.105 m)
26	SP309933240412	Bolt	M4x12
27	564561	Transformer	24V
28	SP505430	Washer	5
29	SP309084000535	Bolt	M5x35

Steam Heating

Models with A, D, I, J, R, T or X in 7th Position of the model number



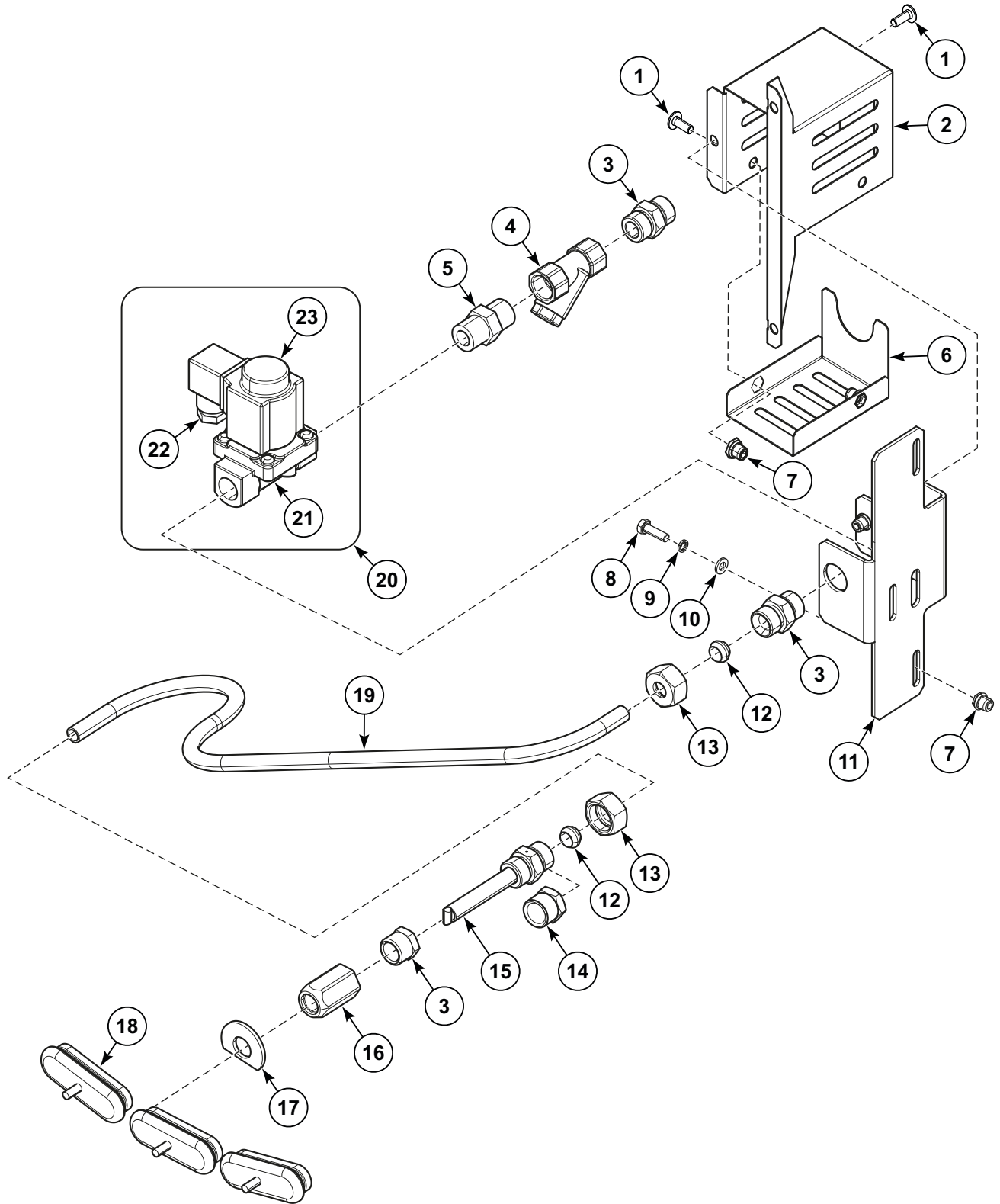
CFD3280P_D2311

Steam Heating

REF	PART NO.	DESCRIPTION	COMMENTS
	SP559319	Steam Kit	
	SP526564	Seal	
	SP101403	Adhesive	Loctite 5366
	SP245704000603	Adhesive	Loctite 603
1	SP319428324012	Adapter	1/2 inch
2	SP405054120215	Steam Filter	
3	SPR22112000114	Pipe Nipple	1/2 inch
4	SP554110	Coil	50/60 Hertz
5	SP514164	Steam Valve	1/2 inch
6	SP514165	Steam Valve Body	
7	SP313251000006	Nut	M6
8	SP548000	Steam Tube	
9	SP547952	Nut	1/2 inch
10	SP230100007014	Fastening Cone	
11	SP526525	Steam Injector	
12	SPPRI342001016	Heating Element Hole Plug	
13	SP547981	Washer	
14	SP547968	Adapter	G3/8 inch / G1/2 inch
15	SPPRI426001268	Plug	1/2 inch; Electric and steam heat
16	SP311125000006	Washer	6.4
17	SP311127000006	Washer	6
18	SP309933000620	Bolt	M6x20
19	SP547999	Steam Valve Support	
20	SP554156	Connector	

Steam Heating

Models with G in 7th Position of the model number

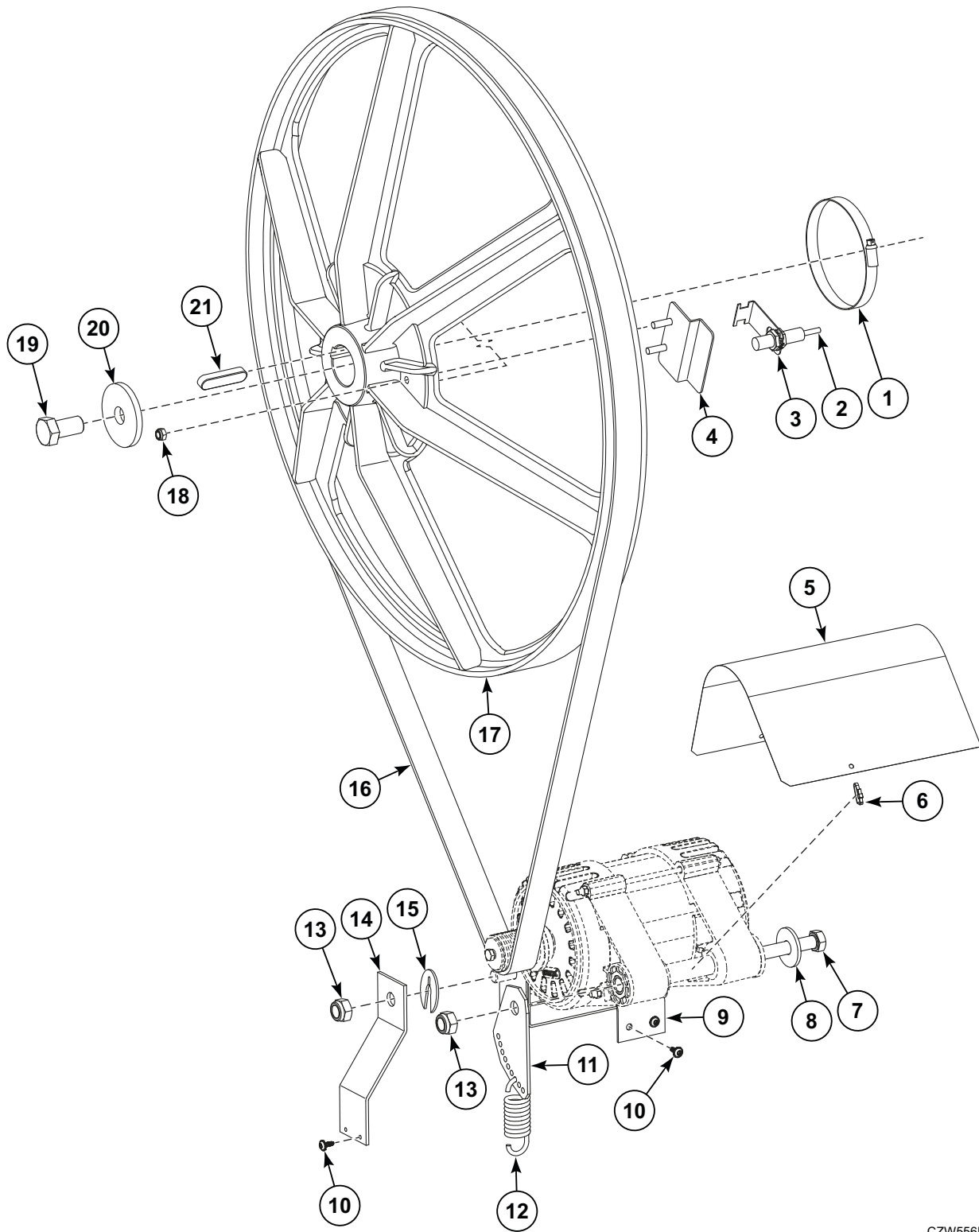


CZW538P_D2064

Steam Heating

REF	PART NO.	DESCRIPTION	COMMENTS
	577551	Steam Kit	
	SP526564	Seal	
	SP101403	Adhesive	Loctite 5366
	SP245704000603	Adhesive	Loctite 603
1	SP555658	Bolt	M6x16
2	581044	Filter Cover	
3	SPR22112000114	Pipe Nipple	1/2 inch
4	SP405054120215	Steam Filter	
5	SP319428324012	Adapter	1/2 inch
6	581045	Bottom of Filter Cover	
7	SP313251000006	Nut	M6
8	SP309933000620	Bolt	M6x20
9	SP311127000006	Washer	6
10	SP311125000006	Washer	6.4
11	SP547999	Steam Valve Support	
12	SP230100007014	Fastening Cone	
13	SP547952	Nut	1/2 inch
14	SPPRI426001268	Plug	1/2 inch; Electric heat
15	SP526525	Steam Injector	
16	SP547968	Adapter	G3/8 inch / G1/2 inch
17	SP547981	Washer	
18	SPPRI342001016	Heating Element Hole Plug	
19	SP548000	Steam Tube	
20	SP514164	Steam Valve	1/2 inch
21	SP514165	Steam Valve Body	
22	SP554156	Connector	
23	SP554110	Coil	50/60 Hertz

Drive (Drawing 1 of 2)

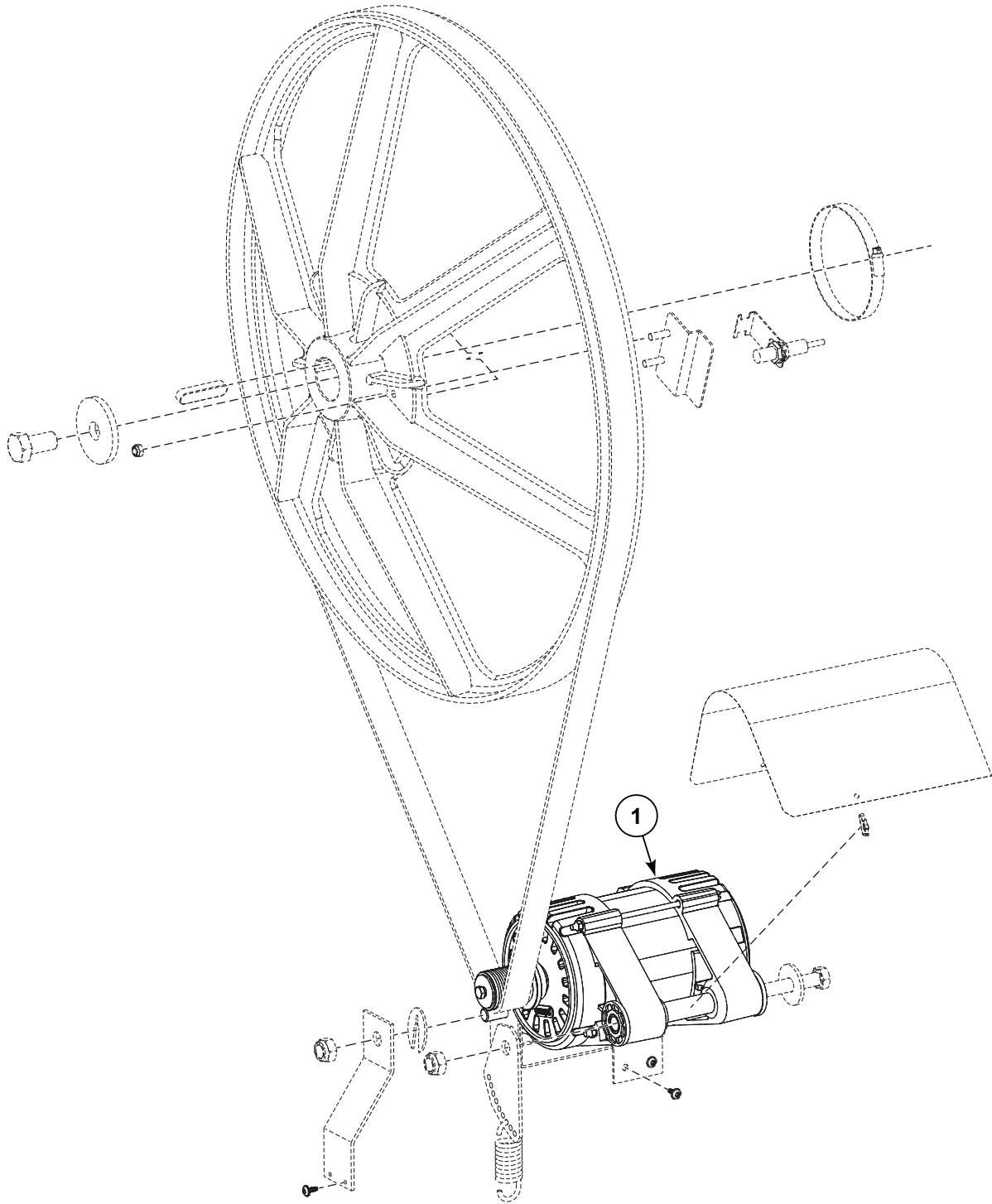


CZW556P_D2311

Drive (Drawing 1 of 2)

REF	PART NO.	DESCRIPTION	COMMENTS
1	SPPRI240000015	Hose Clamp	Normal spin; 90-110
	SP529013	Hose Clamp	Medium spin; 140-160
2	SP557701	Speed Sensor	
3	SP555548	Speed Sensor Holder	Normal spin
	SP555547	Speed Sensor Holder	Medium spin
4	SP555542	Speed Sensor Plate	
5	577444	Cover Motor	Models with G in 7th position of the model number
6	SP345000626088	Binding Strip	Models with G in 7th position of the model number
7	SP533392	Bolt	Normal spin; M12x200
8	SP311902100012	Washer	12
9	SP555492	Motor Holder	Medium spin
	SP550484	Motor Holder	Normal spin
10	SP529206	Screw	4x11
11	SP555500	Spring Holder	
12	SP517509	Spring	
13	SP310985000012	Nut	M12
14	SP550485	Holder	Normal spin
	SP555538	Holder	Medium spin
15	SP560403	Washer	
16	SP555498	Belt	
17	SP550453	V-Pulley Drum	
18	SP310985000008	Nut	M8
19	SP309933001630	Bolt	M16x30
20	SP511924	Washer	
21	SP555497	Feather	

Drive (Drawing 2 of 2)

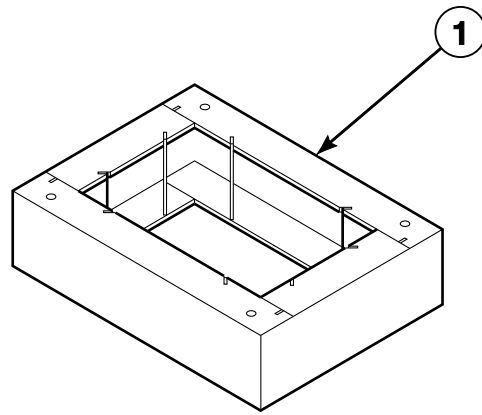


CZW557P_D2311

Drive (Drawing 2 of 2)

REF	PART NO.	DESCRIPTION	COMMENTS
1	SP555593	Motor with Pulley	Models with A, D, I, J, R, T or X in 7th position of the model number; 0.75kW; 230V/75 Hertz; Includes SP528421 Motor; Normal spin; Applicable for power supply 200V-240V, 50/60Hz, 1/3ph and 380-415V+N, 50/60Hz, 3ph
	SP555594	Motor with Pulley	Models with A, D, I, J, R, T or X in 7th position of the model number; 0.75W; 400V/76 Hertz; Includes SP552411 Motor; Normal spin; Applicable for power supply 400V, 50/60Hz, 3ph without Neutral and 440-480V, 50/60Hz, 3ph
	SP555654	Motor with Pulley	Models with A, D, I, J, R, T or X in 7th position of the model number; 1.1kW; 230V/75 Hertz; Includes SP528422 Motor; Medium spin; Applicable for power supply 200V-240V, 50/60Hz, 1/3ph and 380-415V+N, 50/60HZ, 3ph
	SP555655	Motor with Pulley	Models with A, D, I, J, R, T or X in 7th position of the model number; 1.1kW; 400V/76 Hertz; Includes SP552412 Motor; Medium spin; Applicable for power supply 400V, 50/60Hz, 3ph without Neutral and 440-480V, 50/60Hz, 3ph
	577506	Motor with Pulley	Models with G in 7th position of the model number; 0.75kW; 230V/75 Hertz; Includes 568371 Motor; Normal spin; Applicable for power supply 200V-240V, 50/60Hz, 1/3ph and 380-415V+N, 50/60Hz, 3ph
	577507	Motor with Pulley	Models with G in 7th position of the model number; 0.75W; 400V/76 Hertz; Includes 568381 Motor; Normal spin; Applicable for power supply 400V, 50/60Hz, 3ph without Neutral and 440-480V, 50/60Hz, 3ph
	577512	Motor with Pulley	Models with G in 7th position of the model number; 1.1kW; 230V/75 Hertz; Includes 568372 Motor; Medium spin; Applicable for power supply 200V-240V, 50/60Hz, 1/3ph and 380-415V+N, 50/60HZ, 3ph
	577513	Motor with Pulley	Models with G in 7th position of the model number; 1.1kW; 400V/76 Hertz; Includes 568382 Motor; Medium spin; Applicable for power supply 400V, 50/60Hz, 3ph without Neutral and 440-480V, 50/60Hz, 3ph

Elevated Base Frame

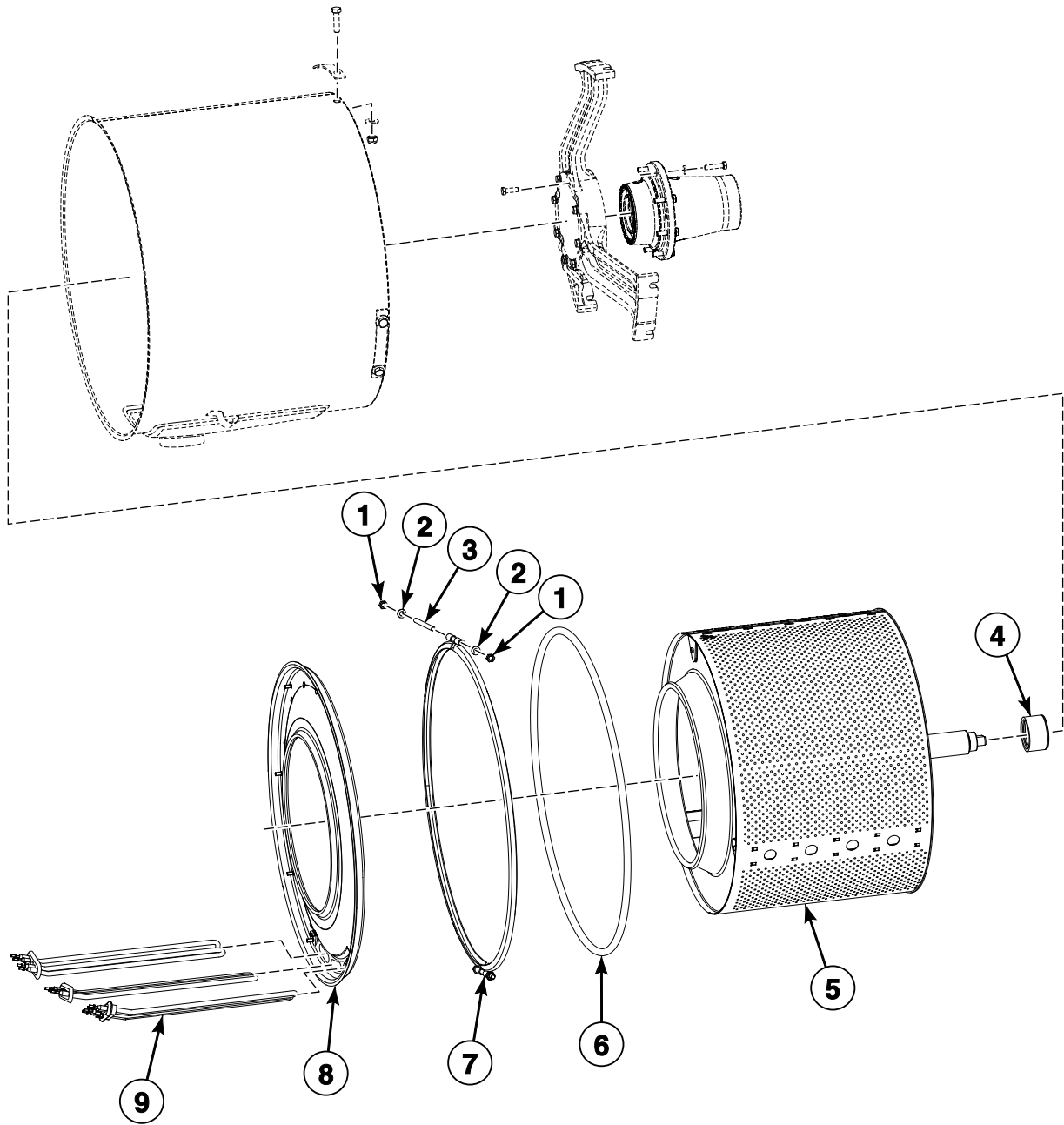


CFD3429P_D2311

Elevated Base Frame

REF	PART NO.	DESCRIPTION	COMMENTS
1	SP554179	Elevated Base Frame	Height 135mm
	SP554180	Elevated Base Frame	Height 200mm

Washing Drum

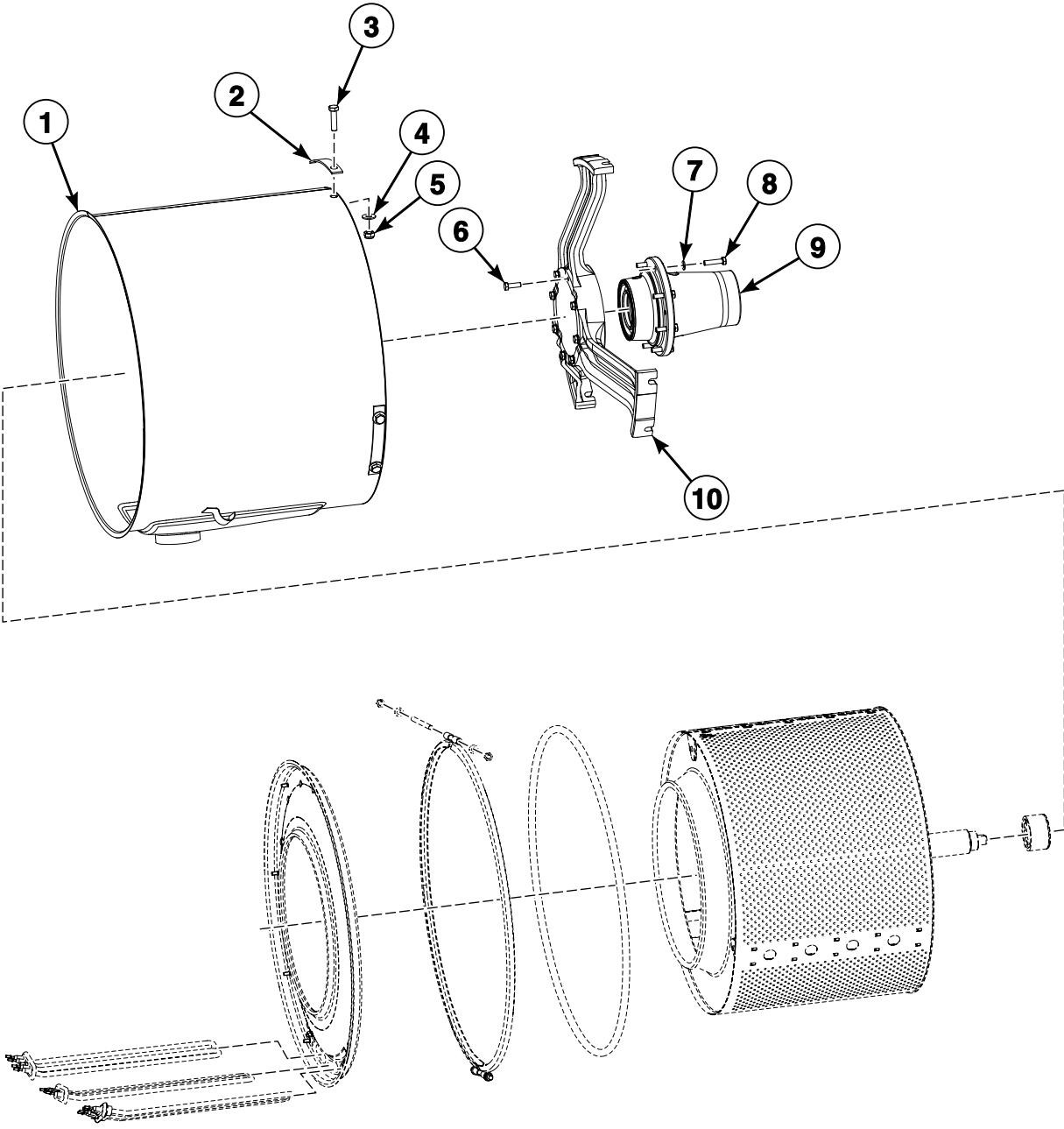


CFD3281P_D2311

Washing Drum

REF	PART NO.	DESCRIPTION	COMMENTS
1	SP310934240008	Nut	
2	SP311125240008	Washer	
3	SPF02119000415	Bolt	
4	SP537843	Shaft Ring	Normal spin
	SP552982	Shaft Ring	Medium spin
5	552942P	Washing Drum	Normal spin; Cascade; Includes SP537843
	552999P	Washing Drum	Medium spin; Cascade; Includes SP552982
	563280P	Washing Drum	Models with G in 7th position of the model number; Normal spin; Flat; Includes SP537843
	563283P	Washing Drum	Models with G in 7th position of the model number; Medium spin; Flat; Includes SP552982
	559908P	Washing Drum	Normal spin; 7mm perforation; Includes SP537843
6	SP537821	Seal	d10-2550mm
7	SP537822	Clamp	
8	575987	External Tub Front Plate	
9	SP540127	Heating Element	2x2000W; 470mm
	SP540132	Heating Element	2x3000W; 470mm

External Tub and Bearing Housing

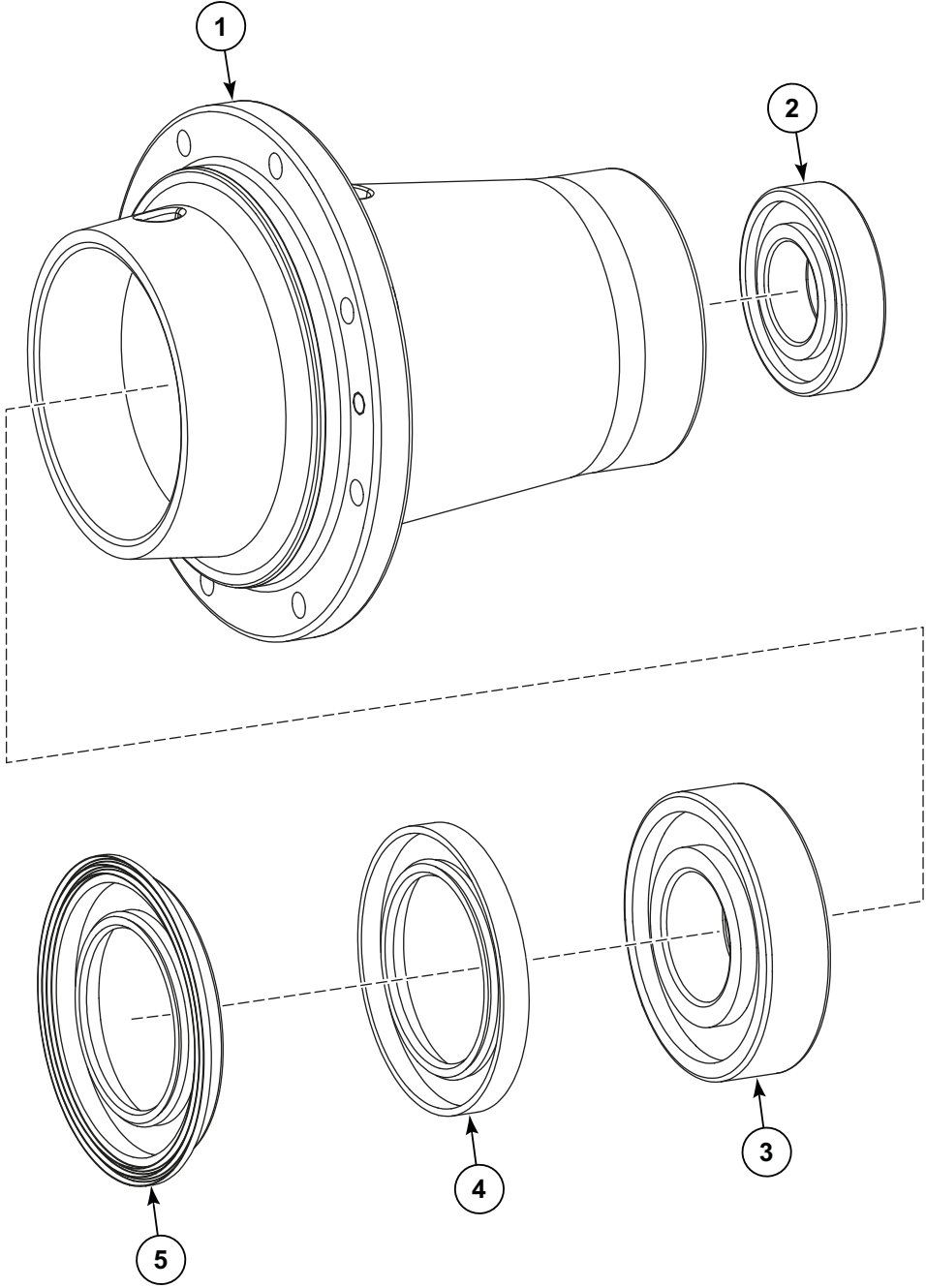


CFD3282P_D2311

External Tub and Bearing Housing

REF	PART NO.	DESCRIPTION	COMMENTS
	SP245704003021	Adhesive	Use with bolt
	SPPRI704000053	Sealant	Silicone
	SP245704000050	Adhesive	
	SP510889	Anticorrosive Agent	
1	SP552938	External Tub	Normal spin; Steam heat
	SP537810	External Tub	Medium spin; Steam heat
	SP552953	External Tub	Normal spin; Electric heat
	SP537921	External Tub	Medium spin; Electric heat
2	SP537898	Washer	
3	SP309933001250	Bolt	M12x50
4	SP537898	Washer	
5	SP310985000012	Nut	M12
6	SP309933241035	Bolt	M10x35
7	SP311125000013	Washer	M12
8	SP309933001235	Bolt	M12x35
9	579158	Bearing Housing Assembly	Normal spin
	556223	Bearing Housing Assembly	Medium spin
10	SP537824	Cross Piece	

Bearing Housing

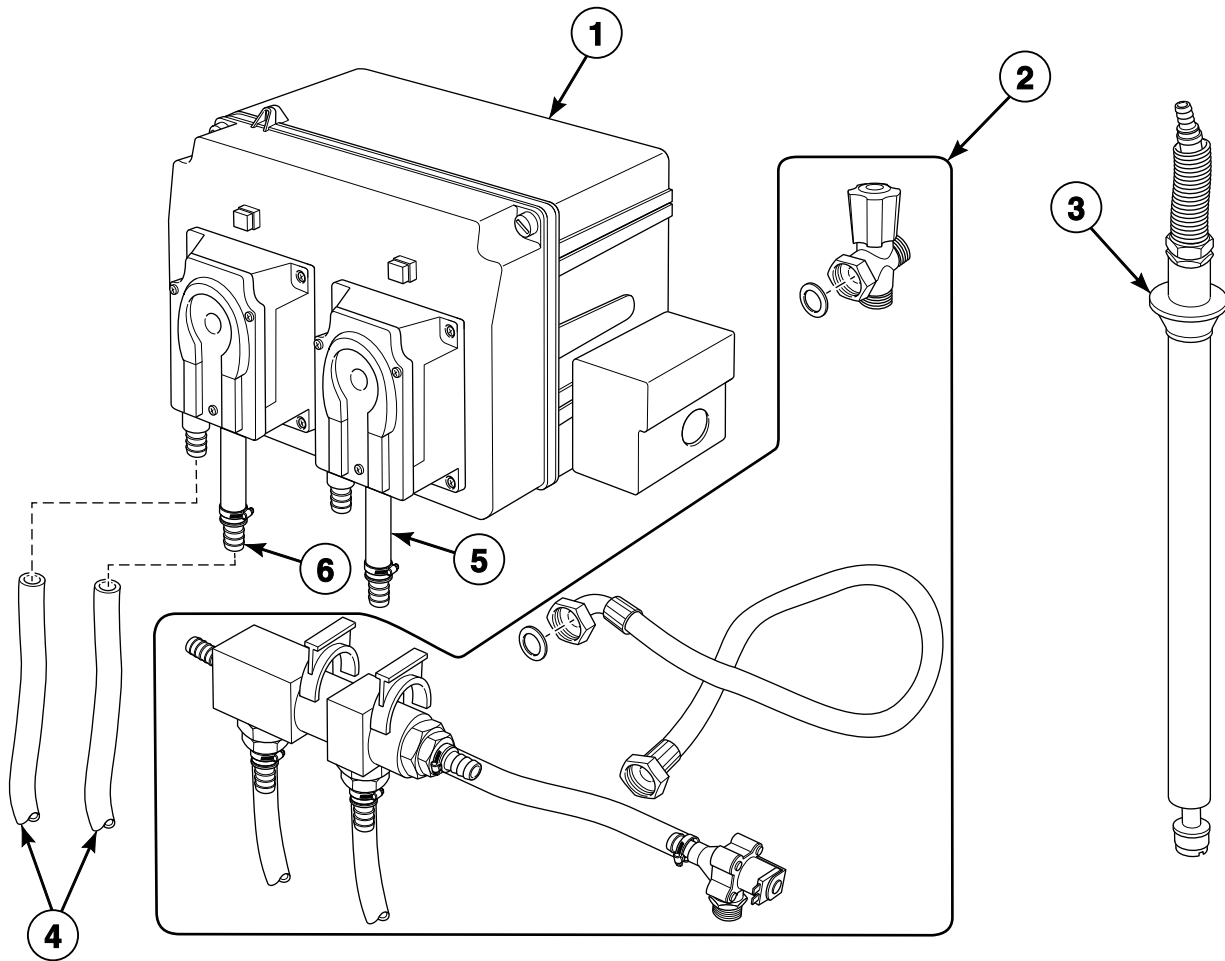


CZW488P_D2064

Bearing Housing

REF	PART NO.	DESCRIPTION	COMMENTS
	SP245704000603	Adhesive	Loctite 603
	SP111313000002	Lubrication Grease	
	SP538787	Bearing Replacement Tool Kit	
1	SP552922	Bearing Housing	Normal spin
	SP552904	Bearing Housing	Medium spin
2	SP552974	Bearing	6208
3	582252	Bearing	Normal spin; 6309-2RS1/C3wt
	582253	Bearing	Medium spin; 6312-2RS1/C3wt
4	SP525813	Sealing Ring	Normal spin; 65x100x10
	SP506475	Sealing Ring	Medium spin; 100x130x10
5	SP537848	Sealing Ring	Normal spin; 65x100/144x9/12
	SP537879	Sealing Ring	Medium spin; 100x130/144x9/12

Liquid Soap Supply System - Pumps



CZW45P_D2311

Liquid Soap Supply System - Pumps

REF	PART NO.	DESCRIPTION	COMMENTS
	MB90-Z40	Supply Pump Kit	For two pumps
	MB90-Z41	Supply Pump Kit	For three pumps
	MB90-Z42	Supply Pump Kit	For four pumps
	MB90-Z43	Supply Pump Kit	For five pumps
	MB90-Z44	Supply Pump Kit	For six pumps
1	529742	Pump	Two
	529743	Pump	Three
	529744	Pump	Four
	529745	Pump	Five
	529746	Pump	Six
2	529789	Manifold Flush Kit	For two pumps
	529797	Manifold Flush Kit	For three pumps
	529798	Manifold Flush Kit	For four pumps
	529799	Manifold Flush Kit	For five pumps
	529800	Manifold Flush Kit	For six pumps
3	529787	Suction Tube	
4	SPPRI540020005	Hose	d10/14
5	529747	Hose	Spare hose for pump
6	547808	Connection	

Wire Harnesses

PART NO.	DESCRIPTION	COMMENTS
552495	Transformer Connection	CSA
574406	Transformer Supply Wirings	Models with G in 7th position of the model number; supply 230V / 400+N
528064	Steam Heat Wiring	CSA; Steam heat
SPPRI351000161	Steam Valve Cable	CE models; Steam heat
552477	Inlet Valve Extension Wiring	High volume water inlets
552466	Wireless Reader Wiring	Vend; CSA
557735	Interconnection	Vend; CSA
100223	Heating Contactor Wiring	6mm ² ; l=700mm; for 18kW, 380-415 Volt, 440 Volt, 480 Volt/3 Phase
SPPRI351106209	Heating Contactor Wiring	10mm ² ; l=700mm; for 21.9kW, 200-240 Volt, 380-415 Volt, 440 Volt, 480 Volt/3 Phase
552314	Heating Wiring	6mm ² , 18kW, 200-240 Volt/3 Phase
SP528335	Heating GND Wiring	CE models
528350	Transformer Connection	CE models; 400-480 Volt, 3 Phase-N
SP547075	RS485 External Interconnection	For RS485 external interconnection to PC
528393	Wiring Steam - Electrical Heating	Steam - electrical heating modification
F8715501	Extension Board Connection Cable	Models with G in 7th position of the model number; Extension Cable for Pumps; 81.89 inch (2.08 m).
575880	Extension Cable	Models with G in 7th position of the model number; Used with F8715501; 4 pumps; 47.24 inch (1.2 m).
568398	Motor Temperature Protector Cable	Models with G in 7th position of the model number

Parts Index

A

Adapter	
SP319428324012	103, 105
SP547968	103, 105
Adhesive	
SP101403	103, 105
SP245704000050	115
SP245704000603	73, 103, 105, 117
SP245704003021	13, 15, 21, 73, 115
SP537896	73
Air Trap Reduction	
SPPRI503000027	87, 89
Anticorrosive Agent	
SP510889	115
Antivibration Foil	
550112	31
Automatic Unlocking Module Assembly	
SP545238	19
SP552489	11, 17, 19

B

Bearing	
SP552974	117
582252	117
582253	117
Bearing Housing	
SP552904	117
SP552922	117
Bearing Housing Assembly	
556223	115
579158	115
Bearing Replacement Tool Kit	
SP538787	117
Belt	
SP555498	107
Binding Strip	
SP345000626088	87, 89, 107
Board Interconnection Cable	
SP547005	33, 41, 51
575865	55, 57, 59
Bolt	
SPF02119000415	113
SP309084000408	13, 17, 21, 29
SP309084000416	13, 17, 21, 73, 79, 93, 97, 101
SP309084000535	97, 101
SP309798500306	33, 41, 53
SP309933000416	61, 63, 91
SP309933000616	13, 17, 21, 29
SP309933000620	93, 97, 101, 103, 105
SP309933000660	95, 99
SP309933000820	87, 89
SP309933001235	115
SP309933001250	115
SP309933001630	107
SP309933100625	93, 97, 101
SP309933240408	93
SP309933240412	97, 101
SP309933241035	115
SP506012	27, 55, 57, 59

SP527093	9
SP533392	107
SP535479	75
SP537854	73
SP537864	75
SP547925	93
SP553524	77
SP555504	29, 33, 41, 53, 95, 99
SP555658	11, 13, 15, 17, 19, 21, 105
SP556137	73
555658	27, 29, 31, 55, 57, 59
563123	27
Bottom of Filter Cover	
581045	105
Bushing	
SP101406	93, 95, 99
SP101409	93, 95, 99

C

Cabinet Holder	
567934	13, 17, 19, 29
Cabinet Reinforcement	
SP550499	13, 17, 21
550499	27
Cable	
F8715501	120
SP545234	93
557982	93
Cable Bushing Insert	
SP557952	93
Cable Clamp	
SP528392	93, 97, 101
Cable Eye	
SP345000165034	97, 101
Cable Holder	
SP528313	27, 33, 41, 95, 99
Cable Passage	
SP273121005052	11, 17, 19
Casing	
SP529739	75
Circuit Breaker	
571462	95
571464	99
Clamp	
SP529013	107
SP537822	113
Clip	
SP502214	97, 101
Coil	
SP554110	103, 105
Coin Meter	
SP537996	45, 67
SP547600	43, 65
SP547601	43, 65
SP547602	43, 65
SP547603	43, 65
SP547604	43, 65
SP547605	43, 65
SP547606	43, 65
SP547607	43, 65

N/A items do not appear in index.

SP547608	43, 65	SP555558	45, 67
SP547609	43, 65	SP555559	45, 67
SP547610	43, 65	SP555578	45, 67
SP547611	43, 65	SP555579	45, 67
SP547612	43, 65	SP555666	45, 67
SP547613	43, 65	SP558958	35
SP547614	43, 65	SP558959	35
SP547615	43, 65	SP559933	35
SP547616	43, 65	SP559934	35
SP547617	43, 65	SP559938	35
SP547618	43, 65	SP559949	35
SP547619	43, 65	SP559969	35
SP547620	43, 65	SP560071	37
SP547621	43, 65	SP560075	37
SP547622	43, 65	SP560082	47, 69
SP547623	43, 65	SP560083	47, 69
SP547624	43, 65	SP560084	47, 69
SP547625	43, 65	SP560085	47, 69
SP547626	43, 65	SP560086	47, 69
SP547627	43, 65	SP560087	35
SP547628	43, 65	SP560089	45, 69
SP547629	43, 65	SP560090	35
SP547630	43, 65	SP560091	35
SP547631	43, 65	SP560092	35
SP547634	43, 65	SP560093	35
SP547635	43, 65	SP560094	35
SP547636	43, 65	SP560100	35
SP547637	43, 67	SP560309	35
SP547638	43, 65	SP560310	35
SP547639	43, 65	SP560311	35
SP547640	47, 67	SP560312	35
SP547641	45, 67	SP560405	35
SP547642	45, 67	SP560406	35
SP547643	45, 67	SP560407	35
SP547644	45, 67	SP560408	35
SP547645	45, 67	SP560409	35
SP547646	45, 67	SP560410	35
SP547647	43, 65	SP560411	35
SP547648	43, 65	SP560412	35
SP547649	45, 67	SP560413	35
SP547651	45, 67	SP560414	35
SP547652	43, 65	SP560415	35
SP547653	45, 67	SP560416	35
SP547654	45, 67	SP560417	35
SP547656	43, 65	SP560418	35
SP547657	45, 67	SP560419	35
SP547658	45, 67	SP560420	35
SP547659	45, 67	SP560421	35
SP547660	45, 67	SP560422	35
SP547661	45, 67	SP560423	35
SP547662	45, 67	SP560424	35
SP547663	45, 67	SP560425	35
SP547664	45, 67	SP560426	35
SP547665	43, 65	SP560427	35
SP547666	43, 65	SP560428	35
SP547667	45, 67	SP560429	35
SP547668	45, 67	SP560432	35
SP547669	45, 67	SP560744	45, 67
SP547670	45, 67	SP560745	35
SP547671	45, 67	SP560751	35
SP547672	45, 67	SP564484	47, 69
SP547673	45, 67	SP564486	47, 69
SP547674	45, 67	553150	47, 69
SP547675	45, 67	553151	47, 69
SP555502	45, 67	553156	37
SP555543	45, 67	560073	47, 69
SP555546	45, 67	561378	47, 69
SP555549	45, 67	561496	47, 69
SP555550	45, 67	561497	37

N/A items do not appear in index.

563405	37	572326	49
564485	37	572327	39
564487	37	572339	49, 69
564489	47, 69	572342	49, 69
569901	47, 69	572343	39
569905	37	572355	39
569911	37	572358	49, 69
569912	47, 69	572359	39
569918	47, 69	572383	69
569919	37	572384	39
569921	43, 65	572389	39
569922	35	572391	69
569924	47, 69	575276	39
569925	37	575277	39
569927	47, 69	579808	71
569928	37	579812	71
569930	47, 69	Coin Meter Box	
569931	37	SP102532	61
569933	45, 67	100498	61, 63
569934	35	Coin Meter Case	
569936	47, 69	SP547548	61
569937	37	SP550436	61
569939	45, 67	568039	61
569940	35	568041	61
569942	47, 69	572120	63
569943	37	Coin Meter Cover	
569945	47, 69	SP547565	33, 41, 53, 55
569946	37	Coin Vault Plate	
569948	45, 67	SP533103	13, 15, 21
569949	37	566737	13, 15, 21, 29
569951	45, 67	Communication Cable	
569952	37	SP528324	97, 101
569954	47, 69	Compression Spring	
569955	37	SP535406	77
569961	47, 69	Connection	
569962	37	547808	119
569964	45, 69	Connector	
569965	35	SP537856	73
569967	47, 69	SP554156	103, 105
569968	37	Contactactor	
569970	47, 69	SPPRI345002019	91, 95
569971	37	SP514038	91, 95, 99
569973	47, 69	SP514042	91, 95, 99
569974	37	SP514043	91, 95
569979	47, 69	Control Board	
569980	37	SP547001	51
569987	47, 69	SP553411	41, 51
569988	37	SP553412	41, 51
569993	37	SP553419	33, 51
569995	37	204890	55, 57, 59
569998	49, 69	Control Board Holder	
569999	39	SP550117	51
570000	39	553444	27
572301	49, 69	577668	27
572302	39	Control Board I/O	
572304	49, 69	SP547002	51
572305	39	SP553405	33, 41, 51
572307	49, 69	Control Holder	
572308	39	581020	55, 57, 59
572310	49, 71	581021	55, 57, 59
572311	39	Control Panel	
572313	49, 71	SP550240	51
572314	39	SP557048	33
572317	49, 71	SP560469	41
572318	39	575944	51
572320	49, 71	580852	55, 57, 59
572321	39		
572323	49, 71		
572324	39		

N/A items do not appear in index.

Control Support	
581009	55, 57, 59
Conversion Board	
553439	27
Cover	
SPPRI543000004	33, 41, 51, 73
566549	97, 101
Cover Motor	
577444	107
Cover Plate	
SP550149	33, 41, 53, 59
Cover Strip Pin	
SP533738	9
Cross Piece	
SP537824	115

D

DC Choke	
571454	99
571455	95
Dispenser Elbow Pipe	
SP547994	79, 83
Dispenser Lid	
SP526461	79, 83
551695	79, 83
Dispenser Seal	
SP540158	79, 83
Distinguishing Ring	
SP535411	77
SP535437	77
571733	77
Door	
SP535445	75
SP553527	75
568838	75
Door and Lock Holder	
SP537883	73
Door Assembly	
553532	73
576073	73
576076	73
Door Glass	
SP556228	73
535439	73
Door Lock Wiring	
SP528270	73
SP552453	73
SP552454	73
Double Check Valve	
F8301201	79
Double Reverse Valve	
B12543901	79, 83
Drain Elbow	
SP547963	89
SP547965	87
SP554106	89
Drain Hose Pipe	
SP526492	87, 89
Drain Valve	
SP526460	87, 89
Drain Valve Chamber	
553195	87

Drain Valve Motor	
SPPRI340002051	87, 89
Drain Valve Seal	
554276	87, 89

E

Edge Protection	
SP529068	101
Elbow	
SPPRI426002072	83
Elevated Base Frame	
SP554179	111
SP554180	111
Emergency Stop Connector	
SP528311	33, 41, 53, 55
Emergency Stop Interconnection	
SP520033	33, 41, 53, 57
571485	59
Emergency Stop Knob	
SP528310	33, 41, 53, 55
Emergency Stop Label	
SPPRI551005248	33, 41, 55
Emergency Stop Wiring	
SP520032	33, 41, 53
End Stop	
SP346000209101	95, 99
SP555405	13, 21, 31
Extension	
SPPRI426003217	83
Extension Cable	
575880	120
External Tub	
SP537810	115
SP537921	115
SP552938	115
SP552953	115
External Tub Front Plate	
575987	113

F

Fastener	
SP550115	19
Fastening Cone	
SP230100007014	103, 105
Feather	
SP555497	107
Ferrite Core	
557961	97, 101
Filling Elbow Pipe	
SP526484	81, 85
Filling Hose Pipe	
RSPF200166	79, 83
SPPRI505000054	79
SP101621	79
SP533036	83
SP547980	79
Filter	
SPPRI340004030	79, 83
SP516012	91
SP525935	91

N/A items do not appear in index.

Filter Cover	
581044	105
Filter Holder	
572126	101
Fixed Lower Hinge	
568982	75
568984	75
Fixed Upper Hinge	
568979	75
568981	75
Flap	
SP540113.....	79, 83
Foam Roller	
SP100188	87, 89
Frame	
SP533960	9
SP555520	9
Frastener	
SP550115.....	11, 17
Frequency Inverter	
571471	93, 97
571472	93, 97
571474	93, 101
Frequency Inverter Filter	
SP557932	101
Front Panel	
SP550223	15, 25
SP550225	15, 25
SP550227	15, 25, 31
SP550229	15, 25
SP557051	13
SP557066	13
563536	15, 25, 31
563538	15, 25
568053	15, 25, 31
568055	15, 25, 31
568067	13
571723	73
571726	73
Fuse	
SP345805005020	93, 95, 99
SP345805163032	93, 95, 99
Fuse Cover	
SP554311.....	95, 99
Fuse Holder	
SPPRI401001020	93, 95, 99
SP554310	95, 99
Fuse Housing	
SPPRI401003020	93, 95, 99

H

Handle	
SP552916	77
SP552917	77
576081	77
Handle Ball	
SP535407	77
Handle Lower Part	
SP535429	77
Handle Torsion Spring	
SP535402	75
Heating Contactor Wiring	
SPPRI351106209.....	120

100223	120
Heating Element	
SP540127.....	113
SP540132.....	113
Heating Element Front Cover	
SP537927.....	73
SP556237.....	73
SP563275.....	73
568987	73
Heating Element Hole Plug	
SPPRI342001016.....	103, 105
Heating GND Wiring	
SP528335.....	120
Heating Wiring	
SP552333.....	120
Hinge	
SP516832.....	11, 17, 19
Hinge Spacer	
SP535421.....	75
SP537849.....	73
Holder	
SPPRI326002004.....	11, 17, 19
SP550485.....	107
SP555538.....	107
570318	97, 101
Holder Cover	
SP535412.....	77
SP535436.....	77
Hook	
SPPRI551016250.....	11, 17, 19
Hook Lock	
SPPRI610002007.....	11, 17, 19
569579	19
569580	19
Hose	
SPPRI503002049.....	87, 89
SPPRI540000014.....	79, 83
SPPRI540001019.....	83
SPPRI540020005.....	119
529747	119
Hose Clamp	
SPPRI240000002.....	79, 83
SPPRI240000003.....	81, 83, 85, 87, 89
SPPRI240000007.....	81, 85, 87, 89
SPPRI240000015.....	107
SPPRI240000017.....	81, 85, 89
SPPRI240000021.....	79, 83, 89
SPPRI241000017.....	87, 89
SP526491.....	81, 85
SP526532.....	87, 89
Hose Pipe	
SP101745.....	79

I

Inlet Valve Extension Wiring	
552477	120
Insulation Washer	
571458	95, 99
Interconnection	
557735	120
Internal Vessel	
SP540116	79, 83

N/A items do not appear in index.

Isolation Paper	
SPPRI350012007	61, 63

K

Keyboard	
SP547085	51
SP547086	51
SP547087	41, 51
SP547088	41, 51
SP552992	51
SP553423	51
SP557130	41
SP557565	33, 51
SP557566	33, 51
SP560747	33, 51
SP560748	33, 51
SP561588	51
557130	51
559862	51
577656	55, 57, 59
Kit of Hinges	
570553	75
570554	75

L

Label	
SP563292	53
SP564831	75
557981	93
560786	19
577440	95, 99
577441	95, 99
Large Coin Box Kit	
568094	61
Leading Pin	
SP550113	33, 41, 53, 55, 57, 59
Liquid Soap Supply Connection Kit	
SP528443	93
Locating Segment	
SP529710	77
Lock	
SP537760	75
SP547527	11, 17, 19, 27
Lock Hook	
581001	27
Lock Pin	
SP537933	75
Logo Label	
SP547043	53
SP547046	53
SP556155	53
547055	53
567887	53
Lower Hinge	
575963	75
575965	75
Lower Rear Cover	
SP550241	11, 15, 19
Lubrication Grease	
SP111313000002	117

M

Main Switch	
SPPRI404000097	91, 95, 99
SPPRI404000098	91, 95, 99
SPPRI404000099	91, 95, 99
SPPRI404001098	91, 95
SPPRI404001099	91, 95
SP506407	91, 95
Main Switch Knob	
SPPRI404000095	93, 95, 99
Main Vessel	
SP540115	79, 83
Main Wiring	
568393	95, 99
Manifold Flush Kit	
529789	119
529797	119
529798	119
529799	119
529800	119
MC6 Control Board Main Wiring	
552310	93
MC7 Control Board Main Wiring	
SP552474	93
SP557767	93
Microswitch	
SP506045	61
Mixer	
SP526558	79, 83
Mixer Body	
SP526565	79, 83
Mixer Lid	
SP526557	79, 83
Module	
553189	27
Motor and Frequency Inverter Cover	
SP547996	91
SP554267	91
SP562877	91
Motor Holder	
SP550484	107
SP555492	107
Motor Temperature Protector Cable	
568398	120
Motor with Pulley	
SP555593	109
SP555594	109
SP555654	109
SP555655	109
577506	109
577507	109
577512	109
577513	109
Mounting Bolt Hole Template	
560079	9
572488	9

N

Network Installation Kit	
569593	33, 53

N/A items do not appear in index.

Nut	
SP101416	91, 95, 99
SP101419	91, 95, 99
SP310934000004	33, 41, 53, 55, 57, 59, 61, 63, 91, 93
SP310934000008	13, 17, 19, 29
SP310934100006	91, 97, 101
SP310934240008	113
SP310985000006	73, 77, 91
SP310985000008	9, 107
SP310985000012	107, 115
SP31325000006	19
SP313251000006	93, 103, 105
SP313251002104	73
SP514193	13, 55, 57, 59
SP547952	103, 105

O

Overflow Tube	
SP554176	81, 85, 89

P

Panel Holder	
SP550243	19
SP555644	19
SP557087	11
SP558864	11
SP560471	17
SP560479	17
577661	27
Pin	
SP540117	79, 83
Pin Insertion	
SP520408	9, 13, 17, 21, 29, 33, 41, 53
Pipe Nipple	
SPPRI426001217	83
SPR22112000114	103, 105
SP510120	83
Plastic Post	
577689	27
577693	27
Plug	
SPPRI426001268	103, 105
Profiled Sealing	
SPPRI505000058	13, 15, 21, 31, 93, 97, 101
Programmer Holder	
SP558813	33
SP560448	41
Programming Cable	
F8600501	33, 41, 53
Pump	
529742	119
529743	119
529744	119
529745	119
529746	119
Pump Relay Board to LED Terminal Cable	
SP528150	93
Push Button Cover	
SPPRI543000003	95, 99

R

Rear Cover	
SP550247	11, 15, 19
SP555544	11, 15, 19
550241	27
581018	27
Rear Panel	
SP547988	91
SP559240	91
577429	95, 99
Rear Panel Lid	
SP547886	93
Reduction	
567174	79, 83
Reinforcement Tube	
SP500125	87, 89
Reverse Function Drain Valve	
SP547821	87, 89
Rivet	
SP313250004007	93
SP313250004125	55, 57, 59
SP313250048103	11, 17, 19
SP547779	9, 13, 17, 21, 29, 33, 41, 53, 73
RS485 External Interconnection	
SP547075	120

S

Screw	
SP100218	55, 57, 59
SP309798124313	79, 83
SP526497	79, 83, 87, 89
SP529206	11, 13, 15, 17, 19, 29, 61, 63, 79, 83, 93, 97, 101, 107
Seal	
SPPRI520001009	79, 83
SP517232	9, 13, 15, 21, 29
SP526564	103, 105
SP537821	113
564202	27
Sealant	
SPPRI704000053	115
Sealing Ring	
SP506475	117
SP525813	117
SP537848	117
SP537879	117
Self-Adhesive Pad	
SPMEC001410	33, 41
Self-Adhesive Profile	
570387	95, 99
Service Door Kit	
568989	73, 75
Shaft Ring	
SP537843	113
SP552982	113
Shim	
568804	75
Side Panel	
SP550214	23
SP550217	23
SP550219	23

N/A items do not appear in index.

SP550221	23
SP557102	13, 15
SP557103	13, 15
SP557104	13
SP557105	13
SP558853	15
SP558855	15
SP563552	23
SP563576	15
563554	23
563578	15
577113	23
577115	23
577453	31
577454	29
580802	31
580804	29
580806	31
580808	29
Soap Hopper	
SP540164	79, 83
Soap Hopper Plug	
SP526468	79, 83
Soap Hopper Upper Cover	
SP540112	79, 83
Soap Link Kit	
SP557944	93
Soap Relay Board	
SP524714	93
804528	97, 101
Spacing Washer Set	
570551	9
Speed Sensor	
SP557701	107
Speed Sensor Holder	
SP555547	107
SP555548	107
Speed Sensor Plate	
SP555542	107
Spiral	
SP283449080200	87, 89
Spring	
SP517509	107
Spring Clamp	
SP540183	87, 89
Spring Holder	
SP555500	107
Steam Filter	
SP405054120215	103, 105
Steam Heat Wiring	
528064	120
Steam Injector	
SP526525	103, 105
Steam Kit	
SP559319	103
577551	105
Steam Tube	
SP548000	103, 105
Steam Valve	
SP514164	103, 105
Steam Valve Body	
SP514165	103, 105
Steam Valve Cable	
SPPRI351000161	120

Steam Valve Support	
SP547999	103, 105
Suction Tube	
529787	119
Supply Pump Kit	
MB90-Z40	119
MB90-Z41	119
MB90-Z42	119
MB90-Z43	119
MB90-Z44	119
Switch	
SP100388	93, 95, 99
Switching Unit	
SP528312	33, 41, 53, 55

T

Tape	
SP284000012003	33, 41, 53, 73
SP510846	33, 41, 51
Tee	
SPPRI426001107	83
SP526454	87, 89
Temperature Sensor	
SP503839	81, 85
Temperature Sensor Seal	
SP526439	81, 85
Terminal Board	
SPPRI350000007	61, 63
SP506575	93
Top Cover	
SP550245	19
SP555680	19
SP558866	11
SP560465	17
577502	27
577699	27
Top Cover Reinforcement	
SP550249	11, 17, 19
Transformer	
SP516648	91, 97, 101
564561	97, 101
568380	97
Transformer Connection	
528350	120
552495	120
Transformer Supply Wirings	
574406	120
Trim	
562547	75

U

U Shape	
SP556995	13
SP556996	13
568069	13
Upper Hinge	
575960	75
575962	75
Upper Lid Prop	
SP533341	11, 17, 19

N/A items do not appear in index.

USB Cable	
SP547006	93
545234	53
569668	53

Wiring Steam - Electrical Heating	
528393	120

V

Valve, 1-Way	
SP554211	83
SP567064	83
Valve, 2-Way	
SP547958	79
Valve, 3-Way	
SP547959	79, 83
Valve, 4-Way	
SP548933	79, 83
Vent Hose	
SP526509	81, 85
V-Pulley Drum	
SP550453	107

W

Washer	
SPPRI231000062	83
SPPRI522000012	11, 17, 19
SP311125000004	55, 57, 59, 91, 93, 97, 101
SP311125000006	13, 17, 21, 29, 103, 105
SP311125000013	115
SP311125100006	91, 97, 101
SP311125240006	93, 97, 101
SP311125240008	113
SP311127000004	91, 93, 97, 101
SP311127000006	13, 17, 21, 29, 95, 99, 103, 105
SP311679800003	33, 41, 53
SP311679800004	13, 17, 21, 29, 33, 41, 53, 55, 57, 59, 93, 97, 101
SP311679824006	91, 93, 97, 101
SP311902100004	13, 33, 41, 53, 55, 57, 59, 101
SP311902100006	77, 91, 93, 95, 99
SP311902100008	87, 89
SP311902100012	107
SP505430	97, 101
SP511924	107
SP537898	115
SP547981	103, 105
SP560403	107
SP568037	61
563361	91
571642	75
Washing Drum	
552942P	113
552999P	113
559908P	113
563280P	113
563283P	113
Water Hose	
F200164	79, 83
Water Level Switch	
570315	89
Water Level Switch Hose	
SPPRI540001003	87, 89
Wireless Reader Wiring	
552466	120

Y

Y-Piece	
SPPRI503000028	89
