

Washer-Extractor

Barrier Washer

Refer to Page 3 for Model Numbers



Table of Contents

Title	Page
Parts Ordering Information.....	2
Serial Plate Location	2
Model Identification	3
Frame and Tub Support - 26, 33, 265, 330 and 332 Models	4
Frame and Tub Support - 44, 66, 440, 442, 660 and 663 Models	6
Cabinet (Drawing 1 of 3)	8
Cabinet (Drawing 2 of 3)	10
Cabinet (Drawing 3 of 3)	12
Panels (Drawing 1 of 2)	14
Panels (Drawing 2 of 2)	16
Tub (Drawing 1 of 2)	18
Tub (Drawing 2 of 2)	20
Drum	22
Inner Door	24
Trunnion	26
Drive	28
Tensioning System	30
Outer Door	32
Door Lock.....	34
Soap Hopper (Drawing 1 of 2)	36
Soap Hopper (Drawing 2 of 2)	38
Water Inlet System.....	40
Valves	42
Drain System	44
Vertical Box of Electrical Components (Drawing 1 of 2)	46
Vertical Box of Electrical Components (Drawing 2 of 2)	48
Horizontal Box of Electrical Components.....	50
Control Panel	52
Frequency Inverter.....	54
Steam Heating	56
Weighing System	58
Liquid Soap Supply System - Pumps.....	60
Parts Index.....	63

© Copyright 2018, Alliance Laundry Systems LLC

All rights reserved. No part of the contents of this book may be reproduced or transmitted in any form or by any means without the expressed written consent of the publisher.

Parts Ordering Information

If literature or replacement parts are required, contact the source from whom the machine was purchased or contact Alliance Laundry Systems at (920) 748-3950 for the name and address of the nearest authorized parts distributor.

For technical assistance, call the number listed below:

(920) 748-3121 Ripon, Wisconsin

Serial Plate Location

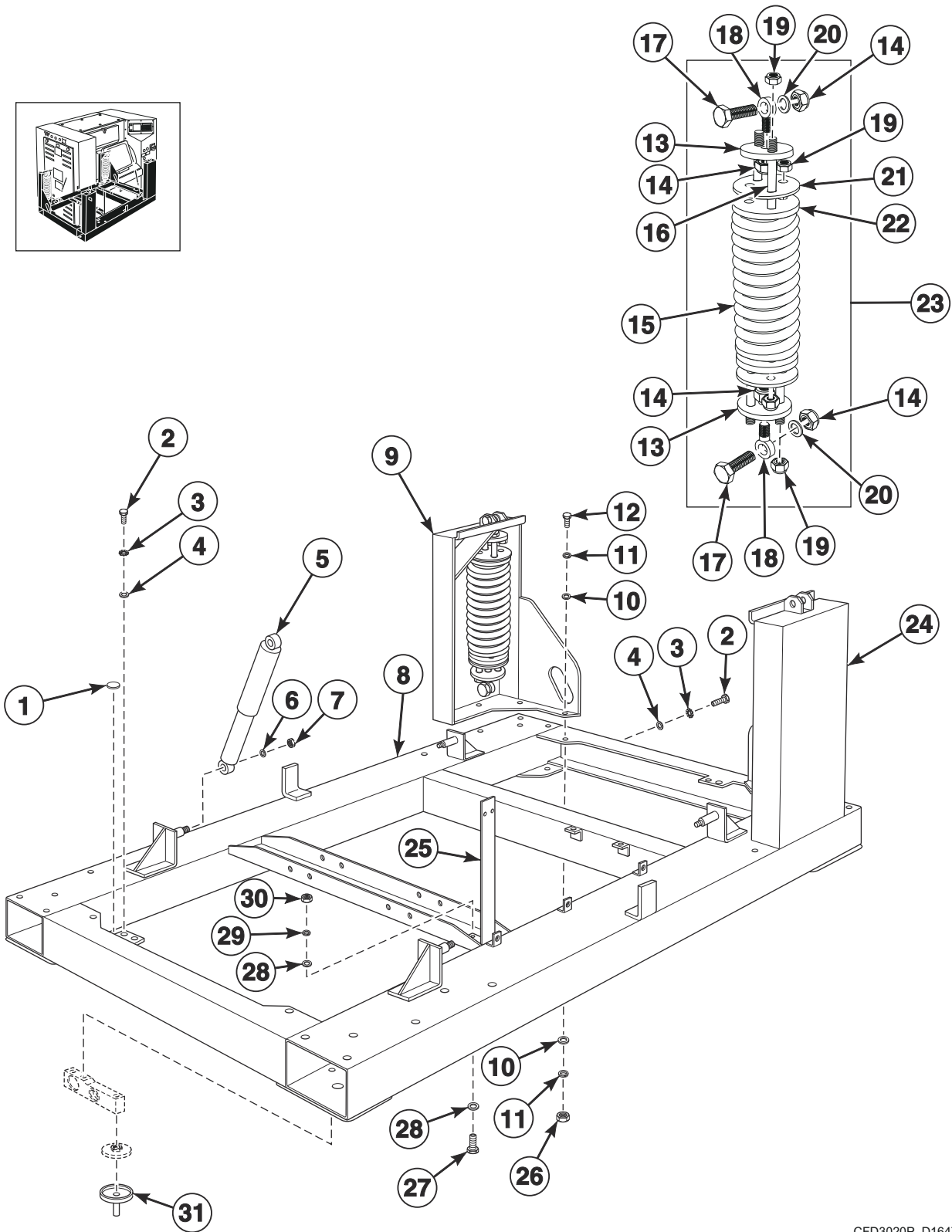
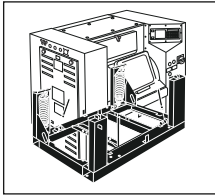
When calling or writing about your product, be sure to mention model and serial numbers. Model and serial numbers are located on serial plate(s).

Model Identification

Information in this manual is applicable to these washer-extractor models:

IB265_MICRO	SB265_MICRO
IB332_MICRO	SB332_MICRO
IB442_MICRO	SB442_MICRO
IB663_MICRO	SB663_MICRO
IBG0265W	SBG0265W
IBG0332W	SBG0332W
IBG0442W	SBG0442W
IBG0663W	SBG0663W
IBU0265W	SBU0265W
IBU0332W	SBU0332W
IBU0442W	SBU0442W
IBU0663W	SBU0663W
LMA260_GRAPHITRONIC	UB265_MICRO
LMA260_MICRO	UB332_MICRO
LMA330_GRAPHITRONIC	UB442_MICRO
LMA330_MICRO	UB663_MICRO
LMA440_GRAPHITRONIC	UBG0265W
LMA440_MICRO	UBG0332W
LMA660_GRAPHITRONIC	UBG0442W
LMA660_MICRO	UBG0663W
LPRFRLMA330E	UBU0265W
MB26_GRAPHITRONIC	UBU0332W
MB33_GRAPHITRONIC	UBU0442W
MB44_GRAPHITRONIC	UBU0663W
MB66_GRAPHITRONIC	

Frame and Tub Support - 26, 33, 265, 330 and 332 Models

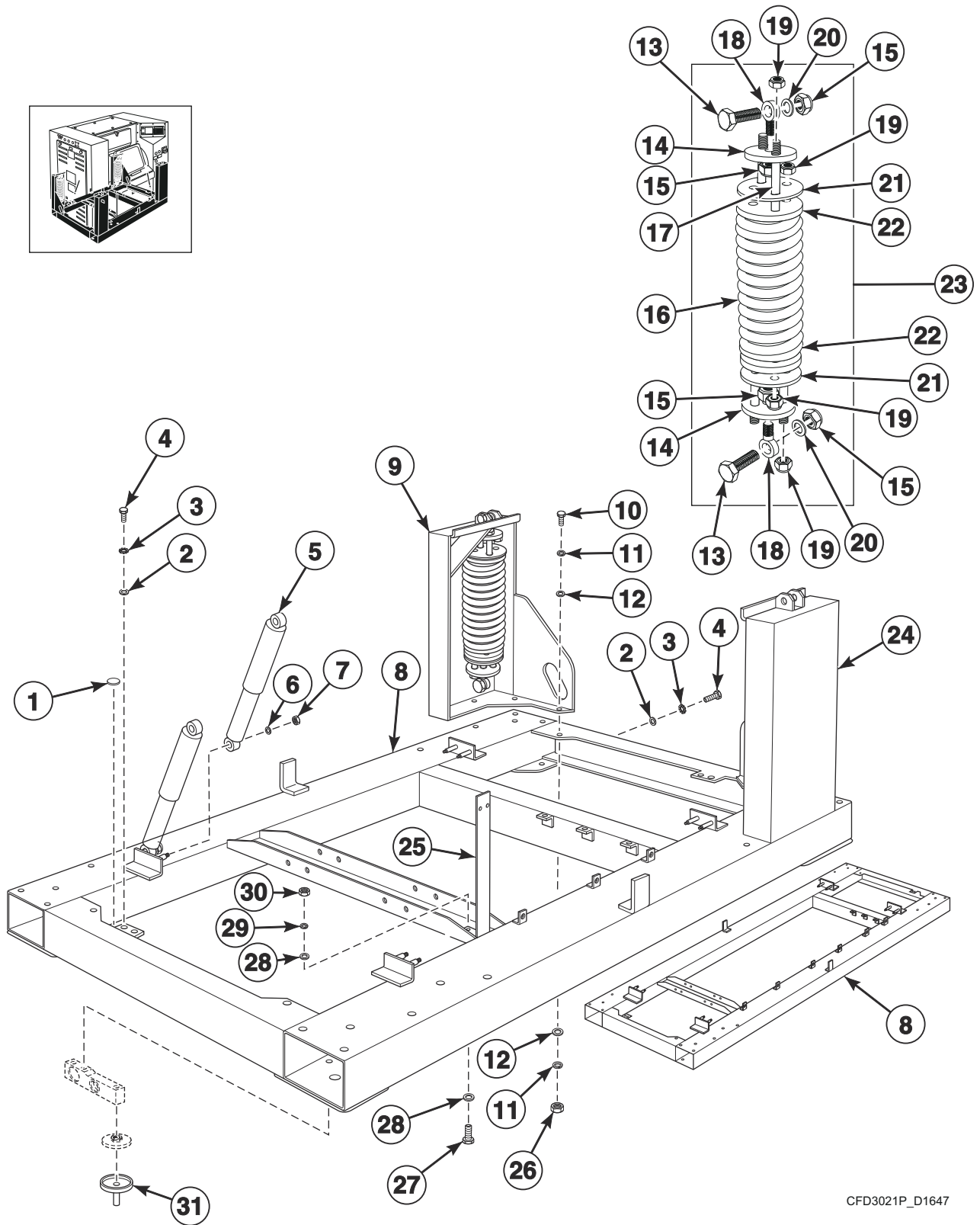
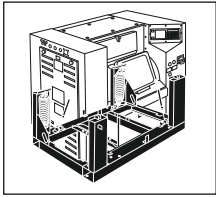


CFD3020P_D1647

Frame and Tub Support - 26, 33, 265, 330 and 332 Models

REF	PART NO.	DESCRIPTION	COMMENTS
1	SPPRI551000001	Earthing Index Plate	10
2	SP309084100610	Bolt	M6x10
3	SP311679824006	Washer	6
4	SP311125100006	Washer	6
5	SP326270001064	Shock Absorber	
6	SP311902100012	Washer	12
7	SP310985000012	Nut	M12
8	SP501001	Base Frame	26, 260 and 265 models
	SP501008	Base Frame	33, 330 and 332 models
9	SPB01107100012	Left Leg	
10	SP311125000010	Washer	M10
11	SP311127000010	Washer	M10
12	SP309933001030	Bolt	M10x30
13	SPF02101500214	Disk	
14	SP310985000016	Nut	M16
15	SP315011020005	Spring	
16	SPF02101500324	Drawing Bar	
17	SPF02101001114	Bolt	1
18	SP309444016070	Bolt	M16x70
19	SP310985000010	Nut	M10
20	SP311125000017	Washer	17
21	SPF02101500414	Packing Part	
22	SPF02101500114	Sleeve	
23	SPB01107500014	Spring Suspension	
24	SPB01108100012	Right Leg	
25	SPB01101200114	Elbow Holder	
26	SP310934000010	Nut	M10
27	SP309933000620	Bolt	M6x20
28	SP311125000006	Washer	6
29	SP311127000006	Washer	6
30	SP310934000006	Nut	M6
31	SP526848	Anchor Pad	With weighing system

Frame and Tub Support - 44, 66, 440, 442, 660 and 663 Models

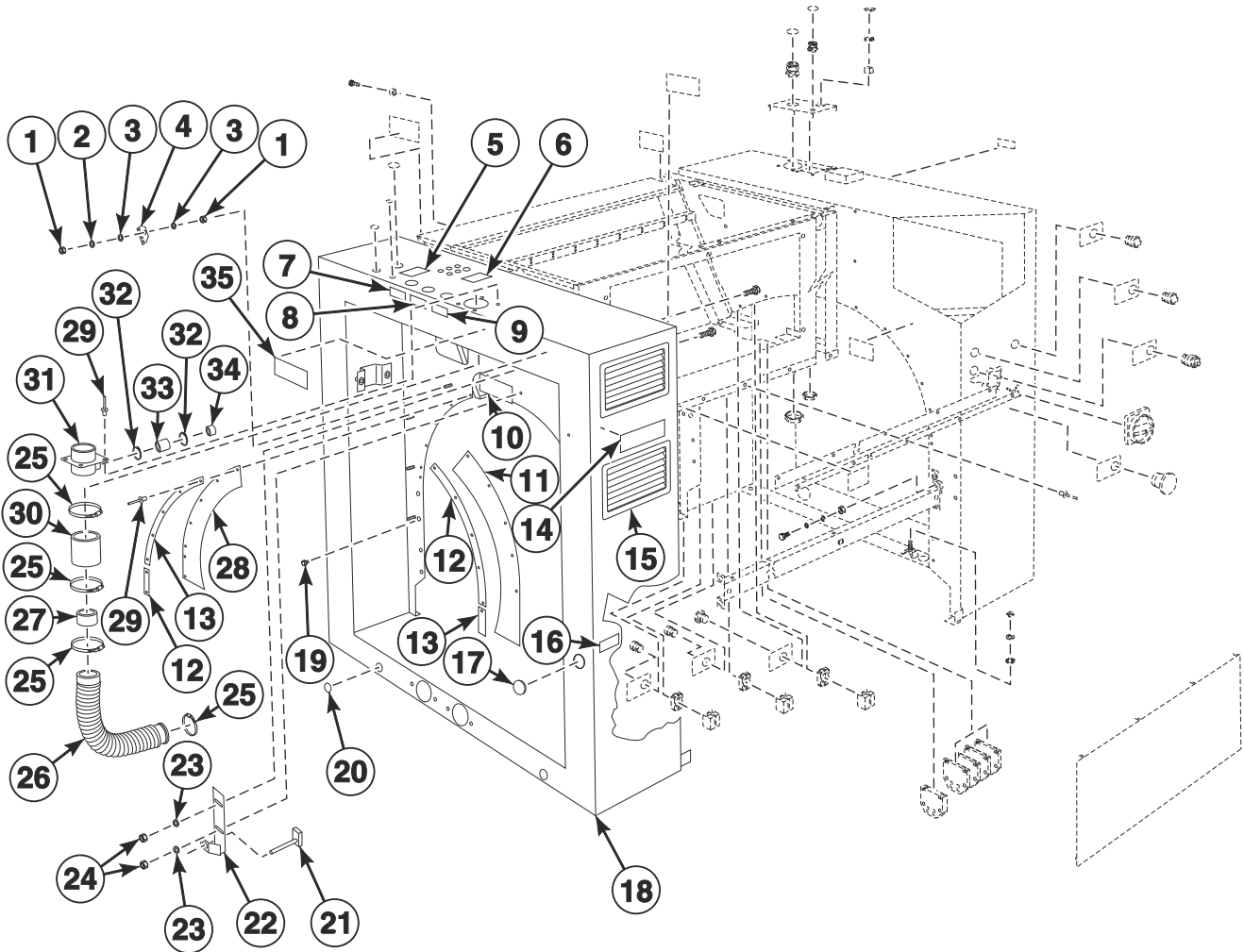
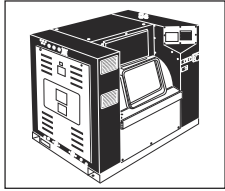


CFD3021P_D1647

Frame and Tub Support - 44, 66, 440, 442, 660 and 663 Models

REF	PART NO.	DESCRIPTION	COMMENTS
1	SPPRI551000001	Earthing Index Plate	10
2	SP311125100006	Washer	6
3	SP311679824006	Washer	6
4	SP309084100610	Bolt	M6x10
5	SP326270001064	Shock Absorber	
6	SP311902100012	Washer	12
7	SP310985000012	Nut	M12
8	SP501009	Base Frame	44, 440 and 442 models
	SP501012	Base Frame	66, 660 and 663 models
9	SPB01107100012	Left Leg	
10	SP309933001030	Bolt	M10x30
11	SP311127000010	Washer	M10
12	SP311125000010	Washer	M10
13	SPF02101001114	Bolt	1
14	SPF02101500214	Disk	
15	SP310985000016	Nut	M16
16	SP315002005014	Spring	
17	SPF02101500324	Drawing Bar	
18	SP309444016070	Bolt	M16x70
19	SP310985000010	Nut	M10
20	SP311125000017	Washer	17
21	SPF02101500414	Packing Part	
22	SPF02101500114	Sleeve	
23	SPB01107500014	Spring Suspension	
24	SPB01108100012	Right Leg	
25	SPB01101200114	Elbow Holder	
26	SP310934000010	Nut	M10
27	SP309933000620	Bolt	M6x20
28	SP311125000006	Washer	6
29	SP311127000006	Washer	6
30	SP310934000006	Nut	M6
31	SP526848	Anchor Pad	With weighing system

Cabinet (Drawing 1 of 3)



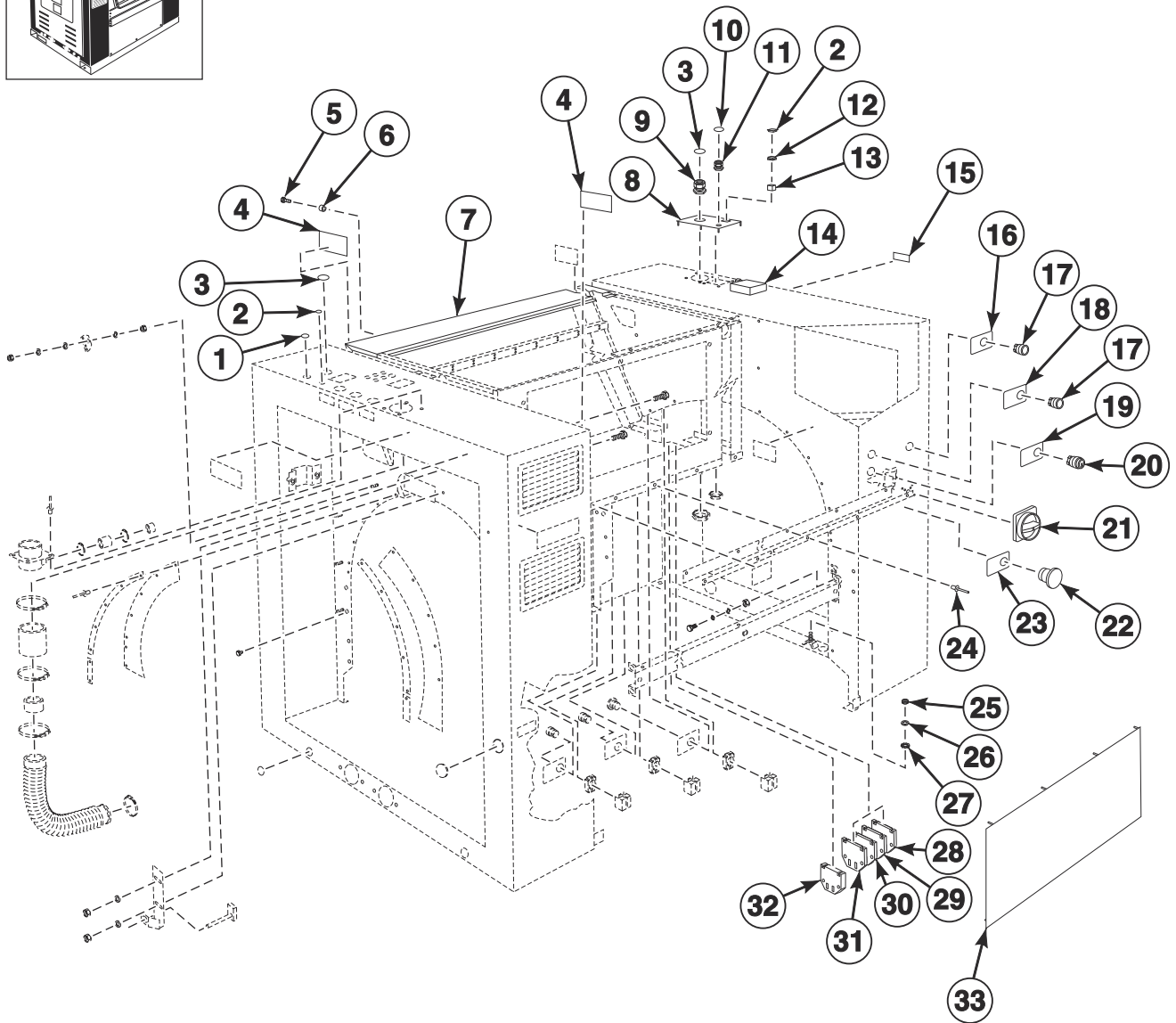
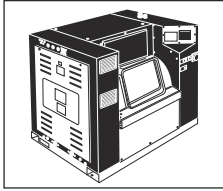
CFD3024P_D1647

Cabinet (Drawing 1 of 3)

REF	PART NO.	DESCRIPTION	COMMENTS
1	SP310934240006	Nut	M6
2	SP311127000006	Washer	M6
3	SP311125000006	Washer	M6
4	SP515861	Cable Holder	3
5	SP520796	Label	Steam
6	SP523382	Label	The holes to be drilled not punched
7	SP527271	Index Plate	Cold water; Soft
8	SP527272	Index Plate	Cold water; Hard
9	SP527270	Index Plate	Hot water
10	SP230200007514	Label	Caution; Voltage
11	SP531090	Left Collar	26, 33, 260, 265, 330 and 332 models
	SP531109	Left Collar	44, 66, 440, 442, 660 and 663 models
12	SP531069	Rounded Plate	26, 33, 260, 265, 330 and 332 models
	SP531108	Rounded Plate	44, 66, 440, 442, 660 and 663 models
13	SPB01114001214	Plate	
14	N/A	Label	Logo
15	SP321848254108	Air Grate	
16	N/A	Label	Wash bath sampling
17	SPPRI505000064	Plug	
18	SP559531	Frame Weldment	I 265 and 332 models; Left; Gray
	SP526734	Frame Weldment	L and M 26, 33, 260 and 330 models; Left; Gray; Non-Brand
	SP531042	Frame Weldment	S and U 265 and 332 models; Left; Inox
	SP559532	Frame Weldment	I 442 and 663 models; Left; Gray
	SP531106	Frame Weldment	L and M 44, 66, 440 and 660 models; Left; Gray; Non-Brand
	SP531107	Frame Weldment	S and U 442 and 663 models; Left; Inox
19	SP313251000006	Nut	M6
20	SP345900043132	Plug	
21	SPPRI345000068	Vibration Switch	
22	SP501125	Vibration Switch Holder	26, 33, 260, 265, 330 and 332 models
	SP501126	Vibration Switch Holder	44, 66, 440, 442, 660 and 663 models
23	SP311125000008	Washer	M8
24	SP310985000008	Nut	M8
25	SPPRI240000021	Hose Clamp	
26	SPPRI505000093	Corrugated Tube	
27	SPB01114001016	Tube	
28	SP531091	Right Collar	26, 33, 260, 265, 330 and 332 models
	SP531110	Right Collar	44, 66, 440, 442, 660 and 663 models
29	SP313250004125	Rivet	4x12.5
30	SPPRI505000034	Elbow	2 inch
31	SP509668	Ventilation	Use with upper water inlet
32	SPPRI240000003	Hose Clamp	
33	SPPRI540001019	Hose	
34	SP526790	Plug	
35	SPPRI551000047	Label	Caution; Outlet

N/A = Part no longer available

Cabinet (Drawing 2 of 3)

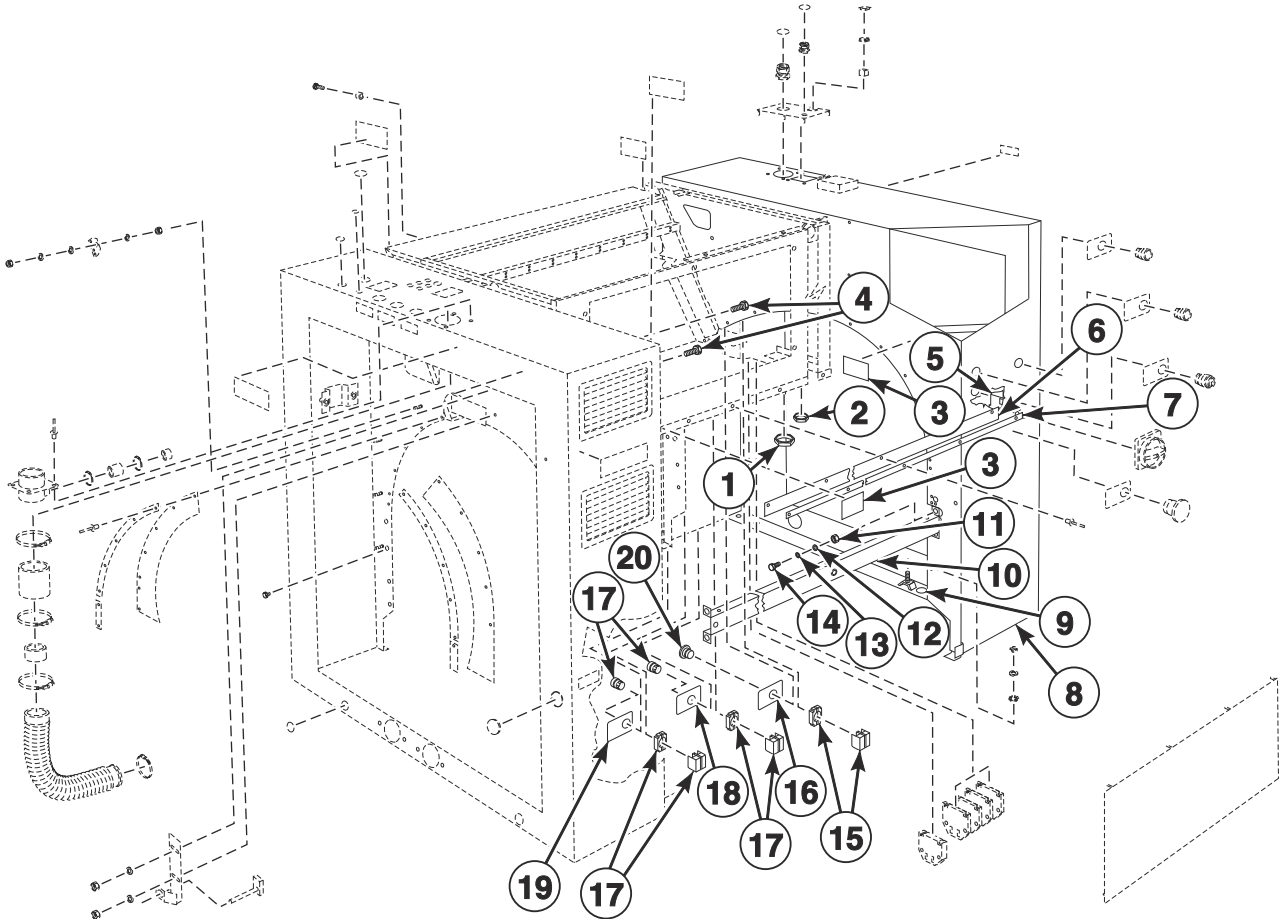
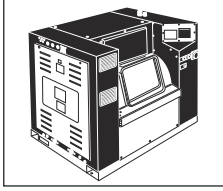


CFD3025P_D1647

Cabinet (Drawing 2 of 3)

REF	PART NO.	DESCRIPTION	COMMENTS
1	SP345900025012	Plug	
2	SP345900215120	Plug	
3	SP345900043132	Plug	
4	SP548011071014	Label	Attention; Injury
5	SP309084240410	Screw	M4x10
6	SP273141307068	End Stop	
7	SP531094	Tunnel Weldment	26, 260 and 265 models
	SP531099	Tunnel Weldment	33, 330 and 332 models
	SP531147	Tunnel Weldment	44, 440 and 442 models
	SP531148	Tunnel Weldment	66, 660 and 663 models
	SP531093	Tunnel	26, 260 and 265 models
	SP531098	Tunnel	33, 330 and 332 models
	SP531145	Tunnel	44, 440 and 442 models
	SP531146	Tunnel	66, 660 and 663 models
8	SP531089	Bushing Plate Weldment	66, 660 and 663 models
	SP526758	Bushing Plate Weldment	All other models
9	SPPRI350000058	Cable Bushing	
10	SP345900032132	Plug	
11	SPPRI350000056	Cable Bushing	
12	SPPRI543000003	Push Button Cover	
13	SP100388	Switch	Change over heating
14	SP534277	Liquid Soap Pump Electrical Connection Box	
15	SP230200007514	Label	Caution; Voltage
16	SP548100154014	Label	Key
17	SP347000002003	Pushbutton	
18	SP548100155014	Label	Drum rotation
19	SPS01100009214	Label	Run-Record
20	SPPRI348000113	Change Over Switch	
21	SPPRI404000095	Main Switch Knob	
22	SP102259	Emergency Stop Button	
23	SPPRI551000006	Label	Central stop
24	SP313250004125	Rivet	4x12.5
25	SP310934240006	Nut	M6
26	SP311679824006	Washer	M6
27	SP311125240006	Washer	M6
28	SP524650	Cover	
29	SP524649	Clamp Terminal	
30	SP524648	Clamp Terminal	
31	SP524652	Connecting Bridge	
32	SP346000209101	End Stop	
33	SP526778	Tunnel Cover Weldment	

Cabinet (Drawing 3 of 3)

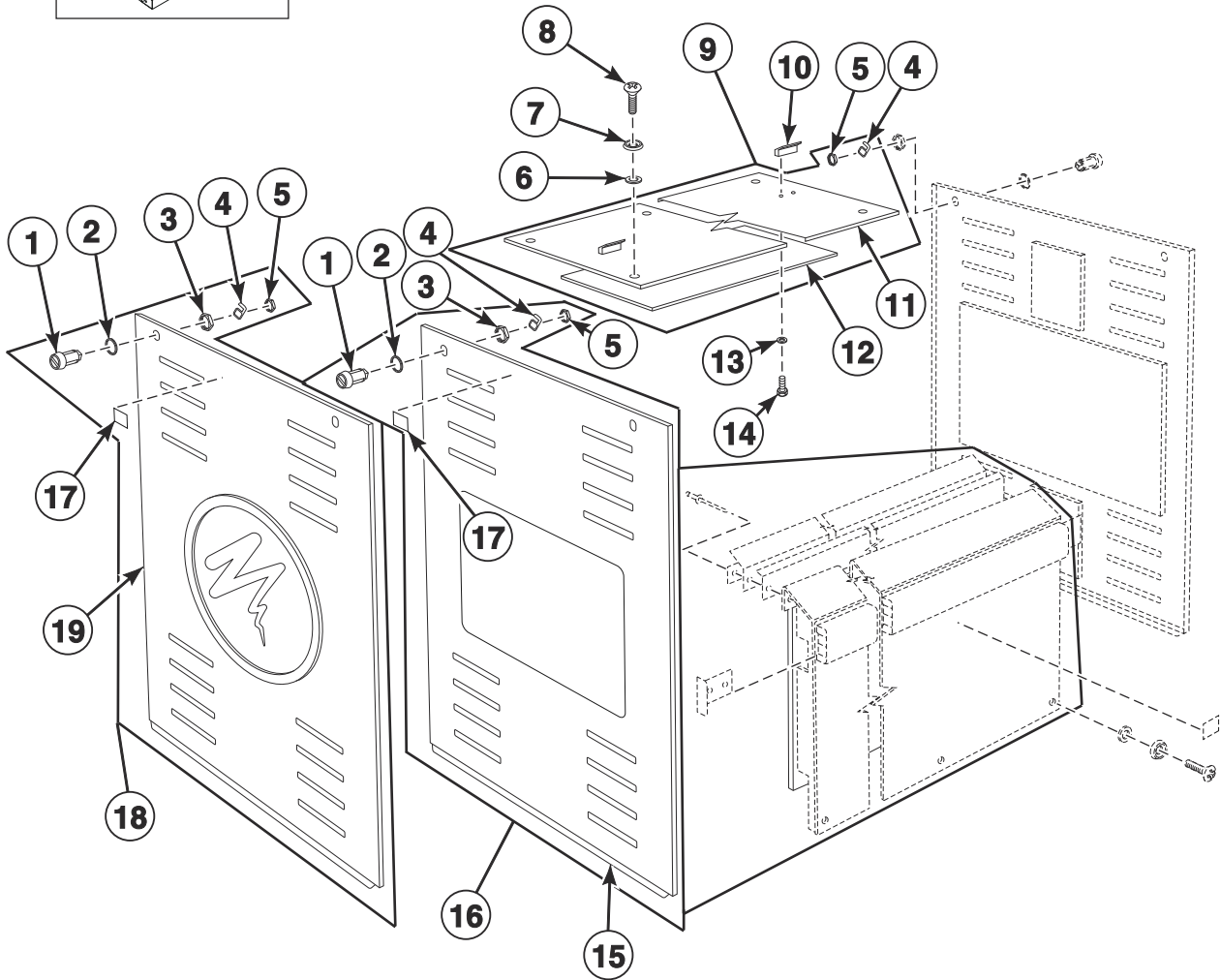
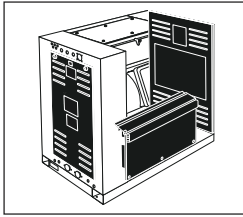


CFD3026P_D1647

Cabinet (Drawing 3 of 3)

REF	PART NO.	DESCRIPTION	COMMENTS
1	SPPRI350001058	Nut	
2	SPPRI350001056	Nut	
3	SP548011071014	Label	Attention; Injury
4	SP309933000820	Bolt	M8x20
5	SPPRI404000099	Main Switch	26, 33, 260, 265, 330 and 332 models; 63A; Electric heat; 24/36 kW 380-415V or 440-480V
	SP347700125175	Main Switch	44, 440 and 442 models; 125A; Electric heat; 45 kW 200-240V
	SP504589	Main Switch	66, 660 and 663 models; 160A; Electric heat; 54 kW; 200-240V
	SP347700100753	Main Switch	100A; Electric heat; 24/36 kW 200-240V; 45/54 kW 380-415V or 440-480V
	SPPRI404000098	Main Switch	Steam heat; 32A
6	SPB01116000514	Collar	26, 260 and 265 models
	SPB02116000514	Collar	33, 330 and 332 models
	SPB03116000514	Collar	44, 440 and 442 models
	SPB04116000514	Collar	66, 660 and 663 models
7	SPB01116000614	Plate	26, 260 and 265 models
	SPB02116000614	Plate	33, 330 and 332 models
	SPB03116000614	Plate	44, 440 and 442 models
	SPB04116000614	Plate	66, 660 and 663 models
8	SP559537	Frame Weldment	I 265 and 332 models; Right; Gray
	SP526743	Frame Weldment	L and M 26, 33, 260 and 330 models; Right; Gray; Non-Brand
	SP531049	Frame Weldment	S and U 265 and 332 models; Right; Inox
	SP559538	Frame Weldment	I 265 and 332 models; Right; Gray; With a second display
	SP531061	Frame Weldment	L and M 26, 33, 260 and 330 models; Right; Gray; With a second display; Non-Brand
	SP531062	Frame Weldment	S and U 265 and 332 models; Right; Inox; With a second display
	SP559539	Frame Weldment	I 442 and 663 models; Right; Gray
	SP531122	Frame Weldment	L and M 44, 66, 440 and 660 models; Right; Gray; Non-Brand
	SP531132	Frame Weldment	S and U 442 and 663 models; Right; Inox
	SP559540	Frame Weldment	I 442 and 663 models; Right; Gray; With a second display
	SP531131	Frame Weldment	L and M 44, 66, 440 and 660 models; Right; Gray; With a second display; Non-Brand
	SP531133	Frame Weldment	S and U 442 and 663 models; Right; Inox; With a second display
9	SPPRI551000001	Earthing Index Plate	10
10	SPB01113002114	Bridge	26, 260 and 265 models
	SPB02113002114	Bridge	33, 330 and 332 models
	SPB03113002114	Bridge	44, 440 and 442 models
	SPB04113002114	Bridge	66, 660 and 663 models
11	SP310934000010	Nut	M10
12	SP311125000010	Washer	M10
13	SP311127000010	Washer	M10
14	SP309933001025	Bolt	M10x25
15	SP102260	Contact Block	
16	SPPRI551000006	Label	Central stop
17	SP347000002003	Pushbutton	
18	SP548100154014	Label	Key
19	SP548100155014	Label	Drum rotation
20	SP102259	Emergency Stop Button	

Panels (Drawing 1 of 2)

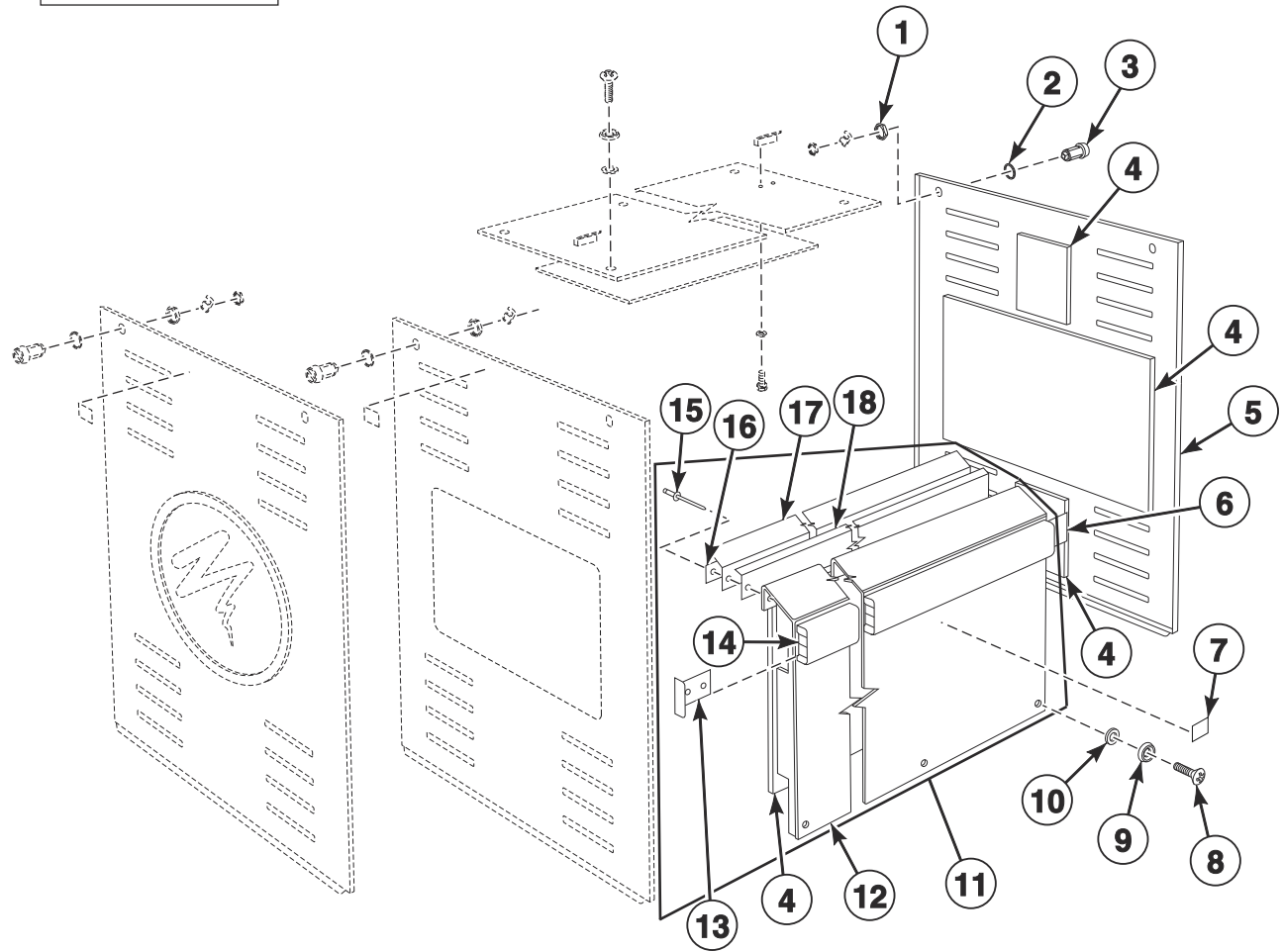
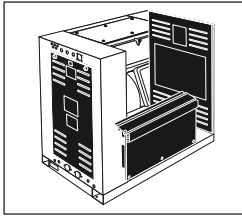


CFD3027P_D1647

Panels (Drawing 1 of 2)

REF	PART NO.	DESCRIPTION	COMMENTS
1	SPPRI610000007	Lock	
2	SP273442016013	Gasket	
3	SPPRI610005007	Nut	
4	SPPRI610002007	Hook Lock	Small
5	SPPRI610006007	Nut	
6	SPPRI521002001	Washer	
7	SPPRI247000001	Washer	M6
8	SP309595240612	Bolt	M6x12
9	SP531081	Tunnel Cover	66, 660 and 663 models
10	SP101161	Soap Hopper Cover Handle	
11	SP526774	Tunnel Cover	26, 260 and 265 models
	SP531079	Tunnel Cover	33, 330 and 332 models
	SP531080	Tunnel Cover	44, 440 and 442 models
	SP531082	Tunnel Cover	66, 660 and 663 models
12	SP100179	Antivibration Insulation	
13	SP311679824004	Washer	M4
14	SP309084240408	Bolt	M4x8
15	SPB01113100112	Door	26, 33, 260, 265, 330 and 332 models
	SPB03113100112	Door	44, 66, 440, 442, 660 and 663 models
16	SPB01113100013	Complete Door	26, 33, 260, 265, 330 and 332 models
	SPB03113100013	Complete Door	44, 66, 440, 442, 660 and 663 models
17	SP230200007514	Label	Flash
18	SP523181	Glass Door	26, 260 and 265 models
	SP523183	Glass Door	44, 440 and 442 models
19	SP523182	Glass Door	26, 33, 260, 265, 330 and 332 models
	SP523184	Glass Door	44, 66, 440, 442, 660 and 663 models

Panels (Drawing 2 of 2)

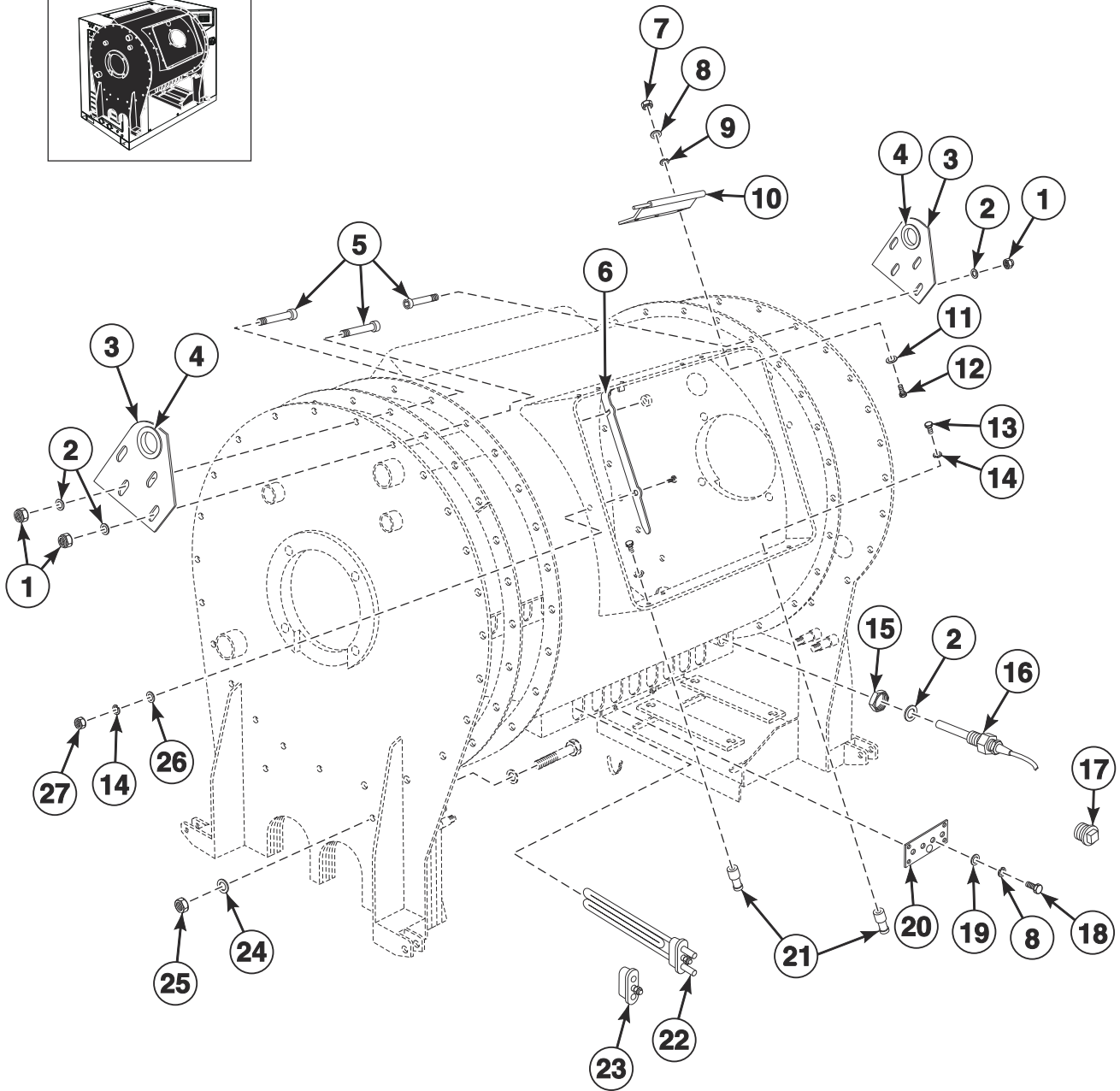
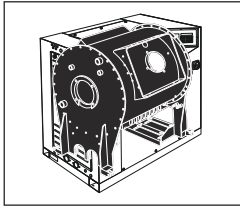


CFD3028P_D1647

Panels (Drawing 2 of 2)

REF	PART NO.	DESCRIPTION	COMMENTS
1	SPPRI610005007	Nut	
2	SP273442016013	Gasket	
3	SPPRI610000007	Lock	
4	SP100179	Antivibration Insulation	
5	SPB01113100112	Door	26, 33, 260, 265, 330 and 332 models
	SPB03113100112	Door	44, 66, 440, 442, 660 and 663 models
6	SPB01113200514	Inner Plate	26, 260 and 265 models
	SPB02113200514	Inner Plate	33, 330 and 332 models
	SPB03113200514	Inner Plate	44, 440 and 442 models
	SPB04113200514	Inner Plate	66, 660 and 663 models
7	SP230200007514	Label	Flash
8	SP309966240620	Bolt	M6x20
9	SPPRI247000001	Washer	M6
10	SPPRI521002001	Washer	
11	SPB01113200013	Complete Bottom Cover	26, 260 and 265 models; With bumper
	SPB02113200013	Complete Bottom Cover	33, 330 and 332 models; With bumper
	SPB03113200013	Complete Bottom Cover	44, 440 and 442 models; With bumper
	SPB04113200013	Complete Bottom Cover	66, 660 and 663 models; With bumper
	SP559525	Complete Bottom Cover	26, 260 and 265 models; Without bumper
	SP559526	Complete Bottom Cover	33, 330 and 332 models; Without bumper
	SP559527	Complete Bottom Cover	44, 440 and 442 models; Without bumper
	SP559528	Complete Bottom Cover	66, 660 and 663 models; Without bumper
12	SPB01113200113	Bottom Cover	26, 260 and 265 models
	SPB02113200113	Bottom Cover	33, 330 and 332 models
	SPB03113200113	Bottom Cover	44, 440 and 442 models
	SPB04113200113	Bottom Cover	66, 660 and 663 models
13	SPF02113200614	Side Bar	
14	SPB01113200714	Profile	26, 260 and 265 models
	SPB02113200714	Profile	33, 330 and 332 models
	SPB03113200714	Profile	44, 440 and 442 models
	SPB04113200714	Profile	66, 660 and 663 models
15	SP313250004125	Rivet	4x12.5
16	SPB01113200314	Strip	26, 260 and 265 models
	SPB02113200314	Strip	33, 330 and 332 models
	SPB03113200314	Strip	44, 440 and 442 models
	SPB04113200314	Strip	66, 660 and 663 models
17	SPB01113200414	Strip	26, 260 and 265 models
	SPB02113200414	Strip	33, 330 and 332 models
	SPB03113200414	Strip	44, 440 and 442 models
	SPB04113200414	Strip	66, 660 and 663 models
18	SPB01113200214	Plate	26, 260 and 265 models
	SPB02113200214	Plate	33, 330 and 332 models
	SPB03113200214	Plate	44, 440 and 442 models
	SPB04113200214	Plate	66, 660 and 663 models

Exhaust Tub (Drawing 1 of 2)

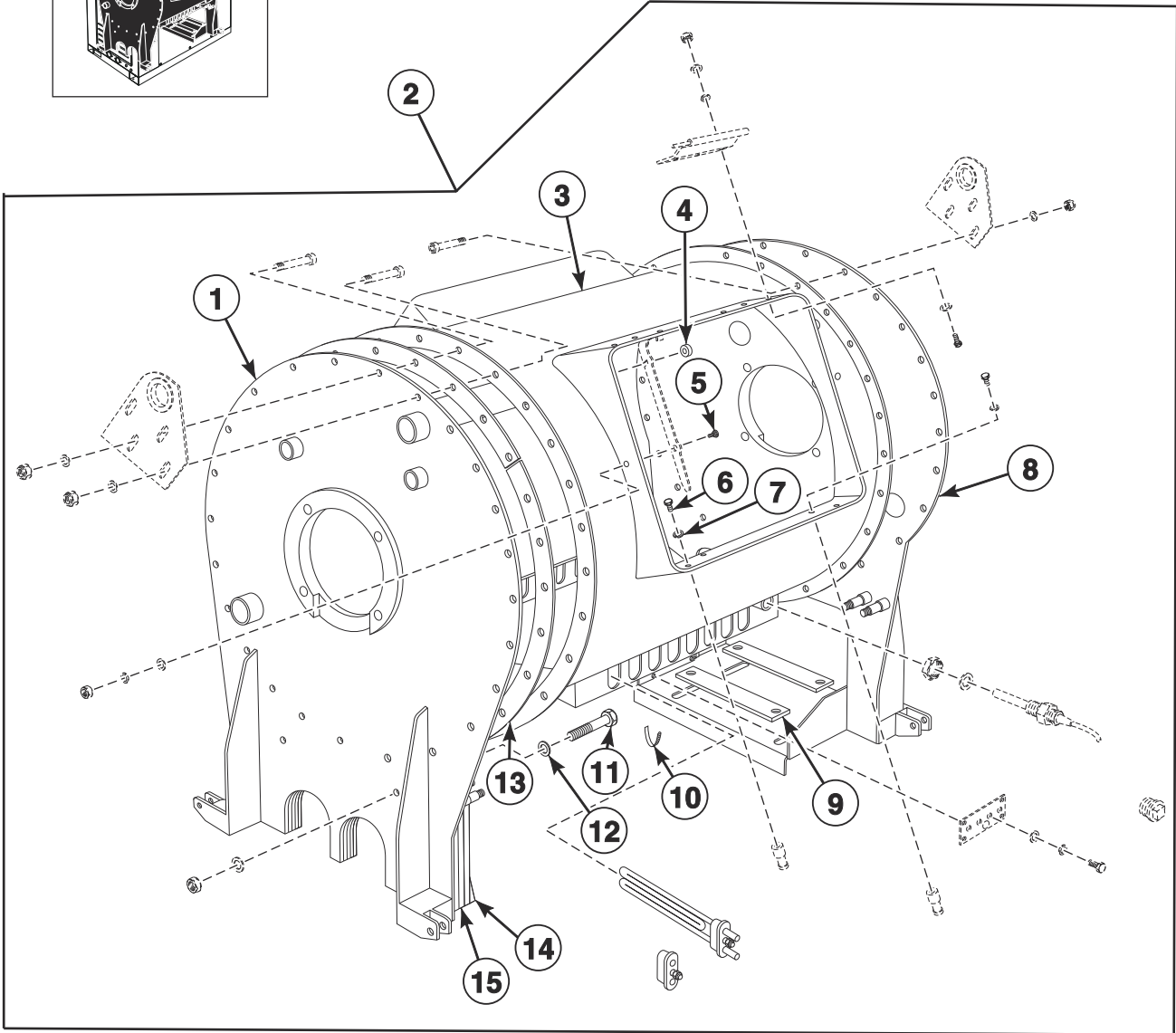
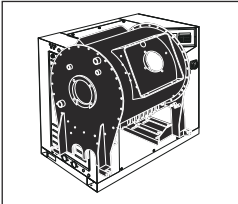


CFD3029P_D1647

Tub (Drawing 1 of 2)

REF	PART NO.	DESCRIPTION	COMMENTS
1	SP310985000010	Nut	M10
2	SP311125000010	Washer	M10
3	SP501128	Vibration Switch Eye	26, 33, 260, 265, 330 and 332 models
	SP501156	Vibration Switch Eye	44, 66, 440, 442, 660 and 663 models
4	SPPRI505000058	Profiled Sealing	125mm
5	SP309912001040	Bolt	M10x40
6	SP515824	Stop Lever	
7	SP310934240006	Nut	M6
8	SP311127240006	Washer	6
9	SP311125240006	Washer	6
10	SP514363	Hinge	
11	SP311125200006	Washer	6
12	SP309933240618	Bolt	M6x18
13	SP309933240815	Bolt	M8x16
14	SP311127240008	Washer	M8
15	SPPRI614000047	Thermostat Sensor Holder	
16	SPPRI340015019	Temperature Sensor	26, 33, 260, 265, 330 and 332 models
	SP503839	Temperature Sensor	44, 66, 440, 442, 660 and 663 models
17	SP319428324805	Plug	3/4 inch
18	SP309084100610	Bolt	M6x10
19	SP311125100006	Washer	6
20	SPPRI551000001	Earthing Index Plate	10
21	SP515021	Pin	
22	SP540131	Heating Element	26, 33, 260, 265, 330 and 332 models; 4000W; 220V; 350mm
	SP540132	Heating Element	44, 66, 440, 442, 660 and 663 models; 6000W; 220V; 350mm
23	SPPRI342001016	Heating Element Hole Plug	
24	SP311125000013	Washer	13
25	SP310934000012	Nut	M12
26	SP311125240008	Washer	M8
27	SP310934240008	Nut	M8

Tub (Drawing 2 of 2)

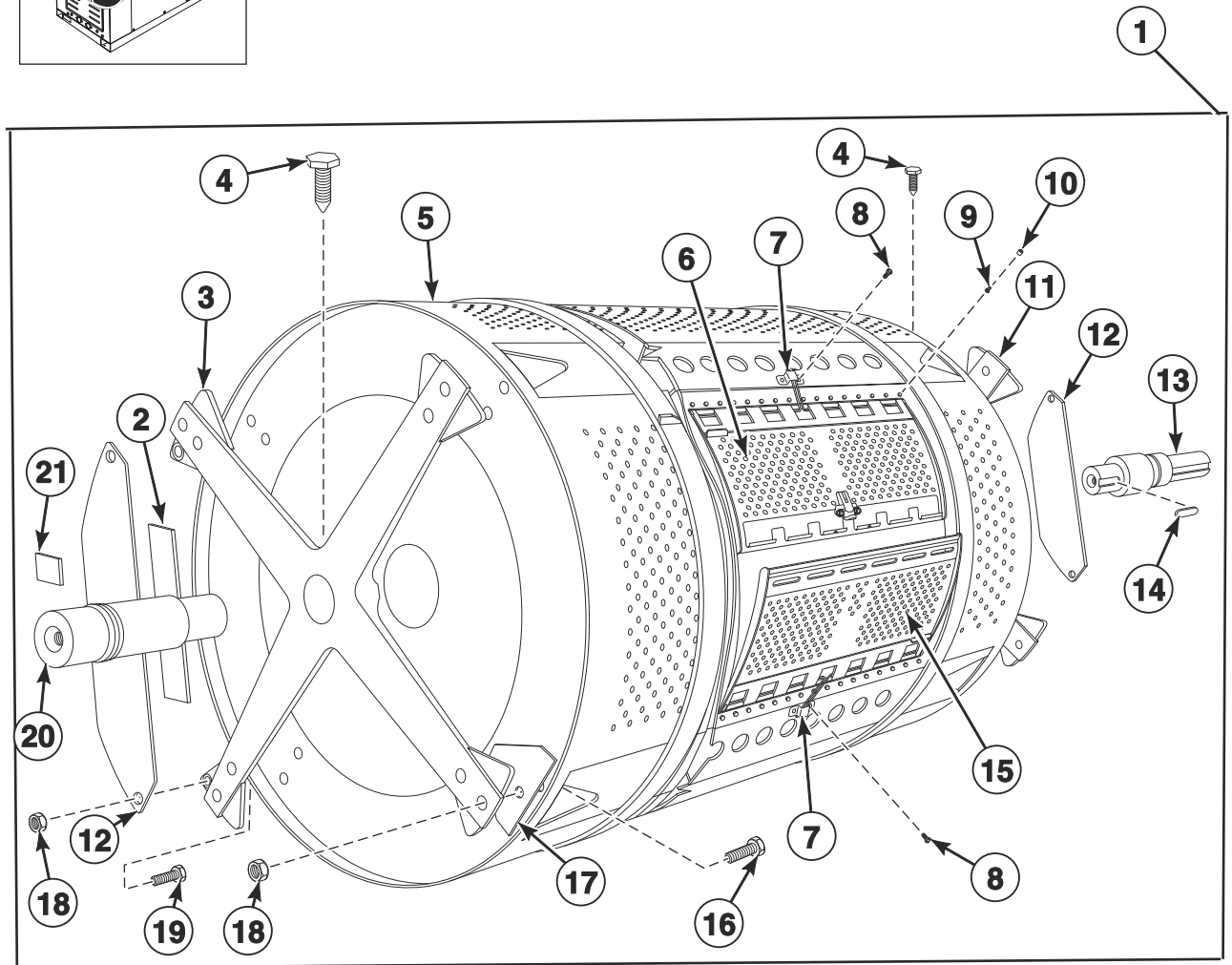
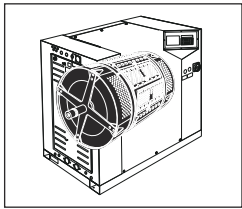


CFD3030P_D1647

Tub (Drawing 2 of 2)

REF	PART NO.	DESCRIPTION	COMMENTS
1	SP501005	Front Panel Weldment	26, 33, 260, 265, 330 and 332 models; Left
	SP501015	Front Panel Weldment	44, 66, 440, 442, 660 and 663 models; Left
2	SP541102	External Drum	
	SP541103	External Drum	
	SP541104	External Drum	
	SP541105	External Drum	
3	SP541107	External Drum Weldment	
	SP541108	External Drum Weldment	
	SP541109	External Drum Weldment	
	SP541110	External Drum Weldment	
4	SP512558	Sealing Ring	
5	SP514493	Bolt	
6	SP309933240815	Bolt	M8x16
7	SP311127240008	Washer	M8
8	SP501007	Front Panel Weldment	26, 33, 260, 265, 330 and 332 models; Right
	SP501016	Front Panel Weldment	44, 66, 440, 442, 660 and 663 models; Right
9	SP523032	Washer	
10	SP345000160971	Binding Strip	
11	SP309933001270	Bolt	26, 33, 260, 265, 330 and 332 models; M12x70
	SP309933001299	Bolt	44, 66, 440, 442, 660 and 663 models; M12x100
12	SP311125000013	Washer	13
13	SPB01104002514	Drum Gasket	26, 33, 260, 265, 330 and 332 models
	SPB03104002514	Drum Gasket	44, 66, 440, 442, 660 and 663 models
14	SP506756	Weight	44, 66, 440, 442, 660 and 663 models; 200/208-240V
15	SPB01105001114	Weight	26, 33, 260, 265, 330 and 332 models
	SP501043	Weight	44, 66, 440, 442, 660 and 663 models

Drum

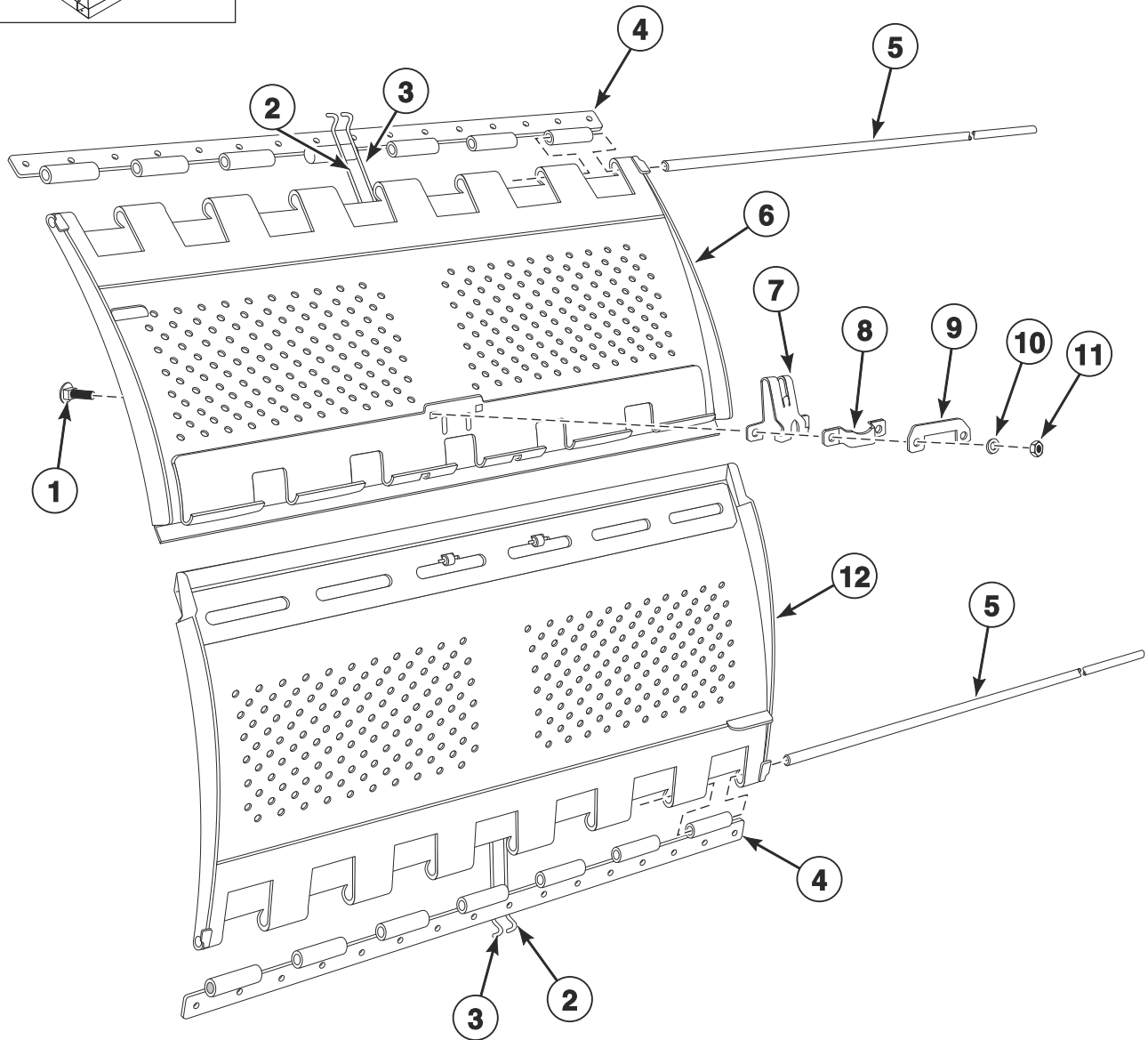
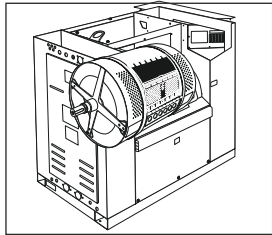


CFD2630P_D1647

Drum

REF	PART NO.	DESCRIPTION	COMMENTS
1	SP523050	Washing Drum	26, 260 and 265 models
	SP523051	Washing Drum	33, 330 and 332 models
	SP523052	Washing Drum	44, 440 and 442 models
	SP523053	Washing Drum	66, 660 and 663 models
2	SP506757	Washing Drum Small Weight	26, 33, 44, 260, 265, 330, 332, 440 and 442 models
3	SP540765	Washing Drum Left Cross	26, 33, 260, 265, 330 and 332 models; Includes item 15
	SPB03103500013	Washing Drum Left Cross	44, 66, 440, 442, 660 and 663 models
4	SP309933241245	Bolt	M12x45
5	SP523075	Washing Drum Weldment	26, 260 and 265 models
	SP523076	Washing Drum Weldment	33, 330 and 332 models
	SP515937	Washing Drum Weldment	44, 440 and 442 models
	SP515931	Washing Drum Weldment	66, 660 and 663 models
6	SP523014	Door C	26, 33, 260, 265, 330 and 332 models
	SP523013	Door B	44, 66, 440, 442, 660 and 663 models
7	SP510359	Spring Yoke	
8	SP503572	Bolt	M5x12
9	SP526659	Rivet	6.4
10	SP514128	Rivet Collar	
11	SP540766	Washing Drum Right Cross	26, 33, 260, 265, 330 and 332 models; Includes item 16
	SPB03103600013	Washing Drum Right Cross	44, 66, 440, 442, 660 and 663 models
12	SP523082	Washing Drum Balance Weight	26, 33, 260, 265, 330 and 332 models
	SP506725	Washing Drum Balance Weight	44, 66, 440, 442, 660 and 663 models
13	SPB01103002213	Right Shaft	
14	SP308726014050	Feather	44, 66, 440, 442, 660 and 663 models; 14x9x50
15	SP523012	Door A	
16	SP514163	Bolt	26, 33, 260, 265, 330 and 332 models; M10x40
	SP309933241025	Bolt	44, 66, 440, 442, 660 and 663 models; M10x25
17	SPB01103002414	Elimination Washer	
18	SP310934240010	Nut	M10
19	SP309963241030	Bolt	26, 33, 260, 265, 330 and 332 models; M10x30
20	SPB01103002113	Left Shaft	
21	SP523060	Counterweight	

Inner Door

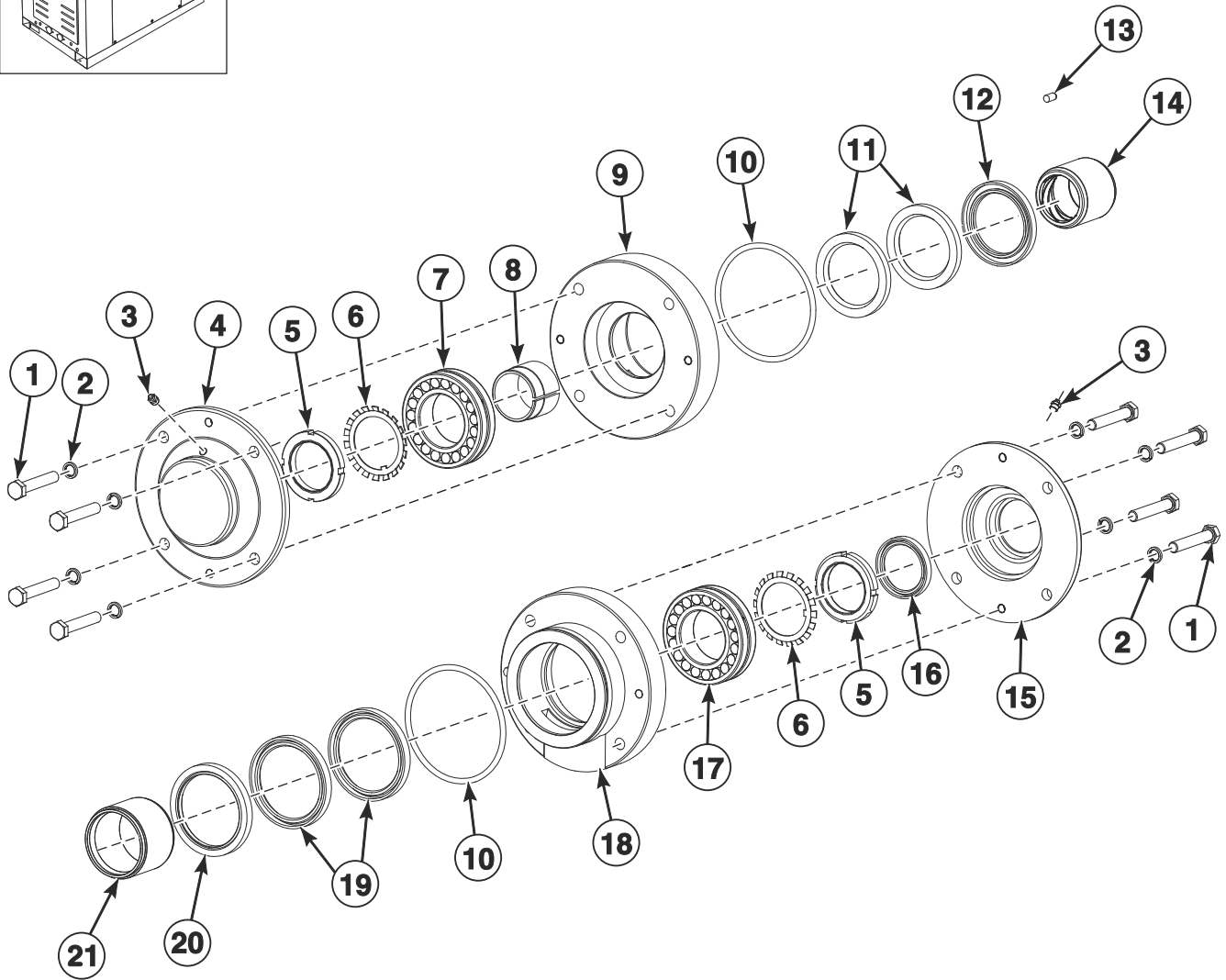
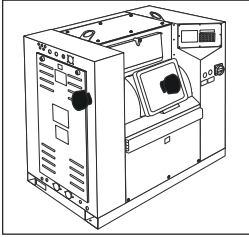


CFD2631P_D1647

Inner Door

REF	PART NO.	DESCRIPTION	COMMENTS
1	SP516885	Bolt	M5x16
2	SP523044	Spring	Right
3	SP523043	Spring	Left
4	SP515905	Drum Hinge	
5	SP523048	Hinge Pin	
6	SP523016	Inner Door Weldment	44, 66, 440, 442, 660 and 663 models; B
	SP523017	Inner Door Weldment	26, 33, 260, 265, 330 and 332 models; C
7	SP523034	Spring Safety Pin	
8	SP523037	Guide	
9	SP523040	Support	
10	SP311127240005	Washer	5
11	SP310934240005	Nut	M5
12	SP523015	Inner Door Weldment	A

Trunnion

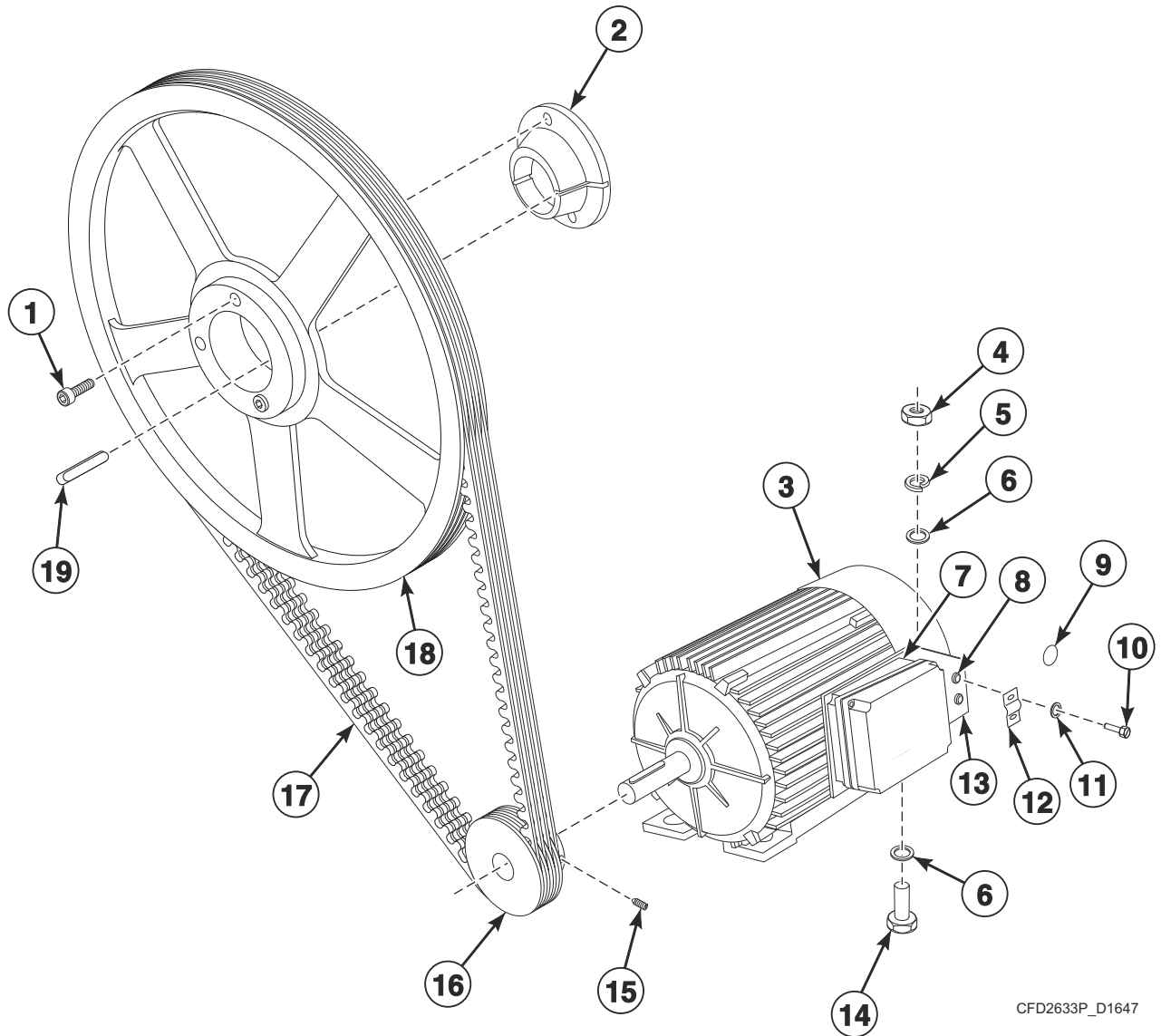
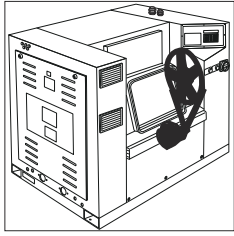


CFD2632P_D1647

Trunnion

REF	PART NO.	DESCRIPTION	COMMENTS
	SPB01105200012	Complete Left Hub	
	SPB01106200012	Complete Right Hub	
	SP538765	Bearing Replacement Tool Kit	
1	SPPRI202003052	Bolt	M14x80
2	SP311127000014	Washer	14
3	SP425111211043	Greasing Head	
4	SPB01105200114	Bearing Cover	Left
5	SPPRI226000065	Nut	
6	SPPRI247000028	Washer	
7	SPPRI608001065	Bearing	
8	SPPRI608001081	Lock Bushing	
9	SP540767	Bearing Housing	Left
10	SPPRI520002025	Gasket	
11	SP540761	Gasket	
12	SP540762	Gasket	
13	SP541161	Pin	
14	SP535619	Ring	Left
15	SPB01106201214	Bearing Cover	Right
16	SPPRI530000047	Sealing Ring	
17	SPPRI608000065	Bearing	
18	SP540768	Bearing Housing	Right
19	SP540763	Gasket	
20	SP540764	Gasket	
21	SP535617	Ring	Right

Drive

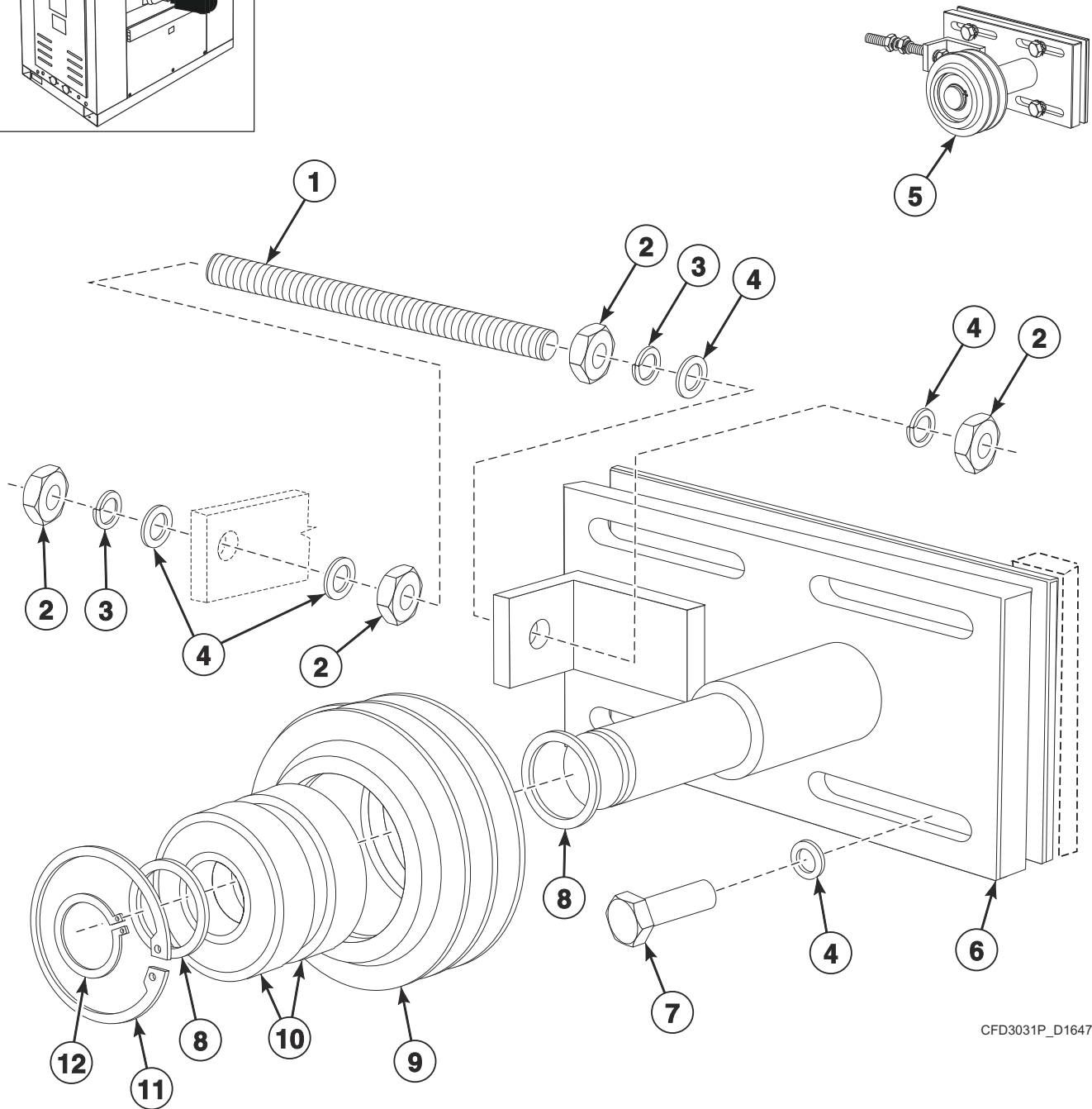
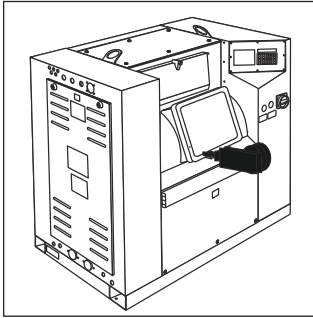


CFD2633P_D1647

Drive

REF	PART NO.	DESCRIPTION	COMMENTS
1	SP309912121260	Bolt	M12x60
2	SP556733	Lock Bushing	26, 33, 260, 265, 330 and 332 models
	SP556735	Lock Bushing	44, 66, 440, 442, 660 and 663 models
3	SP338400112022	Motor	26, 33, 260, 265, 330 and 332 models; 4kW
	SP338400132022	Motor	44, 66, 440, 442, 660 and 663 models; 7.5kW
4	SP310985000012	Nut	M12
5	SP311127000012	Washer	12
6	SP311125000013	Washer	13
7	SP548100084014	Motor Plate	
8	SP313251002104	Nut	M4
9	SPPRI551000001	Earthing Index Plate	10
10	SP309084000410	Bolt	M4x10
11	SP311679800004	Washer	4
12	SPF05109000214	Cable Clamp	
13	SPF07102200024	Cable Holder	
14	SP309933001250	Bolt	M12x50
15	SP309916000506	Bolt	M5x6
16	SP501175	Motor Pulley	26, 33, 260, 265, 330 and 332 models
	SPB04106001114	Motor Pulley	44, 66, 440, 442, 660 and 663 models
17	SPPRI607000099	Belt	26, 33, 260, 265, 330 and 332 models
	SP516679	Belt	44, 66, 440, 442, 660 and 663 models
18	SP556732	Pulley	26, 33, 260, 265, 330 and 332 models
	SP556734	Pulley	44, 66, 440, 442, 660 and 663 models
19	SP506540	Tongue	

Tensioning System

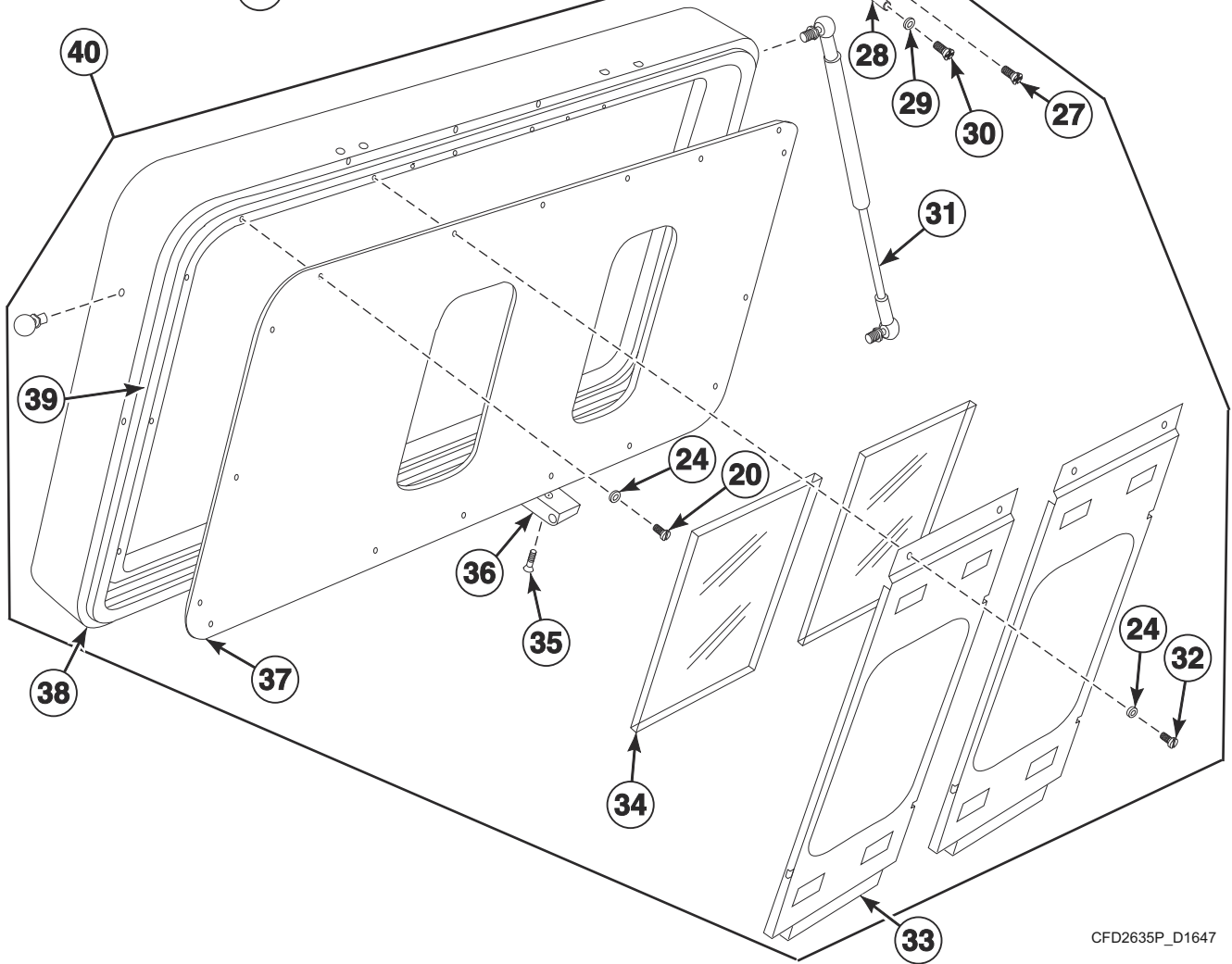
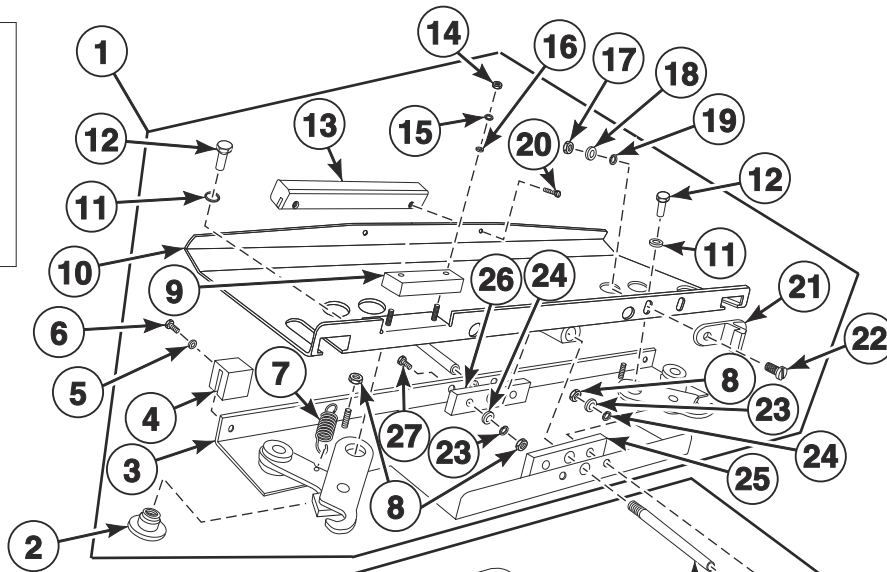
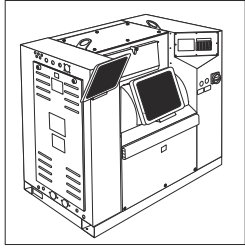


CFD3031P_D1647

Tensioning System

REF	PART NO.	DESCRIPTION	COMMENTS
1	SP515452	Adjusting Rod	26, 33, 260, 265, 330 and 332 models
	SP230100005215	Adjusting Rod	44, 66, 440, 442, 660 and 663 models
2	SP310934000012	Nut	M12
3	SP311127000012	Washer	12
4	SP311125000013	Washer	13
5	SPF04118000014	Tension Roller	26, 33, 260, 265, 330 and 332 models; Includes items 1-4 and 6-12
	SPB03106300014	Complete Tension Roller	44, 66, 440, 442, 660 and 663 models; Includes items 1-4 and 6-12
6	SPF02118100013	Tension Roller	
7	SP309933001230	Bolt	M12x30
8	SPF02118000615	Washer	
9	SPF04118000514	Roller	26, 33, 260, 265, 330 and 332 models
	SPB03106300514	Roller	44, 66, 440, 442, 660 and 663 models
10	SPPRI608000041	Bearing	
11	SP307732031062	Retaining Ring	62
12	SP307732030025	Retaining Ring	25

Outer Door

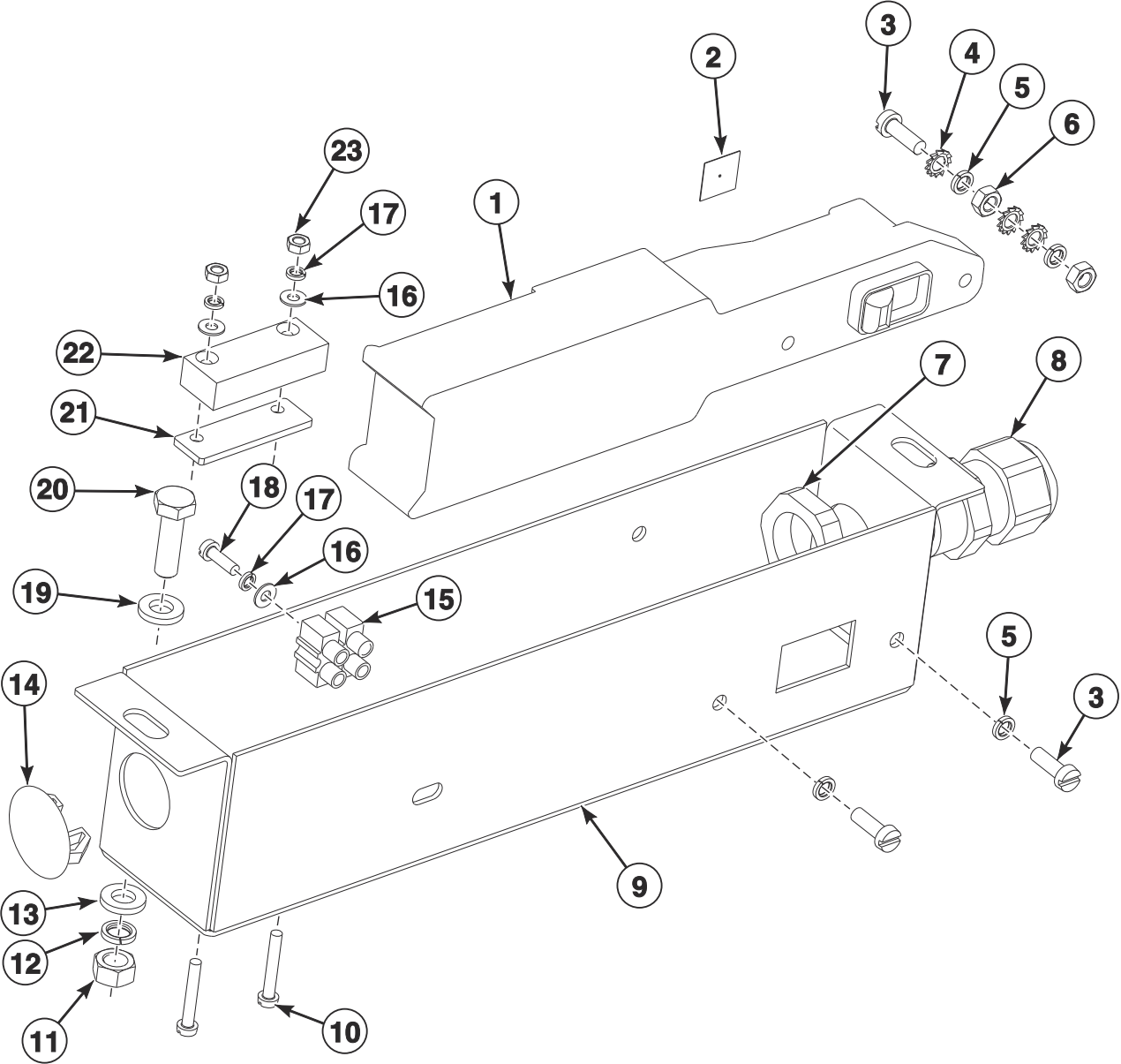
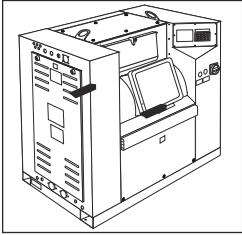


CFD2635P_D1647

Outer Door

REF	PART NO.	DESCRIPTION	COMMENTS
1	SP541188	Closing Device	
	SP541189	Closing Device	Inox
2	SP515017	Closure Pin	
3	SP515039	Plate Weldment	1
4	SPB01118001114	Guide	
5	SP311125240003	Washer	3
6	SP309084000308	Bolt	M3x8
7	SP315011180012	Spring	
8	SP310934240004	Nut	M4
9	SP541187	Magnetic Switch	Includes magnet
10	SP541176	Plate Weldment	2
11	SP311127240006	Washer	M6
12	SP309933240610	Bolt	M6x10
13	SPB01118001614	Handle	
14	SP310934000003	Nut	M3
15	SP311127240003	Washer	3
16	SP311125240003	Washer	3
17	SP310934240005	Nut	M5
18	SP311127240005	Washer	5
19	SP311125240005	Washer	M5
20	SP309084240410	Screw	M4x10
21	SPPRI610000070	Door Lock Hook	
22	SP309084240512	Bolt	M5x12
23	SP311127240004	Washer	4
24	SP311125240004	Washer	M4
25	SP515022	Lower Cube	
26	SP515023	Upper Cube	
27	SP309798524412	Bolt	M4x12
28	SP515032	Leading Pin	
29	SPPRI247000003	Washer	
30	SP309798524408	Bolt	M4x8
31	SP506800	Brace	
32	SP309084240412	Bolt	M4x12
33	SP514276	Window Cover	
34	SP514273	Window	
35	SP506699	Bolt	M8x35
36	SP506751	Hinge Cube	
37	SP512115	Outer Door Sheet	
38	SP512114	Door Frame	
39	SP273114030559	Door Gasket	
40	SP515041	Door	

Door Lock

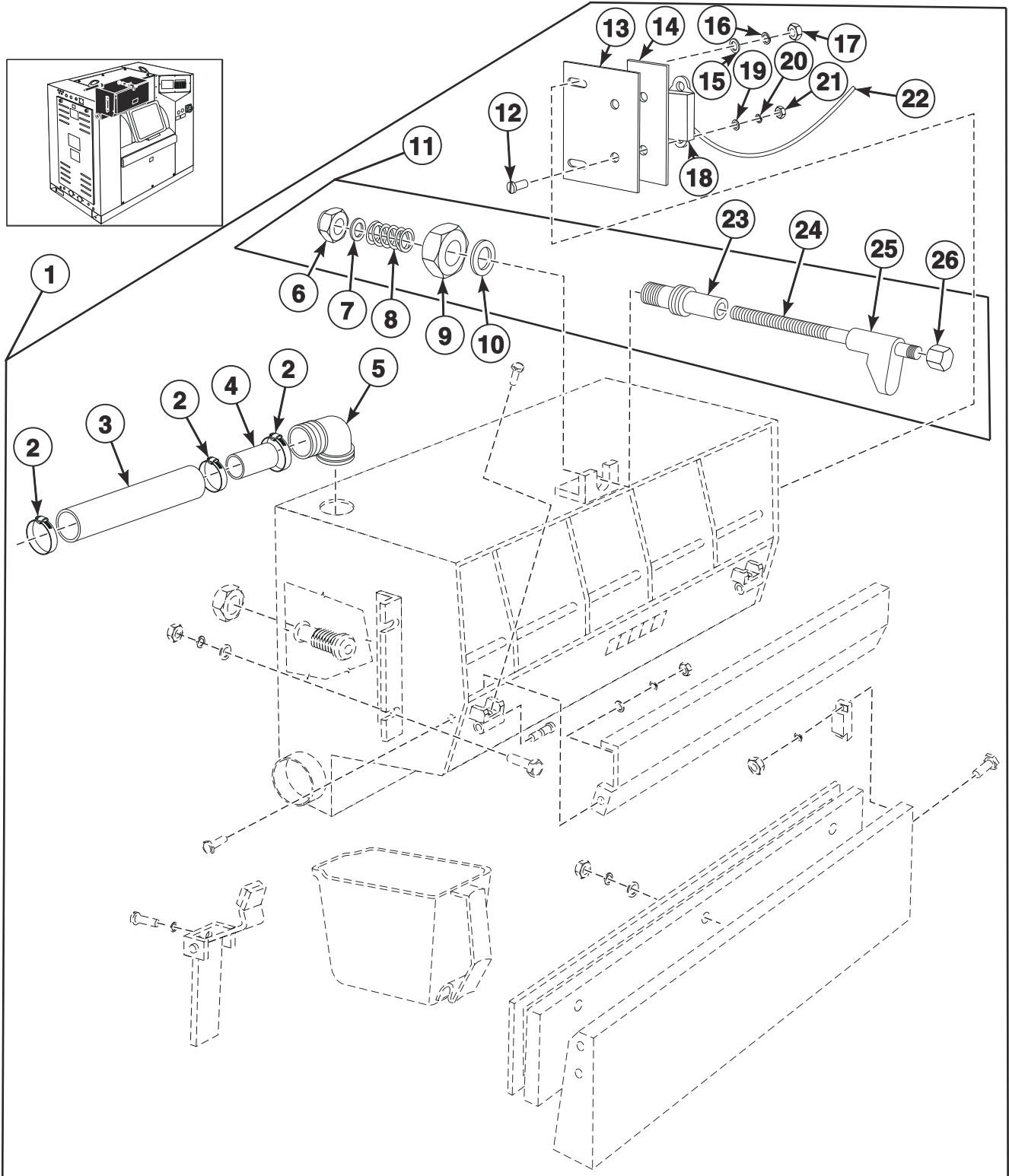


CFD2636P_D1647

Door Lock

REF	PART NO.	DESCRIPTION	COMMENTS
	SP541190	Complete Lock	
1	SPPRI61000075	Door Lock	220V
2	SPPRI551000001	Earthing Index Plate	10
3	SP309084240412	Bolt	M4x12
4	SP311679824004	Washer	4
5	SP311127240004	Washer	4
6	SP310934240004	Nut	M4
7	SPPRI350001047	Nut	
8	SPPRI350000047	Bushing	
9	SP541185	Lock Box	
10	SP309084000320	Bolt	M3x20
11	SP310934240006	Nut	M6
12	SP311127240006	Washer	M6
13	SP311125240006	Washer	M6
14	SP345900025012	Plug	
15	SP506575	Terminal Board	
16	SP311125240003	Washer	M3
17	SP311127240003	Washer	3
18	SP309084240312	Bolt	M3x12
19	SP311125200006	Washer	M6
20	SP309933240618	Bolt	M6x18
21	SP541177	Washer	
22	SP541187	Magnetic Switch	Includes magnet
23	SP310934000003	Nut	M3

Soap Hopper (Drawing 1 of 2)

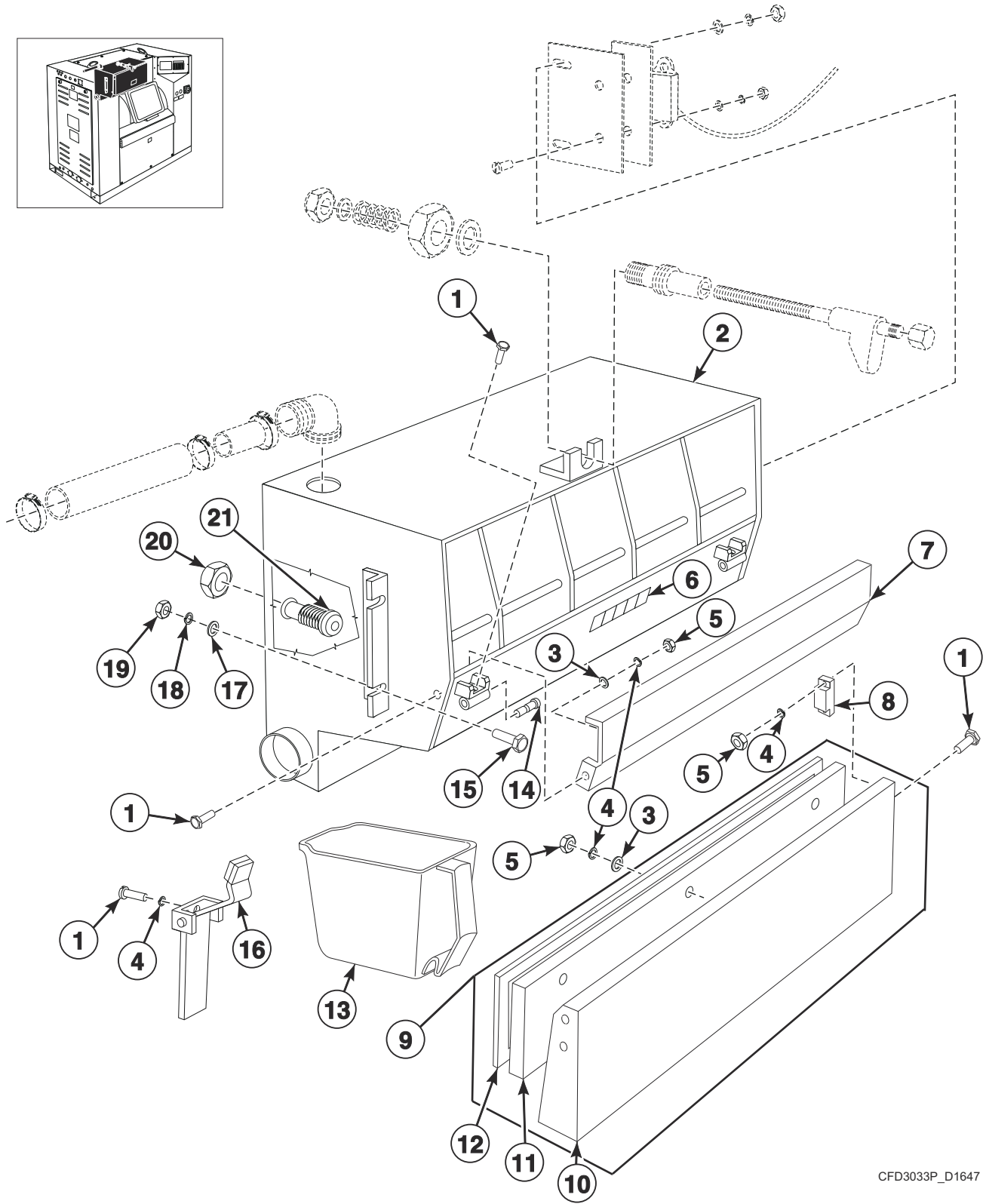


CFD3032P_D1647

Soap Hopper (Drawing 1 of 2)

REF	PART NO.	DESCRIPTION	COMMENTS
1	SPB01110000012	Soap Hopper	Includes items 2-26 and items 1-21 in <i>Soap Hopper (Drawing 2 of 2)</i>
2	SPPRI240000003	Hose Clamp	
3	SPPRI540001019	Hose	
4	SP506722	Tube Outlet	
5	SPPRI504000069	Elbow	
6	SP310985000006	Nut	M6
7	SP311125000006	Washer	6.4
8	SP120102302325	Spring	
9	SP310934000012	Nut	M12
10	SP311127000012	Washer	12
11	SPF02110200014	Soap Hopper Lock	
12	SP309084000310	Bolt	M3x10
13	SPF02110001214	Holder	
14	SPF02110001314	Insulation	
15	SP311125000004	Washer	4.3
16	SP311127000004	Washer	4
17	SP310934000004	Nut	M4
18	SPPRI346000032	Magnetic Switch	
19	SP311125000003	Washer	3
20	SP311127000003	Washer	3
21	SP310934000003	Nut	M3
22	SP283362004915	Insulation Tube	
23	SP223110200115	Pin	
24	SP223110200415	Bolt	
25	SP321848480023	Safety Lever	Locking
26	SP310917240006	Nut	M6

Soap Hopper (Drawing 2 of 2)

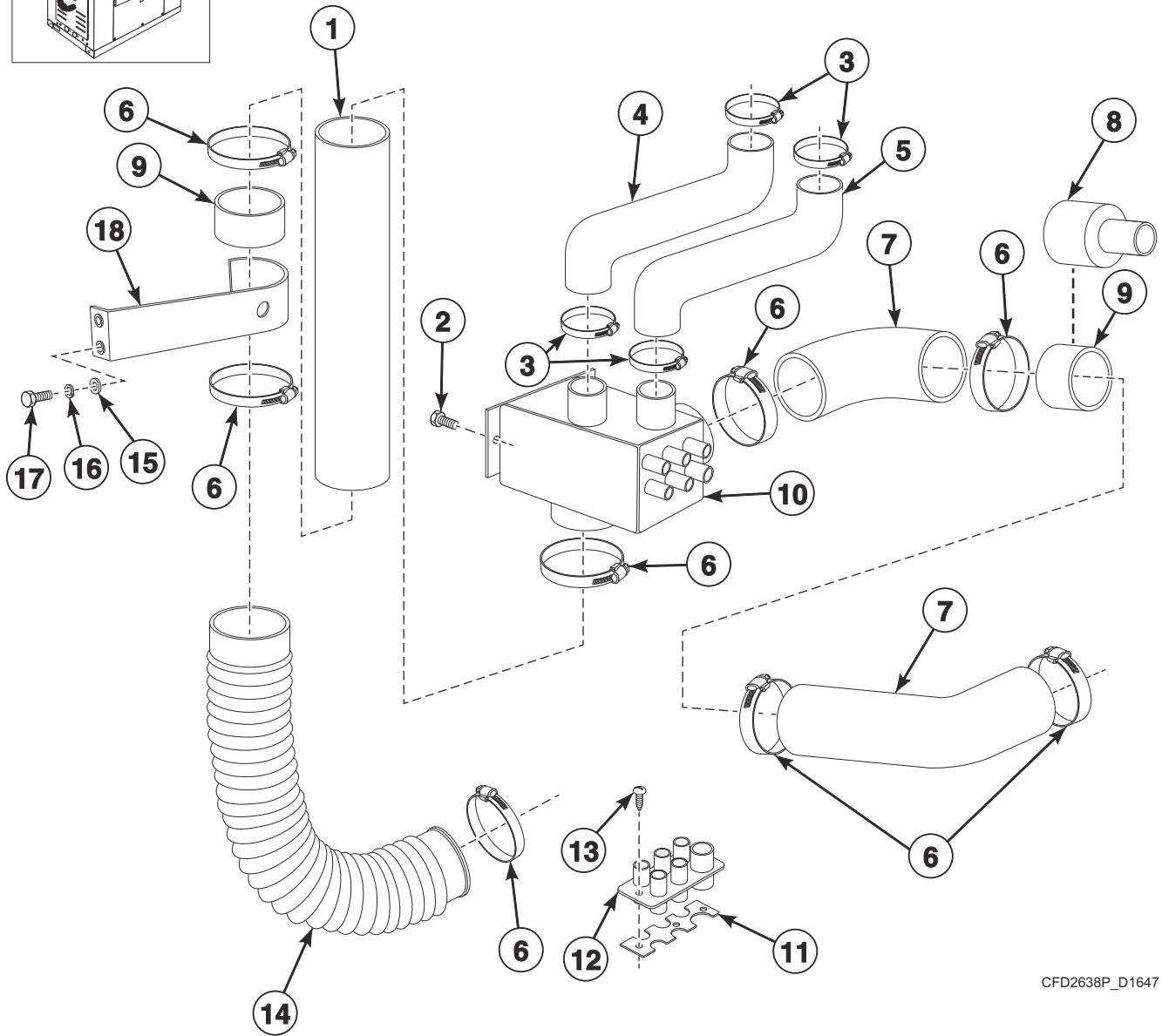
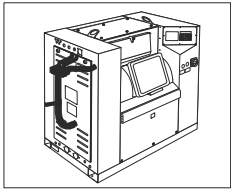


CFD3033P_D1647

Soap Hopper (Drawing 2 of 2)

REF	PART NO.	DESCRIPTION	COMMENTS
1	SP309933240408	Bolt	M4x8
2	SP506711	Dosing Tank	
3	SP311125240004	Washer	4.3
4	SP311127240004	Washer	4
5	SP310934240004	Nut	M4
6	SP548000091014	Label	
7	SP235110001413	Cover	
8	SPPRI346000031	Magnetic Switch Magnet	
9	SP223110600013	Soap Hopper Cover	
10	SP223110700013	Complete Soap Hopper Cover	
11	SP235111200013	Cover Insert	
12	SP273442021020	Seal	
13	SP321848223000	Vessel	
14	SP235110001215	Door Pin	
15	SP309933240612	Bolt	M6x12
16	SP235110200014	Soap Hopper Level	
17	SP311125240006	Washer	6.4
18	SP311127240006	Washer	6
19	SP310934240006	Nut	M6
20	SP235110001715	Nut	
21	SP235110001614	Nozzle	

Water Inlet System

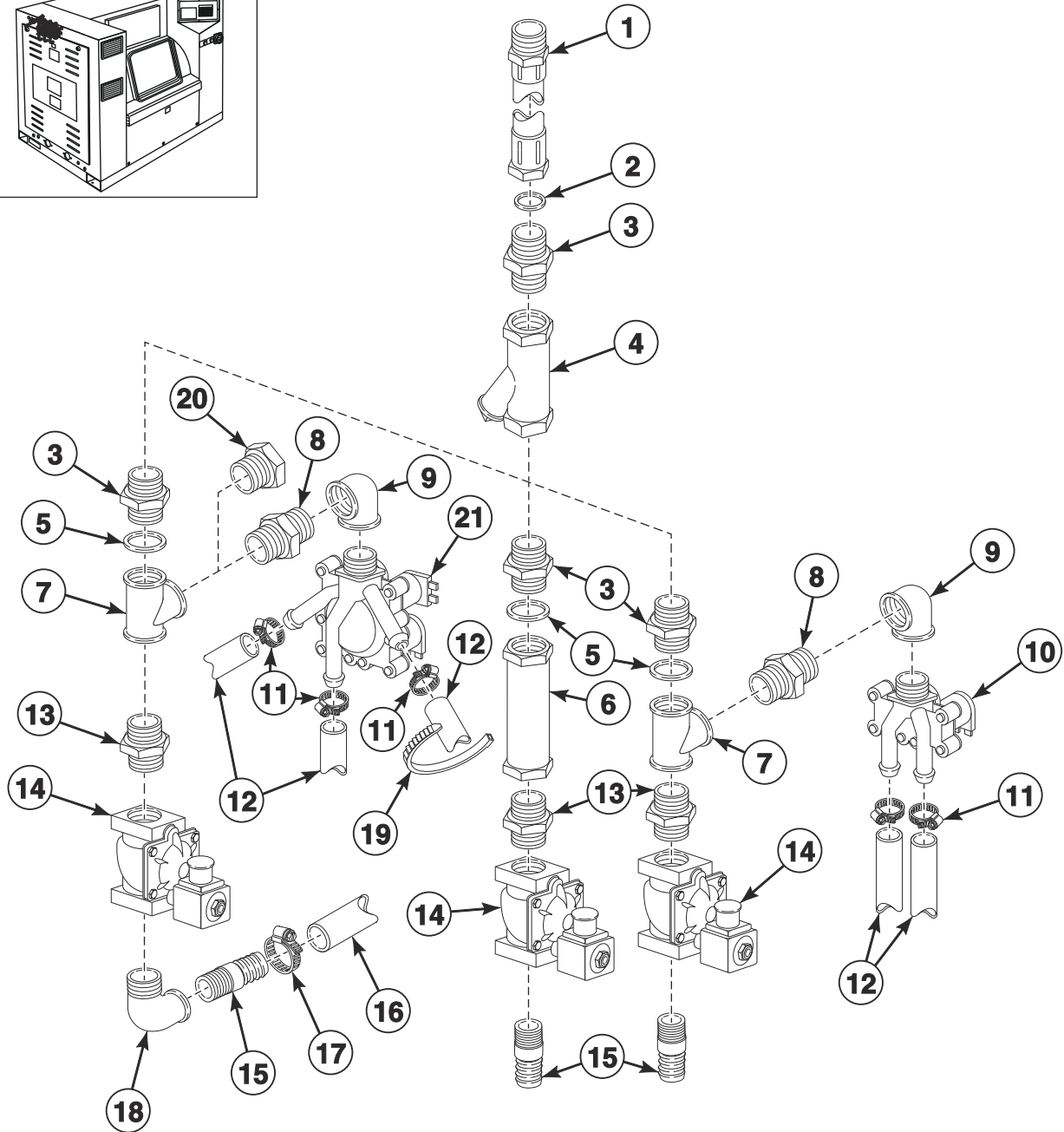
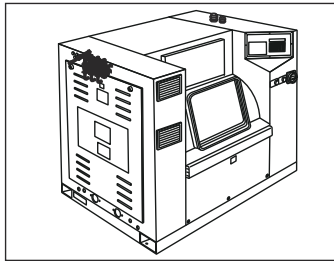


CFD2638P_D1647

Water Inlet System

REF	PART NO.	DESCRIPTION	COMMENTS
1	SP273238006076	Hose	
2	SP309933000616	Bolt	M6x16
3	SPPRI240000008	Hose Clamp	
4	SPB01114201514	Hose	1
5	SPB01114201614	Hose	2
6	SPPRI240000021	Hose Clamp	
7	SPPRI505000034	Elbow	2 inch
8	SP526784	Reduction	Models without soap hopper
9	SPB01114001016	Tube	
10	SP526786	Mixer	
11	SP526128	Threaded Plate	
12	SP522090	Connection Wall	6 hoses
13	SP526793	Screw	ST 4.2x16
14	SPPRI505000093	Corrugated Tube	
15	SP311127240005	Washer	M5
16	SP311125240005	Washer	M5
17	SP309963240516	Bolt	M56x16
18	SPB01114001514	Hose Holder	Electric heat
	SP515176	Hose Holder	Steam heat

Valves

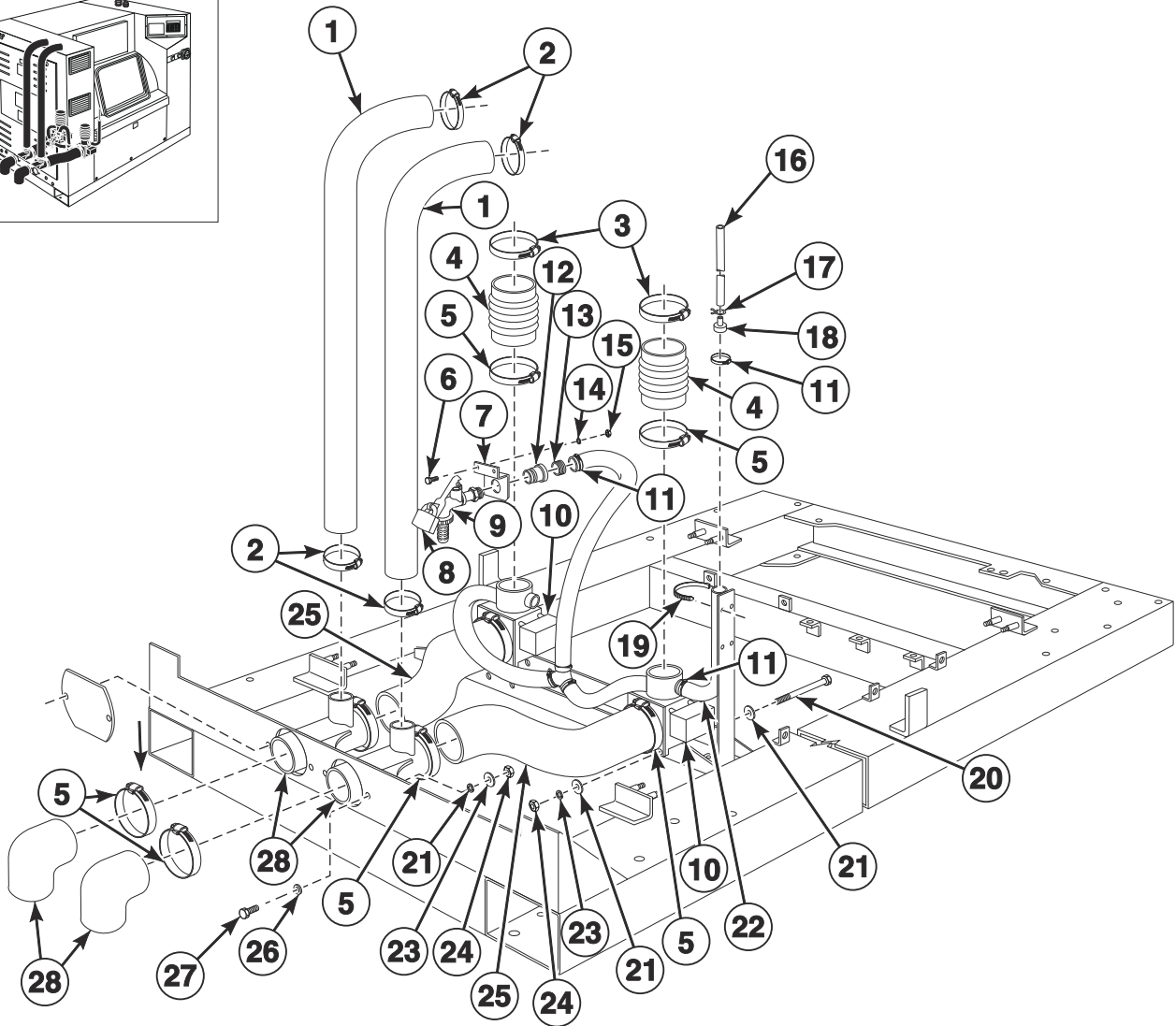
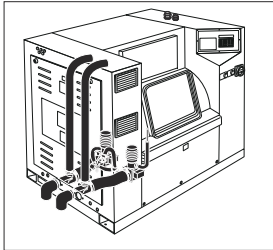


CFD2639P_D1647

Valves

REF	PART NO.	DESCRIPTION	COMMENTS
1	SPPRI505003055	Inlet Hose	1 mm
2	SP506708	Seal	
3	SP235134600414	Pipe Nipple	
4	SP405054057008	Filter	
5	SPF02111001214	Washer	
6	SPF02111001114	Extension	
7	SPPRI426002112	Branch T	1 inch
8	SP235134601314	Reducing Insert	2
9	SPPRI426002072	Elbow	3/4 inch
10	SP101344	2-Way Inlet Valve	
11	SPPRI240000002	Hose Clamp	
12	SPPRI540000014	Hose	
13	SPPRI426001220	Pipe Nipple	1 inch
14	SP567065	Valve	G 1 inch
15	SP235134601115	Insert Tube	1
16	SP273238003242	Hose	
17	SPPRI240000008	Hose Clamp	
18	SP506727	Elbow	1 inch
19	SP345000160971	Binding Strip	
20	SP526781	Plug	Models without soap hopper
21	SP101345	3-Way Inlet Valve	

Drain System

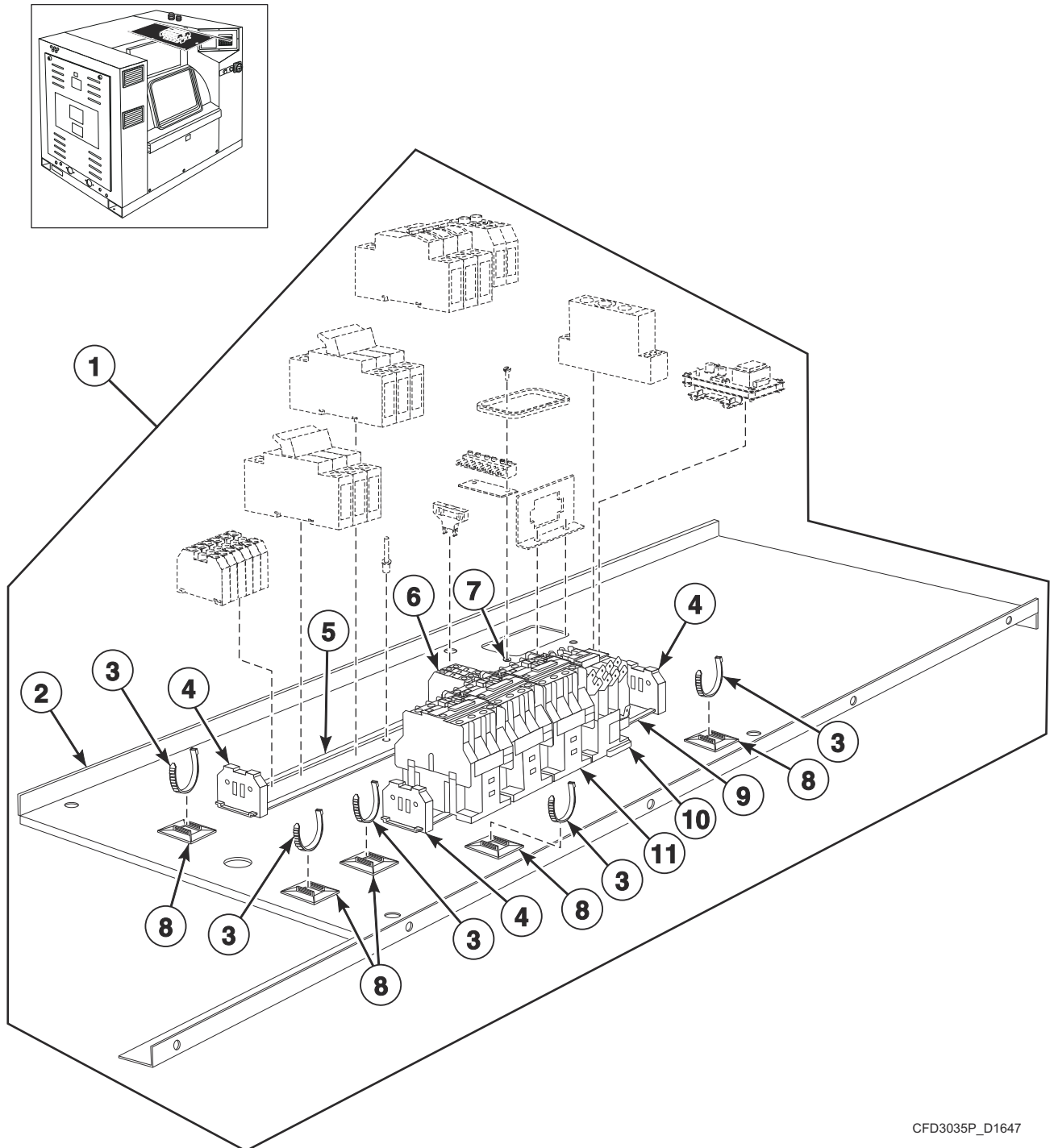


CFD2640P_D1647

Drain System

REF	PART NO.	DESCRIPTION	COMMENTS
	SP526669	Bottom Drain Elbow	
1	SPPRI505000094	Overflow Hose	
2	SPPRI240000017	Hose Clamp	
3	SPPRI240000005	Hose Clamp	
4	SP223101401114	Hose	26, 33, 260, 265, 330 and 332 models
	SP273124076090	Hose	44, 66, 440, 442, 660 and 663 models
5	SPPRI240000007	Hose Clamp	
6	SP510954	Bolt	M6x16
7	SP531036	Bracket	
8	SP523167	Padlock	
9	SP523728	Valve	Lockable
10	SPPRI340055051	Drain Valve	Includes 567183 Drain Valve Chamber and SPPRI340002051 Drain Valve Motor; Black
	567183	Drain Valve Chamber	Black
	SPPRI340002051	Drain Valve Motor	
	SPPRI340072051	Recycle Drain Valve	Includes 567183 Drain Valve Chamber and SPPRI340002051 Drain Valve Motor; Black; Reverse
11	SPPRI240000003	Hose Clamp	
12	SP523729	Pipe Coupling	
13	SP235134107315	Pipe Coupling	
14	SP311125000006	Washer	M6
15	SP310934000006	Nut	M6
16	SPPRI540001003	Water Level Switch Hose	
17	SPPRI241000017	Hose Clamp	
18	SPPRI503000027	Air Trap Reduction	
19	SP345000160971	Binding Strip	
20	SP309931008120	Bolt	M8x120
21	SP311902100008	Washer	8
22	SP223101400414	Elbow	
23	SP311127000008	Washer	8
24	SP310934000008	Nut	M8
25	SPPRI505000091	Drain Hose	
26	SP311125000008	Washer	8
27	SP309933000820	Bolt	M8x20
28	SPPRI505000078	T-Part	
29	SP519463	Drain Elbow	

Vertical Box of Electrical Components (Drawing 1 of 2)

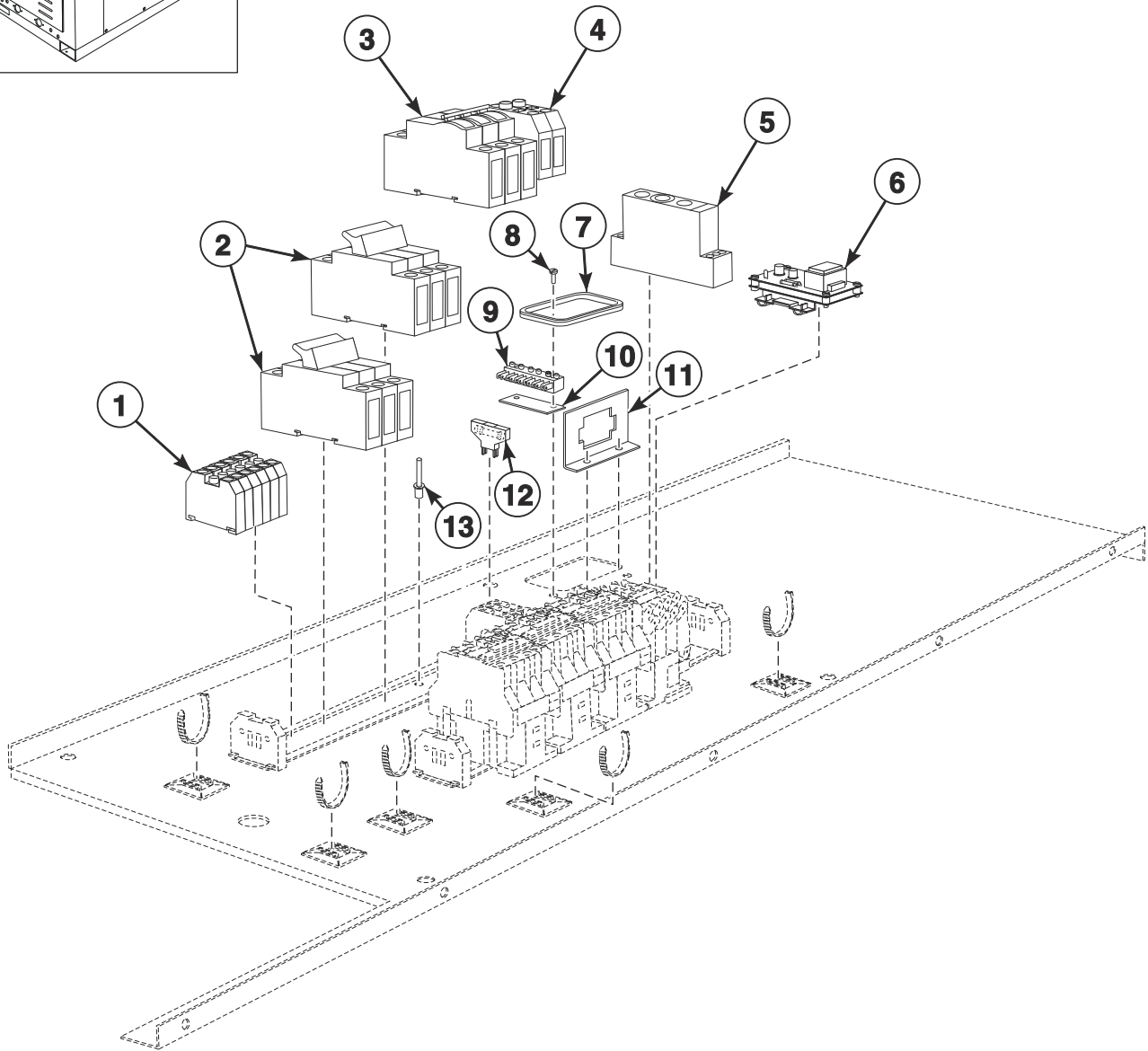
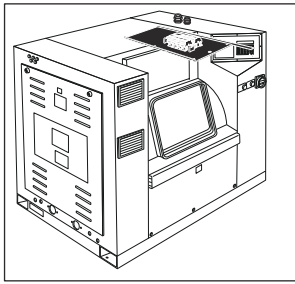


CFD3035P_D1647

Vertical Box of Electrical Components (Drawing 1 of 2)

REF	PART NO.	DESCRIPTION	COMMENTS
1	SPB01140000013	Vertical Board	26, 260 and 265 models
	SPB02140000013	Vertical Board	33, 330 and 332 models
	SPB03140000013	Vertical Board	44, 440 and 442 models
	SPB04140000013	Vertical Board	66, 660 and 663 models
2	SP531067	Vertical Board	26, 33, 260, 265, 330 and 332 models
	SP531156	Vertical Board	44, 66, 440, 442, 660 and 663 models
3	SP345000160996	Binding Strip	
4	SP346000209101	End Stop	
5	SP346000210113	Rail	26, 33, 260, 265, 330 and 332 models 290mm; 44, 66, 440, 442, 660 and 663 models 350mm
6	SP524653	Fuse Clip	
7	SP313251002104	Nut	M4
8	SPPRI350003050	Adhesive Fixing Index Plate	
9	SP346000210113	Rail	26, 33, 260, 265, 330 and 332 models 310mm; 44, 66, 440, 442, 660 and 663 models 280mm
10	SP514038	Contactora	26, 33, 260, 265, 330 and 332 models; 200/208-240V, 220-240V, 380-415V, 440-480V; 18kW, 24kW, 36kW
	SP514042	Contactora	44, 66, 440, 442, 660 and 663 models; 380-415V, 440-480V; 45kW, 54kW
	SPPRI345002019	Contactora	44, 66, 440, 442, 660 and 663 models 200/208-240V, 220-240V
11	SP514038	Contactora	26, 33, 260, 265, 330 and 332 models; 200/208-240V, 220-240V, 380-415V, 440-480V; 18kW, 24kW, 36kW
	SP514042	Contactora	44, 66, 440, 442, 660 and 663 models; 380-415V, 440-480V; 45kW, 54kW
	SPPRI345002019	Contactora	26, 33, 260, 265, 330 and 332 models 200/208-240V; 24kW, 36kW; 44, 66, 440, 442, 660 and 663 models 200/208-240V; 45kW, 54kW

Vertical Box of Electrical Components (Drawing 2 of 2)

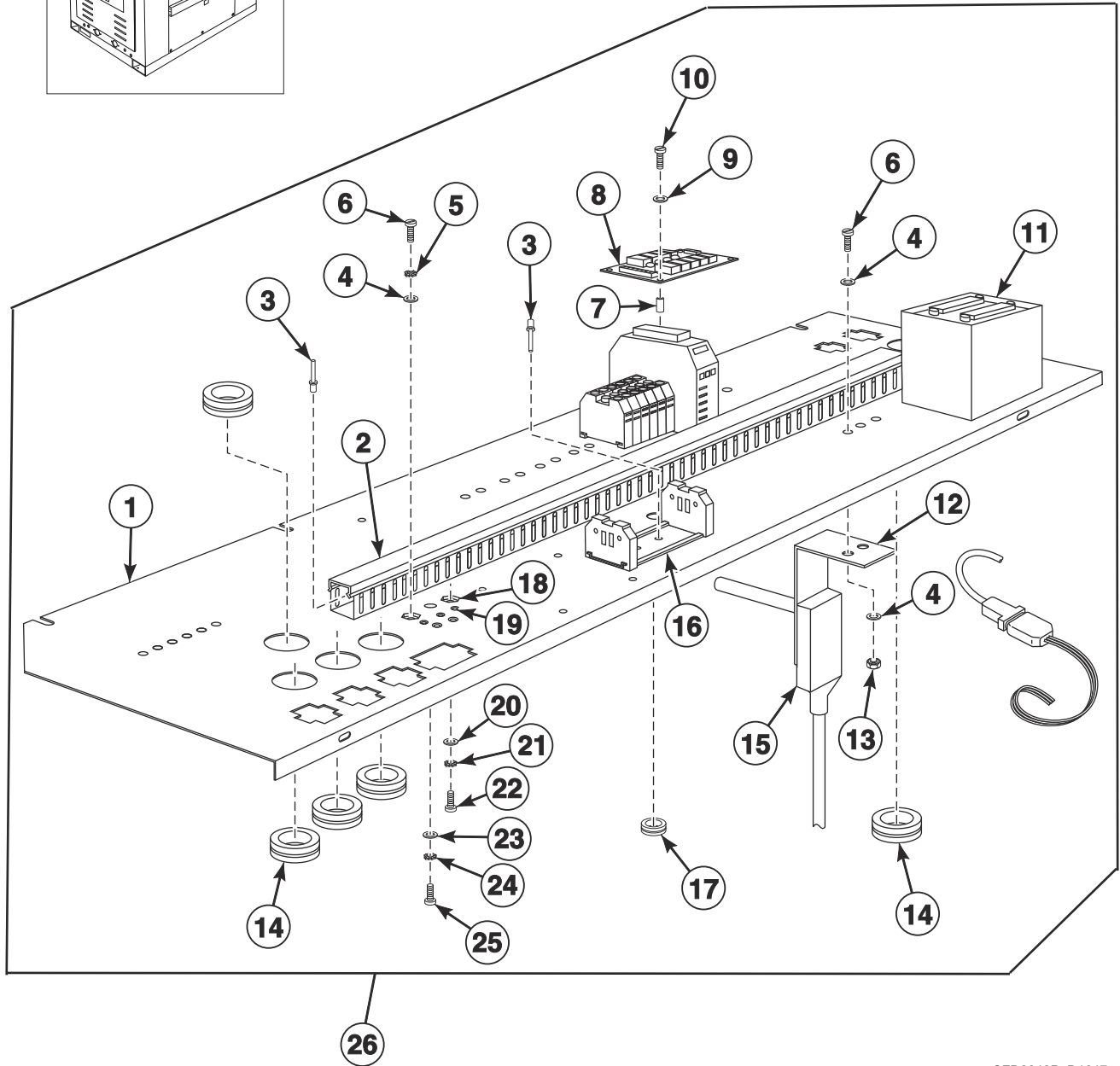
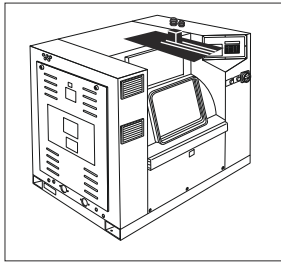


CFD3034P_D1647

Vertical Box of Electrical Components (Drawing 2 of 2)

REF	PART NO.	DESCRIPTION	COMMENTS
1	SP524648	Clamp Terminal	44, 66, 440, 442, 660 and 663 models
2	SP358251601312	Fuse Isolator	
	SP358251503220	Fuse Insert	26, 33, 260, 265, 330 and 332 models 380-415V; 24kW, 36kW; 44, 66, 440, 442, 660 and 663 models 440-480V; 45kW, 54kW
	SP358251503240	Fuse Insert	26, 33, 260, 265, 330 and 332 models 200/208-240V; 24kW, 36kW; 44, 66, 440, 442, 660 and 663 models 380-415V; 45kW, 54kW
	SP358251503160	Fuse Insert	26, 33, 260, 265, 330 and 332 models; 440-480V; 24kW, 36kW
3	SPPRI401013021	Circuit Breaker	26, 33, 260, 265, 330 and 332 models 380-415V, 440-480V; 18kW, 24kW, 36kW; 44, 440 and 442 models 200/208-240V; 45kW; 3-pole circuit breaker
	SPPRI401014021	Circuit Breaker	26, 33, 260, 265, 330 and 332 models 200/208-240V; 18kW, 24kW, 36kW; 44, 66, 440, 442, 660 and 663 models 380-415V, 440-480V; 45kW, 54kW; 3-pole circuit breaker
	SP524785	Circuit Breaker	44, 66, 440, 442, 660 and 663 models; 3-pole circuit breaker; 200/208-240V; 45kW, 54kW
4	SP34600004010	Fuse Case	
	SP346000014010	Cover	
5	SPPRI345015045	Time Relay	66, 660 and 663 models
6	SP358126300000	Electrical Time Switch	44, 66, 440, 442, 660 and 663 models; Electric heat
7	SPPRI505000058	Profiled Sealing	44, 66, 440, 442, 660 and 663 models
8	SP309084000416	Bolt	M4x16
9	SPPRI350015007	Terminal Board	6-Pole
10	SPPRI350012007	Isolation Paper	
12	SPPRI401020021	Fuse	1.6 A
	SP358251632225	Fuse	2.5 A
	SP524654	Fuse Plug	
13	SP313250004063	Rivet	4x6.3 with a crank

Horizontal Box of Electrical Components

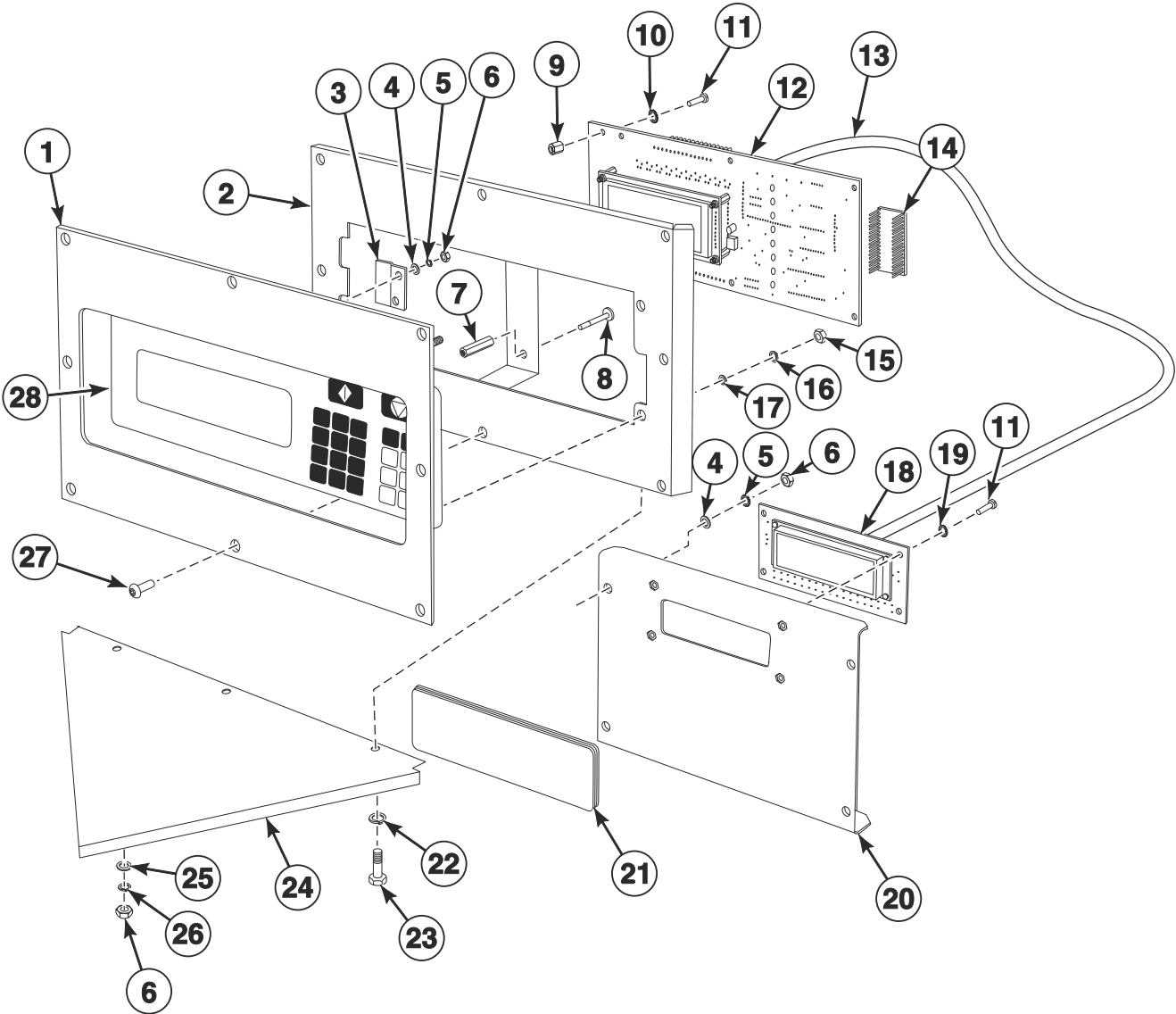
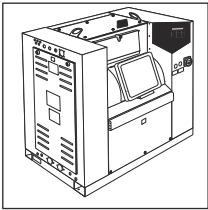


CFD2642P_D1647

Horizontal Box of Electrical Components

REF	PART NO.	DESCRIPTION	COMMENTS
1	SP531068	Horizontal Board	26, 33, 260, 265, 330 and 332 models
	SP531157	Horizontal Board	44, 66, 440, 442, 660 and 663 models
2	SPPRI407000109	Cable Channel	
3	SP313250004063	Rivet	4x6.3; With a crank
4	SP311125000006	Washer	6
5	SP311127000006	Washer	6
6	SP309933000616	Bolt	M6x16
7	SPPRI543000005	Distance Tube	
8	SP520139	Relay Board Extension	Models with water recuperation
	SP520187	Extension Relay Board Cable	
9	SP311125000004	Washer	4
10	SP309084000420	Bolt	M4x20
11	SP101643	Transformer	
12	SP501125	Vibration Switch Holder	26, 33, 260, 265, 330 and 332 models
	SP501126	Vibration Switch Holder	44, 66, 440, 442, 660 and 663 models
13	SP310934000006	Nut	M6
14	SP273121022002	Cable Passage	
15	SPPRI345000068	Vibration Switch	
16	SP346000210113	Rail	Models with weighing system
17	SP273121009002	Cable Passage	
18	SP313251000006	Nut	M6
19	SPPRI551000001	Earthing Index Plate	10
20	SP311125100006	Washer	6
21	SP311679824006	Washer	6
22	SP309933000625	Bolt	M6x25
23	SP311125100004	Washer	4
24	SP311679824004	Washer	4
25	SP309084100416	Bolt	M4x16
26	SPB01141000013	Horizontal Distributing Board	26, 33, 260, 265, 330 and 332 models
	SPB03141000013	Horizontal Distributing Board	44, 66, 440, 442, 660 and 663 models

Control Panel

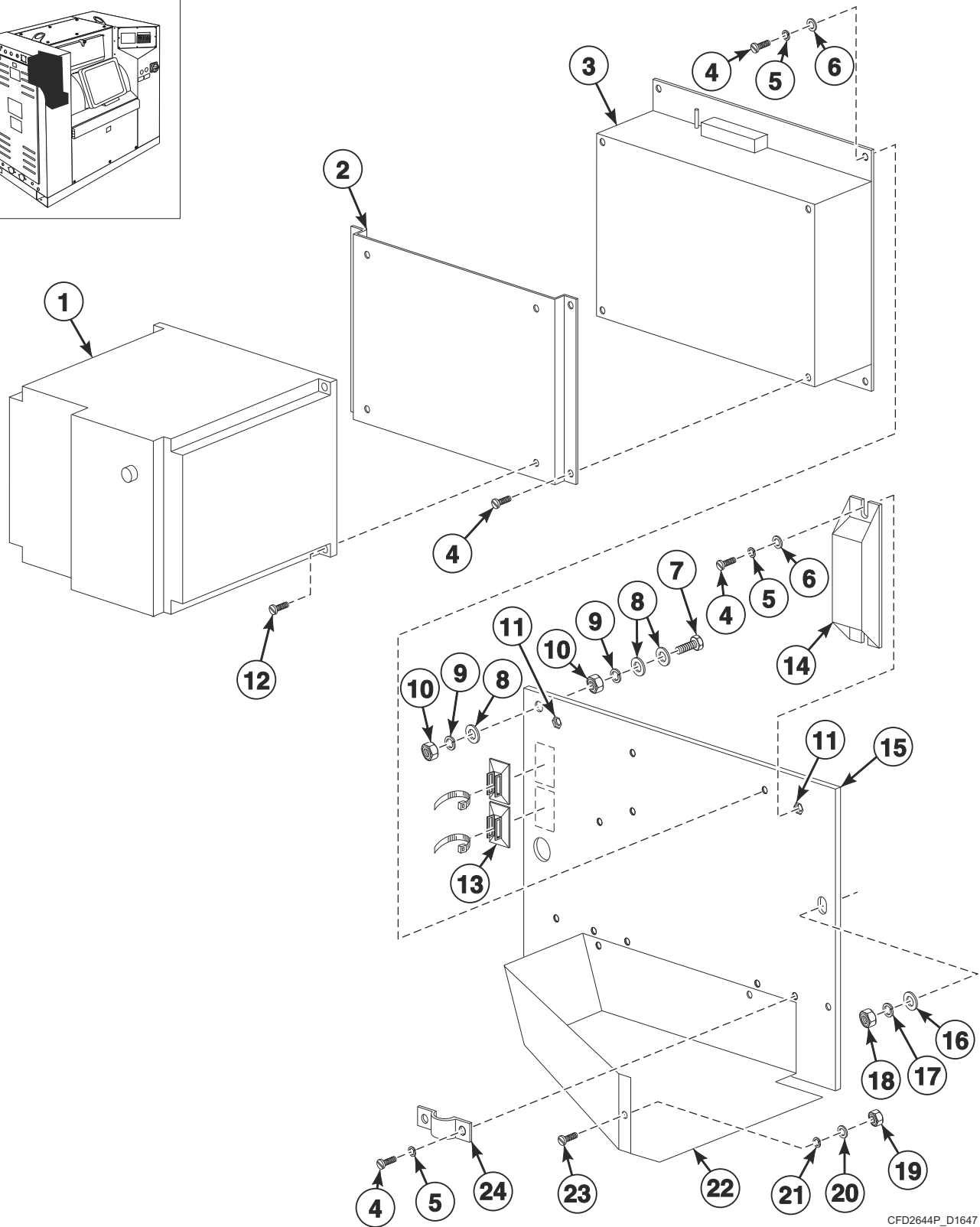
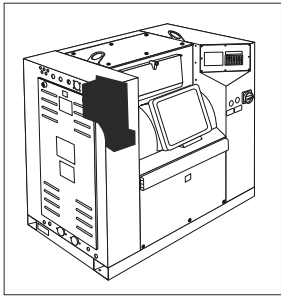


CFD2643P_D1647

Control Panel

REF	PART NO.	DESCRIPTION	COMMENTS
	SP531055	Display	Includes items 4-6, 11, 13 and 18-21
1	SP526766	Programmer Label	
2	SP526764	Programmer Label	Complete
3	SPPRI185000228	Keyboard	Z-profile
4	SP311679800004	Washer	M4
5	SP311125000004	Washer	4
6	SP310934000004	Nut	M4
7	SP101040	Spacer	M3x15
8	SP101041	Screw	M3x30
9	SP521444	Spacer	
10	SP311679824003	Washer	3
11	SP309798500306	Bolt	M3x6
12	SP526008	Control Board	Blue; 26, 260 and 265 models starting Serial No. 26M000409LL; 33, 330 and 332 models starting Serial No. 33M000216LL; 44, 440, and 442 models starting Serial No. 44M000279LL; 66, 660 and 663 models starting Serial No. 66M000261LL
	SP516696	Control Board	Green; 26, 260 and 265 models through Serial No. 26M000408LJ; 33, 330 and 332 models through Serial No. 33M000215LG; 44, 440, and 442 models through Serial No. 44M000278LJ; 66, 660 and 663 models through Serial No. 66M000260LJ
13	SP528073	Serial Display Cable	
14	SP526001	Memory	
15	SP310934000005	Nut	M5
16	SP311127000005	Washer	5
17	SP311125000005	Washer	M5
18	SP526798	LCD Display	
19	SP311679800003	Washer	M3
20	SP531057	Display Holder	
21	SP520613	Display Lens	
22	SP311127000006	Washer	6
23	SP309933000612	Bolt	M6x12
24	SP526762	Stand Board	
25	SP311127000004	Washer	4
26	SP311902100004	Washer	M4
27	SP510856	Screw	M4x13
28	SP554984	Keyboard	U models
	SP554985	Keyboard	I and S models
	SP520681	Keyboard	M models
	SP525909	Keyboard	L models; Non-Brand

Frequency Inverter

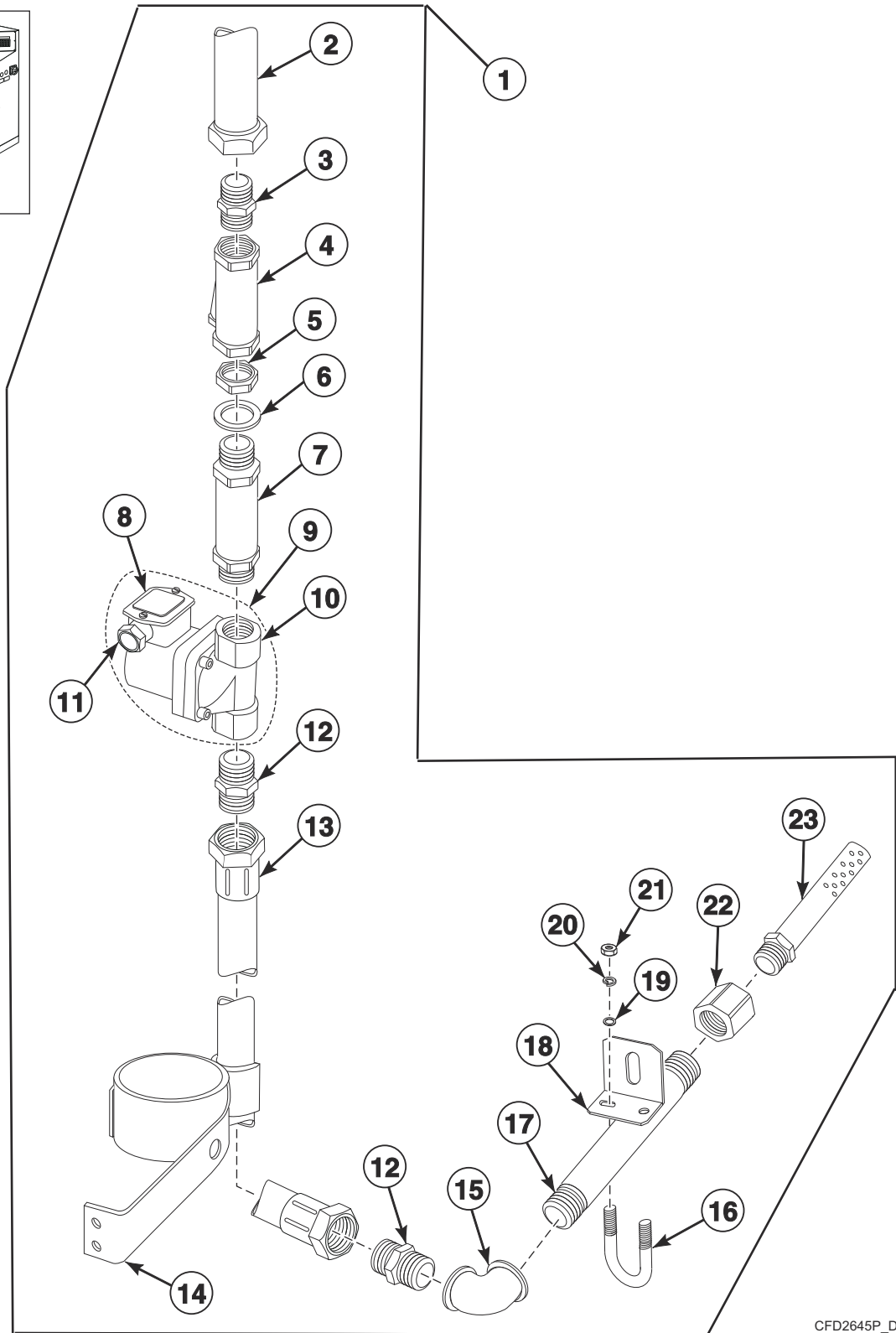
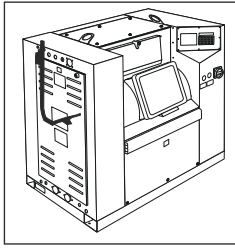


CFD2644P_D1647

Frequency Inverter

REF	PART NO.	DESCRIPTION	COMMENTS
1	SP525932	Frequency Inverter	26, 33, 260, 265, 330 and 332 models; 380-480V
	SP528172	Frequency Inverter	26, 33, 260, 265, 330 and 332 models; 208/220-240V
	SP525933	Frequency Inverter	44, 66, 440, 442, 660 and 663 models; 380-415V
	SP528235	Frequency Inverter Fan	Used with SP525932, SP528172 and SP525933 Frequency Inverters
	SP516734	Frequency Inverter	44, 66, 440, 442, 660 and 663 models; 200/220-240V
	SP516076	Communication Cable	26, 33, 44, 260, 265, 330, 332, 440 and 442 models; MCB
	SP520049	Communication Cable	26, 33, 44, 260, 265, 330, 332, 440 and 442 models; MCG-FC
	SP520050	Communication Cable	66, 660 and 663 models; MCG-FC; 380-415V
	SP520079	Communication Cable	44, 440 and 442 models; MCG-FC; 200/220-240V
	SP520080	Communication Cable	66, 660 and 663 models; MCG-FC; 200/220-240V
	SP516726	Communication Unit	44, 66, 440, 442, 660 and 663 models; KEB-DIN; MCG-FC; 208/220-240V
	SP516077	Communication Cable	66, 660 and 663 models; MCB
	2	SP509773	Frequency Inverter Holder
SP531240		Frequency Inverter Holder	26, 33, 260, 265, 330 and 332 models; Used when replacing SP101826 Inverter with SP525932 Inverter
3	SP525935	Filter	26, 33, 260, 265, 330 and 332 models; 380-415V
	SP100452	Filter	44, 66, 440, 442, 660 and 663 models; 380-415V
	SP100452	Filter	26, 33, 260, 265, 330 and 332 models; 200/220-240V
	SP516756	Filter	44, 66, 440, 442, 660 and 663 models; 200/220-240V
4	SP309084000412	Bolt	M4x12
5	SP311127000004	Washer	M4
6	SP311125000004	Washer	4
7	SP309933000830	Bolt	M8x20
8	SP311125000008	Washer	M8
9	SP311127000008	Washer	8
10	SP310934000008	Nut	M8
11	SP313251002104	Nut	M4
12	SP309084000416	Bolt	M4x16
13	SPPRI350003050	Adhesive Fixing Index Plate	
14	SP100925	Brake Resistor	26, 33, 260, 265, 330 and 332 models; 200/220-240V
	SP516747	Brake Resistor	44, 66, 440, 442, 660 and 663 models; 200/220-240V
15	SP531038	Frequency Inverter Board	26, 33, 260, 265, 330 and 332 models
	SP531155	Frequency Inverter Board	44, 66, 440, 442, 660 and 663 models
16	SP311902100006	Washer	M6
17	SP311127000006	Washer	6
18	SP310934000006	Nut	M6
19	SP310934240005	Nut	M5
20	SP311127240005	Washer	5
21	SP311125240005	Washer	5
22	SP531039	Frequency Inverter Channel	
23	SP309963240516	Bolt	M5x16
24	SPF05109000214	Cable Clamp	

Steam Heating

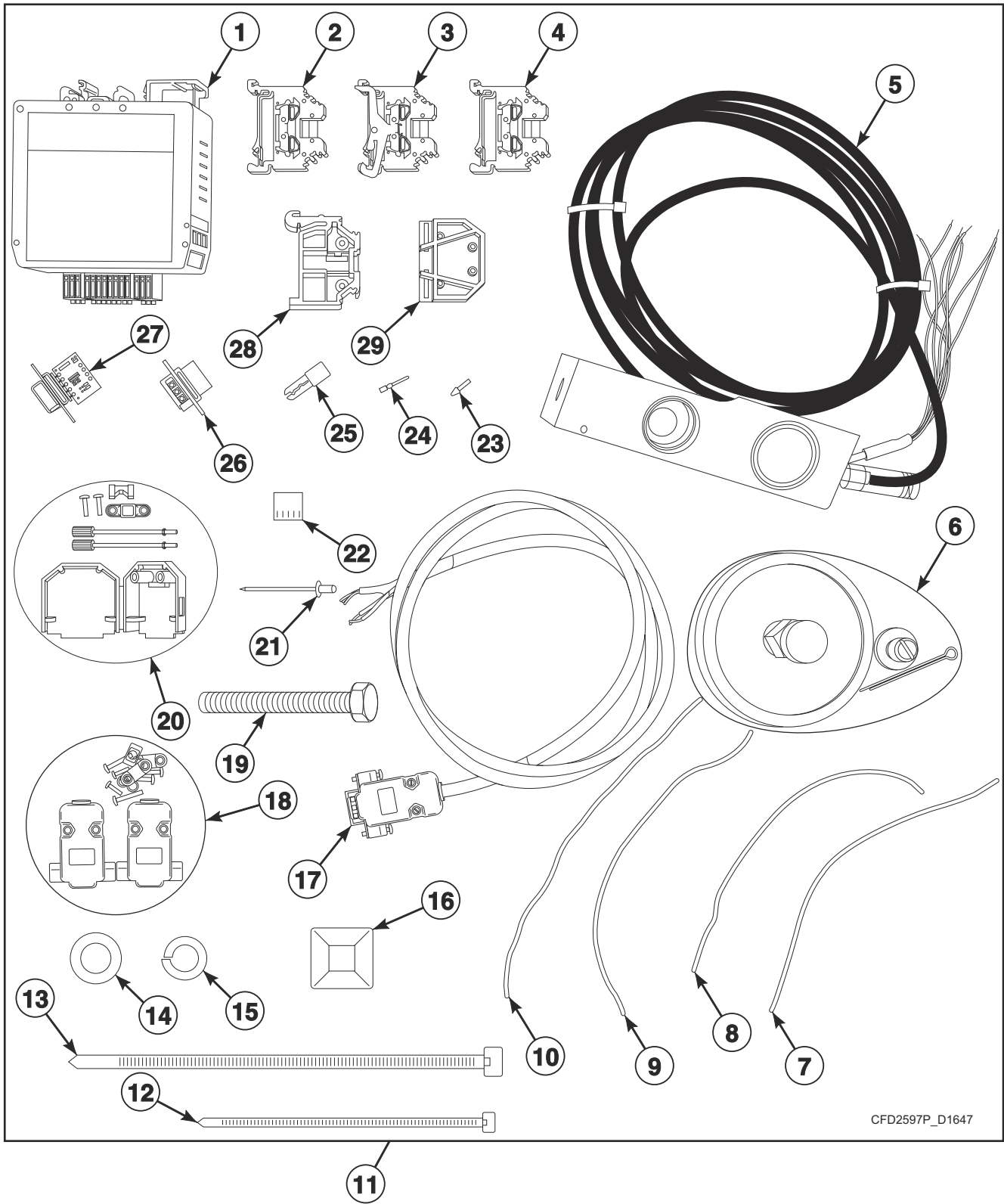


CFD2645P_D1647

Steam Heating

REF	PART NO.	DESCRIPTION	COMMENTS
1	SP515180	Steam Supply	26, 33, 260, 265, 330 and 332 models
	SP515179	Steam Supply	44, 66, 440, 442, 660 and 663 models
2	SP273454800034	External Steam Hose	
3	SP235134601314	Reducing Insert	
4	SP405054057008	Filter	1 inch
5	SP515166	Nut	
6	SPF02111001214	Washer	
7	SP515165	Extension	
8	SP554110	Coil	50/60 Hertz
9	SP514162	Steam Valve	3/4 inch
10	SP514166	Steam Valve Body	Without coil
11	SP554156	Connector	
12	SPF02116001814	Reduction	
13	SP515173	Steam Hose	26, 33, 260, 265, 330 and 332 models
	SP515009	Steam Hose	44, 66, 440, 442, 660 and 663 models
14	SP515176	Hose Holder	
15	SPPRI426002072	Elbow	3/4 inch
16	SP122110002215	Clip	
17	SP515174	Tube	26, 33, 260, 265, 330 and 332 models
	SP509665	Tube	44, 66, 440, 442, 660 and 663 models
18	SP515172	Steam Tube Holder	
19	SP311125000006	Washer	6.4
20	SP311127000006	Washer	6
21	SP310934000006	Nut	M6
22	SPB01117002014	Reduction	
23	SP515110	Steam Tube	

Weighing System

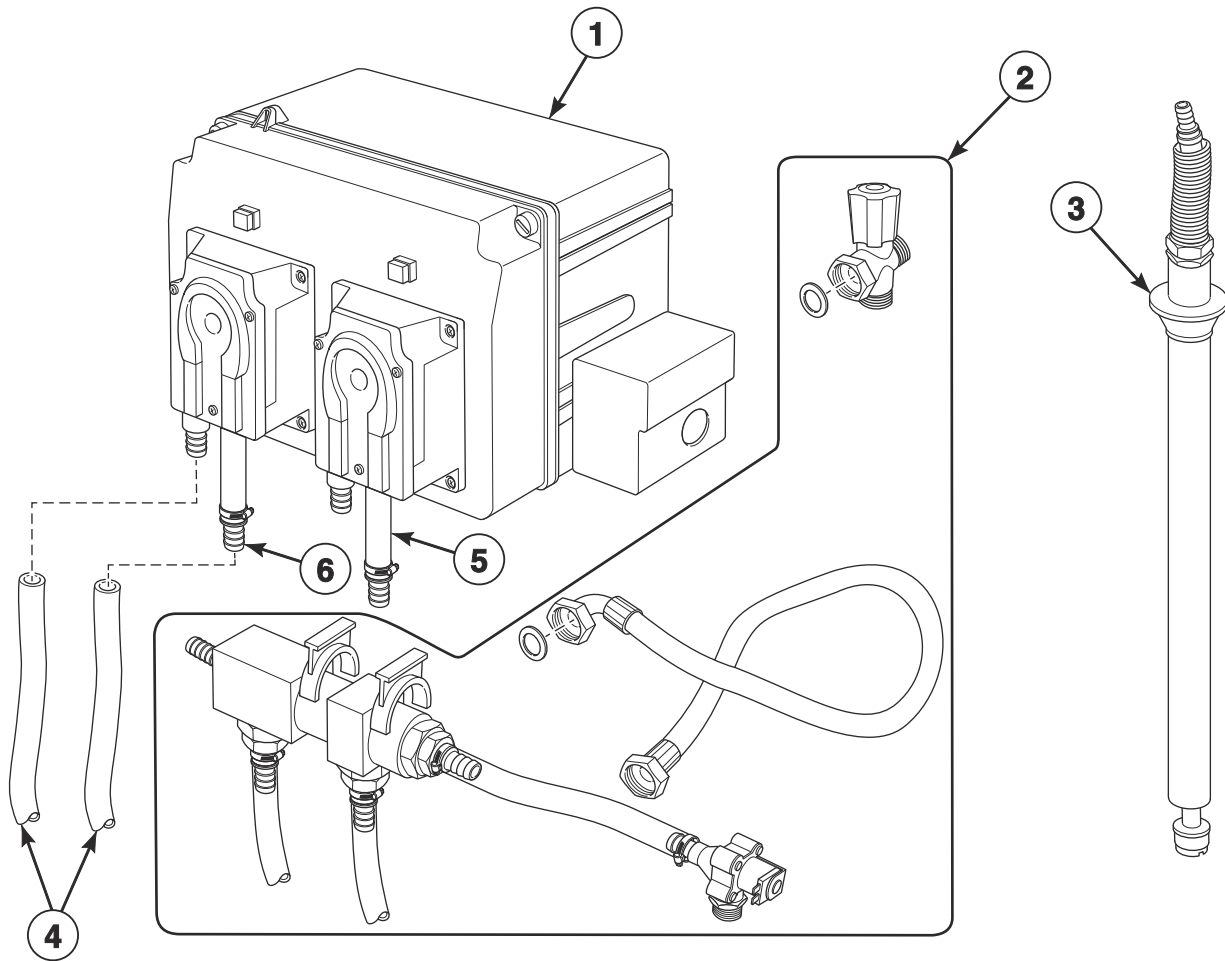


CFD2597P_D1647

Weighing System

REF	PART NO.	DESCRIPTION	COMMENTS
1	SP516968	Amplifier	
2	SP346000280107	Clamp	280-107; Green-Yellow
3	SP346000280104	Clamp	280-104; Blue
4	SP346000280101	Clamp	280-101; Gray
5	SP529101	Load Sensor	
6	SP516956	Adjustable Foot	Does not include clamp
7	SP505444	Conductor	0.35mm ² ; Green; l=0,6m
8	SP341413007001	Conductor	0.35mm ² ; Red; l=1,8m
9	SP341413007002	Conductor	0.53mm ² ; Orange; l=0,4m
10	SP505446	Conductor	0.35mm ² ; Blue; l=2m
11	SP526839	Weighing System Kit	
12	SP345000160971	Binding Strip	140x3.6
13	SP503817	Binding Strip	178x4.8
14	SP311125000013	Washer	13
15	SP311127000012	Washer	12
16	SPPRI350003050	Adhesive Fixing Index Plate	
17	SP341414000205	Shield Cable	Used with SP520082 Connector and SP347100306009 Connector Box; 2x0.5; Does not include connector
18	SP347100306009	Connector Box	Used with SP520082 Connector
19	SP309933001260	Bolt	M12x60
20	SP516997	Converter Box	Used with SP516964 Converter
21	SP313250004063	Rivet	4x6.3; Includes crank
22	SP516090	Connector	5 poles
23	SPPRI350002018	Contact	
24	SP345001662931	Contact Pin	
25	SP346000280402	Interconnection	280-402
26	SP520082	Connector	9 poles
27	SP516964	Converter	
28	SP346000209101	End Stop	
29	SP346000280301	Cover	

Liquid Soap Supply System - Pumps



CZW45P_D1647

Liquid Soap Supply System - Pumps

REF	PART NO.	DESCRIPTION	COMMENTS
	MB90-Z40	Supply Pump Kit	For two pumps
	MB90-Z41	Supply Pump Kit	For three pumps
	MB90-Z42	Supply Pump Kit	For four pumps
	MB90-Z43	Supply Pump Kit	For five pumps
	MB90-Z44	Supply Pump Kit	For six pumps
1	529742	Pump	Two
	529743	Pump	Three
	529744	Pump	Four
	529745	Pump	Five
	529746	Pump	Six
2	529789	Manifold Flush Kit	For two pumps
	529797	Manifold Flush Kit	For three pumps
	529798	Manifold Flush Kit	For four pumps
	529799	Manifold Flush Kit	For five pumps
	529800	Manifold Flush Kit	For six pumps
3	529787	Suction Tube	
4	SPPRI540020005	Hose	d10/14
5	529747	Hose	Spare hose for pump
6	547808	Connection	

Parts Index

A

Adhesive Fixing Index Plate	
SPPRI350003050	47, 55, 59
Adjustable Foot	
SP516956	59
Adjusting Rod	
SP230100005215	31
SP515452	31
Air Grate	
SP321848254108	9
Air Trap Reduction	
SPPRI503000027	45
Amplifier	
SP516968	59
Anchor Pad	
SP526848	5, 7
Antivibration Insulation	
SP100179	15, 17

B

Base Frame	
SP501001	5
SP501008	5
SP501009	7
SP501012	7
Bearing	
SPPRI608000041	31
SPPRI608000065	27
SPPRI608001065	27
Bearing Cover	
SPB01105200114	27
SPB01106200214	27
Bearing Housing	
SP540767	27
SP540768	27
Bearing Replacement Tool Kit	
SP538765	27
Belt	
SPPRI607000099	29
SP516679	29
Binding Strip	
SP345000160971	21, 43, 45, 59
SP345000160996	47
SP503817	59
Board Holder	
SPB01140100214	49
Bolt	
SPF02101001114	5, 7
SPPRI202003052	27
SP223110200415	37
SP309084000308	33
SP309084000310	37
SP309084000320	35
SP309084000410	29
SP309084000412	55
SP309084000416	49, 55
SP309084000420	51
SP309084100416	51

SP309084100610	5, 7, 19
SP309084240312	35
SP309084240408	15
SP309084240412	33, 35
SP309084240512	33
SP309444016070	5, 7
SP309595240612	15
SP309798500306	53
SP309798524408	33
SP309798524412	33
SP309912001040	19
SP309912121260	29
SP309916000506	29
SP309931008120	45
SP309933000612	53
SP309933000616	41, 51
SP309933000620	5, 7
SP309933000625	51
SP309933000820	13, 45
SP309933000830	55
SP309933001025	13
SP309933001030	5, 7
SP309933001230	31
SP309933001250	29
SP309933001260	59
SP309933001270	21
SP309933001299	21
SP309933240408	39
SP309933240610	33
SP309933240612	39
SP309933240618	19, 35
SP309933240815	19, 21
SP309933241025	23
SP309933241245	23
SP309963240516	41, 55
SP309963241030	23
SP309966240620	17
SP503572	23
SP506699	33
SP510954	45
SP514163	23
SP514493	21
SP516885	25
Bottom Cover	
SPB01113200113	17
SPB02113200113	17
SPB03113200113	17
SPB04113200113	17
Bottom Drain Elbow	
SP526669	45
Brace	
SP506800	33
Bracket	
SP531036	45
Brake Resistor	
SP100925	55
SP516747	55
Branch T	
SPPRI426002112	43
Bridge	
SPB01113002114	13
SPB02113002114	13
SPB03113002114	13
SPB04113002114	13

N/A items do not appear in index.

Bushing	
SPPRI350000047	35
Bushing Plate Weldment	
SP526758	11
SP531089	11

C

Cable Bushing	
SPPRI350000056	11
SPPRI350000058	11
Cable Channel	
SPPRI407000109	51
Cable Clamp	
SPF05109000214	29, 55
Cable Holder	
SPF07102200024	29
SP515861	9
Cable Passage	
SP273121009002	51
SP273121022002	51
Change Over Switch	
SPPRI348000113	11
Circuit Breaker	
SPPRI401013021	49
SPPRI401014021	49
SP524785	49
Clamp	
SP346000280101	59
SP346000280104	59
SP346000280107	59
Clamp Terminal	
SP524648	11, 49
SP524649	11
Clip	
SP122110002215	57
Closing Device	
SP541188	33
SP541189	33
Closure Pin	
SP515017	33
Coil	
SP554110	57
Collar	
SPB01116000514	13
SPB02116000514	13
SPB03116000514	13
SPB04116000514	13
Communication Cable	
SP516076	55
SP516077	55
SP520049	55
SP520050	55
SP520079	55
SP520080	55
Communication Unit	
SP516726	55
Complete Bottom Cover	
SPB01113200013	17
SPB02113200013	17
SPB03113200013	17
SPB04113200013	17
SP559525	17
SP559526	17

SP559527	17
SP559528	17
Complete Door	
SPB01113100013	15
SPB03113100013	15
Complete Left Hub	
SPB01105200012	27
Complete Lock	
SP541190	35
Complete Right Hub	
SPB01106200012	27
Complete Soap Hopper Cover	
SP223110700013	39
Complete Tension Roller	
SPB03106300014	31
Conductor	
SP341413007001	59
SP341413007002	59
SP505444	59
SP505446	59
Connecting Bridge	
SP524652	11
Connection	
547808	61
Connection Wall	
SP522090	41
Connector	
SP516090	59
SP520082	59
SP554156	57
Connector Box	
SP347100306009	59
Contact	
SPPRI350002018	59
Contact Block	
SP102260	13
Contact Pin	
SP345001662931	59
Contacto	
SPPRI345002019	47
SP514038	47
SP514042	47
Control Board	
SP516696	53
SP526008	53
Converter	
SP516964	59
Converter Box	
SP516997	59
Corrugated Tube	
SPPRI505000093	9, 41
Counterweight	
SP523060	23
Cover	
SP235110001413	39
SP346000014010	49
SP346000280301	59
SP524650	11
Cover Insert	
SP235111200013	39

N/A items do not appear in index.

D

Disk	
SPF02101500214	5, 7
Display	
SP531055	53
Display Holder	
SP531057	53
Display Lens	
SP520613	53
Distance Tube	
SPPRI543000005	51
Door	
SPB01113100112	15, 17
SPB03113100112	15, 17
SP515041	33
Door A	
SP523012	23
Door B	
SP523013	23
Door C	
SP523014	23
Door Frame	
SP512114	33
Door Gasket	
SP273114030559	33
Door Lock	
SPPRI610000075	35
Door Lock Hook	
SPPRI610000070	33
Door Pin	
SP235110001215	39
Dosing Tank	
SP506711	39
Drain Elbow	
SP519463	45
Drain Hose	
SPPRI505000091	45
Drain Valve	
SPPRI340055051	45
Drain Valve Chamber	
567183	45
Drain Valve Motor	
SPPRI340002051	45
Drawing Bar	
SPF02101500324	5, 7
Drum Gasket	
SPB01104002514	21
SPB03104002514	21
Drum Hinge	
SP515905	25

E

Earthing Index Plate	
SPPRI551000001	5, 7, 13, 19, 29, 35, 51
Elbow	
SPPRI426002072	43, 57
SPPRI504000069	37
SPPRI505000034	9, 41
SP223101400414	45
SP506727	43

Elbow Holder	
SPB01101200114	5, 7
Electrical Time Switch	
SP358126300000	49
Elimination Washer	
SPB01103002414	23
Emergency Stop Button	
SP102259	11, 13
End Stop	
SP273141307068	11
SP346000209101	11, 47, 59
Extension	
SPF02111001114	43
SP515165	57
Extension Relay Board Cable	
SP520187	51
External Drum	
SP541102	21
SP541103	21
SP541104	21
SP541105	21
External Drum Weldment	
SP541107	21
SP541108	21
SP541109	21
SP541110	21
External Steam Hose	
SP273454800034	57

F

Feather	
SP308726014050	23
Filter	
SP100452	55
SP405054057008	43, 57
SP516756	55
SP525935	55
Frame Weldment	
SP526734	9
SP526743	13
SP531042	9
SP531049	13
SP531061	13
SP531062	13
SP531106	9
SP531107	9
SP531122	13
SP531131	13
SP531132	13
SP531133	13
SP559531	9
SP559532	9
SP559537	13
SP559538	13
SP559539	13
SP559540	13
Frequency Inverter	
SP516734	55
SP525932	55
SP525933	55
SP528172	55
Frequency Inverter Board	
SP531038	55
SP531155	55

N/A items do not appear in index.

Frequency Inverter Channel	
SP531039	55
Frequency Inverter Fan	
SP528235	55
Frequency Inverter Holder	
SP509773	55
SP531240	55
Front Panel Weldment	
SP501005	21
SP501007	21
SP501015	21
SP501016	21
Fuse	
SPPRI401020021	49
SP358251632225	49
Fuse Case	
SP346000004010	49
Fuse Clip	
SP524653	47
Fuse Insert	
SP358251503160	49
SP358251503220	49
SP358251503240	49
Fuse Isolator	
SP358251601312	49
Fuse Plug	
SP524654	49

G

Gasket	
SPPRI520002025	27
SP273442016013	15, 17
SP540761	27
SP540762	27
SP540763	27
SP540764	27
Glass Door	
SP523181	15
SP523182	15
SP523183	15
SP523184	15
Greasing Head	
SP425111211043	27
Guide	
SPB01118001114	33
SP523037	25

H

Handle	
SPB01118001614	33
Heating Element	
SP540131	19
SP540132	19
Heating Element Hole Plug	
SPPRI342001016	19
Hinge	
SP514363	19
Hinge Cube	
SP506751	33
Hinge Pin	
SP523048	25

N/A items do not appear in index.

Holder	
SPF02110001214	37
Hook Lock	
SPPRI610002007	15
Horizontal Board	
SP531068	51
SP531157	51
Horizontal Distributing Board	
SPB01141000013	51
SPB03141000013	51
Hose	
SPB01114201514	41
SPB01114201614	41
SPPRI540000014	43
SPPRI540001019	9, 37
SPPRI540020005	61
SP223101401114	45
SP273124076090	45
SP273238003242	43
SP273238006076	41
529747	61
Hose Clamp	
SPPRI240000002	43
SPPRI240000003	9, 37, 45
SPPRI240000005	45
SPPRI240000007	45
SPPRI240000008	41, 43
SPPRI240000017	45
SPPRI240000021	9, 41
SPPRI241000017	45
Hose Holder	
SPB01114001514	41
SP515176	41, 57

I

Index Plate	
SP527270	9
SP527271	9
SP527272	9
Inlet Hose	
SPPRI505003055	43
Inlet Valve, 2-Way	
SP101344	43
Inlet Valve, 3-Way	
SP101345	43
Inner Door Weldment	
SP523015	25
SP523016	25
SP523017	25
Inner Plate	
SPB01113200514	17
SPB02113200514	17
SPB03113200514	17
SPB04113200514	17
Insert Tube	
SP235134601115	43
Insulation	
SPF02110001314	37
Insulation Tube	
SP283362004915	37
Interconnection	
SP346000280402	59

Isolation Paper	
SPPRI350012007	49

K

Keyboard	
SPPRI185000228	53
SP520681	53
SP525909	53
SP554984	53
SP554985	53

L

Label	
SPPRI551000006	11, 13
SPPRI551000047	9
SPS01100009214	11
SP230200007514	9, 11, 15, 17
SP520796	9
SP523382	9
SP548000091014	39
SP548011071014	11, 13
SP548100154014	11, 13
SP548100155014	11, 13
LCD Display	
SP526798	53
Leading Pin	
SP515032	33
Left Collar	
SP531090	9
SP531109	9
Left Leg	
SPB01107100012	5, 7
Left Shaft	
SPB01103002113	23
Liquid Soap Pump Electrical Connection Box	
SP534277	11
Load Sensor	
SP529101	59
Lock	
SPPRI610000007	15, 17
Lock Box	
SP541185	35
Lock Bushing	
SPPRI608001081	27
SP556733	29
SP556735	29
Lower Cube	
SP515022	33

M

Magnetic Switch	
SPPRI346000032	37
SP541187	33, 35
Magnetic Switch Magnet	
SPPRI346000031	39
Main Switch	
SPPRI404000098	13
SPPRI404000099	13
SP347700100753	13

SP347700125175	13
SP504589	13
Main Switch Knob	
SPPRI404000095	11
Manifold Flush Kit	
529789	61
529797	61
529798	61
529799	61
529800	61
Memory	
SP526001	53
Mixer	
SP526786	41
Motor	
SP338400112022	29
SP338400132022	29
Motor Plate	
SP548100084014	29
Motor Pulley	
SPB04106001114	29
SP501175	29

N

Nozzle	
SP235110001614	39
Nut	
SPPRI226000065	27
SPPRI350001047	35
SPPRI350001056	13
SPPRI350001058	13
SPPRI610005007	15, 17
SPPRI610006007	15
SP235110001715	39
SP310917240006	37
SP310934000003	33, 35, 37
SP310934000004	37, 53
SP310934000005	53
SP310934000006	5, 7, 45, 51, 55, 57
SP310934000008	45, 55
SP310934000010	5, 7, 13
SP310934000012	19, 31, 37
SP310934240004	33, 35, 39
SP310934240005	25, 33, 55
SP310934240006	9, 11, 19, 35, 39
SP310934240008	19
SP310934240010	23
SP310985000006	37
SP310985000008	9
SP310985000010	5, 7, 19
SP310985000012	5, 7, 29
SP310985000016	5, 7
SP313251000006	9, 51
SP313251002104	29, 47, 55
SP515166	57

O

Outer Door Sheet	
SP512115	33
Overflow Hose	
SPPRI505000094	45

N/A items do not appear in index.

P

Packing Part	
SPF02101500414	5, 7
Padlock	
SP523167	45
Pin	
SP223110200115	37
SP515021	19
SP541161	27
Pipe Coupling	
SP235134107315	45
SP523729	45
Pipe Nipple	
SPPRI426001220	43
SP235134600414	43
Plate	
SPB01113200214	17
SPB01114001214	9
SPB01116000614	13
SPB02113200214	17
SPB02116000614	13
SPB03113200214	17
SPB03116000614	13
SPB04113200214	17
SPB04116000614	13
Plate Weldment	
SP515039	33
SP541176	33
Plug	
SPPRI505000064	9
SP319428324805	19
SP345900025012	11, 35
SP345900032132	11
SP345900043132	9, 11
SP345900215120	11
SP526781	43
SP526790	9
Profile	
SPB01113200714	17
SPB02113200714	17
SPB03113200714	17
SPB04113200714	17
Profiled Sealing	
SPPRI505000058	19, 49
Programmer Label	
SP526764	53
SP526766	53
Pulley	
SP556732	29
SP556734	29
Pump	
529742	61
529743	61
529744	61
529745	61
529746	61
Push Button Cover	
SPPRI543000003	11
Pushbutton	
SP347000002003	11, 13

R

Rail	
SP346000210113	47, 51
Recycle Drain Valve	
SPPRI340072051	45
Reducing Insert	
SP235134601314	43, 57
Reduction	
SPB01117002014	57
SPF02116001814	57
SP526784	41
Relay Board Extension	
SP520139	51
Retaining Ring	
SP307732030025	31
SP307732031062	31
Right Collar	
SP531091	9
SP531110	9
Right Leg	
SPB01108100012	5, 7
Right Shaft	
SPB01103002213	23
Ring	
SP535617	27
SP535619	27
Rivet	
SP313250004063	49, 51, 59
SP313250004125	9, 11, 17
SP526659	23
Rivet Collar	
SP514128	23
Roller	
SPB03106300514	31
SPF04118000514	31
Rounded Plate	
SP531069	9
SP531108	9

S

Safety Lever	
SP321848480023	37
Screw	
SP101041	53
SP309084240410	11, 33
SP510856	53
SP526793	41
Seal	
SP273442021020	39
SP506708	43
Sealing Ring	
SPPRI530000047	27
SP512558	21
Serial Display Cable	
SP528073	53
Shield Cable	
SP341414000205	59
Shock Absorber	
SP326270001064	5, 7

N/A items do not appear in index.

Side Bar	
SPF02113200614	17
Sleeve	
SPF02101500114	5, 7
Soap Hopper	
SP555020	37
Soap Hopper Cover	
SP223110600013.....	39
Soap Hopper Cover Handle	
SP101161.....	15
Soap Hopper Level	
SP235110200014.....	39
Soap Hopper Lock	
SPF02110200014	37
Spacer	
SP101040	53
SP521444	53
Spring	
SP120102302325	37
SP315002005014	7
SP315011020005.....	5
SP315011180012.....	33
SP523043	25
SP523044	25
Spring Safety Pin	
SP523034	25
Spring Suspension	
SPB01107500014	5, 7
Spring Yoke	
SP510359	23
Stand Board	
SP526762	53
Steam Hose	
SP515009	57
SP515173	57
Steam Supply	
SP515179	57
SP515180	57
Steam Tube	
SP515110.....	57
Steam Tube Holder	
SP515172	57
Steam Valve	
SP514162	57
Steam Valve Body	
SP514166	57
Stop Lever	
SP515824	19
Strip	
SPB01113200314	17
SPB01113200414	17
SPB02113200314	17
SPB02113200414	17
SPB03113200314	17
SPB03113200414	17
SPB04113200314	17
SPB04113200414	17
Suction Tube	
529787	61
Supply Pump Kit	
MB90-Z40	61
MB90-Z41	61
MB90-Z42	61
MB90-Z43	61
MB90-Z44	61

Support	
SP523040.....	25
Switch	
SP100388.....	11

T

Temperature Sensor	
SPPRI340015019.....	19
SP503839.....	19
Tension Roller	
SPF02118100013.....	31
SPF04118000014.....	31
Terminal Board	
SPPRI350015007.....	49
SP506575.....	35
Thermostat Sensor Holder	
SPPRI614000047.....	19
Threaded Plate	
SP526128.....	41
Time Relay	
SPPRI345015045.....	49
Tongue	
SP506540.....	29
T-Part	
SPPRI505000078.....	45
Transformer	
SP101643.....	51
Tube	
SPB01114001016.....	9, 41
SP509665.....	57
SP515174.....	57
Tube Outlet	
SP506722.....	37
Tunnel	
SP531093.....	11
SP531098.....	11
SP531145.....	11
SP531146.....	11
Tunnel Cover	
SP526774.....	15
SP531079.....	15
SP531080.....	15
SP531081.....	15
SP531082.....	15
Tunnel Cover Weldment	
SP526778.....	11
Tunnel Weldment	
SP531094.....	11
SP531099.....	11
SP531147	11
SP531148.....	11

U

Upper Cube	
SP515023.....	33

N/A items do not appear in index.

V

Valve	
SP523728	45
SP567065	43
Ventilation	
SP509668	9
Vertical Board	
SPB01140000013	47
SPB02140000013	47
SPB03140000013	47
SPB04140000013	47
SP531067	47
SP531156	47
Vessel	
SP321848223000	39
Vibration Switch	
SPPRI345000068	9, 51
Vibration Switch Eye	
SP501128	19
SP501156	19
Vibration Switch Holder	
SP501125	9, 51
SP501126	9, 51

W

Washer	
SPF02111001214	43, 57
SPF02118000615	31
SPPRI247000001	15, 17
SPPRI247000003	33
SPPRI247000028	27
SPPRI521002001	15, 17
SP311125000003	37
SP311125000004	37, 51, 53, 55
SP311125000005	53
SP311125000006	5, 7, 9, 37, 45, 51, 57
SP311125000008	9, 45, 55
SP311125000010	5, 7, 13, 19
SP311125000013	19, 21, 29, 31, 59
SP311125000017	5, 7
SP311125100004	51
SP311125100006	5, 7, 19, 51
SP311125200006	19, 35
SP311125240003	33, 35
SP311125240004	33, 39
SP311125240005	33, 41, 55
SP311125240006	11, 19, 35, 39
SP311125240008	19
SP311127000003	37
SP311127000004	37, 53, 55
SP311127000005	53
SP311127000006	5, 7, 9, 51, 53, 55, 57
SP311127000008	45, 55
SP311127000010	5, 7, 13
SP311127000012	29, 31, 37, 59
SP311127000014	27
SP311127240003	33, 35
SP311127240004	33, 35, 39
SP311127240005	25, 33, 41, 55
SP311127240006	19, 33, 35, 39
SP311127240008	19, 21
SP311679800003	53
SP311679800004	29, 53

SP311679824003	53
SP311679824004	15, 35, 51
SP311679824006	5, 7, 11, 51
SP311902100004	53
SP311902100006	55
SP311902100008	45
SP311902100012	5, 7
SP523032	21
SP541177	35
Washing Drum	
SP523050	23
SP523051	23
SP523052	23
SP523053	23
Washing Drum Balance Weight	
SP506725	23
SP523082	23
Washing Drum Left Cross	
SPB03103500013	23
SP540765	23
Washing Drum Right Cross	
SPB03103600013	23
SP540766	23
Washing Drum Small Weight	
SP506757	23
Washing Drum Weldment	
SP515931	23
SP515937	23
SP523075	23
SP523076	23
Water Level Switch Hose	
SPPRI540001003	45
Weighing System Kit	
SP526839	59
Weight	
SPB01105001114	21
SP501043	21
SP506756	21
Window	
SP514273	33
Window Cover	
SP514276	33

N/A items do not appear in index.