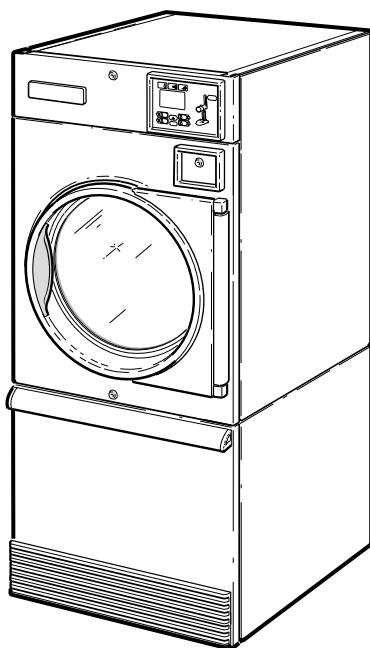


# Drying Tumblers

55 Pound Capacity

15 Digit Model Numbers with 2 in 12th Position

Refer to Page 5 for Model Numbers



T478C\_70407001



# Table of Contents

Title	Page
Parts Ordering Information.....	3
Serial Plate Location .....	3
Model Identification .....	5
Product Overview - Heat Source and Voltage .....	6
Product Overview - Control Suffixes (Drawing 1 of 3).....	8
Product Overview - Control Suffixes (Drawing 2 of 3).....	10
Product Overview - Control Suffixes (Drawing 3 of 3).....	12
Dual Digital Timer Control Components.....	14
DX4 Control Components .....	16
DMP Control .....	18
OPL Microprocessor Controls.....	20
Coin Drop Components for MDC Models.....	22
BY and BZ Control Option for MDC Models .....	24
Coin Drops .....	26
Coin Drop Kits.....	28
Coin Drop Components for Electronic Control Models .....	30
Card Reader Components for Electronic Control Models.....	32
Coin Drop Components for Quantum Control.....	34
Card Reader Components for Quantum Control .....	36
Network Board .....	38
Communication Board for Quantum Control.....	40
Coin Drop Components for Galaxy 600 Control .....	42
Card Reader Components for Galaxy 600 Control .....	44
UniLinc Control .....	46
LED OPL Control .....	48
Door Components.....	50
Hinge Components .....	52
Control Panels and False Fronts .....	54
Front Panel Assemblies .....	56
Cabinet Front Components.....	58
Emergency Stop Button for CE Models .....	60
Lower Cabinet Components .....	62
Cylinder Components .....	64
Cabinet Components .....	66
Fire Suppression System Components .....	68
Fire Suppression System Control Box.....	70
Drive Motor Components for Nonreversing Models.....	72
Drive Motor Components for Reversing Models .....	74
Blower Components.....	76
Moisture Sensing Components.....	78
Rotation Sensor .....	80

© Copyright 2023, Alliance Laundry Systems LLC

All rights reserved. No part of the contents of this book may be reproduced or transmitted in any form or by any means without the expressed written consent of the publisher.

Airflow Switch.....	82
Gas Burner Housing and Secondary Stove Limit .....	84
Gas Valve Assembly - Non-CE and Non-Australian Gas Models.....	86
Gas Valve and Piping - CE and Australian Gas Models .....	88
Electric Heater Components .....	90
Control Tray Harnesses for Gas Models.....	92
Control Tray for Non-CE and Non-Australian Gas Models .....	94
Control Tray Components for CE and Australian Gas Models (Drawing 1 of 2).....	96
Control Tray Components for CE and Australian Gas Models (Drawing 2 of 2).....	98
Control Tray Harnesses for Electric Models.....	100
Control Tray for Electric Models.....	102
Accessory Box Harnesses for Electric Models.....	104
Accessory Box for Non-CE Electric Models .....	106
Accessory Box for CE Electric Models.....	108
Parts Index.....	111

## Parts Ordering Information

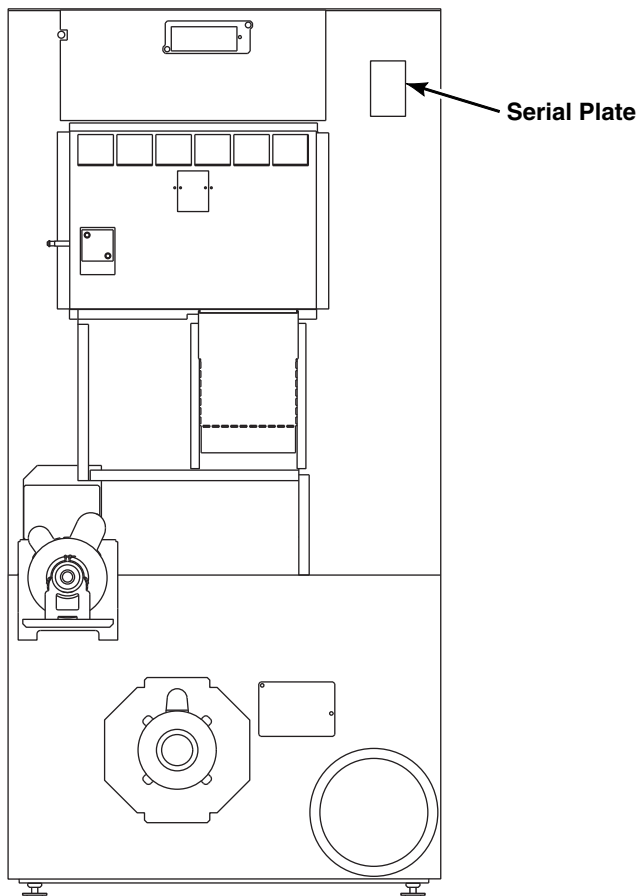
If literature or replacement parts are required, contact the source from whom the machine was purchased or contact Alliance Laundry Systems at (920) 748-3950 for the name and address of the nearest authorized parts distributor.

For technical assistance, call the number listed below:

(920) 748-3121 Ripon, Wisconsin

## Serial Plate Location

When calling or writing about your product, be sure to mention model and serial numbers. Model and serial numbers are located on serial plate(s) as shown.



TMB2098N\_70407001

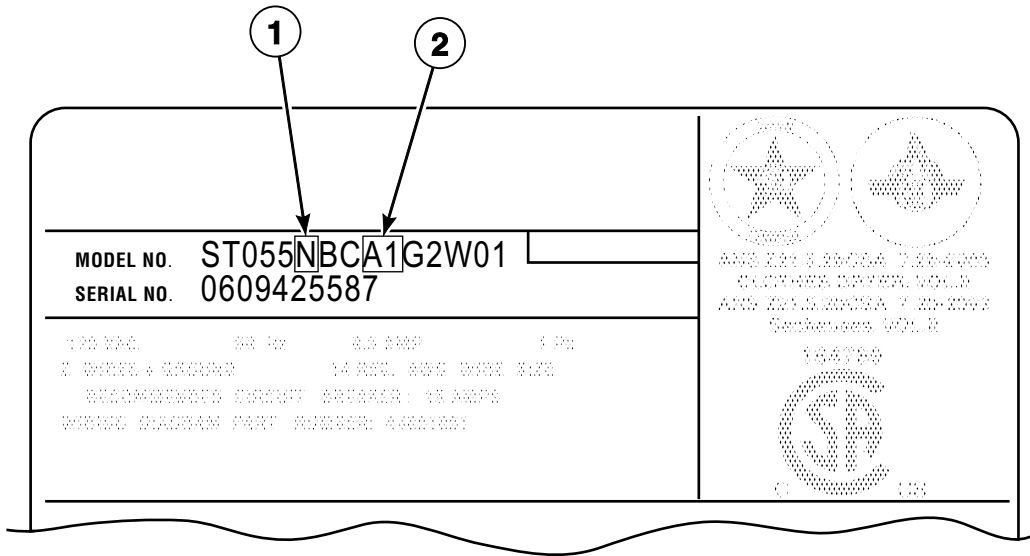


## Model Identification

Information in this manual is applicable to these tumbler models:

BA055L	GA055L	IT055E	MT055E	SA055L
BA055N	GA055N	IT055F	MT055F	SA055N
BH055E	GH055E	IT055L	MT055L	SH055E
BH055F	GH055L	IT055N	MT055N	SH055F
BH055L	GH055N	IT055R	MT055R	SH055L
BH055N	GK055N	KA055L	NH055E	SH055N
BH055R	GT055E	KA055N	NH055L	SH055R
BK055N	GT055L	KK055N	NH055N	SK055N
BK055R	GT055N	KT055E	NT055E	SK055R
BT055D	GU055E	KT055L	NT055L	ST055D
BT055E	GU055L	KT055N	NT055N	ST055E
BT055F	GU055N	KU055E	NU055E	ST055F
BT055L	HA055L	KU055L	NU055L	ST055L
BT055N	HA055N	KU055N	NU055N	ST055N
BT055R	HH055E	LA055L	PA055L	ST055R
BU055E	HH055F	LA055N	PA055N	SU055E
BU055F	HH055L	LK055N	PH055E	SU055F
BU055L	HH055N	LT055E	PH055L	SU055L
BU055N	HH055R	LT055L	PH055N	SU055N
BU055R	HK055N	LT055N	PK055N	SU055R
CA055L	HK055R	LU055E	PT055E	UA055L
CA055N	HT055D	LU055L	PT055L	UA055N
CK055N	HT055E	LU055N	PT055N	UH055E
CK055R	HT055F		PU055E	UH055F
CT055E	HT055L		PU055L	UH055L
CT055F	HT055N		PU055N	UH055N
CT055L	HT055R			UH055R
CT055N	HU055E			UK055N
CT055R	HU055F			UK055R
CU055E	HU055L			UT055E
CU055F	HU055N			UT055F
CU055L	HU055R			UT055L
CU055N				UT055N
CU055R				UT055R
				UU055E
				UU055F
				UU055L
				UU055N
				UU055R

# Product Overview - Heat Source and Voltage



TMB2818P\_70407001

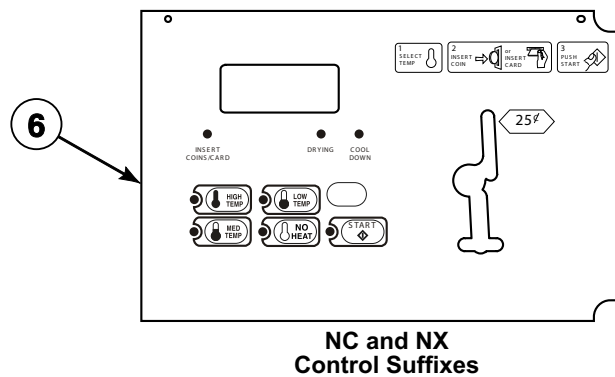
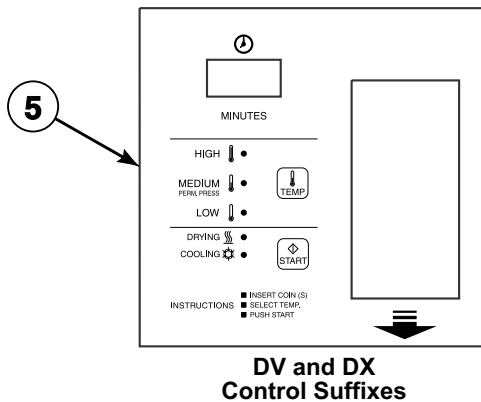
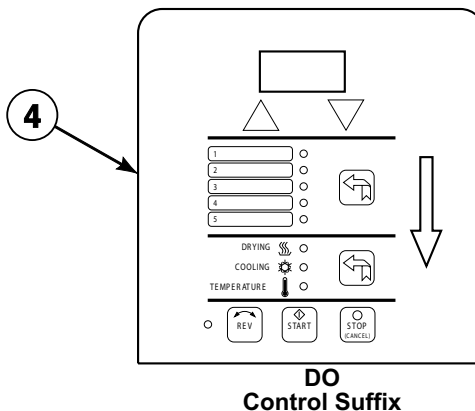
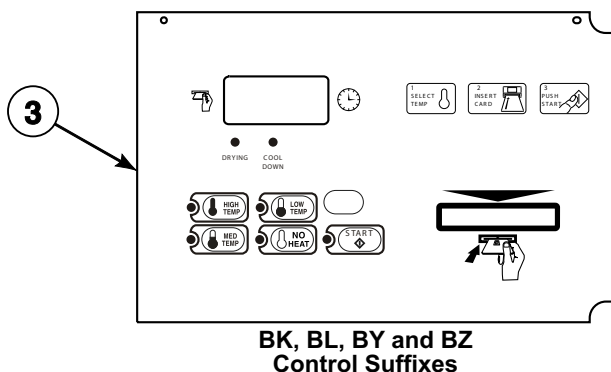
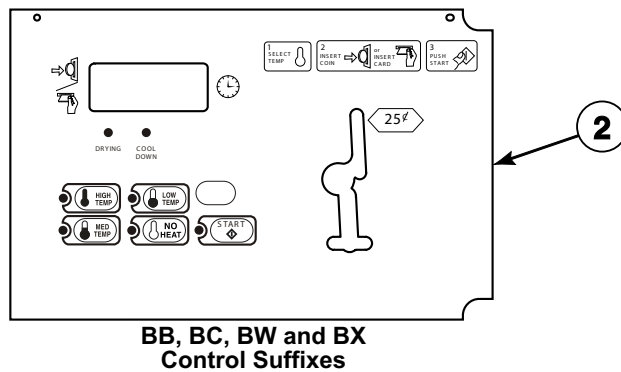
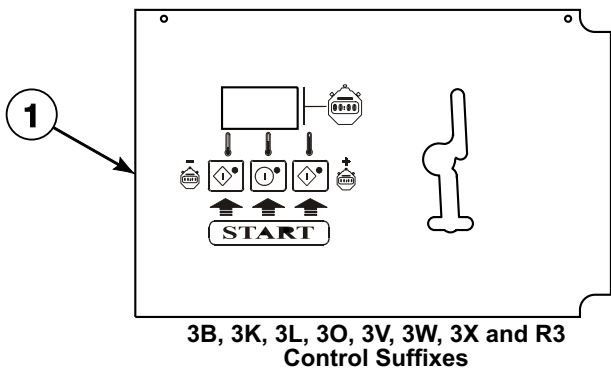
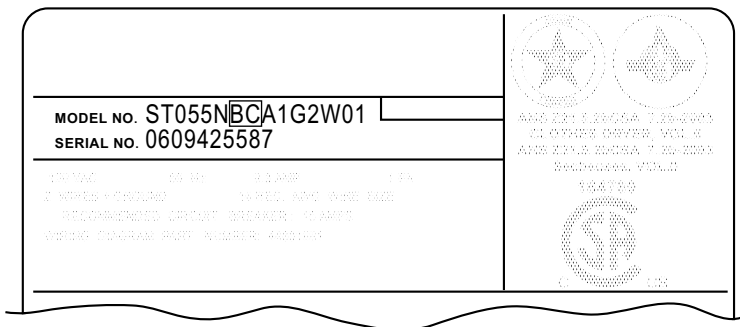


## Product Overview - Heat Source and Voltage

REF	PART NO.	DESCRIPTION	COMMENTS
1	-	Heat Source	D: Liquid Petroleum Gas (L.P.) E: Electric F: Reduced Electric (Eco Line) L: Liquid Petroleum Gas (L.P.) N: Natural Gas (N.G.) R: Reduced Gas, Natural Gas (Eco Line)
2	-	Voltage	A1: 100, 200 Volt/50 Hertz/1 Phase A2: 100, 200-220 Volt/60Hertz/1 Phase B2: 120, 208-240 Volt/60 Hertz/1 Phase; For high Amp motors B3: 120, 208-240 Volt/60 Hertz/1 Phase; For low Amp motors F1: 200 Volt/50 Hertz/1 Phase F2: 200 Volt/60 Hertz/1 Phase F4: 200 Volt/50 Hertz/3 Phase F5: 200-208 Volt/60 Hertz/3 Phase F6: 200-208, 240 Volt/60 Hertz/3 Phase G1: 208 Volt/60 Hertz/1 Phase G2: 208-240 Volt/60 Hertz/1 Phase J1: 230 Volt/50 Hertz/1 Phase J2: 230-240 Volt/50 Hertz/1 Phase J4: 240 Volt/60 Hertz/1 Phase J5: 230 Volt/50 Hertz/3 Phase J6: 230-240 Volt/50 Hertz/3 Phase J8: 240 Volt/60 Hertz/3 Phase M1: 380 Volt/50 Hertz/3 Phase M2: 380, 400-415 Volt/50 Hertz/3 Phase M3: 380 Volt/60 Hertz/3 Phase N1: 400-415 Volt/50 Hertz/3 Phase P1: 440 Volt/60 Hertz/3 Phase Q1: 460-480 Volt/60 Hertz/3 Phase

# Product Overview - Control Suffixes (Drawing 1 of 3)

All Models Except M Models



TMB3277P\_70407001

## Product Overview - Control Suffixes (Drawing 1 of 3)

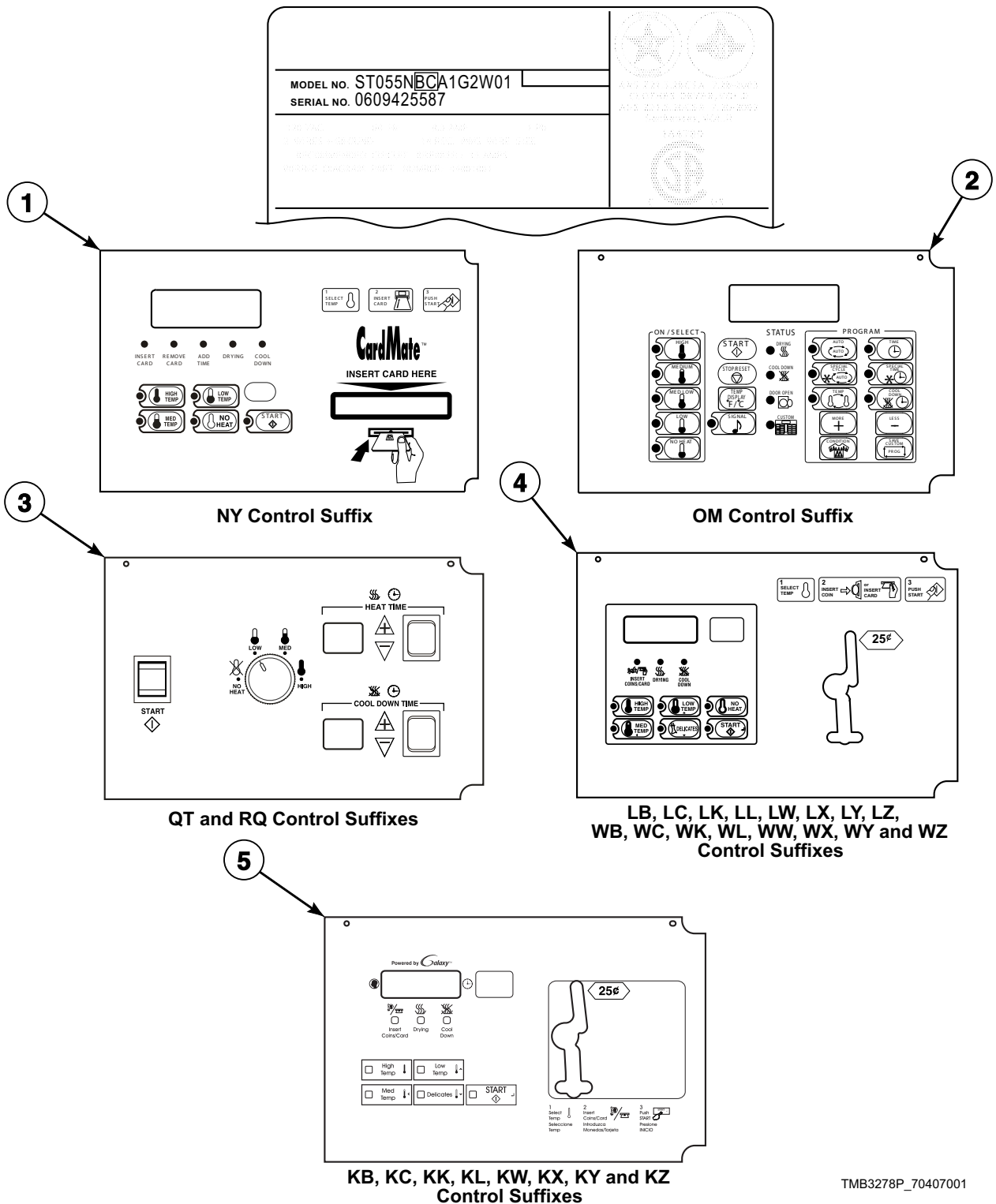
REF	PART NO.	DESCRIPTION	COMMENTS
1	-	Control - Nonreversing	3L: DX4 prep for central pay 3O: DX4 OPL 3V: DX4 vended 3X: DX4 prep for coin
	-	Control - Reversing	3B: reversing DX4 vended 3K: reversing DX4 prep for central pay 3W: reversing DX4 prep for coin R3: reversing DX4 OPL
2	-	Control - Nonreversing	BC: basic electronic, coin BX: basic electronic, prep for coin
	-	Control - Reversing	BB: reversing basic electronic, coin BW: reversing basic electronic, prep for coin
3	-	Control - Nonreversing	BL: basic electronic, prep for central pay BY: basic electronic, prep for card
	-	Control - Reversing	BK: reversing basic electronic, prep for central pay BZ: reversing basic electronic, prep for card
4	-	Control - Nonreversing	DO: DMP OPL
5	-	Control - Nonreversing	DV: DMP vended DX: DMP prep for coin
6	-	Control - Nonreversing	NC: NetMaster coin NX: NetMaster, prep for coin

**NOTE: Coin models have the following control suffixes: 3B, 3K, 3L, 3V, 3W, 3X, BB, BC, BK, BL, BW, BX, BZ, DV, DX, NC and NX**

**NOTE: OPL models have the following control suffixes: 3O, BY, DO and R3**

# Product Overview - Control Suffixes (Drawing 2 of 3)

All Models Except B and P Models



TMB3278P\_70407001

## Product Overview - Control Suffixes (Drawing 2 of 3)

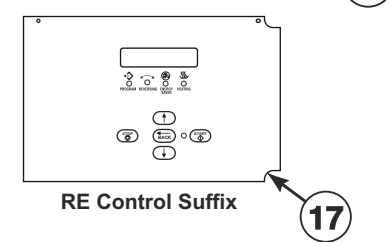
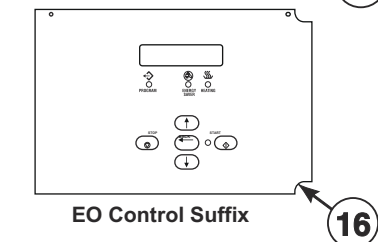
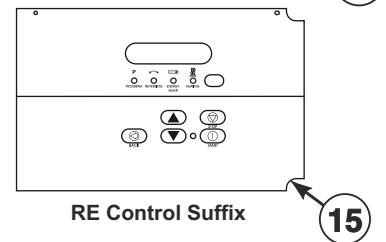
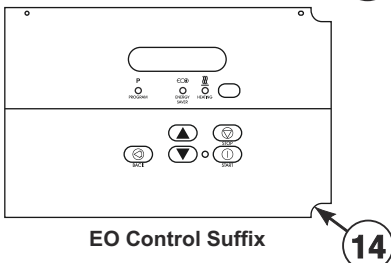
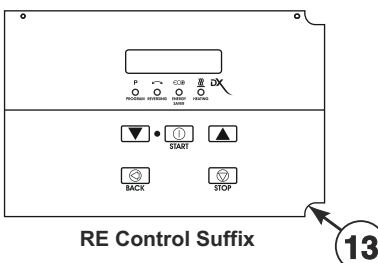
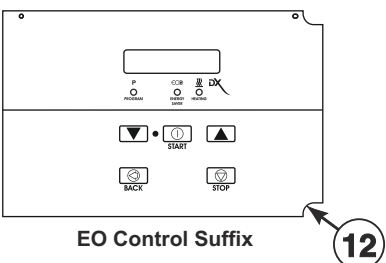
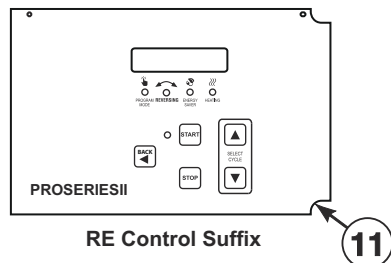
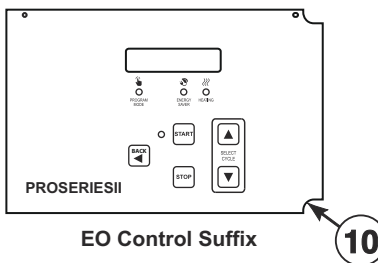
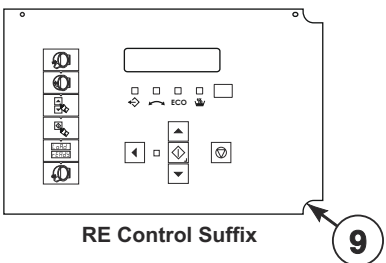
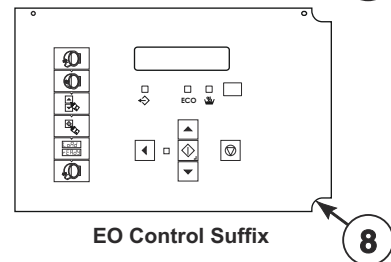
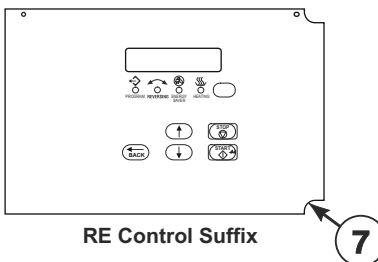
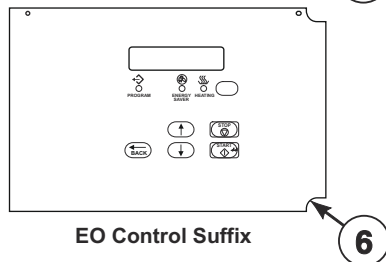
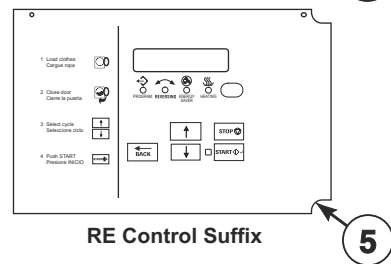
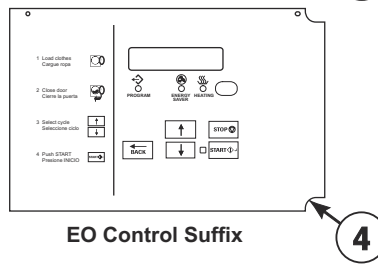
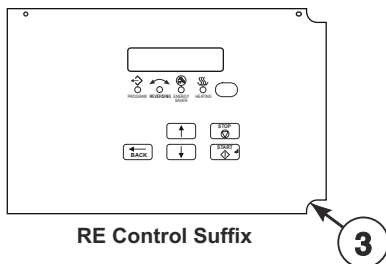
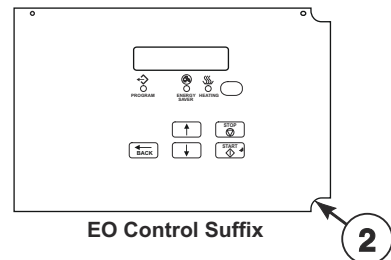
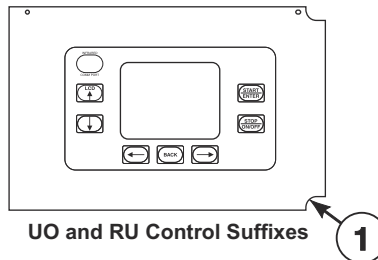
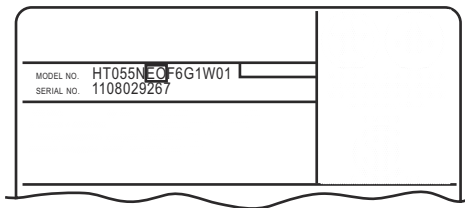
REF	PART NO.	DESCRIPTION	COMMENTS
1	-	Control - Nonreversing	NY: NetMaster, prep for card
2	-	Control - Nonreversing	OM: OPL micro
3	-	Control - Nonreversing	QT: dual digital timer
	-	Control - Reversing	RQ: reversing dual digital timer
4	-	Control - Nonreversing	LC: network adaptable coin LL: network adaptable, prep for central pay LX: network adaptable, prep for coin LY: network adaptable, prep for card WC: network ready coin WL: network ready, prep for central pay WX: network ready, prep for coin WY: network ready, prep for card
	-	Control - Reversing	LB: reversing network adaptable coin LK: reversing network adaptable, prep for central pay LW: reversing network adaptable, prep for coin LZ: reversing network adaptable, prep for card WB: reversing network ready coin WK: reversing network ready, prep for central pay WW: reversing network ready, prep for coin WZ: reversing network ready, prep for card
5	-	Control - Nonreversing	KC: single coin KL: prep for central pay KX: prep for coin KY: prep for card
	-	Control - Reversing	KB: reversing single coin KK: reversing prep for central pay KW: reversing prep for coin KZ: reversing prep for card

**NOTE: Coin models have the following control suffixes: KB, KC, KK, KL, KW, KX, KY, KZ, LB, LC, LK, LL, LW, LX, LY, LZ, WB, WC, WK, WL, WW, WX, WY and WZ**

**NOTE: OPL models have the following control suffixes: NY, OM, QT and RQ**

# Product Overview - Control Suffixes (Drawing 3 of 3)

All Models Except M Models



TMB3394P\_70407001

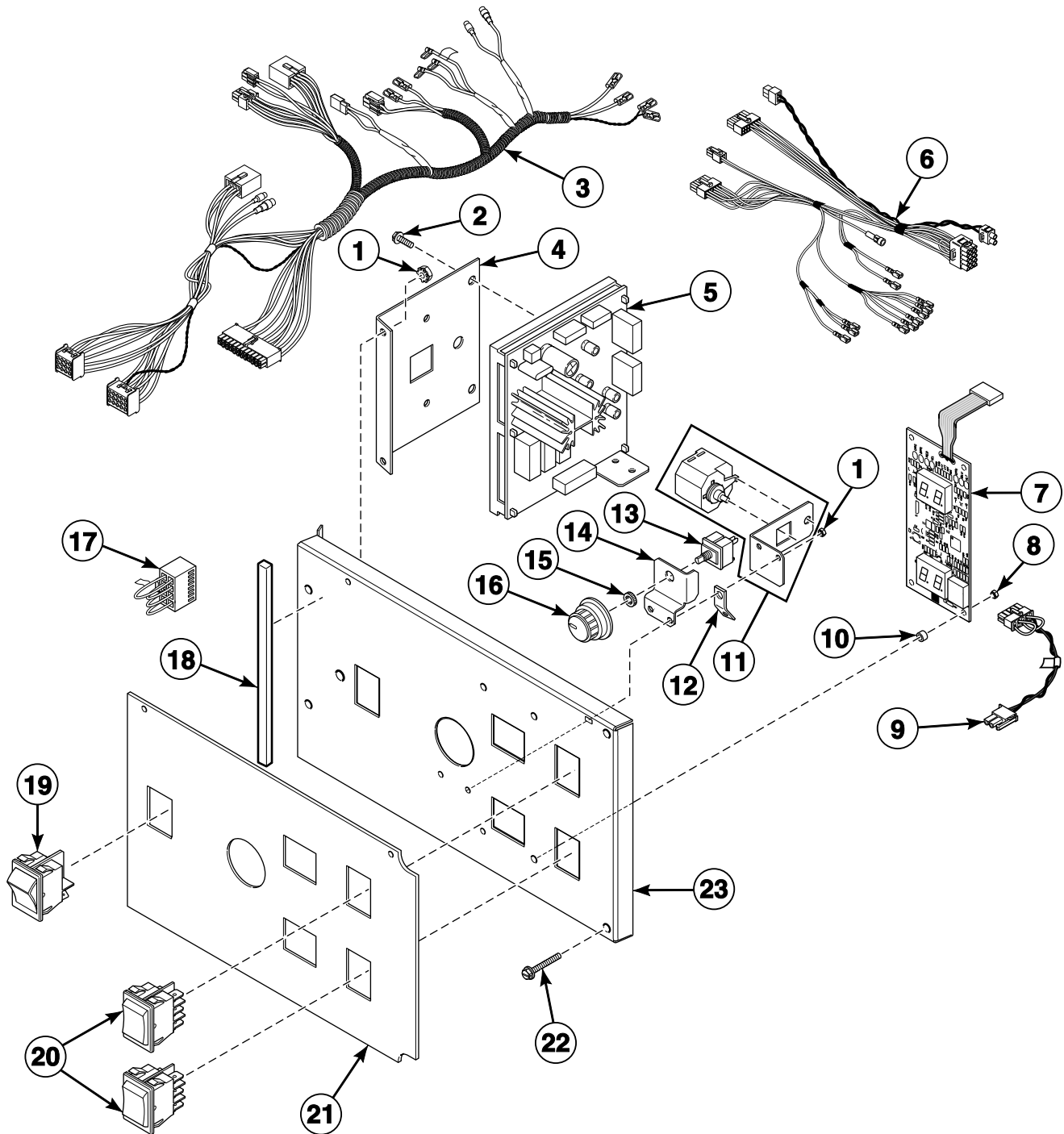
## Product Overview - Control Suffixes (Drawing 3 of 3)

REF	PART NO.	DESCRIPTION	COMMENTS
1	-	Control - Nonreversing	U models; UO: UniLinc OPL
	-	Control - Reversing	U models; RU: reversing UniLinc OPL
2	-	Control - Nonreversing	S models; EO: LED OPL
3	-	Control - Reversing	S models; RE: reversing LED OPL
4	-	Control - Nonreversing	H models; EO: LED OPL
5	-	Control - Reversing	H models; RE: reversing LED OPL
6	-	Control - Nonreversing	U models; EO: LED OPL
7	-	Control - Reversing	U models; RE: reversing LED OPL
8	-	Control - Nonreversing	B, C and I models; EO: LED OPL
9	-	Control - Reversing	B, C and I models; RE: reversing LED OPL
10	-	Control - Nonreversing	G and K models; EO: LED OPL
11	-	Control - Reversing	G and K models; RE: reversing LED OPL
12	-	Control - Nonreversing	P models through 5/31/15; EO: LED OPL
13	-	Control - Reversing	P models through 5/31/15; RE: reversing LED OPL
14	-	Control - Nonreversing	L and P models starting 6/1/15; EO: LED OPL
15	-	Control - Reversing	L and P models starting 6/1/15; RE: reversing LED OPL
16	-	Control - Nonreversing	N models; EO: LED OPL
17	-	Control - Reversing	N models; RE: reversing LED OPL

**NOTE: OPL models have the following control suffixes: EO, RE, RU and UO**

# Dual Digital Timer Control Components

C, H, I, L, N, P, S and U Models  
G and K Models Starting 1/16/12  
Models with QT and RQ Control Suffixes



TMB2646P\_70407001

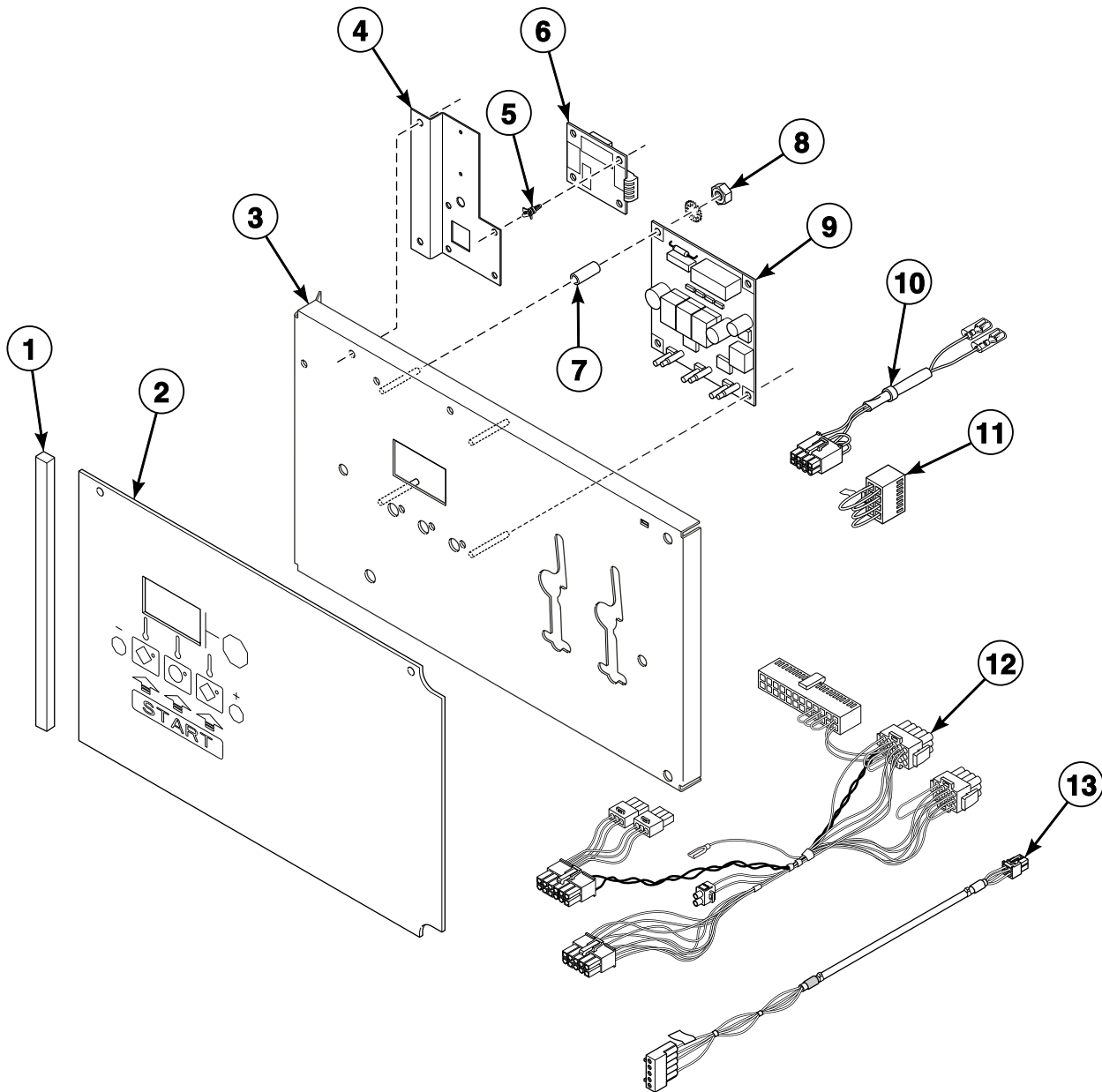


## Dual Digital Timer Control Components

REF	PART NO.	DESCRIPTION	COMMENTS
	70370201P	Control Set	Includes items 1, 2, 4-8, 10, 12-16, 19, 20 and 23
1	70054	Nut	
2	D501524	Screw	
3	70467801	Main Harness	Electric models need 55881 Harness Strap to hold harness out of the way of heater elements; Models through 7/31/11 and starting again 7/9/12
	70441301	Main Harness	Electric models need 55881 Harness Strap to hold harness out of the way of heater elements; Models starting 8/1/11 through 7/8/12
4	70357901	Control Chassis Mounting Bracket	
5	D512202P	Control Assembly	
6	70367001P	Control Panel Harness	
7	D512218P	Display Assembly	C and I models through 7/14/14; All other models
	70503101P	Control Assembly	C and I models starting 7/15/14
8	29787	Nut	
9	70324602	Jumper Calibration Wire	
10	56079	Panel Locator	
11	M4860P3	Buzzer Kit	Includes buzzer, bracket and harness
12	00177	Male Tab Terminal	
13	D511711	Temperature Selector Switch	
14	70391701	Temperature Selector Switch Bracket	
15	24205	Nut	
16	44104601	Temperature Knob	
17	70364103	Bypass Harness	Non-CE models
18	70414101	Foam Gasket	
19	70455101	Rocker Switch	Start
20	70461301	Rocker Switch	
21	70362201	Overlay	G, K, L, N and S models; P models starting 1/15/15; C and I models through 7/14/14; U models through 8/17/14; Nonreversing
	70362202	Overlay	G, K, L, N and S models; P models starting 1/15/15; C and I models through 7/14/14; U models through 8/17/14; Reversing
	70504701	Overlay	C and I models starting 7/15/14; Nonreversing
	70504702	Overlay	C and I models starting 7/15/14; Reversing
	70494001	Overlay	U models; Models starting 8/18/14; Nonreversing
	70494002	Overlay	U models; Models starting 8/18/14; Reversing
	70362501	Overlay	H models; Nonreversing
	70362502	Overlay	H models; Reversing
	70362401	Overlay	P models through 1/15/15; Nonreversing
	70362402	Overlay	P models through 1/15/15; Reversing
22	70069901	Screw	
23	70360601	Control Plate Assembly	

# DX4 Control Components

B and I Models with 3B, 3K, 3L, 3O, 3V, 3W, 3X and R3 Control Suffixes



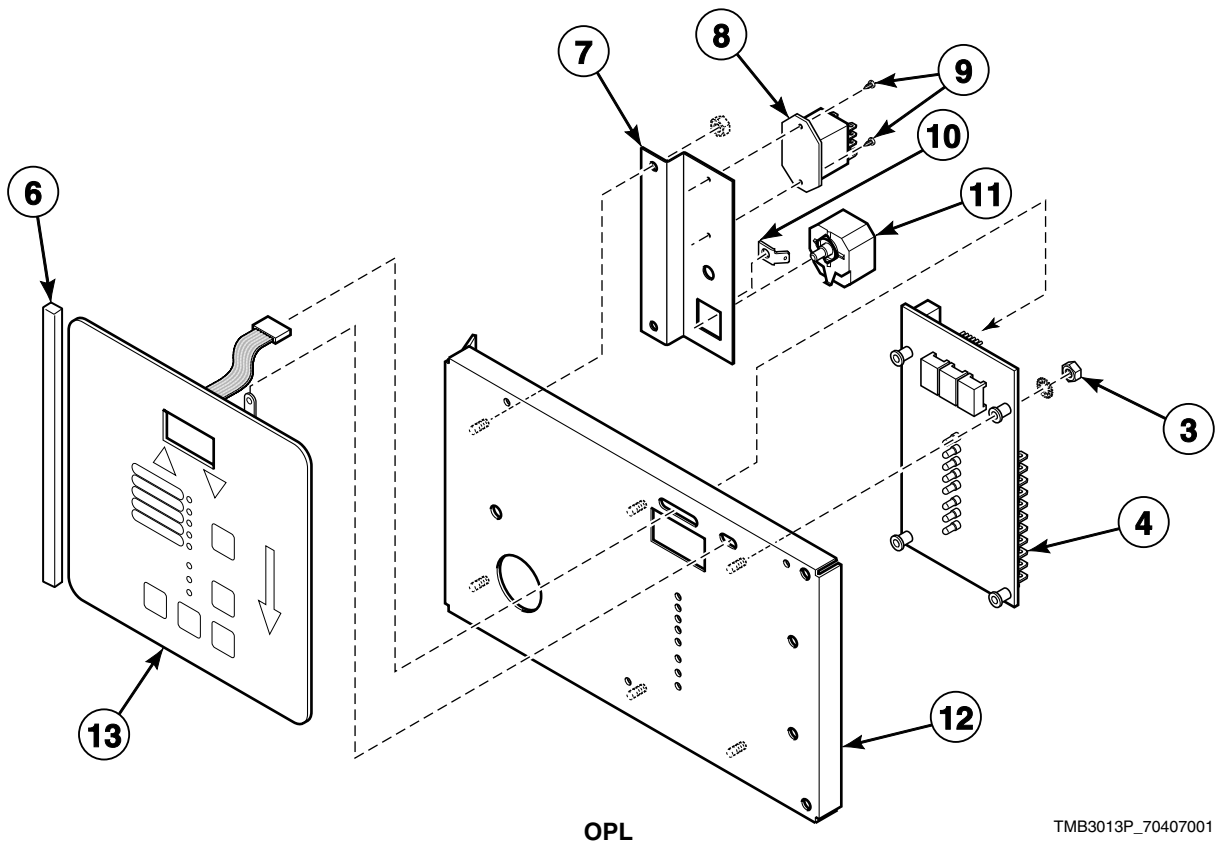
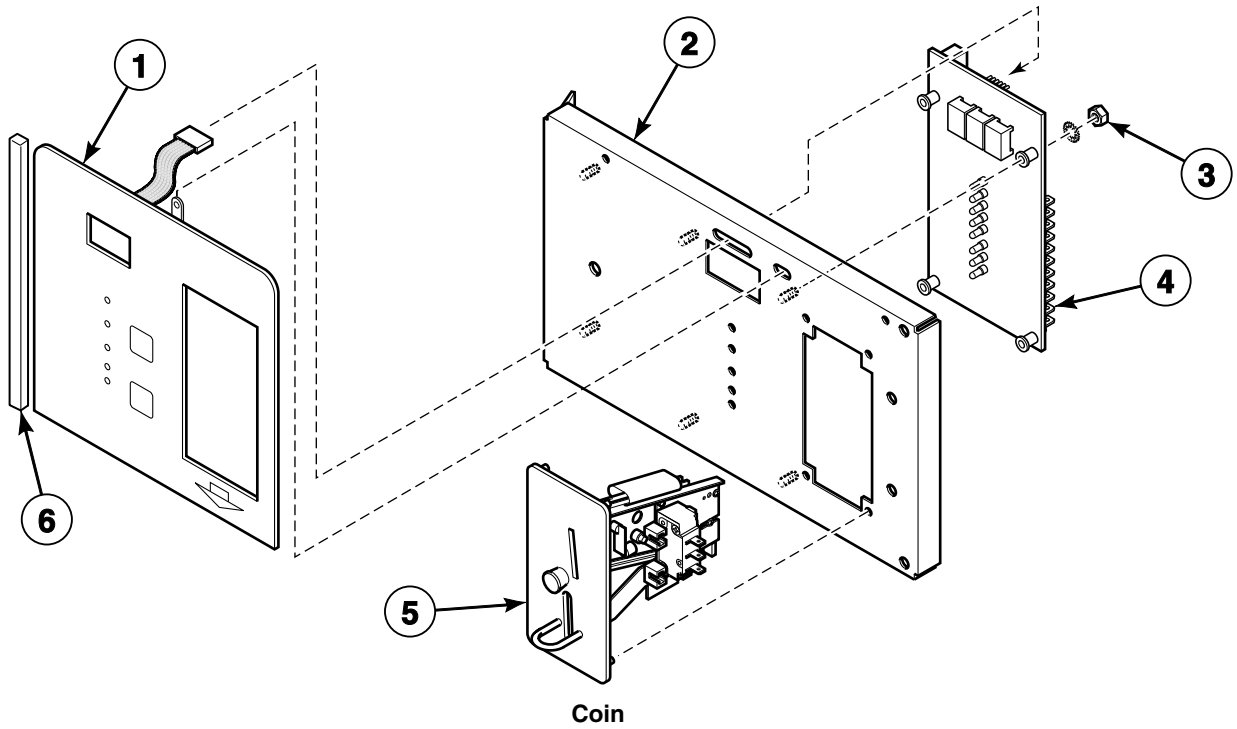
TMB3271P\_70407001

## DX4 Control Components

REF	PART NO.	DESCRIPTION	COMMENTS
1	70414101	Foam Gasket	
2	44240501	Graphic Overlay	OPL
	44050501	Graphic Overlay	Coin; Single drop; Models through 7/31/11
	44239401	Graphic Overlay	Coin; Single drop; Models starting 8/1/11
	44050502	Graphic Overlay	Coin; Dual drop; Models through 7/31/11
	44239402	Graphic Overlay	Coin; Dual drop; Models starting 8/1/11
	44239403	Graphic Overlay	Prep for central pay
3	44050701P	Control Plate Kit	
4	44263501	Bracket	CE models; All other models with 3K and 3L control suffixes
5	211/00119/00	Standoff	4 required
6	209/00471/75	Central Pay Interface Control Assembly	3K and 3L control suffixes
7	44050601	Sleeve	4 required
8	29787	Nut	
9	70462301P	Control Assembly	3O control suffix
	70462302P	Control Assembly	R3 control suffix
	70462361P	Control Assembly	3V and 3X control suffixes
	70462362P	Control Assembly	3B and 3W control suffixes
	70462369	Control Assembly	3K and 3L control suffixes
10	70364104P	Coin Vault Switch Harness	3V and 3B control suffixes; Non-CE models
11	70364103	Bypass Harness	3O, 3W, 3X and R3 control suffixes; Non-CE models
12	70489901	Control Panel Harness	Australian and CE models
	70485301	Control Panel Harness	All other models
13	70491501	Central Pay Harness	3K and 3L control suffixes

# DMP Control

C and I Models with DO, DV and DX Control Suffixes  
Coin Models Through 4/1/10; OPL Models Through 7/31/11



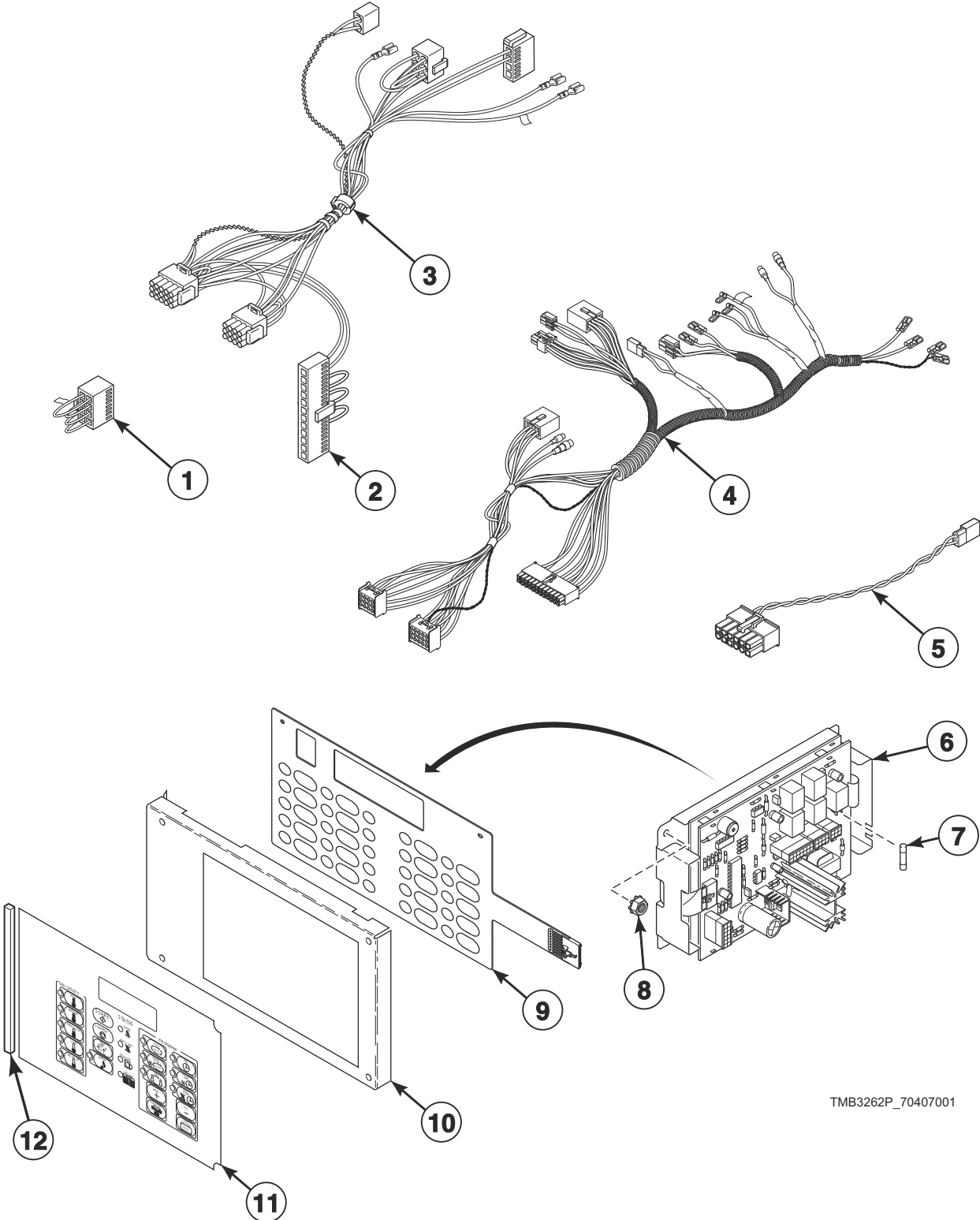
TMB3013P\_70407001

## DMP Control

REF	PART NO.	DESCRIPTION	COMMENTS
1	44039402P	Membrane Switch	Coin; DV and DX control suffixes
2	44041001	Control Plate Assembly	Coin; Includes studs; DV and DX control suffixes
3	29787	Nut	
4	44037801P	Electronic Control	
5	44039701P	Coin Drop Assembly	United States; \$.25
	44039702	Coin Drop Assembly	Mexico; 2 peso
	44039703	Coin Drop Assembly	Token; .880
	44039704	Coin Drop Assembly	Japan; 100 yen
	44039705	Coin Drop Assembly	England; 20 pence
	44039706	Coin Drop Assembly	Token; .800
	44039707	Coin Drop Assembly	England; 50 pence
6	70414101	Foam Gasket	
7	44041701	Relay/Buzzer Bracket	
8	M412534	Relay	
9	M402797	Screw	
10	00177	Male Tab Terminal	
11	D505447	Adjustable Buzzer	
12	44040901	Control Plate Assembly	OPL; Includes studs; DO control suffix
13	44037901P	Membrane Switch	OPL; DO control suffix

# OPL Microprocessor Controls

H, S and U Models Through 7/31/11  
G and K Models Through 1/1/12  
Models with OM Control Suffix



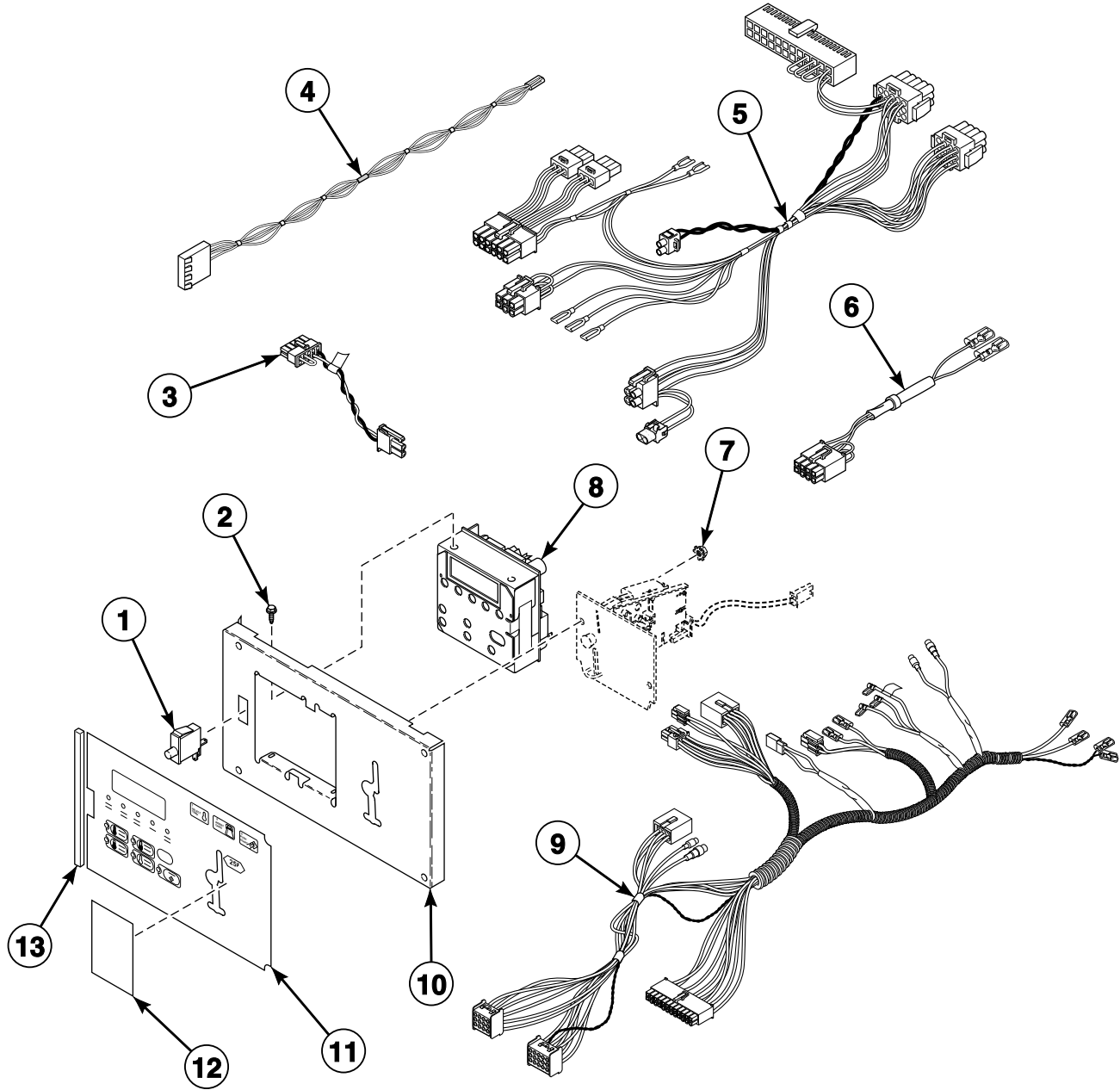
TMB3262P\_70407001

# OPL Microprocessor Controls

REF	PART NO.	DESCRIPTION	COMMENTS
	M4689P3	Electronic OPL Control Kit	Dual secondary transformers (M414228 Transformer for 100-240 VAC and M414229 Transformer for 380-480 VAC) must be used with this kit; Does not include overlay or harness
	M4457P3	RC Filter Kit	Includes (2) F330217P RC Filter and instructions
<b>1</b>	70364103	Bypass Harness	Non-CE models
<b>2</b>	70335301P	Control Panel Harness	
<b>3</b>	M413930P	Ferrite Core Assembly	
<b>4</b>	70467801	Main Harness	Electric models need 55881 Harness Strap to hold harness out of the way of heater elements; Models through 7/31/11
	70441301	Main Harness	Electric models need 55881 Harness Strap to hold harness out of the way of heater elements; Models starting 8/1/11 through 1/1/12
<b>5</b>	70084301	Jumper Calibration Assembly	
<b>6</b>	70228401P	Control Kit	
<b>7</b>	70406501	Fuse	1.25 Amp
<b>8</b>	70054	Nut	
<b>9</b>	M414368P	Membrane Switch	
<b>10</b>	70175805	Control Plate Assembly	Includes studs
<b>11</b>	70115801	Overlay	S and U models; Icon and English
	70130401	Overlay	S and U models; Icon
	70128701	Overlay	H models; Icon and English
	70130601	Overlay	H models; Icon
	44130002	Overlay	G and K models
<b>12</b>	70414101	Foam Gasket	

# Coin Drop Components for MDC Models

H, I, K, L, N, P and S Models with BB, BC, BK, BL, BW and BX Control Suffixes



TMB3272P\_70407001



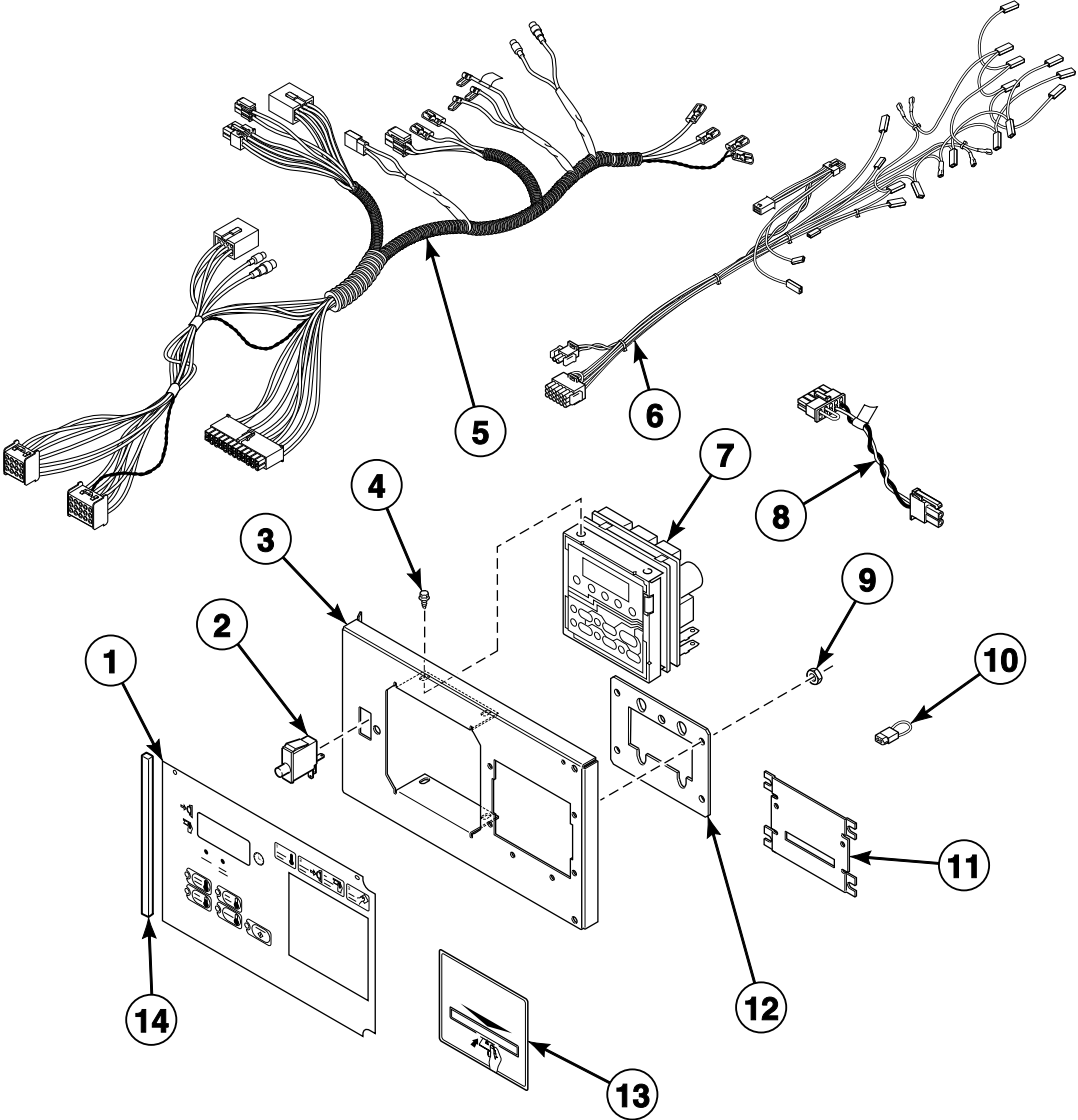
## Coin Drop Components for MDC Models

REF	PART NO.	DESCRIPTION	COMMENTS
1	70413301	Pushbutton Switch	
2	D501524	Screw	4 required for mounting control
3	70324602	Jumper Calibration Wire	
4	70484601	Central Pay Harness	BK and BL control suffixes
5	70368001P	Control Panel Harness	Control panel to main harness
6	70364104P	Coin Vault Switch Harness	Non-CE models
7	70054	Nut	3 required
8	D514273P	Control Assembly	I models; Models starting 7/15/14
	D511867P	Control Assembly	I models through 7/14/14; All other models
	D510036P	Membrane Switch	Order to replace touchpad for D511867P Control Assembly
9	70467801	Main Harness	Electric models need 55881 Harness Strap to hold harness out of the way of heater elements; Models through 7/31/11 and starting again 7/9/12
	70441301	Main Harness	Electric models need 55881 Harness Strap to hold harness out of the way of heater elements; Models starting 8/1/11 through 7/8/12
10	70175807	Control Plate Assembly	
11	70257701	Overlay	L and S models; BC, BK*, BL* and BX control suffixes; Text; Single drop
	70261001	Overlay	L, N and S models; BC, BK*, BL* and BX control suffixes; Icon; Single drop
	70257702	Overlay	L and S models; BC and BX control suffixes; Text; Dual drop
	70261002	Overlay	L, N and S models; BC and BX control suffixes; Icon; Dual drop
	70258001	Overlay	H models; BC, BK*, BL* and BX control suffixes; Text; Single drop
	70261201	Overlay	H models; BC, BK*, BL* and BX control suffixes; Icon; Single drop
	70258002	Overlay	H models; BC and BX control suffixes; Text; Dual drop
	70261202	Overlay	H models; BC and BX control suffixes; Icon; Dual drop
	70258101	Overlay	H models; BC, BK*, BL* and BX control suffixes; Text; Single drop
	70453001	Overlay	K models; Text; Single drop
	70453002	Overlay	K models; Text; Dual drop
	70491901	Overlay	I models; Models through 7/14/14; BC and BX control suffixes; Single drop
	70491902	Overlay	I models; Models through 7/14/14; BC and BX control suffixes; Dual drop
	70505201	Overlay	I models; Models starting 7/15/14; BC and BX control suffixes; Single drop
	70505202	Overlay	I models; Models starting 7/15/14; BC and BX control suffixes; Dual drop
70508701	Overlay	P models	
12	39564	Nameplate	S models; BK* and BL* control suffixes; Cover
	70246301	Coin Cover Overlay	H, I, K, L and N models; BK* and BL* control suffixes; Cover
	70510501	Overlay	P models; Single drop
	70510601	Overlay	P models; Dual drop
	70510701	Overlay	P models; World drop
	70510801	Overlay	P models; BK* and BL* control suffixes
	70510901	Overlay	P models; Blank for central pay
13	70414101	Foam Gasket	

\* NOTE: BK and BL control suffixes require an overlay and overlay cover specific to model.

# BY and BZ Control Option for MDC Models

H, I, K, L, N, P and S Models



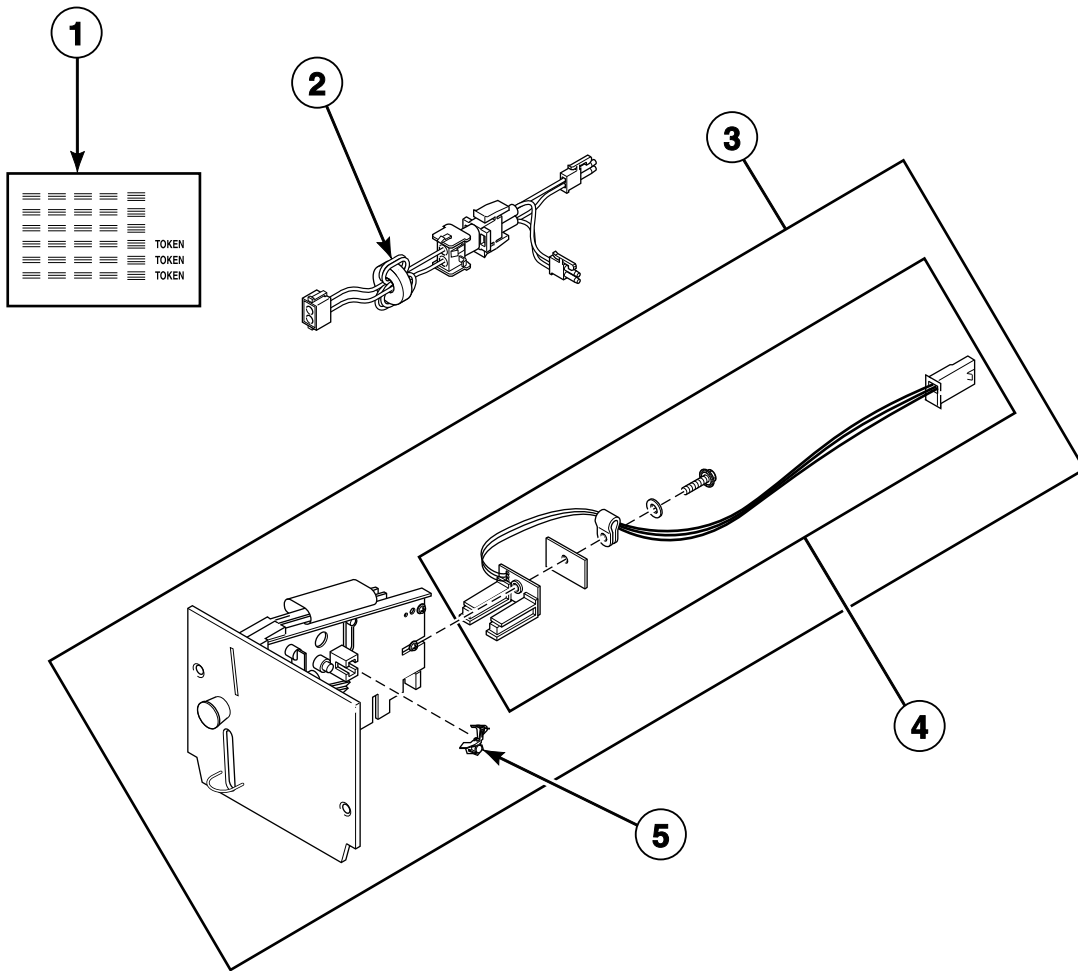
TMB3016P\_70407001

## BY and BZ Control Option for MDC Models

REF	PART NO.	DESCRIPTION	COMMENTS
1	70257703	Overlay	L and S models; Text or icon
	70258003	Overlay	H models; Text or icon
	70261003	Overlay	N models; Icon
	70453101	Overlay	K models
	70491903	Overlay	I models; Models through 7/14/14
	70505203	Overlay	I models; Models starting 7/15/14
	70509701	Overlay	P models
2	70413301	Pushbutton Switch	
3	70497201	Control Plate Assembly	
4	D501524	Screw	4 required
5	70467801	Main Harness	Electric models need 55881 Harness Strap to hold harness out of the way of heater elements; Models through 7/31/11 and starting again 7/9/12
	70441301	Main Harness	Electric models need 55881 Harness Strap to hold harness out of the way of heater elements; Models starting 8/1/11 through 7/8/12
6	70368001P	Control Panel Harness	
7	D514273P	Control Assembly	I models; Models starting 7/15/14
	D511867P	Control Assembly	I models through 7/14/14; All other models
	D510036P	Membrane Switch	Order to replace touchpad for D511867P Control Assembly
8	70324602	Jumper Calibration Wire	
9	70054	Nut	
10	70364103	Bypass Harness	Non-CE models
11	44089501	Slot Card Plate Assembly	Included in literature packet
12	70208801	Mounting Plate	
13	70334201	Card Reader Overlay	Black; Included in literature packet
	70334301	Card Reader Overlay	Gray; Included in literature packet
	70511001	Overlay	P models; With card slot
14	70414101	Foam Gasket	

# Coin Drops

All Models Except U Models



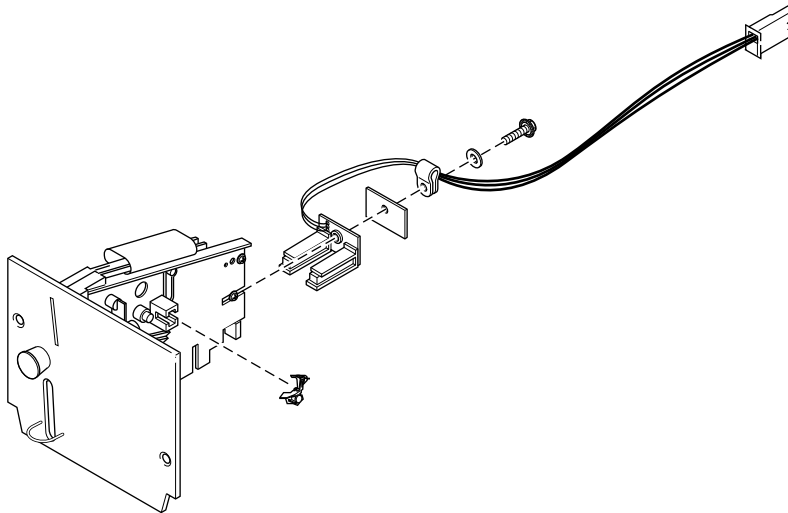
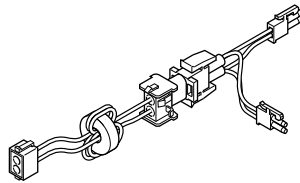
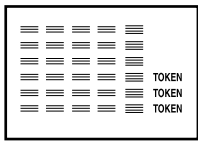
TMB2921P\_70407001

# Coin Drops

REF	PART NO.	DESCRIPTION	COMMENTS
1	38725	Coin Identification Paper	
2	44065801	Electronic Coin Drop Harness	Models through 4/14/09
3	70294103P	Electronic Coin Drop Assembly	United Kingdom (default) and Europe
	70294104	Electronic Coin Drop Assembly	Europe (default), Denmark and Norway
	CK099	Electronic Coin Drop Kit	Australia (default), New Zealand, Hong Kong, South Korea and Malaysia
	70513306	Electronic Coin Drop Assembly	Mexico (default), Ecuador and United States
	70294107	Electronic Coin Drop Assembly	Lithuania (default), Latvia and Europe
	70294111	Electronic Coin Drop Assembly	Euro; .10, .20, .50, 1.00 and 2.00
	70513311	Electronic Coin Drop Assembly	Malaysia (default) and China
	70294117	Electronic Coin Drop Assembly	Russia; 5.00 and 10.00
	70294119	Electronic Coin Drop Assembly	Thailand; 1, 5 and 10 Baht
	70294120	Electronic Coin Drop Assembly	Chile; Chilean peso
	70294121	Electronic Coin Drop Assembly	Singapore
	70441601P	Coin Drop	USA; \$.25
	70256402P	Coin Drop	USA; Dual; \$.25 and \$1.00
	70429001	Coin Drop	B models; USA
	38475	Coin Drop Assembly	Japan; 100 yen
	38519	Coin Drop Assembly	Japan; 100 and 500 yen
	38467	Coin Drop Assembly	Australia; .20 and 1.00
	70447301	Coin Drop Assembly	Australia; 1.00 and 2.00
	70482401	Coin Drop Assembly	New Zealand; 1.00 and 2.00
	210195	Coin Drop Assembly	Euro; .20 and 1.00
	210196	Coin Drop Assembly	Euro; .50 and 1.00
	38462P	Coin Drop Assembly	Token; STD-118-1; .880 diameter x .079 thick; Brass
	38463	Coin Drop Assembly	Token; STD-118-5; .990 diameter x .081 thick; Silver
70471601	Coin Drop Assembly	Token; 7K	
38464P	Coin Drop Assembly	Canada; .25	
70441602	Coin Drop Assembly	Canada; .25 and 1.00	
38472	Coin Drop Assembly	England; 20 pence and 1 pound	
38521	Coin Drop Assembly	Korea; 100 and 500 won	
38963P	Coin Drop	Token STD-118-16 not available; Replacement for 38963P Coin Drop only	
39157	Coin Drop Assembly	Israel; Shekel	
CK077	Coin Drop Kit	Taiwan; 10 NT	
CK114	Coin Drop Assembly	Singapore; Old 1.00	
CK123	Coin Drop Kit	Singapore; New 1.00	
4	200674P	Opto Coupler	
5	201595P	Wire Guard	

# Coin Drop Kits

All Models Except U Models



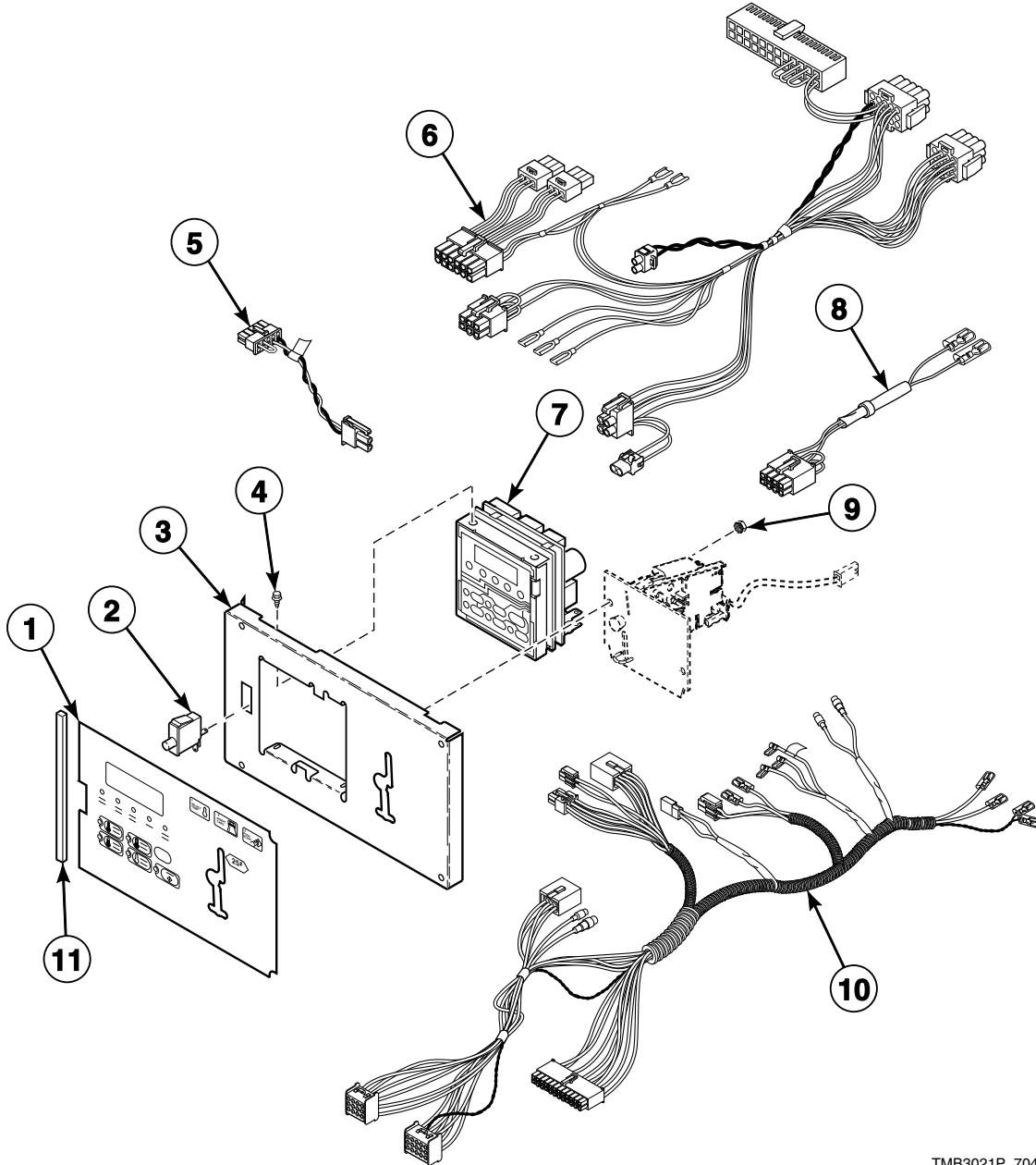
TMB2921PA\_70407001

## Coin Drop Kits

REF	PART NO.	DESCRIPTION	COMMENTS
	CK115	Electronic Coin Drop Kit	USA and Canada
	CK099	Electronic Coin Drop Kit	Australia (default), New Zealand, Hong Kong, South Korea and Malaysia
	CK100	Electronic Coin Drop Kit	United Kingdom (default) and Europe
	CK101	Electronic Coin Drop Kit	Europe (default), Denmark and Norway
	CK103	Electronic Coin Drop Kit	Lithuania (default), Latvia and Europe
	CK108	Electronic Coin Drop Kit	South Africa
	CK109	Electronic Coin Drop Kit	Euro
	CK113	Electronic Coin Drop Kit	Japan and Taiwan
	CK116	Electronic Coin Drop Kit	Malaysia (default) and China
	CK117	Electronic Coin Drop Kit	Russia
	CK118	Electronic Coin Drop Kit	Philippine
	CK119	Electronic Coin Drop Kit	Thailand
	CK120	Electronic Coin Drop Kit	Chile
	CK121	Electronic Coin Drop Kit	Singapore
	CK122	Coin Drop Kit	New Zealand; 1.00 and 2.00

# Coin Drop Components for Electronic Control Models

K Models Through Serial No. 1101018349 with NC and NX Control Suffixes



TMB3021P\_70407001

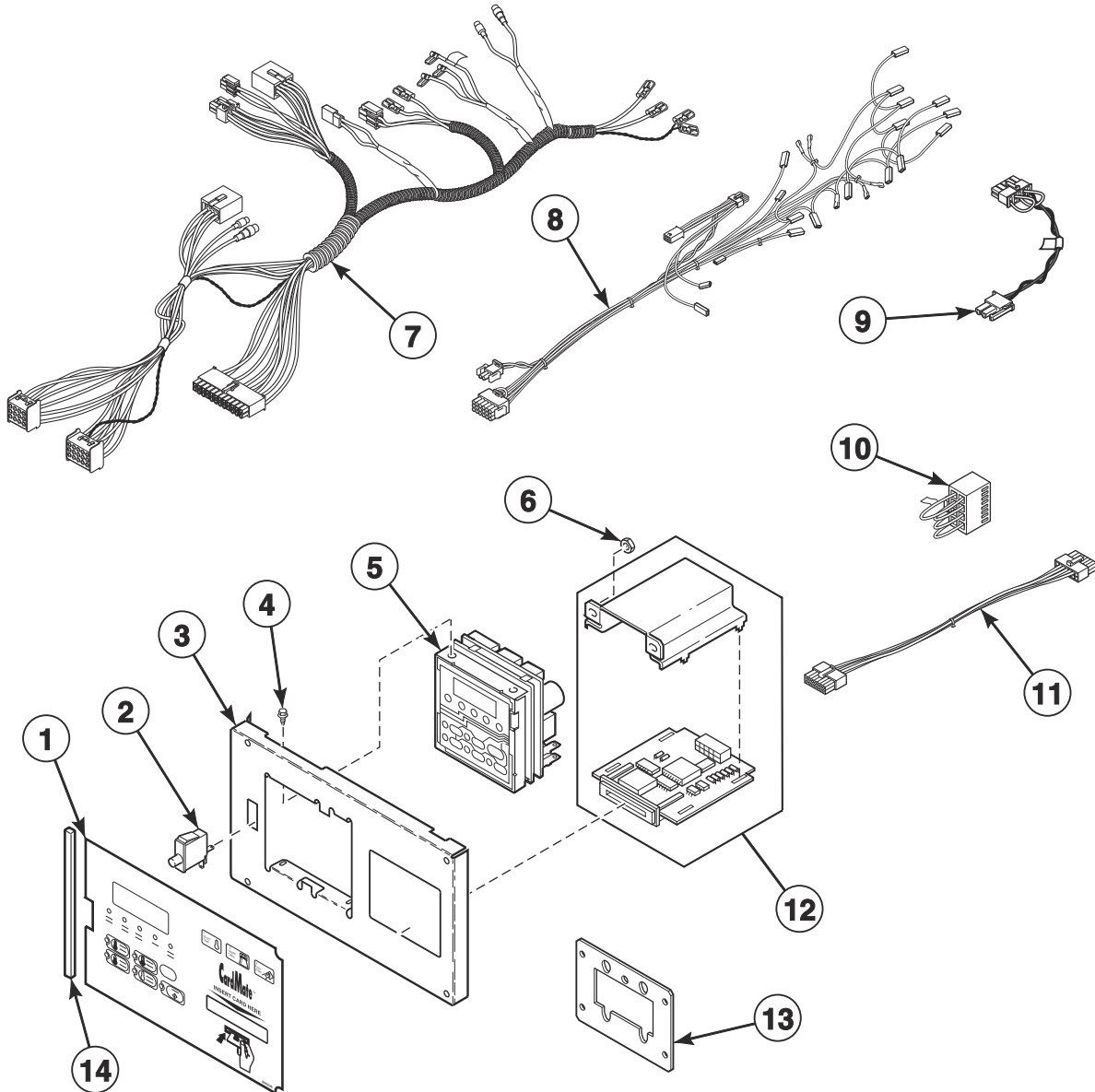


## Coin Drop Components for Electronic Control Models

REF	PART NO.	DESCRIPTION	COMMENTS
1	44144301	Overlay	Single drop
	44144302	Overlay	Dual drop
2	70413301	Pushbutton Switch	
3	70419701	Control Plate Assembly	
4	D501524	Screw	For mounting electronic control
5	70324602	Jumper Calibration Wire	
6	70368001P	Control Panel Harness	
7	D505905P	Control Kit	
	D510036P	Membrane Switch	Order to replace touchpad for D510034 Control Assembly in D505905P Control Kit
8	70364104P	Coin Vault Switch Harness	Non-CE models
9	70054	Nut	
10	70467801	Main Harness	Electric models need 55881 Harness Strap to hold harness out of the way of heater elements
11	70414101	Foam Gasket	

# Card Reader Components for Electronic Control Models

K Models Through Serial No. 1101018349 with NY Control Suffix



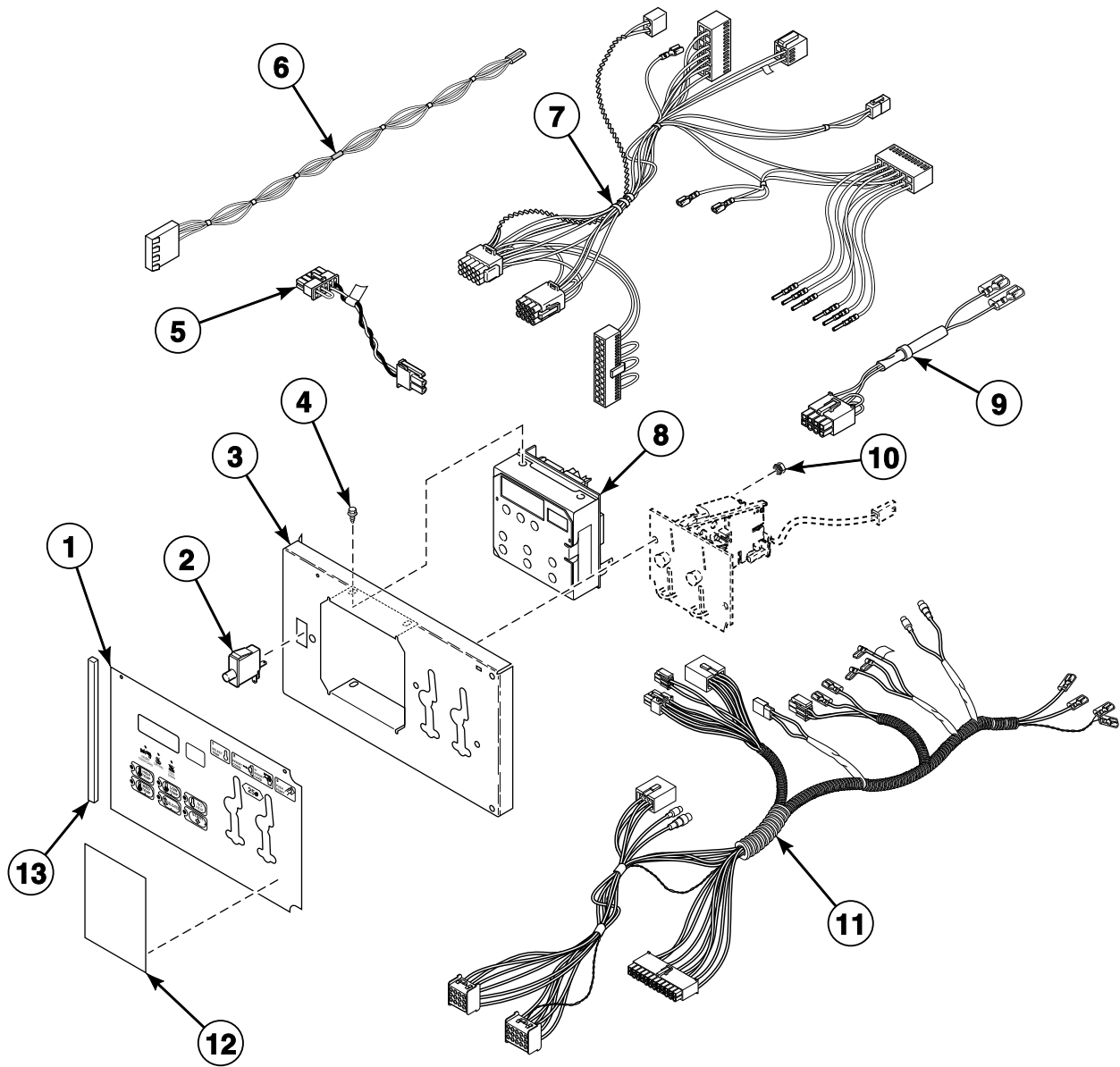
TMB3018P\_70407001

## Card Reader Components for Electronic Control Models

REF	PART NO.	DESCRIPTION	COMMENTS
1	44149301	Overlay	
2	70413301	Pushbutton Switch	
3	70497201	Control Plate Assembly	Card ready models
4	D501524	Screw	
5	D505905P	Control Kit	
	D510036P	Membrane Switch	Order to replace touchpad for D510034 Control Assembly in D505905P Control Kit
6	70054	Nut	
7	70467801	Main Harness	Electric models need 55881 Harness Strap to hold harness out of the way of heater elements
8	70368001P	Control Panel Harness	
9	70324602	Jumper Calibration Wire	
10	70364103	Bypass Harness	Non-CE models
11	70206601	Card Reader Network Harness Assembly	Card reader to network board
	70211801	Card Reader Harness Assembly	Card reader to control
12	D510068P	Card Reader and Bracket Assembly	
13	70208801	Mounting Plate	Use with item 3
14	70414101	Foam Gasket	

# Coin Drop Components for Quantum Control

M and S Models with LB, LC, LK, LL, LW, LX, WB, WC, WK, WL, WW and WX Control Suffixes



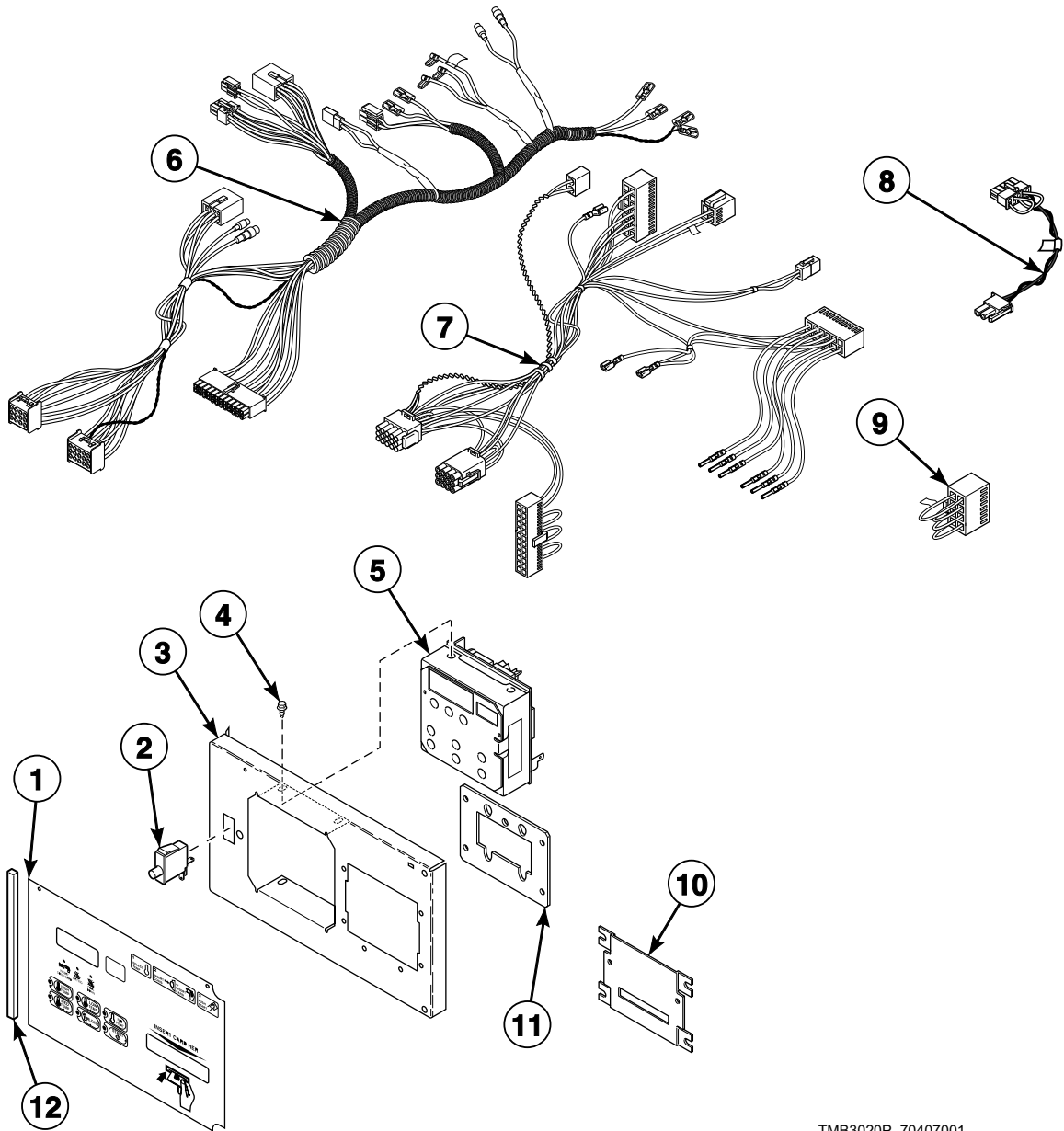
TMB3273P\_70407001

## Coin Drop Components for Quantum Control

REF	PART NO.	DESCRIPTION	COMMENTS
	NK206	Network Retrofit Kit	LC and LX control suffixes; Wired
	NK220	Network Controller Kit	LC and LX control suffixes; Wired
	NK301	Wireless Network Kit	LC and LX control suffixes; Wireless
	NK320	Ethernet Gateway Kit	LC and LX control suffixes; Wireless
	NK330	USB Gateway Kit	LC and LX control suffixes; Wireless
	203346	USB IR Interface Kit	
<b>1</b>	44194801	Control Overlay	Model ST055D
	70449501	Control Overlay	Model ST055D; M models
	70473301	Control Overlay	Model ST055D
	70410001	Control Overlay	Single drop; All models except M models and ST055D
	70410002	Control Overlay	Dual drop; All models except M models and ST055D
<b>2</b>	70413301	Pushbutton Switch	
<b>3</b>	70291001P	Control Plate Kit	
<b>4</b>	D501524	Screw	For mounting item 8
<b>5</b>	70324602	Jumper Calibration Wire	
<b>6</b>	70484601	Central Pay Harness	LK, LL, WK and WL control suffixes
<b>7</b>	70410401P	Control Panel Harness	
<b>8</b>	70450501P	Control Assembly	Nonreversing
	70450503	Control Assembly	Reversing
<b>9</b>	70364104P	Coin Vault Switch Harness	Non-CE models
<b>10</b>	70054	Nut	
<b>11</b>	70467801	Main Harness	Electric models need 55881 Harness Strap to hold harness out of the way of heater elements; Models through 7/31/11 and starting again 7/9/12
	70441301	Main Harness	Electric models need 55881 Harness Strap to hold harness out of the way of heater elements; Models starting 8/1/11 through 7/8/12
<b>12</b>	39564	Nameplate	LK, LL, WK and WL control suffixes; Cover
<b>13</b>	70414101	Foam Gasket	

# Card Reader Components for Quantum Control

M and S Models with LY, LZ, WY and WZ Control Suffixes



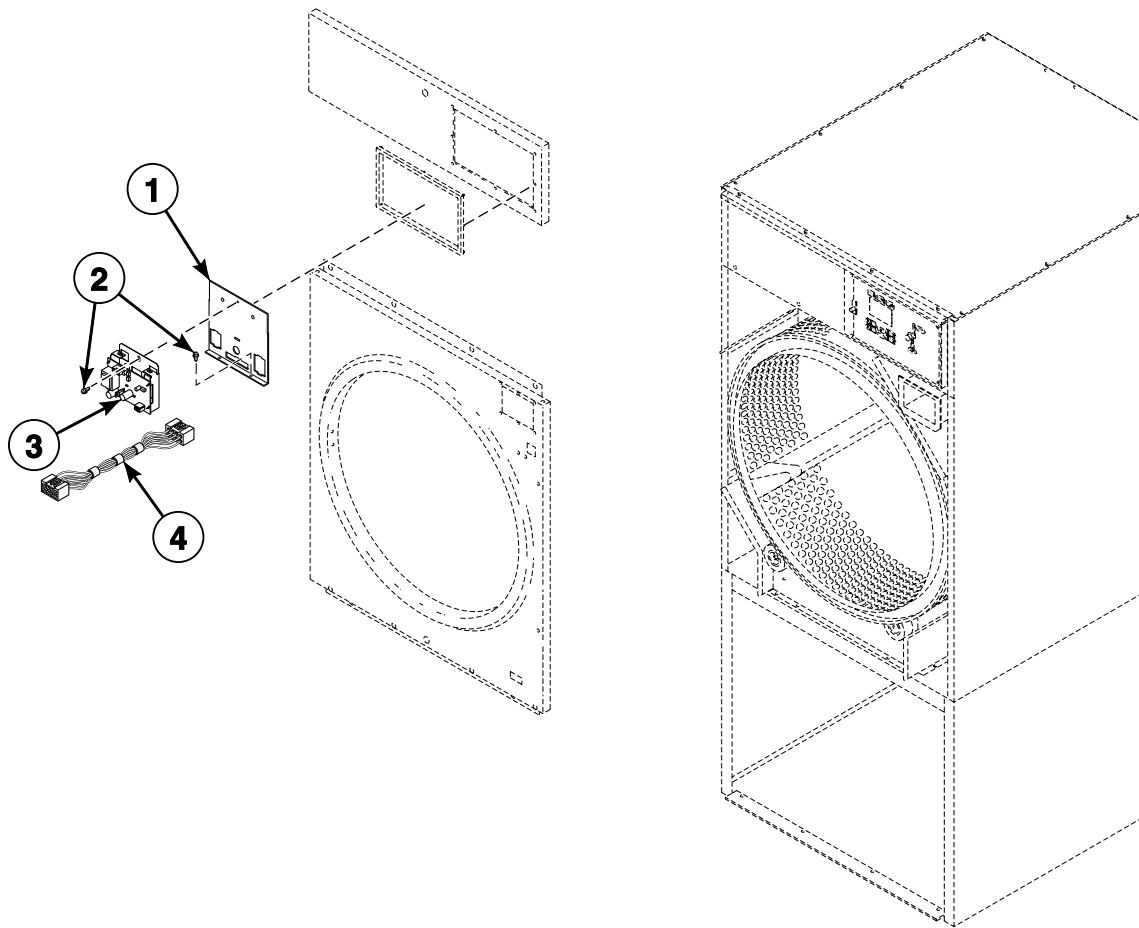
TMB3020P\_70407001

## Card Reader Components for Quantum Control

REF	PART NO.	DESCRIPTION	COMMENTS
	NK206	Network Retrofit Kit	LY control suffix; Wired
	NK220	Network Controller Kit	LY control suffix; Wired
	NK301	Wireless Network Kit	LY control suffix; Wireless
	NK320	Ethernet Gateway Kit	LY control suffix; Wireless
	NK330	USB Gateway Kit	LY control suffix; Wireless
	203346	USB IR Interface Kit	
<b>1</b>	70410003	Overlay	
<b>2</b>	70413301	Pushbutton Switch	
<b>3</b>	70497201	Control Plate Assembly	
<b>4</b>	D501524	Screw	
<b>5</b>	70450501P	Control Assembly	Nonreversing
	70450503	Control Assembly	Reversing
<b>6</b>	70467801	Main Harness	Electric models need 55881 Harness Strap to hold harness out of the way of heater elements; Models through 7/31/11 and starting again 7/9/12
	70441301	Main Harness	Electric models need 55881 Harness Strap to hold harness out of the way of heater elements; Models starting 8/1/11 through 7/8/12
<b>7</b>	70410401P	Control Panel Harness	
<b>8</b>	70324602	Jumper Calibration Wire	
<b>9</b>	70364103	Bypass Harness	Non-CE models
<b>10</b>	44089501	Slot Card Plate Assembly	
<b>11</b>	70208801	Mounting Plate	
<b>12</b>	70414101	Foam Gasket	

# Network Board

H, M and S Models with WB, WC, WW, WX, WY, WZ, ZB, ZC, ZW, ZX, ZY and ZZ Control Suffixes



TMB2928P\_70407001

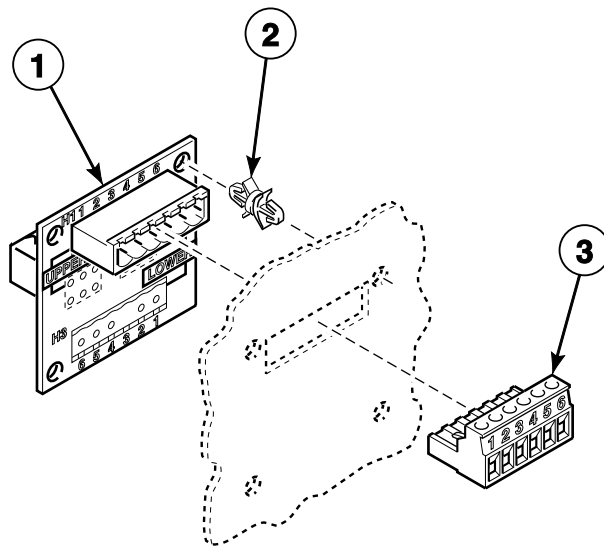


# Network Board

REF	PART NO.	DESCRIPTION	COMMENTS
	800246	Communication Wire Harness Assembly	Wired; M and S models
1	70307002	Control Housing Cover	
2	430497	Screw	Wired; M and S models
	D503661	Screw	Wireless
3	201341	Network Board Assembly	Wired; M and S models
	202335	Wireless Transceiver Assembly	Wireless
4	44088501P	Network Wire Harness Assembly	

# Communication Board for Quantum Control

M and S Models with WB and WC Control Suffixes



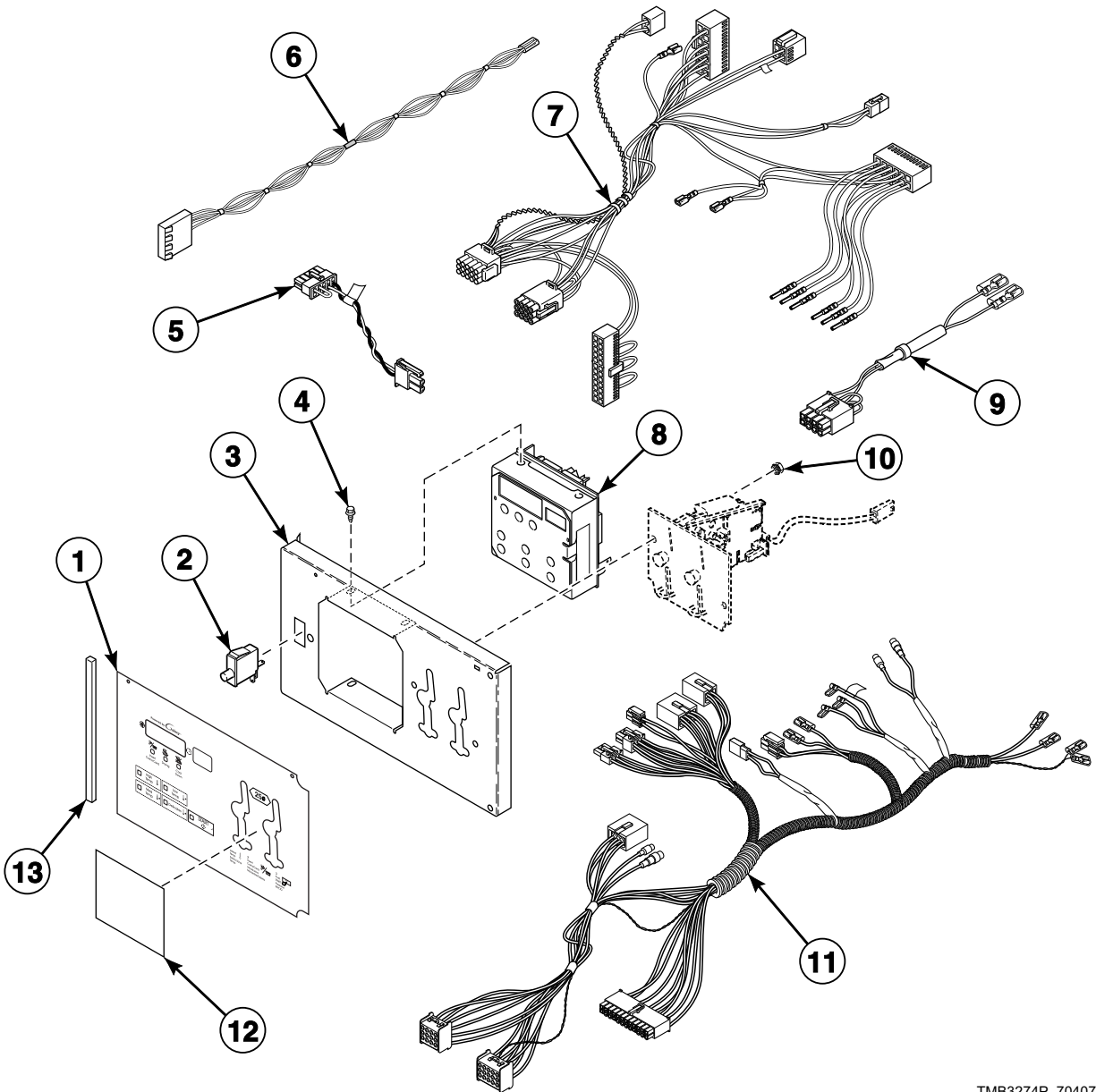
TMB1935P\_70407001

## Communication Board for Quantum Control

REF	PART NO.	DESCRIPTION	COMMENTS
	210157P	Network Board	For desktop PC
	210165	Network Cable	For laptop PC
	210016P	Network Board Assembly	
	210097	Communication Board	
1	210095P	Communication Board	
2	210098	PC Board Standoff	4 required
3	210099	Communication Connector	

# Coin Drop Components for Galaxy 600 Control

H Models with KB, KC, KK, KL, KW, KX, ZB, ZC, ZK, ZL, ZW and ZX Control Suffixes



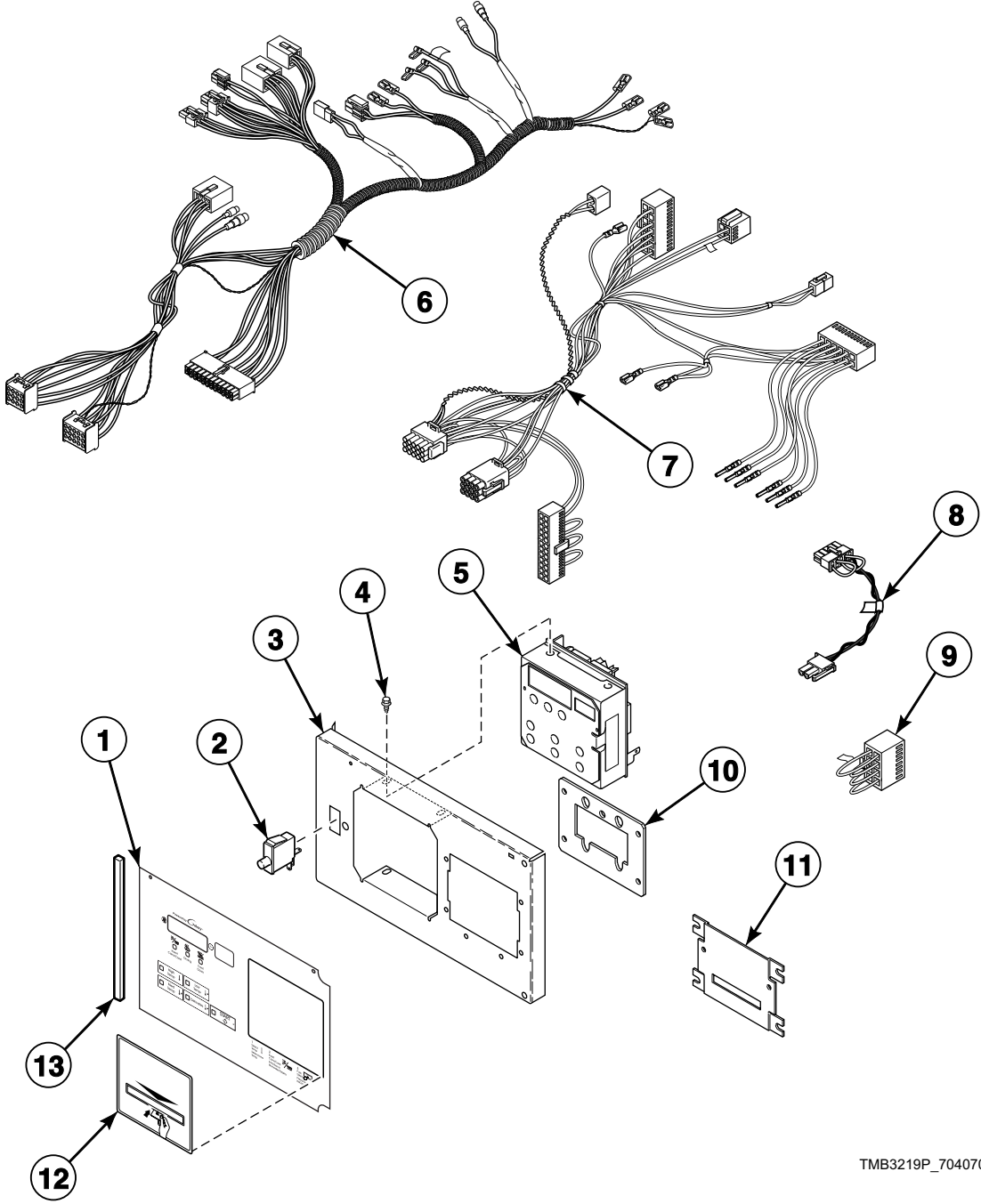
TMB3274P\_70407001

## Coin Drop Components for Galaxy 600 Control

REF	PART NO.	DESCRIPTION	COMMENTS
	NK301	Wireless Network Kit	ZC and ZX control suffixes; Wireless
	NK320	Ethernet Gateway Kit	ZC and ZX control suffixes; Wireless
	203346	USB IR Interface Kit	
<b>1</b>	70473001	Control Overlay	Single drop; Gray
	70473002	Control Overlay	Dual drop; Gray
	70504501	Overlay	Single drop; Gray/green
	70504502	Overlay	Dual drop; Gray/green
	70504601	Overlay	Single drop; Green
	70504602	Overlay	Dual drop; Green
<b>2</b>	70413301	Pushbutton Switch	
<b>3</b>	70291001P	Control Plate Kit	
<b>4</b>	D501524	Screw	For mounting item 8
<b>5</b>	70324602	Jumper Calibration Wire	
<b>6</b>	70484601	Central Pay Harness	KK, KL, ZK and ZL control suffixes
<b>7</b>	70410401P	Control Panel Harness	
<b>8</b>	70450502P	Control Assembly	Nonreversing
	70450504	Control Assembly	Reversing
<b>9</b>	70364104P	Coin Vault Switch Harness	Non-CE models
<b>10</b>	70054	Nut	
<b>11</b>	70467801	Main Harness	
<b>12</b>	70246301	Coin Cover Overlay	KK, KL, ZK and ZL control suffixes; Cover
<b>13</b>	70414101	Foam Gasket	6 inches required; Mounts to front of overlay, even with edge

# Card Reader Components for Galaxy 600 Control

H Models with KY, KZ, ZY and ZZ Control Suffixes



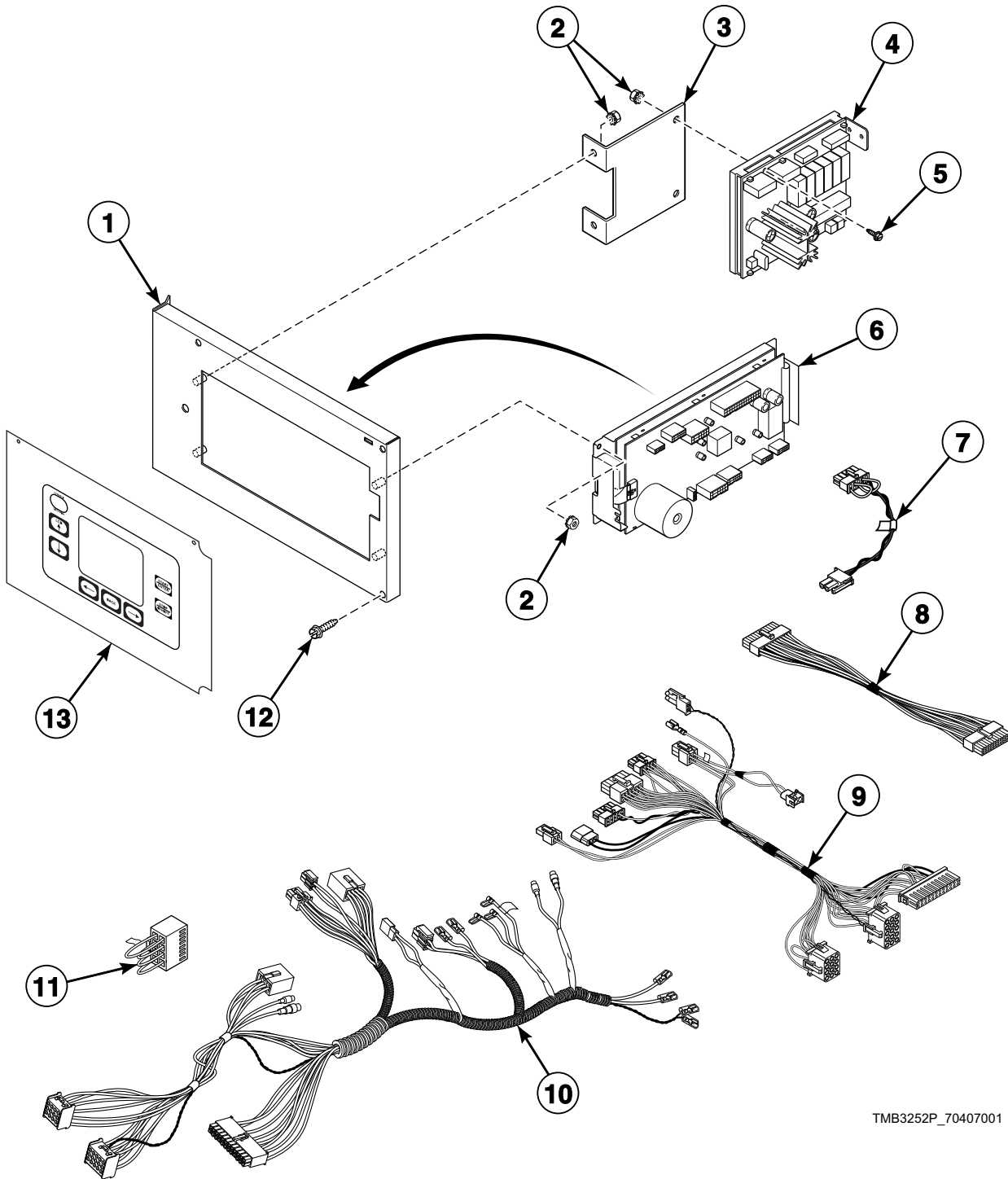
TMB3219P\_70407001

## Card Reader Components for Galaxy 600 Control

REF	PART NO.	DESCRIPTION	COMMENTS
	NK301	Wireless Network Kit	ZY control suffix; Wireless
	NK320	Ethernet Gateway Kit	ZY control suffix; Wireless
	203346	USB IR Interface Kit	
<b>1</b>	70473003	Control Overlay	Gray
	70504503	Overlay	Gray/green
	70504603	Overlay	Green
<b>2</b>	70413301	Pushbutton Switch	
<b>3</b>	70497301	Control Plate	
<b>4</b>	D501524	Screw	
<b>5</b>	70450502P	Control Assembly	Nonreversing
	70450504	Control Assembly	Reversing
<b>6</b>	70467801	Main Harness	
<b>7</b>	70410401P	Control Panel Harness	
<b>8</b>	70324602	Jumper Calibration Wire	
<b>9</b>	70364103	Bypass Harness	Non-CE models
<b>10</b>	70208801	Mounting Plate	
<b>11</b>	44089501	Slot Card Plate Assembly	
<b>12</b>	70334301	Card Reader Overlay	
<b>13</b>	70414101	Foam Gasket	6 inches required; Mounts to front of overlay, even with edge

# UniLinc Control

U Models with RU and UO Control Suffixes



TMB3252P\_70407001

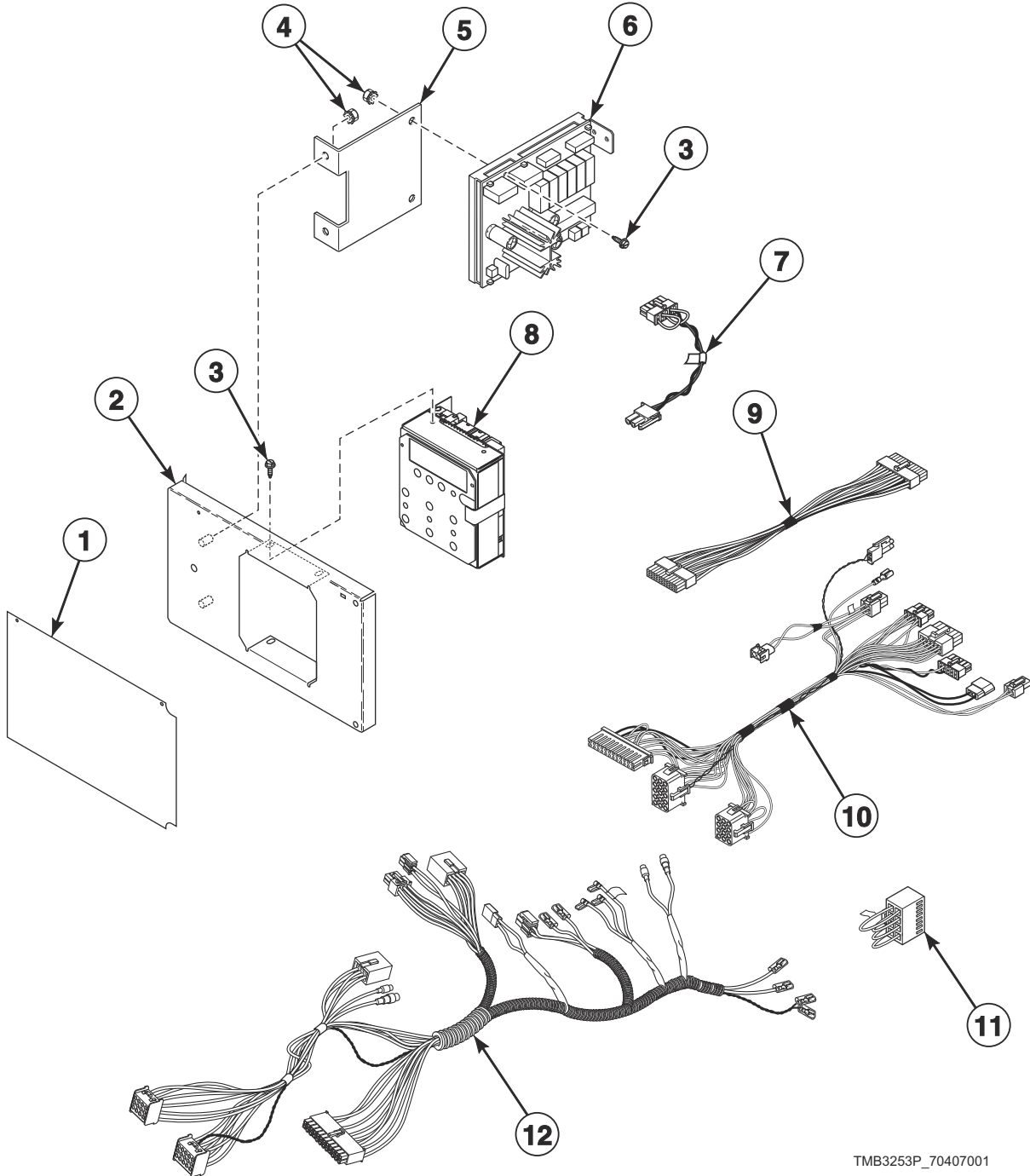


# UniLinc Control

REF	PART NO.	DESCRIPTION	COMMENTS
	NK206	Network Retrofit Kit	Wired
	NK220	Network Controller Kit	Wired
	NK301	Wireless Network Kit	Wireless
	NK320	Ethernet Gateway Kit	Wireless
	NK330	USB Gateway Kit	Wireless
	203346	USB IR Interface Kit	
<b>1</b>	70475601	Control Plate Assembly	
<b>2</b>	70054	Nut	
<b>3</b>	70440601	Output Bracket	
<b>4</b>	70434101P	Control Assembly	
<b>5</b>	D501524	Screw	
<b>6</b>	70454001P	Control Assembly	
<b>7</b>	70324602	Jumper Calibration Wire	
<b>8</b>	44186101	Output Harness	Use between item 4 and item 6
<b>9</b>	44240301	Control Panel Harness	Goes from item 6 to main harness
<b>10</b>	70441301	Main Harness	Models through 7/8/12
	70467801	Main Harness	Models starting 7/9/12
<b>11</b>	70364103	Bypass Harness	Non-CE models
<b>12</b>	70069901	Screw	
<b>13</b>	70432201	Overlay	Models through 8/17/14
	70499001	Overlay	Models starting 8/18/14

# LED OPL Control

B, C, H, I, L, N, P, S and U Models  
G and K Models Starting 1/16/12  
Models with EO and RE Control Suffixes

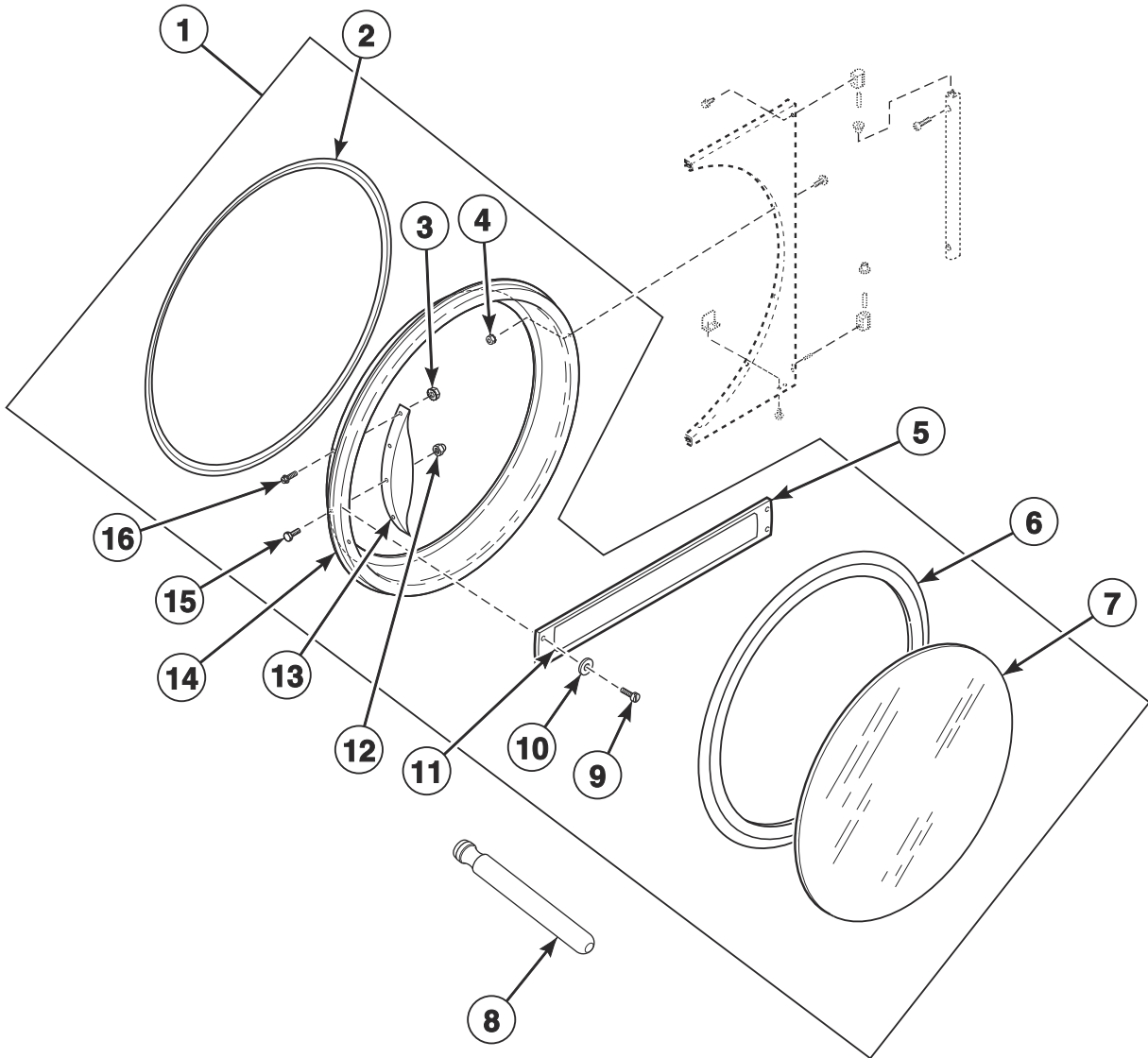


TMB3253P\_70407001

# LED OPL Control

REF	PART NO.	DESCRIPTION	COMMENTS
	203346	USB IR Interface Kit	
1	70445001	Overlay	S models; EO control suffix
	70445002	Overlay	S models; RE control suffix
	70445003	Overlay	H models; EO control suffix
	70445004	Overlay	H models; RE control suffix
	70462402	Overlay	B, C and I models; Models through 7/14/14; EO control suffix
	70462401	Overlay	B, C and I models; Models through 7/14/14; RE control suffix
	70504902	Overlay	B, C and I models; Models starting 7/15/14; EO control suffix
	70504901	Overlay	B, C and I models; Models starting 7/15/14; RE control suffix
	70462701	Overlay	U models; Models through 8/17/14; RE control suffix
	70493702	Overlay	U models; EO control suffix
	70493701	Overlay	U models; Models starting 8/18/14; RE control suffix
	70462902	Overlay	G and K models; EO control suffix
	70462901	Overlay	G and K models; RE control suffix
	70508602	Overlay	P models through 5/31/15; L models starting 1/29/15 through 5/31/15; EO control suffix
	70508601	Overlay	P models through 5/31/15; L models starting 1/29/15 through 5/31/15; RE control suffix
	70526002	Overlay	L and P models starting 6/1/15; EO control suffix
70526001	Overlay	L and P models starting 6/1/15; RE control suffix	
70472202	Overlay	N models; EO control suffix	
70472201	Overlay	N models; RE control suffix	
2	70440901	Control Plate and Studs Assembly	
3	D501524	Screw	
4	70054	Nut	
5	44223101	Output Bracket	
6	70434101P	Control Assembly	
7	70324602	Jumper Calibration Wire	
8	70454101P	Control Assembly	H, S and U models; L and P models starting 6/1/15
	70437102P	Control Assembly	B, C and I models; Models through 7/14/14
	70503702P	Control Assembly	B, C and I models; Models starting 7/15/14
	70437104P	Control Assembly	G and K models
	70437103P	Control Assembly	P models through 5/31/15; L models starting 1/29/15 through 5/31/15
	70437105P	Control Assembly	N models
9	44186101	Output Harness	Use between item 6 and item 8
10	44240301	Control Panel Harness	Goes from item 8 to main harness
11	70364103	Bypass Harness	Non-CE models
12	70441301	Main Harness	Models through 7/8/12
	70467801	Main Harness	Models starting 7/9/12

# Door Components

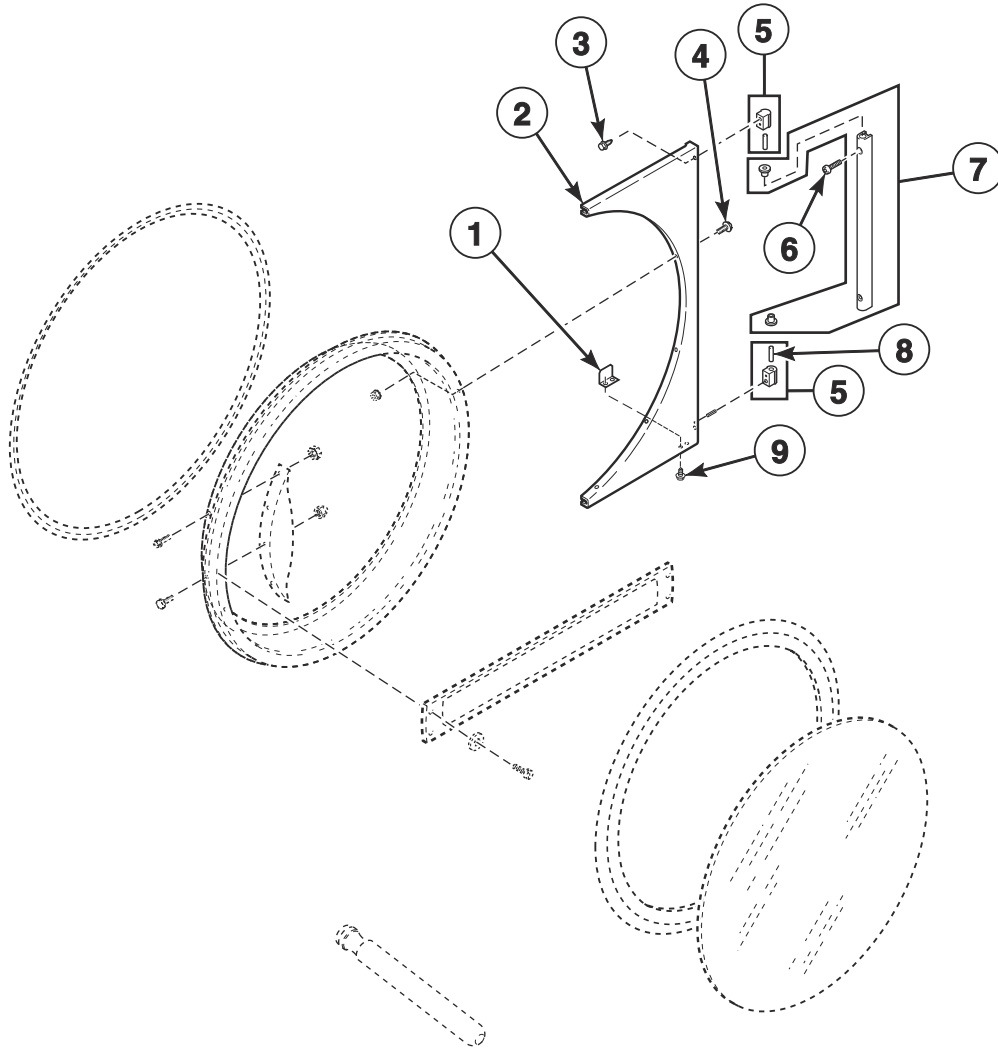


TMB3152P\_70407001

# Door Components

REF	PART NO.	DESCRIPTION	COMMENTS
	70133501P	Replacement Door Handle Kit	H models
1	44028902P	Door Assembly	M, N, S and U models; Excludes hinge
	44058102P	Door Assembly	H models; Excludes hinge
	44058104P	Door Assembly	H models; Chrome option; Excludes hinge
	44028905P	Door Assembly	S models; Chrome option; Excludes hinge
	44266702P	Door Assembly	U models; Chrome option; Excludes hinge
	44112101	Door Assembly	C and I models; Models through 7/31/11
	44028903	Door Assembly	B, C and I models; Models starting 8/1/11; Excludes hinge
	44292301LG	Door Assembly	L and P models
	44292301B	Door Assembly	P models starting 7/5/16; Use with stainless steel front panel
	70407401	Door Assembly	G and K models; Excludes hinge
2	44008201P	Door Ring Gasket	
3	44071201	Nut	H, M, N, S, and U models; 4 required
4	70054	Nut	
5	70399501B	Handle Bar	G and K models
6	70211902P	Door Seal Kit	Use Loctite 414 for seal
7	44008402P	Door Glass	H models
	44008401P	Door Glass	All other models
8	M4221P4	Door Glass Installation Tool	
9	70412601	Pop Rivet	G and K models; 4 required
10	70409301	Washer	G and K models
11	70414001	Label	G models; Coin
	44144401	Nameplate Overlay	K models; Coin
12	M414215	Nut	For door strike; Mounts between door strike screw and door handle
13	44007901	Door Handle	M, N and S models; B, C and I models starting 8/1/11; U models through 8/17/14
	44263801	Door Handle	U models; Models starting 8/18/14; Use 901620 Screw, 803871 Screw and 44088001 Nut to attach
	44057702	Door Handle	H models
14	44326001	Door Ring Assembly	H, N and S models; U models through 8/17/14
	44326002	Door Ring Assembly	U models; Models starting 8/18/14
	44326005	Door Ring Assembly	H and S models; Chrome option
	44326006	Door Ring Assembly	U models; Chrome option
	44112001	Door Ring and Handle Assembly	C and I models; Models through 7/31/11
	44326004B	Door Ring Assembly	B, C and I models starting 8/1/11; S models without stainless steel front panel
	44326003B	Door Ring Assembly	G and K models
	44326007LG	Door Ring and Handle Assembly	L and P models
	44326007B	Door Ring and Handle Assembly	P models starting 7/5/16; Use with stainless steel and white front panel
	44326004HG	Door Ring Assembly	H and U models without stainless steel front panel
15	M400661	Screw	Use with door handle
16	44024201	Hole Plug	B, C and I models; 4 required
	61199	Screw	

# Hinge Components



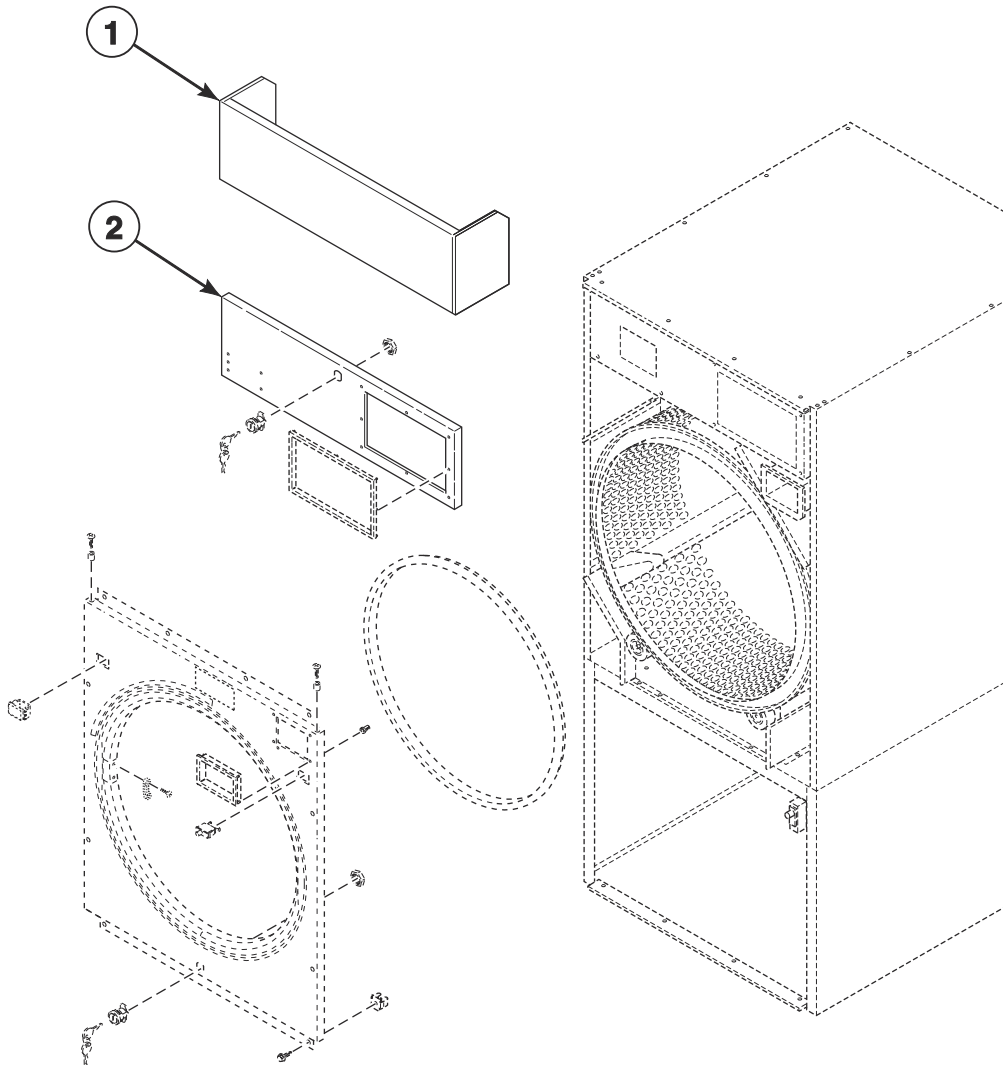
TMB3152PA\_70407001

# Hinge Components

REF	PART NO.	DESCRIPTION	COMMENTS
1	70215001P	Door Switch Actuator Kit	
2	44075205*	Door Hinge Assembly	H, M, N, S and U models; C models starting 8/1/11
	44075209LG	Door Hinge Assembly	Light gray; L, P and U models
	44075206	Door Hinge Assembly	C, H, L, M, P, S and U models through 3/31/15; I models through 7/31/11; Stainless steel
	44075212	Door Hinge Assembly	H, L, M, S and U models starting 4/1/15; Stainless steel
	44075209B	Door Hinge Assembly	Black; G and K models; B and I models starting 8/1/11; P models starting 7/1/17 with white front panel and starting 7/5/16 with stainless steel front panel
3	70442101	Screw	
4	44349101	Screw	
5	M4772P3	Hinge Cam Kit	C, H, L, M, N, P, S and U models; I models through 7/31/11
	M4773P3	Hinge Cam Kit	Black; G and K models; B and I models starting 8/1/11; P models starting 7/1/17 with white front panel and starting 7/5/16 with stainless steel front panel
6	70033502	Screw	C, H, L, M, N, P, S and U models; I models through 7/31/11
	70407301	Screw	Black; G and K models; B and I models starting 8/1/11; P models starting 7/1/17 with white front panel and starting 7/5/16 with stainless steel front panel
7	44035001	Door Hinge Lug Assembly	C, H, L, M, N, P, S and U models; I models through 7/31/11
	44035002	Door Hinge Lug Assembly	Black; G and K models; B and I models starting 8/1/11; P models starting 7/1/17 with white front panel and starting 7/5/16 with stainless steel front panel
8	70071401	Pin	
9	70058501	Pop Rivet	

\* Add Letter To Designate Color. Q - Bisque W - White

# Control Panels and False Fronts



TMB3315P\_70407001

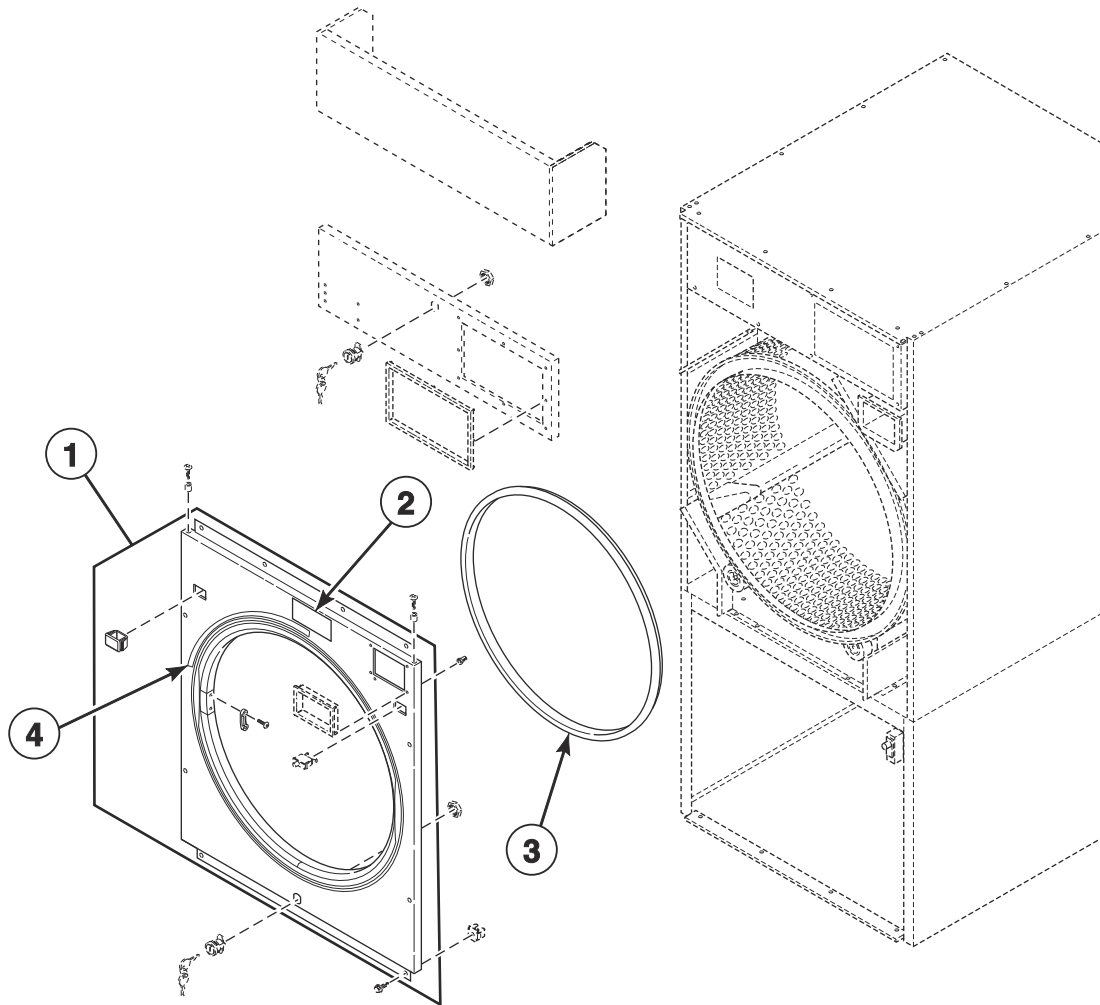


## Control Panels and False Fronts

REF	PART NO.	DESCRIPTION	COMMENTS
1	70405003DG	False Front	Dark gray; L and P models; 72 inches
	70405103DG	False Front	Dark gray; L and P models; 76 inches
	70405003LG	False Front	Light gray; U models; 72 inches
	70405103LG	False Front	Light gray; U models; 76 inches
	70405001*	False Front	C, G, H, K, M, N, S and U models; 72 inches
	70405101*	False Front	C, G, H, K, M, N, S and U models; 76 inches
	70405004	False Front	72 inches; Stainless steel
	70405102	False Front	76 inches; Stainless steel; Models through 3/31/15
	70405104	False Front	76 inches; Stainless steel; Models starting 4/1/15
2	70376001*	Control Panel	M and S models; U models through 8/17/14; P models starting 7/1/17 with white front panel
	70376002	Control Panel	M and S models through 3/31/15; U models through 8/17/14; Stainless steel
	70376008	Control Panel	M, P and S models starting 4/1/15; Stainless steel
	70417115LG	Control Panel	Light gray; U models
	70417110	Control Panel	U models; Models starting 8/18/14 through 3/31/15; Stainless steel
	70417113	Control Panel	U models; Models starting 4/1/15; Stainless steel
	70417105*	Control Panel	U models; Models starting 8/18/14
	70376003*	Control Panel	H and N models
	70376004	Control Panel	H models through 3/31/15; Stainless steel
	70376009	Control Panel	H models starting 4/1/15; Stainless steel
	70417101*	Control Panel	C models; I models through 7/31/11; QT control suffix
	70417102	Control Panel	C models; I models through 7/31/11; QT and SD control suffixes; Stainless steel
	70417103*	Control Panel	C models; I models through 7/31/11; DO control suffix
	70417104	Control Panel	C models; I models through 7/31/11; DO, DV and DX control suffixes; Stainless steel
	70417107B	Control Panel	B and I models; Models starting 8/1/11 through 7/8/12
	70417108B	Control Panel	B and I models; Models starting 7/9/12
	70417105*	Control Panel	K models
	70417106	Control Panel	K models through 3/31/15; Stainless steel
	70417113	Control Panel	K models starting 4/1/15; Stainless steel
	70376007DG	Control Panel	Dark gray; L and P models

\* Add Letter To Designate Color. Q - Bisque W - White

# Front Panel Assemblies



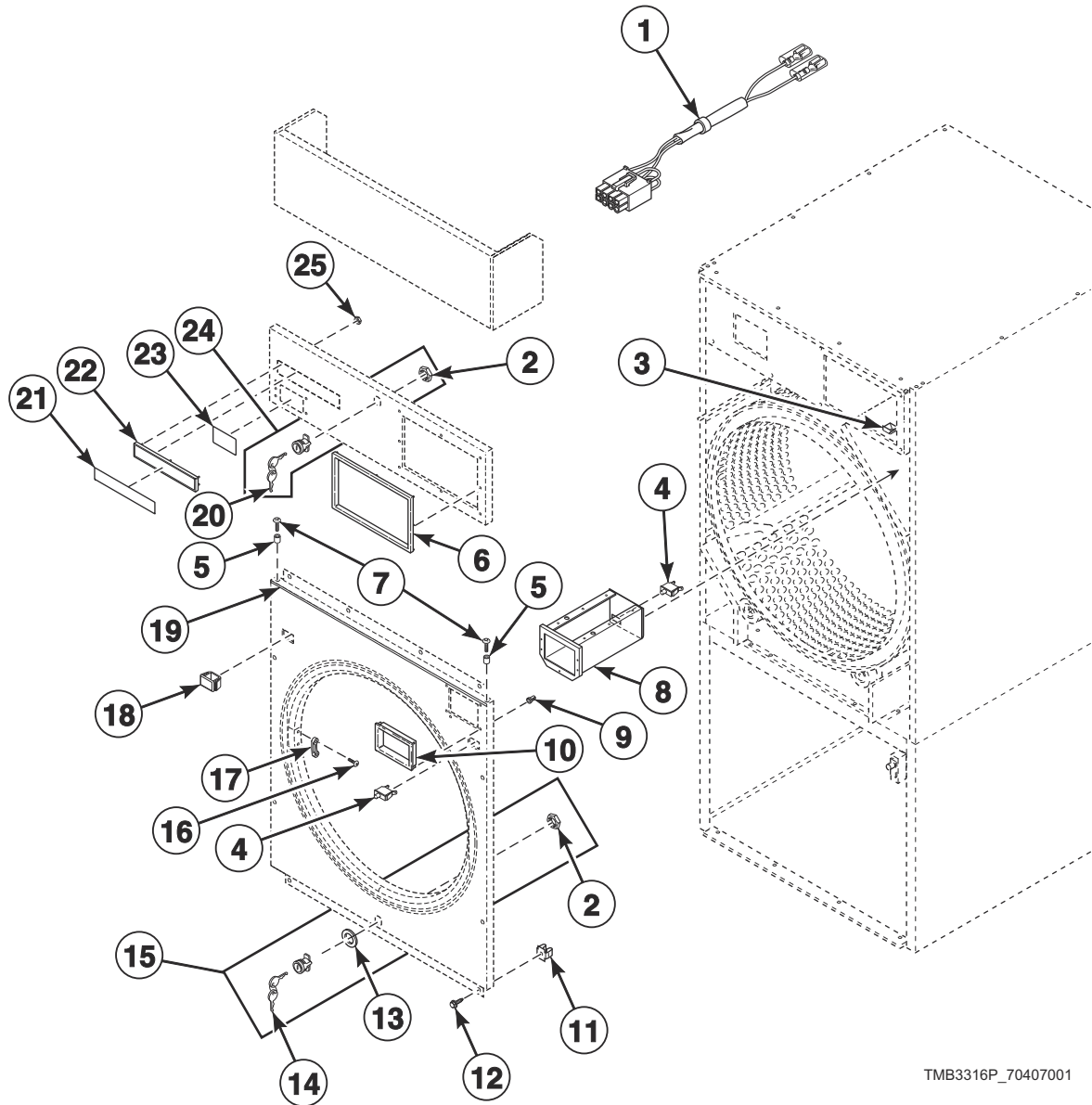
TMB3315PA\_70407001

## Front Panel Assemblies

REF	PART NO.	DESCRIPTION	COMMENTS
<b>1</b>	70413001*	Front Panel Assembly	H, K, M, N and S models; P models starting 7/1/17; Coin
	70413002	Front Panel Assembly	H, K, M, P and S models through 3/31/15; Coin; Stainless steel
	70413007	Front Panel Assembly	H, K, M, P and S models starting 4/1/15; Coin; Stainless steel
	70413003*P	Front Panel Assembly	N and S models; Central pay
	70413008	Front Panel Assembly	S models; Central pay; Stainless steel
	70377915DG	Front Panel	Dark gray; L and P models; Coin
	70377916DG	Front Panel	Dark gray; L and P models; Card and central pay
	70521501DG	Front Panel	Dark gray; Non-CE L and P models; OPL
	70521701DG	Front Panel	Dark gray; CE L and P models; OPL
	70413010W	Front Panel Assembly	All models except L models; OPL
	70413009	Front Panel Assembly	B, C, G, H, I, K, M, P, S and U models; OPL; Stainless steel
	70521601LG	Front Panel	Light gray; Non-CE U models; Models starting 8/18/14; OPL
	70521801LG	Front Panel	Light gray; CE U models; Models starting 8/18/14; OPL
	<b>2</b>	70537001	Label
70537101		Label	G and K models; F.S.S.
44190901		Label	L and P models; Safe Tech
<b>3</b>	70173402	Front Cylinder Seal	
<b>4</b>	70534301	Warning Label	

\* Add Letter To Designate Color. Q - Bisque W - White

# Cabinet Front Components

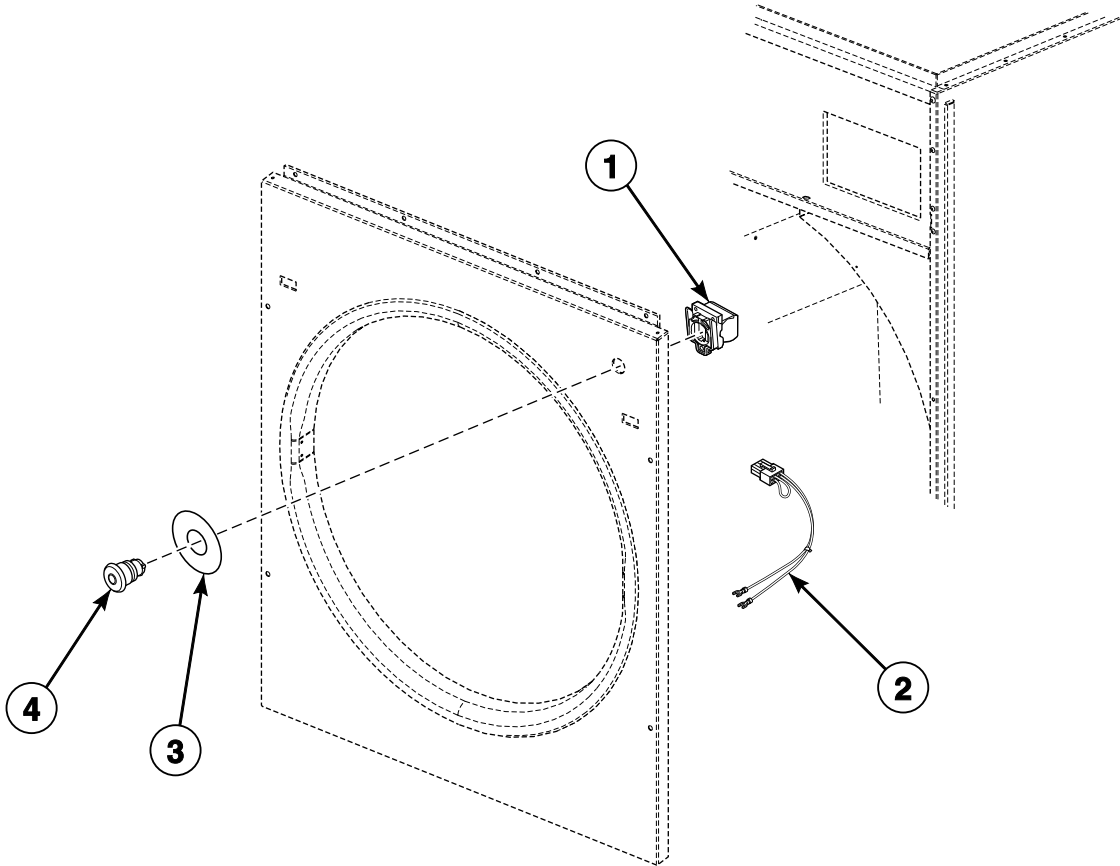


TMB3316P\_70407001

# Cabinet Front Components

REF	PART NO.	DESCRIPTION	COMMENTS
1	70364104P	Coin Vault Switch Harness	
2	44088801	Nut	
3	70296401	Coin Chute Assembly	
4	70413301	Pushbutton Switch	
5	56079	Panel Locator	9 required
6	44016401	Control Trim	K, M, N, P and S models; U models through 8/17/14; Black
	70529401	Control Trim	H models; Gray
	70529402	Control Trim	H models; Light gray (tan)
7	39733	Screw	
8	70180101	Coin Vault Assembly	
	F160673P	Coin Box	Optional equipment; Includes lock and key
9	M400972	Shadow Box Clip	
10	70117502	Coin Vault Trim	Black
	70117504	Coin Vault Trim	Gray
	70117501	Coin Vault Trim	Light gray (tan)
11	70030501	Expansion Clip	8 required
12	430497	Screw	
13	70342401	Lock Shim	
14	70155602	Key	RL002
15	44089302P	Lock, Key and Nut Kit	RL002
16	44166601	Pop Rivet	
17	M401223	Door Latch	
18	44057801W	Switch Hole Plug	White
	44057801Q	Switch Hole Plug	Bisque
	44057801LG	Switch Hole Plug	Gray; U models starting 8/18/14; P models starting 10/24/14; L models starting 1/28/15
19	70399406	Access Panel Trim	K models; OPL
	70399408	Access Panel Trim	K models; Coin
20	70155601	Key	RL001
21	70115601	Nameplate Overlay	S models
	70460801	Nameplate Overlay	U models; Models through 8/17/14
	F8443102	Nameplate	U models; Models starting 8/18/14
	44046801	Nameplate	B and I models; Models through 7/9/12
	B12389801	Nameplate	B and I models; Models starting 7/10/12
	44062901	Nameplate	C models
	70509601	Nameplate	P models
	70522001	Nameplate	L models
	44144401	Nameplate Overlay	K models; Coin
	44147101	Nameplate Overlay	K models; OPL
22	70411401	Nameplate Overlay	G models; Coin
	70410201	Nameplate Overlay	G models; OPL
	70117401	Nameplate Bezel	L, P and S models
	44129907	Nameplate	C models
23	44089301P	Lock, Key and Nut Kit	RL001
24	M400977	Nut	P and S models 6 required; U models starting 8/18/14 5 required

# Emergency Stop Button for CE Models

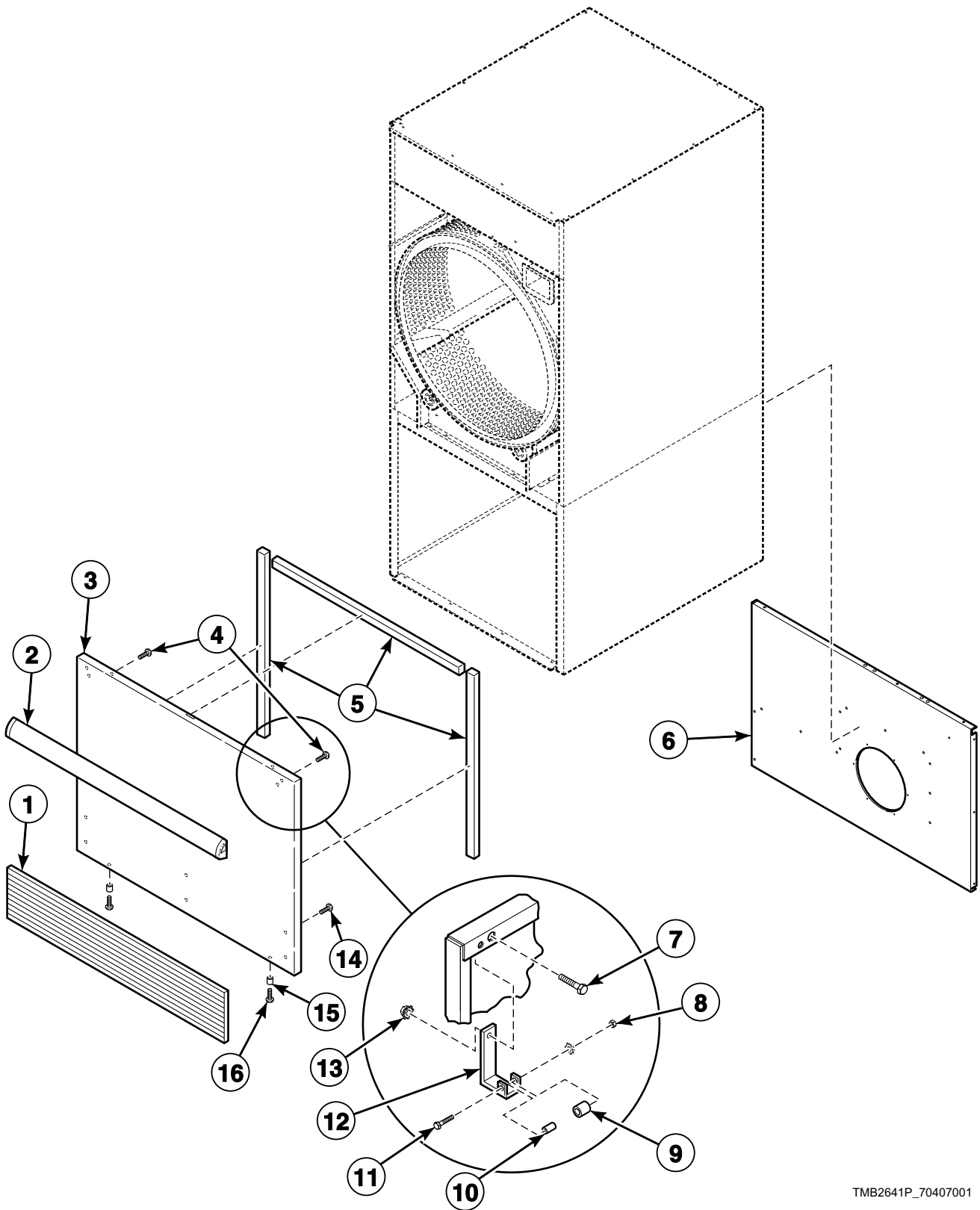


TMB2375P\_70407001

## Emergency Stop Button for CE Models

REF	PART NO.	DESCRIPTION	COMMENTS
1	44018701	Contact Block	Includes base; Models through 9/30/07
	F200233401P	Contact Block Switch	Models starting 10/1/07 through 8/17/14; Includes mounting base
	F8069501	Contact Switch	Models starting 8/18/14
	F8538101	Contact Base	Models starting 8/18/14
2	70364105P	Emergency Stop Contact Harness	1 contact
	70364106P	Emergency Stop Harness	2 contacts
3	44012901	Emergency Stop Label	
4	44018801	Pushbutton	Models through 9/30/07
	F200233500	Emergency Stop Pushbutton	Models starting 10/1/07

# Lower Cabinet Components



TMB2641P\_70407001

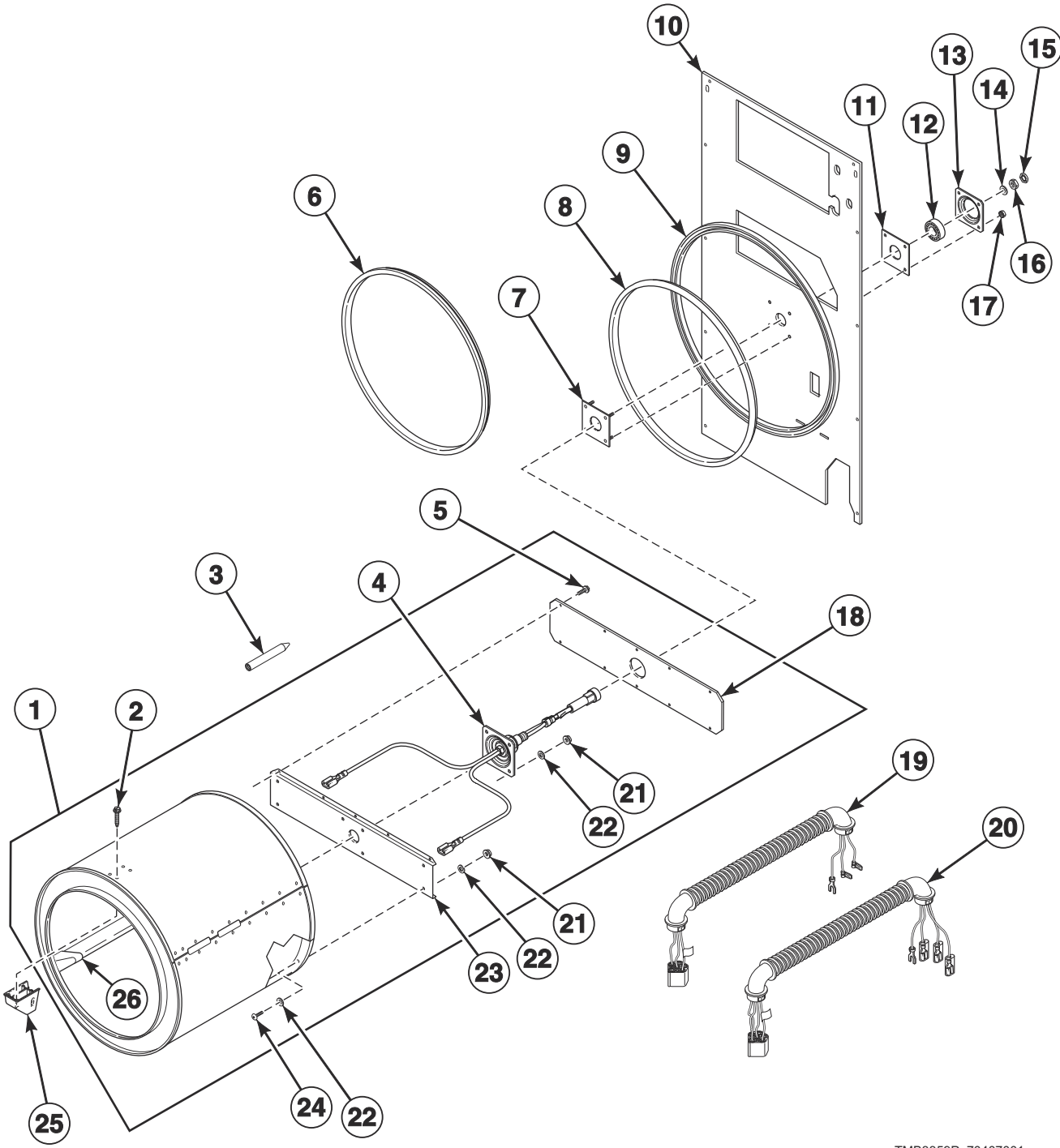


## Lower Cabinet Components

REF	PART NO.	DESCRIPTION	COMMENTS
1	70117614	Kickplate	H and U models; Dark gray
	70117613	Kickplate	All models except H models; Black
2	70154411	Handle and Caps Assembly	B, C, I, M, N, S and U models; P models starting 7/1/17 with white front panel and starting 7/5/16 with stainless steel front panel; Black
	70154412	Handle and Caps Assembly	H and U models; Dark gray
	70407206	Handle Bumper	G and K models
	70407209	Handle Bumper	L and P models
	3	70515604DG	Lint Panel
	70375705	Lint Panel	L and P models through 3/31/15; Stainless steel; No kickplate
	70515605	Lint Panel	L and P models starting 4/1/15; B, G, H, K, S and U models starting 4/1/19; Stainless steel; No kickplate
	70515606W	Lint Panel	B, G, H, K, N, S and U models starting 4/1/19; No kickplate
	70515604LG	Lint Panel	U models starting 4/1/19; Light gray; No kickplate
	70515603LG	Lint Panel	Light gray; U models
	70515601*	Lint Panel	All models except L models; P models starting 7/1/17
	70375702	Lint Panel	B, C, G, H, K, M, S and U models; Models through 3/31/15; Stainless steel
	70515602	Lint Panel	B, C, G, H, K, M, S and U models; Models starting 4/1/15; Stainless steel
4	430757	Screw	For attaching handle; 6 required
5	70289101P	Gasket	Sold per foot
6	70376601	Rear Lint Panel	
7	70132301	Screw	Attaching roller catch
8	23951	Nut	
9	70297601	Roller Catch Wheel	
10	70030201	Roller Catch Spacer	
11	70072801	Screw	
12	70030301	Roller Catch Arm	
13	51236	Nut	Attaching roller catch
14	70126401	Pop Rivet	For attaching kickplate; Dark gray; 6 required
	70126301	Pop Rivet	For attaching kickplate; Black; 6 required
15	56079	Panel Locator	
16	39733	Screw	

\* Add Letter To Designate Color. L - Almond Q - Bisque W - White

# Cylinder Components

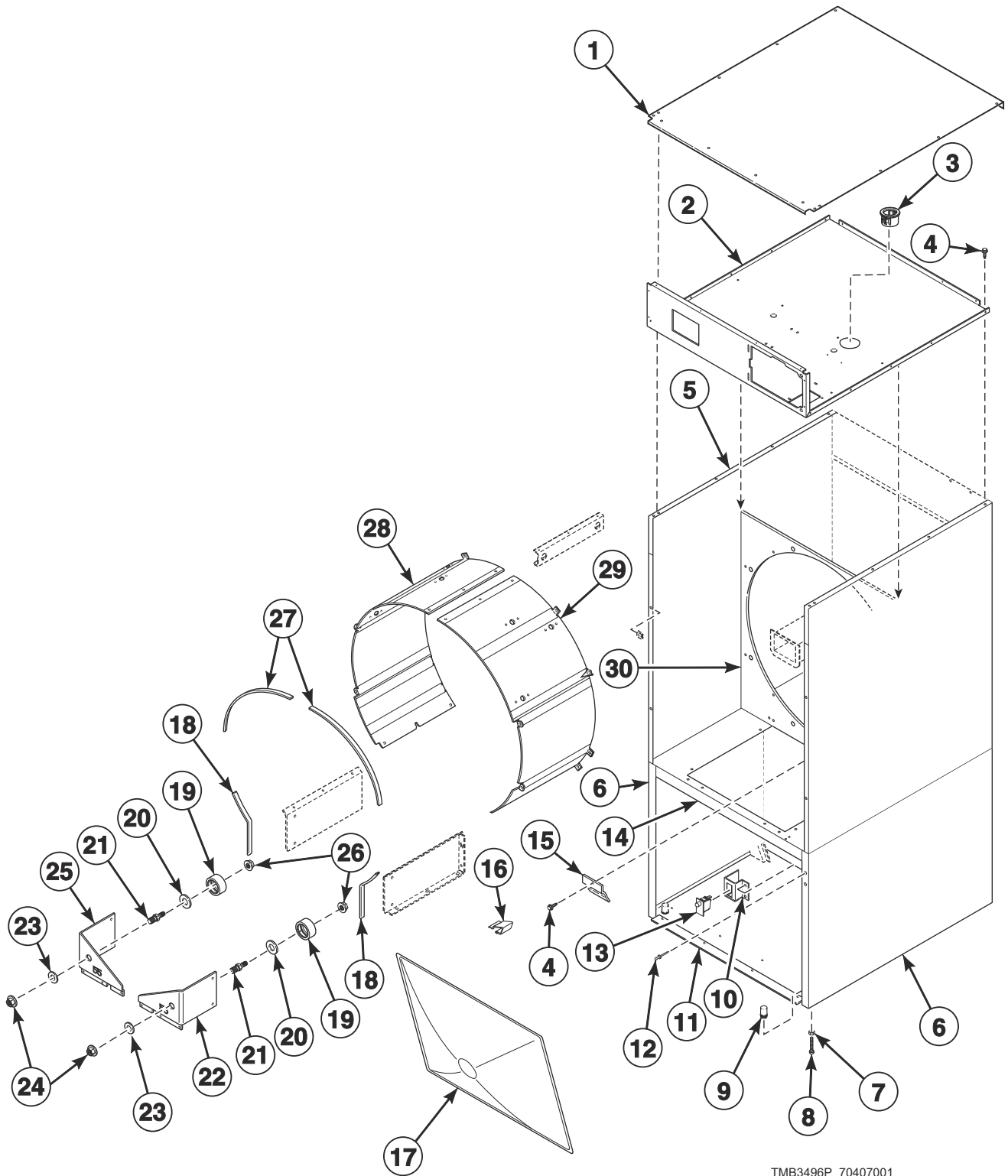


TMB3359P\_70407001

# Cylinder Components

REF	PART NO.	DESCRIPTION	COMMENTS
	70343101P	Drywall Screw Magnet Kit	
	430260P	Support Housing Bearing Assembly	Includes items 12, 13 and Loctite
<b>1</b>	70408803	Cylinder Assembly	G and K models; Non-moisture sensing
	70444103	Cylinder and Trunnion Assembly	G and K models; Moisture sensing
	70408801P	Cylinder Assembly	All other models; Galvanized; Non-moisture sensing
	70444101P	Cylinder and Trunnion Assembly	All other models; Galvanized; Moisture sensing
	70408802P	Cylinder Assembly	All other models; Stainless steel; Non-moisture sensing
	70444102	Cylinder and Trunnion Assembly	All other models; Stainless steel; Moisture sensing
<b>2</b>	62588	Screw	16 required
<b>3</b>	263P4	Cylinder Guide Tool	
<b>4</b>	70564807	Trunnion and Seal Kit	Includes item 8; Non-moisture sensing
	70564808	Trunnion and Seal Kit	Moisture sensing; Includes 70454601 Trunnion and Wire Assembly
<b>5</b>	430497	Screw	10 required
<b>6</b>	70066005	Center Cylinder Seal	
<b>7</b>	430352	Cylinder Bearing Stud Plate Assembly	
<b>8</b>	70013704P	Rear Cylinder Seal	Use with Adhesive
<b>9</b>	70506403	Rear Cylinder Seal Support	
<b>10</b>	70378301	Rear Panel	Gas models
	70378302	Rear Panel	Electric models
<b>11</b>	70355001	Rear Bearing Shim	
<b>12</b>	70448701	Support Bearing	
<b>13</b>	70013901	Rear Cylinder Bearing Housing	
<b>14</b>	M400991	Washer	
<b>15</b>	M400034	Nut	
<b>16</b>	M400022	Nut	
<b>17</b>	M412986	Nut	4 required
<b>18</b>	70305301	Rear Cylinder Channel Plate	
<b>19</b>	70401001	Cylinder Motor Harness Assembly	Models through 2/28/10; 1 Phase; 3 Phase electric models with 240 Volt and below
	70439701	Cylinder Motor Harness Assembly	Models starting 3/1/10; 1 Phase; 3 Phase electric models with 240 Volt and below
<b>20</b>	70401101	Cylinder Motor Harness Assembly	Models through 2/28/10; 3 Phase models except electric models with 240 Volt and below
	70440101	Cylinder Motor Harness Assembly	Models starting 3/1/10; 3 Phase models except electric models with 240 Volt and below
	70465801	Cylinder Motor Harness Assembly	Reversing models
<b>21</b>	44087201	Nut	8 required
<b>22</b>	70411301	Washer	8 required
<b>23</b>	70305201	Rear Cylinder Channel	Non-moisture sensing
	70305202	Rear Cylinder Channel	Moisture sensing
<b>24</b>	70391101	Screw	8 required
<b>25</b>	70070101	End Cap	Non-moisture sensing
	70070102	End Cap	Moisture sensing
<b>26</b>	70433004	Cylinder Rib Assembly	Moisture sensing

# Cabinet Components



TMB3496P\_70407001

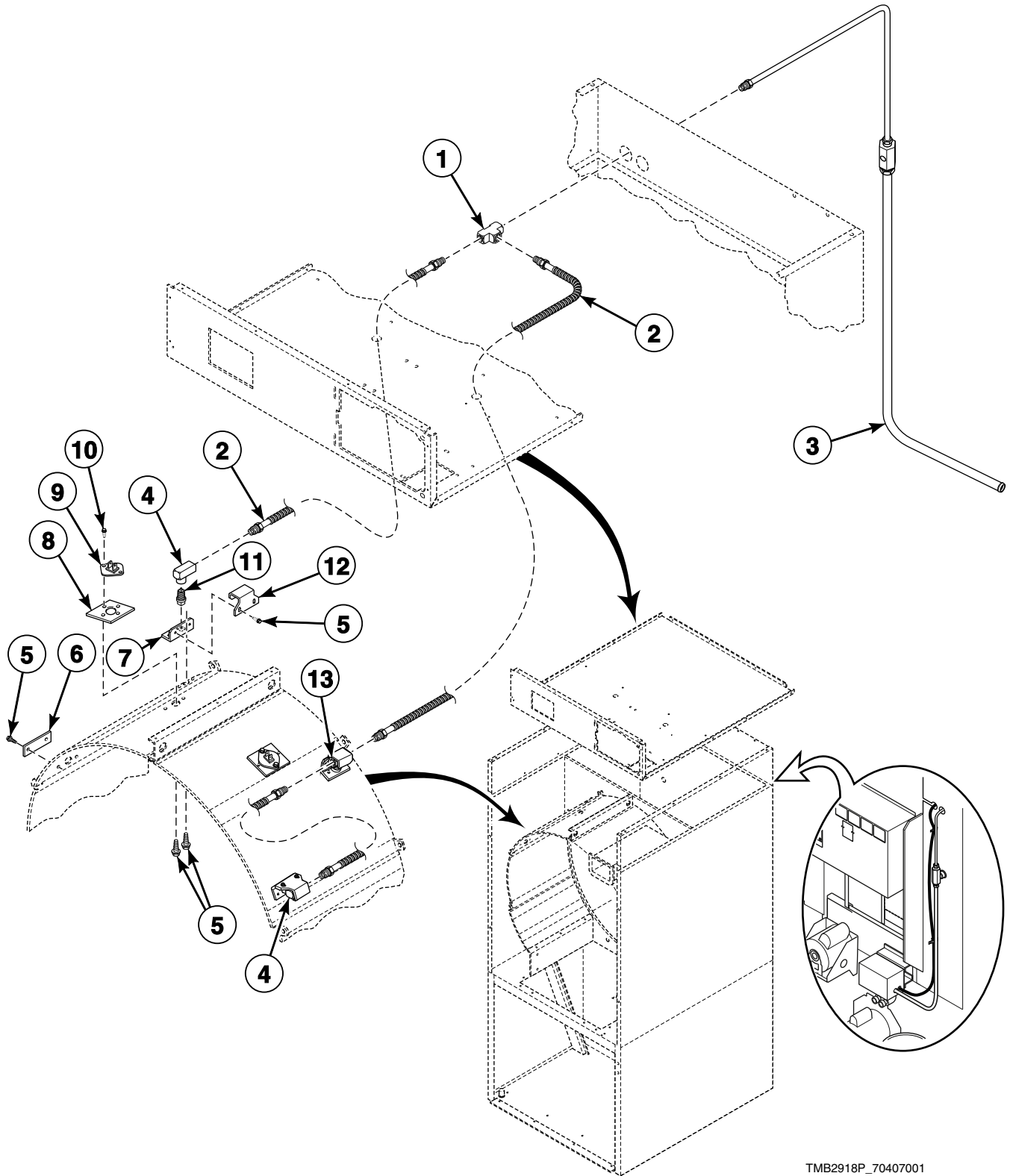
# Cabinet Components

REF	PART NO.	DESCRIPTION	COMMENTS
	M4379P4	Tumbler Dolly Kit	
	70584101	Roller Bracket Assembly Kit	
	298P4P	Spray Paint	White
	297P4	Spray Paint	Almond
	381P4	Spray Paint	Bisque
	382P4	Spray Paint	Cream
	286P4	Spray Paint	Blue
	122P4P	Porcelain Touch-Up Paint	White
	215P4P	Porcelain Touch-Up Paint	Almond
	370P4P	Porcelain Touch-Up Paint	Bisque
<b>1</b>	70557801	Top Panel	
<b>2</b>	70555501	Top Pan	
<b>3</b>	70346501	Bushing	
<b>4</b>	430497	Screw	
<b>5</b>	70378704DG	Side Panel	Dark gray; P models; Upper
	70378701LG	Side Panel	Light gray; U models; Upper
	70378701*P	Side Panel	All models except P models; Upper
<b>6</b>	70378802DG	Side Panel	Dark gray; P models; Lower
	70378801LG	Side Panel	Light gray; U models; Lower
	70378801*P	Side Panel	All models except P models; Lower
<b>7</b>	21899	Nut	
<b>8</b>	34319	Leveling Leg	
<b>9</b>	70063201	Hole Plug	
<b>10</b>	70277301	Lint Panel Switch Bracket	
<b>11</b>	70377601	Lower Pan	
<b>12</b>	70058501	Pop Rivet	16 required; Upper side panel
<b>13</b>	70413401	Switch Assembly	
<b>14</b>	70376701	Center Pan	
<b>15</b>	35358	Hold-Down Clip	
<b>16</b>	35865	Hold-Down Clip	2 required
<b>17</b>	44063601	Lint Screen	
<b>18</b>	70015711	Sheet Metal Edge Gasket	Lower
<b>19</b>	70616701	Roller and Seal Kit	
<b>20</b>	70443601	Roller Seal	Models starting 3/1/10
<b>21</b>	70249501	Roller Shaft	
<b>22</b>	70326103	Roller Support Bracket	Right
<b>23</b>	70261401	Washer	
<b>24</b>	M404993	Nut	
<b>25</b>	70326104	Roller Support Bracket	Left
<b>26</b>	430576	Nut	
<b>27</b>	70015712	Sheet Metal Edge Gasket	Upper
<b>28</b>	70427502	Cylinder Shroud	Left
<b>29</b>	70427501	Cylinder Shroud	Right
<b>30</b>	70376801	Center Partition	

\* Add Letter To Designate Color. Q - Bisque W - White

# Fire Suppression System Components

Gas Models



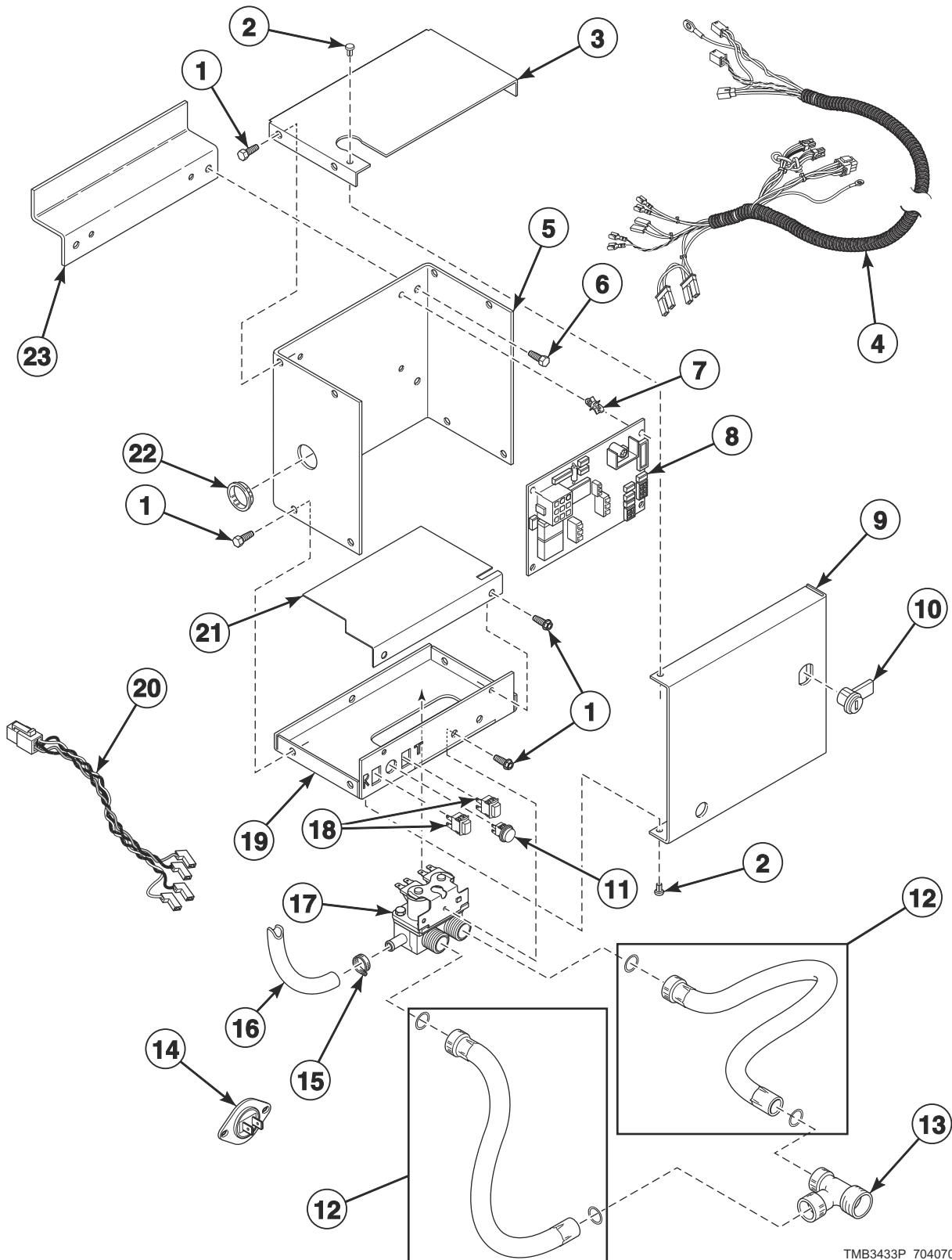
TMB2918P\_70407001

## Fire Suppression System Components

REF	PART NO.	DESCRIPTION	COMMENTS
1	70427901	Union Tee	2 required
2	70427701	Spray Nozzle Hose	3 required
3	70427601	Tube Assembly	
4	70428101	Elbow	2 required
5	430497	Screw	20 required
6	70429301	Nozzle Hole Cover	
7	70424201	Nozzle Bracket	3 required
8	70424401	Thermistor Plate	2 required
9	44064701	Thermistor	2 required
10	51780	Screw	4 required
11	70427801	Spray Nozzle	3 required
12	70428601	Nozzle Bracket	3 required
13	70428201	Tee	

# Fire Suppression System Control Box

Gas Models



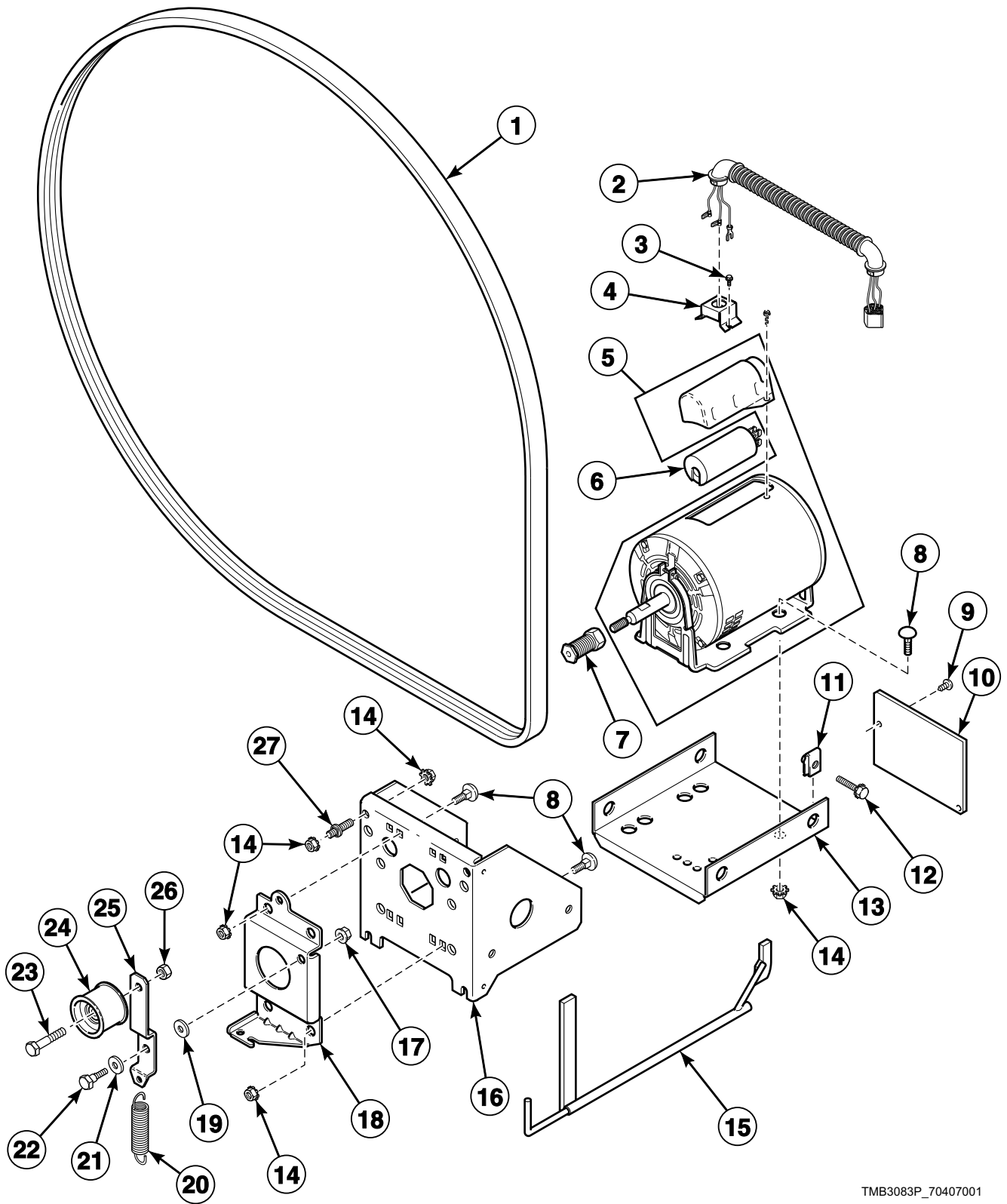
TMB3433P\_70407001



## Fire Suppression System Control Box

REF	PART NO.	DESCRIPTION	COMMENTS
1	430497	Screw	
2	M400713	Drive Rivet	
3	44065401	Control Box Top	
4	70426501P	Control Harness	
5	44065101	Control Box Housing	
6	51780	Screw	
7	D501523	Circuit Board Support	4 required
8	44063801P	Control	
9	44065201	Control Box Cover	
10	44089301P	Lock, Key and Nut Kit	RL001 key code; Optional if same key is to be used for control lock
11	801432	Light	
12	F200116	Water Hose	2 required; Non-CE and non-Australian models
	38349P	Fill Hose Kit	CE and Australian models
13	44069101	Hose Fitting	Non-CE and non-Australian models
14	44064701	Thermistor	2 required
15	36801	Hose Clamp	
16	44073304	Hose	14 inches; Outlet hose
17	36958P	Mixing Valve	
18	801434W	Push-to-Start Switch	2 required
19	44065301	Control Box Base	
20	70426601P	Sensor Harness	
21	44065701	Mixing Valve Shield Bracket	
22	70178701	Snap Bushing	
23	44065901	Bracket	

# Drive Motor Components for Nonreversing Models

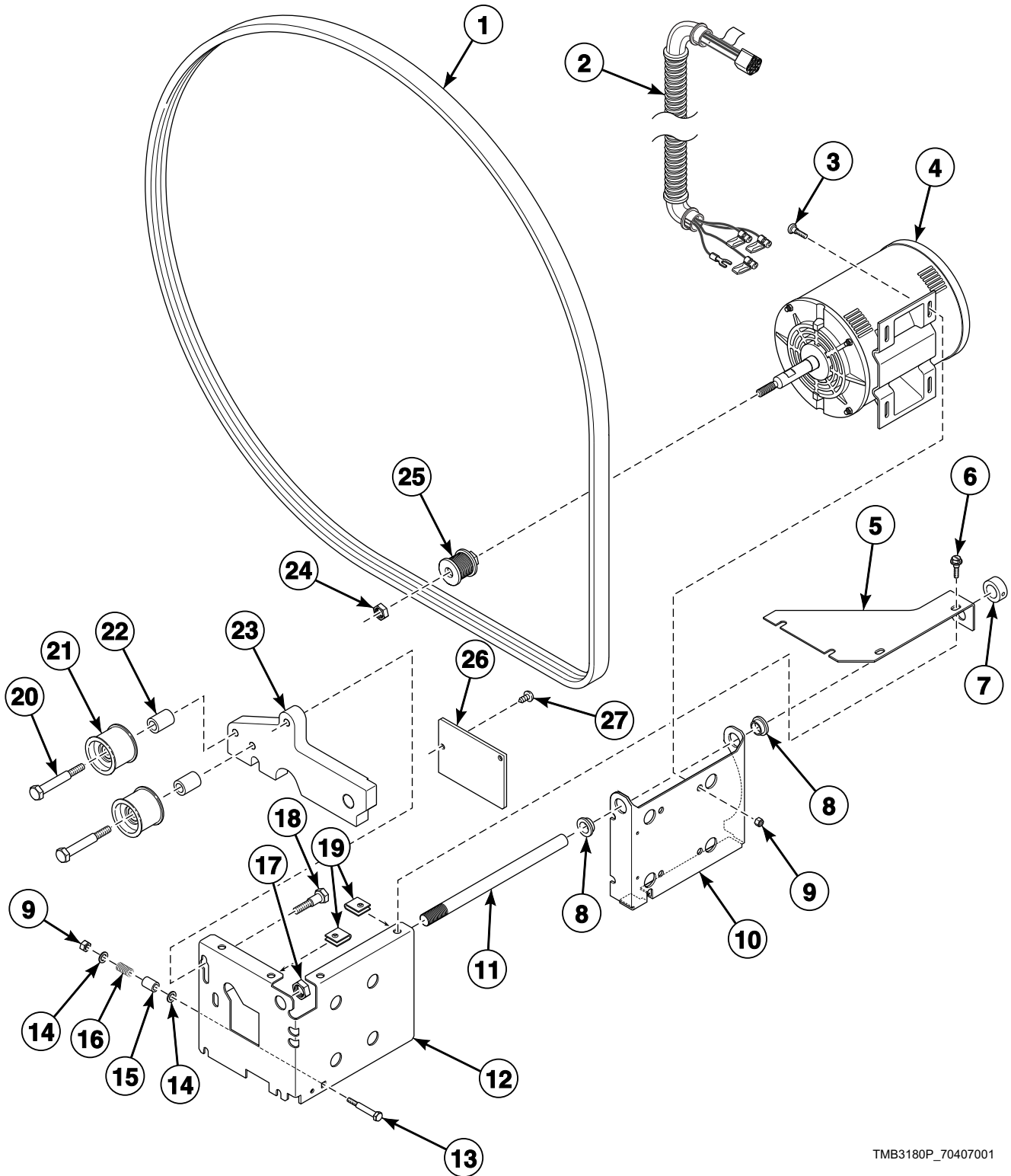


TMB3083P\_70407001

## Drive Motor Components for Nonreversing Models

REF	PART NO.	DESCRIPTION	COMMENTS
1	70276204P	Belt	115.75 inches
2	70401001	Cylinder Motor Harness Assembly	Models through 2/28/10; 1 Phase; 3 Phase electric with 240 Volt and below
	70401101	Cylinder Motor Harness Assembly	Models through 2/28/10; 3 Phase except electric with 240 Volt and below
	70439701	Cylinder Motor Harness Assembly	Models starting 3/1/10; 1 Phase; 3 Phase electric with 240 Volt and below
	70440101	Cylinder Motor Harness Assembly	Models starting 3/1/10; 3 Phase except electric with 240 Volt and below
3	23222	Screw	2 required
4	70321701	Motor Conduit Mounting Bracket	
5	70401501	Drive Motor	100 or 200 Volt/50 Hertz/1 Phase; No capacitor
	70392901P	Drive Motor	100 or 200-220, 120 or 208-240 Volt/60 Hertz/1 Phase; Electric; 208 or 240 Volt/60 Hertz/1 Phase, 200-208 or 240 Volt/60 Hertz/1 Phase
	70401601	Drive Motor	230 or 230-240 Volt/50 Hertz/1 Phase; No capacitor
	70401701	Drive Motor	380 Volt/50 Hertz/3 Phase; No capacitor
	70401801	Drive Motor	400-415 Volt/50 Hertz/3 Phase; No capacitor
	70298401P	Drive Motor	200-208 or 240 Volt/60 Hertz/3 Phase; No capacitor
6	70413101	Motor Capacitor	Start; For 70392901 Drive Motor on 20 Amp
	70413201	Motor Capacitor	Run; For 70392901 Drive Motor on 20 Amp
7	70284208	Motor Pulley	60 Hertz
	70284204	Motor Pulley	50 Hertz
8	70062401	Bolt	
9	430497	Screw	
10	70202501	Drive Access Cover	
11	27222	Nut	4 required
12	70566401	Screw	
13	70127301	Motor Mount Bracket	
14	M412986	Nut	
15	M4853P3	Belt Tension Tool Kit	
16	70261701	Motor Channel	
17	29796	Nut	
18	70443301	Idler Bracket	
19	70270301	Washer	
20	70045301	Drum Idler Spring	With silencer
21	70265901	Washer	
22	M400056	Screw	
23	430648	Screw	
24	70050401P	Idler Wheel Assembly	
25	70259901	Cylinder Idler Arm	
26	56156	Nut	
27	70334701	Double Ended Stud	

# Drive Motor Components for Reversing Models

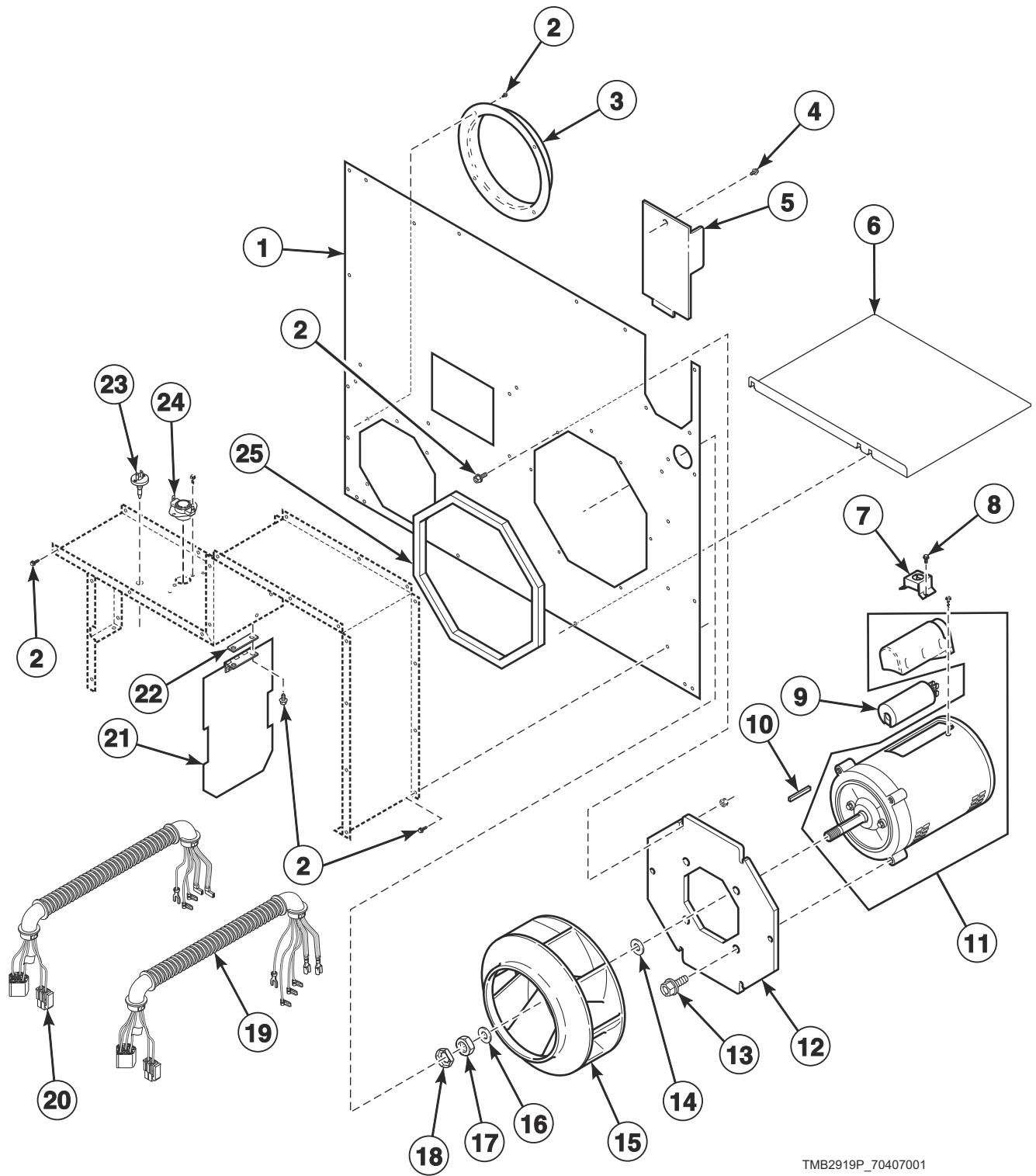


TMB3180P\_70407001

## Drive Motor Components for Reversing Models

REF	PART NO.	DESCRIPTION	COMMENTS
1	70276204P	Belt	
2	70465801	Cylinder Motor Harness Assembly	
3	70062401	Bolt	4 required
4	70459001P	Drive Motor	200-240 or 460-480 Volt/60 Hertz/3 Phase, 200 or 380-415 Volt/50 Hertz/3 Phase
5	70464201	Motor Plate Cover	2 required
6	M400057	Screw	8 required
7	70467001	Shaft Collar	
8	44239501	Bushing	2 required
9	M412986	Nut	
10	44261401	Drive Motor Plate	
11	70464401	Support Rod	
12	70464101	Motor Bracket	
13	70467501	Bolt	
14	M405535	Washer	2 required
15	70471701	Spacer	
16	70467601	Compression Spring	
17	F431025	Nut	
18	M400043	Screw	4 required
19	27222	Nut	4 required
20	F8368701	Screw	2 required
21	70050401P	Idler Wheel Assembly	2 required
22	70464601	Idler Spacer	2 required
23	70464501	Idler Holder	
24	70466601	Nut	
25	70457403	Motor Pulley	50 Hertz
	70457401	Motor Pulley	60 Hertz
26	70466001	Belt Access Cover	
27	430497	Screw	

# Blower Components



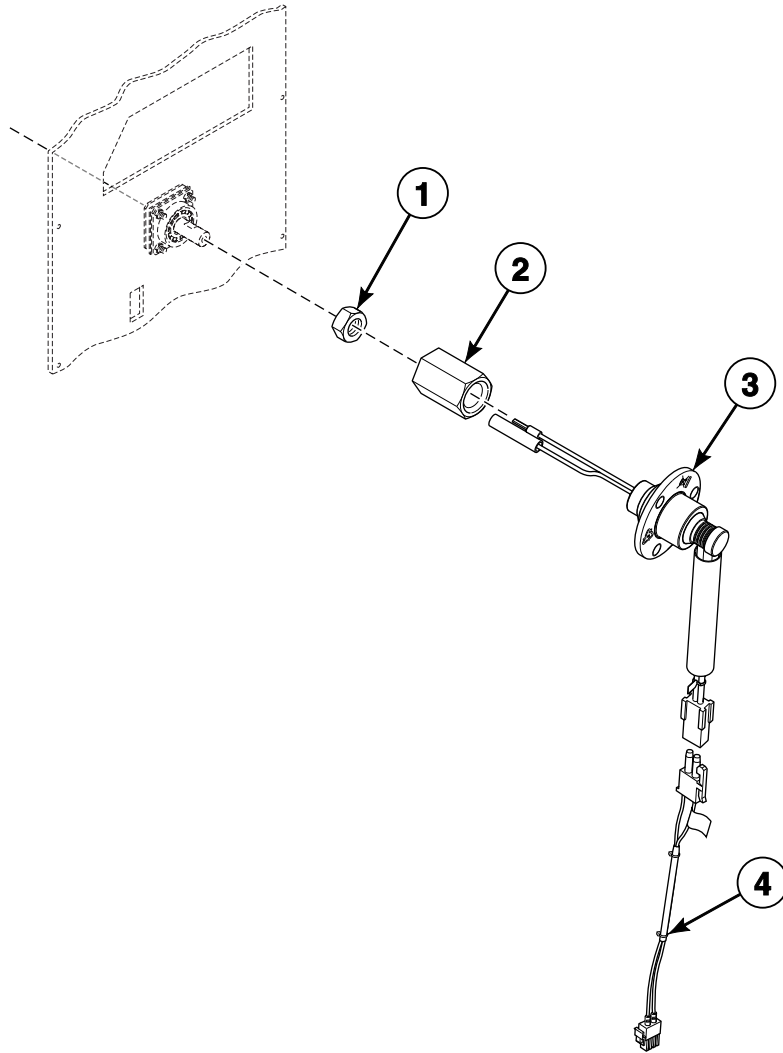
TMB2919P\_70407001

# Blower Components

REF	PART NO.	DESCRIPTION	COMMENTS
1	70377201	Lower Rear Panel	
2	430497	Screw	
3	70015601	Exhaust Thimble	8 inches
4	M411072	Screw	
5	70196301	Drive Access Cover	
6	70427001	Motor Drip Pan	
7	70321701	Motor Conduit Mounting Bracket	
8	23222	Screw	2 required
9	70413102	Motor Capacitor	Start; For 70297901P Blower Motor and 70401401 Blower Motor
	70413202	Motor Capacitor	Run; For 70297901P Blower Motor and 70401401 Blower Motor
10	70144101	Key	
11	70297901P	Blower Motor	100 or 200-220, 120 or 208-240 Volt/60 Hertz/1 Phase; Electric; 208 or 240 Volt/60 Hertz/1 Phase
	70401401	Blower Motor	100 or 200, 230, 230-240 Volt/50 Hertz/1 Phase
	70342601P	Blower Motor	200-240 or 460-480 Volt/60 Hertz/3 Phase, 200-240 or 380-415 Volt/50 Hertz/3 Phase
12	70380801	Blower Motor Mounting Plate	
13	70126101	Screw	
14	70599301	Fan Spacer	
15	70302201P	Blower Assembly	
16	F431131	Washer	
17	M400022	Nut	
18	M400034	Nut	
19	70401301	Fan Motor Harness Assembly	Models through 2/28/10; 3 Phase except electric with 240 Volt and below
	70440201	Fan Motor Harness Assembly	Models starting 3/1/10; 3 Phase except electric with 240 Volt and below
20	70401201	Fan Motor Harness Assembly	Models through 2/28/10; 1 Phase; 3 Phase electric with 240 Volt and below
	70439801	Fan Motor Harness Assembly	Models starting 3/1/10; 1 Phase; 3 Phase electric with 240 Volt and below
21	70209501	Damper and Hinge Exhaust Assembly	
22	N/A	Damper Spacer	
23	M414704	Thermistor	
24	M411307	Limit Thermostat	
25	70392701P	Gasket	For blower housing opening

**N/A = Part no longer available**

# Moisture Sensing Components



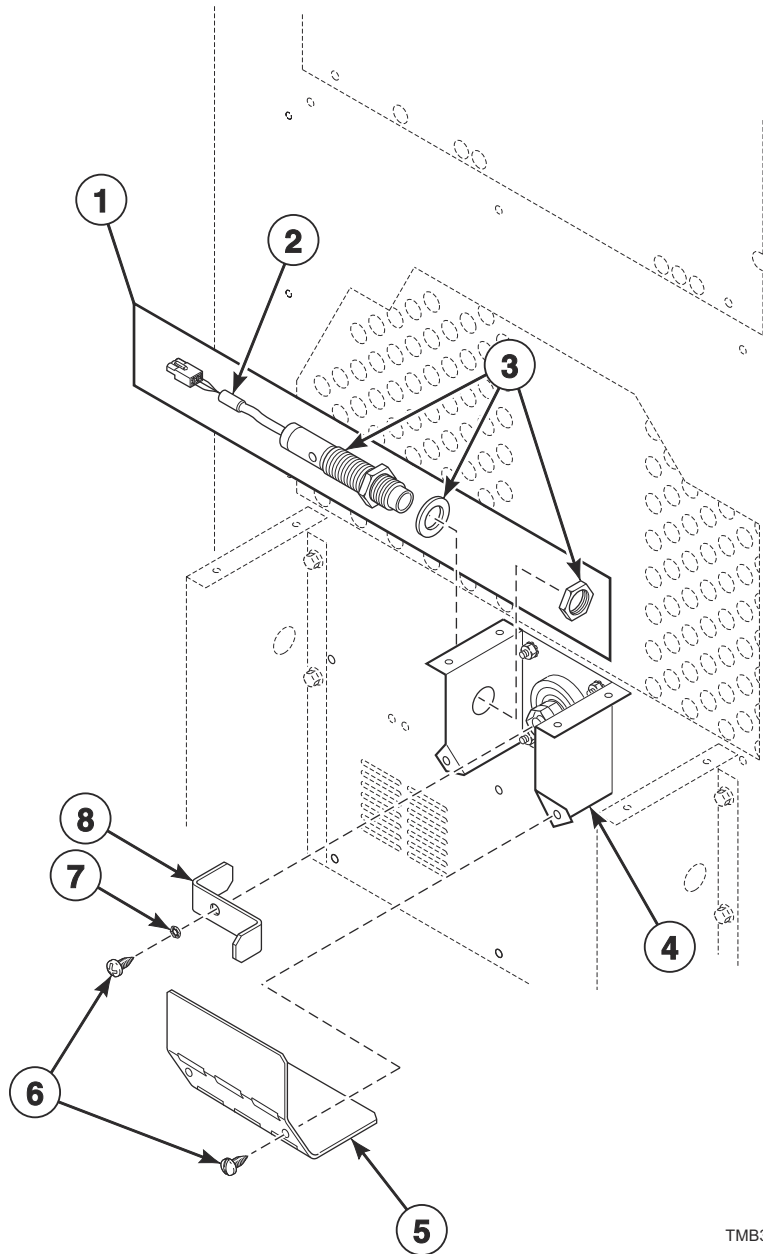
TMB3147P\_70407001



# Moisture Sensing Components

REF	PART NO.	DESCRIPTION	COMMENTS
	70468901	Moisture Sensor Test Wires	Use to troubleshoot the moisture sensor circuit
1	M400035	Nut	
2	70455401	Slip Ring Holder	
3	44222702	Slip Ring Assembly	
4	70448902	Moisture Sensor Harness Assembly	

# Rotation Sensor

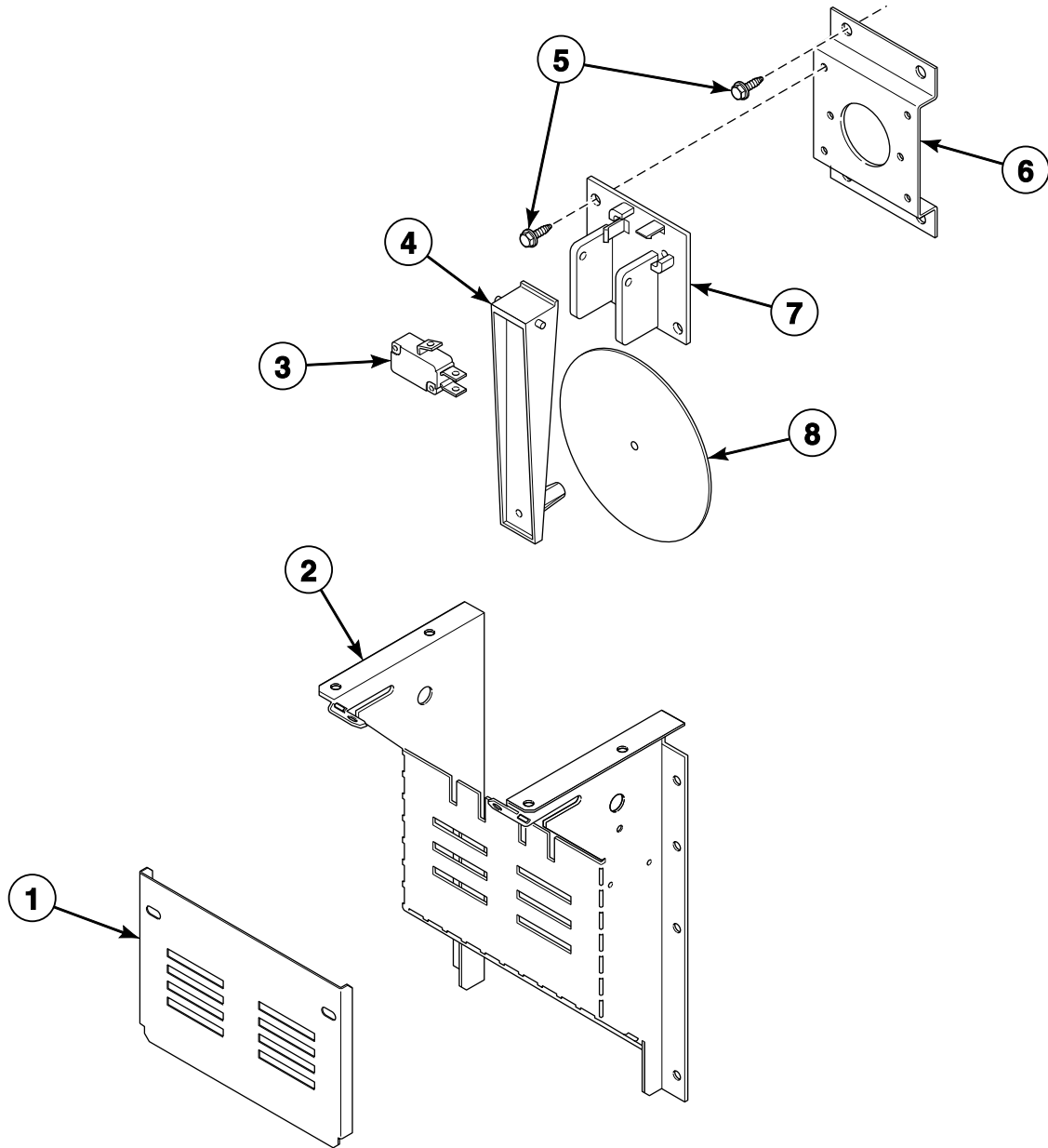


TMB3432P\_70407001

# Rotation Sensor

REF	PART NO.	DESCRIPTION	COMMENTS
1	7009P	Rotation Sensor Kit	Includes items 2, 3 and 7; 3B, 3K, 3L, 3O, 3V, 3W, 3X, DO, DV, DX and R3 control suffixes
2	70476101	Rotation Sensor Harness	3B, 3K, 3L, 3O, 3V, 3W, 3X, DO, DV, DX and R3 control suffixes
	F8066401	Rotation Sensor Harness	EO, RE, RU and UO control suffixes
3	F8066201	Rotation Sensor	
4	70021401	Bearing Housing Bracket	
5	44044301	Rotation Sensor Cover	
6	70153301	Screw	
7	M400034	Nut	
8	44044401	Rotation Sensor Bracket	

# Airflow Switch

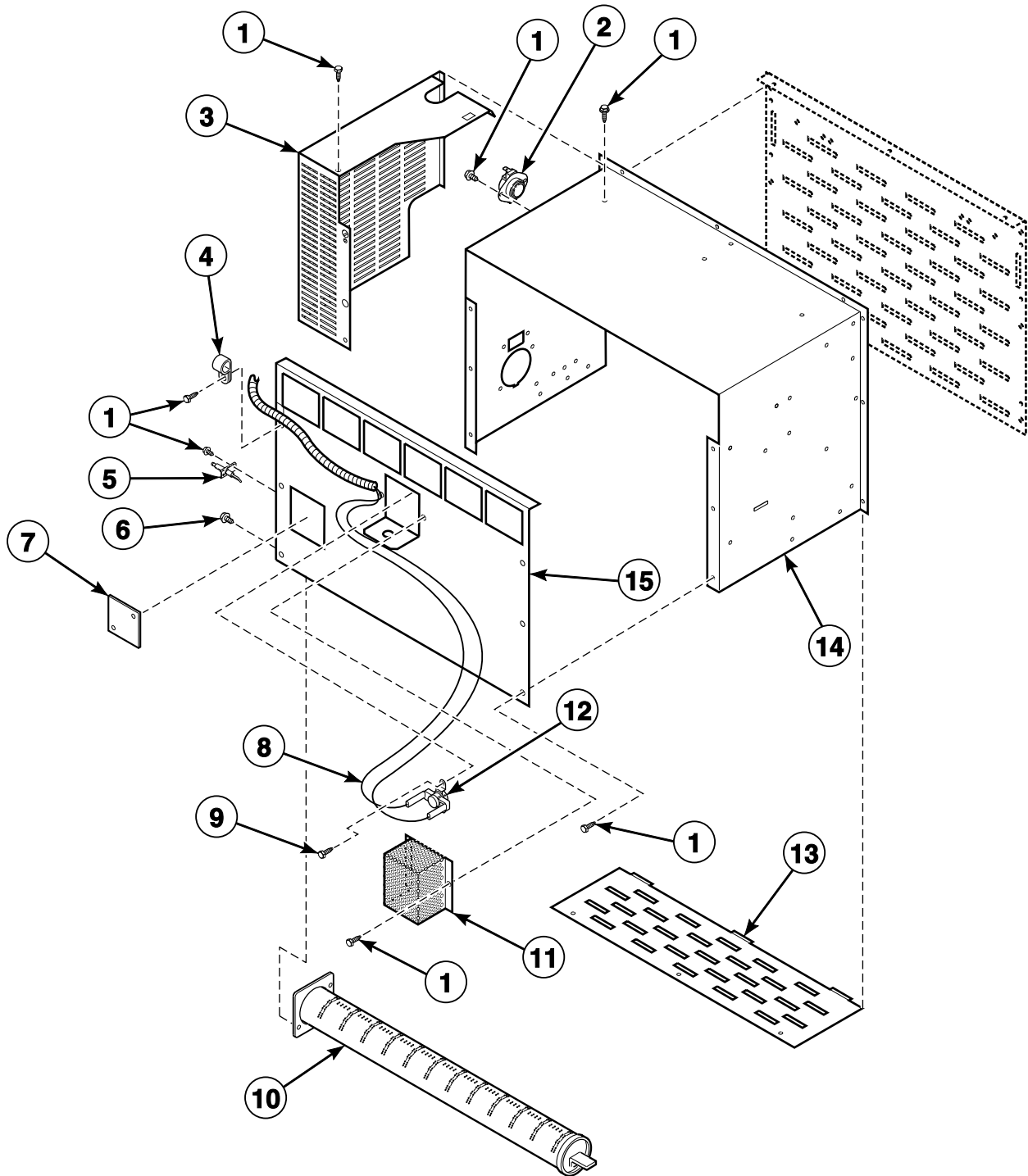


TMB3126P\_70407001

# Airflow Switch

REF	PART NO.	DESCRIPTION	COMMENTS
1	70356601	Airflow Switch Cover	Non-moisture sensing
	70465701	Airflow Switch Cover	Moisture sensing
2	70356101	Airflow Switch Wrapper	
3	70411901	Switch	
4	70319401	Airflow Switch Arm	
5	430497	Screw	
6	70356301	Switch Bracket	
7	70319602	Airflow Switch and Arm Bracket	
8	70319201	Airflow Switch Vane	

# Gas Burner Housing and Secondary Stove Limit

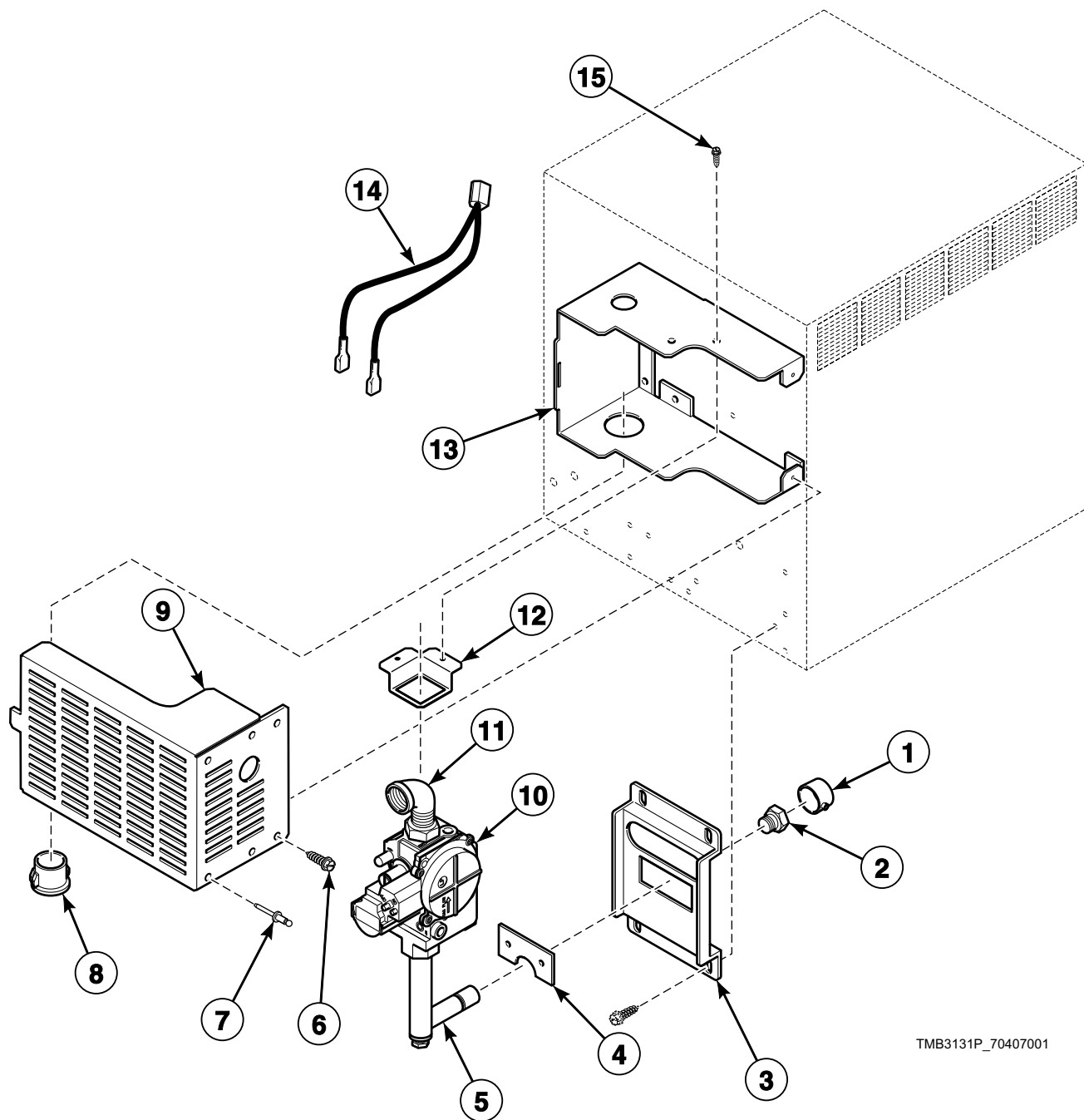


TMB2642P\_70407001

## Gas Burner Housing and Secondary Stove Limit

REF	PART NO.	DESCRIPTION	COMMENTS
	44305401P	Direct Air Kit	
	70491801	Heat Exchanger	
<b>1</b>	430497	Screw	
<b>2</b>	70186301	Manual Reset Thermostat	Korean models
	M409219	Limit Thermostat	All other models
<b>3</b>	70282401	Rear Valve Cover	
<b>4</b>	70203701	Pipe Clip	
<b>5</b>	70032801P	Spark Electrode	Models through 9/16/12
	70548701P	Spark Electrode	Models starting 9/17/12
<b>6</b>	05161	Screw	
<b>7</b>	70159601	Igniter Cover	
<b>8</b>	70316501	Stove Limit Harness	
<b>9</b>	M405188	Screw	2 required
<b>10</b>	70396201P	Gas Burner	
	70546702	Anti-Rattle Burner Assembly	Includes 70396201P Gas Burner, 431318 Control Door Latch and M400003 Pop Rivet
<b>11</b>	M414477	Thermostat Cover	
<b>12</b>	70299001	Limit Thermostat	Secondary
<b>13</b>	70396701	Burner Grill	
<b>14</b>	70396301	Stove Top and Sides	
<b>15</b>	70396801	Stove Back	

# Gas Valve Assembly - Non-CE and Non-Australian Gas Models



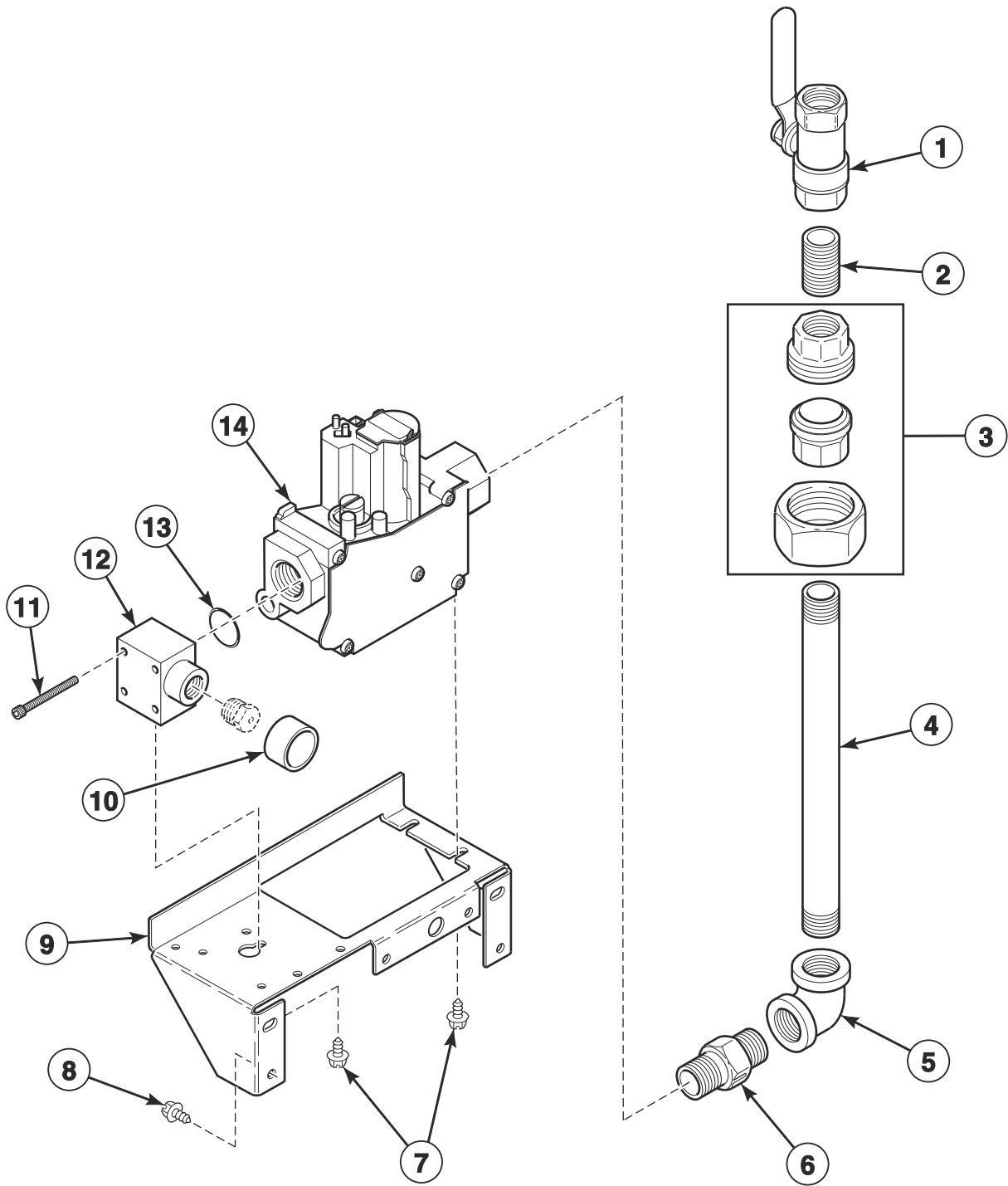
TMB3131P\_70407001



# Gas Valve Assembly - Non-CE and Non-Australian Gas Models

REF	PART NO.	DESCRIPTION	COMMENTS
	M4924P3	L.P. Conversion Kit	0-2,000 feet; 90,000 Btu input
1	70239801	Primary Air Adjustment Sleeve	
2	70684126	Burner Orifice	Standard Liquid Petroleum Gas (L.P.) models; Drill no. 31 (3.0 mm); 0-2,000 feet
	70684125	Burner Orifice	Standard L.P. models; Drill no. 32 (2.9 mm); 2,001-4,000 feet
	70684124	Burner Orifice	Standard L.P. models; 60 Hertz; Drill no. 33 (2.9 mm); 4,001-6,000 feet
	70684121	Burner Orifice	Models BT055D, HT055D and ST055D; 50 Hertz; Drill no. 7/64 (2.8 mm); 4,001-6,000 feet
	70684122	Burner Orifice	Standard L.P. models; Drill no. 35 (2.8 mm); 6,001-8,000 feet
	70684120	Burner Orifice	Standard L.P. models; Drill no. 36 (2.7 mm); 8,001-10,000 feet
	70684155	Burner Orifice	Standard Natural Gas (N.G.) models; Drill no. 8 (5.1 mm); 0-2,000 feet
	70684153	Burner Orifice	Standard N.G. models; Drill no. 10 (4.9 mm); 2,001-4,000 feet
	70684151	Burner Orifice	Standard N.G. models; Drill no. 12 (4.8 mm); 4,001-6,000 feet
	70684149	Burner Orifice	Standard N.G. models; Drill no. 14 (4.6 mm); 6,001-8,000 feet
	70684147	Burner Orifice	Standard N.G. models; Drill no. 16 (4.5 mm); 8,001-10,000 feet
	70684147	Burner Orifice	Eco N.G. models; 50 Hertz; Drill no. 16 (4.5 mm); 0-2,000 feet
	70684144	Burner Orifice	Eco N.G. models; 50 Hertz; Drill no. 18 (4.3 mm); 2,001-4,000 feet
	70684142	Burner Orifice	Eco N.G. models; 50 Hertz; Drill no. 20 (4.1 mm); 4,001-6,000 feet
	70684140	Burner Orifice	Eco N.G. models; 50 Hertz; Drill no. 22 (4.0 mm); 6,001-8,000 feet
	70684137	Burner Orifice	Eco N.G. models; 50 Hertz; Drill no. 25 (3.8 mm); 8,001-10,000 feet
	70684152	Burner Orifice	Eco N.G. models; 60 Hertz; Drill no. 11 (4.9 mm); 0-2,000 feet
	70684149	Burner Orifice	Eco N.G. models; 60 Hertz; Drill no. 14 (4.6 mm); 2,001-4,000 feet
	70684147	Burner Orifice	Eco N.G. models; 60 Hertz; Drill no. 16 (4.5 mm); 4,001-6,000 feet
	70684144	Burner Orifice	Eco N.G. models; 60 Hertz; Drill no. 18 (4.3 mm); 6,001-8,000 feet
	70684142	Burner Orifice	Eco N.G. models; 60 Hertz; Drill no. 20 (4.1 mm); 8,001-10,000 feet
3	70248901	Orifice Holder Bracket	
4	70249001	Orifice Keeper Bracket	
5	70552801P	Orifice Adapter	
6	430497	Screw	10 required
7	70058501	Pop Rivet	
8	M400770	Snap Bushing	
9	70282401	Rear Valve Cover	
10	44154501P	Gas Valve	N.G.; Models through 12/31/13
	44154502P	Gas Valve	L.P.; Models through 12/31/13
	44154503	N.G. Valve	N.G.; Models starting 1/1/14
	44154504	L.P. Valve	L.P.; Models starting 1/1/14
11	H86070034	Street Elbow	
12	70502601	Valve Support Bracket	
13	70328201	Forward Valve Cover	
14	M412997	Harness Assembly	
15	430497	Screw	2 required

# Gas Valve and Piping - CE and Australian Gas Models



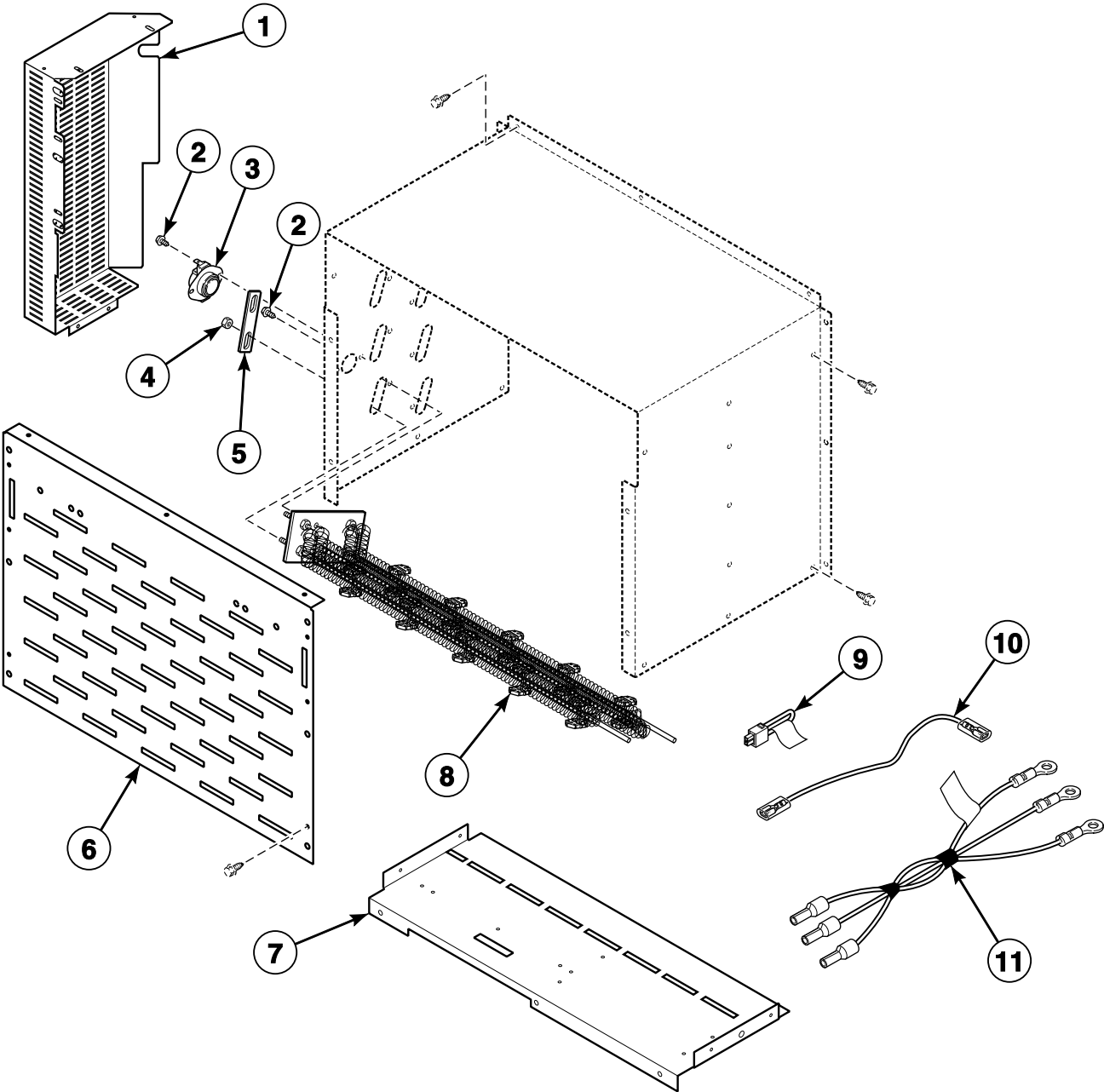
TMB3443P\_70407001

## Gas Valve and Piping - CE and Australian Gas Models

REF	PART NO.	DESCRIPTION	COMMENTS
	K555	L.P. Conversion Kit	Regulated; Natural Gas (N.G.) to Liquid Petroleum Gas (L.P.); CE models; Must also order orifice, refer to Installation Manual
	M4924P3	L.P. Conversion Kit	N.G.; 0-2,000 feet; Australian models
	M405434P	L.P. Valve Conversion Kit	Unregulated; Must also order orifice, refer to Installation Manual; Use with 44154503 N.G. Valve
	70184001	Gas Valve Harness	CE models; Use with item 14
	M413650	Gas Valve Harness Assembly	Australian models; Use with item 14
	70239801	Primary Air Adjustment Sleeve	
	70260101	Gas Valve Coil	24 Volt; Models through 12/31/13
<b>1</b>	M412562P	Gas Shut-Off Valve	Models through 1/31/10
<b>2</b>	901403	Pipe Nipple	1/2 NPT; Models through 1/31/10
<b>3</b>	H86000031	Union	Models through 1/31/10
<b>4</b>	70139601	Pipe Nipple	
<b>5</b>	70079601	Elbow	
<b>6</b>	70131901	Adapter	BPT/NPT
<b>7</b>	23222	Screw	
<b>8</b>	430497	Screw	
<b>9</b>	70233301	Gas Valve Bracket	
<b>10</b>	70239801	Primary Air Adjustment Sleeve	
<b>11</b>	431484	Screw	
<b>12</b>	70223501	Spud Adapter	
<b>13</b>	431482	O-Ring	
<b>14</b>	70457301P	N.G. Valve	Regulated; Models through 12/31/13
	44154503	N.G. Valve	Regulated; Models starting 1/1/14
	70457302P	L.P. Valve	Unregulated; Models through 12/31/13
	44154504	L.P. Valve	Unregulated; Models starting 1/1/14

**NOTE: For CE gas and orifice information, refer to Installation Manual.**

# Electric Heater Components

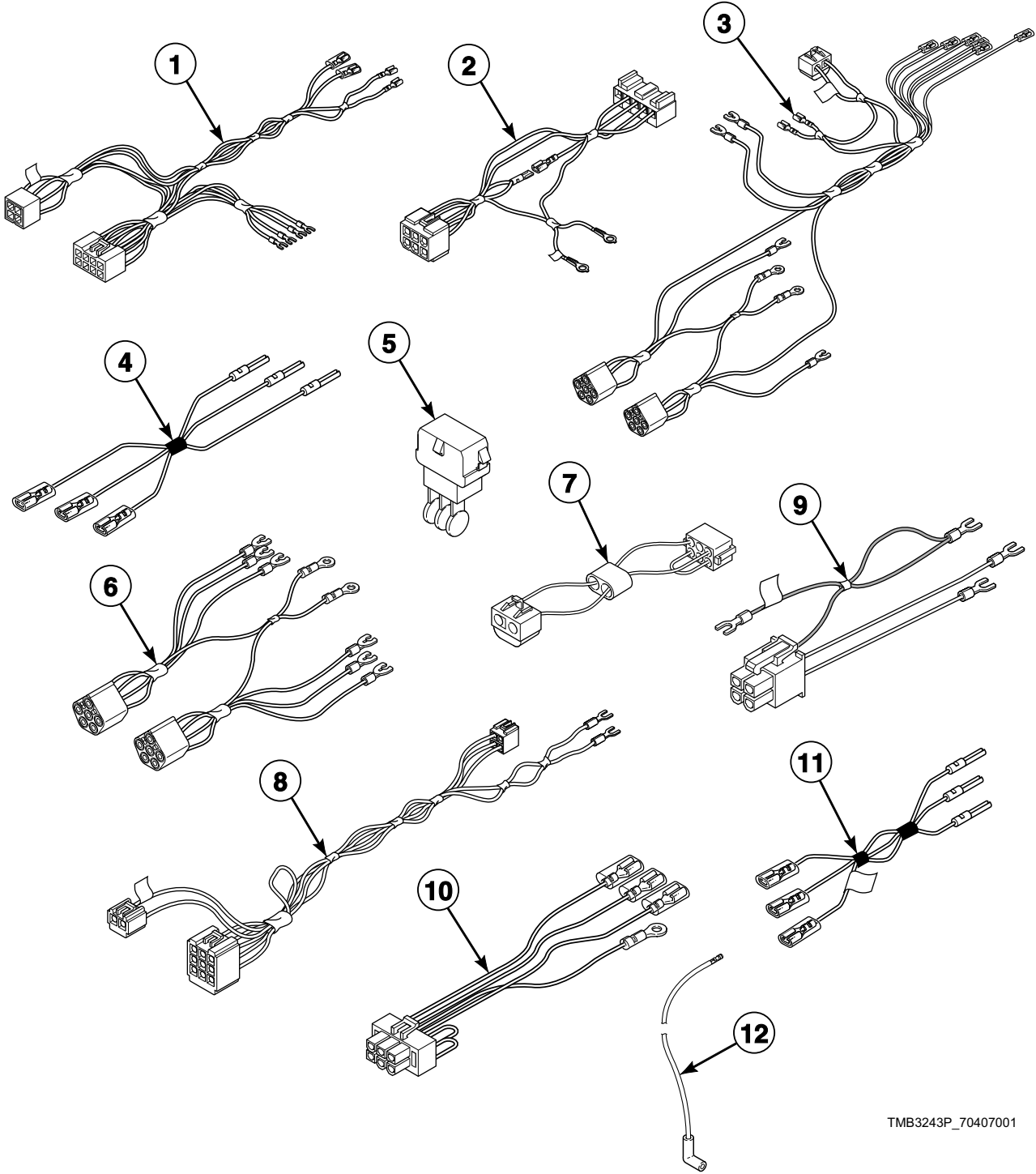


TMB3148P\_70407001

## Electric Heater Components

REF	PART NO.	DESCRIPTION	COMMENTS
	70522801P	Direct Air Kit	
	70491801	Heat Exchanger	
<b>1</b>	70365201	Stove Connectors Cover	
<b>2</b>	430497	Screw	
<b>3</b>	M409443	Limit Thermostat	
<b>4</b>	70054	Nut	
<b>5</b>	70066501	Jumper Bar	2 required for 380, 400, 400-415 and 460-480 Volt
	M400869	Jumper Strip	3 required for 460-480 Volt; 6 required for all other voltages
<b>6</b>	70214901	Stove Grill	
<b>7</b>	70357201	Stove Partition	
<b>8</b>	70034407P	Heater Element	Non-CE Standard models; 3 required; 9 kW; 208 Volt heater element for 200-208 Volt/1 or 3 Phase
	70034408	Heater Element	Standard models; 3 required; 9 kW; 220 Volt heater element for 380 and 440 Volt/3 Phase
	70034409P	Heater Element	Standard models; 3 required; 9 kW; 240 Volt heater element for 230-240 Volt/1 or 3 Phase and 400-415 Volt/3 Phase
	70034410P	Heater Element	Eco models; 3 required; 6 kW; 208 Volt heater element for 200-208 Volt/1 or 3 Phase
	70034411	Heater Element	Eco models; 3 required; 6 kW; 220 Volt heater element for 380 and 440 Volt/3 Phase
	70034412P	Heater Element	Eco models; 3 required; 6 kW; 240 Volt heater element for 230-240 Volt/1 or 3 Phase and 400-415 Volt/3 Phase
<b>9</b>	70316601	Stove Limit Bypass Harness	
<b>10</b>	70066601	Jumper Wire	1 required for 460-480 Volt
<b>11</b>	70371301P	Cable Set Heater Assembly	H1-H3
	70371401P	Cable Set Heater Assembly	H4-H6; 240 Volt or less

# Control Tray Harnesses for Gas Models

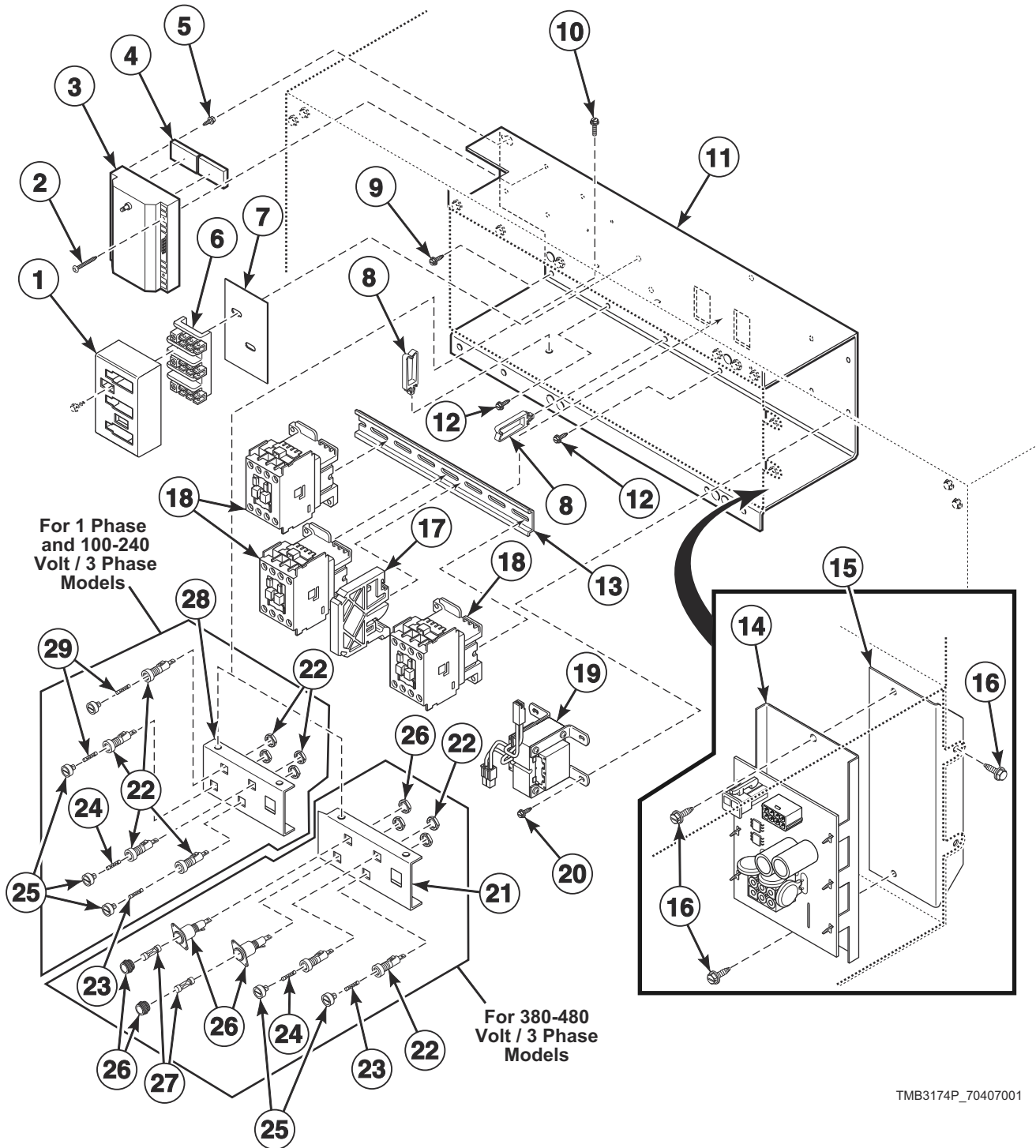


TMB3243P\_70407001

## Control Tray Harnesses for Gas Models

REF	PART NO.	DESCRIPTION	COMMENTS
1	70315801	Junction Box Harness	Models through 7/8/12
	70464701	Control Tray Harness	Models starting 7/9/12
2	44186901	Ignition Control Harness	CE and Australian models; Models with EO, RE, RU and UO control suffixes
	44136601P	Ignition Control Harness	CE and Australian models; Models with all other control suffixes
	44186701	Ignition Control Harness	Non-CE and non-Australian models
3	70316101P	Power Harness	CE and Australian models; Models through 2/28/10; 3 Phase with less than 380 Volts
	70347701P	Power Harness	Models through 2/28/10; Contactor; 1 Phase
	70332201	Power Harness	Models through 2/28/10; 3 Phase with 380 Volts or higher
	70439001	Power Harness	CE and Australian models; Models starting 3/1/10 through 7/8/12; 3 Phase with less than 380 Volts
	70445501	Power Harness	Models starting 3/1/10 through 7/8/12; Contactor; 1 Phase
	70438901	Power Harness	Models starting 3/1/10 through 7/8/12; 3 Phase with 380 Volts or higher
	70438901	Power Harness	Models starting 3/1/10 through 7/8/12; 3 Phase with 380 Volts or higher
	70464901	Power Harness	CE and Australian models; Models starting 7/9/12; 3 Phase with less than 380 Volts
	70469701	Power Harness	Models starting 7/9/12; Contactor; 1 Phase
	70465001	Power Harness	Models starting 7/9/12; 3 Phase with 380 Volts or higher
4	70120901	Jumper Disconnect Assembly	CE and Australian models
5	M413863	Network Capacitor Assembly	3L, 3O, 3V, 3X, DO, DV, DX and OM control suffixes
6	70320201	Motor Contactor Harness	Models through 2/28/10; 3 Phase
	44142601P	Motor Contactor Harness	Models starting 3/1/10 through 7/8/12; 3 Phase
	70469301	Motor Contactor Harness	Models starting 7/9/12; 3 Phase
7	M413504	Jumper Harness Assembly	100 Volt
	M413505	Jumper Harness Assembly	120 Volt
	M413506	Jumper Harness Assembly	208 Volt
	M413507	Jumper Configuration Assembly	240 Volt
	M413508	Jumper Harness Assembly	380 Volt
	M413510	Jumper Configuration Assembly	480 Volt
8	70471901	Reversing Control Board Harness	3B, 3K, 3W, BB, BK, BW and BZ control suffixes
9	70465301	Reversing Contactor Harness	Reversing
10	M413878	Network Capacitor Harness Assembly	Models through 7/8/12; 3L, 3O, 3V, 3X, DO, DV, DX and OM control suffixes
	44143401P	Network Capacitor Harness Assembly	Models starting 7/9/12; Also order 00177 Male Tab Terminal; 3L, 3O, 3V, 3X, DO, DV, DX and OM control suffixes
11	70342101	Gas Disconnect Harness	CE and Australian models; Models through 2/28/10
	70440501	Gas Disconnect Harness	CE and Australian models; Models starting 3/1/10
12	70006201	High Voltage Lead	Models through 9/16/12; Use with 70367301P or 70367401P Ignition Control
	44239702	High Voltage Suppression Cable	Models starting 9/17/12; Use with 70458601, 70458701 or 70483201 Ignition Control

# Control Tray for Non-CE and Non-Australian Gas Models



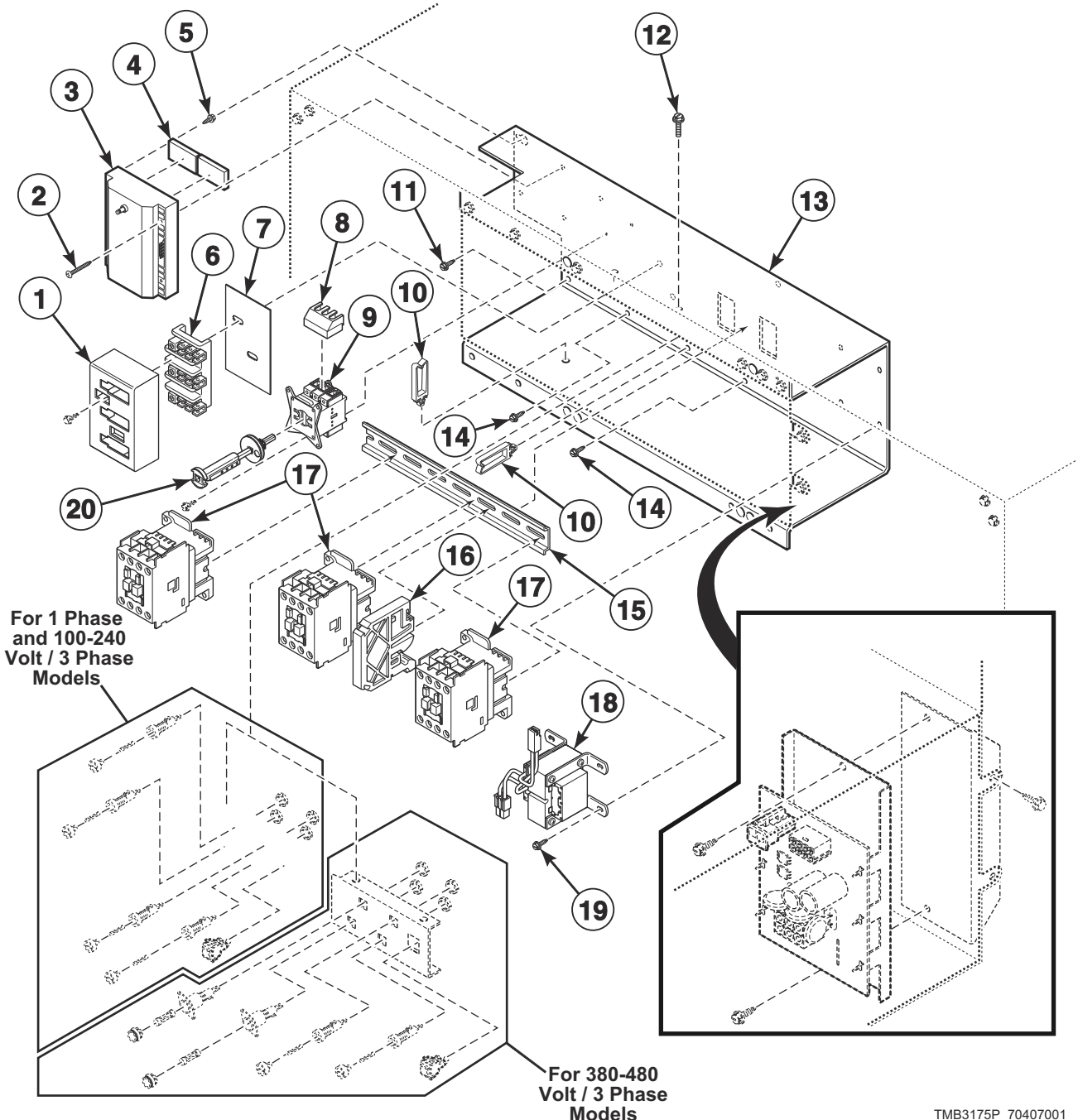
TMB3174P\_70407001



## Control Tray for Non-CE and Non-Australian Gas Models

REF	PART NO.	DESCRIPTION	COMMENTS
	70030501	Expansion Clip	4 required; Used on item 19
	M403047	Secure Ground Label	
1	70333001	Terminal Block Shield	
2	51783	Screw	2 required
3	70492701	Ignition Control Kit	Models through 9/16/12; Use with 44239702 High Voltage Suppression Cable
	70458601P	Ignition Control	Models starting 9/17/12; Use with 44239702 High Voltage Suppression Cable
4	56128	Bumper Pad	2 required
5	38272	Screw	
6	430642	Terminal Block	
7	M413862	Insulator	
8	70366201	Wire Clip	
9	430497	Screw	3 required
10	51780	Screw	2 required
11	70469201	Control Tray	
12	M402917	Screw	4 required
13	M412693	Din Rail	
14	70469901	Reversing Control Assembly	3B, 3K, 3W, BB, BW and BZ control suffixes
15	70472601	Bracket	3B, 3K, 3W, BB, BW and BZ control suffixes
16	F8206901	Screw	4 required
17	F330186P	Interlock Contactor	Reversing
18	70323701P	Contactor	1 required for nonreversing; 3 required for reversing
19	M414312P	Transformer	120 Volt; Dual secondary
	M414230P	Transformer	120 Volt; Primary/secondary
	M414228P	Transformer	100-240 Volt
	M414229P	Transformer	380-480 Volt
20	M411072	Screw	4 required
21	70313601	Fuse Bracket	380-480 Volt; Models through 2/28/10
	70313602	Fuse Bracket	380-480 Volt; Models starting 3/1/10
22	70329401P	Fuse Holder Body	Includes nuts; 3 required for 1 Phase; 4 required for 3 Phase
23	70406601	Fuse	3.5 Amp
24	70406501	Fuse	1.25 Amp
25	70329501	Fuse Holder Cap	3 required for 1 Phase and 380-480 Volt/3 Phase; 4 required for 100-240 Volt/3 Phase
26	M413544P	Fuse Holder	Includes nuts; 2 required for 380-480 Volt; Models through 2/28/10
	44155601P	Fuse Holder	2 required for 380-480 Volt; Models starting 3/1/10
27	44310001	Fuse	2 required for 380-480 Volt; 0.5 Amp
28	70306901	Fuse Bracket	100-240 Volt
29	70406701	Fuse	2 Amp; 100-240 Volt

# Control Tray Components for CE and Australian Gas Models (Drawing 1 of 2)

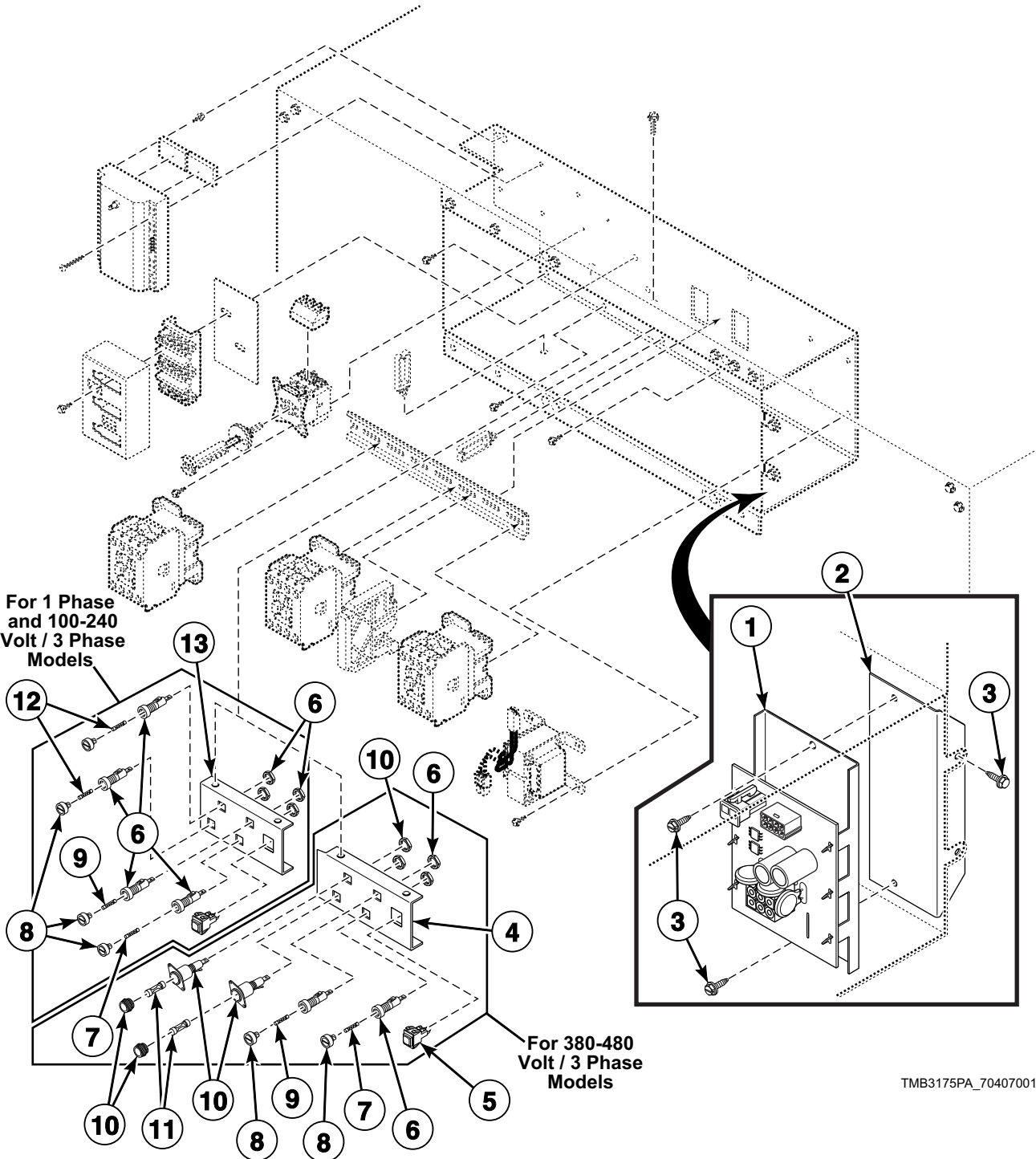


TMB3175P\_70407001

## Control Tray Components for CE and Australian Gas Models (Drawing 1 of 2)

REF	PART NO.	DESCRIPTION	COMMENTS
	70030501	Expansion Clip	4 required
	M403047	Secure Ground Label	
	M412096	Earth Terminal Sticker	
	51782	Screw	2 required
	70411001	ICM Reset Label	
	44324001	Warning Label	Extended tumble; On control tray cover
<b>1</b>	70333001	Terminal Block Shield	
<b>2</b>	51783	Screw	2 required
<b>3</b>	70483201P	Ignition Control	24 Volt; Use with 44239702 High Voltage Suppression Cable
<b>4</b>	56128	Bumper Pad	2 required
<b>5</b>	38272	Screw	
<b>6</b>	430642	Terminal Block	
<b>7</b>	M413862	Insulator	
<b>8</b>	M412366	Finger Guard	Models through 7/31/11
<b>9</b>	M412187P	Mounting Switch Base	Models through 7/31/11
<b>10</b>	70366201	Wire Clip	
<b>11</b>	430497	Screw	
<b>12</b>	51780	Screw	2 required
<b>13</b>	70469201	Control Tray	
<b>14</b>	M402917	Screw	
<b>15</b>	M412693	Din Rail	
<b>16</b>	F330186P	Interlock Contactor	Reversing
<b>17</b>	70323701P	Contactor	1 required for nonreversing; 3 required for reversing
<b>18</b>	M414229P	Transformer	380-480 Volt
	M414228P	Transformer	100-240 Volt
<b>19</b>	M411072	Screw	4 required
<b>20</b>	70342501P	Extension Handle	Models through 7/31/11

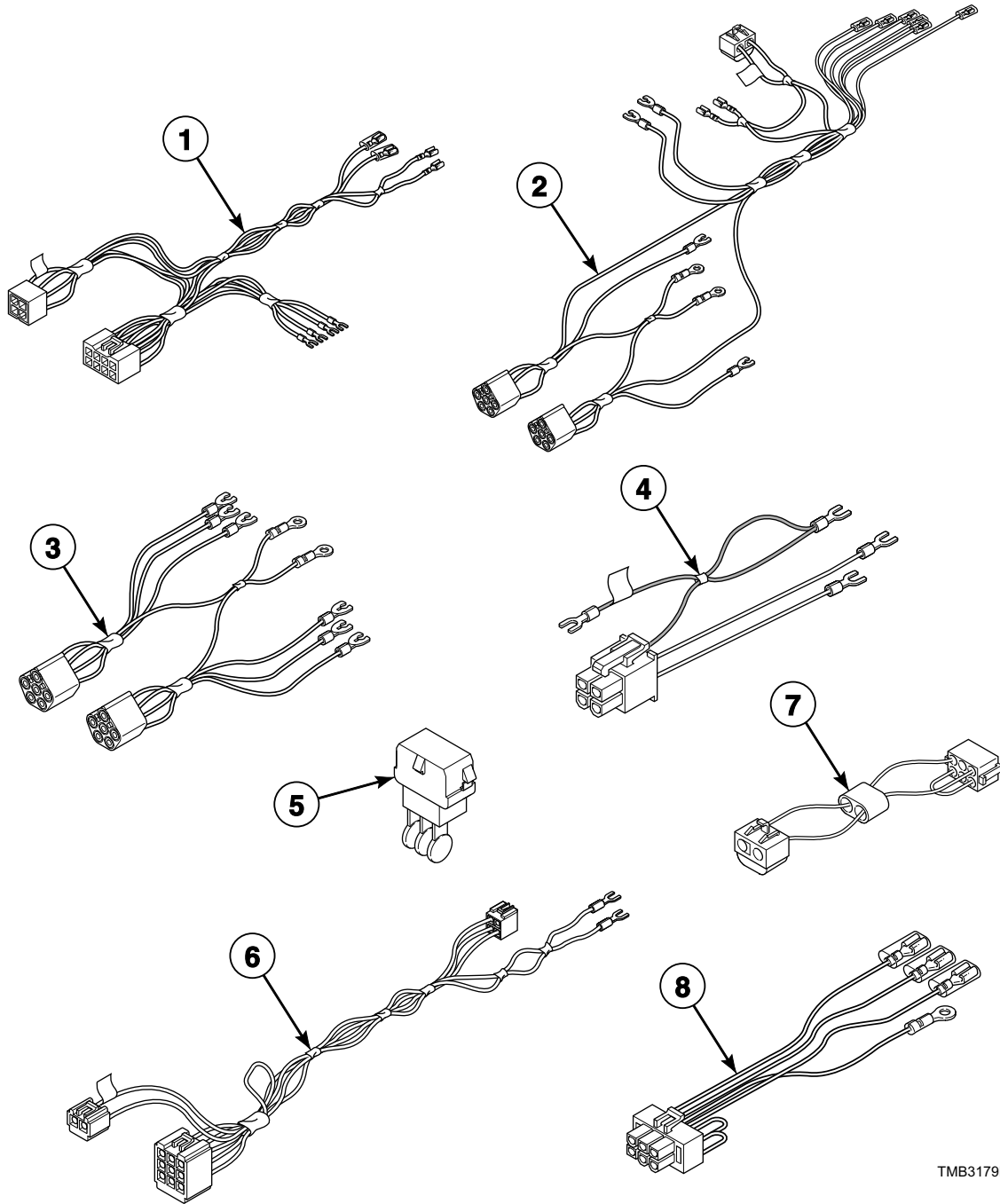
# Control Tray Components for CE and Australian Gas Models (Drawing 2 of 2)



## Control Tray Components for CE and Australian Gas Models (Drawing 2 of 2)

REF	PART NO.	DESCRIPTION	COMMENTS
	70030501	Expansion Clip	4 required
	M403047	Secure Ground Label	
	M412096	Earth Terminal Sticker	
	51782	Screw	2 required
	D501086	Screw	4 required for item 10
	70411001	ICM Reset Label	
	44324001	Warning Label	Extended tumble; On control tray cover
<b>1</b>	70469901	Reversing Control Assembly	3B, 3K, 3W, BB, BK, BW and BZ control suffixes
<b>2</b>	70472601	Bracket	3B, 3K, 3W, BB, BK, BW and BZ control suffixes
<b>3</b>	F8206901	Screw	4 required
<b>4</b>	70313601	Fuse Bracket	380-480 Volt; Models through 2/28/10
	70313602	Fuse Bracket	380-480 Volt; Models starting 3/1/10
<b>5</b>	M413431	Pushbutton Switch	
<b>6</b>	70329401P	Fuse Holder Body	Includes nuts; 3 required for 1 Phase; 4 required for 3 Phase with less than 380 Volts; 2 required for 3 Phase with 380 Volts or higher
<b>7</b>	70406601	Fuse	3.5 Amp
<b>8</b>	70329501	Fuse Holder Cap	3 required for 1 Phase; 4 required for 3 Phase with less than 380 Volts; 2 required for 3 Phase with 380 Volts or higher
<b>9</b>	70406501	Fuse	1.25 Amp
<b>10</b>	M413544P	Fuse Holder	Includes nuts; 2 required for 380-480 Volt; Models through 2/28/10
	44155601P	Fuse Holder	2 required for 380-480 Volt; Models starting 3/1/10
<b>11</b>	44310001	Fuse	2 required for 380-415 Volt; 0.5 Amp
<b>12</b>	70406701	Fuse	1 required for 1 Phase; 2 required for 3 Phase; 2 Amp
<b>13</b>	70306901	Fuse Bracket	100-240 Volt

# Control Tray Harnesses for Electric Models

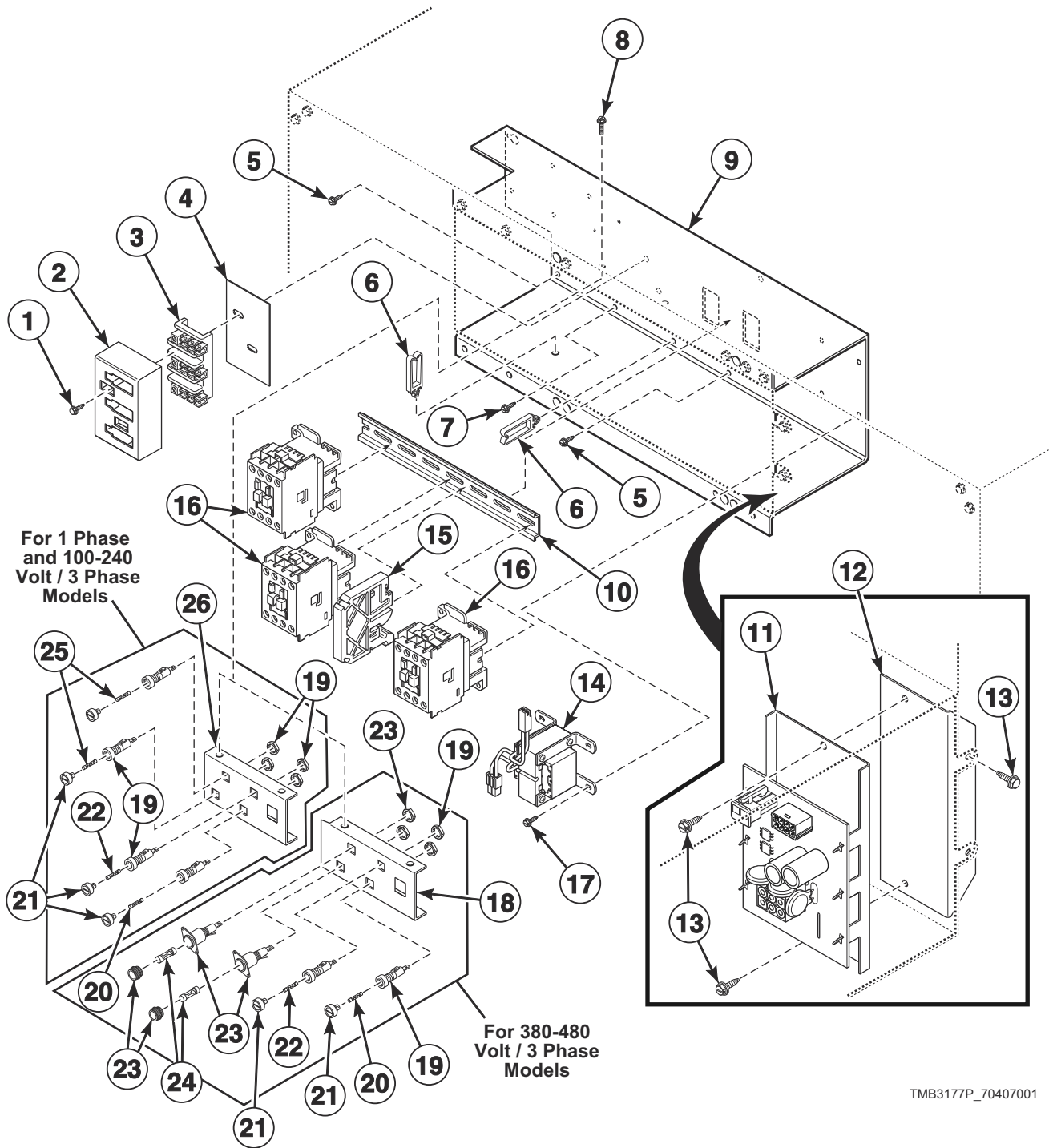


TMB3179P\_70407001

## Control Tray Harnesses for Electric Models

REF	PART NO.	DESCRIPTION	COMMENTS
1	70315801	Junction Box Harness	Models through 7/8/12
	70464701	Control Tray Harness	Models starting 7/9/12
2	70347701P	Power Harness	Models through 2/28/10; 1 Phase; Contactor
	70316101P	Power Harness	Models through 2/28/10; 3 Phase with less than 380 Volts
	70332201	Power Harness	Models through 2/28/10; 3 Phase with 380 Volts or higher
	70445501	Power Harness	Models starting 3/1/10 through 7/8/12; 1 Phase; Contactor
	70439001	Power Harness	Models starting 3/1/10 through 7/8/12; 3 Phase with less than 380 Volts
	70438901	Power Harness	Models starting 3/1/10 through 7/8/12; 3 Phase with 380 Volts or higher
	70469701	Power Harness	Models starting 7/9/12; Contactor; 1 Phase
	70464901	Power Harness	Models starting 7/9/12; 3 Phase with less than 380 Volts
	70465001	Power Harness	Models starting 7/9/12; 3 Phase with 380 Volts or higher
	3	70320201	Motor Contactor Harness
44142601P		Motor Contactor Harness	Models starting 3/1/10 through 7/8/12; 3 Phase
70469301		Motor Contactor Harness	Models starting 7/9/12; 3 Phase
4	70465301	Reversing Contactor Harness	Reversing
5	M413863	Network Capacitor Assembly	3L, 3O, 3V, 3X, DO, DV, DX and OM control suffixes
6	70471901	Reversing Control Board Harness	3B, 3K, 3W, BB, BK, BW and BZ control suffixes
7	M413505	Jumper Harness Assembly	120 Volt
	M413506	Jumper Harness Assembly	208 Volt
	M413507	Jumper Configuration Assembly	240 Volt
	M413508	Jumper Harness Assembly	380 Volt
	M413509	Jumper Harness Assembly	415 Volt
	M413510	Jumper Configuration Assembly	480 Volt
8	M413878	Network Capacitor Harness Assembly	Models through 7/8/12; 3L, 3O, 3V, 3X, DO, DV, DX and OM control suffixes
	44143401P	Network Capacitor Harness Assembly	Models starting 7/9/12; Also order 00177 Male Tab Terminal; 3L, 3O, 3V, 3X, DO, DV, DX and OM control suffixes

# Control Tray for Electric Models



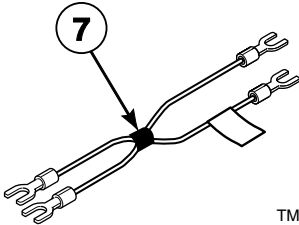
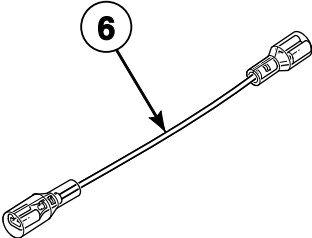
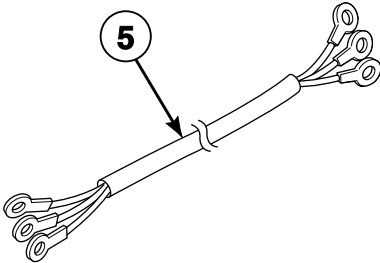
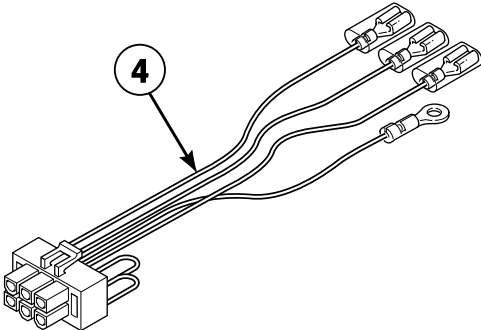
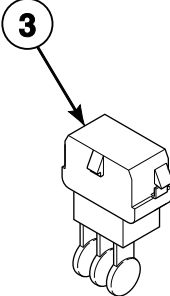
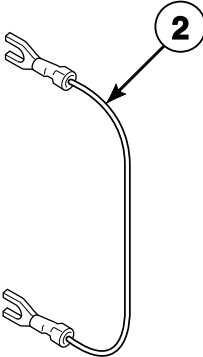
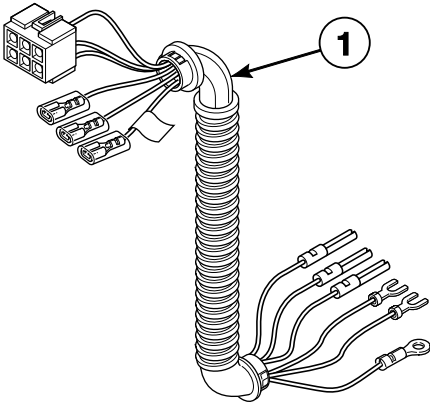
TMB3177P\_70407001



## Control Tray for Electric Models

REF	PART NO.	DESCRIPTION	COMMENTS
	70030501	Expansion Clip	4 required
	D501086	Screw	4 required for item 23
	M412096	Earth Terminal Sticker	
	44324001	Warning Label	Extended tumble; On control tray cover
<b>1</b>	51783	Screw	2 required
<b>2</b>	70333001	Terminal Block Shield	
<b>3</b>	430642	Terminal Block	
<b>4</b>	M413862	Insulator	
<b>5</b>	430497	Screw	
<b>6</b>	70366201	Wire Clip	
<b>7</b>	M402917	Screw	
<b>8</b>	51780	Screw	2 required
<b>9</b>	70469201	Control Tray	
<b>10</b>	M412693	Din Rail	
<b>11</b>	70469901	Reversing Control Assembly	3B, 3K, 3W, BB, BK, BW and BZ control suffixes
<b>12</b>	70472601	Bracket	3B, 3K, 3W, BB, BK, BW and BZ control suffixes
<b>13</b>	F8206901	Screw	4 required
<b>14</b>	M414228P	Transformer	100-240 Volt
	M414229P	Transformer	380-480 Volt
	M414230P	Transformer	120 Volt; Primary/secondary
	M414312P	Transformer	120 Volt; Dual secondary
	44074401	Transformer	440 Volt; Dual secondary
<b>15</b>	F330186P	Interlock Contactor	Reversing
<b>16</b>	70323701P	Contactor	1 required for nonreversing; 3 required for reversing
<b>17</b>	M411072	Screw	4 required
<b>18</b>	70313601	Fuse Bracket	380-480 Volt; Models through 2/28/10
	70313602	Fuse Bracket	380-480 Volt; Models starting 3/1/10
<b>19</b>	70329401P	Fuse Holder Body	Includes nuts; 3 required for 1 Phase; 4 required for 3 Phase with less than 380 Volts; 2 required for 3 Phase with 380 Volts or higher
<b>20</b>	70406601	Fuse	3.5 Amp
<b>21</b>	70329501	Fuse Holder Cap	3 required for 1 Phase; 4 required for 3 Phase with less than 380 Volts; 2 required for 3 Phase with 380 Volts or higher
<b>22</b>	70406501	Fuse	1.25 Amp
<b>23</b>	M413544P	Fuse Holder	Includes nuts; 2 required for 380-480 Volt; Models through 2/28/10
	44155601P	Fuse Holder	2 required for 380-480 Volt; Models starting 3/1/10
<b>24</b>	44310001	Fuse	2 required for 380-480 Volt/3 Phase; 0.5 Amp
<b>25</b>	70406701	Fuse	1 required for 1 Phase; 2 required for 100-240 Volt/3 Phase; 2 Amp
<b>26</b>	70306901	Fuse Bracket	

# Accessory Box Harnesses for Electric Models

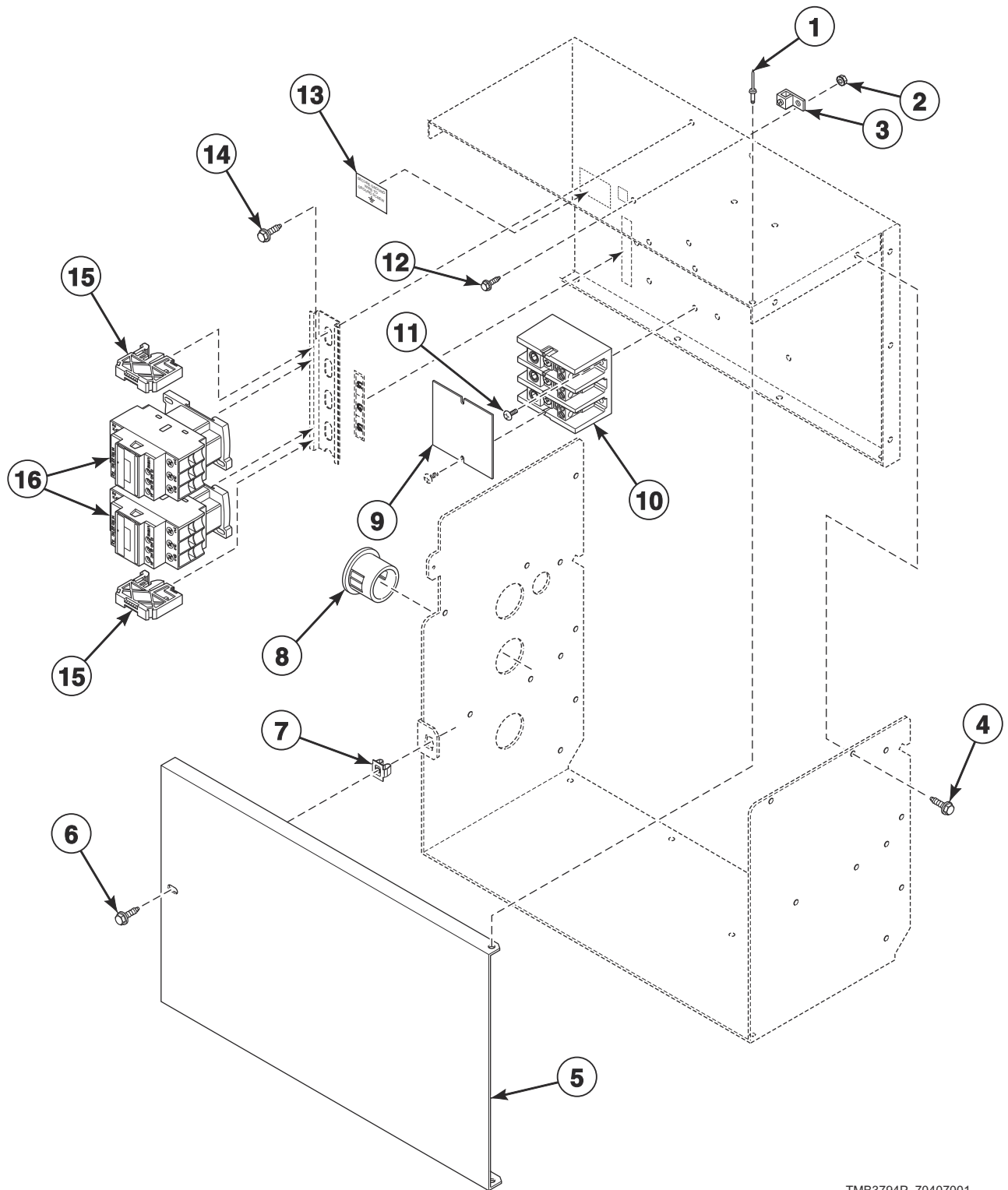


TMB2801P\_70407001

## Accessory Box Harnesses for Electric Models

REF	PART NO.	DESCRIPTION	COMMENTS
1	70335501P	Electric Power Buss Harness	Models through 2/28/10
	70439601	Electric Power Buss Harness	Models starting 3/1/10
2	M413933	Jumper Cable Assembly	Non-CE models; 8 gauge; 7.5 inches; 2 required for 1 Phase; 3 required for 3 Phase
	M413934	Jumper Cable Assembly	8 gauge; 8 inches; 1 required for 1 Phase; 3 required for 3 Phase
	M414121	Jumper Cable Assembly	CE models; 8 gauge; 6.75 inches; 6 required for 3 Phase with less than 380 Volts
3	M413863	Network Capacitor Assembly	3L, 3O, 3V, 3X, DO, DV, DX and OM control suffixes
4	70286501	Network Capacitor Harness Assembly	Models through 7/8/12; 3L, 3O, 3V, 3X, DO, DV, DX and OM control suffixes
	44152001	Network Capacitor Harness Assembly	Models starting 7/9/12; 3L, 3O, 3V, 3X, DO, DV, DX and OM control suffixes
5	70371301P	Cable Set Heater Assembly	H1-H3
	70371401P	Cable Set Heater Assembly	H4-H6; Models with less than 380 Volts
6	70139001	Jumper Assembly	Non-CE models; 8 gauge; 10 inches; 2 required for 1 Phase; 3 required for 3 Phase with less than 380 Volts
	70139101	Jumper Assembly	Non-CE models; 8 gauge; 11 inches; 1 Phase
	70138801	Jumper Assembly	CE models; 6 gauge; 8 inches; 3 required for 3 Phase
	70138901	Jumper Assembly	CE models; 2 gauge; 7.5 inches; 2 required for 1 Phase
	44014601	Jumper Wire	CE models; 8 gauge; 6.25 inches; 3 required for 3 Phase with less than 380 Volts
	44014701	Jumper Wire	CE models; 8 gauge; 10.5 inches; 2 required for 1 Phase; 3 required for 3 Phase with less than 380 Volts
	44014801	Jumper Wire	CE models; 8 gauge; 13 inches; 3 required for 1 Phase and 3 Phase with 380 Volts or more
7	70355801P	Electric Contactor Jumper Set Harness	Models with less than 380 Volts

# Accessory Box for Non-CE Electric Models

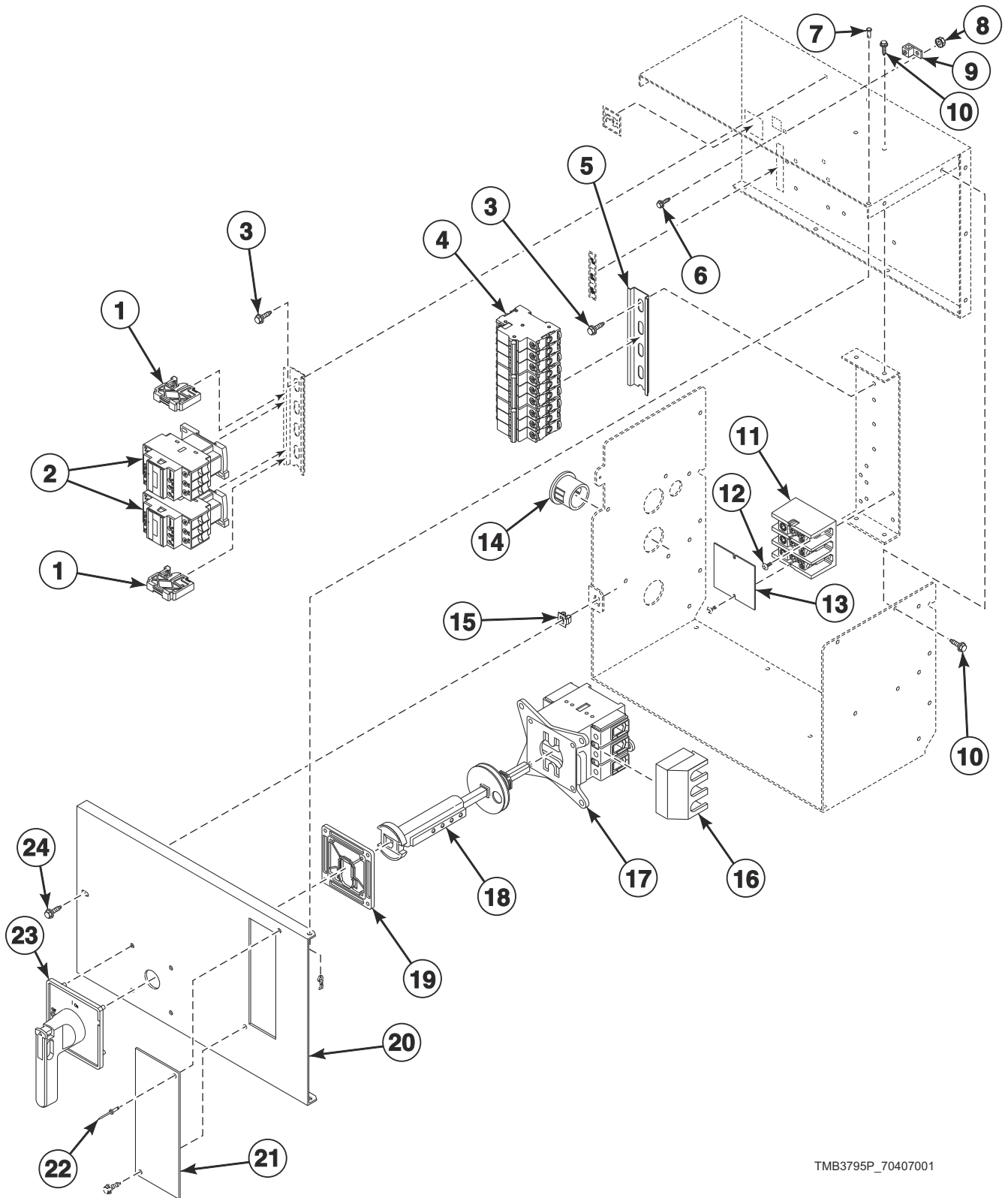


TMB3794P\_70407001

## Accessory Box for Non-CE Electric Models

REF	PART NO.	DESCRIPTION	COMMENTS
	M413930P	Ferrite Core Assembly	3V, 3X, DO, DV, DX and OM control suffixes
	44324001	Warning Label	Extended tumble; Use on item 5
1	70058502	Pop Rivet	2 required
2	44088001	Nut	
3	M411283	Ground Lug Connector	
4	430497	Screw	11 required
5	70358401	Accessory Box Cover	
6	33562	Screw	
7	70030501	Expansion Clip	
8	M402542	Snap Bushing	2 required
9	44014901P	Power Distribution Block Cover	
10	M413865	Power Distribution Block	3 pole
11	39733	Screw	6 required
12	685837	Screw	
13	M403047	Secure Ground Label	
14	51780	Screw	6 required
15	M412615	End Stop	2 required
16	70343301P	Contactator	2 required for less than 380 Volts; 1 required for 380 Volts or more

# Accessory Box for CE Electric Models



TMB3795P\_70407001

## Accessory Box for CE Electric Models

REF	PART NO.	DESCRIPTION	COMMENTS
	M413930P	Ferrite Core Assembly	3L, 3O, 3V, 3X, DO, DV, DX and OM control suffixes
	44324001	Warning Label	Extended tumble; Use on access cover
	44314401	Time Delay Interlock Kit	
<b>1</b>	70121001	End Stop	2 required
<b>2</b>	70343301P	Contact	2 required
<b>3</b>	51780	Screw	14 required
<b>4</b>	M412401	Circuit Breaker	1 Phase
	M412407P	Circuit Breaker	3 Phase
	M412408P	Circuit Breaker	1 required for 1 Phase; 2 required for 3 Phase
<b>5</b>	M412693	Din Rail	
<b>6</b>	685837	Screw	
<b>7</b>	70058502	Pop Rivet	2 required
<b>8</b>	44088001	Nut	
<b>9</b>	M411283	Ground Lug Connector	
<b>10</b>	430497	Screw	11 required
<b>11</b>	M413865	Power Distribution Block	3 pole
<b>12</b>	39733	Screw	4 required
<b>13</b>	44014901P	Power Distribution Block Cover	
<b>14</b>	M402542	Snap Bushing	2 required
<b>15</b>	70030501	Expansion Clip	
<b>16</b>	M412367	Finger Guard	Models through 7/31/11
<b>17</b>	M412186	Mounting Switch Base	Models through 7/31/11
<b>18</b>	M412371P	Extension Handle	Models through 7/31/11
<b>19</b>	M412369	Door Interlock	Models through 7/31/11
<b>20</b>	70358402	Accessory Box Cover	
<b>21</b>	70133901	Electrical Box Access Cover	
<b>22</b>	70058501	Pop Rivet	2 required
<b>23</b>	70268001	Handle	Models through 7/31/11
<b>24</b>	33562	Screw	3 required





# Parts Index

## A

Access Panel Trim	
70399406 .....	59
70399408 .....	59
Accessory Box Cover	
70358401 .....	107
70358402 .....	109
Adapter	
70131901 .....	89
Adjustable Buzzer	
D505447 .....	19
Airflow Switch and Arm Bracket	
70319602 .....	83
Airflow Switch Arm	
70319401 .....	83
Airflow Switch Cover	
70356601 .....	83
70465701 .....	83
Airflow Switch Vane	
70319201 .....	83
Airflow Switch Wrapper	
70356101 .....	83
Anti-Rattle Burner Assembly	
70546702 .....	85

## B

Bearing Housing Bracket	
70021401 .....	81
Belt	
70276204P .....	73, 75
Belt Access Cover	
70466001 .....	75
Belt Tension Tool Kit	
M4853P3 .....	73
Blower Assembly	
70302201P .....	77
Blower Motor	
70297901P .....	77
70342601P .....	77
70401401 .....	77
Blower Motor Mounting Plate	
70380801 .....	77
Bolt	
70062401 .....	73, 75
70467501 .....	75
Bracket	
44065901 .....	71
44263501 .....	17
70472601 .....	95, 99, 103
Bumper Pad	
56128 .....	95, 97
Burner Grill	
70396701 .....	85
Burner Orifice	
70684120 .....	87
70684121 .....	87
70684122 .....	87

70684124 .....	87
70684125 .....	87
70684126 .....	87
70684137 .....	87
70684140 .....	87
70684142 .....	87
70684144 .....	87
70684147 .....	87
70684149 .....	87
70684151 .....	87
70684152 .....	87
70684153 .....	87
70684155 .....	87
Bushing	
44239501 .....	75
70346501 .....	67
Buzzer Kit	
M4860P3 .....	15
Bypass Harness	
70364103 .....	15, 17, 21, 25, 33, 37, 45, 47, 49

## C

Cable Set Heater Assembly	
70371301P .....	91, 105
70371401P .....	91, 105
Card Reader and Bracket Assembly	
D510068P .....	33
Card Reader Harness Assembly	
70211801 .....	33
Card Reader Network Harness Assembly	
70206601 .....	33
Card Reader Overlay	
70334201 .....	25
70334301 .....	25, 45
Center Cylinder Seal	
70066005 .....	65
Center Pan	
70376701 .....	67
Center Partition	
70376801 .....	67
Central Pay Harness	
70484601 .....	23, 35, 43
70491501 .....	17
Central Pay Interface Control Assembly	
209/00471/75 .....	17
Circuit Board Support	
D501523 .....	71
Circuit Breaker	
M412401 .....	109
M412407P .....	109
M412408P .....	109
Coin Box	
F160673P .....	59
Coin Chute Assembly	
70296401 .....	59
Coin Cover Overlay	
70246301 .....	23, 43
Coin Drop	
38963P .....	27
70256402P .....	27

N/A items do not appear in index.



70368001P	25, 31, 33
70410401P	35, 37, 43, 45
70485301	17
70489901	17
Control Panel Harness Assembly	
70368001P	23
Control Plate	
70497301	45
Control Plate and Studs Assembly	
70440901	49
Control Plate Assembly	
44040901	19
44041001	19
70175805	21
70175807	23
70360601	15
70419701	31
70475601	47
70497201	25, 33, 37
Control Plate Kit	
44050701P	17
70291001P	35, 43
Control Set	
70370201P	15
Control Tray	
70469201	95, 97, 103
Control Tray Harness	
70464701	93, 101
Control Trim	
44016401	59
70529401	59
70529402	59
Cylinder and Trunnion Assembly	
70444101P	65
70444102	65
70444103	65
Cylinder Assembly	
70408801P	65
70408802P	65
70408803	65
Cylinder Bearing Stud Plate Assembly	
430352	65
Cylinder Guide Tool	
263P4	65
Cylinder Idler Arm	
70259901	73
Cylinder Motor Harness Assembly	
70401001	65, 73
70401101	65, 73
70439701	65, 73
70440101	65, 73
70465801	65, 75
Cylinder Rib Assembly	
70433004	65
Cylinder Shroud	
70427501	67
70427502	67

## D

Damper and Hinge Exhaust Assembly	
70209501	77
Din Rail	
M412693	95, 97, 103, 109

Direct Air Kit	
44305401P	85
70522801P	91
Display Assembly	
D512218P	15
Door Assembly	
44028902P	51
44028903	51
44028905P	51
44058102P	51
44058104P	51
44112101	51
44266702P	51
44292301B	51
44292301LG	51
70407401	51
Door Glass	
44008401P	51
44008402P	51
Door Glass Installation Tool	
M4221P4	51
Door Handle	
44007901	51
44057702	51
44263801	51
Door Hinge Assembly	
44075205*	53
44075206	53
44075209B	53
44075209LG	53
44075212	53
Door Hinge Lug Assembly	
44035001	53
44035002	53
Door Interlock	
M412369	109
Door Latch	
M401223	59
Door Ring and Handle Assembly	
44112001	51
44326007B	51
44326007LG	51
Door Ring Assembly	
44326001	51
44326002	51
44326003B	51
44326004B	51
44326004HG	51
44326005	51
44326006	51
Door Ring Gasket	
44008201P	51
Door Seal Kit	
70211902P	51
Door Switch Actuator Kit	
70215001P	53
Double Ended Stud	
70334701	73
Drive Access Cover	
70196301	77
70202501	73
Drive Motor	
70298401P	73
70392901P	73
70401501	73
70401601	73

N/A items do not appear in index.

70401701 .....	73
70401801 .....	73
70459001P .....	75
Drive Motor Plate	
44261401 .....	75
Drive Rivet	
M400713 .....	71
Drum Idler Spring	
70045301 .....	73
Drywall Screw Magnet Kit	
70343101P .....	65

## E

Earth Terminal Sticker	
M412096 .....	97, 99, 103
Elbow	
70079601 .....	89
70428101 .....	69
Electric Contactor Jumper Set Harness	
70355801P .....	105
Electric Power Buss Harness	
70335501P .....	105
70439601 .....	105
Electrical Box Access Cover	
70133901 .....	109
Electronic Coin Drop Assembly	
70294103P .....	27
70294104 .....	27
70294107 .....	27
70294111 .....	27
70294117 .....	27
70294119 .....	27
70294120 .....	27
70294121 .....	27
70513306 .....	27
70513311 .....	27
Electronic Coin Drop Harness	
44065801 .....	27
Electronic Coin Drop Kit	
CK099 .....	29
CK099 .....	27
CK100 .....	29
CK101 .....	29
CK103 .....	29
CK108 .....	29
CK109 .....	29
CK113 .....	29
CK115 .....	29
CK116 .....	29
CK117 .....	29
CK118 .....	29
CK119 .....	29
CK120 .....	29
CK121 .....	29
Electronic Control	
44037801P .....	19
Electronic OPL Control Kit	
M4689P3 .....	21
Emergency Stop Contact Harness	
70364105P .....	61
Emergency Stop Harness	
70364106P .....	61

Emergency Stop Label	
44012901 .....	61
Emergency Stop Pushbutton	
F200233500 .....	61
End Cap	
70070101 .....	65
70070102 .....	65
End Stop	
M412615 .....	107
70121001 .....	109
Ethernet Gateway Kit	
NK320 .....	35, 37, 43, 45, 47
Exhaust Thimble	
70015601 .....	77
Expansion Clip	
70030501 .....	59, 95, 97, 99, 103, 107, 109
Extension Handle	
M412371P .....	109
70342501P .....	97

## F

False Front	
70405001* .....	55
70405003DG .....	55
70405003LG .....	55
70405004 .....	55
70405101* .....	55
70405102 .....	55
70405103DG .....	55
70405103LG .....	55
70405104 .....	55
Fan Motor Harness Assembly	
70401201 .....	77
70401301 .....	77
70439801 .....	77
70440201 .....	77
Fan Spacer	
70599301 .....	77
Ferrite Core Assembly	
M413930P .....	21, 107, 109
Fill Hoses Kit	
38349P .....	71
Finger Guard	
M412366 .....	97
M412367 .....	109
Foam Gasket	
70414101 .....	15, 17, 19, 21, 23, 25, 31, 33, 35, 37, 43, 45
Forward Valve Cover	
70328201 .....	87
Front Cylinder Seal	
70173402 .....	57
Front Panel	
70377915DG .....	57
70377916DG .....	57
70521501DG .....	57
70521601LG .....	57
70521701DG .....	57
70521801LG .....	57
Front Panel Assembly	
70413001* .....	57
70413002 .....	57
70413003*P .....	57

N/A items do not appear in index.

70413007 .....	57
70413008 .....	57
70413009 .....	57
70413010W.....	57
<b>Fuse</b>	
44310001 .....	95, 99, 103
70406501 .....	21, 95, 99, 103
70406601 .....	95, 99, 103
70406701 .....	95, 99, 103
<b>Fuse Bracket</b>	
70306901 .....	95, 99, 103
70313601 .....	95, 99, 103
70313602 .....	95, 99, 103
<b>Fuse Holder</b>	
M413544P .....	95, 99, 103
44155601P.....	95, 99, 103
<b>Fuse Holder Body</b>	
70329401P.....	95, 99, 103
<b>Fuse Holder Cap</b>	
70329501 .....	95, 99, 103

---

## G

<b>Gas Burner</b>	
70396201P.....	85
<b>Gas Disconnect Harness</b>	
70342101 .....	93
70440501 .....	93
<b>Gas Shut-Off Valve</b>	
M412562P.....	89
<b>Gas Valve</b>	
44154501P.....	87
44154502P.....	87
<b>Gas Valve Bracket</b>	
70233301 .....	89
<b>Gas Valve Coil</b>	
70260101 .....	89
<b>Gas Valve Harness</b>	
70184001 .....	89
<b>Gas Valve Harness Assembly</b>	
M413650 .....	89
<b>Gasket</b>	
70289101P.....	63
70392701P.....	77
<b>Graphic Overlay</b>	
44050501 .....	17
44050502 .....	17
44239401 .....	17
44239402 .....	17
44239403 .....	17
44240501 .....	17
<b>Ground Lug Connector</b>	
M411283 .....	107, 109

---

## H

<b>Handle</b>	
70268001 .....	109
<b>Handle and Caps Assembly</b>	
70154411 .....	63
70154412 .....	63

<b>Handle Bar</b>	
70399501B .....	51
<b>Handle Bumper</b>	
70407206 .....	63
70407209 .....	63
<b>Harness Assembly</b>	
M412997 .....	87
<b>Heat Exchanger</b>	
70491801 .....	85, 91
<b>Heater Element</b>	
70034407P .....	91
70034408 .....	91
70034409P.....	91
70034410P.....	91
70034411.....	91
70034412P.....	91
<b>High Voltage Lead</b>	
70006201 .....	93
<b>High Voltage Suppression Cable</b>	
44239702 .....	93
<b>Hinge Cam Kit</b>	
M4772P3 .....	53
M4773P3 .....	53
<b>Hold-Down Clip</b>	
35358 .....	67
35865 .....	67
<b>Hole Plug</b>	
44024201 .....	51
70063201 .....	67
<b>Hose</b>	
44073304 .....	71
<b>Hose Clamp</b>	
36801 .....	71
<b>Hose Fitting</b>	
44069101 .....	71

---

## I

<b>ICM Reset Label</b>	
70411001.....	97, 99
<b>Idler Bracket</b>	
70443301 .....	73
<b>Idler Holder</b>	
70464501 .....	75
<b>Idler Spacer</b>	
70464601 .....	75
<b>Idler Wheel Assembly</b>	
70050401P.....	73, 75
<b>Igniter Cover</b>	
70159601 .....	85
<b>Ignition Control</b>	
70458601P.....	95
70483201P.....	97
<b>Ignition Control Harness</b>	
44136601P.....	93
44186701 .....	93
44186901 .....	93
<b>Ignition Control Kit</b>	
70492701 .....	95
<b>Insulator</b>	
M413862 .....	95, 97, 103
<b>Interlock Contactor</b>	
F330186P.....	95, 97, 103

N/A items do not appear in index.

---

**J**

Jumper Assembly	
70138801 .....	105
70138901 .....	105
70139001 .....	105
70139101 .....	105
Jumper Bar	
70066501 .....	91
Jumper Cable Assembly	
M413933 .....	105
M413934 .....	105
M414121 .....	105
Jumper Calibration Assembly	
70084301 .....	21
Jumper Calibration Wire	
70324602 .... 15, 23, 25, 31, 33, 35, 37, 43, 45, 47, 49	
Jumper Configuration Assembly	
M413507 .....	93, 101
M413510 .....	93, 101
Jumper Disconnect Assembly	
70120901 .....	93
Jumper Harness Assembly	
M413504 .....	93
M413505 .....	93, 101
M413506 .....	93, 101
M413508 .....	93, 101
M413509 .....	101
Jumper Strip	
M400869 .....	91
Jumper Wire	
44014601 .....	105
44014701 .....	105
44014801 .....	105
70066601 .....	91
Junction Box Harness	
70315801 .....	93, 101

---

**K**

Key	
70144101 .....	77
70155601 .....	59
70155602 .....	59
Kickplate	
70117613 .....	63
70117614 .....	63

---

**L**

Label	
44190901 .....	57
70414001 .....	51
70537001 .....	57
70537101 .....	57
Leveling Leg	
34319 .....	67
Light	
801432 .....	71
Limit Thermostat	
M409219 .....	85
M409443 .....	91

N/A items do not appear in index.

M411307 .....	77
70299001 .....	85
Lint Panel	
70375702 .....	63
70375705 .....	63
70515601* .....	63
70515602 .....	63
70515603LG .....	63
70515604DG .....	63
70515604LG .....	63
70515605 .....	63
70515606W .....	63
Lint Panel Switch Bracket	
70277301 .....	67
Lint Screen	
44063601 .....	67
Lock Shim	
70342401 .....	59
Lock, Key and Nut Kit	
44089301P .....	59, 71
44089302P .....	59
Lower Pan	
70377601 .....	67
Lower Rear Panel	
70377201 .....	77
L.P. Conversion Kit	
K555 .....	89
M4924P3 .....	87, 89
L.P. Valve	
44154504 .....	87, 89
70457302P .....	89
L.P. Valve Conversion Kit	
M405434P .....	89

---

**M**

Main Harness	
70441301 .....	15, 21, 23, 25, 35, 37, 47, 49
70467801 .....	15, 21, 23, 25, 31, 33, 35, 37, 43, 45, 47, 49
Male Tab Terminal	
00177 .....	15, 19
Manual Reset Thermostat	
70186301 .....	85
Membrane Switch	
D510036P .....	23, 25, 31, 33
M414368P .....	21
44037901P .....	19
44039402P .....	19
Mixing Valve	
36958P .....	71
Mixing Valve Shield Bracket	
44065701 .....	71
Moisture Sensor Harness Assembly	
70448902 .....	79
Moisture Sensor Test Wires	
70468901 .....	79
Motor Bracket	
70464101 .....	75
Motor Capacitor	
70413101 .....	73
70413102 .....	77
70413201 .....	73
70413202 .....	77

Motor Channel	
70261701 .....	73
Motor Conduit Mounting Bracket	
70321701 .....	73, 77
Motor Contactor Harness	
44142601P .....	93, 101
70320201 .....	93, 101
70469301 .....	93, 101
Motor Drip Pan	
70427001 .....	77
Motor Mount Bracket	
70127301 .....	73
Motor Plate Cover	
70464201 .....	75
Motor Pulley	
70284204 .....	73
70284208 .....	73
70457401 .....	75
70457403 .....	75
Mounting Plate	
70208801 .....	25, 33, 37, 45
Mounting Switch Base	
M412186 .....	109
M412187P .....	97

## N

Nameplate	
B12389801 .....	59
F8443102 .....	59
39564 .....	23, 35
44046801 .....	59
44062901 .....	59
44129907 .....	59
70509601 .....	59
70522001 .....	59
Nameplate Bezel	
70117401 .....	59
Nameplate Overlay	
44144401 .....	51, 59
44147101 .....	59
70115601 .....	59
70410201 .....	59
70411401 .....	59
70460801 .....	59
Network Board	
210157P .....	41
Network Board Assembly	
201341 .....	39
210016P .....	41
Network Cable	
210165 .....	41
Network Capacitor Assembly	
M413863 .....	93, 101, 105
Network Capacitor Harness Assembly	
M413878 .....	93, 101
44143401P .....	93, 101
44152001 .....	105
70286501 .....	105
Network Controller Kit	
NK220 .....	35, 37, 47
Network Retrofit Kit	
NK206 .....	35, 37, 47

Network Wire Harness Assembly	
44088501P .....	39
Nozzle Bracket	
70424201 .....	69
70428601 .....	69
Nozzle Hole Cover	
70429301 .....	69
Nut	
F431025 .....	75
M400022 .....	65, 77
M400034 .....	65, 77, 81
M400035 .....	79
M400977 .....	59
M404993 .....	67
M412986 .....	65, 73, 75
M414215 .....	51
21899 .....	67
23951 .....	63
24205 .....	15
27222 .....	73, 75
29787 .....	15, 17, 19
29796 .....	73
430576 .....	67
44071201 .....	51
44087201 .....	65
44088001 .....	107, 109
44088801 .....	59
51236 .....	63
56156 .....	73
70054 ....	15, 21, 23, 25, 31, 33, 35, 43, 47, 49, 51, 91
70466601 .....	75
N.G. Valve	
44154503 .....	87, 89
70457301P .....	89

## O

Opto Coupler	
200674P .....	27
Orifice Adapter	
70552801P .....	87
Orifice Holder Bracket	
70248901 .....	87
Orifice Keeper Bracket	
70249001 .....	87
O-Ring	
431482 .....	89
Output Bracket	
44223101 .....	49
70440601 .....	47
Output Harness	
44186101 .....	47, 49
Overlay	
44130002 .....	21
44144301 .....	31
44144302 .....	31
44149301 .....	33
70115801 .....	21
70128701 .....	21
70130401 .....	21
70130601 .....	21
70257701 .....	23
70257702 .....	23
70257703 .....	25
70258001 .....	23

N/A items do not appear in index.

70258002	23
70258003	25
70258101	23
70261001	23
70261002	23
70261003	25
70261201	23
70261202	23
70362201	15
70362202	15
70362401	15
70362402	15
70362501	15
70362502	15
70410003	37
70432201	47
70445001	49
70445002	49
70445003	49
70445004	49
70453001	23
70453002	23
70453101	25
70462401	49
70462402	49
70462701	49
70462901	49
70462902	49
70472201	49
70472202	49
70491901	23
70491902	23
70491903	25
70493702	49
70494001	15
70494002	15
70504501	43
70504502	43
70504503	45
70504601	43
70504602	43
70504603	45
70504701	15
70504702	15
70504901	49
70504902	49
70505201	23
70505202	23
70505203	25
70508601	49
70508602	49
70508701	23
70509701	25
70510501	23
70510601	23
70510701	23
70510801	23
70510901	23
70511001	25
70526001	49
70526002	49

**P**

Panel Locator	
56079	15, 59, 63

PC Board Standoff	
210098	41
Pin	
70071401	53
Pipe Clip	
70203701	85
Pipe Nipple	
70139601	89
901403	89
Pop Rivet	
44166601	59
70058501	53, 67, 87, 109
70058502	107, 109
70126301	63
70126401	63
70412601	51
Porcelain Touch-Up Paint	
122P4P	67
215P4P	67
370P4P	67
Power Distribution Block	
M413865	107, 109
Power Distribution Block Cover	
44014901P	107, 109
Power Harness	
70316101P	93, 101
70332201	93, 101
70347701P	93, 101
70438901	93, 101
70439001	93, 101
70445501	93, 101
70464901	93, 101
70465001	93, 101
70469701	93, 101
Primary Air Adjustment Sleeve	
70239801	87, 89
Pushbutton	
44018801	61
Pushbutton Switch	
M413431	99
70413301	23, 25, 31, 33, 35, 37, 43, 45, 59
Push-to-Start Switch	
801434W	71

**R**

RC Filter Kit	
M4457P3	21
Rear Bearing Shim	
70355001	65
Rear Cylinder Bearing Housing	
70013901	65
Rear Cylinder Channel	
70305201	65
70305202	65
Rear Cylinder Channel Plate	
70305301	65
Rear Cylinder Seal	
70013704P	65
Rear Cylinder Seal Support	
70506403	65
Rear Lint Panel	
70376601	63

N/A items do not appear in index.



Rear Panel		M405188	85
70378301	65	M411072	77, 95, 97, 103
70378302	65	05161	85
Rear Valve Cover		23222	73, 77, 89
70282401	85, 87	33562	107, 109
Relay		38272	95, 97
M412534	19	39733	59, 63, 107, 109
Relay/Buzzer Bracket		430497	39, 59, 65, 67, 69, 71, 73, 75, 77, 83, 85, 87, 89, 91, 95, 97, 103, 107, 109
44041701	19	430648	73
Replacement Door Handle Kit		430757	63
70133501P	51	431484	89
Reversing Contactor Harness		44349101	53
70465301	93, 101	51780	69, 71, 95, 97, 103, 107, 109
Reversing Control Assembly		51782	97, 99
70469901	95, 99, 103	51783	95, 97, 103
Reversing Control Board Harness		61199	51
70471901	93, 101	62588	65
Rocker Switch		685837	107, 109
70455101	15	70033502	53
70461301	15	70069901	15, 47
Roller and Seal Kit		70072801	63
70616701	67	70126101	77
Roller Bracket Assembly Kit		70132301	63
70584101	67	70153301	81
Roller Catch Arm		70391101	65
70030301	63	70407301	53
Roller Catch Spacer		70442101	53
70030201	63	70566401	73
Roller Catch Wheel		Secure Ground Label	
70297601	63	M403047	95, 97, 99, 107
Roller Seal		Sensor Harness	
70443601	67	70426601P	71
Roller Shaft		Shadow Box Clip	
70249501	67	M400972	59
Roller Support Bracket		Shaft Collar	
70326103	67	70467001	75
70326104	67	Sheet Metal Edge Gasket	
Rotation Sensor		70015711	67
F8066201	81	70015712	67
Rotation Sensor Bracket		Side Panel	
44044401	81	70378701LG	67
Rotation Sensor Cover		70378701*P	67
44044301	81	70378704DG	67
Rotation Sensor Harness		70378801LG	67
F8066401	81	70378801*P	67
70476101	81	70378802DG	67
Rotation Sensor Kit		Sleeve	
7009P	81	44050601	17
<hr/>			
<b>S</b>		Slip Ring Assembly	
Screw		44222702	79
D501086	99, 103	Slip Ring Holder	
D501524	15, 23, 25, 31, 33, 35, 37, 43, 45, 47, 49	70455401	79
D503661	39	Slot Card Plate Assembly	
F8206901	95, 99, 103	44089501	25, 37, 45
F8368701	75	Snap Bushing	
M400043	75	M400770	87
M400056	73	M402542	107, 109
M400057	75	70178701	71
M400661	51	Spacer	
M402797	19	70471701	75
M402917	95, 97, 103	Spark Electrode	
		70032801P	85
		70548701P	85
		Spray Nozzle	
		70427801	69

N/A items do not appear in index.

Spray Nozzle Hose 70427701 .....	69
Spray Paint	
286P4 .....	67
297P4 .....	67
298P4P .....	67
381P4 .....	67
382P4 .....	67
Spud Adapter 70223501 .....	89
Standoff 211/00119/00 .....	17
Stove Back 70396801 .....	85
Stove Connectors Cover 70365201 .....	91
Stove Grill 70214901 .....	91
Stove Limit Bypass Harness 70316601 .....	91
Stove Limit Harness 70316501 .....	85
Stove Partition 70357201 .....	91
Stove Top and Sides 70396301 .....	85
Street Elbow H86070034 .....	87
Support Bearing 70448701 .....	65
Support Housing Bearing Assembly 430260P .....	65
Support Rod 70464401 .....	75
Switch 70411901 .....	83
Switch Assembly 70413401 .....	67
Switch Bracket 70356301 .....	83
Switch Hole Plug	
44057801LG .....	59
44057801Q .....	59
44057801W .....	59

## T

Tee 70428201 .....	69
Temperature Knob 44104601 .....	15
Temperature Selector Switch D511711 .....	15
Temperature Selector Switch Bracket 70391701 .....	15
Terminal Block 430642 .....	95, 97, 103
Terminal Block Shield 70333001 .....	95, 97, 103
Thermistor	
M414704 .....	77
44064701 .....	69, 71

Thermistor Plate 70424401 .....	69
Thermostat Cover M414477 .....	85
Time Delay Interlock Kit 44314401 .....	109
Top Pan 70555501 .....	67
Top Panel 70557801 .....	67
Transformer	
M414228P .....	95, 97, 103
M414229P .....	95, 97, 103
M414230P .....	95, 103
M414312P .....	95, 103
44074401 .....	103
Trunnion and Seal Kit	
70564807 .....	65
70564808 .....	65
Tube Assembly 70427601 .....	69
Tumbler Dolly Kit M4379P4 .....	67

## U

Union H86000031 .....	89
Union Tee 70427901 .....	69
USB Gateway Kit NK330 .....	35, 37, 47
USB IR Interface Kit 203346 .....	35, 37, 43, 45, 47, 49

## V

Valve Support Bracket 70502601 .....	87
---	----

## W

Warning Label	
44324001 .....	97, 99, 103, 107, 109
70534301 .....	57
Washer	
F431131 .....	77
M400991 .....	65
M405535 .....	75
70261401 .....	67
70265901 .....	73
70270301 .....	73
70409301 .....	51
70411301 .....	65
Water Hose F200116 .....	71
Wire Clip 70366201 .....	95, 97, 103
Wire Guard 201595P .....	27

N/A items do not appear in index.

Wireless Network Kit	
NK301 .....	35, 37, 43, 45, 47
Wireless Transceiver Assembly	
202335 .....	39

---

