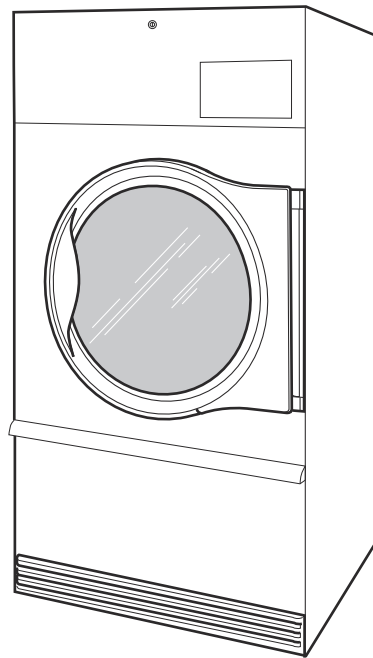


# Tumble Dryers

75 Pound Capacity

18 Digit Model Numbers with 6 in 13th Position

Refer to Page 5 for Model Numbers



TMB1290C



# Table of Contents

Title	Page
Parts Ordering Information.....	3
Serial Plate Location .....	3
Machine Identification .....	5
Product Overview - Heat Source and Voltage .....	6
Product Overview - FN Control Suffix .....	8
Product Overview - DN and NN Control Suffixes.....	10
Product Overview - N and W Control Suffixes .....	12
Product Overview - V Control Suffix .....	14
Control Box .....	16
Fire Suppression System Control Box .....	18
Dual Digital Control .....	20
Electronic Display Control - Vend Models with N or W in the 7th Position.....	22
Electronic Display Control Overlays- Vend Models with N or W in the 7th Position .....	24
Electronic Display Control - OPL Models with N in the 7th Position .....	26
3.5 Inch Graphical Control .....	28
Touch Control - Vend Models with V in the 7th Position.....	30
Touch Control - OPL Models with V in the 7th Position .....	32
Coin Drops .....	34
Coin Drop Kits .....	36
Network Board Components.....	38
Emergency Stop Button - IEC OPL Models .....	40
Cabinet Front Components.....	42
Control Panels and Nameplates .....	44
Front Panel Assemblies .....	46
Lower Cabinet Front Components .....	48
Lint Panel Components.....	50
Cabinet Components .....	52
Rear Panel and Belt Guard Components .....	54
Door Assemblies.....	56
Door Components.....	58
Hinge Components .....	60
Cylinder and Trunnion Components .....	62
Bearing Components .....	64
Moisture Sensing Components.....	66
Drive Motor Components .....	68
Blower and Exhaust Components.....	70
Inverter Tray Components .....	72
Airflow Switch Assembly .....	74
Gas Heater Components - Models with D, F, N and W in the 7th Position.....	76
Gas Heater Components - Models with V in the 7th Position .....	78
Burner Orifices - Models with D, F, N and W in the 7th Position.....	80

© Copyright 2022, Alliance Laundry Systems LLC

All rights reserved. No part of the contents of this book may be reproduced or transmitted in any form or by any means without the expressed written consent of the publisher.

Burner Orifices - Models with V in the 7th Position .....	82
Electric Heater Components .....	84
Steam Heater and Valve .....	86
Control Tray .....	88
Accessory Box - Electric 200-240 Volt Models .....	90
Accessory Box - Electric 380-480 Volt Models .....	92
Labels .....	94
Parts Index .....	95

## Parts Ordering Information

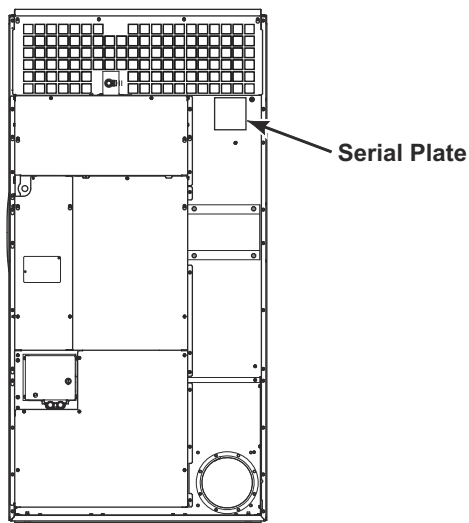
If literature or replacement parts are required, contact the source from whom the machine was purchased or contact Alliance Laundry Systems at (920) 748-3950 for the name and address of the nearest authorized parts distributor.

For technical assistance, call the number listed below:

(920) 748-3121 Ripon, Wisconsin

## Serial Plate Location

When calling or writing about your product, be sure to mention model and serial numbers. Model and serial numbers are located on serial plate(s) as shown.



TMB3888P

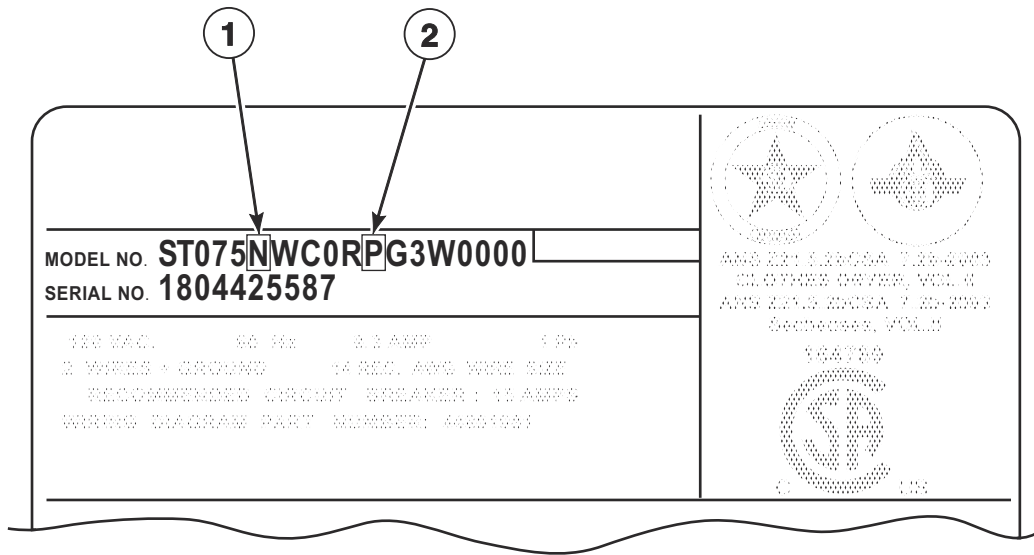


## Machine Identification

Information in this manual is applicable to these machines:

BA075E	BU075M	HU075E	SA075N	UA075E	UT075C
BA075F	BU075N	HU075F	SA075R	UA075F	UT075D
BA075L	BU075R	HU075L	SA075S	UA075L	UT075E
BA075M	BU075S	HU075M	SG075D	UA075M	UT075F
BA075N	HA075E	HU075N	SG075E	UA075N	UT075L
BA075R	HA075F	HU075R	SG075F	UA075R	UT075M
BA075S	HA075L	HU075S	SG075L	UA075S	UT075N
BG075D	HA075M	JU075E	SG075M	UG075D	UT075R
BG075E	HA075N	JU075N	SG075N	UG075E	UT075S
BG075F	HA075R	PA075E	SG075R	UG075F	UTF75L
BG075L	HA075S	PA075L	SG075S	UG075L	UTF75N
BG075M	HG075D	PA075M	SH075E	UG075M	UU075E
BG075N	HG075E	PA075N	SH075F	UG075N	UU075F
BG075R	HG075F	PA075S	SH075L	UG075R	UU075L
BG075S	HG075L	PG075E	SH075M	UG075S	UU075M
BH075E	HG075M	PG075L	SH075N	UGF75L	UU075N
BH075F	HG075N	PG075M	SH075R	UGF75N	UU075R
BH075L	HG075R	PG075N	SH075S	UH075E	UU075S
BH075M	HG075S	PG075S	SJ075D	UH075F	
BH075N	HH075E	PH075E	SJ075E	UH075L	
BH075R	HH075F	PH075L	SJ075F	UH075M	
BH075S	HH075L	PH075M	SJ075L	UH075N	
BJ075D	HH075M	PH075N	SJ075M	UH075R	
BJ075E	HH075N	PH075S	SJ075N	UH075S	
BJ075F	HH075R	PJ075E	SJ075R	UJ075D	
BJ075L	HH075S	PJ075L	SJ075S	UJ075E	
BJ075M	HJ075D	PJ075M	SK075E	UJ075F	
BJ075N	HJ075E	PJ075N	SK075F	UJ075L	
BJ075R	HJ075F	PJ075S	SK075L	UJ075M	
BJ075S	HJ075L	PK075E	SK075N	UJ075N	
BK075E	HJ075M	PK075L	SK075R	UJ075R	
BK075F	HJ075N	PK075N	SR075E	UJ075S	
BK075L	HJ075R	PR075E	SR075S	UK075E	
BK075N	HJ075S	PR075S	ST075C	UK075F	
BK075R	HK075E	PT075C	ST075D	UK075L	
BR075E	HK075F	PT075E	ST075E	UK075N	
BR075S	HK075L	PT075L	ST075F	UK075R	
BT075D	HK075N	PT075M	ST075L	UR075E	
BT075E	HK075R	PT075N	ST075M	UR075S	
BT075F	HR075E	PT075S	ST075N		
BT075L	HR075S	PU075E	ST075R		
BT075M	HT075C	PU075L	ST075S		
BT075N	HT075D	PU075M	SU075E		
BT075R	HT075E	PU075N	SU075F		
BT075S	HT075F	PU075S	SU075L		
BU075E	HT075L	SA075E	SU075M		
BU075F	HT075M	SA075F	SU075N		
BU075L	HT075N	SA075L	SU075R		
	HT075R	SA075M	SU075S		
	HT075S				

# Product Overview - Heat Source and Voltage



TMB3595P

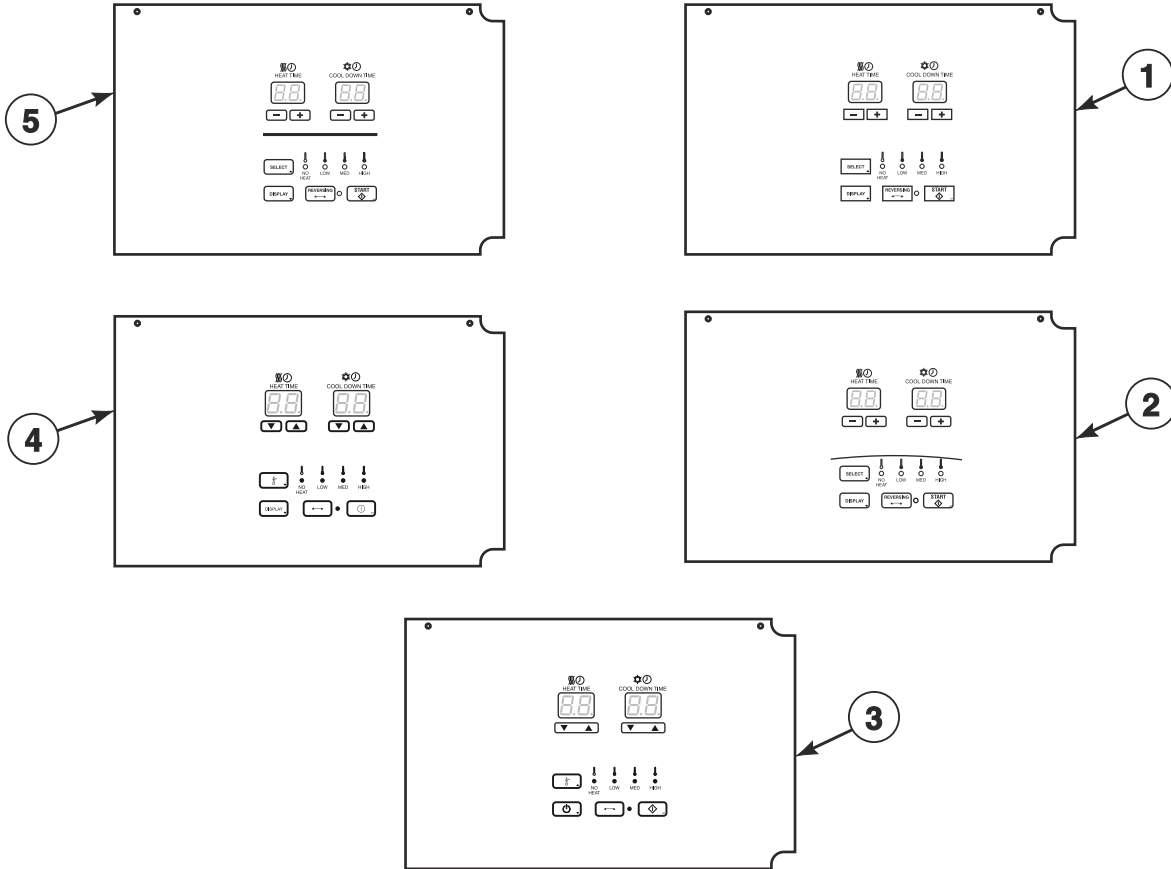
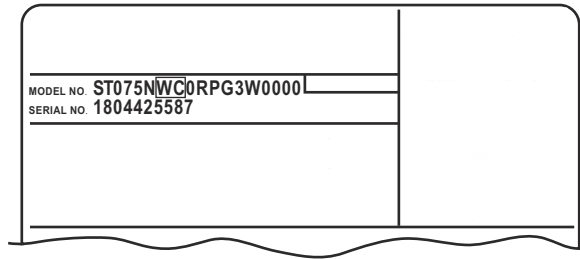


## Product Overview - Heat Source and Voltage

REF	PART NO.	DESCRIPTION	COMMENTS
1	-	Heat Source	C: Steam (CRN) D: Liquid Petroleum Gas (L.P.) E: Electric F: Reduced Electric (Eco Line) L: Liquid Petroleum Gas (L.P.) M: Medium Electric N: Natural Gas (N.G.) R: Reduced Gas, Natural Gas (Eco Line) S: Steam
2	-	Voltage	B: 100-120 Volt/50-60 Hertz/1 Phase; Gas and steam models F: 200-208 Volt/50-60 Hertz/3 Phase; Electric models G: 230-240 Volt/50-60 Hertz/3 Phase; Electric models H: 380 Volt/50-60 Hertz/3 Phase; Electric models J: 400-415 Volt/50-60 Hertz/3 Phase; Electric models K: 440 Volt/50-60 Hertz/3 Phase; Electric models L: 460-480 Volt/50-60 Hertz/3 Phase; Electric models N: 440-480 Volt/50-60 Hertz/3 Phase; Gas and steam models P: 380-415 Volt/50-60 Hertz/3 Phase; Gas and steam models Q: 200-240 Volt/50-60 Hertz/3 Phase; Gas and steam models X: 200-240 Volt/50-60 Hertz/1-3 Phase; Gas and steam models

# Product Overview - FN Control Suffix

All Models Except J Models; OPL



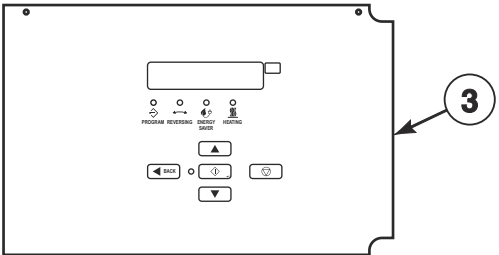
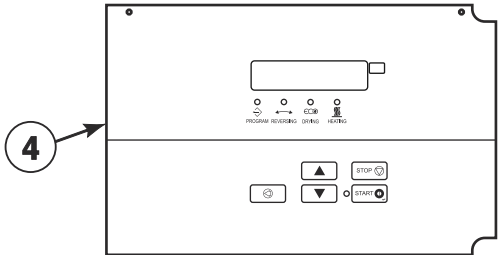
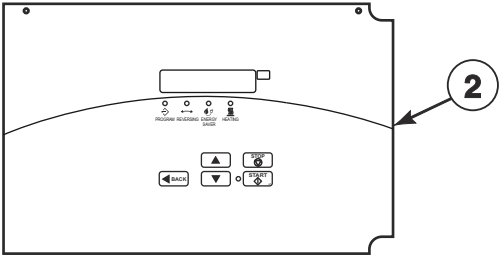
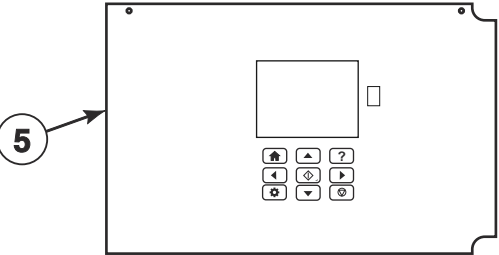
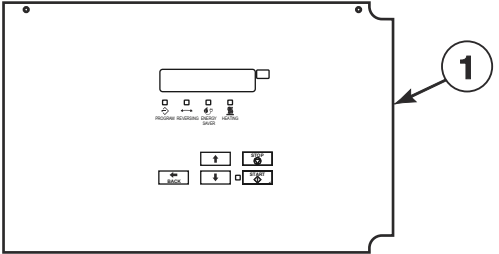
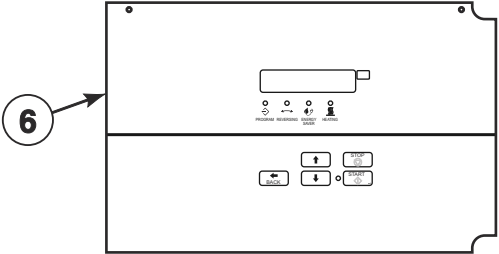
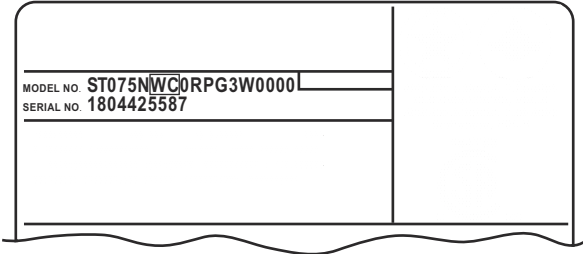
TMB3596P

## Product Overview - FN Control Suffix

REF	PART NO.	DESCRIPTION	COMMENTS
1	-	Dual Digital Control	H models
2	-	Dual Digital Control	U models
3	-	Dual Digital Control	B models
4	-	Dual Digital Control	P models
5	-	Dual Digital Control	S models

# Product Overview - DN and NN Control Suffixes

All Models Except J Models; OPL



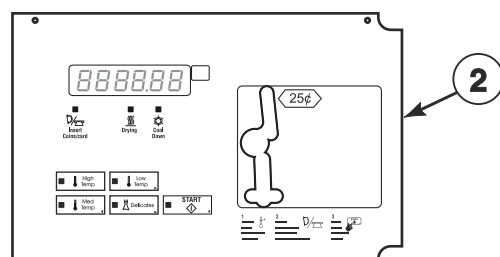
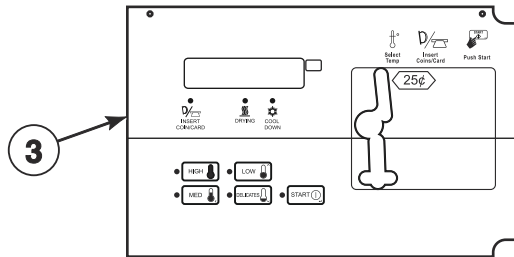
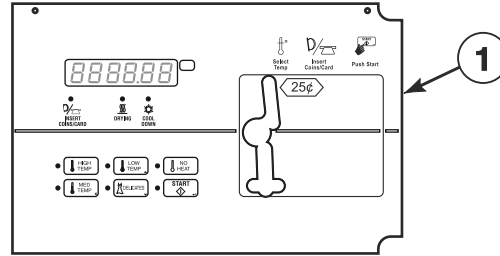
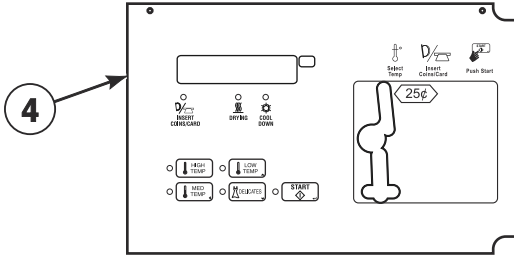
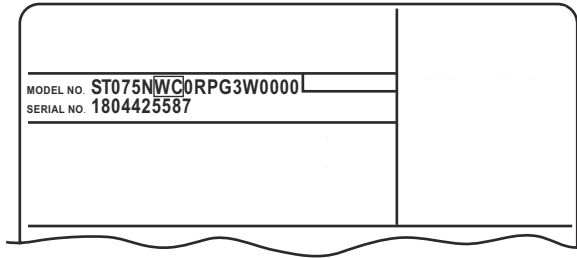
TMB3597P

## Product Overview - DN and NN Control Suffixes

REF	PART NO.	DESCRIPTION	COMMENTS
1	-	Galaxy Control	H models
2	-	M-Series Control	U models
3	-	OPTimum Control	B models
4	-	OPL Micro Control	P models
5	-	UniLinc Control	U models
6	-	Quantum Gold Control	S models

# Product Overview - N and W Control Suffixes

7th Position of the Model Number; All Models Except U Models; Vend



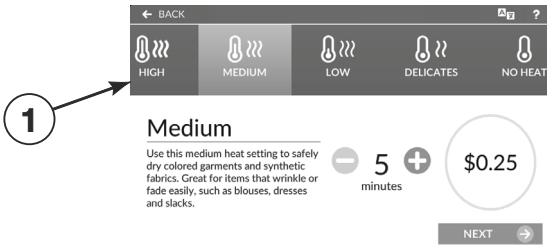
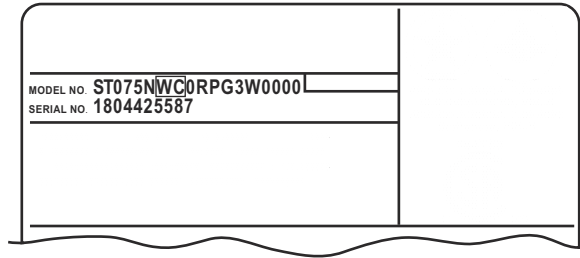
TMB3905P

## Product Overview - N and W Control Suffixes

REF	PART NO.	DESCRIPTION	COMMENTS
1	-	Quantum Gold Control	S models
2	-	Galaxy 600	H models
3	-	XQ Control	P models
4	-	EVO7S Control	B models

# Product Overview - V Control Suffix

7th Position of the Model Number; Vend and OPL



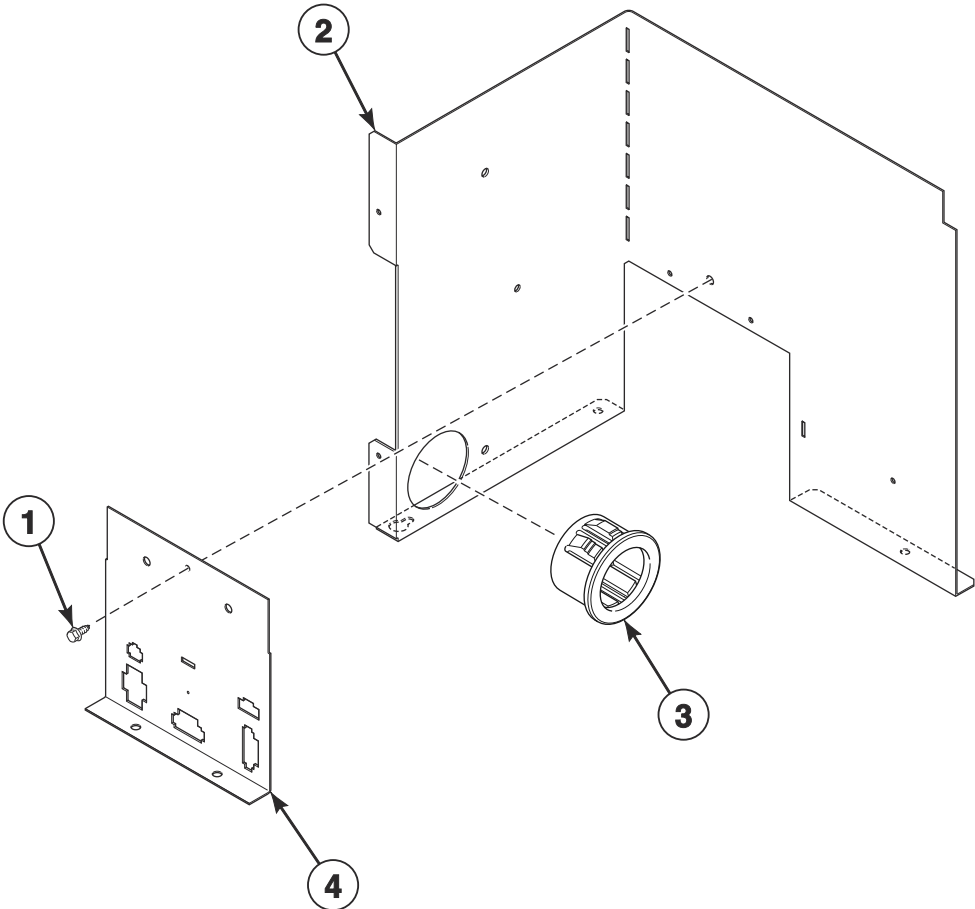
TMB3907P



## Product Overview - V Control Suffix

REF	PART NO.	DESCRIPTION	COMMENTS
1	-	Touch Control	Vend; B, H, P and S models
2	-	Touch Control	OPL; B, J, P and U models

# Control Box



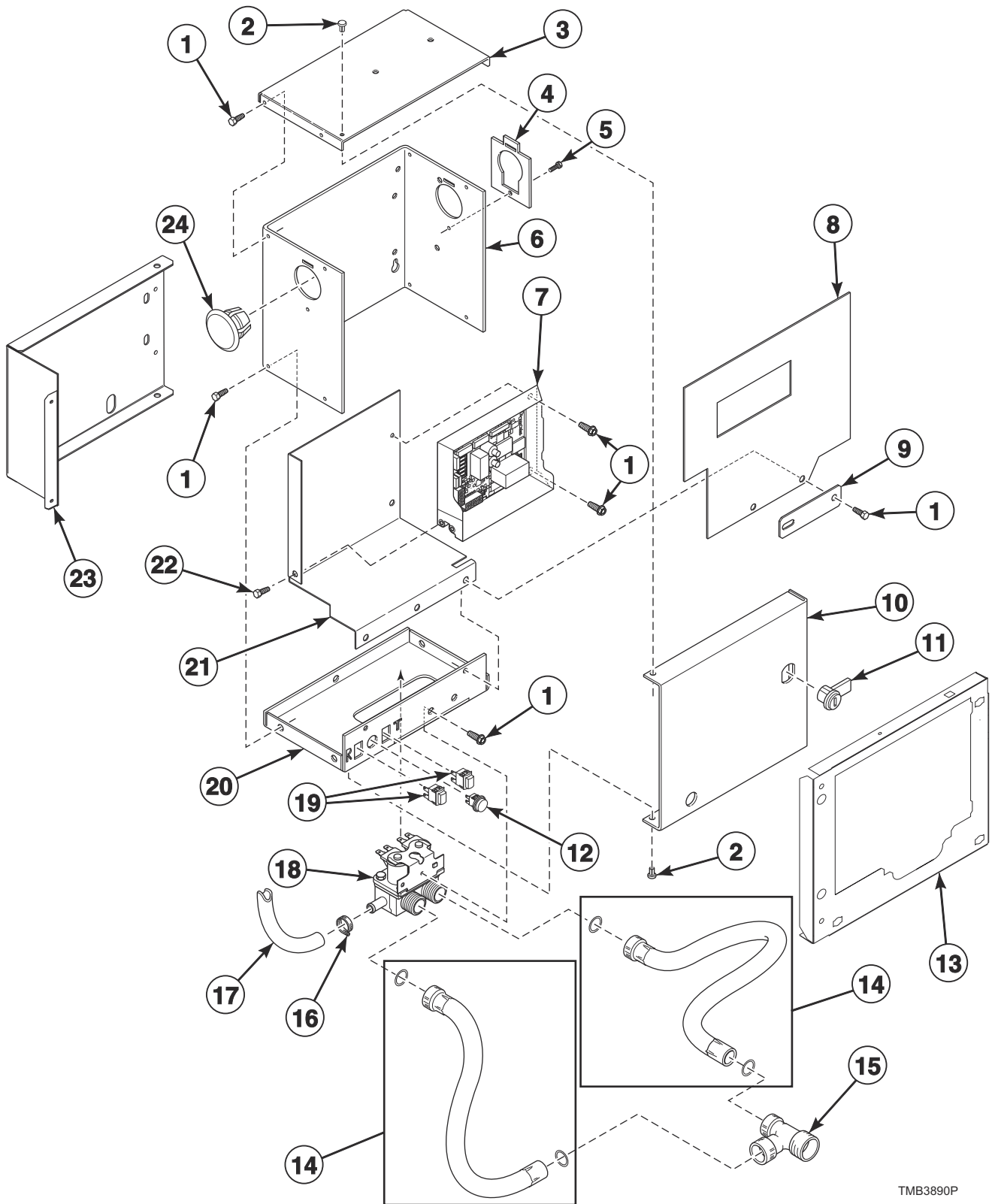
TMB3710P

# Control Box

REF	PART NO.	DESCRIPTION	COMMENTS
	44363301	Main Harness	
1	430497	Screw	
2	44344101	Control Box Wrap	B, H, P, S and U models with V in 7th position
	44119101	Control Box Wrap	S models with F, N and W in 7th position
	44180101	Control Box Assembly	All other models except S models with D, F, N and W in 7th position
3	D503235	Snap Bushing	Use with 44344101 Control Box Wrap
4	70307005	Control Housing Cover	

# Fire Suppression System Control Box

Gas and Steam Models



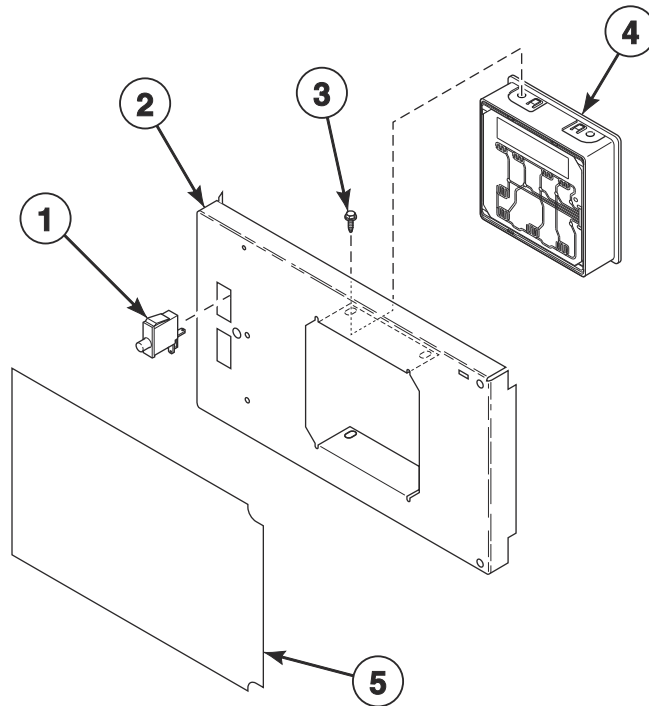
TMB3890P

# Fire Suppression System Control Box

REF	PART NO.	DESCRIPTION	COMMENTS
	44340301	Cold Weather Kit	
	70155601	Key	RL001; Use with item 11
	44375604	Control Harness	
	44375605	Water Valve Harness	
	44375602	Power Sensor Harness	
	44375606	Sensor Harness	
	44375601	Interconnect Harness	
	44375603	Power Sensor Harness	
	44324501	Warning Label	F.S.S.; T and G market models
	44324500	Label Kit	F.S.S.; IEC models
	F8614401	Shock Warning Label	T and G market models
	F8614201	Shock Warning Label	IEC models
	44318200	Label Kit	IEC models
	44324502	Warning Label	
	44318201	Label	T and G market models
<b>1</b>	430497	Screw	
<b>2</b>	M400713	Drive Rivet	
<b>3</b>	44307101	Control Box Top	
<b>4</b>	70523301	Harness Adapter Plate	
<b>5</b>	51780	Screw	
<b>6</b>	44306701	Control Box Housing	
<b>7</b>	70511601	Control	
<b>8</b>	44326801	Shield	
<b>9</b>	70551701	Filter Mounting Plate	
<b>10</b>	44065201	Control Box Cover	
<b>11</b>	44089301P	Lock, Key and Nut Kit	RL001 key code; Optional if same key is to be used for control lock
<b>12</b>	801432	Light	
<b>13</b>	44376701	Rear Guard	
<b>14</b>	202799	Fill Hose	2 required
<b>15</b>	44069101	Hose Fitting	T and G market models
<b>16</b>	36801	Hose Clamp	
<b>17</b>	44073304	Hose	14 inches; Outlet hose
<b>18</b>	70519801	Mixing Valve	
<b>19</b>	801434W	Push-to-Start Switch	2 required
<b>20</b>	44065301	Control Box Base	
<b>21</b>	44306601	Mixing Valve Shield Bracket	
<b>22</b>	804608	Screw	
<b>23</b>	44376601	Mounting Bracket	
<b>24</b>	70180001	Plug	

# Dual Digital Control

All Models Except J Models; Models with F in the 7th Position



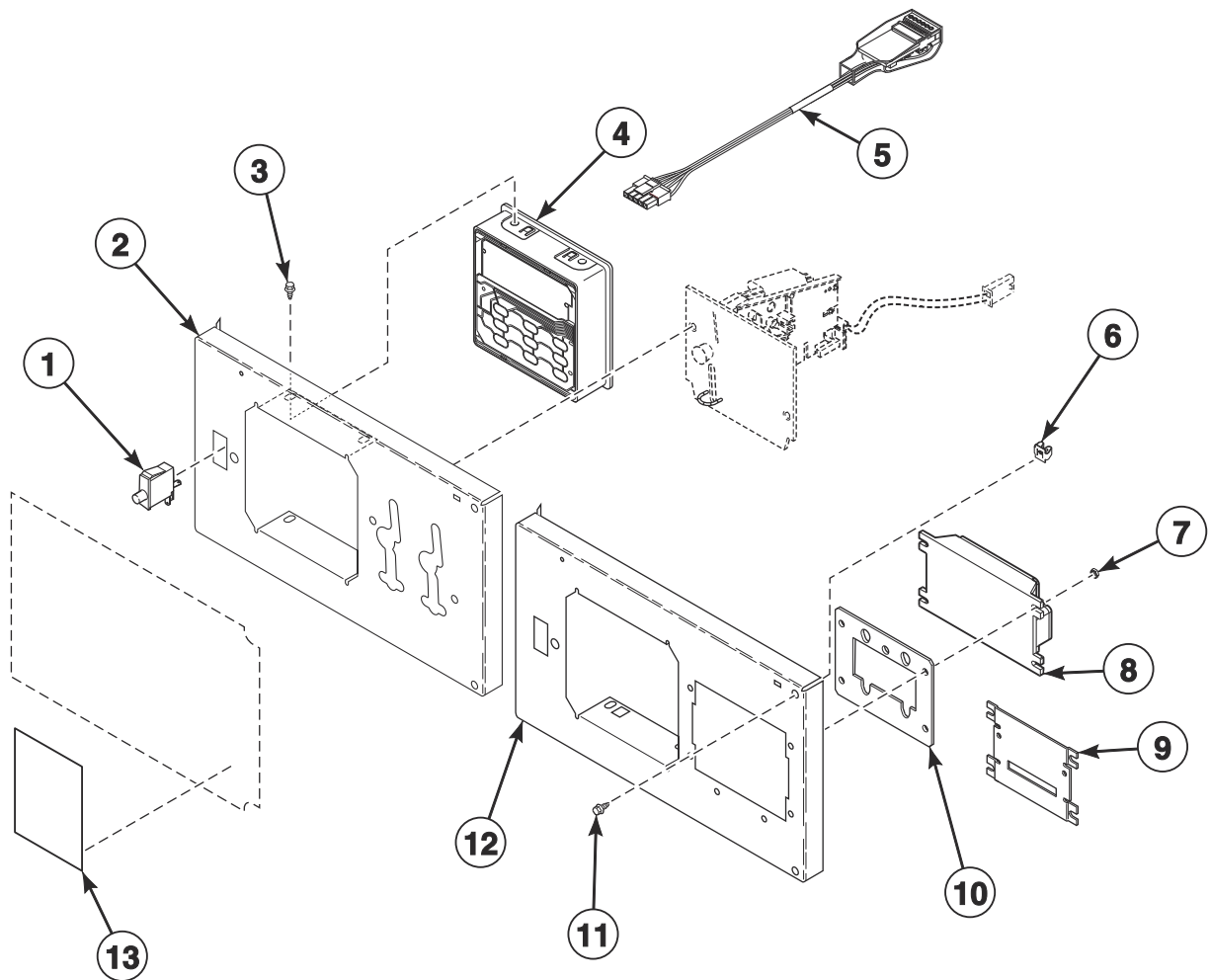
TMB3505P

# Dual Digital Control

REF	PART NO.	DESCRIPTION	COMMENTS
	44334004	Vend Activation Harness	
1	70413301	Pushbutton Switch	
2	70497101	Control Plate	All models except S models
3	804608	Screw	4 required
4	70523101	Control Assembly	P models; Blue
	70479801	Control Assembly	H, S and U models; Green
	70479901	Control Assembly	B models; Red
5	70539102	Overlay	B models; Nonreversing
	70539101	Overlay	B models; Reversing
	70691302	Overlay	H models; Nonreversing
	70691301	Overlay	H models; Reversing
	70545502	Overlay	P models; Nonreversing
	70545501	Overlay	P models; Reversing
	70675002	Overlay	S models; Nonreversing
	70675001	Overlay	S models; Reversing
	70519002	Overlay	U models; Nonreversing
	70519001	Overlay	U models; Reversing

# Electronic Display Control - Vend Models with N or W in the 7th Position

All Models Except U Models



TMB3832P

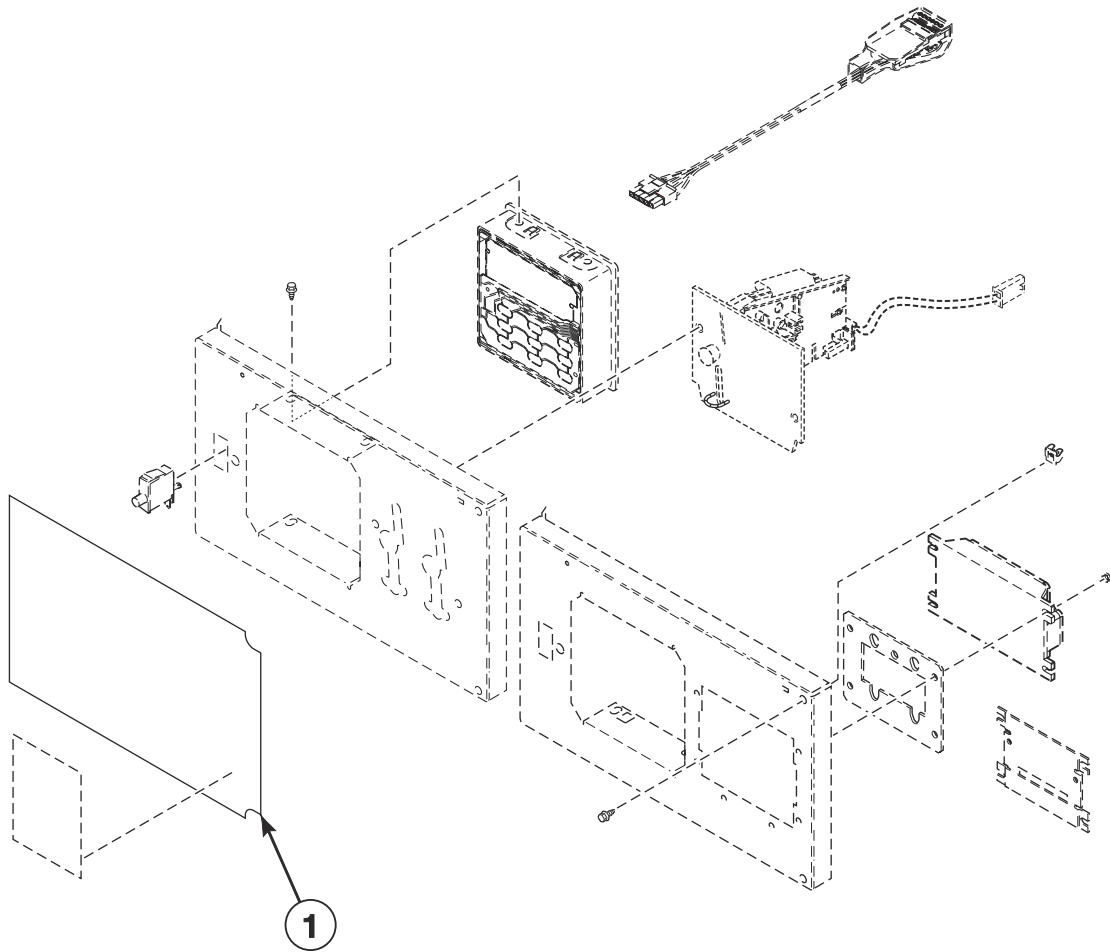


## Electronic Display Control - Vend Models with N or W in the 7th Position

REF	PART NO.	DESCRIPTION	COMMENTS
	F8519403	Emergency Stop Bypass Harness	T and G market models
	70631001	Main Harness	
	44334004	Vend Activation Harness	
	F8719301	Fob Communication Harness	
	44378104	Interface Harness	Central pay to front end control
	44334103	Bypass Harness	Vault Switch
	44334104	Coin Vault Switch Harness	
<b>1</b>	70413301	Pushbutton Switch	
<b>2</b>	70496601	Control Plate and Studs Assembly	Coin and central pay; All models except S models
<b>3</b>	804608	Screw	4 required
<b>4</b>	70523001	Control Assembly	P models; Blue
	70478801P	Control Assembly	H and S models; Green
	70478901	Control Assembly	B and J models; Red
<b>5</b>	203361P	Machine ID Control Assembly	Model or serial number is required when ordering
<b>6</b>	70030501	Expansion Clip	
<b>7</b>	70054	Nut	
<b>8</b>	205135	Fob Reader Control Assembly	
<b>9</b>	44089501	Slot Card Plate Assembly	
<b>10</b>	70208801	Mounting Plate	
<b>11</b>	M411072	Screw	
<b>12</b>	70497201	Control Plate Assembly	Card and FOB; All models except S models
<b>13</b>	F8205101	Overlay	S models; Single drop; Left
	70557001	Overlay	B and S models; Prep for card
	70557002	Overlay	B and S models; Central pay
	70295101	Overlay	S models; World drop
	70556801	Overlay	H models; World drop
	70556501	Overlay	H models; Prep for card
	70556502	Overlay	H models; Central pay
	70556601	Overlay	H models; Single drop; Left
	70556901	Overlay	H models; Citron; World drop
	70518101	Overlay	H models; Citron; Prep for card
	70518102	Overlay	H models; Citron; Central pay
	70556701	Overlay	H models; Citron; Left
	70556201	Overlay	P models; Single drop; Right
	70556401	Overlay	P models; Prep for card
	70556402	Overlay	P models; Central pay
	70556301	Overlay	P models; Single drop; Left
	F8733901	Overlay	S models; FOB
	F8734201	Overlay	H models; FOB
	F8736501	Overlay	H models; Citron; FOB

# Electronic Display Control Overlays- Vend Models with N or W in the 7th Position

All Models Except U Models



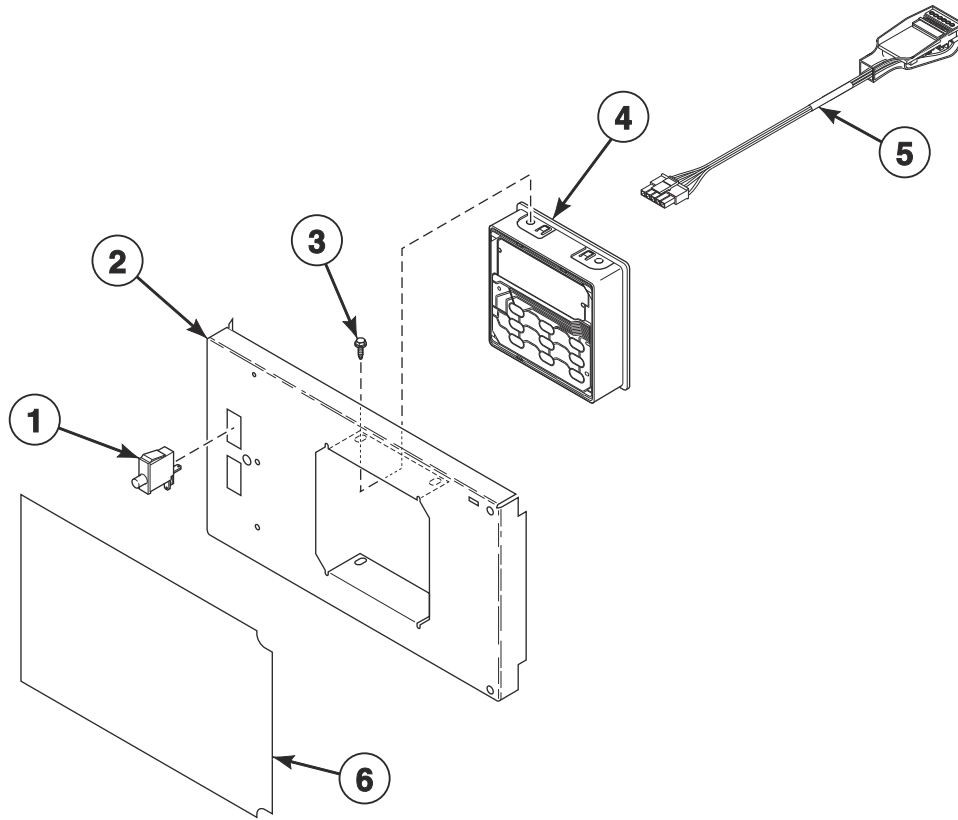
TMB3832PA

## Electronic Display Control Overlays- Vend Models with N or W in the 7th Position

REF	PART NO.	DESCRIPTION	COMMENTS
1	70681701	Overlay	S models; Single drop
	70681702	Overlay	S models; Dual drop
	70681703	Overlay	S models; Card ready
	70681704	Overlay	S models; Central pay
	70681705	Overlay	S models; World drop
	70705701	Overlay	S models with D in 17th position
	70690401	Overlay	H models; Single drop
	70690402	Overlay	H models; Dual drop
	70690403	Overlay	H models; Card ready
	70690404	Overlay	H models; Central pay
	70690405	Overlay	H models; World drop
	70690701	Overlay	H models; Single drop; Citron
	70690702	Overlay	H models; Dual drop; Citron
	70690703	Overlay	H models; Card ready; Citron
	70571101	Overlay	B models; Single drop
	70571102	Overlay	B models; Dual drop
	70571103	Overlay	B models; Card ready
	70541201	Overlay	P models; Single drop
	70541202	Overlay	P models; Dual drop
	70541203	Overlay	P models; Card ready
	70571104	Overlay	J models; Electric drop

# Electronic Display Control - OPL Models with N in the 7th Position

All Models Except J Models



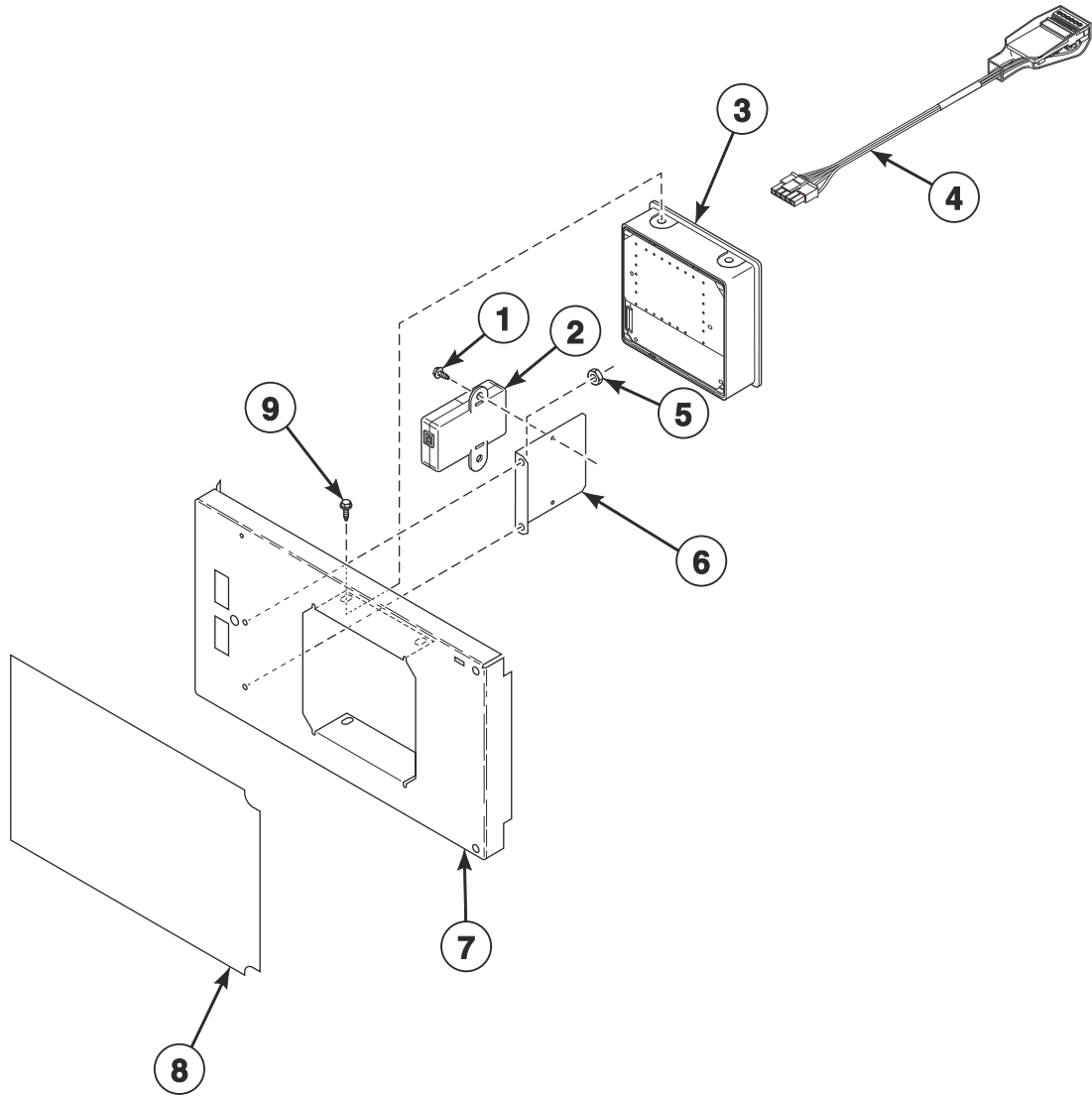
TMB3680P

## Electronic Display Control - OPL Models with N in the 7th Position

REF	PART NO.	DESCRIPTION	COMMENTS
	44334004	Vend Activation Harness	
1	70413301	Pushbutton Switch	
2	70497101	Control Plate	All models except S models
3	804608	Screw	4 required
4	70523002	Control Assembly	P models
	70478802	Control Assembly	H, S and U models
	70478902	Control Assembly	B models
5	203361P	Machine ID Control Assembly	Model or serial number is required when ordering
6	70673301	Overlay	S models; Reversing
	70673302	Overlay	S models; Nonreversing
	70571401	Overlay	U models; Reversing
	70571402	Overlay	U models; Nonreversing
	70691001	Overlay	H models; Reversing
	70691002	Overlay	H models; Nonreversing
	70548801	Overlay	B models; Reversing
	70548802	Overlay	B models; Nonreversing
	70571601	Overlay	P models; Reversing
	70571602	Overlay	P models; Nonreversing

# 3.5 Inch Graphical Control

U Models with D in the 7th Position



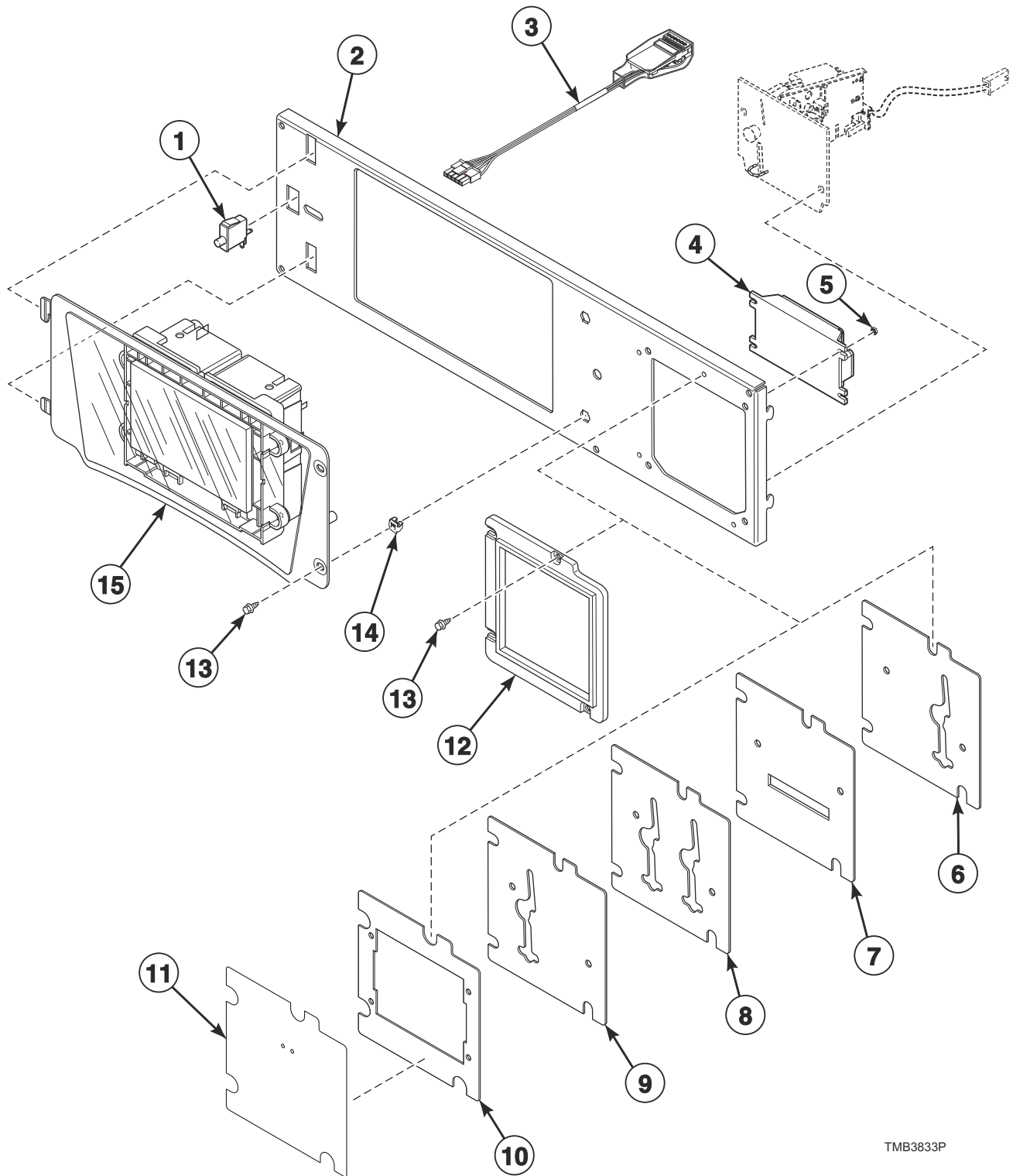
TMB3681P

## 3.5 Inch Graphical Control

REF	PART NO.	DESCRIPTION	COMMENTS
	F8617901	Harness	USB
1	51780	Screw	2 required
2	203440	USB-Serial Interface Assembly	
3	70543104	Control Assembly	
4	203361P	Machine ID Control Assembly	Model or serial number is required when ordering
5	44071201	Nut	2 required
6	70547001	USB Bracket	
7	70570201	Control Door and Studs Assembly	
8	70595401	Overlay	
9	804608	Screw	4 required

# Touch Control - Vend Models with V in the 7th Position

B, H, P and S models



TMB3833P

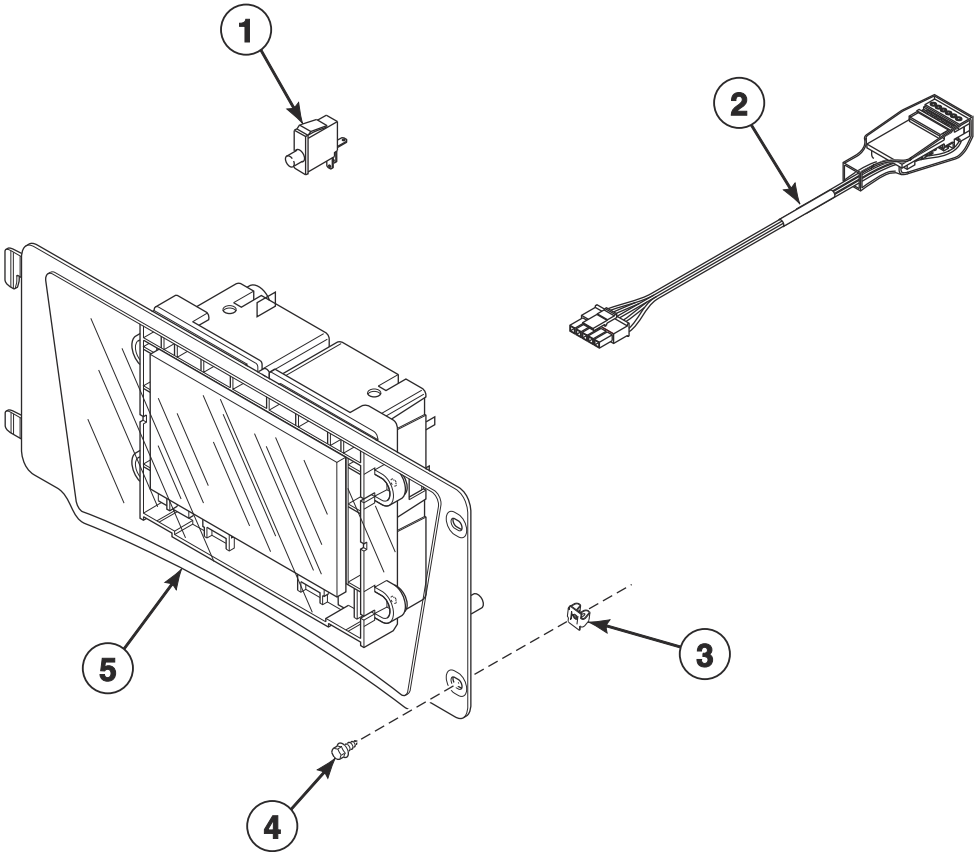


## Touch Control - Vend Models with V in the 7th Position

REF	PART NO.	DESCRIPTION	COMMENTS
	44334002	Vend Activation Harness	
	44087101	Nut	2 required
	204692	Wireless Control Label	2 required
	203440	USB-Serial Interface Assembly	
	44374701	App Pay Overlay Kit	
	70576501P	Replacement Screen Kit	
	F8519403	Emergency Stop Bypass Harness	T and G market models
	70631001	Main Harness	
	F8719302	Fob Communication Harness	
	44378104	Interface Harness	Central pay to front end control
	F8713906	Serial Pay Harness	Card
	44334103	Bypass Harness	Vault switch
	44334104	Coin Vault Switch Harness	
<b>1</b>	70413301	Pushbutton Switch	
<b>2</b>	70598601	Control Mounting Bracket	
<b>3</b>	203361P	Machine ID Control Assembly	
<b>4</b>	205135	Fob Reader Control Assembly	
<b>5</b>	70054	Nut	
<b>6</b>	F8574205	Accessory Plate Assembly	World drop
<b>7</b>	F8574204	Card Reader Plate	Card
<b>8</b>	F8574203	Accessory Plate Assembly	Dual drop
<b>9</b>	F8574202	Accessory Plate Assembly	Single drop
<b>10</b>	F8734601	Accessory Plate Assembly	FOB
<b>11</b>	F8734001	Overlay	S models; FOB
	F8734301	Overlay	H models; FOB
	F8736601	Overlay	H models; Citron; FOB
<b>12</b>	F8632501	Vend Plate	
<b>13</b>	39733	Screw	
<b>14</b>	70030501	Expansion Clip	2 required
<b>15</b>	70597801P	Control Assembly	

# Touch Control - OPL Models with V in the 7th Position

B, J, P and U models



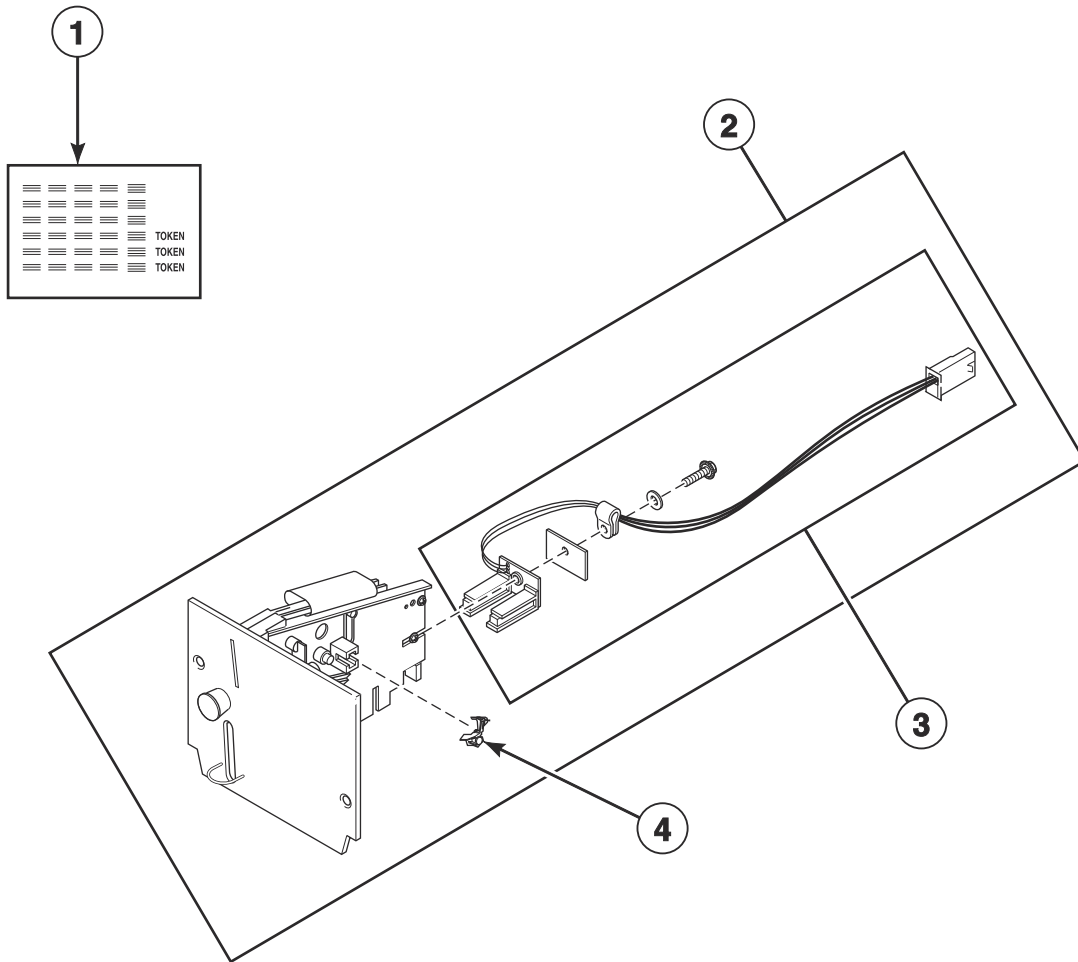
TMB3828P

## Touch Control - OPL Models with V in the 7th Position

REF	PART NO.	DESCRIPTION	COMMENTS
	44087101	Nut	2 required
	204692	Wireless Control Label	2 required
	203440	USB-Serial Interface Assembly	
	44374701	App Pay Overlay Kit	
	70576501P	Replacement Screen Kit	
	70631001	Main Harness	
	F8617901	Harness	U models; USB
	51780	Screw	U models; Use with 70547001 USB Bracket
	70547001	USB Bracket	U models
<b>1</b>	70413301	Pushbutton Switch	
<b>2</b>	203361P	Machine ID Control Assembly	
<b>3</b>	70030501	Expansion Clip	2 required
<b>4</b>	39733	Screw	
<b>5</b>	70597803	Control Assembly	B, J and P models
	70697004	Control Assembly	U models

# Coin Drops

All Models Except U Models



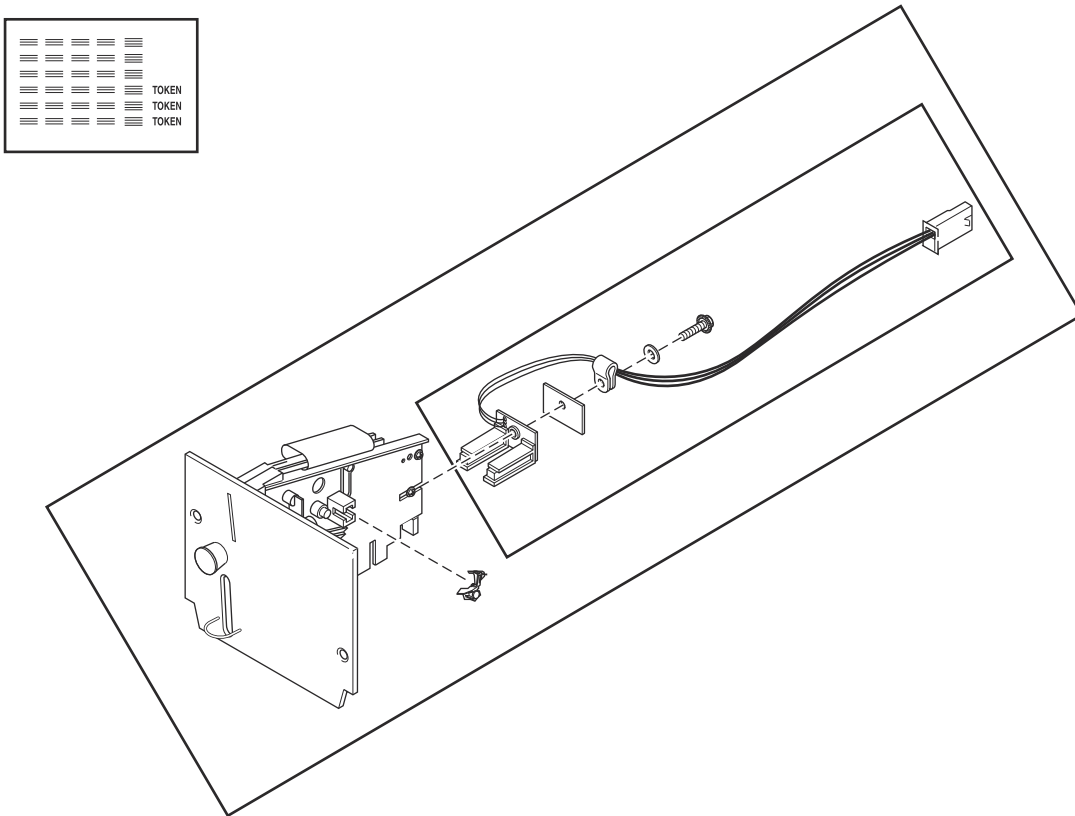
TMB3510P

# Coin Drops

REF	PART NO.	DESCRIPTION	COMMENTS
1	38725	Coin Identification Paper	
2	70441601P	Coin Drop	Single; U.S.A.; \$.25
	38475	Coin Drop Assembly	Single; Japan; 100 yen
	38464P	Coin Drop Assembly	Single; Canada; .25
	CK077	Coin Drop Kit	Single; Taiwan; 10 NT
	70506901	Coin Drop Assembly	Single; Singapore; \$1.00 NEW
	70441603	Coin Drop	Dual; U.S.A.; \$.25 and \$1.00
	38519	Coin Drop Assembly	Dual; Japan; 100 yen and 500 yen
	70441602	Coin Drop Assembly	Dual; Canada; .25 and 1.00
	38467	Coin Drop Assembly	Dual; Australia; \$0.20 and \$1.00
	70447301	Coin Drop Assembly	Dual; Australia; \$1.00 and \$2.00
	70283102	Coin Drop Assembly	Dual; 0.20 and 0.50 Euro
	210195	Coin Drop Assembly	Dual; 0.20 and 1.00 Euro
	210196	Coin Drop Assembly	Dual; 0.50 and 1.00 Euro
	F0160737-00	Coin Meter	Dual; 0.50 and 2.00 Euro
	70281102	Coin Drop Assembly	Dual; Taiwan; 10 and 50 NT
	70482401	Coin Drop Assembly	Dual; New Zealand; \$1.00 and \$2.00
	38462P	Coin Drop Assembly	Single; Token; STD 118-1
	38463	Coin Drop Assembly	Single; Token; STD 118-5
	38963P	Coin Drop	Single; Token STD 118-16
	39748	Coin Drop	Single; Jeton 08MS
	201141	Coin Drop Assembly	Single; Token; Jeton wh121
	70471601	Coin Drop Assembly	Single; Token; 7K
	70513302	Electronic Coin Drop Assembly	Euro and Great Britain coins
	70513310	Electronic Coin Drop Assembly	Japan and Thailand coins
	70513304	Electronic Coin Drop Assembly	Australia, New Zealand, Hong Kong and South Korea coins
	70513303	Electronic Coin Drop Assembly	Denmark, Norway and Euro coins
	70513306	Electronic Coin Drop Assembly	Mexico, Ecuador and U.S.A. coins
	70294107	Electronic Coin Drop Assembly	Lithuania, Latvia and Euro coins
	70513311	Electronic Coin Drop Assembly	China and Malaysia coins
	70513308	Electronic Coin Drop Assembly	South African 1, 2 and 5 rand coins
	70513309	Electronic Coin Drop Assembly	Euro coins
	70513312	Electronic Coin Drop Assembly	Russia coins
	70513313	Electronic Coin Drop Assembly	Philippines coins
	70513314	Electronic Coin Drop Assembly	Thailand coins
	70513315	Electronic Coin Drop Assembly	Chile coins
	70513316	Electronic Coin Drop Assembly	Singapore coins
3	200674P	Opto Coupler	
4	201595P	Wire Guard	

# Coin Drop Kits

All Models Except U Models

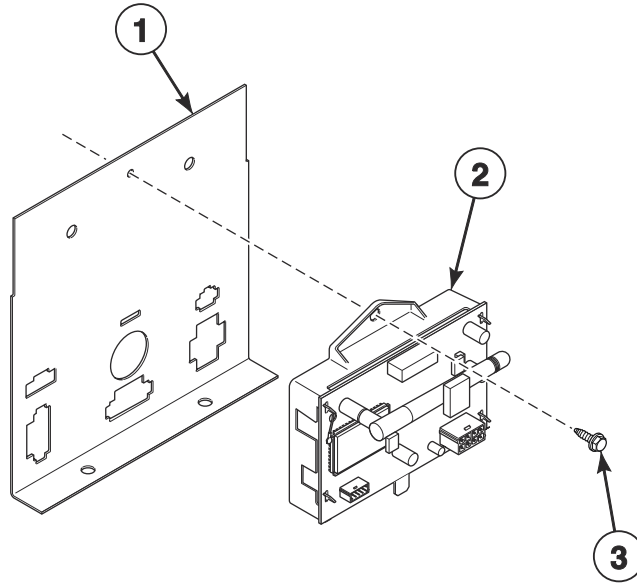


TMB3510PA

## Coin Drop Kits

REF	PART NO.	DESCRIPTION	COMMENTS
	CK115	Electronic Coin Drop Kit	United States and Canada
	CK099	Electronic Coin Drop Kit	Australia (default), New Zealand, Hong Kong, South Korea and Malaysia
	CK100	Electronic Coin Drop Kit	United Kingdom (default) and Europe
	CK101	Electronic Coin Drop Kit	Europe (default), Denmark and Norway
	CK108	Electronic Coin Drop Kit	South Africa
	CK109	Electronic Coin Drop Kit	Euro
	CK110	Electronic Coin Drop Kit	Mexico (default), Ecuador and United States
	CK113	Electronic Coin Drop Kit	Japan and Taiwan
	CK116	Electronic Coin Drop Kit	Malaysia (default) and China
	CK117	Electronic Coin Drop Kit	Russia
	CK118	Electronic Coin Drop Kit	Philippine
	CK119	Electronic Coin Drop Kit	Thailand
	CK120	Electronic Coin Drop Kit	Chile
	CK121	Electronic Coin Drop Kit	Singapore
	CK122	Coin Drop Kit	New Zealand; 1.00 and 2.00

# Network Board Components



TMB3834P

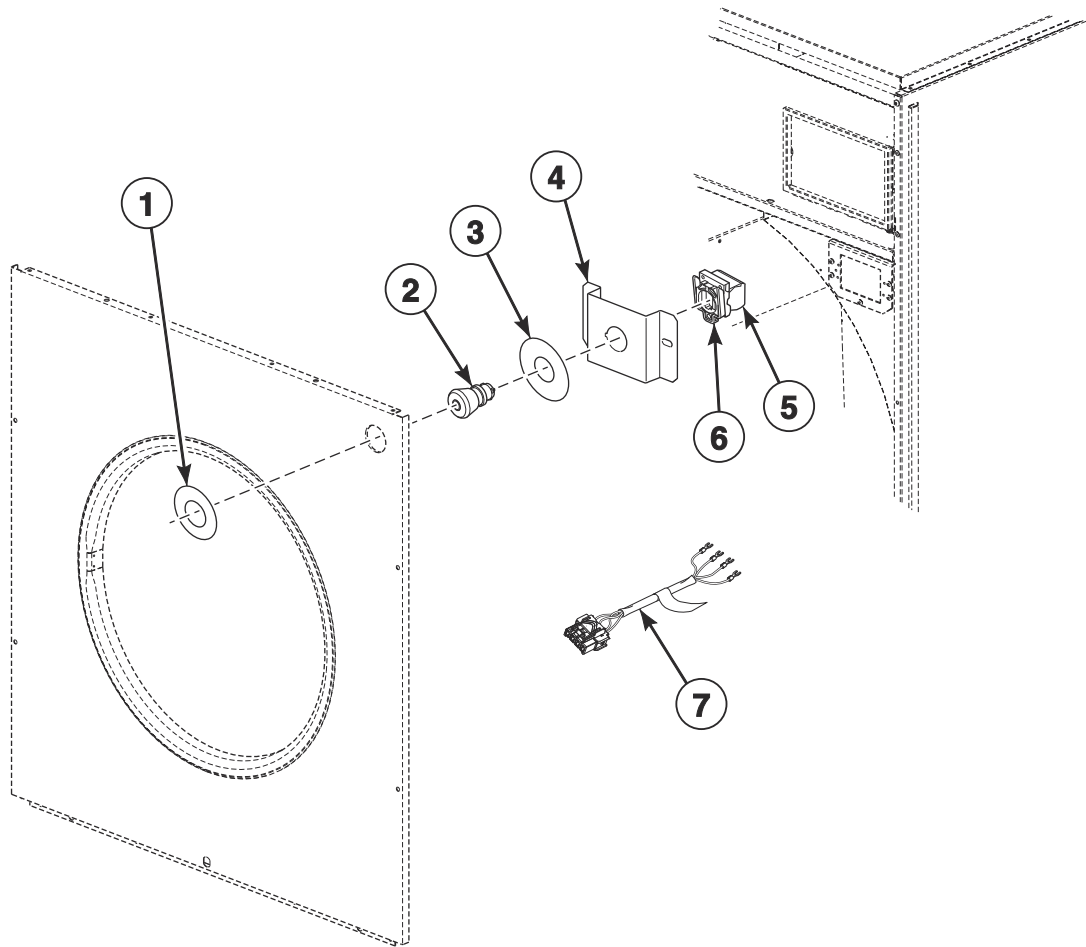


## Network Board Components

REF	PART NO.	DESCRIPTION	COMMENTS
	70609701	Wireless Network Kit	
	F8674006	Wireless Network Harness	
	204692	Wireless Control Label	
	205070	Payment Center Kit	H models
	205069	Payment Center Kit	H models; Includes printer
	205068	Payment Center Kit	S models
	205067	Payment Center Kit	S models; Includes printer
	205318	Payment Center Kit	P models
	205316	Payment Center Kit	B models
	203346	USB IR Interface Kit	
	70666806	Fob Reader Kit	
<b>1</b>	70307005	Control Housing Cover	
<b>2</b>	807211	Wireless Network Control Assembly	
<b>3</b>	F8206901	Screw	

# Emergency Stop Button - IEC OPL Models

A, H, J, K, R and U in the 2nd Position

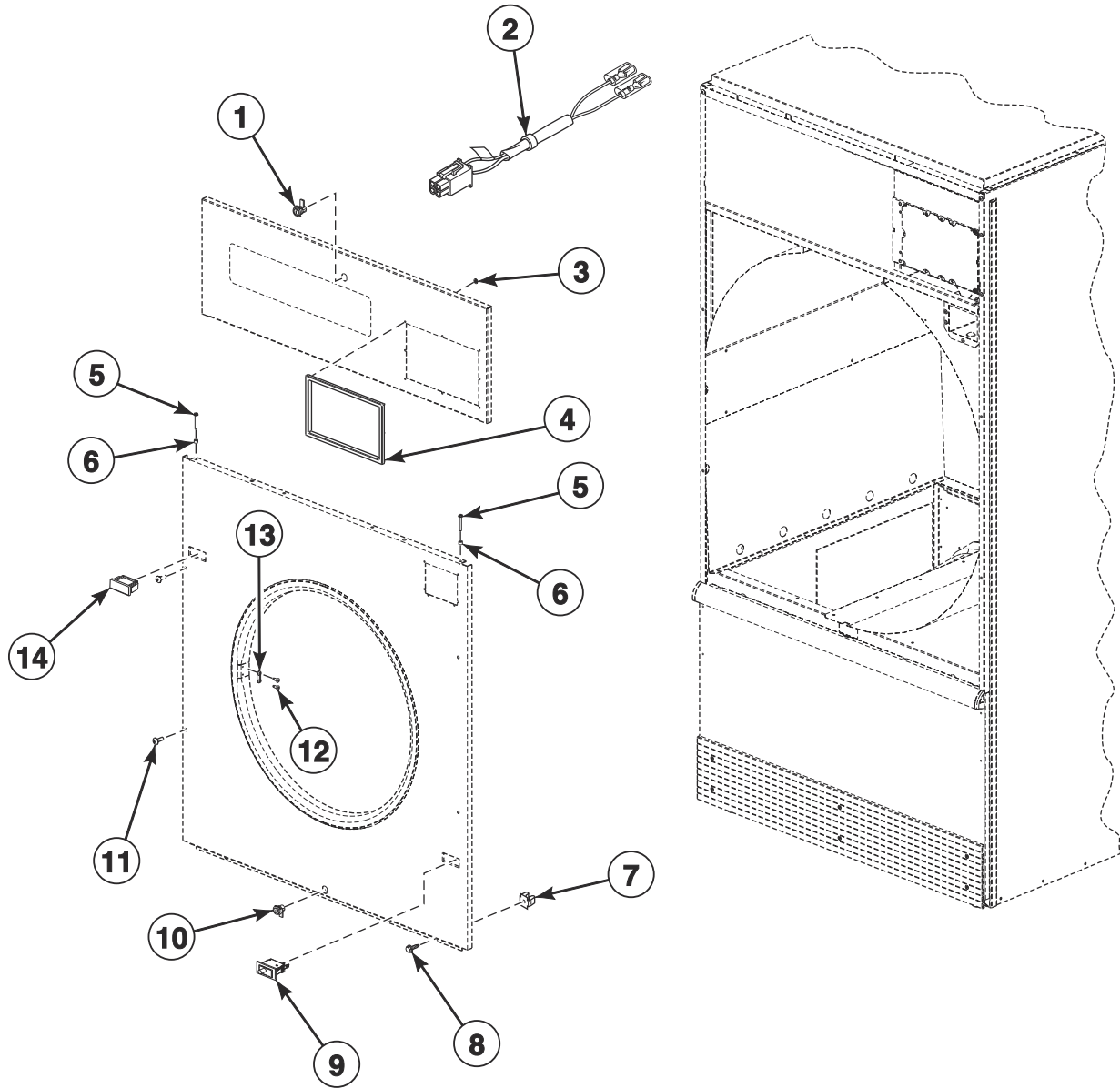


TMB3513P

## Emergency Stop Button - IEC OPL Models

REF	PART NO.	DESCRIPTION	COMMENTS
	70580301	Emergency Stop Button Kit	Includes items 2-4
	70631102	Emergency Stop Interconnect Harness	
1	44012903	Emergency Stop Label	
2	F200233500	Emergency Stop Pushbutton	
3	44012901	Emergency Stop Label	
4	70550401	Emergency Stop Mounting Bracket	
5	F8069501	Contact Switch	2 required
6	F8538101	Contact Base	
7	44272401	Emergency Stop Harness	

# Cabinet Front Components

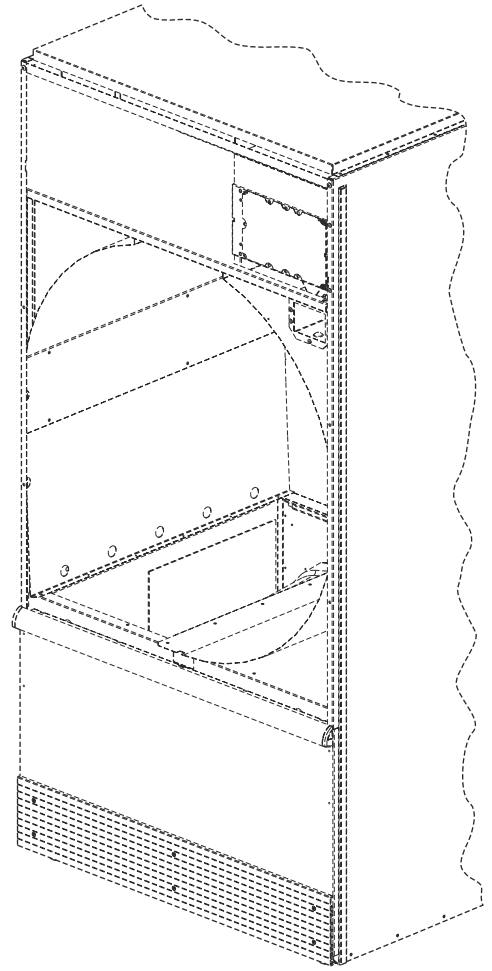
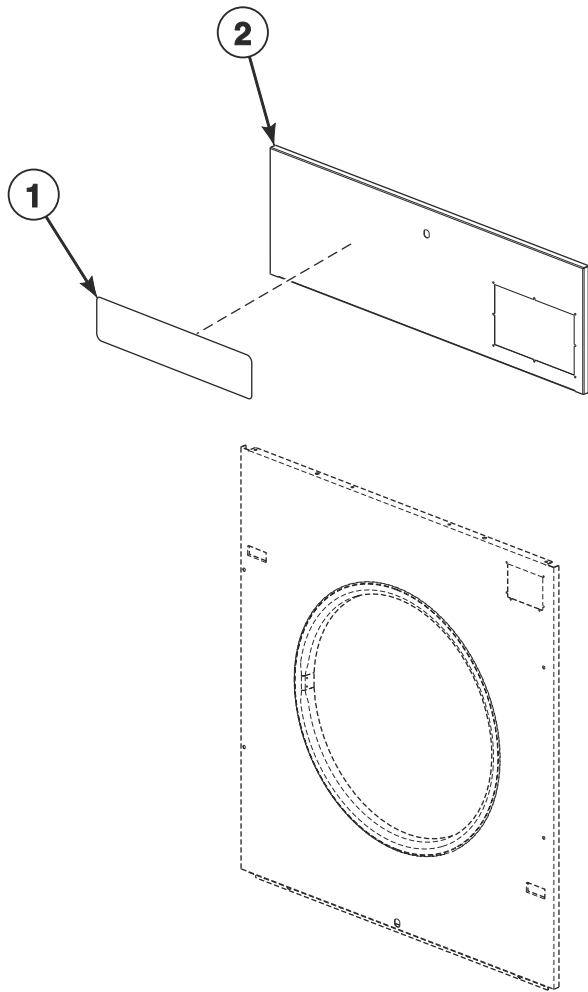


TMB3538P

## Cabinet Front Components

REF	PART NO.	DESCRIPTION	COMMENTS
	M4379P4	Tumbler Dolly Kit	
	D511476	Jumper Harness	Card reader present
	44366201	Door Switch Harness	
	44334103	Bypass Harness	Card and central pay
	70482901	Door Catch Kit	
<b>1</b>	44089301P	Lock, Key and Nut Kit	RL001 key code; Black; Control panel; Optional if same key is to be used for control lock
	70155601	Key	RL001
<b>2</b>	44334101	Coin Vault Switch Harness	
<b>3</b>	M400977	Nut	8 required per control trim
<b>4</b>	70529401	Control Trim	H models; Gray
	44016401	Control Trim	P models; Black
<b>5</b>	70275801	Screw	4 required
<b>6</b>	56079	Panel Locator	2 required
<b>7</b>	70030501	Expansion Clip	
<b>8</b>	M411072	Screw	4 required; Front panel; Bottom
<b>9</b>	70413301	Pushbutton Switch	Door switch
<b>10</b>	44089301P	Lock, Key and Nut Kit	RL001 key code; Black; Lint panel; Optional if same key is to be used for control lock
	70155601	Key	RL001
	44089302P	Lock, Key and Nut Kit	RL002 key code; Black; Lint panel; Standard coin and card models
	70155602	Key	RL002
<b>11</b>	70033502	Screw	2 required for stainless steel panels in addition to 2 of 70182601 Screw
	70182601	Screw	2 required for stainless steel panels in addition to 2 of 70033502 Screw; 4 required for painted panels
<b>12</b>	44166601	Pop Rivet	2 per door latch
<b>13</b>	M401223	Door Latch	2 required
<b>14</b>	44057801W	Switch Hole Plug	White
	44057801B	Switch Hole Plug	Black
	44057801LG	Switch Hole Plug	Light gray

# Control Panels and Nameplates

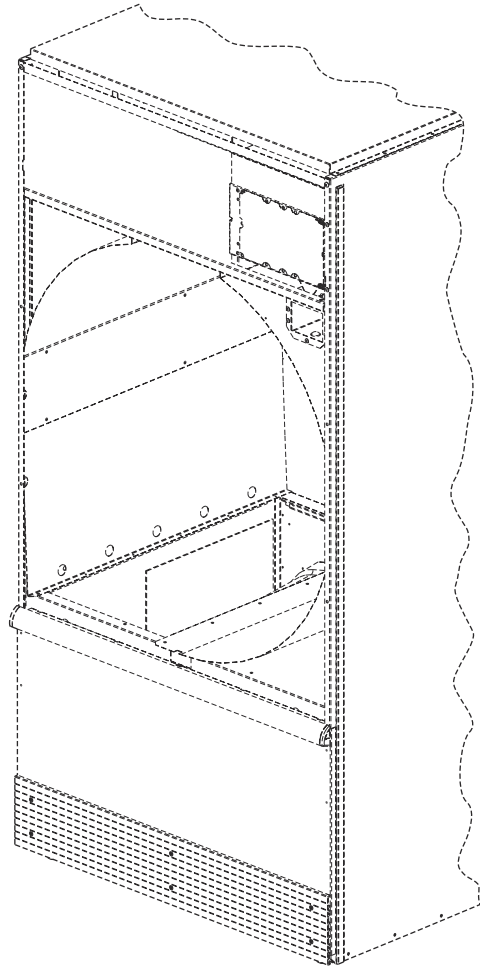
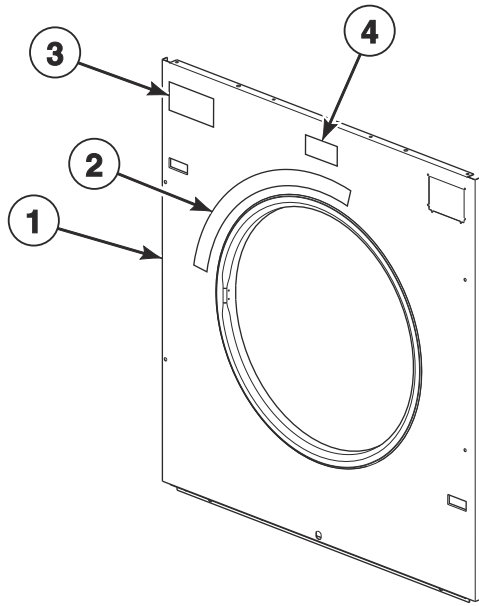


TMB3891P

## Control Panels and Nameplates

REF	PART NO.	DESCRIPTION	COMMENTS
<b>1</b>	F8688901	Nameplate	S models
	F8688001	Nameplate	H models
	F8443106	Nameplate	U models
	567293	Nameplate	B models
	567887	Logo Label	P models
	70686501	Nameplate	J models
	70686601	Nameplate	J models; SAFE
	562738	Label	B, P, and S models; Softwash
<b>2</b>	44040015W	Control Panel	B, J and U models; Models with D, F, N and W in 7th position
	44040013	Control Panel	B and U models; Stainless steel; Models with D, F, N and W in 7th position
	44000130W	Control Panel	H models; Models with F, N and W in 7th position
	44000125	Control Panel	H and P models; Stainless steel; Models with F, N and W in 7th position
	44040015LG	Control Panel	U models; Light gray; Models with D, F, N and W in 7th position
	44000130DG	Control Panel	P models; Dark gray; Models with F, N and W in 7th position
	44344001	Control Panel	B, H, P and S models; Stainless steel; Coin and card; Models with V in 7th position
	44344002	Control Panel	B, H, J, P and S models; Stainless steel; Central pay and OPL; Models with V in 7th position
	70693201W	Control Panel	U models; Models with V in 7th position
	70693201LG	Control Panel	U models; Light gray; Models with V in 7th position
	70693202	Control Panel	U models; Stainless steel; Models with V in 7th position
	44388701	Control Panel	S models; Stainless steel; Coin and central pay; Models with N and W in 7th position
	44388702	Control Panel	S models; Stainless steel; Card; Models with N and W in 7th position
	44388603	Control Panel	S models; Stainless steel; OPL; Models with F, N and W in 7th position
	44388703W	Control Panel	S models; Coin and central pay; Models with N and W in 7th position
	44388704W	Control Panel	S models; Card; Models with N and W in 7th position
44388606W	Control Panel	S models; OPL; Models with F, N and W in 7th position	

# Front Panel Assemblies



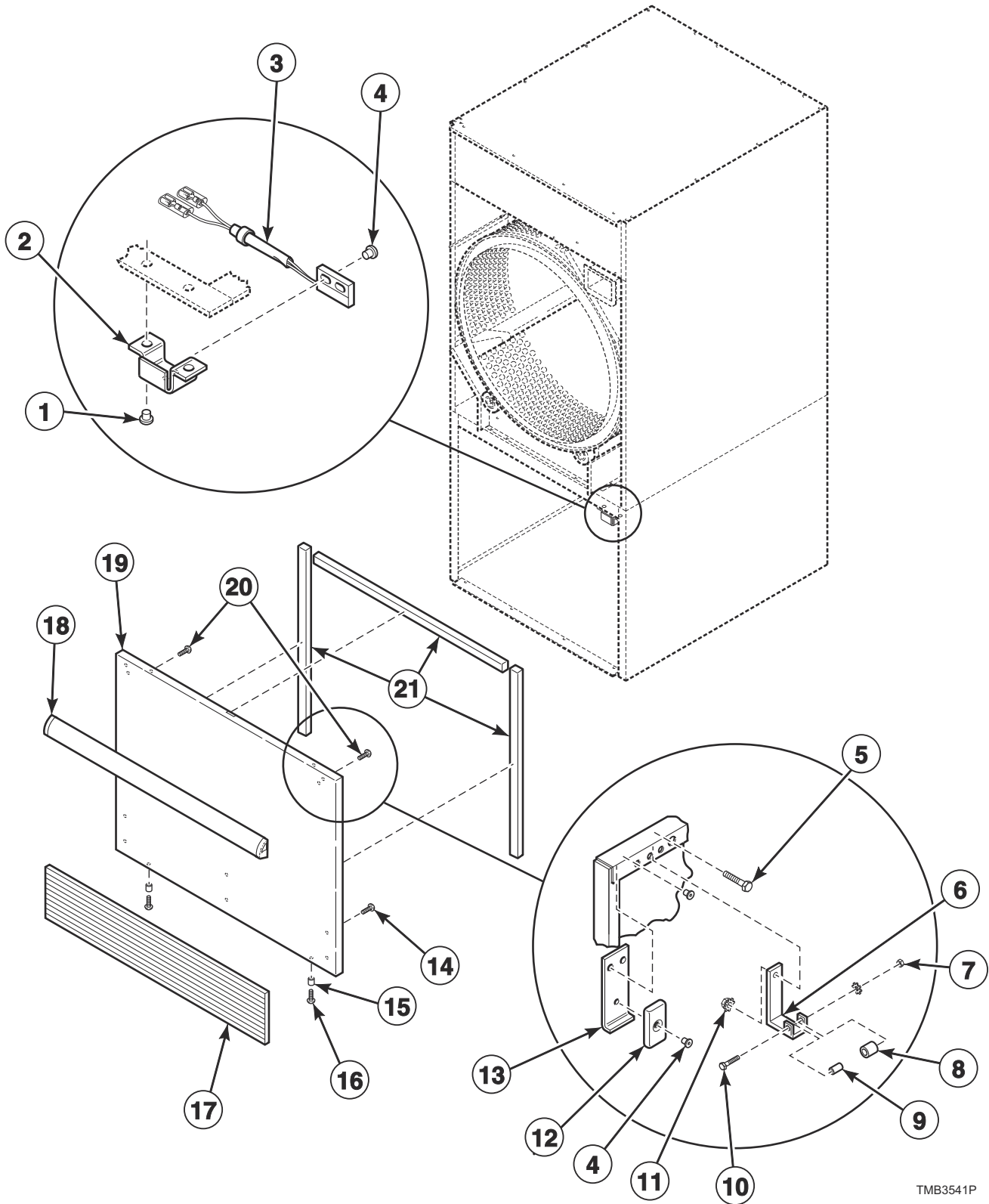
TMB3910P



## Front Panel Assemblies

REF	PART NO.	DESCRIPTION	COMMENTS
1	44052533W	Front Panel	All models except H models; Coin; Models with N and W in 7th position
	44052532	Front Panel	All models except J and U models; Stainless steel; Coin; Models with N and W in 7th position
	44346305	Front Panel	B, H, P and S models; Stainless steel; Coin; Models with V in 7th position
	44052533DG	Front Panel	P models; Dark gray; Coin; Models with N and W in 7th position
	44052536W	Front Panel	All models except H and J models; Card, central pay and FOB; Models with N and W in 7th position
	44052535	Front Panel	All models except J and U models; Stainless steel; Card, central pay and FOB; Models with N and W in 7th position
	44346306	Front Panel	B, H, P and S models; Stainless steel; Card, central pay and FOB; Models with V in 7th position
	44052536DG	Front Panel	P models; Dark gray; Card, central pay and FOB; Models with N and W in 7th position
	44052542W	Front Panel	All models except J models; With e-stop; OPL; Models with D, F, N and W in 7th position
	44052541	Front Panel	All models except J and U models; Stainless steel; With e-stop; OPL; Models with D, F, N and W in 7th position
	44346308	Front Panel	Stainless steel; With e-stop; OPL; Models with V in 7th position
	44052541	Front Panel	U models; Stainless steel; With e-stop; OPL; Models with D, F, N and W in 7th position
	44052542LG	Front Panel	U models; Light gray; With e-stop; OPL; Models with D, F, N and W in 7th position
	44052542DG	Front Panel	P models; Dark gray; With e-stop; OPL; Models with F, N and W in 7th position
	44052539W	Front Panel	All models except J models; Without e-stop; OPL; Models with D, F, N and W in 7th position
	44052538	Front Panel	All models except J and U models; Stainless steel; Without e-stop; OPL; Models with D, F, N and W in 7th position
	44346307	Front Panel	B, H, P, S and U models; Stainless steel; Without e-stop; OPL; Models with V in 7th position
	44052538	Front Panel	U models; Stainless steel; Without e-stop; OPL; Models with D, F, N and W in 7th position
	44052539LG	Front Panel	U models; Light gray; Without e-stop; OPL; Models with D, F, N and W in 7th position
	44052539DG	Front Panel	P models; Dark gray; Without e-stop; OPL; Models with F, N and W in 7th position
2	70534401	Warning Label	English
	70534402	Warning Label	French
	70534405	Warning Label	Colombian Spanish
	70534400	Label Kit	Warning; IEC models
3	44190901	Label	P models; Safe Tech
	70537001	Label	B, H, S and U models; C.A.R.E.
4	70472801	Label	U models

# Lower Cabinet Front Components

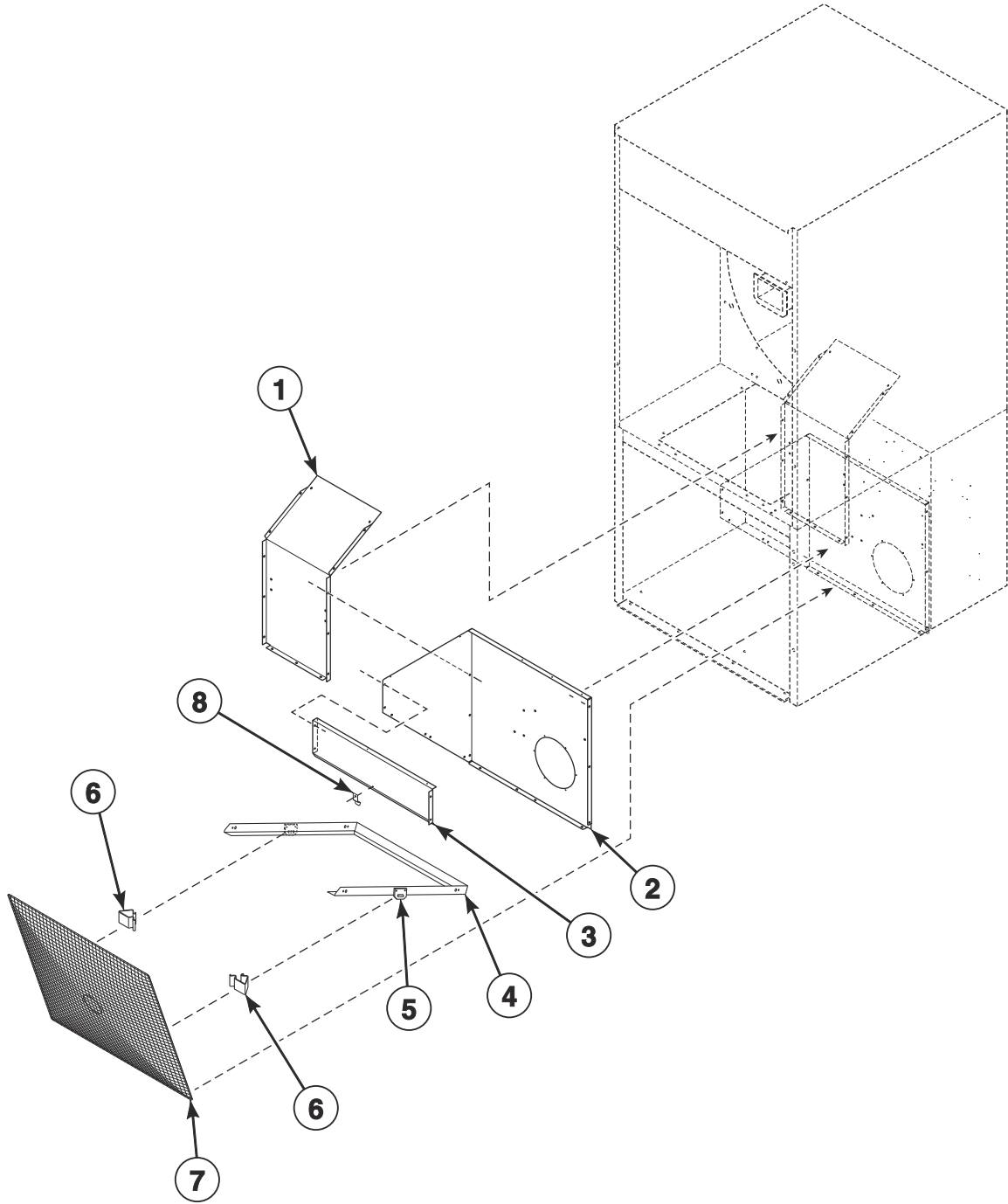


TMB3541P

## Lower Cabinet Front Components

REF	PART NO.	DESCRIPTION	COMMENTS
	44362702	Lint Door Switch Harness	
	70404001	Roller Bracket Assembly	Includes items 6-10
1	70058501	Pop Rivet	
2	44296101	Switch Bracket	
3	F8066804	Reed Switch Assembly	
4	F8245101	Blind Rivet	
5	70132301	Screw	Attaching roller catch
6	70030301	Roller Catch Arm	
7	23951	Nut	
8	70297601	Roller Catch Wheel	
9	70030201	Roller Catch Spacer	
10	70072801	Screw	
11	51236	Nut	Attaching roller catch
12	70343101	Magnet	
13	44290501	Magnet Bracket	
14	70126301	Pop Rivet	For attaching kickplate; Black; 6 required
	70126401	Pop Rivet	For attaching kickplate; Gray; 6 required
15	56079	Panel Locator	
16	39733	Screw	
17	70117619	Kickplate	H and U models; Gray
	70117607	Kickplate	All models except H models; Black
18	70154405P	Handle and Caps Assembly	B, J and S models; Black; Includes endcaps
	70407210	Handle Bumper	P models; Silver
	70154415	Handle and Caps Assembly	H and U models; Gray; Includes endcaps
19	44293603W	Lint Panel	All models except J models; With kickplate
	44293604DG	Lint Panel	P models; Dark gray; No kickplate
	44293603LG	Lint Panel	U models; Light gray; With kickplate
	44293602	Lint Panel	All models except P models; Stainless steel; With kickplate
	44293605	Lint Panel	All models except J models; Stainless steel; No kickplate
	44293604W	Lint Panel	No kickplate
20	430757	Screw	
21	70289101P	Gasket	Sold per foot

# Lint Panel Components

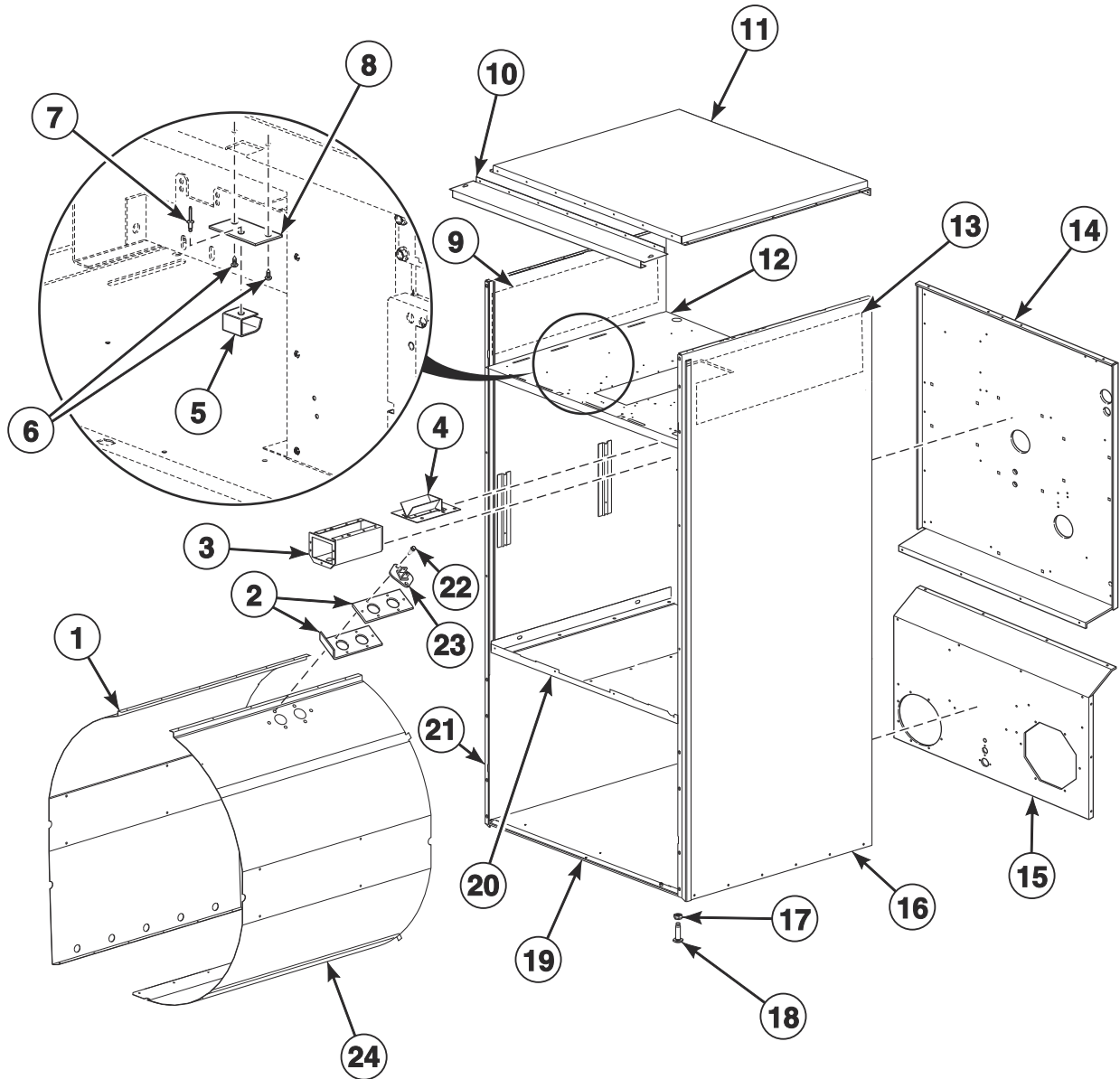


TMB3637P

## Lint Panel Components

REF	PART NO.	DESCRIPTION	COMMENTS
1	44298101	Lint Panel	F75 models; Left
	44298102	Lint Panel	All other models; Left
2	44298201	Lint Panel	F75 models; Right
	44300901	Lint Panel	All other models; Right
3	44298901	Lint Screen Top Rail	
4	44325301	Lint Bracket	
5	44140202	Lint Clip Bracket	2 required
6	35865	Hold-Down Clip	2 required
7	44063601	Lint Screen	
8	H96418413	Lint Screen Clip	

# Cabinet Components

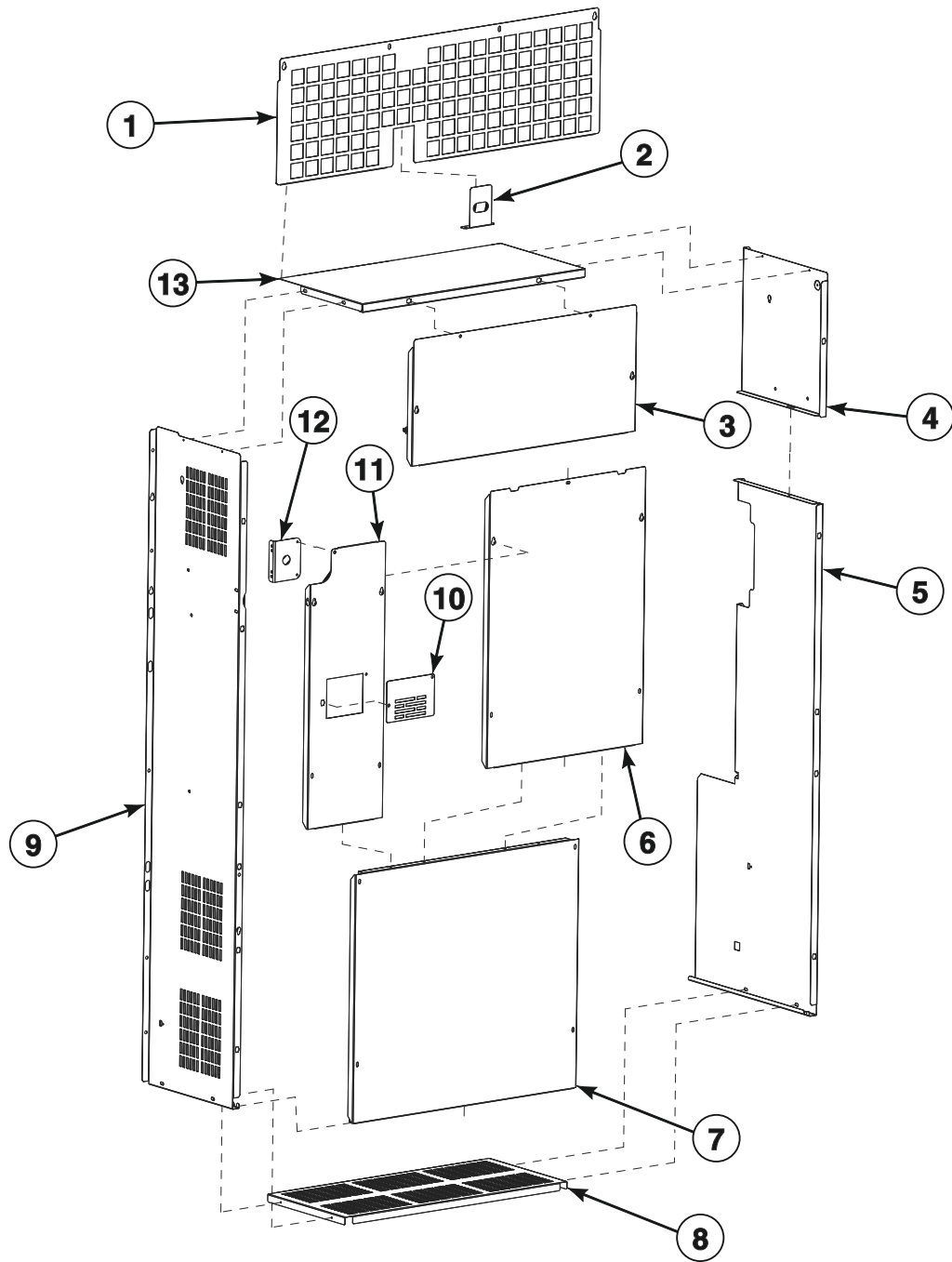


TMB3893P

# Cabinet Components

REF	PART NO.	DESCRIPTION	COMMENTS
	298P4P	Spray Paint	White
	122P4P	Porcelain Touch-Up Paint	White
	70058501	Pop Rivet	Use with items 16 and 21
	430497	Screw	Use with items 16 and 21
<b>1</b>	44299001	Baffle	Left
<b>2</b>	44068101	Thermistor Plate	
	44068102	Thermistor Plate	Use as a shim
<b>3</b>	70529501	Coin Vault Assembly	
	70529502	Coin Vault and Emergency Stop Mount Assembly	Models with emergency stop
	F160673P	Coin Box	Optional equipment; Includes lock and key
<b>4</b>	70296401	Coin Chute Assembly	Wide
<b>5</b>	431318	Control Door Latch	
<b>6</b>	431287	Screw	
<b>7</b>	M400003	Pop Rivet	
<b>8</b>	44003201	Latch Mounting Bracket	
<b>9</b>	44150102	Insulation	
<b>10</b>	44368201	Top Panel Bracket	Gas and electric models with D, F, N and W in the 7th position
<b>11</b>	44129301P	Top Cover Pan	Gas and electric models with D, F, N and W in the 7th position
	44368901	Top Cover	Steam models with D, F, N and W in the 7th position
	44348801	Top Panel	Gas models with V in the 7th position
	44348802	Top Panel	Electric models with V in the 7th position
<b>12</b>	44300101	Top Pan	Models with D, F, N and W in the 7th position
	44348701	Top Pan	Gas models with V in the 7th position
	44352501	Top Pan	Electric models with V in the 7th position
<b>13</b>	44150105	Insulation	
<b>14</b>	44376901	Upper Rear Panel	
<b>15</b>	44297101	Lower Rear Panel	F75 models
	44380501	Lower Rear Panel	All other models
<b>16</b>	44367802DG	Side Panel	B, J and P models; Right; Dark gray
	44367802LG	Side Panel	U models; Right; Light gray
	44367802W	Side Panel	Right
<b>17</b>	21899	Nut	Right
<b>18</b>	70247701	Screw	Leveling leg
<b>19</b>	44298701	Bottom Pan	
<b>20</b>	44298601	Center Pan	
<b>21</b>	44367702DG	Side Panel	B, J and P models; Left; Dark gray
	44367702LG	Side Panel	U models; Left; Light gray
	44367702W	Side Panel	Left
<b>22</b>	51780	Screw	
<b>23</b>	44064701	Thermistor	
<b>24</b>	44299802	Baffle	Right
	44299801	Baffle	Right with fire suppression system

# Rear Panel and Belt Guard Components



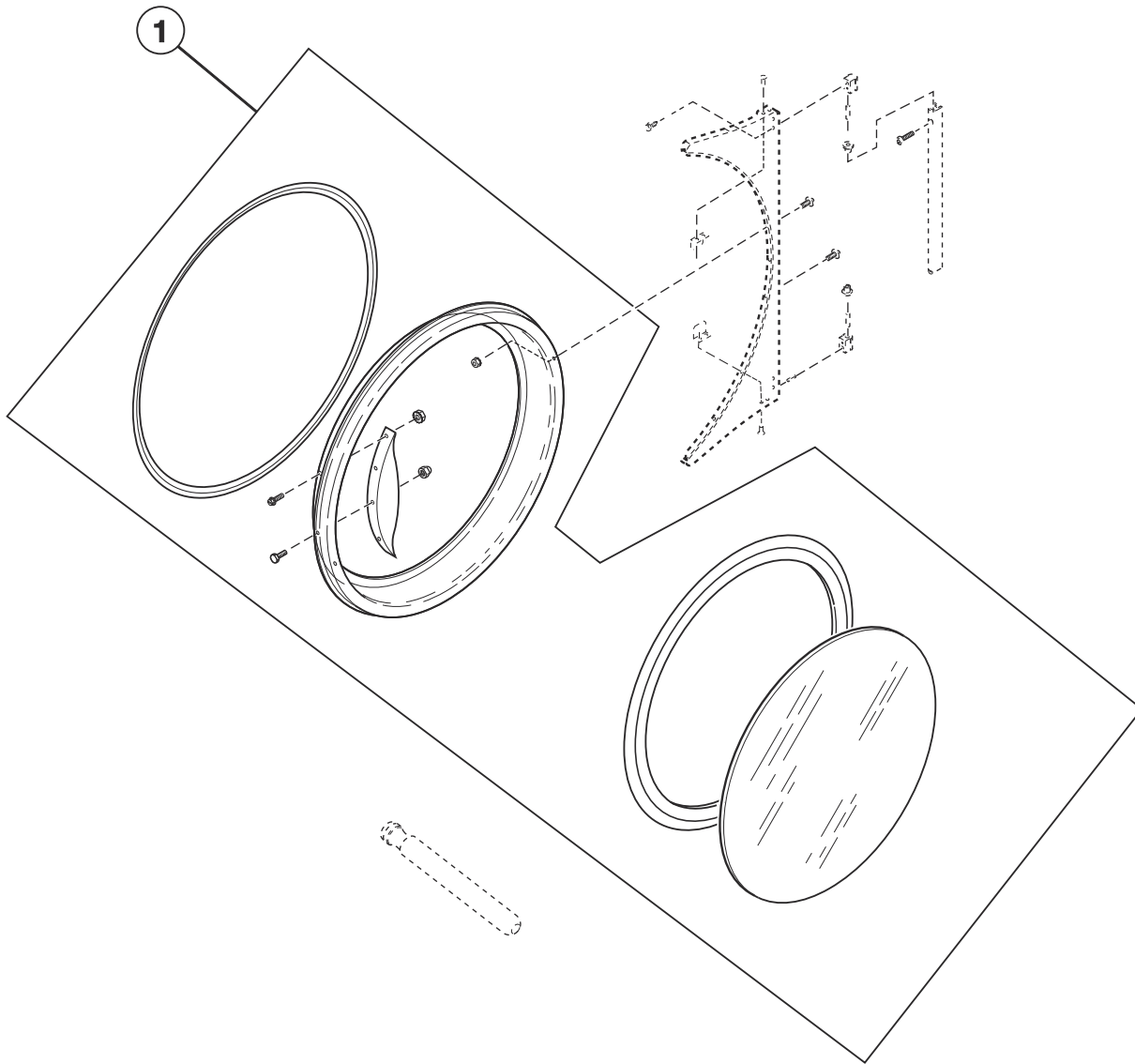
TMB3894P



## Rear Panel and Belt Guard Components

REF	PART NO.	DESCRIPTION	COMMENTS
1	44300301	Stove Grate	Gas models
	44300302	Stove Grate	Steam models
	44364801	Stove Grate	Electric models
2	44327601	Pipe Bracket	Gas models with D, F, N and W in the 7th position
	44327603	Pipe Bracket	Gas models with V in the 7th position
	44376801	Steam Harness Bracket	Steam models
3	44363801	Control Tray Guard	
4	44374301	Upper Guard	Left
5	44363501	Lower Guard	Left
6	44373501	Rear Guard	Belt
7	44363901	Lower Guard	Rear
	44363902	Lower Guard	Rear with fire suppression system
8	44377301	Guard	Bottom
9	44363601	Guard	Right
10	70202501	Drive Access Cover	
11	44373401	Rear Guard	Inverter
12	70615501	Conduit Plate	Gas and steam models
	70615502	Conduit Plate	Electric models
13	44364001	Top Guard	Gas and steam models
	44364002	Top Guard	Electric models

# Door Assemblies

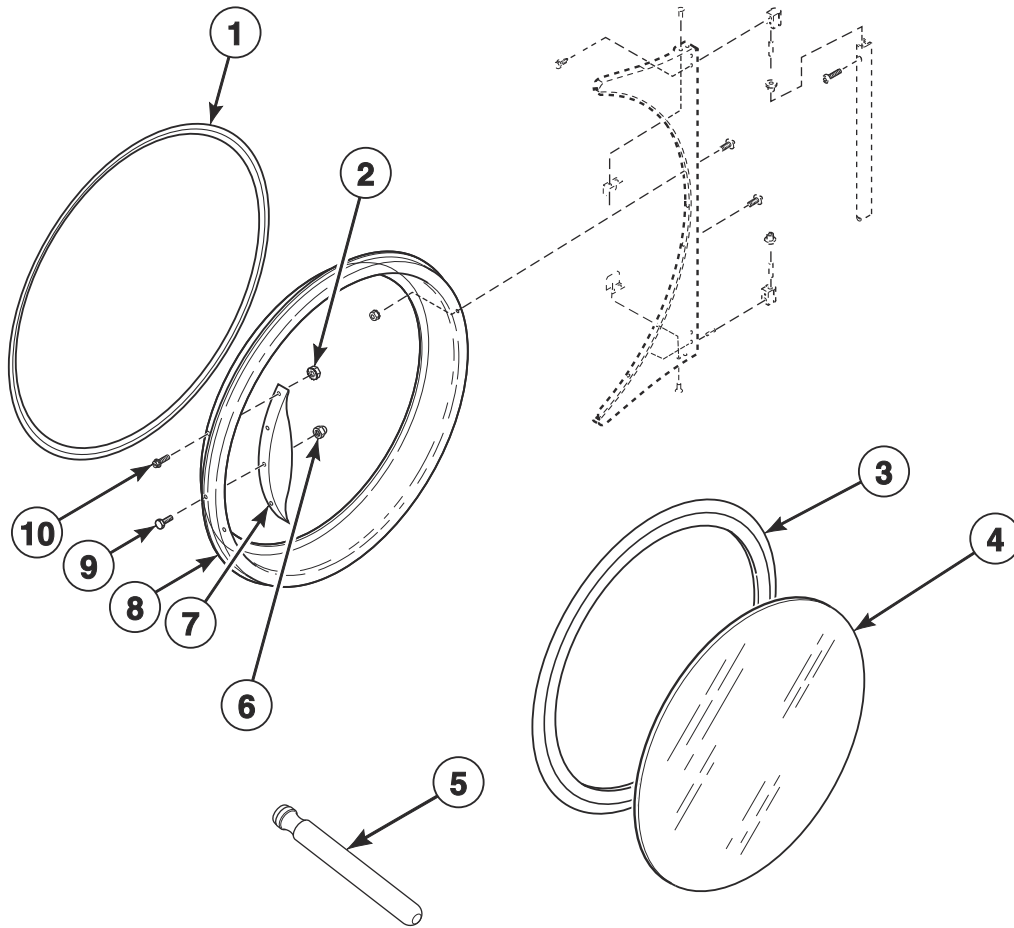


TMB3835P

## Door Assemblies

REF	PART NO.	DESCRIPTION	COMMENTS
1	44354701	Door Assembly	S models; Stainless steel
	44354702	Door Assembly	S models; Chrome
	44354703	Door Assembly	U models; Stainless steel
	44354704	Door Assembly	U models; Chrome
	44354705	Door Assembly	H models; Stainless steel
	44354707	Door Assembly	H models; Stainless steel with green trim
	44354706	Door Assembly	H models; Chrome
	44354708	Door Assembly	H models; Chrome with green trim
	44354709	Door Assembly	B and P models; Black
	44354710LG	Door Assembly	P models; Light gray

# Door Components

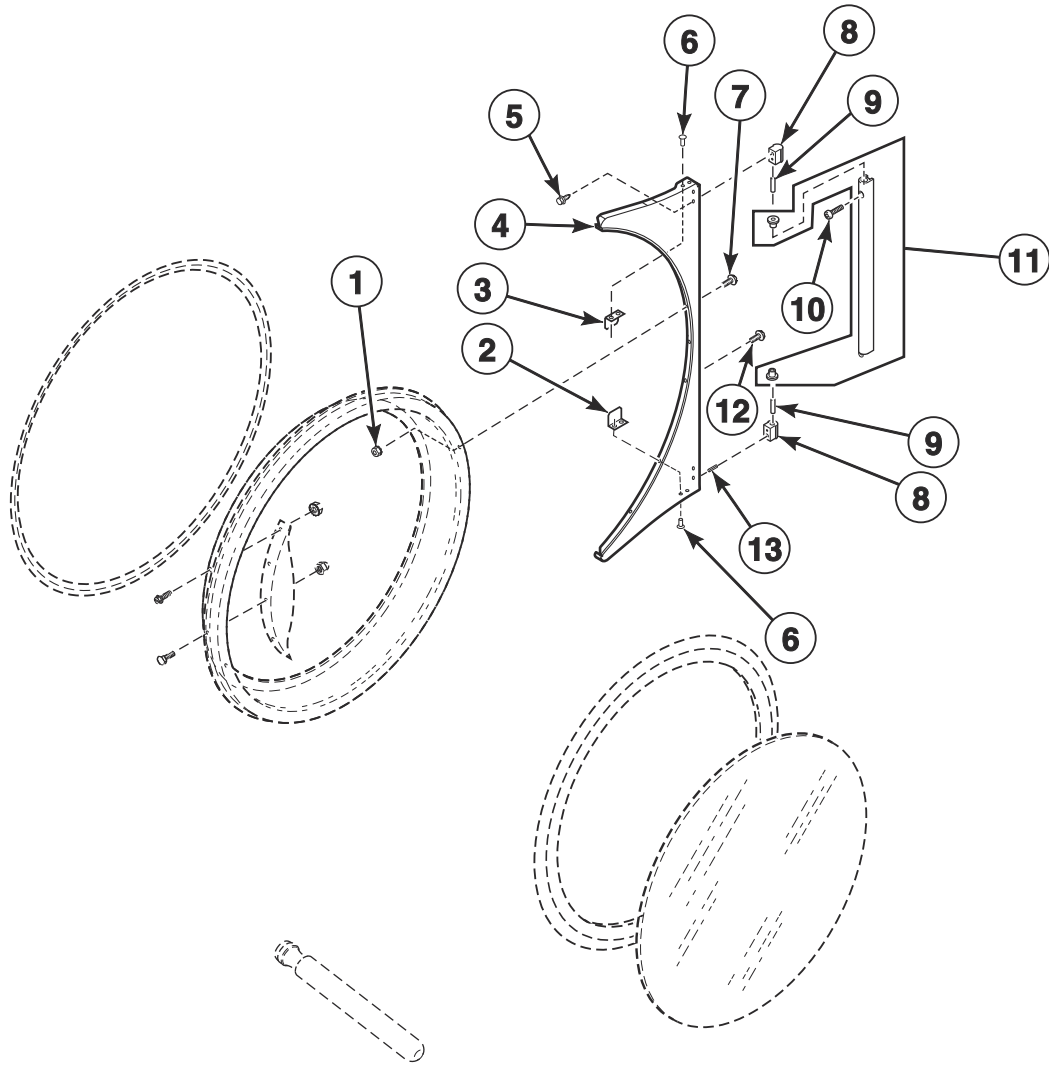


TMB3835PA

## Door Components

REF	PART NO.	DESCRIPTION	COMMENTS
	70650401	Door Glass Label	H models
1	70296802	Door Ring Gasket	H models with chrome handle
	44008201P	Door Ring Gasket	
2	44088001	Nut	B, H and S models; 4 required
3	70211902P	Door Seal Kit	Use Loctite 414 for seal
4	44008405	Door Glass	H models; Green trim
	44008401P	Door Glass	
5	M4221P4	Door Glass Installation Tool	
6	M414215	Nut	For door strike; Mounts between door strike screw and door handle
7	44007901	Door Handle	B, P, and S models
	44263801	Door Handle	U models; Use 901620 Screw, 800465 Washer, 803871 Screw and 44088001 Nut to attach
	44370601	Door Handle	H models
8	44354801	Door Ring Assembly	H and S models; Stainless steel
	44354802	Door Ring Assembly	H and S models; Chrome
	44354803	Door Ring Assembly	U models
	44354804	Door Ring Assembly	U models; Chrome
	44354808LG	Door Ring Assembly	P models; Light gray
	44354807B	Door Ring Assembly	B and P models
9	M400661	Screw	Door Strike
10	70442101	Screw	B, H, P and S models; 4 required

# Hinge Components

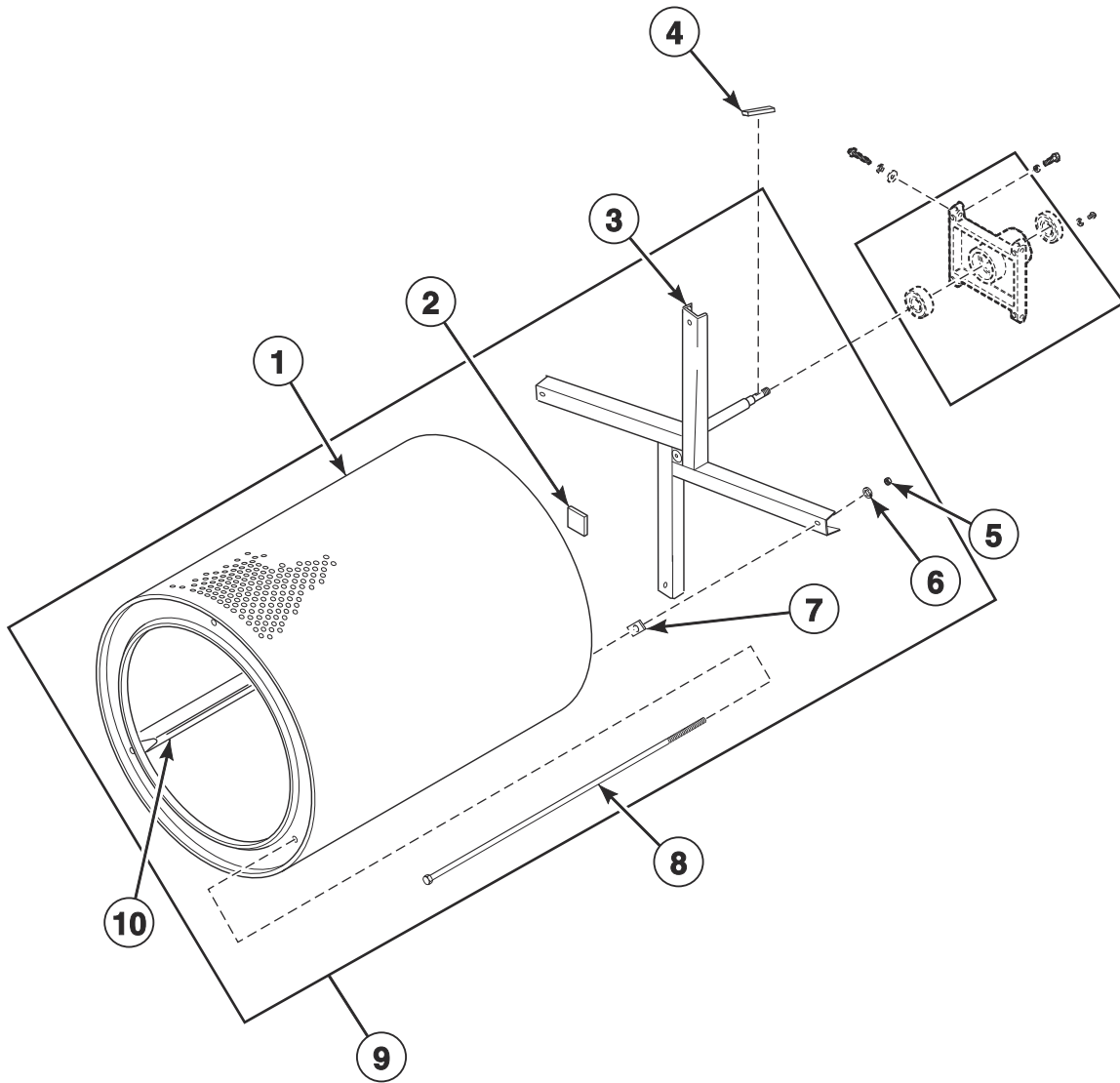


TMB3835PB

# Hinge Components

REF	PART NO.	DESCRIPTION	COMMENTS
1	44088001	Nut	
2	70532101	Door Switch Actuator	Bottom
3	70532102	Door Switch Actuator	Top
4	70596614B	Door Hinge Assembly	Black; B and P models
	70596614W	Door Hinge Assembly	B, H, S and U models
	70596603	Door Hinge Assembly	H and S models; Chrome
	70596604	Door Hinge Assembly	H, S and U models; Stainless steel
	70596614LG	Door Hinge Assembly	P and U models; Light gray
5	70576101	Screw	3 required
6	70058501	Pop Rivet	2 required
7	44349101	Screw	6 required
8	M4773P3	Hinge Cam Kit	Black; B and P models
	M4772P3	Hinge Cam Kit	H, P, S and U models
	70622401	Hinge Cam Kit	H and S models; Chrome
9	70071401	Pin	
10	70407301	Screw	Black; B and P models
	70033502	Screw	H, P, S and U models
11	70597603	Door Hinge Lug Assembly	Black; B and P models
	70597601	Door Hinge Lug Assembly	H, P, S and U models
	70597602	Door Hinge Lug Assembly	H and S models; Chrome
12	70689401	Screw	
13	70436301	Screw	

# Cylinder and Trunnion Components



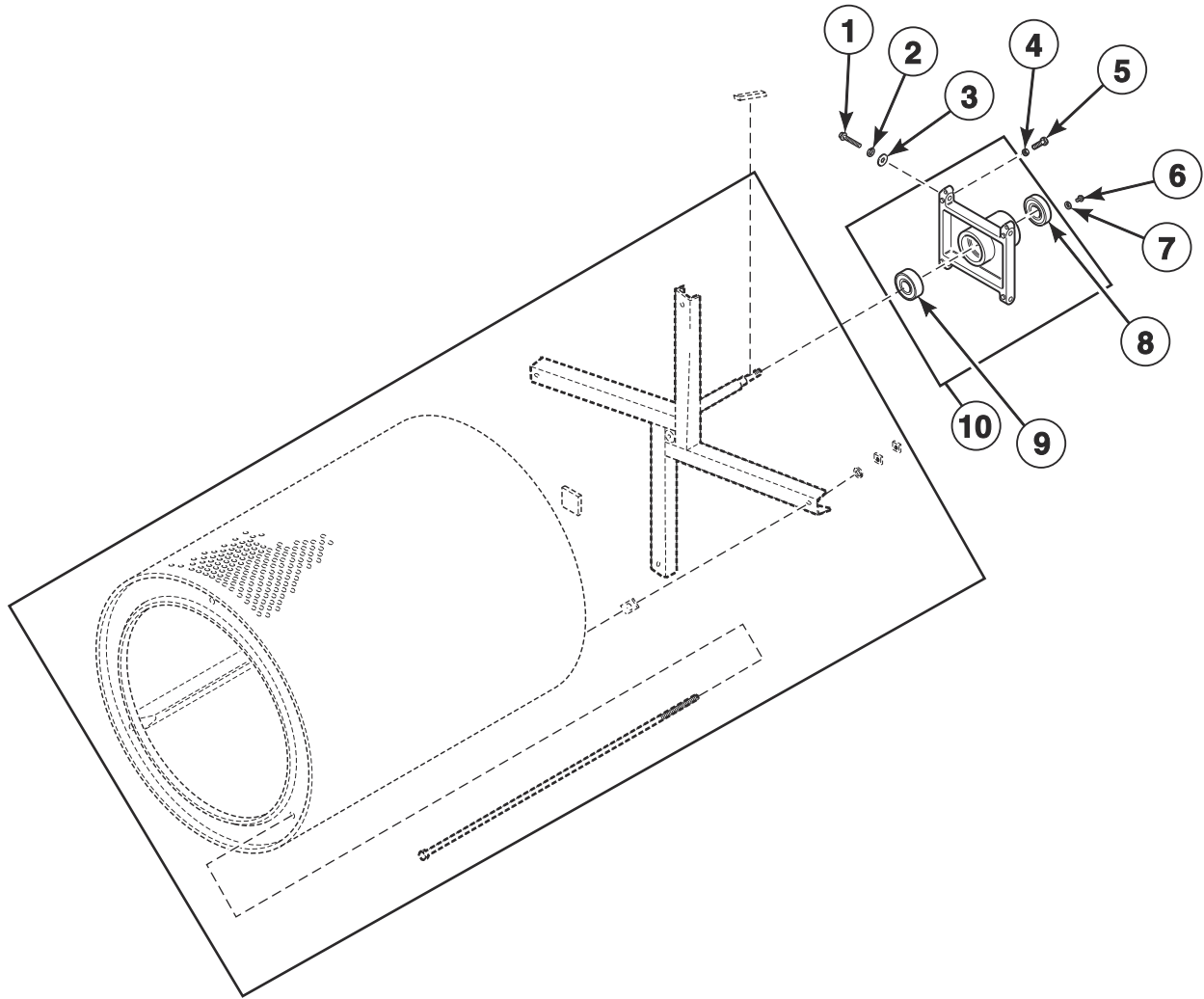
TMB3796P



## Cylinder and Trunnion Components

REF	PART NO.	DESCRIPTION	COMMENTS
1	44057201P	Cylinder Kit	Galvanized; Non-moisture sensing
	44198301P	Cylinder Assembly	Galvanized; Moisture sensing
	44057301P	Cylinder Kit	Stainless steel; Non-moisture sensing
	44198302	Cylinder Assembly	Stainless steel; Moisture sensing
2	M402144	Felt Pad	
3	44208001	Trunnion Assembly	Spider; Non-moisture sensing
	44207901	Trunnion Assembly	Moisture sensing
4	M400008	Key	Half moon
5	M404993	Nut	
6	M400015	Washer	4 required
7	M401402	Spacer	Adjustment between cylinder and trunnion
8	M404992	Rib Rod	
9	44195701P	Cylinder and Trunnion Assembly	Galvanized; Non-moisture sensing
	44195702P	Cylinder and Trunnion Assembly	Stainless steel; Non-moisture sensing
	44195705P	Cylinder and Trunnion Assembly	Galvanized; Moisture sensing
	44195706	Cylinder and Trunnion Assembly	Stainless steel; Moisture sensing
10	44191202	Cylinder Rib Assembly	Moisture sensing

# Bearing Components

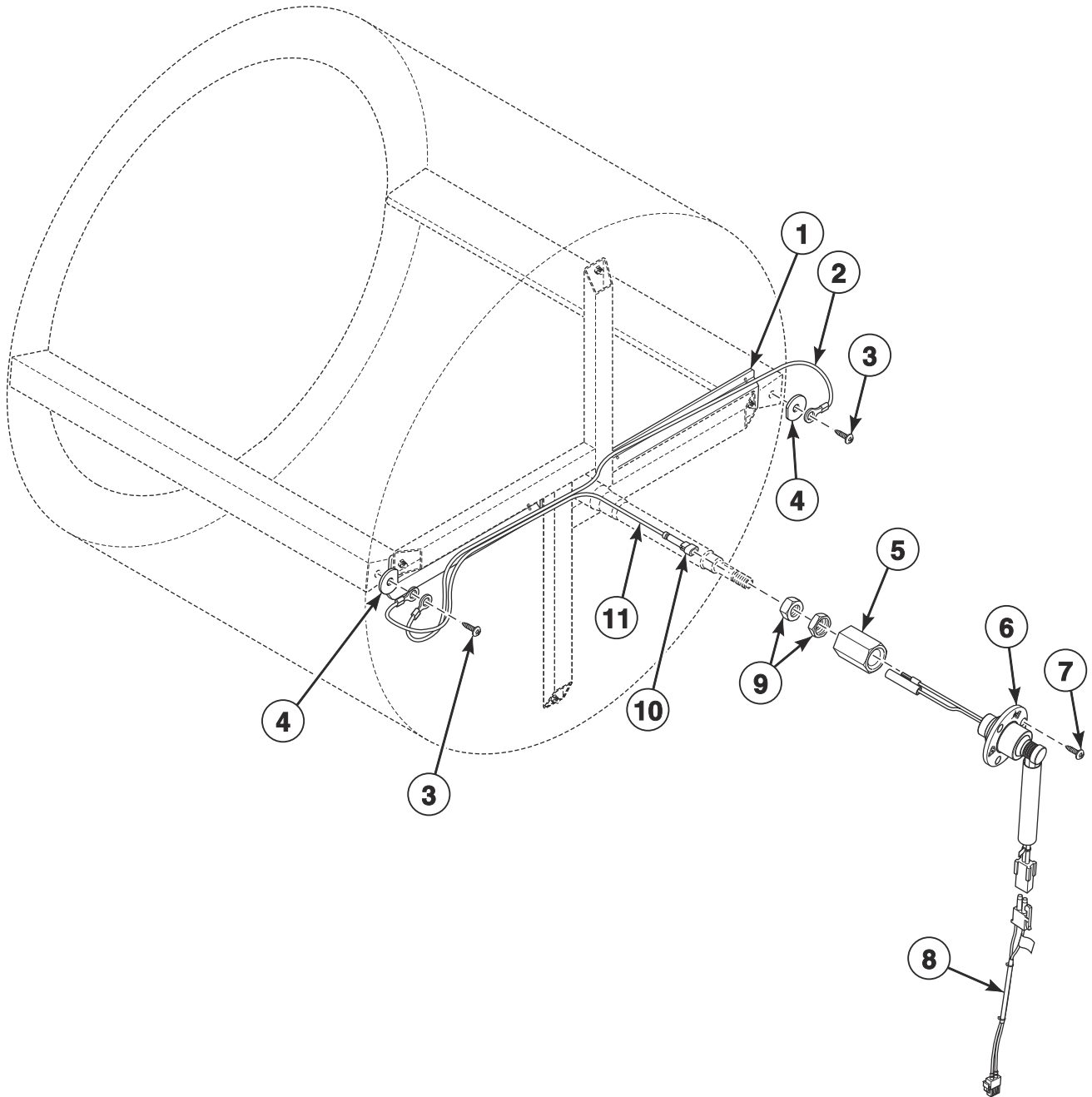


TMB2123PA

# Bearing Components

REF	PART NO.	DESCRIPTION	COMMENTS
	M4640P3	Trunnion and Bearing Assembly	Non-moisture sensing
	44336301	Trunnion and Bearing Assembly	Moisture sensing
	M4644P3	Housing and Trunnion Assembly	Includes bearing; Non-moisture sensing
	44336302	Housing and Trunnion Assembly	Moisture sensing
<b>1</b>	M400063	Screw	4 required
<b>2</b>	M400015	Washer	4 required
<b>3</b>	70261401	Washer	4 required
<b>4</b>	M400026	Nut	4 required
<b>5</b>	M400650	Bolt	2 required
<b>6</b>	70187201	Screw	4 required
<b>7</b>	20103	Washer	4 required
<b>8</b>	M413923P	Bearing	
<b>9</b>	44041901P	Ball Bearing	
<b>10</b>	44375001	Trunnion Housing Assembly	Includes bearing

# Moisture Sensing Components

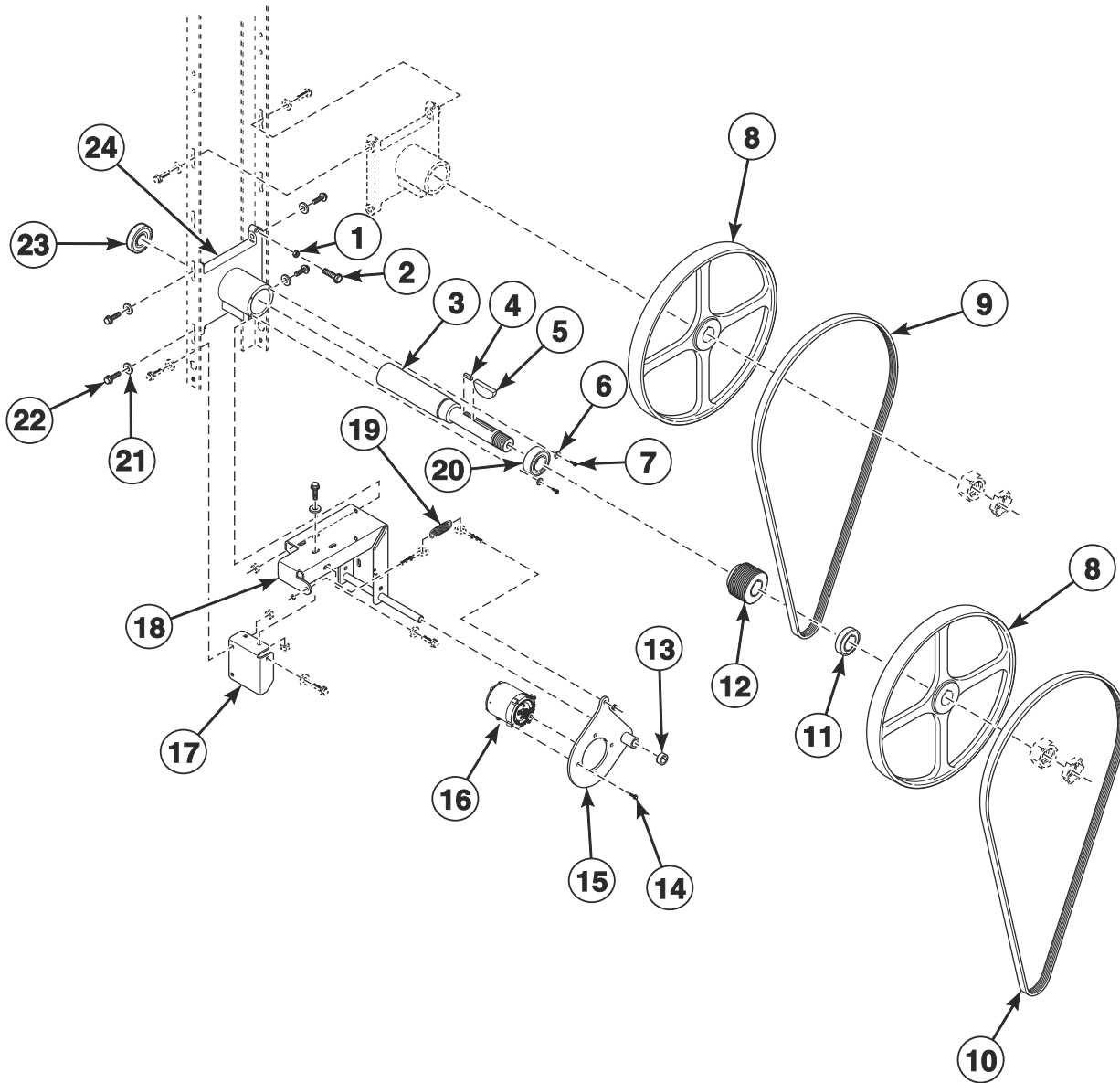


TMB3544P

## Moisture Sensing Components

REF	PART NO.	DESCRIPTION	COMMENTS
	44344702	Moisture Sensing Harness Kit	
	55881	Harness Strap	Use with item 1
	44375503	Adapter Harness	Goes to I/O Board
<b>1</b>	44239101	Wireway Channel	
<b>2</b>	44208601	Rib Wire	
<b>3</b>	44338901	Screw	
<b>4</b>	44238902	Washer	
<b>5</b>	44224401	Slip Ring Holder	
<b>6</b>	44222702	Slip Ring Assembly	
<b>7</b>	70442101	Screw	
<b>8</b>	44375501	Moisture Sensor Harness	Goes from item 6 to 44375503 Adapter Harness
<b>9</b>	M400035	Nut	
<b>10</b>	44370401	1 Circuit Plug Housing	
<b>11</b>	44208702	Shaft Wire	

# Drive Motor Components

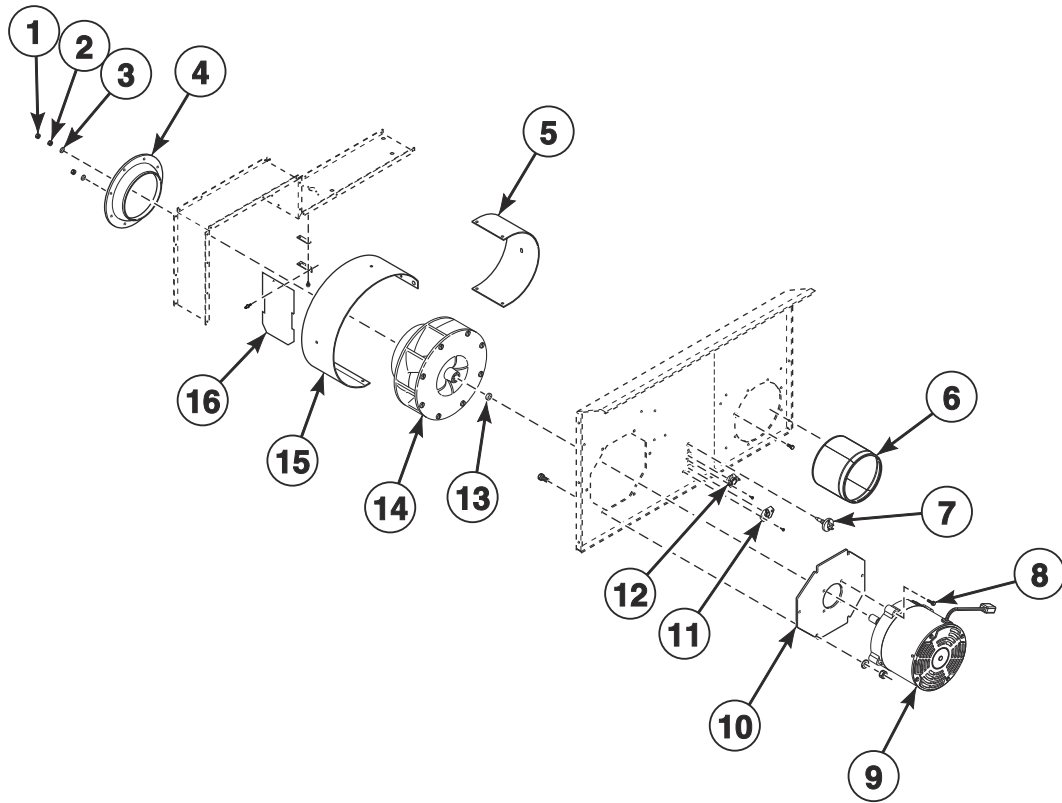


TMB3895P

## Drive Motor Components

REF	PART NO.	DESCRIPTION	COMMENTS
	44333202	Nut	Use with motor pulley
	70635405	Inverter to Motor Harness	North America models; 120-240 Volt
	70635406	Inverter to Motor Harness	North America models; 380-480 Volt
	70635407	Inverter to Motor Harness	IEC models; 120-240 Volt
	70635408	Inverter to Motor Harness	IEC models; 380-480 Volt
	44375001	Trunnion Housing Assembly	Includes items 6, 7, 20, 23 and 24
<b>1</b>	M400026	Nut	
<b>2</b>	M400650	Bolt	
<b>3</b>	44303102	Idler Shaft	
<b>4</b>	44309301	Key	
<b>5</b>	M400008	Key	
<b>6</b>	20103	Washer	
<b>7</b>	70187201	Screw	
<b>8</b>	44289502	Pulley	
<b>9</b>	44333301	V-Belt	Upper
<b>10</b>	44309402	V-Belt	Lower
<b>11</b>	44306801	Idler Spacer	
<b>12</b>	44374001	Micro V Pulley	
<b>13</b>	70467001	Shaft Collar	
<b>14</b>	44364602	Screw	
<b>15</b>	44311501	Motor Pivot Plate Weldment	
<b>16</b>	44355005	Drive Motor	.50 HP; 240 Volt
	44355006	Drive Motor	.50 HP; 480 Volt
<b>17</b>	44325801	Motor Pivot Support Bracket	
<b>18</b>	44327001	Motor Pivot Bracket Weldment	
<b>19</b>	F8440701	Extension Spring	
<b>20</b>	M413923P	Bearing	
<b>21</b>	70261401	Washer	4 required
<b>22</b>	805213	Screw	4 required
<b>23</b>	44041901P	Ball Bearing	
<b>24</b>	M413826	Trunnion Housing	

# Blower and Exhaust Components



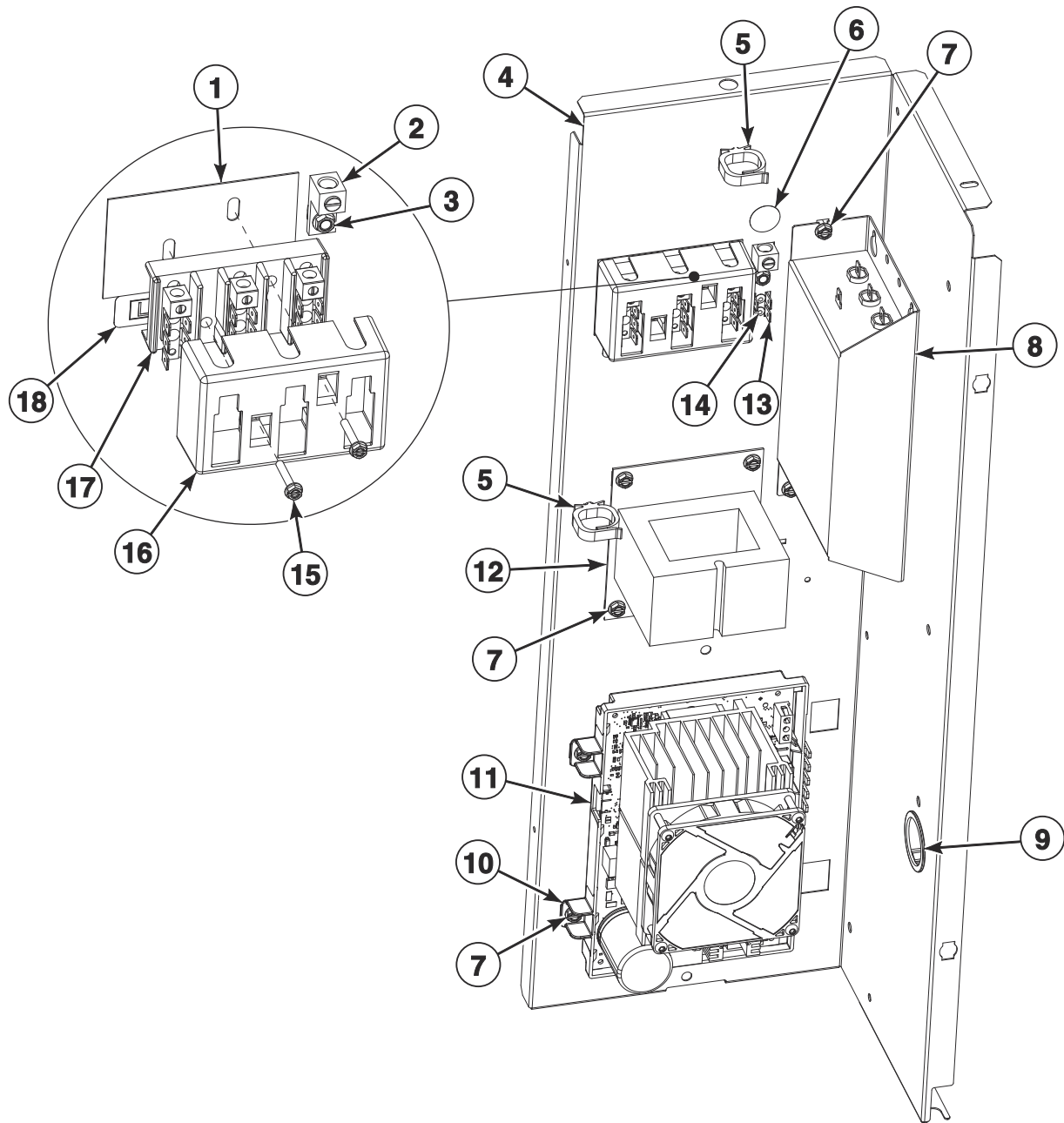
TMB3896P



## Blower and Exhaust Components

REF	PART NO.	DESCRIPTION	COMMENTS
1	M400034	Nut	
2	M400022	Nut	
3	F431131	Washer	
4	44305201	Blower Inlet Cone	F75 models
	70303101	Blower Inlet Cone	All other models
5	44308402	Air Exhaust Deflector	F75 models
	44308401	Air Exhaust Deflector	All other models
6	44305002	Thimble Assembly	F75 models
	44327901	Exhaust Pipe Assembly	All other models
7	M414704	Thermistor	
8	44364601	Screw	
9	44354902	Fan Motor	F75 models; 1.5 HP; 240 Volt
	44354904	Fan Motor	F75 models; 1.5 HP; 480 Volt
	44354901	Fan Motor	All other models; .50 HP; 240 Volt
	44354903	Fan Motor	All other models; .50 HP; 480 Volt
10	44311301	Blower Motor Mounting Plate	F75 models
	44380401	Blower Motor Mounting Plate	All other models
11	70530905	Limit Thermostat	
12	44328003	Limit Thermostat	
13	70599301	Fan Spacer	
14	44267201	Blower Assembly	F75 models
	70302201P	Blower Assembly	All other models
15	44303901	Blower Housing Scroll	F75 models
	44303801	Blower Housing Scroll	All other models
16	44280302	Damper Assembly	F75 models
	44280301	Damper Assembly	All other models

# Inverter Tray Components

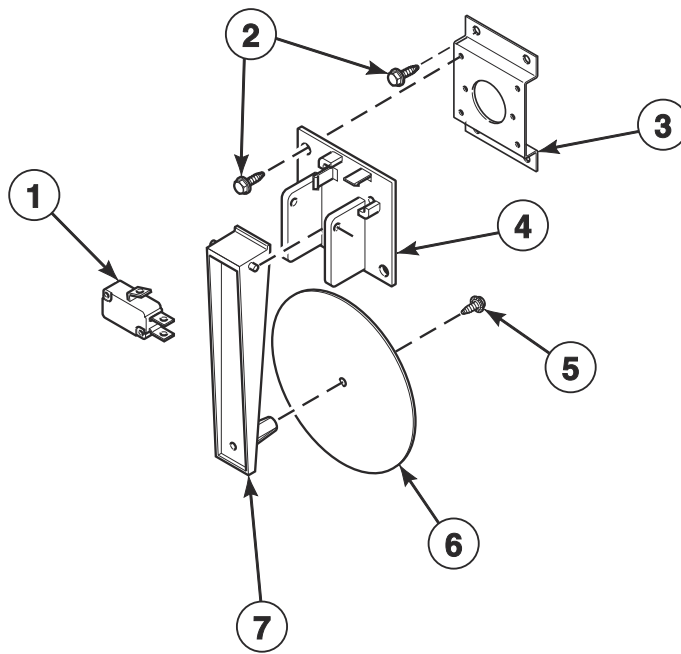


TMB3901P

## Inverter Tray Components

REF	PART NO.	DESCRIPTION	COMMENTS
	70671001	Inverter Power Conversion Harness	X to B voltage; Gas models
	44375701	Inverter Control Power Harness	T and G market models; 120-240 Volt
	44375703	Inverter Control Power Harness	T and G market models; 380-480 Volt
	44375704	Inverter Control Power Harness	IEC models; 120-240 Volt
	44375706	Inverter Control Power Harness	IEC models; 380-480 Volt
	44375401	Harness	Gas and steam models; 120-240 Volt/1 Phase; Power distribution block to EMI filter
	44375402	Harness	Gas and steam models; 380-480 Volt/3 Phase; Power distribution block to EMI filter
	44388401	Power Harness	F75 models; 120-240 Volt
	44388501	Harness	F75 models; 120-240 Volt; Fuse board to inverter
<b>1</b>	M413862	Insulator	T and G market models; IEC gas models
<b>2</b>	M411283	Ground Lug Connector	Gas models
<b>3</b>	685837	Screw	Gas models; Use with 44088001 Nut
<b>4</b>	44364201	Inverter Drive Tray	
<b>5</b>	F8449502	Wire Clip	380-480 Volt
<b>6</b>	D516100	Label	Gas models
<b>7</b>	F8206901	Screw	
<b>8</b>	F8591601	EMI Filter	IEC models; 120-240 Volt
	F8637501	EMI Filter	IEC models; 380-480 Volt
<b>9</b>	70346501	Bushing	
<b>10</b>	70030501	Expansion Clip	
<b>11</b>	70603401	Inverter Control Assembly	F75 models; 3 HP; 120-240 Volt
	70603601	Inverter Control Assembly	F75 models; 3 HP; 380-480 Volt
	70603001	Inverter Control Assembly	All other models; 1 HP; 120-240 Volt
	70603201	Inverter Control Assembly	All other models; 1 HP; 380-480 Volt
<b>12</b>	F8491101	Transformer	380-480 Volt
<b>13</b>	00622SG	Terminal	
<b>14</b>	M400003	Pop Rivet	
<b>15</b>	51783	Screw	T and G market models; IEC gas models
<b>16</b>	70333001	Terminal Block Shield	T and G market models; IEC gas models
<b>17</b>	430642	Terminal Block	T and G market models; IEC gas models
<b>18</b>	44286803	Label	Gas models; N and P voltage; L1, L2, L3
	44286801	Label	Gas models; B voltage; L1, N
	44286804	Wire Label	Gas models; X voltage; L1 L2, L1 N, L1 L2 L3

# Airflow Switch Assembly

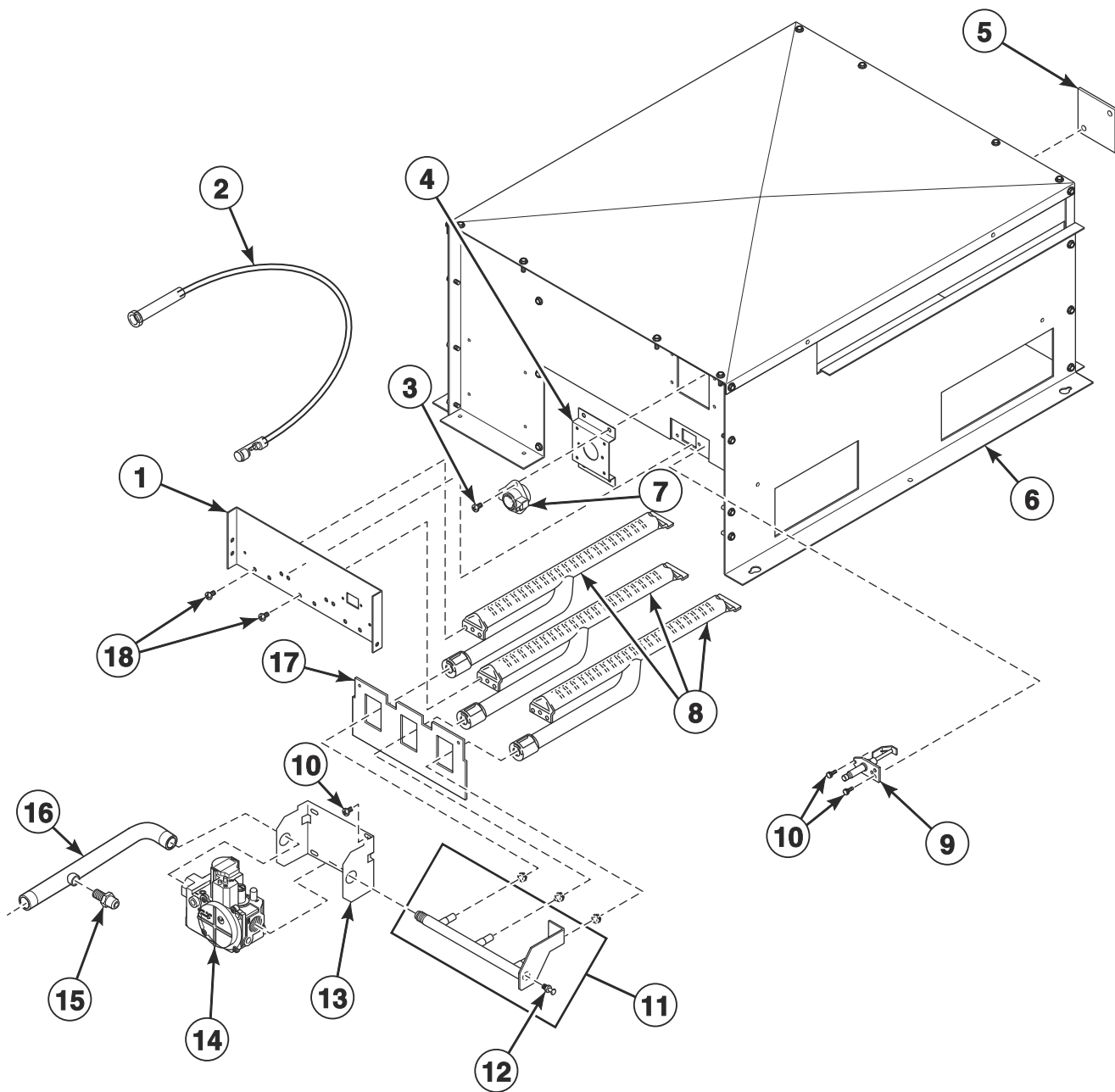


TMB3636P

# Airflow Switch Assembly

REF	PART NO.	DESCRIPTION	COMMENTS
	70429602	Airflow Switch Assembly	Includes items 1 and 4-7
1	70411901	Switch	
2	430497	Screw	6 required
3	70356301	Switch Bracket	
4	70319602	Airflow Switch and Arm Bracket	
5	430757	Screw	
6	70319202	Airflow Switch Vane	
7	70319401	Airflow Switch Arm	

# Gas Heater Components - Models with D, F, N and W in the 7th Position

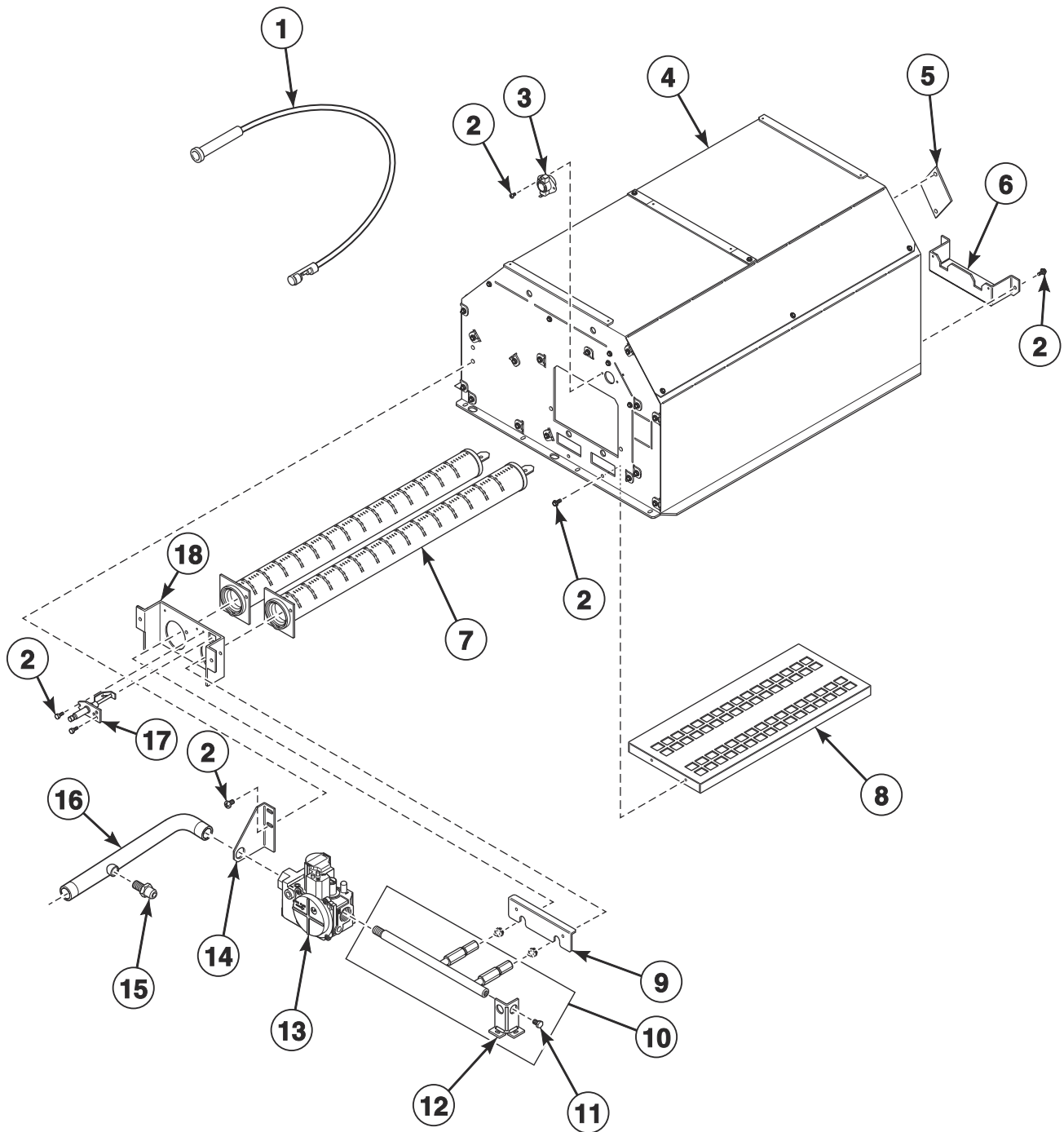


TMB3911P

## Gas Heater Components - Models with D, F, N and W in the 7th Position

REF	PART NO.	DESCRIPTION	COMMENTS
	70539501	Notice Label	Australian models Natural Gas (N.G.)
	70544901	Notice Label	Australian models Liquid Petroleum Gas (L.P.)
	D503887	Label	Australian models; Gas
	44178801	Adapter	CE and Australian models; Used to convert from standard to metric thread
	44328802	L.P. Conversion Kit	North America 75 pound models; 0-2000 feet
	44328811	L.P. Conversion Kit	Australian models; 0-2000 feet
	44330302	L.P. Conversion Kit	IEC models; 0-2000 feet
	44328803	L.P. Conversion Kit	F75 models
	70346802	Pipe Plug	F75 models
	44273502	Gas Valve Harness	Double; CE models
	44273501	Gas Valve Harness	Single; All other models
	44366301	Gas Valve/Thermostat Harness	
<b>1</b>	44110301	Burner Support	
<b>2</b>	44239705	High Voltage Suppression Cable	
<b>3</b>	M402797	Screw	2 required
<b>4</b>	70356301	Switch Bracket	
<b>5</b>	70159601	Igniter Cover	
<b>6</b>	44135605	Gas Stove Assembly	Includes item 8
<b>7</b>	44328008	Limit Thermostat	
<b>8</b>	M410541P	Burner Assembly	3 required
<b>9</b>	44328701P	Spark Electrode	
<b>10</b>	51782	Screw	2 required
<b>11</b>	44263104	Spud Holder Weldment	
<b>12</b>	70167601	Plug	
<b>13</b>	44175703	Gas Valve Bracket	
<b>14</b>	44154501P	Gas Valve	F75 and North America models; N.G.
	44154502P	Gas Valve	F75 and North America models; L.P.
	44298501	Gas Valve	Australian models; N.G.
	44298504	Gas Valve	Australian models; L.P.
	44178301P	Gas Valve	CE models; N.G.
	44178302P	Gas Valve	CE models; L.P.
	44154505	Gas Valve	All other models; N.G.
	44154506	Gas Valve	All other models; L.P.
<b>15</b>	44231601	Pressure Fitting	CE and Australian models
<b>16</b>	44377001	Lead-In Pipe	A, K and U market models
	44377101	Lead-In Pipe	All other models
<b>17</b>	44135201	Rear Access Plate	
<b>18</b>	70240301	Screw	6 required

# Gas Heater Components - Models with V in the 7th Position



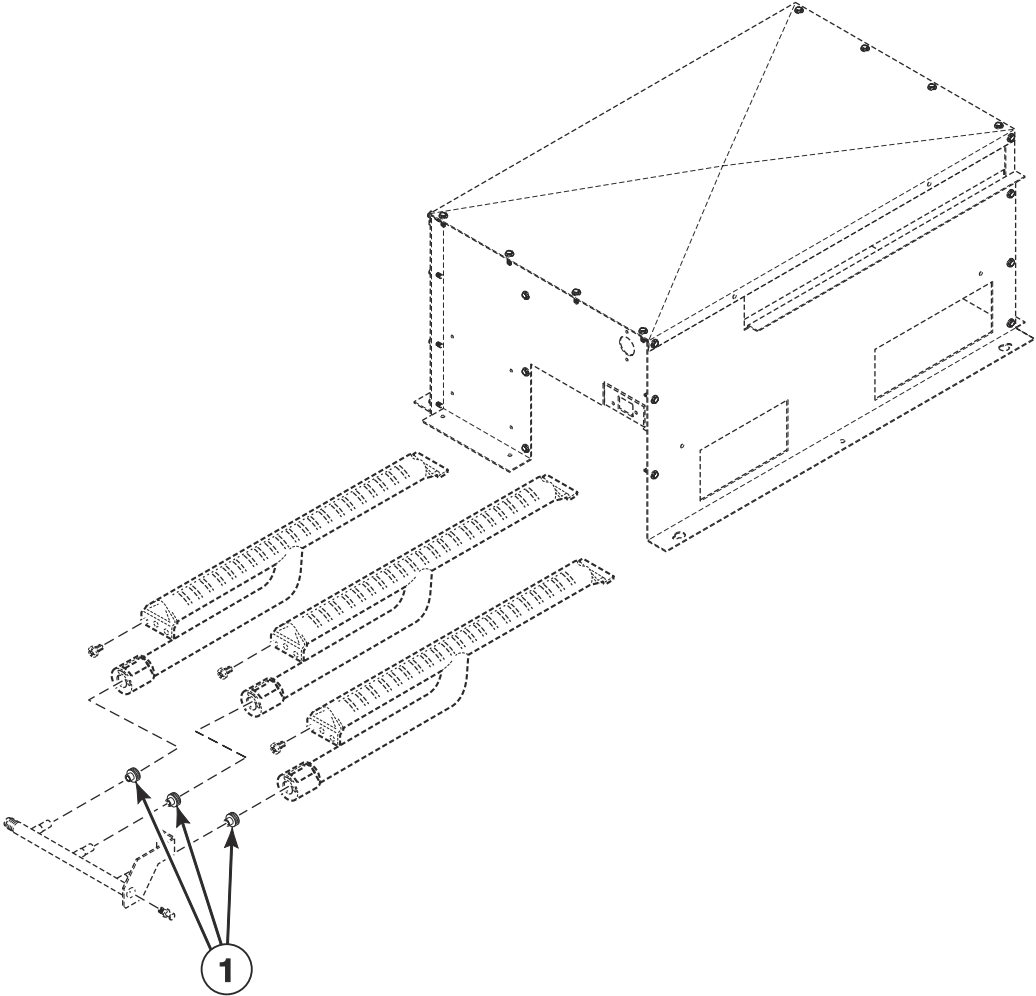
TMB3898P



## Gas Heater Components - Models with V in the 7th Position

REF	PART NO.	DESCRIPTION	COMMENTS
	70539501	Notice Label	Australian models; Natural Gas (N.G.)
	70544901	Notice Label	Australian models; Liquid Petroleum Gas (L.P.)
	D503887	Label	Australian models; Gas
	44178801	Adapter	CE and Australian models; Used to convert from standard to metric thread
	44355202	L.P. Conversion Kit	T and G market models; 0-2000 feet
	44328812	L.P. Conversion Kit	Australian models; 0-2000 feet
	44330307	L.P. Conversion Kit	IEC models; 0-2000 feet
	44273502	Gas Valve Harness	Double; CE models
	44273501	Gas Valve Harness	Single; All other models
	44366301	Gas Valve/Thermostat Harness	
<b>1</b>	44239704	High Voltage Suppression Cable	
<b>2</b>	430497	Screw	2 required
<b>3</b>	44328005	Limit Thermostat	
<b>4</b>	44352701	Gas Heater Assembly	
<b>5</b>	70159601	Igniter Cover	Included with item 4
<b>6</b>	44341801	Burner Support	Included with item 4
<b>7</b>	70396201P	Gas Burner	2 required
<b>8</b>	44354401	Burner Grate	Included with item 4
<b>9</b>	44353901	Burner Cover	
<b>10</b>	44340802	Orifice Adapter	
<b>11</b>	70167601	Plug	
<b>12</b>	44342101	Orifice Adapter Support	
<b>13</b>	44154501P	Gas Valve	North America models; N.G.
	44154502P	Gas Valve	North America models; L.P.
	44298501	Gas Valve	Australian models; N.G.
	44298504	Gas Valve	Australian models; L.P.
	44178301P	Gas Valve	CE models; N.G.
	44178302P	Gas Valve	CE models; L.P.
	44154505	Gas Valve	All other models; N.G.
	44154506	Gas Valve	All other models; L.P.
<b>14</b>	44340701	Gas Valve Bracket	
<b>15</b>	44231601	Pressure Fitting	CE and Australian models
<b>16</b>	44377001	Lead-In Pipe	A, K and U market models
	44377101	Lead-In Pipe	All other models
<b>17</b>	70548701P	Spark Electrode	
<b>18</b>	44341801	Burner Support	Included with item 4

# Burner Orifices - Models with D, F, N and W in the 7th Position

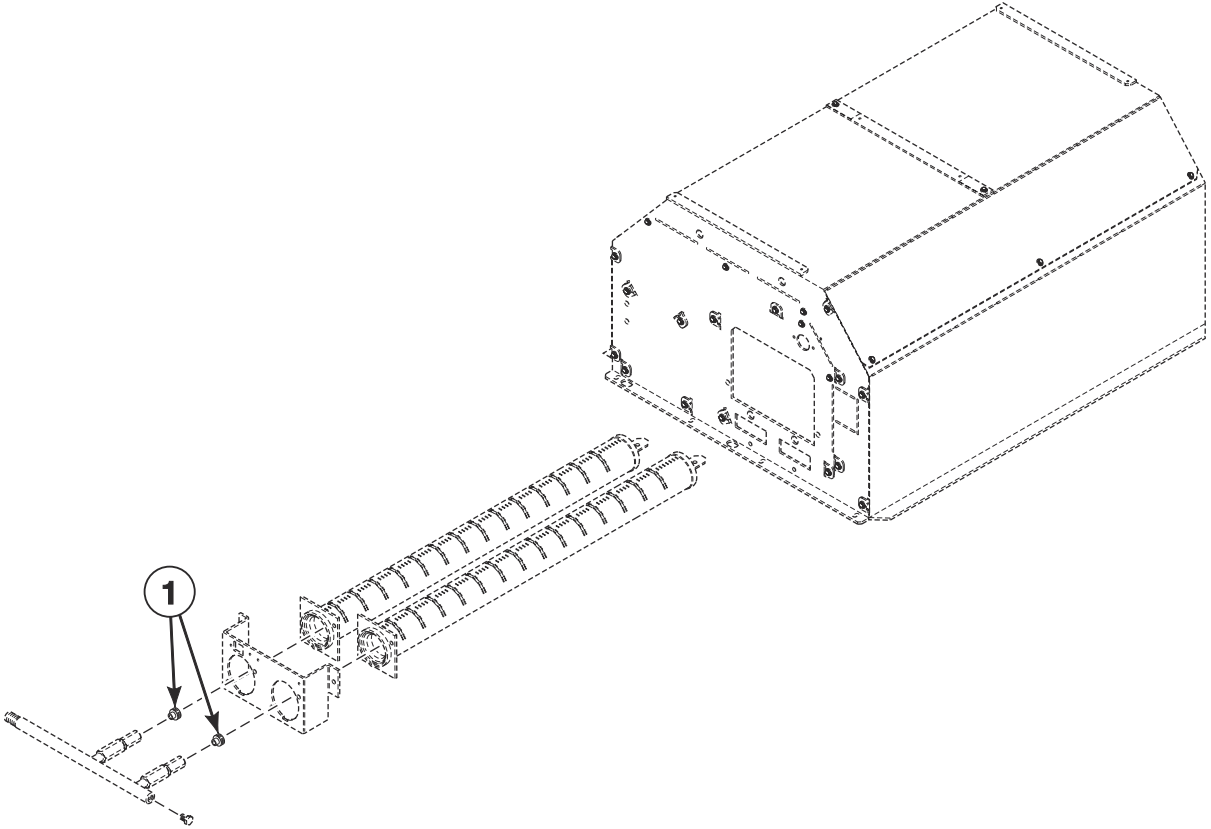


TMB3600P

## Burner Orifices - Models with D, F, N and W in the 7th Position

REF	PART NO.	DESCRIPTION	COMMENTS
	44357503	High Altitude Orifice Kit	North America 75 pound Natural Gas (N.G.) models
	44357504	High Altitude Orifice Kit	North America 75 pound Liquid Petroleum Gas (L.P.) models
	44357505	High Altitude Orifice Kit	Model UTF75N
	44357506	High Altitude Orifice Kit	Model UTF75L
1	70684134	Burner Orifice	Standard 75 pound models; N.G.; Drill no. 28 (3.57 mm); 0-2,000 feet
	70684131	Burner Orifice	Standard 75 pound models; N.G.; 3.40 mm; 2,001-4,000 feet
	70684130	Burner Orifice	Standard 75 pound models; N.G.; 3.30 mm; 4,001-6,000 feet
	70684128	Burner Orifice	Standard 75 pound models; N.G.; Drill no. 1/8 (3.18 mm); 6,001-8,000 feet
	70684126	Burner Orifice	Standard 75 pound models; N.G.; Drill no. 31 (3.05 mm); 8,001-10,000 feet
	70684110	Burner Orifice	Standard 75 pound models with 2nd digit A, G, H, J, K and T; L.P.; Drill no. 44 (2.18 mm); 0-2,000 feet
	70684109	Burner Orifice	Standard 75 pound models with 2nd digit A, G, H, J, K and T; L.P.; Drill no. 45 (2.08 mm); 2,001-4,000 feet
	70684107	Burner Orifice	Standard 75 pound models with 2nd digit A, G, H, J, K and T; L.P.; Drill no. 47 (1.99 mm); 4,001-6,000 feet
	70684106	Burner Orifice	Standard 75 pound models with 2nd digit A, G, H, J, K and T; L.P.; Drill no. 48 (1.93 mm); 6,001-8,000 feet
	70684105	Burner Orifice	Standard 75 pound models with 2nd digit A, G, H, J, K and T; L.P.; Drill no. 49 (1.85 mm); 8,001-10,000 feet
	70684104	Burner Orifice	CE standard 75 pound models; L.P.; Drill no. 50 (1.78 mm); 0-2,000 feet
	70684158	Burner Orifice	CE standard 75 pound models; L.P.; Drill no. 51 (1.70 mm); 2,001-4,000 feet
	70684103	Burner Orifice	CE standard 75 pound models; L.P.; Drill no. 52 (1.61 mm); 4,001-6,000 feet
	70684102	Burner Orifice	CE standard 75 pound models; L.P.; Drill no. 1/16 (1.59 mm); 6,001-8,000 feet
	70684101	Burner Orifice	CE standard 75 pound models; L.P.; Drill no. 53 (1.51); 8,001-10,000 feet
	70684108	Burner Orifice	Standard 75 pound J market models; L.P.; Drill no. 46 (2.06 mm); 0-2,000 feet
	70684138	Burner Orifice	Eco models; N.G.; Drill no. 24 (3.86 mm); 0-2,000 feet
	70684135	Burner Orifice	Eco models; N.G.; Drill no. 27 (3.66 mm); 2,001-4,000 feet
	70684134	Burner Orifice	Eco models; N.G.; Drill no. 28 (3.57 mm); 4,001-6,000 feet
	70684132	Burner Orifice	Eco models; N.G.; Drill no. 29 (3.45 mm); 6,001-8,000 feet
	70684130	Burner Orifice	Eco models; N.G.; 3.30 mm; 8,001-10,000 feet
	70684142	Burner Orifice	F75 models; N.G.; Drill no. 20 (4.09 mm); 0-2,000 feet
	70684139	Burner Orifice	F75 models; N.G.; Drill no. 23 (3.91 mm); 2,001-4,000 feet
	70684137	Burner Orifice	F75 models; N.G.; Drill no. 25 (3.80 mm); 4,001-6,000 feet
	70684135	Burner Orifice	F75 models; N.G.; Drill no. 27 (3.66 mm); 6,001-8,000 feet
	70684133	Burner Orifice	F75 models; N.G.; 3.50 mm; 8,001-10,000 feet
	70684114	Burner Orifice	F75 models; L.P.; Drill no. 42 (2.37 mm); 0-2,000 feet
	70684112	Burner Orifice	F75 models; L.P.; Drill no. 43 (2.26 mm); 2,001-4,000 feet
	70684110	Burner Orifice	F75 models; L.P.; Drill no. 44 (2.18 mm); 4,001-6,000 feet
	70684109	Burner Orifice	F75 models; L.P.; Drill no. 45 (2.08 mm); 6,001-8,000 feet
	70684107	Burner Orifice	F75 models; L.P.; Drill no. 47 (1.99 mm); 8,001-10,000 feet

# Burner Orifices - Models with V in the 7th Position

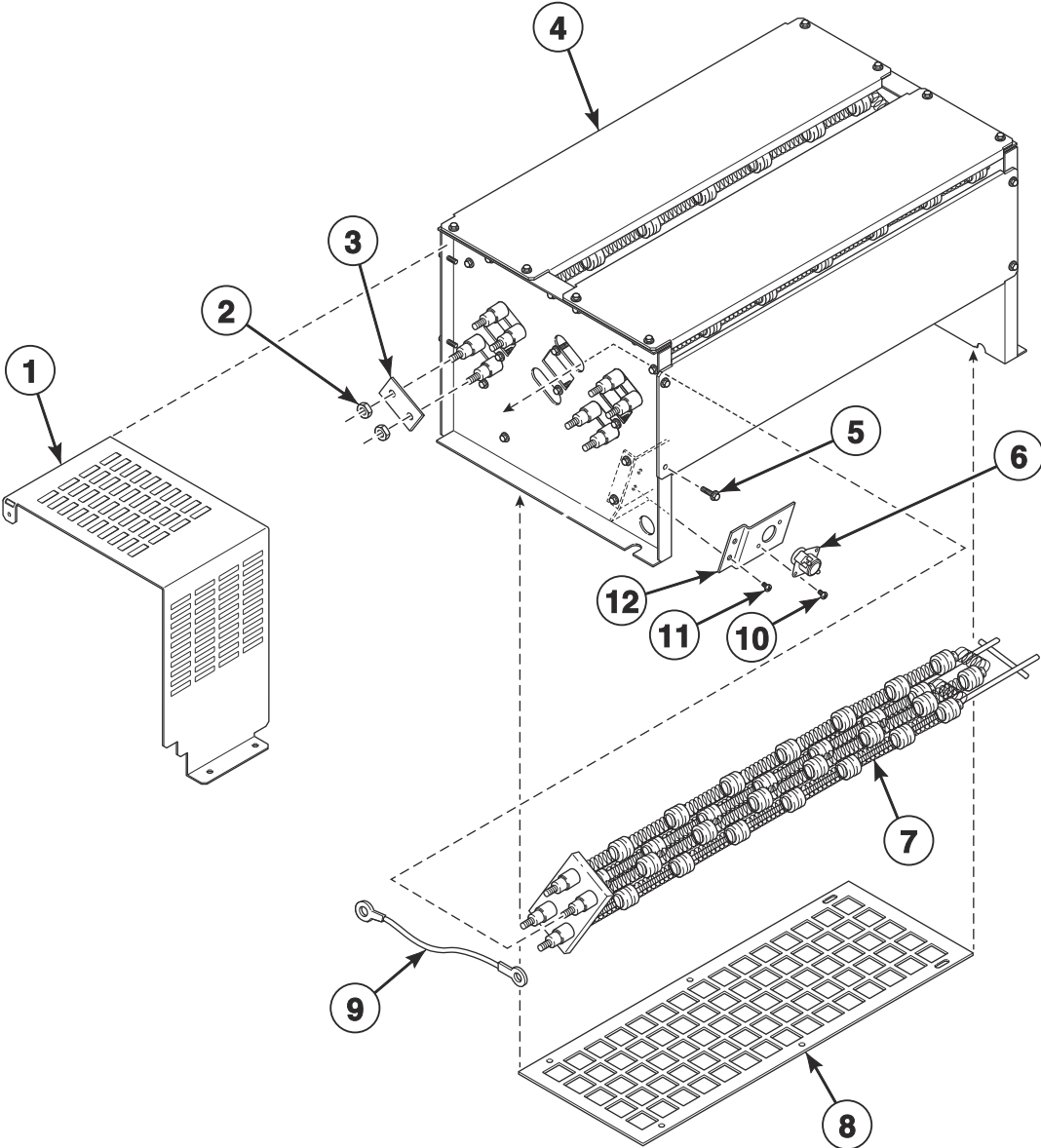


TMB3717P

## Burner Orifices - Models with V in the 7th Position

REF	PART NO.	DESCRIPTION	COMMENTS
	44357503	High Altitude Orifice Kit	North America Natural gas (N.G.) models
	44357504	High Altitude Orifice Kit	North America Liquid Petroleum Gas (L.P) models
1	70684142	Burner Orifice	Standard N.G. models; Drill no. 20 (4.09 mm); 0-2,000 feet
	70684139	Burner Orifice	Standard N.G. models; Drill no. 23 (3.91 mm); 2,001-4,000 feet
	70684137	Burner Orifice	Standard N.G. models; Drill no. 25 (3.80 mm); 4,001-6,000 feet
	70684135	Burner Orifice	Standard N.G. models; Drill no. 27 (3.66 mm); 6,001-8,000 feet
	70684133	Burner Orifice	Standard N.G. models; 3.50 mm; 8,001-10,000 feet
	70684116	Burner Orifice	Standard J market models; L.P.; Drill no. 40 (2.49 mm); 0-2,000 feet
	70684113	Burner Orifice	Standard J market models; L.P.; 2.30 mm; 2,001-4,000 feet
	70684112	Burner Orifice	Standard J market models; L.P.; Drill no. 43 (2.26 mm); 4,001-6,000 feet
	70684110	Burner Orifice	Standard J market models; L.P.; Drill no. 44 (2.18 mm); 6,001-8,000 feet
	70684109	Burner Orifice	Standard J market models; L.P.; Drill no. 45 (2.08); 8,001-10,000 feet
	70684136	Burner Orifice	Eco models; N.G.; Drill no. 26 (3.73 mm); 0-2,000 feet
	70684134	Burner Orifice	Eco models; N.G.; Drill no. 28 (3.57 mm); 2,001-4,000 feet
	70684132	Burner Orifice	Eco models; N.G.; Drill no. 29 (3.45 mm); 4,001-6,000 feet
	70684130	Burner Orifice	Eco models; N.G.; 3.30 mm; 6,001-8,000 feet
	70684128	Burner Orifice	Eco models; N.G.; Drill no. 1/8 (3.18 mm); 8,001-10,000 feet
	70684142	Burner Orifice	F75 models; N.G.; Drill no. 20 (4.09 mm); 0-2,000 feet
	70684139	Burner Orifice	F75 models; N.G.; Drill no. 23 (3.91 mm); 2,001-4,000 feet
	70684137	Burner Orifice	F75 models; N.G.; Drill no. 25 (3.80 mm); 4,001-6,000 feet
	70684135	Burner Orifice	F75 models; N.G.; Drill no. 27 (3.66 mm); 6,001-8,000 feet
	70684133	Burner Orifice	F75 models; N.G.; 3.50 mm; 8,001-10,000 feet
	70684114	Burner Orifice	F75 models; L.P.; Drill no. 42 (2.37 mm); 0-2,000 feet
	70684112	Burner Orifice	F75 models; L.P.; Drill no. 43 (2.26 mm); 2,001-4,000 feet
	70684110	Burner Orifice	F75 models; L.P.; Drill no. 44 (2.18 mm); 4,001-6,000 feet
	70684109	Burner Orifice	F75 models; L.P.; Drill no. 45 (2.08 mm); 6,001-8,000 feet
	70684107	Burner Orifice	F75 models; L.P.; Drill no. 47 (1.99 mm); 8,001-10,000 feet
	70684116	Burner Orifice	All other models; L.P.; Drill no. 40 (2.49 mm); 0-2,000 feet
	70684114	Burner Orifice	All other models; L.P.; Drill no. 42 (2.37 mm); 2,001-4,000 feet
	70684113	Burner Orifice	All other models; L.P.; 2.30 mm; 4,001-6,000 feet
	70684111	Burner Orifice	All other models; L.P.; 2.20 mm; 6,001-8,000 feet
	70684109	Burner Orifice	All other models; L.P.; Drill no. 45 (2.08 mm); 8,001-10,000 feet

# Electric Heater Components

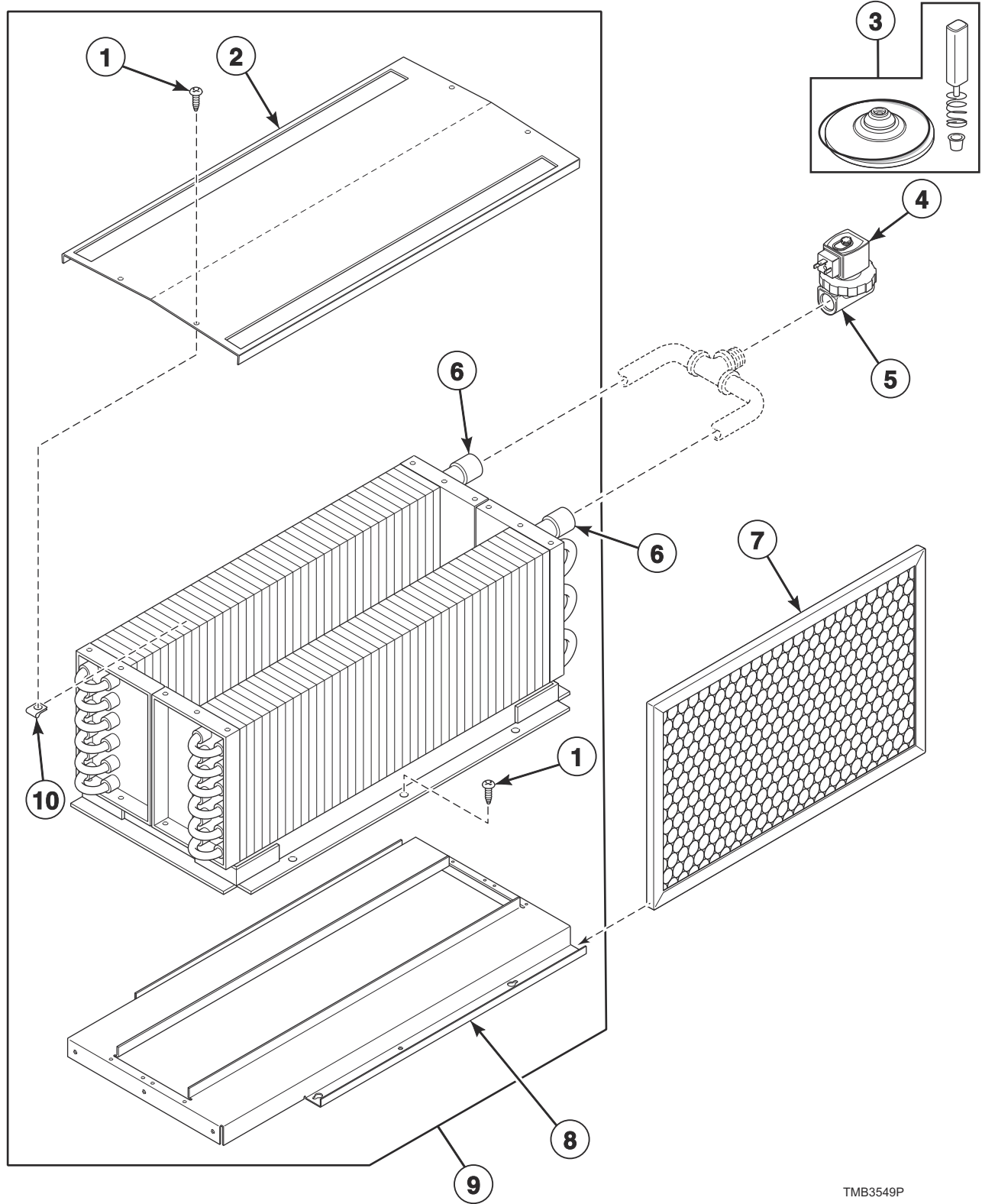


TMB3900P

## Electric Heater Components

REF	PART NO.	DESCRIPTION	COMMENTS
	44366302	Harness	Contact to coil/fan/thermostat
	44391004	Conversion Kit	240V/3Ph to 208V/3Ph
1	44364701	Electric Wrap	Eco and medium electric models
	44364702	Electric Wrap	Standard models
2	70054	Nut	
3	M400869	Jumper Strip	3 required for high voltage; 6 required for low voltage
4	44252501	Electric Stove Assembly	Eco and medium electric models
	44242101	Electric Stove Assembly	Standard models
5	70240301	Screw	
6	44328006	Limit Thermostat	
7	44232801	Heater Element	Standard models; 3 required; 12 kW; 208 Volt heater element for 200-208 Volt
	44232802	Heater Element	Standard models; 3 required; 12 kW; 220 Volt heater element for 380 and 440 Volt
	44232803	Heater Element	Standard models; 3 required; 12 kW; 240 Volt heater element for 230-240 Volt and 400-415 and 460-480 Volt
	44258701	Heater Element	Eco models; 3 required; 7 kW; 220 Volt heater element for 380 and 440 Volt
	M412955P	Heater Element	Eco models; 3 required; 7 kW; 240 Volt heater element for 230-240, 400-415 or 460-480 Volt
	44263201P	Heater Element	Eco models; 3 required; 7 kW; 208 Volt heater element for 200-208 Volt
	M410939P	Heater Element	Medium electric models; 3 required; 10 kW; 240 Volt heater element for 230-240 Volt, 400-415 and 460-480 Volt
	M410940P	Heater Element	Medium electric models; 3 required; 10 kW; 208 Volt heater element for 200-208 Volt
	M410941P	Heater Element	Medium electric models; 3 required; 10 kW; 220 Volt heater element for 380 and 440 Volt
8	44308801	Heating Element Screen	Eco and medium electric models
	44308802	Heating Element Screen	Standard models
9	70639808	Jumper Harness	3 inch; 380-415 Volt
	70639809	Jumper Harness	9 inch; 440-480 Volt
10	33562	Screw	
11	430497	Screw	
12	44226101	Limit Offset Bracket	

# Steam Heater and Valve



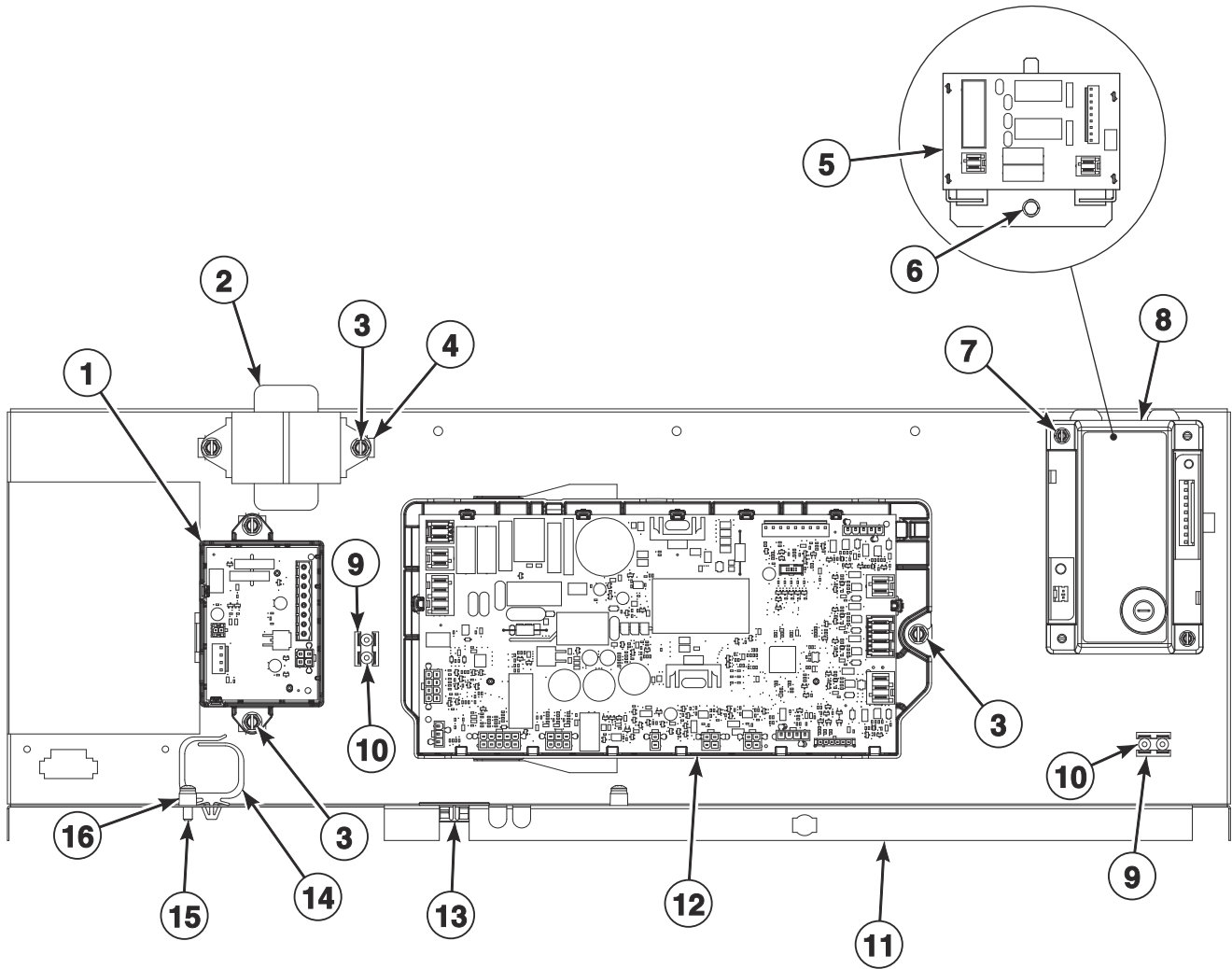
TMB3549P



## Steam Heater and Valve

REF	PART NO.	DESCRIPTION	COMMENTS
	44366303	Stove Limit Bypass Harness	
	F8520703	Steam Valve Harness	
	44314701	Steam Adapter Kit	IEC models
	44304801	Strain Relief	
	F8382301	DIN Valve Adapter Kit	Use with item 5
<b>1</b>	23008	Screw	4 required
<b>2</b>	M400828	Low Pressure Steam Cover	
<b>3</b>	F8379502	Valve Rebuild Kit	
<b>4</b>	F8514701	Coil	120 Volt
	F8514601P	Coil	240 Volt
<b>5</b>	F8322904P	Steam Valve	120 Volt
	F8322906P	Valve	240 Volt
<b>6</b>	44256301	Steam Coil	2 required; CRN models
	M400637P	Steam Coil	2 required; All other models
<b>7</b>	44172001	Filter	Aluminum; 2 required; IEC models
	44104201	Air Filter	Fiberglass; 2 required; T and G market models
<b>8</b>	44007501	Steam Stand Box	
<b>9</b>	44020402	Steam Heater Assembly	CRN models
	44020401P	Steam Heater Assembly	All other models
<b>10</b>	36020	Nut	4 required

# Control Tray

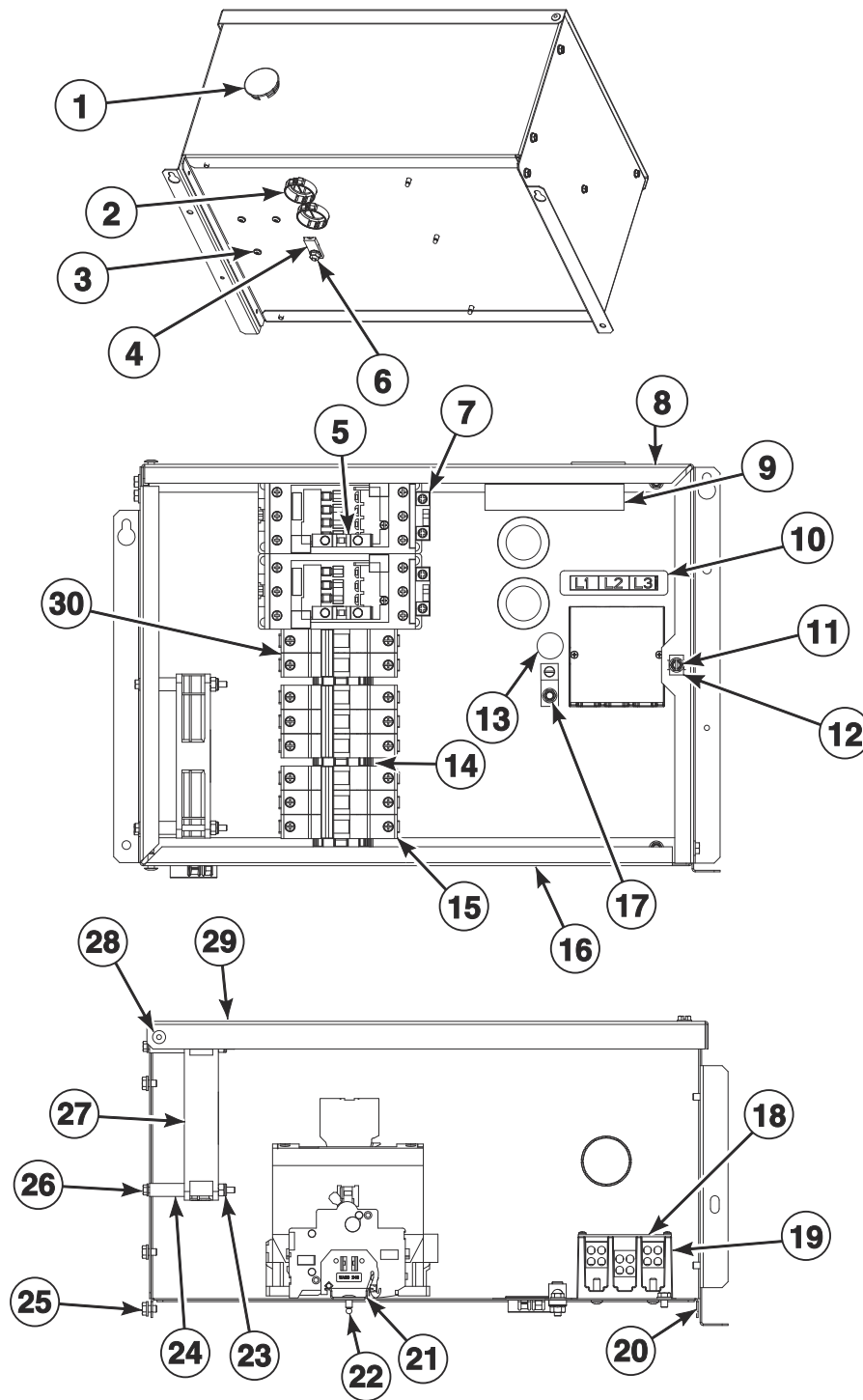


TMB3902P

# Control Tray

REF	PART NO.	DESCRIPTION	COMMENTS
	44362701	Rear Main Harness	
	44374901	Heat Control Harness	Gas and steam models
	44378001	Steam Control Harness	Steam models
	70631703	Primary Transformer Vend Harness	120 Volt; Card and central pay
	70631704	Primary Transformer Vend Harness	240 Volt; Card and central pay
	70631705	Central Pay Board Power Supply Harness	24V
	44377401	CARE Harness Bracket	Mounts to item 11
	70696803	Conversion Kit	X to B voltage; Models with D, F, N or W in the 7th position
	70696807	Conversion Kit	X to B voltage; Models with V in the 7th position
<b>1</b>	204779	Central Pay Control Assembly	
<b>2</b>	202757	Transformer	100-200 Volt; Card and central pay
	202758	Transformer	200-480 Volt; Card and central pay
<b>3</b>	F8206901	Screw	
<b>4</b>	70030501	Expansion Clip	
<b>5</b>	70501801	Steam Control Assembly	Steam models
<b>6</b>	51780	Screw	
<b>7</b>	51783	Screw	
<b>8</b>	70482002	Ignition Control	IEC gas models
	70482001	Ignition Control	T and G market gas models
<b>9</b>	00622SG	Terminal	Gas and steam models 2 required; Electric models 1 required
<b>10</b>	M400003	Pop Rivet	
<b>11</b>	44364101	Control Tray	
<b>12</b>	70671701	I/O Control Assembly	
<b>13</b>	70346501	Bushing	
<b>14</b>	F8449501	Wire Clip	
<b>15</b>	39733	Screw	
<b>16</b>	56079	Panel Locator	

# Accessory Box - Electric 200-240 Volt Models

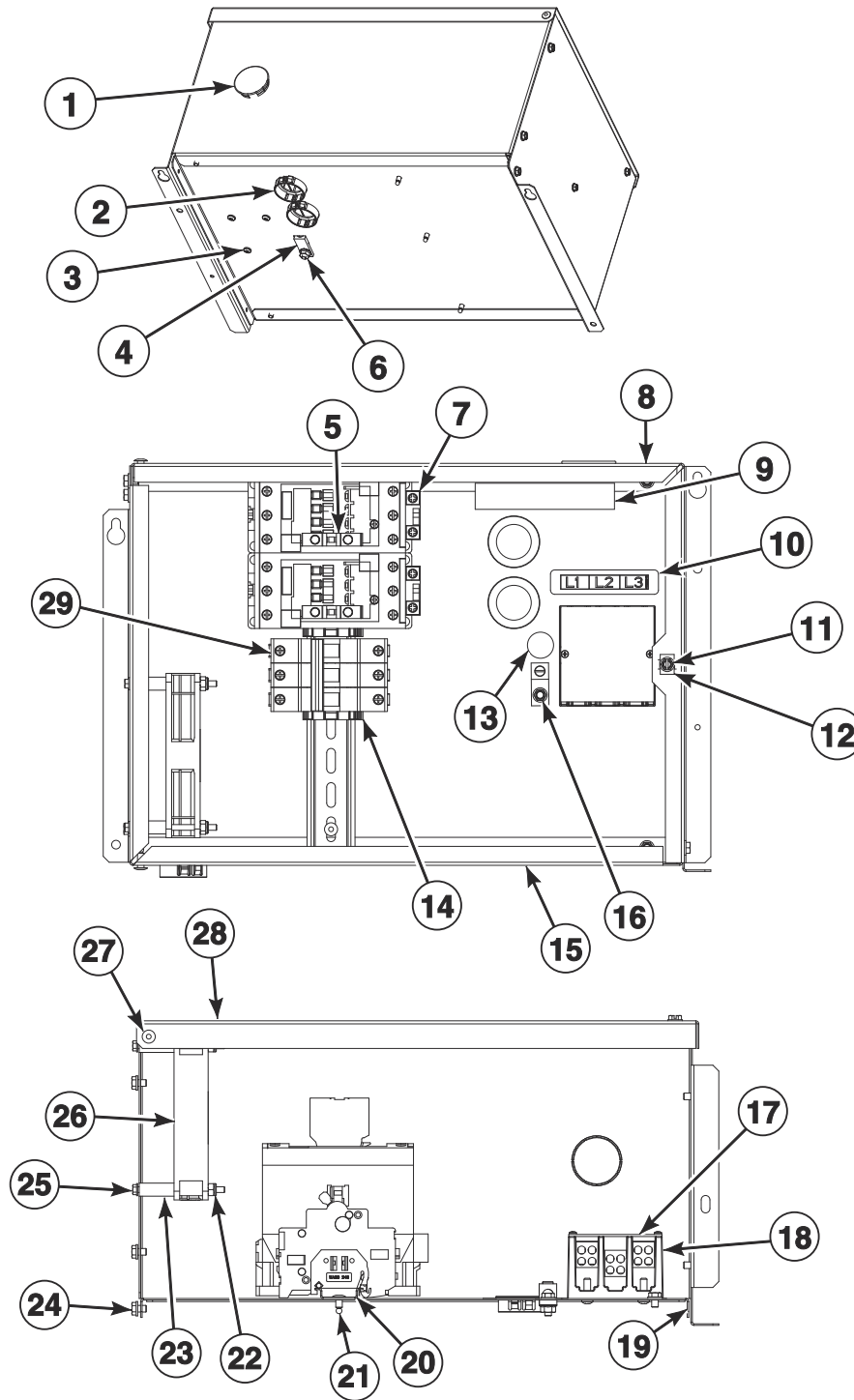


TMB3903P

## Accessory Box - Electric 200-240 Volt Models

REF	PART NO.	DESCRIPTION	COMMENTS
	44375409	Harness	Contactora box to power distribution block/EMI filter; 1 phase
	44375410	Harness	Contactora box to power distribution block/EMI filter; 3 phase
	70639803	Harness	Power distribution block to contactor block
	70639804	Harness	Power distribution block to contactor block
	70639805	Harness	Contactora block to HC
	70632202	Harness	Contactora coil
	70630903	Harness	Contactora monitor
	70630904	Harness	IEC models; Contactora monitor
	70639812	Harness	Contactora to Element H1-H3
	70639813	Harness	Contactora to Element H4-H6
<b>1</b>	70180001	Plug	
<b>2</b>	M402542	Snap Bushing	3 required
<b>3</b>	39733	Screw	
<b>4</b>	M411283	Ground Lug Connector	
<b>5</b>	44313201	Auxiliary Contact Block	2 required
<b>6</b>	44088001	Nut	
<b>7</b>	70482801	Contactora	2 required
<b>8</b>	44365001	Contactora Box Top	
<b>9</b>	F8614501	Danger Label	
<b>10</b>	44286802	Wire Label	1 Phase; L1, L2 L1, N
	44286803	Label	3 Phase; L1, L2, L3
<b>11</b>	F8206901	Screw	
<b>12</b>	70030501	Expansion Clip	
<b>13</b>	D516100	Label	
<b>14</b>	F8449801	End Stop	3 required
<b>15</b>	70488105	Circuit Breaker	2 required; 63 amp
<b>16</b>	44364901	Contactora Box Bottom	
<b>17</b>	685837	Screw	
<b>18</b>	44014901P	Power Distribution Block Cover	
<b>19</b>	M413865	Power Distribution Block	
<b>20</b>	44365101	Contactora Box Base	
<b>21</b>	44229701	Din Rail	
<b>22</b>	70058501	Pop Rivet	
<b>23</b>	F430232	Nut	
<b>24</b>	44328601	Sleeve	2 required
<b>25</b>	51780	Screw	
<b>26</b>	70546902	Screw	
<b>27</b>	F8504301	Fan	
<b>28</b>	70058502	Pop Rivet	
<b>29</b>	44365301	Contactora Box Cover	
<b>30</b>	70488102	Circuit Breaker	25 amp

# Accessory Box - Electric 380-480 Volt Models



TMB3904P

## Accessory Box - Electric 380-480 Volt Models

REF	PART NO.	DESCRIPTION	COMMENTS
	44375409	Harness	Contactora box to power distribution block/EMI filter; 1 phase
	44375410	Harness	Contactora box to power distribution block/EMI filter; 3 phase
	70639803	Harness	Power distribution block to contactora block
	70639804	Harness	Power distribution block to contactora block
	70639805	Harness	Contactora block to HC
	70632202	Harness	Contactora coil
	70630903	Harness	Contactora monitor
	70630904	Harness	IEC models; Contactora monitor
	70639812	Harness	Contactora to Element H1-H3
	70639813	Harness	Contactora to Element H4-H6
<b>1</b>	70180001	Plug	
<b>2</b>	M402542	Snap Bushing	3 required
<b>3</b>	39733	Screw	
<b>4</b>	M411283	Ground Lug Connector	
<b>5</b>	44313201	Auxiliary Contact Block	2 required
<b>6</b>	44088001	Nut	
<b>7</b>	70482801	Contactora	2 required
<b>8</b>	44365001	Contactora Box Top	
<b>9</b>	F8614501	Danger Label	
<b>10</b>	44286803	Label	3 Phase; L1, L2, L3
<b>11</b>	F8206901	Screw	
<b>12</b>	70030501	Expansion Clip	
<b>13</b>	D516100	Label	
<b>14</b>	F8449801	End Stop	2 required
<b>15</b>	44364901	Contactora Box Bottom	
<b>16</b>	685837	Screw	
<b>17</b>	44014901P	Power Distribution Block Cover	
<b>18</b>	M413865	Power Distribution Block	
<b>19</b>	44365101	Contactora Box Base	
<b>20</b>	44229701	Din Rail	
<b>21</b>	70058501	Pop Rivet	
<b>22</b>	F430232	Nut	
<b>23</b>	44328601	Sleeve	2 required
<b>24</b>	51780	Screw	
<b>25</b>	70546902	Screw	
<b>26</b>	F8504301	Fan	
<b>27</b>	70058502	Pop Rivet	
<b>28</b>	44365301	Contactora Box Cover	
<b>29</b>	70488101	Circuit Breaker	25 amp

## Labels

<b>PART NO.</b>	<b>DESCRIPTION</b>	<b>COMMENTS</b>
44324201	Caution Label	Australian models; Repeat Ignition Reset
44318601	Caution Label	Vent/install
F8614501	Danger Label	Shock; English/French
F8614301	Hot Surface Warning Label	English/French
F8609001	Hot Surface Warning Label	Icon
F8611601	Warning Label	
44318600	Label Kit	Vent/install
F8614500	Label Kit	Shock
F8611600	Warning Label Kit	
44321501	Notice Label	120/240 Volt
70539601	Notice Label	
70534201	Notice Label	
F8609501	Notice Label	
D516073	Notice Label	Read instructions; Icon
70538401	Pinch Warning Label	English/French
F8615701	Pinch Warning Label	Icon
70536401	Warning Label	Lint; Australian models
44324101	Warning Label	Fire; Australian models
44321601	Warning Label	Risk of fire; Icon
44324001	Warning Label	Shock/pinch



# Parts Index

## A

Accessory Plate Assembly	
F8574202 .....	31
F8574203 .....	31
F8574205 .....	31
F8734601 .....	31
Adapter	
44178801 .....	77, 79
Adapter Harness	
44375503 .....	67
Air Exhaust Deflector	
44308401 .....	71
44308402 .....	71
Air Filter	
44104201 .....	87
Airflow Switch and Arm Bracket	
70319602 .....	75
Airflow Switch Arm	
70319401 .....	75
Airflow Switch Assembly	
70429602 .....	75
Airflow Switch Vane	
70319202 .....	75
App Pay Overlay Kit	
44374701 .....	31, 33
Auxiliary Contact Block	
44313201 .....	91, 93

## B

Baffle	
44299001 .....	53
44299801 .....	53
44299802 .....	53
Ball Bearing	
44041901P .....	65, 69
Bearing	
M413923P .....	65, 69
Blind Rivet	
F8245101 .....	49
Blower Assembly	
44267201 .....	71
70302201P .....	71
Blower Housing Scroll	
44303801 .....	71
44303901 .....	71
Blower Inlet Cone	
44305201 .....	71
70303101 .....	71
Blower Motor Mounting Plate	
44311301 .....	71
44380401 .....	71
Bolt	
M400650 .....	65, 69
Bottom Pan	
44298701 .....	53
Burner Assembly	
M410541P .....	77

Burner Cover	
44353901 .....	79
Burner Grate	
44354401 .....	79
Burner Orifice	
70684101 .....	81
70684102 .....	81
70684103 .....	81
70684104 .....	81
70684105 .....	81
70684106 .....	81
70684107 .....	81, 83
70684108 .....	81
70684109 .....	81, 83
70684110 .....	81, 83
70684111 .....	83
70684112 .....	81, 83
70684113 .....	83
70684114 .....	81, 83
70684116 .....	83
70684126 .....	81
70684128 .....	81, 83
70684130 .....	81, 83
70684131 .....	81
70684132 .....	81, 83
70684133 .....	81, 83
70684134 .....	81, 83
70684135 .....	81, 83
70684136 .....	83
70684137 .....	81, 83
70684138 .....	81
70684139 .....	81, 83
70684142 .....	81, 83
70684158 .....	81
Burner Support	
44110301 .....	77
44341801 .....	79
Bushing	
70346501 .....	73, 89
Bypass Harness	
44334103 .....	23, 31, 43

## C

Card Reader Plate	
F8574204 .....	31
CARE Harness Bracket	
44377401 .....	89
Caution Label	
44318601 .....	94
44324201 .....	94
Center Pan	
44298601 .....	53
Central Pay Board Power Supply Harness	
70631705 .....	89
Central Pay Control Assembly	
204779 .....	89
Circuit Breaker	
70488101 .....	93
70488102 .....	91
70488105 .....	91

N/A items do not appear in index.

Circuit Plug Housing, 1 26302 .....	67	Control 70511601 .....	19
Coil F8514601P .....	87	Control Assembly 70478801P .....	23
F8514701 .....	87	70478802 .....	27
Coin Box F160673P .....	53	70478901 .....	23
Coin Chute Assembly 70296401 .....	53	70478902 .....	27
Coin Drop 38963P .....	35	70479801 .....	21
39748 .....	35	70479901 .....	21
70441601 .....	35	70523001 .....	23
70441603 .....	35	70523002 .....	27
Coin Drop Assembly 201141 .....	35	70523101 .....	21
210195 .....	35	70543104 .....	29
210196 .....	35	70597801P .....	31
38462P .....	35	70597803 .....	33
38463 .....	35	70697004 .....	33
38467 .....	35	Control Box Assembly 44180101 .....	17
38519 .....	35	Control Box Base 44065301 .....	19
70281102 .....	35	Control Box Cover 44065201 .....	19
70283102 .....	35	Control Box Housing 44306701 .....	19
70441602 .....	35	Control Box Top 44307101 .....	19
70447301 .....	35	Control Box Wrap 44119101 .....	17
70471601 .....	35	44344101 .....	17
70482401 .....	35	Control Door and Studs Assembly 70570201 .....	29
70506901 .....	35	Control Door Latch 431318 .....	53
Coin Drop Kit CK077 .....	35	Control Harness 44375604 .....	19
CK122 .....	37	Control Housing Cover 70307005 .....	17, 39
Coin Identification Paper 38464P .....	35	Control Mounting Bracket 70598601 .....	31
38475 .....	35	Control Panel 44000125 .....	45
38725 .....	35	44000130DG .....	45
Coin Meter F0160737-00 .....	35	44000130W .....	45
Coin Vault and Emergency Stop Mount Assembly 70529502 .....	53	44040013 .....	45
Coin Vault Assembly 70529501 .....	53	44040015LG .....	45
Coin Vault Switch Harness 44334101 .....	43	44040015W .....	45
44334104 .....	23, 31	44344001 .....	45
Cold Weather Kit 44340301 .....	19	44344002 .....	45
Conduit Plate 70615501 .....	55	44388603 .....	45
70615502 .....	55	44388606W .....	45
Contact Base F8538101 .....	41	44388701 .....	45
Contact Switch F8069501 .....	41	44388702 .....	45
Contactors 70482801 .....	91, 93	44388703W .....	45
Contactors Box Base 44365101 .....	91, 93	44388704W .....	45
Contactors Box Bottom 44364901 .....	91, 93	70693201LG .....	45
Contactors Box Cover 44365301 .....	91, 93	70693201W .....	45
Contactors Box Top 44365001 .....	91, 93	70693202 .....	45
		Control Plate 70497101 .....	21, 27
		Control Plate and Studs Assembly 70496601 .....	23
		Control Plate Assembly 70497201 .....	23
		Control Tray 44364101 .....	89

N/A items do not appear in index.

Control Tray Guard 44363801 .....	55
Control Trim 44016401 .....	43
70529401 .....	43
Conversion Kit 44391004 .....	85
70696803 .....	89
70696807 .....	89
Cylinder and Trunnion Assembly 44195701P .....	63
44195702P .....	63
44195705P .....	63
44195706 .....	63
Cylinder Assembly 44198301P .....	63
44198302 .....	63
Cylinder Kit 44057201P .....	63
44057301P .....	63
Cylinder Rib Assembly 44191202 .....	63

## D

Damper Assembly 44280301 .....	71
44280302 .....	71
Danger Label F8614501 .....	91, 93, 94
Din Rail 44229701 .....	91, 93
DIN Valve Adapter Kit F8382301 .....	87
Door Assembly 44354701 .....	57
44354702 .....	57
44354703 .....	57
44354704 .....	57
44354705 .....	57
44354706 .....	57
44354707 .....	57
44354708 .....	57
44354709 .....	57
44354710LG .....	57
Door Catch Kit 70482901 .....	43
Door Glass 44008401P .....	59
44008405 .....	59
Door Glass Installation Tool M4221P4 .....	59
Door Glass Label 70650401 .....	59
Door Handle 44007901 .....	59
44263801 .....	59
44370601 .....	59
Door Hinge Assembly 70596603 .....	61
70596604 .....	61
70596614B .....	61
70596614LG .....	61
70596614W .....	61

Door Hinge Lug Assembly 70597601 .....	61
70597602 .....	61
70597603 .....	61
Door Latch M401223 .....	43
Door Ring Assembly 44354801 .....	59
44354802 .....	59
44354803 .....	59
44354804 .....	59
44354807B .....	59
44354808LG .....	59
Door Ring Gasket 44008201P .....	59
70296802 .....	59
Door Seal Kit 70211902P .....	59
Door Switch Actuator 70532101 .....	61
Door Switch Acuator 70532102 .....	61
Door Switch Harness 44366201 .....	43
Drive Access Cover 70202501 .....	55
Drive Motor 44355005 .....	69
44355006 .....	69
Drive Rivet M400713 .....	19

## E

Electric Stove Assembly 44242101 .....	85
44252501 .....	85
Electric Wrap 44364701 .....	85
44364702 .....	85
Electronic Coin Drop Assembly 70294107 .....	35
70513302 .....	35
70513303 .....	35
70513304 .....	35
70513306 .....	35
70513308 .....	35
70513309 .....	35
70513310 .....	35
70513311 .....	35
70513312 .....	35
70513313 .....	35
70513314 .....	35
70513315 .....	35
70513316 .....	35
Electronic Coin Drop Kit CK099 .....	37
CK100 .....	37
CK101 .....	37
CK108 .....	37
CK109 .....	37
CK110 .....	37
CK113 .....	37
CK115 .....	37
CK116 .....	37

N/A items do not appear in index.

CK117 .....	37
CK118 .....	37
CK119 .....	37
CK120 .....	37
CK121 .....	37
Emergency Stop Button Kit	
70580301 .....	41
Emergency Stop Bypass Harness	
F8519403 .....	23, 31
Emergency Stop Harness	
44272401 .....	41
Emergency Stop Interconnect Harness	
70631102 .....	41
Emergency Stop Label	
44012901 .....	41
44012903 .....	41
Emergency Stop Mounting Bracket	
70550401 .....	41
Emergency Stop Pushbutton	
F200233500 .....	41
EMI Filter	
F8591601 .....	73
F8637501 .....	73
End Stop	
F8449801 .....	91, 93
Exhaust Pipe Assembly	
44327901 .....	71
Expansion Clip	
70030501 .....	23, 31, 33, 43, 73, 89, 91, 93
Extension Spring	
F8440701 .....	69

---

## F

Fan	
F8504301 .....	91, 93
Fan Motor	
44354901 .....	71
44354902 .....	71
44354903 .....	71
44354904 .....	71
Fan Spacer	
70599301 .....	71
Felt Pad	
M402144 .....	63
Fill Hose	
202799 .....	19
Filter	
44172001 .....	87
Filter Mounting Plate	
70551701 .....	19
Fob Communication Harness	
F8519403 .....	31
F8719301 .....	23
Fob Reader Control Assembly	
205135 .....	23, 31
Fob Reader Kit	
70666806 .....	39
Front Panel	
44052532 .....	47
44052533DG .....	47
44052533W .....	47
44052535 .....	47

44052536DG .....	47
44052536W .....	47
44052538 .....	47
44052539DG .....	47
44052539LG .....	47
44052539W .....	47
44052541 .....	47
44052542DG .....	47
44052542LG .....	47
44052542W .....	47
44346305 .....	47
44346306 .....	47
44346307 .....	47
44346308 .....	47

---

## G

Gas Burner	
70396201P .....	79
Gas Heater Assembly	
44352701 .....	79
Gas Stove Assembly	
44135605 .....	77
Gas Valve	
44154501P .....	77, 79
44154502P .....	77, 79
44154505 .....	77, 79
44154506 .....	77, 79
44178301P .....	77, 79
44178302P .....	77, 79
44298501 .....	77, 79
44298504 .....	77, 79
Gas Valve Bracket	
44175703 .....	77
44340701 .....	79
Gas Valve Harness	
44273501 .....	77, 79
44273502 .....	77, 79
Gas Valve/Thermostat Harness	
44366301 .....	77, 79
Gasket	
70289101P .....	49
Ground Lug Connector	
M411283 .....	73, 91, 93
Guard	
44363601 .....	55
44377301 .....	55

---

## H

Handle and Caps Assembly	
70154405P .....	49
70154415 .....	49
Handle Bumper	
70407210 .....	49
Harness	
F8617901 .....	29, 33
44366302 .....	85
44375401 .....	73
44375402 .....	73
44375409 .....	91, 93
44375410 .....	91, 93
44388501 .....	73
70630903 .....	91, 93

N/A items do not appear in index.

70630904	91, 93
70632202	91, 93
70639803	91, 93
70639804	91, 93
70639805	91, 93
70639812	91, 93
70639813	91, 93
Harness Adapter Plate	
70523301	19
Harness Strap	
55881	67
Heat Control Harness	
44374901	89
Heater Element	
M410939P	85
M410940P	85
M410941P	85
M412955P	85
44232801	85
44232802	85
44232803	85
44258701	85
44263201P	85
Heating Element Screen	
44308801	85
44308802	85
High Altitude Orifice Kit	
44357503	81, 83
44357504	81, 83
44357505	81
44357506	81
High Voltage Suppression Cable	
44239704	79
44239705	77
Hinge Cam Kit	
M4772P3	61
M4773P3	61
70622401	61
Hold-Down Clip	
35865	51
Hose	
44073304	19
Hose Clamp	
36801	19
Hose Fitting	
44069101	19
Hot Surface Warning Label	
F8609001	94
F8614301	94
Housing and Trunnion Assembly	
M4644P3	65
44336302	65

## I

Idler Shaft	
44303102	69
Idler Spacer	
44306801	69
Igniter Cover	
70159601	77, 79
Ignition Control	
70482001	89
70482002	89

Insulation	
44150102	53
44150105	53
Insulator	
M413862	73
Interconnect Harness	
44375601	19
Interface Harness	
44378104	23, 31
Inverter Control Assembly	
70603001	73
70603201	73
70603401	73
70603601	73
Inverter Control Power Harness	
44375701	73
44375703	73
44375704	73
44375706	73
Inverter Drive Tray	
44364201	73
Inverter Power Conversion Harness	
70671001	73
Inverter to Motor Harness	
70635405	69
70635406	69
70635407	69
70635408	69
I/O Control Assembly	
70671701	89

## J

Jumper Harness	
D511476	43
70639808	85
70639809	85
Jumper Strip	
M400869	85

## K

Key	
M400008	63, 69
44309301	69
70155601	19, 43
70155602	43
Kickplate	
70117607	49
70117619	49

## L

Label	
D503887	77, 79
D516100	73, 91, 93
44190901	47
44286801	73
44286803	73, 91, 93
44318201	19
562738	45
70472801	47

N/A items do not appear in index.

70537001 .....	47
Label Kit	
F8614500 .....	94
44318200 .....	19
44318600 .....	94
44324500 .....	19
70534400 .....	47
Latch Mounting Bracket	
44003201 .....	53
Lead-In Pipe	
44377001 .....	77
44377101 .....	77
Lead-In Pipe Kit	
44377001 .....	79
44377101 .....	79
Light	
801432 .....	19
Limit Offset Bracket	
44226101 .....	85
Limit Thermostat	
44328003 .....	71
44328005 .....	79
44328006 .....	85
44328008 .....	77
70530905 .....	71
Lint Bracket	
44325301 .....	51
Lint Clip Bracket	
44140202 .....	51
Lint Door Switch Harness	
44362702 .....	49
Lint Panel	
44293602 .....	49
44293603LG .....	49
44293603W .....	49
44293604DG .....	49
44293604W .....	49
44293605 .....	49
44298101 .....	51
44298102 .....	51
44298201 .....	51
44300901 .....	51
Lint Screen	
44063601 .....	51
Lint Screen Clip	
H96418413 .....	51
Lint Screen Top Rail	
44298901 .....	51
Lock, Key and Nut Kit	
44089301P .....	19, 43
44089302P .....	43
Logo Label	
567887 .....	45
Low Pressure Steam Cover	
M400828 .....	87
Lower Guard	
44363501 .....	55
44363901 .....	55
44363902 .....	55
Lower Rear Panel	
44380501 .....	53
L.P. Conversion Kit	
44328802 .....	77
44328803 .....	77
44328811 .....	77

44328812 .....	79
44330302 .....	77
44330307 .....	79
44355202 .....	79

---

## M

Machine ID Control Assembly	
203361P .....	23, 27, 29, 31, 33
Magnet	
70343101 .....	49
Magnet Bracket	
44290501 .....	49
Main Harness	
44363301 .....	17
70631001 .....	23, 31, 33
Micro V Pulley	
44374001 .....	69
Mixing Valve	
70519801 .....	19
Mixing Valve Shield Bracket	
44306601 .....	19
Moisture Sensing Harness Kit	
44344702 .....	67
Moisture Sensor Harness	
44375501 .....	67
Motor Pivot Bracket Weldment	
44327001 .....	69
Motor Pivot Plate Weldment	
44311501 .....	69
Motor Pivot Support Bracket	
44325801 .....	69
Mounting Bracket	
44376601 .....	19
Mounting Plate	
70208801 .....	23

---

## N

Nameplate	
F8443106 .....	45
F8688001 .....	45
F8688901 .....	45
567293 .....	45
70686501 .....	45
70686601 .....	45
Notice Label	
D516073 .....	94
F8609501 .....	94
44321501 .....	94
70534201 .....	94
70539501 .....	77, 79
70539601 .....	94
Notice label	
70544901 .....	77, 79
Nut	
F430232 .....	91, 93
M400022 .....	71
M400026 .....	65, 69
M400034 .....	71
M400035 .....	67
M400977 .....	43
M404993 .....	63

N/A items do not appear in index.

M414215	59
21899	53
23951	49
36020	87
44071201	29
44087101	31, 33
44088001	59, 61, 91, 93
44333202	69
51236	49
70054	23, 31, 85

## O

Opto Coupler	
200674P	35
Orifice Adapter	
44340802	79
Orifice Adapter Support	
44342101	79
Overlay	
F8205101	23
F8733901	23
F8734001	31
F8734201	23
F8734301	31
F8736501	23
F8736601	31
70295101	23
70518101	23
70518102	23
70519001	21
70519002	21
70539101	21
70539102	21
70541201	25
70541202	25
70541203	25
70545501	21
70545502	21
70548801	27
70548802	27
70556201	23
70556301	23
70556401	23
70556402	23
70556501	23
70556502	23
70556601	23
70556701	23
70556801	23
70556901	23
70557001	23
70557002	23
70571101	25
70571102	25
70571103	25
70571104	25
70571401	27
70571402	27
70571601	27
70571602	27
70595401	29
70673301	27
70673302	27
70675001	21
70675002	21
70681701	25

70681702	25
70681703	25
70681704	25
70681705	25
70690401	25
70690402	25
70690403	25
70690404	25
70690405	25
70690701	25
70690702	25
70690703	25
70691001	27
70691002	27
70691301	21
70691302	21
70705701	25

## P

Panel Locator	
56079	43, 49, 89
Payment Center Kit	
205067	39
205068	39
205069	39
205070	39
205316	39
205318	39
Pin	
70071401	61
Pinch Warning Label	
F8615701	94
70538401	94
Pipe Bracket	
44327601	55
44327603	55
Pipe Plug	
70346802	77
Plug	
70167601	77, 79
70180001	19, 91, 93
Pop Rivet	
M400003	53, 73, 89
44166601	43
70058501	49, 53, 61, 91, 93
70058502	91, 93
70126301	49
70126401	49
Porcelain Touch-Up Paint	
122P4P	53
Power Distribution Block	
M413865	91, 93
Power Distribution Block Cover	
44014901P	91, 93
Power Harness	
44388401	73
Power Sensor Harness	
44375602	19
44375603	19
Pressure Fitting	
44231601	77, 79
Primary Transformer Vend Harness	
70631703	89
70631704	89

N/A items do not appear in index.

Pulley	
44289502 .....	69
Pushbutton Switch	
70413301 .....	21, 23, 27, 31, 33, 43
Push-to-Start Switch	
801434W .....	19

## R

Rear Access Plate	
44135201 .....	77
Rear Guard	
44373401 .....	55
44373501 .....	55
44376701 .....	19
Rear Main Harness	
44362701 .....	89
Reed Switch Assembly	
F8066804 .....	49
Replacement Screen Kit	
70576501P .....	31, 33
Rib Rod	
M404992 .....	63
Rib Wire	
44208601 .....	67
Roller Bracket Assembly	
70404001 .....	49
Roller Catch Arm	
70030301 .....	49
Roller Catch Spacer	
70030201 .....	49
Roller Catch Wheel	
70297601 .....	49

## S

Screw	
F8206901 .....	39, 73, 89, 91, 93
M400063 .....	65
M400661 .....	59
M402797 .....	77
M411072 .....	23, 43
23008 .....	87
33562 .....	85
39733 .....	31, 33, 49, 89, 91, 93
430497 .....	17, 19, 53, 75, 79, 85
430757 .....	49, 75
431287 .....	53
44338901 .....	67
44349101 .....	61
44364601 .....	71
44364602 .....	69
51780 .....	19, 29, 33, 53, 89, 91, 93
51782 .....	77
51783 .....	73, 89
685837 .....	73, 91, 93
70033502 .....	43, 61
70072801 .....	49
70132301 .....	49
70182601 .....	43
70187201 .....	65, 69
70240301 .....	77, 85
70247701 .....	53
70275801 .....	43

70407301 .....	61
70436301 .....	61
70442101 .....	59, 67
70546902 .....	91, 93
70576101 .....	61
70689401 .....	61
804608 .....	19, 21, 23, 27, 29
805213 .....	69

Sensor Harness	
44375606 .....	19
Serial Pay Harness	
F8713906 .....	31
Shaft Collar	
70467001 .....	69
Shaft Wire	
44208702 .....	67
Shield	
44326801 .....	19
Shock Warning Label	
F8614201 .....	19
F8614401 .....	19
Side Panel	
44367702DG .....	53
44367702LG .....	53
44367702W .....	53
44367802DG .....	53
44367802LG .....	53
44367802W .....	53
Sleeve	
44328601 .....	91, 93
Slip Ring Assembly	
44222702 .....	67
Slip Ring Holder	
44224401 .....	67
Slot Card Plate Assembly	
44089501 .....	23
Snap Bushing	
D503235 .....	17
M402542 .....	91, 93
Spacer	
M401402 .....	63
Spark Electrode	
44328701P .....	77
70548701P .....	79
Spray Paint	
298P4P .....	53
Spud Holder Weldment	
44263104 .....	77
Steam Adaptor Kit	
44314701 .....	87
Steam Coil	
M400637P .....	87
44256301 .....	87
Steam Control Assembly	
70501801 .....	89
Steam Control Harness	
44378001 .....	89
Steam Harness Bracket	
44376801 .....	55
Steam Heater Assembly	
44020401P .....	87
44020402 .....	87
Steam Stand Box	
44007501 .....	87

N/A items do not appear in index.



Steam Valve F8322904P .....	87
Steam Valve Harness F8520703 .....	87
Stove Grate 44300301 .....	55
44300302 .....	55
44364801 .....	55
Stove Limit Bypass Harness 44366303 .....	87
Strain Relief 44304801 .....	87
Switch 70411901 .....	75
Switch Bracket 44296101 .....	49
70356301 .....	75, 77
Switch Hole Plug 44057801B .....	43
44057801LG .....	43
44057801W .....	43

## T

Terminal 00622SG .....	73, 89
Terminal Block 430642 .....	73
Terminal Block Shield 70333001 .....	73
Thermistor M414704 .....	71
44064701 .....	53
Thermistor Plate 44068101 .....	53
44068102 .....	53
Thimble Assembly 44305002 .....	71
Top Cover 44368901 .....	53
Top Cover Pan 44129301P .....	53
Top Guard 44364001 .....	55
44364002 .....	55
Top Pan 44300101 .....	53
44348701 .....	53
44352501 .....	53
Top Panel 44348801 .....	53
44348802 .....	53
Top Panel Bracket 44368201 .....	53
Transformer F8491101 .....	73
202757 .....	89
202758 .....	89
Trunnion and Bearing Assembly M4640P3 .....	65
44336301 .....	65
Trunnion Assembly 44207901 .....	63

44208001 .....	63
Trunnion Housing M413826 .....	69
Trunnion Housing Assembly 44375001 .....	65, 69
Tumbler Dolly Kit M4379P4 .....	43

## U

Upper Guard 44374301 .....	55
Upper Rear Panel 44376901 .....	53
USB Bracket 70547001 .....	29, 33
USB IR Interface Kit 203346 .....	39
USB-Serial Interface Assembly 203440 .....	29, 31, 33

## V

Valve F8322906P .....	87
Valve Rebuild Kit F8379502 .....	87
V-Belt 44309402 .....	69
44333301 .....	69
Vend Activation Harness 44334002 .....	31
44334004 .....	21, 23, 27
Vend Plate F8632501 .....	31

## W

Warning Label F8611601 .....	94
44321601 .....	94
44324001 .....	94
44324101 .....	94
44324501 .....	19
44324502 .....	19
70534401 .....	47
70534402 .....	47
70534405 .....	47
70536401 .....	94
Warning Label Kit F8611600 .....	94
Washer F431131 .....	71
M400015 .....	63, 65
20103 .....	65, 69
44238902 .....	67
70261401 .....	65, 69
Water Valve Harness 44375605 .....	19
Wire Clip F8449501 .....	89

N/A items do not appear in index.

F8449502.....	73
Wire Guard	
201595P.....	35
Wire Label	
44286802.....	91
44286804.....	73
Wireless Control Label	
204692.....	31, 33, 39
Wireless Network Control Assembly	
807211.....	39
Wireless Network Harness	
F8674006.....	39
Wireless Network Kit	
70609701.....	39
Wireway Channel	
44239101.....	67

---