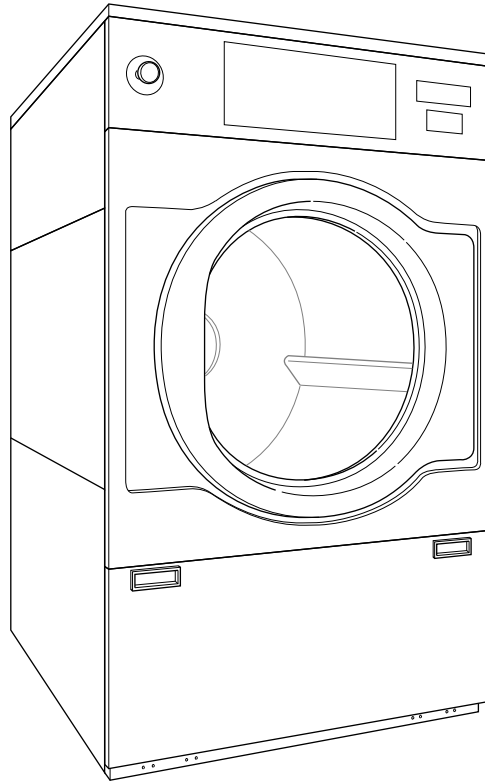


# Drying Tumblers

Refer to Page 3 for Model Numbers



TMB1275C\_D0286



# Table of Contents

Title	Page
Parts Ordering Information.....	2
Serial Plate Location .....	2
Model Identification .....	3
Cabinet Front - Electric (Drawing 1 of 2).....	4
Cabinet Front - Electric (Drawing 2 of 2).....	6
Cabinet Front - Gas .....	8
Bridge Electrical Parts.....	10
Backbridge and Electrical Connections .....	12
Temperature Sensors .....	14
Bearing House and Ball Bearings .....	16
Cylinder, Axle and Belt Pulley - CD165, CD220, CD350 and CD450 Models .....	18
Cylinder, Axle and Belt Pulley - CD550 and CD700 Models.....	20
Front Panel and Facia Panel - DX3 OPL Models .....	22
Front Panel and Facia Panel - DX3 Coin Models .....	24
Front Panel and Facia Panel - PROHC Models.....	26
Front Panel and PVC Door .....	28
Dust Filter and Lower Front Panel .....	30
Motor and Belt Pulley - CD165, CD220, CD350 and CD450 Models .....	32
Motor and Belt Pulley - CD550 and CD700 Models.....	34
Cabinet Back and Fan - CD165, CD220 and CD350 Models .....	36
Cabinet Back and Fan - CD450, CD550 and CD700 Models .....	38
Gas Burner Housing .....	40
Gas Heating .....	42
Electric Heating System - CD165, CD220, CD350 and CD450 Models .....	44
Electric Heating System - CD550 and CD700 Models.....	46
Steam Heating .....	48
Parts Index.....	51

© Copyright 2013, Alliance Laundry Systems LLC

All rights reserved. No part of the contents of this book may be reproduced or transmitted in any form or by any means without the expressed written consent of the publisher.

# Parts Ordering Information

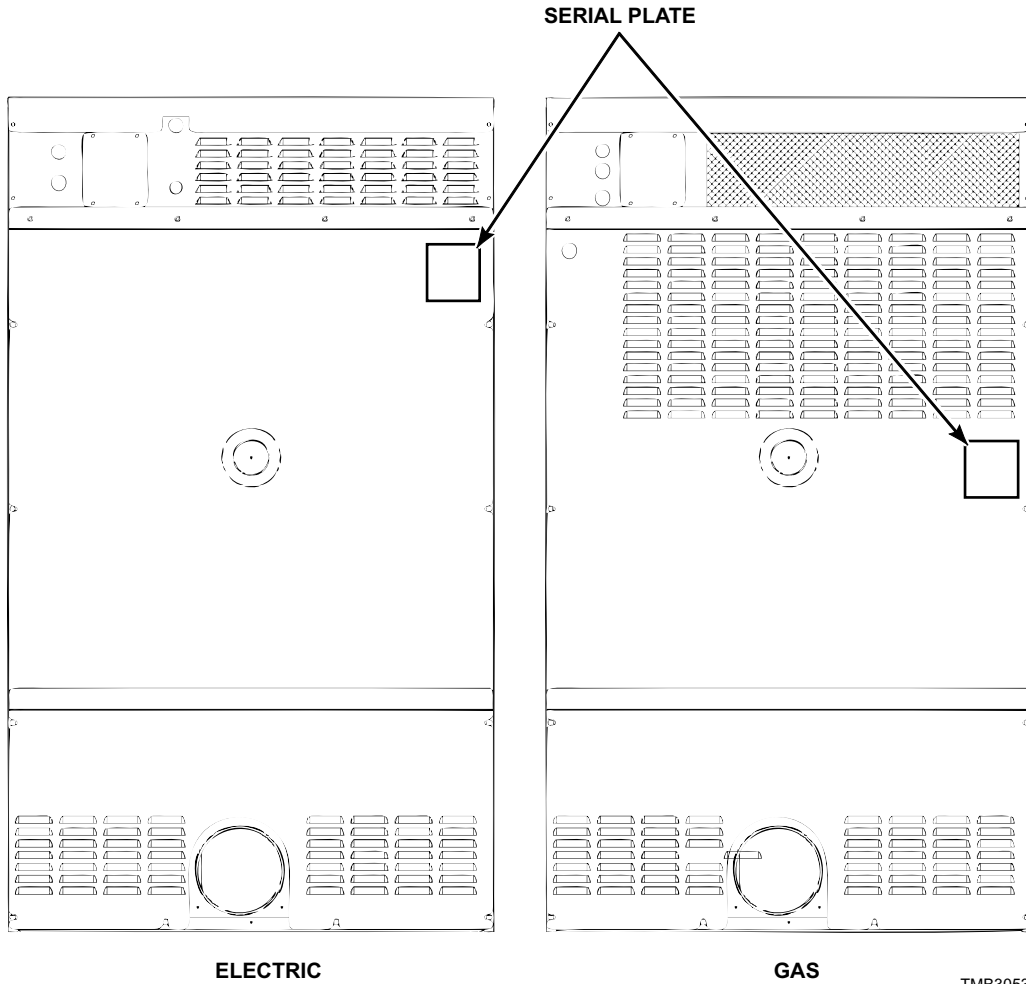
If literature or replacement parts are required, contact the source from whom the machine was purchased or contact Alliance Laundry Systems at (920) 748-3950 for the name and address of the nearest authorized parts distributor.

For technical assistance, call either of the numbers listed below:

(920) 748-3121 Ripon, Wisconsin  
+32 56 41 20 54 Wevelgem, Belgium

## Serial Plate Location

When calling or writing about your product, be sure to mention model and serial numbers. Model and serial numbers are located on serial plate(s) as shown.

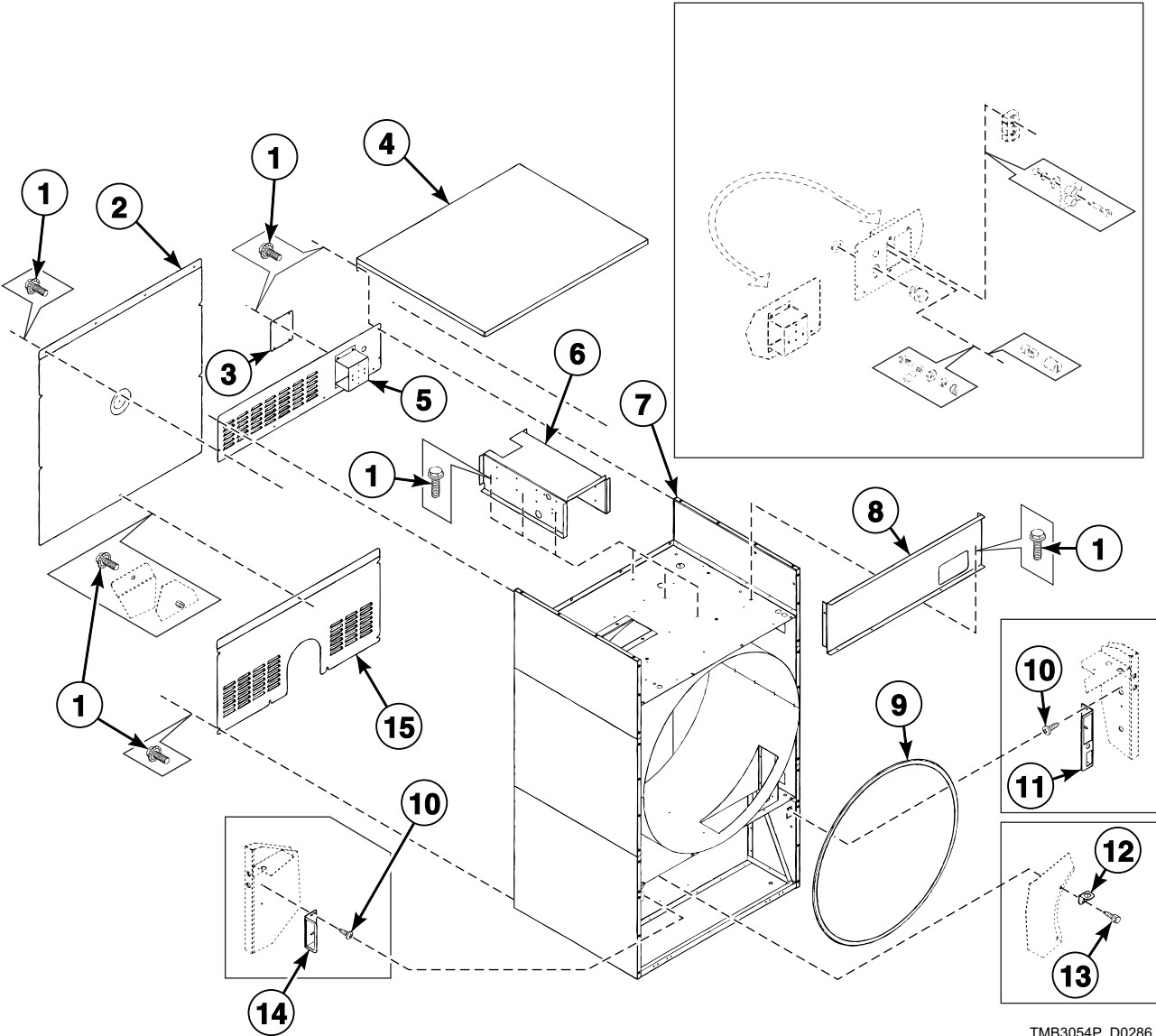


## Model Identification

Information in this manual is applicable to these tumbler models:

CD165\_DX3  
CD165\_PROHC  
CD220\_DX3  
CD220\_PROHC  
CD350\_DX3  
CD350\_PROHC  
CD450\_DX3  
CD450\_PROHC  
CD550\_DX3  
CD550\_PROHC  
CD700\_DX3  
CD700\_PROHC

# Cabinet Front - Electric (Drawing 1 of 2)



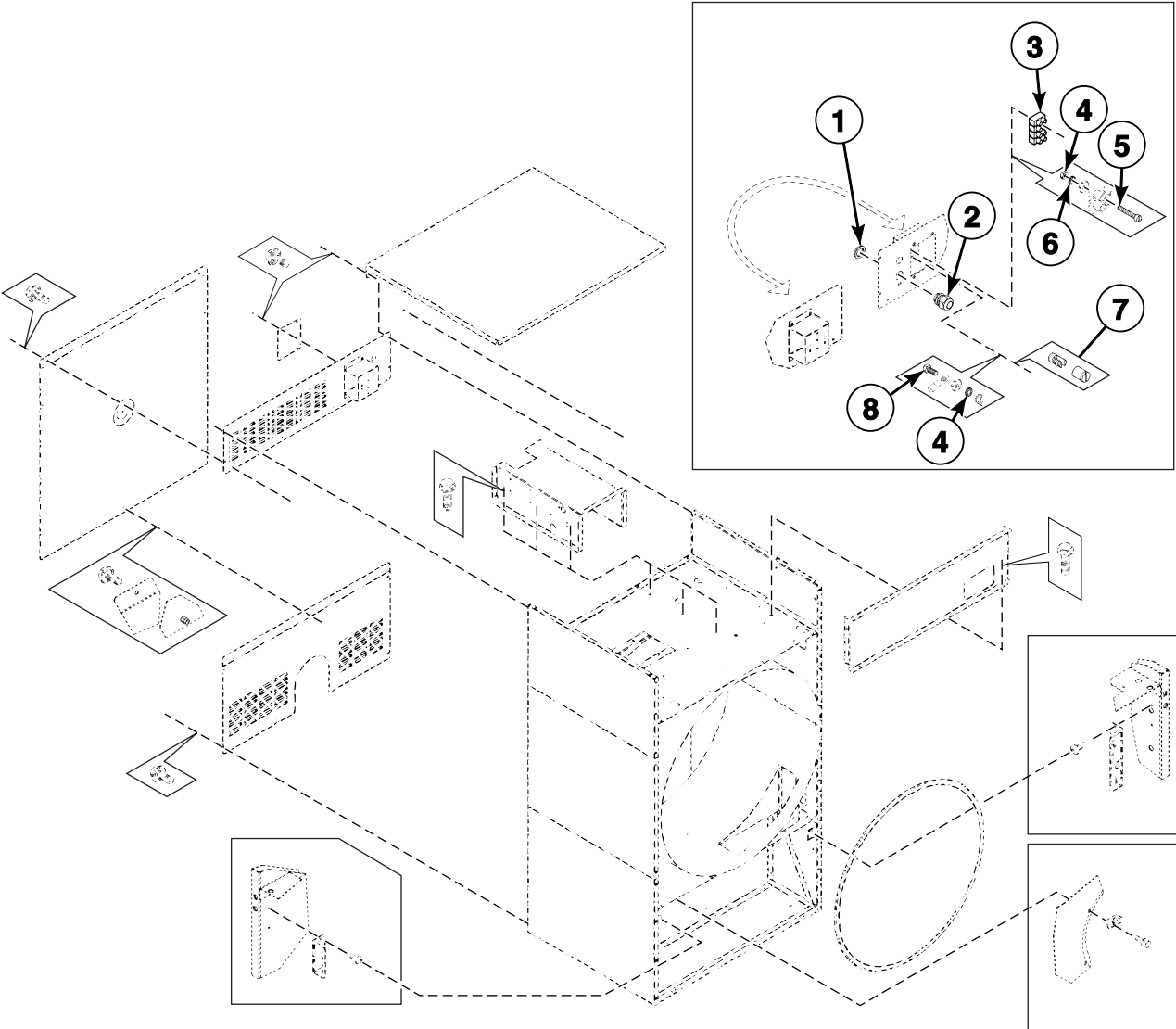
TMB3054P\_D0286

## Cabinet Front - Electric (Drawing 1 of 2)

REF	PART NO.	DESCRIPTION	COMMENTS
1	206/00099/00	Bolt	
2	160/00080/10	Middle Back Panel	CD165, CD220 and CD350 models
	160/00214/20	Middle Back Panel	CD550 and CD700 models
3	160/00033/00	Electrical Connection Cover Plate	CD165, CD220 and CD350 models
	160/00220/00	Electrical Connection Cover Plate	CD550 and CD700 models
4	160/00034/00	Top Panel	Models CD165_DX3 and CD165_PROHC
	160/00035/00	Top Panel	Models CD220_DX3 and CD220_PROHC
	160/00036/00	Top Panel	Models CD350_DX3 and CD350_PROHC
	160/00234/00	Top Panel	Models CD450_DX3 and CD450_PROHC
	160/00226/00	Top Panel	Models CD550_DX3 and CD550_PROHC
	160/00215/00	Top Panel	Models CD700_DX3 and CD700_PROHC
	160/00078/00	Top Panel	Models CD165_DX3 and CD165_PROHC; Steam
	160/00079/00	Top Panel	Models CD220_DX3 and CD220_PROHC; Steam
	160/00066/00	Top Panel	Models CD350_DX3 and CD350_PROHC; Steam
	160/00228/00	Top Panel	Models CD450_DX3 and CD450_PROHC; Steam
	160/00229/00	Top Panel	Models CD550_DX3 and CD550_PROHC; Steam
	160/00230/00	Top Panel	Models CD700_DX3 and CD700_PROHC; Steam
	5	160/00022/00	Backbridge
160/00032/00		Electrical Connection Plate Assembly	CD165, CD220, CD350 and CD450 models
160/00214/30		Upper Back Panel	CD550 and CD700 models
160/00219/00		Bridge Electric Connection	CD550 and CD700 models
6	160/00027/10	Wiring Protection Plate	Models CD165_DX3 and CD165_PROHC
	160/00027/20	Wiring Protection Plate	Models CD220_DX3 and CD220_PROHC
	160/00027/30	Wiring Protection Plate	Models CD350_DX3 and CD350_PROHC
	160/00249/00	Wiring Protection Plate	Models CD450_DX3 and CD450_PROHC
	160/00222/00	Wiring Cover Plate	Models CD550_DX3 and CD550_PROHC
	160/00208/00	Wiring Cover Plate	Models CD700_DX3 and CD700_PROHC
7	160/00057/00	Cabinet	Models CD165_DX3 and CD165_PROHC
	160/00058/00	Cabinet	Models CD220_DX3 and CD220_PROHC
	160/00059/00	Cabinet	Models CD350_DX3 and CD350_PROHC
	160/00143/00	Cabinet	Models CD450_DX3 and CD450_PROHC
	160/00285/00	Cabinet	Models CD550_DX3 and CD550_PROHC
	160/00286/00	Cabinet	Models CD700_DX3 and CD700_PROHC
8	160/00047/00	Intermediate Wiring Plate	CD165, CD220, CD350 and CD450 models
	160/00208/10	Intermediate Wiring Plate	CD550 and CD700 models
9	260/00056/00	Gasket	For front panel tub
10	208/00007/00	Screw	
11	160/00137/60	Door Magnet Support	Right; CD165, CD220, CD350 and CD450 models
	160/00137/30	Door Magnet Support	Right; CD550 and CD700 models
12	160/00133/00	Water Level Switch Assembly Plate	
13	208/00014/00	Screw	
14	160/00137/00	Door Magnet Support	Left; CD165, CD220, CD350 and CD450 models
	160/00137/20	Door Magnet Support	Left; CD550 and CD700 models
15	160/00080/20	Lower Back Panel	CD165, CD220 and CD350 models
	160/00214/10	Lower Back Panel	CD550 and CD700 models

# Cabinet Front - Electric (Drawing 2 of 2)

CD165, CD220, CD350 and CD450 Models



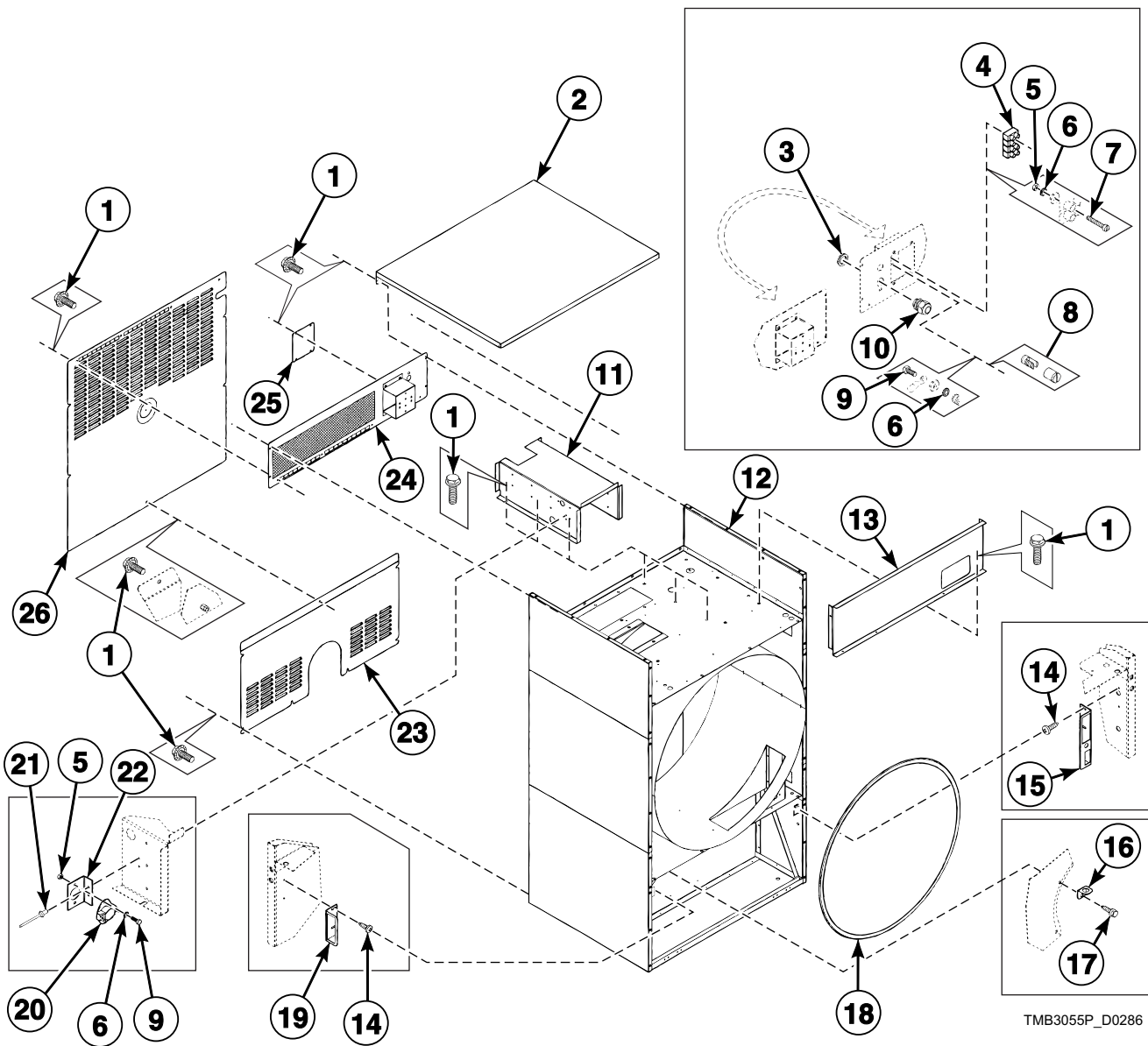
TMB3054PA\_D0286



# Cabinet Front - Electric (Drawing 2 of 2)

REF	PART NO.	DESCRIPTION	COMMENTS
1	211/00171/00	Nut	
2	211/00182/00	Nut	
3	209/00005/00	Terminal Block	
4	203/00006/00	Washer	
5	207/00014/00	Screw	
6	204/00007/00	Nut	
7	209/00006/01	Ground Terminal	
8	206/00027/00	Bolt	

# Cabinet Front - Gas

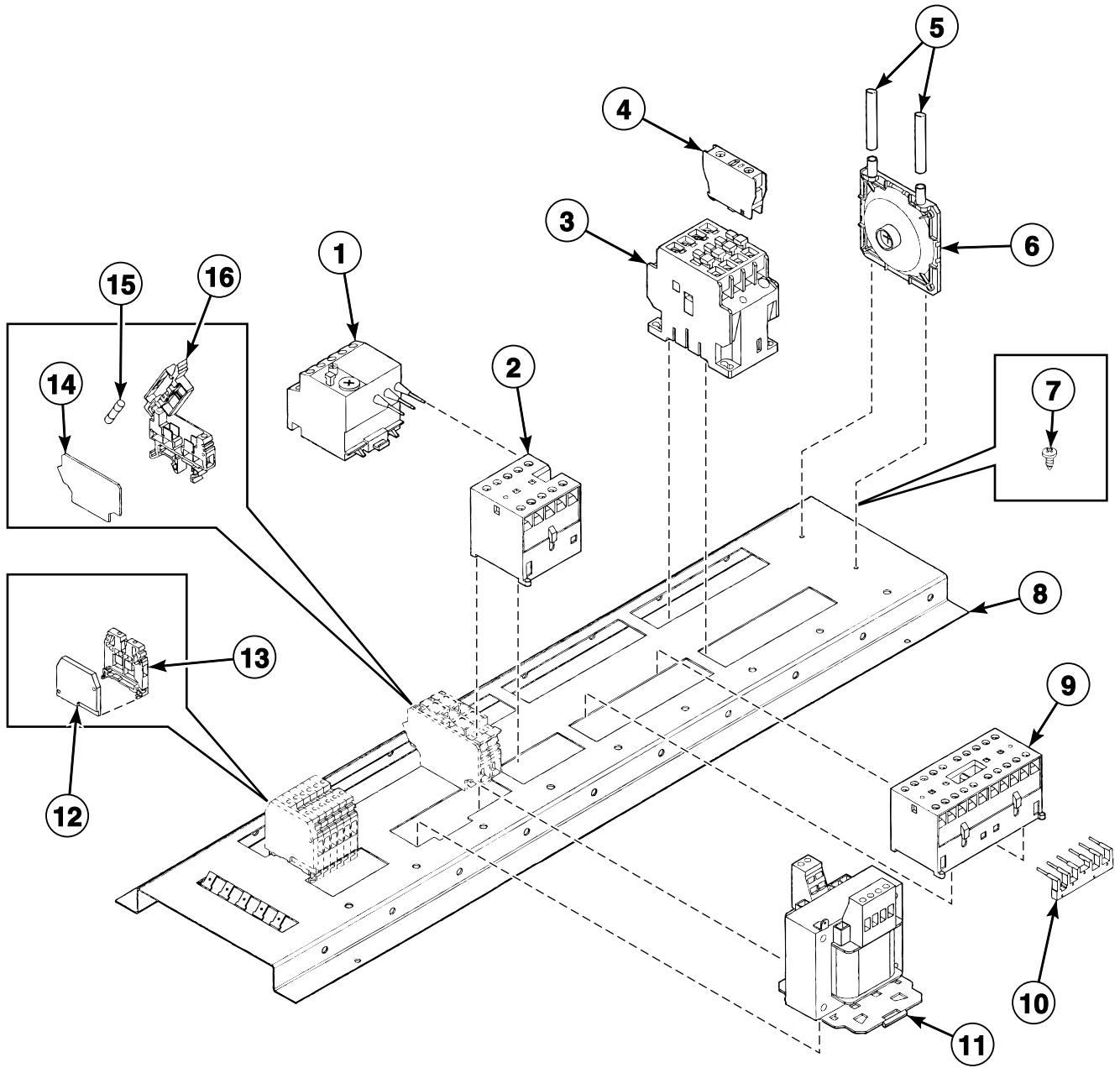


TMB3055P\_D0286

## Cabinet Front - Gas

REF	PART NO.	DESCRIPTION	COMMENTS
1	206/00099/00	Bolt	
2	160/00034/00	Top Panel	Models CD165_DX3 and CD165_PROHC
	160/00035/00	Top Panel	Models CD220_DX3 and CD220_PROHC
	160/00036/00	Top Panel	Models CD350_DX3 and CD350_PROHC
	160/00234/00	Top Panel	Models CD450_DX3 and CD450_PROHC
3	211/00171/00	Nut	
4	209/00005/00	Terminal Block	
5	204/00007/00	Nut	
6	203/00006/00	Washer	
7	207/00014/00	Screw	
8	209/00006/01	Ground Terminal	
9	206/00027/00	Bolt	
10	211/00182/00	Nut	
11	160/00027/10	Wiring Protection Plate	Models CD165_DX3 and CD165_PROHC
	160/00027/20	Wiring Protection Plate	Models CD220_DX3 and CD220_PROHC
	160/00027/30	Wiring Protection Plate	Models CD350_DX3 and CD350_PROHC
	160/00249/00	Wiring Protection Plate	Models CD450_DX3 and CD450_PROHC
12	160/00057/10	Cabinet	Models CD165_DX3 and CD165_PROHC
	160/00058/10	Cabinet	Models CD220_DX3 and CD220_PROHC
	160/00059/10	Cabinet	Models CD350_DX3 and CD350_PROHC
	160/00143/10	Cabinet	Models CD450_DX3 and CD450_PROHC
13	160/00047/00	Intermediate Wiring Plate	
14	208/00007/00	Screw	
15	160/00137/60	Door Magnet Support	Right
16	160/00133/00	Water Level Switch Assembly Plate	
17	208/00014/00	Screw	
18	260/00056/00	Gasket	For front panel tub
19	160/00137/00	Door Magnet Support	Left
20	254/EA000/243	Safety Thermostat	Electric heat
21	208/00026/00	Rivet	
22	160/00094/00	Temperature Sensor Support	CD165, CD220 and CD350 models
23	160/00080/20	Lower Back Panel	CD165, CD220 and CD350 models
24	160/00083/00	Backbridge	CD165, CD220 and CD350 models
	160/00032/00	Electrical Connection Plate Assembly	CD165, CD220 and CD350 models
25	160/00033/00	Electrical Connection Cover Plate	CD165, CD220 and CD350 models
26	160/00080/15	Middle Back Panel	CD165, CD220 and CD350 models

# Bridge Electrical Parts



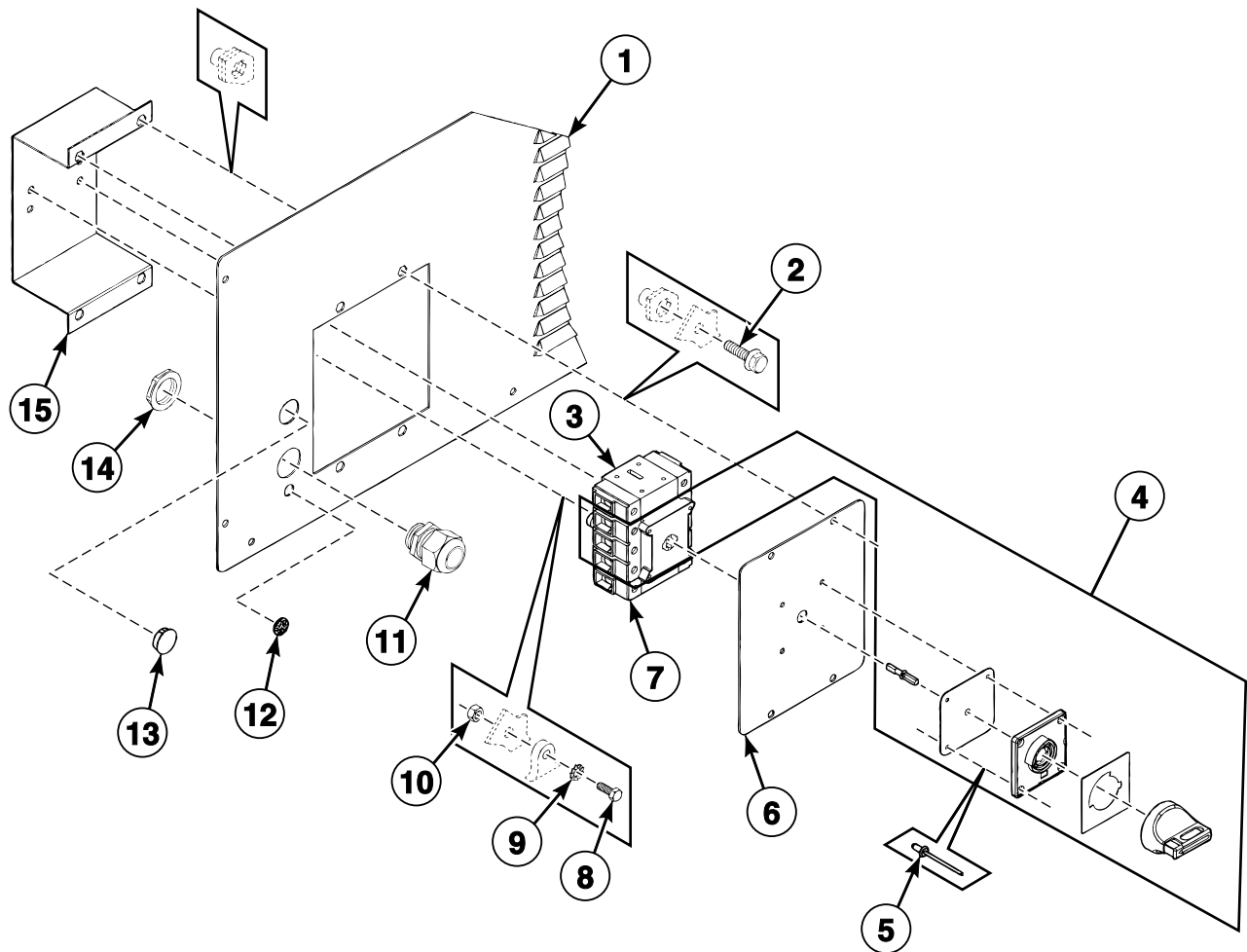
TMB3056P\_D0286

## Bridge Electrical Parts

REF	PART NO.	DESCRIPTION	COMMENTS
1	260/00023/00	Contactora	Thermal overload relay; 0.6-1 Amp
	260/00115/00	Contactora	Thermal overload relay; 1-1.6 Amp
2	260/00022/00	Contactora	B6-30-10; 24 Volt
3	260/00025/00	Contactora	A9-30-10; 24 Volt; 25 Amp
	260/00026/00	Contactora	A16-30-10-024; 30 Amp
	260/00077/00	Contactora	A26-30-10; 24 Volt; 45 Amp
4	260/00028/00	Auxiliary Contact	
5	223/00333/00	Pressure Hose	
6	260/00019/00	Pressure Switch	
7	208/00007/00	Screw	
8	160/00027/00	Mounting Plate	For electrical components; CD165, CD220 and CD350 models
9	260/00024/00	Reversing Contactora	VB6A-30-10; 24 Volt
10	260/00024/01	Reversing Contactora Link	
11	260/00016/00	Transformer	
12	260/00035/01	Connection Clamp Final Plate	
13	260/00035/00	Connection Clamp	
14	260/00036/01	Connection Clamp Fuse Holder Final Plate	
15	209/00468/00	Fuse	3A; Fast; 5x20
16	260/00036/00	Connection Clamp Fuse Holder	

# Backbridge and Electrical Connections

CD550 and CD700 Models

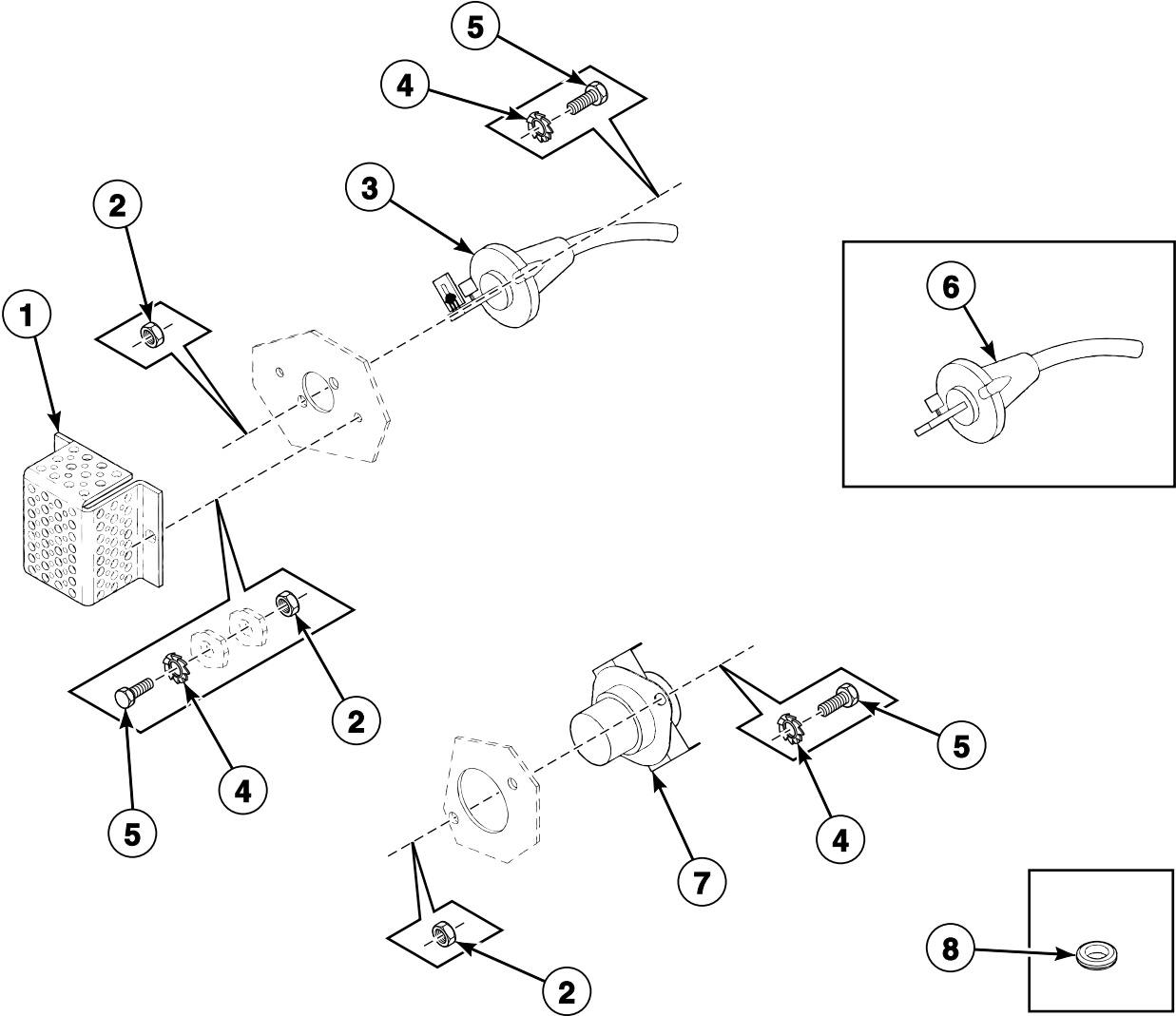


TMB3072P\_D0286

## Backbridge and Electrical Connections

REF	PART NO.	DESCRIPTION	COMMENTS
1	160/00214/30	Upper Back Panel	
2	206/00099/00	Bolt	
3	209/00527/00	Terminal Block	63/80A; VZ-12; Neutral
4	209/00526/00	Main Switch	3 pole; 80 Amp; VCF4
5	208/00017/00	Rivet	
6	160/00220/00	Electrical Connection Cover Plate	
7	209/00528/00	Terminal Block	63/80A; VZ-15; Ground
8	205/00116/00	Bolt	
9	203/00006/00	Washer	
10	204/00105/00	Nut	
11	211/00183/00	Nut	
12	223/00037/00	Cable Duct	8 mm
13	B12500101	Plug	22.2 mm
14	211/00172/00	Nut	
15	160/00219/00	Bridge Electric Connection	

# Temperature Sensors



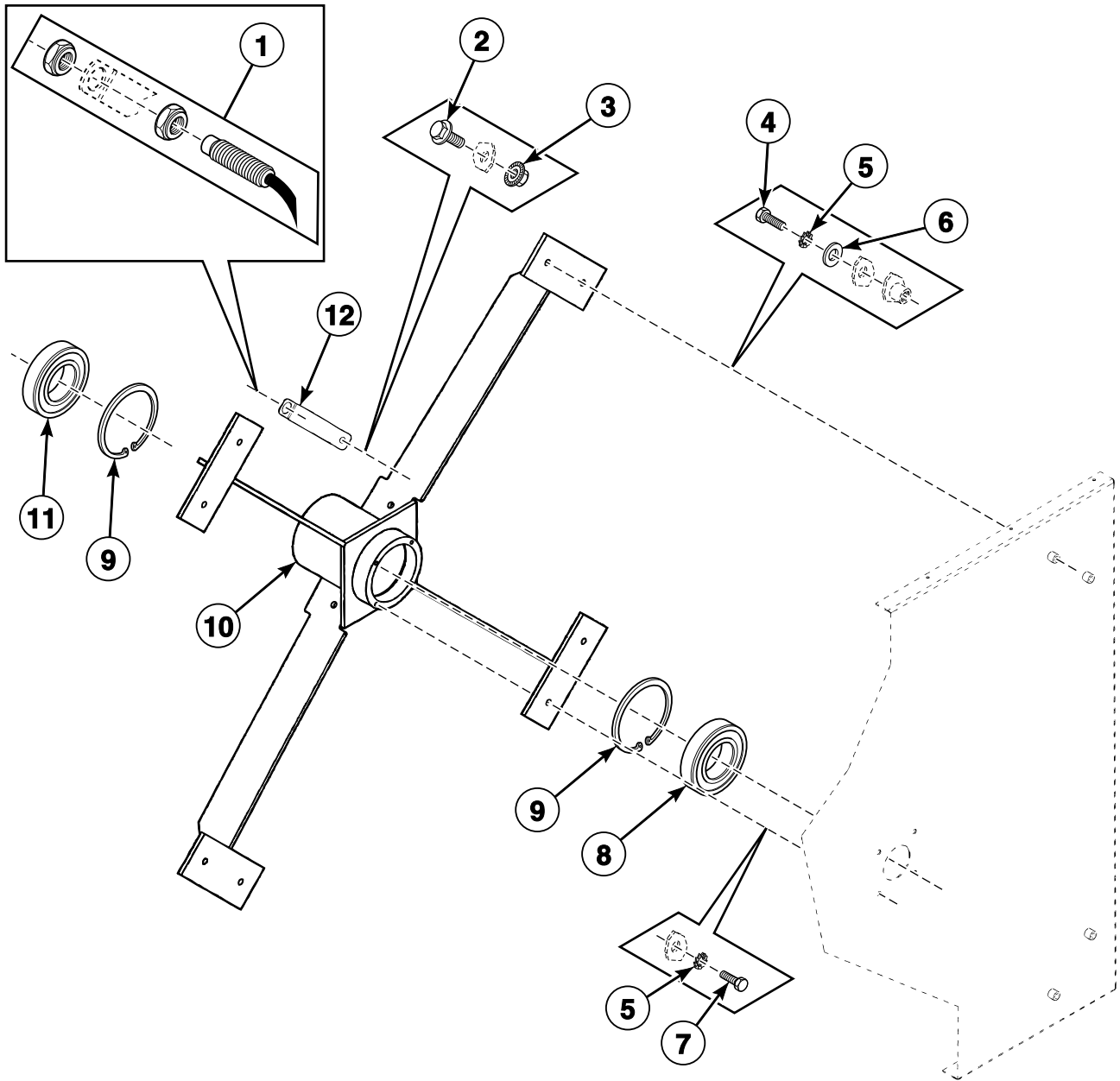
TMB3057P\_D0286



# Temperature Sensors

REF	PART NO.	DESCRIPTION	COMMENTS
1	254/00063/00	Thermostat/Hygrometer Protection	
2	204/00007/00	Nut	
3	B12308601	Temperature Sensor Assembly	PROHC models
4	203/00006/00	Washer	
5	206/00027/00	Bolt	
6	B12308501	Temperature Sensor Assembly	DX3 models
7	254/EA000/594	Temperature Switch	
8	223/00198/00	Grommet	28 mm
	223/00163/00	Grommet	7 mm
	223/00174/00	Grommet	13 mm

# Bearing House and Ball Bearings

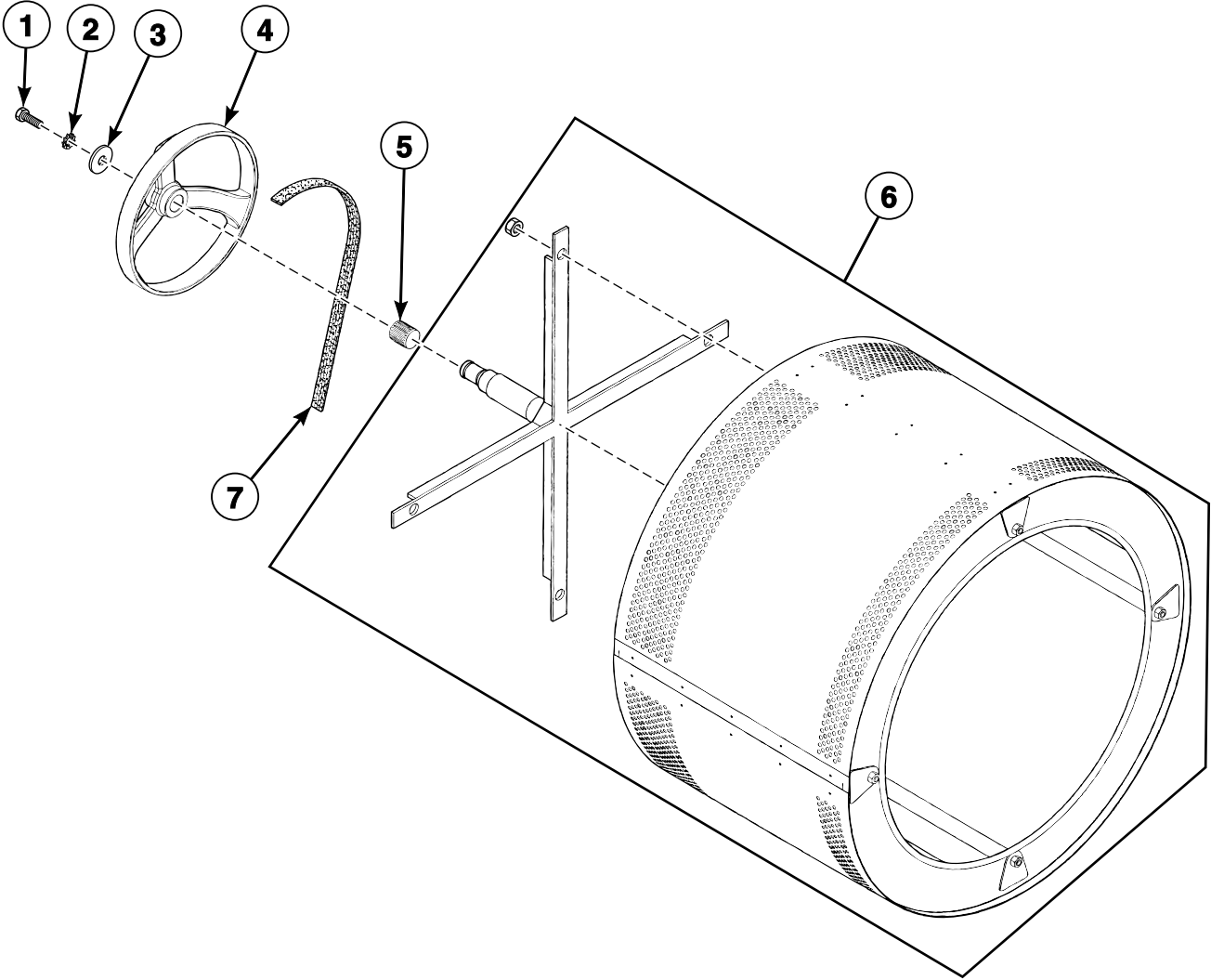


TMB3058P\_D0286

## Bearing House and Ball Bearings

REF	PART NO.	DESCRIPTION	COMMENTS
1	260/00008/00	Speed Sensor	CD165, CD220 and CD350 models
2	206/00099/00	Bolt	
3	206/00101/00	Nut	
4	206/00033/00	Bolt	
5	203/00004/00	Washer	
6	201/00007/00	Washer	
7	206/00013/00	Bolt	
8	215/00016/00	Ball Bearing	
9	212/00028/00	Retaining Ring	
10	260/00003/00	Bearing Housing	CD165, CD220 and CD350 models
	260/00100/00	Bearing Housing	CD550 and CD700 models
11	215/00001/03	Ball Bearing	
12	160/00053/00	Speed Sensor Support	CD165, CD220 and CD350 models

# Cylinder, Axle and Belt Pulley - CD165, CD220, CD350 and CD450 Models

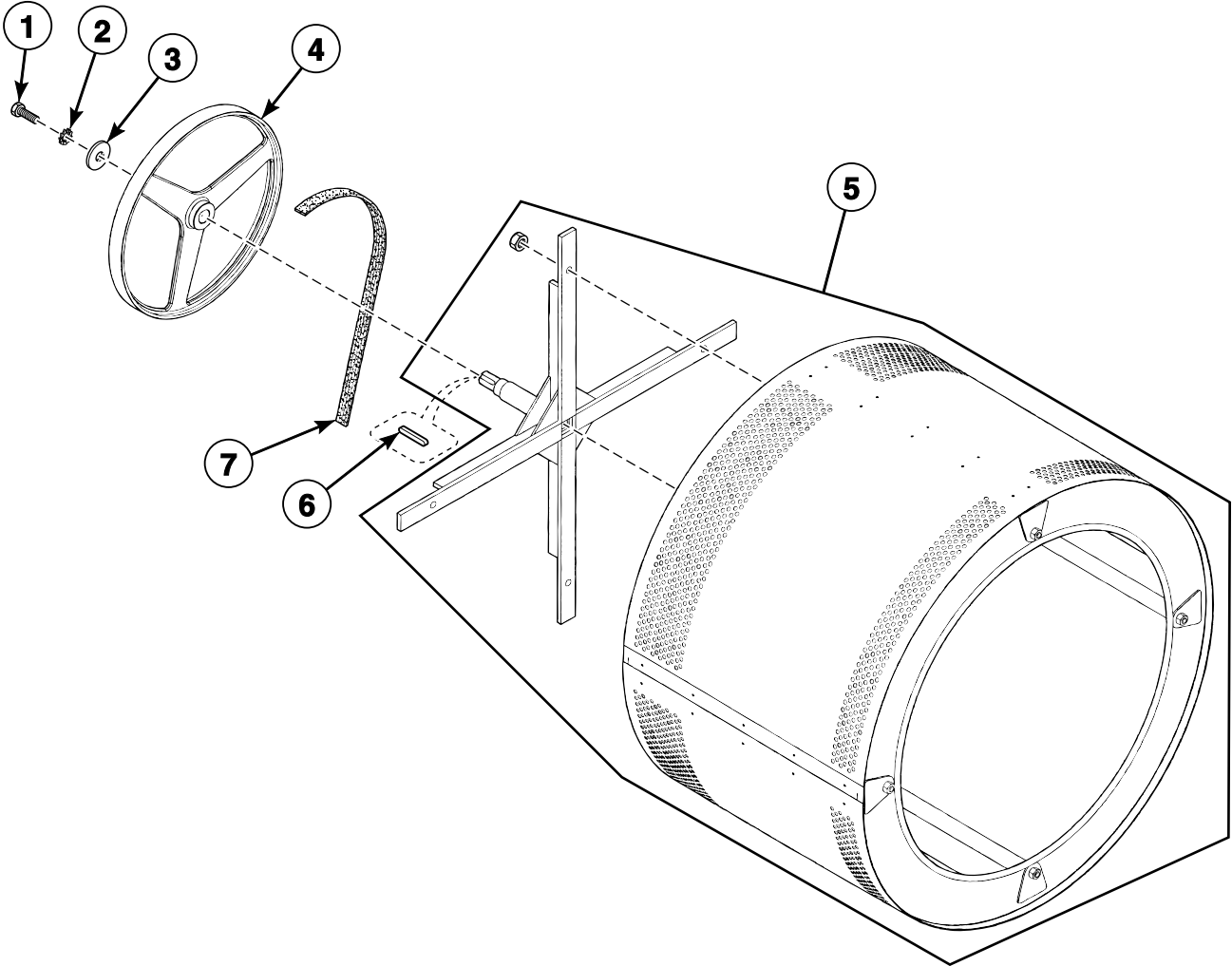


TMB3059P\_D0286

## Cylinder, Axle and Belt Pulley - CD165, CD220, CD350 and CD450 Models

REF	PART NO.	DESCRIPTION	COMMENTS
	B12323801	Tub	Models CD450_DX3 and CD450_PROHC
1	206/00004/00	Bolt	
2	203/00001/00	Washer	
3	201/00004/00	Washer	
4	255/00117/00	Pulley	
5	215/00004/00	Tolerance Ring	
6	160/00005/00	Drum and Axle	Models CD165_DX3 and CD165_PROHC
	160/00006/00	Drum and Axle	Models CD220_DX3 and CD220_PROHC
	160/00007/00	Drum and Axle	Models CD350_DX3 and CD350_PROHC
	160/00236/00	Drum and Axle	Models CD450_DX3 and CD450_PROHC
7	260/00009/00	V-Belt	

# Cylinder, Axle and Belt Pulley - CD550 and CD700 Models

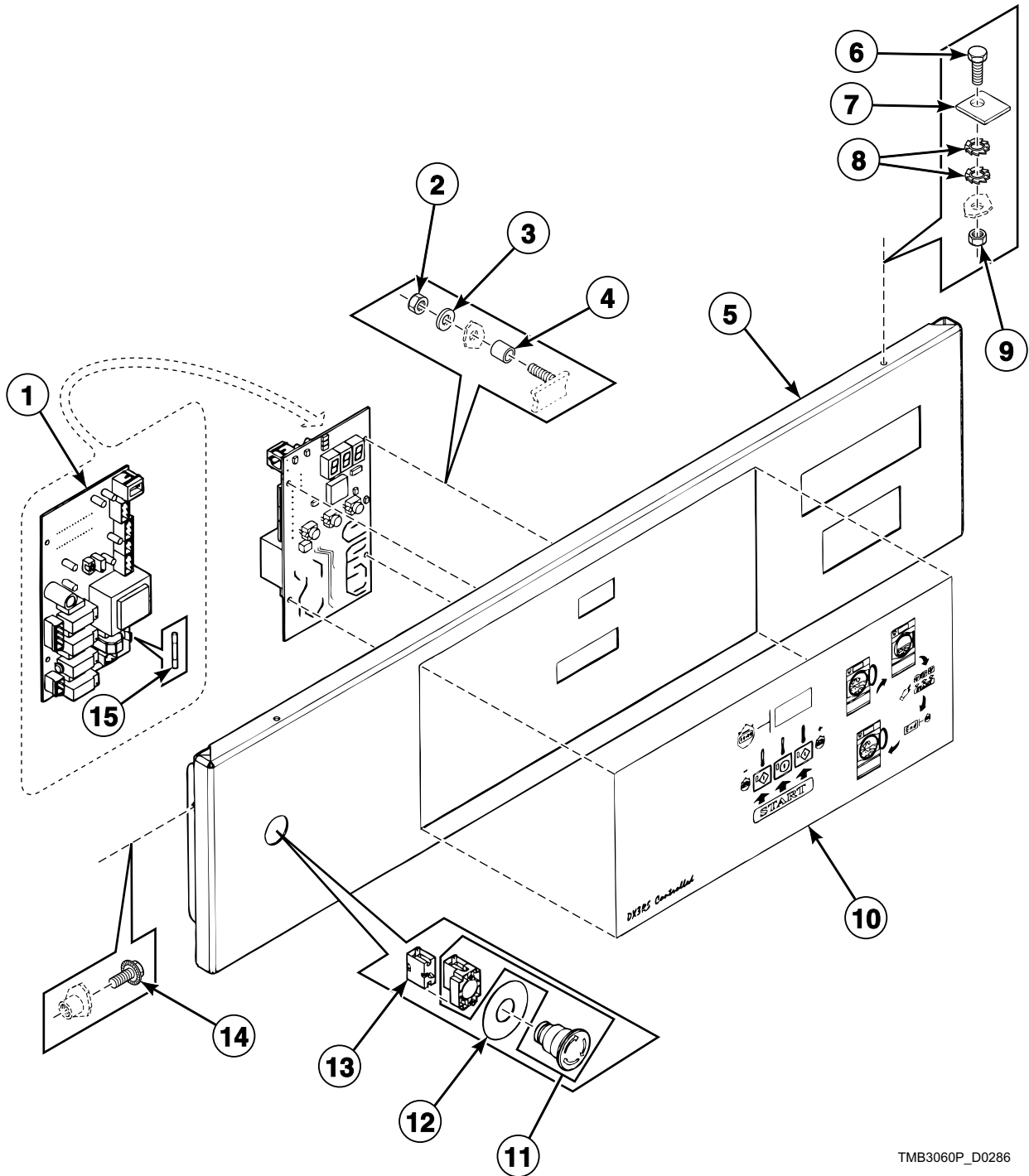


TMB3073P\_D0286

## Cylinder, Axle and Belt Pulley - CD550 and CD700 Models

REF	PART NO.	DESCRIPTION	COMMENTS
1	206/00004/00	Bolt	
2	203/00001/00	Washer	
3	201/00004/00	Washer	
4	226/00136/00	Pulley	
5	160/00201/50	Drum and Axle	Models CD550_DX3 and CD550_PROHC
	160/00201/00	Drum and Axle	Models CD700_DX3 and CD700_PROHC
6	Z71626240	Key	8x7x40 mm
7	260/00108/00	V-Belt	

# Front Panel and Facia Panel - DX3 OPL Models



TMB3060P\_D0286

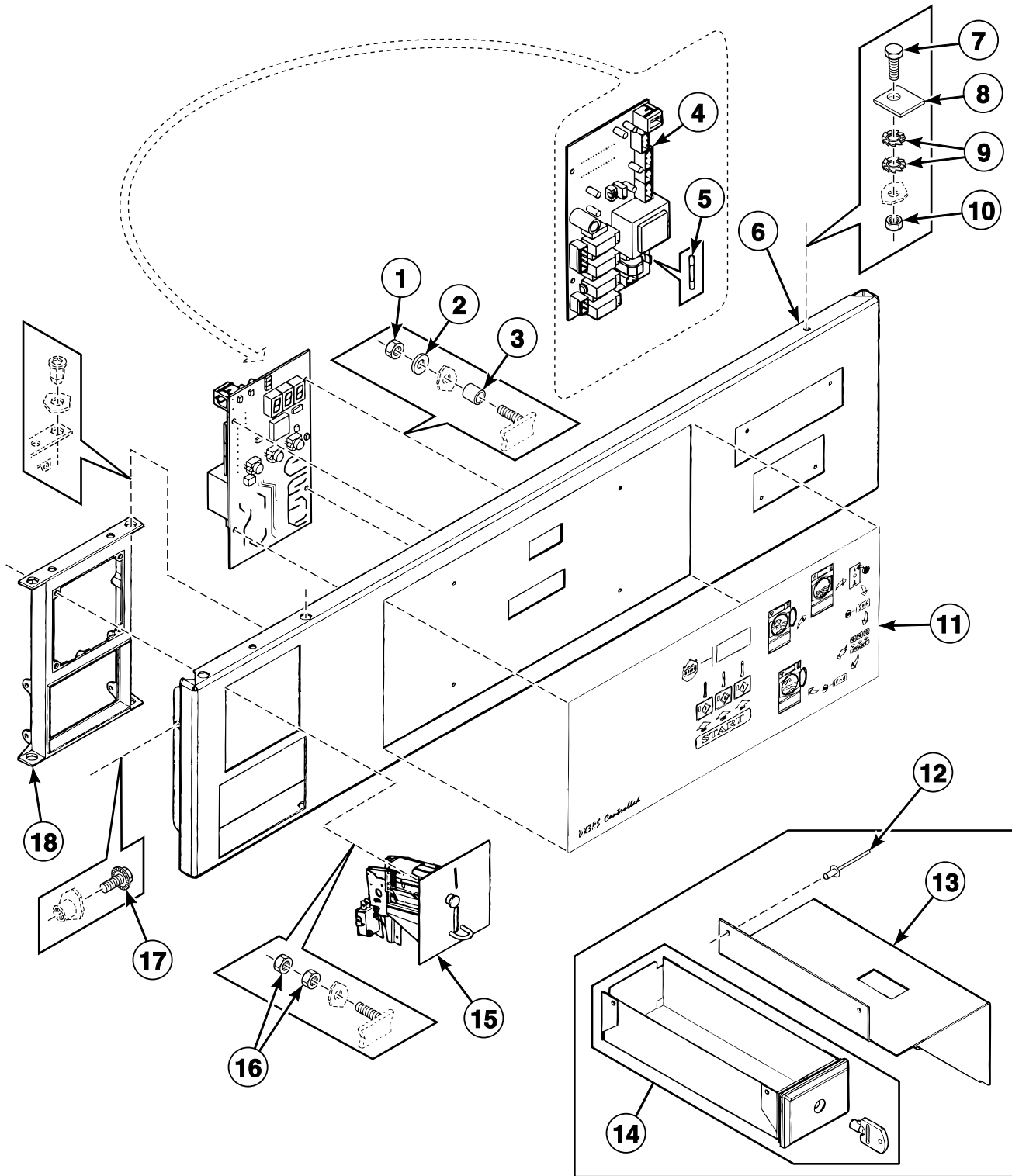


## Front Panel and Facia Panel - DX3 OPL Models

REF	PART NO.	DESCRIPTION	COMMENTS
1	254/00067/00	Control Board	
2	204/00114/00	Nut	
3	223/00123/00	Washer	
4	211/00122/00	Standoff	
5	160/00124/00	Facia Panel	Black; CD165, CD220, CD350 and CD450 models
	160/00124/10	Facia Panel	Reset; Black; CD165, CD220, CD350 and CD450 models
	160/00213/00	Facia Panel	CD550 and CD700 models
	160/00213/10	Facia Panel	Reset; CD550 and CD700 models
6	206/00054/00	Bolt	
7	117/00042/00	Retaining Ring	
8	203/00005/00	Washer	
9	204/00006/00	Nut	
10	260/00045/00	Operating Sticker	
11	209/00099/20	Emergency Switch Pushbutton	
12	209/00520/00	Telem Sticker	Without text
13	209/00099/26	Contact Switch	NC
14	206/00099/00	Bolt	
15	209/00506/00	Fuse	200 mA

# Front Panel and Facia Panel - DX3 Coin Models

CD165, CD220, CD350 and CD450 Models

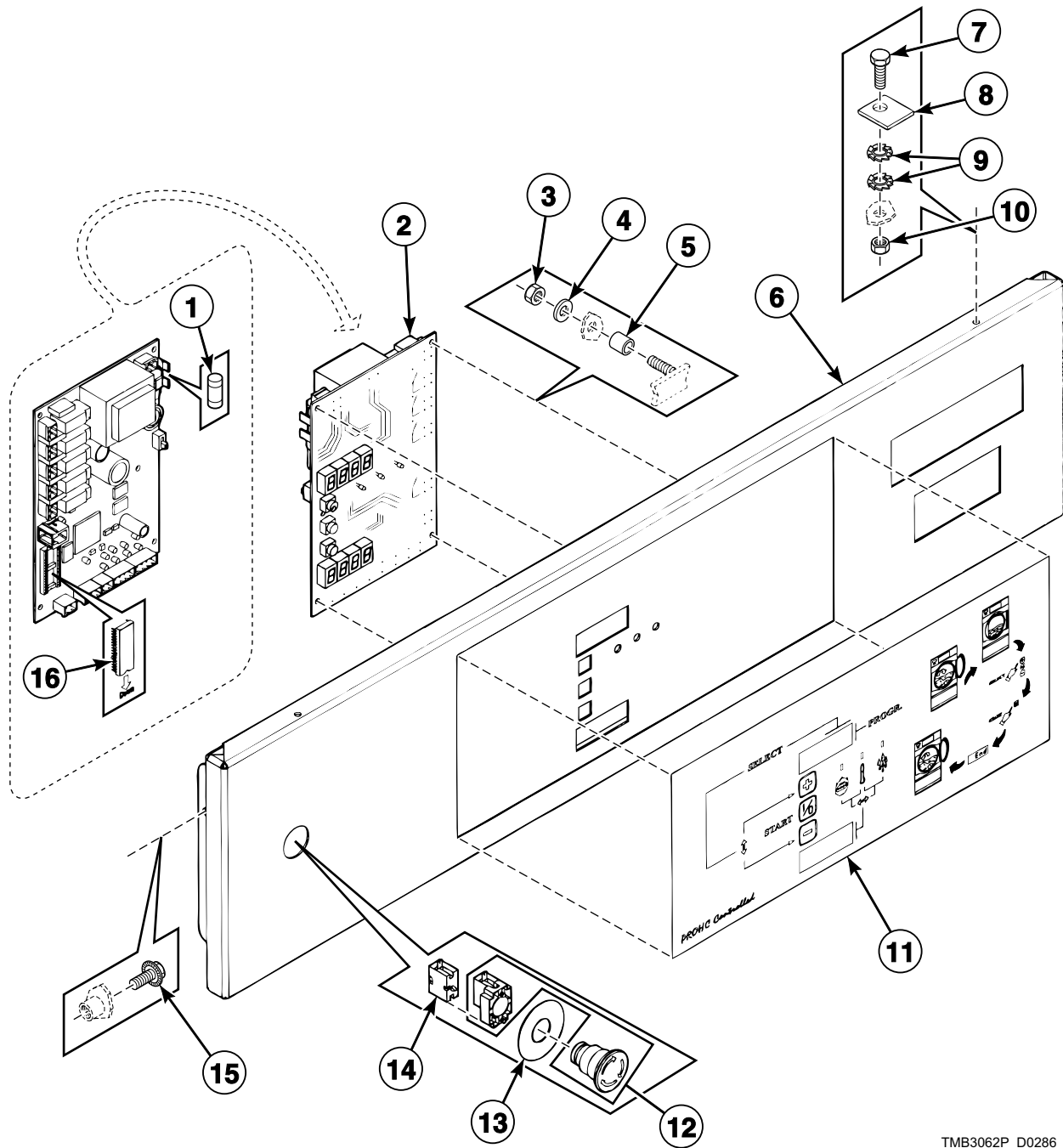


TMB3061P\_D0286

## Front Panel and Facia Panel - DX3 Coin Models

REF	PART NO.	DESCRIPTION	COMMENTS
1	204/00114/00	Nut	
2	223/00123/00	Washer	
3	211/00122/00	Standoff	
4	254/00067/00	Control Board	
5	209/00506/00	Fuse	
6	160/00125/00	Facia Panel	Coin; Black
7	206/00054/00	Bolt	
8	117/00042/00	Retaining Ring	
9	203/00005/00	Washer	
10	204/00006/00	Nut	
11	260/00046/00	Operating Sticker	
12	208/00026/00	Rivet	
13	160/00127/00	Dual Coin Box Protection Plate	
	160/00127/50	Single Coin Box Protection Plate	
14	254/TU009/225	Coin Vault	Includes lock and key
15	209/00593/00	Coin Meter	10K
	209/00600/00	Coin Meter	1 and .5 euro
	209/00601/00	Coin Meter	1 and 2 Swiss francs
	209/00610/00	Coin Meter	Gettone square
	209/00598/00	Coin Meter	\$1.00
16	204/00007/00	Nut	
17	206/00099/00	Bolt	
18	217/00060/00	Fastening Piece	

# Front Panel and Facia Panel - PROHC Models

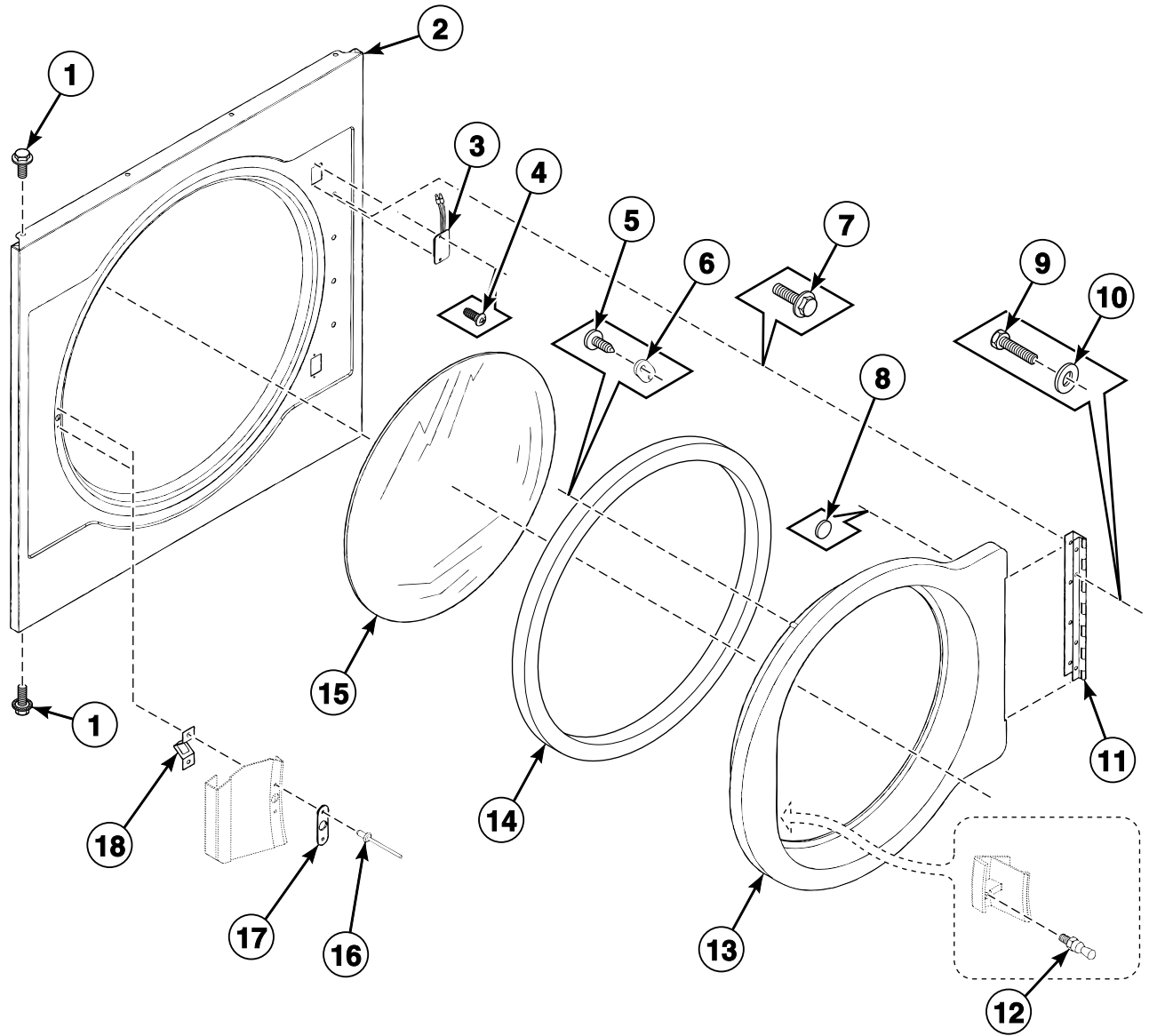


TMB3062P\_D0286

## Front Panel and Facia Panel - PROHC Models

REF	PART NO.	DESCRIPTION	COMMENTS
1	209/00506/00	Fuse	
2	254/00070/00	Control Board	
3	204/00114/00	Nut	
4	223/00123/00	Washer	
5	211/00122/00	Standoff	
6	160/00126/00	Facia Panel	Black; CD165, CD220, CD350 and CD450 models
	160/00126/10	Facia Panel	Reset; Black; CD165, CD220, CD350 and CD450 models
	160/00213/20	Facia Panel	CD700 models
	160/00213/30	Facia Panel	Reset; CD700 models
7	206/00054/00	Bolt	
8	117/00042/00	Retaining Ring	
9	203/00005/00	Washer	
10	204/00006/00	Nut	
11	260/00047/00	Operating Sticker	
12	209/00099/20	Emergency Switch Pushbutton	
13	209/00520/00	Telem Sticker	
14	209/00099/26	Contact Switch	NC
15	206/00099/00	Bolt	
16	209/00323/16	EPROM	

# Front Panel and PVC Door

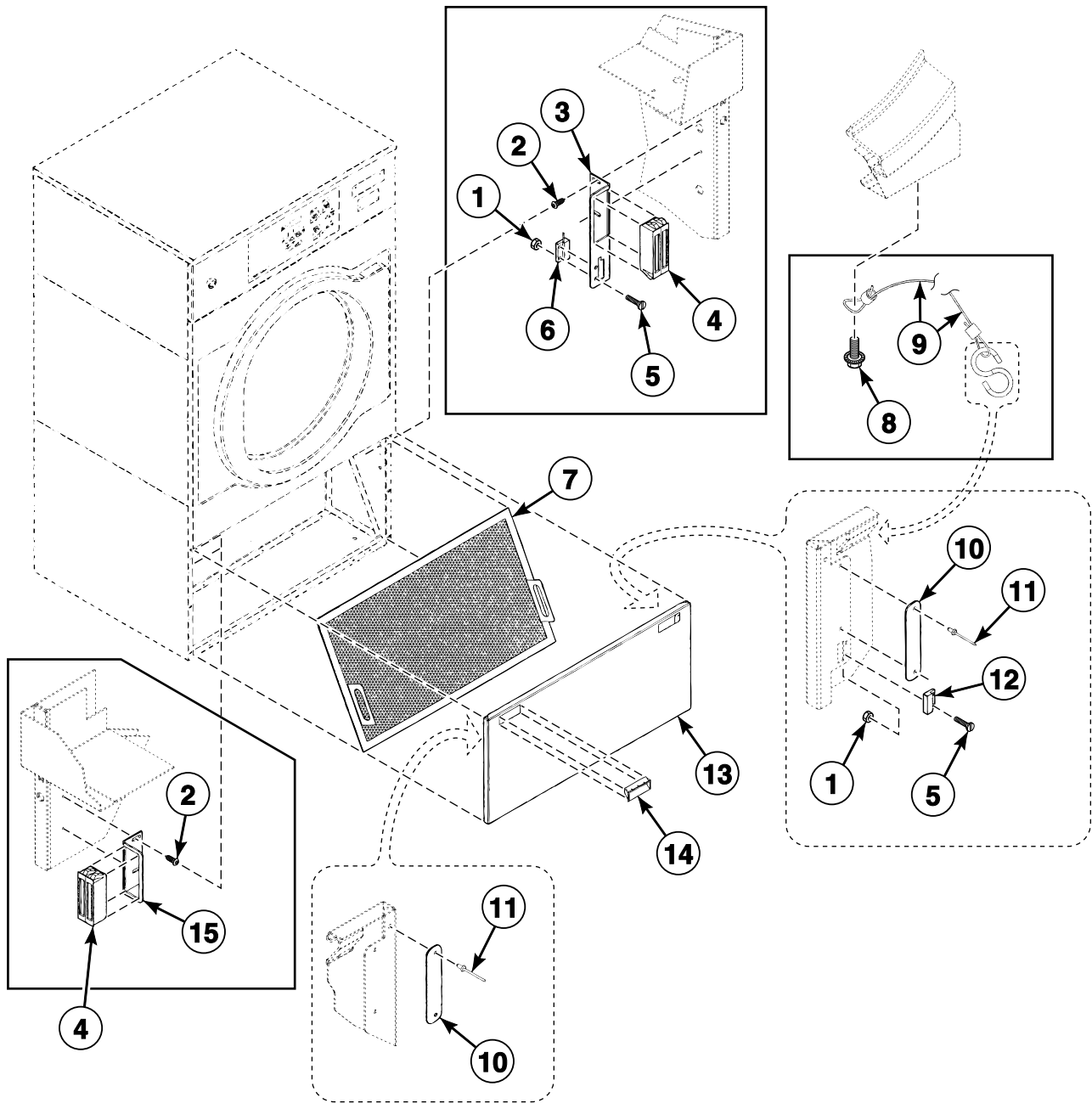


TMB3063P\_D0286

## Front Panel and PVC Door

REF	PART NO.	DESCRIPTION	COMMENTS
	254/10010/00	Door Assembly	Includes items 5, 6, 8-15 and 208/00127/00 Screw
1	206/00099/00	Bolt	
2	160/00021/02	Middle Front Panel	CD165, CD220, CD350 and CD450 models
	160/00021/05	Middle Front Panel	CD165, CD220, CD350 and CD450 models
	160/00212/02	Middle Front Panel	CD550 and CD700 models
3	254/ESA00/862	Reed Switch Assembly	
	254/00017/00	Magnetic Switch Holder	
4	254/SB000/975	Screw	
5	208/00024/00	Screw	
6	254/00010/01	Door Glass Holder	
7	207/00125/00	Bolt	
8	254/MD000/337	Reed Switch Magnet	
9	205/00107/00	Bolt	
10	202/00101/00	Washer	
11	254/00013/00	Door Hinge	
12	260/00069/20	Door Pointing Pin	
13	254/00010/00	Door	
14	254/MD000/359	Door Gasket	Foam
15	254/00011/00	Door Glass	540 mm diameter
16	208/00026/00	Rivet	
17	160/00132/00	Door Pin Plate	
18	260/00069/10	Door Pin Clips	

# Dust Filter and Lower Front Panel



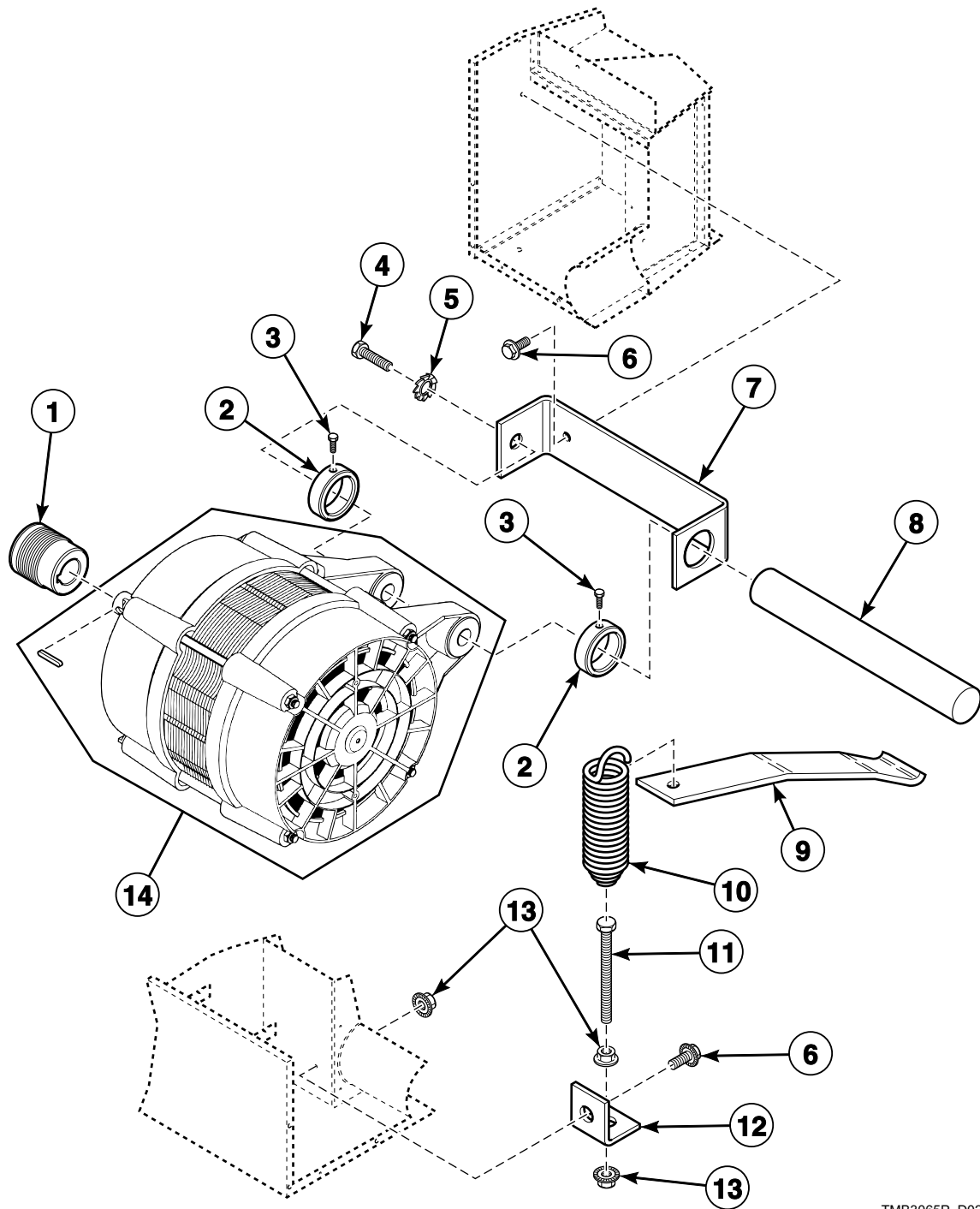
TMB3064P\_D0286



## Dust Filter and Lower Front Panel

REF	PART NO.	DESCRIPTION	COMMENTS
1	204/00116/00	Nut	
2	208/00007/00	Screw	
3	160/00137/60	Door Magnet Support	Right; CD165, CD220, CD350 and CD450 models
	160/00137/30	Door Magnet Support	Right; CD550 models
4	260/00074/00	Magnet	
5	207/00109/00	Screw	
6	260/00082/00	Hatch Switch	
7	160/00028/50	Filter	CD165, CD220 and CD350 models
	160/00235/00	Filter	CD450 models
	160/00216/00	Filter	CD550 and CD700 models
8	206/00099/00	Bolt	
9	260/00081/00	Cable and Hook Hatch	
10	160/00138/00	Front Panel Magnet Plate	CD165, CD220, CD350 and CD450 models
	160/00142/00	Front Panel Magnet Plate	CD550 and CD700 models
11	208/00026/00	Rivet	
12	260/00083/00	Hatch Magnet	
13	160/00021/53	Bottom Panel	CD165, CD220, CD350 and CD450 models
	160/00212/03	Bottom Panel	CD550 and CD700 models
14	260/00004/20	Lower Front Door Handle	
15	160/00137/00	Door Magnet Support	Left; CD165, CD220, CD350 and CD450 models
	160/00137/20	Door Magnet Support	Left; CD550 models

# Motor and Belt Pulley - CD165, CD220, CD350 and CD450 Models

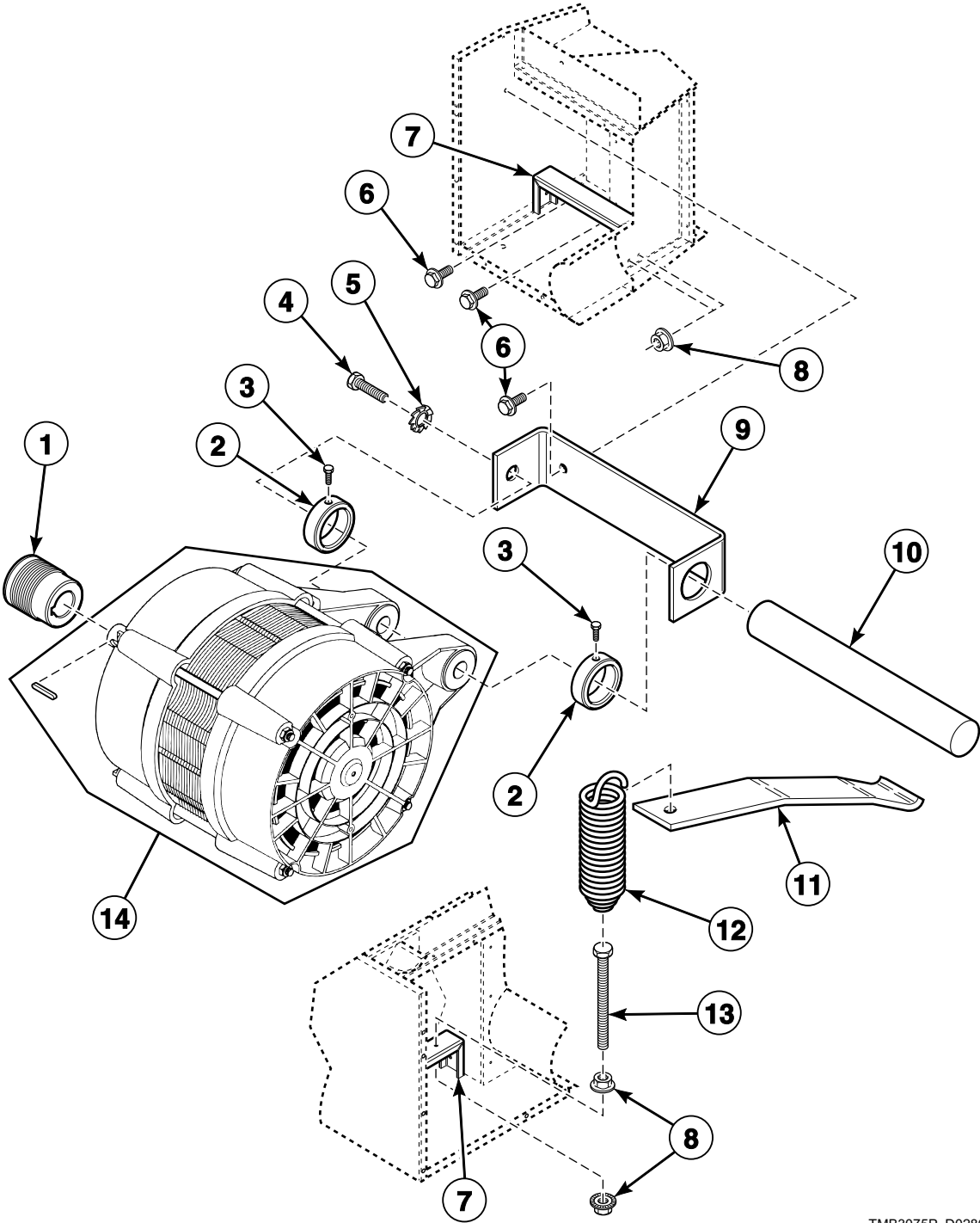


TMB3065P\_D0286

## Motor and Belt Pulley - CD165, CD220, CD350 and CD450 Models

REF	PART NO.	DESCRIPTION	COMMENTS
1	260/00018/00	Motor V-Belt Pulley	60 Hertz
	260/00017/00	Motor Pulley	50 Hertz
2	226/00017/00	Motor Safety Piece	
3	206/00014/00	Bolt	
4	206/00006/00	Bolt	
5	203/00002/00	Washer	
6	206/00099/00	Bolt	
7	160/00134/00	Motor Rod Bracket	
8	260/00085/00	Motor Rod	
9	260/00084/00	Tightening Belt Piece	
10	226/00010/00	Motor Spring	
11	206/00041/00	Bolt	
12	160/00051/00	Belt Tightening Support	CD165, CD220 and CD350 models
13	206/00101/00	Nut	
14	245/00130/00	Motor	

# Motor and Belt Pulley - CD550 and CD700 Models

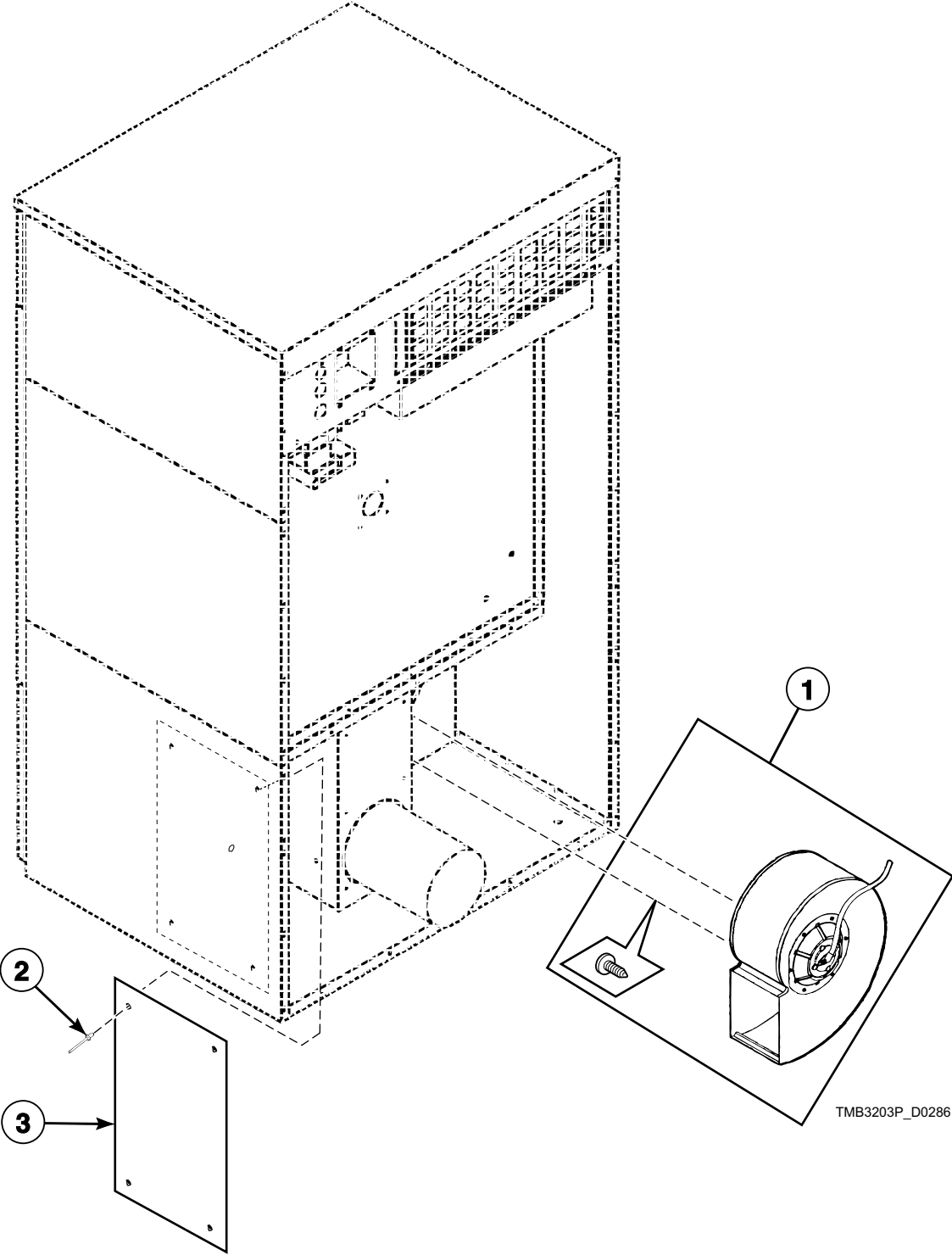


TMB3075P\_D0286

## Motor and Belt Pulley - CD550 and CD700 Models

REF	PART NO.	DESCRIPTION	COMMENTS
1	260/00106/00	Pulley	50 Hertz
	260/00107/00	Pulley	60 Hertz
2	226/00017/00	Motor Safety Piece	
3	206/00014/00	Bolt	
4	206/00006/00	Bolt	
5	203/00002/00	Washer	
6	206/00099/00	Bolt	
7	160/00218/00	Belt Fastener Plate	
8	206/00101/00	Nut	
9	160/00052/00	Support Spindle	
10	260/00112/00	Motor Rod	
11	126/00009/00	Belt Tensioner	
12	226/00010/00	Motor Spring	
13	206/00041/00	Bolt	
14	227/00206/00	Motor	220 or 380 Volt/50 Hertz
	Z71626200	Key	7x8x20 mm

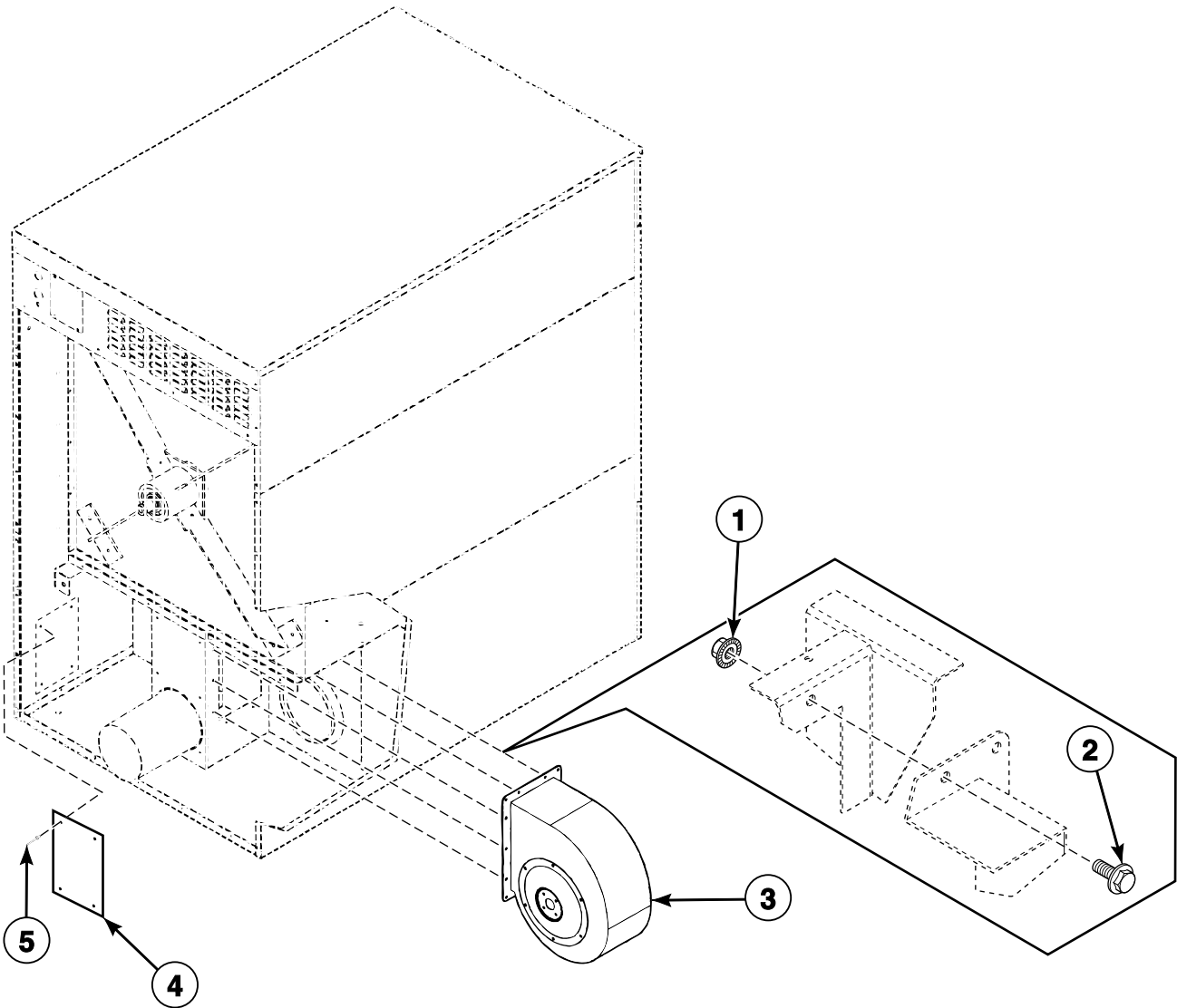
# Cabinet Back and Fan - CD165, CD220 and CD350 Models



## Cabinet Back and Fan - CD165, CD220 and CD350 Models

REF	PART NO.	DESCRIPTION	COMMENTS
1	260/00002/00	Fan	
2	208/00026/00	Rivet	4 required
3	B12500201	Motor Mounting Plate	

# Cabinet Back and Fan - CD450, CD550 and CD700 Models



TMB3204P\_D0286

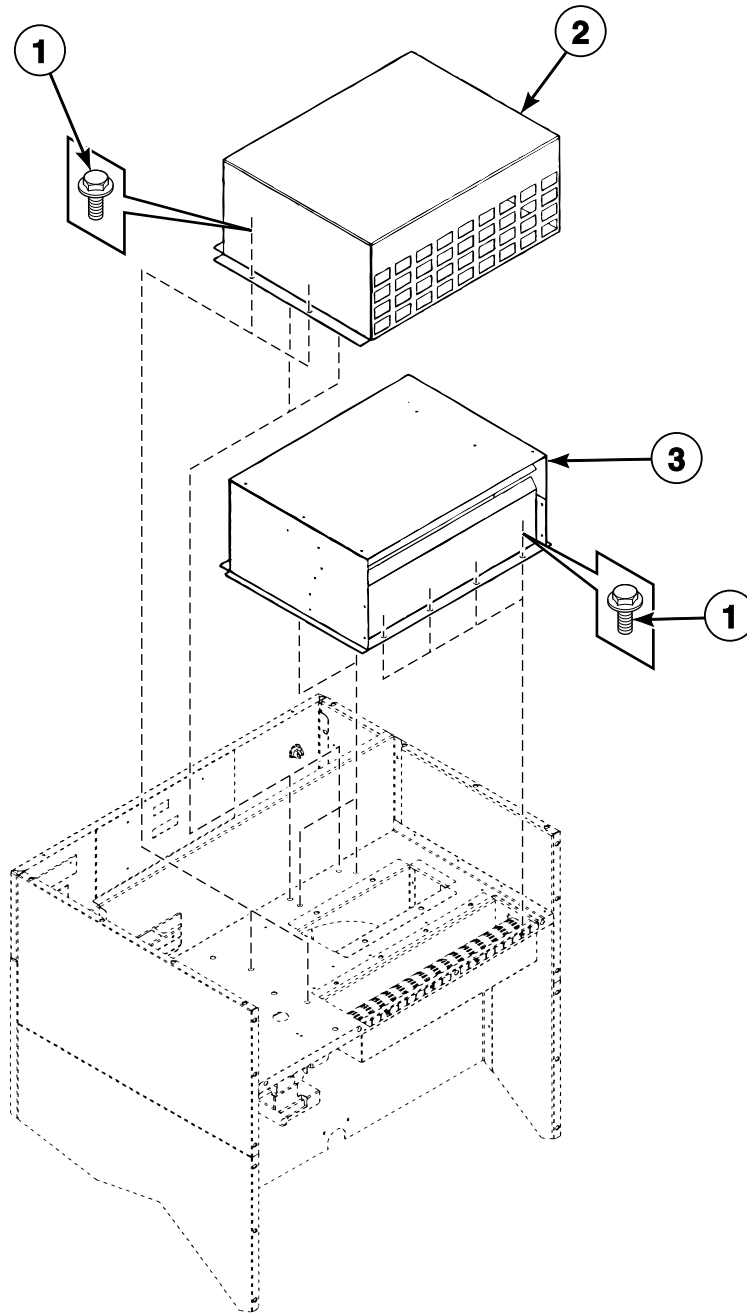


## Cabinet Back and Fan - CD450, CD550 and CD700 Models

REF	PART NO.	DESCRIPTION	COMMENTS
1	206/00101/00	Nut	
2	206/00099/00	Bolt	
3	260/00113/00	Electric Fan	G4D200-CL12-01; CD450 models
	260/00104/00	Electric Fan	G4D250-EC10-03; CD550 and CD700 models
4	B12500201	Motor Mounting Plate	CD450 models
	B12499101	Motor Mounting Plate	CD550 and CD700 models
5	208/00026/00	Rivet	4 required

# Gas Burner Housing

CD220 and CD350 Models



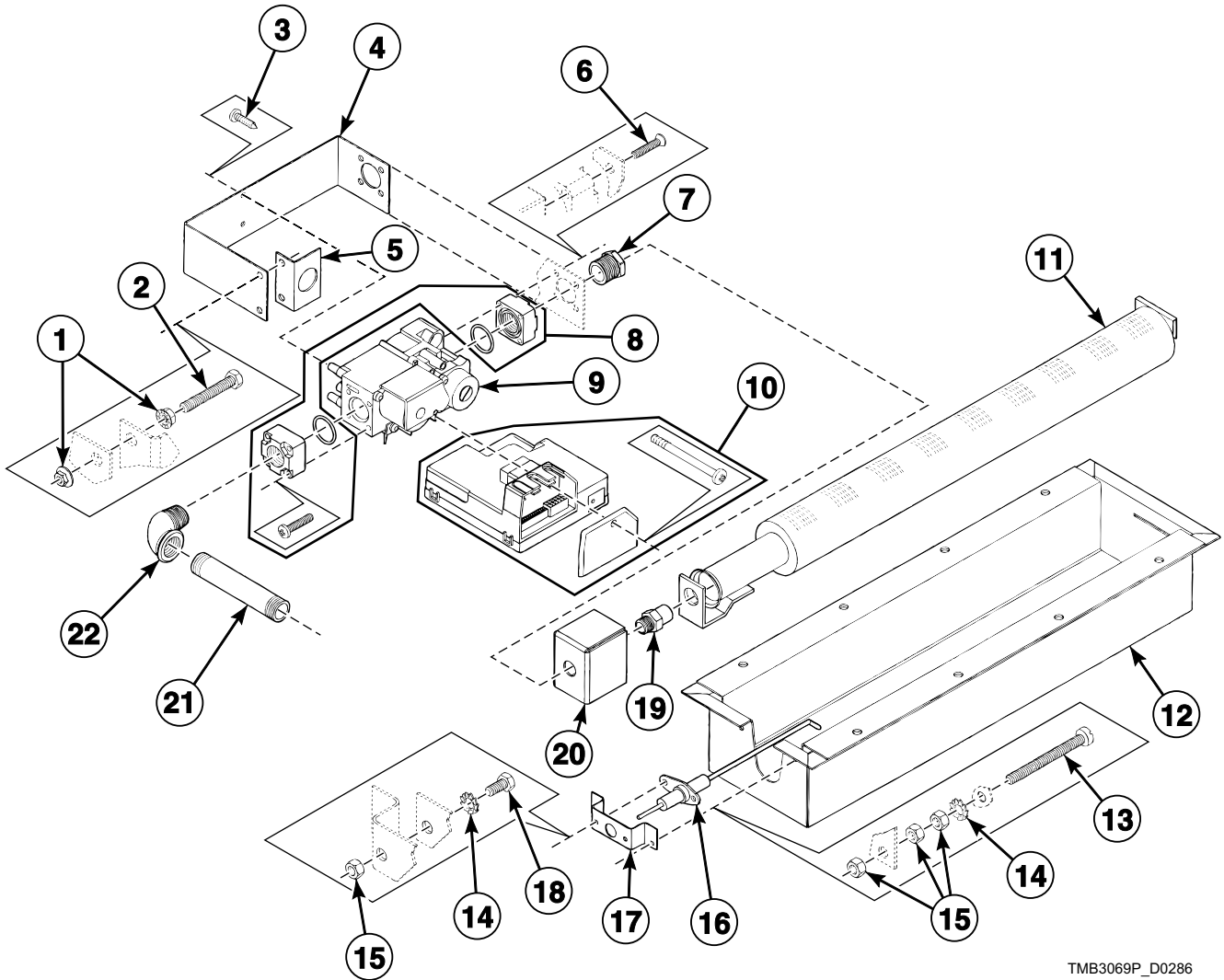
TMB3068P\_D0286

# Gas Burner Housing

REF	PART NO.	DESCRIPTION	COMMENTS
1	206/00099/00	Bolt	
2	160/00097/00	Gas Burner Housing Cover	
3	160/00128/00	Gas Burner Housing	

# Gas Heating

CD220 and CD350 Models

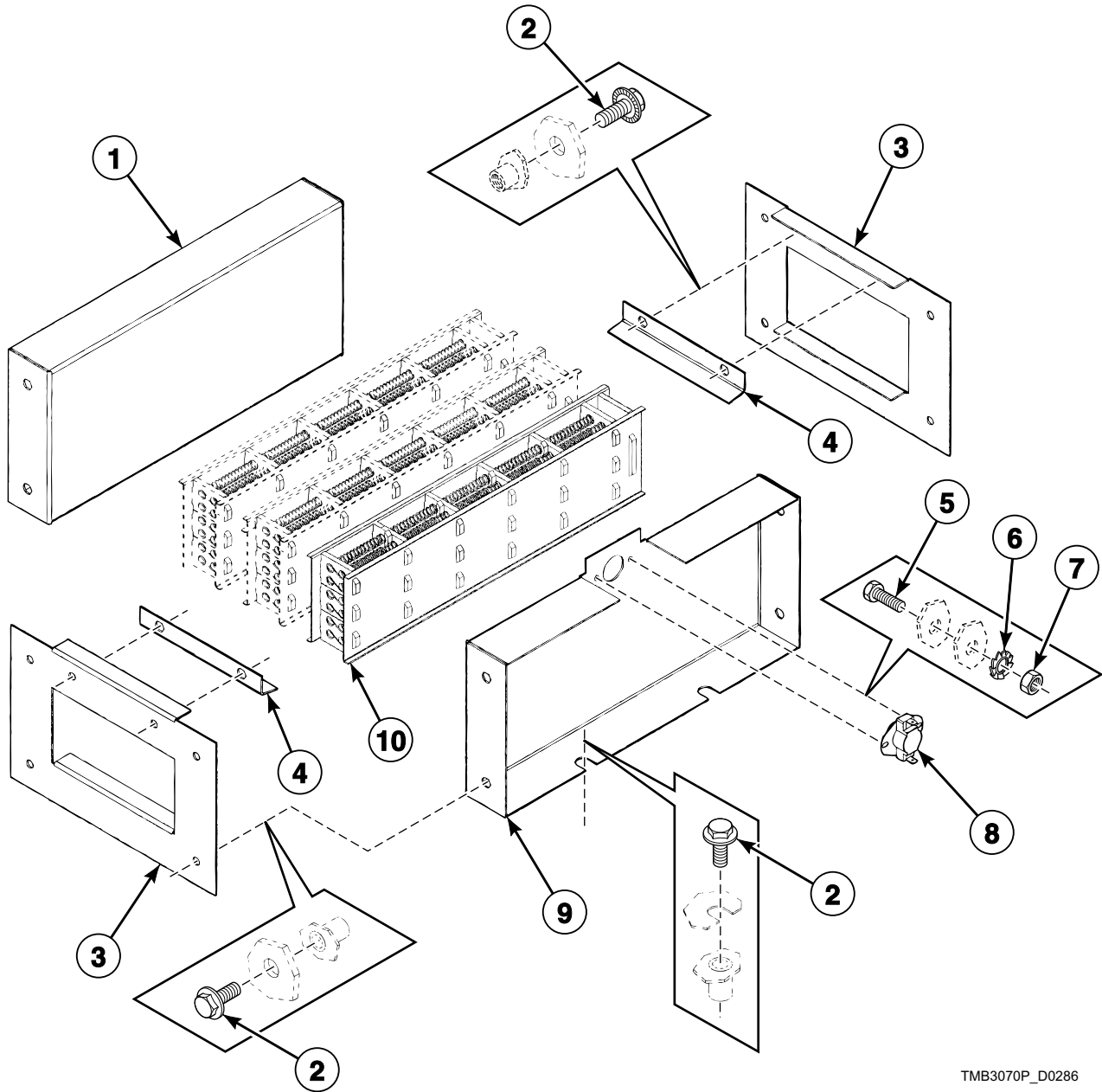


TMB3069P\_D0286

# Gas Heating

REF	PART NO.	DESCRIPTION	COMMENTS
1	206/00101/00	Nut	
2	205/00103/00	Bolt	
3	208/00014/00	Screw	
4	160/00082/00	Gas Valve Support	
5	160/00107/00	Gas Valve Support	
6	207/00036/00	Screw	
7	260/00065/00	Reducer	
8	260/00066/00	Gas Valve Flange	
9	260/00064/00	Gas Valve	
10	260/00063/00	Gas Ignition Relay	
11	254/TU013/502	Gas Burner	
12	160/00092/50	Gas Burner	
13	207/00031/00	Screw	
14	203/00006/00	Washer	
15	204/00105/00	Nut	
16	254/GA011/003	Electrode	
17	160/00081/00	Gas Ignition Electrode Support	
18	205/00116/00	Bolt	
19	260/20003/000	Orifice	3.0 mm; Gas type G20 and G25; Models CD220_DX3 and CD220_PROHC
	260/20002/100	Orifice	2.1 mm; Gas type G30 and G31; Models CD220_DX3 and CD220_PROHC
	260/20003/300	Orifice	3.3 mm; Gas type G20 and G25; Models CD350_DX3 and CD350_PROHC
	260/20002/200	Orifice	2.2 mm; Gas type G30 and G31; Models CD350_DX3 and CD350_PROHC
20	160/00271/00	Gas Injector Cover	
21	223/00291/00	Gas Supply Tube	
22	212/00012/00	Elbow	

# Electric Heating System - CD165, CD220, CD350 and CD450 Models

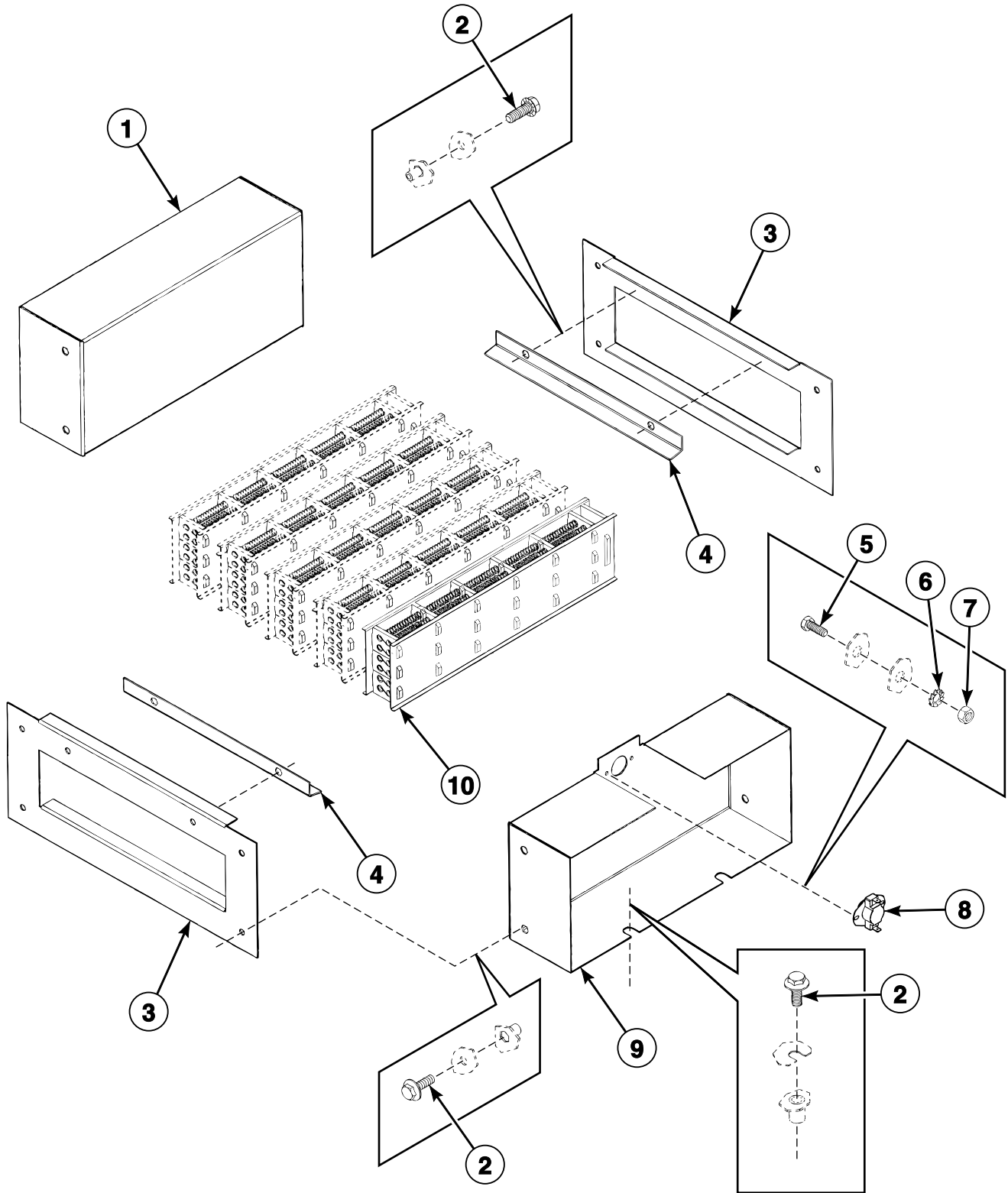


TMB3070P\_D0286

## Electric Heating System - CD165, CD220, CD350 and CD450 Models

REF	PART NO.	DESCRIPTION	COMMENTS
1	160/00048/02	Back Side Oven	CD165, CD220 and CD350 models
2	206/00099/00	Bolt	
3	160/00048/12	Oven Side	Models CD165_DX3 and CD165_PROHC
	160/00048/22	Oven Side	Models CD220_DX3 and CD220_PROHC
	160/00048/32	Oven Side	Models CD350_DX3 and CD350_PROHC
	160/00232/02	Oven Side	Models CD450_DX3 and CD450_PROHC
4	160/00048/13	Oven Support	Models CD165_DX3 and CD165_PROHC
	160/00048/23	Oven Support	Models CD220_DX3 and CD220_PROHC
	160/00048/33	Oven Support	Models CD350_DX3 and CD350_PROHC
	160/00232/01	Oven Support	Models CD450_DX3 and CD450_PROHC
5	206/00027/00	Bolt	
6	203/00006/00	Washer	
7	204/00007/00	Nut	
8	254/EA000/243	Safety Thermostat	
9	160/00048/01	Front Oven	CD165, CD220 and CD350 models
10	260/00075/00	Heater Element	4 kW
	260/00034/00	Heater Element	4.5 kW
	260/00013/00	Heater Element	6 kW
	260/00059/00	Heater Element	8 kW
	260/00078/00	Heater Element	4 kW; 440 Volt
	260/00079/00	Heater Element	4.5 kW; 440 Volt
	260/00076/00	Heater Element	6 kW; 440 Volt
	260/00080/00	Heater Element	8 kW; 440 Volt

# Electric Heating System - CD550 and CD700 Models



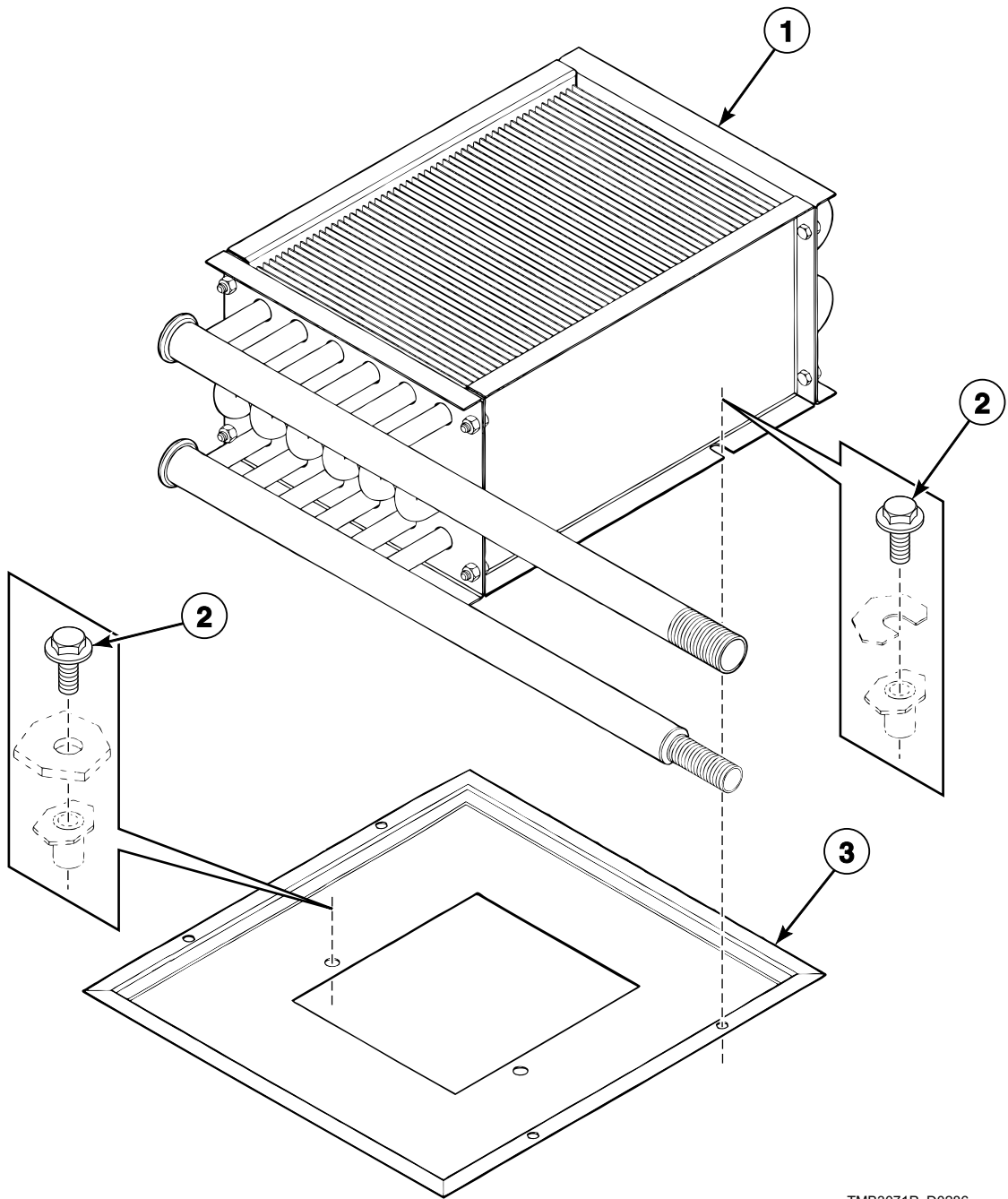
TMB3074P\_D0286



## Electric Heating System - CD550 and CD700 Models

REF	PART NO.	DESCRIPTION	COMMENTS
1	160/00227/04	Back Side Oven	
2	206/00099/00	Bolt	
3	160/00227/01	Oven Side	
4	160/00227/02	Oven Support	
5	206/00027/00	Bolt	
6	203/00006/00	Washer	
7	204/00007/00	Nut	
8	254/EA000/243	Safety Thermostat	
9	160/00227/03	Front Oven	
10	260/00075/00	Heater Element	4 kW

# Steam Heating



TMB3071P\_D0286

# Steam Heating

REF	PART NO.	DESCRIPTION	COMMENTS
1	254/00027/00	Steam Battery	Models CD165_DX3 and CD165_PROHC
	254/00028/00	Steam Battery	Models CD220_DX3 and CD220_PROHC
	260/00042/00	Steam Battery	Models CD350_DX3 and CD350_PROHC
	260/00109/00	Steam Battery	Models CD450_DX3 and CD450_PROHC
	260/00110/00	Steam Battery	Models CD550_DX3 and CD550_PROHC
	260/00111/00	Steam Battery	Models CD700_DX3 and CD700_PROHC
2	206/00099/00	Bolt	
3	160/00068/00	Steam Battery Mounting Plate	Models CD165_DX3 and CD165_PROHC
	160/00069/00	Steam Battery Mounting Plate	Models CD220_DX3 and CD220_PROHC
	160/00070/00	Steam Battery Mounting Plate	Models CD350_DX3 and CD350_PROHC
	160/00231/00	Steam Battery Mounting Plate	Models CD450_DX3 and CD450_PROHC
	160/00217/10	Steam Battery Mounting Plate	Models CD550_DX3 and CD550_PROHC
	160/00217/00	Steam Battery Mounting Plate	Models CD700_DX3 and CD700_PROHC



# Parts Index

## A

Auxiliary Contact	
260/00028/00 .....	11

## B

Back Side Oven	
160/00048/02 .....	45
160/00227/04 .....	47
Backbridge	
160/00022/00 .....	5
160/00083/00 .....	9
Ball Bearing	
215/00001/03 .....	17
215/00016/00 .....	17
Bearing Housing	
260/00003/00 .....	17
260/00100/00 .....	17
Belt Fastener Plate	
160/00218/00 .....	35
Belt Tensioner	
126/00009/00 .....	35
Belt Tightening Support	
160/00051/00 .....	33
Bolt	
205/00103/00 .....	43
205/00107/00 .....	29
205/00116/00 .....	13, 43
206/00004/00 .....	19, 21
206/00006/00 .....	33, 35
206/00013/00 .....	17
206/00014/00 .....	33, 35
206/00027/00 .....	7, 9, 15, 45, 47
206/00033/00 .....	17
206/00041/00 .....	33, 35
206/00054/00 .....	23, 25, 27
206/00099/00 .....	5, 9, 13, 17, 23, 25, 27, 29, 31, 33, 35, 39, 41, 45, 47, 49
207/00125/00 .....	29
Bottom Panel	
160/00021/53 .....	31
160/00212/03 .....	31
Bridge Electric Connection	
160/00219/00 .....	5, 13

## C

Cabinet	
160/00057/00 .....	5
160/00057/10 .....	9
160/00058/00 .....	5
160/00058/10 .....	9
160/00059/00 .....	5
160/00059/10 .....	9
160/00143/00 .....	5
160/00143/10 .....	9
160/00285/00 .....	5
160/00286/00 .....	5

Cable and Hook Hatch	
260/00081/00 .....	31
Cable Duct	
223/00037/00 .....	13
Coin Meter	
209/00593/00 .....	25
209/00598/00 .....	25
209/00600/00 .....	25
209/00601/00 .....	25
209/00610/00 .....	25
Coin Vault	
254/TU009/225 .....	25
Connection Clamp	
260/00035/00 .....	11
Connection Clamp Final Plate	
260/00035/01 .....	11
Connection Clamp Fuse Holder	
260/00036/00 .....	11
Connection Clamp Fuse Holder Final Plate	
260/00036/01 .....	11
Contact Switch	
209/00099/26 .....	23, 27
Contactora	
260/00022/00 .....	11
260/00023/00 .....	11
260/00025/00 .....	11
260/00026/00 .....	11
260/00077/00 .....	11
260/00115/00 .....	11
Control Board	
254/00067/00 .....	23, 25
254/00070/00 .....	27

## D

Door	
254/00010/00 .....	29
Door Assembly	
254/10010/00 .....	29
Door Gasket	
254/MD000/359 .....	29
Door Glass	
254/00011/00 .....	29
Door Glass Holder	
254/00010/01 .....	29
Door Hinge	
254/00013/00 .....	29
Door Magnet Support	
160/00137/00 .....	5, 9, 31
160/00137/20 .....	5, 31
160/00137/30 .....	5, 31
160/00137/60 .....	5, 9, 31
Door Pin Clips	
260/00069/10 .....	29
Door Pin Plate	
160/00132/00 .....	29
Door Pointing Pin	
260/00069/20 .....	29

N/A items do not appear in index.

Drum and Axle	
160/00005/00 .....	19
160/00006/00 .....	19
160/00007/00 .....	19
160/00201/00 .....	21
160/00201/50 .....	21
160/00236/00 .....	19
Dual Coin Box Protection Plate	
160/00127/00 .....	25

## E

Elbow	
212/00012/00 .....	43
Electric Fan	
260/00104/00 .....	39
260/00113/00 .....	39
Electrical Connection Cover Plate	
160/00033/00 .....	5, 9
160/00220/00 .....	5, 13
Electrical Connection Plate Assembly	
160/00032/00 .....	5, 9
Electrode	
254/GA011/003 .....	43
Emergency Switch Pushbutton	
209/00099/20 .....	23, 27
EPROM	
209/00323/16 .....	27

## F

Facia Panel	
160/00124/00 .....	23
160/00124/10 .....	23
160/00125/00 .....	25
160/00126/00 .....	27
160/00126/10 .....	27
160/00213/00 .....	23
160/00213/10 .....	23
160/00213/20 .....	27
160/00213/30 .....	27
Fan	
260/00002/00 .....	37
Fastening Piece	
217/00060/00 .....	25
Filter	
160/00028/50 .....	31
160/00216/00 .....	31
160/00235/00 .....	31
Front Oven	
160/00048/01 .....	45
160/00227/03 .....	47
Front Panel Magnet Plate	
160/00138/00 .....	31
160/00142/00 .....	31
Fuse	
209/00468/00 .....	11
209/00506/00 .....	23, 25, 27

## G

Gas Burner	
160/00092/50 .....	43
254/TU013/502 .....	43
Gas Burner Housing	
160/00128/00 .....	41
Gas Burner Housing Cover	
160/00097/00 .....	41
Gas Ignition Electrode Support	
160/00081/00 .....	43
Gas Ignition Relay	
260/00063/00 .....	43
Gas Injector Cover	
160/00271/00 .....	43
Gas Supply Tube	
223/00291/00 .....	43
Gas Valve	
260/00064/00 .....	43
Gas Valve Flange	
260/00066/00 .....	43
Gas Valve Support	
160/00082/00 .....	43
160/00107/00 .....	43
Gasket	
260/00056/00 .....	5, 9
Grommet	
223/00163/00 .....	15
223/00174/00 .....	15
223/00198/00 .....	15
Ground Terminal	
209/00006/01 .....	7, 9

## H

Hatch Magnet	
260/00083/00 .....	31
Hatch Switch	
260/00082/00 .....	31
Heater Element	
260/00013/00 .....	45
260/00034/00 .....	45
260/00059/00 .....	45
260/00075/00 .....	45, 47
260/00076/00 .....	45
260/00078/00 .....	45
260/00079/00 .....	45
260/00080/00 .....	45

## I

Intermediate Wiring Plate	
160/00047/00 .....	5, 9
160/00208/10 .....	5

## K

Key	
Z71626200 .....	35
Z71626240 .....	21

N/A items do not appear in index.

---

**L**

Lower Back Panel	
160/00080/20 .....	5, 9
160/00214/10 .....	5
Lower Front Door Handle	
260/00004/20 .....	31

---

**M**

Magnet	
260/00074/00 .....	31
Magnetic Switch Holder	
254/00017/00 .....	29
Main Switch	
209/00526/00 .....	13
Middle Back Panel	
160/00080/10 .....	5
160/00080/15 .....	9
160/00214/20 .....	5
Middle Front Panel	
160/00021/02 .....	29
160/00021/05 .....	29
160/00212/02 .....	29
Motor	
227/00206/00 .....	35
245/00130/00 .....	33
Motor Mounting Plate	
B12499101 .....	39
B12500201 .....	37, 39
Motor Pulley	
260/00017/00 .....	33
Motor Rod	
260/00085/00 .....	33
260/00112/00 .....	35
Motor Rod Bracket	
160/00134/00 .....	33
Motor Safety Piece	
226/00017/00 .....	33, 35
Motor Spring	
226/00010/00 .....	33, 35
Motor V-Belt Pulley	
260/00018/00 .....	33
Mounting Plate	
160/00027/00 .....	11

---

**N**

Nut	
204/00006/00 .....	23, 25, 27
204/00007/00 .....	7, 9, 15, 25, 45, 47
204/00105/00 .....	13, 43
204/00114/00 .....	23, 25, 27
204/00116/00 .....	31
206/00101/00 .....	17, 33, 35, 39, 43
211/00171/00 .....	7, 9
211/00172/00 .....	13
211/00182/00 .....	7, 9
211/00183/00 .....	13

---

**O**

Operating Sticker	
260/00045/00 .....	23
260/00046/00 .....	25
260/00047/00 .....	27
Orifice	
260/20002/100 .....	43
260/20002/200 .....	43
260/20003/000 .....	43
260/20003/300 .....	43
Oven Side	
160/00048/12 .....	45
160/00048/22 .....	45
160/00048/32 .....	45
160/00227/01 .....	47
160/00232/02 .....	45
Oven Support	
160/00048/13 .....	45
160/00048/23 .....	45
160/00048/33 .....	45
160/00227/02 .....	47
160/00232/01 .....	45

---

**P**

Plug	
B12500101 .....	13
Pressure Hose	
223/00333/00 .....	11
Pressure Switch	
260/00019/00 .....	11
Pulley	
226/00136/00 .....	21
255/00117/00 .....	19
260/00106/00 .....	35
260/00107/00 .....	35

---

**R**

Reducer	
260/00065/00 .....	43
Reed Switch Assembly	
254/ESA00/862 .....	29
Reed Switch Magnet	
254/MD000/337 .....	29
Retaining Ring	
117/00042/00 .....	23, 25, 27
212/00028/00 .....	17
Reversing Contactor	
260/00024/00 .....	11
Reversing Contactor Link	
260/00024/01 .....	11
Rivet	
208/00017/00 .....	13
208/00026/00 .....	9, 25, 29, 31, 37, 39

---

N/A items do not appear in index.

---

## S

Safety Thermostat	
254/EA000/243 .....	9, 45, 47
Screw	
207/00014/00 .....	7, 9
207/00031/00 .....	43
207/00036/00 .....	43
207/00109/00 .....	31
208/00007/00 .....	5, 9, 11, 31
208/00014/00 .....	5, 9, 43
208/00024/00 .....	29
254/SB000/975 .....	29
Single Coin Box Protection Plate	
160/00127/50 .....	25
Speed Sensor	
260/00008/00 .....	17
Speed Sensor Support	
160/00053/00 .....	17
Standoff	
211/00122/00 .....	23, 25, 27
Steam Battery	
254/00027/00 .....	49
254/00028/00 .....	49
260/00042/00 .....	49
260/00109/00 .....	49
260/00110/00 .....	49
260/00111/00 .....	49
Steam Battery Mounting Plate	
160/00068/00 .....	49
160/00069/00 .....	49
160/00070/00 .....	49
160/00217/00 .....	49
160/00217/10 .....	49
160/00231/00 .....	49
Support Spindle	
160/00052/00 .....	35

---

## T

Telem Sticker	
209/00520/00 .....	23, 27
Temperature Sensor Assembly	
B12308501 .....	15
B12308601 .....	15
Temperature Sensor Support	
160/00094/00 .....	9
Temperature Switch	
254/EA000/594 .....	15
Terminal Block	
209/00005/00 .....	7, 9
209/00527/00 .....	13
209/00528/00 .....	13
Thermostat/Hygrometer Protection	
254/00063/00 .....	15
Tightening Belt Piece	
260/00084/00 .....	33
Tolerance Ring	
215/00004/00 .....	19
Top Panel	
160/00034/00 .....	5, 9
160/00035/00 .....	5, 9
160/00036/00 .....	5, 9

N/A items do not appear in index.

160/00066/00 .....	5
160/00078/00 .....	5
160/00079/00 .....	5
160/00215/00 .....	5
160/00226/00 .....	5
160/00228/00 .....	5
160/00229/00 .....	5
160/00230/00 .....	5
160/00234/00 .....	5, 9

Transformer	
260/00016/00 .....	11
Tub	
B12323801 .....	19

---

## U

Upper Back Panel	
160/00214/30 .....	5, 13

---

## V

V-Belt	
260/00009/00 .....	19
260/00108/00 .....	21

---

## W

Washer	
201/00004/00 .....	19, 21
201/00007/00 .....	17
202/00101/00 .....	29
203/00001/00 .....	19, 21
203/00002/00 .....	33, 35
203/00004/00 .....	17
203/00005/00 .....	23, 25, 27
203/00006/00 .....	7, 9, 13, 15, 43, 45, 47
223/00123/00 .....	23, 25, 27
Water Level Switch Assembly Plate	
160/00133/00 .....	5, 9
Wiring Cover Plate	
160/00208/00 .....	5
160/00222/00 .....	5
Wiring Protection Plate	
160/00027/10 .....	5, 9
160/00027/20 .....	5, 9
160/00027/30 .....	5, 9
160/00249/00 .....	5, 9