

# Tumble Dryer

250 Liters (11 Kilograms) Capacity  
With Easy Control

Refer to Page 3 for Model Numbers

Parts



# Table of Contents

Title	Page
Parts Ordering Information .....	2
Serial Plate Location.....	2
Model Identification.....	3
Front Panel Assembly.....	4
Filter Panel Assembly.....	6
Upper Panel for EC Models.....	8
Easy Control Components With Coin Meter (Drawing 1 of 2) .....	10
Easy Control Components With Coin Meter (Drawing 2 of 2) .....	12
Coin Meter (Drawing 1 of 3).....	14
Coin Meter (Drawing 2 of 3).....	16
Coin Meter (Drawing 3 of 3).....	18
Easy Control Components Without Coin Meter (Drawing 1 of 2) .....	20
Easy Control Components Without Coin Meter (Drawing 2 of 2) .....	22
Easy Control with External Payment System (Drawing 1 of 2).....	24
Easy Control with External Payment System (Drawing 2 of 2).....	26
Cabinet - Heat Pump Models.....	28
Cabinet - Gas, Steam and Electric Models.....	30
Drum Assembly .....	32
Door Assembly .....	34
Door Assembly - Double Layer Door.....	36
Electric Heat Components .....	38
Gas Heat Components - Gas Models Through Serial No. 11T006658QB .....	40
Gas Heat Components (Drawing 1 of 2).....	42
Gas Heat Components (Drawing 2 of 2).....	44
Steam Heat Components .....	46
Heat Pump (Drawing 1 of 2) .....	48
Heat Pump (Drawing 2 of 2) .....	50
Frequency Inverter Panel .....	52
Heat Pump Rinsing System.....	54
Exhaust.....	56
Drive System .....	58
Fan Housing Assembly.....	60
Electric Box Components - Heat Pump Models.....	62
Electric Box Components - Electric Models.....	64
Electric Box Components - Gas and Steam Models.....	66
Under Pressure Clutch .....	68
Heat Pump Booster .....	70
Humidity Sensor .....	72
WiFi Connection .....	74
Ventilator - Heat Pump Models.....	76
Parts Index.....	79

© Copyright 2023, Alliance Laundry Systems LLC

All rights reserved. No part of the contents of this book may be reproduced or transmitted in any form or by any means without the expressed written consent of the publisher.

# Parts Ordering Information

If literature or replacement parts are required, contact the source from whom the machine was purchased or contact Alliance Laundry Systems at (920) 748-3950 for the name and address of the nearest authorized parts distributor.

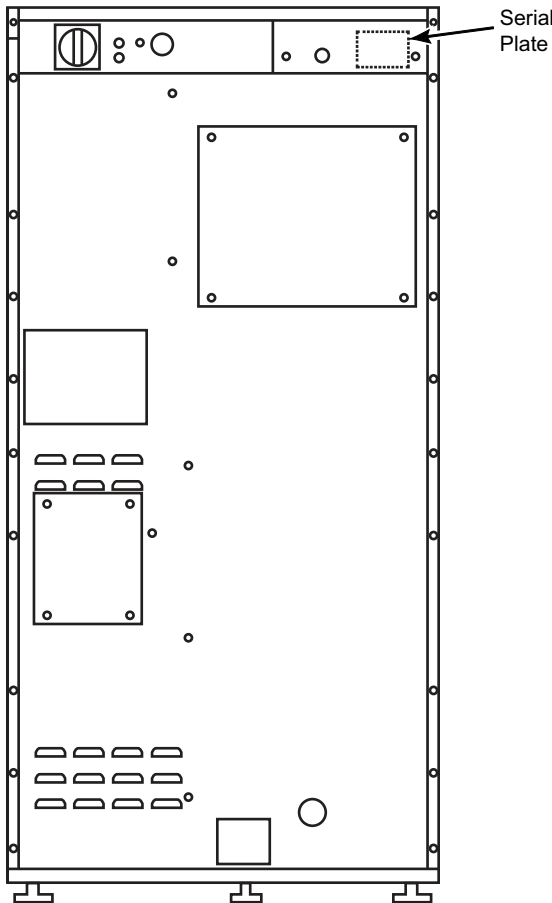
For technical assistance, call the number listed below:

(920) 748-3121 Ripon, Wisconsin

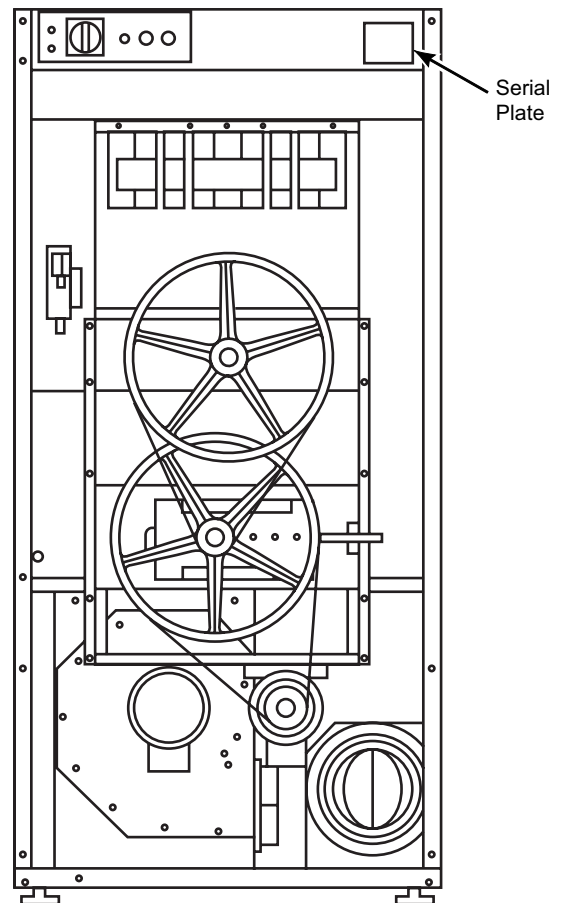
# Serial Plate Location

When calling or writing about your product, be sure to mention model and serial numbers. Model and serial numbers are located on serial plate(s).

**HEAT PUMP**



**GAS, STEAM AND ELECTRIC**



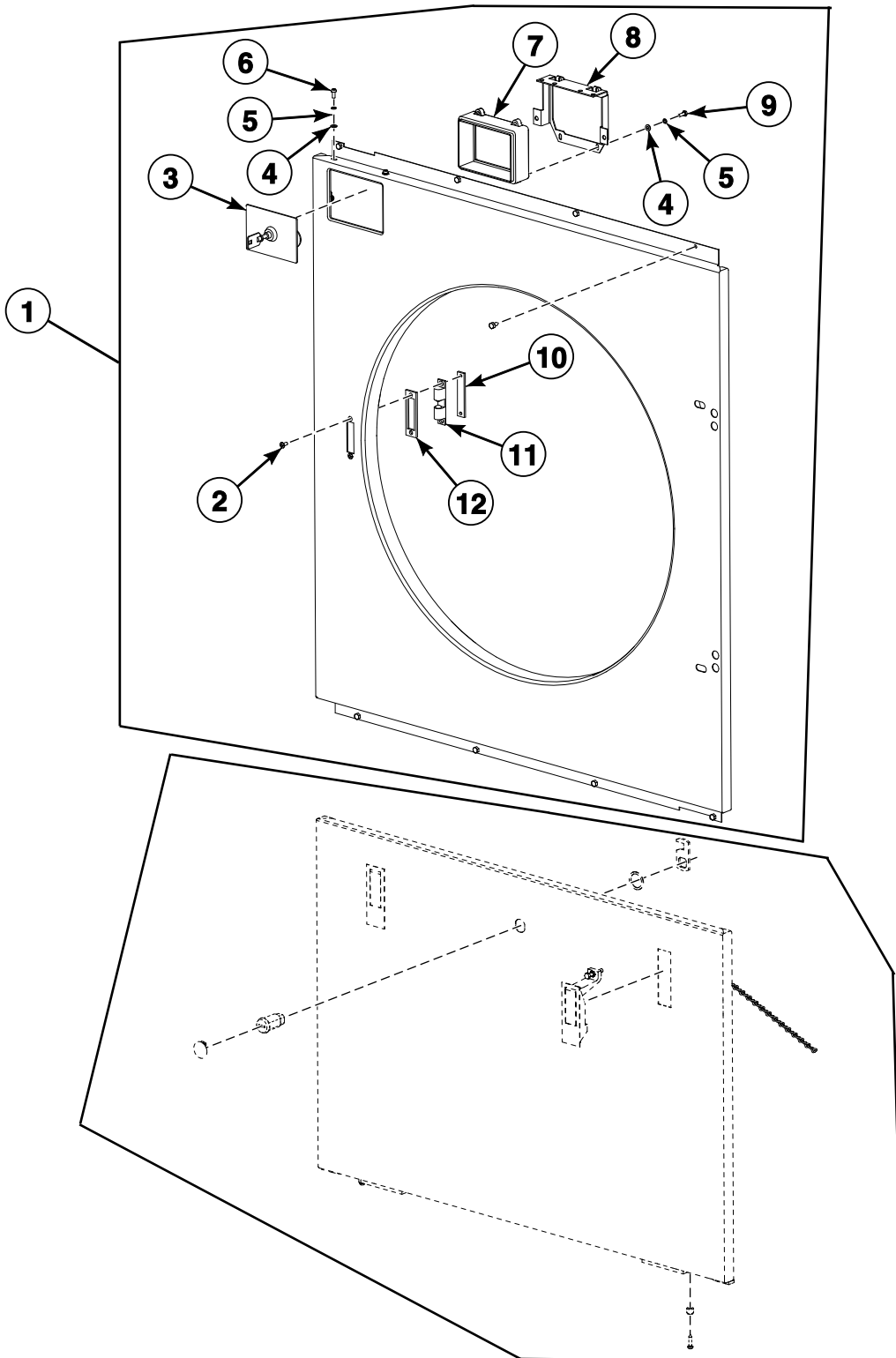
TMB3403P\_D1644

## Model Identification

Information in this manual is applicable to these tumbler models:

EC_HYDROS_ST14	IU250WE	NC250ME	PC250WE	SE250HE	UE250NE
EC_HYDROS_ST14HP	IU250ZE	NC250NE	PC250ZE	SE250LE	UE250SE
I250_EASY	IX250EE	NC250SE	PE250EE	SE250ME	UE250TE
IDR250	IX250FE	NC250TE	PE250FE	SE250NE	UE250WE
IHP250_EASY	IX250HE	NC250WE	PE250HE	SE250SE	UH250EE
LS250_EASY	IX250LE	NC250ZE	PE250LE	SE250TE	UH250FE
LS250HP_BASIC	IX250ME	NE250EE	PE250ME	SE250WE	UH250HE
SDR250	IX250NE	NE250FE	PE250NE	SH250EE	UH250LE
SHP250_EASY	IX250SE	NE250LE	PE250SE	SH250FE	UH250ME
T11_EASY	IX250TE	NE250ME	PE250TE	SH250HE	UH250NE
T11E	IX250WE	NE250NE	PE250WE	SH250LE	UH250SE
T11HP_EASY	IX250ZE	NE250SE	PH250EE	SH250ME	UH250TE
T11VP	LC250EE	NE250TE	PH250FE	SH250NE	UH250WE
UDR250	LC250FE	NE250WE	PH250HE	SH250SE	UH250ZE
UHP250_EASY	LC250HE	NH250EE	PH250LE	SH250TE	UU250EE
IC250EE	LC250LE	NH250FE	PH250ME	SH250WE	UU250FE
IC250FE	LC250ME	NH250HE	PH250NE	SH250ZE	UU250HE
IC250HE	LC250NE	NH250LE	PH250SE	SU250EE	UU250ME
IC250LE	LC250SE	NH250ME	PH250TE	SU250FE	UU250SE
IC250ME	LC250TE	NH250NE	PH250WE	SU250HE	UU250WE
IC250NE	LC250WE	NH250SE	PH250ZE	SU250ME	UU250ZE
IC250SE	LH250EE	NH250TE	PU250EE	SU250SE	UX250EE
IC250TE	LH250FE	NH250WE	PU250FE	SU250WE	UX250FE
IC250WE	LH250HE	NH250ZE	PU250HE	SU250ZE	UX250HE
IC250ZE	LH250LE	NU250EE	PU250ME	SX250EE	UX250LE
IE250EE	LH250ME	NU250FE	PU250SE	SX250FE	UX250ME
IE250FE	LH250NE	NU250HE	PU250WE	SX250HE	UX250NE
IE250HE	LH250SE	NU250ME	PU250ZE	SX250LE	UX250SE
IE250LE	LH250TE	NU250SE	PX250EE	SX250ME	UX250TE
IE250ME	LH250WE	NU250WE	PX250FE	SX250NE	UX250WE
IE250NE	LU250EE	NU250ZE	PX250HE	SX250SE	UX250ZE
IE250SE	LU250FE	NX250EE	PX250ME	SX250TE	
IE250TE	LU250HE	NX250FE	PX250NE	SX250WE	
IE250WE	LU250ME	NX250HE	PX250SE	SX250ZE	
IH250EE	LU250SE	NX250LE	PX250TE	UC250EE	
IH250FE	LU250WE	NX250ME	PX250WE	UC250FE	
IH250HE	LX250EE	NX250NE	PX250ZE	UC250HE	
IH250LE	LX250FE	NX250SE	SC250EE	UC250LE	
IH250ME	LX250HE	NX250TE	SC250FE	UC250ME	
IH250NE	LX250LE	NX250WE	SC250HE	UC250NE	
IH250SE	LX250ME	NX250ZE	SC250LE	UC250SE	
IH250TE	LX250NE	PC250EE	SC250ME	UC250TE	
IH250WE	LX250SE	PC250FE	SC250NE	UC250WE	
IH250ZE	LX250TE	PC250HE	SC250SE	UC250ZE	
IU250EE	LX250WE	PC250LE	SC250TE	UE250EE	
IU250FE	NC250EE	PC250ME	SC250WE	UE250FE	
IU250HE	NC250FE	PC250NE	SC250ZE	UE250HE	
IU250ME	NC250HE	PC250SE	SE250EE	UE250LE	
IU250SE	NC250LE	PC250TE	SE250FE	UE250ME	

# Front Panel Assembly

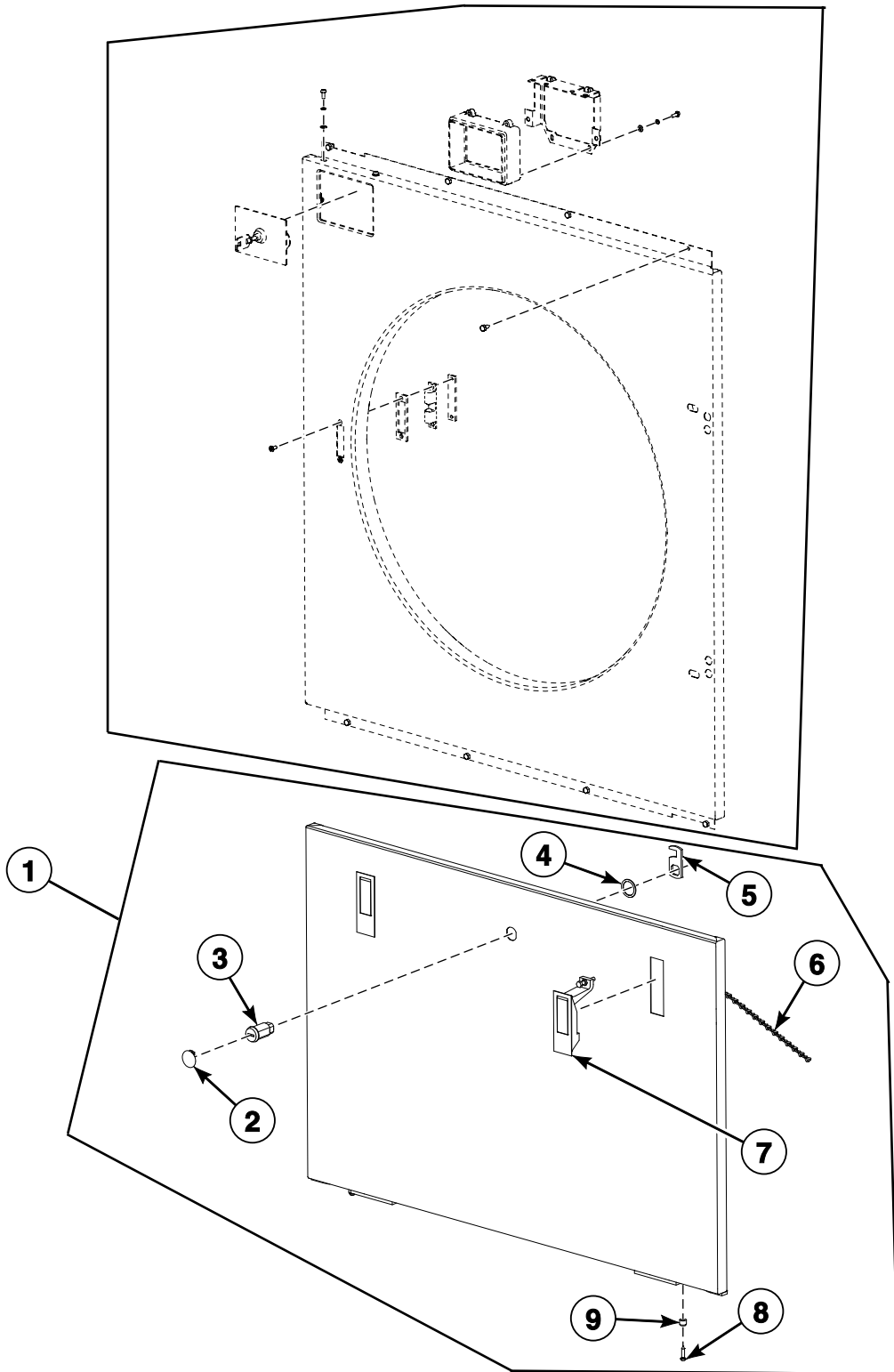


TMB3337P\_D1644

# Front Panel Assembly

REF	PART NO.	DESCRIPTION	COMMENTS
1	SP530621	Front Panel Assembly	U models; I models starting Serial No. 11T006637MZ; S models starting 1/1/2021; Includes items 2-12; Imitation stainless steel
	SP559831	Front Panel Assembly	S models through 12/31/2020; I and LS250HP_BASIC models through Serial No.11T006636MZ; Includes items 2-12; White
	SP555996	Front Panel Assembly	EC, L, N, P and T models; Includes items 2-12; Gray
	SP530620	Front Panel Assembly	Includes items 2-12; Stainless steel
	SP530623	Front Panel Assembly	U models; I models starting Serial No. 11T006637MZ; S models starting 1/1/2021; Includes items 2-12; Coin; Right door; Imitation stainless steel
	SP559832	Front Panel Assembly	S models through 12/31/2020; I and LS250HP_BASIC models through Serial No. 11T006636MZ; Includes items 2-12; Coin; Right door; White
	SP555997	Front Panel Assembly	EC, L, N, P and T models; Includes items 2-12; Coin; Right door; Gray
	SP530622	Front Panel Assembly	Includes items 2-12; Coin; Right door; Stainless steel
	SP545543	Front Panel Assembly	U models; I models starting Serial No. 11T006637MZ; S models starting 1/1/2021; Includes items 2-12; Coin; Left door; Imitation stainless steel
	SP559833	Front Panel Assembly	S models through 12/31/2020; I and LS250HP_BASIC models through Serial No. 11T006636MZ; Includes items 2-12; Coin; Left door; White
	SP555998	Front Panel Assembly	EC, L, N, P and T models; Includes items 2-12; Coin; Left door; Gray
	SP545542	Front Panel Assembly	Includes items 2-12; Coin; Left door; Stainless steel
2	SP309966240410	Bolt	
3	SP515291	Coin Vault Cover	Coin
4	SP311125000004	Washer	
5	SP311127000004	Washer	
6	SP515075	Bolt	
7	SP501514	Coin Vault Frame	Coin
8	SP524394	Coin Vault Frame Bracket	Coin
9	SP309933240412	Bolt	
10	SP514906	Washer	
11	SP514530	Latch	
12	SP524366	Washer	

# Filter Panel Assembly



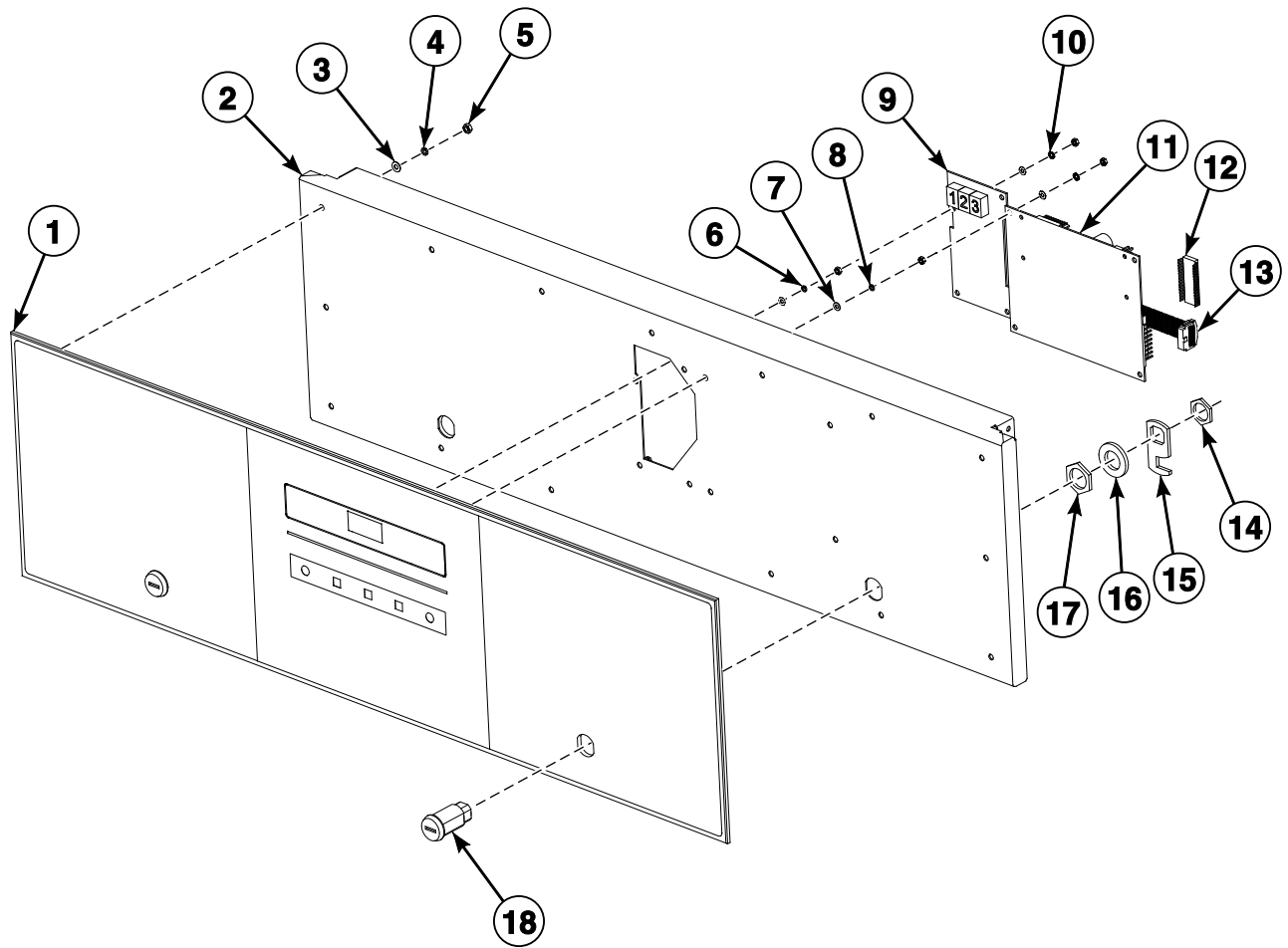
TMB3337PA\_D1644



# Filter Panel Assembly

REF	PART NO.	DESCRIPTION	COMMENTS
1	SP530631	Filter Panel Assembly	U models; I models starting Serial No. 11T006637MZ; S models starting 1/1/2021; Includes items 2-9; Imitation stainless steel
	SP559827	Filter Panel Assembly	S models through 12/31/2020; I and LS250HP_BASIC models through Serial No. 11T006636MZ; Includes items 2-9; White
	SP555961	Filter Panel Assembly	EC, L, N, P and T models; Includes items 2-9; Gray
	SP530630	Filter Panel Assembly	Includes items 2-9; Stainless steel
	SP530634	Filter Panel Assembly	U models; I models starting Serial No. 11T006637MZ; S models starting 1/1/2021; Includes items 2-9; With lock; Imitation stainless steel
	SP559828	Filter Panel Assembly	S models through 12/31/2020; I and LS250HP_BASIC models through Serial No. 11T006636MZ; Includes items 2-9; With lock; White
	SP555962	Filter Panel Assembly	EC, L, N, P and T models; Includes items 2-9; With lock; Gray
	SP530633	Filter Panel Assembly	Includes items 2-9; With lock; Stainless steel
	2	SP345900025012	Plug
3	SPPRI610000007	Lock	
4	SPPRI522000012	Washer	
5	SPPRI610001007	Lock Hook	
6	SP521266	Chain	
7	SP521221	Lock	
8	SP520407	Screw	
9	SP520408	Pin Insertion	

# Upper Panel for EC Models

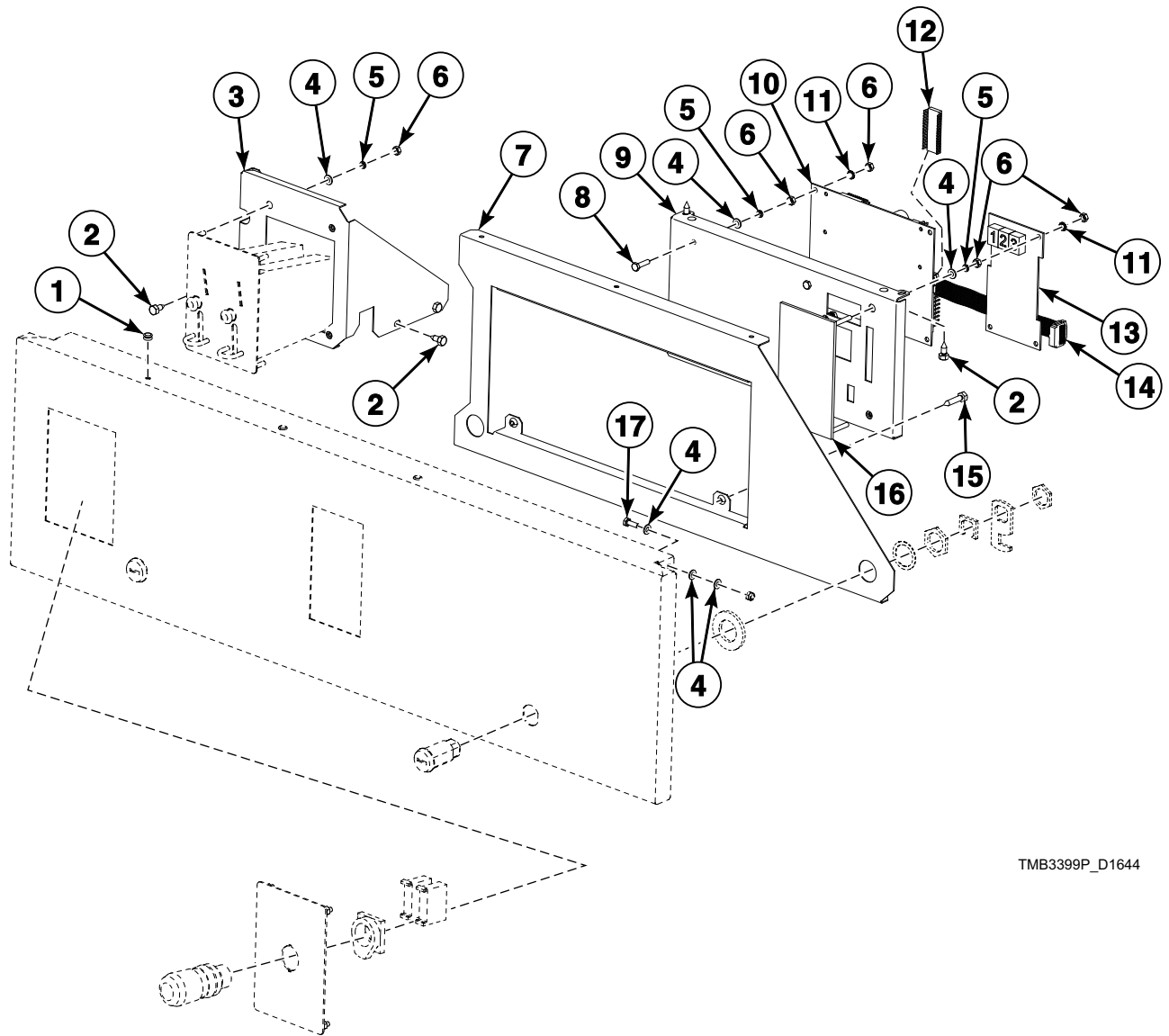


TMB3338P\_D1644

## Upper Panel for EC Models

REF	PART NO.	DESCRIPTION	COMMENTS
	SP560138	Control Panel Assembly	Includes items 1-18; Gray
1	SP560140	Overlay	
2	SP560139	Control Panel	Gray
3	SP311125000004	Washer	
4	SP311127000004	Washer	
5	SP310934000004	Nut	
6	SP310934000003	Nut	
7	SP311125000003	Washer	
8	SP311127240003	Washer	
9	SP553416	Display Board	Blue
10	SP311679800003	Washer	
11	SP529112	Control	
12	SP526001	Memory	Empty without software version
	103460	Memory	Includes SP526001 Memory and software
	545268	Memory	Models with heat pump; Includes SP526001 Memory and software
13	SP521061	Cable	
14	SPPRI610006007	Nut	
15	SPPRI610001007	Lock Hook	
16	SP311125000010	Washer	
17	SPPRI610005007	Nut	
18	SPPRI610000007	Lock	

# Easy Control Components With Coin Meter (Drawing 1 of 2)

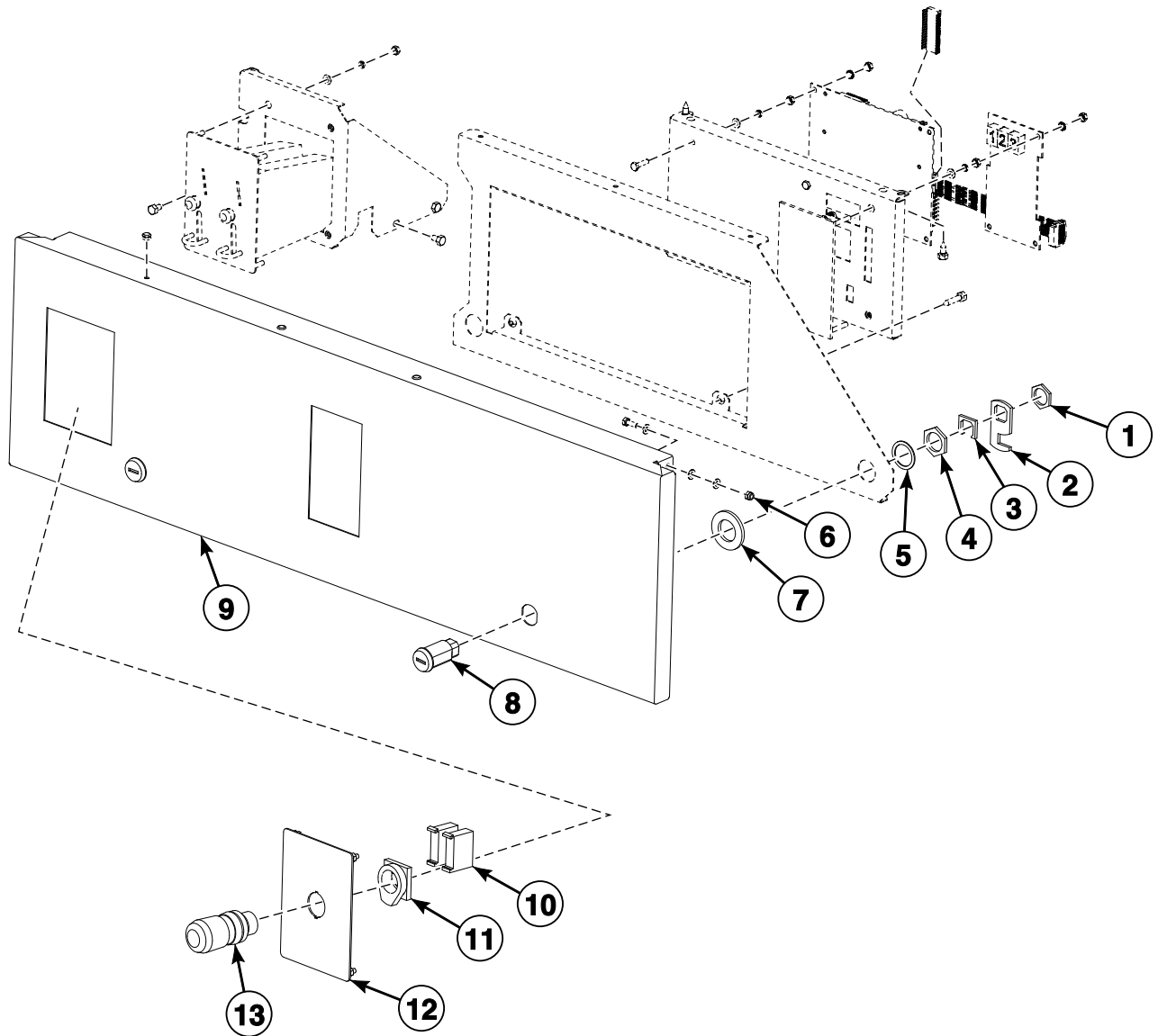


TMB3399P\_D1644

## Easy Control Components With Coin Meter (Drawing 1 of 2)

REF	PART NO.	DESCRIPTION	COMMENTS
	SP556690	Control Panel Assembly	U models; Imitation stainless steel
	SP559889	Control Panel Assembly	U models; Stainless steel
	SP556691	Control Panel Assembly	I models; White; Through Serial No. 11T006636MZ
	574517	Control Panel Assembly	I models; Imitation stainless steel; Starting Serial No. 11T006637MZ
	SP559890	Control Panel Assembly	I models; Stainless steel
	575433	Control Panel Assembly	S models; Imitation stainless steel
	SP560717	Control Panel Assembly	S models through 12/31/2020; White
	SP560716	Control Panel Assembly	S models; Stainless steel
	SP556075	Control Panel Assembly	P and T models; L and N models through Serial No. 11T006636MZ; Gray
	SP556689	Control Panel Assembly	P and T models; L and N models through Serial No. 11T006636MZ; Stainless steel
	SP556692	Control Panel Assembly	P and T models; Black; Through 12/12/2016
	SP560224	Control Panel Assembly	Model LS250HP; White; Through Serial No. 11T006636MZ
	574518	Control Panel Assembly	L and N models; Gray; Starting Serial No. 11T006637MZ
	SP560225	Control Panel Assembly	L and N models; Stainless steel
<b>1</b>	SP313250004075	Rivet	
<b>2</b>	SP100218	Screw	
<b>3</b>	SP556081	Coin Meter Bracket	
<b>4</b>	SP311125000004	Washer	
<b>5</b>	SP311127000004	Washer	
<b>6</b>	SP310934000004	Nut	
<b>7</b>	SP556603	Control Bracket	
<b>8</b>	SP309933000416	Bolt	
<b>9</b>	SP559819	Control Bracket	
<b>10</b>	SP102458	Control	
<b>11</b>	SP311679800004	Washer	
<b>12</b>	SP526001	Memory	Empty without software version
	102460	Memory	Includes SP526001 Memory and software; Gas heat; Electric heat; Steam heat
	545264	Memory	Includes SP526001 Memory and software; Gas heat; Electric heat; Steam heat; Export France
	545265	Memory	Models with heat pump; Includes SP526001 Memory and software
	545266	Memory	Models with heat pump; Includes SP526001 Memory and software; Export France
	545267	Memory	Models with heat pump and frequency inverter; Includes SP526001 Memory and software
<b>13</b>	SP102459	Display Board	S and U models; Green
	SP560706	Display Board	I models; Red
	SP553416	Display Board	L, N, P and T models; Blue
<b>14</b>	SP521061	Cable	
<b>15</b>	SP520871	Screw	
<b>16</b>	SP559870	Overlay	U models
	SP559900	Overlay	I models
	SP559871	Overlay	L, N and S models
	SP556099	Overlay	P and T models
<b>17</b>	SP309933240412	Bolt	

# Easy Control Components With Coin Meter (Drawing 2 of 2)

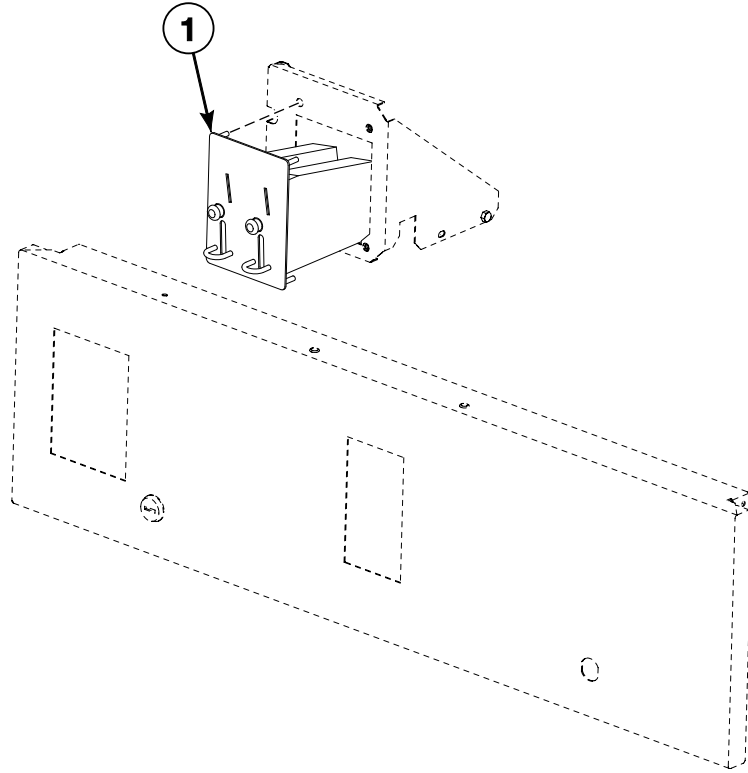


TMB3399PA\_D1644

## Easy Control Components With Coin Meter (Drawing 2 of 2)

REF	PART NO.	DESCRIPTION	COMMENTS
1	SPPRI610006007	Nut	
2	SPPRI610001007	Lock Hook	
3	SP529082	Shim	
4	SPPRI610005007	Nut	
5	SPPRI522000012	Washer	
6	SP514193	Nut	
7	SP311125000020	Washer	
8	SPPRI610000007	Lock	
9	SP556644	Control Panel	I, L, N, P, S, T and U models; Stainless steel
	SP556680	Control Panel	P and T models; Black; Through 12/12/2016
	SP556678	Control Panel	U models; I models starting Serial No. 11T006637MZ; S models starting 1/1/2021; Imitation stainless steel
	SP556679	Control Panel	I, L and N models through Serial No. 11T006636MZ; S models through 12/31/2020; White
	SP556076	Control Panel	L, N, P and T models; Gray
10	SP528312	Switching Unit	
11	SP528311	Emergency Stop Connector	
12	SP562956	Label	
13	SP528310	Emergency Stop Knob	

# Coin Meter (Drawing 1 of 3)



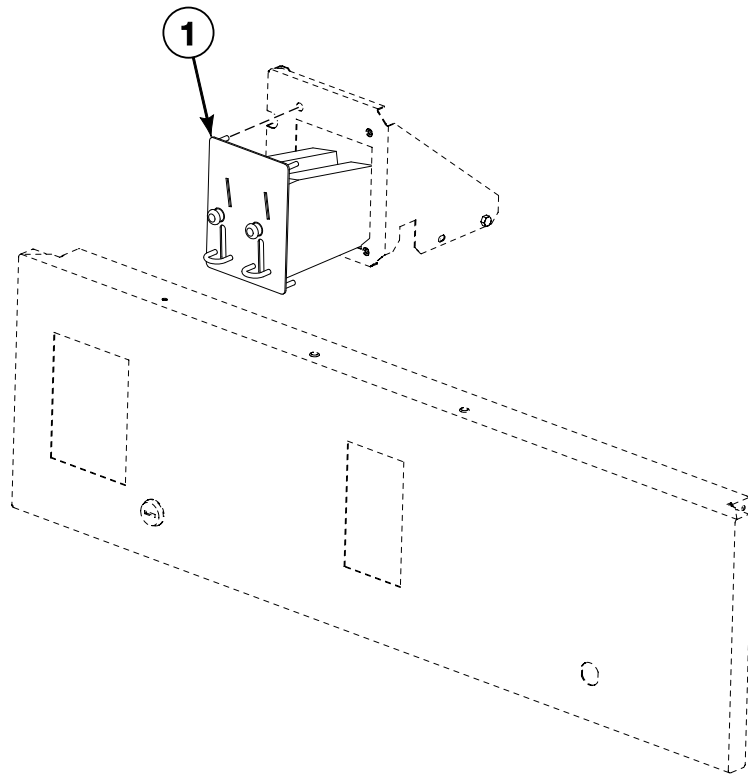
TMB3400P\_D1644



## Coin Meter (Drawing 1 of 3)

REF	PART NO.	DESCRIPTION	COMMENTS
1	SP100642	Coin Meter	1AUD + 20C
	SP100866	Coin Meter	5K jeton
	SP100867	Coin Meter	7K jeton
	SP100868	Coin Meter	10K jeton
	SP100869	Coin Meter	12K jeton
	SP100870	Coin Meter	15K jeton
	SP100871	Coin Meter	D jeton
	SP100887	Coin Meter	1pound + 20PC
	SP100888	Coin Meter	1pound + 50PC
	SP100891	Coin Meter	100YEN
	SP100892	Coin Meter	500YEN + 100YEN
	SP100895	Coin Meter	5DKK
	SP100896	Coin Meter	20DKK
	SP100900	Coin Meter	5ILS + 1ILS
	SP100902	Coin Meter	1EUR
	SP101228	Coin Meter	1 MYR
	SP101535	Coin Meter	0.50EUR
	SP101536	Coin Meter	0.50EUR + 1EUR
	SP101797	Coin Meter	1DKK + 5DKK
	SP101612	Coin Meter	10NOK + 20NOK
	SP101450	Coin Meter	2DKK + 5DKK
	SP101499	Coin Meter	5NOK
	SP101632	Coin Meter	0.20EUR + 0.50EUR
	SP101586	Coin Meter	1NZD + 2NZD
	SP101155	Coin Meter	10NOK
	SP102084	Coin Meter	10NT + 50NT (dolar)
	SP516639	Coin Meter	2DKK
	SP516638	Coin Meter	Lucky Winner jeton
	SP102473	Coin Meter	10 Taiwan dollar
	SP516636	Coin Meter	10CZK + 20CZK
	SP516804	Coin Meter	7K Equipos Par Lavar jeton
	SP516737	Coin Meter	1EUR + 2EUR
	SP516807	Coin Meter	F10.3-W2000-19,2 Groove jeton, jeton diameter 24.8 mm
	SP100898	Coin Meter	500WON
	SP101437	Coin Meter	0.25USD
	SP516875	Coin Meter	1AUD + 2AUD
	SP102371	Coin Meter	5DKK + 10DKK
	SP102407	Coin Meter	0.2EUR
	SP102452	Coin Meter	1EUR + 0.2 EUR
	SP102546	Coin Meter	SUN WASH jeton
	SP516632	Coin Meter	2DKK + 10DKK
	SP516921	Coin Meter	Unibel Tech 5K jeton
	SP100893	Coin Meter	1AUD
	SP516950	Coin Meter	1CHF
	SP516967	Coin Meter	5 NOK +10NOK
	SP516969	Coin Meter	1 TopMos jeton + 1BGN
	516976	Coin Meter	50 penny
	SP516977	Coin Meter	1 Vendo jeton
	SP516980	Coin Meter	2EUR
	SP516984	Coin Meter	0.05EUR
	SP516991	Coin Meter	1 jeton Token

# Coin Meter (Drawing 2 of 3)

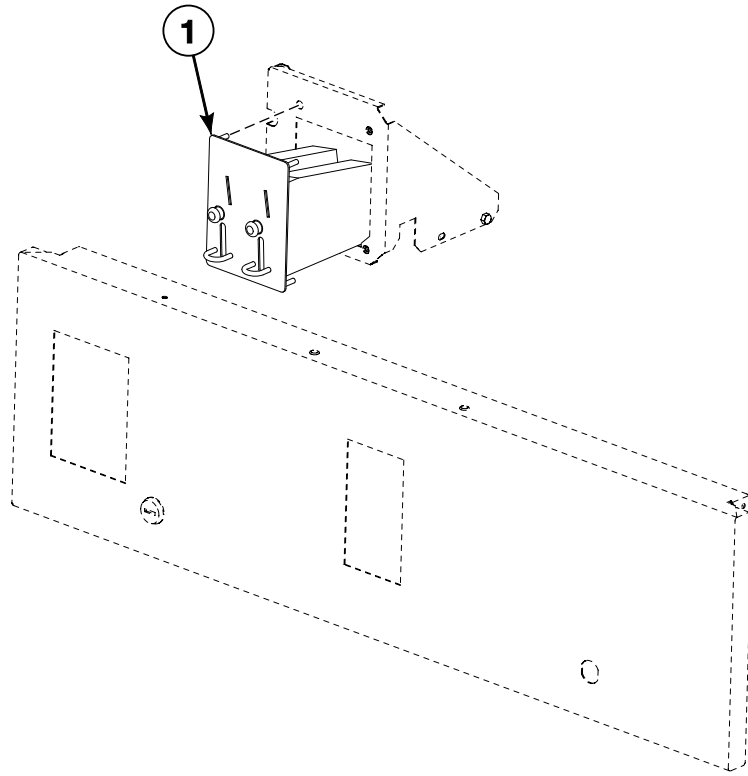


TMB3400P\_D1644

## Coin Meter (Drawing 2 of 3)

REF	PART NO.	DESCRIPTION	COMMENTS
1	SP516994	Coin Meter	20 pence
	SP516999	Coin Meter	7K + D jetons
	SP529106	Coin Meter	1 Wascator jeton diamater 22.2 mm
	SP529108	Coin Meter	1 Unibel jeton diamater 18.55 mm
	SP529114	Coin Meter	2EUR + 0.50EUR
	529115	Coin Meter	50HUF + 100HUF
	529119	Coin Meter	1 jeton, without coining, jeton diamater 20 mm
	SP529124	Coin Meter	1 Volund jeton, jeton diamater 22.5 mm
	SP534187	Coin Meter	1 Wascator jeton diamater 19 mm
	SP529113	Coin Meter	1 Miele jeton
	SP529110	Coin Meter	1 jeton without coining, jeton diamater 26 mm
	534289	Coin Meter	Three-groove jeton, jeton diamater 27 mm
	534297	Coin Meter	Three-groove jeton, jeton diamater 25 mm
	537775	Coin Meter	D jeton + 2EUR
	537776	Coin Meter	7K jeton + 2EUR
	SP537778	Coin Meter	Milano Italy jeton
	SP537779	Coin Meter	5PLN + 1 PLN
	SP537787	Coin Meter	Two-groove jeton, jeton diamater 27 mm
	SP537788	Coin Meter	A.S.A.R.D. jeton, jeton diamater 25.8 mm
	SP537825	Coin Meter	20CZK
	SP537828	Coin Meter	Electrolux ASARD jeton, jeton diamater 22.3 mm
	SP537859	Coin Meter	Laundromatic Belgium jeton, jeton diamater 22.3 mm
	SP537829	Coin Meter	Carsen two-groove jeton, jeton diamater 22 mm
	SP537913	Coin Meter	Asard Wascator jeton, jeton diamater 19.9 mm
	SP552901	Coin Meter	Eagle jeton, jeton diamater 25.98 mm
	552951	Coin Meter	1SGD
	SP552952	Coin Meter	200HUF
	SP552998	Coin Meter	1TRY
	SP553007	Coin Meter	0.5 MYR
	553008	Coin Meter	Butzi wash jeton
	SP553152	Coin Meter	EUROTOKEN 10 (DETON WASH)
	SP556109	Coin Meter	1SGD (new Singapore dollar)
	556113	Coin Meter	Flash wash jeton
	556114	Coin Meter	2PLN
	SP555667	Coin Meter	50 + 50, Malaysian cents
	SP556153	Coin Meter	Symbol M jeton, jeton ROMAC
	SP559709	Coin Meter	1 NOK + 5 NOK
	SP560746	Coin Meter	Dobi Ekspres jeton
	560095	Coin Meter	5k IPSO jeton
	SP560096	Coin Meter	7k IPSO jeton
	560097	Coin Meter	10k IPSO jeton
	560098	Coin Meter	12k IPSO jeton
	560099	Coin Meter	15k IPSO jeton
	SP561379	Coin Meter	10 Morrocan Dirham
	SP560793	Coin Meter	AAW Lav-o-seul jeton
	SP564823	Coin Meter	EMP500.12v5 for new SGD + new MYR + teach mode
	SP553140	Coin Meter	20 CZK + 50 CZK

# Coin Meter (Drawing 3 of 3)

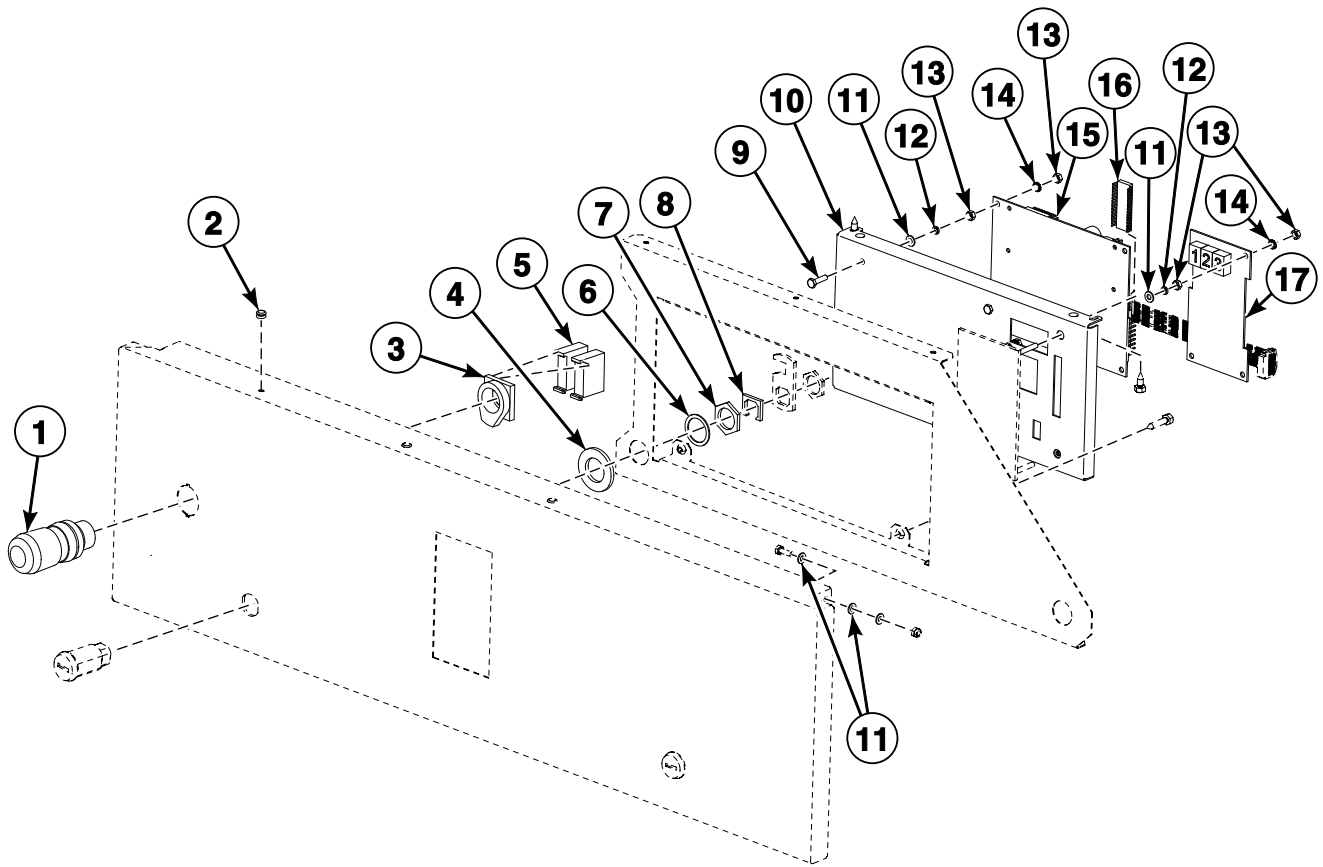


TMB3400P\_D1644

## Coin Meter (Drawing 3 of 3)

REF	PART NO.	DESCRIPTION	COMMENTS
1	516848	Coin Meter	Washmatic jeton
	516908	Coin Meter	Unibel Tech one-groove jeton
	516909	Coin Meter	Unibel Tech two-groove jeton
	516913	Coin Meter	Unibel Tech jeton for FS07
	516914	Coin Meter	Unibel Tech jeton for FS10
	529159	Coin Meter	1 Wash Jet. 20 jeton
	569920	Coin Meter	0.25USD, 1USD, 0.25CAD, 1CAD, 2CAD; Electronic EMPv7
	569923	Coin Meter	0.2GBP, 0.5GBP, 1GBP, 2GBP, 0.1EUR, 0.2EUR, 0.5EUR, 1EUR, 2EUR; Electronic EMPv7
	569926	Coin Meter	1DKK, 2DKK, 5DKK, 10DKK, 20DKK, 1NOK, 5NOK, 10NOK, 20NOK, 0.2EUR, 0.5EUR, 1EUR, 2EUR; Electronic EMPv7
	569929	Coin Meter	0.2AUD, 1AUD, 2AUD, 0.2NZD, 1NZD, 2NZD, 5HKD, 10HKD, 500KRW; Electronic EMPv7
	569932	Coin Meter	1CNY, 0.1MYR, 0.2MYR, 0.5MYR; Electronic EMPv7
	569935	Coin Meter	0.1EUR, 0.2EUR, 0.5EUR, 1EUR, 2EUR; Electronic EMPv7
	569938	Coin Meter	1PHP, 5PHP, 10PHP; Electronic EMPv7
	569941	Coin Meter	0.1SGD, 0.2SGD, 0.5SGD, 1SGD; Electronic EMPv7
	569944	Coin Meter	0.1MYR, 0.2MYR, 0.5MYR, 0.5SGD, 1SGD; Electronic EMPv7
	569947	Coin Meter	1HRK, 2HRK, 5HRK; Electronic EMPv7
	569950	Coin Meter	5CZK, 10CZK, 20CZK, 50CZK; Electronic EMPv7
	569953	Coin Meter	0.5MAD, 1MAD, 2MAD, 5MAD, 10MAD; Electronic EMPv7
	569956	Coin Meter	1PLN, 2PLN, 5PLN, 0.1EUR, 0.2EUR, 0.5EUR, 1EUR, 2EUR, 10ISK, 50ISK, 100ISK; Electronic EMPv7
	569963	Coin Meter	0.1EUR, 0.2EUR, 0.5EUR, 1EUR, 2EUR, jeton IPSO 5K; Electronic EMPv7
	569966	Coin Meter	0.2GBP, 0.5GBP, 1GBP, 2GBP, 0.1EUR, 0.2EUR, 0.5EUR, 1EUR, 2EUR, jeton "KWL Aqua", jeton "Gettone"; Electronic EMPv7
	569969	Coin Meter	0.1EUR, 0.2EUR, 0.5EUR, 1EUR, 2EUR, jeton G-FIS "LAVOIR BIANCA"; Electronic EMPv7
	569972	Coin Meter	0.5MYR, jeton "DOBI PAPA"; Electronic EMPv7
	569975	Coin Meter	1AUD, 2AUD, jeton "No Cash Value"; Electronic EMPv7
	569981	Coin Meter	0.5MYR, jeton "BUBBLELAB"; Electronic EMPv7
	569986	Coin Meter	HAUCK 2018 jeton
	572303	Coin Meter	Jeton 118-16
	572306	Coin Meter	1ILS, 2ILS, 5ILS, 10ILS; Electronic EMPv7
	572309	Coin Meter	1ZAR, 2ZAR, 5ZAR; Electronic EMPv7
	572312	Coin Meter	5RUB, 10RUB; Electronic EMPv7
	572315	Coin Meter	50CLP, 100CLP, 500CLP; Electronic EMPv7
	572319	Coin Meter	100JPY, 500JPY, 10TWD, 50TWD; Electronic EMPv7
	572322	Coin Meter	0.5GEL, 1GEL, 2GEL; Electronic EMPv7
	572325	Coin Meter	0.1EUR, 0.2EUR, 0.5EUR, 1EUR, 2EUR, Jeton 7K; Electronic EMPv7
	572337	Coin Meter	Jeton 118-1
	572338	Coin Meter	Jeton 118-5
	572340	Coin Meter	Gettone Jeton (26mm diameter x 1.7mm)
	572344	Coin Meter	TOKEN WH121
	572360	Coin Meter	1THB, 2THB, 5THB, 10THB; Electronic EMPv7
	572385	Coin Meter	0.2CHF, 0.5CHF, 1CHF, 2CHF; Electronic EMPv7
	572390	Coin Meter	0,25CAD
	579810	Coin Meter	1AED; Jeton 118-1; Electronic EMPv7
	579814	Coin Meter	20HUF, 50HUF, 100HUF, 200HUF; Electronic EMPv7
579820	Coin Meter	2PLN + 5PLN; Electronic EMPv7	

# Easy Control Components Without Coin Meter (Drawing 1 of 2)

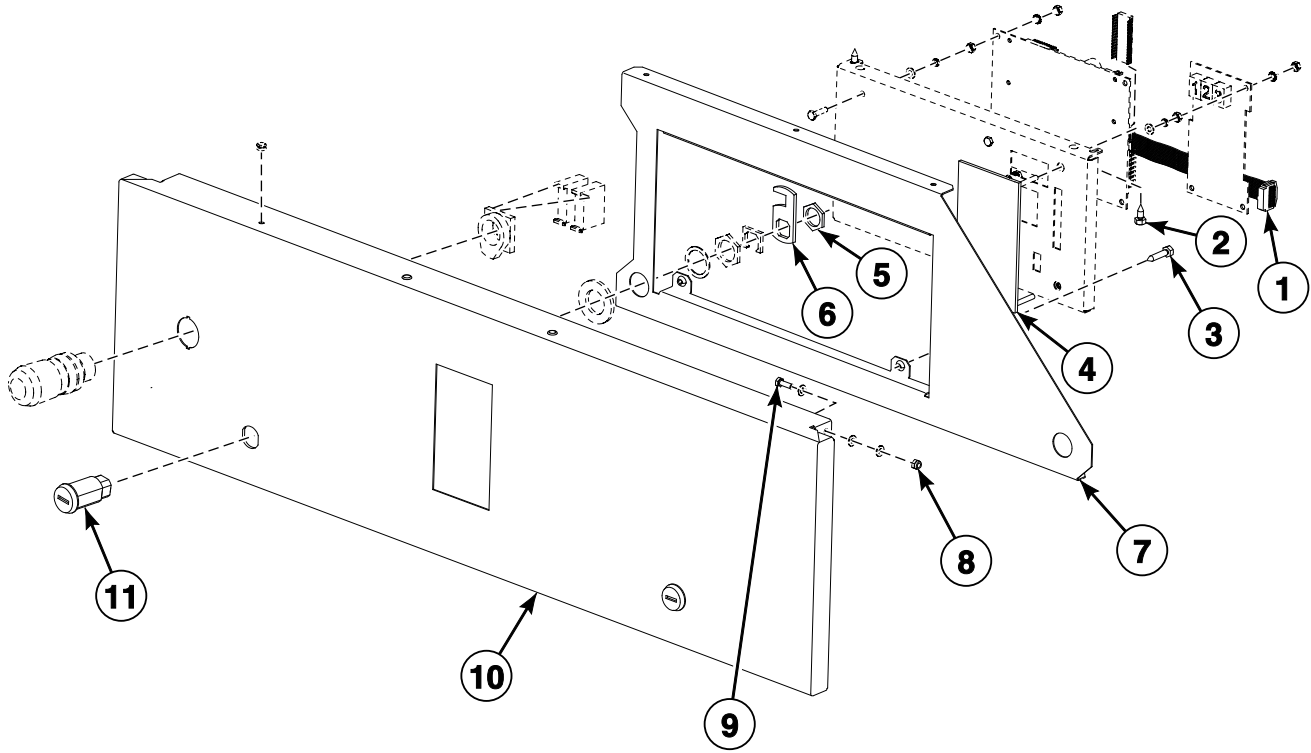


TMB3341P\_D1644

# Easy Control Components Without Coin Meter (Drawing 1 of 2)

REF	PART NO.	DESCRIPTION	COMMENTS
	SP556688	Control Panel Assembly	U models; Imitation stainless steel
	SP559887	Control Panel Assembly	U models; Stainless steel
	SP556687	Control Panel Assembly	I models; White; Through Serial No. 11T006636MZ
	574515	Control Panel Assembly	I models; Imitation stainless steel; Starting Serial No. 11T006637MZ
	SP559888	Control Panel Assembly	I models; Stainless steel
	575432	Control Panel Assembly	S models; Imitation stainless steel
	SP560715	Control Panel Assembly	S models through 12/31/2020; White
	SP560714	Control Panel Assembly	S models; Stainless steel
	SP556078	Control Panel Assembly	P and T models; L and N models through Serial No. 11T006636MZ; Gray
	SP556685	Control Panel Assembly	P and T models; L and N models through Serial No.11T006636MZ; Stainless steel
	SP556686	Control Panel Assembly	P and T models; Black; Through 12/12/2016
	SP560222	Control Panel Assembly	Model LS250HP_BASIC; White; Through Serial No. 11T006636MZ
	574516	Control Panel Assembly	L and N models; Gray; Starting Serial No. 11T006637MZ
	SP560223	Control Panel Assembly	L and N models; Stainless steel
<b>1</b>	SP528310	Emergency Stop Knob	
<b>2</b>	SP313250004075	Rivet	
<b>3</b>	SP528311	Emergency Stop Connector	
<b>4</b>	SP311125000020	Washer	
<b>5</b>	SP528312	Switching Unit	
<b>6</b>	SPPRI522000012	Washer	
<b>7</b>	SPPRI610005007	Nut	
<b>8</b>	SP529082	Shim	
<b>9</b>	SP309933000416	Bolt	
<b>10</b>	SP559819	Control Bracket	
<b>11</b>	SP311125000004	Washer	
<b>12</b>	SP311127000004	Washer	
<b>13</b>	SP310934000004	Nut	
<b>14</b>	SP311679800004	Washer	
<b>15</b>	SP102458	Control	
<b>16</b>	SP526001	Memory	Empty without software version
	102460	Memory	Includes SP526001 Memory and software; Gas heat; Electric heat; Steam heat
	545264	Memory	Includes SP526001 Memory and software; Gas heat; Electric heat; Steam heat; Export France
	545265	Memory	Models with heat pump; Includes SP526001 Memory and software
	545266	Memory	Models with heat pump; Includes SP526001 Memory and software; Export France
	545267	Memory	Models with heat pump and frequency inverter; Includes SP526001 Memory and software
<b>17</b>	SP102459	Display Board	S and U models; Green
	SP560706	Display Board	I models; Red
	SP553416	Display Board	L, N, P and T models; Blue

# Easy Control Components Without Coin Meter (Drawing 2 of 2)



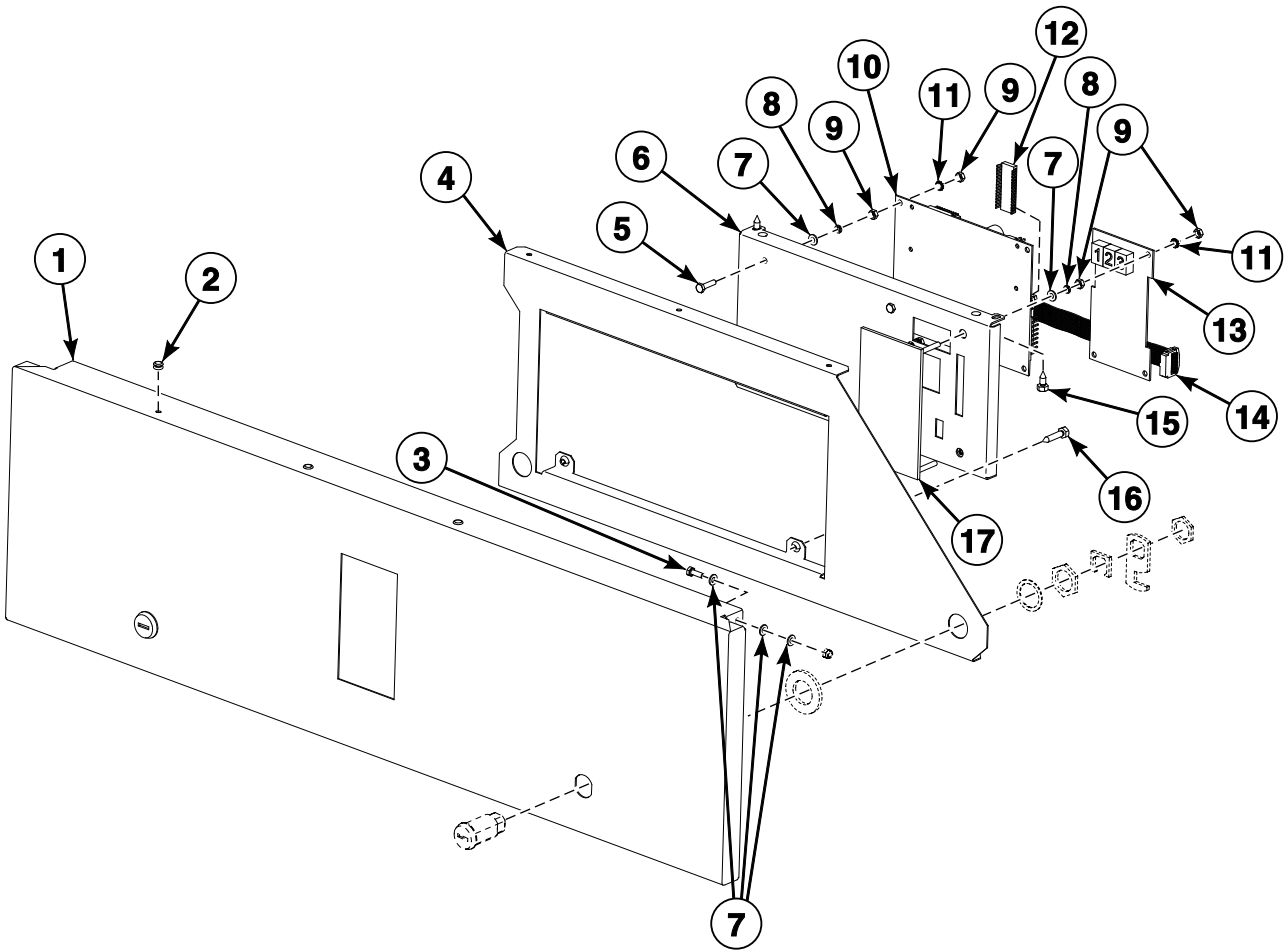
TMB3341PA\_D1644



## Easy Control Components Without Coin Meter (Drawing 2 of 2)

REF	PART NO.	DESCRIPTION	COMMENTS
1	SP521061	Cable	
2	SP100218	Screw	
3	SP520871	Screw	
4	SP559870	Overlay	U models
	SP559900	Overlay	I models
	SP559871	Overlay	L, N and S models
	SP556099	Overlay	P and T models
5	SPPRI610006007	Nut	
6	SPPRI610001007	Lock Hook	
7	SP556603	Control Bracket	
8	SP514193	Nut	
9	SP309933240412	Bolt	
10	SP556677	Control Panel	U models; I models starting Serial No. 11T006637MZ; S models starting 1/1/2021; Imitation stainless steel
	SP556676	Control Panel	I, L and N models through Serial No. 11T006636MZ; S models through 12/31/2020; White
	SP556077	Control Panel	L, N, P and T models; Gray
	SP556675	Control Panel	P and T models; Black; Through 12/12/2016
	SP556674	Control Panel	Stainless steel
11	SPPRI610000007	Lock	

# Easy Control with External Payment System (Drawing 1 of 2)

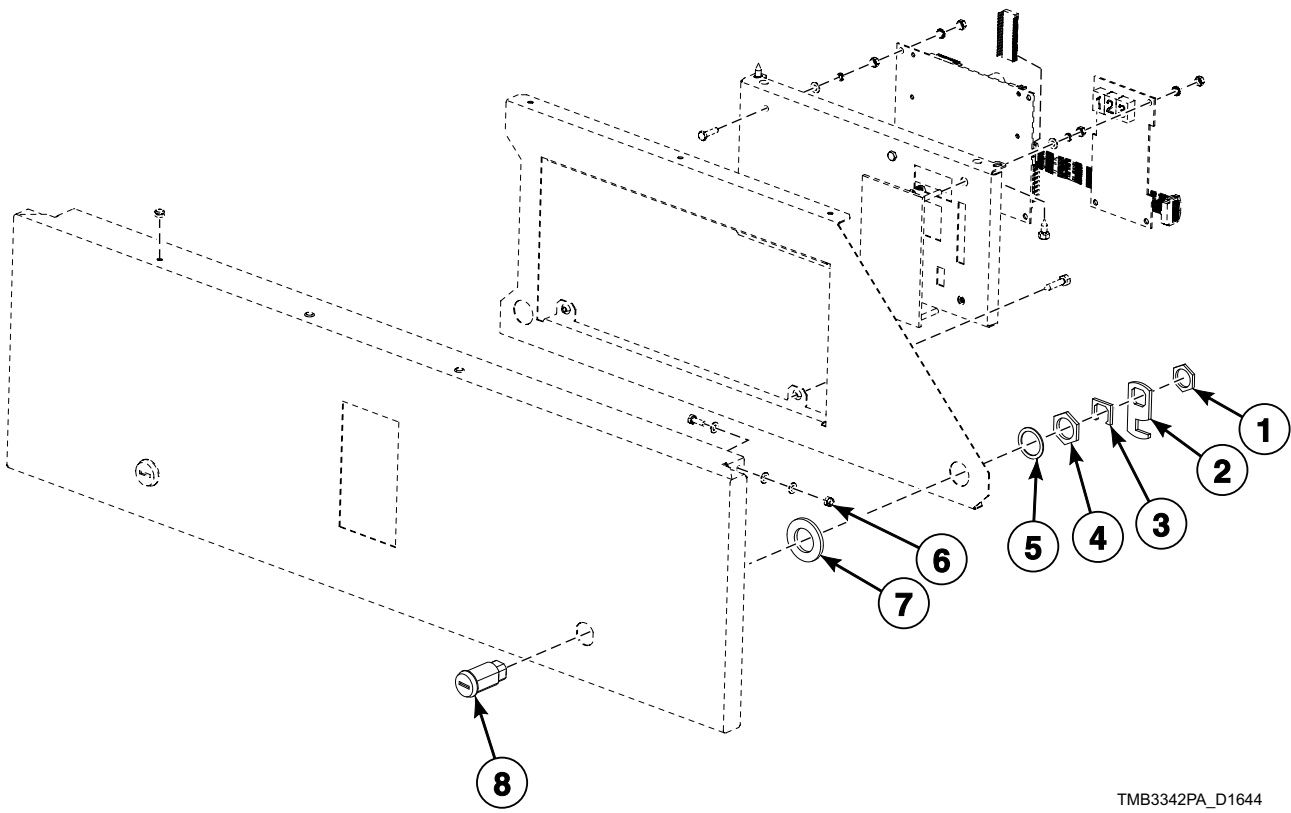


TMB3342P\_D1644

## Easy Control with External Payment System (Drawing 1 of 2)

REF	PART NO.	DESCRIPTION	COMMENTS
	SP556693	Control Panel Assembly	U models; Imitation stainless steel
	SP559891	Control Panel Assembly	U models; Stainless steel
	SP556696	Control Panel Assembly	I models; White; Through Serial No. 11T006636MZ
	574519	Control Panel Assembly	I models; Imitation stainless steel; Starting Serial No. 11T006637MZ
	SP559892	Control Panel Assembly	I models; Stainless steel
	575434	Control Panel Assembly	S models; Imitation stainless steel
	SP560719	Control Panel Assembly	S models through 12/31/2020; White
	SP560718	Control Panel Assembly	S models; Stainless steel
	SP556695	Control Panel Assembly	P and T models; L and N models through Serial No. 11T006636MZ; Gray
	SP556694	Control Panel Assembly	P and T models; L and N models through Serial No. 11T006636MZ; Stainless steel
	SP556646	Control Panel Assembly	P and T models; Black; Through 12/12/2016
	SP559893	Control Panel Assembly	P and T models; Black
	SP560226	Control Panel Assembly	Model LS250HP_BASIC; White; Through Serial No. 11T006636MZ
	574520	Control Panel Assembly	L and N models; Gray; Starting Serial No. 11T006637MZ
	SP560227	Control Panel Assembly	L and N models; Stainless steel
1	SP556681	Control Panel	U models; I models starting Serial No. 11T006637MZ; S models starting 1/1/2021; Imitation stainless steel
	SP556684	Control Panel	I, L and N models through Serial No. 11T006636MZ; S models through 12/31/2020; White
	SP556683	Control Panel	L, N, P and T models; Gray
	SP556645	Control Panel	P and T models; Black
	SP556682	Control Panel	Stainless steel
2	SP313250004075	Rivet	
3	SP309933240412	Bolt	
4	SP556603	Control Bracket	
5	SP309933000416	Bolt	
6	SP559819	Control Bracket	
7	SP311125000004	Washer	
8	SP311127000004	Washer	
9	SP310934000004	Nut	
10	SP102458	Control	
11	SP311679800004	Washer	
12	SP526001	Memory	Empty without software version
	102460	Memory	Includes SP526001 Memory and software; Gas heat; Electric heat; Steam heat
	545264	Memory	Includes SP526001 Memory and software; Gas heat; Electric heat; Steam heat; Export France
	545265	Memory	Models with heat pump; Includes SP526001 Memory and software
	545266	Memory	Models with heat pump; Includes SP526001 Memory and software; Export France
	545267	Memory	Models with heat pump and frequency inverter; Includes SP526001 Memory and software
13	SP102459	Display Board	S and U models; Green
	SP560706	Display Board	I models; Red
	SP553416	Display Board	L, N, P and T models; Blue
14	SP521061	Cable	
15	SP100218	Screw	
16	SP520871	Screw	
17	SP559870	Overlay	U models
	SP559900	Overlay	I models
	SP559871	Overlay	L, N and S models
	SP556099	Overlay	P and T models except T11E and T11VP
	SP553415	Overlay	Model T11E and T11VP

# Easy Control with External Payment System (Drawing 2 of 2)

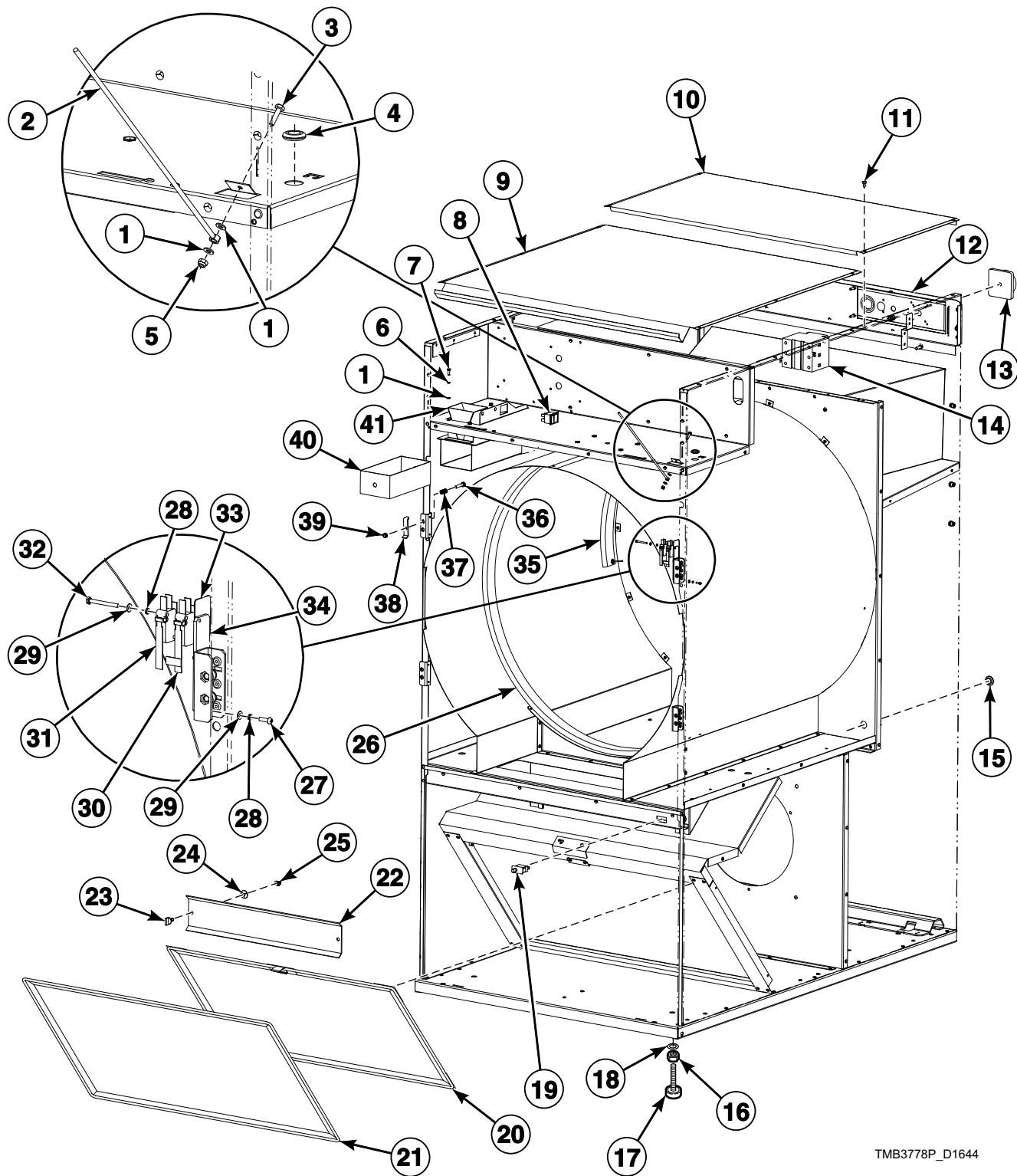


TMB3342PA\_D1644

# Easy Control with External Payment System (Drawing 2 of 2)

REF	PART NO.	DESCRIPTION	COMMENTS
1	SPPRI610006007	Nut	
2	SPPRI610001007	Lock Hook	
3	SP529082	Shim	
4	SPPRI610005007	Nut	
5	SPPRI522000012	Washer	
6	SP514193	Nut	
7	SP311125000020	Washer	
8	SPPRI610000007	Lock	

# Cabinet - Heat Pump Models

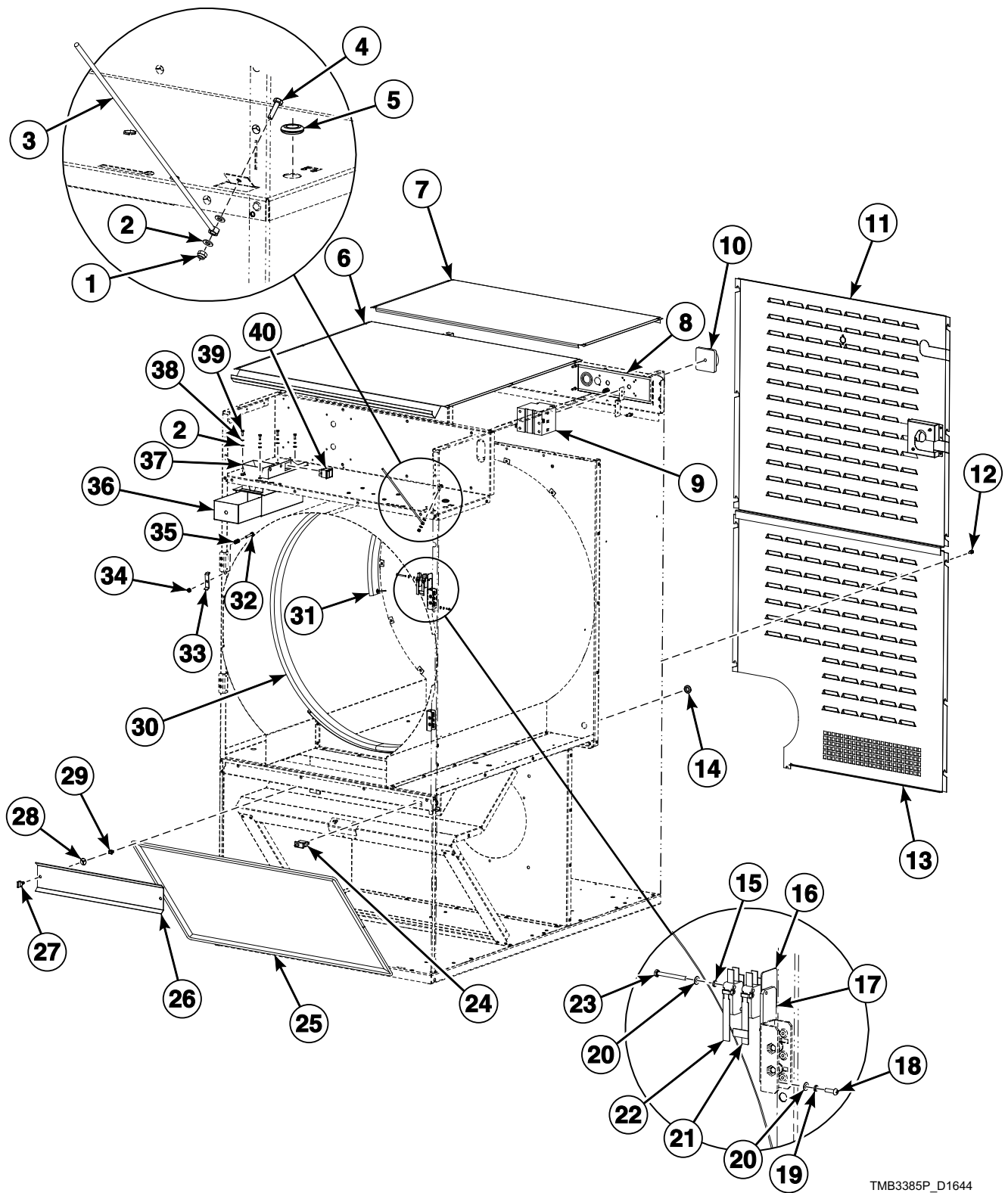


TMB3778P\_D1644

## Cabinet - Heat Pump Models

REF	PART NO.	DESCRIPTION	COMMENTS
	SP560162	Filter Assembly	Includes items 20 and 21
	SP520404	Door Switch Assembly	Includes items 27-34
	573370	Coin Vault Assembly	Includes items 1, 6, 7, 40 and 41
1	SP311125000004	Washer	
2	SP517486	Rod	
3	SP309933000416	Bolt	
4	SP273121011001	Bushing	
5	SP514193	Nut	
6	SP311127000004	Washer	
7	SP309933240412	Bolt	
8	SP100388	Switch	
9	SP534602	Upper Cover	
	SP557135	Upper Cover	Single phase
10	SP530796	Access Cover	
	SP557136	Access Cover	Single phase
11	SP100218	Screw	
12	SP520891	Switch Panel	
13	SPPRI404000095	Main Switch Knob	
14	SPPRI404000097	Main Switch	
15	SP273121013002	Bushing	
16	SP310934000010	Nut	
17	SPPRI504000001	Adjustable Foot	
18	SP311125000010	Washer	
19	SP506045	Microswitch	
20	SP560160	Fine Filter	
21	SP512324	Filter	
22	SP545533	Exhaust Cover	
23	SP545529	Bolt	
24	SP545531	Washer	
25	SP545530	Nut	
26	SP518505	Front Seal	
27	SP518719	Bolt	
28	SP311127000003	Washer	
29	SP311125000003	Washer	
30	SP517484	Microswitch	
31	SPPRI610011077	Microswitch	
32	SP516693	Bolt	
33	SP101154	Isolation Plate	
34	SP520403	Door Switch Holder	
35	SP527801	Back Seal	Models through Serial No.11T007431UM
	579537	Back Seal	Models starting Serial No.11T007432UM
36	SP309933000630	Bolt	
37	SPPRI611000009	Spring	
38	SP534645	Lock Hook	
39	SP310985000006	Nut	
40	SP321848140028	Coin Vault	
41	573350	Coin Vault	

# Cabinet - Gas, Steam and Electric Models



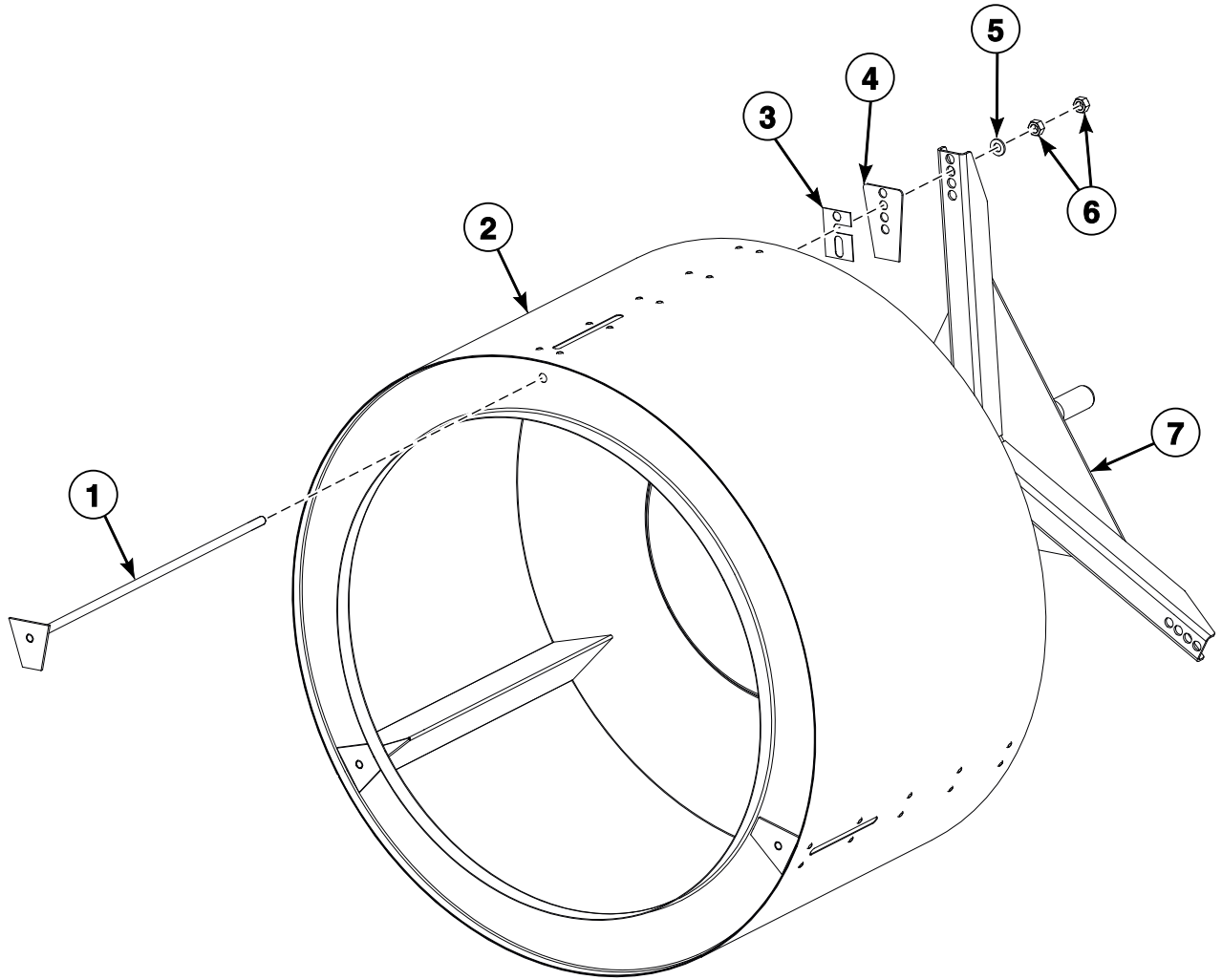
TMB3385P\_D1644



## Cabinet - Gas, Steam and Electric Models

REF	PART NO.	DESCRIPTION	COMMENTS
	SP520404	Door Switch Assembly	Includes items 15-23
	573370	Coin Vault Assembly	Includes items 36 and 37
1	SP514193	Nut	
2	SP311125000004	Washer	
3	SP517486	Rod	
4	SP309933000416	Bolt	
5	SP273121011001	Bushing	
6	SP534602	Upper Cover	
7	SP530796	Access Cover	
8	SP520890	Switch Panel	
9	SPPRI404000097	Main Switch	Gas and steam models; Electric models 400 or 440V 9kW; 400V 13.5kW; 440V 13kW
	SPPRI404000099	Main Switch	Electric models; 208-240V 13.5kW
10	SPPRI404000095	Main Switch Knob	
11	SP530798	Upper Rear Cover	Electric models
	569441	Upper Rear Cover	Gas models; Also use 569448 Cover
12	SP100218	Screw	
13	SP530799	Lower Rear Cover	
14	SP273121013002	Bushing	
15	SP311127000003	Washer	
16	SP101154	Isolation Plate	
17	SP520403	Door Switch Holder	
18	SP518719	Bolt	
19	SP311127000003	Washer	
20	SP311125000003	Washer	
21	SP517484	Microswitch	
22	SPPRI610011077	Microswitch	
23	SP516693	Bolt	
24	SP506045	Microswitch	
25	SP512324	Filter	
26	SP545533	Exhaust Cover	
27	SP545529	Bolt	
28	SP545531	Washer	
29	SP545530	Nut	
30	SP518505	Front Seal	
31	SP527801	Back Seal	Models through Serial No.11T007431UM
	579537	Back Seal	Models starting Serial No.11T007432UM
32	SP309933000630	Bolt	
33	SP534645	Lock Hook	
34	SP310985000006	Nut	
35	SPPRI611000009	Spring	
36	SP321848140028	Coin Vault	
37	573350	Coin Vault	
38	SP311127000004	Washer	
39	SP309933240412	Bolt	
40	SP100388	Switch	

# Drum Assembly

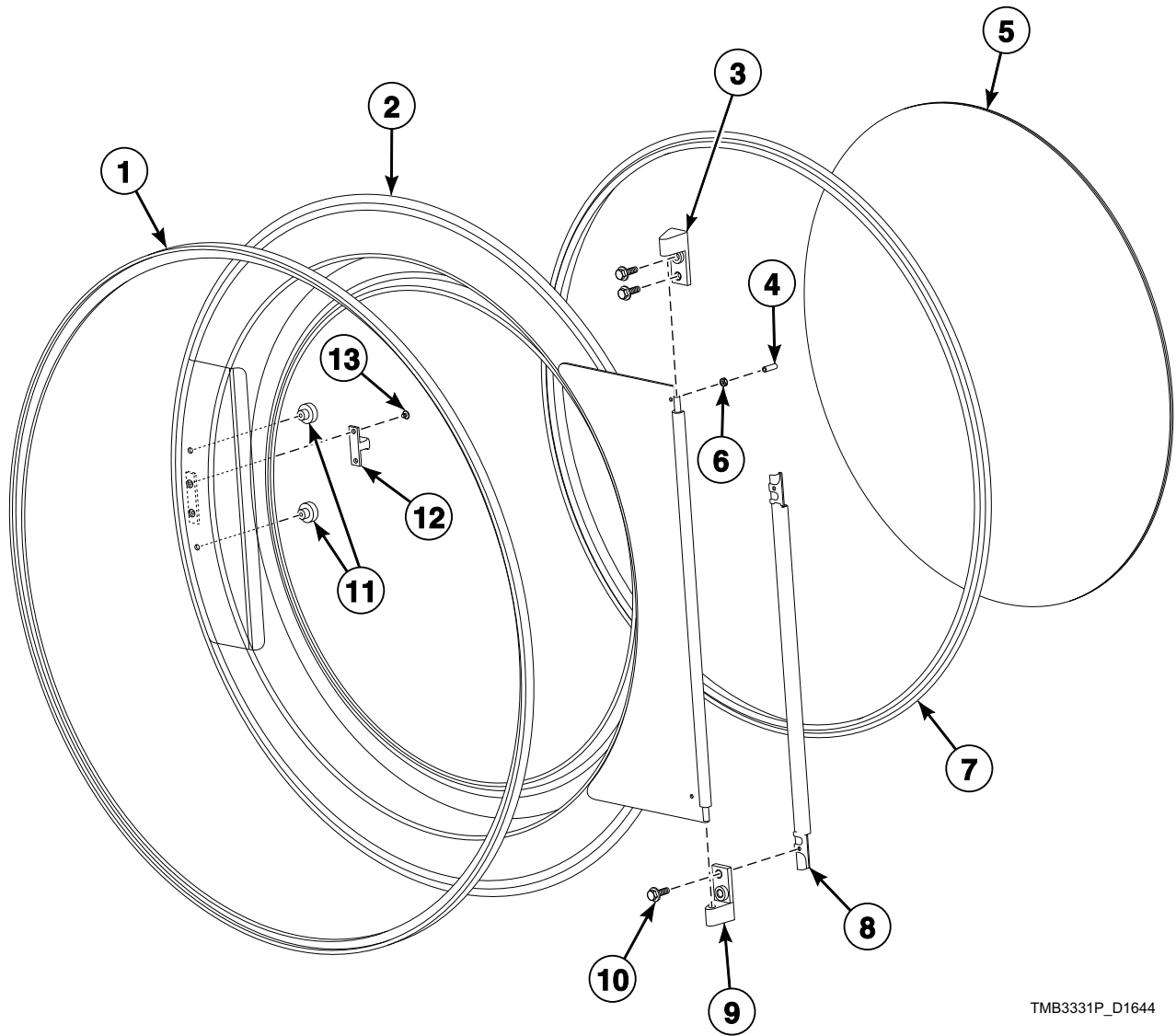


TMB3330P\_D1644

## Drum Assembly

REF	PART NO.	DESCRIPTION	COMMENTS
	577702	Drum Assembly	Galvanized; Includes items 1-7; 3000 RPM
	577724	Drum Assembly	Stainless Steel; Includes items 1-7; 3000 RPM
1	SP525028	Bolt	
2	577764	Drum	Galvanized
	577767	Drum	Stainless Steel
3	SP512233	Washer	1mm
	517426	Washer	0.5mm
4	SP510697	Washer	
5	SP311125000010	Washer	
6	SP310934000010	Nut	
7	SP514957	Drum Cross	3000 RPM

# Door Assembly

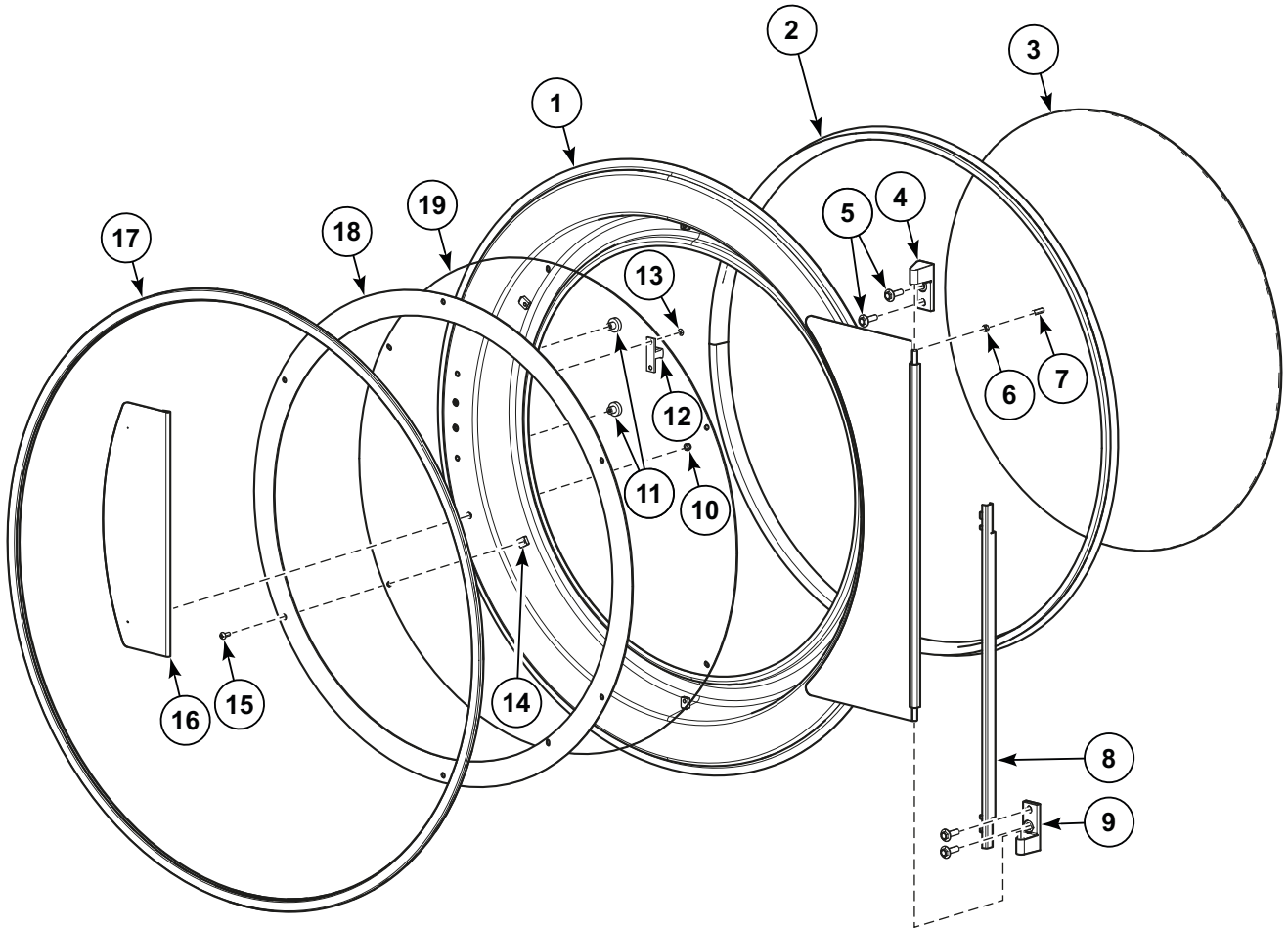


TMB3331P\_D1644

# Door Assembly

REF	PART NO.	DESCRIPTION	COMMENTS
	SP534969	Glue	Use with item 5
	SP245704003021	Adhesive	Use with item 4
	SP559703	Door Assembly	EC, P and T models; S and U models through Serial No.11T007307UD; Heat pump; Includes items 1-13; Metallic gray
	SP556559	Door Assembly	I, L and N models; S and U models starting Serial No. 11T007308UD; Heat pump; Includes items 1-13; Black
	SP524359	Door Assembly	L and N models; I models starting Serial No. 11T006637MZ; S and U models starting Serial No. 11T007308UD; Gas, steam and electric; Includes items 1-13; Black
	SP556561	Door Assembly	EC, P and T models through Serial No.11T006636MZ; Heat pump; Includes items 1-13; Silver
	SP556558	Door Assembly	EC, P and T models through Serial No.11T006539MQ; Gas, steam and electric; Includes items 1-13; Silver
	559702	Door Assembly	EC, P and T models starting Serial No.11T006540MQ; S and U models through Serial No. 11T007307UD; Gas, steam and electric; Includes items 1-13; Metallic gray
<b>1</b>	SP534873	Door Ring	
<b>2</b>	SP559701	Door	EC, P, S, T and U models; Metallic gray
	SP524364	Door	I, L, N, S and U models; Black
	SP556552	Door	EC, P and T models; Silver
<b>3</b>	SP559705	Upper Door Hinge	EC, P, S, T and U models; Metallic gray
	SP525105	Upper Door Hinge	I, L, N, S and U models; Black
	SP556555	Upper Door Hinge	EC, P and T models; Silver
<b>4</b>	SP520201	Stop Pin	
<b>5</b>	SP512053	Door Glass	
<b>6</b>	SP310934240004	Nut	
<b>7</b>	SP519933	Outer Door Gasket	
<b>8</b>	SP559706	Lath	EC, P, S, T and U models; Metallic gray
	SP524582	Lath	I, L, N, S and U models; Black
	SP556553	Lath	EC, P and T models; Silver
<b>9</b>	SP559704	Lower Door Hinge	EC, P, S, T and U models; Metallic gray
	SP525104	Lower Door Hinge	I, L, N, S and U models; Black
	SP556554	Lower Door Hinge	EC, P and T models; Silver
<b>10</b>	SP525101	Bolt	
<b>11</b>	564203	Magnet	
<b>12</b>	SP514530	Latch	
<b>13</b>	SP524367	Bolt	

# Door Assembly - Double Layer Door



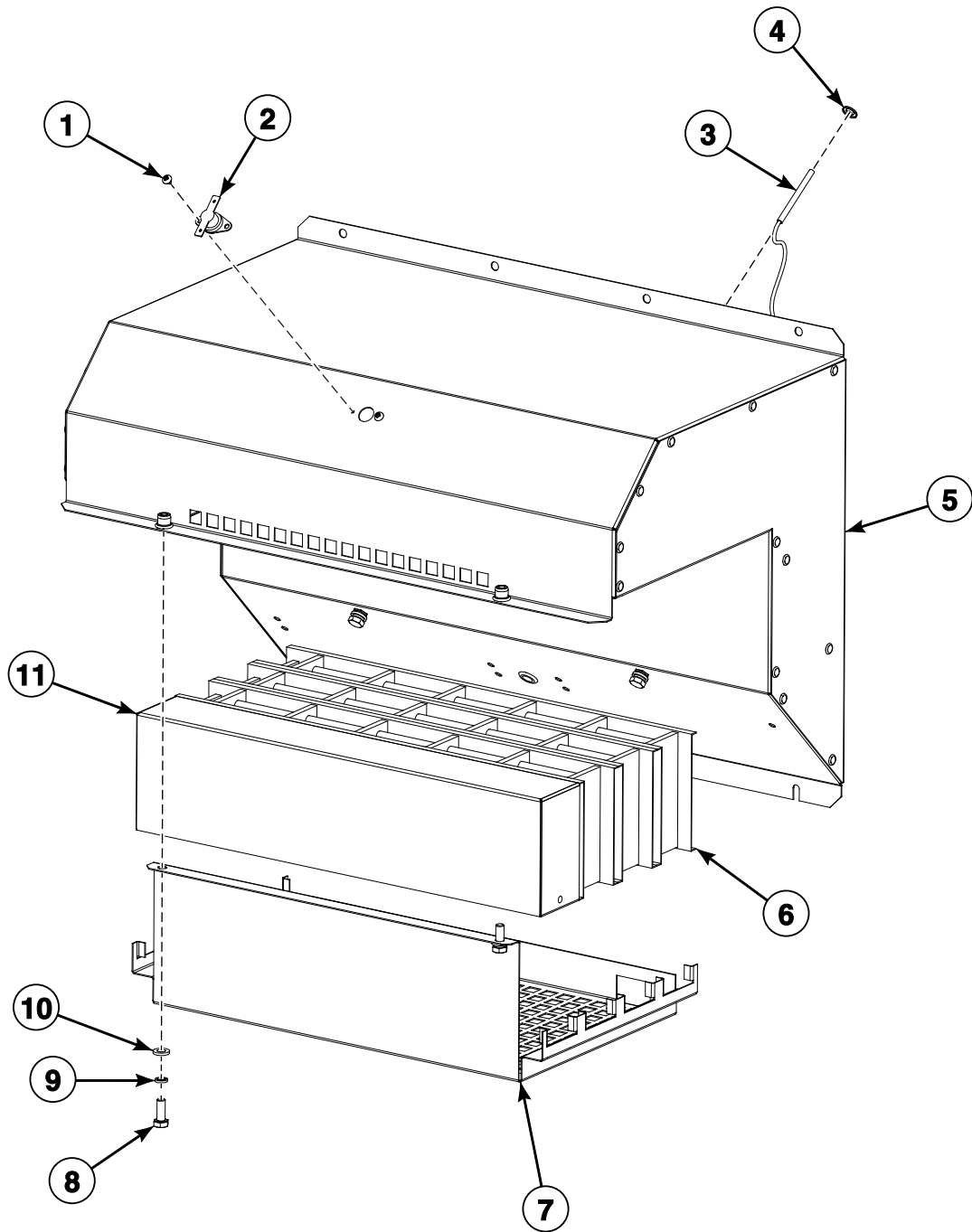
CZT451P\_D1644

## Door Assembly - Double Layer Door

REF	PART NO.	DESCRIPTION	COMMENTS
	SP534969	Glue	Use with item 3
	SP245704003021	Adhesive	Use with item 7
	579505	Door Assembly	Gas, steam and electric; Includes items 1-19; Black
	579506	Door Assembly	Gas, steam and electric; Includes items 1-19; Metallic gray
	579507	Door Assembly	Heat pump; Includes items 1-19; Black
	579508	Door Assembly	Heat pump; Includes items 1-19; Metallic gray
<b>1</b>	579509	Door	Black
	579510	Door	Metallic gray
<b>2</b>	SP519933	Outer Door Gasket	
<b>3</b>	SP512053	Door Glass	
<b>4</b>	SP525105	Upper Door Hinge	Black
	SP559705	Upper Door Hinge	Metallic gray
<b>5</b>	SP525101	Bolt	
<b>6</b>	SP310934240004	Nut	
<b>7</b>	SP520201	Stop Pin	
<b>8</b>	SP524582	Lath	Black
	SP559706	Lath	Metallic gray
<b>9</b>	SP525104	Lower Door Hinge	Black
	SP559704	Lower Door Hinge	Metallic gray
<b>10</b>	SP514193	Nut	
<b>11</b>	564203	Magnet	Heat pump models
<b>12</b>	SP514530	Latch	
<b>13</b>	SP524367	Bolt	
<b>14</b>	580337	Plastic Layer Holder	
<b>15</b>	SP515075	Bolt	
<b>16</b>	579513	Handle	Black
	579514	Handle	Metallic gray
<b>17</b>	SP534873	Door Ring	
<b>18</b>	580339	Fixation Ring	Black
	579515	Fixation Ring	Metallic gray
<b>19</b>	580338	Door Plastic Layer	

# Electric Heat Components

Electric Models



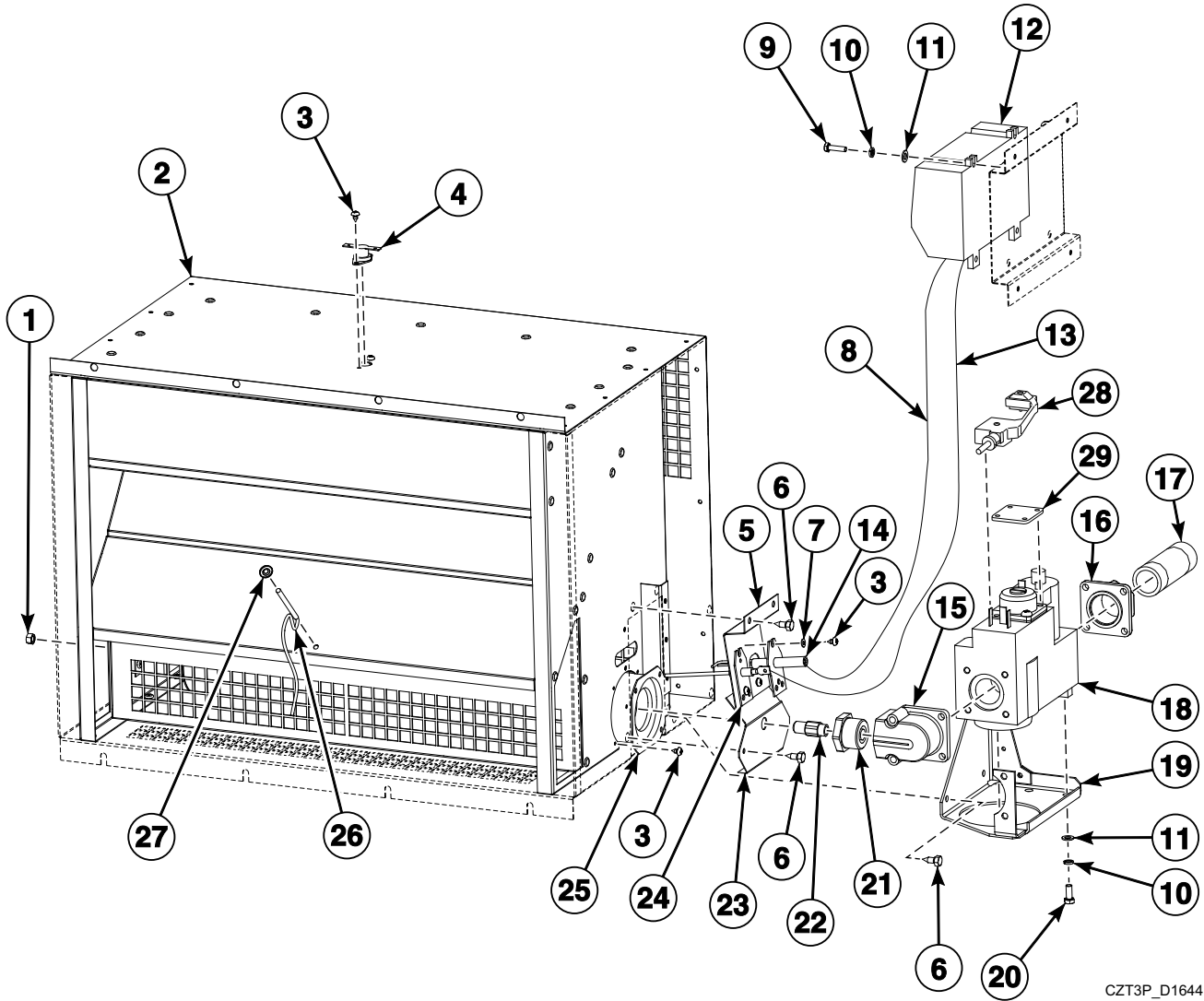
TMB3386P\_D1644



## Electric Heat Components

REF	PART NO.	DESCRIPTION	COMMENTS
1	SP309798100313	Screw	
2	SP514127	Safety Thermostat	
3	SP516092	Temperature Sensor	
4	SP516669	Washer	
5	SP528941	Heater Box	
6	SP510984	Heating Element	6 kW
	SP510985	Heating Element	4.5 kW
	SP557786	Fuse	
7	SP527900	Heating Element Bracket	
8	SP309933000616	Bolt	
9	SP311127000006	Washer	
10	SP311125000006	Washer	
11	SP520297	Plug	

# Gas Heat Components - Gas Models Through Serial No. 11T006658QB



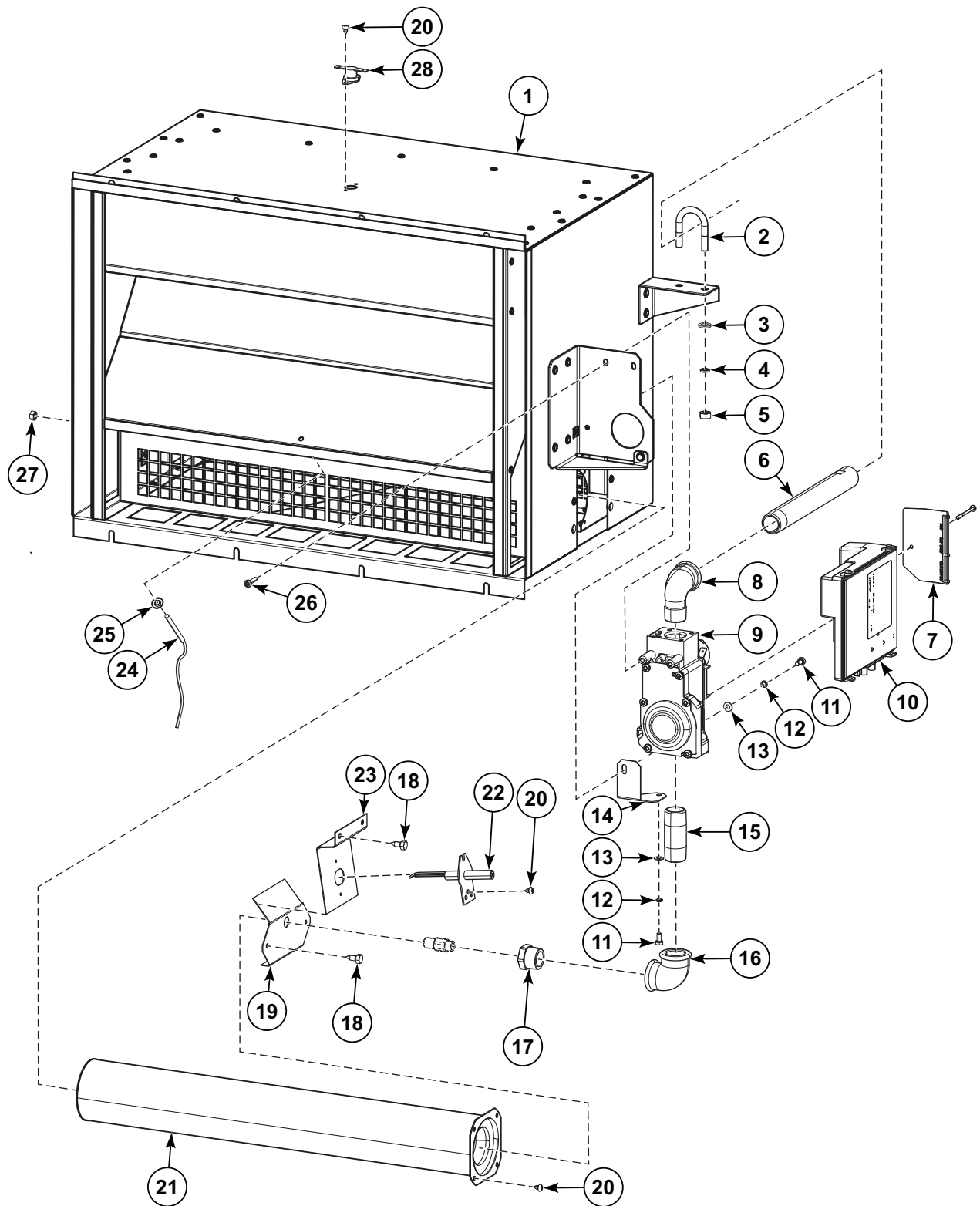
CZT3P\_D1644

## Gas Heat Components - Gas Models Through Serial No. 11T006658QB

REF	PART NO.	DESCRIPTION	COMMENTS
	SP273454410020	Hose	
	520098	Gas Valve Wiring	60 Hertz; Use with item 18
1	SP310934240005	Nut	
2	SP512130	Gas Heater Box	
3	SP517238	Screw	
4	SP514127	Safety Thermostat	
5	SP512141	Electrode Bracket	
6	SP100218	Screw	
7	SP311125000003	Washer	
8	SP516060	Ignition Cable	
9	SP309933000516	Bolt	
10	SP311127000005	Washer	
11	SP311125000005	Washer	
12	SP357456010080	Ignition Unit	
13	SP516057	Flame Detection Cable	
14	575643	Ignition Electrode	
15	SP102018	Flange	
16	SP514062	Flange	
17	SP512142	Tube	
18	SP102000	Gas Valve	50 Hertz
	SP520281	Gas Valve	60 Hertz
19	SP512144	Valve Bracket	
20	SPPRI202001001	Bolt	
21	SP512067	Nozzle	
22	525466	Orifice	130
	525465	Orifice	165
	517241	Orifice	170
	517327	Orifice	175
	517328	Orifice	185
	517243	Orifice	190
	517222	Orifice	200
	520399	Orifice	210
	517223	Orifice	215
	517329	Orifice	220
	517224	Orifice	235
	517245	Orifice	245
	530819	Orifice	250
	517246	Orifice	260
	517250	Orifice	290
	517251	Orifice	300
	517252	Orifice	310
	517253	Orifice	325
	517225	Orifice	350
	517257	Orifice	360
	517258	Orifice	365
	517226	Orifice	380
	530820	Orifice	385
	517227	Orifice	420
	517330	Orifice	435
	517331	Orifice	445
	517337	Orifice	530
	520237	Orifice	650
	520236	Orifice	700
23	SP512139	Cover	
24	SP102002	Detection Electrode	
25	SP552515	Burner Tube	
26	SP516092	Temperature Sensor	
27	SP516669	Washer	
28	345000180901	Connector	50 Hertz; Use with item 18
	345000160645	Contact	50 Hertz; Use with item 18
	SP357500459412	Gas Valve Cable	50 Hertz; Use with item 18
29	SP102019	Blank Plate Kit	Without regulator

# Gas Heat Components (Drawing 1 of 2)

Gas Models starting Serial No. 11T006659QB



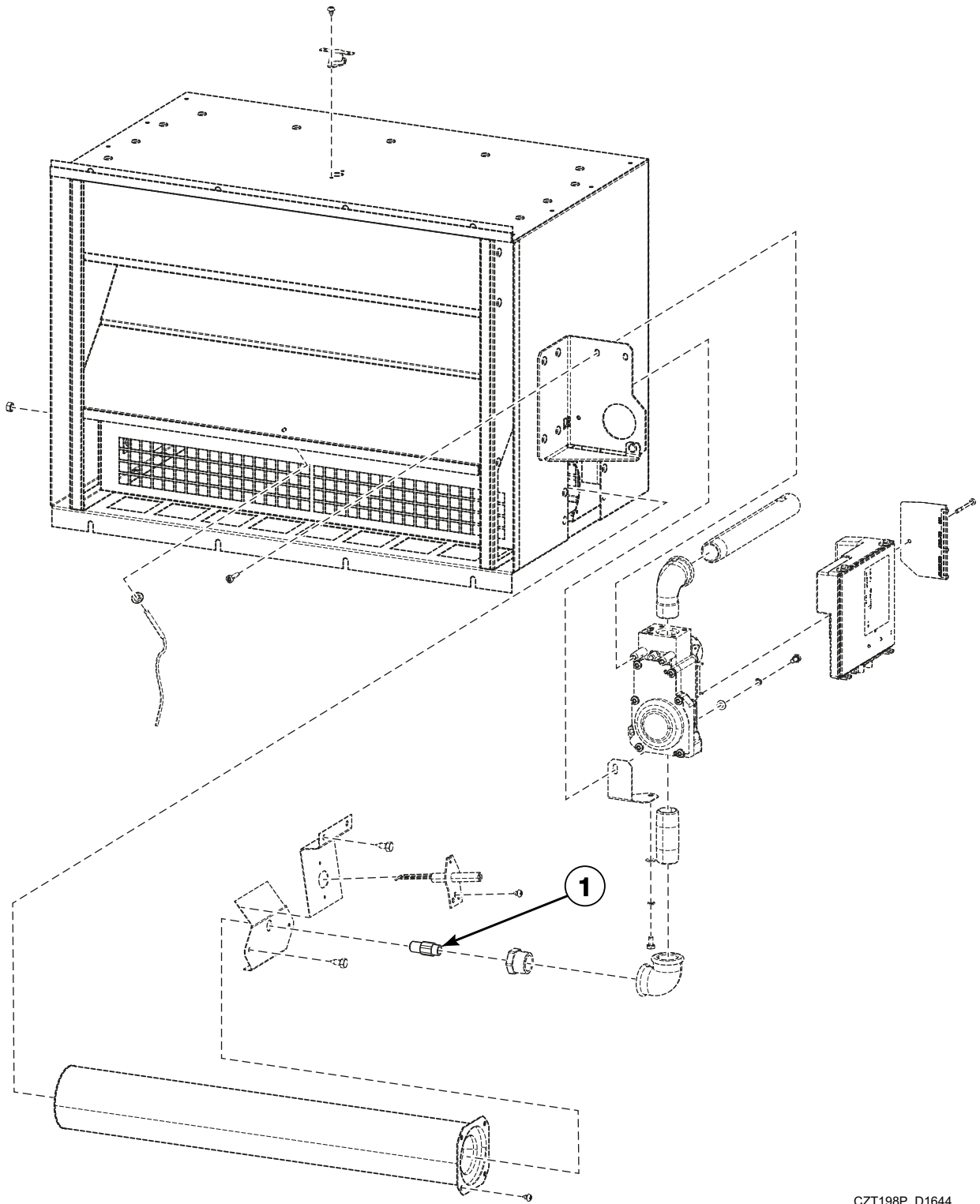
CZT467P\_D1644

## Gas Heat Components (Drawing 1 of 2)

REF	PART NO.	DESCRIPTION	COMMENTS
	571487	Ignition Cable	Use with item 22
1	569440	Gas Heater Box	
2	577644	Stirrup	M6 D1/2 inch
3	SP311125000006	Washer	M6
4	SP311127000006	Washer	M6
5	SP310934000006	Nut	M6
6	569444	Tube	1/2 inch
7	537625	Cover	
8	572352	Elbow	1/2 inch
9	572351	Gas Valve	
10	571938	Control Unit	
11	SP309798524408	Bolt	M4x8
12	SP311127000004	Washer	M4
13	SP311125000004	Washer	4.3
14	569446	Holder	
15	571881	Tube	1/2 inch
16	572350	Elbow	1/2 inch
17	571884	Holder	
18	SP100218	Screw	ST4.8x13
19	SP512139	Cover	
20	SP517238	Screw	ST 3.6x6.5
21	SP552515	Burner Tube	
22	575643	Ignition Electrode	
23	571880	Holder	
24	SP516092	Temperature Sensor	
25	SP516669	Washer	2 pcs
26	572361	Screw	ST3.9x13
27	SP310934240005	Nut	M5
28	SP514127	Safety Thermostat	

# Gas Heat Components (Drawing 2 of 2)

Gas Models starting Serial No. 11T006659QB



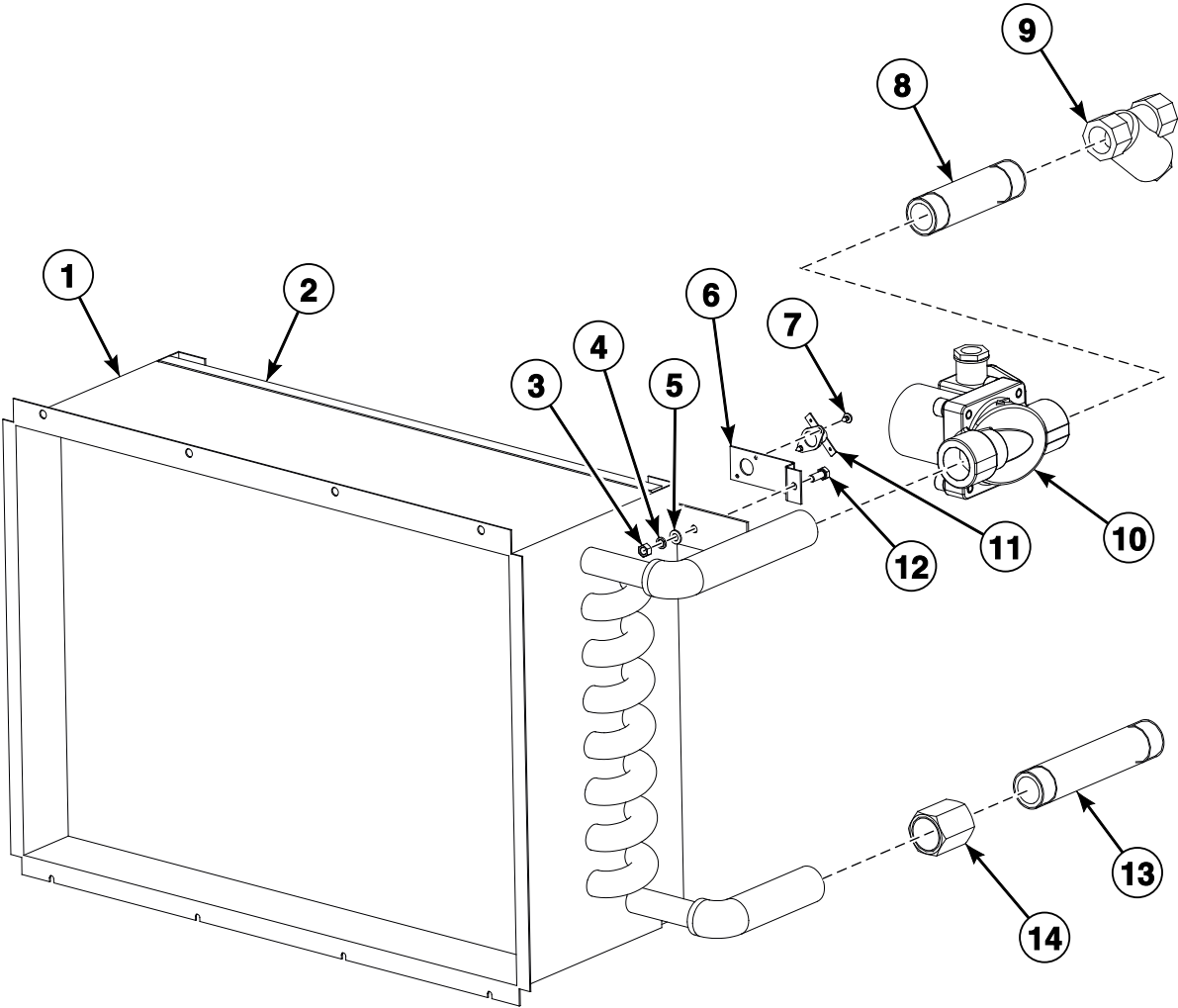
CZT198P\_D1644

## Gas Heat Components (Drawing 2 of 2)

REF	PART NO.	DESCRIPTION	COMMENTS
1	525466	Orifice	130
	525465	Orifice	165
	517241	Orifice	170
	517327	Orifice	175
	517328	Orifice	185
	517243	Orifice	190
	517222	Orifice	200
	520399	Orifice	210
	517223	Orifice	215
	517329	Orifice	220
	517224	Orifice	235
	517245	Orifice	245
	530819	Orifice	250
	517246	Orifice	260
	517250	Orifice	290
	517251	Orifice	300
	517252	Orifice	310
	517253	Orifice	325
	575530	Orifice	330
	517225	Orifice	350
	517257	Orifice	360
	517258	Orifice	365
	517226	Orifice	380
	530820	Orifice	385
	517227	Orifice	420
	517330	Orifice	435
	517331	Orifice	445
	517337	Orifice	530
	520237	Orifice	650
	520236	Orifice	700

# Steam Heat Components

Steam Models



TMB3388P\_D1644

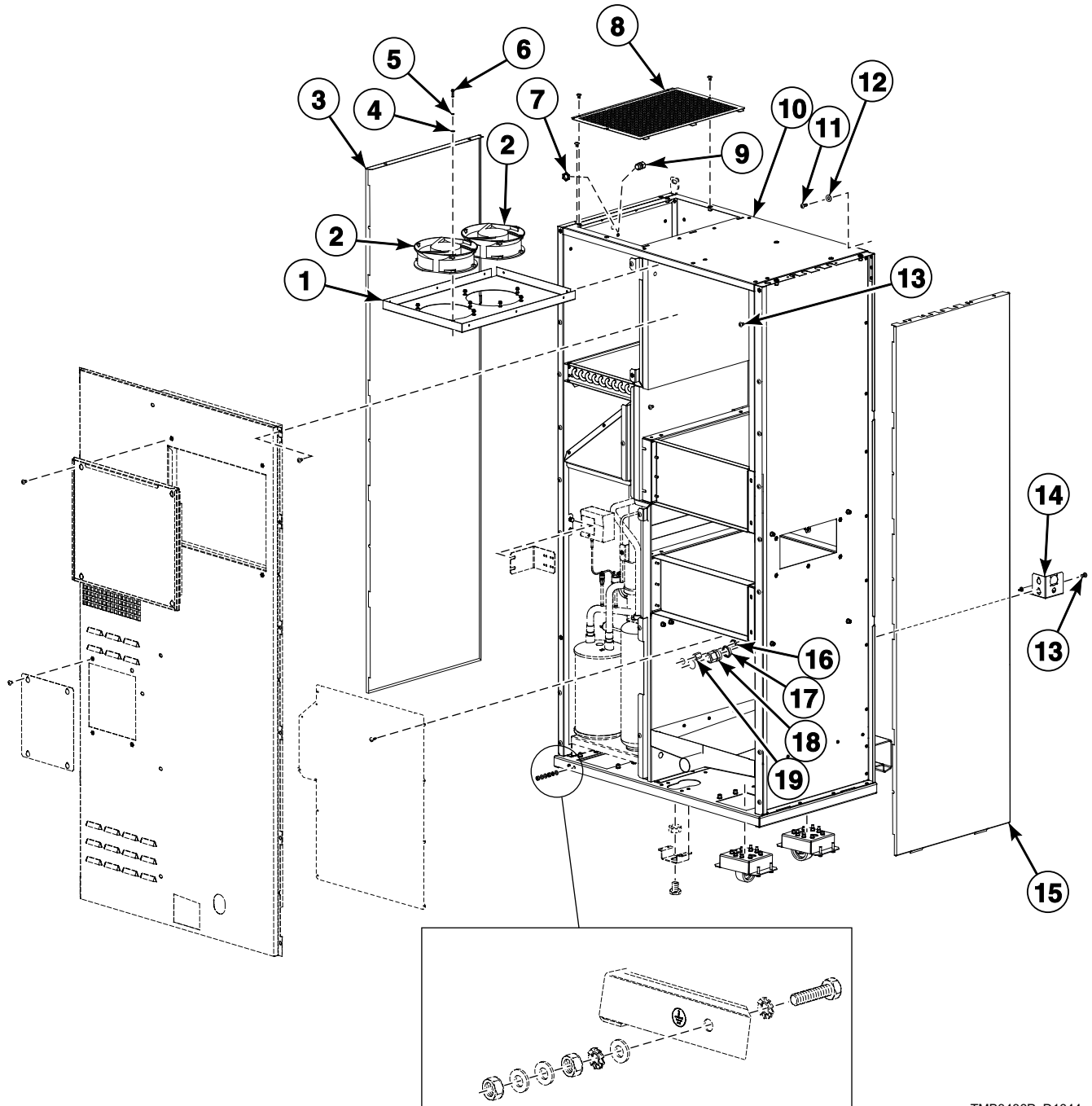


## Steam Heat Components

REF	PART NO.	DESCRIPTION	COMMENTS
1	SP530409	Steam Exchanger	Double row
2	SP519027	Filter	
3	SP310934240005	Nut	
4	SP311127000005	Washer	
5	SP311125000005	Washer	
6	SP520227	Thermostat Bracket	
7	SP517238	Screw	
8	SP517236	Tube	
9	SP405054057006	Steam Filter	3/4 inch
10	SP516718	Steam Valve	50 Hertz; With coil
	SP514166	Steam Valve Body	60 Hertz; Without coil
	SP516717	Coil	60 Hertz
11	SP514127	Safety Thermostat	
12	SPPRI202001001	Bolt	
13	SP314G00017524	Tube	
14	SPX01140400514	Tube Insert	

# Heat Pump (Drawing 1 of 2)

Heat Pump Models



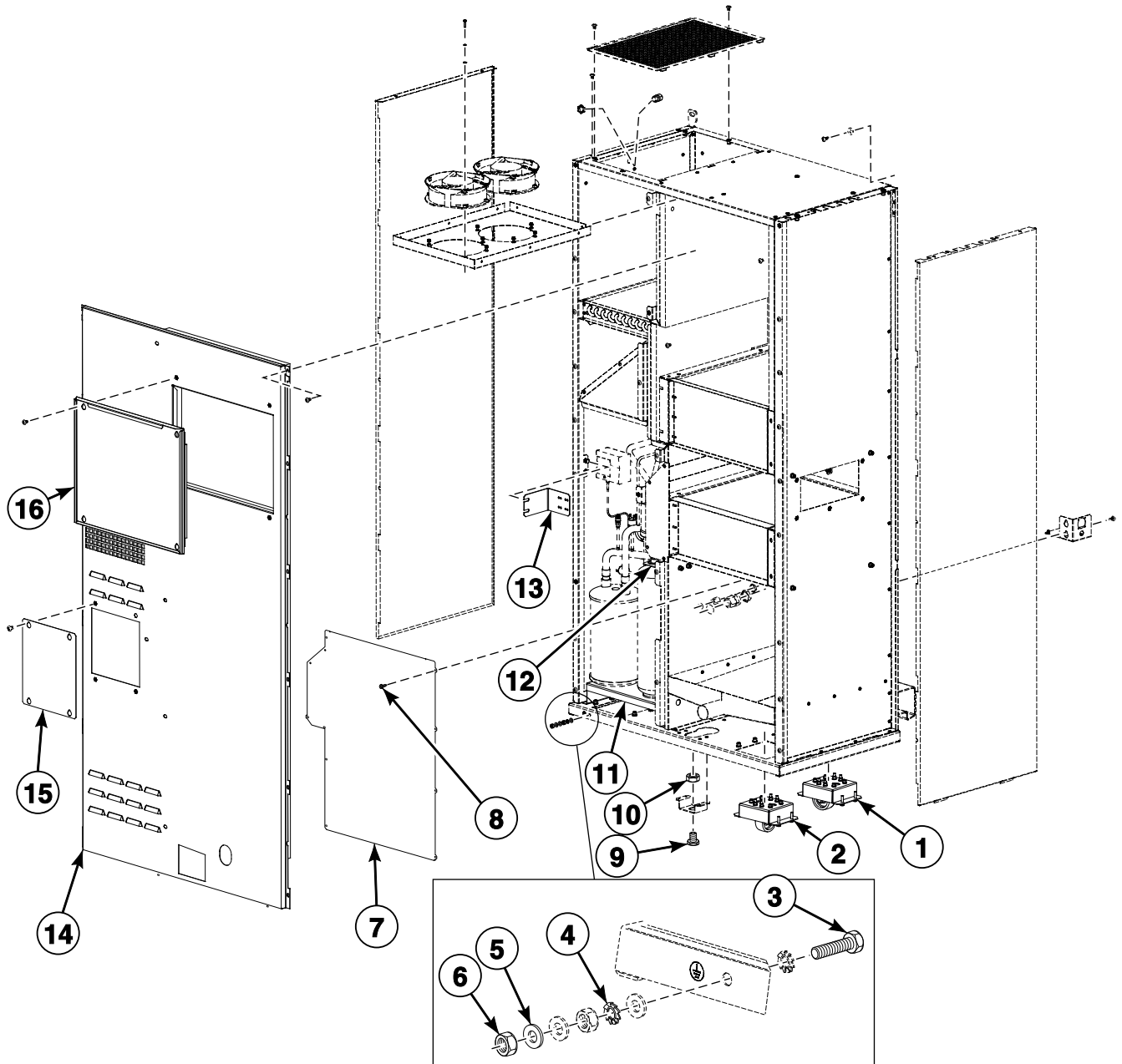
TMB3436P\_D1644

## Heat Pump (Drawing 1 of 2)

REF	PART NO.	DESCRIPTION	COMMENTS
	SP556082	Heat Pump	U models; With rinsing system; 380-415V 3AC+N 50Hz or 440V 3AC 60Hz; Imitation stainless steel; I models starting S.N.11T006637MZ; S models starting S.N. 11T007308UD
	SP556084	Heat Pump	U models; With rinsing system; 230V 3AC 50Hz; Imitation stainless steel; I models starting S.N.11T006637MZ; S models starting S.N.11T007308UD
	SP556090	Heat Pump	U models; Without rinsing system; 380-415V 3AC+N 50Hz or 440V 3AC 60Hz; Imitation stainless steel; I models starting S.N.11T006637MZ; S models starting S.N.11T007308UD
	SP556092	Heat Pump	U models; Without rinsing system; 230V 3AC 50Hz; Imitation stainless steel; I models starting S.N.11T006637MZ; S models starting S.N.11T007308UD
	SP556659	Heat Pump	I and LS250HP_BASIC models through S.N. 11T006636MZ; S models through S.N.11T007307UD; Without rinsing system; 230V 3AC 50Hz; White
	SP556660	Heat Pump	I and LS250HP_BASIC models through S.N.11T006636MZ; S models through S.N.11T007307UD; Without rinsing system; 380-415V 3AC+N 50Hz or 440V 3AC 60Hz; White
	SP556663	Heat Pump	I and LS250HP_BASIC models through S.N.11T006636MZ; S models through S.N.11T007307UD; With rinsing system; 230V 3AC 50Hz; White
	SP556664	Heat Pump	I and LS250HP_BASIC models through S.N.11T006636MZ; S models through S.N.11T007307UD; With rinsing system; 380-415V 3AC+N 50Hz N or 440V 3AC 60Hz; White
	SP556083	Heat Pump	EC, L, N, P and T models; With rinsing system; 380-415V 3AC+N 50Hz or 440V 3AC 60Hz; Gray
	SP556085	Heat Pump	EC, L, N, P and T models; With rinsing system; 230V 3AC 50Hz; Gray
	SP556091	Heat Pump	EC, L, N, P and T models; Without rinsing system; 380-415V 3AC+N 50Hz or 440V 3AC 60Hz; Gray
	SP556093	Heat Pump	EC, L, N, P and T models; Without rinsing system; 230V 3AC 50Hz; Gray
	SP541496	Fan Assembly	Includes items 1, 2 and 4-6
<b>1</b>	SP541495	Fan Holder	
<b>2</b>	SP528481	Fan	
<b>3</b>	SP541424	Side Panel	U models; Left; Imitation stainless steel; I models starting S.N.11T006637MZ; S models starting S.N.11T007308UD
	SP556649	Side Panel	I and LS250HP_BASIC models through S.N.11T006636MZ; S models through S.N.11T007307UD; Left; White
	SP556005	Side Panel	EC, L, N, P and T models; Left; Gray
<b>4</b>	SP311125000004	Washer	
<b>5</b>	SP311127000004	Washer	
<b>6</b>	SP309084000416	Bolt	
<b>7</b>	SP101415	Nut	
<b>8</b>	SP541484	Fan Cover	
<b>9</b>	SP101405	Bushing	
<b>10</b>	SP552660	Cabinet	
<b>11</b>	SP537864	Bolt	
<b>12</b>	SP311902100006	Washer	
<b>13</b>	SP506012	Bolt	
<b>14</b>	SP551869	Humidity Sensor Cover	
<b>15</b>	SP541425	Side Panel	U models; Right; Imitation stainless steel; I models starting S.N.11T006637MZ; S models starting S.N.11T007308UD
	SP556650	Side Panel	I and LS250HP_BASIC models through S.N.11T006636MZ; S models through S.N.11T007307UD; Right; White
	SP556007	Side Panel	EC, L, N, P and T models; Right; Gray
<b>16</b>	SP101416	Nut	
<b>17</b>	SP101418	Nut	
<b>18</b>	SP101408	Bushing	
<b>19</b>	SP101406	Bushing	

# Heat Pump (Drawing 2 of 2)

Heat Pump Models

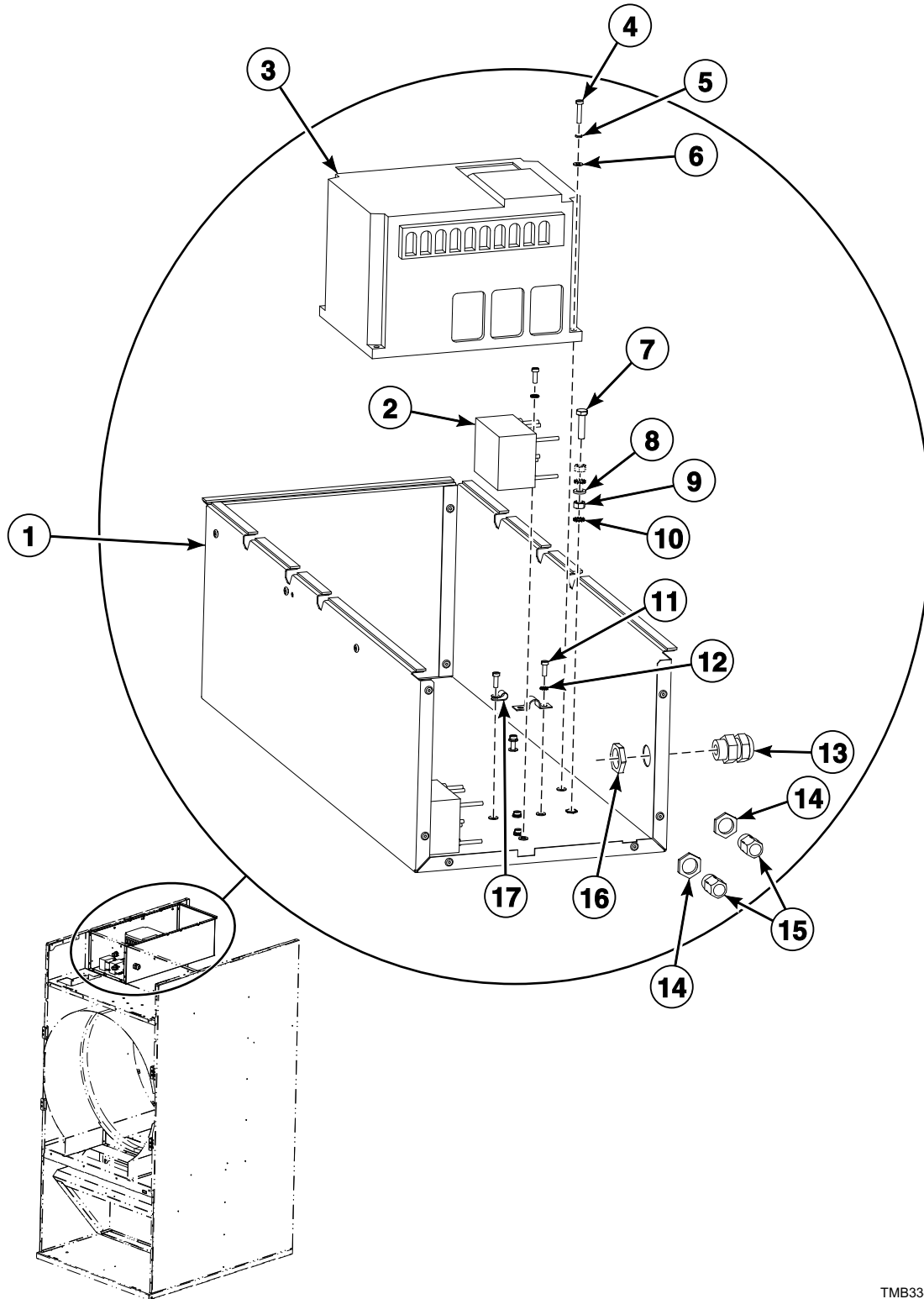


TMB3437P\_D1644

## Heat Pump (Drawing 2 of 2)

REF	PART NO.	DESCRIPTION	COMMENTS
1	SP541494	Swivel Wheel Assembly	
2	SP551864	Swivel Wheel Assembly	
3	SP309933000625	Bolt	
4	SP311679824006	Washer	
5	SP311125000006	Washer	
6	SP310934000006	Nut	
7	SP566259	Cover	New style
8	SP529206	Screw	M4x11
9	SP533726	Bolt	
10	SP310934000020	Nut	
11	SP541489	Base	
12	SP541436	Bracket	
13	SP541457	Thermostat Bracket	
14	SP541435	Cover	Through Serial No.11T005334FU
	SP566301	Cover	Starting Serial No. 11T005335FU
15	SP551860	Cover	
16	SP541434	Cover	

# Frequency Inverter Panel



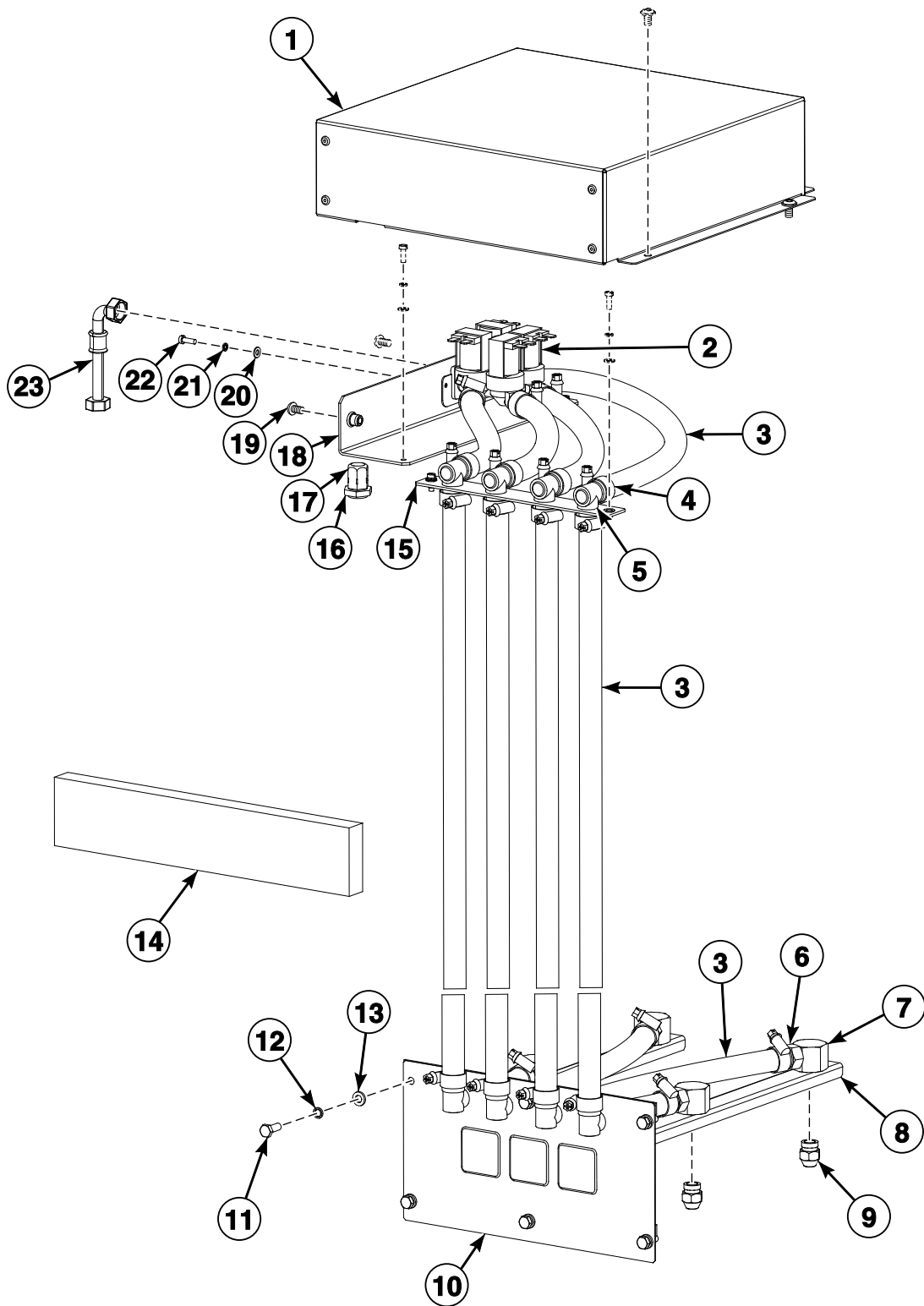
TMB3344P\_D1644

# Frequency Inverter Panel

REF	PART NO.	DESCRIPTION	COMMENTS
	SP556043	Box Assembly	Includes items 1-17
1	SP556044	Box	
2	SP552251	Filter	
3	571478	Frequency Inverter	
4	SP309084000420	Bolt	
5	SP311127000004	Washer	
6	SP311125000004	Washer	
7	SP309933100625	Bolt	
8	SP311125100006	Washer	
9	SP310934100006	Nut	
10	SP311679824006	Washer	
11	SP309084000412	Bolt	
12	SP311679800004	Washer	
13	SP101408	Bushing	
14	SP101416	Nut	
15	SP101406	Bushing	
16	SP101418	Nut	
17	SP502214	Clip	

# Heat Pump Rinsing System

Heat Pump Models



CZT1P\_D1644

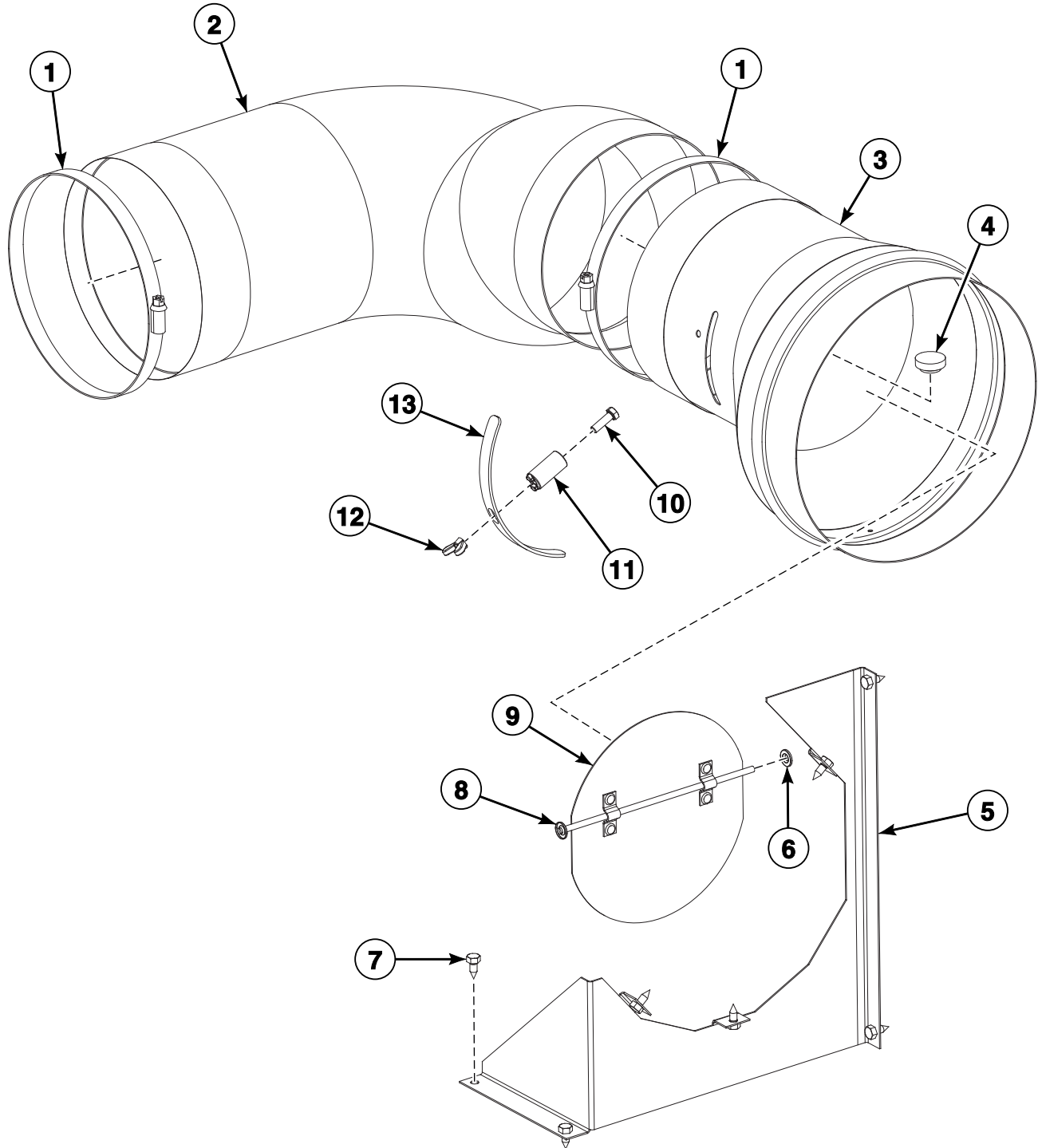


## Heat Pump Rinsing System

REF	PART NO.	DESCRIPTION	COMMENTS
	SP556920	Nozzle Holder Assembly	Includes items 6, 7, 8 and 9
	581723	Time Relay	For models with HP Booster
1	SP556947	Valve Cover Assembly	
2	SP556959	Valve	4-way
3	SPPRI540000014	Hose	
	SP101745	Hose Pipe	For water approval
4	SPPRI240000002	Hose Clamp	
5	SP527236	Elbow	
6	SP556916	Nozzle Adapter	
7	SP556915	Nozzle Fitting Adapter	
8	SP556919	Nozzle Bracket Assembly	
9	SP556922	Nozzle	
10	SP556954	Rinsing System Bracket	
11	SP309933000616	Bolt	
12	SP311125000006	Washer	
13	SP311127000006	Washer	
14	SP552666	Insulation	
15	SP556943	Elbow Bracket Assembly	
16	SP101416	Nut	
17	SP101406	Bushing	
18	SP556946	Valve Bracket Assembly	
19	SP506012	Bolt	
20	SP311127000004	Washer	
21	SP311125000004	Washer	
22	SP309084000412	Bolt	
23	SPPRI505000054	Filling Hose Pipe	
	SP101621	Filling Hose Pipe	For water approval

# Exhaust

Gas, Steam and Electric Models

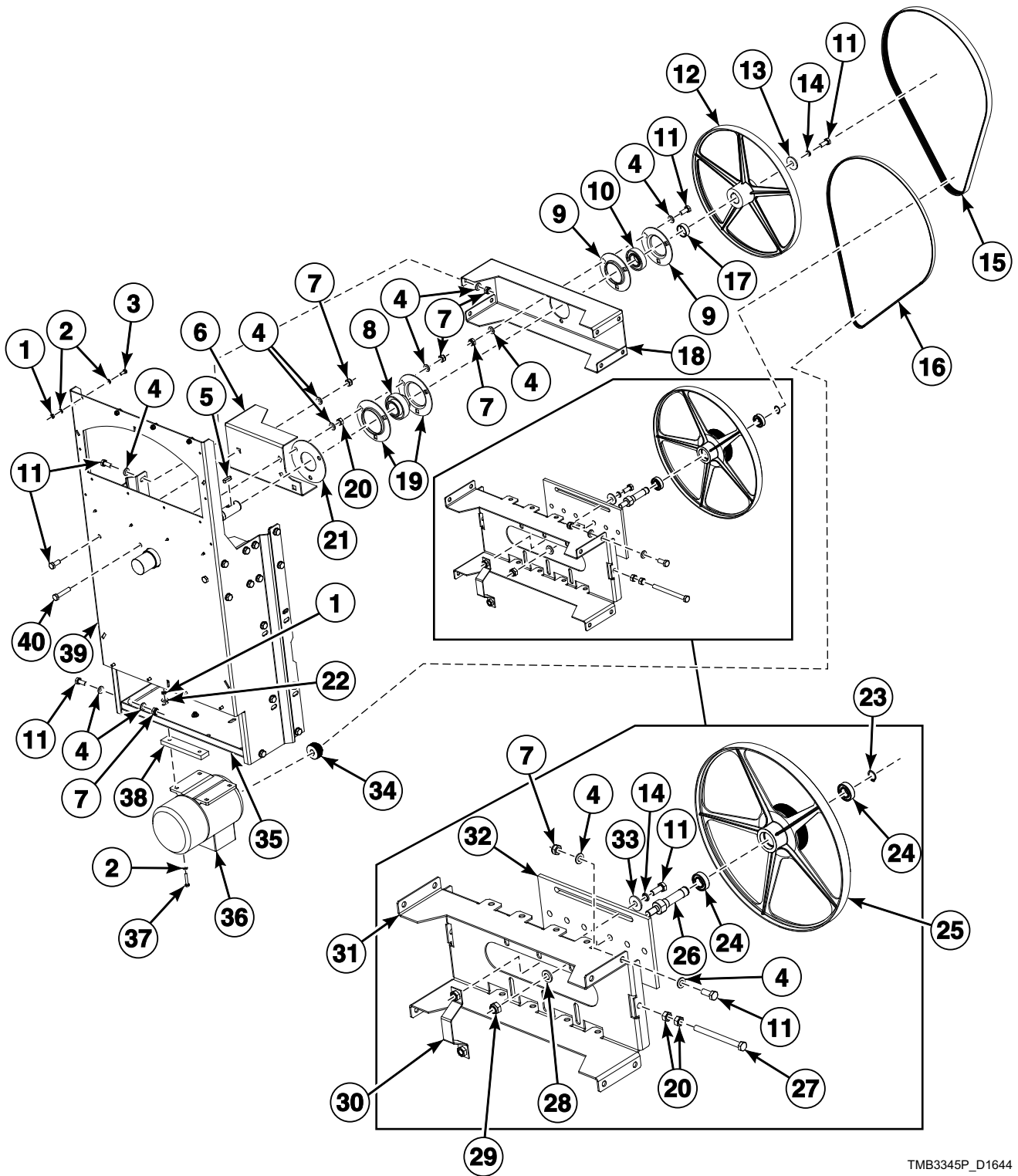


TMB3389P\_D1644

# Exhaust

REF	PART NO.	DESCRIPTION	COMMENTS
	SP534910	Exhaust Assembly	Includes items 1-13
1	SP529013	Clamp	
2	SP144151508341	Tube	
3	SP534914	Tube	
4	SP273127001798	Plug	
5	SP530689	Exhaust Bracket	
6	SP516669	Washer	
7	SP100218	Screw	
8	SP534908	Bar	
9	SP534902	Flap Assembly	
10	SP309933000516	Bolt	
11	SP534900	Flap Stop	
12	SP534929	Nut	
13	SP534904	Plug	

# Drive System



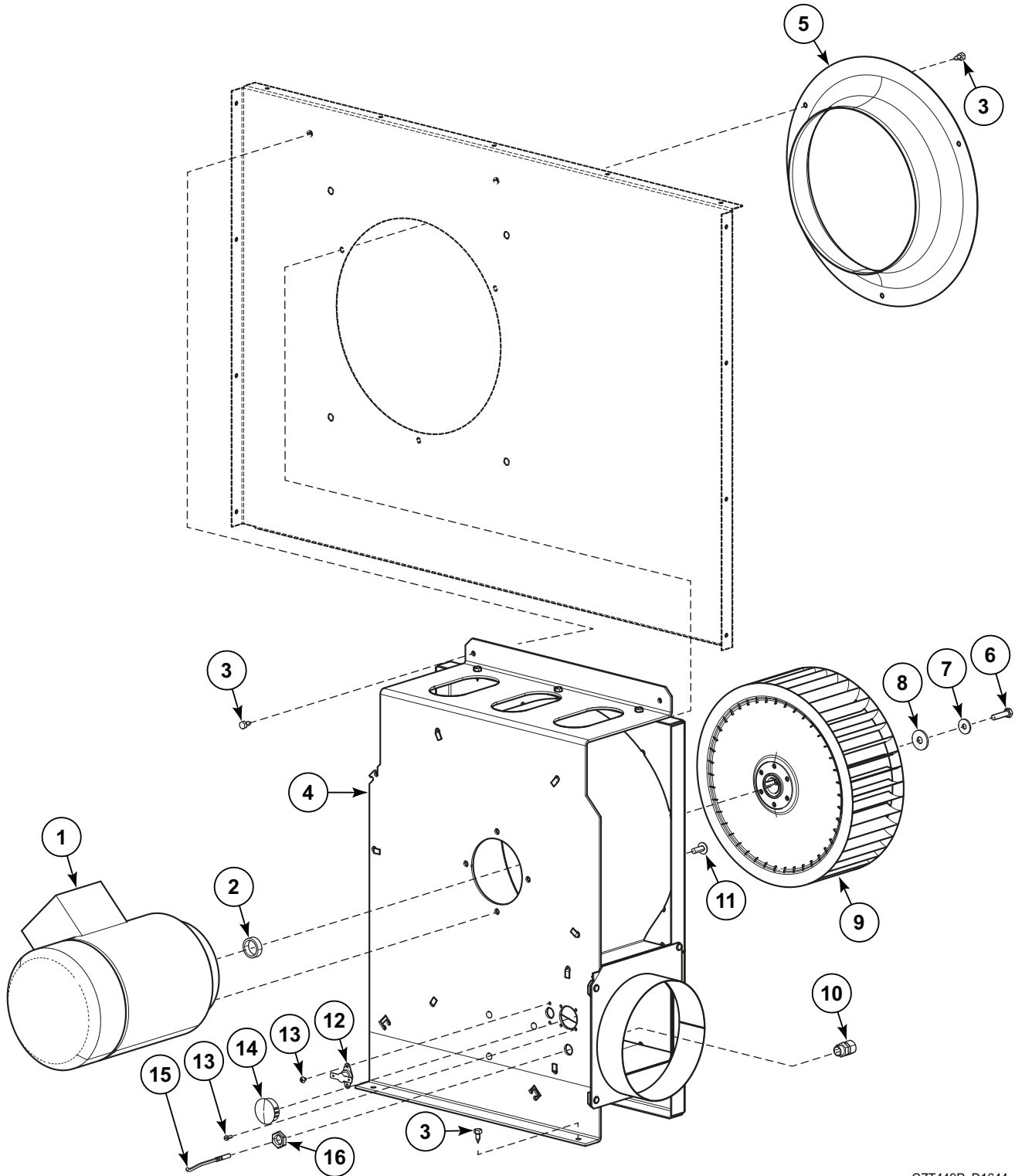
TMB3345P\_D1644

# Drive System

REF	PART NO.	DESCRIPTION	COMMENTS
	SP528928	Tension Assembly	Includes items 4, 7, 11, 14, 20 and 23-33
1	SP310985000006	Nut	
2	SP311125000006	Washer	
3	SP309933000616	Bolt	
4	SP311125000010	Washer	
5	SP505449	Key	
6	SP512365	Reinforcement Bracket	
7	SP310985000010	Nut	
8	SP514005	Bearing	
9	SP514012	Flange Bearing Body	
10	SP514007	Bearing	
11	SP309933001025	Bolt	
12	SP518646	Double Drum Pulley	
13	SP311902100012	Washer	
14	SP311127000010	Washer	
15	SP518647	Belt	
16	SP515257	Belt	
17	SP518649	Distance Ring	
18	SP512366	Bearing Bracket	
19	SP514011	Flange Bearing Body	
20	SP310934000010	Nut	
21	SP514483	Bearing Flange	
22	SP311902100006	Washer	
23	SP515517	Retaining Ring	
24	SP326000600300	Bearing	
25	SP534703	Double Pulley	
26	SP534704	Tension Rod	
27	SP309933001120	Bolt	
28	SP311125000013	Washer	
29	SP310985000012	Nut	
30	SP515514	Support Plate	
31	SP514479	Tension Assembly	
32	SP514480	Sliding Board	
33	SP311902100010	Washer	
34	SP530720	Motor Pulley	50 Hertz; Reversing
	SP530721	Motor Pulley	60 Hertz; Reversing
	SP527723	Motor Pulley	50 Hertz; Nonreversing
	SP528922	Motor Pulley	60 Hertz; Nonreversing
35	SP515418	Motor Bracket	3 Phase; Reversing
	SP518517	Motor Bracket	1 Phase; Reversing
36	SP523724	Motor	208-240 Volt; 1 Phase; Reversing
	SP523725	Motor	3 Phase; Reversing
37	SP518556	Bolt	
38	SP515521	Spacer	
39	SP512363	Drive Bracket	
40	SP309933001050	Bolt	

# Fan Housing Assembly

Gas, Steam and Electric Models

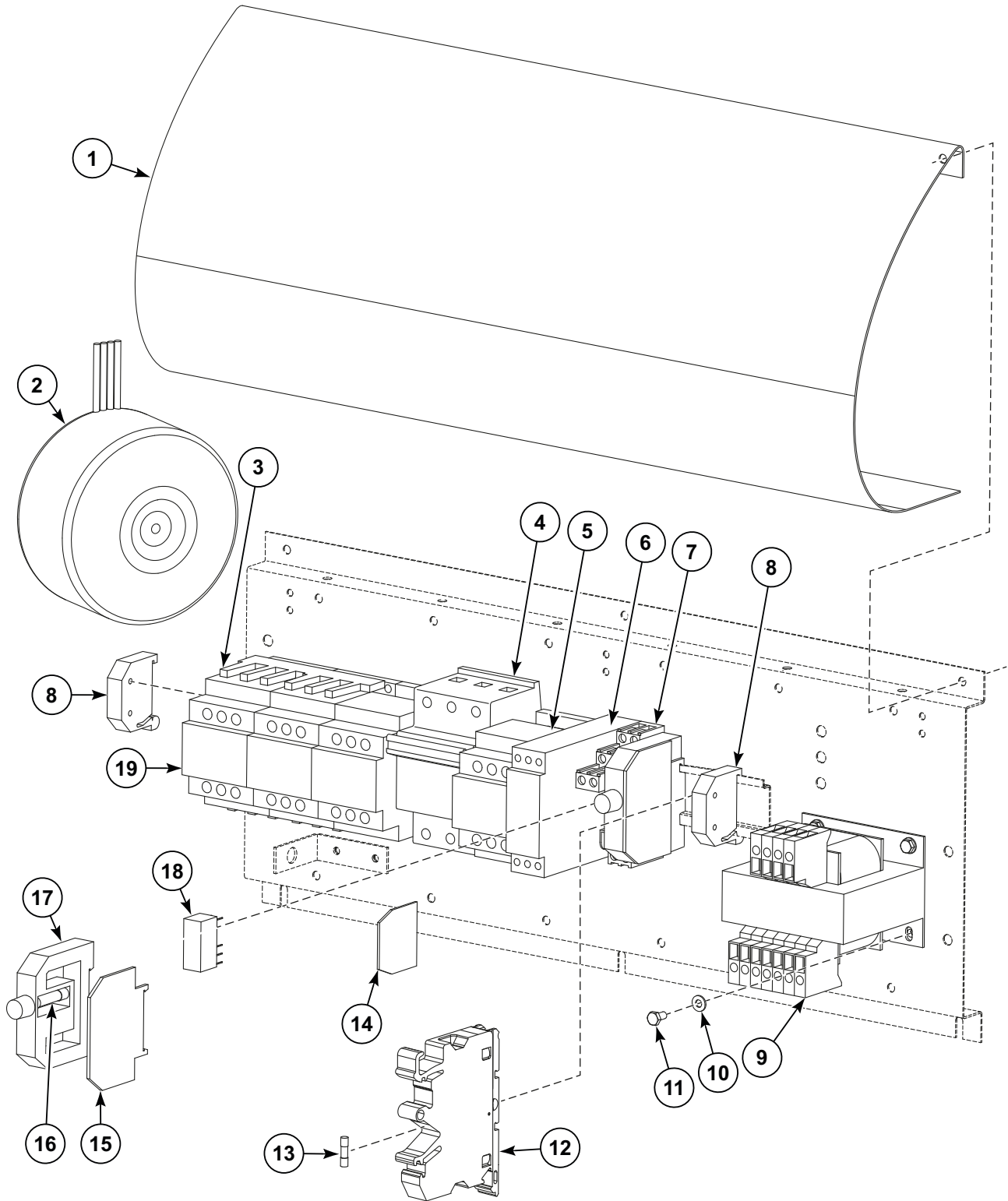


CZT449P\_D1644

# Fan Housing Assembly

REF	PART NO.	DESCRIPTION	COMMENTS
1	SP523622	Fan Motor	3 phase; Nonreversing
	SP523625	Fan Motor	1 phase; Nonreversing
2	SP520940	Spacer	
3	SP100218	Screw	
4	575503	Fan Housing Weldment	
5	SP520950	Inlet Nozzle	
6	SP309933000625	Bolt	
7	SP311902100006	Washer	
8	SP311902100008	Washer	
9	SP520945	Ventilator	
10	SP101405	Bushing	
11	SP510954	Bolt	
12	SP514016	Safety Thermostat	
13	SP309798500306	Screw	
14	SPPRI505000064	Plug	
15	SP534930	Temperature Sensor	
16	SP101415	Nut	

# Electric Box Components - Heat Pump Models



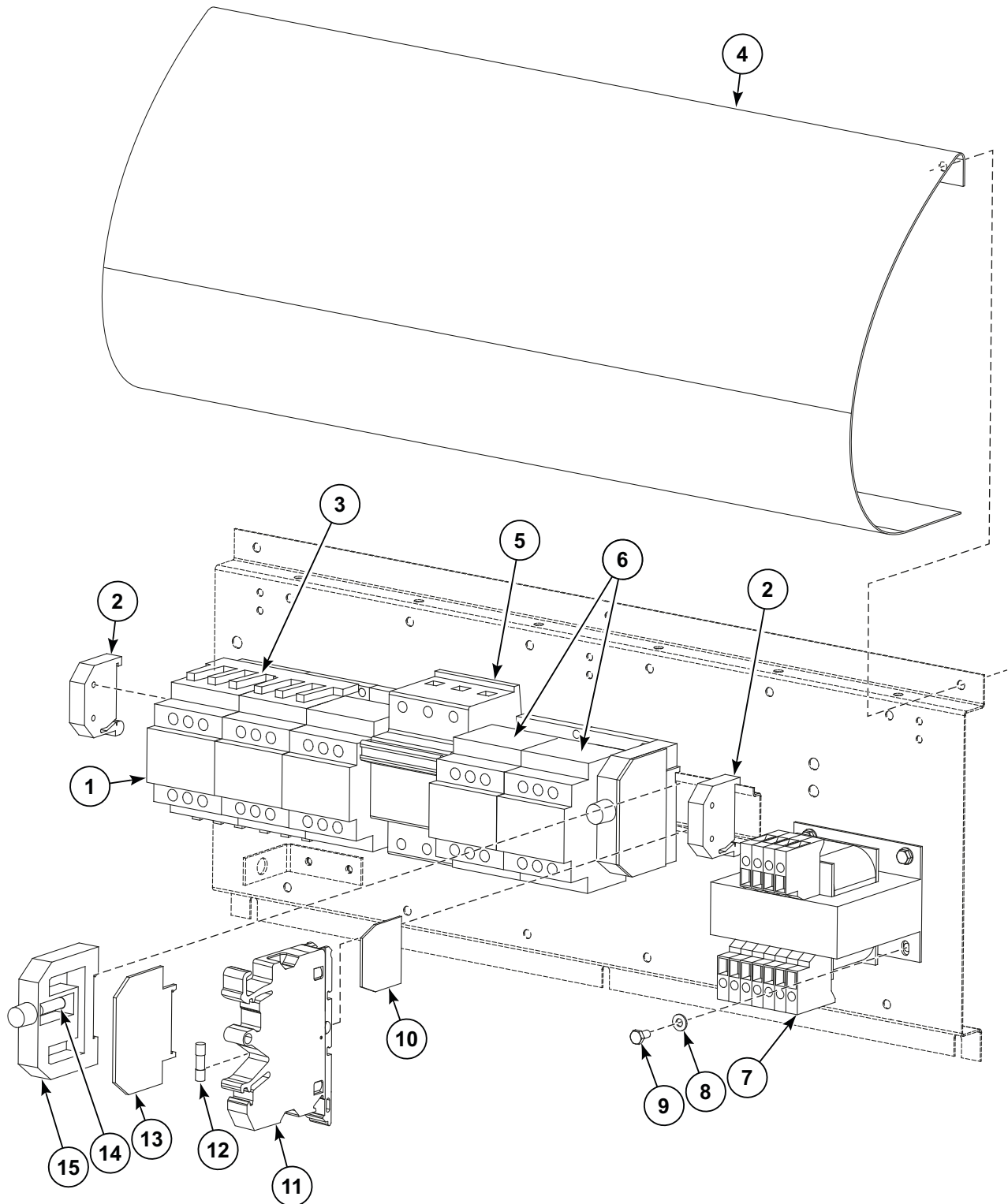
CZT468P\_D1644



## Electric Box Components - Heat Pump Models

REF	PART NO.	DESCRIPTION	COMMENTS
	SP552248	Autotransformer	440-480 Volt/50 or 60 Hertz/3 AC
1	530518	Electric Box Cover	
2	SP552201	Autotransformer	
3	569858	Mechanical Interlock Unit	Need to use with 569859 Set for Reversing Contactors
4	SP358251506220	Fuse	
	SP358251601312	Fuse Isolator	
5	569857	Contactor	208-240V 1AC
	569856	Contactor	208-240V 3AC; 380-415V 3AC
6	SP552311	Control Relay	
7	SP506586	Relay Case	Including Relay Clamp
8	SP346000209101	End Stop	
9	SP514021	Transformer	208-440 Volt
10	SP311125000004	Washer	
11	SP309084000410	Bolt	
12	552482	Fuse Housing	
13	SP345805005020	Fuse	250 Volt; T500mA
	SPPRI401001021	Fuse	250 Volt; F4A
14	552483	End Cover	
15	SP346000014010	Cover	
16	SP514133	Fuse	500 Volt, F500mA; 440V; 380-415V
17	SP346000004010	Fuse Case	
18	SP514057	Relay	
19	569856	Contactor	

# Electric Box Components - Electric Models

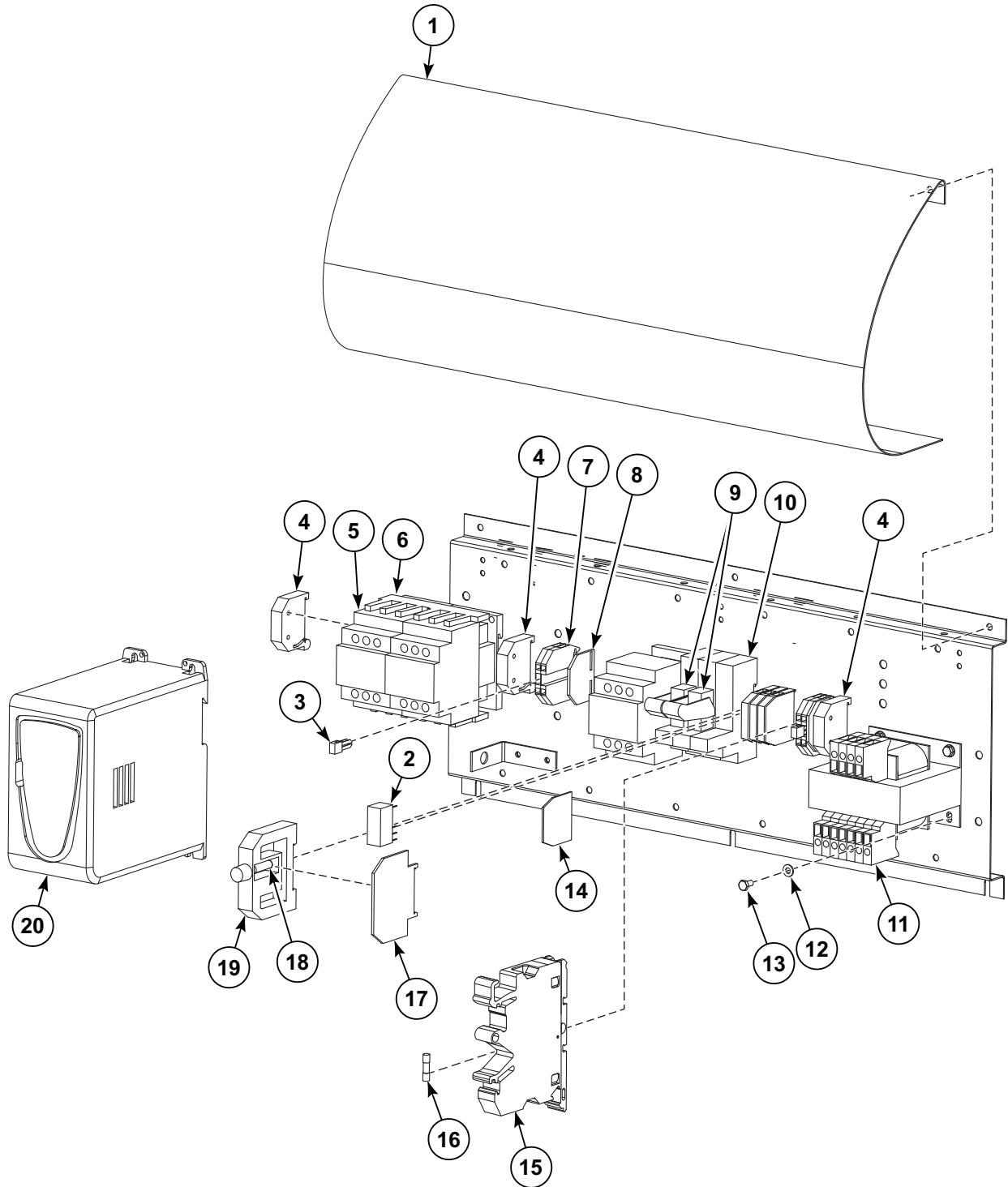


CZT456P\_D1644

## Electric Box Components - Electric Models

REF	PART NO.	DESCRIPTION	COMMENTS
	SP552248	Autotransformer	440-480V/50 or 60 Hz/3 AC
1	569856	Contactactor	
2	SP346000209101	End Stop	
3	569858	Mechanical Interlock Unit	Need to use with 569859 Set for Reversing Contactors
4	530518	Electric Box Cover	
5	SP358251506220	Fuse	6A
	SP358251601312	Fuse Isolator	
6	569856	Contactactor	400V 9kW; 400V 13.5kW; 440V 13kW
	569857	Contactactor	230V 13.5kW need to use with 569856
7	SP514021	Transformer	208-440 Volt
8	SP311125000004	Washer	
9	SP309084000410	Bolt	
10	552483	End Cover	
11	552482	Fuse Housing	
12	SP345805005020	Fuse	250 Volt; T500mA
	SPPRI401001021	Fuse	250 Volt; F4A
13	SP346000014010	Cover	
14	SP514133	Fuse	500 Volt, F500mA; 440 Volt; 380-415 Volt
15	SP346000004010	Fuse Case	

# Electric Box Components - Gas and Steam Models



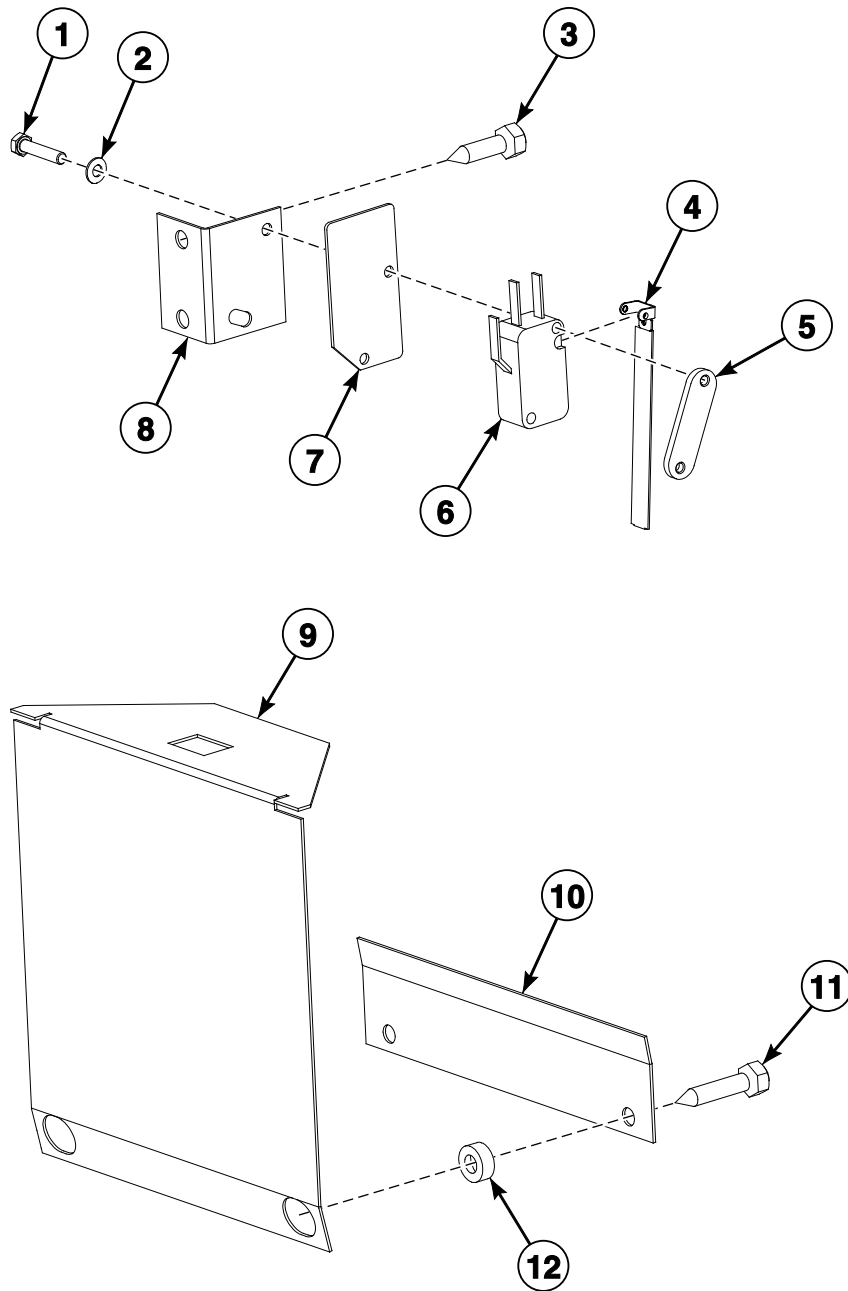
CZT469P\_D1644

## Electric Box Components - Gas and Steam Models

REF	PART NO.	DESCRIPTION	COMMENTS
	SP552248	Autotransformer	440-480V/50 or 60Hz 3 AC
1	530518	Electric Box Cover	
2	SP514134	Relay	220VAC; Gas models
3	SP346000280402	Interconnection	
4	SP346000209101	End Stop	
5	569856	Contactora	
	SP520195	Resistance Bleeder	Reversing
6	569858	Mechanical Interlock Unit	Need to use with 569859 Set for Reversing Contactors
7	SP346000280101	Clamp	
8	SP346000280301	Cover	
9	SP514057	Relay	24VAC; Gas models
10	SP506586	Relay Case	Gas models; Including Relay Clamp
11	SP514021	Transformer	14.2V plus 24V; 208-440 Volt
	SP516648	Transformer	380-415 Volt without N
12	SP311125000004	Washer	
13	SP309084000410	Bolt	
14	552483	End Cover	
15	552482	Fuse Housing	
16	SPPRI401001021	Fuse	250 Volt F4A
	SP345805005020	Fuse	250 Volt T500mA
	SPPRI401020021	Fuse	1.6A
17	SP346000014010	Cover	
18	SP514133	Fuse	500 Volt, F500mA; 440 Volt; 380-415 Volt
	SP345805163032	Fuse	1A
19	SP346000004010	Fuse Case	
20	SP557962	Frequency Inverter	

# Under Pressure Clutch

Gas, Steam and Electric Models



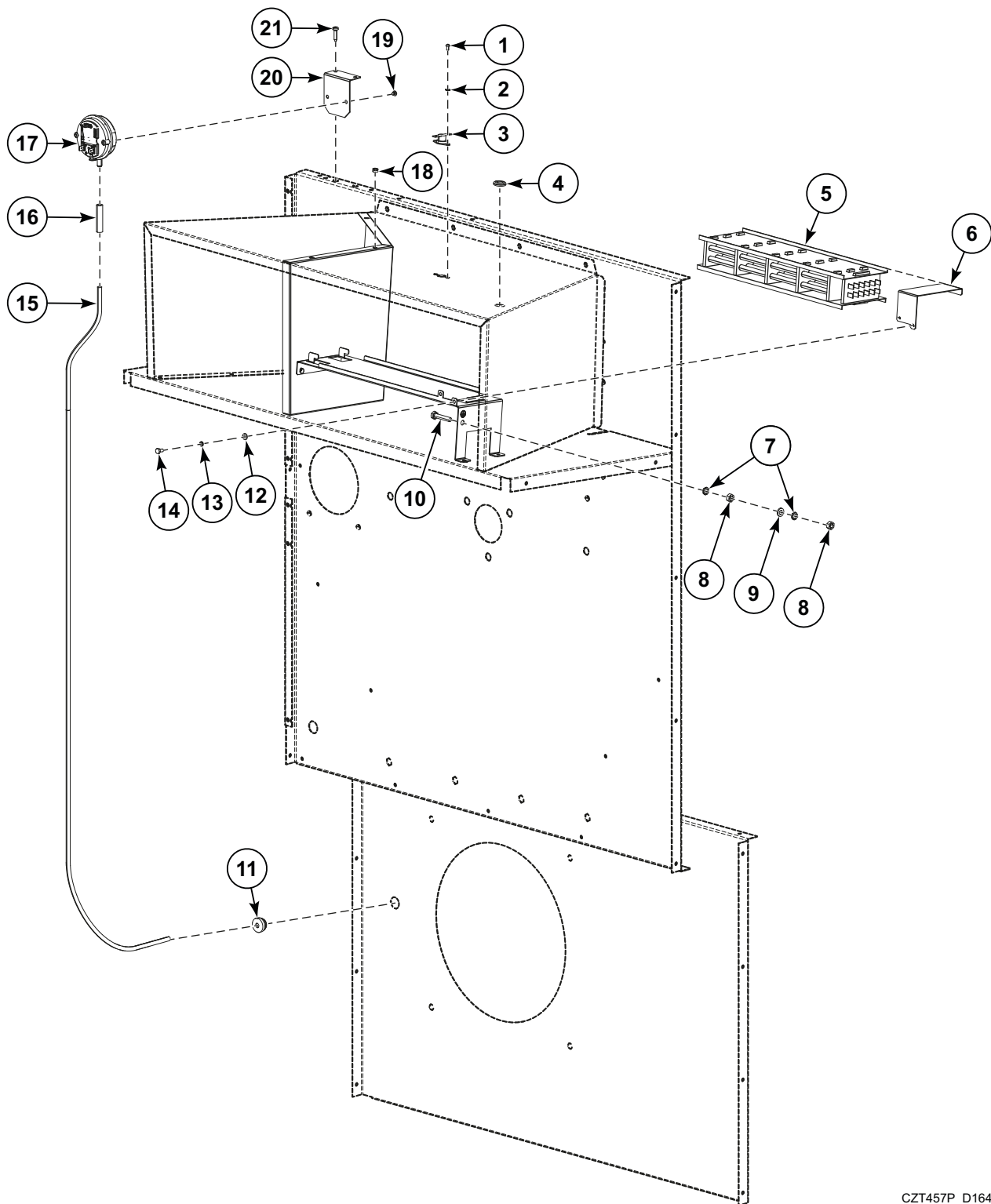
TMB3370P\_D1644

## Under Pressure Clutch

REF	PART NO.	DESCRIPTION	COMMENTS
	SP520870	Underpressure Clutch Assembly	Includes items 1-12
1	SP516623	Bolt	
2	SP311125000003	Washer	
3	SP518623	Bolt	
4	SP517441	Microswitch Lever Assembly	
5	SP235119001815	Nut	
6	SPPRI610028017	Microswitch	
7	SP101154	Isolation Plate	
8	SP520803	Microswitch Bracket	
9	SP520805	Clutch	
10	SP520808	Stop End	
11	SP520871	Screw	
12	SP520804	Distance Ring	

# Heat Pump Booster

Heat Pump Booster Models



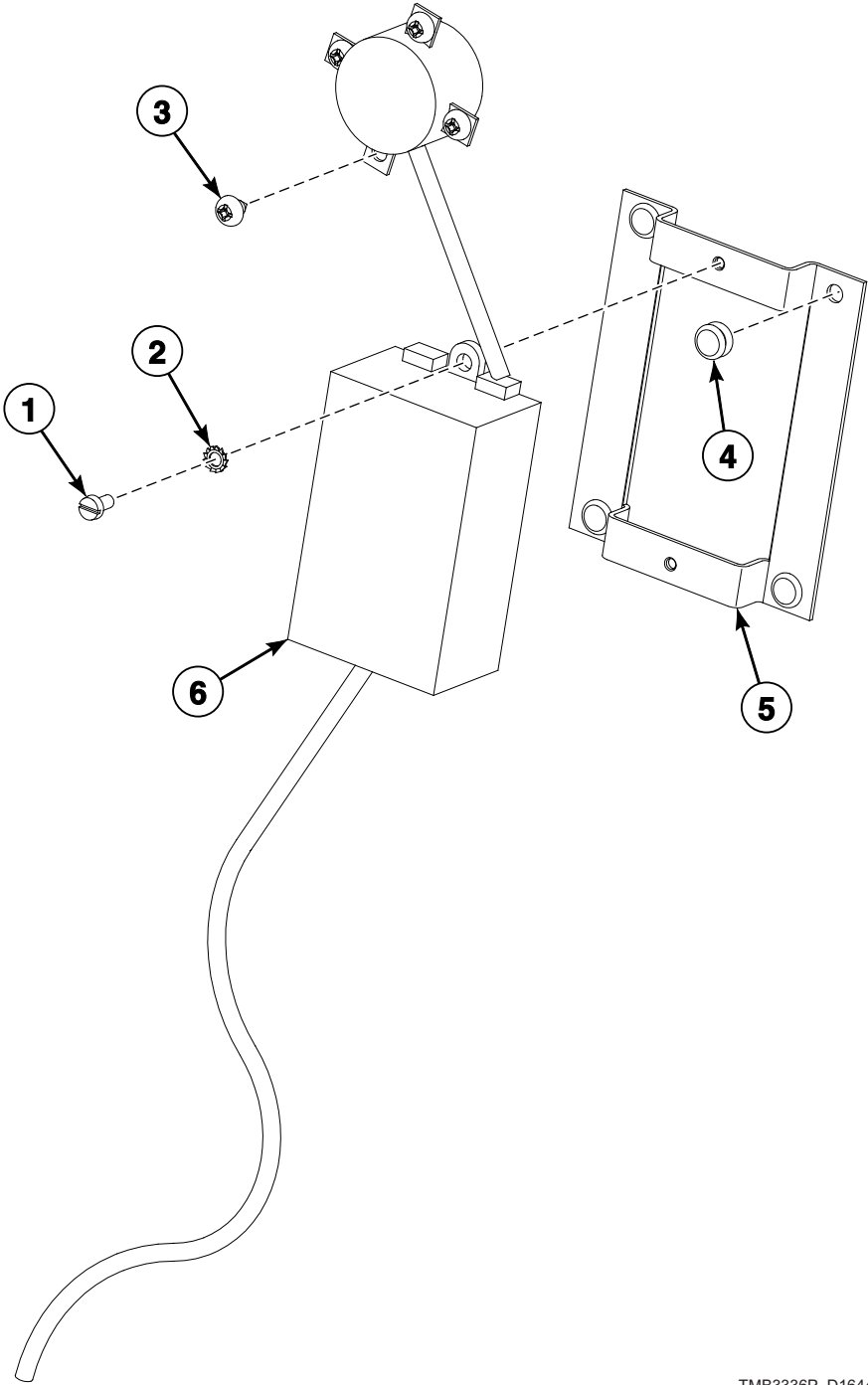
CZT457P\_D1644



# Heat Pump Booster

REF	PART NO.	DESCRIPTION	COMMENTS
1	SP309798500306	Bolt	M3x6
2	SP311125000003	Washer	M3
3	SP527728	Safety Thermostat	
4	PRI501000069	Cable Grommet	
5	581425	Heater	3kW/230V
6	581434	Heater Cover	
7	SP311679824006	Washer	M6
8	SP310934100006	Nut	M6
9	SP311125240006	Washer	M6
10	SP309933100625	Bolt	M6x25
11	SP526439	Temperature Sensor Seal	
12	SP311125240004	Washer	M4
13	SP311127240004	Washer	M4
14	SP309798524408	Bolt	M4x8
15	SP319300006001	Hose	51.18 inch (1.3m)
16	SP273030000502	Hose	5x2
17	575487	Differential Pressure Switch	
18	SP313250004063	Rivet	
19	SP517238	Screw	ST3.5x6.5
20	575488	Switch Holder	
21	SP518623	Bolt	ST4.2x9.5

# Humidity Sensor

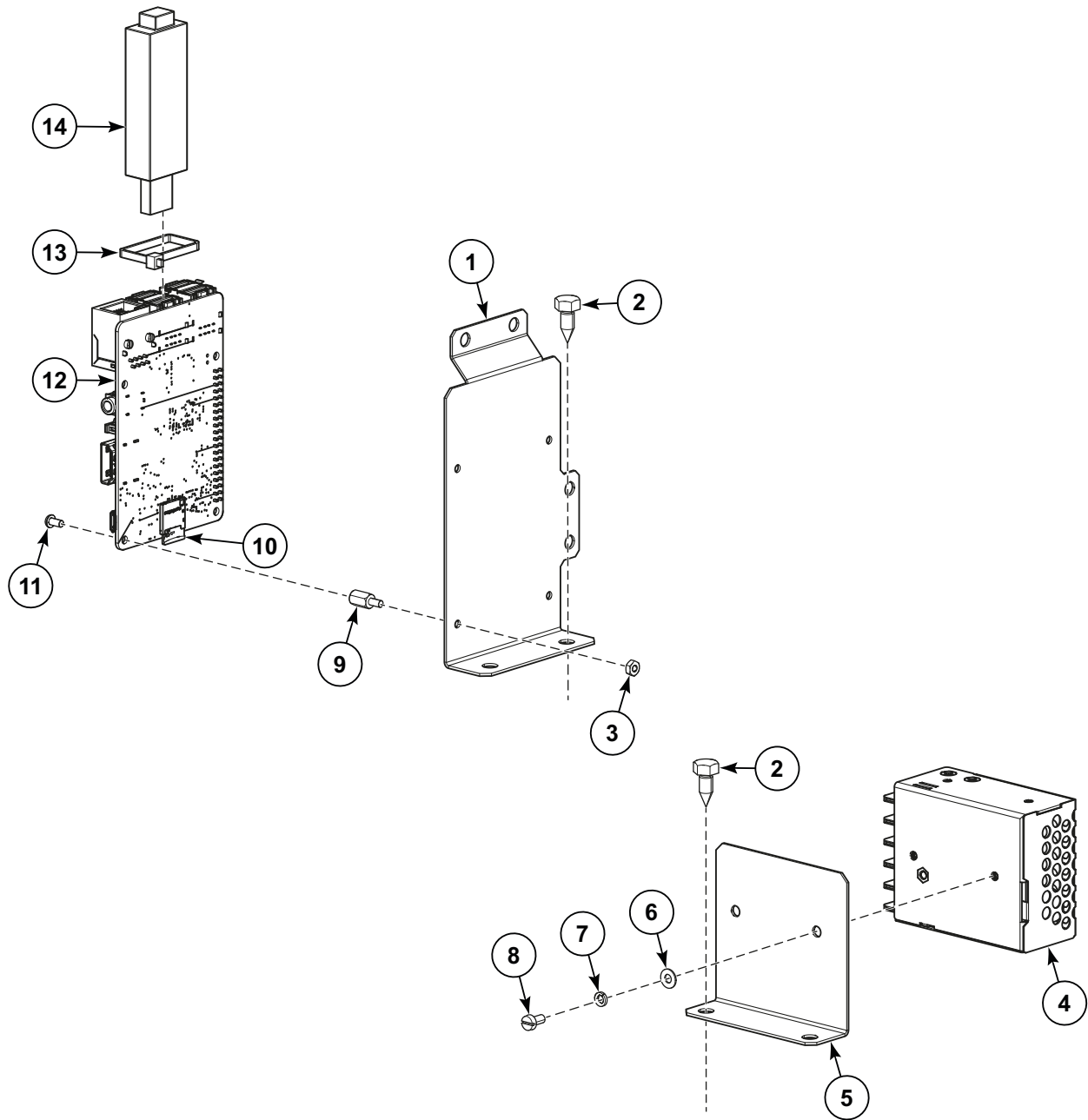


TMB3336P\_D1644

# Humidity Sensor

REF	PART NO.	DESCRIPTION	COMMENTS
	SP532002	Dust Cap Humidity Sensor	
	SP518562	Humidity Sensor Assembly	Includes items 1-6
1	SP309084000306	Bolt	
2	SP311679800003	Washer	
3	SP309798500306	Screw	
4	SP313250004075	Rivet	
5	SP518563	Sensor Holder	
6	SP102456	Humidity Sensor	

# WiFi Connection

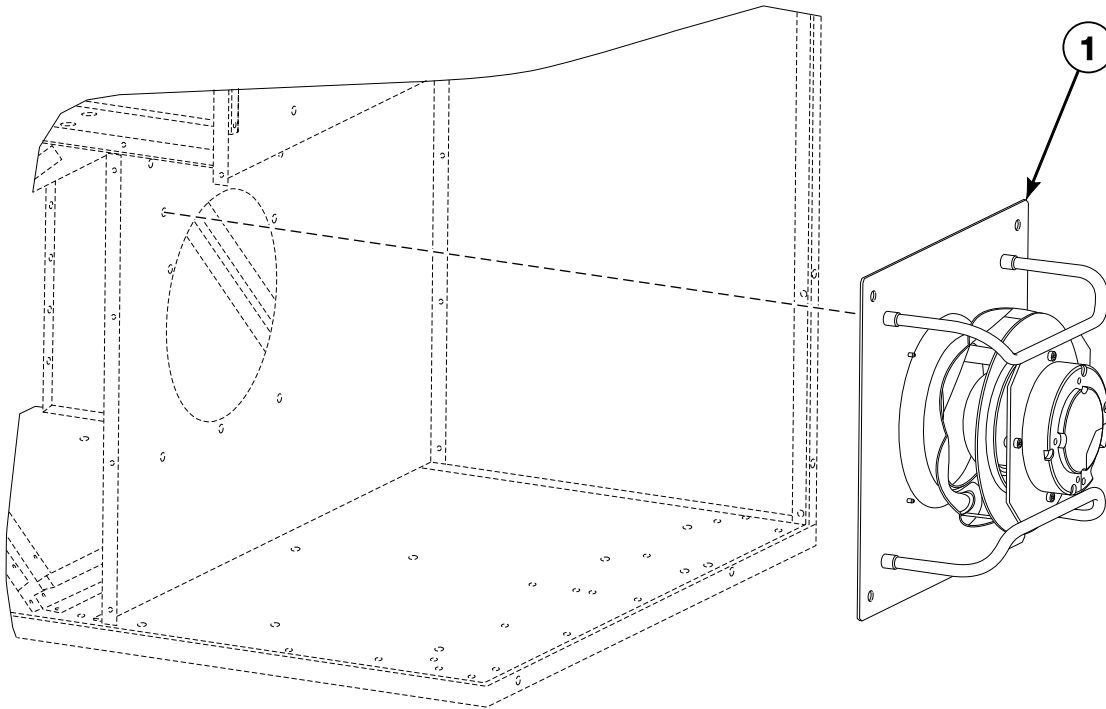


CZT446P\_D1644

## WiFi Connection

REF	PART NO.	DESCRIPTION	COMMENTS
	573395	WiFi Service kit	Includes items 1-14, items 575872, 575873, 575866 and Flash Memory with Firmware
	575872	Power Supply Cable	
	575873	WiFi Cable	
	575866	Power Supply Harness	Micro USB-B
<b>1</b>	573393	Control Board Holder	
<b>2</b>	SP100218	Screw	ST4.8x13
<b>3</b>	573392	Nut	M2.5
<b>4</b>	575864	Power Supply	
<b>5</b>	573394	Power Supply Holder	
<b>6</b>	SP311125000003	Washer	M3
<b>7</b>	SP311127000003	Washer	M3
<b>8</b>	SP309084000306	Bolt	M3x6
<b>9</b>	573390	Spacer	M2.5x8
<b>10</b>	553442	MicroSD Card	16GB
<b>11</b>	573391	Bolt	M2.5x5
<b>12</b>	553440	Control Board	
<b>13</b>	SP345000626088	Binding Strip	
<b>14</b>	529102	Converter	USB RS485 - Nano

# Ventilator - Heat Pump Models



TMB3354P\_D1644

## Ventilator - Heat Pump Models

REF	PART NO.	DESCRIPTION	COMMENTS
	SP534930	Temperature Sensor	
1	SP552675	Ventilator	





# Parts Index

## A

Access Cover	
SP530796 .....	29, 31
SP557136 .....	29
Adhesive	
SP245704003021 .....	35, 37
Adjustable Foot	
SPPRI504000001 .....	29
Autotransformer	
SP552201 .....	63
SP552248 .....	63, 65, 67

## B

Back Seal	
SP527801 .....	29, 31
579537 .....	29, 31
Base	
SP541489 .....	51
Bearing	
SP326000600300 .....	59
SP514005 .....	59
SP514007 .....	59
Bearing Bracket	
SP512366 .....	59
Bearing Flange	
SP514483 .....	59
Belt	
SP515257 .....	59
SP518647 .....	59
Binding Strip	
SP345000626088 .....	75
Blank Plate Kit	
SP102019 .....	41
Bolt	
SPPRI202001001 .....	41, 47
SP309084000306 .....	73, 75
SP309084000410 .....	63, 65, 67
SP309084000412 .....	53, 55
SP309084000416 .....	49
SP309084000420 .....	53
SP309798500306 .....	71
SP309798524408 .....	43, 71
SP309933000416 .....	11, 21, 25, 29, 31
SP309933000516 .....	41, 57
SP309933000616 .....	39, 55, 59
SP309933000625 .....	51, 61
SP309933000630 .....	29, 31
SP309933001025 .....	59
SP309933001050 .....	59
SP309933001120 .....	59
SP309933100625 .....	53, 71
SP309933240412 .....	5, 11, 23, 25, 29, 31
SP309966240410 .....	5
SP506012 .....	49, 55
SP510954 .....	61
SP515075 .....	5, 37
SP516623 .....	69
SP516693 .....	29, 31
SP518556 .....	59

SP518623 .....	69, 71
SP518719 .....	29, 31
SP524367 .....	35, 37
SP525028 .....	33
SP525101 .....	35, 37
SP533726 .....	51
SP534908 .....	57
SP537864 .....	49
SP545529 .....	29, 31
573391 .....	75

Box	
SP556044 .....	53
Box Assembly	
SP556043 .....	53
Bracket	
SP541436 .....	51
Burner Tube	
SP552515 .....	41, 43
Bushing	
SP101405 .....	49, 61
SP101406 .....	49, 53, 55
SP101408 .....	49, 53
SP273121011001 .....	29, 31
SP273121013002 .....	29, 31

## C

Cabinet	
SP552660 .....	49
Cable	
SP521061 .....	9, 11, 23, 25
Cable Grommet	
PRI501000069 .....	71
Chain	
SP521266 .....	7
Clamp	
SP346000280101 .....	67
SP529013 .....	57
Clip	
SP502214 .....	53
Clutch	
SP520805 .....	69
Coil	
SP516717 .....	47
Coin Meter	
SP100642 .....	15
SP100866 .....	15
SP100867 .....	15
SP100868 .....	15
SP100869 .....	15
SP100870 .....	15
SP100871 .....	15
SP100887 .....	15
SP100888 .....	15
SP100891 .....	15
SP100892 .....	15
SP100893 .....	15
SP100895 .....	15
SP100896 .....	15
SP100898 .....	15
SP100900 .....	15
SP100902 .....	15

N/A items do not appear in index.

SP101155.....	15	516913 .....	19
SP101228 .....	15	516914 .....	19
SP101437 .....	15	516976 .....	15
SP101450 .....	15	529115.....	17
SP101499 .....	15	529119.....	17
SP101535 .....	15	529159.....	19
SP101536 .....	15	534289 .....	17
SP101586 .....	15	534297 .....	17
SP101612 .....	15	537775 .....	17
SP101632 .....	15	537776 .....	17
SP101797 .....	15	552951 .....	17
SP102084 .....	15	553008 .....	17
SP102371 .....	15	556113.....	17
SP102407 .....	15	556114.....	17
SP102452 .....	15	560095 .....	17
SP102473 .....	15	560097 .....	17
SP102546 .....	15	560098 .....	17
SP516632 .....	15	560099 .....	17
SP516636 .....	15	569920 .....	19
SP516638 .....	15	569923 .....	19
SP516639 .....	15	569926 .....	19
SP516737 .....	15	569929 .....	19
SP516804 .....	15	569932 .....	19
SP516807 .....	15	569935 .....	19
SP516875 .....	15	569938 .....	19
SP516921 .....	15	569941 .....	19
SP516950 .....	15	569944 .....	19
SP516967 .....	15	569947 .....	19
SP516969 .....	15	569950 .....	19
SP516977 .....	15	569953 .....	19
SP516980 .....	15	569956 .....	19
SP516984 .....	15	569963 .....	19
SP516991 .....	15	569966 .....	19
SP516994 .....	17	569969 .....	19
SP516999 .....	17	569972 .....	19
SP529106 .....	17	569975 .....	19
SP529108 .....	17	569981 .....	19
SP529110 .....	17	569986 .....	19
SP529113 .....	17	572303 .....	19
SP529114 .....	17	572306 .....	19
SP529124 .....	17	572309 .....	19
SP534187 .....	17	572312 .....	19
SP537778 .....	17	572315 .....	19
SP537779 .....	17	572319 .....	19
SP537787 .....	17	572322 .....	19
SP537788 .....	17	572325 .....	19
SP537825 .....	17	572337 .....	19
SP537828 .....	17	572338 .....	19
SP537829 .....	17	572340 .....	19
SP537859 .....	17	572344 .....	19
SP537913 .....	17	572360 .....	19
SP552901 .....	17	572385 .....	19
SP552952 .....	17	572390 .....	19
SP552998 .....	17	579810 .....	19
SP553007 .....	17	579814 .....	19
SP553140 .....	17	579820 .....	19
SP553152 .....	17		
SP555667 .....	17	Coin Meter Bracket	
SP556109 .....	17	SP556081.....	11
SP556153 .....	17	Coin Vault	
SP559709 .....	17	SP321848140028.....	29, 31
SP560096 .....	17	573350 .....	29, 31
SP560746 .....	17	Coin Vault Assembly	
SP560793 .....	17	573370 .....	29, 31
SP561379 .....	17	Coin Vault Cover	
SP564823 .....	17	SP515291.....	5
516848 .....	19	Coin Vault Frame	
516908 .....	19	SP501514.....	5
516909 .....	19		

N/A items do not appear in index.

Coin Vault Frame Bracket	
SP524394 .....	5
Connector	
345000180901 .....	41
Contact	
345000160645 .....	41
Contactors	
569856 .....	63, 65, 67
569857 .....	63, 65
Control	
SP102458 .....	11, 21, 25
SP529112 .....	9
Control Board	
553440 .....	75
Control Board Holder	
573393 .....	75
Control Bracket	
SP556603 .....	11, 23, 25
SP559819 .....	11, 21, 25
Control Panel	
SP556076 .....	13
SP556077 .....	23
SP556644 .....	13
SP556645 .....	25
SP556674 .....	23
SP556675 .....	23
SP556676 .....	23
SP556677 .....	23
SP556678 .....	13
SP556679 .....	13
SP556680 .....	13
SP556681 .....	25
SP556682 .....	25
SP556683 .....	25
SP556684 .....	25
SP560139 .....	9
Control Panel Assembly	
SP556075 .....	11
SP556078 .....	21
SP556646 .....	25
SP556685 .....	21
SP556686 .....	21
SP556687 .....	21
SP556688 .....	21
SP556689 .....	11
SP556690 .....	11
SP556691 .....	11
SP556692 .....	11
SP556693 .....	25
SP556694 .....	25
SP556695 .....	25
SP556696 .....	25
SP559887 .....	21
SP559888 .....	21
SP559889 .....	11
SP559890 .....	11
SP559891 .....	25
SP559892 .....	25
SP559893 .....	25
SP560138 .....	9
SP560222 .....	21
SP560223 .....	21
SP560224 .....	11
SP560225 .....	11
SP560226 .....	25
SP560227 .....	25
SP560714 .....	21

SP560715 .....	21
SP560716 .....	11
SP560717 .....	11
SP560718 .....	25
SP560719 .....	25
574515 .....	21
574516 .....	21
574517 .....	11
574518 .....	11
574519 .....	25
574520 .....	25
575432 .....	21
575433 .....	11
575434 .....	25
Control Relay	
SP552311 .....	63
Control Unit	
571938 .....	43
Converter	
529102 .....	75
Cover	
SP346000014010.....	63, 65, 67
SP346000280301.....	67
SP512139.....	41, 43
SP541434.....	51
SP541435.....	51
SP551860.....	51
SP566259.....	51
SP566301.....	51
537625 .....	43
<hr/>	
<b>D</b>	
Detection Electrode	
SP102002.....	41
Differential Pressure Switch	
575487 .....	71
Display Board	
SP102459.....	11, 21, 25
SP553416.....	9, 11, 21, 25
SP560706.....	11, 21, 25
Distance Ring	
SP518649.....	59
SP520804.....	69
Door	
SP524364.....	35
SP556552.....	35
SP559701.....	35
579509 .....	37
579510 .....	37
Door Assembly	
SP524359.....	35
SP556558.....	35
SP556559.....	35
SP556561.....	35
SP559703.....	35
559702 .....	35
579505 .....	37
579506 .....	37
579507 .....	37
579508 .....	37
Door Glass	
SP512053.....	35, 37
Door Plastic Layer	
580338 .....	37

N/A items do not appear in index.

Door Ring	
SP534873 .....	35, 37
Door Switch Assembly	
SP520404 .....	29, 31
Door Switch Holder	
SP520403 .....	29, 31
Double Drum Pulley	
SP518646 .....	59
Double Pulley	
SP534703 .....	59
Drive Bracket	
SP512363 .....	59
Drum	
577764 .....	33
577767 .....	33
Drum Assembly	
577702 .....	33
577724 .....	33
Drum Cross	
SP514957 .....	33
Dust Cap Humidity Sensor	
SP532002 .....	73

## E

Elbow	
SP527236 .....	55
572350 .....	43
572352 .....	43
Elbow Bracket Assembly	
SP556943 .....	55
Electric Box Cover	
530518 .....	63, 65, 67
Electrode Bracket	
SP512141 .....	41
Emergency Stop Connector	
SP528311 .....	13, 21
Emergency Stop Knob	
SP528310 .....	13, 21
End Cover	
552483 .....	63, 65, 67
End Stop	
SP346000209101 .....	63, 65, 67
Exhaust Assembly	
SP534910 .....	57
Exhaust Bracket	
SP530689 .....	57
Exhaust Cover	
SP545533 .....	29, 31

## F

Fan	
SP528481 .....	49
Fan Assembly	
SP541496 .....	49
Fan Cover	
SP541484 .....	49
Fan Holder	
SP541495 .....	49

Fan Housing Weldment	
575503 .....	61
Fan Motor	
SP523622 .....	61
SP523625 .....	61
Filling Hose Pipe	
SPPRI505000054 .....	55
SP101621 .....	55
Filter	
SP512324 .....	29, 31
SP519027 .....	47
SP552251 .....	53
Filter Assembly	
SP560162 .....	29
Filter Panel Assembly	
SP530630 .....	7
SP530631 .....	7
SP530633 .....	7
SP530634 .....	7
SP555961 .....	7
SP555962 .....	7
SP559827 .....	7
SP559828 .....	7
Fine Filter	
SP560160 .....	29
Fixation Ring	
579515 .....	37
580339 .....	37
Flame Detection Cable	
SP516057 .....	41
Flange	
SP102018 .....	41
SP514062 .....	41
Flange Bearing Body	
SP514011 .....	59
SP514012 .....	59
Flap Assembly	
SP534902 .....	57
Flap Stop	
SP534900 .....	57
Frequency Inverter	
SP557962 .....	67
571478 .....	53
Front Panel Assembly	
SP530620 .....	5
SP530621 .....	5
SP530622 .....	5
SP530623 .....	5
SP545542 .....	5
SP545543 .....	5
SP555996 .....	5
SP555997 .....	5
SP555998 .....	5
SP559831 .....	5
SP559832 .....	5
SP559833 .....	5
Front Seal	
SP518505 .....	29, 31
Fuse	
SPPRI401001021 .....	63, 65, 67
SPPRI401020021 .....	67
SP345805005020 .....	63, 65, 67
SP345805163032 .....	67
SP358251506220 .....	63, 65
SP514133 .....	63, 65, 67
SP557786 .....	39

N/A items do not appear in index.

Fuse Case	
SP34600004010 .....	63, 65, 67
Fuse Housing	
552482 .....	63, 65, 67
Fuse Isolator	
SP358251601312 .....	63, 65

## G

Gas Heater Box	
SP512130 .....	41
569440 .....	43
Gas Valve	
SP102000 .....	41
SP520281 .....	41
572351 .....	43
Gas Valve Cable	
SP357500459412 .....	41
Gas Valve Wiring	
520098 .....	41
Glue	
SP534969 .....	35, 37

## H

Handle	
579513 .....	37
579514 .....	37
Heat Pump	
SP556082 .....	49
SP556083 .....	49
SP556084 .....	49
SP556085 .....	49
SP556090 .....	49
SP556091 .....	49
SP556092 .....	49
SP556093 .....	49
SP556659 .....	49
SP556660 .....	49
SP556663 .....	49
SP556664 .....	49
Heater	
581425 .....	71
Heater Box	
SP528941 .....	39
Heater Cover	
581434 .....	71
Heating Element	
SP510984 .....	39
SP510985 .....	39
Heating Element Bracket	
SP527900 .....	39
Holder	
569446 .....	43
571880 .....	43
571884 .....	43
Hose	
SPPRI540000014 .....	55
SP273030000502 .....	71
SP273454410020 .....	41
SP319300006001 .....	71
Hose Clamp	
SPPRI240000002 .....	55

Hose Pipe	
SP101745 .....	55
Humidity Sensor	
SP102456 .....	73
Humidity Sensor Assembly	
SP518562 .....	73
Humidity Sensor Cover	
SP551869 .....	49

## I

Ignition Cable	
SP516060 .....	41
571487 .....	43
Ignition Electrode	
575643 .....	41, 43
Ignition Unit	
SP357456010080 .....	41
Inlet Nozzle	
SP520950 .....	61
Insulation	
SP552666 .....	55
Interconnection	
SP346000280402 .....	67
Isolation Plate	
SP101154 .....	29, 31, 69

## K

Key	
SP505449 .....	59

## L

Label	
SP562956 .....	13
Latch	
SP514530 .....	5, 35, 37
Lath	
SP524582 .....	35, 37
SP556553 .....	35
SP559706 .....	35, 37
Lock	
SPPRI610000007 .....	7, 9, 13, 23, 27
SP521221 .....	7
Lock Hook	
SPPRI610001007 .....	7, 9, 13, 23, 27
SP534645 .....	29, 31
Lower Door Hinge	
SP525104 .....	35, 37
SP556554 .....	35
SP559704 .....	35, 37
Lower Rear Cover	
SP530779 .....	31

## M

Magnet	
564203 .....	35, 37

N/A items do not appear in index.

Main Switch	
SPPRI404000097 .....	29, 31
SPPRI404000099 .....	31
Main Switch Knob	
SPPRI404000095 .....	29, 31
Mechanical Interlock Unit	
569858 .....	63, 65, 67
Memory	
SP526001 .....	9, 11, 21, 25
102460 .....	11, 21, 25
103460 .....	9
545264 .....	11, 21, 25
545265 .....	11, 21, 25
545266 .....	11, 21, 25
545267 .....	11, 21, 25
545268 .....	9
MicroSD Card	
553442 .....	75
Microswitch	
SPPRI610011077 .....	29, 31
SPPRI610028017 .....	69
SP506045 .....	29, 31
SP517484 .....	29, 31
Microswitch Bracket	
SP520803 .....	69
Microswitch Lever Assembly	
SP517441 .....	69
Motor	
SP523724 .....	59
SP523725 .....	59
Motor Bracket	
SP515418 .....	59
SP518517 .....	59
Motor Pulley	
SP527723 .....	59
SP528922 .....	59
SP530720 .....	59
SP530721 .....	59

## N

Nozzle	
SP512067 .....	41
SP556922 .....	55
Nozzle Adapter	
SP556916 .....	55
Nozzle Bracket Assembly	
SP556919 .....	55
Nozzle Fitting Adapter	
SP556915 .....	55
Nozzle Holder Assembly	
SP556920 .....	55
Nut	
SPPRI610005007 .....	9, 13, 21, 27
SPPRI610006007 .....	9, 13, 23, 27
SP101415 .....	49, 61
SP101416 .....	49, 53, 55
SP101418 .....	49, 53
SP235119001815 .....	69
SP310934000003 .....	9
SP310934000004 .....	9, 11, 21, 25
SP310934000006 .....	43, 51
SP310934000010 .....	29, 33, 59
SP310934000020 .....	51
SP310934100006 .....	53, 71

N/A items do not appear in index.

SP310934240004 .....	35, 37
SP310934240005 .....	41, 43, 47
SP310985000006 .....	29, 31, 59
SP310985000010 .....	59
SP310985000012 .....	59
SP514193 .....	13, 23, 27, 29, 31, 37
SP534929 .....	57
SP545530 .....	29, 31

## O

Orifice	
517222 .....	41, 45
517223 .....	41, 45
517224 .....	41, 45
517225 .....	41, 45
517226 .....	41, 45
517227 .....	41, 45
517241 .....	41, 45
517243 .....	41, 45
517245 .....	41, 45
517246 .....	41, 45
517250 .....	41, 45
517251 .....	41, 45
517252 .....	41, 45
517253 .....	41, 45
517257 .....	41, 45
517258 .....	41, 45
517327 .....	41, 45
517328 .....	41, 45
517329 .....	41, 45
517330 .....	41, 45
517331 .....	41, 45
517337 .....	41, 45
520236 .....	41, 45
520237 .....	41, 45
520399 .....	41, 45
525465 .....	41, 45
525466 .....	41, 45
530819 .....	41, 45
530820 .....	41, 45
575530 .....	45

Outer Door Gasket	
SP519933 .....	35, 37

Overlay	
SP553415 .....	25
SP556099 .....	11, 23, 25
SP559870 .....	11, 23, 25
SP559871 .....	11, 23, 25
SP559900 .....	11, 23, 25
SP560140 .....	9

## P

Pin Insertion	
SP520408 .....	7
Plastic Layer Holder	
580337 .....	37
Plug	
SPPRI505000064 .....	61
SP273127001798 .....	57
SP345900025012 .....	7
SP520297 .....	39
SP534904 .....	57

Power Supply 575864 .....	75
Power Supply Cable 575872 .....	75
Power Supply Harness 575866 .....	75
Power Supply Holder 573394 .....	75

## R

Reinforcement Bracket SP512365 .....	59
Relay SP514057 .....	63, 67
SP514134 .....	67
Relay Case SP506586 .....	63, 67
Resistance Bleeder SP520195 .....	67
Retaining Ring SP515517 .....	59
Rinsing System Bracket SP556954 .....	55
Rivet SP313250004063 .....	71
SP313250004075 .....	11, 21, 25, 73
Rod SP517486 .....	29, 31

## S

Safety Thermostat SP514016 .....	61
SP514127 .....	39, 41, 43, 47
SP527728 .....	71
Screw SP100218 .....	11, 23, 25, 29, 31, 41, 43, 57, 61, 75
SP309798100313 .....	39
SP309798500306 .....	61, 73
SP517238 .....	41, 43, 47, 71
SP520407 .....	7
SP520871 .....	11, 23, 25, 69
SP529206 .....	51
572361 .....	43
573392 .....	75
Sensor Holder SP518563 .....	73
Shim SP529082 .....	13, 21, 27
Side Panel SP541424 .....	49
SP541425 .....	49
SP556005 .....	49
SP556007 .....	49
SP556649 .....	49
SP556650 .....	49
Sliding Board SP514480 .....	59
Spacer SP515521 .....	59
SP520940 .....	61
573390 .....	75

Spring SPPRI611000009 .....	29, 31
Steam Exchanger SP530409 .....	47
Steam Filter SP405054057006 .....	47
Steam Valve SP516718 .....	47
Steam Valve Body SP514166 .....	47
Stirrup 577644 .....	43
Stop End SP520808 .....	69
Stop Pin SP520201 .....	35, 37
Support Plate SP515514 .....	59
Switch SP100388 .....	29, 31
Switch Holder 575488 .....	71
Switch Panel SP520890 .....	31
SP520891 .....	29
Switching Unit SP528312 .....	13, 21
Swivel Wheel Assembly SP541494 .....	51
SP551864 .....	51

## T

Temperature Sensor SP516092 .....	39, 41, 43
SP534930 .....	61, 77
Temperature Sensor Seal SP526439 .....	71
Tension Assembly SP514479 .....	59
SP528928 .....	59
Tension Rod SP534704 .....	59
Thermostat Bracket SP520227 .....	47
SP541457 .....	51
Time Relay 581723 .....	55
Transformer SP514021 .....	63, 65, 67
SP516648 .....	67
Tube SP144151508341 .....	57
SP314G00017524 .....	47
SP512142 .....	41
SP517236 .....	47
SP534914 .....	57
571881 .....	43
571928 .....	43
Tube Insert SPX01140400514 .....	47

N/A items do not appear in index.

---

## U

Underpressure Clutch Assembly	
SP520870 .....	69
Upper Cover	
SP534602 .....	29, 31
SP557135 .....	29
Upper Door Hinge	
SP525105 .....	35, 37
SP556555 .....	35
SP559705 .....	35, 37
Upper Rear Cover	
SP530798 .....	31
569441 .....	31

---

## V

Valve	
SP556959 .....	55
Valve Bracket	
SP512144 .....	41
Valve Bracket Assembly	
SP556946 .....	55
Valve Cover Assembly	
SP556947 .....	55
Ventilator	
SP520945 .....	61
SP552675 .....	77

---

## W

Washer	
SPPRI522000012 .....	7, 13, 21, 27
SP311125000003 .....	9, 29, 31, 41, 69, 71, 75
SP311125000004 .....	5, 9, 11, 21, 25, 29, 31, 43, 49, 53, 55, 63, 65, 67
SP311125000005 .....	41, 47
SP311125000006 .....	39, 43, 51, 55, 59
SP311125000010 .....	9, 29, 33, 59
SP311125000013 .....	59
SP311125000020 .....	13, 21, 27
SP311125100006 .....	53
SP311125240004 .....	71
SP311125240006 .....	71
SP311127000003 .....	29, 31, 75
SP311127000004 .....	5, 9, 11, 21, 25, 29, 31, 43, 49, 53, 55
SP311127000005 .....	41, 47
SP311127000006 .....	39, 43, 55
SP311127000010 .....	59
SP311127240003 .....	9
SP311127240004 .....	71
SP311679800003 .....	9, 73
SP311679800004 .....	11, 21, 25, 53
SP311679824006 .....	51, 53, 71
SP311902100006 .....	49, 59, 61
SP311902100008 .....	61
SP311902100010 .....	59
SP311902100012 .....	59
SP510697 .....	33
SP512233 .....	33
SP514906 .....	5
SP516669 .....	39, 41, 43, 57

SP524366 .....	5
SP545531 .....	29, 31
517426 .....	33
WiFi Cable	
575873 .....	75
WiFi Service kit	
573395 .....	75

---