

Washer-Extractor

Refer to Page 5 for Model Numbers

Parts



www.alliancelaundry.com

Part No. D0242R6
February 2014

Table of Contents

Title	Page
Parts Ordering Information.....	3
Nameplate Location.....	3
Model Identification.....	5
Cabinet Freestanding Washer-Extractor Product Overview.....	6
Frame.....	8
Bearing Housing.....	10
Shell and Basket.....	12
Basket, Pulley and Belt.....	14
Motor - Single Voltage.....	16
Motor - Multi-Voltage.....	18
Inverter Drive.....	20
Drain Plumbing.....	22
Drain Valve - 2 Inch Normally Open.....	24
Drain Valve - 2 Inch Normally Closed.....	26
Drain Valve - 3 Inch without Mechanical Handle.....	28
Drain Valve - 3 Inch with Mechanical Handle.....	30
Door Lock.....	32
Door - Models Through 12/31/87.....	34
Door - Models Starting 1/1/88.....	36
Door Handle (Drawing 1 of 2).....	38
Door Handle (Drawing 2 of 2).....	40
Control Panel - Micro-20.....	42
Control Panel - PS40F.....	44
Control Panel - PC30.....	46
Control Panel - Sigma.....	48
Control Panel - CAM-Timer OPL.....	50
Control Panel - Cam-Timer Coin.....	52
Electrical Component Mounting Plate - Micro-20.....	54
Electrical Component Mounting Plate - CAM-Timer.....	56
Electrical Component Mounting Plate - PC30.....	58
Coin Meter and Coin Vault (Drawing 1 of 2).....	60
Coin Meter and Coin Vault (Drawing 2 of 2).....	62
Right Side, Front, Lower Rear and Top Panels.....	64
Left Side, Lower Front and Upper Back Panels.....	66
Upper Back Panel.....	68
Supply Dispenser - Models Through 12/31/92 with 1.5 Inch Supply Dispenser Hose.....	70
Supply Dispenser - Models Through 12/31/92 with 4 Inch Supply Dispenser Hose.....	72
Supply Dispenser - Models Starting 1/1/93.....	74
Steam and Electric Heating Options.....	76
Soap Pump - Knight.....	78
Soap Pump - Brightwell.....	80

© Copyright 2014, Alliance Laundry Systems LLC

All rights reserved. No part of the contents of this book may be reproduced or transmitted in any form or by any means without the expressed written consent of the publisher.

Parts Ordering Information

If literature or replacement parts are required, contact the source from whom the machine was purchased or contact Alliance Laundry Systems at (920) 748-3950 for the name and address of the nearest authorized parts distributor.

For technical assistance, call either of the numbers listed below:

(920) 748-3121 Ripon, Wisconsin

+32 56 41 20 54 Wevelgem, Belgium

Nameplate Location

When calling or writing about your product, be sure to mention model and serial numbers. Model and serial numbers are located on nameplate(s).



Model Identification

Information in this manual is applicable to these washer-extractor models:

CWE018MC2	IWE018MC2	IWE073MC2	WE55_CAM-TIMER
CWE018MD2	IWE018MD2	IWE073MD2	WE55_MICRO-20
CWE018ME2	IWE018ME2	IWE073ME2	WE55_PC30
CWE018ML2	IWE018ML2	IWE073ML2	WE55_PS40F
CWE018MN2	IWE018MN2	IWE073MN2	WE55_SIGMA
CWE018MX2	IWE018MX2	IWE073MX2	WE73_CAM-TIMER
CWE018MY2	IWE018MY2	IWE073MY2	WE73_MICRO-20
CWE025MC2	IWE018SC2	IWE073SC2	WE73_PC30
CWE025MD2	IWE018SD2	IWE073SD2	WE73_PS40F
CWE025ME2	IWE018SE2	IWE073SE2	WE73_SIGMA
CWE025ML2	IWE018SL2	IWE073SL2	WE95_CAM-TIMER
CWE025MN2	IWE018SR2	IWE073SR2	WE95_MICRO-20
CWE025MX2	IWE018SX2	IWE073SX2	WE95_PC30
CWE025MY2	IWE018SY2	IWE073SY2	WE95_PS40F
CWE073MC2	IWE025MC2	IWE095MC2	WE95_SIGMA
CWE073MD2	IWE025MD2	IWE095MD2	
CWE073ME2	IWE025ME2	IWE095ME2	
CWE073ML2	IWE025ML2	IWE095ML2	
CWE073MN2	IWE025MN2	IWE095MN2	
CWE073MX2	IWE025MX2	IWE095MX2	
CWE073MY2	IWE025MY2	IWE095MY2	
CWE095MC2	IWE025SC2	IWE095SC2	
CWE095MD2	IWE025SD2	IWE095SD2	
CWE095ME2	IWE025SE2	IWE095SE2	
CWE095ML2	IWE025SL2	IWE095SL2	
CWE095MN2	IWE025SR2	IWE095SR2	
CWE095MX2	IWE025SX2	IWE095SX2	
CWE095MY2	IWE025SY2	IWE095SY2	



Cabinet Freestanding Washer-Extractor Product Overview

1 2

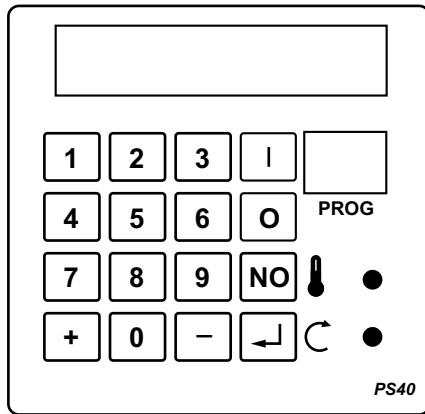
Type:	WE73C	Nr:	07110WD0339
Voltage:	3 ~ 400V 50Hz	Weight:	181 kg
Motor:	0.55kW 2.5A	Capacity:	73 L
Heating:	9kW 16A	Dry Load:	7,3 kg
Total:	9.55 kW	Drum:	530 mm
Kinetic energy:	592 Nm	Speed:	700 rpm
Manufactured in:	2007		
Water Pressure: min. 2.07 max. 5.86 Kg/cm ² IPX4		min. 20.7 max. 58.6 N/cm ²	
sfc 741837			
 Alliance International BVBA Nieuwstraat 146 8560 Wevelgem Belgium Tel: +32 56 41 20 54 Fax: +32 56 41 86 74 www.ipso.be			

Label 1

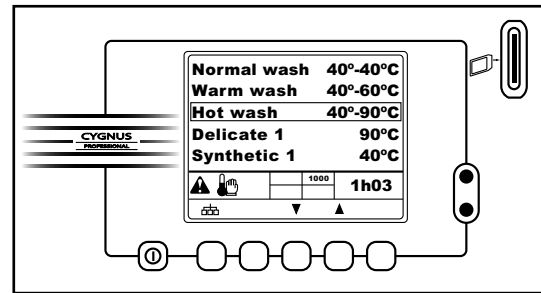
1 2 3 4 5 6 7

Model No:	IWE018MN2X10U01	Serial No:	0710WD0152
Volts Hertz:	208-240 50/60	Type:	WFF75
Phase:	1 - 3		
Amps:	6 amps	Capacity:	18/7 lbs/kg
Recommended Circuit Breaker:	15 amps	Water Pressure:	30-85 psi
Interrupt Current:	10 kA	Pressure:	2.07-5.86 bar
Motor:	1 hp	Max Speed:	700 rpm
	0,75 kW	Net Weight:	400 lbs
Elec Heat:	N/A kW	Weight:	181 kg
Steam heat:	N/A psi		IPX4
	N/A bar		
 Alliance Laundry Systems		Alliance International BVBA Made in Belgium TEL 1-920-748-3121 www.comlaundry.com	
		 INTERTEK LISTED US 100740 CONFORMS TO ANSUL STD 2157 CERTIFIED TO CAN/CSA STD C222 NO.169-94	

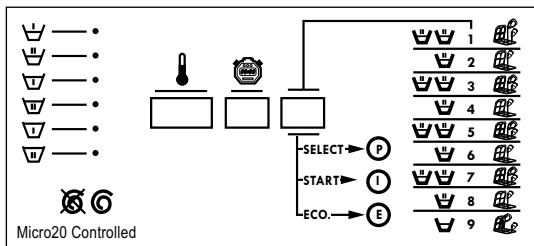
Label 2



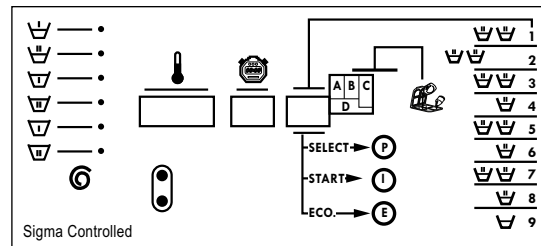
PS40



Cygnus Professional



Micro 20



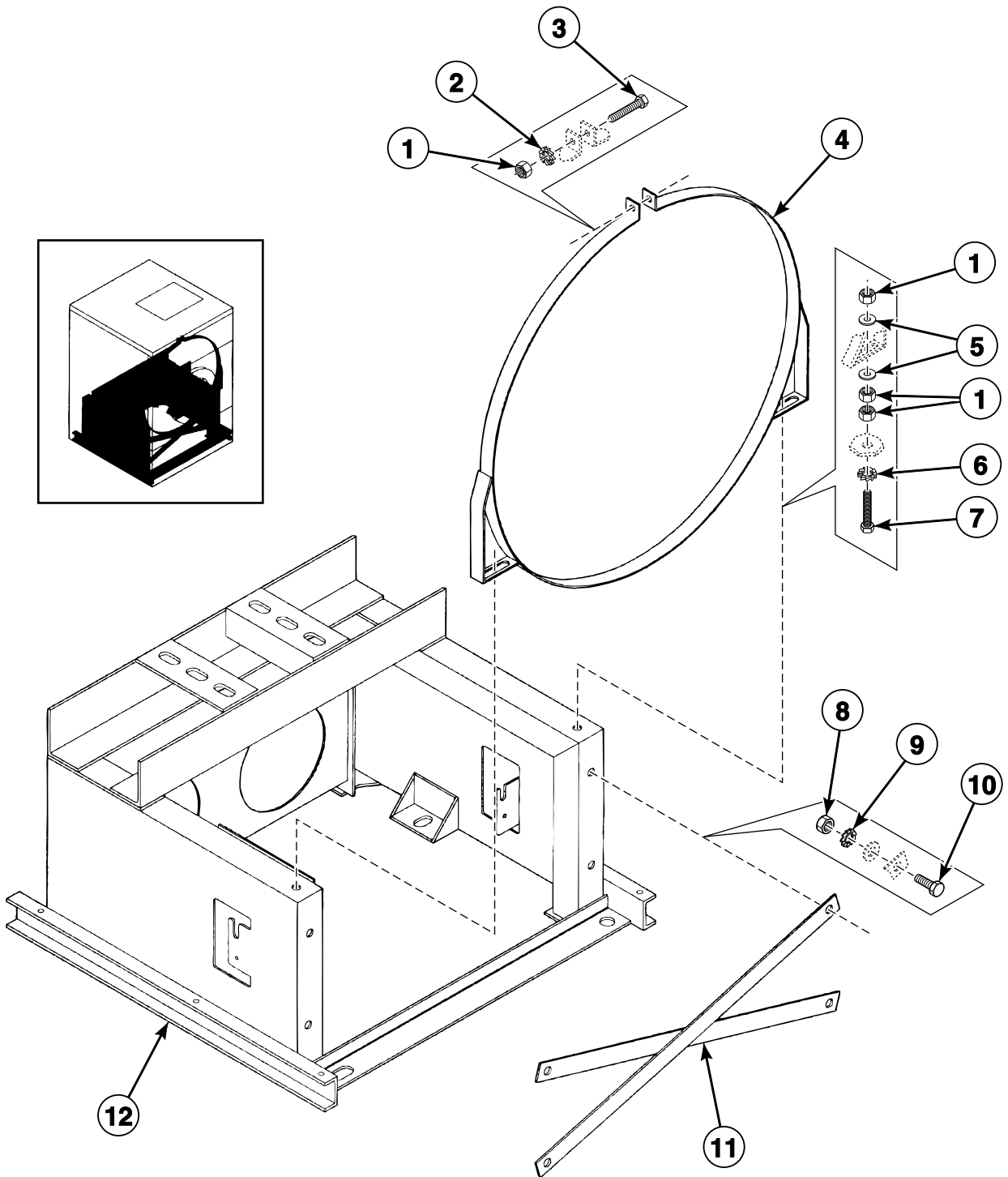
Sigma

CHM3145P_D0242

Cabinet Freestanding Washer-Extractor Product Overview

REF	PART NO.	DESCRIPTION	COMMENTS
1	-	Product Family	CWE IWE WE
2	-	Capacity	18 25 55 73 95
3	-	Control	A (PS40F) CAM-Timer M (Micro-20) PC30 S (Sigma)
4	-	Actuation	C (Coin Drop Meter) D (Dual Coin Drop) E (Electronic Drop) L (Prep for Remote or Central Pay) N (Non-Coin) R (Smart Card Relay) X (Prep for Coin) Y (Card Ready)
5	-	Speed	2 (Normal Spin)
6	-	Voltage	N (440-480/50-60/3/3) P (380-415/50-60/3/3) Q (208-240/50-60/3/3) X (200-240/50-60/1/3)
7	-	Design	1

Frame

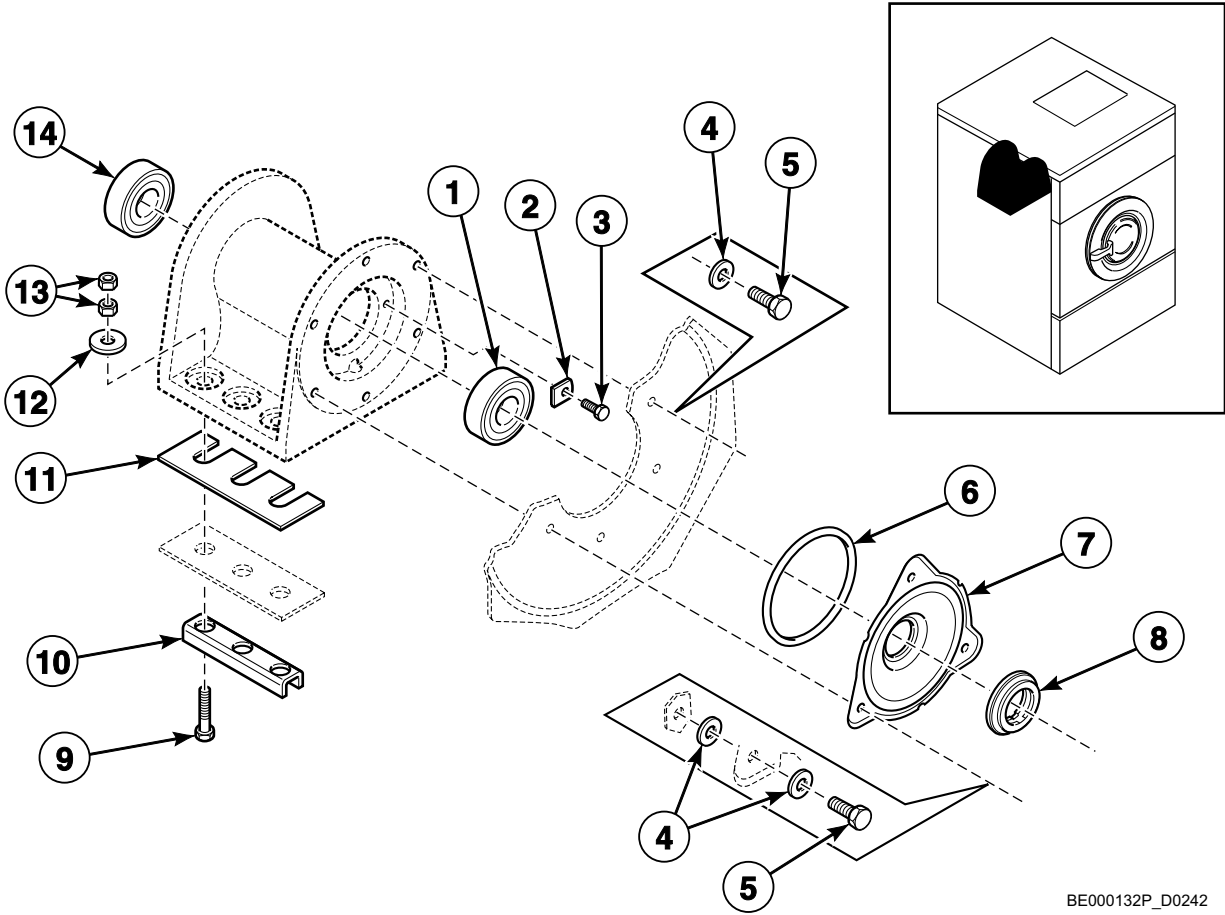


BE000131P_D0242

Frame

REF	PART NO.	DESCRIPTION	COMMENTS
1	204/00004/00	Nut	
2	203/00003/00	Washer	
3	206/00007/00	Screw	
4	117/00037/00	Tub Ring	
5	201/00005/00	Washer	
6	203/00001/00	Washer	
7	206/00001/00	Screw	
8	204/00003/00	Nut	
9	203/00002/00	Washer	
10	206/00005/00	Bolt	
11	113/00021/00	Cross	
12	113/00030/00	Base	*18 and *73 models
	213/00003/50	Base	*18 and *73 models; Includes pallet
	213/00044/30	Base	*25 and *95 models; Includes pallet
	113/00029/00	Base	*55 models
	113/00002/00	Base	*55 models; Includes pallet

Bearing Housing

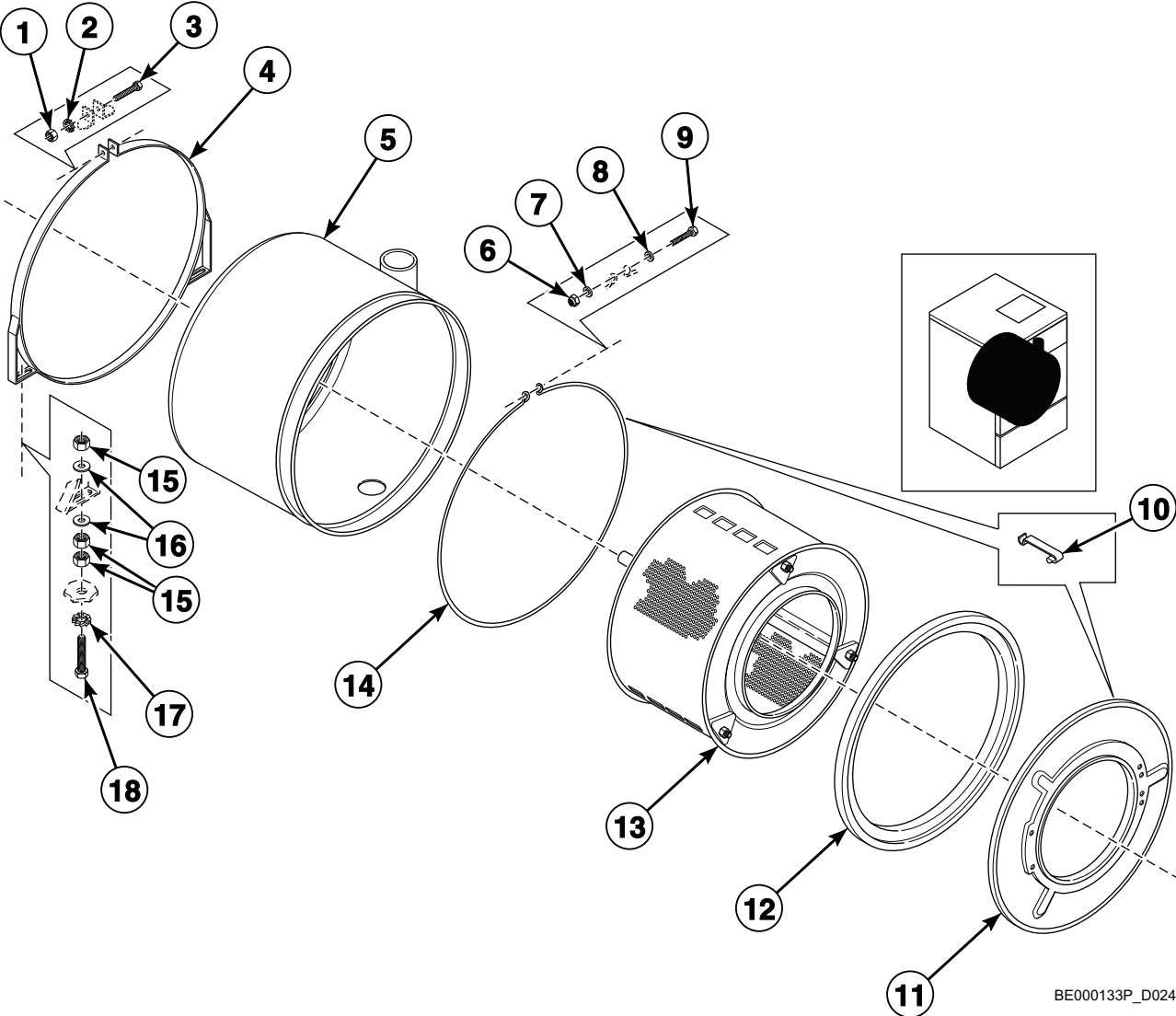


BE000132P_D0242

Bearing Housing

REF	PART NO.	DESCRIPTION	COMMENTS
	KBRGWE73/95	Bearing Kit	
1	215/00001/03	Ball Bearing	
2	117/00042/00	Retaining Ring	
3	205/00104/00	Bolt	
4	201/00201/00	Washer	
5	205/00102/00	Bolt	
6	217/00002/00	O-Ring	
7	117/00001/00	Seal Cover	
8	217/00003/00	Shaft Seal	
9	206/00116/00	Bolt	
10	113/00016/02	U-Piece	
11	113/00016/00	Bearing Plate Housing	
12	201/00009/00	Washer	
13	204/00002/00	Nut	
14	215/00001/12	Ball Bearing	

Shell and Basket

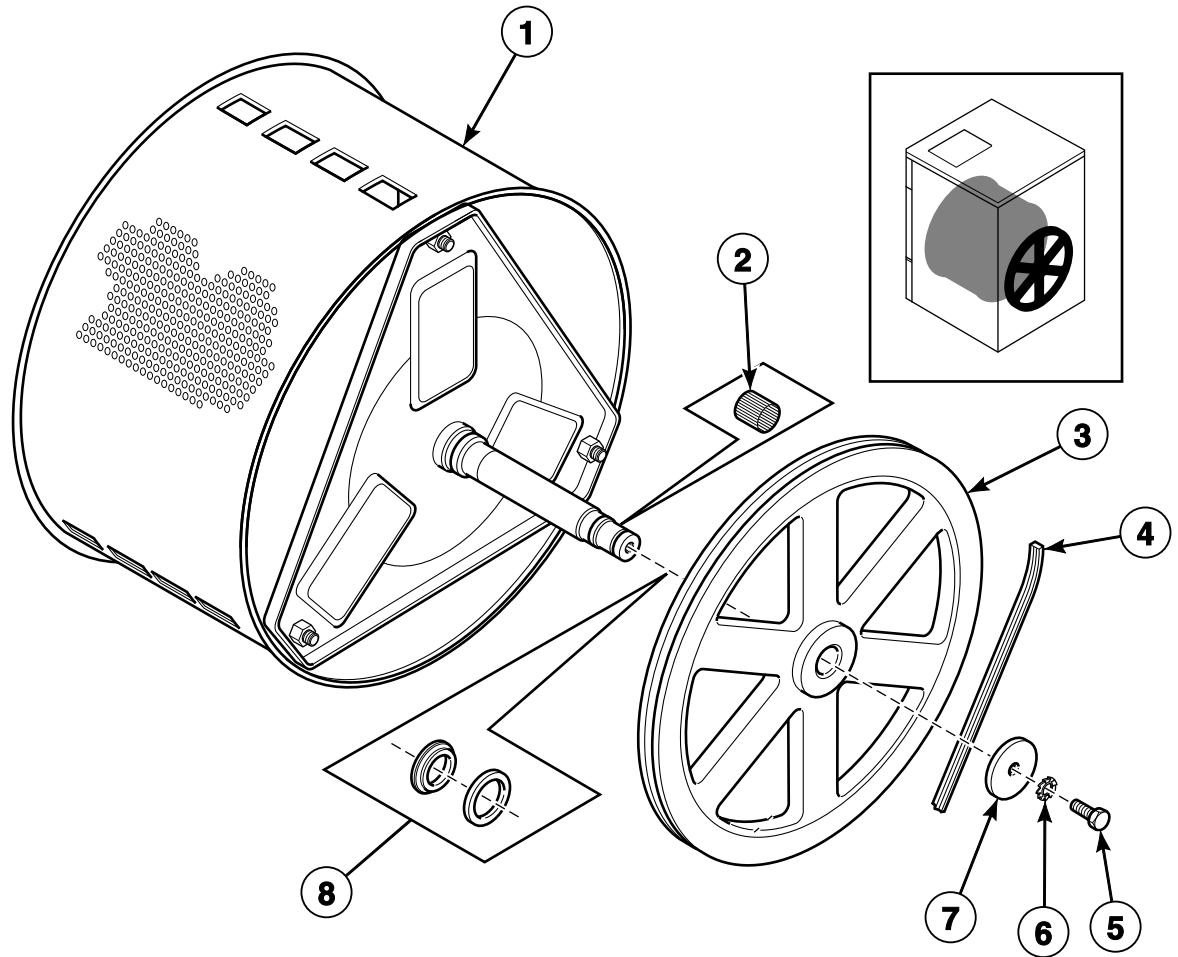


BE000133P_D0242

Shell and Basket

REF	PART NO.	DESCRIPTION	COMMENTS
1	206/00007/00	Screw	
2	203/00003/00	Washer	
3	204/00004/00	Nut	
4	117/00037/00	Tub Ring	
5	117/00067/00	Tub	*18 and *73 models; Boiler
	117/00107/00	Tub	*18 and *73 models; Boiler
	117/00070/00	Tub	*18 and *73 models; Electric
	117/00073/00	Tub	*18 and *73 models; Steam
	117/00076/00	Tub	*18 and *73 models; Electric and steam
	117/00108/00	Tub	*25 and *95 models
	117/00068/00	Tub	*25 and *95 models; Boiler
	117/00071/00	Tub	*25 and *95 models; Electric
	117/00074/00	Tub	*25 and *95 models; Steam
	117/00077/00	Tub	*25 and *95 models; Electric and steam
	117/00066/00	Tub	*55 models; Boiler
	117/00069/00	Tub	*55 models; Electric
	117/00072/00	Tub	*55 models; Steam
	117/00075/00	Tub	*55 models; Electric and steam
	6	204/00005/00	Nut
7	203/00004/00	Washer	
8	202/00003/00	Washer	
9	206/00011/00	Bolt	
10	217/00008/00	Tub Front Panel Clip	
11	118/00022/01	Tub Front	
12	217/00006/00	Front Panel Gasket Kit	
13	111/01950/00	Drum and Axle	*18 and *73 models; 3.5 mm diameter holes in drum
	121/00014/00	Drum and Axle	*18 and *73 models; 9 mm diameter holes in drum
	111/01951/00	Cylinder Assembly	*25 and *95 models; 3.5 mm diameter holes in drum
	111/01951/50	Drum and Axle	*25 and *95 models; 9 mm diameter holes in drum
	121/00027/00	Drum and Axle	*55 models; 3.5 mm diameter holes in drum
	121/10013/00	Drum and Axle	*55 models; 9 mm diameter holes in drum
14	217/00007/00	Tub Front Ring Clamp	
15	204/00002/00	Nut	
16	201/00005/00	Washer	
17	203/00001/00	Washer	
18	206/00001/00	Screw	

Basket, Pulley and Belt

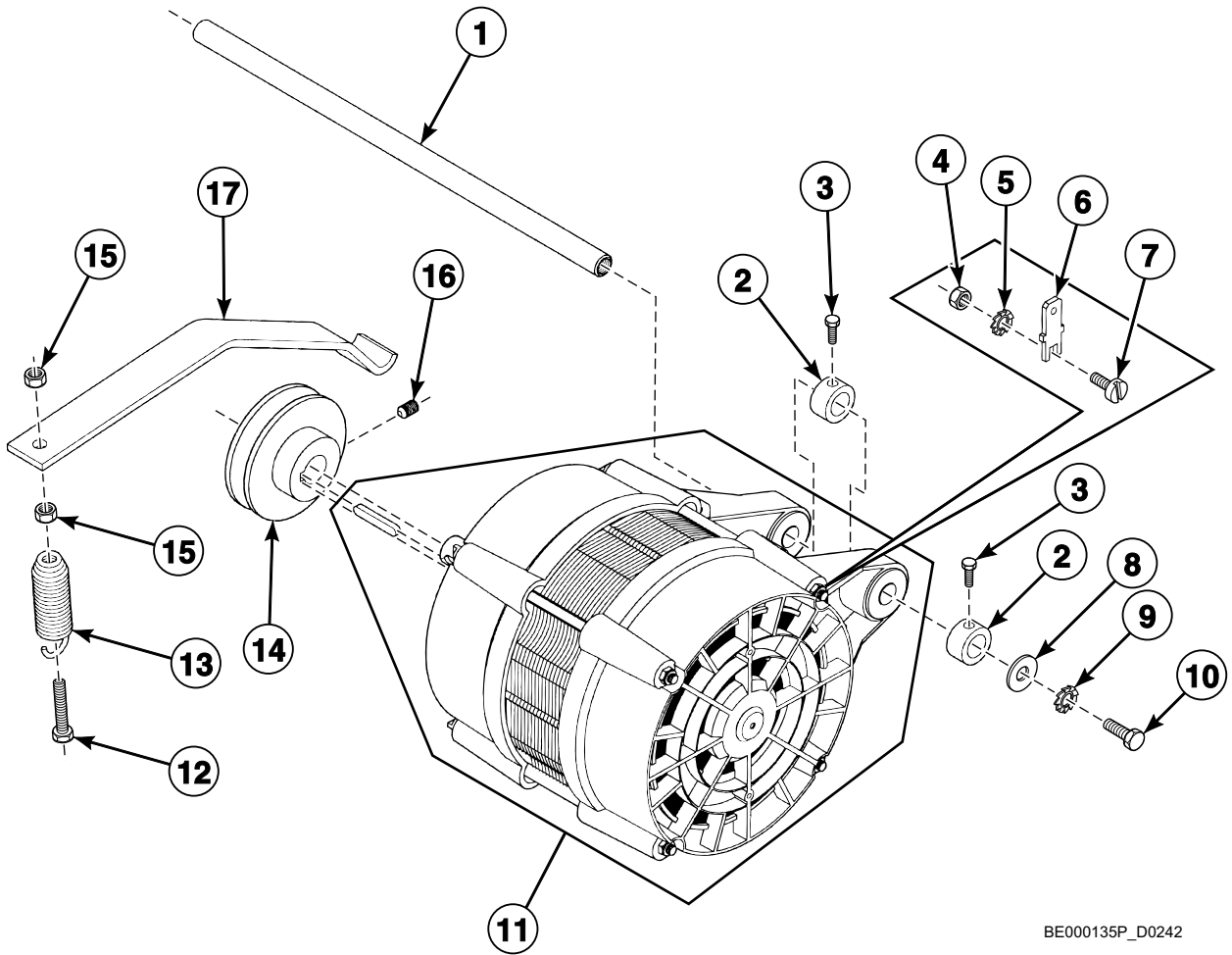


BE000134AP_D0242

Basket, Pulley and Belt

REF	PART NO.	DESCRIPTION	COMMENTS
1	111/01950/00	Drum and Axle	*18 and *73 models; 3.5 mm diameter holes in drum
	121/00014/00	Drum and Axle	*18 and *73 models; 9 mm diameter holes in drum
	111/01951/00	Cylinder Assembly	*25 and *95 models; 3.5 mm diameter holes in drum
	111/01951/50	Drum and Axle	*25 and *95 models; 9 mm diameter holes in drum
	121/00027/00	Drum and Axle	*55 models; 3.5 mm diameter holes in drum
	121/10013/00	Drum and Axle	*55 models; 9 mm diameter holes in drum
	2	215/00004/00	Tolerance Ring
3	215/00003/00	Pulley	
4	226/00008/00	V-Belt	*18, *55 and *73 models; Models without inverter drive
	226/00055/00	V-Belt	*18, *55 and *73 models; Models with inverter drive
	226/00033/00	V-Belt	*25 and *95 models
5	206/00004/00	Bolt	
6	203/00001/00	Washer	
7	201/00004/00	Washer	
8	217/00004/00	Counter Ring	

Motor - Single Voltage

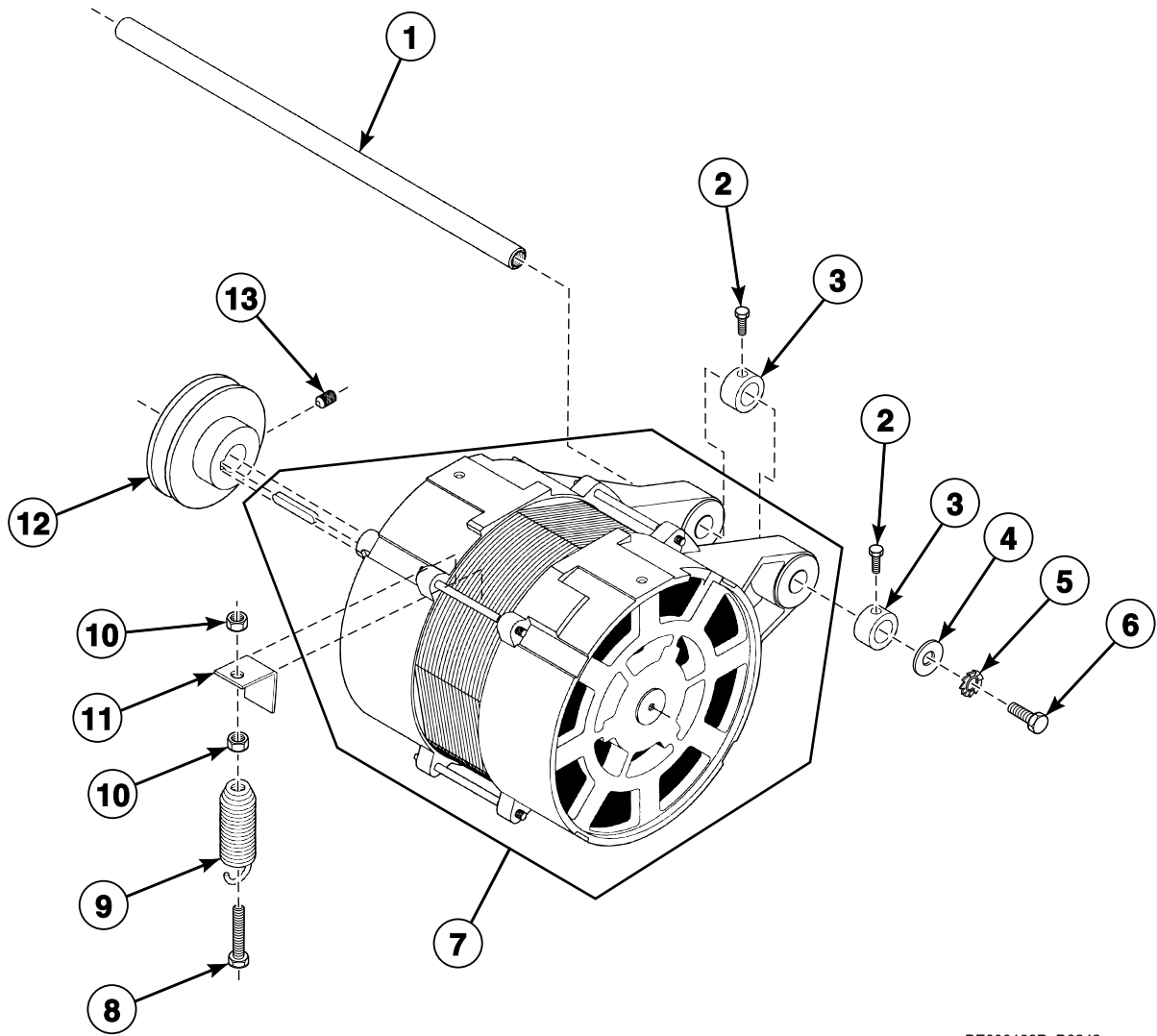


BE000135P_D0242

Motor - Single Voltage

REF	PART NO.	DESCRIPTION	COMMENTS
1	126/00002/00	Axle	
2	226/00007/00	Safety Ring	
3	206/00014/00	Bolt	
4	204/00007/00	Nut	
5	203/00006/00	Washer	
6	209/00043/00	Terminal	
7	207/00008/00	Screw	
8	201/00010/00	Washer	
9	203/00002/00	Washer	
10	206/00006/00	Bolt	
11	227/00008/01	Motor	440 Volt
	227/00109/00	Motor	240 Volt/60 Hertz
	227/00106/00	Motor	208-240 Volt/60 Hertz
	227/00002/01	Motor	380 or 415 Volt/50 Hertz
	227/00004/01	Motor	240 Volt/50 Hertz
	227/00111/00	Motor Kit	220-240 or 380-418 Volt/50 Hertz
	227/00103/01	Motor	220 or 380 Volt/60 Hertz
	227/00104/00	Motor	240 Volt/60 Hertz
	227/00105/00	Motor	118 Volt/60 Hertz
12	206/00007/00	Screw	
13	226/00010/00	Motor Spring	
14	226/00003/00	Pulley	*18, *55 and *73 models; 50 Hertz
	226/00023/00	Pulley	*18, *55 and *73 models; 60 Hertz
	226/00087/00	Pulley	*25 and *95 models
15	204/00004/00	Nut	
16	206/00056/00	Screw	
17	126/00009/00	Belt Tensioner	

Motor - Multi-Voltage

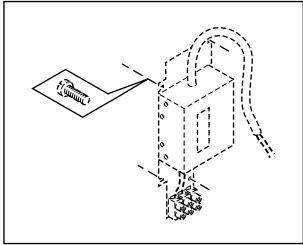
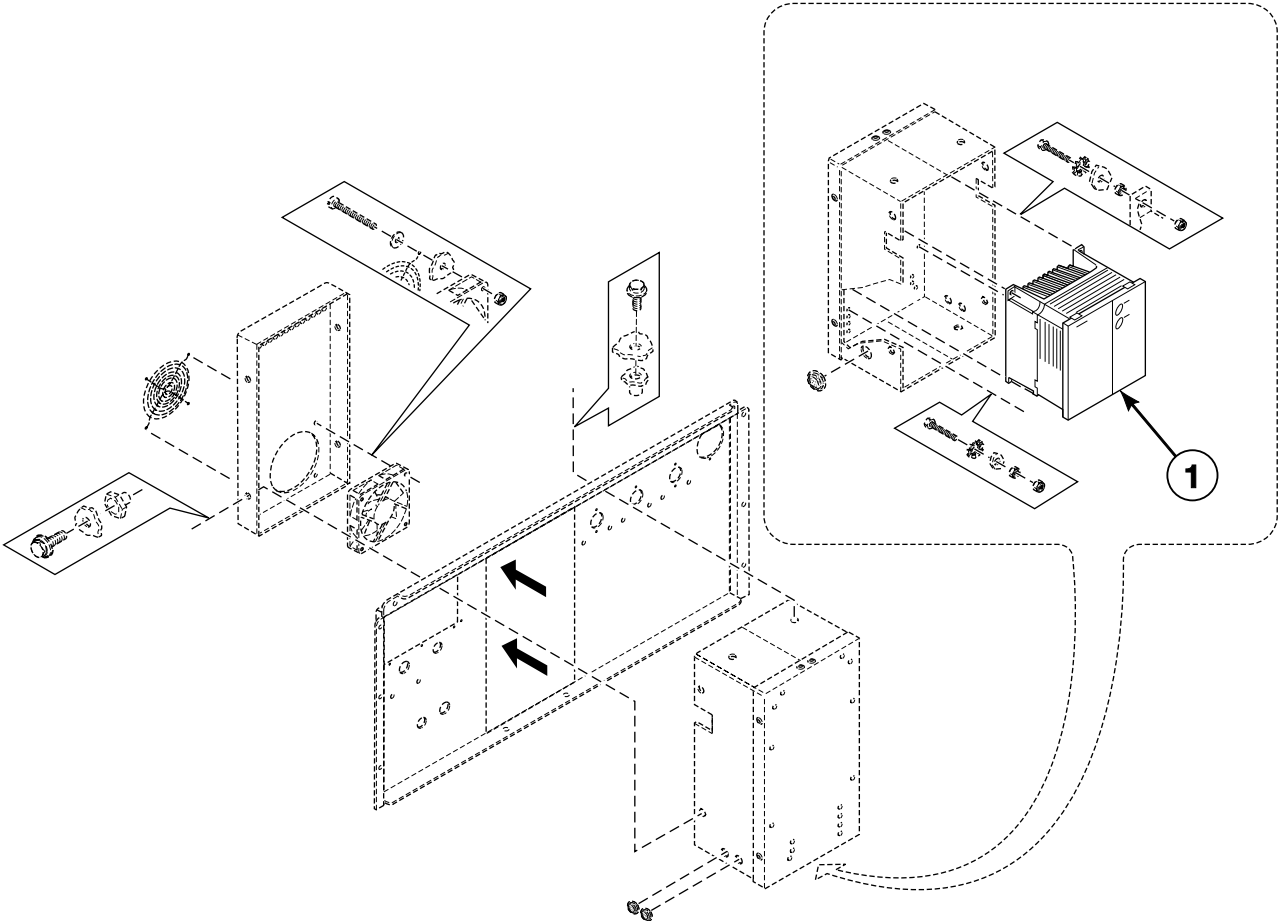


BE000136P_D0242

Motor - Multi-Voltage

REF	PART NO.	DESCRIPTION	COMMENTS
1	126/00002/00	Axle	
2	206/00014/00	Bolt	
3	226/00007/00	Safety Ring	
4	201/00010/00	Washer	
5	203/00002/00	Washer	
6	206/00006/00	Bolt	
7	227/00111/00	Motor Kit	EB65; Models without inverter drive
	227/00112/00	Motor Kit	EB85; Models without inverter drive
	B12510501	Motor	Models with inverter drive
8	206/00007/00	Screw	
9	226/00010/00	Motor Spring	
10	204/00004/00	Nut	
11	126/00013/00	Motor Bracket	
12	226/00003/00	Pulley	50 Hertz; Models without inverter drive
	226/00023/00	Pulley	60 Hertz; Models without inverter drive
	226/00110/00	Pulley	Models with inverter drive
13	206/00056/00	Screw	

Inverter Drive

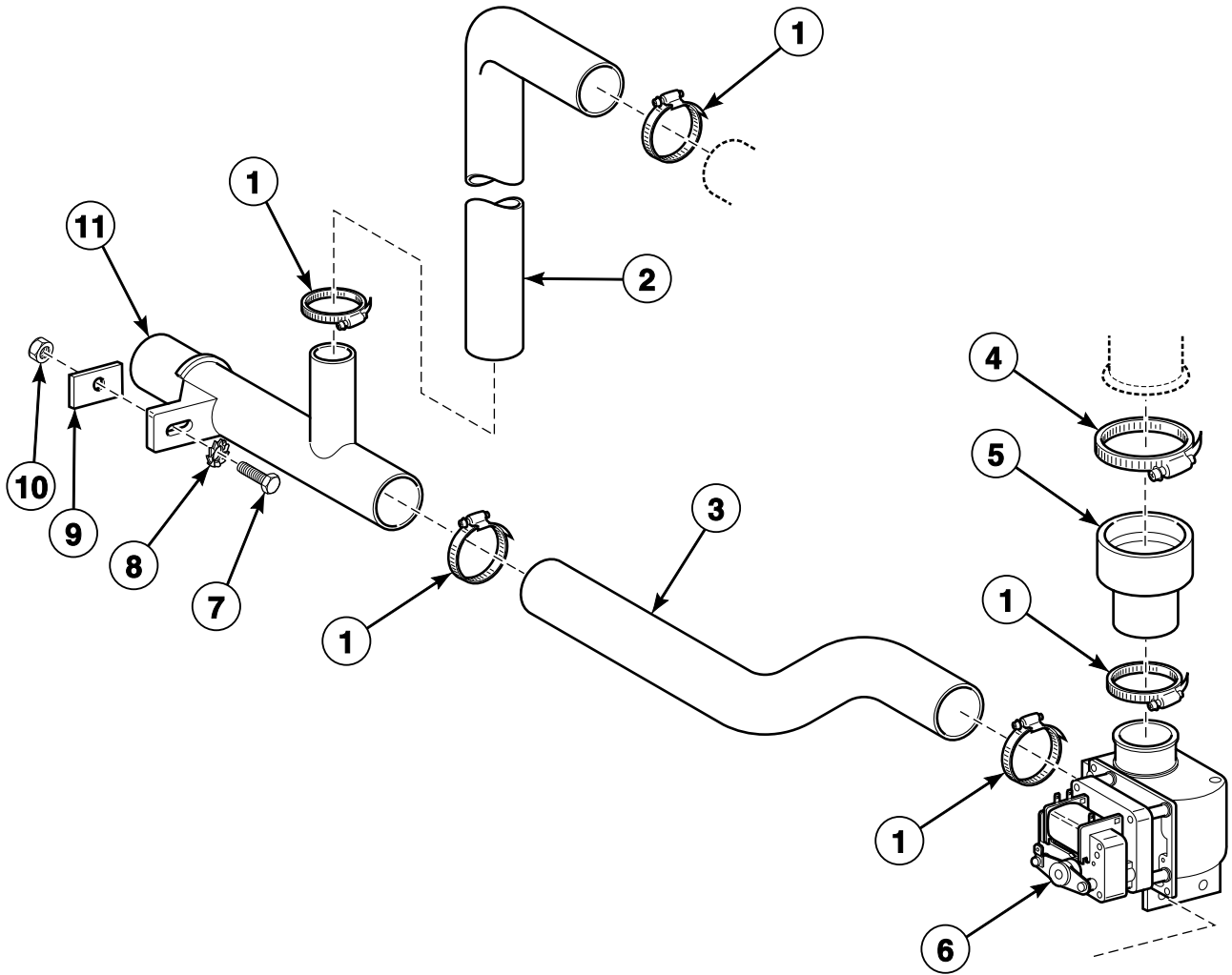


BE000371P_D0242

Inverter Drive

REF	PART NO.	DESCRIPTION	COMMENTS
1	F8421201	Inverter Drive Kit	*18 and *73 models; 200 Volt/1 Phase; Includes F8421301 Inverter Drive, 111/10425/11 Inverter Box Cover, F8409501 Mounting Plate Assembly and F430903 Screw
	F8421202	Inverter Drive Kit	*18 and *73 models; 400 Volt/3 Phase; Includes F8421302 Inverter Drive, F8409501 Mounting Plate Assembly and F430903 Screw
	F8421203	Inverter Drive Kit	*25 and *95 models; 200 Volt/1 Phase; Includes F8421303 Inverter Drive, 111/10425/11 Inverter Box Cover, F8409501 Mounting Plate Assembly and F430903 Screw
	F8421204	Inverter Drive Kit	*25 and *95 models; 400 Volt/3 Phase; Includes F8421304 Inverter Drive, F8409501 Mounting Plate Assembly and F430903 Screw
	F8421301	Inverter Drive	*18 and *73 models; 200 Volt/1 Phase
	F8421302	Inverter Drive	*18 and *73 models; 400 Volt/3 Phase
	F8421303	Inverter Drive	*25 and *95 models; 200 Volt/1 Phase
	F8421304	Inverter Drive	*25 and *95 models; 400 Volt/3 Phase

Drain Plumbing

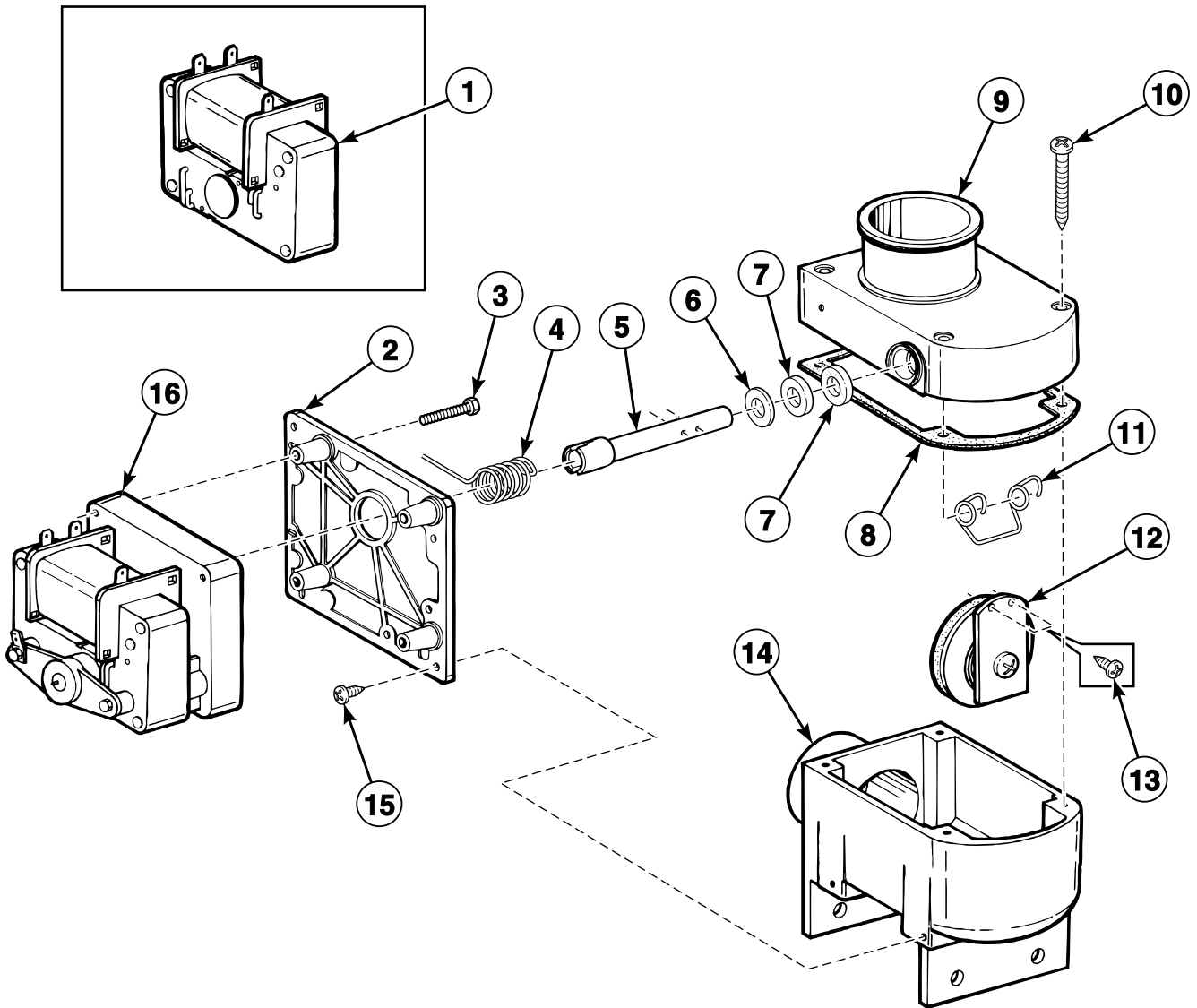


BE000137AP_D0242

Drain Plumbing

REF	PART NO.	DESCRIPTION	COMMENTS
1	223/00013/00	Hose Clamp	
2	223/00148/00	Overflow Hose	*18, *55 and *73 models
	223/00100/00	Overflow Hose	*25 and *95 models
3	223/00142/00	Exhaust Valve	
4	223/00014/00	Hose Clamp	
5	223/00116/00	Tub Drain Exhaust Valve	
6	209/00256/00	Drain Valve	NO
	209/00292/00	Exhaust Valve	NC
7	206/00015/00	Bolt	
8	203/00004/00	Washer	
9	101/00007/00	Outlet Pipe Plate Assembly	
10	204/00005/00	Nut	
11	223/00105/00	Drain Pipe	

Drain Valve - 2 Inch Normally Open

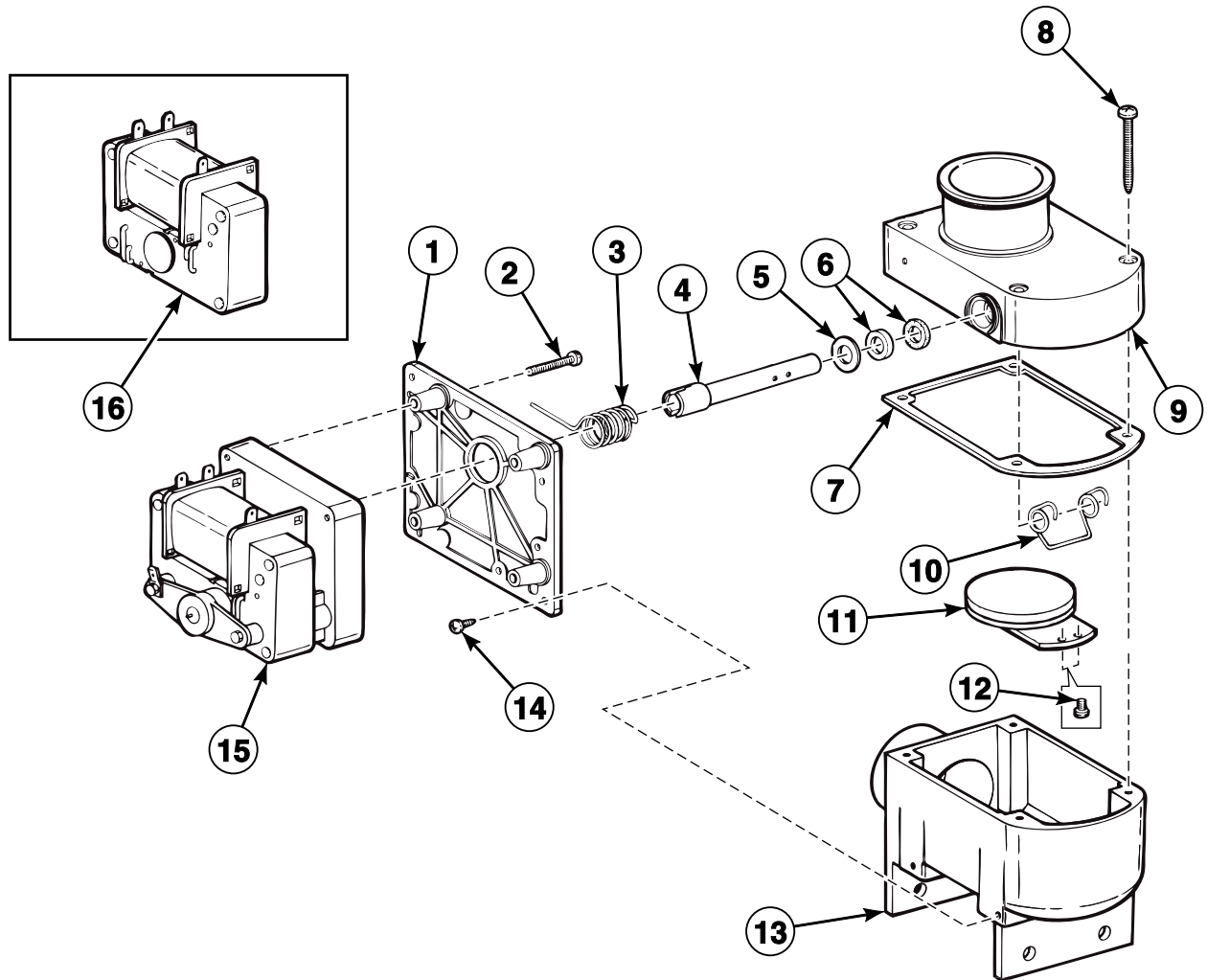


BE000030AP_D0242

Drain Valve - 2 Inch Normally Open

REF	PART NO.	DESCRIPTION	COMMENTS
1	209/00203/21	Coil	24 Volt
	209/00052/21	Coil	115 Volt/60 Hertz
	209/00051/21	Coil	220 Volt/50 or 60 Hertz
2	209/00025/07	Drain Valve Motor Mounting Plate	
3	209/00025/08	Screw	
4	209/00025/13	Drain Valve Spring	
5	209/00025/15	Valve Axle	
6	209/00025/12	Washer	
7	209/00025/10	Drain Valve Shaft Seal	
8	209/00025/02	Drain Housing Gasket	
9	209/00256/05	Valve	
10	209/00025/06	Screw	
11	209/00025/03	Drain Valve Spring	
12	209/00025/09	Screw	
13	209/00025/16	Sealing Plate Assembly	
14	209/00256/01	Valve	
15	209/00170/05	Screw	
16	209/00203/11	Drain Valve Motor	24 Volt
	209/00052/11	Drain Valve Motor	110 Volt/60 Hertz
	209/00051/11	Drain Valve Motor	220 Volt/50 or 60 Hertz

Drain Valve - 2 Inch Normally Closed

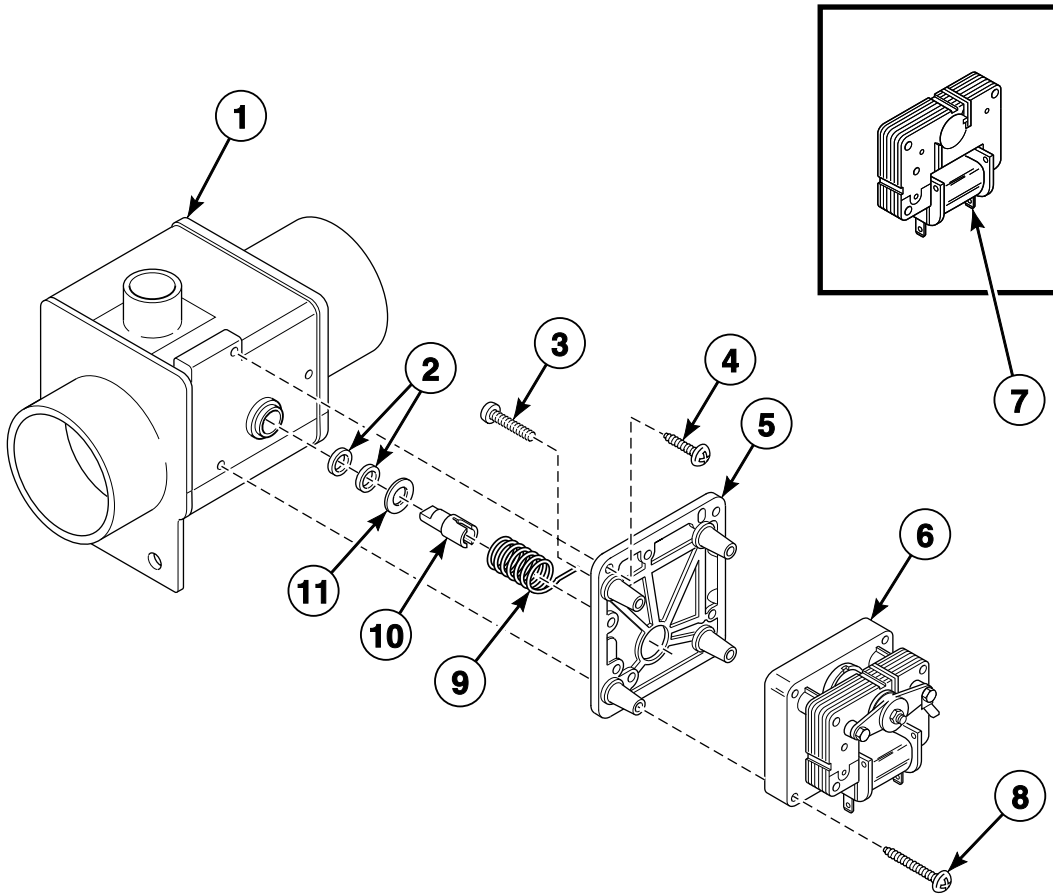


BE000031AP_D0242

Drain Valve - 2 Inch Normally Closed

REF	PART NO.	DESCRIPTION	COMMENTS
1	209/00025/07	Drain Valve Motor Mounting Plate	
2	209/00025/08	Screw	
3	209/00170/02	Drain Valve Spring	
4	209/00025/15	Valve Axle	
5	209/00025/12	Washer	
6	209/00025/10	Drain Valve Shaft Seal	
7	209/00025/02	Drain Housing Gasket	
8	209/00256/05	Valve	
9	209/00025/06	Screw	
10	209/00025/03	Drain Valve Spring	
11	209/00025/09	Screw	
12	209/00025/16	Sealing Plate Assembly	
13	209/00256/01	Valve	
14	209/00170/05	Screw	
15	209/00203/12	Drain Valve Motor	24 Volt
	209/00052/12	Drain Valve Motor	110 Volt/60 Hertz
	209/00170/06	Drain Valve Motor Assembly	220 Volt/50 or 60 Hertz
16	209/00203/21	Coil	24 Volt
	209/00052/21	Coil	115 Volt/60 Hertz
	209/00051/21	Coil	220 Volt/50 or 60 Hertz

Drain Valve - 3 Inch without Mechanical Handle

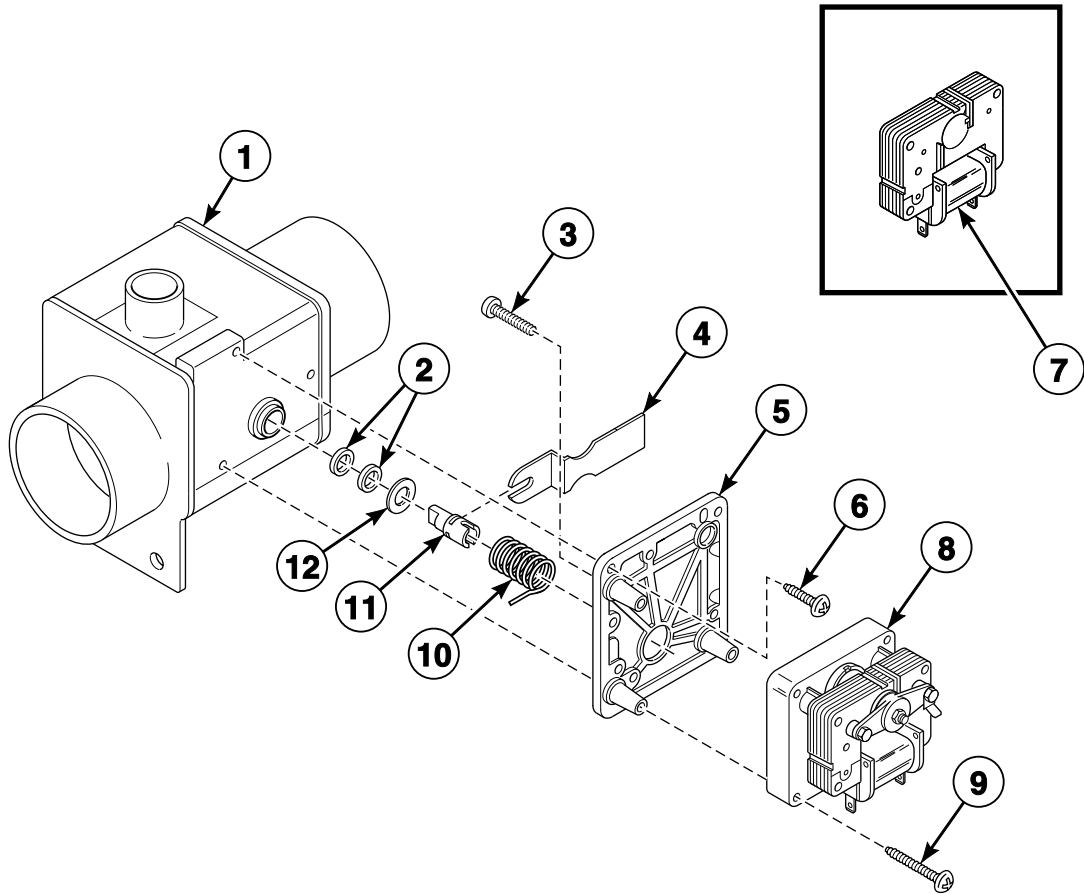


BE000058P_D0242

Drain Valve - 3 Inch without Mechanical Handle

REF	PART NO.	DESCRIPTION	COMMENTS
1	209/00075/05	Drain Valve	
2	209/00025/10	Drain Valve Shaft Seal	
3	209/00025/08	Screw	
4	209/00170/05	Screw	
5	209/00025/07	Drain Valve Motor Mounting Plate	
6	209/00203/11	Drain Valve Motor	24 Volt
	209/00052/11	Drain Valve Motor	110 Volt/60 Hertz
	209/00051/11	Drain Valve Motor	220 Volt/50 or 60 Hertz
7	209/00203/21	Coil	24 Volt
	209/00052/21	Coil	115 Volt/60 Hertz
	209/00051/21	Coil	220 Volt/50 or 60 Hertz
8	209/00170/07	Screw	
9	209/00025/13	Drain Valve Spring	
10	209/00170/10	Drain Valve Shaft	
11	209/00025/12	Washer	

Drain Valve - 3 Inch with Mechanical Handle

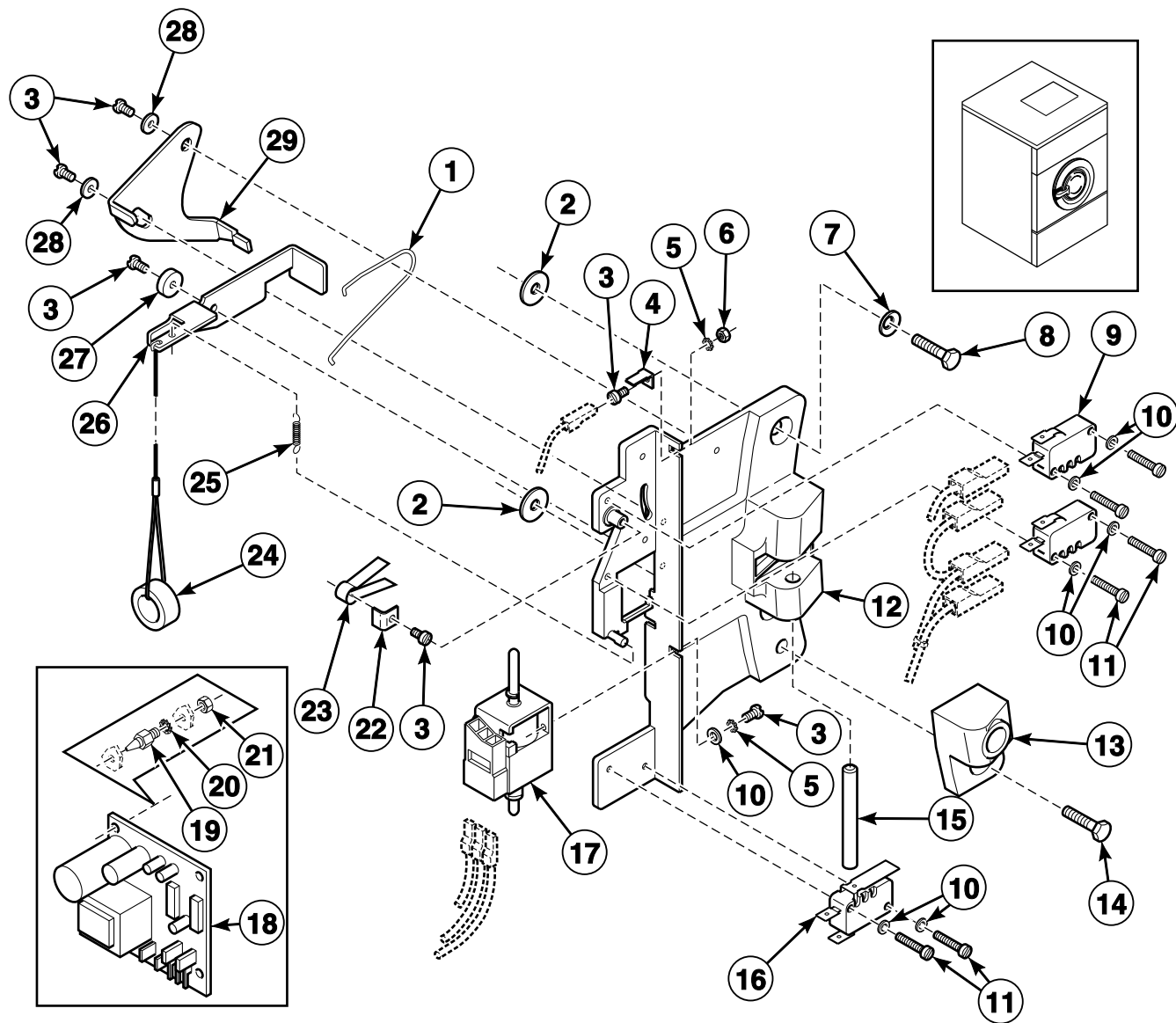


BE000057P_D0242

Drain Valve - 3 Inch with Mechanical Handle

REF	PART NO.	DESCRIPTION	COMMENTS
1	209/00075/05	Drain Valve	
2	209/00025/10	Drain Valve Shaft Seal	
3	209/00025/08	Screw	
4	209/00115/11	Drain Valve Handle	
5	209/00115/04	Drain Valve Motor Mounting Plate	
6	209/00170/05	Screw	
7	209/00212/11	Coil	24 Volt
	209/00052/21	Coil	115 Volt/60 Hertz
	209/00051/21	Coil	220 Volt/50 or 60 Hertz
8	209/00203/12	Drain Valve Motor	24 Volt
	209/00052/12	Drain Valve Motor	110 Volt/60 Hertz
	209/00170/06	Drain Valve Motor Assembly	220 Volt/50 or 60 Hertz
9	209/00170/07	Screw	
10	209/00170/02	Drain Valve Spring	
11	209/00170/10	Drain Valve Shaft	
12	209/00025/12	Washer	

Door Lock

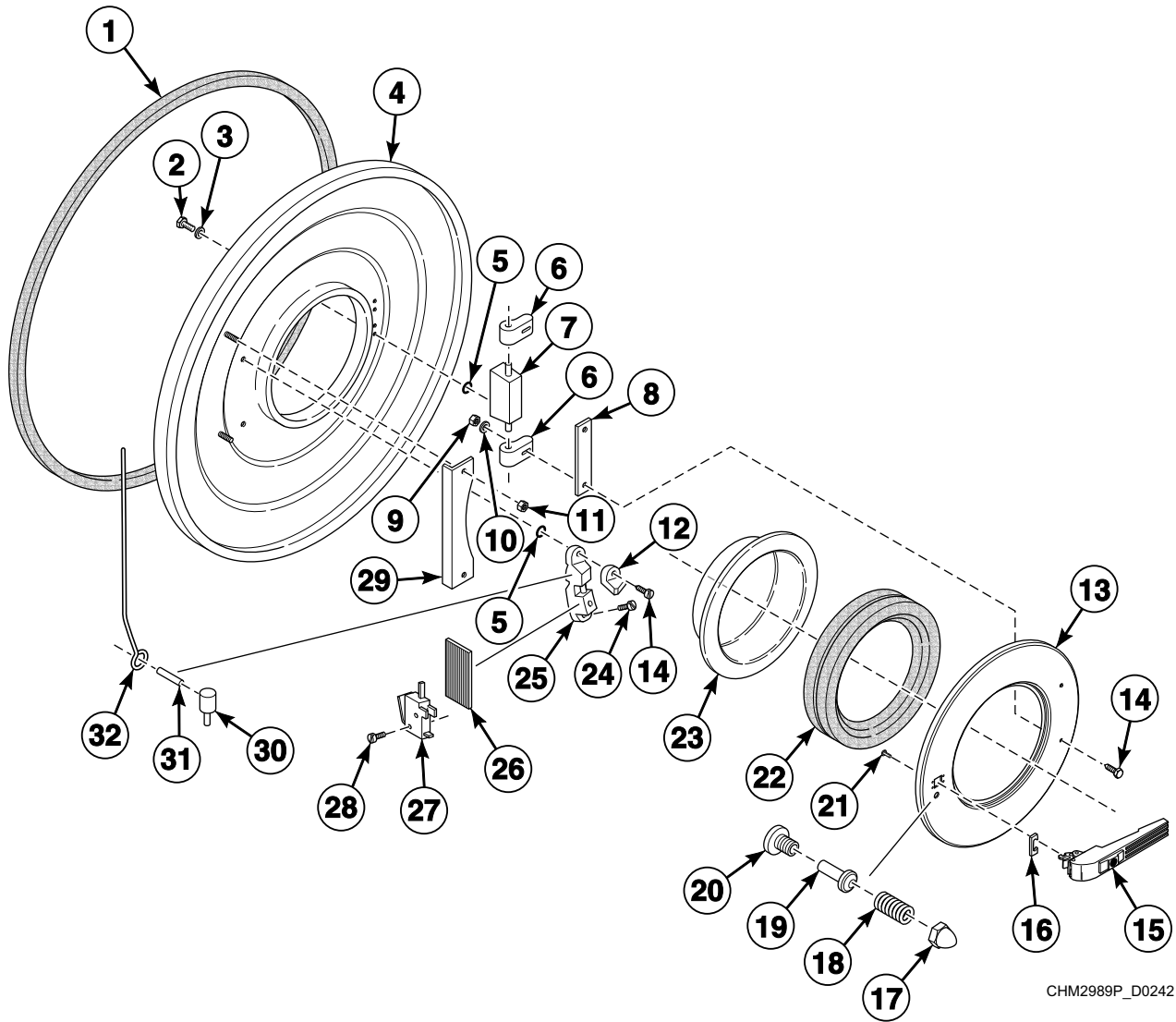


BE000059AP_D0242

Door Lock

REF	PART NO.	DESCRIPTION	COMMENTS
1	224/00040/00	Lever Spring	
2	217/00021/00	O-Ring	
3	207/00135/00	Screw	
4	210/10015/00	Ground Terminal	
5	203/00007/00	Washer	
6	204/00008/00	Nut	
7	203/00010/00	Washer	
8	207/00103/00	Screw	
9	209/00272/00	Door Lock Microswitch	
10	201/00018/00	Washer	
11	207/00009/00	Screw	
12	217/00052/01A	Door Lock Assembly	
13	217/00052/02	Door Lock Pin Kit	
14	207/00102/00	Screw	
15	217/00017/03	Lock Shaft	
16	209/00273/00	Light Microswitch	
17	209/00247/00	Solenoid	
18	209/00275/04	Door Lock Board	
19	211/00120/00	Standoff	
20	203/00006/00	Washer	
21	204/00007/00	Nut	
22	217/00052/08	Washer	
23	224/00049/00	Door Lock Spring	
24	224/00015/00	Door Latch Cord	
25	224/00043/00	Interlock Coil Spring	
26	217/00052/04	Interlock Lever	
27	217/00052/03	Door Lock Spacer	
28	201/00017/00	Washer	
29	217/00052/05	Switch Lever	

Door - Models Through 12/31/87

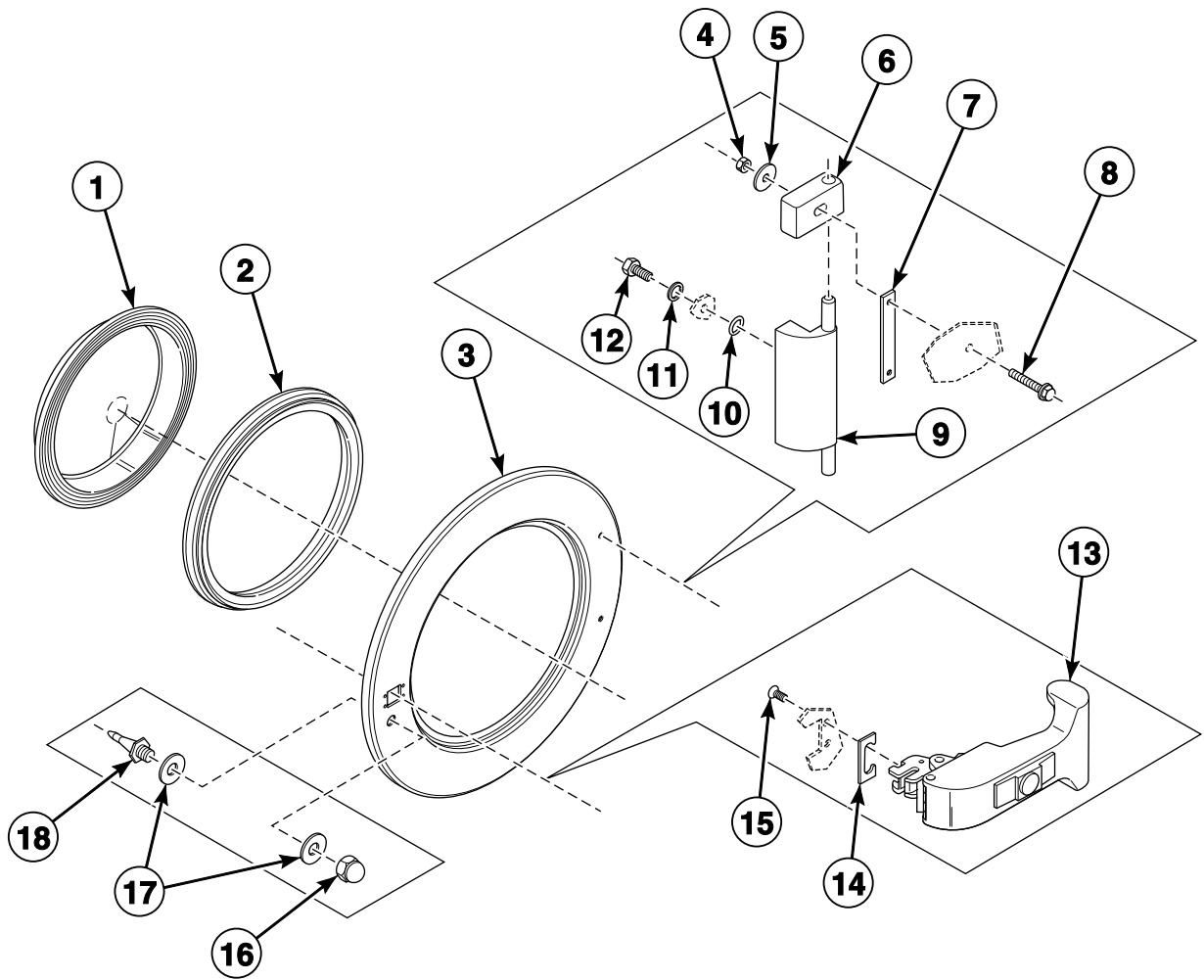


Door - Models Through 12/31/87

REF	PART NO.	DESCRIPTION	COMMENTS
1	223/00242/00	Tub Front Gasket	
2	205/00104/00	Bolt	
3	202/00101/00	Washer	
4	138/00001/00	Tub Front	
5	217/00021/00	O-Ring	
6	217/00009/02	Door Hinge Assembly	
7	217/00009/01	Door Hinge	
8	117/00010/00	Door Hinge Spacer	
9	204/00106/00	Nut	
10	202/00003/00	Washer	
11	204/00009/00	Nut	
12	217/00017/02	Protection Block	
13	118/00125/00	Door	
14	207/00102/00	Screw	
15	217/00055/00	Door Handle	
16	217/00016/00	Door Handle Stop	
17	204/00103/00	Nut	
18	217/00020/00	Spring	
19	211/00105/00	Pin	
20	217/00019/00	Holder	
21	B12500801	Screw	
22	223/00068/00	Door Glass Seal	
23	B12449701	Door Glass	
24	207/00103/00	Screw	
25	217/00017/00	Door Lock Assembly	
26	217/00038/00	Insulation Plate	
27	209/00023/00	Door Switch	
28	207/00109/00	Screw	
29	N/A	Door Interlock System Protection Plate	
30	224/00003/00	Interlock Pin	
31	208/00004/00	Pin	
32	N/A	Lock Wire Bridge	

N/A = Part no longer available

Door - Models Starting 1/1/88

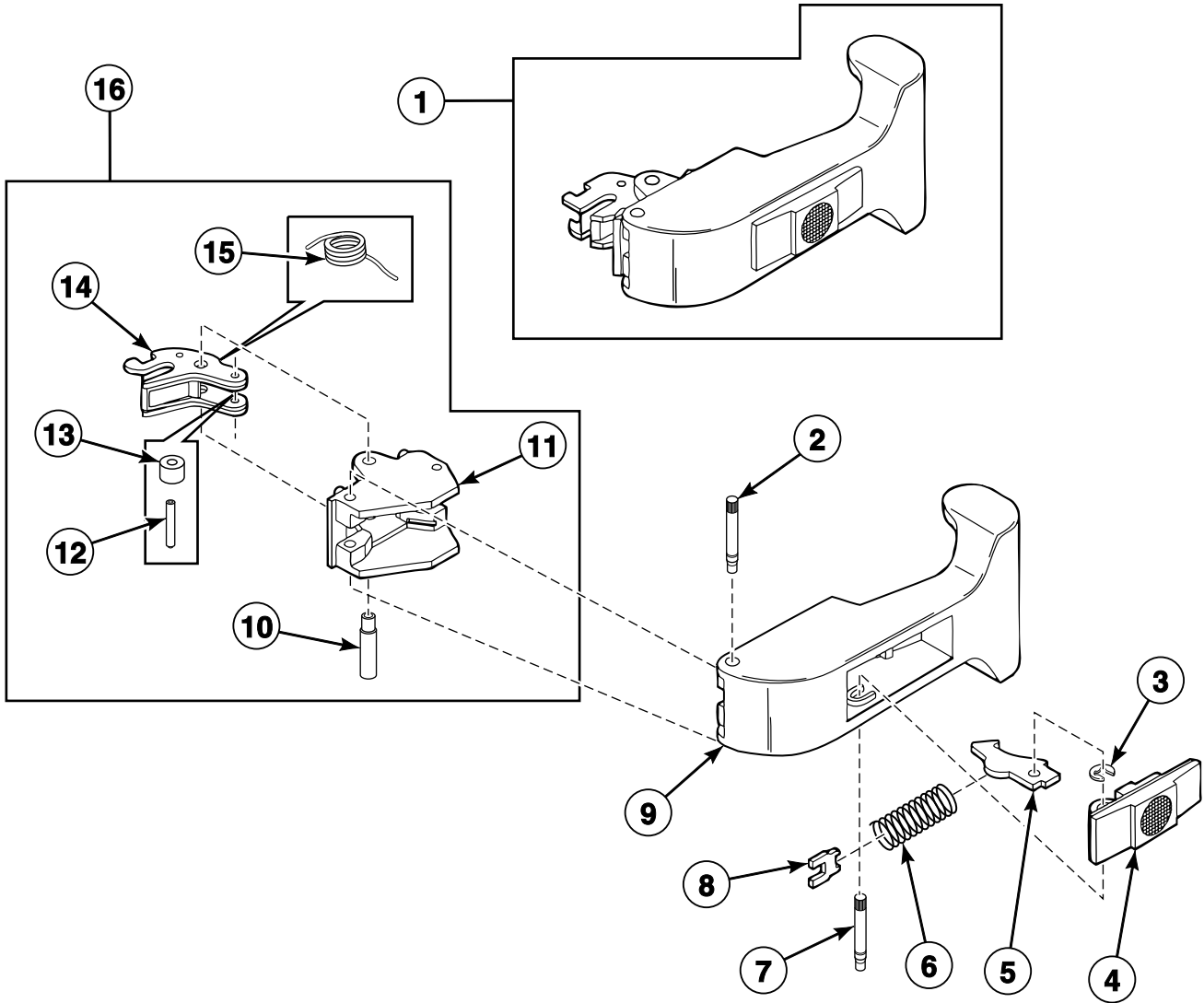


BE000138AP_D0242

Door - Models Starting 1/1/88

REF	PART NO.	DESCRIPTION	COMMENTS
1	B12449701	Door Glass	
2	217/00015/00	Door Glass Seal	
3	118/00046/10	Door Frame	
4	204/00106/00	Nut	
5	202/00108/00	Washer	
6	217/00009/02	Door Hinge Assembly	
7	117/00010/00	Door Hinge Spacer	1 mm
	117/00011/00	Door Hinge Spacer	2 mm
8	207/00126/00	Screw	M6 x 35
	207/00125/00	Bolt	M6 x 25
9	217/00009/01	Door Hinge	
10	217/00021/00	O-Ring	
11	202/00101/00	Washer	
12	205/00104/00	Bolt	
13	217/00051/00	Door Handle	
14	217/00016/00	Door Handle Stop	
15	B12500801	Screw	
16	204/00103/00	Nut	
17	202/00111/00	Washer	
18	211/00109/01	Door Lock Pin Kit	

Door Handle (Drawing 1 of 2)

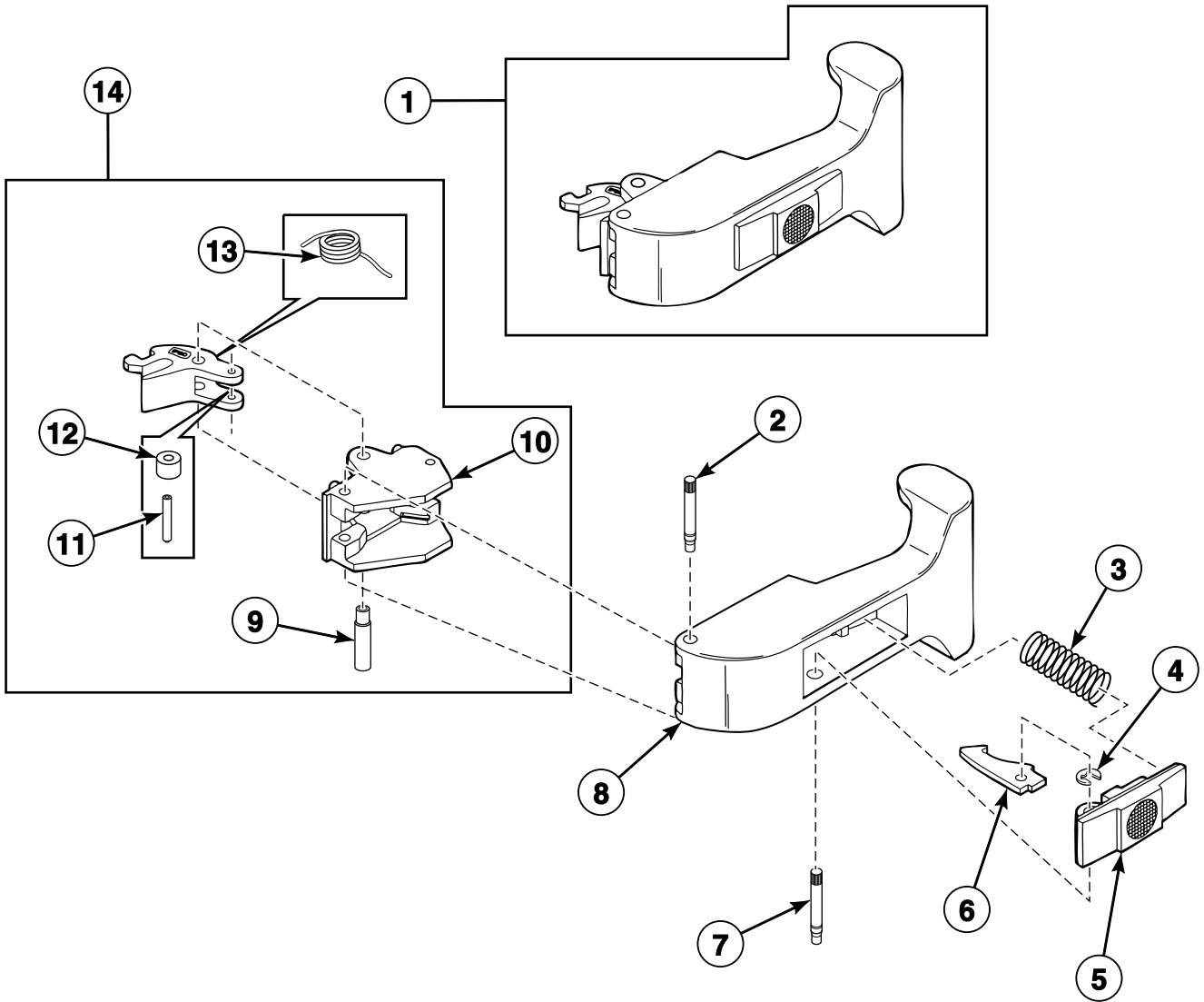


BE000034AP_D0242

Door Handle (Drawing 1 of 2)

REF	PART NO.	DESCRIPTION	COMMENTS
1	217/00051/00	Door Handle	
2	217/00013/09	Door Mounting Pin	
3	217/00013/11	Door Circlip	
4	217/00013/12	Door Handle	
5	217/00013/13	Door Handle Hook	
6	217/00013/14	Door Handle Spring	
7	217/00013/15	Door Handle Locking Pin	
8	217/00013/16	Door Handle Assembly Plate	
9	217/00051/00	Door Handle	
10	217/00013/08	Door Locking Pin	
11	217/00013/07	Door Locking Grip	
12	217/00013/05	Door Axle Roller	
13	217/00013/06	Door Roller	
14	217/00013/04	Door Handle Latch	
15	217/00013/03	Door Lock Spring	
16	217/00051/14	Door Handle Latch	

Door Handle (Drawing 2 of 2)

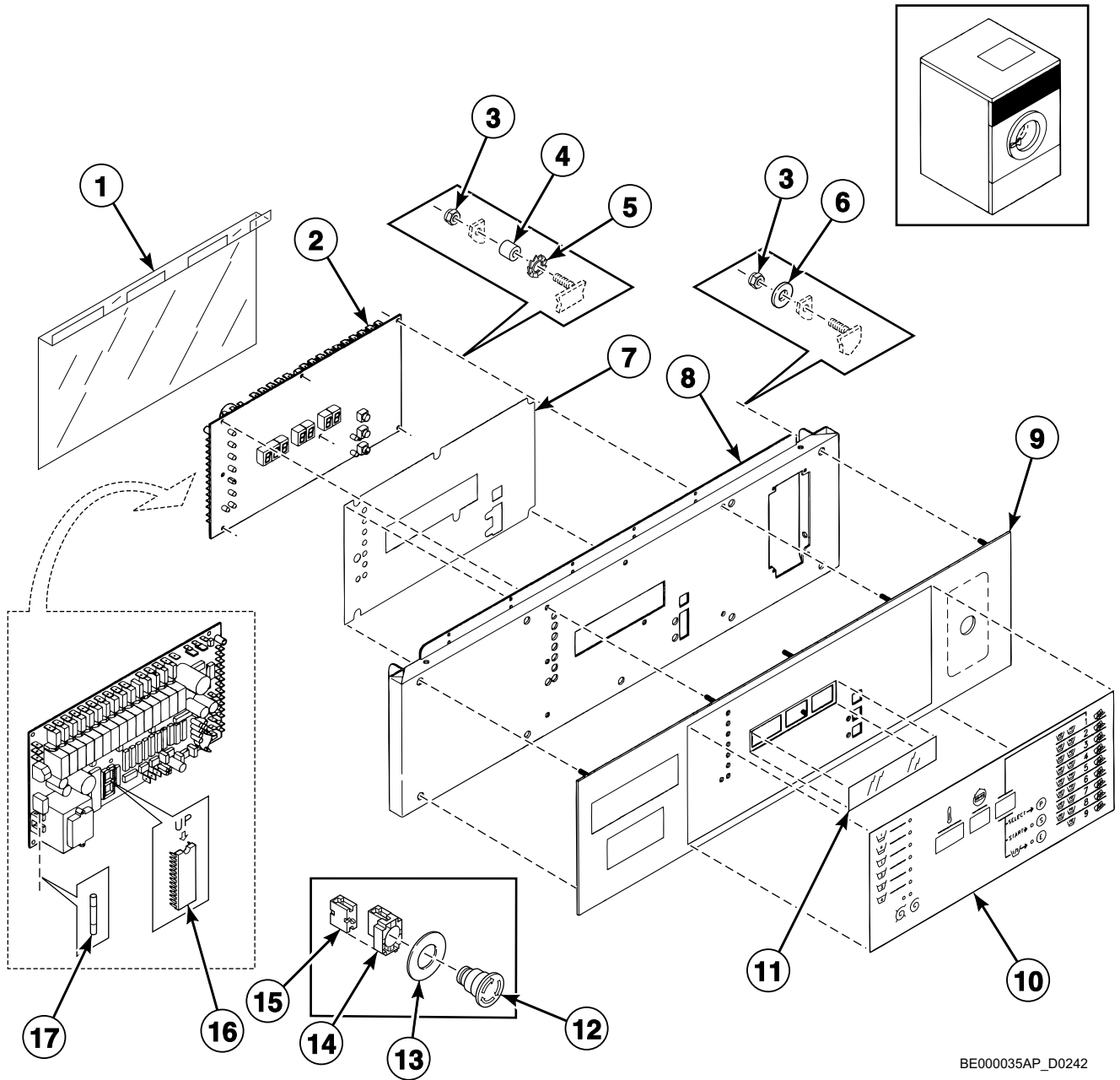


BE000034BP_D0242

Door Handle (Drawing 2 of 2)

REF	PART NO.	DESCRIPTION	COMMENTS
1	217/00051/00	Door Handle	
2	217/00013/09	Door Mounting Pin	
3	217/00013/14	Door Handle Spring	
4	217/00013/11	Door Circlip	
5	217/00013/12	Door Handle	
6	217/00051/13	Door Handle Catch	
7	217/00051/15	Door Locking Pin	
8	217/00051/00	Door Handle	
9	217/00013/08	Door Locking Pin	
10	217/00013/07	Door Locking Grip	
11	217/00013/05	Door Axle Roller	
12	217/00013/06	Door Roller	
13	217/00013/03	Door Lock Spring	
14	217/00053/14	Door Inner Part	

Control Panel - Micro-20

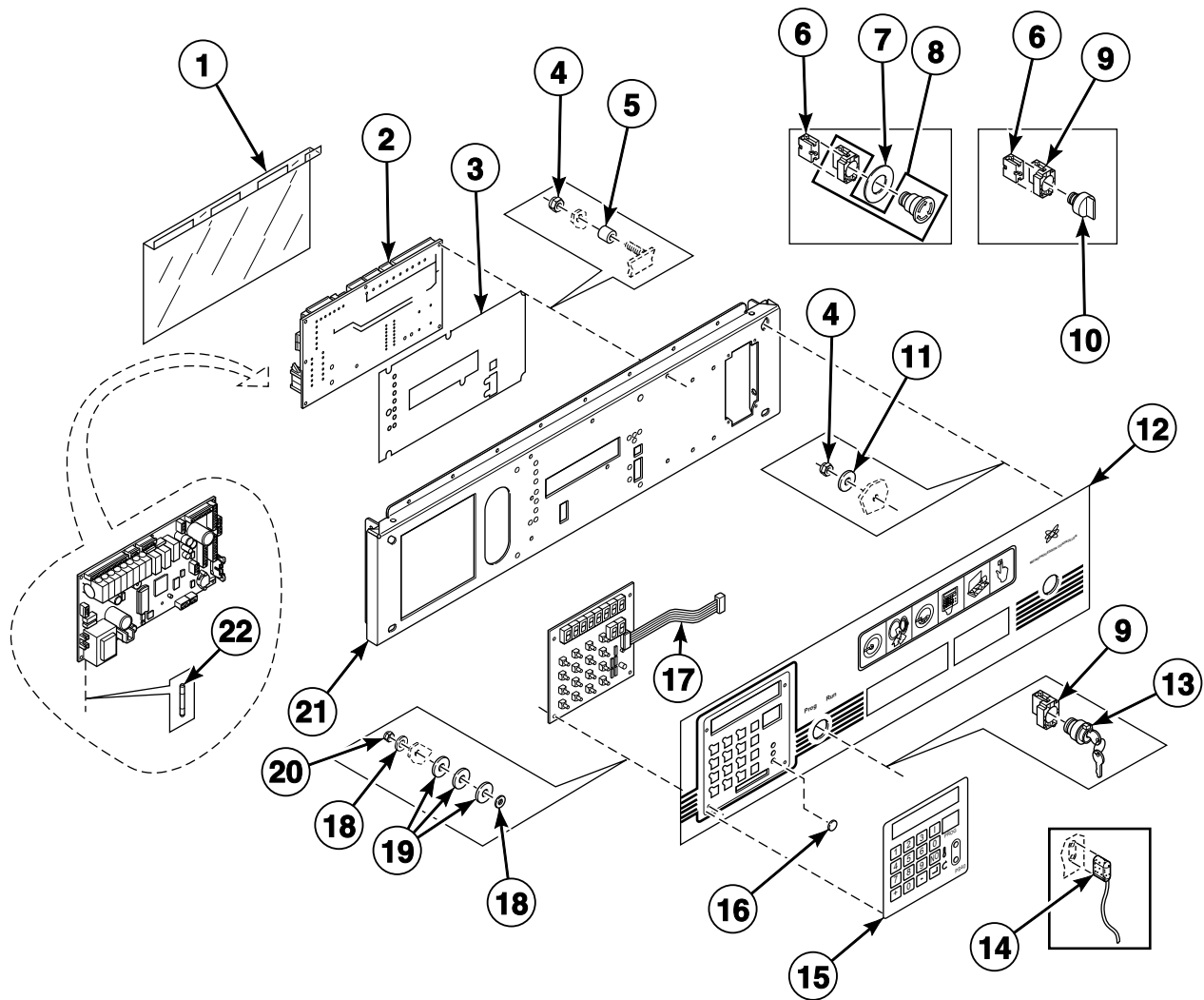


BE000035AP_D0242

Control Panel - Micro-20

REF	PART NO.	DESCRIPTION	COMMENTS
1	229/00262/00	Circuit Board Cover	
2	209/00440/00	Printboard	Models through 8/31/01
	209/00440/70	Printboard	Models starting 9/1/01
3	204/00116/00	Nut	
4	211/00122/00	Standoff	
5	203/00006/00	Washer	
6	203/00008/00	Washer	
7	229/00255/00	Insulating Sticker	
8	225/00290/AOL	Facia Panel	OPL models
	225/00289/AOL	Facia Panel	Coin models
9	111/00180/00	Electrical Connection Plate	Stainless steel
	111/00180/10	Electrical Connection Plate	Epoxy
10	225/00309/00	Sticker	OPL models
	225/00308/00	Sticker	Coin models
11	225/00316/00	Plexi Frame	
12	209/00248/00	Mushroom Pushbutton	
13	209/00520/00	Telem Sticker	
14	209/00099/05	Contact	
15	209/00099/06	Contact Switch	
16	209/00266/01	Eprom	
17	209/00439/00	Fuse	

Control Panel - PS40F

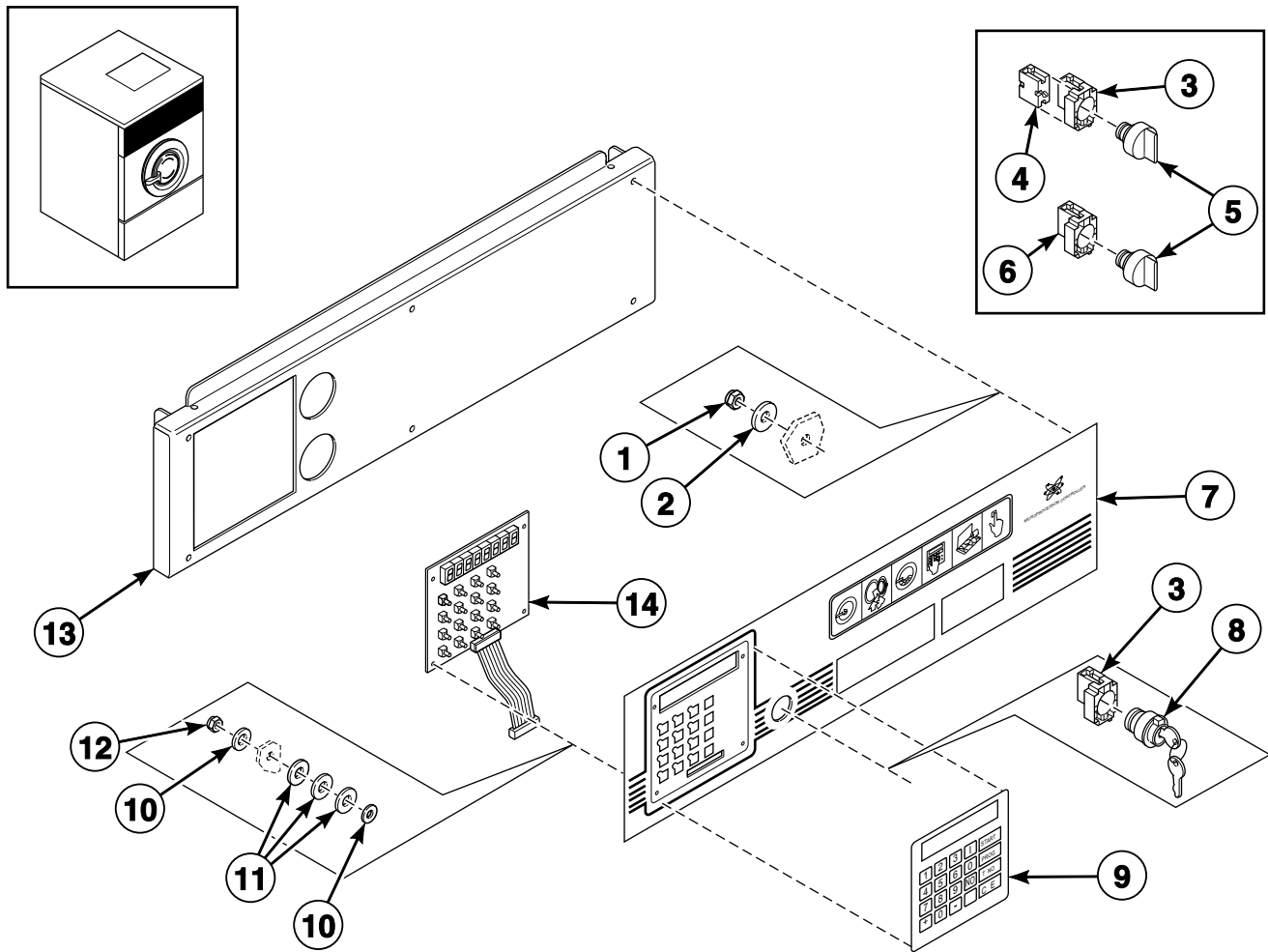


BE000558P_D0242

Control Panel - PS40F

REF	PART NO.	DESCRIPTION	COMMENTS
1	229/00262/00	Circuit Board Cover	
2	B12351701	Main Board	
3	229/00255/00	Insulating Sticker	
4	204/00116/00	Nut	
5	211/00122/00	Standoff	
6	209/00099/26	Contact Switch	
7	209/00520/00	Telem Sticker	
8	209/00248/20	Mushroom Pushbutton	
9	209/00099/25	Switch Base	
10	209/00099/29	Switch Knob	
11	201/00008/00	Washer	
12	225/00270/00	Control Panel Decal	
13	209/00326/20	Programming Key Contact Switch	
14	210/00902/00	Infrared Cable	
15	225/00365/00	Overlay	
16	202/00120/00	Metal Disc	
17	209/00552/01	Keypad	
18	223/00123/00	Washer	
19	223/00051/10	Washer	
20	204/00116/00	Nut	
21	111/10087/00	Control Panel	
22	209/00372/01	Fuse	

Control Panel - PC30

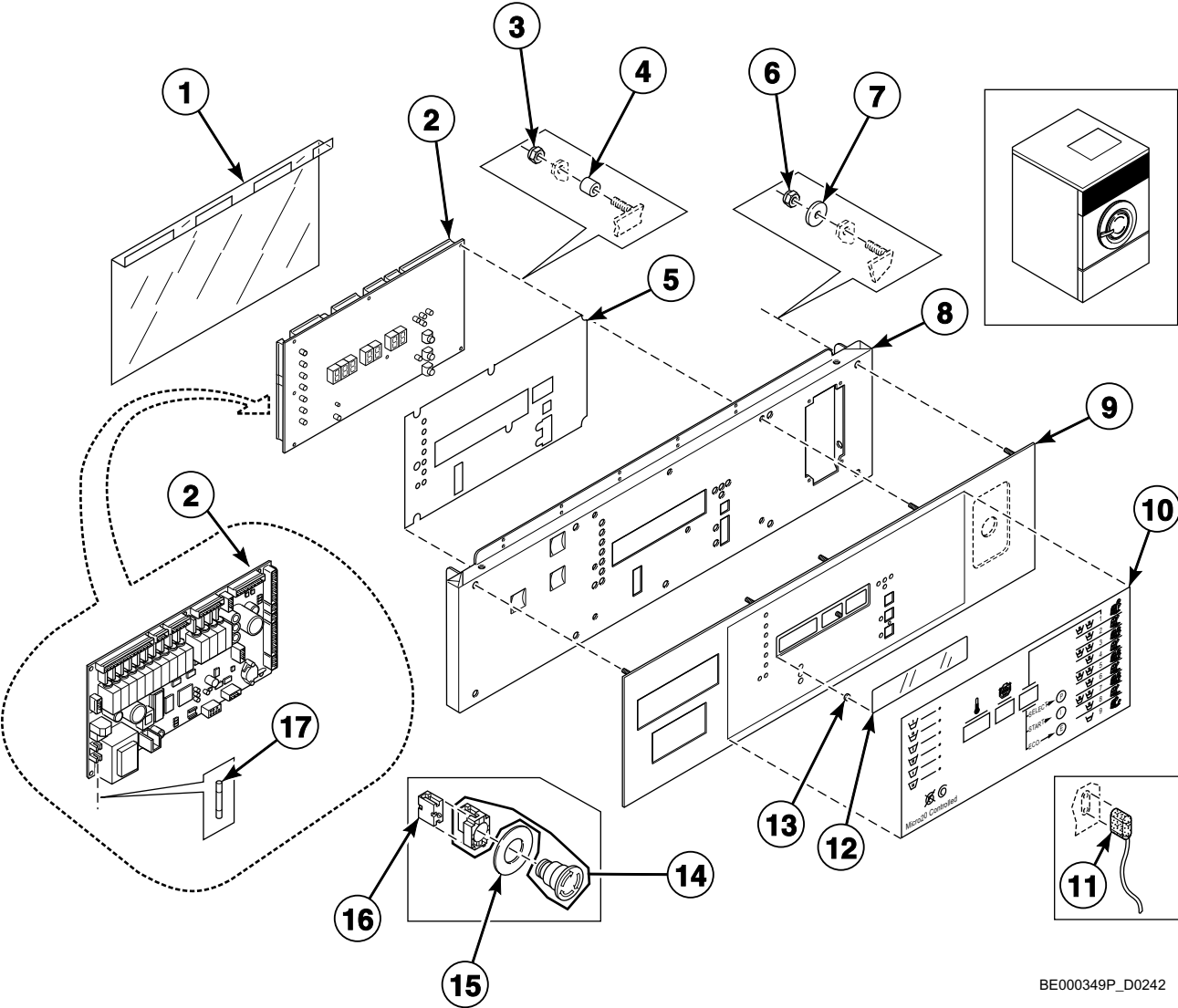


BE000040P_D0242

Control Panel - PC30

REF	PART NO.	DESCRIPTION	COMMENTS
1	204/00114/00	Nut	
2	201/00008/00	Washer	
3	209/00099/05	Contact	
4	209/00099/07	Contact Switch	NO
	209/00099/06	Contact Switch	NC
5	209/00099/09	Button	
6	209/00253/00	Emergency Stop Button Kit	
7	225/00300/00	Facia Panel	
8	209/00326/00	Programming Switch	
9	209/00245/00	Coin Meter	
10	223/00123/00	Washer	
11	223/00051/10	Washer	
12	204/00116/00	Nut	
13	111/10096/00	Upper Front Panel	Stainless steel
	111/10096/10	Upper Front Panel	Epoxy
14	209/00323/01	Keyboard	

Control Panel - Sigma

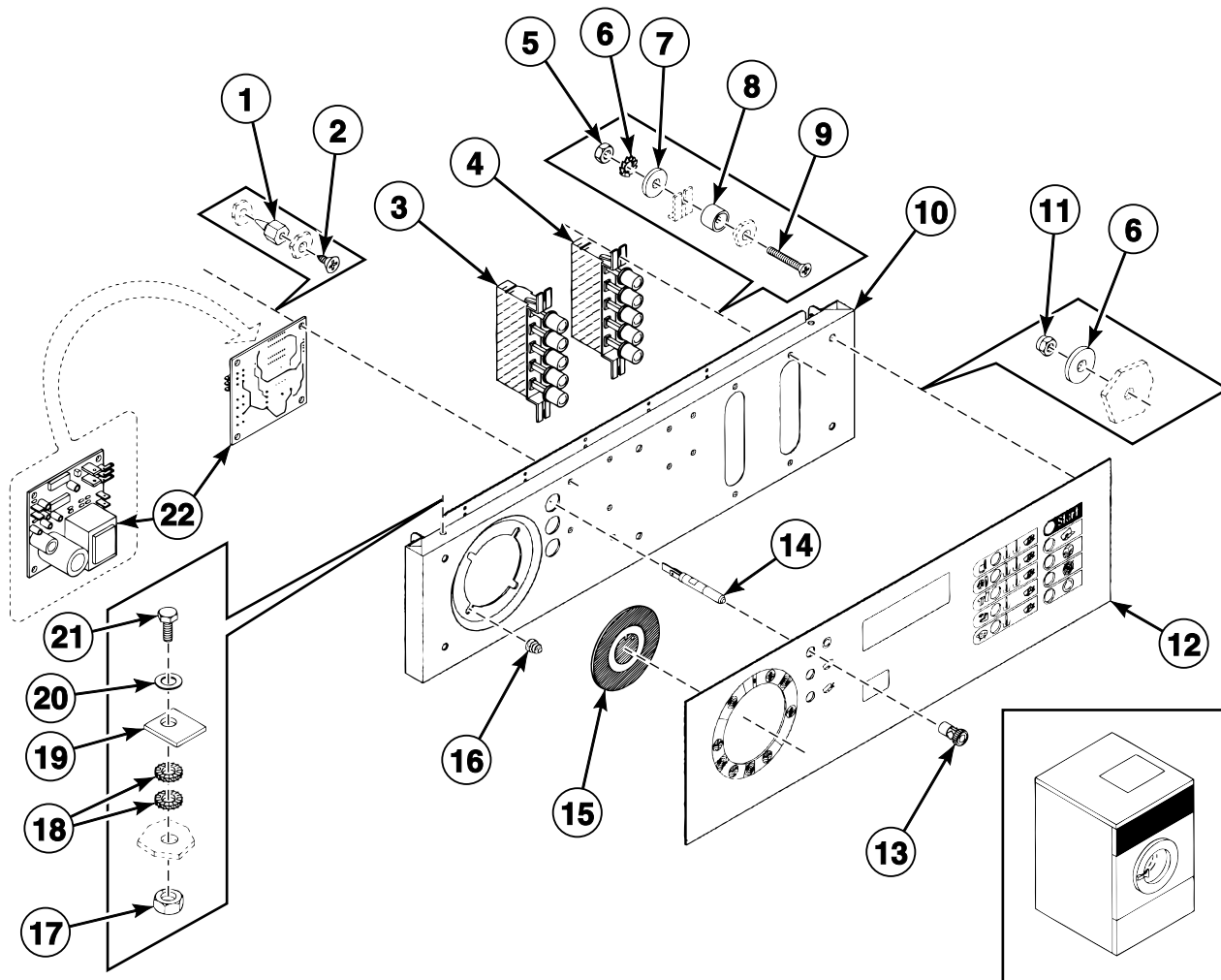


BE000349P_D0242

Control Panel - Sigma

REF	PART NO.	DESCRIPTION	COMMENTS
1	229/00262/00	Circuit Board Cover	
2	209/00547/00	Control Board	
3	204/00114/00	Nut	
4	211/00122/00	Standoff	
5	229/00255/00	Insulating Sticker	
6	204/00009/00	Nut	
7	201/00008/00	Washer	
8	111/00180/00	Electrical Connection Plate	Stainless steel
	111/00180/10	Electrical Connection Plate	Epoxy
9	225/00289/AOL	Facia Panel	Coin models
	225/00290/AOL	Facia Panel	OPL models
10	225/00403/00	Decal	Coin models
	225/00361/00	Front Label	OPL models
	225/00367/00	Front Label	Models without ECO or temperature
11	210/00902/00	Infrared Cable	
12	225/00316/00	Plexi Frame	
13	202/00120/00	Metal Disc	
14	209/00248/20	Mushroom Pushbutton	
15	209/00520/00	Telem Sticker	
16	209/00099/26	Contact Switch	
17	209/00439/00	Fuse	

Control Panel - CAM-Timer OPL

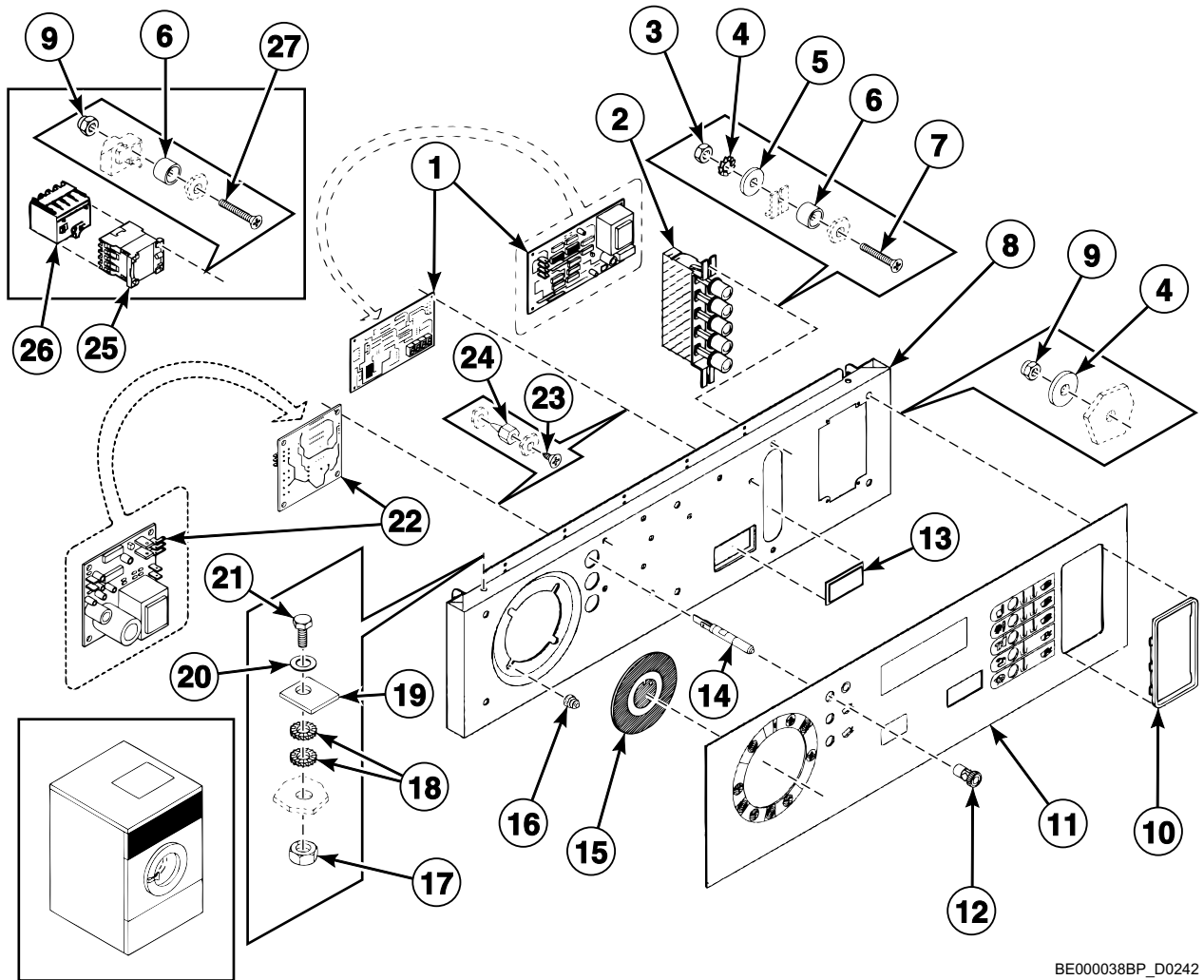


BE000037AP_D0242

Control Panel - CAM-Timer OPL

REF	PART NO.	DESCRIPTION	COMMENTS
1	211/00125/00	Printboard Separator	
2	208/00024/00	Screw	
3	209/00175/00	Selector Switch	
4	209/00176/00	Selector Switch	
5	204/00007/00	Nut	
6	203/00006/00	Washer	
7	201/00008/00	Washer	
8	211/10156/00	Program Switch Separator	
9	207/00032/00	Screw	
10	111/00180/01	Front Panel	
11	204/00114/00	Nut	
12	325/00023/ABL	Front Panel	English
	325/00248/ABL	Front Panel	Danish
	325/00127/ABL	Front Panel	Japanese
13	209/00152/00	Lens Cover	Red
	209/00154/00	Lens Cover	Orange
14	209/00151/00	Lamp	
15	225/00078/00	Program Indicator	
16	223/00079/00	Holder	
17	204/00006/00	Nut	
18	203/00005/00	Washer	
19	117/00042/00	Retaining Ring	
20	202/00003/00	Washer	
21	205/00106/00	Bolt	
22	209/00275/05	Door Lock Board	115 Volt
	209/00275/04	Door Lock Board	230 Volt

Control Panel - Cam-Timer Coin

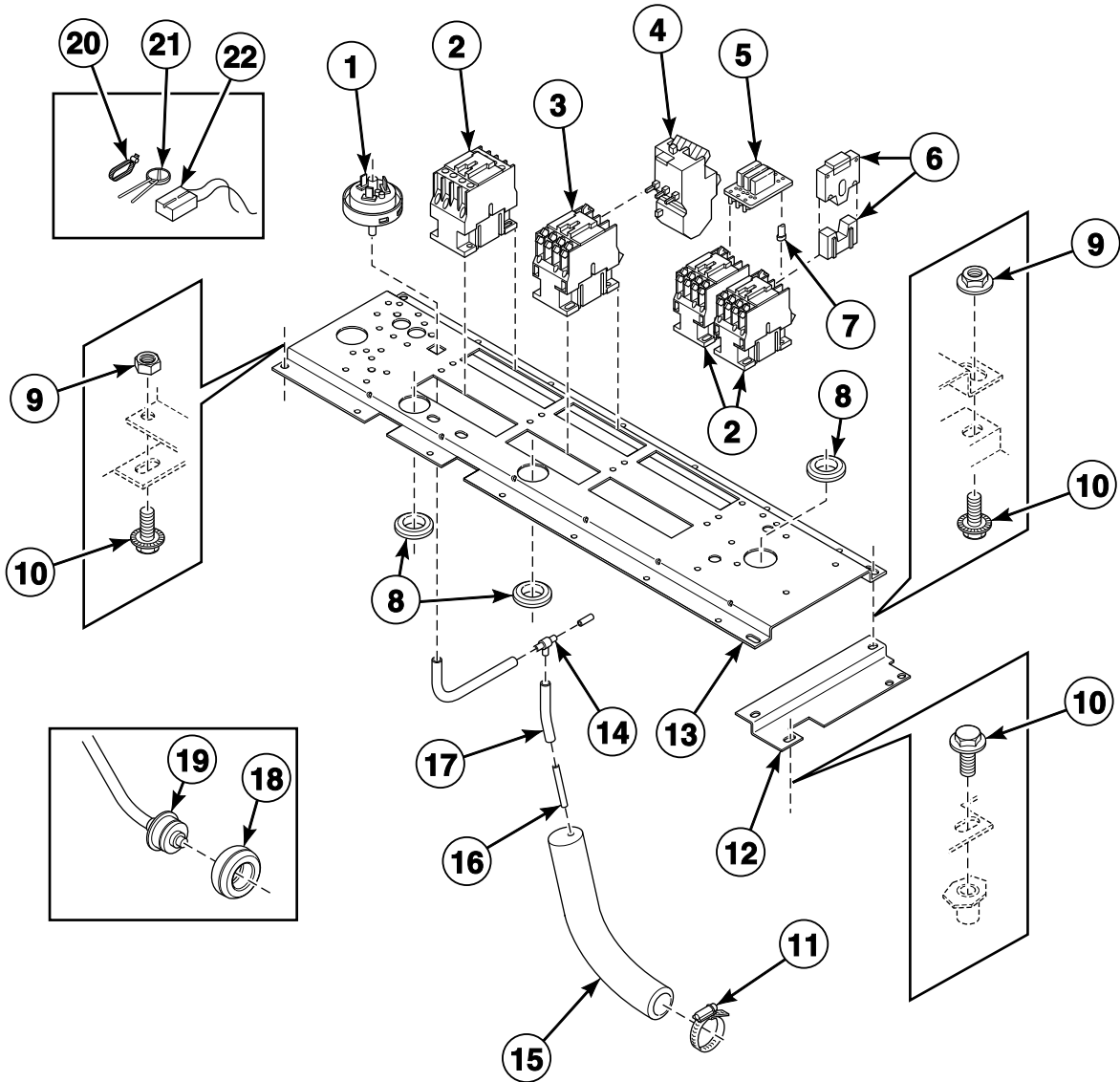


BE000038BP_D0242

Control Panel - Cam-Timer Coin

REF	PART NO.	DESCRIPTION	COMMENTS
1	209/00217/00	Coin Display	
2	209/00175/00	Selector Switch	
3	204/00007/00	Nut	
4	203/00006/00	Washer	
5	201/00008/00	Washer	
6	211/10156/00	Program Switch Separator	
7	207/00032/00	Screw	
8	111/00180/02	Upper Inner Panel	
9	204/00114/00	Nut	
10	225/00099/00	Ring	
11	325/00252/OBL	Facia Panel	English
	325/00150/ABL	Facia Panel	Finnish
12	209/00152/00	Lens Cover	Red
	209/00154/00	Lens Cover	Orange
13	223/10066/00	Display	
14	209/00151/00	Lamp	
15	225/00078/00	Program Indicator	
16	223/00079/00	Holder	
17	204/00006/00	Nut	
18	203/00005/00	Washer	
19	117/00042/00	Retaining Ring	
20	202/00003/00	Washer	
21	205/00106/00	Bolt	
22	209/00275/05	Door Lock Board	115 Volt
	209/00275/04	Door Lock Board	230 Volt
23	208/00024/00	Screw	
24	211/00125/00	Printboard Separator	
25	209/00470/00	Contact	
26	209/00124/00	Contact	
27	207/00036/00	Screw	

Electrical Component Mounting Plate - Micro-20

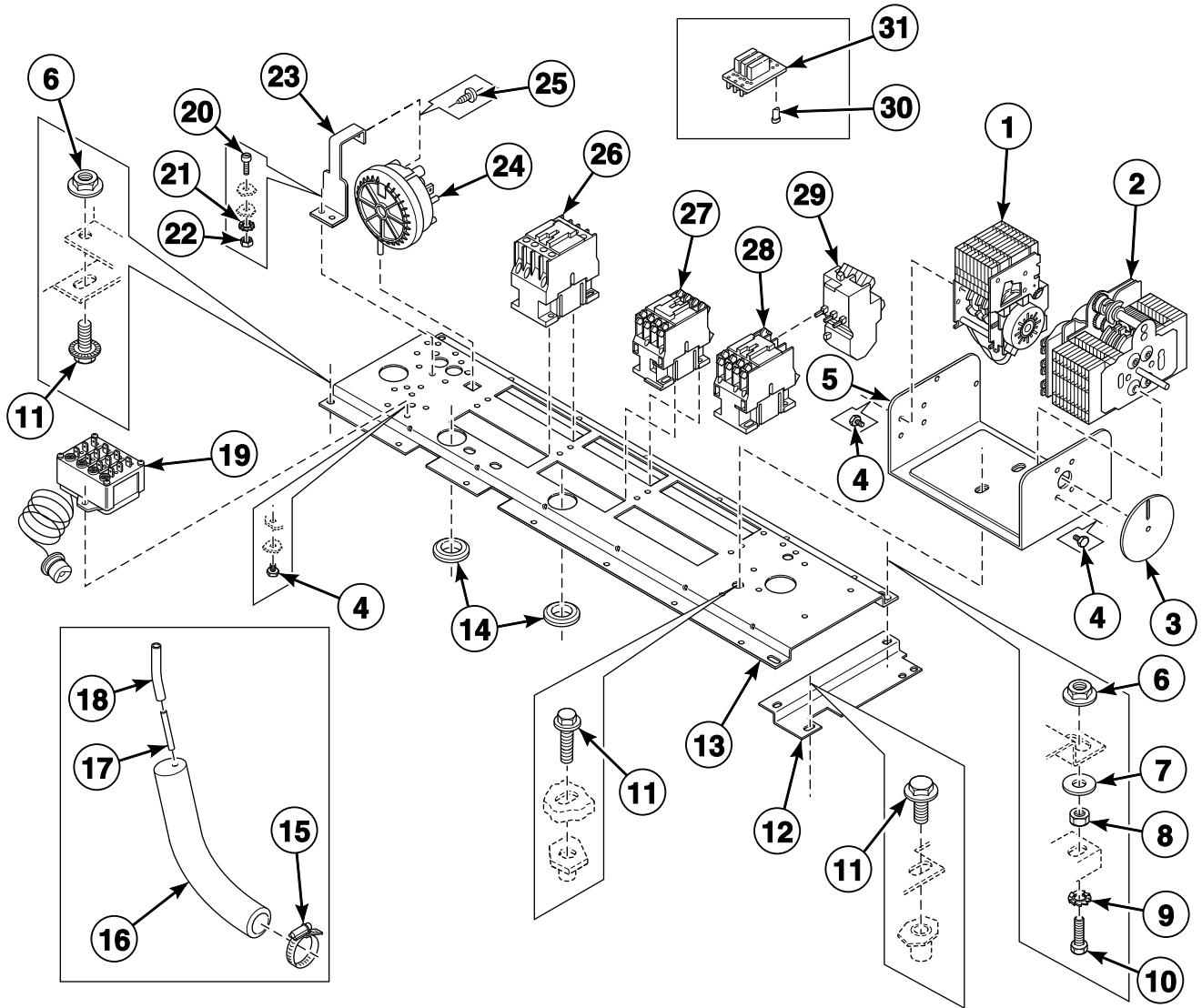


BE000139P_D0242

Electrical Component Mounting Plate - Micro-20

REF	PART NO.	DESCRIPTION	COMMENTS
1	209/00007/50	Pressure Switch	
2	209/00041/03	Contactactor	LC109
	209/00148/02	Contactactor	L11018
3	209/00041/05	Contactactor	
4	209/00264/00	Protector	4-6 Amp
	209/00263/00	Protector	2.5-4 Amp
5	209/00452/01	Printboard	
6	209/00279/00	Lock	
7	209/00452/02	Lug Holder	
8	223/00198/00	Grommet	
9	206/00101/00	Nut	
10	206/00099/00	Bolt	
11	223/00223/00	Hose Clamp	
12	111/00146/01	Mounting Plate	
13	111/00191/10	Mounting Plate	*18, *55 and *73 models
	111/00037/10	Mounting Plate	*25 and *95 models
14	223/00173/00	Pressure Switch Hose Tee	
15	223/00210/00	Pressure Switch Elbow	
16	223/00016/00	Hose Barb	
17	223/00212/00	Pressure Switch Hose	
18	225/10004/00	Thermostat Seal	
19	209/00309/02	Thermostat Assembly	
20	211/00108/00	Fastener	
21	209/00356/00	Noise Suppressor	
22	209/00320/00	Filter	

Electrical Component Mounting Plate - CAM-Timer

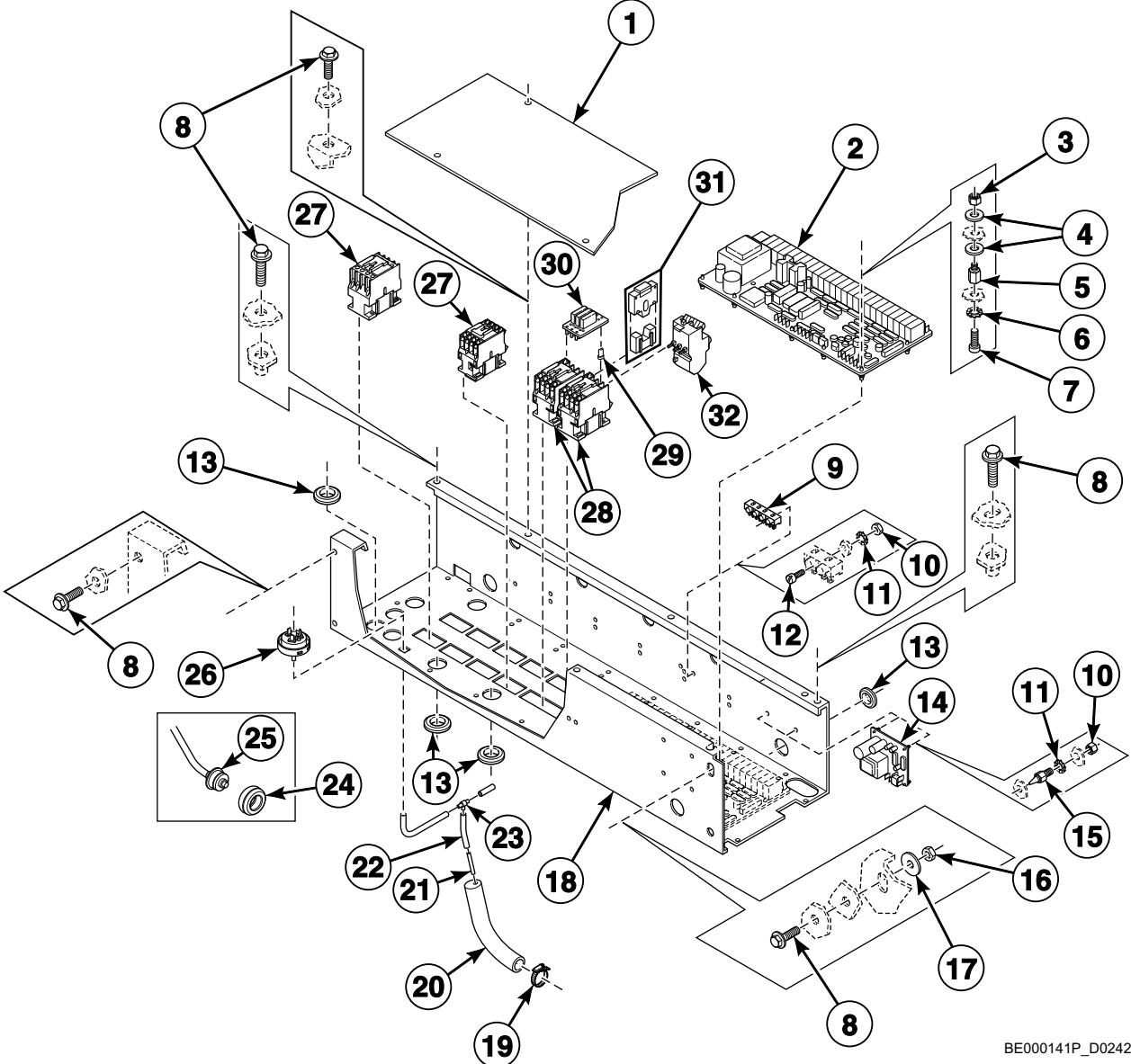


BE000140P_D0242

Electrical Component Mounting Plate - CAM-Timer

REF	PART NO.	DESCRIPTION	COMMENTS
1	209/00040/00	Timer	110 Volt/60 Hertz
	209/00012/00	Reversing Timer	220 Volt/50 Hertz
	209/00013/00	Reversing Timer	220 Volt/60 Hertz
2	209/00108/00	Timer	220 Volt/50 Hertz; Green
	209/00416/00	Timer	220 Volt/50 Hertz; UTIC
	209/00109/00	Timer	220 Volt/60 Hertz; Green
	209/00107/00	Timer	220 Volt/50 or 60 Hertz; Brown
	209/00417/00	Timer	220 Volt/60 Hertz; UTIC
3	225/00001/00	Program Indicator	
4	206/00021/00	Screw	
5	111/00016/00	Mounting Plate	
6	206/00101/00	Nut	
7	201/00007/00	Washer	
8	204/00005/00	Nut	
9	203/00004/00	Washer	
10	206/00013/00	Bolt	
11	206/00099/00	Bolt	
12	111/00146/00	Assembly Plate	
13	111/00191/10	Mounting Plate	Models WE55_CAM-TIMER and WE73_CAM-TIMER
	111/00037/10	Mounting Plate	Model WE95_CAM-TIMER
14	223/00198/00	Grommet	
15	223/00011/00	Hose Clamp	
16	223/00015/00	Level Switch Elbow	
17	223/00016/00	Hose Barb	
18	223/00082/00	Pressure Hose	
19	209/00243/00	Thermostat	
20	207/00008/00	Screw	
21	203/00006/00	Washer	
22	204/00007/00	Nut	
23	111/00424/00	Pressure Switch Bracket	
24	209/00007/30	Pressure Switch	
25	208/00007/00	Screw	
26	209/00041/04	Contactor	LC109
	209/00148/02	Contactor	L11018
27	209/00041/03	Contactor	
28	209/00041/05	Contactor	
29	209/00264/00	Protector	4-6 Amp
	209/00263/00	Protector	2.5-4 Amp
30	209/00452/02	Lug Holder	
31	209/00452/01	Printboard	

Electrical Component Mounting Plate - PC30

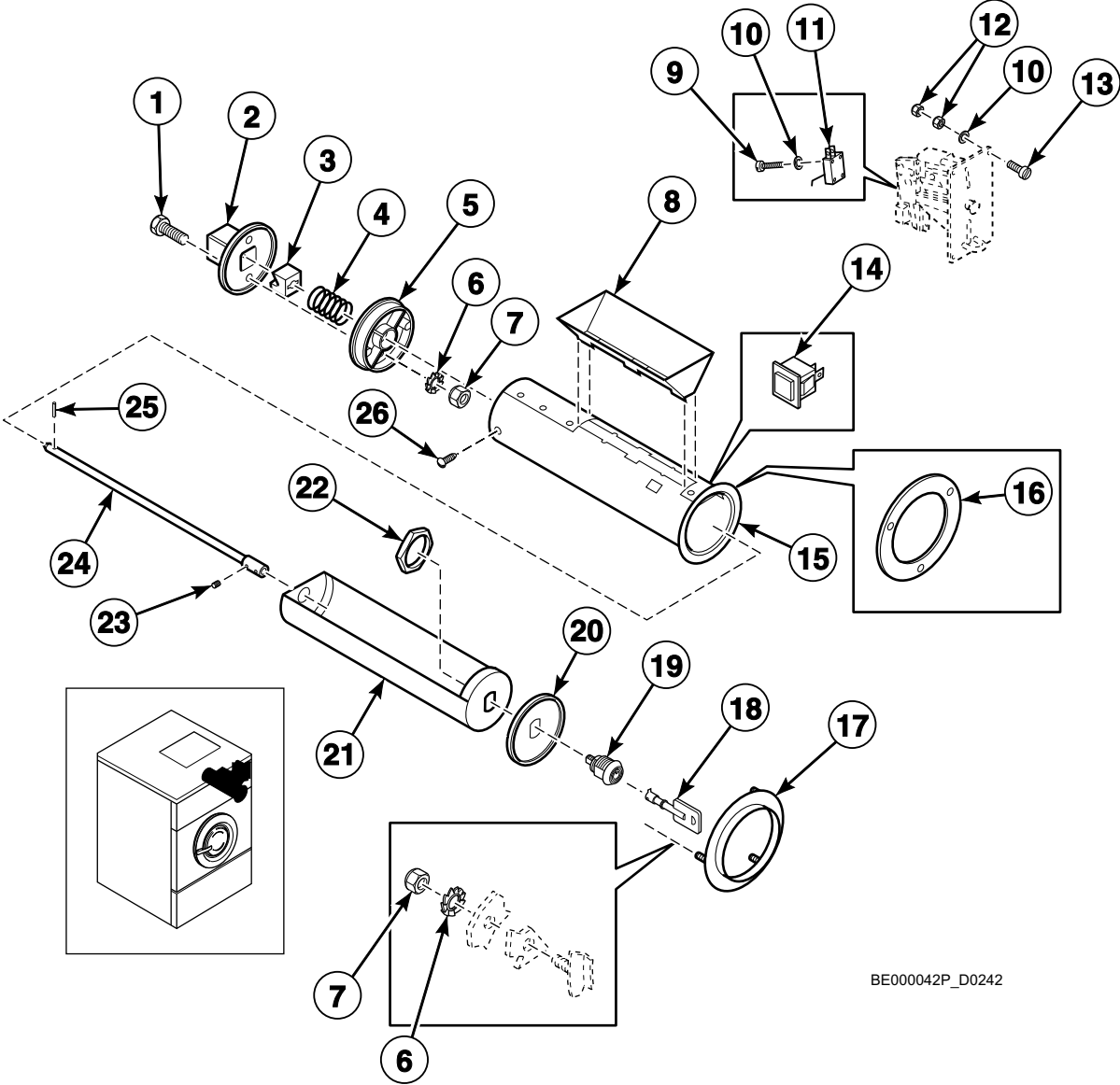


BE000141P_D0242

Electrical Component Mounting Plate - PC30

REF	PART NO.	DESCRIPTION	COMMENTS
1	111/01169/10	Assembly Plate	Models WE55_PC30 and WE73_PC30
	111/01170/10	Assembly Plate	Model WE95_PC30
2	209/00323/02	Printboard	
3	204/00116/00	Nut	
4	223/00123/00	Washer	
5	206/00141/00	Separator	
6	203/00007/00	Washer	
7	207/00135/00	Screw	
8	206/00099/00	Bolt	
9	209/00005/00	Terminal Block	
10	204/00007/00	Nut	
11	203/00006/00	Washer	
12	207/00008/00	Screw	
13	223/00198/00	Grommet	
14	209/00275/04	Door Lock Board	
15	211/00120/00	Standoff	
16	204/00005/00	Nut	
17	201/00006/00	Washer	
18	111/00179/00	Mounting Plate	Models WE55_PC30 and WE73_PC30
	111/00186/00	Mounting Plate	Model WE95_PC30
19	223/00011/00	Hose Clamp	
20	223/00015/00	Level Switch Elbow	
21	223/00016/00	Hose Barb	
22	223/00212/00	Pressure Switch Hose	
23	223/00173/10	Pressure Switch Hose Tee	
24	225/10004/00	Thermostat Seal	
25	209/00309/02	Thermostat Assembly	
26	209/00007/50	Pressure Switch	
27	209/00041/04	Contactactor	LC109
	209/00148/02	Contactactor	L11018
28	209/00041/05	Contactactor	
29	209/00452/02	Lug Holder	
30	209/00452/01	Printboard	
31	209/00279/00	Lock	
32	209/00264/00	Protector	4-6 Amp
	209/00263/00	Protector	2.5-4 Amp

Coin Meter and Coin Vault (Drawing 1 of 2)

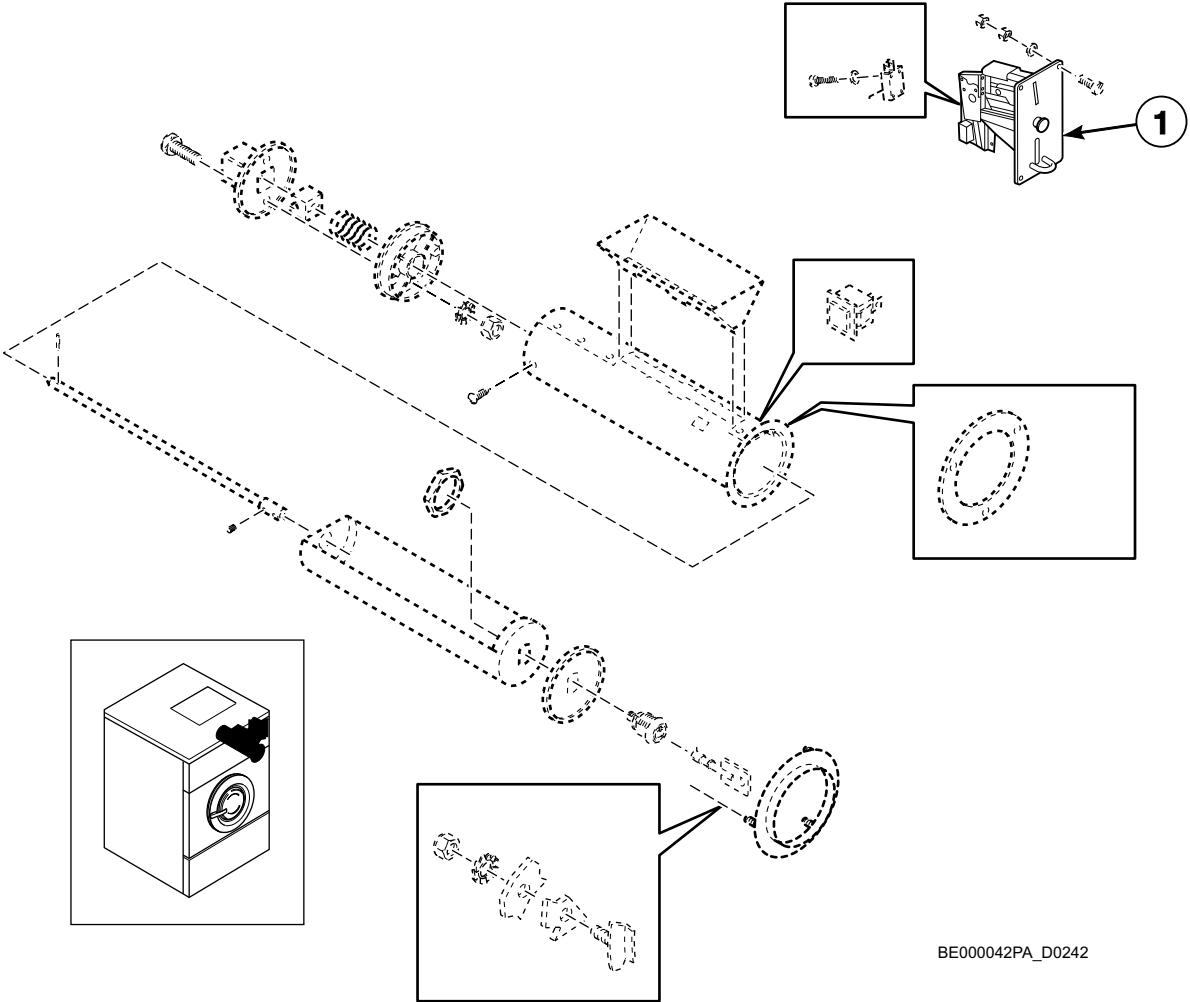


BE000042P_D0242

Coin Meter and Coin Vault (Drawing 1 of 2)

REF	PART NO.	DESCRIPTION	COMMENTS
1	206/00033/00	Bolt	
2	211/00070/01	Outer Cabinet Lock	
3	211/00070/02	Washer	
4	211/00070/04	Spring	
5	211/00070/03	Inner Coin Box	
6	203/00004/00	Washer	
7	204/00005/00	Nut	
8	211/00071/00	Coin Box	
9	207/00009/00	Screw	
10	203/00007/00	Washer	
11	209/00060/12	Coin Drop Microswitch	
12	204/00008/00	Nut	
13	207/00108/00	Screw	
14	209/00396/00	Pushbutton	
15	211/00100/00	Outer Coin Box	
16	111/00100/00	Coin Box Ring Assembly	
17	111/00066/00	Coin Box Ring	
18	211/00065/02	Coin Box Key	
19	211/00065/00	Coin Box Lock	
20	111/00068/00	Front Plate	
21	211/00101/00	Coin Box	
22	211/00065/01	Nut	
23	206/00038/00	Screw	
24	211/00069/00	Spindle	
25	208/00013/00	Roll Pin	
26	208/00007/00	Screw	

Coin Meter and Coin Vault (Drawing 2 of 2)

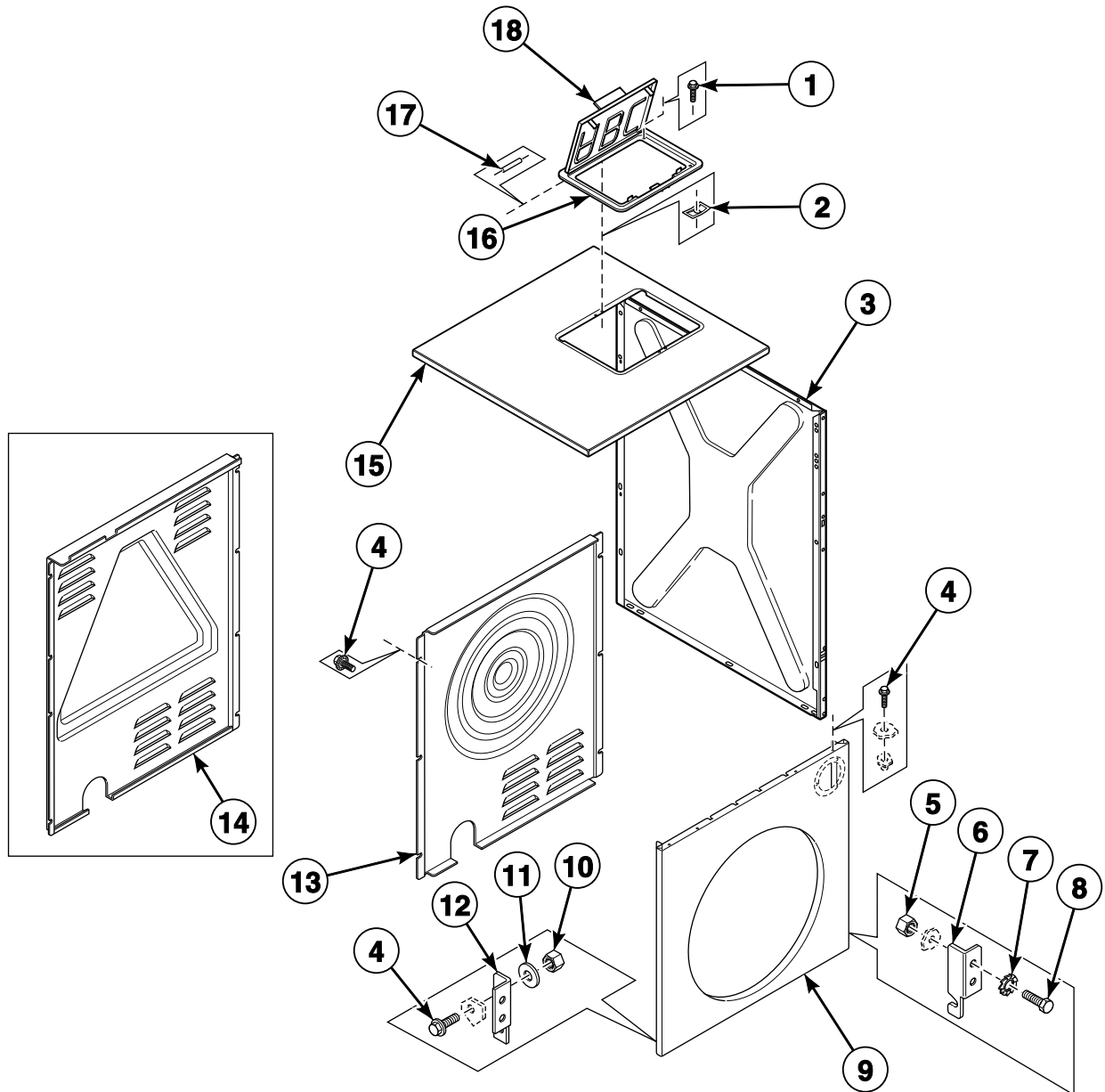


BE000042PA_D0242

Coin Meter and Coin Vault (Drawing 2 of 2)

REF	PART NO.	DESCRIPTION	COMMENTS
1	209/00389/00	Coin Meter	0.10 euro
	209/00388/00	Coin Meter	0.20 euro
	209/00387/00	Coin Meter	0.50 euro
	209/00390/00	Coin Meter	1 euro
	209/00391/00	Coin Meter	1 euro (LVN)
	209/00119/00	Coin Meter	0.50 and 0.20 euro
	209/00120/00	Coin Meter	1 and 0.20 euro
	209/00166/00	Coin Meter	1 and 0.50 euro
	209/00576/00	Coin Meter	2 and 0.50 euro
	209/00111/00	Coin Meter	\$0.25
	209/00414/00	Coin Meter	Canada; \$0.25 (L) and \$1
	209/00378/00	Coin Meter	Australia; \$1 and \$2 (L)
	209/00229/00	Coin Meter	Australia; \$1 and .20 (L)
	209/00065/00	Coin Meter	Hong Kong; \$1
	209/00418/00	Coin Meter	Malaysia; \$1
	209/00364/00	Coin Meter	1 (L) and 20 pence
	209/00437/00	Coin Meter	1 rand (L) and 2 rand
	209/00442/00	Coin Meter	1 shekel (L) and 5 shekel
	209/00375/00	Coin Meter	Singapore; \$1
	209/00383/00	Coin Meter	New Zealand; \$2 (L) and \$1
	209/00500/00	Coin Meter	5 Mdh (L) and 10 Mdh
	209/00404/00	Coin Meter	5 NoCr (L) and 10 NoCr ®
	209/00402/08	Coin Meter	10 dek (L) + 2 dek
	209/00460/00	Coin Meter	2 dek
	209/00064/00	Coin Meter	Australia; .20
	209/00415/00	Coin Meter	Hong Kong; \$5
	209/00501/00	Coin Meter	50 kronur (L) and 100 kronur
	209/00402/01	Coin Meter	Token .800
	209/00402/03	Coin Meter	Token
	209/00502/00	Coin Meter	Small Muller token
	209/00402/04	Coin Meter	Token Prinz; Diameter 28 x 2.7 mm
	209/00402/02	Coin Meter	Token Prinz; Diameter 22.85 x 2.1 mm
	209/00407/00	Coin Meter	Token Prinz; Diameter 26 x 2.05 mm
	209/00469/00	Coin Meter	Electronic; NRI
	209/00216/00	Coin Meter	100 yen
	209/00278/00	Coin Meter	100 yen (L) and 500 yen
	209/00373/00	Coin Meter	500 won
	209/00522/00	Coin Meter	Electronic; Trenner
	209/00061/00	Coin Meter	Token; 7K
	209/00068/00	Coin Meter	Tokenk; 10K
	209/00069/00	Coin Meter	Token; 12K
	209/00070/00	Coin Meter	Token; 15K
	209/00121/00	Coin Meter	Profiled token
	209/00161/00	Coin Meter	1 dek
209/00158/00	Coin Meter	1 rial	
209/00160/00	Coin Meter	5 dek	
209/00269/00	Coin Meter	100 won and 500 won	
209/00162/00	Coin Meter	Token; Vasketeria and 5 DK	
209/00066/00	Coin Meter	Token; Vasketeria and 2 x 1 DK	
209/00553/00	Coin Meter	US: \$1 and \$0.25 (L)	
209/00548/00	Coin Meter	100 and 25 pesetas	

Right Side, Front, Lower Rear and Top Panels

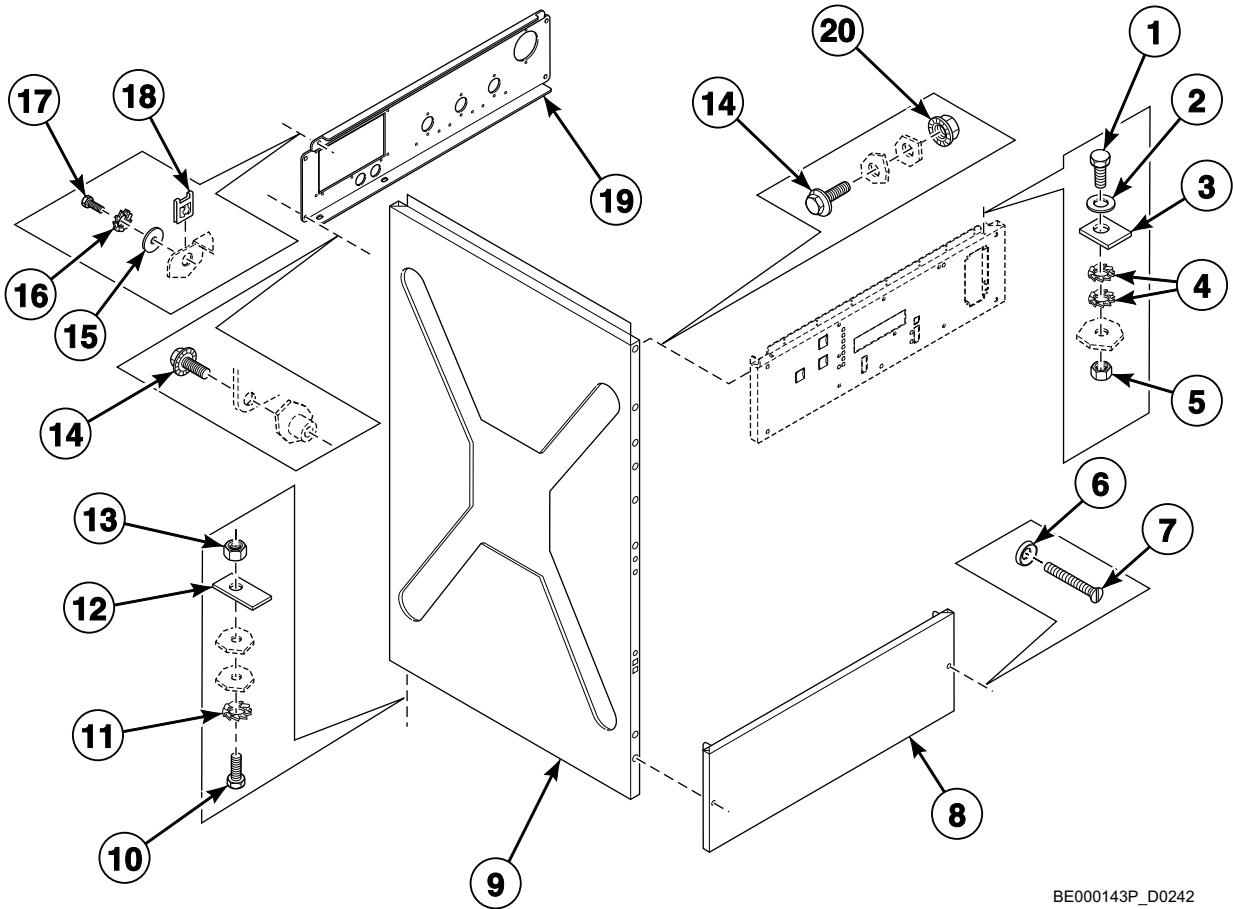


BE000142P_D0242

Right Side, Front, Lower Rear and Top Panels

REF	PART NO.	DESCRIPTION	COMMENTS
1	207/00131/00	Bolt	
2	208/00104/00	Nut	
3	111/22125/00	Side Panel	*18, *55 and *73 models; Stainless steel
	111/23125/00	Side Panel	*18, *55 and *73 models; Epoxy
	111/22126/00	Side Panel	*25 and *95 models; Stainless steel
	111/23126/00	Side Panel	*25 and *95 models; Epoxy
4	206/00099/00	Bolt	
5	204/00006/00	Nut	
6	111/00002/00	Hook	
7	203/00005/00	Washer	
8	206/00016/00	Bolt	
9	111/00087/00	Front Panel	OPL models; Stainless steel
	111/00088/00	Front Panel	Coin models; Stainless steel
	111/03087/00	Front Panel	OPL models; Epoxy
	111/03088/00	Front Panel	Coin models; Epoxy
10	204/00106/00	Nut	
11	201/00006/00	Washer	
12	111/00001/00	Hook	
13	111/00008/00	Rear Panel	
	111/00007/00	Rear Panel	
14	111/00125/00	Rear Panel	
15	111/22141/00	Top Panel	*18, *55 and *73 models; Stainless steel
	111/22142/00	Top Panel	*25 and *95 models; Stainless steel
	111/22143/00	Top Panel	*25 and *95 models; Lock
	111/22144/00	Top Panel	*18, *55 and *73 models; Lock
	111/23141/00	Top Panel	*18, *55 and *73 models; Epoxy
	111/23142/00	Top Panel	*25 and *95 models; Epoxy
16	223/00103/03	Soap Dispenser Frame	
17	223/00103/04	Soap Dispenser Cover Hinge Rod	2 required
18	223/00103/01	Soap Dispenser Cover	

Left Side, Lower Front and Upper Back Panels

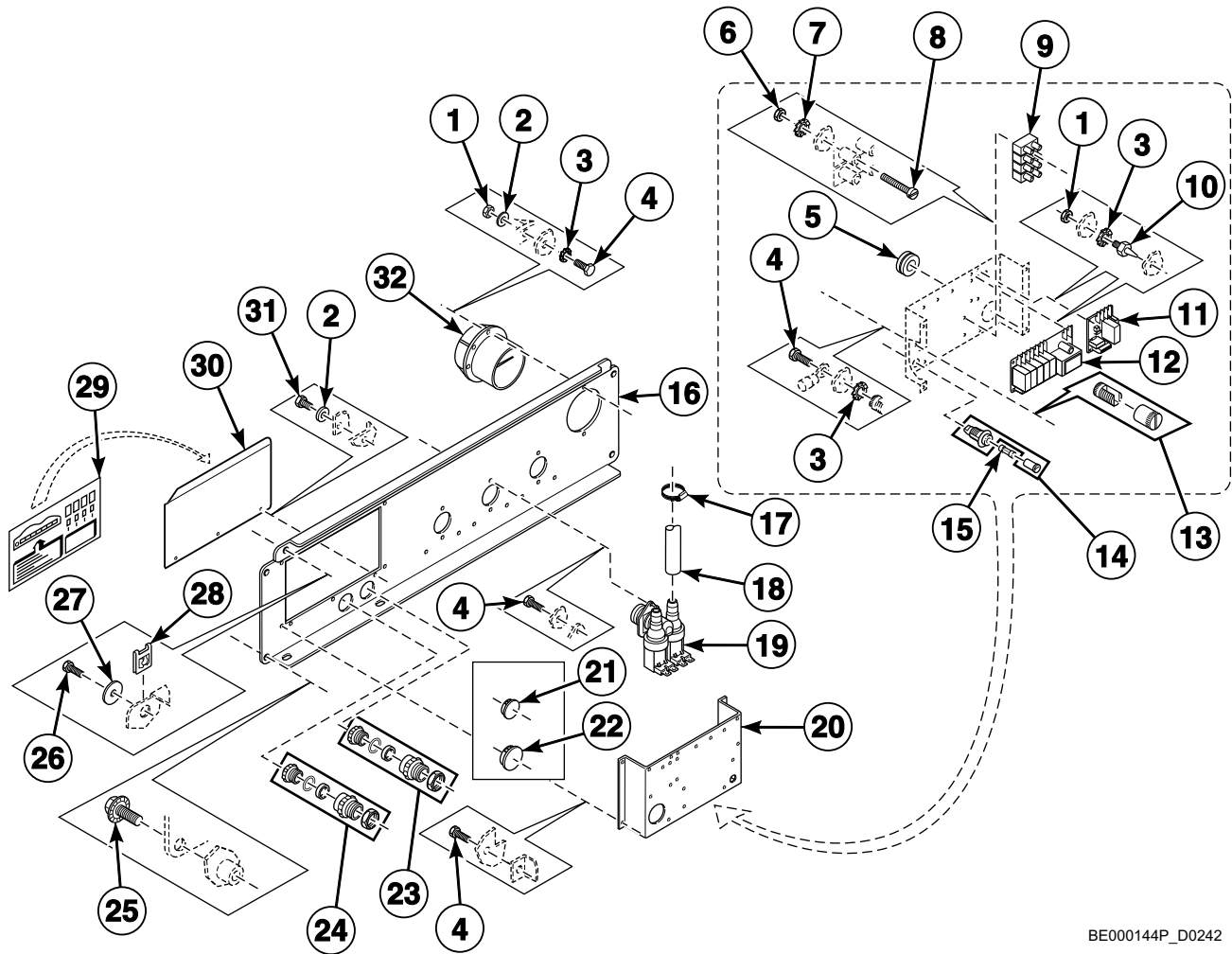


BE000143P_D0242

Left Side, Lower Front and Upper Back Panels

REF	PART NO.	DESCRIPTION	COMMENTS
1	205/00106/00	Bolt	
2	202/00003/00	Washer	
3	117/00042/00	Retaining Ring	
4	203/00005/00	Washer	
5	204/00006/00	Nut	
6	208/00009/00	Washer	
7	207/00101/00	Screw	
8	111/22131/00	Lower Front Panel	*18, *55 and *73 models; Stainless steel
	111/23131/00	Lower Front Panel	*18, *55 and *73 models; Epoxy
	111/22132/00	Lower Front Panel	*25 and *95 models; Stainless steel
	111/23132/00	Lower Front Panel	*25 and *95 models; Epoxy
9	111/22125/00	Side Panel	*18, *55 and *73 models; Stainless steel
	111/23125/00	Side Panel	*18, *55 and *73 models; Epoxy
	111/22126/00	Side Panel	*25 and *95 models; Stainless steel
	111/23126/00	Side Panel	*25 and *95 models; Epoxy
10	205/00104/00	Bolt	
11	203/00004/00	Washer	
12	101/00007/00	Outlet Pipe Plate Assembly	
13	204/00106/00	Nut	
14	206/00099/00	Bolt	
15	201/00006/00	Washer	
16	203/00015/00	Washer	
17	208/00001/00	Screw	
18	208/00025/00	Nut	
19	111/01163/95	Backbridge	
20	206/00101/00	Nut	

Upper Back Panel

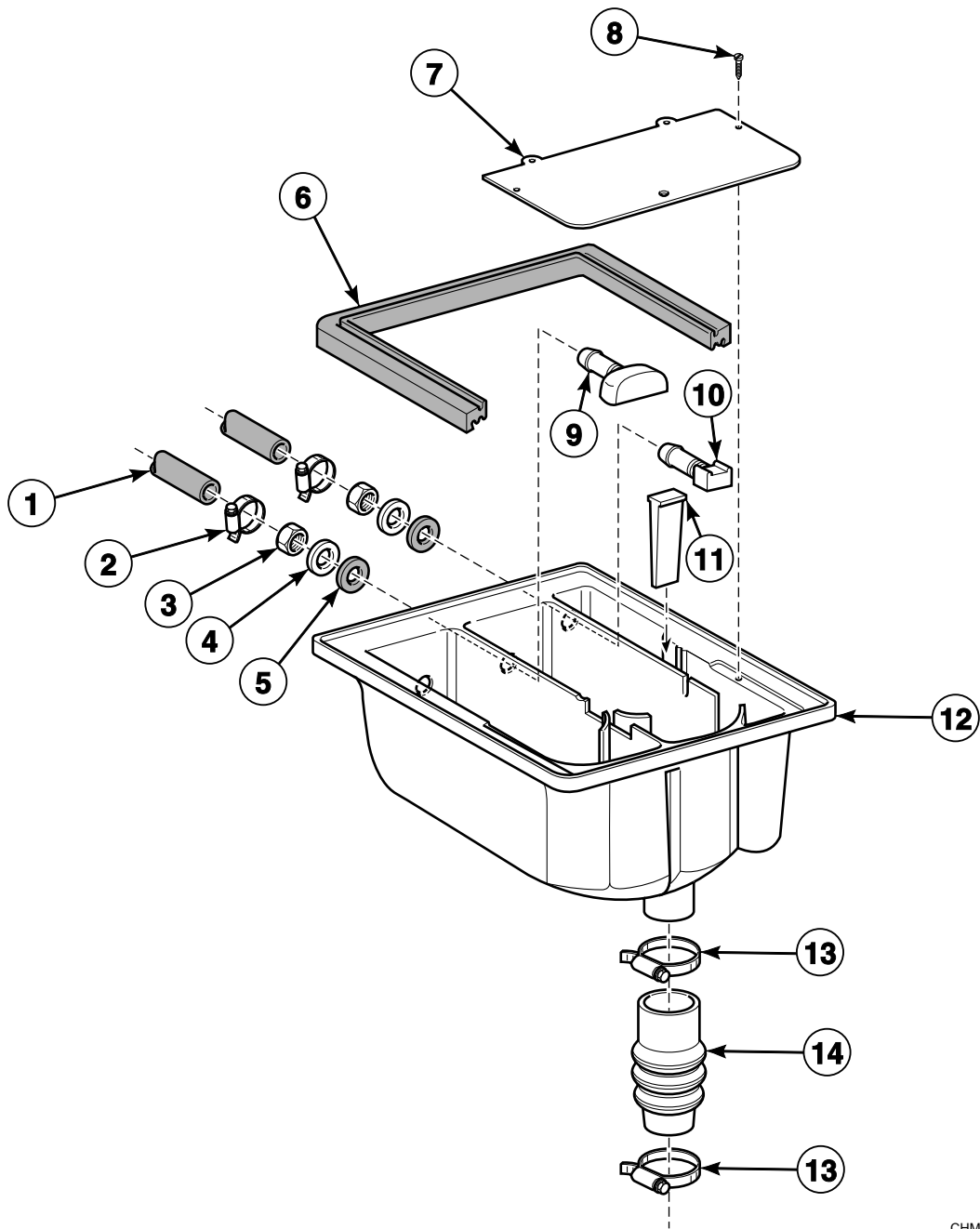


BE000144P_D0242

Upper Back Panel

REF	PART NO.	DESCRIPTION	COMMENTS
1	204/00007/00	Nut	
2	202/00004/00	Washer	
3	203/00006/00	Washer	
4	206/00027/00	Bolt	
5	225/00027/00	Cable Duct	
6	204/00008/00	Nut	
7	203/00007/00	Washer	
8	207/00014/00	Screw	
9	209/00058/00	Terminal Block	
10	211/00120/00	Standoff	
11	209/00438/00	Central Control Board	
12	209/00218/01	Printboard	
13	209/00006/00	Terminal	
14	209/00202/00	Fuse Holder	
15	209/00195/00	Fuse	
16	111/01163/95	Backbridge	
17	223/00010/00	Hose Clamp	
18	223/00044/01	Water Hose	
19	209/00110/00	2-Way Inlet Valve	
20	111/00188/03	Assembly Plate	
21	B12500101	Plug	
22	211/00087/00	Plug	
23	211/00022/00	Nut	
24	211/00023/00	Nut	
25	206/00099/00	Bolt	
26	208/00001/00	Screw	
27	201/00006/00	Washer	
28	208/00002/00	Nut	
29	229/00068/00	Sticker	
30	111/00426/01	Electrical Connection Cover	
31	205/00113/00	Bolt	
32	223/00102/07	Hose Vent	

Supply Dispenser - Models Through 12/31/92 with 1.5 Inch Supply Dispenser Hose

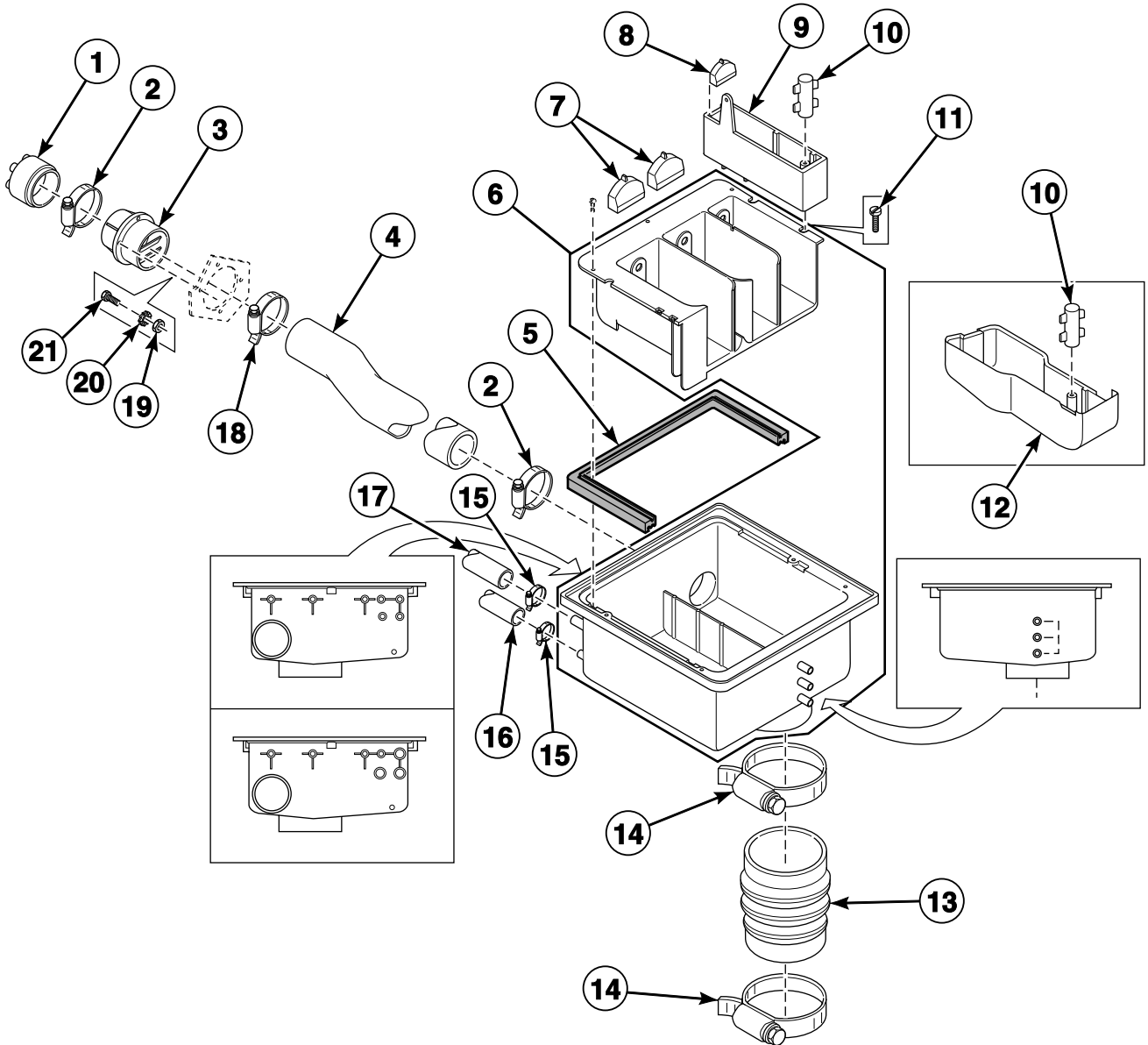


CHM2990P_D0242

Supply Dispenser - Models Through 12/31/92 with 1.5 Inch Supply Dispenser Hose

REF	PART NO.	DESCRIPTION	COMMENTS
1	223/00044/00	Water Hose	
2	223/00010/00	Hose Clamp	
3	204/00201/00	Nut	
4	201/00002/00	Washer	
5	223/00001/07	Washer	
6	223/00003/00	Lid Seal	
7	223/00001/06	Mounting Plate	
8	208/00130/00	Screw	
9	223/00001/04	Prewash and Mainwash Nozzle	
10	223/00001/05	Injector	
11	223/00001/03	Separator Plate	
12	223/00001/01	Soap Dispenser	
13	223/00013/00	Hose Clamp	
14	223/00007/00	Hose	

Supply Dispenser - Models Through 12/31/92 with 4 Inch Supply Dispenser Hose

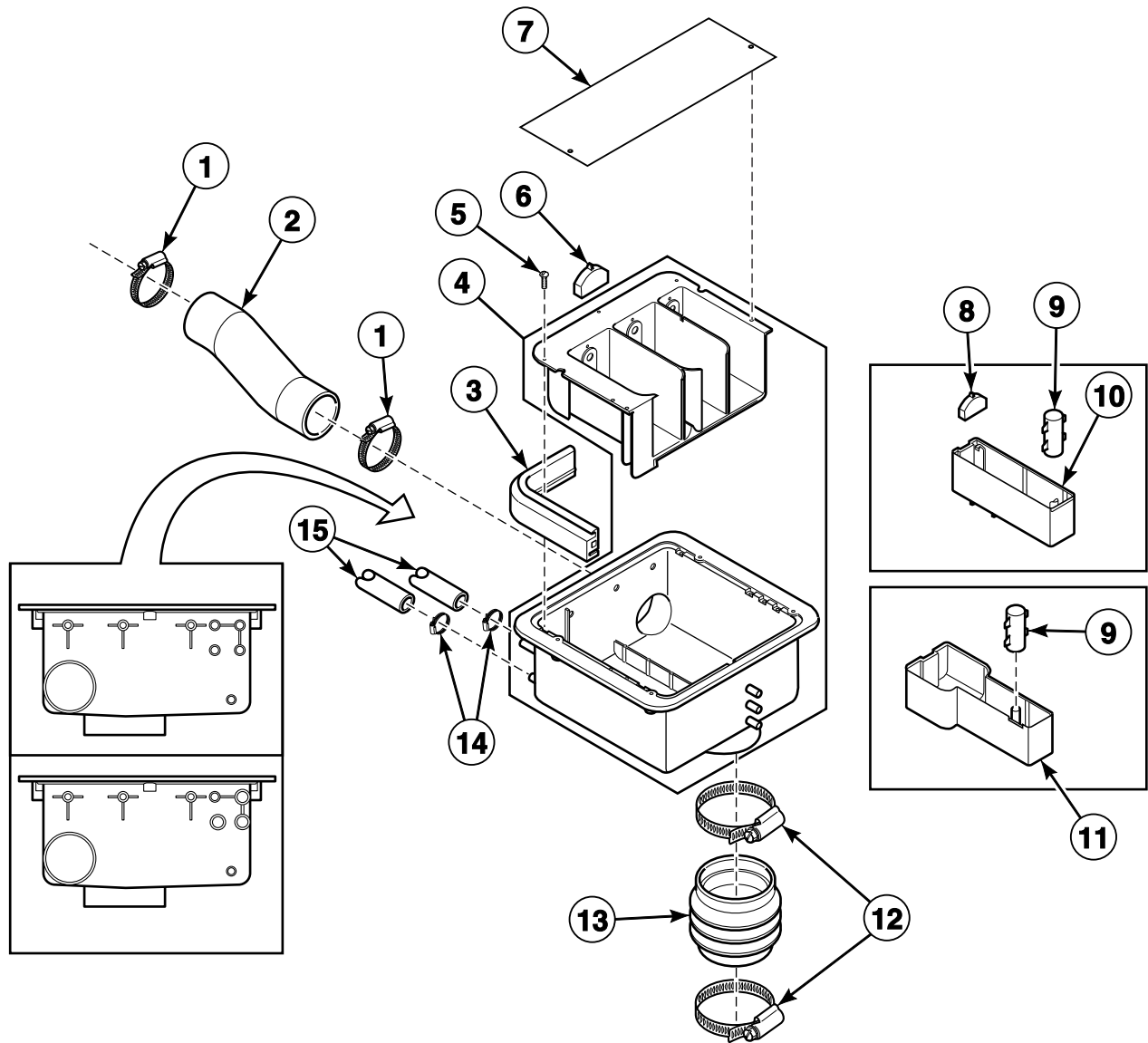


CHM2991P_D0242

Supply Dispenser - Models Through 12/31/92 with 4 Inch Supply Dispenser Hose

REF	PART NO.	DESCRIPTION	COMMENTS
1	223/00160/00	Liquid Soap Hose	
2	223/00014/00	Hose Clamp	
3	223/00102/07	Hose Vent	
4	223/00107/01	Ventilating Hose	
5	223/00109/00	Soap Dispenser Gasket	
6	223/00102/30	Soap Dispenser Assembly	
7	223/00102/06	Soap Spray Nozzle	
8	223/00102/05	Softener Spray Nozzle	
9	223/00102/03	Rinse Insert	
10	223/00102/04	Soap Dispenser Rinse Siphon	
11	208/00130/00	Screw	
12	223/00102/08	Liquid Soap Dispenser Insert	
13	223/00115/00	Hose	
14	223/00023/00	Hose Clamp	
15	223/00009/00	Clamp	
16	223/00059/00	Water Hose	20 mm diameter
17	223/00188/00	Hose	25 mm diameter
18	223/00013/00	Hose Clamp	
19	204/00105/00	Nut	
20	203/00008/00	Washer	
21	207/00106/00	Screw	

Supply Dispenser - Models Starting 1/1/93

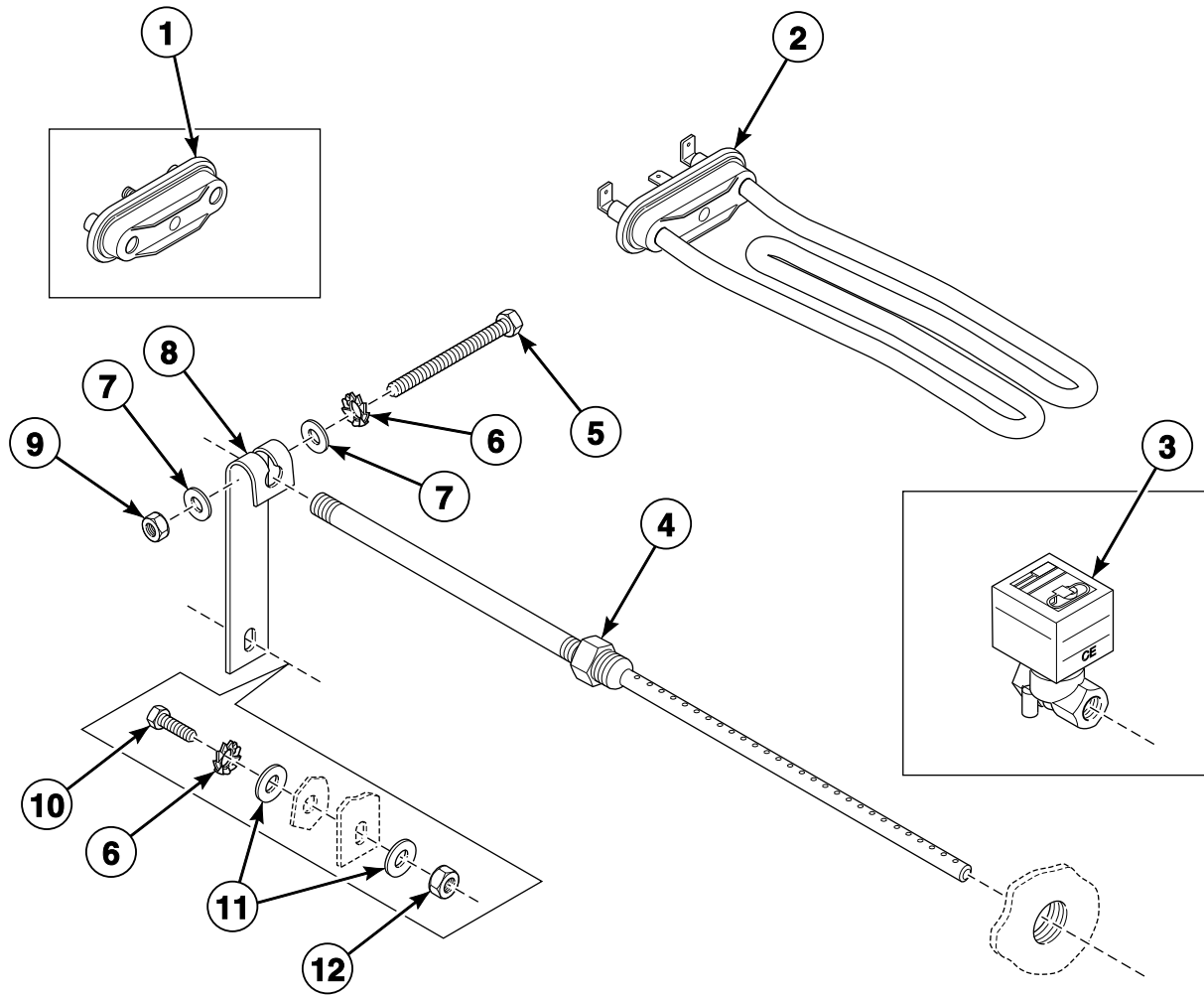


CFD466P_D0242

Supply Dispenser - Models Starting 1/1/93

REF	PART NO.	DESCRIPTION	COMMENTS
1	223/00014/00	Hose Clamp	
2	223/00107/03	Vent Hose	230 mm
	223/00107/02	Vent Hose	330 mm
3	223/00109/00	Soap Dispenser Gasket	
4	223/00102/30	Soap Dispenser Assembly	
5	B12347501	Screw	
6	223/00102/06	Soap Spray Nozzle	
7	123/00107/00	Anti-Splash Plate	Sigma control models
	123/00103/06	Soap Box Assembly Plate	All other models
8	223/00102/05	Softener Spray Nozzle	
9	223/00102/04	Soap Dispenser Rinse Siphon	
10	223/00102/03	Rinse Insert	
11	223/00102/08	Liquid Soap Dispenser Insert	
12	223/00023/00	Hose Clamp	
13	223/00115/00	Hose	
14	223/00010/00	Hose Clamp	
15	223/00044/01	Water Hose	

Steam and Electric Heating Options

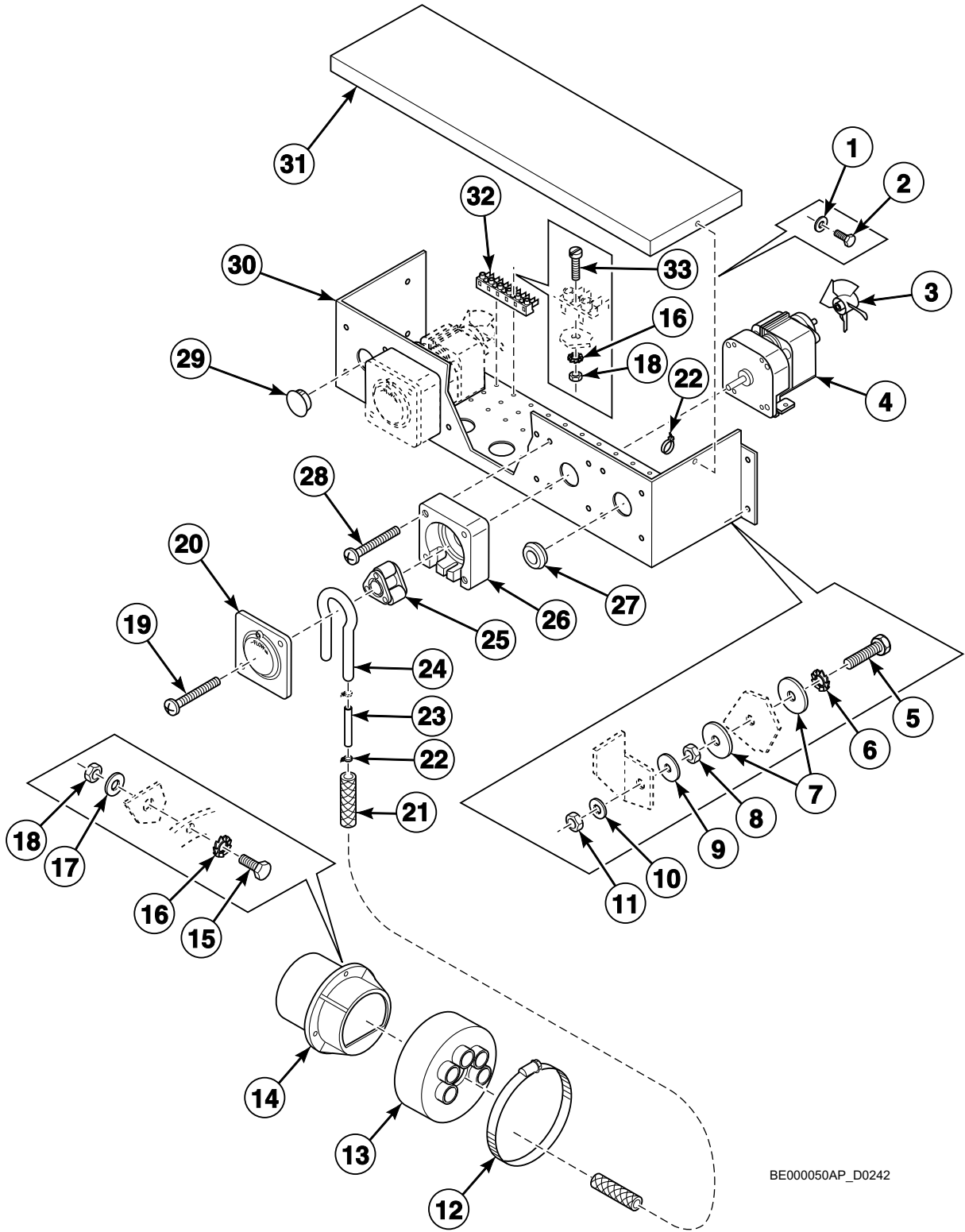


BE000145BP_D0242

Steam and Electric Heating Options

REF	PART NO.	DESCRIPTION	COMMENTS
1	209/00196/00	Heating Element Plug	
2	209/00116/00	Heating Element	1400W; 220 Volt
	209/00563/30	Heating Element	2000W; 220/240 Volt
	209/00049/00	Heating Element	3000W; 220/240 Volt
3	209/00189/00	Steam Valve	
4	117/00039/00	Steam Injector	
5	206/00035/00	Bolt	
6	203/00004/00	Washer	
7	202/00002/00	Washer	
8	113/00025/00	Steam Injector Plate Assembly	
9	204/00004/00	Nut	
10	206/00013/00	Bolt	
11	201/00007/00	Washer	
12	204/00005/00	Nut	

Soap Pump - Knight

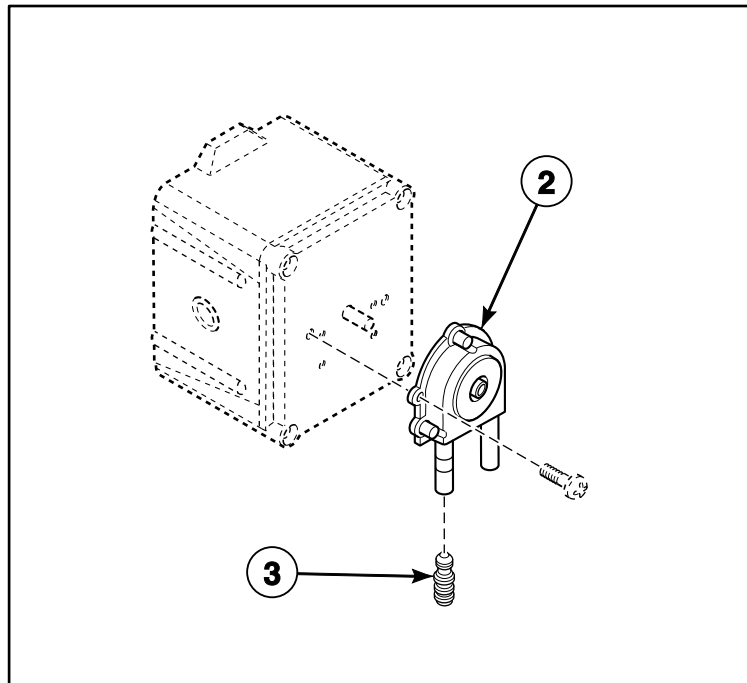
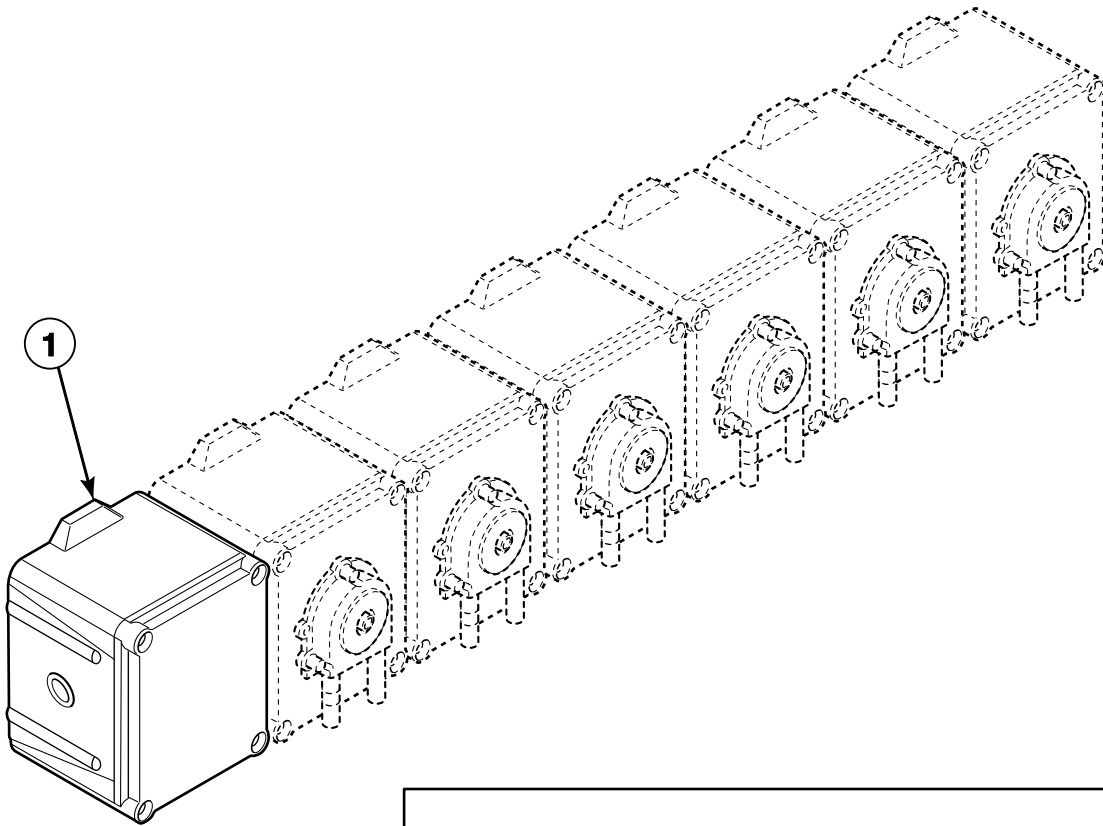


BE000050AP_D0242

Soap Pump - Knight

REF	PART NO.	DESCRIPTION	COMMENTS
1	202/00109/00	Washer	
2	205/00113/00	Bolt	
3	209/00413/08	Motor	
4	209/00413/06	Fan Motor	
5	205/00103/00	Bolt	
6	203/00004/00	Washer	
7	202/00108/00	Washer	
8	204/00005/00	Nut	
9	202/00106/00	Washer	
10	202/00101/00	Washer	
11	204/00009/00	Nut	
12	223/00014/00	Hose Clamp	
13	223/00160/00	Liquid Soap Hose	
14	223/00102/07	Hose Vent	
15	206/00027/00	Bolt	
16	203/00006/00	Washer	
17	202/00004/00	Washer	
18	204/00007/00	Nut	
19	209/00413/05	Screw	
20	209/00413/09	Cover Plate	
21	223/00179/00	Soap Injector Hose	
22	211/00088/00	Cable Tie	
23	223/00180/01	Hose	
24	209/00413/03	Hose	
25	209/00413/07	Pressure Roller	
26	209/00413/10	Pump Housing	
27	223/00198/00	Grommet	
28	209/00413/04	Screw	
29	211/00087/00	Plug	
30	111/00190/00	Pump Assembly Plate	
31	111/00190/01	Pump Top Plate	
32	210/10007/00	Connection	
33	207/00003/00	Screw	

Soap Pump - Brightwell



BE000527P_D0242

Soap Pump - Brightwell

REF	PART NO.	DESCRIPTION	COMMENTS
1	209/00554/01	Soap Pump Assembly	1 pump
	209/00554/02	Soap Pump Assembly	2 pumps
	209/00554/03	Soap Pump Assembly	3 pumps
	209/00554/04	Soap Pump Assembly	4 pumps
	209/00554/05	Soap Pump Assembly	5 pumps
	209/00554/06	Soap Pump Assembly	6 pumps
2	209/00554/98	Hose	
3	209/00554/99	Hose Connector	

Parts Index

A

Anti-Splash Plate	
123/00107/00	75
Assembly Plate	
111/00146/00	57
111/00188/03	69
111/01169/10	59
111/01170/10	59
Axle	
126/00002/00	17, 19

B

Backbridge	
111/01163/95	67, 69
Ball Bearing	
215/00001/03	11
215/00001/12	11
Base	
113/00002/00	9
113/00029/00	9
113/00030/00	9
213/00003/50	9
213/00044/30	9
Bearing Kit	
KBRGWE73/95	11
Bearing Plate Housing	
113/00016/00	11
Belt Tensioner	
126/00009/00	17
Bolt	
205/00102/00	11
205/00103/00	79
205/00104/00	11, 35, 37, 67
205/00106/00	51, 53, 67
205/00113/00	69, 79
206/00004/00	15
206/00005/00	9
206/00006/00	17, 19
206/00011/00	13
206/00013/00	57, 77
206/00014/00	17, 19
206/00015/00	23
206/00016/00	65
206/00027/00	69, 79
206/00033/00	61
206/00035/00	77
206/00099/00	55, 57, 59, 65, 67, 69
206/00116/00	11
207/00125/00	37
207/00131/00	65
Button	
209/00099/09	47

C

Cable Duct	
225/00027/00	69

Cable Tie	
211/00088/00	79
Central Control Board	
209/00438/00	69
Circuit Board Cover	
229/00262/00	43, 45, 49
Clamp	
223/00009/00	73
Coil	
209/00051/21	25, 27, 29, 31
209/00052/21	25, 27, 29, 31
209/00203/21	25, 27, 29
209/00212/11	31
Coin Box	
211/00071/00	61
211/00101/00	61
Coin Box Key	
211/00065/02	61
Coin Box Lock	
211/00065/00	61
Coin Box Ring	
111/00066/00	61
Coin Box Ring Assembly	
111/00100/00	61
Coin Display	
209/00217/00	53
Coin Drop Microswitch	
209/00060/12	61
Coin Meter	
209/00061/00	63
209/00064/00	63
209/00065/00	63
209/00066/00	63
209/00068/00	63
209/00069/00	63
209/00070/00	63
209/00111/00	63
209/00119/00	63
209/00120/00	63
209/00121/00	63
209/00158/00	63
209/00160/00	63
209/00161/00	63
209/00162/00	63
209/00166/00	63
209/00216/00	63
209/00229/00	63
209/00245/00	47
209/00269/00	63
209/00278/00	63
209/00364/00	63
209/00373/00	63
209/00375/00	63
209/00378/00	63
209/00383/00	63
209/00387/00	63
209/00388/00	63
209/00389/00	63
209/00390/00	63
209/00391/00	63
209/00402/01	63
209/00402/02	63
209/00402/03	63
209/00402/04	63

N/A items do not appear in index.

209/00402/08	63
209/00404/00	63
209/00407/00	63
209/00414/00	63
209/00415/00	63
209/00418/00	63
209/00437/00	63
209/00442/00	63
209/00460/00	63
209/00469/00	63
209/00500/00	63
209/00501/00	63
209/00502/00	63
209/00522/00	63
209/00548/00	63
209/00553/00	63
209/00576/00	63
Connection	
210/10007/00	79
Contact	
209/00099/05	43, 47
209/00470/00	53
Contact Switch	
209/00099/06	43, 47
209/00099/07	47
209/00099/26	45, 49
Contactors	
209/00041/03	55, 57
209/00041/04	57, 59
209/00041/05	55, 57, 59
209/00124/00	53
209/00148/02	55, 57, 59
Control Board	
209/00547/00	49
Control Panel	
111/00331/30	43, 51, 53
111/10087/00	45
Control Panel Decal	
225/00270/00	45
Counter Ring	
217/00004/00	15
Cover Plate	
209/00413/09	79
Cross	
113/00021/00	9
Cylinder Assembly	
111/01951/00	13, 15

D

Decal	
225/00403/00	49
Display	
223/10066/00	53
Door	
118/00125/00	35
Door Axle Roller	
217/00013/05	39, 41
Door Circlip	
217/00013/11	39, 41
Door Frame	
118/00046/10	37
Door Glass	
B12449701	35, 37

Door Glass Seal	
217/00015/00	37
223/00068/00	35
Door Handle	
217/00013/12	39, 41
217/00051/00	37, 39, 41
217/00055/00	35
Door Handle Assembly Plate	
217/00013/16	39
Door Handle Catch	
217/00051/13	41
Door Handle Hook	
217/00013/13	39
Door Handle Latch	
217/00013/04	39
217/00051/14	39
Door Handle Locking Pin	
217/00013/15	39
Door Handle Spring	
217/00013/14	39, 41
Door Handle Stop	
217/00016/00	35, 37
Door Hinge	
217/00009/01	35, 37
Door Hinge Assembly	
217/00009/02	35, 37
Door Hinge Spacer	
117/00010/00	35, 37
117/00011/00	37
Door Inner Part	
217/00053/14	41
Door Latch Cord	
224/00015/00	33
Door Lock Assembly	
217/00017/00	35
217/00052/01A	33
Door Lock Board	
209/00275/04	33, 51, 53, 59
209/00275/05	51, 53
Door Lock Microswitch	
209/00272/00	33
Door Lock Pin Kit	
211/00109/01	37
217/00052/02	33
Door Lock Spacer	
217/00052/03	33
Door Lock Spring	
217/00013/03	39, 41
224/00049/00	33
Door Locking Grip	
217/00013/07	39, 41
Door Locking Pin	
217/00013/08	39, 41
217/00051/15	41
Door Mounting Pin	
217/00013/09	39, 41
Door Roller	
217/00013/06	39, 41
Door Switch	
209/00023/00	35
Drain Housing Gasket	
209/00025/02	25, 27
Drain Pipe	
223/00105/00	23

N/A items do not appear in index.

Drain Valve	
209/00075/05	29, 31
209/00256/00	23
Drain Valve Handle	
209/00115/11	31
Drain Valve Motor	
209/00051/11	25, 29
209/00052/11	25, 29
209/00052/12	27, 31
209/00203/11	25, 29
209/00203/12	27, 31
Drain Valve Motor Assembly	
209/00170/06	27, 31
Drain Valve Motor Mounting Plate	
209/00025/07	25, 27, 29
209/00115/04	31
Drain Valve Shaft	
209/00170/10	29, 31
Drain Valve Shaft Seal	
209/00025/10	25, 27, 29, 31
Drain Valve Spring	
209/00025/03	25, 27
209/00025/13	25, 29
209/00170/02	27, 31
Drum and Axle	
111/01950/00	13, 15
111/01951/50	13, 15
121/00014/00	13, 15
121/00027/00	13, 15
121/10013/00	13, 15

E

Electrical Connection Cover	
111/00426/01	69
Electrical Connection Plate	
111/00180/00	43, 49
111/00180/10	43, 49
Emergency Stop Button Kit	
209/00253/00	47
Eprom	
209/00266/01	43
Exhaust Valve	
209/00292/00	23
223/00142/00	23

F

Facia Panel	
225/00289/AOL	43, 49
225/00290/AOL	43, 49
225/00300/00	47
325/00150/ABL	53
325/00252/OBL	53
Fan Motor	
209/00413/06	79
Fastener	
211/00108/00	55
Filter	
209/00320/00	55
Front Label	
225/00361/00	49
225/00367/00	49

Front Panel	
111/00087/00	65
111/00088/00	65
111/00180/01	51
111/03087/00	65
111/03088/00	65
325/00023/ABL	51
325/00127/ABL	51
325/00248/ABL	51
Front Panel Gasket Kit	
217/00006/00	13
Front Plate	
111/00068/00	61
Fuse	
209/00195/00	69
209/00372/01	45
209/00439/00	43, 49
Fuse Holder	
209/00202/00	69

G

Grommet	
223/00198/00	55, 57, 59, 79
Ground Terminal	
210/10015/00	33

H

Heating Element	
209/00049/00	77
209/00116/00	77
209/00563/30	77
Heating Element Plug	
209/00196/00	77
Holder	
217/00019/00	35
223/00079/00	51, 53
Hook	
111/00001/00	65
111/00002/00	65
Hose	
209/00413/03	79
209/00554/98	81
223/00007/00	71
223/00115/00	73, 75
223/00180/01	79
223/00188/00	73
Hose Barb	
223/00016/00	55, 57, 59
Hose Clamp	
223/00010/00	69, 71, 75
223/00011/00	57, 59
223/00013/00	23, 71, 73
223/00014/00	23, 73, 75, 79
223/00023/00	73, 75
223/00223/00	55
Hose Connector	
209/00554/99	81
Hose Vent	
223/00102/07	69, 73, 79

N/A items do not appear in index.

I

Infrared Cable	
210/00902/00	45, 49
Injector	
223/00001/05	71
Inlet Valve, 2-Way	
209/00110/00	69
Inner Coin Box	
211/00070/03	61
Insulating Sticker	
229/00255/00	43, 45, 49
Insulation Plate	
217/00038/00	35
Interlock Coil Spring	
224/00043/00	33
Interlock Lever	
217/00052/04	33
Interlock Pin	
224/00003/00	35
Inverter Drive	
F8421301	21
F8421302	21
F8421303	21
F8421304	21
Inverter Drive Kit	
F8421201	21
F8421202	21
F8421203	21
F8421204	21

K

Keyboard	
209/00323/01	47
Keypad	
209/00552/01	45

L

Lamp	
209/00151/00	51, 53
Lens Cover	
209/00152/00	51, 53
209/00154/00	51, 53
Level Switch Elbow	
223/00015/00	57, 59
Lever Spring	
224/00040/00	33
Lid Seal	
223/00003/00	71
Light Microswitch	
209/00273/00	33
Liquid Soap Dispenser Insert	
223/00102/08	73, 75
Liquid Soap Hose	
223/00160/00	73, 79
Lock	
209/00279/00	55, 59
Lock Shaft	
217/00017/03	33

N/A items do not appear in index.

Lower Front Panel	
111/22131/00	67
111/22132/00	67
111/23131/00	67
111/23132/00	67
Lug Holder	
209/00452/02	55, 57, 59

M

Main Board	
B12351701	45
Metal Disc	
202/00120/00	45, 49
Motor	
B12510501	19
209/00413/08	79
227/00002/01	17
227/00004/01	17
227/00008/01	17
227/00103/01	17
227/00104/00	17
227/00105/00	17
227/00106/00	17
227/00109/00	17
Motor Bracket	
126/00013/00	19
Motor Kit	
227/00111/00	17, 19
227/00112/00	19
Motor Spring	
226/00010/00	17, 19
Mounting Plate	
111/00016/00	57
111/00037/10	55, 57
111/00146/01	55
111/00179/00	59
111/00186/00	59
111/00191/10	55, 57
223/00001/06	71
Mushroom Pushbutton	
209/00248/00	43
209/00248/20	45, 49

N

Noise Suppressor	
209/00356/00	55
Nut	
204/00002/00	11, 13
204/00003/00	9
204/00004/00	9, 13, 17, 19, 77
204/00005/00	13, 23, 57, 59, 61, 77, 79
204/00006/00	51, 53, 65, 67
204/00007/00	17, 33, 51, 53, 57, 59, 69, 79
204/00008/00	33, 61, 69
204/00009/00	35, 49, 79
204/00103/00	35, 37
204/00105/00	73
204/00106/00	35, 37, 65, 67
204/00114/00	47, 49, 51, 53
204/00116/00	43, 45, 47, 59
204/00201/00	71
206/00101/00	55, 57, 67

208/00002/00	69
208/00025/00	67
208/00104/00	65
211/00022/00	69
211/00023/00	69
211/00065/01	61

O

O-Ring	
217/00002/00	11
217/00021/00	33, 35, 37
Outer Cabinet Lock	
211/00070/01	61
Outer Coin Box	
211/00100/00	61
Outlet Pipe Plate Assembly	
101/00007/00	23, 67
Overflow Hose	
223/00100/00	23
223/00148/00	23
Overlay	
225/00365/00	45

P

Pin	
208/00004/00	35
211/00105/00	35
Plexi Frame	
225/00316/00	43, 49
Plug	
B12500101	69
211/00087/00	69, 79
Pressure Hose	
223/00082/00	57
Pressure Roller	
209/00413/07	79
Pressure Switch	
209/00007/30	57
209/00007/50	55, 59
Pressure Switch Bracket	
111/00424/00	57
Pressure Switch Elbow	
223/00210/00	55
Pressure Switch Hose	
223/00212/00	55, 59
Pressure Switch Hose Tee	
223/00173/00	55
223/00173/10	59
Prewash and Mainwash Nozzle	
223/00001/04	71
Printboard	
209/00218/01	69
209/00323/02	59
209/00440/00	43
209/00440/70	43
209/00452/01	55, 57, 59
Printboard Separator	
211/00125/00	51, 53
Program Indicator	
225/00001/00	57

225/00078/00	51, 53
Program Switch Separator	
211/10156/00	51, 53
Programming Key Contact Switch	
209/00326/20	45
Programming Switch	
209/00326/00	47
Protection Block	
217/00017/02	35
Protector	
209/00263/00	55, 57, 59
209/00264/00	55, 57, 59
Pulley	
215/00003/00	15
226/00003/00	17, 19
226/00023/00	17, 19
226/00087/00	17
226/00110/00	19
Pump Assembly Plate	
111/00190/00	79
Pump Housing	
209/00413/10	79
Pump Top Plate	
111/00190/01	79
Pushbutton	
209/00396/00	61

R

Rear Panel	
111/00007/00	65
111/00008/00	65
111/00125/00	65
Retaining Ring	
117/00042/00	11, 51, 53, 67
Reversing Timer	
209/00012/00	57
209/00013/00	57
Ring	
225/00099/00	53
Rinse Insert	
223/00102/03	73, 75
Roll Pin	
208/00013/00	61

S

Safety Ring	
226/00007/00	17, 19
Screw	
B12347501	75
B12500801	35, 37
206/00001/00	9, 13
206/00007/00	9, 13, 17, 19
206/00021/00	57
206/00038/00	61
206/00056/00	17, 19
207/00003/00	79
207/00008/00	17, 57, 59
207/00009/00	33, 61
207/00014/00	69
207/00032/00	51, 53
207/00036/00	53

N/A items do not appear in index.

207/00101/00	67	Softener Spray Nozzle	
207/00102/00	33, 35	223/00102/05	73, 75
207/00103/00	33, 35	Solenoid	
207/00106/00	73	209/00247/00	33
207/00108/00	61	Spindle	
207/00109/00	35	211/00069/00	61
207/00126/00	37	Spring	
207/00135/00	33, 59	211/00070/04	61
208/00001/00	67, 69	217/00020/00	35
208/00007/00	57, 61	Standoff	
208/00024/00	51, 53	211/00120/00	33, 59, 69
208/00130/00	71, 73	211/00122/00	43, 45, 49
209/00025/06	25, 27	Steam Injector	
209/00025/08	25, 27, 29, 31	117/00039/00	77
209/00025/09	25, 27	Steam Injector Plate Assembly	
209/00170/05	25, 27, 29, 31	113/00025/00	77
209/00170/07	29, 31	Steam Valve	
209/00413/04	79	209/00189/00	77
209/00413/05	79	Sticker	
Seal Cover		225/00308/00	43
117/00001/00	11	225/00309/00	43
Sealing Plate Assembly		229/00068/00	69
209/00025/16	25, 27	Switch Base	
Selector Switch		209/00099/25	45
209/00175/00	51, 53	Switch Knob	
209/00176/00	51	209/00099/29	45
Separator		Switch Lever	
206/00141/00	59	217/00052/05	33
Separator Plate			
223/00001/03	71		
Shaft Seal			
217/00003/00	11		
Side Panel			
111/22125/00	65, 67		
111/22126/00	65, 67		
111/23125/00	65, 67		
111/23126/00	65, 67		
Soap Box Assembly Plate			
123/00103/06	75		
Soap Dispenser			
223/00001/01	71		
Soap Dispenser Assembly			
223/00102/30	73, 75		
Soap Dispenser Cover			
223/00103/01	65		
Soap Dispenser Cover Hinge Rod			
223/00103/04	65		
Soap Dispenser Frame			
223/00103/03	65		
Soap Dispenser Gasket			
223/00109/00	73, 75		
Soap Dispenser Rinse Siphon			
223/00102/04	73, 75		
Soap Injector Hose			
223/00179/00	79		
Soap Pump Assembly			
209/00554/01	81		
209/00554/02	81		
209/00554/03	81		
209/00554/04	81		
209/00554/05	81		
209/00554/06	81		
Soap Spray Nozzle			
223/00102/06	73, 75		

T

Telem Sticker	
209/00520/00	43, 45, 49
Terminal	
209/00006/00	69
209/00043/00	17
Terminal Block	
209/00005/00	59
209/00058/00	69
Thermostat	
209/00243/00	57
Thermostat Assembly	
209/00309/02	55, 59
Thermostat Seal	
225/10004/00	55, 59
Timer	
209/00040/00	57
209/00107/00	57
209/00108/00	57
209/00109/00	57
209/00416/00	57
209/00417/00	57
Tolerance Ring	
215/00004/00	15
Top Panel	
111/22141/00	65
111/22142/00	65
111/22143/00	65
111/22144/00	65
111/23141/00	65
111/23142/00	65
Tub	
117/00066/00	13
117/00067/00	13

N/A items do not appear in index.

117/00068/00	13
117/00069/00	13
117/00070/00	13
117/00071/00	13
117/00072/00	13
117/00073/00	13
117/00074/00	13
117/00075/00	13
117/00076/00	13
117/00077/00	13
117/00107/00	13
117/00108/00	13
Tub Drain Exhaust Valve	
223/00116/00	23
Tub Front	
118/00022/01	13
138/00001/00	35
Tub Front Gasket	
223/00242/00	35
Tub Front Panel Clip	
217/00008/00	13
Tub Front Ring Clamp	
217/00007/00	13
Tub Ring	
117/00037/00	9, 13

U

U-Piece	
113/00016/02	11
Upper Front Panel	
111/10096/00	47
111/10096/10	47
Upper Inner Panel	
111/00180/02	53

V

Valve	
209/00256/01	25, 27
209/00256/05	25, 27
Valve Axle	
209/00025/15	25, 27
V-Belt	
226/00008/00	15
226/00033/00	15
226/00055/00	15
Vent Hose	
223/00107/02	75
223/00107/03	75
Ventilating Hose	
223/00107/01	73

W

Washer	
201/00002/00	71
201/00004/00	15
201/00005/00	9, 13
201/00006/00	59, 65, 67, 69
201/00007/00	57, 77
201/00008/00	45, 47, 49, 51, 53

201/00009/00	11
201/00010/00	17, 19
201/00017/00	33
201/00018/00	33
201/00201/00	11
202/00002/00	77
202/00003/00	13, 35, 51, 53, 67
202/00004/00	69, 79
202/00101/00	35, 37, 79
202/00106/00	79
202/00108/00	37, 79
202/00109/00	79
202/00111/00	37
203/00001/00	9, 13, 15
203/00002/00	9, 17, 19
203/00003/00	9, 13
203/00004/00	13, 23, 57, 61, 67, 77, 79
203/00005/00	51, 53, 65, 67
203/00006/00	17, 33, 43, 51, 53, 57, 59, 69, 79
203/00007/00	33, 59, 61, 69
203/00008/00	43, 73
203/00010/00	33
203/00015/00	67
208/00009/00	67
209/00025/12	25, 27, 29, 31
211/00070/02	61
217/00052/08	33
223/00001/07	71
223/00051/10	45, 47
223/00123/00	45, 47, 59

Water Hose

223/00044/00	71
223/00044/01	69, 75
223/00059/00	73

N/A items do not appear in index.

