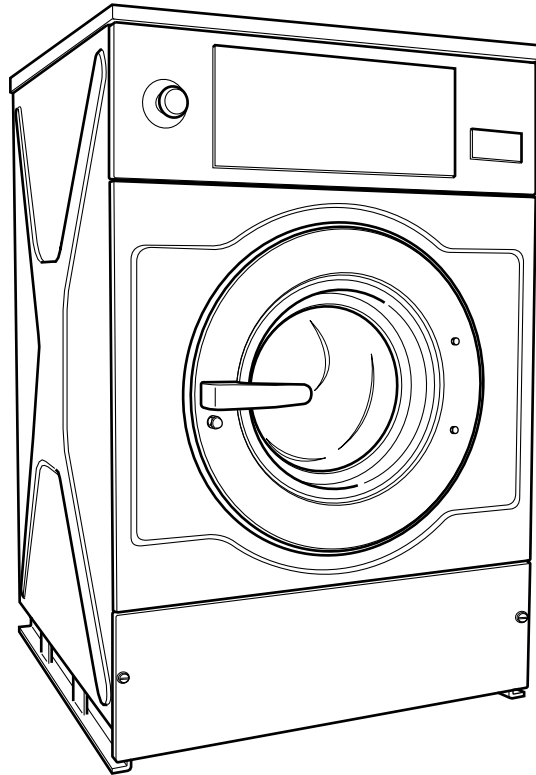


# Washer-Extractor

Pocket Hardmount

Refer to Page 5 for Model Numbers



CHM2097N\_D0887



# Table of Contents

Title	Page
Parts Ordering Information.....	3
Serial Plate Location .....	3
Model Identification .....	5
Pocket Hardmount Washer-Extractor Product Overview .....	6
Frame - *55 and *235 Models Through 1/17/10.....	8
Frame - *55 and *235 Models Starting 1/18/10.....	10
Frame - *75, *90, *305 and *400 Models .....	12
Bearing Housing - *55 and *235 Models Through 1/30/11 .....	14
Bearing Housing - *55 and *235 Models Starting 1/31/11 .....	16
Bearing Housing - *75, *90, *305 and *400 Models .....	18
Basket, Pulley and Belt - *55 and *235 .....	20
Basket, Pulley and Belt - *75, *90, *305 and *400 Models.....	22
Shell and Basket - *55 and *235 Models .....	24
Shell and Basket - *75, *90, *305 and *400 Models.....	26
Motor and Belt - *55 and *235 Models Through 1/17/10.....	28
Motor and Belt - *55 and *235 Models Starting 1/18/10.....	30
Motor and Belt - *75 and *305 Models .....	32
Motor and Belt - *90 and *400 Models .....	34
Drain Plumbing .....	36
Door Lock.....	38
Door .....	40
Control Panel - Cygnus Professional .....	42
Control Panel - Cygnus Premium OPL .....	44
Control Panel - Cygnus Premium Coin .....	46
Control Panel - Cygnus Standard/Commercial OPL.....	48
Control Panel - Cygnus Standard/Commercial Coin.....	50
Control Panel - Micro-20 OPL.....	52
Control Panel - Micro-20 Coin.....	54
Control Panel - Sigma Coin .....	56
Control Panel - Sigma OPL.....	58
Control Panel - PS40F .....	60
Coin Drop - Mechanical Coin Meter.....	62
Coin Drop - Electronic Coin Meter .....	64
Left Side, Lower Front and Upper Back Panels - *55 and *235 Models with Older Style Soap Dispenser Crossbar .....	66
Left Side, Lower Front and Upper Back Panels - *75 and *305 Models with Older Style Soap Dispenser Crossbar .....	68
Left Side, Lower Front and Upper Back Panels with Newer Style Soap Dispenser Crossbar .....	70
Right Side, Front, Lower Rear and Top Panels .....	72
Water Inlet Valves.....	74
Inverter Drive - *55 and *235 Models.....	76

© Copyright 2018, Alliance Laundry Systems LLC

All rights reserved. No part of the contents of this book may be reproduced or transmitted in any form or by any means without the expressed written consent of the publisher.

Inverter Drive - *75 and *305 Models .....	78
Inverter Drive - *90 and *400 Models .....	80
Main Switch and Noise Filter .....	82
Central Operating Panel, Network Connection and Soap Injection Printboards .....	84
Relay, Network Connection and Main Printboards - Cygnus Models .....	86
Electrical Component Mounting Plate - *55, *75, *235 and *305 Models (Drawing 1 of 2) .....	88
Electrical Component Mounting Plate - *55, *75, *235 and *305 Models (Drawing 2 of 2) .....	90
Electrical Component Mounting Plate - *90 and *400 Models .....	92
Supply Dispenser - *55 and *235 Models with Circular Ventilation Opening .....	94
Supply Dispenser - *75, *90, *305 and *400 Models with Circular Ventilation Opening .....	96
Supply Dispenser with Rectangular Ventilation Opening .....	98
Steam and Electric Heating Options - *55 and *235 Models .....	100
Steam and Electric Heating Options - *75, *90, *305 and *400 .....	102
Soap Pumps .....	104
Parts Index .....	107

## Parts Ordering Information

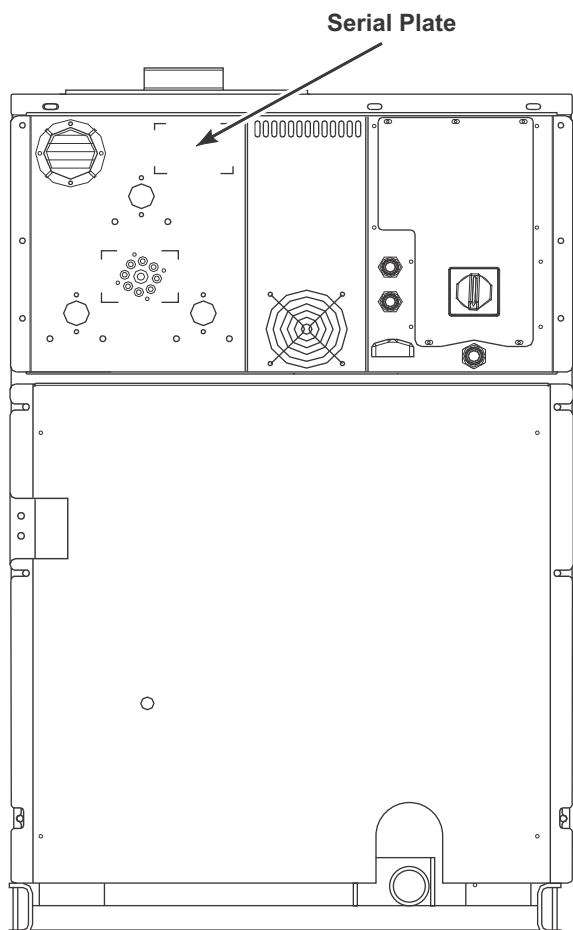
If literature or replacement parts are required, contact the source from whom the machine was purchased or contact Alliance Laundry Systems at (920) 748-3950 for the name and address of the nearest authorized parts distributor.

For technical assistance, call the number listed below:

(920) 748-3121 Ripon, Wisconsin

## Serial Plate Location

When calling or writing about your product, be sure to mention model and serial numbers. Model and serial numbers are located on serial plate(s) as shown.



CHM3065P\_D0887







## Model Identification

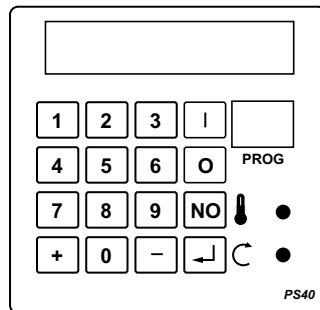
Information in this manual is applicable to these washer-extractor models:

CWF055AN2	IWF235AN2	WF235_CYGNUS-COMM_COIN
CWF055MN2	IWF235MC2	WF235_CYGNUS-COMM_OPL
CWF075AN2	IWF235MD2	WF235_CYGNUS-PREM_COIN
CWF075MN2	IWF235ME2	WF235_CYGNUS-PREM_OPL
CWF090MN2	IWF235ML2	WF235_CYGNUS-PRO
IWF055AN2	IWF235MN2	WF235_CYGNUS-STANDARD_COIN
IWF055MC2	IWF235MX2	WF235_CYGNUS-STANDARD_OPL
IWF055MD2	IWF235MY2	WF235_MICRO-20_COIN
IWF055ME2	IWF235SC2	WF235_MICRO-20_OPL
IWF055ML2	IWF235SD2	WF235_PS40F
IWF055MN2	IWF235SE2	WF235_SIGMA_COIN
IWF055MX2	IWF235SL2	WF235_SIGMA_OPL
IWF055MY2	IWF235SR2	WF305_CYGNUS-COMM_COIN
IWF055SC2	IWF235SX2	WF305_CYGNUS-COMM_OPL
IWF055SD2	IWF235SY2	WF305_CYGNUS-PREM_COIN
IWF055SE2	IWF235ZN2	WF305_CYGNUS-PREM_OPL
IWF055SL2	IWF305AN2	WF305_CYGNUS-PRO
IWF055SR2	IWF305MC2	WF305_CYGNUS-STANDARD_COIN
IWF055SX2	IWF305MD2	WF305_CYGNUS-STANDARD_OPL
IWF055SY2	IWF305ME2	WF305_MICRO-20_COIN
IWF075AN2	IWF305ML2	WF305_MICRO-20_OPL
IWF075MC2	IWF305MN2	WF305_PS40F
IWF075MD2	IWF305MX2	WF305_SIGMA_COIN
IWF075ME2	IWF305MY2	WF305_SIGMA_OPL
IWF075ML2	IWF305SC2	WF400_CYGNUS-COMM_COIN
IWF075MN2	IWF305SD2	WF400_CYGNUS-COMM_OPL
IWF075MX2	IWF305SE2	WF400_CYGNUS-PREM_COIN
IWF075MY2	IWF305SL2	WF400_CYGNUS-PREM_OPL
IWF075SC2	IWF305SR2	WF400_CYGNUS-PRO
IWF075SD2	IWF305SX2	WF400_CYGNUS-STANDARD_COIN
IWF075SE2	IWF305SY2	WF400_CYGNUS-STANDARD_OPL
IWF075SL2	IWF305ZN2	WF400_MICRO-20_COIN
IWF075SR2	IWF400AN2	WF400_MICRO-20_OPL
IWF075SX2	IWF400MC2	WF400_PS40F
IWF075SY2	IWF400MD2	WF400_SIGMA_COIN
IWF090AN2	IWF400ME2	WF400_SIGMA_OPL
IWF090MC2	IWF400ML2	
IWF090MD2	IWF400MN2	
IWF090ME2	IWF400MX2	
IWF090ML2	IWF400MY2	
IWF090MN2	IWF400SC2	
IWF090MX2	IWF400SD2	
IWF090MY2	IWF400SE2	
IWF090SC2	IWF400SL2	
IWF090SD2	IWF400SR2	
IWF090SE2	IWF400SX2	
IWF090SL2	IWF400SY2	
IWF090SR2	IWF400ZN2	
IWF090SX2		
IWF090SY2		

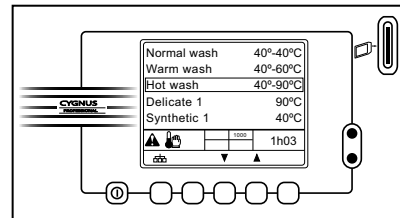
# Pocket Hardmount Washer-Extractor Product Overview

Type:	WFF75C	Nr: 07110WD0339
Voltage:	3 ~ 400V 50Hz	Weight: 181 kg
Motor:	0.55kW 2.5A	Capacity: 73 L
Heating:	9kW 16A	Dry Load: 7,3 kg
Total:	9.55 kW	Drum: 530 mm
Kinetic energy:	592 Nm	Speed: 700 rpm
Manufactured in:	2007	
Water Pressure: min. 2.07 max. 5.86 Kg/cm <sup>2</sup> IPX4 min. 20.7 max. 58.6 N/cm <sup>2</sup>		
sfc 741837		
 <b>Alliance International BVBA</b> Nieuwstraat 146 8560 Wevelgem Belgium Tel: +32 56 41 20 54 Fax: +32 56 41 86 74 www.ipso.be		

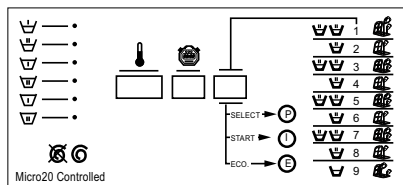
Model No:	IWF018MNMX10U01	Serial No: 07110WD0152
Volts Hertz:	208-240   50/60	Type: WFF75
Phase:	1 - 3	
Amps:	6 amps	Capacity: 18/7 lbs/kg
Recommended Circuit Breaker:	15 amps	Water: 30-85 psi
Interrupt Current:	10 kA	Pressure: 2.07-5.86 bar
Motor:	1 hp 0,75 kW	Max Speed: 700 rpm
Elec Heat:	N/A kW	Net Weight: 400 lbs 181 kg
Steam heat:	N/A psi N/A bar	IPX4
<b>Alliance International BVBA</b> Made in Belgium		
 TEL 1-920-748-3121 www.comlaundry.com		100740 CONFORMS TO ANSI/UL STD 2157 CERTIFIED TO CAN/CSA STD C22.2 NO.169-94



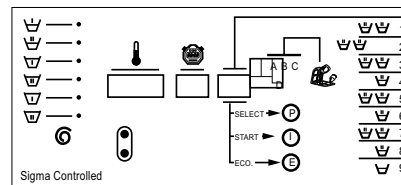
PS40



Cygnus Professional



Micro 20



Sigma

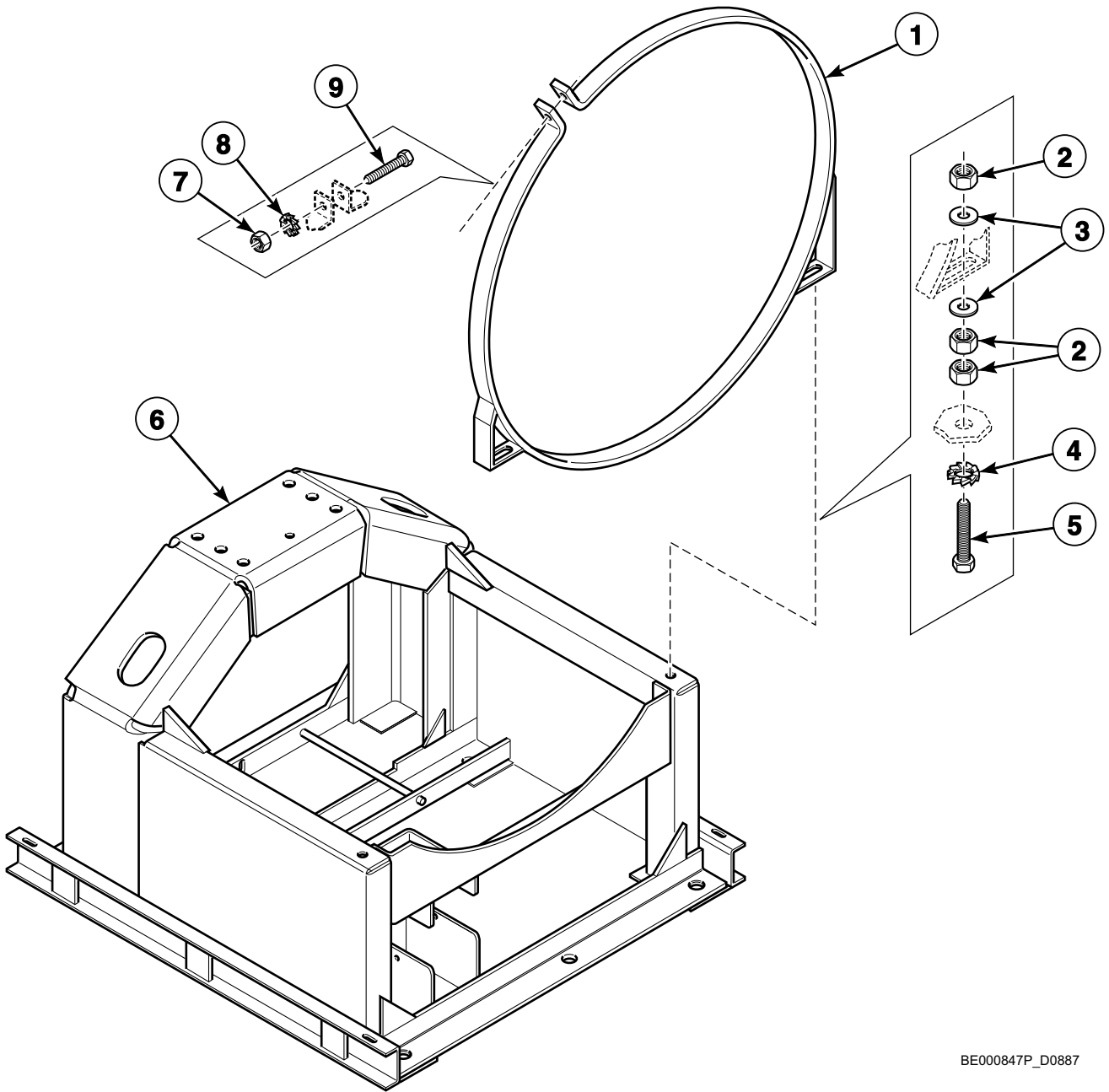
CHM3066P\_D0887



# Pocket Hardmount Washer-Extractor Product Overview

REF	PART NO.	DESCRIPTION	COMMENTS
1	-	Product Family	CWF IWF WF
2	-	Capacity	055 075 090 235 305 400
3	-	Control	A (PS40F) Cygnus-Comm Cygnus-Prem Cygnus-Standard M (Micro-20) S (Sigma) Z (Cygnus-Pro)
4	-	Actuation	C (Coin Drop Meter) D (Dual Coin Drop) E (Electronic Drop) L (Prep for Remote or Central Pay) N (Non-Coin) R (Smart Card Ready) X (Prep for Coin) Y (Card Ready)
5	-	Speed	M (Medium Spin)
6	-	Voltage	N (440-480/50-60/3/3) P (380-415/50-60/3/3) Q (208-240/50-60/3/3) X (200-240/50-60/1/3)
7	-	Design	1

# Frame - \*55 and \*235 Models Through 1/17/10

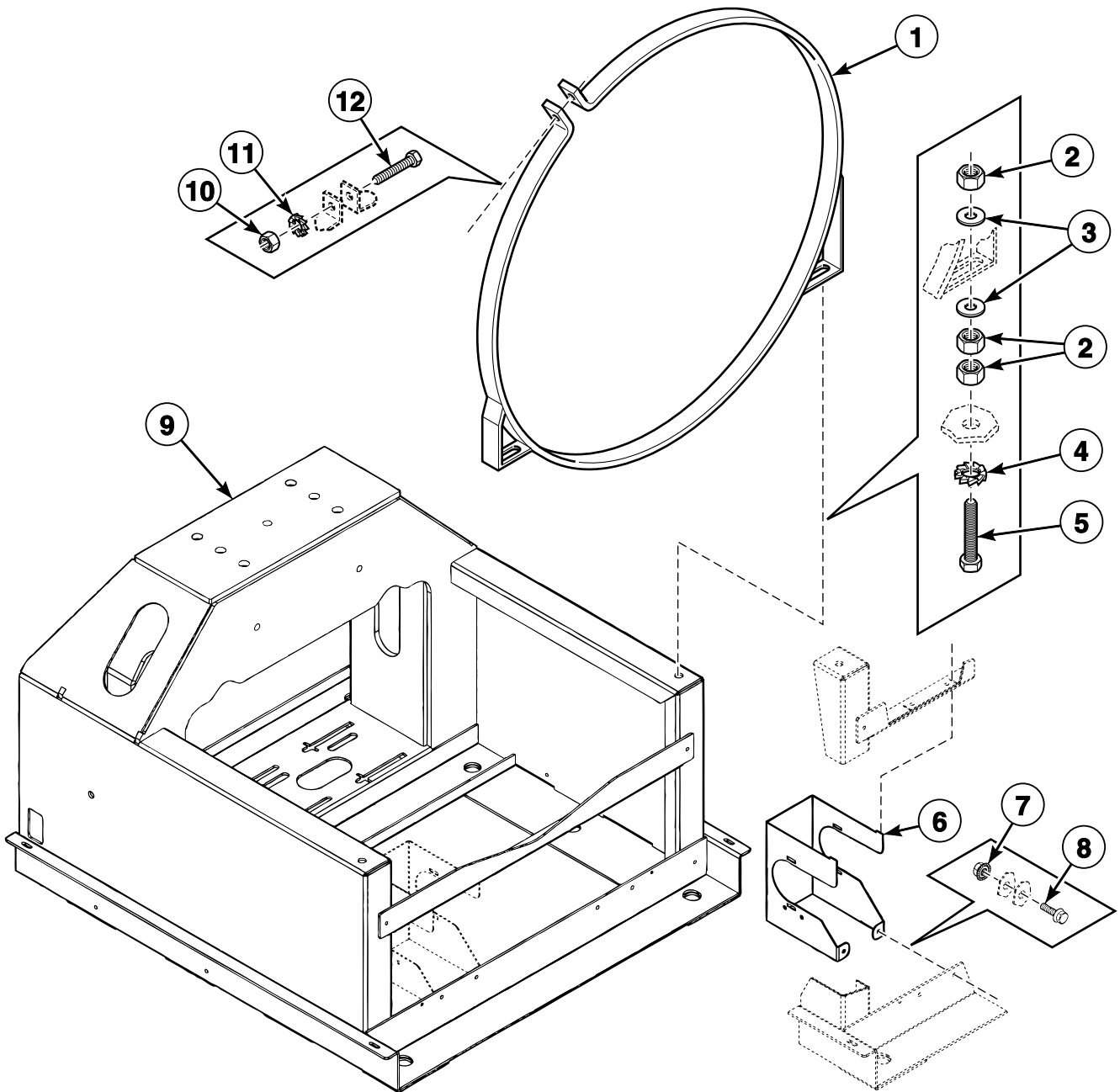


BE000847P\_D0887

## Frame - \*55 and \*235 Models Through 1/17/10

REF	PART NO.	DESCRIPTION	COMMENTS
1	212/00116/00	Tub Fastening Ring	
2	204/00002/00	Nut	
3	201/00005/00	Washer	
4	203/00001/00	Washer	
5	206/00079/00	Bolt	
6	212/00111/50	Chassis	
7	204/00004/00	Nut	
8	203/00003/00	Washer	
9	206/00007/00	Screw	

# Frame - \*55 and \*235 Models Starting 1/18/10

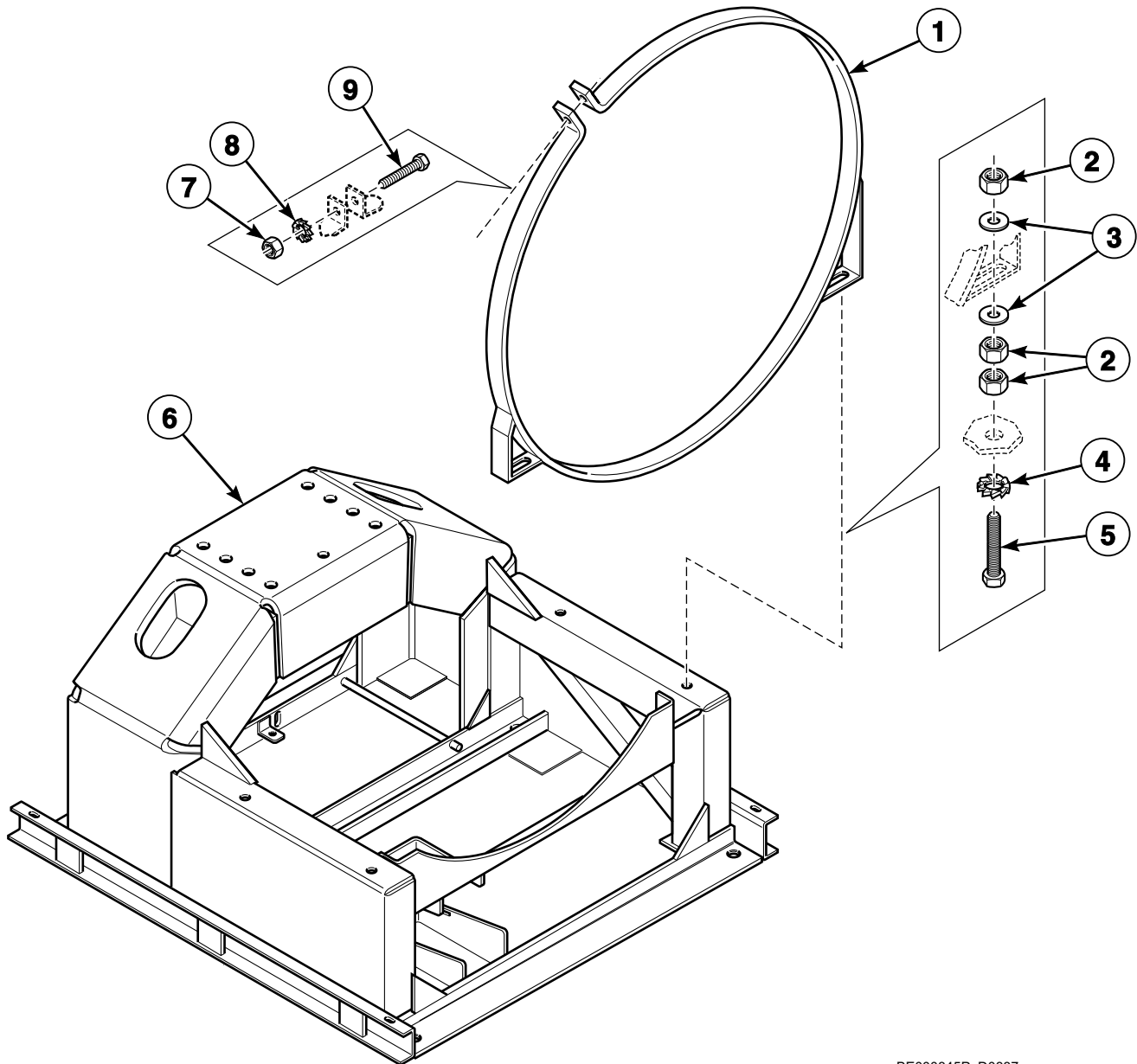


BE000847AP\_D0887

## Frame - \*55 and \*235 Models Starting 1/18/10

REF	PART NO.	DESCRIPTION	COMMENTS
1	212/00116/00	Tub Fastening Ring	
2	204/00002/00	Nut	
3	201/00005/00	Washer	
4	203/00001/00	Washer	
5	206/00079/00	Bolt	
6	212/00120/01	Drain Valve Support	
7	206/00101/00	Nut	
8	206/00099/00	Bolt	
9	212/00120/00	Chassis	
10	204/00004/00	Nut	
11	203/00003/00	Washer	
12	206/00007/00	Screw	

# Frame - \*75, \*90, \*305 and \*400 Models

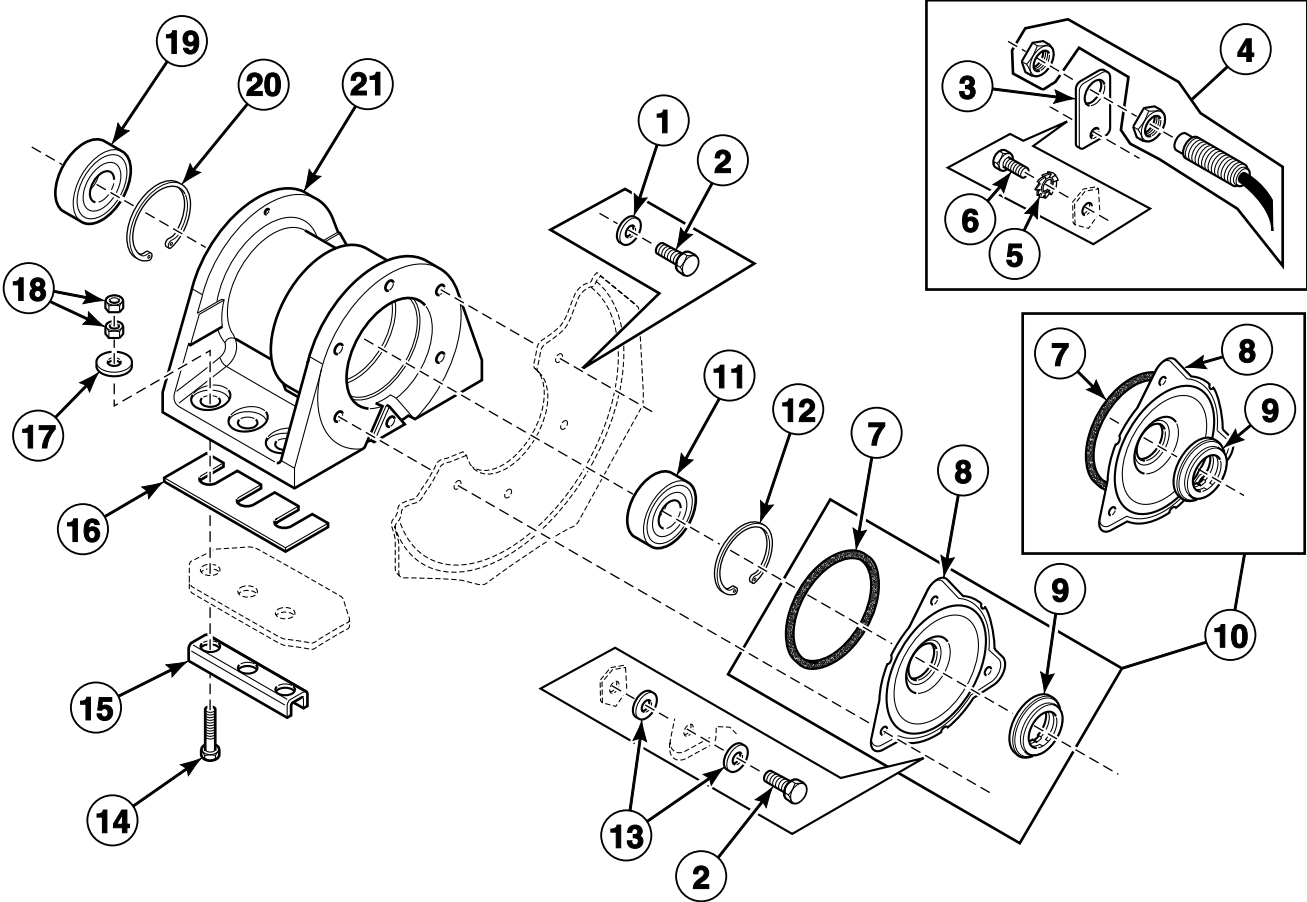


BE000845P\_D0887

## Frame - \*75, \*90, \*305 and \*400 Models

REF	PART NO.	DESCRIPTION	COMMENTS
1	212/00117/00	Tub Fastening Ring	
2	204/00002/00	Nut	
3	201/00005/00	Washer	
4	203/00001/00	Washer	
5	206/00079/00	Bolt	
6	212/00112/50	Chassis	*75 and *305 models
	212/00119/03	Frame	*90 and *400 models
7	204/00004/00	Nut	
8	203/00003/00	Washer	
9	206/00007/00	Screw	

# Bearing Housing - \*55 and \*235 Models Through 1/30/11



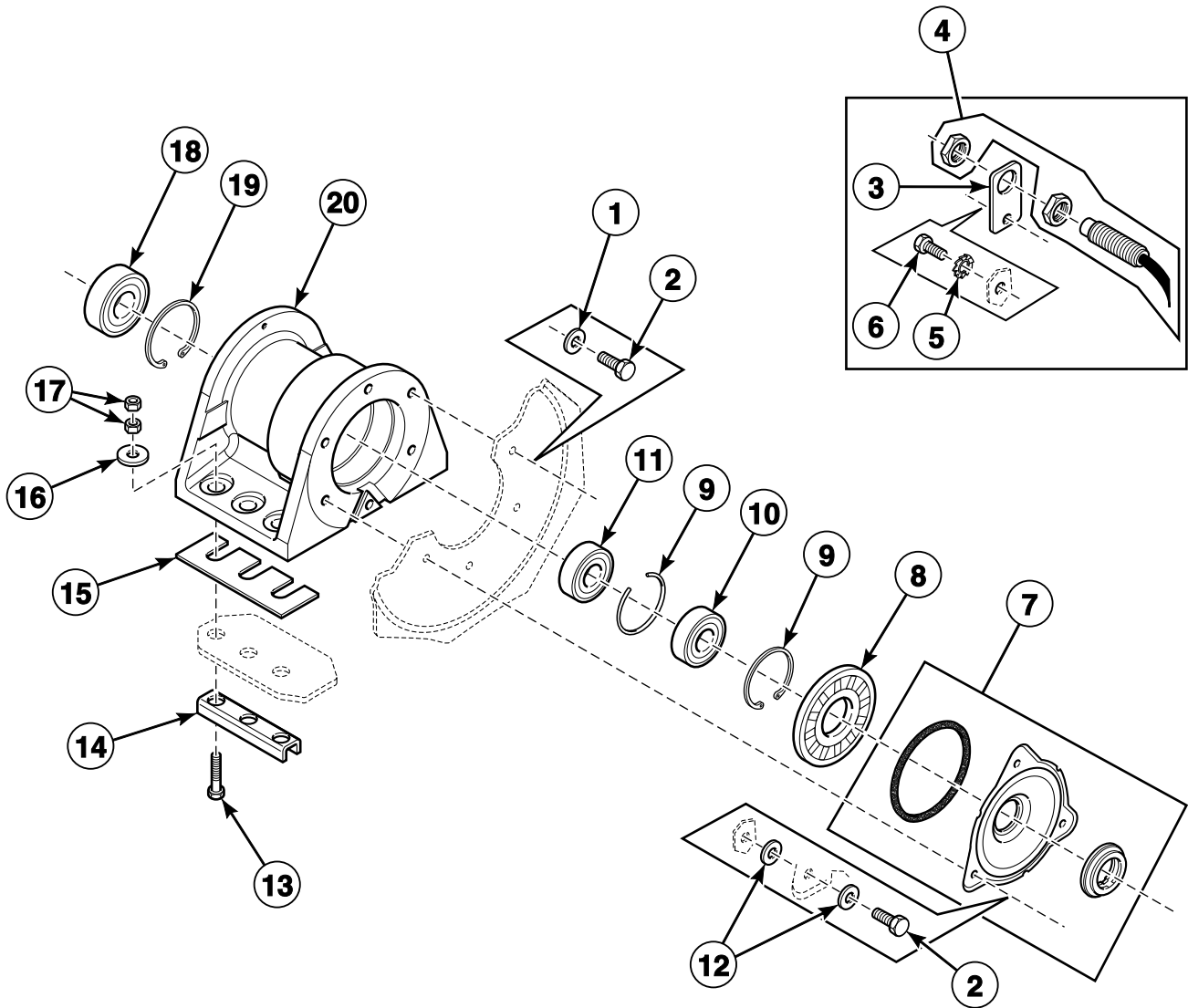
BE000827AP\_D0887



## Bearing Housing - \*55 and \*235 Models Through 1/30/11

REF	PART NO.	DESCRIPTION	COMMENTS
	891P3	Bearing Replacement Kit	Includes items 1, 2, 10, 11, 19, 219/00004/00 Counter Ring, 223/00242/40 Tub Front Panel Gasket and F8388601P Deflector Inlet
	382P3	Bearing Replacement Tool Kit	
1	201/00201/00	Washer	
2	205/00102/00	Bolt	
3	152/00055/00	Speed Detector Bracket	
4	210/00075/00	Speed Detector	
5	203/00004/00	Washer	
6	205/00104/00	Bolt	
7	217/00002/00	O-Ring	Models through 1/30/11; Used with B12327101 Cylinder and Shaft Assembly
8	219/00001/00	Seal Cover	Models through 1/30/11; Used with B12327101 Cylinder and Shaft Assembly
9	219/00003/00	Shaft Seal	Models through 1/30/11; Used with B12327101 Cylinder and Shaft Assembly
10	119/00001/01	Seal Holder Assembly	Models through 1/30/11; Used with B12327101 Cylinder and Shaft Assembly
	B12333701	Seal Plate Assembly	Models starting 1/31/11; Used with B12380901 Basket (3 mm) and B12381001 Basket (9 mm)
11	212/00004/00	Ball Bearing	
12	212/00006/00	Retainer Ring	
13	201/00201/00	Washer	
14	206/00093/00	Bolt	
15	113/00067/00	U-Piece Assembly	
16	113/00017/01	Bearing Housing Plate	1 mm
	113/00017/02	Bearing Housing Plate	2 mm
17	201/00001/00	Washer	
18	204/00010/00	Nut	
19	212/00024/00	Ball Bearing	
20	212/00037/00	Retainer Ring	
21	212/10104/00	Bearing Housing Assembly	Includes items 11, 12, 19 and 20

# Bearing Housing - \*55 and \*235 Models Starting 1/31/11



CFD545P\_D0887

## Bearing Housing - \*55 and \*235 Models Starting 1/31/11

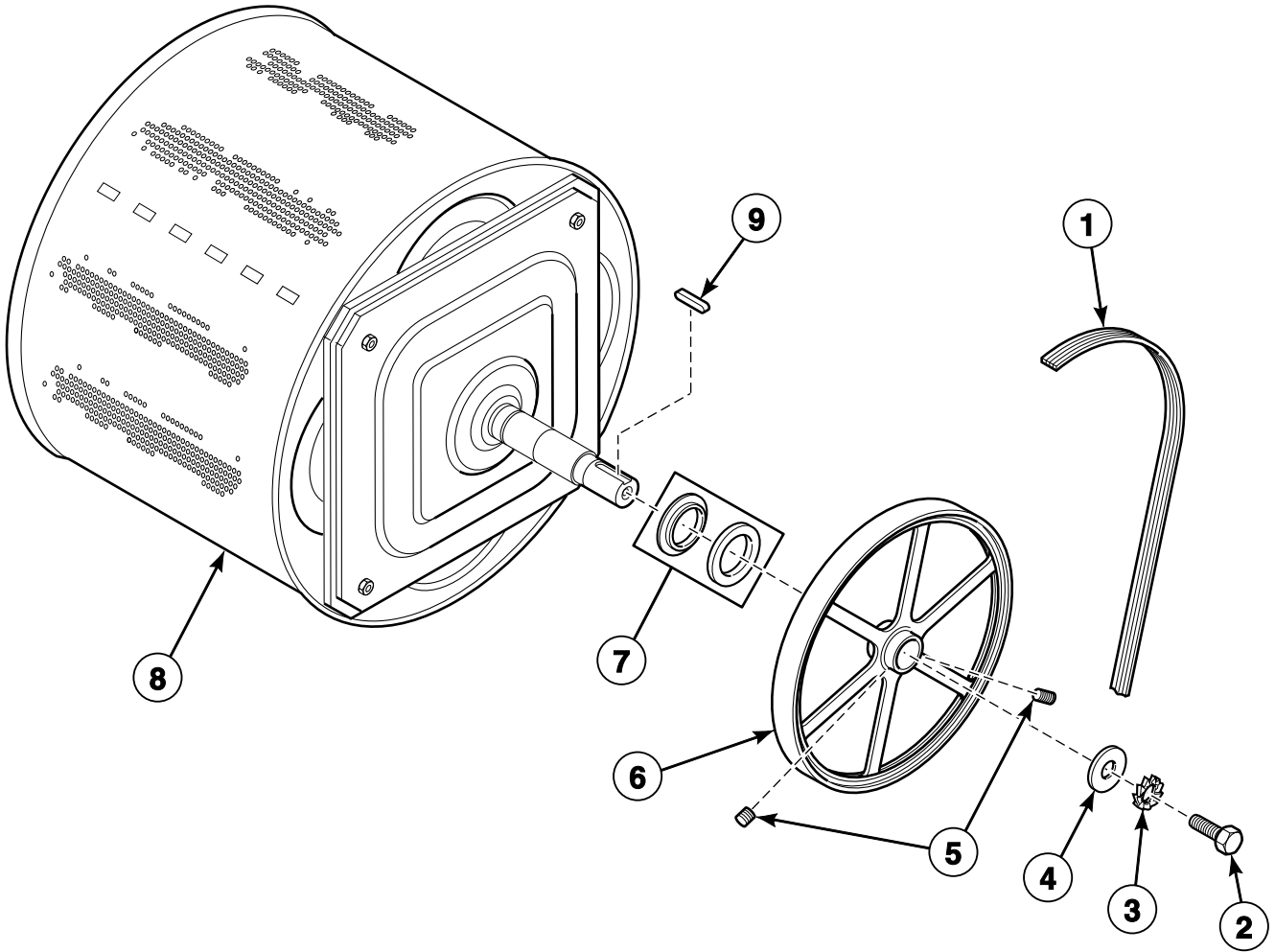
REF	PART NO.	DESCRIPTION	COMMENTS
	381P3	Bearing Replacement Tool Kit	
	3884P	Bearing and Seal Kit	Includes items 1, 2, 7, 8, 10, 11, 223/00242/10 Gasket and 219/00004/00 Counter Ring
1	201/00201/00	Washer	
2	205/00102/00	Bolt	
3	152/00055/00	Speed Detector Bracket	
4	210/00075/00	Speed Detector	
5	203/00004/00	Washer	
6	205/00104/00	Bolt	
7	B12333701	Seal Plate Assembly	Used with B12380901 Basket and B12381001 Basket
8	B12332301	Lip Seal	
9	212/00006/00	Retainer Ring	
10	F100134	Bearing	
11	212/00004/00	Ball Bearing	
12	201/00201/00	Washer	
13	206/00093/00	Bolt	
14	113/00067/00	U-Piece Assembly	
15	113/00017/01	Bearing Housing Plate	1 mm
	113/00017/02	Bearing Housing Plate	2 mm
16	201/00001/00	Washer	
17	204/00010/00	Nut	
18	212/00024/01	Ball Bearing	
19	212/00037/00	Retainer Ring	
20	212/10104/00	Bearing Housing Assembly	Includes items 11, 12, 19 and 20



## Bearing Housing - \*75, \*90, \*305 and \*400 Models

REF	PART NO.	DESCRIPTION	COMMENTS
	892P3	Bearing Replacement Kit	
	382P3	Bearing Replacement Tool Kit	
<b>1</b>	231/00037/00	Shaft Seal	
<b>2</b>	205/00104/00	Bolt	
<b>3</b>	201/00202/00	Washer	
<b>4</b>	131/00035/00	Seal Cover Plate	
	131/00035/01	Seal Holder Assembly	Includes item 1
<b>5</b>	231/00036/00	O-Ring	
<b>6</b>	212/00007/00	Grease Ring	
<b>7</b>	212/00006/00	Retainer Ring	
<b>8</b>	212/00005/00	Roller Bearing	
<b>9</b>	113/00018/01	Bearing Housing Plate	1 mm
	113/00018/02	Bearing Housing Plate	2 mm
<b>10</b>	113/00068/00	U-Piece Assembly	
<b>11</b>	206/00093/00	Bolt	
<b>12</b>	201/00001/00	Washer	
<b>13</b>	204/00010/00	Nut	
<b>14</b>	210/00075/00	Speed Detector	
<b>15</b>	112/00003/00	Bearing Cover	
<b>16</b>	206/00010/00	Bolt	
<b>17</b>	203/00003/00	Washer	
<b>18</b>	212/00004/00	Ball Bearing	
<b>19</b>	212/00103/01	Bearing Housing	
	212/00103/00	Bearing Housing Assembly	Includes items 8 and 18
<b>20</b>	212/00002/00	Lubricator	

# Basket, Pulley and Belt - \*55 and \*235

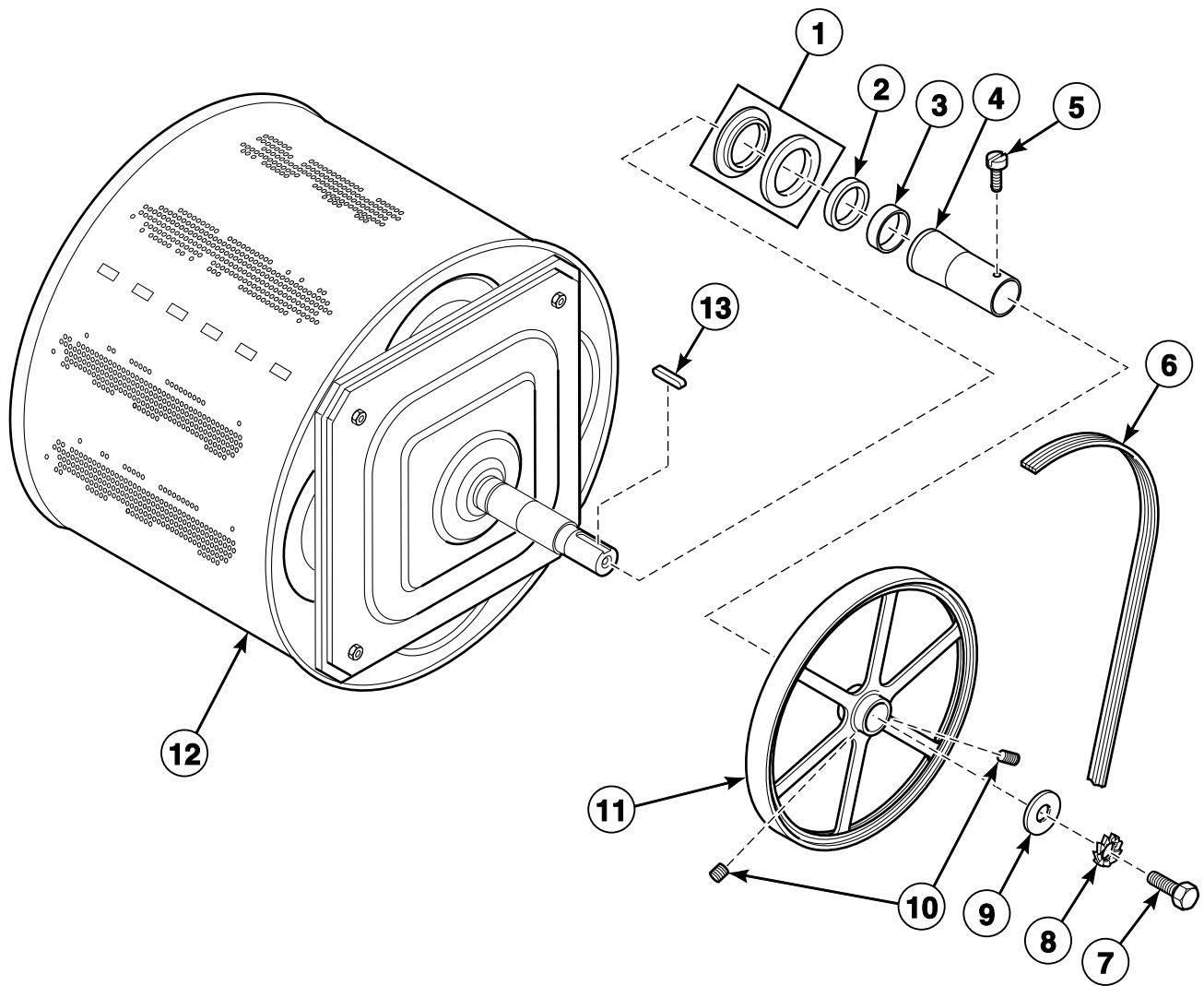


BE000848P\_D0887

## Basket, Pulley and Belt - \*55 and \*235

REF	PART NO.	DESCRIPTION	COMMENTS
1	226/00139/00	Belt	
2	206/00004/00	Bolt	
3	203/00001/00	Washer	
4	201/00011/00	Washer	
5	206/00056/00	Screw	
6	226/00142/00	Drum Pulley	
7	219/00004/00	Counter Ring	
8	B12543201	Basket Kit	Models through 1/30/11; Includes B12380901 Basket and 3884P Bearing and Seal Kit
	B12380901	Basket	Models starting 1/31/11; 3 mm; Used with B12333701 Seal Plate Assembly
	B12381001	Basket	Models starting 1/31/11; 9 mm; Used with B12333701 Seal Plate Assembly
9	212/00026/00	Key	

# Basket, Pulley and Belt - \*75, \*90, \*305 and \*400 Models



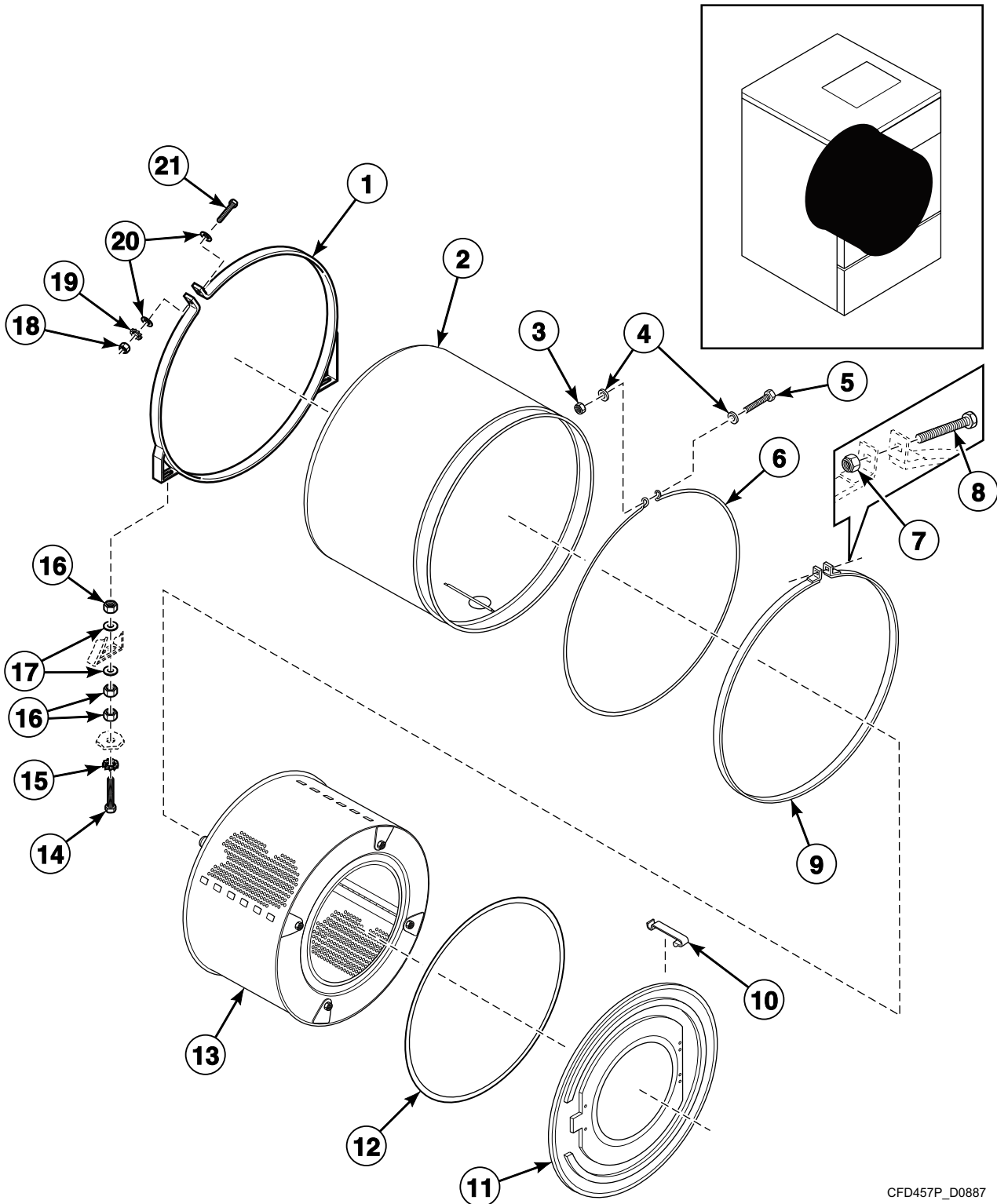
BE000850P\_D0887



## Basket, Pulley and Belt - \*75, \*90, \*305 and \*400 Models

REF	PART NO.	DESCRIPTION	COMMENTS
1	232/00008/00	Counter Ring	
2	132/00009/00	Shaft Seal	
3	212/00005/00	Roller Bearing	
4	232/00020/00	Bearing Spacer	
5	207/00004/00	Screw	
6	226/00139/00	Belt	
7	206/00004/00	Bolt	
8	203/00001/00	Washer	
9	201/00011/00	Washer	
10	206/00056/00	Screw	
11	226/00142/00	Drum Pulley	
12	B12327301	Drum	*75 and *305 models
	132/10009/00	Drum	*90 and *400 models
13	212/00026/00	Key	

# Shell and Basket - \*55 and \*235 Models

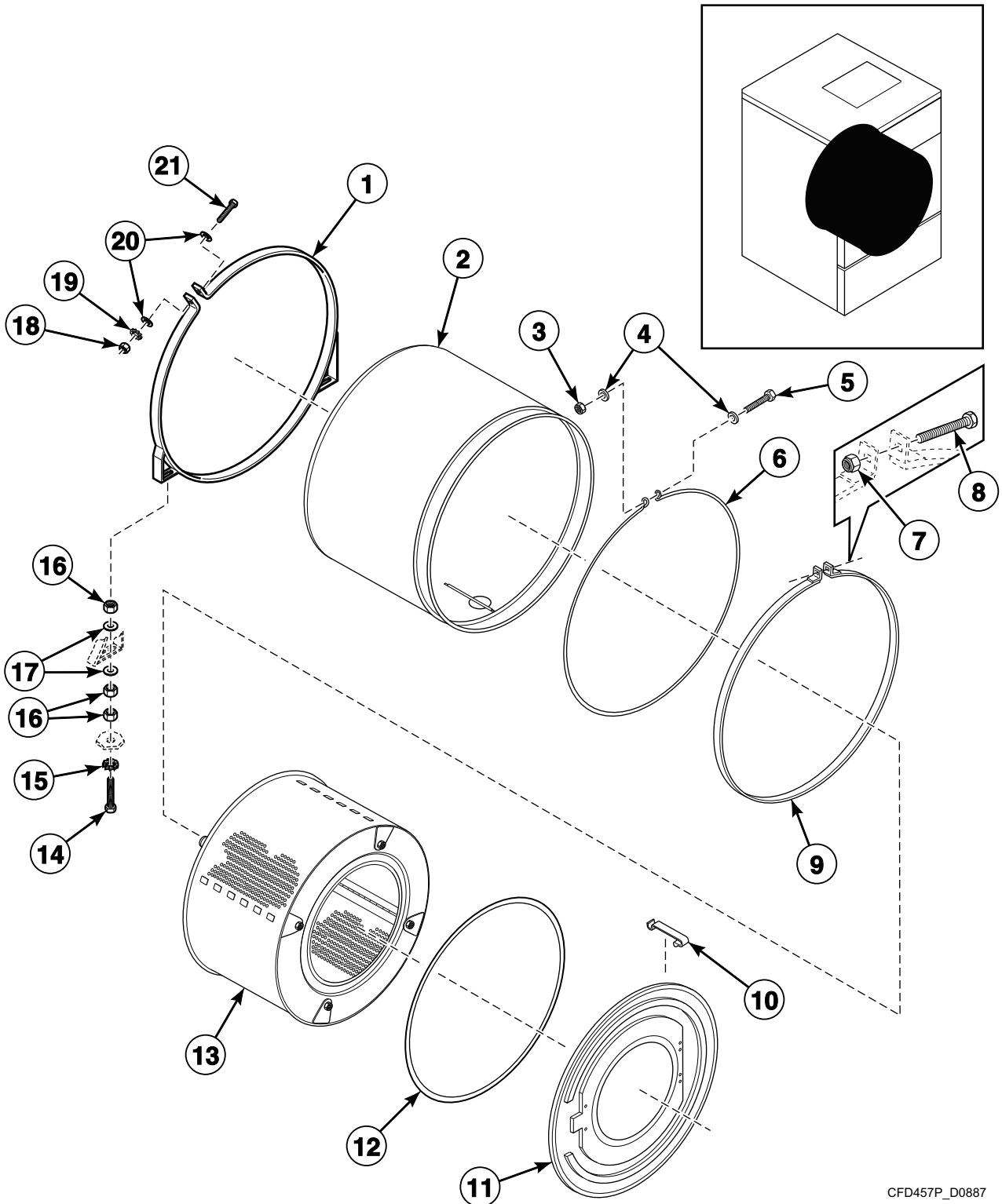


CFD457P\_D0887

## Shell and Basket - \*55 and \*235 Models

REF	PART NO.	DESCRIPTION	COMMENTS
1	212/00116/00	Tub Fastening Ring	
2	B12328901	Tub	Electric heat; Before Serial No. 10080JW0339
	B12331101	Tub	Electric heat; Starting Serial No. 10080JW0339
	B12329001	Tub	Hot water; Before Serial No. 10080JW0339
	B12331201	Tub	Hot water; Starting Serial No. 10080JW0339
	B12331301	Tub	Steam
3	204/00009/00	Nut	
4	201/00007/00	Washer	
5	206/00032/00	Bolt	
6	238/00011/00	Tub Clamp Ring	
7	204/00111/00	Nut	
8	206/00066/00	Bolt	
9	137/00008/00	Tub Mounting Strap	
10	217/00008/00	Tub Front Panel Clip	
11	138/00001/00	Tub Front	
12	B12351601	Tub Front Gasket	
13	B12543201	Basket Kit	Models through 1/30/11; Includes B12380901 Basket and 3884P Bearing and Seal Kit
	B12380901	Basket	Models starting 1/31/11; 3 mm; Used with B12333701 Seal Plate Assembly
	B12381001	Basket	Models starting 1/31/11; 9 mm; Used with B12333701 Seal Plate Assembly
14	206/00029/00	Bolt	
15	203/00001/00	Washer	
16	204/00002/00	Nut	
17	201/00009/00	Washer	
18	204/00003/00	Nut	
19	203/00002/00	Washer	
20	201/00005/00	Washer	
21	206/00052/00	Bolt	

# Shell and Basket - \*75, \*90, \*305 and \*400 Models

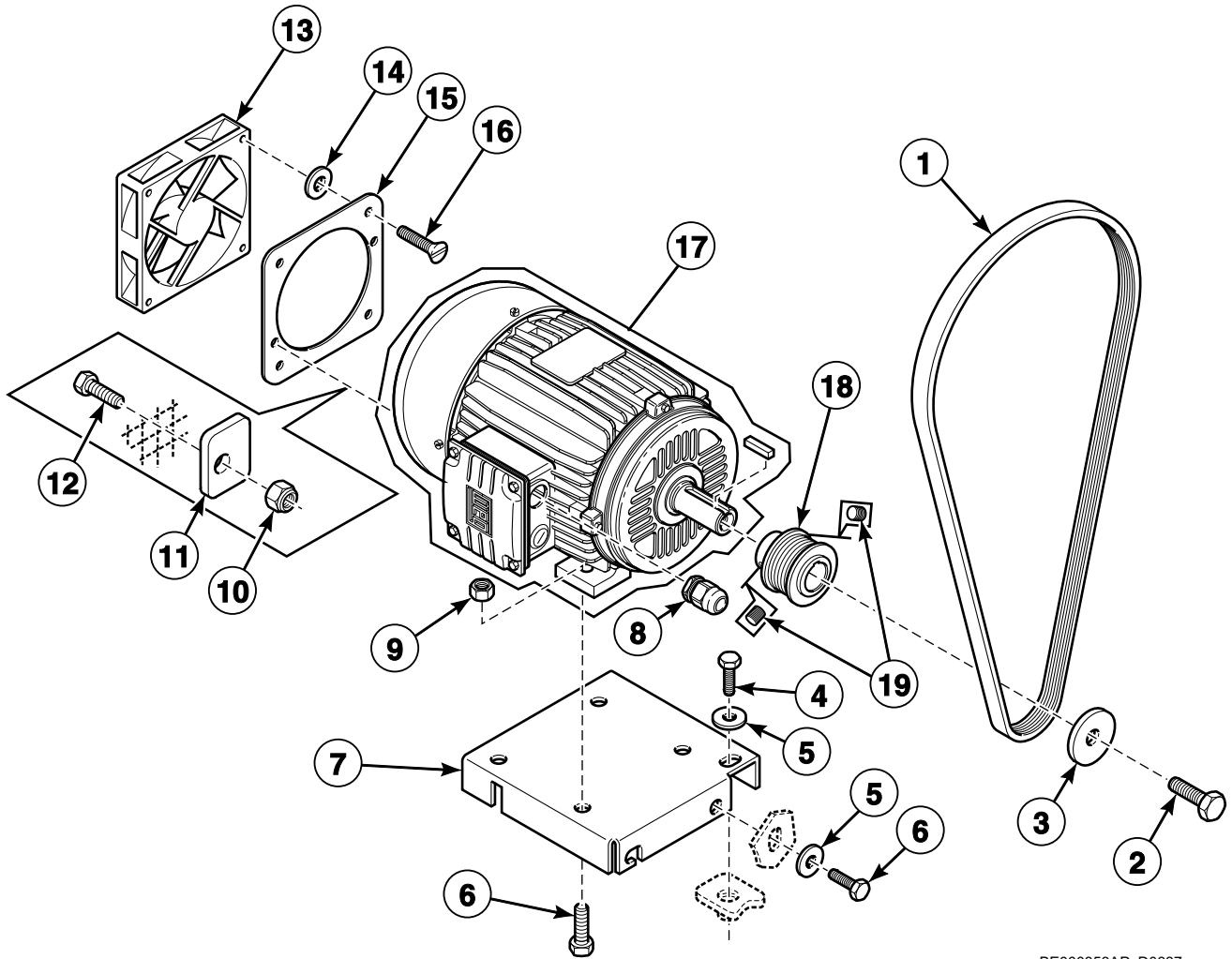


CFD457P\_D0887

## Shell and Basket - \*75, \*90, \*305 and \*400 Models

REF	PART NO.	DESCRIPTION	COMMENTS
1	212/00117/00	Tub Fastening Ring	
2	B12331401	Tub	*75 and *305 models; Electric heat
	B12331501	Tub	*75 and *305 models; Hot water
	B12331601	Tub	*75 and *305 models; Steam
	131/00059/00	Tub	*90 and *400 models; Electric heat
	131/00059/50	Drum	*90 and *400 models; Boiler fed
	131/00059/60	Tub	*90 and *400 models; Steam
3	204/00009/00	Nut	
4	201/00007/00	Washer	
5	206/00032/00	Bolt	
6	231/00010/00	Tub Front Ring Clamp	
7	204/00111/00	Nut	
8	206/00066/00	Bolt	
9	131/00010/00	Tub Strap	
10	217/00008/00	Tub Front Panel Clip	
11	131/00002/00	Front Panel	
12	223/00242/00	Tub Front Gasket	
13	B12327301	Drum	*75 and *305 models
	132/10009/00	Drum	*90 and *400 models
14	206/00029/00	Bolt	
15	203/00001/00	Washer	
16	204/00002/00	Nut	
17	201/00009/00	Washer	
18	204/00003/00	Nut	
19	203/00002/00	Washer	
20	201/00005/00	Washer	
21	206/00052/00	Bolt	

# Motor and Belt - \*55 and \*235 Models Through 1/17/10

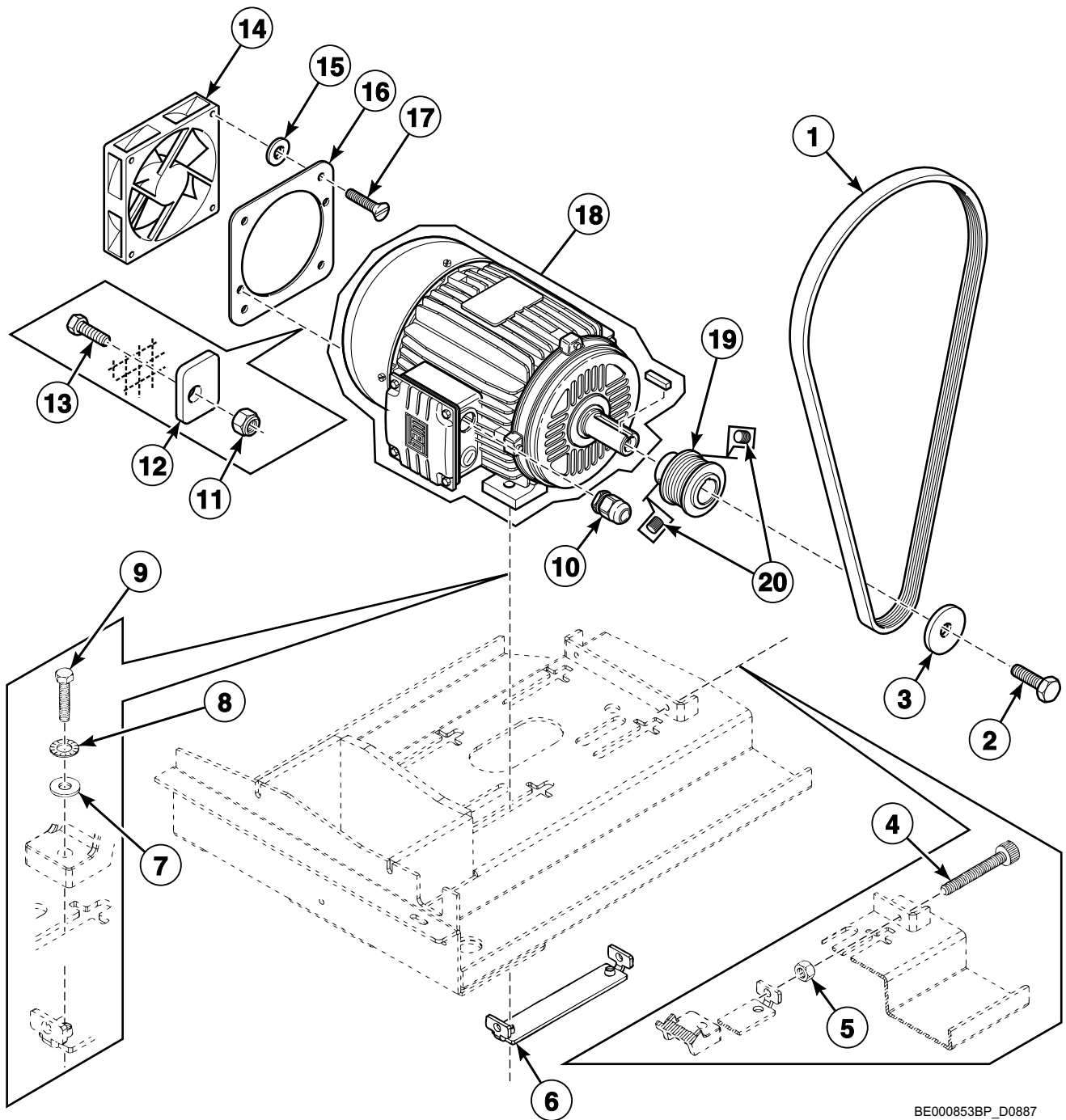


BE000853AP\_D0887

## Motor and Belt - \*55 and \*235 Models Through 1/17/10

REF	PART NO.	DESCRIPTION	COMMENTS
1	226/00139/00	Belt	
2	206/00042/00	Bolt	
3	201/00004/00	Washer	
4	206/00110/00	Bolt	
5	201/00010/00	Washer	
6	206/00119/00	Bolt	
7	115/11235/00	Motor Mounting Plate	
8	271/35945/00	Nut	
9	204/00110/00	Nut	
10	204/00115/00	Nut	
11	117/00042/00	Retaining Ring	
12	206/00054/00	Bolt	
13	209/00287/00	Cooling Fan	
14	217/00021/00	O-Ring	
15	111/00243/00	Intermediate Fan Motor Plate	
16	207/00002/00	Screw	
17	B12510601	Motor	Used with 226/00145/00 Motor Pulley; 226/00145/00 Motor Pulley required during replacement
18	226/00145/00	Motor Pulley	Used with B12510601 Motor
19	206/00049/00	Screw	

# Motor and Belt - \*55 and \*235 Models Starting 1/18/10



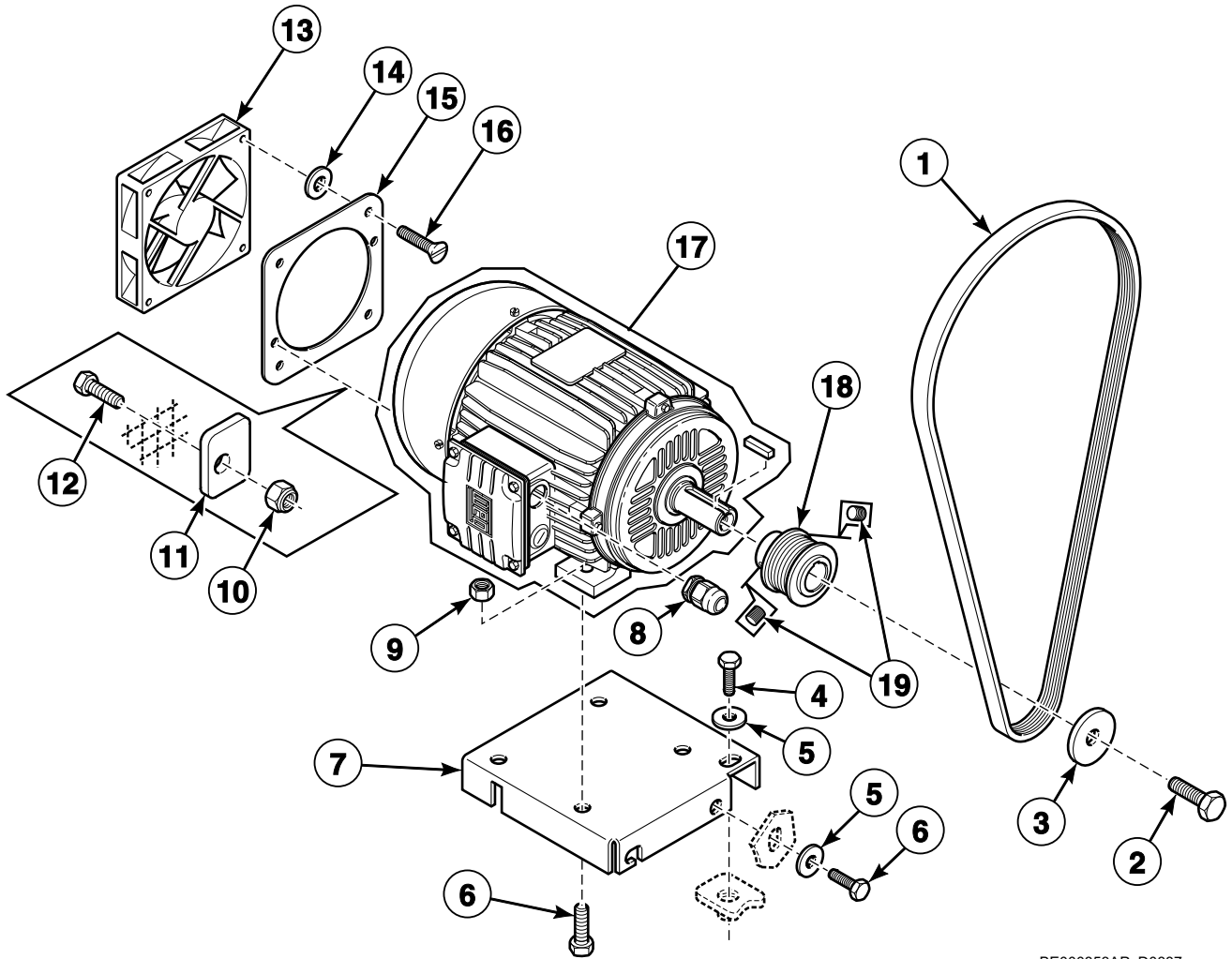
BE000853BP\_D0887



## Motor and Belt - \*55 and \*235 Models Starting 1/18/10

REF	PART NO.	DESCRIPTION	COMMENTS
1	226/00139/00	Belt	
2	206/00042/00	Bolt	
3	201/00004/00	Washer	
4	208/00134/00	Bolt	
5	204/00004/00	Nut	
6	212/00121/01	Motor Clamp	
7	202/00002/00	Washer	
8	201/00028/00	Washer	
9	206/00009/00	Bolt	
10	271/35945/00	Nut	
11	204/00115/00	Nut	
12	117/00042/00	Retaining Ring	
13	206/00054/00	Bolt	
14	209/00287/00	Cooling Fan	
15	217/00021/00	O-Ring	
16	111/00243/00	Intermediate Fan Motor Plate	
17	207/00002/00	Screw	
18	B12510601	Motor	Order replacement motor pulley when replacing motor
19	226/00145/00	Motor Pulley	
20	206/00049/00	Screw	

# Motor and Belt - \*75 and \*305 Models

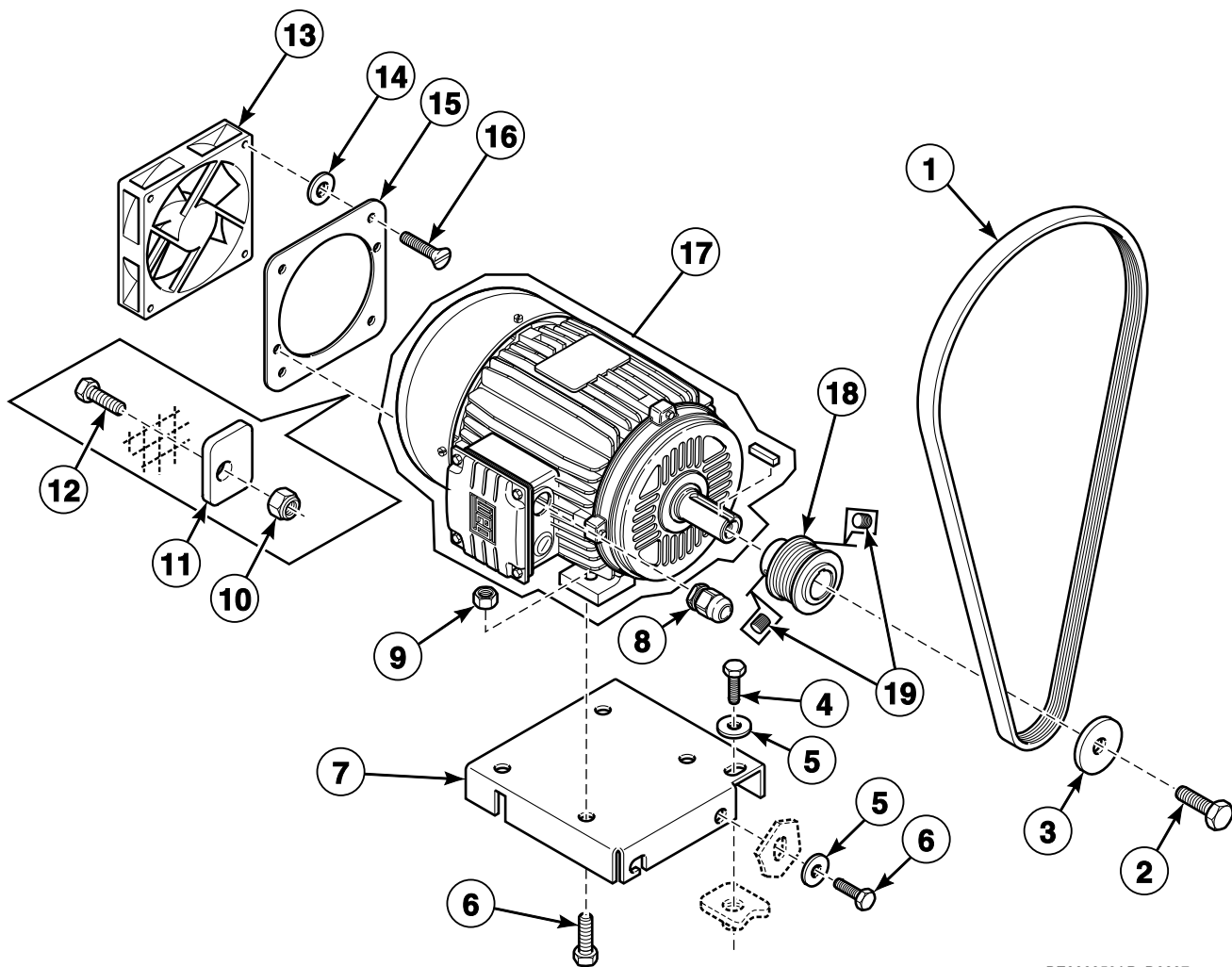


BE000853AP\_D0887

## Motor and Belt - \*75 and \*305 Models

REF	PART NO.	DESCRIPTION	COMMENTS
1	226/00134/00	Belt	
2	206/00005/00	Bolt	
3	201/00004/00	Washer	
4	206/00110/00	Bolt	
5	201/00010/00	Washer	
6	206/00119/00	Bolt	
7	115/11305/00	Motor Plate	
8	271/35945/00	Nut	
9	204/00110/00	Nut	
10	204/00115/00	Nut	
11	117/00042/00	Retaining Ring	
12	206/00054/00	Bolt	
13	209/00287/00	Cooling Fan	
14	217/00021/00	O-Ring	
15	111/00243/00	Intermediate Fan Motor Plate	
16	207/00002/00	Screw	
17	B12510701	Motor	Order replacement motor pulley when replacing motor
18	226/00146/00	Pulley	
19	206/00049/00	Screw	

# Motor and Belt - \*90 and \*400 Models

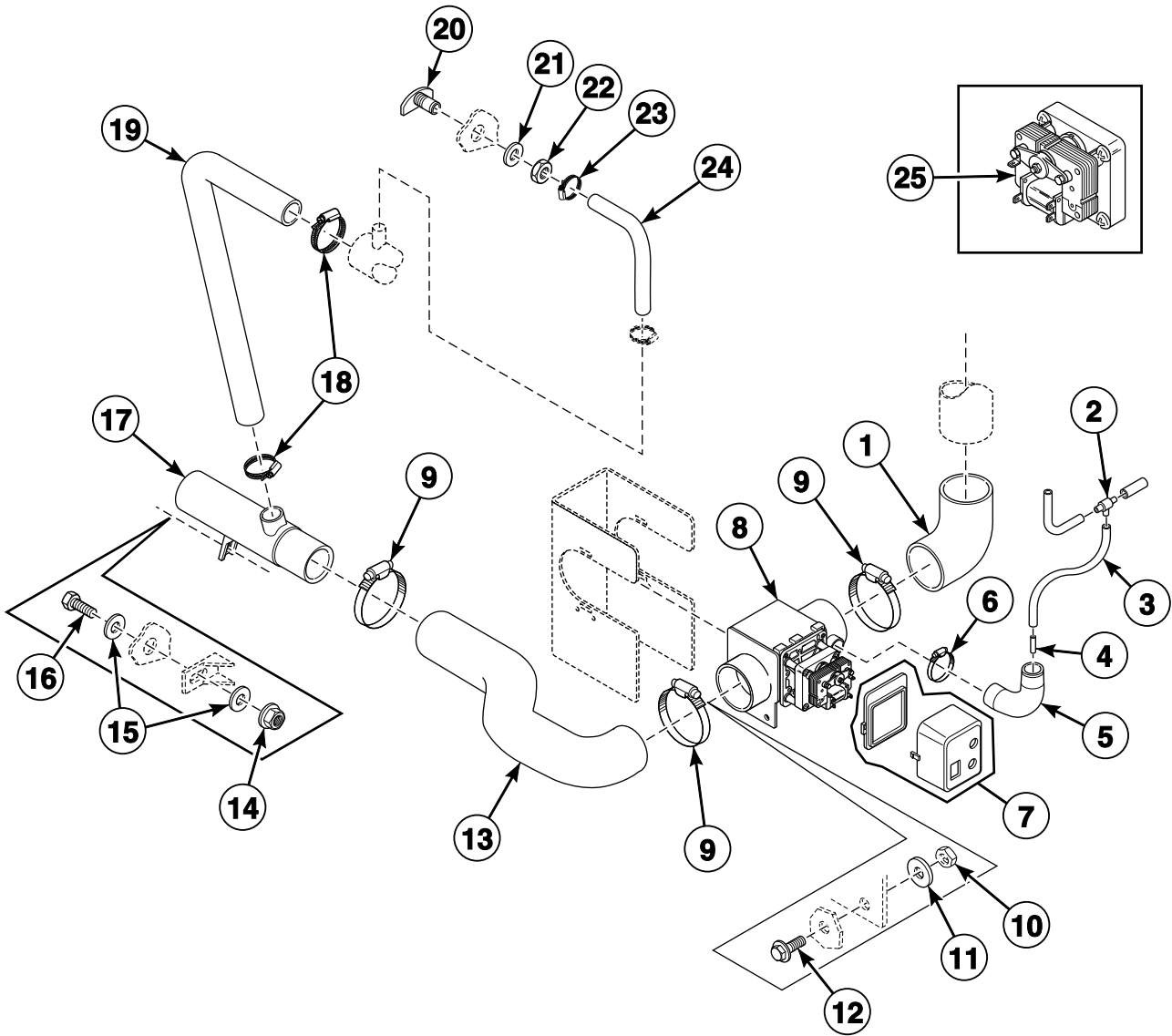


BE000853AP\_D0887

## Motor and Belt - \*90 and \*400 Models

REF	PART NO.	DESCRIPTION	COMMENTS
1	226/00134/00	Belt	
2	206/00005/00	Bolt	
3	201/00004/00	Washer	
4	206/00110/00	Bolt	
5	201/00010/00	Washer	
6	206/00119/00	Bolt	
7	115/11305/00	Motor Plate	
8	271/35945/00	Nut	
9	204/00110/00	Nut	
10	204/00115/00	Nut	
11	117/00042/00	Retaining Ring	
12	206/00054/00	Bolt	
13	209/00287/00	Cooling Fan	
14	217/00021/00	O-Ring	
15	111/00243/00	Intermediate Fan Motor Plate	
16	207/00002/00	Screw	
17	B12510901	Motor	Order replacement motor pulley when replacing motor
18	226/00146/00	Pulley	
19	206/00049/00	Screw	

# Drain Plumbing

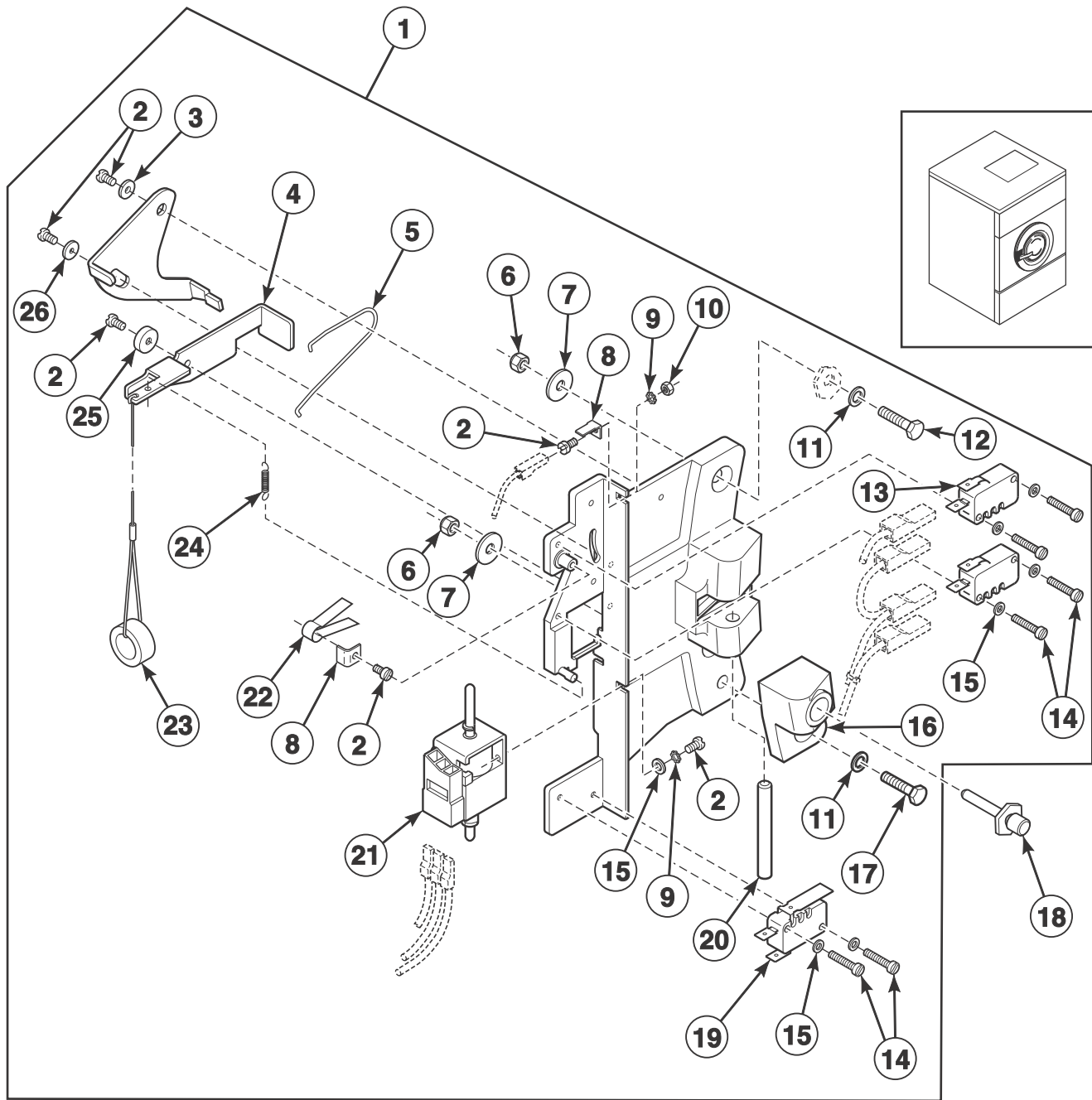


CFD327P\_D0887

# Drain Plumbing

REF	PART NO.	DESCRIPTION	COMMENTS
1	223/00327/00	Tub to Drain Valve Hose	
2	223/00173/10	Pressure Switch Hose Tee	
3	223/00333/00	Pressure Hose	
4	223/00016/00	Hose Barb	
5	223/00210/00	Elbow	
6	223/00011/00	Hose Clamp	
7	209/00643/01	Drain Valve Coil Cover	
8	209/00644/00	Drain Valve	
9	223/00071/00	Hose Clamp	
10	204/00009/00	Nut	*55 and *235 models starting 1/18/10
11	202/00002/00	Washer	*55 and *235 models starting 1/18/10
12	206/00099/00	Bolt	*55 and *235 models starting 1/18/10
13	223/00328/00	Drain Valve to Drain Tube Hose	*55, *75, *235 and *305 models
	223/00387/00	Drain Hose	*90 and *400 models
14	206/00101/00	Nut	
15	201/00007/00	Washer	
16	206/00033/00	Bolt	
17	223/00106/00	Drain Pipe	
18	223/00013/00	Hose Clamp	
19	223/00131/00	Overflow Hose	
20	223/00001/04	Prewash and Mainwash Nozzle	
21	201/00002/00	Washer	
22	204/00201/00	Nut	
23	223/00010/00	Hose Clamp	
24	223/00044/00	Water Hose	
25	209/00644/11	Motor	

# Door Lock



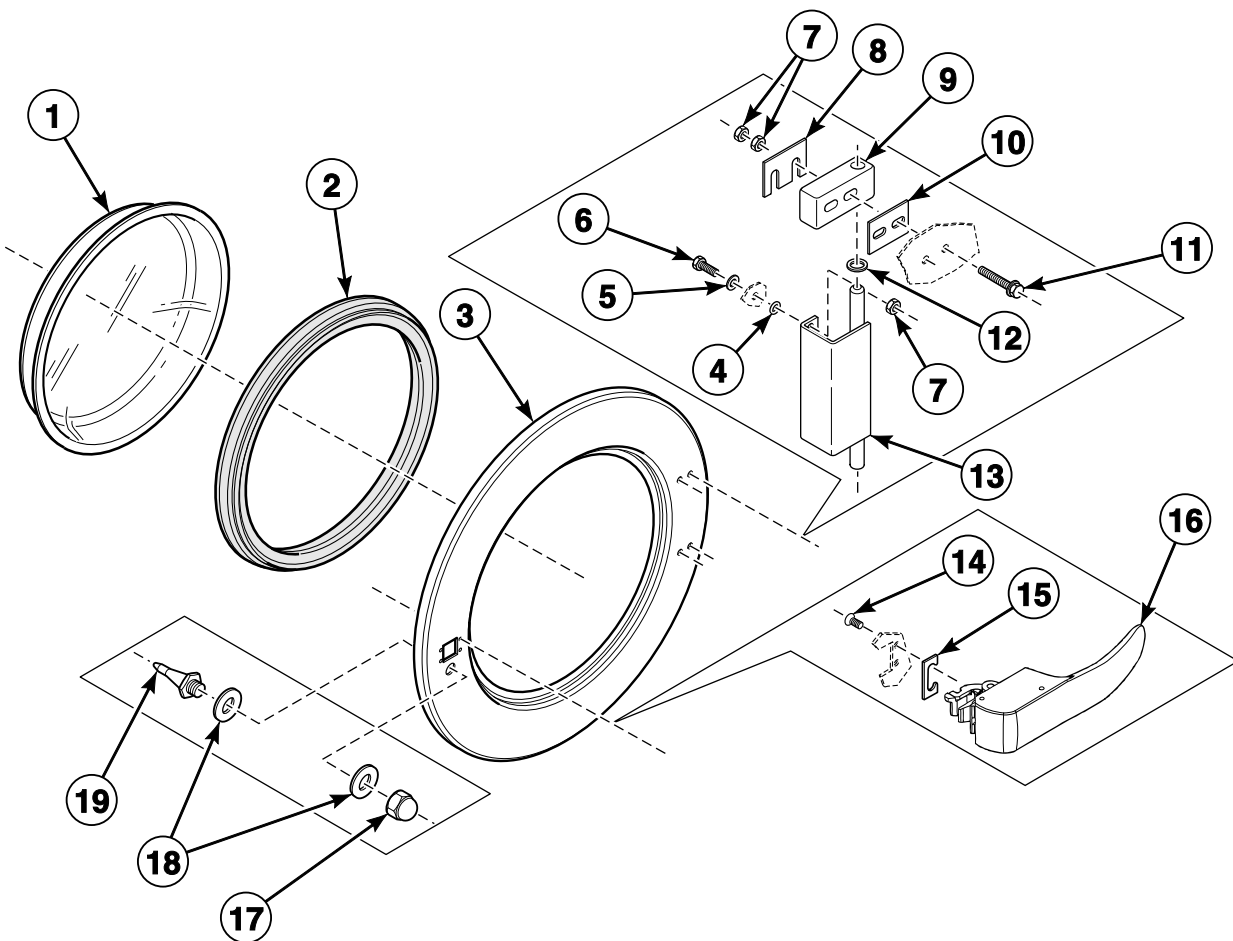
CFD543P\_D0887



# Door Lock

REF	PART NO.	DESCRIPTION	COMMENTS
1	B12517701	Door Lock Assembly	
2	207/00135/00	Screw	
3	201/00017/00	Washer	
4	217/00052/04	Interlock Lever	
5	224/00040/00	Lever Spring	
6	204/00009/00	Nut	
7	201/00006/00	Washer	
8	210/10015/00	Ground Terminal	
9	203/00007/00	Washer	
10	204/00008/00	Nut	
11	202/00101/00	Washer	
12	205/00103/00	Bolt	
13	209/00272/00	Door Lock Microswitch	
14	207/00009/00	Screw	
15	201/00018/00	Washer	
16	217/00052/11	Door Lock Bracket	
17	205/00115/00	Bolt	
18	211/00109/02	Door Lock Pin Kit	
19	209/00273/00	Microswitch	Light
20	217/00017/03	Lock Shaft	
21	B12495102	Door Solenoid Assembly	
22	224/00049/00	Door Lock Spring	
23	217/00052/07	Door Release Wire	
24	224/00043/00	Interlock Coil Spring	
25	217/00052/03	Door Lock Spacer	
26	202/00124/00	Washer	

# Door

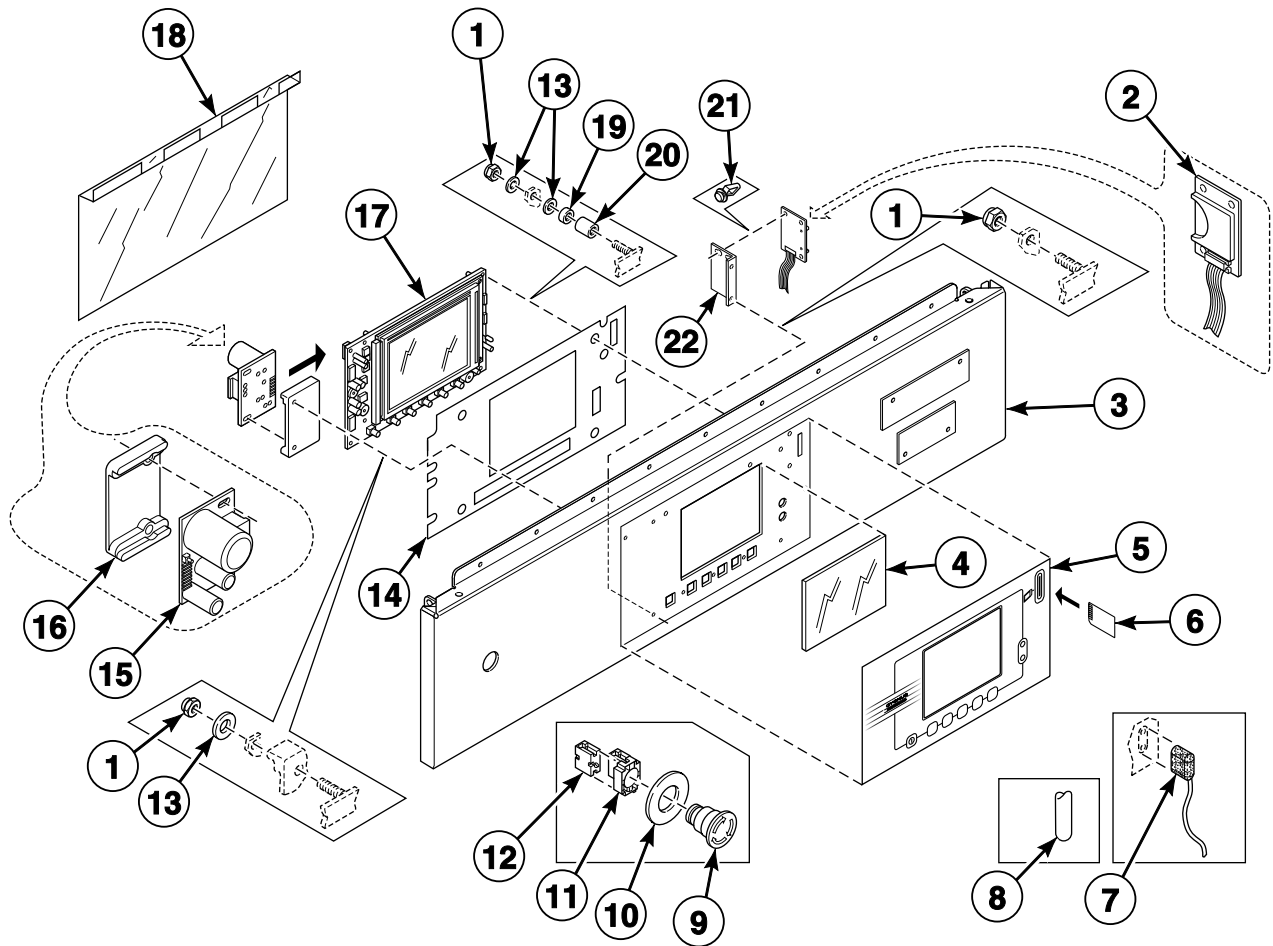


BE000190CP\_D0887

# Door

REF	PART NO.	DESCRIPTION	COMMENTS
1	B12449801	Door Glass	
2	223/00068/00	Door Glass Seal	
3	118/00125/00	Door	
4	217/00021/00	O-Ring	
5	202/00101/00	Washer	
6	205/00104/00	Bolt	
7	204/00106/00	Nut	
8	118/00121/00	Door Hinge Plate Assembly	
9	253/00022/00	Door Hinge Block	
10	118/00124/00	Door Hinge Spacer	2 mm
11	207/00126/00	Screw	
12	202/00104/00	Washer	
13	221/00004/00	Hinge	
14	B12500801	Screw	
15	217/00016/00	Door Handle Stop	
16	217/00059/00	Door Handle	IWF and WF models; Black
	217/00065/00	Door Handle	CWF and WF models; Gray
17	204/00103/00	Nut	
18	202/00111/00	Washer	
19	211/00109/02	Door Lock Pin Kit	

# Control Panel - Cygnus Professional

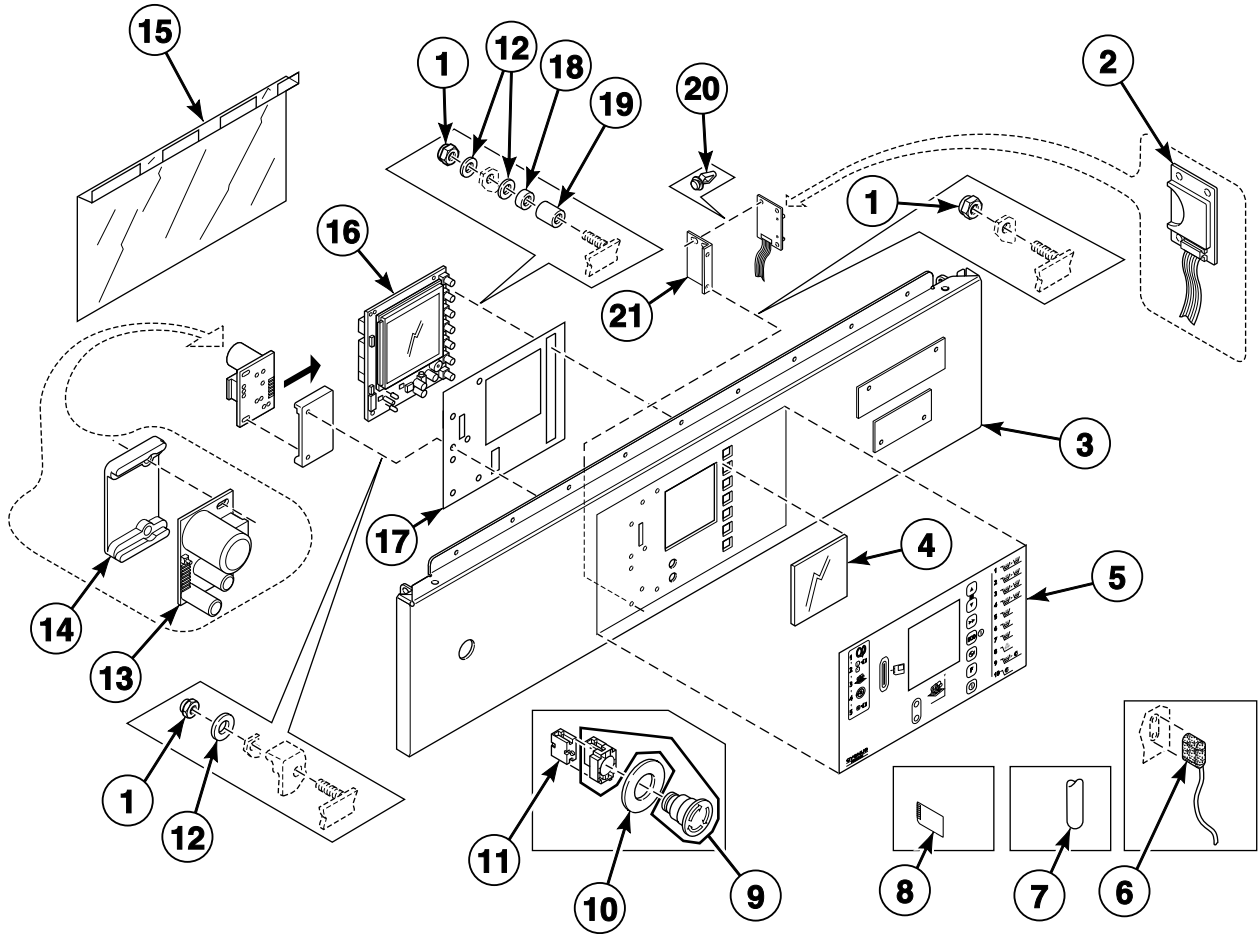


BE000855AP\_D0887

## Control Panel - Cygnus Professional

REF	PART NO.	DESCRIPTION	COMMENTS
1	204/00116/00	Nut	
2	B12305201	Memory Card PC-Board	Models prior to 4/5/11 require a firmware upgrade
	B12538301	Data Card Ribbon Assembly	
3	111/00301/30	Control Panel	Models IWF235ZN2 and WF235_CYGNUS-PRO
	111/00331/30	Control Panel	Models IWF305ZN2, IWF400ZN2, WF305_CYGNUS-PRO and WF400_CYGNUS-PRO
4	225/00321/00	Plexi Frame	
5	225/10313/00	Operating Sticker	
6	209/02022/00	Datacard	
7	210/00901/00	Optic Cable	
8	223/00348/00	Datacard Cover	
9	209/00248/20	Mushroom Pushbutton	
10	209/00520/00	Telem Sticker	
11	209/00099/20	Emergency Switch Pushbutton	
12	209/00099/26	Contact Switch	
13	223/00123/00	Washer	
14	229/00268/00	Insulating Sticker	
15	209/02010/00	Door Lock PC-Board	
16	223/00374/00	Mounting Plate	
17	209/02002/ZO2	Display PC-Board	
18	229/00289/00	Circuit Board Cover	
19	211/00128/00	Printboard Separator	
20	211/00122/00	Standoff	
21	211/00145/00	Standoff	
22	111/01893/00	Printboard Support Card	

# Control Panel - Cygnus Premium OPL

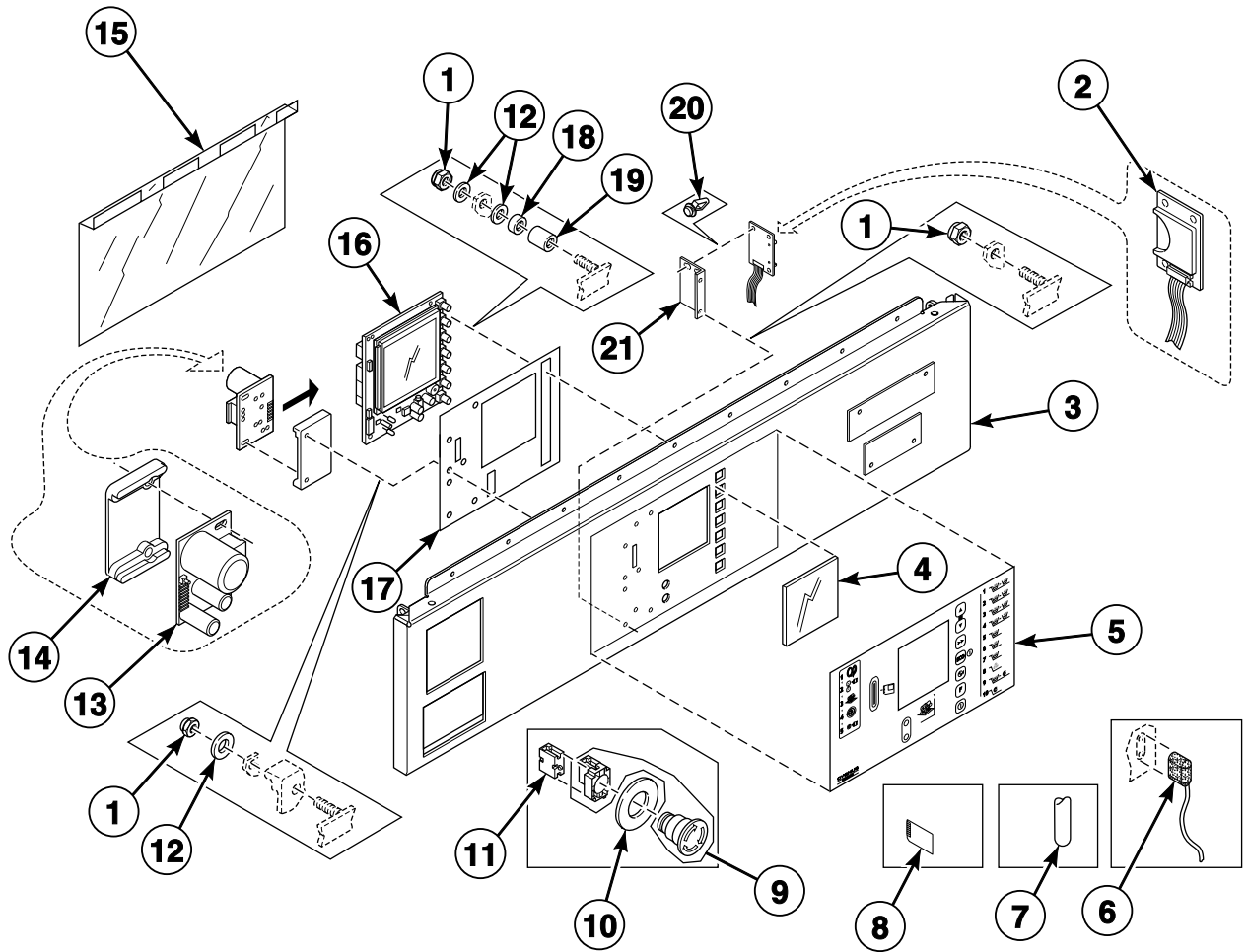


BE000881P\_D0887

## Control Panel - Cygnus Premium OPL

REF	PART NO.	DESCRIPTION	COMMENTS
1	204/00116/00	Nut	
2	B12305201	Memory Card PC-Board	Models prior to 4/5/11 require a firmware upgrade
	B12538301	Data Card Ribbon Assembly	
3	111/00331/33	Control Panel	Models WF305_CYGNUS-PREM_OPL and WF400_CYGNUS-PREM_OPL
	111/00301/33	Control Panel	Model WF235_CYGNUS-PREM_OPL
4	225/00323/00	Plexi Frame	
5	225/10404/00	Operating Sticker	With dataflash card opening
	225/10427/00	Operating Sticker	Without dataflash card opening
6	210/00901/00	Optic Cable	
7	223/00348/00	Datacard Cover	
8	209/02022/00	Datacard	
9	209/00099/20	Emergency Switch Pushbutton	
10	209/00520/00	Telem Sticker	
11	209/00099/26	Contact Switch	
12	223/00123/00	Washer	
13	209/02010/00	Door Lock PC-Board	
14	223/00374/00	Mounting Plate	
15	229/00289/00	Circuit Board Cover	
16	209/02015/02	Printboard	
17	229/00291/00	Insulating Sticker	
18	211/00128/00	Printboard Separator	
19	211/00122/00	Standoff	
20	211/00145/00	Standoff	
21	111/01893/00	Printboard Support Card	

# Control Panel - Cygnus Premium Coin



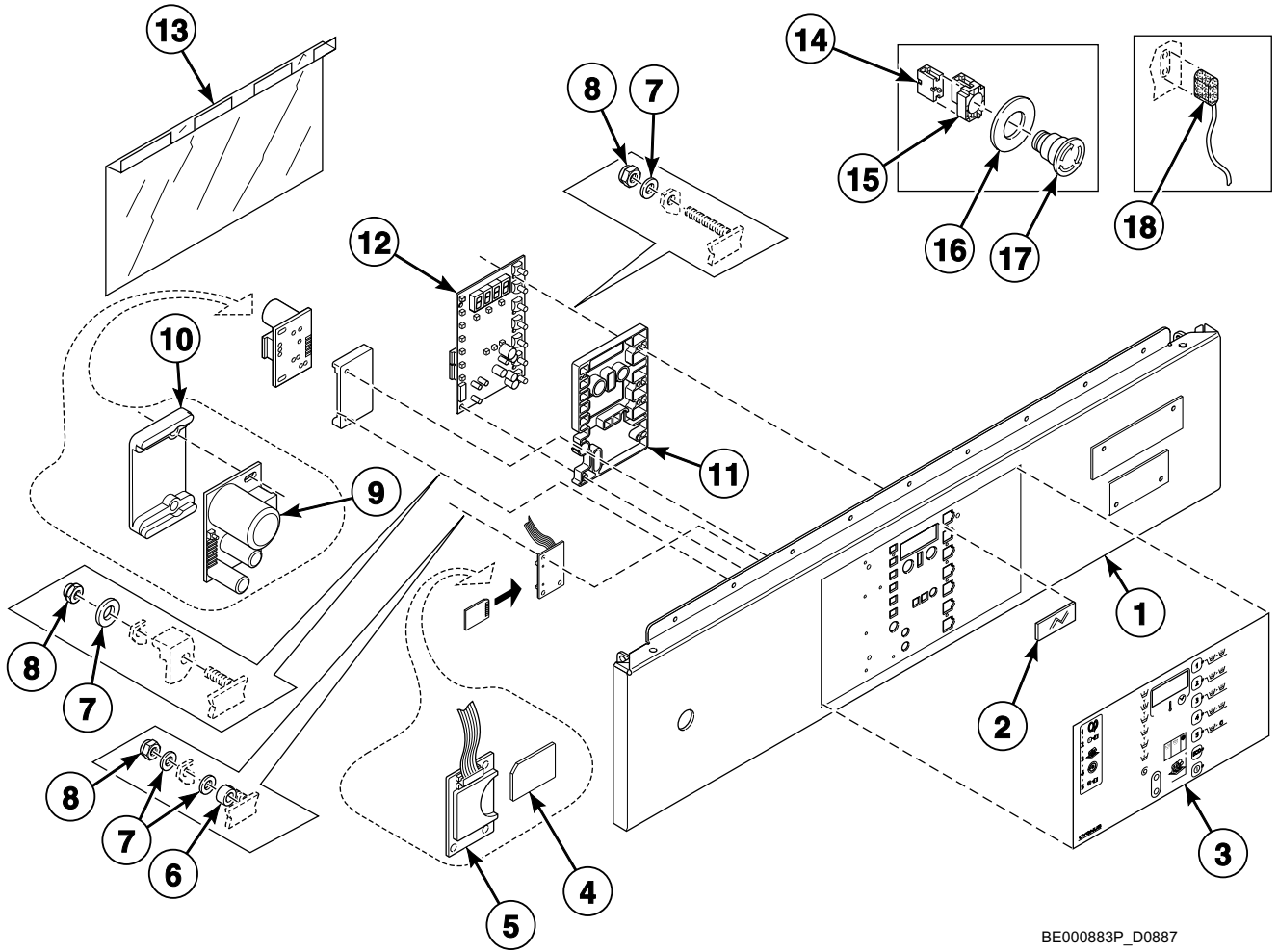
BE000882P\_D0887



## Control Panel - Cygnus Premium Coin

REF	PART NO.	DESCRIPTION	COMMENTS
1	204/00116/00	Nut	
2	B12305201	Memory Card PC-Board	Models prior to 4/5/11 require a firmware upgrade
	B12538301	Data Card Ribbon Assembly	
3	111/00331/34	Control Panel	Models WF305_CYGNUS-PREM_COIN and WF400_CYGNUS-PREM_COIN
	111/00301/34	Control Panel	Model WF235_CYGNUS-PREM_COIN
4	225/00323/00	Plexi Frame	
5	225/10405/00	Operating Sticker	With ECO
	225/10477/00	Operating Sticker	Without ECO
6	210/00901/00	Optic Cable	
7	223/00348/00	Datacard Cover	
8	209/02022/00	Datacard	
9	209/00099/20	Emergency Switch Pushbutton	
10	209/00520/00	Telem Sticker	
11	209/00099/26	Contact Switch	
12	223/00123/00	Washer	
13	209/02010/00	Door Lock PC-Board	
14	223/00374/00	Mounting Plate	
15	229/00289/00	Circuit Board Cover	
16	209/02015/02	Printboard	
17	229/00291/00	Insulating Sticker	
18	211/00128/00	Printboard Separator	
19	211/00122/00	Standoff	
20	211/00145/00	Standoff	
21	111/01893/00	Printboard Support Card	

# Control Panel - Cygnus Standard/Commercial OPL

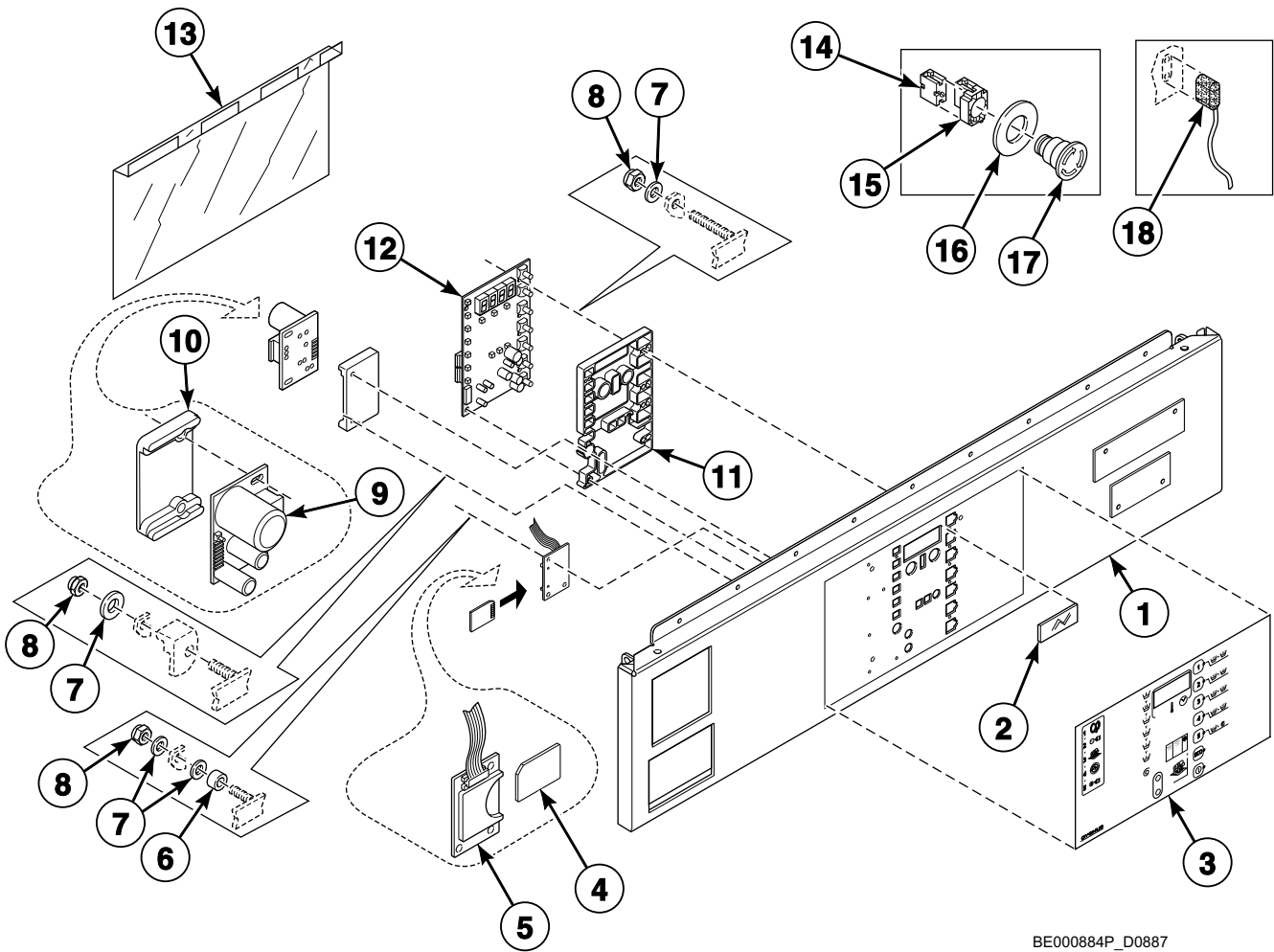


BE000883P\_D0887

## Control Panel - Cygnus Standard/Commercial OPL

REF	PART NO.	DESCRIPTION	COMMENTS
1	111/00331/31	Control Panel	Models WF305_CYGNUS-COMM_OPL, WF305_CYGNUS-STANDARD_OPL, WF400_CYGNUS-COMM_OPL and WF400_CYGNUS-STANDARD_OPL
	111/00301/31	Control Panel	Models WF235_CYGNUS-COMM_OPL and WF235_CYGNUS-STANDARD_OPL
2	225/00322/00	Plexi Frame	
3	225/10307/00	Operating Sticker	Models WF235_CYGNUS-STANDARD_OPL, WF305_CYGNUS-STANDARD_OPL and WF400_CYGNUS-STANDARD_OPL
	225/10308/00	Operating Sticker	Models WF235_CYGNUS-COMM_OPL, WF305_CYGNUS-COMM_OPL and WF400_CYGNUS-COMM_OPL
4	209/02022/00	Datacard	
5	B12305201	Memory Card PC-Board	Models prior to 4/5/11 require a firmware upgrade
	B12538301	Data Card Ribbon Assembly	
6	211/00128/00	Printboard Separator	
7	223/00123/00	Washer	
8	204/00116/00	Nut	
9	209/02010/00	Door Lock PC-Board	
10	223/00374/00	Mounting Plate	
11	223/00330/00	Protection LED	
12	209/02001/02	Printboard	
13	229/00289/00	Circuit Board Cover	
14	209/00099/26	Contact Switch	
15	209/00099/20	Emergency Switch Pushbutton	
16	209/00520/00	Telem Sticker	
17	209/00248/20	Mushroom Pushbutton	
18	210/00901/00	Optic Cable	

# Control Panel - Cygnus Standard/Commercial Coin

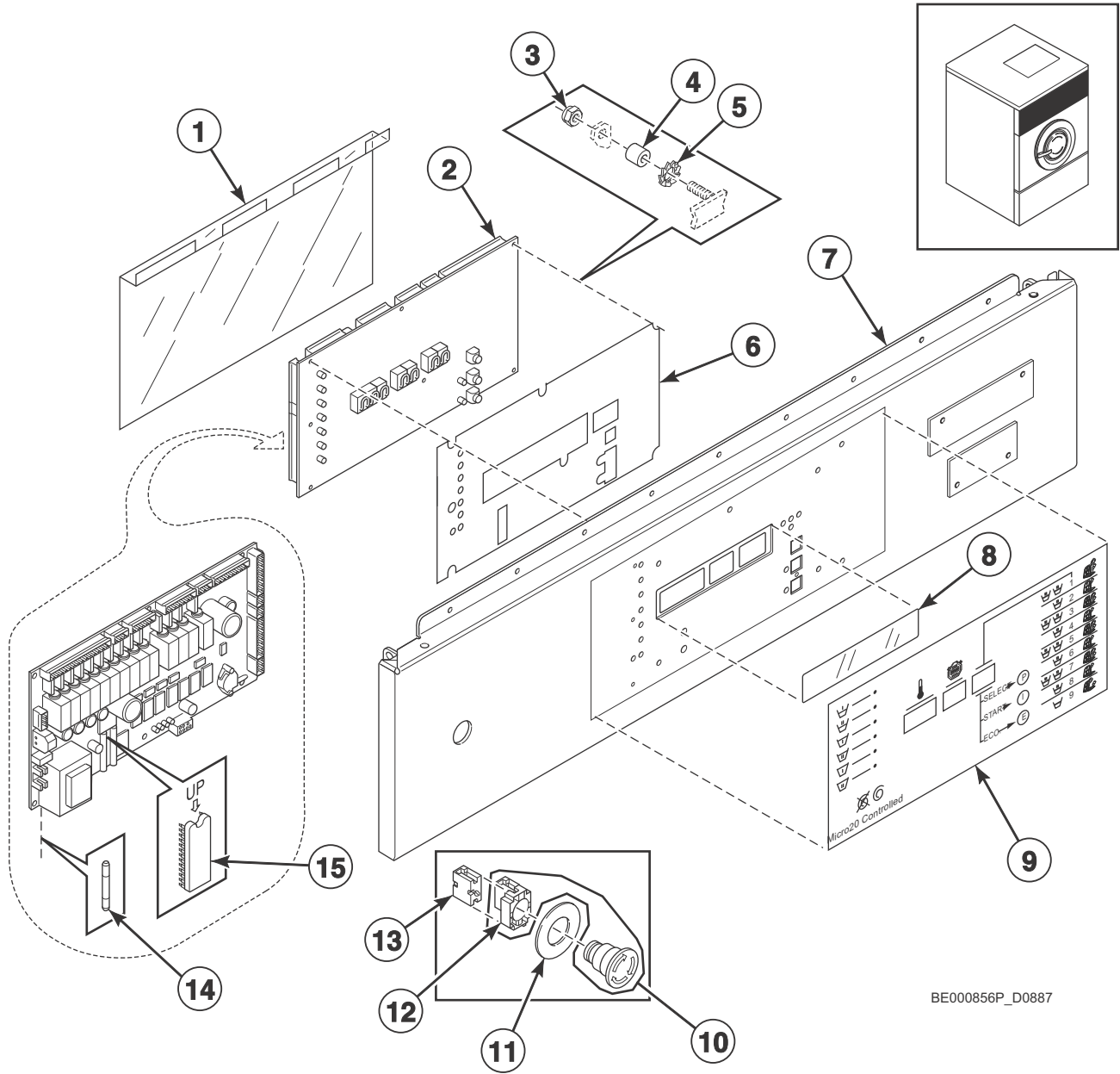


BE000884P\_D0887

## Control Panel - Cygnus Standard/Commercial Coin

REF	PART NO.	DESCRIPTION	COMMENTS
1	111/00331/32	Control Panel	Models WF305_CYGNUS-COMM_COIN, WF305_CYGNUS-STANDARD_COIN, WF400_CYGNUS-COMM_COIN and WF400_CYGNUS-STANDARD_COIN
	111/00301/32	Control Panel	Models WF235_CYGNUS-COMM_COIN and WF235_CYGNUS-STANDARD_COIN
2	225/00322/00	Plexi Frame	
3	225/10307/00	Operating Sticker	Models WF235_CYGNUS-STANDARD_COIN, WF305_CYGNUS-STANDARD_COIN and WF400_CYGNUS-STANDARD_COIN
	225/10308/00	Operating Sticker	Models WF235_CYGNUS-COMM_COIN, WF305_CYGNUS-COMM_COIN and WF400_CYGNUS-COMM_COIN
4	209/02022/00	Datacard	
5	B12305201	Memory Card PC-Board	Models prior to 4/5/11 require a firmware upgrade
	B12538301	Data Card Ribbon Assembly	
6	211/00128/00	Printboard Separator	
7	223/00123/00	Washer	
8	204/00116/00	Nut	
9	209/02010/00	Door Lock PC-Board	
10	223/00374/00	Mounting Plate	
11	223/00330/00	Protection LED	
12	209/02001/02	Printboard	
13	229/00289/00	Circuit Board Cover	
14	209/00099/26	Contact Switch	
15	209/00099/20	Emergency Switch Pushbutton	
16	209/00520/00	Telem Sticker	
17	209/00248/20	Mushroom Pushbutton	
18	210/00901/00	Optic Cable	

# Control Panel - Micro-20 OPL

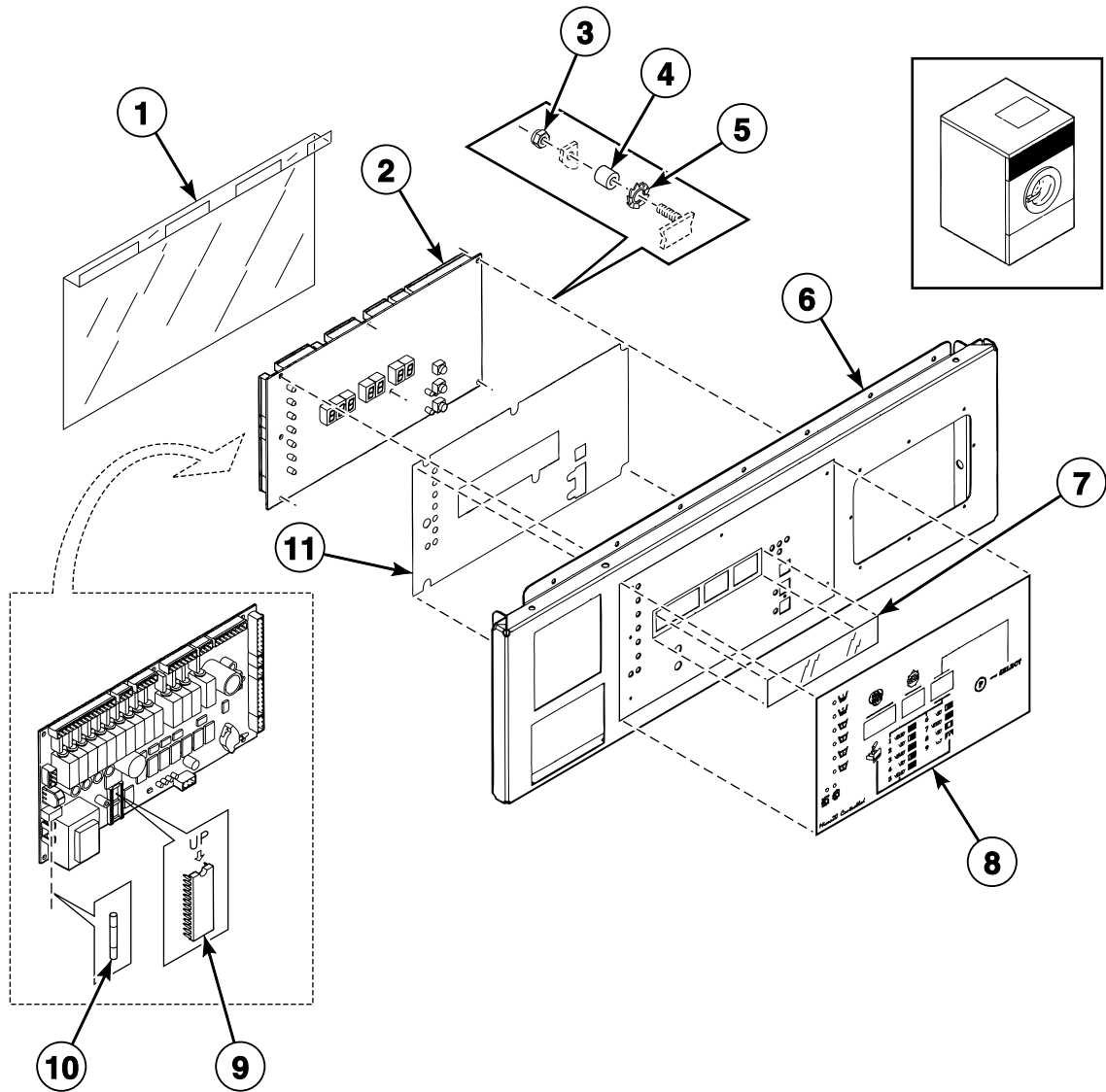


BE000856P\_D0887

## Control Panel - Micro-20 OPL

REF	PART NO.	DESCRIPTION	COMMENTS
1	229/00289/00	Circuit Board Cover	
2	209/00440/70	Printboard	220 Volt
	209/00440/80	Printboard	115 Volt
3	204/00116/00	Nut	
4	211/00122/00	Standoff	
5	203/00006/00	Washer	
6	229/00255/00	Insulating Sticker	
7	111/00301/00	Control Panel	*55 and *235 models
	111/00331/00	Control Panel	*75, *90, *305 and *400 models
8	225/00316/00	Plexi Frame	
9	225/00407/00	Keypad Sticker	With ECO
	225/00408/00	Operating Sticker	Without ECO
10	209/00248/00	Mushroom Pushbutton	
11	209/00520/00	Telem Sticker	
12	44018701	Contact Block	
13	209/00099/26	Contact Switch	
14	209/00439/00	Fuse	500 mA
15	209/00266/01	Eprom	

# Control Panel - Micro-20 Coin



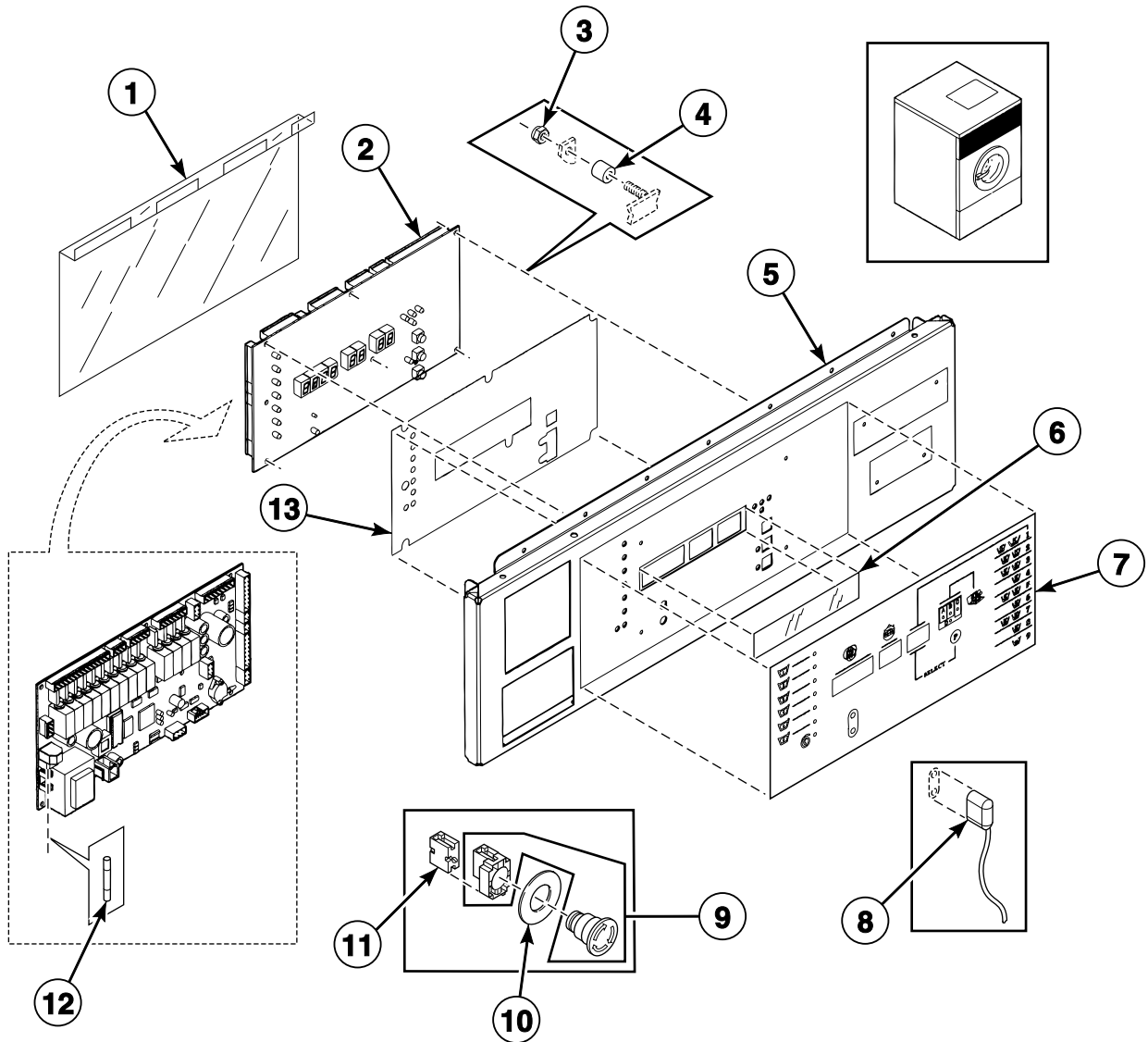
BE000819P\_D0887



## Control Panel - Micro-20 Coin

REF	PART NO.	DESCRIPTION	COMMENTS
1	229/00289/00	Circuit Board Cover	
2	209/00440/70	Printboard	220 Volt
	209/00440/80	Printboard	115 Volt
3	204/00116/00	Nut	
4	211/00122/00	Standoff	
5	203/00006/00	Washer	
6	111/01823/00	Upper Front Panel	
7	225/00316/00	Plexi Frame	
8	225/00410/00	Operating Sticker	
9	209/00266/01	Eprom	Standard software
10	209/00439/00	Fuse	500 mA
11	229/00255/00	Insulating Sticker	

# Control Panel - Sigma Coin



BE000629P\_D0887

## Control Panel - Sigma Coin

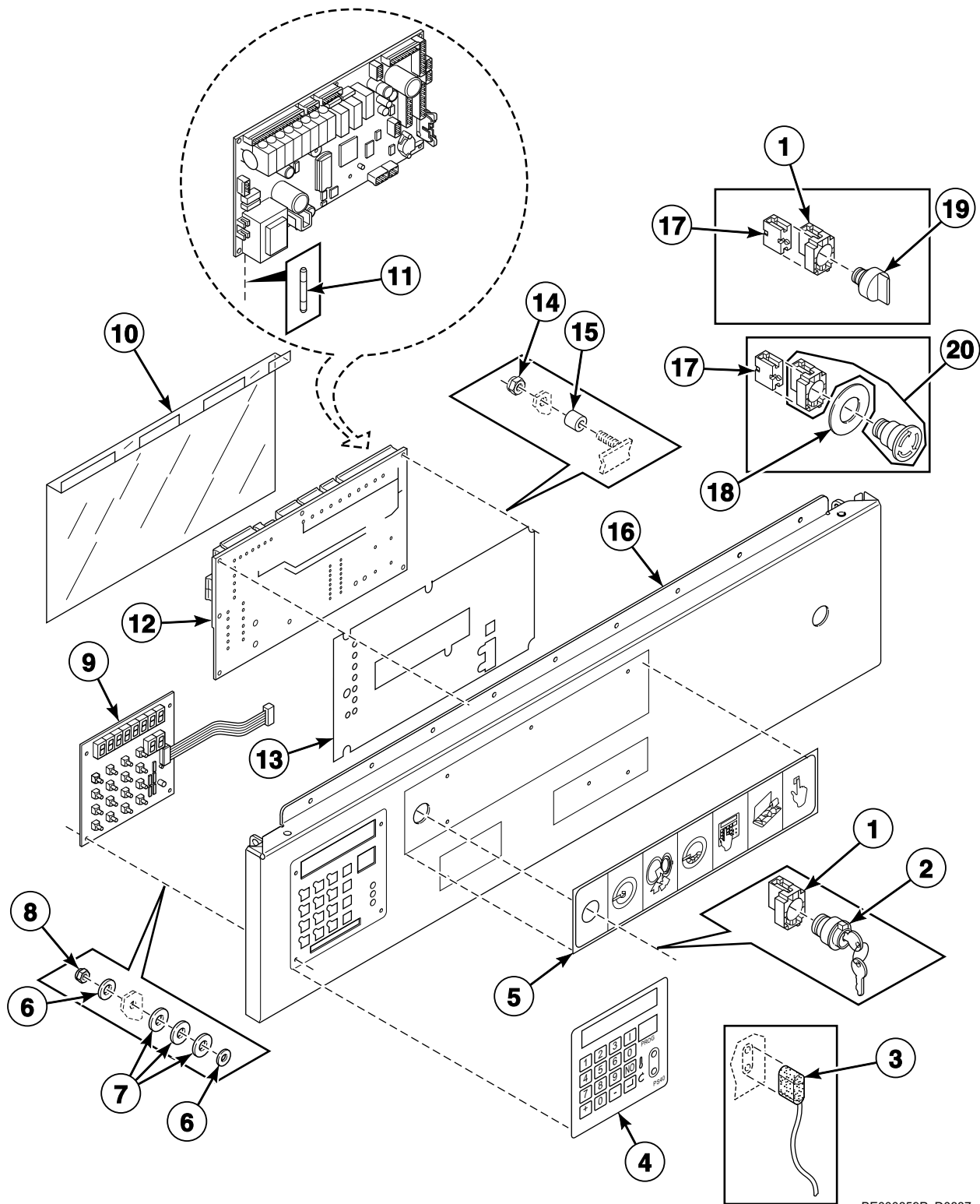
REF	PART NO.	DESCRIPTION	COMMENTS
1	229/00262/00	Circuit Board Cover	
2	209/00547/00	Control Board	
3	204/00114/00	Nut	
4	211/00122/00	Standoff	
5	111/00301/10	Control Panel	*55 and *235 models
	111/00331/10	Control Panel	*75, *90, *305 and *400 models
6	225/00316/00	Plexi Frame	
7	225/00403/00	Decal	
8	210/00902/00	Infrared Cable	
9	209/00248/20	Mushroom Pushbutton	
10	209/00520/00	Telem Sticker	
11	209/00099/26	Contact Switch	
12	209/00439/00	Fuse	500 mA
13	229/00255/00	Insulating Sticker	



## Control Panel - Sigma OPL

REF	PART NO.	DESCRIPTION	COMMENTS
1	229/00262/00	Circuit Board Cover	
2	209/00547/00	Control Board	
3	204/00114/00	Nut	
4	211/00122/00	Standoff	
5	229/00255/00	Insulating Sticker	
6	111/00301/00	Control Panel	Model WF235_SIGMA_OPL
	111/00331/00	Control Panel	Models WF305_SIGMA_OPL and WF400_SIGMA_OPL
7	225/00316/00	Plexi Frame	
8	225/00404/00	Operating Sticker	With ECO
	225/00405/00	Operating Sticker	Without ECO
9	210/00902/00	Infrared Cable	
10	209/00248/20	Mushroom Pushbutton	
11	209/00520/00	Telem Sticker	
12	209/00099/26	Contact Switch	
13	209/00439/00	Fuse	500 mA

# Control Panel - PS40F

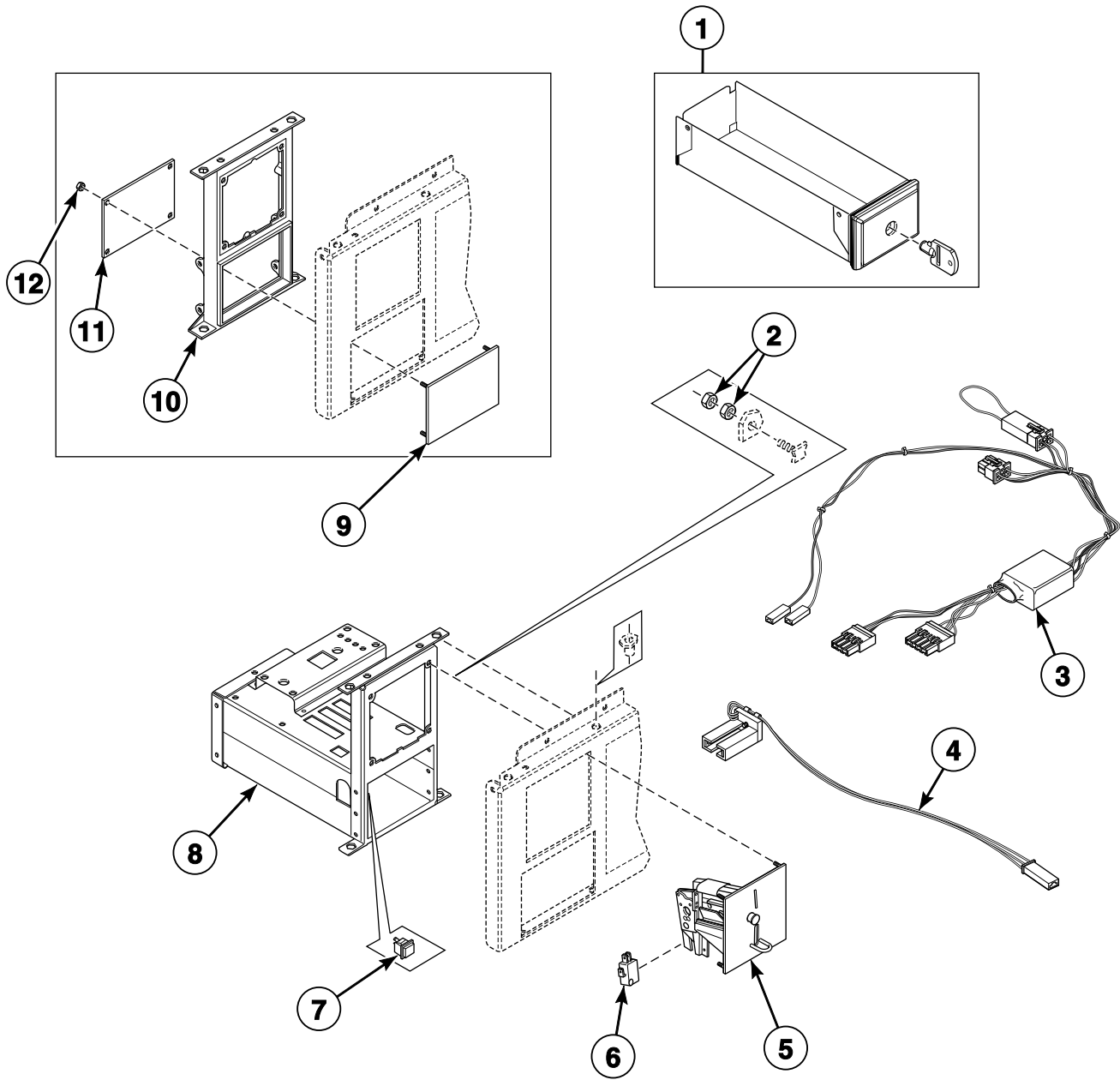


BE000859P\_D0887

## Control Panel - PS40F

REF	PART NO.	DESCRIPTION	COMMENTS
1	209/00099/25	Switch Base	
2	209/00326/20	Programming Key Contact Switch	
3	210/00902/00	Infrared Cable	
4	225/00397/00	Label	
5	225/00400/00	Operating Sticker	
6	223/00123/00	Washer	
7	223/00051/10	Washer	
8	204/00116/00	Nut	
9	209/00552/01	Keypad	
10	229/00262/00	Circuit Board Cover	
11	209/00372/01	Fuse	
12	B12351701	Main Board	
13	229/00255/00	Insulating Sticker	
14	204/00116/00	Nut	
15	211/00122/00	Standoff	
16	111/00301/20	Control Panel	*55 and *235 models
	111/00331/20	Control Panel	*75, *90, *305 and *400 models
17	209/00099/26	Contact Switch	
18	209/00520/00	Telem Sticker	
19	209/00099/29	Switch Knob	
20	209/00248/20	Mushroom Pushbutton	

# Coin Drop - Mechanical Coin Meter



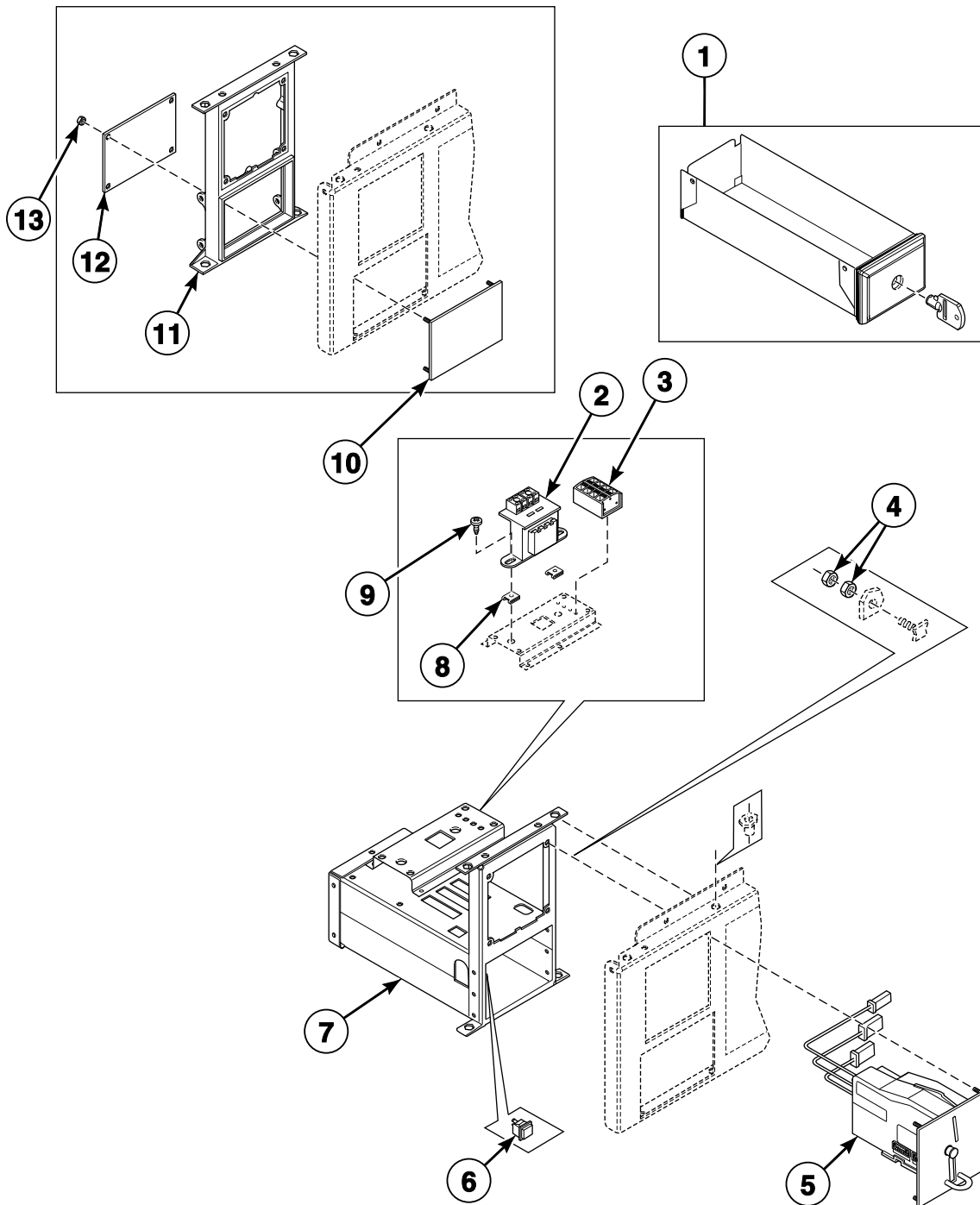
CFD512P\_D0887



## Coin Drop - Mechanical Coin Meter

REF	PART NO.	DESCRIPTION	COMMENTS
	B12388101	Single Drop Optical Sensor Kit	Includes items 3 and 4
	B12388102	Dual Drop Optical Sensor Kit	Includes items 3 and 4
1	254/00077/00	Coin Box	
	254/00077/02	Key	
2	204/00008/00	Nut	
3	B12359901	Wire Assembly	Micro-20 and Sigma models
4	209/00781/00	Optical Switch	Micro-20 and Sigma models
5	B12311224	Coin Drop	Mechanical; Jeton 5K
	B12311206	Coin Drop	Mechanical; Jeton 7K
	B12311201	Coin Drop	Mechanical; Jeton 10K
	B12311210	Coin Drop	Mechanical; Jeton 12K
	B12311252	Coin Drop	Mechanical; Jeton 10K and .5 euro
	B12311211	Coin Drop	Mechanical; Jeton 7K and 1 euro
	B12323901	Coin Drop	Mechanical; Jeton 15K and 7K
	B12311204	Coin Drop	Mechanical; Jeton gettone
	B12311234	Coin Drop	Mechanical; Jeton crouzet
	B12311247	Coin Drop	Mechanical; Jeton 118-1
	B12311248	Coin Drop	Mechanical; Jeton 118-5
	B12311222	Coin Drop	Mechanical; 1 euro
	B12311214	Coin Drop	Mechanical; .5 euro
	B12311202	Coin Drop	Mechanical; .5 and 1 euro
	B12311239	Coin Drop	Mechanical; .5 and 2 euro
	B12311205	Coin Drop	Mechanical; .2 and 1 euro
	B11211209	Coin Drop	Mechanical; .2 and .5 euro
	B12311218	Coin Drop	Mechanical; 1 and 1 euro
	B12311219	Coin Drop	Mechanical; 1 and 2 euro
	B12311203	Coin Drop	Mechanical; 1 and 2 frank
	B12311207	Coin Drop	Mechanical; 1 Deense kroon
	B12311225	Coin Drop	Mechanical; 10 Deense kronen
	B12311235	Coin Drop	Mechanical; 10 Tsjechische kronen
	B12311244	Coin Drop	Mechanical; 10 Noorse kronen
	B12311208	Coin Drop	Mechanical; 100 and 500 yen
	B12311212	Coin Drop	Mechanical; 15K
	B12311215	Coin Drop	Mechanical; 1 kro
	B12311226	Coin Drop	Mechanical; Australian 1.00
	B12311216	Coin Drop	Mechanical; Australian .2 and 1.00
	B12311220	Coin Drop	Mechanical; New Zealand 1.00
	B12311221	Coin Drop	Mechanical; .5 and 2 zwitsers
	B12311241	Coin Drop	Mechanical; Hong Kong 1.00
	B12311249	Coin Drop	Mechanical; Hong Kong 5.00
	B12311301	Coin Drop	Mechanical; U.S. \$.25
	B12311302	Coin Drop	Mechanical; U.S. \$.25 and \$1.00
	B12311304	Coin Drop	Mechanical; Canada 1.00 and .25
	B12323401	Coin Drop	Mechanical; Singapore 1.00
6	209/00600/01P	Switch	
7	209/00396/00	Pushbutton	
8	152/00112/00	Mechanical Coin Meter Housing	
9	111/01001/00	Top Panel	Gray
	111/01000/00	Front Plate	Black
10	217/00060/00	Fastening Piece	
11	111/01002/00	Backplate	
12	204/00116/00	Nut	

# Coin Drop - Electronic Coin Meter

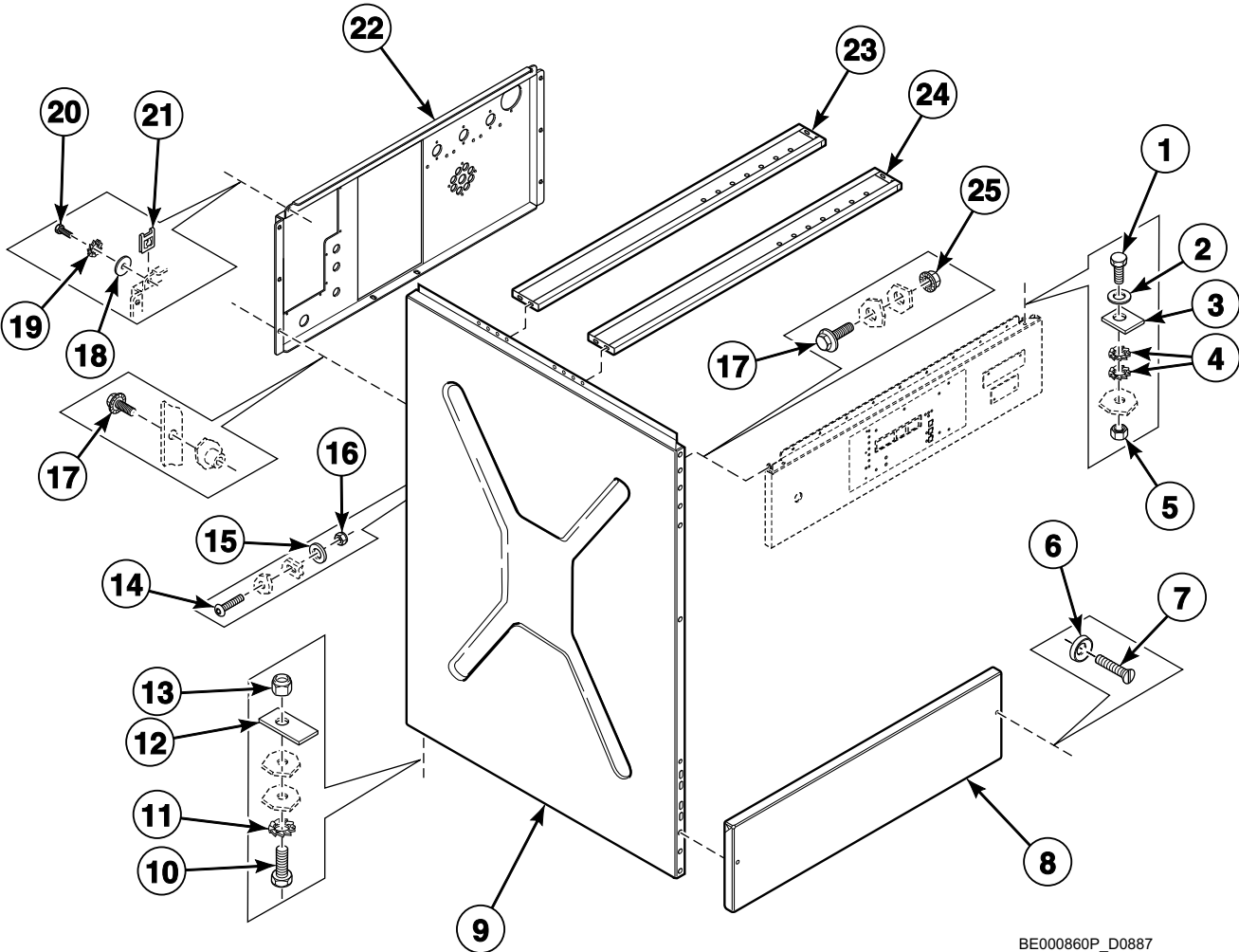


CFD511P\_D0887

## Coin Drop - Electronic Coin Meter

REF	PART NO.	DESCRIPTION	COMMENTS
1	254/00077/00	Coin Box	
	254/00077/02	Key	
2	209/00682/00	Transformer	
3	209/00683/00	Input Block	
4	204/00008/00	Nut	
5	B12311401	Coin Drop	Cygnus control models
6	209/00396/00	Pushbutton	
7	152/00112/50	Electronic Coin Meter Housing	
8	208/00002/00	Nut	
9	208/00014/00	Screw	
10	111/01001/00	Top Panel	Gray
	111/01000/00	Front Plate	Black
11	217/00060/00	Fastening Piece	
12	111/01002/00	Backplate	
13	204/00116/00	Nut	

# Left Side, Lower Front and Upper Back Panels - \*55 and \*235 Models with Older Style Soap Dispenser Crossbar

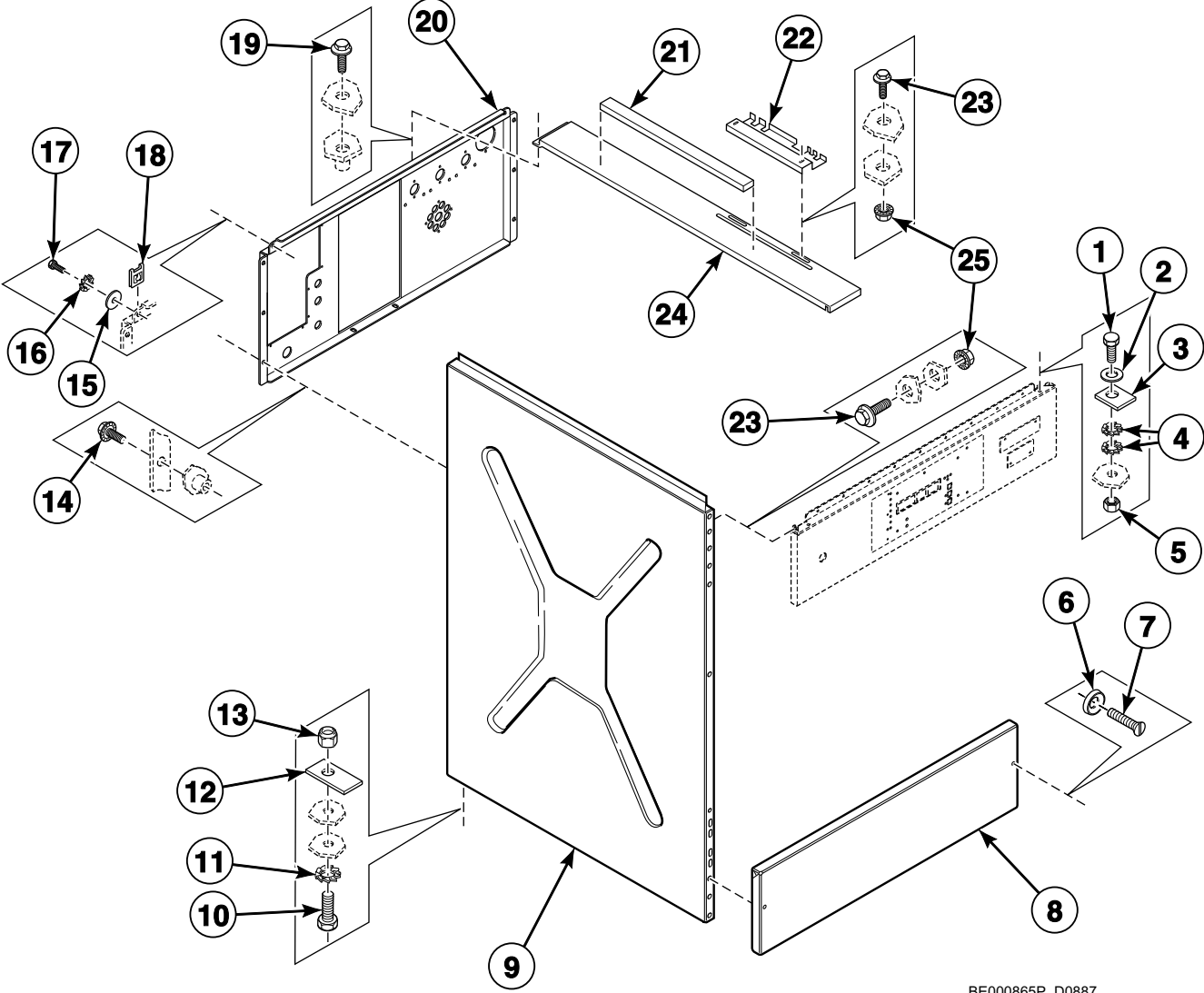


BE000860P\_D0887

## Left Side, Lower Front and Upper Back Panels - \*55 and \*235 Models with Older Style Soap Dispenser Crossbar

REF	PART NO.	DESCRIPTION	COMMENTS
1	205/00106/00	Bolt	
2	202/00003/00	Washer	
3	117/00042/00	Retaining Ring	
4	203/00005/00	Washer	
5	204/00006/00	Nut	
6	208/00009/00	Washer	
7	207/00101/00	Screw	
8	111/00300/00	Kickplate	
9	140/60027/00	Side Panel	Left
10	205/00105/00	Bolt	
11	203/00004/00	Washer	
12	101/00007/00	Outlet Pipe Plate Assembly	
13	204/00009/00	Nut	
14	207/00032/00	Screw	
15	202/00006/00	Washer	
16	204/00007/00	Nut	
17	206/00099/00	Bolt	
18	201/00006/00	Washer	
19	203/00015/00	Washer	
20	208/00014/00	Screw	
21	208/00025/00	Nut	
22	111/00304/00	Backbridge	
23	111/10100/10	Soap Dispenser Front	
24	111/10100/00	Soap Dispenser Back	
25	206/00101/00	Nut	

# Left Side, Lower Front and Upper Back Panels - \*75 and \*305 Models with Older Style Soap Dispenser Crossbar

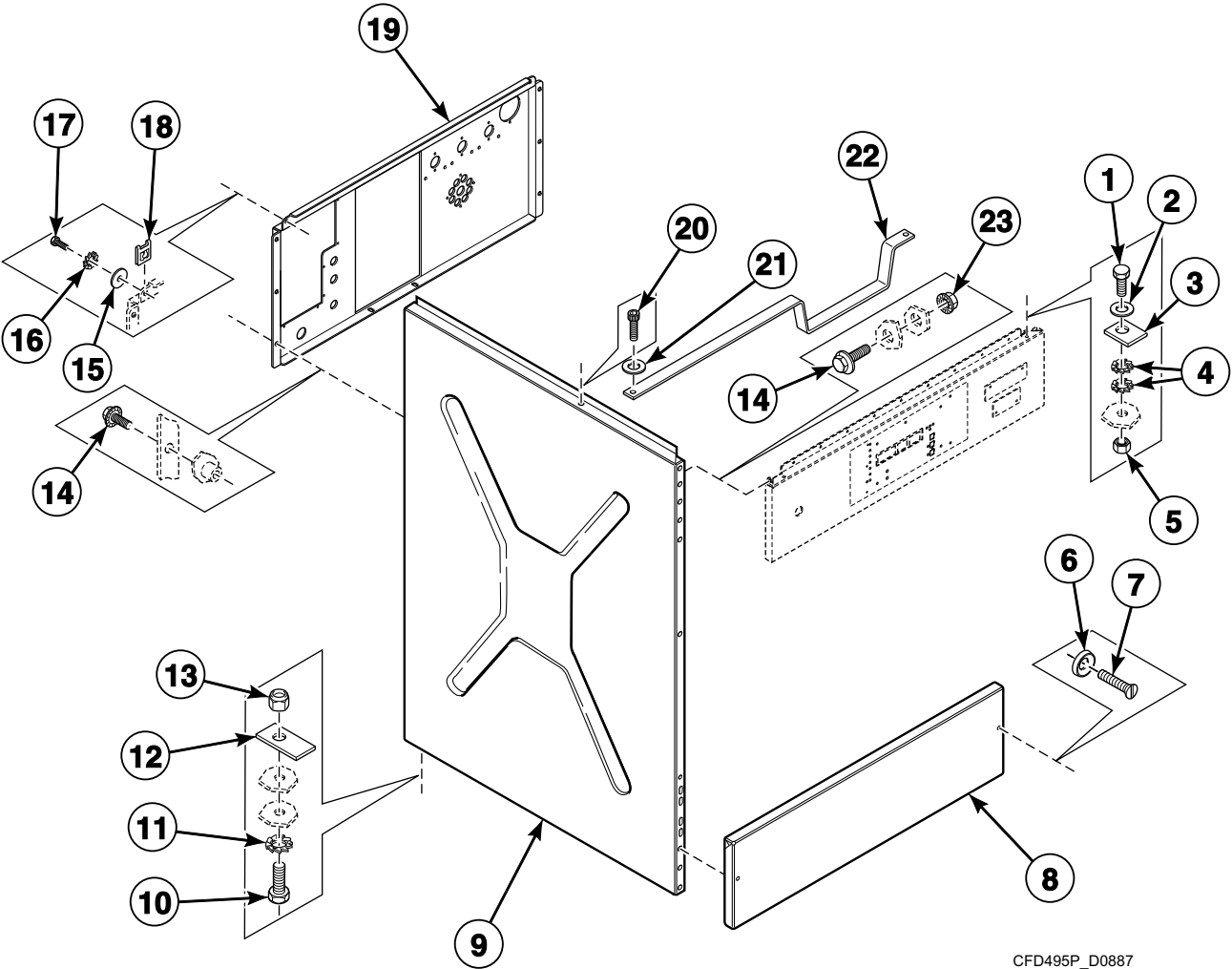


BE000865P\_D0887

## Left Side, Lower Front and Upper Back Panels - \*75 and \*305 Models with Older Style Soap Dispenser Crossbar

REF	PART NO.	DESCRIPTION	COMMENTS
1	205/00106/00	Bolt	
2	202/00003/00	Washer	
3	117/00042/00	Retaining Ring	
4	203/00005/00	Washer	
5	204/00006/00	Nut	
6	208/00009/00	Washer	
7	207/00101/00	Screw	
8	111/00333/00	Kickplate	
9	111/60038/00	Side Panel	Left
10	205/00105/00	Bolt	
11	203/00004/00	Washer	
12	101/00007/00	Outlet Pipe Plate Assembly	
13	204/00009/00	Nut	
14	206/00099/00	Bolt	
15	201/00006/00	Washer	
16	203/00015/00	Washer	
17	208/00014/00	Screw	
18	208/00025/00	Nut	
19	206/00099/00	Bolt	
20	111/00334/10	Backbridge	
21	246/00149/00	Gasket	
22	111/00117/00	Soap Box Support Plate	
23	206/00099/00	Bolt	
24	111/00156/00	Soap Dispenser Crossbar	
25	206/00101/00	Nut	

# Left Side, Lower Front and Upper Back Panels with Newer Style Soap Dispenser Crossbar



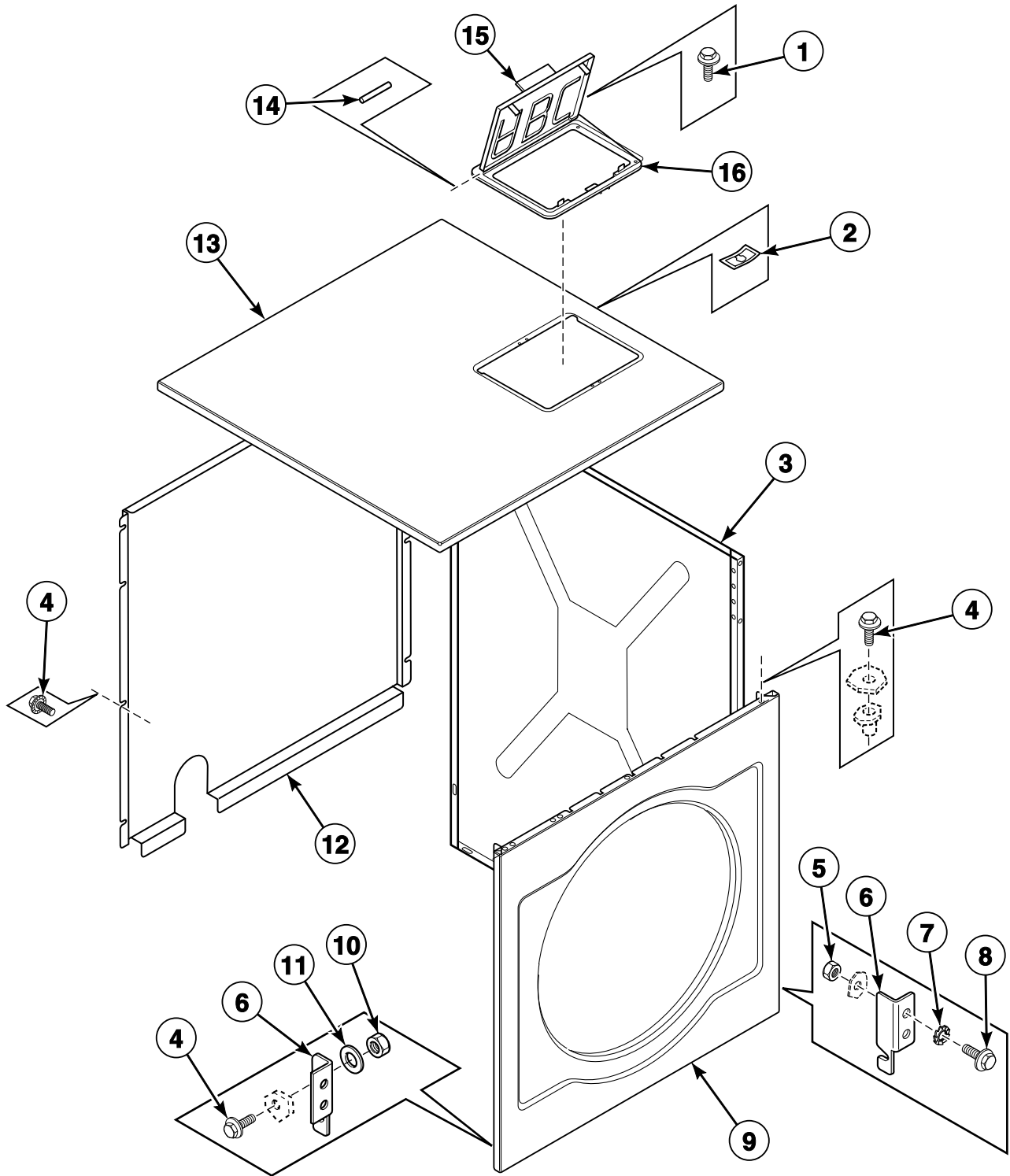
CFD495P\_D0887



## Left Side, Lower Front and Upper Back Panels with Newer Style Soap Dispenser Crossbar

REF	PART NO.	DESCRIPTION	COMMENTS
1	205/00106/00	Bolt	
2	202/00003/00	Washer	
3	117/00042/00	Retaining Ring	
4	203/00005/00	Washer	
5	204/00006/00	Nut	
6	208/00009/00	Washer	
7	207/00101/00	Screw	
8	111/00333/00	Kickplate	
9	111/60038/00	Side Panel	*75 and *305 models; Left
	140/60027/00	Side Panel	*55 and *235 models; Left
	133/60127/00	Side Panel	*90 and *400 models; Left
10	205/00105/00	Bolt	
11	203/00004/00	Washer	
12	101/00007/00	Outlet Pipe Plate Assembly	
13	204/00009/00	Nut	
14	206/00099/00	Bolt	
15	201/00006/00	Washer	
16	203/00015/00	Washer	
17	208/00014/00	Screw	
18	208/00025/00	Nut	
19	111/00304/00	Backbridge	
20	206/00166/00	Screw	
21	B12421401	Washer	
22	111/10100/11	Soap Dispenser Crossbar	*55 and *235 models
	111/00156/11	Powder Bin Crossbar	*75, *90, *305 and *400 models
23	206/00101/00	Nut	

# Right Side, Front, Lower Rear and Top Panels

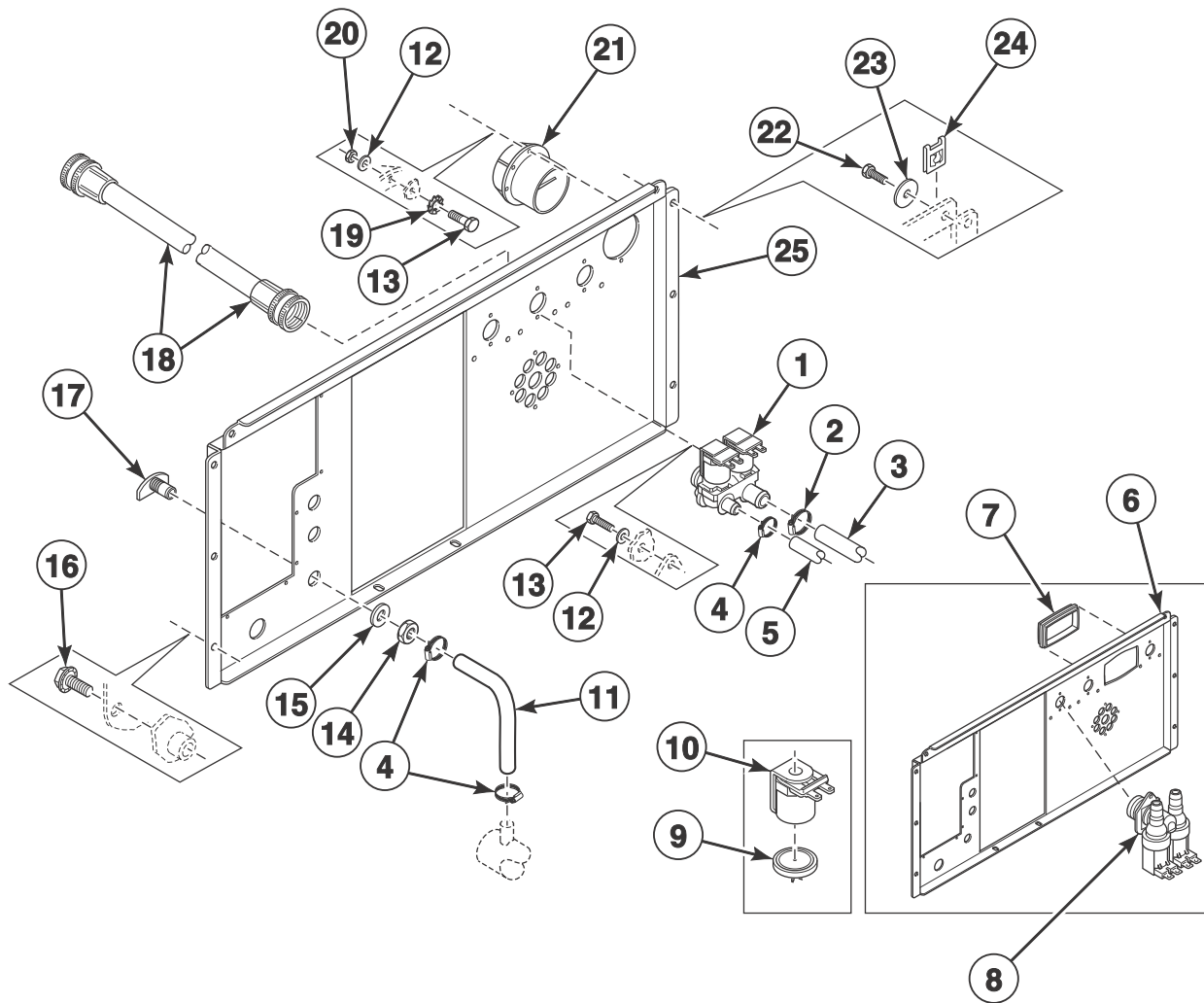


BE000861P\_D0887

## Right Side, Front, Lower Rear and Top Panels

REF	PART NO.	DESCRIPTION	COMMENTS
1	207/00112/00	Screw	
2	208/00104/00	Nut	
3	140/60028/00	Side Panel	*55 and *235 models; Right
	111/60038/50	Side Panel	*75 and *305 models; Right
	133/60128/00	Side Panel	*90 and *400 models; Right
4	206/00099/00	Bolt	
5	204/00107/00	Nut	
6	111/10089/01	Reinforcement Plate	
7	203/00005/00	Washer	
8	206/00016/00	Bolt	
9	111/00293/00	Front Panel	*55 and *235 models
	111/00332/00	Front Panel	*75, *90, *305 and *400 models
10	204/00106/00	Nut	
11	201/00007/00	Washer	
12	111/00335/00	Back Panel	*75, *90, *305 and *400 models
	111/00302/00	Back Panel	*55 and *235 models
13	140/00046/00	Top Panel	*55 and *235 models
	111/00330/00	Top Panel	*75 and *305 models
	111/05017/00	Top Panel	*90 and *400 models
14	223/00103/04	Soap Dispenser Cover Hinge Rod	2 required
15	223/00103/01	Soap Dispenser Cover	
16	223/00103/03	Soap Dispenser Frame	

# Water Inlet Valves

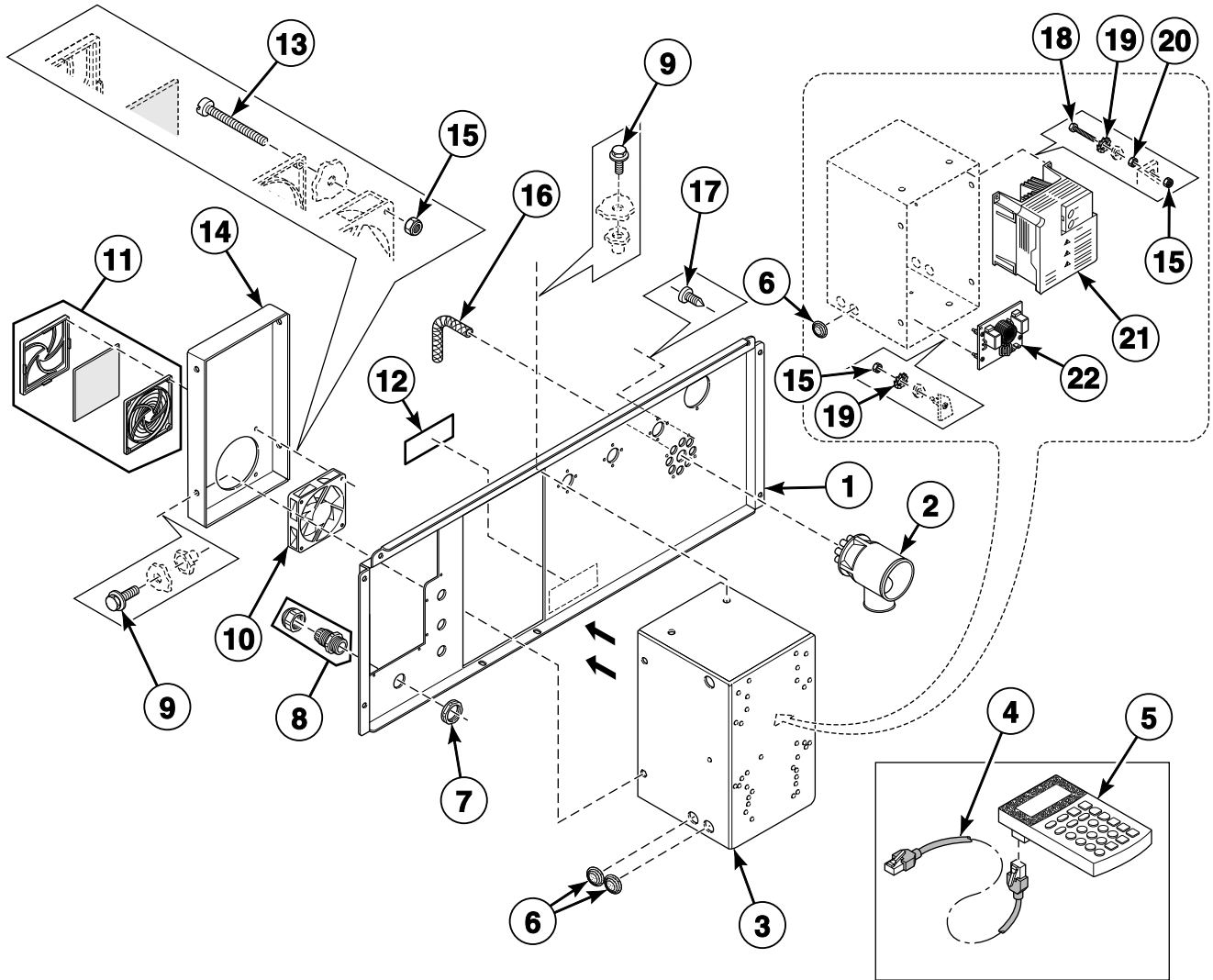


CFD3222P\_D0887

## Water Inlet Valves

REF	PART NO.	DESCRIPTION	COMMENTS
1	209/00316/00	2-Way Inlet Valve	Metric thread; Uses F380939 Valve Repair Kit
	209/00419/00	2-Way Inlet Valve	Standard thread; Uses F380939 Valve Repair Kit
2	223/00011/00	Hose Clamp	
3	223/00059/00	Water Hose	
4	223/00010/00	Hose Clamp	
5	223/00044/00	Water Hose	
6	111/00304/10	Backbridge	*55 and *235 models; Rectangular vent opening
	111/00334/20	Backbridge	*75, *90, *305 and *400 models; Rectangular vent opening
7	223/00226/00	Vent Tube	
8	209/00110/00	2-Way Inlet Valve	Metric thread
	B12519501	2-Way Inlet Valve	Standard thread; Uses G581P3 Diaphragm and Guide Kit
9	209/00316/02	Diaphragm	
10	209/00090/01	Inlet Valve Solenoid	
11	223/00044/00	Water Hose	
12	202/00004/00	Washer	
13	206/00027/00	Bolt	
14	204/00201/00	Nut	
15	201/00002/00	Washer	
16	206/00099/00	Bolt	
17	223/00001/04	Prewash and Mainwash Nozzle	
18	F200164	Water Hose	Standard thread
	F200166	Water Hose	Metric thread
19	203/00006/00	Washer	
20	204/00007/00	Nut	
21	223/00102/07	Hose Vent	
22	208/00014/00	Screw	
23	201/00006/00	Washer	
24	208/00002/00	Nut	
25	111/00304/00	Backbridge	*55 and *235 models; Circular vent opening
	111/00334/10	Backbridge	*75, *90, *305 and *400 models; Circular vent opening

# Inverter Drive - \*55 and \*235 Models



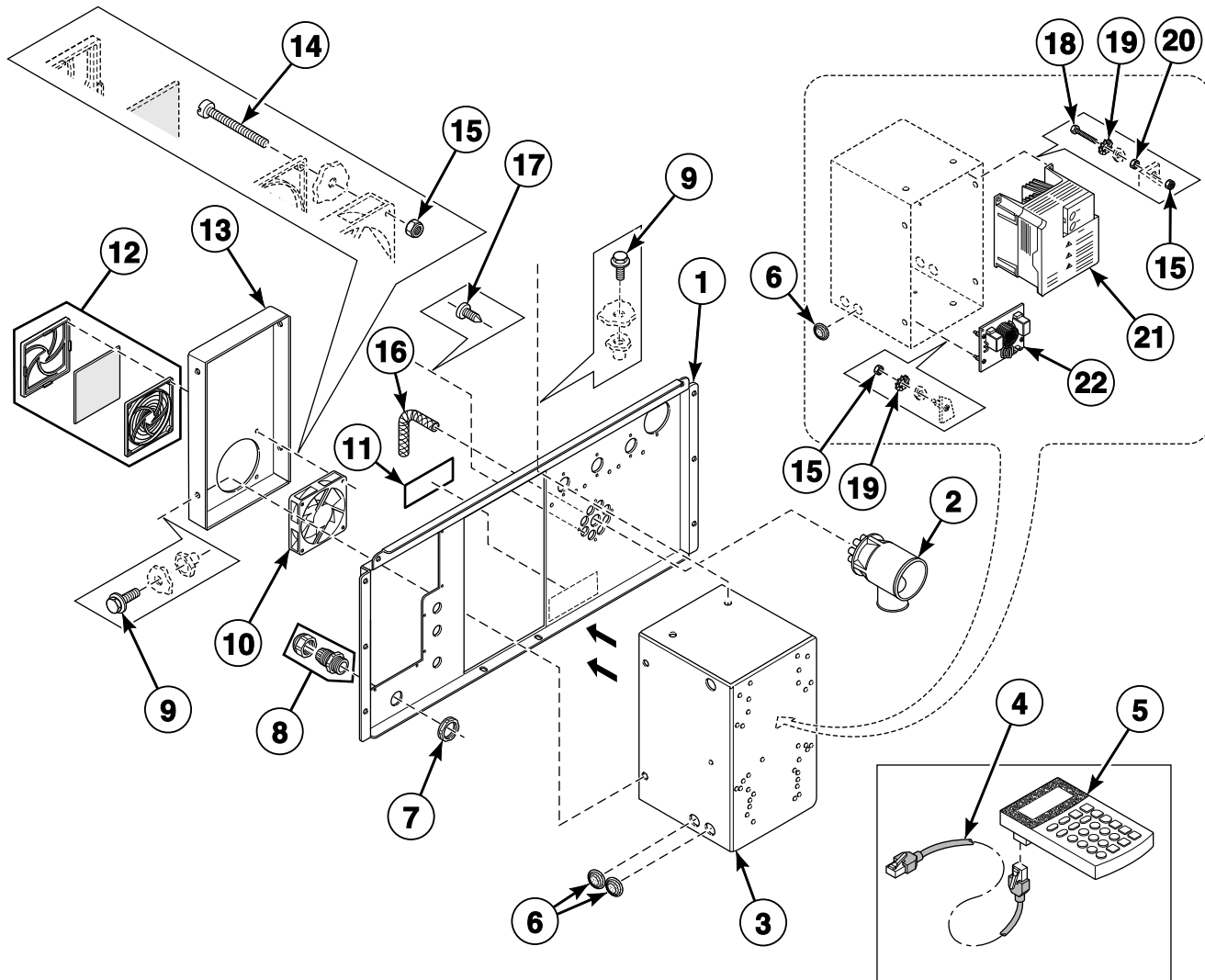
CFD424P\_D0887

## Inverter Drive - \*55 and \*235 Models

REF	PART NO.	DESCRIPTION	COMMENTS
1	111/00304/00	Backbridge	
2	223/00249/00	Liquid Soap Manifold	
3	111/01150/00	Inverter Drive Box	
4	227/00171/10	Parameter Unit Program Cable	
5	227/00171/00	Parameter Unit Assembly	Hand held
	F8410901	Parameter Unit Assembly	Inverter mounted; Used with 500 series inverter drives
6	223/00174/00	Grommet	
7	211/00171/00	Nut	
8	211/00182/00	Nut	
9	206/00099/00	Bolt	
10	209/00287/00	Cooling Fan	
11	209/00287/11	AC Drive Filter	Includes filter and holder
	209/00287/21	Filter	Filter only
12	B12355001	Voltage Discharge Decal	
13	207/00021/00	Screw	
14	111/01158/11	Inverter Box Cover	
15	204/00114/00	Nut	
16	223/00179/10	Pressure Hose	
17	208/00130/00	Screw	
18	206/00088/00	Bolt	
19	203/00006/00	Washer	
20	204/00007/00	Nut	
21	N/A	Inverter Drive	FR-E520 series; 1 x 230 Volt
	227/00168/00	Inverter Drive	FR-E540 series; 3 x 400 Volt
	F8645201P	Inverter Drive	FR-D740-036-NA series; 3 x 400 Volt; Cygnus control models
	F8645101P	Inverter Drive	FR-D7205-070-NA series; 1 x 230 Volt; Cygnus control models
	F8420321	Drive	Micro-20, PS40F and Sigma control models; 700-series; 200 Volt/1 Phase; Models with 1.5 kW motor
	F8420322	Drive	Micro-20, PS40F and Sigma control models; 700-series; 400 Volt/3 Phase; Models with 1.5 kW motor
	F8420221	Inverter Kit	Micro-20, PS40F and Sigma control models; Used to convert 500-series to 700-series inverter drive; 200 Volt/1 Phase; Models with 1.5 kW motor; Includes F8420321 Drive, F8409501 Mounting Plate Assembly and F430903 Screw
	F8420222	Inverter Kit	Micro-20, PS40F and Sigma control models; Used to convert 500-series to 700-series inverter drive; 400 Volt/3 Phase; Models with 1.5 kW motor; Includes F8420322 Drive, F8409501 Mounting Plate Assembly and F430903 Screw
22	B12339401	Noise Filter	

**N/A = Part no longer available**

# Inverter Drive - \*75 and \*305 Models



CFD425P\_D0887

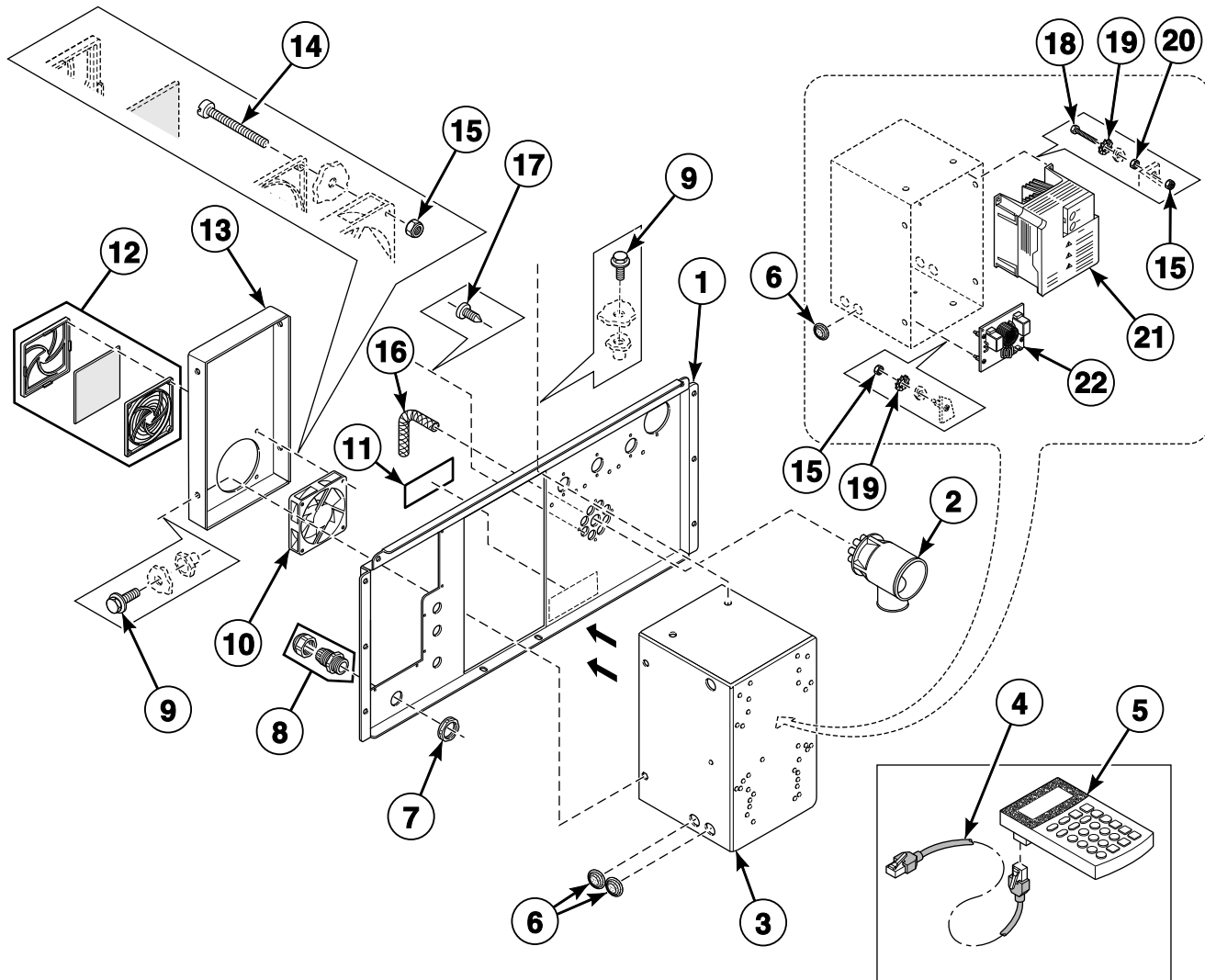


## Inverter Drive - \*75 and \*305 Models

REF	PART NO.	DESCRIPTION	COMMENTS
1	111/00334/10	Backbridge	
2	223/00249/00	Liquid Soap Manifold	
3	111/01149/00	Inverter Drive Box	
4	227/00171/10	Parameter Unit Program Cable	
5	227/00171/00	Parameter Unit Assembly	Hand held
	F8410901	Parameter Unit Assembly	Inverter mounted; Used with 500 series inverter drives
6	223/00174/00	Grommet	
7	211/00171/00	Nut	
8	211/00182/00	Nut	
9	206/00099/00	Bolt	
10	209/00287/00	Cooling Fan	
11	B12355001	Voltage Discharge Decal	
12	209/00287/11	AC Drive Filter	Includes filter and holder
	209/00287/21	Filter	Filter only
13	111/01158/11	Inverter Box Cover	
14	207/00021/00	Screw	
15	204/00114/00	Nut	
16	223/00179/10	Pressure Hose	
17	208/00130/00	Screw	
18	206/00088/00	Bolt	
19	203/00006/00	Washer	
20	204/00007/00	Nut	
21	N/A	Inverter Drive	FR-E520 series; 1 x 230 Volt
	227/00168/00	Inverter Drive	FR-E540 series; 3 x 400 Volt
	F8645101P	Inverter Drive	FR-D7205-070-NA series; 1 x 230 Volt; Cygnus control models
	F8645201P	Inverter Drive	FR-D740-036-NA series; 3 x 400 Volt; Cygnus control models
	F8420323	Drive	Micro-20, PS40F and Sigma control models; 700-series; 200 Volt/1 Phase; Models with 2.2 kW motor
	F8420324	Drive	Micro-20, PS40F and Sigma control models; 700-series; 400 Volt/3 Phase; Models with 2.2 kW motor
	F8420223	Inverter Kit	Micro-20, PS40F and Sigma control models; Used to convert 500-series to 700-series inverter drive; 200 Volt/1 Phase; Models with 2.2 kW motor; Includes F8420323 Drive, F8409501 Mounting Plate Assembly and F430903 Screw
	F8420224	Inverter Kit	Micro-20, PS40F and Sigma control models; Used to convert 500-series to 700-series inverter drive; 400 Volt/3 Phase; Models with 2.2 kW motor; Includes F8420324 Drive, F8409501 Mounting Plate Assembly and F430903 Screw
22	B12339401	Noise Filter	

**N/A = Part no longer available**

# Inverter Drive - \*90 and \*400 Models



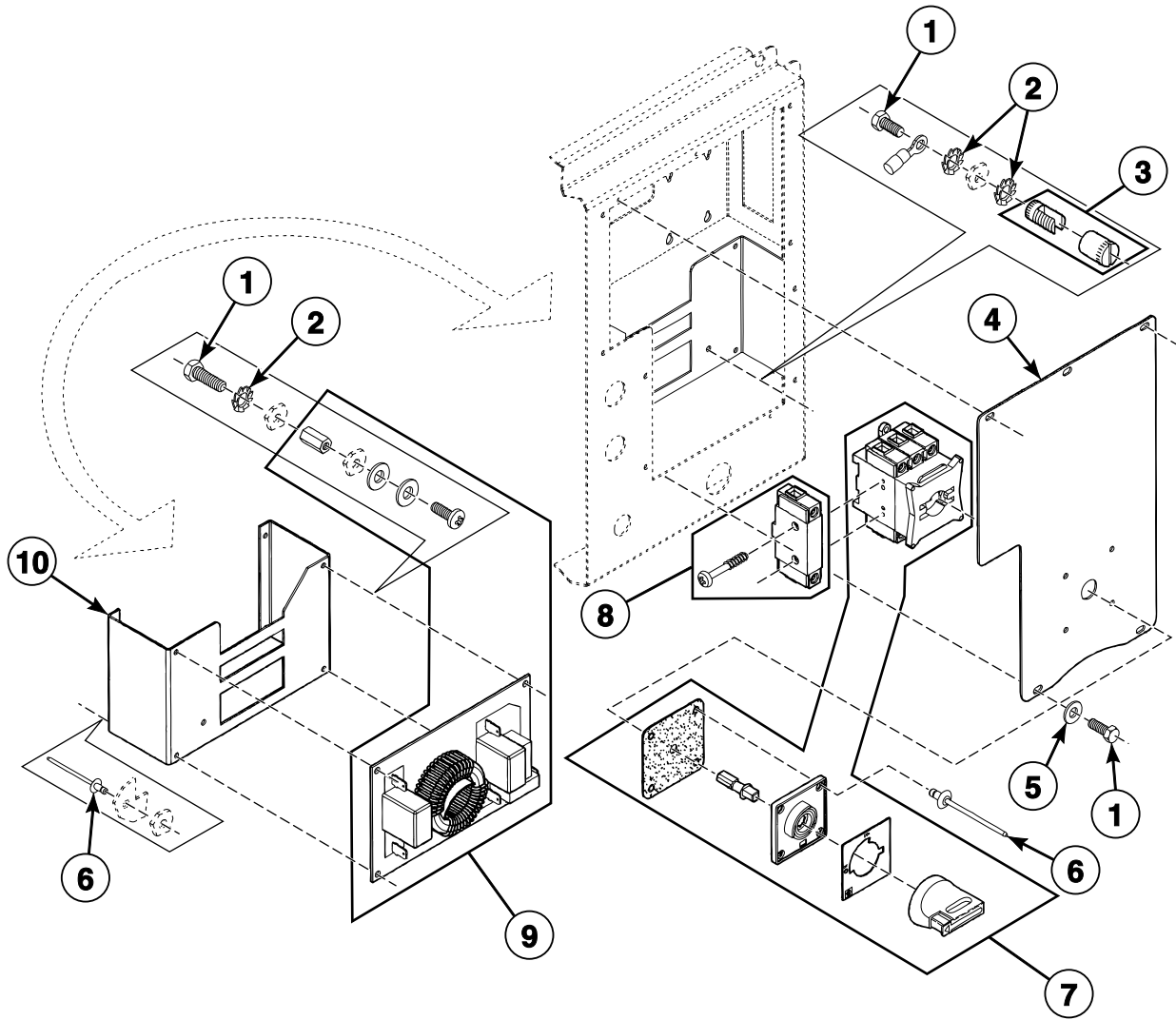
CFD425P\_D0887

## Inverter Drive - \*90 and \*400 Models

REF	PART NO.	DESCRIPTION	COMMENTS
1	111/00334/10	Backbridge	
2	223/00249/00	Liquid Soap Manifold	
3	111/01149/00	Inverter Drive Box	
4	227/00171/10	Parameter Unit Program Cable	
5	227/00171/00	Parameter Unit Assembly	Hand held
	F8410901	Parameter Unit Assembly	Inverter mounted; Used with 500 series inverter drives
6	223/00174/00	Grommet	
7	211/00171/00	Nut	
8	211/00182/00	Nut	
9	206/00099/00	Bolt	
10	209/00287/00	Cooling Fan	
11	B12355001	Voltage Discharge Decal	
12	209/00287/11	AC Drive Filter	Includes filter and holder
	209/00287/21	Filter	Filter only
13	111/01158/11	Inverter Box Cover	
14	207/00021/00	Screw	
15	204/00114/00	Nut	
16	223/00179/10	Pressure Hose	
17	208/00130/00	Screw	
18	206/00088/00	Bolt	
19	203/00006/00	Washer	
20	204/00007/00	Nut	
21	N/A	Inverter	FR-E520 series; 1 x 230 Volt
	227/00238/00	Inverter	FR-E540 series; 3 x 400 Volt
	F8645401P	Inverter	FR-D740-050-NA series; 3 x 400 Volt; Cygnus control models
	F8645201P	Inverter Drive	FR-D740-036-NA series; 1 x 230 Volt; Cygnus control models
	F8420325	Drive	Micro-20, PS40F and Sigma control models; 700-series; 200 Volt/1 Phase; Models with 3.0 kW motor
	F8420326	Drive	Micro-20, PS40F and Sigma control models; 700-series; 400 Volt/3 Phase; Models with 3.0 kW motor
	F8420225	Inverter Kit	Micro-20, PS40F and Sigma control models; Used to convert 500-series to 700-series inverter drive; 200 Volt/1 Phase; Models with 3.0 kW motor; Includes F8420325 Drive
	F8420226	Inverter Kit	Micro-20, PS40F and Sigma control models; Used to convert 500-series to 700-series inverter drive; 400 Volt/3 Phase; Models with 3.0 kW motor; Includes F8420326 Drive, F8409501 Mounting Plate Assembly and F430903 Screw
22	B12339401	Noise Filter	

**N/A = Part no longer available**

# Main Switch and Noise Filter

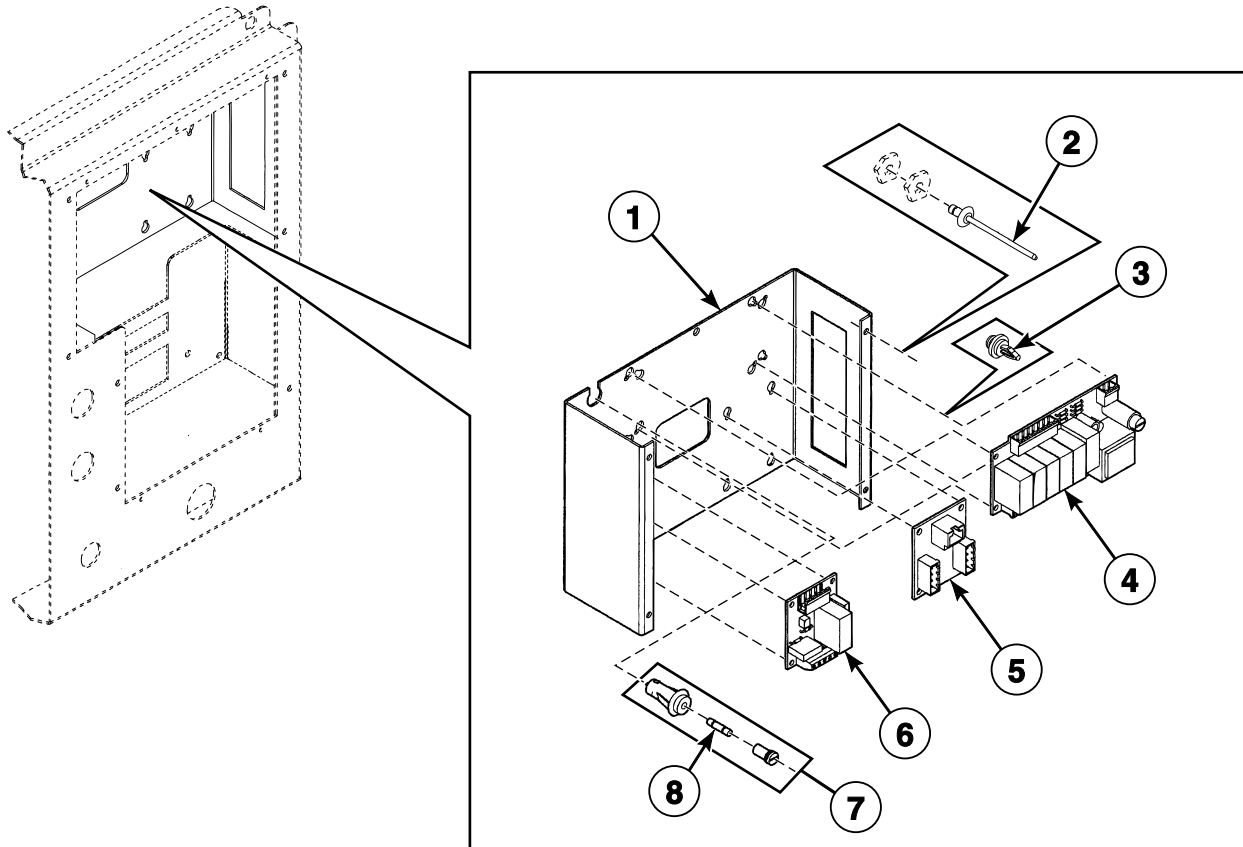


BE000799P\_D0887

## Main Switch and Noise Filter

REF	PART NO.	DESCRIPTION	COMMENTS
1	206/00027/00	Bolt	
2	203/00006/00	Washer	
3	209/00006/01	Ground Terminal	
4	111/01834/00	Main Switch Cover	
5	202/00004/00	Washer	
6	208/00017/00	Rivet	
7	209/00529/00	Main Switch	25A
	209/00672/00	Main Switch	40A
	209/00526/00	Main Switch	80A
8	209/00530/00	Terminal Block	25A
	209/00527/00	Terminal Block	63/80A
9	210/00027/UL00	Filter	16A1
	227/00242/00	Noise Filter	16A3
	227/00179/00	Filter	40A3
	227/00180/00	Filter	45A1
	227/00183/00	Filter	53A3
10	111/01837/01	Filter Bracket	

# Central Operating Panel, Network Connection and Soap Injection Printboards

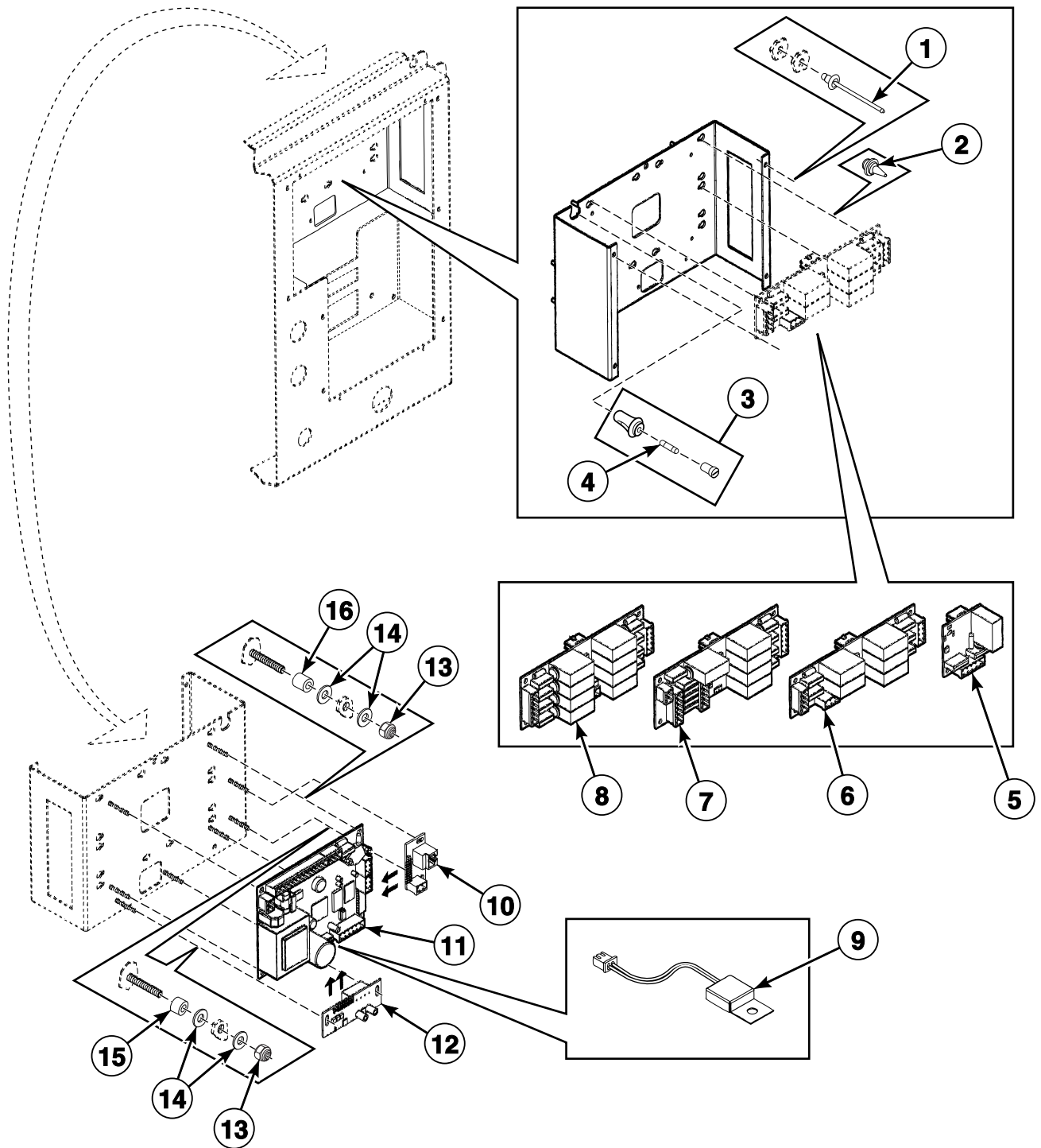


BE000800P\_D0887

## Central Operating Panel, Network Connection and Soap Injection Printboards

REF	PART NO.	DESCRIPTION	COMMENTS
1	111/01838/10	Printboard Support	
2	208/00017/00	Rivet	
3	211/00146/00	Standoff	
4	209/00218/13	Soap Injection PCB with Fuse	
5	209/00540/01	Network Connection Printboard	
6	209/00438/50	Central Control Board	
7	209/00202/00	Fuse Holder	Includes item 8
	209/00202/01	Fuse Holder	
8	209/00468/00	Fuse	3 Amp

# Relay, Network Connection and Main Printboards - Cygnus Models



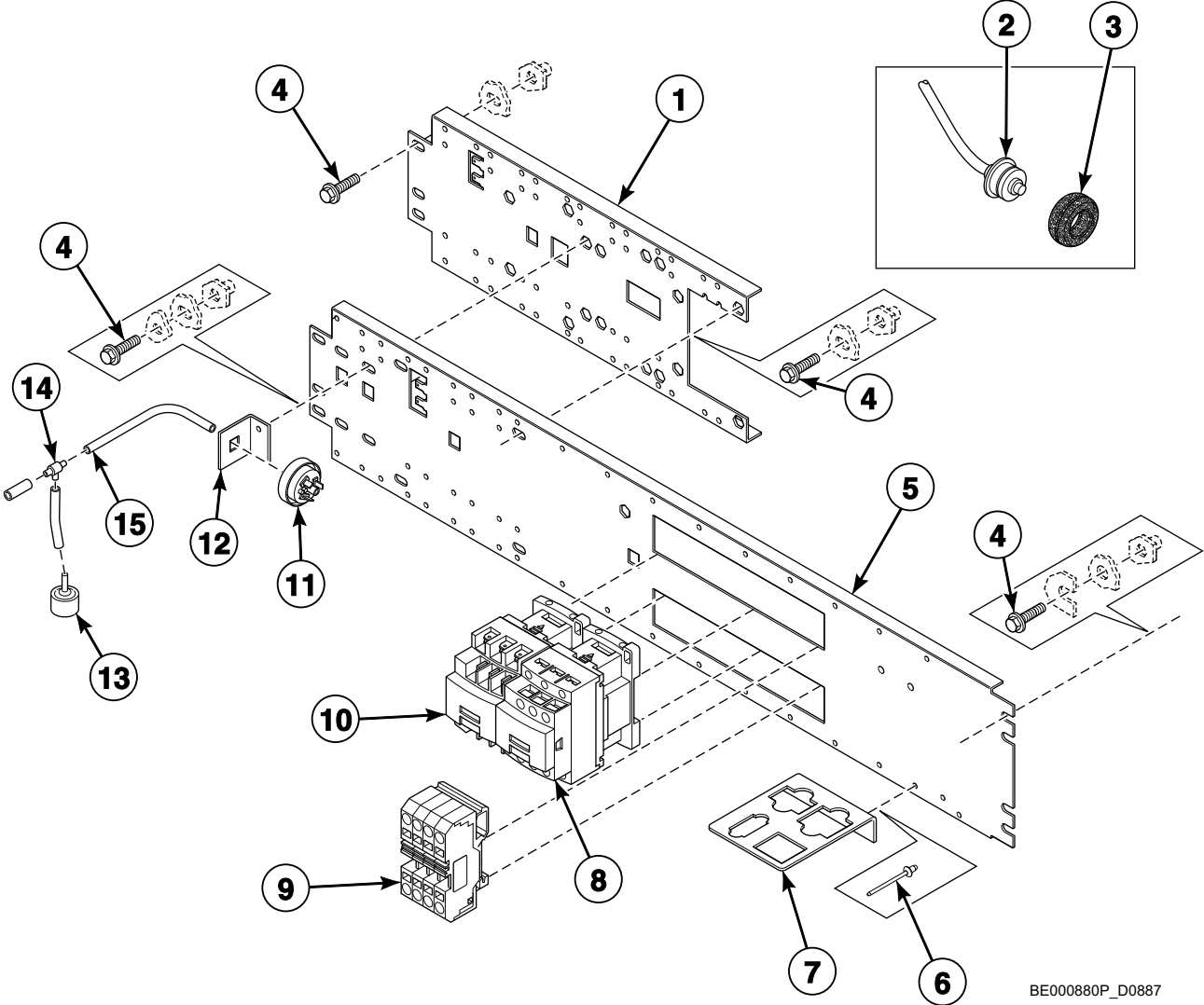
BE000801AP\_D0887



## Relay, Network Connection and Main Printboards - Cygnus Models

REF	PART NO.	DESCRIPTION	COMMENTS
1	208/00017/00	Rivet	
2	211/00146/00	Standoff	
3	209/00202/00	Fuse Holder	
	209/00202/01	Fuse Holder	Includes item 4
4	209/00468/00	Fuse	3 Amp
5	209/02016/00	Relay PC-Board	1-1
6	209/02005/00	Detergent PC-Board	1-5
7	209/02014/00	Relay PC-Board	5-5
8	209/02008/00	Detergent PC-Board	1-8
9	209/02020/00	ID Chip	
10	209/02006/00	Inverter PC-Board	
11	209/02025/00	Microprocessor	
12	209/02007/00	Network Connection Printboard	
13	204/00116/00	Nut	
14	223/00123/00	Washer	
15	211/00128/00	Printboard Separator	
16	211/00122/00	Standoff	

# Electrical Component Mounting Plate - \*55, \*75, \*235 and \*305 Models (Drawing 1 of 2)

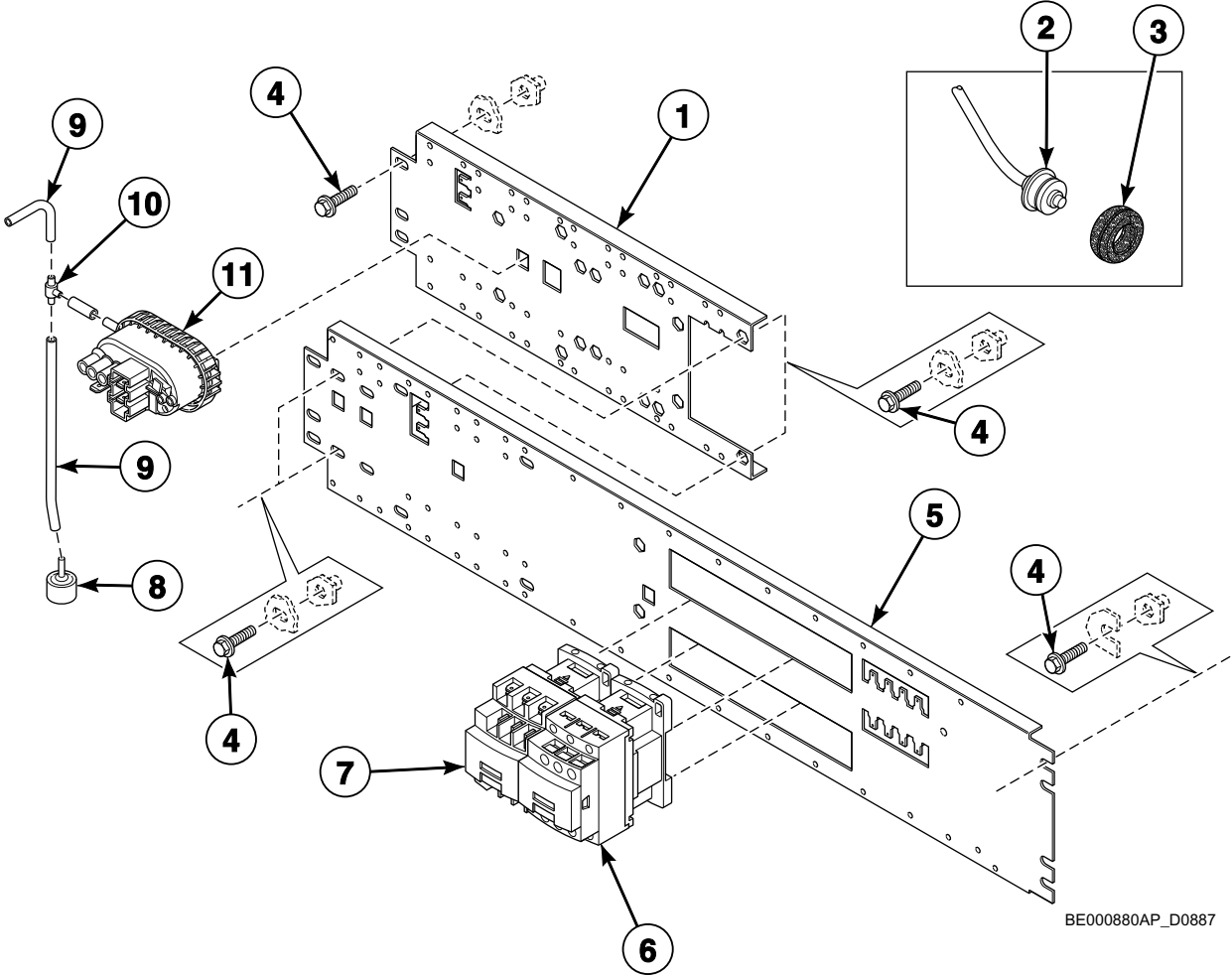


BE000880P\_D0887

## Electrical Component Mounting Plate - \*55, \*75, \*235 and \*305 Models (Drawing 1 of 2)

REF	PART NO.	DESCRIPTION	COMMENTS
1	111/10003/40	Electrical Component Mounting Plate	
2	210/01304/16	Thermostat	Micro-20, Sigma and PS40F control models
	210/01064/16	Thermostat	Cygnus control models
3	225/10004/00	Thermostat Grommet	
4	206/00099/00	Bolt	
5	111/10004/00	Electrical Component Plate	
6	208/00017/00	Rivet	
7	111/10003/10	Support Connector	
8	209/06148/02	Heating Contactor	
9	209/00041/04	Contactors	Heating
10	209/00619/00	Overload Contactor	2 pole; 6 mm; Gray; 2006-1201
	209/00620/00	Overload Contactor	2 pole; 6 mm; Blue; 2006-1204
	209/00621/00	Overload Contactor	3 pole; 6 mm; Blue; 2006-1304
	209/00622/00	Overload Contactor	3 pole; 6 mm; Gray; 2006-1301
	209/00623/00	Overload Contactor	2 pole; 10 mm; Gray; 2010-1201
	209/00624/00	Overload Contactor	2 pole; 10 mm; Blue; 2010-1204
	209/01625/00	Overload Contactor	3 pole; 10 mm; Gray; 2010-1301
	209/00619/01	Connection Clamp	2 pole; 6 mm; Final plate
	209/00622/01	Connection Clamp	3 pole; 6 mm; Final plate
	209/00625/01	Connection Clamp	3 pole; 10 mm; Final plate
11	209/00007/50	Pressure Switch	
12	111/10004/10	Electrical Component Plate	
13	223/00035/02	Pressure Switch Cap	
14	223/00173/10	Pressure Switch Hose Tee	
15	223/00333/00	Pressure Hose	

# Electrical Component Mounting Plate - \*55, \*75, \*235 and \*305 Models (Drawing 2 of 2)

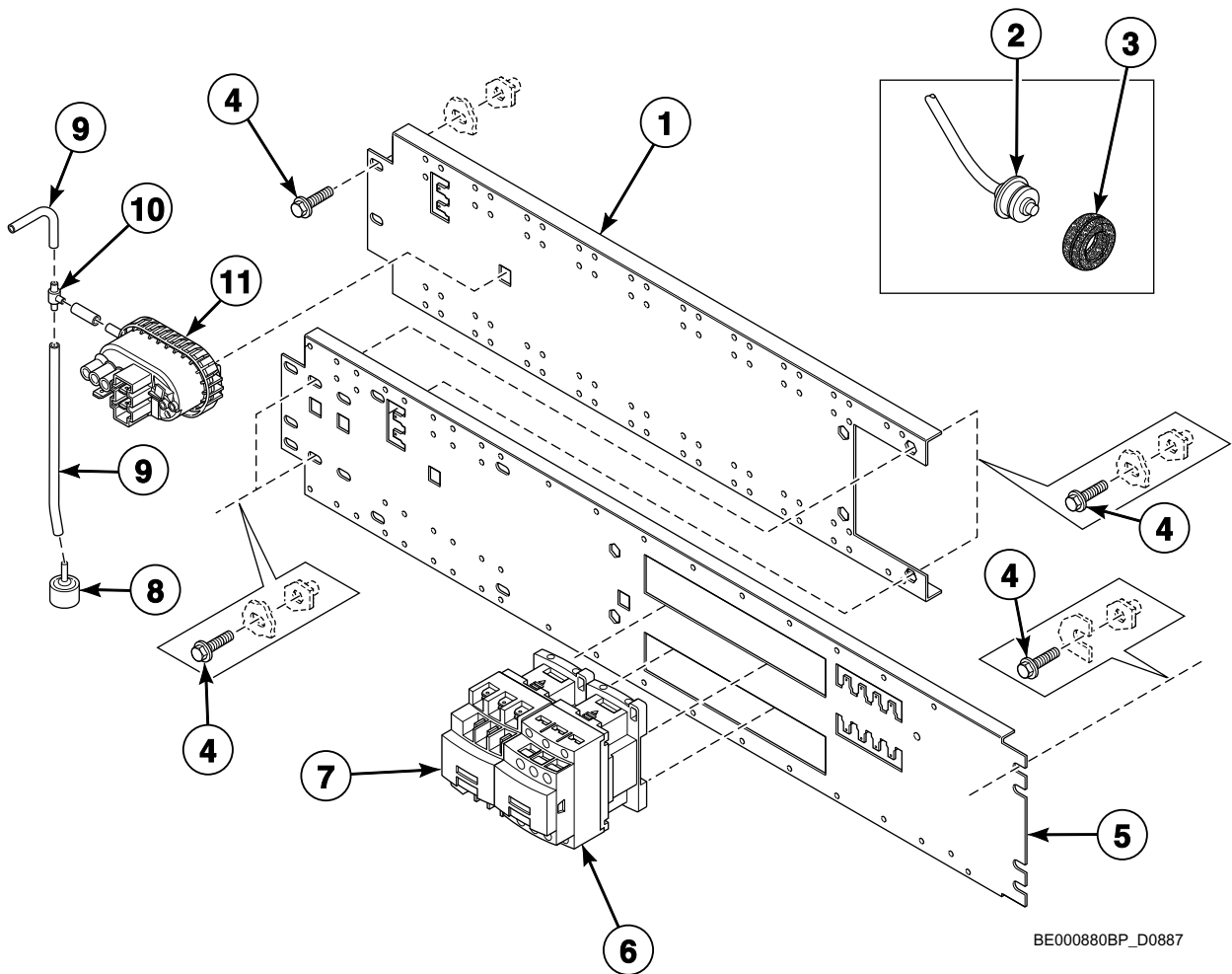


BE000880AP\_D0887

## Electrical Component Mounting Plate - \*55, \*75, \*235 and \*305 Models (Drawing 2 of 2)

REF	PART NO.	DESCRIPTION	COMMENTS
1	111/10003/40	Electrical Component Mounting Plate	
2	210/01304/16	Thermostat	Micro-20, Sigma and PS40F control models
	210/01064/16	Thermostat	Cygnus control models
3	225/10004/00	Thermostat Grommet	
4	206/00099/00	Bolt	
5	111/10005/00	Electrical Component Bridge	
6	209/06148/02	Heating Contactor	
7	209/00041/04	Contactora	Heating
8	223/00035/02	Pressure Switch Cap	
9	223/00333/00	Pressure Hose	
10	223/00173/10	Pressure Switch Hose Tee	
11	209/00027/10	Pressure Switch	

# Electrical Component Mounting Plate - \*90 and \*400 Models

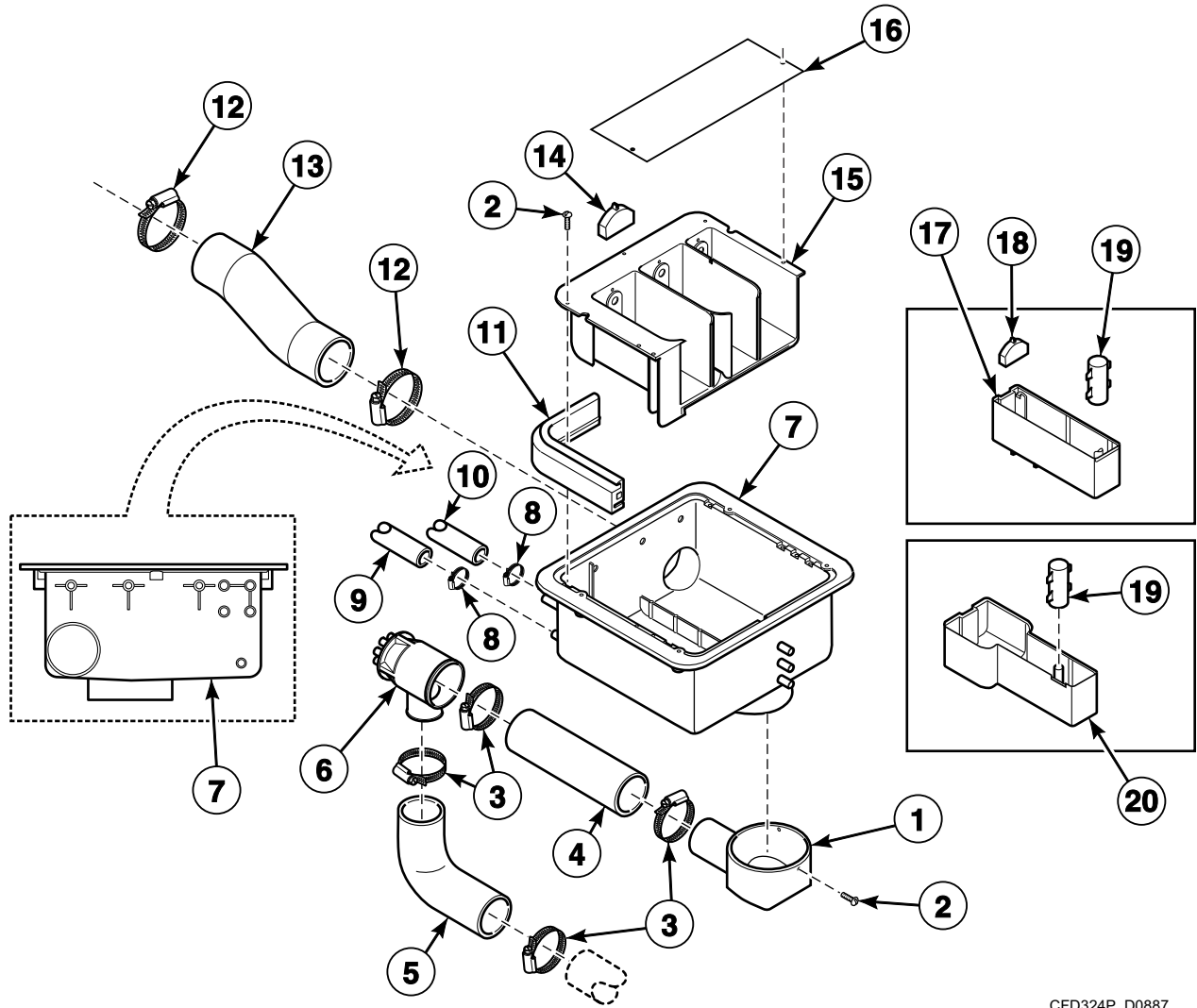


BE000880BP\_D0887

## Electrical Component Mounting Plate - \*90 and \*400 Models

REF	PART NO.	DESCRIPTION	COMMENTS
1	111/10004/20	Electrical Component Bridge	
2	210/01304/16	Thermostat	Micro-20, Sigma and PS40F control models
	210/01064/16	Thermostat	Cygnus control models
3	225/10004/00	Thermostat Grommet	
4	206/00099/00	Bolt	
5	111/10005/00	Electrical Component Bridge	
6	209/06148/02	Heating Contactor	
7	209/00041/04	Contactor	Heating
8	223/00035/02	Pressure Switch Cap	
9	223/00333/00	Pressure Hose	
10	223/00173/10	Pressure Switch Hose Tee	
11	209/00027/10	Pressure Switch	

# Supply Dispenser - \*55 and \*235 Models with Circular Ventilation Opening



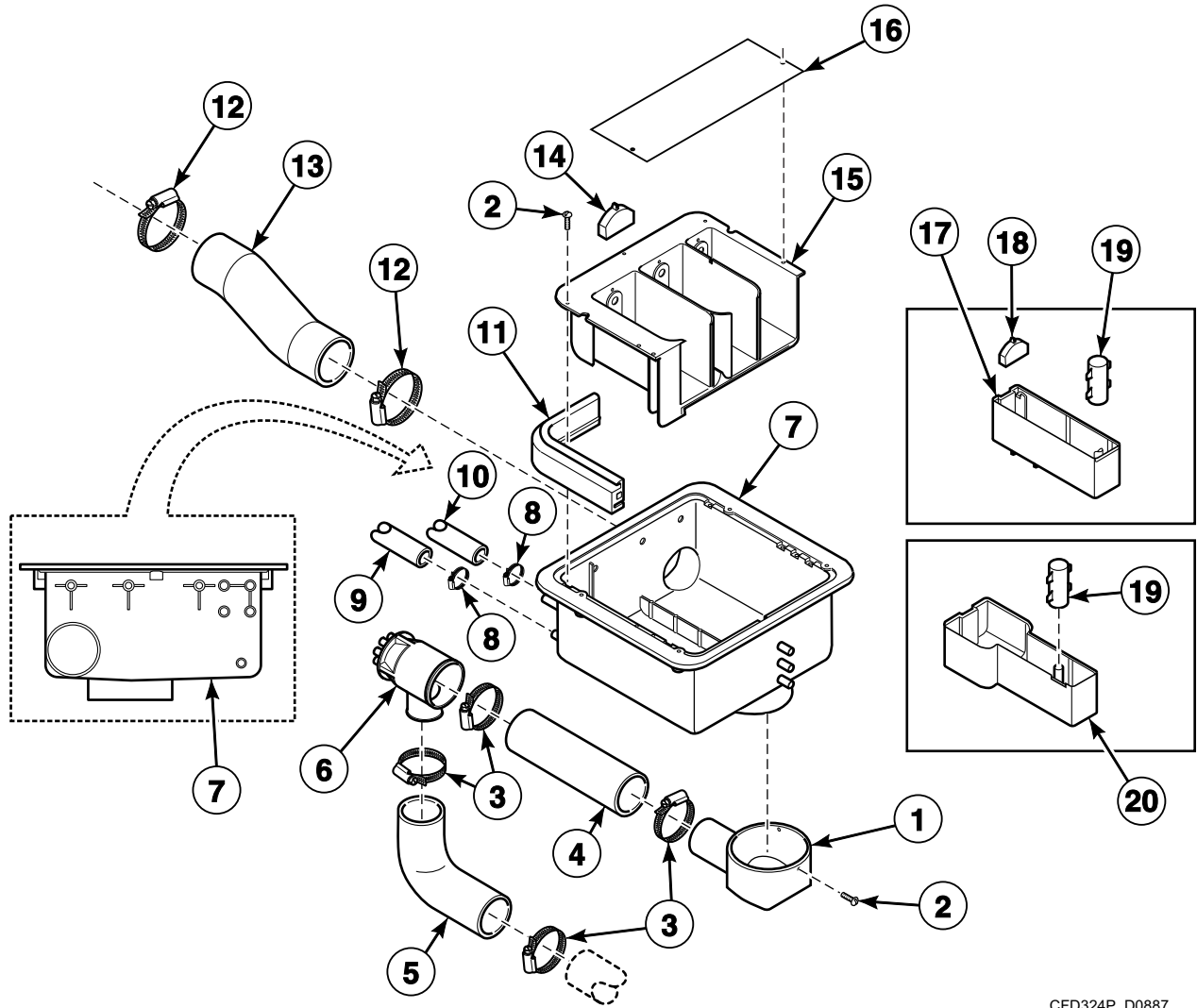
CFD324P\_D0887



## Supply Dispenser - \*55 and \*235 Models with Circular Ventilation Opening

REF	PART NO.	DESCRIPTION	COMMENTS
1	223/00196/00	Dispenser Drain Funnel	
2	B12350903	Screw	
3	223/00071/00	Hose Clamp	
4	223/00263/00	Siphon Break Dispenser Hose	
5	B12322403	Hose	
6	223/00249/00	Liquid Soap Manifold	
7	223/00102/40	Exterior Box	
	223/00102/60	Dispenser Assembly	
8	223/00010/00	Hose Clamp	
9	223/00044/00	Water Hose	
10	223/00059/00	Water Hose	
11	223/00109/00	Soap Dispenser Gasket	
12	223/00014/00	Hose Clamp	
13	223/00107/06	Vent Hose	
14	223/00102/06	Soap Spray Nozzle	
15	223/00102/30	Soap Dispenser Assembly	
16	123/00107/00	Anti-Splash Plate	Sigma control models
	123/00103/06	Soap Box Assembly Plate	All other models
17	223/00102/03	Rinse Insert	
18	223/00102/05	Softener Spray Nozzle	
19	223/00102/04	Soap Dispenser Rinse Siphon	
20	223/00102/08	Liquid Soap Dispenser Insert	

# Supply Dispenser - \*75, \*90, \*305 and \*400 Models with Circular Ventilation Opening

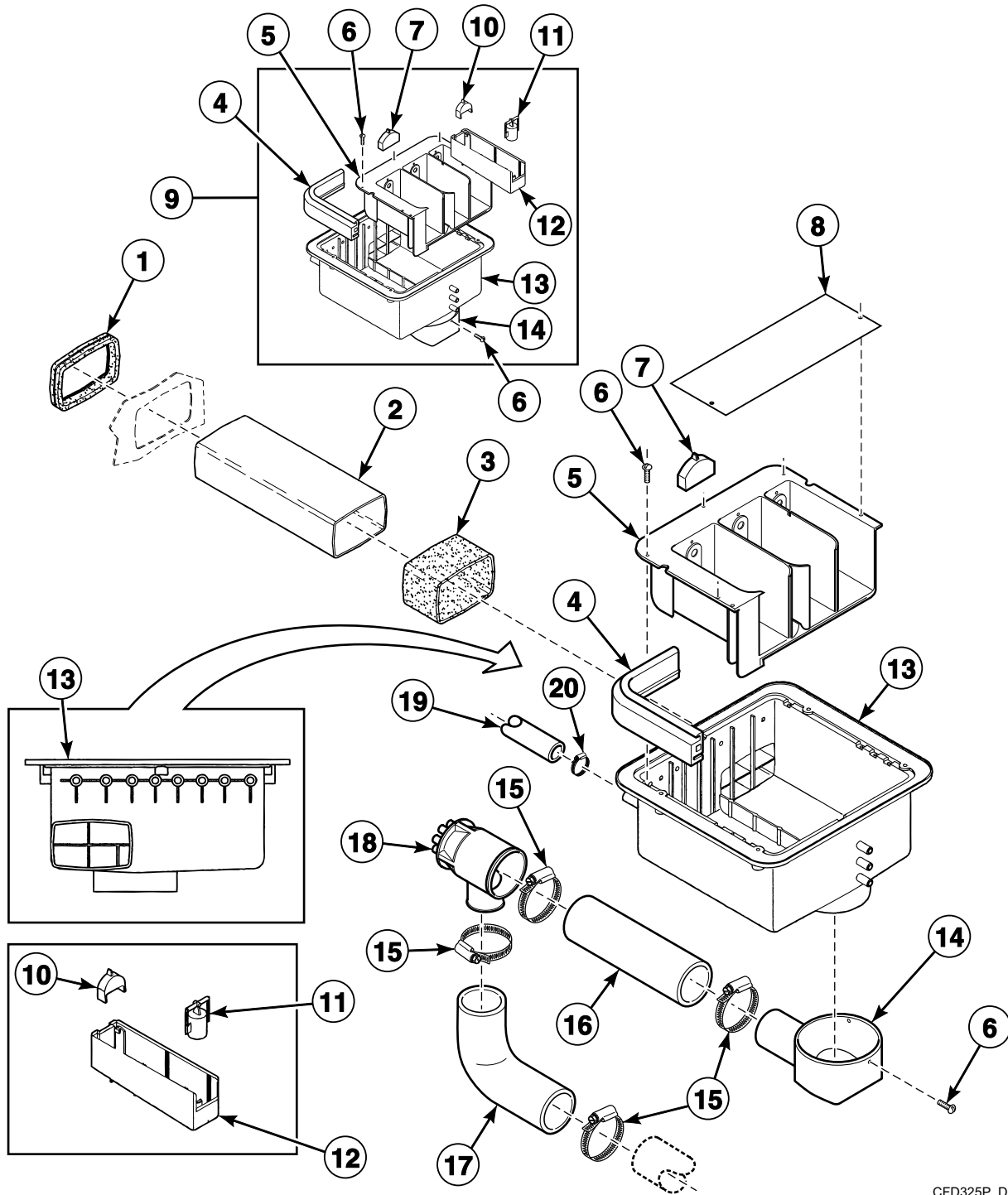


CFD324P\_D0887

## Supply Dispenser - \*75, \*90, \*305 and \*400 Models with Circular Ventilation Opening

REF	PART NO.	DESCRIPTION	COMMENTS
1	223/00196/00	Dispenser Drain Funnel	
2	B12350903	Screw	
3	223/00071/00	Hose Clamp	
4	223/00264/00	Siphon Break Dispenser Hose	
5	B12322404	Siphon Break Hose	
6	223/00249/00	Liquid Soap Manifold	
7	223/00102/40	Exterior Box	
	223/00102/60	Dispenser Assembly	
8	223/00010/00	Hose Clamp	
9	223/00044/00	Water Hose	
10	223/00059/00	Water Hose	
11	223/00109/00	Soap Dispenser Gasket	
12	223/00014/00	Hose Clamp	
13	223/00388/00	Vent Hose	
14	223/00102/06	Soap Spray Nozzle	
15	223/00102/30	Soap Dispenser Assembly	
16	123/00107/00	Anti-Splash Plate	Sigma control models
	123/00103/06	Soap Box Assembly Plate	All other models
17	223/00102/03	Rinse Insert	
18	223/00102/05	Softener Spray Nozzle	
19	223/00102/04	Soap Dispenser Rinse Siphon	
20	223/00102/08	Liquid Soap Dispenser Insert	

# Supply Dispenser with Rectangular Ventilation Opening

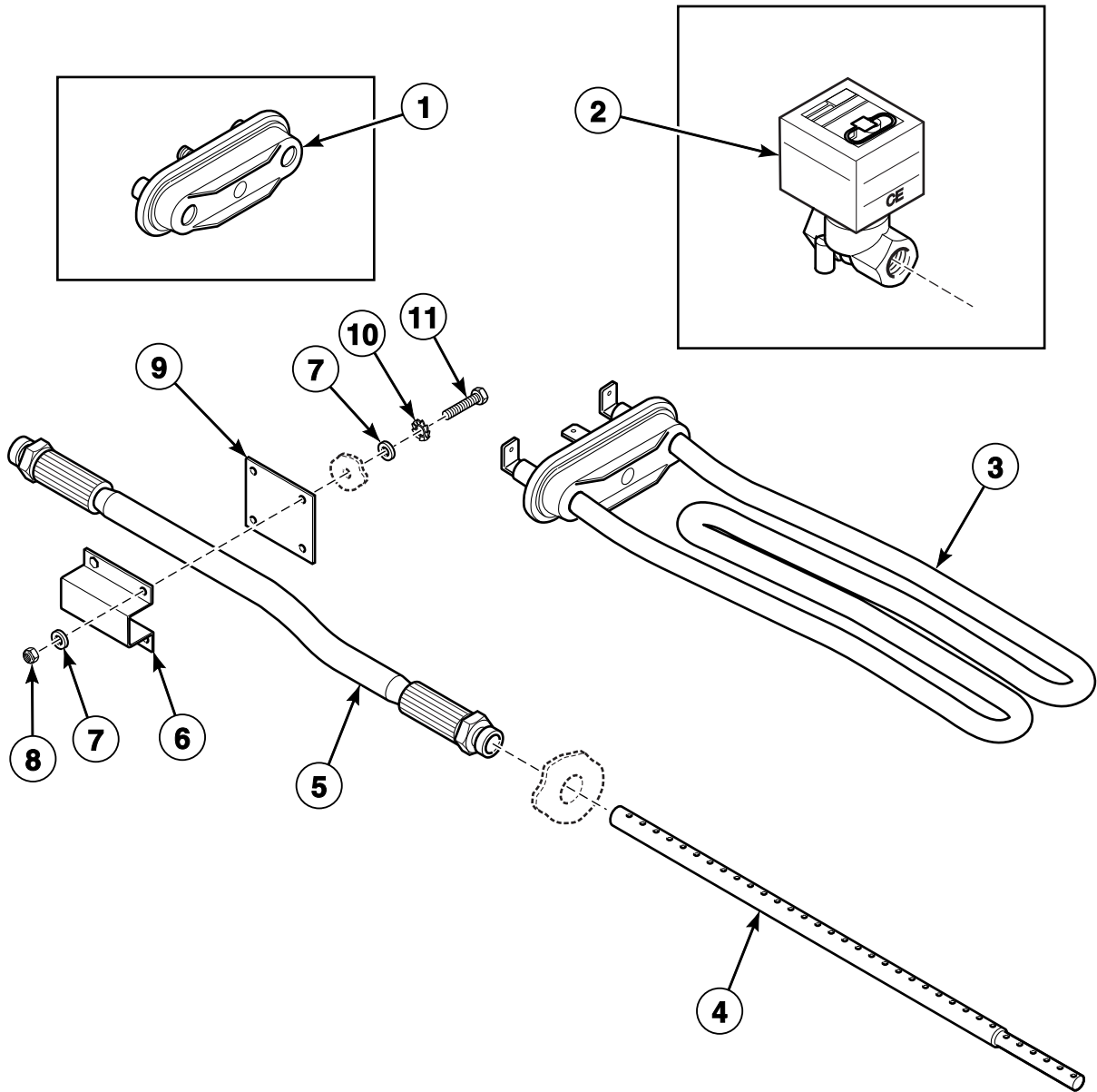


CFD325P\_D0887

# Supply Dispenser with Rectangular Ventilation Opening

REF	PART NO.	DESCRIPTION	COMMENTS
1	223/00226/00	Vent Tube	
2	223/00229/00	Vent Tube	
3	223/00245/00	Shrink Fit	
4	223/00109/00	Soap Dispenser Gasket	
5	223/00222/60	Outer and Inner Box Kit	
6	B12350903	Screw	
7	223/00102/06	Soap Spray Nozzle	
8	123/00107/00	Anti-Splash Plate	Sigma control models
	123/00103/06	Soap Box Assembly Plate	All other models
9	223/00240/00	Soap Dispenser	
10	223/00222/03	Softener Spray Nozzle	
11	223/00222/04	Siphon Break	
12	223/00222/05	Rinsing Box	
13	223/00222/01	Exterior Box	
14	223/00196/00	Dispenser Drain Funnel	
15	223/00071/00	Hose Clamp	
16	223/00264/00	Siphon Break Dispenser Hose	*75, *90, *235 and *400 models
	223/00263/00	Siphon Break Dispenser Hose	*55 and *235 models
17	B12322404	Siphon Break Hose	*75, *90, *235 and *400 models
	B12322403	Hose	*55 and *235 models
18	223/00249/00	Liquid Soap Manifold	
19	223/00044/00	Water Hose	
20	223/00010/00	Hose Clamp	

# Steam and Electric Heating Options - \*55 and \*235 Models

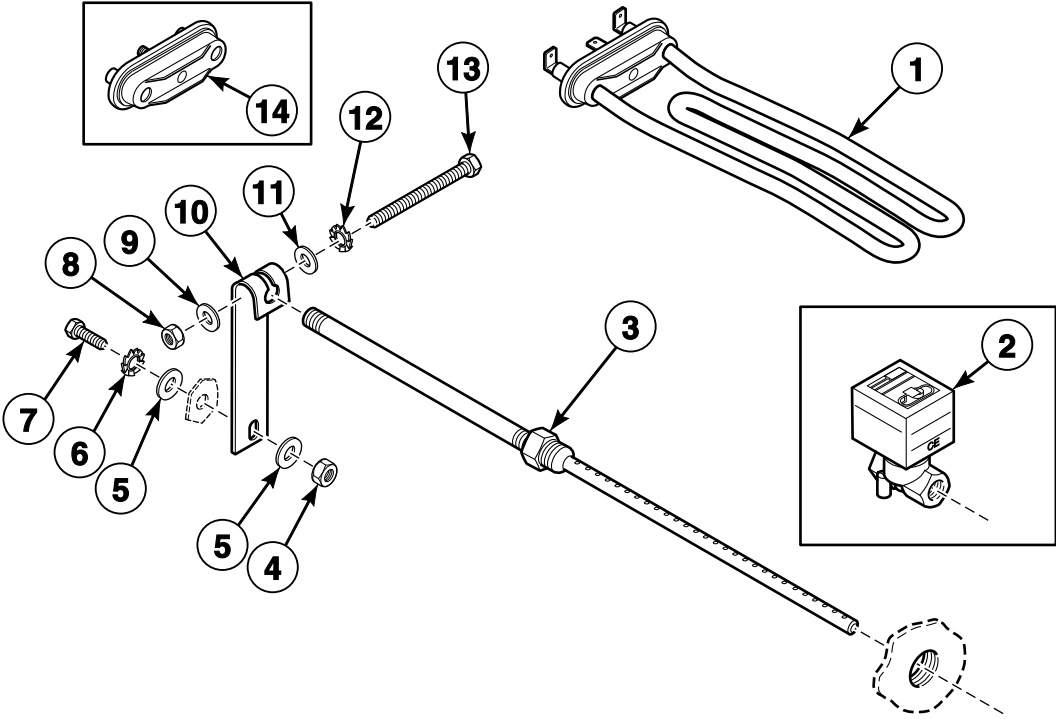


CFD426P\_D0887

## Steam and Electric Heating Options - \*55 and \*235 Models

REF	PART NO.	DESCRIPTION	COMMENTS
	922P3	Steam Heat Kit	
1	209/00196/00	Heating Element Plug	
2	209/00477/00	Steam Valve	
3	209/00581/10	Heating Element	4000W; 380 Volt
	209/00562/20	Heating Element	3000W; 220/240 Volt
	209/00563/20	Heating Element	2000W; 220/240 Volt
	209/00564/20	Heating Element	1400W; 220/240 Volt
4	217/00061/00	Steam Injector	
5	217/00034/00	Steam Hose	
6	111/00155/00	Steam Bracket	
7	202/00002/00	Washer	
8	204/00004/00	Nut	
9	111/00155/10	Bracket Support	
10	203/00003/00	Washer	
11	206/00035/00	Bolt	

# Steam and Electric Heating Options - \*75, \*90, \*305 and \*400



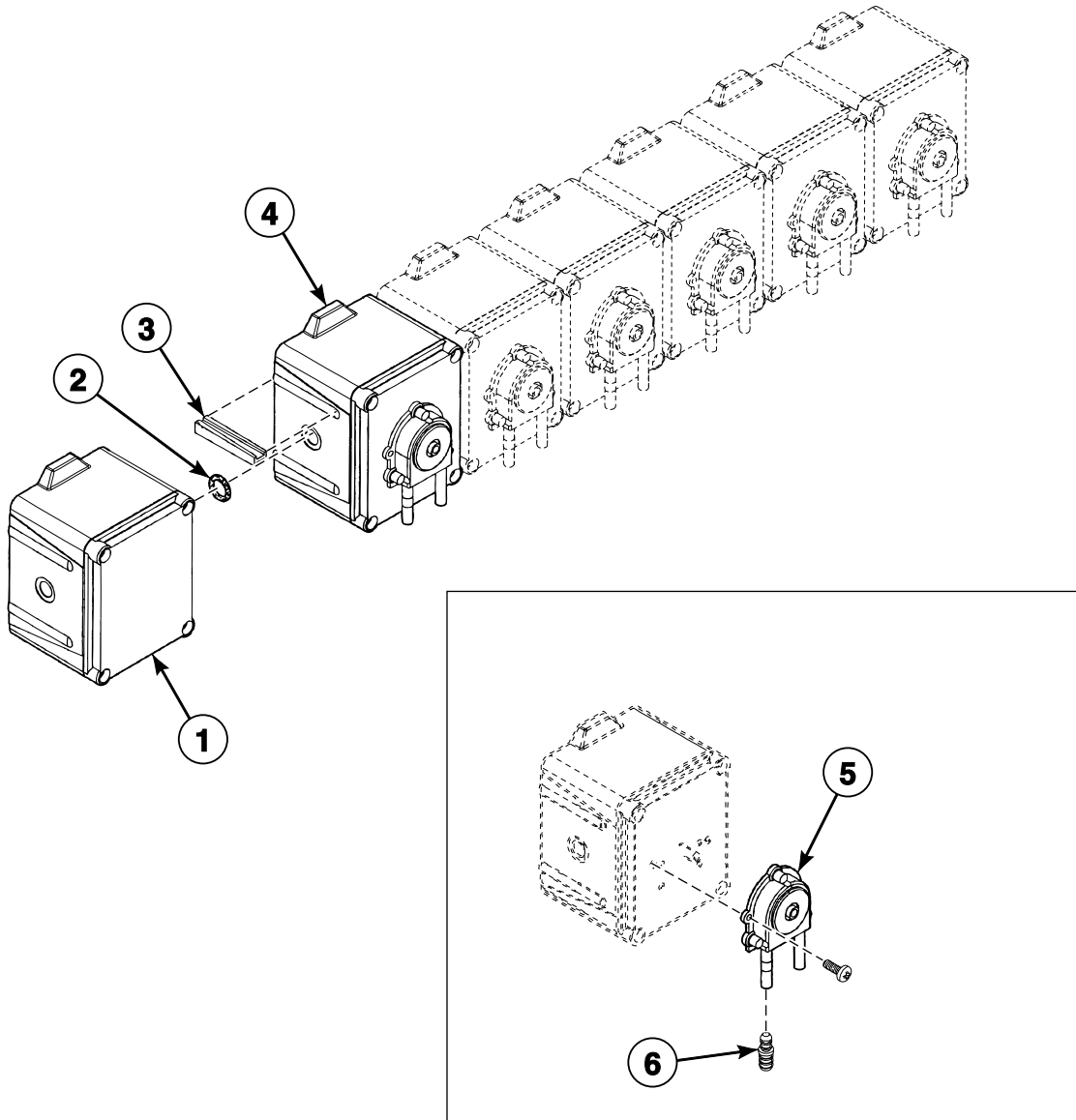
BE000391P\_D0887



## Steam and Electric Heating Options - \*75, \*90, \*305 and \*400

REF	PART NO.	DESCRIPTION	COMMENTS
	923P3	Steam Heat Kit	
1	209/00581/10	Heating Element	4000W; 380 Volt
	209/00562/20	Heating Element	3000W; 220/240 Volt
	209/00563/20	Heating Element	2000W; 220/240 Volt
	209/00564/20	Heating Element	1400W; 220/240 Volt
2	209/00476/00	Steam Valve	
3	119/00089/00	Steam Injector	
4	204/00005/00	Nut	
5	201/00007/00	Washer	
6	203/00004/00	Washer	
7	206/00013/00	Bolt	
8	204/00004/00	Nut	
9	202/00002/00	Washer	
10	113/00028/00	Steam Injector Bracket	
11	202/00002/00	Washer	
12	203/00003/00	Washer	
13	206/00035/00	Bolt	

# Soap Pumps



BE000527AP\_D0887

# Soap Pumps

REF	PART NO.	DESCRIPTION	COMMENTS
1	209/00554/01	Soap Pump Assembly	1 pump and 1 feeding pump
	209/00554/02	Soap Pump Assembly	2 pumps and 1 feeding pump
	209/00554/03	Soap Pump Assembly	3 pumps and 1 feeding pump
	209/00554/04	Soap Pump Assembly	4 pumps and 1 feeding pump
	209/00554/05	Soap Pump Assembly	5 pumps and 1 feeding pump
	209/00554/06	Soap Pump Assembly	6 pumps and 1 feeding pump
	209/00554/51	Feeding Liquid Soap Dosing Pump	
2	209/00554/52	Liquid Soap Dosing Pump O-Ring	
3	209/00554/53	Liquid Soap Dosing Pump Connection Piece	
4	209/00554/50	Pump	
5	209/00554/98	Hose	
6	209/00554/99	Hose Connector	



# Parts Index

## A

AC Drive Filter	
209/00287/11 .....	77, 79, 81
Anti-Splash Plate	
123/00107/00 .....	95, 97, 99

## B

Back Panel	
111/00302/00 .....	73
111/00335/00 .....	73
Backbridge	
111/00304/00 .....	67, 71, 75, 77
111/00304/10 .....	75
111/00334/10 .....	69, 75, 79, 81
111/00334/20 .....	75
Backplate	
111/01002/00 .....	63, 65
Ball Bearing	
212/00004/00 .....	15, 17, 19
212/00024/00 .....	15
212/00024/01 .....	17
Basket	
B12380901 .....	21, 25
B12381001 .....	21, 25
Basket Kit	
B12543201 .....	21, 25
Bearing	
F100134 .....	17
Bearing and Seal Kit	
3884P .....	17
Bearing Cover	
112/00003/00 .....	19
Bearing Housing	
212/00103/01 .....	19
Bearing Housing Assembly	
212/00103/00 .....	19
212/10104/00 .....	15, 17
Bearing Housing Plate	
113/00017/01 .....	15, 17
113/00017/02 .....	15, 17
113/00018/01 .....	19
113/00018/02 .....	19
Bearing Replacement Kit	
891P3 .....	15
892P3 .....	19
Bearing Replacement Tool Kit	
381P3 .....	17
382P3 .....	15, 19
Bearing Spacer	
232/00020/00 .....	23
Belt	
226/00134/00 .....	33, 35
226/00139/00 .....	21, 23, 29, 31
Bolt	
205/00102/00 .....	15, 17
205/00103/00 .....	39
205/00104/00 .....	15, 17, 19, 41
205/00105/00 .....	67, 69, 71

205/00106/00 .....	67, 69, 71
205/00115/00 .....	39
206/00004/00 .....	21, 23
206/00005/00 .....	33, 35
206/00009/00 .....	31
206/00010/00 .....	19
206/00013/00 .....	103
206/00016/00 .....	73
206/00027/00 .....	75, 83
206/00029/00 .....	25, 27
206/00032/00 .....	25, 27
206/00033/00 .....	37
206/00035/00 .....	101, 103
206/00042/00 .....	29, 31
206/00052/00 .....	25, 27
206/00054/00 .....	29, 31, 33, 35
206/00066/00 .....	25, 27
206/00079/00 .....	9, 11, 13
206/00088/00 .....	77, 79, 81
206/00093/00 .....	15, 17, 19
206/00099/00 .....	11, 37, 67, 69, 71, 73, 75, 77, 79, 81, 89, 91, 93
206/00110/00 .....	29, 33, 35
206/00119/00 .....	29, 33, 35
208/00134/00 .....	31
Bracket Support	
111/00155/10 .....	101

## C

Central Control Board	
209/00438/50 .....	85
Chassis	
212/00111/50 .....	9
212/00112/50 .....	13
212/00120/00 .....	11
Circuit Board Cover	
229/00262/00 .....	57, 59, 61
229/00289/00 .....	43, 45, 47, 49, 51, 53, 55
Coin Box	
254/00077/00 .....	63, 65
Coin Drop	
B11211209 .....	63
B12311201 .....	63
B12311202 .....	63
B12311203 .....	63
B12311204 .....	63
B12311205 .....	63
B12311206 .....	63
B12311207 .....	63
B12311208 .....	63
B12311210 .....	63
B12311211 .....	63
B12311212 .....	63
B12311214 .....	63
B12311215 .....	63
B12311216 .....	63
B12311218 .....	63
B12311219 .....	63
B12311220 .....	63
B12311221 .....	63
B12311222 .....	63
B12311224 .....	63

N/A items do not appear in index.

B12311225	63	Diaphragm	
B12311226	63	209/00316/02	75
B12311234	63	Dispenser Assembly	
B12311235	63	223/00102/60	95, 97
B12311239	63	Dispenser Drain Funnel	
B12311241	63	223/00196/00	95, 97, 99
B12311244	63	Display PC-Board	
B12311247	63	209/02002/00	43
B12311248	63	Door	
B12311249	63	118/00125/00	41
B12311252	63	Door Glass	
B12311301	63	B12449801	41
B12311302	63	Door Glass Seal	
B12311304	63	223/00068/00	41
B12311401	65	Door Handle	
B12323401	63	217/00059/00	41
B12323901	63	217/00065/00	41
Connection Clamp		Door Handle Stop	
209/00619/01	89	217/00016/00	41
209/00622/01	89	Door Hinge Block	
209/00625/01	89	253/00022/00	41
Contact Block		Door Hinge Plate Assembly	
44018701	53	111/00003/00	41
Contact Switch		Door Hinge Spacer	
209/00099/26	43, 45, 47, 49, 51, 53, 57, 59, 61	118/00124/00	41
Contactor		Door Lock Assembly	
209/00041/04	89, 91, 93	B12517701	39
Control Board		Door Lock Bracket	
209/00547/00	57, 59	217/00052/11	39
Control Panel		Door Lock Microswitch	
111/00301/00	53, 59	209/00272/00	39
111/00301/10	57	Door Lock PC-Board	
111/00301/20	61	209/02010/00	43, 45, 47, 49, 51
111/00301/30	43	Door Lock Pin Kit	
111/00301/31	49	211/00109/02	39, 41
111/00301/32	51	Door Lock Spacer	
111/00301/33	45	217/00052/03	39
111/00301/34	47	Door Lock Spring	
111/00331/00	53, 59	224/00049/00	39
111/00331/10	57	Door Release Wire	
111/00331/20	61	217/00052/07	39
111/00331/30	43, 45, 47, 49, 51, 53, 57, 59, 61	Door Solenoid Assembly	
111/00331/31	49	B12495102	39
111/00331/32	51	Drain Hose	
111/00331/33	45	223/00387/00	37
111/00331/34	47	Drain Pipe	
Cooling Fan		223/00106/00	37
209/00287/00	29, 31, 33, 35, 77, 79, 81	Drain Valve	
Counter Ring		209/00644/00	37
219/00004/00	21	Drain Valve Coil Cover	
232/00008/00	23	209/00643/01	37
		Drain Valve Support	
		212/00120/01	11
		Drain Valve to Drain Tube Hose	
		223/00328/00	37
		Drive	
		F8420321	77
		F8420322	77
		F8420323	79
		F8420324	79
		F8420325	81
		F8420326	81
		Drum	
		B12327301	23, 27

N/A items do not appear in index.

131/00059/50 .....	27
132/10009/00 .....	23, 27
Drum Pulley	
226/00142/00 .....	21, 23
Dual Drop Optical Sensor Kit	
B12388102 .....	63

## E

Electrical Component Bridge	
111/10004/20 .....	93
111/10005/00 .....	91, 93
Electrical Component Mounting Plate	
111/10003/40 .....	89, 91
Electrical Component Plate	
111/10004/00 .....	89
111/10004/10 .....	89
Electronic Coin Meter Housing	
152/00112/50 .....	65
Emergency Switch Pushbutton	
209/00099/20 .....	43, 45, 47, 49, 51
Eprom	
209/00266/01 .....	53, 55
Exterior Box	
223/00102/40 .....	95, 97
223/00222/01 .....	99

## F

Fastening Piece	
217/00060/00 .....	63, 65
Feeding Liquid Soap Dosing Pump	
209/00554/51 .....	105
Filter	
209/00287/21 .....	77, 79, 81
210/00027/UL00 .....	83
227/00179/00 .....	83
227/00180/00 .....	83
227/00183/00 .....	83
Filter Bracket	
111/01837/01 .....	83
Frame	
212/00119/03 .....	13
Front Panel	
111/00293/00 .....	73
111/00332/00 .....	73
131/00002/00 .....	27
Front Plate	
111/01000/00 .....	63, 65
Fuse	
209/00372/01 .....	61
209/00439/00 .....	53, 55, 57, 59
209/00468/00 .....	85, 87
Fuse Holder	
209/00202/00 .....	85, 87
209/00202/01 .....	85, 87

## G

Gasket	
246/00149/00 .....	69

Grease Ring	
212/00007/00 .....	19
Grommet	
223/00174/00 .....	77, 79, 81
Ground Terminal	
209/00006/01 .....	83
210/10015/00 .....	39

## H

Heating Contactor	
209/06148/02 .....	89, 91, 93
Heating Element	
209/00562/20 .....	101, 103
209/00563/20 .....	101, 103
209/00564/20 .....	101, 103
209/00581/10 .....	101, 103
Heating Element Plug	
209/00196/00 .....	101
Hinge	
221/00004/00 .....	41
Hose	
B12322403 .....	95, 99
209/00554/98 .....	105
Hose Barb	
223/00016/00 .....	37
Hose Clamp	
223/00010/00 .....	37, 75, 95, 97, 99
223/00011/00 .....	37, 75
223/00013/00 .....	37
223/00014/00 .....	95, 97
223/00071/00 .....	37, 95, 97, 99
Hose Connector	
209/00554/99 .....	105
Hose Vent	
223/00102/07 .....	75

## I

ID Chip	
209/02020/00 .....	87
Infrared Cable	
210/00902/00 .....	57, 59, 61
Inlet Valve Solenoid	
209/00090/01 .....	75
Inlet Valve, 2-Way	
B12519501 .....	75
209/00110/00 .....	75
209/00316/00 .....	75
209/00419/00 .....	75
Input Block	
209/00683/00 .....	65
Insulating Sticker	
229/00255/00 .....	53, 55, 57, 59, 61
229/00268/00 .....	43
229/00291/00 .....	45, 47
Interlock Coil Spring	
224/00043/00 .....	39
Interlock Lever	
217/00052/04 .....	39
Intermediate Fan Motor Plate	
111/00243/00 .....	29, 31, 33, 35

N/A items do not appear in index.

Inverter	
F8645401P .....	81
227/00169/00 .....	81
Inverter Box Cover	
111/01158/11 .....	77, 79, 81
Inverter Drive	
F8645101P .....	77, 79
F8645201P .....	77, 79, 81
227/00168/00 .....	77, 79
Inverter Drive Box	
111/01149/00 .....	79, 81
111/01150/00 .....	77
Inverter Kit	
F8420221 .....	77
F8420222 .....	77
F8420223 .....	79
F8420224 .....	79
F8420225 .....	81
F8420226 .....	81
Inverter PC-Board	
209/02006/00 .....	87

## K

Key	
212/00026/00 .....	21, 23
254/00077/02 .....	63, 65
Keypad	
209/00552/01 .....	61
Keypad Sticker	
225/00407/00 .....	53
Kickplate	
111/00300/00 .....	67
111/00333/00 .....	69, 71

## L

Label	
225/00397/00 .....	61
Lever Spring	
224/00040/00 .....	39
Lip Seal	
B12332301 .....	17
Liquid Soap Dispenser Insert	
223/00102/08 .....	95, 97
Liquid Soap Dosing Pump Connection Piece	
209/00554/53 .....	105
Liquid Soap Dosing Pump O-Ring	
209/00554/52 .....	105
Liquid Soap Manifold	
223/00249/00 .....	77, 79, 81, 95, 97, 99
Lock Shaft	
217/00017/03 .....	39
Lubricator	
212/00002/00 .....	19

## M

Main Board	
B12351701 .....	61

Main Switch	
209/00526/00 .....	83
209/00529/00 .....	83
209/00672/00 .....	83
Main Switch Cover	
111/01834/00 .....	83
Mechanical Coin Meter Housing	
152/00112/00 .....	63
Memory Card PC-Board	
B12305201 .....	43, 45, 47, 49, 51
Microprocessor	
209/02025/00 .....	87
Microswitch	
209/00273/00 .....	39
Motor	
B12510601 .....	29, 31
B12510701 .....	33
B12510901 .....	35
209/00644/11 .....	37
Motor Clamp	
212/00121/01 .....	31
Motor Mounting Plate	
115/11235/00 .....	29
Motor Plate	
115/11305/00 .....	33, 35
Motor Pulley	
226/00145/00 .....	29, 31
Mounting Plate	
223/00374/00 .....	43, 45, 47, 49, 51
Mushroom Pushbutton	
209/00248/00 .....	53
209/00248/20 .....	43, 49, 51, 57, 59, 61

## N

Network Connection Printboard	
209/00540/01 .....	85
209/02007/00 .....	87
Noise Filter	
B12339401 .....	77, 79, 81
227/00242/00 .....	83
Nut	
204/00002/00 .....	9, 11, 13, 25, 27
204/00003/00 .....	25, 27
204/00004/00 .....	9, 11, 13, 31, 101, 103
204/00005/00 .....	103
204/00006/00 .....	67, 69, 71
204/00007/00 .....	67, 75, 77, 79, 81
204/00008/00 .....	39, 63, 65
204/00009/00 .....	25, 27, 37, 39, 67, 69, 71
204/00010/00 .....	15, 17, 19
204/00103/00 .....	41
204/00106/00 .....	41, 73
204/00107/00 .....	73
204/00110/00 .....	29, 33, 35
204/00111/00 .....	25, 27
204/00114/00 .....	57, 59, 77, 79, 81
204/00115/00 .....	29, 31, 33, 35
204/00116/00 .....	43, 45, 47, 49, 51, 53, 55, 61, 63, 65, 87
204/00201/00 .....	37, 75
206/00101/00 .....	11, 37, 67, 69, 71
208/00002/00 .....	65, 75
208/00025/00 .....	67, 69, 71
208/00104/00 .....	73

N/A items do not appear in index.



211/00171/00 .....	77, 79, 81
211/00182/00 .....	77, 79, 81
271/35945/00 .....	29, 31, 33, 35

## O

Operating Sticker	
225/00400/00 .....	61
225/00404/00 .....	59
225/00405/00 .....	59
225/00408/00 .....	53
225/00410/00 .....	55
225/10307/00 .....	49, 51
225/10308/00 .....	49, 51
225/10313/00 .....	43
225/10404/00 .....	45
225/10405/00 .....	47
225/10427/00 .....	45
225/10477/00 .....	47
Optic Cable	
210/00901/00 .....	43, 45, 47, 49, 51
Optical Switch	
209/00781/00 .....	63
O-Ring	
217/00002/00 .....	15
217/00021/00 .....	29, 31, 33, 35, 41
231/00036/00 .....	19
Outer and Inner Box Kit	
223/00222/60 .....	99
Outlet Pipe Plate Assembly	
101/00007/00 .....	67, 69, 71
Overflow Hose	
223/00131/00 .....	37
Overload Contactor	
209/00619/00 .....	89
209/00620/00 .....	89
209/00621/00 .....	89
209/00622/00 .....	89
209/00623/00 .....	89
209/00624/00 .....	89
209/00625/00 .....	89

## P

Parameter Unit Assembly	
F8410901 .....	77, 79, 81
227/00171/00 .....	77, 79, 81
Parameter Unit Program Cable	
227/00171/10 .....	77, 79, 81
Plexi Frame	
225/00316/00 .....	53, 55, 57, 59
225/00321/00 .....	43
225/00322/00 .....	49, 51
225/00323/00 .....	45, 47
Powder Bin Crossbar	
111/00156/11 .....	71
Pressure Switch	
209/00027/10 .....	93
Pressure Hose	
223/00179/10 .....	77, 79, 81
223/00333/00 .....	37, 89, 91, 93
Pressure Switch	
209/00007/50 .....	89

209/00027/10 .....	91
Pressure Switch Cap	
223/00035/02 .....	89, 91, 93
Pressure Switch Elbow	
223/00210/00 .....	37
Pressure Switch Hose Tee	
223/00173/10 .....	37, 89, 91, 93
Prewash and Mainwash Nozzle	
223/00001/04 .....	37, 75
Printboard	
209/00440/70 .....	53, 55
209/00440/80 .....	53, 55
209/02001/02 .....	49, 51
209/02015/02 .....	45, 47
Printboard Separator	
211/00128/00 .....	43, 45, 47, 49, 51, 87
Printboard Support	
111/01838/10 .....	85
Printboard Support Card	
111/01893/00 .....	43, 45, 47
Programming Key Contact Switch	
209/00326/20 .....	61
Protection LED	
223/00330/00 .....	49, 51
Pulley	
226/00146/00 .....	33, 35
Pump	
209/00554/50 .....	105
Pushbutton	
209/00396/00 .....	63, 65

## R

Reinforcement Plate	
111/10089/01 .....	73
Relay PC-Board	
209/02014/00 .....	87
209/02016/00 .....	87
Retainer Ring	
212/00006/00 .....	15, 17, 19
212/00037/00 .....	15, 17
Retaining Ring	
117/00042/00 .....	29, 31, 33, 35, 67, 69, 71
Rinse Insert	
223/00102/03 .....	95, 97
Rinsing Box	
223/00222/05 .....	99
Rivet	
208/00017/00 .....	83, 85, 87, 89
Roller Bearing	
212/00005/00 .....	19, 23

## S

Screw	
B12350903 .....	95, 97, 99
B12500801 .....	41
206/00007/00 .....	9, 11, 13
206/00049/00 .....	29, 31, 33, 35
206/00056/00 .....	21, 23
206/00166/00 .....	71
207/00002/00 .....	29, 31, 33, 35

N/A items do not appear in index.

207/00004/00 .....	23	Soap Dispenser Rinse Siphon	
207/00009/00 .....	39	223/00102/04 .....	95, 97
207/00021/00 .....	77, 79, 81	Soap Injection PCB with Fuse	
207/00032/00 .....	67	209/00218/13 .....	85
207/00101/00 .....	67, 69, 71	Soap Pump Assembly	
207/00112/00 .....	73	209/00554/01 .....	105
207/00126/00 .....	41	209/00554/02 .....	105
207/00135/00 .....	39	209/00554/03 .....	105
208/00014/00 .....	65, 67, 69, 71, 75	209/00554/04 .....	105
208/00130/00 .....	77, 79, 81	209/00554/05 .....	105
Seal Cover		209/00554/06 .....	105
219/00001/00 .....	15	Soap Spray Nozzle	
Seal Cover Plate		223/00102/06 .....	95, 97, 99
131/00035/00 .....	19	Softener Spray Nozzle	
Seal Holder Assembly		223/00102/05 .....	95, 97
119/00001/01 .....	15	223/00222/03 .....	99
131/00035/01 .....	19	Speed Detector	
Seal Plate Assembly		210/00075/00 .....	15, 17, 19
B12333701 .....	15, 17	Speed Detector Bracket	
Shaft Seal		152/00055/00 .....	15, 17
132/00009/00 .....	23	Standoff	
219/00003/00 .....	15	211/00122/00 .....	43, 45, 47, 53, 55, 57, 59, 61, 87
231/00037/00 .....	19	211/00145/00 .....	43, 45, 47
Shrink Fit		211/00146/00 .....	85, 87
223/00245/00 .....	99	Steam Bracket	
Side Panel		111/00155/00 .....	101
111/60038/00 .....	69, 71	Steam Heat Kit	
111/60038/50 .....	73	922P3 .....	101
133/60127/00 .....	71	923P3 .....	103
133/60128/00 .....	73	Steam Hose	
140/60027/00 .....	67, 71	217/00034/00 .....	101
140/60028/00 .....	73	Steam Injector	
Single Drop Optical Sensor Kit		119/00089/00 .....	103
B12388101 .....	63	217/00061/00 .....	101
Siphon Break		Steam Injector Bracket	
223/00222/04 .....	99	113/00028/00 .....	103
Siphon Break Dispenser Hose		Steam Valve	
223/00263/00 .....	95, 99	209/00476/00 .....	103
223/00264/00 .....	97, 99	209/00477/00 .....	101
Siphon Break Hose		Support Connector	
B12322404 .....	97	111/10003/10 .....	89
223/00268/00 .....	99	Switch	
Soap Box Assembly Plate		209/00600/01P .....	63
123/00103/06 .....	95, 97, 99	Switch Base	
Soap Box Support Plate		209/00099/25 .....	61
111/00117/00 .....	69	Switch Knob	
Soap Dispenser		209/00099/29 .....	61
223/00240/00 .....	99		
Soap Dispenser Assembly			
223/00102/30 .....	95, 97		
Soap Dispenser Back			
111/10100/00 .....	67		
Soap Dispenser Cover			
223/00103/01 .....	73		
Soap Dispenser Cover Hinge Rod			
223/00103/04 .....	73		
Soap Dispenser Crossbar			
111/00156/00 .....	69		
111/10100/11 .....	71		
Soap Dispenser Frame			
223/00103/03 .....	73		
Soap Dispenser Front			
111/10100/10 .....	67		
Soap Dispenser Gasket			
223/00109/00 .....	95, 97, 99		

---

## T

Telem Sticker	
209/00520/00 .....	43, 45, 47, 49, 51, 53, 57, 59, 61
Terminal Block	
209/00527/00 .....	83
209/00530/00 .....	83
Thermostat	
210/01064/16 .....	89, 91, 93
210/01304/16 .....	89, 91, 93
Thermostat Grommet	
225/10004/00 .....	89, 91, 93
Top Panel	
111/00330/00 .....	73
111/01001/00 .....	63, 65

N/A items do not appear in index.

111/05017/00.....	73
140/00046/00.....	73
Transformer	
209/00682/00.....	65
Tub	
B12328901.....	25
B12329001.....	25
B12331101.....	25
B12331201.....	25
B12331301.....	25
B12331401.....	27
B12331501.....	27
B12331601.....	27
131/00059/00.....	27
131/00059/60.....	27
Tub Clamp Ring	
238/00011/00.....	25
Tub Fastening Ring	
212/00116/00.....	9, 11, 25
212/00117/00.....	13, 27
Tub Front	
138/00001/00.....	25
Tub Front Gasket	
B12351601.....	25
223/00242/00.....	27
Tub Front Panel Clip	
217/00008/00.....	25, 27
Tub Front Ring Clamp	
231/00010/00.....	27
Tub Mounting Strap	
137/00008/00.....	25
Tub Strap	
131/00010/00.....	27
Tub to Drain Valve Hose	
223/00327/00.....	37

## U

U-Piece Assembly	
113/00067/00.....	15, 17
113/00068/00.....	19
Upper Front Panel	
111/01823/00.....	55

## V

Vent Hose	
223/00107/06.....	95
223/00388/00.....	97
Vent Tube	
223/00226/00.....	75, 99
223/00229/00.....	99
Voltage Discharge Decal	
B12355001.....	77, 79, 81

## W

Washer	
B12421401.....	71
201/00001/00.....	15, 17, 19
201/00002/00.....	37, 75

201/00004/00.....	29, 31, 33, 35
201/00005/00.....	9, 11, 13, 25, 27
201/00006/00.....	39, 67, 69, 71, 75
201/00007/00.....	25, 27, 37, 73, 103
201/00009/00.....	25, 27
201/00010/00.....	29, 33, 35
201/00011/00.....	21, 23
201/00017/00.....	39
201/00018/00.....	39
201/00028/00.....	31
201/00201/00.....	15, 17
201/00202/00.....	19
202/00002/00.....	31, 37, 101, 103
202/00003/00.....	67, 69, 71
202/00004/00.....	75, 83
202/00006/00.....	67
202/00101/00.....	39, 41
202/00104/00.....	41
202/00111/00.....	41
202/00124/00.....	39
203/00001/00.....	9, 11, 13, 21, 23, 25, 27
203/00002/00.....	25, 27
203/00003/00.....	9, 11, 13, 19, 101, 103
203/00004/00.....	15, 17, 67, 69, 71, 103
203/00005/00.....	67, 69, 71, 73
203/00006/00.....	53, 55, 75, 77, 79, 81, 83
203/00007/00.....	39
203/00015/00.....	67, 69, 71
208/00009/00.....	67, 69, 71
223/00051/10.....	61
223/00123/00.....	43, 45, 47, 49, 51, 61, 87
Water Hose	
F200164.....	75
F200166.....	75
223/00044/00.....	37, 75, 95, 97, 99
223/00044/01.....	75
223/00059/00.....	75, 95, 97
Wire Assembly	
B12359901.....	63

N/A items do not appear in index.

