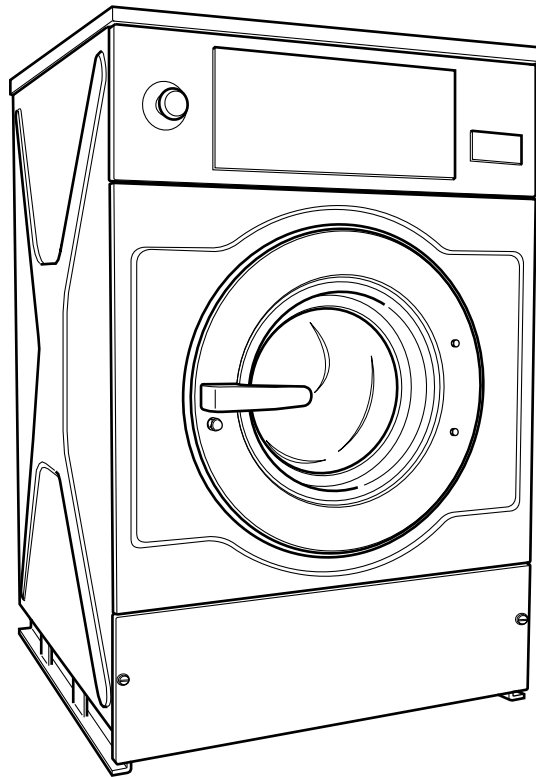


Washer-Extractor

Pocket Hardmount

Refer to Page 5 for Model Numbers



CHM2097N_D0884

Table of Contents

Title	Page
Parts Ordering Information.....	3
Serial Plate Location	3
Model Identification	5
Pocket Hardmount Washer-Extractor Product Overview	6
Frame.....	8
Bearing Housing - Models Through January 30, 2011	10
Bearing Housing - Models Starting January 31, 2011	12
Pulley and Belt - Models Through April 22, 2007.....	14
Pulley and Belt - Models Starting April 23, 2007.....	16
Shell and Basket	18
Motor and Belt - Medium Speed Models Through April 1, 2007	20
Motor and Belt - Medium Speed Models Starting April 2, 2007 and All 2 Speed Models	22
Drain Plumbing - Models with 2 Inch Drain Valve Through August 11, 2010	24
Drain Plumbing - Models with 2 Inch Drain Valve Starting August 12, 2010	26
Drain Plumbing - *030 and *135 Models with 3 Inch Drain Valve	28
Drain Plumbing - *035 and *165 Models with 3 Inch Drain Valve	30
Door Lock.....	32
Door	34
Control Panel - Cygnus Professional	36
Control Panel - Cygnus Premium OPL	38
Control Panel - Cygnus Premium OPL with Frontal Supply Dispenser.....	40
Control Panel - Cygnus Premium Coin	42
Control Panel - Cygnus Premium Coin with Frontal Supply Dispenser	44
Control Panel - Cygnus Standard/Commercial OPL	46
Control Panel - Cygnus Standard/Commercial OPL with Frontal Supply Dispenser	48
Control Panel - Cygnus Standard/Commercial Coin.....	50
Control Panel - Cygnus Standard/Commercial Coin with Frontal Supply Dispenser	52
Control Panel - Micro-20 OPL	54
Control Panel - Micro-20 OPL with Frontal Supply Dispenser	56
Control Panel - Micro-20 Coin.....	58
Control Panel - Sigma OPL.....	60
Control Panel - Sigma OPL with Frontal Supply Dispenser	62
Control Panel - Sigma Coin	64
Control Panel - Sigma Coin with Frontal Supply Dispenser.....	66
Control Panel - PS40F	68
Coin Drop - Mechanical Coin Meter.....	70
Coin Drop - Electronic Coin Meter	72
Left Side, Lower Front and Upper Back Panels.....	74
Right Side, Front, Rear and Top Panels	76
Water Inlet Valves.....	78
Inverter Drive (Drawing 1 of 2).....	80

© Copyright 2015, Alliance Laundry Systems LLC

All rights reserved. No part of the contents of this book may be reproduced or transmitted in any form or by any means without the expressed written consent of the publisher.

Inverter Drive (Drawing 2 of 2).....	82
Main Switch and Noise Filter	84
Central Operating Panel, Network Connection and Soap Injection Printboards.....	86
Relay, Network Connection and Main Printboards - Cygnus Models	88
Electrical Component Mounting Plate.....	90
Supply Dispenser - Models with Frontal Supply Dispenser	92
Supply Dispenser - Models with Round Ventilation Opening.....	94
Supply Dispenser - Models with Rectangular Ventilation Opening.....	96
Steam and Electric Heating Options	98
Soap Pumps	100
Parts Index.....	103

Parts Ordering Information

If literature or replacement parts are required, contact the source from whom the machine was purchased or contact Alliance Laundry Systems at (920) 748-3950 for the name and address of the nearest authorized parts distributor.

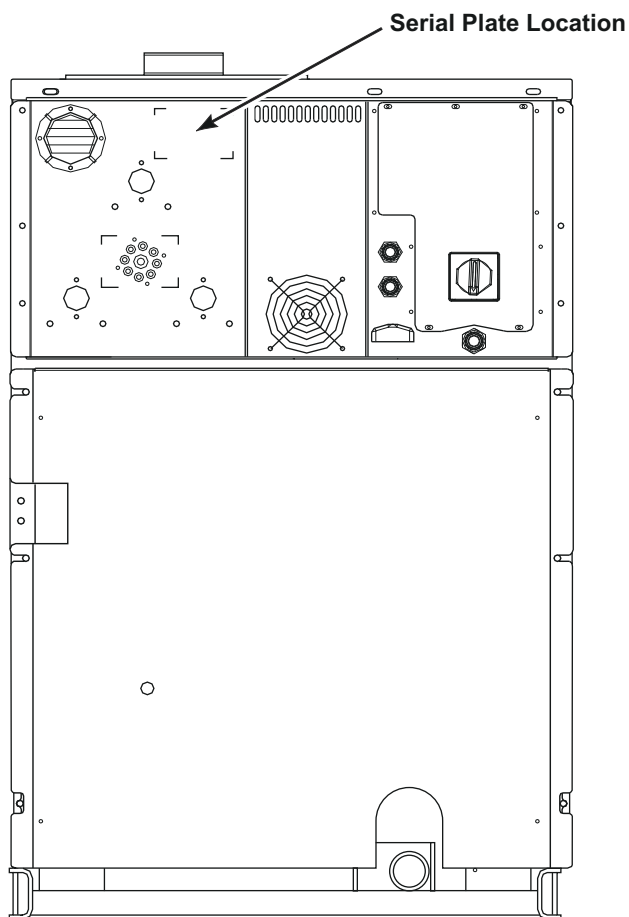
For technical assistance, call either of the numbers listed below:

(920) 748-3121 Ripon, Wisconsin

+32 56 41 20 54 Wevelgem, Belgium

Serial Plate Location

When calling or writing about your product, be sure to mention model and serial numbers. Model and serial numbers are located on serial plate(s) as shown.



CHM3065P_D0884

Model Identification

Information in this manual is applicable to these washer-extractor models:

CWF035ANM	IWF135MYM	WFF135_CYGNUS-COMM_COIN
CWF035AN2	IWF135MY2	WFF135_CYGNUS-COMM_OPL
CWF035MNM	IWF135SCM	WFF135_CYGNUS-PREM_COIN
CWF035MN2	IWF135SC2	WFF135_CYGNUS-PREM_OPL
IWF030ANM	IWF135SDM	WFF135_CYGNUS-PRO
IWF030AN2	IWF135SD2	WFF135_CYGNUS-STANDARD_COIN
IWF030MCM	IWF135SEM	WFF135_CYGNUS-STANDARD_OPL
IWF030MC2	IWF135SE2	WFF135_MICRO-20_COIN
IWF030MDM	IWF135SLM	WFF135_MICRO-20_OPL
IWF030MD2	IWF135SL2	WFF135_PS40F
IWF030MEM	IWF135SRM	WFF135_SIGMA_COIN
IWF030ME2	IWF135SR2	WFF135_SIGMA_OPL
IWF030MLM	IWF135SXM	WFF165_CYGNUS-COMM_COIN
IWF030ML2	IWF135SX2	WFF165_CYGNUS-COMM_OPL
IWF030MNM	IWF135SYM	WFF165_CYGNUS-PREM_COIN
IWF030MN2	IWF135SY2	WFF165_CYGNUS-PREM_OPL
IWF030MXM	IWF135ZNM	WFF165_CYGNUS-PRO
IWF030MX2	IWF135ZN2	WFF165_CYGNUS-STANDARD_COIN
IWF030MYM	IWF165ANM	WFF165_CYGNUS-STANDARD_OPL
IWF030MY2	IWF165AN2	WFF165_MICRO-20_COIN
IWF030SCM	IWF165MCM	WFF165_MICRO-20_OPL
IWF030SC2	IWF165MC2	WFF165_PS40F
IWF030SDM	IWF165MDM	WFF165_SIGMA_COIN
IWF030SD2	IWF165MD2	WFF165_SIGMA_OPL
IWF030SEM	IWF165MEM	WF135_CYGNUS-COMM_COIN
IWF030SE2	IWF165ME2	WF135_CYGNUS-COMM_OPL
IWF030SLM	IWF165MLM	WF135_CYGNUS-PREM_COIN
IWF030SL2	IWF165ML2	WF135_CYGNUS-PREM_OPL
IWF030SRM	IWF165MNM	WF135_CYGNUS-PRO
IWF030SR2	IWF165MN2	WF135_CYGNUS-STANDARD_COIN
IWF030SXM	IWF165MXM	WF135_CYGNUS-STANDARD_OPL
IWF030SX2	IWF165MX2	WF135_MICRO-20_COIN
IWF030SYM	IWF165MYM	WF135_MICRO-20_OPL
IWF030SY2	IWF165MY2	WF135_PS40F
IWF035MXM	IWF165SCM	WF135_SIGMA_COIN
IWF135ANM	IWF165SC2	WF135_SIGMA_OPL
IWF135AN2	IWF165SDM	WF165_CYGNUS-COMM_COIN
IWF135MCM	IWF165SD2	WF165_CYGNUS-COMM_OPL
IWF135MC2	IWF165SEM	WF165_CYGNUS-PREM_COIN
IWF135MDM	IWF165SE2	WF165_CYGNUS-PREM_OPL
IWF135MD2	IWF165SLM	WF165_CYGNUS-PRO
IWF135MEM	IWF165SL2	WF165_CYGNUS-STANDARD_COIN
IWF135ME2	IWF165SRM	WF165_CYGNUS-STANDARD_OPL
IWF135MLM	IWF165SR2	WF165_MICRO-20_COIN
IWF135ML2	IWF165SXM	WF165_MICRO-20_OPL
IWF135MNM	IWF165SX2	WF165_PS40F
IWF135MN2	IWF165SYM	WF165_SIGMA_COIN
IWF135MXM	IWF165SY2	WF165_SIGMA_OPL
IWF135MX2	IWF165ZNM	
	IWF165ZN2	


Pocket Hardmount Washer-Extractor Product Overview

Type:	WFF75C	Nr: 07110WD0339
Voltage:	3 ~ 400V 50Hz	Weight: 181 kg
Motor:	0.55kW 2.5A	Capacity: 73 L
Heating:	9kW 16A	Dry Load: 7,3 kg
Total:	9.55 kW	Drum: 530 mm
Kinetic energy:	592 Nm	Speed: 700 rpm
Manufactured in:	2007	

Water Pressure: min. 2.07 max. 5.86 Kg/cm² IPX4
min. 20.7 max. 58.6 N/cm²

sfc 741837


Alliance International BVBA
Nieuwstraat 146
8560 Wevelgem
Belgium
Tel: +32 56 41 20 54
Fax: +32 56 41 86 74
www.ipso.be



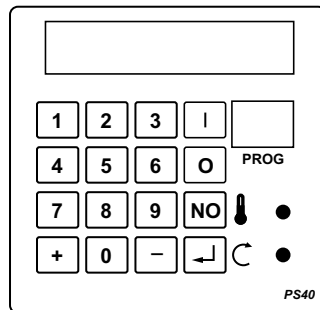
Model No:	IWF018MNMX10U01	Serial No: 07110WD0152
Volts Hertz:	208-240 50/60	Type: WFF75
Phase:	1 - 3	
Amps:	6 amps	Capacity: 18/7 lbs/kg
Recommended Circuit Breaker:	15 amps	Water: 30-85 psi
Interrupt Current:	10 kA	Pressure: 2.07-5.86 bar
Motor:	1 hp 0,75 kW	Max Speed: 700 rpm
Elec Heat:	N/A kW	Net Weight: 400 lbs 181 kg
Steam heat:	N/A psi N/A bar	IPX4

Alliance International BVBA
Made in Belgium

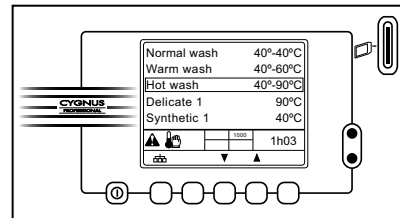
TEL 1-920-748-3121
www.comlaundry.com



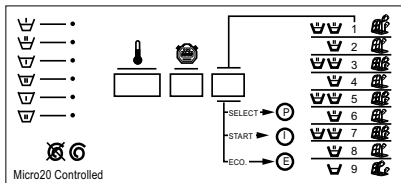
100740
CONFORMS TO ANSI/UL
STD 2157
CERTIFIED TO CAN/CSA
STD C22.2 NO.169-94



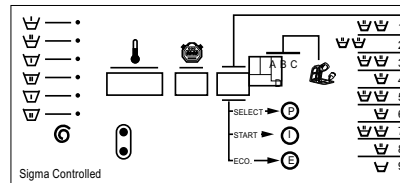
PS40



Cygnus Professional



Micro 20



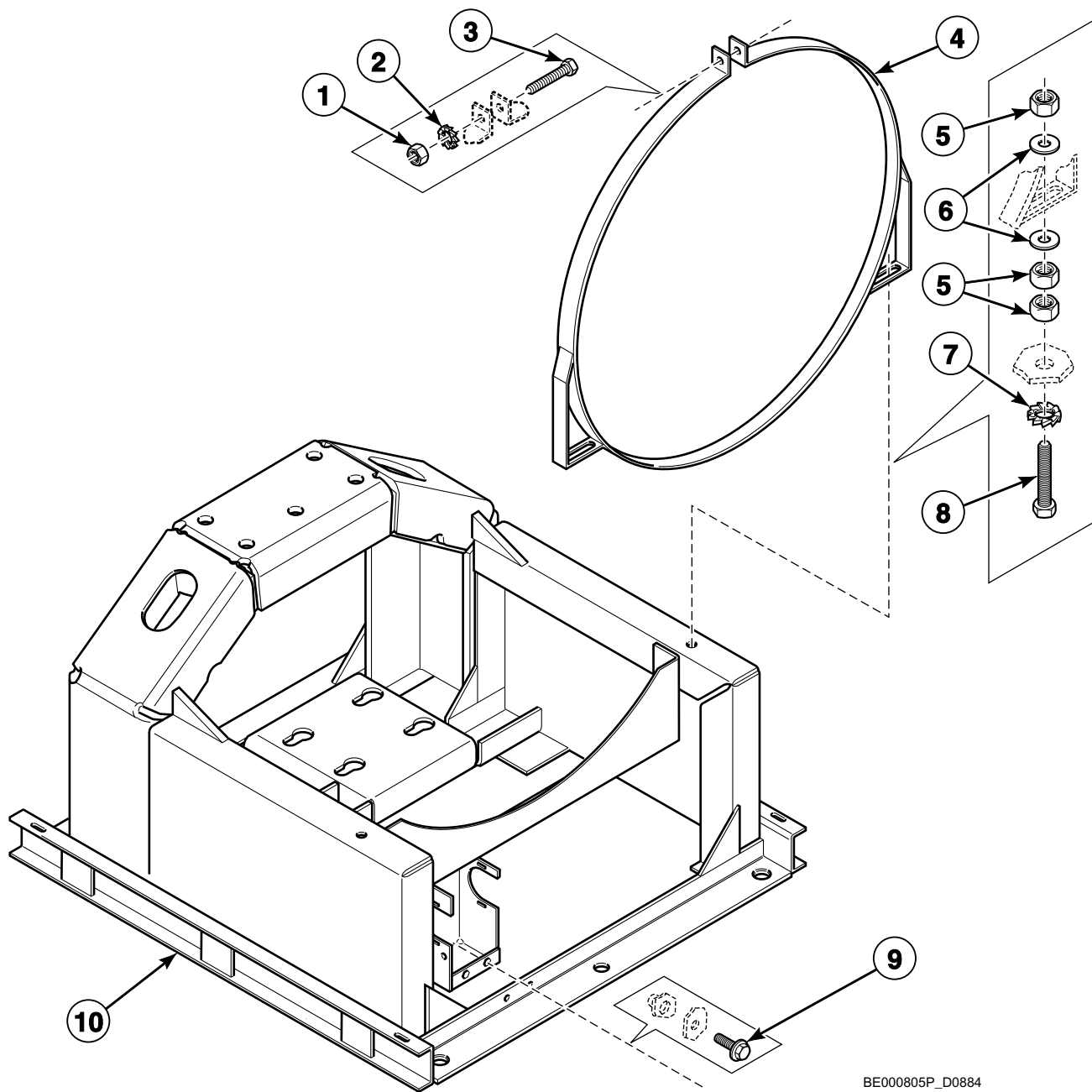
Sigma

CHM3066P_D0884

Pocket Hardmount Washer-Extractor Product Overview

REF	PART NO.	DESCRIPTION	COMMENTS
1	-	Product Family	CWF IWF WFF
2	-	Capacity	030 035 135 165
3	-	Control	A (PS40F) Cygnus-Comm Cygnus-Prem Cygnus-Standard M (Micro-20) S (Sigma) Z (Cygnus-Pro)
4	-	Actuation	C (Coin Drop Meter) D (Dual Coin Drop) E (Electronic Drop) L (Prep for Remote or Central Pay) N (Non-Coin) R (Smart Card Ready) X (Prep for Coin) Y (Card Ready)
5	-	Speed	M (Medium Spin)
6	-	Voltage	N (440-480/50-60/3/3) P (380-415/50-60/3/3) Q (208-240/50-60/3/3) X (200-240/50-60/1/3)
7	-	Design	1

Frame

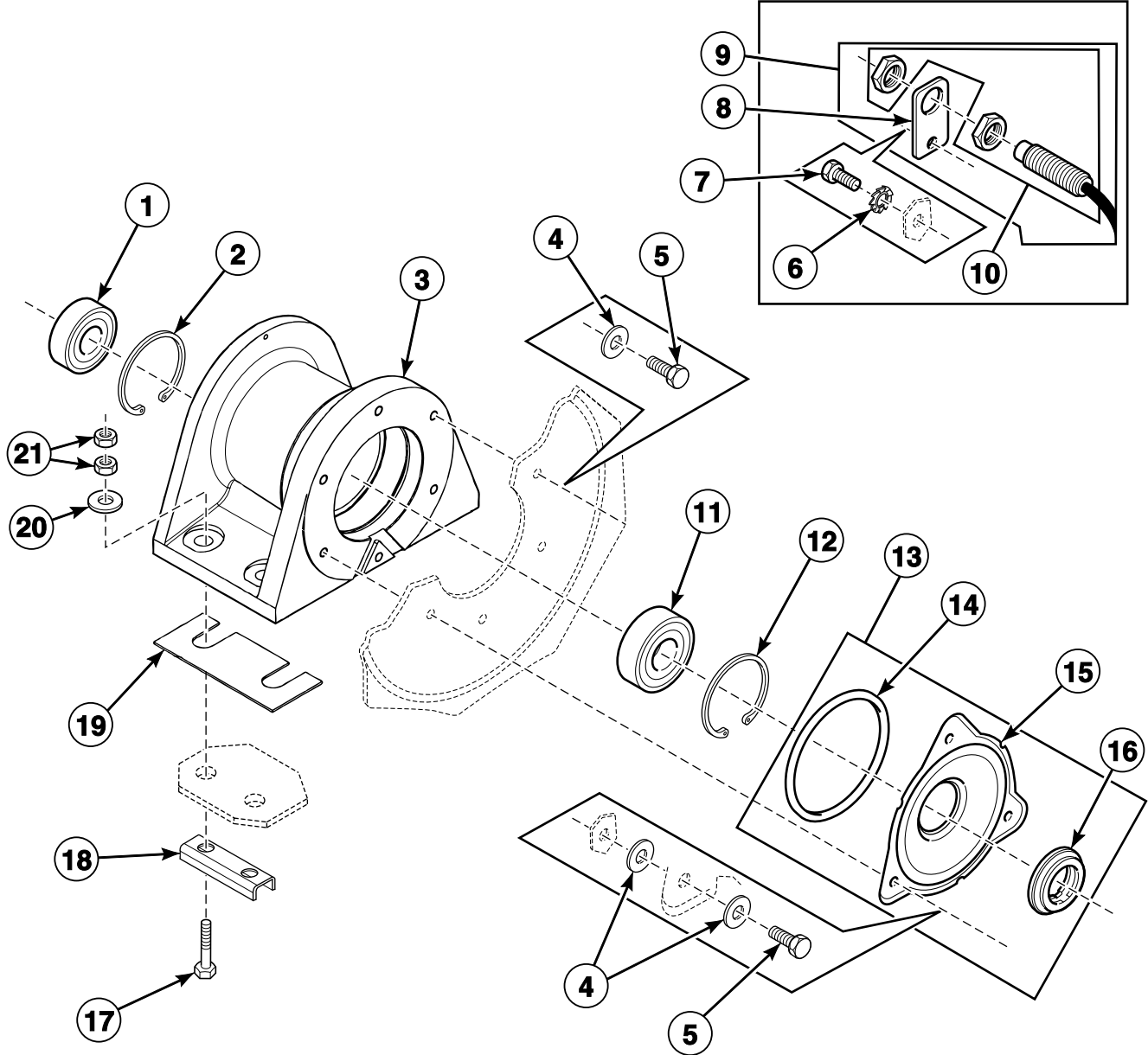


BE000805P_D0884

Frame

REF	PART NO.	DESCRIPTION	COMMENTS
1	204/00004/00	Nut	
2	203/00003/00	Washer	
3	206/00007/00	Screw	
4	212/00114/00	Tub Fastening Ring	
5	204/00002/00	Nut	
6	201/00005/00	Washer	
7	203/00001/00	Washer	
8	206/00079/00	Bolt	
9	206/00099/00	Bolt	
10	212/00107/50	Chassis	*030 and *135 models
	212/00108/50	Chassis	*035 and *165 models

Bearing Housing - Models Through January 30, 2011

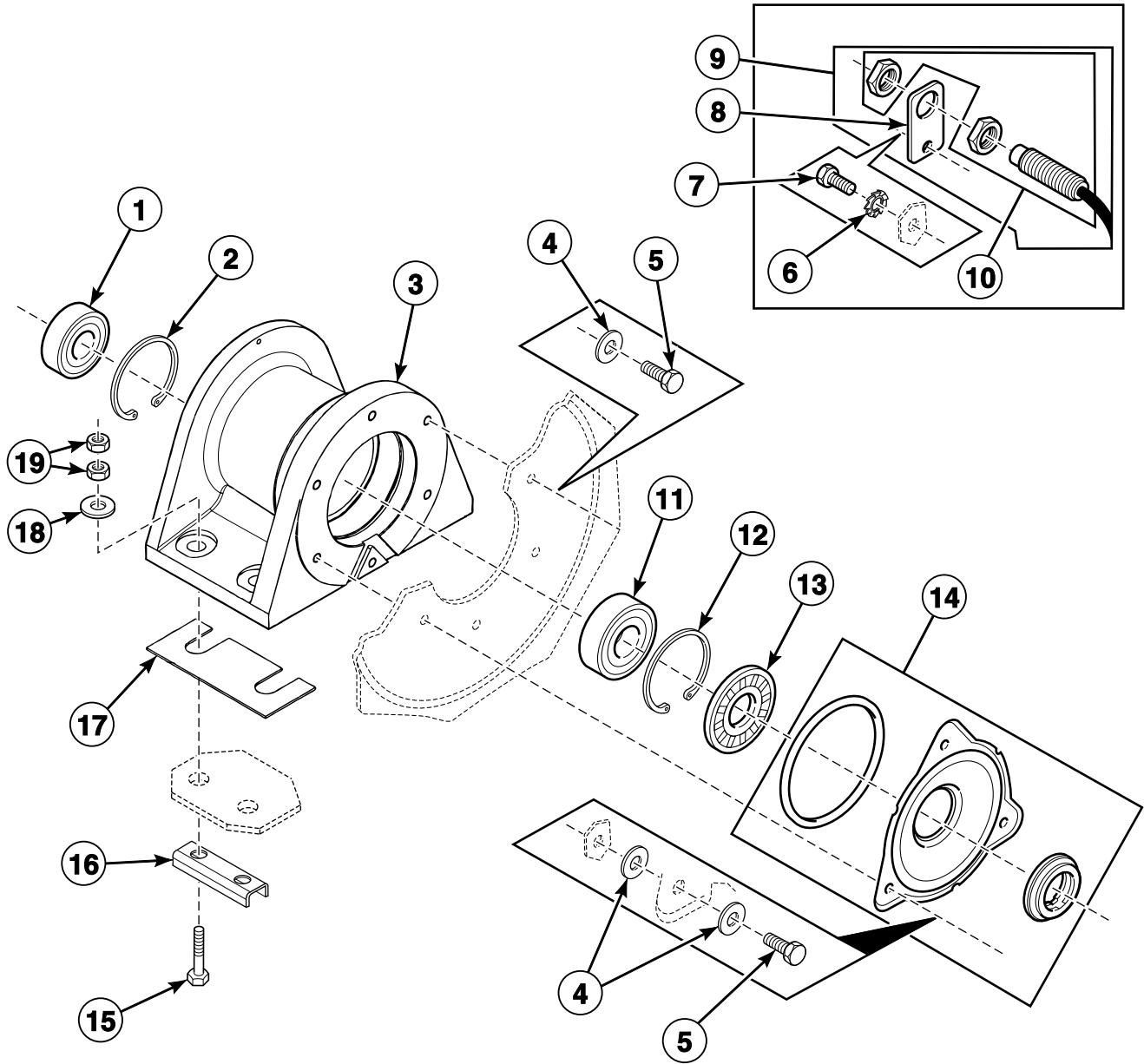


BE000806AP_D0884

Bearing Housing - Models Through January 30, 2011

REF	PART NO.	DESCRIPTION	COMMENTS
	381P3	Bearing Replacement Tool Kit	
	388P4	Bearing Replacement Kit	Includes items 1, 4, 5, 11, 13, 219/00004/00 Counter Ring, 223/00242/20 Tub Gasket and F8382001P Deflector Inlet
1	212/00024/00	Ball Bearing	
2	212/00037/00	Retainer Ring	
3	212/00101/00	Bearing Housing Assembly	Includes bearings
	212/00101/01	Bearing Housing Assembly	
4	201/00201/00	Washer	
5	205/00102/00	Bolt	
6	203/00004/00	Washer	
7	205/00104/00	Bolt	
8	152/00055/00	Speed Detector Bracket	
9	210/00074/00	Speed Detector	Includes items 8 and 10
10	209/00400/00	Speed Detector	
11	212/00004/00	Ball Bearing	
12	212/00006/00	Retainer Ring	
13	119/00001/01	Seal Holder Assembly	Includes items 14-16; Used with 111/01809/00 Cylinder and Shaft Assembly and 111/01810/00 Drum and Axle Assembly
14	217/00002/00	O-Ring	Used with 111/01809/00 Cylinder and Shaft Assembly and 111/01810/00 Drum and Axle Assembly
15	219/00001/00	Seal Cover	Used with 111/01809/00 Cylinder and Shaft Assembly and 111/01810/00 Drum and Axle Assembly
16	219/00003/00	Shaft Seal	Used with 111/01809/00 Cylinder and Shaft Assembly and 111/01810/00 Drum and Axle Assembly
17	206/00093/00	Bolt	
18	113/00066/00	U-Piece Assembly	
19	113/00019/01	Bearing Housing Plate	1 mm
	113/00019/02	Bearing Housing Plate	2 mm
20	201/00001/00	Washer	
21	204/00010/00	Nut	

Bearing Housing - Models Starting January 31, 2011

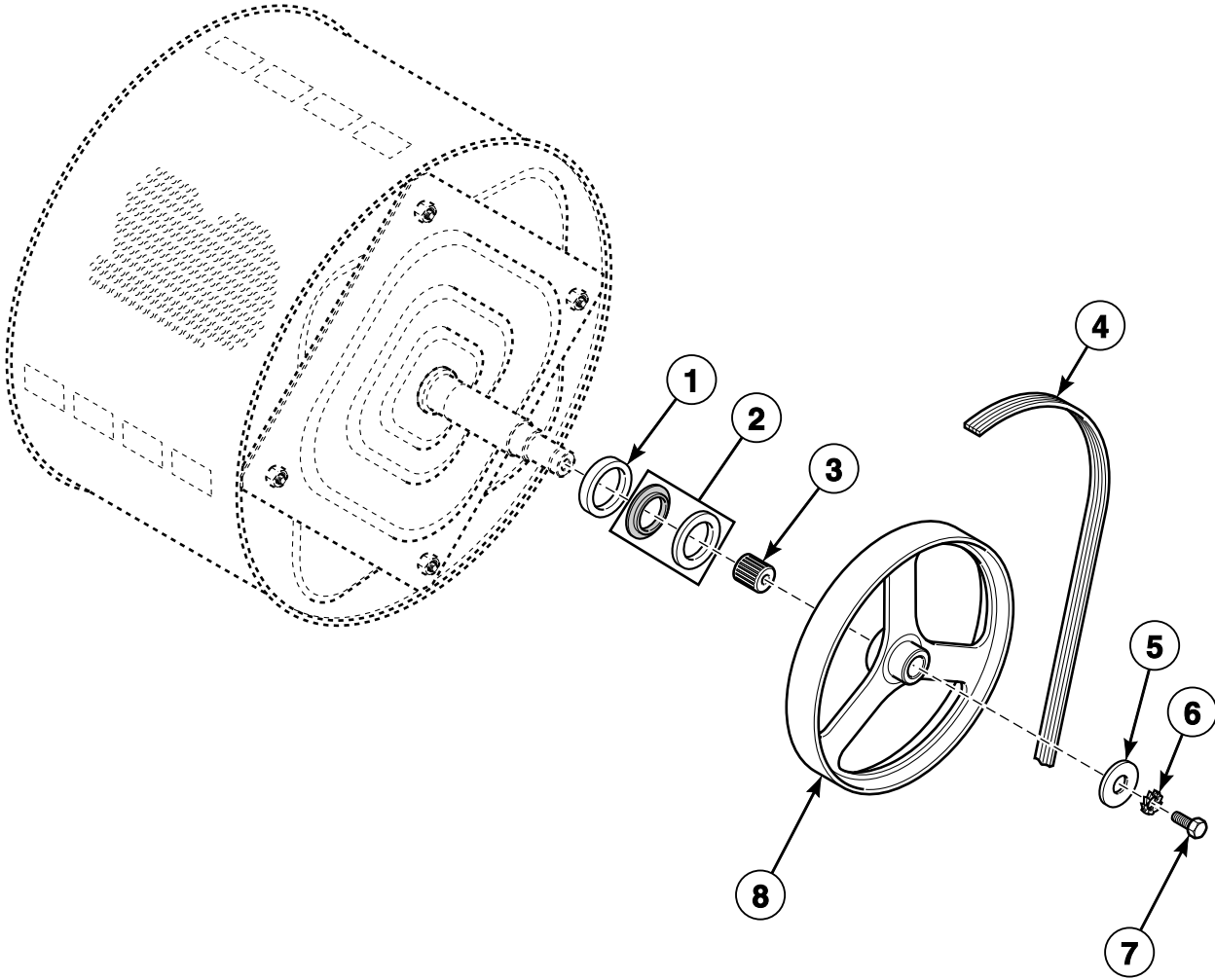


CFD641P_D0884

Bearing Housing - Models Starting January 31, 2011

REF	PART NO.	DESCRIPTION	COMMENTS
	381P3	Bearing Replacement Tool Kit	
	3882P	Bearing Kit	Includes items 1, 4, 5, 11, 13, 14, 219/00004/00 Counter Ring and 223/00242/20 Tub Gasket
1	212/00024/00	Ball Bearing	
2	212/00037/00	Retainer Ring	
3	212/00101/00	Bearing Housing Assembly	Includes bearings
	212/00101/01	Bearing Housing Assembly	
4	201/00201/00	Washer	
5	205/00102/00	Bolt	
6	203/00004/00	Washer	
7	205/00104/00	Bolt	
8	152/00055/00	Speed Detector Bracket	
9	210/00074/00	Speed Detector	Includes items 8 and 10
10	209/00400/00	Speed Detector	
11	212/00004/00	Ball Bearing	
12	212/00006/00	Retainer Ring	
13	B12332301	Lip Seal	
14	B12333701	Seal Plate Assembly	Used with B12380101 Basket, B12380201 Basket, B12380301 Drum and B12380601 Basket
15	206/00093/00	Bolt	
16	113/00066/00	U-Piece Assembly	
17	113/00019/01	Bearing Housing Plate	1 mm
	113/00019/02	Bearing Housing Plate	2 mm
18	201/00001/00	Washer	
19	204/00010/00	Nut	

Pulley and Belt - Models Through April 22, 2007

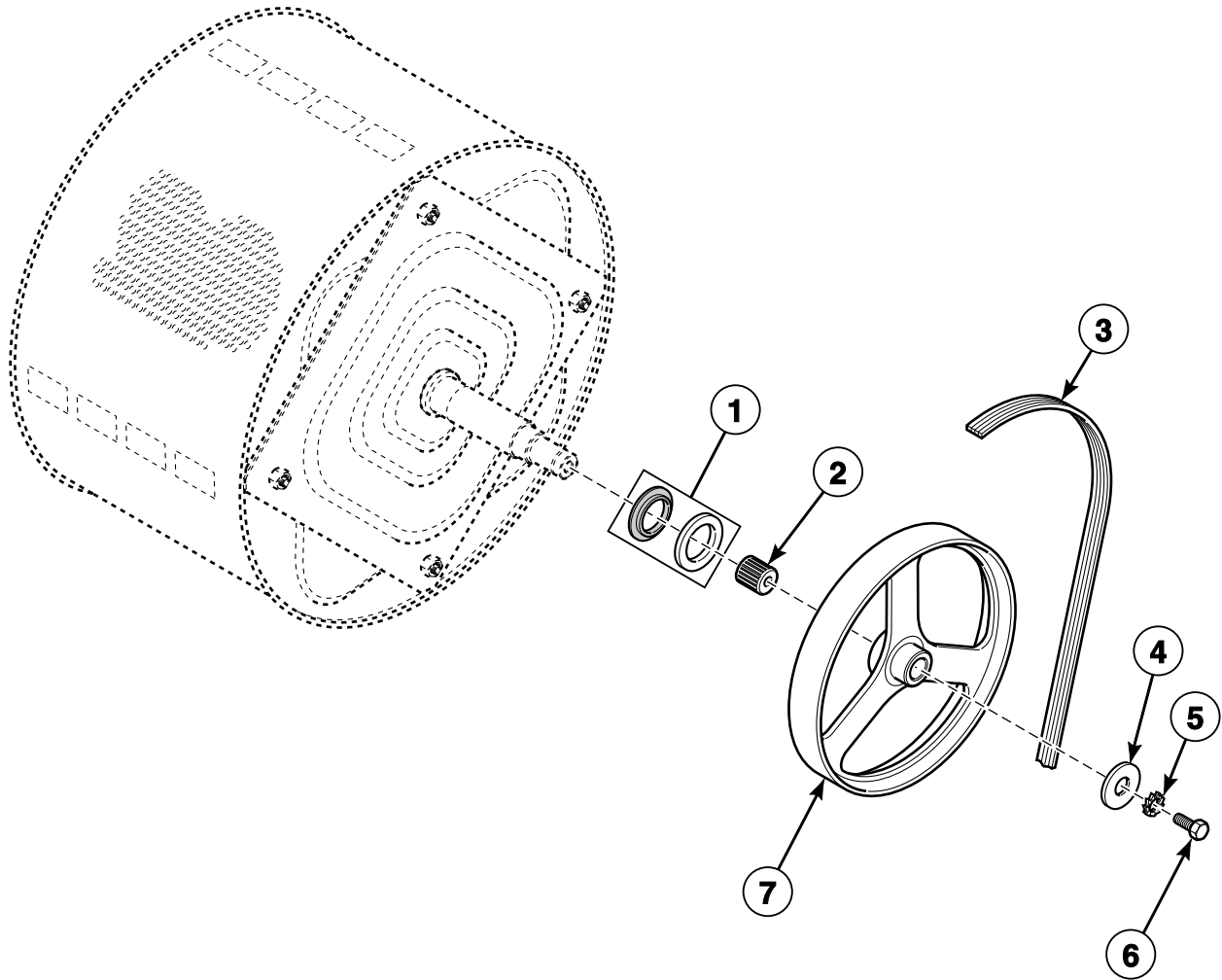


CFD642P_D0884

Pulley and Belt - Models Through April 22, 2007

REF	PART NO.	DESCRIPTION	COMMENTS
1	217/00101/00	Bearing Spacer	
2	219/00004/00	Counter Ring	
3	215/00004/00	Tolerance Ring	
4	226/00132/00	Belt	Medium speed models
	226/00138/00	Belt	2 speed models
5	201/00015/00	Washer	
6	203/00002/00	Washer	
7	206/00005/00	Bolt	
8	226/00126/00	Pulley	Medium speed models
	226/00141/00	Drum Pulley	2 speed models

Pulley and Belt - Models Starting April 23, 2007

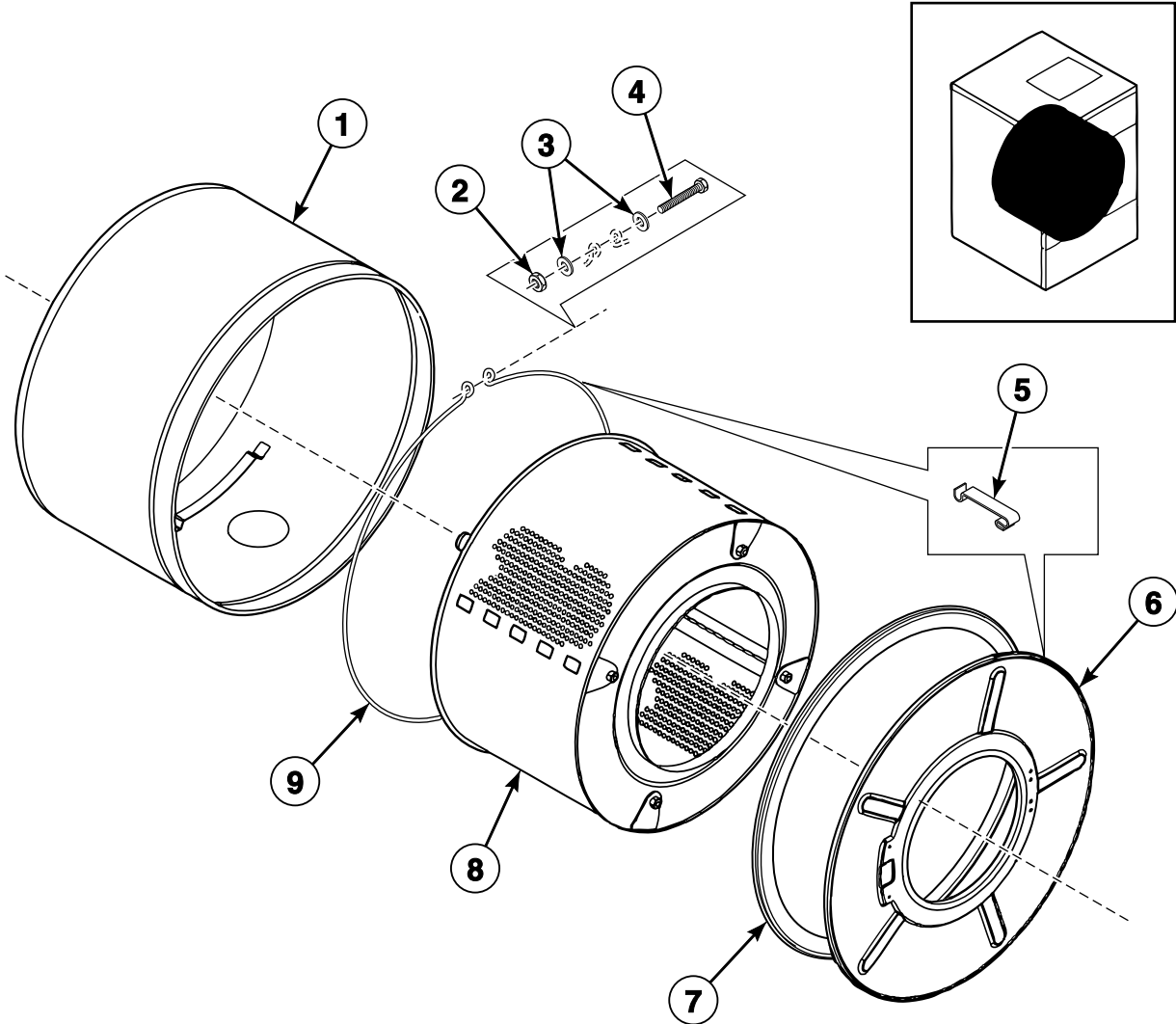


CFD643P_D0884

Pulley and Belt - Models Starting April 23, 2007

REF	PART NO.	DESCRIPTION	COMMENTS
1	219/00004/00	Counter Ring	
2	215/00004/00	Tolerance Ring	
3	226/00132/00	Belt	Medium speed models
	226/00138/00	Belt	2 speed models
4	201/00015/00	Washer	
5	203/00002/00	Washer	
6	206/00005/00	Bolt	
7	226/00126/00	Pulley	Medium speed models
	226/00141/00	Drum Pulley	2 speed models

Shell and Basket

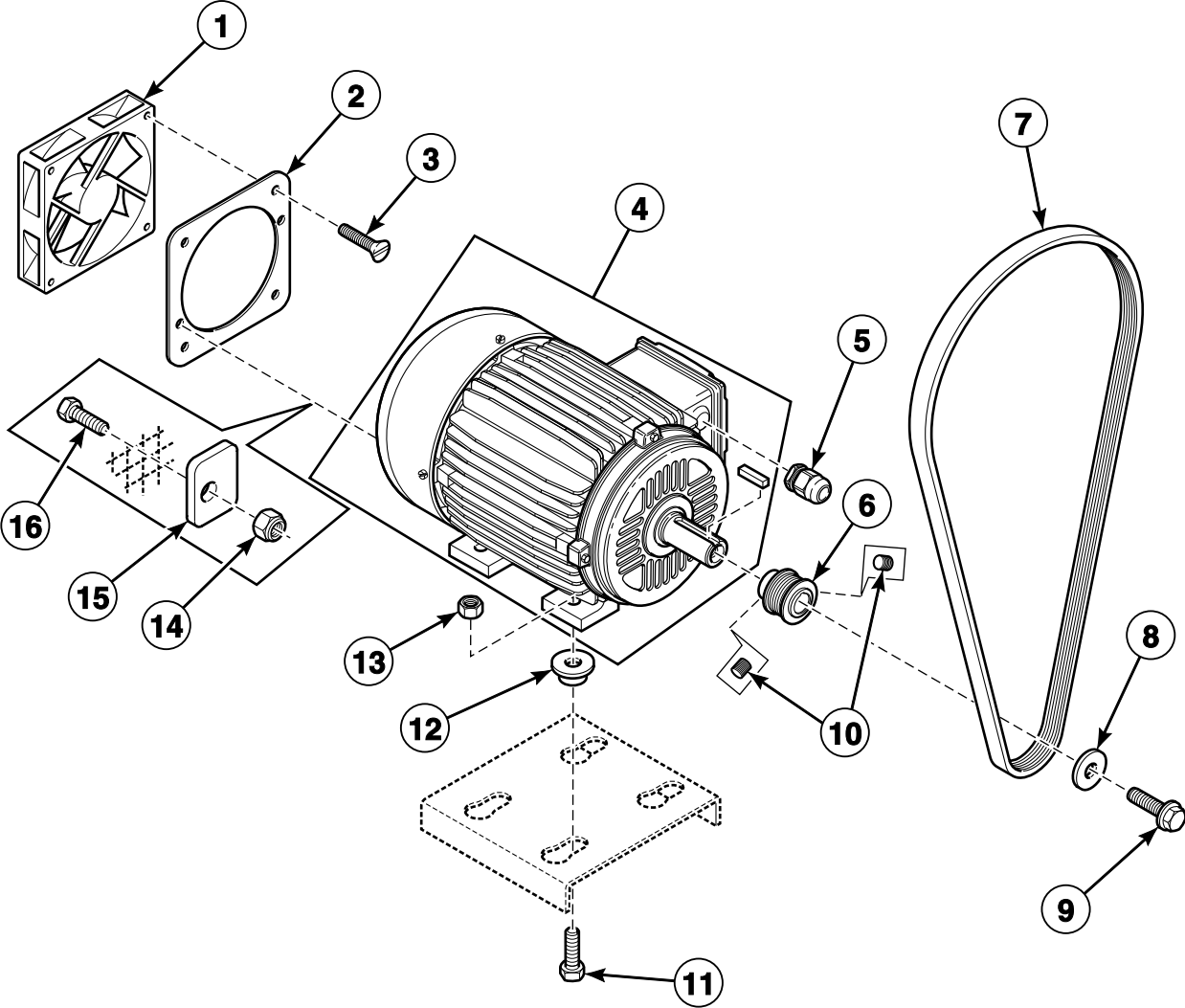


BE000807AP_D0884

Shell and Basket

REF	PART NO.	DESCRIPTION	COMMENTS
1	117/00220/00	Tub	*030 and *135 2 speed models before Serial No. 10080FW0149; *030 and *135 M speed models before Serial No. 10080WF0072; *035 and *165 2 speed models before Serial No. 10080HW0127; *035 and *165 M speed models before Serial No. 10080WH0021; Standard
	B12300902	Tub	*030 and *135 2 speed models starting Serial No. 10080FW0149; *030 and *135 M speed models starting Serial No. 10080WF0072; *035 and *165 2 speed models starting Serial No. 10080HW0127; *035 and *165 M speed models starting Serial No. 10080WH0021; Standard
	117/00221/00	Tub	*030 and *135 2 speed models before Serial No. 10080FW0149; *030 and *135 M speed models before Serial No. 10080WF0072; *035 and *165 2 speed models before Serial No. 10080HW0127; *035 and *165 M speed models before Serial No. 10080WH0021; Electric heat
	B12300901	Tub	*030 and *135 2 speed models starting Serial No. 10080FW0149; *030 and *135 M speed models starting Serial No. 10080WF0072; *035 and *165 2 speed models starting Serial No. 10080HW0127; *035 and *165 M speed models starting Serial No. 10080WH0021; Electric heat
2	204/00009/00	Nut	
3	201/00007/00	Washer	
4	206/00032/00	Bolt	
5	217/00008/00	Tub Front Panel Clip	
6	135/00033/00	Tub Front	
7	B12351601	Tub Front Gasket	
8	111/01809/00	Cylinder and Shaft Assembly	*030 and *135 models through 1/30/2011; Used with 119/00001/01 Seal Holder Assembly
	B12542901	Basket Kit	*030 and *135 models through 1/30/2011; Includes B12380101 Basket and Shaft Assembly and 3882P Bearing Kit
	B12380101	Basket and Shaft Assembly	*030 and *135 models starting 1/31/2011; 3 mm; Used with B12333701 Seal Plate Assembly
	B12380201	Basket and Shaft Assembly	*030 and *135 models starting 1/31/2011; 9 mm; Used with B12333701 Seal Plate Assembly
	111/01810/00	Drum and Axle Assembly	*035 and *165 models through 1/30/2011; Used with 119/00001/01 Seal Holder Assembly
	B12543001	Basket Kit	*035 and *165 models through 1/30/2011; Includes B12380501 Basket and Shaft Assembly and 3882P Bearing Kit
	B12380501	Basket and Shaft Assembly	*035 and *165 models starting 1/31/2011; 3 mm; Used with B12333701 Seal Plate Assembly
	B12380601	Basket and Shaft Assembly	*035 and *165 models starting 1/31/2011; 9 mm; Used with B12333701 Seal Plate Assembly
9	217/00007/00	Tub Front Ring Clamp	

Motor and Belt - Medium Speed Models Through April 1, 2007

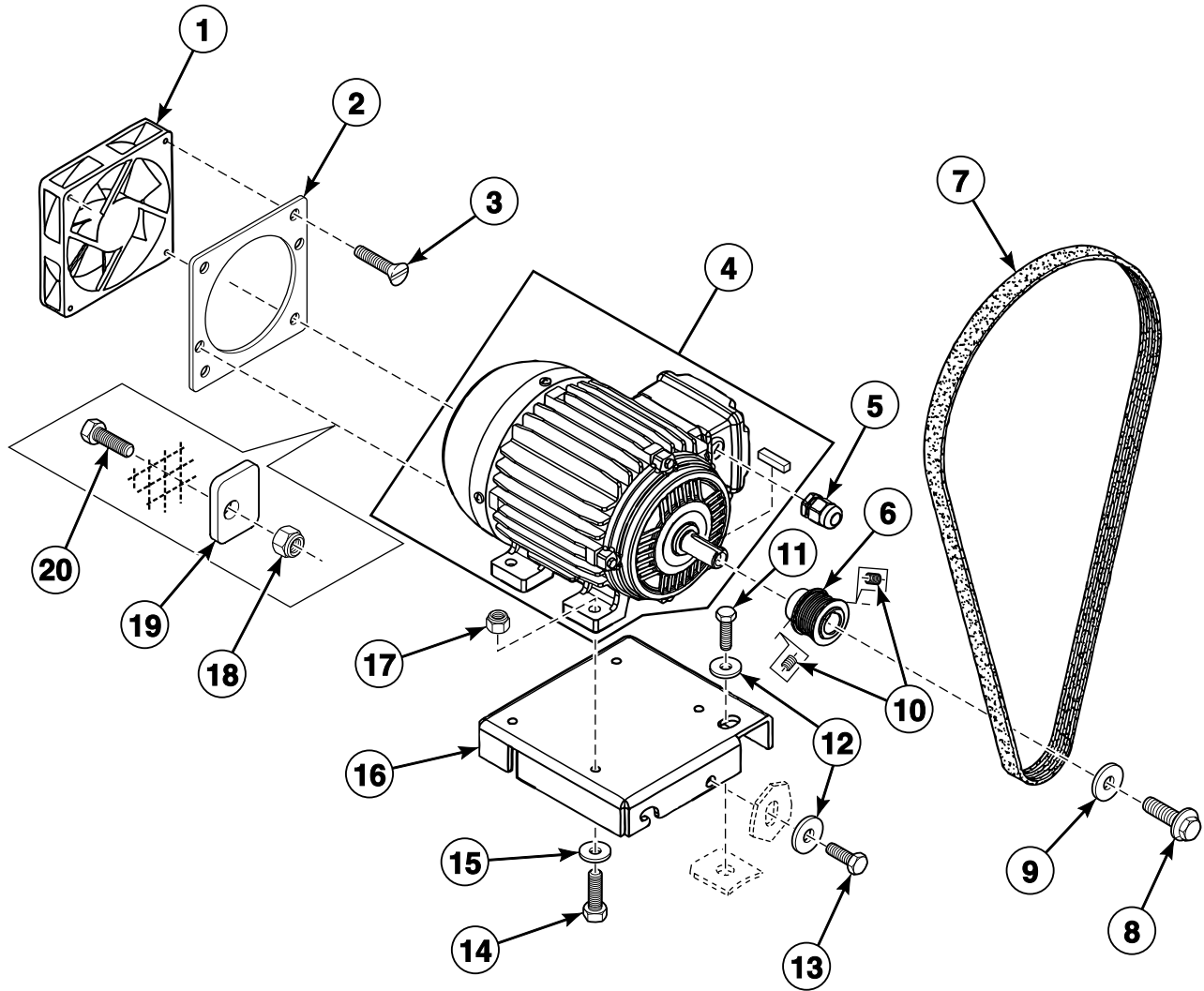


BE000793P_D0884

Motor and Belt - Medium Speed Models Through April 1, 2007

REF	PART NO.	DESCRIPTION	COMMENTS
1	209/00465/00	Fan	
2	152/00044/03	Fan Plate Assembly	
3	207/00117/00	Screw	
4	227/00193/00	Motor	Order replacement motor pulley when replacing motor
5	211/00168/00	Cordlock	
6	226/00130/00	Motor Pulley	
7	226/00132/00	Belt	
8	201/00015/00	Washer	
9	206/00042/00	Bolt	
10	206/00056/00	Screw	
11	206/00007/00	Screw	
12	223/00314/00	Guide	
13	204/00109/00	Nut	
14	204/00115/00	Nut	
15	117/00042/00	Retaining Ring	
16	206/00054/00	Bolt	

Motor and Belt - Medium Speed Models Starting April 2, 2007 and All 2 Speed Models

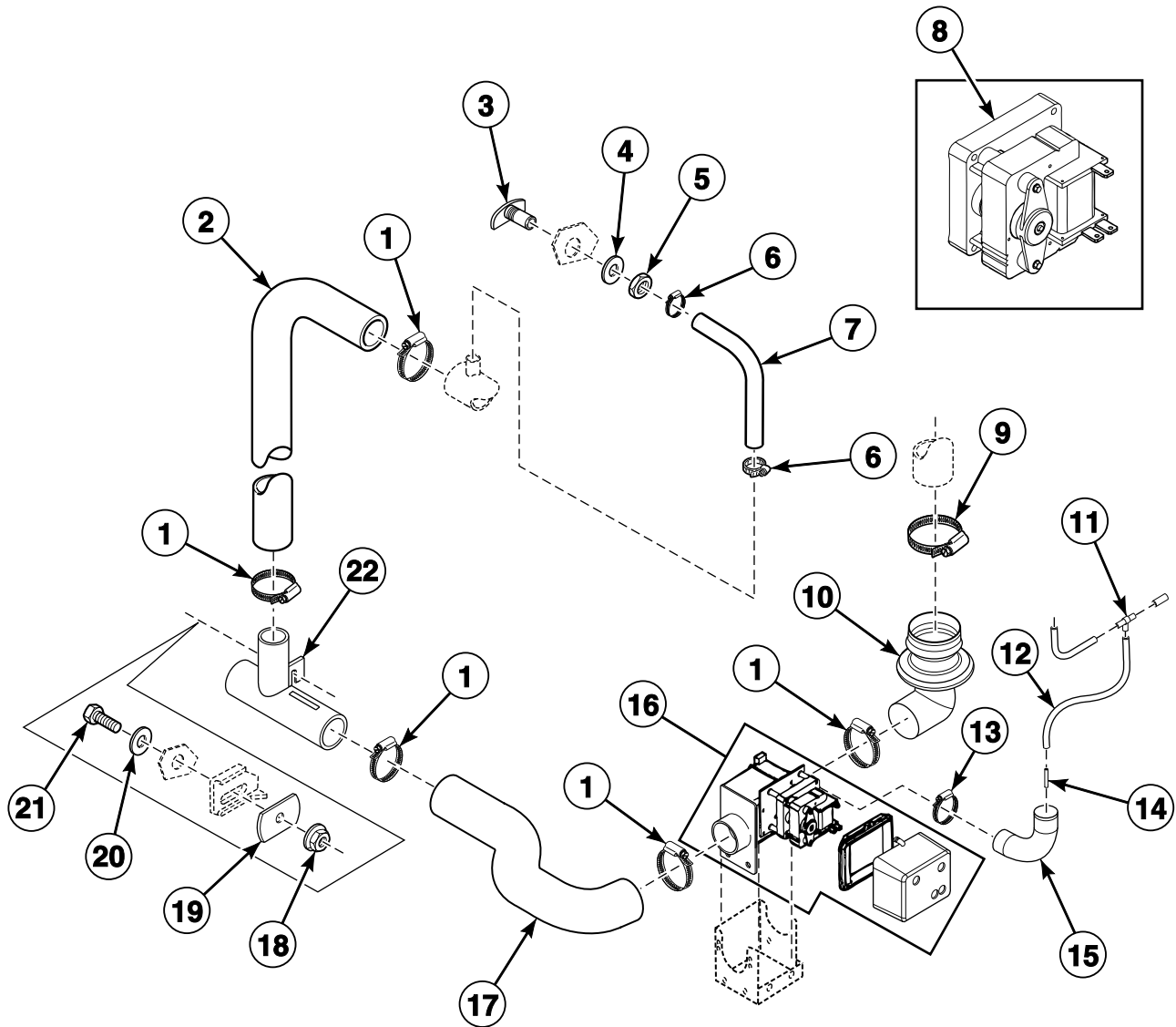


BE000793AP_D0884

Motor and Belt - Medium Speed Models Starting April 2, 2007 and All 2 Speed Models

REF	PART NO.	DESCRIPTION	COMMENTS
1	209/00465/00	Fan	
2	152/00044/03	Fan Plate Assembly	
3	207/00117/00	Screw	
4	227/00193/00	Motor	Medium speed models; Order replacement motor pulley when replacing motor
	B12510501	Motor	2 speed models; Order replacement motor pulley when replacing motor
5	211/00168/00	Cordlock	Medium speed models
	211/00167/00	Cordlock	2 speed models
6	226/00130/00	Motor Pulley	Medium speed models
	226/00144/00	Motor Pulley	2 speed models
7	226/00132/00	Belt	Medium speed models
	226/00138/00	Belt	2 speed models
8	206/00042/00	Bolt	
9	201/00015/00	Washer	
10	206/00056/00	Screw	Medium speed models
	206/00058/00	Screw	2 speed models
11	206/00119/00	Bolt	
12	201/00010/00	Washer	
13	206/00006/00	Bolt	
14	206/00009/00	Bolt	
15	202/00002/00	Washer	
16	115/10165/00	Motor Plate	Medium speed models
	115/11165/00	Motor Mounting Plate	2 speed models
17	204/00109/00	Nut	
18	204/00115/00	Nut	
19	117/00042/00	Retaining Ring	
20	206/00054/00	Bolt	

Drain Plumbing - Models with 2 Inch Drain Valve Through August 11, 2010

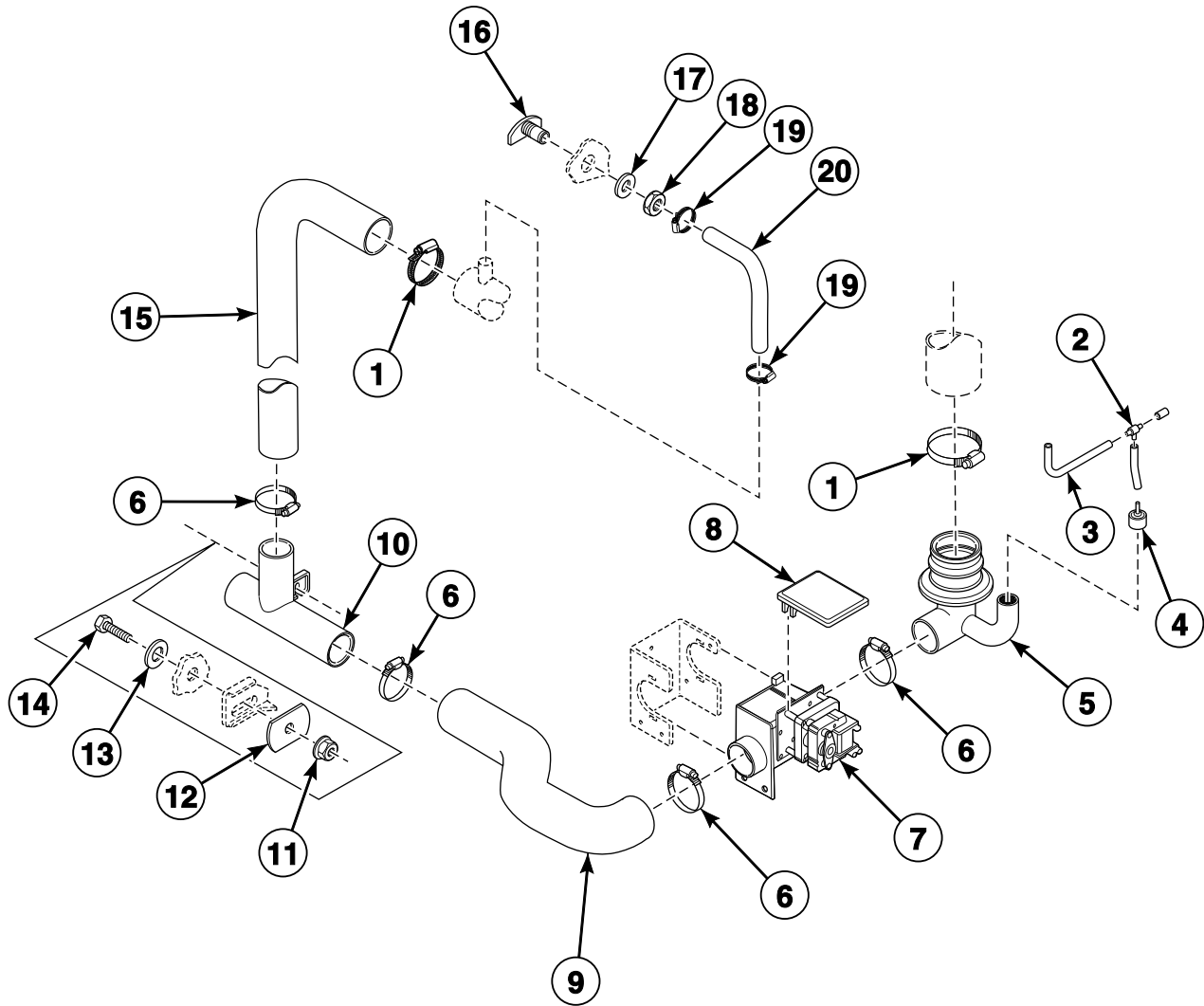


BE000794BP_D0884

Drain Plumbing - Models with 2 Inch Drain Valve Through August 11, 2010

REF	PART NO.	DESCRIPTION	COMMENTS
1	223/00013/00	Hose Clamp	
2	223/00150/00	Overflow Hose	
	223/00100/00	Overflow Hose	
3	223/00001/04	Prewash and Mainwash Nozzle	
4	201/00002/00	Washer	
5	204/00201/00	Nut	
6	223/00010/00	Hose Clamp	
7	223/00044/00	Water Hose	
8	209/00643/11	Motor	
9	223/00014/00	Hose Clamp	
10	223/00382/00	Tub Exhaust	
11	223/00173/10	Pressure Switch Hose Tee	
12	223/00333/00	Pressure Hose	
13	223/00011/00	Hose Clamp	
14	223/00016/00	Hose Barb	
15	223/00210/00	Pressure Switch Elbow	
16	209/00643/00	Drain Valve	
17	223/00190/00	Drain Valve Hose	
	223/00303/00	Drain Valve Hose	
18	206/00101/00	Nut	
19	101/00007/00	Outlet Pipe Plate Assembly	
20	201/00007/00	Washer	
21	206/00033/00	Bolt	
22	223/00146/00	Drain Piece	

Drain Plumbing - Models with 2 Inch Drain Valve Starting August 12, 2010

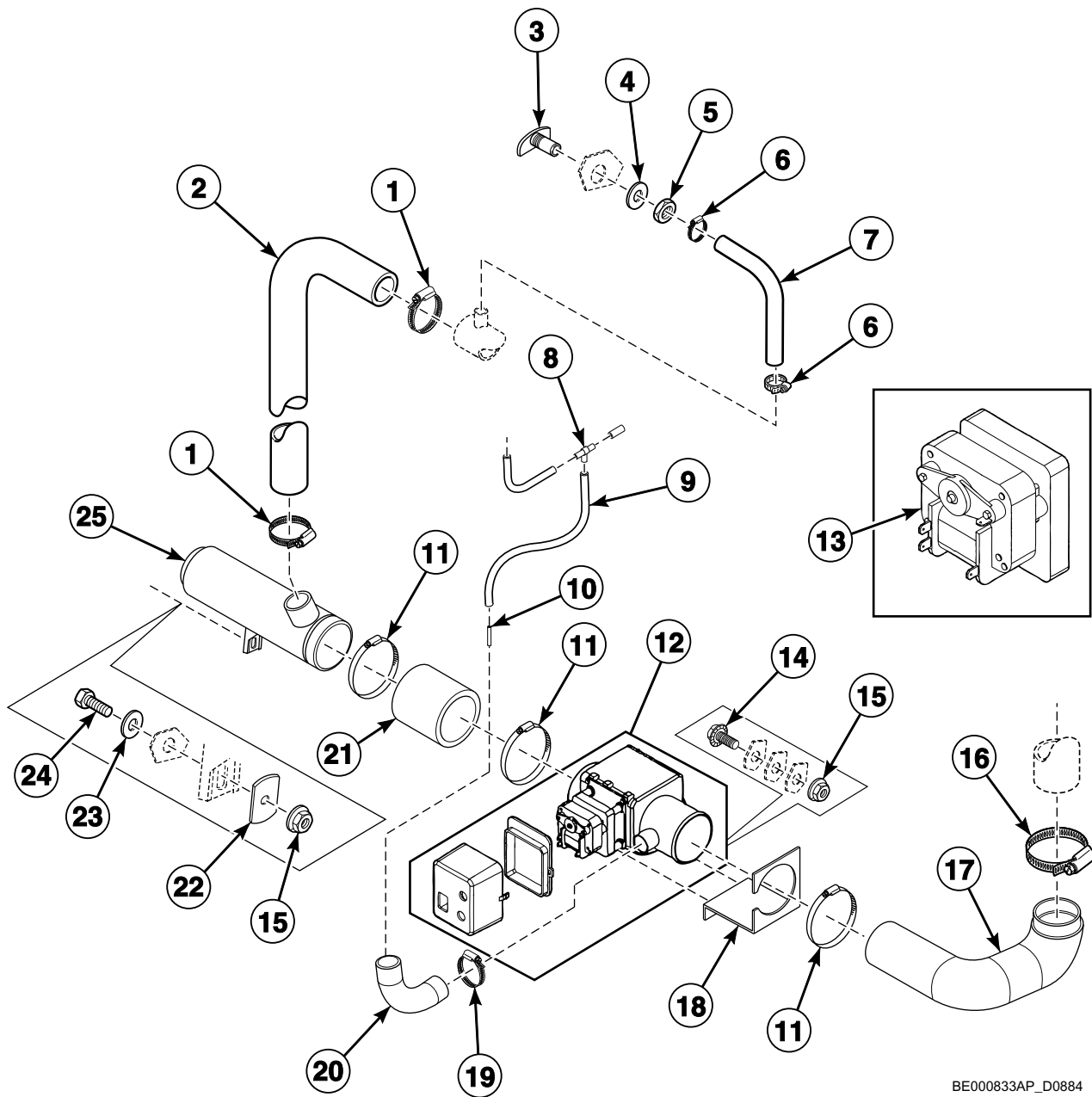


CFD462P_D0884

Drain Plumbing - Models with 2 Inch Drain Valve Starting August 12, 2010

REF	PART NO.	DESCRIPTION	COMMENTS
1	223/00013/00	Hose Clamp	
2	223/00173/10	Pressure Switch Hose Tee	
3	223/00333/00	Pressure Hose	
4	223/00035/02	Pressure Switch Cap	
5	255/00010/00	Tub to Drain Valve Hose	
6	223/00014/00	Hose Clamp	
7	209/00463/00	Drain Valve	
8	223/00225/00	Drain Valve Cover	
9	223/00190/00	Drain Valve Hose	
	223/00303/00	Drain Valve Hose	
10	223/00146/00	Drain Piece	
11	206/00101/00	Nut	
12	101/00007/00	Outlet Pipe Plate Assembly	
13	201/00007/00	Washer	
14	206/00033/00	Bolt	
15	223/00150/00	Overflow Hose	
16	223/00001/04	Prewash and Mainwash Nozzle	
17	201/00002/00	Washer	
18	204/00201/00	Nut	
19	223/00010/00	Hose Clamp	
20	223/00044/00	Water Hose	

Drain Plumbing - *030 and *135 Models with 3 Inch Drain Valve

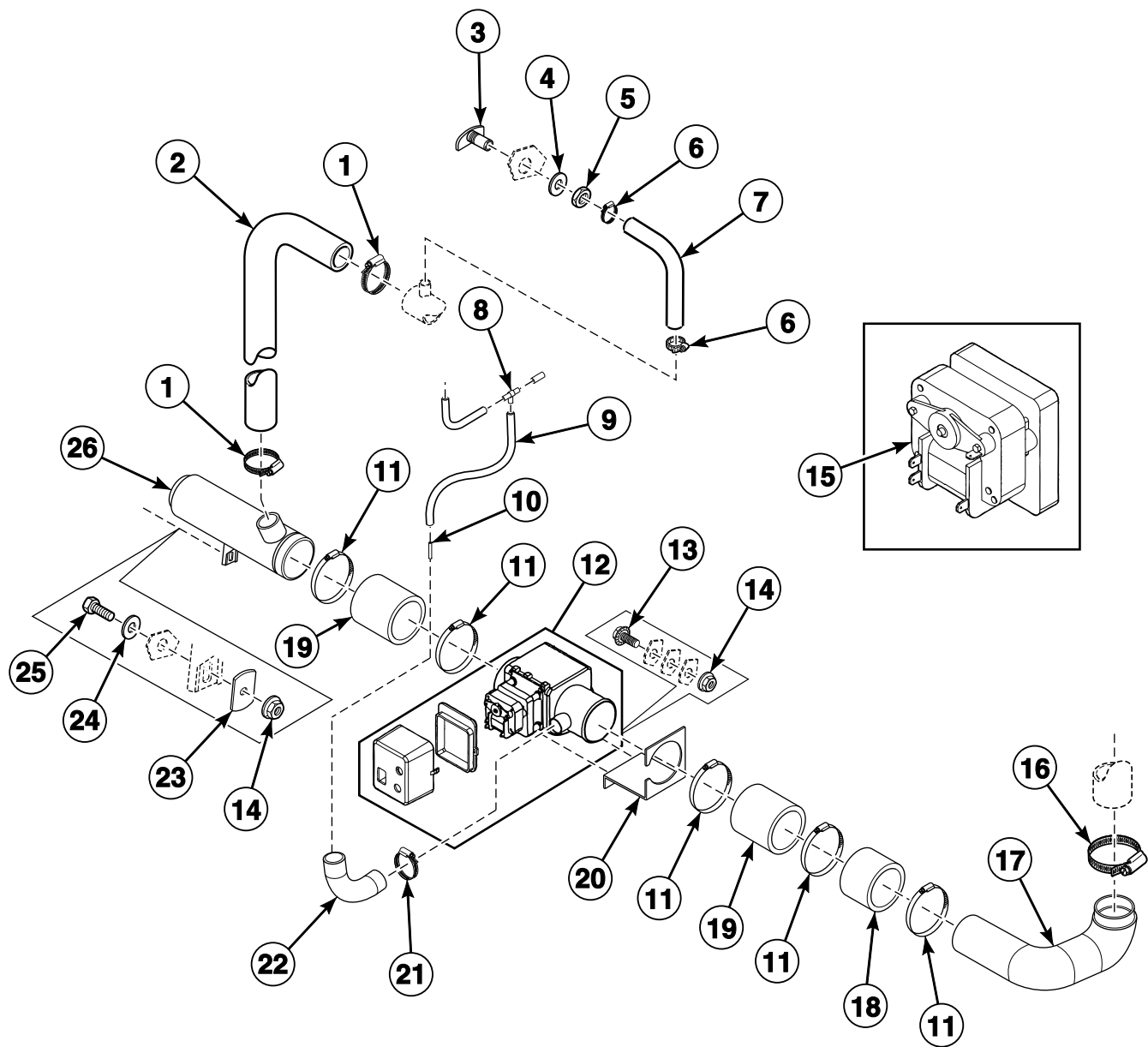


BE000833AP_D0884

Drain Plumbing - *030 and *135 Models with 3 Inch Drain Valve

REF	PART NO.	DESCRIPTION	COMMENTS
1	223/00013/00	Hose Clamp	
2	223/00150/00	Overflow Hose	
3	223/00001/04	Prewash and Mainwash Nozzle	
4	201/00002/00	Washer	
5	204/00201/00	Nut	
6	223/00010/00	Hose Clamp	
7	223/00044/00	Water Hose	
8	223/00173/10	Pressure Switch Hose Tee	
9	223/00333/00	Pressure Hose	
10	223/00016/00	Hose Barb	
11	223/00071/00	Hose Clamp	
12	209/00644/00	Drain Valve	
13	209/00644/11	Motor	
14	206/00099/00	Bolt	
15	206/00101/00	Nut	
16	223/00014/00	Hose Clamp	
17	223/00072/00	Drain Hose	
18	114/00010/00	Drain Valve Plate Assembly	
19	223/00011/00	Hose Clamp	
20	223/00210/00	Pressure Switch Elbow	
21	223/00263/00	Siphon Break Dispenser Hose	
22	101/00007/00	Outlet Pipe Plate Assembly	
23	201/00007/00	Washer	
24	206/00033/00	Bolt	
25	223/00106/00	Drain Pipe	

Drain Plumbing - *035 and *165 Models with 3 Inch Drain Valve

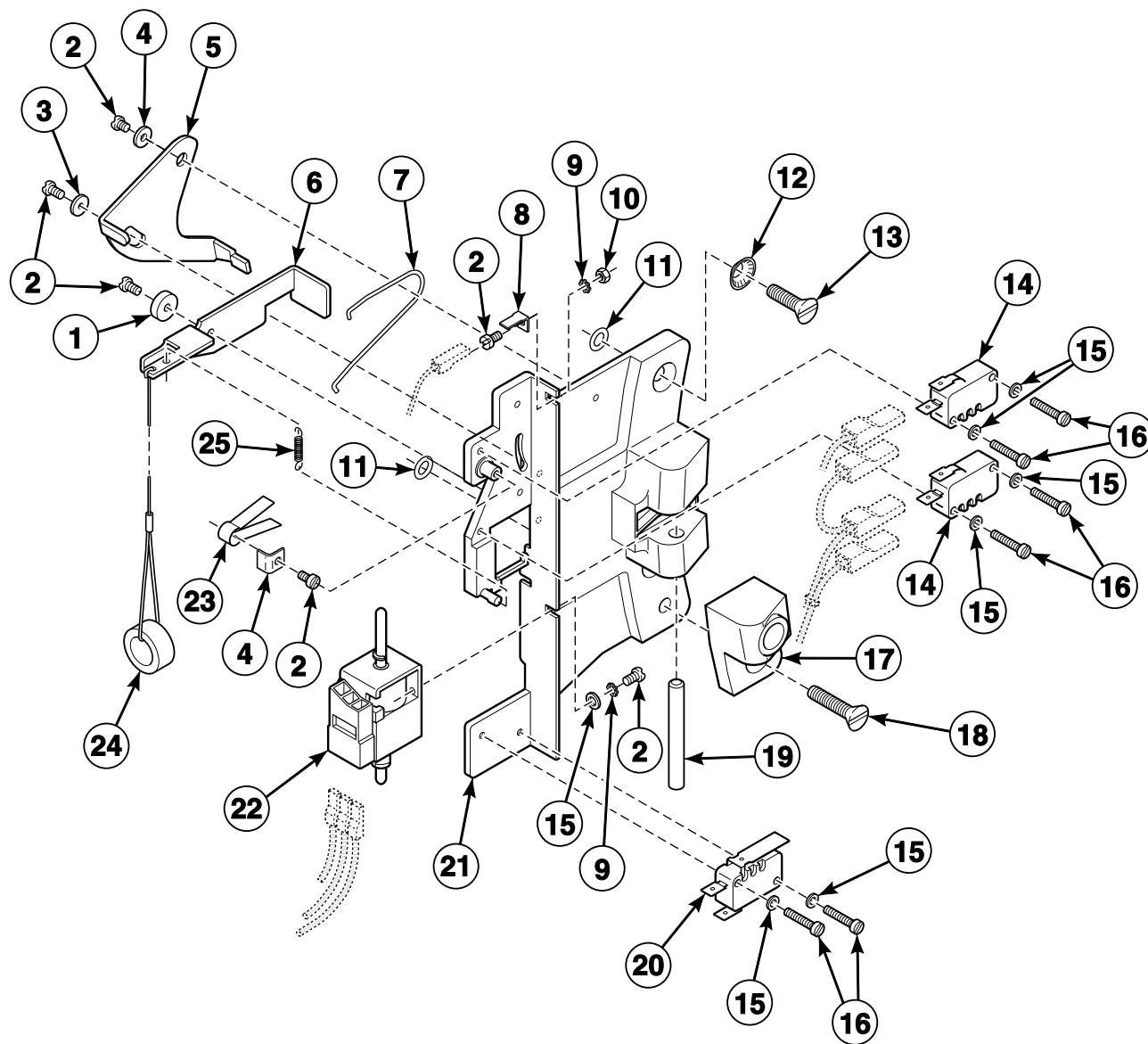


BE000834AP_D0884

Drain Plumbing - *035 and *165 Models with 3 Inch Drain Valve

REF	PART NO.	DESCRIPTION	COMMENTS
1	223/00013/00	Hose Clamp	
2	223/00150/00	Overflow Hose	
3	223/00001/04	Prewash and Mainwash Nozzle	
4	201/00002/00	Washer	
5	204/00201/00	Nut	
6	223/00010/00	Hose Clamp	
7	223/00044/00	Water Hose	
8	223/00173/10	Pressure Switch Hose Tee	
9	223/00333/00	Pressure Hose	
10	223/00016/00	Hose Barb	
11	223/00071/00	Hose Clamp	
12	209/00644/00	Drain Valve	
13	206/00099/00	Bolt	
14	206/00101/00	Nut	
15	209/00644/11	Motor	
16	223/00014/00	Hose Clamp	
17	223/00072/00	Drain Hose	
18	153/00058/00	Tube	Medium speed models
	153/00028/00	Tube	2 speed models
19	223/00263/00	Siphon Break Dispenser Hose	
20	114/00010/00	Drain Valve Plate Assembly	
21	223/00011/00	Hose Clamp	
22	223/00210/00	Pressure Switch Elbow	
23	101/00007/00	Outlet Pipe Plate Assembly	
24	201/00007/00	Washer	
25	206/00033/00	Bolt	
26	223/00106/00	Drain Pipe	

Door Lock

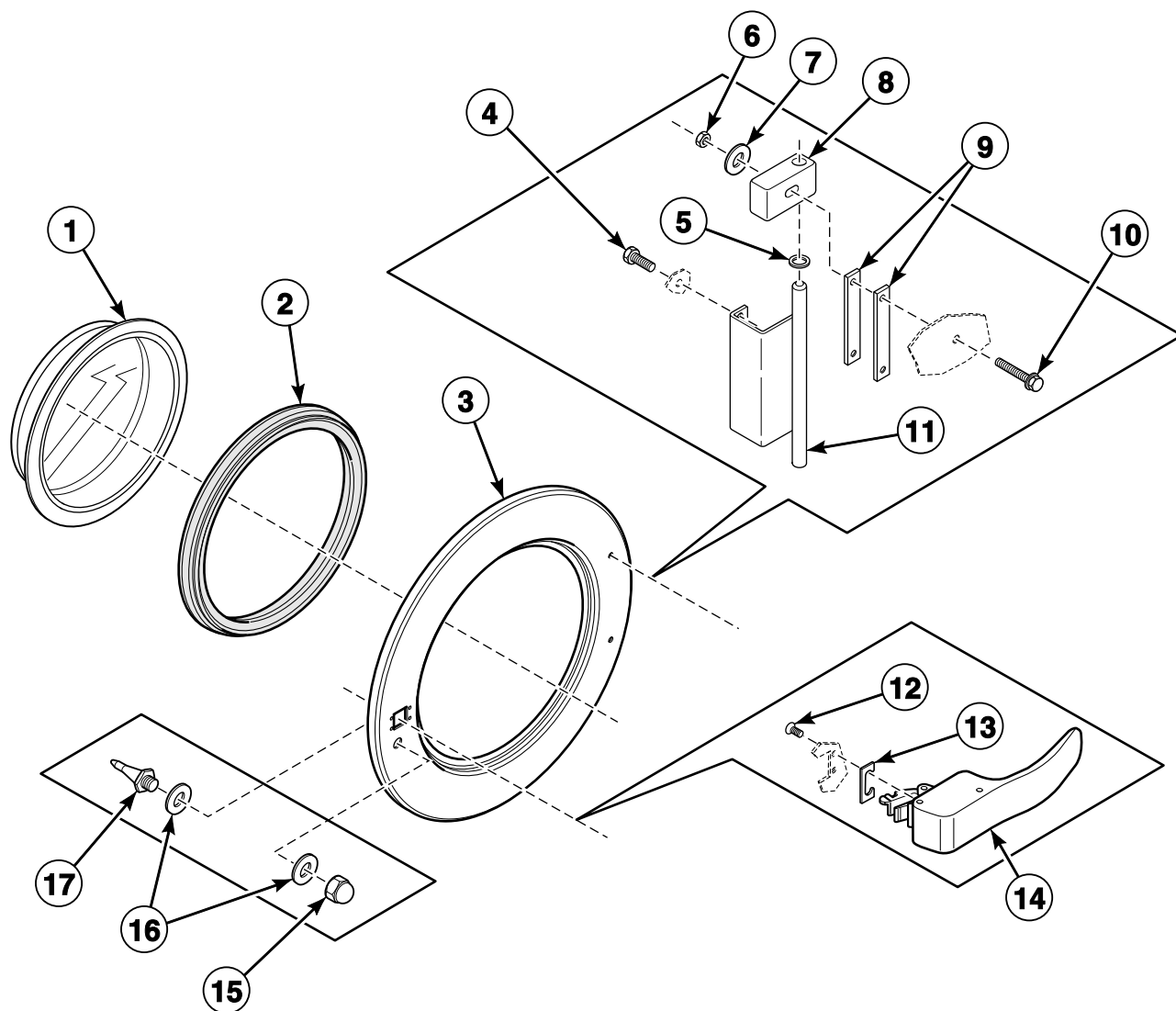


BE000059BP_D0884

Door Lock

REF	PART NO.	DESCRIPTION	COMMENTS
1	217/00052/03	Door Lock Spacer	
2	207/00135/00	Screw	
3	202/00124/00	Washer	
4	201/00017/00	Washer	
5	217/00052/05	Switch Lever	
6	217/00052/04	Interlock Lever	
7	224/00040/00	Lever Spring	
8	210/10015/00	Ground Terminal	
9	203/00007/00	Washer	
10	204/00008/00	Nut	
11	217/00021/00	O-Ring	
12	203/00010/00	Washer	
13	207/00103/00	Screw	
14	209/00272/00	Door Lock Microswitch	
15	201/00018/00	Washer	
16	207/00009/00	Screw	
17	217/00052/11	Door Lock Bracket	
18	207/00102/00	Screw	
19	217/00017/03	Lock Shaft	
20	209/00273/00	Microswitch	
21	B12517701	Door Lock Assembly	
22	B12495102	Door Solenoid Assembly	
23	224/00049/00	Door Lock Spring	
24	217/00052/07	Door Release Wire	
25	224/00043/00	Interlock Coil Spring	

Door

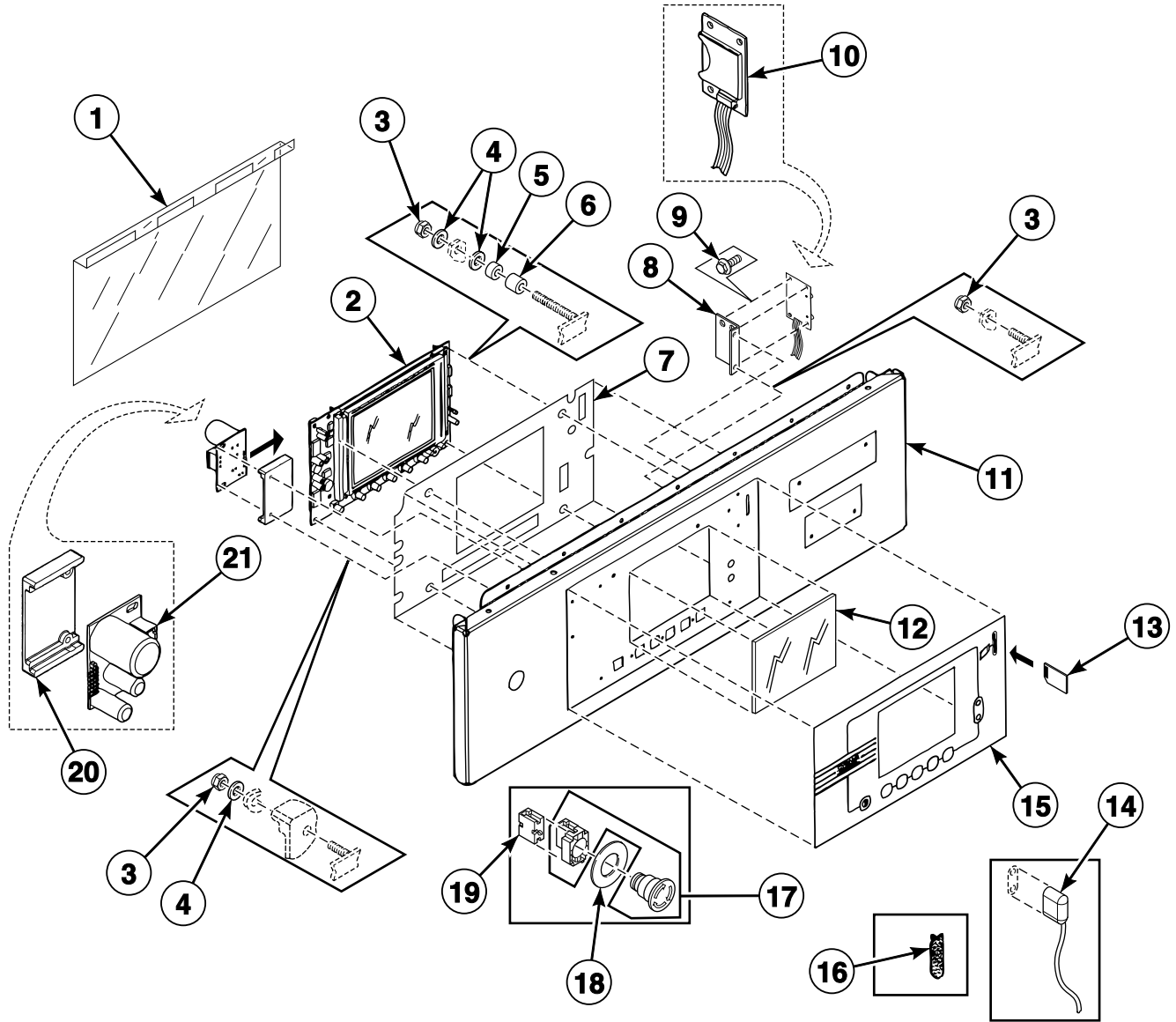


BE000815P_D0884

Door

REF	PART NO.	DESCRIPTION	COMMENTS
1	B12449701	Door Glass	
2	217/00015/00	Door Glass Seal	
3	118/00046/10	Door Frame	
4	205/00107/00	Bolt	
5	202/00104/00	Washer	
6	204/00106/00	Nut	
7	202/00108/00	Washer	
8	217/00009/02	Door Hinge Assembly	
9	117/00010/00	Door Hinge Spacer	
10	207/00126/00	Screw	
11	221/00003/00	Hinge	
12	B12500801	Screw	
13	217/00016/00	Door Handle Stop	
14	217/00059/00	Door Handle	Black; IWF, WF and WFF models
	217/00065/00	Door Handle	Gray; CWF, WF and WFF models
15	204/00103/00	Nut	
16	202/00111/00	Washer	
17	211/00109/02	Door Lock Pin Kit	

Control Panel - Cygnus Professional

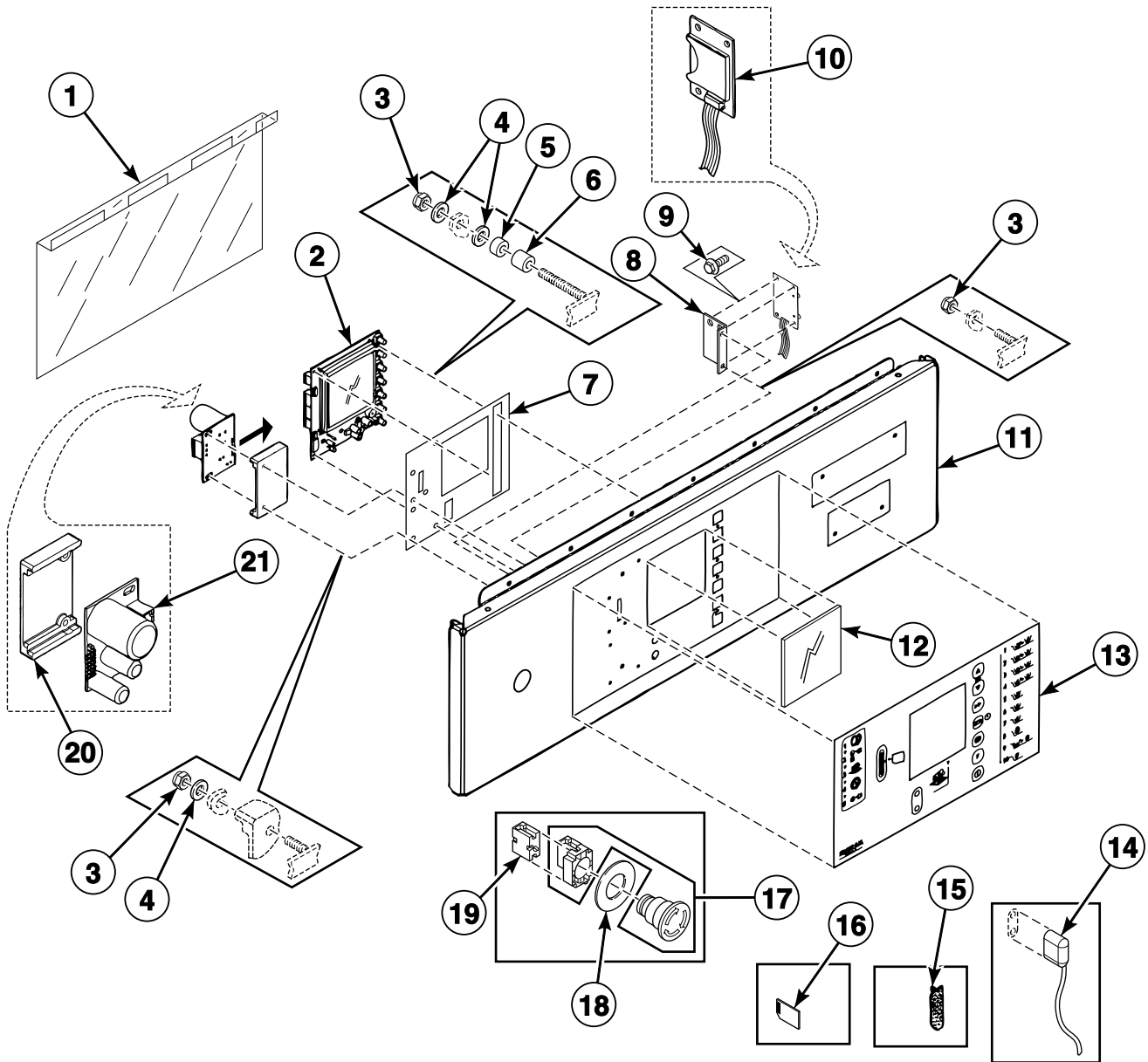


BE000804CP_D0884

Control Panel - Cygnus Professional

REF	PART NO.	DESCRIPTION	COMMENTS
1	229/00289/00	Circuit Board Cover	
2	209/02002/00	Display PC-Board	
3	204/00116/00	Nut	
4	223/00123/00	Washer	
5	211/00128/00	Printboard Separator	
6	211/00122/00	Standoff	
7	229/00268/00	Insulating Sticker	
8	111/01893/00	Printboard Support Card	
9	211/00145/00	Standoff	
10	B12305201	Memory Card PC-Board	Models prior to 4/5/2011 require a firmware upgrade
	B12538301	Data Card Ribbon Assembly	
11	111/01845/00	Upper Front Panel	
12	225/00321/00	Plexi Frame	
13	209/02022/00	Datacard	
14	210/00901/00	Optic Cable	
15	225/10313/00	Operating Sticker	
16	223/00348/00	Datacard Cover	
17	209/00248/20	Mushroom Pushbutton	
18	209/00520/00	Telem Sticker	
19	209/00099/26	Contact Switch	
20	223/00374/00	Mounting Plate	
21	209/02010/00	Door Lock PC-Board	

Control Panel - Cygnus Premium OPL

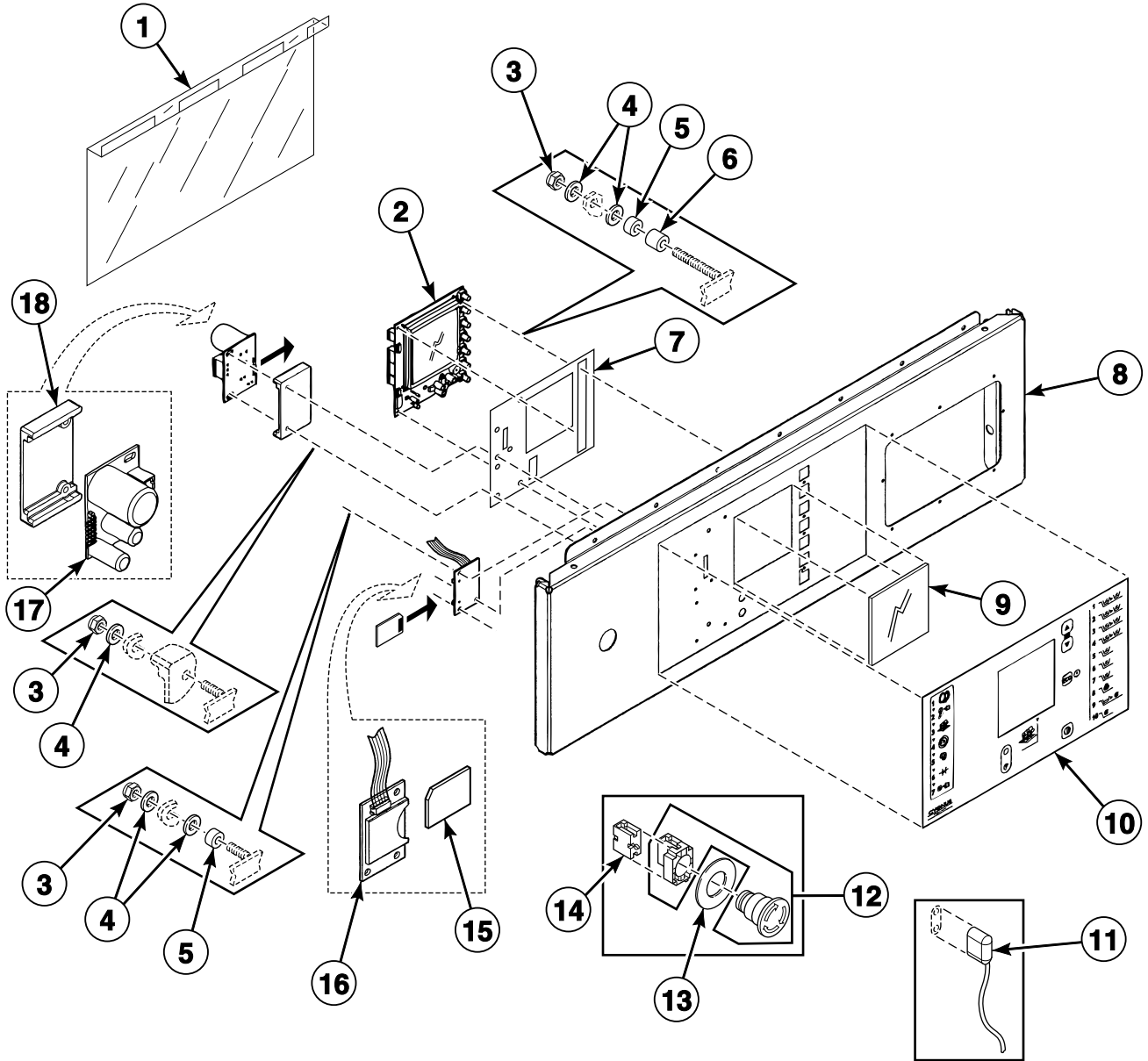


BE000871AP_D0884

Control Panel - Cygnus Premium OPL

REF	PART NO.	DESCRIPTION	COMMENTS
1	229/00289/00	Circuit Board Cover	
2	209/02015/02	Printboard	
3	204/00116/00	Nut	
4	223/00123/00	Washer	
5	211/00128/00	Printboard Separator	
6	211/00122/00	Standoff	
7	229/00291/00	Insulating Sticker	
8	111/01893/00	Printboard Support Card	
9	211/00145/00	Standoff	
10	B12305201	Memory Card PC-Board	Models prior to 4/5/2011 require a firmware upgrade
	B12538301	Data Card Ribbon Assembly	
11	111/01900/00	Operating Panel	
12	225/00323/00	Plexi Frame	
13	225/10404/00	Operating Sticker	With datacard opening
	225/10427/00	Operating Sticker	Without datacard opening
14	210/00901/00	Optic Cable	
15	223/00348/00	Datacard Cover	
16	209/02022/00	Datacard	
17	209/00099/20	Emergency Switch Pushbutton	
18	209/00520/00	Telem Sticker	
19	209/00099/26	Contact Switch	
20	223/00374/00	Mounting Plate	
21	209/02010/00	Door Lock PC-Board	

Control Panel - Cygnus Premium OPL with Frontal Supply Dispenser

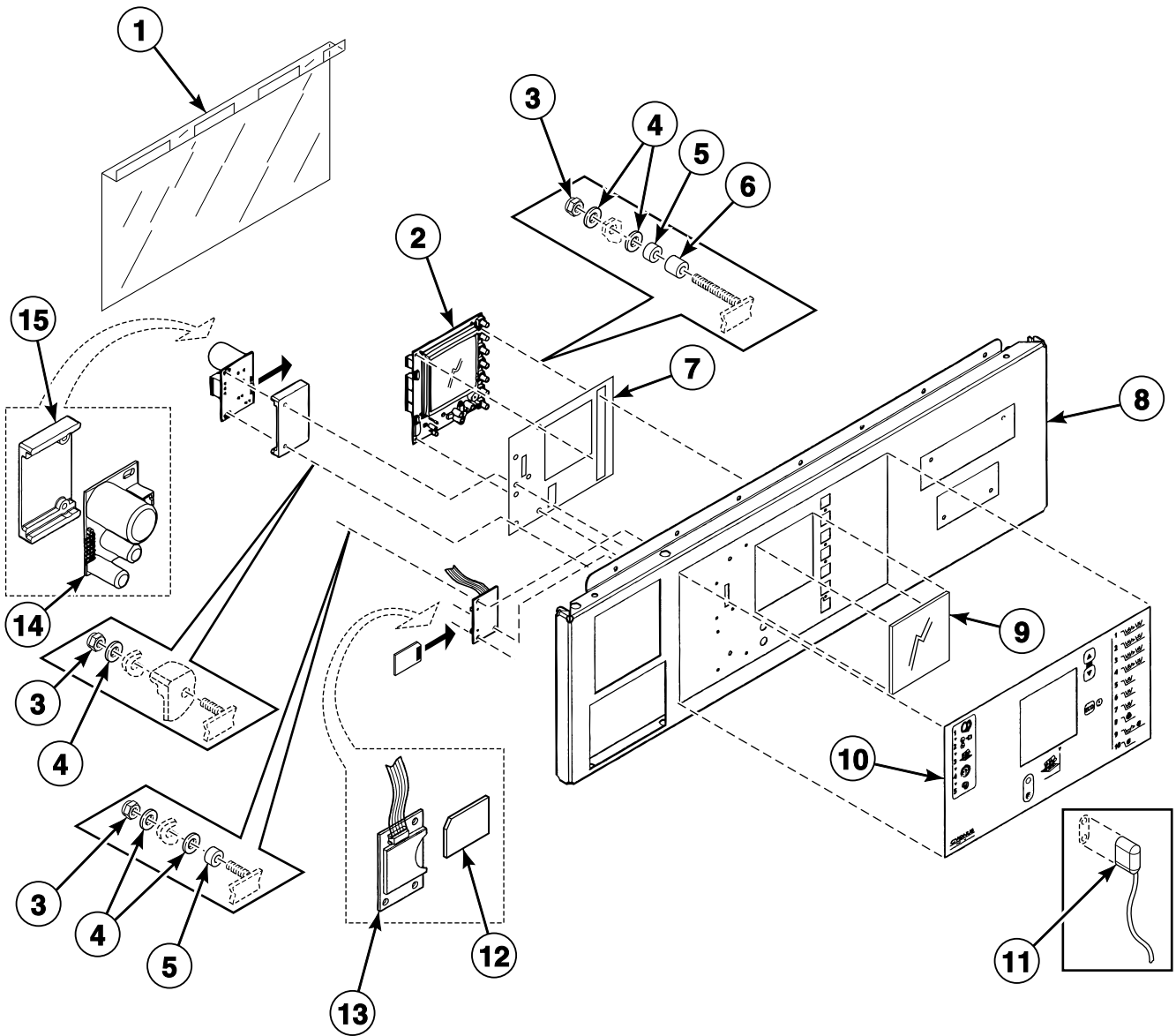


BE000870AP_D0884

Control Panel - Cygnus Premium OPL with Frontal Supply Dispenser

REF	PART NO.	DESCRIPTION	COMMENTS
1	229/00289/00	Circuit Board Cover	
2	209/02015/02	Printboard	
3	204/00116/00	Nut	
4	223/00123/00	Washer	
5	211/00128/00	Printboard Separator	
6	211/00122/00	Standoff	
7	229/00291/00	Insulating Sticker	
8	111/01906/00	Operating Panel	
9	225/00323/00	Plexi Frame	
10	225/10404/00	Operating Sticker	With datacard opening
	225/10427/00	Operating Sticker	Without datacard opening
11	210/00901/00	Optic Cable	
12	209/00099/20	Emergency Switch Pushbutton	
13	209/00520/00	Telem Sticker	
14	209/00099/26	Contact Switch	
15	209/02022/00	Datacard	
16	B12305201	Memory Card PC-Board	Models prior to 4/5/2011 require a firmware upgrade
	B12538301	Data Card Ribbon Assembly	
17	209/02010/00	Door Lock PC-Board	
18	223/00374/00	Mounting Plate	

Control Panel - Cygnus Premium Coin

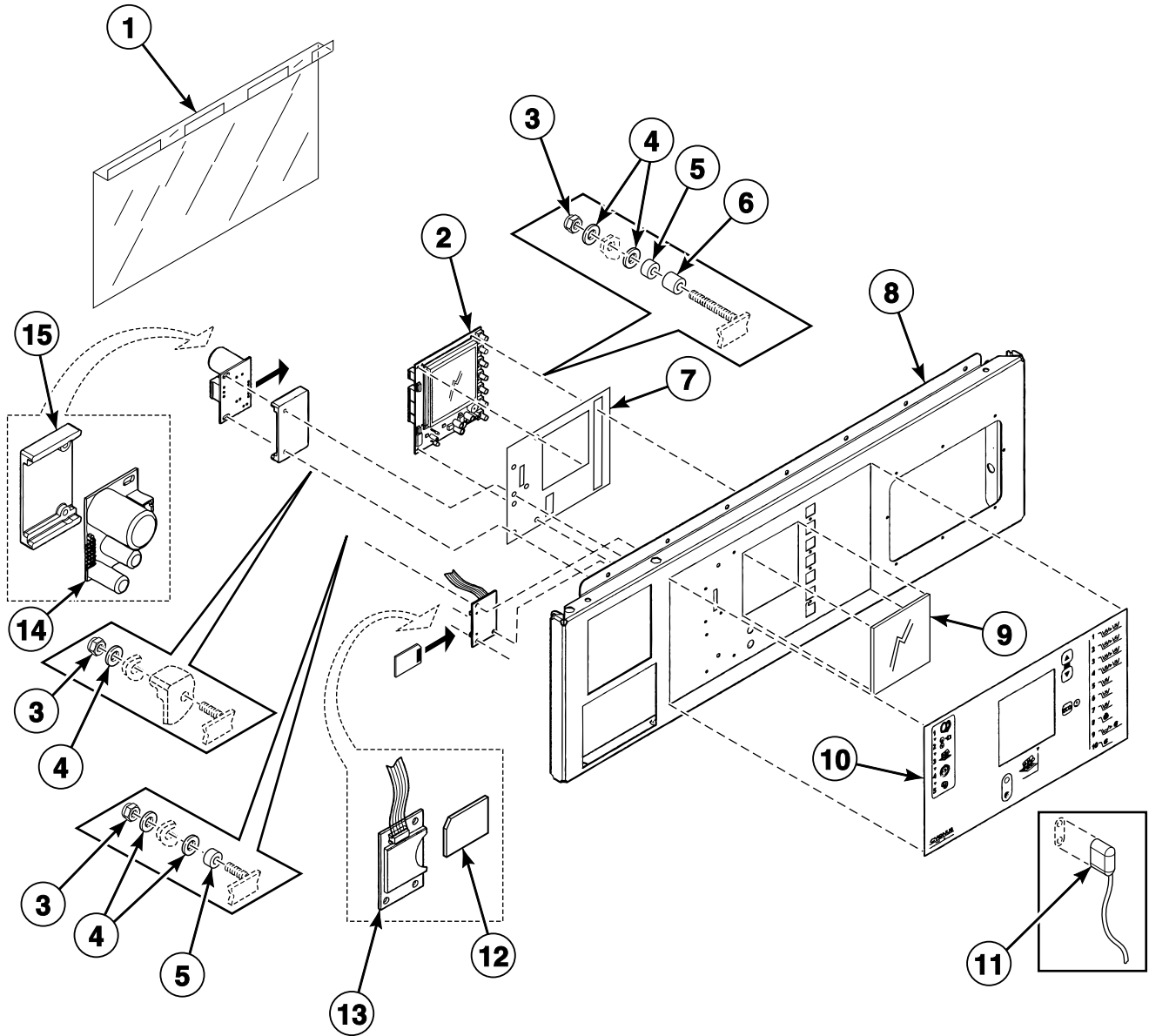


BE000872AP_D0884

Control Panel - Cygnus Premium Coin

REF	PART NO.	DESCRIPTION	COMMENTS
1	229/00289/00	Circuit Board Cover	
2	209/02015/02	Printboard	
3	204/00116/00	Nut	
4	223/00123/00	Washer	
5	211/00128/00	Printboard Separator	
6	211/00122/00	Standoff	
7	229/00291/00	Insulating Sticker	
8	111/01903/00	Operating Panel	
9	225/00323/00	Plexi Frame	
10	225/10403/00	Operating Sticker	
11	210/00901/00	Optic Cable	
12	209/02022/00	Datacard	
13	B12305201	Memory Card PC-Board	Models prior to 4/5/2011 require a firmware upgrade
	B12538301	Data Card Ribbon Assembly	
14	209/02010/00	Door Lock PC-Board	
15	223/00374/00	Mounting Plate	

Control Panel - Cygnus Premium Coin with Frontal Supply Dispenser

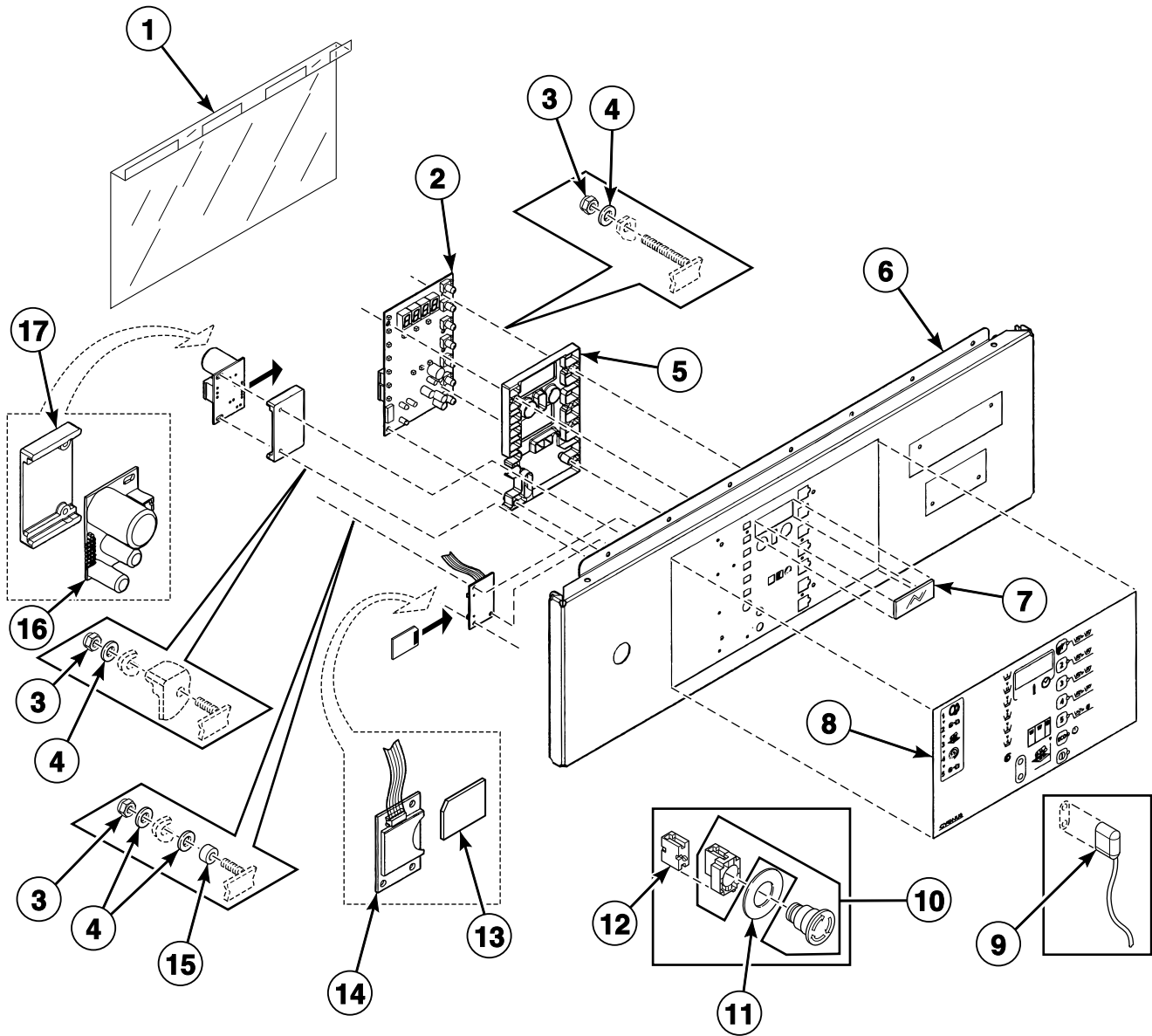


BE000873AP_D0884

Control Panel - Cygnus Premium Coin with Frontal Supply Dispenser

REF	PART NO.	DESCRIPTION	COMMENTS
1	229/00289/00	Circuit Board Cover	
2	209/02015/02	Printboard	
3	204/00116/00	Nut	
4	223/00123/00	Washer	
5	211/00128/00	Printboard Separator	
6	211/00122/00	Standoff	
7	229/00291/00	Insulating Sticker	
8	111/01907/00	Operating Panel	
9	225/00323/00	Plexi Frame	
10	225/10403/00	Operating Sticker	
11	210/00901/00	Optic Cable	
12	209/02022/00	Datacard	
13	B12305201	Memory Card PC-Board	Models prior to 4/5/2011 require a firmware upgrade
	B12538301	Data Card Ribbon Assembly	
14	209/02010/00	Door Lock PC-Board	
15	223/00374/00	Mounting Plate	

Control Panel - Cygnus Standard/Commercial OPL

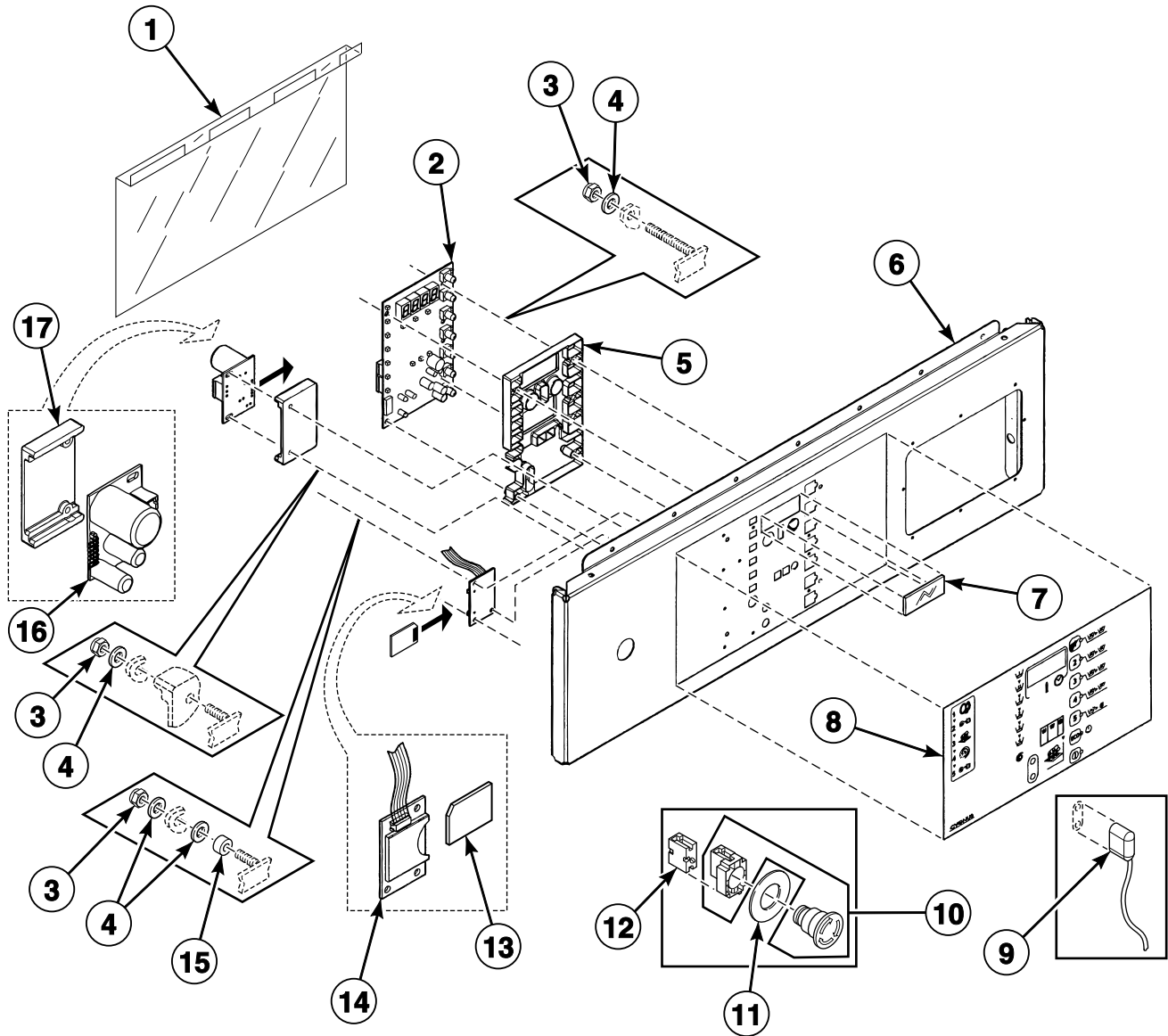


BE000867AP_D0884

Control Panel - Cygnus Standard/Commercial OPL

REF	PART NO.	DESCRIPTION	COMMENTS
1	229/00289/00	Circuit Board Cover	
2	209/02001/02	Printboard	
3	204/00116/00	Nut	
4	223/00123/00	Washer	
5	223/00330/00	Protection LED	
6	111/01828/00	Operating Panel	
7	225/00322/00	Plexi Frame	
8	225/10307/00	Operating Sticker	Models WFF135_CYGNUS-STANDARD_OPL, WFF165_CYGNUS-STANDARD_OPL, WF135_CYGNUS-STANDARD_OPL and WF165_CYGNUS-STANDARD_OPL
	225/10308/00	Operating Sticker	Models WFF135_CYGNUS-COMM_OPL, WFF165_CYGNUS-COMM_OPL, WF135_CYGNUS-COMM_OPL and WF165_CYGNUS-COMM_OPL
9	210/00901/00	Optic Cable	
10	209/00248/20	Mushroom Pushbutton	
11	209/00520/00	Telem Sticker	
12	209/00099/26	Contact Switch	
13	209/02022/00	Datacard	
14	B12305201	Memory Card PC-Board	Models prior to 4/5/2011 require a firmware upgrade
	B12538301	Data Card Ribbon Assembly	
15	211/00128/00	Printboard Separator	
16	209/02010/00	Door Lock PC-Board	
17	223/00374/00	Mounting Plate	

Control Panel - Cygnus Standard/Commercial OPL with Frontal Supply Dispenser

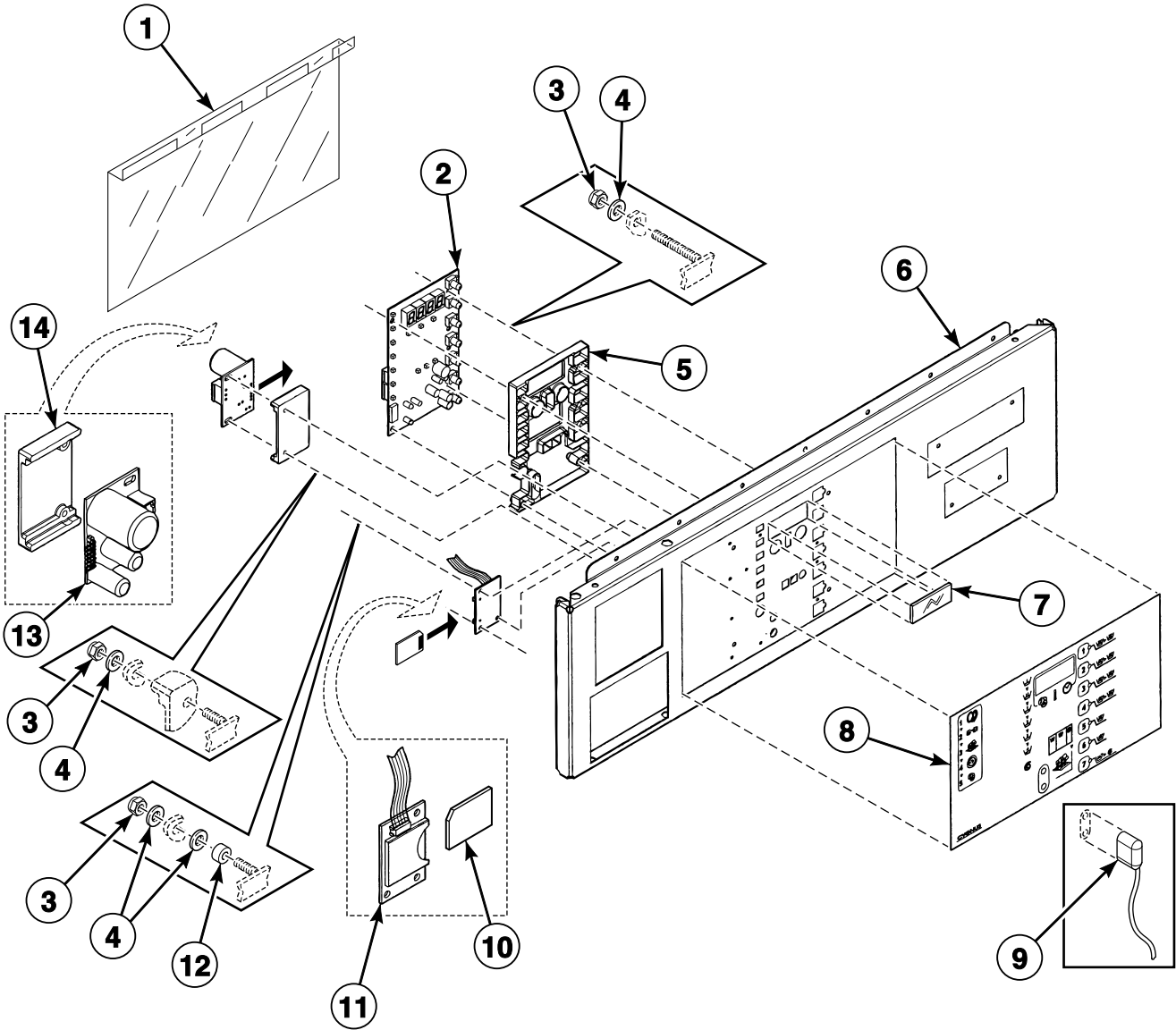


BE000868AP_D0884

Control Panel - Cygnus Standard/Commercial OPL with Frontal Supply Dispenser

REF	PART NO.	DESCRIPTION	COMMENTS
1	229/00289/00	Circuit Board Cover	
2	209/02001/02	Printboard	
3	204/00116/00	Nut	
4	223/00123/00	Washer	
5	223/00330/00	Protection LED	
6	111/01829/00	Operating Panel	
7	225/00322/00	Plexi Frame	
8	225/10307/00	Operating Sticker	Models WFF135_CYGNUS-STANDARD_OPL, WFF165_CYGNUS-STANDARD_OPL, WF135_CYGNUS-STANDARD_OPL and WF165_CYGNUS-STANDARD_OPL
	225/10308/00	Operating Sticker	Models WFF135_CYGNUS-COMM_OPL, WFF165_CYGNUS-COMM_OPL, WF135_CYGNUS-COMM_OPL and WF165_CYGNUS-COMM_OPL
9	210/00901/00	Optic Cable	
10	209/00248/20	Mushroom Pushbutton	
11	209/00520/00	Telem Sticker	
12	209/00099/26	Contact Switch	
13	209/02022/00	Datacard	
14	B12305201	Memory Card PC-Board	Models prior to 4/5/2011 require a firmware upgrade
	B12538301	Data Card Ribbon Assembly	
15	211/00128/00	Printboard Separator	
16	209/02010/00	Door Lock PC-Board	
17	223/00374/00	Mounting Plate	

Control Panel - Cygnus Standard/Commercial Coin

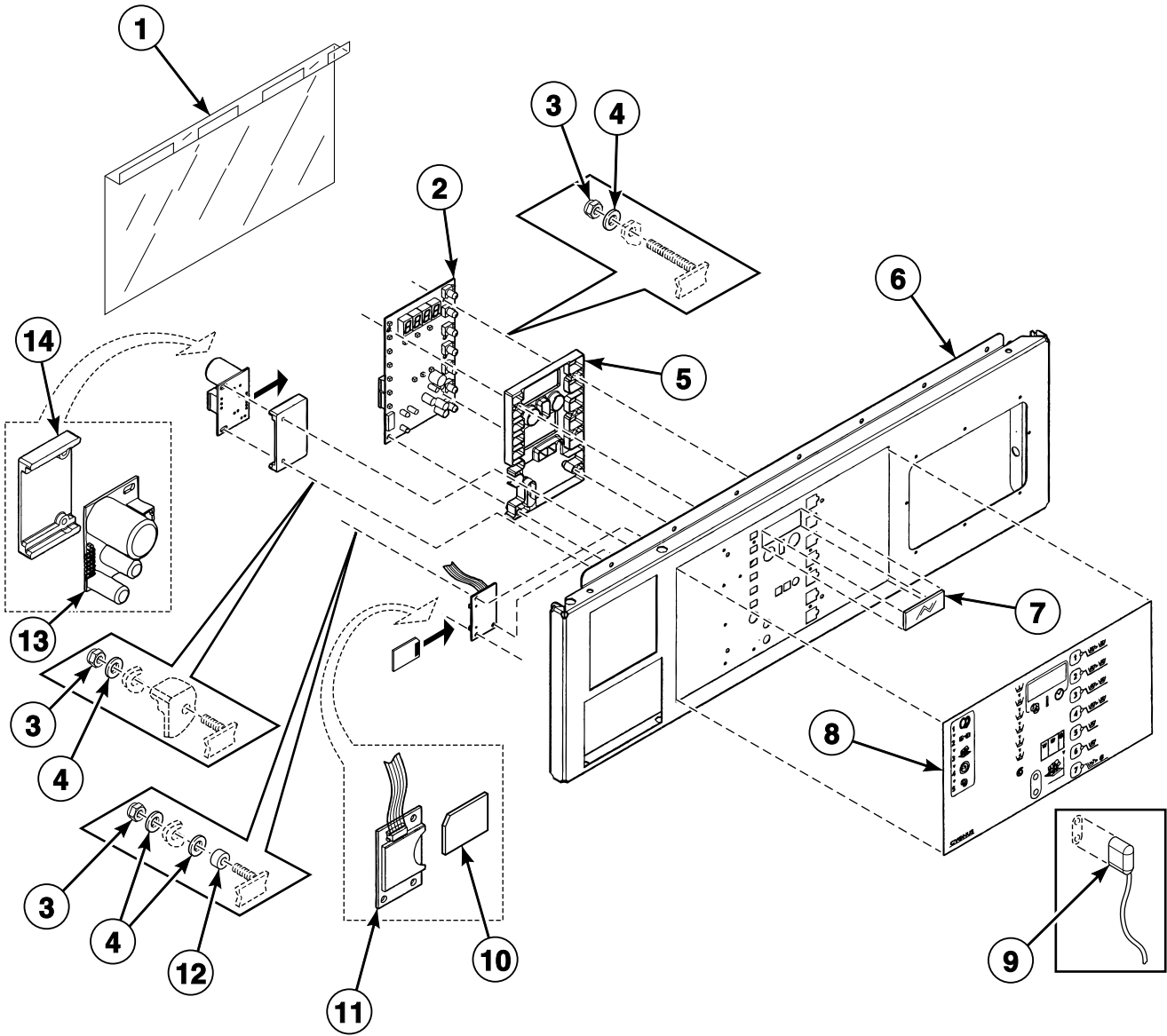


BE000874AP_D0884

Control Panel - Cygnus Standard/Commercial Coin

REF	PART NO.	DESCRIPTION	COMMENTS
1	229/00289/00	Circuit Board Cover	
2	209/02001/02	Printboard	
3	204/00116/00	Nut	
4	223/00123/00	Washer	
5	223/00330/00	Protection LED	
6	111/01819/00	Operating Panel	
7	225/00322/00	Plexi Frame	
8	225/10305/00	Operating Sticker	Models WFF135_CYGNUS-STANDARD_COIN, WFF165_CYGNUS-STANDARD_COIN, WF135_CYGNUS-STANDARD_COIN and WF165_CYGNUS-STANDARD_COIN
	225/10306/00	Operating Sticker	Models WFF135_CYGNUS-COMM_COIN, WFF165_CYGNUS-COMM_COIN, WF135_CYGNUS-COMM_COIN and WF165_CYGNUS-COMM_COIN
9	210/00901/00	Optic Cable	
10	209/02022/00	Datacard	
11	B12305201	Memory Card PC-Board	Models prior to 4/5/2011 require a firmware upgrade
	B12538301	Data Card Ribbon Assembly	
12	211/00128/00	Printboard Separator	
13	209/02010/00	Door Lock PC-Board	
14	223/00374/00	Mounting Plate	

Control Panel - Cygnus Standard/Commercial Coin with Frontal Supply Dispenser

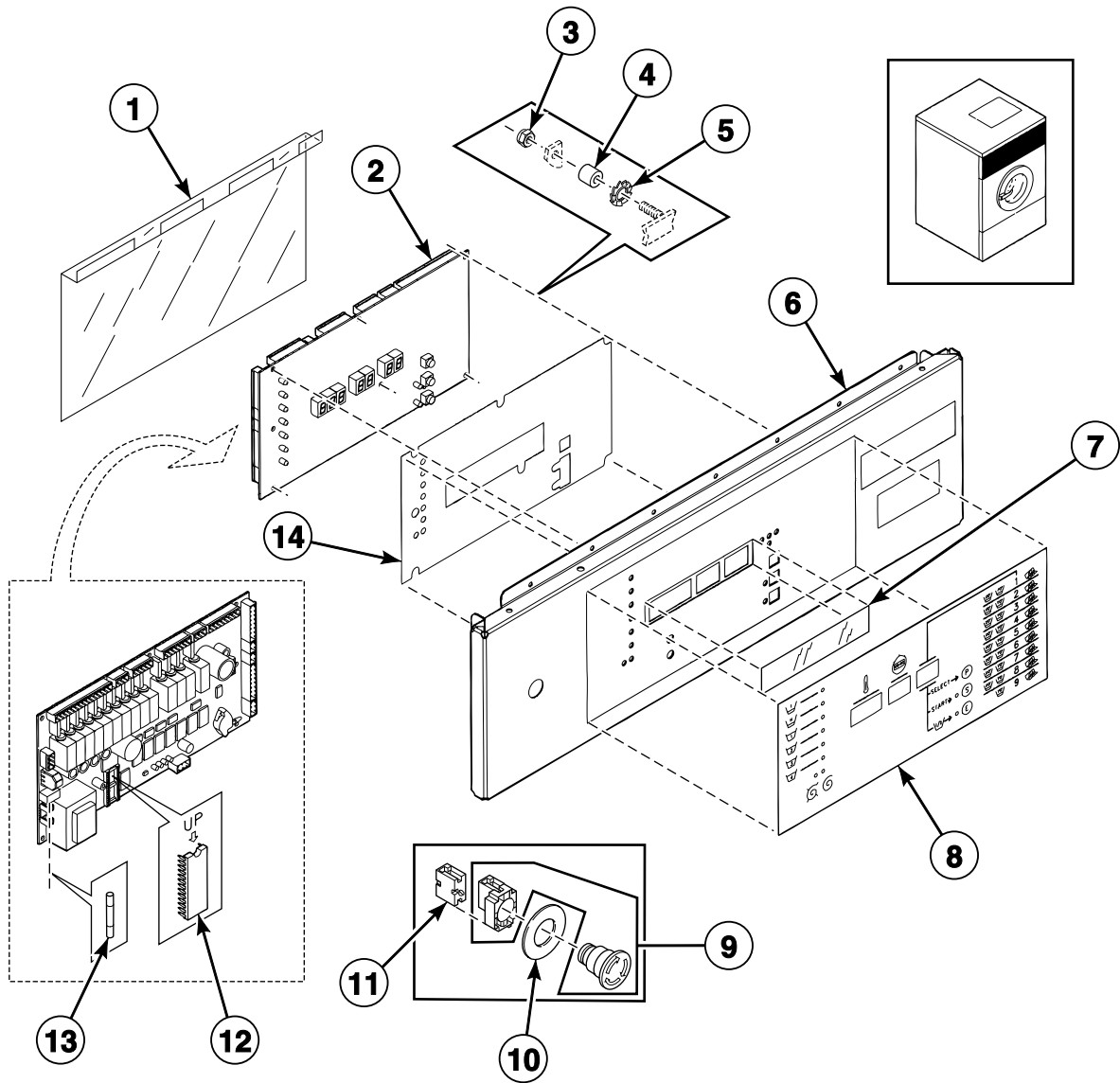


BE000869AP_D0884

Control Panel - Cygnus Standard/Commercial Coin with Frontal Supply Dispenser

REF	PART NO.	DESCRIPTION	COMMENTS
1	229/00289/00	Circuit Board Cover	
2	209/02001/02	Printboard	
3	204/00116/00	Nut	
4	223/00123/00	Washer	
5	223/00330/00	Protection LED	
6	111/01829/00	Operating Panel	
7	225/00322/00	Plexi Frame	
8	225/10305/00	Operating Sticker	Models WFF135_CYGNUS-STANDARD_COIN, WFF165_CYGNUS-STANDARD_COIN, WF135_CYGNUS-STANDARD_COIN and WF165_CYGNUS-STANDARD_COIN
	225/10306/00	Operating Sticker	Models WFF135_CYGNUS-COMM_COIN, WFF165_CYGNUS-COMM_COIN, WF135_CYGNUS-COMM_COIN and WF165_CYGNUS-COMM_COIN
9	210/00901/00	Optic Cable	
10	209/02022/00	Datacard	
11	B12305201	Memory Card PC-Board	Models prior to 4/5/2011 require a firmware upgrade
	B12538301	Data Card Ribbon Assembly	
12	211/00128/00	Printboard Separator	
13	209/02010/00	Door Lock PC-Board	
14	223/00374/00	Mounting Plate	

Control Panel - Micro-20 OPL

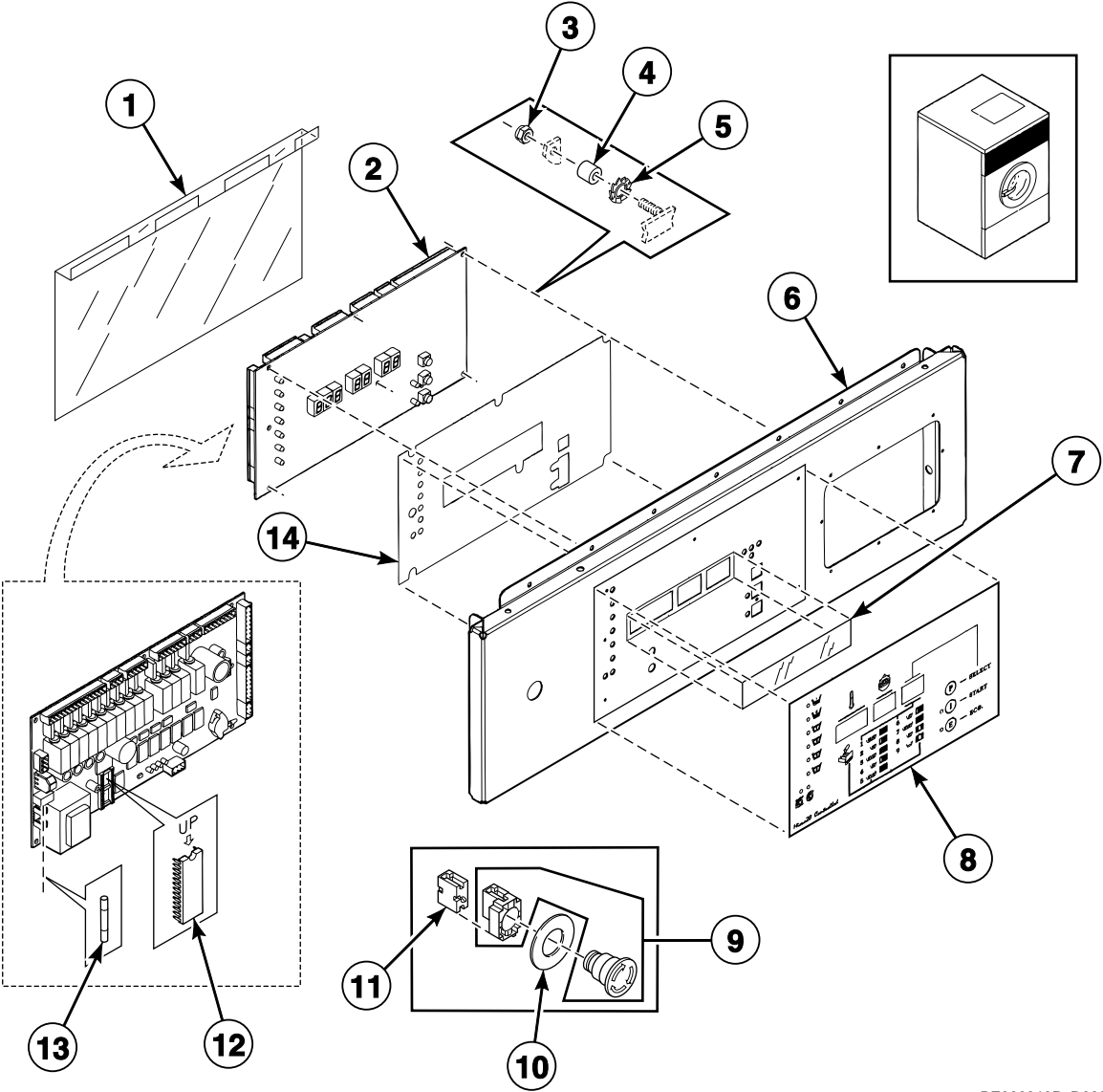


BE000620P_D0884

Control Panel - Micro-20 OPL

REF	PART NO.	DESCRIPTION	COMMENTS
1	229/00289/00	Circuit Board Cover	
2	209/00440/70	Printboard	220 Volt
	209/00440/80	Printboard	115 Volt
3	204/00116/00	Nut	
4	211/00122/00	Standoff	
5	203/00006/00	Washer	
6	111/01816/00	Upper Front Panel	
7	225/00316/00	Plexi Frame	
8	225/00407/00	Keypad Sticker	
9	209/00248/20	Mushroom Pushbutton	
10	209/00520/00	Telem Sticker	
11	209/00099/26	Contact Switch	
12	209/00266/01	Eprom	Standard software
13	209/00439/00	Fuse	500 mA
14	229/00255/00	Insulating Sticker	

Control Panel - Micro-20 OPL with Frontal Supply Dispenser

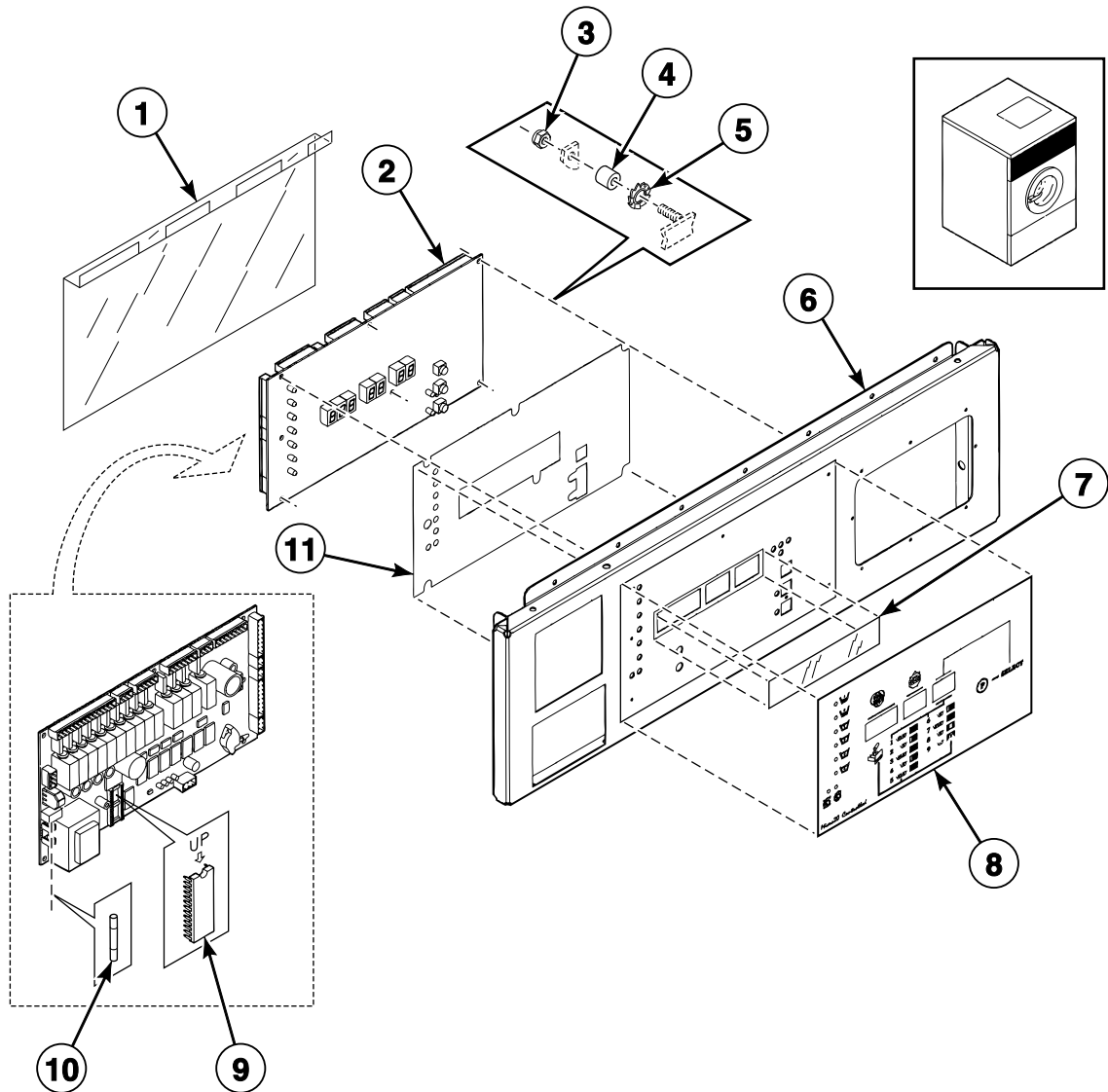


BE000818P_D0884

Control Panel - Micro-20 OPL with Frontal Supply Dispenser

REF	PART NO.	DESCRIPTION	COMMENTS
1	229/00289/00	Circuit Board Cover	
2	209/00440/70	Printboard	220 Volt
	209/00440/80	Printboard	115 Volt
3	204/00116/00	Nut	
4	211/00122/00	Standoff	
5	203/00006/00	Washer	
6	111/01825/00	Upper Front Panel	
7	225/00316/00	Plexi Frame	
8	225/00409/00	Operating Sticker	
9	209/00248/20	Mushroom Pushbutton	
10	209/00520/00	Telem Sticker	
11	209/00099/26	Contact Switch	
12	209/00266/01	Eprom	Standard software
13	209/00439/00	Fuse	500 mA
14	229/00255/00	Insulating Sticker	

Control Panel - Micro-20 Coin

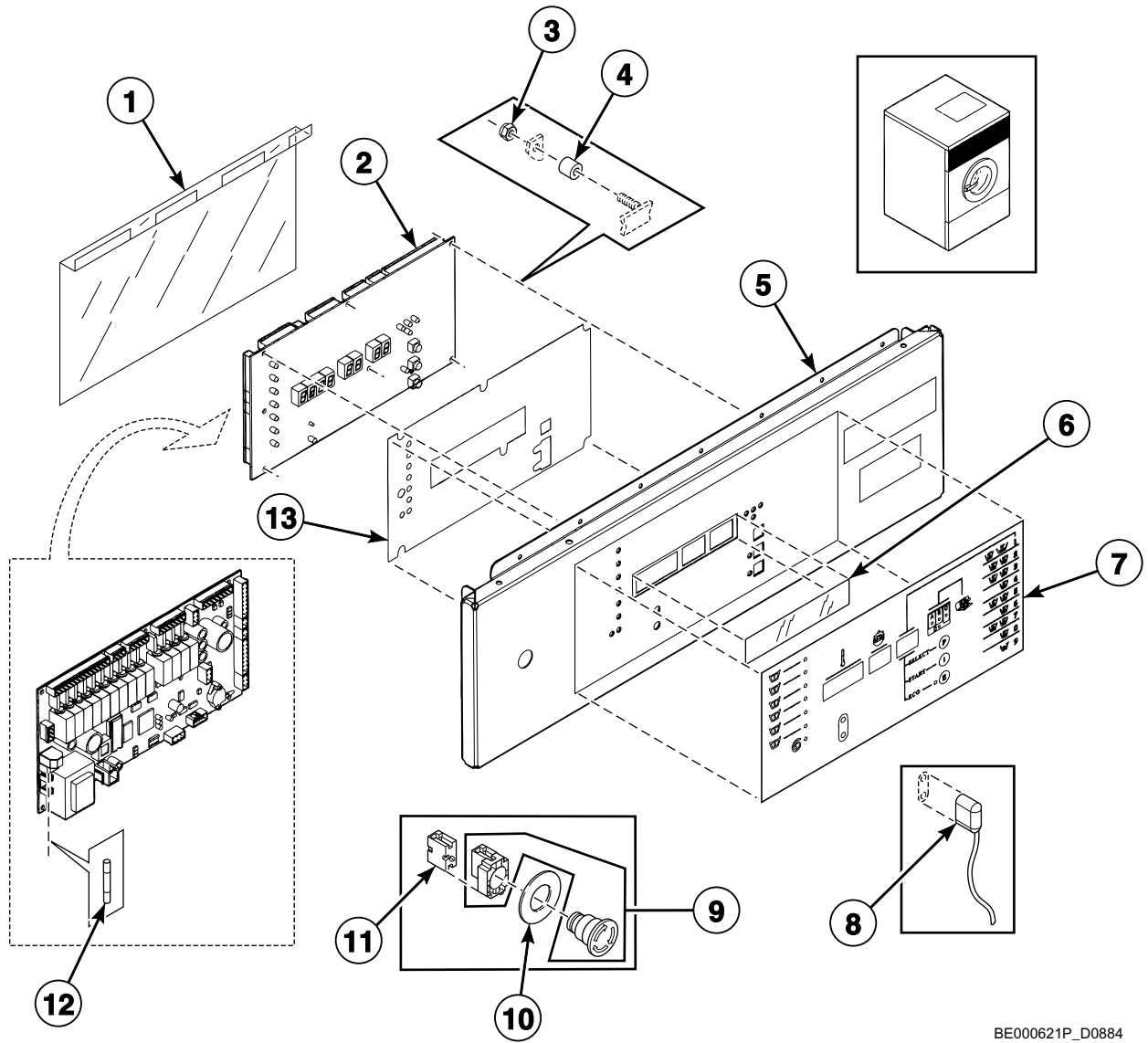


BE000819P_D0884

Control Panel - Micro-20 Coin

REF	PART NO.	DESCRIPTION	COMMENTS
1	229/00289/00	Circuit Board Cover	
2	209/00440/70	Printboard	220 Volt
	209/00440/80	Printboard	115 Volt
3	204/00116/00	Nut	
4	211/00122/00	Standoff	
5	203/00006/00	Washer	
6	111/01824/00	Upper Front Panel	Models with front mount supply dispenser
	111/01811/01	Upper Front Panel	Models without front mount supply dispenser
7	225/00316/00	Plexi Frame	
8	225/00410/00	Operating Sticker	
9	209/00266/01	Eprom	Standard software
10	209/00439/00	Fuse	500 mA
11	229/00255/00	Insulating Sticker	

Control Panel - Sigma OPL

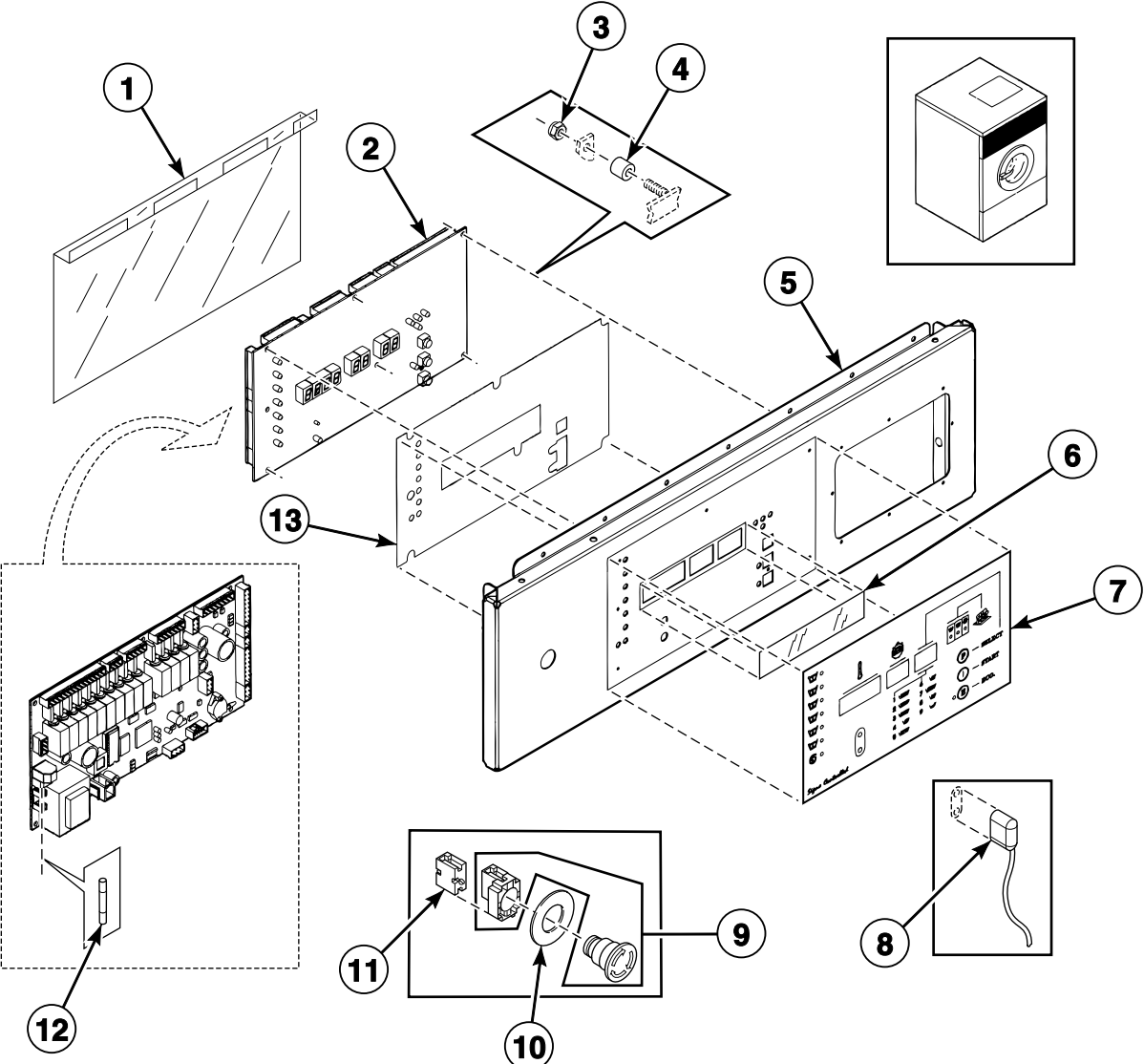


BE000621P_D0884

Control Panel - Sigma OPL

REF	PART NO.	DESCRIPTION	COMMENTS
1	229/00262/00	Circuit Board Cover	
2	209/00547/00	Control Board	
3	204/00116/00	Nut	
4	211/00122/00	Standoff	
5	111/01816/00	Upper Front Panel	
6	225/00316/00	Plexi Frame	
7	225/00404/00	Operating Sticker	
8	210/00902/00	Infrared Cable	
9	209/00248/20	Mushroom Pushbutton	
10	209/00520/00	Telem Sticker	
11	209/00099/26	Contact Switch	
12	209/00439/00	Fuse	500 mA
13	229/00255/00	Insulating Sticker	

Control Panel - Sigma OPL with Frontal Supply Dispenser

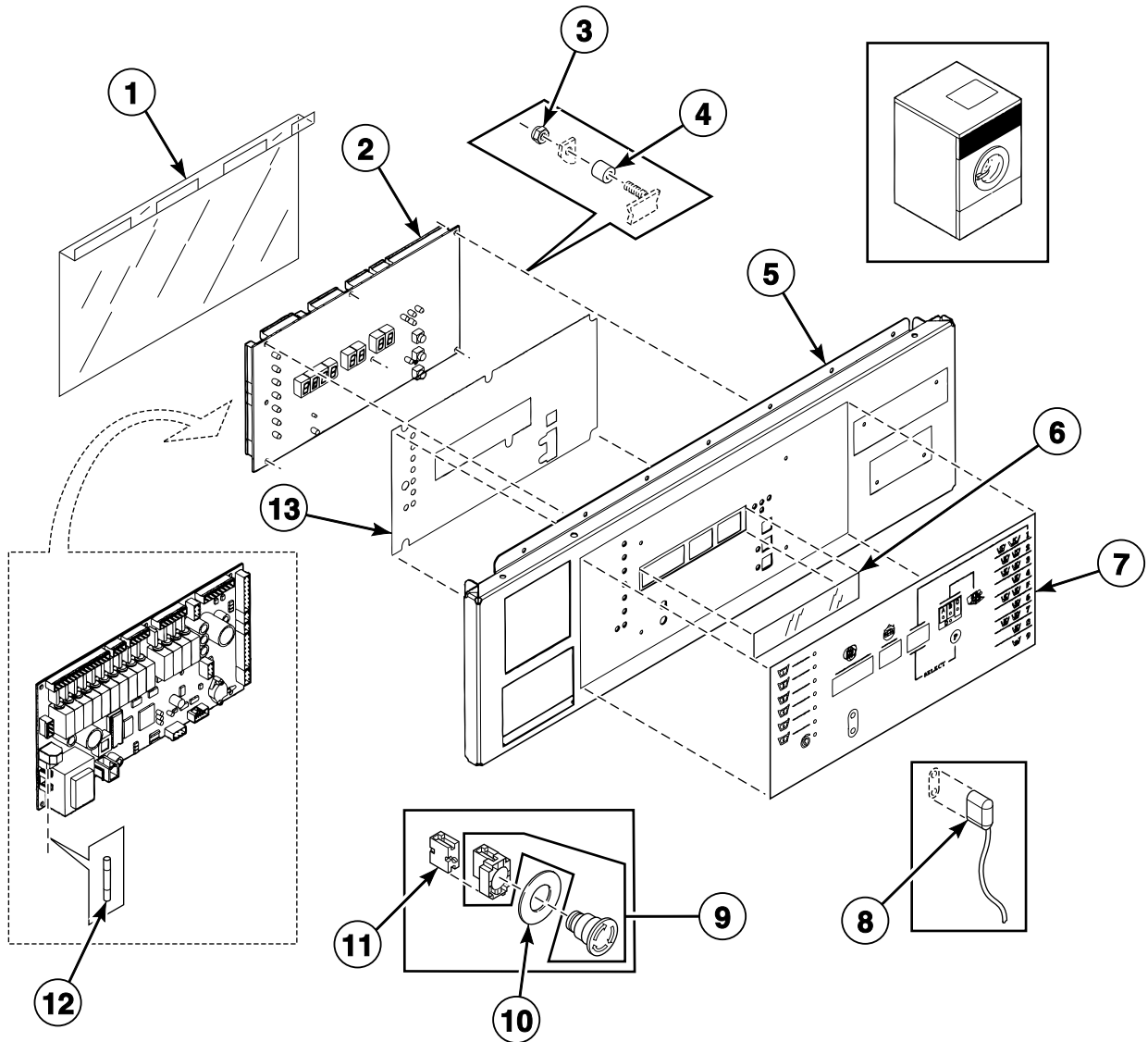


BE000816P_D0884

Control Panel - Sigma OPL with Frontal Supply Dispenser

REF	PART NO.	DESCRIPTION	COMMENTS
1	229/00262/00	Circuit Board Cover	
2	209/00547/00	Control Board	
3	204/00114/00	Nut	
4	211/00122/00	Standoff	
5	111/01825/00	Upper Front Panel	
6	225/00316/00	Plexi Frame	
7	225/10311/00	Operating Sticker	
8	210/00902/00	Infrared Cable	
9	209/00248/20	Mushroom Pushbutton	
10	209/00520/00	Telem Sticker	
11	209/00099/26	Contact Switch	
12	209/00439/00	Fuse	500 mA
13	229/00255/00	Insulating Sticker	

Control Panel - Sigma Coin

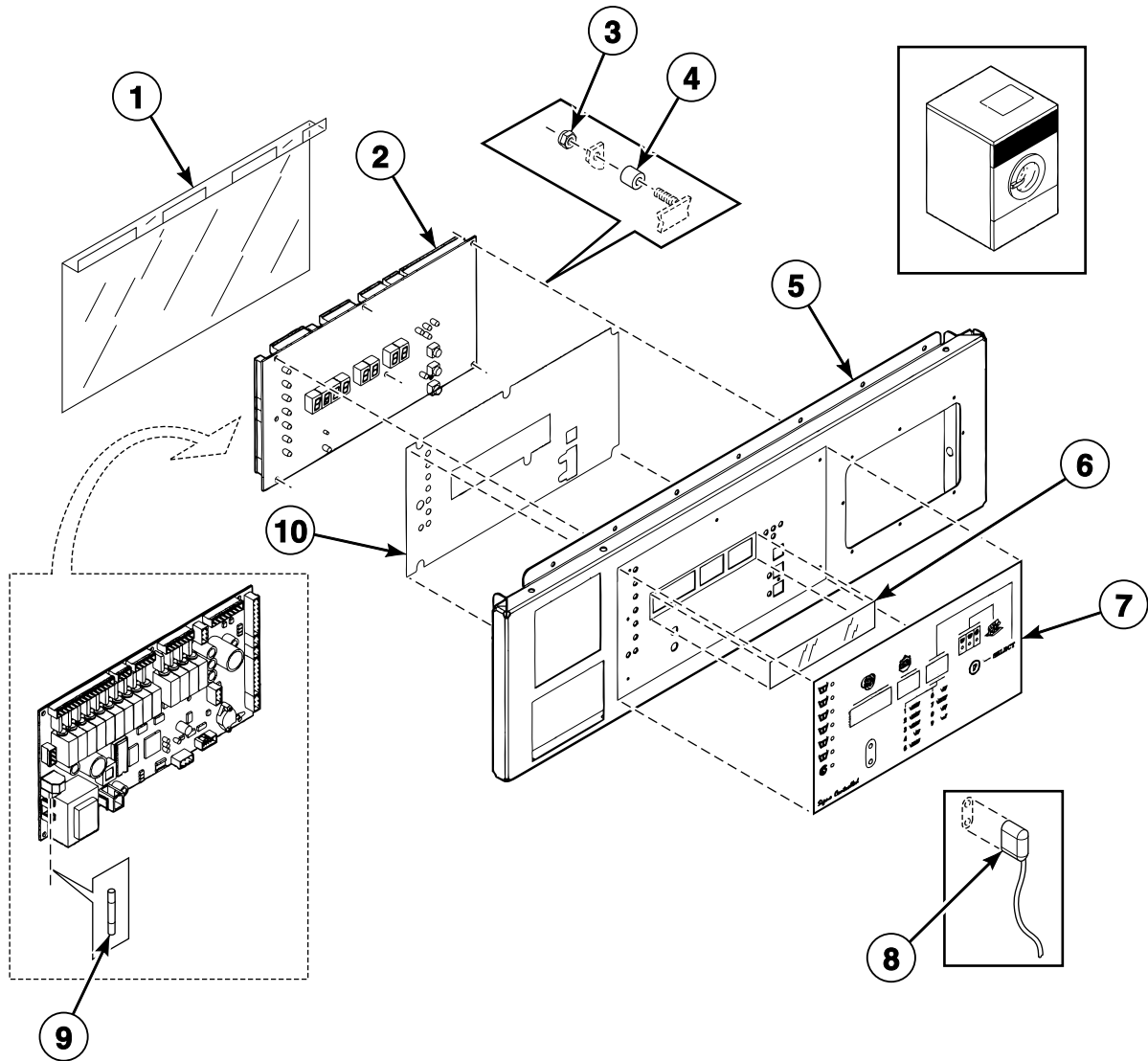


BE000629P_D0884

Control Panel - Sigma Coin

REF	PART NO.	DESCRIPTION	COMMENTS
1	229/00262/00	Circuit Board Cover	
2	209/00547/00	Control Board	
3	204/00114/00	Nut	
4	211/00122/00	Standoff	
5	111/01811/01	Upper Front Panel	
6	225/00316/00	Plexi Frame	
7	225/00403/00	Decal	
8	210/00902/00	Infrared Cable	
9	209/00248/20	Mushroom Pushbutton	
10	209/00520/00	Telem Sticker	
11	209/00099/26	Contact Switch	500 mA
12	209/00439/00	Fuse	
13	229/00255/00	Insulating Sticker	

Control Panel - Sigma Coin with Frontal Supply Dispenser

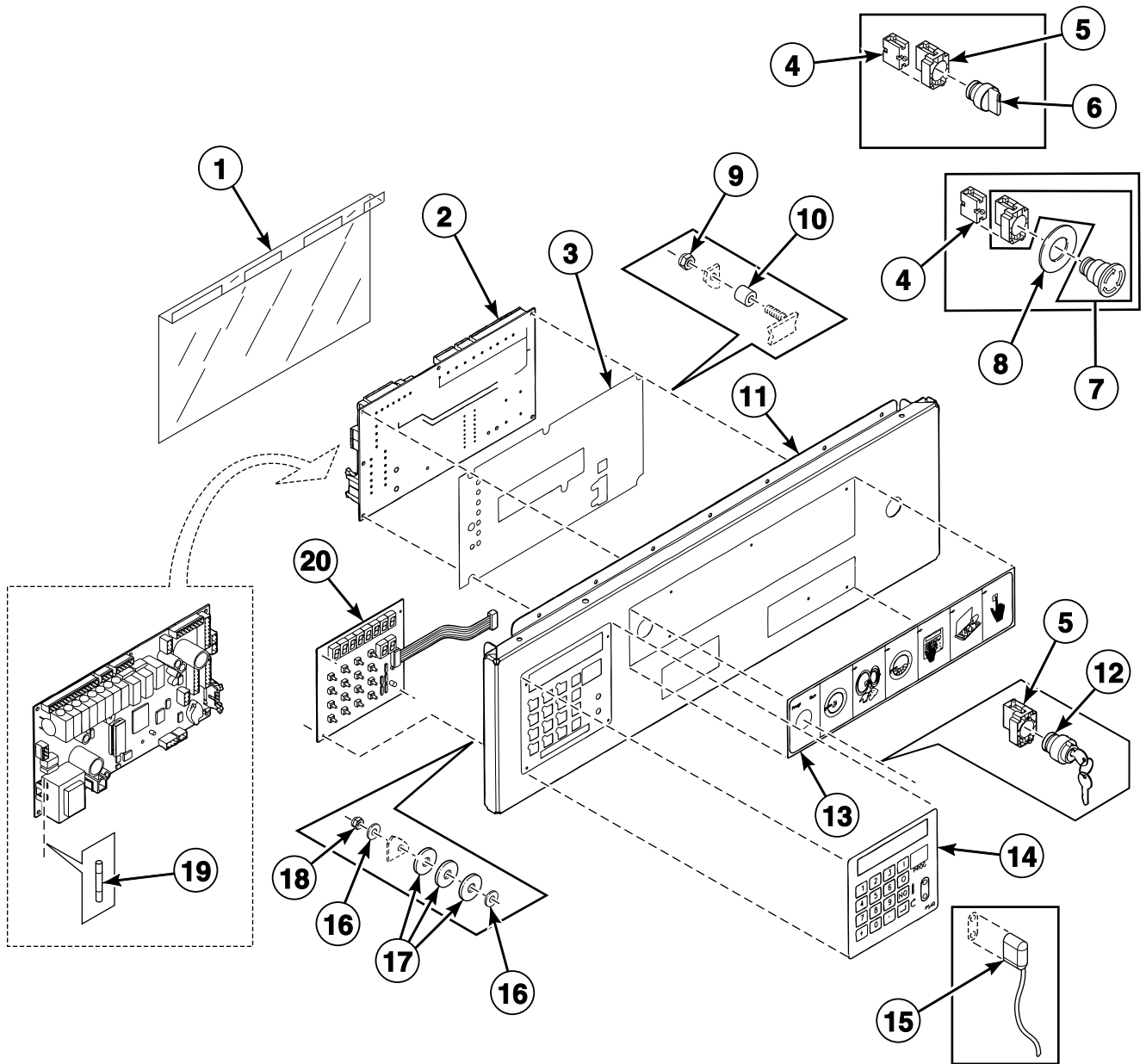


BE000817P_D0884

Control Panel - Sigma Coin with Frontal Supply Dispenser

REF	PART NO.	DESCRIPTION	COMMENTS
1	229/00262/00	Circuit Board Cover	
2	209/00547/00	Control Board	
3	204/00114/00	Nut	
4	211/00122/00	Standoff	
5	111/01824/00	Upper Front Panel	
6	225/00316/00	Plexi Frame	
7	225/10312/00	Operating Sticker	
8	210/00902/00	Infrared Cable	
9	209/00439/00	Fuse	500 mA
10	229/00255/00	Insulating Sticker	

Control Panel - PS40F

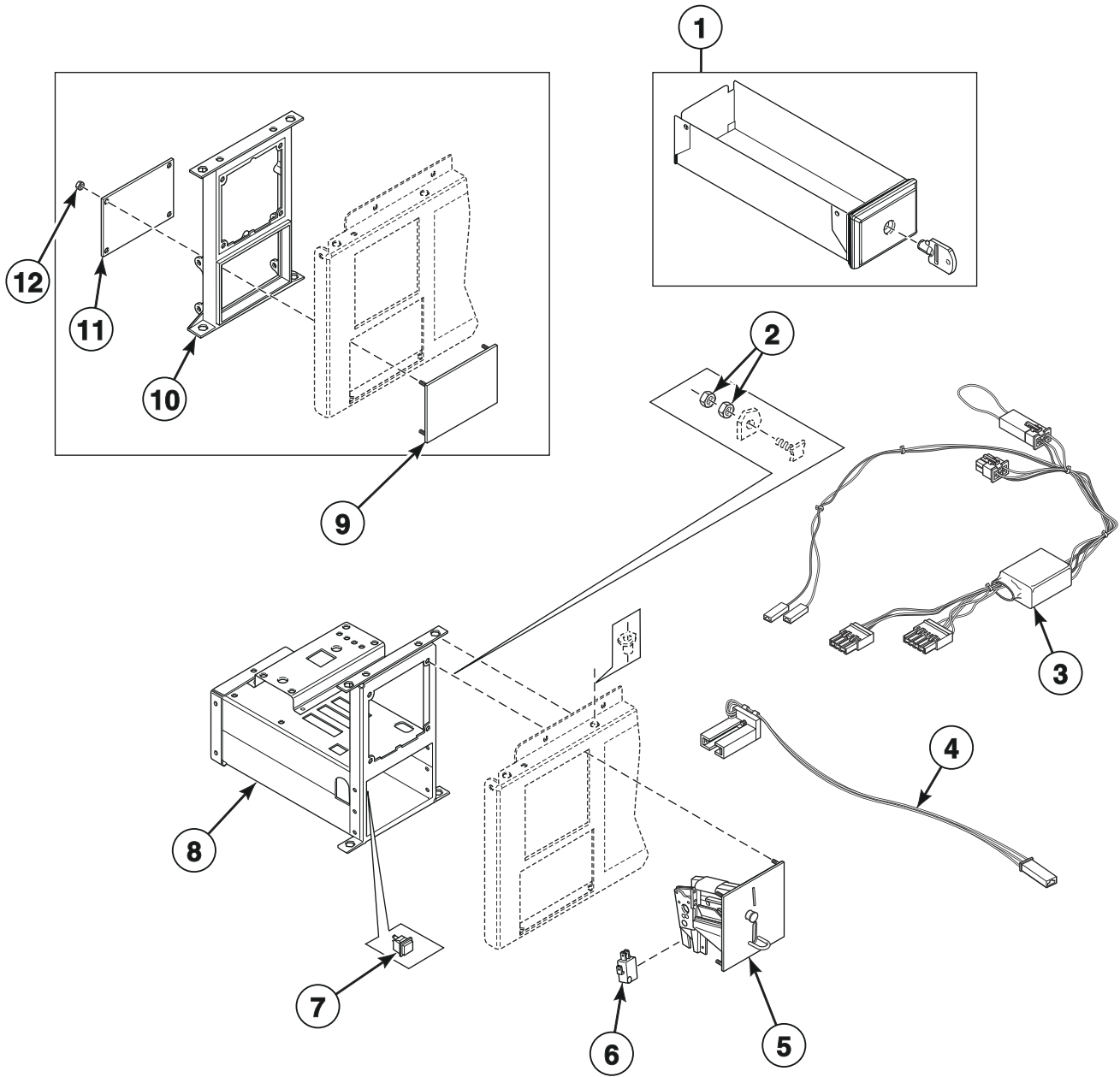


BE000622P_D0884

Control Panel - PS40F

REF	PART NO.	DESCRIPTION	COMMENTS
1	229/00262/00	Circuit Board Cover	
2	B12351701	Main Board	
3	229/00255/00	Insulating Sticker	
4	209/00099/26	Contact Switch	
5	209/00099/25	Switch Base	
6	209/00099/29	Switch Knob	
7	209/00248/20	Mushroom Pushbutton	
8	209/00520/00	Telem Sticker	
9	204/00116/00	Nut	
10	211/00122/00	Standoff	
11	111/01850/00	Facia Panel	
12	209/00326/20	Programming Key Contact Switch	
13	225/00400/00	Operating Sticker	
14	225/00397/00	Label	
15	210/00902/00	Infrared Cable	
16	223/00123/00	Washer	
17	223/00051/10	Washer	
18	204/00116/00	Nut	
19	209/00372/01	Fuse	
20	209/00552/01	Keypad	

Coin Drop - Mechanical Coin Meter

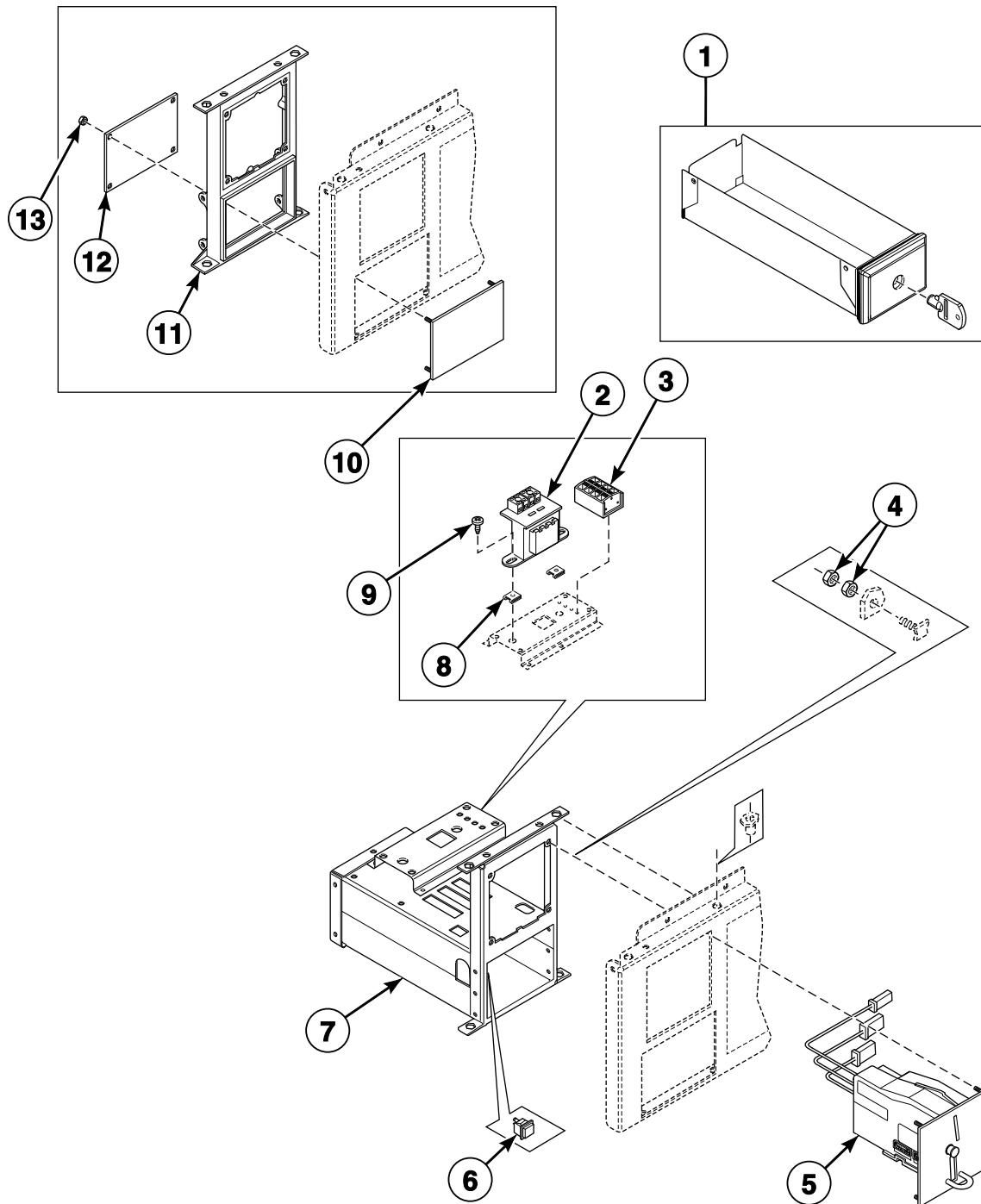


CFD512P_D0884

Coin Drop - Mechanical Coin Meter

REF	PART NO.	DESCRIPTION	COMMENTS
	B12388101	Single Drop Optical Sensor Kit	Includes items 3 and 4
	B12388102	Dual Drop Optical Sensor Kit	Includes items 3 and 4
1	254/00077/00	Coin Box	
	254/00077/02	Key	
2	204/00008/00	Nut	
3	B12359901	Wire Assembly	Micro-20 and Sigma models
4	209/00781/00	Optical Switch	Micro-20 and Sigma models
5	B12311224	Coin Drop	Mechanical; Jeton 5K
	B12311206	Coin Drop	Mechanical; Jeton 7K
	B12311201	Coin Drop	Mechanical; Jeton 10K
	B12311210	Coin Drop	Mechanical; Jeton 12K
	B12311252	Coin Drop	Mechanical; Jeton10K and .5 euro
	B12311211	Coin Drop	Mechanical; Jeton 7K and 1 euro
	B12323901	Coin Drop	Mechanical; Jeton 15K and 7K
	B12311204	Coin Drop	Mechanical; Jeton gettone
	B12311234	Coin Drop	Mechanical; Jeton crouzet
	B12311247	Coin Drop	Mechanical; Jeton 118-1
	B12311248	Coin Drop	Mechanical; Jeton 118-5
	B12311222	Coin Drop	Mechanical; 1 euro
	B12311214	Coin Drop	Mechanical; .5 euro
	B12311202	Coin Drop	Mechanical; .5 and 1 euro
	B12311239	Coin Drop	Mechanical; .5 and 2 euro
	B12311205	Coin Drop	Mechanical; .2 and 1 euro
	B12311218	Coin Drop	Mechanical; 1 and 1 euro
	B12311219	Coin Drop	Mechanical; 1 and 2 euro
	B12311203	Coin Drop	Mechanical; 1 and 2 frank
	B12311207	Coin Drop	Mechanical; 1 Deense kroon
	B12311225	Coin Drop	Mechanical; 10 Deense kronen
	B12311235	Coin Drop	Mechanical; 10 Tsjechische kronen
	B12311244	Coin Drop	Mechanical; 10 Noorse kronen
	B12311208	Coin Drop	Mechanical; 100 and 500 yen
	B12311212	Coin Drop	Mechanical; 15K
	B12311215	Coin Drop	Mechanical; 1 kro
	B12311226	Coin Drop	Mechanical; Australia; 1.00
	B12311216	Coin Drop	Mechanical; Australia; .20 and 1.00
	B12311220	Coin Drop	Mechanical; New Zealand; 1.00
	B12311221	Coin Drop	Mechanical; .5 and 2 zwitsers
	B12311241	Coin Drop	Mechanical; Hong Kong; 1.00
	B12311249	Coin Drop	Mechanical; Hong Kong; 5.00
	B12311301	Coin Drop	Mechanical; U.S.;\$.25
	B12311302	Coin Drop	Mechanical; U.S.; \$.25 and \$1.00
	B12311304	Coin Drop	Mechanical; Canada; 1.00
	B12323401	Coin Drop	Mechanical; Singapore; 1.00
6	209/00600/01P	Switch	
7	209/00396/00	Pushbutton	
8	152/00112/00	Mechanical Coin Meter Housing	
9	111/01001/00	Top Panel	Gray
	111/01000/00	Front Plate	Black
10	217/00060/00	Fastening Piece	
11	111/01002/00	Backplate	
12	204/00116/00	Nut	

Coin Drop - Electronic Coin Meter

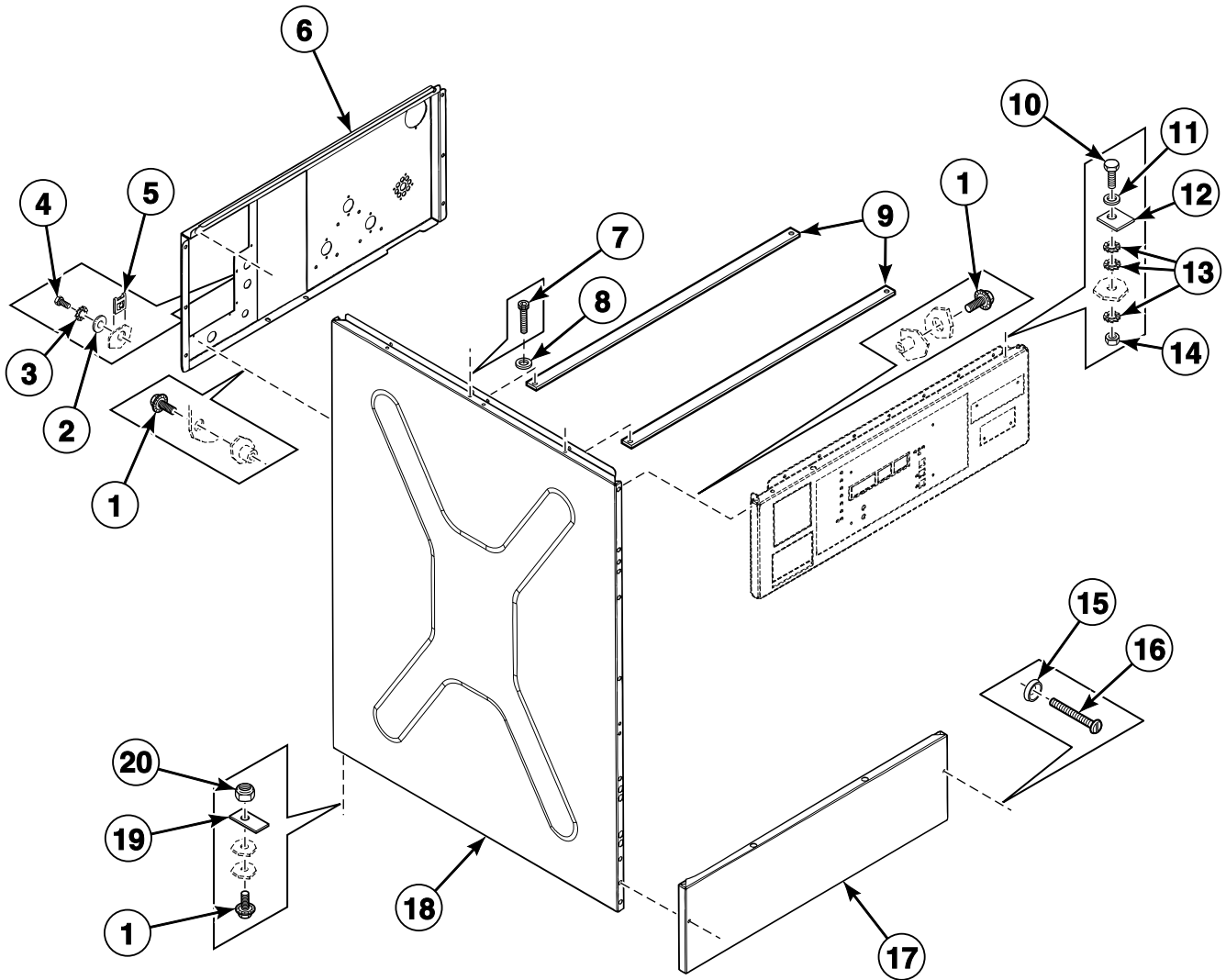


CFD511P_D0884

Coin Drop - Electronic Coin Meter

REF	PART NO.	DESCRIPTION	COMMENTS
1	254/00077/00	Coin Box	
	254/00077/02	Key	
2	209/00682/00	Transformer	
3	209/00683/00	Input Block	
4	204/00008/00	Nut	
5	B12311401	Coin Drop	Cygnus control models
6	209/00396/00	Pushbutton	
7	152/00112/50	Electronic Coin Meter Housing	
8	208/00002/00	Nut	
9	208/00014/00	Screw	
10	111/01001/00	Top Panel	Gray
	111/01000/00	Front Plate	Black
11	217/00060/00	Fastening Piece	
12	111/01002/00	Backplate	
13	204/00116/00	Nut	

Left Side, Lower Front and Upper Back Panels

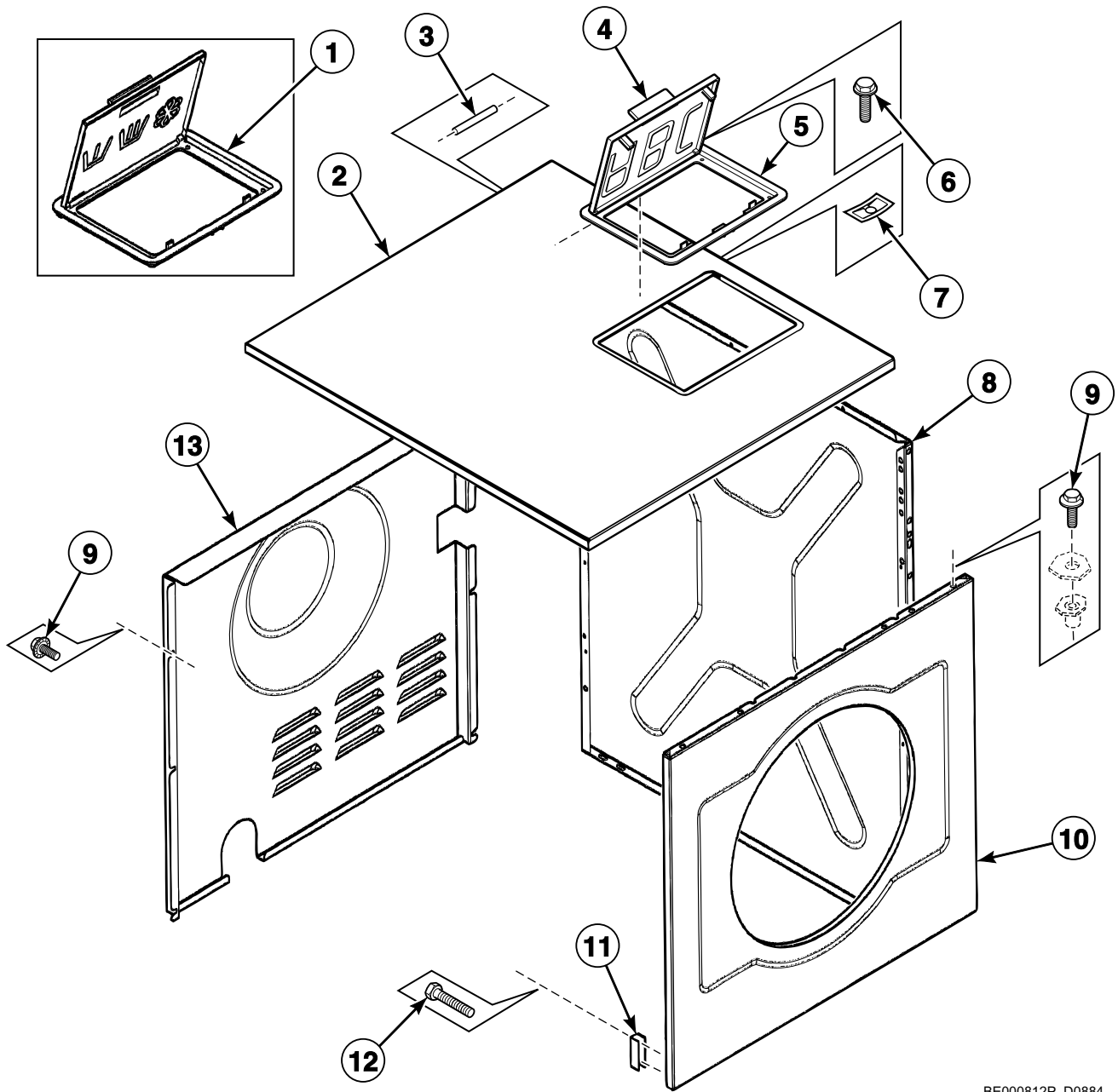


CFD488P_D0884

Left Side, Lower Front and Upper Back Panels

REF	PART NO.	DESCRIPTION	COMMENTS
1	206/00099/00	Bolt	
2	201/00006/00	Washer	
3	203/00015/00	Washer	
4	208/00014/00	Screw	
5	208/00025/00	Nut	
6	111/01833/00	Backbridge	
7	206/00166/00	Screw	
8	B12421401	Washer	
9	111/00970/00	Crossbar	
10	205/00106/00	Bolt	
11	202/00003/00	Washer	
12	117/00042/00	Retaining Ring	
13	203/00005/00	Washer	
14	204/00006/00	Nut	
15	208/00009/00	Washer	
16	207/00101/00	Screw	
17	111/01803/00	Lower Front Panel	
18	111/22723/10	Side Panel	*030 and *135 models; Left; Stainless steel
	111/22728/10	Side Panel	*035 and *165 models; Left; Stainless steel
	111/60035/00	Side Panel	*030 and *135 models; Left; Black
	111/60036/00	Side Panel	*165 models; Left; Black
	111/22723/60	Side Panel	CWF and WFF models; Left; Gray
19	101/00007/00	Outlet Pipe Plate Assembly	
20	204/00009/00	Nut	

Right Side, Front, Rear and Top Panels

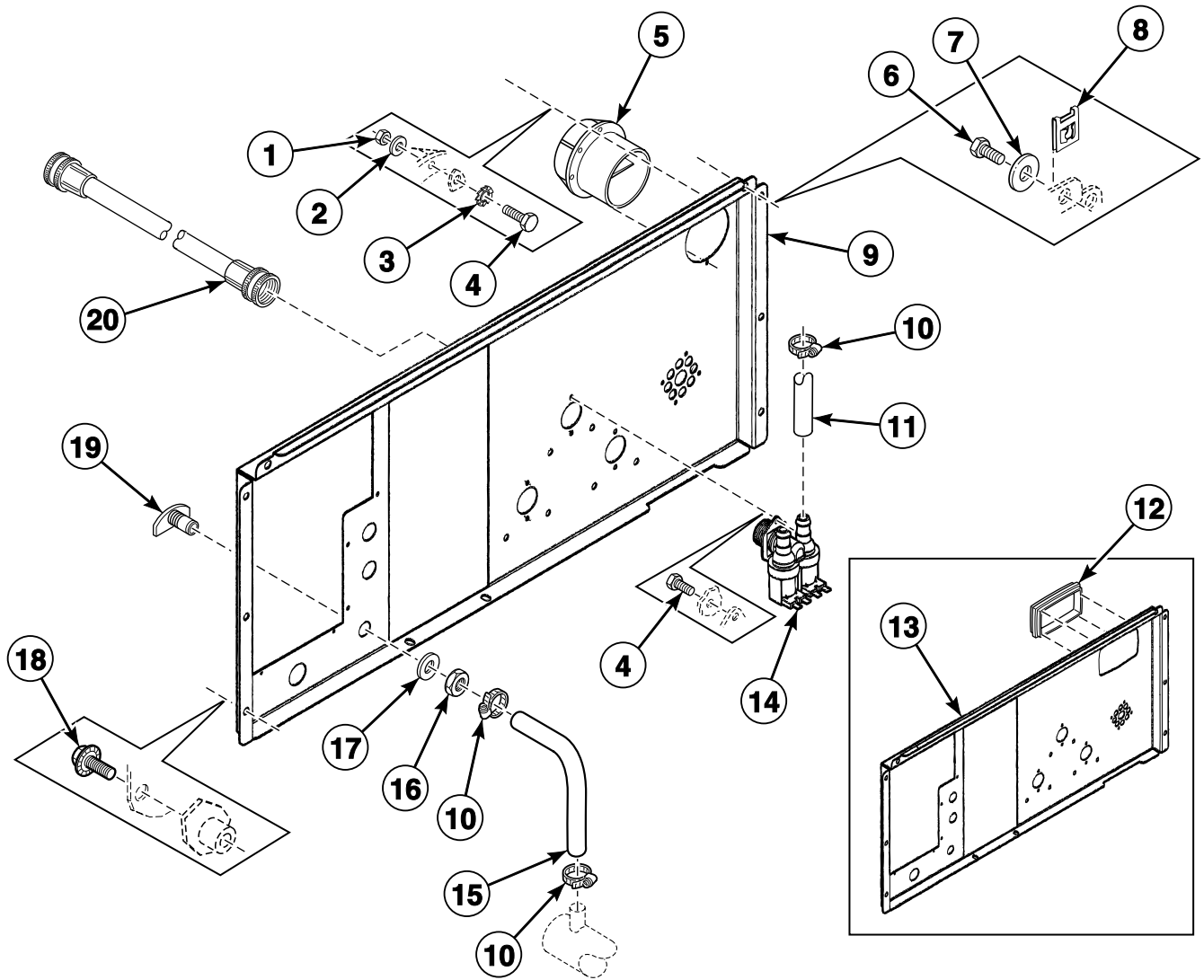


BE000812P_D0884

Right Side, Front, Rear and Top Panels

REF	PART NO.	DESCRIPTION	COMMENTS
1	223/00103/50	Soap Dispenser Cover	With symbols
2	111/22741/00	Top Panel	*030 and *135 models; With dispenser opening
	111/22741/01	Top Panel	*030 and *135 models; Without dispenser opening
	111/22743/00	Top Panel	*035 and *165 models; With dispenser opening
	111/22743/01	Top Panel	*035 and *165 models; Without dispenser opening
3	223/00103/04	Soap Dispenser Cover Hinge Rod	2 required
4	223/00103/01	Soap Dispenser Cover	
5	223/00103/03	Soap Dispenser Frame	
6	207/00125/00	Bolt	
7	208/00104/00	Nut	
8	111/22723/10	Side Panel	*030 and *135 models; Right; Stainless steel
	111/22728/10	Side Panel	*035 and *165 models; Right; Stainless steel
	111/60035/00	Side Panel	*030 and *135 models; Right; Black
	111/60036/00	Side Panel	*165 models; Right; Black
	111/22723/60	Side Panel	CWF and WFF models; Right; Gray
9	206/00099/00	Bolt	
10	111/00291/00	Front Panel	
11	111/10089/01	Reinforcement Plate	
12	206/00114/00	Bolt	
13	152/00053/02	Back Panel	

Water Inlet Valves

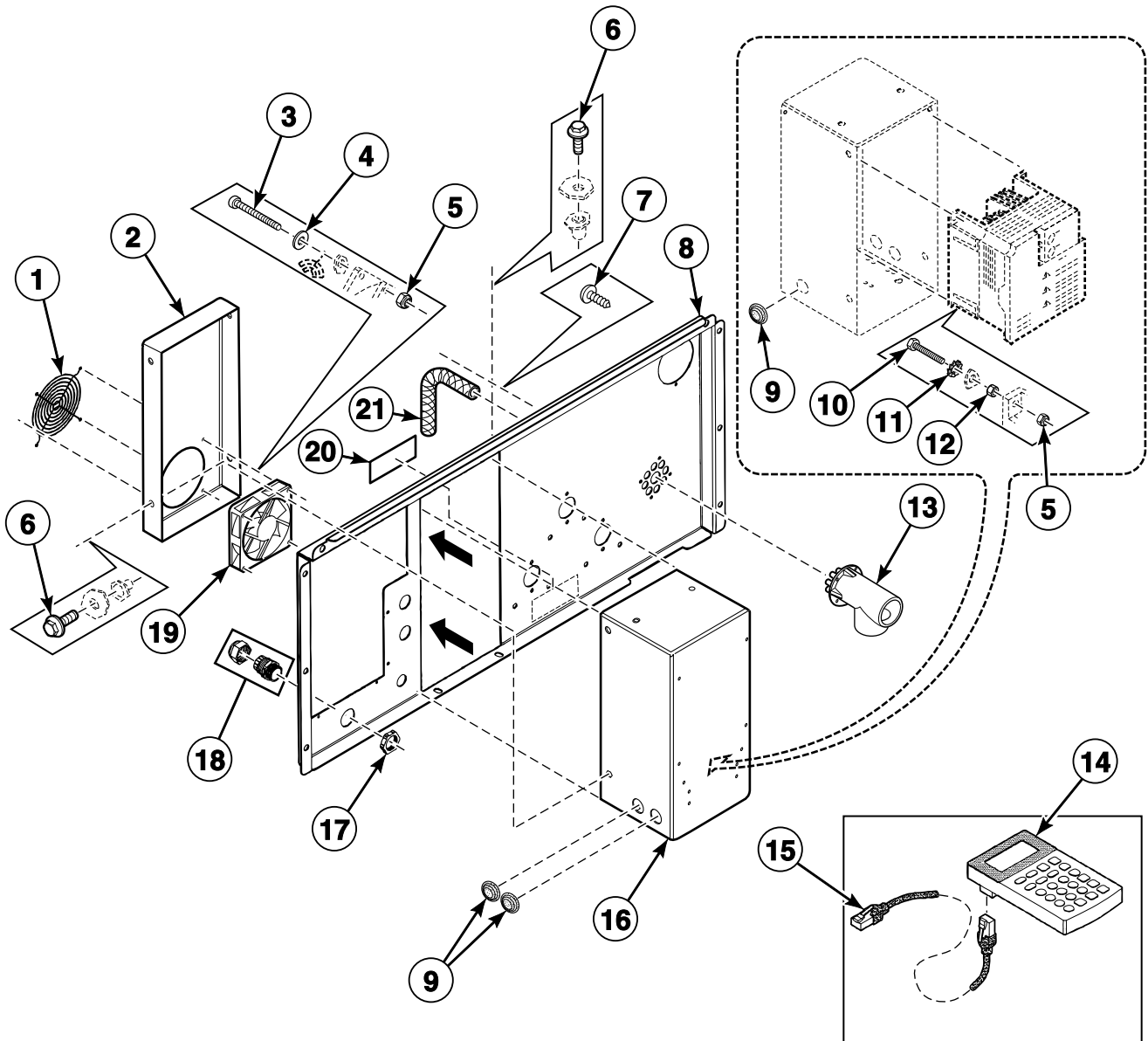


CFD341P_D0884

Water Inlet Valves

REF	PART NO.	DESCRIPTION	COMMENTS
1	204/00007/00	Nut	
2	202/00004/00	Washer	
3	203/00006/00	Washer	
4	206/00027/00	Bolt	
5	223/00102/07	Hose Vent	
6	208/00014/00	Screw	
7	201/00006/00	Washer	
8	208/00002/00	Nut	
9	111/01833/00	Backbridge	Circular ventilation
10	223/00010/00	Hose Clamp	
11	223/00044/00	Water Hose	
12	223/00226/00	Vent Tube	
13	111/01833/10	Backbridge	Rectangular ventilation
14	209/00110/00	2-Way Inlet Valve	Metric thread
	B12519501	2-Way Inlet Valve	Standard thread; G581P3 Repair Kit
15	223/00044/01	Water Hose	
16	204/00201/00	Nut	
17	201/00002/00	Washer	
18	206/00099/00	Bolt	
19	223/00001/04	Prewash and Mainwash Nozzle	
20	F200164	Water Hose	Standard thread
	F200166	Water Hose	Metric thread

Inverter Drive (Drawing 1 of 2)

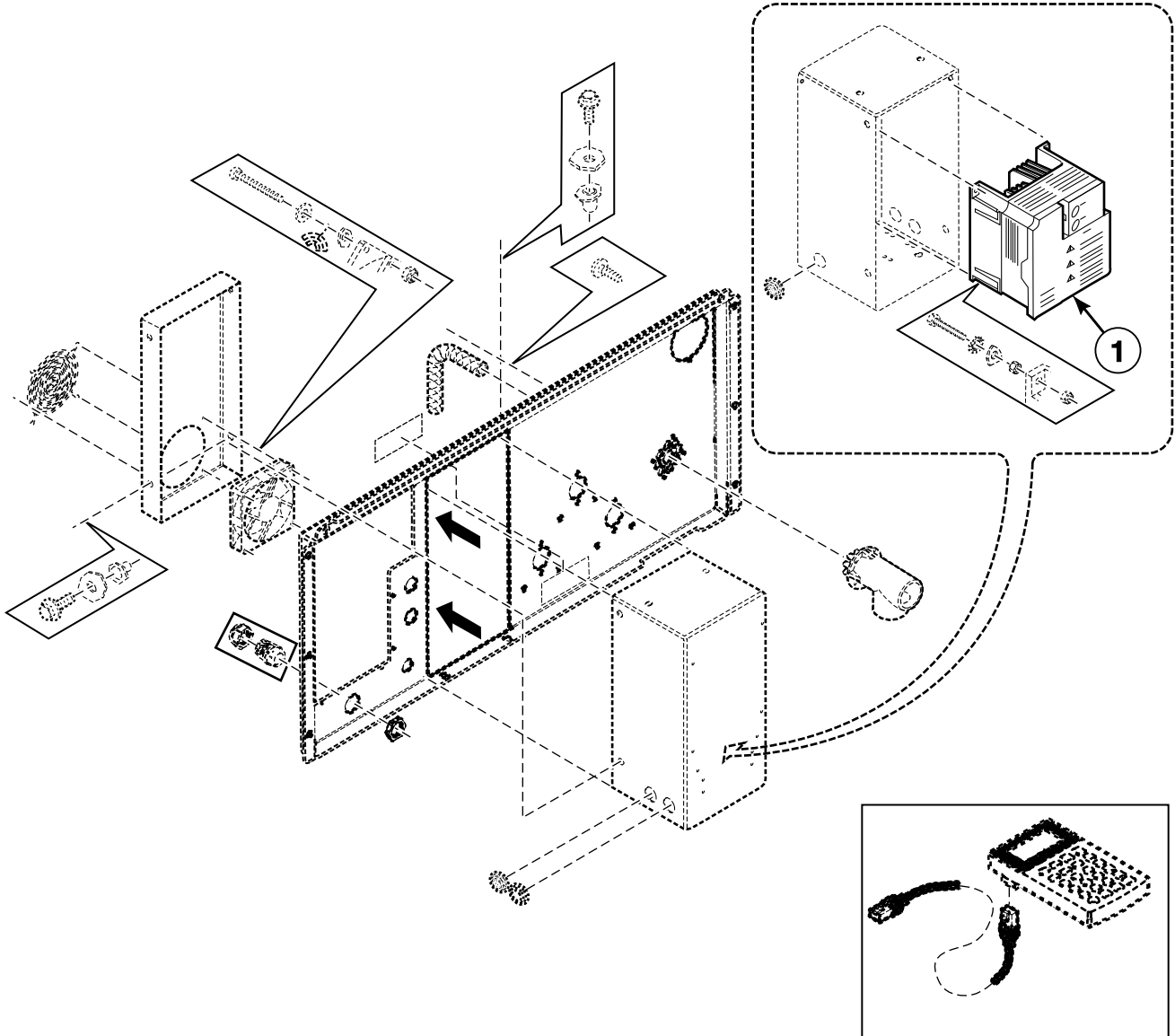


CFD463P_D0884

Inverter Drive (Drawing 1 of 2)

REF	PART NO.	DESCRIPTION	COMMENTS
1	209/00287/01	Fan Grill	
2	111/01174/01	Inverter Box Cover	
3	207/00121/00	Screw	
4	202/00004/00	Washer	
5	204/00114/00	Nut	
6	206/00099/00	Bolt	
7	208/00130/00	Screw	
8	111/01833/00	Backbridge	
9	223/00174/00	Grommet	
10	206/00088/00	Bolt	
11	203/00006/00	Washer	
12	204/00007/00	Nut	
13	223/00250/00	Liquid Soap Manifold	
14	227/00171/00	Parameter Unit Assembly	Hand held
	F8410901	Parameter Unit Assembly	Inverter mounted; Used with 500 series drives
15	227/00171/10	Parameter Unit Program Cable	
16	111/10425/00	Inverter Drive Box	Used with FR-E520 and FR-E540 series drives
	111/10425/50	Inverter Drive Box	Used with FR-D720 and FR-D740 series drives
17	271/35946/00	Nut	
18	271/35945/00	Nut	
19	209/00287/00	Cooling Fan	
20	B12355001	Voltage Discharge Decal	
21	223/00179/10	Pressure Hose	

Inverter Drive (Drawing 2 of 2)



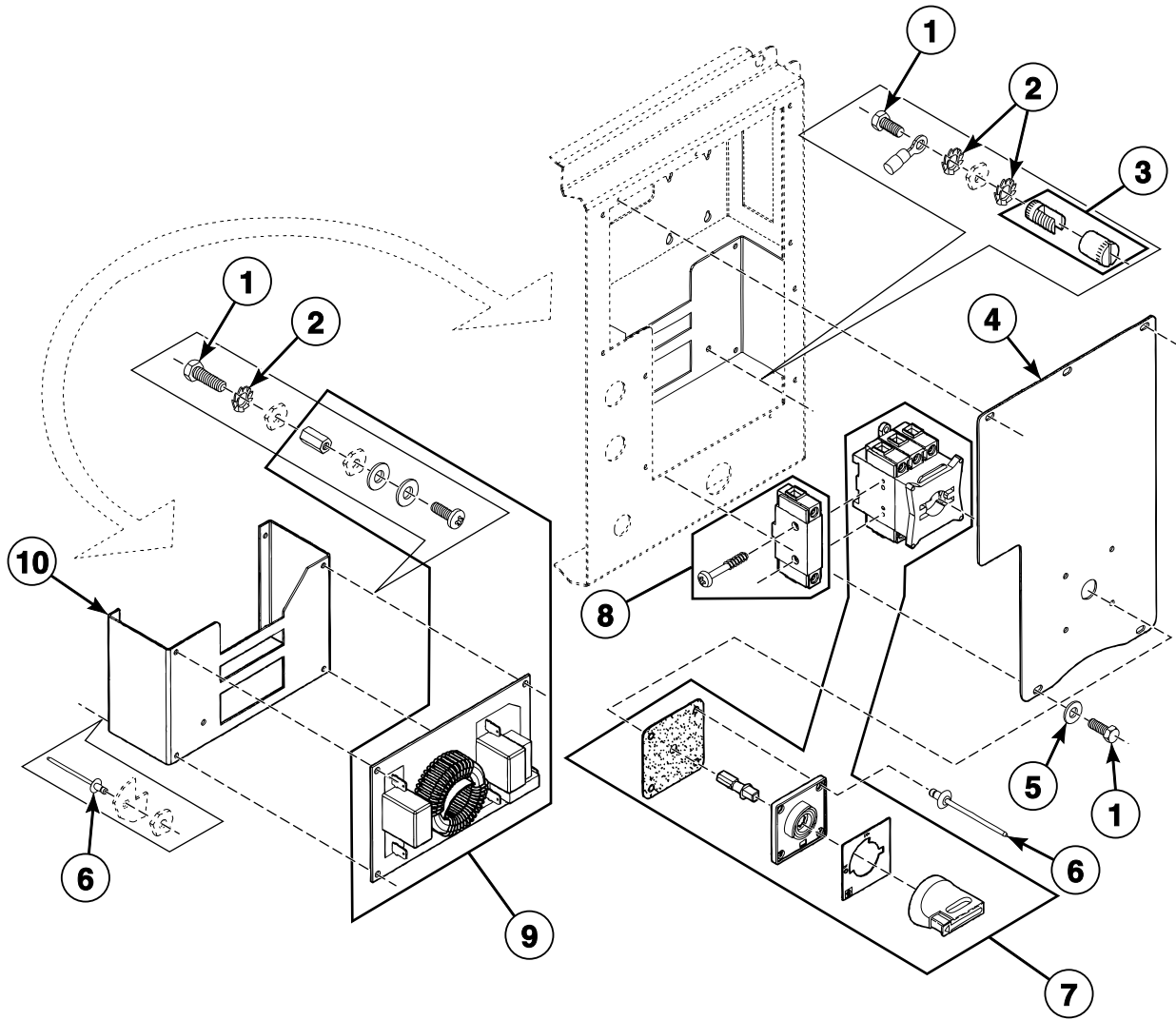
CFD463PA_D0884

Inverter Drive (Drawing 2 of 2)

REF	PART NO.	DESCRIPTION	COMMENTS
1	227/00228/00	Inverter Drive	IWF135, IWF165, WFF135, WF135 and WF165 Cygnus control models; FR-E520 series; 1x230 Volt
	227/00236/00	Inverter Drive	IWF135, IWF165, WFF135, WF135 and WF165 Cygnus control models; FR-D740 series; 3x400 Volt
	N/A	Inverter Drive	*165 medium speed models; FR-E520 series; 1x230 Volt
	227/00168/00	Inverter Drive	*165 medium speed models; FR-E540 series; 3x400 Volt
	227/00229/00	Inverter Drive	WFF165 Cygnus control models; FR-D720 series; 1x230 Volt
	227/00237/00	Inverter Drive	WFF165 Cygnus control models; FR-D740 series; 3x400 Volt
	227/00167/00	Inverter Drive	All other models; FR-E540 series; 3x400 Volt
	F8420313	Drive	700 series; IWF030 and IWF135 2 speed models; WF135 Micro-20, PS40F and Sigma control models; 200 Volt/1 Phase; Models with .75 kW motor
	F8420314	Drive	700 series; IWF030 and IWF135 2 speed models; WF135 Micro-20, PS40F and Sigma control models; 400 Volt/3 Phase; Models with .75 kW motor
	F8420317	Drive	700 series; CWF035 and IWF165 2 speed models; WF165 Micro-20, PS40F and Sigma control models; 200 Volt/1 Phase; Models with .75 kW motor
	F8420318	Drive	700 series; CWF035 and IWF165 2 speed models; WF165 Micro-20, PS40F and Sigma control models; 400 Volt/3 Phase; Models with .75 kW motor
	F8420507	Drive	700 series; IWF030 and IWF135 medium speed models; WFF135 Micro-20, PS40F and Sigma control models; 200 Volt/1 Phase; Models with 1.1 kW motor
	F8420508	Drive	700 series; IWF030 and IWF135 medium speed models; WFF135 Micro-20, PS40F and Sigma control models; 400 Volt/3 Phase; Models with 1.1 kW motor
	F8420511	Drive	700 series; CWF035, IWF035 and IWF165 medium speed models; WFF165 Micro-20, PS40F and Sigma control models; 200 Volt/1 Phase; Models with 1.1 kW motor
	F8420512	Drive	700 series; CWF035, IWF035 and IWF165 medium speed models; WFF165 Micro-20, PS40F and Sigma control models; 400 Volt/3 Phase; Models with 1.1 kW motor
	F8420213	Inverter Kit	700 series; IWF030 and IWF135 2 speed models; WF135 Micro-20, PS40F and Sigma control models; 200 Volt/1 Phase; Models with .75 kW motor; Includes F8420313 Drive, F8409501 Mounting Plate Assembly and F430903 Screw
	F8420214	Inverter Kit	700 series; IWF030 and IWF135 2 speed models; WF135 Micro-20, PS40F and Sigma control models; 400 Volt/3 Phase; Models with .75 kW motor; Includes F8420314 Drive, F8409501 Mounting Plate Assembly and F430903 Screw
	F8420217	Inverter Kit	700 series; CWF035 and IWF165 2 speed models; WF165 Micro-20, PS40F and Sigma control models; 200 Volt/1 Phase; Models with .75 kW motor; Includes F8420317 Drive, F8409501 Mounting Plate Assembly and F430903 Screw
	F8420218	Inverter Kit	700 series; CWF035 and IWF135 2 speed models; WF165 Micro-20, PS40F and Sigma control models; 400 Volt/3 Phase; Models with .75 kW motor; Includes F8420318 Drive, F8409501 Mounting Plate Assembly and F430903 Screw
	F8420407	Inverter Kit	700 series; IWF030 and IWF135 medium speed models; WFF135 Micro-20, PS40F and Sigma control models; 200 Volt/1 Phase; Models with 1.1 kW motor; Includes F8420507 Drive, F8409501 Mounting Plate Assembly and F430903 Screw
	F8420408	Inverter Kit	700 series; IWF030 and IWF135 medium speed models; WFF135 Micro-20, PS40F and Sigma control models; 400 Volt/3 Phase; Models with 1.1 kW motor; Includes F8420508 Drive, F8409501 Mounting Plate Assembly and F430903 Screw
	F8420411	Inverter Kit	700 series; CWF035, IWF035 and IWF165 medium speed models; WFF165 Micro-20, PS40F and Sigma control models; 200 Volt/1 Phase; Models with 1.1 kW motor; Includes F8420511 Drive, F8409501 Mounting Plate Assembly and F430903 Screw
	F8420412	Inverter Kit	700 series; CWF035, IWF035 and IWF165 medium speed models; WFF165 Micro-20, PS40F and Sigma control models; 400 Volt/3 Phase; Models with 1.1 kW motor; Includes F8420512 Drive, F8409501 Mounting Plate Assembly and F430903 Screw

N/A = Part no longer available

Main Switch and Noise Filter

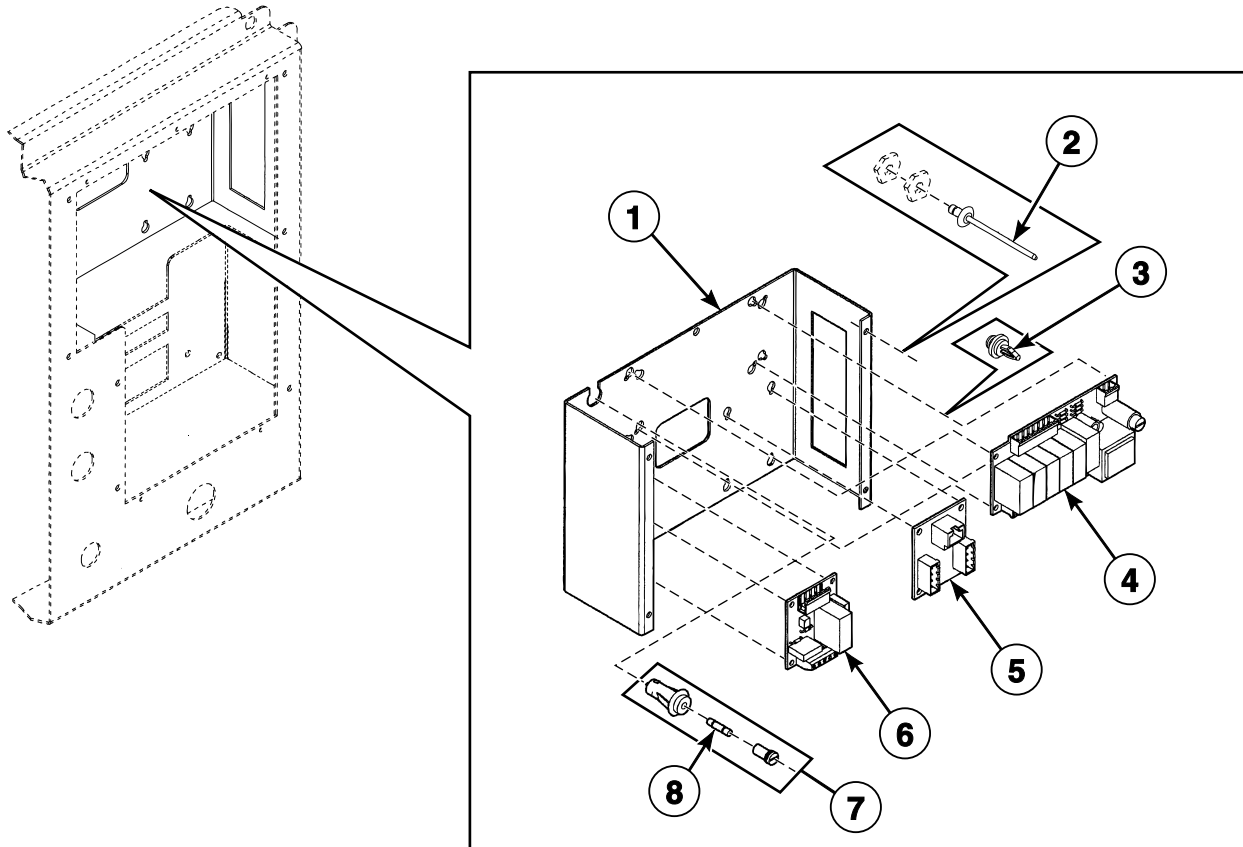


BE000799P_D0884

Main Switch and Noise Filter

REF	PART NO.	DESCRIPTION	COMMENTS
1	206/00027/00	Bolt	
2	203/00006/00	Washer	
3	209/00006/01	Ground Terminal	
4	111/01834/00	Main Switch Cover	
5	202/00004/00	Washer	
6	208/00017/00	Rivet	
7	209/00529/00	Main Switch	25A
	209/00672/00	Main Switch	40A
	209/00526/00	Main Switch	80A
8	209/00530/00	Terminal Block	25A
	209/00527/00	Terminal Block	63/80A
9	227/00177/00	Filter	16A1
	227/00242/00	Noise Filter	16A3
	227/00179/00	Filter	40A3
	227/00180/00	Filter	45A1
	227/00183/00	Filter	53A3
10	111/01837/01	Filter Bracket	

Central Operating Panel, Network Connection and Soap Injection Printboards

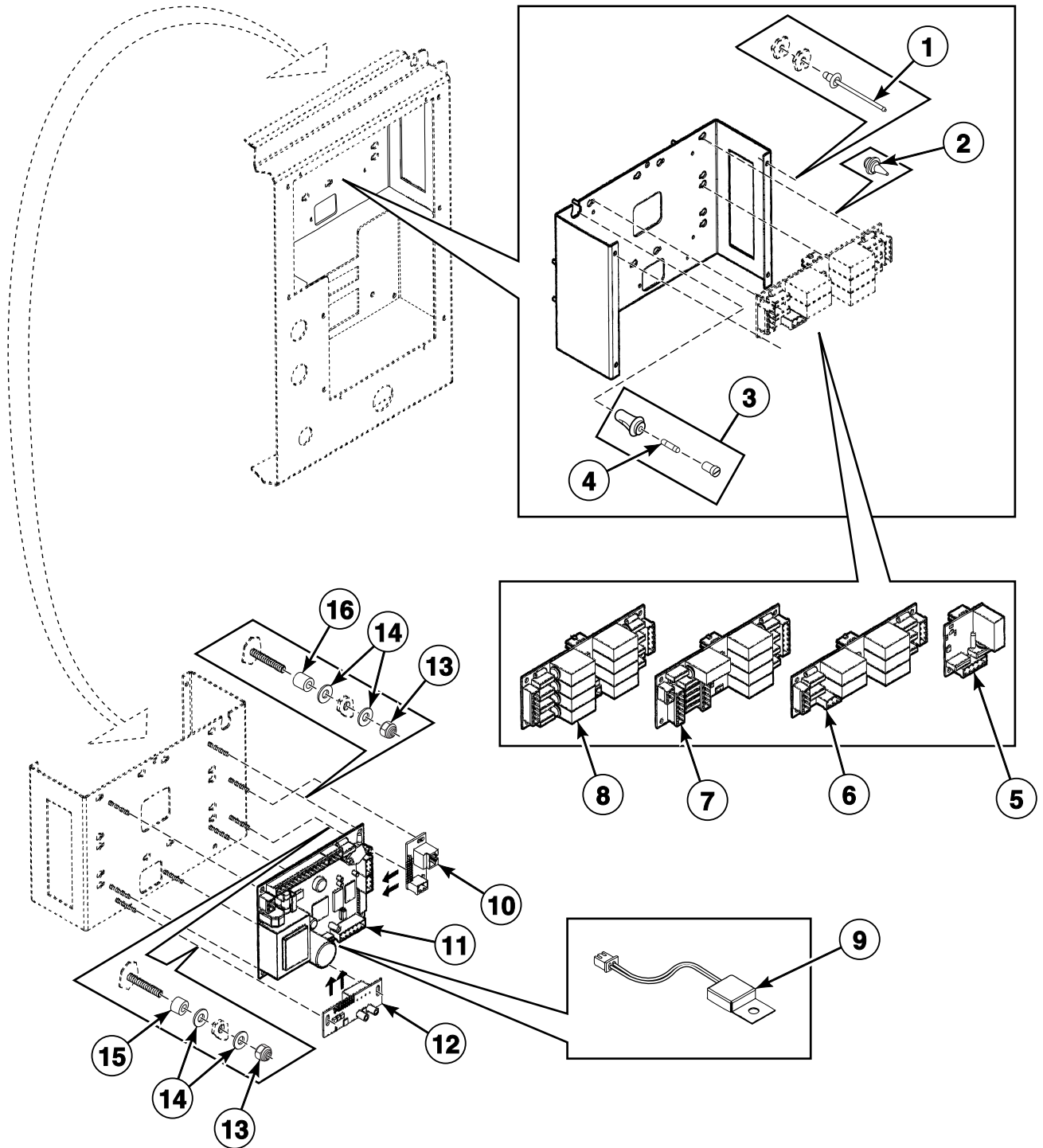


BE000800P_D0884

Central Operating Panel, Network Connection and Soap Injection Printboards

REF	PART NO.	DESCRIPTION	COMMENTS
1	111/01838/10	Printboard Support	
2	208/00017/00	Rivet	
3	211/00146/00	Standoff	
4	209/00218/13	Soap Injection PCB with Fuse	
5	209/00540/01	Network Connection Printboard	
6	209/00438/50	Central Control Board	
7	209/00202/00	Fuse Holder	
	209/00202/01	Fuse Holder	Includes item 8
8	209/00468/00	Fuse	3 Amp

Relay, Network Connection and Main Printboards - Cygnus Models

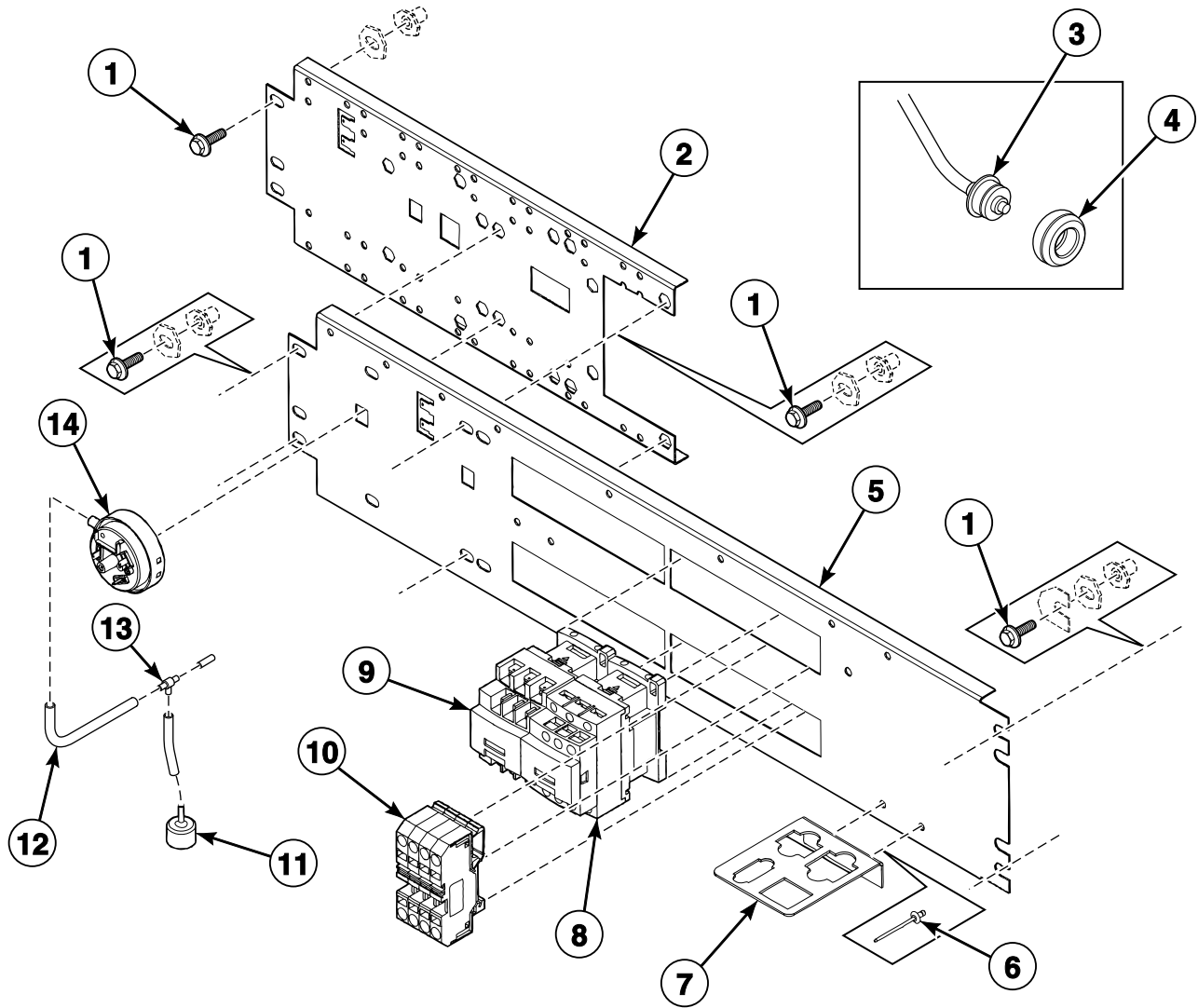


BE000801AP_D0884

Relay, Network Connection and Main Printboards - Cygnus Models

REF	PART NO.	DESCRIPTION	COMMENTS
1	208/00017/00	Rivet	
2	211/00146/00	Standoff	
3	209/00202/00	Fuse Holder	
	209/00202/01	Fuse Holder	Includes item 4
4	209/00468/00	Fuse	3 Amp
5	209/02016/00	Relay PC-Board	1-1
6	209/02005/00	Detergent PC-Board	1-5
7	209/02014/00	Relay PC-Board	5-5
8	209/02008/00	Detergent PC-Board	1-8
9	209/02020/00	ID Chip	
10	209/02006/00	Inverter PC-Board	
11	209/02025/00	Microprocessor	
12	209/02007/00	Network Connection Printboard	
13	204/00116/00	Nut	
14	223/00123/00	Washer	
15	211/00128/00	Printboard Separator	
16	211/00122/00	Standoff	

Electrical Component Mounting Plate

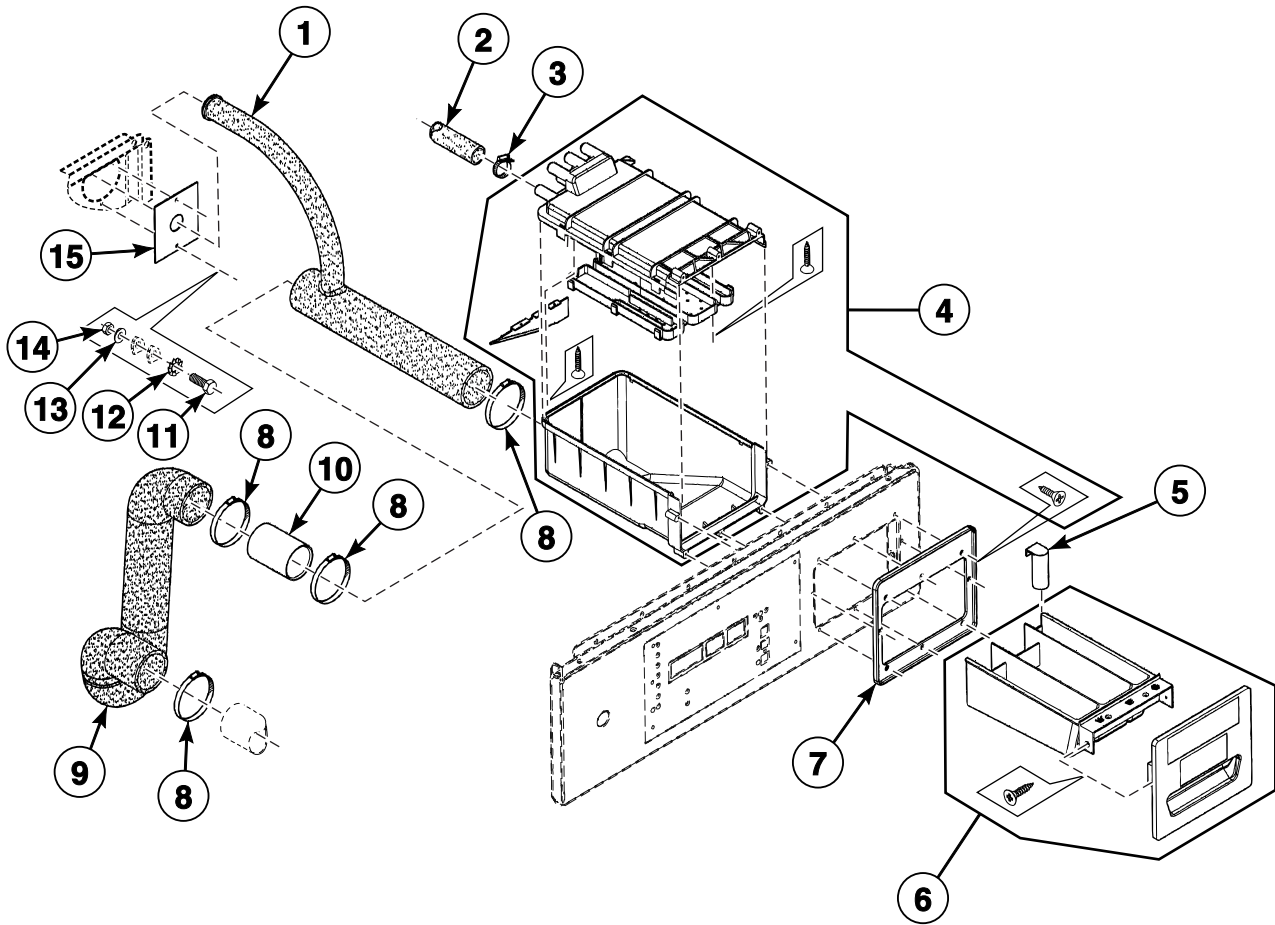


BE000802P_D0884

Electrical Component Mounting Plate

REF	PART NO.	DESCRIPTION	COMMENTS
1	206/00099/00	Bolt	
2	111/10003/40	Electrical Component Mounting Plate	
3	210/01064/16	Thermostat	
4	225/10004/00	Thermostat Seal	
5	111/10003/30	Electrical Component Mounting Plate	
6	208/00017/00	Rivet	
7	111/10003/10	Support Connector	
8	209/06148/02	Heating Contactor	LC1D18P7
9	209/00641/04	Heating Contactor	LC1D0901M7
10	209/00619/00	Overload Contactor	2 pole; 6 mm; Gray
	209/00620/00	Overload Contactor	2 pole; 6 mm; Blue
	209/00621/00	Overload Contactor	3 pole; 6 mm; Blue
	209/00622/00	Overload Contactor	3 pole; 6 mm; Gray
	209/00623/00	Overload Contactor	2 pole; 10 mm; Gray
	209/00624/00	Overload Contactor	2 pole; 10 mm; Blue
	209/00625/00	Overload Contactor	3 pole; 10 mm; Gray
	209/00619/01	Connection Clamp	2 pole; 6 mm
	209/00622/01	Connection Clamp	3 pole; 6 mm
	209/00625/01	Connection Clamp	3 pole; 10 mm
11	223/00035/02	Pressure Switch Cap	
12	223/00333/00	Pressure Hose	
13	223/00173/10	Pressure Switch Hose Tee	
14	209/00027/10	Pressure Switch	

Supply Dispenser - Models with Frontal Supply Dispenser

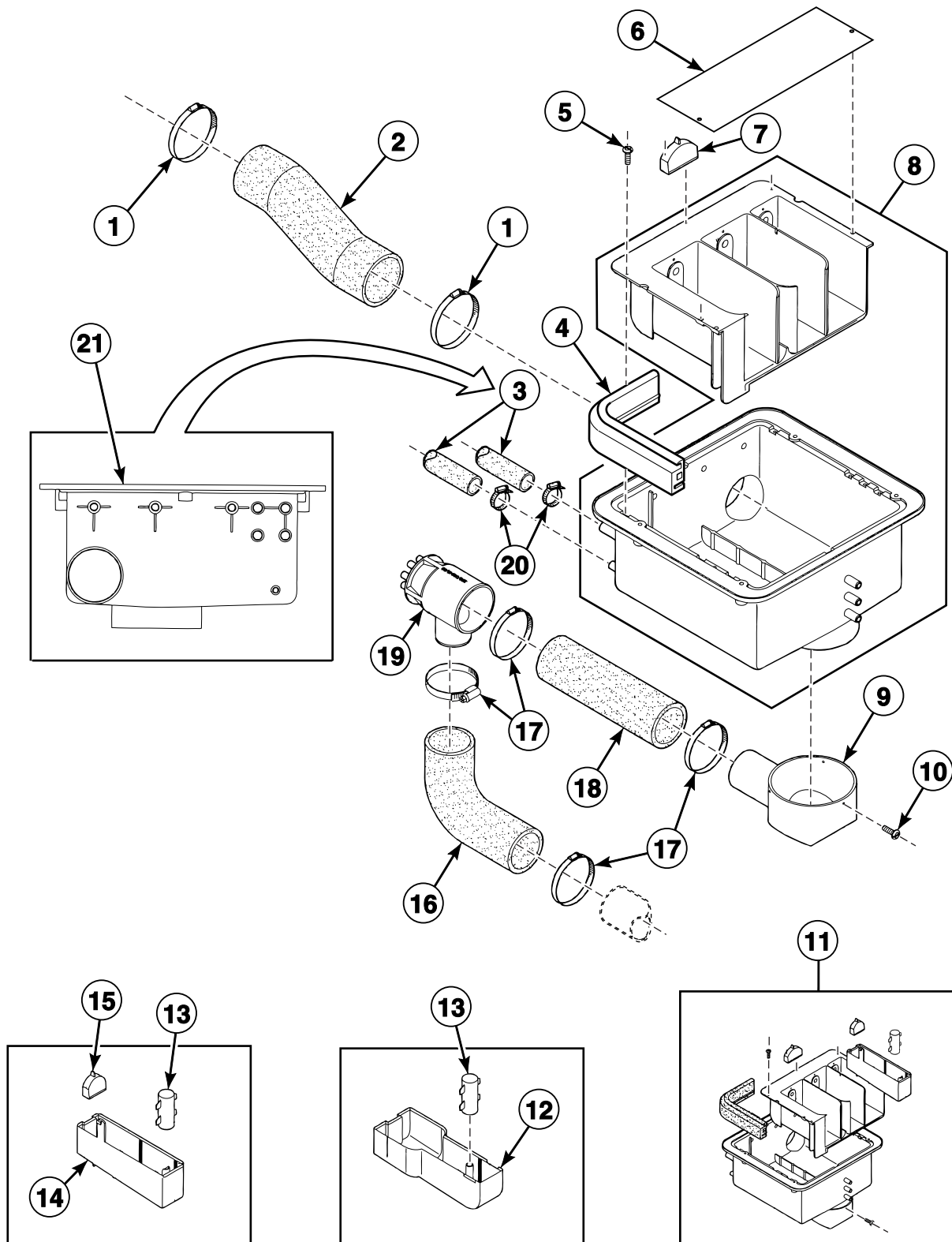


BE000663AP_D0884

Supply Dispenser - Models with Frontal Supply Dispenser

REF	PART NO.	DESCRIPTION	COMMENTS
1	223/00286/00	Hose	
2	223/00044/01	Water Hose	
3	223/00010/00	Hose Clamp	
4	223/00280/00	Outer Soapbox	
5	223/00280/03	Front Soapbox Siphon	
6	223/00280/20	Inner Soapbox	
7	223/00280/07	Soapbox Handle	
8	223/00013/00	Hose Clamp	
9	223/00298/00	Hose	
10	118/00118/03	Tube	
11	206/00027/00	Bolt	
12	203/00006/00	Washer	
13	202/00004/00	Washer	
14	204/00007/00	Nut	
15	155/00161/00	Pump Support	

Supply Dispenser - Models with Round Ventilation Opening

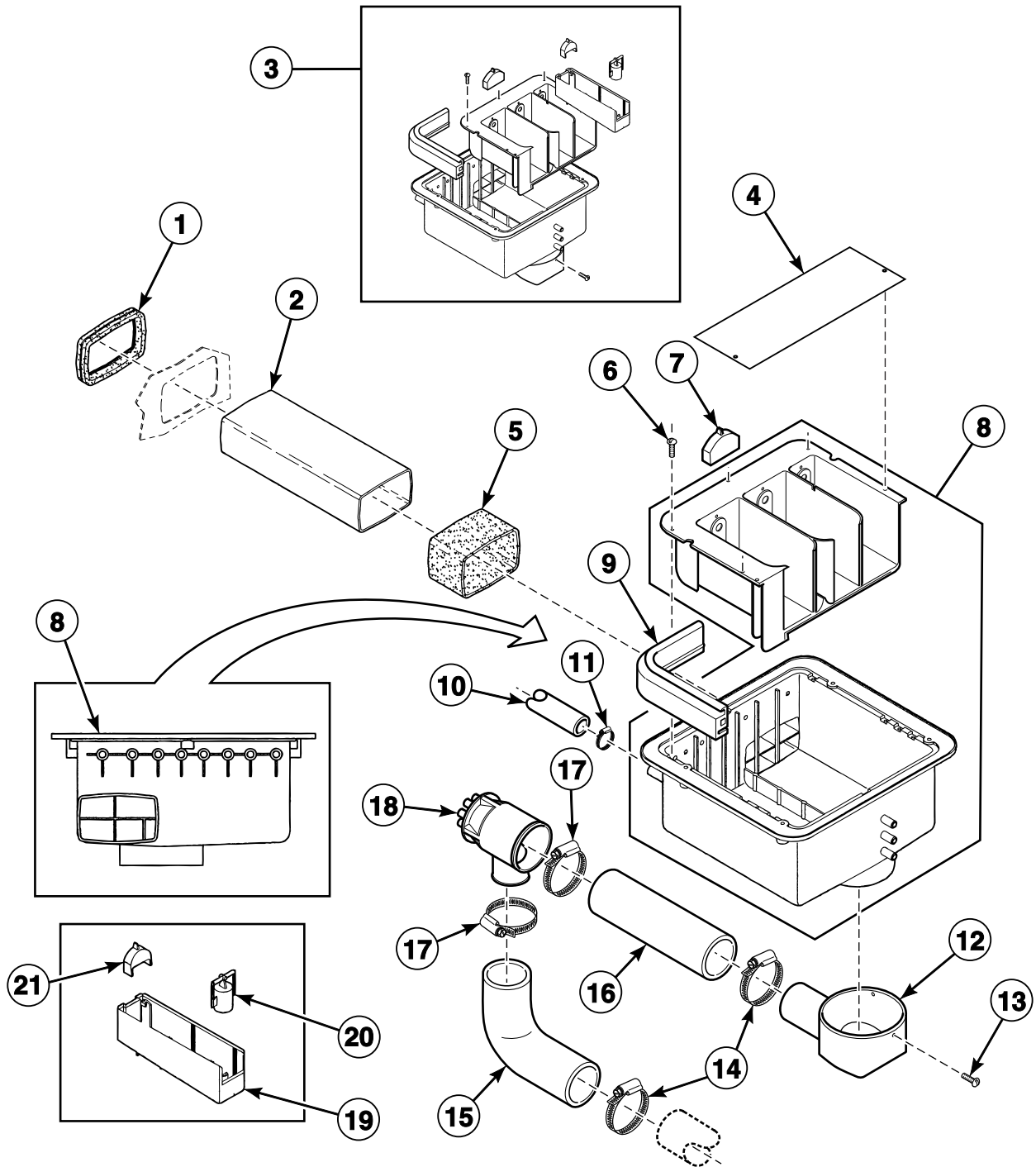


CFD342P_D0884

Supply Dispenser - Models with Round Ventilation Opening

REF	PART NO.	DESCRIPTION	COMMENTS
1	223/00014/00	Hose Clamp	
2	223/00107/02	Vent Hose	*030 and *135 models
	223/00107/01	Ventilating Hose	*035 and *165 models
3	223/00044/01	Water Hose	
4	223/00109/00	Soap Dispenser Gasket	
5	B12347501	Screw	
6	123/00107/00	Anti-Splash Plate	Sigma control models
	123/00103/06	Soap Box Assembly Plate	All other models
7	223/00102/06	Soap Spray Nozzle	
8	223/00102/30	Soap Dispenser Assembly	
9	223/00195/00	Dispenser Drain Funnel	
10	B12350903	Screw	
11	223/00102/50	Soap Dispenser Assembly	
12	223/00102/08	Liquid Soap Dispenser Insert	
13	223/00102/04	Soap Dispenser Rinse Siphon	
14	223/00102/03	Rinse Insert	
15	223/00102/05	Softener Spray Nozzle	
16	B12310304	Siphon Break Hose	
17	223/00013/00	Hose Clamp	
18	223/00262/00	Siphon Break Dispenser Hose	
19	223/00250/00	Liquid Soap Manifold	
20	223/00010/00	Hose Clamp	
21	223/00102/30	Soap Dispenser Assembly	

Supply Dispenser - Models with Rectangular Ventilation Opening

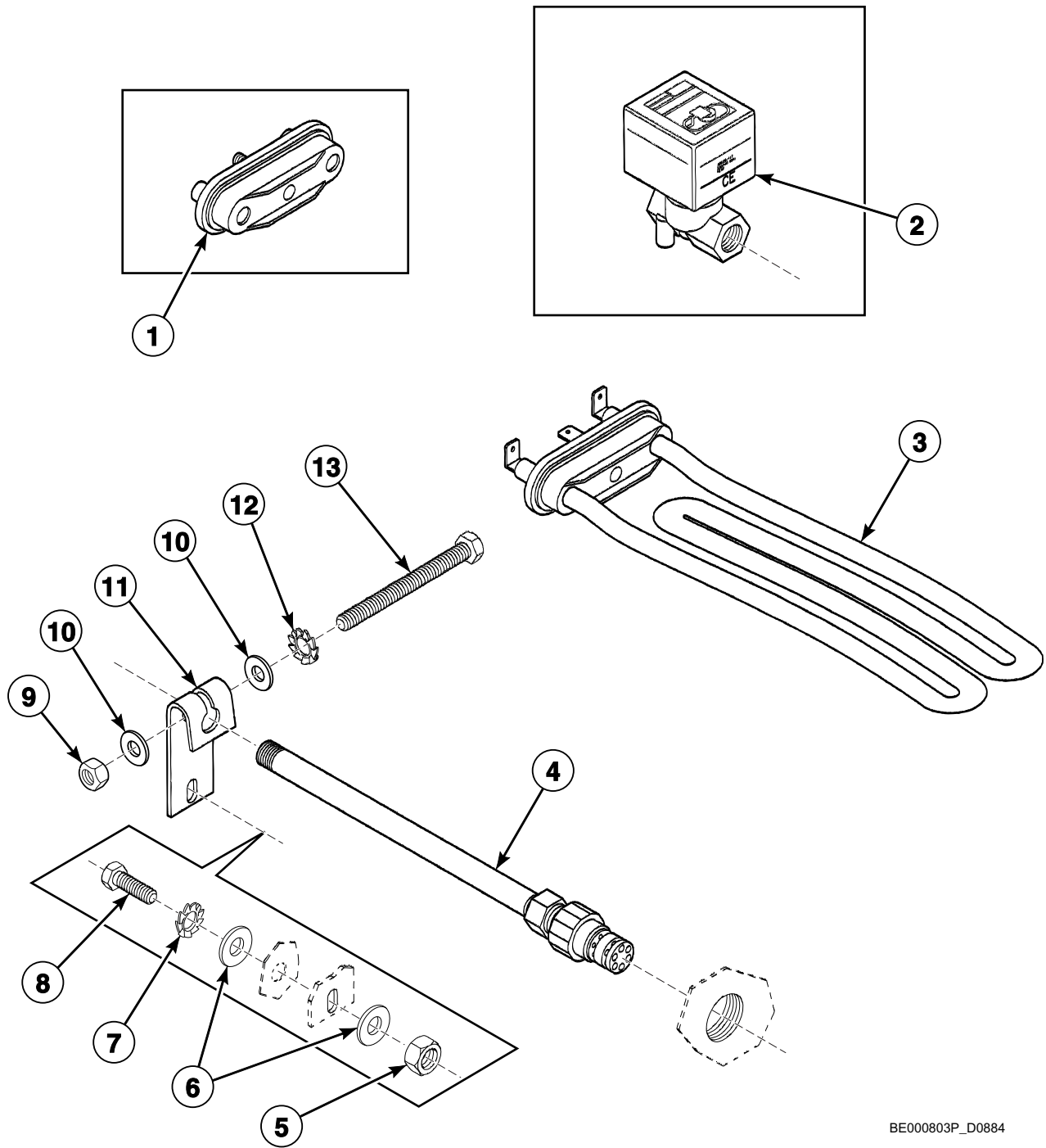


CFD331P_D0884

Supply Dispenser - Models with Rectangular Ventilation Opening

REF	PART NO.	DESCRIPTION	COMMENTS
1	223/00226/00	Vent Tube	
2	223/00229/00	Vent Tube	
3	223/00222/00	Soap Dispenser	
4	123/00107/00	Anti-Splash Plate	Sigma control models
	123/00103/06	Soap Box Assembly Plate	All other models
5	223/00245/00	Shrink Fit	
6	B12347501	Screw	
7	223/00102/06	Soap Spray Nozzle	
8	223/00222/60	Outer and Inner Box Kit	
9	223/00109/00	Soap Dispenser Gasket	
10	223/00044/00	Water Hose	
11	223/00010/00	Hose Clamp	
12	223/00195/00	Dispenser Drain Funnel	
13	B12350903	Screw	
14	223/00013/00	Hose Clamp	
15	B12310304	Siphon Break Hose	
16	223/00262/00	Siphon Break Dispenser Hose	
17	223/00013/00	Hose Clamp	
18	223/00250/00	Liquid Soap Manifold	
19	223/00222/05	Rinsing Box	
20	223/00222/04	Siphon Break	
21	223/00222/03	Softener Spray Nozzle	

Steam and Electric Heating Options

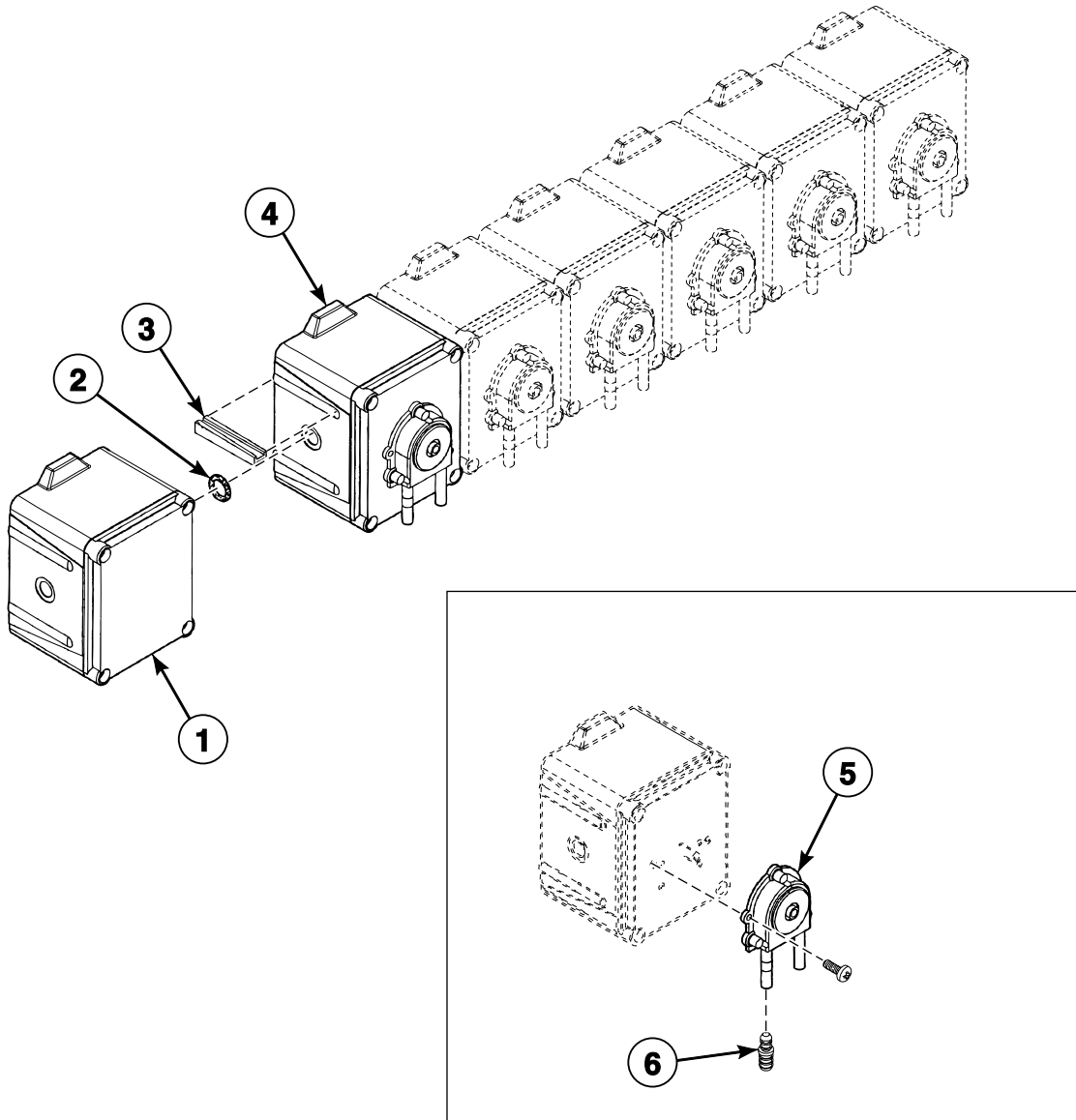


BE000803P_D0884

Steam and Electric Heating Options

REF	PART NO.	DESCRIPTION	COMMENTS
	921P3	Steam Heat Kit	*030 and *135 models; Includes items 4, 11, 13 and 9001214 Washer, 9001227 Washer, 9001240 Washer, 9001241 Washer, 9001249 Nut, 9001250 Nut, 9001295 Bolt, 9001386 Steam Valve, 900/00108/00 Safety Level Switch, 901/00217/00 Contactor and Wiring Assembly and 209/00027/10B Water Level Switch
	919P3	Steam Heat Kit	*035 and *165 models; Includes items 11, 13 and 9001214 Washer, 9001227 Washer, 9001240 Washer, 9001241 Washer, 9001249 Nut, 9001250 Nut, 9001295 Bolt, 9001386 Steam Valve, 118/00085/00 Steam Injector, 900/00108/00 Safety Level Switch, 901/00217/00 Contactor and Wiring Assembly and 209/00027/10B Water Level Switch
1	209/00196/00	Heating Element Plug	
2	209/00477/00	Steam Valve	
3	209/00581/10	Heating Element	400W; 380 Volt
	209/00562/10	Heating Element	3000W; 220/240 Volt
	209/00563/20	Heating Element	2000W; 220/240 Volt
	209/00564/20	Heating Element	1500W; 220/240 Volt
4	118/00084/00	Steam Injector	
5	204/00005/00	Nut	
6	201/00007/00	Washer	
7	203/00004/00	Washer	
8	206/00013/00	Bolt	
9	204/00004/00	Nut	
10	202/00002/00	Washer	
11	113/00025/00	Steam Injector Plate Assembly	
12	203/00003/00	Washer	
13	206/00035/00	Bolt	

Soap Pumps



BE000527AP_D0884

Soap Pumps

REF	PART NO.	DESCRIPTION	COMMENTS
1	209/00554/01	Soap Pump Assembly	1 pump and 1 feeding pump
	209/00554/02	Soap Pump Assembly	2 pump and 1 feeding pump
	209/00554/03	Soap Pump Assembly	3 pump and 1 feeding pump
	209/00554/04	Soap Pump Assembly	4 pump and 1 feeding pump
	209/00554/05	Soap Pump Assembly	5 pump and 1 feeding pump
	209/00554/06	Soap Pump Assembly	6 pump and 1 feeding pump
	209/00554/51	Feeding Liquid Soap Dosing Pump	
2	209/00554/52	Liquid Soap Dosing Pump O-Ring	
3	209/00554/53	Liquid Soap Dosing Pump Connection Piece	
4	209/00554/50	Pump	
5	209/00554/98	Hose	
6	209/00554/99	Hose Connector	

Parts Index

A

Anti-Splash Plate	
123/00107/00	95, 97

B

Back Panel	
152/00053/02	77
Backbridge	
111/01833/00	75, 79, 81
111/01833/10	79
Backplate	
111/01002/00	71, 73
Ball Bearing	
212/00004/00	11, 13
212/00024/00	11, 13
Basket and Shaft Assembly	
B12380101	19
B12380201	19
B12380501	19
B12380601	19
Basket Kit	
B12542901	19
B12543001	19
Bearing Housing Assembly	
212/00101/00	11, 13
212/00101/01	11, 13
Bearing Housing Plate	
113/00019/01	11, 13
113/00019/02	11, 13
Bearing Kit	
3882P	13
Bearing Replacement Kit	
388P4	11
Bearing Replacement Tool Kit	
381P3	11, 13
Bearing Spacer	
217/00101/00	15
Belt	
226/00132/00	15, 17, 21, 23
226/00138/00	15, 17, 23
Bolt	
205/00102/00	11, 13
205/00104/00	11, 13
205/00106/00	75
205/00107/00	35
206/00005/00	15, 17
206/00006/00	23
206/00009/00	23
206/00013/00	99
206/00027/00	79, 85, 93
206/00032/00	19
206/00033/00	25, 27, 29, 31
206/00035/00	99
206/00042/00	21, 23
206/00054/00	21, 23
206/00079/00	9
206/00088/00	81
206/00093/00	11, 13

206/00099/00	9, 29, 31, 75, 77, 79, 81, 91
206/00114/00	77
206/00119/00	23
207/00125/00	77

C

Central Control Board	
209/00438/50	87
Chassis	
212/00107/50	9
212/00108/50	9
Circuit Board Cover	
229/00262/00	61, 63, 65, 67, 69
229/00289/00	37, 39, 41, 43, 45, 47,
.....	49, 51, 53, 55, 57, 59
Coin Box	
254/00077/00	71, 73
Coin Drop	
B12311201	71
B12311202	71
B12311203	71
B12311204	71
B12311205	71
B12311206	71
B12311207	71
B12311208	71
B12311210	71
B12311211	71
B12311212	71
B12311214	71
B12311215	71
B12311216	71
B12311218	71
B12311219	71
B12311220	71
B12311221	71
B12311222	71
B12311224	71
B12311225	71
B12311226	71
B12311234	71
B12311235	71
B12311239	71
B12311241	71
B12311244	71
B12311247	71
B12311248	71
B12311249	71
B12311252	71
B12311301	71
B12311302	71
B12311304	71
B12311401	73
B12323401	71
B12323901	71
Connection Clamp	
209/00619/01	91
209/00622/01	91
209/00625/01	91
Contact Switch	
209/00099/26	37, 39, 41, 47, 49,
.....	55, 57, 61, 63, 65, 69

N/A items do not appear in index.

Control Board	
209/00547/00	61, 63, 65, 67
Cooling Fan	
209/00287/00	81
Cordlock	
211/00167/00	23
211/00168/00	21, 23
Counter Ring	
219/00004/00	15, 17
Crossbar	
111/00970/00	75
Cylinder and Shaft Assembly	
111/01809/00	19

D

Data Card Ribbon Assembly	
B12538301	37, 39, 41, 43, 45, 47, 49, 51, 53
Datacard	
209/02022/00	37, 39, 41, 43, 45, 47, 49, 51, 53
Datacard Cover	
223/00348/00	37, 39
Decal	
225/00403/00	65
Detergent PC-Board	
209/02005/00	89
209/02008/00	89
Dispenser Drain Funnel	
223/00195/00	95, 97
Display PC-Board	
209/02002/00	37
Door Frame	
118/00046/10	35
Door Glass	
B12449701	35
Door Glass Seal	
217/00015/00	35
Door Handle	
217/00059/00	35
217/00065/00	35
Door Handle Stop	
217/00016/00	35
Door Hinge Assembly	
217/00009/02	35
Door Hinge Spacer	
117/00010/00	35
Door Lock Assembly	
B12517701	33
Door Lock Bracket	
217/00052/11	33
Door Lock Microswitch	
209/00272/00	33
Door Lock PC-Board	
209/02010/00	37, 39, 41, 43, 45, 47, 49, 51, 53
Door Lock Pin Kit	
211/00109/02	35
Door Lock Spacer	
217/00052/03	33
Door Lock Spring	
224/00049/00	33
Door Release Wire	
217/00052/07	33

Door Solenoid Assembly	
B12495102	33
Drain Hose	
223/00072/00	29, 31
Drain Piece	
223/00146/00	25, 27
Drain Pipe	
223/00106/00	29, 31
Drain Valve	
209/00463/00	27
209/00643/00	25
209/00644/00	29, 31
Drain Valve Cover	
223/00225/00	27
Drain Valve Hose	
223/00190/00	25, 27
223/00303/00	25, 27
Drain Valve Plate Assembly	
114/00010/00	29, 31
Drive	
F8420313	83
F8420314	83
F8420317	83
F8420318	83
F8420507	83
F8420508	83
F8420511	83
F8420512	83
Drum and Axle Assembly	
111/01810/00	19
Drum Pulley	
226/00141/00	15, 17
Dual Drop Optical Sensor Kit	
B12388102	71

E

Electrical Component Mounting Plate	
111/10003/30	91
111/10003/40	91
Electronic Coin Meter Housing	
152/00112/50	73
Emergency Switch Pushbutton	
209/00099/20	39, 41
Eprom	
209/00266/01	55, 57, 59

F

Facia Panel	
111/01850/00	69
Fan	
209/00465/00	21, 23
Fan Grill	
209/00287/01	81
Fan Plate Assembly	
152/00044/03	21, 23
Fastening Piece	
217/00060/00	71, 73
Feeding Liquid Soap Dosing Pump	
209/00554/51	101

N/A items do not appear in index.

Filter	
227/00177/00	85
227/00179/00	85
227/00180/00	85
227/00183/00	85
Filter Bracket	
111/01837/01	85
Front Panel	
111/00291/00	77
Front Plate	
111/01000/00	71, 73
Front Soapbox Siphon	
223/00280/03	93
Fuse	
209/00372/01	69
209/00439/00	55, 57, 59, 61, 63, 65, 67
209/00468/00	87, 89
Fuse Holder	
209/00202/00	87, 89
209/00202/01	87, 89

G

Grommet	
223/00174/00	81
Ground Terminal	
209/00006/01	85
210/10015/00	33
Guide	
223/00314/00	21

H

Heating Contactor	
209/00641/04	91
209/06148/02	91
Heating Element	
209/00562/10	99
209/00563/20	99
209/00564/20	99
209/00581/10	99
Heating Element Plug	
209/00196/00	99
Hinge	
221/00003/00	35
Hose	
209/00554/98	101
223/00286/00	93
223/00298/00	93
Hose Barb	
223/00016/00	25, 29, 31
Hose Clamp	
223/00010/00	25, 27, 29, 31, 79, 93, 95, 97
223/00011/00	25, 29, 31
223/00013/00	25, 27, 29, 31, 93, 95, 97
223/00014/00	25, 27, 29, 31, 95
223/00071/00	29, 31
Hose Connector	
209/00554/99	101
Hose Vent	
223/00102/07	79

I

ID Chip	
209/02020/00	89
Infrared Cable	
210/00902/00	61, 63, 65, 67, 69
Inlet Valve, 2-Way	
B12519501	79
209/00110/00	79
Inner Soapbox	
223/00280/20	93
Input Block	
209/00683/00	73
Insulating Sticker	
229/00255/00	55, 57, 59, 61, 63, 65, 67, 69
229/00268/00	37
229/00291/00	39, 41, 43, 45
Interlock Coil Spring	
224/00043/00	33
Interlock Lever	
217/00052/04	33
Inverter Box Cover	
111/01174/01	81
Inverter Drive	
227/00167/00	83
227/00168/00	83
227/00228/00	83
227/00229/00	83
227/00236/00	83
227/00237/00	83
Inverter Drive Box	
111/10425/00	81
111/10425/50	81
Inverter Kit	
F8420213	83
F8420214	83
F8420217	83
F8420218	83
F8420407	83
F8420408	83
F8420411	83
F8420412	83
Inverter PC-Board	
209/02006/00	89

K

Key	
254/00077/02	71, 73
Keypad	
209/00552/01	69
Keypad Sticker	
225/00407/00	55

L

Label	
225/00397/00	69
Lever Spring	
224/00040/00	33

N/A items do not appear in index.

Lip Seal	
B12332301	13
Liquid Soap Dispenser Insert	
223/00102/08	95
Liquid Soap Dosing Pump Connection Piece	
209/00554/53	101
Liquid Soap Dosing Pump O-Ring	
209/00554/52	101
Liquid Soap Manifold	
223/00250/00	81, 95, 97
Lock Shaft	
217/00017/03	33
Lower Front Panel	
111/01803/00	75

M

Main Board	
B12351701	69
Main Switch	
209/00526/00	85
209/00529/00	85
209/00672/00	85
Main Switch Cover	
111/01834/00	85
Mechanical Coin Meter Housing	
152/00112/00	71
Memory Card PC-Board	
B12305201	37, 39, 41, 43, 45, 47, 49, 51, 53
Microprocessor	
209/02025/00	89
Microswitch	
209/00273/00	33
Motor	
B12510501	23
209/00643/11	25
209/00644/11	29, 31
227/00193/00	21, 23
Motor Mounting Plate	
115/11165/00	23
Motor Plate	
115/10165/00	23
Motor Pulley	
226/00130/00	21, 23
226/00144/00	23
Mounting Plate	
223/00374/00	37, 39, 41, 43, 45, 47, 49, 51, 53
Mushroom Pushbutton	
209/00248/20	37, 47, 49, 55, 57, 61, 63, 65, 69

N

Network Connection Printboard	
209/00540/01	87
209/02007/00	89
Noise Filter	
227/00242/00	85
Nut	
204/00002/00	9
204/00004/00	9, 99
204/00005/00	99
204/00006/00	75

204/00007/00	79, 81, 93
204/00008/00	33, 71, 73
204/00009/00	19, 75
204/00010/00	11, 13
204/00103/00	35
204/00106/00	35
204/00109/00	21, 23
204/00114/00	63, 65, 67, 81
204/00115/00	21, 23
204/00116/00	37, 39, 41, 43, 45, 47, 49, 51, 53, 55, 57, 59, 61, 69, 71, 73, 89
204/00201/00	25, 27, 29, 31, 79
206/00101/00	25, 27, 29, 31
208/00002/00	73, 79
208/00025/00	75
208/00104/00	77
271/35945/00	81
271/35946/00	81

O

Operating Panel	
111/01819/00	51
111/01828/00	47
111/01829/00	49, 53
111/01900/00	39
111/01903/00	43
111/01906/00	41
111/01907/00	45
Operating Sticker	
225/00400/00	69
225/00404/00	61
225/00409/00	57
225/00410/00	59
225/10305/00	51, 53
225/10306/00	51, 53
225/10307/00	47, 49
225/10308/00	47, 49
225/10311/00	63
225/10312/00	67
225/10313/00	37
225/10403/00	43, 45
225/10404/00	39, 41
225/10427/00	39, 41
Optic Cable	
210/00901/00	37, 39, 41, 43, 45, 47, 49, 51, 53
Optical Switch	
209/00781/00	71
O-Ring	
217/00002/00	11
217/00021/00	33
Outer and Inner Box Kit	
223/00222/02	97
Outer Soapbox	
223/00280/00	93
Outlet Pipe Plate Assembly	
101/00007/00	25, 27, 29, 31, 75
Overflow Hose	
223/00100/00	25
223/00150/00	25, 27, 29, 31
Overload Contactor	
209/00619/00	91
209/00620/00	91
209/00621/00	91
209/00622/00	91
209/00623/00	91

N/A items do not appear in index.

209/00624/00	91
209/00625/00	91

P

Parameter Unit Assembly	
F8410901	81
227/00171/00	81
Parameter Unit Program Cable	
227/00171/10	81
Plexi Frame	
225/00316/00	55, 57, 59, 61, 63, 65, 67
225/00321/00	37
225/00322/00	47, 49, 51, 53
225/00323/00	39, 41, 43, 45
Pressure Hose	
223/00179/10	81
223/00333/00	25, 27, 29, 31, 91
Pressure Switch	
209/00027/10	91
Pressure Switch Cap	
223/00035/02	27, 91
Pressure Switch Elbow	
223/00210/00	25, 29, 31
Pressure Switch Hose Tee	
223/00173/10	25, 27, 29, 31, 91
Prewash and Mainwash Nozzle	
223/00001/04	25, 27, 29, 31, 79
Printboard	
209/00440/70	55, 57, 59
209/00440/80	55, 57, 59
209/02001/02	47, 49, 51, 53
209/02015/02	39, 41, 43, 45
Printboard Separator	
211/00128/00	37, 39, 41, 43, 45, 47, 49, 51, 53, 89
Printboard Support	
111/01838/10	87
Printboard Support Card	
111/01893/00	37, 39
Programming Key Contact Switch	
209/00326/20	69
Protection LED	
223/00330/00	47, 49, 51, 53
Pulley	
226/00126/00	15, 17
Pump	
209/00554/50	101
Pump Support	
155/00161/00	93
Pushbutton	
209/00396/00	71, 73

R

Reinforcement Plate	
111/10089/01	77
Relay PC-Board	
209/02014/00	89
209/02016/00	89
Retainer Ring	
212/00006/00	11, 13
212/00037/00	11, 13

Retaining Ring	
117/00042/00	21, 23, 75
Rinse Insert	
223/00102/03	95
Rinsing Box	
223/00222/05	97
Rivet	
208/00017/00	85, 87, 89, 91

S

Screw	
B12347501	95, 97
B12350903	95, 97
B12500801	35
206/00007/00	9, 21
206/00056/00	21, 23
206/00058/00	23
206/00166/00	75
207/00009/00	33
207/00101/00	75
207/00102/00	33
207/00103/00	33
207/00117/00	21, 23
207/00121/00	81
207/00126/00	35
207/00135/00	33
208/00014/00	73, 75, 79
208/00130/00	81
Seal Cover	
219/00001/00	11
Seal Holder Assembly	
119/00001/01	11
Seal Plate Assembly	
B12333701	13
Shaft Seal	
219/00003/00	11
Shrink Fit	
223/00245/00	97
Side Panel	
111/22723/10	75, 77
111/22723/60	75, 77
111/22728/10	75, 77
111/60035/00	75, 77
111/60036/00	75, 77
Single Drop Optical Sensor Kit	
B12388101	71
Siphon Break	
223/00222/04	97
Siphon Break Dispenser Hose	
223/00262/00	95, 97
223/00263/00	29, 31
Siphon Break Hose	
B12310304	95, 97
Soap Box Assembly Plate	
123/00103/06	95, 97
Soap Dispenser	
223/00222/00	97
Soap Dispenser Assembly	
223/00102/30	95
223/00102/50	95
Soap Dispenser Cover	
223/00103/01	77
223/00103/50	77

N/A items do not appear in index.

Soap Dispenser Cover Hinge Rod 223/00103/04	77
Soap Dispenser Frame 223/00103/03	77
Soap Dispenser Gasket 223/00109/00	95, 97
Soap Dispenser Rinse Siphon 223/00102/04	95
Soap Injection PCB with Fuse 209/00218/13	87
Soap Pump Assembly 209/00554/01	101
209/00554/02	101
209/00554/03	101
209/00554/04	101
209/00554/05	101
209/00554/06	101
Soap Spray Nozzle 223/00102/06	95, 97
Soapbox Handle 223/00280/07	93
Softener Spray Nozzle 223/00102/05	95
223/00222/03	97
Speed Detector 209/00400/00	11, 13
210/00074/00	11, 13
Speed Detector Bracket 152/00055/00	11, 13
Standoff 211/00122/00	37, 39, 41, 43, 45, 55, 57, 59, 61, 63, 65, 67, 69, 89
211/00145/00	37, 39
211/00146/00	87, 89
Steam Heat Kit 919P3	99
921P3	99
Steam Injector 118/00084/00	99
Steam Injector Plate Assembly 113/00025/00	99
Steam Valve 209/00477/00	99
Support Connector 111/10003/10	91
Switch 209/00600/01P	71
Switch Base 209/00099/25	69
Switch Knob 209/00099/29	69
Switch Lever 217/00052/05	33

T

Telem Sticker 209/00520/00	37, 39, 41, 47, 49, 55, 57, 61, 63, 65, 69
Terminal Block 209/00527/00	85
209/00530/00	85

Thermostat 210/01064/16	91
Thermostat Seal 225/10004/00	91
Tolerance Ring 215/00004/00	15, 17
Top Panel 111/01001/00	71, 73
111/22741/00	77
111/22741/01	77
111/22743/00	77
111/22743/01	77
Transformer 209/00682/00	73
Tub B12300901	19
B12300902	19
117/00220/00	19
117/00221/00	19
Tub Exhaust 223/00382/00	25
Tub Fastening Ring 212/00114/00	9
Tub Front 135/00033/00	19
Tub Front Gasket B12351601	19
Tub Front Panel Clip 217/00008/00	19
Tub Front Ring Clamp 217/00007/00	19
Tub to Drain Valve Hose 255/00010/00	27
Tube 118/00118/03	93
153/00028/00	31
153/00058/00	31

U

U-Piece Assembly 113/00066/00	11, 13
Upper Front Panel 111/01811/01	59, 65
111/01816/00	55, 61
111/01824/00	59, 67
111/01825/00	57, 63
111/01845/00	37

V

Vent Hose 223/00107/01	95
223/00107/02	95
Vent Tube 223/00226/00	79, 97
223/00229/00	97
Voltage Discharge Decal B12355001	81

N/A items do not appear in index.

W

Washer

B12421401.....	75
201/00001/00.....	11, 13
201/00002/00.....	25, 27, 29, 31, 79
201/00005/00.....	9
201/00006/00.....	75, 79
201/00007/00.....	19, 25, 27, 29, 31, 99
201/00010/00.....	23
201/00015/00.....	15, 17, 21, 23
201/00017/00.....	33
201/00018/00.....	33
201/00201/00.....	11, 13
202/00002/00.....	23, 99
202/00003/00.....	75
202/00004/00.....	79, 81, 85, 93
202/00104/00.....	35
202/00108/00.....	35
202/00111/00.....	35
202/00124/00.....	33
203/00001/00.....	9
203/00002/00.....	15, 17
203/00003/00.....	9, 99
203/00004/00.....	11, 13, 99
203/00005/00.....	75
203/00006/00.....	55, 57, 59, 79, 81, 85, 93
203/00007/00.....	33
203/00010/00.....	33
203/00015/00.....	75
208/00009/00.....	75
223/00051/10.....	69
223/00123/00.....	37, 39, 41, 43, 45, 47, 49, 51, 53, 69, 89

Water Hose

F200164.....	79
F200166.....	79
223/00044/00.....	25, 27, 29, 31, 79, 97
223/00044/01.....	79, 93, 95

Wire Assembly

B12359901.....	71
----------------	----
