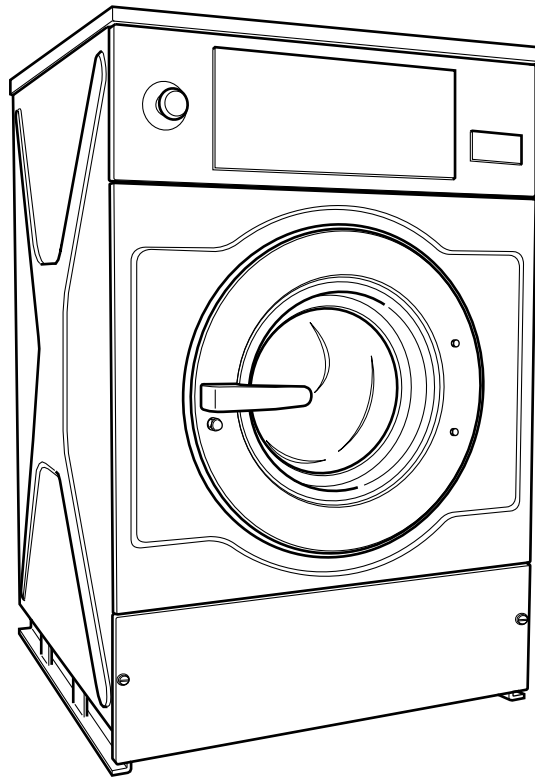


# Washer-Extractor

Pocket Hardmount

Refer to Page 5 for Model Numbers



CHM2097N\_D0888



# Table of Contents

Title	Page
Parts Ordering Information.....	3
Serial Plate Location .....	3
Model Identification .....	5
Pocket Hardmount Washer-Extractor Product Overview .....	6
Frame - *55 and *235 Models Through 1/17/10.....	8
Frame - *55 and *235 Models Starting 1/18/10.....	10
Frame - *75 and *305 Models .....	12
Bearing Housing - *55 and *235 Models Through 1/30/11 .....	14
Bearing Housing - *55 and *235 Models Starting 1/31/11 .....	16
Bearing Housing - *75 and *305 Models.....	18
Basket, Pulley and Belt - *55 and *235 Models .....	20
Basket, Pulley and Belt - *75 and *305 Models .....	22
Shell and Basket - *55 and *235 Models .....	24
Shell and Basket - *75 and *305 Models .....	26
Motor and Belt - *55 and *235 Models Through 1/17/10.....	28
Motor and Belt - *55 and *235 Models Starting 1/18/10.....	30
Motor and Belt - *75 and *305 Models .....	32
Drain Plumbing .....	34
Door Lock.....	36
Door .....	38
Control Panel - Cygnus Professional.....	40
Control Panel - Cygnus Premium OPL .....	42
Control Panel - Cygnus Premium Coin .....	44
Control Panel - Cygnus Standard/Commercial OPL.....	46
Control Panel - Cygnus Standard/Commercial Coin.....	48
Control Panel - Micro-20 OPL.....	50
Control Panel - Micro-20 Coin.....	52
Control Panel - Sigma OPL.....	54
Control Panel - PS40F .....	56
Coin Drop - Mechanical Coin Meter.....	58
Coin Drop - Electronic Coin Meter .....	60
Left Side, Lower Front and Upper Back Panels - *55 and *235 Models .....	62
Left Side, Lower Front and Upper Back Panels - *75 and *305 Models .....	64
Left Side, Lower Front and Upper Back Panels.....	66
Right Side, Front, Lower Rear and Top Panels .....	68
Water Inlet Valves.....	70
Inverter Drive - *55 and *235 Models.....	72
Inverter Drive - *75 and *305 Models.....	74
Main Switch and Noise Filter .....	76
Central Operating Panel, Network Connection and Soap Injection Printboards.....	78
Relay, Network Connection and Main Printboards - Cygnus Models .....	80

© Copyright 2018, Alliance Laundry Systems LLC

All rights reserved. No part of the contents of this book may be reproduced or transmitted in any form or by any means without the expressed written consent of the publisher.

Electrical Component Mounting Plate - Models Through 2/22/09.....	82
Electrical Component Mounting Plate - Models Starting 2/23/09.....	84
Supply Dispenser - *55 and *235 Models with Round Ventilation Opening.....	86
Supply Dispenser - *75 and *305 Models with Round Ventilation Opening.....	88
Supply Dispenser - Models with Rectangular Ventilation Opening.....	90
Steam and Electric Heating Options - *55 and *235 Models.....	92
Steam and Electric Heating Options - *75 and *305 Models.....	94
Soap Pumps.....	96
Parts Index.....	99

## Parts Ordering Information

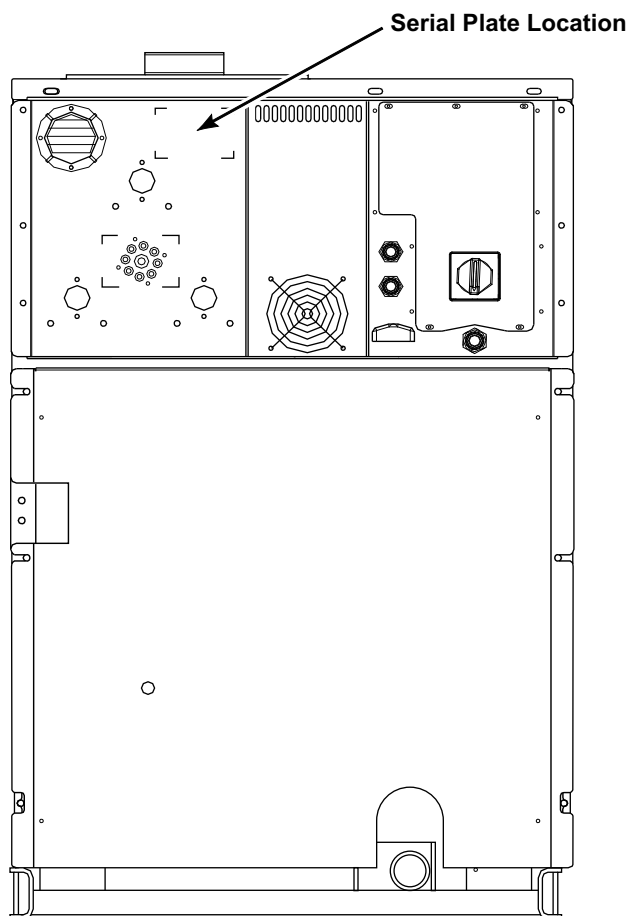
If literature or replacement parts are required, contact the source from whom the machine was purchased or contact Alliance Laundry Systems at (920) 748-3950 for the name and address of the nearest authorized parts distributor.

For technical assistance, call the number listed below:

(920) 748-3121 Ripon, Wisconsin

## Serial Plate Location

When calling or writing about your product, be sure to mention model and serial numbers. Model and serial numbers are located on serial plate(s) as shown.



CHM3065P\_D0888







## Model Identification

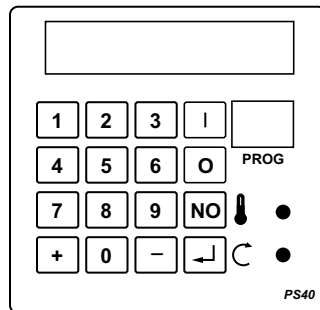
Information in this manual is applicable to these washer-extractor models:

CWF055ANM	IWF235SDM	WFF235_CYGNUS-COMM_COIN
CWF055MNM	IWF235SEM	WFF235_CYGNUS-COMM_OPL
CWF075ANM	IWF235SLM	WFF235_CYGNUS-PREM_COIN
CWF075MNM	IWF235SRM	WFF235_CYGNUS-PREM_OPL
IWF055ANM	IWF235SXM	WFF235_CYGNUS-PRO
IWF055MCM	IWF235SYM	WFF235_CYGNUS-STANDARD_COIN
IWF055MDM	IWF235ZCM	WFF235_CYGNUS-STANDARD_OPL
IWF055MEM	IWF235ZDM	WFF235_MICRO-20_COIN
IWF055MLM	IWF235ZEM	WFF235_MICRO-20_OPL
IWF055MNM	IWF235ZLM	WFF235_PS40F
IWF055MXM	IWF235ZNM	WFF235_SIGMA_COIN
IWF055MYM	IWF235ZXM	WFF235_SIGMA_OPL
IWF055SCM	IWF235ZYM	WFF305_CYGNUS-COMM_COIN
IWF055SDM	IWF305ANM	WFF305_CYGNUS-COMM_OPL
IWF055SEM	IWF305MCM	WFF305_CYGNUS-PREM_COIN
IWF055SLM	IWF305MDM	WFF305_CYGNUS-PREM_OPL
IWF055SRM	IWF305MEM	WFF305_CYGNUS-PRO
IWF055SXM	IWF305MLM	WFF305_CYGNUS-STANDARD_COIN
IWF055SYM	IWF305MNM	WFF305_CYGNUS-STANDARD_OPL
IWF075ANM	IWF305MXM	WFF305_MICRO-20_COIN
IWF075MCM	IWF305MYM	WFF305_MICRO-20_OPL
IWF075MDM	IWF305SCM	WFF305_PS40F
IWF075MEM	IWF305SDM	WFF305_SIGMA_COIN
IWF075MLM	IWF305SEM	WFF305_SIGMA_OPL
IWF075MNM	IWF305SLM	
IWF075MXM	IWF305SRM	
IWF075MYM	IWF305SXM	
IWF075SCM	IWF305SYM	
IWF075SDM	IWF305ZCM	
IWF075SEM	IWF305ZDM	
IWF075SLM	IWF305ZEM	
IWF075SRM	IWF305ZLM	
IWF075SXM	IWF305ZNM	
IWF075SYM	IWF305ZXM	
IWF235ANM	IWF305ZYM	
IWF235MCM		
IWF235MDM		
IWF235MEM		
IWF235MLM		
IWF235MNM		
IWF235MXM		
IWF235MYM		
IWF235SCM		

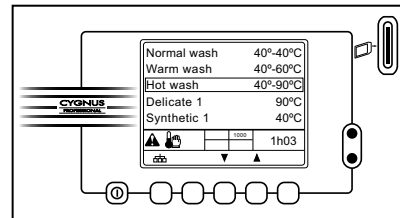
# Pocket Hardmount Washer-Extractor Product Overview

Type:	WFF75C	Nr: 07110WD0339
Voltage:	3 ~ 400V 50Hz	Weight: 181 kg
Motor:	0.55kW 2.5A	Capacity: 73 L
Heating:	9kW 16A	Dry Load: 7,3 kg
Total:	9.55 kW	Drum: 530 mm
Kinetic energy:	592 Nm	Speed: 700 rpm
Manufactured in:	2007	
Water Pressure: min. 2.07 max. 5.86 Kg/cm <sup>2</sup> IPX4 min. 20.7 max. 58.6 N/cm <sup>2</sup>		
sfc 741837		
 <b>Alliance International BVBA</b> Nieuwstraat 146 8560 Wevelgem Belgium Tel: +32 56 41 20 54 Fax: +32 56 41 86 74 www.ipso.be		

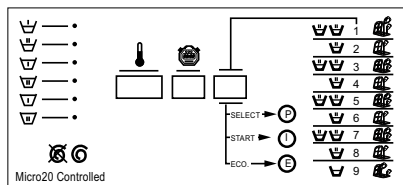
Model No:	IWF018MNMX10U01	Serial No: 07110WD0152
Volts Hertz:	208-240   50/60	Type: WFF75
Phase:	1 - 3	
Amps:	6 amps	Capacity: 18/7 lbs/kg
Recommended Circuit Breaker:	15 amps	Water: 30-85 psi
Interrupt Current:	10 kA	Pressure: 2.07-5.86 bar
Motor:	1 hp	Max Speed: 700 rpm
	0,75 kW	Net Weight: 400 lbs
Elec Heat:	N/A kW	Weight: 181 kg
Steam heat:	N/A psi	IPX4
	N/A bar	
<b>Alliance International BVBA</b> Made in Belgium		 INTERTEK LISTED 100740 CONFORMS TO ANSI/UL STD 2157 CERTIFIED TO CAN/CSA STD C22.2 NO.169-94
 TEL 1-920-748-3121 www.comlaundry.com		



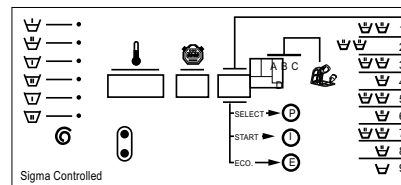
PS40



Cygnus Professional



Micro 20



Sigma

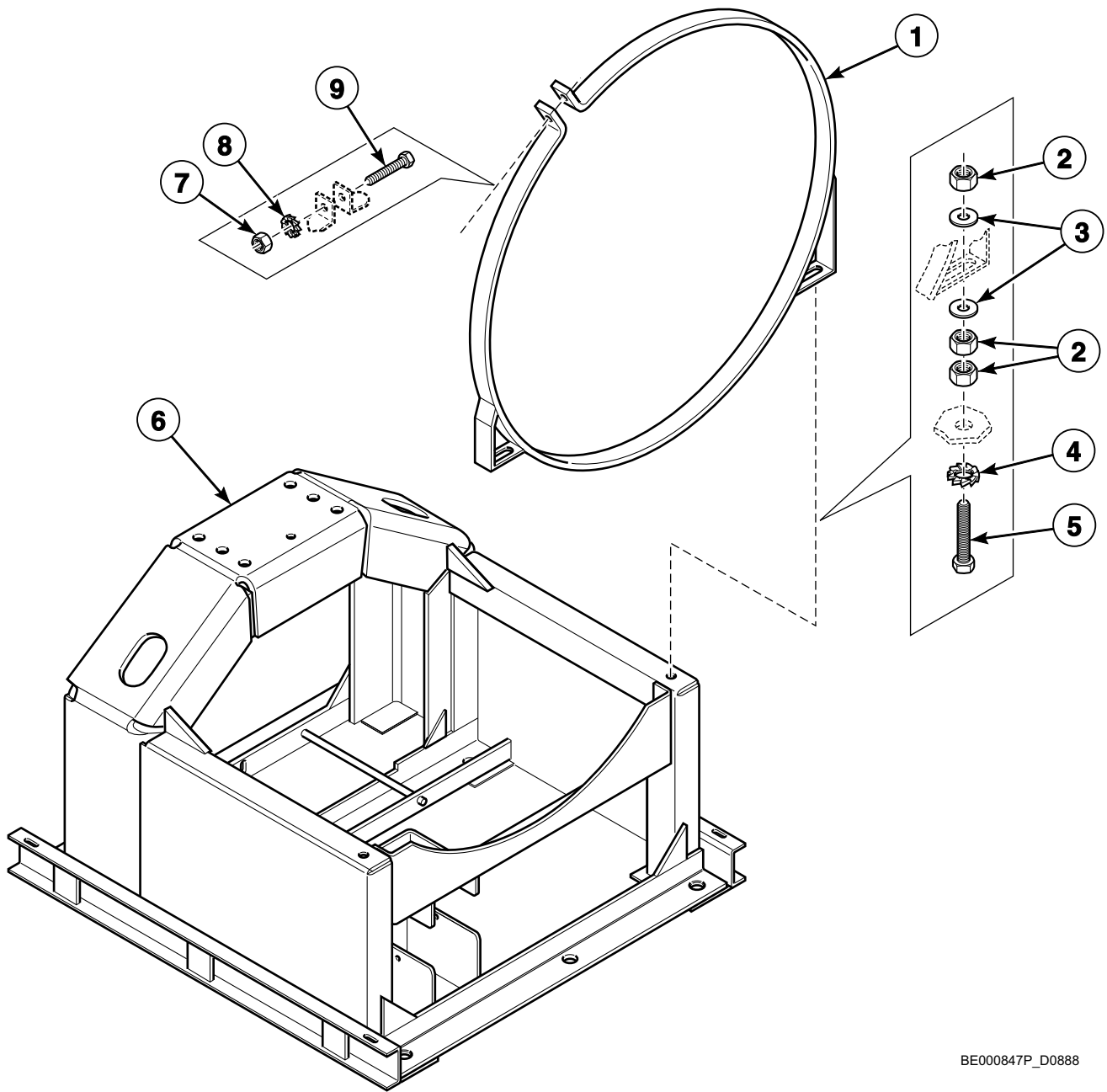
CHM3066P\_D0888



# Pocket Hardmount Washer-Extractor Product Overview

REF	PART NO.	DESCRIPTION	COMMENTS
1	-	Product Family	CWF IWF WFF
2	-	Capacity	055 075 235 305
3	-	Control	A (PS40F) Cygnus-Comm Cygnus-Prem Cygnus-Standard M (Micro-20) S (Sigma) Z (Cygnus-Pro)
4	-	Actuation	C (Coin Drop Meter) D (Dual Coin Drop) E (Electronic Drop) L (Prep for Remote or Central Pay) N (Non-Coin) R (Smart Card Ready) X (Prep for Coin) Y (Card Ready)
5	-	Speed	M (Medium Spin)
6	-	Voltage	N (440-480/50-60/3/3) P (380-415/50-60/3/3) Q (208-240/50-60/3/3) X (200-240/50-60/1/3)
7	-	Design	1

# Frame - \*55 and \*235 Models Through 1/17/10

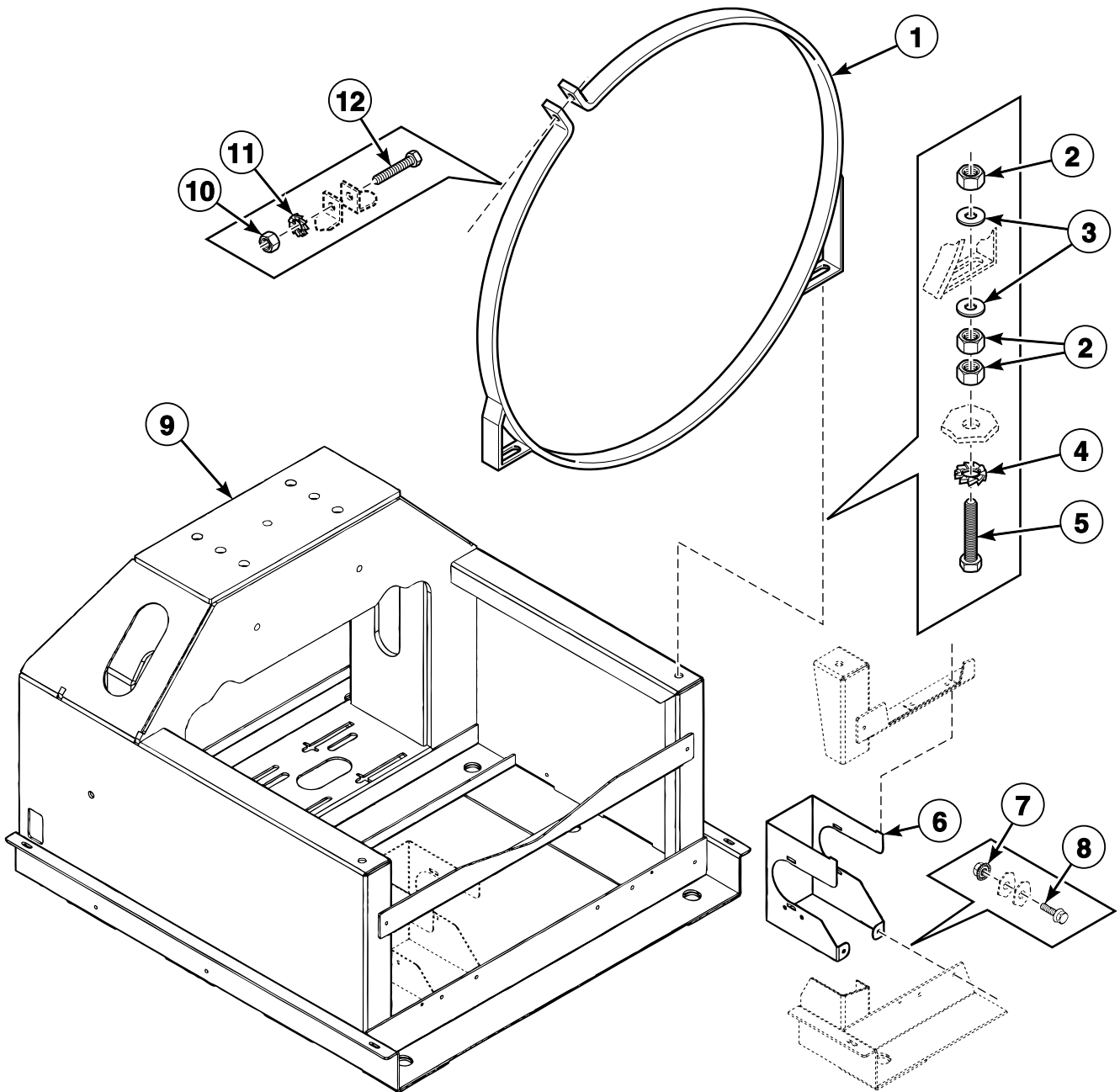


BE000847P\_D0888

## Frame - \*55 and \*235 Models Through 1/17/10

REF	PART NO.	DESCRIPTION	COMMENTS
1	212/00116/00	Tub Fastening Ring	
2	204/00002/00	Nut	
3	201/00005/00	Washer	
4	203/00001/00	Washer	
5	206/00079/00	Bolt	
6	212/00111/50	Chassis	
7	204/00004/00	Nut	
8	203/00003/00	Washer	
9	206/00007/00	Screw	

# Frame - \*55 and \*235 Models Starting 1/18/10

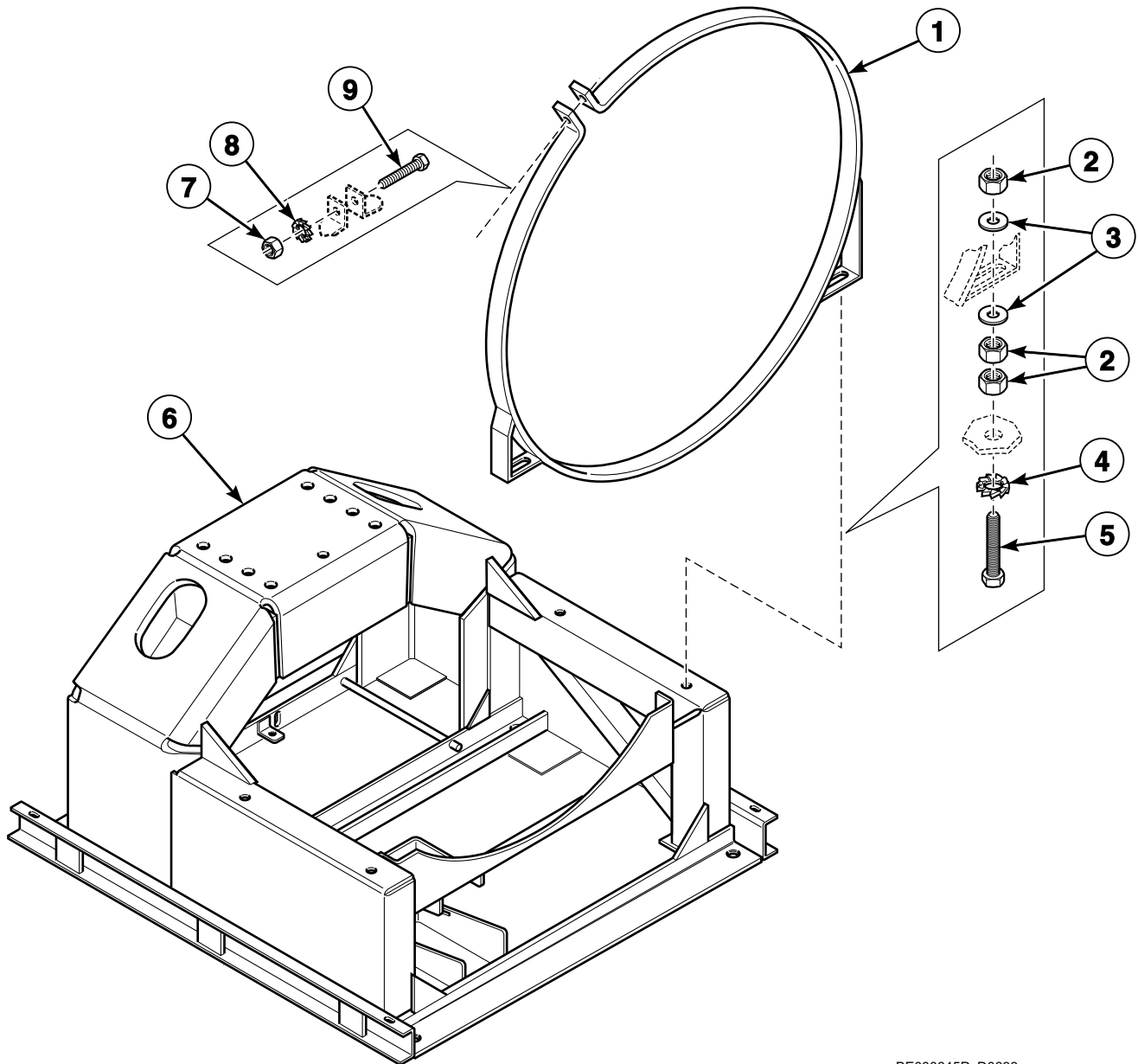


BE000847AP\_D0888

## Frame - \*55 and \*235 Models Starting 1/18/10

REF	PART NO.	DESCRIPTION	COMMENTS
1	212/00116/00	Tub Fastening Ring	
2	204/00002/00	Nut	
3	201/00005/00	Washer	
4	203/00001/00	Washer	
5	206/00079/00	Bolt	
6	212/00120/01	Drain Valve Support	
7	206/00101/00	Nut	
8	206/00099/00	Bolt	
9	212/00120/00	Chassis	
10	204/00004/00	Nut	
11	203/00003/00	Washer	
12	206/00007/00	Screw	

# Frame - \*75 and \*305 Models

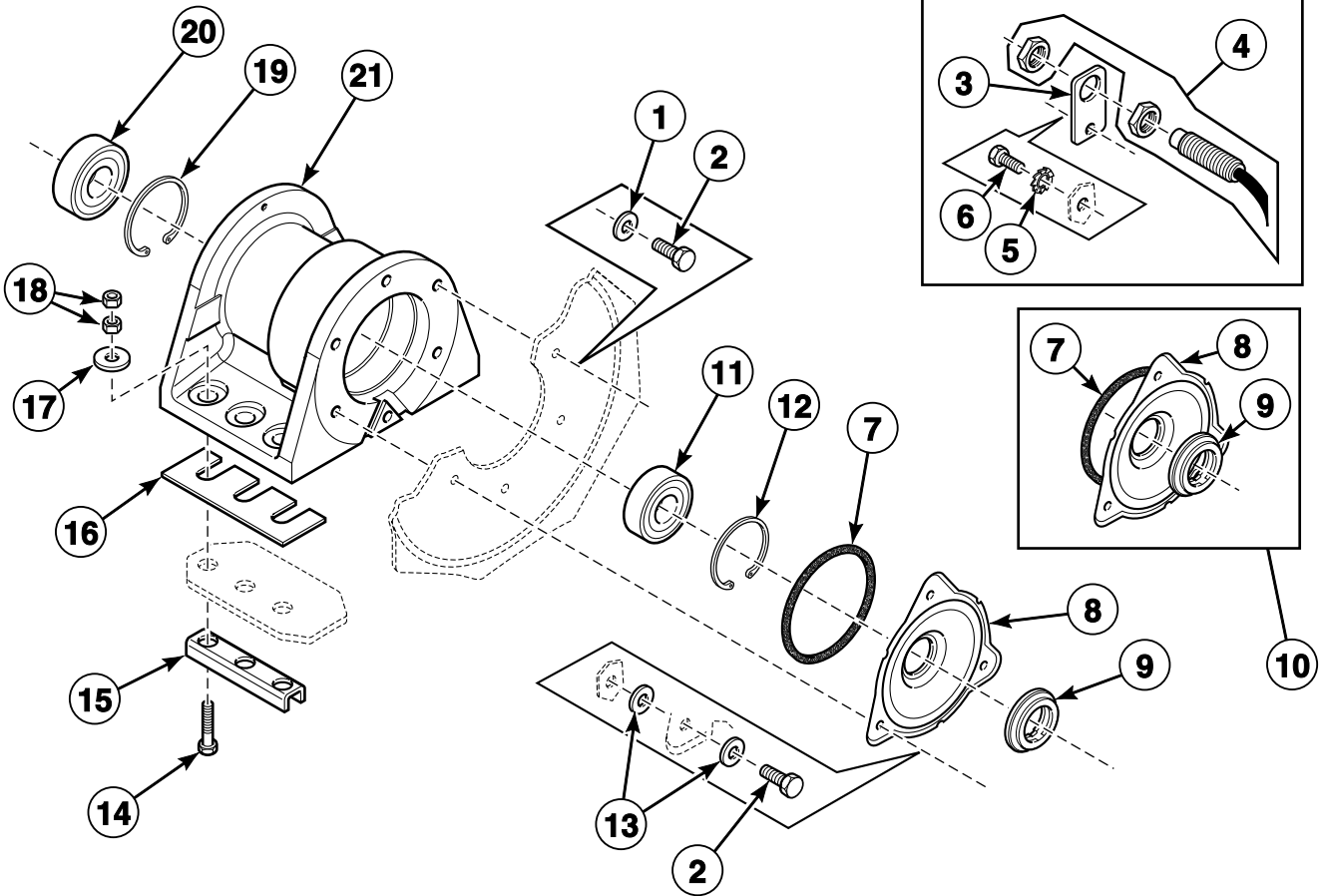


BE000845P\_D0888

## Frame - \*75 and \*305 Models

REF	PART NO.	DESCRIPTION	COMMENTS
1	212/00117/00	Tub Fastening Ring	
2	204/00002/00	Nut	
3	201/00005/00	Washer	
4	203/00001/00	Washer	
5	206/00079/00	Bolt	
6	212/00112/50	Chassis	
7	204/00004/00	Nut	
8	203/00003/00	Washer	
9	206/00007/00	Screw	

# Bearing Housing - \*55 and \*235 Models Through 1/30/11



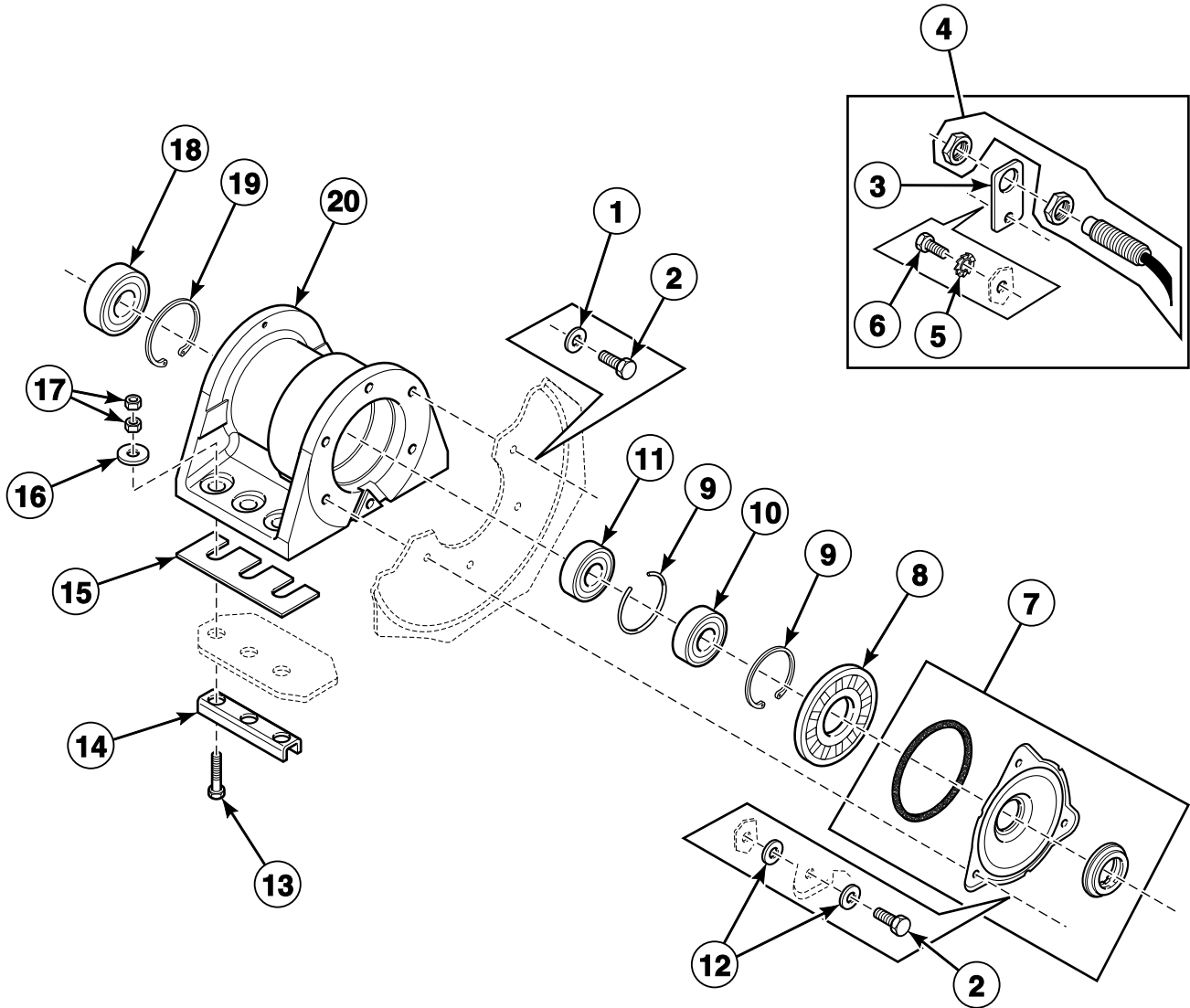
BE000827AP\_D0888



## Bearing Housing - \*55 and \*235 Models Through 1/30/11

REF	PART NO.	DESCRIPTION	COMMENTS
	382P3	Bearing Replacement Tool Kit	
	891P3	Bearing Replacement Kit	Includes items 1, 2, 10, 11, 20, 219/00004/00 Counter Ring, 223/00242/40 Tub Front Panel Gasket and F8388601P Deflector Inlet
1	201/00201/00	Washer	
2	205/00102/00	Bolt	
3	152/00055/00	Speed Detector Bracket	
4	210/00075/00	Speed Detector	
5	203/00004/00	Washer	
6	205/00104/00	Bolt	
7	217/00002/00	O-Ring	Used with B12327101 Cylinder and Shaft Assembly
8	219/00001/00	Seal Cover	Used with B12327101 Cylinder and Shaft Assembly
9	219/00003/00	Shaft Seal	Used with B12327101 Cylinder and Shaft Assembly
10	119/00001/01	Seal Holder Assembly	Used with B12327101 Cylinder and Shaft Assembly
11	212/00004/00	Ball Bearing	
12	212/00006/00	Retainer Ring	
13	201/00201/00	Washer	
14	206/00093/00	Bolt	
15	113/00067/00	U-Piece Assembly	
16	113/00017/01	Bearing Housing Plate	1 mm
	113/00017/02	Bearing Housing Plate	2 mm
17	201/00001/00	Washer	
18	204/00010/00	Nut	
19	212/00037/00	Retainer Ring	
20	212/00024/01	Ball Bearing	
21	212/00104/00	Bearing Housing Assembly	Includes items 11, 12, 19 and 20

# Bearing Housing - \*55 and \*235 Models Starting 1/31/11

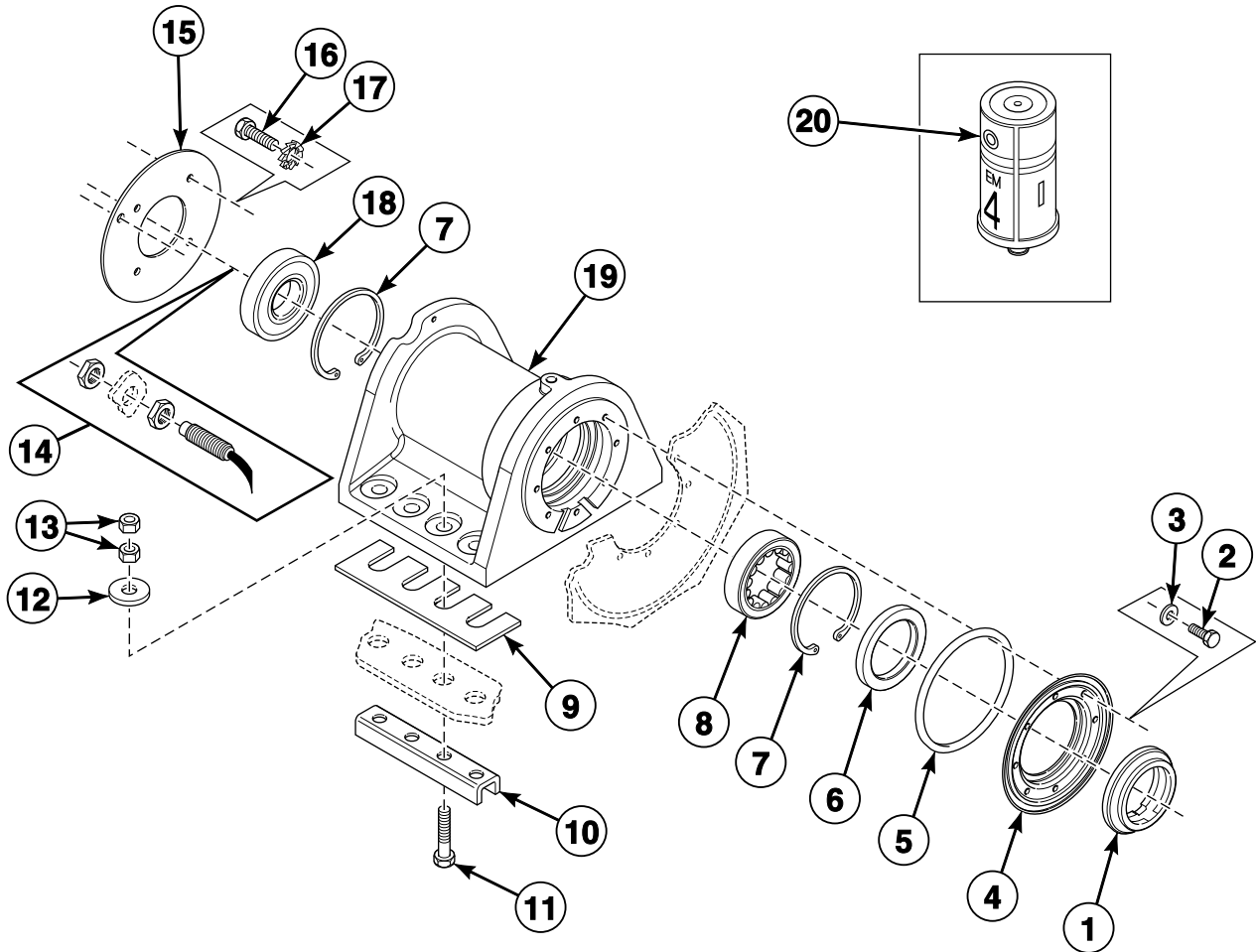


CFD545P\_D0888

## Bearing Housing - \*55 and \*235 Models Starting 1/31/11

REF	PART NO.	DESCRIPTION	COMMENTS
	381P3	Bearing Replacement Tool Kit	
	3884P	Bearing and Seal Kit	Includes items 1, 2, 7, 8, 10, 11, 223/00242/10 Gasket and 219/00004/00 Counter Ring
1	201/00201/00	Washer	
2	205/00102/00	Bolt	
3	152/00055/00	Speed Detector Bracket	
4	210/00075/00	Speed Detector	
5	203/00004/00	Washer	
6	205/00104/00	Bolt	
7	B12333701	Seal Plate Assembly	Used with B12380901 Basket
8	B12332301	Lip Seal	
9	212/00006/00	Retainer Ring	
10	F100134	Bearing	
11	212/00004/00	Ball Bearing	
12	201/00201/00	Washer	
13	206/00093/00	Bolt	
14	113/00067/00	U-Piece Assembly	
15	113/00017/01	Bearing Housing Plate	1 mm
	113/00017/02	Bearing Housing Plate	2 mm
16	201/00001/00	Washer	
17	204/00010/00	Nut	
18	212/00024/01	Ball Bearing	
19	212/00037/00	Retainer Ring	
20	212/00104/00	Bearing Housing Assembly	

# Bearing Housing - \*75 and \*305 Models

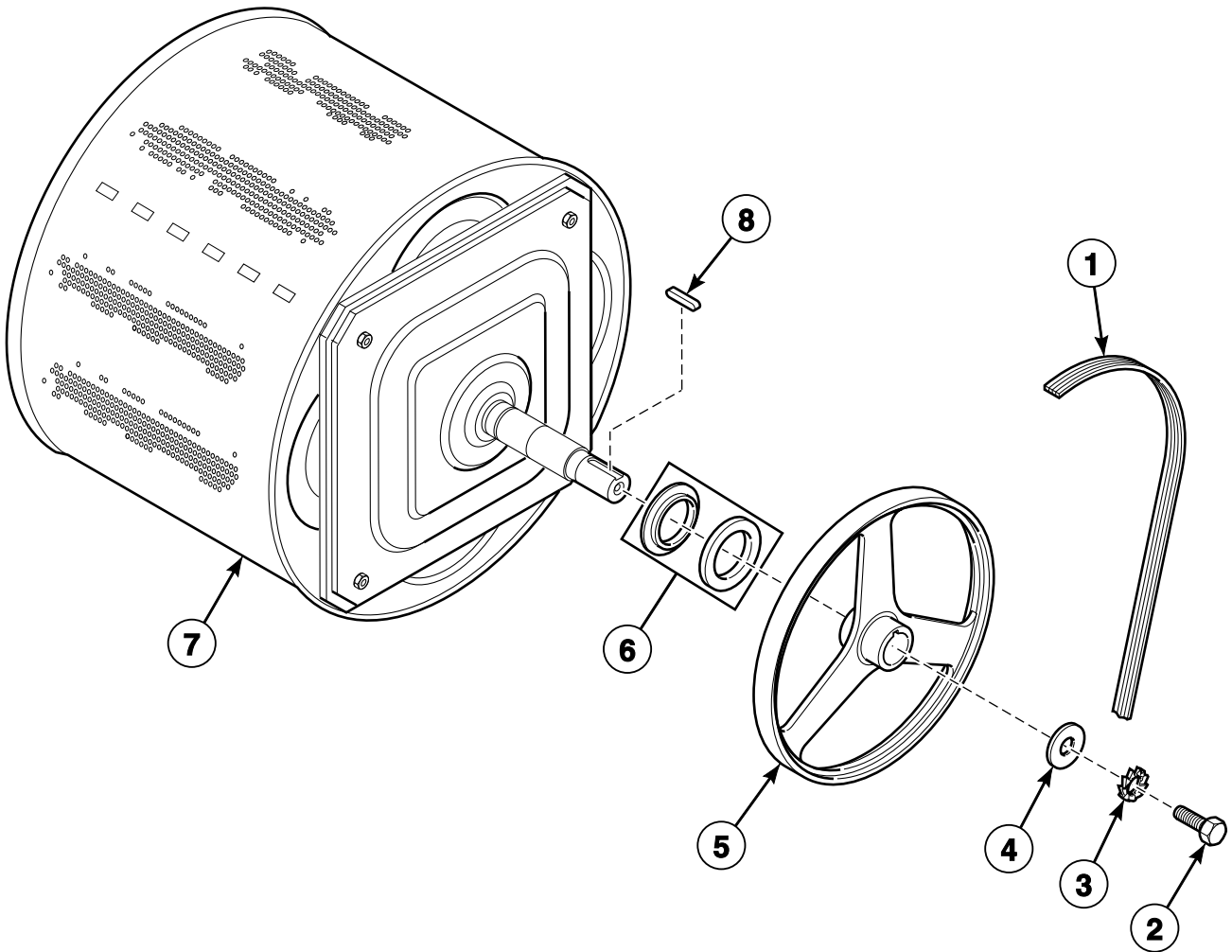


BE000846AP\_D0888

## Bearing Housing - \*75 and \*305 Models

REF	PART NO.	DESCRIPTION	COMMENTS
	382P3	Bearing Replacement Tool Kit	
	892P3	Bearing Replacement Kit	Includes 9001134 Shaft Seal, 9001226 Washer, 9001274 Bolt, 9001437 Lubricator, 9001438 Bearing, 9001439 Bearing, 9001441 Grease Ring, 9001548 Gasket, 9001601 Counter Ring, 9001744 Seal Holder Assembly and F8388601P Inlet Deflector
1	231/00037/00	Shaft Seal	
2	205/00104/00	Bolt	
3	201/00202/00	Washer	
4	131/00035/00	Seal Cover Plate	
	131/00035/01	Seal Holder Assembly	Includes item 1
5	231/00036/00	O-Ring	
6	212/00007/00	Grease Ring	
7	212/00006/00	Retainer Ring	
8	212/00005/00	Roller Bearing	
9	113/00018/01	Bearing Housing Plate	1 mm
	113/00018/02	Bearing Housing Plate	2 mm
10	113/00068/00	U-Piece Assembly	
11	206/00093/00	Bolt	
12	201/00001/00	Washer	
13	204/00010/00	Nut	
14	210/00075/00	Speed Detector	
15	112/00003/00	Bearing Cover	
16	206/00010/00	Bolt	
17	203/00003/00	Washer	
18	212/00004/00	Ball Bearing	
19	212/00103/01	Bearing Housing	
	212/00103/00	Bearing Housing Assembly	Includes items 8 and 18
20	212/00002/00	Lubricator	

# Basket, Pulley and Belt - \*55 and \*235 Models

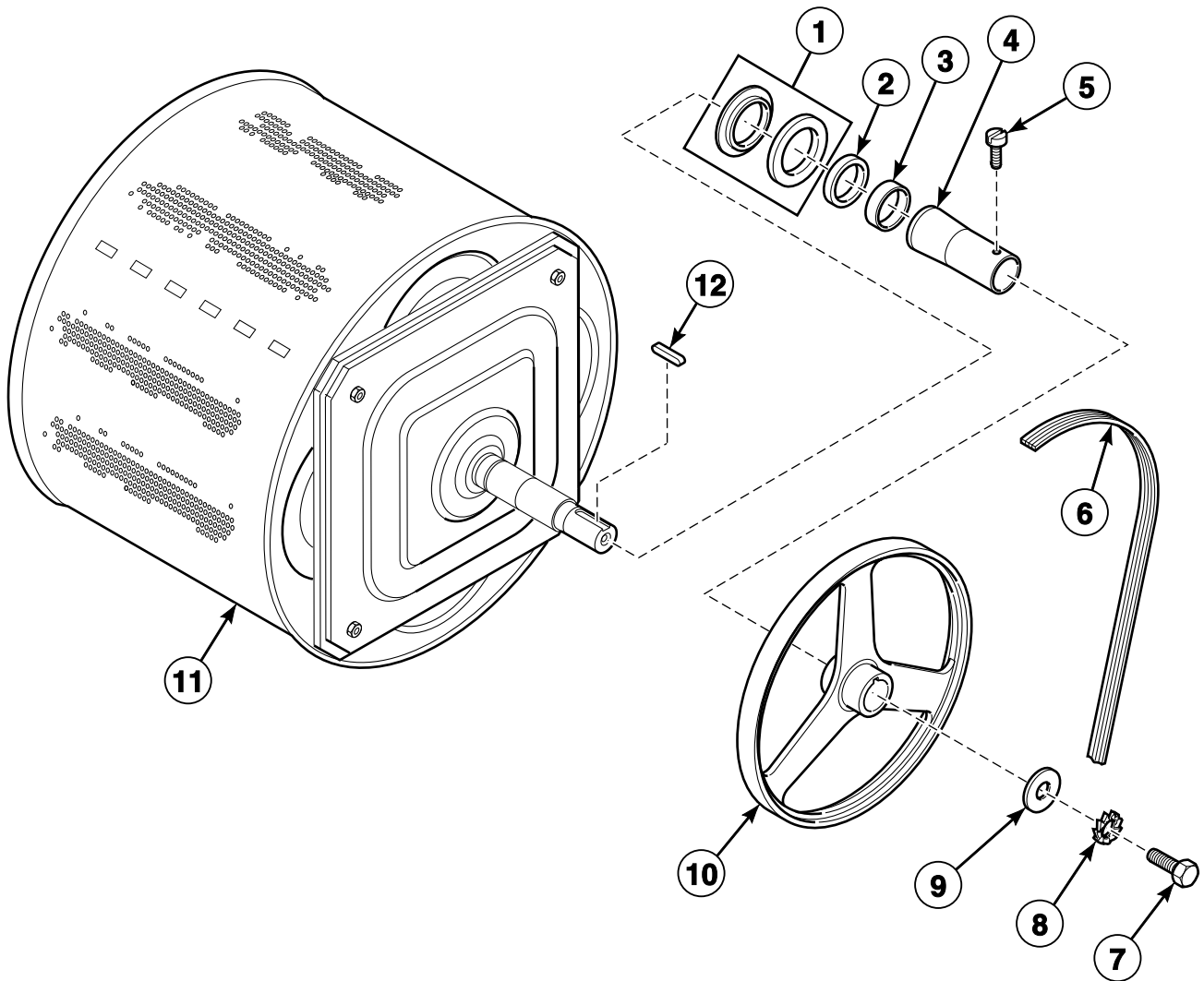


BE000832P\_D0888

## Basket, Pulley and Belt - \*55 and \*235 Models

REF	PART NO.	DESCRIPTION	COMMENTS
1	226/00133/00	Belt	
2	206/00004/00	Bolt	
3	203/00001/00	Washer	
4	201/00011/00	Washer	
5	226/00127/00	Drum Pulley	
6	219/00004/00	Counter Ring	
7	B12543201	Basket Kit	3mm; Models through 1/30/11; Used with B12333701 Seal Plate Assembly; Includes B12380901 Basket and 3884P Bearing and Seal Kit
	B12380901	Basket	3mm; Models starting 1/31/11; Used with B12333701 Seal Plate Assembly
	B12381001	Basket	9mm; Models starting 1/31/11; Used with B12333701 Seal Plate Assembly
8	212/00026/00	Key	

# Basket, Pulley and Belt - \*75 and \*305 Models



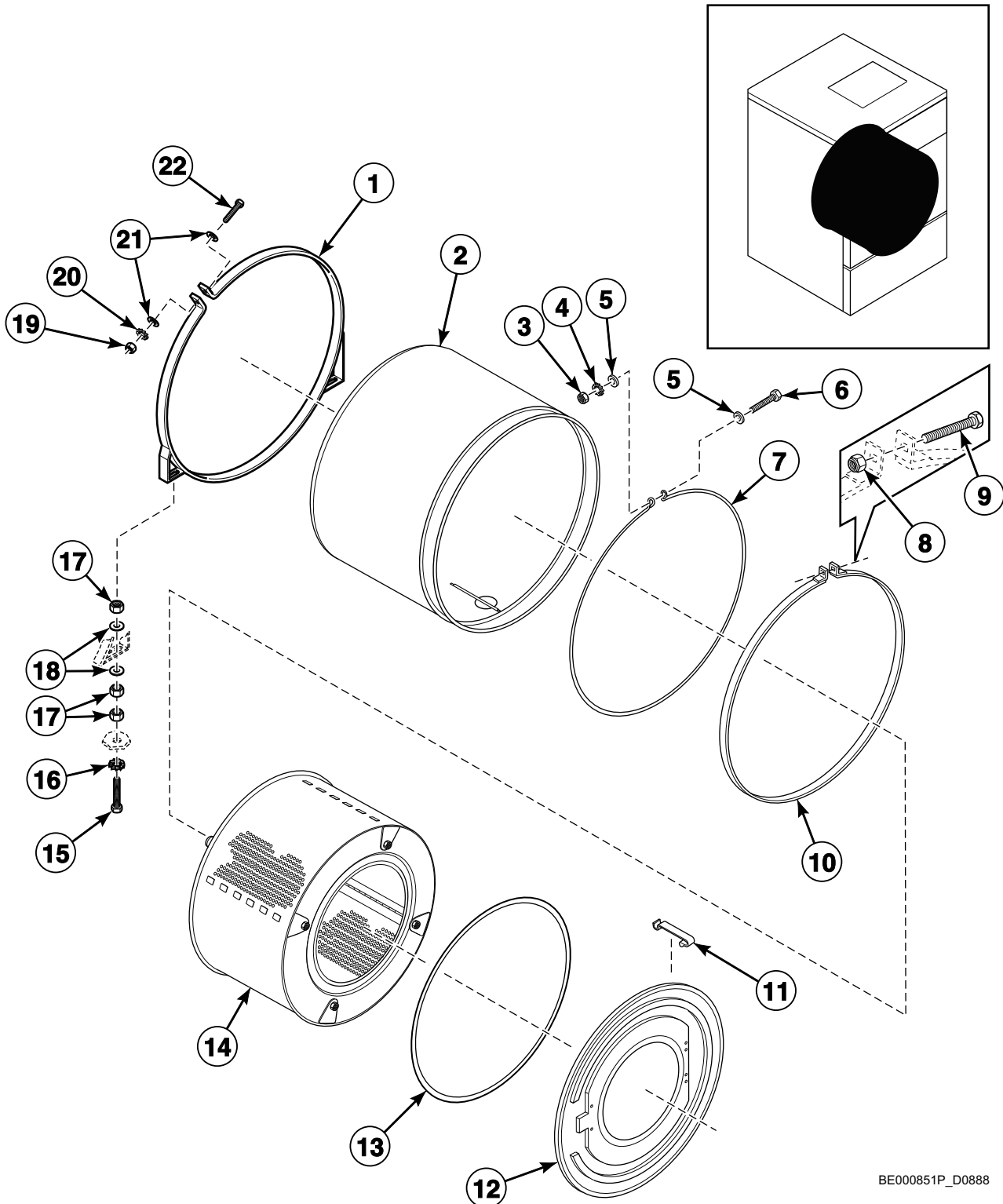
BE000849AP\_D0888



## Basket, Pulley and Belt - \*75 and \*305 Models

REF	PART NO.	DESCRIPTION	COMMENTS
1	232/00008/00	Counter Ring	
2	132/00009/00	Shaft Seal	
3	212/00005/00	Roller Bearing	
4	232/00020/00	Bearing Spacer	
5	207/00004/00	Screw	
6	226/00134/00	Belt	
7	206/00004/00	Bolt	
8	203/00001/00	Washer	
9	201/00011/00	Washer	
10	226/00127/00	Drum Pulley	
11	B12327301	Drum	
12	212/00026/00	Key	

# Shell and Basket - \*55 and \*235 Models



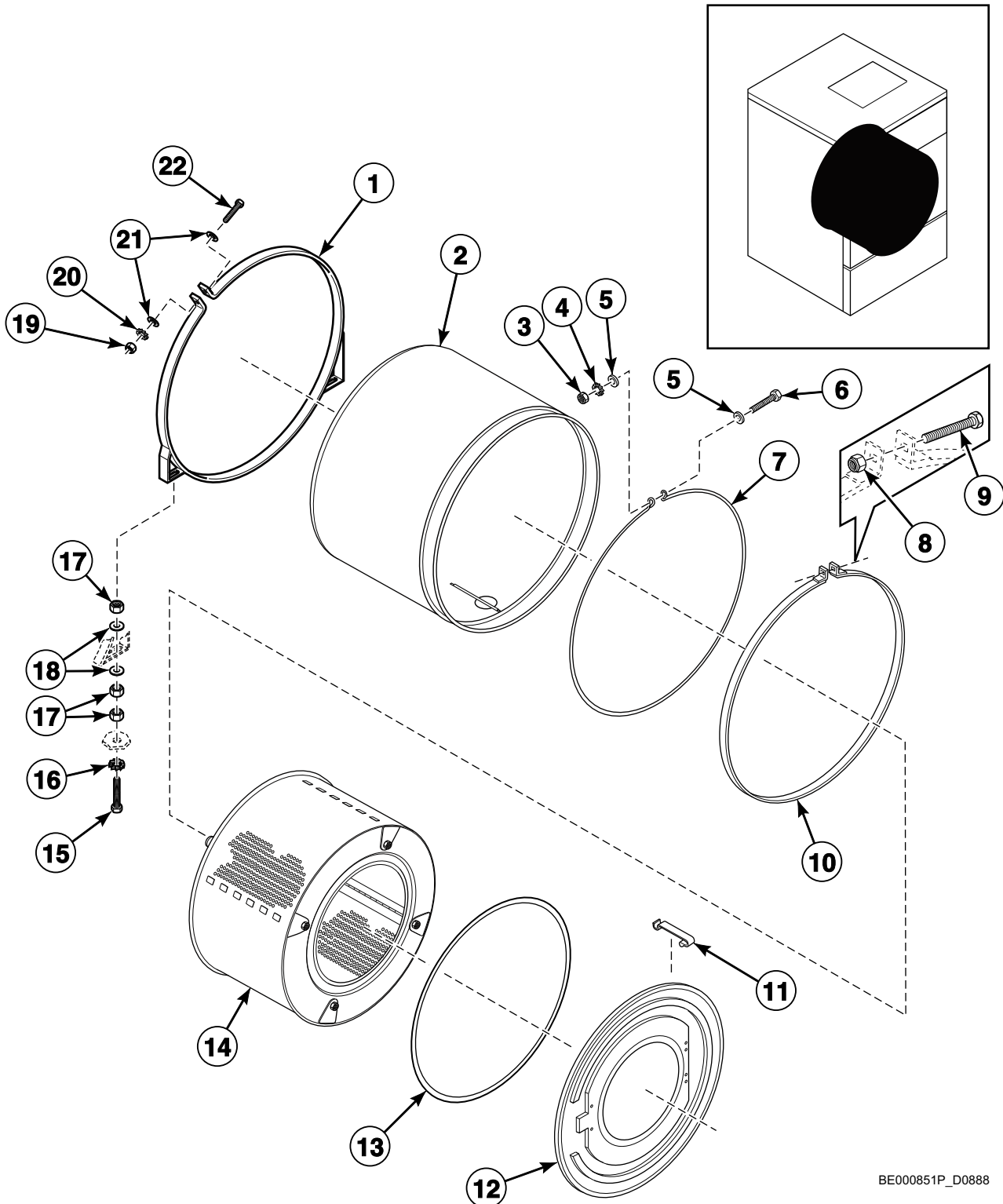
BE000851P\_D0888

## Shell and Basket - \*55 and \*235 Models

REF	PART NO.	DESCRIPTION	COMMENTS
1	212/00116/00	Tub Fastening Ring	
2	B12328901	Tub	Electric heat; Models through Serial No. 10080WJ0132
	B12329001	Tub	Hot water; Models through Serial No. 10080WJ0132
	N/A	Tub	Steam; Models through Serial No. 10080WJ0132
	B12331101	Tub	Electric heat; Models starting Serial No. 10080WJ0132
	B12331201	Tub	Hot water; Models starting Serial No. 10080WJ0132
	B12331301	Tub	Steam; Models starting Serial No. 10080WJ0132
3	204/00009/00	Nut	
4	203/00004/00	Washer	
5	201/00007/00	Washer	
6	206/00032/00	Bolt	
7	238/00011/00	Tub Clamp Ring	
8	204/00111/00	Nut	
9	206/00066/00	Bolt	
10	137/00008/00	Tub Mounting Strap	
11	217/00008/00	Tub Front Panel Clip	
12	138/00001/00	Tub Front	
13	B12351601	Tub Front Gasket	
14	B12543201	Basket Kit	Models through 1/30/11; 3mm; Used with B12333701 Seal Plate Assembly; Includes B12380901 Basket and 3884P Bearing and Seal Kit
	B12380901	Basket	Models starting 1/31/11; 3 mm; Used with B12333701 Seal Plate Assembly
	B12381001	Basket	Models starting 1/31/11; 9 mm; Used with B12333701 Seal Plate Assembly
15	206/00029/00	Bolt	
16	203/00001/00	Washer	
17	204/00002/00	Nut	
18	201/00009/00	Washer	
19	204/00003/00	Nut	
20	203/00002/00	Washer	
21	201/00005/00	Washer	
22	206/00052/00	Bolt	

N/A = Part no longer available

# Shell and Basket - \*75 and \*305 Models



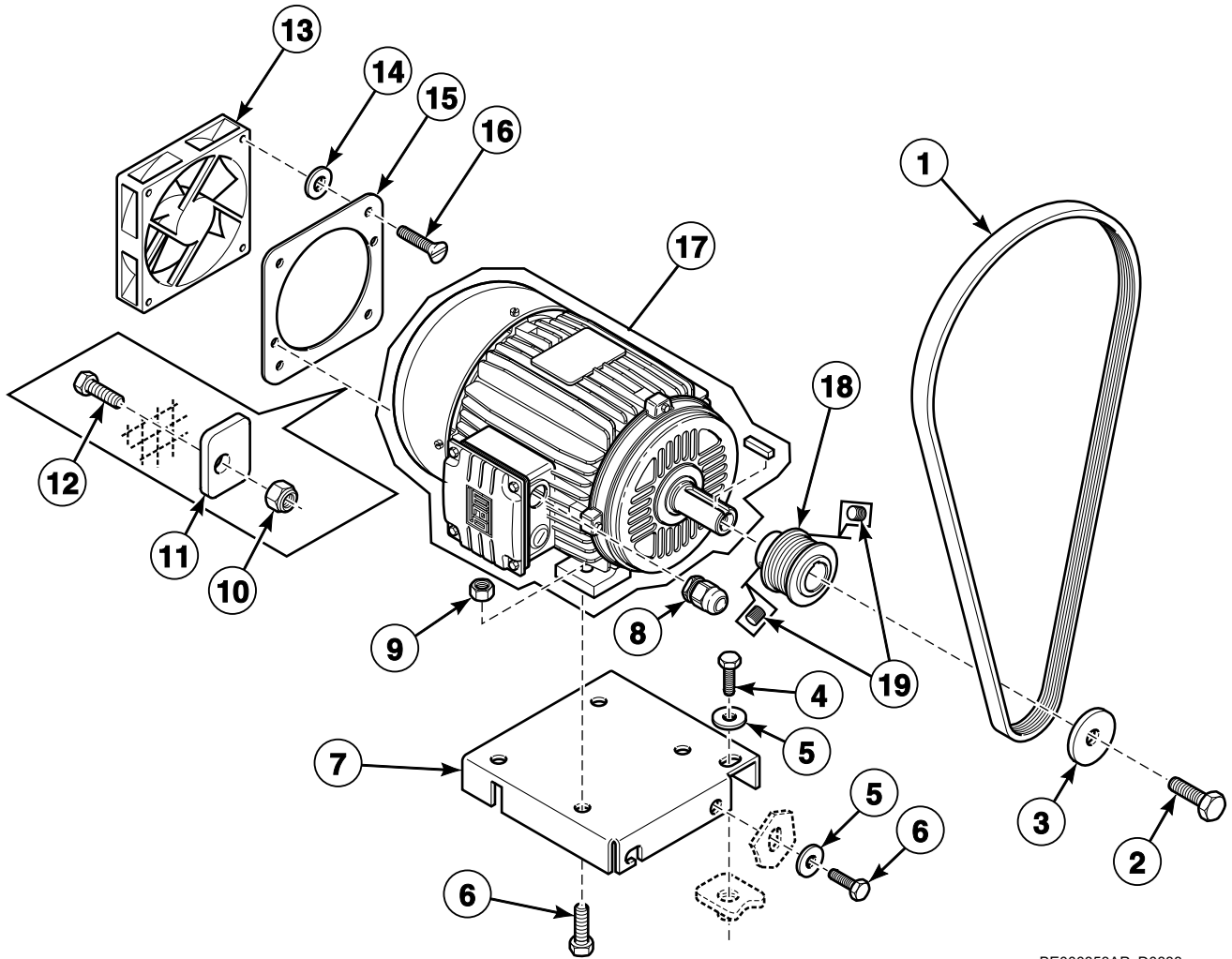
BE000851P\_D0888

## Shell and Basket - \*75 and \*305 Models

REF	PART NO.	DESCRIPTION	COMMENTS
1	212/00117/00	Tub Fastening Ring	
2	N/A	Tub	Electric heat; Models through Serial No. 10080WK0010
	N/A	Tub	Hot water; Models through Serial No. 10080WK0010
	N/A	Tub	Steam; Models through Serial No. 10080WK0010
	B12331401	Tub	Electric heat; Models starting Serial No. 10080WK0010
	B12331501	Tub	Hot water; Models starting Serial No. 10080WK0010
	B12331601	Tub	Steam; Models starting Serial No. 10080WK0010
3	204/00009/00	Nut	
4	203/00004/00	Washer	
5	201/00007/00	Washer	
6	206/00032/00	Bolt	
7	231/00010/00	Tub Front Ring Clamp	
8	204/00111/00	Nut	
9	206/00066/00	Bolt	
10	131/00010/00	Tub Strap	
11	217/00008/00	Tub Front Panel Clip	
12	131/00002/00	Front Panel	
13	223/00242/00	Tub Front Gasket	
14	B12327301	Drum	
15	206/00029/00	Bolt	
16	203/00001/00	Washer	
17	204/00002/00	Nut	
18	201/00009/00	Washer	
19	204/00003/00	Nut	
20	203/00002/00	Washer	
21	201/00005/00	Washer	
22	206/00052/00	Bolt	

N/A = Part no longer available

# Motor and Belt - \*55 and \*235 Models Through 1/17/10

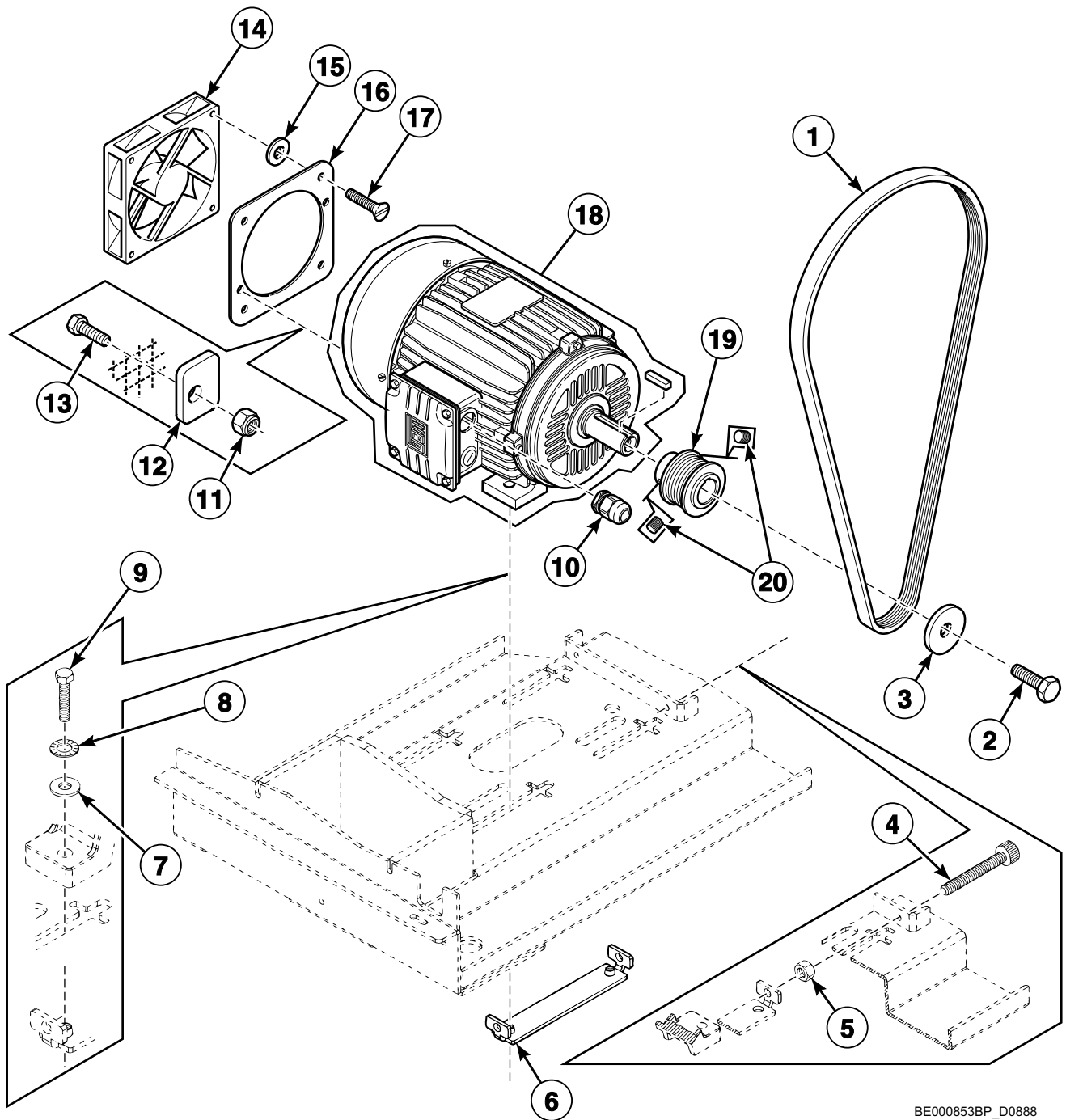


BE000853AP\_D0888

## Motor and Belt - \*55 and \*235 Models Through 1/17/10

REF	PART NO.	DESCRIPTION	COMMENTS
1	226/00133/00	Belt	
2	206/00006/00	Bolt	
3	201/00004/00	Washer	
4	206/00110/00	Bolt	
5	201/00010/00	Washer	
6	206/00119/00	Bolt	
7	115/10235/00	Motor Mounting Plate	
8	271/35945/00	Nut	
9	204/00110/00	Nut	
10	204/00115/00	Nut	
11	117/00042/00	Retaining Ring	
12	206/00054/00	Bolt	
13	209/00287/00	Cooling Fan	
14	217/00021/00	O-Ring	
15	111/00243/00	Intermediate Fan Motor Plate	
16	207/00021/00	Screw	
17	B12510701	Motor	Order replacement motor pulley when replacing motor
18	226/00131/00	Motor Pulley	
19	206/00049/00	Screw	

# Motor and Belt - \*55 and \*235 Models Starting 1/18/10



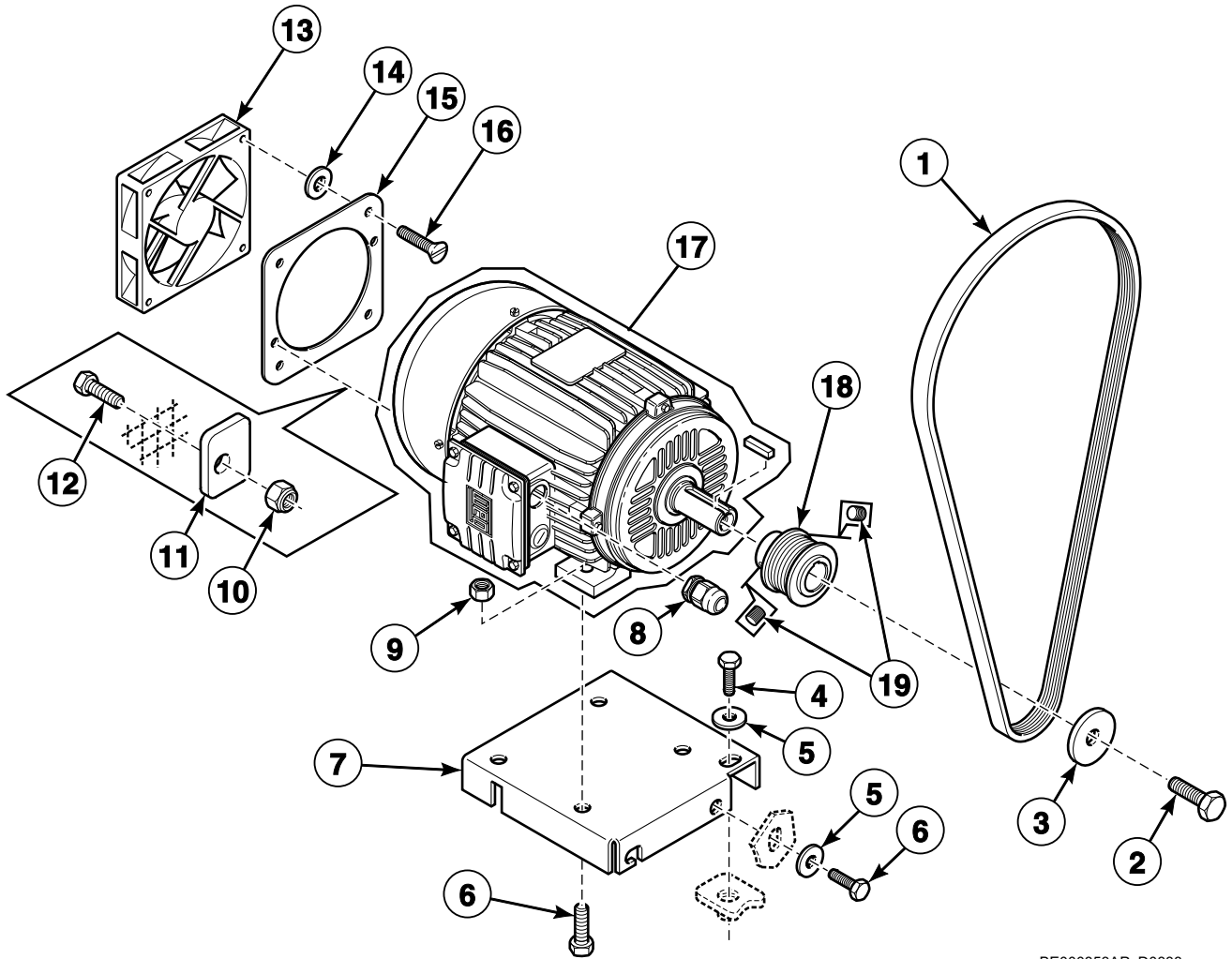
BE000853BP\_D0888



## Motor and Belt - \*55 and \*235 Models Starting 1/18/10

REF	PART NO.	DESCRIPTION	COMMENTS
1	226/00133/00	Belt	
2	206/00006/00	Bolt	
3	201/00004/00	Washer	
4	208/00134/00	Bolt	
5	204/00004/00	Nut	
6	212/00121/01	Motor Clamp	
7	202/00002/00	Washer	
8	201/00028/00	Washer	
9	206/00009/00	Bolt	
10	271/35945/00	Nut	
11	204/00115/00	Nut	
12	117/00042/00	Retaining Ring	
13	206/00054/00	Bolt	
14	209/00287/00	Cooling Fan	
15	217/00021/00	O-Ring	
16	111/00243/00	Intermediate Fan Motor Plate	
17	207/00021/00	Screw	
18	B12510701	Motor	Order replacement motor pulley when replacing motor
19	226/00131/00	Motor Pulley	
20	206/00049/00	Screw	

# Motor and Belt - \*75 and \*305 Models

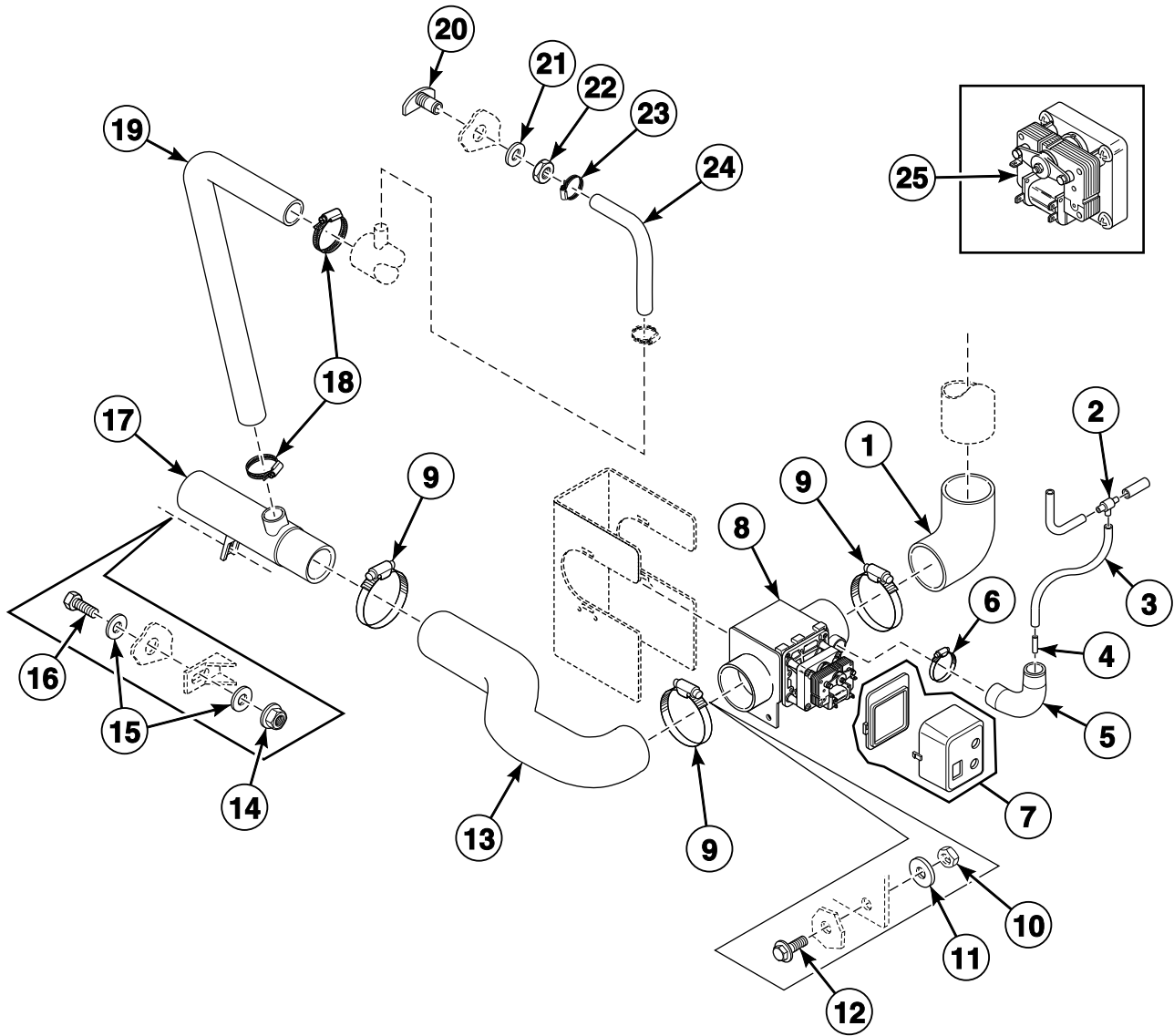


BE000853AP\_D0888

## Motor and Belt - \*75 and \*305 Models

REF	PART NO.	DESCRIPTION	COMMENTS
1	226/00134/00	Belt	
2	206/00005/00	Bolt	
3	201/00004/00	Washer	
4	206/00110/00	Bolt	
5	201/00010/00	Washer	
6	206/00005/00	Bolt	
7	115/10305/00	Motor Plate	
8	271/35945/00	Nut	
9	204/00110/00	Nut	
10	204/00115/00	Nut	
11	117/00042/00	Retaining Ring	
12	206/00054/00	Bolt	
13	209/00287/00	Cooling Fan	
14	217/00021/00	O-Ring	
15	111/00243/00	Intermediate Fan Motor Plate	
16	207/00002/00	Screw	
17	B12510901	Motor	Order replacement motor pulley when replacing motor
18	226/00131/00	Motor Pulley	
19	206/00049/00	Screw	

# Drain Plumbing

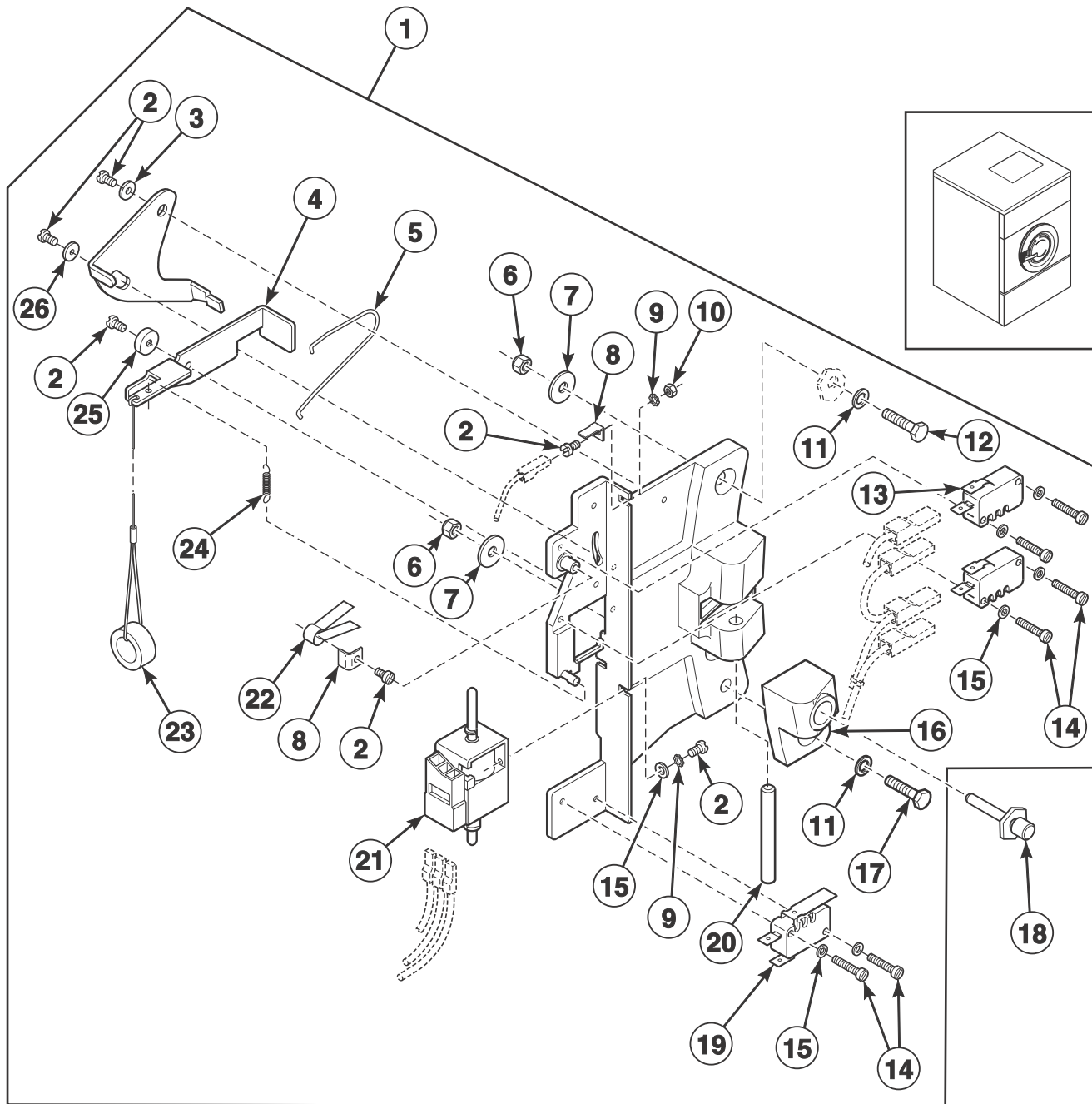


CFD327P\_D0888

# Drain Plumbing

REF	PART NO.	DESCRIPTION	COMMENTS
1	223/00327/00	Tub to Drain Valve Hose	
2	223/00173/10	Pressure Switch Hose Tee	
3	B12700018	Pressure Hose	
4	223/00016/00	Hose Barb	
5	223/00210/00	Elbow	Pressure switch
6	223/00011/00	Hose Clamp	
7	209/00643/01	Drain Valve Coil Cover	
8	209/00644/00	Drain Valve	
9	223/00071/00	Hose Clamp	
10	204/00009/00	Nut	*55 and *235 models starting 1/18/10
11	202/00002/00	Washer	*55 and *235 models starting 1/18/10
12	206/00099/00	Bolt	*55 and *235 models starting 1/18/10
13	223/00328/00	Drain Valve to Drain Tube Hose	
14	206/00101/00	Nut	
15	201/00007/00	Washer	
16	206/00033/00	Bolt	
17	223/00106/00	Drain Pipe	
18	223/00013/00	Hose Clamp	
19	223/00131/00	Overflow Hose	
20	223/00001/04	Prewash and Mainwash Nozzle	
21	201/00002/00	Washer	
22	204/00201/00	Nut	
23	223/00010/00	Hose Clamp	
24	223/00044/00	Water Hose	
25	209/00644/11	Motor	

# Door Lock

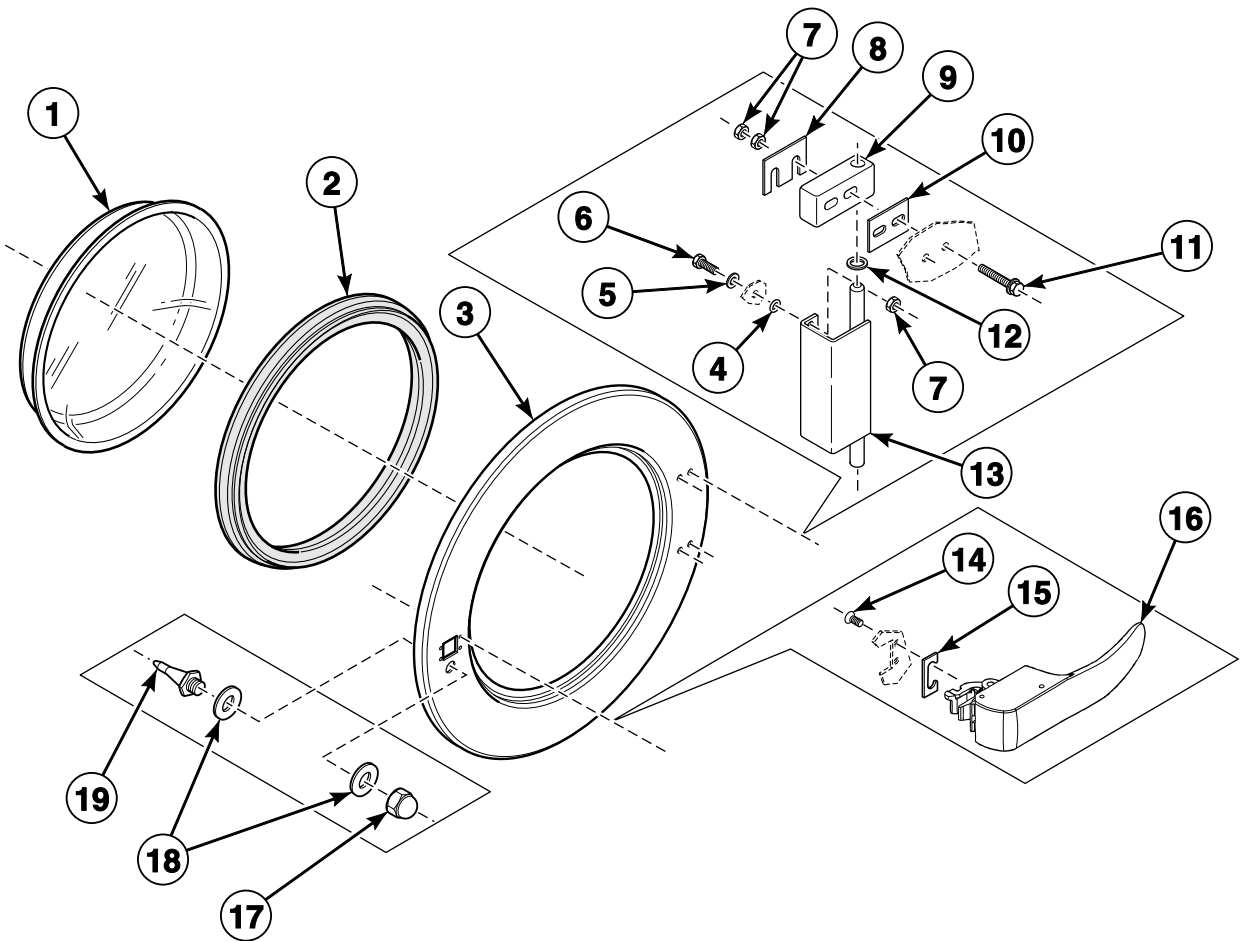


CFD543P\_D0888

# Door Lock

REF	PART NO.	DESCRIPTION	COMMENTS
1	B12517701	Door Lock Assembly	
2	207/00135/00	Screw	
3	201/00017/00	Washer	
4	217/00052/04	Interlock Lever	
5	224/00040/00	Lever Spring	
6	204/00009/00	Nut	
7	201/00006/00	Washer	
8	210/10015/00	Ground Terminal	
9	203/00007/00	Washer	
10	204/00008/00	Nut	
11	202/00101/00	Washer	
12	205/00103/00	Bolt	
13	209/00272/00	Door Lock Microswitch	
14	207/00009/00	Screw	
15	201/00018/00	Washer	
16	217/00052/11	Door Lock Bracket	
17	205/00115/00	Bolt	
18	211/00109/02	Door Lock Pin Kit	
19	B12625101	Microswitch	
20	217/00017/03	Lock Shaft	
21	209/00703/50	Door Solenoid	
22	224/00049/00	Door Lock Spring	
23	217/00052/07	Door Release Wire	
24	224/00043/00	Interlock Coil Spring	
25	217/00052/03	Door Lock Spacer	
26	202/00124/00	Washer	

# Door



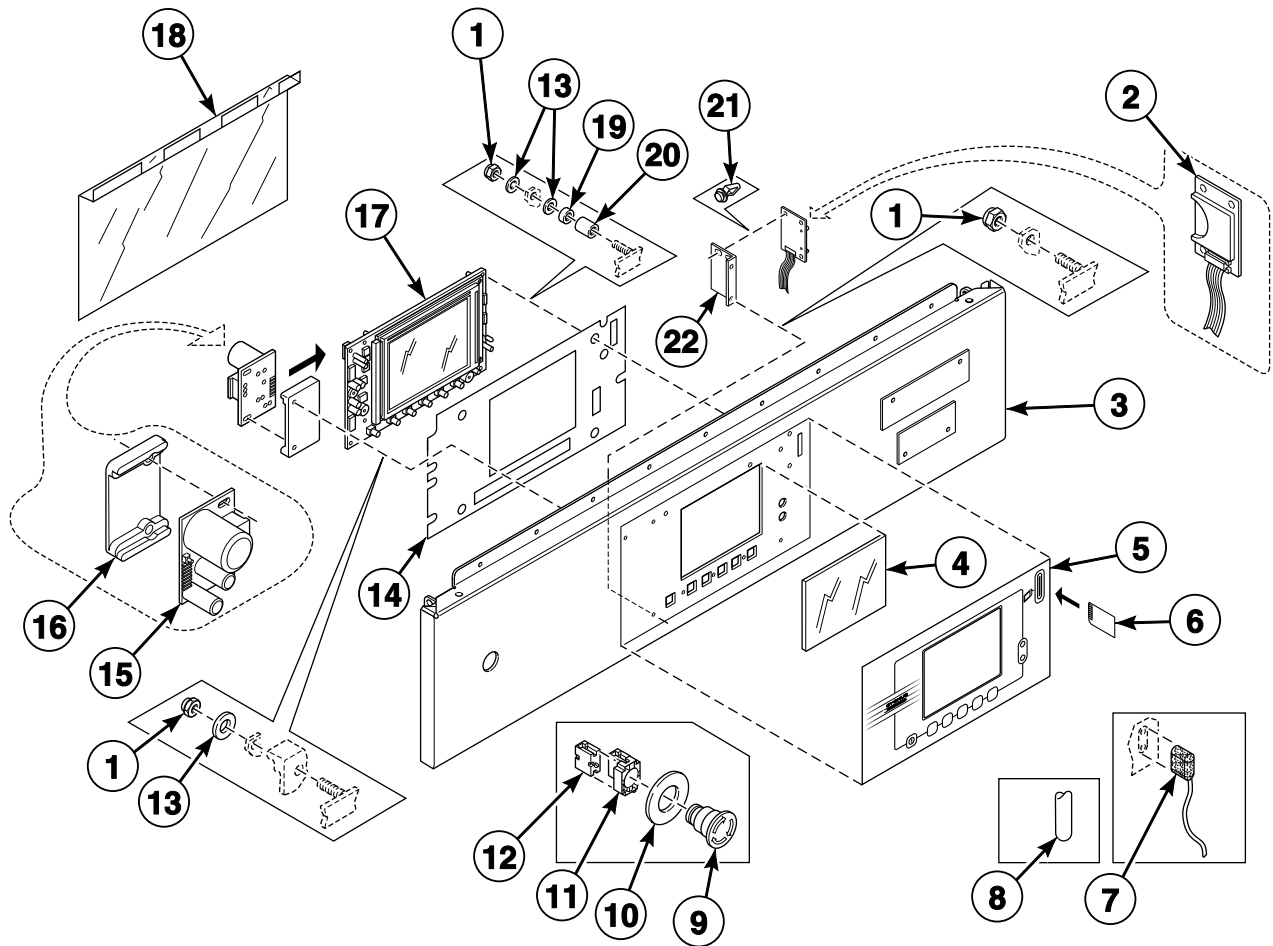
BE000190CP\_D0888



# Door

REF	PART NO.	DESCRIPTION	COMMENTS
1	B12449801	Door Glass	
2	223/00068/00	Door Glass Seal	
3	118/00125/00	Door	
4	217/00021/00	O-Ring	
5	202/00101/00	Washer	
6	205/00104/00	Bolt	
7	204/00106/00	Nut	
8	118/00121/00	Door Hinge Plate Assembly	
9	253/00022/00	Door Hinge Block	
10	118/00124/00	Door Hinge Spacer	
11	207/00126/00	Screw	
12	202/00104/00	Washer	
13	221/00004/00	Hinge	
14	B12500801	Screw	
15	217/00016/00	Door Handle Stop	
16	217/00059/00P	Door Handle	
17	204/00103/00	Nut	
18	202/00111/00	Washer	
19	211/00109/02	Door Lock Pin Kit	

# Control Panel - Cygnus Professional

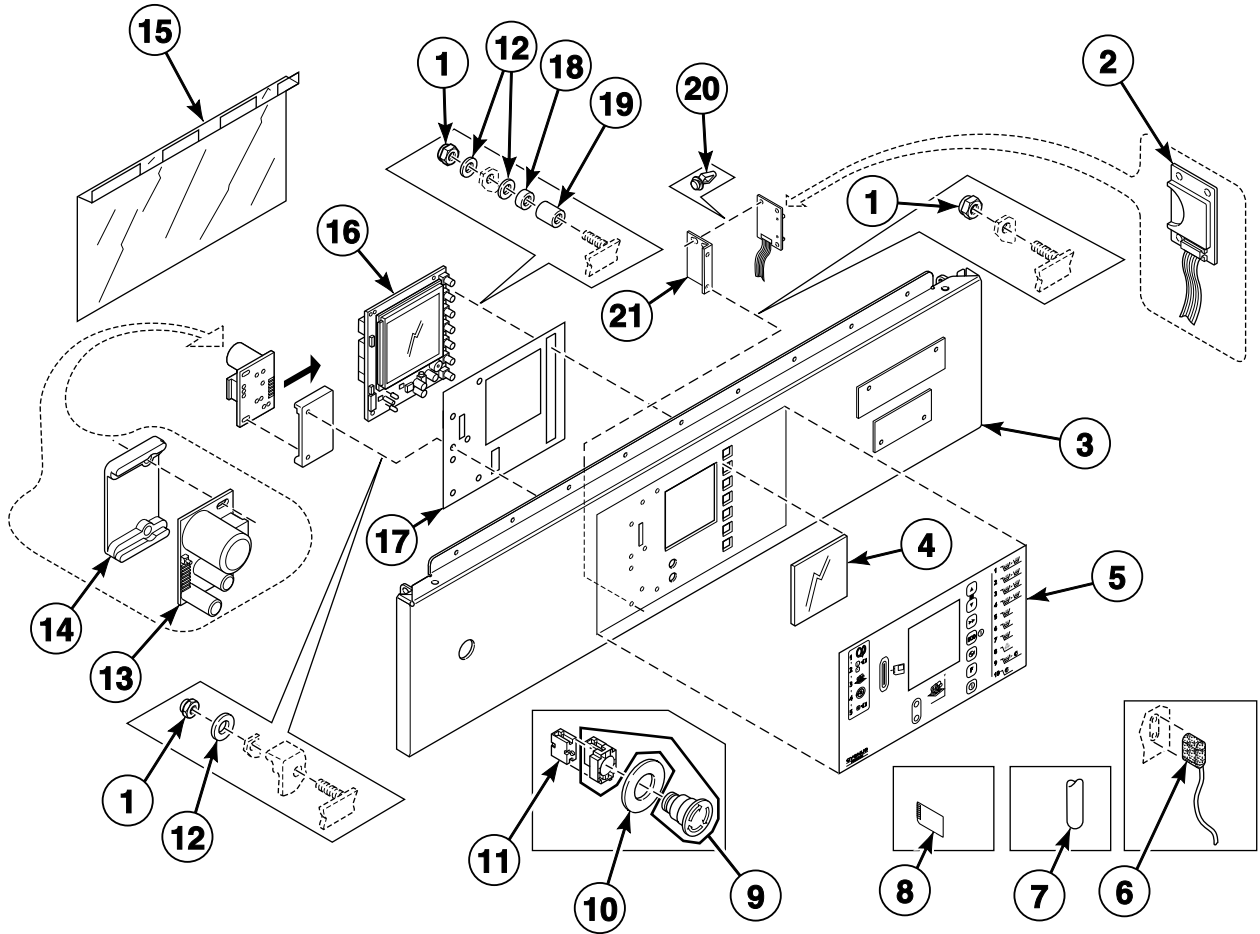


BE000855AP\_D0888

## Control Panel - Cygnus Professional

REF	PART NO.	DESCRIPTION	COMMENTS
1	204/00116/00	Nut	
2	B12305201	Memory Card PC-Board	Models prior to 4/5/11 require a firmware upgrade
	B12538301	Data Card Ribbon Assembly	
3	111/00301/30	Control Panel	Models IWF235ZNM and WFF235_CYGNUS-PRO
	111/00331/30	Control Panel	Models IWF305ZNM and WFF305_CYGNUS-PRO
4	225/00321/00	Plexi Frame	
5	225/10313/00	Operating Sticker	
6	209/02022/00	Datacard	
7	210/00901/00P	Optic Cable	
8	223/00348/00	Datacard Cover	
9	209/00248/20	Mushroom Pushbutton	
10	209/00520/00	Telem Sticker	
11	209/00099/20	Emergency Switch Pushbutton	
12	209/00099/26	Contact Switch	
13	223/00123/00	Washer	
14	229/00268/00	Insulating Sticker	
15	209/02010/00	Door Lock PC-Board	
16	223/00374/00	Mounting Plate	
17	209/02002/ZO2	Display and Printboard	
18	229/00289/00	Circuit Board Cover	
19	211/00128/00	Printboard Separator	
20	211/00122/00	Standoff	
21	211/00145/00	Standoff	
22	111/01893/00	Printboard Support Card	

# Control Panel - Cygnus Premium OPL

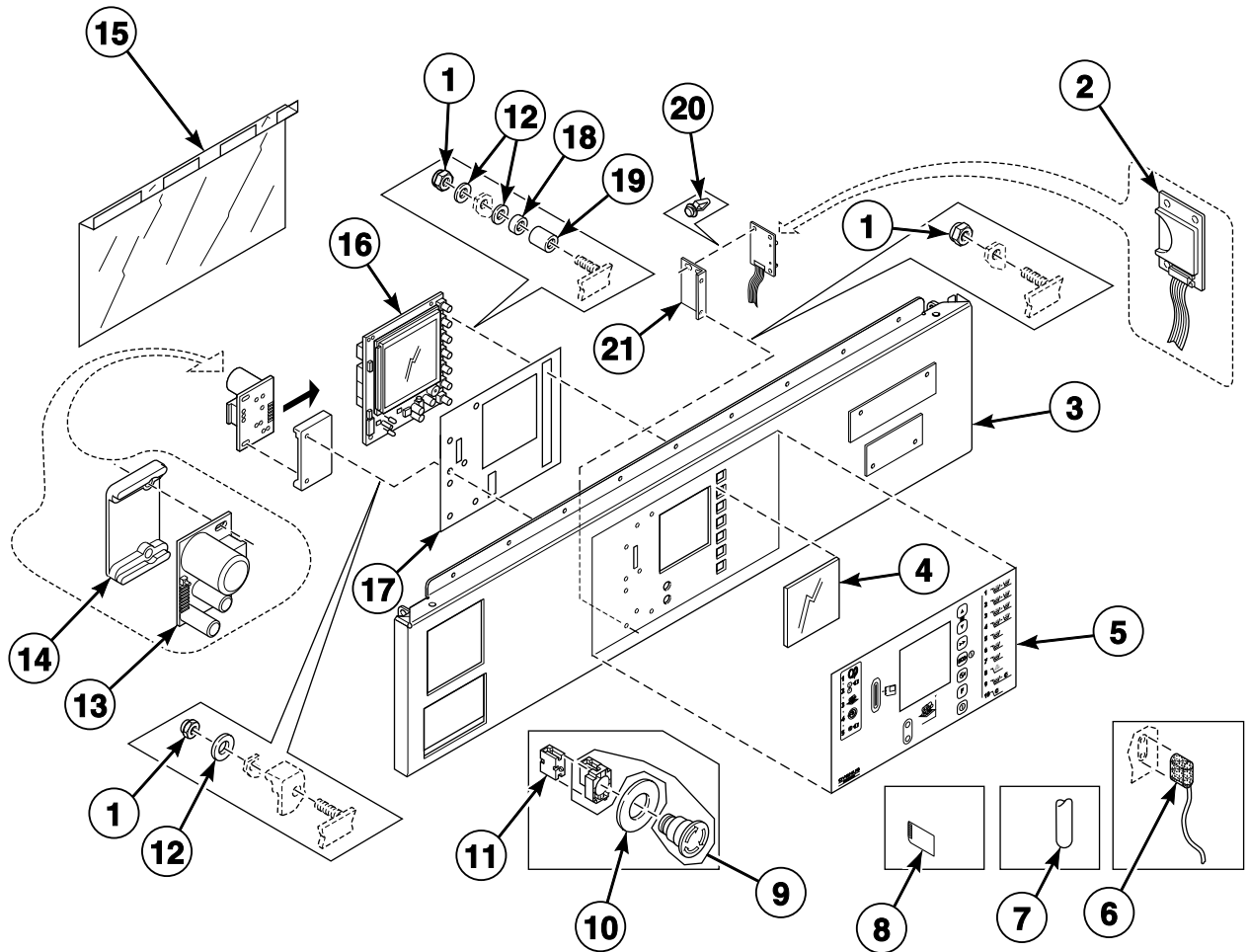


BE000881P\_D0888

## Control Panel - Cygnus Premium OPL

REF	PART NO.	DESCRIPTION	COMMENTS
1	204/00116/00	Nut	
2	B12305201	Memory Card PC-Board	Models prior to 4/5/11 require a firmware upgrade
	B12538301	Data Card Ribbon Assembly	
3	111/00331/33	Control Panel	Model WFF305_CYGNUS-PREM_OPL
	111/00301/33	Control Panel	Model WFF235_CYGNUS-PREM_OPL
4	225/00323/00	Plexi Frame	
5	225/10404/00	Operating Sticker	With DataFlash card opening
	225/10427/00	Operating Sticker	Without DataFlash card opening
6	210/00901/00	Optic Cable	
7	223/00348/00	Datacard Cover	
8	209/02022/00	Datacard	
9	209/00099/20	Emergency Switch Pushbutton	
10	209/00520/00	Telem Sticker	
11	209/00099/26	Contact Switch	
12	223/00123/00	Washer	
13	209/02010/00	Door Lock PC-Board	
14	223/00374/00	Mounting Plate	
15	229/00289/00	Circuit Board Cover	
16	209/02015/02	Printboard	
17	229/00291/00	Insulating Sticker	
18	211/00128/00	Printboard Separator	
19	211/00122/00	Standoff	
20	211/00145/00	Standoff	
21	111/01893/00	Printboard Support Card	

# Control Panel - Cygnus Premium Coin

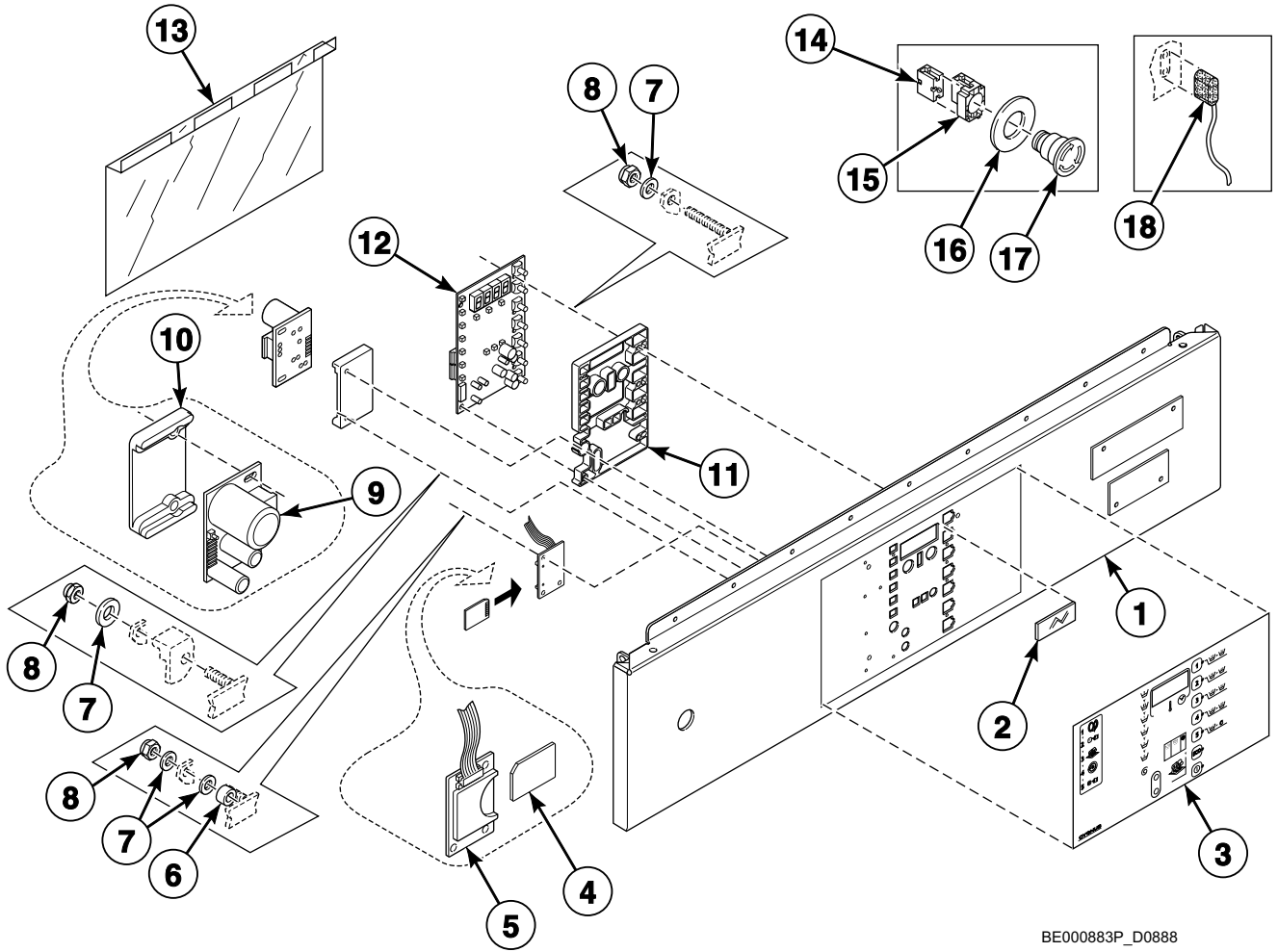


BE000882P\_D0888

## Control Panel - Cygnus Premium Coin

REF	PART NO.	DESCRIPTION	COMMENTS
1	204/00116/00	Nut	
2	B12305201	Memory Card PC-Board	Models prior to 4/5/11 require a firmware upgrade
	B12538301	Data Card Ribbon Assembly	
3	111/00331/34	Control Panel	Model WFF305_CYGNUS-PREM_COIN
	111/00301/34	Control Panel	Model WFF235_CYGNUS-PREM_COIN
4	225/00323/00	Plexi Frame	
5	225/10405/00	Operating Sticker	With ECO
	225/10477/00	Operating Sticker	Without ECO
6	210/00901/00	Optic Cable	
7	223/00348/00	Datacard Cover	
8	209/02022/00	Datacard	
9	209/00099/20	Emergency Switch Pushbutton	
10	209/00520/00	Telem Sticker	
11	209/00099/26	Contact Switch	
12	223/00123/00	Washer	
13	209/02010/00	Door Lock PC-Board	
14	223/00374/00	Mounting Plate	
15	229/00289/00	Circuit Board Cover	
16	209/02015/02	Printboard	
17	229/00291/00	Insulating Sticker	
18	211/00128/00	Printboard Separator	
19	211/00122/00	Standoff	
20	211/00145/00	Standoff	
21	111/01893/00	Printboard Support Card	

# Control Panel - Cygnus Standard/Commercial OPL



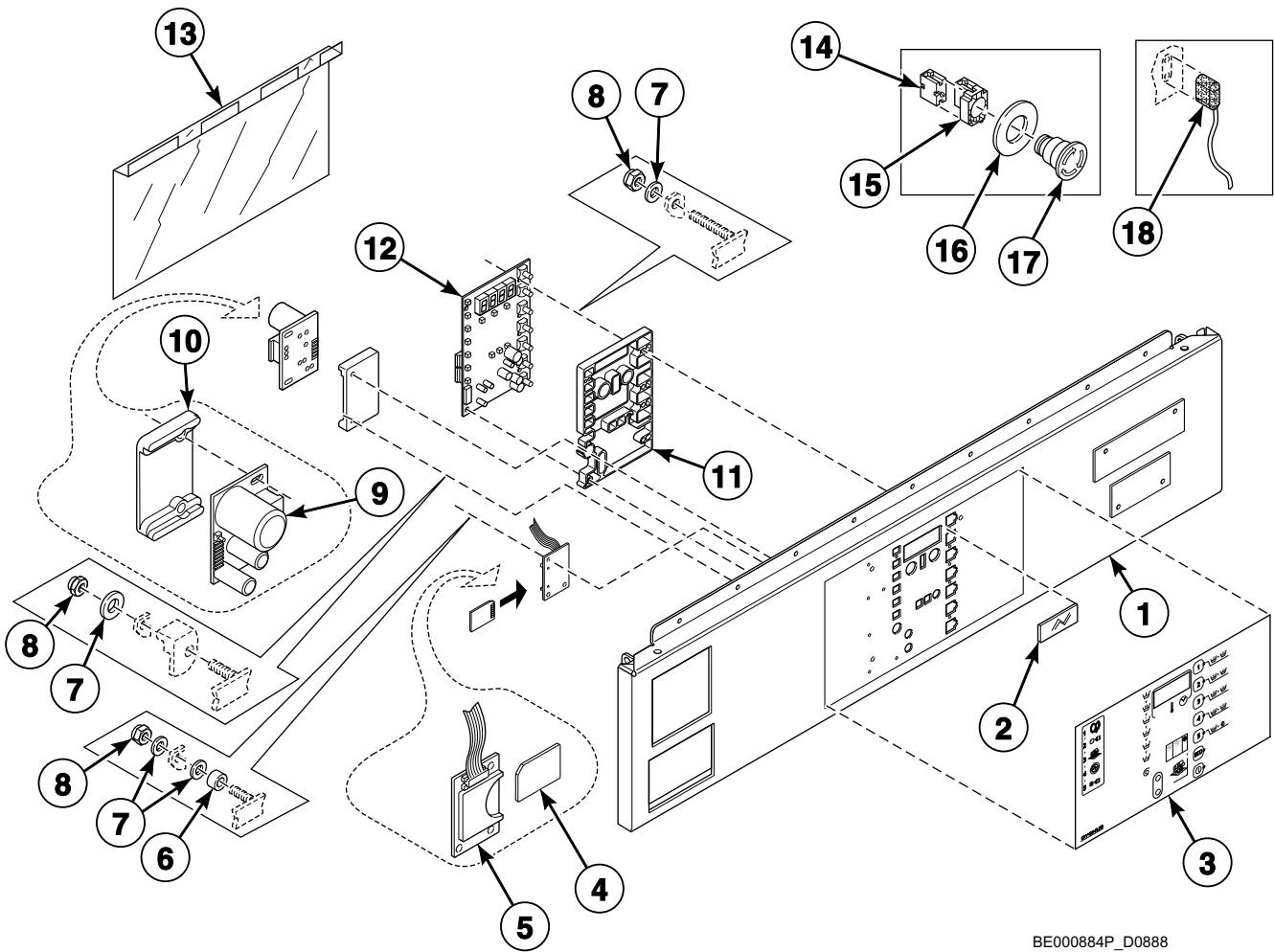
BE000883P\_D0888



## Control Panel - Cygnus Standard/Commercial OPL

REF	PART NO.	DESCRIPTION	COMMENTS
1	111/00331/31	Control Panel	Models WFF305_CYGNUS-COMM_OPL and WFF305_CYGNUS-STANDARD_OPL
	111/00301/31	Control Panel	Models WFF235_CYGNUS-COMM_OPL and WFF235_CYGNUS-STANDARD_OPL
2	225/00322/00	Plexi Frame	
3	225/10307/00	Operating Sticker	Models WFF235_CYGNUS-STANDARD_OPL and WFF305_CYGNUS-STANDARD_OPL
	225/10308/00	Operating Sticker	Models WFF235_CYGNUS-COMM_OPL and WFF305_CYGNUS-COMM_OPL
4	209/02022/00	Datacard	
5	B12305201	Memory Card PC-Board	Models prior to 4/5/11 require a firmware upgrade
	B12538301	Data Card Ribbon Assembly	
6	211/00128/00	Printboard Separator	
7	223/00123/00	Washer	
8	204/00116/00	Nut	
9	209/02010/00	Door Lock PC-Board	
10	223/00374/00	Mounting Plate	
11	223/00330/00	Protection LED	
12	209/02001/02	Printboard	
13	229/00289/00	Circuit Board Cover	
14	209/00099/26	Contact Switch	
15	209/00099/20	Emergency Switch Pushbutton	
16	209/00520/00	Telem Sticker	
17	209/00248/20	Mushroom Pushbutton	
18	210/00901/00	Optic Cable	

# Control Panel - Cygnus Standard/Commercial Coin

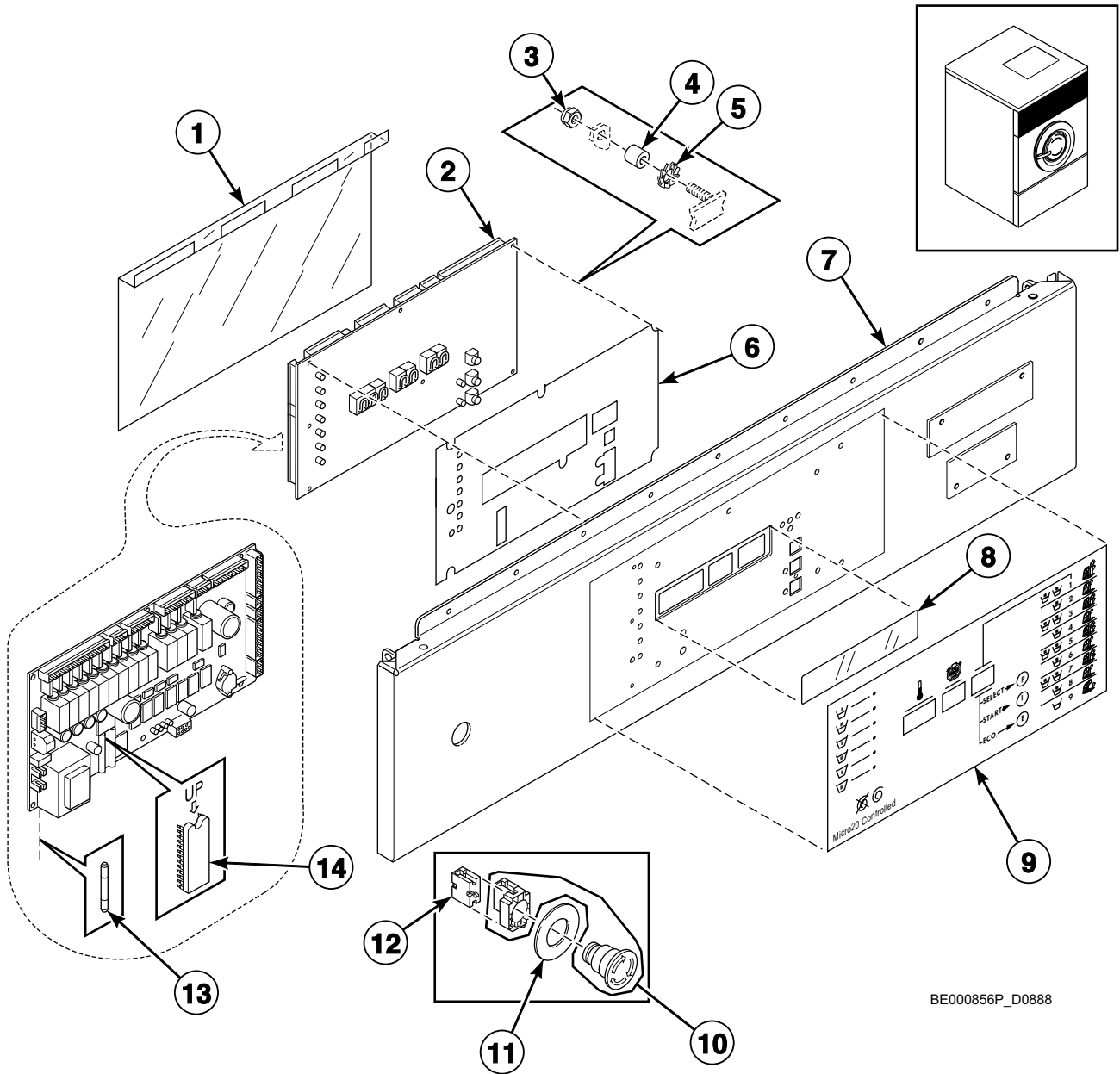


BE000884P\_D0888

## Control Panel - Cygnus Standard/Commercial Coin

REF	PART NO.	DESCRIPTION	COMMENTS
1	111/00331/32	Control Panel	Models WFF305_CYGNUS-COMM_COIN and WFF305_CYGNUS-STANDARD_COIN
	111/00301/32	Control Panel	Models WFF235_CYGNUS-COMM_COIN and WFF235_CYGNUS-STANDARD_COIN
2	225/00322/00	Plexi Frame	
3	225/10307/00	Operating Sticker	Models WFF235_CYGNUS-STANDARD_COIN and WFF305_CYGNUS-STANDARD_COIN
	225/10308/00	Operating Sticker	Models WFF235_CYGNUS-COMM_COIN and WFF305_CYGNUS-COMM_COIN
4	209/02022/00	Datacard	
5	B12305201	Memory Card PC-Board	Models prior to 4/5/11 require a firmware upgrade
	B12538301	Data Card Ribbon Assembly	
6	211/00128/00	Printboard Separator	
7	223/00123/00	Washer	
8	204/00116/00	Nut	
9	209/02010/00	Door Lock PC-Board	
10	223/00374/00	Mounting Plate	
11	223/00330/00	Protection LED	
12	209/02001/02	Printboard	
13	229/00289/00	Circuit Board Cover	
14	209/00099/26	Contact Switch	
15	209/00099/20	Emergency Switch Pushbutton	
16	209/00520/00	Telem Sticker	
17	209/00248/20	Mushroom Pushbutton	
18	210/00901/00	Optic Cable	

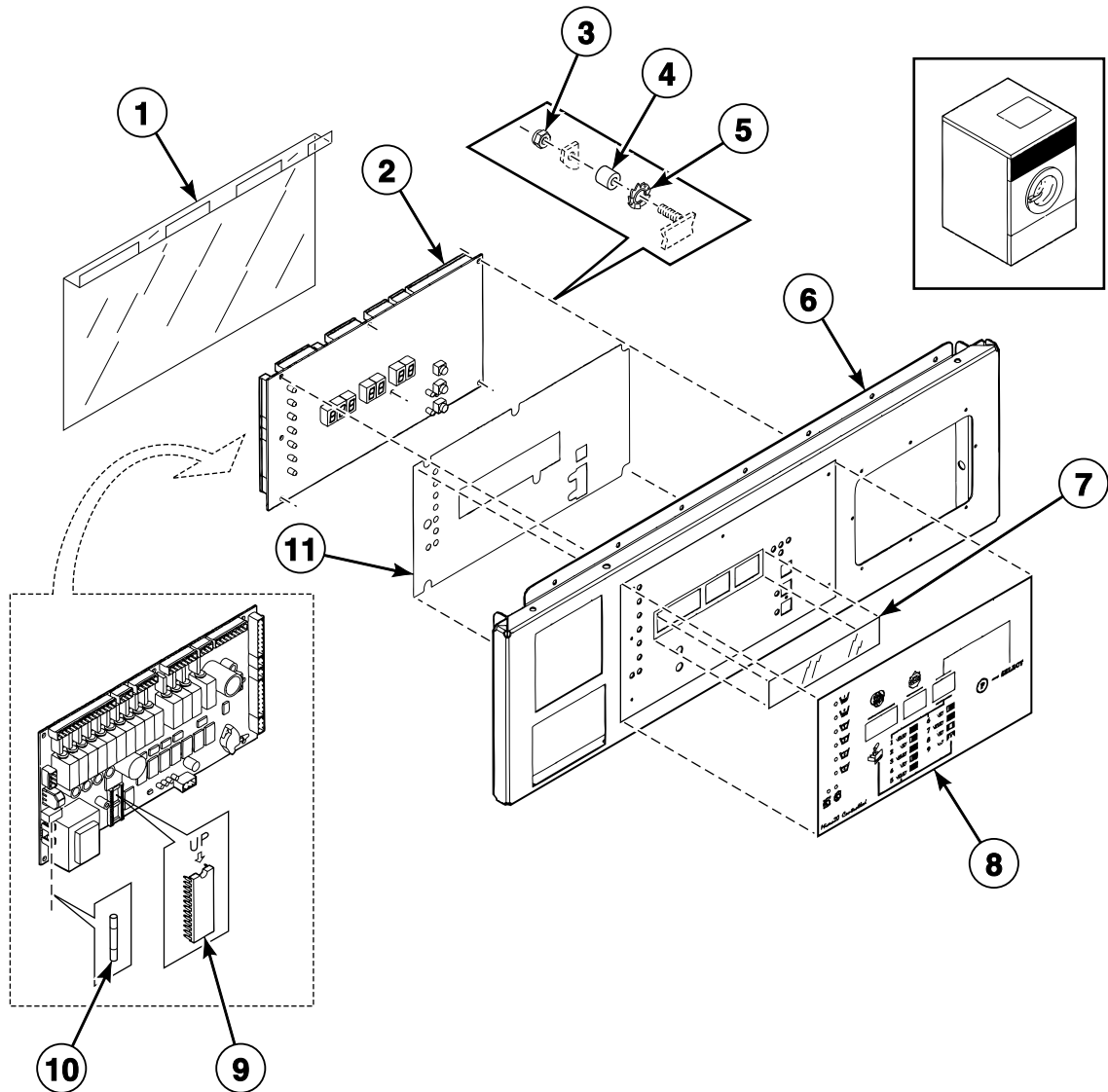
# Control Panel - Micro-20 OPL



## Control Panel - Micro-20 OPL

REF	PART NO.	DESCRIPTION	COMMENTS
1	229/00289/00	Circuit Board Cover	
2	209/00440/70	Printboard	220 Volt
	209/00440/80	Printboard	115 Volt
3	204/00116/00	Nut	
4	211/00122/00	Standoff	
5	203/00006/00	Washer	
6	229/00255/00	Insulating Sticker	
7	111/00301/00	Control Panel	*55 and *235 models
	111/00331/00	Control Panel	*75 and *305 models
8	225/00316/00	Plexi Frame	
9	225/00407/00	Keypad Sticker	With ECO
	225/00408/00	Operating Sticker	Without ECO
10	209/00248/20	Mushroom Pushbutton	
11	209/00520/00	Telem Sticker	
12	209/00099/26	Contact Switch	
13	209/00439/00	Fuse	500 mA
14	209/00266/01	Eprom	

# Control Panel - Micro-20 Coin

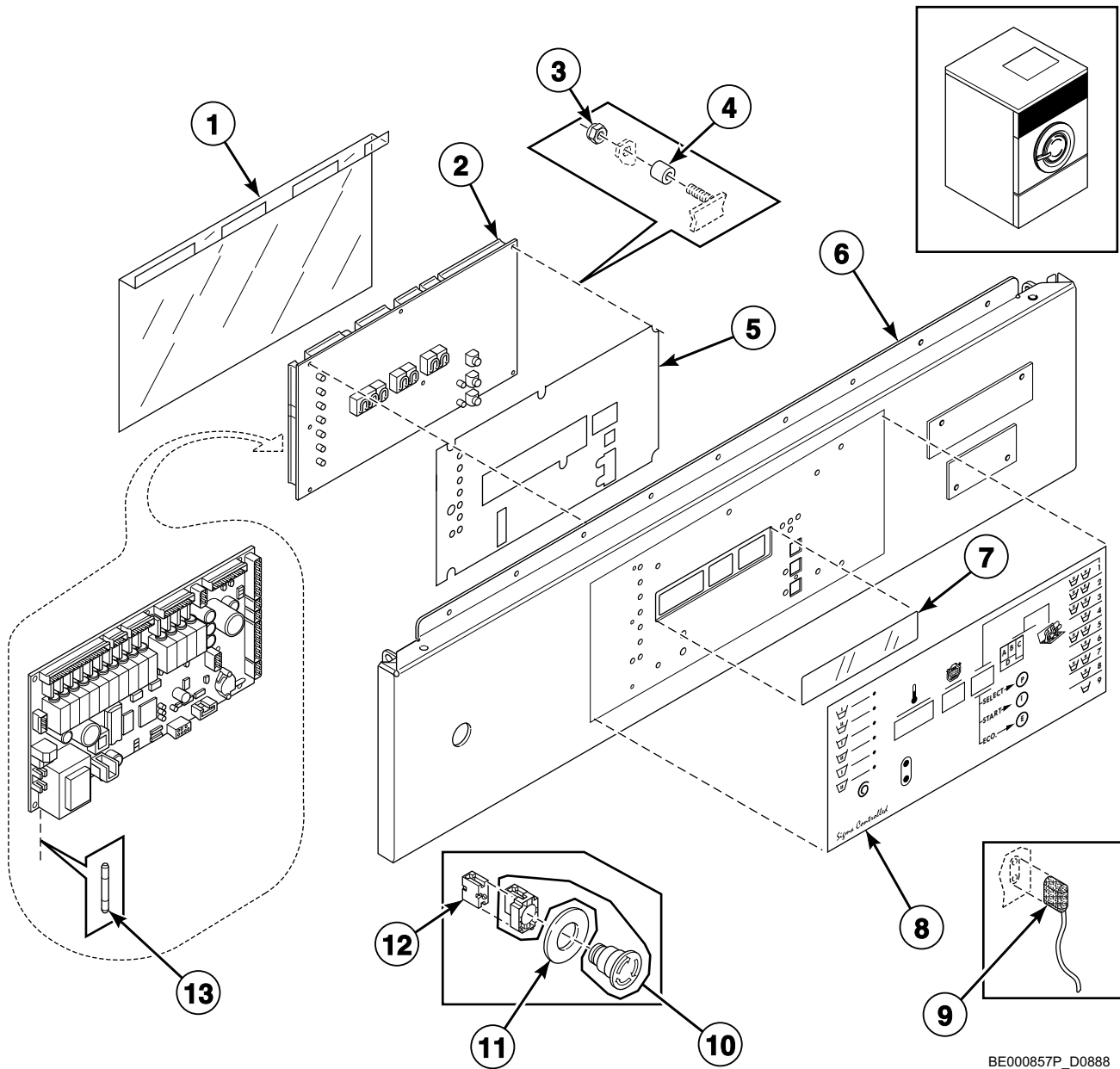


BE000819P\_D0888

## Control Panel - Micro-20 Coin

REF	PART NO.	DESCRIPTION	COMMENTS
1	229/00289/00	Circuit Board Cover	
2	209/00440/70	Printboard	220 Volt
	209/00440/80	Printboard	115 Volt
3	204/00116/00	Nut	
4	211/00122/00	Standoff	
5	203/00006/00	Washer	
6	111/01823/00	Upper Front Panel	
7	225/00316/00	Plexi Frame	
8	225/00410/00	Operating Sticker	
9	209/00266/01	Eprom	Standard software
10	209/00439/00	Fuse	500 mA
11	229/00255/00	Insulating Sticker	

# Control Panel - Sigma OPL



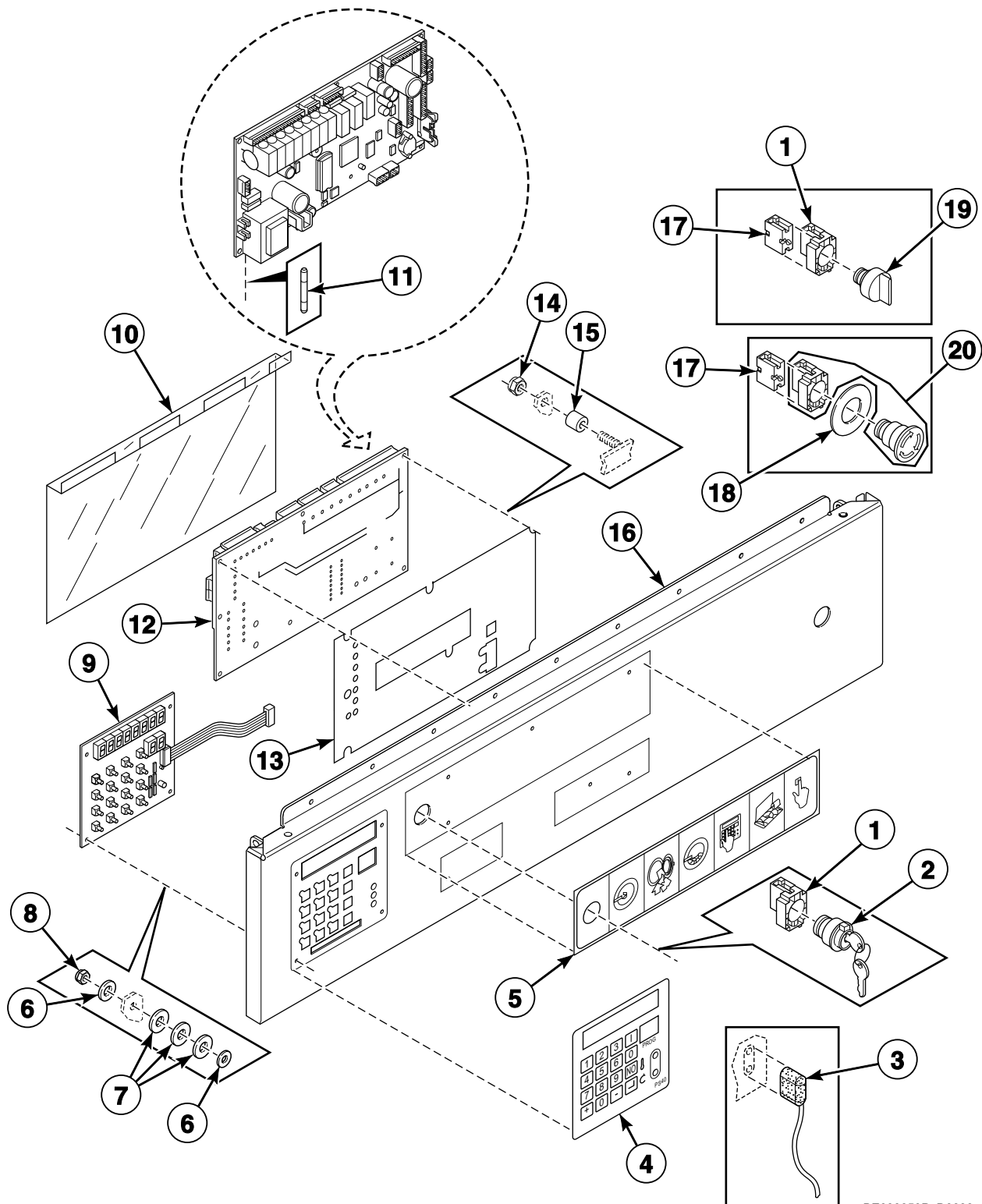
BE000857P\_D0888



## Control Panel - Sigma OPL

REF	PART NO.	DESCRIPTION	COMMENTS
1	229/00262/00	Circuit Board Cover	
2	209/00547/00	Control Board	
3	204/00116/00	Nut	
4	211/00122/00	Standoff	
5	229/00255/00	Insulating Sticker	
6	111/00301/00	Control Panel	Model WFF235_SIGMA_OPL
	111/00331/00	Control Panel	Model WFF305_SIGMA_OPL
7	225/00316/00	Plexi Frame	
8	225/00404/00	Operating Sticker	With ECO
	225/00405/00	Operating Sticker	Without ECO
9	210/00902/00P	Infrared Cable Kit	
10	209/00248/20	Mushroom Pushbutton	
11	209/00520/00	Telem Sticker	
12	209/00099/26	Contact Switch	
13	209/00439/00	Fuse	500 mA

# Control Panel - PS40F

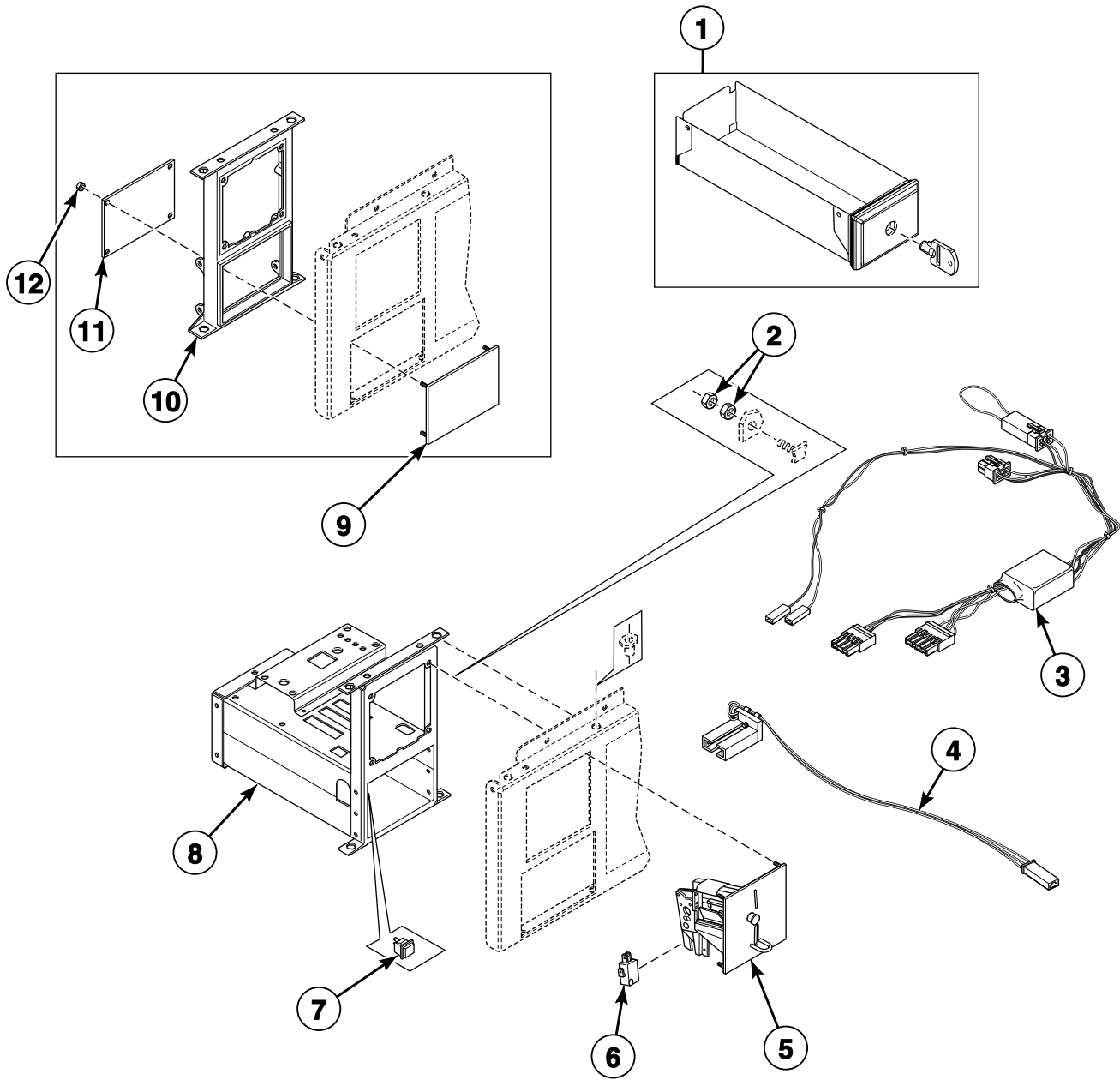


BE000859P\_D0888

## Control Panel - PS40F

REF	PART NO.	DESCRIPTION	COMMENTS
1	209/00099/25	Switch Base	
2	209/00326/20	Programming Key Contact Switch	
3	210/00902/00P	Infrared Cable Kit	
4	225/00397/00	Label	
5	225/00400/00	Operating Sticker	
6	223/00123/00	Washer	
7	223/00051/10	Washer	
8	204/00116/00	Nut	
9	209/00552/01	Keypad	
10	229/00262/00	Circuit Board Cover	
11	209/00372/01	Fuse	
12	B12351701	Main Board	
13	229/00255/00	Insulating Sticker	
14	204/00116/00	Nut	
15	211/00122/00	Standoff	
16	111/00301/20	Control Panel	*55 and *235 models
	111/00331/20	Control Panel	*75 and *305 models
17	209/00099/26	Contact Switch	
18	209/00520/00	Telem Sticker	
19	209/00099/29	Switch Knob	
20	209/00248/20	Mushroom Pushbutton	

# Coin Drop - Mechanical Coin Meter

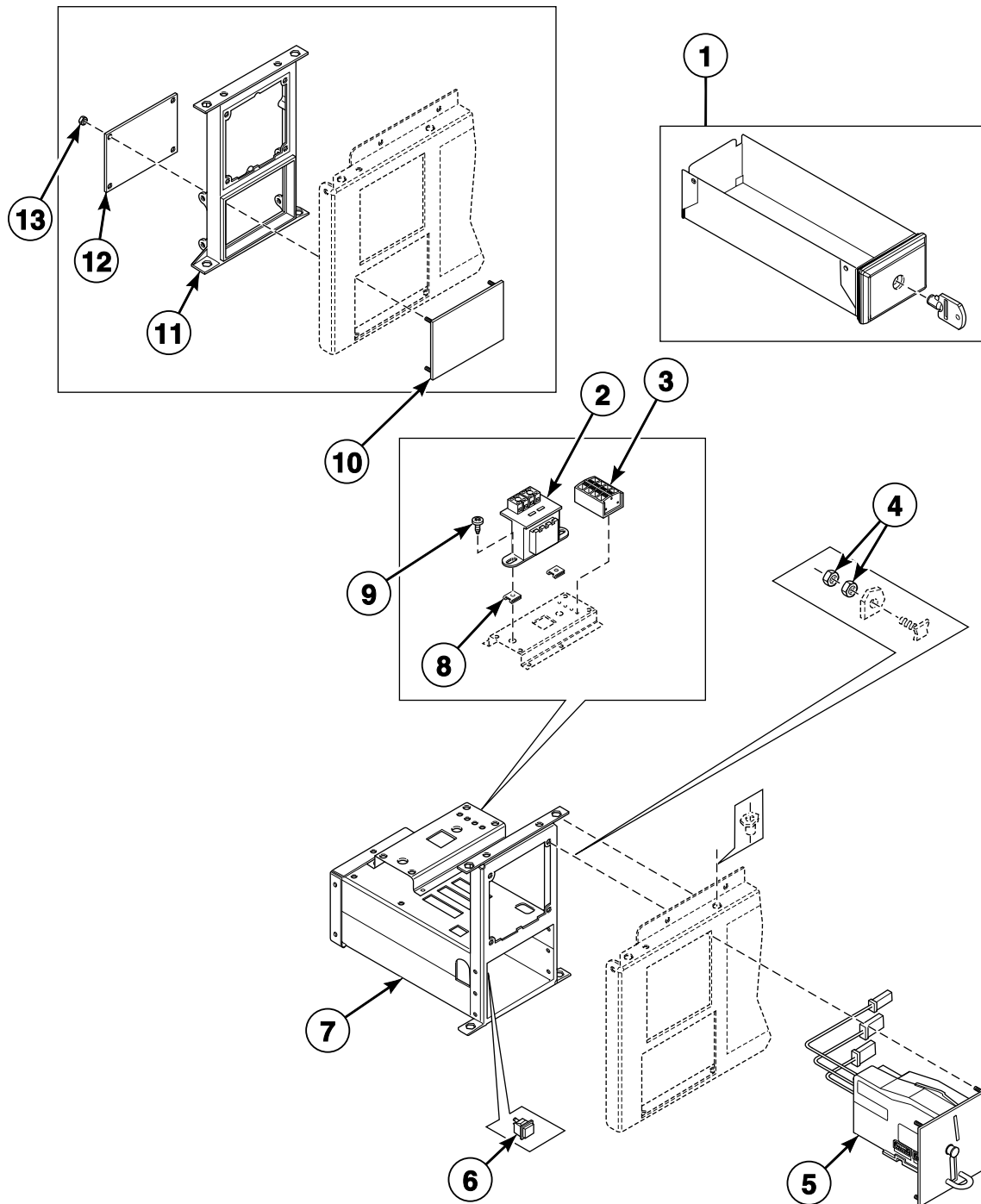


CFD512P\_D0888

## Coin Drop - Mechanical Coin Meter

REF	PART NO.	DESCRIPTION	COMMENTS
	B12388101	Single Drop Optical Sensor Kit	Includes items 3 and 4
	B12388102	Dual Drop Optical Sensor Kit	Includes items 3 and 4
1	254/00077/00	Coin Box	
	254/00077/02	Key	
2	204/00008/00	Nut	
3	B12359901	Wire Assembly	Micro-20 and Sigma models
4	209/00781/00	Optical Switch	Micro-20 and Sigma models
5	B12311224	Coin Drop	Mechanical; Jeton 5K
	B12311206	Coin Drop	Mechanical; Jeton 7K
	B12311201	Coin Drop	Mechanical; Jeton 10K
	B12311210	Coin Drop	Mechanical; Jeton 12K
	B12311252	Coin Drop	Mechanical; Jeton 10K and .5 euro
	B12311211	Coin Drop	Mechanical; Jeton 7K and 1 euro
	B12323901	Coin Drop	Mechanical; Jeton 15K and 7K
	B12311204	Coin Drop	Mechanical; Jeton gettone
	B12311234	Coin Drop	Mechanical; Jeton crouzet
	B12311247	Coin Drop	Mechanical; Jeton 118-1
	B12311248	Coin Drop	Mechanical; Jeton 118-5
	B12311222	Coin Drop	Mechanical; 1 euro
	B12311214	Coin Drop	Mechanical; .5 euro
	B12311202	Coin Drop	Mechanical; .5 and 1 euro
	B12311239	Coin Drop	Mechanical; .5 and 2 euro
	B12311205	Coin Drop	Mechanical; .2 and 1 euro
	B11211209	Coin Drop	Mechanical; .2 and .5 euro
	B12311218	Coin Drop	Mechanical; 1 and 1 euro
	B12311219	Coin Drop	Mechanical; 1 and 2 euro
	B12311203	Coin Drop	Mechanical; 1 and 2 frank
	B12311207	Coin Drop	Mechanical; 1 Deense kroon
	B12311225	Coin Drop	Mechanical; 10 Deense kronen
	B12311235	Coin Drop	Mechanical; 10 Tsjechische kronen
	B12311244	Coin Drop	Mechanical; 10 Noorse kronen
	B12311208	Coin Drop	Mechanical; 100 and 500 yen
	B12311212	Coin Drop	Mechanical; 15K
	B12311215	Coin Drop	Mechanical; 1 kro
	B12311226	Coin Drop	Mechanical; Australia 1.00
	B12311216	Coin Drop	Mechanical; Australia .2 and 1.00
	B12311220	Coin Drop	Mechanical; New Zealand 1.00
	B12311221	Coin Drop	Mechanical; .5 and 2 zwitsers
	B12311241	Coin Drop	Mechanical; Hong Kong 1.00
	B12311249	Coin Drop	Mechanical; Hong Kong 5.00
	B12311301	Coin Drop	Mechanical; U.S. \$0.25
	B12311302	Coin Drop	Mechanical; U.S. \$0.25 and \$1.00
	B12311304	Coin Drop	Mechanical; Canada 1.00 and .25
	B12323401	Coin Drop	Mechanical; Singapore 1.00
6	209/00600/01	Switch	
7	209/00396/00	Pushbutton	
8	152/00112/00	Mechanical Coin Meter Housing	
9	111/01001/00	Top Panel	Gray
	111/01000/00	Front Plate	Black
10	217/00060/00	Fastening Piece	
11	111/01002/00	Backplate	
12	204/00116/00	Nut	

# Coin Drop - Electronic Coin Meter



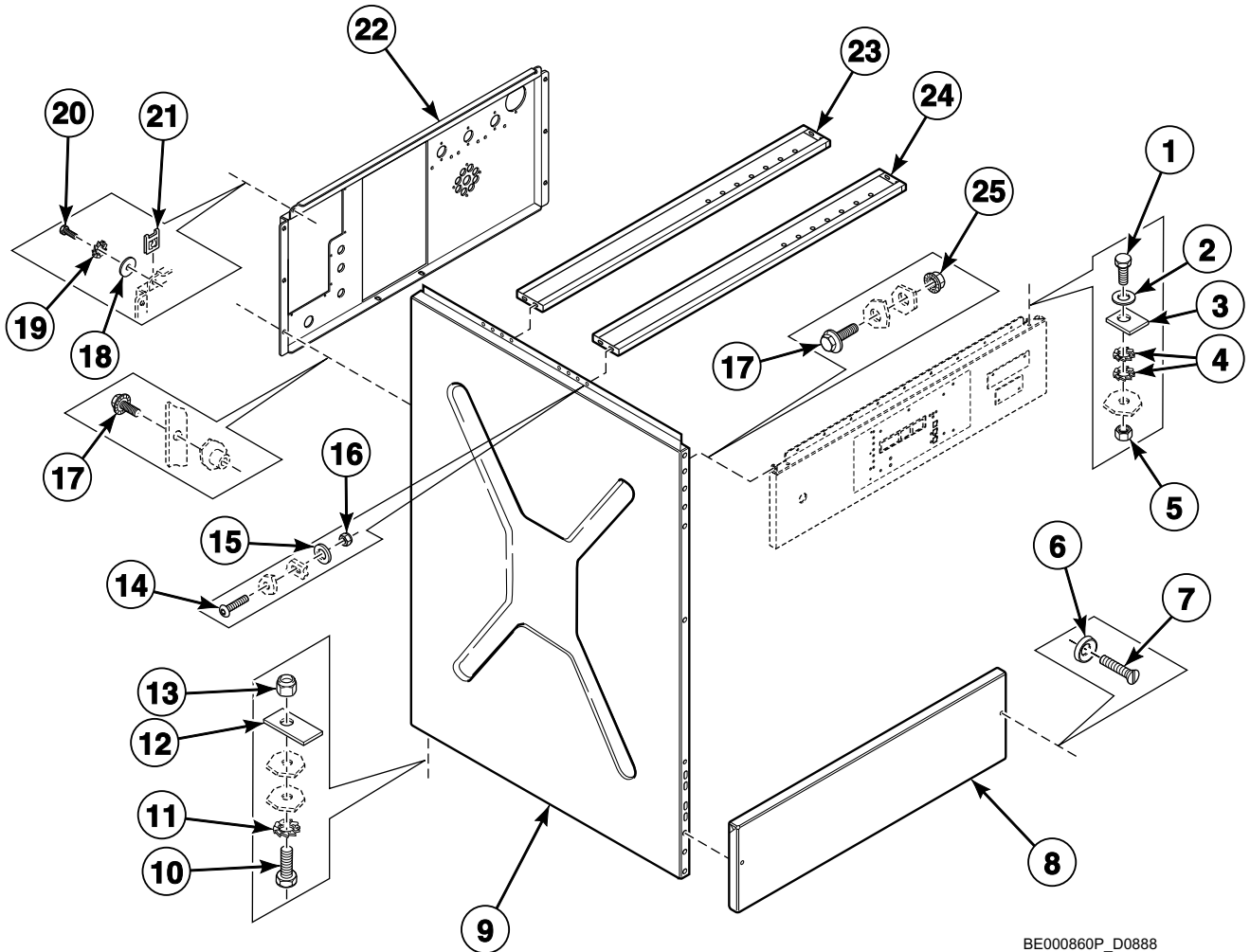
CFD511P\_D0888

## Coin Drop - Electronic Coin Meter

REF	PART NO.	DESCRIPTION	COMMENTS
1	254/00077/00	Coin Box	
	254/00077/02	Key	
2	209/00682/00	Transformer	
3	209/00683/00	Input Block	
4	204/00008/00	Nut	
5	B12311401	Coin Drop	Electronic; Cygnus models
6	209/00396/00	Pushbutton	
7	152/00112/50	Electronic Coin Meter Housing	
8	208/00002/00	Nut	
9	208/00014/00	Screw	
10	111/01001/00	Top Panel	Gray
	111/01000/00	Front Plate	Black
11	217/00060/00	Fastening Piece	
12	111/01002/00	Backplate	
13	204/00116/00	Nut	

# Left Side, Lower Front and Upper Back Panels - \*55 and \*235 Models

Models with Older Style Soap Dispenser Crossbar



BE000860P\_D0888

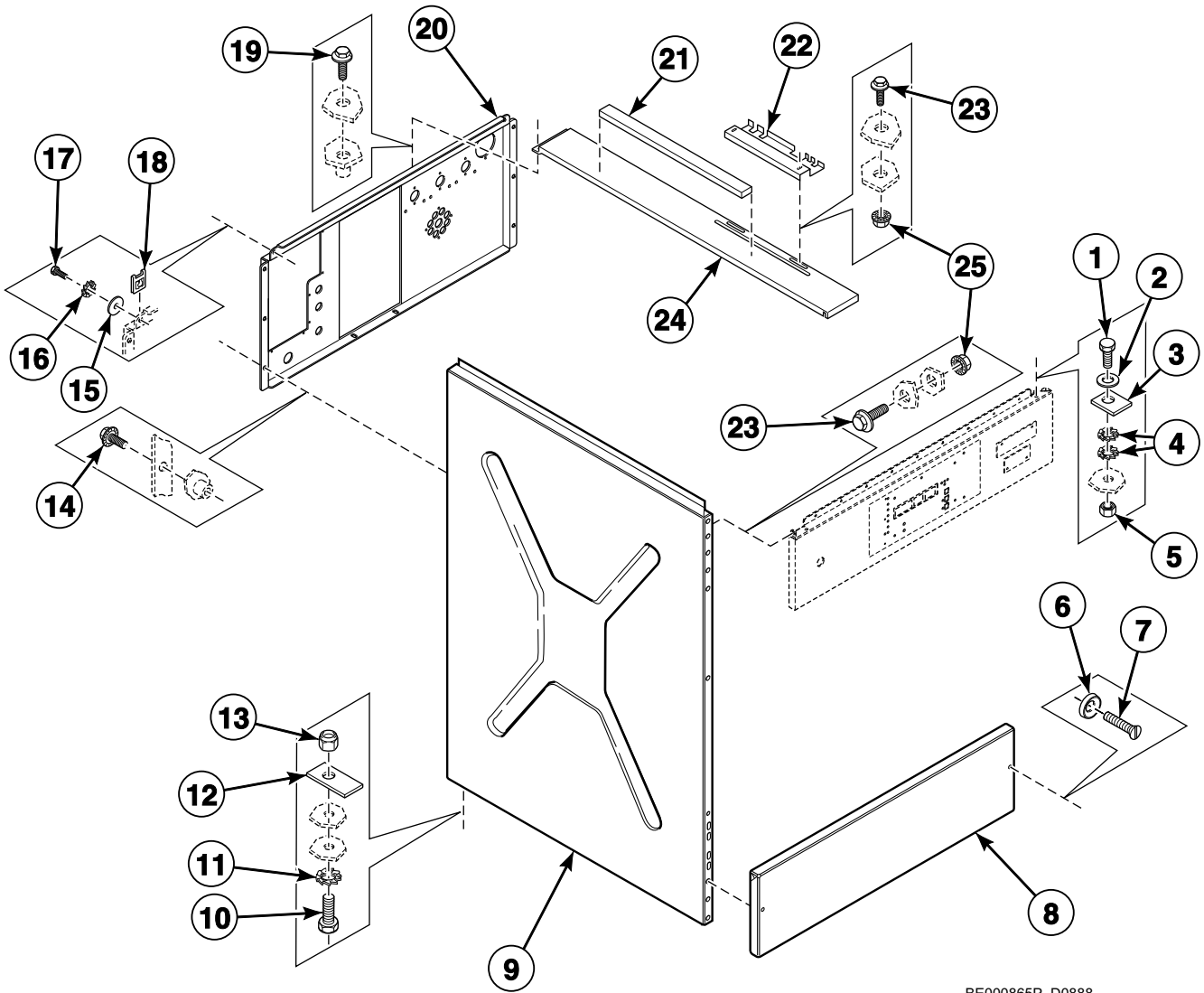


## Left Side, Lower Front and Upper Back Panels - \*55 and \*235 Models

REF	PART NO.	DESCRIPTION	COMMENTS
1	205/00106/00	Bolt	
2	202/00003/00	Washer	
3	117/00042/00	Retaining Ring	
4	203/00005/00	Washer	
5	204/00006/00	Nut	
6	208/00009/00	Washer	
7	207/00101/00	Screw	
8	111/00300/00	Kickplate	
9	140/60027/00	Side Panel	Left
10	205/00105/00	Bolt	
11	203/00004/00	Washer	
12	101/00007/00	Outlet Pipe Plate Assembly	
13	204/00009/00	Nut	
14	207/00032/00	Screw	
15	202/00004/00	Washer	
16	204/00007/00	Nut	
17	206/00099/00	Bolt	
18	201/00006/00	Washer	
19	203/00015/00	Washer	
20	208/00014/00	Screw	
21	208/00025/00	Nut	
22	111/00304/00	Backbridge	
23	111/10100/10	Soap Dispenser Front	
24	111/10100/00	Soap Dispenser Back	
25	206/00101/00	Nut	

# Left Side, Lower Front and Upper Back Panels - \*75 and \*305 Models

Models with Older Style Soap Dispenser Crossbar



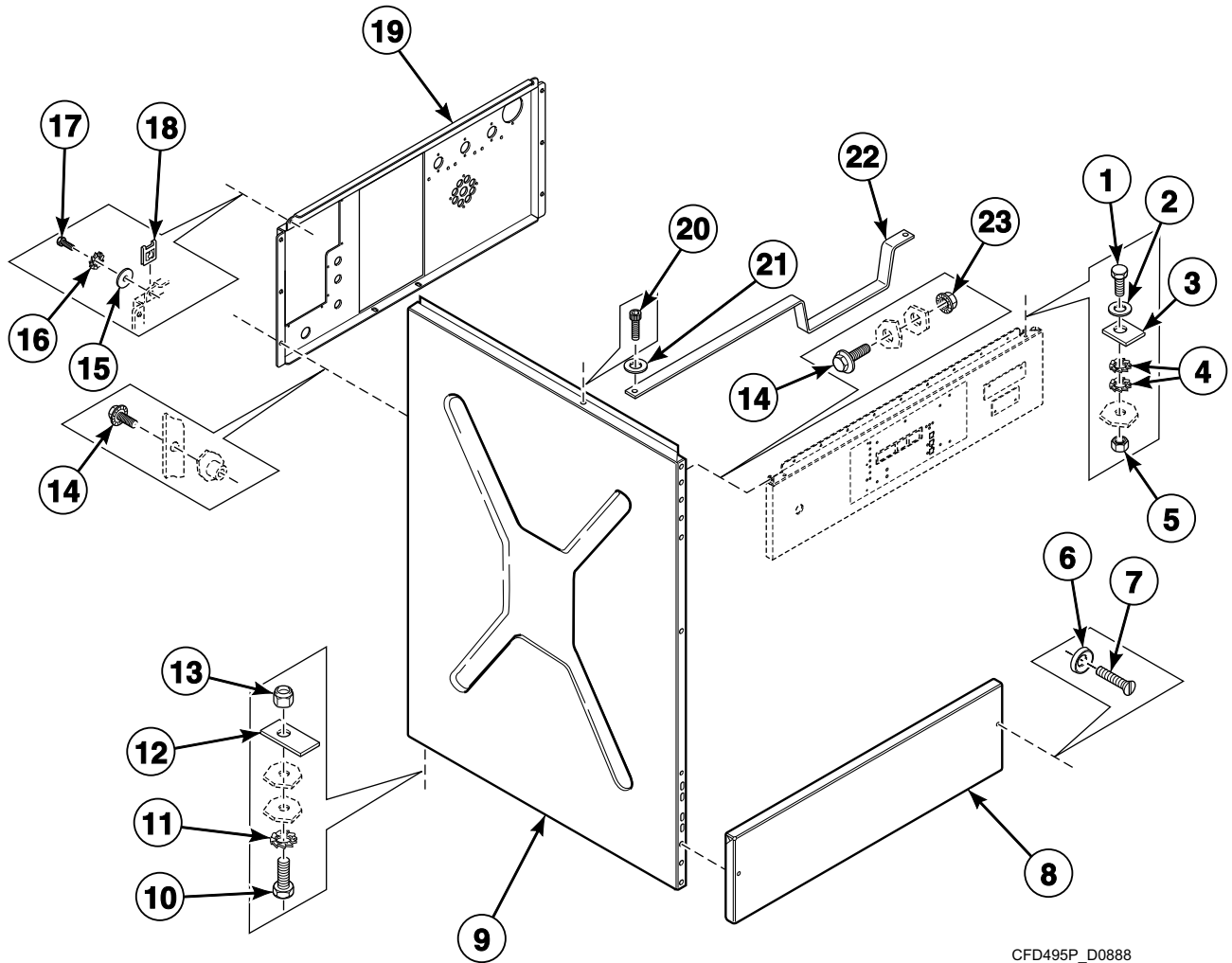
BE000865P\_D0888

## Left Side, Lower Front and Upper Back Panels - \*75 and \*305 Models

REF	PART NO.	DESCRIPTION	COMMENTS
1	205/00106/00	Bolt	
2	202/00003/00	Washer	
3	117/00042/00	Retaining Ring	
4	203/00005/00	Washer	
5	204/00006/00	Nut	
6	208/00009/00	Washer	
7	207/00101/00	Screw	
8	111/00333/00	Kickplate	
9	111/60038/00	Side Panel	Left
10	205/00105/00	Bolt	
11	203/00004/00	Washer	
12	101/00007/00	Outlet Pipe Plate Assembly	
13	204/00009/00	Nut	
14	206/00099/00	Bolt	
15	201/00006/00	Washer	
16	203/00015/00	Washer	
17	208/00014/00	Screw	
18	208/00025/00	Nut	
19	206/00099/00	Bolt	
20	111/00334/10	Backbridge	
21	246/00149/00	Gasket	
22	111/00117/00	Soap Box Support Plate	
23	206/00099/00	Bolt	
24	111/00156/00	Soap Dispenser Crossbar	
25	206/00101/00	Nut	

# Left Side, Lower Front and Upper Back Panels

Models with Newer Style Soap Dispenser Crossbar

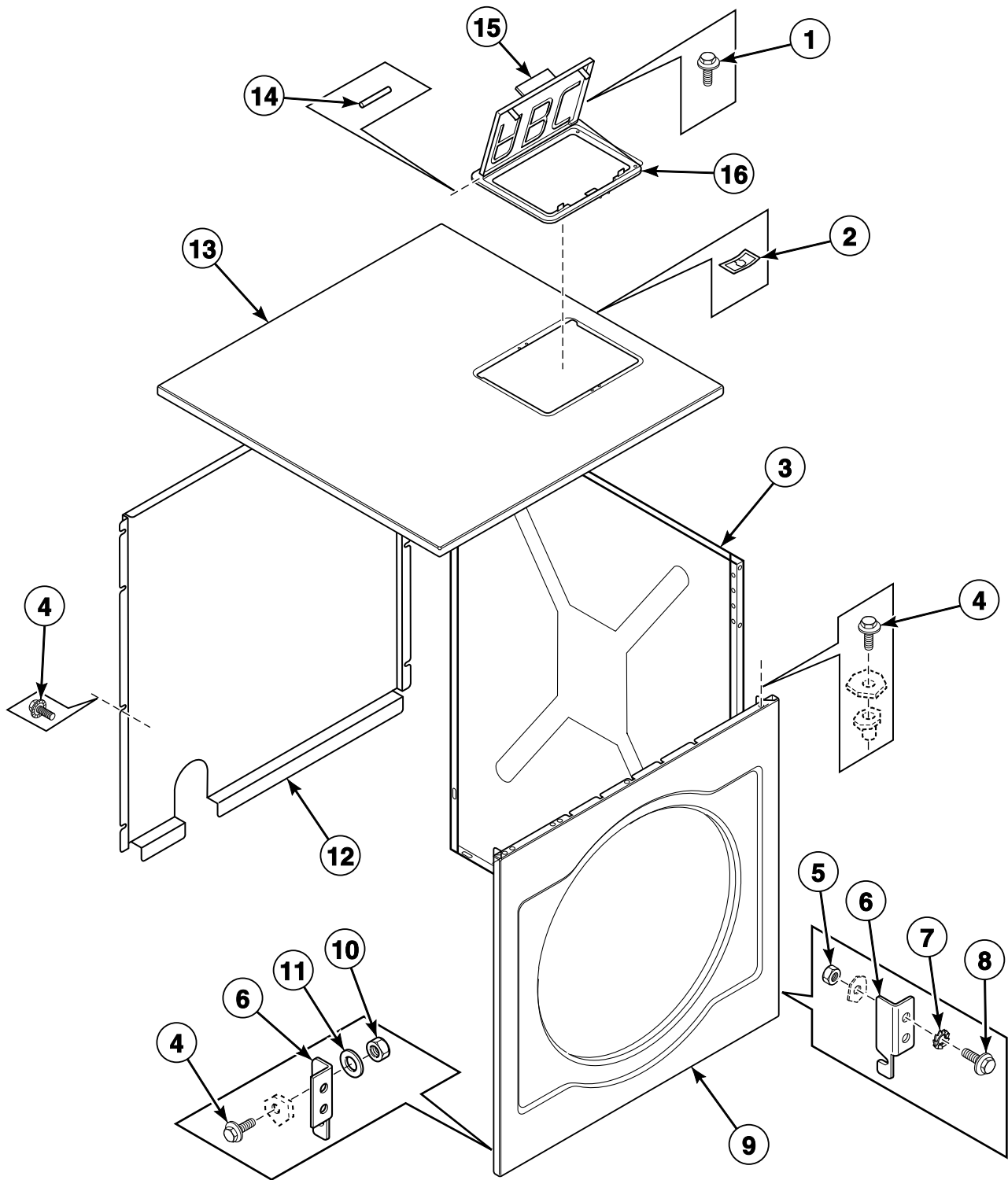


CFD495P\_D0888

## Left Side, Lower Front and Upper Back Panels

REF	PART NO.	DESCRIPTION	COMMENTS
1	205/00106/00	Bolt	
2	202/00003/00	Washer	
3	117/00042/00	Retaining Ring	
4	203/00005/00	Washer	
5	204/00006/00	Nut	
6	208/00009/00	Washer	
7	207/00101/00	Screw	
8	111/00333/00	Kickplate	
9	111/60038/00	Side Panel	*75 and *305 models; Left
	140/60027/00	Side Panel	*55 and *235 models; Left
10	205/00105/00	Bolt	
11	203/00004/00	Washer	
12	101/00007/00	Outlet Pipe Plate Assembly	
13	204/00009/00	Nut	
14	206/00099/00	Bolt	
15	201/00006/00	Washer	
16	203/00015/00	Washer	
17	208/00014/00	Screw	
18	208/00025/00	Nut	
19	111/00304/00	Backbridge	
20	206/00166/00	Screw	
21	B12421401	Washer	
22	111/10100/11	Soap Dispenser Crossbar	*55 and *235 models
	111/00156/11	Powder Bin Crossbar	*75 and *305 models
23	206/00101/00	Nut	

# Right Side, Front, Lower Rear and Top Panels

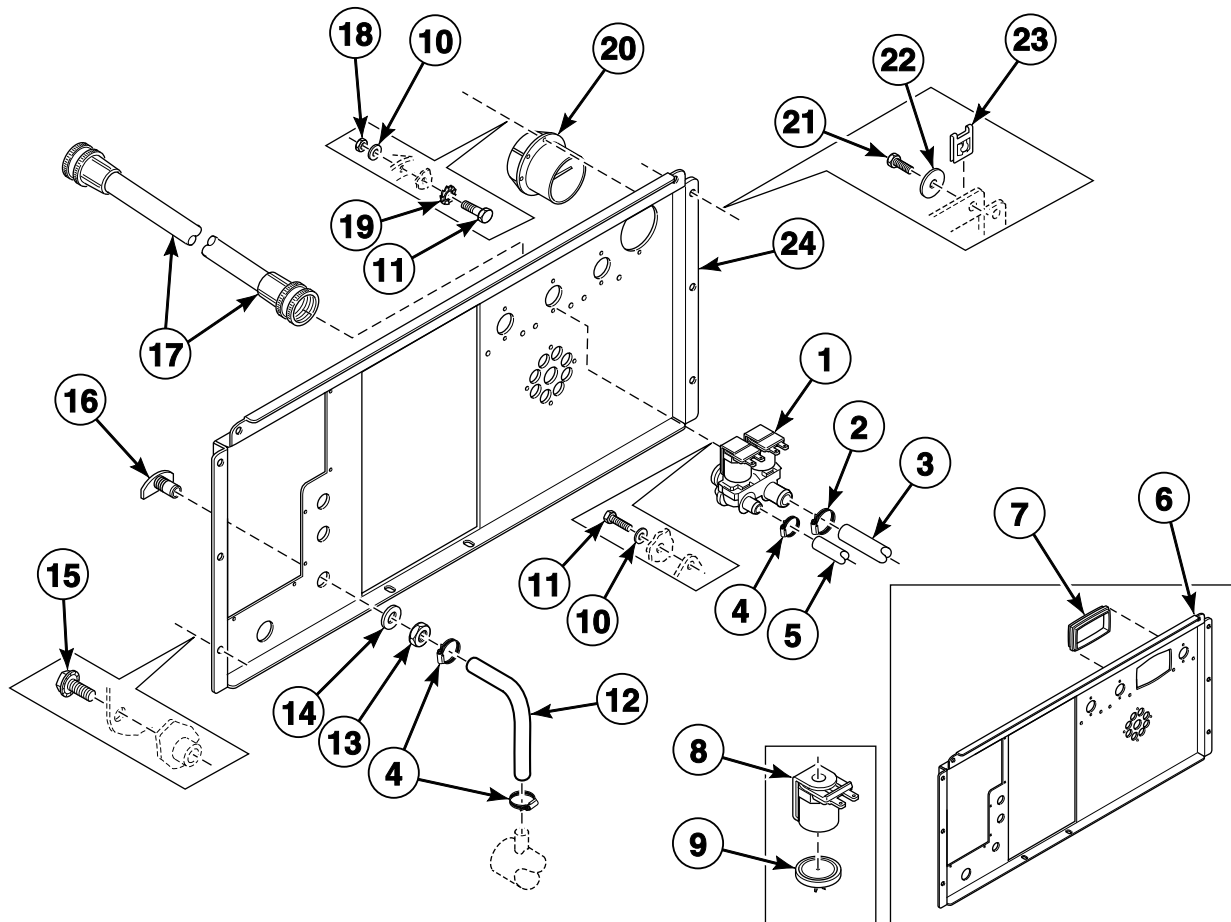


BE000861P\_D0888

## Right Side, Front, Lower Rear and Top Panels

REF	PART NO.	DESCRIPTION	COMMENTS
1	207/00112/00	Screw	
2	208/00104/00	Nut	
3	140/60028/00	Side Panel	*55 and *235 models; Right
	111/60038/50	Side Panel	*75 and *305 models; Right
4	206/00099/00	Bolt	
5	204/00107/00	Nut	
6	111/10089/01	Reinforcement Plate	
7	203/00005/00	Washer	
8	206/00016/00	Bolt	
9	111/00293/00	Front Panel	*55 and *235 models
	111/00332/00	Front Panel	*75 and *305 models
10	204/00106/00	Nut	
11	201/00007/00	Washer	
12	111/00335/00	Back Panel	*75 and *305 models
	111/00302/00	Back Panel	*55 and *235 models
13	140/00046/00	Top Panel	*55 and *235 models
	111/00330/00	Top Panel	*75 and *305 models
14	223/00103/04	Soap Dispenser Cover Hinge Rod	2 required
15	223/00103/01	Soap Dispenser Cover	
16	223/00103/03	Soap Dispenser Frame	

# Water Inlet Valves



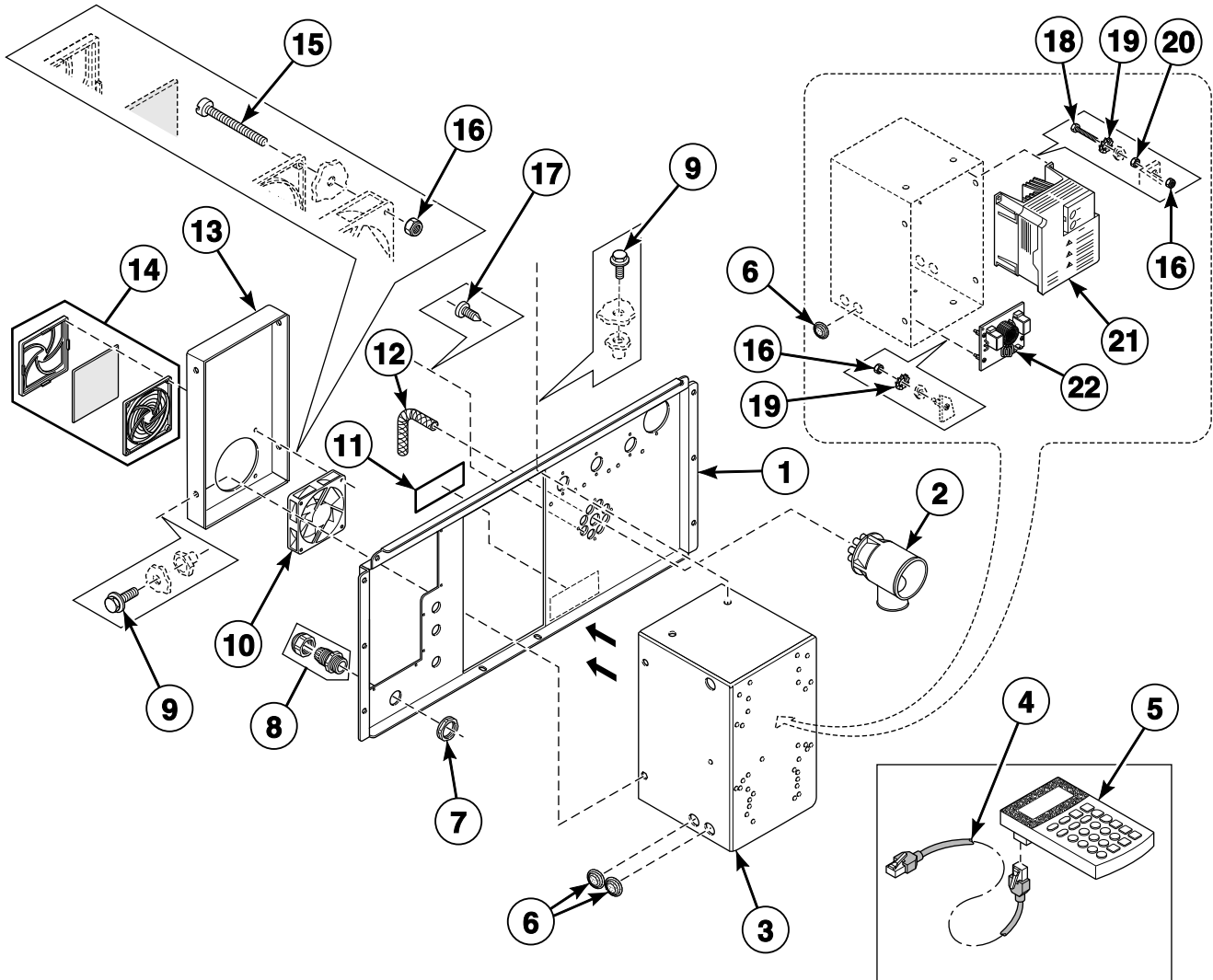
CFD326P\_D0888



## Water Inlet Valves

REF	PART NO.	DESCRIPTION	COMMENTS
1	209/00316/00	2-Way Inlet Valve	Metric thread; Uses F380939 Valve Repair Kit
	209/00419/00	2-Way Inlet Valve	Standard thread; Uses F380939 Valve Repair Kit
2	223/00011/00	Hose Clamp	
3	223/00059/00	Water Hose	
4	223/00010/00	Hose Clamp	
5	223/00044/00	Water Hose	
6	111/00304/10	Backbridge	*55 and *235 models; Rectangular ventilation
	111/00334/20	Backbridge	*75 and *305 models; Rectangular ventilation
7	223/00226/00	Vent Tube	
8	209/00090/01	Inlet Valve Solenoid	
9	209/00316/02	Diaphragm	
10	202/00004/00	Washer	
11	206/00027/00	Bolt	
12	223/00044/00	Water Hose	
13	204/00201/00	Nut	
14	201/00002/00	Washer	
15	206/00099/00	Bolt	
16	223/00001/04	Prewash and Mainwash Nozzle	
17	F200164	Water Hose	Standard thread
	F200166	Water Hose	Metric thread
18	204/00007/00	Nut	
19	203/00006/00	Washer	
20	223/00102/07	Hose Vent	
21	208/00014/00	Screw	
22	201/00006/00	Washer	
23	208/00002/00	Nut	
24	111/00304/00	Backbridge	*55 and *235 models; Circular ventilation
	111/00334/10	Backbridge	*75 and *305 models; Circular ventilation

# Inverter Drive - \*55 and \*235 Models



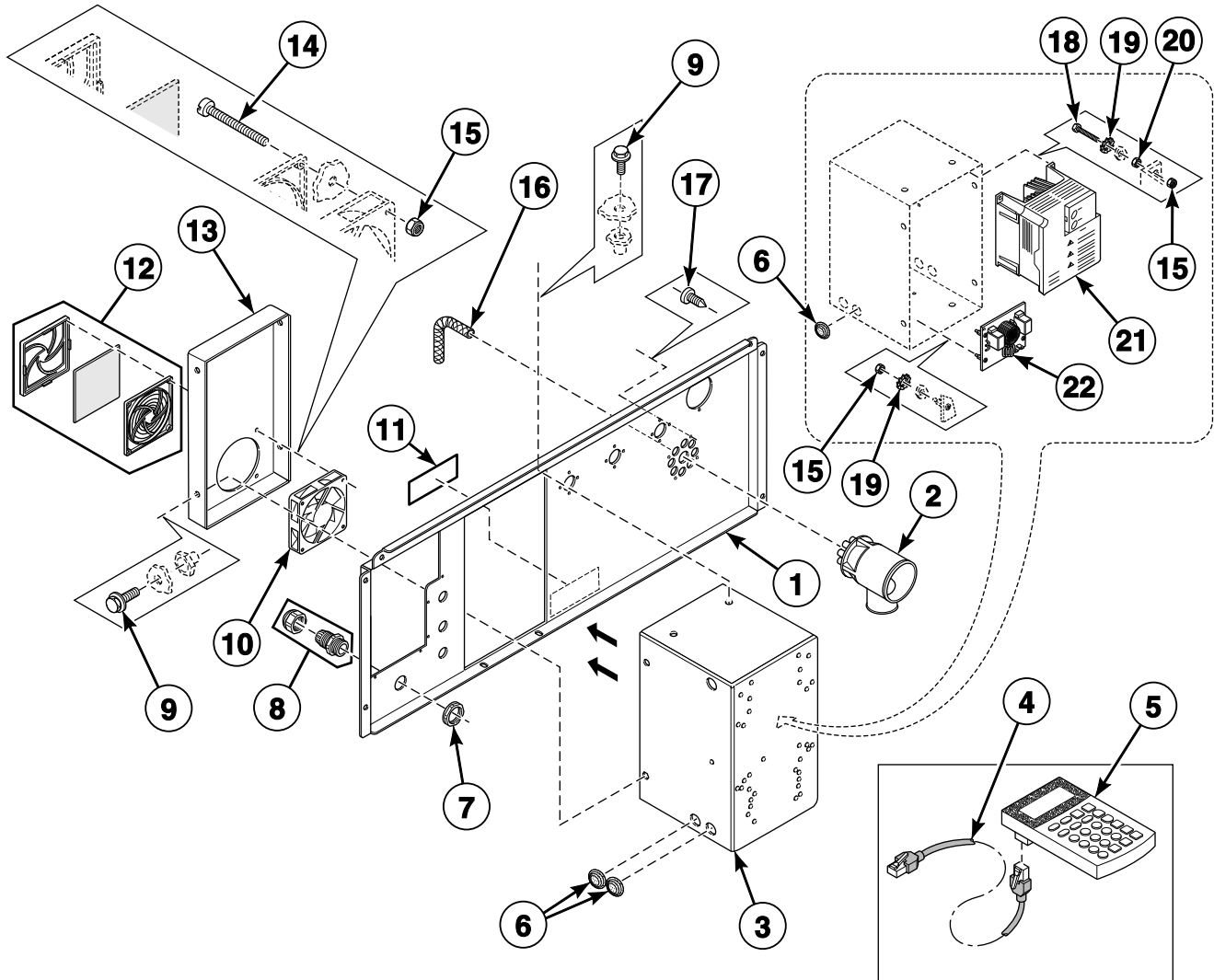
CFD464P\_D0888

## Inverter Drive - \*55 and \*235 Models

REF	PART NO.	DESCRIPTION	COMMENTS
1	111/00304/00	Backbridge	
2	223/00249/00	Liquid Soap Manifold	
3	111/01150/00	Inverter Drive Box	
4	227/00171/10	Parameter Unit Program Cable	
5	227/00171/00	Parameter Unit Assembly	Hand held
	F8410901	Parameter Unit Assembly	Inverter mounted; Used with 500 series inverter drives
6	223/00174/00	Grommet	
7	211/00171/00	Nut	
8	211/00182/00	Nut	
9	206/00099/00	Bolt	
10	209/00287/00	Cooling Fan	
11	B12355001	Voltage Discharge Decal	
12	223/00179/10	Pressure Hose	
13	111/01158/11	Inverter Box Cover	
14	209/00287/11	AC Drive Filter	Includes filter and holder
	209/00287/21	Filter	Filter only
15	207/00021/00	Screw	
16	204/00114/00	Nut	
17	208/00130/00	Screw	
18	206/00088/00	Bolt	
19	203/00006/00	Washer	
20	204/00007/00	Nut	
21	N/A	Inverter Drive	FR-E520 series; 1 x 230 Volt
	227/00168/00	Inverter Drive	FR-E540 series; 3 x 400 Volt
	227/00229/00	Inverter Drive	FR-D720 series; 1 x 230 Volt; *235 models with Cygnus controls
	227/00237/00	Inverter Drive	FR-D740 series; 3 x 400 Volt; *235 models with Cygnus controls
	F8420415	Inverter Kit	700 series; *055 and *235 models with Micro-20, PS40F and Sigma controls; 200 Volt/1 Phase; Models with 2.2 kW motor; Includes F8420515 Drive, F8409501 Mounting Plate Assembly and F430903 Screw
	F8420416	Inverter Kit	700 series; *055 and *235 models with Micro-20, PS40F and Sigma controls; 400 Volt/3 Phase; Models with 2.2 kW motor; Includes F8420516 Drive, F8409501 Mounting Plate Assembly and F430903 Screw
	F8420515	Drive	700 series; *055 and *235 models with Micro-20, PS40F and Sigma controls; 200 Volt/1 Phase; Models with 2.2 kW motor
	F8420516	Drive	700 series; *055 and *235 models with Micro-20, PS40F and Sigma controls; 400 Volt/3 Phase; Models with 2.2 kW motor
22	B12339401	Noise Filter	

**N/A = Part no longer available**

# Inverter Drive - \*75 and \*305 Models



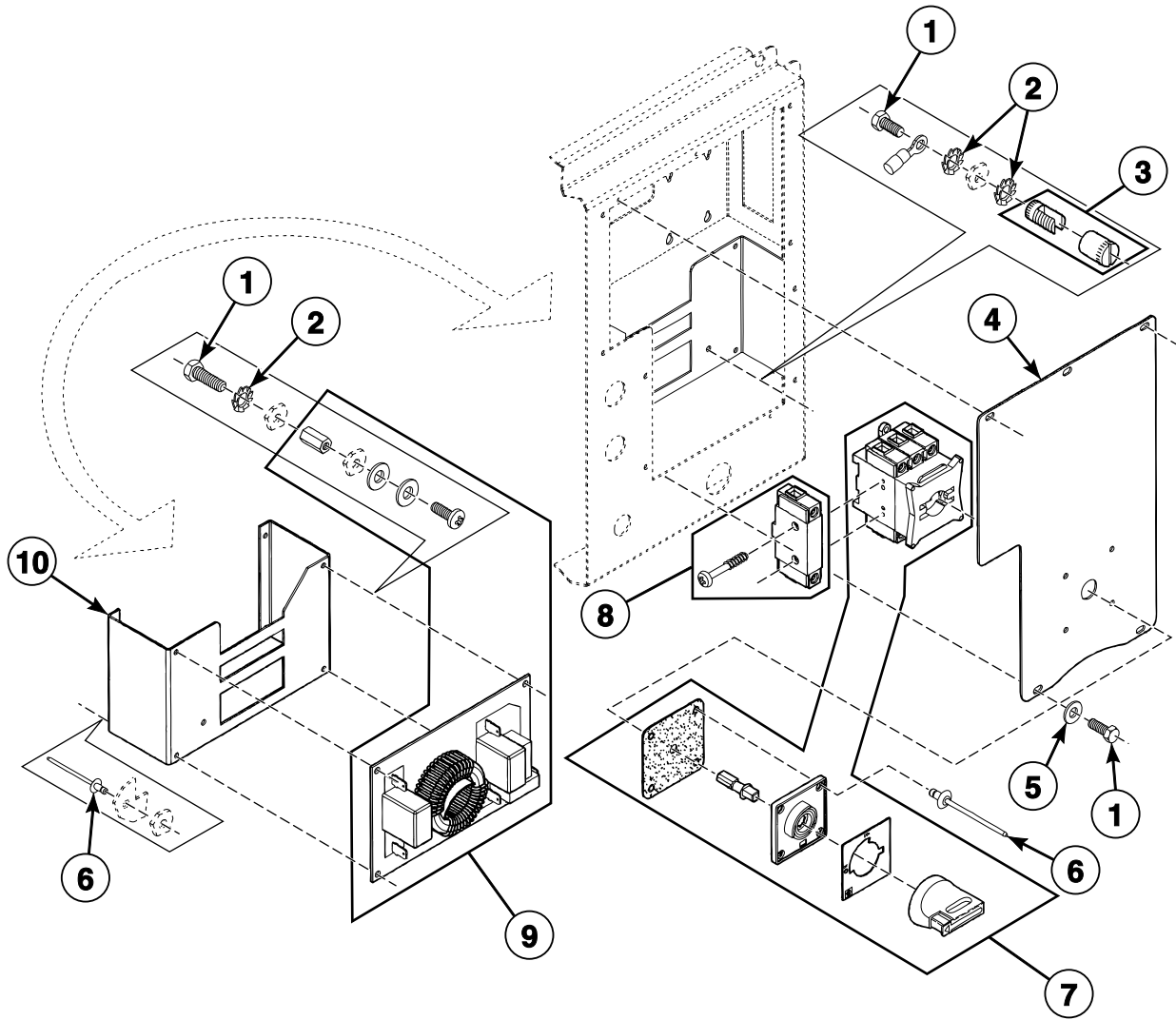
CFD465P\_D0888

## Inverter Drive - \*75 and \*305 Models

REF	PART NO.	DESCRIPTION	COMMENTS
1	111/00334/10	Backbridge	
2	223/00249/00	Liquid Soap Manifold	
3	111/01149/00	Inverter Drive Box	
4	227/00171/10	Parameter Unit Program Cable	
5	227/00171/00	Parameter Unit Assembly	Hand held
	F8410901	Parameter Unit Assembly	Inverter mounted; Used with 500 series inverter drives
6	223/00174/00	Grommet	
7	211/00171/00	Nut	
8	211/00182/00	Nut	
9	206/00099/00	Bolt	
10	209/00287/00	Cooling Fan	
11	B12355001	Voltage Discharge Decal	
12	209/00287/11	AC Drive Filter	Includes filter and holder
	209/00287/21	Filter	Filter only
13	111/01158/11	Inverter Box Cover	
14	207/00021/00	Screw	
15	204/00114/00	Nut	
16	223/00179/10	Pressure Hose	
17	208/00130/00	Screw	
18	206/00088/00	Bolt	
19	203/00006/00	Washer	
20	204/00007/00	Nut	
21	N/A	Inverter	FR-E520 series; 1 x 230 Volt
	227/00238/00	Inverter	FR-E540 series; 3 x 400 Volt
	F8645201P	Inverter Drive	FR-D740-036-E8 series; 3 x 400 Volt; *305 low speed models with Cygnus controls
	F8645401P	Inverter	FR-D740-050-NA series; 3 x 400 Volt; *305 low speed models with Cygnus controls
	F8420417	Inverter Kit	700 series; *075 and *305 models with Micro-20, PS40F and Sigma controls; 200 Volt/1 Phase; Models with 3.0 kW motor; Includes F8420517 Drive
	F8420418	Inverter Kit	700 series; *075 and *305 models with Micro-20, PS40F and Sigma controls; 400 Volt/3 Phase; Models with 3.0 kW motor; Includes F8420518 Drive, F8409501 Mounting Plate Assembly and F430903 Screw
	F8420517	Drive	700 series; *075 and *305 models with Micro-20, PS40F and Sigma controls; 200 Volt/1 Phase; Models with 3.0 kW motor
	F8420518	Drive	700 series; *075 and *305 models with Micro-20, PS40F and Sigma controls; 400 Volt/3 Phase; Models with 3.0 kW motor
22	B12339401	Noise Filter	

**N/A = Part no longer available**

# Main Switch and Noise Filter

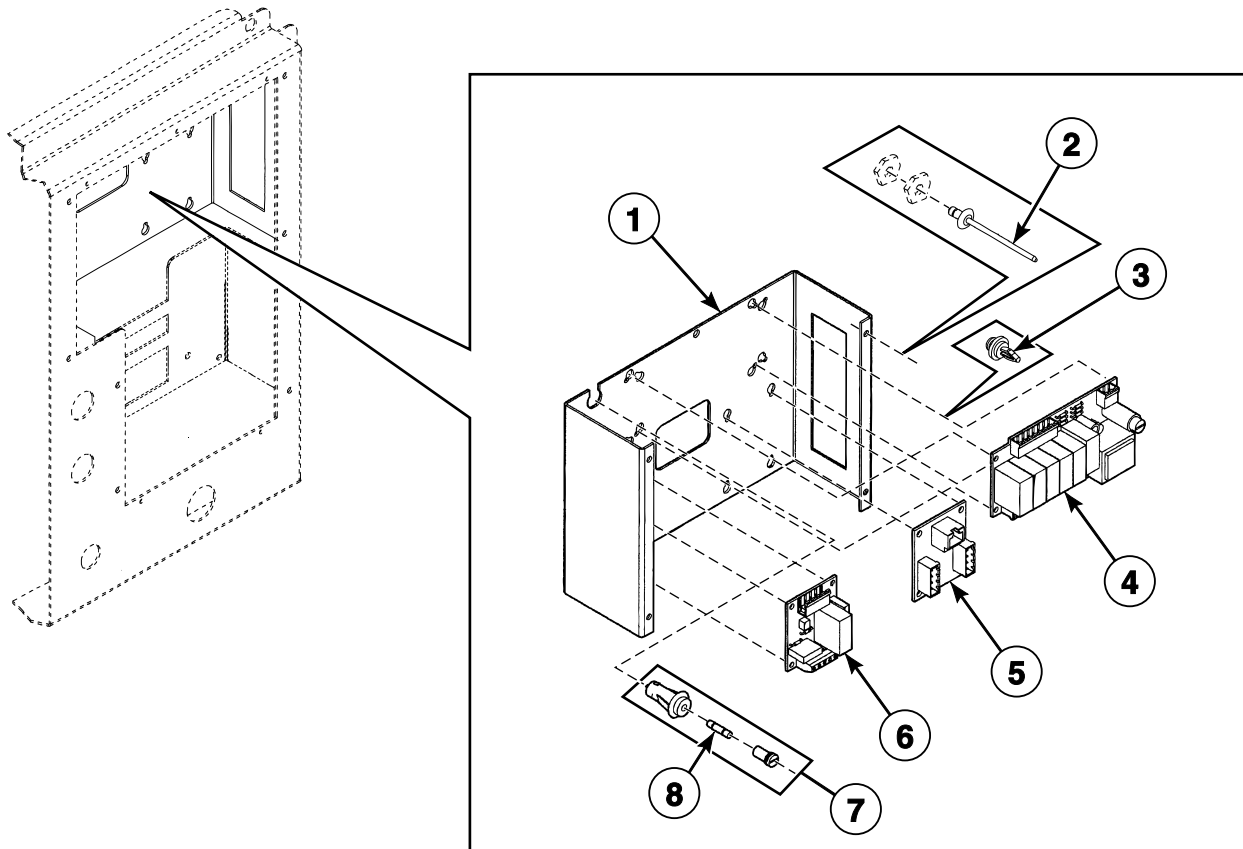


BE000799P\_D0888

## Main Switch and Noise Filter

REF	PART NO.	DESCRIPTION	COMMENTS
1	206/00027/00	Bolt	
2	203/00006/00	Washer	
3	209/00006/01	Ground Terminal	
4	111/01834/00	Main Switch Cover	
5	202/00004/00	Washer	
6	208/00017/00	Rivet	
7	209/00529/00	Main Switch	25A
	209/00672/00	Main Switch	40A
	209/00526/00	Main Switch	80A
8	209/00530/00	Terminal Block	25A
	209/00527/00	Terminal Block	63/80A
9	227/00027/UL00P	Filter	16A1
	227/00242/00	Noise Filter	16A3
	227/00179/00	Filter	40A3
	227/00180/00	Filter	45A1
	227/00183/00	Filter	53A3
10	111/01837/01	Filter Bracket	

# Central Operating Panel, Network Connection and Soap Injection Printboards



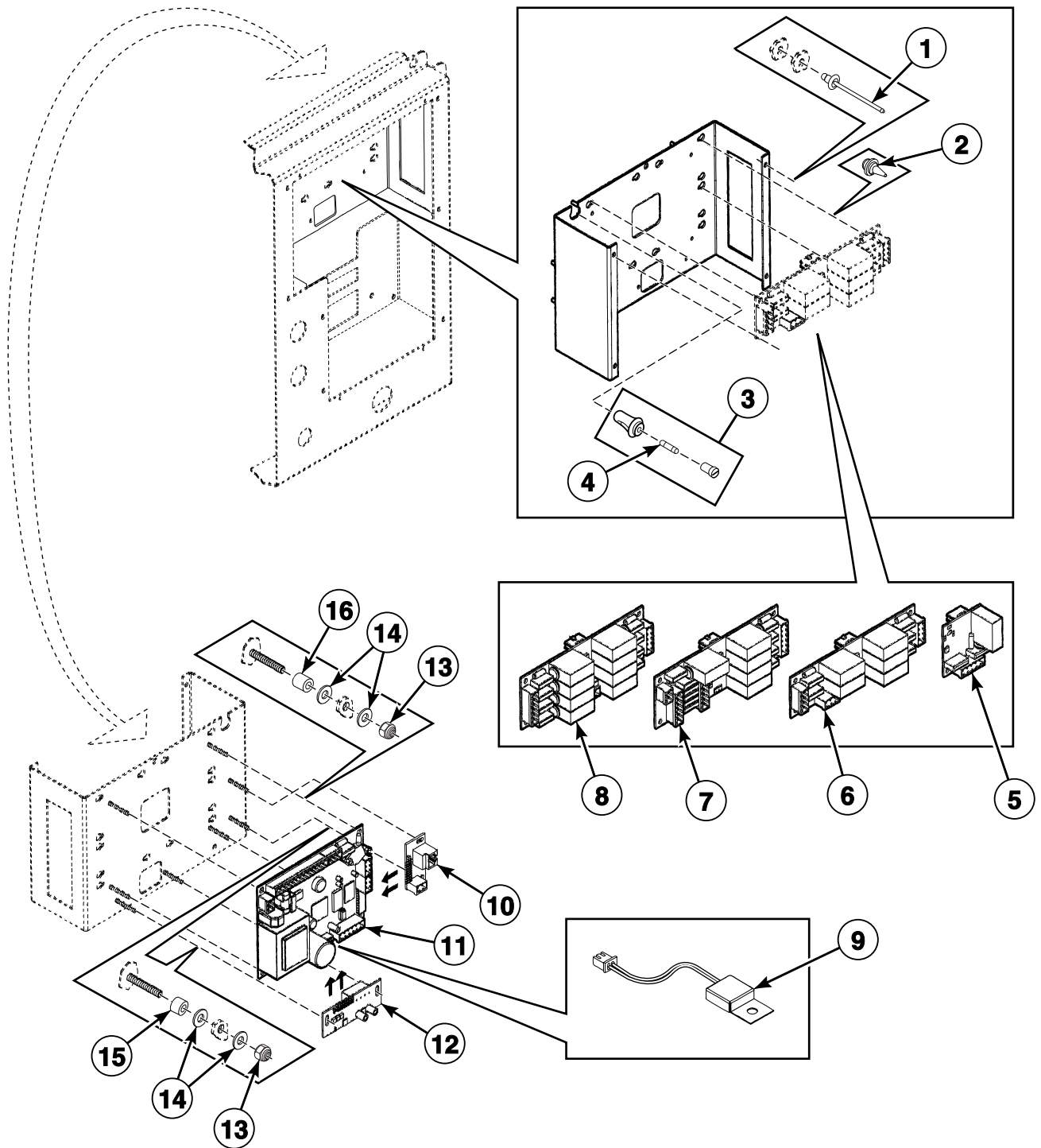
BE000800P\_D0888



## Central Operating Panel, Network Connection and Soap Injection Printboards

REF	PART NO.	DESCRIPTION	COMMENTS
1	111/01838/10	Printboard Support	
2	208/00017/00	Rivet	
3	211/00146/00	Standoff	
4	209/00218/13	Soap Injection PCB with Fuse	
5	209/00540/01	Network Connection Printboard	
6	209/00438/50	Central Control Board	
7	209/00202/00	Fuse Holder	
	209/00202/01	Fuse Holder	Includes item 8
8	209/00468/00	Fuse	3 Amp

# Relay, Network Connection and Main Printboards - Cygnus Models

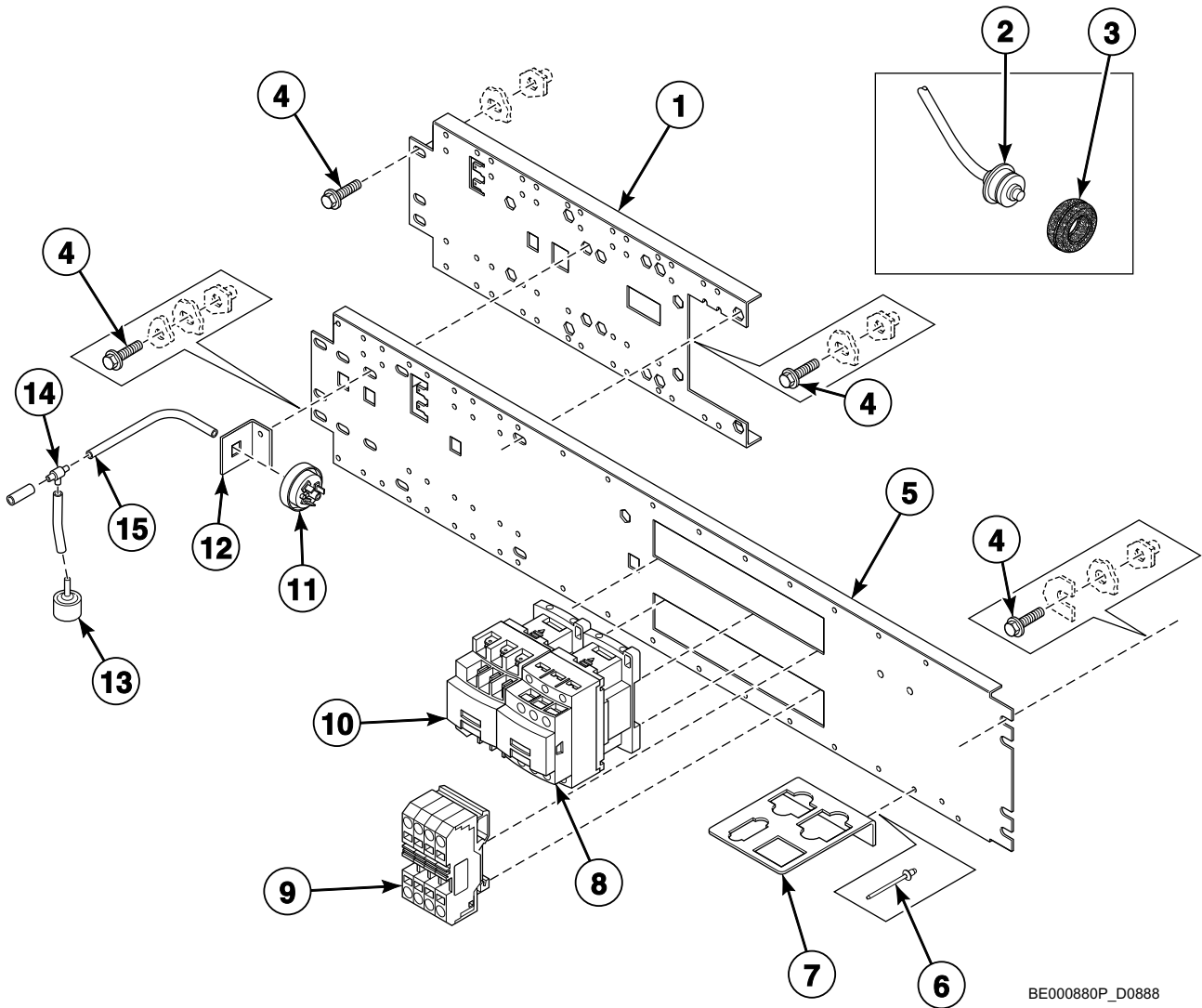


BE000801AP\_D0888

## Relay, Network Connection and Main Printboards - Cygnus Models

REF	PART NO.	DESCRIPTION	COMMENTS
1	208/00017/00	Rivet	
2	211/00146/00	Standoff	
3	209/00202/00	Fuse Holder	
	209/00202/01	Fuse Holder	Includes item 4
4	209/00468/00	Fuse	3 Amp
5	209/02016/00	Relay PC-Board	1-1
6	209/02005/00	Detergent PC-Board	1-5
7	209/02014/00	Relay PC-Board	5-5
8	209/02008/00	Detergent PC-Board	1-8
9	209/02020/00	ID Chip	
10	209/02006/00	Inverter PC-Board	
11	209/02025/00	Microprocessor	
12	209/02007/00	Network Connection Printboard	
13	204/00116/00	Nut	
14	223/00123/00	Washer	
15	211/00128/00	Printboard Separator	
16	211/00122/00	Standoff	

# Electrical Component Mounting Plate - Models Through 2/22/09

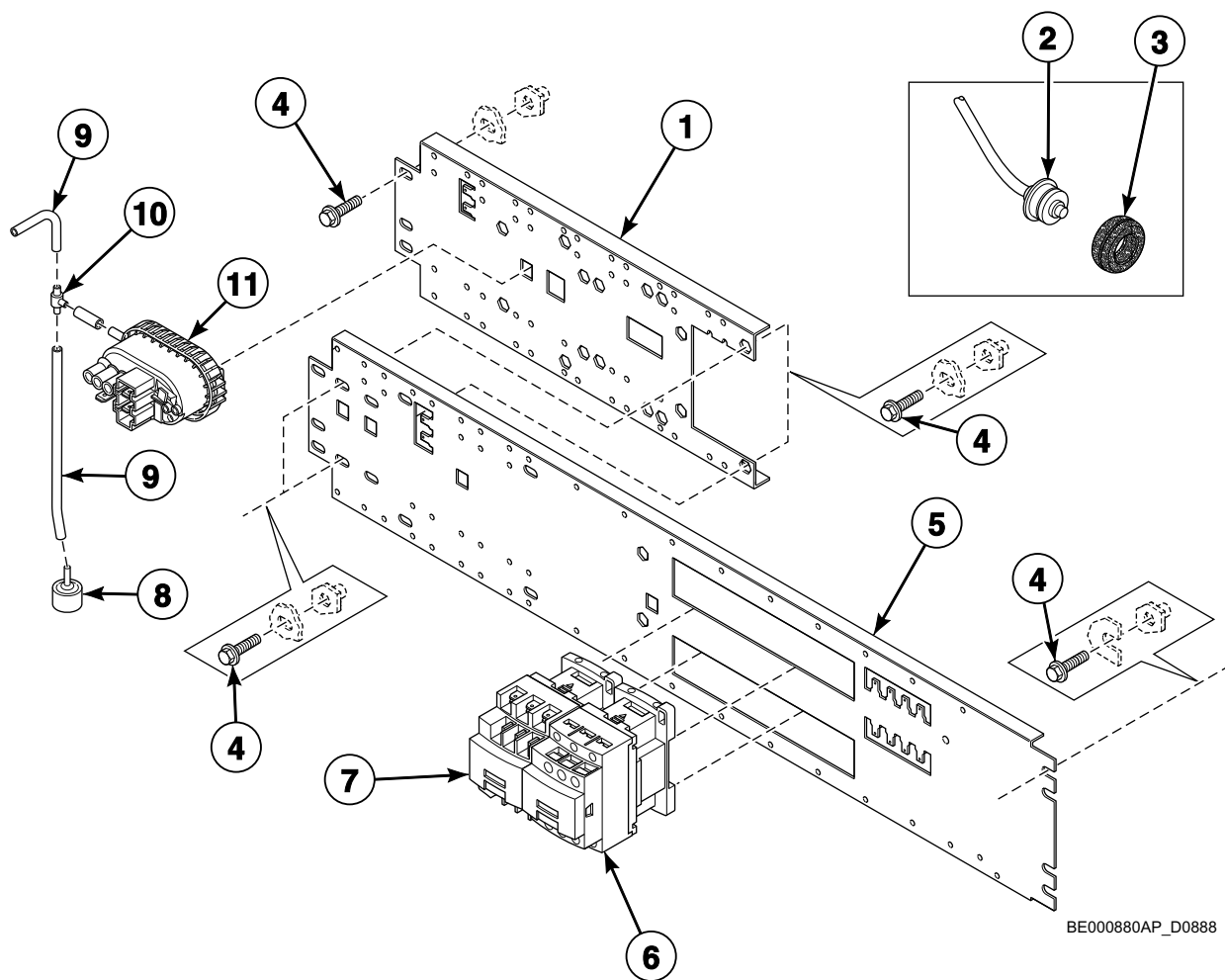


BE000880P\_D0888

## Electrical Component Mounting Plate - Models Through 2/22/09

REF	PART NO.	DESCRIPTION	COMMENTS
1	111/10003/40	Electrical Component Mounting Plate	
2	210/01304/16	Thermostat	Models with Micro-20, Sigma and PS40F controls
	210/01064/16	Thermostat	Models with Cygnus controls
3	225/10004/00	Thermostat Grommet	
4	206/00099/00	Bolt	
5	111/10004/00	Electrical Component Plate	
6	208/00017/00	Rivet	
7	111/10003/10	Support Connector	
8	209/06148/02	Heating Contactor	
9	209/00041/04	Contactor	
10	209/00619/00	Overload Contactor	2 pole; 6 mm; Gray; 2006-1201
	209/00620/00	Overload Contactor	2 pole; 6 mm; Blue; 2006-1204
	209/00621/00	Overload Contactor	3 pole; 6 mm; Blue; 2006-1304
	209/00622/00	Overload Contactor	3 pole; 6 mm; Gray; 2006-1301
	209/00623/00	Overload Contactor	2 pole; 10 mm; Gray; 2010-1201
	209/00624/00	Overload Contactor	2 pole; 10 mm; Blue; 2010-1204
	209/01625/00	Terminal Block	3 pole; 10 mm; Gray; 2010-1301
	209/00619/01	Connection Clamp	2 pole; 6 mm; Final plate
	209/00622/01	Connection Clamp	3 pole; 6 mm; Final plate
	209/00625/01	Connection Clamp	3 pole; 10 mm; Final plate
11	209/00007/50	Pressure Switch	
12	111/10004/00	Electrical Component Plate	
13	223/00035/02	Pressure Switch Cap	
14	223/00173/10	Pressure Switch Hose Tee	
15	B12700018	Pressure Hose	

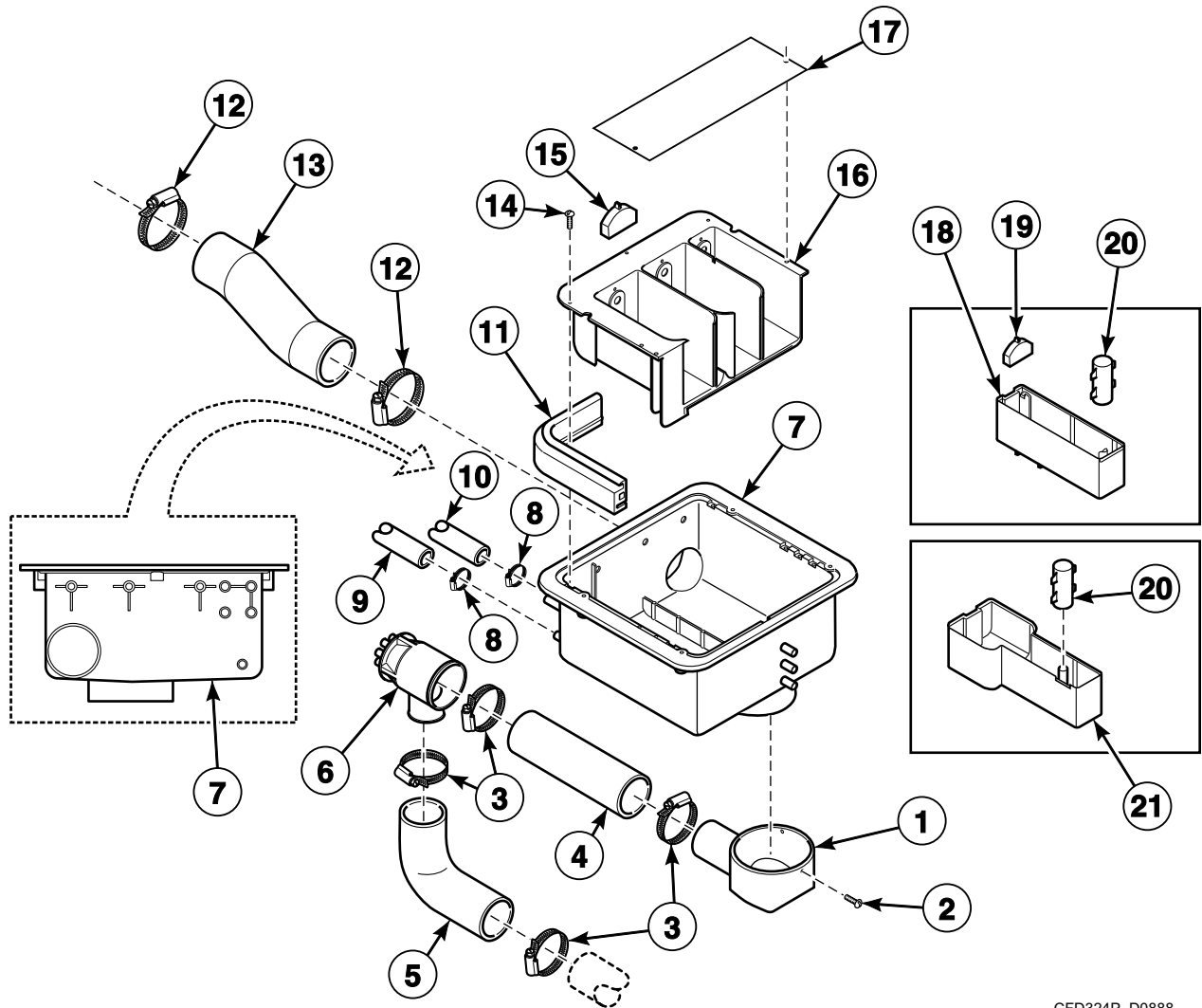
# Electrical Component Mounting Plate - Models Starting 2/23/09



## Electrical Component Mounting Plate - Models Starting 2/23/09

REF	PART NO.	DESCRIPTION	COMMENTS
1	111/10003/40	Electrical Component Mounting Plate	
2	210/01064/16	Thermostat	*55 and *235 models
	210/01304/16	Thermostat	*75 and *305 models with Micro-20, Sigma and PS40F controls
	210/01064/16	Thermostat	*305 models with Cygnus controls
3	225/10004/00	Thermostat Grommet	
4	206/00099/00	Bolt	
5	111/10005/00	Electrical Component Bridge	
6	209/06148/02	Heating Contactor	
7	209/00041/04	Contactor	
8	223/00035/02	Pressure Switch Cap	
9	B12700018	Pressure Hose	
10	223/00173/10	Pressure Switch Hose Tee	
11	209/00027/10	Pressure Switch	

# Supply Dispenser - \*55 and \*235 Models with Round Ventilation Opening



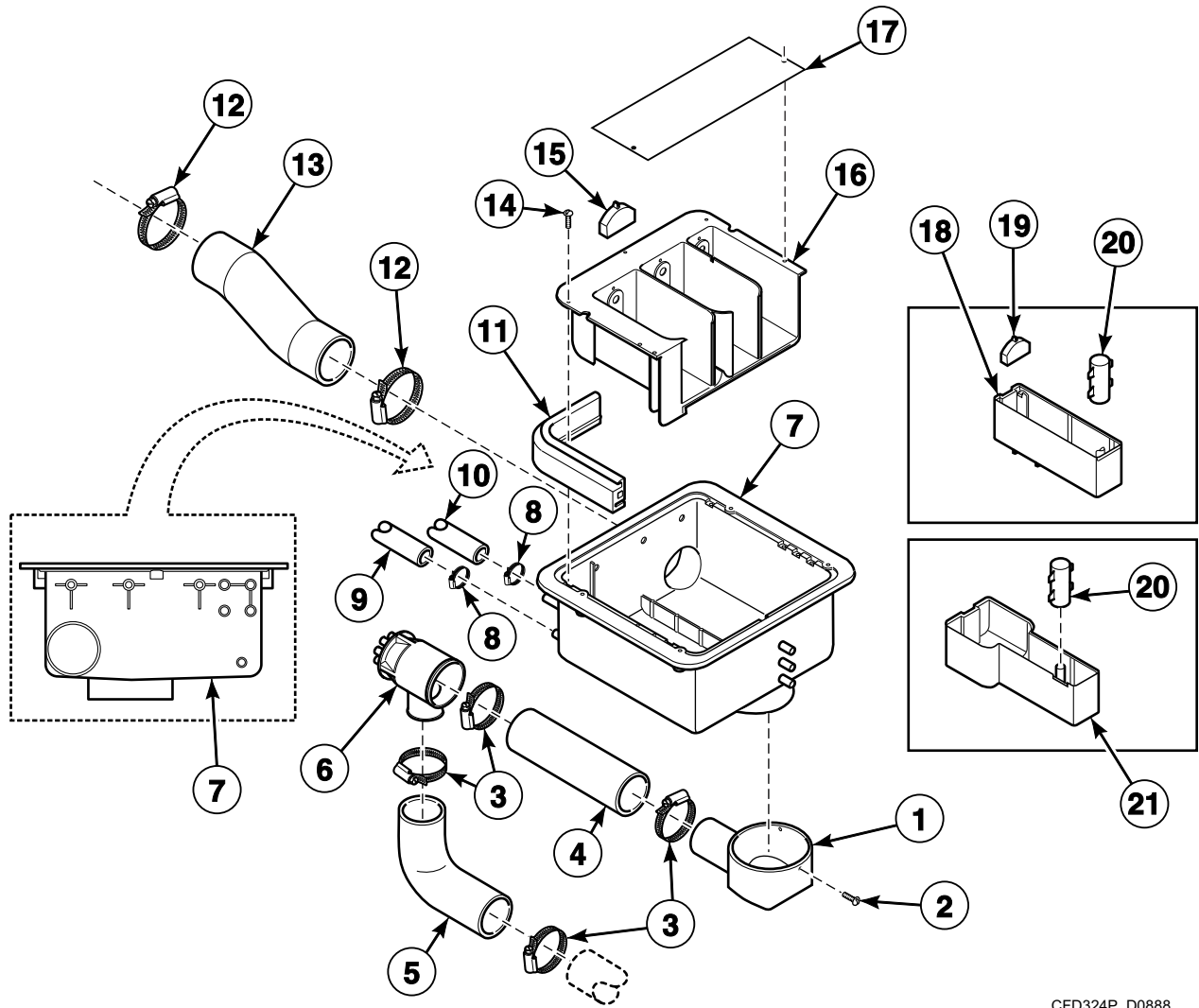
CFD324P\_D0888



## Supply Dispenser - \*55 and \*235 Models with Round Ventilation Opening

REF	PART NO.	DESCRIPTION	COMMENTS
1	223/00196/00	Dispenser Drain Funnel	
2	B12350903	Screw	
3	223/00071/00	Hose Clamp	
4	223/00263/00	Siphon Break Dispenser Hose	
5	B12322403	Hose	
6	223/00249/00	Liquid Soap Manifold	
7	223/00102/40	Exterior Box	
	223/00102/60	Dispenser Assembly	Includes items 1 and 2
8	223/00010/00	Hose Clamp	
9	223/00044/00	Water Hose	
10	223/00059/00	Water Hose	
11	223/00109/00	Soap Dispenser Gasket	
12	223/00014/00	Hose Clamp	
13	223/00107/06	Vent Hose	
14	B12347501	Screw	
15	223/00102/06	Soap Spray Nozzle	
16	223/00102/30	Soap Dispenser Assembly	
17	123/00107/00	Anti-Splash Plate	Sigma control models
	123/00103/06	Soap Box Assembly Plate	All other models
18	223/00102/03	Rinse Insert	
19	223/00102/05	Softener Spray Nozzle	
20	223/00102/04	Soap Dispenser Rinse Siphon	
21	223/00102/08	Liquid Soap Dispenser Insert	

# Supply Dispenser - \*75 and \*305 Models with Round Ventilation Opening

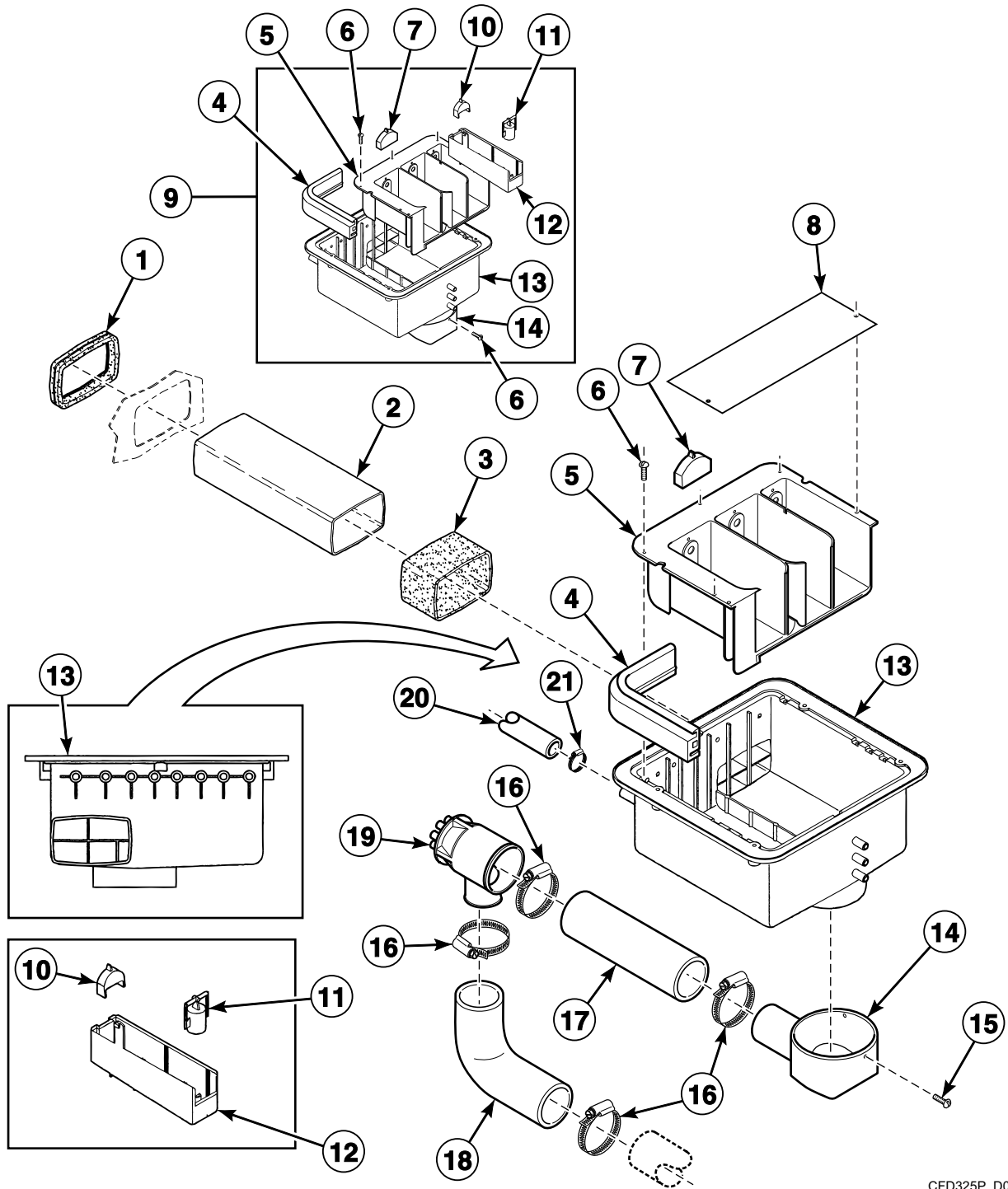


CFD324P\_D0888

## Supply Dispenser - \*75 and \*305 Models with Round Ventilation Opening

REF	PART NO.	DESCRIPTION	COMMENTS
1	223/00196/00	Dispenser Drain Funnel	
2	B12350903	Screw	
3	223/00071/00	Hose Clamp	
4	223/00264/00	Siphon Break Dispenser Hose	
5	B12322404	Siphon Break Hose	
6	223/00249/00	Liquid Soap Manifold	
7	223/00102/40	Exterior Box	
	223/00102/60	Dispenser Assembly	Includes items 1 and 2
8	223/00010/00	Hose Clamp	
9	223/00044/00	Water Hose	
10	223/00059/00	Water Hose	
11	223/00109/00	Soap Dispenser Gasket	
12	223/00014/00	Hose Clamp	
13	223/00388/00	Vent Hose	
14	B12347501	Screw	
15	223/00102/06	Soap Spray Nozzle	
16	223/00102/30	Soap Dispenser Assembly	
17	123/00107/00	Anti-Splash Plate	Sigma control models
	123/00103/06	Soap Box Assembly Plate	All other models
18	223/00102/03	Rinse Insert	
19	223/00102/05	Softener Spray Nozzle	
20	223/00102/04	Soap Dispenser Rinse Siphon	
21	223/00102/08	Liquid Soap Dispenser Insert	

# Supply Dispenser - Models with Rectangular Ventilation Opening

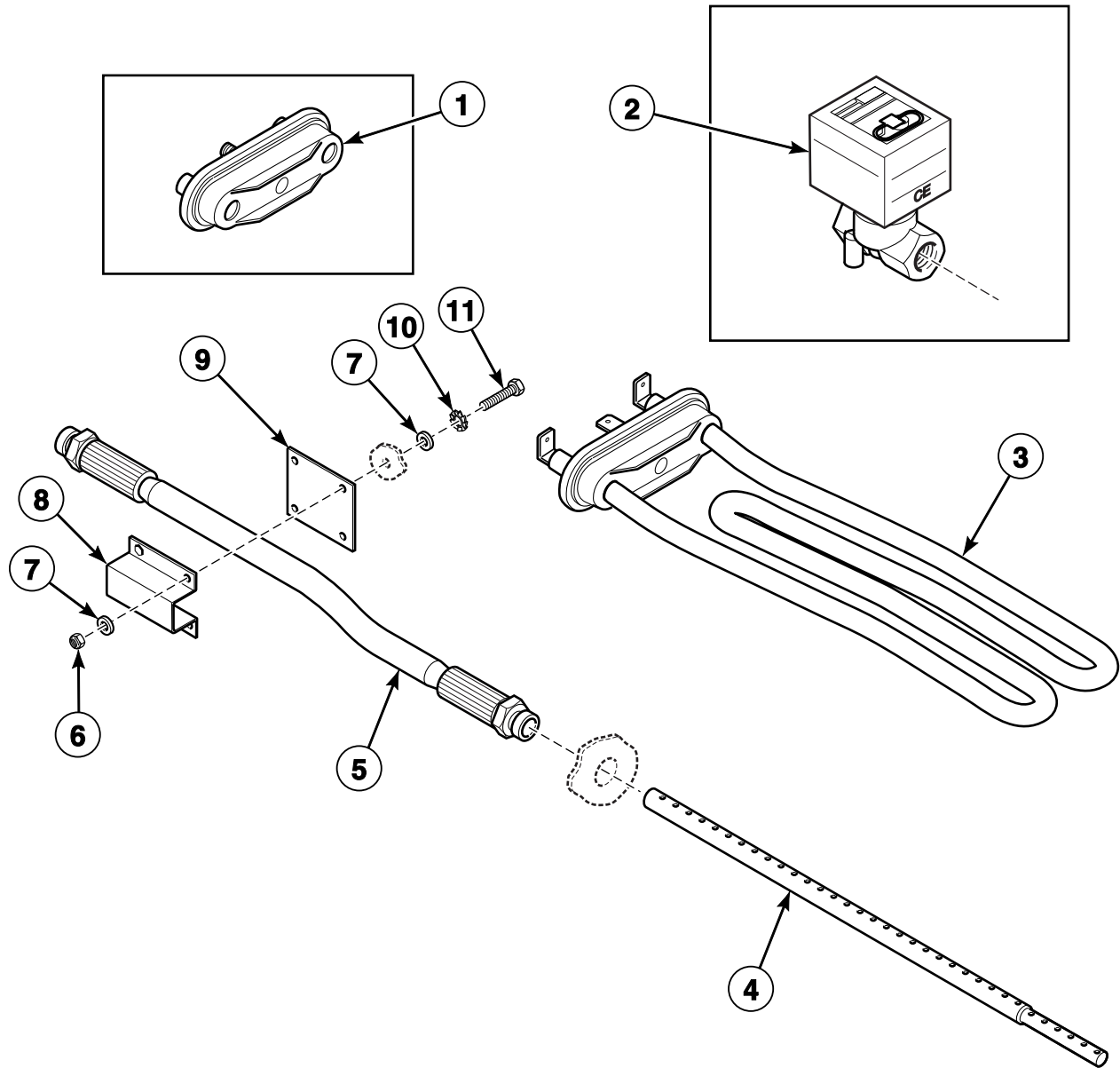


CFD325P\_D0888

## Supply Dispenser - Models with Rectangular Ventilation Opening

REF	PART NO.	DESCRIPTION	COMMENTS
1	223/00226/00	Vent Tube	
2	223/00229/00	Vent Tube	
3	223/00245/00	Shrink Fit	
4	223/00109/00	Soap Dispenser Gasket	
5	223/00222/60	Outer and Inner Box Kit	
6	B12347501	Screw	
7	223/00102/06	Soap Spray Nozzle	
8	123/00107/00	Anti-Splash Plate	Sigma control models
	123/00103/06	Soap Box Assembly Plate	All other models
9	223/00240/00	Soap Dispenser	
10	223/00222/03	Softener Spray Nozzle	
11	223/00222/04	Siphon Break	
12	223/00222/05	Rinsing Box	
13	223/00222/01	Exterior Box	
14	223/00196/00	Dispenser Drain Funnel	
15	B12350903	Screw	
16	223/00071/00	Hose Clamp	
17	223/00264/00	Siphon Break Dispenser Hose	*75 and *305 models
	223/00263/00	Siphon Break Dispenser Hose	*55 and *235 models
18	B12322404	Siphon Break Hose	*75 and *305 models
	B12322403	Hose	*55 and *235 models
19	223/00249/00	Liquid Soap Manifold	
20	223/00044/00	Water Hose	
21	223/00010/00	Hose Clamp	

# Steam and Electric Heating Options - \*55 and \*235 Models

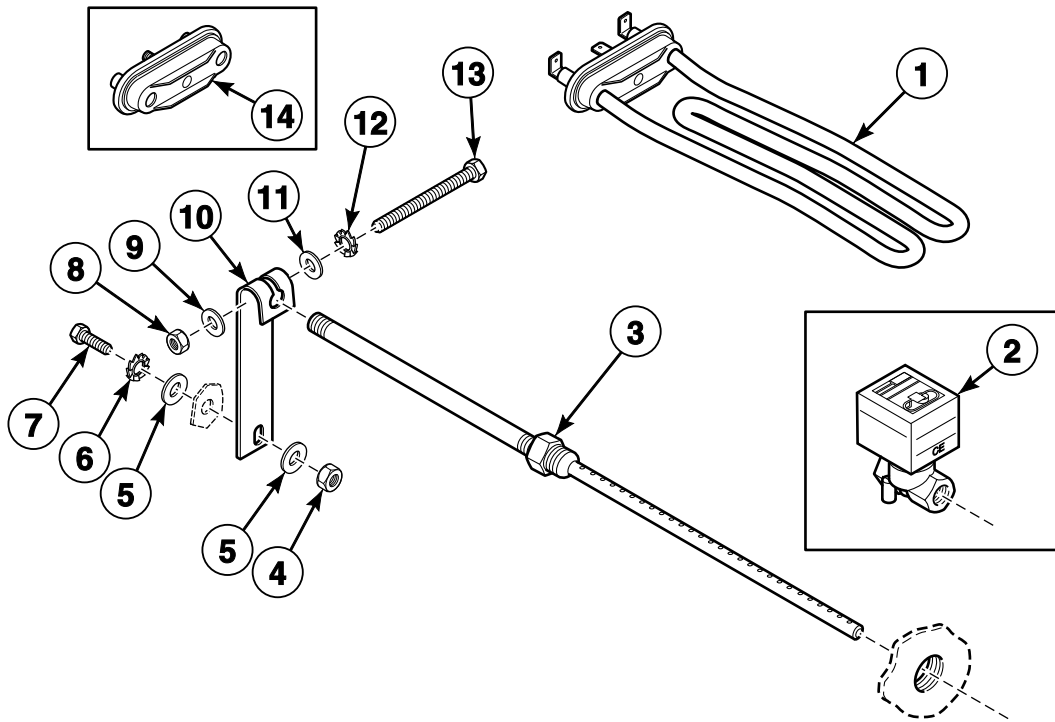


CFD426P\_D0888

## Steam and Electric Heating Options - \*55 and \*235 Models

REF	PART NO.	DESCRIPTION	COMMENTS
	922P3	Steam Heat Kit	Includes item 11 and 9001214 Washer, 9001227 Washer, 9001240 Washer, 9001241 Washer, 9001249 Nut, 9001250 Nut, 9001295 Bolt, 9001385 Steam Valve, 113/00028/00 Steam Injector Bracket, 118/00090/00 Steam Injector, 900/00266/00 Water Level Safety Switch, 901/00217/00 Contactor and Wiring Assembly and 209/00027/10B Water Level Switch
1	209/00196/00	Heating Element Plug	
2	209/00477/00	Steam Valve	
3	209/00581/10	Heating Element	4000W; 380 Volt
	209/00562/20	Heating Element	3000W; 220/240 Volt
	209/00563/20	Heating Element	2000W; 220/240 Volt
	209/00564/20	Heating Element	1400W; 220/240 Volt
4	217/00061/00	Steam Injector	
5	217/00034/00	Steam Hose	
6	204/00004/00	Nut	
7	202/00002/00	Washer	
8	111/00155/00	Steam Bracket	
9	111/00155/10	Bracket Support	
10	203/00003/00	Washer	
11	206/00035/00	Bolt	

# Steam and Electric Heating Options - \*75 and \*305 Models



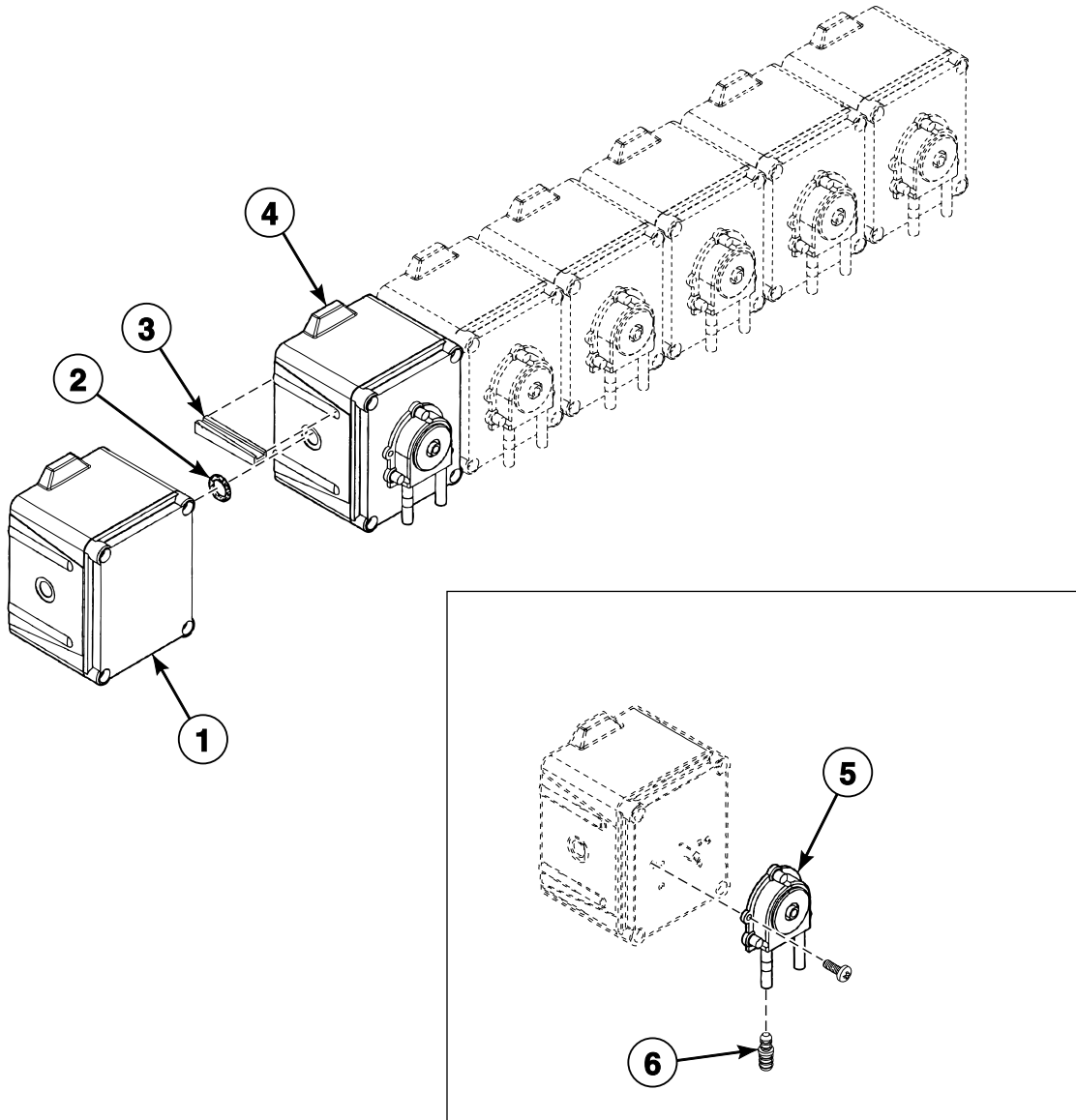
BE000391P\_D0888



## Steam and Electric Heating Options - \*75 and \*305 Models

REF	PART NO.	DESCRIPTION	COMMENTS
	923P3	Steam Heat Kit	Includes items 3, 10, 13, 9001214 Washer, 9001227 Washer, 9001240 Washer, 9001241 Washer, 9001249 Nut, 9001250 Nut, 9001295 Bolt, 9001385 Steam Valve, 900/00266/00 Water Level Safety Switch, 901/00217/00 Contactor and Wiring Assembly and 209/00027/10B Water Level Switch
1	209/00581/10	Heating Element	4000W; 380 Volt
	209/00562/20	Heating Element	3000W; 220/240 Volt
	209/00563/20	Heating Element	2000W; 220/240 Volt
	209/00564/20	Heating Element	1400W; 220/240 Volt
2	209/00476/00	Steam Valve	
3	119/00089/00	Steam Injector	
4	204/00005/00	Nut	
5	201/00007/00	Washer	
6	203/00004/00	Washer	
7	206/00013/00	Bolt	
8	204/00004/00	Nut	
9	202/00002/00	Washer	
10	113/00028/00	Steam Injector Bracket	
11	202/00002/00	Washer	
12	203/00003/00	Washer	
13	206/00035/00	Bolt	
14	209/00196/00	Heating Element Plug	

# Soap Pumps



BE000527AP\_D0888

# Soap Pumps

REF	PART NO.	DESCRIPTION	COMMENTS
1	209/00554/01	Soap Pump Assembly	1 pump and 1 feeding pump
	209/00554/02	Soap Pump Assembly	2 pumps and 1 feeding pump
	209/00554/03	Soap Pump Assembly	3 pumps and 1 feeding pump
	209/00554/04	Soap Pump Assembly	4 pumps and 1 feeding pump
	209/00554/05	Soap Pump Assembly	5 pumps and 1 feeding pump
	209/00554/06	Soap Pump Assembly	6 pumps and 1 feeding pump
	209/00554/51	Feeding Liquid Soap Dosing Pump	
2	209/00554/52	Liquid Soap Dosing Pump O-Ring	
3	209/00554/53	Liquid Soap Dosing Pump Connection Piece	
4	209/00554/50	Pump	
5	209/00554/98	Hose	
6	209/00554/99	Hose Connector	



# Parts Index

## A

AC Drive Filter	
209/00287/11 .....	73, 75
Anti-Splash Plate	
123/00107/00 .....	87, 89, 91

## B

Back Panel	
111/00302/00 .....	69
111/00335/00 .....	69
Backbridge	
111/00304/00 .....	63, 67, 71, 73
111/00304/10 .....	71
111/00334/10 .....	65, 71, 75
111/00334/20 .....	71
Backplate	
111/01002/00 .....	59, 61
Ball Bearing	
212/00004/00 .....	15, 17, 19
212/00024/01 .....	15, 17
Basket	
B12380901 .....	21, 25
B12381001 .....	21, 25
Basket Kit	
B12543201 .....	21, 25
Bearing	
F100134 .....	17
Bearing and Seal Kit	
3884P .....	17
Bearing Cover	
112/00003/00 .....	19
Bearing Housing	
212/00103/01 .....	19
Bearing Housing Assembly	
212/00103/00 .....	19
212/00104/00 .....	15, 17
Bearing Housing Plate	
113/00017/01 .....	15, 17
113/00017/02 .....	15, 17
113/00018/01 .....	19
113/00018/02 .....	19
Bearing Replacement Kit	
891P3 .....	15
892P3 .....	19
Bearing Replacement Tool Kit	
381P3 .....	17
382P3 .....	15, 19
Bearing Spacer	
232/00020/00 .....	23
Belt	
226/00133/00 .....	21, 29, 31
226/00134/00 .....	23, 33
Bolt	
205/00102/00 .....	15, 17
205/00103/00 .....	37
205/00104/00 .....	15, 17, 19, 39
205/00105/00 .....	63, 65, 67
205/00106/00 .....	63, 65, 67

205/00115/00 .....	37
206/00004/00 .....	21, 23
206/00005/00 .....	33
206/00006/00 .....	29, 31
206/00009/00 .....	31
206/00010/00 .....	19
206/00013/00 .....	95
206/00016/00 .....	69
206/00027/00 .....	71, 77
206/00029/00 .....	25, 27
206/00032/00 .....	25, 27
206/00033/00 .....	35
206/00035/00 .....	93, 95
206/00052/00 .....	25, 27
206/00054/00 .....	29, 31, 33
206/00066/00 .....	25, 27
206/00079/00 .....	9, 11, 13
206/00088/00 .....	73, 75
206/00093/00 .....	15, 17, 19
206/00099/00 .....	11, 35, 63, 65, 67, 69, 71, 73, 75, 83, 85
206/00110/00 .....	29, 33
206/00119/00 .....	29
208/00134/00 .....	31

Bracket Support	
111/00155/10 .....	93

## C

Central Control Board	
209/00438/50 .....	79
Chassis	
212/00111/50 .....	9
212/00112/50 .....	13
212/00120/00 .....	11
Circuit Board Cover	
229/00262/00 .....	55, 57
229/00289/00 .....	41, 43, 45, 47, 49, 51, 53
Coin Box	
254/00077/00 .....	59, 61
Coin Drop	
B11211209 .....	59
B12311201 .....	59
B12311202 .....	59
B12311203 .....	59
B12311204 .....	59
B12311205 .....	59
B12311206 .....	59
B12311207 .....	59
B12311208 .....	59
B12311210 .....	59
B12311211 .....	59
B12311212 .....	59
B12311214 .....	59
B12311215 .....	59
B12311216 .....	59
B12311218 .....	59
B12311219 .....	59
B12311220 .....	59
B12311221 .....	59
B12311222 .....	59
B12311224 .....	59
B12311225 .....	59

N/A items do not appear in index.

B12311226	59
B12311234	59
B12311235	59
B12311239	59
B12311241	59
B12311244	59
B12311247	59
B12311248	59
B12311249	59
B12311252	59
B12311301	59
B12311302	59
B12311304	59
B12311401	61
B12323401	59
B12323901	59
Connection Clamp	
209/00619/01	83
209/00622/01	83
209/00625/01	83
Contact Switch	
209/00099/26	41, 43, 45, 47, 49, 51, 55, 57
Contactors	
209/00041/04	83, 85
Control Board	
209/00547/00	55
Control Panel	
111/00301/00	51, 55
111/00301/20	57
111/00301/30	41
111/00301/31	47
111/00301/32	49
111/00301/33	43
111/00301/34	45
111/00331/00	51, 55
111/00331/20	57
111/00331/30	41, 43
111/00331/31	47
111/00331/32	49
111/00331/33	43
111/00331/34	45
Cooling Fan	
209/00287/00	29, 31, 33, 73, 75
Counter Ring	
219/00004/00	21
232/00008/00	23

## D

Data Card Ribbon Assembly	
B12538301	41, 43, 45, 47, 49
Datacard	
209/02022/00	41, 43, 45, 47, 49
Datacard Cover	
223/00348/00	41, 43, 45
Detergent PC-Board	
209/02005/00	81
209/02008/00	81
Diaphragm	
209/00316/02	71
Dispenser Assembly	
223/00102/60	87, 89
Dispenser Drain Funnel	
223/00196/00	87, 89, 91

Display and Printboard	
209/02002/ZO2	41
Door	
118/00125/00	39
Door Glass	
B12449801	39
Door Glass Seal	
223/00068/00	39
Door Handle	
217/00059/00P	39
Door Handle Stop	
217/00016/00	39
Door Hinge Block	
253/00022/00	39
Door Hinge Plate Assembly	
118/00121/00	39
Door Hinge Spacer	
118/00124/00	39
Door Lock Assembly	
B12517701	37
Door Lock Bracket	
217/00052/11	37
Door Lock Microswitch	
209/00272/00	37
Door Lock PC-Board	
209/02010/00	41, 43, 45, 47, 49
Door Lock Pin Kit	
211/00109/02	37, 39
Door Lock Spacer	
217/00052/03	37
Door Lock Spring	
224/00049/00	37
Door Release Wire	
217/00052/07	37
Door Solenoid	
209/00703/50	37
Drain Pipe	
223/00106/00	35
Drain Valve	
209/00644/00	35
Drain Valve Coil Cover	
209/00643/01	35
Drain Valve Support	
212/00120/01	11
Drain Valve to Drain Tube Hose	
223/00328/00	35
Drive	
F8420515	73
F8420516	73
F8420517	75
F8420518	75
Drum	
B12327301	23, 27
Drum Pulley	
226/00127/00	21, 23
Dual Drop Optical Sensor Kit	
B12388102	59

## E

Elbow	
223/00210/00	35

N/A items do not appear in index.

Electrical Component Bridge 111/10005/00.....	85
Electrical Component Mounting Plate 111/10003/40.....	83, 85
Electrical Component Plate 111/10004/00.....	83
Electronic Coin Meter Housing 152/00112/50.....	61
Emergency Switch Pushbutton 209/00099/20.....	41, 43, 45, 47, 49
Eprom 209/00266/01.....	51, 53
Exterior Box 223/00102/40.....	87, 89
223/00222/01.....	91

## F

Fastening Piece 217/00060/00.....	59, 61
Feeding Liquid Soap Dosing Pump 209/00554/51.....	97
Filter 209/00287/21.....	73, 75
227/00027/UL00P.....	77
227/00179/00.....	77
227/00180/00.....	77
227/00183/00.....	77
Filter Bracket 111/01837/01.....	77
Front Panel 111/00293/00.....	69
111/00332/00.....	69
131/00002/00.....	27
Front Plate 111/01000/00.....	59, 61
Fuse 209/00372/01.....	57
209/00439/00.....	51, 53, 55
209/00468/00.....	79, 81
Fuse Holder 209/00202/00.....	79, 81
209/00202/01.....	79, 81

## G

Gasket 246/00149/00.....	65
Grease Ring 212/00007/00.....	19
Grommet 223/00174/00.....	73, 75
Ground Terminal 209/00006/01.....	77
210/10015/00.....	37

## H

Heating Contactor 209/06148/02.....	83, 85
--	--------

Heating Element 209/00562/20.....	93, 95
209/00563/20.....	93, 95
209/00564/20.....	93, 95
209/00581/10.....	93, 95
Heating Element Plug 209/00196/00.....	93, 95
Hinge 221/00004/00.....	39
Hose B12322403.....	87, 91
209/00554/98.....	97
Hose Barb 223/00016/00.....	35
Hose Clamp 223/00010/00.....	35, 71, 87, 89, 91
223/00011/00.....	35, 71
223/00013/00.....	35
223/00014/00.....	87, 89
223/00071/00.....	35, 87, 89, 91
Hose Connector 209/00554/99.....	97
Hose Vent 223/00102/07.....	71

## I

ID Chip 209/02020/00.....	81
Infrared Cable 210/00902/00.....	57
210/00902/00P.....	55
Inlet Valve Solenoid 209/00090/01.....	71
Inlet Valve, 2-Way 209/00316/00.....	71
209/00419/00.....	71
Input Block 209/00683/00.....	61
Insulating Sticker 229/00255/00.....	51, 53, 55, 57
229/00268/00.....	41
229/00291/00.....	43, 45
Interlock Coil Spring 224/00043/00.....	37
Interlock Lever 217/00052/04.....	37
Intermediate Fan Motor Plate 111/00243/00.....	29, 31, 33
Inverter F8645401P.....	75
227/00238/00.....	75
Inverter Box Cover 111/01158/11.....	73, 75
Inverter Drive F8645201P.....	75
227/00168/00.....	73
227/00229/00.....	73
227/00237/00.....	73
Inverter Drive Box 111/01149/00.....	75
111/01150/00.....	73
Inverter Kit F8420415.....	73

N/A items do not appear in index.

F8420416 .....	73
F8420417 .....	75
F8420418 .....	75
Inverter PC-Board	
209/02006/00 .....	81

## K

Key	
212/00026/00 .....	21, 23
254/00077/02 .....	59, 61
Keypad	
209/00552/01 .....	57
Keypad Sticker	
225/00407/00 .....	51
Kickplate	
111/00300/00 .....	63
111/00333/00 .....	65, 67

## L

Label	
225/00397/00 .....	57
Lever Spring	
224/00040/00 .....	37
Lip Seal	
B12332301 .....	17
Liquid Soap Dispenser Insert	
223/00102/08 .....	87, 89
Liquid Soap Dosing Pump Connection Piece	
209/00554/53 .....	97
Liquid Soap Dosing Pump O-Ring	
209/00554/52 .....	97
Liquid Soap Manifold	
223/00249/00 .....	73, 75, 87, 89, 91
Lock Shaft	
217/00017/03 .....	37
Lubricator	
212/00002/00 .....	19

## M

Main Board	
B12351701 .....	57
Main Switch	
209/00526/00 .....	77
209/00529/00 .....	77
209/00672/00 .....	77
Main Switch Cover	
111/01834/00 .....	77
Mechanical Coin Meter Housing	
152/00112/00 .....	59
Memory Card PC-Board	
B12305201 .....	41, 43, 45, 47, 49
Microprocessor	
209/02025/00 .....	81
Microswitch	
B12625101 .....	37
Motor	
B12510701 .....	29, 31

B12510901 .....	33
209/00644/11 .....	35
Motor Clamp	
212/00121/01 .....	31
Motor Mounting Plate	
115/10235/00 .....	29
Motor Plate	
115/10305/00 .....	33
Motor Pulley	
226/00131/00 .....	29, 31, 33
Mounting Plate	
223/00374/00 .....	41, 43, 45, 47, 49
Mushroom Pushbutton	
209/00248/20 .....	41, 47, 49, 51, 55, 57

## N

Network Connection Printboard	
209/00540/01 .....	79
209/02007/00 .....	81
Noise Filter	
B12339401 .....	73, 75
227/00242/00 .....	77
Nut	
204/00002/00 .....	9, 11, 13, 25, 27
204/00003/00 .....	25, 27
204/00004/00 .....	9, 11, 13, 31, 93, 95
204/00005/00 .....	95
204/00006/00 .....	63, 65, 67
204/00007/00 .....	63, 71, 73, 75
204/00008/00 .....	37, 59, 61
204/00009/00 .....	25, 27, 35, 37, 63, 65, 67
204/00010/00 .....	15, 17, 19
204/00103/00 .....	39
204/00106/00 .....	39, 69
204/00107/00 .....	69
204/00110/00 .....	29, 33
204/00111/00 .....	25, 27
204/00114/00 .....	73, 75
204/00115/00 .....	29, 31, 33
204/00116/00 .....	41, 43, 45, 47, 49, 51, 53, 55, 57, 59, 61, 81
204/00201/00 .....	35, 71
206/00101/00 .....	11, 35, 63, 65, 67
208/00002/00 .....	61, 71
208/00025/00 .....	63, 65, 67
208/00104/00 .....	69
211/00171/00 .....	73, 75
211/00182/00 .....	73, 75
271/35945/00 .....	29, 31, 33

## O

Operating Sticker	
225/00400/00 .....	57
225/00404/00 .....	55
225/00405/00 .....	55
225/00408/00 .....	51
225/00410/00 .....	53
225/10307/00 .....	47, 49
225/10308/00 .....	47, 49
225/10313/00 .....	41
225/10404/00 .....	43
225/10405/00 .....	45

N/A items do not appear in index.



225/10427/00 .....	43
225/10477/00 .....	45
Optic Cable	
210/00901/00 .....	41, 43, 45, 47, 49
Optical Switch	
209/00781/00 .....	59
O-Ring	
217/00002/00 .....	15
217/00021/00 .....	29, 31, 33, 39
231/00036/00 .....	19
Outer and Inner Box Kit	
223/00222/60 .....	91
Outlet Pipe Plate Assembly	
101/00007/00 .....	63, 65, 67
Overflow Hose	
223/00131/00 .....	35
Overload Contactor	
209/00619/00 .....	83
209/00620/00 .....	83
209/00621/00 .....	83
209/00622/00 .....	83
209/00623/00 .....	83
209/00624/00 .....	83

## P

Parameter Unit Assembly	
F8410901 .....	73, 75
227/00171/00 .....	73, 75
Parameter Unit Program Cable	
227/00171/10 .....	73, 75
Plexi Frame	
225/00316/00 .....	51, 53, 55
225/00321/00 .....	41
225/00322/00 .....	47, 49
225/00323/00 .....	43, 45
Powder Bin Crossbar	
111/00156/11 .....	67
Pressure Hose	
B12700018 .....	35, 83, 85
223/00179/10 .....	73, 75
Pressure Switch	
209/00007/50 .....	83
209/00027/10 .....	85
Pressure Switch Cap	
223/00035/02 .....	83, 85
Pressure Switch Hose Tee	
223/00173/10 .....	35, 83, 85
Prewash and Mainwash Nozzle	
223/00001/04 .....	35, 71
Printboard	
209/00440/70 .....	51, 53
209/00440/80 .....	51, 53
209/02001/02 .....	47, 49
209/02015/02 .....	43, 45
Printboard Separator	
211/00128/00 .....	41, 43, 45, 47, 49, 81
Printboard Support	
111/01838/10 .....	79
Printboard Support Card	
111/01893/00 .....	41, 43, 45
Programming Key Contact Switch	
209/00326/20 .....	57

Protection LED	
223/00330/00 .....	47, 49
Pump	
209/00554/50 .....	97
Pushbutton	
209/00396/00 .....	59, 61

## R

Reinforcement Plate	
111/10089/01 .....	69
Relay PC-Board	
209/02014/00 .....	81
209/02016/00 .....	81
Retainer Ring	
212/00006/00 .....	15, 17, 19
212/00037/00 .....	15, 17
Retaining Ring	
117/00042/00 .....	29, 31, 33, 63, 65, 67
Rinse Insert	
223/00102/03 .....	87, 89
Rinsing Box	
223/00222/05 .....	91
Rivet	
208/00017/00 .....	77, 79, 81, 83
Roller Bearing	
212/00005/00 .....	19, 23

## S

Screw	
B12347501 .....	87, 89, 91
B12350903 .....	87, 89, 91
B12500801 .....	39
206/00007/00 .....	9, 11, 13
206/00049/00 .....	29, 31, 33
206/00166/00 .....	67
207/00002/00 .....	33
207/00004/00 .....	23
207/00009/00 .....	37
207/00021/00 .....	29, 31, 73, 75
207/00032/00 .....	63
207/00101/00 .....	63, 65, 67
207/00112/00 .....	69
207/00126/00 .....	39
207/00135/00 .....	37
208/00014/00 .....	61, 63, 65, 67, 71
208/00130/00 .....	73, 75
Seal Cover	
219/00001/00 .....	15
Seal Cover Plate	
131/00035/00 .....	19
Seal Holder Assembly	
119/00001/01 .....	15
131/00035/01 .....	19
Seal Plate Assembly	
B12333701 .....	17
Shaft Seal	
132/00009/00 .....	23
219/00003/00 .....	15
231/00037/00 .....	19
Shrink Fit	
223/00245/00 .....	91

N/A items do not appear in index.

Side Panel			
111/60038/00.....	65, 67		
111/60038/50.....	69		
140/60027/00.....	63, 67		
140/60028/00.....	69		
Single Drop Optical Sensor Kit			
B12388101.....	59		
Siphon Break			
223/00222/04.....	91		
Siphon Break Dispenser Hose			
223/00263/00.....	87, 91		
223/00264/00.....	89, 91		
Siphon Break Hose			
B12322404.....	89, 91		
Soap Box Assembly Plate			
123/00103/06.....	87, 89, 91		
Soap Box Support Plate			
111/00117/00.....	65		
Soap Dispenser			
223/00240/00.....	91		
Soap Dispenser Assembly			
223/00102/30.....	87, 89		
Soap Dispenser Back			
111/10100/00.....	63		
Soap Dispenser Cover			
223/00103/01.....	69		
Soap Dispenser Cover Hinge Rod			
223/00103/04.....	69		
Soap Dispenser Crossbar			
111/00156/00.....	65		
111/10100/11.....	67		
Soap Dispenser Frame			
223/00103/03.....	69		
Soap Dispenser Front			
111/10100/10.....	63		
Soap Dispenser Gasket			
223/00109/00.....	87, 89, 91		
Soap Dispenser Rinse Siphon			
223/00102/04.....	87, 89		
Soap Injection PCB with Fuse			
209/00218/13.....	79		
Soap Pump Assembly			
209/00554/01.....	97		
209/00554/02.....	97		
209/00554/03.....	97		
209/00554/04.....	97		
209/00554/05.....	97		
209/00554/06.....	97		
Soap Spray Nozzle			
223/00102/06.....	87, 89, 91		
Softener Spray Nozzle			
223/00102/05.....	87, 89		
223/00222/03.....	91		
Speed Detector			
210/00075/00.....	15, 17, 19		
Speed Detector Bracket			
152/00055/00.....	15, 17		
Standoff			
211/00122/00.....	41, 43, 45, 51, 53, 55, 57, 81		
211/00145/00.....	41, 43, 45		
211/00146/00.....	79, 81		
Steam Bracket			
111/00155/00.....	93		
Steam Heat Kit			
922P3.....	93		
923P3.....	95		
Steam Hose			
217/00034/00.....	93		
Steam Injector			
119/00089/00.....	95		
217/00061/00.....	93		
Steam Injector Bracket			
113/00028/00.....	95		
Steam Valve			
209/00476/00.....	95		
209/00477/00.....	93		
Support Connector			
111/10003/10.....	83		
Switch			
209/00600/01.....	59		
Switch Base			
209/00099/25.....	57		
Switch Knob			
209/00099/29.....	57		
<hr/>			
<b>T</b>			
Telem Sticker			
209/00520/00.....	41, 43, 45, 47, 49, 51, 55, 57		
Terminal Block			
209/00527/00.....	77		
209/00530/00.....	77		
209/01625/00.....	83		
Thermostat			
210/01064/16.....	85		
210/01064/16.....	83, 85		
210/01304/16.....	83, 85		
Thermostat Grommet			
225/10004/00.....	83, 85		
Top Panel			
111/00330/00.....	69		
111/01001/00.....	59, 61		
140/00046/00.....	69		
Transformer			
209/00682/00.....	61		
Tub			
B12328901.....	25		
B12329001.....	25		
B12331101.....	25		
B12331201.....	25		
B12331301.....	25		
B12331401.....	27		
B12331501.....	27		
B12331601.....	27		
Tub Clamp Ring			
238/00011/00.....	25		
Tub Fastening Ring			
212/00116/00.....	9, 11, 25		
212/00117/00.....	13, 27		
Tub Front			
138/00001/00.....	25		
Tub Front Gasket			
B12351601.....	25		
223/00242/00.....	27		
Tub Front Panel Clip			
217/00008/00.....	25, 27		

N/A items do not appear in index.

Tub Front Ring Clamp 231/00010/00 .....	27
Tub Mounting Strap 137/00008/00 .....	25
Tub Strap 131/00010/00 .....	27
Tub to Drain Valve Hose 223/00327/00 .....	35

223/00123/00 .....	41, 43, 45, 47, 49, 57, 81
Water Hose	
F200164 .....	71
F200166 .....	71
223/00044/00 .....	35, 71, 87, 89, 91
223/00059/00 .....	71, 87, 89
Wire Assembly	
B12359901 .....	59

## U

U-Piece Assembly	
113/00067/00 .....	15, 17
113/00068/00 .....	19
Upper Front Panel	
111/01823/00 .....	53

## V

Vent Hose	
223/00107/06 .....	87
223/00388/00 .....	89
Vent Tube	
223/00226/00 .....	71, 91
223/00229/00 .....	91
Voltage Discharge Decal	
B12355001 .....	73, 75

## W

Washer	
B12421401 .....	67
201/00001/00 .....	15, 17, 19
201/00002/00 .....	35, 71
201/00004/00 .....	29, 31, 33
201/00005/00 .....	9, 11, 13, 25, 27
201/00006/00 .....	37, 63, 65, 67, 71
201/00007/00 .....	25, 27, 35, 69, 95
201/00009/00 .....	25, 27
201/00010/00 .....	29, 33
201/00011/00 .....	21, 23
201/00017/00 .....	37
201/00018/00 .....	37
201/00028/00 .....	31
201/00201/00 .....	15, 17
201/00202/00 .....	19
202/00002/00 .....	31, 35, 93, 95
202/00003/00 .....	63, 65, 67
202/00004/00 .....	63, 71, 77
202/00101/00 .....	37, 39
202/00104/00 .....	39
202/00111/00 .....	39
202/00124/00 .....	37
203/00001/00 .....	9, 11, 13, 21, 23, 25, 27
203/00002/00 .....	25, 27
203/00003/00 .....	9, 11, 13, 19, 93, 95
203/00004/00 .....	15, 17, 25, 27, 63, 65, 67, 95
203/00005/00 .....	63, 65, 67, 69
203/00006/00 .....	51, 53, 71, 73, 75, 77
203/00007/00 .....	37
203/00015/00 .....	63, 65, 67
208/00009/00 .....	63, 65, 67
223/00051/10 .....	57

N/A items do not appear in index.

