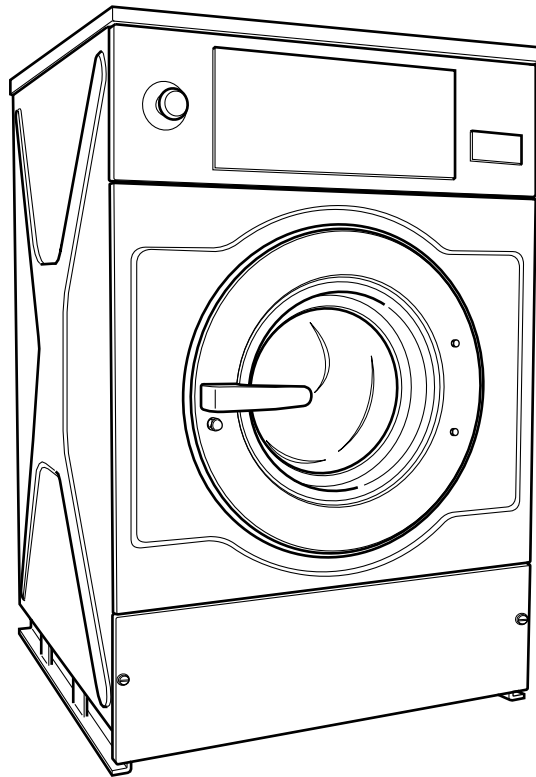


Washer-Extractor

Cabinet Hardmount

Refer to Page 5 for Model Numbers



CHM2097N_D0882

Table of Contents

Title	Page
Parts Ordering Information.....	3
Serial Plate Location	3
Model Identification	5
Cabinet Hardmount Washer-Extractor Product Overview.....	6
Frame.....	8
Bearing Housing - Models Through 1/30/11	10
Bearing Housing - Models Starting 1/31/11	12
Basket, Pulley and Belt	14
Shell - Models Through 4/22/2007	16
Shell - Models Starting 4/23/2007	18
Motor and Belt - Models Through 4/1/2007	20
Motor and Belt - *14 and *65 Models Starting 4/2/2007.....	22
Motor and Belt - *18, *25, *74, *75 and *100 Models Starting 4/2/2007	24
Drain Plumbing - Models Through 8/11/10 with 2 Inch Drain Valve.....	26
Drain Plumbing - Models Starting 8/12/10 with 2 Inch Drain Valve.....	28
Drain Plumbing - *18, *74 and *75 Models with 3 Inch Drain Valve.....	30
Drain Plumbing - *25 and *100 Models with 3 Inch Drain Valve	32
Door Lock.....	34
Door	36
Control Panel - Cygnus Professional	38
Control Panel - Cygnus Premium OPL	40
Control Panel - Cygnus Premium OPL with Frontal Supply Dispenser.....	42
Control Panel - Cygnus Premium Coin	44
Control Panel - Cygnus Premium Coin with Frontal Supply Dispenser	46
Control Panel - Cygnus Standard/Commercial OPL.....	48
Control Panel - Cygnus Standard/Commercial OPL with Frontal Supply Dispenser	50
Control Panel - Cygnus Standard/Commercial Coin.....	52
Control Panel - Cygnus Standard/Commercial Coin with Frontal Supply Dispenser	54
Control Panel - Micro-20 OPL.....	56
Control Panel - Micro-20 OPL with Frontal Supply Dispenser	58
Control Panel - Micro-20 Coin.....	60
Control Panel - Sigma OPL.....	62
Control Panel - Sigma OPL with Frontal Supply Dispenser	64
Control Panel - Sigma Coin	66
Control Panel - Sigma Coin with Frontal Supply Dispenser.....	68
Control Panel - PS40F	70
Coin Drop - Mechanical Coin Meter.....	72
Coin Drop - Electronic Coin Meter	74
Left Side, Lower Front and Upper Back Panels.....	76
Right Side, Front, Lower Rear and Top Panels	78
Water Inlet Valves.....	80

© Copyright 2017, Alliance Laundry Systems LLC

All rights reserved. No part of the contents of this book may be reproduced or transmitted in any form or by any means without the expressed written consent of the publisher.

Inverter Drive	82
Main Switch and Noise Filter	84
Central Operating Panel, Network Connection and Soap Injection Printboards	86
Relay, Network Connection and Main Printboards - Cygnus Models	88
Electrical Component Mounting Plate	90
Supply Dispenser - Models with Frontal Supply Dispenser	92
Supply Dispenser - Models with Round Ventilation Opening	94
Supply Dispenser - Models with Rectangular Ventilation Opening	96
Steam and Electric Heating Options	98
Soap Pumps	100
Parts Index	103

Parts Ordering Information

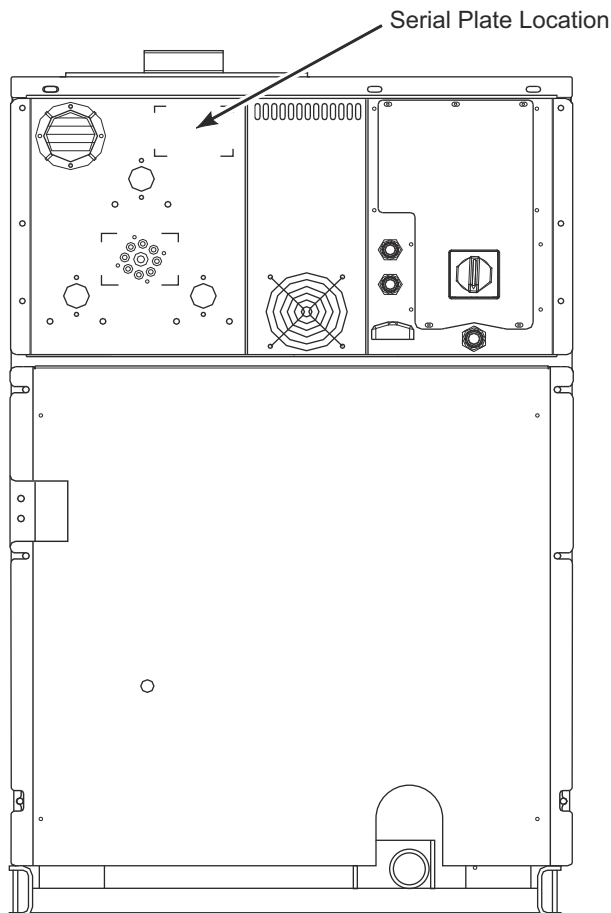
If literature or replacement parts are required, contact the source from whom the machine was purchased or contact Alliance Laundry Systems at (920) 748-3950 for the name and address of the nearest authorized parts distributor.

For technical assistance, call the number listed below:

(920) 748-3121 Ripon, Wisconsin

Serial Plate Location

When calling or writing about your product, be sure to mention model and serial numbers. Model and serial numbers are located on serial plate(s) as shown.



CHM3065P_D0882

Model Identification

Information in this manual is applicable to these washer-extractor models:


CWF018ANM	IWF025ANM	IWF074ANM	WFF65_CYGNUS-COMM_COIN
CWF018MNM	IWF025MCM	IWF074MCM	WFF65_CYGNUS-COMM_OPL
CWF025ANM	IWF025MDM	IWF074MDM	WFF65_CYGNUS-PREM_COIN
CWF025MNM	IWF025MEM	IWF074MEM	WFF65_CYGNUS-PREM_OPL
IWF014ANM	IWF025MLM	IWF074MLM	WFF65_CYGNUS-PRO
IWF014MCM	IWF025MNM	IWF074MNM	WFF65_CYGNUS-STANDARD_COIN
IWF014MDM	IWF025MXM	IWF074MXM	WFF65_CYGNUS-STANDARD_OPL
IWF014MEM	IWF025MYM	IWF074MYM	WFF65_MICRO-20_COIN
IWF014MLM	IWF025SCM	IWF074SCM	WFF65_MICRO-20_OPL
IWF014MNM	IWF025SDM	IWF074SDM	WFF65_PS40F
IWF014MXM	IWF025SEM	IWF074SEM	WFF65_SIGMA_COIN
IWF014MYM	IWF025SLM	IWF074SLM	WFF65_SIGMA_OPL
IWF014SCM	IWF025SRM	IWF074SRM	WFF75_CYGNUS-COMM_COIN
IWF014SDM	IWF025SXM	IWF074SXM	WFF75_CYGNUS-COMM_OPL
IWF014SEM	IWF025SYM	IWF074SYM	WFF75_CYGNUS-PREM_COIN
IWF014SLM	IWF065ANM	IWF074ZNM	WFF75_CYGNUS-PREM_OPL
IWF014SRM	IWF065MCM	IWF100ANM	WFF75_CYGNUS-PRO
IWF014SXM	IWF065MDM	IWF100MCM	WFF75_CYGNUS-STANDARD_COIN
IWF014SYM	IWF065MEM	IWF100MDM	WFF75_CYGNUS-STANDARD_OPL
IWF018ANM	IWF065MLM	IWF100MEM	WFF75_MICRO-20_COIN
IWF018MCM	IWF065MNM	IWF100MLM	WFF75_MICRO-20_OPL
IWF018MDM	IWF065MXM	IWF100MNM	WFF75_PS40F
IWF018MEM	IWF065MYM	IWF100MXM	WFF75_SIGMA_COIN
IWF018MLM	IWF065SCM	IWF100MYM	WFF75_SIGMA_OPL
IWF018MNM	IWF065SDM	IWF100SCM	WFF100_CYGNUS-COMM_COIN
IWF018MXM	IWF065SEM	IWF100SDM	WFF100_CYGNUS-COMM_OPL
IWF018MYM	IWF065SLM	IWF100SEM	WFF100_CYGNUS-PREM_COIN
IWF018SCM	IWF065SRM	IWF100SLM	WFF100_CYGNUS-PREM_OPL
IWF018SDM	IWF065SXM	IWF100SRM	WFF100_CYGNUS-PRO
IWF018SEM	IWF065SYM	IWF100SXM	WFF100_CYGNUS-STANDARD_COIN
IWF018SLM	IWF065ZNM	IWF100SYM	WFF100_CYGNUS-STANDARD_OPL
IWF018SRM		IWF100ZNM	WFF100_MICRO-20_COIN
IWF018SXM			WFF100_MICRO-20_OPL
IWF018SYM			WFF100_PS40F
			WFF100_SIGMA_COIN
			WFF100_SIGMA_OPL


Cabinet Hardmount Washer-Extractor Product Overview

Type:	WFF75C	Nr: 07110WD0339
Voltage:	3 ~ 400V 50Hz	Weight: 181 kg
Motor:	0.55kW 2.5A	Capacity: 73 L
Heating:	9kW 16A	Dry Load: 7,3 kg
Total:	9.55 kW	Drum: 530 mm
Kinetic energy:	592 Nm	Speed: 700 rpm
Manufactured in:	2007	

Water Pressure: min. 2.07 max. 5.86 Kg/cm² IPX4
min. 20.7 max. 58.6 N/cm²


sfc 741837

Alliance International BVBA

 Nieuwstraat 146
 8560 Wevelgem
 Belgium
 Tel: +32 56 41 20 54
 Fax: +32 56 41 86 74
 www.ipso.be




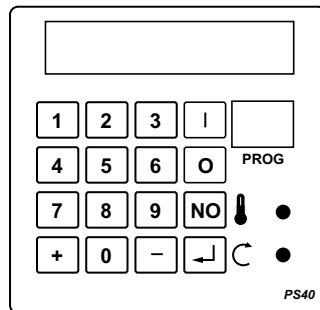
Model No:	IWF018MNMX10U01	Serial No: 07110WD0152
Volts Hertz:	208-240 50/60	Type: WFF75
Phase:	1 - 3	
Amps:	6 amps	Capacity: 18/7 lbs/kg
Recommended Circuit Breaker:	15 amps	Water: 30-85 psi
Interrupt Current:	10 kA	Pressure: 2.07-5.86 bar
Motor:	1 hp 0,75 kW	Max Speed: 700 rpm
Elec Heat:	N/A kW	Net Weight: 400 lbs 181 kg
Steam heat:	N/A psi N/A bar	IPX4

Alliance International BVBA
 Made in Belgium

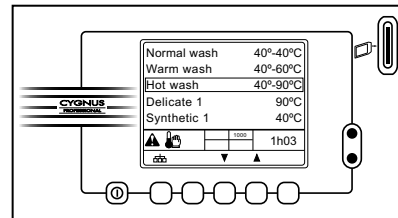


TEL 1-920-748-3121
www.comlaundry.com

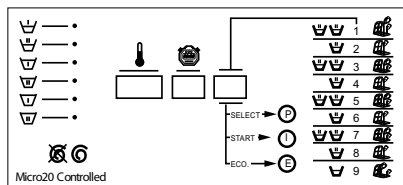

100740 LISTED
 CONFORMS TO ANSI/UL
 STD 2157
 CERTIFIED TO CAN/CSA
 STD C22.2 NO.169-94



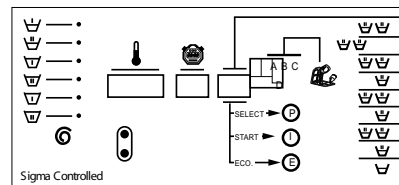
PS40



Cygnus Professional



Micro 20



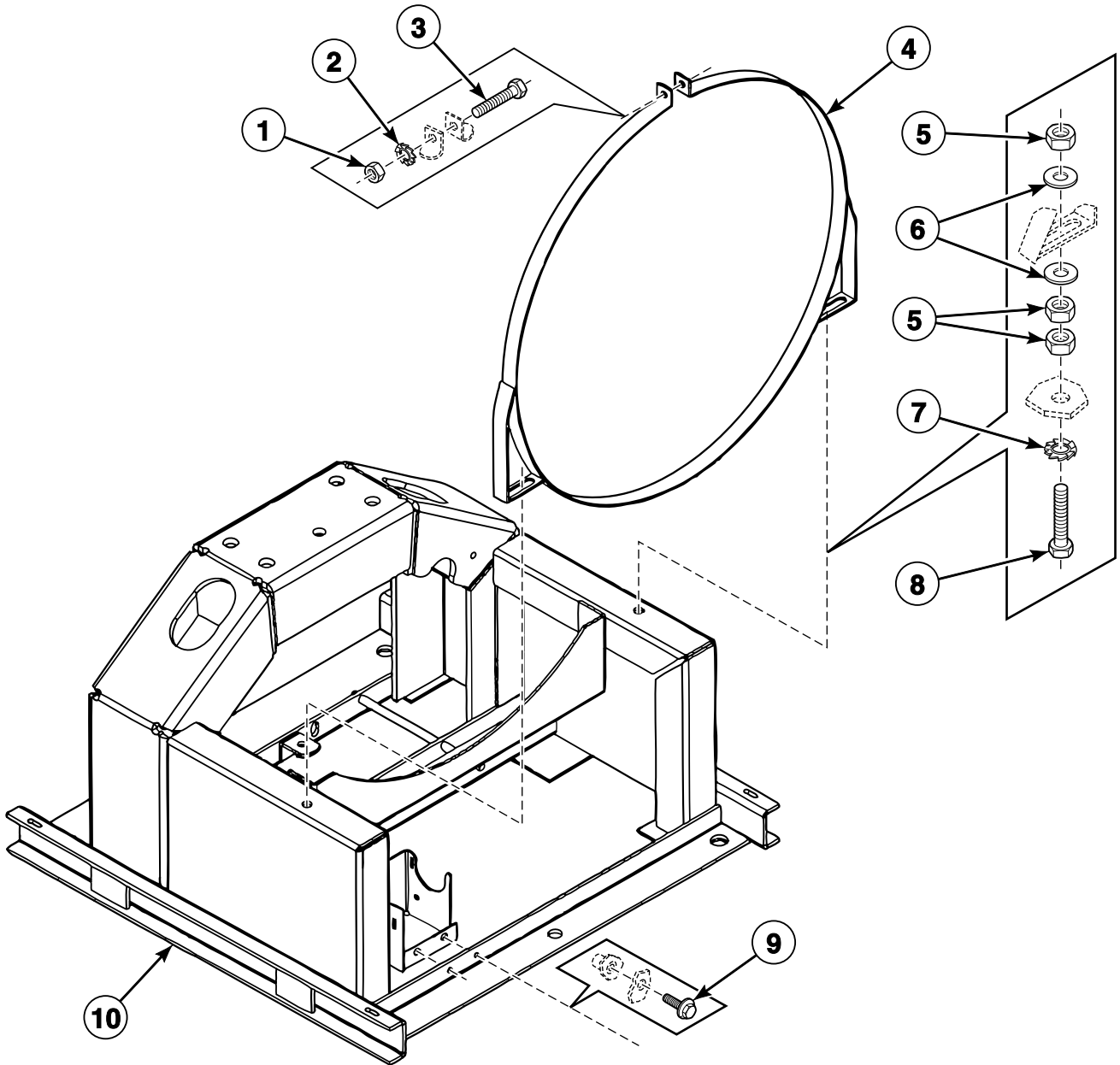
Sigma

CHM3066P_D0882

Cabinet Hardmount Washer-Extractor Product Overview

REF	PART NO.	DESCRIPTION	COMMENTS
1	-	Product Family	CWF IWF WFF
2	-	Capacity	014 018 025 065 074 075 65 75 100
3	-	Control	A (PS40F) Cygnus-Comm Cygnus-Prem Cygnus-Standard M (Micro-20) S (Sigma) Z (Cygnus-Pro)
4	-	Actuation	C (Coin Drop Meter) D (Dual Coin Drop) E (Electronic Drop) L (Prep for Remote or Central Pay) N (Non-Coin) R (Smart Card Ready) X (Prep for Coin) Y (Card Ready)
5	-	Speed	M (Medium Spin)
6	-	Voltage	N (440-480/50-60/3/3) P (380-415/50-60/3/3) Q (208-240/50-60/3/3) X (200-240/50-60/1/3)
7	-	Design	1

Frame

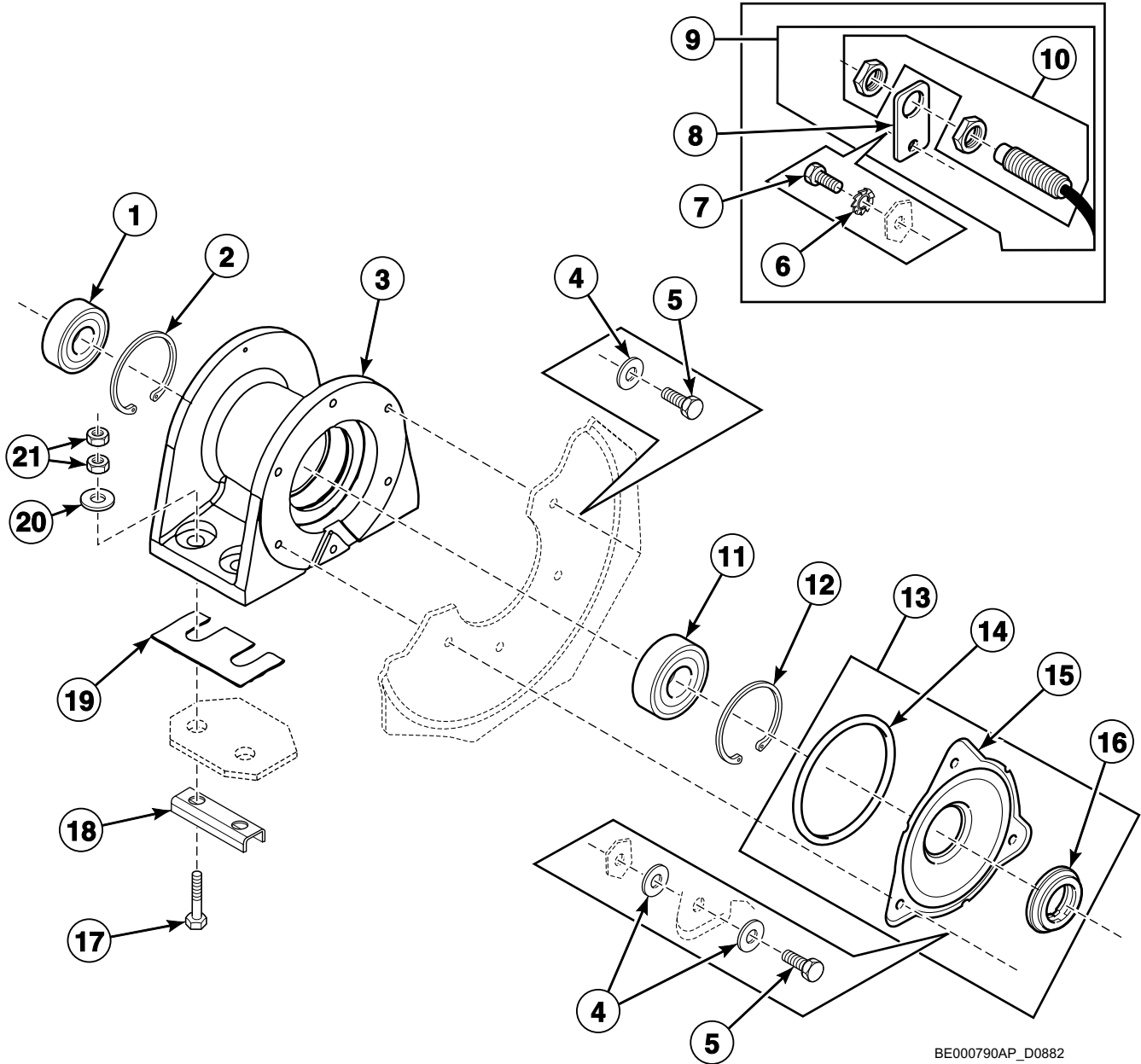


BE000835P_D0882

Frame

REF	PART NO.	DESCRIPTION	COMMENTS
1	204/00004/00	Bolt	
2	203/00003/00	Washer	
3	206/00007/00	Screw	
4	212/00113/00	Tub Fastening Ring	
5	204/00002/00	Nut	
6	201/00005/00	Washer	
7	203/00001/00	Washer	
8	206/00079/00	Bolt	
9	206/00099/00	Bolt	
10	212/00104/50	Chassis	*14 and *65 models
	212/00105/50	Chassis	*18, *74 and *75 models
	212/00106/50	Chassis	*25 and *100 models

Bearing Housing - Models Through 1/30/11

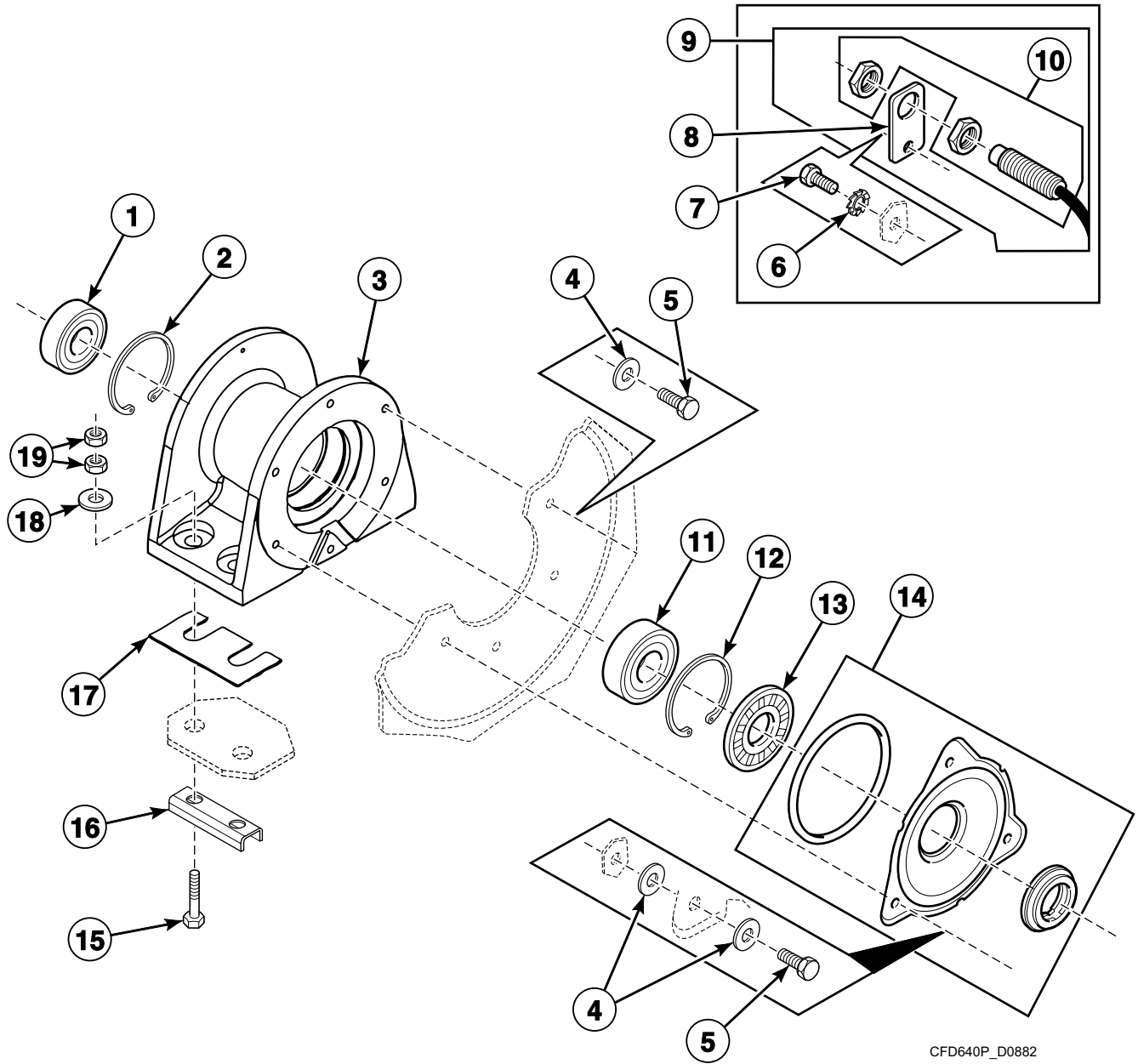


BE000790AP_D0882

Bearing Housing - Models Through 1/30/11

REF	PART NO.	DESCRIPTION	COMMENTS
	380P3	Bearing Replacement Tool Kit	
	387P4	Bearing Replacement Kit	Includes items 1, 4, 5, 11, 13, F8382001P Deflector Inlet, 217/00004/00 Counter Ring and 223/00242/10 Tub Gasket
1	215/00001/13	Ball Bearing	
2	212/00028/00	Retaining Ring	
3	212/00100/00	Bearing Housing Assembly	Includes items 1, 2, 11 and 12
	212/00100/01	Bearing Housing	
4	201/00201/00	Washer	
5	205/00102/00	Bolt	
6	203/00004/00	Washer	
7	205/00104/00	Bolt	
8	152/00055/00	Speed Detector Bracket	
9	210/00074/00	Speed Detector	Includes items 8 and 10
10	209/00400/00	Speed Detector	
11	216/00001/12	Ball Bearing	
12	212/00038/00	Retaining Ring	
13	117/00001/01	Shaft Seal Holder	Includes items 14-16; Used with B12325701 Drum and Axle, 111/01917/00 Cylinder and Shaft Assembly or B12326101 Drum and Axle
14	217/00002/00	O-Ring	Used with B1235701 Drum and Axle, 111/01917/00 Cylinder and Shaft Assembly or B12326101 Drum and Axle
15	117/00001/00	Seal Cover	Used with B1235701 Drum and Axle, 111/01917/00 Cylinder and Shaft Assembly or B12326101 Drum and Axle
16	217/00003/00	Shaft Seal	Used with B1235701 Drum and Axle, 111/01917/00 Cylinder and Shaft Assembly or B12326101 Drum and Axle
17	206/00093/00	Bolt	
18	113/00065/00	U-Piece Assembly	
19	113/00020/02	Bearing Housing Plate	1 mm
	113/00020/01	Bearing Housing Plate	2 mm
20	201/00001/00	Washer	
21	204/00010/00	Nut	

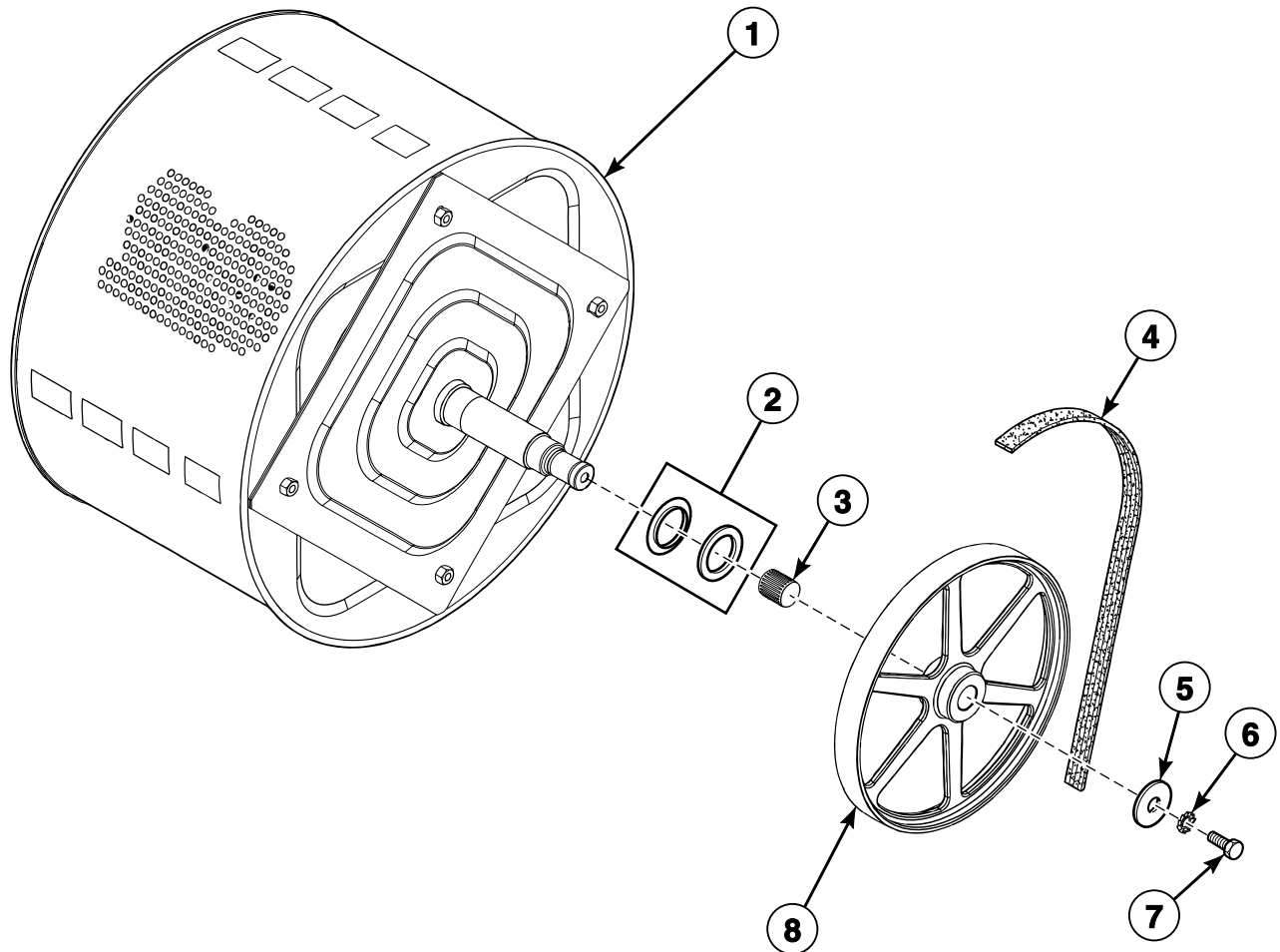
Bearing Housing - Models Starting 1/31/11



Bearing Housing - Models Starting 1/31/11

REF	PART NO.	DESCRIPTION	COMMENTS
	380P3	Bearing Replacement Tool Kit	
	3881P	Bearing Kit	Includes items 1, 4, 5, 11, 13, 14, 217/00004/00 Counter Ring and 223/000242/10 Tub Gasket
1	215/00001/13	Ball Bearing	
2	212/00028/00	Retaining Ring	
3	212/00100/00	Bearing Housing Assembly	Includes items 1, 2, 11 and 12
	212/00100/01	Bearing Housing	
4	201/00201/00	Washer	
5	205/00102/00	Bolt	
6	203/00004/00	Washer	
7	205/00104/00	Bolt	
8	152/00055/00	Speed Detector Bracket	
9	210/00074/00	Speed Detector	Includes items 8 and 10
10	209/00400/00	Speed Detector	
11	216/00001/12	Ball Bearing	
12	212/00038/00	Retaining Ring	
13	B12332201	Lip Seal	
14	B12333601	Seal Plate Assembly	Used with B12379501, B12379601, B12379701, B12379801, B12379901 or B12380001 Basket and Shaft Assembly
15	206/00093/00	Bolt	
16	113/00065/00	U-Piece Assembly	
17	113/00020/02	Bearing Housing Plate	1 mm
	113/00020/01	Bearing Housing Plate	2 mm
18	201/00001/00	Washer	
19	204/00010/00	Nut	

Basket, Pulley and Belt

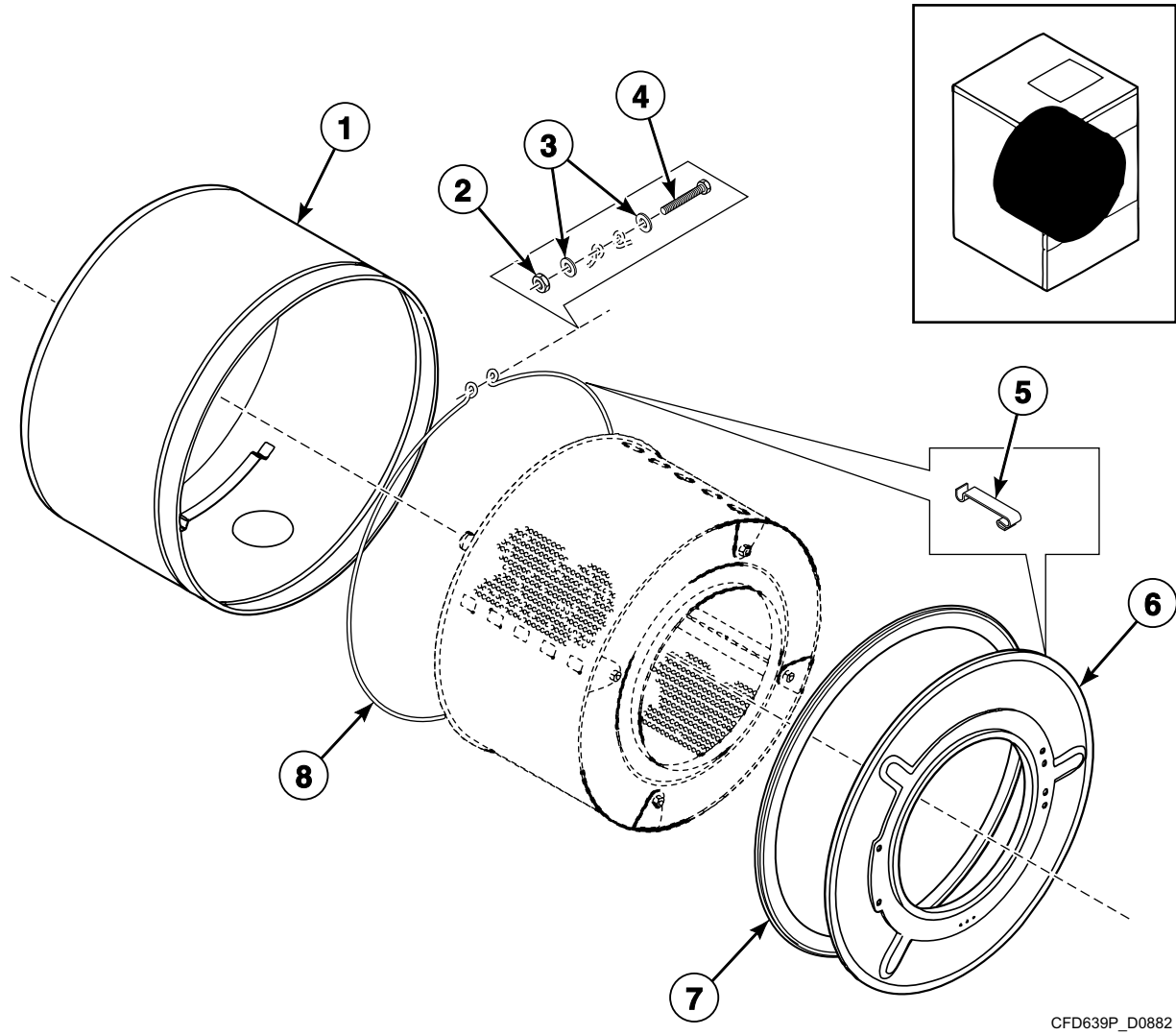


BE000840P_D0882

Basket, Pulley and Belt

REF	PART NO.	DESCRIPTION	COMMENTS
1	B12325701	Drum and Axle	*14 and *65 models; Models through 1/30/11; Used with 117/00001/01 Shaft Seal Holder
	B12542601	Basket Kit	*14 and *65 models; Models through 1/30/11; Includes B12379501 Basket and Shaft Assembly and 3881P Bearing Kit
	B12379501	Basket and Shaft Assembly	*14 and *65 models; 3 mm; Models starting 1/31/11; Used with B12333601 Seal Plate Assembly
	B12379601	Basket and Shaft Assembly	*14 and *65 models; 9 mm; Models starting 1/31/11; Used with B12333601 Seal Plate Assembly
	111/01917/00	Cylinder and Shaft Assembly	*18, *74 and *75 models; Models through 1/30/11; Used with 117/00001/01 Shaft Seal Holder
	B12542701	Basket Kit	*18, *74 and *75 models; Models through 1/30/11; Includes B12379501 Basket and Shaft Assembly and 3881P Bearing Kit
	B12379701	Basket and Shaft Assembly	*18, *74 and *75 models; 3 mm; Models starting 1/31/11; Used with B12333601 Seal Plate Assembly
	B12379801	Basket and Shaft Assembly	*18, *74 and *75 models; 9 mm; Models starting 1/31/11; Used with B12333601 Seal Plate Assembly
	B12326101	Drum and Axle	*25 and *100 models; Models through 1/30/11; Used with 117/00001/01 Shaft Seal Holder
	B12542801	Basket Kit	*25 and *100 models; Models through 1/30/11; Includes B12379901 Basket and Shaft Assembly and 3881P Bearing Kit
	B12379901	Basket and Shaft Assembly	*25 and *100 models; 3 mm; Models starting 1/31/11; Used with B12333601 Seal Plate Assembly
	B12380001	Basket and Shaft Assembly	*25 and *100 models; 9 mm; Models starting 1/31/11; Used with B12333601 Seal Plate Assembly
2	217/00004/00	Counter Ring	
3	215/00004/00	Tolerance Ring	
4	255/00013/00	Belt	
5	201/00015/00	Washer	
6	203/00002/00	Washer	
7	206/00005/00	Bolt	
8	226/00126/00	Pulley	

Shell - Models Through 4/22/2007



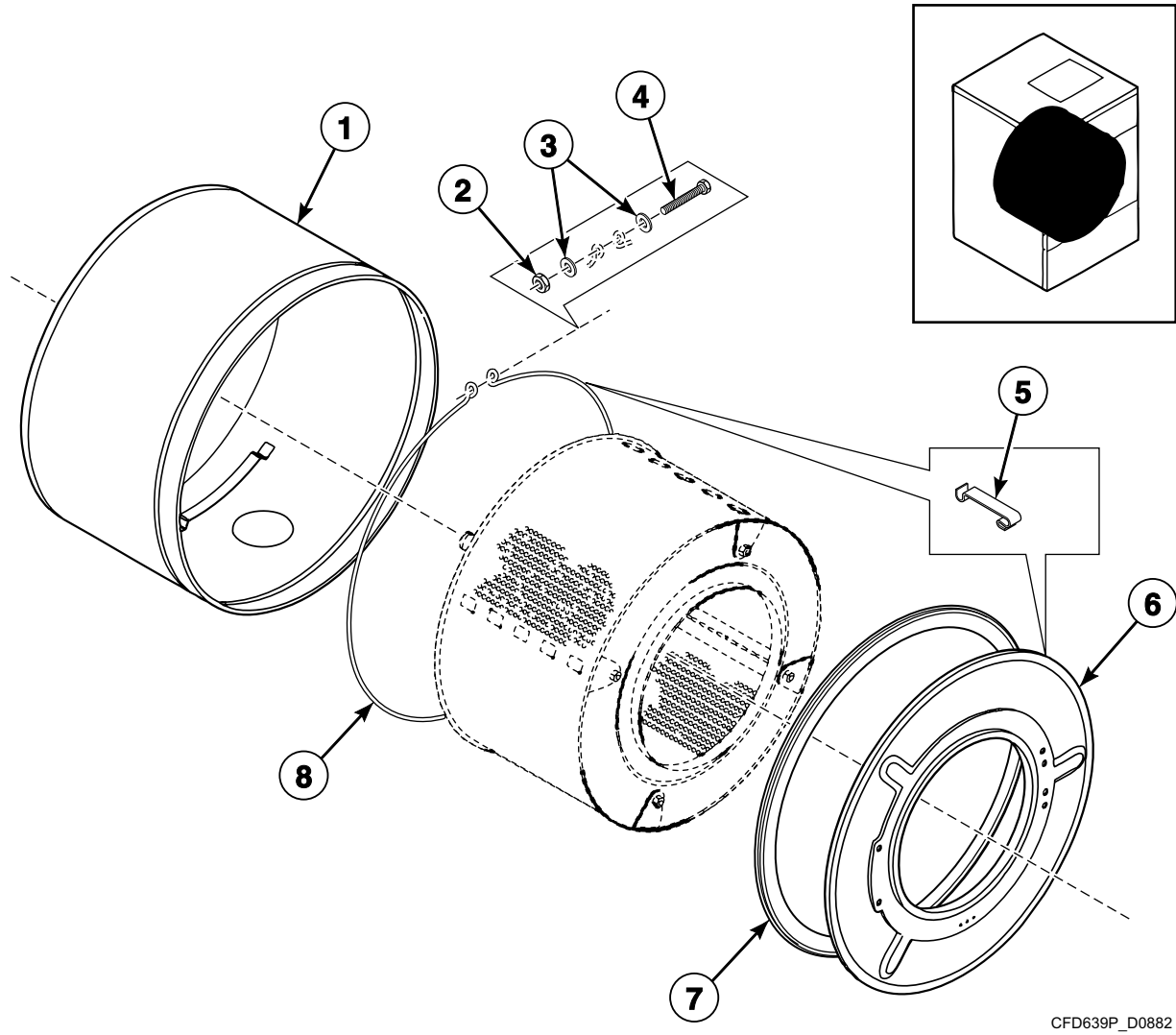
CFD639P_D0882

Shell - Models Through 4/22/2007

REF	PART NO.	DESCRIPTION	COMMENTS
1	N/A	Outer Tub	*14 and *65 models; Standard
	N/A	Outer Tub	*14 and *65 models; Electric heat
	N/A	Outer Tub	*18, *74 and *75 models; Standard
	N/A	Outer Tub	*18, *74 and *75 models; Electric heat
	N/A	Outer Tub	*25 and *100 models; Standard
	117/00202/00	Outer Tub	*25 and *100 models; Electric heat
2	204/00009/00	Nut	
3	202/00003/00	Washer	
4	206/00011/00	Bolt	
5	217/00008/00	Tub Front Panel Clip	
6	118/00022/01	Tub Front	
7	B12351601	Tub Front Gasket	
8	217/00007/00	Tub Front Ring Clamp	

N/A = Part no longer available

Shell - Models Starting 4/23/2007



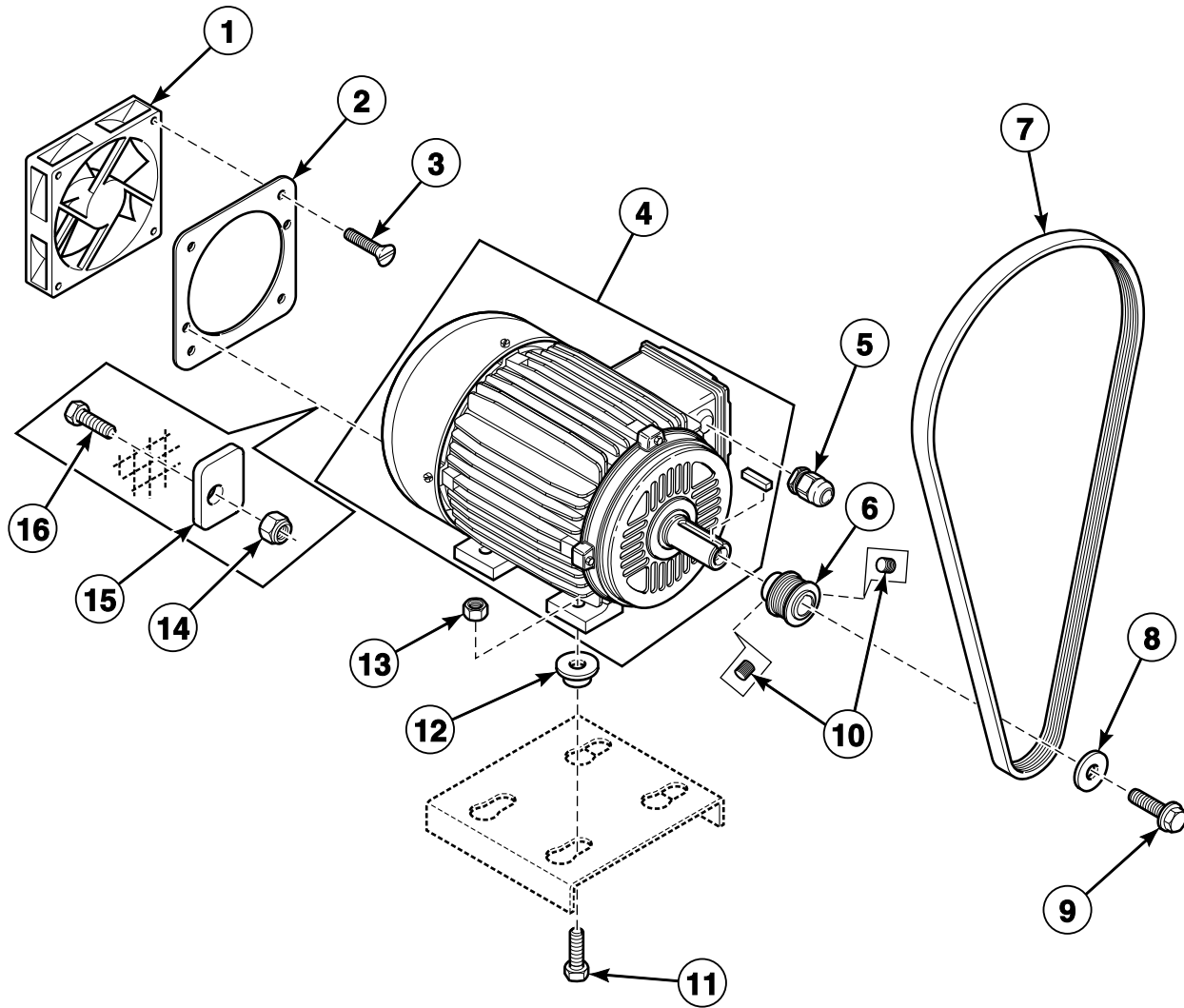
CFD639P_D0882

Shell - Models Starting 4/23/2007

REF	PART NO.	DESCRIPTION	COMMENTS
1	N/A	Outer Tub	*14 and *65 models; Standard; Models through 8/11/10
	B12328101	Outer Tub	*14 and *65 models; Standard; Models starting 8/12/10
	N/A	Outer Tub	*14 and *65 models; Electric heat; Models through 8/11/10
	B12328001	Outer Tub	*14 and *65 models; Electric heat; Models starting 8/12/10
	N/A	Outer Tub	*18, *74 and *75 models; Standard; Models through 8/11/10
	B12328401	Outer Tub	*18, *74 and *75 models; Standard; Models starting 8/12/10
	N/A	Outer Tub	*18, *74 and *75 models; Electric heat; Models through 8/11/10
	B12328301	Outer Tub	*18, *74 and *75 models; Electric heat; Models starting 8/12/10
	N/A	Outer Tub	*25 and *100 models; Standard; Models through 8/11/10
	B12328701	Outer Tub	*25 and *100 models; Standard; Models starting 8/12/10
	117/00202/00	Outer Tub	*25 and *100 models; Electric heat; Models through 8/11/10
	B12328601	Outer Tub	*25 and *100 models; Electric heat; Models starting 8/12/10
2	204/00009/00	Nut	
3	201/00007/00	Washer	
4	206/00032/00	Bolt	
5	217/00008/00	Tub Front Panel Clip	
6	118/00022/01	Tub Front	
7	B12351601	Tub Front Gasket	
8	217/00007/00	Tub Front Ring Clamp	

N/A = Part no longer available

Motor and Belt - Models Through 4/1/2007

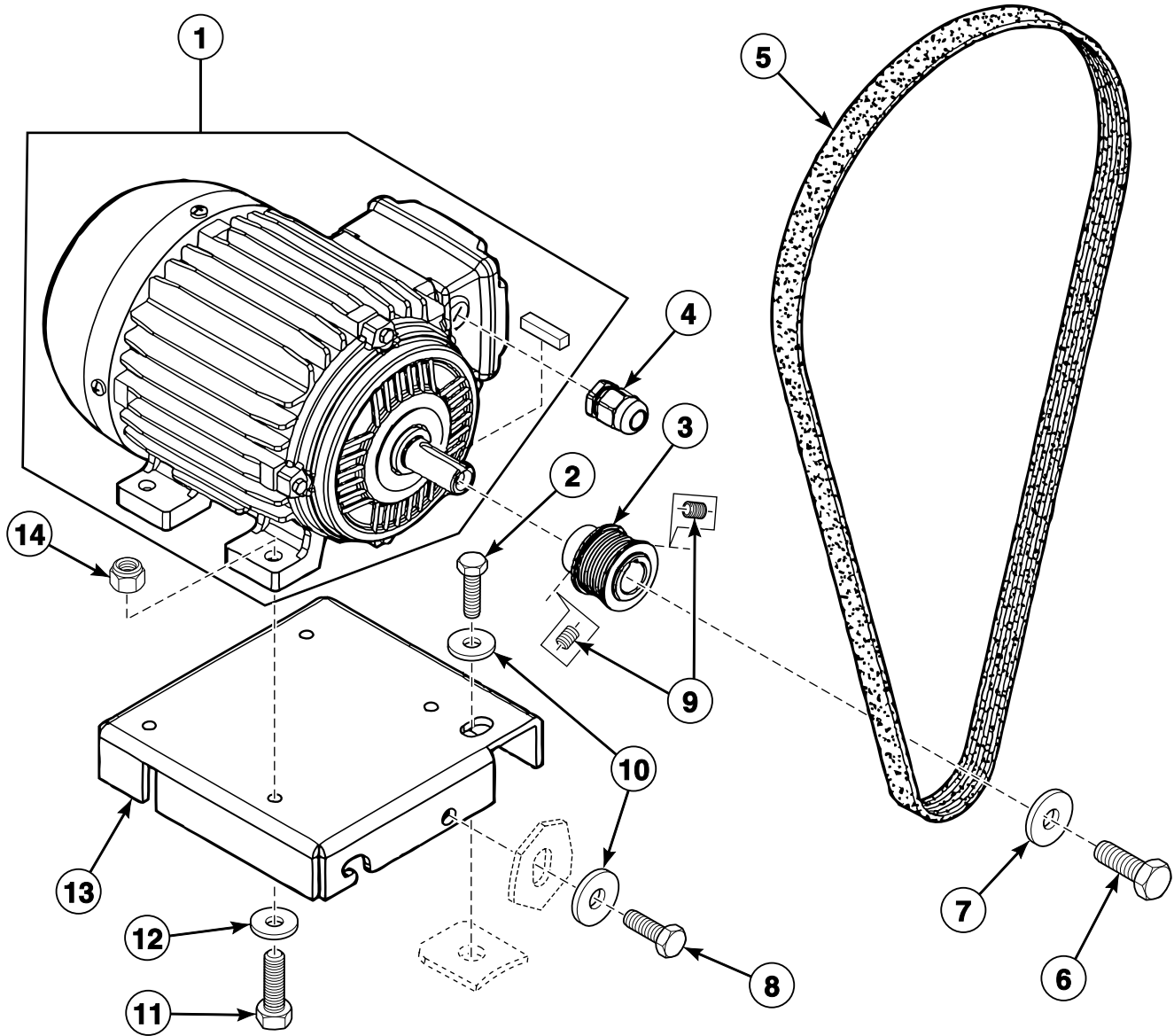


BE000793P_D0882

Motor and Belt - Models Through 4/1/2007

REF	PART NO.	DESCRIPTION	COMMENTS
1	209/00465/00	Fan	
2	152/00044/03	Fan Plate Assembly	
3	207/00117/00	Screw	
4	255/00014/00	Motor	Order replacement motor pulley when replacing motor
5	211/00167/00	Cordlock	
6	226/00129/00	Pulley	
7	255/00013/00	Belt	
8	201/00006/00	Washer	
9	206/00099/00	Bolt	
10	206/00058/00	Screw	
11	206/00007/00	Screw	
12	223/00314/00	Guide	
13	204/00109/00	Nut	
14	204/00115/00	Nut	
15	117/00042/00	Retaining Ring	
16	206/00054/00	Bolt	

Motor and Belt - *14 and *65 Models Starting 4/2/2007

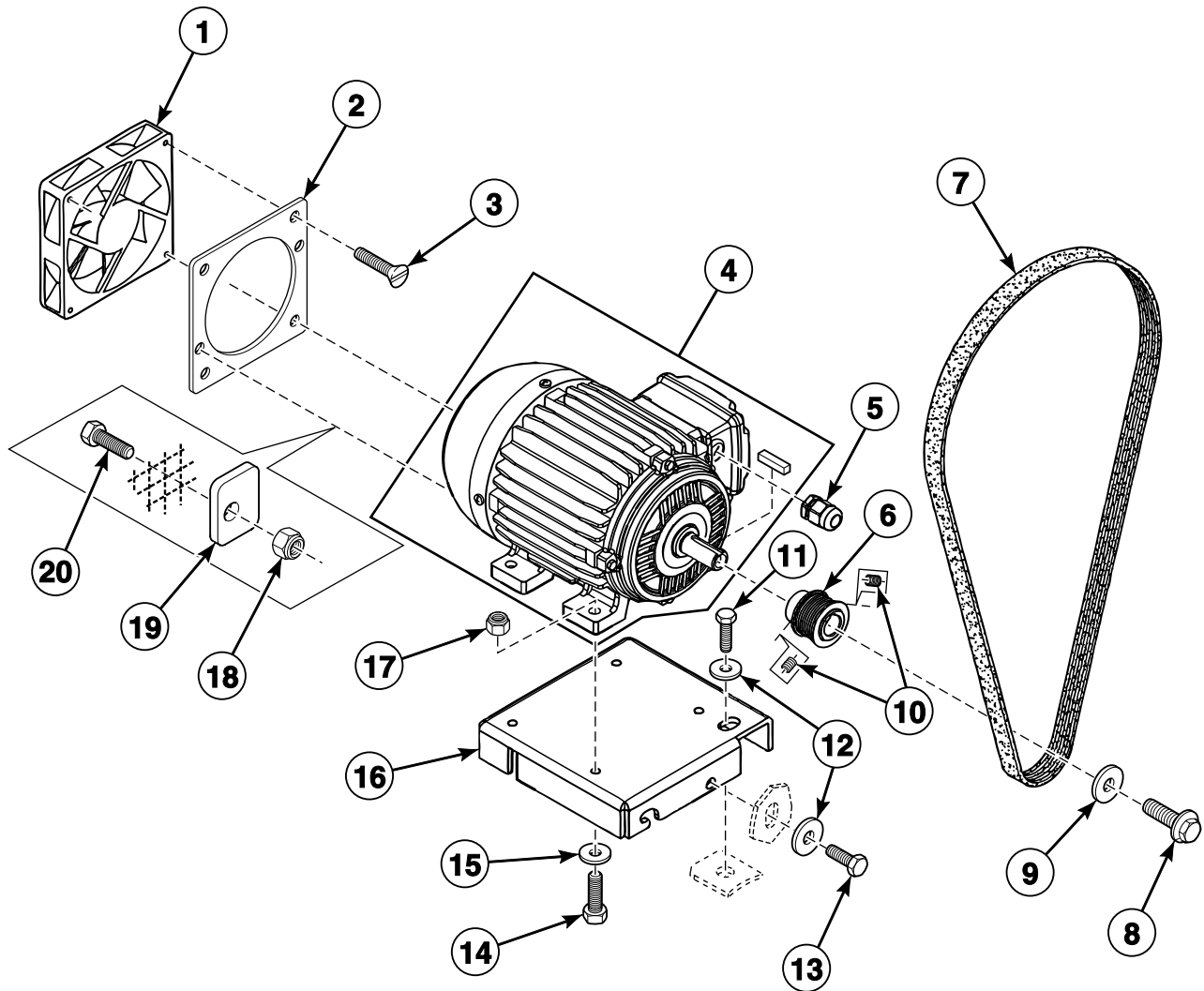


BE000793BP_D0882

Motor and Belt - *14 and *65 Models Starting 4/2/2007

REF	PART NO.	DESCRIPTION	COMMENTS
1	255/00014/00	Motor	Order replacement motor pulley when replacing motor
2	206/00119/00	Bolt	
3	226/00129/00	Pulley	
4	211/00167/00	Cordlock	
5	255/00013/00	Belt	
6	206/00099/00	Bolt	
7	201/00006/00	Washer	
8	206/00006/00	Bolt	
9	206/00058/00	Screw	
10	201/00010/00	Washer	
11	206/00009/00	Bolt	
12	202/00002/00	Washer	
13	115/10100/00	Motor Mounting Plate	
14	204/00109/00	Nut	

Motor and Belt - *18, *25, *74, *75 and *100 Models Starting 4/2/2007

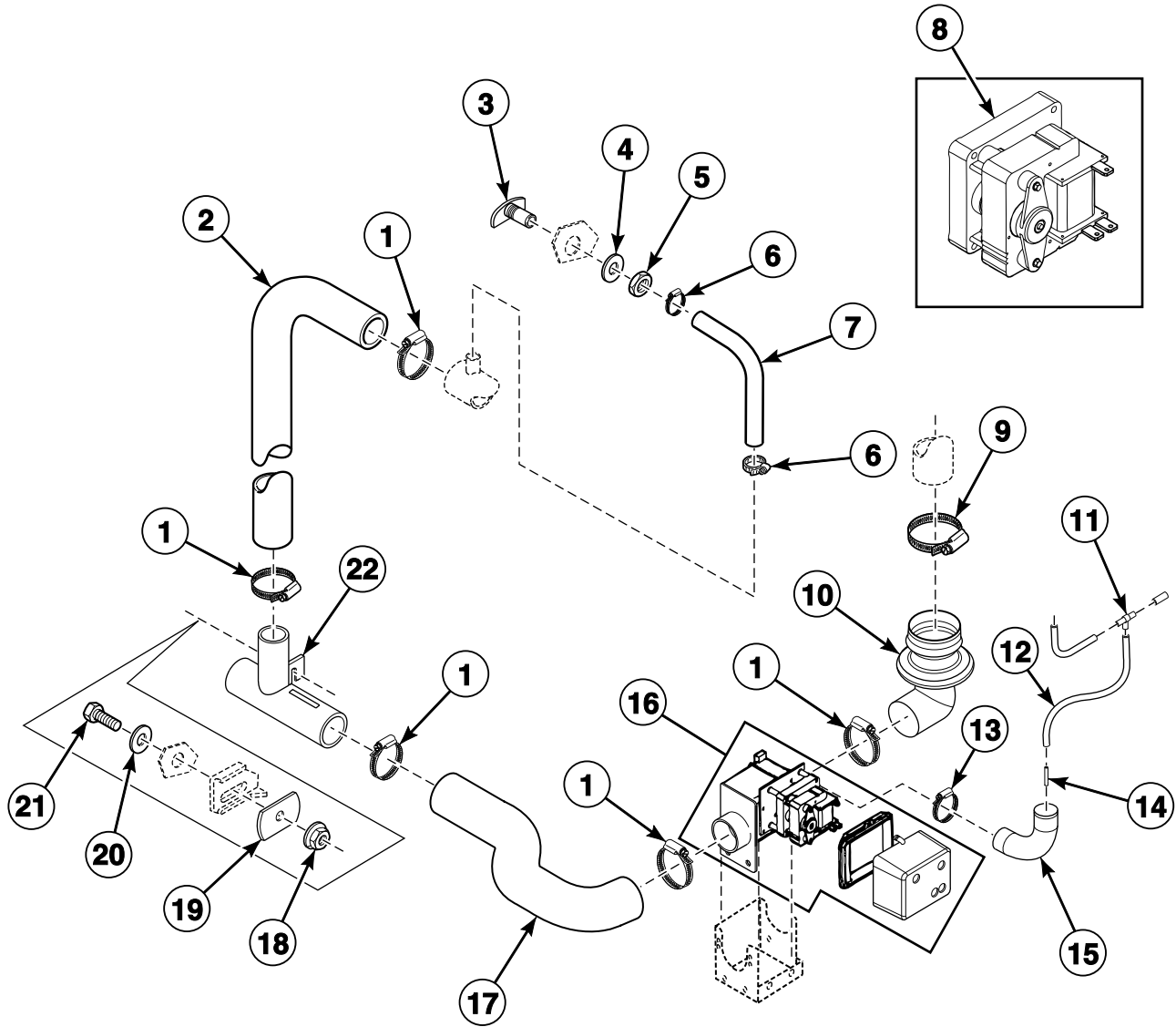


BE000793AP_D0882

**Motor and Belt -
*18, *25, *74, *75 and *100 Models Starting 4/2/2007**

REF	PART NO.	DESCRIPTION	COMMENTS
1	209/00465/00	Fan	
2	152/00044/03	Fan Plate Assembly	
3	207/00117/00	Screw	
4	255/00014/00	Motor	Order replacement motor pulley when replacing motor
5	211/00167/00	Cordlock	
6	226/00129/00	Pulley	
7	255/00013/00	Belt	
8	206/00099/00	Bolt	
9	201/00006/00	Washer	
10	206/00058/00	Screw	
11	206/00119/00	Bolt	
12	201/00010/00	Washer	
13	206/00006/00	Bolt	
14	206/00009/00	Bolt	
15	202/00002/00	Washer	
16	115/10100/00	Motor Mounting Plate	
17	204/00109/00	Nut	
18	204/00115/00	Nut	
19	117/00042/00	Retaining Ring	
20	206/00054/00	Bolt	

Drain Plumbing - Models Through 8/11/10 with 2 Inch Drain Valve

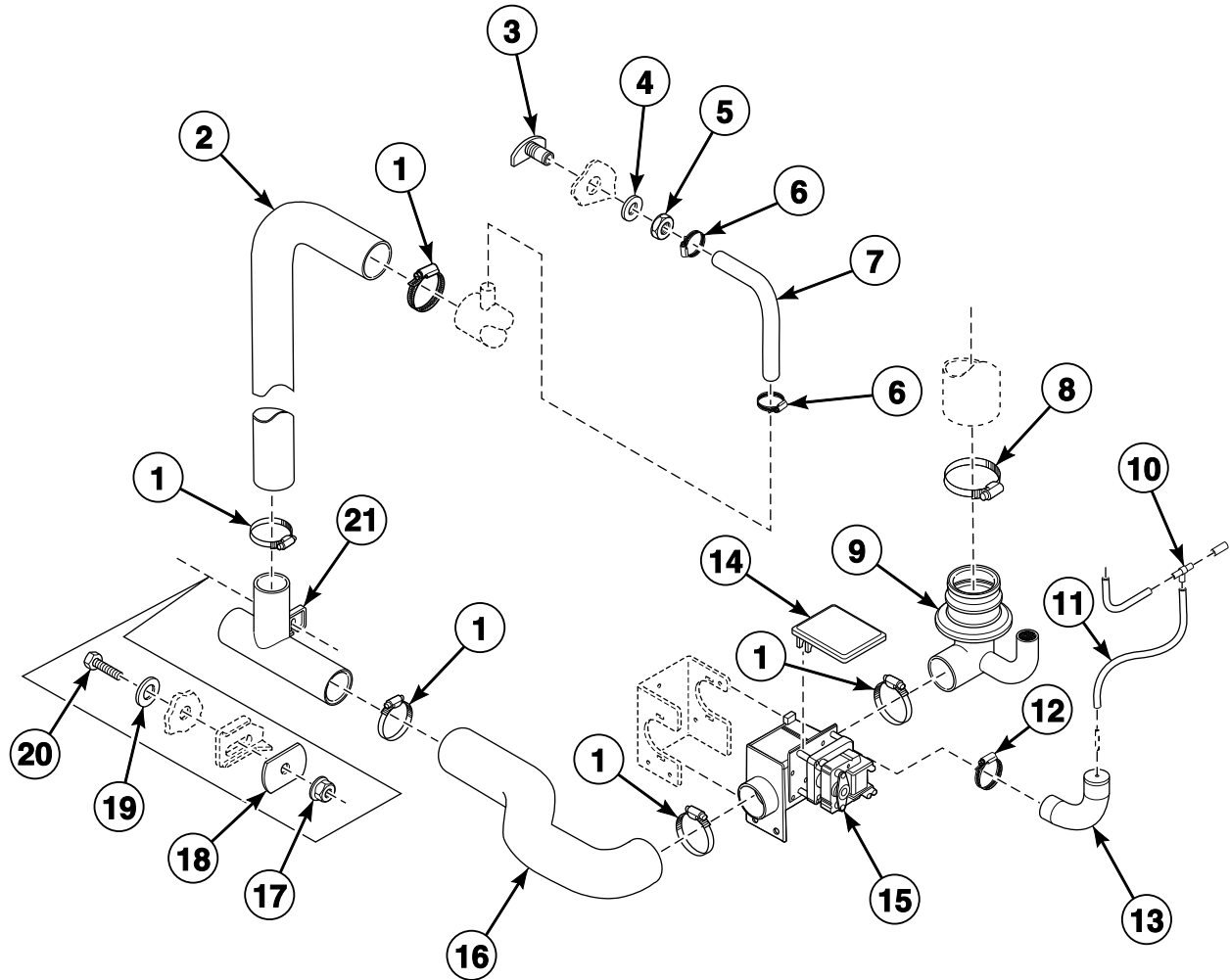


BE000794BP_D0882

Drain Plumbing - Models Through 8/11/10 with 2 Inch Drain Valve

REF	PART NO.	DESCRIPTION	COMMENTS
1	223/00013/00	Hose Clamp	
2	223/00150/00	Overflow Hose	
3	223/00001/04	Prewash and Mainwash Nozzle	
4	201/00002/00	Washer	
5	204/00201/00	Nut	
6	223/00010/00	Hose Clamp	
7	223/00044/00	Water Hose	
8	209/00643/11	Motor	
9	223/00014/00	Hose Clamp	
10	223/00316/00	Trap	
11	223/00173/10	Pressure Switch Hose Tee	
12	B12700018	Pressure Hose	
13	223/00011/00	Hose Clamp	
14	223/00016/00	Hose Barb	
15	223/00210/00	Pressure Switch Elbow	
16	209/00643/00	Drain Valve	
17	223/00190/00	Drain Valve Hose	
18	206/00101/00	Nut	
19	101/00007/00	Outlet Pipe Plate Assembly	
20	201/00007/00	Washer	
21	206/00033/00	Bolt	
22	223/00146/00	Drain Piece	

Drain Plumbing - Models Starting 8/12/10 with 2 Inch Drain Valve

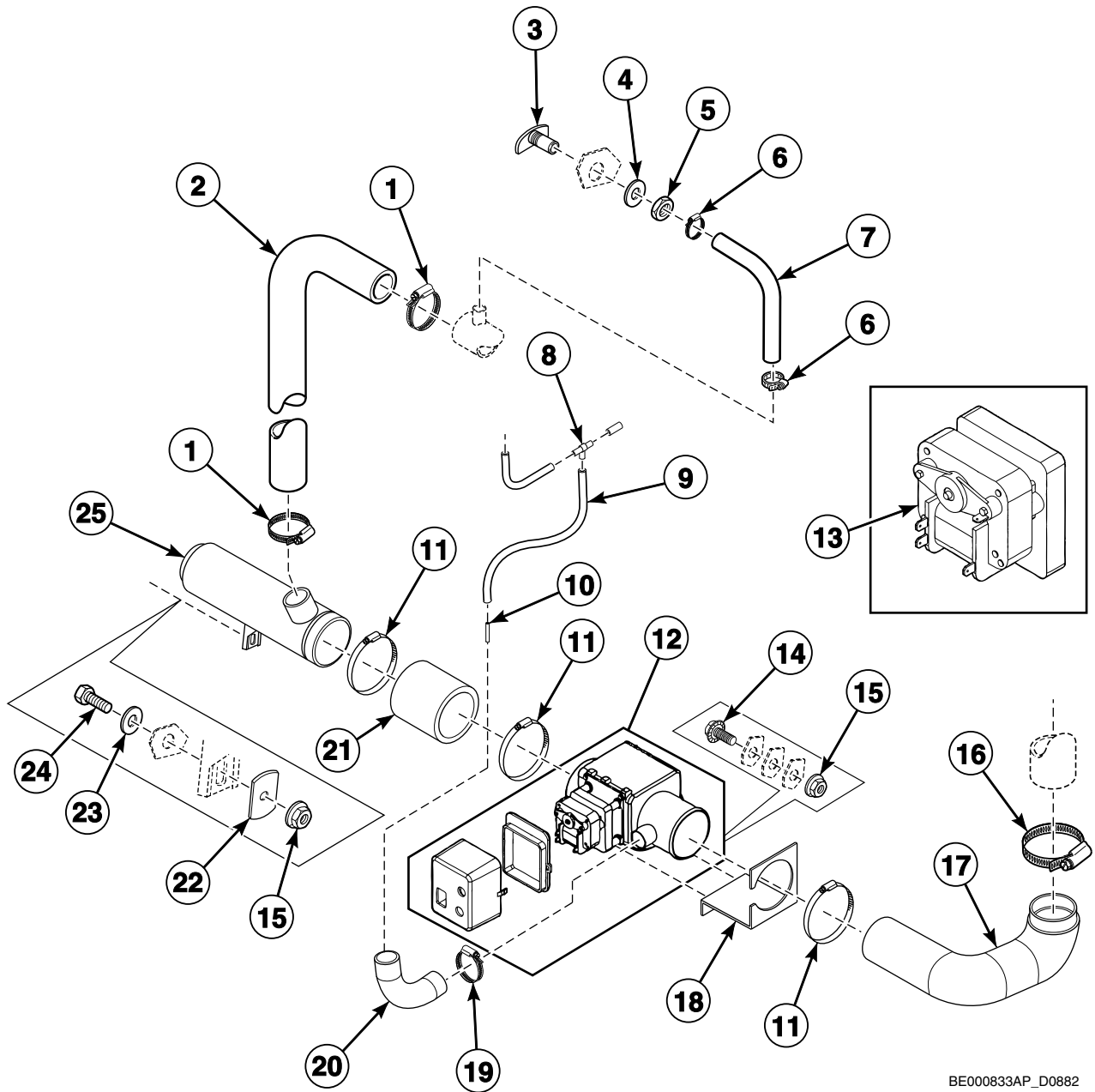


BE000720P_D0882

Drain Plumbing - Models Starting 8/12/10 with 2 Inch Drain Valve

REF	PART NO.	DESCRIPTION	COMMENTS
1	223/00013/00	Hose Clamp	
2	223/00150/00	Overflow Hose	
3	223/00001/04	Prewash and Mainwash Nozzle	
4	201/00002/00	Washer	
5	204/00201/00	Nut	
6	223/00010/00	Hose Clamp	
7	223/00044/00	Water Hose	
8	223/00014/00	Hose Clamp	
9	255/00010/00	Tub to Drain Valve Hose	
10	223/00173/10	Pressure Switch Hose Tee	
11	B12700018	Pressure Hose	
12	223/00011/00	Hose Clamp	
13	223/00035/02	Pressure Switch Cap	
14	F200133600	Drain Valve Cover	
15	209/00463/00	Drain Valve	
16	223/00190/00	Drain Valve Hose	
17	206/00101/00	Nut	
18	101/00007/00	Outlet Pipe Plate Assembly	
19	201/00007/00	Washer	
20	206/00033/00	Bolt	
21	223/00146/00	Drain Piece	

Drain Plumbing - *18, *74 and *75 Models with 3 Inch Drain Valve

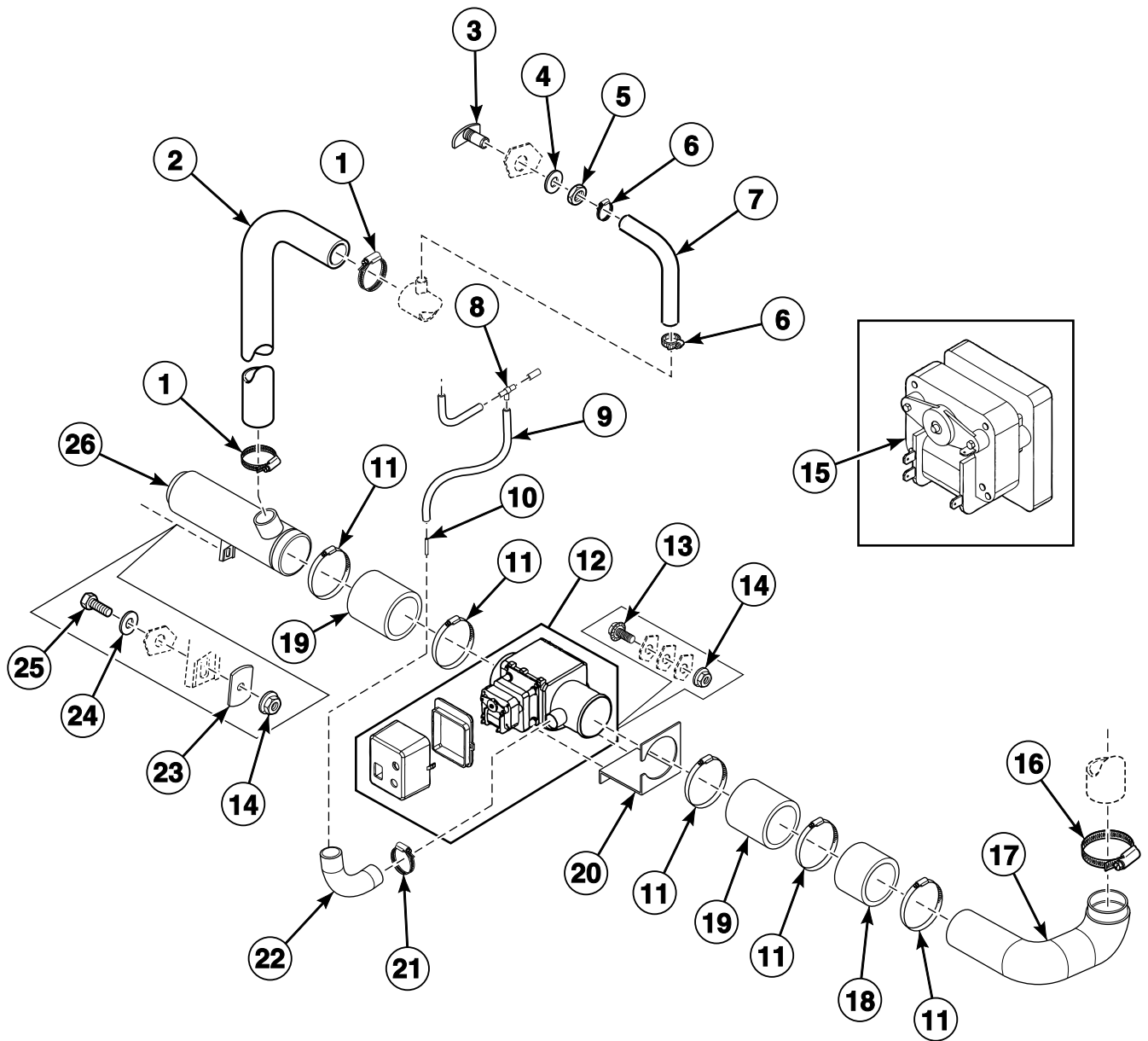


BE000833AP_D0882

Drain Plumbing - *18, *74 and *75 Models with 3 Inch Drain Valve

REF	PART NO.	DESCRIPTION	COMMENTS
1	223/00013/00	Hose Clamp	
2	223/00150/00	Overflow Hose	
3	223/00001/04	Prewash and Mainwash Nozzle	
4	201/00002/00	Washer	
5	204/00201/00	Nut	
6	223/00010/00	Hose Clamp	
7	223/00044/00	Water Hose	
8	223/00173/10	Pressure Switch Hose Tee	
9	B12700018	Pressure Hose	
10	223/00016/00	Hose Barb	
11	223/00071/00	Hose Clamp	
12	209/00644/00	Drain Valve	
13	209/00644/11	Motor	
14	206/00099/00	Bolt	
15	206/00101/00	Nut	
16	223/00014/00	Hose Clamp	
17	223/00072/00	Drain Hose	
18	114/00010/00	Drain Valve Plate Assembly	
19	223/00011/00	Hose Clamp	
20	223/00210/00	Pressure Switch Elbow	
21	223/00263/00	Siphon Break Dispenser Hose	
22	101/00007/00	Outlet Pipe Plate Assembly	
23	201/00007/00	Washer	
24	206/00033/00	Bolt	
25	223/00106/00	Drain Pipe	

Drain Plumbing - *25 and *100 Models with 3 Inch Drain Valve

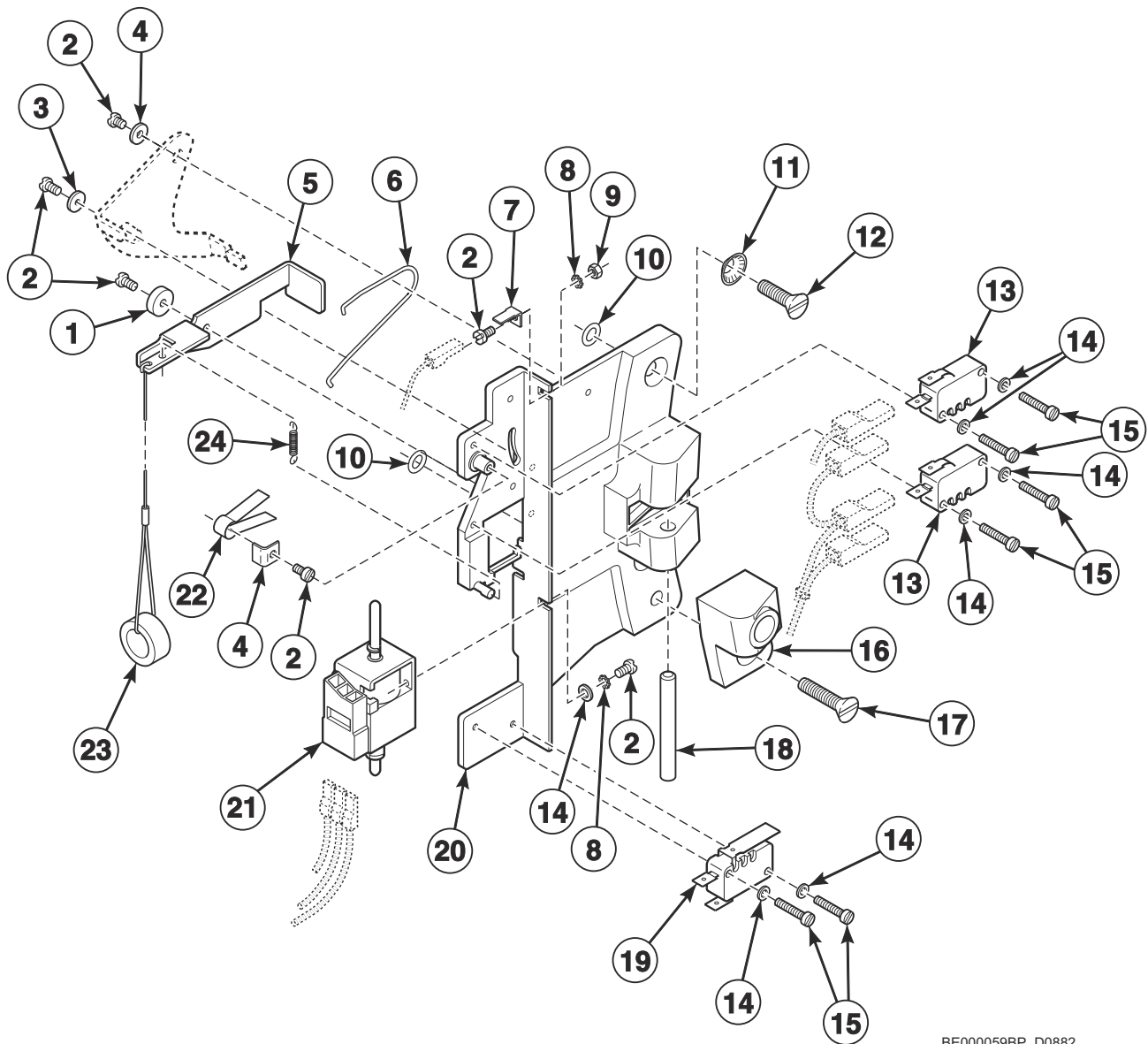


BE000834AP_D0882

Drain Plumbing - *25 and *100 Models with 3 Inch Drain Valve

REF	PART NO.	DESCRIPTION	COMMENTS
1	223/00013/00	Hose Clamp	
2	223/00150/00	Overflow Hose	
3	223/00001/04	Prewash and Mainwash Nozzle	
4	201/00002/00	Washer	
5	204/00201/00	Nut	
6	223/00010/00	Hose Clamp	
7	223/00044/00	Water Hose	
8	223/00173/10	Pressure Switch Hose Tee	
9	B12700018	Pressure Hose	
10	223/00016/00	Hose Barb	
11	223/00071/00	Hose Clamp	
12	209/00644/00	Drain Valve	
13	206/00099/00	Bolt	
14	206/00101/00	Nut	
15	209/00644/11	Motor	
16	223/00014/00	Hose Clamp	
17	223/00072/00	Drain Hose	
18	153/00058/00	Tube	
19	223/00263/00	Siphon Break Dispenser Hose	
20	114/00010/00	Drain Valve Plate Assembly	
21	223/00011/00	Hose Clamp	
22	223/00210/00	Pressure Switch Elbow	
23	101/00007/00	Outlet Pipe Plate Assembly	
24	201/00007/00	Washer	
25	206/00033/00	Bolt	
26	223/00106/00	Drain Pipe	

Door Lock

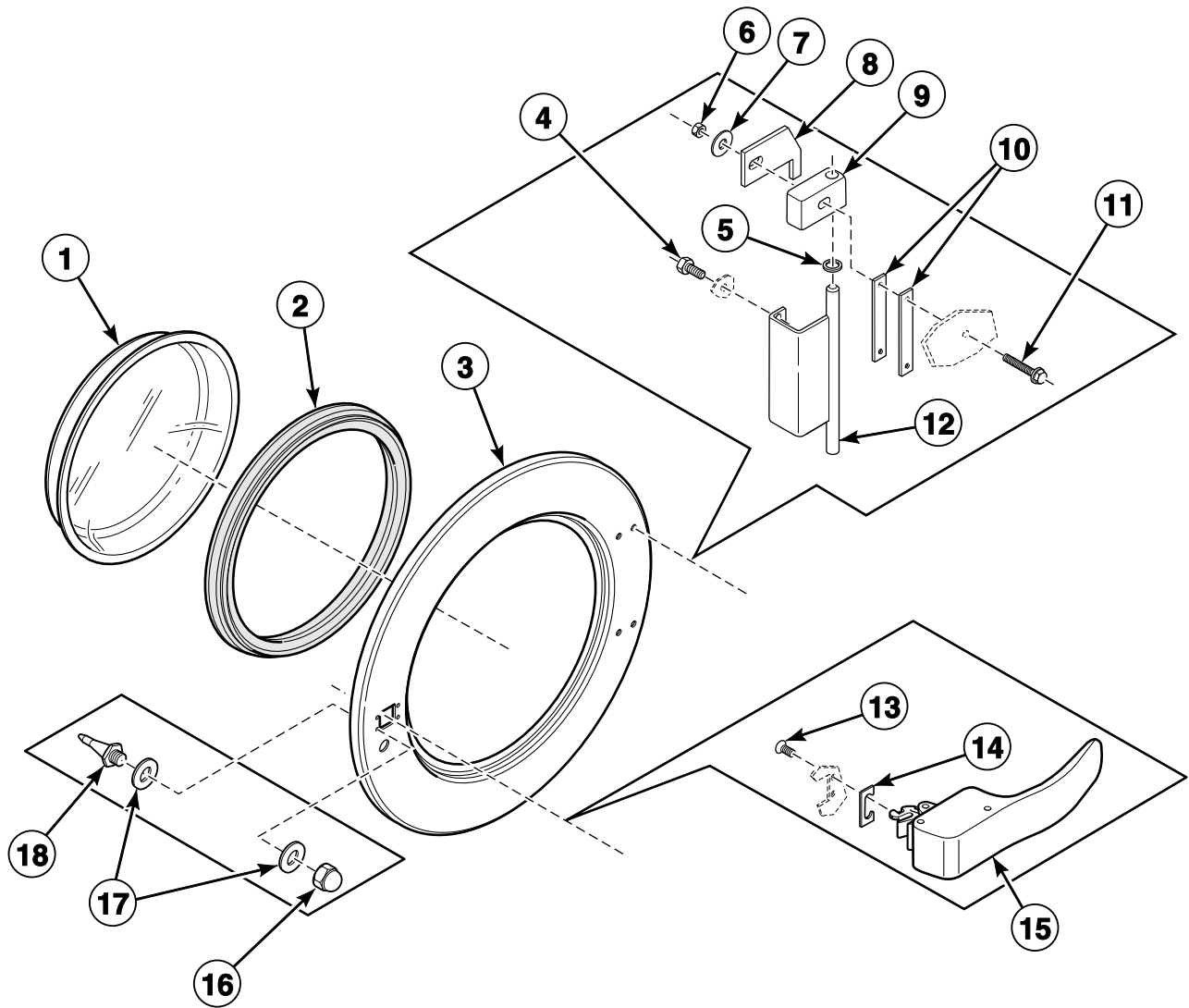


BE000059BP_D0882

Door Lock

REF	PART NO.	DESCRIPTION	COMMENTS
1	217/00052/03	Door Lock Spacer	
2	207/00135/00	Screw	
3	202/00124/00	Washer	
4	201/00017/00	Washer	
5	217/00052/04	Interlock Lever	
6	224/00040/00	Lever Spring	
7	210/10015/00	Ground Terminal	
8	203/00007/00	Washer	
9	204/00008/00	Nut	
10	217/00021/00	O-Ring	
11	203/00010/00	Washer	
12	207/00112/00	Screw	
13	209/00272/00	Door Lock Microswitch	
14	201/00018/00	Washer	
15	207/00009/00	Screw	
16	217/00052/11	Door Lock Bracket	
17	207/00102/00	Screw	
18	217/00017/03	Lock Shaft	
19	B12625101	Microswitch	
20	B12517701	Door Lock Assembly	Includes items 1-19 and 21-24
21	B12495102	Door Solenoid Assembly	
22	224/00049/00	Door Lock Spring	
23	217/00052/07	Door Release Wire	
24	224/00043/00	Interlock Coil Spring	

Door

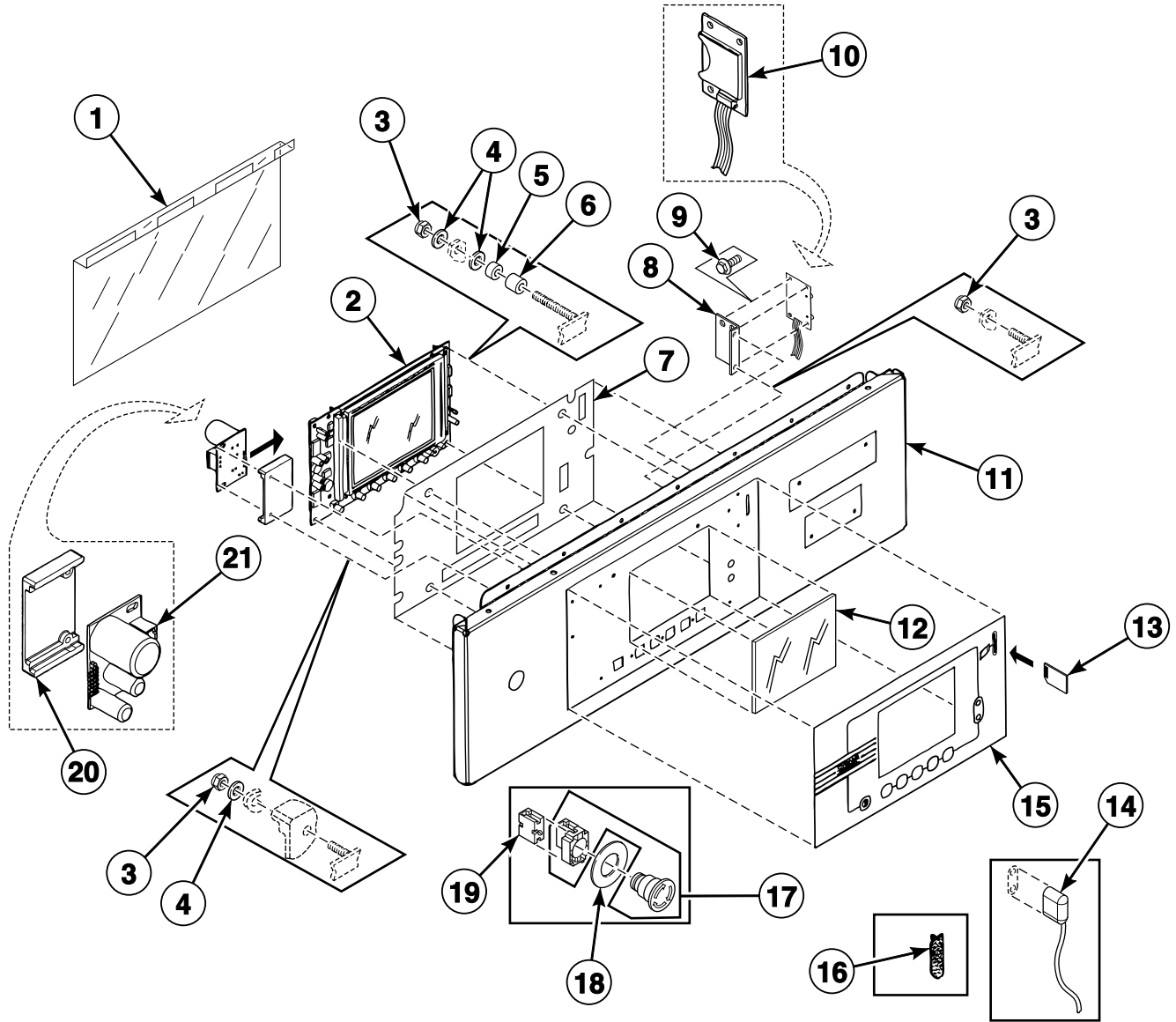


CFD526P_D0882

Door

REF	PART NO.	DESCRIPTION	COMMENTS
1	B12449701	Door Glass	
2	217/00015/00	Door Glass Seal	
3	118/00046/10	Door Frame	
4	205/00107/00	Bolt	
5	202/00104/00	Washer	
6	204/00106/00	Nut	
7	202/00108/00	Washer	
8	118/00128/00	Hinge Plate	
9	217/00009/02	Door Hinge Assembly	
10	117/00010/00	Door Hinge Spacer	
11	207/00126/00	Screw	
12	221/00003/00	Hinge	
13	B12500801	Screw	
14	217/00016/00	Door Handle Stop	
15	217/00059/00	Door Handle	Black; IWF and WF models
	217/00065/00	Door Handle	Gray; CWF and WF models
16	204/00103/00	Nut	
17	202/00111/00	Washer	
18	211/00109/02	Door Lock Pin Kit	

Control Panel - Cygnus Professional

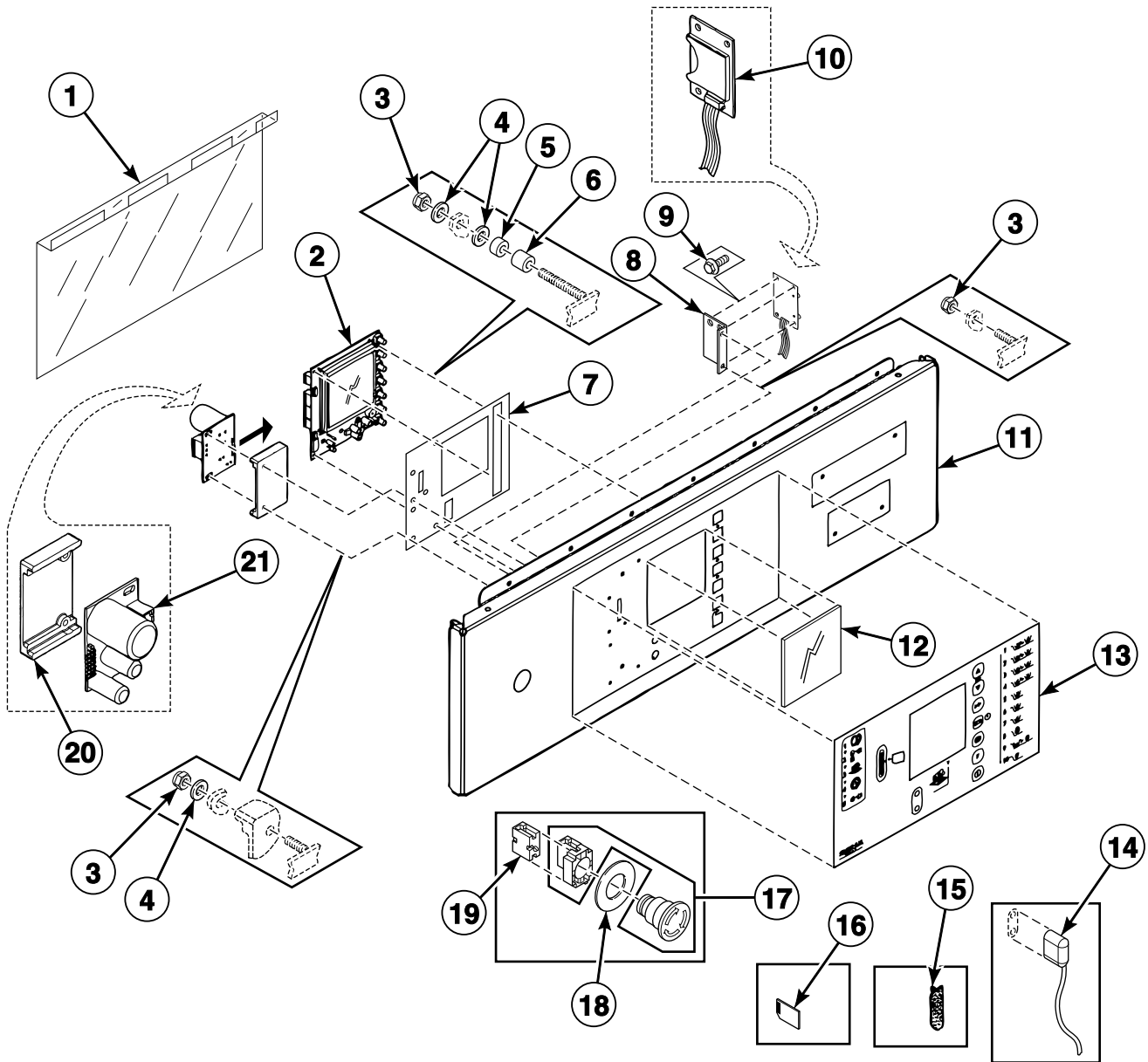


BE000804CP_D0882

Control Panel - Cygnus Professional

REF	PART NO.	DESCRIPTION	COMMENTS
1	229/00289/00	Circuit Board Cover	
2	209/02002/00	Display PC-Board	
3	204/00116/00	Nut	
4	223/00123/00	Washer	
5	211/00128/00	Printboard Separator	
6	211/00122/00	Standoff	
7	229/00268/00	Insulating Sticker	
8	111/01893/00	Printboard Support Card	
9	211/00145/00	Standoff	
10	B12305201	Memory Card PC-Board	Models before 4/5/11 require firmware update
	B12538301	Data Card Ribbon Assembly	
11	111/01845/00	Upper Front Panel	
12	225/00321/00	Plexi Frame	
13	209/02022/00	Datacard	
14	210/00901/00	Optic Cable	
15	225/10313/00	Operating Sticker	Without datacard opening
	225/10426/00	Operating Sticker	With datacard opening
16	223/00348/00	Datacard Cover	
17	209/00099/20	Emergency Switch Pushbutton	
18	209/00520/00	Telem Sticker	
19	209/00099/26	Contact Switch	
20	223/00374/00	Mounting Plate	
21	209/02010/00	Door Lock PC-Board	

Control Panel - Cygnus Premium OPL

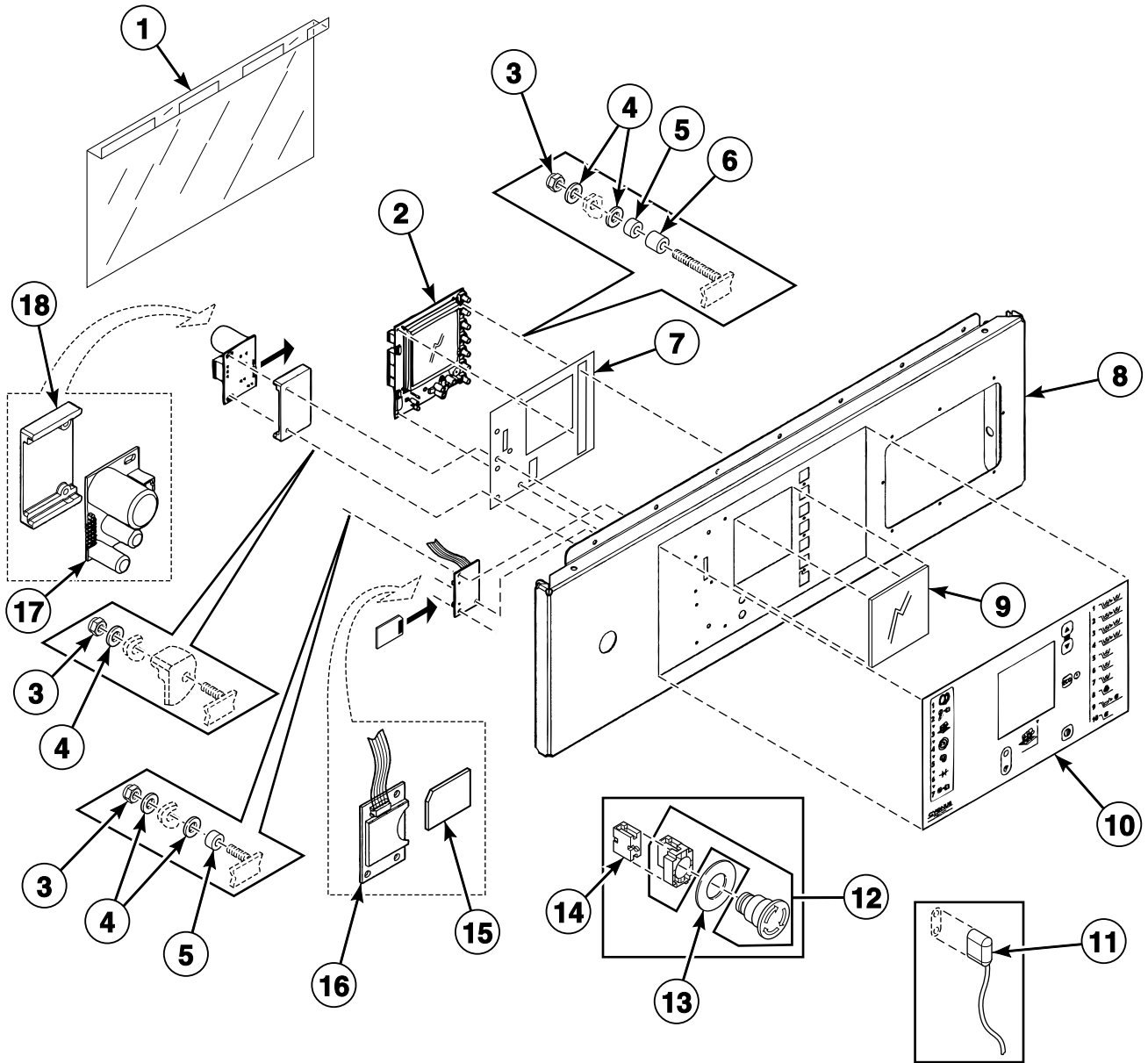


BE000871AP_D0882

Control Panel - Cygnus Premium OPL

REF	PART NO.	DESCRIPTION	COMMENTS
1	229/00289/00	Circuit Board Cover	
2	209/02015/02	Printboard	
3	204/00116/00	Nut	
4	223/00123/00	Washer	
5	211/00128/00	Printboard Separator	
6	211/00122/00	Standoff	
7	229/00291/00	Insulating Sticker	
8	111/01893/00	Printboard Support Card	
9	211/00145/00	Standoff	
10	B12305201	Memory Card PC-Board	Models before 4/5/11 require firmware update
	B12538301	Data Card Ribbon Assembly	
11	111/01900/00	Operating Panel	
12	225/00323/00	Plexi Frame	
13	225/10404/00	Operating Sticker	With datacard opening
	225/10427/00	Operating Sticker	Without datacard opening
14	210/00901/00	Optic Cable	
15	223/00348/00	Datacard Cover	
16	209/02022/00	Datacard	
17	209/00099/20	Emergency Switch Pushbutton	
18	209/00520/00	Telem Sticker	
19	209/00099/26	Contact Switch	
20	223/00374/00	Mounting Plate	
21	209/02010/00	Door Lock PC-Board	

Control Panel - Cygnus Premium OPL with Frontal Supply Dispenser



BE000870AP_D0882

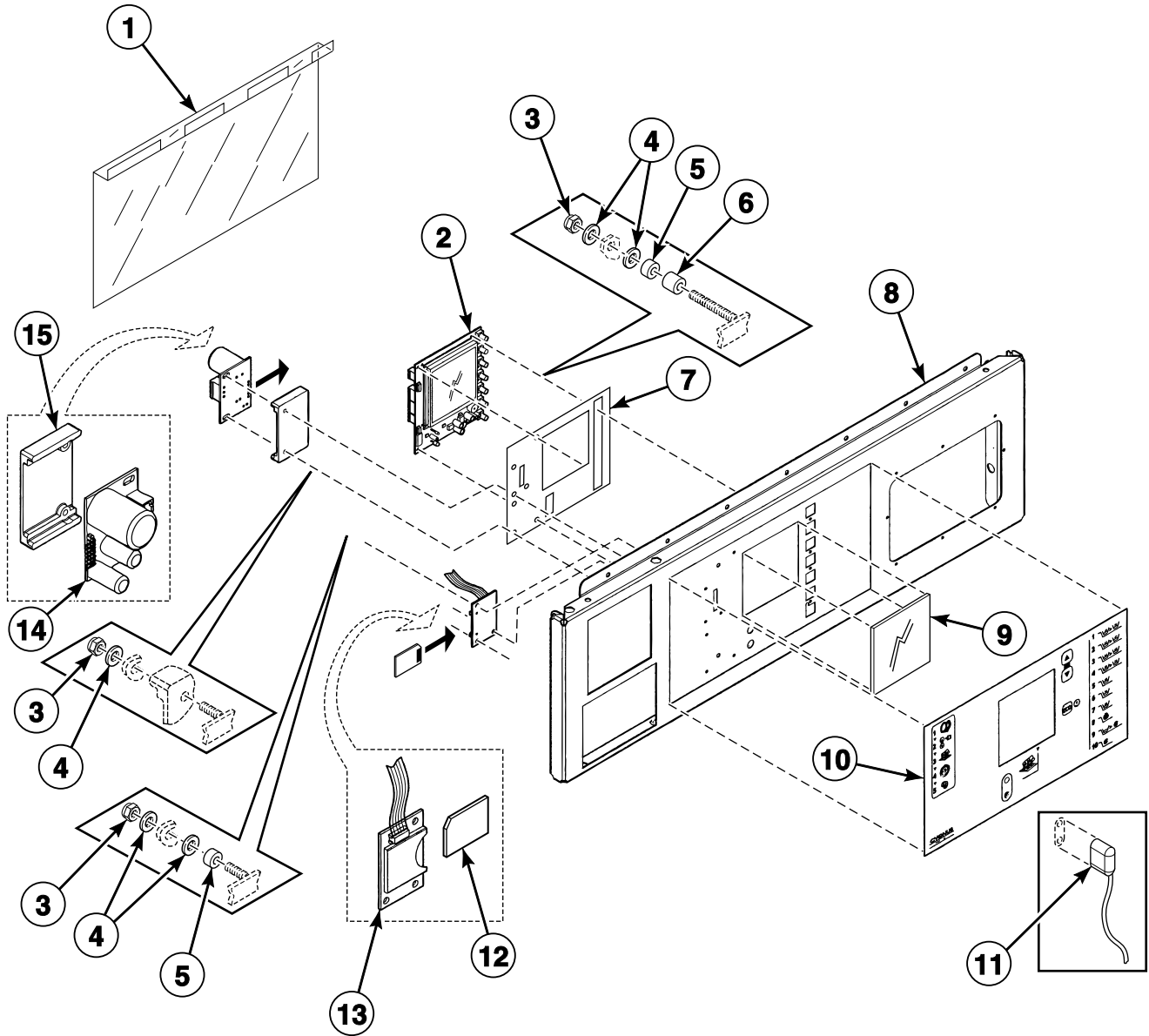
Control Panel - Cygnus Premium OPL with Frontal Supply Dispenser

REF	PART NO.	DESCRIPTION	COMMENTS
1	229/00289/00	Circuit Board Cover	
2	209/02015/02	Printboard	
3	204/00116/00	Nut	
4	223/00123/00	Washer	
5	211/00128/00	Printboard Separator	
6	211/00122/00	Standoff	
7	229/00291/00	Insulating Sticker	
8	111/01904/00	Operating Panel	
9	225/00323/00	Plexi Frame	
10	225/10404/00	Operating Sticker	With datacard opening
	225/10427/00	Operating Sticker	Without datacard opening
11	210/00901/00	Optic Cable	
12	209/00099/20	Emergency Switch Pushbutton	
13	209/00520/00	Telem Sticker	
14	209/00099/26	Contact Switch	
15	209/02022/00	Datacard	
16	B12305201	Memory Card PC-Board	Models before 4/5/11 require firmware update
	B12538301	Data Card Ribbon Assembly	
17	209/02010/00	Door Lock PC-Board	
18	223/00374/00	Mounting Plate	

Control Panel - Cygnus Premium Coin

REF	PART NO.	DESCRIPTION	COMMENTS
1	229/00289/00	Circuit Board Cover	
2	209/02015/02	Printboard	
3	204/00116/00	Nut	
4	223/00123/00	Washer	
5	211/00128/00	Printboard Separator	
6	211/00122/00	Standoff	
7	229/00291/00	Insulating Sticker	
8	111/01901/00	Operating Panel	
9	225/00323/00	Plexi Frame	
10	225/10403/00	Operating Sticker	
11	210/00901/00	Optic Cable	
12	209/02022/00	Datacard	
13	B12305201	Memory Card PC-Board	Models before 4/5/11 require firmware update
	B12538301	Data Card Ribbon Assembly	
14	209/02010/00	Door Lock PC-Board	
15	223/00374/00	Mounting Plate	

Control Panel - Cygnus Premium Coin with Frontal Supply Dispenser

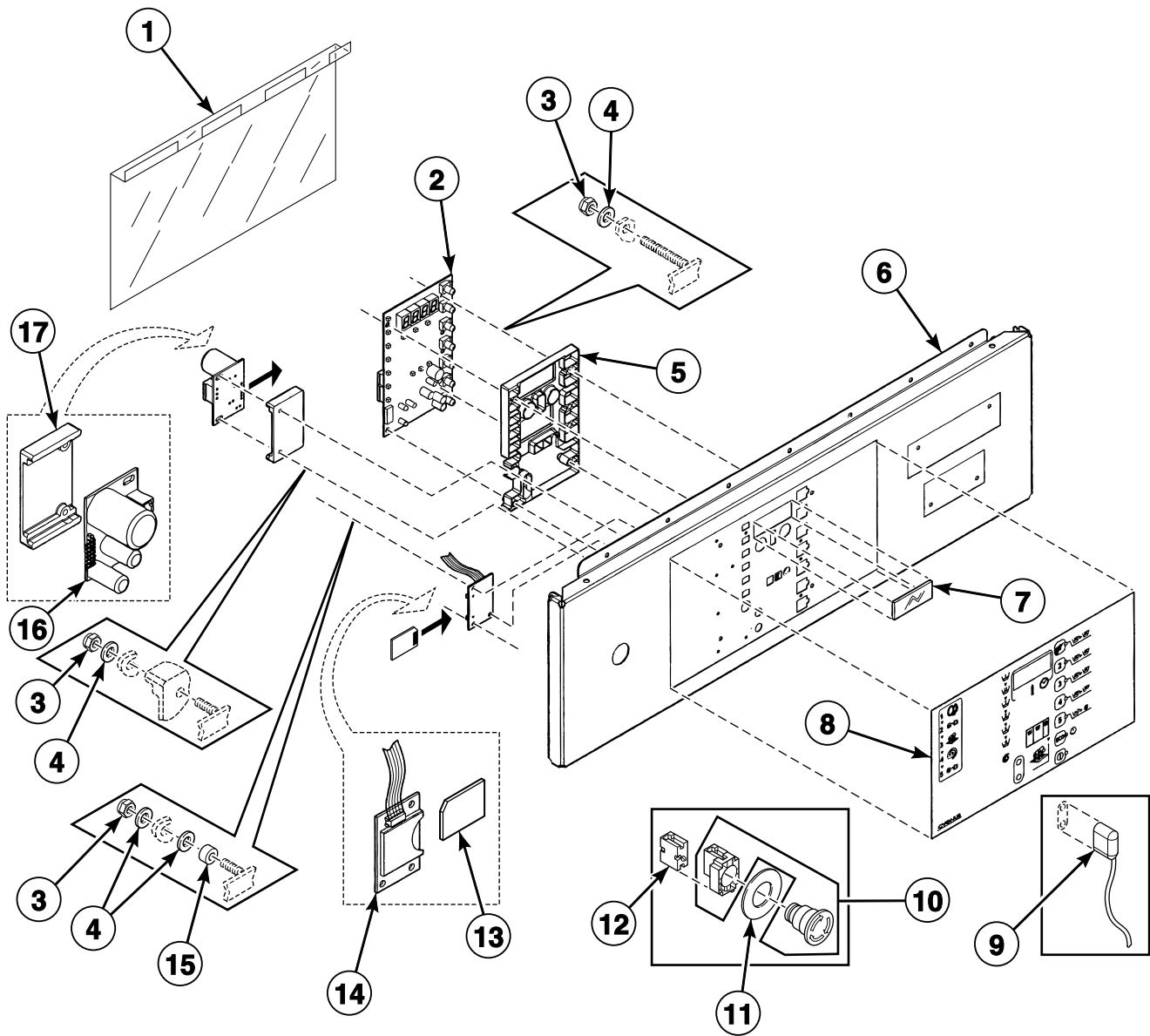


BE000873AP_D0882

Control Panel - Cygnus Premium Coin with Frontal Supply Dispenser

REF	PART NO.	DESCRIPTION	COMMENTS
1	229/00289/00	Circuit Board Cover	
2	209/02015/02	Printboard	
3	204/00116/00	Nut	
4	223/00123/00	Washer	
5	211/00128/00	Printboard Separator	
6	211/00122/00	Standoff	
7	229/00291/00	Insulating Sticker	
8	111/01905/00	Operating Panel	
9	225/00323/00	Plexi Frame	
10	225/10403/00	Operating Sticker	
11	210/00901/00	Optic Cable	
12	209/02022/00	Datacard	
13	B12305201	Memory Card PC-Board	Models before 4/5/11 require firmware update
	B12538301	Data Card Ribbon Assembly	
14	209/02010/00	Door Lock PC-Board	
15	223/00374/00	Mounting Plate	

Control Panel - Cygnus Standard/Commercial OPL

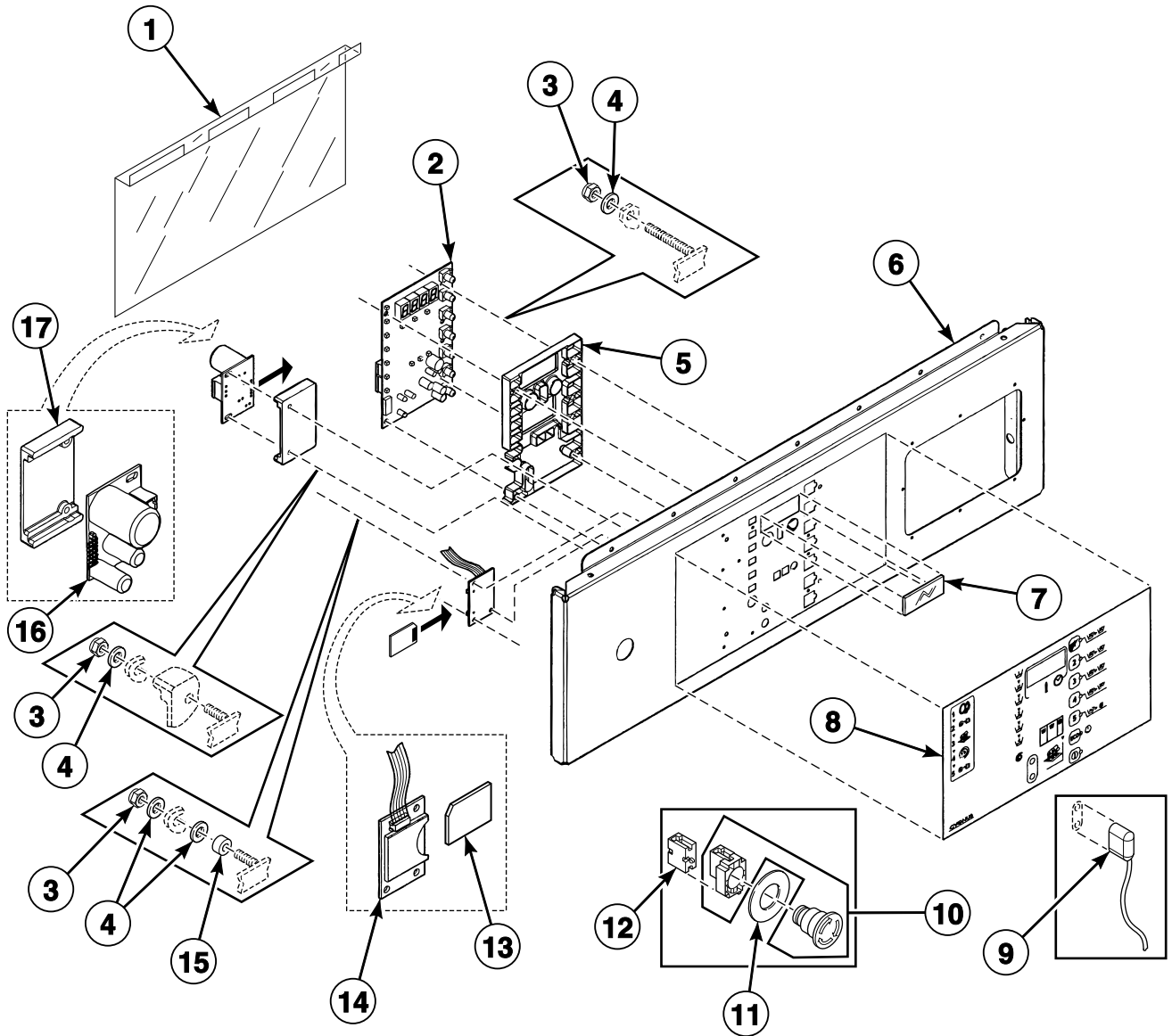


BE000867AP_D0882

Control Panel - Cygnus Standard/Commercial OPL

REF	PART NO.	DESCRIPTION	COMMENTS
1	229/00289/00	Circuit Board Cover	
2	209/02001/02	Printboard	
3	204/00116/00	Nut	
4	223/00123/00	Washer	
5	223/00330/00	Protection LED	
6	111/01817/00	Operating Panel	
7	225/00322/00	Plexi Frame	
8	225/10307/00	Operating Sticker	Models WFF65_CYGNUS-STANDARD_OPL, WFF75_CYGNUS-STANDARD_OPL and WFF100_CYGNUS-STANDARD_OPL
	225/10308/00	Operating Sticker	Models WFF65_CYGNUS-COMM_OPL, WFF75_CYGNUS-COMM_OPL and WFF100_CYGNUS-COMM_OPL
9	210/00901/00	Optic Cable	
10	209/00248/20	Mushroom Pushbutton	
11	209/00520/00	Telem Sticker	
12	209/00099/26	Contact Switch	
13	209/02022/00	Datacard	
14	B12305201	Memory Card PC-Board	Models before 4/5/11 require firmware update
	B12538301	Data Card Ribbon Assembly	
15	211/00128/00	Printboard Separator	
16	209/02010/00	Door Lock PC-Board	
17	223/00374/00	Mounting Plate	

Control Panel - Cygnus Standard/Commercial OPL with Frontal Supply Dispenser

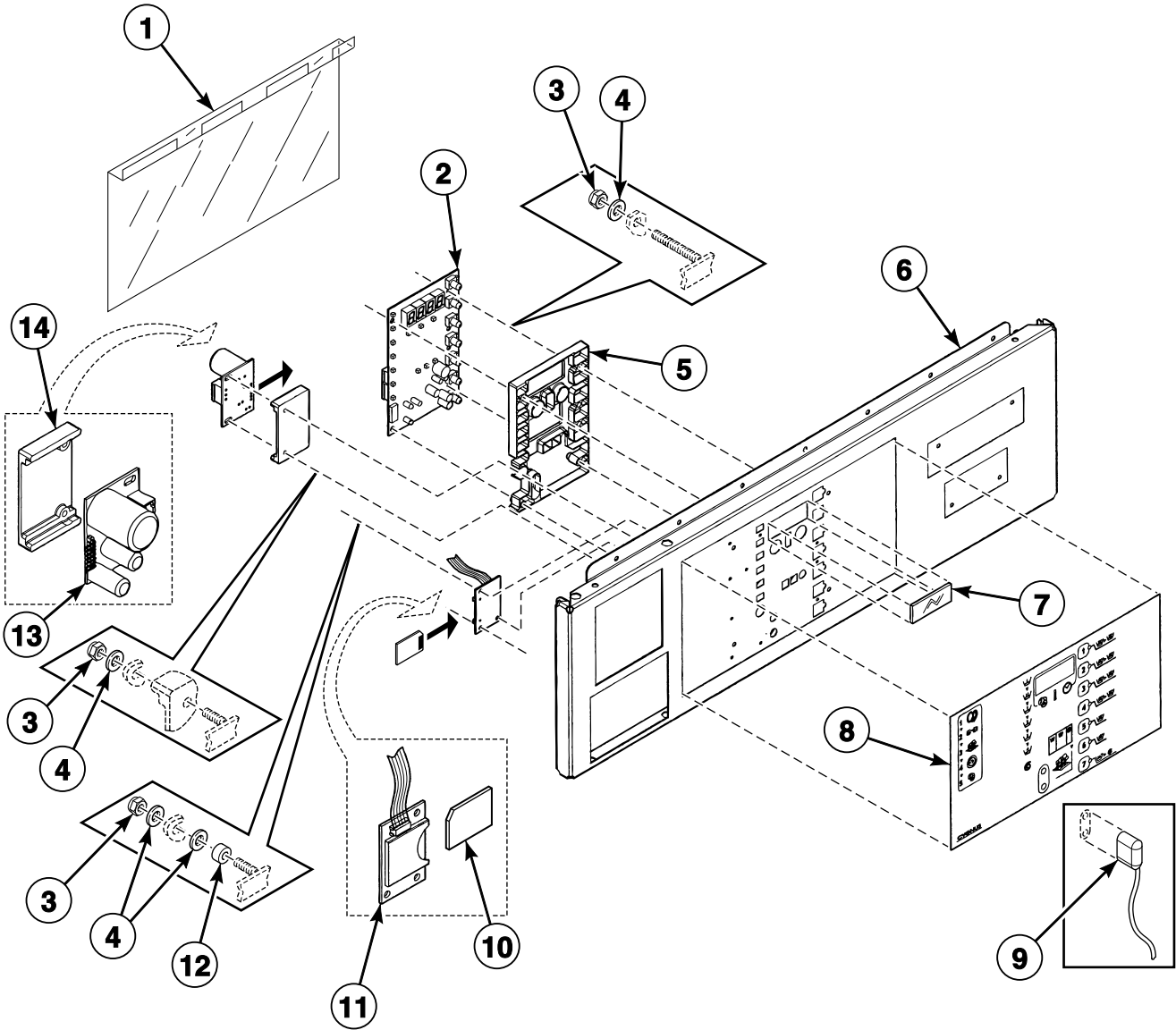


BE000868AP_D0882

Control Panel - Cygnus Standard/Commercial OPL with Frontal Supply Dispenser

REF	PART NO.	DESCRIPTION	COMMENTS
1	229/00289/00	Circuit Board Cover	
2	209/02001/02	Printboard	
3	204/00116/00	Nut	
4	223/00123/00	Washer	
5	223/00330/00	Protection LED	
6	111/01827/00	Operating Panel	
7	225/00322/00	Plexi Frame	
8	225/10307/00	Operating Sticker	Models WFF65_CYGNUS-STANDARD_OPL, WFF75_CYGNUS-STANDARD_OPL and WFF100_CYGNUS-STANDARD_OPL
	225/10308/00	Operating Sticker	Models WFF65_CYGNUS-COMM_OPL, WFF75_CYGNUS-COMM_OPL and WFF100_CYGNUS-COMM_OPL
9	210/00901/00	Optic Cable	
10	209/00248/20	Mushroom Pushbutton	
11	209/00520/00	Telem Sticker	
12	209/00099/26	Contact Switch	
13	209/02022/00	Datacard	
14	B12305201	Memory Card PC-Board	Models before 4/5/11 require firmware update
	B12538301	Data Card Ribbon Assembly	
15	211/00128/00	Printboard Separator	
16	209/02010/00	Door Lock PC-Board	
17	223/00374/00	Mounting Plate	

Control Panel - Cygnus Standard/Commercial Coin

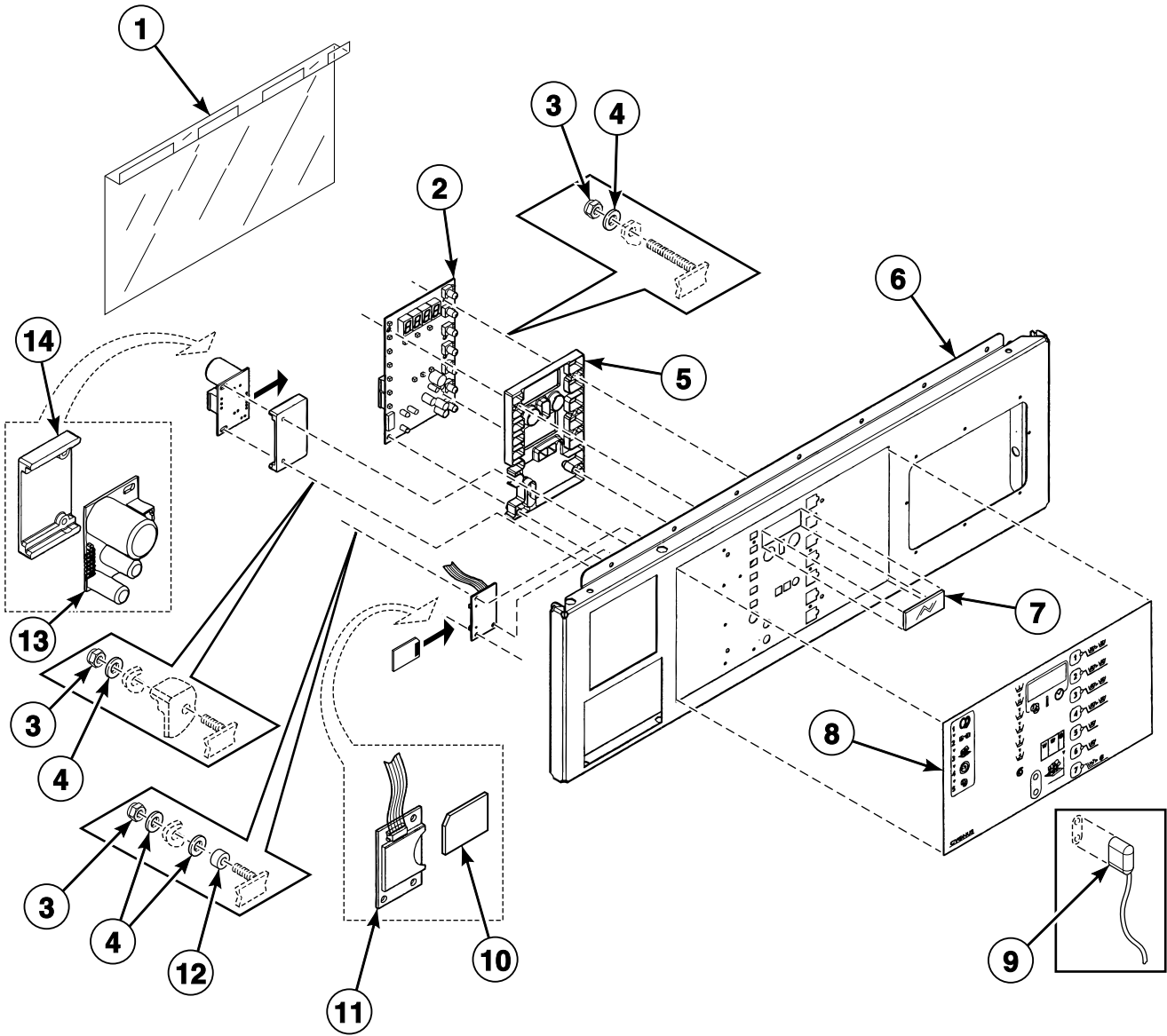


BE000874AP_D0882

Control Panel - Cygnus Standard/Commercial Coin

REF	PART NO.	DESCRIPTION	COMMENTS
1	229/00289/00	Circuit Board Cover	
2	209/02001/02	Printboard	
3	204/00116/00	Nut	
4	223/00123/00	Washer	
5	223/00330/00	Protection LED	
6	111/01818/00	Operating Panel	
7	225/00322/00	Plexi Frame	
8	225/10305/00	Operating Sticker	Models WFF65_CYGNUS-STANDARD_COIN, WFF75_CYGNUS-STANDARD_COIN and WFF100_CYGNUS-STANDARD_COIN
	225/10306/00	Operating Sticker	Models WFF65_CYGNUS-COMM_COIN, WFF75_CYGNUS-COMM_COIN and WFF100_CYGNUS-COMM_COIN
9	210/00901/00	Optic Cable	
10	209/02022/00	Datacard	
11	B12305201	Memory Card PC-Board	Models before 4/5/11 require firmware update
	B12538301	Data Card Ribbon Assembly	
12	211/00128/00	Printboard Separator	
13	209/02010/00	Door Lock PC-Board	
14	223/00374/00	Mounting Plate	

Control Panel - Cygnus Standard/Commercial Coin with Frontal Supply Dispenser

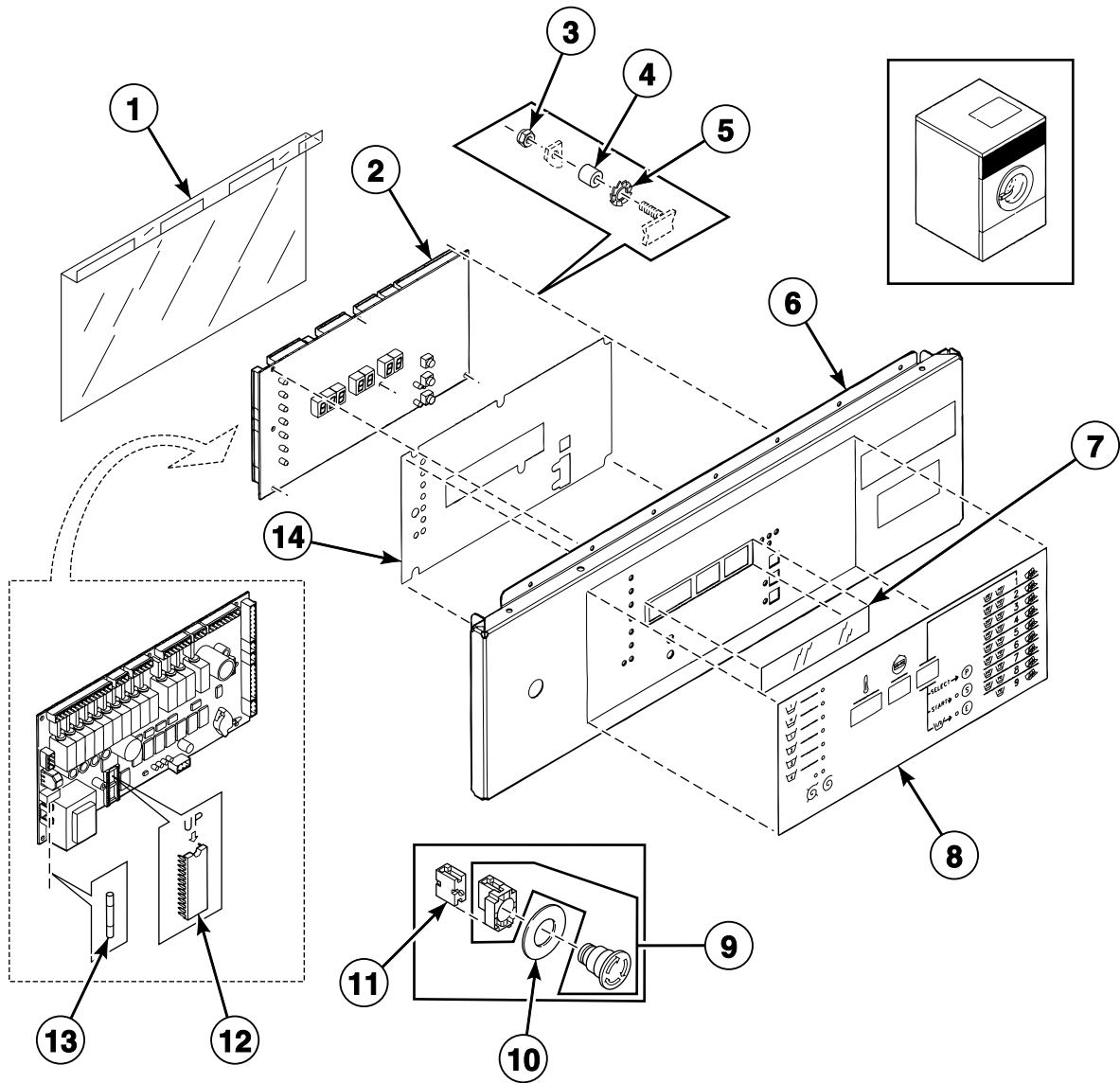


BE000869AP_D0882

Control Panel - Cygnus Standard/Commercial Coin with Frontal Supply Dispenser

REF	PART NO.	DESCRIPTION	COMMENTS
1	229/00289/00	Circuit Board Cover	
2	209/02001/02	Printboard	
3	204/00116/00	Nut	
4	223/00123/00	Washer	
5	223/00330/00	Protection LED	
6	111/01826/00	Operating Panel	
7	225/00322/00	Plexi Frame	
8	225/10305/00	Operating Sticker	Models WFF65_CYGNUS-STANDARD_COIN, WFF75_CYGNUS-STANDARD_COIN and WFF100_CYGNUS-STANDARD_COIN
	225/10306/00	Operating Sticker	Models WFF65_CYGNUS-COMM_COIN, WFF75_CYGNUS-COMM_COIN and WFF100_CYGNUS-COMM_COIN
9	210/00901/00	Optic Cable	
10	209/02022/00	Datacard	
11	B12305201	Memory Card PC-Board	Models before 4/5/11 require firmware update
	B12538301	Data Card Ribbon Assembly	
12	211/00128/00	Printboard Separator	
13	209/02010/00	Door Lock PC-Board	
14	223/00374/00	Mounting Plate	

Control Panel - Micro-20 OPL

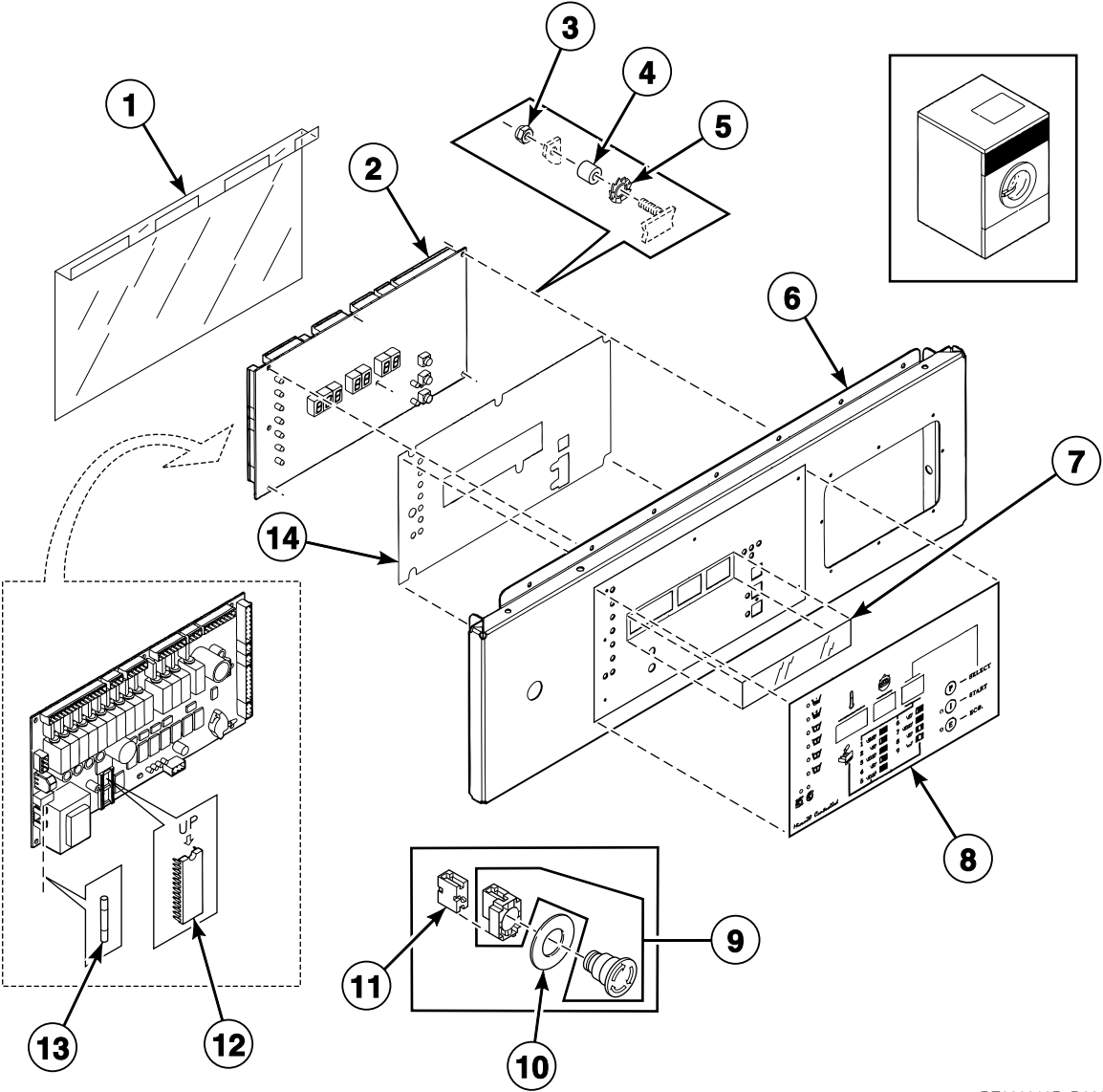


BE000620P_D0882

Control Panel - Micro-20 OPL

REF	PART NO.	DESCRIPTION	COMMENTS
1	229/00289/00	Circuit Board Cover	
2	209/00440/70	Printboard	220 Volt
	209/00440/80	Printboard	115 Volt
3	204/00116/00	Nut	
4	211/00122/00	Standoff	
5	203/00006/00	Washer	
6	111/01814/00	Upper Front Panel	
7	225/00316/00	Plexi Frame	
8	225/00407/00	Keypad Sticker	
9	209/00248/20	Mushroom Pushbutton	
10	209/00520/00	Telem Sticker	
11	209/00099/26	Contact Switch	
12	209/00266/01	Eprom	Standard software
13	209/00439/00	Fuse	500 mA
14	229/00255/00	Insulating Sticker	

Control Panel - Micro-20 OPL with Frontal Supply Dispenser

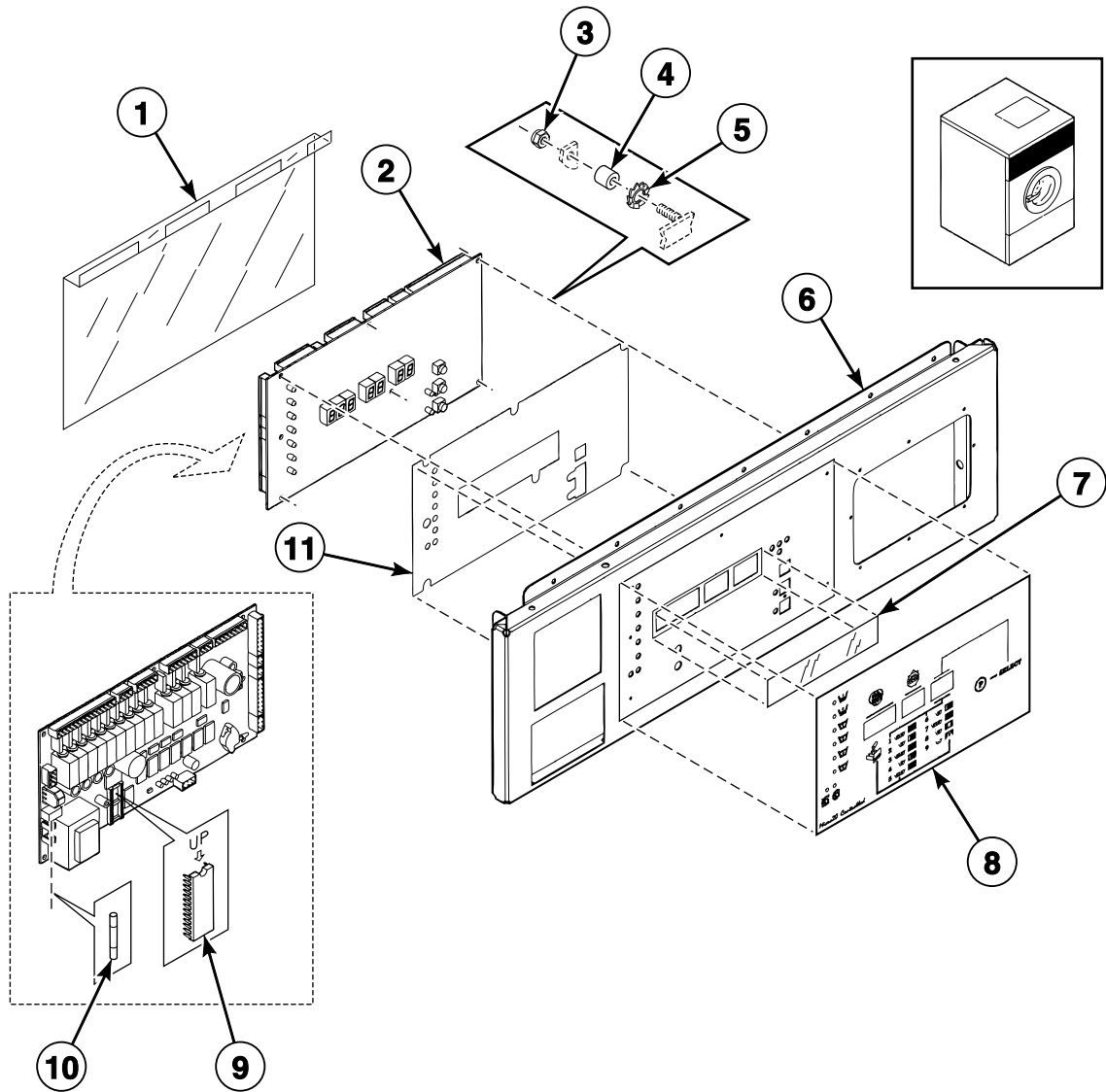


BE000818P_D0882

Control Panel - Micro-20 OPL with Frontal Supply Dispenser

REF	PART NO.	DESCRIPTION	COMMENTS
1	229/00289/00	Circuit Board Cover	
2	209/00440/70	Printboard	220 Volt
	209/00440/80	Printboard	115 Volt
3	204/00116/00	Nut	
4	211/00122/00	Standoff	
5	203/00006/00	Washer	
6	111/01813/00	Upper Front Panel	
7	225/00316/00	Plexi Frame	
8	225/00409/00	Operating Sticker	
9	209/00248/20	Mushroom Pushbutton	
10	209/00520/00	Telem Sticker	
11	209/00099/26	Contact Switch	
12	209/00266/01	Eprom	Standard software
13	209/00439/00	Fuse	500 mA
14	229/00255/00	Insulating Sticker	

Control Panel - Micro-20 Coin

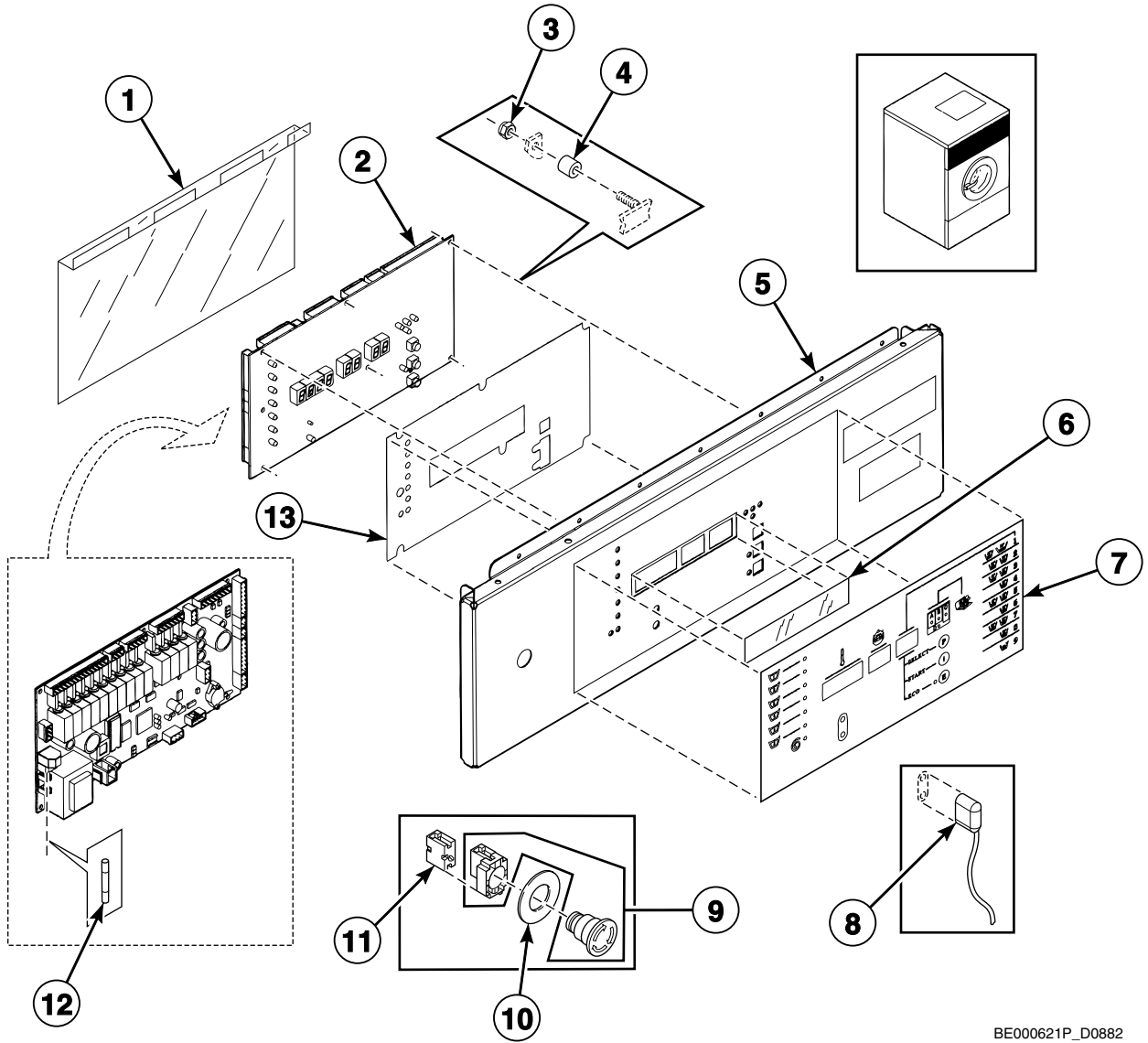


BE000819P_D0882

Control Panel - Micro-20 Coin

REF	PART NO.	DESCRIPTION	COMMENTS
1	229/00289/00	Circuit Board Cover	
2	209/00440/70	Printboard	220 Volt
	209/00440/80	Printboard	115 Volt
3	204/00116/00	Nut	
4	211/00122/00	Standoff	
5	203/00006/00	Washer	
6	111/01823/00	Upper Front Panel	
7	225/00316/00	Plexi Frame	
8	225/00410/00	Operating Sticker	
9	209/00266/01	Eprom	Standard software
10	209/00439/00	Fuse	500 mA
11	229/00255/00	Insulating Sticker	

Control Panel - Sigma OPL

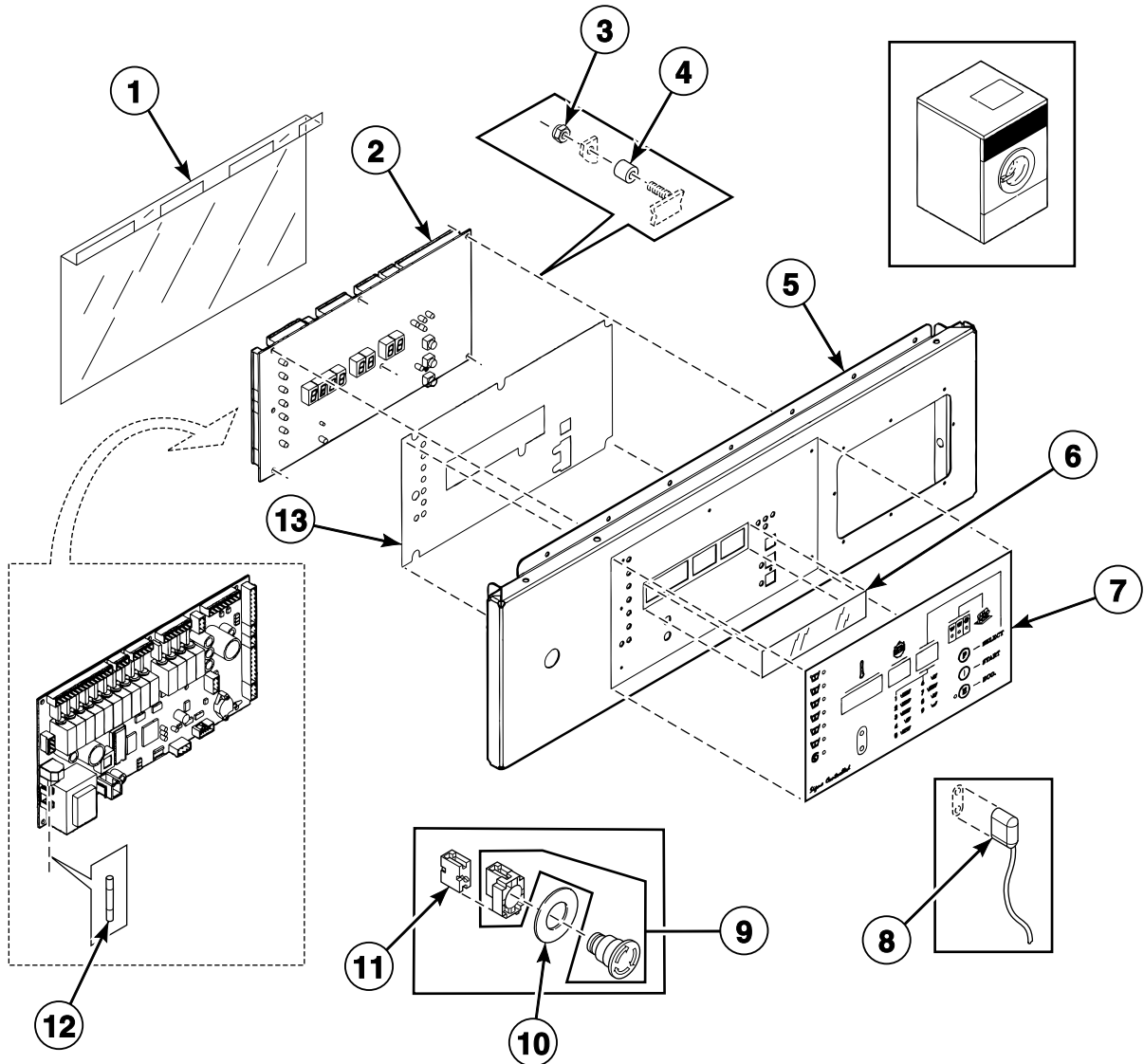


BE000621P_D0882

Control Panel - Sigma OPL

REF	PART NO.	DESCRIPTION	COMMENTS
1	229/00262/00	Circuit Board Cover	
2	209/00547/00	Control Board	
3	204/00114/00	Nut	
4	211/00122/00	Standoff	
5	111/01814/00	Upper Front Panel	
6	225/00316/00	Plexi Frame	
7	225/00404/00	Operating Sticker	
8	210/00902/00	Infrared Cable	
9	209/00248/20	Mushroom Pushbutton	
10	209/00520/00	Telem Sticker	
11	209/00099/26	Contact Switch	
12	209/00439/00	Fuse	500 mA
13	229/00255/00	Insulating Sticker	

Control Panel - Sigma OPL with Frontal Supply Dispenser

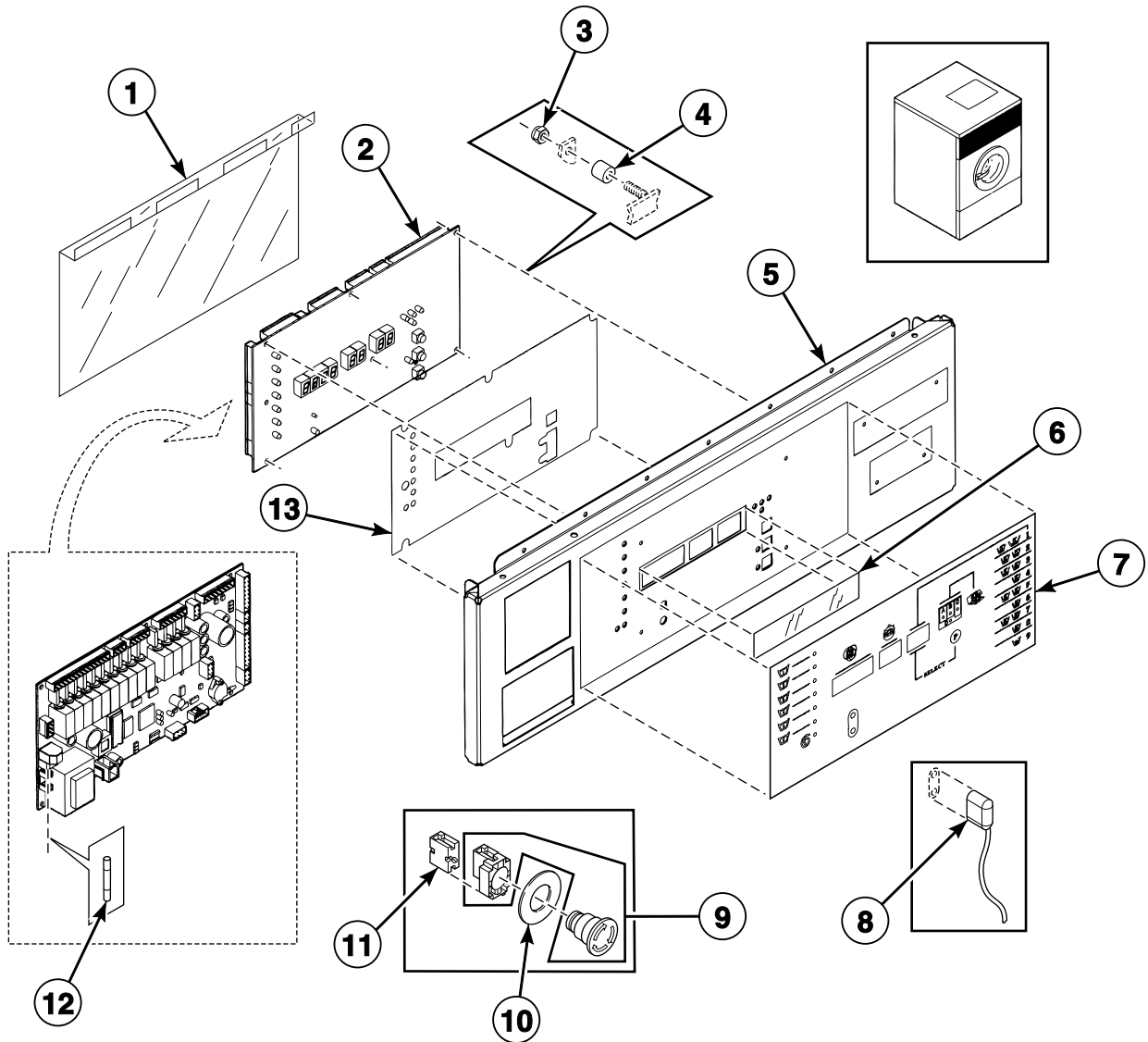


BE000816P_D0882

Control Panel - Sigma OPL with Frontal Supply Dispenser

REF	PART NO.	DESCRIPTION	COMMENTS
1	229/00262/00	Circuit Board Cover	
2	209/00547/00	Control Board	
3	204/00114/00	Nut	
4	211/00122/00	Standoff	
5	111/01813/00	Upper Front Panel	
6	225/00316/00	Plexi Frame	
7	225/10311/00	Operating Sticker	
8	210/00902/00	Infrared Cable	
9	209/00248/20	Mushroom Pushbutton	
10	209/00520/00	Telem Sticker	
11	209/00099/26	Contact Switch	
12	209/00439/00	Fuse	500 mA
13	229/00255/00	Insulating Sticker	

Control Panel - Sigma Coin

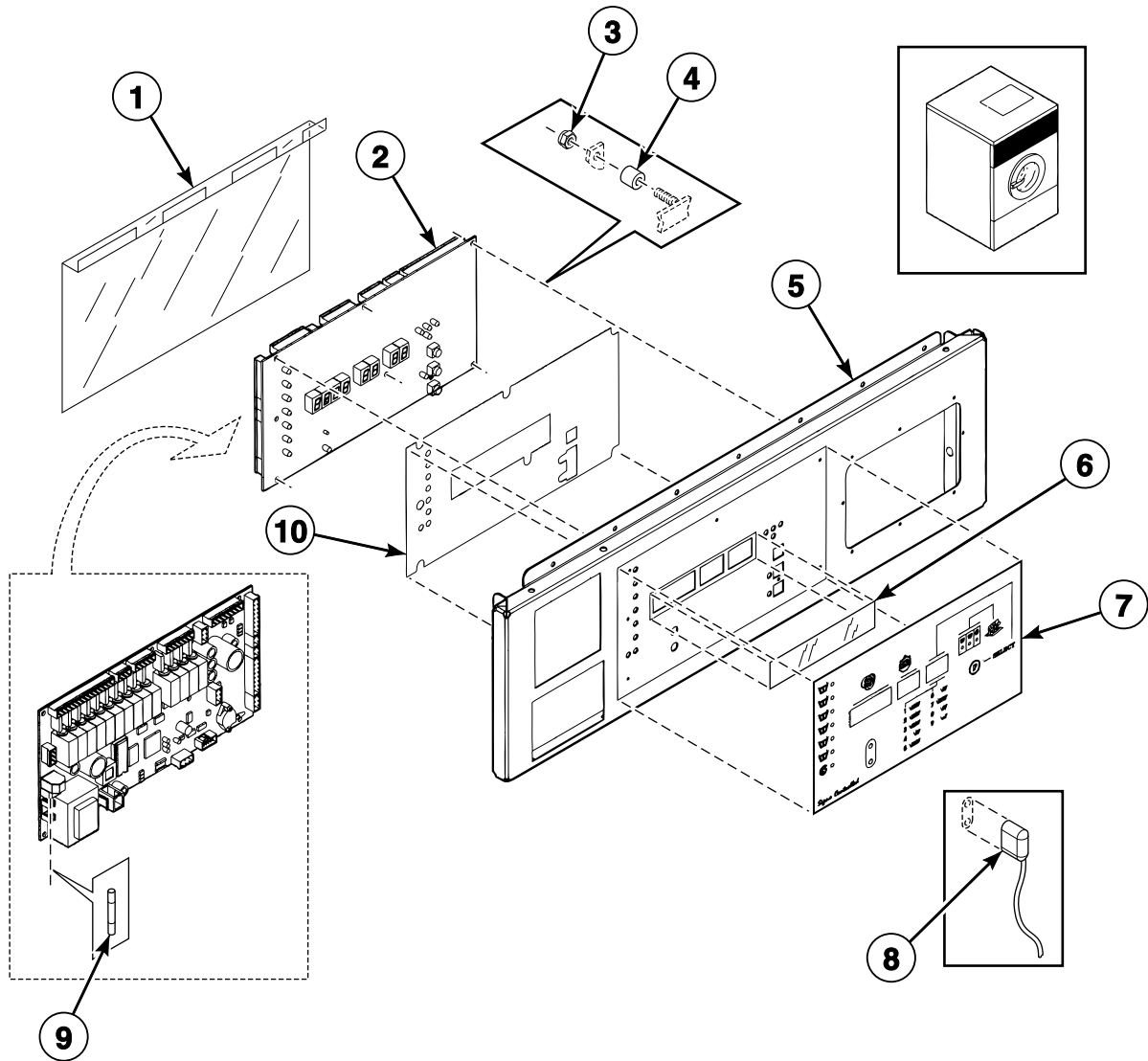


BE000629P_D0882

Control Panel - Sigma Coin

REF	PART NO.	DESCRIPTION	COMMENTS
1	229/00262/00	Circuit Board Cover	
2	209/00547/00	Control Board	
3	204/00114/00	Nut	
4	211/00122/00	Standoff	
5	245/00124/00	Facia and Outer Coin Box Assembly Kit	
6	225/00316/00	Plexi Frame	
7	225/00403/00	Decal	
8	210/00902/00	Infrared Cable	
9	209/00248/20	Mushroom Pushbutton	
10	209/00520/00	Telem Sticker	
11	209/00099/26	Contact Switch	
12	209/00439/00	Fuse	500 mA
13	229/00255/00	Insulating Sticker	

Control Panel - Sigma Coin with Frontal Supply Dispenser

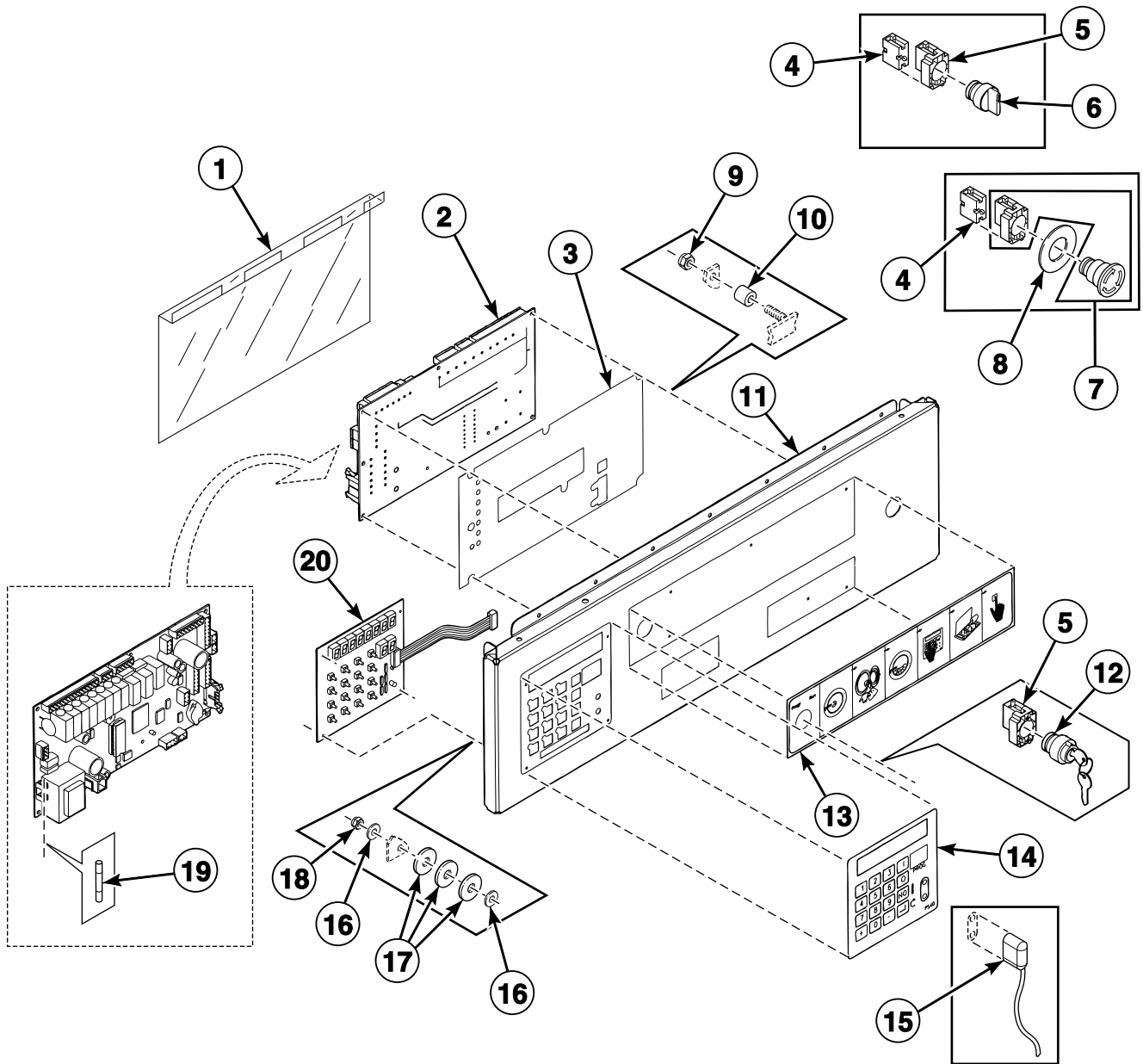


BE000817P_D0882

Control Panel - Sigma Coin with Frontal Supply Dispenser

REF	PART NO.	DESCRIPTION	COMMENTS
1	229/00262/00	Circuit Board Cover	
2	209/00547/00	Control Board	
3	204/00114/00	Nut	
4	211/00122/00	Standoff	
5	111/01823/00	Upper Front Panel	
6	225/00316/00	Plexi Frame	
7	225/10312/00	Operating Sticker	
8	210/00902/00	Infrared Cable	
9	209/00439/00	Fuse	500 mA
10	229/00255/00	Insulating Sticker	

Control Panel - PS40F

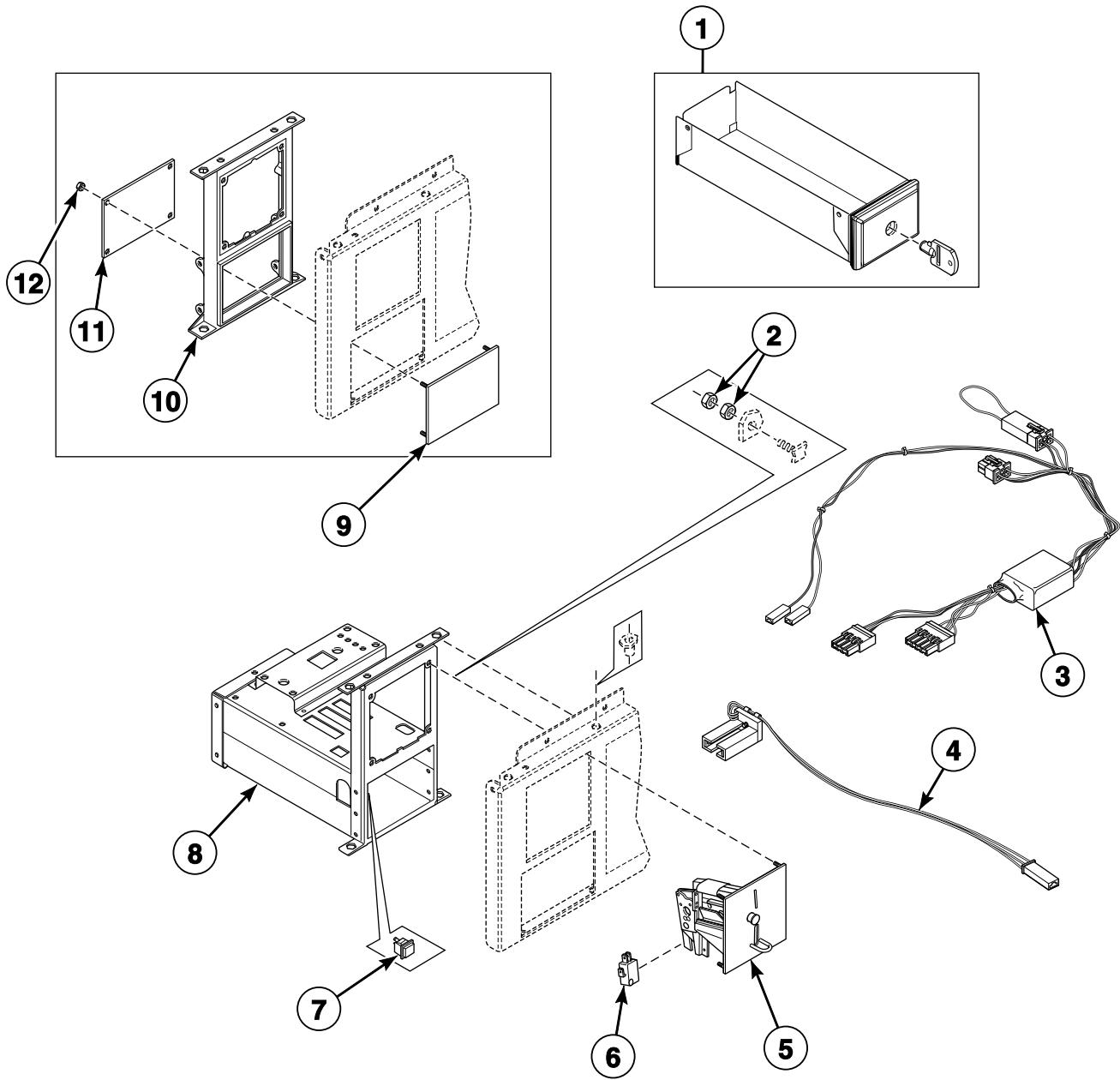


BE000622P_D0882

Control Panel - PS40F

REF	PART NO.	DESCRIPTION	COMMENTS
1	229/00262/00	Circuit Board Cover	
2	B12351701	Main Board	
3	229/00255/00	Insulating Sticker	
4	209/00099/26	Contact Switch	
5	209/00099/25	Switch Base	
6	209/00099/29	Switch Knob	
7	209/00248/20	Mushroom Pushbutton	
8	209/00520/00	Telem Sticker	
9	204/00116/00	Nut	
10	211/00122/00	Standoff	
11	111/01848/00	Upper Front Panel	
12	209/00326/20	Programming Key Contact Switch	
13	225/00400/00	Operating Sticker	
14	225/00397/00	Label	
15	210/00902/00	Infrared Cable	
16	223/00123/00	Washer	
17	223/00051/10	Washer	
18	204/00116/00	Nut	
19	209/00372/01	Fuse	
20	209/00552/01	Keypad	

Coin Drop - Mechanical Coin Meter

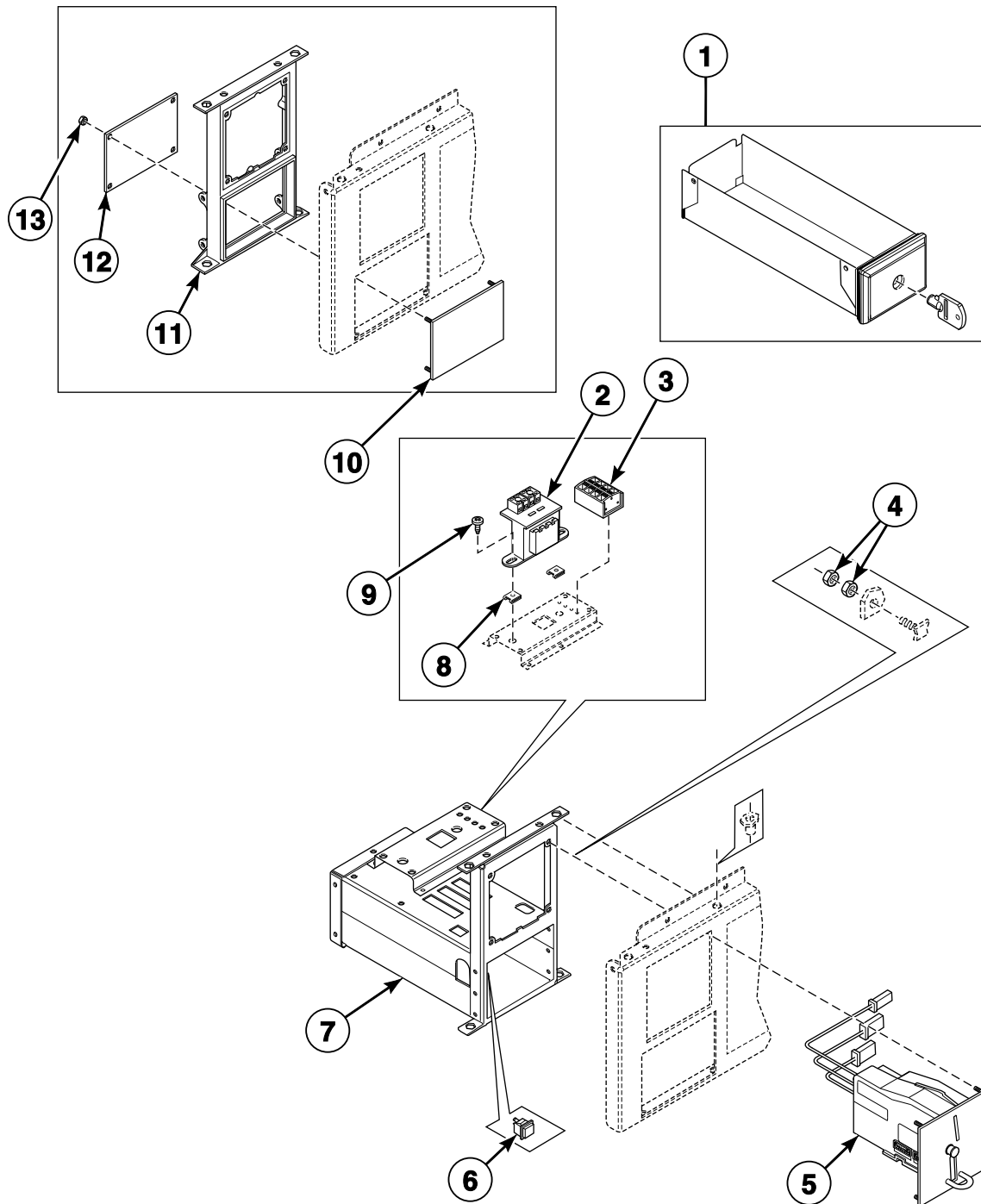


CFD512P_D0882

Coin Drop - Mechanical Coin Meter

REF	PART NO.	DESCRIPTION	COMMENTS
	B12388101	Single Drop Optical Sensor Kit	Includes items 3 and 4
	B12388102	Dual Drop Optical Sensor Kit	Includes items 3 and 4
1	254/00077/00	Coin Box	
	254/00077/02	Key	
2	204/00008/00	Nut	
3	B12359901	Wire Assembly	Micro-20 and Sigma models
4	209/00781/00	Optical Switch	Micro-20 and Sigma models
5	B12311224	Coin Drop	Mechanical; Jeton 5K
	B12311206	Coin Drop	Mechanical; Jeton 7K
	B12311201	Coin Drop	Mechanical; Jeton 10K
	B12311210	Coin Drop	Mechanical; Jeton 12K
	B12311252	Coin Drop	Mechanical; Jeton 10K and .5 euro
	B12311211	Coin Drop	Mechanical; Jeton 7K and 1 euro
	B12323901	Coin Drop	Mechanical; Jeton 15K and 7K
	B12311204	Coin Drop	Mechanical; Jeton gettone
	B12311234	Coin Drop	Mechanical; Jeton crouzet
	B12311247	Coin Drop	Mechanical; Jeton 118-1
	B12311248	Coin Drop	Mechanical; Jeton 118-5
	B12311222	Coin Drop	Mechanical; 1 euro
	B12311214	Coin Drop	Mechanical; .5 euro
	B12311202	Coin Drop	Mechanical; .5 and 1 euro
	B12311239	Coin Drop	Mechanical; .5 and 2 euro
	B12311205	Coin Drop	Mechanical; .2 and 1 euro
	B11211209	Coin Drop	Mechanical; .2 and .5 euro
	B12311218	Coin Drop	Mechanical; 1 and 1 euro
	B12311219	Coin Drop	Mechanical; 1 and 2 euro
	B12311203	Coin Drop	Mechanical; 1 and 2 frank
	B12311207	Coin Drop	Mechanical; 1 Deense kroon
	B12311225	Coin Drop	Mechanical; 10 Deense kronen
	B12311235	Coin Drop	Mechanical; 10 Tsjechische kronen
	B12311244	Coin Drop	Mechanical; 10 Noorse kronen
	B12311208	Coin Drop	Mechanical; 100 and 500 yen
	B12311212	Coin Drop	Mechanical; 15K
	B12311215	Coin Drop	Mechanical; 1 kro
	B12311226	Coin Drop	Mechanical; Australia 1.00
	B12311216	Coin Drop	Mechanical; Australia .2 and 1.00
	B12311220	Coin Drop	Mechanical; New Zealand 1.00
	B12311221	Coin Drop	Mechanical; .5 and 2 zwitsers
	B12311241	Coin Drop	Mechanical; Hong Kong 1.00
	B12311249	Coin Drop	Mechanical; Hong Kong 5.00
	B12311301	Coin Drop	Mechanical; U.S. \$.25
	B12311302	Coin Drop	Mechanical; U.S. \$.25 and \$1.00
	B12311304	Coin Drop	Mechanical; Canada .25 and 1.00
	B12323401	Coin Drop	Mechanical; Singapore 1.00
6	209/00600/01P	Switch	
7	209/00396/00	Pushbutton	
8	152/00112/00	Mechanical Coin Meter Housing	
9	111/01001/00	Top Panel	Gray
	111/01000/00	Front Plate	Black
10	217/00060/00	Fastening Piece	
11	111/01002/00	Backplate	
12	204/00116/00	Nut	

Coin Drop - Electronic Coin Meter

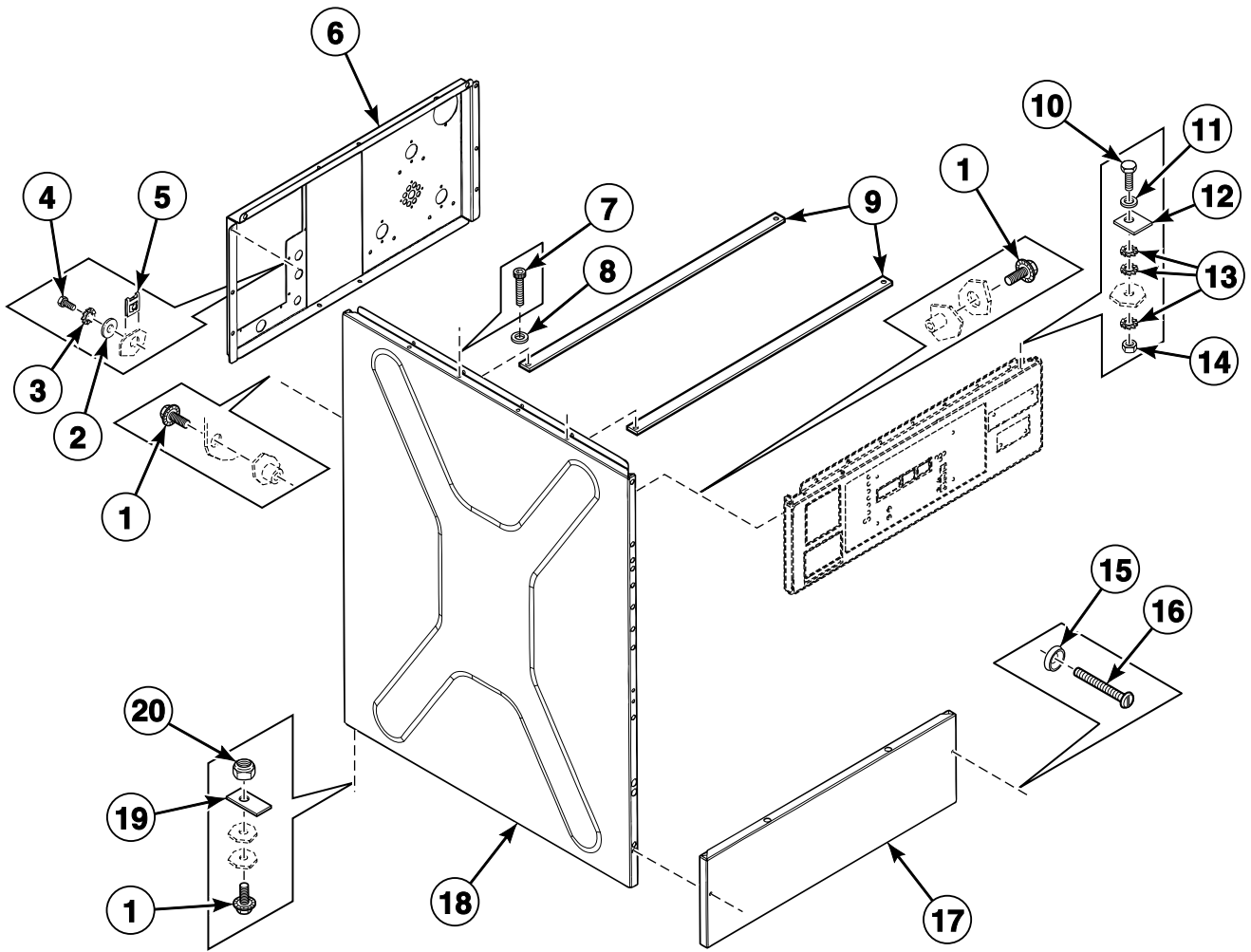


CFD511P_D0882

Coin Drop - Electronic Coin Meter

REF	PART NO.	DESCRIPTION	COMMENTS
1	254/00077/00	Coin Box	
	254/00077/02	Key	
2	209/00682/00	Transformer	
3	209/00683/00	Input Block	
4	204/00008/00	Nut	
5	B12311401	Coin Drop	Electronic; Cygnus models
6	209/00396/00	Pushbutton	
7	152/00112/50	Electronic Coin Meter Housing	
8	208/00002/00	Nut	
9	208/00014/00	Screw	
10	111/01001/00	Top Panel	Gray
	111/01000/00	Front Plate	Black
11	217/00060/00	Fastening Piece	
12	111/01002/00	Backplate	
13	204/00116/00	Nut	

Left Side, Lower Front and Upper Back Panels

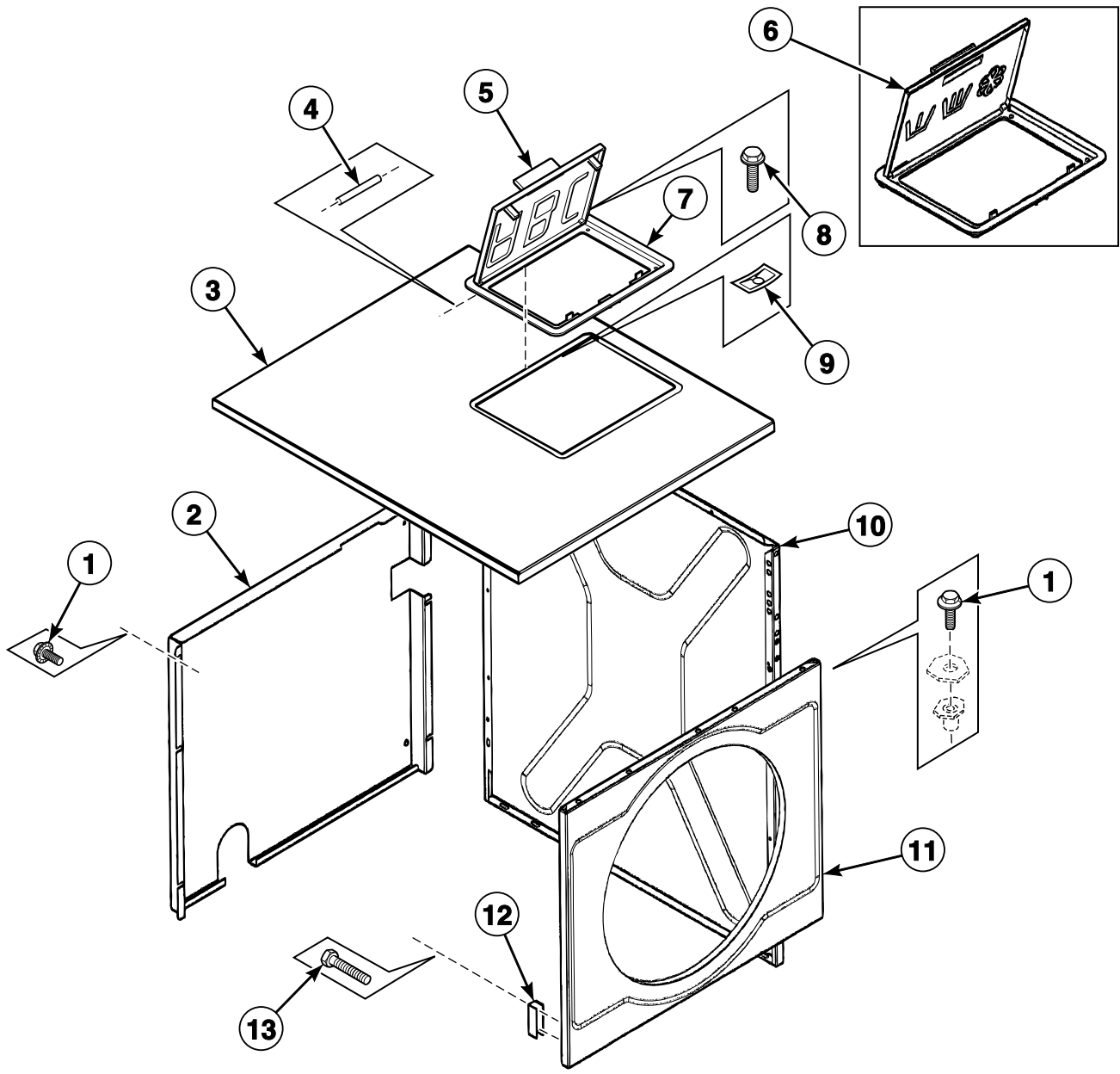


CFD487P_D0882

Left Side, Lower Front and Upper Back Panels

REF	PART NO.	DESCRIPTION	COMMENTS
1	206/00099/00	Bolt	
2	201/00006/00	Washer	
3	203/00015/00	Washer	
4	208/00014/00	Screw	
5	208/00025/00	Nut	
6	111/01832/00	Backbridge	
7	206/00166/00	Screw	
8	B12421401	Washer	
9	155/00162/00	Crossbar	
10	205/00106/00	Bolt	
11	202/00003/00	Washer	
12	117/00042/00	Retaining Ring	
13	203/00005/00	Washer	
14	204/00006/00	Nut	
15	208/00009/00	Washer	
16	207/00101/00	Screw	
17	111/00285/00	Lower Front Panel	
18	111/10089/00	Side Panel	*14, *18, *65, *74 and *75 models; Left; Stainless steel
	111/10097/00	Side Panel	*25 and *100 models; Left; Stainless steel
	111/60031/00	Side Panel	IWF014, IWF018, IWF065, IWF074, WFF65 and WFF75 models; Left; Black
	111/60034/00	Side Panel	IWF025, IWF100 and WFF100 models; Left; Black
	111/10089/60	Side Panel	CWF018, WFF065 and WFF075 models; Left; Gray
	111/10071/00	Side Panel	CWF025 and WFF100 models; Left; Gray
19	101/00007/00	Outlet Pipe Plate Assembly	
20	204/00009/00	Nut	

Right Side, Front, Lower Rear and Top Panels

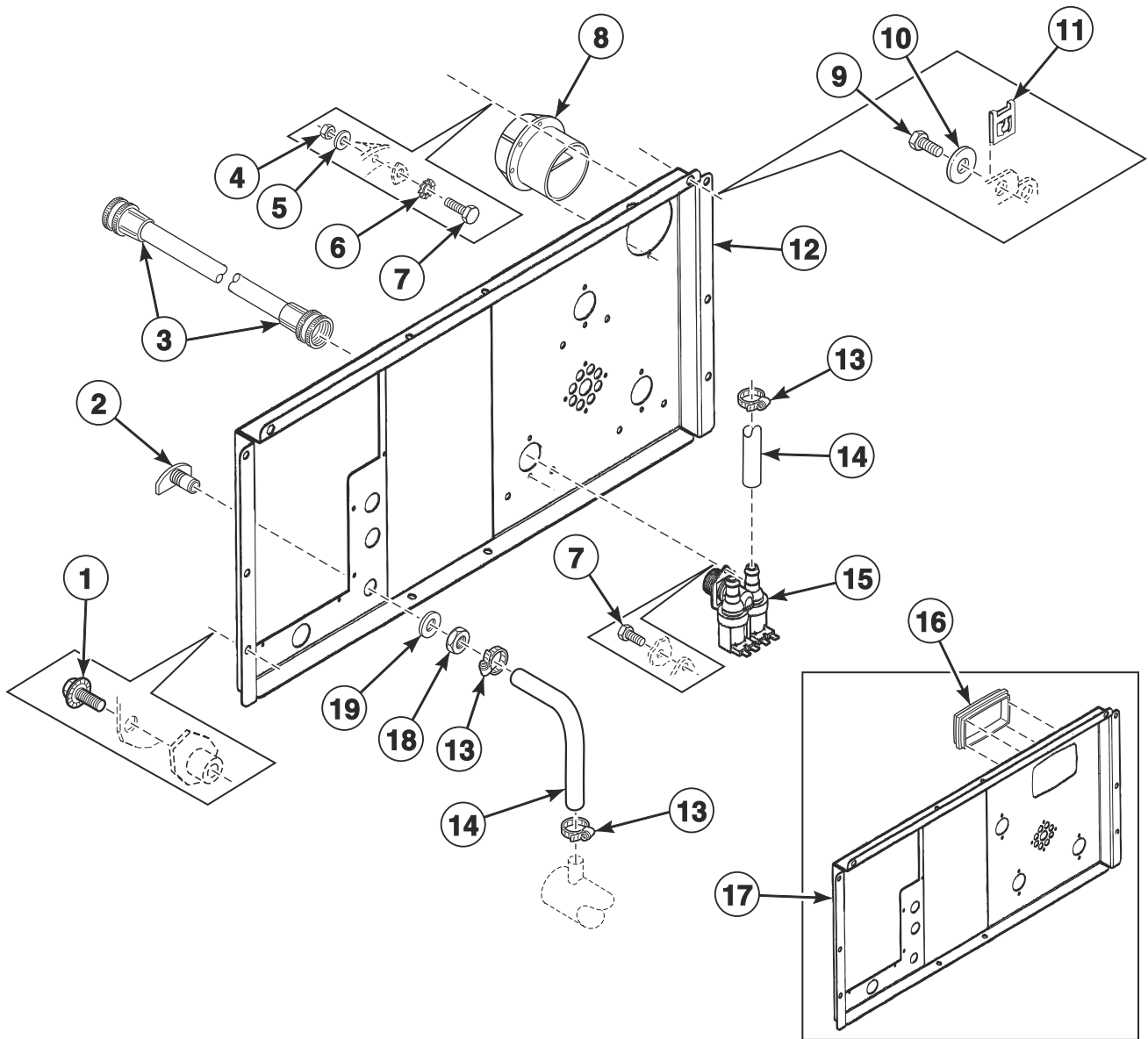


BE000795P_D0882

Right Side, Front, Lower Rear and Top Panels

REF	PART NO.	DESCRIPTION	COMMENTS
1	206/00099/00	Bolt	
2	111/10427/01	Lower Rear Panel	
3	111/22141/00	Top Panel	*14, *18, *65, *74 and *75 models; With dispenser opening
	111/22142/00	Top Panel	*25 and *100 models; With dispenser opening
	111/22141/01	Top Panel	*14, *18, *65, *74 and *75 models; Without dispenser opening
	111/22142/01	Top Panel	*25 and *100 models; Without dispenser opening
4	223/00103/04	Soap Dispenser Cover Hinge Rod	2 required
5	223/00103/01	Soap Dispenser Cover	
6	223/00103/50	Soap Dispenser Cover	With symbols
7	223/00103/03	Soap Dispenser Frame	
8	207/00125/00	Bolt	
9	208/00104/00	Nut	
10	111/10089/00	Side Panel	*14, *18, *65, *74 and *75 models; Right
	111/10097/00	Side Panel	*25 and *100 models; Right
	111/60031/00	Side Panel	IWF014, IWF018, IWF065, IWF074, WFF65 and WFF75 models; Right; Black
	111/60034/00	Side Panel	IWF025, IWF100 and WFF100 models; Right; Black
	111/10089/60	Side Panel	CWF018, WFF065 and WFF075 models; Right; Gray
	111/10071/00	Side Panel	CWF025 and WFF100 models; Right; Gray
11	111/00290/00	Front Panel	
12	111/10089/01	Reinforcement Plate	
13	206/00114/00	Bolt	

Water Inlet Valves

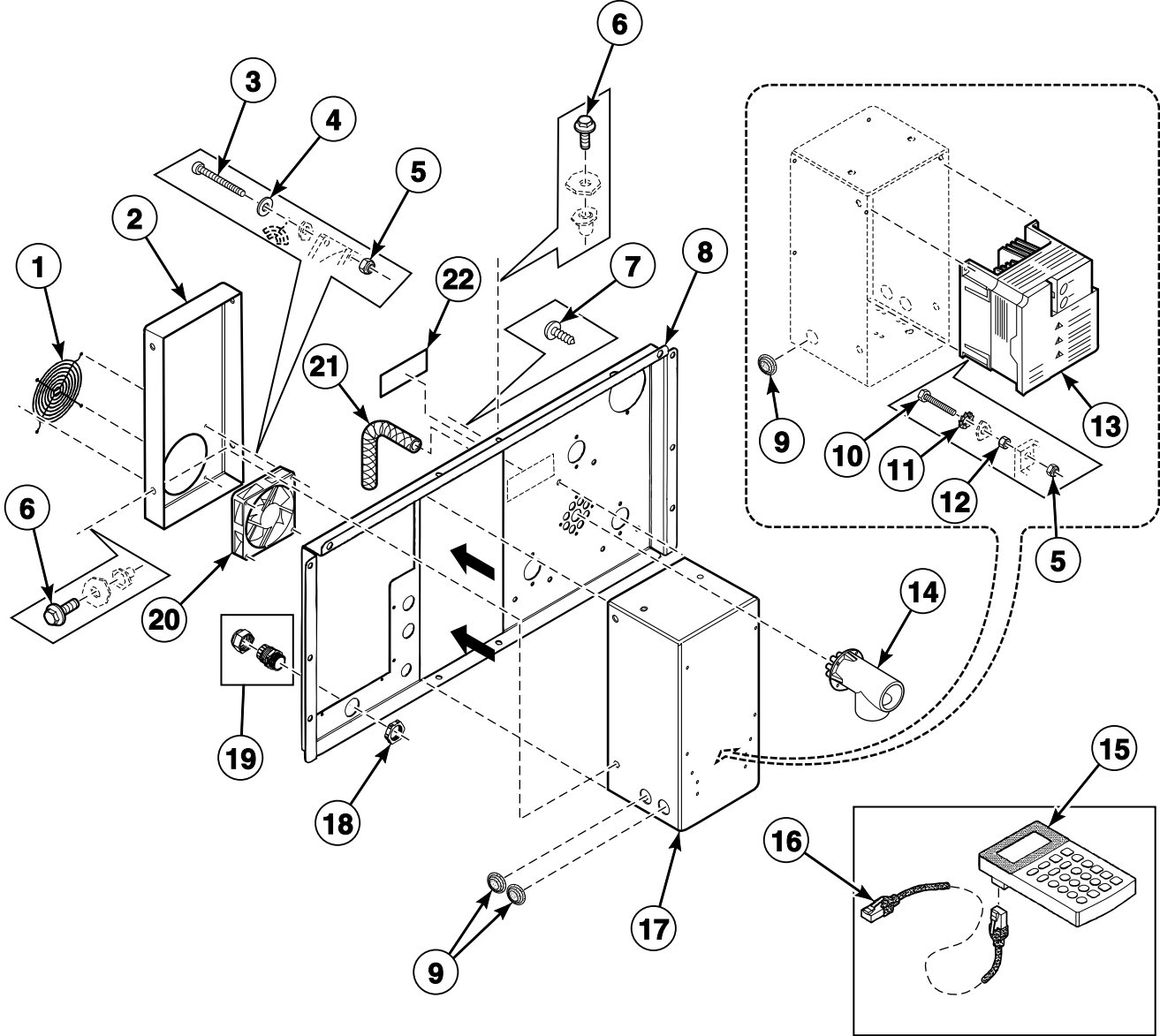


CFD321P_D0882

Water Inlet Valves

REF	PART NO.	DESCRIPTION	COMMENTS
1	206/00099/00	Bolt	
2	223/00001/04	Prewash and Mainwash Nozzle	
3	F200164	Water Hose	Standard thread
	F200166	Water Hose	Metric thread
4	204/00007/00	Nut	
5	202/00004/00	Washer	
6	203/00006/00	Washer	
7	206/00027/00	Bolt	
8	223/00102/07	Hose Vent	
9	208/00014/00	Screw	
10	201/00006/00	Washer	
11	208/00002/00	Nut	
12	111/01832/00	Backbridge	Circular ventilation
13	223/00010/00	Hose Clamp	
14	223/00044/00	Water Hose	
15	209/00110/00	2-Way Inlet Valve	Metric thread
	B12519501	2-Way Inlet Valve	Standard thread; G581P3 Diaphragm and Guide Kit
16	223/00226/00	Vent Tube	
17	111/01832/10	Upper Backpanel	Rectangular ventilation
18	204/00201/00	Nut	
19	201/00002/00	Washer	

Inverter Drive



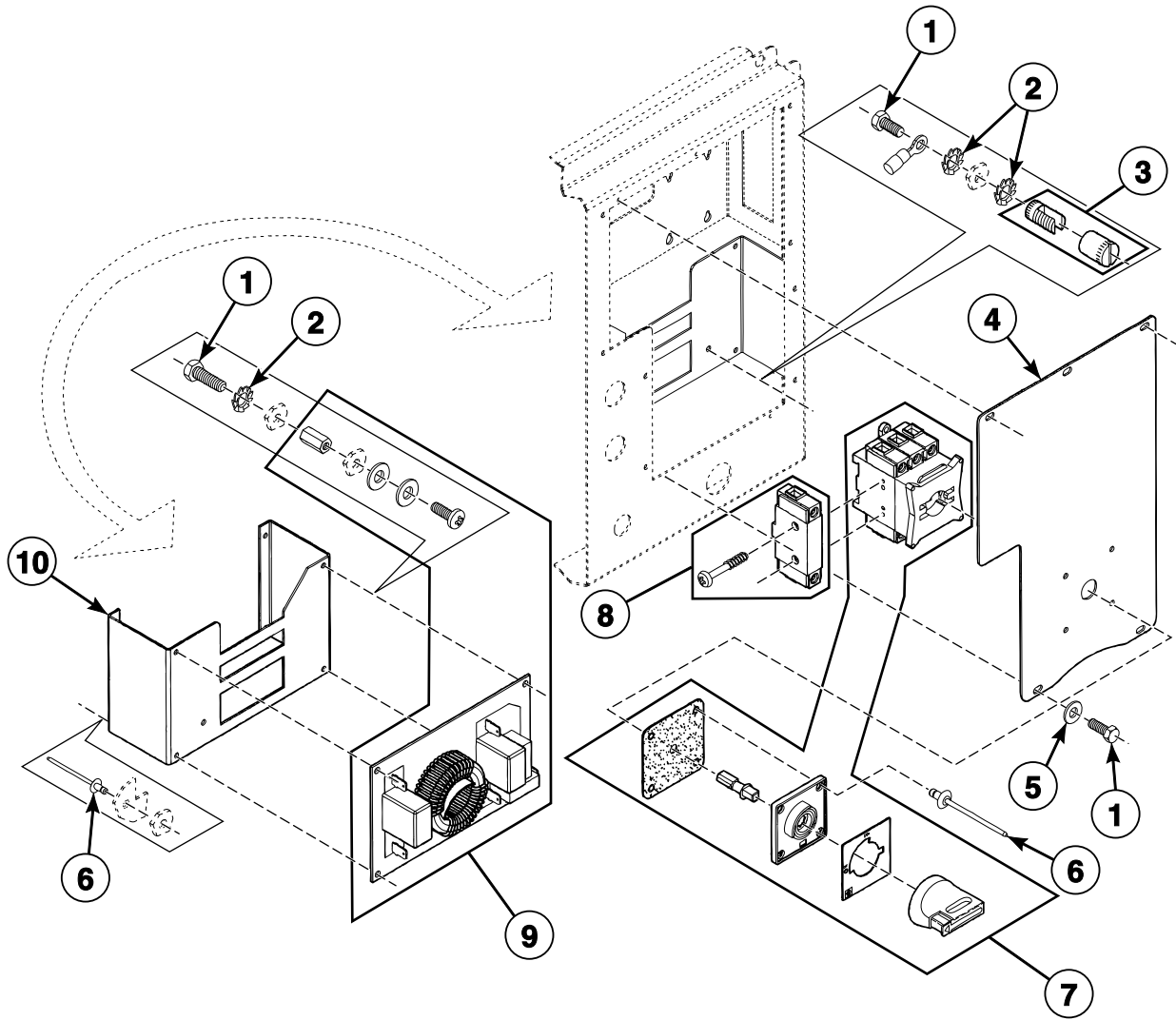
CFD459P_D0882

Inverter Drive

REF	PART NO.	DESCRIPTION	COMMENTS
1	209/00465/01	Fan Grill	
2	111/10425/50	Inverter Drive Box	Models manufactured with 500-series inverter drives that have been converted to 700-series
	111/10425/00	Inverter Drive Box	All other applications
3	207/00121/00	Screw	
4	202/00004/00	Washer	
5	204/00114/00	Nut	
6	206/00099/00	Bolt	
7	208/00130/00	Screw	
8	111/01832/00	Backbridge	
9	223/00174/00	Grommet	
10	206/00088/00	Bolt	
11	203/00006/00	Washer	
12	204/00007/00	Nut	
13	N/A	Inverter	FR-E520 series; 1 x 230 Volt
	227/00167/00	Inverter Drive	FR-E540 series; 3 x 400 Volt
	F8644801P	Inverter	FR-D7205-025-NA series; 1 x 230 Volt; Cygnus control models
	227/00236/00	Inverter Drive	FR-D740 series; 3 x 400 Volt; Cygnus control models
	F8420501	Drive	700-series; *14 and *65 PS40F, Micro-20 and Sigma control models; 200 Volt/1 Phase, Models with 0.55 kW motor
	F8420502	Drive	700-series; *14 and *65 PS40F, Micro-20 and Sigma control models; 400 Volt/3 Phase, Models with 0.55 kW motor
	F8420503	Drive	700-series; *18, *74 and *75 PS40F, Micro-20 and Sigma control models; 200 Volt/1 Phase, Models with 0.55 kW motor
	F8420504	Drive	700-series; *18, *74 and *75 PS40F, Micro-20 and Sigma control models; 400 Volt/3 Phase, Models with 0.55 kW motor
	F8420505	Drive	700-series; *25 and *100 PS40F, Micro-20 and Sigma control models; 200 Volt/1 Phase, Models with 0.55 kW motor
	F8420506	Drive	700-series; *25 and *100 PS40F, Micro-20 and Sigma control models; 400 Volt/3 Phase, Models with 0.55 kW motor
	F8420401	Inverter Kit	700-series; *14 and *65 PS40F, Micro-20 and Sigma control models; 200 Volt/1 Phase, Models with 0.55 kW motor; Includes F8420501 Drive, F8409501 Mounting Plate Assembly and F430903 Screw
	F8420402	Inverter Kit	700-series; *14 and *65 PS40F, Micro-20 and Sigma control models; 400 Volt/3 Phase, Models with 0.55 kW motor; Includes F8420502 Drive, F8409501 Mounting Plate Assembly and F430903 Screw
	F8420403	Inverter Kit	700-series; *18, *74 and *75 PS40F, Micro-20 and Sigma control models; 200 Volt/1 Phase, Models with 0.55 kW motor; Includes F8420503 Drive, F8409501 Mounting Plate Assembly and F430903 Screw
	F8420404	Inverter Kit	700-series; *18, *74 and *75 PS40F, Micro-20 and Sigma control models; 400 Volt/3 Phase, Models with 0.55 kW motor; Includes F8420504 Drive, F8409501 Mounting Plate Assembly and F430903 Screw
	F8420405	Inverter Kit	700-series; *25 and *100 PS40F, Micro-20 and Sigma control models; 200 Volt/1 Phase, Models with 0.55 kW motor; Includes F8420505 Drive, F8409501 Mounting Plate Assembly and F430903 Screw
	F8420406	Inverter Kit	700-series; *25 and *100 PS40F, Micro-20 and Sigma control models; 400 Volt/3 Phase, Models with 0.55 kW motor; Includes F8420506 Drive, F8409501 Mounting Plate Assembly and F430903 Screw
14	223/00250/00	Liquid Soap Manifold	
15	F8410901	Parameter Unit Assembly	Inverter mounted; Used with 500-series drives
	227/00171/00	Parameter Unit Assembly	Hand held
16	227/00171/10	Parameter Unit Program Cable	
17	111/10425/00	Inverter Drive Box	Used with FR-E520 and FR-E540 series inverters
	111/10425/50	Inverter Drive Box	Used with FR-D750 and FR-D740 series inverters
18	271/35946/00	Nut	
19	271/35945/00	Nut	
20	209/00465/00	Fan	
21	223/00179/10	Pressure Hose	
22	B12355001	Voltage Discharge Decal	

N/A = Part no longer available

Main Switch and Noise Filter

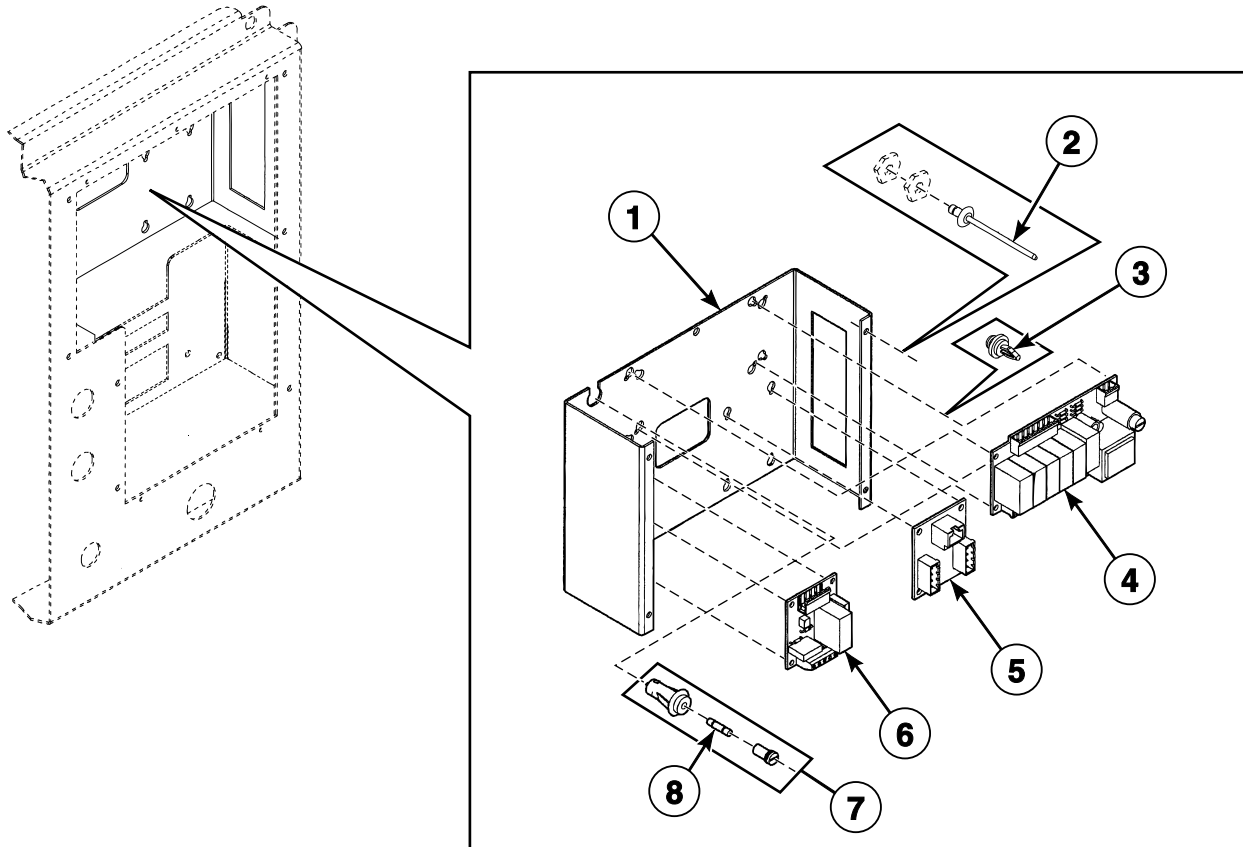


BE000799P_D0882

Main Switch and Noise Filter

REF	PART NO.	DESCRIPTION	COMMENTS
1	206/00027/00	Bolt	
2	203/00006/00	Washer	
3	209/00006/01	Ground Terminal	
4	111/01834/00	Main Switch Cover	
5	202/00004/00	Washer	
6	208/00017/00	Rivet	
7	209/00529/00	Main Switch	25A
	209/00672/00	Main Switch	40A
	209/00526/00	Main Switch	80A
8	209/00530/00	Terminal Block	25A
	209/00527/00	Terminal Block	63/80A
9	227/00177/00	Filter	16A1
	227/00242/00	Noise Filter	16A3
	227/00179/00	Filter	40A3
	227/00180/00	Filter	45A1
	227/00183/00	Filter	53A3
10	111/01837/01	Filter Bracket	

Central Operating Panel, Network Connection and Soap Injection Printboards

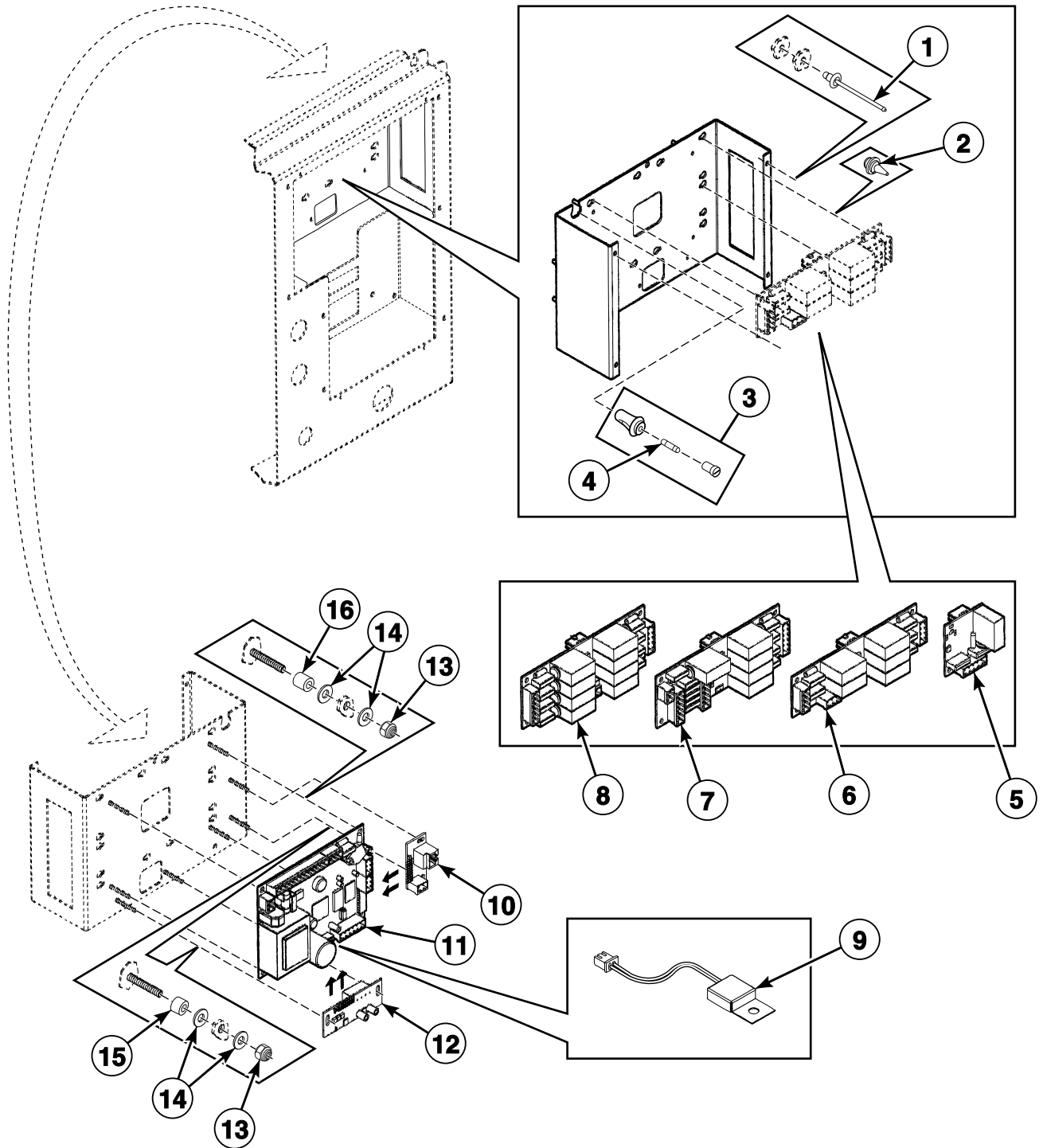


BE000800P_D0882

Central Operating Panel, Network Connection and Soap Injection Printboards

REF	PART NO.	DESCRIPTION	COMMENTS
1	111/01838/10	Printboard Support	
2	208/00017/00	Rivet	
3	211/00146/00	Standoff	
4	209/00218/13	Soap Injection PCB with Fuse	
5	209/00540/01	Network Connection Printboard	
6	209/00438/50	Central Control Board	
7	209/00202/00	Fuse Holder	
	209/00202/01	Fuse Holder	Includes item 8
8	209/00468/00	Fuse	3 Amp

Relay, Network Connection and Main Printboards - Cygnus Models

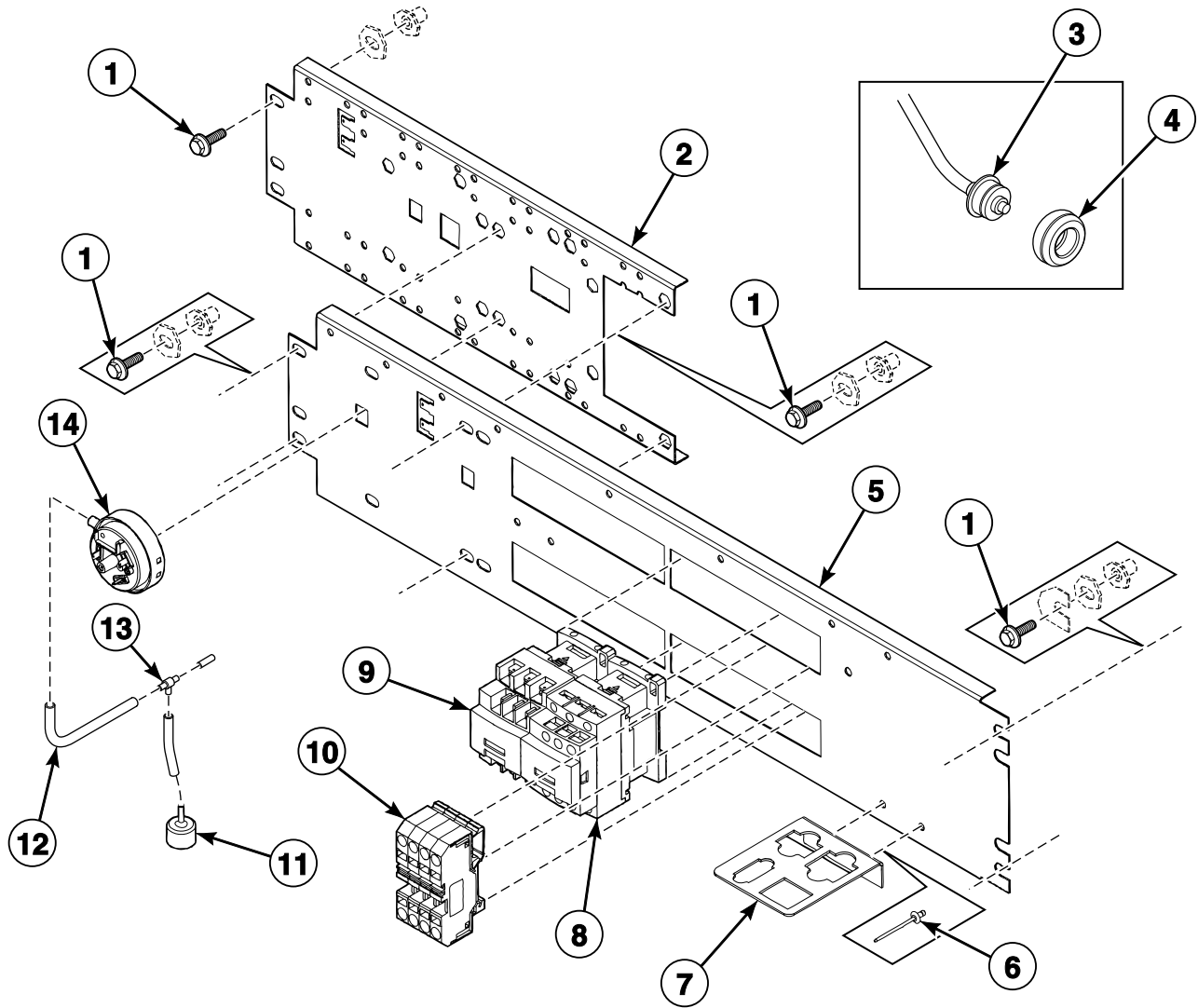


BE000801AP_D0882

Relay, Network Connection and Main Printboards - Cygnus Models

REF	PART NO.	DESCRIPTION	COMMENTS
1	208/00017/00	Rivet	
2	211/00146/00	Standoff	
3	209/00202/00	Fuse Holder	
	209/00202/01	Fuse Holder	Includes item 4
4	209/00468/00	Fuse	3 Amp
5	209/02016/00	Relay PC-Board	1-1
6	209/02005/00	Detergent PC-Board	1-5
7	209/02014/00	Relay PC-Board	5-5
8	209/02008/00	Detergent PC-Board	1-8
9	209/02020/00	ID Chip	
10	209/02006/00	Inverter PC-Board	
11	209/02025/00	Microprocessor	
12	209/02007/00	Network Connection Printboard	
13	204/00116/00	Nut	
14	223/00123/00	Washer	
15	211/00128/00	Printboard Separator	
16	211/00122/00	Standoff	

Electrical Component Mounting Plate

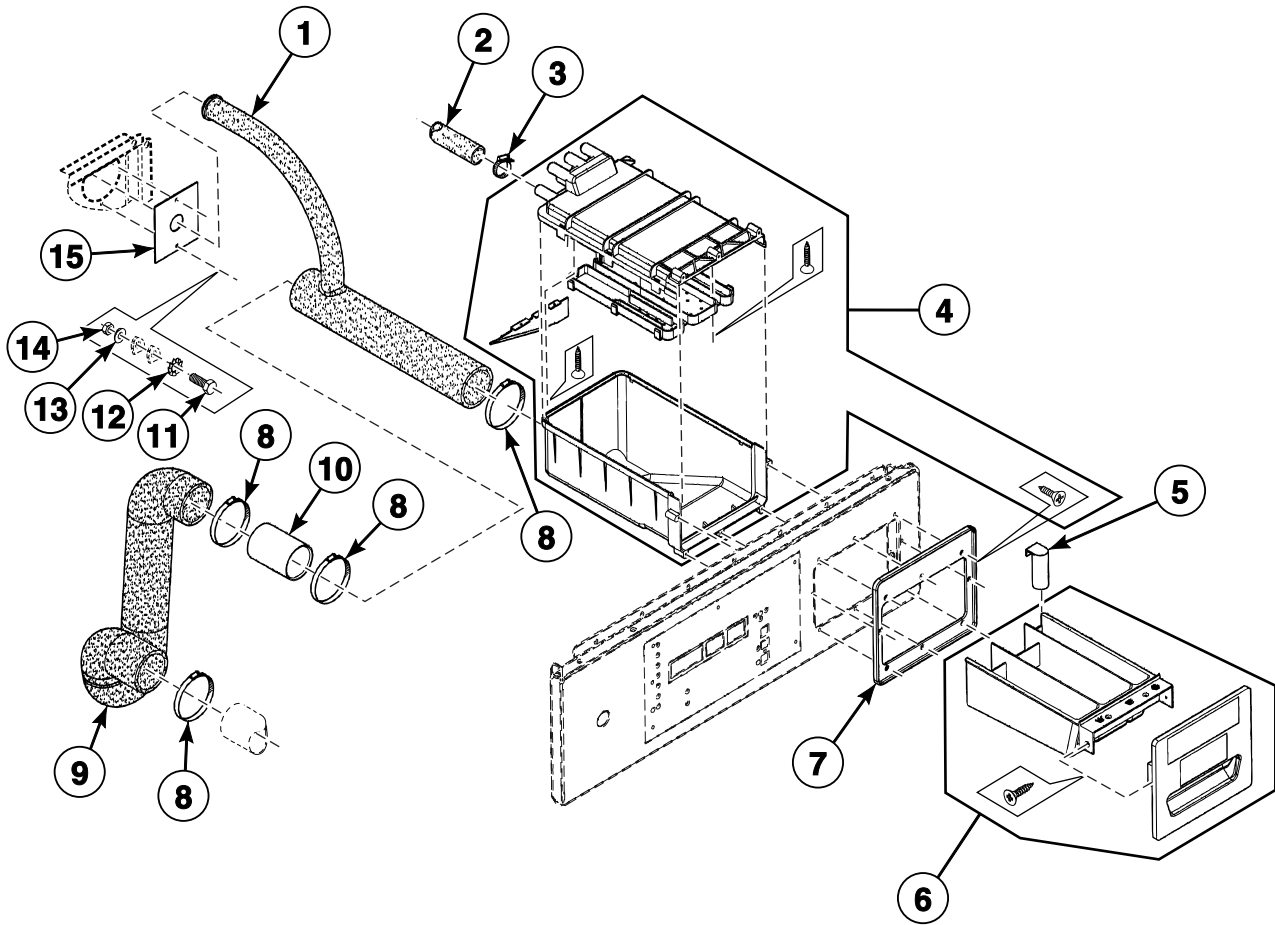


BE000802P_D0882

Electrical Component Mounting Plate

REF	PART NO.	DESCRIPTION	COMMENTS
1	206/00099/00	Bolt	
2	111/10003/40	Electrical Component Mounting Plate	
3	210/00214/00	Thermostat	Cygnus control models
	210/01064/16	Thermostat	All other models
4	225/10004/00	Thermostat Grommet	
5	111/10003/30	Electrical Component Mounting Plate	
6	208/00017/00	Rivet	
7	111/10003/10	Support Connector	
8	209/06148/02	Heating Contactor	LC1D18P7
9	209/00641/04	Heating Contactor	LC1D0901M7
10	209/00619/00	Overload Contactor	2 pole; 6 mm; Gray
	209/00620/00	Overload Contactor	2 pole; 6 mm; Blue
	209/00621/00	Overload Contactor	3 pole; 6 mm; Blue
	209/00622/00	Overload Contactor	3 pole; 6 mm; Gray
	209/00623/00	Overload Contactor	2 pole; 10 mm; Gray
	209/00624/00	Overload Contactor	2 pole; 10 mm; Blue
	209/01625/00	Terminal Block	3 pole; 10 mm; Gray
	209/00619/01	Connection Clamp	2 pole; 6 mm
	209/00622/01	Connection Clamp	3 pole; 6 mm
	209/00625/01	Connection Clamp	3 pole; 10 mm
11	223/00035/02	Pressure Switch Cap	
12	B12700018	Pressure Hose	
13	223/00173/10	Pressure Switch Hose Tee	
14	209/00027/10	Pressure Switch	

Supply Dispenser - Models with Frontal Supply Dispenser

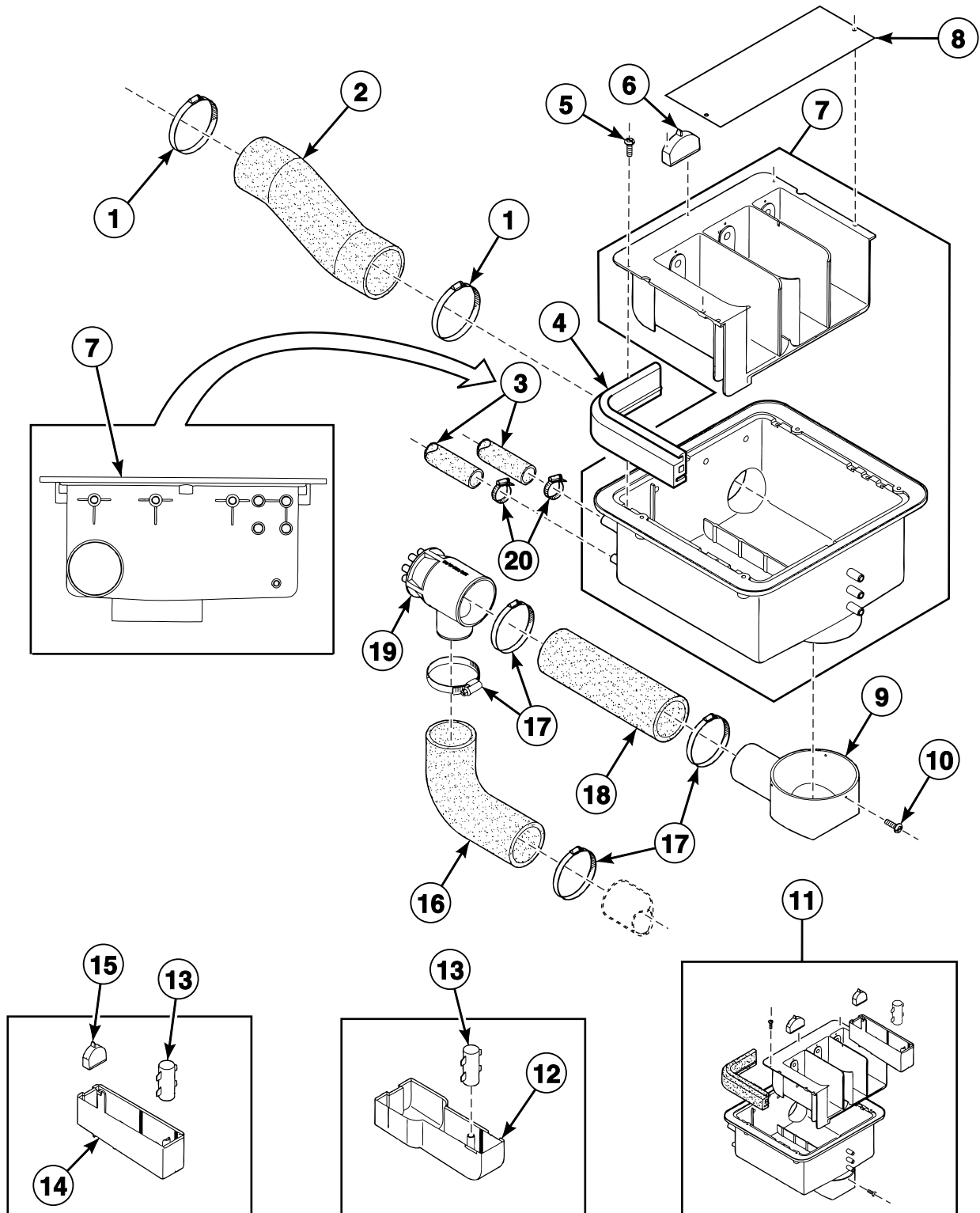


BE000663AP_D0882

Supply Dispenser - Models with Frontal Supply Dispenser

REF	PART NO.	DESCRIPTION	COMMENTS
1	223/00286/00	Hose	
2	223/00044/00	Water Hose	
3	223/00010/00	Hose Clamp	
4	223/00280/00	Outer Soapbox	
5	223/00280/03	Front Soapbox Siphon	
6	223/00280/20	Inner Soapbox	
7	223/00280/07	Soapbox Handle	
8	223/00013/00	Hose Clamp	
9	223/00298/00	Hose	
10	118/00118/03	Tube	
11	206/00027/00	Bolt	
12	203/00006/00	Washer	
13	202/00004/00	Washer	
14	204/00007/00	Nut	
15	155/00161/00	Pump Support	

Supply Dispenser - Models with Round Ventilation Opening

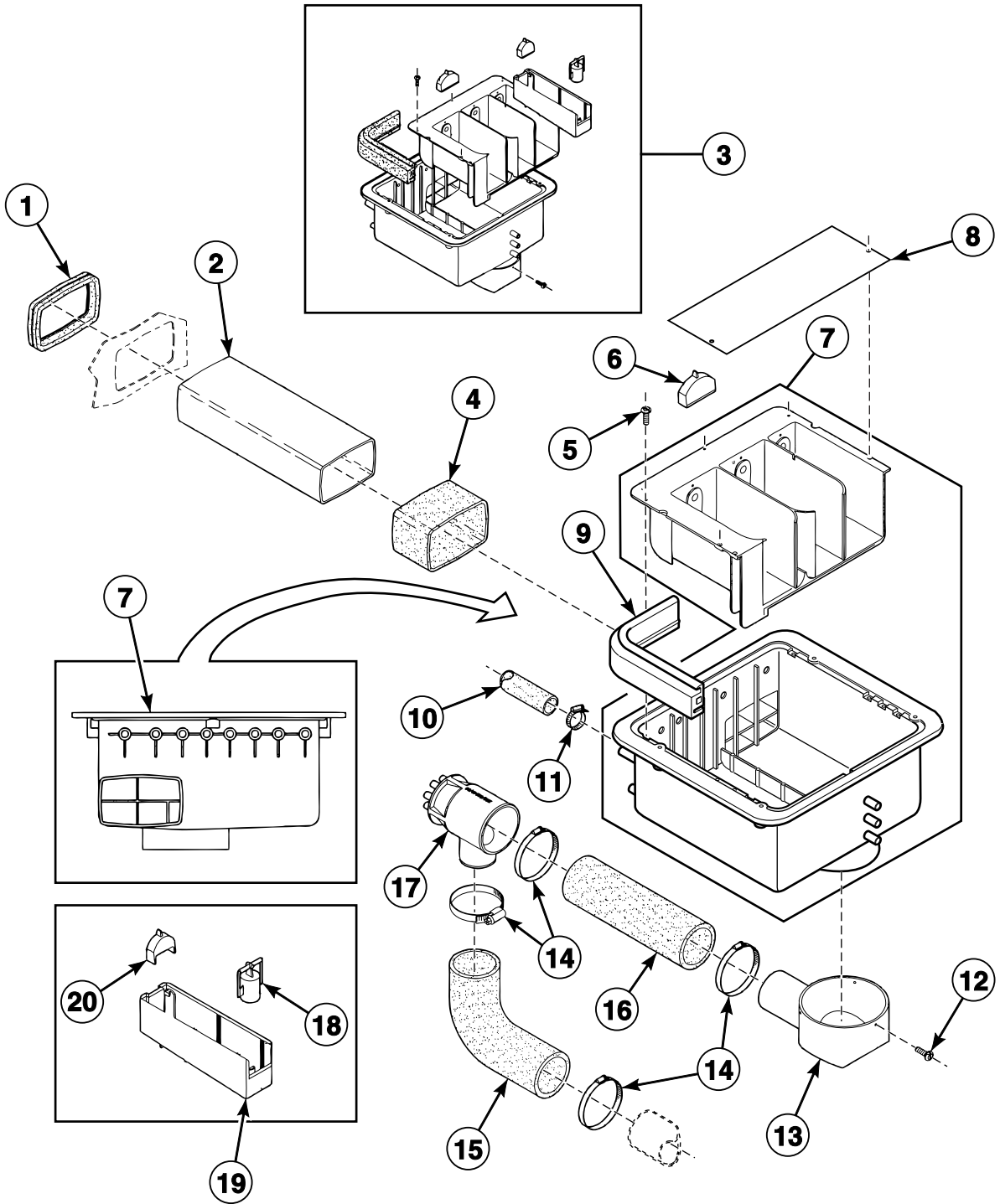


CFD322P_D0882

Supply Dispenser - Models with Round Ventilation Opening

REF	PART NO.	DESCRIPTION	COMMENTS
1	223/00014/00	Hose Clamp	
2	223/00107/00	Soap Dispenser Air Breather Hose	*25 and *100 models
	223/00197/00	Vent Hose	*14, *18, *65, *74 and *75 models
3	223/00044/00	Water Hose	
4	223/00109/00	Soap Dispenser Gasket	
5	B12347501	Screw	
6	223/00102/06	Soap Spray Nozzle	
7	223/00102/30	Soap Dispenser Assembly	
8	123/00107/00	Anti-Splash Plate	Sigma control models
	123/00103/06	Soap Box Assembly Plate	All other models
9	223/00195/00	Dispenser Drain Funnel	
10	B12350903	Screw	
11	223/00102/50	Soap Dispenser Assembly	
12	223/00102/08	Liquid Soap Dispenser Insert	
13	223/00102/04	Soap Dispenser Rinse Siphon	
14	223/00102/03	Rinse Insert	
15	223/00102/05	Softener Spray Nozzle	
16	B12310301	Siphon Break Hose	*14 and *65 models
	B12310305	Siphon Break Hose	*18, *25, *74, *75 and *100 models
17	223/00013/00	Hose Clamp	
18	223/00260/00	Siphon Break Dispenser Hose	*14, *18, *65, *74 and *75 models
	223/00261/00	Soap Dispenser Hose	*25 and *100 models
19	223/00250/00	Liquid Soap Manifold	
20	223/00010/00	Hose Clamp	

Supply Dispenser - Models with Rectangular Ventilation Opening

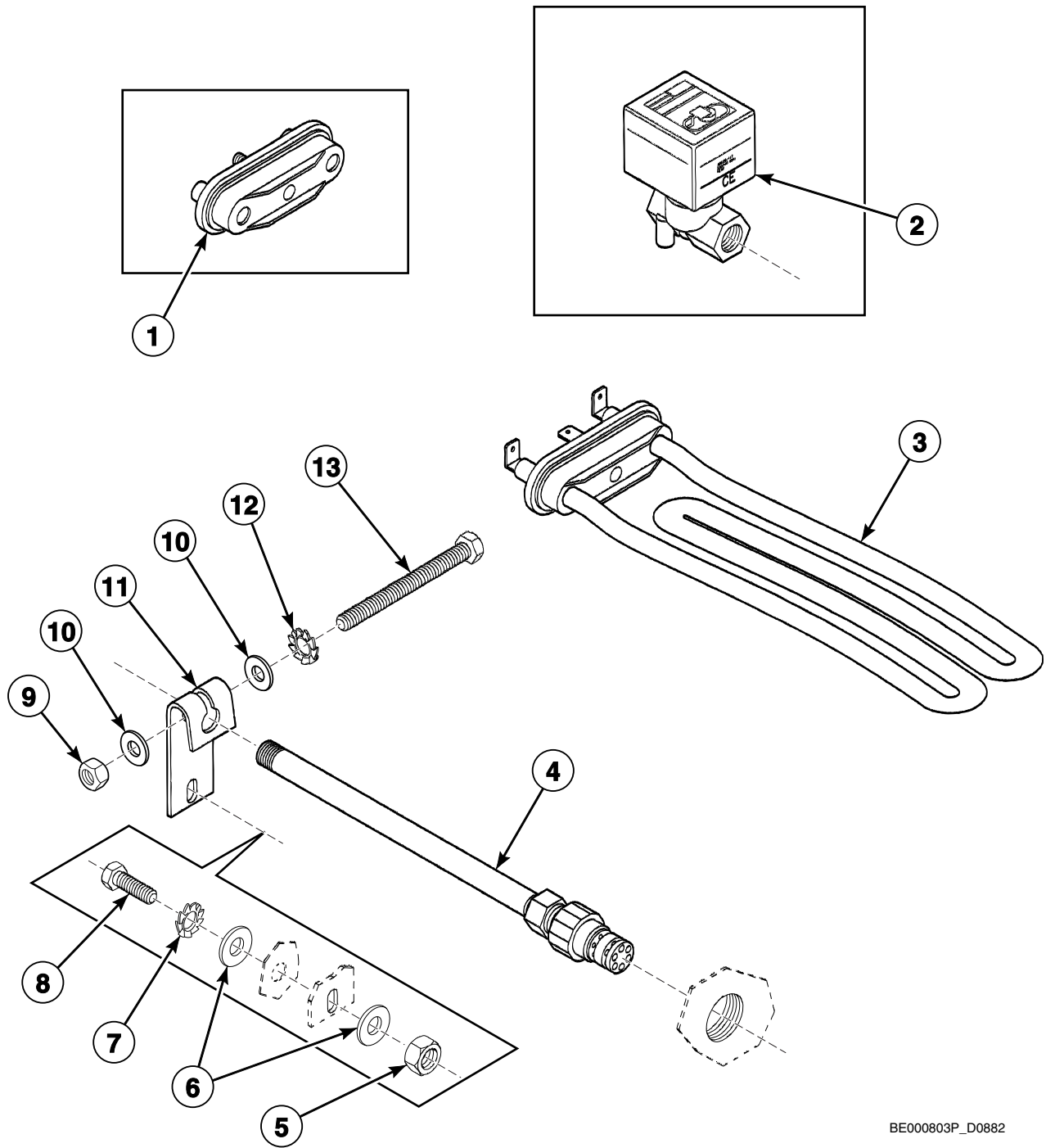


CFD323P_D0882

Supply Dispenser - Models with Rectangular Ventilation Opening

REF	PART NO.	DESCRIPTION	COMMENTS
1	223/00226/00	Vent Tube	
2	223/00229/00	Vent Tube	
3	223/00222/00	Soap Dispenser	
4	223/00245/00	Shrink Fit	
5	B12347501	Screw	
6	223/00102/06	Soap Spray Nozzle	
7	223/00222/60	Outer and Inner Box Kit	
8	123/00107/00	Anti-Splash Plate	Sigma control models
	123/00103/06	Soap Box Assembly Plate	All other models
9	223/00109/00	Soap Dispenser Gasket	
10	223/00044/00	Water Hose	
11	223/00010/00	Hose Clamp	
12	B12350903	Screw	
13	223/00195/00	Dispenser Drain Funnel	
14	223/00013/00	Hose Clamp	
15	B12310301	Siphon Break Hose	*14 and *65 models
	B12310305	Siphon Break Hose	*18, *25, *74, *75 and *100 models
16	223/00260/00	Siphon Break Dispenser Hose	*14, *18, *65, *74 and *75 models
	223/00261/00	Soap Dispenser Hose	*25 and *100 models
17	223/00250/00	Liquid Soap Manifold	
18	223/00222/04	Siphon Break	
19	223/00222/05	Rinsing Box	
20	223/00222/03	Softener Spray Nozzle	

Steam and Electric Heating Options

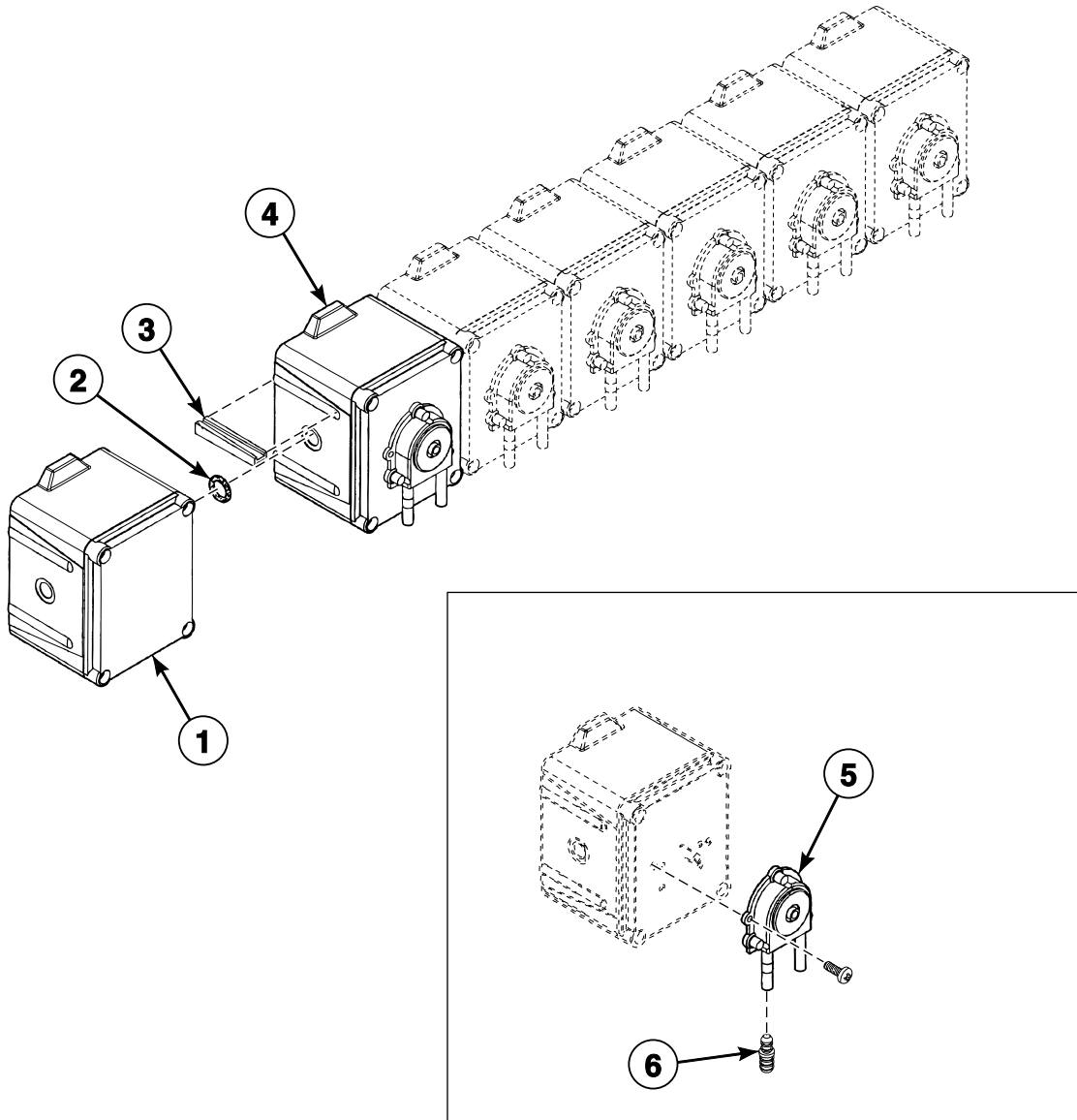


BE000803P_D0882

Steam and Electric Heating Options

REF	PART NO.	DESCRIPTION	COMMENTS
	919P3	Steam Heat Kit	*14 and *65 models; Includes items 4, 11, 13, 9001214 Washer, 9001227 Washer, 9001240 Washer, 9001241 Washer, 9001249 Nut, 9001250 Nut, 9001295 Bolt, 9001386 Steam Valve, 900/00108/00 Safety Level Switch, 901/00217/00 Contactor and Wiring Assembly and 209/00027/10B Water Level Switch
	921P3	Steam Heat Kit	*18, *25, *74, *75 and *100 models; Includes items 4, 11, 13, 9001214 Washer, 9001227 Washer, 9001240 Washer, 9001241 Washer, 9001249 Nut, 9001250 Nut, 9001295 Bolt, 9001386 Steam Valve, 900/00108/00 Safety Level Switch, 901/00217/00 Contactor and Wiring Assembly and 209/00027/10B Water Level Switch
1	209/00196/00	Heating Element Plug	
2	209/00477/00	Steam Valve	
3	209/00581/10	Heating Element	400W; 380 Volt
	209/00562/20	Heating Element	3000W; 220/240 Volt
	209/00563/20	Heating Element	2000W; 220/240 Volt
	209/00564/20	Heating Element	1400W; 220/240 Volt
4	118/00084/00	Steam Injector	*14 and *65 models
	118/00085/00	Steam Injector	*18, *25, *74, *75 and *100 models
5	204/00005/00	Nut	
6	201/00007/00	Washer	
7	203/00004/00	Washer	
8	206/00013/00	Bolt	
9	204/00004/00	Bolt	
10	202/00002/00	Washer	
11	113/00025/00	Steam Injector Plate Assembly	
12	203/00003/00	Washer	
13	206/00035/00	Bolt	

Soap Pumps



BE000527AP_D0882

Soap Pumps

REF	PART NO.	DESCRIPTION	COMMENTS
1	209/00554/01	Soap Pump Assembly	1 pump and 1 feeding pump
	209/00554/02	Soap Pump Assembly	2 pumps and 1 feeding pump
	209/00554/03	Soap Pump Assembly	3 pumps and 1 feeding pump
	209/00554/04	Soap Pump Assembly	4 pumps and 1 feeding pump
	209/00554/05	Soap Pump Assembly	5 pumps and 1 feeding pump
	209/00554/06	Soap Pump Assembly	6 pumps and 1 feeding pump
	209/00554/51	Feeding Liquid Soap Dosing Pump	
2	209/00554/52	Liquid Soap Dosing Pump O-Ring	
3	209/00554/53	Liquid Soap Dosing Pump Connection Piece	
4	209/00554/50	Pump	
5	209/00554/98	Hose	
6	209/00554/99	Hose Connector	

Parts Index

A

Anti-Splash Plate	
123/00107/00	95, 97

B

Backbridge	
111/01832/00	77, 81, 83
Backplate	
111/01002/00	73, 75
Ball Bearing	
215/00001/13	11, 13
216/00001/12	11, 13
Basket and Shaft Assembly	
B12379501	15
B12379601	15
B12379701	15
B12379801	15
B12379901	15
B12380001	15
Basket Kit	
B12542601	15
B12542701	15
B12542801	15
Bearing Housing	
212/00100/01	11, 13
Bearing Housing Assembly	
212/00100/00	11, 13
Bearing Housing Plate	
113/00020/01	11, 13
113/00020/02	11, 13
Bearing Kit	
3881P	13
Bearing Replacement Kit	
387P4	11
Bearing Replacement Tool Kit	
380P3	11, 13
Belt	
255/00013/00	15, 21, 23, 25
Bolt	
204/00004/00	9, 99
205/00102/00	11, 13
205/00104/00	11, 13
205/00106/00	77
205/00107/00	37
206/00005/00	15
206/00006/00	23, 25
206/00009/00	23, 25
206/00011/00	17
206/00013/00	99
206/00027/00	81, 85, 93
206/00032/00	19
206/00033/00	27, 29, 31, 33
206/00035/00	99
206/00054/00	21, 25
206/00079/00	9
206/00088/00	83
206/00093/00	11, 13
206/00099/00	9, 21, 23, 25, 31, 33, 77, 79, 81, 83, 91

206/00114/00	79
206/00119/00	23, 25
207/00125/00	79

C

Central Control Board	
209/00438/50	87
Chassis	
212/00104/50	9
212/00105/50	9
212/00106/50	9
Circuit Board Cover	
229/00262/00	63, 65, 67, 69, 71
229/00289/00	39, 41, 43, 45, 47, 49, 51, 53, 55, 57, 59, 61
Coin Box	
254/00077/00	73, 75
Coin Drop	
B11211209	73
B12311201	73
B12311202	73
B12311203	73
B12311204	73
B12311205	73
B12311206	73
B12311207	73
B12311208	73
B12311210	73
B12311211	73
B12311212	73
B12311214	73
B12311215	73
B12311216	73
B12311218	73
B12311219	73
B12311220	73
B12311221	73
B12311222	73
B12311224	73
B12311225	73
B12311226	73
B12311234	73
B12311235	73
B12311239	73
B12311241	73
B12311244	73
B12311247	73
B12311248	73
B12311249	73
B12311252	73
B12311301	73
B12311302	73
B12311304	73
B12311401	75
B12323401	73
B12323901	73
Connection Clamp	
209/00619/01	91
209/00622/01	91
209/00625/01	91
Contact Switch	
209/00099/26	39, 41, 43, 49, 51, 57,

N/A items do not appear in index.

	59, 63, 65, 67, 71
Control Board	
209/00547/00	63, 65, 67, 69
Cordlock	
211/00167/00	21, 23, 25
Counter Ring	
217/00004/00	15
Crossbar	
155/00162/00	77
Cylinder and Shaft Assembly	
111/01917/00.....	15

D

Data Card Ribbon Assembly	
B12538301.....	39, 41, 43, 45, 47, 49, 51, 53, 55
Datacard	
209/02022/00	39, 41, 43, 45, 47, 49, 51, 53, 55
Datacard Cover	
223/00348/00	39, 41
Decal	
225/00403/00	67
Detergent PC-Board	
209/02005/00	89
209/02008/00	89
Dispenser Drain Funnel	
223/00195/00	95, 97
Display PC-Board	
209/02002/00	39
Door Frame	
118/00046/10	37
Door Glass	
B12449701.....	37
Door Glass Seal	
217/00015/00	37
Door Handle	
217/00059/00	37
217/00065/00	37
Door Handle Stop	
217/00016/00	37
Door Hinge Assembly	
217/00009/02	37
Door Hinge Spacer	
117/00010/00	37
Door Lock Assembly	
B12517701.....	35
Door Lock Bracket	
217/00052/11	35
Door Lock Microswitch	
209/00272/00	35
Door Lock PC-Board	
209/02010/00	39, 41, 43, 45, 47, 49, 51, 53, 55
Door Lock Pin Kit	
211/00109/02	37
Door Lock Spacer	
217/00052/03	35
Door Lock Spring	
224/00049/00	35
Door Release Wire	
217/00052/07	35
Door Solenoid	
B12495102.....	35

N/A items do not appear in index.

Drain Hose	
223/00072/00	31, 33
Drain Piece	
223/00146/00	27, 29
Drain Pipe	
223/00106/00	31, 33
Drain Valve	
209/00463/00	29
209/00643/00	27
209/00644/00	31, 33
Drain Valve Cover	
F200133600	29
Drain Valve Hose	
223/00190/00	27, 29
Drain Valve Plate Assembly	
114/00010/00.....	31, 33
Drive	
F8420501	83
F8420502	83
F8420503	83
F8420504	83
F8420505	83
F8420506	83
Drum and Axle	
B12325701	15
B12326101	15
Dual Drop Optical Sensor Kit	
B12388102	73

E

Electrical Component Mounting Plate	
111/10003/30	91
111/10003/40	91
Electronic Coin Meter Housing	
152/00112/50.....	75
Emergency Switch Pushbutton	
209/00099/20	39, 41, 43
Eprom	
209/00266/01	57, 59, 61

F

Facia and Outer Coin Box Assembly Kit	
245/00124/00	67
Fan	
209/00465/00	21, 25, 83
Fan Grill	
209/00465/01	83
Fan Plate Assembly	
152/00044/03	21, 25
Fastening Piece	
217/00060/00	73, 75
Feeding Liquid Soap Dosing Pump	
209/00554/51	101
Filter	
227/00177/00	85
227/00179/00	85
227/00180/00	85
227/00183/00	85
Filter Bracket	
111/01837/01	85

Front Panel	
111/00290/00	79
Front Plate	
111/01000/00	73, 75
Front Soapbox Siphon	
223/00280/03	93
Fuse	
209/00372/01	71
209/00439/00	57, 59, 61, 63, 65, 67, 69
209/00468/00	87, 89
Fuse Holder	
209/00202/00	87, 89
209/00202/01	87, 89

G

Grommet	
223/00174/00	83
Ground Terminal	
209/00006/01	85
210/10015/00	35
Guide	
223/00314/00	21

H

Heating Contactor	
209/00641/04	91
209/06148/02	91
Heating Element	
209/00562/20	99
209/00563/20	99
209/00564/20	99
209/00581/10	99
Heating Element Plug	
209/00196/00	99
Hinge	
221/00003/00	37
Hinge Plate	
118/00128/00	37
Hose	
209/00554/98	101
223/00286/00	93
223/00298/00	93
Hose Barb	
223/00016/00	27, 31, 33
Hose Clamp	
223/00010/00	27, 29, 31, 33, 81, 93, 95, 97
223/00011/00	27, 29, 31, 33
223/00013/00	27, 29, 31, 33, 93, 95, 97
223/00014/00	27, 29, 31, 33, 95
223/00071/00	31, 33
Hose Connector	
209/00554/99	101
Hose Vent	
223/00102/07	81

I

ID Chip	
209/02020/00	89

Infrared Cable	
210/00902/00	63, 65, 67, 69, 71
Inlet Valve, 2-Way	
B12519501	81
209/00110/00	81
Inner Soapbox	
223/00280/20	93
Input Block	
209/00683/00	75
Insulating Sticker	
229/00255/00	57, 59, 61, 63, 65, 67, 69, 71
229/00268/00	39
229/00291/00	41, 43, 45, 47
Interlock Coil Spring	
224/00043/00	35
Interlock Lever	
217/00052/04	35
Inverter	
F8644801P	83
Inverter Drive	
227/00167/00	83
227/00236/00	83
Inverter Drive Box	
111/10425/00	83
111/10425/50	83
Inverter Kit	
F8420401	83
F8420402	83
F8420403	83
F8420404	83
F8420405	83
F8420406	83
Inverter PC-Board	
209/02006/00	89

K

Key	
254/00077/02	73, 75
Keypad	
209/00552/01	71
Keypad Sticker	
225/00407/00	57

L

Label	
225/00397/00	71
Lever Spring	
224/00040/00	35
Lip Seal	
B12332201	13
Liquid Soap Dispenser Insert	
223/00102/08	95
Liquid Soap Dosing Pump Connection Piece	
209/00554/53	101
Liquid Soap Dosing Pump O-Ring	
209/00554/52	101
Liquid Soap Manifold	
223/00250/00	83, 95, 97
Lock Shaft	
217/00017/03	35

N/A items do not appear in index.

Lower Front Panel	
111/00285/00.....	77
Lower Rear Panel	
111/10427/01.....	79

M

Main Board	
B12351701.....	71
Main Switch	
209/00526/00.....	85
209/00529/00.....	85
209/00672/00.....	85
Main Switch Cover	
111/01834/00.....	85
Mechanical Coin Meter Housing	
152/00112/00.....	73
Memory Card PC-Board	
B12305201.....	39, 41, 43, 45, 47, 49, 51, 53, 55
Microprocessor	
209/02025/00.....	89
Microswitch	
B12625101.....	35
Motor	
209/00643/11.....	27
209/00644/11.....	31, 33
255/00014/00.....	21, 23, 25
Motor Mounting Plate	
115/10100/00.....	23, 25
Mounting Plate	
223/00374/00.....	39, 41, 43, 45, 47, 49, 51, 53, 55
Mushroom Pushbutton	
209/00248/20.....	49, 51, 57, 59, 63, 65, 67, 71

N

Network Connection Printboard	
209/00540/01.....	87
209/02007/00.....	89
Noise Filter	
227/00242/00.....	85
Nut	
204/00002/00.....	9
204/00005/00.....	99
204/00006/00.....	77
204/00007/00.....	81, 83, 93
204/00008/00.....	35, 73, 75
204/00009/00.....	17, 19, 77
204/00010/00.....	11, 13
204/00103/00.....	37
204/00106/00.....	37
204/00109/00.....	21, 23, 25
204/00114/00.....	63, 65, 67, 69, 83
204/00115/00.....	21, 25
204/00116/00.....	39, 41, 43, 45, 47, 49, 51, 53, 55, 57, 59, 61, 71, 73, 75, 89
204/00201/00.....	27, 29, 31, 33, 81
206/00101/00.....	27, 29, 31, 33
208/00002/00.....	75, 81
208/00025/00.....	77
208/00104/00.....	79
271/35945/00.....	83
271/35946/00.....	83

N/A items do not appear in index.

O

Operating Panel	
111/01817/00.....	49
111/01818/00.....	53
111/01826/00.....	55
111/01827/00.....	51
111/01900/00.....	41
111/01901/00.....	45
111/01904/00.....	43
111/01905/00.....	47
Operating Sticker	
225/00400/00.....	71
225/00404/00.....	63
225/00409/00.....	59
225/00410/00.....	61
225/10305/00.....	53, 55
225/10306/00.....	53, 55
225/10307/00.....	49, 51
225/10308/00.....	49, 51
225/10311/00.....	65
225/10312/00.....	69
225/10313/00.....	39
225/10403/00.....	45, 47
225/10404/00.....	41, 43
225/10426/00.....	39
225/10427/00.....	41, 43
Optic Cable	
210/00901/00.....	39, 41, 43, 45, 47, 49, 51, 53, 55
Optical Switch	
209/00781/00.....	73
O-Ring	
217/00002/00.....	11
217/00021/00.....	35
Outer and Inner Box Kit	
223/00222/60.....	97
Outer Soapbox	
223/00280/00.....	93
Outer Tub	
B12328001.....	19
B12328101.....	19
B12328301.....	19
B12328401.....	19
B12328601.....	19
B12328701.....	19
117/00202/00.....	17, 19
Outlet Pipe Plate Assembly	
101/00007/00.....	27, 29, 31, 33, 77
Overflow Hose	
223/00150/00.....	27, 29, 31, 33
Overload Contactor	
209/00619/00.....	91
209/00620/00.....	91
209/00621/00.....	91
209/00622/00.....	91
209/00623/00.....	91
209/00624/00.....	91

P

Parameter Unit Assembly	
F8410901.....	83
227/00171/00.....	83

Parameter Unit Program Cable	
227/00171/10	83
Plexi Frame	
225/00316/00	57, 59, 61, 63, 65, 67, 69
225/00321/00	39
225/00322/00	49, 51, 53, 55
225/00323/00	41, 43, 45, 47
Pressure Hose	
B12700018	27, 29, 31, 33, 91
223/00179/10	83
Pressure Switch	
209/00027/10	91
Pressure Switch Cap	
223/00035/02	29, 91
Pressure Switch Elbow	
223/00210/00	27, 31, 33
Pressure Switch Hose Tee	
223/00173/10	27, 29, 31, 33, 91
Prewash and Mainwash Nozzle	
223/00001/04	27, 29, 31, 33, 81
Printboard	
209/00440/70	57, 59, 61
209/00440/80	57, 59, 61
209/02001/02	49, 51, 53, 55
209/02015/02	41, 43, 45, 47
Printboard Separator	
211/00128/00	39, 41, 43, 45, 47, 49, 51, 53, 55, 89
Printboard Support	
111/01838/10	87
Printboard Support Card	
111/01893/00	39, 41
Programming Key Contact Switch	
209/00326/20	71
Protection LED	
223/00330/00	49, 51, 53, 55
Pulley	
226/00126/00	15
226/00129/00	21, 23, 25
Pump	
209/00554/50	101
Pump Support	
155/00161/00	93
Pushbutton	
209/00396/00	73, 75

R

Reinforcement Plate	
111/10089/01	79
Relay PC-Board	
209/02014/00	89
209/02016/00	89
Retaining Ring	
117/00042/00	21, 25, 77
212/00028/00	11, 13
212/00038/00	11, 13
Rinse Insert	
223/00102/03	95
Rinsing Box	
223/00222/05	97
Rivet	
208/00017/00	85, 87, 89, 91

S

Screw	
B12347501	95, 97
B12350903	95, 97
B12500801	37
206/00007/00	9, 21
206/00058/00	21, 23, 25
206/00166/00	77
207/00009/00	35
207/00101/00	77
207/00102/00	35
207/00112/00	35
207/00117/00	21, 25
207/00121/00	83
207/00126/00	37
207/00135/00	35
208/00014/00	75, 77, 81
208/00130/00	83
Seal Cover	
117/00001/00	11
Seal Plate Assembly	
B12333601	13
Shaft Seal	
217/00003/00	11
Shaft Seal Holder	
117/00001/01	11
Shrink Fit	
223/00245/00	97
Side Panel	
111/10071/00	77, 79
111/10089/00	77, 79
111/10089/60	77, 79
111/10097/00	77, 79
111/60031/00	77, 79
111/60034/00	77, 79
Single Drop Optical Sensor Kit	
B12388101	73
Siphon Break	
223/00222/04	97
Siphon Break Dispenser Hose	
223/00260/00	95, 97
223/00263/00	31, 33
Siphon Break Hose	
B12310301	95, 97
B12310305	95, 97
Soap Box Assembly Plate	
123/00103/06	95, 97
Soap Dispenser	
223/00222/00	97
Soap Dispenser Air Breather Hose	
223/00107/00	95
Soap Dispenser Assembly	
223/00102/30	95
223/00102/50	95
Soap Dispenser Cover	
223/00103/01	79
223/00103/50	79
Soap Dispenser Cover Hinge Rod	
223/00103/04	79
Soap Dispenser Frame	
223/00103/03	79
Soap Dispenser Gasket	
223/00109/00	95, 97

N/A items do not appear in index.

Soap Dispenser Hose	
223/00261/00	95, 97
Soap Dispenser Rinse Siphon	
223/00102/04	95
Soap Injection PCB with Fuse	
209/00218/13	87
Soap Pump Assembly	
209/00554/01	101
209/00554/02	101
209/00554/03	101
209/00554/04	101
209/00554/05	101
209/00554/06	101
Soap Spray Nozzle	
223/00102/06	95, 97
Soapbox Handle	
223/00280/07	93
Softener Spray Nozzle	
223/00102/05	95
223/00222/03	97
Speed Detector	
209/00400/00	11, 13
210/00074/00	11, 13
Speed Detector Bracket	
152/00055/00	11, 13
Standoff	
211/00122/00	39, 41, 43, 45, 47, 57, 59, 61, 63, 65, 67, 69, 71, 89
211/00145/00	39, 41
211/00146/00	87, 89
Steam Heat Kit	
919P3	99
921P3	99
Steam Injector	
118/00084/00	99
118/00085/00	99
Steam Injector Plate Assembly	
113/00025/00	99
Steam Valve	
209/00477/00	99
Support Connector	
111/10003/10	91
Switch	
209/00600/01P	73
Switch Base	
209/00099/25	71
Switch Knob	
209/00099/29	71

T

Telem Sticker	
209/00520/00	39, 41, 43, 49, 51, 57, 59, 63, 65, 67, 71
Terminal Block	
209/00527/00	85
209/00530/00	85
209/01625/00	91
Thermostat	
210/00214/00	91
210/01064/16	91
Thermostat Grommet	
225/10004/00	91

N/A items do not appear in index.

Tolerance Ring	
215/00004/00	15
Top Panel	
111/01001/00	73, 75
111/22141/00	79
111/22141/01	79
111/22142/00	79
111/22142/01	79
Transformer	
209/00682/00	75
Trap	
223/00316/00	27
Tub Fastening Ring	
212/00113/00	9
Tub Front	
118/00022/01	17, 19
Tub Front Gasket	
B12351601	17, 19
Tub Front Panel Clip	
217/00008/00	17, 19
Tub Front Ring Clamp	
217/00007/00	17, 19
Tub to Drain Valve Hose	
255/00010/00	29
Tube	
118/00118/03	93
153/00058/00	33

U

U-Piece Assembly	
113/00065/00	11, 13
Upper Backpanel	
111/01832/10	81
Upper Front Panel	
111/01813/00	59, 65
111/01814/00	57, 63
111/01823/00	61, 69
111/01845/00	39
111/01848/00	71

V

Vent Hose	
223/00197/00	95
Vent Tube	
223/00226/00	81, 97
223/00229/00	97
Voltage Discharge Decal	
B12355001	83

W

Washer	
B12421401	77
201/00001/00	11, 13
201/00002/00	27, 29, 31, 33, 81
201/00005/00	9
201/00006/00	21, 23, 25, 77, 81
201/00007/00	19, 27, 29, 31, 33, 99
201/00010/00	23, 25

201/00015/00	15
201/00017/00	35
201/00018/00	35
201/00201/00	11, 13
202/00002/00	23, 25, 99
202/00003/00	17, 77
202/00004/00	81, 83, 85, 93
202/00104/00	37
202/00108/00	37
202/00111/00	37
202/00124/00	35
203/00001/00	9
203/00002/00	15
203/00003/00	9, 99
203/00004/00	11, 13, 99
203/00005/00	77
203/00006/00	57, 59, 61, 81, 83, 85, 93
203/00007/00	35
203/00010/00	35
203/00015/00	77
208/00009/00	77
223/00051/10	71
223/00123/00	39, 41, 43, 45, 47, 49, 51, 53, 55, 71, 89

Water Hose

F200164	81
F200166	81
223/00044/00	27, 29, 31, 33, 81, 93, 95, 97

Wire Assembly

B12359901	73
-----------------	----
