

Washer-Extractor

12, 22, 25 and 105 Models

Refer to Page 5 for Model Numbers



Table of Contents

Title	Page
Parts Ordering Information.....	4
Serial Plate Location	4
Model Identification	5
Logo Label - Non-Brand Models	6
Upper Frame	8
Lower Frame	10
Stabilizing Spring - AF Non-Brand, H, HY, IY, J, LP, NY, SY and UY Models.....	12
Stabilizing Springs - AF, FX, HX, LY, MWF, PY, QW and SW Models.....	14
Stabilizing Springs - AF, IY, JY and NY Models	16
Stabilizing Springs - FX and PY Models	18
Cabinet - AF Non-Brand, HY, LP, NY, SY and UY Models (Drawing 1 of 2)	20
Cabinet - AF Non-Brand, HY, LP, NY, SY and UY Models (Drawing 2 of 2)	22
Cabinet - H, IY and J Models (Drawing 1 of 2)	24
Cabinet - H, IY and J Models (Drawing 2 of 2)	26
Cabinet - AF, FX, HX, LY, MWF, PY, QW and SW Models (Drawing 1 of 2)	28
Cabinet - AF, FX, HX, LY, MWF, PY, QW and SW Models (Drawing 2 of 2)	30
Cabinet - AF, IY, JY and NY Models (Drawing 1 of 3)	32
Cabinet - AF, IY, JY and NY Models (Drawing 2 of 3)	34
Cabinet - AF, IY, JY and NY Models (Drawing 3 of 3)	36
Cabinet - FX and PY Models (Drawing 1 of 2).....	38
Cabinet - FX and PY Models (Drawing 2 of 2).....	40
Control Panel - AF Non-Brand, HY, LP, NY, SY and UY Models (Drawing 1 of 5).....	42
Control Panel - AF Non-Brand, HY, LP, NY, SY and UY Models (Drawing 2 of 5).....	44
Control Panel - AF Non-Brand, HY, LP, NY, SY and UY Models (Drawing 3 of 5).....	46
Control Panel - AF Non-Brand, HY, LP, NY, SY and UY Models (Drawing 4 of 5).....	48
Control Panel - AF Non-Brand, HY, LP, NY, SY and UY Models (Drawing 5 of 5).....	50
Control Panel - H, IY and J Models (Drawing 1 of 4)	52
Control Panel - H, IY and J Models (Drawing 2 of 4)	54
Control Panel - H, IY and J Models (Drawing 3 of 4)	56
Control Panel - H, IY and J Models (Drawing 4 of 4)	58
Control Panel - AF, FX, HX, LY, MWF, PY, QW and SW Models (Drawing 1 of 2)	60
Control Panel - AF, FX, HX, LY, MWF, PY, QW and SW Models (Drawing 2 of 2)	62
Coin Meter - AF, FX, HX, LY, MWF and PY Models (Drawing 1 of 4)	64
Coin Meter - AF, FX, HX, LY, MWF and PY Models (Drawing 2 of 4)	66
Coin Meter - AF, FX, HX, LY, MWF and PY Models (Drawing 3 of 4)	68
Coin Meter - AF, FX, HX, LY, MWF and PY Models (Drawing 4 of 4)	70
Control Panel OPL - AF, IY and NY Models	72
Control Panel Vended - AF, IY and NY Models	74
Control Panel for Central Payment System - AF, IY and NY Models.....	76
Control Panel OPL - AF, IY, JY and NY Models	78
Control Panel Vended - AF, IY, JY and NY Models	80

© Copyright 2022, Alliance Laundry Systems LLC

All rights reserved. No part of the contents of this book may be reproduced or transmitted in any form or by any means without the expressed written consent of the publisher.

Control Panel for Central Payment System - AF, IY, JY and NY Models	82
Control Panel OPL - FX and PY Models	84
Control Panel OPL - FX and PY Models	86
Control Panel Vended - FX and PY Models.....	88
Control Panel Vended - FX and PY Models.....	90
Control Panel for Central Payment System - FX and PY Models	92
Control Panel for Central Payment System - FX and PY Models	94
Coin Meter Box	96
Coin Meter Box - AF, IY and NY Models with V in 7th Position or G, H, J or K in 13th Position.....	98
Coin Meter - AF, IY and NY Models (Drawing 1 of 3)	100
Coin Meter - AF, IY and NY Models (Drawing 2 of 3).....	102
Coin Meter - AF, IY and NY Models (Drawing 3 of 3).....	104
Door (Drawing 1 of 3).....	106
Door (Drawing 2 of 3).....	108
Door (Drawing 3 of 3).....	110
Door - AF, IY, JY and NY Models	112
Door - FX and PY Models	114
Door Lock (Drawing 1 of 2)	116
Door Lock (Drawing 2 of 2)	118
Water Inlet System.....	120
Two Water Inlet System.....	122
Three Water Inlet System	124
Two Water Inlet System Without Soap Hopper	126
Three Water Inlet System Without Soap Hopper	128
Cabinet Reinforcement Without Soap Hopper.....	130
Drain System (Drawing 1 of 2).....	132
Drain System (Drawing 2 of 2).....	134
Drain System - J Models with V in 7th Position.....	136
Rear Panel (Drawing 1 of 3)	138
Rear Panel (Drawing 2 of 3)	140
Rear Panel (Drawing 3 of 3)	142
Rear Panel - 230-400V with Neutral (Drawing 1 of 2).....	144
Rear Panel - 230-400V with Neutral (Drawing 2 of 2).....	146
Rear Panel - 400-440V (Drawing 1 of 2).....	148
Rear Panel - 400-440V (Drawing 2 of 2).....	150
Rear Panel - 230-400V CE Models with Neutral (Drawing 1 of 2)	152
Rear Panel - 230-400V CE Models with Neutral (Drawing 2 of 2)	154
Rear Panel - 400-440V CE Models (Drawing 1 of 2)	156
Rear Panel - 400-440V CE Models (Drawing 2 of 2)	158
Rear Panel - 230-400V with Neutral (Drawing 1 of 2).....	160
Rear Panel - 230-400V with Neutral (Drawing 2 of 2).....	162
Rear Panel - 400V / 440-480V (Drawing 1 of 2)	164
Rear Panel - 400V / 440-480V (Drawing 2 of 2)	166
Steam Heating - All Models Except Models with V in 7th Position or G, H, J or K in 13th Position	168
Steam Heating - Models with V in 7th Position or G, H, J or K in 13th Position.....	170
Washing Drum and Tub - Except Models with V in 7th Position	172
Washing Drum and Tub - Models with V in 7th Position (Drawing 1 of 2)	174
Washing Drum and Tub - Models with V in 7th Position (Drawing 2 of 2)	176
SoftWash - With Built-In Recirculation Pump.....	178
Drive.....	180

Bearing Housing	182
Elevated Base Frame	184
Base Frame with Built-In Filter	186
Soft Wash - Without Built-In Recirculation Pump.....	188
Liquid Soap Supply System - Pumps.....	190
Filter Tank	192
Wire Harnesses	194
Parts Index.....	195

Parts Ordering Information

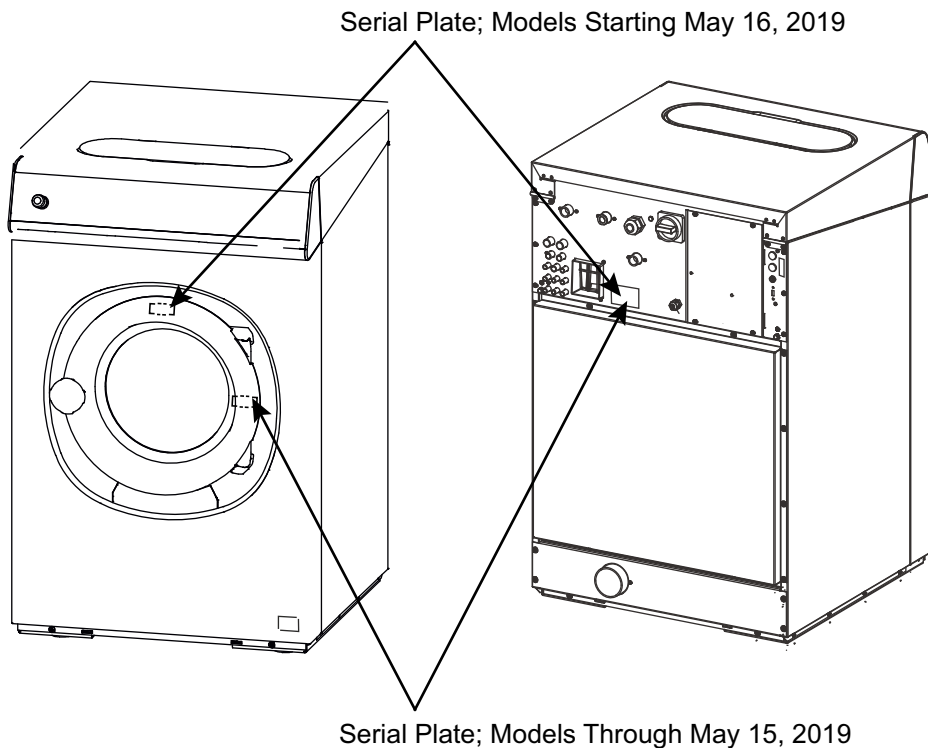
If literature or replacement parts are required, contact the source from whom the machine was purchased or contact Alliance Laundry Systems at (920) 748-3950 for the name and address of the nearest authorized parts distributor.

For technical assistance, call the number listed below:

(920) 748-3121 Ripon, Wisconsin

Serial Plate Location

When calling or writing about your product, be sure to mention model and serial numbers. Model and serial numbers are located on serial plate(s).



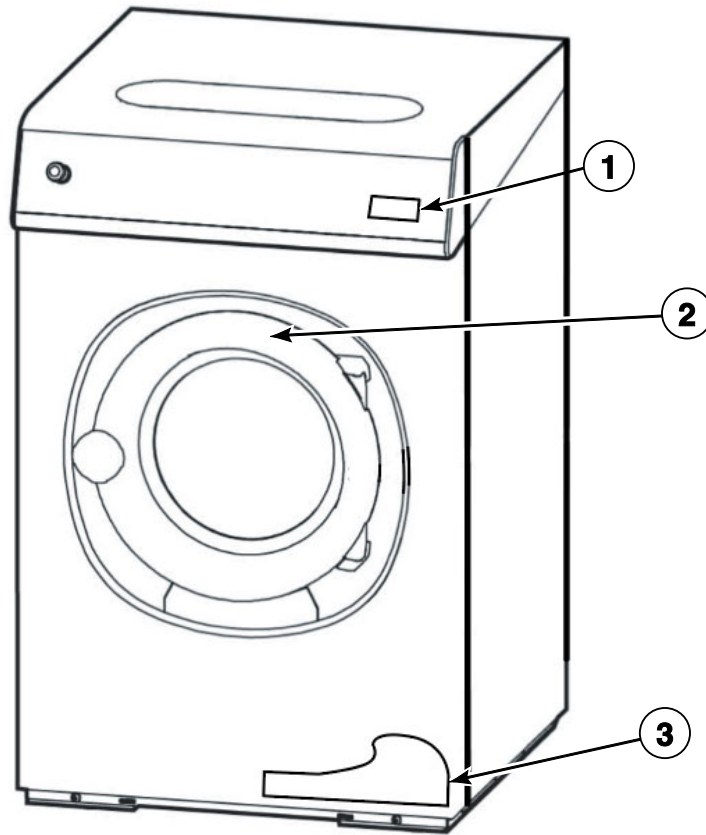
CFS1954P_D2409

Model Identification

Information in this manual is applicable to these washer-extractor models:

AF105_BASIC	HYR105F	NYA105V	SYC105A
AF105_GRAPHITRONIC_TOUCH_OPL	HYU105F	NYC105T	SYC105D
AF105_GRAPHITRONIC_TOUCH_VEND	HYW105F	NYC105V	SYE105A
AF105_PROFESSIONAL	HYX105F	NYC105X	SYE105D
AF105_X_CONTROL	IYA105V	NYE105T	SYG105A
AF105_X_CONTROL_PLUS	IYC105J	NYE105V	SYG105D
FX105_BUPA_X_CONTROL	IYC105R	NYE105X	SYH105A
FX105_BUPA_X_CONTROL_PLUS	IYC105V	NYH105T	SYH105D
FX105_X_CONTROL	IYE105J	NYH105X	SYM105A
FX105_X_CONTROL_FLEX_OPL	IYE105R	NYM105T	SYM105D
FX105_X_CONTROL_FLEX_PLUS_OPL	IYE105V	NYM105X	SYN025D
FX105_X_CONTROL_FLEX_VEND	IYG105J	NYR105T	SYQ105A
FX105_X_CONTROL_PLUS	IYG105R	NYR105V	SYQ105D
HX105_X_CONTROL	IYH105J	NYR105X	SYR105A
HX105_X_CONTROL_PLUS	IYH105R	NYU105T	SYR105D
HY105_HC-200	IYM105J	NYU105V	SYU105A
HY25_HC-200	IYM105R	NYU105X	SYU105D
IY105_ARIES	IYN025R	NYX105T	SYW105A
IY105_ARIES-ELITE	IYQ105J	NYX105V	SYW105D
IY105_EVOLIS_ELITE_OPL	IYQ105R	NYX105X	SYX105A
IY105_EVOLIS_OPL	IYR105J	NYY105T	SYX105D
IY105_EVOLIS_VEND	IYR105R	NYY105X	SYY105A
IY25_ARIES-ELITE	IYR105V	PYA105V	SYY105D
JLA22_ARIES	IYU105J	PYC105T	UYC105I
JLA22_ARIES-ELITE	IYU105R	PYC105V	UYE105I
JLA22C_ARIES	IYU105V	PYC105X	UYG105I
JLA22C_ARIES-ELITE	IYW105J	PYE105T	UYH105I
LPRFRAF105E	IYW105R	PYE105V	UYM105I
MWFX25_X_CONTROL	IYX105J	PYE105X	UYN025I
MWFX25_X_CONTROL_PLUS	IYX105R	PYH105T	UYQ105I
PY105_X_CONTROL_FLEX	IYX105V	PYH105X	UYR105I
PY105_X_CONTROL_FLEX_PLUS	IYY105J	PYM105T	UYU105I
PY25_X_CONTROL	IYY105R	PYM105X	UYW105I
PY25_X_CONTROL_PLUS	JYC105J	PYN025T	UYX105I
QW12_X_CONTROL_PLUS	JYC105R	PYN025X	UYZ105I
SW105	JYE105J	PYR105T	
SW12_X_CONTROL	JYE105R	PYR105V	
SY105_QED	JYE105V	PYR105X	
SY105_QED-SELECT	LYC105T	PYU105T	
SY25_QED-SELECT	LYC105X	PYU105V	
UY105_PROFORM	LYE105T	PYU105X	
UY25_PROFORM	LYE105X	PYX105T	
H105	LYH105T	PYX105V	
HYC105F	LYH105X	PYX105X	
HYE105F	LYU105T	PYY105T	
HYG105F	LYU105X	PYY105X	
HYH105F	LYX105T		
HYM105F	LYX105X		
HYN025F	LYY105T		
HYQ105F	LYY105X		

Logo Label - Non-Brand Models

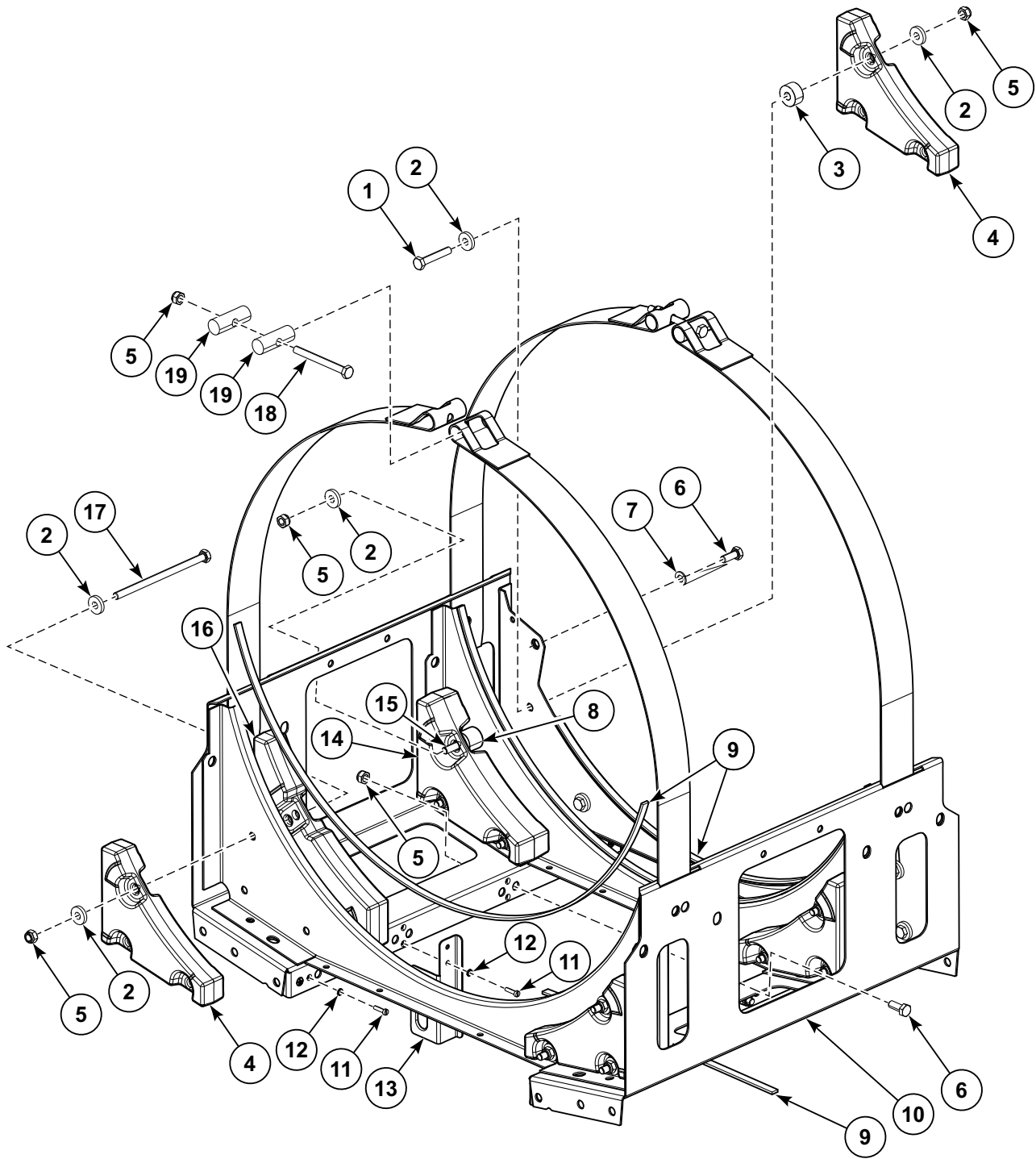


CFD3558P_D2409

Logo Label - Non-Brand Models

REF	PART NO.	DESCRIPTION	COMMENTS
1	572486	Label	Lion Logo
2	576337	Label	Located on top inside of door; AF and NY models
3	572487	Label	Softwash

Upper Frame

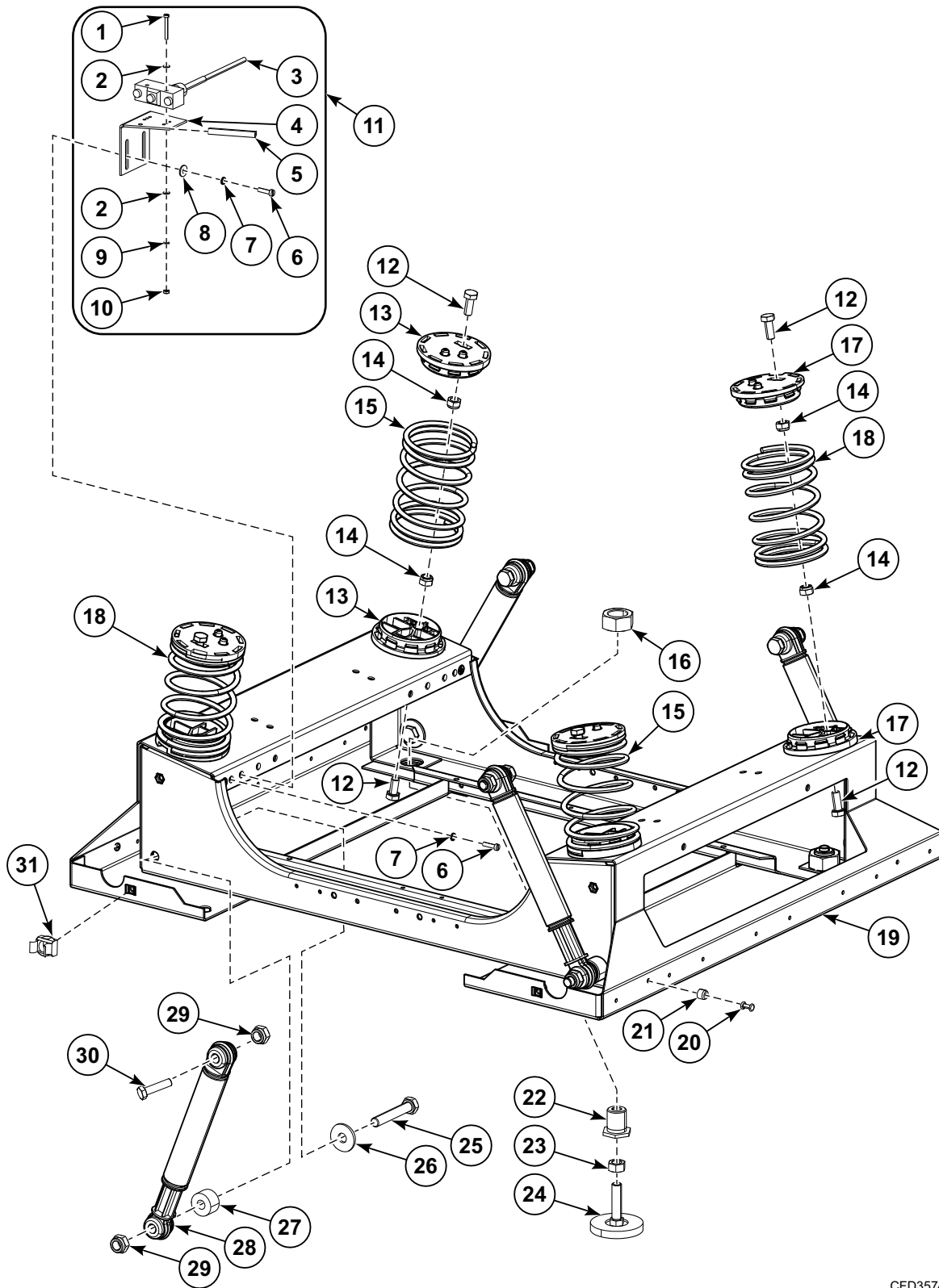


CZW115P_D2409

Upper Frame

REF	PART NO.	DESCRIPTION	COMMENTS
	SP245704003021	Adhesive	Used with external tub for fastening into frame
1	SP309933000845	Bolt	M8x45
2	SP525284	Washer	M8
3	SP515274	Distance Case	
4	SP533737	Lower Weight	
5	SP310985000008	Nut	M8
6	SP309933000820	Bolt	M8x20
7	SP311125000008	Washer	8.4
8	SP557472	Distance Case	
9	SP517232	Seal	
10	SP533756	Upper Frame	
11	SP309084000416	Bolt	M4x16
12	SP311679800004	Washer	M4
13	SP533388	Oscillation Limiter	
14	SP533753	Lower Weight	
15	SP521895	Bolt	M8x55
16	SP533784	Lower Weight	
17	SP309933000870	Bolt	M8x70
18	SP309933000880	Bolt	M8x80
19	SP533738	Cover Strip Pin	

Lower Frame



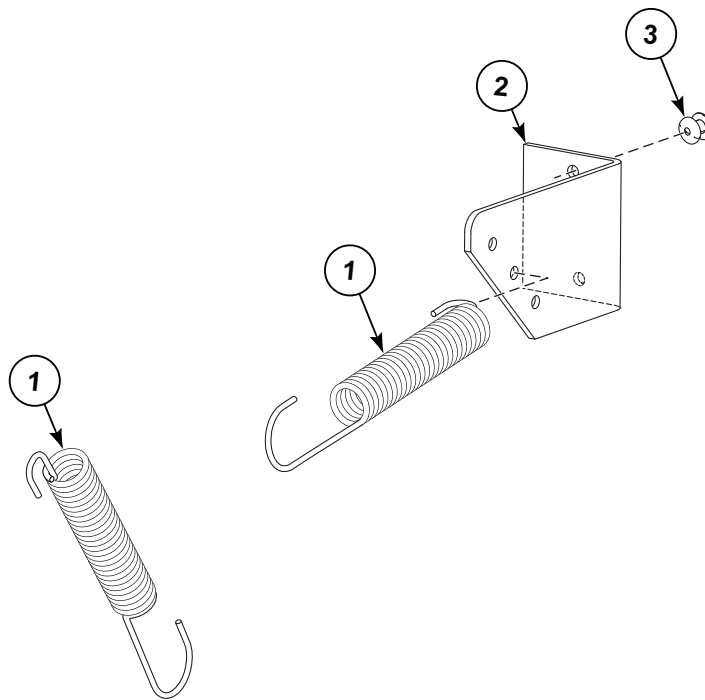
CFD3574P_D2409

Lower Frame

REF	PART NO.	DESCRIPTION	COMMENTS
1	SP309084240325	Bolt	M3x25
2	SP311125000003	Washer	3.2
3	SP528309	Microswitch	Includes spring
4	SP533387	Vibration Switch Holder	
5	SPPRI505000058	Profiled Sealing	Through Serial No. 105FX014614SW
6	SP309084000416	Bolt	M4x16
7	SP311679800004	Washer	M4
8	SP311902100004	Washer	M4 - 4.3/12/1
9	SP311679800003	Washer	M3
10	SP310934000003	Nut	M3
11	SP533391	Vibration Switch Assembly	Includes items 1-10
12	SP309933000820	Bolt	M8x20
13	SP534978	Spring Holder	Left
14	SP310985000008	Nut	M8
15	SP533765	Spring	Left
16	SP310934000020	Nut	M20
17	SP534977	Spring Holder	Right
18	SP533764	Spring	Right
19	SP533749	Lower Frame	
20	SP547779	Rivet	4x16.7
21	SP520408	Pin Insertion	
22	SP533726	Bolt	
23	SP310934000010	Nut	M10
24	SPPRI504000001	Adjustable Foot	
25	SP506432	Bolt	M10x60
26	SP311902100010	Washer	10
27	SP533727	Roller	
28	SP533716	Damper	4 required
29	SP310985000010	Nut	M10
30	SP527420	Bolt	M10x40
31	SP510923	Nut	M6

Stabilizing Spring - AF Non-Brand, H, HY, IY, J, LP, NY, SY and UY Models

Except Models with G, H, J or K in 13th Position



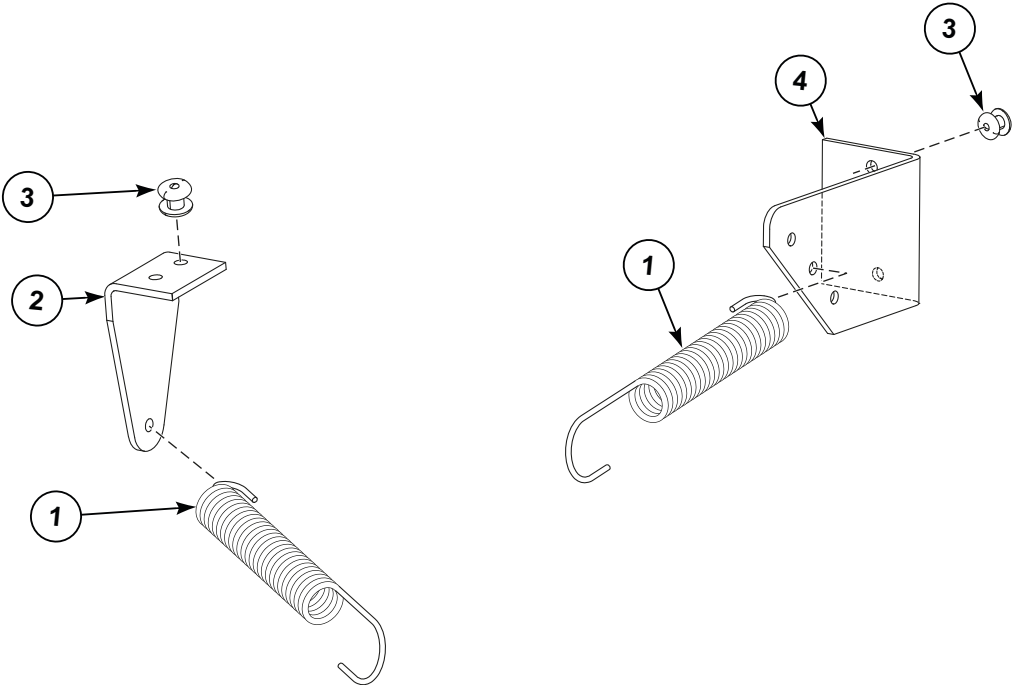
CZW431P_D2409

Stabilizing Spring - AF Non-Brand, H, HY, IY, J, LP, NY, SY and UY Models

REF	PART NO.	DESCRIPTION	COMMENTS
1	SP505372	Spring	
2	SP550448	Rear Spring Holder	
3	505479	Rivet	4x8

Stabilizing Springs - AF, FX, HX, LY, MWF, PY, QW and SW Models

Except Models with V in 7th Position



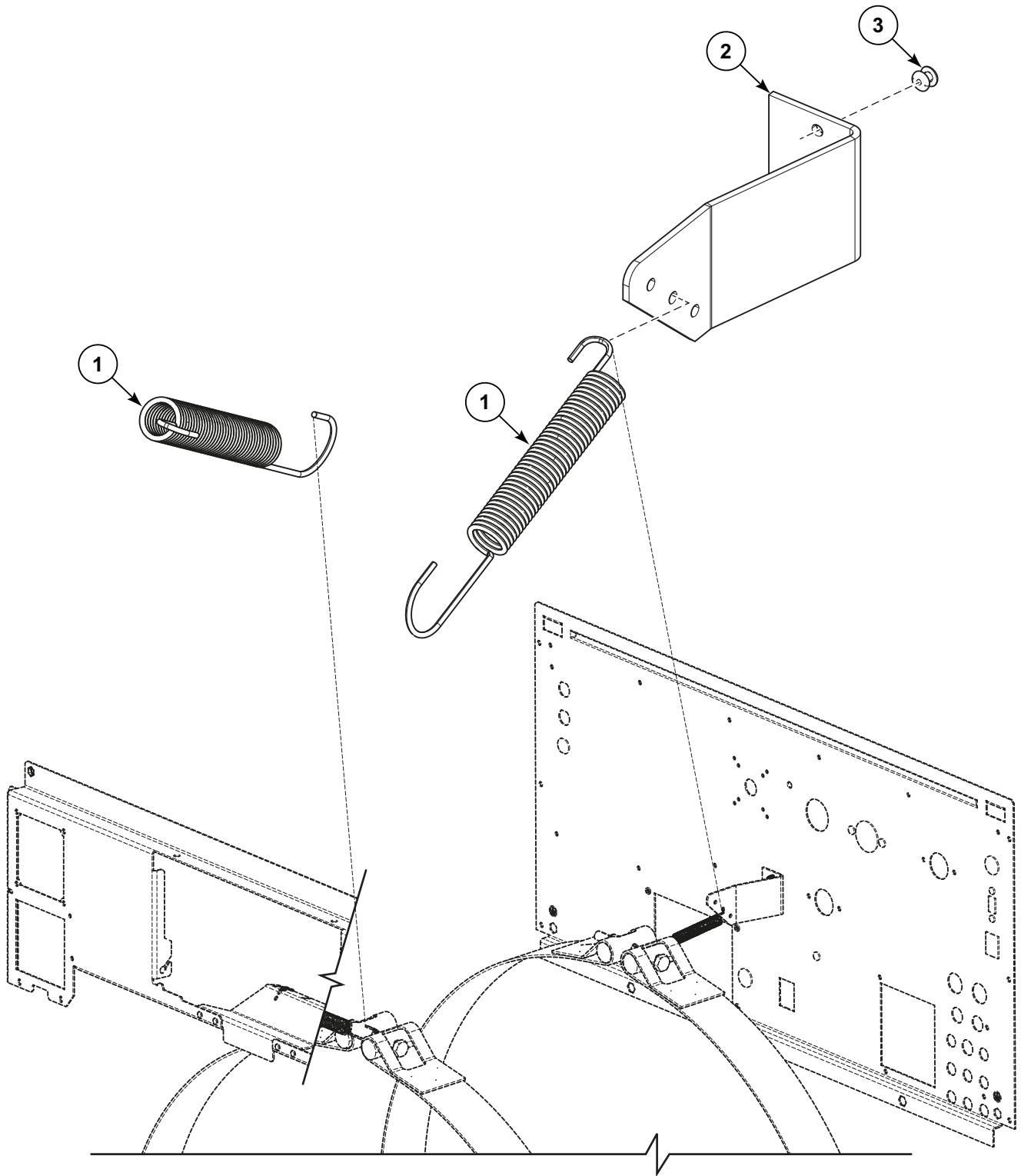
CZW432P_D2409

Stabilizing Springs - AF, FX, HX, LY, MWF, PY, QW and SW Models

REF	PART NO.	DESCRIPTION	COMMENTS
1	SP505372	Spring	
2	SP550447	Front Spring Holder	
3	505479	Rivet	4x8
4	SP550448	Rear Spring Holder	

Stabilizing Springs - AF, IY, JY and NY Models

Models with V in 7th Position or G, H, J or K in 13th Position



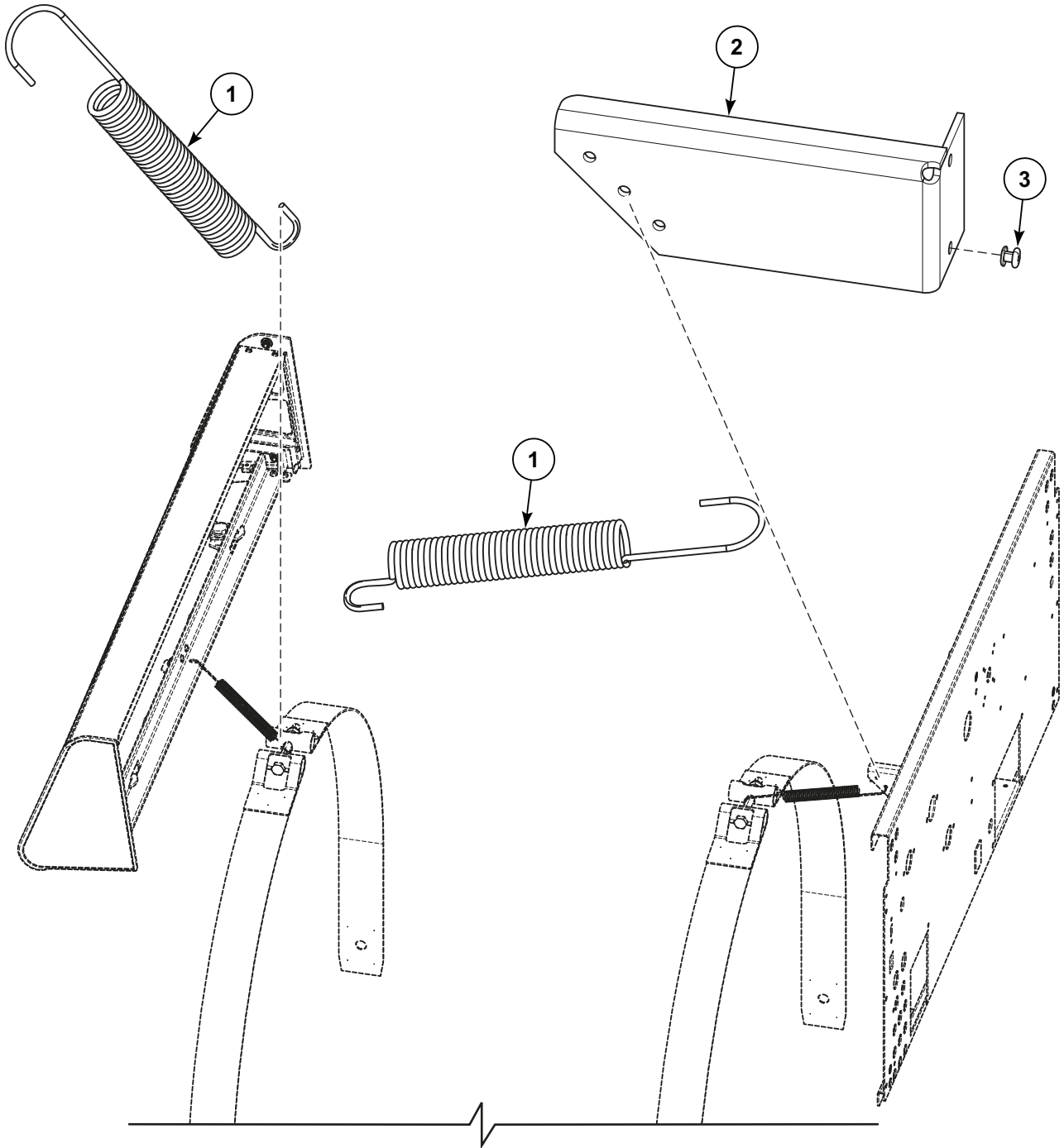
CZW419P_D2409

Stabilizing Springs - AF, IY, JY and NY Models

REF	PART NO.	DESCRIPTION	COMMENTS
1	SP505372	Spring	
2	SP550448	Rear Spring Holder	
3	505479	Rivet	4x8

Stabilizing Springs - FX and PY Models

Models with V in 7th Position

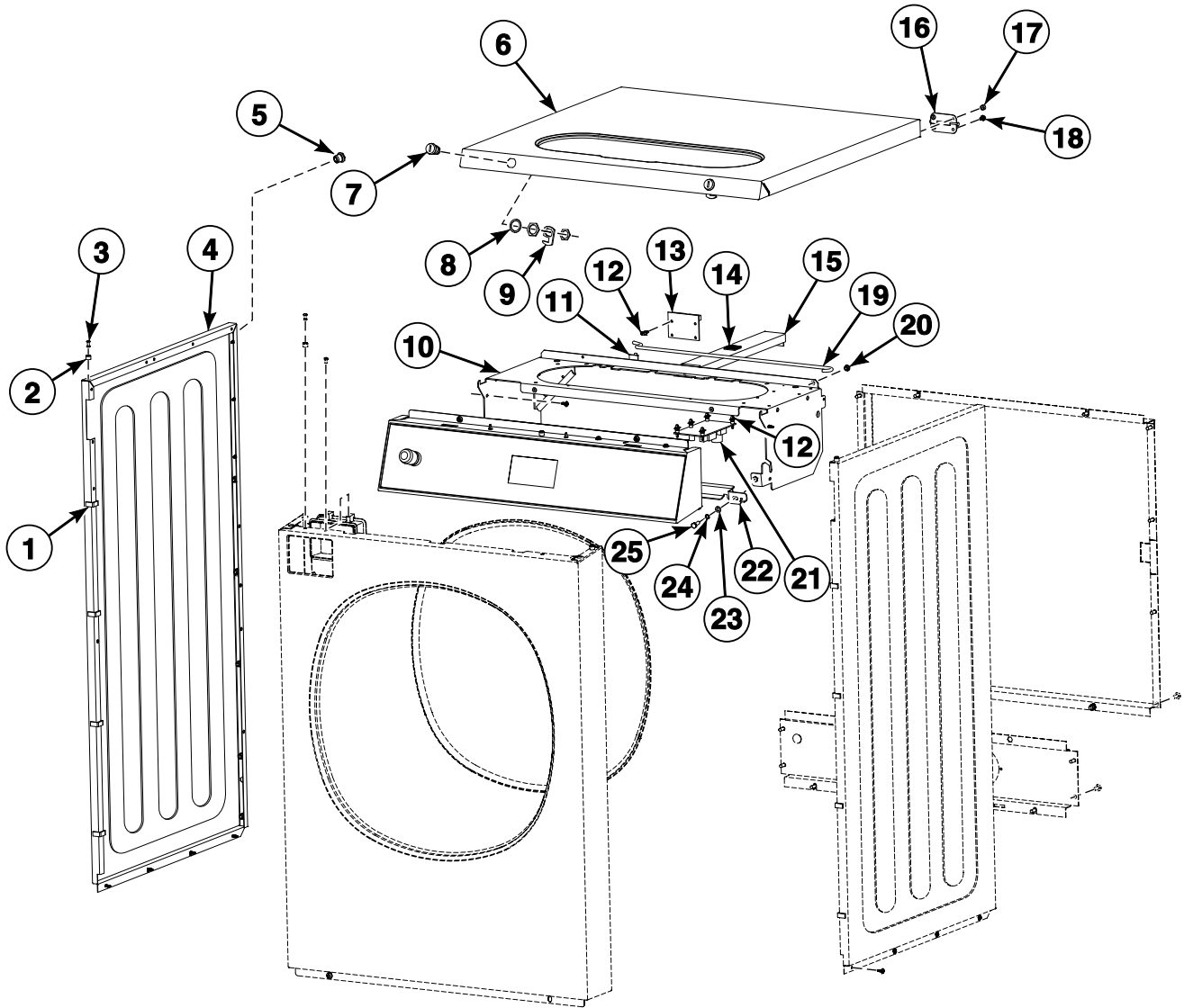


CZW420P_D2409

Stabilizing Springs - FX and PY Models

REF	PART NO.	DESCRIPTION	COMMENTS
1	SP505372	Spring	
2	SP550448	Rear Spring Holder	
3	505479	Rivet	4x8

Cabinet - AF Non-Brand, HY, LP, NY, SY and UY Models (Drawing 1 of 2)

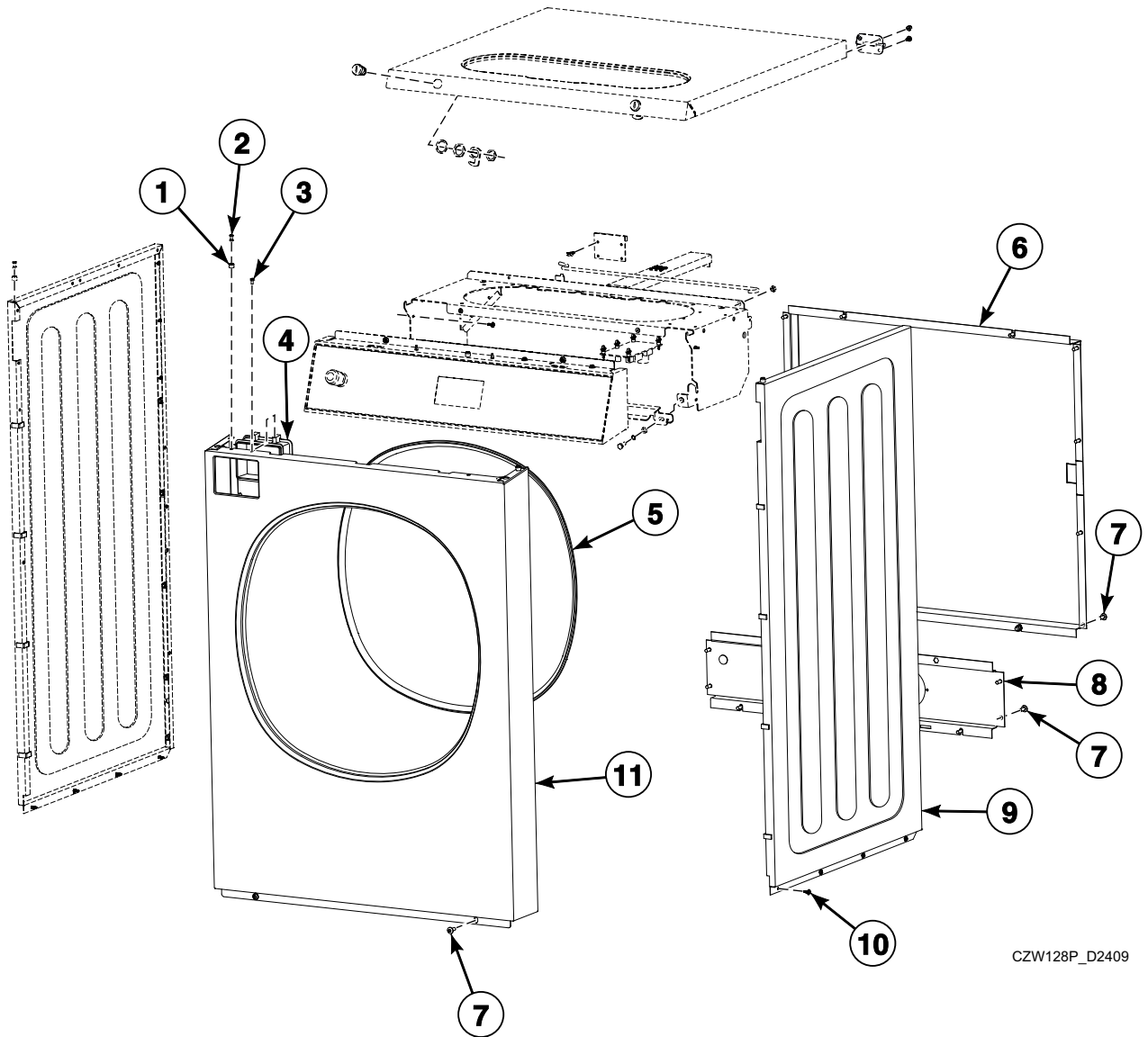


CFS1961P_D2409

Cabinet - AF Non-Brand, HY, LP, NY, SY and UY Models (Drawing 1 of 2)

REF	PART NO.	DESCRIPTION	COMMENTS
1	SP517232	Seal	
2	SP520408	Pin Insertion	
3	SP547779	Rivet	4x16.7
4	SP557629	Side Panel	Left
	563500	Side Panel	Left; Painted; AF Non-Brand, LP and NY models
5	SP313251000006	Nut	M6
6	567873	Top Cover	Without soap hopper opening
	SP557645	Top Cover	
7	SP547527	Lock	
	SP550616	Key	Used with SP547527 Lock
8	SPPRI522000012	Washer	21x27x1
9	SPPRI610002007	Hook Lock	Small
10	SP557621	Panel Holder	
11	SPPRI551016250	Hook	Stick-on
12	SPPRI326002004	Holder	
13	SP545238	Automatic Unlocking Module Assembly	MC6; Includes item 11, SP547004 Automatic Door Opening Module; SP345000160971 Binding Strip and SP545235 Door Timer Wiring
14	SP550115	Fastener	
15	SP547707	Top Cover Reinforcement	
16	SP516832	Hinge	
17	SP313250048008	Rivet	4.8x8
18	SP529206	Screw	4x11
19	SP533341	Upper Lid Prop	
20	SP273121005052	Cable Passage	5x2
21	SP552489	Automatic Unlocking Module Assembly	MC7; Includes item 11, SP553406 Automatic Door Opening Module, SP345000160971 Binding Strip, SP552455 Automatic Door Opening Module Wiring and SP552381 Power Terminal Protection
22	SP558880	Reinforcement	
23	SP311125000006	Washer	6.4
24	SP311127000006	Washer	6
25	SP309933000616	Bolt	M6x16

Cabinet - AF Non-Brand, HY, LP, NY, SY and UY Models (Drawing 2 of 2)



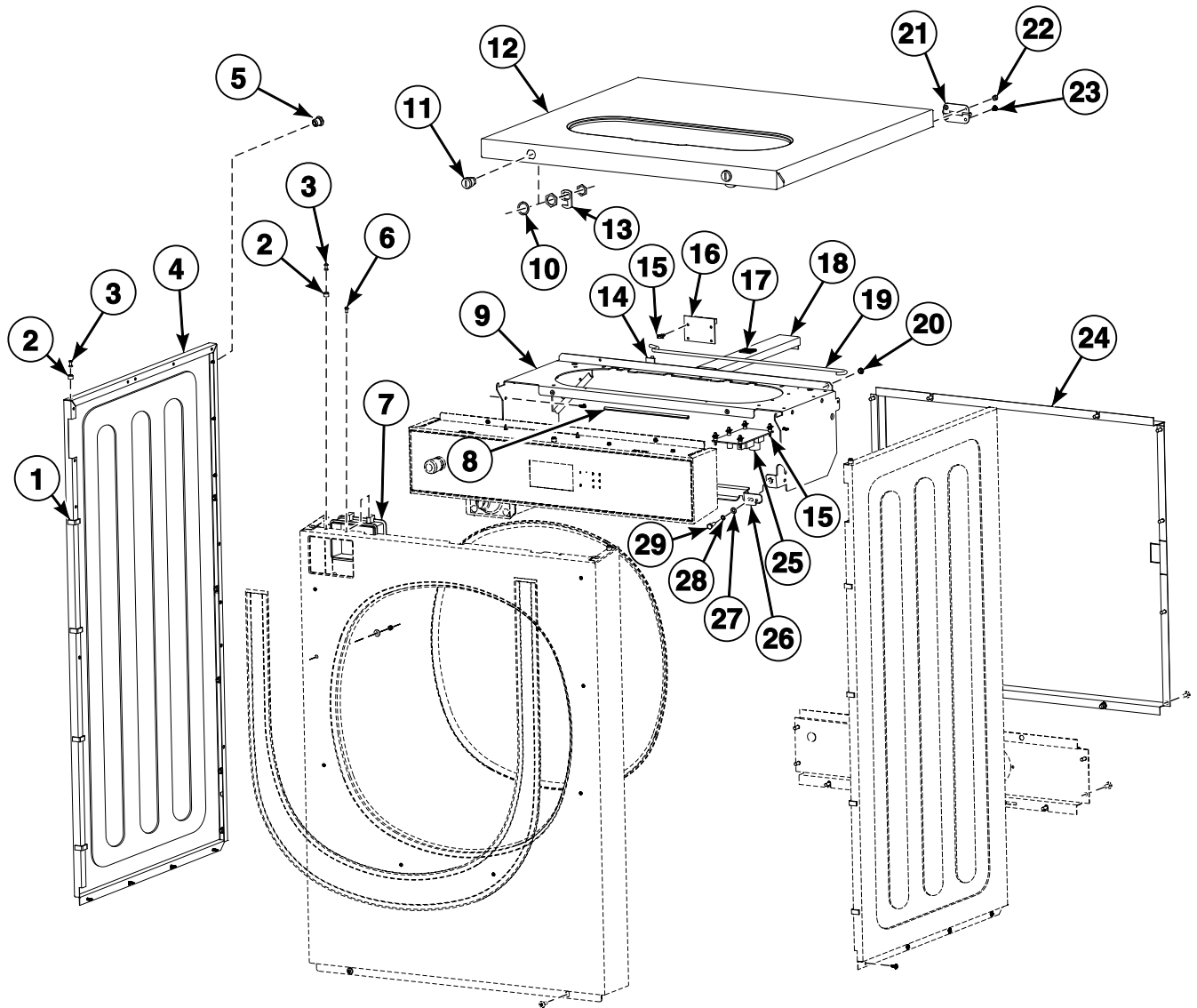
CZW128P_D2409

Cabinet - AF Non-Brand, HY, LP, NY, SY and UY Models (Drawing 2 of 2)

REF	PART NO.	DESCRIPTION	COMMENTS
1	SP520408	Pin Insertion	
2	SP547779	Rivet	4x16.7
3	SP309084000408	Bolt	M4x8
4	SP533103	Coin Vault Plate	
5	SP529068	Edge Protection	
6	SP533143	Rear Cover	
7	SP555658	Bolt	M6x16
8	SP533382	Lower Rear Cover	
9	SP557631	Side Panel	Right; Stainless
	563502	Side Panel	AF Non-Brand, LP and NY models; Right; Painted
10	SP529206	Screw	4x11
11	SP547752	Front Panel	OPL; Stainless
	SP547754	Front Panel	Vended; Stainless
	563458	Front Panel	AF Non-Brand, LP and NY models; OPL; Painted
	563460	Front Panel	AF Non-Brand, LP and NY models; Vended; Painted

Cabinet - H, IY and J Models (Drawing 1 of 2)

Except IY Models with G, H, J or K in 13th Position



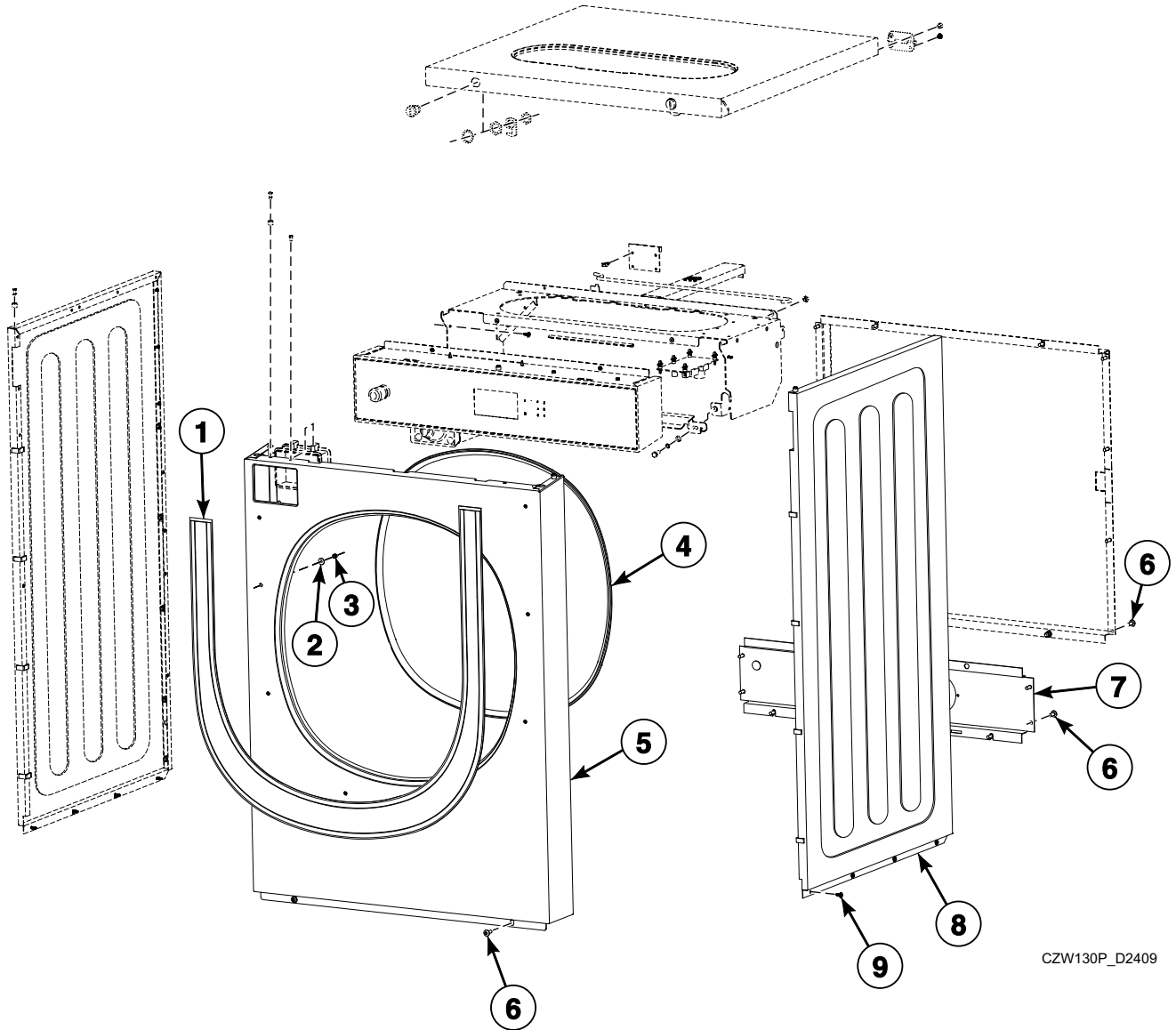
CFS1963P_D2409

Cabinet - H, IY and J Models (Drawing 1 of 2)

REF	PART NO.	DESCRIPTION	COMMENTS
1	SP517232	Seal	
2	SP520408	Pin Insertion	
3	SP547779	Rivet	4x16.7
4	SP557629	Side Panel	Stainless; Left
	SP558976	Side Panel	Black; Left
5	SP313251000006	Nut	M6
6	SP309084000408	Bolt	M4x8
7	SP533103	Coin Vault Plate	
8	SPPRI505000058	Profiled Sealing	Through Serial No.105FX010098KZ
9	SP560302	Panel Holder	
10	SPPRI522000012	Washer	21x27x1
11	SP547527	Lock	
	SP550616	Key	Used with SP547527 Lock
12	SP558898	Top Cover	
13	SPPRI610002007	Hook Lock	Small
14	SPPRI551016250	Hook	Stick-on
15	SPPRI326002004	Holder	
16	SP545238	Automatic Unlocking Module Assembly	MC6; Includes item 14, SP547004 Automatic Door Opening Module, SP345000160971 Binding Strip and SP545235 Door Timer Wiring
17	SP550115	Fastener	
18	SP547707	Top Cover Reinforcement	
19	SP533341	Upper Lid Prop	
20	SP273121005052	Cable Passage	5x2
21	SP516832	Hinge	
22	SP313250048008	Rivet	4.8x8
23	SP529206	Screw	
24	SP533143	Rear Cover	
25	SP552489	Automatic Unlocking Module Assembly	MC7; Includes item 14, SP553406 Automatic Door Opening Module, SP345000160971 Binding Strip, SP552455 Automatic Door Opening Module Wiring and SP552381 Power Terminal Protection
26	SP558944	Reinforcement	
27	SP311125000006	Washer	6.4
28	SP311127000006	Washer	6
29	SP309933000616	Bolt	M6x16

Cabinet - H, IY and J Models (Drawing 2 of 2)

Except Models with G, H, J or K in 13th Position



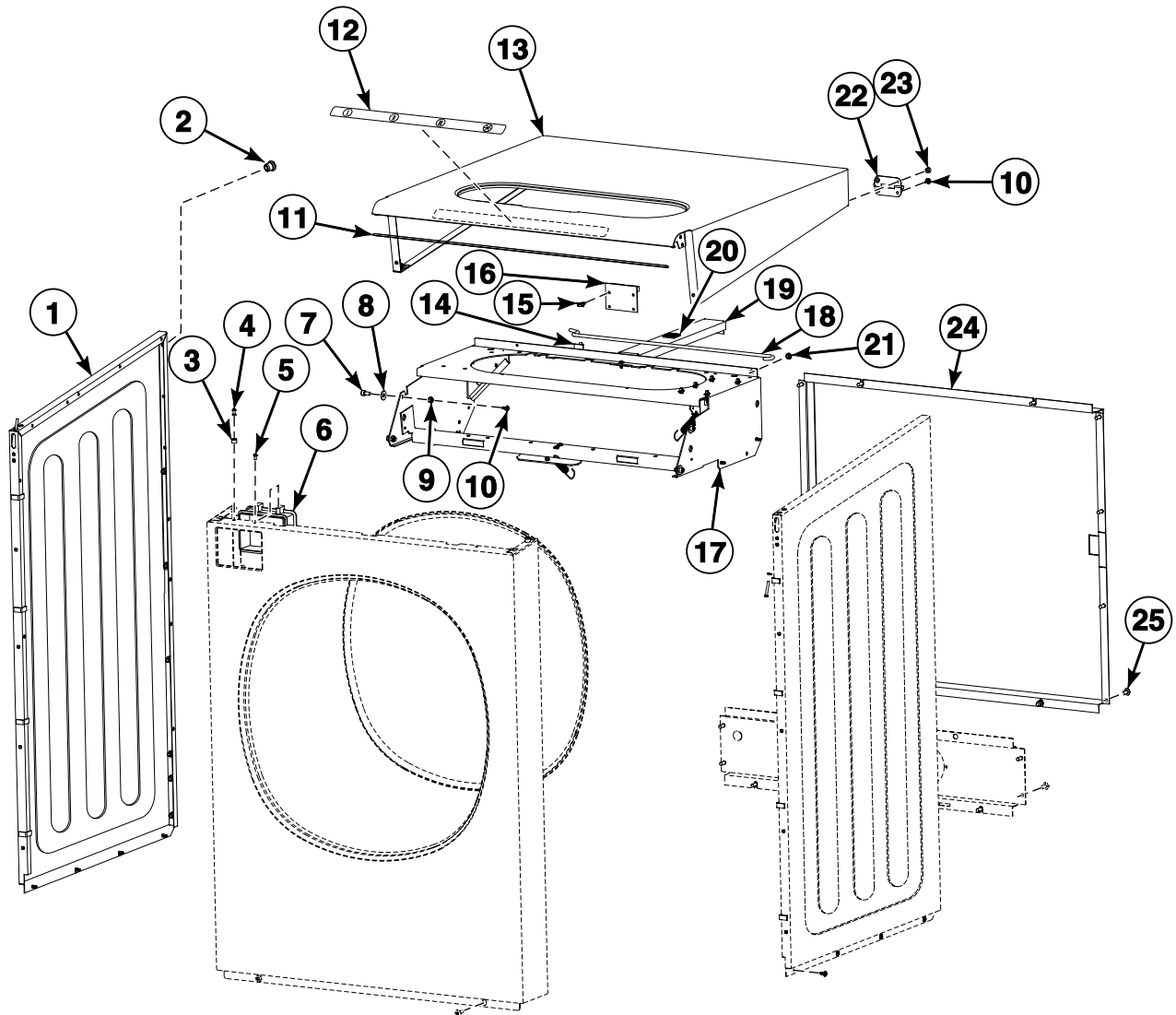
CZW130P_D2409

Cabinet - H, IY and J Models (Drawing 2 of 2)

REF	PART NO.	DESCRIPTION	COMMENTS
1	SP556983	U Shape	OPL
	SP556984	U Shape	Vended
2	SP311902100004	Washer	M4
3	SP514193	Nut	M4
4	SP529068	Edge Protection	
5	SP557056	Front Panel	OPL; Stainless
	SP557057	Front Panel	Vended; Stainless
	SP562724	Front Panel	J models; OPL
	SP562725	Front Panel	J models; Vended
6	SP555658	Bolt	M6x16
7	SP533382	Lower Rear Cover	
8	SP557631	Side Panel	Stainless; Right
	SP558978	Side Panel	Black; Right
9	SP529206	Screw	

Cabinet - AF, FX, HX, LY, MWF, PY, QW and SW Models (Drawing 1 of 2)

Except FX and PY Models with V in 7th Position

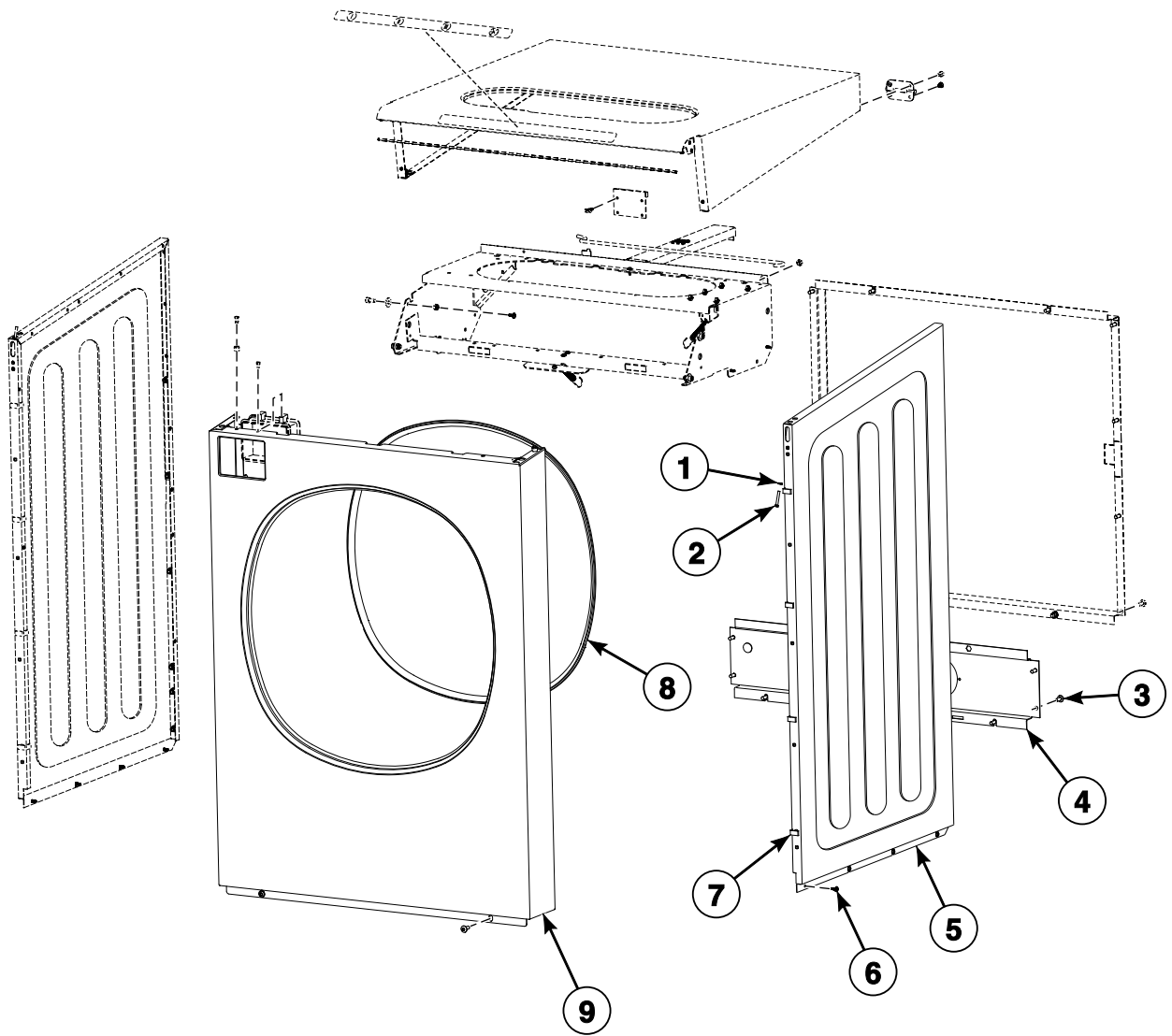


CFS1964P_D2409

Cabinet - AF, FX, HX, LY, MWF, PY, QW and SW Models (Drawing 1 of 2)

REF	PART NO.	DESCRIPTION	COMMENTS
1	SP550320	Side Panel	Painted; Left; Models through Serial No. 105FX004382FD
	563472	Side Panel	Painted; Left; Models starting Serial No. 105FX004383FD
	SP550342	Side Panel	Stainless; Left
2	SP313251000006	Nut	M6
3	SP520408	Pin Insertion	
4	SP547779	Rivet	4x16.7
5	SP309084000408	Bolt	M4x8
6	SP533103	Coin Vault Plate	
7	SP506431	Bolt	M6x12
8	SP311902100006	Washer	6
9	SP310985000006	Nut	M6
10	SP529206	Screw	4x11
11	SP284000012003	Tape	
12	SP560786	Label	Soap Hopper; CSA
13	SP550303	Top Cover	
	SP551994	Top Cover	Without soap hopper opening
14	SPPRI551016250	Hook	Stick-on
15	SPPRI326002004	Holder	
16	SP545238	Automatic Unlocking Module Assembly	MC6; Includes item 14, SP547004 Automatic Door Opening Module, SP345000160971 Binding Strip and SP545235 Door Timer Wiring
	SP552489	Automatic Unlocking Module Assembly	MC7; Includes item 14, SP553406 Automatic Door Opening Module, SP345000160971 Binding Strip, SP552455 Automatic Door Opening Module Wiring and SP552381 Power Terminal Protection
17	SP533293	Panel Holder	
18	SP533341	Upper Lid Prop	
19	SP547707	Top Cover Reinforcement	
20	SP550115	Fastener	
21	SP273121005052	Cable Passage	5x2
22	SP516832	Hinge	
23	SP555658	Bolt	M6x16
24	SP533143	Rear Cover	
25	SP313250048008	Rivet	4.8x8

Cabinet - AF, FX, HX, LY, MWF, PY, QW and SW Models (Drawing 2 of 2)



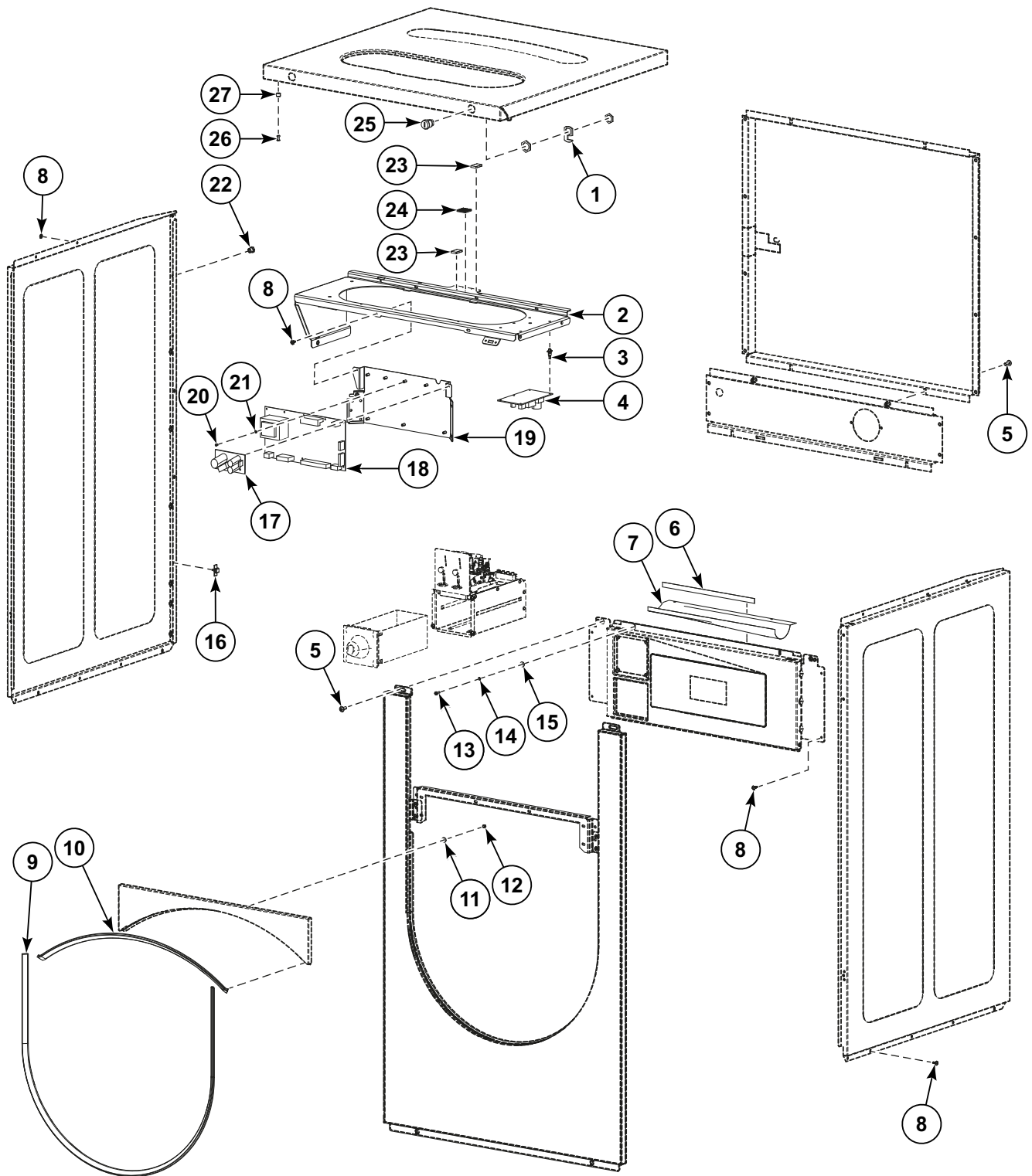
CZW132P_D2409

Cabinet - AF, FX, HX, LY, MWF, PY, QW and SW Models (Drawing 2 of 2)

REF	PART NO.	DESCRIPTION	COMMENTS
	SP552455	Automatic Door Opening Module Wiring	
1	SP311679800004	Washer	M4
2	SP550482	Bolt	M4x25
3	SP555658	Bolt	M6x16
4	SP533382	Lower Rear Cover	
5	SP550318	Side Panel	Painted; Right; Models through Serial No. 105FX004382FD
	563474	Side Panel	Painted; Right; Models starting Serial No. 105FX004383FD
	SP550344	Side Panel	Stainless; Right
6	SP529206	Screw	4x11
7	SP517232	Seal	
8	SP529068	Edge Protection	
9	SP547744	Front Panel	OPL; Painted; Models through Serial No. 105FX004382FD
	SP547746	Front Panel	Vended; Painted; Models through Serial No. 105FX004382FD
	SP547752	Front Panel	OPL; Stainless
	SP547754	Front Panel	Vended; Stainless
	563458	Front Panel	OPL; Painted; Models starting Serial No. 105FX004383FD
	563460	Front Panel	Vended; Painted; Models starting Serial No. 105FX004383FD

Cabinet - AF, IY, JY and NY Models (Drawing 1 of 3)

Models with V in 7th Position or G, H, J or K in 13th Position



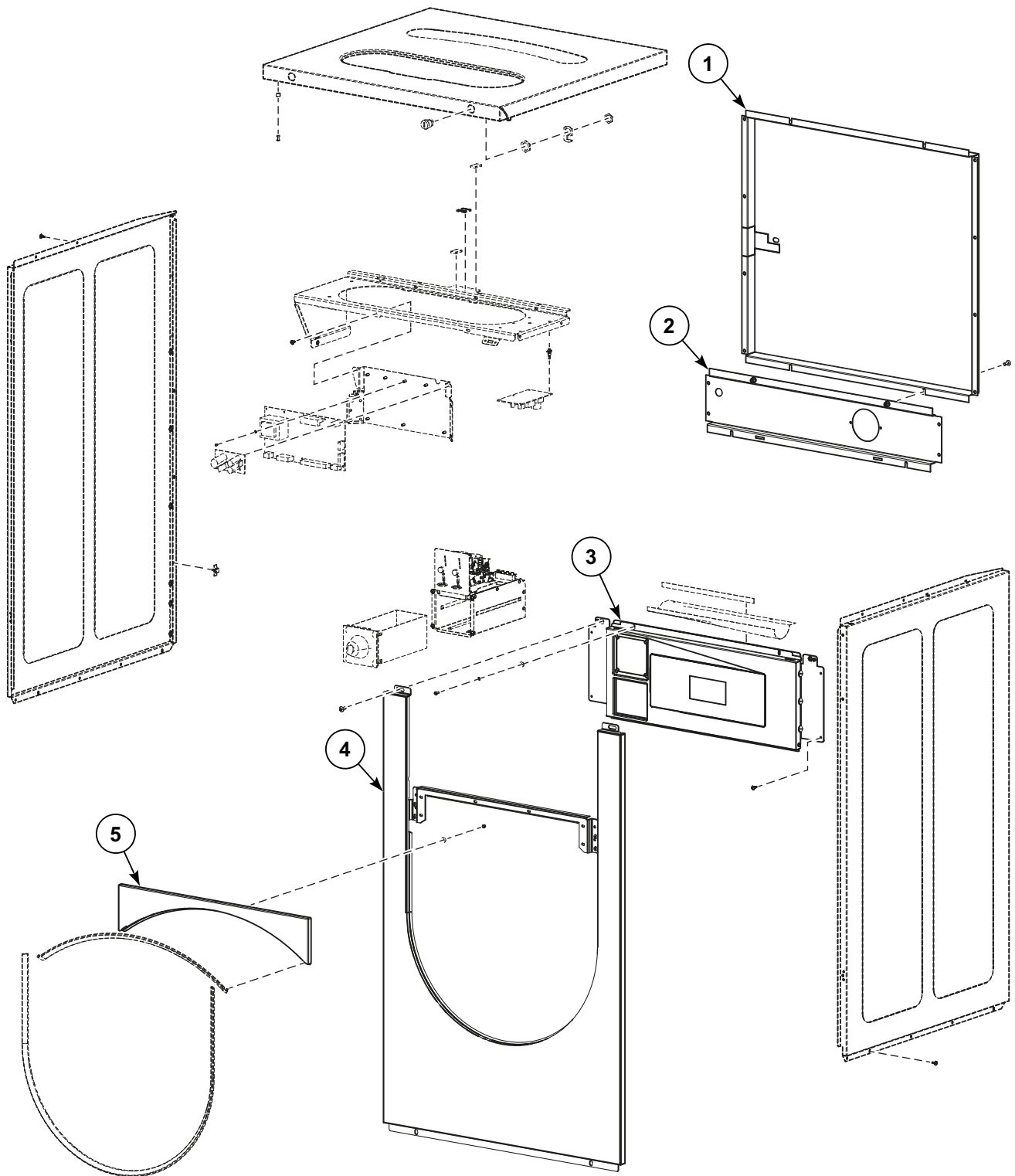
CZW350P_D2409

Cabinet - AF, IY, JY and NY Models (Drawing 1 of 3)

REF	PART NO.	DESCRIPTION	COMMENTS
1	SPPRI610002007	Hook Lock	
2	567960	Panel Holder	
3	SPPRI326002004	Holder	
4	SP552489	Automatic Unlocking Module Assembly	MC7; Includes item 3, SP553406 Automatic Door Opening Module, SP345000160971 Binding Strip, SP552455 Automatic Door Opening Module Wiring and SP552381 Power Terminal Protection
5	SP555658	Bolt	M6x16
6	SP537896	Adhesive	Reversible
7	569656	Cover	
8	SP529206	Screw	4x11
9	SP529068	Edge Protection	1.6m
10	SP529068	Edge Protection	0.66m
11	SP311902100004	Washer	4
12	SP514193	Nut	M4
13	SP555504	Bolt	M4x12
14	SP311127000004	Washer	4
15	SP311902100004	Washer	M4
16	SP528313	Cable Holder	
17	N/A	Module	Door Lock
18	SP553405	Control Board I/O	MC7
	575630	Control Board I/O	MC10; Power; Used with 569701 Interconnection Flat Cable
19	569578	Programmer Holder	Includes SPPRI212000055 Nut
20	SP309798500306	Bolt	M3x6
21	SP311679800003	Washer	M3
22	SP313251000006	Nut	M6
23	564202	Seal	0.05m
24	SP550115	Fastener	
25	SP547527	Lock	includes Nuts - 2pieces
26	SP547779	Rivet	
27	SP520408	Pin Insertion	

Cabinet - AF, IY, JY and NY Models (Drawing 2 of 3)

Models with V in 7th Position or G, H, J or K in 13th Position



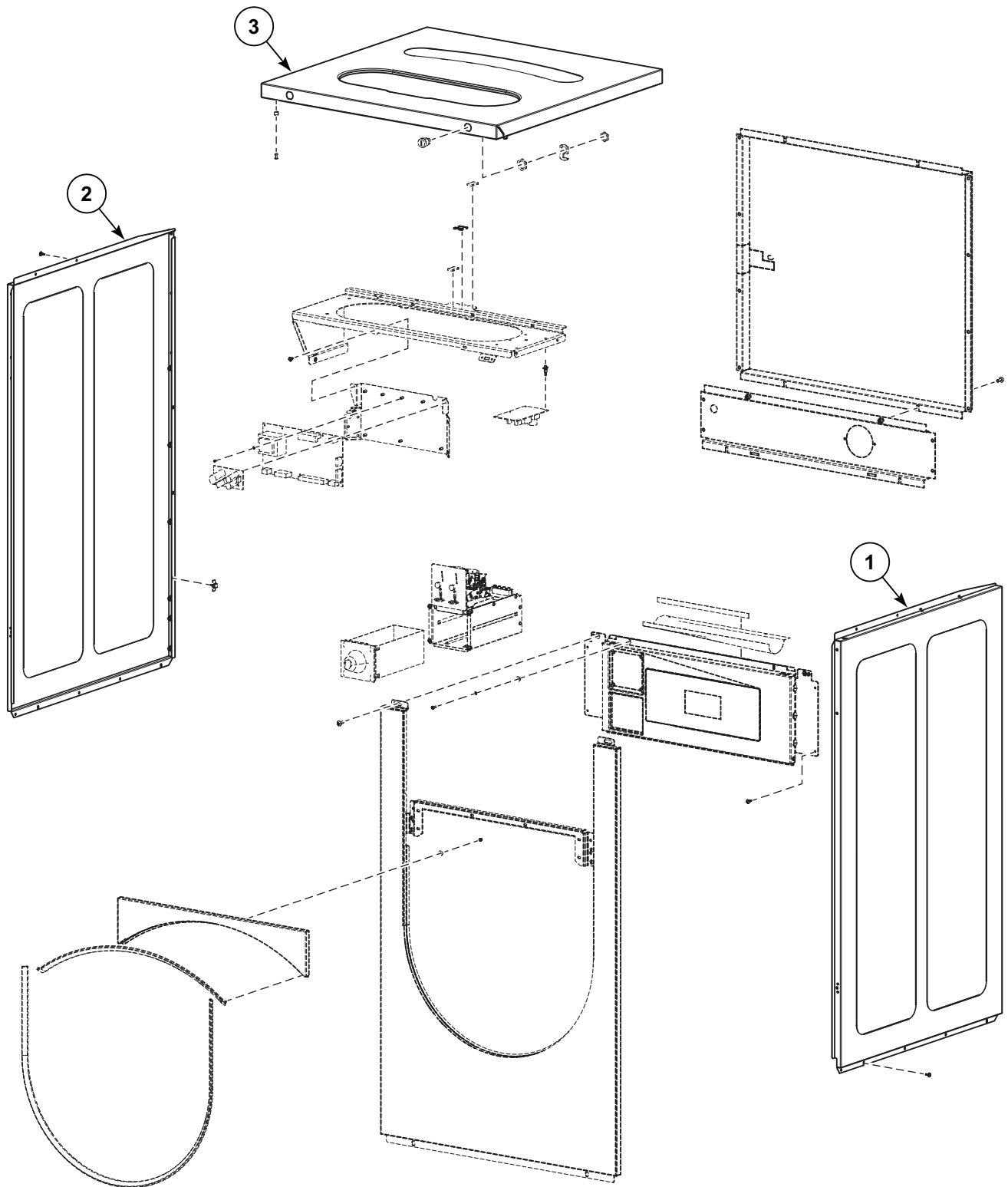
CZW351P_D2409

Cabinet - AF, IY, JY and NY Models (Drawing 2 of 3)

REF	PART NO.	DESCRIPTION	COMMENTS
1	570468	Rear Cover	
2	SP533382	Lower Rear Cover	
3	573025	Control Panel Frame	
4	574091	Front Panel	AF and NY models; Gray
5	573014	Front Cover	Stainless steel

Cabinet - AF, IY, JY and NY Models (Drawing 3 of 3)

Models with V in 7th Position or G, H, J or K in 13th Position



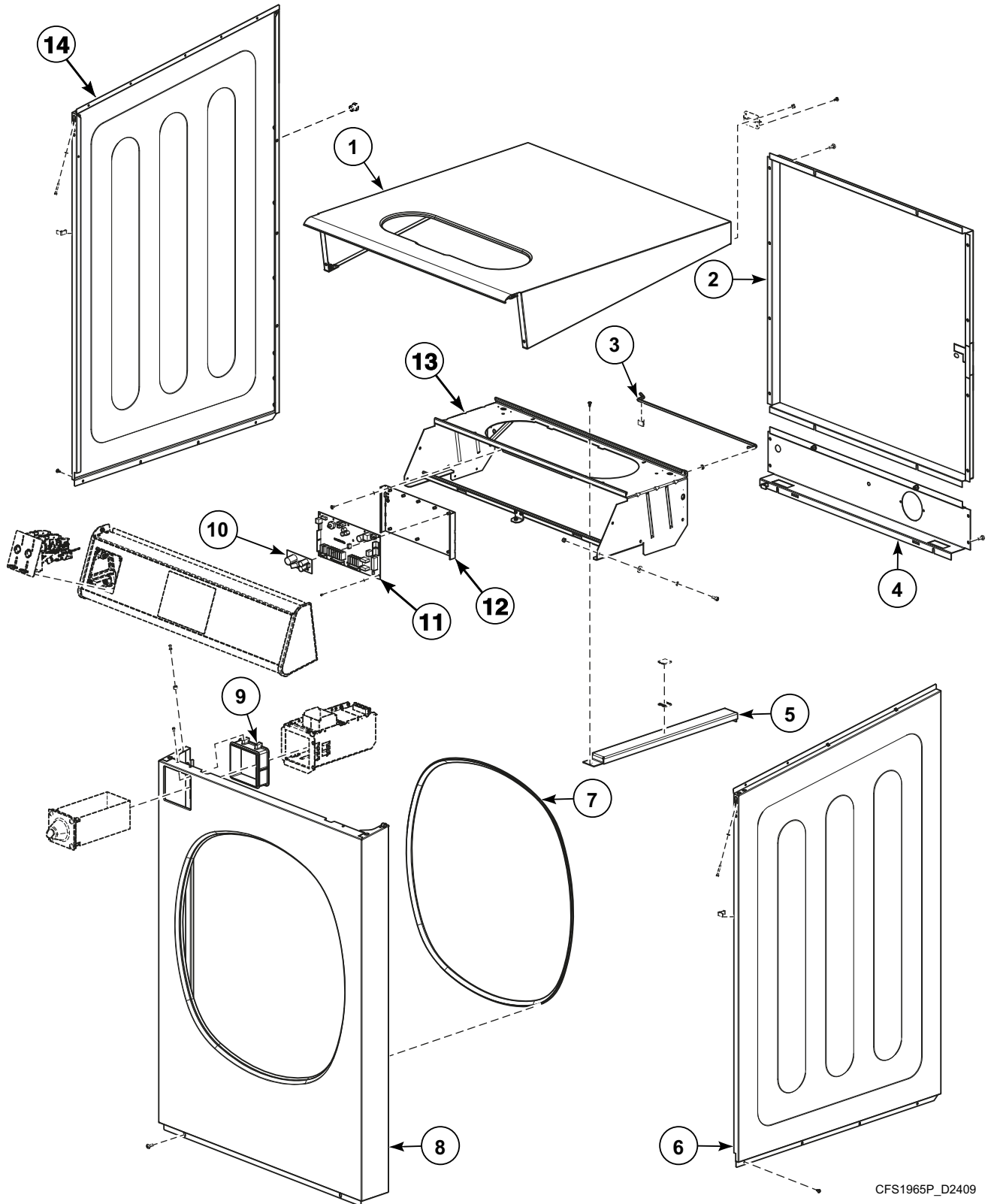
CZW352P_D2409

Cabinet - AF, IY, JY and NY Models (Drawing 3 of 3)

REF	PART NO.	DESCRIPTION	COMMENTS
1	572008	Side Panel	Stainless; Right; Includes SP313251000006 Nut
	573044	Side Panel	IY and J models; Black; Right; Includes SP313251000006 Nut
	574062	Side Panel	AF and NY models; Gray; Right; Includes SP313251000006 Nut
2	572007	Side Panel	Stainless; Left; Includes SP313251000006 Nut
	573042	Side Panel	IY and J models; Black; Left; Includes SP313251000006 Nut
	574061	Side Panel	AF and NY models; Gray; Left; Includes SP313251000006 Nut
3	567965	Top Cover	Includes SP547527 Lock, SP550616 Key, SPPRI610002007 Hook Lock, SP520408 Pin Insertion, SP547779 Rivet and SP550115 Fastener
	569645	Top Cover	Without soap hopper opening, Includes SP547527 Lock, SP550616 Key, SPPRI610002007 Hook Lock, SP520408 Pin Insertion, SP547779 Rivet and SP550115 Fastener

Cabinet - FX and PY Models (Drawing 1 of 2)

Models with V in 7th Position



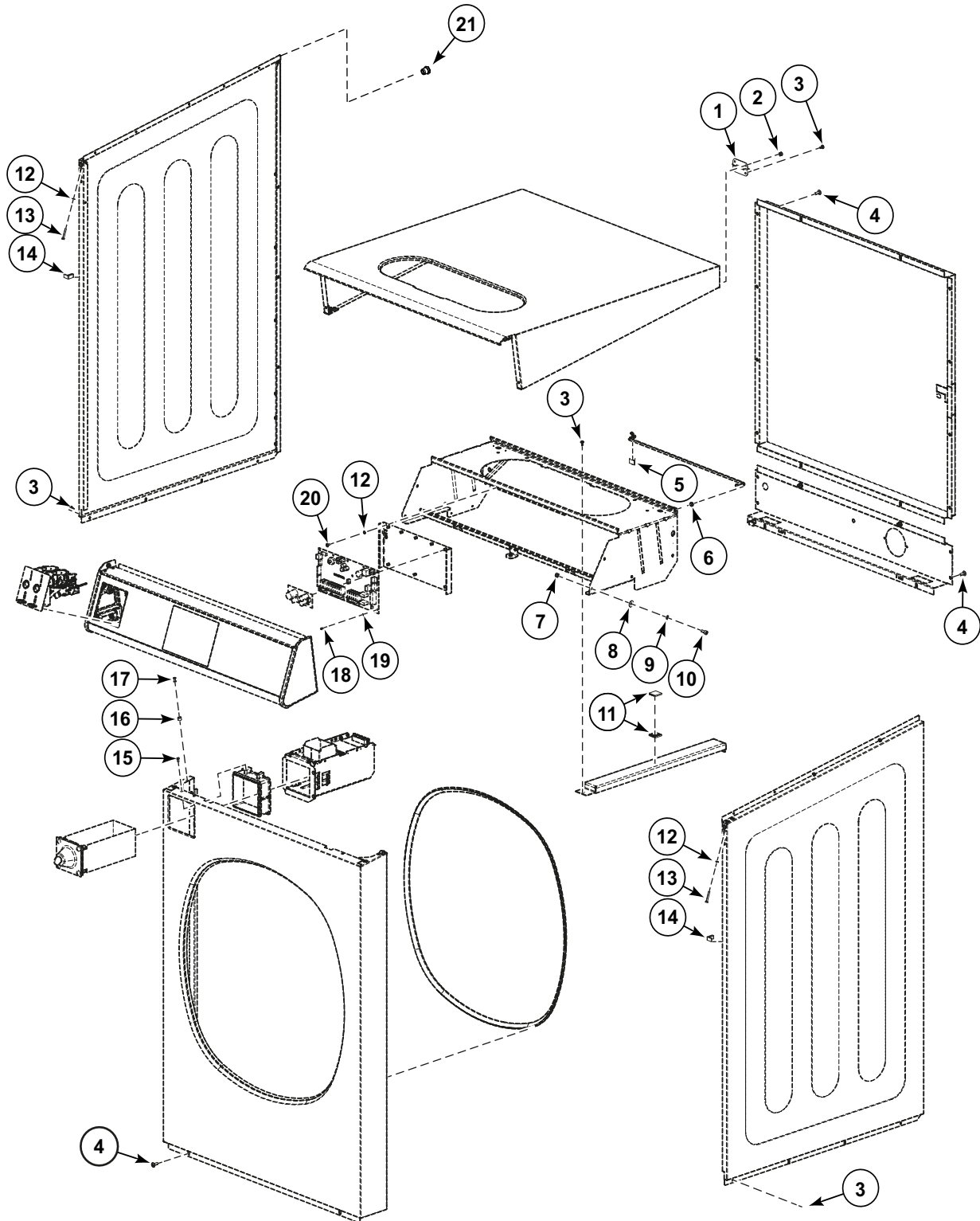
CFS1965P_D2409

Cabinet - FX and PY Models (Drawing 1 of 2)

REF	PART NO.	DESCRIPTION	COMMENTS
1	574197	Top Cover	
	574252	Top Cover	Without soap hopper opening
2	570468	Rear Cover	
3	SP533341	Upper Lid Prop	
4	SP533382	Lower Rear Cover	
5	SP547707	Top Cover Reinforcement	
6	574131	Side Panel Assembly	Painted; Right
	574132	Side Panel Assembly	Stainless; Right
7	SP529068	Edge Protection	2.06m
8	572537	Front Panel	OPL; Painted
	572538	Front Panel	Vended; Painted
	572535	Front Panel	OPL; Stainless
	572536	Front Panel	Vended; Stainless
9	566737	Coin Vault Plate	
10	553189	Module	Door Lock
11	575630	Control Board I/O	MC10; Power; Used with 569701 Interconnection Flat Cable
12	573934	Programmer Holder	Includes 527279 Nut
13	573938	Panel Holder	
14	574135	Side Panel Assembly	Painted; Left
	574136	Side Panel Assembly	Stainless; Left

Cabinet - FX and PY Models (Drawing 2 of 2)

Models with V in 7th Position



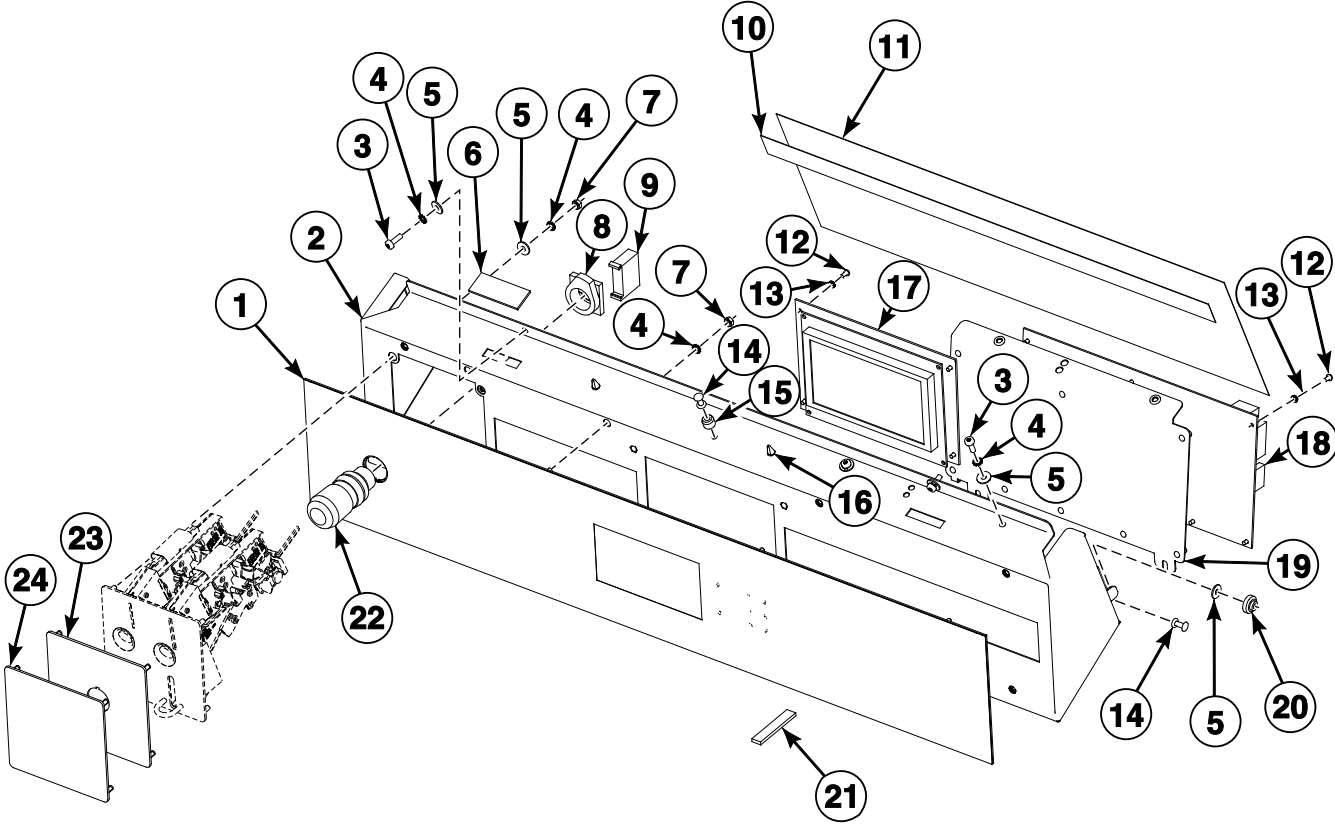
CFS1966P_D2409

Cabinet - FX and PY Models (Drawing 2 of 2)

REF	PART NO.	DESCRIPTION	COMMENTS
1	SP516832	Hinge	
2	SP313250048103	Rivet	
3	SP529206	Screw	4x11
4	SP555658	Bolt	M6x16
5	SPPRI551016250	Hook	Stick-on
6	SP273121005052	Cable Passage	5.5x2
7	SP310985000006	Nut	M6
8	SP311902100006	Washer	6
9	576338	Washer	
10	SP506431	Bolt	M6x12
11	SP550115	Fastener	
12	SP311679800004	Washer	M4
13	SP550482	Bolt	M4x25
14	SP517232	Seal	
15	SP309084000408	Bolt	M4x8
16	SP520408	Pin Insertion	
17	SP547779	Rivet	4x16.7
18	SP309798500306	Bolt	M3x6
19	SP311679800003	Washer	M3
20	SP506013	Bolt	M4x8
21	SP313251000006	Nut	M6

Control Panel - AF Non-Brand, HY, LP, NY, SY and UY Models (Drawing 1 of 5)

Except Models with V in 7th Position



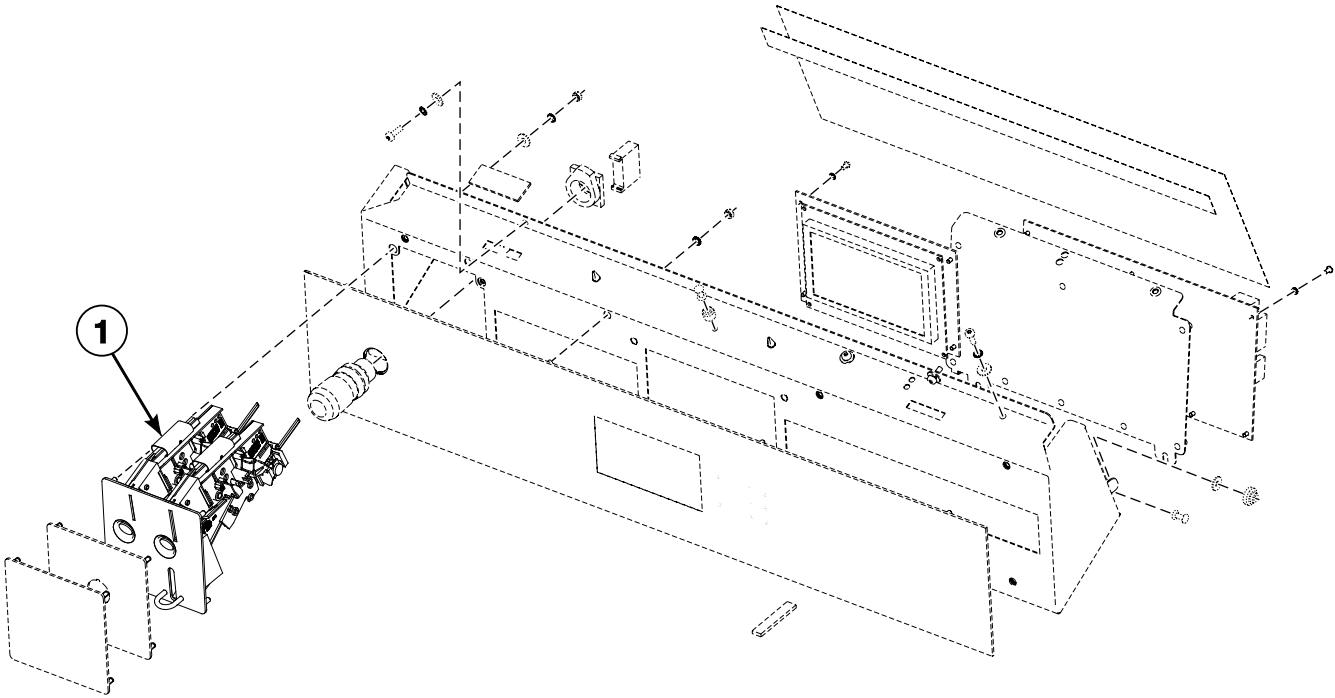
CFD2893P_D2409

Control Panel - AF Non-Brand, HY, LP, NY, SY and UY Models (Drawing 1 of 5)

REF	PART NO.	DESCRIPTION	COMMENTS
	569593	Network Installation Kit	Includes 569595 Holder, 203532 Wireless Network Control Assembly, 568363 Power Supply, 568362 Cable, 568378 Wiring, 568379 Wiring Diagram, SP345000626088 Binding Strip and connection accessories
	F8600501	Programming Cable	
1	SP557580	Keyboard	UY models; OPL
	SP557575	Keyboard	SY models; OPL
	SP557576	Keyboard	SY models; Vended
	SP557583	Keyboard	HY models; OPL
	SP547026	Keyboard	AF Non-Brand, LP and NY models; OPL; Professional; Black
	SP547025	Keyboard	AF Non-Brand, LP and NY models; OPL; Basic; Black
	SP547023	Keyboard	AF Non-Brand, LP and NY models; Vended; Basic; Black
	SP547024	Keyboard	AF Non-Brand, LP and NY models; CPS; Basic; Black
2	SP557614	Control Panel	
3	SP555504	Bolt	M4x12
4	SP311679800004	Washer	M4
5	SP311902100004	Washer	M4
6	SPMEC001410	Self-Adhesive Pad	
7	SP310934000004	Nut	M4
8	SP528311	Emergency Stop Connector	OPL
9	SP528312	Switching Unit	
10	SP510846	Tape	
11	SPPRI543000004	Cover	
12	SP309798500306	Bolt	M3x6
13	SP311679800003	Washer	M3
14	SP547779	Rivet	4x16.7
15	SP520408	Pin Insertion	
16	SP528313	Cable Holder	
17	SP553412	Control Board	MC7
	SP553411	Control Board	AF Non-Brand, LP and NY models; MC7
18	SP553405	Control Board I/O	MC7
	SP547005	Board Interconnection Cable	
19	SP557618	Programmer Holder	
20	SP550113	Leading Pin	
21	SP284000012003	Tape	
22	SP528310	Emergency Stop Knob	OPL
	SP520032	Emergency Stop Wiring	OPL
	SP520033	Emergency Stop Interconnection	Vended
23	SP558929	Coin Meter Cover Plate	SY models; Black
24	SP558930	CPS Cover Plate	SY models; Black

Control Panel - AF Non-Brand, HY, LP, NY, SY and UY Models (Drawing 2 of 5)

Except Models with V in 7th Position



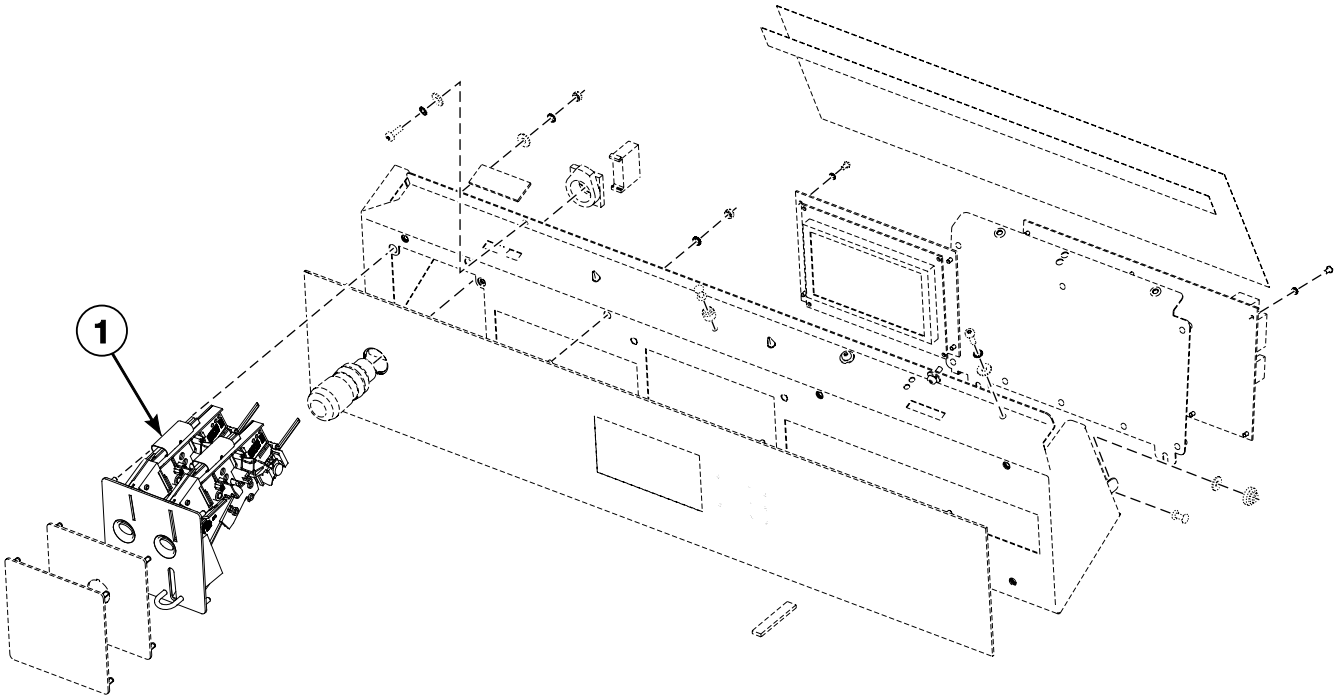
CFD2894P_D2409

Control Panel - AF Non-Brand, HY, LP, NY, SY and UY Models (Drawing 2 of 5)

REF	PART NO.	DESCRIPTION	COMMENTS
1	SP547601	Coin Meter	5K Primus jeton
	SP547602	Coin Meter	7K Primus jeton
	SP547603	Coin Meter	10K Primus jeton
	SP547604	Coin Meter	12K Primus jeton
	SP547605	Coin Meter	15K Primus jeton
	SP547606	Coin Meter	D jeton
	SP547648	Coin Meter	0.05EUR
	SP547638	Coin Meter	0.2EUR
	SP547616	Coin Meter	0.5EUR
	SP547614	Coin Meter	1EUR
	SP547647	Coin Meter	2EUR
	SP547622	Coin Meter	0.2EUR + 0.5EUR
	SP547639	Coin Meter	0.2EUR + 1EUR
	SP547617	Coin Meter	0.5EUR + 1EUR
	SP547656	Coin Meter	0.5EUR + 2EUR
	SP547631	Coin Meter	1EUR + 2EUR
	SP547652	Coin Meter	7K + D jeton
	SP547666	Coin Meter	7K jeton and 2EUR
	SP547665	Coin Meter	D jeton and 2EUR
	SP547600	Coin Meter	1AUD + 20C
	SP547607	Coin Meter	1POND + 20PC
	SP547608	Coin Meter	1POND + 50PC
	SP547609	Coin Meter	100YEN
	SP547610	Coin Meter	500JPY + 100JPY
	SP547611	Coin Meter	5DKK
	SP547612	Coin Meter	20DKK
	SP547613	Coin Meter	5ILS + 1ILS
	SP547615	Coin Meter	1MYR
	SP547618	Coin Meter	1DKK + 5DKK
	SP547619	Coin Meter	10NOK + 20NOK
	SP547620	Coin Meter	2DKK + 5DKK
	SP547621	Coin Meter	5NOK
	SP547623	Coin Meter	1NZD + 2NZD
	SP547624	Coin Meter	10 NOK
	SP547625	Coin Meter	10NT + 50NT
	SP547626	Coin Meter	2DKK
	SP547627	Coin Meter	Lucky Winner jeton
	SP547628	Coin Meter	10TWD
	SP547629	Coin Meter	10CZK + 20CZK
	SP547630	Coin Meter	7K Equipos Par Lavar jeton
	569921	Coin Meter	0.2GBP, 0.5GBP, 1GBP, 2GBP, 0.1EUR, 0.2EUR, 0.5EUR, 1EUR, 2EUR; Electronic EMPv7
	SP547634	Coin Meter	500WON
	SP547635	Coin Meter	0.25USD
SP547636	Coin Meter	1AUD + 2AUD	
SP547637	Coin Meter	5DK + 10DK	
SP547640	Coin Meter	Sun Wash jeton	

Control Panel - AF Non-Brand, HY, LP, NY, SY and UY Models (Drawing 3 of 5)

Except Models with V in 7th Position



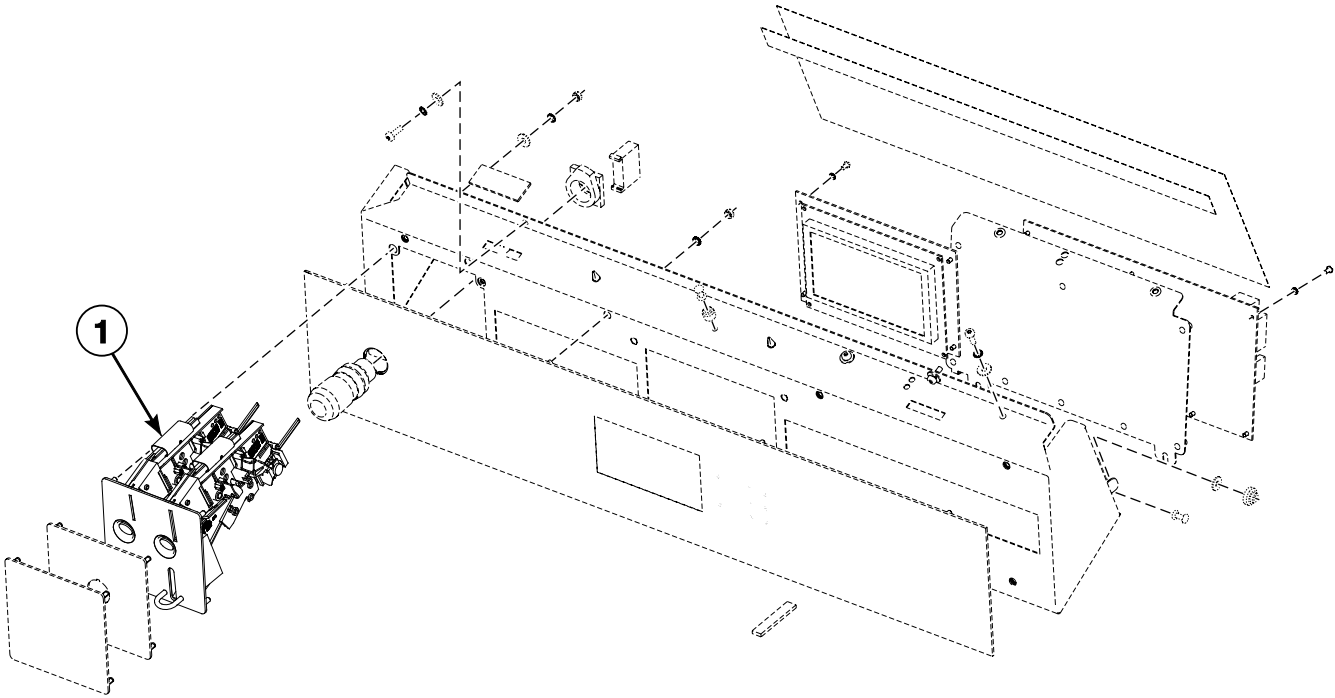
CFD2894P_D2409

Control Panel - AF Non-Brand, HY, LP, NY, SY and UY Models (Drawing 3 of 5)

REF	PART NO.	DESCRIPTION	COMMENTS
1	SP547641	Coin Meter	2DK + 10DK
	SP547642	Coin Meter	1AUD
	SP547643	Coin Meter	1CHF
	SP547644	Coin Meter	5NOK + 10NOK
	SP547645	Coin Meter	1 TopMos jeton + 1LEV jeton
	SP547646	Coin Meter	1 Vendo jeton
	SP547649	Coin Meter	1 jeton
	569951	Coin Meter	0.5MAD, 1MAD, 2MAD, 5MAD, 10MAD; Electronic EMPv7
	SP547651	Coin Meter	20 penny
	SP547653	Coin Meter	1 Wascator jeton, jeton diamater 22.2 mm
	SP547654	Coin Meter	1 Unibel jeton, jeton diamater 18.55 mm
	SP547657	Coin Meter	50HUF + 100HUF
	SP547658	Coin Meter	1 jeton without coining, jeton diamater 20 mm
	SP547659	Coin Meter	1 Volund jeton, jeton diamater 22.5 mm
	SP547660	Coin Meter	1 Wascator jeton, jeton diamater 19 mm
	SP547661	Coin Meter	1 Miele jeton
	SP547662	Coin Meter	1 jeton without coining, jeton diamater 26 mm
	SP547663	Coin Meter	Three-groove jeton; jeton diamater 27 mm
	SP547664	Coin Meter	Three-groove jeton; jeton diamater 24.9 mm
	SP537996	Coin Meter	Top-Mosr jeton
	SP547667	Coin Meter	Milano Italy jeton
	SP547668	Coin Meter	5PLN + 1PLN
	SP547669	Coin Meter	Two-grooves jeton; jeton diamater 27 mm
	SP547670	Coin Meter	A.S.A.R.D. jeton, jeton diamater 25.8 mm
	SP547671	Coin Meter	20CZK
	SP547672	Coin Meter	Jeton ASARD, jeton diamater 22.3 mm
	SP547673	Coin Meter	Jeton Laundromatic Belgium, jeton diamater 22.3 mm
	SP547674	Coin Meter	1SGD
	SP547675	Coin Meter	Jeton Asard Wascator, jeton diamater 19.9 mm
	SP555502	Coin Meter	Easy Games jeton
	SP555543	Coin Meter	Brev.C jeton
	SP555546	Coin Meter	50 Malaysian cent
	SP555549	Coin Meter	Flat Polis jeton
	SP555550	Coin Meter	Butzi Wash jeton
	SP555578	Coin Meter	1 New Singapore Dollar
	SP555558	Coin Meter	Copper without grooves jeton
	569939	Coin Meter	0.1SGD, 0.2SGD, 0.5SGD, 1SGD; Electronic EMPv7
	SP555666	Coin Meter	2x50 Malaysian cent
	569933	Coin Meter	0.1EUR, 0.2EUR, 0.5EUR, 1EUR, 2EUR; Electronic EMPv7
	SP555559	Coin Meter	Speedy Matic jeton
	SP555579	Coin Meter	Was-Salon Lavoir jeton
	569948	Coin Meter	5CZK, 10CZK, 20CZK, 50CZK; Electronic EMPv7
	SP560744	Coin Meter	Electronic for Dobi Ekspres jeton
	569964	Coin Meter	0.2GBP, 0.5GBP, 1GBP, 2GBP, 0.1EUR, 0.2EUR, 0.5EUR, 1EUR, 2EUR, jeton "KWL Aqua", jeton "Gettone"; Electronic EMPv7
	SP560089	Coin Meter	STD 118-1 jeton

Control Panel - AF Non-Brand, HY, LP, NY, SY and UY Models (Drawing 4 of 5)

Except Models with V in 7th Position



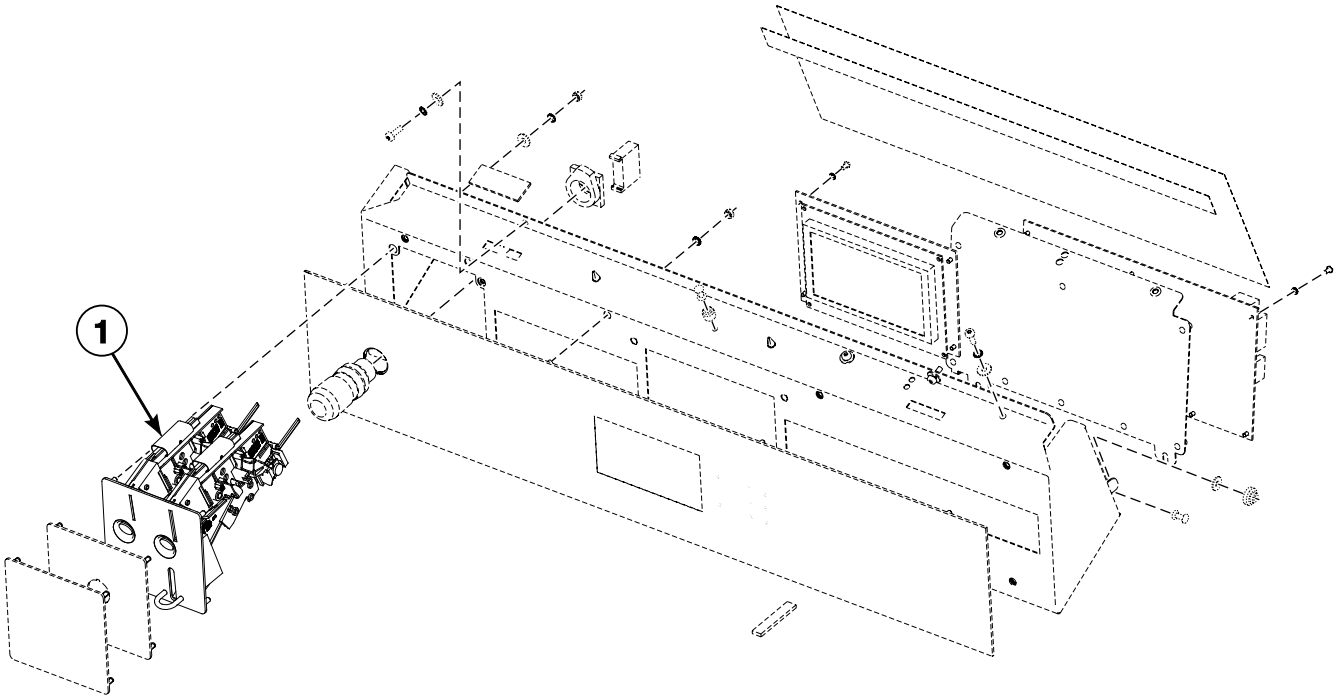
CFD2894P_D2409

Control Panel - AF Non-Brand, HY, LP, NY, SY and UY Models (Drawing 4 of 5)

REF	PART NO.	DESCRIPTION	COMMENTS
1	SP560082	Coin Meter	5k IPSO jeton
	SP560083	Coin Meter	7k IPSO jeton
	SP560084	Coin Meter	10k IPSO jeton
	SP560085	Coin Meter	12k IPSO jeton
	SP560086	Coin Meter	15k IPSO jeton
	561378	Coin Meter	10 Moroccan Dirham
	569918	Coin Meter	0.25USD, 1USD, 0.25CAD, 1CAD, 2CAD; Electronic EMPv7
	560073	Coin Meter	0.25 USD/1 USD
	569930	Coin Meter	1CNY, 0.1MYR, 0.2MYR, 0.5MYR; Electronic EMPv7
	569927	Coin Meter	0.2AUD, 1AUD, 2AUD, 0.2NZD, 1NZD, 2NZD, 5HKD, 10HKD, 500KRW; Electronic EMPv7
	561496	Coin Meter	Jeton Grupo Azkoyen CDS Automaten
	569936	Coin Meter	1PHP, 5PHP, 10PHP; Electronic EMPv7
	569942	Coin Meter	0.1MYR, 0.2MYR, 0.5MYR, 0.5SGD, 1SGD; Electronic EMPv7
	569945	Coin Meter	1HRK, 2HRK, 5HRK; Electronic EMPv7
	569924	Coin Meter	1DKK, 2DKK, 5DKK, 10DKK, 20DKK, 1NOK, 5NOK, 10NOK, 20NOK, 0.2EUR, 0.5EUR, 1EUR, 2EUR; Electronic EMPv7
	564484	Coin Meter	Jeton 118-5
	564486	Coin Meter	Jeton Barisart (LDL)
	569961	Coin Meter	0.1EUR, 0.2EUR, 0.5EUR, 1EUR, 2EUR, jeton IPSO 5K; Electronic EMPv7
	564489	Coin Meter	Jeton Sporrong
	569970	Coin Meter	0.5MYR, jeton "DOBI PAPA"; Electronic EMPv7
	553150	Coin Meter	Jeton with hole
	553151	Coin Meter	Jeton Deton Wash
	569901	Coin Meter	Brass jeton
	569912	Coin Meter	Jeton Wassalon lavoir
	569954	Coin Meter	1PLN, 2PLN, 5PLN, 0.1EUR, 0.2EUR, 0.5EUR, 1EUR, 2EUR, 10ISK, 50ISK, 100ISK; Electronic EMPv7
	569967	Coin Meter	0.1EUR, 0.2EUR, 0.5EUR, 1EUR, 2EUR, jeton G-FIS "LAVOIR BIANCA"; Electronic EMPv7
	569973	Coin Meter	1AUD, 2AUD, jeton "No Cash Value"; Electronic EMPv7
	569979	Coin Meter	0.5MYR, jeton "BUBBLELAB"; Electronic EMPv7
	569987	Coin Meter	Jeton HAUCK 2018
	569998	Coin Meter	100+500 ISK
	572301	Coin Meter	Token 118-16
	572304	Coin Meter	1ILS, 2ILS, 5ILS, 10ILS; Electronic EMPv7
	572307	Coin Meter	1ZAR, 2ZAR, 5ZAR; Electronic EMPv7
	572310	Coin Meter	5RUB, 10RUB; Electronic EMPv7
	572313	Coin Meter	50CLP, 100CLP, 500CLP; Electronic EMPv7
	572317	Coin Meter	100JPY, 500JPY, 10TWD, 50TWD; Electronic EMPv7
	572320	Coin Meter	0.5GEL, 1GEL, 2GEL; Electronic EMPv7
	572323	Coin Meter	0.2 EUR, 0.5EUR, 1EUR, 2EUR, Jeton 7K; Electronic EMPv7
	579812	Coin Meter	20HUF, 50HUF, 100HUF, 200HUF; Electronic EMPv7
	572342	Coin Meter	Token WH121
	579808	Coin Meter	1EAD, 1TK, 2TK; Electronic EMPv7

Control Panel - AF Non-Brand, HY, LP, NY, SY and UY Models (Drawing 5 of 5)

Except Models with V in 7th Position



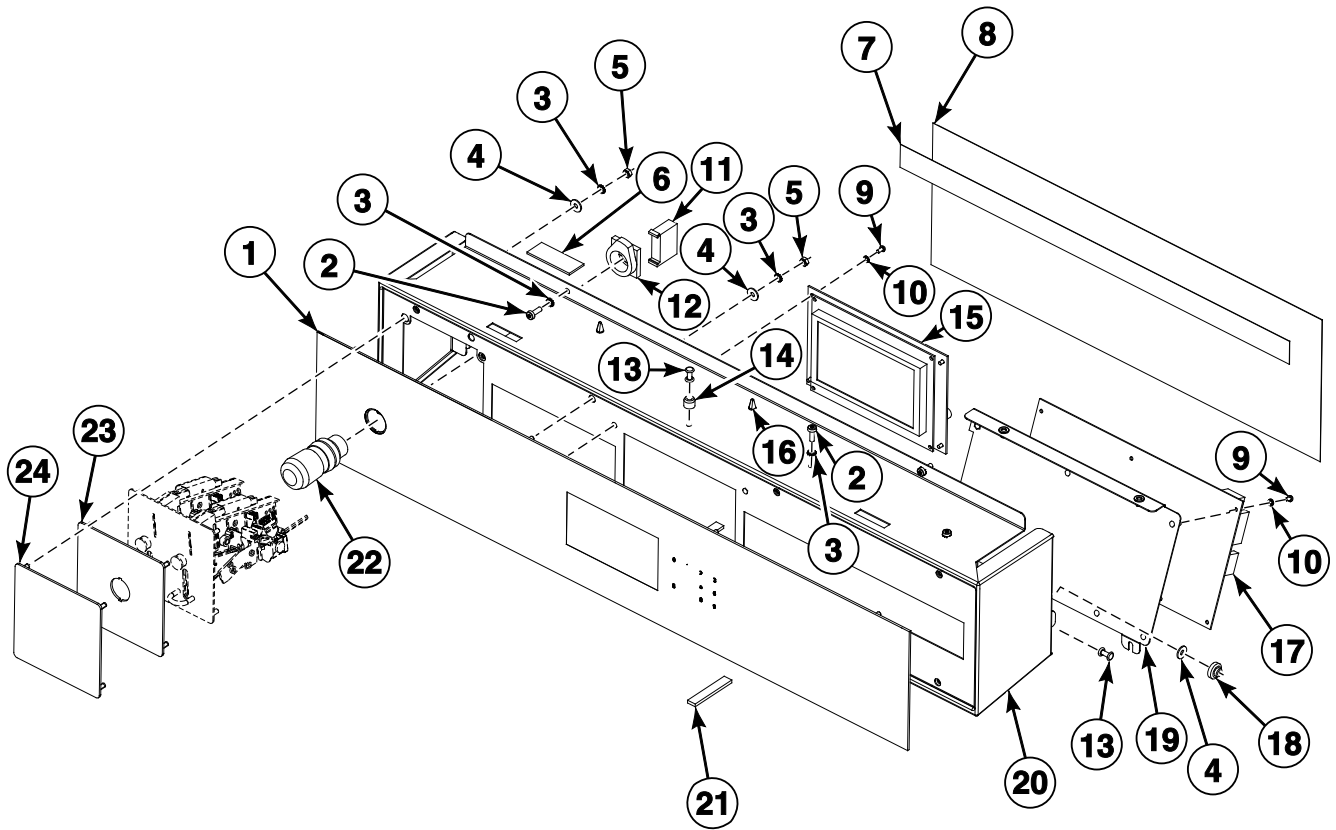
CFD2894P_D2409

Control Panel - AF Non-Brand, HY, LP, NY, SY and UY Models (Drawing 5 of 5)

REF	PART NO.	DESCRIPTION	COMMENTS
1	572358	Coin Meter	1THB, 2THB, 5THB, 10THB; 1TK, 2TK Jeton; Electronic EMPv7
	572391	Coin Meter	0.25CAD
	579812	Coin Meter	20 HUF, 50HUF, 100HUF, 200HUF; 1TK, 2TK, Jeton; Electronic EMPv7
	572383	Coin Meter	0.2CHF, 0.5CHF, 1CHF, 2CHF; 1TK, 2TK Jeton; Electronic EMPv7
	572339	Coin Meter	Getton Jeton (26mm diameter x 1.7mm)

Control Panel - H, IY and J Models (Drawing 1 of 4)

Except Models with G, H, J or K in 13th Position



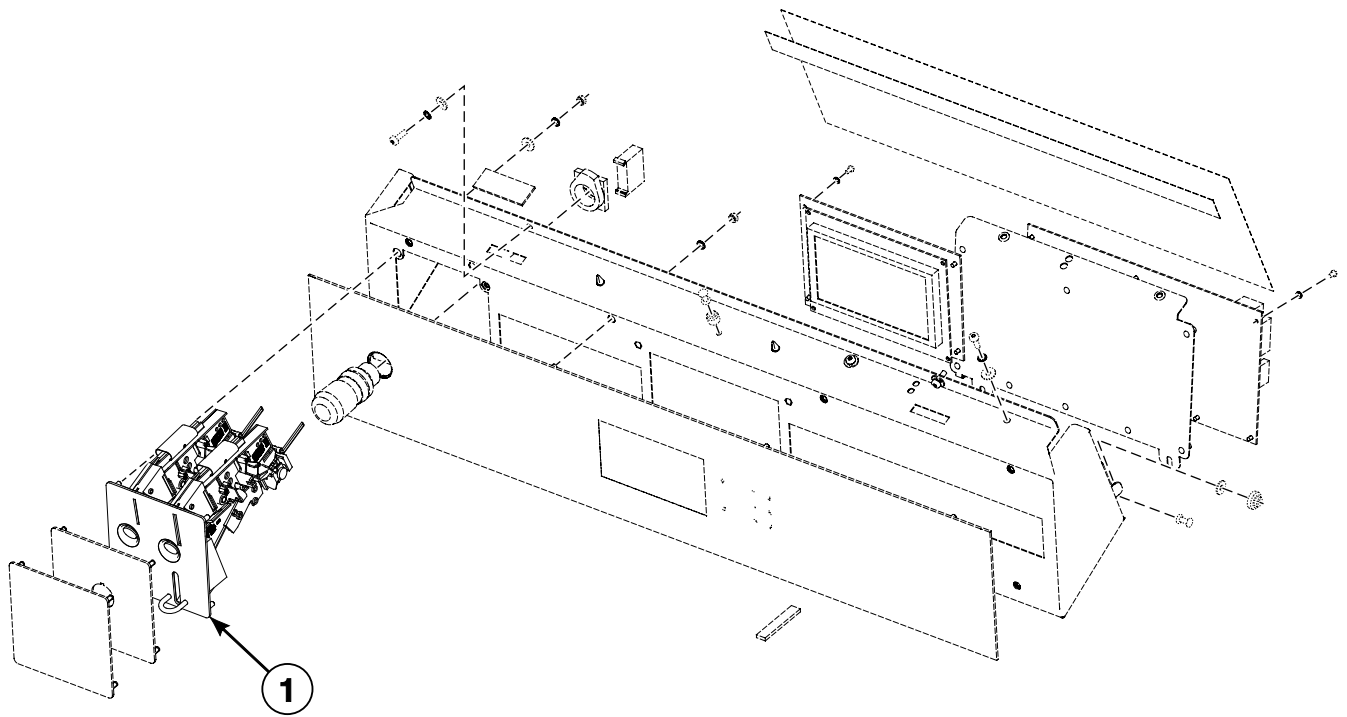
CFD2895P_D2409

Control Panel - H, IY and J Models (Drawing 1 of 4)

REF	PART NO.	DESCRIPTION	COMMENTS
	SP557744	USB Connection	J models
	569593	Network Installation Kit	Includes 569595 Holder, 203532 Wireless Network Control Assembly, 568363 Power Supply, 568362 Cable, 568378 Wiring, 568379 Wiring Diagram, SP345000626088 Binding Strip and connection accessories
	F8600501	Programming Cable	
1	SP557569	Keyboard	Aries-Elite
	SP557570	Keyboard	Aries
	SP560761	Keyboard	Without logo; With numeric keypad
	SP560762	Keyboard	Without logo; Without numeric keypad
	SP559392	Keyboard	J models; OPL
	SP559395	Keyboard	J models; Vended
2	SP555504	Bolt	M4x12
3	SP311679800004	Washer	M4
4	SP311902100004	Washer	M4
5	SP310934000004	Nut	M4
6	SPMEC001410	Self-Adhesive Pad	
7	SP510846	Tape	
8	SPPRI543000004	Cover	
9	SP309798500306	Bolt	M3x6
10	SP311679800003	Washer	M3
11	SP528312	Switching Unit	
12	SP528311	Emergency Stop Connector	
13	SP547779	Rivet	4x16.7
14	SP520408	Pin Insertion	
15	SP553419	Control Board	MC7
	SP553411	Control Board	MC7; J models
16	SP528313	Cable Holder	
17	SP553405	Control Board I/O	MC7
	SP547005	Board Interconnection Cable	
18	SP550113	Leading Pin	
19	SP558896	Programmer Holder	
20	SP558894	Control Panel	
21	SP284000012003	Tape	
22	SP528310	Emergency Stop Knob	OPL
	SP520032	Emergency Stop Wiring	OPL
	SP520033	Emergency Stop Interconnection	Vended
23	SP558929	Coin Meter Cover Plate	
24	SP558930	CPS Cover Plate	

Control Panel - H, IY and J Models (Drawing 2 of 4)

Except Models with G, H, J or K in 13th Position



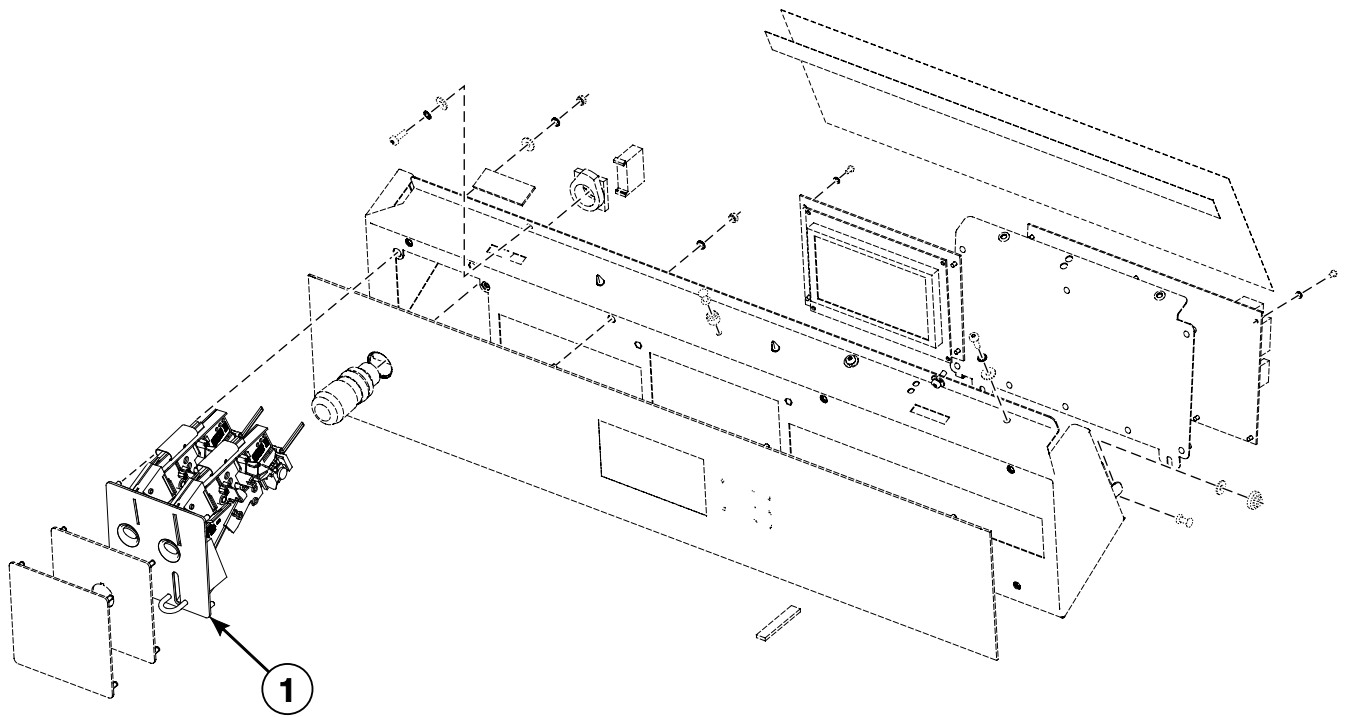
CFD2896P_D2409

Control Panel - H, IY and J Models (Drawing 2 of 4)

REF	PART NO.	DESCRIPTION	COMMENTS
1	569922	Coin Meter	0.2GBP, 0.5GBP, 1GBP, 2GBP, 0.1EUR, 0.2EUR, 0.5EUR, 1EUR, 2EUR; Electronic EMPv7
	SP558958	Coin Meter	0.25USD
	SP558959	Coin Meter	0.5EUR and 1EUR
	SP560310	Coin Meter	1EUR
	SP560311	Coin Meter	0.5EUR
	SP560312	Coin Meter	1EUR and 2EUR
	SP559933	Coin Meter	5K Primus jeton
	SP559934	Coin Meter	10K Primus jeton
	569965	Coin Meter	0.2GBP, 0.5GBP, 1GBP, 2GBP, 0.1EUR, 0.2EUR, 0.5EUR, 1EUR, 2EUR, jeton "KWL Aqua", jeton "Gettone"; Electronic EMPv7
	SP559938	Coin Meter	STD 118-1 jeton
	SP560309	Coin Meter	7K Primus jeton
	SP560405	Coin Meter	12K Primus jeton
	SP560406	Coin Meter	15K Primus jeton
	SP560407	Coin Meter	2EUR
	SP560408	Coin Meter	0.2EUR and 0.5EUR
	SP560409	Coin Meter	0.2EUR
	SP560410	Coin Meter	1EUR and 0.2EUR
	SP560411	Coin Meter	2EUR and 0.5EUR
	SP560412	Coin Meter	1AUD and 0.2AUD
	SP560413	Coin Meter	1GBP and 20PC
	SP560414	Coin Meter	1GBP and 50PC
	SP560415	Coin Meter	100JPY
	SP560416	Coin Meter	500JPY and 100 JPY
	SP560417	Coin Meter	1AUD and 2AUD
	SP560418	Coin Meter	1AUD
	SP560419	Coin Meter	20PC
	SP560420	Coin Meter	50 Malaysian cent
	SP560421	Coin Meter	1SGD; New Singaporean dollar
	SP560422	Coin Meter	2MYR and 0.5MYR
	SP560423	Coin Meter	1SGD
	SP560424	Coin Meter	1NZD and 2NZD
	SP560425	Coin Meter	Easy games jeton
	SP560426	Coin Meter	Flat polis jeton
	SP560427	Coin Meter	Butzi wash jeton
	SP560428	Coin Meter	Speedy matic jeton
	SP560429	Coin Meter	Laundromatic Belgium jeton; Diameter 22.3mm
	569940	Coin Meter	0.1SGD, 0.2SGD, 0.5SGD, 1SGD; Electronic EMPv7
	569934	Coin Meter	0.1EUR, 0.2EUR, 0.5EUR, 1EUR, 2EUR; Electronic EMPv7
	SP560432	Coin Meter	500WON
	SP560745	Coin Meter	Dobi ekspres jeton
	SP560751	Coin Meter	Lucky winner jeton
	SP559969	Coin Meter	Gettone jeton
	SP559949	Coin Meter	10 Taiwan dollar
	SP560090	Coin Meter	5K IPSO jeton

Control Panel - H, IY and J Models (Drawing 3 of 4)

Except Models with G, H, J or K in 13th Position



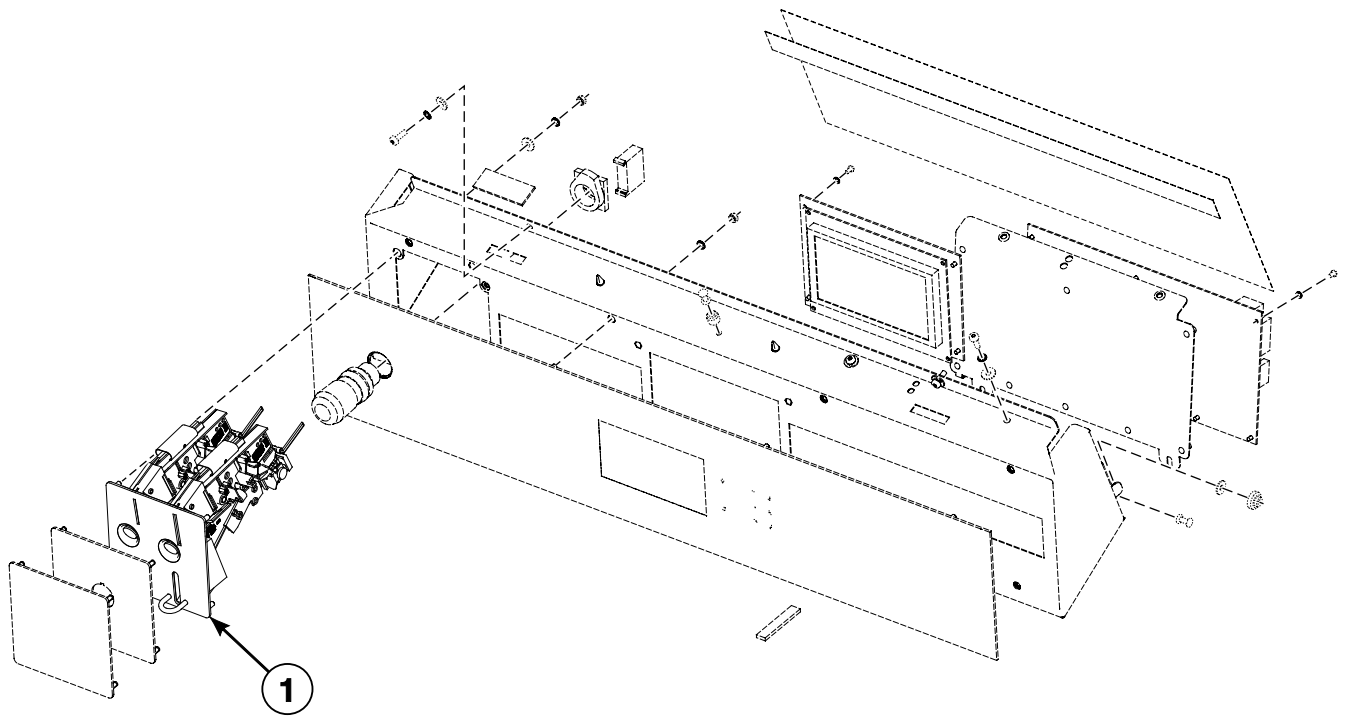
CFD2896P_D2409

Control Panel - H, IY and J Models (Drawing 3 of 4)

REF	PART NO.	DESCRIPTION	COMMENTS
1	SP560091	Coin Meter	7K IPSO jeton
	SP560092	Coin Meter	10K IPSO jeton
	SP560093	Coin Meter	12K IPSO jeton
	SP560094	Coin Meter	15K IPSO jeton
	SP560100	Coin Meter	Electrolux Asard jeton
	SP560087	Coin Meter	Gettone jeton
	SP560075	Coin Meter	5+1 Shekel
	SP560071	Coin Meter	1HKD
	569968	Coin Meter	0.1EUR, 0.2EUR, 0.5EUR, 1EUR, 2EUR, jeton G-FIS "LAVOIR BIANCA"; Electronic EMPv7
	569946	Coin Meter	1HRK, 2HRK, 5HRK; Electronic EMPv7
	569974	Coin Meter	1AUD, 2AUD, jeton "No Cash Value"; Electronic EMPv7
	561497	Coin Meter	Jeton Prinz Firbitex
	563405	Coin Meter	Token Ldl Chamberland Washing Machine
	569943	Coin Meter	0.1MYR, 0.2MYR, 0.5MYR, 0.5SGD, 1SGD; Electronic EMPv7
	569925	Coin Meter	1DKK, 2DKK, 5DKK, 10DKK, 20DKK, 1NOK, 5NOK, 10NOK, 20NOK, 0.2EUR, 0.5EUR, 1EUR, 2EUR; Electronic EMPv7
	564485	Coin Meter	Token 118-5
	564487	Coin Meter	Token Barisart (Ldl)
	569971	Coin Meter	0.5MYR, jeton "DOBI PAPA"; Electronic EMPv7
	553156	Coin Meter	Token Rotondi
	569905	Coin Meter	Brass jeton
	569911	Coin Meter	0.5CHF, 2CHF
	569919	Coin Meter	0.25USD, 1USD, 0.25CAD, 1CAD, 2CAD; Electronic EMPv7
	569928	Coin Meter	0.2AUD, 1AUD, 2AUD, 0.2NZD, 1NZD, 2NZD, 5HKD, 10HKD, 500KRW; Electronic EMPv7
	569931	Coin Meter	1CNY, 0.1MYR, 0.2MYR, 0.5MYR; Electronic EMPv7
	569937	Coin Meter	1PHP, 5PHP, 10PHP; Electronic EMPv7
	569949	Coin Meter	5CZK, 10CZK, 20CZK, 50CZK; Electronic EMPv7
	569952	Coin Meter	0.5MAD, 1MAD, 2MAD, 5MAD, 10MAD; Electronic EMPv7
	569955	Coin Meter	1PLN, 2PLN, 5PLN, 0.1EUR, 0.2EUR, 0.5EUR, 1EUR, 2EUR, 10ISK, 50ISK, 100ISK; Electronic EMPv7
	569962	Coin Meter	0.1EUR, 0.2EUR, 0.5EUR, 1EUR, 2EUR, jeton IPRSO 5K; Electronic EMPv7
	569980	Coin Meter	0.5MYR, jeton "BUBBLELAB"; Electronic EMPv7
	569988	Coin Meter	Jeton HAUCK 2018
	569993	Coin Meter	Jeton 08 MS
	569995	Coin Meter	Jeton D
	569999	Coin Meter	10+50 TWD
	570000	Coin Meter	100+500 ISK
	572302	Coin Meter	Token 118-16
	572305	Coin Meter	1ILS, 2ILS, 5ILS, 10ILS; Electronic EMPv7
	572308	Coin Meter	1ZAR, 2ZAR, 5ZAR; Electronic EMPv7
	572311	Coin Meter	5RUB, 10RUB; Electronic EMPv7
	572314	Coin Meter	50CLP, 100CLP, 500CLP; Electronic EMPv7
	572318	Coin Meter	100JPY, 500JPY, 10TWD, 50TWD; Electronic EMPv7

Control Panel - H, IY and J Models (Drawing 4 of 4)

Except Models with G, H, J or K in 13th Position



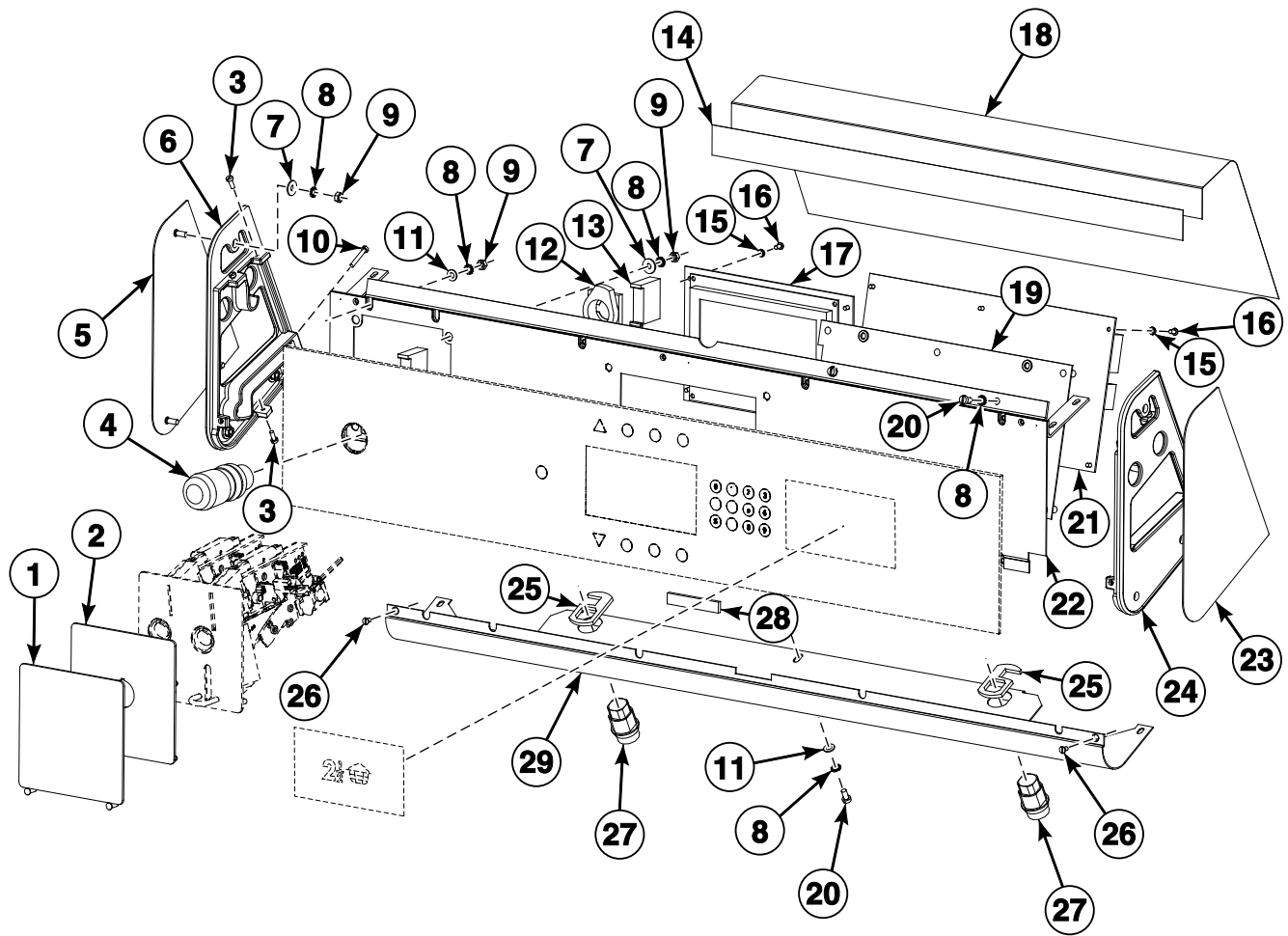
CFD2896P_D2409

Control Panel - H, IY and J Models (Drawing 4 of 4)

REF	PART NO.	DESCRIPTION	COMMENTS
1	572321	Coin Meter	0.5GEL, 1GEL, 2GEL; Electronic EMPv7
	579809	Coin Meter	1EAD, 1TK, 2TK; Electronic EMPv7
	572324	Coin Meter	0.2 EUR, 0.5EUR, 1EUR, 2EUR, Jeton 7K; Electronic EMPv7
	572343	Coin Meter	Token WH121
	572355	Coin Meter	Token 1699360
	572359	Coin Meter	1THB, 2THB, 5THB, 10THB/TK1+2; ElectronicEMPv7
	579813	Coin Meter	20HUF, 50HUF, 100HUF, 200HUF; TK1, TK2; ElectronicEMPv7
	572389	Coin Meter	0.25CAD
	575276	Coin Meter	0.25USD + 1USD
	575277	Coin Meter	0.25CAD + 1CAD
	572384	Coin Meter	0.2CHF, 0.5CHF, 1CHF, 2CHF, TK1, TK2; Electronic EMPv7

Control Panel - AF, FX, HX, LY, MWF, PY, QW and SW Models (Drawing 1 of 2)

Except Models with V in 7th Position



CZW134P_D2409

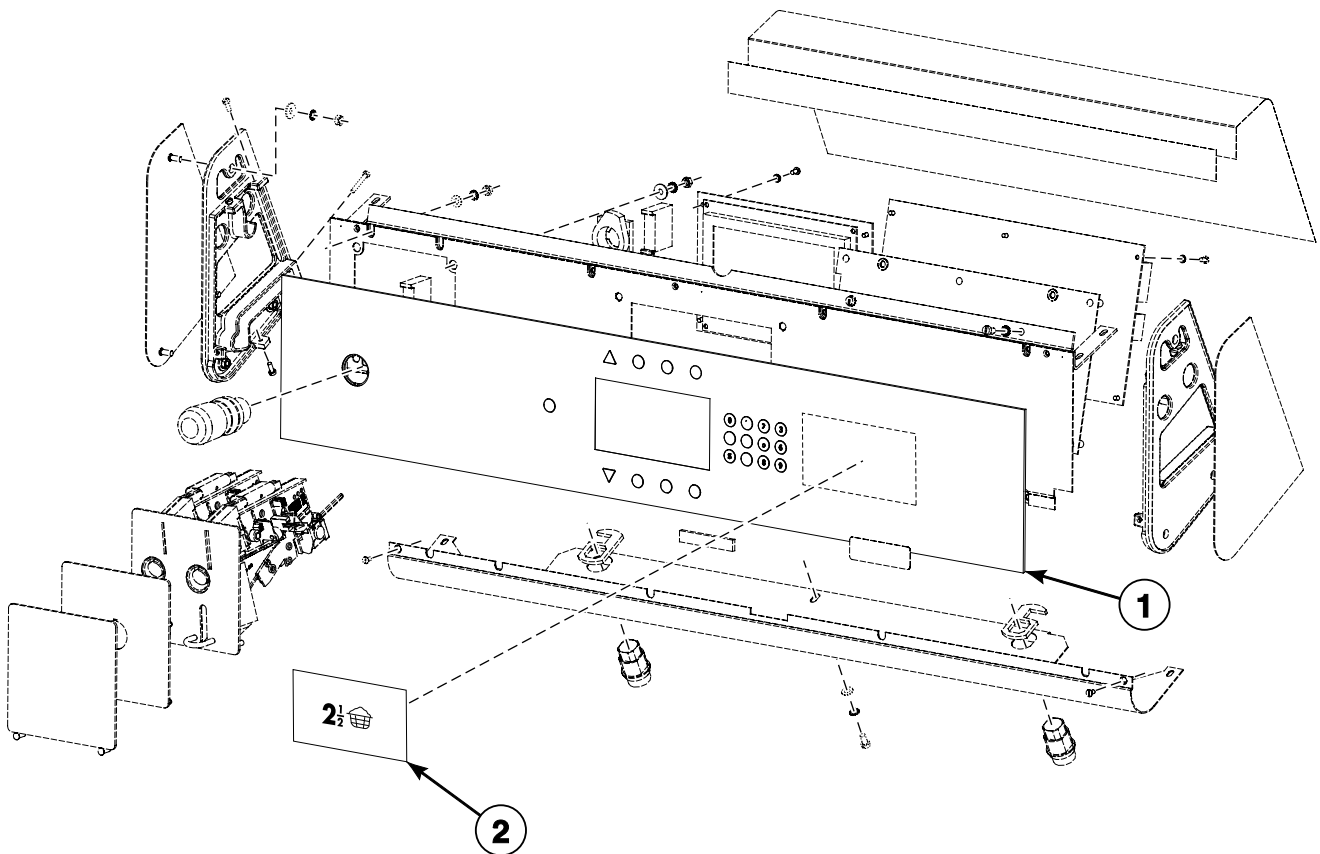
Control Panel - AF, FX, HX, LY, MWF, PY, QW and SW Models (Drawing 1 of 2)

REF	PART NO.	DESCRIPTION	COMMENTS
	F8600501	Programming Cable	
	569593	Network Installation Kit	Includes 569595 Holder, 203532 Wireless Network Control Assembly, 568363 Power Supply, 568362 Cable, 568378 Wiring, 568379 Wiring Diagram, SP345000626088 Binding Strip and connection accessories
1	SP550149	Cover Plate	PY models; North America
2	SP547565	Coin Meter Cover	
3	577761	Bolt	3x8
4	SP528310	Emergency Stop Knob	OPL
	SP520032	Emergency Stop Wiring	OPL
	SP520033	Emergency Stop Interconnection	Vended
5	SP547507	Side Sheet Metal	Left
6	570391	Side Board	Left
7	SP311902100004	Washer	M4
8	SP311679800004	Washer	M4
9	SP310934000004	Nut	M4
10	577763	Bolt	3x20
11	SP311125000004	Washer	M4
12	SP528311	Emergency Stop Connector	
13	SP528312	Switching Unit	
14	SP510846	Tape	
15	SP311679800003	Washer	M3
16	SP309798500306	Bolt	M3x6
17	SP547001	Control Board	MC6 (green color); Models through Serial No. 105FX002564BZ; Refer to NOTE*
	SP553411	Control Board	MC7 (blue color); Models starting Serial No. 105FX002565BZ; Refer to NOTE*
18	SPPRI543000004	Cover	
19	SP547513	Programmer Holder	
20	SP555504	Bolt	M4x12
21	SP547002	Control Board Power	MC6
	SP553405	Control Board I/O	MC7
	SP537995	Board Interconnection Cable	QW models
	SP547005	Board Interconnection Cable	All other models
22	SP547510	Programmer Holder	
23	SP547506	Side Sheet Metal	Right
24	570392	Side Board	Right
25	SPPRI610002007	Hook Lock	Small; MC7; OPL
26	577762	Bolt	3x8
27	SP547527	Lock	
	SP550616	Key	Used with SP547527 Lock
28	SP284000012003	Tape	
29	SP547515	Lower Lath	

* NOTE: For machines within the Serial No. range 105FX002566BZ - 105FX002988DF, contact the After Sales department.

Control Panel - AF, FX, HX, LY, MWF, PY, QW and SW Models (Drawing 2 of 2)

Except Models with V in 7th Position

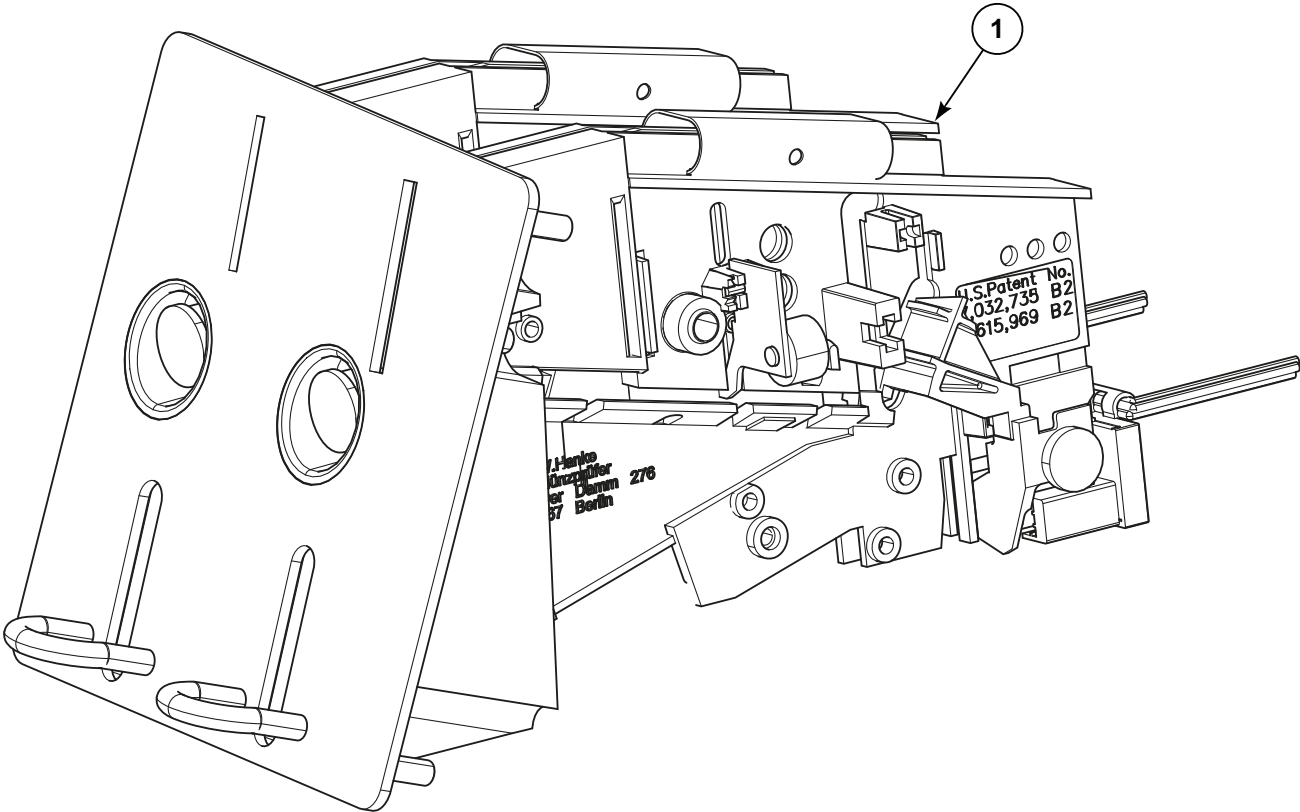


CZW135P_D2409

Control Panel - AF, FX, HX, LY, MWF, PY, QW and SW Models (Drawing 2 of 2)

REF	PART NO.	DESCRIPTION	COMMENTS
1	SP560755	Keyboard	X Control; North America
	SP547014	Keyboard	FX, MWF and PY models; OPL; X Control Plus; Gray-black; CE
	SP547013	Keyboard	FX, MWF and PY models; OPL; X Control; Gray-black; CE
	SP547011	Keyboard	FX, MWF and PY models; Vended; X Control; Gray-black; CE
	SP547012	Keyboard	FX, MWF and PY models; CPS; X Control; Gray-black; CE
	SP547026	Keyboard	AF and LY models; OPL; X Control Plus; Black; CE
	SP547025	Keyboard	AF and LY models; OPL; X Control; Black; CE
	SP547023	Keyboard	AF and LY models; Vended; X Control; Black; CE
	SP547024	Keyboard	AF and LY models; CPS; X Control; Black; CE
	SP547038	Keyboard	FX, MWF and PY models; OPL; X Control Plus; Gray; CE
	SP547037	Keyboard	FX, MWF and PY models; OPL; X Control; Gray; CE
	SP547035	Keyboard	FX, MWF and PY models; Vended; X Control; Gray; CE
	SP547036	Keyboard	FX, MWF and PY models; CPS; X Control; Gray; CE
	SP537994	Keyboard	QW models; CE
	SP556112	Keyboard	SW models; CE
	SP552911	Keyboard	HX models; CE
2	SP563290	Label	Basket Capacity; 2.5; Vended; North America

Coin Meter - AF, FX, HX, LY, MWF and PY Models (Drawing 1 of 4)

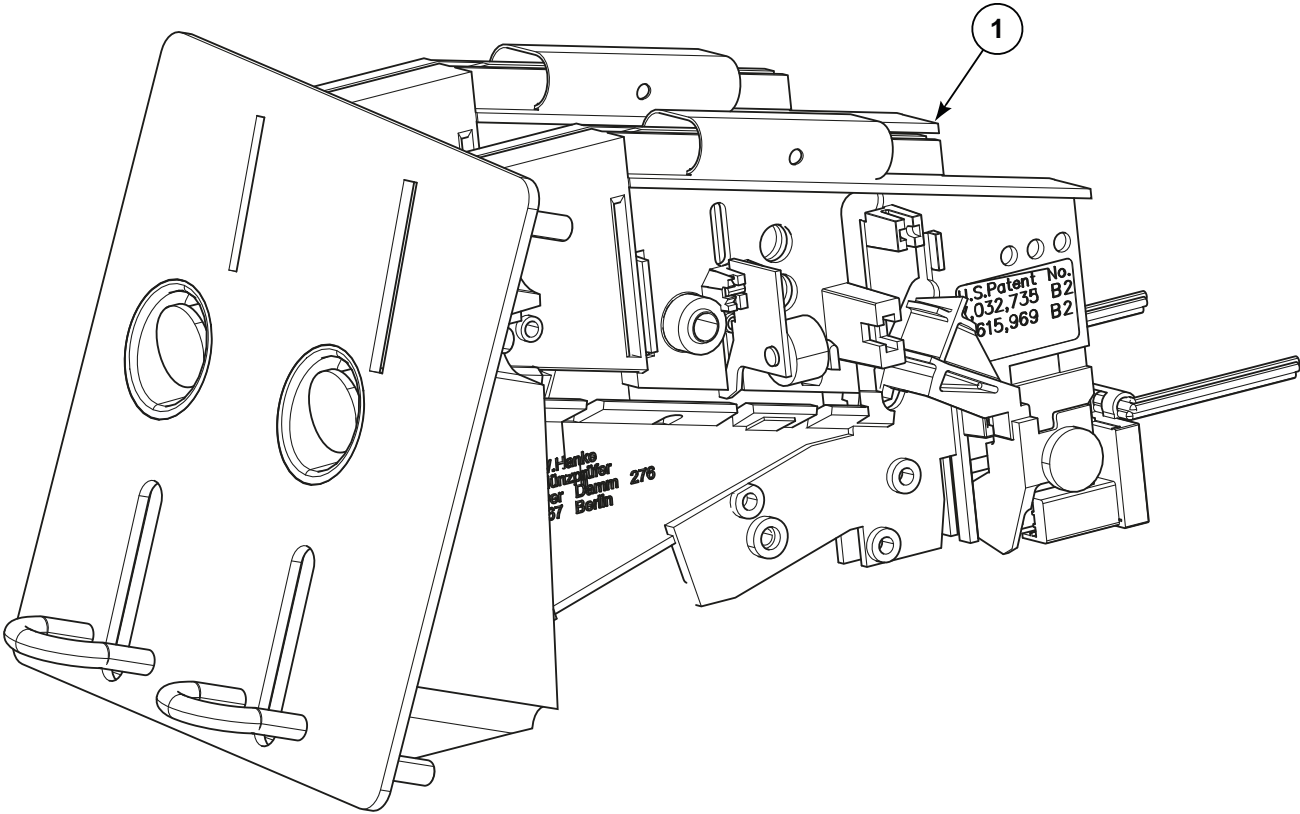


CZT185P_D2409

Coin Meter - AF, FX, HX, LY, MWF and PY Models (Drawing 1 of 4)

REF	PART NO.	DESCRIPTION	COMMENTS
1	SP547601	Coin Meter	5K Primus jeton
	SP547602	Coin Meter	7K Primus jeton
	SP547603	Coin Meter	10K Primus jeton
	SP547604	Coin Meter	12K Primus jeton
	SP547605	Coin Meter	15K Primus jeton
	SP547606	Coin Meter	D jeton
	SP547648	Coin Meter	0.05EUR
	SP547638	Coin Meter	0.2EUR
	SP547616	Coin Meter	0.5EUR
	SP547614	Coin Meter	1EUR
	SP547647	Coin Meter	2EUR
	SP547622	Coin Meter	0.2EUR + 0.5EUR
	SP547639	Coin Meter	0.2EUR + 1EUR
	SP547617	Coin Meter	0.5EUR + 1EUR
	SP547656	Coin Meter	0.5EUR + 2EUR
	SP547631	Coin Meter	1EUR + 2EUR
	SP547652	Coin Meter	7K + D jeton
	SP547666	Coin Meter	7K jeton and 2EUR
	SP547665	Coin Meter	D jeton and 2EUR
	SP547600	Coin Meter	1AUD + 20C
	SP547607	Coin Meter	1POND + 20PC
	SP547608	Coin Meter	1POND + 50PC
	SP547609	Coin Meter	100YEN
	SP547610	Coin Meter	500JPY + 100JPY
	SP547611	Coin Meter	5DKK
	SP547612	Coin Meter	20DKK
	SP547613	Coin Meter	5ILS + 1ILS
	SP547615	Coin Meter	1MYR
	SP547618	Coin Meter	1DKK + 5DKK
	SP547619	Coin Meter	10NOK + 20NOK
	SP547620	Coin Meter	2DKK + 5DKK
	SP547621	Coin Meter	5NOK
	SP547623	Coin Meter	1NZD + 2NZD
	SP547624	Coin Meter	10 NOK
	SP547625	Coin Meter	10NT + 50NT
	SP547626	Coin Meter	2DKK
	SP547627	Coin Meter	Lucky Winner jeton
	SP547628	Coin Meter	10TWD
	SP547629	Coin Meter	10CZK + 20CZK
	SP547630	Coin Meter	7K Equipos Par Lavar jeton
	569921	Coin Meter	0.2GBP, 0.5GBP, 1GBP, 2GBP, 0.1EUR, 0.2EUR, 0.5EUR, 1EUR, 2EUR; Electronic EMPv7
	SP547634	Coin Meter	500WON
	SP547635	Coin Meter	0.25USD
	SP547636	Coin Meter	1AUD + 2AUD
	SP547640	Coin Meter	Sun Wash jeton

Coin Meter - AF, FX, HX, LY, MWF and PY Models (Drawing 2 of 4)

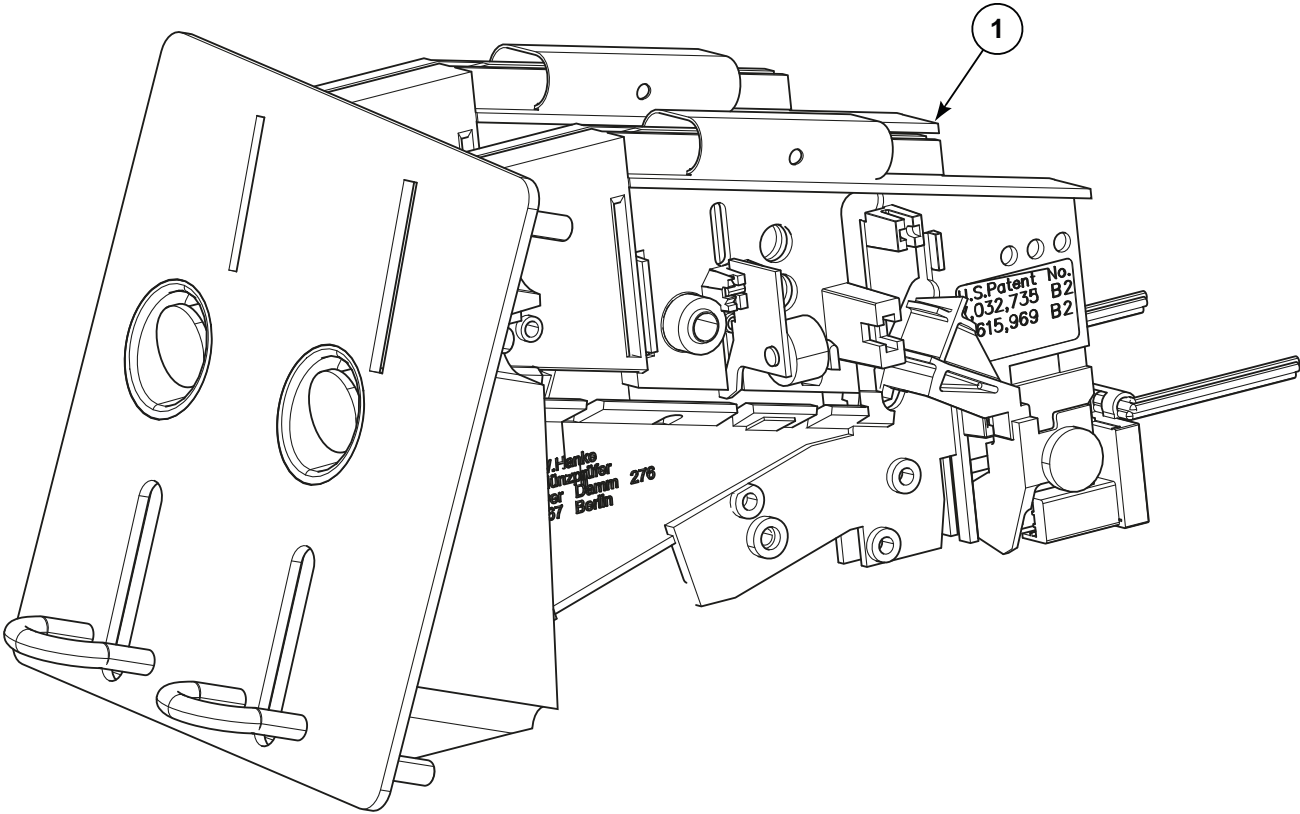


CZT185P_D2409

Coin Meter - AF, FX, HX, LY, MWF and PY Models (Drawing 2 of 4)

REF	PART NO.	DESCRIPTION	COMMENTS
1	SP547641	Coin Meter	2DK + 10DK
	SP547642	Coin Meter	1AUD
	SP547643	Coin Meter	1CHF
	SP547644	Coin Meter	5NOK + 10NOK
	SP547645	Coin Meter	1 TopMos jeton + 1LEV jeton
	SP547646	Coin Meter	1 Vendo jeton
	SP547649	Coin Meter	1 jeton
	569951	Coin Meter	0.5MAD, 1MAD, 2MAD, 5MAD, 10MAD; Electronic EMPv7
	SP547651	Coin Meter	20 penny
	SP547653	Coin Meter	1 Wascator jeton, jeton diamater 22.2 mm
	SP547654	Coin Meter	1 Unibel jeton, jeton diamater 18.55 mm
	SP547657	Coin Meter	50HUF + 100HUF
	SP547658	Coin Meter	1 jeton without coining, jeton diamater 20 mm
	SP547659	Coin Meter	1 Volund jeton, jeton diamater 22.5 mm
	SP547660	Coin Meter	1 Wascator jeton, jeton diamater 19 mm
	SP547661	Coin Meter	1 Miele jeton
	SP547662	Coin Meter	1 jeton without coining, jeton diamater 26 mm
	SP547663	Coin Meter	Three-groove jeton; jeton diamater 27 mm
	SP547664	Coin Meter	Three-groove jeton; jeton diamater 24.9 mm
	SP537996	Coin Meter	Top-Mosr jeton
	SP547667	Coin Meter	Milano Italy jeton
	SP547668	Coin Meter	5PLN + 1PLN
	SP547669	Coin Meter	Two-grooves jeton; jeton diamater 27 mm
	SP547670	Coin Meter	A.S.A.R.D. jeton, jeton diamater 25.8 mm
	SP547671	Coin Meter	20CZK
	SP547672	Coin Meter	Jeton ASARD, jeton diamater 22.3 mm
	SP547673	Coin Meter	Jeton Laundromatic Belgium, jeton diamater 22.3 mm
	SP547674	Coin Meter	1SGD
	SP547675	Coin Meter	Jeton Asard Wascator, jeton diamater 19.9 mm
	SP555502	Coin Meter	Easy Games jeton
	SP555543	Coin Meter	Brev.C jeton
	SP555546	Coin Meter	50 Malaysian cent
	SP555549	Coin Meter	Flat Polis jeton
	SP555550	Coin Meter	Butzi Wash jeton
	SP555578	Coin Meter	1 New Singapore Dollar
	SP555558	Coin Meter	Copper without grooves jeton
	569939	Coin Meter	0.1SGD, 0.2SGD, 0.5SGD, 1SGD; Electronic EMPv7
	SP555666	Coin Meter	2x50 Malaysian cent
	569933	Coin Meter	0.1EUR, 0.2EUR, 0.5EUR, 1EUR, 2EUR; Electronic EMPv7
	SP555559	Coin Meter	Speedy Matic jeton
	SP555579	Coin Meter	Was-Salon Lavoir jeton.
	569948	Coin Meter	5CZK, 10CZK, 20CZK, 50CZK; Electronic EMPv7
	SP560744	Coin Meter	Electronic for Dobi Ekspress jeton
	569964	Coin Meter	0.2GBP, 0.5GBP, 1GBP, 2GBP, 0.1EUR, 0.2EUR, 0.5EUR, 1EUR, 2EUR, jeton "KWL Aqua", jeton "Gettone"; Electronic EMPv7
	SP560089	Coin Meter	STD 118-1 jeton

Coin Meter - AF, FX, HX, LY, MWF and PY Models (Drawing 3 of 4)

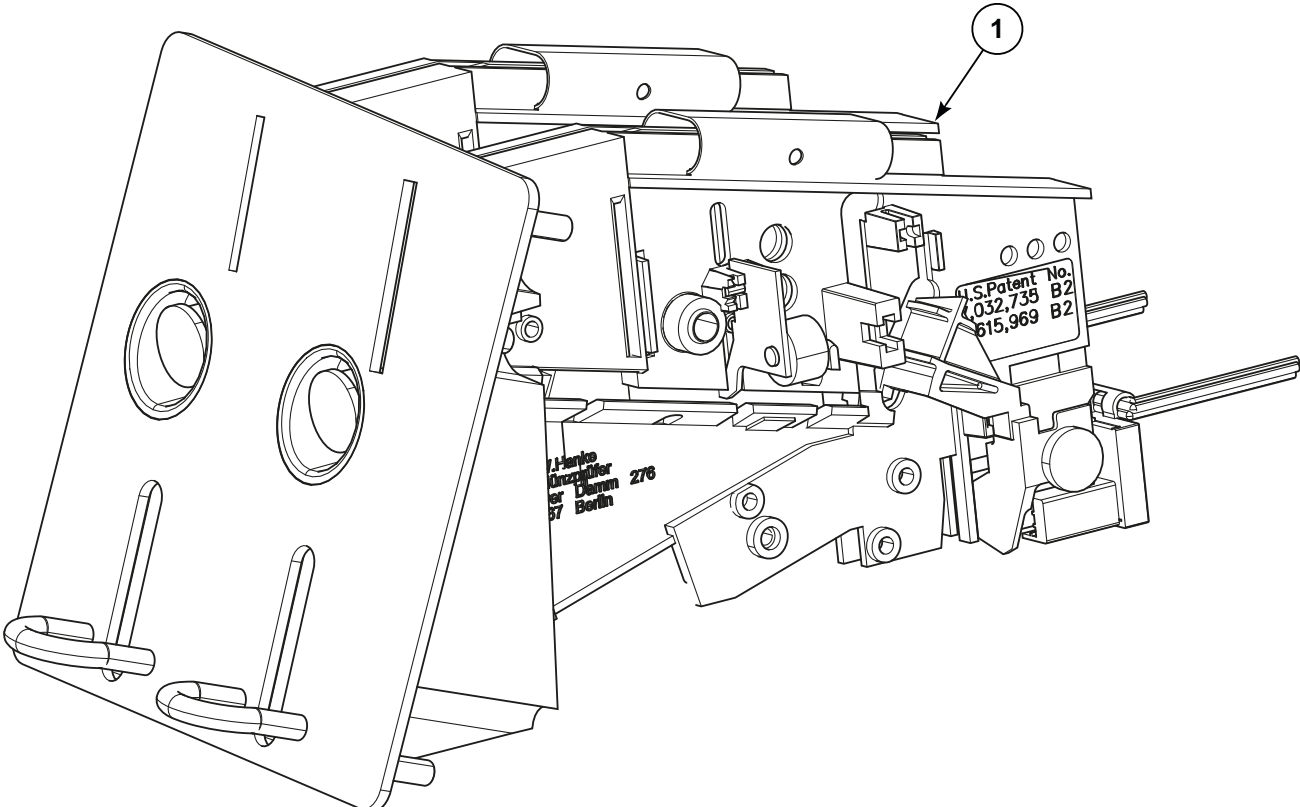


CZT185P_D2409

Coin Meter - AF, FX, HX, LY, MWF and PY Models (Drawing 3 of 4)

REF	PART NO.	DESCRIPTION	COMMENTS
1	SP560082	Coin Meter	5k IPSO jeton
	SP560083	Coin Meter	7k IPSO jeton
	SP560084	Coin Meter	10k IPSO jeton
	SP560085	Coin Meter	12k IPSO jeton
	SP560086	Coin Meter	15k IPSO jeton
	561378	Coin Meter	10 Moroccan Dirham
	569918	Coin Meter	0.25USD, 1USD, 0.25CAD, 1CAD, 2CAD; Electronic EMPv7
	560073	Coin Meter	0.25 USD/1 USD
	569930	Coin Meter	1CNY, 0.1MYR, 0.2MYR, 0.5MYR; Electronic EMPv7
	569927	Coin Meter	0.2AUD, 1AUD, 2AUD, 0.2NZD, 1NZD, 2NZD, 5HKD, 10HKD, 500KRW; Electronic EMPv7
	561496	Coin Meter	Jeton Grupo Azkoyen CDS Automaten
	569936	Coin Meter	1PHP, 5PHP, 10PHP; Electronic EMPv7
	569942	Coin Meter	0.1MYR, 0.2MYR, 0.5MYR, 0.5SGD, 1SGD; Electronic EMPv7
	569945	Coin Meter	1HRK, 2HRK, 5HRK; Electronic EMPv7
	569924	Coin Meter	1DKK, 2DKK, 5DKK, 10DKK, 20DKK, 1NOK, 5NOK, 10NOK, 20NOK, 0.2EUR, 0.5EUR, 1EUR, 2EUR; Electronic EMPv7
	564484	Coin Meter	Jeton 118-5
	564486	Coin Meter	Jeton Barisart (LDL)
	569961	Coin Meter	0.1EUR, 0.2EUR, 0.5EUR, 1EUR, 2EUR, jeton IPSO 5K; Electronic EMPv7
	564489	Coin Meter	Jeton Sporrong
	569970	Coin Meter	0.5MYR, jeton "DOBI PAPA"; Electronic EMPv7
	553150	Coin Meter	Jeton with hole
	553151	Coin Meter	Jeton Deton Wash
	569901	Coin Meter	Brass jeton
	569912	Coin Meter	Jeton Wassalon lavoir
	569954	Coin Meter	1PLN, 2PLN, 5PLN, 0.1EUR, 0.2EUR, 0.5EUR, 1EUR, 2EUR, 10ISK, 50ISK, 100ISK; Electronic EMPv7
	569967	Coin Meter	0.1EUR, 0.2EUR, 0.5EUR, 1EUR, 2EUR, jeton G-FIS "LAVOIR BIANCA"; Electronic EMPv7
	569973	Coin Meter	1AUD, 2AUD, jeton "No Cash Value"; Electronic EMPv7
	569979	Coin Meter	0.5MYR, jeton "BUBBLELAB"; Electronic EMPv7
	569987	Coin Meter	Jeton HAUCK 2018
	569998	Coin Meter	100+500 ISK
	572301	Coin Meter	Token 118-16
	572304	Coin Meter	1ILS, 2ILS, 5ILS, 10ILS; Electronic EMPv7
	572307	Coin Meter	1ZAR, 2ZAR, 5ZAR; Electronic EMPv7
	572310	Coin Meter	5RUB, 10RUB; Electronic EMPv7
	572313	Coin Meter	50CLP, 100CLP, 500CLP; Electronic EMPv7
	572317	Coin Meter	100JPY, 500JPY, 10TWD, 50TWD; Electronic EMPv7
	572320	Coin Meter	0.5GEL, 1GEL, 2GEL; Electronic EMPv7
	572323	Coin Meter	0.2 EUR, 0.5EUR, 1EUR, 2EUR, Jeton 7K; Electronic EMPv7
	579812	Coin Meter	20HUF, 50HUF, 100HUF, 200HUF; Electronic EMPv7
	SP547637	Coin Meter	5DK + 10DK

Coin Meter - AF, FX, HX, LY, MWF and PY Models (Drawing 4 of 4)



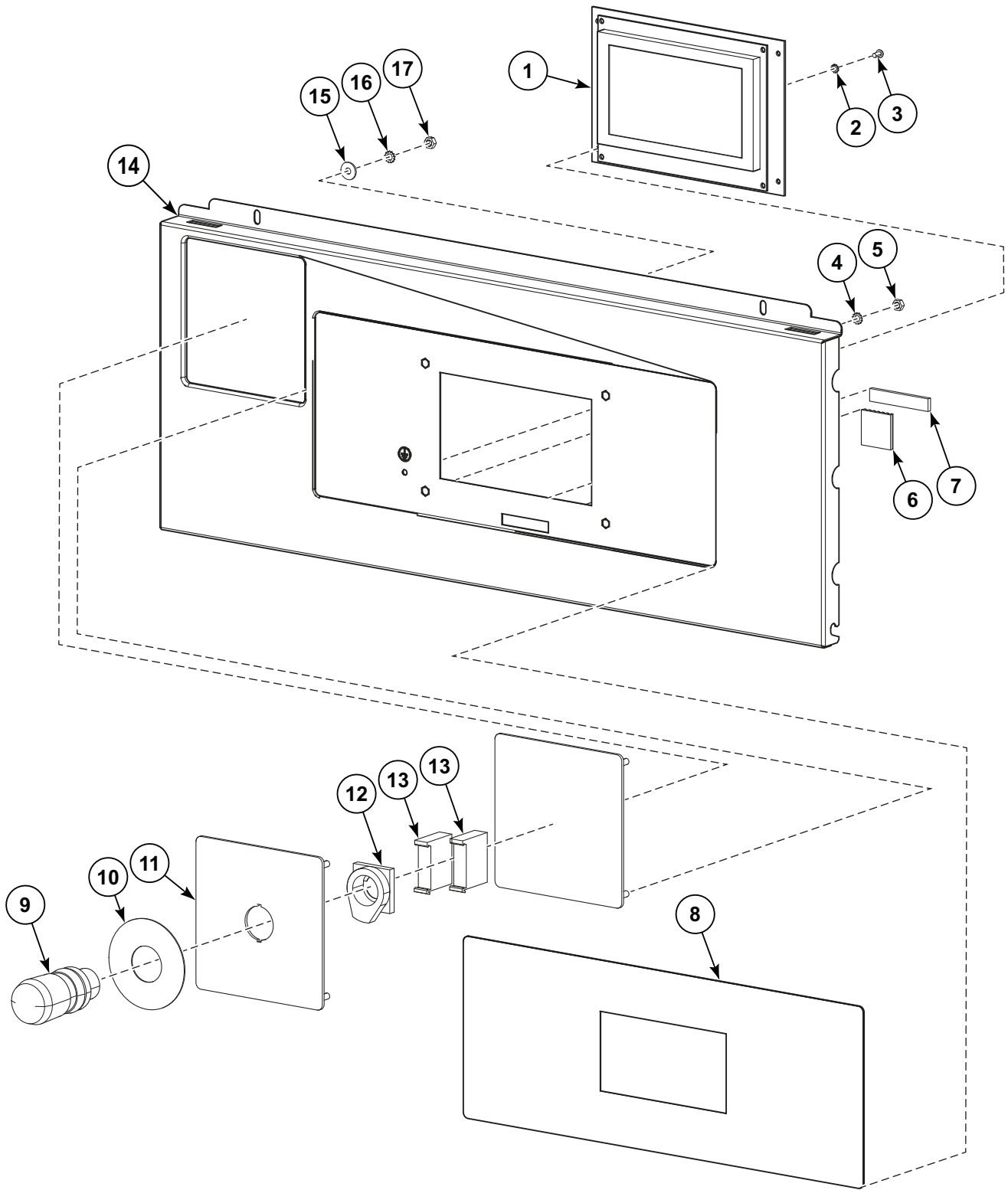
CZT185P_D2409

Coin Meter - AF, FX, HX, LY, MWF and PY Models (Drawing 4 of 4)

REF	PART NO.	DESCRIPTION	COMMENTS
1	572339	Coin Meter	Getton Jeton (26mm diameter x 1.7mm)
	572342	Coin Meter	Token WH121
	579808	Coin Meter	1EAD, 1TK, 2TK; Electronic EMPv7
	579812	Coin Meter	20 HUF, 50HUF, 100HUF, 200HUF; 1TK, 2TK, Jeton; Electronic EMPv7
	572383	Coin Meter	0.2CHF, 0.5CHF, 1CHF, 2CHF; 1TK, 2TK Jeton; Electronic EMPv7
	572391	Coin Meter	0.25CAD
	572358	Coin Meter	1THB, 2THB, 5THB, 10THB; 1TK, 2TK Jeton; Electronic EMPv7

Control Panel OPL - AF, IY and NY Models

Models with G, H, J or K in 13th Position except Models with V in 7th Position



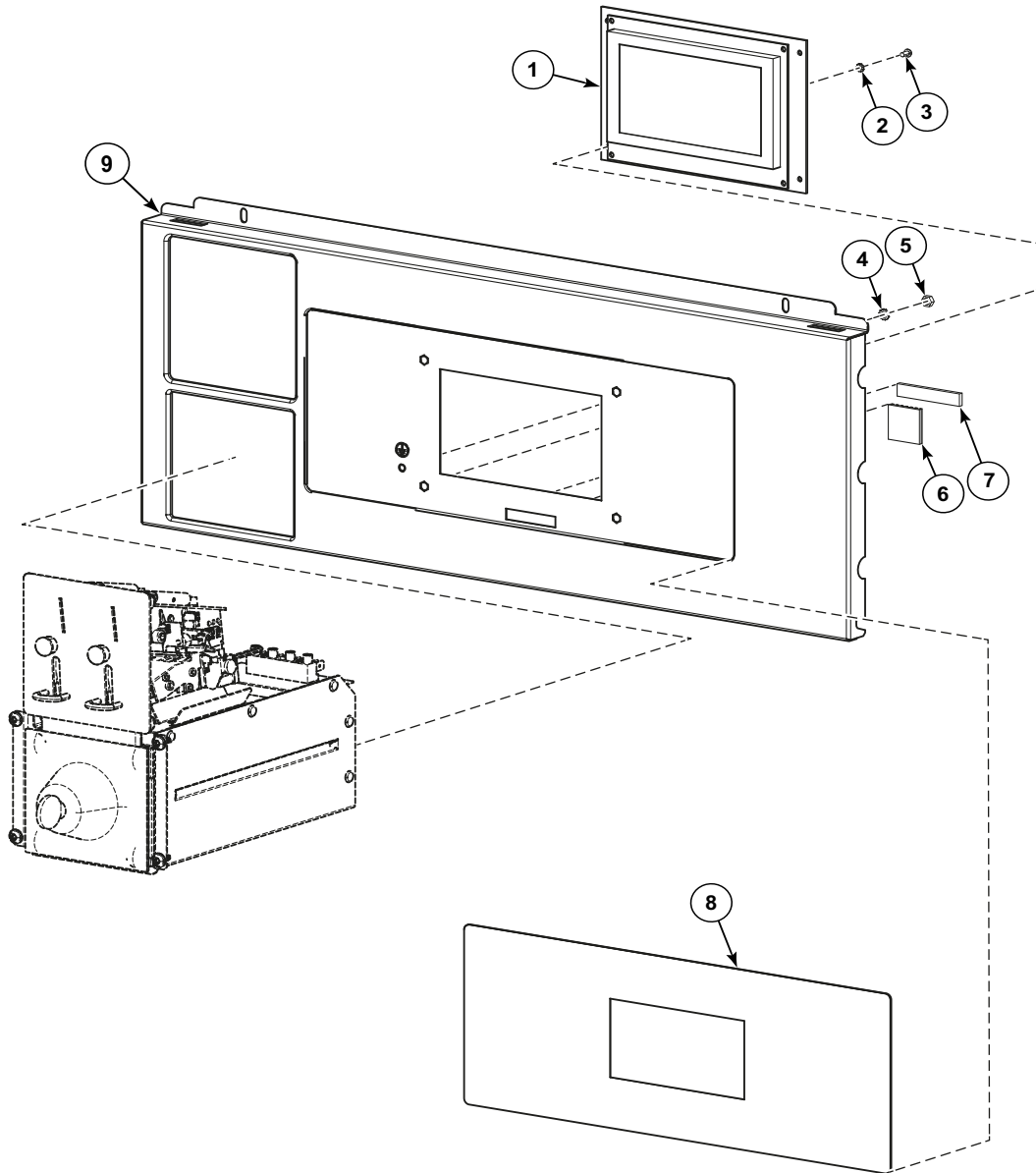
CZW284P_D2409

Control Panel OPL - AF, IY and NY Models

REF	PART NO.	DESCRIPTION	COMMENTS
1	SP553419	Control Board	IY models; MC7
	553411	Control Board	AF and NY Models; MC7
2	SP311679800003	Washer	M3
3	SP309798500306	Bolt	M3x6
4	SP311679800004	Washer	M4
5	SP310934000004	Nut	M4
6	SP550115	Fastener	
7	SP284000012003	Tape	
8	SP557565	Keyboard	IY models; Aries Elite
	SP557566	Keyboard	IY models; Aries
	547087	Keyboard	AF and NY Models; Professional; Black
	547088	Keyboard	AF and NY Models; Basic; Black
	560748	Keyboard	Without logo; With numeric keypad
	560747	Keyboard	Without logo; Without numeric keypad
9	SP528310	Emergency Stop Knob	Used with SP520032 Emergency Stop Wiring
10	SPPRI551005248	Emergency Stop Label	
11	567924	Coin Meter Cover	
12	SP528311	Emergency Stop Connector	
13	SP528312	Switching Unit	
14	573064	Control Panel	
15	SP311902100004	Washer	M4
16	SP311679800004	Washer	M4
17	SP310934000004	Nut	M4

Control Panel Vended - AF, IY and NY Models

Models with G, H, J or K in 13th Position except Models with V in 7th Position



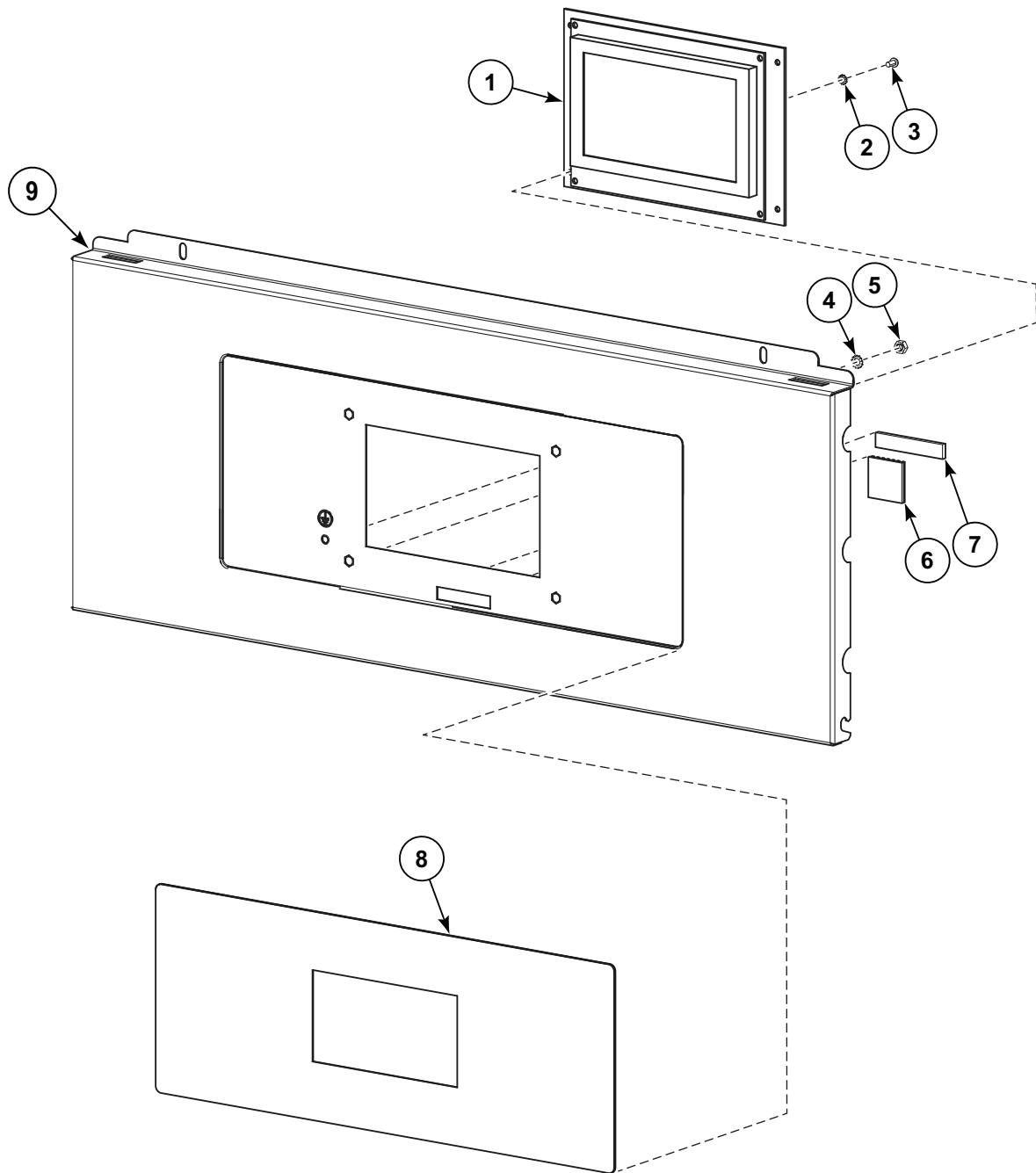
CZW285P_D2409

Control Panel Vended - AF, IY and NY Models

REF	PART NO.	DESCRIPTION	COMMENTS
1	SP553419	Control Board	IY models; MC7
	553411	Control Board	AF and NY Models; MC7
2	SP311679800003	Washer	M3
3	SP309798500306	Bolt	M3x6
4	SP311679800004	Washer	M4
5	SP310934000004	Nut	M4
6	SP550115	Fastener	
7	SP284000012003	Tape	
8	SP557566	Keyboard	Aries
9	573062	Control Panel	

Control Panel for Central Payment System - AF, IY and NY Models

Models with G, H, J or K in 13th Position except Models with V in 7th Position



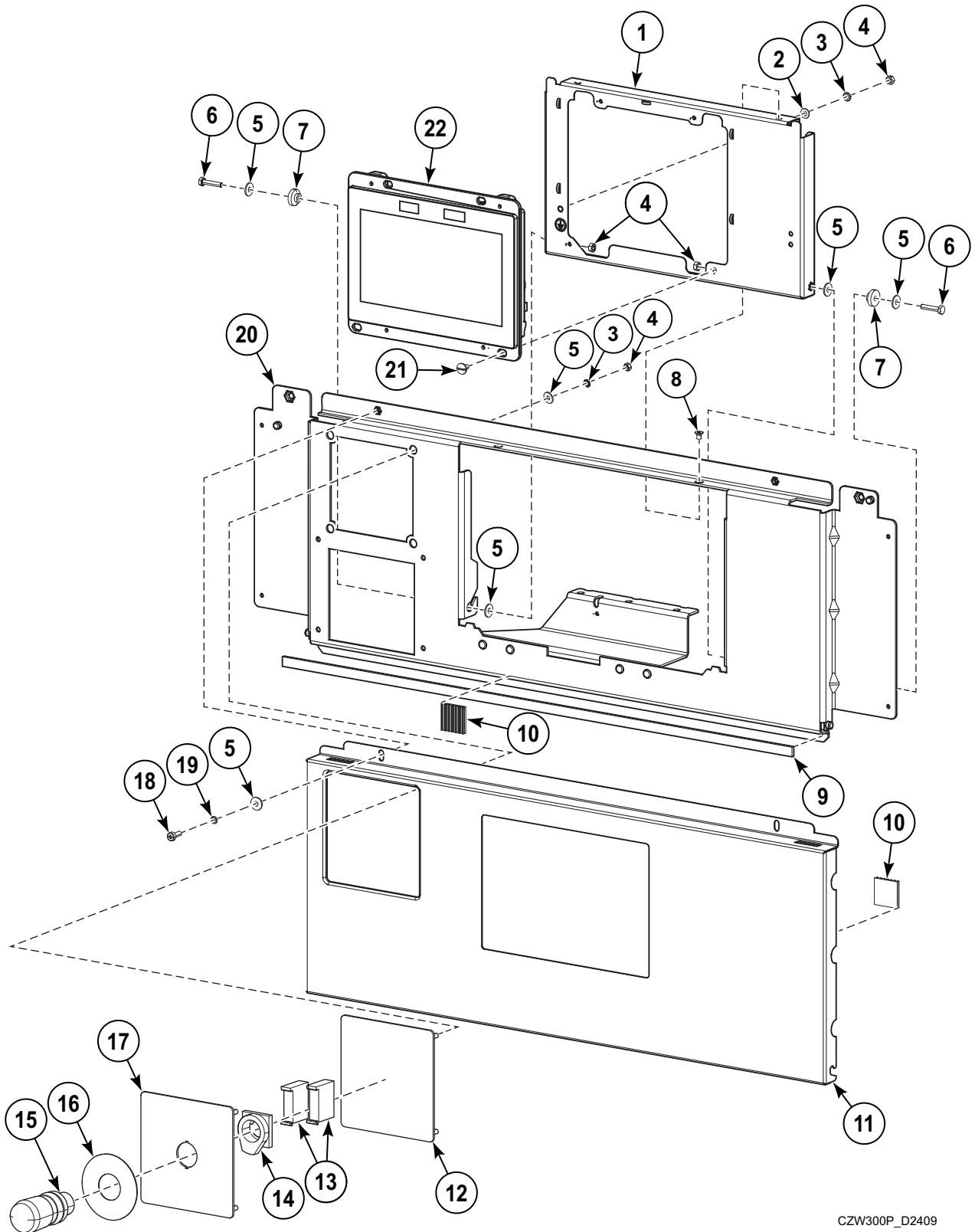
CZW286P_D2409

Control Panel for Central Payment System - AF, IY and NY Models

REF	PART NO.	DESCRIPTION	COMMENTS
1	SP553419	Control Board	IY models; MC7
	553411	Control Board	AF and NY Models; MC7
2	SP311679800003	Washer	M3
3	SP309798500306	Bolt	M3x6
4	SP311679800004	Washer	M4
5	SP310934000004	Nut	M4
6	SP550115	Fastener	
7	SP284000012003	Tape	
8	SP557566	Keyboard	Aries
9	573074	Control Panel	105 models

Control Panel OPL - AF, IY, JY and NY Models

Models with V in 7th Position



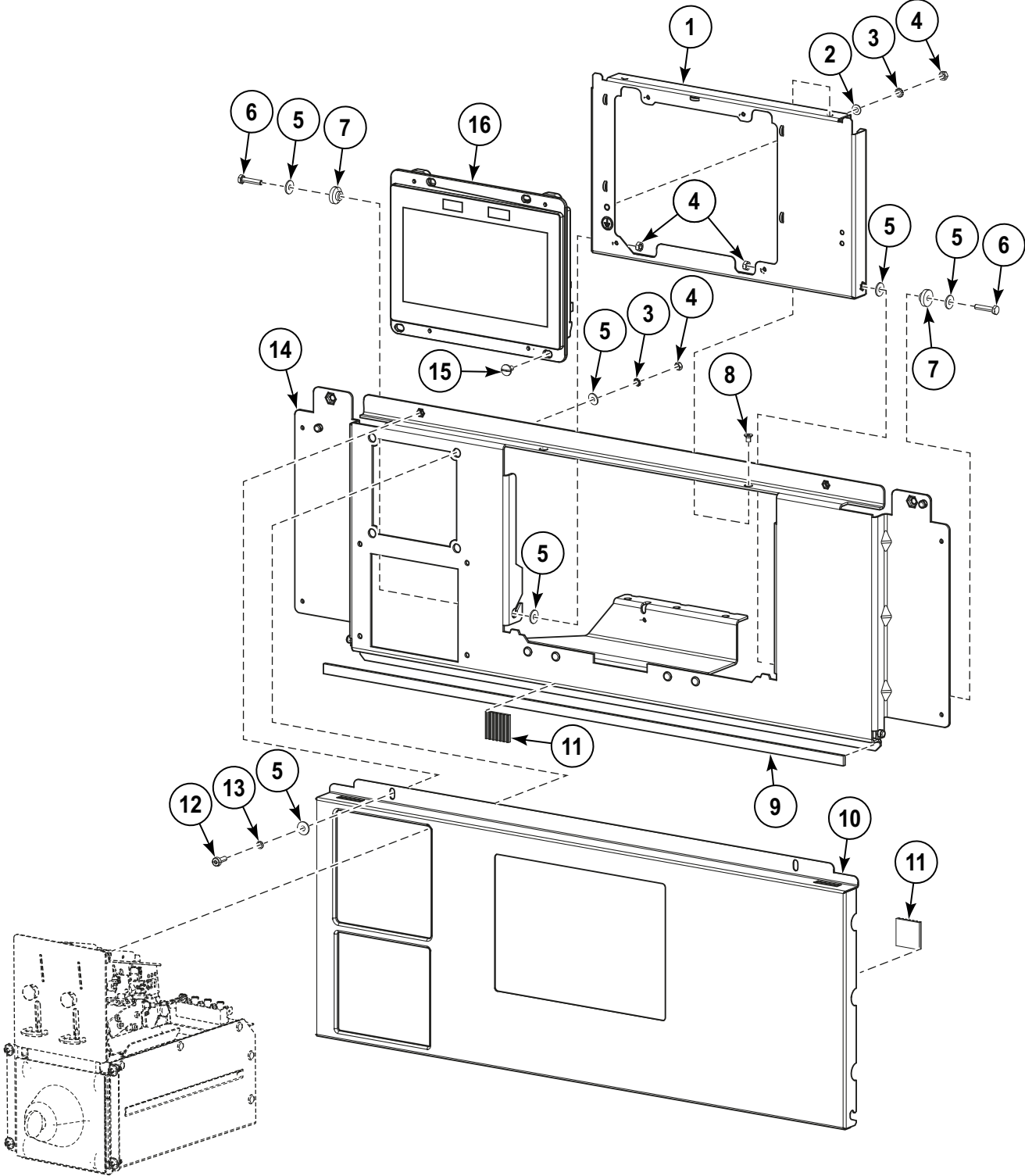
CZW300P_D2409

Control Panel OPL - AF, IY, JY and NY Models

REF	PART NO.	DESCRIPTION	COMMENTS
1	571041	Control Holder	
2	SP311125000004	Washer	M4
3	SP311679800004	Washer	M4
4	SP310934000004	Nut	M4
5	SP311902100004	Washer	M4
6	569655	Bolt	M4x25
7	SP550113	Leading Pin	
8	SP309965240408	Bolt	M4x8
9	SP284000012003	Tape	0.558m
10	SP550115	Fastener	
11	573117	Control Panel	
12	567925	Label Covering	
13	SP528312	Switching Unit	
14	SP528311	Emergency Stop Connector	
15	SP528310	Emergency Stop Knob	Used with SP520032 Emergency Stop Wiring
16	SPPRI551005248	Emergency Stop Label	
17	567924	Coin Meter Cover	
18	SP555504	Bolt	M4x12
19	SP311127000004	Washer	4
20	573025	Control Panel Frame	
21	309500240408	Bolt	M4x8
22	575632	Control	7", MC10

Control Panel Vended - AF, IY, JY and NY Models

Models with V in 7th Position



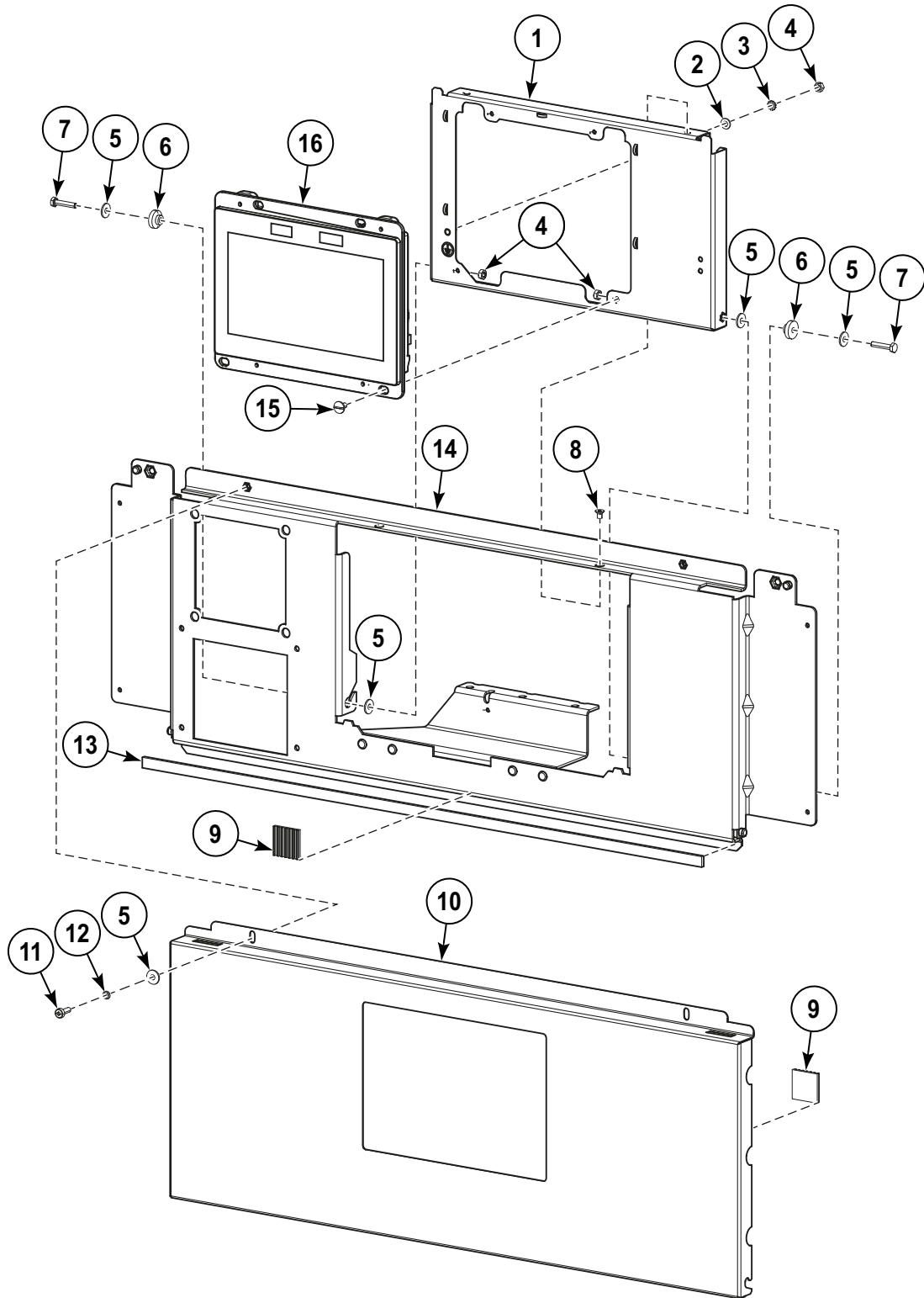
CZW301P_D2409

Control Panel Vended - AF, IY, JY and NY Models

REF	PART NO.	DESCRIPTION	COMMENTS
1	571041	Control Holder	
2	SP311125000004	Washer	M4
3	SP311679800004	Washer	M4
4	SP310934000004	Nut	M4
5	SP311902100004	Washer	M4
6	569655	Bolt	M4x25
7	SP550113	Leading Pin	
8	SP309965240408	Bolt	M4x8
9	SP284000012003	Tape	0.558m
10	573115	Control Panel	
11	SP550115	Fastener	
12	SP555504	Bolt	M4x12
13	SP311127000004	Washer	4
14	573025	Control Panel Frame	
15	309500240408	Bolt	M4x8
16	575632	Control	7", MC10

Control Panel for Central Payment System - AF, IY, JY and NY Models

Models with V in 7th Position



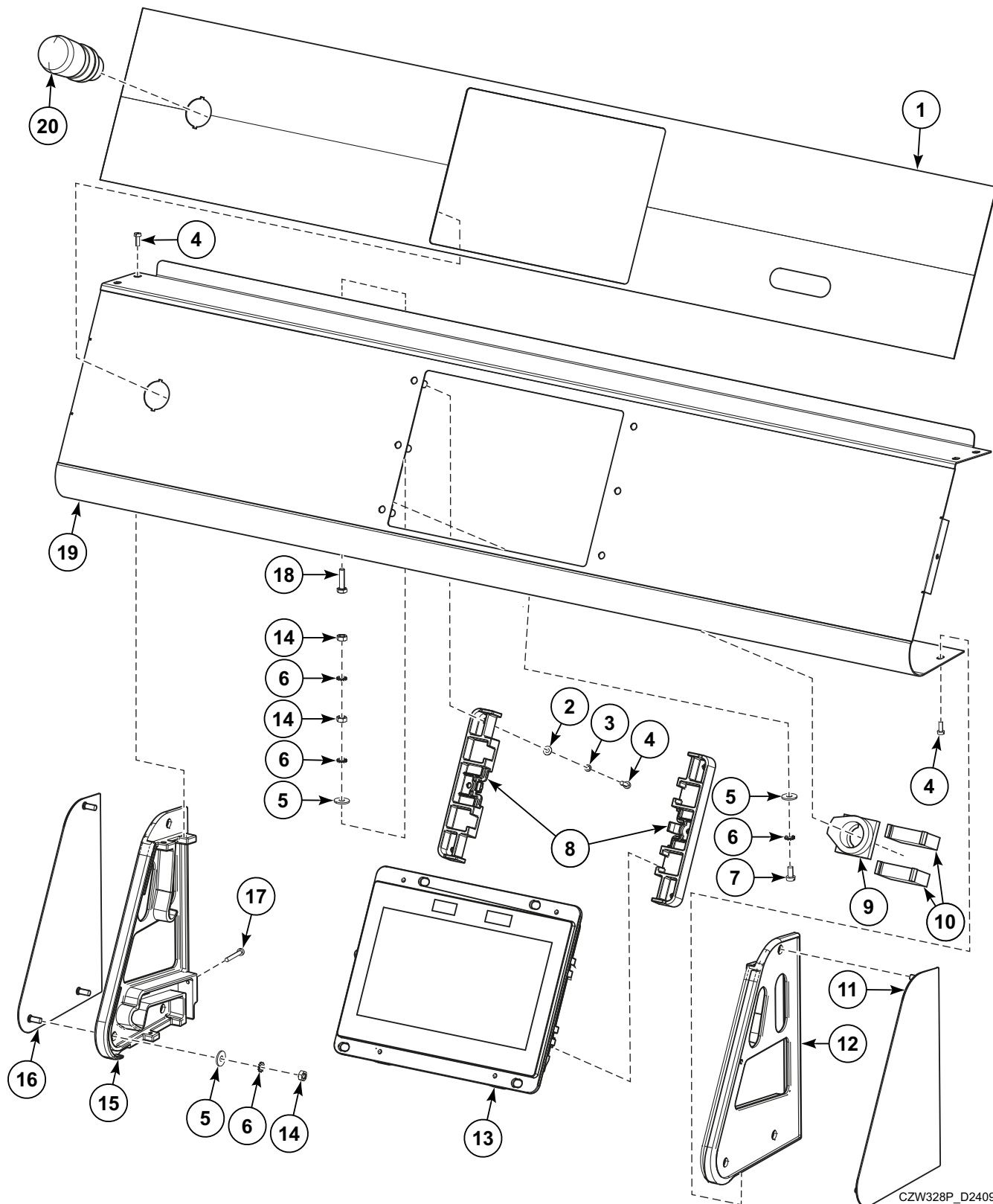
CZW302P_D2409

Control Panel for Central Payment System - AF, IY, JY and NY Models

REF	PART NO.	DESCRIPTION	COMMENTS
1	571041	Control Holder	
2	SP311125000004	Washer	M4
3	SP311679800004	Washer	M4
4	SP310934000004	Nut	M4
5	SP311902100004	Washer	M4
6	SP550113	Leading Pin	
7	569655	Bolt	M4x25
8	SP309965240408	Bolt	M4x8
9	SP550115	Fastener	
10	573119	Control Panel	
11	SP555504	Bolt	M4x12
12	SP311127000004	Washer	4
13	SP284000012003	Tape	0.558m
14	573025	Control Panel Frame	
15	309500240408	Bolt	M4x8
16	575632	Control	7", MC10

Control Panel OPL - FX and PY Models

Models with V in 7th Position Through Serial No. 105FX013726SF



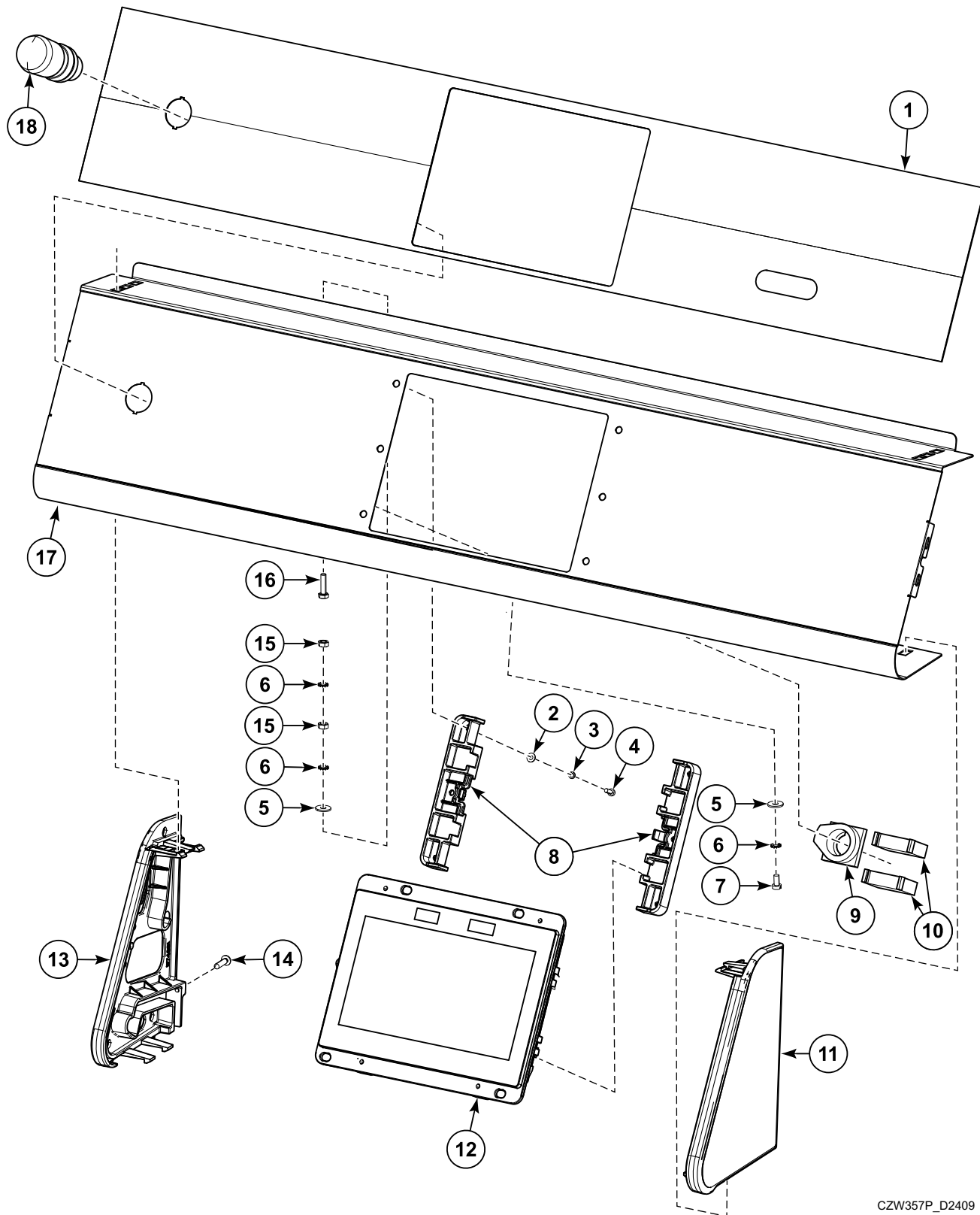
CZW328P_D2409

Control Panel OPL - FX and PY Models

REF	PART NO.	DESCRIPTION	COMMENTS
1	573927	Overlay	
	574217	Overlay	OEM
2	SP311125000003	Washer	M3
3	SP311127000003	Washer	3
4	SP309084000308	Bolt	M3x8
5	SP311902100004	Washer	M4
6	SP311679800004	Washer	M4
7	SP309084000408	Bolt	M4x8
8	573929	Sidewall	
9	SP528311	Emergency Stop Connector	
10	SP528312	Switching Unit	
11	572586	Sidewall	Right
12	572572	Sidewall	Right
13	575632	Control	7", MC10
14	SP310934000004	Nut	M4
15	572571	Sidewall	Left
16	572588	Sidewall	Left
17	SP309084000320	Bolt	M3x20
18	SP309933000416	Bolt	M4x16
19	572582	Nose Assembly	Includes item 1 and 573930 Nut
	574235	Nose Assembly	OEM; Includes item 1 and 573930 Nut
20	SP528310	Emergency Stop Knob	Used with SP520032 Emergency Stop Wiring

Control Panel OPL - FX and PY Models

Models with V in 7th Position Starting Serial No. 105FX013727SF



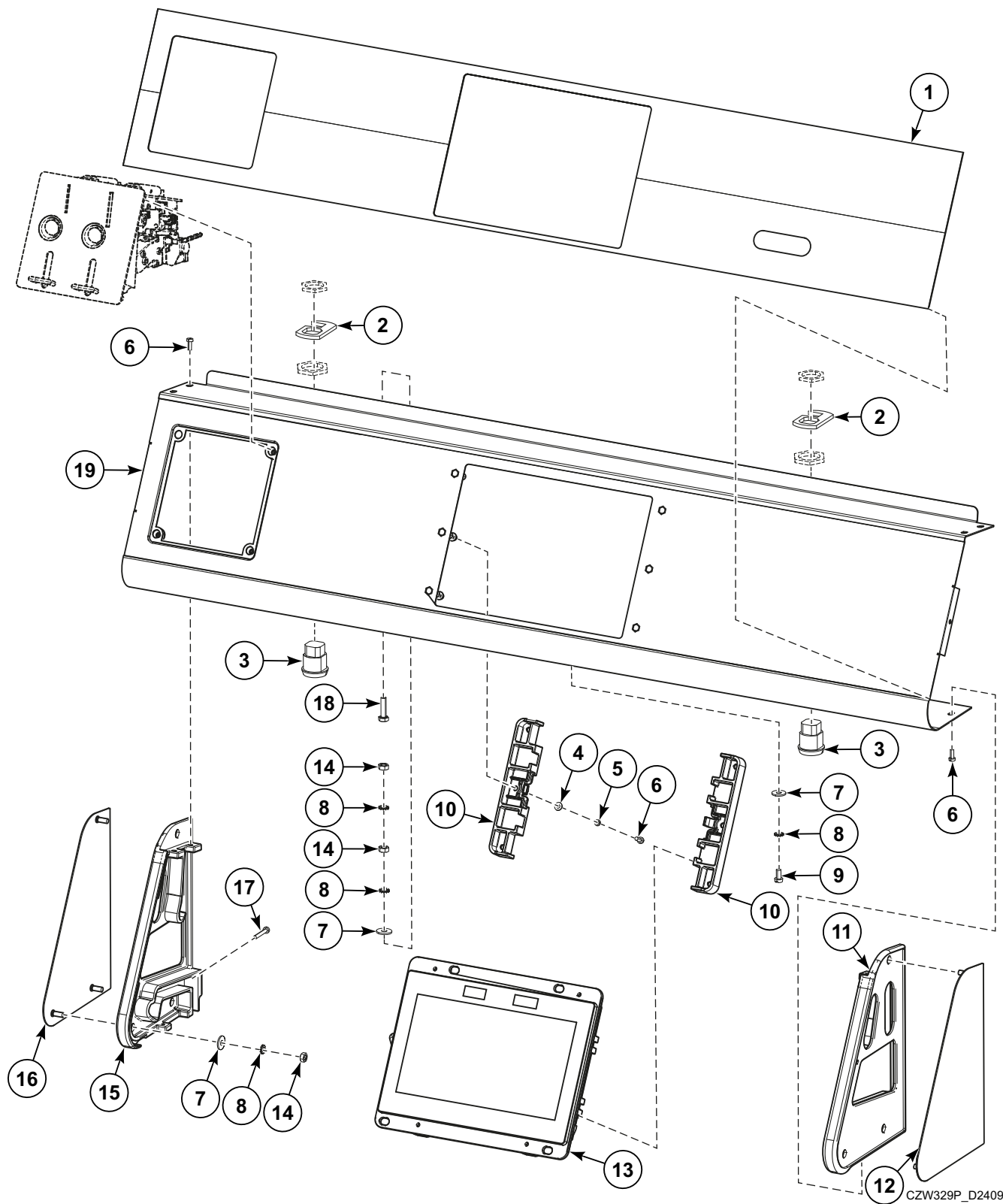
CZW357P_D2409

Control Panel OPL - FX and PY Models

REF	PART NO.	DESCRIPTION	COMMENTS
1	573927	Overlay	
	574217	Overlay	OEM
2	SP311125000003	Washer	M3
3	SP311127000003	Washer	3
4	SP309084000308	Bolt	M3x8
5	SP311902100004	Washer	M4
6	SP311679800004	Washer	M4
7	SP309084000408	Bolt	M4x8
8	573929	Sidewall	
9	SP528311	Emergency Stop Connector	
10	SP528312	Switching Unit	
11	576070	Sidewall	Right
12	575632	Control	7", MC10
13	576069	Sidewall	Left
14	SP520407	Screw	
15	SP310934000004	Nut	M4
16	SP309933240412	Bolt	M4x12
17	576034	Nose Assembly	Includes item 1 and 573930 Nut
	576043	Nose Assembly	OEM; Includes item 1 and 573930 Nut
18	SP528310	Emergency Stop Knob	Used with SP520032 Emergency Stop Wiring

Control Panel Vended - FX and PY Models

Models with V in 7th Position Through Serial No. 105FX013726SF

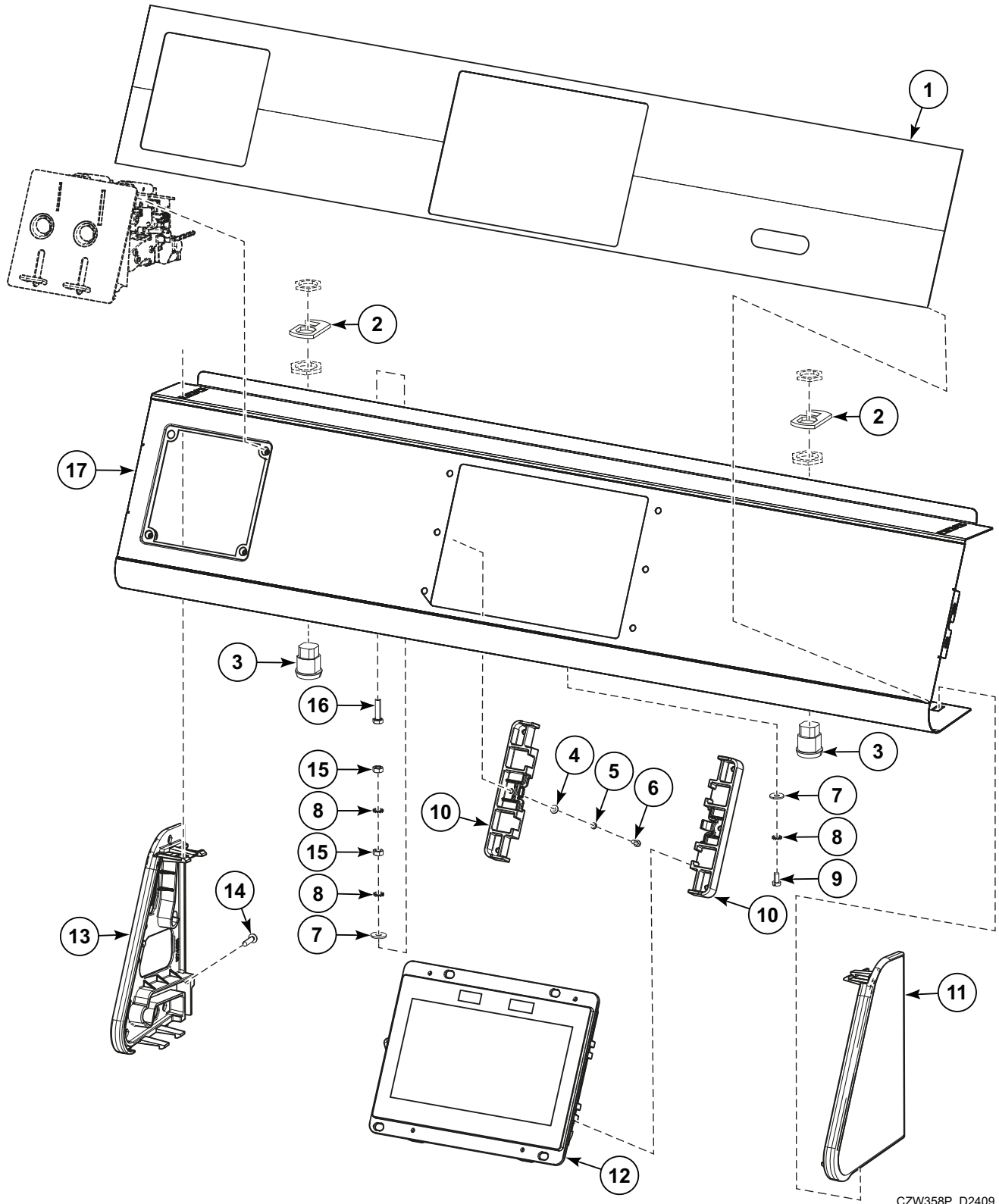


Control Panel Vended - FX and PY Models

REF	PART NO.	DESCRIPTION	COMMENTS
	SP520033	Emergency Stop Interconnection	
1	573936	Overlay	
	574220	Overlay	OEM
2	SPPRI610002007	Hook Lock	
3	SP547527	Lock	Includes Nuts – 2 pieces
	SP550616	Key	Used with SP547527 Lock
4	SP311125000003	Washer	M3
5	SP311127000003	Washer	3
6	SP309084000308	Bolt	M3x8
7	SP311902100004	Washer	M4
8	SP311679800004	Washer	M4
9	SP309084000408	Bolt	M4x8
10	573929	Sidewall	
11	572572	Sidewall	Right
12	572586	Sidewall	Right
13	575632	Control	7", MC10
14	SP310934000004	Nut	M4
15	572571	Sidewall	Left
16	572588	Sidewall	Left
17	SP309084000320	Bolt	M3x20
18	SP309933000416	Bolt	M4x16
19	574126	Nose Assembly	Includes item 1 and 573930 Nut
	574238	Nose Assembly	OEM; Includes item 1 and 573930 Nut

Control Panel Vended - FX and PY Models

Models with V in 7th Position Starting Serial No. 105FX013727SF



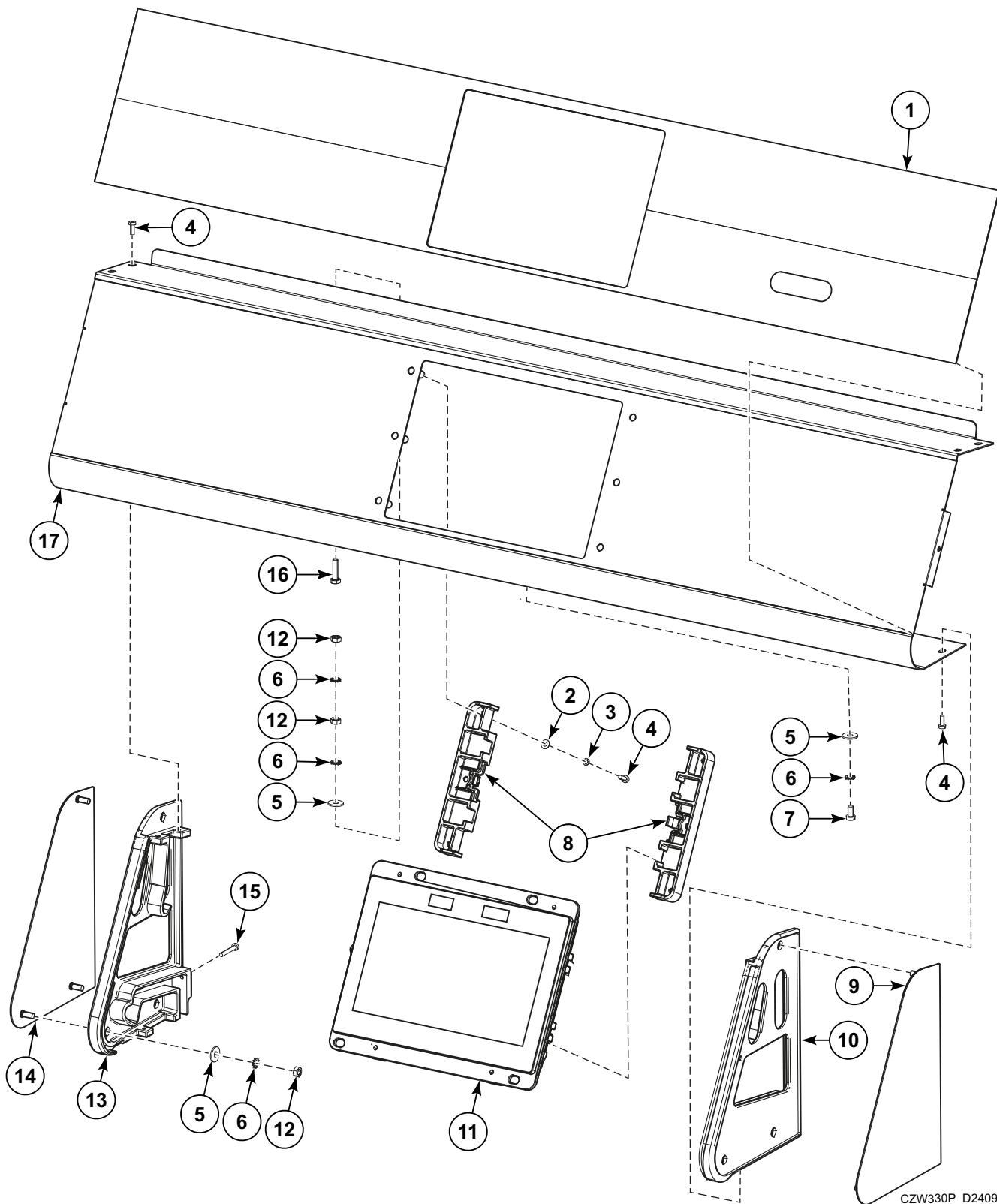
CZW358P_D2409

Control Panel Vended - FX and PY Models

REF	PART NO.	DESCRIPTION	COMMENTS
	SP520033	Emergency Stop Interconnection	
1	573936	Overlay	
	574220	Overlay	OEM
2	SPPRI610002007	Hook Lock	
3	SP547527	Lock	Includes Nuts – 2 pieces
	SP550616	Key	Used with SP547527 Lock
4	SP311125000003	Washer	M3
5	SP311127000003	Washer	3
6	SP309084000308	Bolt	M3x8
7	SP311902100004	Washer	M4
8	SP311679800004	Washer	M4
9	SP309084000408	Bolt	M4x8
10	573929	Sidewall	
11	576070	Sidewall	Right
12	575632	Control	7", MC10
13	576069	Sidewall	Left
14	SP520407	Screw	
15	SP310934000004	Nut	M4
16	SP309933240412	Bolt	M4x12
17	576037	Nose Assembly	Includes item 1 and 573930 Nut
	576046	Nose Assembly	OEM; Includes item 1 and 573930 Nut

Control Panel for Central Payment System - FX and PY Models

Models with V in 7th Position Through Serial No. 105FX013726SF



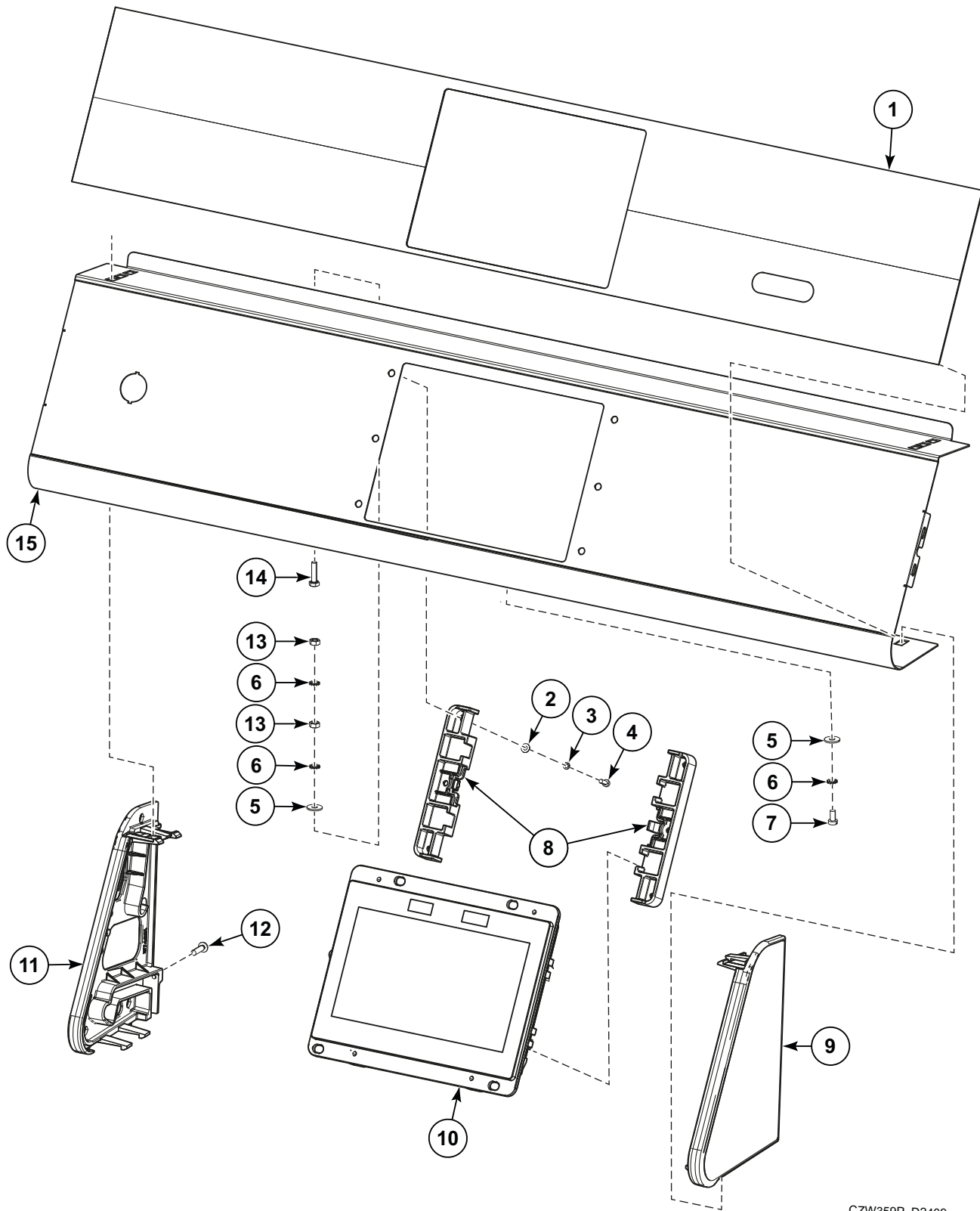
CZW330P_D2409

Control Panel for Central Payment System - FX and PY Models

REF	PART NO.	DESCRIPTION	COMMENTS
	571485	Emergency Stop Interconnection	
1	573951	Overlay	
	574223	Overlay	OEM
2	SP311125000003	Washer	M3
3	SP311127000003	Washer	3
4	SP309084000308	Bolt	M3x8
5	SP311902100004	Washer	M4
6	SP311679800004	Washer	M4
7	SP309084000408	Bolt	M4x8
8	573929	Sidewall	
9	572586	Sidewall	Right
10	572572	Sidewall	Right
11	575632	Control	7", MC10
12	SP310934000004	Nut	M4
13	572571	Sidewall	Left
14	572588	Sidewall	Left
15	SP309084000320	Bolt	M3x20
16	SP309933000416	Bolt	M4x16
17	573954	Nose Assembly	Includes item 1 and 573930 Nut
	574241	Nose Assembly	OEM; Includes item 1 and 573930 Nut

Control Panel for Central Payment System - FX and PY Models

Models with V in 7th Position Starting Serial No. 105FX013727SF

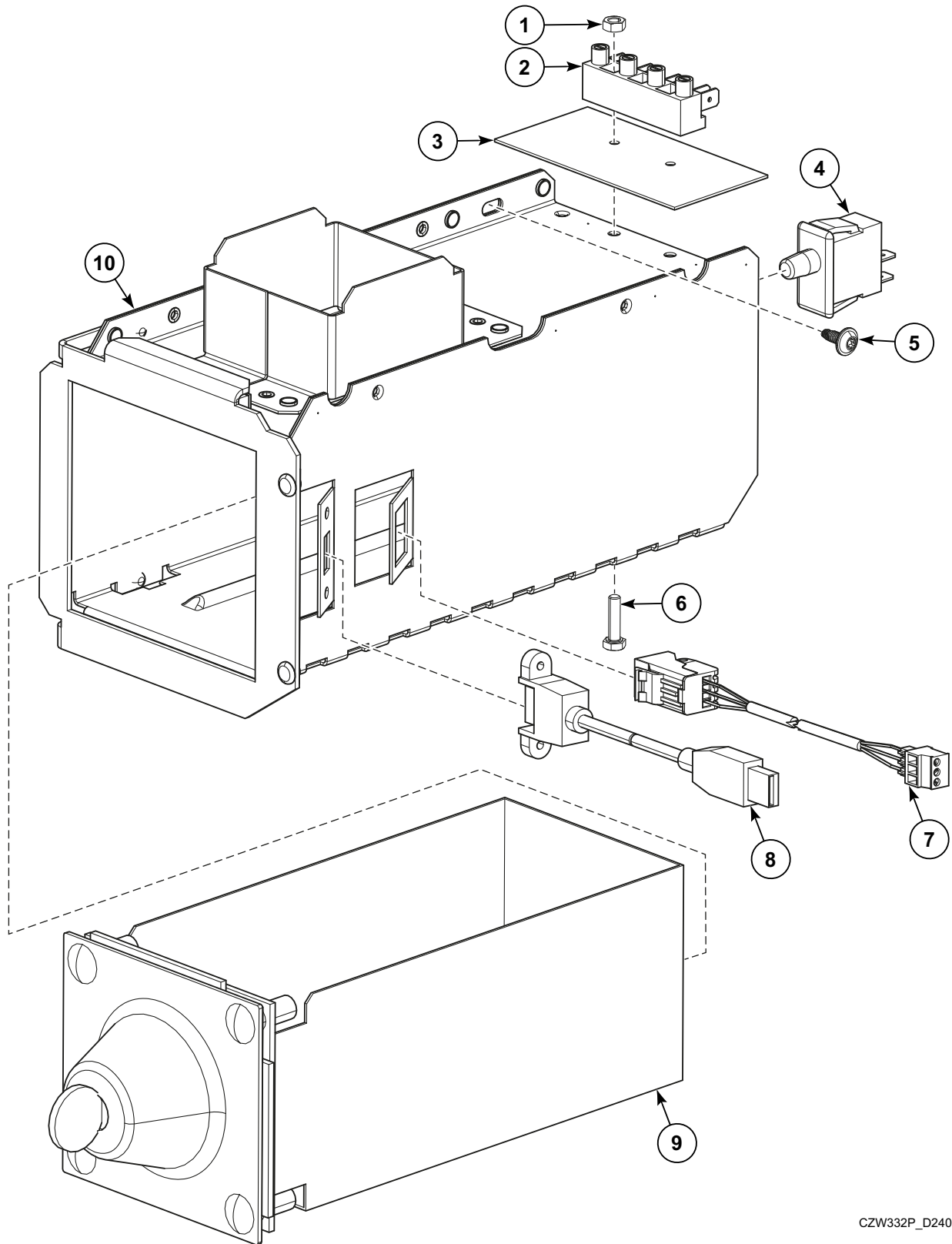


CZW359P_D2409

Control Panel for Central Payment System - FX and PY Models

REF	PART NO.	DESCRIPTION	COMMENTS
	571485	Emergency Stop Interconnection	
1	573951	Overlay	
	574223	Overlay	OEM
2	SP311125000003	Washer	M3
3	SP311127000003	Washer	3
4	SP309084000308	Bolt	M3x8
5	SP311902100004	Washer	M4
6	SP311679800004	Washer	M4
7	SP309084000408	Bolt	M4x8
8	573929	Sidewall	
9	576070	Sidewall	Right
10	575632	Control	7", MC10
11	576069	Sidewall	Left
12	SP520407	Screw	
13	SP310934000004	Nut	M4
14	SP309933240412	Bolt	M4x12
15	576040	Nose Assembly	Includes item 1 and 573930 Nut
	576049	Nose Assembly	OEM; Includes item 1 and 573930 Nut

Coin Meter Box - All Models Except AF, IY and NY Models with V in 7th Position or G, H, J or K in 13th Position.



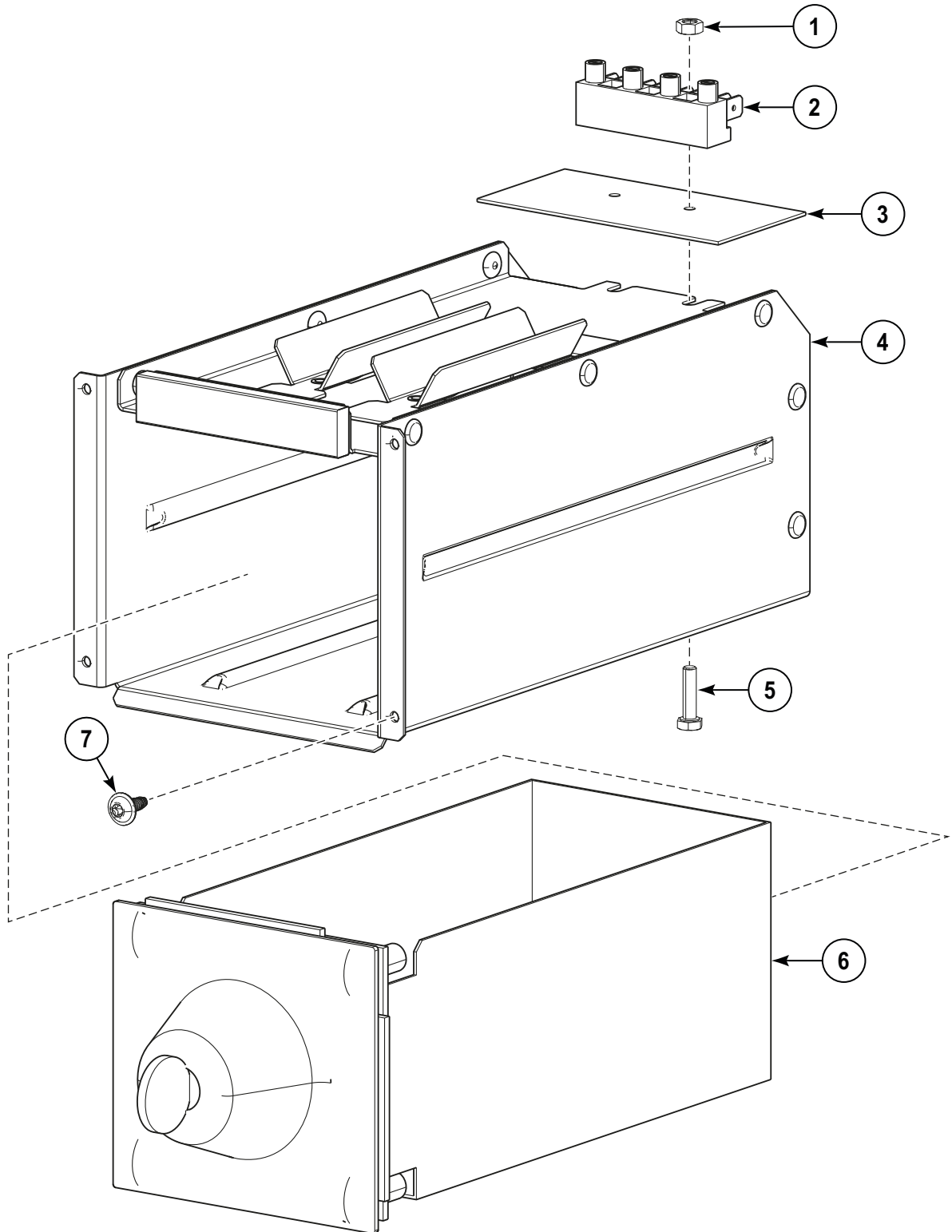
CZW332P_D2409

Coin Meter Box - All Models Except AF, IY and NY Models with V in 7th Position or G, H, J or K in 13th Position.

REF	PART NO.	DESCRIPTION	COMMENTS
1	SP310934000004	Nut	M4
2	SPPRI350000007	Terminal Board	
3	SPPRI350012007	Isolation Paper	
4	N/A	Microswitch	
5	SP529206	Screw	4x11
6	SP309933000416	Bolt	M4x16
7	SP545234	Cable	With connectors; RS485
8	569668	USB Cable	
9	SP102532	Coin Meter Box	
	100498	Coin Meter Box	Large
10	571049	Coin Meter Case	
	571055	Coin Meter Case	Large

N/A = Part no longer available

Coin Meter Box - AF, IY and NY Models with V in 7th Position or G, H, J or K in 13th Position



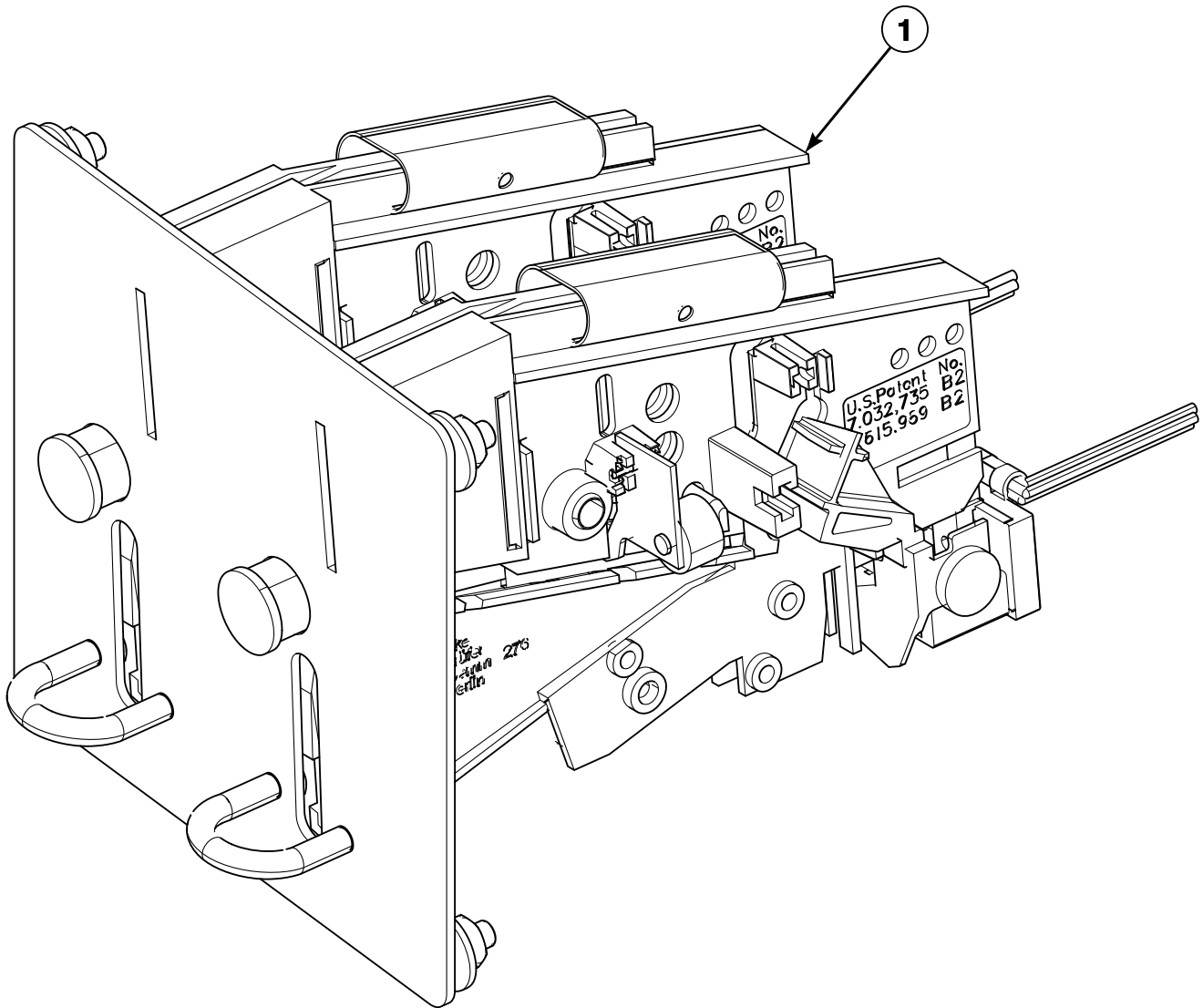
CZW287P_D2409

Coin Meter Box - AF, IY and NY Models with V in 7th Position or G, H, J or K in 13th Position

REF	PART NO.	DESCRIPTION	COMMENTS
1	SP310934000004	Nut	M4
2	SPPRI350000007	Terminal Board	
3	SPPRI350012007	Isolation Paper	
4	573009	Coin Meter Case	
5	SP309933000416	Bolt	M4x16
6	568036	Coin Meter Box	
7	SP529206	Screw	4x11

Coin Meter - AF, IY and NY Models (Drawing 1 of 3)

Models with V in 7th Position or G, H, J or K in 13th Position



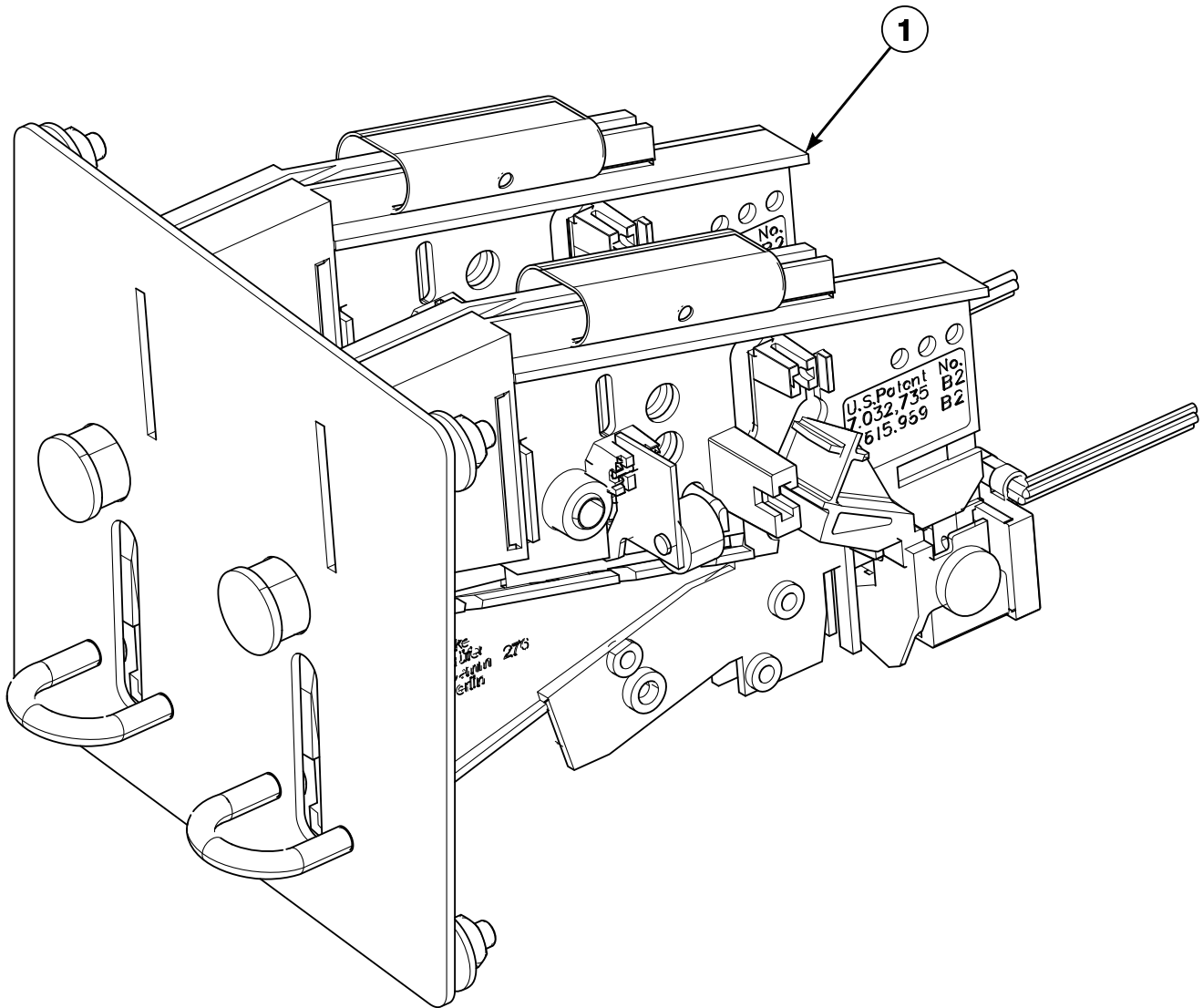
CZW233P_D2409

Coin Meter - AF, IY and NY Models (Drawing 1 of 3)

REF	PART NO.	DESCRIPTION	COMMENTS
1	SP568002	Coin Meter	GBP / EUR; Electronic EMPv7
	SP568003	Coin Meter	5K jeton
	SP568004	Coin Meter	7K jeton
	SP568005	Coin Meter	10K jeton
	SP568006	Coin Meter	12K jeton
	SP568007	Coin Meter	15K jeton
	SP568008	Coin Meter	5K jeton
	SP568009	Coin Meter	1EUR
	SP568010	Coin Meter	0.5EUR
	SP568011	Coin Meter	1EUR + 2EUR
	SP568012	Coin Meter	2EUR
	SP568013	Coin Meter	0.2EUR + 0.5EUR
	SP568014	Coin Meter	0.25EUR
	SP568015	Coin Meter	0.2EUR + 1EUR
	SP568016	Coin Meter	0.5EUR + 2EUR
	SP568017	Coin Meter	0.25EUR
	575218	Coin Meter	1 Singapore dollar
	575219	Coin Meter	1NZD and 2NZD
	575220	Coin Meter	Easy games jeton
	575221	Coin Meter	Flat polis jeton
	575222	Coin Meter	Butzi wash jeton
	575223	Coin Meter	Speedy matic jeton
	575224	Coin Meter	Laundromatic Belgium jeton; Diameter 22.3mm
	575225	Coin Meter	500WON
	575226	Coin Meter	Dobi ekspress jeton
	575227	Coin Meter	Lucky winner jeton
	575228	Coin Meter	Gettone jeton
	575229	Coin Meter	10 Taiwan dollar
	575230	Coin Meter	Electrolux Asard jeton
	575231	Coin Meter	Gettone jeton
	575232	Coin Meter	5+1 Shekel
	575233	Coin Meter	1HKD
	575234	Coin Meter	Jeton Prinz Firbitex
	575235	Coin Meter	Token Ldl Chamberland Washing Machine
	575236	Coin Meter	Token 118-5
	575237	Coin Meter	Token Barisart (Ldl)
	575238	Coin Meter	Token Rotondi
	575239	Coin Meter	Brass jeton
	575240	Coin Meter	0.5CHF + 2CHF
	575241	Coin Meter	Jeton HAUCK 2018
	575242	Coin Meter	Jeton 08 MS, diameter 24.9mm
	575243	Coin Meter	Jeton D
	575244	Coin Meter	10+50 TWD
	575245	Coin Meter	100+500 ISK
	575246	Coin Meter	Token 118-16
	575248	Coin Meter	Token Nr. 1699360

Coin Meter - AF, IY and NY Models (Drawing 2 of 3)

Models with V in 7th Position or G, H, J or K in 13th Position



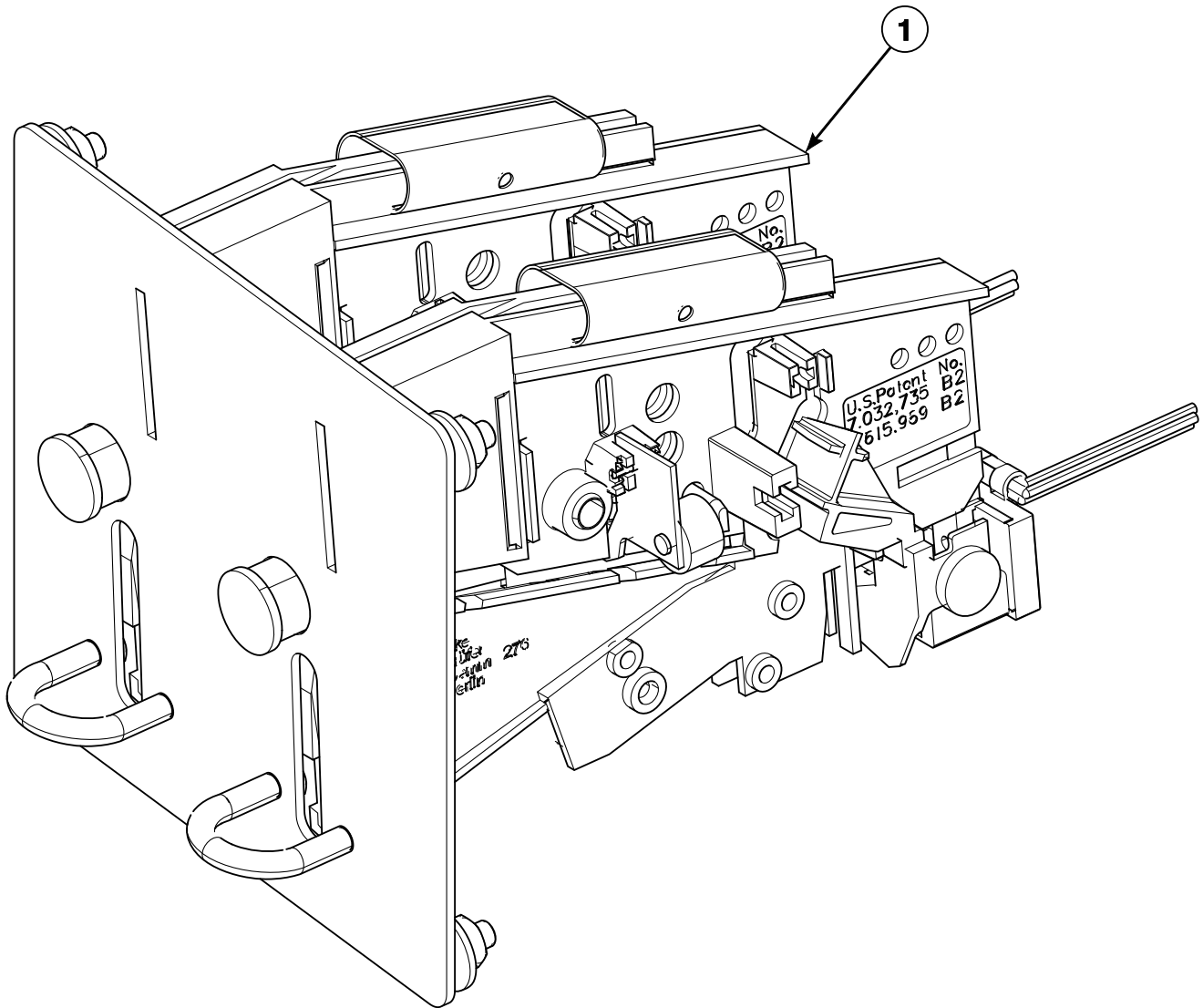
CZW233P_D2409

Coin Meter - AF, IY and NY Models (Drawing 2 of 3)

REF	PART NO.	DESCRIPTION	COMMENTS
1	575278	Coin Meter	0.25USD + 1USD
	575279	Coin Meter	0.25CAD + 1CAD
	575249	Coin Meter	0.25USD + 1USD; 0.25CAD + 1CAD + 2CAD; TK1 + TK2; Electronic EMPv7
	568002	Coin Meter	0.2GBP + 0.5GBP + 1GBP + 2GBP; 0.1EUR + 0.2EUR + 0.5EUR + 1EUR + 2EUR; TK1 + TK2; Electronic EMPv7
	575250	Coin Meter	1DKK + 2DKK + 5DKK + 10DKK + 20DKK; 1NOK + 5NOK + 10NOK + 20NOK; 0.2EUR + 0.5EUR + 1EUR + 2EUR; TK1 + TK2; Electronic EMPv7
	575251	Coin Meter	0.2AUD + 1AUD + 2AUD; 0.2NZD + 1NZD + 2NZD; 5HKD + 10HKD; 500KRW; TK1 + TK2; Electronic EMPv7
	575252	Coin Meter	1CNY; 0.1MYR + 0.2MYR + 0.5MYR; TK1 + TK2; Electronic EMPv7
	575253	Coin Meter	0.1EUR + 0.2EUR + 0.5EUR + 1EUR + 2EUR; TK1 + TK2; Electronic EMPv7
	575254	Coin Meter	1PHP + 5PHP + 10PHP; TK1 + TK2; Electronic EMPv7
	575255	Coin Meter	0.1SGD + 0.2SGD + 0.5SGD + 1SGD; TK1 + TK2; Electronic EMPv7
	575256	Coin Meter	0.1MYR + 0.2MYR + 0.5MYR (old/new); 0.5SGD + 1SGD (old/new); TK1 + TK2; Electronic EMPv7
	575257	Coin Meter	1HRK + 2HRK + 5HRK; TK1 + TK2; Electronic EMPv7
	575258	Coin Meter	5CZK + 10CZK + 20CZK + 50CZK; Token Primus 7K; TK1 + TK2; Electronic EMPv7
	575259	Coin Meter	0.5MAD + 1MAD + 2MAD + 5MAD + 10MAD; TK1 + TK2; Electronic EMPv7
	575260	Coin Meter	1PLN + 2PLN + 5PLN; 0.1EUR + 0.2EUR + 0.5EUR + 1EUR + 2EUR; 10ISK + 50ISK + 100ISK; TK1 + TK2; Electronic EMPv7
	575261	Coin Meter	0.1EUR + 0.2EUR + 0.5EUR + 1EUR + 2EUR; jeton IPSO 5K; TK1 + TK2; Electronic EMPv7
	575262	Coin Meter	0.2GBP + 0.5GBP + 1GBP + 2GBP; 0.1EUR + 0.2EUR + 0.5EUR + 1EUR + 2EUR; TK1: jeton Gettone; TK2: jeton "KLW Aqua"; Electronic EMPv7
	575263	Coin Meter	0.1EUR + 0.2EUR + 0.5EUR + 1EUR + 2EUR, jeton G-FIS "LAVOIR BIANCA" (20x1.8); TK1 + TK2; Electronic EMPv7
	575264	Coin Meter	0.5MYR; jeton "DOBI PAPA" (22.5x2); TK1 + TK2; Electronic EMPv7
	575265	Coin Meter	1AUD + 2AUD, jeton "No Cash Value" (28.6x1.58); TK1 + TK2; Electronic EMPv7
	575266	Coin Meter	0.5MYR; jeton "BUBBLELAB"; TK1 + TK2; Electronic EMPv7
	575267	Coin Meter	1ILS + 2ILS + 5ILS + 10ILS; TK1 + TK2; Electronic EMPv7
	575268	Coin Meter	1ZAR + 2ZAR + 5ZAR; TK1 + TK2; Electronic EMPv7
	575269	Coin Meter	5RUB + 10RUB; TK1 + TK2; Electronic EMPv7
	575270	Coin Meter	50CLP + 100CLP + 500CLP; TK1 + TK2; Electronic EMPv7
	575271	Coin Meter	100JPY + 500JPY; 10TWD + 50TWD; TK1 + TK2; Electronic EMPv7
575272	Coin Meter	0.5GEL + 1GEL + 2GEL; TK1 + TK2; Electronic EMPv7	
575273	Coin Meter	0.1EUR + 0.2 EUR + 0.5EUR + 1EUR + 2EUR; Jeton 7K; TK1 + TK2; Electronic EMPv7	
575275	Coin Meter	1THB + 2THB + 5THB + 10THB; TK1 + TK2; Electronic EMPv7	
572386	Coin Meter	0.2CHF + 0.5CHF + 1CHF + 2CHF; TK1 + TK2; Electronic EMPv7	

Coin Meter - AF, IY and NY Models (Drawing 3 of 3)

Models with V in 7th Position or G, H, J or K in 13th Position



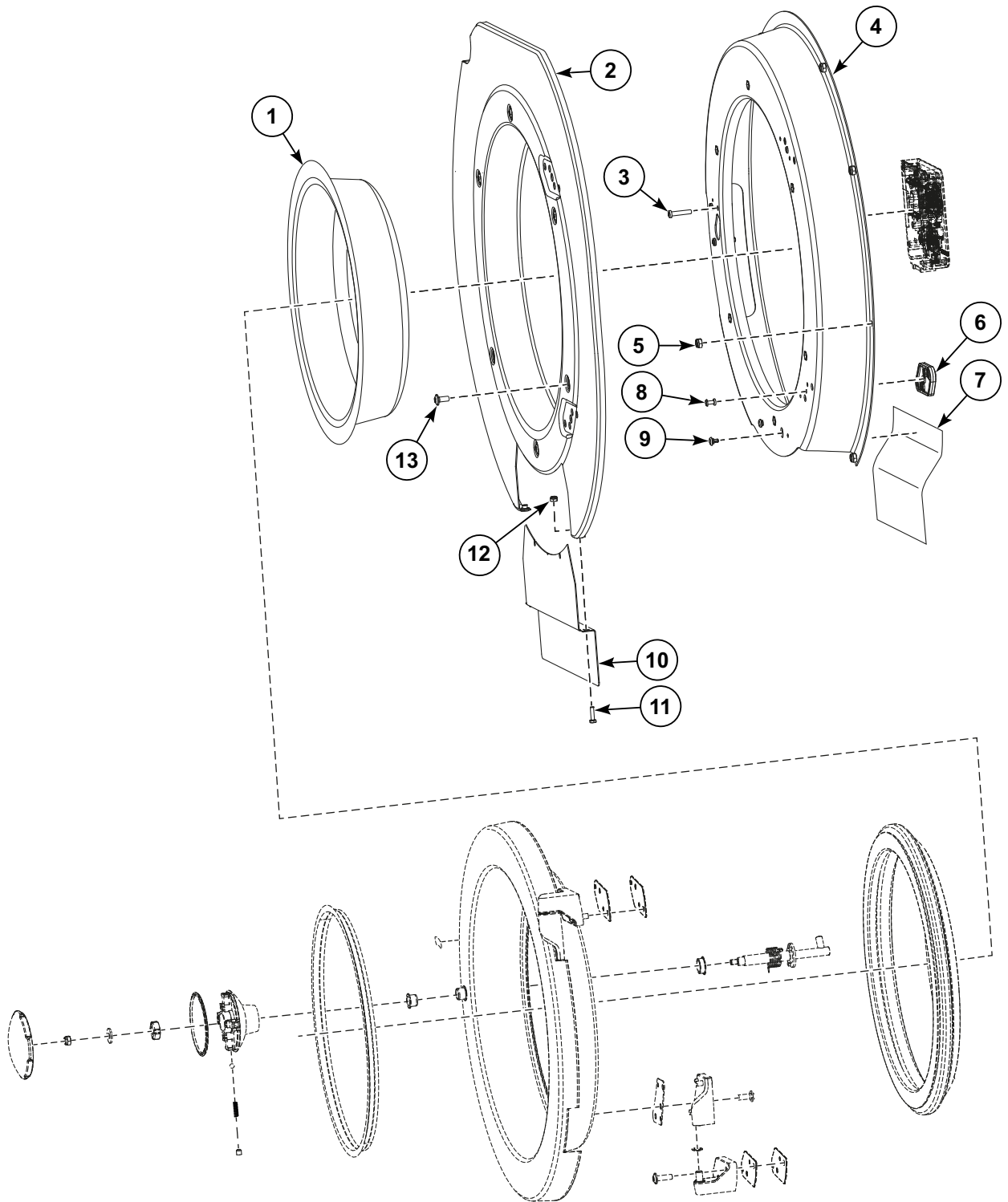
CZW233P_D2409

Coin Meter - AF, IY and NY Models (Drawing 3 of 3)

REF	PART NO.	DESCRIPTION	COMMENTS
1	575201	Coin Meter	5K PRIMUS jeton
	575202	Coin Meter	10K PRIMUS jeton
	575203	Coin Meter	STD 118-1 jeton
	575204	Coin Meter	7K PRIMUS jeton
	575205	Coin Meter	12K PRIMUS jeton
	575206	Coin Meter	15K PRIMUS jeton
	575207	Coin Meter	1AUD + 0.2AUD
	575208	Coin Meter	1POND + 20PC
	575209	Coin Meter	1POND + 50PC
	575210	Coin Meter	100YEN
	575211	Coin Meter	100YEN + 500YEN
	575212	Coin Meter	1AUD + 2AUD
	575213	Coin Meter	1AUD
	575247	Coin Meter	Token WH121
	575214	Coin Meter	20 penny
	575215	Coin Meter	50 New Malaysian cent
	575216	Coin Meter	1 Singapore dollar
	575217	Coin Meter	2x50 Malaysian cent
	579815	Coin Meter	20HUF + 50HUF + 100HUF + 200HUF; TK1 + TK2 Jeton; Electronic EMPv7; new Hungarian Forint
	579811	Coin Meter	1EAD; TK1, TK2 Jeton; Electronic EMPv7

Door (Drawing 1 of 3)

All Models; Models AF, FX, IY, J, NY, PY with V in 7th Position Starting 1 March 2021



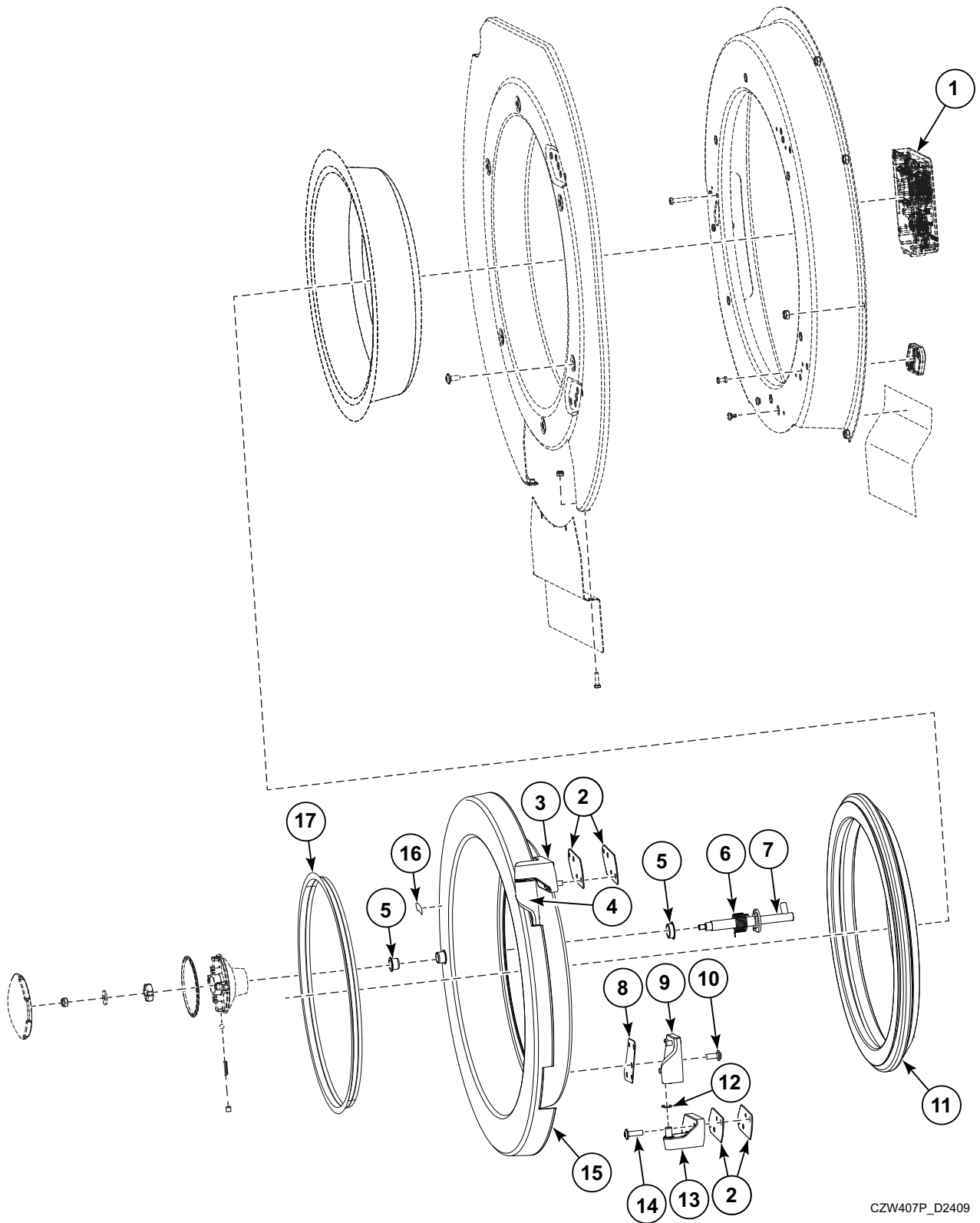
CZW370P_D2409

Door (Drawing 1 of 3)

REF	PART NO.	DESCRIPTION	COMMENTS
	SP245704003021	Adhesive	Loctite 243
	SP552454	Door Lock Wiring	MC7; North America
	SP552453	Door Lock Wiring	MC7; CE
	SP528270	Door Lock Wiring	MC6 control board; CE
	569723	Door Lock Wiring	MC10 control board; CE
	SP537896	Adhesive	Reversible
	SP245704000603	Adhesive	Loctite 603; Used with SP537854 Bolt
	568991	Service Door Kit	Includes 569353 Door Seal, 568804 Shim, 560069 Shim, PRI722000004 Plastic Protection, PRI722000001 Plastic Protection and SP345000160971 Binding Strip
1	SP556227	Door Glass	IY models; With logo
	SP562702	Door Glass	J models
	573191	Door Glass	J models with "V" in 7th position
	SP535417	Door Glass	All other models; Without logo
2	571722	Front Panel	Black
	571725	Front Panel	Stainless
3	SP556137	Bolt	M5x25
4	SP537853	Door and Lock Holder	
5	SP310985000006	Nut	M6
6	SP537849	Hinge Spacer	
7	SP552972	Cover	
8	SP547779	Rivet	4x16.7
9	SP537856	Connector	
10	SP563274	Heating Element Front Cover	Black
	568986	Heating Element Front Cover	Stainless
11	SP309084000416	Bolt	M4x16
12	SP313251002104	Nut	M4
13	SP537854	Bolt	M6x14

Door (Drawing 2 of 3)

All Models; Models AF, FX, IY, J, NY, PY with V in 7th Position Starting 1 March 2021



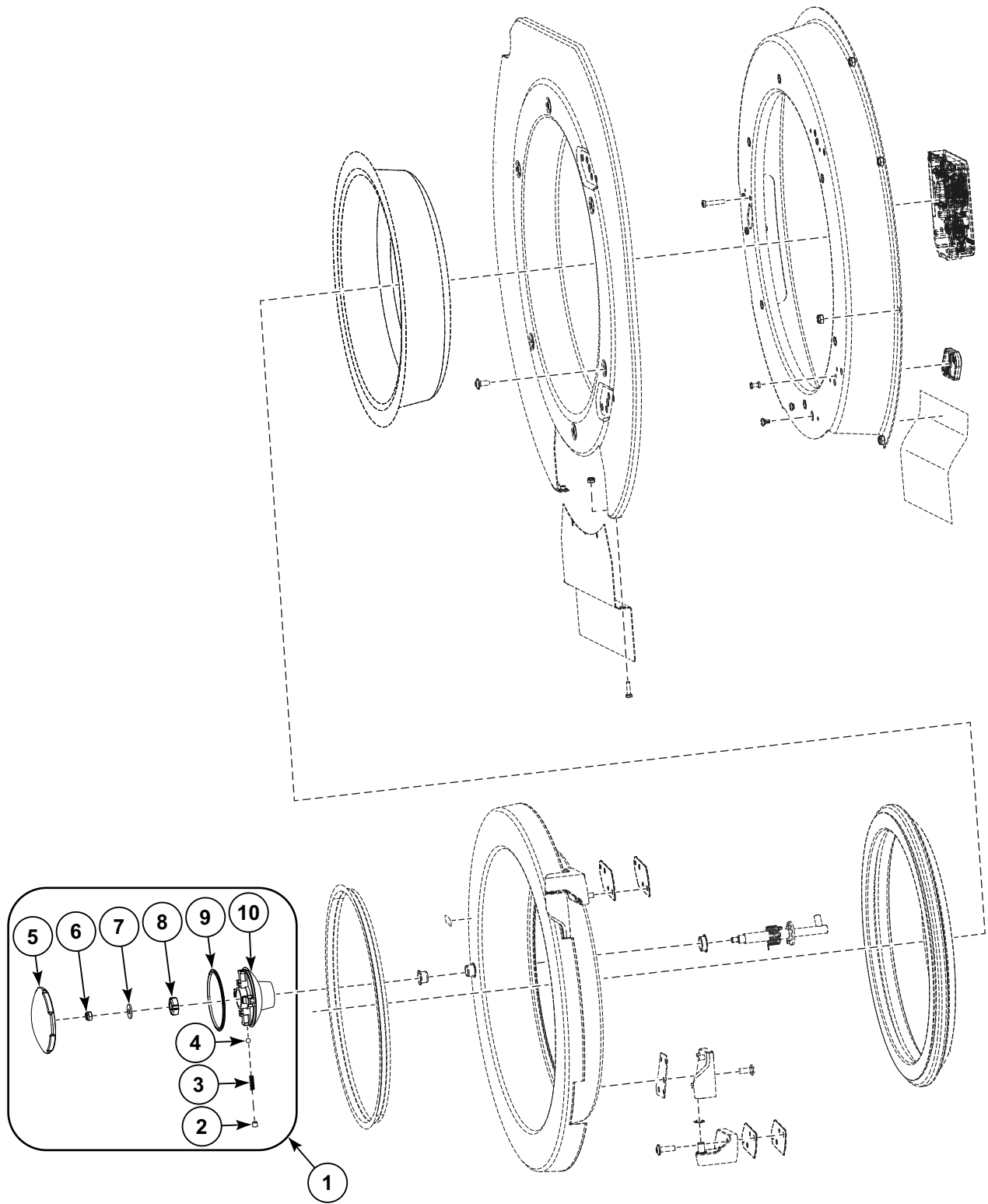
CZW407P_D2409

Door (Drawing 2 of 3)

REF	PART NO.	DESCRIPTION	COMMENTS
	F8301201	Double Check Valve	J models; CE; Used with SPPRI426001217 Pipe Nipple
	570554	Kit of Hinges	HY, SY and UY models; includes 568981, 568984 , 575962, 575965 and 571642
	570553	Kit of Hinges	AF, FX, HX, IY, JY, LY, NY, PY and QW models; includes 568979, 568982, 575960, 575963 and 571642
1	SP537760	Lock	
2	N/A	Washer	
3	568981	Fixed Upper Hinge	HY, SY and UY models
	568979	Fixed Upper Hinge	AF, FX, HX, IY, JY, LY, NY, PY and QW models
4	575962	Upper Hinge	HY, SY and UY models; with Case
	575960	Upper Hinge	AF, FX, HX, IY, JY, LY, NY, PY and QW models; with Case
5	SP529739	Casing	
6	SP535402	Handle Torsion Spring	
7	SP537933	Lock Pin	
8	SP535421	Hinge Spacer	
9	575965	Lower Hinge	HY, SY and UY models; with Case
	575963	Lower Hinge	AF, FX, HX, IY, JY, LY, NY, PY and QW models; with Case
10	SP537864	Bolt	M6x16
11	568991	Service Door Kit	
12	571642	Washer	
13	568984	Fixed Lower Hinge	HY, SY and UY models
	568982	Fixed Lower Hinge	AF, FX, HX, IY, JY, LY, NY, PY and QW models
14	SP535479	Bolt	M6x25
15	SP535426	Door	HY, SY and UY models; FX, HX, MWF, PY, QW and SW models through Serial No. 105FX010255MB; Chrome
	SP553526	Door	FX, HX, MWF, PY, QW and SW models starting Serial No. 105FX010256MB; Gray
	SP535428	Door	AF, AF Non-Brand, H, IY, J, LP, LY and NY models; Black
	568837	Door	AF, IY, JY and NY models with "G", "H", "J" or "K" in 13th Position; Black
16	SP564831	Label	Door Lock; Vended; North America
17	SP562546	Rim	IY models with "G", "H", "J" or "K" in 13th Position
	573188	Rim	J models with "V" in 7th Position

Door (Drawing 3 of 3)

All Models; Models AF, FX, IY, J, NY, PY with V in 7th Position Starting 1 March 2021



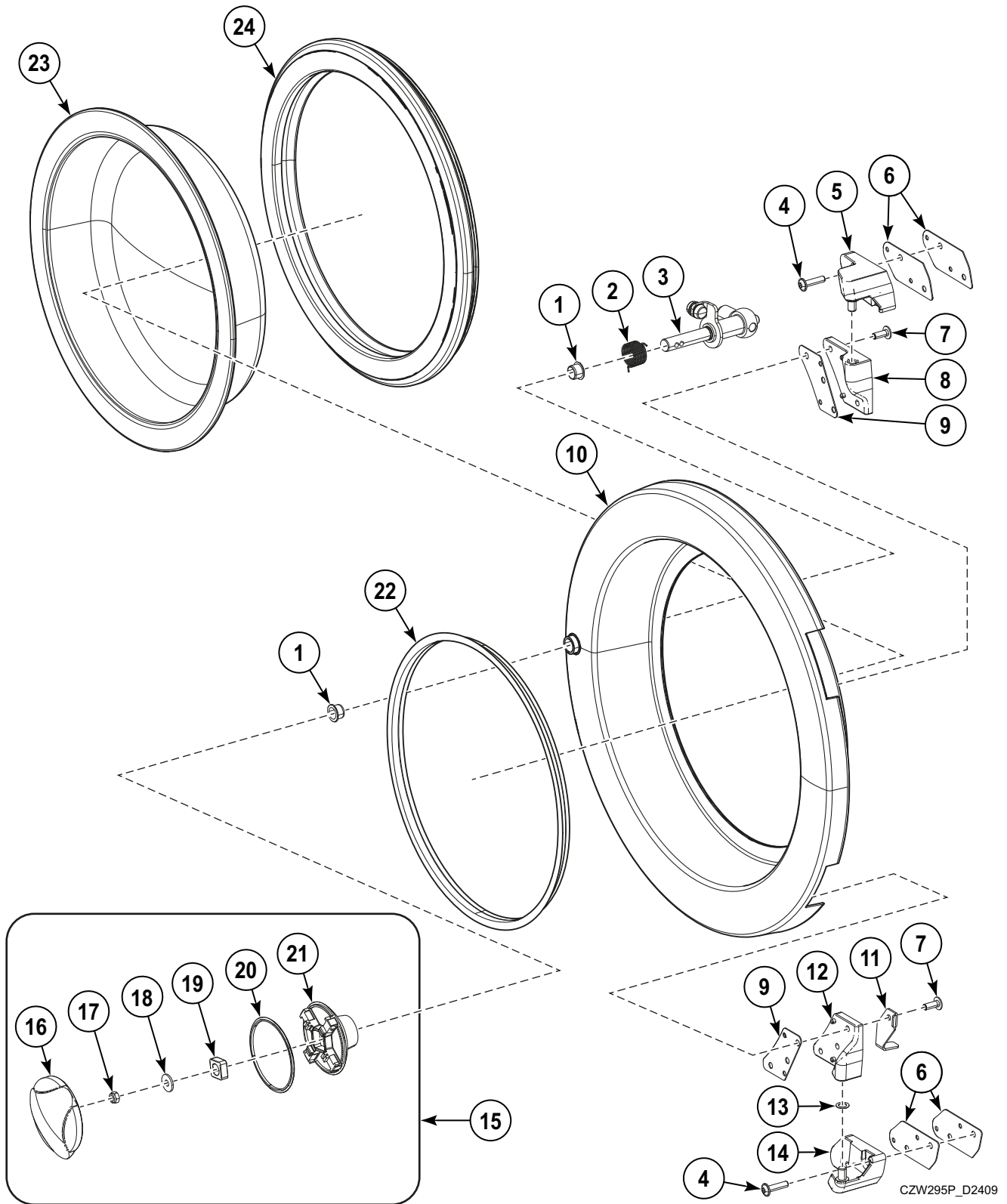
CZW372P_D2409

Door (Drawing 3 of 3)

REF	PART NO.	DESCRIPTION	COMMENTS
	F8301201	Double Check Valve	J models; CE; Used with SPPRI426001217 Pipe Nipple
1	SP556297	Handle	HY, SY and UY models
	SP552909	Handle	AF, AF Non-Brand, H, IY, LP, LY and NY models
	SP552908	Handle	FX, HX, MWF, PY, QW and SW models
	562898	Handle	J models
	571788	Handle	AF, IY and NY models with "G", "H", "J" or "K" in 13th Position
2	SP553524	Bolt	M6x6
3	SP535406	Compression Spring	
4	SP535407	Handle Ball	
5	SP556278	Holder Cover	HY, SY and UY models
	SP535438	Holder Cover	AF, AF Non-Brand, H, IY, J, LP, LY and NY models
	SP535430	Holder Cover	FX, HX, MWF, PY, QW and SW models
6	SP310985000006	Nut	M6
7	SP311902100006	Washer	M6
8	SP529710	Locating Segment	
9	SP535411	Distinguishing Ring	FX, HX, HY, JY, MWF, PY, QW, SW, SY and UY models; Blue
	SP535437	Distinguishing Ring	AF, AF Non-Brand, H, IY, LP, LY and NY models; Red
	571733	Distinguishing Ring	AF, IY and NY models with "G", "H", "J" or "K" in 13th Position; Red
10	SP535429	Handle Lower Part	

Door - AF, IY, JY and NY Models

AF, IY, NY and J with V in 7th Position Through 28 February 2021



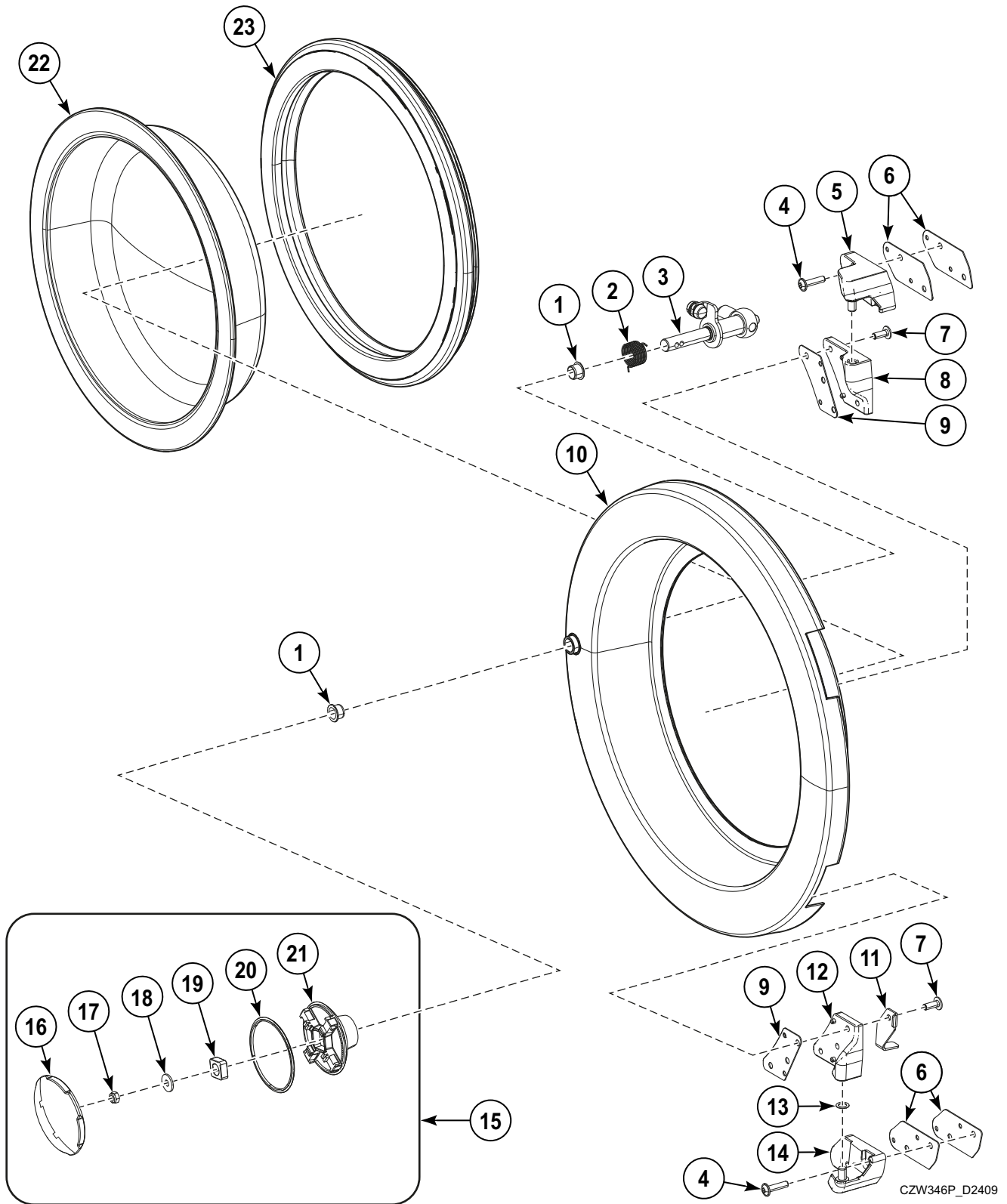
Door - AF, IY, JY and NY Models

REF	PART NO.	DESCRIPTION	COMMENTS
	571767	Door Assembly	IY models; Black; Includes items 1-24; Through Serial No. 105FX013780SF
	563371	Door Assembly	IY models; Black; Includes items 1-24; Starting Serial No. 105FX013781SF
	574098	Door Assembly	AF and NY models; Black; Includes items 1-24
	573185	Door Assembly	JY models; Black; Includes items 1-24
	570553	Kit of Hinges	Includes 568979, 568982, 575960, 57963 and 571642
1	SP529739	Casing	
2	SP535402	Handle Torsion Spring	
3	571762	Door Level	
4	SP535479	Bolt	M6x25
5	568979	Fixed Upper Hinge	
6	N/A	Shim	
7	SP537864	Bolt	M6x16
8	575960	Upper Hinge	with Case
9	SP535421	Hinge Spacer	
10	568837	Door	Black
11	571633	Door Frame Sheet	
12	575963	Lower Hinge	with Case
13	571642	Washer	
14	568982	Fixed Hinge	Lower
15	571781	Handle	
16	SP535438	Holder Cover	
17	SP310985000006	Nut	M6
18	SP311902100006	Washer	M6
19	571773	Locating Segment	
20	571733	Distinguishing Ring	
21	571779	Handle Lower Part	
22	SP562546	Rim	IY models
	573188	Rim	JY models
23	SP556227	Door Glass	IY models; With logo
	573191	Door Glass	JY models
	535417	Door Glass	AF and NY models
24	568991	Service Door Kit	

N/A = Part no longer available

Door - FX and PY Models

FX and PY Models with V in 7th Position Through 28 February 2021



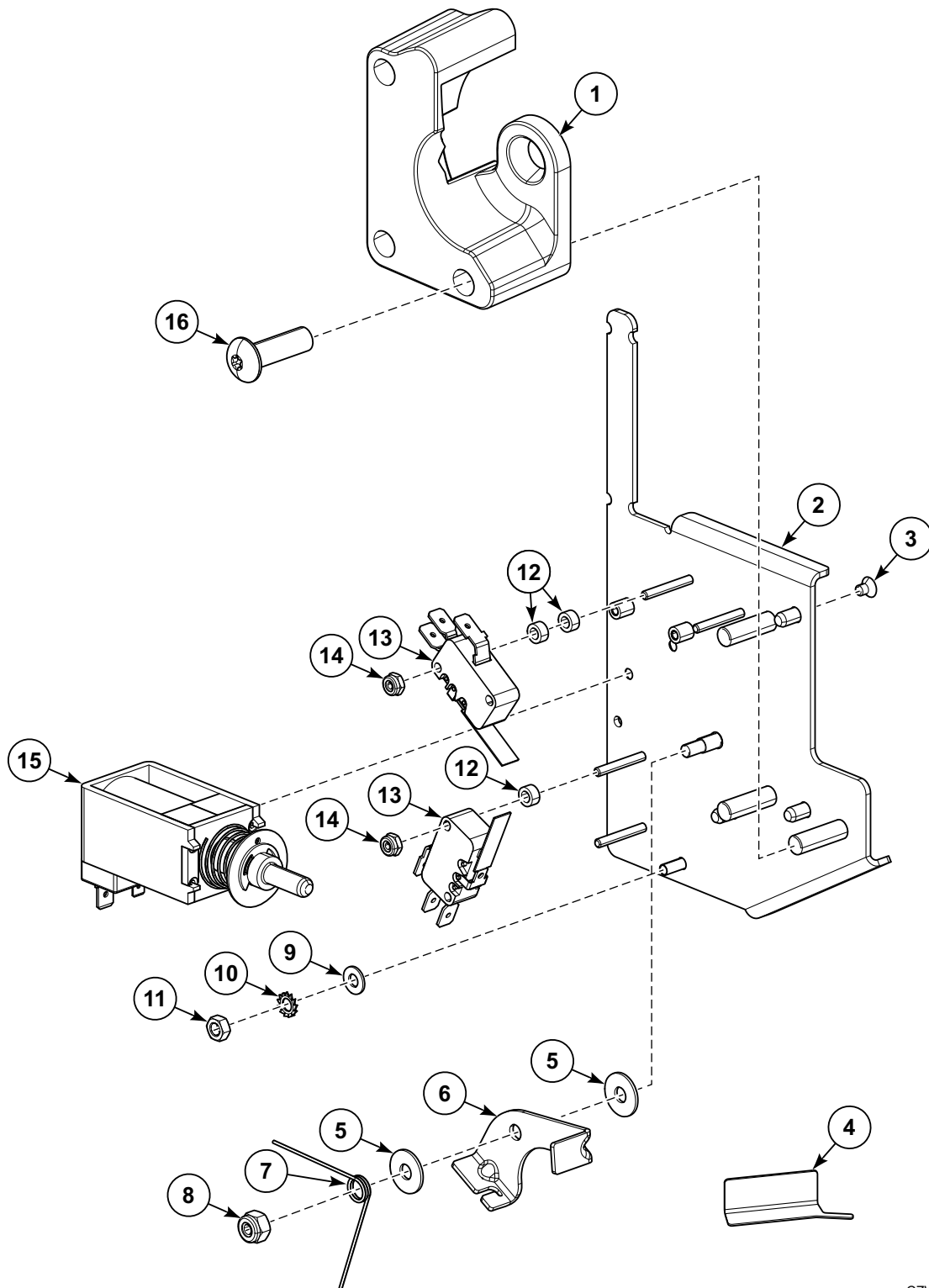
Door - FX and PY Models

REF	PART NO.	DESCRIPTION	COMMENTS
	571764	Door Assembly	Gray; Includes items 1-23; Through Serial No. 105FX013780SF
	535415	Door Assembly	Gray; Includes items 1-23; Starting Serial No. 105FX013781SF
1	SP529739	Casing	
2	SP535402	Handle Torsion Spring	
3	571762	Door Level	
4	SP535479	Bolt	M6x25
5	568979	Fixed Upper Hinge	
6	N/A	Shim	
7	SP537864	Bolt	M6x16
8	575960	Upper Hinge	with Case
9	SP535421	Hinge Spacer	
10	SP553526	Door	
11	571633	Door Frame Sheet	
12	575963	Lower Hinge	with Case
13	571642	Washer	
14	568982	Fixed Hinge	Lower
15	571780	Handle	
16	SP535430	Holder Cover	
17	SP310985000006	Nut	M6
18	SP311902100006	Washer	M6
19	571773	Locating Segment	
20	SP535411	Distinguishing Ring	
21	571779	Handle Lower Part	
22	SP535417	Door Glass	
23	568991	Service Door Kit	

N/A = Part no longer available

Door Lock (Drawing 1 of 2)

Models with V in 7th Position Through Serial No. 105FX013780SF



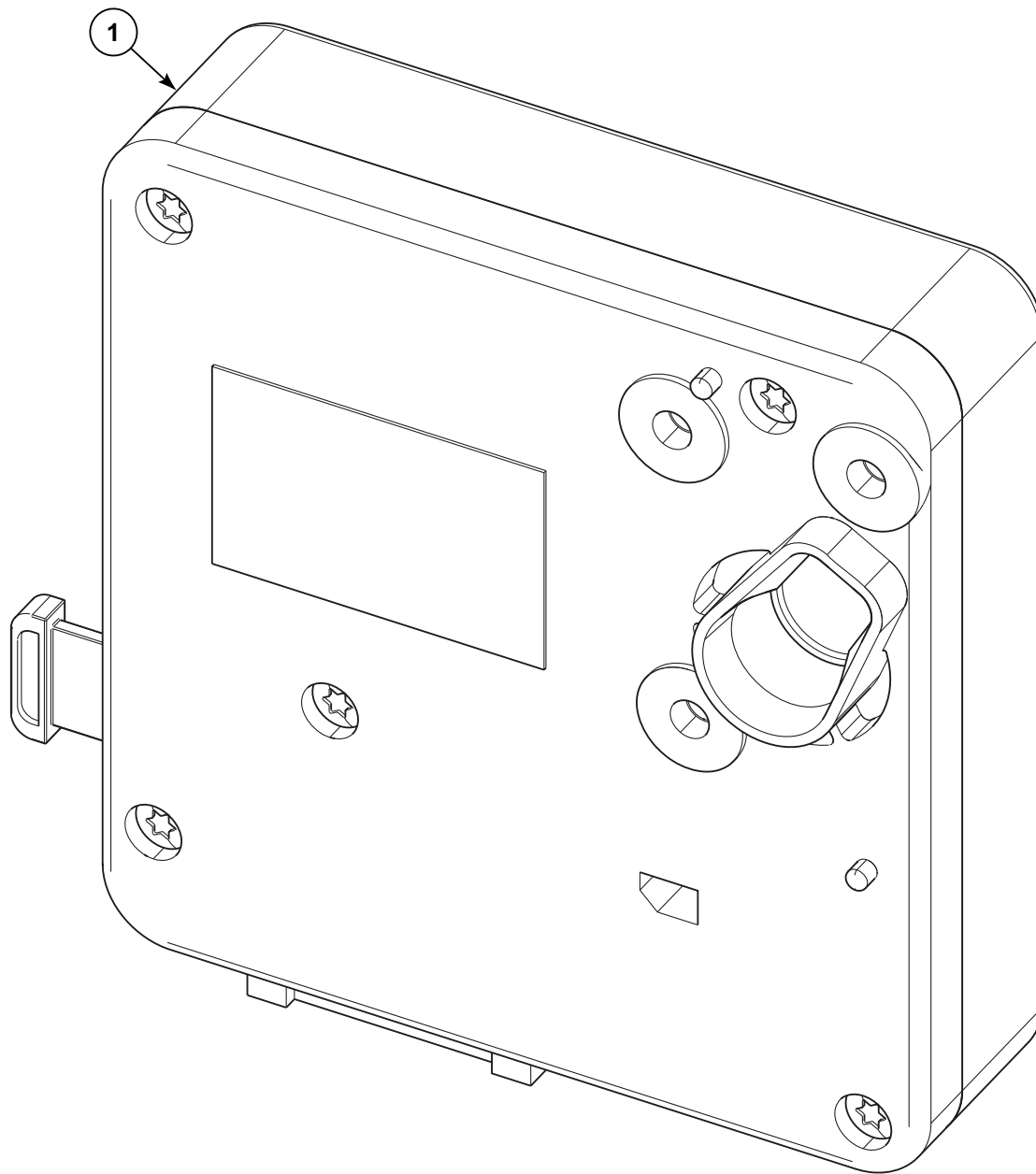
CZW347P_D2409

Door Lock (Drawing 1 of 2)

REF	PART NO.	DESCRIPTION	COMMENTS
	576085	Door Lock Assembly	Includes item 1-16, 569751 Door Lock Cable, SP345000160996 Binding Strip, 571466 Door Lock Switch Cable
1	576084	Door Lock Catch	
2	568971	Door Lock Plate	
3	F430977	Screw	
4	571615	Emergency Opener	For door lock
5	F8193101	Washer	
6	568941	Closing Plate	
7	571612	Torsion/Door Lock Spring	
8	F430232	Nut	
9	SP311125240004	Washer	4
10	SP311679824004	Washer	4
11	SP310934240004	Nut	M4
12	F431901	Spacer	
13	568978	Microswitch	
14	F430225	Nut	
15	568942	Coil	
16	F8270701	Bolt	Stainless
	568968	Bolt	Black

Door Lock (Drawing 2 of 2)

Models with V in 7th Position Starting Serial NO. 105FX013781SF



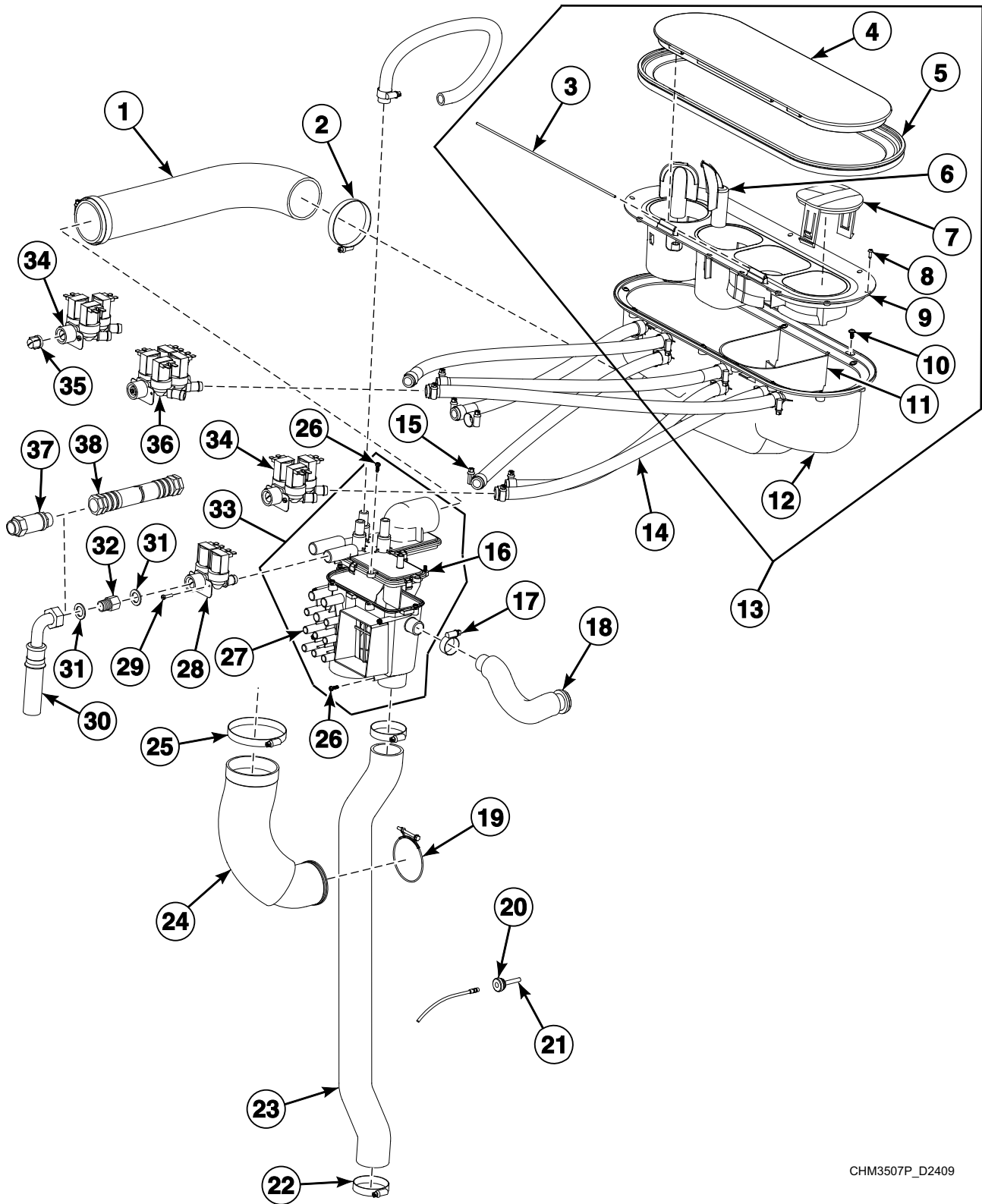
CZW360P_D2409

Door Lock (Drawing 2 of 2)

REF	PART NO.	DESCRIPTION	COMMENTS
1	SP537760	Lock	

Water Inlet System

Except Models with V in 7th Position



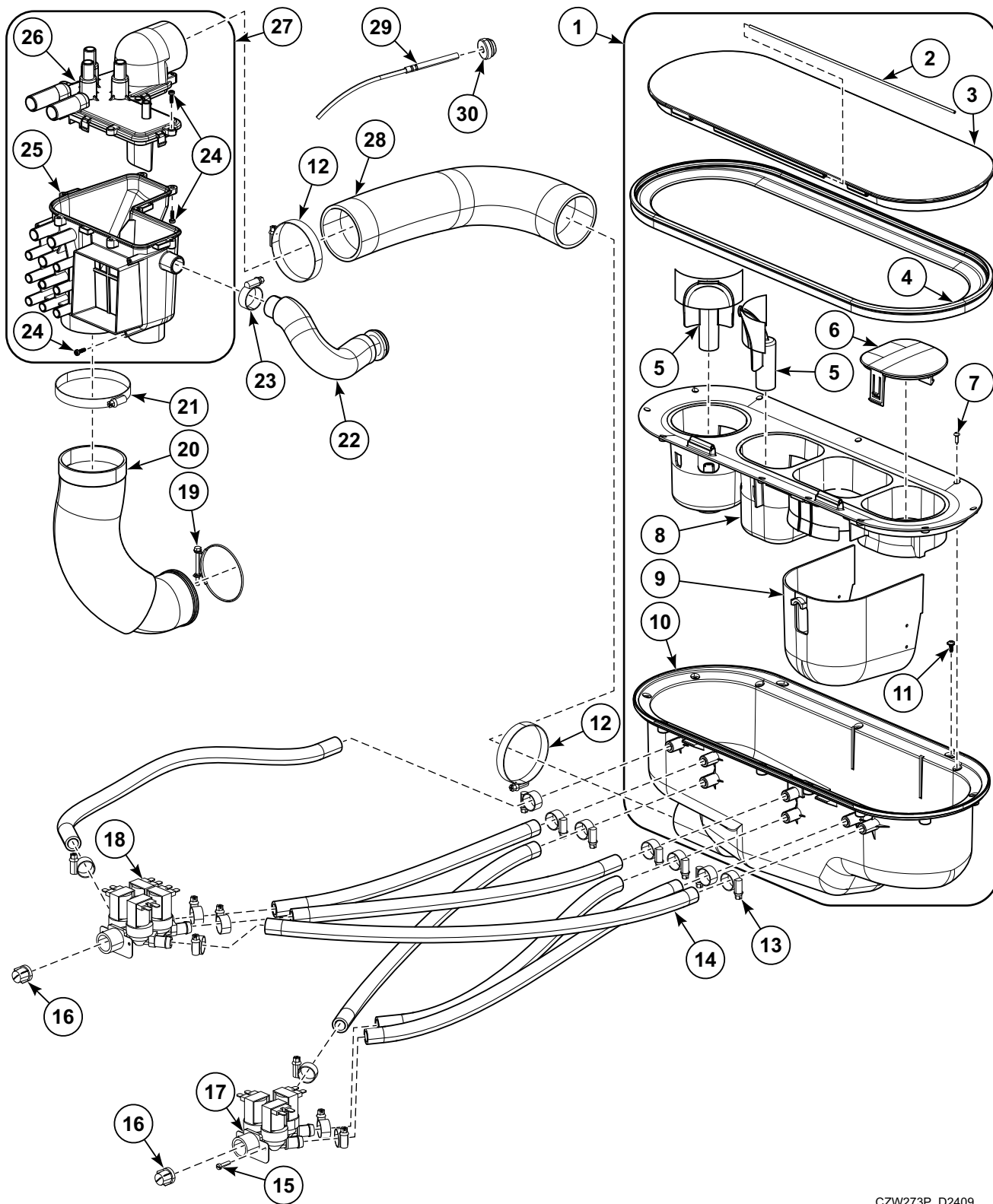
CHM3507P_D2409

Water Inlet System

REF	PART NO.	DESCRIPTION	COMMENTS
	F8301201	Double Check Valve	J models; Used with SPPRI462001217 Pipe Nipple 3/4 inch; CE
1	SP526487	Dispenser Pipe	
2	SPPRI240000021	Hose Clamp	60-80
3	SP540117	Pin	
4	SP551695	Dispenser Lid	HY, SY and UY models
	SP526461	Dispenser Lid	All other models
5	SP540158	Dispenser Seal	
6	SP540113	Flap	
7	SP526468	Soap Hopper Plug	
8	SP309798124313	Screw	ST3.5x13
9	SP540112	Soap Hopper Upper Cover	
10	SP529206	Screw	4x11
11	SP540122	Internal Vessel	
12	SP540115	Main Vessel	Requires SPPRI704000053 Silicon Sealant
13	SP554213	Soap Hopper	HY, SY and UY models
	SP540111	Soap Hopper	All other models
14	SPPRI540000014	Hose	13/19
	SP101745	Hose Pipe	Valid for water approval
15	SPPRI240000002	Hose Clamp	12-22
16	SP526557	Mixer Lid	
17	SPPRI240000003	Hose Clamp	20-32
18	SP526509	Vent Hose	
19	SP526491	Hose Clamp	62-70
20	SP526439	Temperature Sensor Seal	
21	503839	Temperature Sensor	
22	SPPRI240000017	Hose Clamp	40-60
23	SP526480	Overflow Tube	
24	SP526484	Filling Elbow Pipe	
25	SPPRI240000007	Hose Clamp	70-90
26	SP526497	Screw	4x12
27	SP526565	Mixer Body	
28	SP547958	2-Way Valve	3/4 inch
29	SP309084000416	Bolt	4x16
30	SPPRI505000054	Filling Hose Pipe	Used with cold water
	SP547980	Filling Hose Pipe	Used with hot water
	SP101621	Filling Hose Pipe	Valid for water approval
	RSPF200166	Filling Hose Pipe	IY, LY, NY, PY, SY and UY models
	F200164	Water Hose	North America
31	SPPRI520001009	Seal	
32	567174	Reduction	3/4 inch; BSP/GHT; North America
33	SP526558	Mixer	
34	SP547959	3-Way Valve	3/4 inch
35	SPPRI340004030	Filter	
36	SP548933	4-Way Valve	3/4 inch
37	RSPF200166	Filling Hose Pipe	IYY, LYY, NYY, PYY, SY and UYY models
38	B12543901	Check Valve	IYY, LYY, NYY, PYY, SY and UYY models

Two Water Inlet System

Models with V in 7th Position



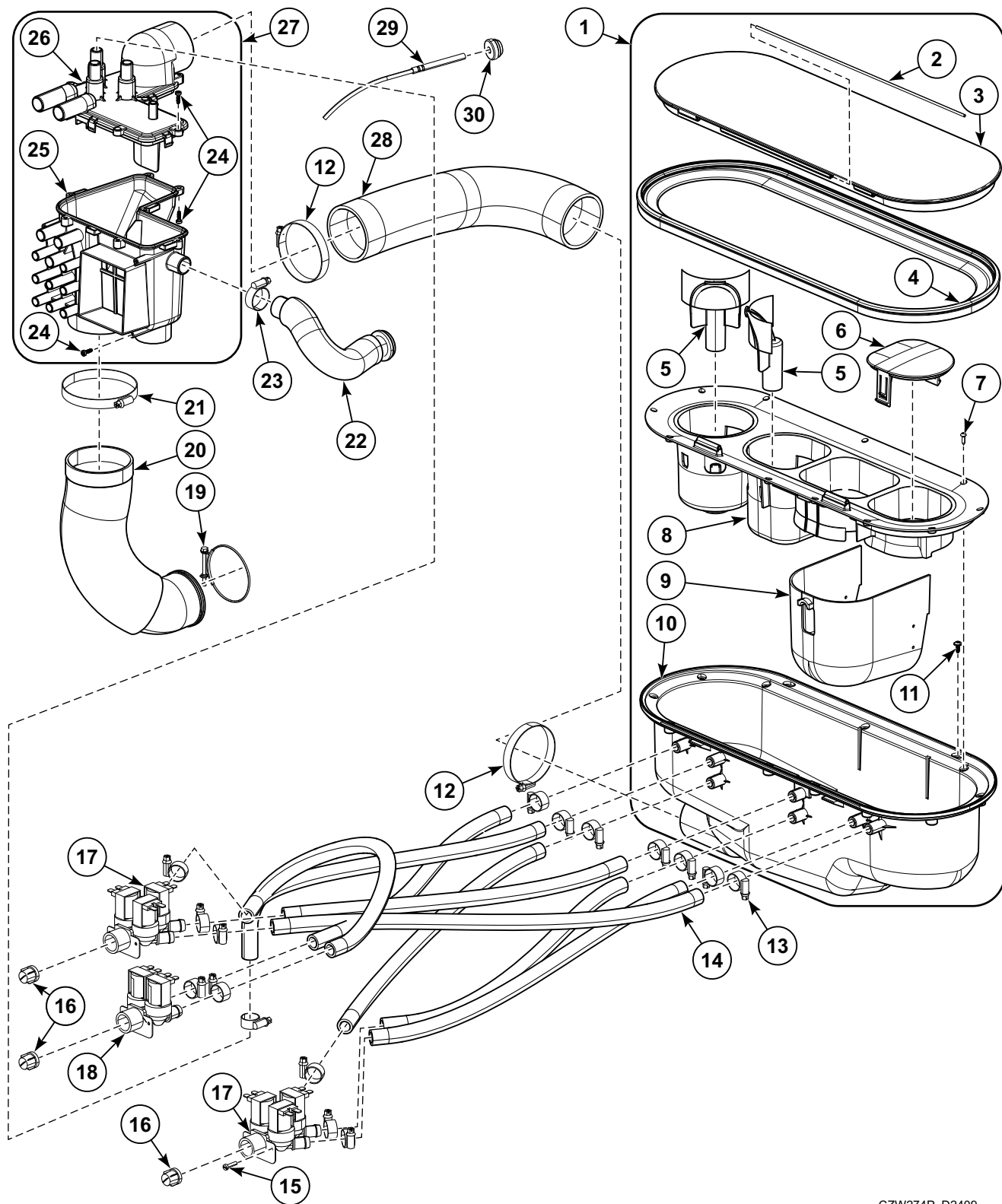
CZW273P_D2409

Two Water Inlet System

REF	PART NO.	DESCRIPTION	COMMENTS
	SPPRI505000054	Filling Hose Pipe	Used with cold water; used with SPPRI520001009 Seal
	SP547980	Filling Hose Pipe	Used with hot water; used with SPPRI520001009 Seal
	SP101621	Filling Hose Pipe	Used with water approval WRAS; used with SPPRI520001009 Seal
1	SP540111	Soap Hopper	
2	SP540117	Pin	
3	SP526461	Dispenser Lid	
4	SP540158	Dispenser Seal	
5	SP540113	Flap	
6	SP526468	Soap Hopper Plug	
7	SP309798124313	Screw	ST3.5x13
8	SP540112	Soap Hopper Upper Cover	
9	SP540122	Internal Vessel	
10	SP540115	Main Vessel	
11	SP529206	Screw	
12	SPPRI240000021	Hose Clamp	60-80
13	SPPRI240000002	Hose Clamp	12-22
14	SPPRI540000014	Hose	13-19
	SP101745	Hose Pipe	Used with water approval WRAS
15	SP309084000416	Bolt	M4x16
16	SPPRI340004030	Filter	
17	SP547959	3-Way Valve	3/4 inch
18	SP548933	4-Way Valve	3/4 inch
19	SP526491	Hose Clamp	62-70
20	SP526484	Filling Elbow Pipe	
21	SPPRI240000007	Hose Clamp	70-90
22	SP526509	Vent Hose	
23	SPPRI240000003	Hose Clamp	
24	SP526497	Screw	4x12
25	SP526565	Mixer Body	
26	SP526557	Mixer Lid	
27	SP526558	Mixer	
28	SP526487	Dispenser Pipe	
29	503839	Temperature Sensor	
30	SP526439	Temperature Sensor Seal	

Three Water Inlet System

Models with V in 7th Position

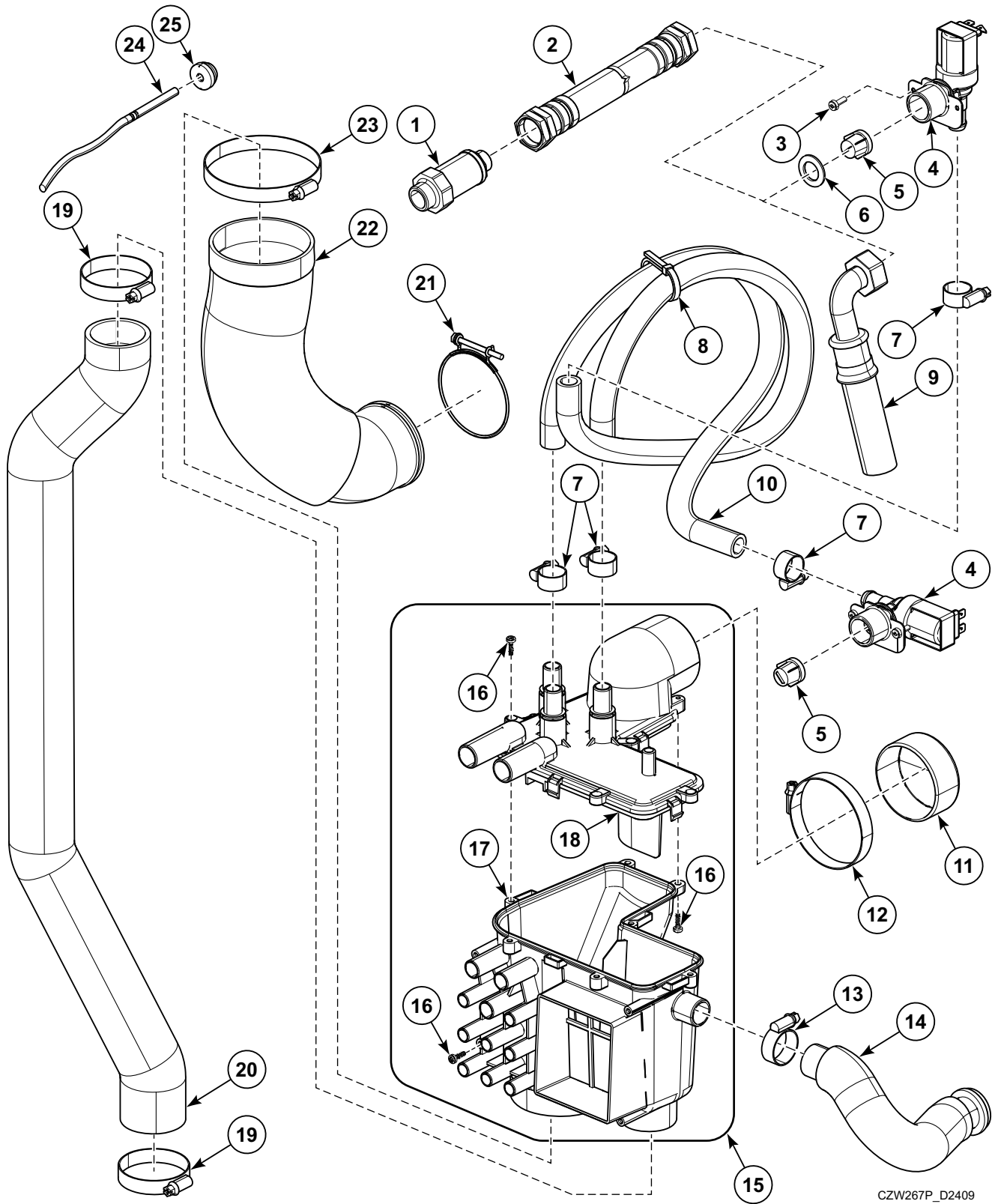


CZW274P_D2409

Three Water Inlet System

REF	PART NO.	DESCRIPTION	COMMENTS
	SPPRI505000054	Filling Hose Pipe	Used with cold water; used with SPPRI520001009 Seal
	SP547980	Filling Hose Pipe	Used with hot water; used with SPPRI520001009 Seal
	SP101621	Filling Hose Pipe	Used with water approval WRAS; used with SPPRI520001009 Seal
1	SP540111	Soap Hopper	
2	SP540117	Pin	
3	SP526461	Dispenser Lid	
4	SP540158	Dispenser Seal	
5	SP540113	Flap	
6	SP526468	Soap Hopper Plug	
7	SP309798124313	Screw	ST3.5x13
8	SP540112	Soap Hopper Upper Cover	
9	SP540122	Internal Vessel	
10	SP540115	Main Vessel	
11	SP529206	Screw	
12	SPPRI240000021	Hose Clamp	60-80
13	SPPRI240000002	Hose Clamp	12-22
14	SPPRI540000014	Hose	13-19
	SP101745	Hose Pipe	Used with water approval WRAS
15	SP309084000416	Bolt	M4x16
16	SPPRI340004030	Filter	
17	SP547959	3-Way Valve	3/4 inch
18	SP547958	2-Way Valve	3/4 inch
19	SP526491	Hose Clamp	62-70
20	SP526484	Filling Elbow Pipe	
21	SPPRI240000007	Hose Clamp	70-90
22	SP526509	Vent Hose	
23	SPPRI240000003	Hose Clamp	
24	SP526497	Screw	4x12
25	SP526565	Mixer Body	
26	SP526557	Mixer Lid	
27	SP526558	Mixer	
28	SP526487	Dispenser Pipe	
29	503839	Temperature Sensor	
30	SP526439	Temperature Sensor Seal	

Two Water Inlet System Without Soap Hopper

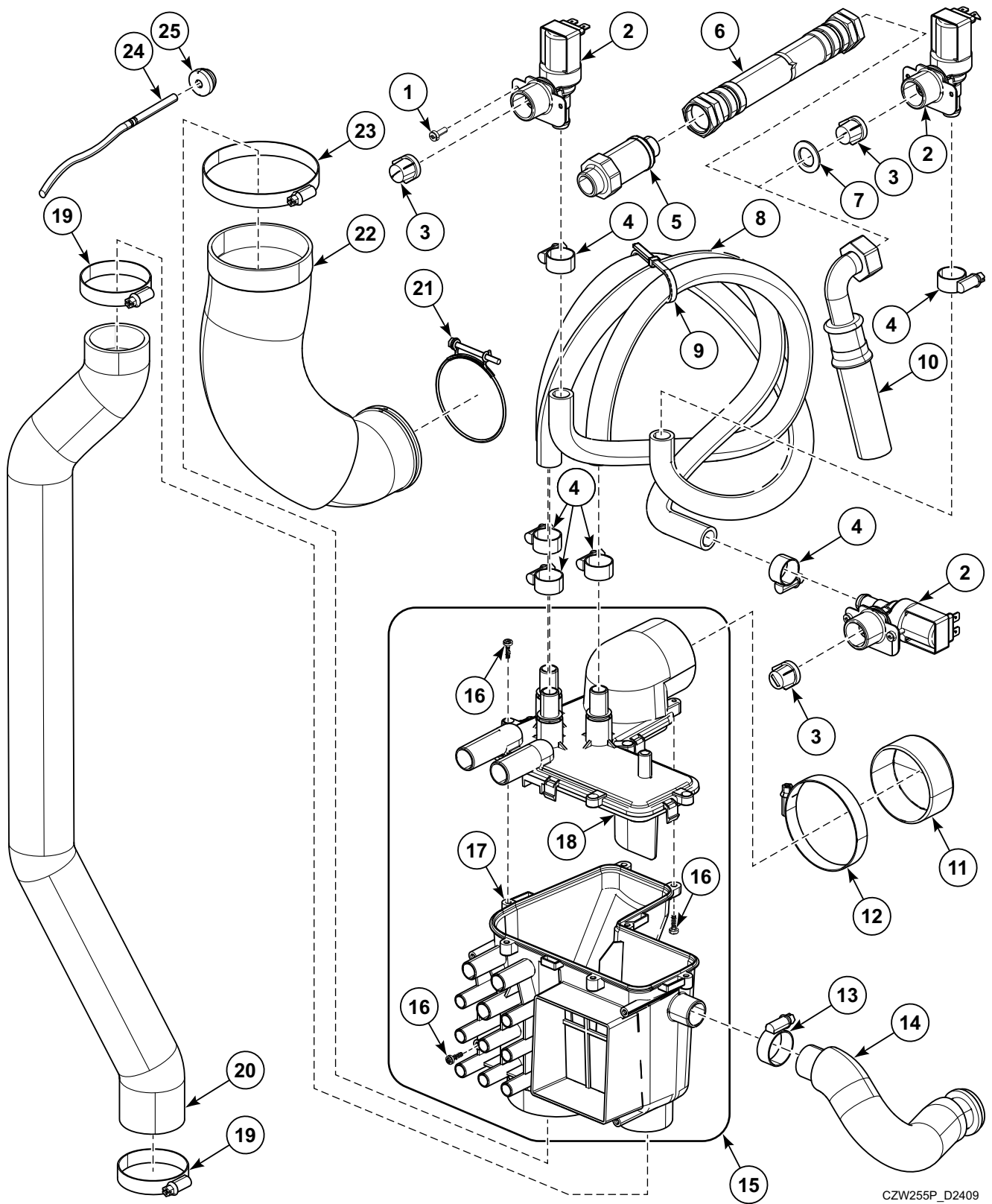


CZW267P_D2409

Two Water Inlet System Without Soap Hopper

REF	PART NO.	DESCRIPTION	COMMENTS
1	RSPB12543901	Double Reverse Valve	IYY, LYY, NYY, PYY and SYY models
2	RSPF200166	Filling Hose Pipe	IYY, LYY, NYY, PYY and SYY models
3	SP555504	Bolt	M4x12
4	570195	1-Way Valve	3/4 inch
5	SPPRI340004030	Filter	
6	SPPRI520001009	Seal	
7	SPPRI240000002	Hose Clamp	
8	SP503817	Binding Strip	
9	SPPRI505000054	Filling Hose Pipe	Used with cold water
	SP547980	Filling Hose Pipe	Used with hot water
	SP101621	Filling Hose Pipe	Valid for water approval WRAS
10	SPPRI540000014	Hose	
11	567053	Plug	
12	SPPRI240000021	Hose Clamp	60-80
13	SPPRI240000003	Hose Clamp	20-32
14	SP526509	Vent Hose	
15	SP526558	Mixer	
16	SP526497	Screw	4x12
17	SP526565	Mixer Body	
18	SP526557	Mixer Lid	
19	SPPRI240000017	Hose Clamp	40-60
20	SP526480	Overflow Tube	
21	SP526491	Hose Clamp	62-70
22	SP526484	Filling Elbow Pipe	
23	SPPRI240000007	Hose Clamp	70-90
24	503839	Temperature Sensor	
25	SP526439	Temperature Sensor Seal	

Three Water Inlet System Without Soap Hopper

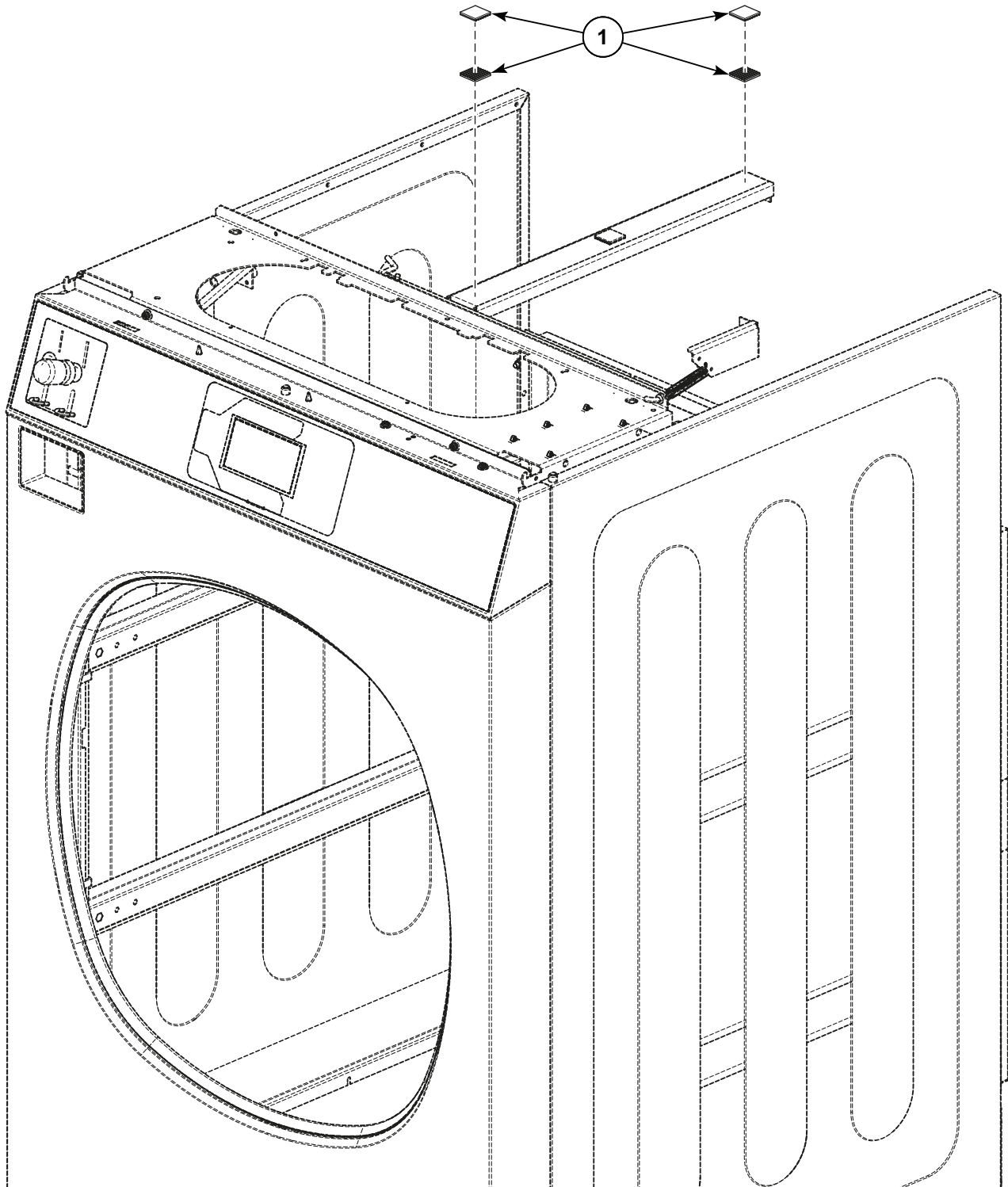


CZW255P_D2409

Three Water Inlet System Without Soap Hopper

REF	PART NO.	DESCRIPTION	COMMENTS
1	SP555504	Bolt	M4x12
2	570195	1-Way Valve	3/4 inch
3	SPPRI340004030	Filter	
4	SPPRI240000002	Hose Clamp	
5	RSPB12543901	Double Reverse Valve	IYY, LYY, NYY, PYY and SY Y models
6	RSPF200166	Filling Hose Pipe	IYY, LYY, NYY, PYY and SY Y models
7	SPPRI520001009	Seal	
8	SPPRI540000014	Hose	
9	SP503817	Binding Strip	
10	SPPRI505000054	Filling Hose Pipe	Used with cold water
	SP547980	Filling Hose Pipe	Used with hot water
	SP101621	Filling Hose Pipe	Valid for water approval WRAS
11	567053	Plug	
12	SPPRI240000021	Hose Clamp	60-80
13	SPPRI240000003	Hose Clamp	20-32
14	SP526509	Vent Hose	
15	SP526558	Mixer	
16	SP526497	Screw	4x12
17	SP526565	Mixer Body	
18	SP526557	Mixer Lid	
19	SPPRI240000017	Hose Clamp	40-60
20	SP526480	Overflow Tube	
21	SP526491	Hose Clamp	62-70
22	SP526484	Filling Elbow Pipe	
23	SPPRI240000007	Hose Clamp	70-90
24	503839	Temperature Sensor	
25	SP526439	Temperature Sensor Seal	

Cabinet Reinforcement Without Soap Hopper



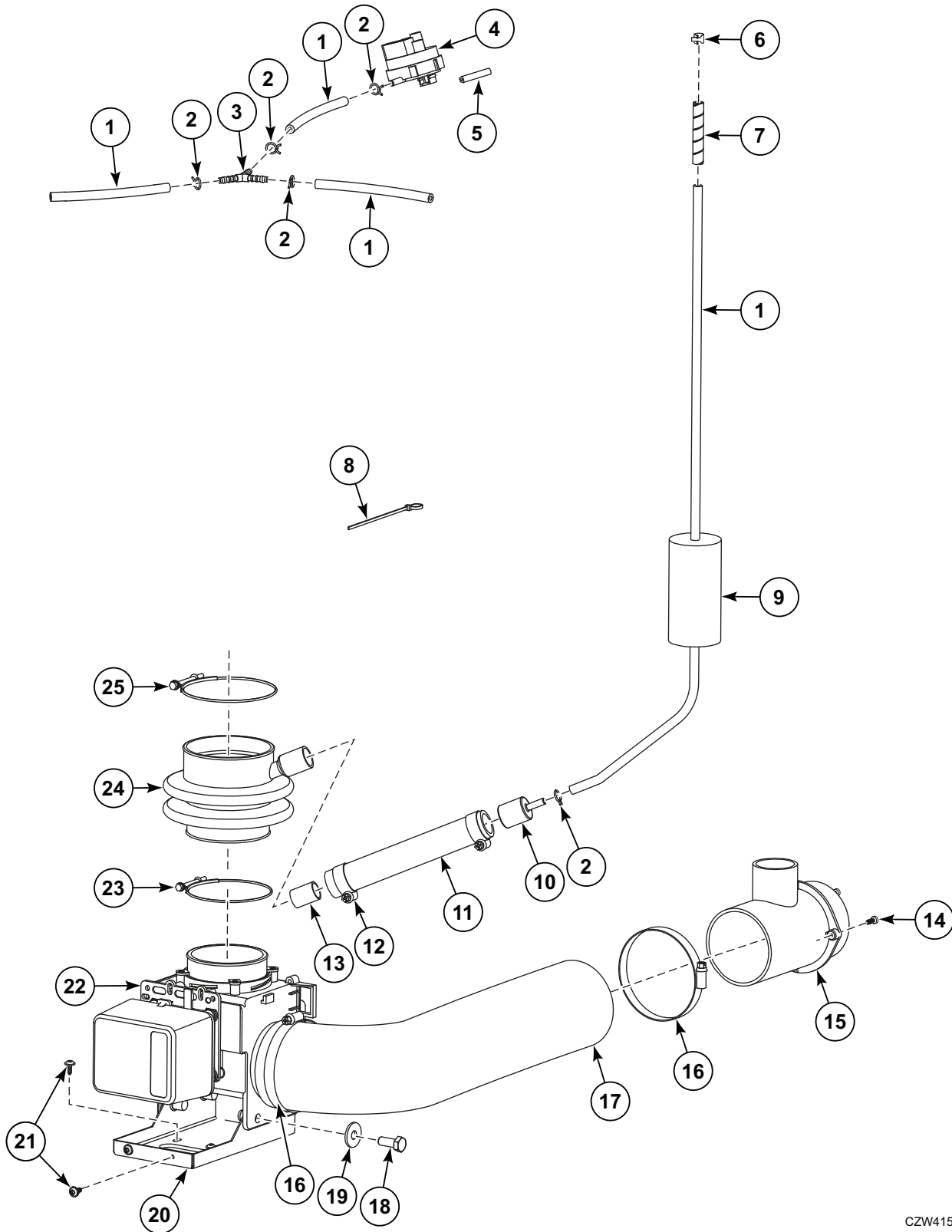
CZW348P_D2409

Cabinet Reinforcement Without Soap Hopper

REF	PART NO.	DESCRIPTION	COMMENTS
1	SP550115	Fastener	

Drain System (Drawing 1 of 2)

All Models Except Models with V in 7th Position



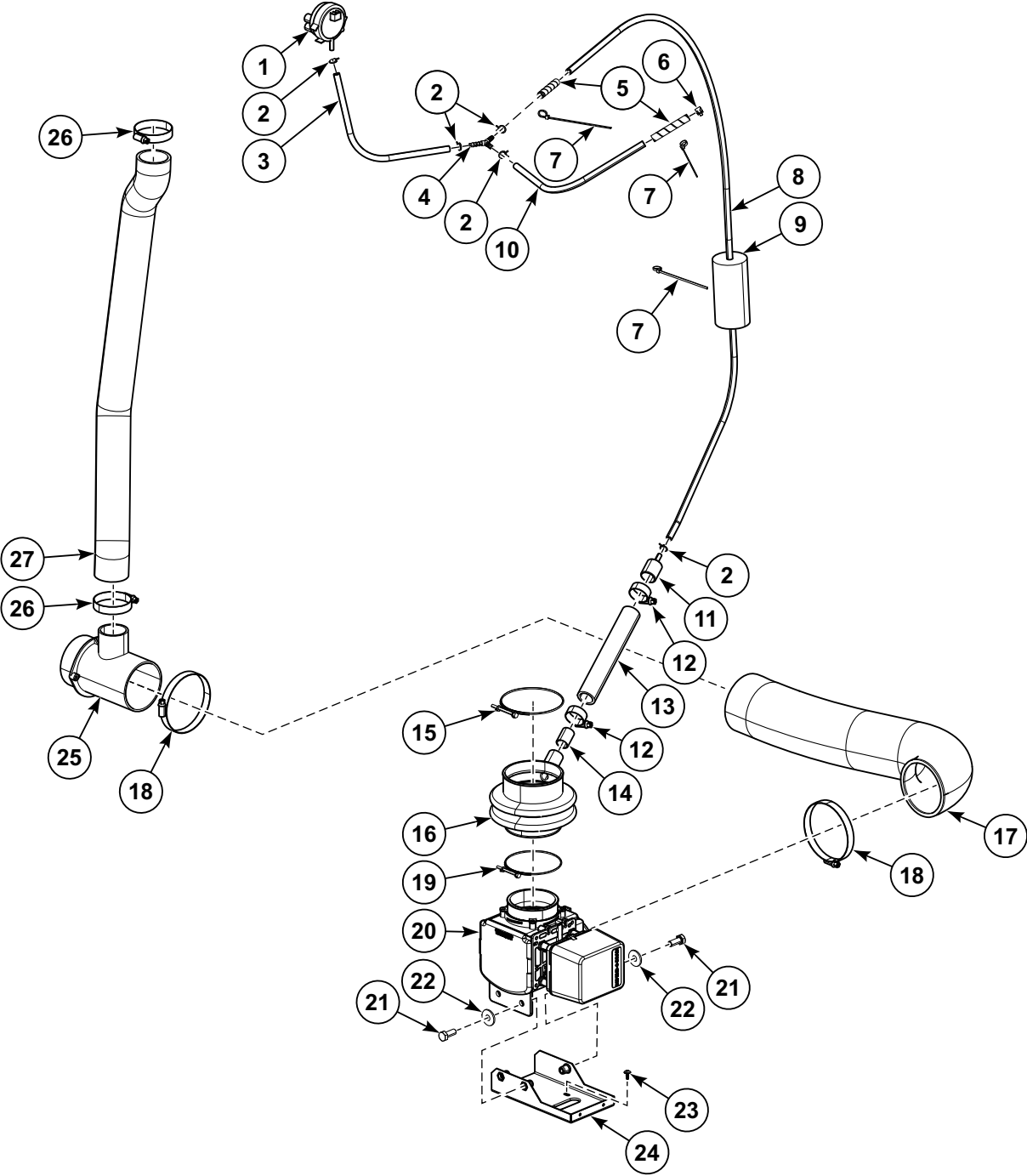
CZW415P_D2409

Drain System (Drawing 1 of 2)

REF	PART NO.	DESCRIPTION	COMMENTS
	567128	Reduction	J, FX105_BUPA_X_CONTROL and FX105_BUPA_X_CONTROL_PLUS models; CE from 3 inches to 2 inches
1	SPPRI540001003	Water Level Switch Hose	
2	SPPRI241000017	Hose Clamp	A5.5
3	SPPRI503000028	Y-Piece	J models
4	SP562709	Waters Level Sensor	J models
5	SPPRI505000058	Profiled Sealing	J models
6	SP540183	Spring Clamp	
7	SP283449080200	Spiral	
8	SP345000626088	Binding Strip	
9	SP100188	Foam Roller	
10	SPPRI503000027	Air Trap Reduction	
11	SPPRI503002049	Hose	Air trap
12	SPPRI240000003	Hose Clamp	20-32
13	SP500125	Reinforcement Tube	
14	SP526497	Screw	4x12
15	SP526454	Tee	
16	SPPRI240000007	Hose Clamp	70-90
17	SP526457	Drain Elbow	
18	SP309933000820	Bolt	M8x20
19	SP311902100008	Washer	8
20	SP526512	Drain Valve Holder	
21	SP529206	Screw	4x11
22	SP526460	Drain Valve	Black; Includes 553195 Drain Valve Chamber, SPPRI340002051 Drain Valve Motor and 554276 Drain Valve Seal
	SP553195	Drain Valve Chamber	Black
	SPPRI340002051	Drain Valve Motor	Includes gear box
	SP547821	Reverse Function Drain Valve	CE and Watermark; Black; Includes 553195 Drain Valve Chamber, SPPRI340002051 Drain Valve Motor and 554276 Drain Valve Seal
	554276	Drain Valve Seal	
23	576096	Hose Clamp	78-55
24	SP526492	Drain Hose Pipe	
25	SP526532	Hose Clamp	82-90

Drain System (Drawing 2 of 2)

Models with V in 7th Position

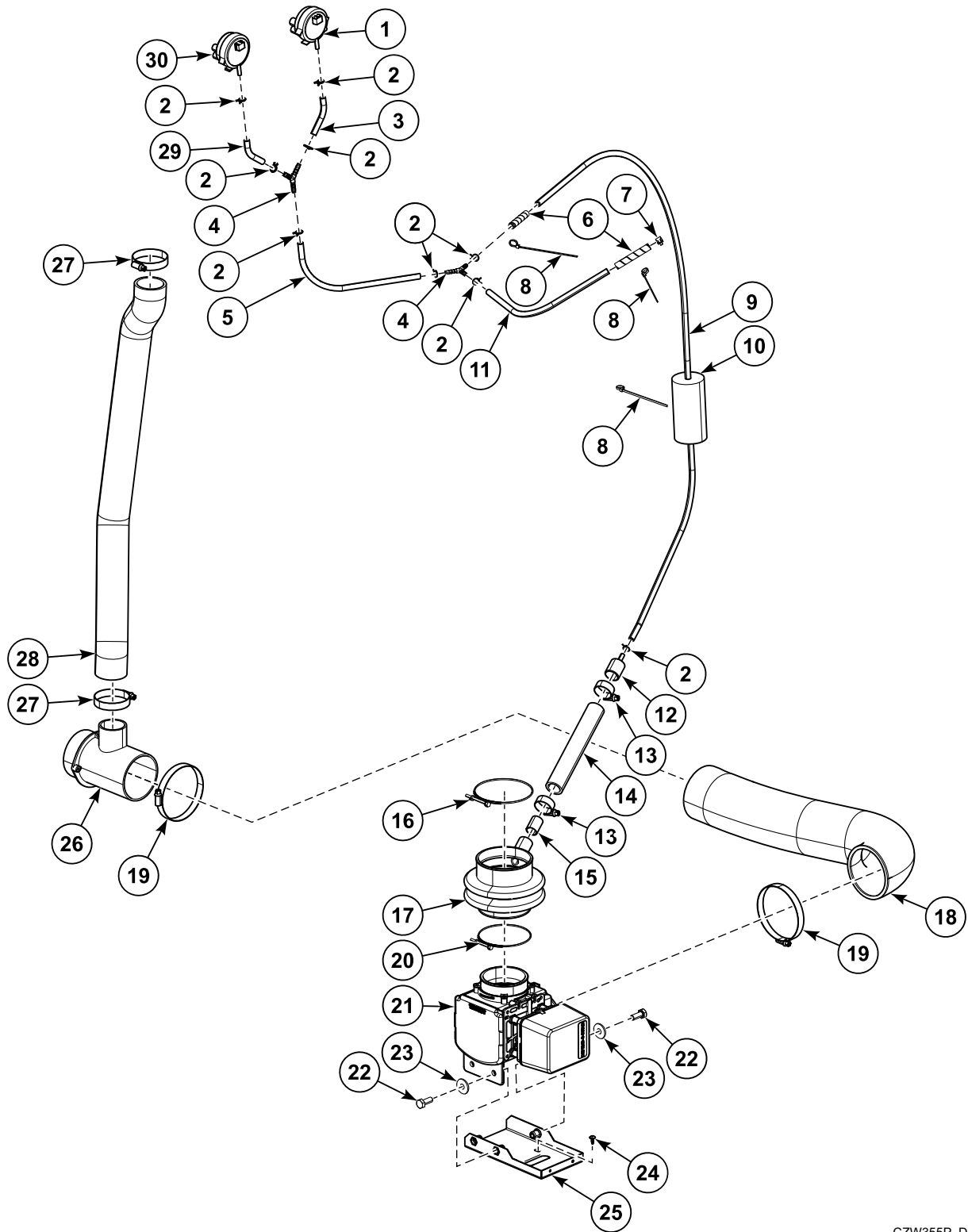


CZW416P_D2409

Drain System (Drawing 2 of 2)

REF	PART NO.	DESCRIPTION	COMMENTS
1	570315	Water Level Switch	
2	SPPRI241000017	Hose Clamp	A5.5
3	SPPRI540001003	Water Level Switch Hose	12.2 inch (0.31 m)
4	SPPRI503000028	Y-Piece	
5	SP283449080200	Spiral	
6	SP540183	Spring Clamp	
7	SP345000626088	Binding Strip	
8	SPPRI540001003	Water Level Switch Hose	31.5 inch (0.8 m)
9	SP100188	Foam Roller	
10	SPPRI540001003	Water Level Switch Hose	11.42 inch (0.29 m)
11	SPPRI503000027	Air Trap Reduction	
12	SPPRI240000003	Hose Clamp	20-32
13	SPPRI503002049	Hose	Air trap
14	SP500125	Reinforcement Tube	
15	SP526532	Hose Clamp	82-90
16	SP526492	Drain Hose Pipe	
17	SP526457	Drain Elbow	
18	SPPRI240000007	Hose Clamp	70-90
19	SPPRI240000021	Hose Clamp	60-80
20	SP526460	Drain Valve	Black; Includes SPPRI340002051 Drain Valve Motor and 554276 Drain Valve Seal
	SP547821	Reverse Function Drain Valve	Black; Includes SPPRI340002051 Drain Valve Motor and 554276 Drain Valve Seal
	SPPRI340002051	Drain Valve Motor	Includes gear box
	554276	Drain Valve Seal	
21	SP309933000820	Bolt	M8x20
22	SP311902100008	Washer	8
23	SP529206	Screw	4x11
24	SP526512	Drain Valve Holder	
25	SP526454	Tee	
26	SPPRI54100001	Hose Clamp	40-60
27	SP526480	Overflow Tube	

Drain System - J Models with V in 7th Position



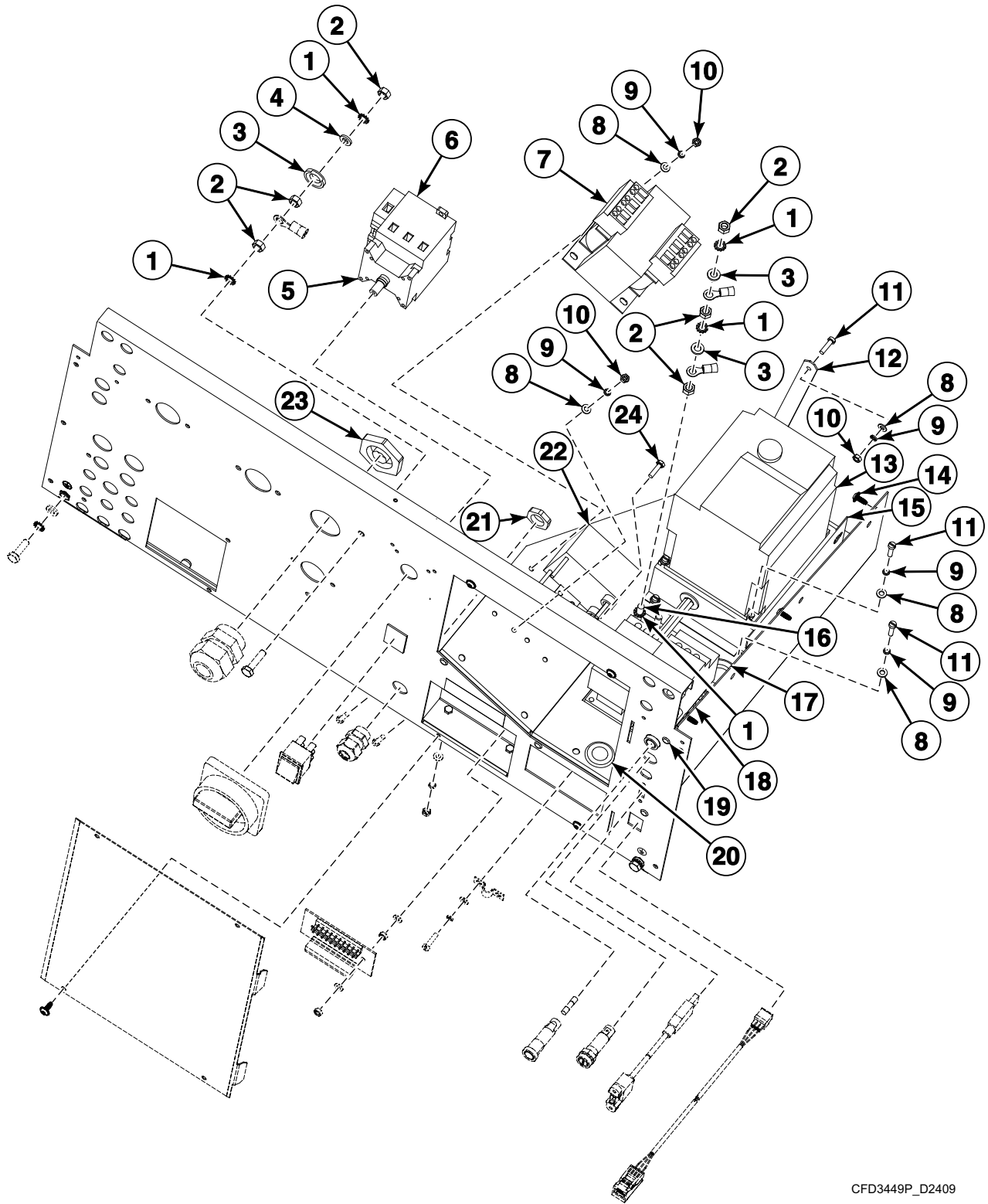
CZW355P_D2409

Drain System - J Models with V in 7th Position

REF	PART NO.	DESCRIPTION	COMMENTS
1	570315	Water Level Switch	
2	SPPRI241000017	Hose Clamp	A5.5
3	SPPRI540001003	Water Level Switch Hose	2.76 inch (0.07 m)
4	SPPRI503000028	Y-Piece	
5	SPPRI540001003	Water Level Switch Hose	7.87 inch (0.2 m)
6	SP283449080200	Spiral	
7	SP540183	Spring Clamp	
8	SP345000626088	Binding Strip	
9	SPPRI540001003	Water Level Switch Hose	37.4 inch (0.95 m)
10	SP100188	Foam Roller	
11	SPPRI540001003	Water Level Switch Hose	12.20 inch (0.31 m)
12	SPPRI503000027	Air Trap Reduction	
13	SPPRI240000003	Hose Clamp	20-32
14	SPPRI503002049	Hose	Air trap
15	SP500125	Reinforcement Tube	
16	SP526532	Hose Clamp	82-90
17	SP526492	Drain Hose Pipe	
18	SP526457	Drain Elbow	
19	SPPRI240000007	Hose Clamp	70-90
20	576096	Hose Clamp	78-85
21	SP526460	Drain Valve	Black; Includes SPPRI340002051 Drain Valve Motor and 554276 Drain Valve Seal
	SP547821	Reverse Function Drain Valve	Black; Includes SPPRI340002051 Drain Valve Motor and 554276 Drain Valve Seal
	SPPRI340002051	Drain Valve Motor	Includes gear box
	554276	Drain Valve Seal	
22	SP309933000820	Bolt	M8x20
23	SP311902100008	Washer	8
24	SP529206	Screw	4x11
25	SP526512	Drain Valve Holder	
26	SP526454	Tee	
27	SPPRI240000017	Hose Clamp	40-60
28	SP526480	Overflow Tube	
29	SPPRI540001003	Water Level Switch Hose	2.76 inch (0.07 m)
30	562709	Water Level Switch	

Rear Panel (Drawing 1 of 3)

Except Models with V in 7th Position or G, H, J or K in 13th Position



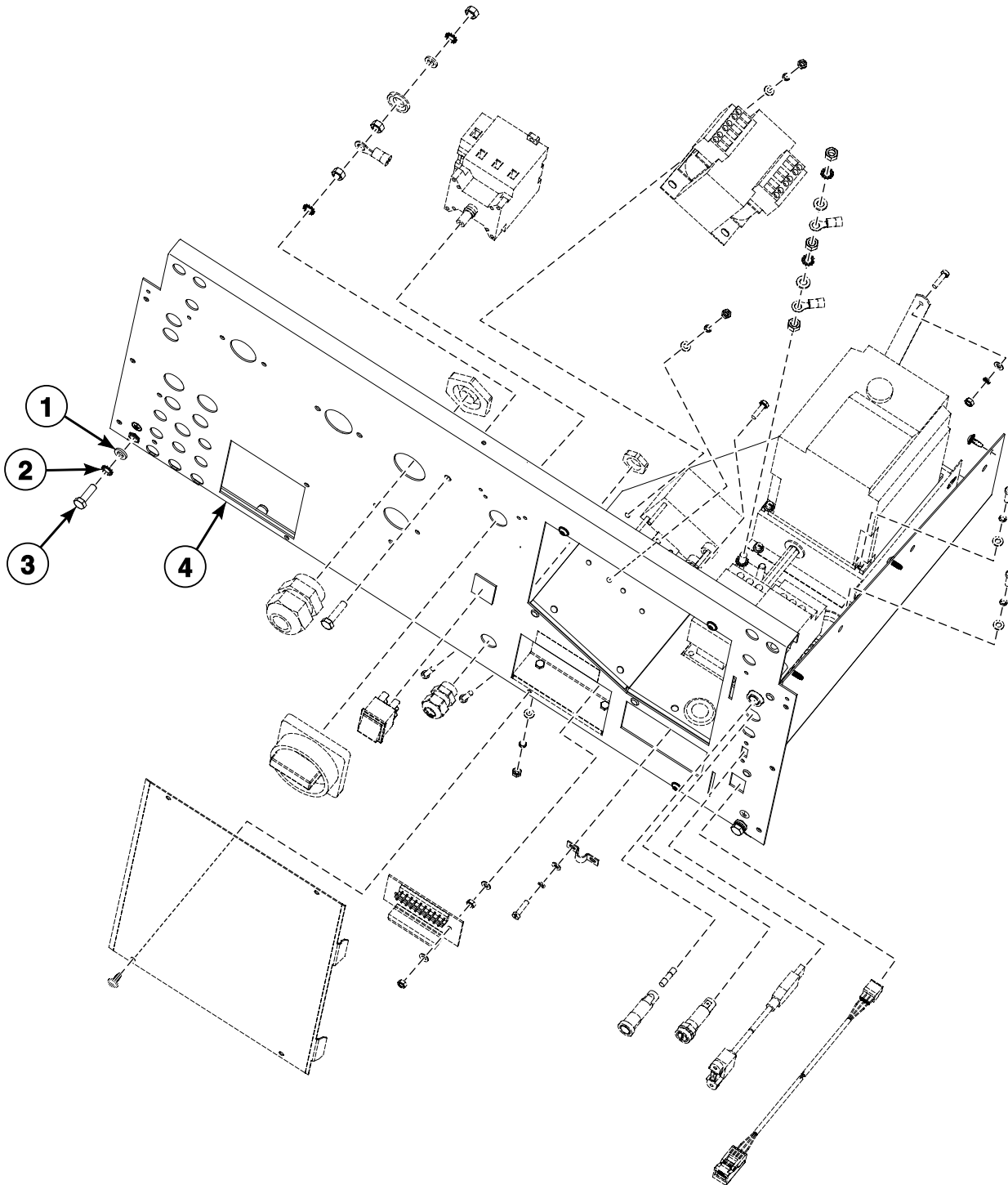
CFD3449P_D2409

Rear Panel (Drawing 1 of 3)

REF	PART NO.	DESCRIPTION	COMMENTS
	SP557768	Main Wiring	
	SP552475	Main Wiring	
	SP540180	Liquid Soap Supply Connection Kit	
	SPPRI350012007	Isolation Paper	
1	SP311679824006	Washer	M6
2	SP310934100006	Nut	M6
3	563361	Washer	North America
4	SP311125100006	Washer	6.4
5	SP506407	Main Switch	25A; Fourth Pole
	SPPRI404001098	Main Switch	32A; Fourth Pole
	SPPRI404001099	Main Switch	63A; Fourth Pole
6	SPPRI404000098	Main Switch	32A
	SPPRI404000097	Main Switch	25A
	SPPRI404000099	Main Switch	63A
7	SP516648	Transformer	
8	SP311125000004	Washer	4.3
9	SP311127000004	Washer	4
10	SP310934000004	Nut	M4
11	SP309084000416	Bolt	M4x16
12	SP526474	Holder Partition	
13	571472	Frequency Inverter	FR-D720S-070-SC-E8
	571474	Frequency Inverter	FR-D740S-036-SC-E8
	SP528323	Communication Cable	
14	SP529206	Screw	4x11
15	SP525935	Filter	FR-D740-xxx
16	SP309933100625	Bolt	M6x25
17	SP273121022002	Cable Passage	22x2; AF, FX, HX, LY, MWF, PY, QW and SW models through Serial No. 105FX010329MD; AF Non-Brand, H, HY, IY, J, LP, NY, SY and UY models through Serial No. 105FX010190KZ
18	SPPRI345002019	Contactor	LC1D32M7
	SP514043	Contactor	LC1D50M7
	SP514038	Contactor	LC1-D09M7
	SP514042	Contactor	LC1D18M7
19	SP313250004007	Rivet	4x7
20	SP273121015002	Cable Passage	15x2; AF, FX, HX, LY, MWF, PY, QW and SW models through Serial No. 105FX010329MD; AF Non-Brand, H, HY, IY, J, LP, NY, SY and UY models through Serial No. 105FX010190KZ
21	SP101416	Nut	M16
22	SP516012	Filter	FR-D720S-xxx
23	SP101419	Nut	M32
24	SP309933000416	Bolt	M4x16

Rear Panel (Drawing 2 of 3)

Except Models with V in 7th Position or G, H, J or K in 13th Position



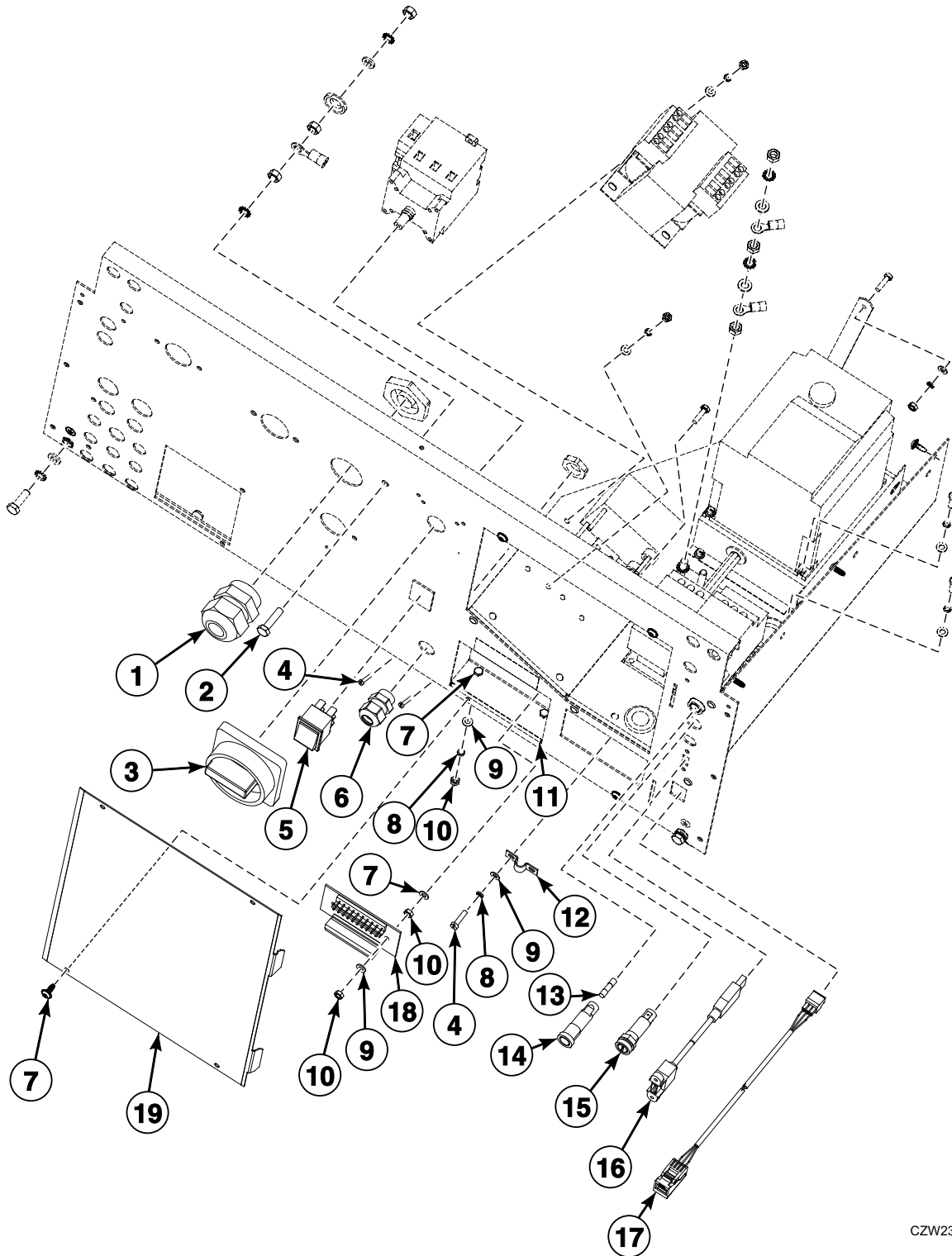
CFD3450P_D2409

Rear Panel (Drawing 2 of 3)

REF	PART NO.	DESCRIPTION	COMMENTS
	557982	Cable	Extra price option
	SP506575	Terminal Board	Extra price option
	557981	Label	Extra price option
1	SP311125240006	Washer	6.4
2	SP311679824006	Washer	M6
3	SP309933000620	Bolt	M6x20
4	SP554378	Rear Panel	AF Non-Brand, H, HY, IY, J, LP, NY, SY and UY models
	SP526475	Rear Panel	AF, FX, HX, LY, MWF, PY, QW and SW models

Rear Panel (Drawing 3 of 3)

Except Models with V in 7th Position or G, H, J or K in 13th Position



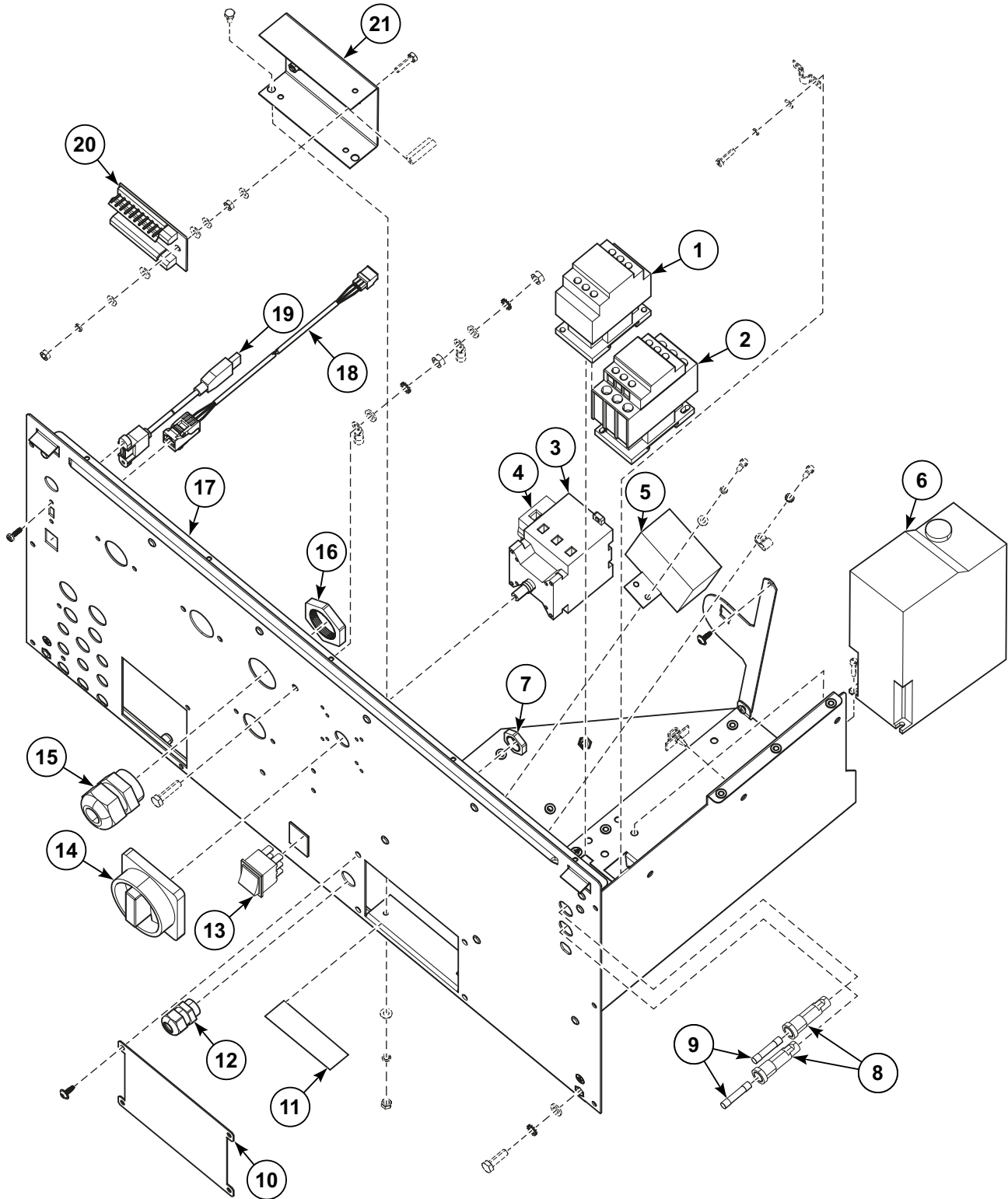
CZW23P_D2409

Rear Panel (Drawing 3 of 3)

REF	PART NO.	DESCRIPTION	COMMENTS
1	SP101409	Bushing	M32x1.5
	SP557952	Cable Bushing Insert	M32
2	SP309933100625	Bolt	M6x25
3	SPPRI404000095	Main Switch Knob	
4	SP309084000416	Bolt	M4x16
5	SP100388	Switch	
6	SP101406	Bushing	M16
7	SP529206	Screw	4x11
	SP309933240408	Bolt	M4x8
8	SP311127000004	Washer	4
9	SP311125000004	Washer	4.3
10	SP310934000004	Nut	M4
11	SP540123	Liquid Detergent Box	
12	SP528392	Cable Clamp	
13	SP345805005020	Fuse	5x20mm, T0.5A/250V
	SP345805163032	Fuse	6.3x32mm, T1A/500V
14	SPPRI401003020	Fuse Housing	6.3x32
15	SPPRI401001020	Fuse Holder	
16	SP547006	USB Cable	Rear panel connection
17	SP545234	Cable	RS485; With connectors
18	SP524714	Soap Relay Board	
	SP528149	Pump Relay Board to LED Terminal Cable	
	SP557944	Soap Link Kit	
	SP557947	External Block Signal Cable	2.8m
19	SP540121	Rear Panel Lid	

Rear Panel - 230-400V with Neutral (Drawing 1 of 2)

AF, IY, and NY Models with G, H, J or K in 13th Position except Models with V in the 7th Position



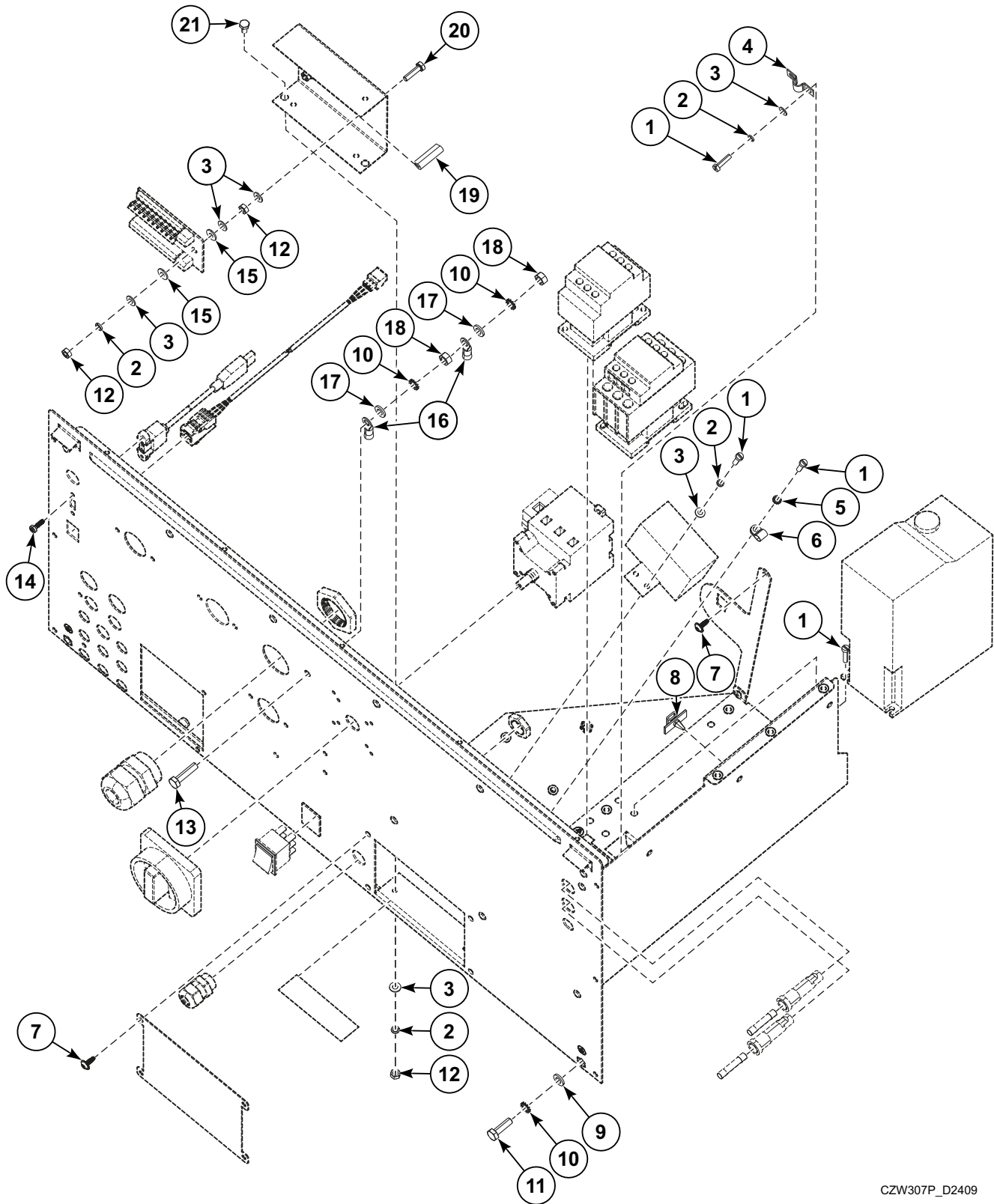
CZW306P_D2409

Rear Panel - 230-400V with Neutral (Drawing 1 of 2)

REF	PART NO.	DESCRIPTION	COMMENTS
1	SP514038	Contactors	LC1-D09M7; Used with frequency inverter
2	SP514038	Contactors	LC1-D09M7; Electric heating; 6kW, 9kW, 12kW 400V / 440V
	SP514042	Contactors	LC1D18M7; Electric heating 9kW 230V
	SPPRI345002019	Contactors	LC1D3201; Electric heating 12kW, 13.8kW, 230V
3	SPPRI404000097	Main Switch	25A; used with SP506407 Main Switch Fourth Pole 25A
	SPPRI404000098	Main Switch	32A; used with SPPRI404001098 Main Switch Fourth Pole 32A
	SPPRI404000099	Main Switch	63A; used with SPPRI404001099 Main Switch Fourth Pole 63A
4	SP506407	Main Switch	25A; Fourth pole
	SPPRI404001098	Main Switch	32A; Fourth pole
	SPPRI404001099	Main Switch	63A; Fourth pole
5	SP516012	Filter	16A / 250V
6	571472	Frequency Inverter	1.5kW; 230V / 400V+N; FR-D720S-070-SC-E8
	571474	Frequency Inverter	1.5kW; 400V / 440V; FR-D740-036-SC-E8
	557961	Ferrite Core	Used with frequency inverter
7	SP101416	Nut	M16
8	SPPRI401003020	Fuse Housing	2 pieces
9	SP345805163032	Fuse	6.3x32mm, T1A/500V; 2 pieces
10	566549	Cover	
11	524740	Label	
12	SP101406	Bushing	M16
13	SP100388	Switch	
14	SPPRI404000095	Main Switch Knob	
15	SP101409	Bushing	M32x1.5
16	SP101419	Nut	M32
17	577193	Rear Panel	Assembly
18	SP545234	Cable	RS485; With connectors
19	SP547006	USB Cable	Rear panel connection; Optional
20	524714	Soap Relay Board	Used with SP528419 Pump Relay Board Flat Cable, 1=1.8m long
	SP557944	Soap Link Kit	
	SP557947	External Block Signal Cable	2.8m
21	540123	Holder	

Rear Panel - 230-400V with Neutral (Drawing 2 of 2)

AF, IY, and NY Models with G, H, J or K in 13th Position except Models with V in the 7th Position



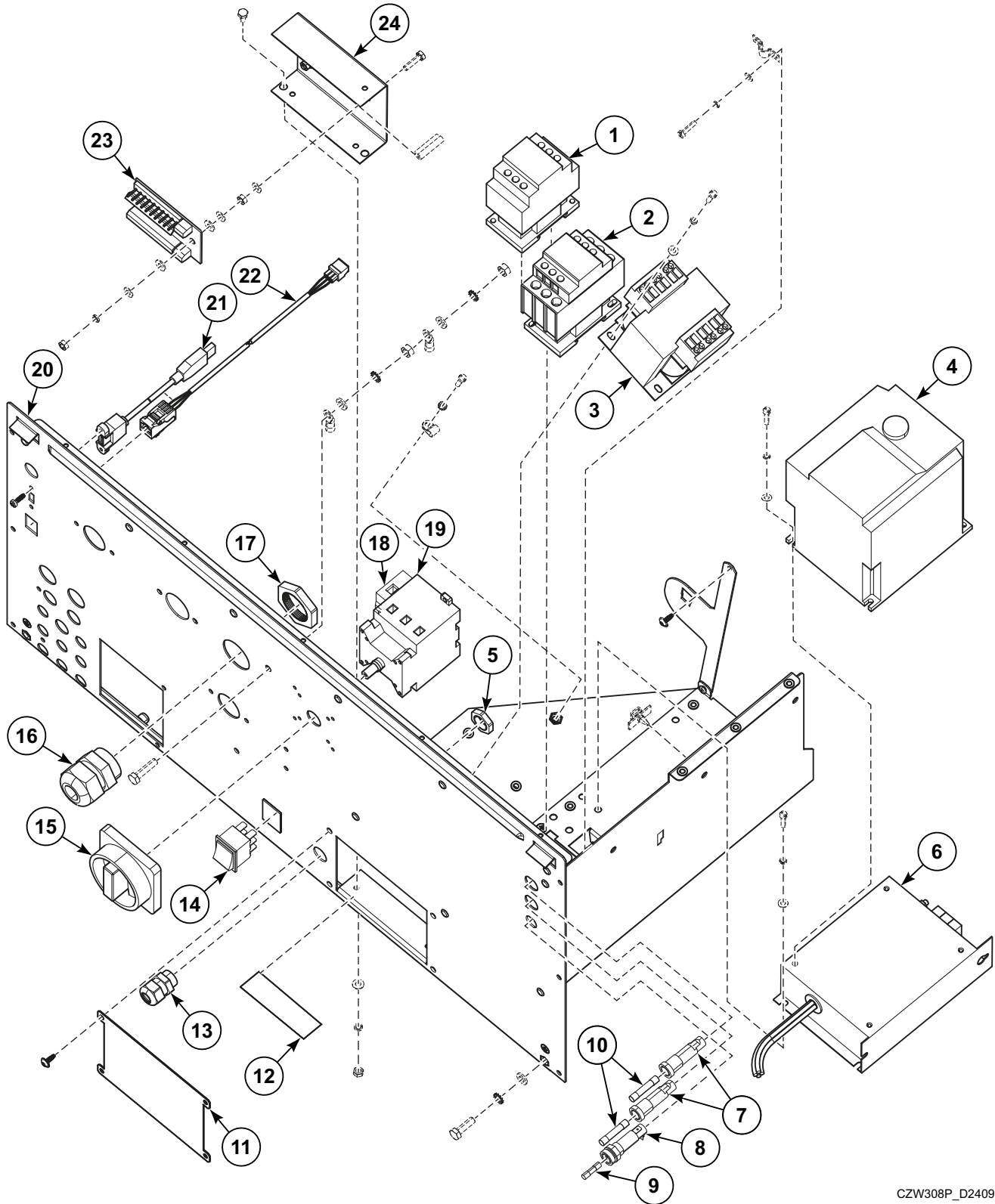
CZW307P_D2409

Rear Panel - 230-400V with Neutral (Drawing 2 of 2)

REF	PART NO.	DESCRIPTION	COMMENTS
1	SP309084000416	Bolt	M4x16
2	SP311127000004	Washer	4
3	SP311125000004	Washer	4.3
4	SP528392	Cable Clamp	
5	SP311679800004	Washer	M4
6	SP502214	Clip	
7	SP529206	Screw	4x11
8	SP528313	Cable Holder	
9	SP311125240006	Washer	6
10	SP311679824006	Washer	6
11	SP309933000620	Bolt	M6x20
12	SP310934000004	Nut	M4
13	SP309933100625	Bolt	M6x25
14	SP526497	Screw	4x12
15	SPPRI523000007	Washer	M4
16	SP345000165034	Cable Eye	
17	SP311125100006	Washer	
18	SP310934100006	Nut	M6
19	SPPRI505000058	Profiled Sealing	
20	SP309933000416	Bolt	M4x16
21	SP309933240408	Bolt	M4x8

Rear Panel - 400-440V (Drawing 1 of 2)

AF, IY, and NY Models with G, H, J or K in 13th Position except Models with V in the 7th Position



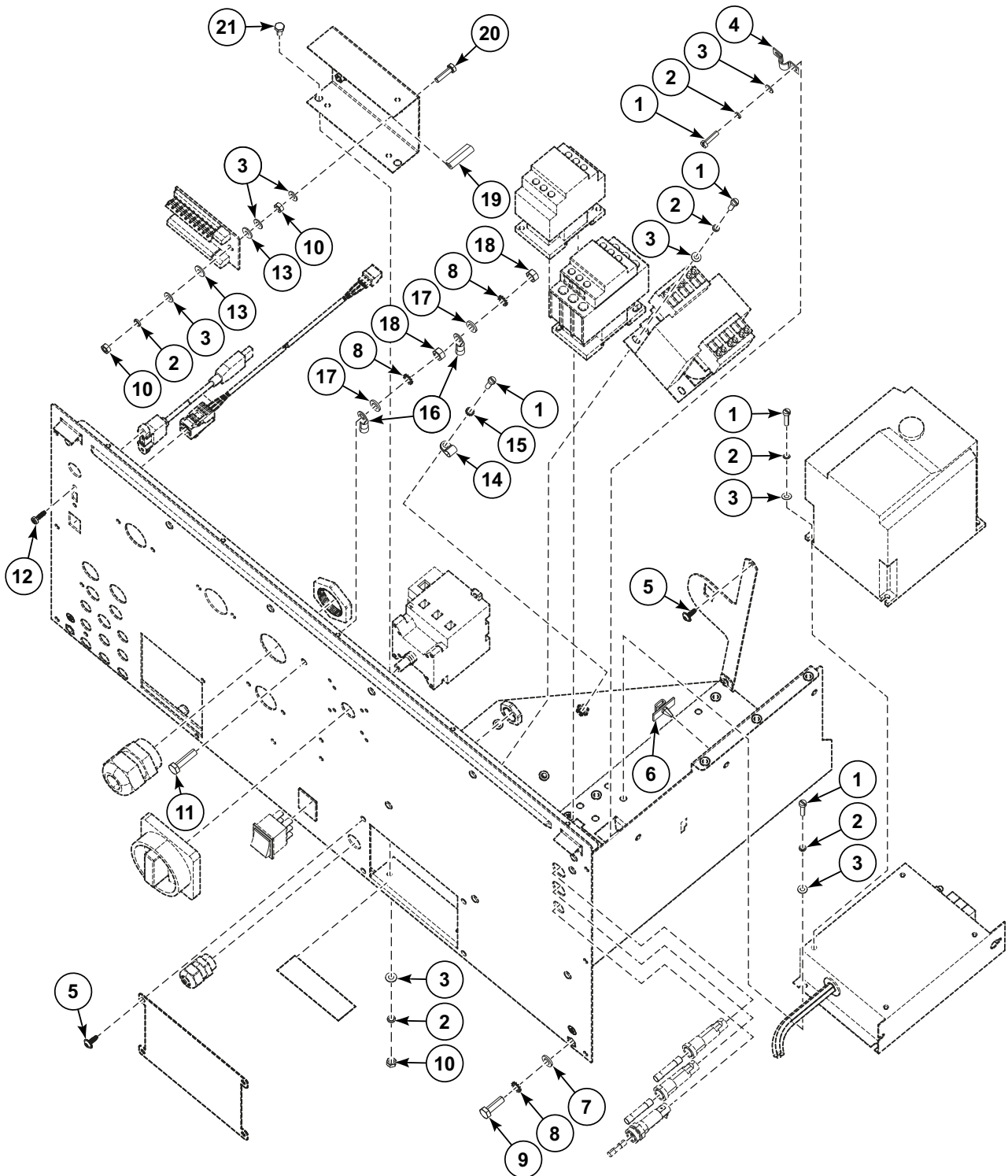
CZW308P_D2409

Rear Panel - 400-440V (Drawing 1 of 2)

REF	PART NO.	DESCRIPTION	COMMENTS
1	SP514038	Contactator	LC1-D09M7; Used with frequency inverter
2	SP514038	Contactator	LC1-D09M7; Electric heating; 6kW, 9kW, 12kW 400V / 440V
	SP514042	Contactator	LC1D18M7; Electric heating 9kW 230V
	SPPRI345002019	Contactator	LC1D3201; Electric heating 12kW, 13.8kW, 230V
3	SP516648	Transformer	
4	571474	Frequency Inverter	1.5kW; 400V / 440V; FR-D740-036-SC-E8
	557961	Ferrite Core	Used with frequency inverter
5	SP101416	Nut	M16
6	525935	Filter	16A
7	SPPRI401003020	Fuse Housing	2 pieces
8	SPPR401001020	Fuse Holder	
9	SP345805005020	Fuse	5x20mm, T0.5A/250V; 1 piece
10	SP345805163032	Fuse	6.3x32mm, T1A/500V; 2 pieces
11	566549	Cover	
12	524740	Label	
13	SP101406	Bushing	M16
14	SP100388	Switch	
15	SPPRI404000095	Main Switch Knob	
16	SP101409	Bushing	M32x1.5
17	SP101419	Nut	M32
18	SP506407	Main Switch	25A; Fourth pole
	SPPRI404001098	Main Switch	32A; Fourth pole
	SPPRI404000199	Main Switch	63A; Fourth pole
19	SPPRI404000097	Main Switch	25A; used with SP506407 Main Switch Fourth Pole 25A
	SPPRI404000098	Main Switch	32A; used with SPPRI404001098 Main Switch Fourth Pole 32A
	SPPRI404000099	Main Switch	63A; used with SPPRI404001099 Main Switch Fourth Pole 63A
20	577193	Rear Panel	Assembly
21	SP547006	USB Cable	Rear panel connection; Optional
22	SP545234	Cable	RS485; With connectors
23	524714	Soap Relay Board	Used with SP528419 Pump Relay Board Flat Cable, l=1.8m long
	SP557944	Soap Link Kit	
	SP557947	External Block Signal Cable	2.8m
24	540123	Holder	

Rear Panel - 400-440V (Drawing 2 of 2)

AF, IY, and NY Models with G, H, J or K in 13th Position except Models with V in the 7th Position



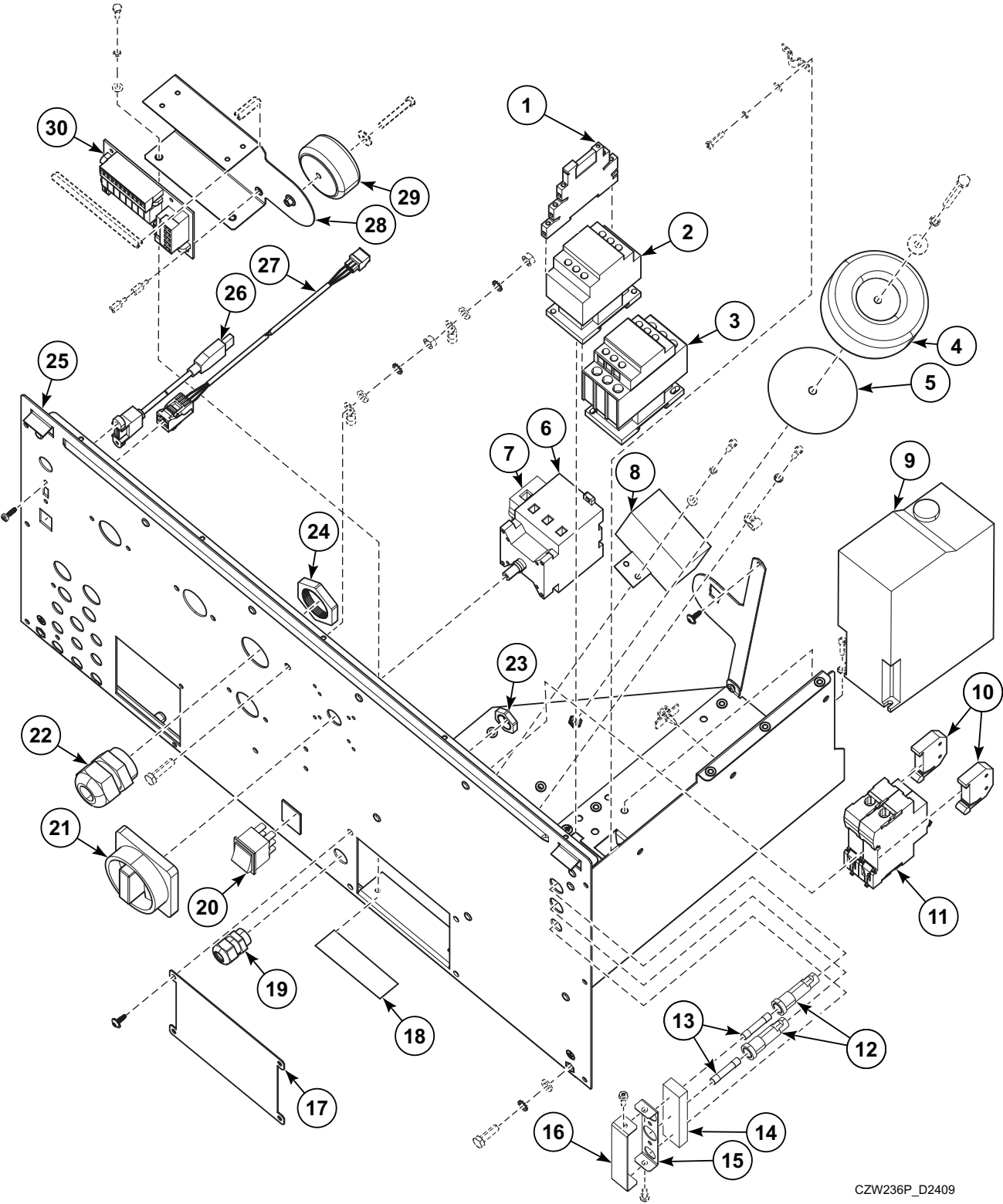
CZW309P_D2409

Rear Panel - 400-440V (Drawing 2 of 2)

REF	PART NO.	DESCRIPTION	COMMENTS
1	SP309084000416	Bolt	M4x16
2	SP311127000004	Washer	4
3	SP311125000004	Washer	4.3
4	SP528392	Cable Clamp	
5	SP529206	Screw	4x11
6	SP528313	Cable Holder	
7	SP311125240006	Washer	6
8	SP311679824006	Washer	6
9	SP309933000620	Bolt	M6x20
10	SP310934000004	Nut	M4
11	SP309933100625	Bolt	M6x25
12	SP526497	Screw	4x12
13	SPPRI523000007	Washer	M4
14	SP502214	Clip	
15	SP311679800004	Washer	M4
16	SP345000165034	Cable Eye	
17	SP311125100006	Washer	
18	SP310934100006	Nut	M6
19	SPPRI505000058	Profiled Sealing	
20	SP309933000416	Bolt	M4x16
21	SP309933240408	Bolt	M4x8

Rear Panel - 230-400V CE Models with Neutral (Drawing 1 of 2)

AF, IY, JY and NY Models with V in the 7th Position



CZW236P_D2409

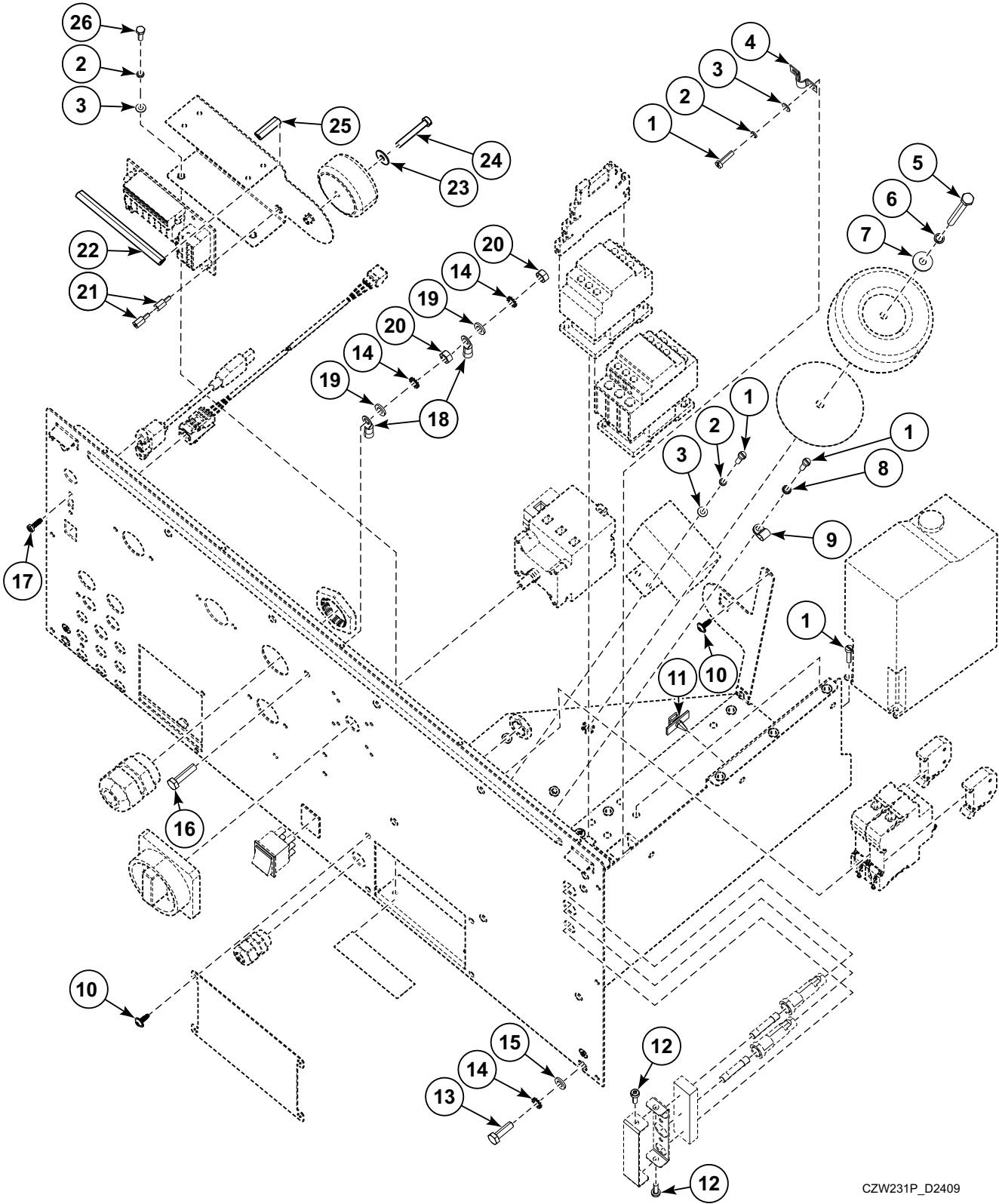
Rear Panel - 230-400V CE Models with Neutral (Drawing 1 of 2)

REF	PART NO.	DESCRIPTION	COMMENTS
1	N/A	Relay	2 poles; Used with drain pump
2	SP514038	Contactor	LC1-D09M7; Used with frequency inverter
3	SP514038	Contactor	LC1-D09M7; Electric heating; 6kW, 9kW, 12kW 400V / 440V
	SP514042	Contactor	LC1D18M7; Electric heating 9kW 230V
	SPPRI345002019	Contactor	LC1D3201; Electric heating 12kW, 13.8kW, 230V
4	571455	DC Choke	4mH; Supply 230V, 380-415V+N
5	571458	Insulation Washer	
6	SPPRI404000097	Main Switch	25A; used with SP506407 Main Switch Fourth Pole 25A
	SPPRI404000098	Main Switch	32A; used with SPPRI404001098 Main Switch Fourth Pole 32A
	SPPRI404000099	Main Switch	63A; used with SPPRI404001099 Main Switch Fourth Pole 63A
7	SP506407	Main Switch	25A; Fourth pole
	SPPRI404001098	Main Switch	32A; Fourth pole
	SPPRI404001099	Main Switch	63A; Fourth pole
8	568380	Filter	20A / 250V
9	571472	Frequency Inverter	FR-D720S-070-SC-E8; 1.5kW; 230V / 400V+N
	571474	Frequency Inverter	1.5kW; 400V / 440V; FR-D740-036-SC-E8
	557961	Ferrite Core	Used with frequency inverter
10	SP346000209101	End Stop	
11	571462	Circuit Breaker	
12	SPPRI401003020	Fuse Housing	2 pieces
13	SP345805163032	Fuse	6.3x32mm, T1A/500V; 2 pieces
14	570387	Self-Adhesive Profile	
15	SP554310	Fuse Holder	
16	SP554311	Fuse Cover	
17	566549	Cover	
18	570731	Label	Models with Transformer
	579019	Label	Models without Transformer
19	SP101406	Bushing	M16
20	SP100388	Switch	
21	SPPRI404000095	Main Switch Knob	
22	SP101409	Bushing	M32x1.5
23	SP101416	Nut	M16
24	SP101419	Nut	M32
25	571017	Rear Panel	
26	SP547006	USB Cable	Rear panel connection; Optional
27	SP545234	Cable	RS485; With connectors
28	570382	Holder	
29	564561	Transformer	with Transformer
	579014	Transformer	Models without Transformer
30	553187	Soap Relay Board	Used with 569737 Pump Relay Board Flat Cable, 2m long

N/A = Part no longer available

Rear Panel - 230-400V CE Models with Neutral (Drawing 2 of 2)

AF, IY, JY and NY Models with V in the 7th Position



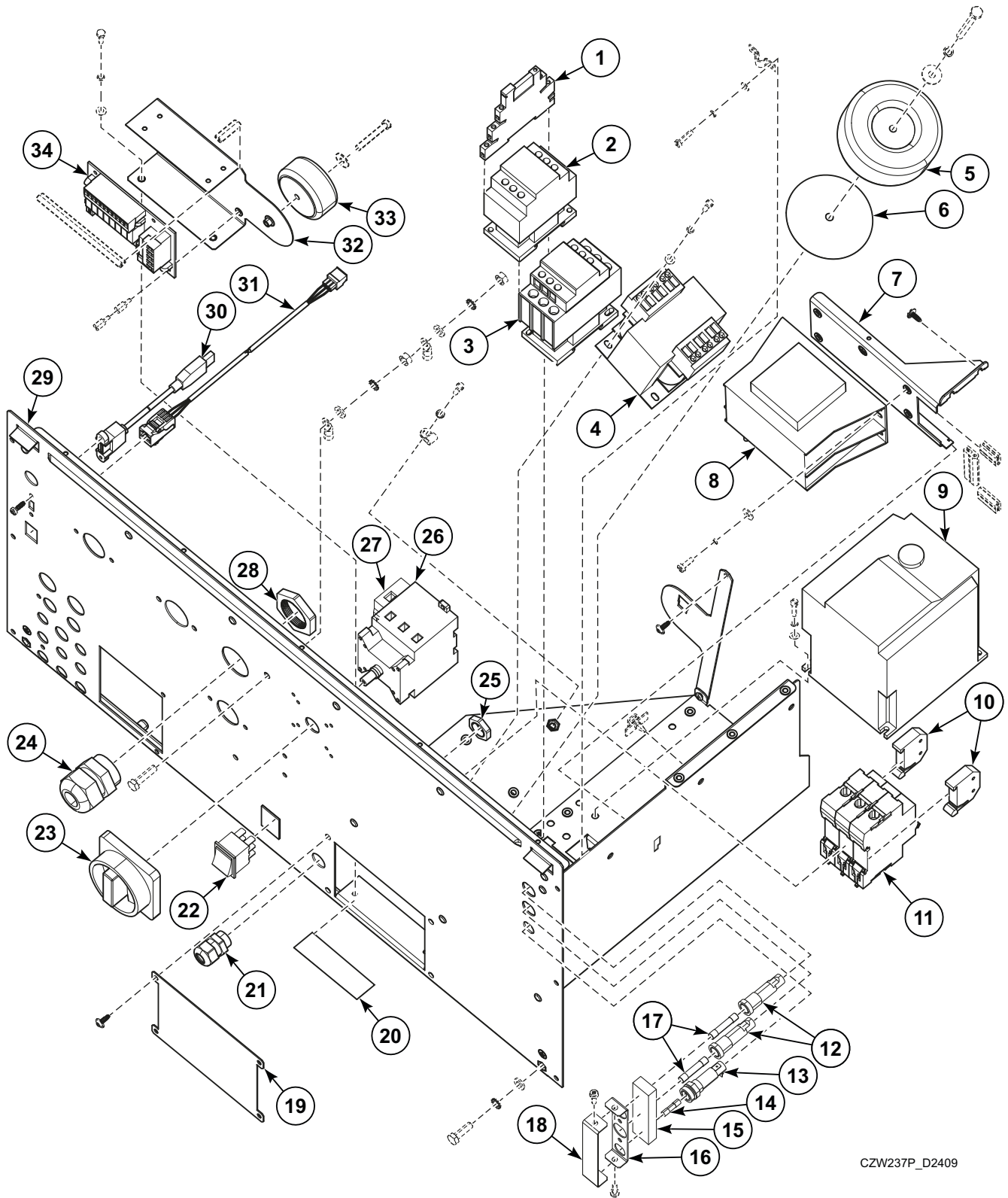
CZW231P_D2409

Rear Panel - 230-400V CE Models with Neutral (Drawing 2 of 2)

REF	PART NO.	DESCRIPTION	COMMENTS
1	SP309084000416	Bolt	M4x16
2	SP311127000004	Washer	4
3	SP311125000004	Washer	4.3
4	SP528392	Cable Clamp	
5	SP309933000660	Bolt	M6x60
6	SP311127000006	Washer	6
7	SP311902100006	Washer	6
8	SP311679800004	Washer	M4
9	SP502214	Clip	
10	SP529206	Screw	4x11
11	SP528313	Cable Holder	
12	SP555504	Bolt	
13	SP309933000620	Bolt	M6x20
14	SP311679824006	Washer	6
15	SP311125240006	Washer	6
16	SP309933100625	Bolt	M6x25
17	SP526497	Screw	4x12
18	SP345000165034	Cable Eye	
19	SP311125100006	Washer	6
20	SP310934100006	Nut	M6
21	570381	Hex Pillar	M3
22	SPPRI505000058	Profiled Sealing	0.105m
23	SP505430	Washer	5
24	SP309084000535	Bolt	M5x35
25	SPPRI505000058	Profiled Sealing	0.025m
26	SP309933240412	Bolt	M4x12

Rear Panel - 400-440V CE Models (Drawing 1 of 2)

AF, IY, JY and NY Models with V in the 7th Position



CZW237P_D2409

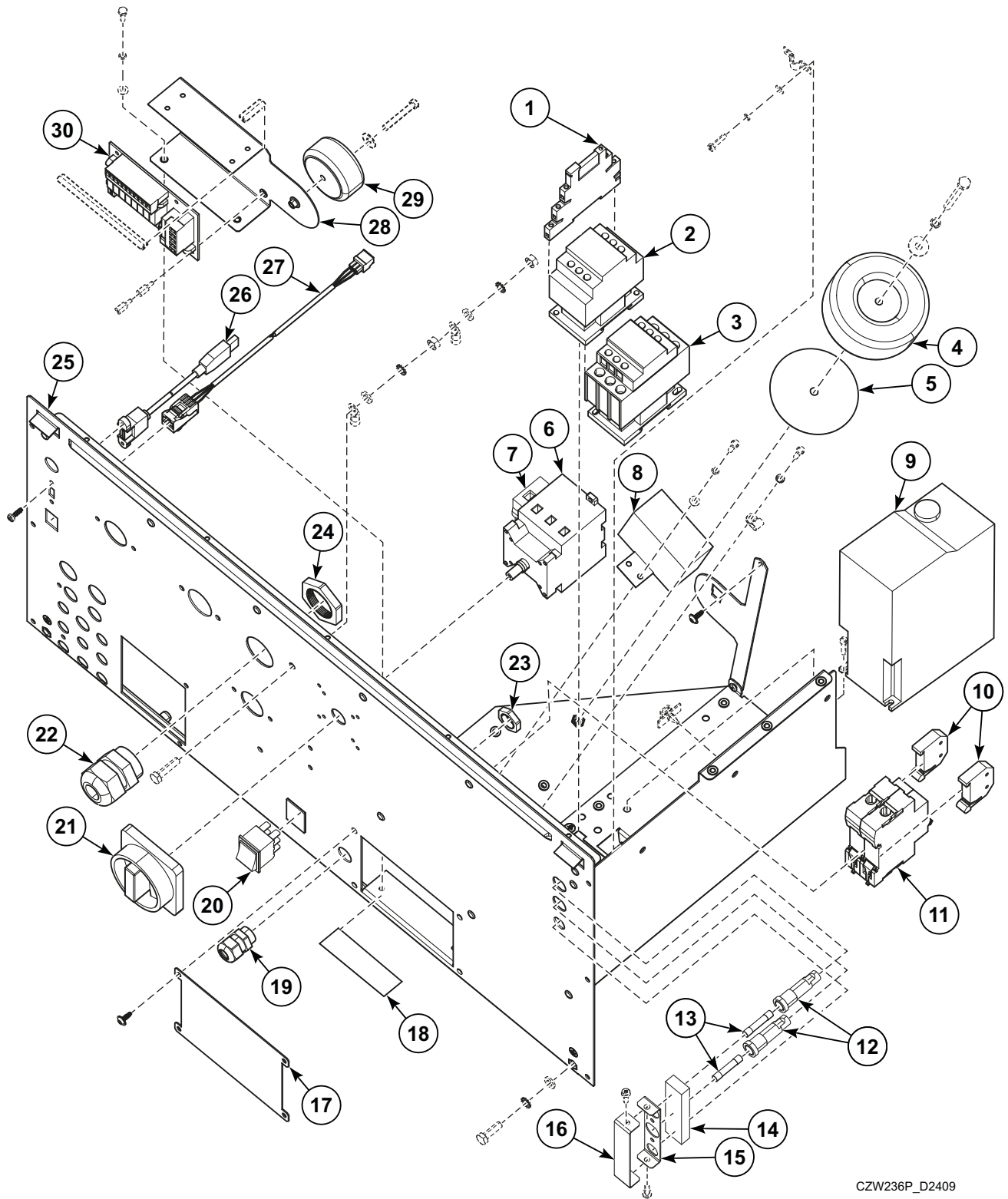
Rear Panel - 400-440V CE Models (Drawing 1 of 2)

REF	PART NO.	DESCRIPTION	COMMENTS
1	N/A	Relay	2 poles; Used with drain pump
2	SP514038	Contactora	LC1-D09M7; Used with frequency inverter
3	SP514038	Contactora	LC1-D09M7; Electric heating; 6kW, 9kW, 12kW 400V / 440V
	SP514042	Contactora	LC1D18M7; Electric heating 9kW 230V
	SPPRI345002019	Contactora	LC1D3201; Electric heating 12kW, 13.8kW, 230V
4	SP516648	Transformer	
5	571455	DC Choke	4mH; Supply 230V / 400V
6	571458	Insulation Washer	
7	572126	Filter Holder	Used with SP313251002104 Nut
8	SP557932	Frequency Inverter Filter	3x400V
9	571474	Frequency Inverter	1.5kW; 400V / 440V; FR-D740-036-SC-E8
	557961	Ferrite Core	Used with frequency inverter
10	SP346000209101	End Stop	
11	571464	Circuit Breaker	
12	SPPRI401003020	Fuse Housing	2 pieces
13	SPPRI401001020	Fuse Holder	
14	SP345805005020	Fuse	Without Neutral
15	570387	Self-Adhesive Profile	
16	SP554310	Fuse Holder	
17	SP345805163032	Fuse	6.3x32mm, T1A/500V; 2 pieces
18	SP554311	Fuse Cover	
19	566549	Cover	
20	570371	Label	Models with Transformer
	579019	Label	Models without Transformer
21	SP101406	Bushing	M16
22	SP100388	Switch	
23	SPPRI404000095	Main Switch Knob	
24	SP101409	Bushing	M32x1.5
25	SP101416	Nut	M16
26	SPPRI404000097	Main Switch	25A
	SPPRI404000098	Main Switch	32A
	SPPRI404000099	Main Switch	63A
27	SP506407	Main Switch	25A; Fourth pole
	SPPRI404001098	Main Switch	32A; Fourth pole
	SPPRI404001099	Main Switch	63A; Fourth pole
28	SP101419	Nut	M32
29	571017	Rear Panel	
30	SP547006	USB Cable	Rear panel connection; Optional
31	SP545234	Cable	RS485; With connectors
32	570382	Holder	
33	564561	Transformer	with Transformer
	579014	Transformer	Models without Transformer
34	553187	Soap Relay Board	Used with 569737 Pump Relay Board Flat Cable

N/A = Part no longer available

Rear Panel - 400-440V CE Models (Drawing 2 of 2)

AF, IY, JY and NY Models with V in the 7th Position



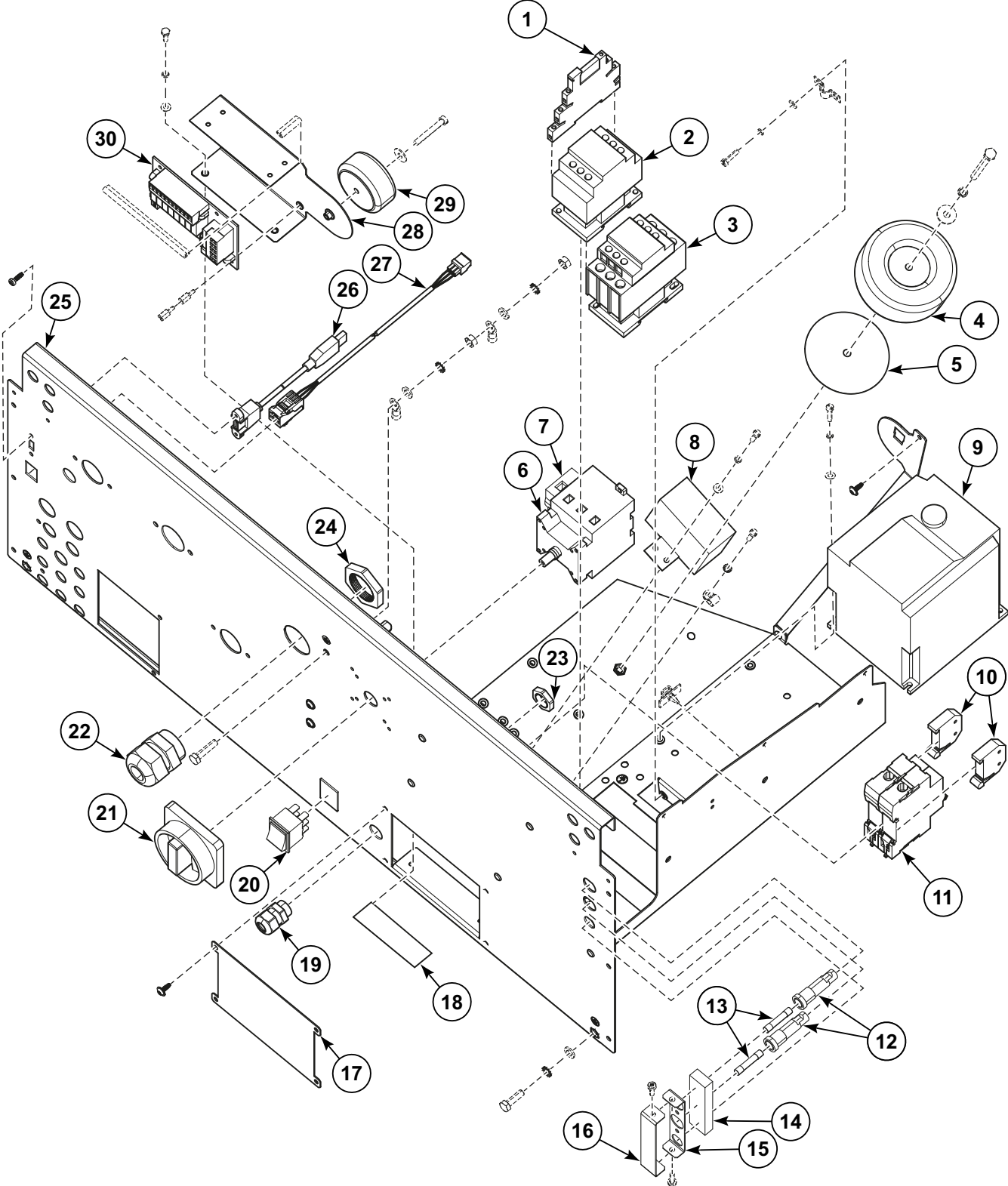
CZW236P_D2409

Rear Panel - 230-400V with Neutral (Drawing 1 of 2)

REF	PART NO.	DESCRIPTION	COMMENTS
1	SP309084000416	Bolt	M4x16
2	SP311127000004	Washer	4
3	SP311125000004	Washer	4.3
4	SP528392	Cable Clamp	
5	SP311902100006	Washer	6
6	SP311127000006	Washer	6
7	SP309933000660	Bolt	M6x60
8	SP311679800004	Washer	M4
9	SP311125000004	Washer	4.3
10	SP529206	Screw	4x11
11	SP529068	Edge Protection	
12	SP311902100004	Washer	4
13	SP555504	Bolt	M4x12
14	SP528313	Cable Holder	
15	SP311125240006	Washer	6
16	SP311679824006	Washer	6
17	SP309933000620	Bolt	M6x20
18	SP309933100625	Bolt	M6x25
19	SP526497	Screw	4x12
20	SP502214	Clip	
21	SP345000165034	Cable Eye	
22	SP311125100006	Washer	6
23	SP310934100006	Nut	M6
24	570381	Hex Pillar	M3
25	SPPRI505000058	Profiled Sealing	0.105m
26	SP505430	Washer	5
27	SP309084000535	Bolt	M5x35
28	SPPRI505000058	Profiled Sealing	0.025m
29	SP309933240412	Bolt	M4x12

Rear Panel - 230-400V with Neutral (Drawing 1 of 2)

FX and PY models with V in the 7th Position



CZW333P_D2409

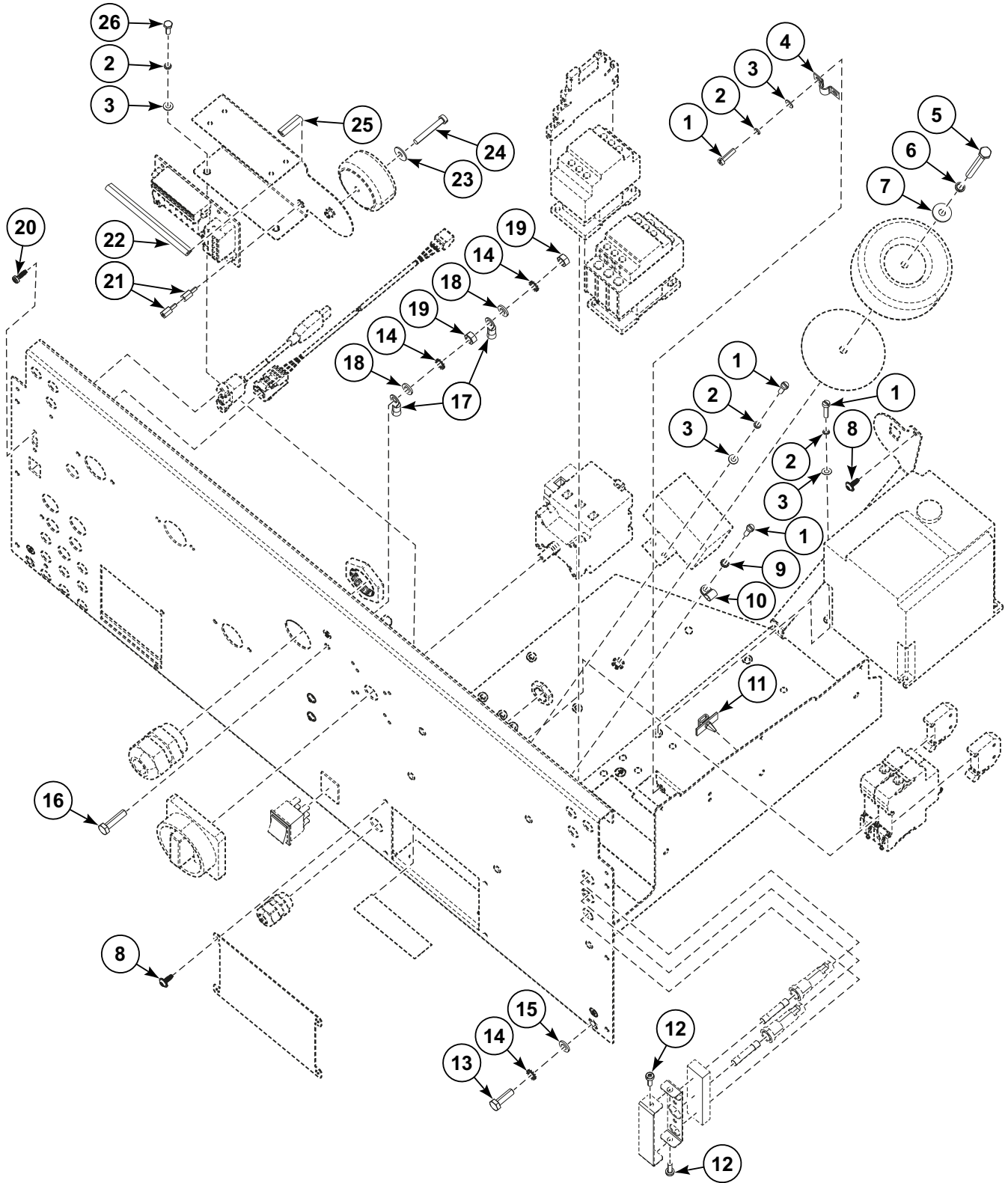
Rear Panel - 230-400V with Neutral (Drawing 1 of 2)

REF	PART NO.	DESCRIPTION	COMMENTS
	570316	Liquid detergents	Assembly, includes items: (drawing 1 of 2): 18, 19, 23, 28-30, 569737 Pump Relay Board Flat Cable and items from (drawing 2 of 2): 2, 3 and 21-26
1	N/A	Relay	2 poles; Used with drain pump
2	SP514038	Contactors	LC1-D09M7; Used with frequency inverter
3	SP514038	Contactors	LC1-D09M7; Electric heating; 6kW, 9kW, 12kW 400V / 440V
	SP514042	Contactors	LC1D18M7; Electric heating 9kW 230V
	SPPRI3450002019	Contactors	LC1D3201; Electric heating 12kW, 13.8kW, 230V
4	571454	DC Choke	9.7mH; Supply 230V, 400V / 400V+N / 440V
	571455	DC Choke	4mH; Supply 230V / 400V+N
5	571458	Insulation Washer	
6	SPPRI404000097	Main Switch	25A; Used with SP506407 Main Switch Fourth Pole 25A
	SPPRI404000098	Main Switch	32A; Used with SPPRI404001098 Main Switch Fourth Pole 32A
	SPPRI404000099	Main Switch	63A; Used with SPPRI404001099 Main Switch Fourth Pole 63A
7	SP506407	Main Switch	25A; Fourth pole; Applicable for 400V+N
	SPPRI404001098	Main Switch	32A; Fourth pole; Applicable for 400V+N
	SPPRI404001099	Main Switch	63A; Fourth pole; Applicable for 400V+N
8	568380	Filter	20A / 250V
9	571472	Frequency Inverter	FR-D720S-070-SC-E8; 1.5kW; 230V / 400V+N
	557961	Ferrite Core	Used with frequency inverter
10	SP346000209101	End Stop	
11	571462	Circuit Breaker	
12	SPPRI401003020	Fuse Housing	2 pieces
13	SP345805163032	Fuse	6.3x32mm, T1A/500V; 2 pieces
14	570387	Self-Adhesive Profile	
15	SP554310	Fuse Holder	
16	SP554311	Fuse Cover	
17	566549	Cover	
18	570371	Label	Models with Transformer
	579019	Label	Models without Transformer
19	SP101406	Bushing	M16
20	SP100388	Switch	
21	SPPRI404000095	Main Switch Knob	
22	SP101409	Bushing	M32x1.5
23	SP101416	Nut	M16
24	SP101419	Nut	M32
25	574113	Rear Panel	
26	SP547006	USB Cable	Rear panel connection; Optional
27	SP545234	Cable	RS485; With connectors
28	570382	Holder	
29	564561	Transformer	with Transformer
	579014	Transformer	Models without Transformer
30	553187	Soap Relay Board	Used with 569737 Pump Relay Board Flat Cable, 2m long

N/A = Part no longer available

Rear Panel - 230-400V with Neutral (Drawing 2 of 2)

FX and PY models with V in the 7th Position



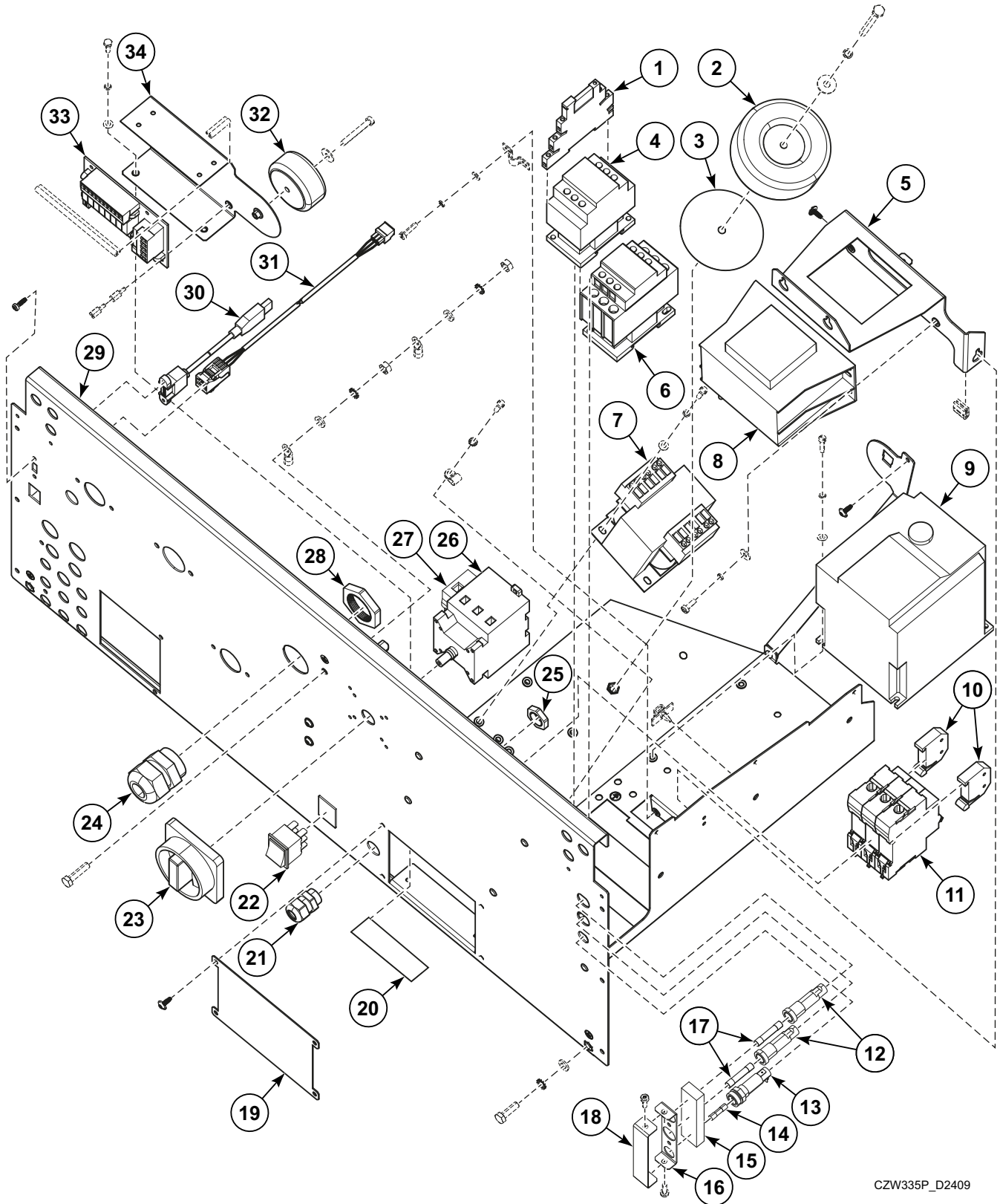
CZW334P_D2409

Rear Panel - 230-400V with Neutral (Drawing 2 of 2)

REF	PART NO.	DESCRIPTION	COMMENTS
1	SP309084000416	Bolt	M4x16
2	SP311127000004	Washer	4
3	SP311125000004	Washer	4.3
4	SP528392	Cable Clamp	
5	SP309933000660	Bolt	M6x60
6	SP311127000006	Washer	6
7	SP311902100006	Washer	6
8	SP529206	Screw	4x11
9	SP311679800004	Washer	M4
10	SP502214	Clip	
11	SP528313	Cable Holder	
12	SP555504	Bolt	
13	SP309933000620	Bolt	M6x20
14	SP311679824006	Washer	6
15	SP311125240006	Washer	6
16	SP309933100625	Bolt	M6x25
17	SP345000165034	Cable Eye	
18	SP311125100006	Washer	6
19	SP310934100006	Nut	M6
20	SP526497	Screw	4x12
21	570381	Hex Pillar	M3
22	SPPRI505000058	Profiled Sealing	0.105m
23	SP505430	Washer	5
24	SP309084000535	Bolt	M5x35
25	SPPRI505000058	Profiled Sealing	0.025m
26	SP309933240412	Bolt	M4x12

Rear Panel - 400V / 440-480V (Drawing 1 of 2)

FX and PY models with V in the 7th Position



CZW335P_D2409

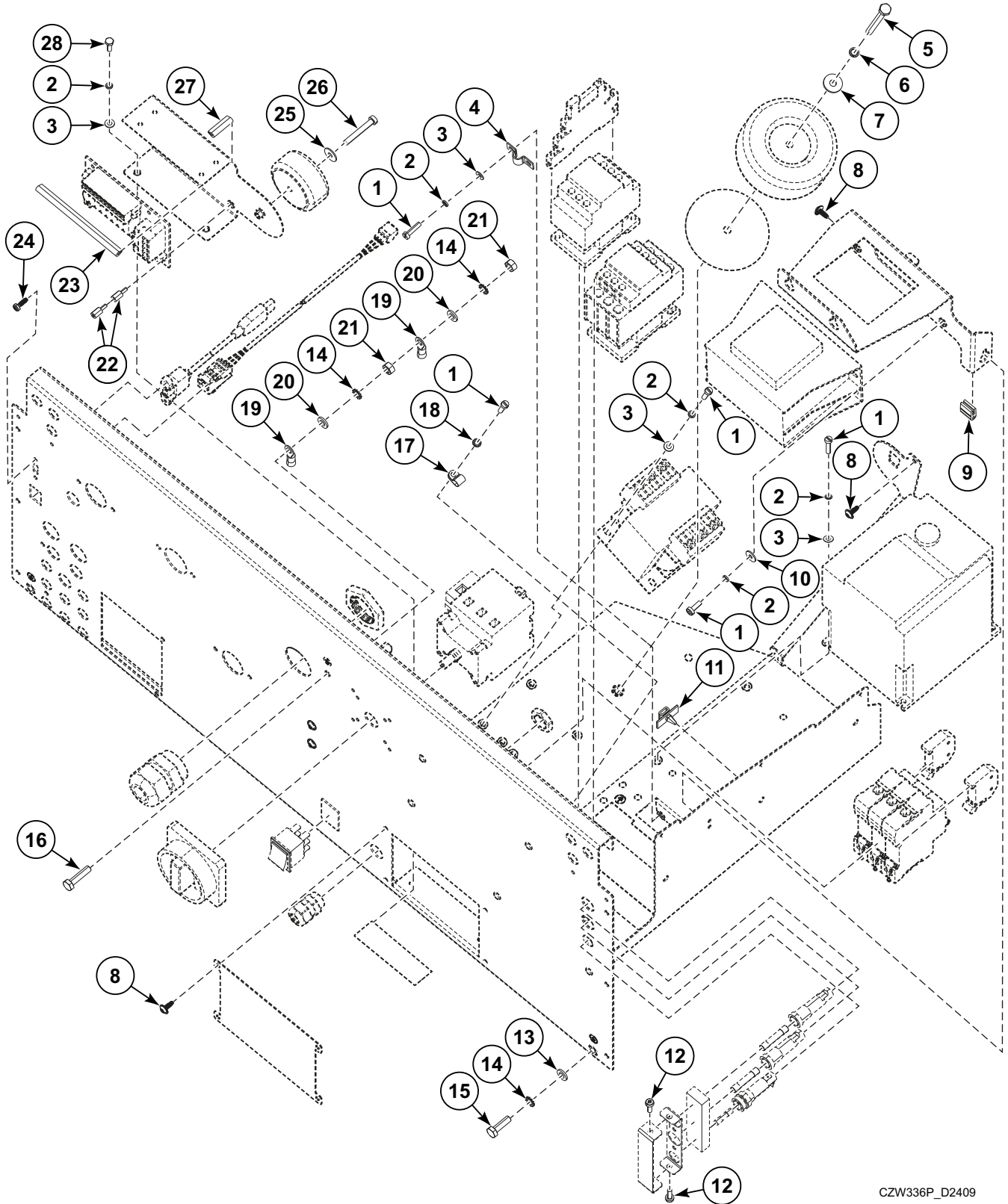
Rear Panel - 400V / 440-480V (Drawing 1 of 2)

REF	PART NO.	DESCRIPTION	COMMENTS
	570316	Liquid detergents	Assembly, includes items: (drawing 1 of 2): 20, 21, 25, 32-34, 569737 Pump Relay Board Flat Cable and items from (drawing 2 of 2): 2, 3, 22, 23 and 25-28
1	N/A	Relay	
2	571454	DC Choke	9.7mH; Supply 400V / 440V
3	571458	Insulation Washer	
4	SP514038	Contactator	LC1-D09M7; Used with frequency inverter
5	574850	Filter Holder	Used with SP313251002104 Nut
6	SP514038	Contactator	LC1-D09M7; Electric heating; 6kW, 9kW, 12kW 400V / 440V
	SP514042	Contactator	LC1D18M7; Electric heating 9kW 230V
	SPPRI3450002019	Contactator	LC1D3201; Electric heating 12kW, 13.8kW, 230V
7	SP516648	Transformer	
8	SP557932	Frequency Inverter Filter	3x400V
9	571474	Frequency Inverter	1.5kW; 400V / 440V; FR-D740-036-SC-E8
	557961	Ferrite Core	Used with frequency inverter
10	SP346000209101	End Stop	
11	571464	Circuit Breaker	
12	SPPRI401003020	Fuse Housing	2 pieces
13	SPPRI401001020	Fuse Holder	
14	SP345805005020	Fuse	Without Neutral
15	570387	Self-Adhesive Profile	
16	SP554310	Fuse Holder	
17	SP345805163032	Fuse	6.3x32mm, T1A/500V; 2 pieces
18	SP554311	Fuse Cover	
19	566549	Cover	
20	570371	Label	Models with Transformer
	579019	Label	Models without Transformer
21	SP101406	Bushing	M16
22	SP100388	Switch	
23	SPPRI404000095	Main Switch Knob	
24	SP101409	Bushing	M32x1.5
25	SP101416	Nut	M16
26	SPPRI404000097	Main Switch	25A
	SPPRI404000098	Main Switch	32A
	SPPRI404000099	Main Switch	63A
27	N/A	Main Switch	25A; Fourth pole
	N/A	Main Switch	32A; Fourth pole
	N/A	Main Switch	63A; Fourth pole
28	SP101419	Nut	M32
29	574113	Rear Panel	
30	SP547006	USB Cable	Rear panel connection; Optional
31	SP545234	Cable	RS485; With connectors
32	564561	Transformer	with Transformer
	579014	Transformer	Models without Transformer
33	553187	Soap Relay Board	Used with 569737 Pump Relay Board Flat Cable
34	570382	Holder	

N/A = Part no longer available

Rear Panel - 400V / 440-480V (Drawing 2 of 2)

FX and PY models with V in the 7th Position

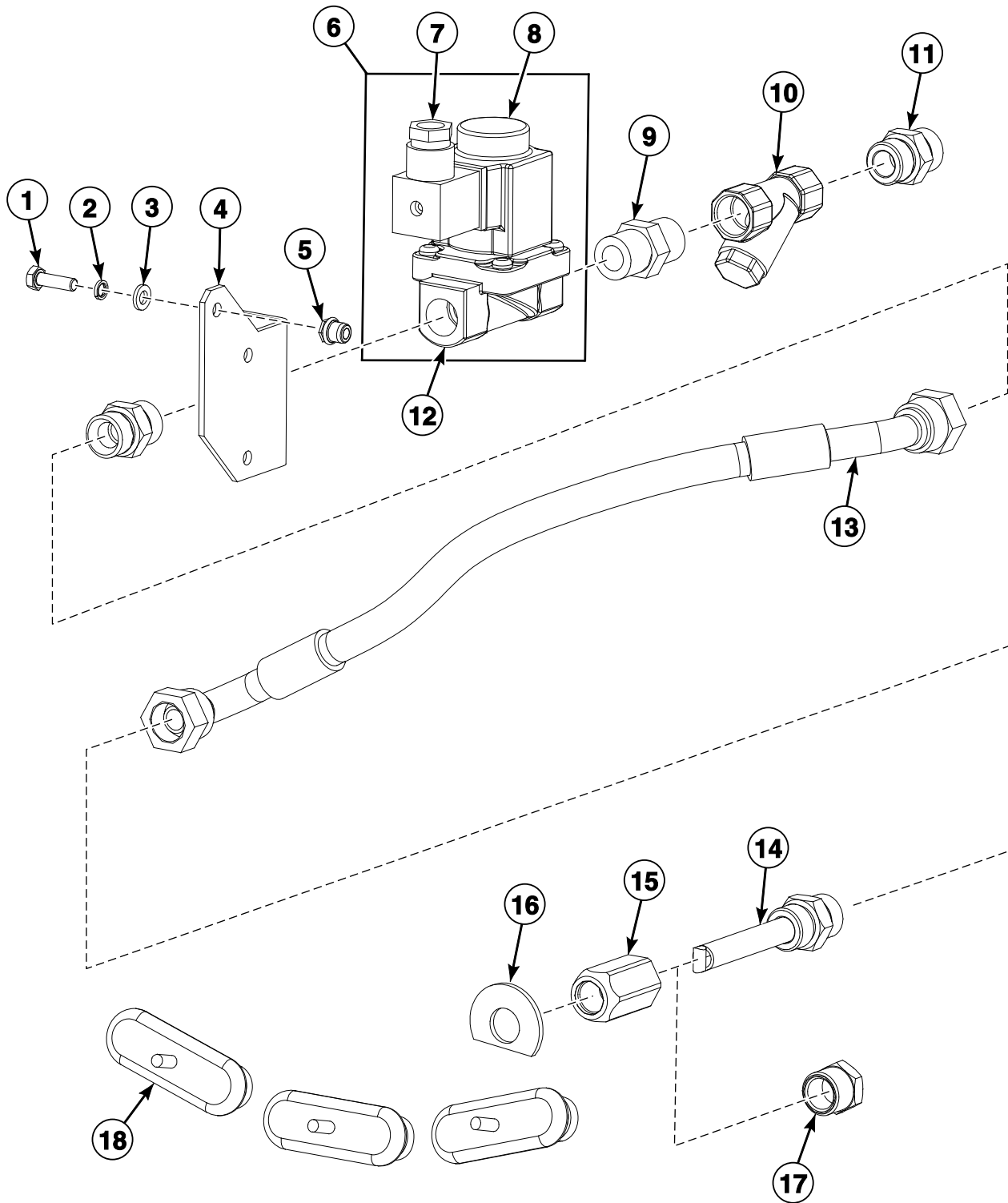


CZW336P_D2409

Rear Panel - 400V / 440-480V (Drawing 2 of 2)

REF	PART NO.	DESCRIPTION	COMMENTS
1	SP309084000416	Bolt	M4x16
2	SP311127000004	Washer	4
3	SP311125000004	Washer	4.3
4	SP528392	Cable Clamp	
5	SP309933000660	Bolt	M6x60
6	SP311127000006	Washer	6
7	SP311902100006	Washer	6
8	SP529206	Screw	4x11
9	SP529068	Edge Protection	0.014m
10	SP311902100004	Washer	4
11	SP528313	Cable Holder	
12	SP555504	Bolt	M4x12
13	SP311125240006	Washer	6
14	SP311679824006	Washer	6
15	SP309933000620	Bolt	M6x20
16	SP309933100625	Bolt	M6x25
17	SP502214	Clip	
18	SP311679800004	Washer	M4
19	SP345000165034	Cable Eye	
20	SP311125100006	Washer	6
21	SP310934100006	Nut	M6
22	570381	Hex Pillar	M3
23	SPPRI505000058	Profiled Sealing	0.105m
24	SP526497	Screw	4x12
25	SP505430	Washer	5
26	SP309084000535	Bolt	M5x35
27	SPPRI505000058	Profiled Sealing	0.025m
28	SP309933240412	Bolt	M4x12

Steam Heating - All Models Except Models with V in 7th Position or G, H, J or K in 13th Position

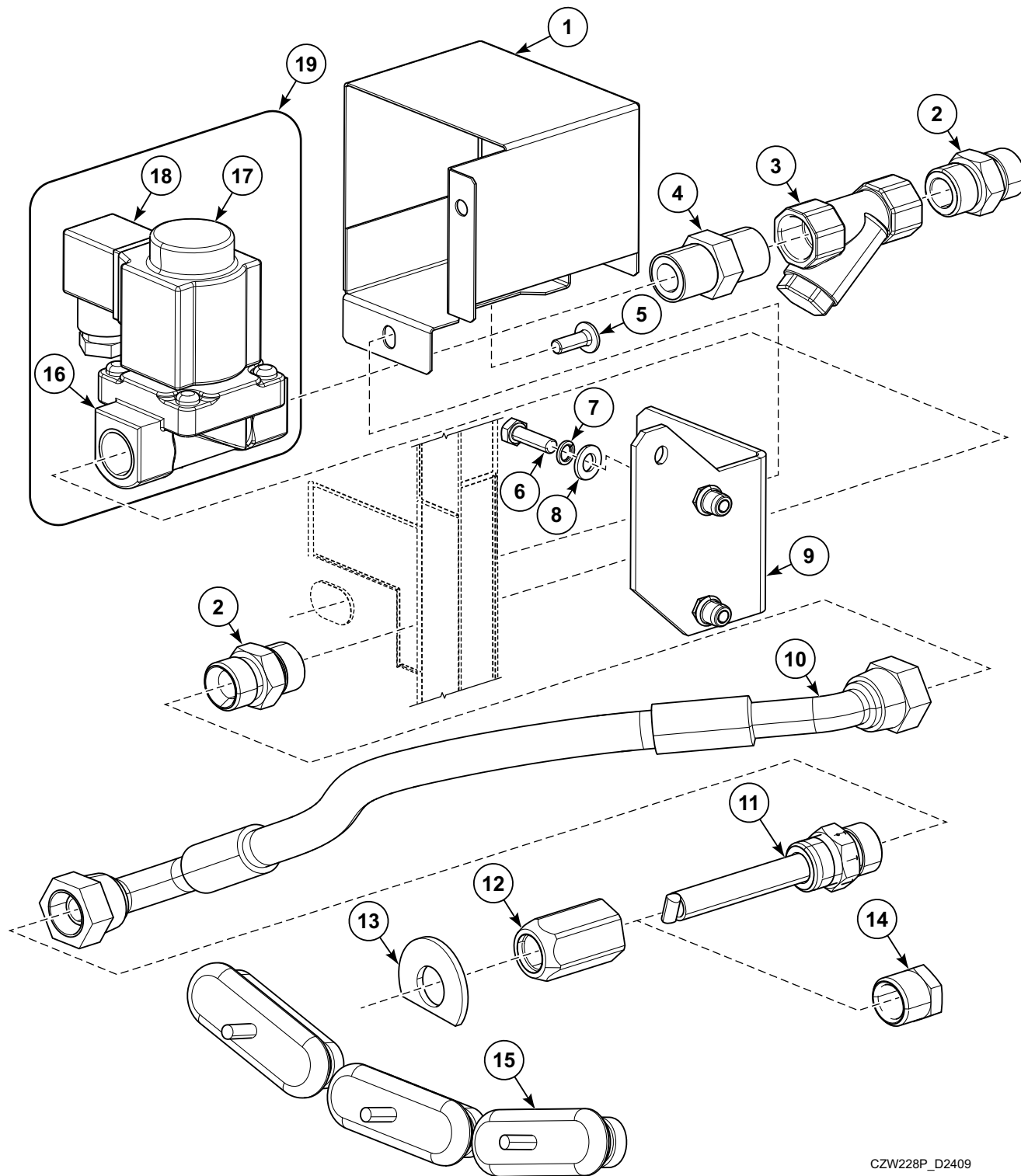


CFD2852P_D2409

Steam Heating - All Models Except Models with V in 7th Position or G, H, J or K in 13th Position

REF	PART NO.	DESCRIPTION	COMMENTS
	SP526564	Seal	
	SP101403	Adhesive	Loctite 5366
	SP245704000603	Adhesive	Loctite 603
	SP559313	Steam Kit	
1	SP309933000620	Bolt	M6x20
2	SP311127000006	Washer	6
3	SP311125000006	Washer	6.4
4	SP526529	Steam Valve Support	
5	SP313251000006	Nut	M6
6	SP514164	Steam Valve	1/2 inch
7	SP554156	Connector	
8	SP554110	Coil	50/60Hz
9	SP319428324012	Adapter	1/2 inch
10	SP405054120215	Steam Filter	1/2 inch
11	SPR22112000114	Pipe Nipple	1/2 inch
12	SP514165	Steam Valve Body	
13	SP526528	Steam Hose	1/2 inch, l=520mm
14	SP526525	Steam Injector	
15	SP547968	Adapter	G3/8 inch / G1/2 inch
16	SP547981	Washer	
17	SPPRI426001268	Plug	1/2 inch; Prep for electric and steam heat
18	SPPRI342001016	Heating Element Hole Plug	

Steam Heating - Models with V in 7th Position or G, H, J or K in 13th Position

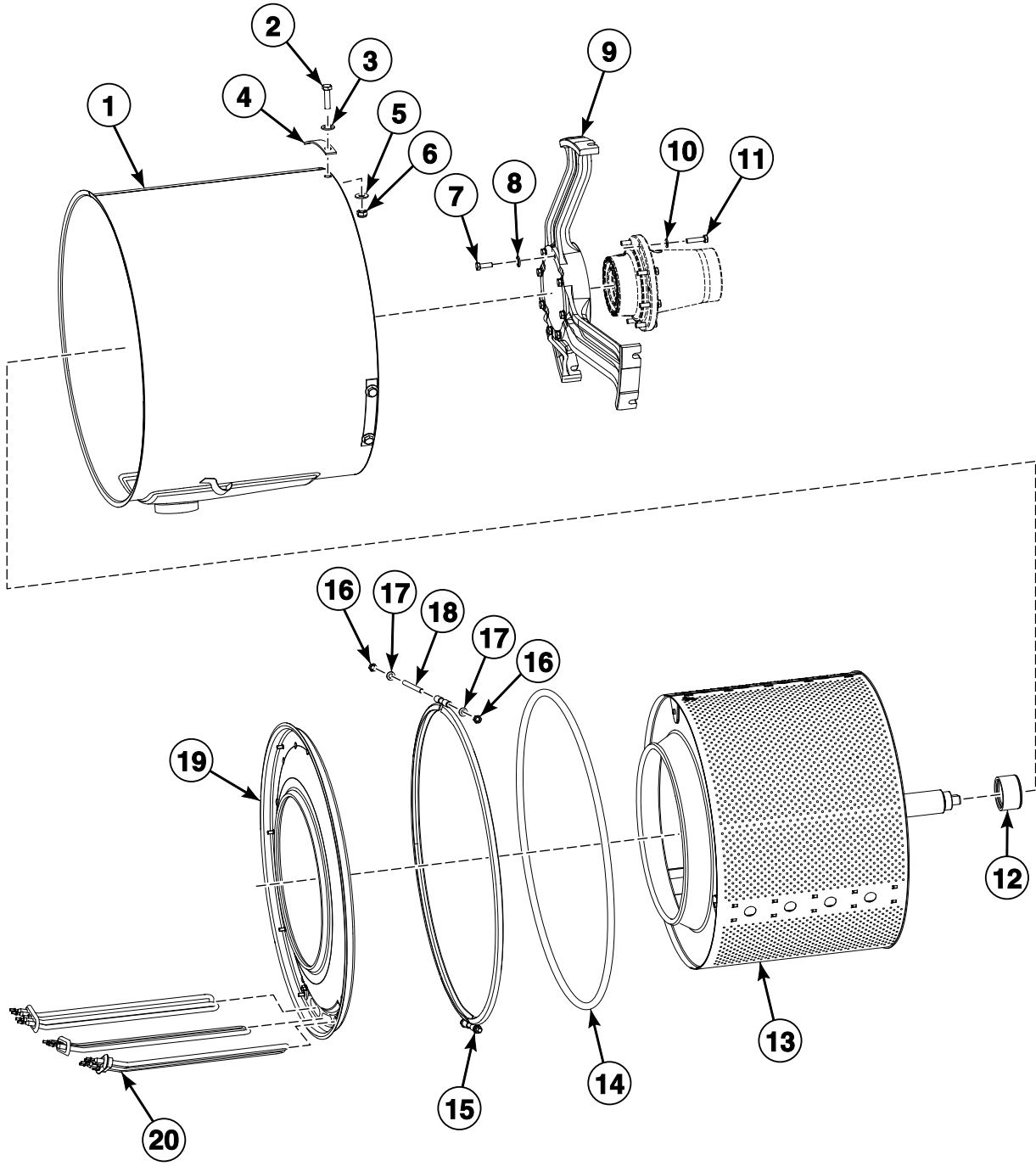


CZW228P_D2409

Steam Heating - Models with V in 7th Position or G, H, J or K in 13th Position

REF	PART NO.	DESCRIPTION	COMMENTS
	555353	Steam Kit	
	SP101403	Adhesive	Loctite 5366
	SP245704000603	Adhesive	Loctite 603
1	570436	Steam Valve Cover	
2	SPR22112000114	Pipe Nipple	1/2 inch
3	SP405054120215	Steam Filter	1/2 inch
4	SP319428324012	Adapter	1/2 inch
5	SP555658	Bolt	M6x16
6	SP309933000620	Bolt	M6x20
7	SP311127000006	Washer	6
8	SP311125000006	Washer	6
9	SP526529	Steam Valve Support	
10	SP526528	Steam Hose	1/2 inch, l=520mm
11	SP526525	Steam Injector	
12	SP547968	Adapter	G3/8 inch / G1/2 inch
13	SP547981	Washer	
14	SPPRI426001268	Plug	1/2 inch; Prep for electric and steam heat
15	SPPRI342001016	Heating Element Hole Plug	
16	SP514165	Steam Valve Body	
17	SP554110	Coil	50/60Hz
18	SP554156	Connector	
19	SP514164	Steam Valve	1/2 inch

Washing Drum and Tub - Except Models with V in 7th Position

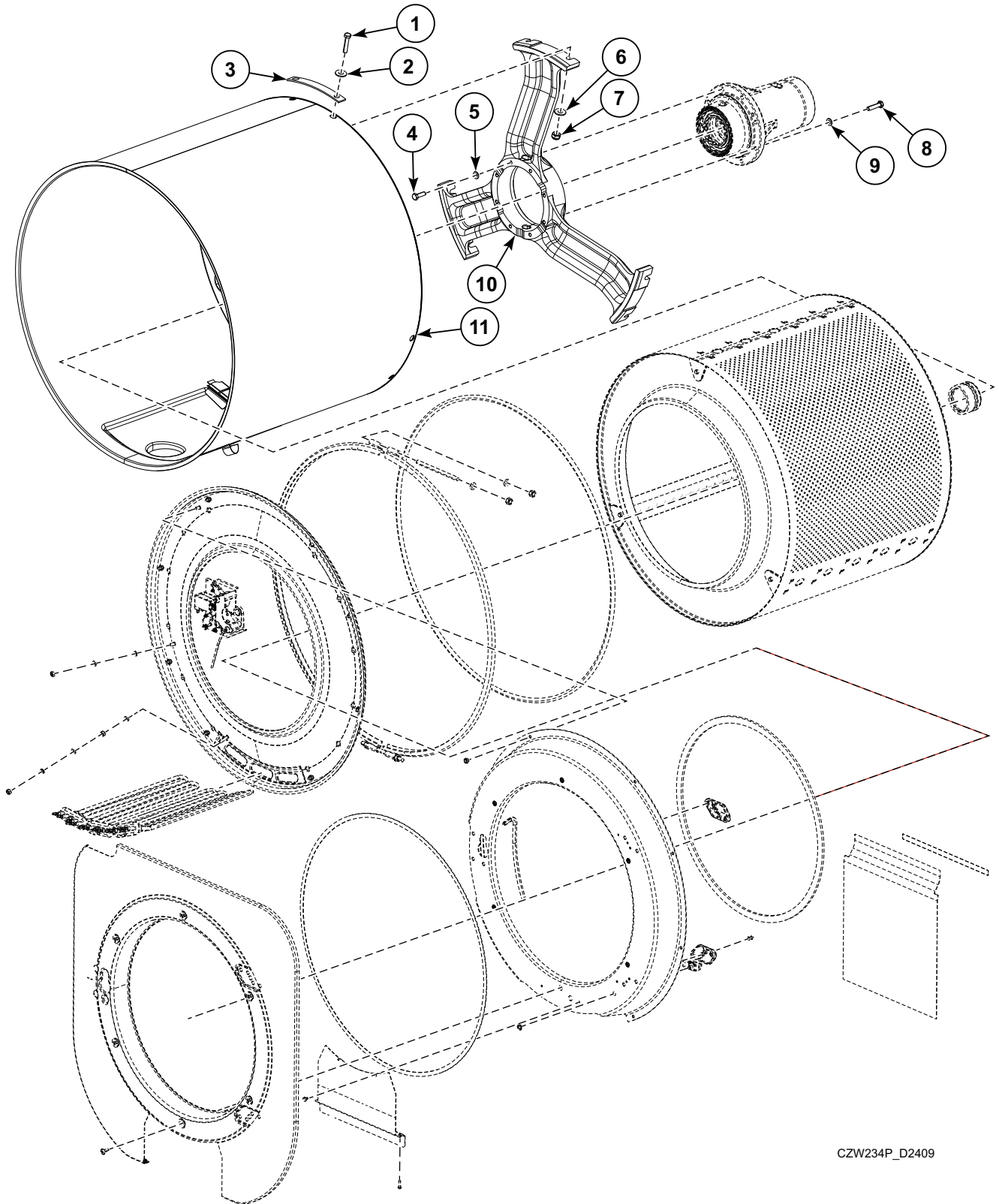


CFD2742P_D2409

Washing Drum and Tub - Except Models with V in 7th Position

REF	PART NO.	DESCRIPTION	COMMENTS
	SP245704003021	Adhesive	Loctite 243; Used with bolt
	SPPRI704000053	Sealant	
	SP245704000050	Adhesive	
	SP510889	Anticorrosive Agent	
1	SP537736	External Tub	Steam heating
	SP537917	External Tub	Electric heating
2	SP527420	Bolt	M10x40
3	SP311737000010	Washer	M10
4	SP537885	Washer	
5	SP311737000010	Washer	M10
6	SP310985000010	Nut	M10
7	SP309933240825	Bolt	M8x25
8	SP311125240008	Washer	M8
9	SP537730	Cross Piece	
10	SP311125000008	Washer	M8
11	SP309933000835	Bolt	M8x35
12	SP537843	Shaft Ring	
13	537732P	Washing Drum	Includes item 12; Cascade
	563265P	Washing Drum	AF, IY and NY models with "G", "H", "J" or "K" in 13th Position; Includes item 12; Flat
	563245P	Washing Drum	Normal spin; 7mm perforation; Includes item 12
14	SP537739	Seal	d10-2100mm
15	SP537737	Clamp	
16	SP310934240008	Nut	M8
17	SP311125240008	Washer	M8
18	SPF02119000415	Bolt	M8
19	SP537742	External Tub Front Plate	
20	SP540143	Heating Element	2000W, l=325mm
	SP540144	Heating Element	3000W, l=325mm
	SP540145	Heating Element	2x1500kW, l=325mm
	SP540146	Heating Element	2x2000W, l=335mm

Washing Drum and Tub - Models with V in 7th Position (Drawing 1 of 2)

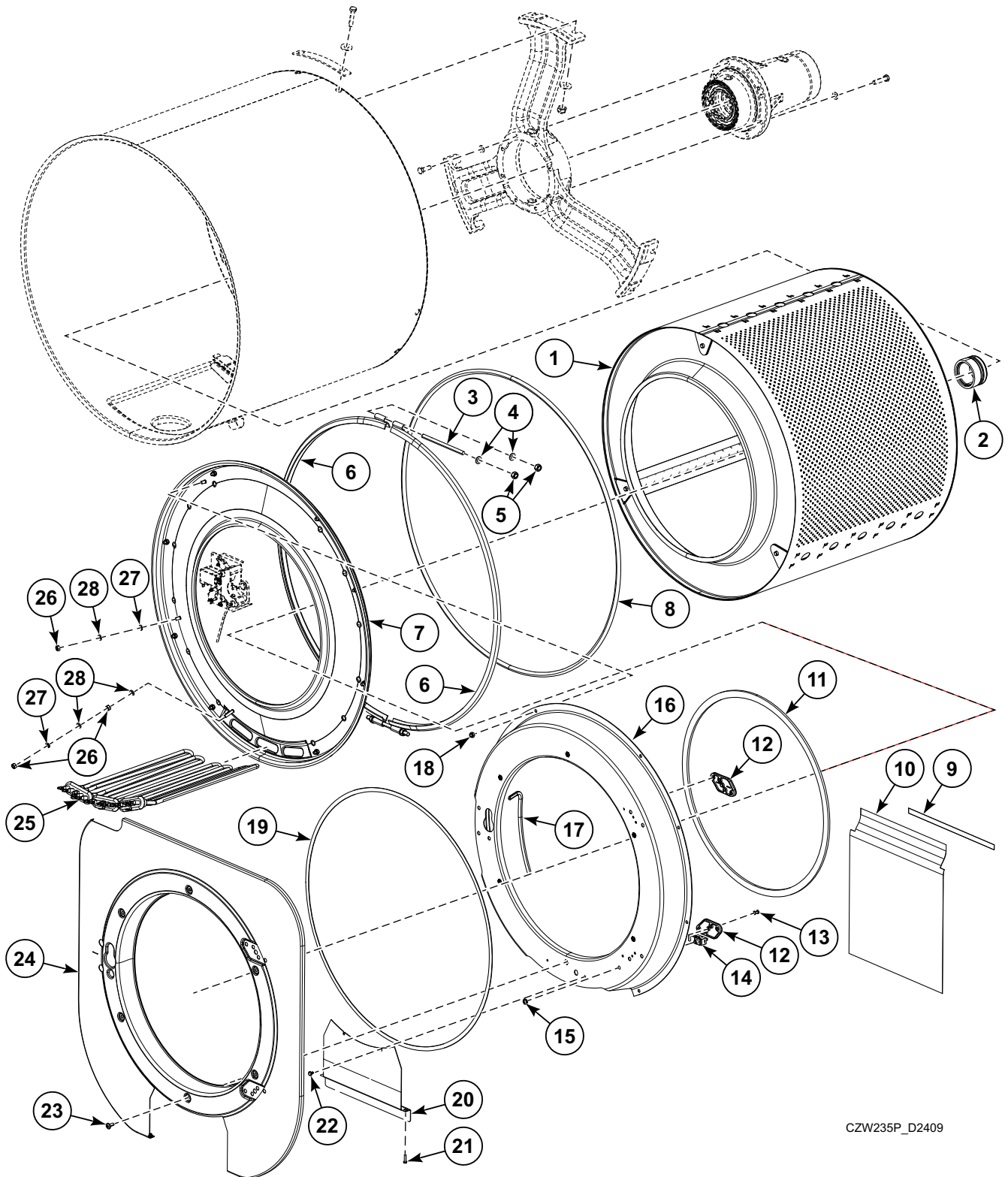


CZW234P_D2409

Washing Drum and Tub - Models with V in 7th Position (Drawing 1 of 2)

REF	PART NO.	DESCRIPTION	COMMENTS
1	SP527420	Bolt	M10x40
2	SP311125000010	Washer	M10
3	SP537885	Washer	
4	SP309933240825	Bolt	M8x25
5	SP311125240008	Washer	8
6	SP311737000010	Washer	M10
7	SP310985000010	Nut	M10
8	SP309933000835	Bolt	M8x35
9	SP311125000008	Washer	8
10	SP537730	Cross Piece	
11	SP537736	External Tub	Steam heating
	SP537917	External Tub	Electric heating

Washing Drum and Tub - Models with V in 7th Position (Drawing 2 of 2)

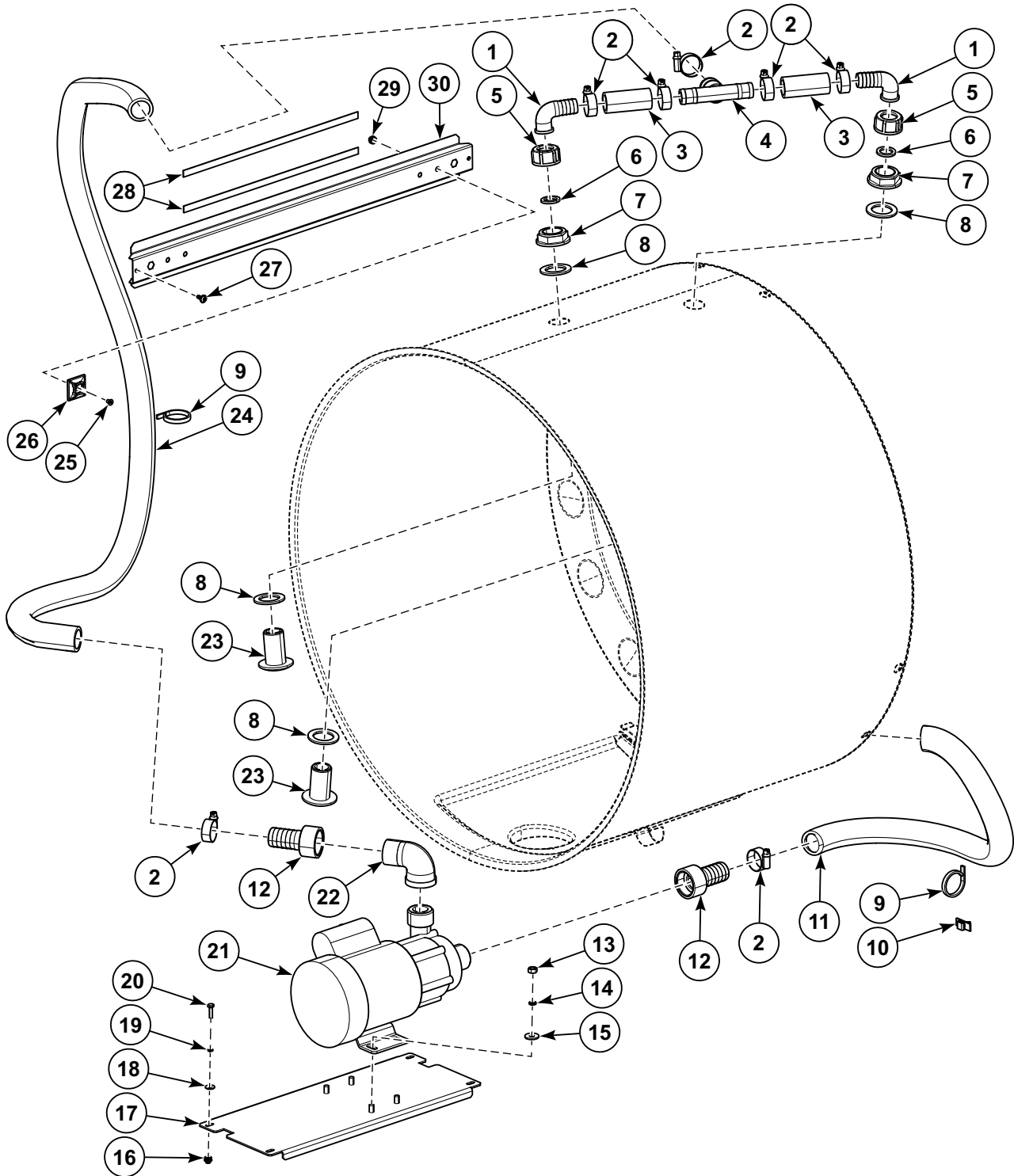


CZW235P_D2409

Washing Drum and Tub - Models with V in 7th Position (Drawing 2 of 2)

REF	PART NO.	DESCRIPTION	COMMENTS
1	537732P	Washing Drum	Cascade
	563245P	Washing Drum	7mm perforation
	563265P	Washing Drum	Flat
2	SP537843	Shaft Ring	
3	SPF02119000415	Bolt	M8
4	SP311125240008	Washer	M8
5	SP310934240008	Nut	M8
6	SP537737	Clamp	
7	SP571607	External Tub Front Plate	
8	SP537739	Seal	d10-2100mm
9	SP537896	Adhesive	
10	568938	Heating Element Cover	
11	SP522450	Profile	l=1.45m
12	SP537849	Hinge Spacer	
13	SP547779	Rivet	4x16.7
14	571634	Microswitch	
15	571635	Nut	M10
16	568906	Door Lock Holder	
17	SPPRI505000058	Profiled Sealing	
18	SP310985000006	Nut	M8
19	SP284000012003	Tape	
20	568986	Heating Element Front Cover	Stainless
	SP563274	Heating Element Front Cover	Black
21	SP309084000416	Bolt	M4x16
22	SP537856	Connector	
23	SP537854	Bolt	M6x14
24	571725	Front Panel	Stainless
	571722	Front Panel	Black
25	SP540144	Heating Element	3000W, l=325mm
	SP540143	Heating Element	2000W, l=325mm
	SP540145	Heating Element	2x1500W, l=325mm
	SP540146	Heating Element	2x2000W, l=335mm
26	SP310934240006	Nut	M6
27	SP311679800006	Washer	6
28	SP311125240006	Washer	6

SoftWash - With Built-In Recirculation Pump

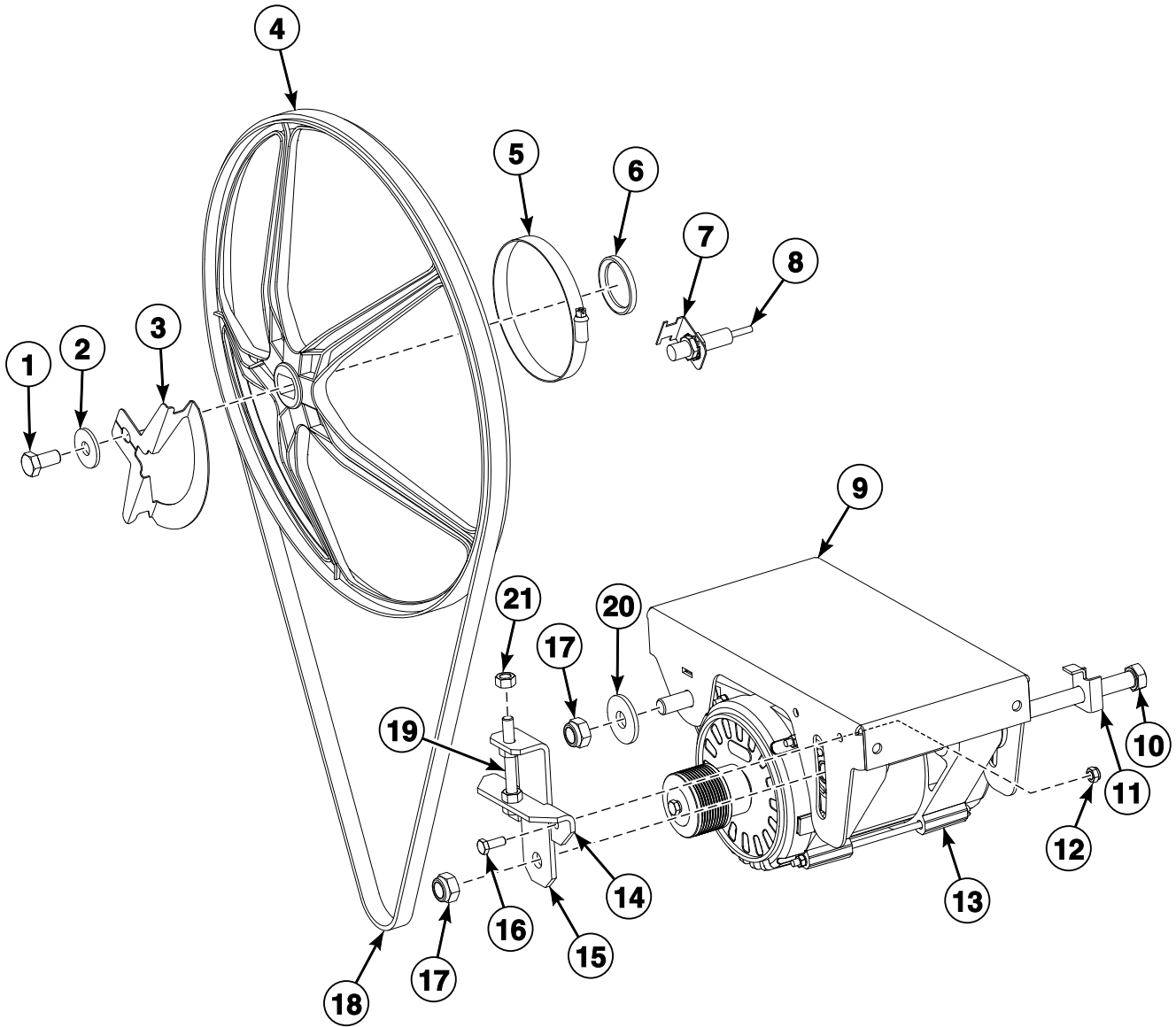


CZW210P_D2409

SoftWash - With Built-In Recirculation Pump

REF	PART NO.	DESCRIPTION	COMMENTS
1	567171	Hose End	
2	SPPRI240000003	Hose Clamp	
3	SPPRI540001019	Hose	
4	567173	Hose Coupling	
5	567169	O-Ring	
6	567170	Nut	
7	567166	Nut	
8	567168	O-Ring	
9	SP503817	Binding Strip	
10	SP528313	Cable Holder	
11	567180	Hose Pharmasteel	
12	567152	Thorn	
13	SP310934000006	Nut	
14	SP311127000006	Washer	
15	SP311902100006	Washer	
16	SP510929	Nut	
17	567149	Pump Board	
18	SP311902100004	Washer	
19	SP311127000004	Washer	
20	SP309933000416	Bolt	
21	567151	Pump	
22	567181	Elbow	
23	567167	Drain Jet	
24	567180	Hose Pharmasteel	
25	SP309965240408	Bolt	M4x8; Models through 11 March 2021
26	SPPRI350003050	Adhesive Fixing Index Plate	Models through 11 March 2021
27	SP529206	Screw	4x11
28	SP284000012003	Tape	
29	SP510929	Nut	M4
30	569600	Holder	

Drive



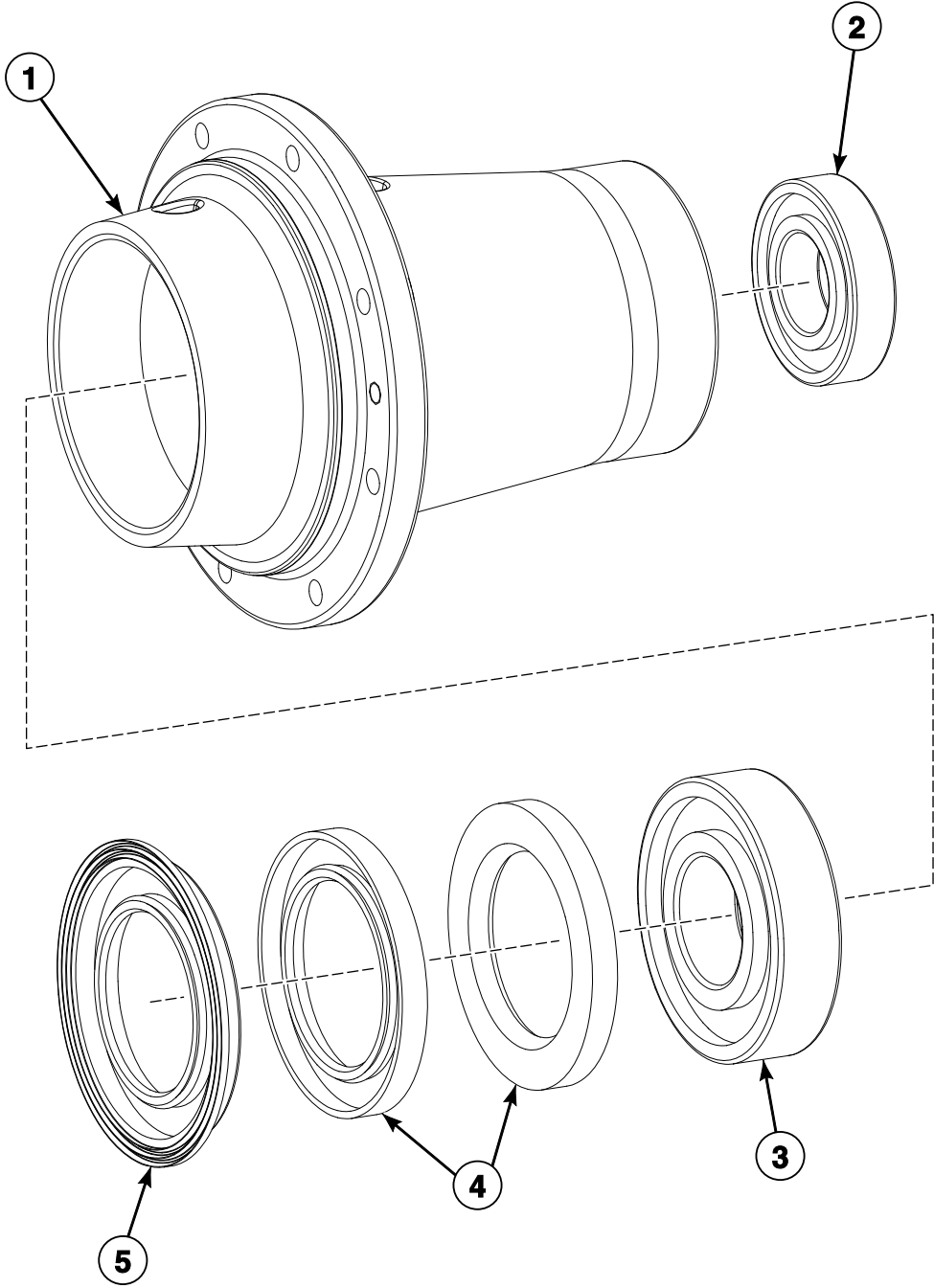
CFD2853P_D2409

Drive

REF	PART NO.	DESCRIPTION	COMMENTS
1	SP309933001020	Bolt	M10x20
2	SP311902100010	Washer	
3	SP555545	Speed Sensor Plate	
4	SP556166	Drum V-Pulley	
5	SPPRI240000005	Hose Clamp	
6	N/A	Pulley Ring	
7	SP555547	Speed Sensor Holder	
8	SP557701	Speed Sensor	
9	SP533761	Motor Holder	
10	SP533393	Bolt	M12x200
11	SP533742	Cage	1
12	SP310985000006	Nut	M6
13	SP555581	Motor and Pulley	1.1kW, 230V/75Hz; CE; Includes 528422 Motor; Applicable for power supply 200V-240V, 50/60Hz, 1/3ph and 380-415V+N, 50/60Hz, 3ph
	SP555584	Motor and Pulley	1.1kW, 400V/76Hz; CE; Includes 552412 Motor; Applicable for power supply 400V, 50/60Hz, 3ph without Neutral and 440-480V, 50/60Hz, 3ph
	SP557450	Motor and Pulley	1.1kW, 230V/75Hz; North America; Includes 528422 Motor; Applicable for power supply 200V-240V, 50/60Hz, 1/3ph and 380-415V+N, 50/60Hz, 3ph
	SP557453	Motor and Pulley	1.1kW, 400V/76Hz; North America; Includes 552412 Motor; Applicable for power supply 400V, 50/60Hz, 3ph without Neutral and 440-480V, 50/60Hz, 3ph
	571445	Motor and Pulley	Models with V in 7th Position; 1.1kW, 230V/75Hz; CE; Includes 568372 Motor; Applicable for power supply 200V-240V, 50/60Hz, 1/3ph and 380-415V+N, 50/60Hz, 3ph
	571446	Motor and Pulley	Models with V in 7th Position; 1.1kW, 400V/76Hz; CE; Includes 568382 Motor; Applicable for power supply 400V, 50/60Hz, 3ph without Neutral and 440-480V, 50/60Hz, 3ph
14	SP533326	Tensioning Angle Piece	Fixed
15	SP533327	Tensioning Angle Piece	Movable
16	SP309933000616	Bolt	M6x16
17	SP310985000012	Nut	M12
18	SP533157	Belt	
19	SP309933000870	Bolt	M8x70
20	SP311902100012	Washer	12
21	SP310934000008	Nut	M8

N/A = Part no longer available

Bearing Housing

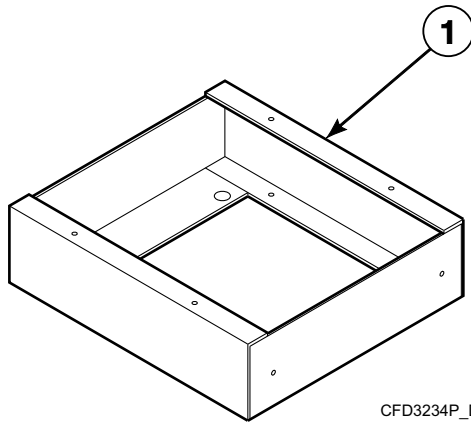


CFD2747P_D2409

Bearing Housing

REF	PART NO.	DESCRIPTION	COMMENTS
	SP245704000603	Adhesive	Loctite 603
	SP111313000002	Lubrication Grease	
	SP537750	Bearing Housing	Includes items 1-5, SP245704000603 Adhesive and SP111313000002 Lubrication Grease
	SP538787	Bearing Replacement Tool Kit	
1	SP537752	Bearing Housing	
2	SPPRI608001048	Bearing	6307
3	SPPRI608000048	Bearing	6309
4	SP525813	Sealing Ring	65x100x10; Includes 1 seal; 2 seals required
5	SP537848	Sealing Ring	65x100/114x9/12

Elevated Base Frame



CFD3234P_D2409

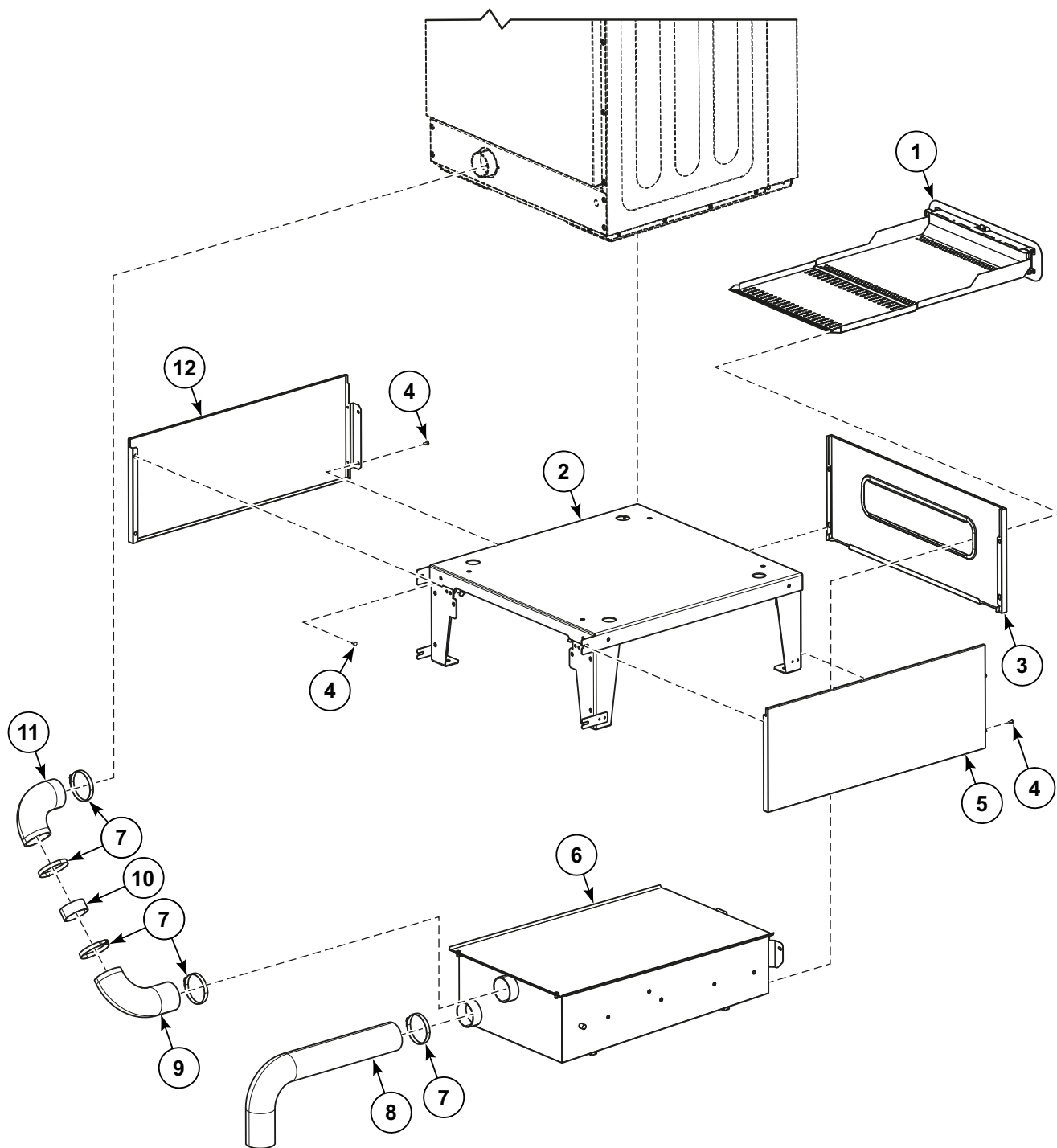
Elevated Base Frame

REF	PART NO.	DESCRIPTION	COMMENTS
1	551907	Elevated Base Frame	For mounting one machine; 135mm; Refer to NOTE*
	551908	Elevated Base Frame	For mounting two machines; 135mm; Refer to NOTE*
	551909	Elevated Base Frame	For mounting three machines; 135mm; Refer to NOTE*
	551910	Elevated Base Frame	For mounting four machines; 135mm; Refer to NOTE*
	551911	Elevated Base Frame	For mounting five machines; 135mm; Refer to NOTE*
	547725	Elevated Base Frame	For mounting one machine; 200mm; Refer to NOTE*
	527723	Elevated Base Frame	For mounting two machines; 200mm; Refer to NOTE*
	547720	Elevated Base Frame	For mounting three machines; 200mm; Refer to NOTE*
	547727	Elevated Base Frame	For mounting four machines; 200mm; Refer to NOTE*
	547728	Elevated Base Frame	For mounting five machines; 200mm; Refer to NOTE*

* NOTE: Part can only be ordered through the Equipment Order Desk.

Base Frame with Built-In Filter

All Models Except Models with V in 7th Position; Models Starting January 1, 2020

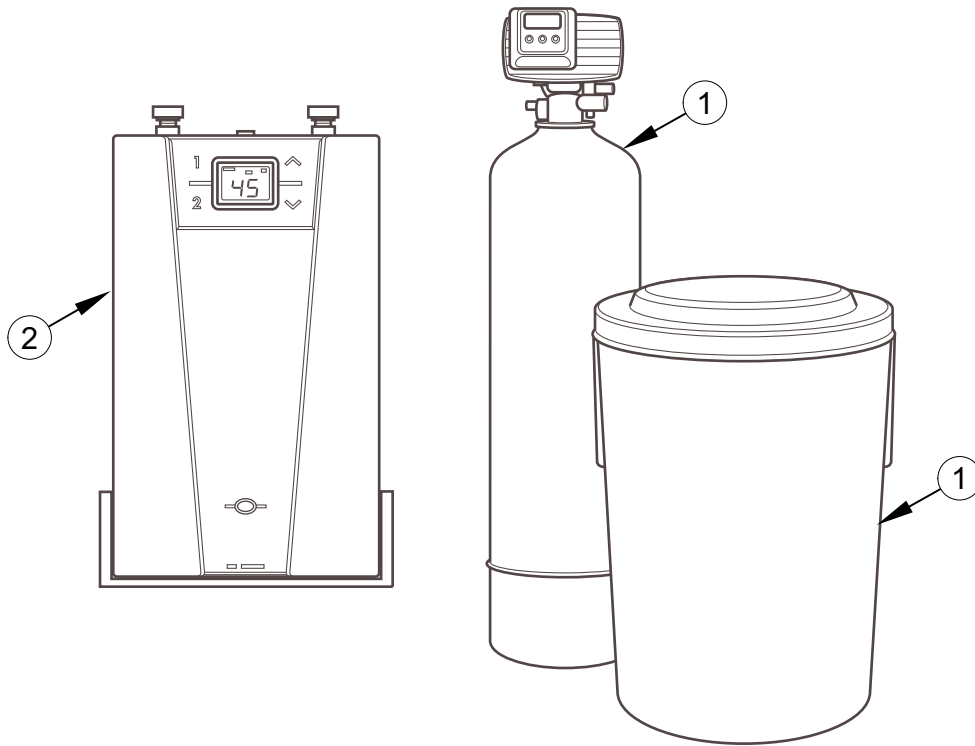


CZW320P_D2409

Base Frame with Built-In Filter

REF	PART NO.	DESCRIPTION	COMMENTS
1	574721	Filter	Assembly
2	573817	Base Frame	
3	574768	Front Panel	
4	SP537854	Bolt	M6x14
5	574783	Left Cover	Assembly
6	574702	Box	Assembly
7	SPPRI240000007	Hose Clamp	
8	SP519463	Drain Elbow	
9	574840	Elbow	
10	570807	Pipe	
11	574842	Elbow	
12	574789	Right Cover	Assembly

Soft Wash - Without Built-In Recirculation Pump

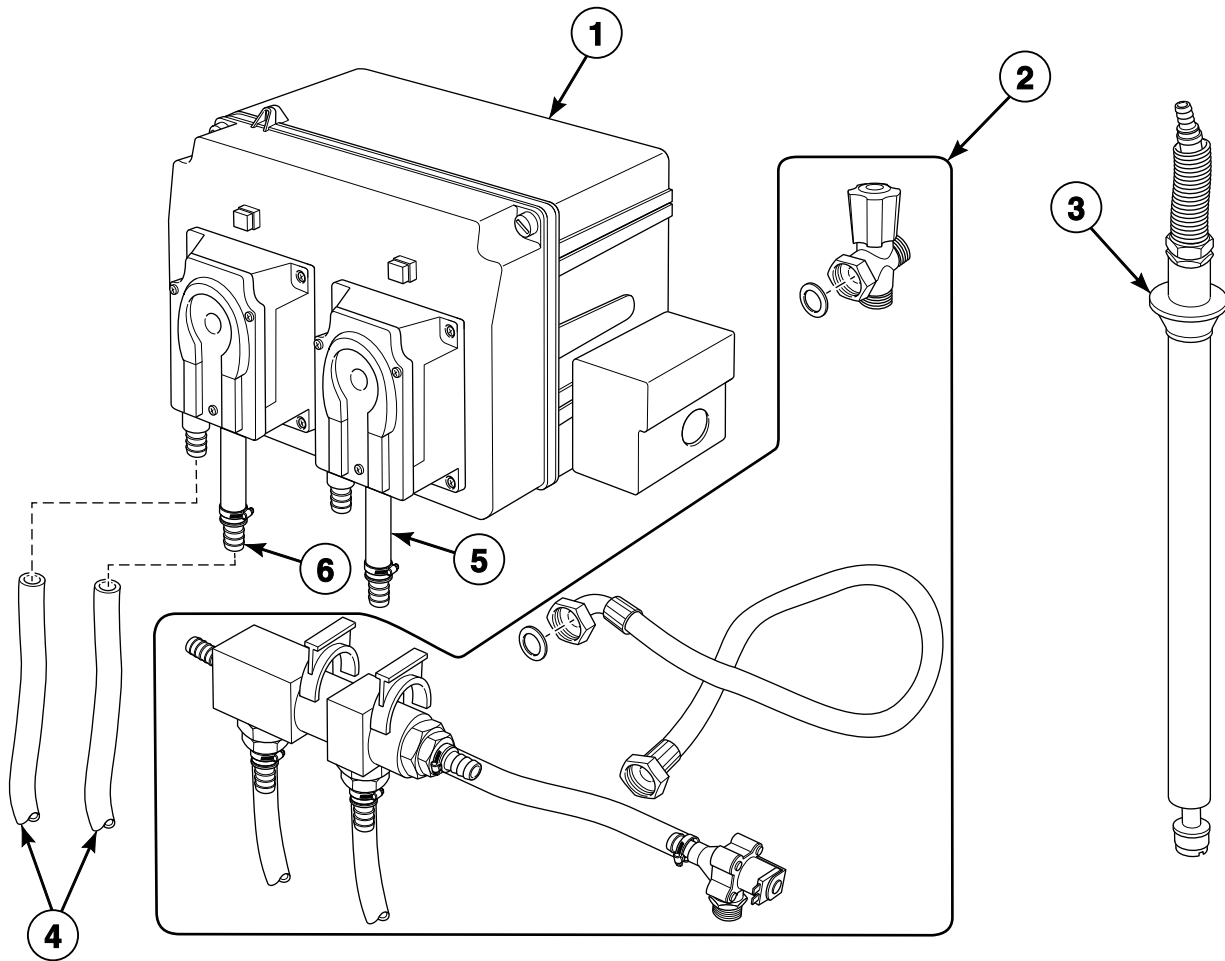


C-CZW57P_D2409

Soft Wash - Without Built-In Recirculation Pump

REF	PART NO.	DESCRIPTION	COMMENTS
	SP567105	Soap Pump Kit	Four pumps; Includes suction hoses and tubes; CE and Watermark
	SP567106	Soap Pump Kit	Six pumps; Includes suction hoses and tubes; CE and Watermark
1	SP562737	Water Softener	AMVE 305; Optional; CE and Watermark
	SP562750	Water Softener	AMVE 505; Optional; CE and Watermark
2	SP562749	Water Heater	6kW; 50/60Hz; 230V; Optional; CE and Watermark
	SP562736	Water Heater	8.8kW; 50/60Hz; 230V; Optional; CE and Watermark

Liquid Soap Supply System - Pumps

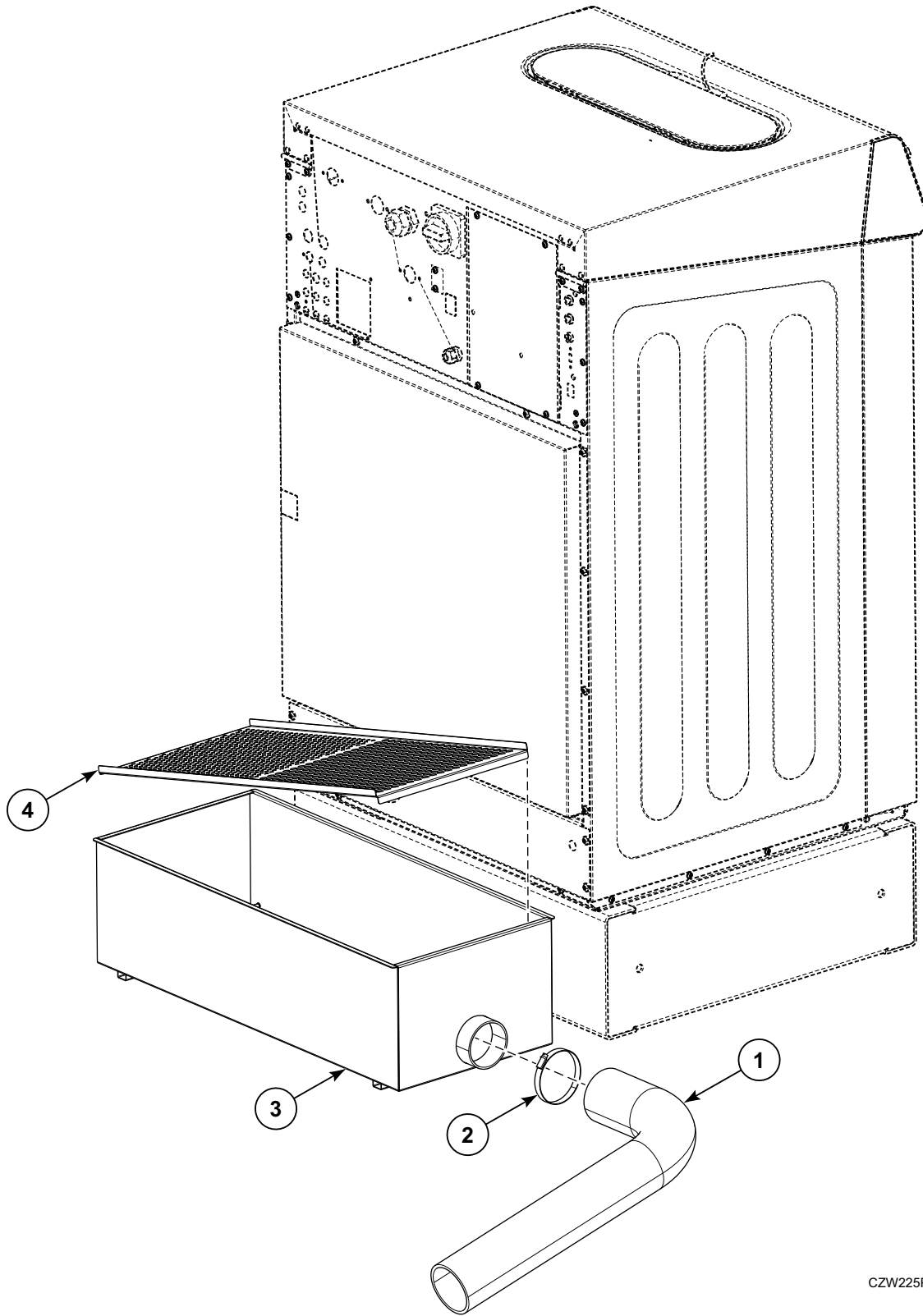


CZW45P_D2409

Liquid Soap Supply System - Pumps

REF	PART NO.	DESCRIPTION	COMMENTS
	MB90-Z40	Supply Pump Kit	For two pumps
	MB90-Z41	Supply Pump Kit	For three pumps
	MB90-Z42	Supply Pump Kit	For four pumps
	MB90-Z43	Supply Pump Kit	For five pumps
	MB90-Z44	Supply Pump Kit	For six pumps
1	529742	Pump	Two
	529743	Pump	Three
	529744	Pump	Four
	529745	Pump	Five
	529746	Pump	Six
2	529789	Manifold Flush Kit	For two pumps
	529797	Manifold Flush Kit	For three pumps
	529798	Manifold Flush Kit	For four pumps
	529799	Manifold Flush Kit	For five pumps
	529800	Manifold Flush Kit	For six pumps
3	529787	Suction Tube	
4	SPPRI540020005	Hose	d10/14
5	529747	Hose	Spare hose for pump
6	547808	Connection	

Filter Tank



CZW225P_D2409

Filter Tank

REF	PART NO.	DESCRIPTION	COMMENTS
	570846	Filter Tank	Used with elevated base frame 200mm tall
1	SP519463	Drain Elbow	
2	SPPRI240000007	Hose Clamp	
3	570840	Collector Weldment	
4	570835	Filter	

Wire Harnesses

PART NO.	DESCRIPTION	COMMENTS
552495	Transformer Connection	North America
528064	Steam Heat Wiring	North America; Steam heat
SPPRI351000161	Steam Valve Cable	CE and Watermark; Steam heat
552466	Wireless Reader Wiring	Vend; North America
SPPRI351107209	Heating Contactor Wiring	CE and Watermark; 2.5mm ² ; l=440mm; For 4.6kW, 6kW, 9kW
SPPRI351108209	Heating Contactor Wiring	CE and Watermark; 4mm ² ; l=440mm; For 9kW; 12kW / 400V / 440V
SP547075	RS485 External Interconnection	For RS485 external interconnection to PC
528393	Wiring Steam - Electrical Heating	Steam heating - electrical heating modification
528328	Heating Wiring	CE and Watermark; 2.5mm ²
SP528335	Heating GND Wiring	CE and Watermark
SP528205	Frame GND Interconnection	
528350	Transformer Connection	400-480V, 3AC -N; CE and Watermark
568392	Main Wiring	Models with V in 7th Position
569749	Door Lock Wiring	l=1.7m; Models with V in 7th Position
569751	Door Lock Cable	l=0.24m; Models with V in 7th Position
SP528323	Communication Cable	
568396	Motor Temperatuer Protect Cable	Models with V in 7th Position
528330	Heating Wiring	6kW / 230V / 400V; 9kW / 440V; 12kW / 400V/ 440V
528331	Heating Wiring	7kW / 440V; 9kW / 230V; 9kW / 440V; 12kW / 230V
SP528335	Heating GND Wiring	Models with V in 7th Position
528080	Frame GND Interconnection	Models with V in 7th Position
552477	Inlet Valve Extension Wiring	
SP528064	Steam Heat Wiring	Steamboat
SP557947	External Block Signal Cable	Length = 110.24 inches (2.8 m)
SP557948	External Block Signal Cable	Length = 169.29 inches (4.3m)
569701	Cable	CPU - I/O board interconnection
SPPRI351105209	Heating Contactor Wiring	6mm ² ; l=540mm; For 12kW / 230V

Parts Index

A

Adapter	
SP319428324012	169, 171
SP547968	169, 171
Adhesive	
SP101403	169, 171
SP245704000050	173
SP245704000603	107, 169, 171, 183
SP245704003021	9, 107, 173
SP537896	33, 107, 177
Adhesive Fixing Index Plate	
SPPRI350003050	179
Adjustable Foot	
SPPRI504000001	11
Air Trap Reduction	
SPPRI503000027	133, 135, 137
Anticorrosive Agent	
SP510889	173
Automatic Door Opening Module Wiring	
SP552455	31
Automatic Unlocking Module Assembly	
SP545238	21, 25, 29
SP552489	21, 25, 29, 33

B

Base Frame	
573817	187
Bearing	
SPPRI608000048	183
SPPRI608001048	183
Bearing Housing	
SP537750	183
SP537752	183
Bearing Replacement Tool Kit	
SP538787	183
Belt	
SP533157	181
Binding Strip	
SP345000626088	133, 135, 137
SP503817	127, 129, 179
Board Interconnection Cable	
SP537995	61
SP547005	43, 53, 61
Bolt	
F8270701	117
SPF02119000415	173, 177
SP309084000320	85, 89, 93
SP309084000408	23, 25, 29, 41, 85, 87, 89, 91, 93, 95
SP3090840004169, 11, 107, 121, 123, 125, 139, 143, 147,	151, 155, 159, 163, 167, 177
SP309084000535	155, 159, 163, 167
SP309084240325	11
SP309798500306	33, 41, 43, 53, 61, 73, 75, 77
SP309933000416	85, 89, 93, 97, 99, 139, 147, 151, 179
SP309933000616	21, 25, 181
SP309933000620	141, 147, 151, 155, 159, 163, 167,

169,	171
SP309933000660	155, 159, 163, 167
SP309933000820	9, 11, 133, 135, 137
SP309933000835	173, 175
SP309933000845	9
SP309933000870	9, 181
SP309933000880	9
SP309933001020	181
SP309933100625	139, 143, 147, 151, 155, 159, 163, 167
SP309933240408	143, 147, 151
SP309933240412	87, 91, 95, 155, 159, 163, 167
SP309933240825	173, 175
SP309965240408	79, 81, 83, 179
SP506013	41
SP506431	29, 41
SP506432	11
SP521895	9
SP527420	11, 173, 175
SP533393	181
SP533726	11
SP535479	109, 113, 115
SP537854	107, 177, 187
SP537864	109, 113, 115
SP550482	31, 41
SP553524	111
SP555504	33, 43, 53, 61, 79, 81, 83, 127, 129, 155, 159,
.....	163, 167
SP555658	23, 27, 29, 31, 33, 41, 171
SP556137	107
309500240408	79, 81, 83
568968	117
569655	79, 81, 83
577761	61
577762	61
577763	61
Box	
574702	187
Bushing	
SP101406	143, 145, 149, 153, 157, 161, 165
SP101409	143, 145, 149, 153, 157, 161, 165

C

Cable	
SP545234	97, 143, 145, 149, 153, 157, 161, 165
557982	141
569701	194
Cable Bushing Insert	
SP557952	143
Cable Clamp	
SP528392	143, 147, 151, 155, 159, 163, 167
Cable Eye	
SP345000165034	147, 151, 155, 159, 163, 167
Cable Holder	
SP528313	33, 43, 53, 147, 151, 155, 159, 163, 167, 179
Cable Passage	
SP273121005052	21, 25, 29, 41
SP273121015002	139
SP273121022002	139
Cage	
SP533742	181

N/A items do not appear in index.

Casing			
SP529739	109, 113, 115	SP547656	45, 65
Check Valve		SP547657	47, 67
B12543901	121	SP547658	47, 67
Circuit Breaker		SP547659	47, 67
571462	153, 161	SP547660	47, 67
571464	157, 165	SP547661	47, 67
Clamp		SP547662	47, 67
SP537737	173, 177	SP547663	47, 67
Clip		SP547664	47, 67
SP502214	147, 151, 155, 159, 163, 167	SP547665	45, 65
Coil		SP547666	45, 65
SP554110	169, 171	SP547667	47, 67
568942	117	SP547668	47, 67
Coin Meter		SP547669	47, 67
SP537996	47, 67	SP547670	47, 67
SP547600	45, 65	SP547671	47, 67
SP547601	45, 65	SP547672	47, 67
SP547602	45, 65	SP547673	47, 67
SP547603	45, 65	SP547674	47, 67
SP547604	45, 65	SP547675	47, 67
SP547605	45, 65	SP555502	47, 67
SP547606	45, 65	SP555543	47, 67
SP547607	45, 65	SP555546	47, 67
SP547608	45, 65	SP555549	47, 67
SP547609	45, 65	SP555550	47, 67
SP547610	45, 65	SP555558	47, 67
SP547611	45, 65	SP555559	47, 67
SP547612	45, 65	SP555578	47, 67
SP547613	45, 65	SP555579	47, 67
SP547614	45, 65	SP555666	47, 67
SP547615	45, 65	SP558958	55
SP547616	45, 65	SP558959	55
SP547617	45, 65	SP559933	55
SP547618	45, 65	SP559934	55
SP547619	45, 65	SP559938	55
SP547620	45, 65	SP559949	55
SP547621	45, 65	SP559969	55
SP547622	45, 65	SP560071	57
SP547623	45, 65	SP560075	57
SP547624	45, 65	SP560082	49, 69
SP547625	45, 65	SP560083	49, 69
SP547626	45, 65	SP560084	49, 69
SP547627	45, 65	SP560085	49, 69
SP547628	45, 65	SP560086	49, 69
SP547629	45, 65	SP560087	57
SP547630	45, 65	SP560089	47, 67
SP547631	45, 65	SP560090	55
SP547634	45, 65	SP560091	57
SP547635	45, 65	SP560092	57
SP547636	45, 65	SP560093	57
SP547637	45, 69	SP560094	57
SP547638	45, 65	SP560100	57
SP547639	45, 65	SP560309	55
SP547640	45, 65	SP560310	55
SP547641	47, 67	SP560311	55
SP547642	47, 67	SP560312	55
SP547643	47, 67	SP560405	55
SP547644	47, 67	SP560406	55
SP547645	47, 67	SP560407	55
SP547646	47, 67	SP560408	55
SP547647	45, 65	SP560409	55
SP547648	45, 65	SP560410	55
SP547649	47, 67	SP560411	55
SP547651	47, 67	SP560412	55
SP547652	45, 65	SP560413	55
SP547653	47, 67	SP560414	55
SP547654	47, 67	SP560415	55
		SP560416	55
		SP560417	55

N/A items do not appear in index.

SP560418	55	569946	57
SP560419	55	569948	47, 67
SP560420	55	569949	57
SP560421	55	569951	47, 67
SP560422	55	569952	57
SP560423	55	569954	49, 69
SP560424	55	569955	57
SP560425	55	569961	49, 69
SP560426	55	569962	57
SP560427	55	569964	47, 67
SP560428	55	569965	55
SP560429	55	569967	49, 69
SP560432	55	569968	57
SP560744	47, 67	569970	49, 69
SP560745	55	569971	57
SP560751	55	569973	49, 69
SP568002	101	569974	57
SP568003	101	569979	49, 69
SP568004	101	569980	57
SP568005	101	569987	49, 69
SP568006	101	569988	57
SP568007	101	569993	57
SP568008	101	569995	57
SP568009	101	569998	49, 69
SP568010	101	569999	57
SP568011	101	570000	57
SP568012	101	572301	49, 69
SP568013	101	572302	57
SP568014	101	572304	49, 69
SP568015	101	572305	57
SP568016	101	572307	49, 69
SP568017	101	572308	57
553150	49, 69	572310	49, 69
553151	49, 69	572311	57
553156	57	572313	49, 69
560073	49, 69	572314	57
561378	49, 69	572317	49, 69
561496	49, 69	572318	57
561497	57	572320	49, 69
563405	57	572321	59
564484	49, 69	572323	49, 69
564485	57	572324	59
564486	49, 69	572339	51, 71
564487	57	572342	49, 71
564489	49, 69	572343	59
568002	103	572355	59
569901	49, 69	572358	51, 71
569905	57	572359	59
569911	57	572383	51, 71
569912	49, 69	572384	59
569918	49, 69	572386	103
569919	57	572389	59
569921	45, 65	572391	51, 71
569922	55	575201	105
569924	49, 69	575202	105
569925	57	575203	105
569927	49, 69	575204	105
569928	57	575205	105
569930	49, 69	575206	105
569931	57	575207	105
569933	47, 67	575208	105
569934	55	575209	105
569936	49, 69	575210	105
569937	57	575211	105
569939	47, 67	575212	105
569940	55	575213	105
569942	49, 69	575214	105
569943	57	575215	105
569945	49, 69	575216	105

N/A items do not appear in index.

575217	105	100498	97
575218	101	568036	99
575219	101	Coin Meter Case	
575220	101	571049	97
575221	101	571055	97
575222	101	573009	99
575223	101	Coin Meter Cover	
575224	101	567924	73, 79
575225	101	Coin Meter Cover Plate	
575226	101	SP558929	43, 53
575227	101	Coin Meter Covering Plate	
575228	101	SP547565	61
575229	101	Coin Vault Plate	
575230	101	SP533103	23, 25, 29
575231	101	566737	39
575232	101	Collector Weldment	
575233	101	570840	193
575234	101	Communication Cable	
575235	101	SP528323	139, 194
575236	101	Compression Spring	
575237	101	SP535406	111
575238	101	Connection	
575239	101	547808	191
575240	101	Connector	
575241	101	SP537856	107, 177
575242	101	SP554156	169, 171
575243	101	Contactactor	
575244	101	SPPRI3450002019	161, 165
575245	101	SPPRI345002019	139, 145, 149, 153, 157
575246	101	SP514038	139, 145, 149, 153, 157, 161, 165
575247	105	SP514042	139, 145, 149, 153, 157, 161, 165
575248	101	SP514043	139
575249	103	Control	
575250	103	575632	79, 81, 83, 85, 87, 89, 91, 93, 95
575251	103	Control Board	
575252	103	SP547001	61
575253	103	SP553411	43, 53, 61
575254	103	SP553412	43
575255	103	SP553419	53, 73, 75, 77
575256	103	553411	73, 75, 77
575257	103	Control Board I/O	
575258	103	SP553405	33, 43, 53, 61
575259	103	575630	33, 39
575260	103	Control Board Power	
575261	103	SP547002	61
575262	103	Control Holder	
575263	103	571041	79, 81, 83
575264	103	Control Panel	
575265	103	SP557614	43
575266	103	SP558894	53
575267	103	573062	75
575268	103	573064	73
575269	103	573074	77
575270	103	573115	81
575271	103	573117	79
575272	103	573119	83
575273	103	Control Panel Frame	
575275	103	573025	35, 79, 81, 83
575276	59	Cover	
575277	59	SPPRI543000004	43, 53, 61
575278	103	SP552972	107
575279	103	566549	145, 149, 153, 157, 161, 165
579808	49, 71	569656	33
579811	105	Cover Plate	
579812	49, 51, 69, 71	SP550149	61
579813	59		
579815	105		
Coin Meter Box			
SP102532	97		

N/A items do not appear in index.

Cover Strip Pin SP533738	9
CPS Cover Plate SP558930	43, 53
Cross Piece SP537730	173, 175

D

Damper SP533716	11
DC Choke 571454	161, 165
571455	153, 157, 161
Dispenser Lid SP526461	121, 123, 125
SP551695	121
Dispenser Pipe SP526487	121, 123, 125
Dispenser Seal SP540158	121, 123, 125
Distance Case SP515274	9
SP557472	9
Distinguishing Ring SP535411	111, 115
SP535437	111
571733	111, 113
Door SP535426	109
SP535428	109
SP553526	109, 115
568837	109, 113
Door and Lock Holder SP537853	107
Door Assembly 535415	115
563371	113
571764	115
571767	113
573185	113
574098	113
Door Frame Sheet 571633	113, 115
Door Glass SP535417	107, 115
SP556227	107, 113
SP562702	107
535417	113
573191	113
Door Level 573009	113, 115
Door Lock Assembly 576085	117
Door Lock Cable 569751	194
Door Lock Catch 576084	117
Door Lock Holder 568906	177
Door Lock Plate 568971	117
Door Lock Wiring SP528270	107

SP552453	107
SP552454	107
569723	107
569749	194
Double Check Valve F8301201	109, 111, 121
Double Reverse Valve RSPB12543901	127, 129
Drain Elbow SP519463	187, 193
SP526457	133, 135, 137
Drain Hose Pipe SP526492	133, 135, 137
Drain Jet 567167	179
Drain Valve SP526460	133, 135, 137
Drain Valve Chamber SP553195	133
Drain Valve Holder SP526512	133, 135, 137
Drain Valve Motor SPPRI340002051	133, 135, 137
Drain Valve Seal 554276	133, 135, 137
Drum V-Pulley SP556166	181

E

Edge Protection SP529068	23, 27, 31, 33, 39, 159, 167
Elbow 567181	179
574840	187
574842	187
Elevated Base Frame 527723	185
547720	185
547725	185
547727	185
547728	185
551907	185
551908	185
551909	185
551910	185
551911	185
Emergency Stop Connector SP528311	43, 53, 61, 73, 79, 85, 87
Emergency Stop Interconnection SP520033	43, 53, 61, 89, 91
571485	93, 95
Emergency Stop Knob SP528310	43, 53, 61, 73, 79, 85, 87
Emergency Stop Label SPPRI551005248	73, 79
Emergency Stop Wiring SP520032	43, 53, 61
End Stop SP346000209101	153, 157, 161, 165
External Block Signal Cable SP557947	143, 145, 149, 194
SP557948	194

N/A items do not appear in index.

External Tub	
SP537736	173, 175
SP537917	173, 175
External Tub Front Plate	
SP537742	173
SP571607	177

F

Fastener	
SP550115... 21, 25, 29, 33, 41, 73, 75, 77, 79, 81, 83, 131	
Ferrite Core	
557961	145, 149, 153, 157, 161, 165
Filling Elbow Pipe	
SP526484	121, 123, 125, 127, 129
Filling Hose Pipe	
RSPF200166	121
SPPRI505000054	121, 123, 125, 127, 129
SP101621	121, 123, 125, 127, 129
SP547980	121, 123, 125, 127, 129
Filter	
SPPRI340004030	121, 123, 125, 127, 129
SP516012	139, 145
SP525935	139
525935	149
568380	153, 161
570835	193
574721	187
Filter Holder	
572126	157
574850	165
Filter Tank	
570846	193
Fixed Hinge	
568982	113, 115
Fixed Lower Hinge	
568982	109
568984	109
Fixed Upper Hinge	
568979	109, 113, 115
568981	109
Flap	
SP540113	121, 123, 125
Foam Roller	
SP100188	133, 135, 137
Frame GND Interconnection	
SP528205	194
528080	194
Frequency Inverter	
571472	139, 145, 153, 161
571474	139, 145, 149, 153, 157, 165
Frequency Inverter Filter	
SP557932	157, 165
Front Cover	
573014	35
Front Panel	
SP547744	31
SP547746	31
SP547752	23, 31
SP547754	23, 31
SP557056	27
SP557057	27
SP562724	27

SP562725	27
563458	23, 31
563460	23, 31
571722	107, 177
571725	107, 177
572535	39
572536	39
572537	39
572538	39
574091	35
574768	187

Front Spring Holder	
SP550447	15
Fuse	
SP345805005020	143, 149, 157, 165
SP345805163032..	143, 145, 149, 153, 157, 161, 165
Fuse Cover	
SP554311	153, 157, 161, 165
Fuse Holder	
SPPRI1401001020	157
SPPRI401001020	143, 165
SPPRI401001020	149
SP554310	153, 157, 161, 165
Fuse Housing	
SPPRI401003020..	143, 145, 149, 153, 157, 161, 165

H

Handle	
SP552908	111
SP552909	111
SP556297	111
562898	111
571780	115
571781	113
571788	111
Handle Ball	
SP535407	111
Handle Lower Part	
SP535429	111
571779	113, 115
Handle Torsion Spring	
SP535402	109, 113, 115
Heating Contactor Wiring	
SPPRI351105209	194
SPPRI351107209	194
SPPRI351108209	194
Heating Element	
SP540143	173, 177
SP540144	173, 177
SP540145	173, 177
SP540146	173, 177
Heating Element Cover	
568938	177
Heating Element Front Cover	
SP563274	107, 177
568986	107, 177
Heating Element Hole Plug	
SPPRI342001016	169, 171
Heating GND Wiring	
SP528335	194
Heating Wiring	
528328	194
528330	194
528331	194

N/A items do not appear in index.

Hex Pillar	
570381	155, 159, 163, 167
Hinge	
SP516832	21, 25, 29, 41
Hinge Spacer	
SP535421	109, 113, 115
SP537849	107, 177
Hinges	
570553	109
570554	109
Holder	
SPPRI326002004	21, 25, 29, 33
540123	145, 149
569600	179
570382	153, 157, 161, 165
Holder Cover	
SP535430	111, 115
SP535438	111, 113
SP556278	111
Holder Partition	
SP526474	139
Hook	
SPPRI551016250	21, 25, 29, 41
Hook Lock	
SPPRI610002007	21, 25, 33, 61, 89, 91
Hose	
SPPRI503002049	133, 135, 137
SPPRI540000014	121, 123, 125, 127, 129
SPPRI540001019	179
SPPRI540020005	191
529747	191
Hose Clamp	
SPPRI240000002	121, 123, 125, 127, 129
SPPRI240000003	121, 123, 125, 127, 129, 133, 135, 137, 179
SPPRI240000005	181
SPPRI240000007	121, 123, 125, 127, 129, 133, 135, 137, 187, 193
SPPRI240000017	121, 127, 129, 137
SPPRI240000021	121, 123, 125, 127, 129, 135
SPPRI241000017	133, 135, 137
SPPRI54100001	135
SP526491	121, 123, 125, 127, 129
SP526532	133, 135, 137
576096	133, 137
Hose Coupling	
567173	179
Hose End	
567171	179
Hose Pharmasteel	
567180	179
Hose Pipe	
SP101745	121, 123, 125

I

Inlet Valve Extension Wiring	
552477	194
Insulation Washer	
571458	153, 157, 161, 165
Internal Vessel	
SP540122	121, 123, 125
Isolation Paper	
SPPRI350012007	97, 99, 139

K

Key	
SP550616	21, 25, 61, 89, 91
Keyboard	
SP537994	63
SP547011	63
SP547012	63
SP547013	63
SP547014	63
SP547023	43, 63
SP547024	43, 63
SP547025	43, 63
SP547026	43, 63
SP547035	63
SP547036	63
SP547037	63
SP547038	63
SP552911	63
SP556112	63
SP557566	73, 75, 77
SP557569	53
SP557570	53
SP557575	43
SP557576	43
SP557580	43
SP557583	43
SP559392	53
SP559395	53
SP560755	63
SP560761	53
SP560762	53
547087	73
547088	73
560747	73
560748	73
Kit of Hinges	
570553	113

L

Label7	
SP560786	29
SP563290	63
SP564831	109
524740	145, 149
557981	141
570371	157, 161, 165
570731	153
572486	7
576337	7
579019	153, 157, 161, 165
Label Covering	
567925	79
Leading Pin	
SP550113	43, 53, 79, 81, 83
Left Cover	
574783	187
Liquid Detergent Box	
SP540123	143
Liquid detergents	
570316	161, 165
Liquid Soap Supply Connection Kit	
SP540180	139

N/A items do not appear in index.

Locating Segment	
SP529710	111
571773	113, 115
Lock	
SP537760	109, 119
SP547527	21, 25, 33, 61, 89, 91
Lock Pin	
SP537933	109
Lower Frame	
SP533749	11
Lower Hinge	
575963	109, 113, 115
575965	109
Lower Lath	
SP547515	61
Lower Rear Cover	
SP533382	23, 27, 31, 35, 39
Lower Weight	
SP533737	9
SP533753	9
SP533784	9
Lubrication Grease	
SP111313000002	183

M

Main Switch	
SPPRI404000097 .	139, 145, 149, 153, 157, 161, 165
SPPRI404000098 .	139, 145, 149, 153, 157, 161, 165
SPPRI404000099 .	139, 145, 149, 153, 157, 161, 165
SPPRI404000199	149
SPPRI404001098	139, 145, 149, 153, 157, 161
SPPRI404001099	139, 145, 153, 157, 161
SP506407	139, 145, 149, 153, 157, 161
Main Switch Knob	
SPPRI404000095 .	143, 145, 149, 153, 157, 161, 165
Main Vessel	
SP540115	121, 123, 125
Main Wiring	
SP552475	139
SP557768	139
568392	194
Manifold Flush Kit	
529789	191
529797	191
529798	191
529799	191
529800	191
Microswitch	
SP528309	11
568978	117
571634	177
Mixer	
SP526558	121, 123, 125, 127, 129
Mixer Body	
SP526565	121, 123, 125, 127, 129
Mixer Lid	
SP526557	121, 123, 125, 127, 129
Module	
553189	39
Motor and Pulley	
SP555581	181
SP555584	181
SP557450	181

SP557453	181
571445	181
571446	181
Motor Holder	
SP533761	181
Motor Temperatuer Protect Cable	
568396	194

N

Network Installation Kit	
569593	43, 53, 61
Nose Assembly	
572582	85
573954	93
574126	89
574235	85
574238	89
574241	93
576034	87
576037	91
576040	95
576043	87
576046	91
576049	95
Nut	
F430225	117
F430232	117
SP101416	139, 145, 149, 153, 157, 161, 165
SP101419	139, 145, 149, 153, 157, 161, 165
SP309084000308	85, 87, 89, 91, 93, 95
SP310934000003	11
SP310934000004	43, 53, 61, 73, 75, 77, 79, 81, 83, 85, 87, 89, 91, 93, 95, 97, 99, 139, 143, 147, 151
SP310934000006	179
SP310934000008	181
SP310934000010	11
SP310934000020	11
SP310934100006	139, 147, 151, 155, 159, 163, 167
SP310934240004	117
SP310934240006	177
SP310934240008	173, 177
SP310985000006	29, 41, 107, 111, 113, 115, 177, 181
SP310985000008	9, 11
SP310985000010	11, 173, 175
SP310985000012	181
SP313251000006	21, 25, 29, 33, 41, 169
SP313251002104	107
SP510923	11
SP510929	179
SP514193	27, 33
567166	179
567170	179
571635	177

O

O-Ring	
567168	179
567169	179
Oscillation Limiter	
SP533388	9
Overflow Tube	
SP526480	121, 127, 129, 135, 137

N/A items do not appear in index.

Overlay	
573927	85, 87
573936	89, 91
573951	93, 95
574217	85, 87
574220	89, 91
574223	93, 95

P

Panel Holder	
SP533293	29
SP557621	21
SP560302	25
567960	33
573938	39
Pin	
SP540117	121, 123, 125
Pin Insertion	
SP520408	11, 21, 23, 25, 29, 33, 41, 43, 53
Pipe	
570807	187
Pipe Nipple	
SPR22112000114	169, 171
Plate of Closing	
568941	117
Plug	
SPPRI426001268	169, 171
567053	127, 129
Profile	
SP522450	177
Profiled Sealing	
SPPRI505000058	11, 25, 133, 147, 151, 155, 159, 163, 167, 177
Programmer Holder	
SP547510	61
SP547513	61
SP557618	43
SP558896	53
569578	33
573934	39
Programming Cable	
F8600501	43, 53, 61
Pump	
529742	191
529743	191
529744	191
529745	191
529746	191
567151	179
Pump Board	
567149	179
Pump Relay Board to LED Terminal Cable	
SP528149	143

R

Rear Cover	
SP533143	23, 25, 29
570468	35, 39
Rear Panel	
SP526475	141
SP554378	141

571017	153, 157
574113	161, 165
577193	145, 149
Rear Panel Lid	
SP540121	143
Rear Spring Holder	
SP550448	15, 17, 19
SP555517	13
Reduction	
567128	133
567174	121
Reinforcement	
SP558880	21
SP558944	25
Reinforcement Tube	
SP500125	133, 135, 137
Reverse Function Drain Valve	
SP547821	133, 135, 137
Right Cover	
574789	187
Rim	
SP562546	109, 113
573188	109, 113
Rivet	
SP313250004007	139
SP313250048008	21, 25, 29
SP313250048103	41
SP547779 11, 21, 23, 25, 29, 33, 41, 43, 53, 107, 177	
505479	13, 15, 17, 19
Roller	
SP533727	11
RS485 External Interconnection	
SP547075	194

S

Screw	
F430977	117
SP309798124313	121, 123, 125
SP520407	87, 91, 95
SP526497	121, 123, 125, 127, 129, 133, 147, 151, 155, 159, 163, 167
SP529206.21, 23, 25, 27, 29, 31, 33, 41, 97, 99, 121, 123, 125, 133, 135, 137, 139, 143, 147, 151, 155, 159, 163, 167, 179	
Seal	
SPPRI520001009	121, 127, 129
SP517232	9, 21, 25, 31, 41
SP526564	169
SP537739	173, 177
564202	33
Sealant	
SPPRI704000053	173
Sealing Ring	
SP525813	183
SP537848	183
Self-Adhesive Pad	
SPMEC001410	43, 53
Self-Adhesive Profile	
570387	153, 157, 161, 165
Service Door Kit	
568989	115
568991	107, 109, 113

N/A items do not appear in index.

Shaft Ring			
SP537843	173, 177		
Side Board			
570391	61		
570392	61		
Side Panel			
SP550318	31		
SP550320	29		
SP550342	29		
SP550344	31		
SP557629	21, 25		
SP557631	23, 27		
SP558976	25		
SP558978	27		
563472	29		
563474	31		
563500	21		
563502	23		
572007	37		
572008	37		
573042	37		
573044	37		
574061	37		
574062	37		
Side Panel Assembly			
574131	39		
574132	39		
574135	39		
574136	39		
Side Sheet Metal			
SP547506	61		
SP547507	61		
Sidewall			
572571	85, 89, 93		
572572	85, 89, 93		
572586	85, 89, 93		
572588	85, 89, 93		
573929	85, 87, 89, 91, 93, 95		
576069	87, 91, 95		
576070	87, 91, 95		
Soap Hopper			
SP540111	121, 123, 125		
SP554213	121		
Soap Hopper Plug			
SP526468	121, 123, 125		
Soap Hopper Upper Cover			
SP540112	121, 123, 125		
Soap Link Kit			
SP557944	143, 145, 149		
Soap Pump Kit			
SP567105	189		
SP567106	189		
Soap Relay Board			
SP524714	143		
524714	145, 149		
553187	153, 157, 161, 165		
Spacer			
F431901	117		
Speed Sensor			
SP557701	181		
Speed Sensor Holder			
SP555547	181		
Speed Sensor Plate			
SP555545	181		
Spiral			
SP283449080200	133, 135, 137		
Spring			
SP505372	13, 15, 17, 19		
SP533764	11		
SP533765	11		
Spring Clamp			
SP540183	133, 135, 137		
Spring Holder			
SP534977	11		
SP534978	11		
Steam Filter			
SP405054120215	169, 171		
Steam Heat Wiring			
SP528064	194		
528064	194		
Steam Hose			
SP526528	169, 171		
Steam Injector			
SP526525	169, 171		
Steam Kit			
SP559313	169		
555353	171		
Steam Valve			
SP514164	169, 171		
Steam Valve Body			
SP514165	169, 171		
Steam Valve Cable			
SPPRI351000161	194		
Steam Valve Cover			
570436	171		
Steam Valve Support			
SP526529	169, 171		
Suction Tube			
529787	191		
Supply Pump Kit			
MB90-Z40	191		
MB90-Z41	191		
MB90-Z42	191		
MB90-Z43	191		
MB90-Z44	191		
Switch			
SP100388	143, 145, 149, 153, 157, 161, 165		
Switching Unit			
SP528312	43, 53, 61, 73, 79, 85, 87		

T

Tape			
SP284000012003	29, 43, 53, 61, 73, 75, 77, 79, 81, 83, 177, 179		
SP510846	43, 53, 61		
Tee			
SP526454	133, 135, 137		
Temperature Sensor			
503839	121, 123, 125, 127, 129		
Temperature Sensor Seal			
SP526439	121, 123, 125, 127, 129		
Tensioning Angle Piece			
SP533326	181		
SP533327	181		
Terminal Board			
SPPRI350000007	97, 99		
SP506575	141		

N/A items do not appear in index.

Thorn	567152	179
Top Cover		
SP550303		29
SP551994		29
SP557645		21
SP558898		25
567873		21
567965		37
569645		37
574197		39
574252		39
Top Cover Reinforcement		
SP547707	21, 25, 29, 39	
Torsion/Door Lock Spring		
571612		117
Transformer		
SP516648		139
579014	153, 157, 161, 165	
Transformer Connection		
528350		194
552495		194
Transformet		
SP516648	149, 157, 165	
564561	153, 157, 161, 165	

U

U Shape		
SP556983		27
SP556984		27
Upper Frame		
SP533756		9
Upper Hinge		
575960	113, 115	
575962		109
Upper Lid Prop		
SP533341	21, 25, 29, 39	
USB Cable		
SP547006	143, 145, 149, 153, 157, 161, 165	
569668		97
USB Connection		
SP557744		53

V

Valve, 2-Way		
SP547958	121, 125	
Valve, 3-Way		
SP547959	121, 123, 125	
570195		127, 129
Valve, 4-Way		
SP548933	121, 123	
Vent Hose		
SP526509	121, 123, 125, 127, 129	
Vibration Switch Assembly		
SP533391		11
Vibration Switch Holder		
SP533387		11

W

Washer		
F8193101		117
SPPRI522000012		21, 25
SPPRI523000007		147, 151
SP311125000003	11, 85, 87, 89, 91, 93, 95	
SP311125000004	61, 79, 81, 83, 139, 143, 147, 151, 155,	159, 163, 167
SP311125000006		21, 169, 171
SP311125000008		9, 173, 175
SP311125000010		175
SP311125100006	139, 147, 151, 155, 159, 163, 167	
SP311125240004		117
SP311125240006	141, 147, 151, 155, 159, 163, 167, 177	
SP311125240008		173, 175, 177
SP311127000003	85, 87, 89, 91, 93, 95	
SP311127000004	33, 79, 81, 83, 139, 143, 147, 151, 155,	159, 163, 167, 179
SP311127000006	21, 25, 155, 159, 163, 167, 169, 171,	179
SP311679800003	11, 33, 41, 43, 53, 61, 73, 75, 77	
SP3116798000049	11, 31, 41, 43, 53, 61, 73, 75, 77, 79, 81, 83, 85, 87, 89, 91, 93, 95, 147, 151, 155, 159, 163,	167
SP311679800006		177
SP311679824004		117
SP311679824006	139, 141, 147, 151, 155, 159, 163, 167	
SP311737000010		173, 175
SP311902100004	11, 27, 33, 43, 53, 61, 73, 79, 81, 83,	85, 87, 89, 91, 93, 95, 159, 167, 179
SP311902100006	29, 41, 111, 113, 115, 155, 159, 163,	167, 179
SP311902100008		133, 135, 137
SP311902100010		11, 181
SP311902100012		181
SP505430	155, 159, 163, 167	
SP525284		9
SP537885		173, 175
SP547981		169, 171
563361		139
571642	109, 113, 115	
576338		41
Washing Drum		
537732P		173, 177
563245P		173, 177
563265P		173, 177
Water Heater		
SP562736		189
SP562749		189
Water Hose		
F200164		121
Water Level Switch		
562709		137
570315		135, 137
Water Level Switch Hose		
SPPRI540001003	133, 135, 137	
Water Softener		
SP562737		189
SP562750		189
Waters Level Sensor		
SP562709		133
Wireless Reader Wiring		
552466		194

N/A items do not appear in index.

Wiring Steam - Electrical Heating
528393 194

Y

Y-Piece
SPPRI503000028 133, 135, 137

Numerics

5724877
