

Washer-Extractor

32, 65, 70 and 280 Models

Refer to Page 5 for Model Numbers



Table of Contents

Title	Page
Parts Ordering Information.....	4
Serial Plate Location	4
Model Identification	5
Serial Label	6
Logo Label - Non-Brand Models	8
Upper Frame	10
Lower Frame	12
Stabilizing Springs - AF Non-Brand, HY, IY, J, NY, SY and UY Models.....	14
Stabilizing Springs - AF, FX, HX, LP, LY, PY and SW Models	16
Stabilizing Springs - AF, IY, JY and NY Models	18
Stabilizing Springs - FX and PY Models	20
Cabinet - AF Non-Brand, HY, NY, SY and UY Models (Drawing 1 of 2).....	22
Cabinet - AF Non-Brand, HY, NY, SY and UY Models (Drawing 2 of 2).....	24
Cabinet - IY and JY Models (Drawing 1 of 2).....	26
Cabinet - IY and JY Models (Drawing 2 of 2).....	28
Cabinet - AF, FX, HX, LP, LY, PY and SW Models (Drawing 1 of 2).....	30
Cabinet - AF, FX, HX, LP, LY, PY and SW Models (Drawing 2 of 2).....	32
Cabinet - AF, IY, JY and NY Models (Drawing 1 of 3).....	34
Cabinet - AF, IY, JY and NY Models (Drawing 2 of 3).....	36
Cabinet - AF, IY, JY and NY Models (Drawing 3 of 3).....	38
Cabinet - FX and PY Models (Drawing 1 of 2).....	40
Cabinet - FX and PY Models (Drawing 2 of 2).....	42
Control Panel - AF Non-Brand, HY, NY, SY and UY Models.....	44
Control Panel - AF Non-Brand, NY and SY Vended Models (Drawing 1 of 3).....	46
Control Panel - AF Non-Brand, NY and SY Vended Models (Drawing 2 of 3).....	48
Control Panel - AF Non-Brand, NY and SY Vended Models (Drawing 3 of 3).....	50
Control Panel - IY and JY Models.....	52
Control Panel - IY and J Vended Models (Drawing 1 of 3)	54
Control Panel - IY and J Vended Models (Drawing 2 of 3)	56
Control Panel - IY and J Vended Models (Drawing 3 of 3)	58
Control Panel - AF, FX, HX, LP, LY, PY and SW Models (Drawing 1 of 2)	60
Control Panel - AF, FX, HX, LP, LY, PY and SW Models (Drawing 2 of 2)	62
Coin Meter - AF, FX, LP, LY and PY Models (Drawing 1 of 4)	64
Coin Meter - AF, FX, LP, LY and PY Models (Drawing 2 of 4)	66
Coin Meter - AF, FX, LP, LY and PY Models (Drawing 3 of 4)	68
Coin Meter - AF, FX, LP, LY and PY Models (Drawing 4 of 4)	70
Control Panel OPL - AF, IY and NY Models	72
Control Panel Vended - AF, IY and NY Models	74
Control Panel for Central Payment System - AF, IY and NY Models.....	76
Control Panel OPL - AF, IY, JY and NY Models	78
Control Panel Vended - AF, IY, JY and NY Models	80

© Copyright 2024, Alliance Laundry Systems LLC

All rights reserved. No part of the contents of this book may be reproduced or transmitted in any form or by any means without the expressed written consent of the publisher.

Control Panel for Central Payment System - AF, IY, JY and NY Models	82
Control Panel OPL - FX and PY Models	84
Control Panel OPL - FX and PY Models	86
Control Panel OPL - FX and PY Models	88
Control Panel Vended - FX and PY Models.....	90
Control Panel Vended - FX and PY Models.....	92
Control Panel Vended - FX and PY Models.....	94
Control Panel for Central Payment System - FX and PY Models	96
Control Panel for Central Payment System - FX and PY Models	98
Control Panel for Central Payment System - FX and PY Models	100
Coin Meter Box	102
Coin Meter Box - AF, IY amd NY Models	104
Coin Meter - AF, IY and NY Models (Drawing 1 of 3).....	106
Coin Meter - AF, IY and NY Models (Drawing 2 of 3).....	108
Coin Meter - AF, IY and NY Models (Drawing 3 of 3).....	110
Door (Drawing 1 of 4).....	112
Door (Drawing 2 of 4).....	114
Door (Drawing 3 of 4).....	116
Door (Drawing 4 of 4).....	118
Door	120
Door	122
Door Lock - Models with Serial No. Through 280FX004365SH.....	124
Door Lock - Models with Serial No. Starting 280FX004366SH.....	126
Water Inlet System (Drawing 1 of 2).....	128
Water Inlet System (Drawing 2 of 2).....	130
Water Inlet System - Optional (Drawing 1 of 2).....	132
Water Inlet System - Optional (Drawing 2 of 2).....	134
Two Water Inlet System.....	136
Three Water Inlet System	138
Two Water Inlet System - Optional	140
Three Water Inlet System - Optional.....	142
Drain System - Drain Valve.....	144
Drain System	146
Drain System - JY Models with V in 7th Position	148
Drain System - Two Drain Valve Option	150
Wash Bath Sample - Optional.....	152
Rear Panel (Drawing 1 of 3)	154
Rear Panel (Drawing 2 of 3)	156
Rear Panel (Drawing 3 of 3)	158
Rear Panel - 230-400V with Neutral (Drawing 1 of 2).....	160
Rear Panel - 230-400V with Neutral (Drawing 2 of 2).....	162
Rear Panel - 400-440V (Drawing 1 of 2).....	164
Rear Panel - 400-440V (Drawing 2 of 2).....	166
Rear Panel - 230-400V CE Models with Neutral (Drawing 1 of 2)	168
Rear Panel - 230-400V CE Models with Neutral (Drawing 2 of 2)	170
Rear Panel - 400-440V CE Models (Drawing 1 of 2)	172
Rear Panel - 400-440V CE Models (Drawing 2 of 2)	174
Rear Panel - 230-400V CE Models with Neutral (Drawing 1 of 2)	176
Rear Panel - 230-400V CE Models with Neutral (Drawing 2 of 2)	178
Rear Panel - 400V / 440V-480V CE Models (Drawing 1 of 2)	180

Rear Panel - 400V / 440V-480V - FX and PY Models with V in 7th Position (Drawing 2 of 2)	182
Steam Heating - All Models Except Models with V in 7th Position.....	184
Steam Heating - Models with V in 7th Position	186
Washing Drum and Tub - All Models Except Models with V in 7th Position	188
Washing Drum and Tub - Models with V in 7th Position (Drawing 1 of 2)	190
Washing Drum and Tub - Models with V in 7th Position (Drawing 2 of 2)	192
SoftWash - With Built-In Recirculation Pump.....	194
SoftWash - Without Built-In Recirculation Pump.....	196
Drive.....	198
Bearing Housing	200
Weighing System	202
Liquid Soap Supply System - Pumps.....	204
Elevated Base Frame	206
Base Frame with Built-In Filter	208
Filter Tank	210
Wire Harnesses	212
Parts Index.....	213

Parts Ordering Information

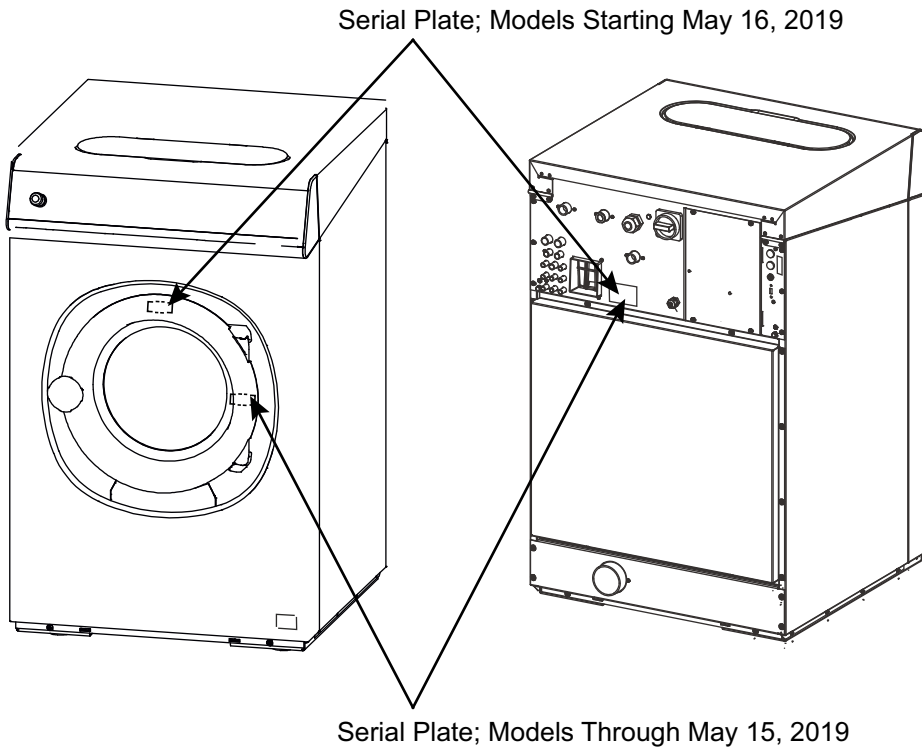
If literature or replacement parts are required, contact the source from whom the machine was purchased or contact Alliance Laundry Systems at (920) 748-3950 for the name and address of the nearest authorized parts distributor.

For technical assistance, call the number listed below:

(920) 748-3121 Ripon, Wisconsin

Serial Plate Location

When calling or writing about your product, be sure to mention model and serial numbers. Model and serial numbers are located on serial plate(s).



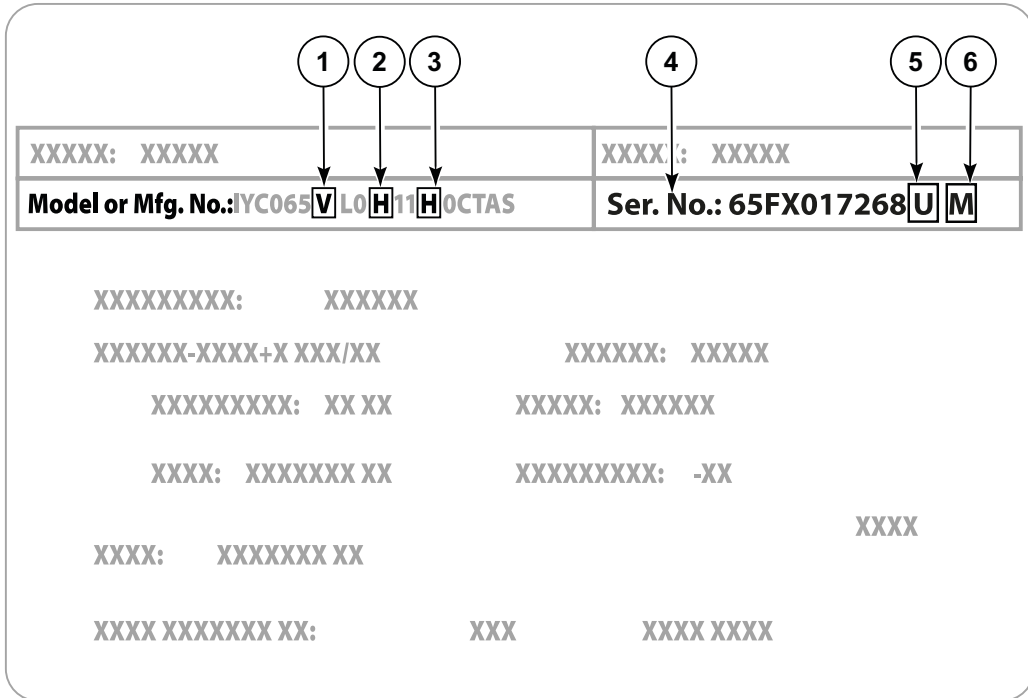
CFS1954P_D2354

Model Identification

Information in this manual is applicable to these washer-extractor models:

AF280_BASIC	IYA280V	NYA280V	SW280
AF280_PROFESSIONAL	IYC280J	NYC280T	SW32
AF280_X_CONTROL	IYC280R	NYC280V	SYC280A
AF280_X_CONTROL_PLUS	IYC280V	NYC280X	SYC280D
FX280_X_CONTROL	IYE280J	NYE280T	SYE280A
FX280_X_CONTROL_FLEX_OPL	IYE280R	NYE280V	SYE280D
FX280_X_CONTROL_PLUS	IYE280V	NYE280X	SYG280A
HX280_X_CONTROL	IYG280J	NYH280T	SYG280D
HX280_X_CONTROL_PLUS	IYG280R	NYH280X	SYH280A
HY280_HC-200	IYH280J	NYM280T	SYH280D
HY70_HC-200	IYH280R	NYM280X	SYM280A
IY280_ARIES	IYM280J	NYR280T	SYM280D
IY280_ARIES_ELITE	IYM280R	NYR280V	SYN070D
IY280_EVOLIS_ELITE_OPL	IYN070R	NYR280X	SYQ280A
IY280_EVOLIS_OPL	IYQ280J	NYU280T	SYQ280D
IY280_EVOLIS_VEND	IYQ280R	NYU280V	SYR280A
IY70_ARIES-ELITE	IYR280J	NYU280X	SYR280D
JLA65_ARIES	IYR280R	NYX280T	SYU280A
JLA65_ARIES-ELITE	IYR280V	NYX280V	SYU280D
LPRFRAF280E	IYU280J	NYX280X	SYX280A
NY280_GRAPHITRONIC_TOUCH	IYU280R	NYX280X	SYX280D
PY280_X_CONTROL_FLEX	IYU280V	NYY280T	SYX280D
PY280_X_CONTROL_FLEX_PLUS	IYX280J	NYY280X	SYY280A
PY70_X_CONTROL	IYX280R	PYA280V	SYY280D
PY70_X_CONTROL_PLUS	IYX280V	PYC280T	UYC280I
SY280_QED	IYY280J	PYC280V	UYE280I
SY280_QED-SELECT	IYY280R	PYC280X	UYG280I
SY70_QED-SELECT	JYC280J	PYE280T	UYH280I
UY280_PROFORM	JYC280R	PYE280V	UYM280I
UY70_PROFORM	JYE280J	PYE280X	UYN070I
HYC280F	JYE280R	PYH280T	UYQ280I
HYE280F	JYE280V	PYH280X	UYR280I
HYG280F	JYH280J	PYM280T	UYU280I
HYH280F	JYH280R	PYM280X	UYX280I
HYM280F	JYX280J	PYN070T	UYX280I
HYN070F	JYX280R	PYN070X	UYU280I
HYQ280F	LYC280T	PYR280T	UYU280I
HYR280F	LYC280X	PYR280V	UYU280I
HYU280F	LYE280T	PYR280X	UYU280I
HYX280F	LYE280X	PYU280T	UYU280I
	LYH280T	PYU280V	UYU280I
	LYH280X	PYU280X	UYU280I
	LYU280T	PYX280T	UYU280I
	LYU280X	PYX280V	UYU280I
	LYX280T	PYX280X	UYU280I
	LYX280X	PYY280T	UYU280I
	LYY280T	PYY280X	UYU280I
	LYY280X		UYU280I

Serial Label

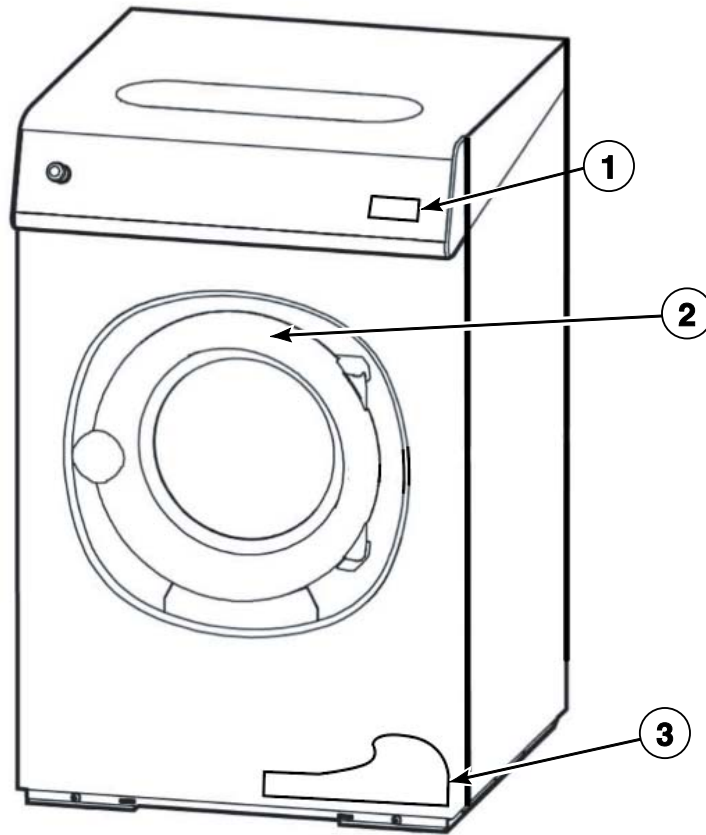


CZW587P

Serial Label

REF	PART NO.	DESCRIPTION	COMMENTS
1	-	Control	A, D, F, G, I, J, R, T, V or X character in 7th position of the model number
2	-	Speed	2, 3, 4, 6, H, N or U character in 10th position of the model number
3	-	Design	1, 2, 3, 4, 5, 6, 7, 8, A, B, C, D, G, H, J, K, L, M, N or P digits or characters in 13th Position
4	-	Serial Number	
5	-	Manufacturing Date - Year	2009: P 2010: R 2011: T 2012: V 2013: X 2014: B 2015: D 2016: F 2017: H 2018: K 2019: M 2020: Q 2021: S 2022: U 2023: W 2024: Y 2025: Z
6	-	Manufacturing Date - Month	January: A or B February: C or D March: E or F April: G or H May: J or K June: L or M July: N or Q August: P or S September: R or U October: T or W November: V or Y December: X or Z

Logo Label - Non-Brand Models

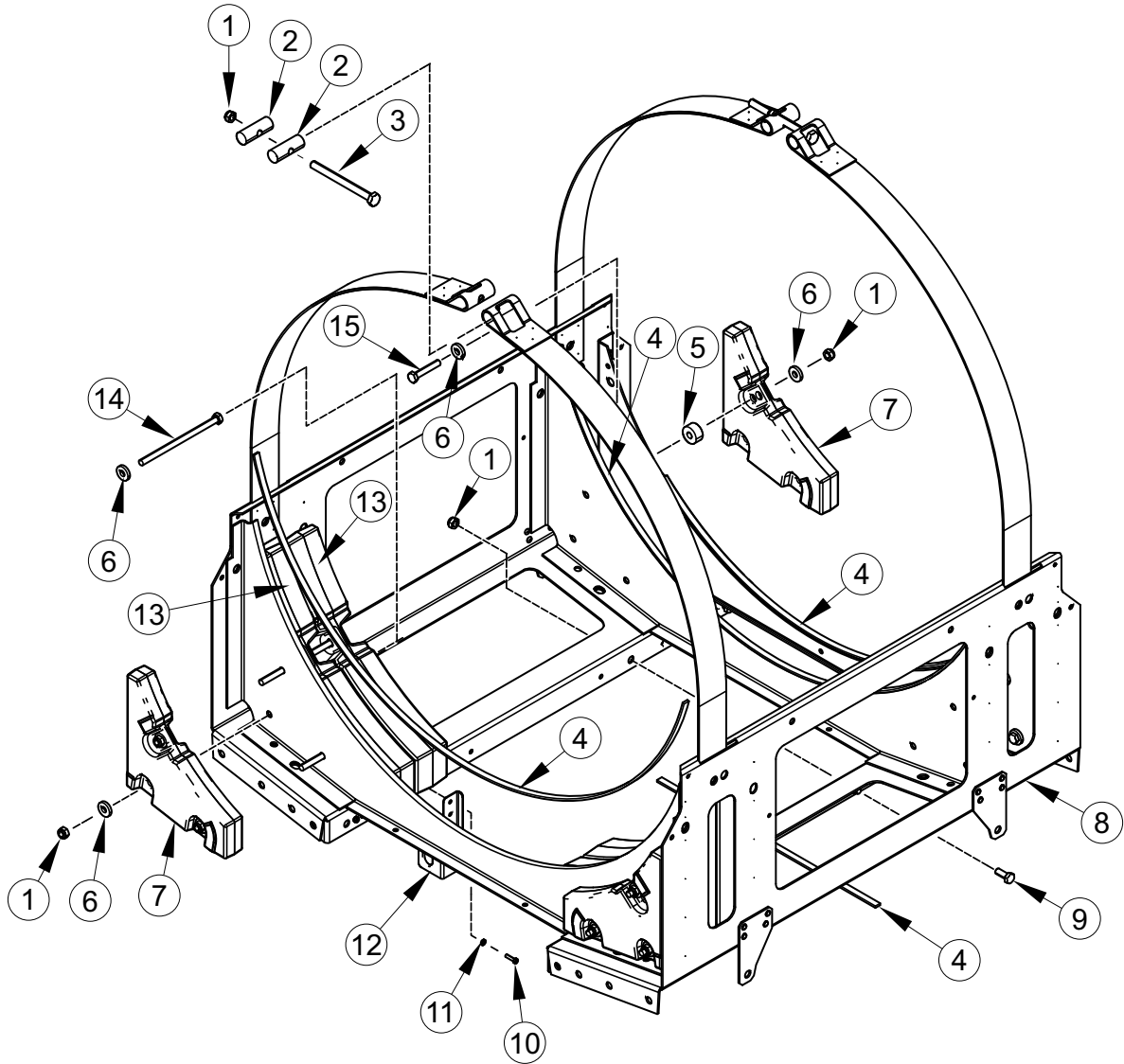


CFD3558P_D2354

Logo Label - Non-Brand Models

REF	PART NO.	DESCRIPTION	COMMENTS
1	572486	Label	Lion Logo
2	576337	Label	SoftWash
3	572487	Label	Located on top inside of door

Upper Frame

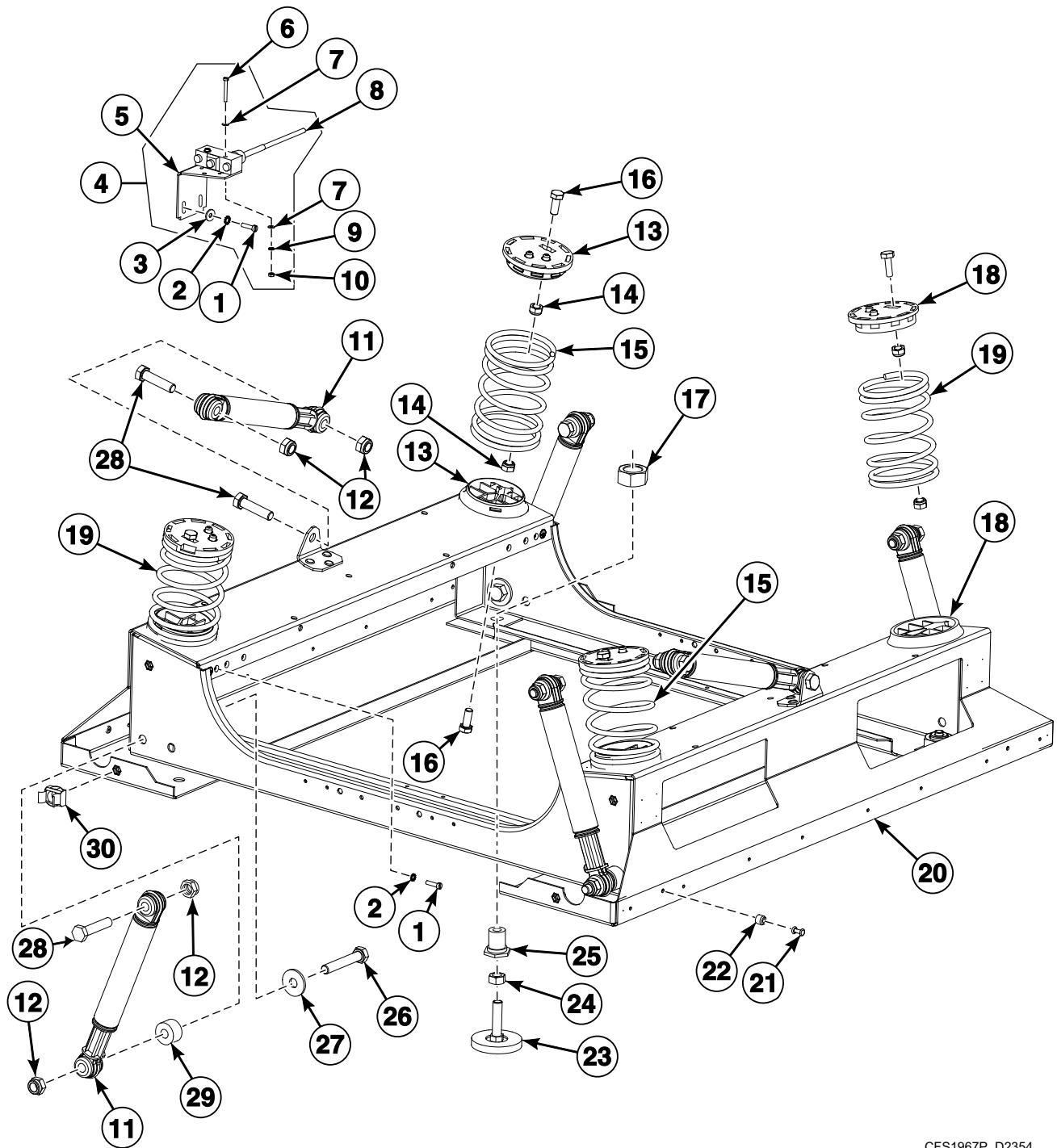


C-CZW55P_D2354

Upper Frame

REF	PART NO.	DESCRIPTION	COMMENTS
1	SP310985000008	Nut	M8
2	SP533738	Cover Strip Pin	
3	SP527093	Bolt	M8x100
4	SP517232	Seal	
5	SP515274	Distance Case	
6	SP525284	Washer	M8
7	SP533784	Lower Weight	
8	SP533954	Upper Frame	
9	SP309933000820	Bolt	M8x20
10	SP309084000416	Bolt	M4x16
11	SP311679800004	Washer	M4
12	SP533388	Oscillation Limiter	
13	SP533814	Lower Weight	
14	SP533717	Bolt	M8x150
15	SP309933000845	Bolt	M8x45

Lower Frame



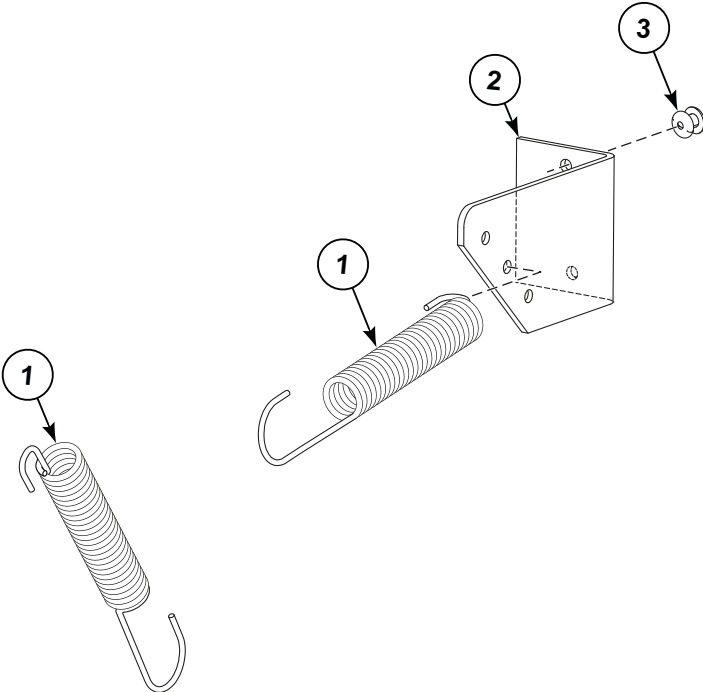
CFS1967P_D2354

Lower Frame

REF	PART NO.	DESCRIPTION	COMMENTS
1	SP309084000416	Bolt	M4x16
2	SP311679800004	Washer	M4
3	SP311902100004	Washer	M4 - 4.3/12/1
4	SP547758	Vibration Switch Assembly	Includes items 1-7
5	SP547759	Vibration Switch Holder	
6	SP309084240325	Bolt	M3x25
7	SP311125000003	Washer	3.2
8	SP528309	Microswitch	Includes spring
9	SP311679800003	Washer	M3
10	SP310934000003	Nut	M3
11	SP533716	Damper	12 required
12	SP310985000010	Nut	M10
13	SP533873	Spring Holder	Left
14	SP310985000008	Nut	M8
15	SP533871	Spring	
16	SP309933000820	Bolt	M8x20
17	SP310934000020	Nut	M20
18	SP533872	Spring Holder	Right
19	SP533870	Spring	Right
20	SP533951	Lower Frame	
21	SP547779	Rivet	4x16.7
22	SP520408	Pin Insertion	
23	SPPRI504000001	Adjustable Foot	
24	SP310934000010	Nut	M10
25	SP533726	Bolt	
26	SP506432	Bolt	M10x60
27	SP311902100010	Washer	10
28	SP527420	Bolt	M10x40
	SP309931001050	Bolt	M10x50; Used with item 11
29	SP533727	Roller	
30	SP510923	Nut	M6

Stabilizing Springs - AF Non-Brand, HY, IY, J, NY, SY and UY Models

Except Models with G, H, J or K in 13th Position



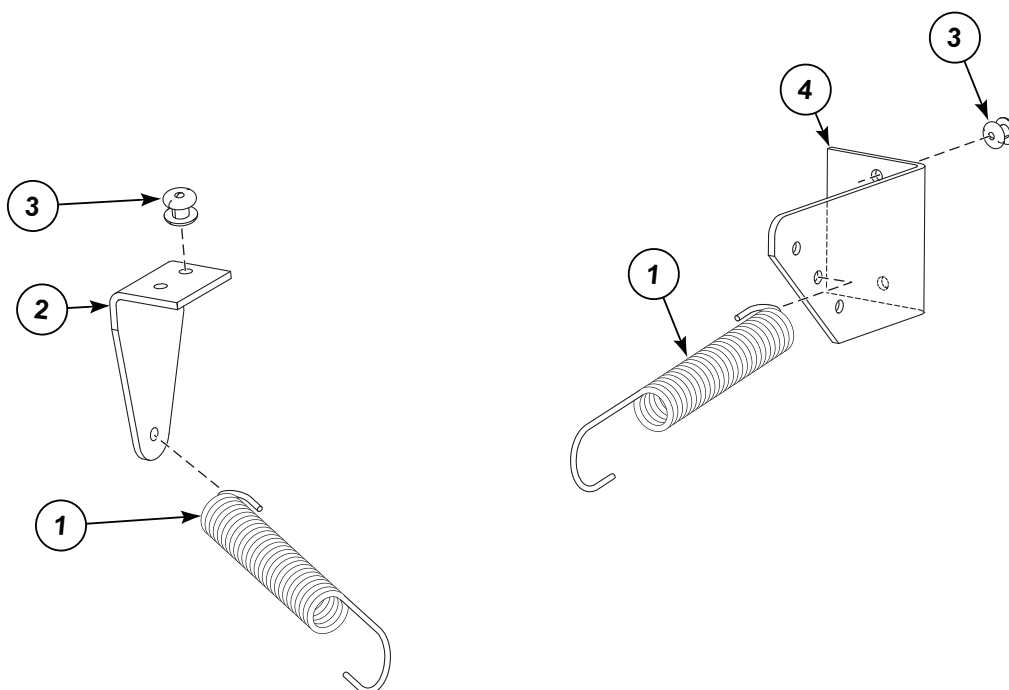
CZW431P_D2354

Stabilizing Springs - AF Non-Brand, HY, IY, J, NY, SY and UY Models

REF	PART NO.	DESCRIPTION	COMMENTS
1	SP505372	Spring	
2	SP555495	Rear Spring Holder	
3	505479	Rivet	4x8

Stabilizing Springs - AF, FX, HX, LP, LY, PY and SW Models

Except Models with V in 7th Position



CZW432P_D2354

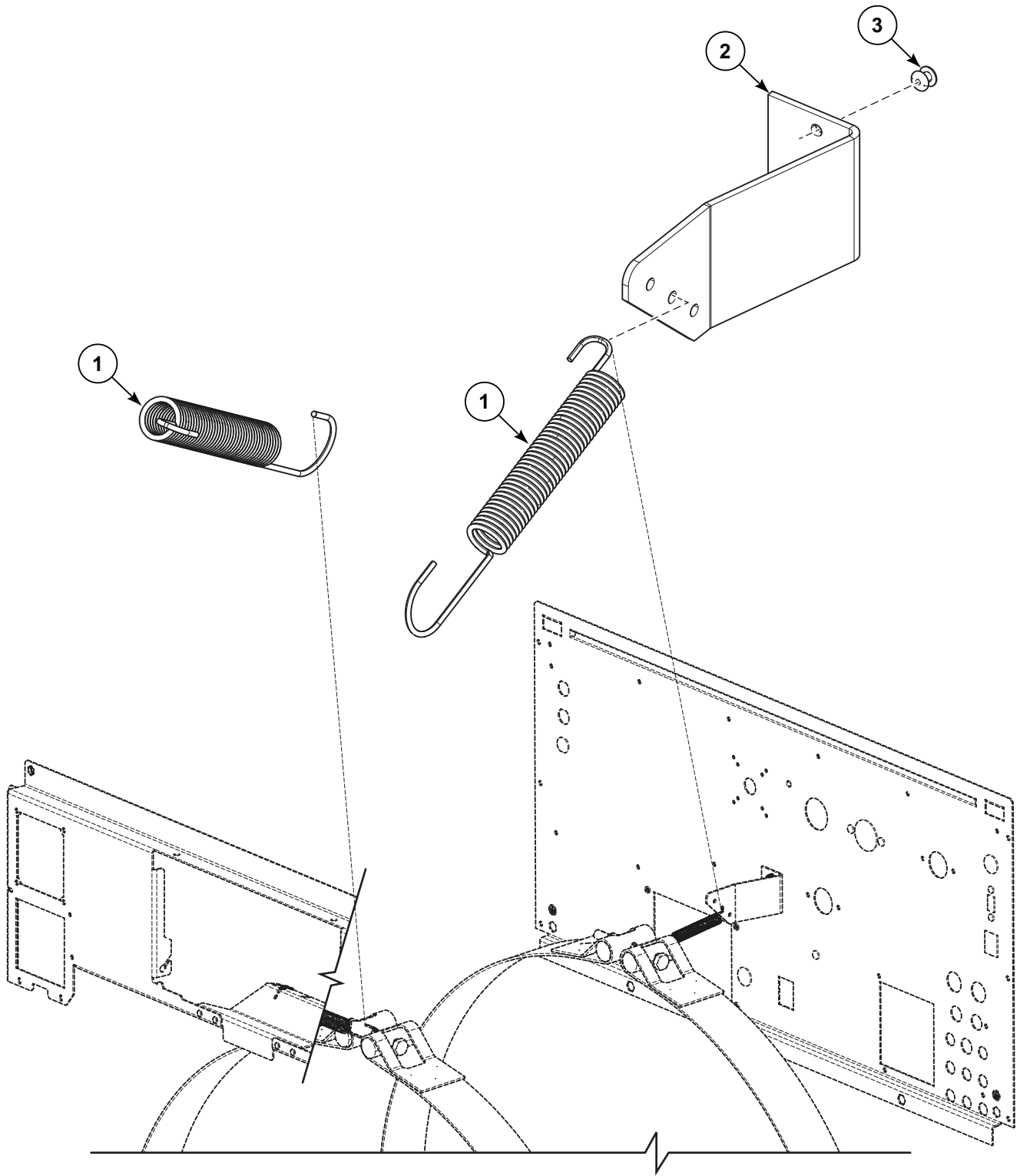
Stabilizing Springs - AF, FX, HX, LP, LY, PY and SW Models

REF	PART NO.	DESCRIPTION	COMMENTS
1	SP505372	Spring	
2	N/A	Front Spring Holder	
3	505479	Rivet	4x8
4	SP555495	Rear Spring Holder	

N/A = Part no longer available

Stabilizing Springs - AF, IY, JY and NY Models

Models with V in 7th Position or G, H, J or K in 13th Position



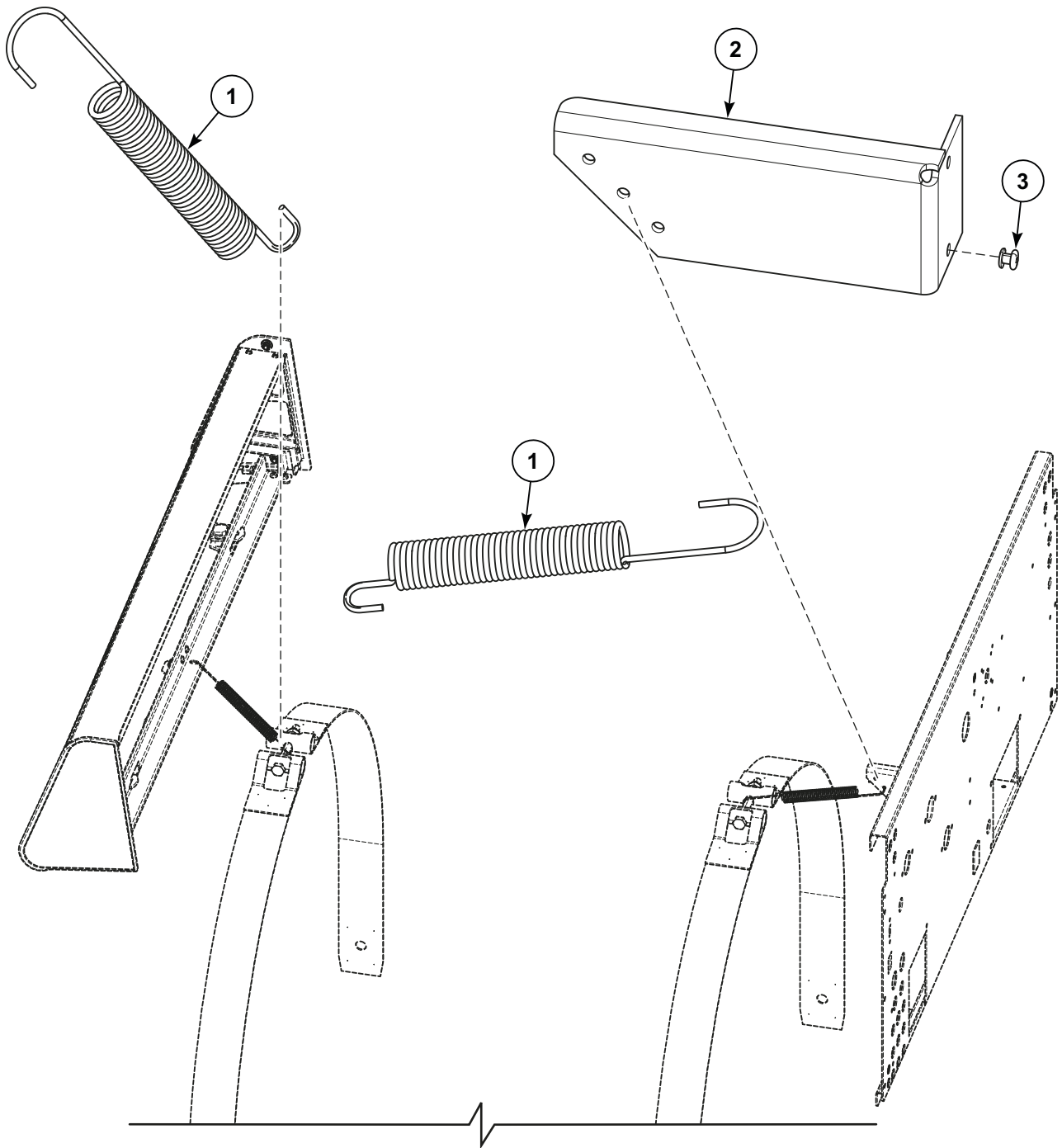
CZW419P_D2354

Stabilizing Springs - AF, IY, JY and NY Models

REF	PART NO.	DESCRIPTION	COMMENTS
1	SP505372	Spring	
2	SP555495	Rear Spring Holder	
3	505479	Rivet	4x8

Stabilizing Springs - FX and PY Models

Models with V in 7th Position



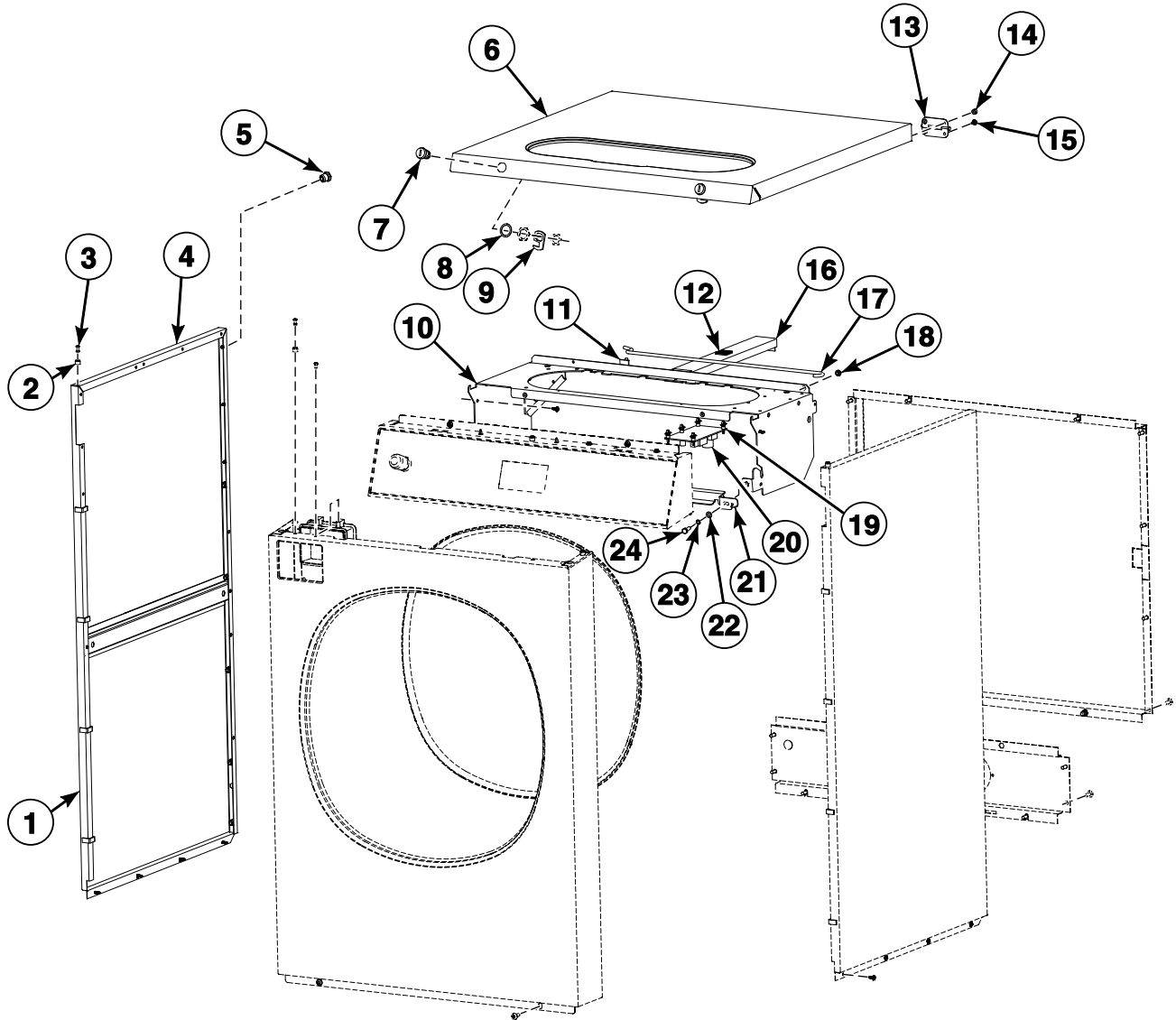
CZW420P_D2354

Stabilizing Springs - FX and PY Models

REF	PART NO.	DESCRIPTION	COMMENTS
1	SP505372	Spring	
2	SP555495	Rear Spring Holder	
3	505479	Rivet	4x8

Cabinet - AF Non-Brand, HY, NY, SY and UY Models (Drawing 1 of 2)

Except Models with V in 7th Position



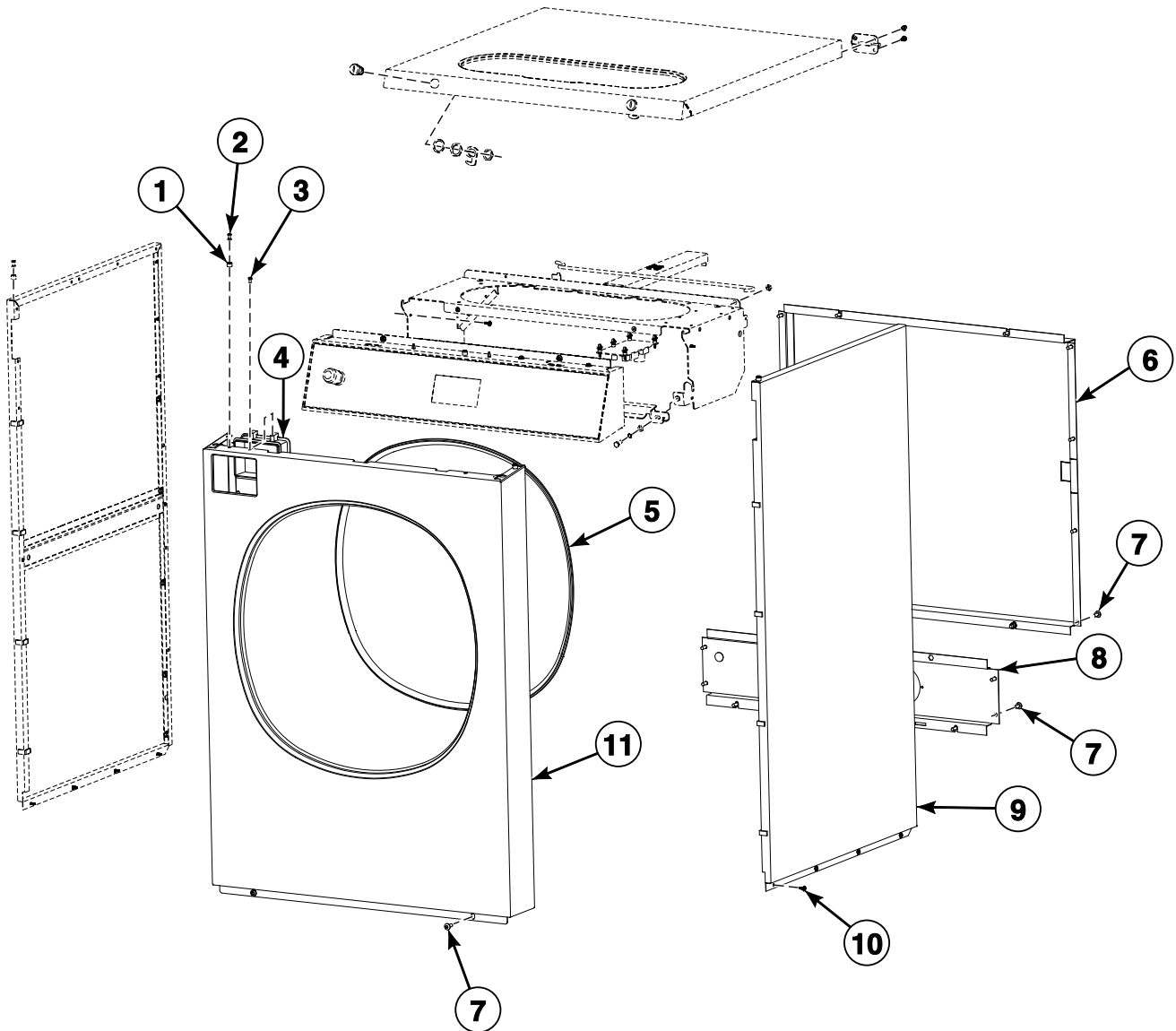
CFS1971P_D2354

Cabinet - AF Non-Brand, HY, NY, SY and UY Models (Drawing 1 of 2)

REF	PART NO.	DESCRIPTION	COMMENTS
	SP552455	Automatic Door Opening Module Wiring	Used with SP552381 Power Terminal Protection
	SP245704003021	Adhesive	Loctite 243; Used with bolts
1	SP517232	Seal	
2	SP520408	Pin Insertion	
3	SP547779	Rivet	4x16.7
4	SP558875	Side Panel	Left; Stainless
	563516	Side Panel	AF Non-Brand and NY models; Left; Painted
5	SP313251000006	Nut	M6
6	SP557643	Top Cover	
	567881	Top Cover	Without soap hopper opening
7	SP547527	Lock	
	SP550616	Key	Used with SP547527 Lock
8	SPPRI522000012	Washer	21x27x1
9	SPPRI610002007	Hook Lock	Small
10	SP557623	Panel Holder	
11	SPPRI551016250	Hook	
12	SP550115	Fastener	
13	SP516832	Hinge	
14	SP313250048008	Rivet	4.8x8
15	SP555658	Bolt	6x16
16	SP557041	Top Cover Reinforcement	
17	SP533341	Upper Lid Prop	
18	SP273121005052	Cable Passage	5x2
19	SPPRI326002004	Holder	
20	SP552489	Automatic Unlocking Module Assembly	MC7; Includes item 18, SP553406 Automatic Door Opening Module, SP345000160971 Binding Strip, SP552455 Automatic Door Opening Module Wiring and SP552381 Power Terminal Protection
	SP545238	Automatic Unlocking Module Assembly	MC6; Includes item 18, SP547004 Automatic Door Opening Module, SP345000160971 Binding Strip and SP545235 Door Timer Wiring
21	SP558881	Reinforcement	
22	SP311125000006	Washer	6.4
23	SP311127000006	Washer	6
24	SP309933000616	Bolt	M6x16

Cabinet - AF Non-Brand, HY, NY, SY and UY Models (Drawing 2 of 2)

Except Models with V in 7th position



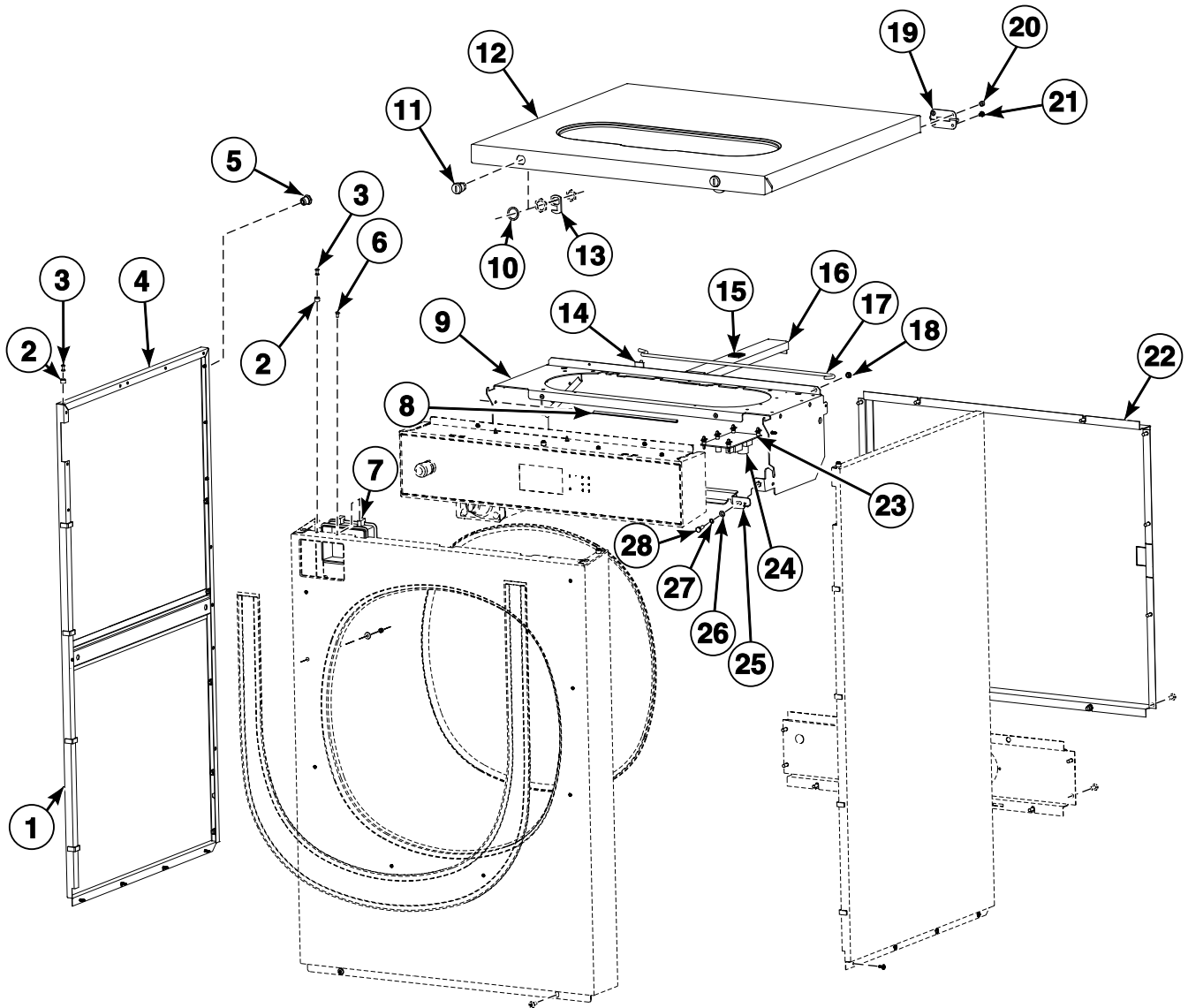
CZW26P_D2354

Cabinet - AF Non-Brand, HY, NY, SY and UY Models (Drawing 2 of 2)

REF	PART NO.	DESCRIPTION	COMMENTS
	564844	Label	UY models; SoftWash; CE
	550446	Washer	Used to prevent sliding; Used with front panel
1	SP520408	Pin Insertion	
2	SP547779	Rivet	4x16.7
3	SP309084000408	Bolt	M4x8
4	SP533103	Coin Vault Plate	AF Non-Brand, NY and SY models; Vended
	566737	Coin Vault Plate	AF Non-Brand, NY and SY models starting Serial No. 280FX001851HU; Vended; Large coin meter
5	SP529068	Edge Protection	
6	SP547882	Rear Cover	
7	SP555658	Bolt	M6x16
8	SP533384	Lower Rear Cover	
	SP554326	Lower Rear Cover	2 drain valves
9	SP558877	Side Panel	Right; Stainless
	563518	Side Panel	AF Non-Brand and NY models; Right; Painted
10	SP555658	Bolt	6x16
11	SP533280	Front Panel	OPL; Stainless
	563464	Front Panel	AF Non-Brand and NY models; Vended; Painted
	563462	Front Panel	AF Non-Brand and NY models; OPL; Painted
	SP533278	Front Panel	NY and SY models; Vended; Stainless
	568051	Front Panel	NY and SY models starting Serial No. 280FX001851HU; Vended; Stainless steel; Large coin meter

Cabinet - IY and JY Models (Drawing 1 of 2)

Except Models with G, H, J or K in 13th Position



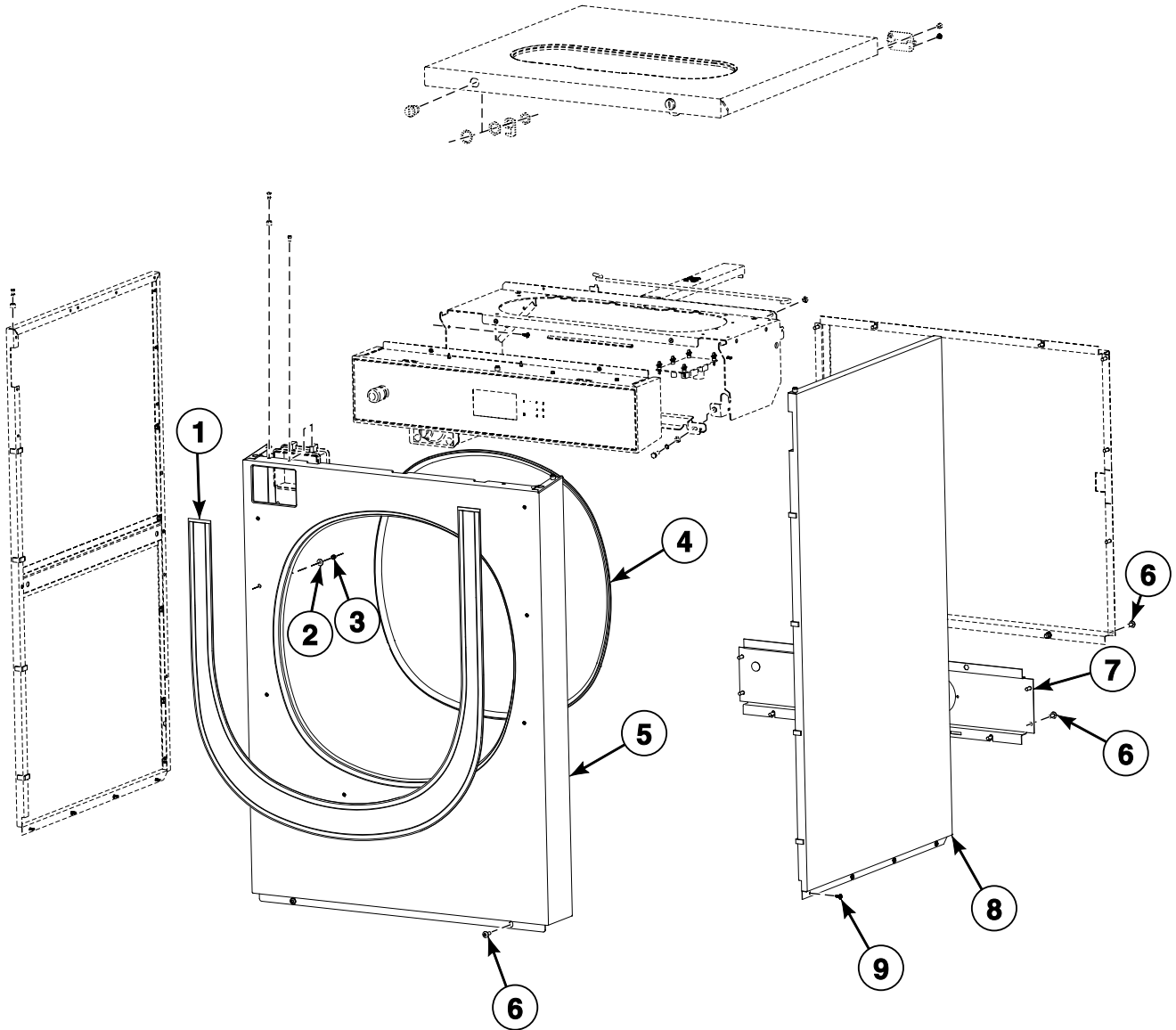
CFS1972P_D2354

Cabinet - IY and JY Models (Drawing 1 of 2)

REF	PART NO.	DESCRIPTION	COMMENTS
	SP552455	Automatic Door Opening Module Wiring	Used with SP552381 Power Terminal Protection
	SP245704003021	Adhesive	Loctite 243; Used with bolts
1	SP517232	Seal	
2	SP520408	Pin Insertion	
3	SP547779	Rivet	4x16.7
4	SP558875	Side Panel	Stainless; Left
	SP558992	Side Panel	Black; Left
5	SP313251000006	Nut	M6
6	SP309084000408	Bolt	M4x8
7	SP533103	Coin Vault Plate	Vended
	566737	Coin Vault Plate	Large coin meter; Vended; Models starting Serial No. 280FX001851HU
8	SPPRI505000058	Profiled Sealing	Models through Serial No. 280FX002854KZ
9	SP560303	Panel Holder	
10	SPPRI522000012	Washer	21x27x1
11	SP547527	Lock	
	SP550616	Key	Used with SP547527 Lock
12	SP558964	Top Cover	
13	SPPRI610002007	Hook Lock	Small
14	SPPRI551016250	Hook	
15	SP550115	Fastener	
16	SP557041	Top Cover Reinforcement	
17	SP533341	Upper Lid Prop	
18	SP273121005052	Cable Passage	5x2
19	SP516832	Hinge	
20	SP313250048008	Rivet	4.8x8
21	SP555658	Bolt	
22	SP547882	Rear Cover	
23	SPPRI326002004	Holder	
24	SP552489	Automatic Unlocking Module Assembly	MC7; Models starting Serial No. 280FX000540DS
	SP545238	Automatic Unlocking Module Assembly	MC6; Models through Serial No. 280FX000520DQ; CE
25	SP558945	Reinforcement	
26	SP311125000006	Washer	6.4
27	SP311127000006	Washer	6
28	SP309933000616	Bolt	M6x16

Cabinet - IY and JY Models (Drawing 2 of 2)

Except Models with G, H, J or K in 13th Position



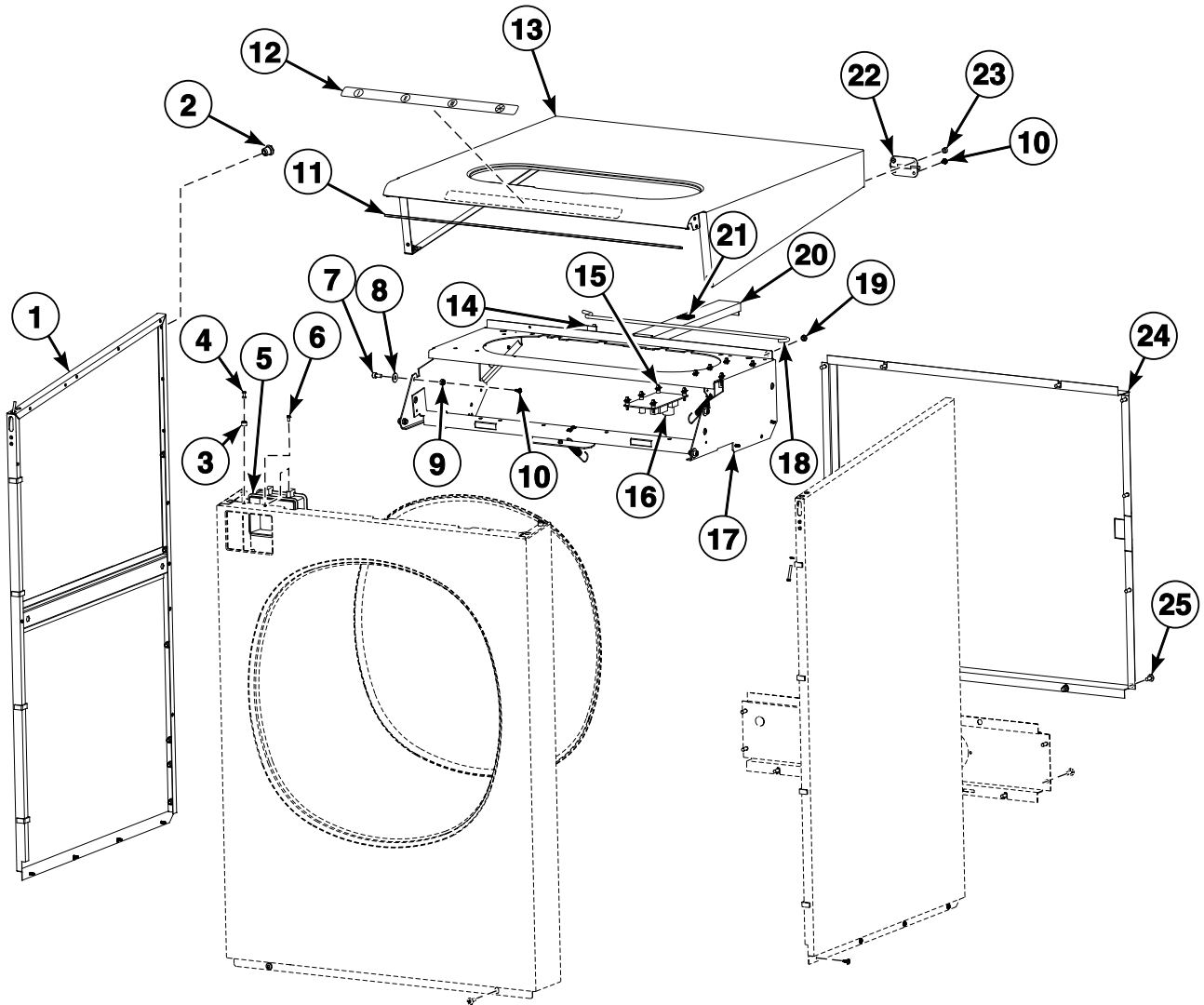
CZW28P_D2354

Cabinet - IY and JY Models (Drawing 2 of 2)

REF	PART NO.	DESCRIPTION	COMMENTS
	550446	Washer	Used to prevent sliding; Used with front panel
1	SP556999	U Shape	OPL
	SP557000	U Shape	Vended
	568063	U Shape	Vended; Large coin meter; Models starting Serial No. 280FX001851HU
2	SP311902100004	Washer	M4
3	SP514193	Nut	M4
4	SP529068	Edge Protection	
5	SP557058	Front Panel	IY models; OPL; Stainless
	SP557059	Front Panel	IY models; Vended; Stainless
	SP562726	Front Panel	JY models; OPL; Stainless
	SP562727	Front Panel	JY models; Vended; Stainless
	568061	Front Panel	IY models; Vended; Large coin meter; Models starting Serial No. 280FX001851HU
	568065	Front Panel	JY models; Vended; Large coin meter; Models starting Serial No. 280FX001851HU
6	SP555658	Bolt	M6x16
7	SP533384	Lower Rear Cover	
	SP554326	Lower Rear Cover	2 drain valves
8	SP558877	Side Panel	Stainless; Right
	SP558994	Side Panel	Black; Right
9	SP555658	Bolt	

Cabinet - AF, FX, HX, LP, LY, PY and SW Models (Drawing 1 of 2)

Except FX and PY Models with V in 7th Position

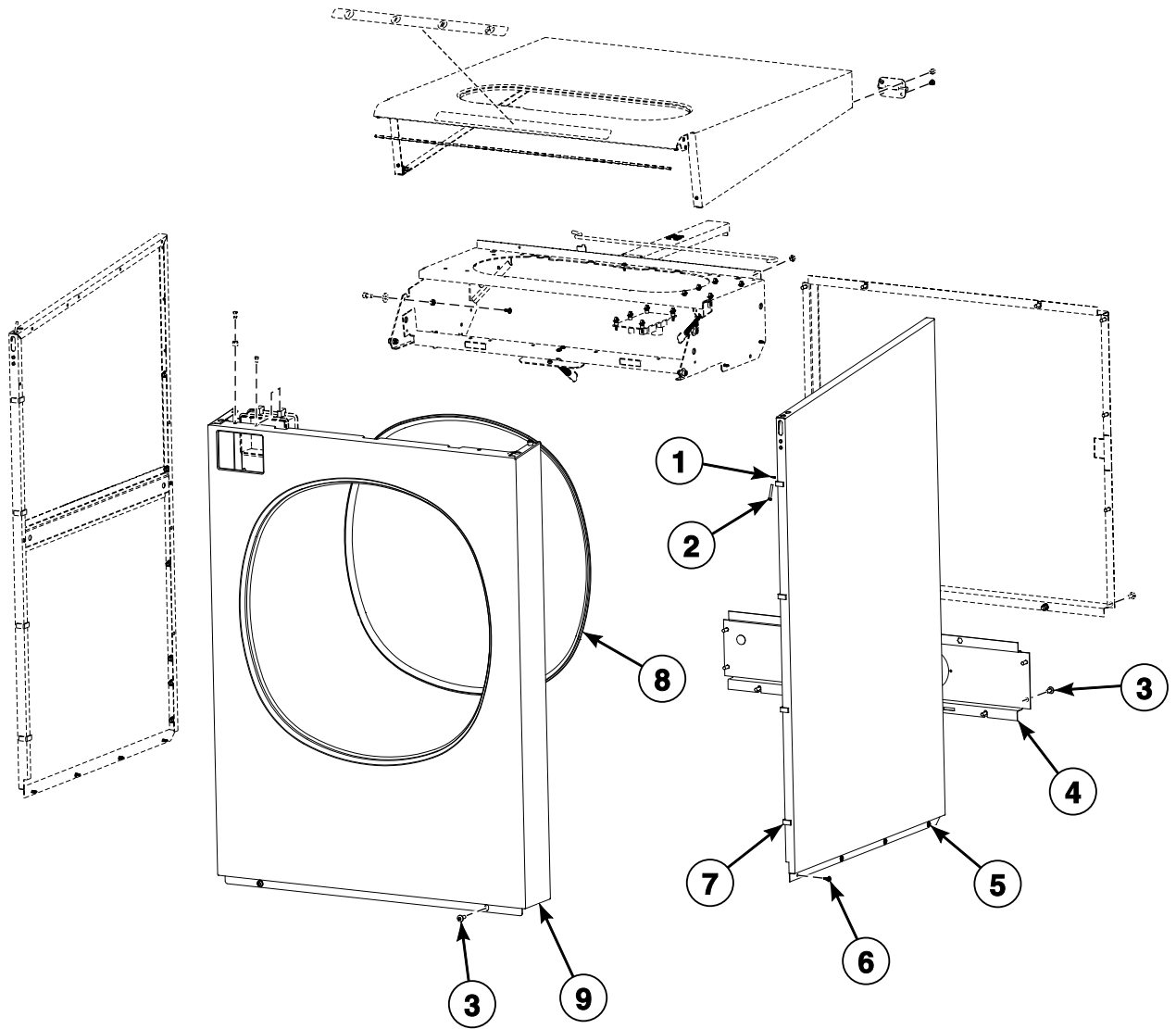


CFS1973P_D2354

Cabinet - AF, FX, HX, LP, LY, PY and SW Models (Drawing 1 of 2)

REF	PART NO.	DESCRIPTION	COMMENTS
	SP552455	Automatic Door Opening Module Wiring	Used with SP552381 Power Terminal Protection
	SP245704003021	Adhesive	Loctite 243; Used with bolts
1	SP533694	Side Panel	Models through Serial No. 280FX000866FD; Painted; Left
	563494	Side Panel	Models starting Serial No. 280FX000867FD; Painted; Left
	SP555475	Side Panel	Stainless; Left
2	SP313251000006	Nut	M6
3	SP520408	Pin Insertion	
4	SP547779	Rivet	4x16.7
5	SP533103	Coin Vault Plate	
	566737	Coin Vault Plate	Large coin meter; Vended; Models starting Serial No. 280FX001851HU
6	SP309084000408	Bolt	M4x8
7	SP506431	Bolt	M6x12
8	SP311902100006	Washer	6
9	SP310985000006	Nut	M6
10	SP529206	Screw	4x11
11	SP284000012003	Tape	
12	560786	Label	Soap hopper; PYN models; Vended; North America
13	SP533635	Top Cover	
	SP555672	Top Cover	Without soap hopper opening
14	SPPRI551016250	Hook	
15	SPPRI326002004	Holder	
16	SP552489	Automatic Unlocking Module Assembly	MC7; Includes item 14, SP553406 Automatic Door Opening Module, SP345000160971 Binding Strip, SP552455 Automatic Door Opening Module Wiring and SP552381 Power Terminal Protection
	SP545238	Automatic Unlocking Module Assembly	MC6; Includes item 14, SP547004 Automatic Door Opening Module, SP345000160971 Binding Strip and SP545235 Door Timer Wiring
17	SP533296	Panel Holder	
18	SP533341	Upper Lid Prop	
19	SP273121005052	Cable Passage	5x2
20	SP555407	Top Cover Reinforcement	
21	SP550115	Fastener	
22	SP516832	Hinge	
23	SP555658	Bolt	M6x16
24	SP547882	Rear Cover	
25	SP313250048008	Rivet	4.8x8

Cabinet - AF, FX, HX, LP, LY, PY and SW Models (Drawing 2 of 2)



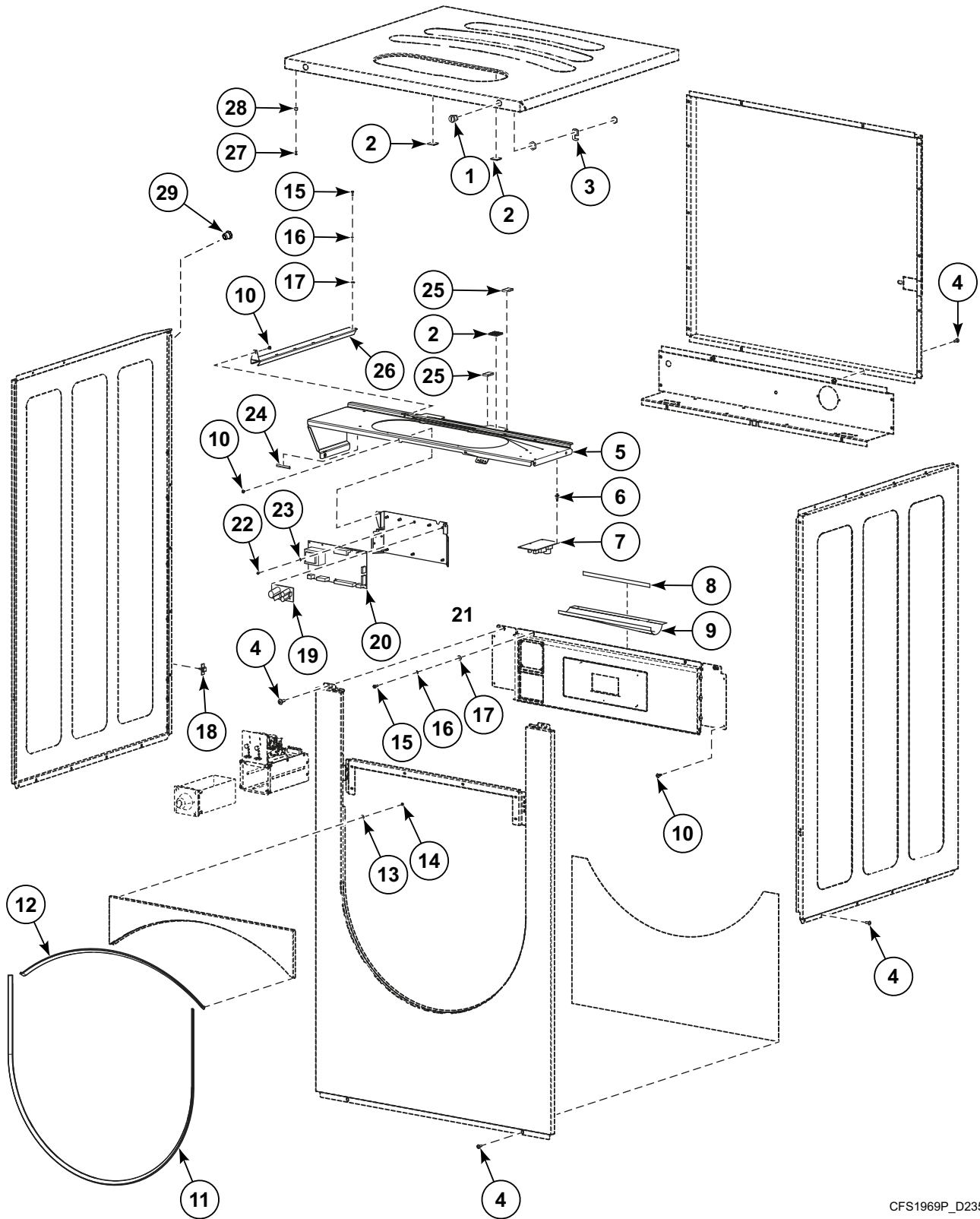
CZW30P_D2354

Cabinet - AF, FX, HX, LP, LY, PY and SW Models (Drawing 2 of 2)

REF	PART NO.	DESCRIPTION	COMMENTS
1	SP311679800004	Washer	M4
2	SP550482	Bolt	M4x25
3	SP555658	Bolt	M6x16
4	SP533384	Lower Rear Cover	
5	SP550356	Side Panel	Stainless; Right
	SP533691	Side Panel	Models through Serial No. 280FX000866FD; Painted; Right; CE and Watermark
	563492	Side Panel	Models starting Serial No. 280FX000867FD; Painted; Right; CE and Watermark
	SP555477	Side Panel	Stainless; Right
6	SP529206	Screw	4x11
7	SP517232	Seal	
8	SP529068	Edge Protection	
9	SP533211	Front Panel	Models through Serial No. 280FX000866FD; OPL; Painted; CE and Watermark
	563462	Front Panel	Models starting Serial No. 280FX000867FD; OPL; Painted; CE and Watermark
	SP533213	Front Panel	Models through Serial No. 280FX001095FM; Vended; Painted; CE and Watermark
	563464	Front Panel	Models starting Serial No. 280FX001096FM; Vended; Painted; CE and Watermark
	SP533280	Front Panel	OPL; Stainless
	SP533278	Front Panel	Vended; Stainless
	568051	Front Panel	Models starting Serial No. 280FX001851HU; Vended; Stainless steel; Large coin meter
	568049	Front Panel	Models starting Serial No. 280FX001851HU; Vended; Painted; Large coin meter; CE and Watermark

Cabinet - AF, IY, JY and NY Models (Drawing 1 of 3)

Models with V in 7th Position or G, H, J or K in 13th Position



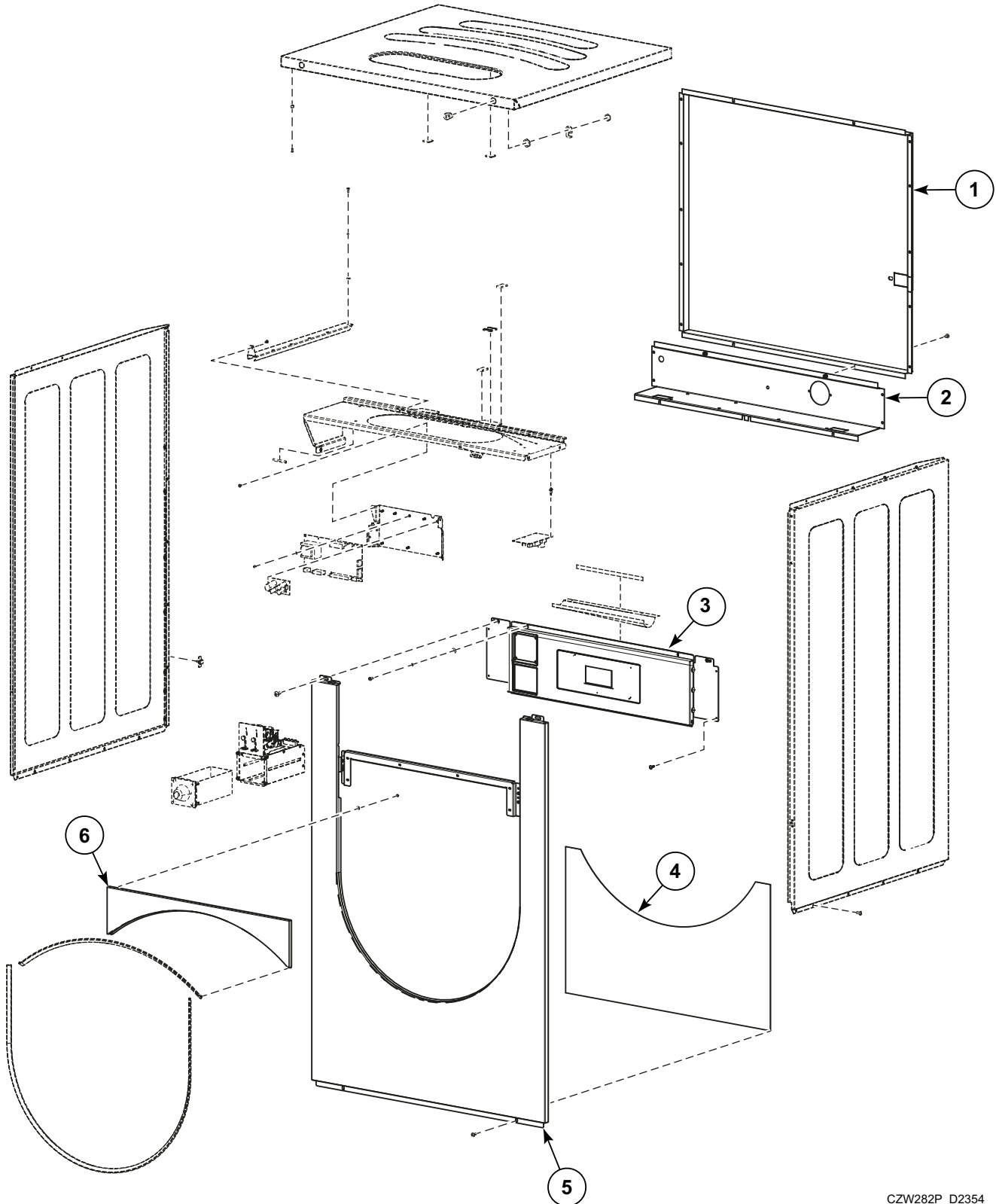
CFS1969P_D2354

Cabinet - AF, IY, JY and NY Models (Drawing 1 of 3)

REF	PART NO.	DESCRIPTION	COMMENTS
1	SP547527	Lock	Includes Nuts - 2pieces
2	SP550115	Fastener	
3	SPPRI610002007	Hook Lock	
4	SP555658	Bolt	M6x16
5	567975	Panel Holder	
6	SPPRI326002004	Holder	
7	SP552489	Automatic Unlocking Module Assembly	MC7; Includes item 3, SP553406 Automatic Door Opening Module, SP345000160971 Binding Strip, SP552455 Automatic Door Opening Module Wiring and SP552381 Power Terminal Protection
8	SP537896	Adhesive	Reversible
9	569656	Cover	
10	SP529206	Screw	4x11
11	SP529068	Edge Protection	1.6m
12	SP529068	Edge Protection	0.66m
13	SP311902100004	Washer	4
14	SP514193	Nut	M4
15	SP555504	Bolt	M4x12
16	SP311127000004	Washer	4
17	SP311902100004	Washer	M4
18	SP528313	Cable Holder	
19	N/A	Module	Door Lock
20	SP553405	Control Board I/O	MC7; Power
	575630	Control Board I/O	MC10; Power; Used with 569701 Interconnection Flat Cable
21	569578	Programmer Holder	Includes SPPRI212000055 Nut
22	SP309798500306	Bolt	M3x6
23	SP311679800003	Washer	M3
24	SPPRI505000058	Profiled Sealing	0.05m
25	564202	Seal	0.1m
26	567827	Top Cover Reinforcement	
27	SP547779	Rivet	
28	SP520408	Pin Insertion	
29	SP313251000006	Nut	M6

Cabinet - AF, IY, JY and NY Models (Drawing 2 of 3)

Models with V in 7th Position or G, H, J or K in 13th Position



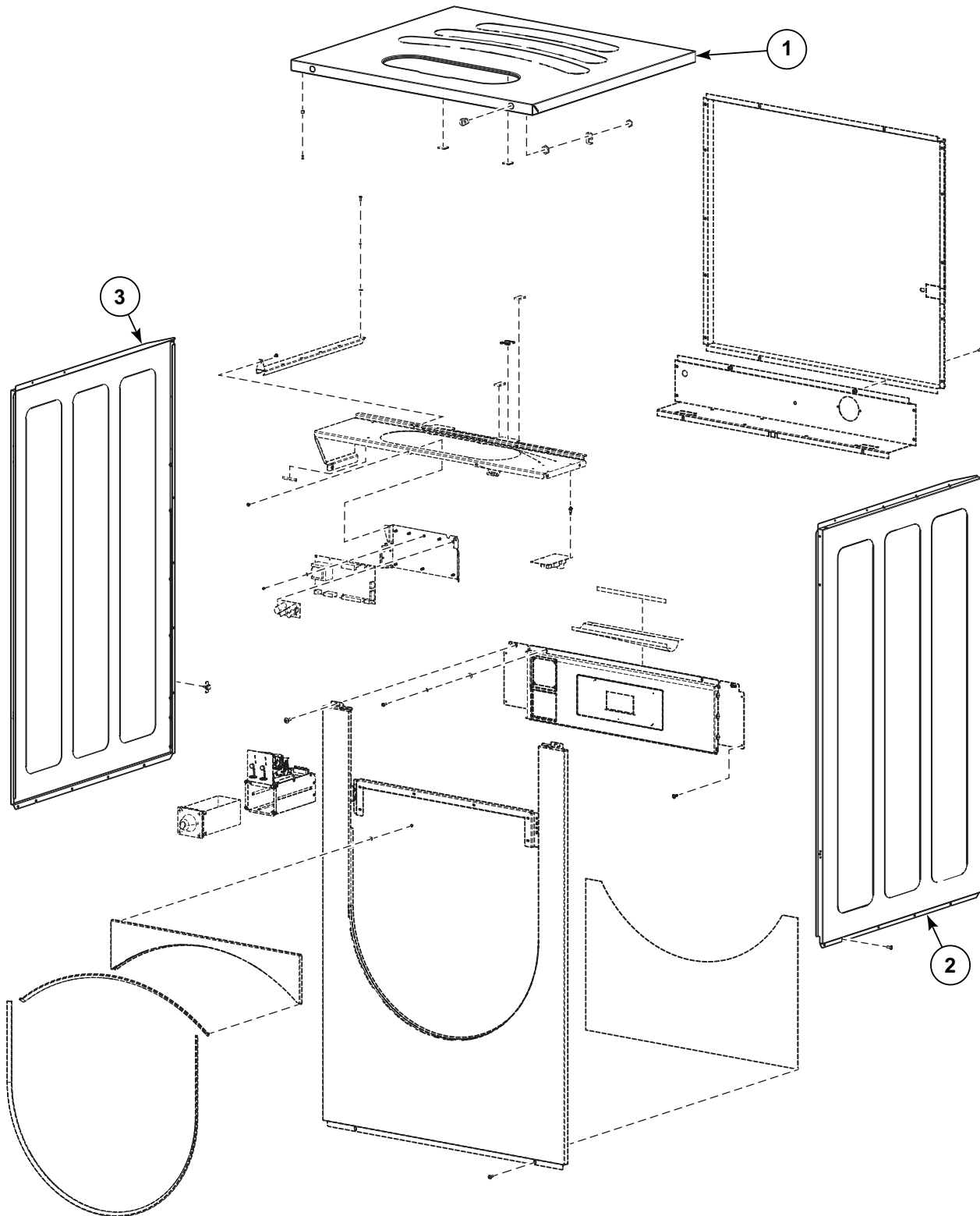
CZW282P_D2354

Cabinet - AF, IY, JY and NY Models (Drawing 2 of 3)

REF	PART NO.	DESCRIPTION	COMMENTS
1	570469	Rear Cover	
2	SP533384	Lower Rear Cover	
	SP554326	Lower Rear Cover	Two drain valves
3	573028	Control Panel	
4	550112	Antivibration Foil	
5	571101	Front Panel	Stainless
	574092	Front Panel	AF and NY models; Gray
6	573016	Front Panel	Stainless
	SP564375	Front Cover	Black

Cabinet - AF, IY, JY and NY Models (Drawing 3 of 3)

Models with V in 7th Position or G, H, J or K in 13th Position



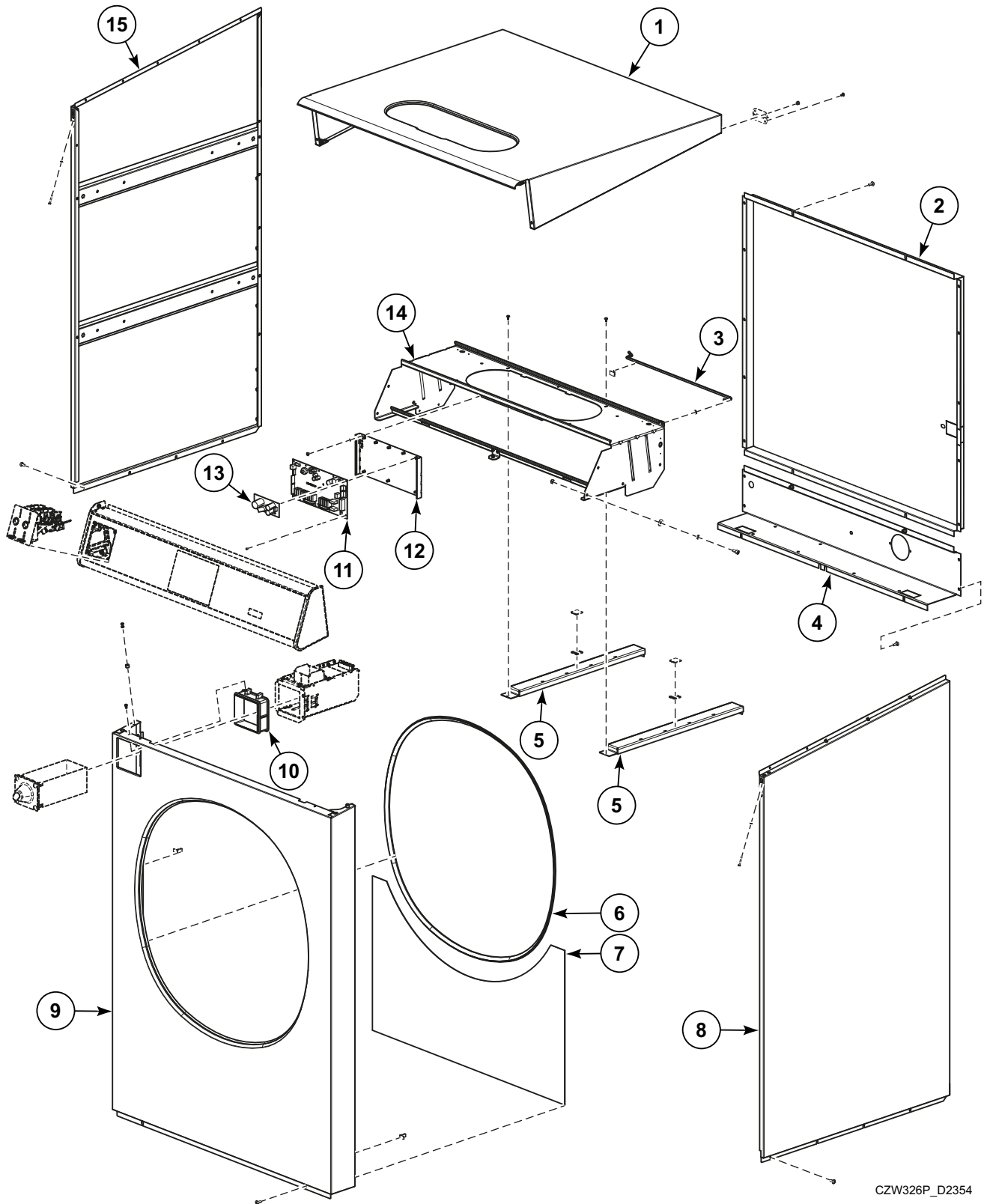
CZW310P_D2354

Cabinet - AF, IY, JY and NY Models (Drawing 3 of 3)

REF	PART NO.	DESCRIPTION	COMMENTS
1	571013	Top Cover Assembly	Includes SP547527 Lock, SP550616 Key, SPPRI610002007 Hook Lock, SP520408 Pin Insertion, SP547779 Rivet and SP550115 Fastener
	569653	Top Cover Assembly	Without soap hopper opening, Includes SP547527 Lock, SP550616 Key, SPPRI610002007 Hook Lock, SP520408 Pin Insertion, SP547779 Rivet and SP550115 Fastener
2	572014	Side Panel	Stainless; Right; Includes SP313251000006 Nut
	573060	Side Panel	IY and JY models; Black; Right; Includes SP313251000006 Nut
	574070	Side Panel	AF and IY models; Gray; Right; Includes SP313251000006 Nut
3	572013	Side Panel	Stainless; Left; Includes SP313251000006 Nut
	573058	Side Panel	IY and JY models; Black; Left; Includes SP313251000006 Nut
	574069	Side Panel	AF and IY models; Gray; Left; Includes SP313251000006 Nut

Cabinet - FX and PY Models (Drawing 1 of 2)

Models with V in 7th Position



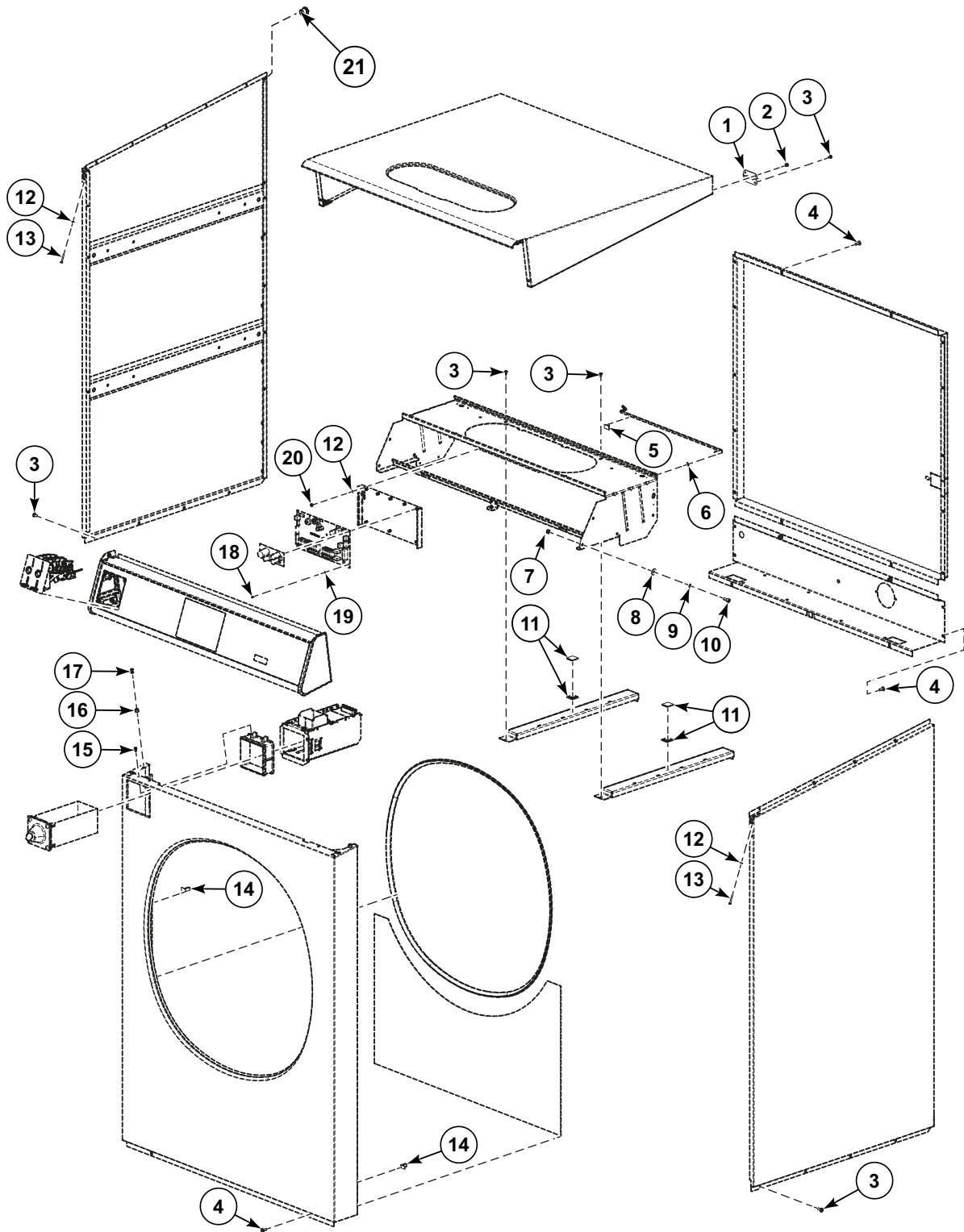
CZW326P_D2354

Cabinet - FX and PY Models (Drawing 1 of 2)

REF	PART NO.	DESCRIPTION	COMMENTS
1	574210	Top Cover	
	574256	Top Cover	Without soap hopper opening
2	570469	Rear Cover	
3	SP533341	Upper Lid Prop	
4	SP533384	Lower Rear Cover	
	SP554326	Lower Rear Cover	Two drain valves
5	557041	Top Cover Reinforcement	
6	SP529068	Edge Protection	2.39m
7	550112	Antivibration Foil	
8	574171	Side Panel Assembly	Painted; Right
	574172	Side Panel Assembly	Stainless; Right
9	572543	Front Panel	OPL; Painted
	572544	Front Panel	Vended; Painted
	572541	Front Panel	OPL; Stainless
	572542	Front Panel	Vended; Stainless
10	566737	Coin Vault Plate	
11	575630	Control Board I/O	MC10; Power; Used with 569701 Interconnection Flat Cable
12	573934	Programmer Holder	Includes 527279 Nut
13	553189	Module	Door Lock
14	573939	Panel Holder	
15	574176	Side Panel Assembly	Stainless; left
	574175	Side Panel Assembly	Painted; Left

Cabinet - FX and PY Models (Drawing 2 of 2)

Models with V in 7th Position



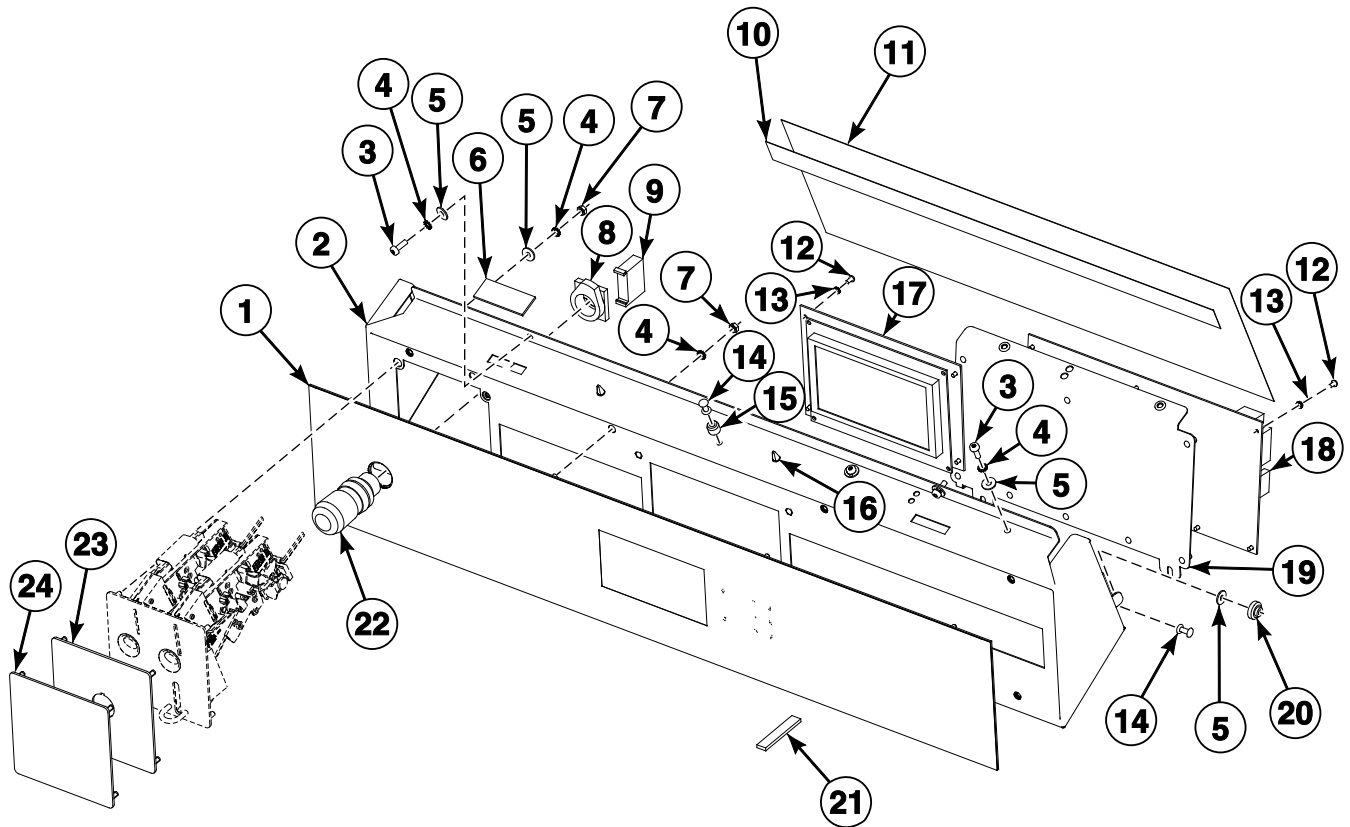
CFS1970P_D2354

Cabinet - FX and PY Models (Drawing 2 of 2)

REF	PART NO.	DESCRIPTION	COMMENTS
1	SP516832	Hinge	
2	SP313250048103	Rivet	
3	SP529206	Screw	4x11
4	SP555658	Bolt	M6x16
5	SPPRI551016250	Hook	Stick-on
6	SP273121005052	Cable Passage	5.5x2
7	SP310985000006	Nut	M6
8	SP311902100006	Washer	6
9	576338	Washer	
10	SP506431	Bolt	M6x12
11	SP550115	Fastener	
12	SP311679800004	Washer	M4
13	SP550482	Bolt	M4x25
14	SP517232	Seal	
15	SP309084000408	Bolt	M4x8
16	SP520408	Pin Insertion	
17	SP547779	Rivet	4x16.7
18	SP309798500306	Bolt	M3x6
19	SP311679800003	Washer	M3
20	SP506013	Bolt	M4x8
21	SP313251000006	Nut	M6

Control Panel - AF Non-Brand, HY, NY, SY and UY Models

Except Models with V in 7th Position



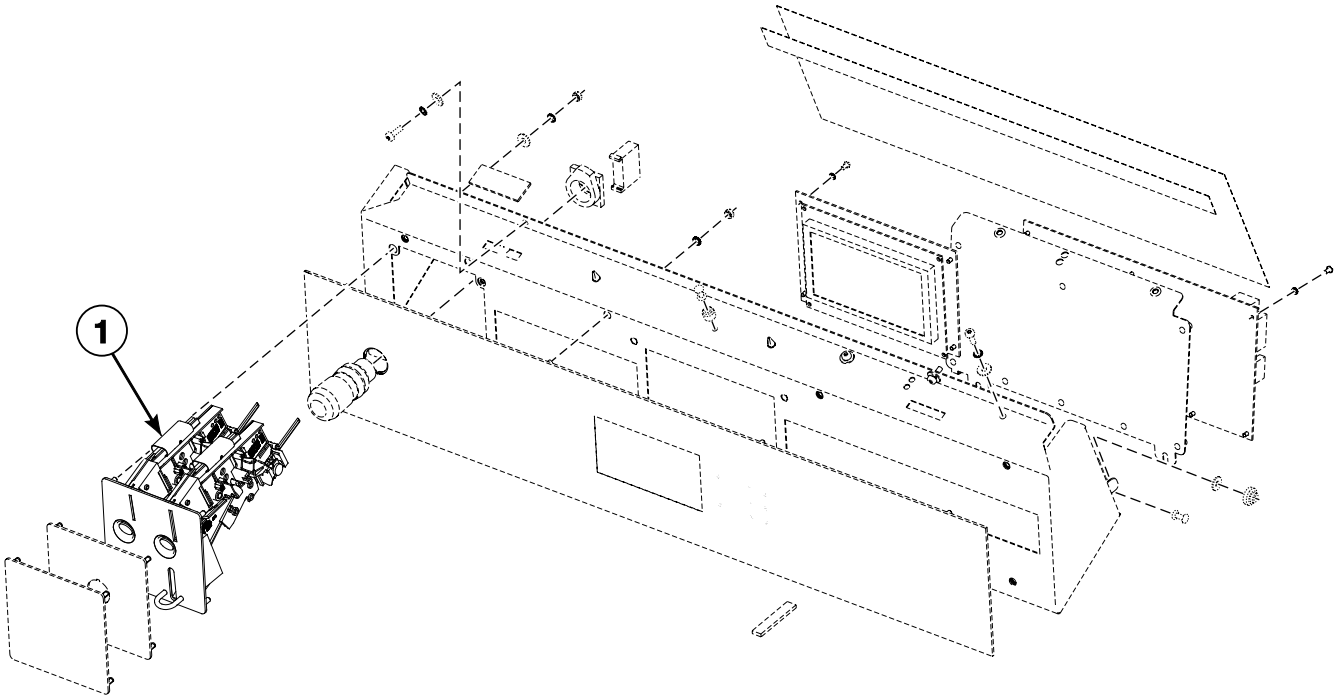
CFD2893P_D2354

Control Panel - AF Non-Brand, HY, NY, SY and UY Models

REF	PART NO.	DESCRIPTION	COMMENTS
	F8600501	Programming Cable	
1	SP557584	Keyboard	HY models; OPL
	SP547030	Keyboard	AF Non-Brand and NY models; OPL; Professional; Black
	SP547029	Keyboard	AF Non-Brand and NY models; OPL; Basic; Black
	SP547027	Keyboard	AF Non-Brand and NY models; Vended; Basic; Black
	SP547028	Keyboard	AF Non-Brand and NY models; CPS; Basic; Black
	SP557577	Keyboard	SY models; OPL
	SP557578	Keyboard	SY models; Vended
	SP557581	Keyboard	UY models; OPL
2	SP557585	Control Panel	
3	SP555504	Bolt	M4x12
4	SP311679800004	Washer	M4
5	SP311902100004	Washer	M4
6	SPMEC001410	Self-Adhesive Pad	
7	SP310934000004	Nut	M4
8	SP528311	Emergency Stop Connector	OPL
9	SP528312	Switching Unit	
10	SP510846	Tape	
11	SPPRI543000004	Cover	
12	SP309798500306	Bolt	M3x6
13	SP311679800003	Washer	M3
14	SP547779	Rivet	4x16.7
15	SP520408	Pin Insertion	
16	SP528313	Cable Holder	
17	SP553412	Control Board	MC7; HY, SY and UY models
	SP553411	Control Board	MC7; AF and NY models
18	SP553405	Control Board Power I/O	MC7; Power
	SP547005	Board Interconnection Cable	
19	SP557618	Programmer Holder	
20	SP550113	Leading Pin	
21	SP284000012003	Tape	
22	SP528310	Emergency Stop Knob	OPL
	SP520032	Emergency Stop Wiring	OPL
	SP520033	Emergency Stop Interconnection	AF Non-Brand, NY and SY models; Vended
23	SP558929	Coin Meter Cover Plate	SY models; Black
24	SP558930	CPS Cover Plate	SY models; Black

Control Panel - AF Non-Brand, NY and SY Vended Models (Drawing 1 of 3)

Except Models with V in 7th Position



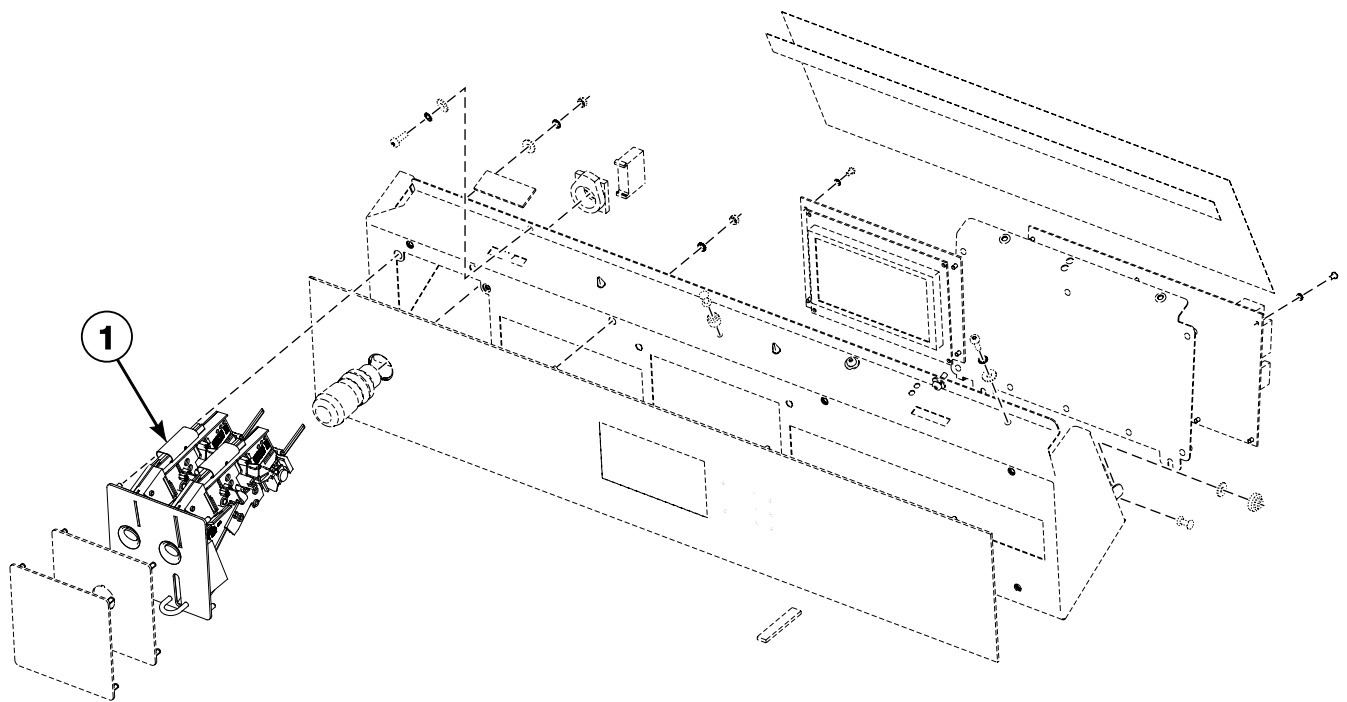
CFD2894P_D2354

Control Panel - AF Non-Brand, NY and SY Vended Models (Drawing 1 of 3)

REF	PART NO.	DESCRIPTION	COMMENTS
1	SP547601	Coin Meter	5K Primus jeton
	SP547602	Coin Meter	7K Primus jeton
	SP547603	Coin Meter	10K Primus jeton
	SP547604	Coin Meter	12K Primus jeton
	SP547605	Coin Meter	15K Primus jeton
	SP547606	Coin Meter	D jeton
	SP547648	Coin Meter	0.05EUR
	SP547638	Coin Meter	0.2EUR
	SP547616	Coin Meter	0.5EUR
	SP547614	Coin Meter	1EUR
	SP547647	Coin Meter	2EUR
	SP547622	Coin Meter	0.2EUR + 0.5EUR
	SP547639	Coin Meter	0.2EUR + 1EUR
	SP547617	Coin Meter	0.5EUR + 1EUR
	SP547656	Coin Meter	0.5EUR + 2EUR
	SP547631	Coin Meter	1EUR + 2EUR
	SP547652	Coin Meter	7K + D jeton
	SP547666	Coin Meter	7K jeton and 2EUR
	SP547665	Coin Meter	D jeton and 2EUR
	SP547600	Coin Meter	1AUD + 20C
	SP547607	Coin Meter	1POND + 20PC
	SP547608	Coin Meter	1POND + 50PC
	SP547609	Coin Meter	100YEN
	SP547610	Coin Meter	500JPY + 100JPY
	SP547611	Coin Meter	5DKK
	SP547612	Coin Meter	20DKK
	SP547613	Coin Meter	5ILS + 1ILS
	SP547615	Coin Meter	1MYR
	SP547618	Coin Meter	1DKK + 5DKK
	SP547619	Coin Meter	10NOK + 20NOK
	SP547620	Coin Meter	2DKK + 5DKK
	SP547621	Coin Meter	5NOK
	SP547623	Coin Meter	1NZD + 2NZD
	SP547624	Coin Meter	10 NOK
	SP547625	Coin Meter	10NT + 50NT
	SP547626	Coin Meter	2DKK
	SP547627	Coin Meter	Lucky Winner jeton
	SP547628	Coin Meter	10TWD
	SP547629	Coin Meter	10CZK + 20CZK
	SP547630	Coin Meter	7K Equipos Par Lavar jeton
	569921	Coin Meter	0.2GBP, 0.5GBP, 1GBP, 2GBP / 0.1EUR, 0.2EUR, 0.5EUR, 1EUR, 2EUR; Electronic EMPv7
	SP547634	Coin Meter	500WON
	SP547635	Coin Meter	0.25USD
	SP547636	Coin Meter	1AUD + 2AUD
	SP547637	Coin Meter	5DK + 10DK
	SP547640	Coin Meter	Sun Wash jeton

Control Panel - AF Non-Brand, NY and SY Vended Models (Drawing 2 of 3)

Except Models with V in 7th Position



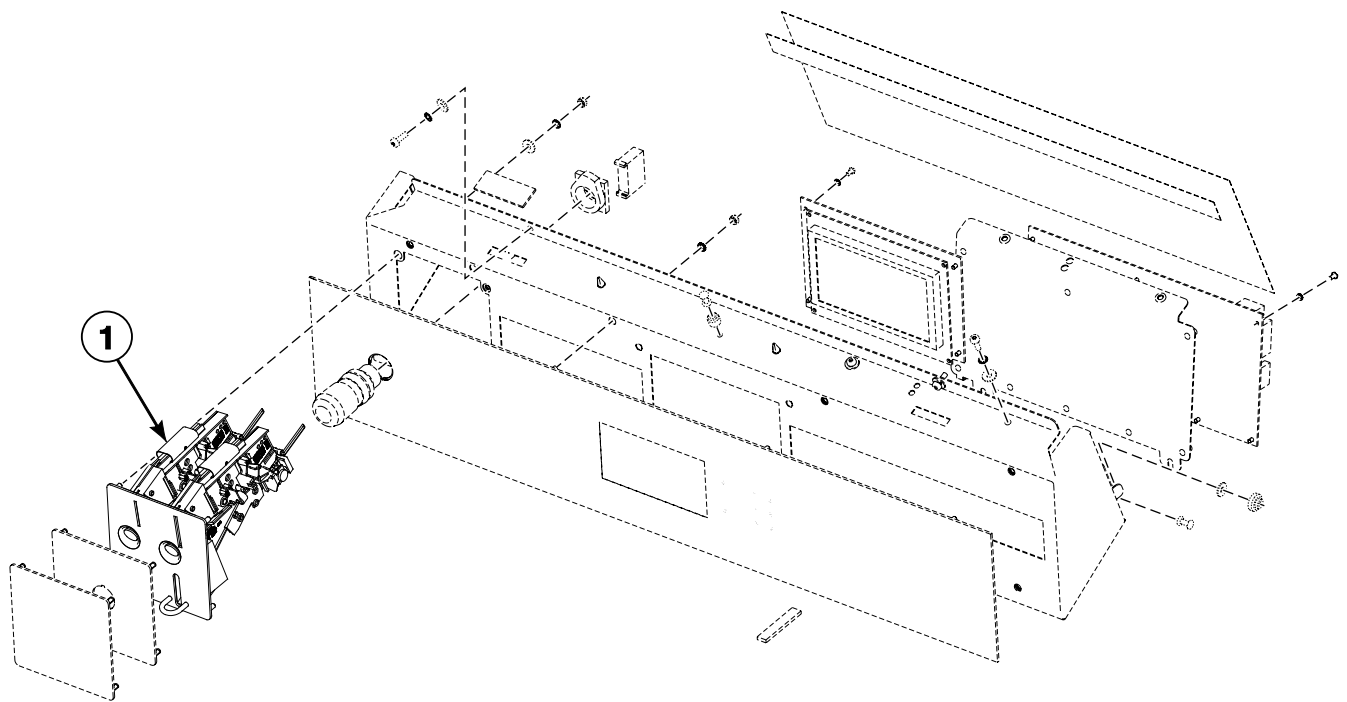
CFD2894P_D2354

Control Panel - AF Non-Brand, NY and SY Vended Models (Drawing 2 of 3)

REF	PART NO.	DESCRIPTION	COMMENTS
1	SP547641	Coin Meter	2DK + 10DK
	SP547642	Coin Meter	1AUD
	SP547643	Coin Meter	1CHF
	SP547644	Coin Meter	5NOK + 10NOK
	SP547645	Coin Meter	1 TopMos jeton + 1"LEV" jeton
	SP547646	Coin Meter	1 Vendo jeton
	SP547649	Coin Meter	1 jeton
	569951	Coin Meter	0.5MAD, 1MAD, 2MAD, 5MAD, 10MAD; Electronic EMPv7
	SP547651	Coin Meter	20 penny
	SP547653	Coin Meter	1 Wascator jeton, jeton diamater 22.2 mm
	SP547654	Coin Meter	1 Unibel jeton, jeton diamater 18.55 mm
	SP547657	Coin Meter	50HUF + 100HUF
	SP547658	Coin Meter	1 jeton without coining, jeton diamater 20 mm
	SP547659	Coin Meter	1 Volund jeton, jeton diamater 22.5 mm
	SP547660	Coin Meter	1 Wascator jeton, jeton diamater 19 mm
	SP547661	Coin Meter	1 Miele jeton
	SP547662	Coin Meter	1 jeton without coining, jeton diamater 26 mm
	SP547663	Coin Meter	Three-groove jeton; jeton diamater 27 mm
	SP547664	Coin Meter	Three-groove jeton; jeton diamater 25 mm
	SP537996	Coin Meter	Top-Mosr jeton
	SP547667	Coin Meter	Milano Italy jeton
	SP547668	Coin Meter	5PLN + 1PLN
	SP547669	Coin Meter	Two-grooves jeton; jeton diamater 27 mm
	SP547670	Coin Meter	A.S.A.R.D. jeton, jeton diamater 25.8 mm
	SP547671	Coin Meter	20CZK
	SP547672	Coin Meter	Jeton ASARD, jeton diamater 22.3 mm
	SP547673	Coin Meter	Jeton Laundromatic Belgium, jeton diamater 22.3 mm
	SP547674	Coin Meter	1SGD
	SP547675	Coin Meter	Jeton Asard Wascator, jeton diamater 19.9 mm
	SP555502	Coin Meter	Easy Games jeton
	SP555543	Coin Meter	Brev.C jeton
	SP555546	Coin Meter	50 Malaysian cent
	SP555549	Coin Meter	Flat Polis jeton
	SP555550	Coin Meter	Butzi Wash jeton
	SP555578	Coin Meter	1SGD, (new Singapore dollar)
	SP555558	Coin Meter	Copper without grooves jeton
	569939	Coin Meter	0.1SGD, 0.2SGD, 0.5SGD, 1SGD; Electronic EMPv7
	SP555666	Coin Meter	2x50 Malaysian cent
	569933	Coin Meter	0.1EUR, 0.2EUR, 0.5EUR, 1EUR, 2EUR, Electronic EMPv7
	SP555559	Coin Meter	Speedy Matic jeton
	SP555579	Coin Meter	Was-Salon Lavoir jeton
	569948	Coin Meter	5CZK, 10CZK, 20CZK, 50CZK; Electronic EMPv7
	SP560744	Coin Meter	Electronic for Dobi Ekspres jeton
	569964	Coin Meter	0.2GBP, 0.5GBP, 1GBP, 2GBP / 0.1EUR, 0.2EUR, 0.5EUR, 1EUR, 2EUR / jeton KWL Auga / jeton Gettone; Electronic EMPv7
	SP560089	Coin Meter	STD 118-1 jeton
	SP560082	Coin Meter	5k IPSO jeton

Control Panel - AF Non-Brand, NY and SY Vended Models (Drawing 3 of 3)

Except Models with V in 7th Position



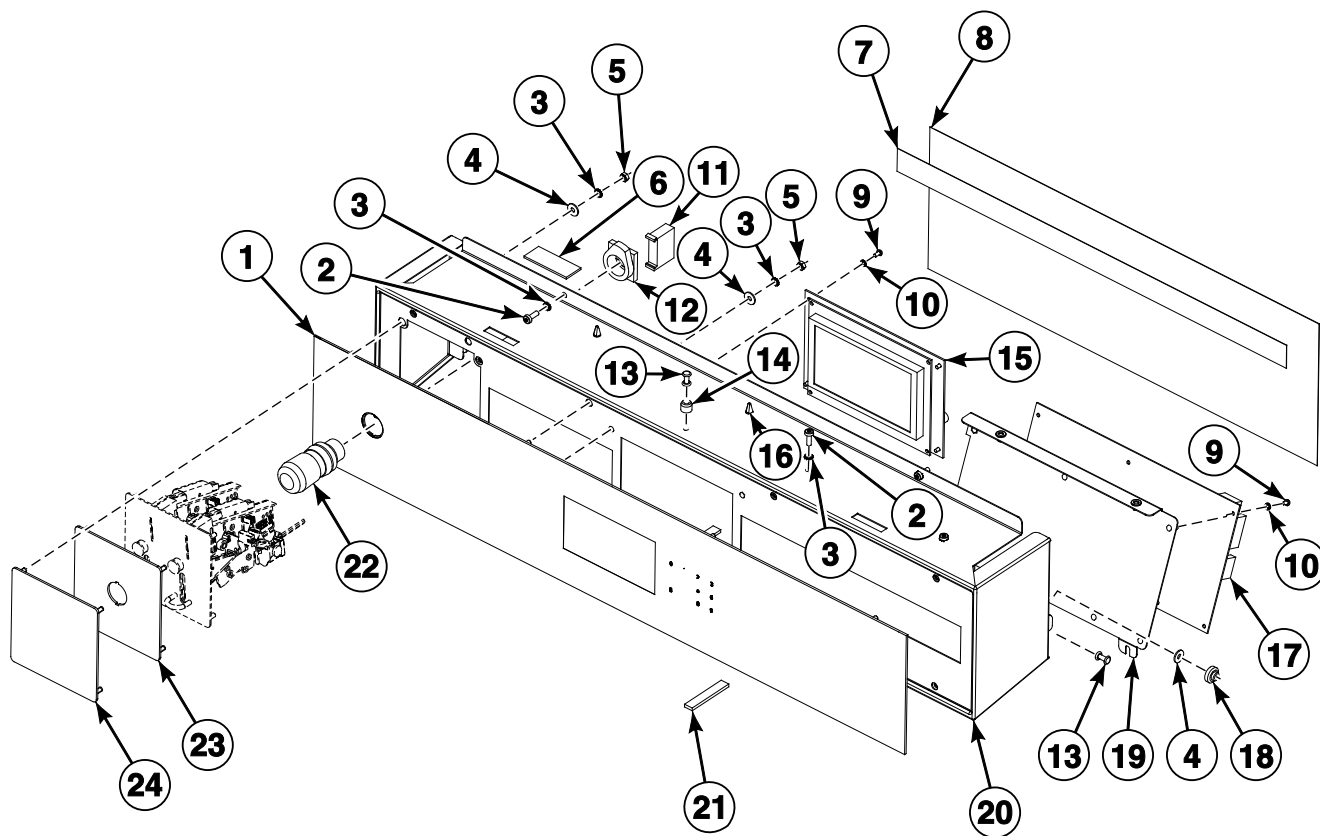
CFD2894P_D2354

Control Panel - AF Non-Brand, NY and SY Vended Models (Drawing 3 of 3)

REF	PART NO.	DESCRIPTION	COMMENTS
1	SP560083	Coin Meter	7k IPSO jeton
	SP560084	Coin Meter	10k IPSO jeton
	SP560085	Coin Meter	12k IPSO jeton
	SP560086	Coin Meter	15k IPSO jeton
	561378	Coin Meter	10 Moroccan Dirham
	569918	Coin Meter	0.25USD, 1USD / 0.25CAD, 1CAD, 2CAD; Electronic EMPv7
	560073	Coin Meter	0.25USD / 1USD
	569930	Coin Meter	1CNY / 0.1MYR, 0.2MYR, 0.5MYR; Electronic EMPv7
	569927	Coin Meter	0.2AUD, 1AUD, 2AUD / 1NZD, 2NZD / 5HKD, 10HKD / 500KRW; Electronic EMPv7
	561496	Coin Meter	Jeton Grupo Azkoyen CDS Automaten
	569936	Coin Meter	1PHP, 5PHP, 10PHP; Electronic EMPv7
	569942	Coin Meter	0.1MYR, 0.2MYR, 0.5MYR / 0.5SGD, 1SGD; Electronic EMPv7
	569945	Coin Meter	1HRK, 2HRK, 5HRK; Electronic EMPv7
	569924	Coin Meter	1DKK, 2DKK, 5DKK, 10DKK, 20DKK / 1NOK, 5NOK, 10NOK, 20NOK / 0.5EUR, 1EUR, 2EUR; Electronic EMPv7
	564484	Coin Meter	Jeton 118-5
	564486	Coin Meter	Jeton Barisart LDL
	569961	Coin Meter	0.1EUR, 0.2EUR, 0.5EUR, 1EUR, 2EUR / 5K IPSO jeton; Electronic EMPv7
	564489	Coin Meter	Jeton Sporrong
	569970	Coin Meter	0.5MYR / jeton DobiPapa 22.5x2; Electronic EMPv7
	553150	Coin Meter	Jeton with hole
	553151	Coin Meter	Jeton Deton Wash
	569967	Coin Meter	0.1EUR, 0.2EUR, 0.5EUR, 1EUR, 2EUR / jeton G-Fis Lavoir Bianca 20x1.8; Electronic EMPv7
	569973	Coin Meter	1AUD, 2AUD / jeton No Cash Value 28.6x1.58; Electronic EMPv7
	569979	Coin Meter	0.5MYR / jeton BUBBLELAB; Electronic EMPv7
	569954	Coin Meter	1PLN, 2PLN, 5PLN, / 0.1EUR, 0.2EUR, 0.5EUR, 1EUR, 2EUR / ISK10, ISK50, ISK100; Electronic EMPv7
	569987	Coin Meter	HAUCK 2018
	569901	Coin Meter	Brass jeton
	569912	Coin Meter	Jeton Wassalon Lavoir
	569998	Coin Meter	100+500 ISK
	572301	Coin Meter	Token 118-16
	572304	Coin Meter	1ILS, 2ILS, 5ILS, 10ILS; Electronic EMPv7
	572307	Coin Meter	1ZAR, 2ZAR, 5ZAR; Electronic EMPv7
	572310	Coin Meter	5RUB, 10RUB; Electronic EMPv7
	572313	Coin Meter	50CLP, 100CLP, 500CLP; Electronic EMPv7
	572317	Coin Meter	100JPY, 500JPY, 10TWD, 50TWD; Electronic EMPv7
	572320	Coin Meter	0.5GEL, 1GEL, 2GEL; Electronic EMPv7
	572323	Coin Meter	0.2 EUR, 0.5EUR, 1EUR, 2EUR, Jeton 7K; Electronic EMPv7
	579812	Coin Meter	20HUF, 50HUF, 100HUF, 200HUF; Electronic EMPv7
	572342	Coin Meter	Token WH121
	572339	Coin Meter	Getton Jeton (26mm diameter x 1.7mm)
	579808	Coin Meter	1EAD, 1TK, 2TK; Electronic EMPv7
	572358	Coin Meter	1THB, 2THB, 5THB, 10THB; 1TK, 2TK Jeton; Electronic EMPv7
	572391	Coin Meter	0.25CAD

Control Panel - IY and JY Models

Except Models with G, H, J or K in 13th Position



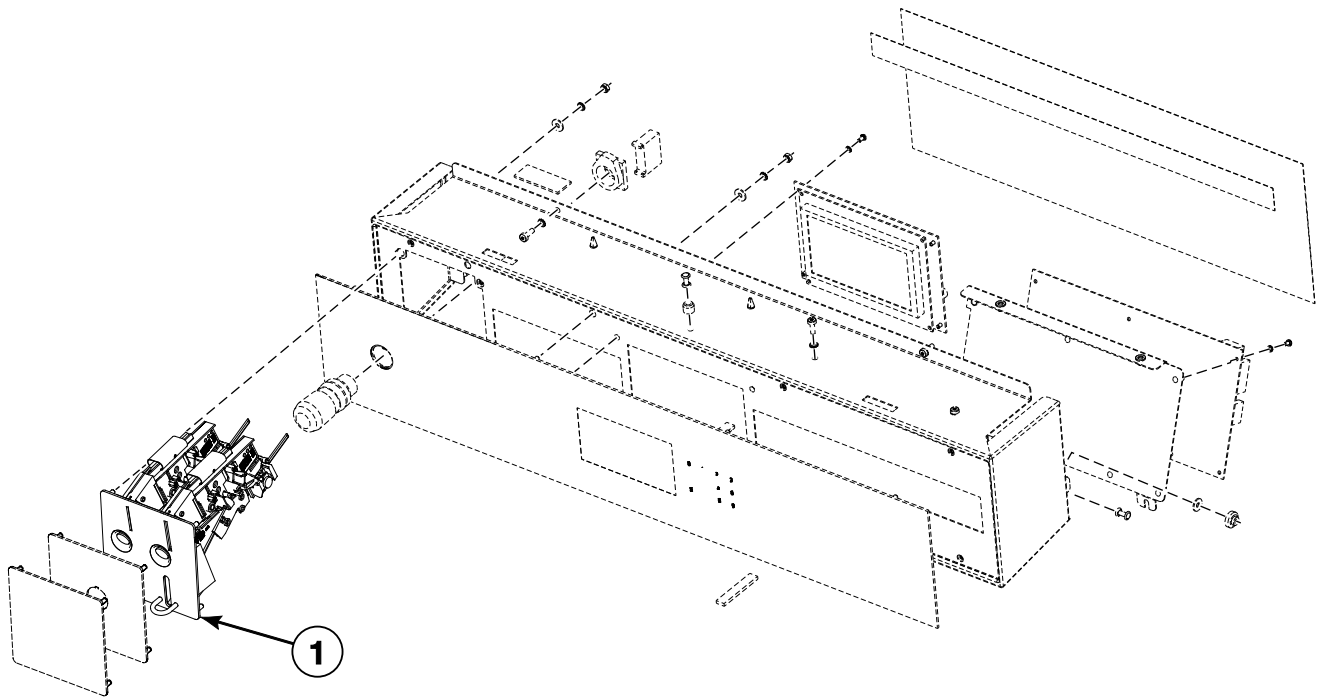
CFD2895P_D2354

Control Panel - IY and JY Models

REF	PART NO.	DESCRIPTION	COMMENTS
	SP557744	USB Connection	JY models
	567186	Label	IY models; SoftWash; CE
1	SP557571	Keyboard	IY models; Aries Elite; OPL
	SP557572	Keyboard	IY models; Aries; Vended
	SP560763	Keyboard	IY models; Without logo; With numeric keypad; OPL
	SP560764	Keyboard	IY models; Without logo; Without numeric keypad; Vended
	SP559377	Keyboard	J 65 models; OPL
	F8600501	Programming Cable	
2	SP555504	Bolt	M4x12
3	SP311679800004	Washer	M4
4	SP311902100004	Washer	M4
5	SP310934000004	Nut	M4
6	SPMEC001410	Self-Adhesive Pad	
7	SP510846	Tape	
8	SPPRI543000004	Cover	
9	SP309798500306	Bolt	M3x6
10	SP311679800003	Washer	M3
11	SP528312	Switching Unit	
12	SP528311	Emergency Stop Connector	
13	SP547779	Rivet	4x16.7
14	SP520408	Pin Insertion	
15	SP553419	Control Board	MC7; IY models
	SP553411	Control Board	MC7; JY models
16	SP528313	Cable Holder	
17	SP553405	Control Board Power I/O	MC7; Power
	SP547005	Board Interconnection Cable	
18	SP550113	Leading Pin	
19	SP558896	Programmer Holder	
20	SP558907	Control Panel	
21	SP284000012003	Tape	
22	SP528310	Emergency Stop Knob	OPL
	SP520032	Emergency Stop Wiring	OPL
	SP520033	Emergency Stop Interconnection	Vended
23	SP558929	Coin Meter Cover Plate	OPL
24	SP558930	CPS Cover Plate	Vended

Control Panel - IY and J Vended Models (Drawing 1 of 3)

Except Models with G, H, J or K in 13th Position



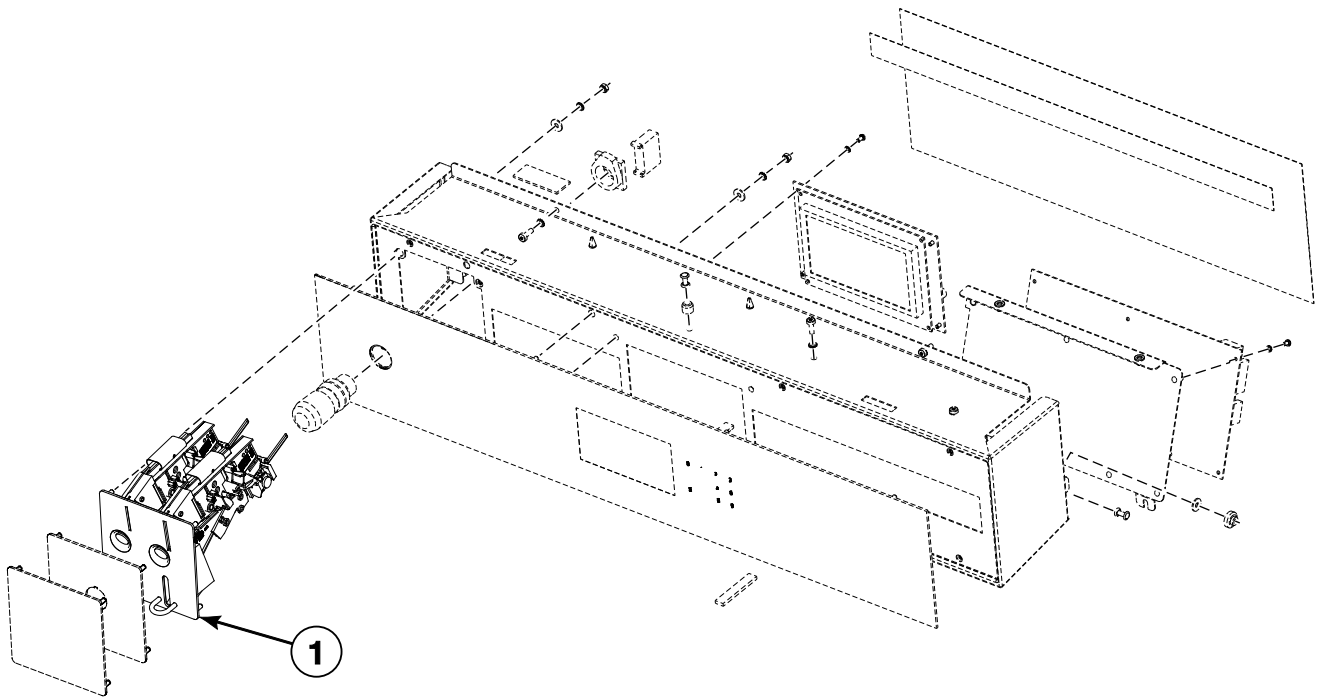
CZW51P_D2354

Control Panel - IY and J Vended Models (Drawing 1 of 3)

REF	PART NO.	DESCRIPTION	COMMENTS
1	569922	Coin Meter	0.2GBP, 0.5GBP, 1GBP, 2GBP / 0.1EUR, 0.2EUR, 0.5EUR, 1EUR, 2EUR; Electronic EMPv7
	SP558958	Coin Meter	0.25USD
	SP558959	Coin Meter	0.5EUR + 1EUR
	SP560310	Coin Meter	1EUR
	SP560311	Coin Meter	0.5EUR
	SP560312	Coin Meter	1EUR + 2EUR
	SP559933	Coin Meter	5K Primus jeton
	SP559934	Coin Meter	10K Primus jeton
	569965	Coin Meter	0.2GBP, 0.5GBP, 1GBP, 2GBP / 0.1EUR, 0.2EUR, 0.5EUR, 1EUR, 2EUR / jeton KWL Aqua / jeton Gettone; Electronic EMPv7
	SP559938	Coin Meter	STD 118-1 jeton
	SP560309	Coin Meter	7K Primus jeton
	SP560405	Coin Meter	12K Primus jeton
	SP560406	Coin Meter	15K Primus jeton
	SP560407	Coin Meter	2EUR
	SP560408	Coin Meter	0.2EUR + 0.5EUR
	SP560409	Coin Meter	0.2EUR
	SP560410	Coin Meter	1EUR + 0.2EUR
	SP560411	Coin Meter	2EUR + 0.5EUR
	SP560412	Coin Meter	1AUD + 0.2AUD
	SP560413	Coin Meter	1 pound + 20PC
	SP560414	Coin Meter	1 pound + 50PC
	SP560415	Coin Meter	100JPY
	SP560416	Coin Meter	500JPY + 100JPY
	SP560417	Coin Meter	1AUD + 2AUD
	SP560418	Coin Meter	1AUD
	SP560419	Coin Meter	20PC
	SP560420	Coin Meter	50 Malaysian cent
	SP560421	Coin Meter	1SGD (new Singaporean dollar)
	SP560422	Coin Meter	2MYR + 0.5MYR
	SP560423	Coin Meter	1SGD
	SP560424	Coin Meter	1NZD + 2NZD
	SP560425	Coin Meter	Easy games jeton
	SP560426	Coin Meter	Flat polis jeton
	SP560427	Coin Meter	Butzi wash jeton
	SP560428	Coin Meter	Speedy matic jeton
	SP560429	Coin Meter	Laundromatic Belgium jeton, (jeton diameter 22.3 mm)
	569940	Coin Meter	0.1SGD, 0.2SGD, 0.5SGD, 1SGD; Electronic EMPv7
	569934	Coin Meter	0.1EUR, 0.2EUR, 0.5EUR, 1EUR, 2EUR; Electronic EMPv7
	SP560432	Coin Meter	500WON
	SP560745	Coin Meter	Dobi ekspress jeton
	SP560751	Coin Meter	Lucky Winner jeton
	SP559969	Coin Meter	Gettone jeton
	SP559949	Coin Meter	10 Taiwan dollar
	SP560090	Coin Meter	5K Ipso jeton
	SP560091	Coin Meter	7K Ipso jeton

Control Panel - IY and J Vended Models (Drawing 2 of 3)

Except Models with G, H, J or K in 13th Position



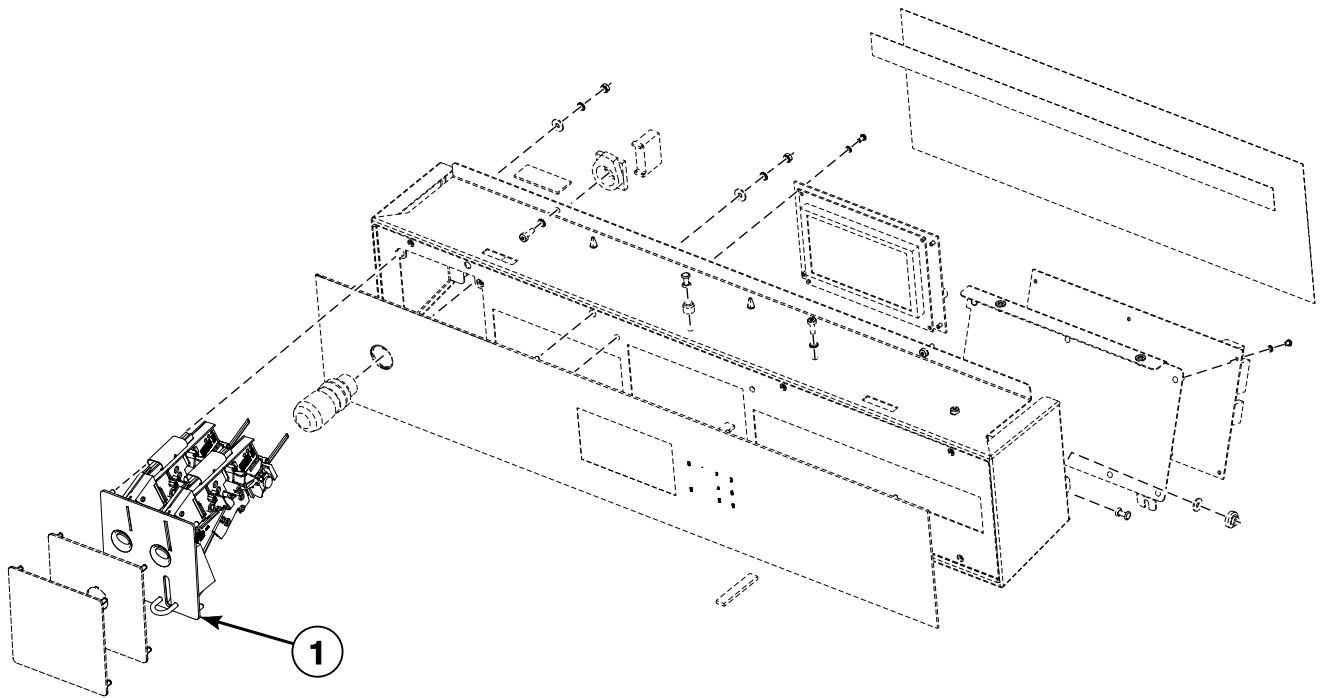
CZW51P_D2354

Control Panel - IY and J Vended Models (Drawing 2 of 3)

REF	PART NO.	DESCRIPTION	COMMENTS
1	SP560092	Coin Meter	10K Ipso jeton
	SP560093	Coin Meter	12K Ipso jeton
	SP560094	Coin Meter	15K Ipso jeton
	SP560100	Coin Meter	Electrolux Asard jeton
	SP560087	Coin Meter	Gettone jeton
	569925	Coin Meter	1DKK, 2DKK, 5DKK, 10DKK, 20DKK / 1NOK, 5NOK, 10NOK, 20NOK / 0.2EUR, 0.5EUR, 1EUR, 2EUR; Electronic EMPv7
	569928	Coin Meter	0.2AUD, 1AUD, 2AUD / 1NZD, 2NZD / 5HKD, 10HKD / 500KRW; Electronic EMPv7
	569931	Coin Meter	1CNY / 0.1MYR, 0.2MYR, 0.5MYR; Electronic EMPv7
	569937	Coin Meter	1PHP, 5PHP, 10PHP; Electronic EMPv7
	569943	Coin Meter	0.1MYR, 0.2MYR, 0.5MYR / 0.5SGD, 1SGD; Electronic EMPv7
	569946	Coin Meter	1HRK, 2HRK, 5HRK; Electronic EMPv7
	569949	Coin Meter	5CZK, 10CZK, 20CZK, 50CZK; Electronic EMPv7
	569952	Coin Meter	0.5MAD, 1MAD, 2MAD, 5MAD, 10MAD; Electronic EMPv7
	569962	Coin Meter	0.1EUR, 0.2EUR, 0.5EUR, 1EUR, 2EUR / 5K IPSO jeton; Electronic EMPv7
	569971	Coin Meter	0.5MYR / jeton DobiPapa 22.5x2; Electronic EMPv7
	569919	Coin Meter	0.25USD, 1USD / 0.25CAD, 1CAD, 2CAD; Electronic EMPv7
	569968	Coin Meter	0.1EUR, 0.2EUR, 0.5EUR, 1EUR, 2EUR / jeton G-Fis Lavoir Bianca 20x1.8; Electronic EMPv7
	569974	Coin Meter	1AUD, 2AUD / jeton No Cash Value 28.6x1.58; Electronic EMPv7
	569980	Coin Meter	0.5MYR / jeton BUBBLELAB; Electronic EMPv7
	569955	Coin Meter	1PLN, 2PLN, 5 PLN / 0.1EUR, 0.2EUR, 0.5EUR, 1EUR, 2EUR / ISK10, ISK50, ISK100; Electronic EMPv7
	SP560075	Coin Meter	5+1 Shekel
	SP560071	Coin Meter	1HKD
	561497	Coin Meter	Jeton Prinz Firbitex
	563405	Coin Meter	Token Ldl Chamberland Washing Machine
	564485	Coin Meter	Token 118-5
	564487	Coin Meter	Token Barisart (Ldl)
	553156	Coin Meter	Token Rotondi
	569905	Coin Meter	Brass Jeton
	569911	Coin Meter	0.5CHF, 2CHF
	569995	Coin Meter	Jeton D
	569993	Coin Meter	Jeton 08 MS
	569999	Coin Meter	10+50 TWD
	570000	Coin Meter	100+500 ISK
	572302	Coin Meter	Token 118-16
	572305	Coin Meter	1ILS, 2ILS, 5ILS, 10ILS; Electronic EMPv7
	572308	Coin Meter	1ZAR, 2ZAR, 5ZAR; Electronic EMPv7
	572311	Coin Meter	5RUB, 10RUB; Electronic EMPv7
	572314	Coin Meter	50CLP, 100CLP, 500CLP; Electronic EMPv7
	572318	Coin Meter	100JPY, 500JPY, 10TWD, 50TWD; Electronic EMPv7
	572321	Coin Meter	0.5GEL, 1GEL, 2GEL; Electronic EMPv7

Control Panel - IY and J Vended Models (Drawing 3 of 3)

Except Models with G, H, J or K in 13th Position



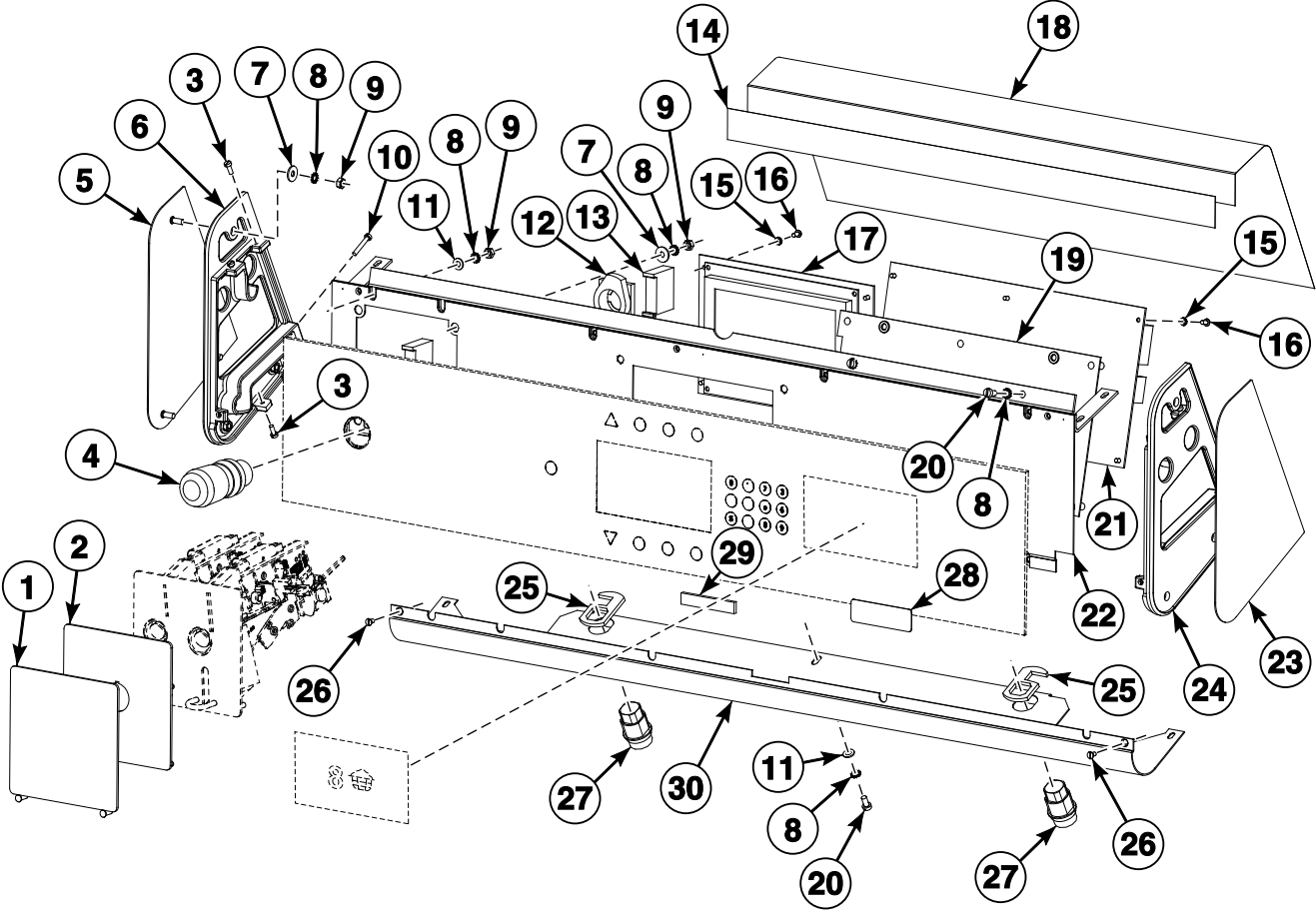
CZW51P_D2354

Control Panel - IY and J Vended Models (Drawing 3 of 3)

REF	PART NO.	DESCRIPTION	COMMENTS
1	572324	Coin Meter	0.2 EUR, 0.5EUR, 1EUR, 2EUR, Jeton 7K; Electronic EMPv7
	579813	Coin Meter	20HUF, 50HUF, 100HUF, 200HUF; Electronic EMPv7
	572384	Coin Meter	0.2CHF, 0,5CHF, 1CHF, 2CHF; Electronic EMPv7
	572343	Coin Meter	Token WH121
	569988	Coin Meter	Jeton HAUCK 2018
	572389	Coin Meter	0.25CAD
	575276	Coin Meter	0.25USD +1USD
	575277	Coin Meter	0.25CAD +1CAD
	572355	Coin Meter	Coin Meter; Token Nr. 1699360
	579809	Coin Meter	1EAD, 1TK, 2TK; Electronic EMPv7
	572359	Coin Meter	Coin Meter; 1THB, 2THB, 5THB, 10THB / TK1+2; Electronic EMPv7

Control Panel - AF, FX, HX, LP, LY, PY and SW Models (Drawing 1 of 2)

Except Models with V in 7th Position



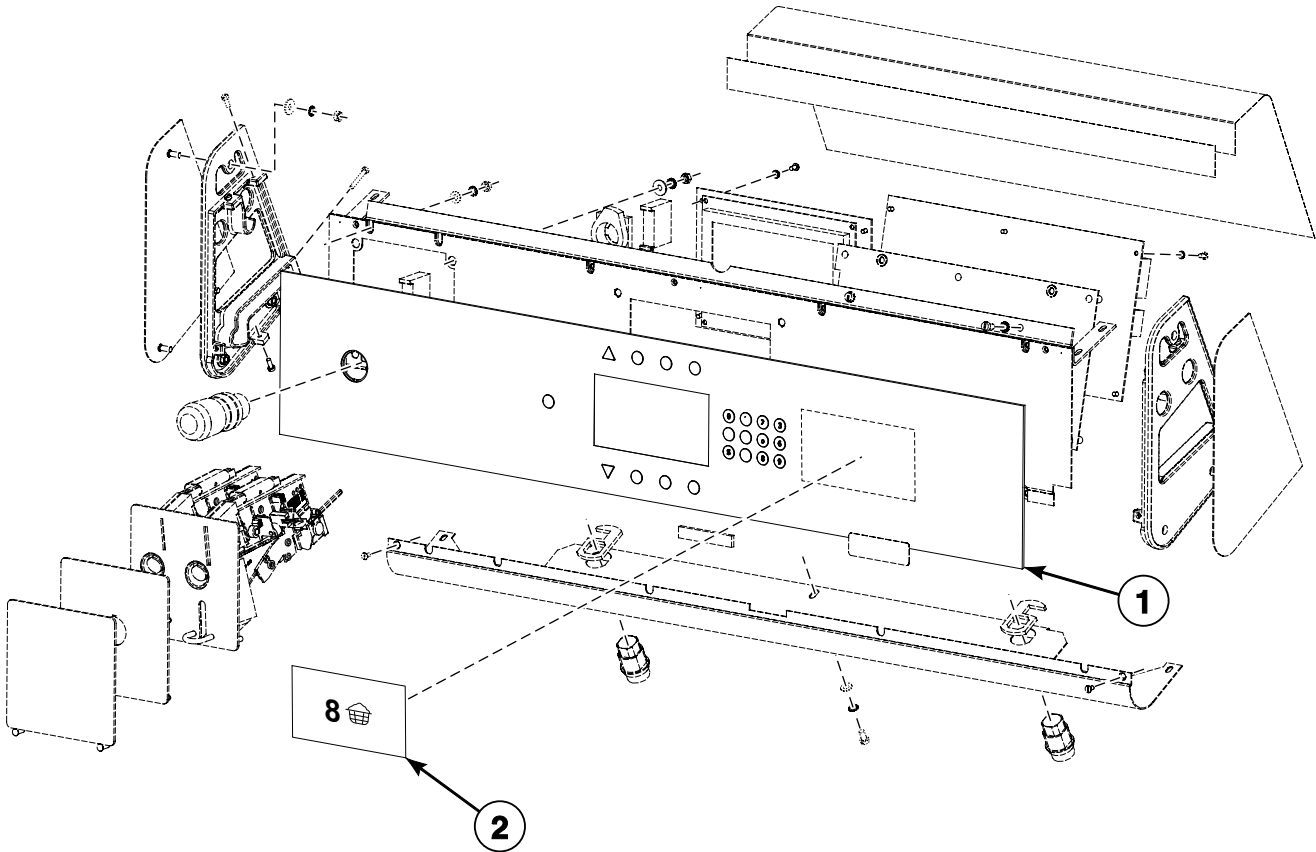
CFD3445P_D2354

Control Panel - AF, FX, HX, LP, LY, PY and SW Models (Drawing 1 of 2)

REF	PART NO.	DESCRIPTION	COMMENTS
	F8600501	Programming Cable	
1	SP550149	Cover Plate	PYN models; North America
2	SP547565	Coin Meter Cover	
3	577761	Bolt	3x8
4	SP528310	Emergency Stop Knob	OPL
	SP520032	Emergency Stop Wiring	OPL
	SP520033	Emergency Stop Interconnection	Vended
5	SP547507	Side Sheet Metal	Left
6	570391	Side Board	Left
7	SP311902100004	Washer	M4
8	SP311679800004	Washer	M4
9	SP310934000004	Nut	M4
10	577763	Bolt	3x20
11	SP311125000004	Washer	M4
12	SP528311	Emergency Stop Connector	
13	SP528312	Switching Unit	
14	SP510846	Tape	
15	SP311679800003	Washer	M3
16	SP309798500306	Bolt	M3x6
17	SP547001	Control Board	MC6 (green color); Models through Serial No. 280FX000319DF
	SP553411	Control Board	MC7 (blue color); Models starting Serial No. 280FX000336DF
18	SPPRI543000004	Cover	
19	SP550005	Programmer Holder	
20	SP555504	Bolt	M4x12
21	SP547002	Control Board Power	MC6
	SP553405	Control Board Power I/O	MC7; Power
	SP547005	Board Interconnection Cable	
	SP537995	Board Interconnection Cable	SW models
22	SP547571	Programmer Holder	
23	SP547506	Side Sheet Metal	Right
24	570392	Side Board	Right
25	SPPRI610002007	Hook Lock	Small; MC7; OPL
26	577762	Bolt	3x8
27	SP547527	Lock	
	SP550616	Key	Used with SP547527 Lock
28	SP556102	Logo Label	HX 280 models; "280"
29	SP284000012003	Tape	
30	SP547574	Lath	

Control Panel - AF, FX, HX, LP, LY, PY and SW Models (Drawing 2 of 2)

Except Models with V in 7th Position

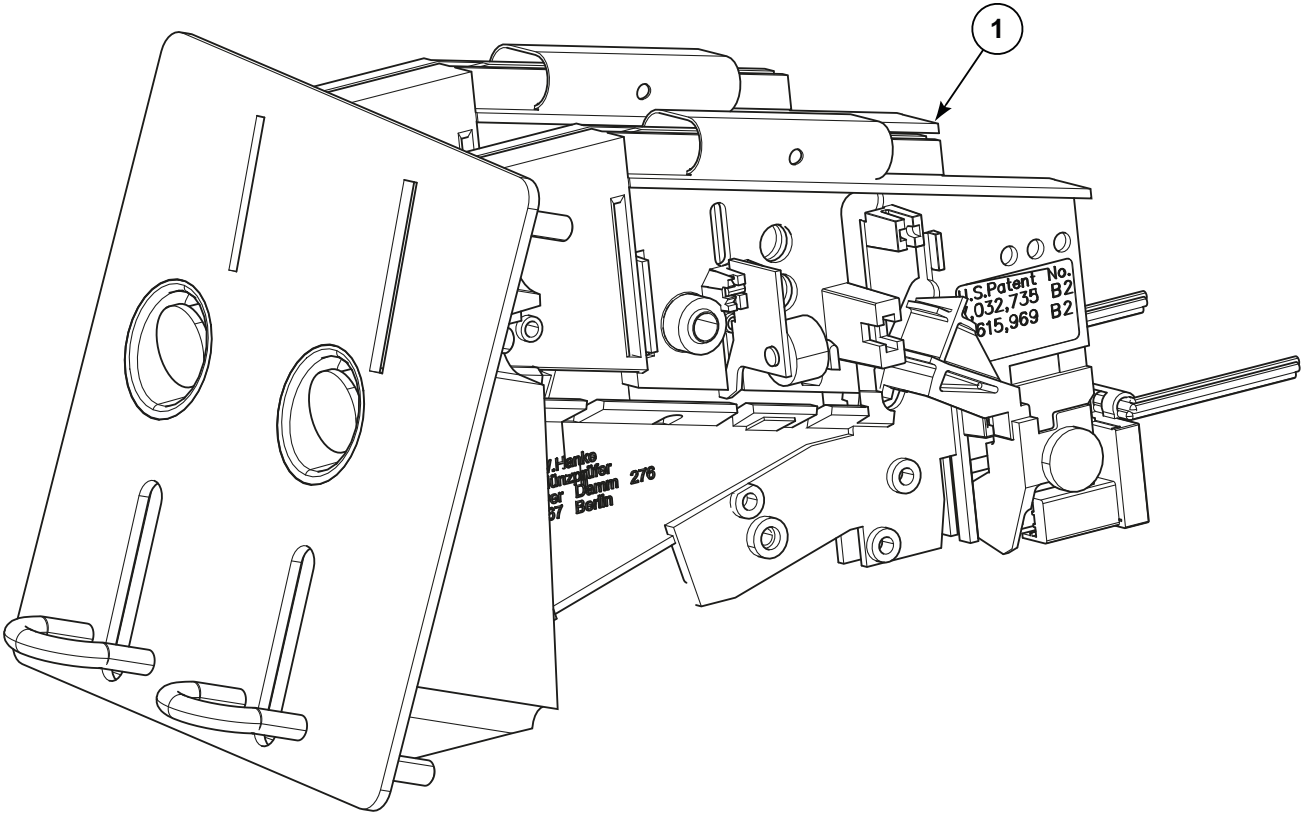


CFD3446P_D2354

Control Panel - AF, FX, HX, LP, LY, PY and SW Models (Drawing 2 of 2)

REF	PART NO.	DESCRIPTION	COMMENTS
	SP562738	Label	OPL; SoftWash; CE
1	SP560757	Keyboard	PYN models through 2/21/2019; X Control; Vended; North America
	SP547018	Keyboard	FX and PY models; X Control Plus; OPL; Gray-black; CE
	SP547017	Keyboard	FX and PY models; OPL; X Control; Gray-black; CE
	SP547015	Keyboard	FX and PY models; Vended; X Control; Gray-black; CE
	SP547016	Keyboard	FX and PY models; CPS; X Control; Gray-black; CE
	SP547030	Keyboard	AF, LP and LY models; OPL; X Control Plus; Black; CE
	SP547029	Keyboard	AF, LP and LY models; OPL; X Control; Black; CE
	SP547027	Keyboard	AF, LP and LY models; Vended; X Control; Black; CE
	SP547028	Keyboard	AF, LP and LY models; CPS; X Control; Black; CE
	SP547042	Keyboard	FX and PY models; PYN models starting 2/22/2019; OPL; X Control Plus; Gray; CE
	SP547041	Keyboard	FX and PY models; OPL; X Control; Gray; CE
	SP547039	Keyboard	FX and PY models; Vended; X Control; Gray; CE
	SP547040	Keyboard	FX and PY models; CPS; X Control; Gray; CE
	SP552912	Keyboard	HX models; X Control; CE
	SP556256	Keyboard	SW models; CE
	2	SP563293	Label
SP547050		Label	PYN models starting 2/22/2019

Coin Meter - AF, FX, LP, LY and PY Models (Drawing 1 of 4)

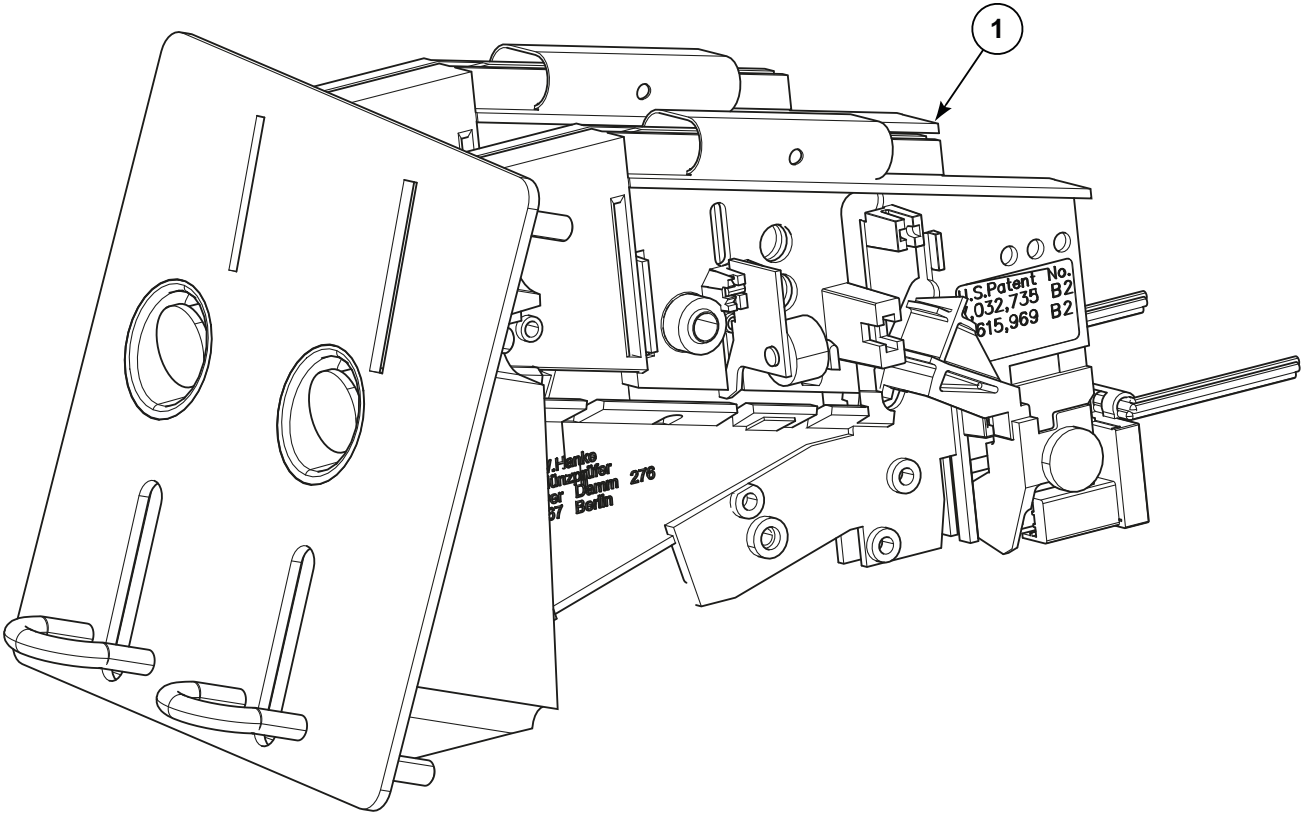


CZT185P_D2354

Coin Meter - AF, FX, LP, LY and PY Models (Drawing 1 of 4)

REF	PART NO.	DESCRIPTION	COMMENTS
1	SP547601	Coin Meter	5K Primus jeton
	SP547602	Coin Meter	7K Primus jeton
	SP547603	Coin Meter	10K Primus jeton
	SP547604	Coin Meter	12K Primus jeton
	SP547605	Coin Meter	15K Primus jeton
	SP547606	Coin Meter	D jeton
	SP547648	Coin Meter	0.05EUR
	SP547638	Coin Meter	0.2EUR
	SP547616	Coin Meter	0.5EUR
	SP547614	Coin Meter	1EUR
	SP547647	Coin Meter	2EUR
	SP547622	Coin Meter	0.2EUR + 0.5EUR
	SP547639	Coin Meter	0.2EUR + 1EUR
	SP547617	Coin Meter	0.5EUR + 1EUR
	SP547656	Coin Meter	0.5EUR + 2EUR
	SP547631	Coin Meter	1EUR + 2EUR
	SP547652	Coin Meter	7K + D jeton
	SP547666	Coin Meter	7K jeton and 2EUR
	SP547665	Coin Meter	D jeton and 2EUR
	SP547600	Coin Meter	1AUD + 20C
	SP547607	Coin Meter	1POND + 20PC
	SP547608	Coin Meter	1POND + 50PC
	SP547609	Coin Meter	100YEN
	SP547610	Coin Meter	500JPY + 100JPY
	SP547611	Coin Meter	5DKK
	SP547612	Coin Meter	20DKK
	SP547613	Coin Meter	5ILS + 1ILS
	SP547615	Coin Meter	1MYR
	SP547618	Coin Meter	1DKK + 5DKK
	SP547619	Coin Meter	10NOK + 20NOK
	SP547620	Coin Meter	2DKK + 5DKK
	SP547621	Coin Meter	5NOK
	SP547623	Coin Meter	1NZD + 2NZD
	SP547624	Coin Meter	10 NOK
	SP547625	Coin Meter	10NT + 50NT
	SP547626	Coin Meter	2DKK
	SP547627	Coin Meter	Lucky Winner jeton
	SP547628	Coin Meter	10TWD
	SP547629	Coin Meter	10CZK + 20CZK
	SP547630	Coin Meter	7K Equipos Par Lavar jeton
	569921	Coin Meter	0.2GBP, 0.5GBP, 1GBP, 2GBP / 0.1EUR, 0.2EUR, 0.5EUR, 1EUR, 2EUR; Electronic EMPv7
	SP547634	Coin Meter	500WON
	SP547635	Coin Meter	0.25USD
	SP547636	Coin Meter	1AUD + 2AUD
	SP547637	Coin Meter	5DK + 10DK
	SP547640	Coin Meter	Sun Wash jeton

Coin Meter - AF, FX, LP, LY and PY Models (Drawing 2 of 4)

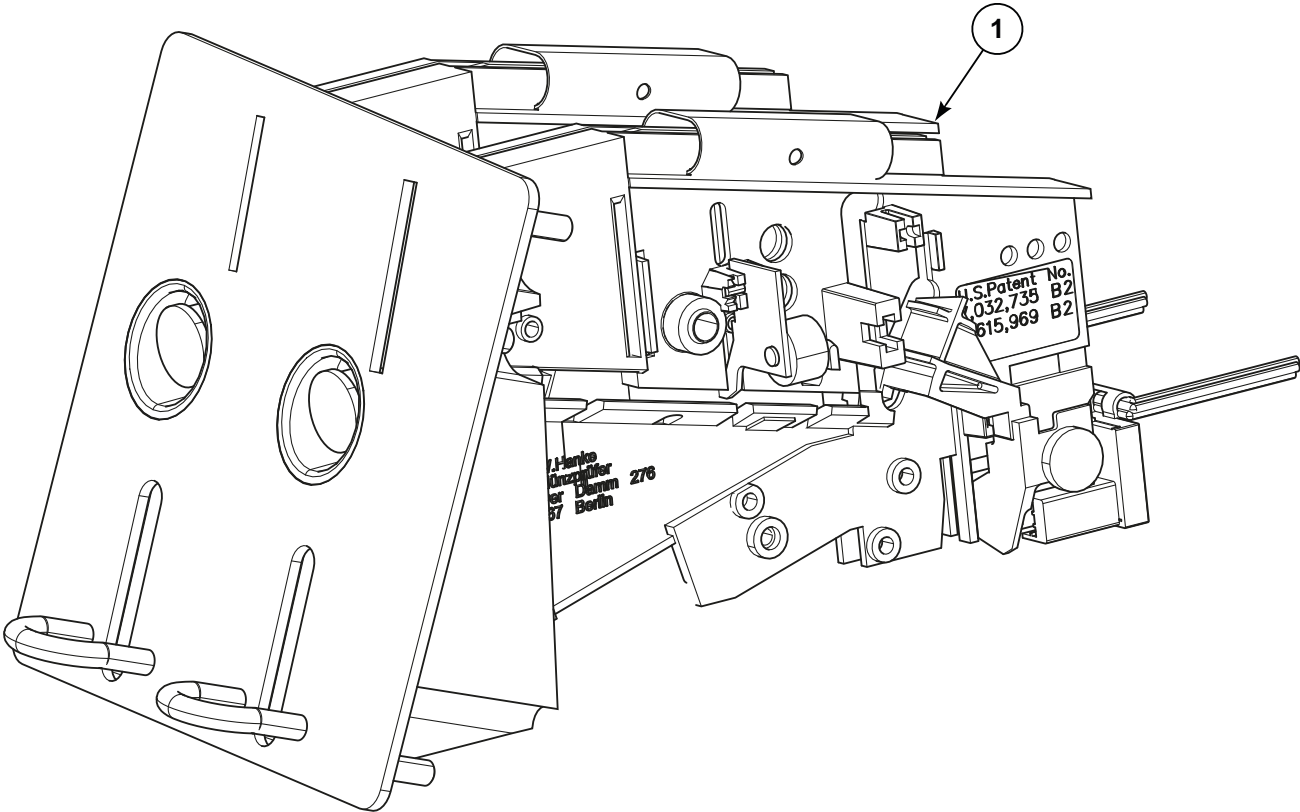


CZT185P_D2354

Coin Meter - AF, FX, LP, LY and PY Models (Drawing 2 of 4)

REF	PART NO.	DESCRIPTION	COMMENTS
1	SP547641	Coin Meter	2DK + 10DK
	SP547642	Coin Meter	1AUD
	SP547643	Coin Meter	1CHF
	SP547644	Coin Meter	5NOK + 10NOK
	SP547645	Coin Meter	1 TopMos jeton + 1"LEV" jeton
	SP547646	Coin Meter	1 Vendo jeton
	SP547649	Coin Meter	1 jeton
	569951	Coin Meter	0.5MAD, 1MAD, 2MAD, 5MAD, 10MAD; Electronic EMPv7
	SP547651	Coin Meter	20 penny
	SP547653	Coin Meter	1 Wascator jeton, jeton diamater 22.2 mm
	SP547654	Coin Meter	1 Unibel jeton, jeton diamater 18.55 mm
	SP547657	Coin Meter	50HUF + 100HUF
	SP547658	Coin Meter	1 jeton without coining, jeton diamater 20 mm
	SP547659	Coin Meter	1 Volund jeton, jeton diamater 22.5 mm
	SP547660	Coin Meter	1 Wascator jeton, jeton diamater 19 mm
	SP547661	Coin Meter	1 Miele jeton
	SP547662	Coin Meter	1 jeton without coining, jeton diamater 26 mm
	SP547663	Coin Meter	Three-groove jeton, jeton diamater 27 mm
	SP547664	Coin Meter	Three-groove jeton, jeton diamater 25 mm
	SP537996	Coin Meter	Top-Mosr jeton
	SP547667	Coin Meter	Milano Italy jeton
	SP547668	Coin Meter	5PLN + 1PLN
	SP547669	Coin Meter	Two-grooves jeton, jeton diamater 27 mm
	SP547670	Coin Meter	A.S.A.R.D. jeton, jeton diamater 25.8 mm
	SP547671	Coin Meter	20CZK
	SP547672	Coin Meter	Jeton ASARD, jeton diamater 22.3 mm
	SP547673	Coin Meter	Jeton Laundromatic Belgium, jeton diamater 22.3 mm
	SP547674	Coin Meter	1SGD
	SP547675	Coin Meter	Jeton Asard Wascator, jeton diamater 19.9 mm
	SP555502	Coin Meter	Easy Games jeton
	SP555543	Coin Meter	Brev.C jeton
	SP555546	Coin Meter	50 Malaysian cent
	SP555549	Coin Meter	Flat Polis jeton
	SP555550	Coin Meter	Butzi Wash jeton
	SP555578	Coin Meter	1SGD, (new Singapore dollar)
	SP555558	Coin Meter	Copper without grooves jeton
	569939	Coin Meter	0.1SGD, 0.2SGD, 0.5SGD, 1SGD; Electronic EMPv7
	SP555666	Coin Meter	2x50 Malaysian cent
	569933	Coin Meter	0.1EUR, 0.2EUR, 0.5EUR, 1EUR, 2EUR, Electronic EMPv7
	SP555559	Coin Meter	Speedy Matic jeton
	SP555579	Coin Meter	Was-Salon Lavoir jeton
	569948	Coin Meter	5CZK, 10CZK, 20CZK, 50CZK; Electronic EMPv7
	SP560744	Coin Meter	Electronic for Dobi Ekspres jeton
	569964	Coin Meter	0.2GBP, 0.5GBP, 1GBP, 2GBP / 0.1EUR, 0.2EUR, 0.5EUR, 1EUR, 2EUR / jeton KWL Auga / jeton Gettone; Electronic EMPv7
	SP560089	Coin Meter	STD 118-1 jeton
	SP560082	Coin Meter	5k IPSO jeton

Coin Meter - AF, FX, LP, LY and PY Models (Drawing 3 of 4)

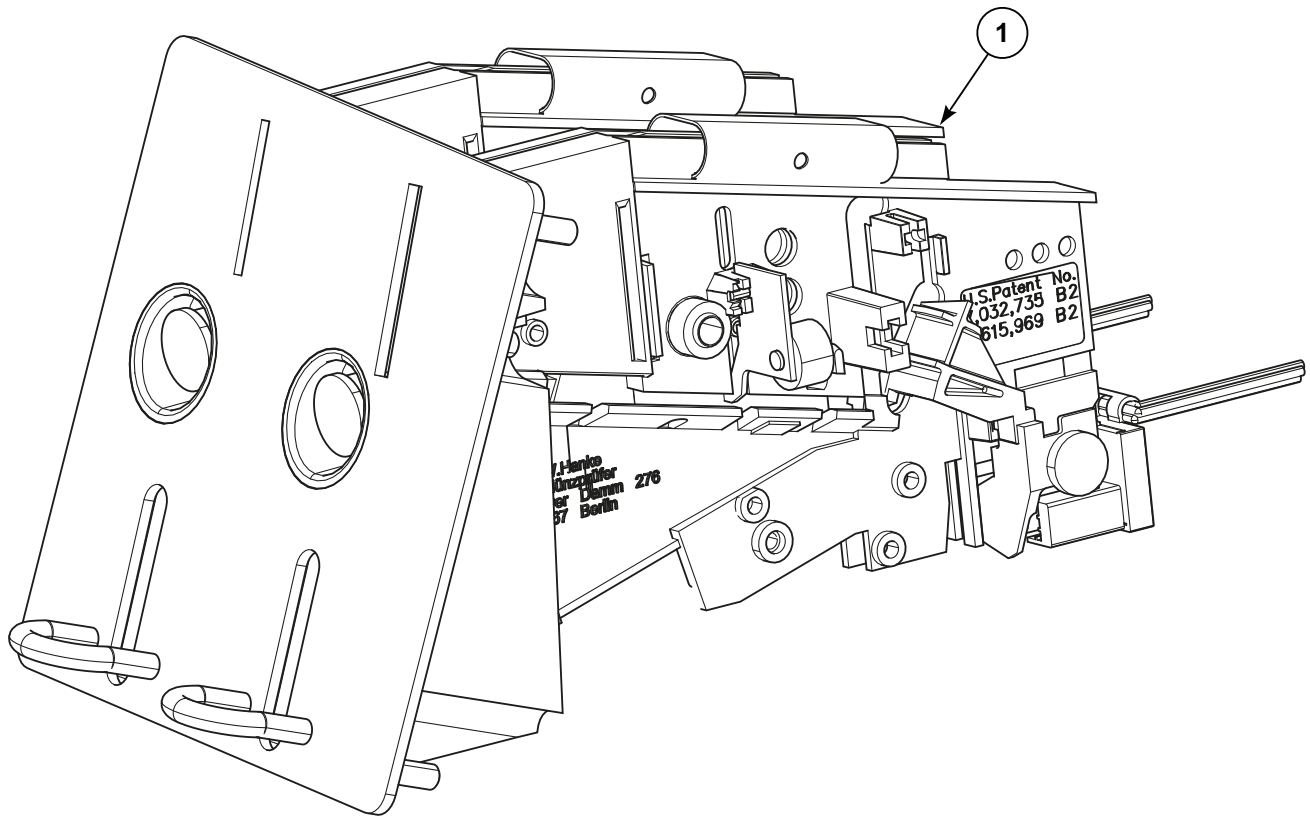


CZT185P_D2354

Coin Meter - AF, FX, LP, LY and PY Models (Drawing 3 of 4)

REF	PART NO.	DESCRIPTION	COMMENTS
1	SP560083	Coin Meter	7k IPSO jeton
	SP560084	Coin Meter	10k IPSO jeton
	SP560085	Coin Meter	12k IPSO jeton
	SP560086	Coin Meter	15k IPSO jeton
	561378	Coin Meter	10 Moroccan Dirham
	569918	Coin Meter	0.25USD, 1USD / 0.25CAD, 1CAD, 2CAD; Electronic EMPv7
	560073	Coin Meter	0.25USD / 1USD
	569930	Coin Meter	1CNY / 0.1MYR, 0.2MYR, 0.5MYR; Electronic EMPv7
	569927	Coin Meter	0.2AUD, 1AUD, 2AUD / 1NZD, 2NZD / 5HKD, 10HKD / 500KRW; Electronic EMPv7
	561496	Coin Meter	Jeton Grupo Azkoyen CDS Automaten
	569936	Coin Meter	1PHP, 5PHP, 10PHP; Electronic EMPv7
	569942	Coin Meter	0.1MYR, 0.2MYR, 0.5MYR / 0.5SGD, 1SGD; Electronic EMPv7
	569945	Coin Meter	1HRK, 2HRK, 5HRK; Electronic EMPv7
	569924	Coin Meter	1DKK, 2DKK, 5DKK, 10DKK, 20DKK / 1NOK, 5NOK, 10NOK, 20NOK / 0.5EUR, 1EUR, 2EUR; Electronic EMPv7
	564484	Coin Meter	Jeton 118-5
	564486	Coin Meter	Jeton Barisart LDL
	569961	Coin Meter	0.1EUR, 0.2EUR, 0.5EUR, 1EUR, 2EUR / 5K IPSO jeton; Electronic EMPv7
	564489	Coin Meter	Jeton Sporrong
	569970	Coin Meter	0.5MYR / jeton DobiPapa 22.5x2; Electronic EMPv7
	553150	Coin Meter	Jeton with hole
	553151	Coin Meter	Jeton Deton Wash
	569967	Coin Meter	0.1EUR, 0.2EUR, 0.5EUR, 1EUR, 2EUR / jeton G-Fis Lavoir Bianca 20x1.8; Electronic EMPv7
	569973	Coin Meter	1AUD, 2AUD / jeton No Cash Value 28.6x1.58; Electronic EMPv7
	569979	Coin Meter	0.5MYR / jeton BUBBLELAB; Electronic EMPv7
	569954	Coin Meter	1PLN, 2PLN, 5PLN / 0.1EUR, 0.2EUR, 0.5EUR, 1EUR, 2EUR / ISK10, ISK50, ISK100; Electronic EMPv7
	569901	Coin Meter	Brass jeton
	569912	Coin Meter	Jeton Wassalon lavoir
	569987	Coin Meter	HAUCK 2018
	572342	Coin Meter	Token WH121
	579808	Coin Meter	1EAD, 1TK, 2TK; Electronic EMPv7
	572358	Coin Meter	1THB, 2THB, 5THB, 10THB; 1TK, 2TK Jeton; Electronic EMPv7
	572383	Coin Meter	0.2CHF, 0.5CHF, 1CHF, 2CHF; 1TK, 2TK Jeton; Electronic EMPv7
	572391	Coin Meter	0.25CAD
	569998	Coin Meter	100+500 ISK
	572301	Coin Meter	Token 118-16
	572304	Coin Meter	1ILS, 2ILS, 5ILS, 10ILS; Electronic EMPv7
	572307	Coin Meter	1ZAR, 2ZAR, 5ZAR; Electronic EMPv7
	572310	Coin Meter	5RUB, 10RUB; Electronic EMPv7
	572313	Coin Meter	50CLP, 100CLP, 500CLP; Electronic EMPv7
	572317	Coin Meter	100JPY, 500JPY, 10TWD, 50TWD; Electronic EMPv7

Coin Meter - AF, FX, LP, LY and PY Models (Drawing 4 of 4)



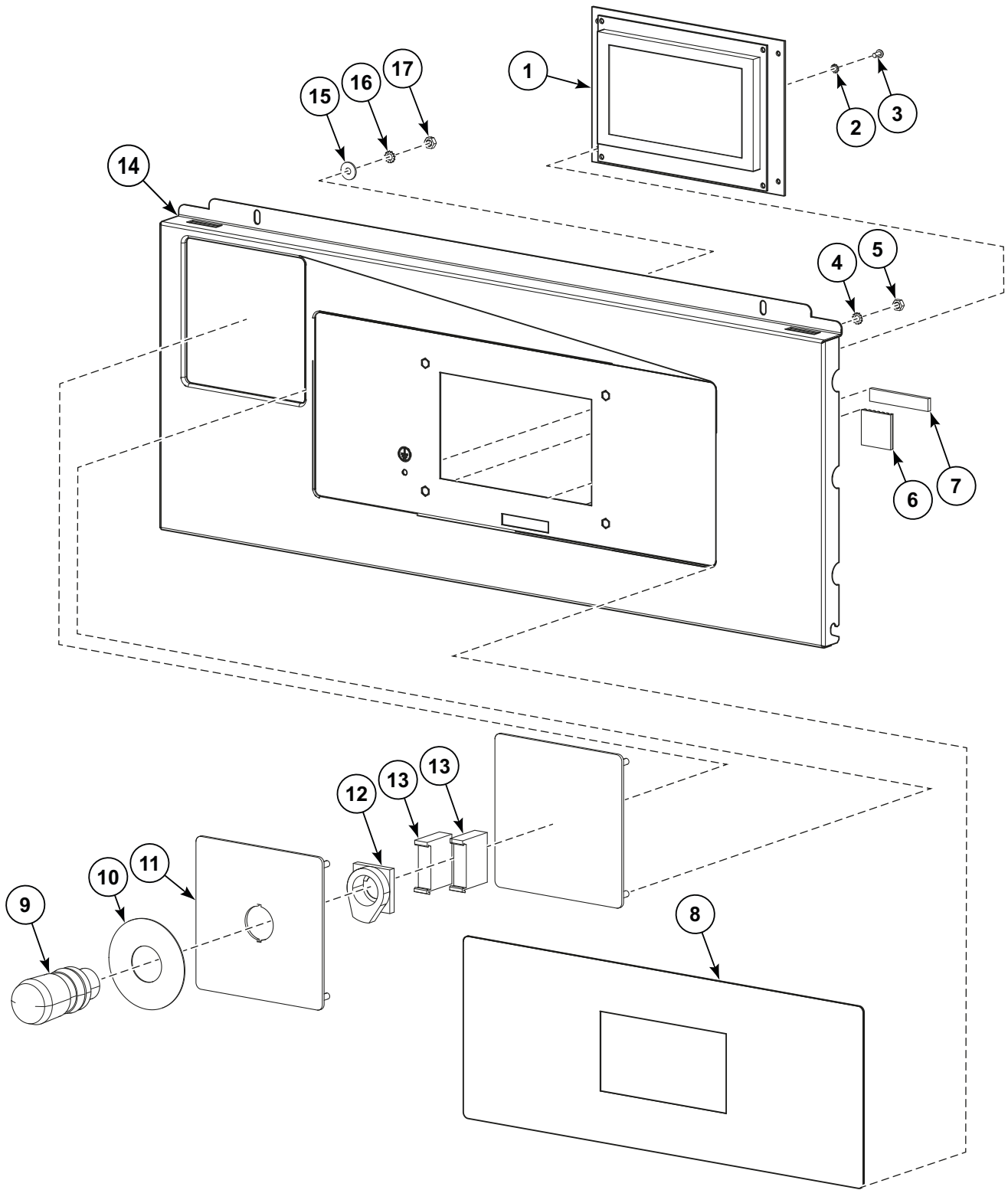
CZT185P_D2354

Coin Meter - AF, FX, LP, LY and PY Models (Drawing 4 of 4)

REF	PART NO.	DESCRIPTION	COMMENTS
1	572320	Coin Meter	0.5GEL, 1GEL, 2GEL; Electronic EMPv7
	572323	Coin Meter	0.2 EUR, 0.5EUR, 1EUR, 2EUR, Jeton 7K; Electronic EMPv7
	579812	Coin Meter	20HUF, 50HUF, 100HUF, 200HUF; Electronic EMPv7
	572339	Coin Meter	Getton Jeton (26mm diameter x 1.7mm)

Control Panel OPL - AF, IY and NY Models

Models with G, H, J or K in 13th Position except Models with V in 7th Position



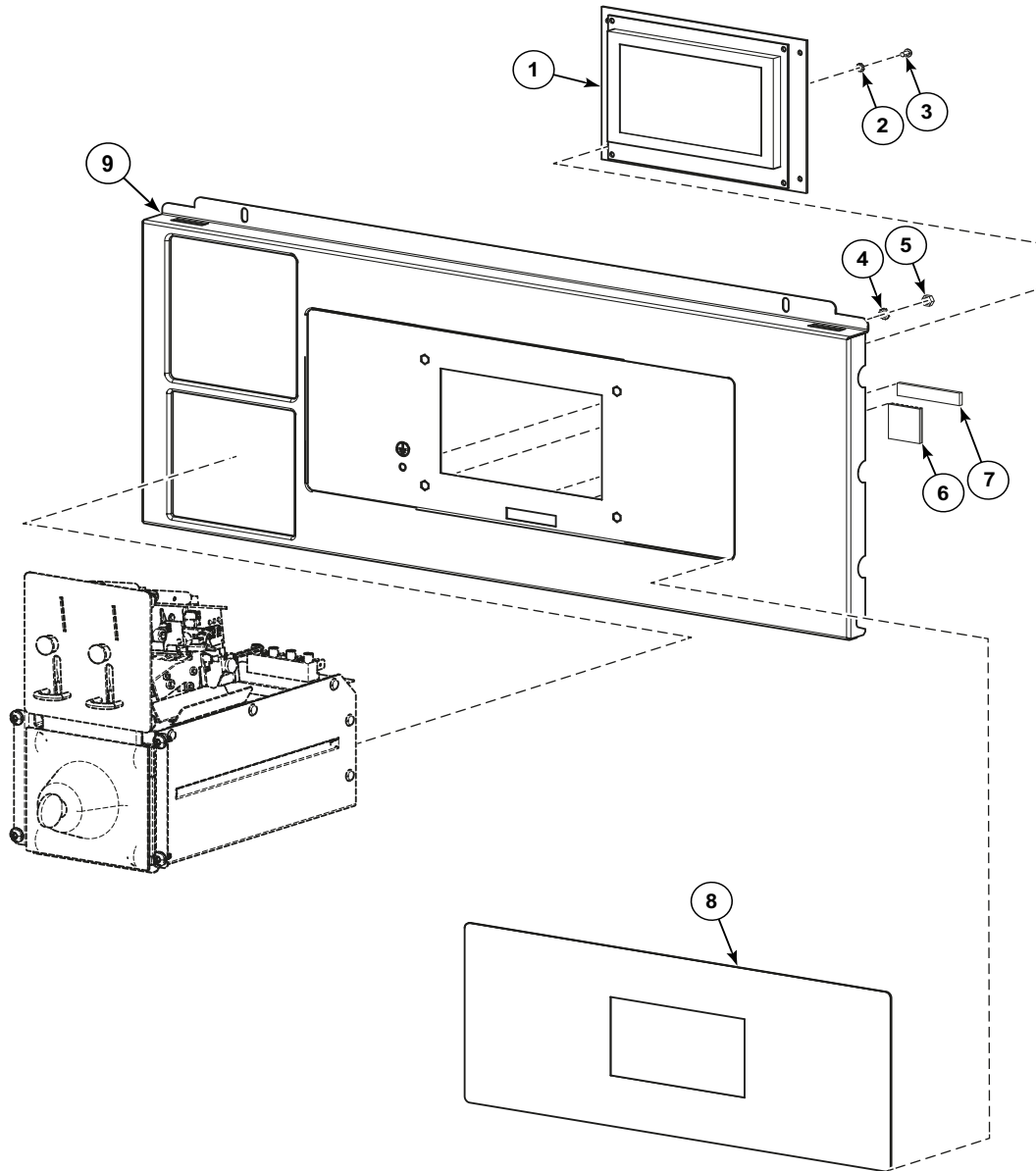
CZW284P_D2354

Control Panel OPL - AF, IY and NY Models

REF	PART NO.	DESCRIPTION	COMMENTS
1	SP553419	Control Board	IY models; MC7
	553411	Control Board	AF and NY Models; MC7
2	SP311679800003	Washer	M3
3	SP309798500306	Bolt	M3x6
4	SP311679800004	Washer	M4
5	SP310934000004	Nut	M4
6	SP550115	Fastener	
7	SP284000012003	Tape	
8	SP557565	Keyboard	IY models; Aries Elite
	SP557566	Keyboard	IY models; Aries
	SP560748	Keyboard	Without logo; With numeric keypad
	SP560747	Keyboard	Without logo; Without numeric keypad
	547087	Keyboard	AF and NY Models; Professional; Black
	547088	Keyboard	AF and NY Models; Basic; Black
9	SP528310	Emergency Stop Knob	Used with SP520032 Emergency Stop Wiring
10	SPPRI551005248	Emergency Stop Label	
11	567924	Coin Meter Cover	
12	SP528311	Emergency Stop Connector	
13	SP528312	Switching Unit	
14	573077	Control Panel	MC7; OPL; Card
15	SP311902100004	Washer	M4
16	SP311679800004	Washer	M4
17	SP310934000004	Nut	M4

Control Panel Vended - AF, IY and NY Models

Models with G, H, J or K in 13th Position except Models with V in 7th Position



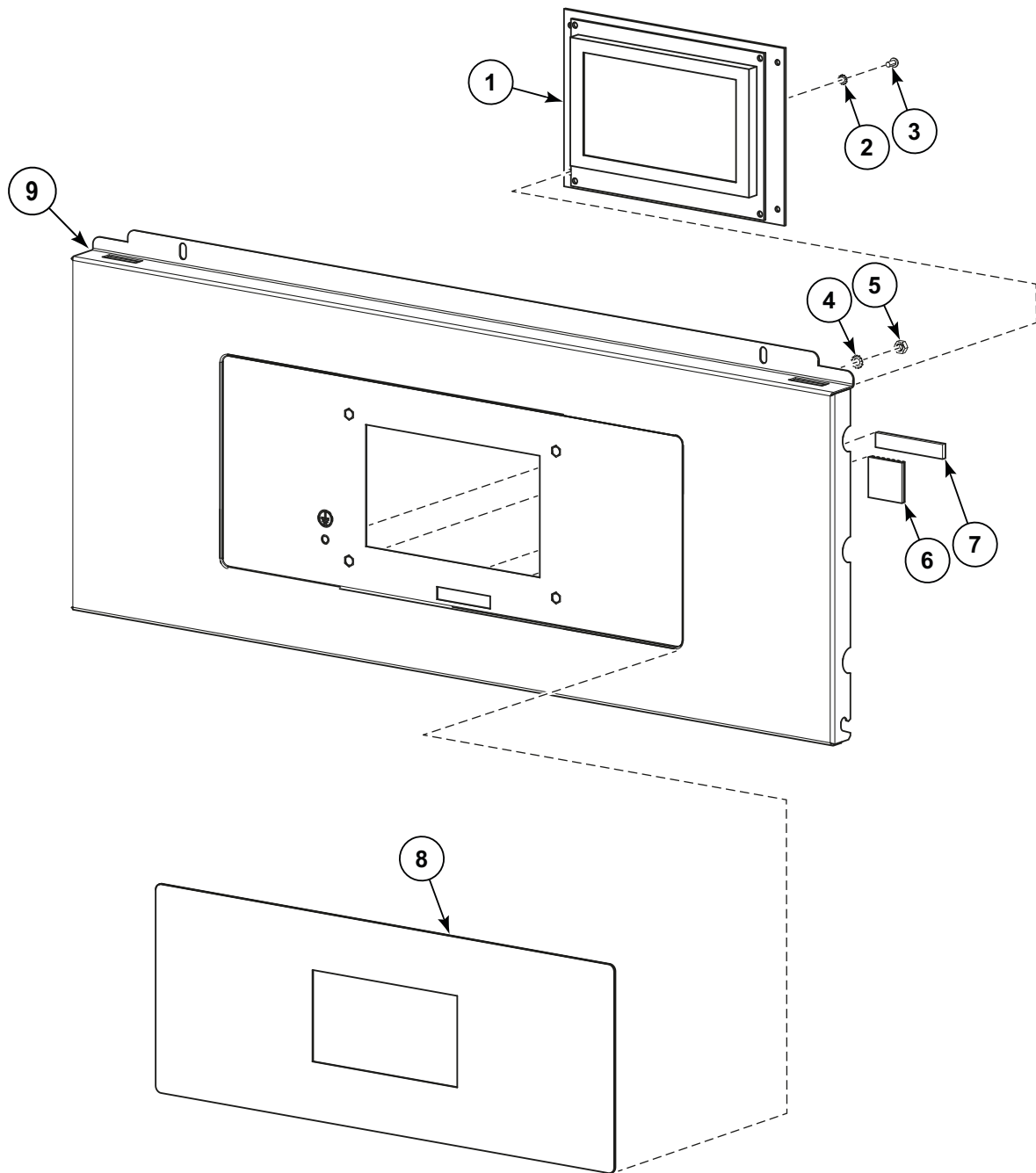
CZW285P_D2354

Control Panel Vended - AF, IY and NY Models

REF	PART NO.	DESCRIPTION	COMMENTS
1	SP553419	Control Board	IY models; MC7
	553411	Control Board	AF and NY Models; MC7
2	SP311679800003	Washer	M3
3	SP309798500306	Bolt	M3x6
4	SP311679800004	Washer	M4
5	SP310934000004	Nut	M4
6	SP550115	Fastener	
7	SP284000012003	Tape	
8	SP557566	Keyboard	IY models; Aries
	SP560747	Keyboard	Without logo; Without numeric keypad
	547088	Keyboard	AF and NY Models; Basic; Black
9	573063	Control Panel	

Control Panel for Central Payment System - AF, IY and NY Models

Models with G, H, J or K in 13th Position except Models with V in 7th Position



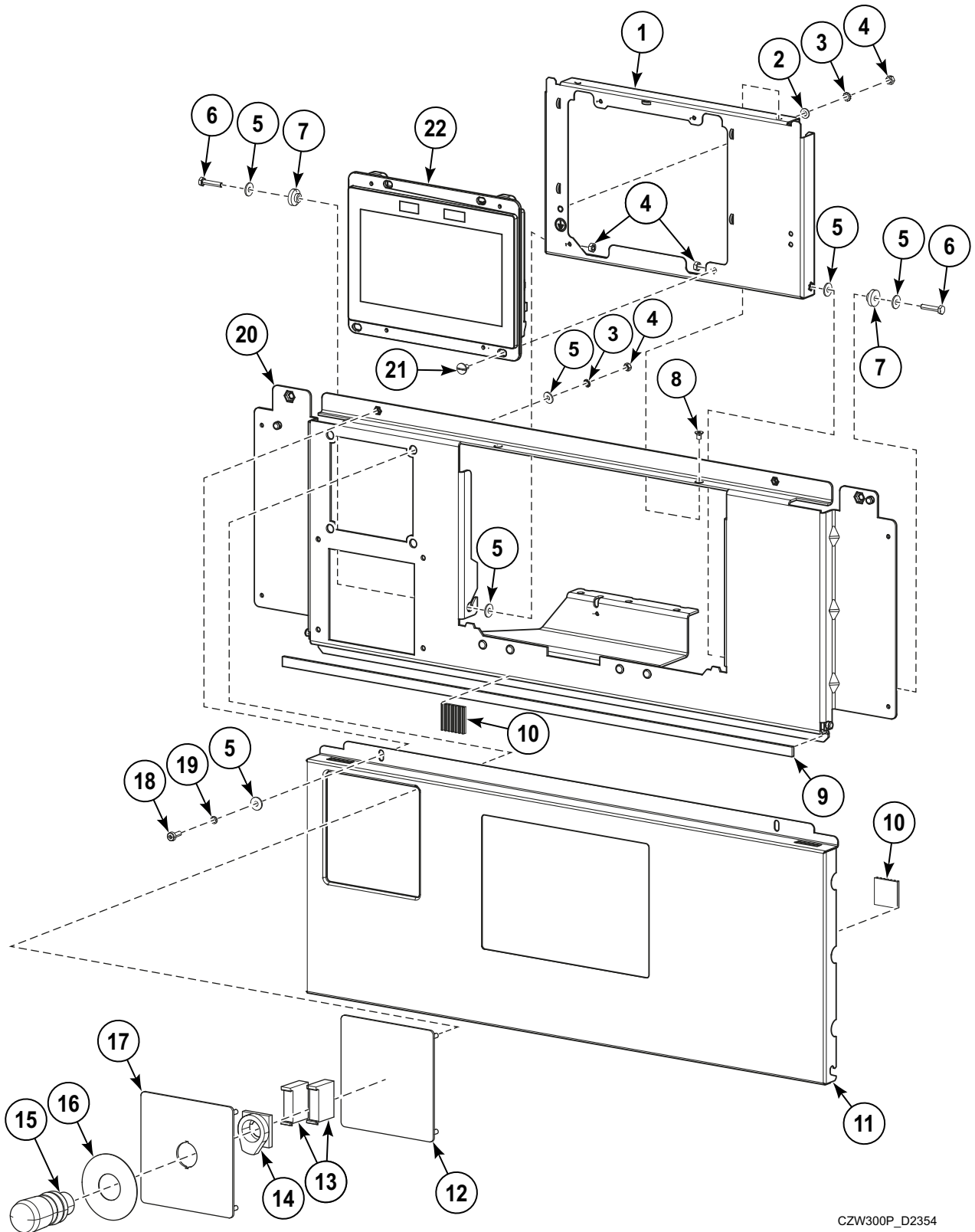
CZW286P_D2354

Control Panel for Central Payment System - AF, IY and NY Models

REF	PART NO.	DESCRIPTION	COMMENTS
1	SP553419	Control Board	IY models; MC7
	553411	Control Board	AF and NY Models; MC7
2	SP311679800003	Washer	M3
3	SP309798500306	Bolt	M3x6
4	SP311679800004	Washer	M4
5	SP310934000004	Nut	M4
6	SP550115	Fastener	
7	SP284000012003	Tape	
8	SP557566	Keyboard	IY models; Aries
	SP560747	Keyboard	Without logo; Without numeric keypad
	547088	Keyboard	AF and NY Models; Basic; Black
9	573079	Control Panel	

Control Panel OPL - AF, IY, JY and NY Models

Models with V in 7th Position



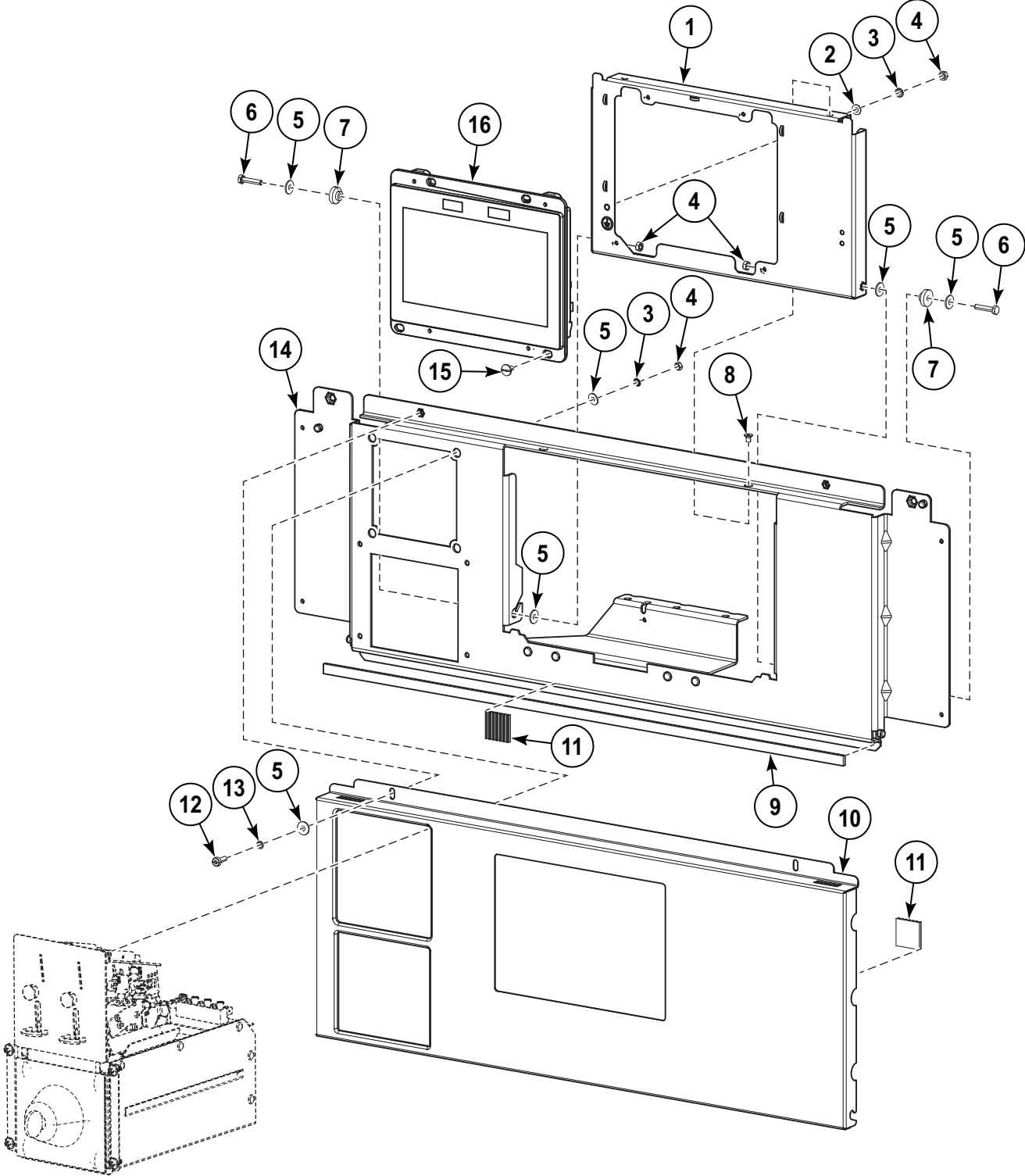
CZW300P_D2354

Control Panel OPL - AF, IY, JY and NY Models

REF	PART NO.	DESCRIPTION	COMMENTS
1	571041	Control Holder	
2	SP311125000004	Washer	M4
3	SP311679800004	Washer	M4
4	SP310934000004	Nut	M4
5	SP311902100004	Washer	M4
6	569655	Bolt	M4x25
7	SP550113	Leading Pin	
8	SP309965240408	Bolt	M4x8
9	SP284000012003	Tape	0.558m
10	SP550115	Fastener	
11	573123	Control Panel	
12	567925	Label Covering	
13	SP528312	Switching Unit	
14	SP528311	Emergency Stop Connector	
15	SP528310	Emergency Stop Knob	Used with SP520032 Emergency Stop Wiring
16	SPPRI551005248	Emergency Stop Label	
17	567924	Coin Meter Cover	
18	SP555504	Bolt	M4x12
19	SP311127000004	Washer	4
20	573028	Control Panel	
21	309500240408	Bolt	M4x8
22	572505	Control	7"; MC10; Through Serial No. 280FX004365SH
	575632	Control	7"; MC10; Starting Serial No. 280FX004366SH

Control Panel Vended - AF, IY, JY and NY Models

Models with V in 7th Position



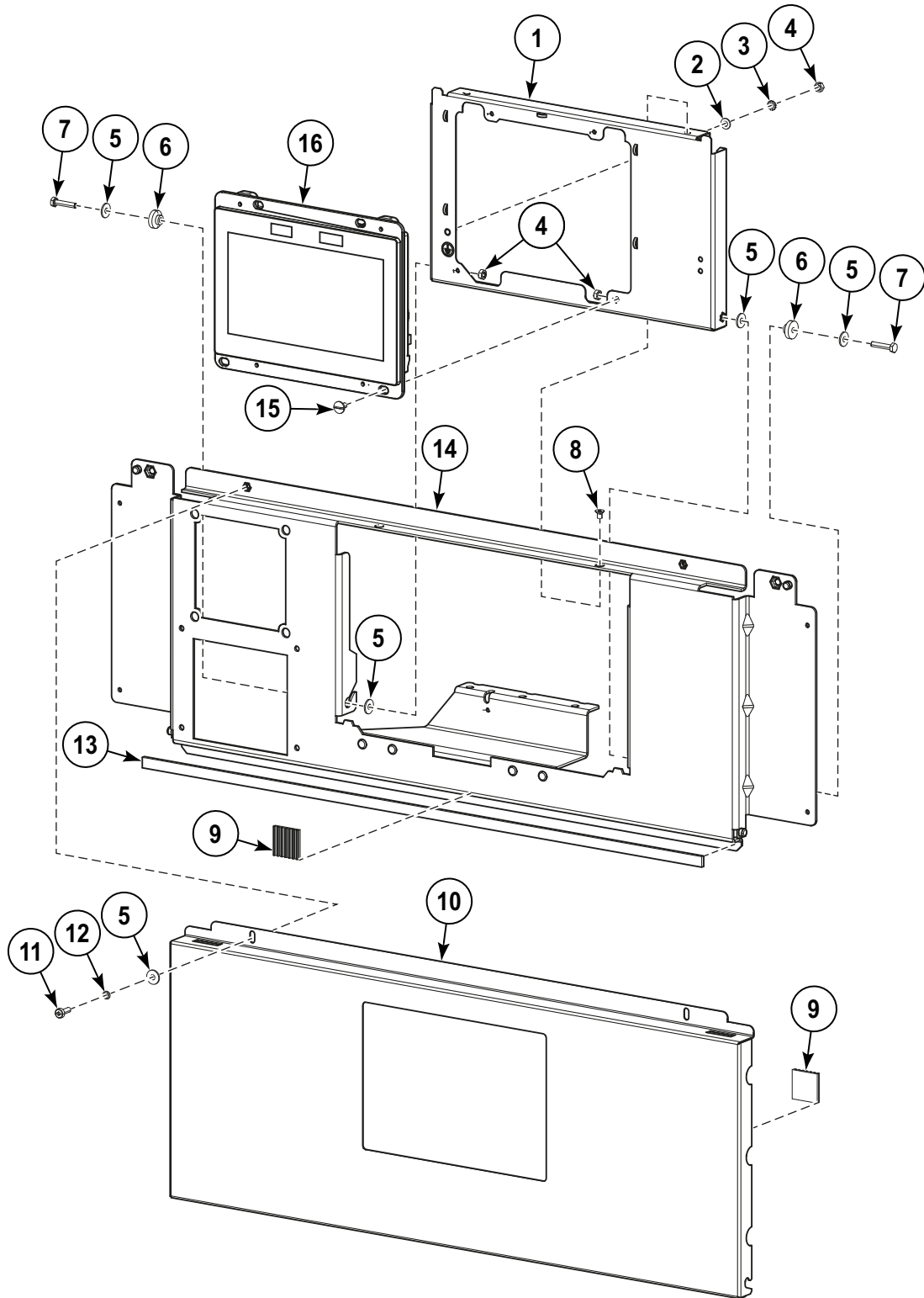
CZW301P_D2354

Control Panel Vended - AF, IY, JY and NY Models

REF	PART NO.	DESCRIPTION	COMMENTS
1	571041	Control Holder	
2	SP311125000004	Washer	M4
3	SP311679800004	Washer	M4
4	SP310934000004	Nut	M4
5	SP311902100004	Washer	M4
6	569655	Bolt	M4x25
7	SP550113	Leading Pin	
8	SP309965240408	Bolt	M4x8
9	SP284000012003	Tape	0.558m
10	573121	Control Panel	
11	SP550115	Fastener	
12	SP555504	Bolt	M4x12
13	SP311127000004	Washer	4
14	573028	Control Panel	
15	309500240408	Bolt	M4x8
16	572505	Control	7"; MC10; Through Serial No. 280FX004365SH
	575632	Control	7"; MC10; Starting Serial No. 280FX004366SH

Control Panel for Central Payment System - AF, IY, JY and NY Models

Models with V in 7th Position



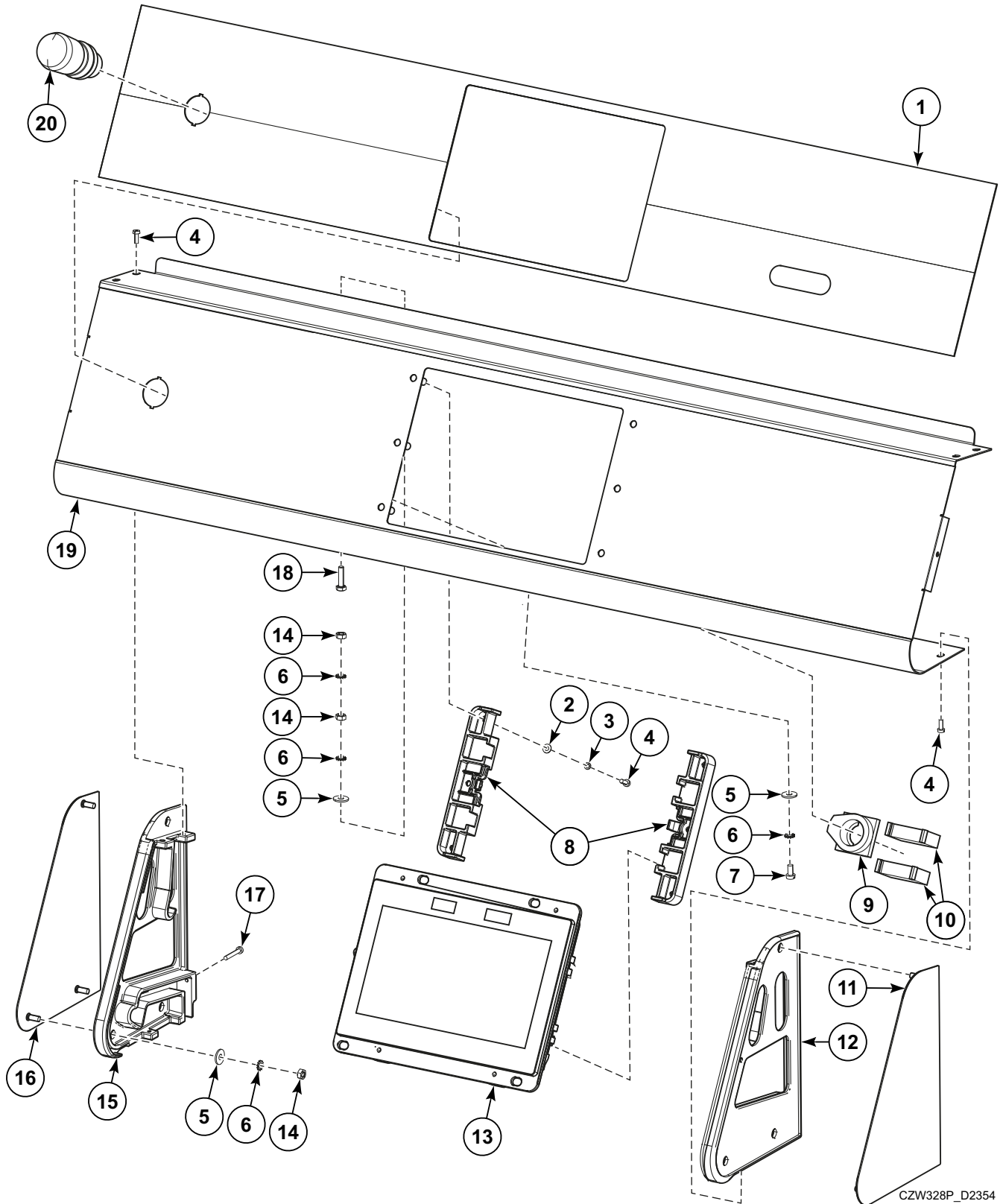
CZW302P_D2354

Control Panel for Central Payment System - AF, IY, JY and NY Models

REF	PART NO.	DESCRIPTION	COMMENTS
1	571041	Control Holder	
2	SP311125000004	Washer	M4
3	SP311679800004	Washer	M4
4	SP310934000004	Nut	M4
5	SP311902100004	Washer	M4
6	SP550113	Leading Pin	
7	569655	Bolt	M4x25
8	SP309965240408	Bolt	M4x8
9	SP550115	Fastener	
10	573125	Control Panel	
11	SP555504	Bolt	M4x12
12	SP311127000004	Washer	4
13	SP284000012003	Tape	0.558m
14	573028	Control Panel	
15	309500240408	Bolt	M4x8
16	572505	Control	7"; MC10; Through Serial No. 280FX004365SH
	575632	Control	7"; MC10; Starting Serial No. 280FX004366SH

Control Panel OPL - FX and PY Models

Models with V in 7th position and with H or 6 in 10th position of the model number Through Serial No. 280FX004402SK



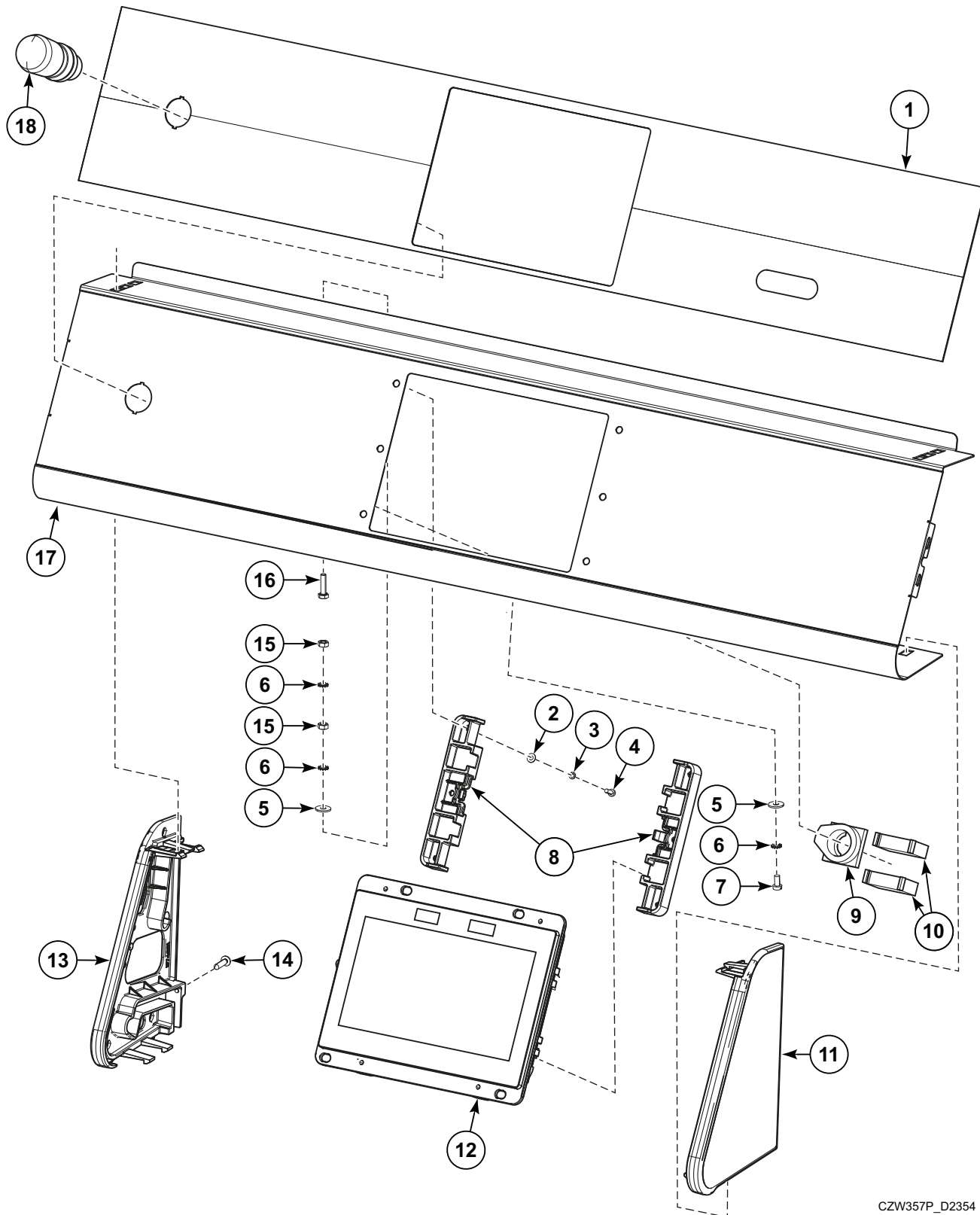
CZW328P_D2354

Control Panel OPL - FX and PY Models

REF	PART NO.	DESCRIPTION	COMMENTS
1	573928	Overlay	
	574218	Overlay	OEM
2	SP311125000003	Washer	M3
3	SP311127000003	Washer	3
4	SP309084000308	Bolt	M3x8
5	SP311902100004	Washer	M4
6	SP311679800004	Washer	M4
7	SP309084000408	Bolt	M4x8
8	573929	Sidewall	
9	SP528311	Emergency Stop Connector	
10	SP528312	Switching Unit	
11	572586	Sidewall	Right
12	572572	Sidewall	Right
13	572505	Control	7"; MC10; Through Serial No. 280FX004365SH
	575632	Control	7"; MC10; Starting Serial No. 280FX004366SH
14	SP310934000004	Nut	M4
15	572571	Sidewall	Left
16	572588	Sidewall	Left
17	SP309084000320	Bolt	M3x20
18	SP309933000416	Bolt	M4x16
19	572584	Nose Assembly	Includes item 1 and 573930 Nut
	574236	Nose Assembly	OEM; Includes item 1 and 573930 Nut
20	SP528310	Emergency Stop Knob	Used with SP520032 Emergency Stop Wiring

Control Panel OPL - FX and PY Models

Models with V in 7th position and with H or 6 in 10th position of the model number Starting Serial No. 280FX004403SK



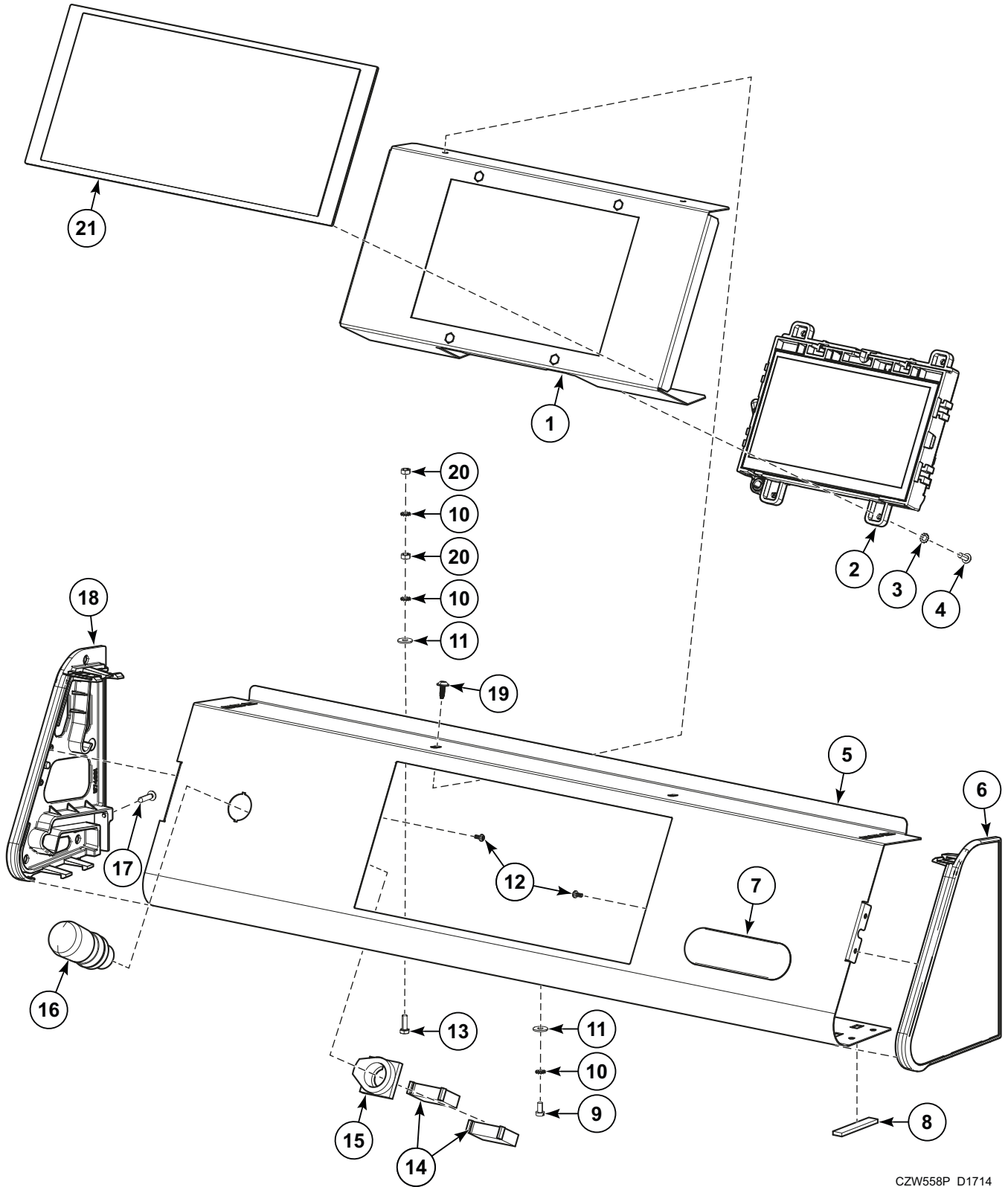
CZW357P_D2354

Control Panel OPL - FX and PY Models

REF	PART NO.	DESCRIPTION	COMMENTS
1	573928	Overlay	
	574218	Overlay	OEM
2	SP311125000003	Washer	M3
3	SP311127000003	Washer	3
4	SP309084000308	Bolt	M3x8
5	SP311902100004	Washer	M4
6	SP311679800004	Washer	M4
7	SP309084000408	Bolt	M4x8
8	573929	Sidewall	
9	SP528311	Emergency Stop Connector	
10	SP528312	Switching Unit	
11	576070	Sidewall	Right
12	575632	Control	7", MC10
13	576069	Sidewall	Left
14	SP520407	Screw	
15	SP310934000004	Nut	M4
16	SP309933240412	Bolt	M4x12
17	576035	Nose Assembly	Includes item 1 and 573930 Nut
	576044	Nose Assembly	OEM; Includes item 1 and 573930 Nut
18	SP528310	Emergency Stop Knob	Used with SP520032 Emergency Stop Wiring

Control Panel OPL - FX and PY Models

Models with V in 7th position and with N, U or 8 in 10th position of the model number Starting Serial No. 280FX005260US



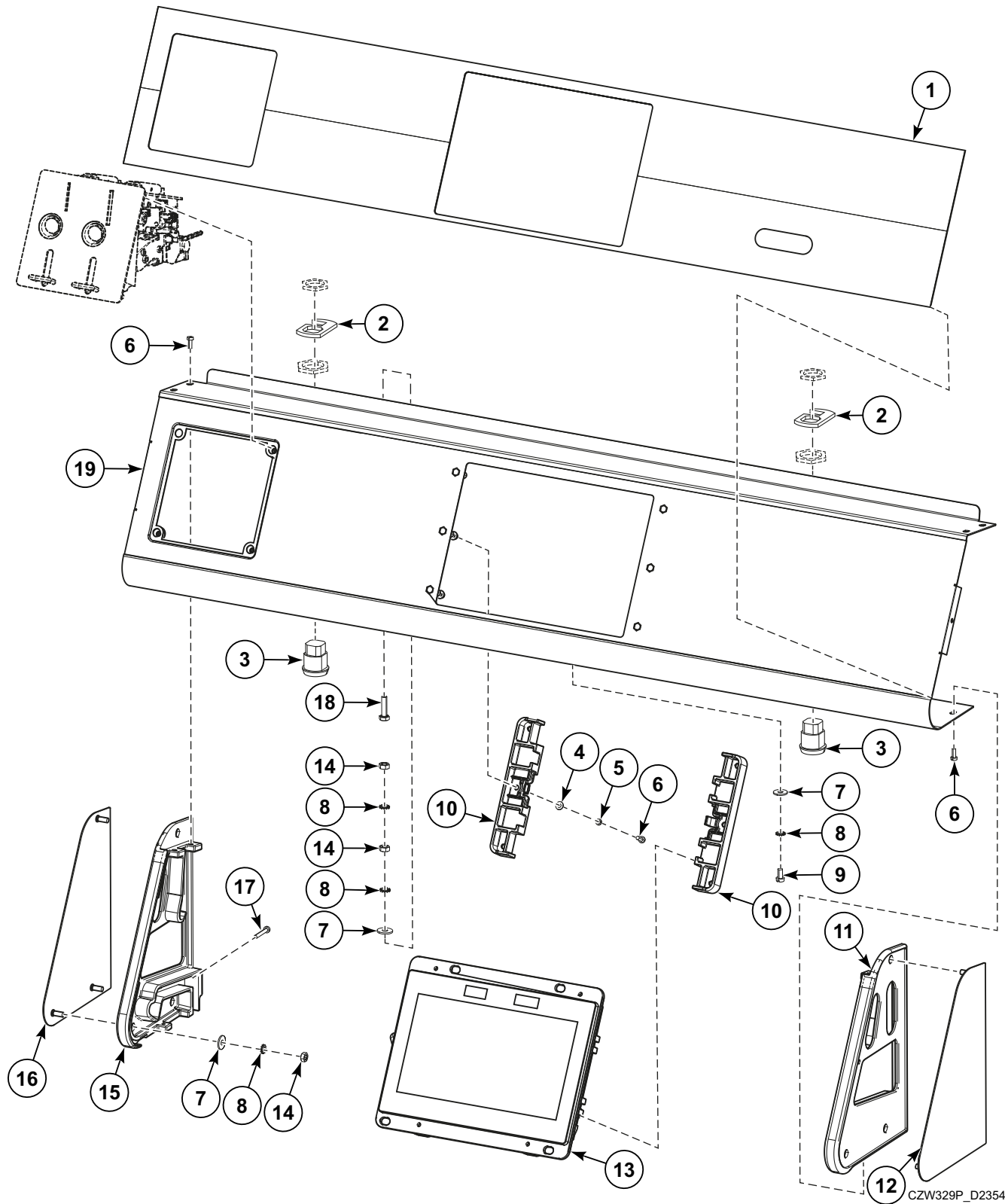
CZW558P_D1714

Control Panel OPL - FX and PY Models

REF	PART NO.	DESCRIPTION	COMMENTS
1	582260	Holder	
2	582285	Control	7", MC10
3	SP311679800004	Washer	M4
4	582307	Bolt	M4x10
5	579197	Nose Assembly	
6	576070	Sidewall	Right
7	567887	Logo	
8	SP284000012003	Tape	0.5m; 2pcs
9	SP309084000408	Bolt	M4x8
10	SP311679800004	Washer	M4
11	SP311902100004	Washer	M4
12	582361	Screw	3x6
13	SP309933240412	Bolt	M4x12
14	SP528312	Switching Unit	
15	SP528311	Emergency Stop Connector	
16	SP528310	Emergency Stop Knob	Used with SP520032 Emergency Stop Wiring
17	SP520407	Screw	
19	SP529206	Screw	4x11
18	576069	Sidewall	Left
20	SP310934000004	Nut	M4
21	582274	Plastic Window	

Control Panel Vended - FX and PY Models

Models with V in 7th position and with H or 6 in 10th position of the model number Through Serial No. 280FX004402SK



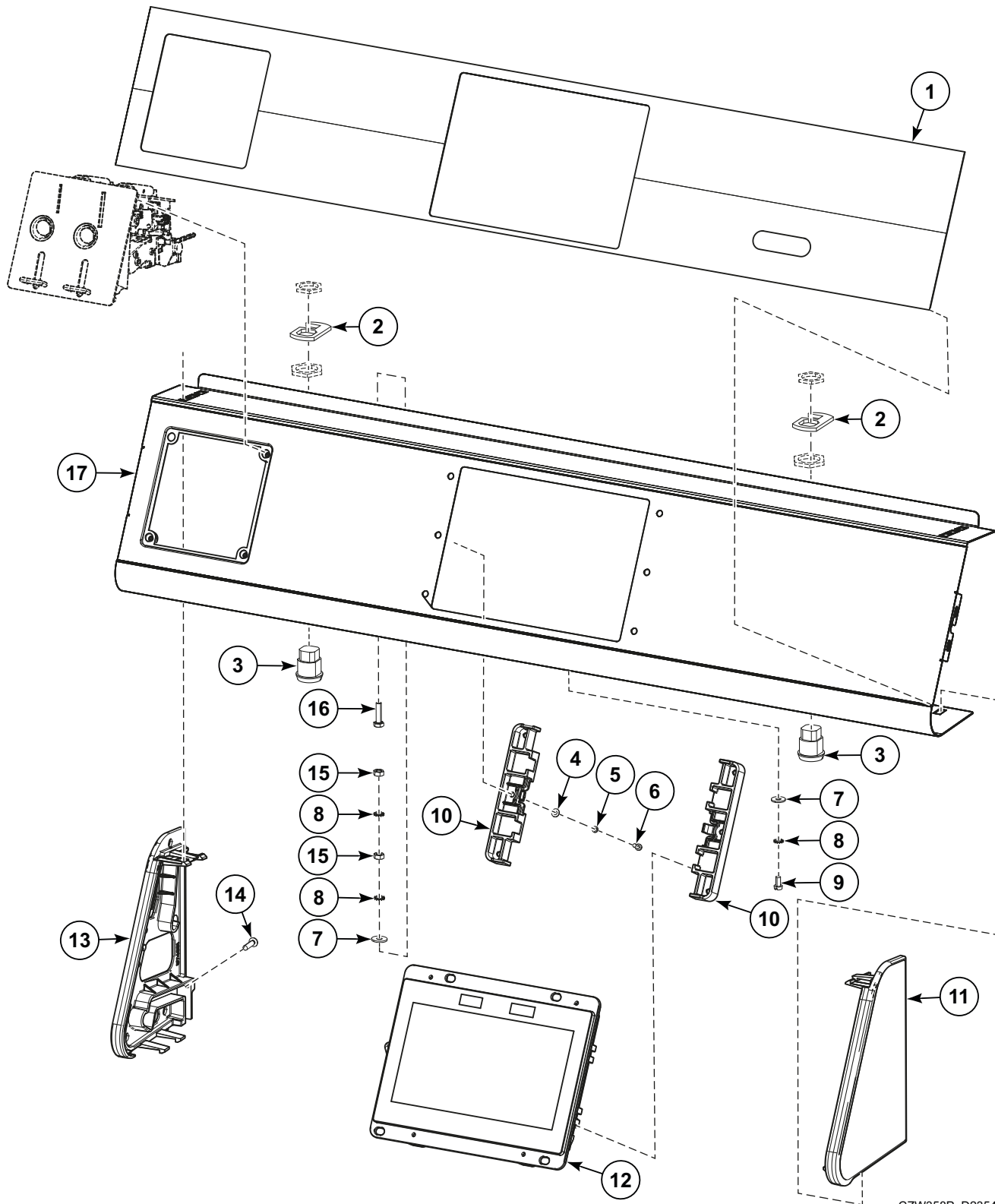
CZW329P_D2354

Control Panel Vended - FX and PY Models

REF	PART NO.	DESCRIPTION	COMMENTS
	SP520033	Emergency Stop Interconnection	
1	573937	Overlay	
	574221	Overlay	OEM
2	SPPRI610002007	Hook Lock	
3	SP547527	Lock	Includes Nuts – 2 pieces
	SP550616	Key	Used with SP547527 Lock
4	SP311125000003	Washer	M3
5	SP311127000003	Washer	3
6	SP309084000308	Bolt	M3x8
7	SP311902100004	Washer	M4
8	SP311679800004	Washer	M4
9	SP309084000408	Bolt	M4x8
10	573929	Sidewall	
11	572572	Sidewall	Right
12	572586	Sidewall	Right
13	572505	Control	7"; MC10; Through Serial No. 280FX004365SH
	575632	Control	7"; MC10; Starting Serial No. 280FX004366SH
14	SP310934000004	Nut	M4
15	572571	Sidewall	Left
16	572588	Sidewall	Left
17	SP309084000320	Bolt	M3x20
18	SP309933000416	Bolt	M4x16
19	574129	Nose Assembly	Includes item 1 and 573930 Nut
	574239	Nose Assembly	OEM; Includes item 1 and 573930 Nut

Control Panel Vended - FX and PY Models

Models with V in 7th position and with H or 6 in 10th position of the model number Starting Serial No. 280FX004403SK



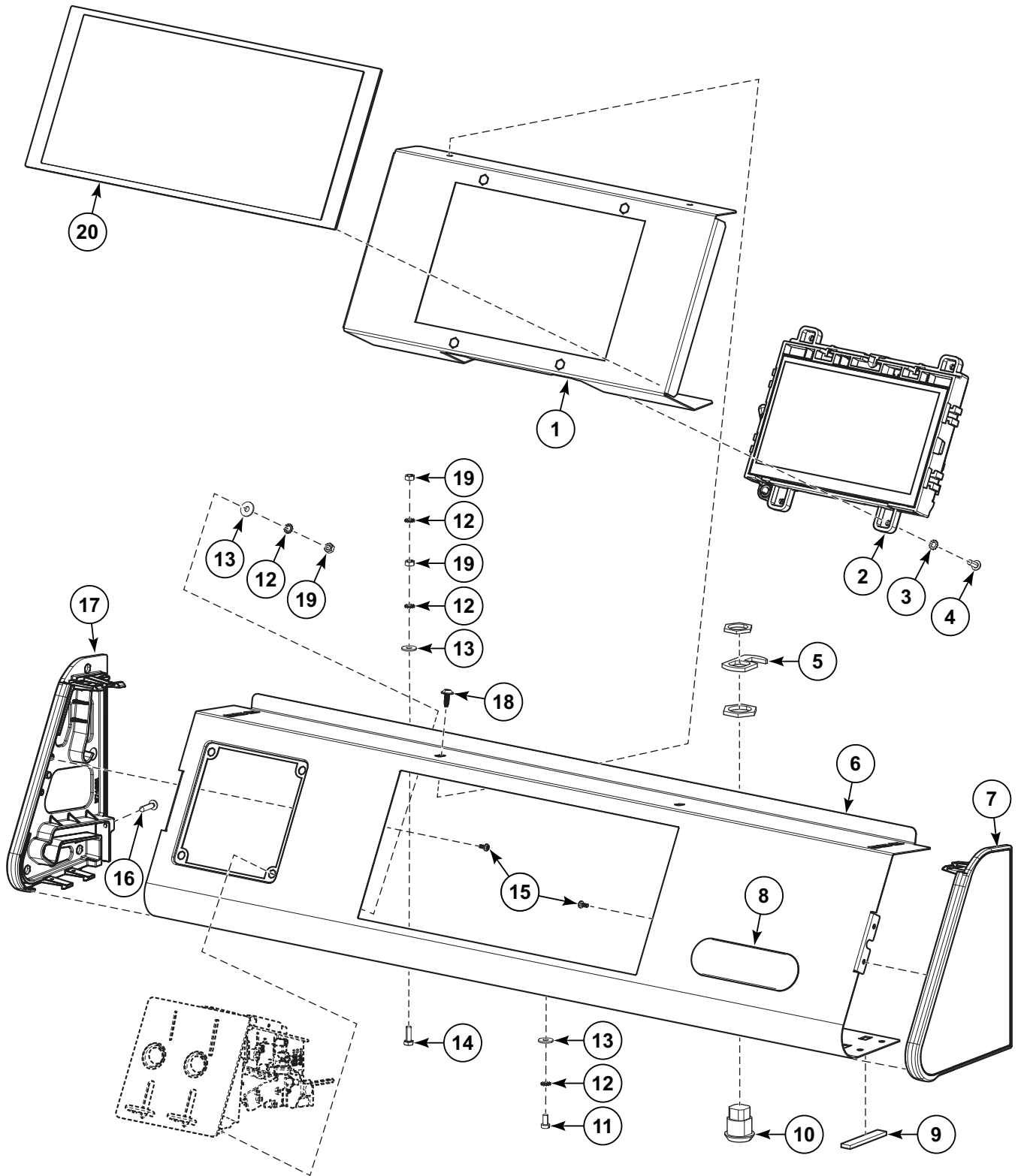
CZW358P_D2354

Control Panel Vended - FX and PY Models

REF	PART NO.	DESCRIPTION	COMMENTS
	SP520033	Emergency Stop Interconnection	
1	573937	Overlay	
	574221	Overlay	OEM
2	SPPRI610002007	Hook Lock	
3	SP547527	Lock	Includes Nuts – 2 pieces
	SP550616	Key	Used with SP547527 Lock
4	SP311125000003	Washer	M3
5	SP311127000003	Washer	3
6	SP309084000308	Bolt	M3x8
7	SP311902100004	Washer	M4
8	SP311679800004	Washer	M4
9	SP309084000408	Bolt	M4x8
10	573929	Sidewall	
11	576070	Sidewall	Right
12	575632	Control	7", MC10
13	576069	Sidewall	Left
14	SP520407	Screw	
15	SP310934000004	Nut	M4
16	SP309933240412	Bolt	M4x12
17	576038	Nose Assembly	Includes item 1 and 573930 Nut
	576047	Nose Assembly	OEM; Includes item 1 and 573930 Nut

Control Panel Vended - FX and PY Models

Models with V in 7th position and with N, U or 8 in 10th position of the model number Starting Serial No. 240FX005260US



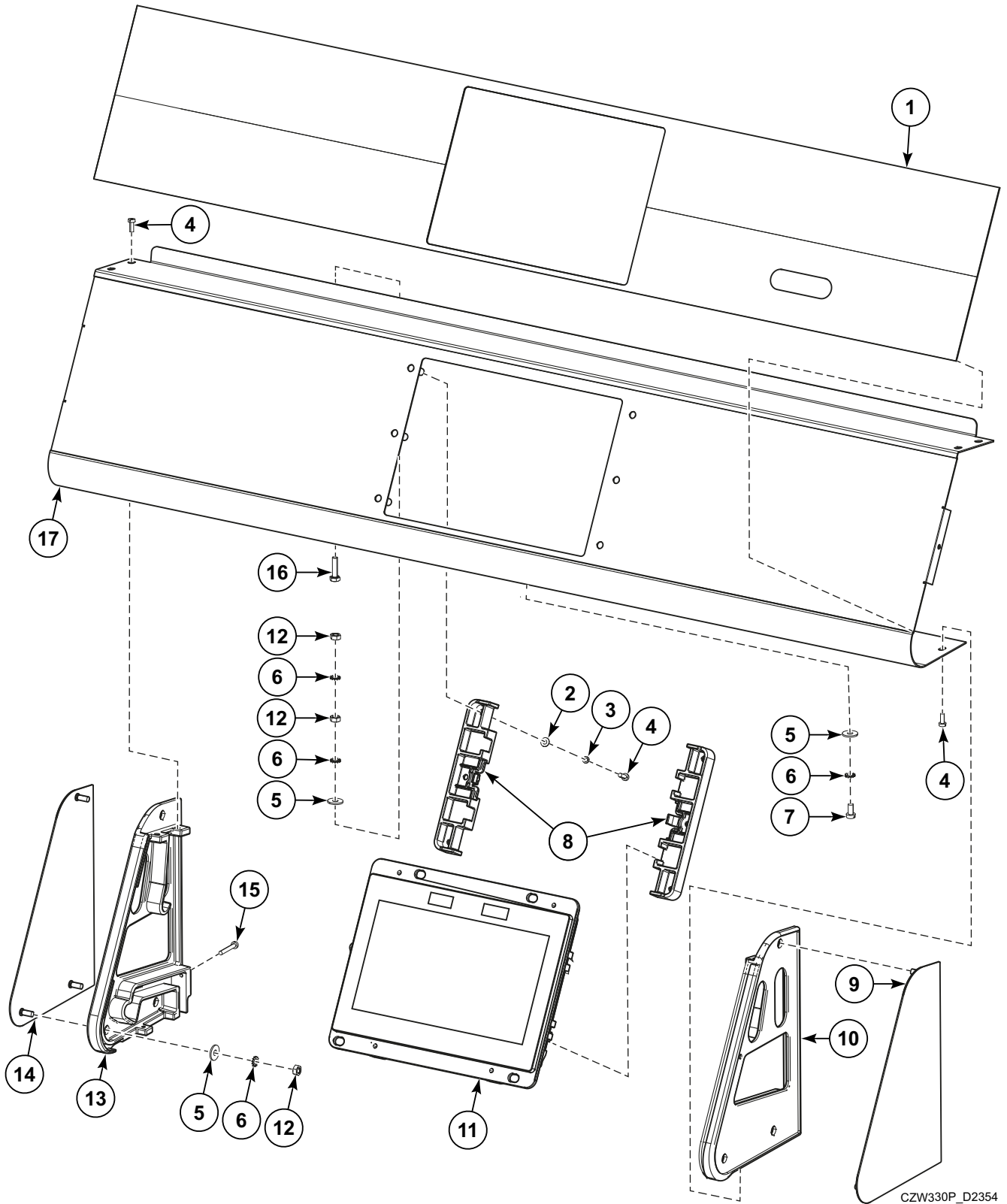
CZW560P_D1714

Control Panel Vended - FX and PY Models

REF	PART NO.	DESCRIPTION	COMMENTS
1	582260	Holder	
2	582285	Control	7", MC10
3	SP311679800004	Washer	M4
4	582307	Bolt	M4x10
5	SPPRI610002007	Hook Lock	Small
6	581634	Nose Assembly	
7	576070	Sidewall	Right
8	567887	Logo	
9	SP284000012003	Tape	0.5m; 2pcs
10	SP547527	Lock	2pcs
	SP550616	Key	Used with SP547527 Lock
11	SP309084000408	Bolt	M4x8
12	SP311679800004	Washer	M4
13	SP311902100004	Washer	M4
14	SP309933240412	Bolt	M4x12
15	582361	Screw	3x6
16	SP520407	Screw	
17	576069	Sidewall	Left
18	SP529206	Screw	4x11
19	SP310934000004	Nut	M4
20	582274	Plastic Window	

Control Panel for Central Payment System - FX and PY Models

Models with V in 7th position and with H or 6 in 10th position of the model number Through Serial No. 280FX004402SK



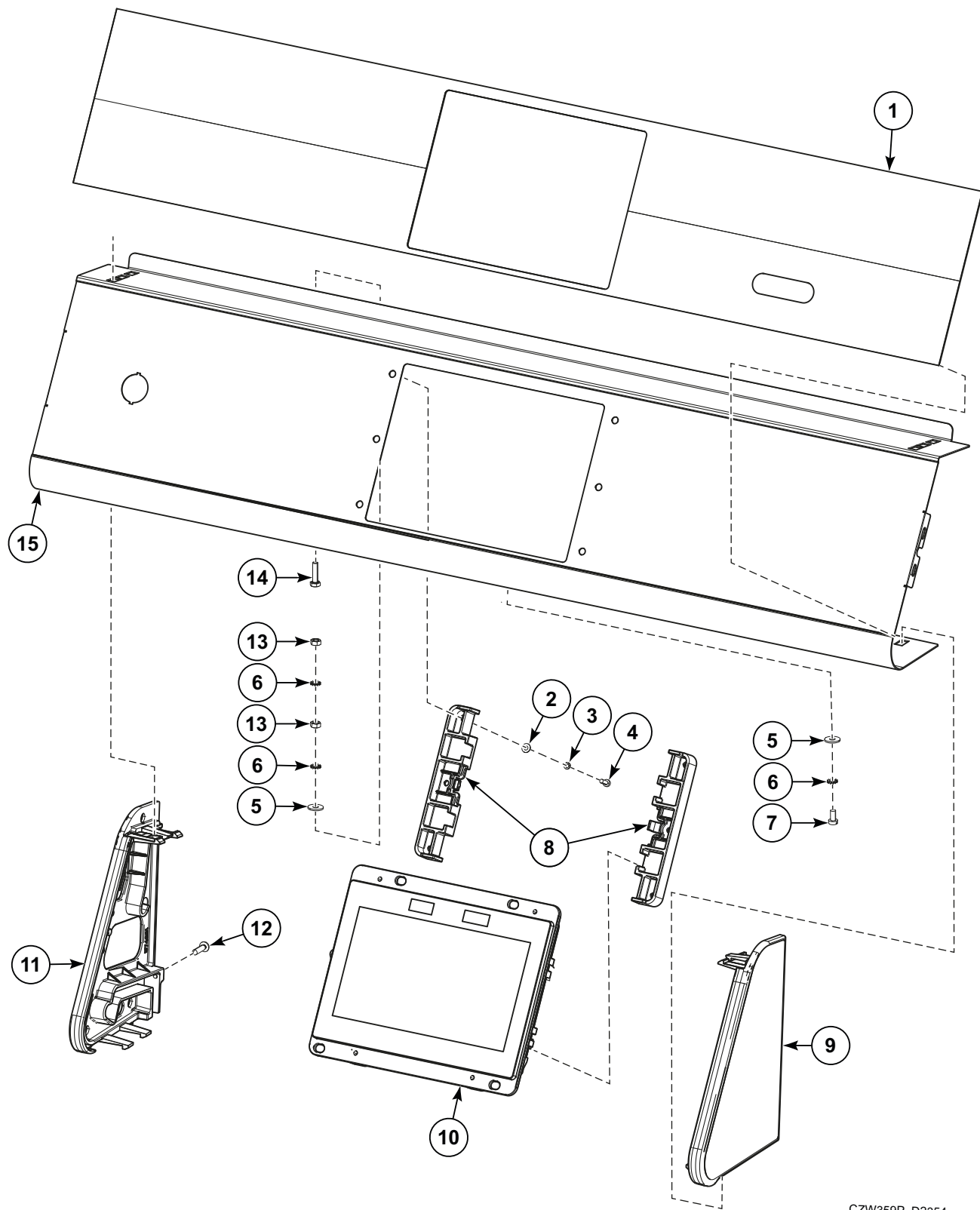
CZW330P_D2354

Control Panel for Central Payment System - FX and PY Models

REF	PART NO.	DESCRIPTION	COMMENTS
	571485	Emergency Stop Interconnection	
1	573952	Overlay	
	574224	Overlay	OEM
2	SP311125000003	Washer	M3
3	SP311127000003	Washer	3
4	SP309084000308	Bolt	M3x8
5	SP311902100004	Washer	M4
6	SP311679800004	Washer	M4
7	SP309084000408	Bolt	M4x8
8	573929	Sidewall	
9	572586	Sidewall	Right
10	572572	Sidewall	Right
11	572505	Control	7"; MC10; Through Serial No. 280FX004365SH
	575632	Control	7"; MC10; Starting Serial No. 280FX004366SH
12	SP310934000004	Nut	M4
13	572571	Sidewall	Left
14	572588	Sidewall	Left
15	SP309084000320	Bolt	M3x20
16	SP309933000416	Bolt	M4x16
17	573955	Nose Assembly	Includes item 1 and 573930 Nut
	574242	Nose Assembly	OEM; Includes item 1 and 573930 Nut

Control Panel for Central Payment System - FX and PY Models

Models with V in 7th position and with H or 6 in 10th position of the model number Starting Serial No. 280FX004403SK



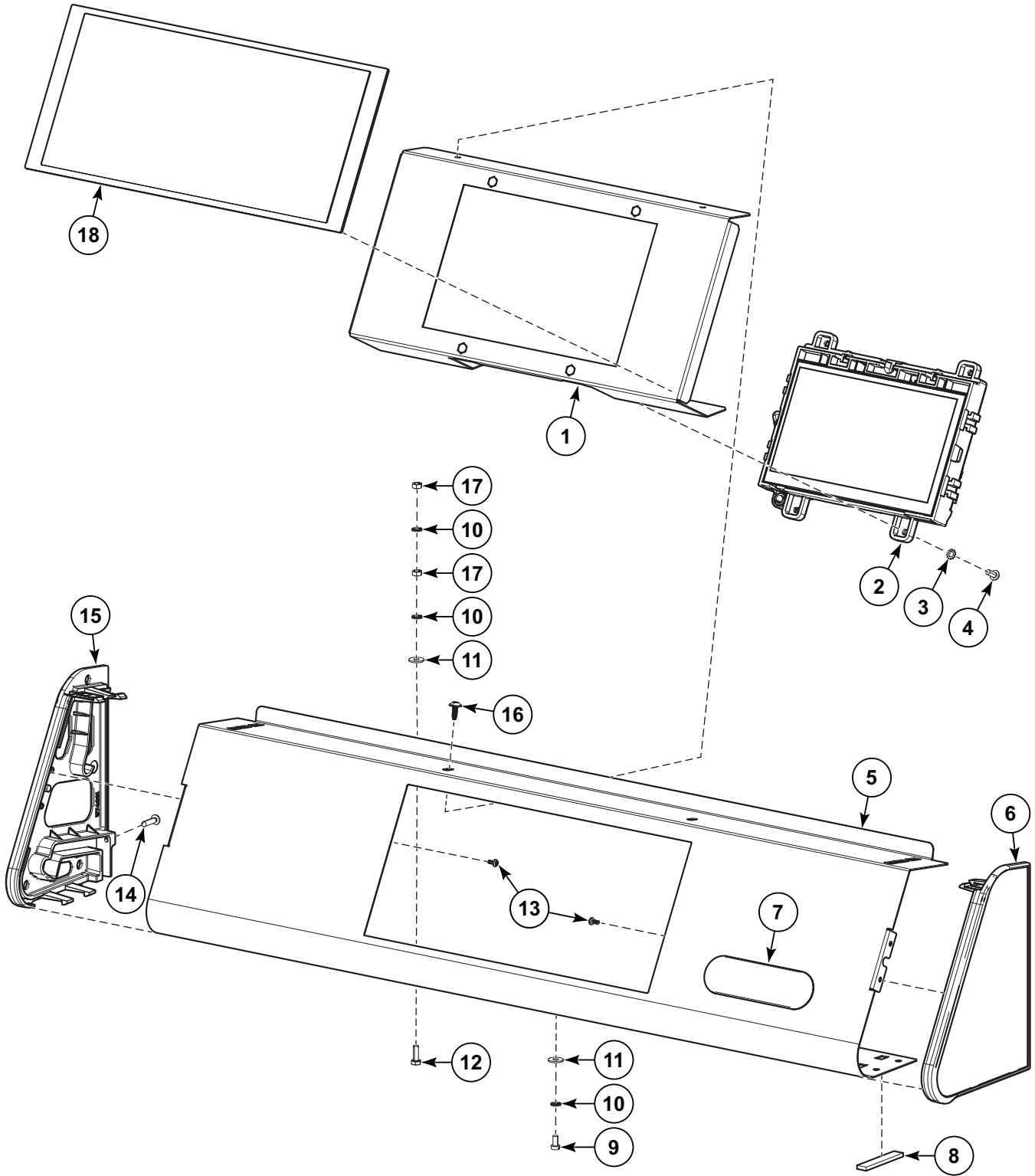
CZW359P_D2354

Control Panel for Central Payment System - FX and PY Models

REF	PART NO.	DESCRIPTION	COMMENTS
	571485	Emergency Stop Interconnection	
1	573952	Overlay	
	574224	Overlay	OEM
2	SP311125000003	Washer	M3
3	SP311127000003	Washer	3
4	SP309084000308	Bolt	M3x8
5	SP311902100004	Washer	M4
6	SP311679800004	Washer	M4
7	SP309084000408	Bolt	M4x8
8	573929	Sidewall	
9	576070	Sidewall	Right
10	575632	Control	7", MC10
11	576069	Sidewall	Left
12	SP520407	Screw	
13	SP310934000004	Nut	M4
14	SP309933240412	Bolt	M4x12
17	576041	Nose Assembly	Includes item 1 and 573930 Nut
	576050	Nose Assembly	OEM; Includes item 1 and 573930 Nut

Control Panel for Central Payment System - FX and PY Models

Models with V in 7th position and with N, U or 8 in 10th position of the model number Starting Serial No. 240FX005260US



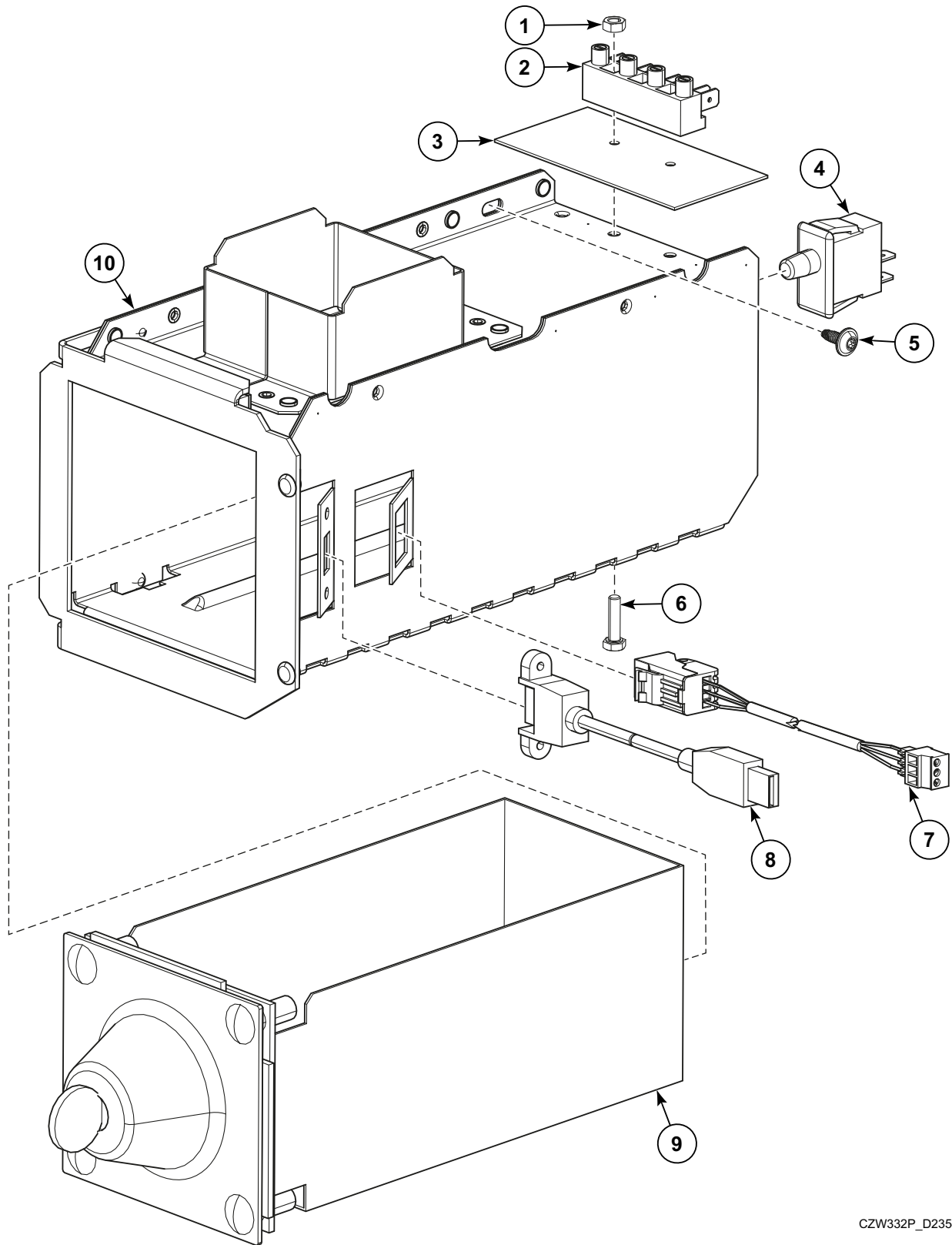
CZW559P_D1714

Control Panel for Central Payment System - FX and PY Models

REF	PART NO.	DESCRIPTION	COMMENTS
1	582260	Holder	
2	582285	Control	7", MC10
3	SP311679800004	Washer	M4
4	582307	Bolt	M4x10
5	581640	Nose Assembly	
6	576070	Sidewall	Right
7	567887	Logo	
8	SP284000012003	Tape	0.5m; 2pcs
9	SP309084000408	Bolt	M4x8
10	SP311679800004	Washer	M4
11	SP311902100004	Washer	M4
12	SP309933240412	Bolt	M4x12
13	582361	Screw	3x6
14	SP520407	Screw	
15	576069	Sidewall	Left
16	SP529206	Screw	4x11
17	SP310934000004	Nut	M4
18	582274	Plastic Window	

Coin Meter Box

All Models Except AF, IY and NY Models with V in 7th Position or G, H, J or K in 13th Position



CZW332P_D2354

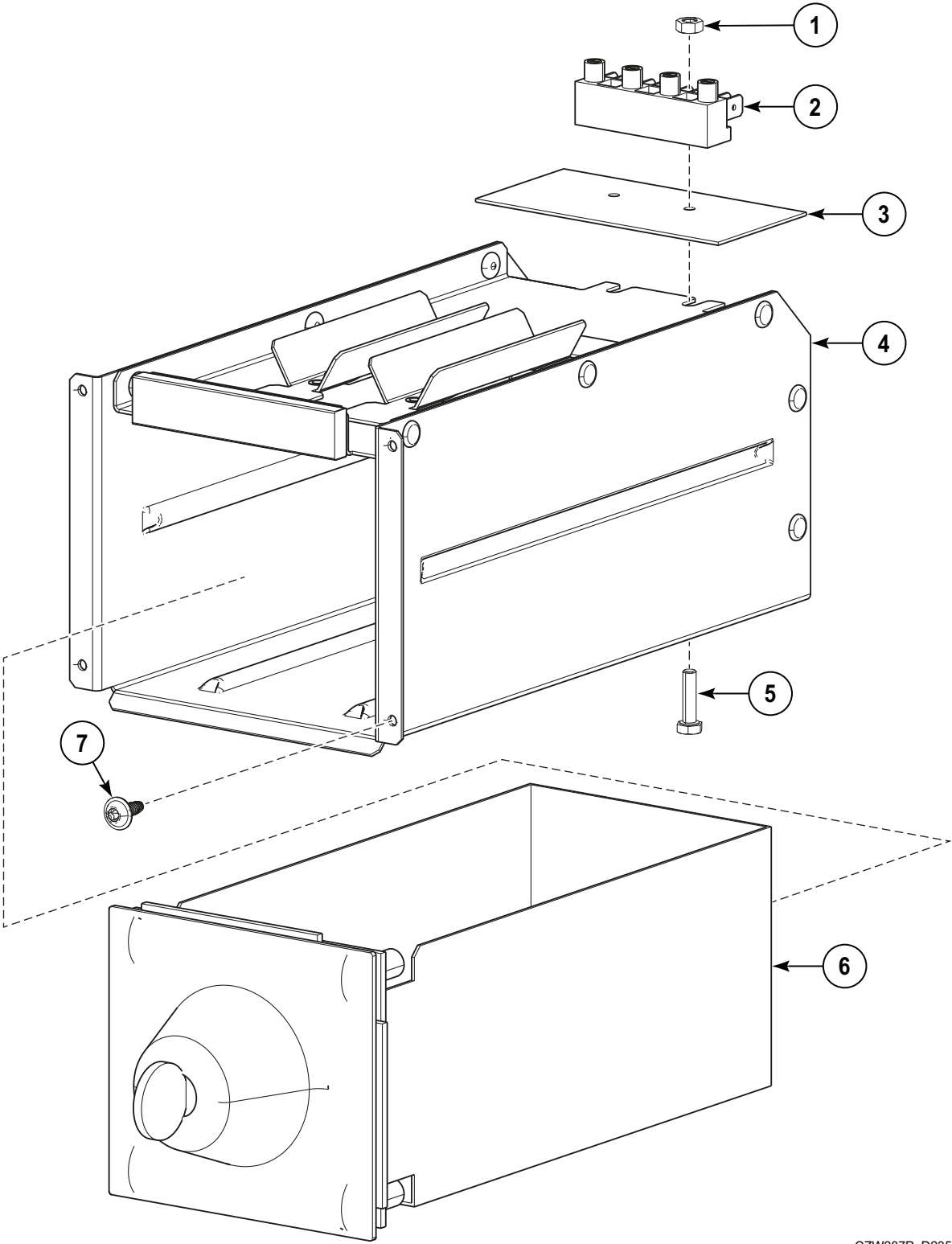
Coin Meter Box

REF	PART NO.	DESCRIPTION	COMMENTS
1	SP310934000004	Nut	M4
2	SPPRI350000007	Terminal Board	
3	SPPRI350012007	Isolation Paper	
4	N/A	Microswitch	
5	SP529206	Screw	4x11
6	SP309933000416	Bolt	M4x16
7	SP545234	Cable	With connectors; RS485
8	569668	USB Cable	
9	100498	Coin Meter Box	Large
10	571055	Coin Meter Case	Large

N/A = Part no longer available

Coin Meter Box - AF, IY and NY Models

Models with V in 7th Position or G, H, J or K in 13th Position



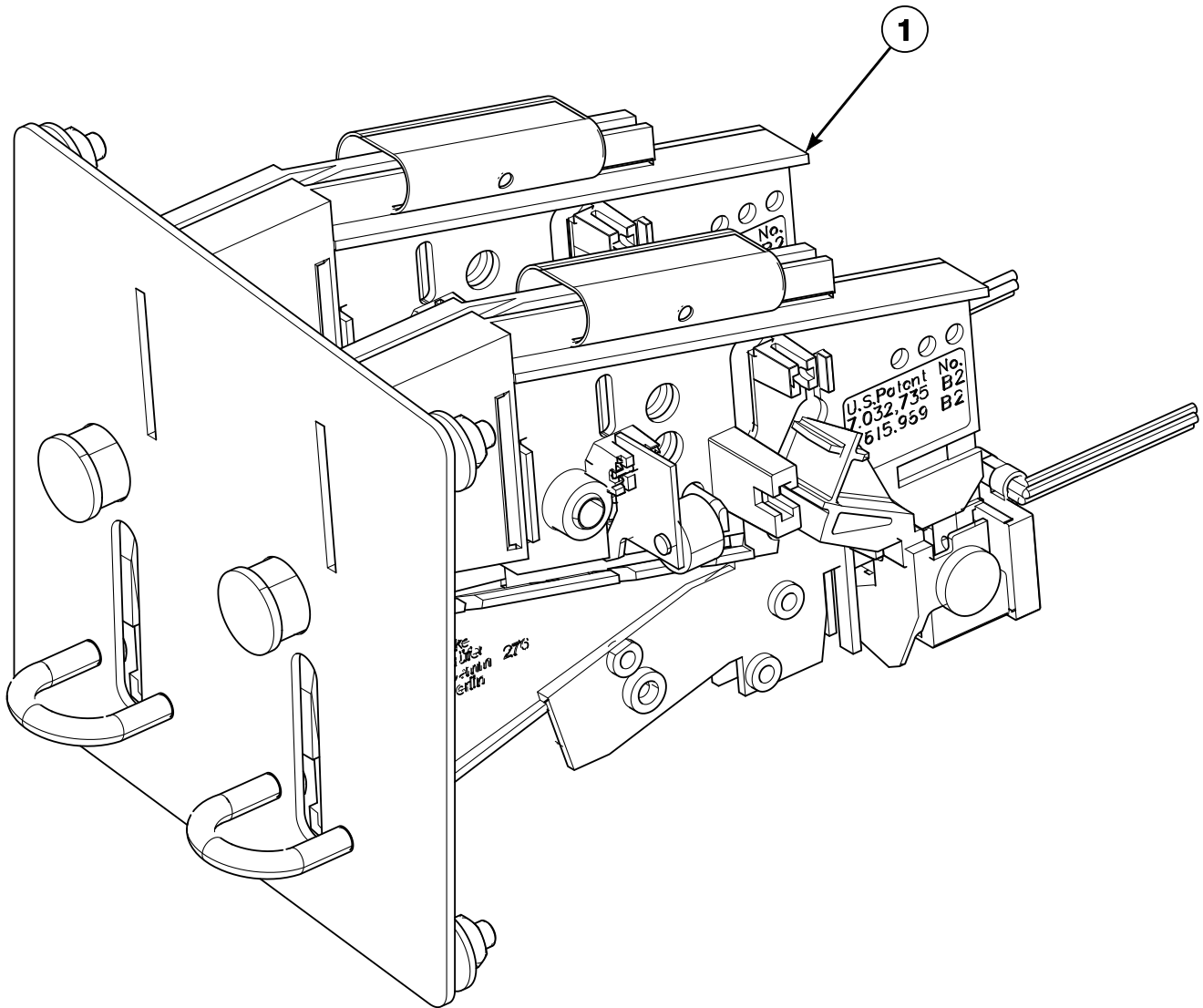
CZW287P_D2354

Coin Meter Box - AF, IY and NY Models

REF	PART NO.	DESCRIPTION	COMMENTS
1	SP310934000004	Nut	M4
2	SPPRI350000007	Terminal Board	
3	SPPRI350012007	Isolation Paper	
4	573009	Coin Meter Case	
5	SP309933000416	Bolt	M4x16
6	568036	Coin Meter Box	
7	SP529206	Screw	4x11

Coin Meter - AF, IY and NY Models (Drawing 1 of 3)

Models with V in 7th Position or G, H, J or K in 13th Position



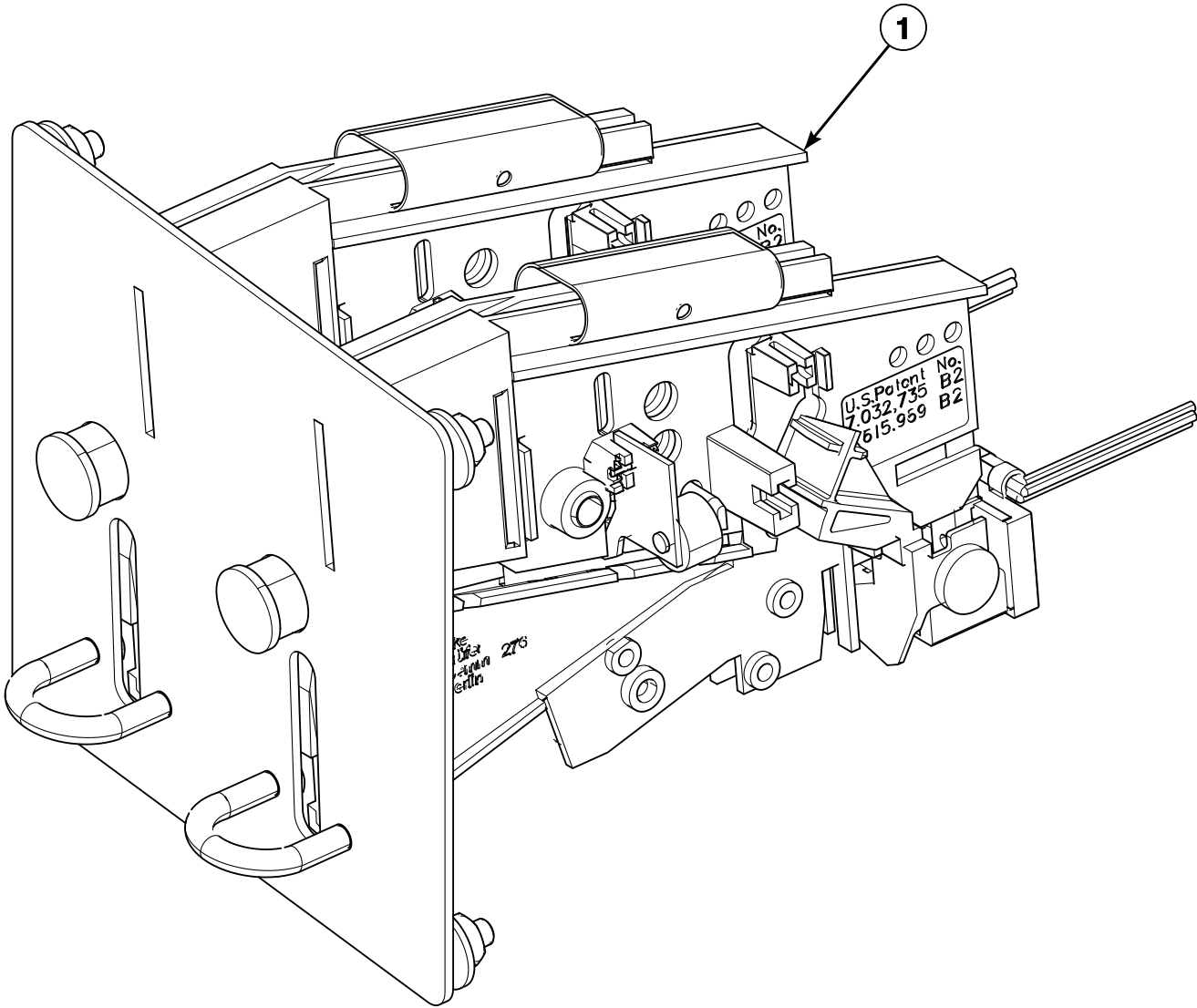
CZW233P_D2354

Coin Meter - AF, IY and NY Models (Drawing 1 of 3)

REF	PART NO.	DESCRIPTION	COMMENTS
1	SP568002	Coin Meter	GBP / EUR; Electronic EMPv7
	SP568003	Coin Meter	5K jeton
	SP568004	Coin Meter	7K jeton
	SP568005	Coin Meter	10K jeton
	SP568006	Coin Meter	12K jeton
	SP568007	Coin Meter	15K jeton
	SP568008	Coin Meter	5K jeton
	SP568009	Coin Meter	1EUR
	SP568010	Coin Meter	0.5EUR
	SP568011	Coin Meter	1EUR + 2EUR
	SP568012	Coin Meter	2EUR
	SP568013	Coin Meter	0.2EUR + 0.5EUR
	SP568014	Coin Meter	0.25EUR
	SP568015	Coin Meter	0.2EUR + 1EUR
	SP568016	Coin Meter	0.5EUR + 2EUR
	SP568017	Coin Meter	0.25EUR
	575218	Coin Meter	1 Singapore dollar
	575219	Coin Meter	1NZD and 2NZD
	575220	Coin Meter	Easy games jeton
	575221	Coin Meter	Flat polis jeton
	575222	Coin Meter	Butzi wash jeton
	575223	Coin Meter	Speedy matic jeton
	575224	Coin Meter	Laundromatic Belgium jeton; Diameter 22.3mm
	575225	Coin Meter	500WON
	575226	Coin Meter	Dobi ekspress jeton
	575227	Coin Meter	Lucky winner jeton
	575228	Coin Meter	Gettone jeton
	575229	Coin Meter	10 Taiwan dollar
	575230	Coin Meter	Electrolux Asard jeton
	575231	Coin Meter	Gettone jeton
	575232	Coin Meter	5+1 Shekel
	575233	Coin Meter	1HKD
	575234	Coin Meter	Jeton Prinz Firbitex
	575235	Coin Meter	Token Ldl Chamberland Washing Machine
	575236	Coin Meter	Token 118-5
	575237	Coin Meter	Token Barisart (Ldl)
	575238	Coin Meter	Token Rotondi
	575239	Coin Meter	Brass jeton
	575240	Coin Meter	0.5CHF + 2CHF
	575241	Coin Meter	Jeton HAUCK 2018
	575242	Coin Meter	Jeton 08 MS, diameter 24.9mm
	575243	Coin Meter	Jeton D
	575244	Coin Meter	10+50 TWD
	575245	Coin Meter	100+500 ISK
	575246	Coin Meter	Token 118-16
	575247	Coin Meter	Token WH121
	575248	Coin Meter	Token Nr. 1699360

Coin Meter - AF, IY and NY Models (Drawing 2 of 3)

Models with V in 7th Position or G, H, J or K in 13th Position



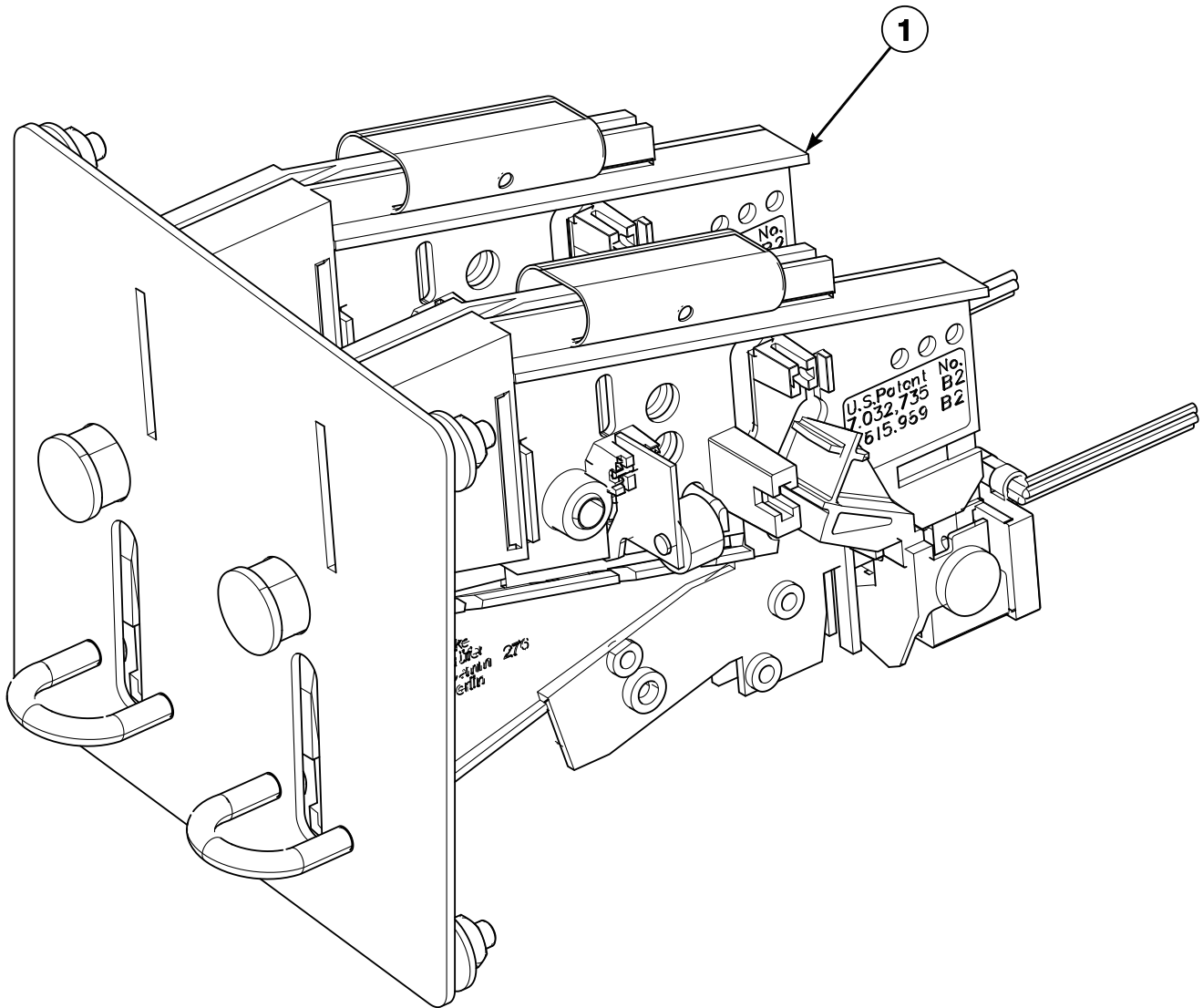
CZW233P_D2354

Coin Meter - AF, IY and NY Models (Drawing 2 of 3)

REF	PART NO.	DESCRIPTION	COMMENTS
1	575278	Coin Meter	0.25USD + 1USD
	575279	Coin Meter	0.25CAD + 1CAD
	575249	Coin Meter	0.25USD + 1USD; 0.25CAD + 1CAD + 2CAD; TK1 + TK2; Electronic EMPv7
	568002	Coin Meter	0.2GBP + 0.5GBP + 1GBP + 2GBP; 0.1EUR + 0.2EUR + 0.5EUR + 1EUR + 2EUR; TK1 + TK2; Electronic EMPv7
	575250	Coin Meter	1DKK + 2DKK + 5DKK + 10DKK + 20DKK; 1NOK + 5NOK + 10NOK + 20NOK; 0.2EUR + 0.5EUR + 1EUR + 2EUR; TK1 + TK2; Electronic EMPv7
	575251	Coin Meter	0.2AUD + 1AUD + 2AUD; 0.2NZD + 1NZD + 2NZD; 5HKD + 10HKD; 500KRW; TK1 + TK2; Electronic EMPv7
	575252	Coin Meter	1CNY; 0.1MYR + 0.2MYR + 0.5MYR; TK1 + TK2; Electronic EMPv7
	575253	Coin Meter	0.1EUR + 0.2EUR + 0.5EUR + 1EUR + 2EUR; TK1 + TK2; Electronic EMPv7
	575254	Coin Meter	1PHP + 5PHP + 10PHP; TK1 + TK2; Electronic EMPv7
	575255	Coin Meter	0.1SGD + 0.2SGD + 0.5SGD + 1SGD; TK1 + TK2; Electronic EMPv7
	575256	Coin Meter	0.1MYR + 0.2MYR + 0.5MYR (old/new); 0.5SGD + 1SGD (old/new); TK1 + TK2; Electronic EMPv7
	575257	Coin Meter	1HRK + 2HRK + 5HRK; TK1 + TK2; Electronic EMPv7
	575258	Coin Meter	5CZK + 10CZK + 20CZK + 50CZK; Token Primus 7K; TK1 + TK2; Electronic EMPv7
	575259	Coin Meter	0.5MAD + 1MAD + 2MAD + 5MAD + 10MAD; TK1 + TK2; Electronic EMPv7
	575260	Coin Meter	1PLN + 2PLN + 5PLN; 0.1EUR + 0.2EUR + 0.5EUR + 1EUR + 2EUR; 10ISK + 50ISK + 100ISK; TK1 + TK2; Electronic EMPv7
	575261	Coin Meter	0.1EUR + 0.2EUR + 0.5EUR + 1EUR + 2EUR; jeton IPSO 5K; TK1 + TK2; Electronic EMPv7
	575262	Coin Meter	0.2GBP + 0.5GBP + 1GBP + 2GBP; 0.1EUR + 0.2EUR + 0.5EUR + 1EUR + 2EUR; TK1: jeton Gettone; TK2: jeton "KLW Aqua"; Electronic EMPv7
	575263	Coin Meter	0.1EUR + 0.2EUR + 0.5EUR + 1EUR + 2EUR; jeton G-FIS "LAVOIR BIANCA" (20x1.8); TK1 + TK2; Electronic EMPv7
	575264	Coin Meter	0.5MYR; jeton "DOBI PAPA" (22.5x2); TK1 + TK2; Electronic EMPv7
	575265	Coin Meter	1AUD + 2AUD; jeton "No Cash Value" (28.6x1.58); TK1 + TK2; Electronic EMPv7
	575266	Coin Meter	0.5MYR; jeton "BUBBLELAB"; TK1 + TK2; Electronic EMPv7
	575267	Coin Meter	1ILS + 2ILS + 5ILS + 10ILS; TK1 + TK2; Electronic EMPv7
	575268	Coin Meter	1ZAR + 2ZAR + 5ZAR; TK1 + TK2; Electronic EMPv7
	575269	Coin Meter	5RUB + 10RUB; TK1 + TK2; Electronic EMPv7
	575270	Coin Meter	50CLP + 100CLP + 500CLP; TK1 + TK2; Electronic EMPv7
	575271	Coin Meter	100JPY + 500JPY; 10TWD + 50TWD; TK1 + TK2; Electronic EMPv7
	575272	Coin Meter	0.5GEL + 1GEL + 2GEL; TK1 + TK2; Electronic EMPv7
	575273	Coin Meter	0.1EUR + 0.2 EUR + 0.5EUR + 1EUR + 2EUR; Jeton 7K; TK1 + TK2; Electronic EMPv7
	579815	Coin Meter	20HUF + 50HUF + 100HUF + 200HUF; TK1 + TK2; Electronic EMPv7
	575275	Coin Meter	1THB + 2THB + 5THB + 10THB; TK1 + TK2; Electronic EMPv7
572386	Coin Meter	0.2CHF + 0.5CHF + 1CHF + 2CHF; TK1 + TK2; Electronic EMPv7	

Coin Meter - AF, IY and NY Models (Drawing 3 of 3)

Models with V in 7th Position or G, H, J or K in 13th Position



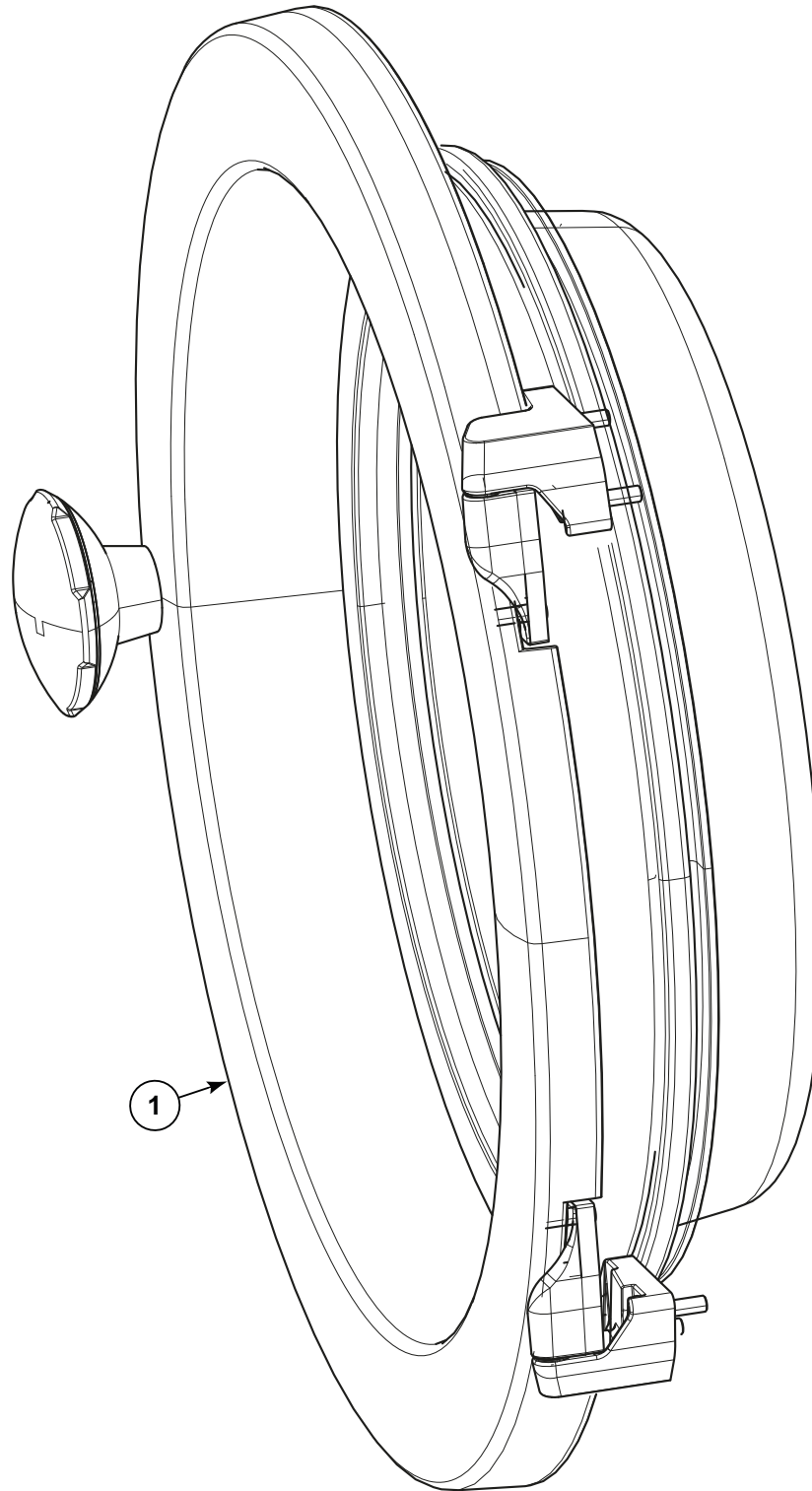
CZW233P_D2354

Coin Meter - AF, IY and NY Models (Drawing 3 of 3)

REF	PART NO.	DESCRIPTION	COMMENTS
1	575201	Coin Meter	5K PRIMUS jeton
	575202	Coin Meter	10K PRIMUS jeton
	575203	Coin Meter	STD 118-1 jeton
	575204	Coin Meter	7K PRIMUS jeton
	575205	Coin Meter	12K PRIMUS jeton
	575206	Coin Meter	15K PRIMUS jeton
	575207	Coin Meter	1AUD + 0.2AUD
	575208	Coin Meter	1POND + 20PC
	575209	Coin Meter	1POND + 50PC
	575210	Coin Meter	100YEN
	575211	Coin Meter	100YEN + 500YEN
	575212	Coin Meter	1AUD + 2AUD
	575213	Coin Meter	1AUD
	575214	Coin Meter	20 penny
	575215	Coin Meter	50 New Malaysian cent
	575216	Coin Meter	1 Singapore dollar
	575217	Coin Meter	2x50 Malaysian cent
	579811	Coin Meter	1EAD, 1TK, 2TK; Electronic EMPv7

Door (Drawing 1 of 4)

All Models without V in 7th Position
AF, FX, IY, JY, NY and PY models with V in 7th Position Starting 1 March 2021



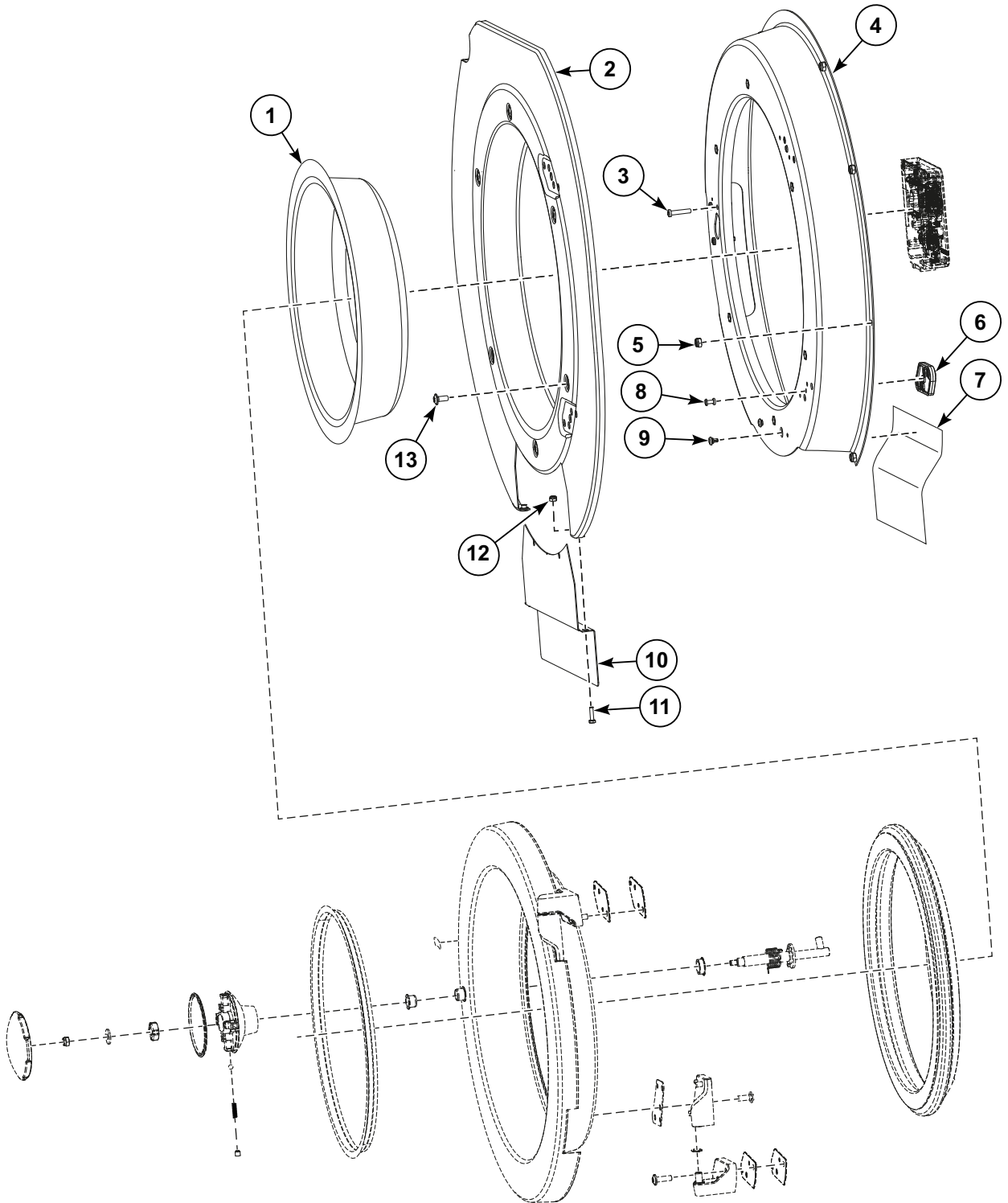
CZW586P_D1714

Door (Drawing 1 of 4)

REF	PART NO.	DESCRIPTION	COMMENTS
	582320	Plexiglass Assembly	Models with V in 7th Position of the model number
	SP552454	Door Lock Wiring	CSA models; Except models with V in 7th Position, MC7
	SP552453	Door Lock Wiring	CE models; Except models with V in 7th Position
	569723	Door Lock Wiring	CE models; Models with V in 7th Position
	SP537896	Adhesive	Reversible
	SP245704000603	Adhesive	Loctite 603; Used with SP537854 Bolt
	SP245704003021	Adhesive	Loctite 243
	568989	Service Door Kit	Includes 569352 Door Seal, 568804 Shim, 560069 Shim, SPPRI722000004 Plastic Protection, SPPRI722000001 Plastic Protection and SP345000160971 Binding Strip
1	SP556272	Door Assembly	HY, SY and UY models; Items 1-13 in <i>(Drawing 2 of 4)</i> , 1-17 in <i>(Drawing 3 of 4)</i> and 1-10 in <i>(Drawing 4 of 4)</i>
	537930	Door Assembly	FX, HX, PY and SW models; Items 1-13 in <i>(Drawing 2 of 4)</i> , 1-17 <i>(Drawing 3 of 4)</i> and 1-10 <i>(Drawing 4 of 4)</i>
	582301	Door Assembly	FX and PY models with N, U or 8 in 10th position of the model number; Items 1-13 in <i>(Drawing 2 of 4)</i> , 1-17 <i>(Drawing 3 of 4)</i> and 1-10 <i>(Drawing 4 of 4)</i>
	574099	Door Assembly	AF and NY models with "G", "H", "J" or "K" in 13th Position; Items 1-13 in <i>(Drawing 2 of 4)</i> , 1-17 in <i>(Drawing 3 of 4)</i> and 1-10 in <i>(Drawing 4 of 4)</i>
	537932	Door Assembly	AF, AF Non-Brand, LP, LY and NY models; Items 1-13 in <i>(Drawing 2 of 4)</i> , 1-17 in <i>(Drawing 3 of 4)</i> and 1-10 in <i>(Drawing 4 of 4)</i>
	563372	Door Assembly	IY models with "G", "H", "J" or "K" in 13th Position; Items 1-13 in <i>(Drawing 2 of 4)</i> , 1-17 in <i>(Drawing 3 of 4)</i> and 1-10 in <i>(Drawing 4 of 4)</i>
	556254	Door Assembly	IY models; Items 1-13 in <i>(Drawing 2 of 4)</i> , 1-17 in <i>(Drawing 3 of 4)</i> and 1-10 in <i>(Drawing 4 of 4)</i>
	SP559369	Door Assembly	KIS_PHOTO-ME; Items 1-13 in <i>(Drawing 2 of 4)</i> , 1-17 in <i>(Drawing 3 of 4)</i> and 1-10 in <i>(Drawing 4 of 4)</i>
	573186	Door Assembly	JY models with V in 7th Position; Items 1-13 in <i>(Drawing 2 of 4)</i> , 1-17 in <i>(Drawing 3 of 4)</i> and 1-10 in <i>(Drawing 4 of 4)</i>
	562706	Door Assembly	JY models; litems 1-13 in <i>(Drawing 2 of 4)</i> , 1-17 in <i>(Drawing 3 of 4)</i> and 1-10 in <i>(Drawing 4 of 4)</i>

Door (Drawing 2 of 4)

All Models without V in 7th Position
AF, FX, IY, JY, NY and PY models with V in 7th Position Starting 1 March 2021



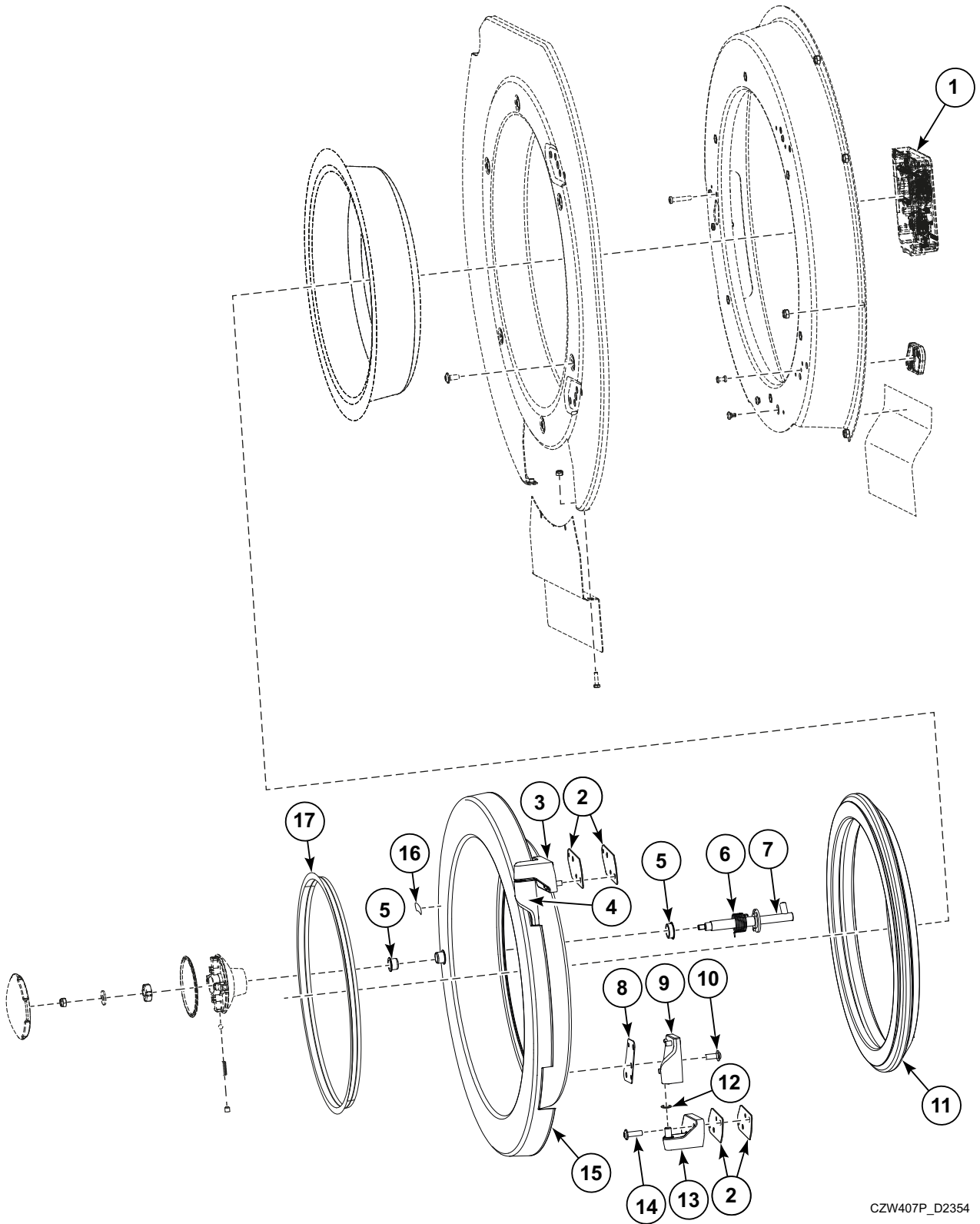
CZW370P_D2354

Door (Drawing 2 of 4)

REF	PART NO.	DESCRIPTION	COMMENTS
1	SP535439	Door Glass	AF, AF Non-Brand, FX, HX, HY, LP, LY, NY, PY, SW, SY and UY models
	SP556228	Door Glass	IY models
	573192	Door Glass	JY models with V in 7th Position
	SP562703	Door Glass	JY models
2	571723	Front Panel	Black
	571726	Front Panel	Stainless
	568977	Front Panel	Models with V in 7th Position of the model number through 28 February 2021; Black
	569000	Front Panel	Models with V in 7th Position of the model number through 28 February 2021; Stainless
	579115	Front Panel	KIS_PHOTO-ME; Stainless steel 316L
3	SP556137	Bolt	M5x25
4	SP537883	Door and Lock Holder	
	568931	Door and Lock Holder	Models with V in 7th Position of the model number through 28 February 2021
5	SP310985000006	Nut	M6
6	SP537849	Hinge Spacer	
7	SP552972	Heating Element Cover	Models with A, D, F, I, J, R, T or X in 7th Position of the model number
	568937	Heating Element Cover	Models with V in 7th Position of the model number
8	SP547779	Rivet	4x16.7
9	SP537856	Connector	
10	SP563275	Heating Element Front Cover	Black
	568987	Heating Element Front Cover	Stainless
	579089	Heating Element Front Cover	KIS_PHOTO-ME; Stainless steel 316L
11	SP309084000416	Bolt	M4x16
12	SP313251002104	Nut	M4
13	SP537854	Bolt	M6x14

Door (Drawing 3 of 4)

All Models without V in 7th Position
AF, FX, IY, JY, NY and PY models with V in 7th Position Starting 1 March 2021



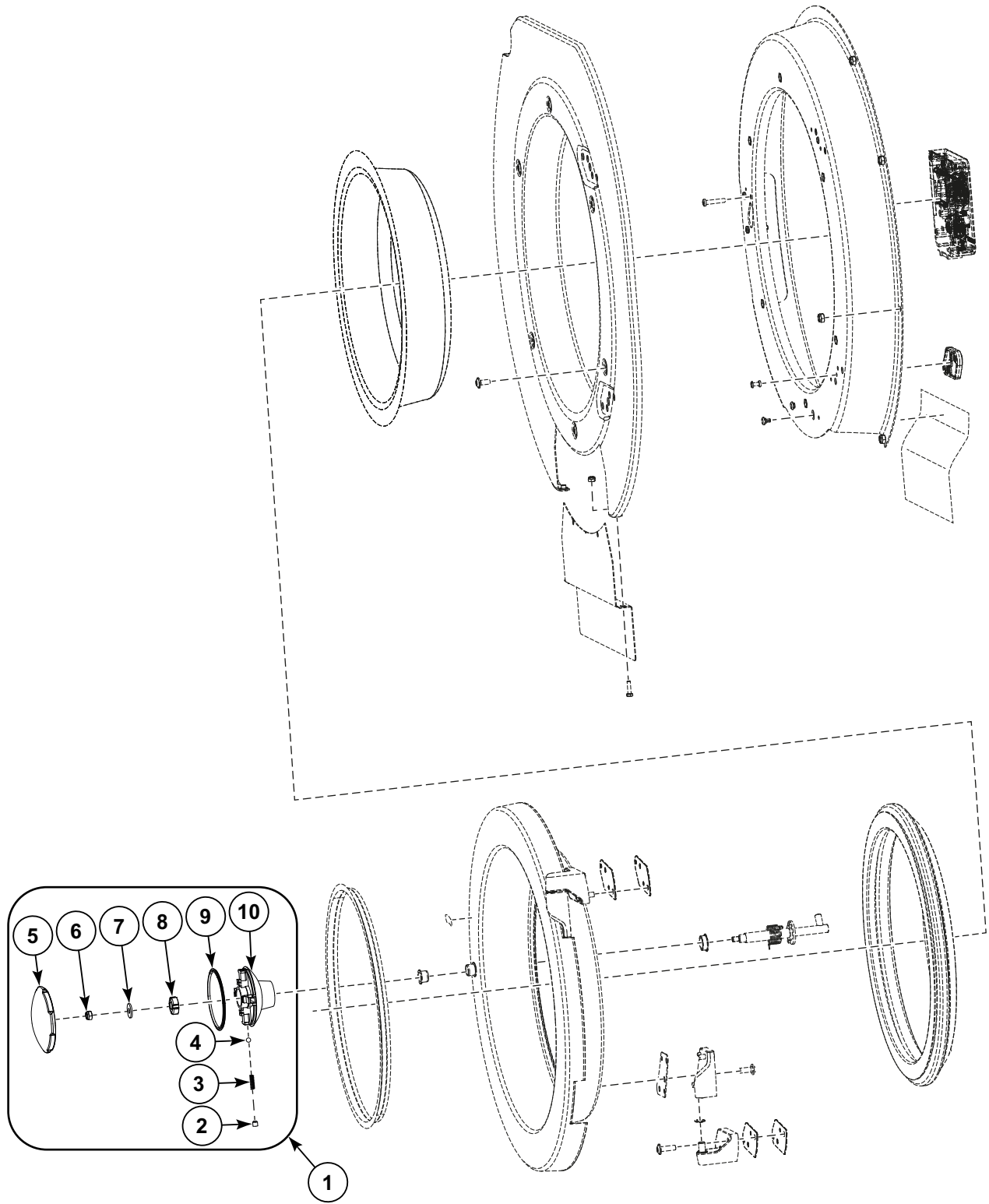
CZW407P_D2354

Door (Drawing 3 of 4)

REF	PART NO.	DESCRIPTION	COMMENTS
	563260	Plasticine	Used with handle
	570554	Kit of Hinges	HY, SY and UY models; includes 568981, 568984, 575962, 575965 and 571642
	570553	Kit of Hinges	All other models; includes 568979, 568982, 575960, 575963 and 571642
1	SP537760	Lock	
2	568804	Shim	
3	568981	Fixed Upper Hinge	HY, SY and UY models; Used with 568804 Shim, not included
	568979	Fixed Upper Hinge	AF, AF Non-Brand, FX, HX, IY, J, LP, LY, NY, PY and SW models; Used with 568804 Shim, not included
4	575962	Upper Hinge	HY, SY and UY models; with Case
	575960	Upper Hinge	AF, AF Non-Brand, FX, HX, IY, J, LP, LY, NY, PY and SW models; with Case
5	SP529739	Casing	
6	SP535402	Handle Torsion Spring	
7	SP537933	Lock Pin	
8	SP535421	Hinge Spacer	
9	575965	Lower Hinge	HY, SY and UY models; KIS_PHOTO-ME; with Case
	575963	Lower Hinge	AF, AF Non-Brand, FX, HX, IY, J, LP, LY, NY, PY and SW models; with Case
10	SP537864	Bolt	M6x16
11	568989	Service Door Kit	
12	571642	Washer	
13	568984	Fixed Hinge	HY, SY and UY models; KIS_PHOTO-ME; Lower; Used with 568804 Shim, not included
	568982	Fixed Hinge	AF, AF Non-Brand, FX, HX, IY, J, LP, LY, NY, PY and SW models; Lower; Used with 568804 Shim, not included
14	SP535479	Bolt	M6x25
15	SP535443	Door	HY, SY and UY models; FX, HX, PY and SW models through Serial No. 280FX002885MB; KIS_PHOTO-ME; Chrome
	SP553527	Door	FX, HX, PY and SW models starting Serial No. 280FX002886MB; KIS_PHOTO-ME; Gray
	SP535445	Door	AF, AF Non-Brand, IY, J, LP, LY and NY models; Black
	568838	Door	AF, IY and NY models with "G", "H", "J" or "K" in 13th Position; Black
16	SP564831	Label	Door Lock; PYN models; Vended; CSA
17	SP562547	Rim	IY models with "G", "H", "J" or "K" in 13th Position
	573189	Rim	J models with V in 7th Position
	582298	Rim	FX and PY models with N, U or 8 in 10th position of the model number

Door (Drawing 4 of 4)

All Models without V in 7th Position
AF, FX, IY, JY, NY and PY models with V in 7th Position Starting 1 March 2021



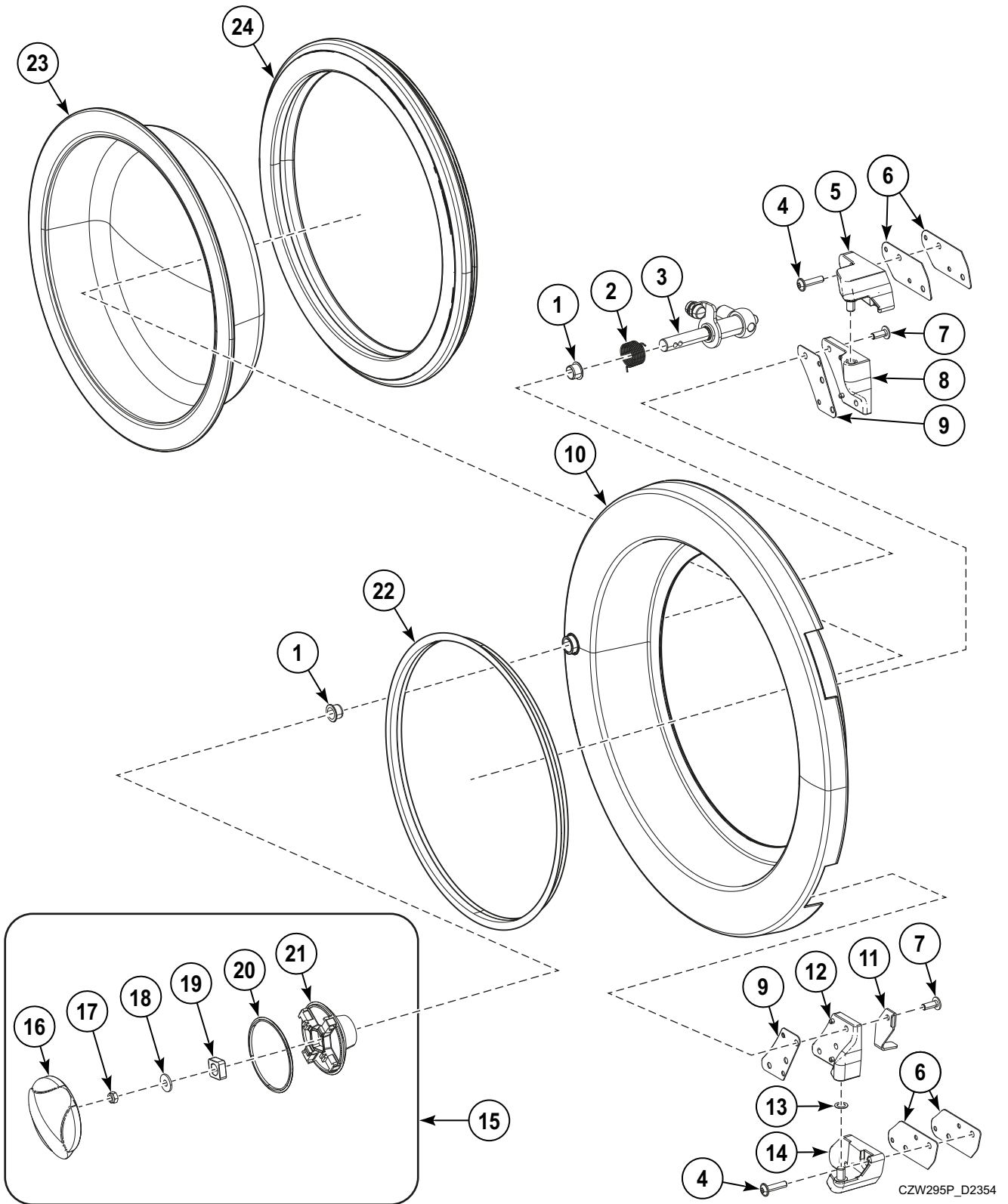
CZW372P_D2354

Door (Drawing 4 of 4)

REF	PART NO.	DESCRIPTION	COMMENTS
1	SP556297	Handle	HY, SY and UY models
	SP552909	Handle	AF, AF Non-Brand, IY, LP, LY and NY models
	SP552908	Handle	FX, HX, PY and SW models
	582330	Handle	FX and PY models with N, U or 8 in 10th position of the model number
	562898	Handle	JY models
	569335	Handle	KIS_PHOTO-ME
	571788	Handle	AF, IY and NY models with "G", "H", "J" or "K" in 13th Position
2	582341	Bolt	M6x8
3	SP535406	Compression Spring	
4	SP535407	Handle Ball	
5	SP556278	Holder Cover	HY, SY and UY models
	SP535438	Holder Cover	AF, AF Non-Brand, IY, J, LP, LY and NY models
	SP535430	Holder Cover	FX, HX, PY and SW models
	569331	Holder Cover	KIS_PHOTO-ME
6	SP310985000006	Nut	M6
7	SP311902100006	Washer	M6
8	SP529710	Locating Segment	
9	582329	Distinguishing Ring	FX, HX, HY, J, PY, SW, SY and UY models; Blue
	SP535437	Distinguishing Ring	AF, AF Non-Brand, IY, LP, LY and NY models; KIS_PHOTO-ME; Red
	571733	Distinguishing Ring	AF, IY and NY models with "G", "H", "J" or "K" in 13th Position; Red
10	SP535429	Handle Lower Part	

Door

AF, IY, JY and NY models with V in 7th Position Through 28 February 2021

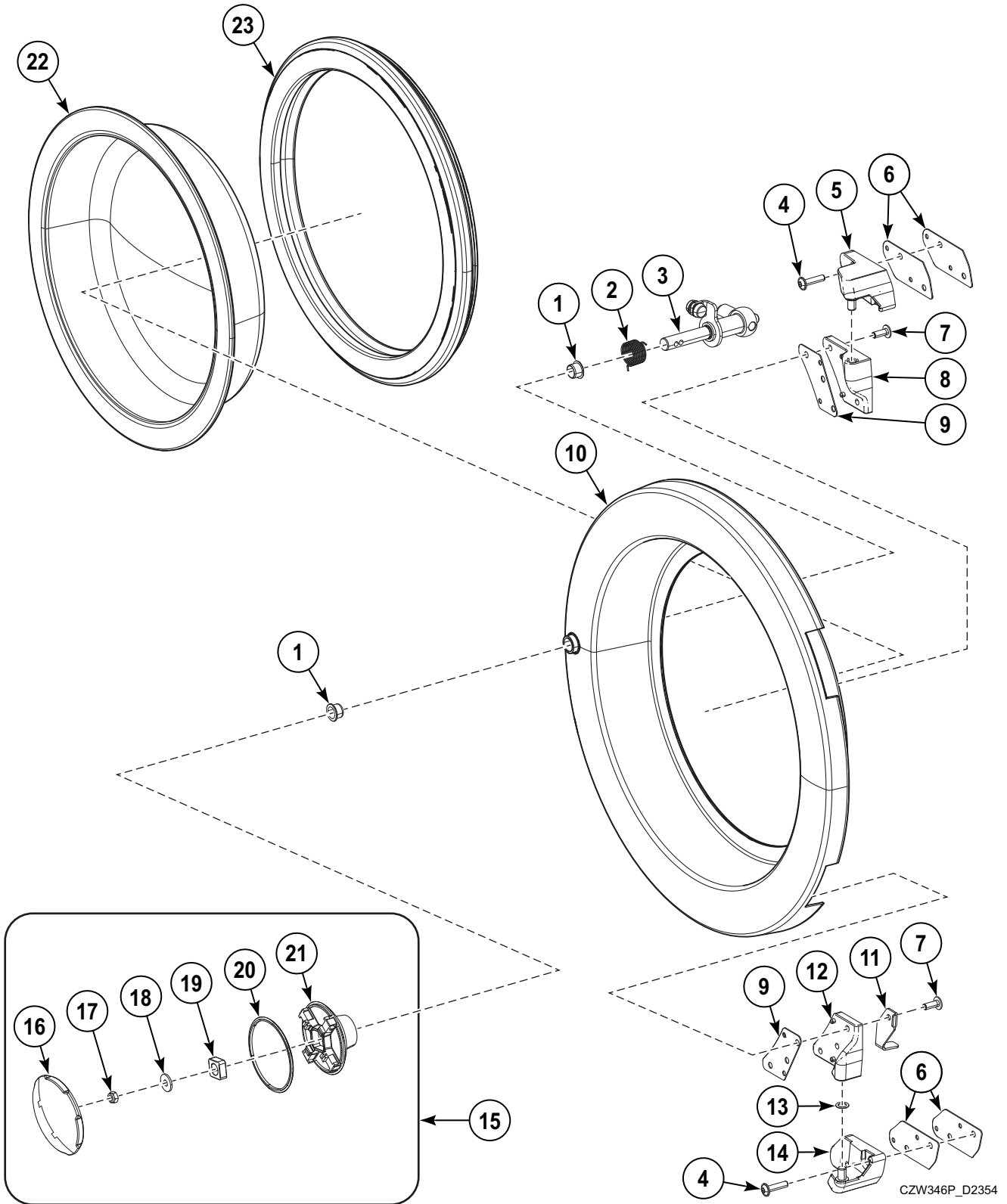


Door

REF	PART NO.	DESCRIPTION	COMMENTS
	571768	Door Assembly	IY models; Black; Includes items 1-24; Through Serial No. 280FX004365SH
	570553	Kit of Hinges	Includes 568979, 568982, 575960, 575963 and 571642
1	SP529739	Casing	
2	SP535402	Handle Torsion Spring	
3	571762	Door Level	
4	SP535479	Bolt	M6x25
5	568979	Fixed Upper Hinge	
6	568804	Shim	
7	SP537864	Bolt	M6x16
8	575960	Upper Hinge	with Case
9	SP535421	Hinge Spacer	
10	568838	Door	Black
11	571636	Door Frame Sheet	
12	575963	Lower Hinge	with Case
13	571642	Washer	
14	568982	Fixed Hinge	Lower
15	571781	Handle	
16	SP535438	Holder Cover	
17	SP310985000006	Nut	M6
18	SP311902100006	Washer	M6
19	571773	Locating Segment	
20	571733	Distinguishing Ring	
21	571779	Handle Lower Part	
22	SP562547	Rim	
23	SP556228	Door Glass	IY models; With logo
24	568989	Service Door Kit	

Door

FX and PY models with V in 7th Position Through 28 February 2021

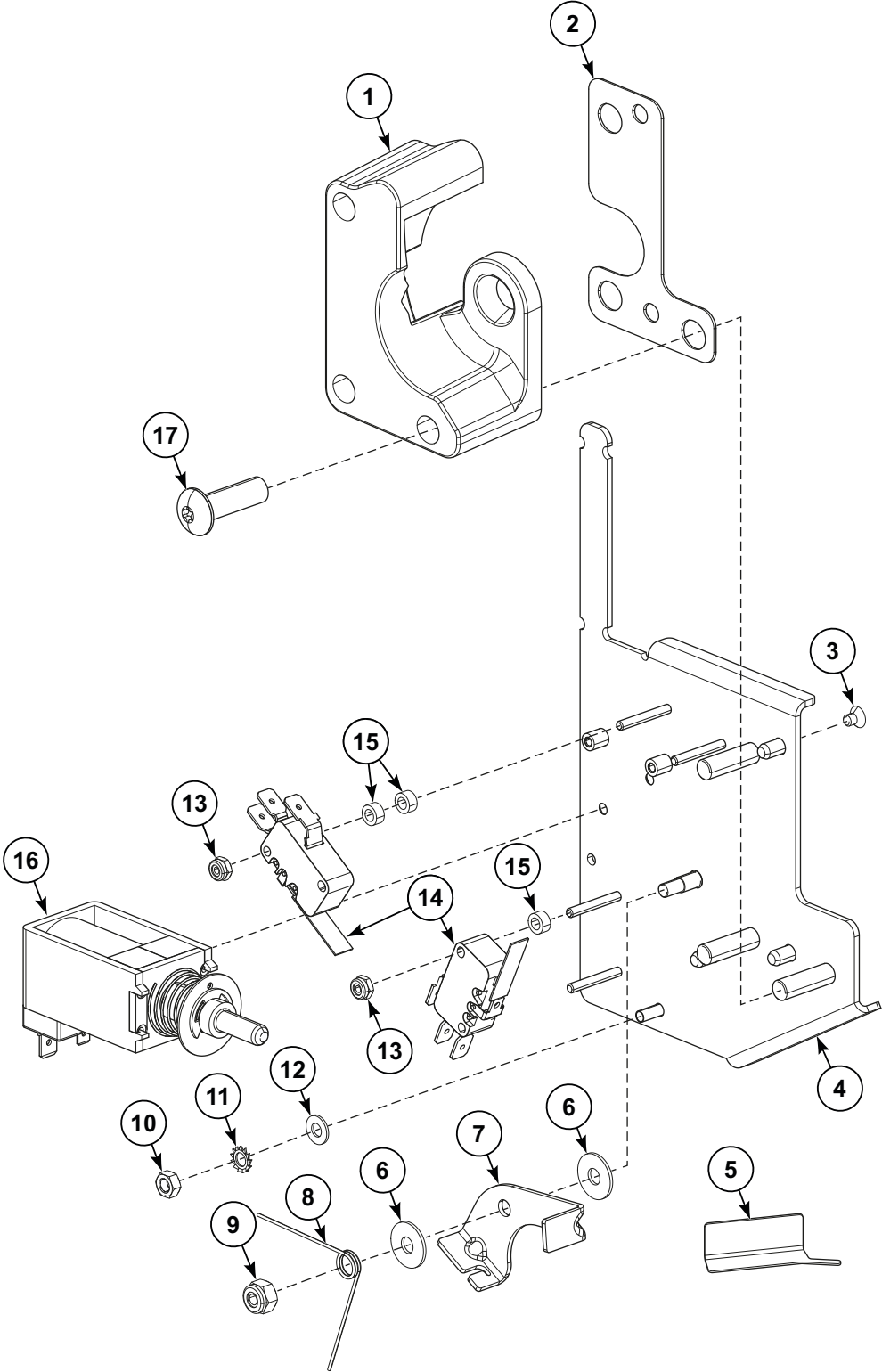


Door

REF	PART NO.	DESCRIPTION	COMMENTS
	571765	Door Assembly	Gray; Includes items 1-23; Through Serial No. 280FX004365SH
	570553	Kit of Hinges	Includes 568979, 568982, 575960, 575963 and 571642
1	SP529739	Casing	
2	SP535402	Handle Torsion Spring	
3	571762	Door Level	
4	SP535479	Bolt	M6x25
5	568979	Fixed Upper Hinge	
6	568804	Shim	
7	SP537864	Bolt	M6x16
8	575960	Upper Hinge	with Case
9	SP535421	Hinge Spacer	
10	SP553527	Door	
11	571636	Door Frame Sheet	
12	575963	Lower Hinge	with Case
13	571642	Washer	
14	568982	Fixed Hinge	Lower
15	571780	Handle	
16	SP535430	Holder Cover	
17	SP310985000006	Nut	M6
18	SP311902100006	Washer	M6
19	571773	Locating Segment	
20	582329	Distinguishing Ring	
21	571779	Handle Lower Part	
22	SP535439	Door Glass	
23	568989	Service Door Kit	

Door Lock - Models with Serial No. Through 280FX004365SH

Models with V in 7th Position



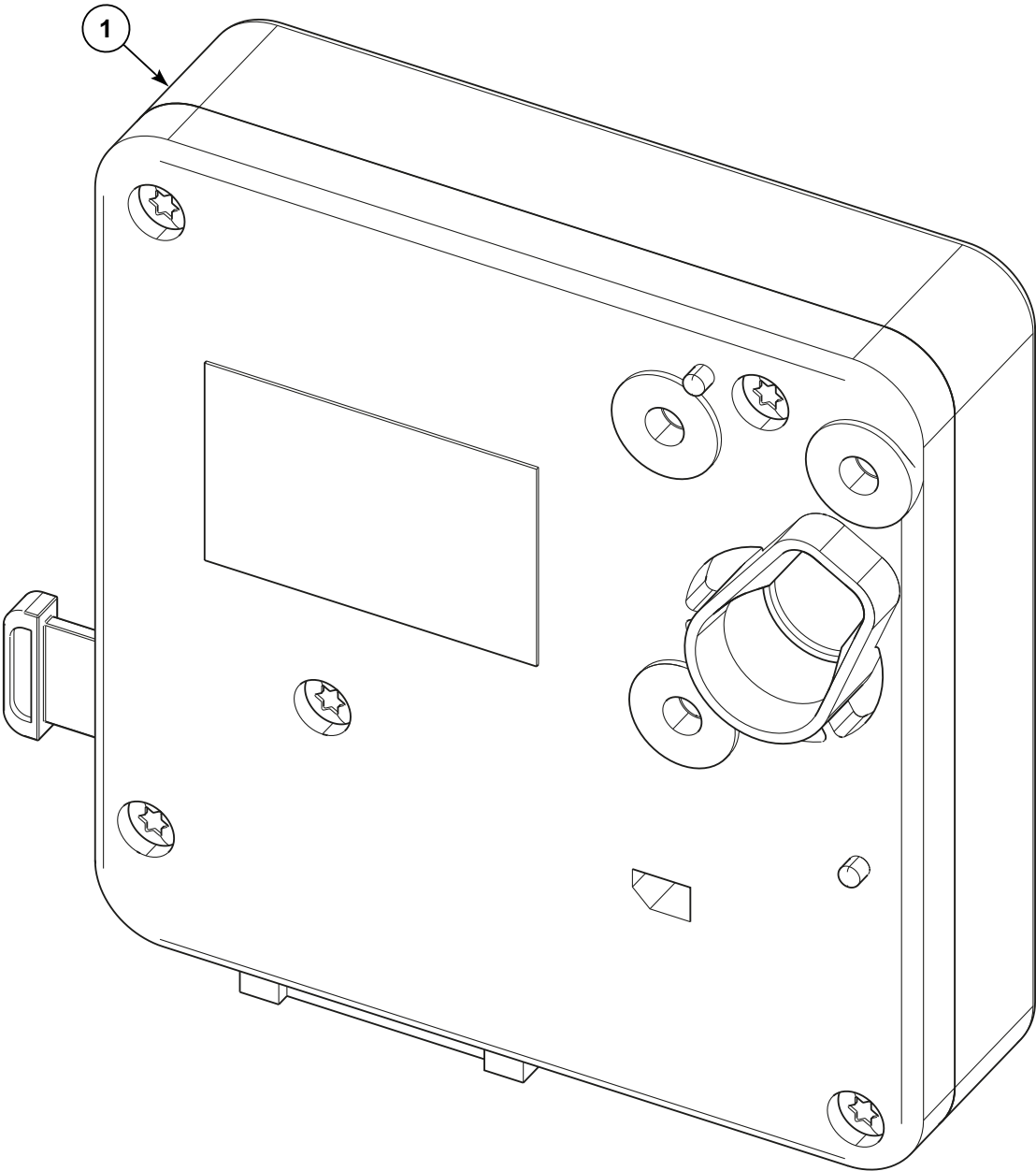
CZW588P_D1714

Door Lock - Models with Serial No. Through 280FX004365SH

REF	PART NO.	DESCRIPTION	COMMENTS
	576085	Door Lock Assembly	Includes item 1-16, 569751 Door Lock Cable, SP345000160996 Binding Strip, 571466 Door Lock Switch Cable
1	576084	Door Lock Catch	
2	582327	Washer	
3	F430977	Screw	
4	568971	Door Lock Plate	
5	571615	Emergency Opener	For door lock
6	F8193101	Washer	
7	568941	Closing Plate	
8	571612	Torsion/Door Lock Spring	
9	F430232	Nut	
10	SP310934240004	Nut	M4
11	SP311679824004	Washer	4
12	SP311125240004	Washer	4
13	F430225	Nut	
14	568978	Microswitch	
15	F431901	Spacer	
16	568942	Coil	
17	F8270701	Bolt	Stainless
	568968	Bolt	Black

Door Lock - Models with Serial No. Starting 280FX004366SH

Models with V in 7th Position



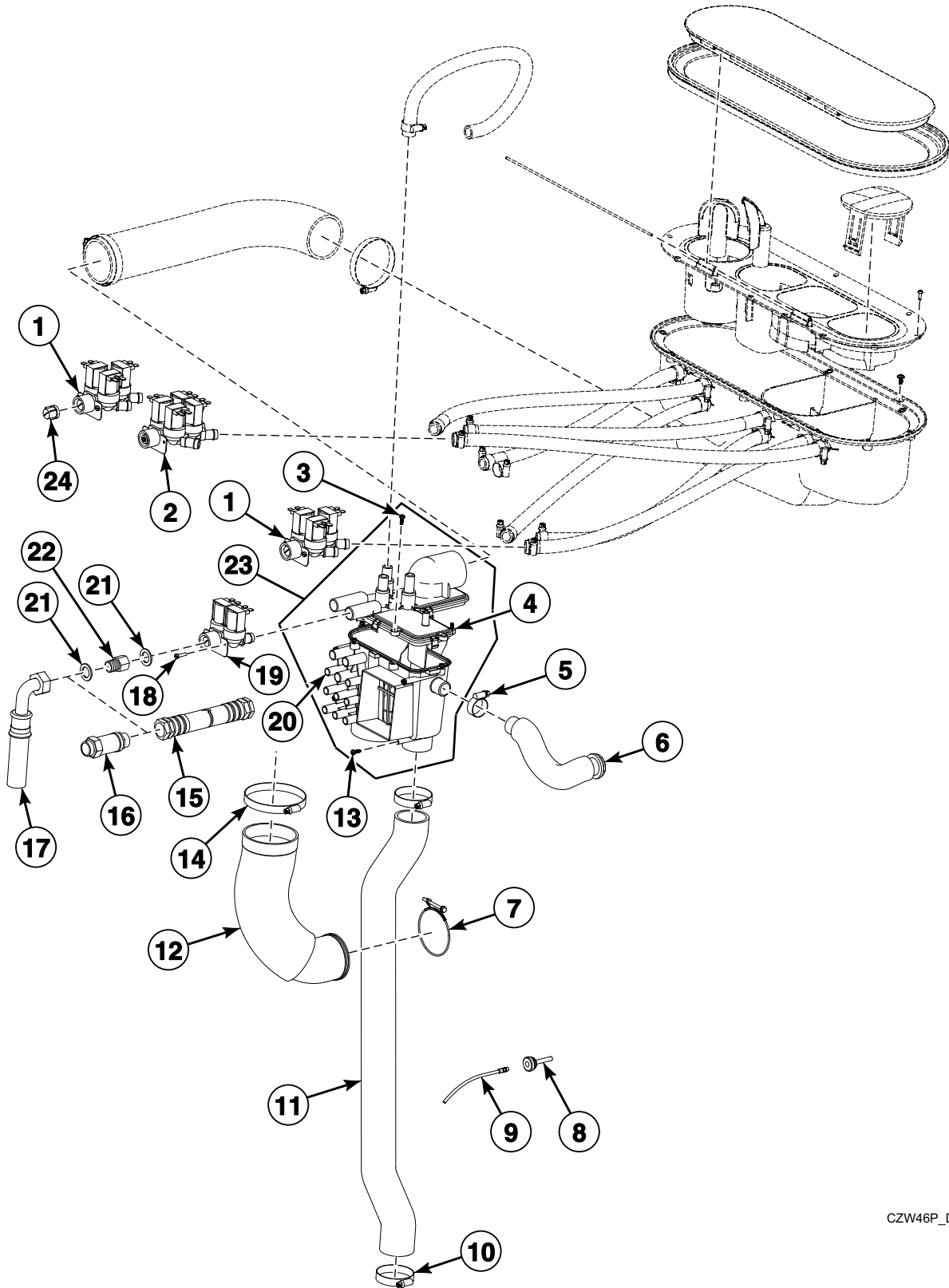
CZW360P_D2354

Door Lock - Models with Serial No. Starting 280FX004366SH

REF	PART NO.	DESCRIPTION	COMMENTS
1	SP537760	Lock	

Water Inlet System (Drawing 1 of 2)

Except Models with V in 7th Position



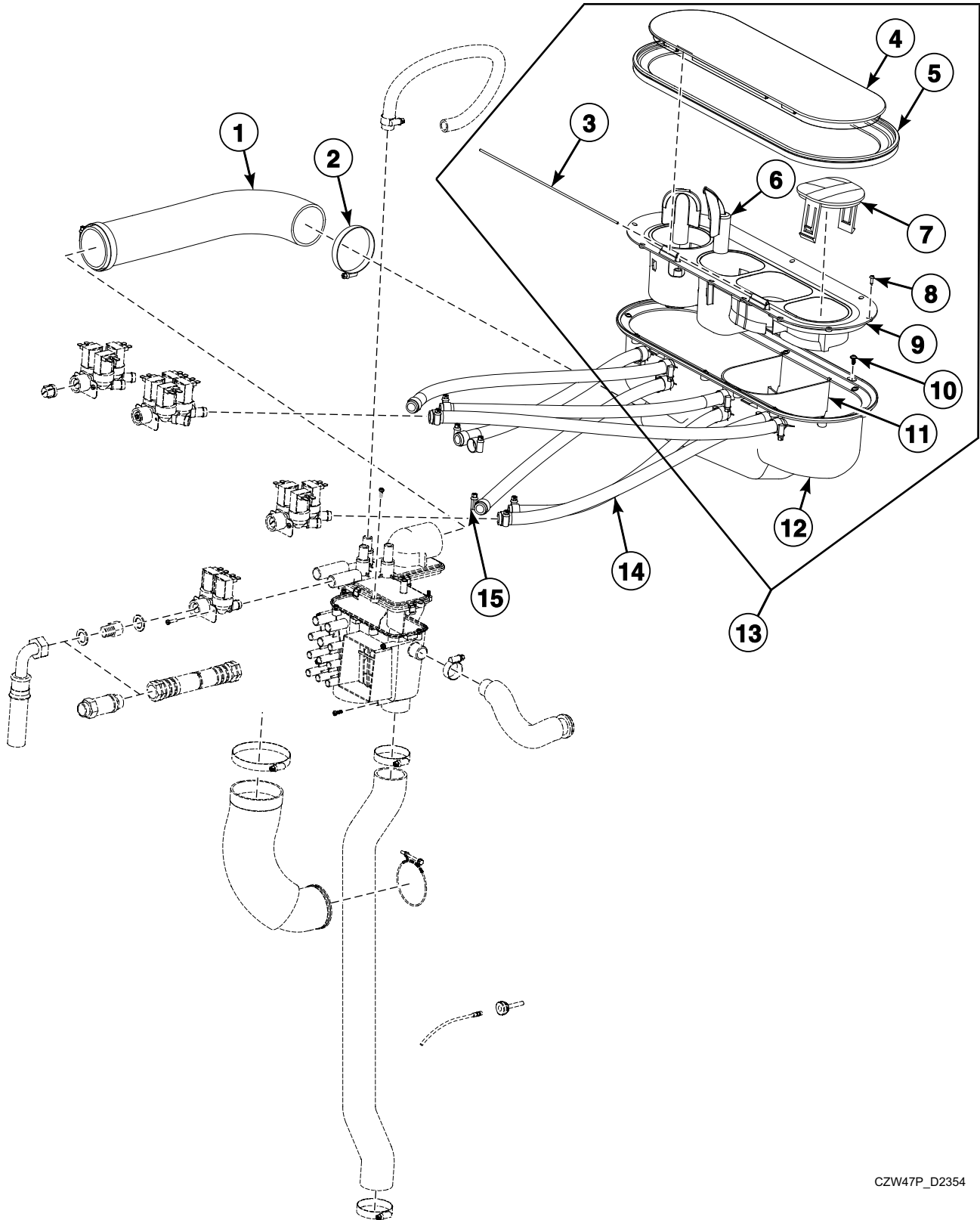
CZW46P_D2354

Water Inlet System (Drawing 1 of 2)

REF	PART NO.	DESCRIPTION	COMMENTS
	SPPRI704000053	Sealant	Used with SP540115 Main Vessel
	F8301201	Double Check Valve	JY models; Used with SPPRI426001217 Pipe Nipple 3/4 inch; CE
1	SP547959	3-Way Valve	3/4 inch
2	SP548933	4-Way Valve	3/4 inch
3	SP526497	Screw	M4x12
4	SP526557	Mixer Lid	
5	SPPRI240000003	Hose Clamp	20-32
6	SP526510	Vent Hose	
7	SP526491	Hose Clamp	62-70
8	SP526439	Temperature Sensor Seal	
9	503839	Temperature Sensor	
10	SPPRI240000017	Hose Clamp	40-60
11	SP554148	Overflow Tube	
12	SP526506	Filling Elbow Pipe	
13	SP526497	Screw	4x12
14	SPPRI240000007	Hose Clamp	70-90
15	RSPF200166	Filling Hose Pipe	IYY, LYY, NYY, PYY, SYE and UYY models
16	B12543901	Double Reverse Valve	IYY, LYY, NYY, PYY, SYE and UYY models
17	SPPRI505000054	Filling Hose Pipe	Used with cold water
	SP547980	Filling Hose Pipe	Used with hot water
	SP101621	Filling Hose Pipe	Valid for water approval
	F200164	Water Hose	PYN models; North America
18	SP309084000416	Bolt	4x16
19	SP547958	2-Way Valve	3/4 inch
20	SP526565	Mixer Body	
21	SPPRI520001009	Seal	
22	567174	Reduction	PYN models; 3/4 inch; BSP/GHT; North America
23	SP526558	Mixer	
24	SPPRI340004030	Filter	

Water Inlet System (Drawing 2 of 2)

Except Models with V in 7th Position



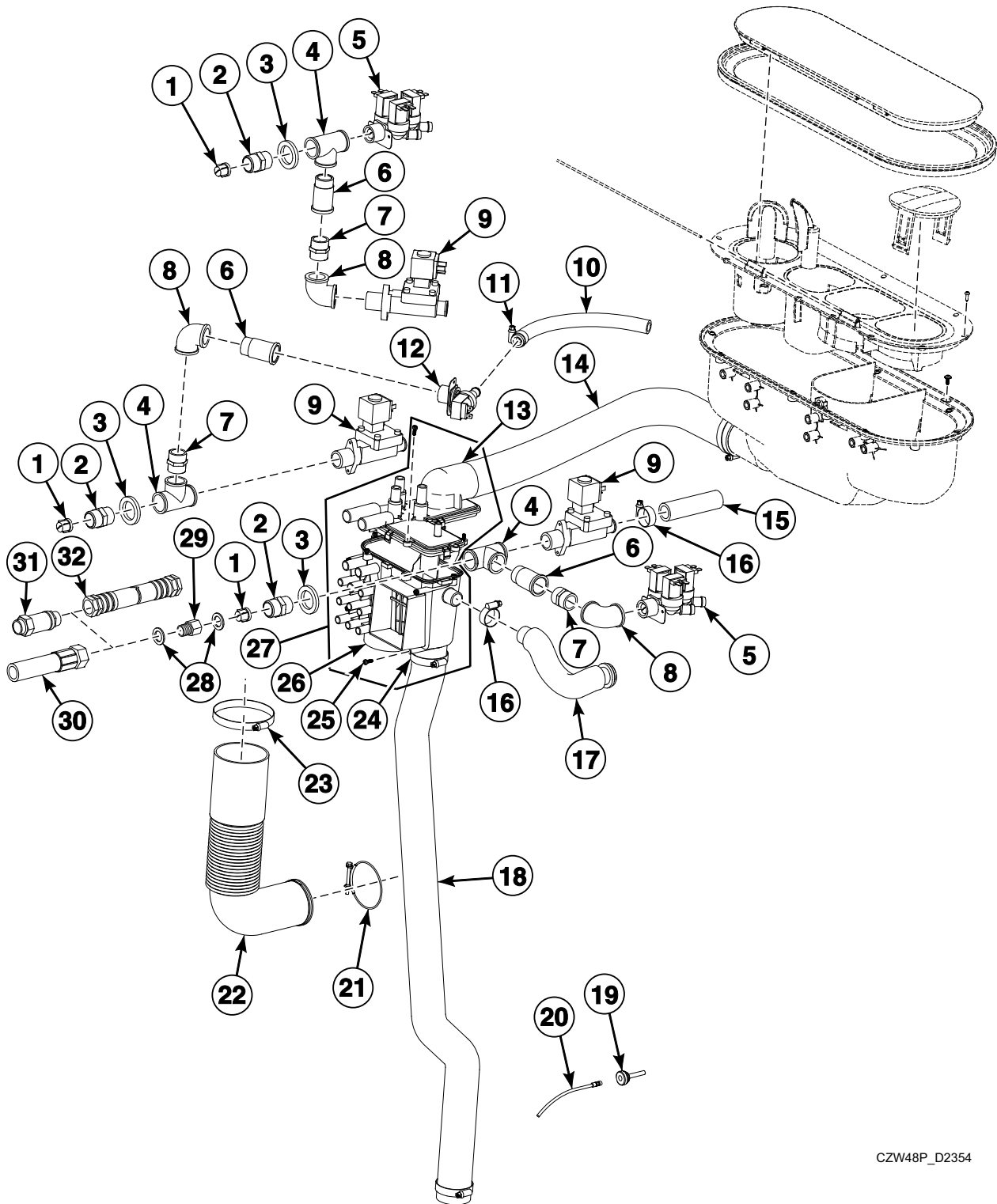
CZW47P_D2354

Water Inlet System (Drawing 2 of 2)

REF	PART NO.	DESCRIPTION	COMMENTS
1	SP554128	Dispenser Pipe	
2	SPPRI240000021	Hose Clamp	60-80
3	SP540117	Pin	
4	SP551695	Dispenser Lid	HY, SY and UY models
	SP526461	Dispenser Lid	AF, AF Non-Brand, FX, HX, IY, J, LP, LY, NY, PY and SW models
5	SP540158	Dispenser Seal	
6	SP540113	Flap	
7	SP526468	Soap Hopper Plug	
8	SP309798124313	Screw	ST3.5x13
9	SP540112	Soap Hopper Upper Cover	
10	SP529206	Screw	4x11
11	SP540116	Internal Vessel	
12	SP540115	Main Vessel	
13	SP554214	Soap Hopper	HY, SY and UY models
	SP540164	Soap Hopper	AF, AF Non-Brand, FX, HX, IY, J, LP, LY, NY, PY and SW models
14	SPPRI540000014	Hose	13/19
	SP101745	Hose Pipe	Valid for water approval
15	SPPRI240000002	Hose Clamp	12-22

Water Inlet System - Optional (Drawing 1 of 2)

Except Models with V in 7th Position



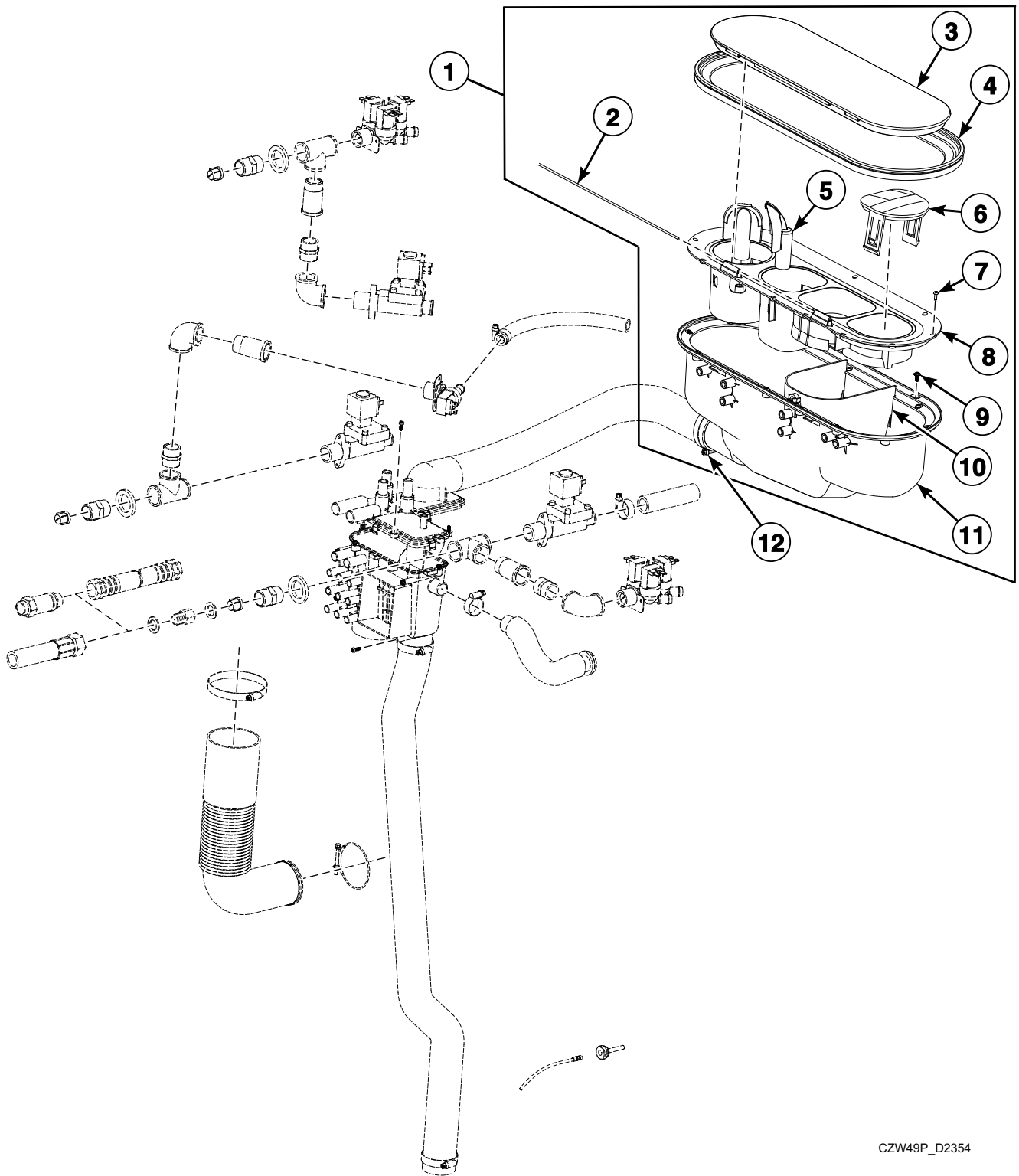
CZW48P_D2354

Water Inlet System - Optional (Drawing 1 of 2)

REF	PART NO.	DESCRIPTION	COMMENTS
	F8301201	Double Check Valve	JY models; Used with SPPRI426001217 Pipe Nipple 3/4 inch; CE
1	SPPRI340004030	Filter	
2	SP510120	Pipe Nipple	3/4 inch
3	SPPRI231000062	Washer	28x42x5
4	SPPRI426001107	Tee	3/4 inch
5	SP547959	3-Way Valve	3/4 inch
6	SPPRI426003217	Extension	3/4 inch x 40
7	SPPRI426001217	Pipe Nipple	3/4 inch
8	SPPRI426002072	Elbow	3/4 inch
9	SP567064	1-Way Valve	3/4 inch; Uses SP525821 Valve Repair Kit
10	SPPRI540000014	Hose	13/19
11	SPPRI240000002	Hose Clamp	12-22
12	SP554211	1-Way Valve	3/4 inch
13	SP526557	Mixer Lid	
14	SP554128	Dispenser Pipe	
15	SPPRI540001019	Hose	
16	SPPRI240000003	Hose Clamp	20-32
17	SP526510	Vent Hose	
18	SP554148	Overflow Tube	
19	SP526439	Temperature Sensor Seal	
20	503839	Temperature Sensor	
21	SP526491	Hose Clamp	62-70
22	SP526506	Filling Elbow Pipe	
23	SPPRI240000007	Hose Clamp	70-90
24	SPPRI240000017	Hose Clamp	40-60
25	SP526497	Screw	4x12
26	SP526565	Mixer Body	
27	SP526558	Mixer	
28	SPPRI520001009	Seal	
29	567174	Reduction	PYN models; 3/4 inch; BSP/GHT; North America
30	SP533036	Filling Hose Pipe	
	F200164	Water Hose	PYN models; North America
	SP101621	Filling Hose Pipe	Valid for water approval
31	RSPB12543901	Double Reverse Valve	IYY, LYY, NYY, PYY, SYU and UYY models
32	RSPF200166	Filling Hose Pipe	IYY, LYY, NYY, PYY, SYU and UYY models

Water Inlet System - Optional (Drawing 2 of 2)

Except Models with V in 7th Position



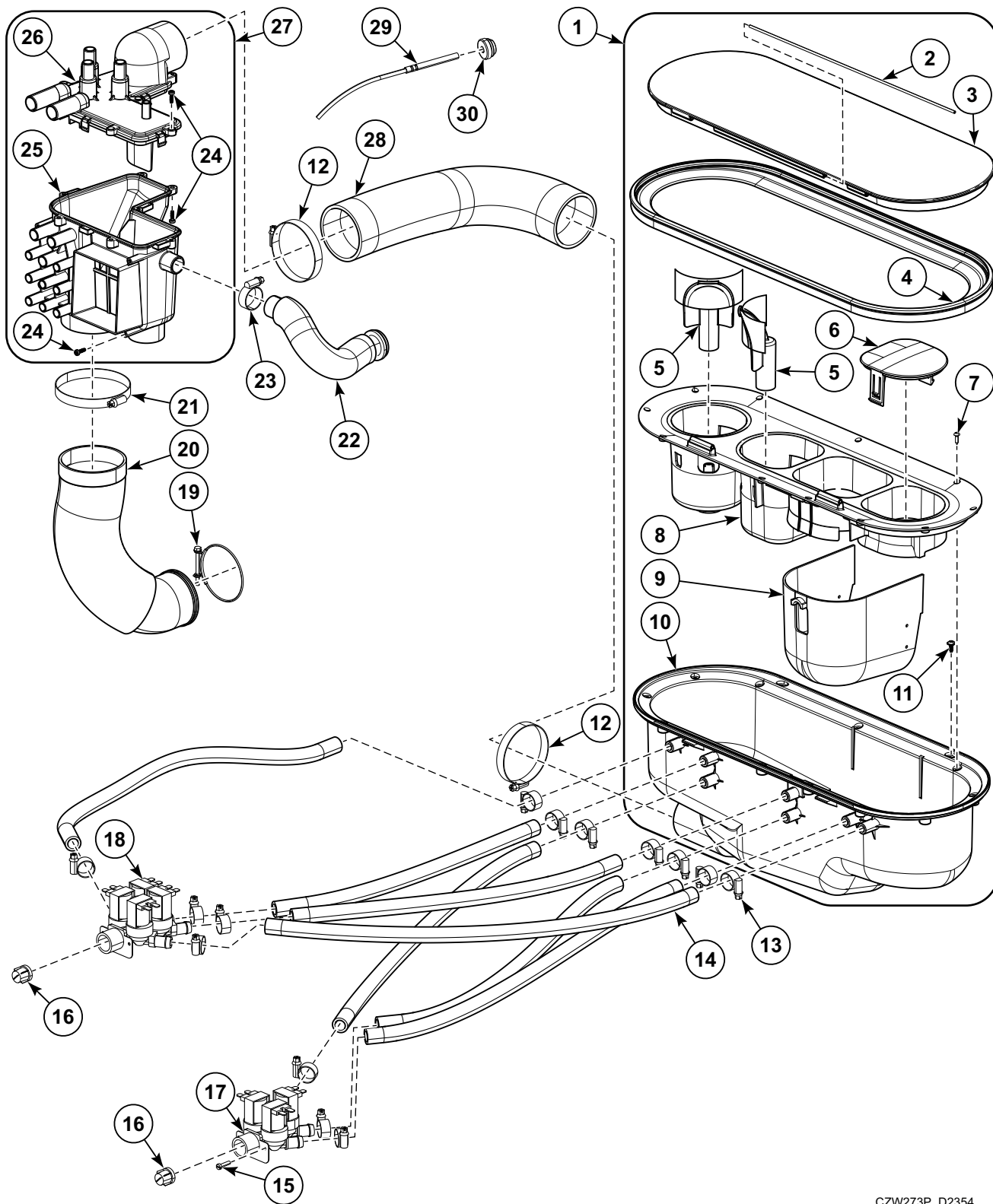
CZW49P_D2354

Water Inlet System - Optional (Drawing 2 of 2)

REF	PART NO.	DESCRIPTION	COMMENTS
1	SP554214	Soap Hopper	HY, SY and UY models
	SP540164	Soap Hopper	AF, AF Non-Brand, FX, HX, IY, J, LP, LY, NY, PY and SW models
2	SP540117	Pin	
3	SP551695	Dispenser Lid	HY, SY and UY models
	SP526461	Dispenser Lid	AF, AF Non-Brand, FX, HX, IY, J, LP, LY, NY, PY and SW models
4	SP540158	Dispenser Seal	
5	SP540113	Flap	
6	SP526468	Soap Hopper Plug	
7	SP309798124313	Screw	ST3.5x13
8	SP540112	Soap Hopper Upper Cover	
9	SP529206	Screw	4x11
10	SP540116	Internal Vessel	Big
11	SP540115	Main Vessel	Requires SPPRI704000053 Silicon Sealant
12	SPPRI240000021	Hose Clamp	60-80

Two Water Inlet System

Models with V in 7th Position



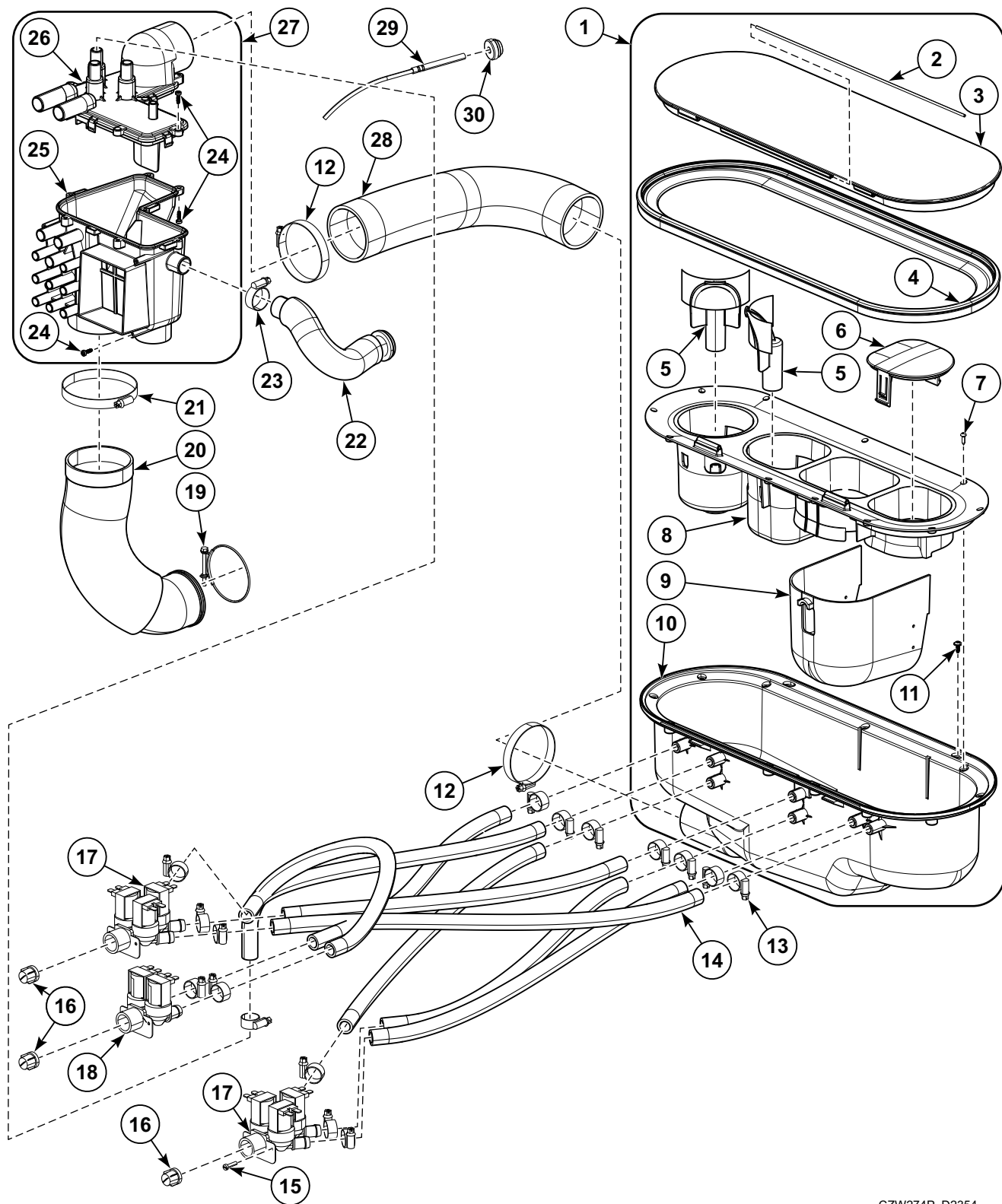
CZW273P_D2354

Two Water Inlet System

REF	PART NO.	DESCRIPTION	COMMENTS
	SPPRI505000054	Filling Hose Pipe	Used with cold water; used with SPPRI520001009 Seal
	SP547980	Filling Hose Pipe	Used with hot water; used with SPPRI520001009 Seal
	SP101621	Filling Hose Pipe	Used with water approval WRAS; used with SPPRI520001009 Seal
1	SP540164	Soap Hopper Assembly	CE models
2	SP540117	Pin	
3	SP526461	Dispenser Lid	CE models
4	SP540158	Dispenser Seal	
5	SP540113	Flap	
6	SP526468	Soap Hopper Plug	
7	SP309798124313	Screw	ST3.5x13
8	SP540112	Soap Hopper Upper Cover	
9	SP540116	Internal Vessel	
10	SP540115	Main Vessel	
11	SP529206	Screw	
12	SPPRI240000021	Hose Clamp	60-80
13	SPPRI240000002	Hose Clamp	12-22
14	SPPRI540000014	Hose	13-19
	SP101745	Hose Pipe	Used with water approval WRAS
15	SP309084000416	Bolt	M4x16
16	SPPRI340004030	Filter	
17	SP547959	3-Way Valve	3/4 inch
18	SP548933	4-Way Valve	3/4 inch
19	SP526491	Hose Clamp	62-70
20	SP526506	Filling Elbow Pipe	
21	SPPRI240000007	Hose Clamp	70-90
22	SP526510	Vent Hose	
23	SPPRI240000003	Hose Clamp	
24	SP526497	Screw	4x12
25	SP526565	Mixer Body	
26	SP526557	Mixer Lid	
27	SP526558	Mixer	
28	SP554128	Dispenser Pipe	
29	503839	Temperature Sensor	
30	SP526439	Temperature Sensor Seal	

Three Water Inlet System

Models with V in 7th Position



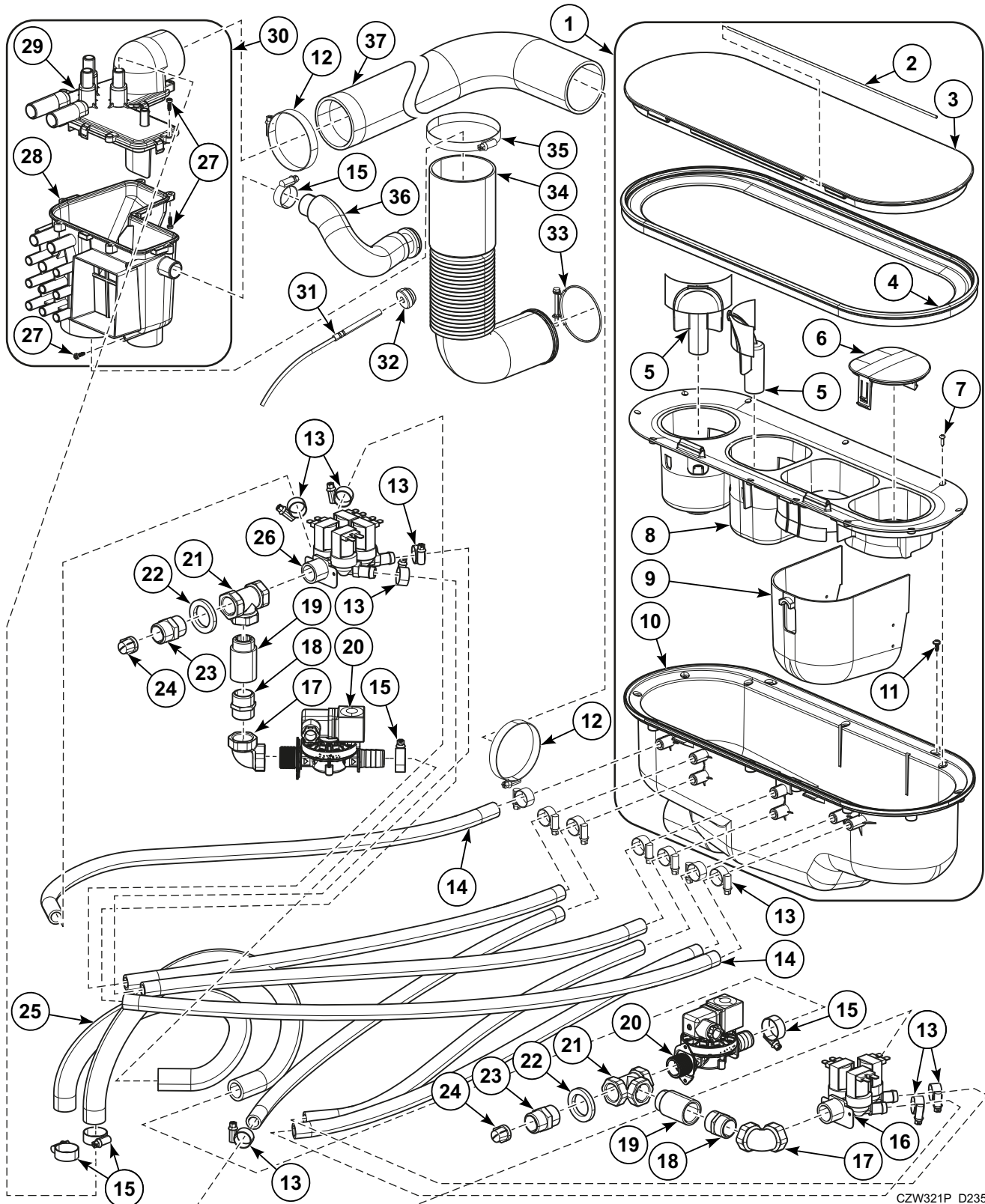
CZW274P_D2354

Three Water Inlet System

REF	PART NO.	DESCRIPTION	COMMENTS
	SPPRI505000054	Filling Hose Pipe	Used with cold water; used with SPPRI520001009 Seal
	SP547980	Filling Hose Pipe	Used with hot water; used with SPPRI520001009 Seal
	SP101621	Filling Hose Pipe	Used with water approval WRAS; used with SPPRI520001009 Seal
1	SP540164	Soap Hopper Assembly	CE models
2	SP540117	Pin	
3	SP526461	Dispenser Lid	CE models
4	SP540158	Dispenser Seal	
5	SP540113	Flap	
6	SP526468	Soap Hopper Plug	
7	SP309798124313	Screw	ST3.5x13
8	SP540112	Soap Hopper Upper Cover	
9	SP540116	Internal Vessel	
10	SP540115	Main Vessel	
11	SP529206	Screw	
12	SPPRI240000021	Hose Clamp	60-80
13	SPPRI240000002	Hose Clamp	12-22
14	SPPRI540000014	Hose	13-19
	SP101745	Hose Pipe	Used with water approval WRAS
15	SP309084000416	Bolt	M4x16
16	SPPRI340004030	Filter	
17	SP547959	3-Way Valve	3/4 inch
18	SP547958	2-Way Valve	3/4 inch
19	SP526491	Hose Clamp	62-70
20	SP526506	Filling Elbow Pipe	
21	SPPRI240000007	Hose Clamp	70-90
22	SP526510	Vent Hose	
23	SPPRI240000003	Hose Clamp	
24	SP526497	Screw	4x12
25	SP526565	Mixer Body	
26	SP526557	Mixer Lid	
27	SP526558	Mixer	
28	SP554128	Dispenser Pipe	
29	503839	Temperature Sensor	
30	SP526439	Temperature Sensor Seal	

Two Water Inlet System - Optional

Models with V in 7th Position



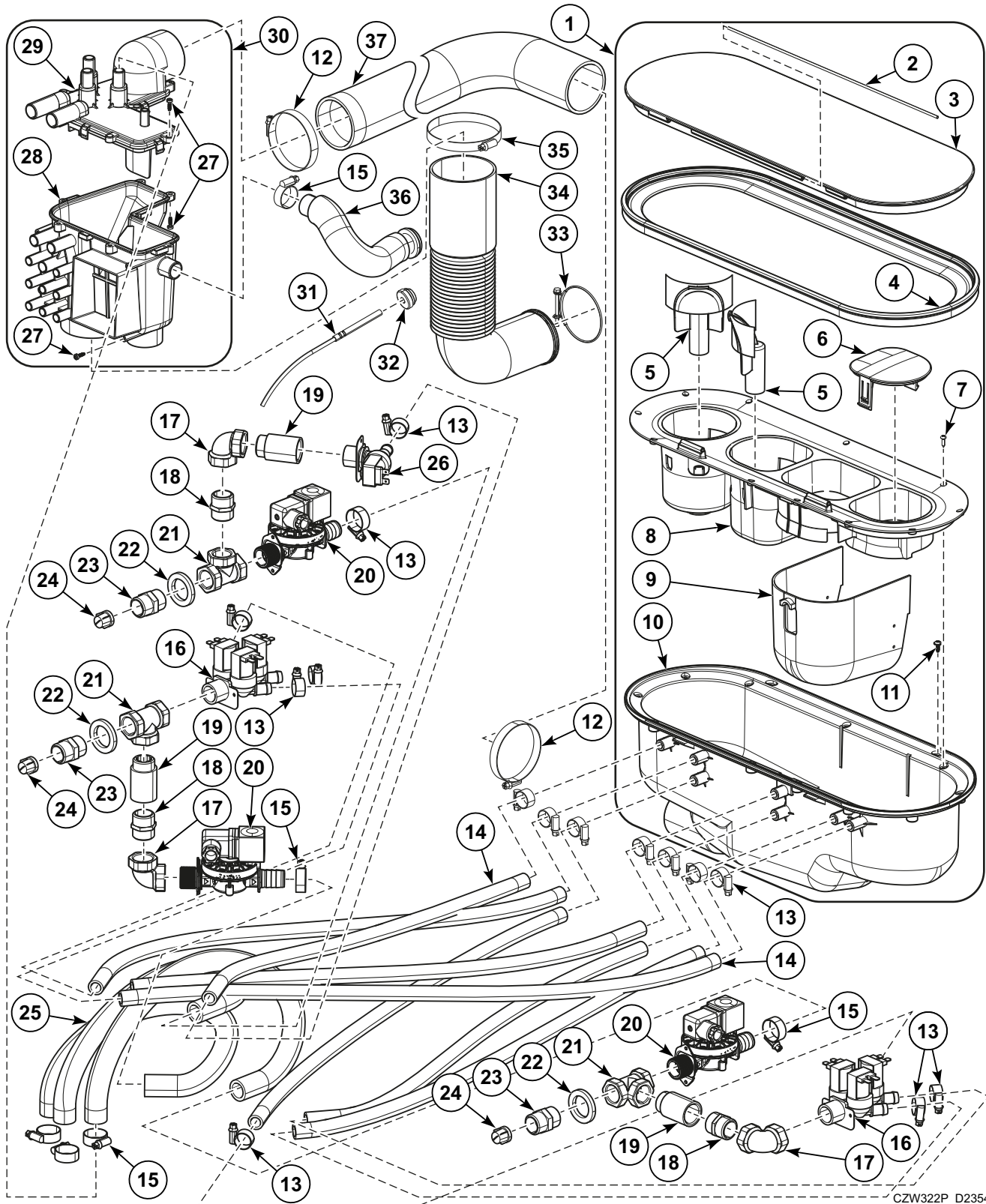
CZW321P_D2354

Two Water Inlet System - Optional

REF	PART NO.	DESCRIPTION	COMMENTS
	SPPRI505000054	Filling Hose Pipe	Used with cold water; used with SPPRI520001009 Seal
	SP547980	Filling Hose Pipe	Used with hot water; used with SPPRI520001009 Seal
	SP101621	Filling Hose Pipe	Used with water approval WRAS; used with SPPRI520001009 Seal
1	SP540164	Soap Hopper	CE models
2	SP540117	Pin	
3	SP526461	Dispenser Lid	CE models
4	SP540158	Dispenser Seal	
5	SP540113	Flap	
6	SP526468	Soap Hopper Plug	
7	SP309798124313	Screw	ST3.5x13
8	SP540112	Soap Hopper Upper Cover	
9	SP540116	Internal Vessel	
10	SP540115	Main Vessel	
11	SP529206	Screw	
12	SPPRI240000021	Hose Clamp	60-80
13	SPPRI240000002	Hose Clamp	12-22
14	SPPRI540000014	Hose	13-19
	SP101745	Hose Pipe	Used with water approval WRAS
15	SPPRI240000003	Hose Clamp	
16	SP547959	3-Way Valve	3/4 inch
17	SPPRI426002072	Elbow	
18	SPPRI426001217	Pipe Nipple	
19	SPPRI426003217	Extension	
20	SP567064	1-Way Valve	3/4 inch; Optional; Uses SP525821 Valve Repair Kit
21	SPPRI426001107	Tee	
22	SPPRI231000062	Washer	8
23	SP510120	Pipe Nipple	
24	SPPRI340004030	Filter	
25	SPPRI540001019	Hose	
26	SP548933	4-Way Valve	3/4 inch
27	SP526497	Screw	4x12
28	SP526565	Mixer Body	
29	SP526557	Mixer Lid	
30	SP526558	Mixer	
31	503839	Temperature Sensor	
32	SP526439	Temperature Sensor Seal	
33	SP526491	Hose Clamp	62-70
34	SP526506	Filling Elbow Pipe	
35	SPPRI240000007	Hose Clamp	70-90
36	SP526510	Vent Hose	
37	SP554128	Dispenser Pipe	

Three Water Inlet System - Optional

Models with V in 7th Position



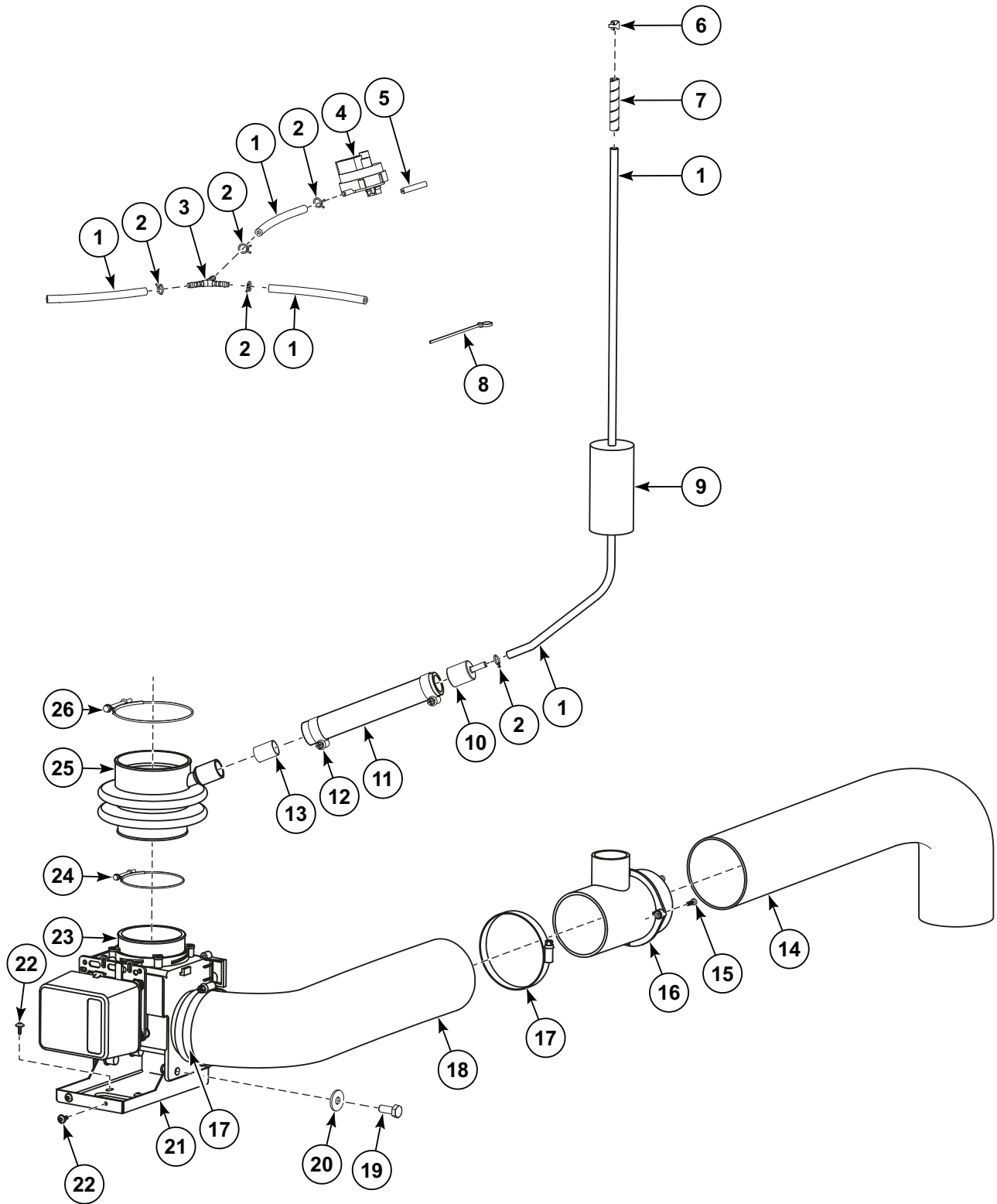
CZW322P_D2354

Three Water Inlet System - Optional

REF	PART NO.	DESCRIPTION	COMMENTS
	SPPRI505000054	Filling Hose Pipe	Used with cold water; used with SPPRI520001009 Seal
	SP547980	Filling Hose Pipe	Used with hot water; used with SPPRI520001009 Seal
	SP101621	Filling Hose Pipe	Used with water approval WRAS; used with SPPRI520001009 Seal
1	SP540164	Soap Hopper	CE models
2	SP540117	Pin	
3	SP526461	Dispenser Lid	CE models
4	SP540158	Dispenser Seal	
5	SP540113	Flap	
6	SP526468	Soap Hopper Plug	
7	SP309798124313	Screw	ST3.5x13
8	SP540112	Soap Hopper Upper Cover	
9	SP540116	Internal Vessel	
10	SP540115	Main Vessel	
11	SP529206	Screw	
12	SPPRI240000021	Hose Clamp	60-80
13	SPPRI240000002	Hose Clamp	12-22
14	SPPRI540000014	Hose	13-19
	SP101745	Hose Pipe	Used with water approval WRAS
15	SPPRI240000003	Hose Clamp	
16	SP547959	3-Way Valve	3/4 inch
17	SPPRI426002072	Elbow	
18	SPPRI426001217	Pipe Nipple	
19	SPPRI426003217	Extension	
20	SP567064	1-Way Valve	3/4 inch; Optional; Uses SP525821 Valve Repair Kit
21	SPPRI426001107	Tee	
22	SPPRI231000062	Washer	8
23	SP510120	Pipe Nipple	
24	SPPRI340004030	Filter	
25	SPPRI540001019	Hose	
26	SP554211	1-Way Valve	3/4 inch
27	SP526497	Screw	4x12
28	SP526565	Mixer Body	
29	SP526557	Mixer Lid	
30	SP526558	Mixer	
31	503839	Temperature Sensor	
32	SP526439	Temperature Sensor Seal	
33	SP526491	Hose Clamp	62-70
34	SP526506	Filling Elbow Pipe	
35	SPPRI240000007	Hose Clamp	70-90
36	SP526510	Vent Hose	
37	SP554128	Dispenser Pipe	

Drain System - Drain Valve

All Models Except Models with V in 7th Position



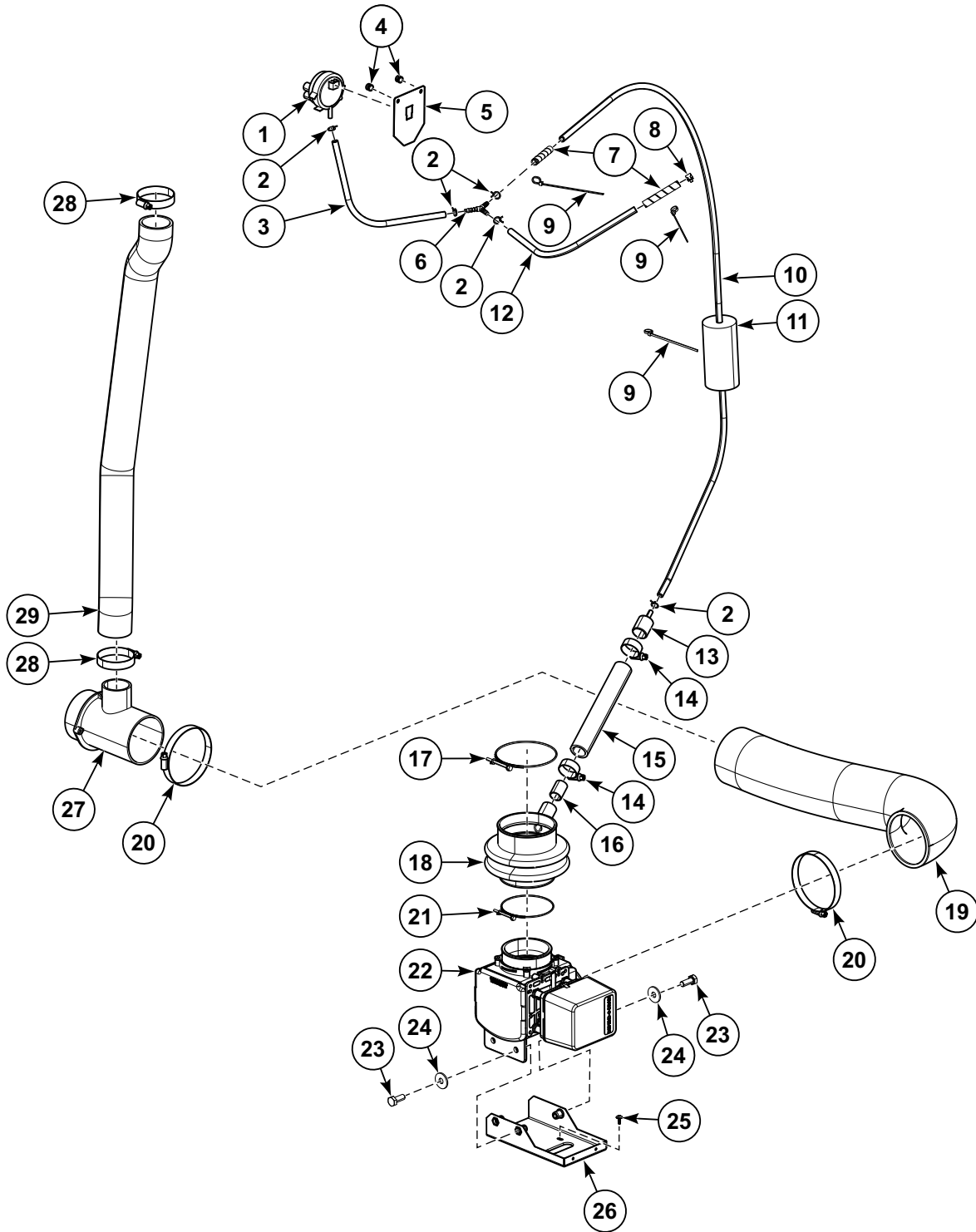
CZW435P_D2354

Drain System - Drain Valve

REF	PART NO.	DESCRIPTION	COMMENTS
1	SPPRI540001003	Water Level Switch Hose	
2	SPPRI241000017	Hose Clamp	A5.5
3	SPPRI503000028	Y-Piece	JY models
4	SP562708	Waters Level Sensor	JY models
5	SPPRI505000058	Profiled Sealing	JY models
6	SP540183	Spring Clamp	
7	SP283449080200	Spiral	
8	SP345000626088	Binding Strip	
9	SP100188	Foam Roller	
10	SPPRI503000027	Air Trap Reduction	
11	SPPRI503002049	Hose	Air trap
12	SPPRI240000003	Hose Clamp	20-32
13	SP500125	Reinforcement Tube	
14	SP519463	Drain Elbow	PYN models; North America
	SP235100018724	Drain Elbow	CE and Watermark
15	SP526497	Screw	4x12
16	SP526454	Tee	
17	SPPRI240000007	Hose Clamp	70-90
18	SP554117	Drain Elbow	
19	SP309933000820	Bolt	M8x20
20	SP311902100008	Washer	8
21	SP526513	Drain Valve Holder	
22	SP529206	Screw	4x11
23	SP526460	Drain Valve	Black; Includes 553195 Drain Valve Chamber, SPPRI340002051 Drain Valve Motor and 554276 Drain Valve Seal
	553195	Drain Valve Chamber	Black
	SPPRI340002051	Drain Valve Motor	Includes gearbox
	SP547821	Reverse Function Drain Valve	CE and Watermark; Black; Includes 553195 Drain Valve Chamber, SPPRI340002051 Drain Valve Chamber, SPPRI340002051 Drain Valve Motor and 554276 Drain Valve Seal
	554276	Drain Valve Seal	
24	576096	Hose Clamp	78-85
25	SP526492	Drain Hose Pipe	
26	SP526532	Hose Clamp	82-90

Drain System

Models with V in 7th Position

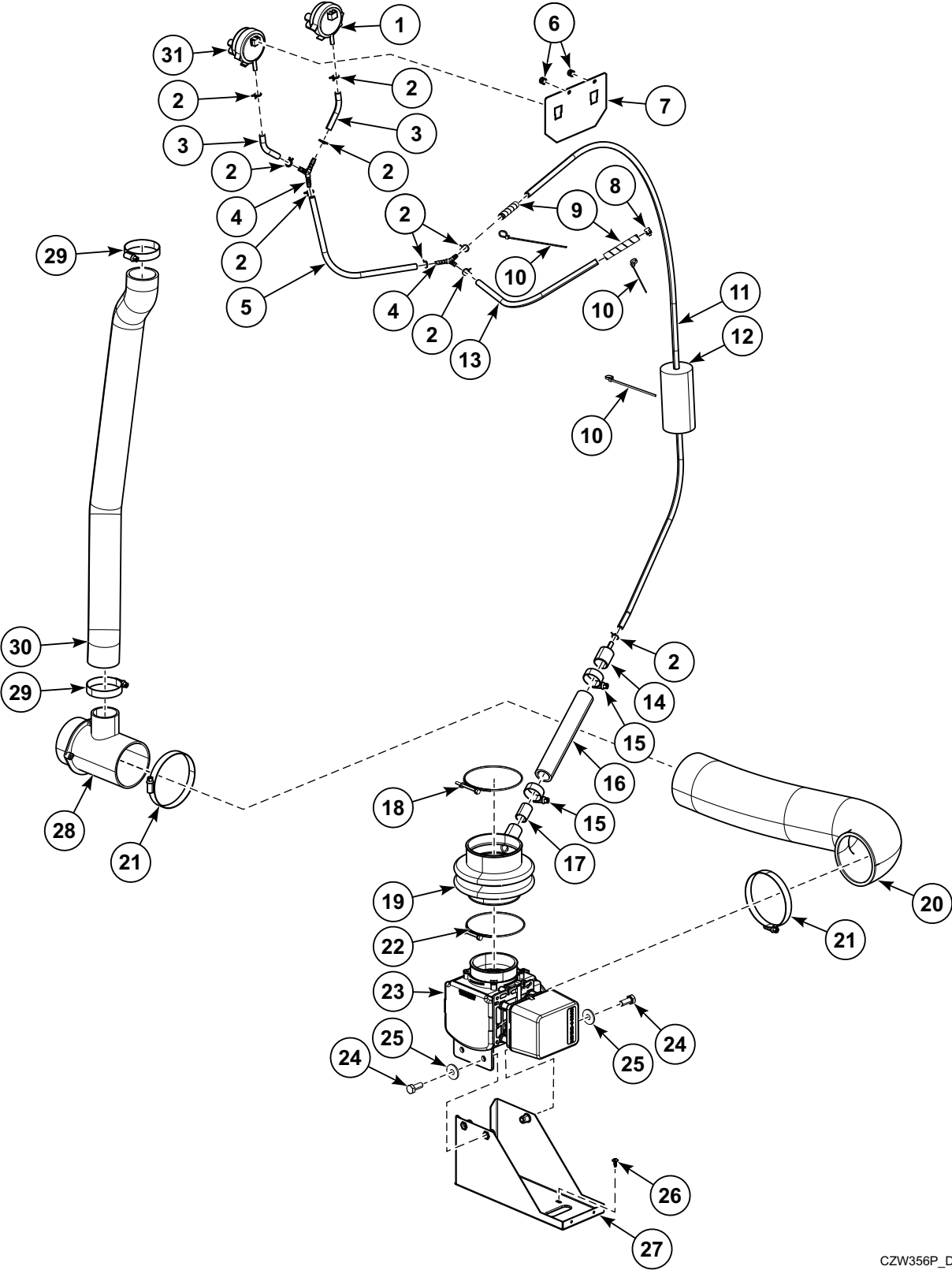


CZW436P_D2354

Drain System

REF	PART NO.	DESCRIPTION	COMMENTS
1	570315	Water Level Switch	
2	SPPRI241000017	Hose Clamp	A5.5
3	SPPRI540001003	Water Level Switch Hose	0.31m
4	558054	Rivet	4x9.5
5	570373	Water Level Switch Holder	
6	SPPRI503000028	Y-Piece	
7	SP283449080200	Spiral	
8	SP540183	Spring Clamp	
9	SP345000626088	Binding Strip	
10	SPPRI540001003	Water Level Switch Hose	1.15m
11	SP100188	Foam Roller	
12	SPPRI540001003	Water Level Switch Hose	0.29m
13	SPPRI503000027	Air Trap Reduction	
14	SPPRI240000003	Hose Clamp	20-32
15	SPPRI503002049	Hose	Air trap
16	SP500125	Reinforcement Tube	
17	SP526532	Hose Clamp	82-90
18	SP526492	Drain Hose Pipe	
19	SP526499	Drain Elbow	
20	SPPRI240000007	Hose Clamp	70-90
21	576096	Hose Clamp	78-85
22	SP526460	Drain Valve	Black; Includes SPPRI340002051 Drain Valve Motor and 554276 Drain Valve Seal
	SP547821	Reverse Function Drain Valve	Black; Includes SPPRI340002051 Drain Valve Motor and 554276 Drain Valve Seal
	SPPRI340002051	Drain Valve Motor	Includes gear box
	554276	Drain Valve Seal	
23	SP309933000820	Bolt	M8x20
24	SP311902100008	Washer	8
25	SP529206	Screw	4x11
26	SP526513	Drain Valve Holder	
27	SP526454	Tee	
28	SPPRI240000017	Hose Clamp	40-60
29	SP547897	Overflow Tube	

Drain System - JY Models with V in 7th Position

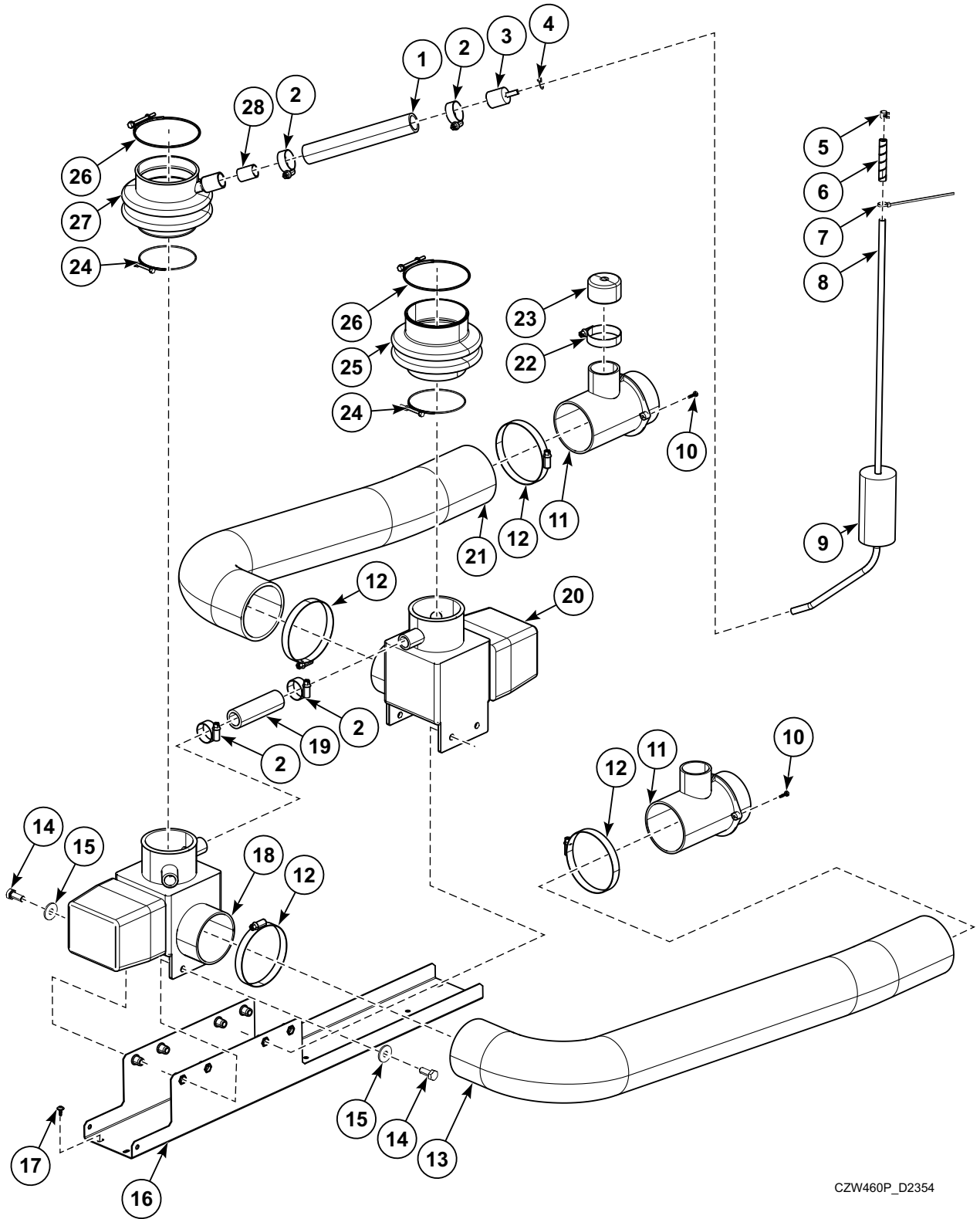


CZW356P_D2354

Drain System - JY Models with V in 7th Position

REF	PART NO.	DESCRIPTION	COMMENTS
1	570315	Water Level Switch	
2	SPPRI241000017	Hose Clamp	A5.5
3	SPPRI540001003	Water Level Switch Hose	2.76 inch (0.07 m)
4	SPPRI503000028	Y-Piece	
5	SPPRI540001003	Water Level Switch Hose	7.87 inch (0.2 m)
6	558054	Rivet	4x9.5
7	573199	Water Level Switch Holder	
8	SP540183	Spring Clamp	
9	SP283449080200	Spiral	
10	SP345000626088	Binding Strip	
11	SPPRI540001003	Water Level Switch Hose	45.28 inch (1.15m)
12	SP100188	Foam Roller	
13	SPPRI540001003	Water Level Switch Hose	14.17 inch (0.36m)
14	SPPRI503000027	Air Trap Reduction	
15	SPPRI240000003	Hose Clamp	20-32
16	SPPRI503002049	Hose	Air trap
17	SP500125	Reinforcement Tube	
18	SP526532	Hose Clamp	82-90
19	SP526492	Drain Hose Pipe	
20	554117	Drain Elbow	
21	SPPRI240000007	Hose Clamp	70-90
22	576096	Hose Clamp	78-85
23	SP526460	Drain Valve	Black; Includes SPPRI340002051 Drain Valve Motor and 554276 Drain Valve Seal
	SP547821	Reverse Function Drain Valve	Black; Includes SPPRI340002051 Drain Valve Motor and 554276 Drain Valve Seal
	SPPRI340002051	Drain Valve Motor	Includes gear box
	554276	Drain Valve Seal	
24	SP309933000820	Bolt	M8x20
25	SP311902100008	Washer	8
26	SP529206	Screw	4x11
27	SP526513	Drain Valve Holder	
28	SP526454	Tee	
29	SPPRI240000017	Hose Clamp	40-60
30	SP547897	Overflow Tube	
31	562708	Water Level Switch	

Drain System - Two Drain Valve Option

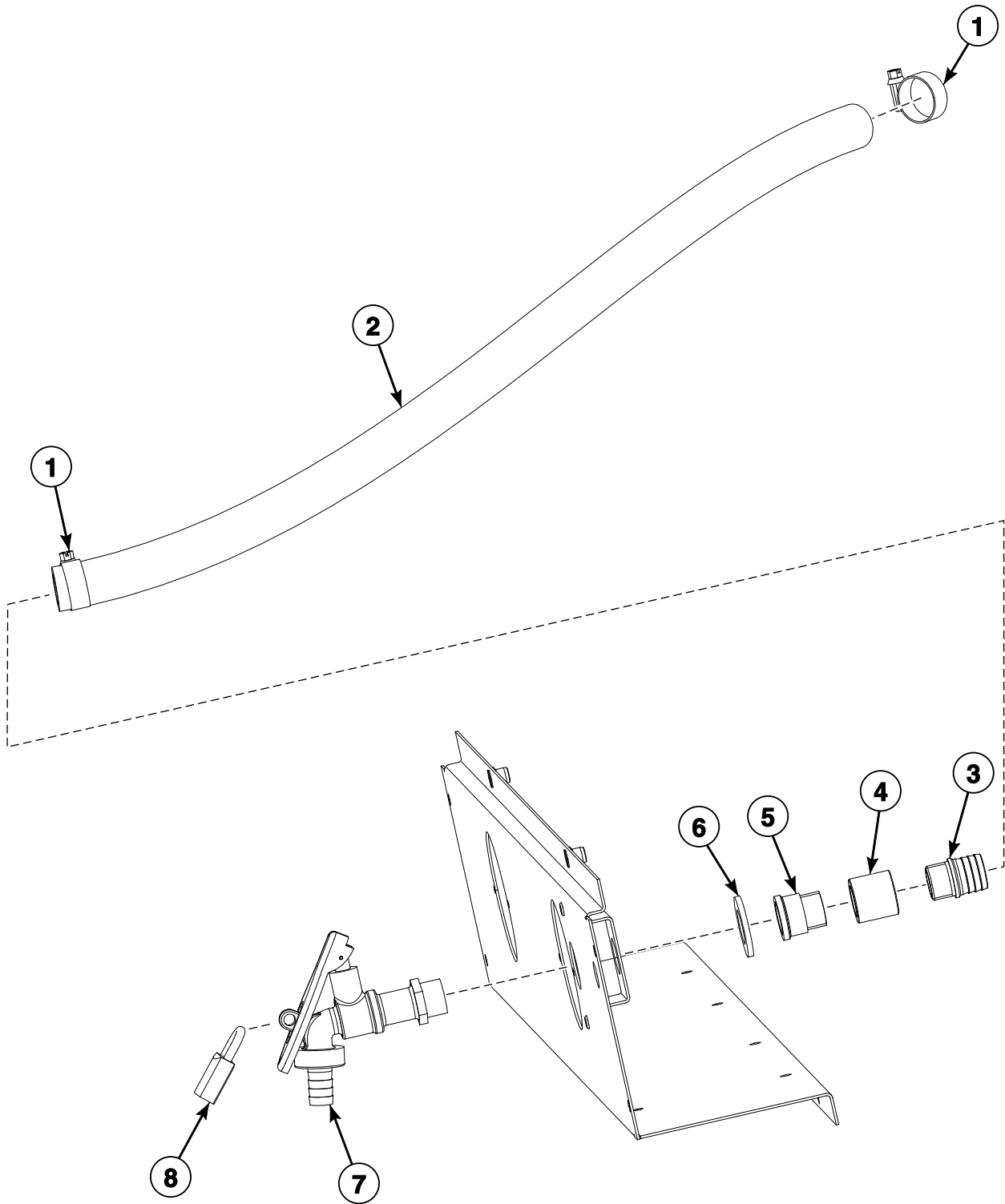


CZW460P_D2354

Drain System - Two Drain Valve Option

REF	PART NO.	DESCRIPTION	COMMENTS
1	SPPRI503002049	Hose	Air trap
2	SPPRI240000003	Hose Clamp	20-32
3	SPPRI503000027	Air Trap Reduction	
4	SPPRI241000017	Hose Clamp	A5.5
5	SP540183	Spring Clamp	
6	SP283449080200	Spiral	
7	SP345000626088	Binding Strip	
8	SPPRI540001003	Water Level Switch Hose	
9	SP100188	Foam Roller	
10	SP526497	Screw	4x12
11	SP526454	Tee	
12	SPPRI240000007	Hose Clamp	70-90
13	SP554117	Drain Elbow	
14	SP309933000820	Bolt	M8x20
15	SP311902100008	Washer	8
16	SP554324	Drain Valve Holder	
17	SP529206	Screw	4x11
18	SPPRI340055051	Drain Valve	2 pcs used for standard drain system; 1 pc used on request for recycle drain system; Black
	554276	Drain Valve Seal	
	SPPRI340002051	Drain Valve Motor	Includes gear box
19	SPPRI503002049	Hose	
20	SPPRI340072051	Recycle Drain Valve	1 pc used on request for recycle drain system; Black
	554276	Drain Valve Seal	
	567183	Drain Valve Chamber	Black
	SPPRI340002051	Drain Valve Motor	Includes gear box
21	SP554325	Drain Elbow	
22	SPPRI240000008	Hose Clamp	40-60
23	SP526568	Cylinder Cap	
24	576096	Hose Clamp	78-85
25	SP273124080161	Tub to Drain Valve Hose	
26	SP526532	Hose Clamp	82-90
27	SP526492	Drain Hose Pipe	
28	SP500125	Reinforcement Tube	

Wash Bath Sample - Optional



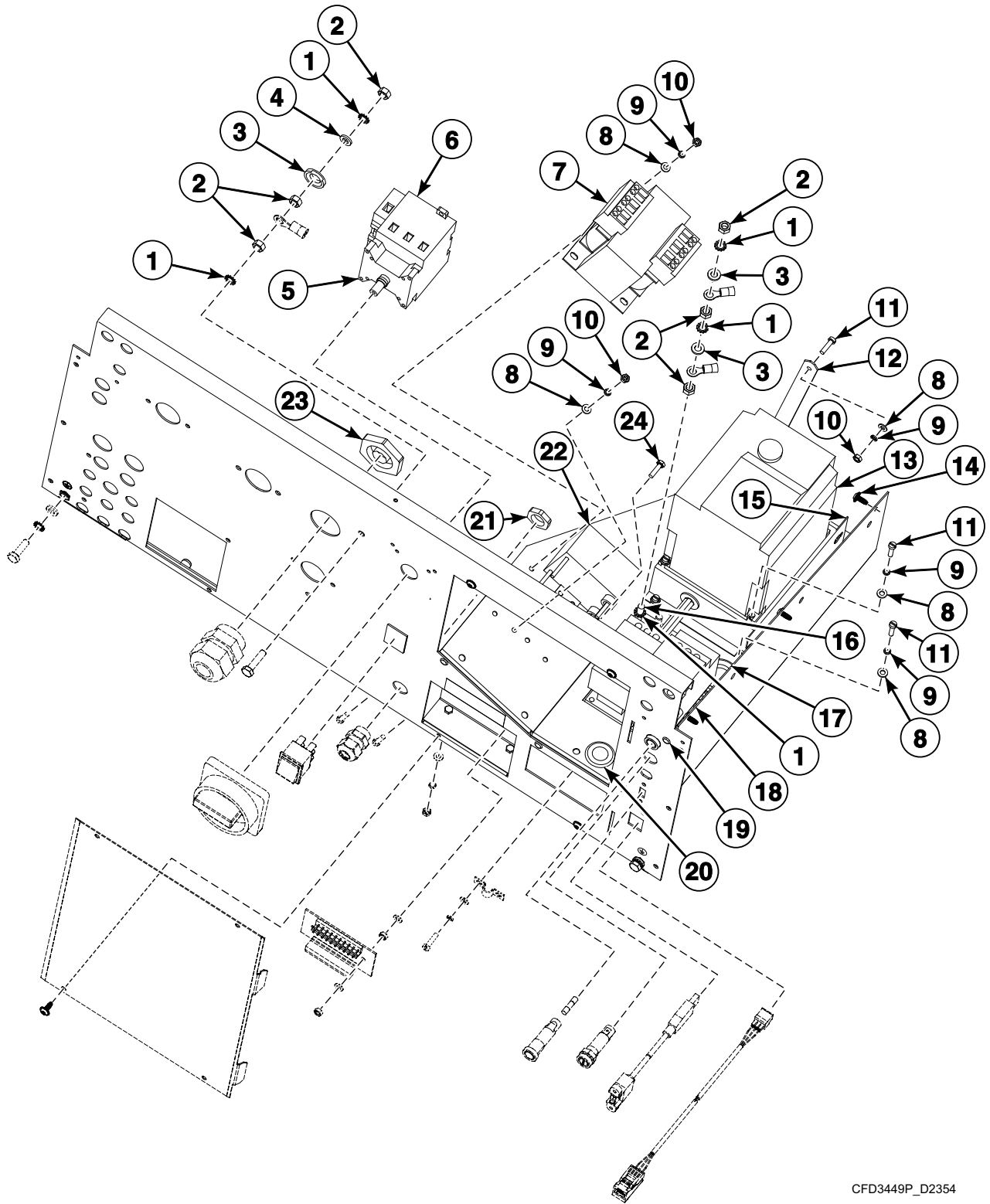
CFD2850P_D2354

Wash Bath Sample - Optional

REF	PART NO.	DESCRIPTION	COMMENTS
1	SPPRI240000003	Hose Clamp	20-32
2	SPPRI540001019	Hose	
3	SP531226	Threaded Joint	
4	SP536630	Screw	1/2 inch
5	SP319413102015	Extension Tube	1/2 inch
6	SP311125000020	Washer	21
7	SP523728	Valve	1/2 inch
8	SP523167	Padlock	

Rear Panel (Drawing 1 of 3)

Except Models with V in 7th Position or G, H, J or K in 13th Position



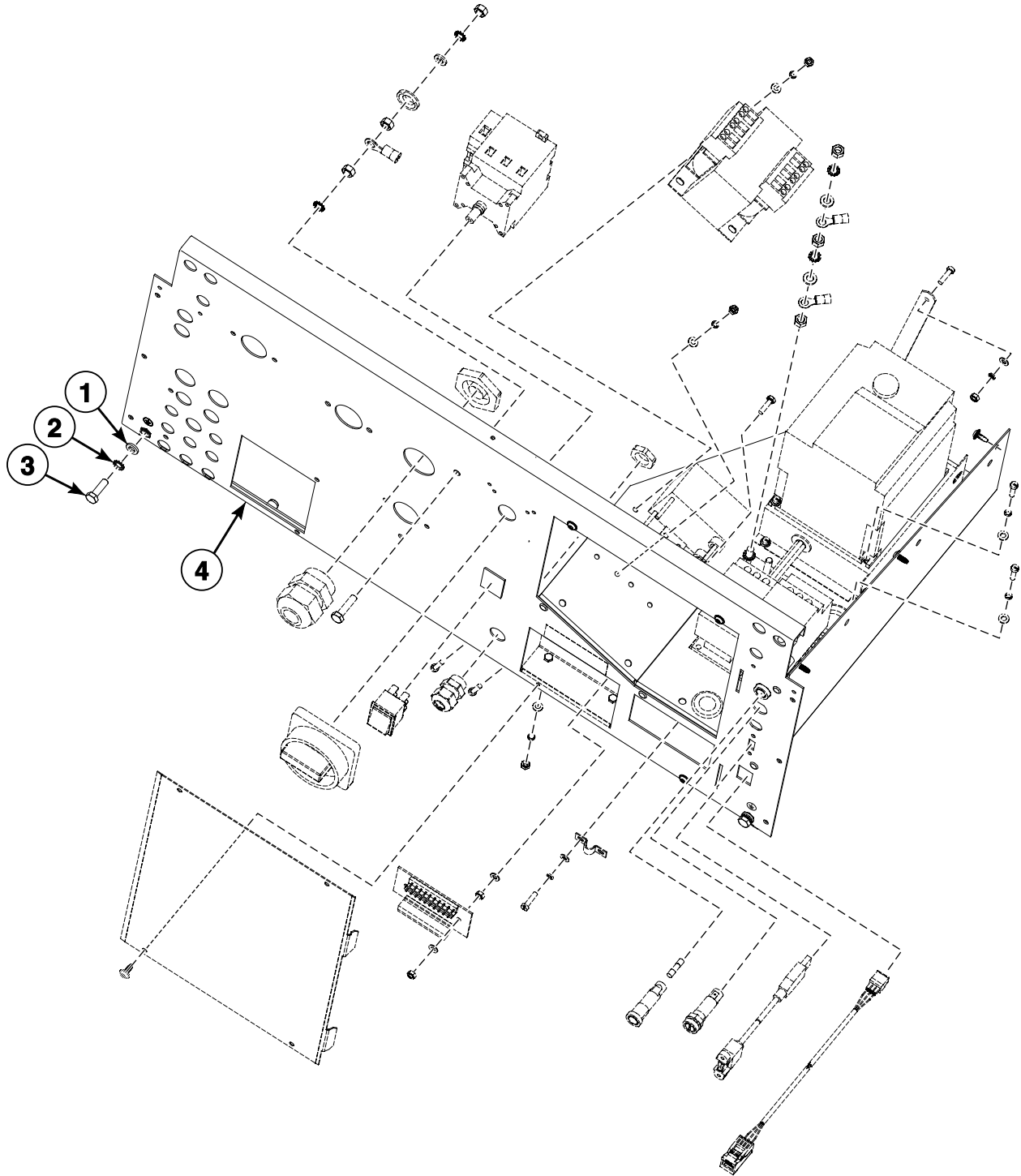
CFD3449P_D2354

Rear Panel (Drawing 1 of 3)

REF	PART NO.	DESCRIPTION	COMMENTS
	SP557769	Main Wiring	MC7; CE
	SP528429	Main Wiring	MC6; CE
	SP552476	Main Wiring	PYN models; North America
	SP528443	Liquid Soap Supply Connection Kit	
1	SP311679824006	Washer	M6
2	SP310934100006	Nut	M6
3	563361	Washer	PYN models; North America
4	SP311125100006	Washer	6.4
5	SP506407	Main Switch	25A; Fourth pole
	SPPRI404001098	Main Switch	32A; Fourth pole
	SPPRI404001099	Main Switch	63A; Fourth pole
6	SPPRI404000098	Main Switch	32A
	SPPRI404000097	Main Switch	25A
	SPPRI404000099	Main Switch	63A
7	SP516648	Transformer	
8	SP311125000004	Washer	4.3
9	SP311127000004	Washer	4
10	SP310934000004	Nut	M4
11	SP309084000416	Bolt	M4x16
12	SP526593	Holder Partition	
13	571473	Frequency Inverter	200 Volt; FR-D720S-100-SC-E8
	571475	Frequency Inverter	400 Volt; FR-D740-080-CS-E8
	SP528324	Communication Cable	
14	SP529206	Screw	4x11
15	SP525935	Filter	FR-D740-xxx
16	SP309933100625	Bolt	M6x25
17	SPPRI501000071	Cable Bushing	25x1.4; AF Non-Brand, HY, IY, J, NY, SY and UY models through Serial No. 280FX002858MB; AF, FX, HX, LP, LY, PY and SW models through Serial No. 280FX003037MF
18	SPPRI345002019	Contactor	LC1D32M7
	SP514043	Contactor	LC1D50M7
	SP514038	Contactor	LC1-D09M7
	SP514042	Contactor	LC1D18M7
19	SP313250004007	Rivet	4x7
20	SP273121015002	Cable Passage	15x2; AF, FX, HX, LP, LY, PY and SW models through Serial No. 280FX003037MF; AF Non-Brand, HY, IY, J, NY, SY and UY models through Serial No. 280FX002858MB
21	SP101416	Nut	M16
22	SP552251	Filter	FR-D720S-xxx
23	SP101419	Nut	M32
24	SP309933000416	Bolt	M4x16

Rear Panel (Drawing 2 of 3)

Except Models with V in 7th Position or G, H, J or K in 13th Position



CFD3450PA_D2354

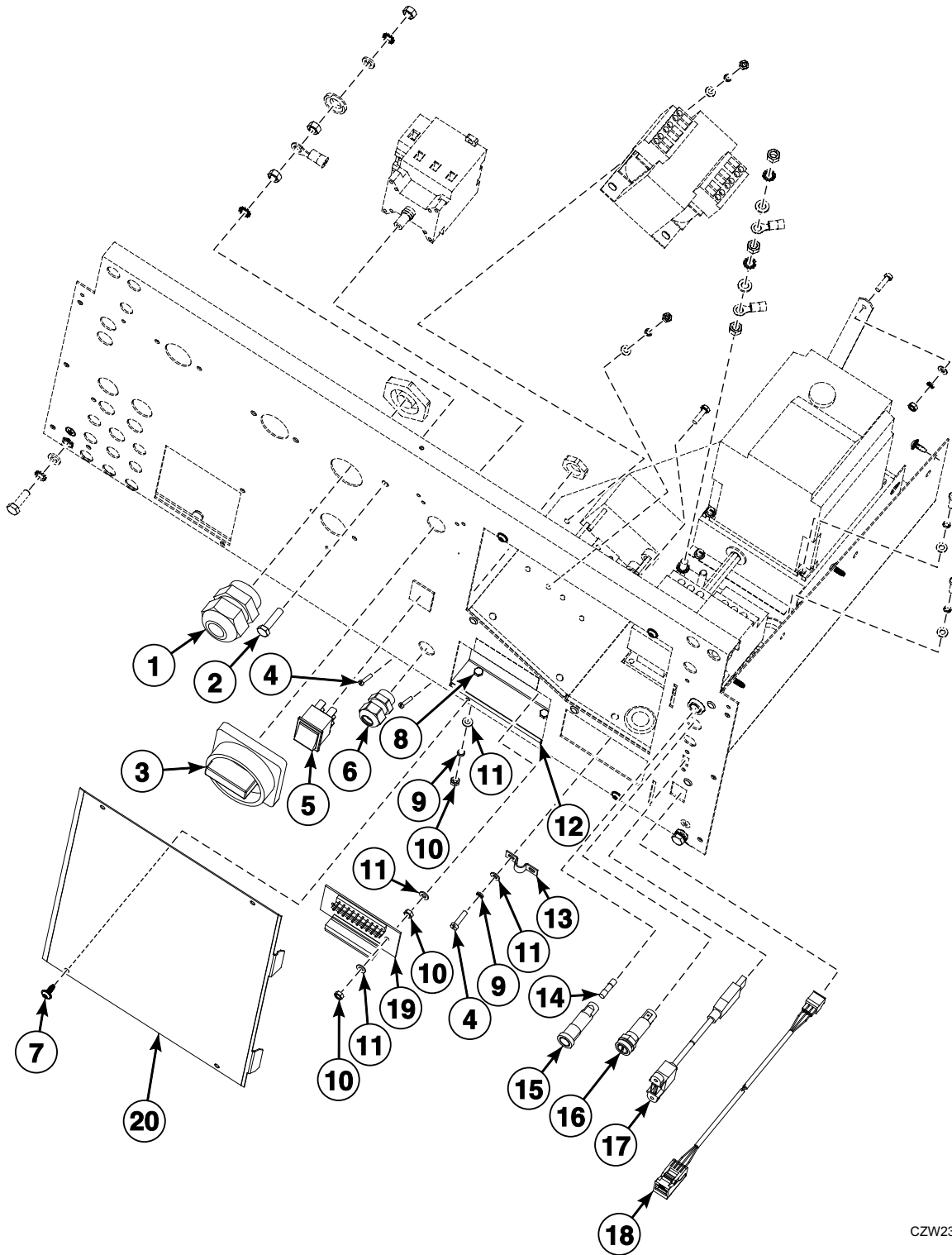
Rear Panel (Drawing 2 of 3)

REF	PART NO.	DESCRIPTION	COMMENTS
	557982	Cable	Extra price option
	SP506575	Terminal Board	Extra price option
	557981	Label	Extra price option
	SP514057	Relay	FX, IY, PY, SY and UY models; OPL; CE and Watermark; Refer to NOTE*
	SP506586	Relay Case	FX, IY, PY, SY and UY models; OPL; CE and Watermark; Refer to NOTE*
	SP514135	Relay Clamp	FX, IY, PY, SY and UY models; OPL; CE and Watermark; Refer to NOTE*
	552482	Fuse Housing	FX, IY, PY, SY and UY models; OPL; CE and Watermark; Refer to NOTE*
	552483	End Cover	FX, IY, PY, SY and UY models; OPL; CE and Watermark; Refer to NOTE*
	569725	Fuse Glass	FX, IY, PY, SY and UY models; OPL; 4A; CE and Watermark; Refer to NOTE*
	568308	Sticker	FX, IY, PY, SY and UY models; OPL; CE and Watermark; Refer to NOTE*
	528169	Interconnection	FX, IY, PY, SY and UY models; OPL; 1-120V; CE and Watermark; Refer to NOTE*
	SP545220	Interconnection	FX, IY, PY, SY and UY models; OPL; 1-160V; CE and Watermark; Refer to NOTE*
	564682	Interconnection	FX, IY, PY, SY and UY models; OPL; 1.5-150V; CE and Watermark; Refer to NOTE*
	505448	Conductor	FX, IY, PY, SY and UY models; OPL; CE and Watermark; Refer to NOTE*
	SP505446	Conductor	FX, IY, PY, SY and UY models; OPL; CE and Watermark; Refer to NOTE*
	557936	Isolation Cavity	FX, IY, PY, SY and UY models; OPL; CE and Watermark; Refer to NOTE*
	345000966067	Isolation Cavity	FX, IY, PY, SY and UY models; OPL; CE and Watermark; Refer to NOTE*
	345000034150	Cable Eye	FX, IY, PY, SY and UY models; OPL; CE and Watermark; Refer to NOTE*
	SP503817	Binding Strip	FX, IY, PY, SY and UY models; OPL; CE and Watermark; Refer to NOTE*
	SP345000626088	Binding Strip	FX, IY, PY, SY and UY models; OPL; CE and Watermark; Refer to NOTE*
	SP528313	Cable Holder	FX, IY, PY, SY and UY models; OPL; CE and Watermark
1	SP311125240006	Washer	6.4
2	SP311679824006	Washer	M6
3	SP309933000620	Bolt	M6x20
4	SP554384	Rear Panel	AF Non-Brand, HY, IY, J, NY, SY and UY models
	SP554115	Rear Panel	AF, FX, HX, LP, LY, MWF, PY and SW models

* NOTE: SoftWash with built-in recirculation pump.

Rear Panel (Drawing 3 of 3)

Except Models with V in 7th Position or G, H, J or K in 13th Position



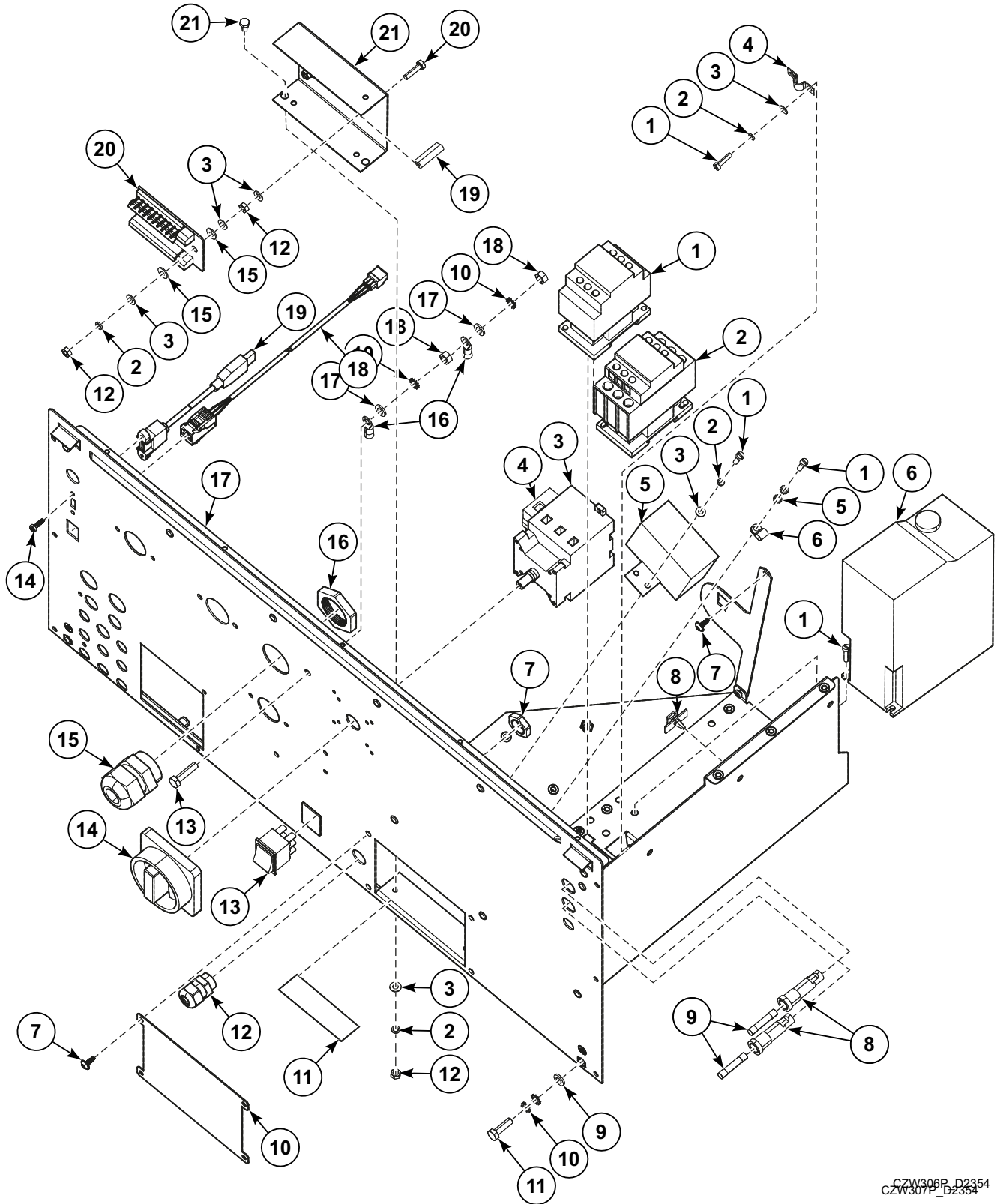
CZW23P_D2354

Rear Panel (Drawing 3 of 3)

REF	PART NO.	DESCRIPTION	COMMENTS
	SP557948	External Block Signal Cable	4.3m
1	SP101409	Bushing	M32x1.5
	SP557952	Cable Bushing Insert	M32
2	SP309933100625	Bolt	M6x25
3	SPPRI404000095	Main Switch Knob	
4	SP309084000416	Bolt	M4x16
5	SP100388	Switch	
6	SP101406	Bushing	M16
7	SP529206	Screw	4x11
8	SP309933240408	Bolt	M4x8
9	SP311127000004	Washer	4
10	SP310934000004	Nut	M4
11	SP311125000004	Washer	4.3
12	SP540123	Liquid Detergent Box	
13	SP528392	Cable Clamp	
14	SP345805005020	Fuse	5x20mm, T0.5A/250V
	SP345805163032	Fuse	6.3x32mm, T1A/500V
15	SPPRI401003020	Fuse Housing	6.3x32
16	SPPRI401001020	Fuse Holder	
17	SP547006	USB Cable	Rear panel connection
18	SP545234	Cable	RS485; With connectors
19	SP524714	Soap Relay Board	
	SP528150	Pump Relay Board to LED Terminal Cable	
	SP557944	Soap Link Kit	
	SP557947	External Block Signal Cable	2.8m
20	SP526567	Rear Panel Lid	

Rear Panel - 230-400V with Neutral (Drawing 1 of 2)

AF, IY and NY Models with G, H, J or K in 13th Position except Models with V in 7th Position



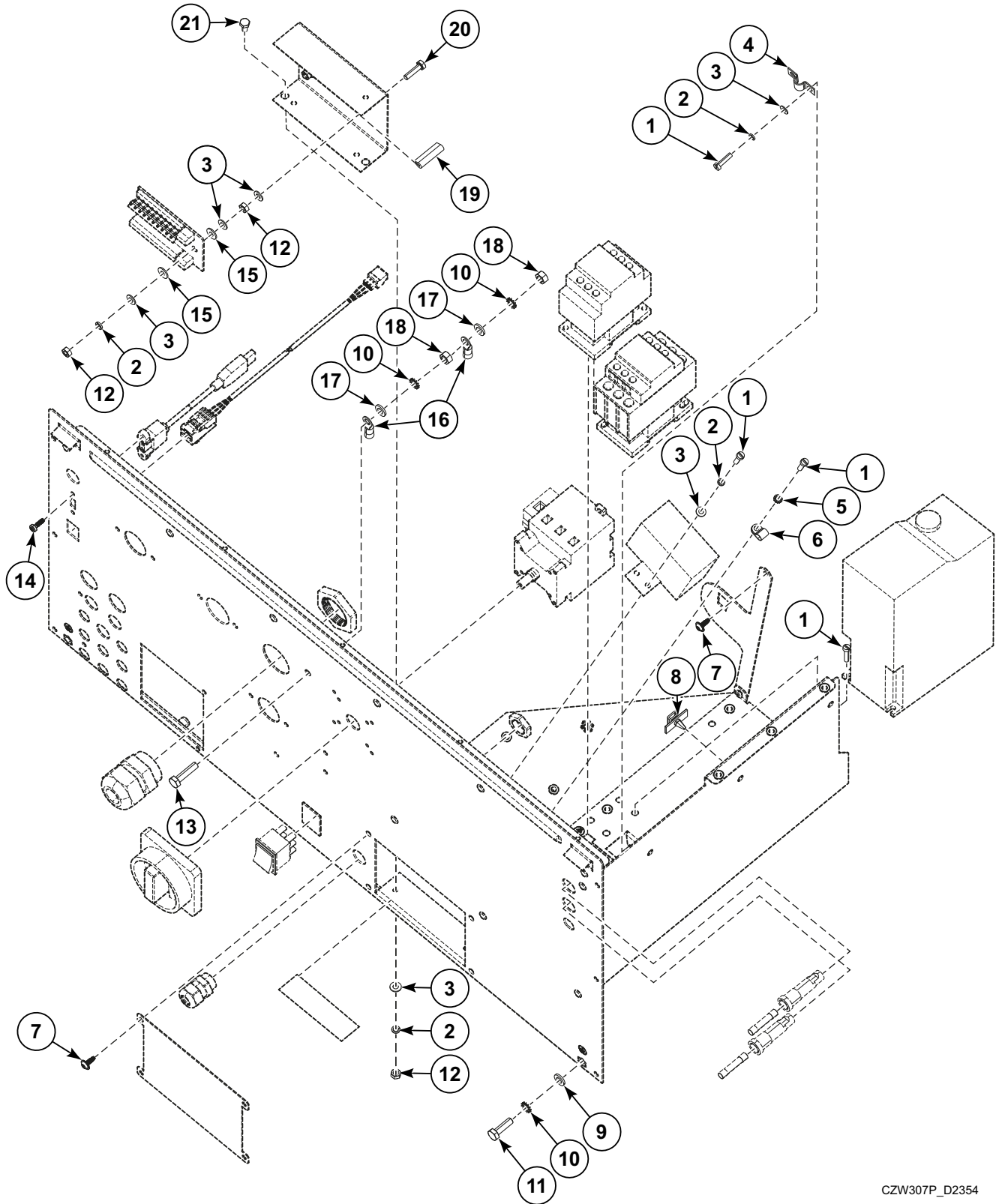
CZW306P_D2354
CZW307P_D2354

Rear Panel - 230-400V with Neutral (Drawing 1 of 2)

REF	PART NO.	DESCRIPTION	COMMENTS
1	SP514038	Contactors	LC1-D09M7; Used with frequency inverter
2	SP514038	Contactors	LC1-D09M7; Electric heating; 6kW, 9kW, 12kW 400V / 440V
	SP514042	Contactors	LC1D18M7; Electric heating 18kW 400V / 440V
	SPPRI345002019	Contactors	LC1D3201; Electric heating 12kW, 18kW, 22kW, 230V / 400V / 440V
3	SPPRI404000097	Main Switch	25A; used with SP506407 Main Switch Fourth Pole 25A
	SPPRI404000098	Main Switch	32A; used with SPPRI404001098 Main Switch Fourth Pole 32A
	SPPRI404000099	Main Switch	63A; used with SPPRI404001099 Main Switch Fourth Pole 63A
4	SP506407	Main Switch	25A; Fourth pole
	SPPRI404001098	Main Switch	32A; Fourth pole
	SPPRI404001099	Main Switch	63A; Fourth pole
5	SP552251	Filter	16A / 250V
6	571473	Frequency Inverter	FR-D720S; 2.2kW; 230V / 400V+N
	SP571474	Frequency Inverter	FR-D740; 3.7kW, 400V / 440V
	557961	Ferrite Core	Used with frequency inverter
7	SP101416	Nut	M16
8	SPPRI401003020	Fuse Housing	2 pieces
9	SP345805163032	Fuse	6.3x32mm, T1A/500V; 2 pieces
10	566549	Cover	
11	524740	Label	
12	SP101406	Bushing	M16
13	SP100388	Switch	
14	SPPRI404000095	Main Switch Knob	
15	SP101409	Bushing	M32x1.5
16	SP101419	Nut	M32
17	577195	Rear Panel Assembly	Assembly
18	SP545234	Cable	RS485; With connectors
19	SP547006	USB Cable	Rear panel connection; Optional
20	524714	Soap Relay Board	Used with SP528419 Pump Relay Board Flat Cable, 1=1.8m long
	SP557944	Soap Link Kit	
	SP557947	External Block Signal Cable	2.8m
21	540123	Holder	

Rear Panel - 230-400V with Neutral (Drawing 2 of 2)

AF, IY and NY Models with G, H, J or K in 13th Position except Models with V in 7th Position



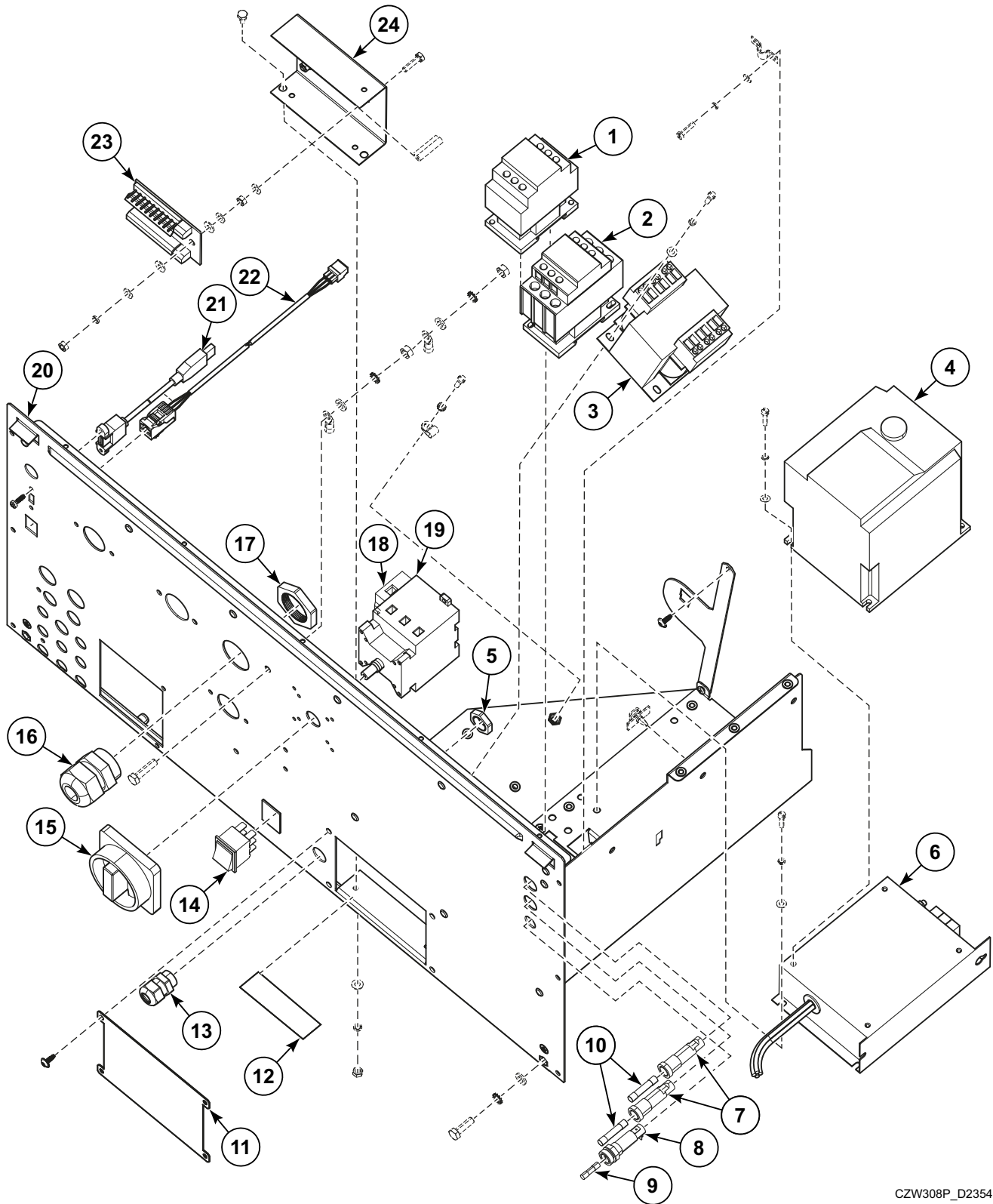
CZW307P_D2354

Rear Panel - 230-400V with Neutral (Drawing 2 of 2)

REF	PART NO.	DESCRIPTION	COMMENTS
1	SP309084000416	Bolt	M4x16
2	SP311127000004	Washer	4
3	SP311125000004	Washer	4.3
4	SP528392	Cable Clamp	
5	SP311679800004	Washer	M4
6	SP502214	Clip	
7	SP529206	Screw	4x11
8	SP528313	Cable Holder	
9	SP311125240006	Washer	6
10	SP311679824006	Washer	6
11	SP309933000620	Bolt	M6x20
12	SP310934000004	Nut	M4
13	SP309933100625	Bolt	M6x25
14	SP526497	Screw	4x12
15	SPPRI523000007	Washer	M4
16	SP345000165034	Cable Eye	
17	SP311125100006	Washer	
18	SP310934100006	Nut	M6
19	SPPRI505000058	Profiled Sealing	
20	SP309933000416	Bolt	M4x16
21	SP309933240408	Bolt	M4x8

Rear Panel - 400-440V (Drawing 1 of 2)

AF, IY and NY Models with G, H, J or K in 13th Position except Models with V in 7th Position



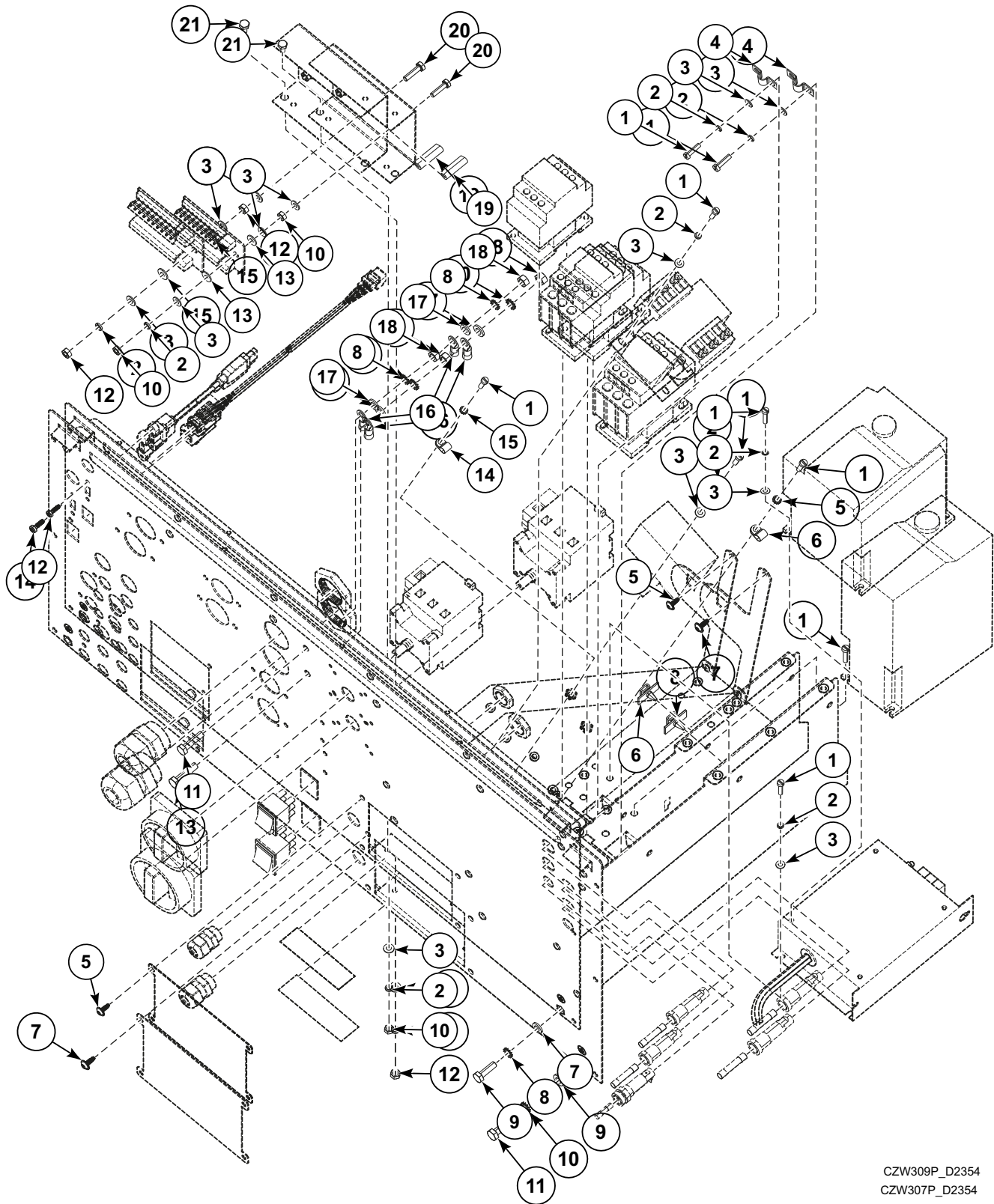
CZW308P_D2354

Rear Panel - 400-440V (Drawing 1 of 2)

REF	PART NO.	DESCRIPTION	COMMENTS
1	SP514038	Contactator	LC1-D09M7; Used with frequency inverter
2	SP514038	Contactator	LC1-D09M7; Electric heating; 6kW, 9kW, 12kW 400V / 440V
	SP514042	Contactator	LC1D18M7; Electric heating 18kW 400V / 440V
	SPPRI345002019	Contactator	LC1D3201; Electric heating 12kW, 18kW, 22kW, 230V / 400V / 440V
3	SP516648	Transformer	
4	SP571475	Frequency Inverter	440V; FR-D740-080-SC-E8
	557961	Ferrite Core	Used with frequency inverter
5	SP101416	Nut	M16
6	525935	Filter	16A
7	SPPRI401003020	Fuse Housing	2 pieces
8	SPPR401001020	Fuse Holder	
9	SP345805005020	Fuse	
10	SP345805163032	Fuse	6.3x32mm, T1A/500V; 2 pieces
11	566549	Cover	
12	524740	Label	
13	SP101406	Bushing	M16
14	SP100388	Switch	
15	SPPRI404000095	Main Switch Knob	
16	SP101409	Bushing	M32x1.5
17	SP101419	Nut	M32
18	SP506407	Main Switch	25A; Fourth pole
	SPPRI404001098	Main Switch	32A; Fourth pole
	SPPRI404000199	Main Switch	63A; Fourth pole
19	SPPRI404000097	Main Switch	25A; used with SP506407 Main Switch Fourth Pole 25A
	SPPRI404000098	Main Switch	32A; used with SPPRI404001098 Main Switch Fourth Pole 32A
	SPPRI404000099	Main Switch	63A; used with SPPRI404001099 Main Switch Fourth Pole 63A
20	577195	Rear Panel Assembly	Assembly
21	SP547006	USB Cable	Rear panel connection; Optional
22	SP545234	Cable	RS485; With connectors
23	524714	Soap Relay Board	Used with SP528419 Pump Relay Board Flat Cable, l=1.8m
	SP557944	Soap Link Kit	
	SP557947	External Block Signal Cable	2.8m
24	540123	Holder	

Rear Panel - 400-440V (Drawing 2 of 2)

AF, IY and NY Models with G, H, J or K in 13th Position except Models with V in 7th Position



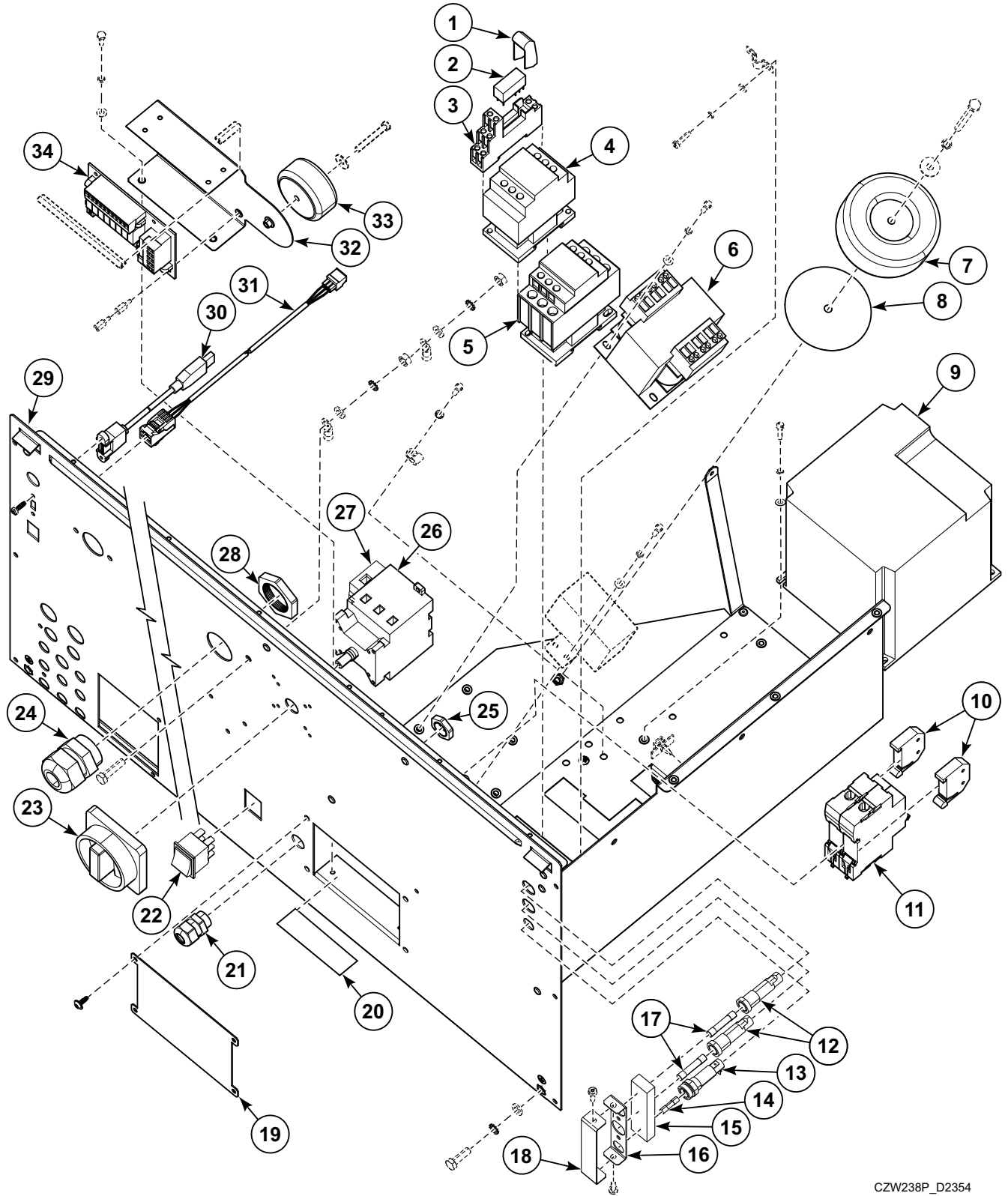
CZW309P_D2354
CZW307P_D2354

Rear Panel - 400-440V (Drawing 2 of 2)

REF	PART NO.	DESCRIPTION	COMMENTS
1	SP309084000416	Bolt	M4x16
2	SP311127000004	Washer	4
3	SP311125000004	Washer	4.3
4	SP528392	Cable Clamp	
5	SP529206	Screw	4x11
6	SP528313	Cable Holder	
7	SP311125240006	Washer	6
8	SP311679824006	Washer	6
9	SP309933000620	Bolt	M6x20
10	SP310934000004	Nut	M4
11	SP309933100625	Bolt	M6x25
12	SP526497	Screw	4x12
13	SPPRI523000007	Washer	M4
14	SP502214	Clip	
15	SP311679800004	Washer	M4
16	SP345000165034	Cable Eye	
17	SP311125100006	Washer	
18	SP310934100006	Nut	M6
19	SPPRI505000058	Profiled Sealing	
20	SP309933000416	Bolt	M4x16
21	SP309933240408	Bolt	M4x8

Rear Panel - 230-400V CE Models with Neutral (Drawing 1 of 2)

AF, IY, JY and NY Models with V in 7th Position



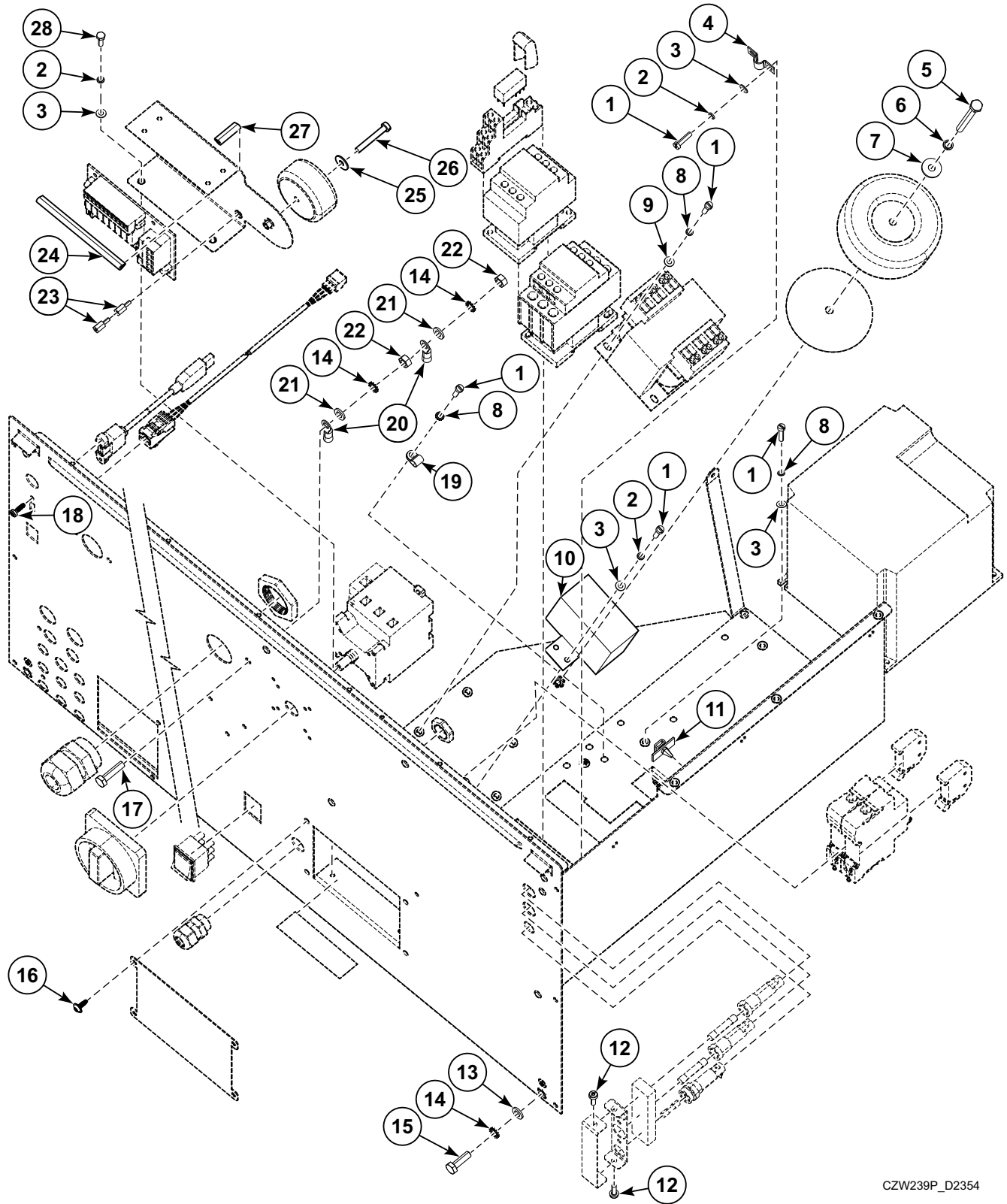
CZW238P_D2354

Rear Panel - 230-400V CE Models with Neutral (Drawing 1 of 2)

REF	PART NO.	DESCRIPTION	COMMENTS
1	SP514135	Relay Clamp	2 poles
2	SP514134	Relay	2 poles
3	SP506586	Relay Case	2 poles
4	SP514038	Contactors	LC1-D09M7; Used with frequency inverter
5	SP514038	Contactors	LC1-D09M7; Electric heating; 12kW 400V/440V
	SP514042	Contactors	LC1D18M7; Electric heating; 18kW 400V/440V
	SPPRI345002019	Contactors	LC1D3201; Electric heating; 21.9kW 230V
	SP514043	Contactors	LC1D50; Electric heating; 12kW 230V, 18kW/230V, 21.9kW 400V/440V
6	SP516648	Transformer	
7	571456	DC Choke	3.1mH; Supply 230V, 380-415V+N
8	571458	Insulation Washer	
9	SP571473	Frequency Inverter	230V/400V+N; FR-D7205-100SC-E8
	SP571475	Frequency Inverter	400V/440V; FR-D740-080-SC-E8
	557961	Ferrite Core	Used with frequency inverter
10	SP346000209101	End Stop	
11	571463	Circuit Breaker	
12	SPPRI401003020	Fuse Housing	2 pieces
13	SPPRI401001020	Fuse Holder	
14	SP345805005020	Fuse	0.5A/250V
15	570387	Self-Adhesive Profile	
16	SP554310	Fuse Holder	
17	SP345805163032	Fuse	6.3x32mm, T1A/500V; 2 pieces
18	SP554311	Fuse Cover	
19	566549	Cover	
20	570371	Label	Models with Transformer
	579019	Label	Models without Transformer
21	SP101406	Bushing	M16
22	SP100388	Switch	
23	SPPRI404000095	Main Switch Knob	
24	SP101409	Bushing	M32x1.5
25	SP101416	Nut	M16
26	SPPRI404000097	Main Switch	25A; Used with SP506407 Main Switch; Fourth pole 25A
	SPPRI404000098	Main Switch	32A; Used with SPPRI404001098 Main Switch; Fourth pole 32A
	SPPRI404000099	Main Switch	63A; Used with SPPRI404001099 Main Switch; Fourth pole 63A
27	SP506407	Main Switch	Fourth Pole; 25A
	SPPRI404001098	Main Switch	Fourth Pole; 32A
	SPPRI404001099	Main Switch	Fourth Pole; 63A
28	SP101419	Nut	M32
29	567982	Rear Panel Assembly	
30	SP547006	USB Cable	Rear panel connection; Optional
31	SP545234	Cable	RS485; With connectors
32	570382	Holder	
33	564561	Transformer	With transformer
	579014	Transformer Kit	Models without transformer
34	553187	Soap Relay Board	Used with 569738 Pump Relay Board Flat Cable

Rear Panel - 230-400V CE Models with Neutral (Drawing 2 of 2)

AF, IY, JY and NY Models with V in 7th Position



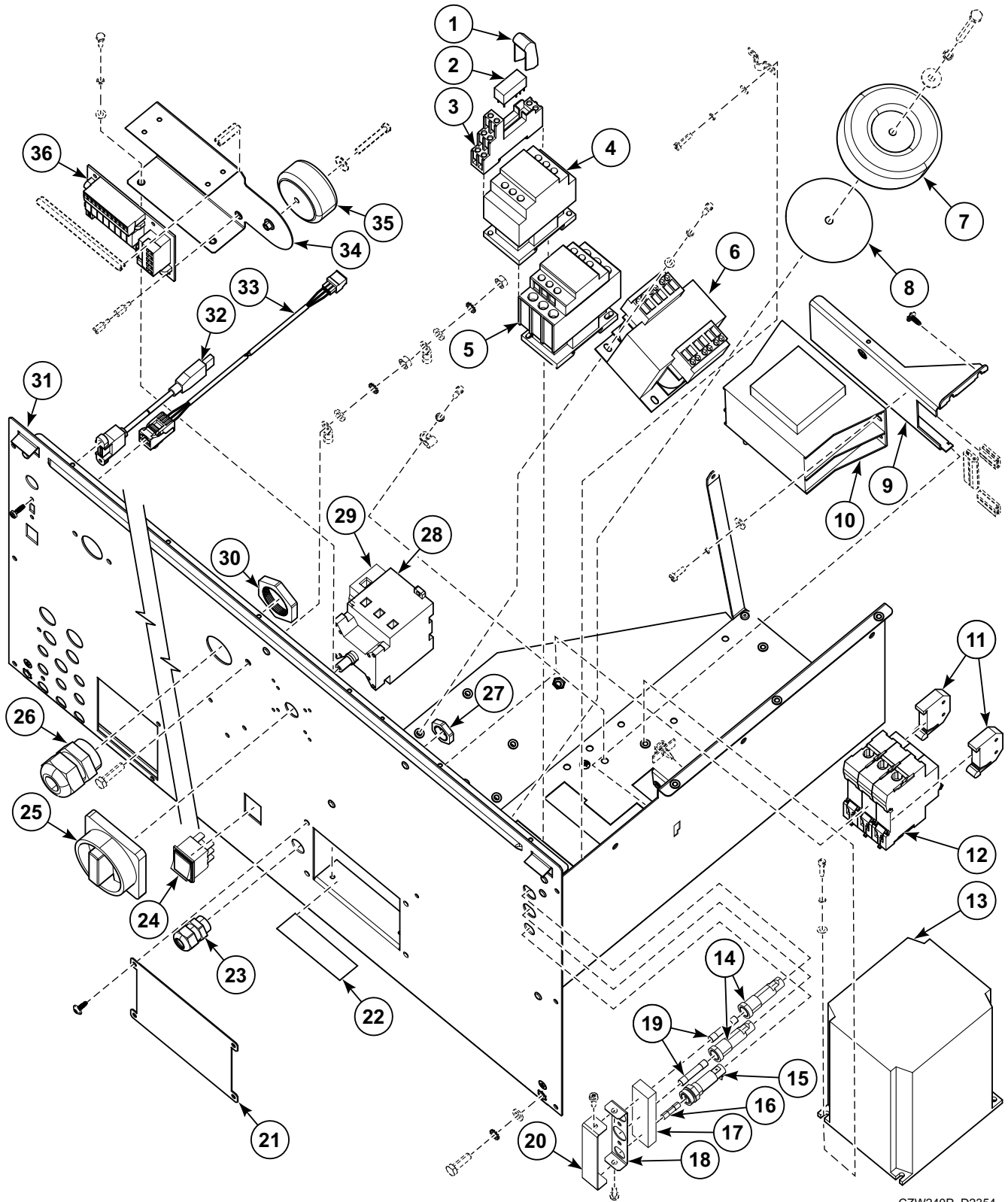
CZW239P_D2354

Rear Panel - 230-400V CE Models with Neutral (Drawing 2 of 2)

REF	PART NO.	DESCRIPTION	COMMENTS
1	SP309084000416	Bolt	M4x16
2	SP311127000004	Washer	4
3	SP311125000004	Washer	4.3
4	SPPRI407000091	Cable Sleeve	
5	SP309933000660	Bolt	M6x60
6	SP311127000006	Washer	6
7	SP311902100006	Washer	6
8	SP311679800004	Washer	M4
9	SP311125000004	Washer	4.3
10	568380	Filter	20A/250V
11	SP528313	Cable Holder	
12	SP555504	Bolt	
13	SP311125240006	Washer	6
14	SP311679824006	Washer	6
15	SP309933000620	Bolt	M6x20
16	SP529206	Screw	4x11
17	SP309933100625	Bolt	M6x25
18	SP526497	Screw	4x12
19	SP502214	Clip	
20	SP345000165034	Cable Eye	
21	SP311125100006	Washer	6
22	SP310934100006	Nut	M6
23	570381	Hex Pillar	M3
24	SPPRI505000058	Profiled Sealing	0.105m
25	SP505430	Washer	5
26	SP309084000535	Bolt	M5x35
27	SPPRI505000058	Profiled Sealing	0.025m
28	SP309933240412	Bolt	M4x12

Rear Panel - 400-440V CE Models (Drawing 1 of 2)

AF, IY, JY and NY Models with V in 7th Position



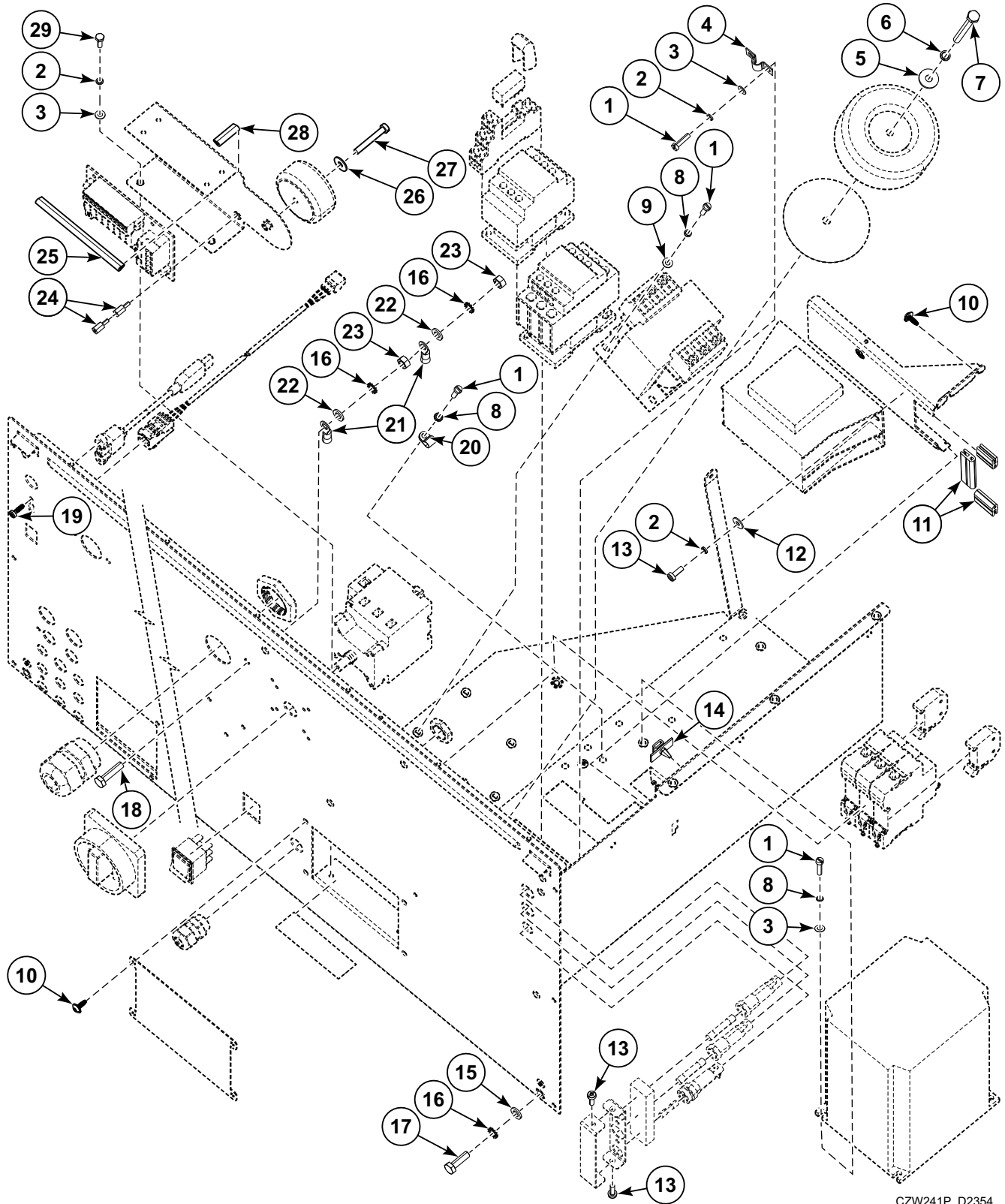
CZW240P_D2354

Rear Panel - 400-440V CE Models (Drawing 1 of 2)

REF	PART NO.	DESCRIPTION	COMMENTS
1	SP514135	Relay Clamp	2 poles
2	SP514134	Relay	2 poles
3	SP506586	Relay Case	2 poles
4	SP514038	Contactactor	LC1-D09M7; Used with frequency inverter
5	SP514038	Contactactor	LC1-D09M7; Electric heating; 12kW 400V/440V
	SP514042	Contactactor	LC1D18M7; Electric heating; 18kW 400V/440V
	SPPRI345002019	Contactactor	LC1D3201; Electric heating; 21.9kW 230V
	SP514043	Contactactor	LC1D50; Electric heating; 12kW 230V, 18kW/230V, 21.9kW 400V/440V
6	SP516648	Transformer	
7	571457	DC Choke	8.8mH; Supply 400V, 440-480V without N
8	571458	Insulation Washer	
9	572126	Filter Holder	Used with SP313251002104 Nut
10	SP557932	Frequency Inverter Filter	3x400V
11	SP346000209101	End Stop	
12	571464	Circuit Breaker	
13	SP571475	Frequency Inverter	440V; FR-D740-080-SC-E8
	557961	Ferrite Core	Used with frequency inverter
14	SPPRI401003020	Fuse Housing	2 pieces
15	SPPRI401001020	Fuse Holder	
16	SP345805005020	Fuse	0.5A/250V
17	570387	Self-Adhesive Profile	
18	SP554310	Fuse Holder	
19	SP345805163032	Fuse	6.3x32mm, T1A/500V; 2 pieces
20	SP554311	Fuse Cover	
21	566549	Cover	
22	570371	Label	Models with Transformer
	579019	Label	Models without Transformer
23	SP101406	Bushing	M16
24	SP100388	Switch	
25	SPPRI404000095	Main Switch Knob	
26	SP101409	Bushing	M32x1.5
27	SP101416	Nut	M16
28	SPPRI404000097	Main Switch	25A; Used with SP506407 Main Switch; Fourth pole 25A
	SPPRI404000098	Main Switch	32A; Used with SPPRI404001098 Main Switch; Fourth pole 32A
	SPPRI404000099	Main Switch	63A; Used with SPPRI404001099 Main Switch; Fourth pole 63A
29	SP506407	Main Switch	Fourth Pole; 25A
	SPPRI404001098	Main Switch	Fourth Pole; 32A
	SPPRI404001099	Main Switch	Fourth Pole; 63A
30	SP101419	Nut	M32
31	567982	Rear Panel Assembly	
32	SP547006	USB Cable	Rear panel connection; Optional
33	SP545234	Cable	RS485; With connectors
34	570382	Holder	
35	564561	Transformer	with Transformer
	579014	Transformer Kit	Models without Transformer
36	553187	Soap Relay Board	Used with 569738 Pump Relay Board Flat Cable

Rear Panel - 400-440V CE Models (Drawing 2 of 2)

AF, IY, JY and NY Models with V in 7th Position



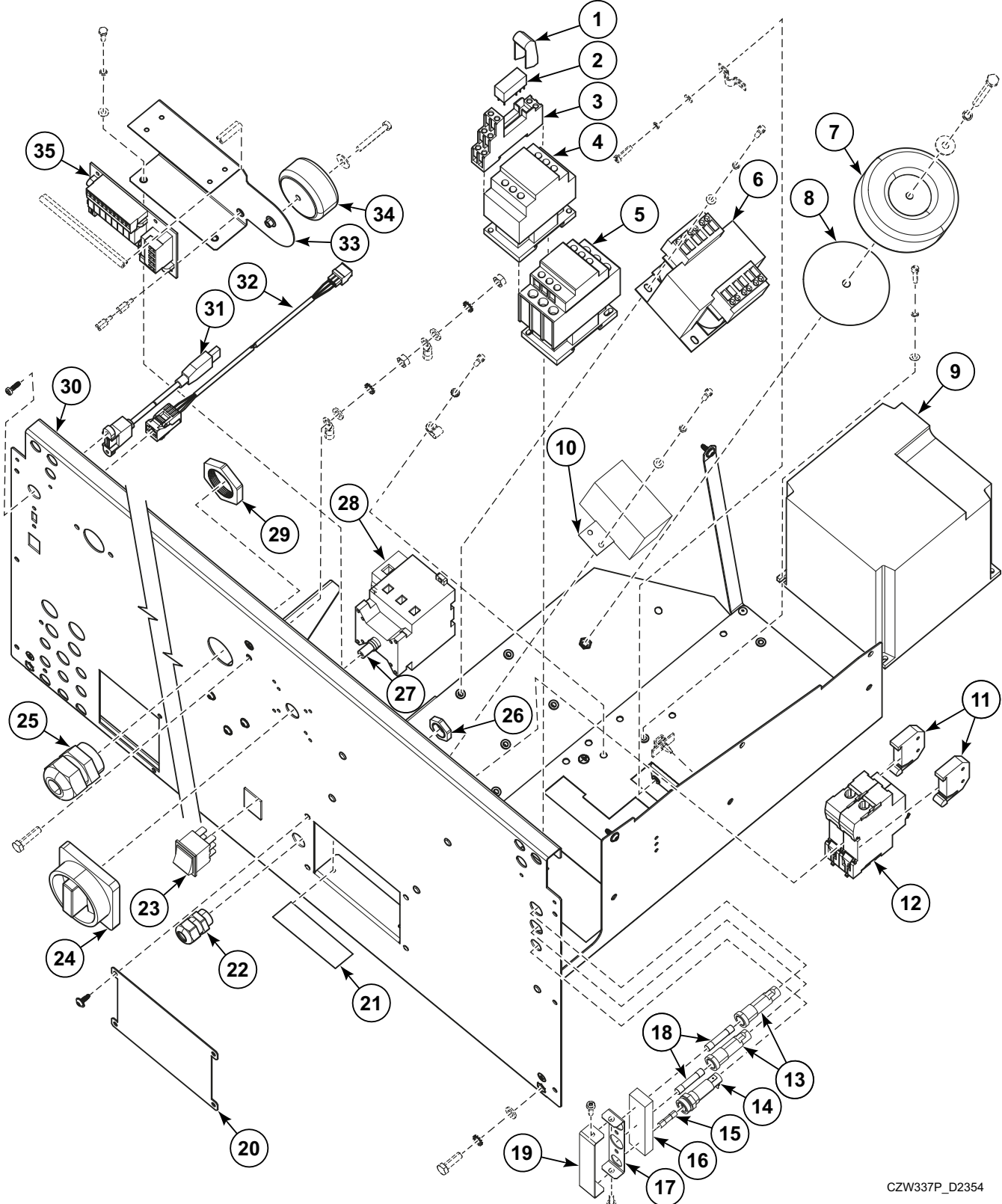
CZW241P_D2354

Rear Panel - 400-440V CE Models (Drawing 2 of 2)

REF	PART NO.	DESCRIPTION	COMMENTS
1	SP309084000416	Bolt	M4x16
2	SP311127000004	Washer	4
3	SP311125000004	Washer	4.3
4	SPPRI407000091	Cable Sleeve	
5	SP311902100006	Washer	6
6	SP311127000006	Washer	6
7	SP309933000660	Bolt	M6x60
8	SP311679800004	Washer	M4
9	SP311125000004	Washer	4.3
10	SP529206	Screw	4x11
11	SP529068	Edge Protection	
12	SP311902100004	Washer	4
13	SP555504	Bolt	
14	SP528313	Cable Holder	
15	SP311125240006	Washer	6
16	SP311679824006	Washer	6
17	SP309933000620	Bolt	M6x20
18	SP309933100625	Bolt	M6x25
19	SP526497	Screw	4x12
20	SP502214	Clip	
21	SP345000165034	Cable Eye	
22	SP311125100006	Washer	6
23	SP310934100006	Nut	M6
24	570381	Hex Pillar	M3
25	SPPRI505000058	Profiled Sealing	0.105m
26	SP505430	Washer	5
27	SP309084000535	Bolt	M5x35
28	SPPRI505000058	Profiled Sealing	0.025m
29	SP309933240412	Bolt	M4x12

Rear Panel - 230-400V CE Models with Neutral (Drawing 1 of 2)

FX and PY Models with V in 7th Position



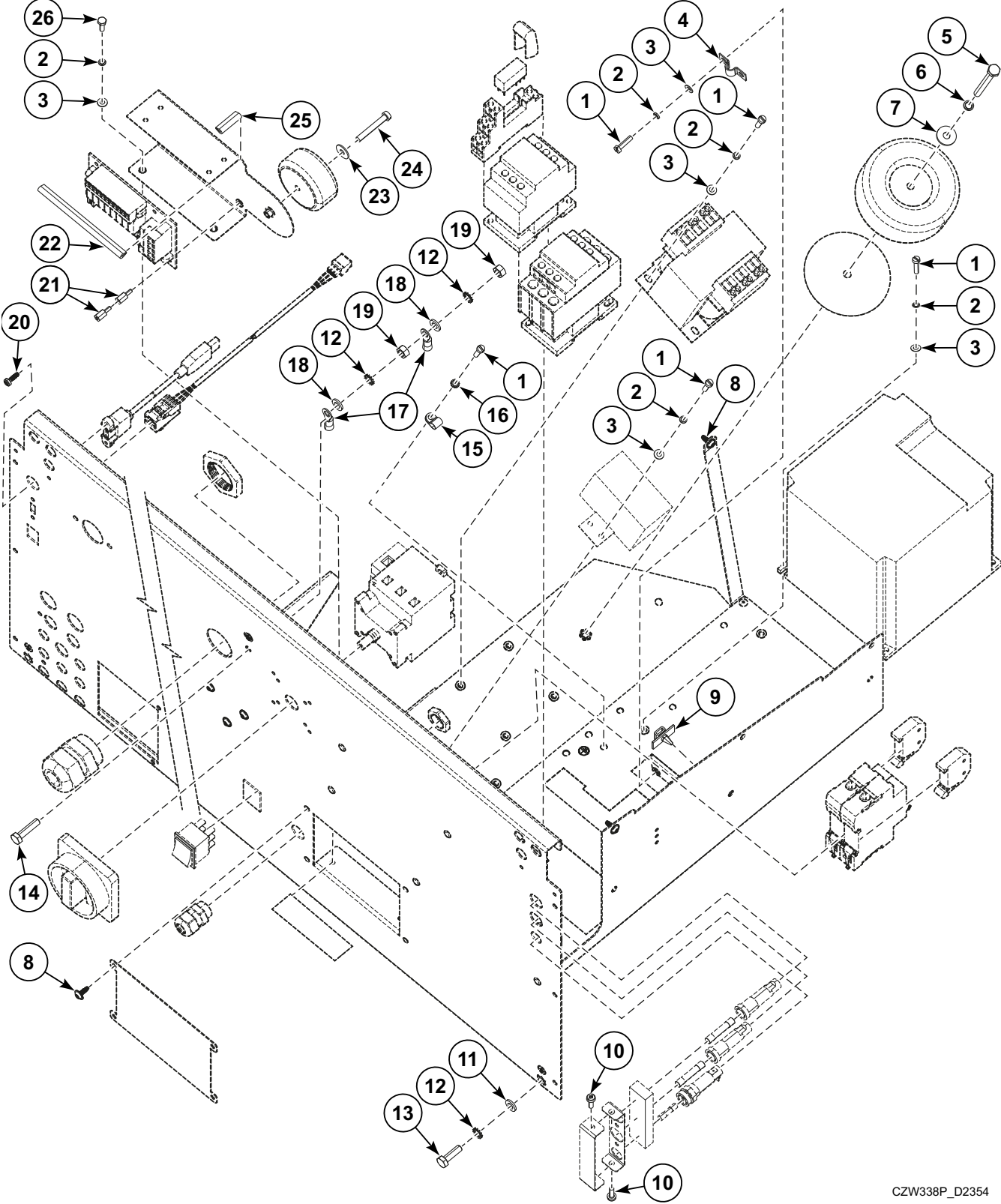
CZW337P_D2354

Rear Panel - 230-400V CE Models with Neutral (Drawing 1 of 2)

REF	PART NO.	DESCRIPTION	COMMENTS
	570317	Liquid Detergents	Assembly includes items from (Drawing 1 of 2) 21, 22, 26, 33-35, 569738 Pump Relay Board Flat Cable and items from (Drawing 2 of 2) 2, 3 and 21 - 26
1	SP514135	Relay Clamp	2 poles
2	SP514134	Relay	2 poles
3	SP506586	Relay Case	2 poles
4	SP514038	Contactator	LC1-D09M7; Used with frequency inverter
5	SP514038	Contactator	LC1-D09M7; Electric heating; 12kW 400V/440V
	SP514042	Contactator	LC1D18M7; Electric heating; 18kW 400V/440V
	SPPRI345002019	Contactator	LC1D3201; Electric heating; 21.9kW 230V
	SP514043	Contactator	LC1D50; Electric heating; 12kW 230V, 18kW/230V, 21.9kW 400V/440V
6	SP516648	Transformer	
7	571456	DC Choke	3.1mH; Supply 230V, 380-415V+N
8	571458	Insulation Washer	
9	SP571473	Frequency Inverter	230V/400V+N; FR-D720S-100SC-E8; 2.2kW
	SP571475	Frequency Inverter	400V/440V; FR-D740-080-SC-E8; 3.7kW
	557961	Ferrite Core	Used with frequency inverter
10	568380	Filter	20A 250V
11	SP346000209101	End Stop	
12	571463	Circuit Breaker	16A
13	SPPRI401003020	Fuse Housing	2 pieces
14	SPPRI401001020	Fuse Holder	
15	SP345805005020	Fuse	0.5A/250V
16	570387	Self-Adhesive Profile	
17	SP554310	Fuse Holder	
18	SP345805163032	Fuse	6.3x32mm, T1A/500V; 2 pieces
19	SP554311	Fuse Cover	
20	566549	Cover	
21	570371	Label	Models with Transformer
	579019	Label	Models without Transformer
22	SP101406	Bushing	M16
23	SP100388	Switch	
24	SPPRI404000095	Main Switch Knob	
25	SP101409	Bushing	M32x1.5
26	SP101416	Nut	M16
27	SPPRI404000097	Main Switch	25A; Used with SP506407 Main Switch; Fourth pole 25A
	SPPRI404000098	Main Switch	32A; Used with SPPRI404001098 Main Switch; Fourth pole 32A
	SPPRI404000099	Main Switch	63A; Used with SPPRI404001099 Main Switch; Fourth pole 63A
28	SP506407	Main Switch	Fourth Pole; 25A
	SPPRI404001098	Main Switch	Fourth Pole; 32A
	SPPRI404001099	Main Switch	Fourth Pole; 63A
29	SP101419	Nut	M32
30	574202	Rear Panel	
31	SP547006	USB Cable	Rear panel connection; Optional
32	SP545234	Cable	RS485; With connectors
33	570382	Holder	
34	564561	Transformer	With transformer
	579014	Transformer Kit	Models without transformer
35	553187	Soap Relay Board	Used with 569738 Pump Relay Board Flat Cable

Rear Panel - 230-400V CE Models with Neutral (Drawing 2 of 2)

FX and PY Models with V in 7th Position



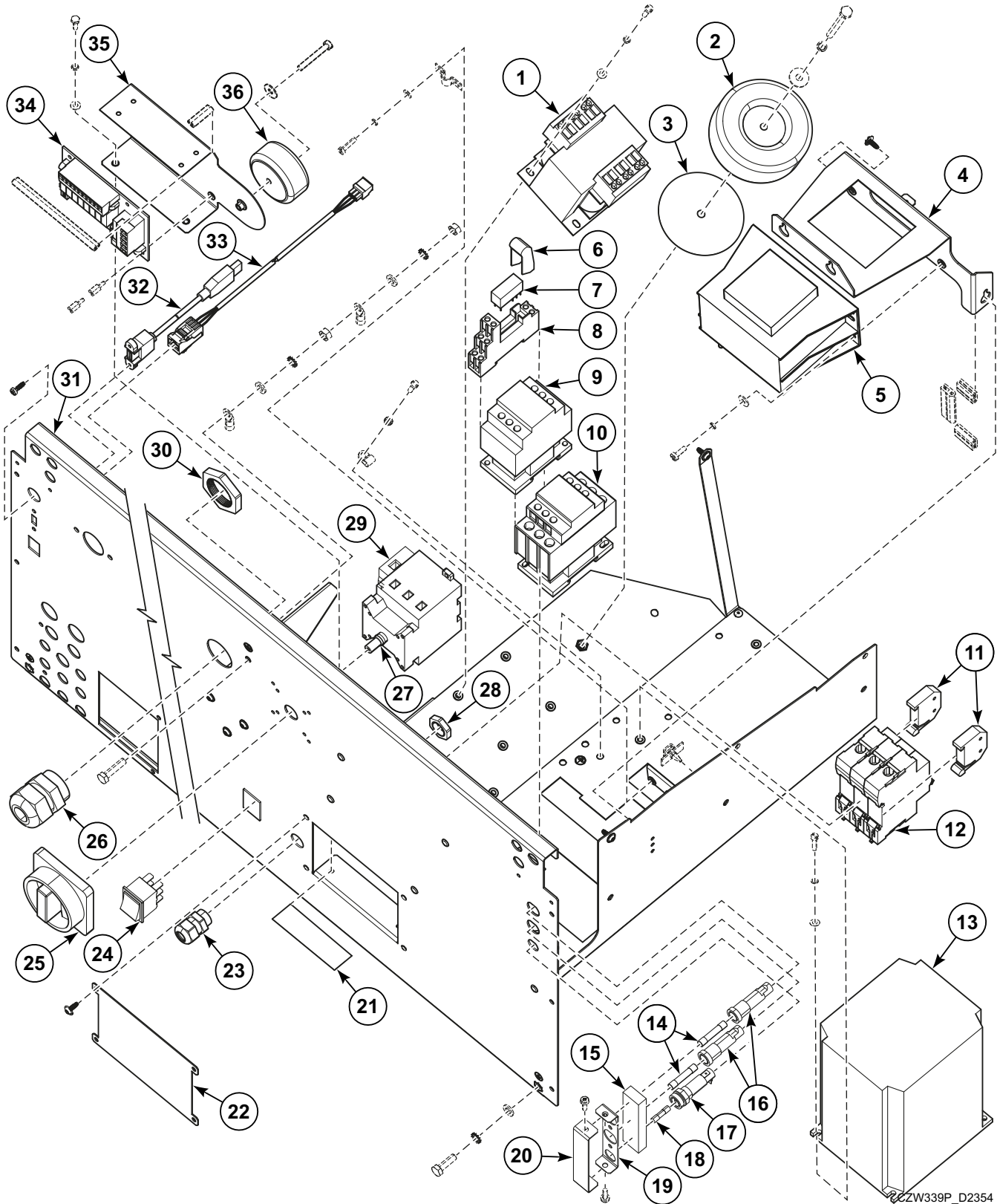
CZW338P_D2354

Rear Panel - 230-400V CE Models with Neutral (Drawing 2 of 2)

REF	PART NO.	DESCRIPTION	COMMENTS
1	SP309084000416	Bolt	M4x16
2	SP311127000004	Washer	4
3	SP311125000004	Washer	4.3
4	SPPRI407000091	Cable Sleeve	
5	SP309933000660	Bolt	M6x60
6	SP311127000006	Washer	6
7	SP311902100006	Washer	6
8	SP529206	Screw	4x11
9	SP528313	Cable Holder	
10	SP555504	Bolt	
11	SP311125240006	Washer	6
12	SP311679824006	Washer	6
13	SP309933000620	Bolt	M6x20
14	SP309933100625	Bolt	M6x25
15	SP502214	Clip	
16	SP311679800004	Washer	M4
17	SP345000165034	Cable Eye	
18	SP311125100006	Washer	6
19	SP310934100006	Nut	M6
20	SP526497	Screw	4x12
21	570381	Hex Pillar	M3
22	SPPRI505000058	Profiled Sealing	0.105m
23	SP505430	Washer	5
24	SP309084000535	Bolt	M5x35
25	SPPRI505000058	Profiled Sealing	0.025m
26	SP309933240412	Bolt	M4x12

Rear Panel - 400V / 440V-480V CE Models (Drawing 1 of 2)

FX and PY Models with V in 7th Position



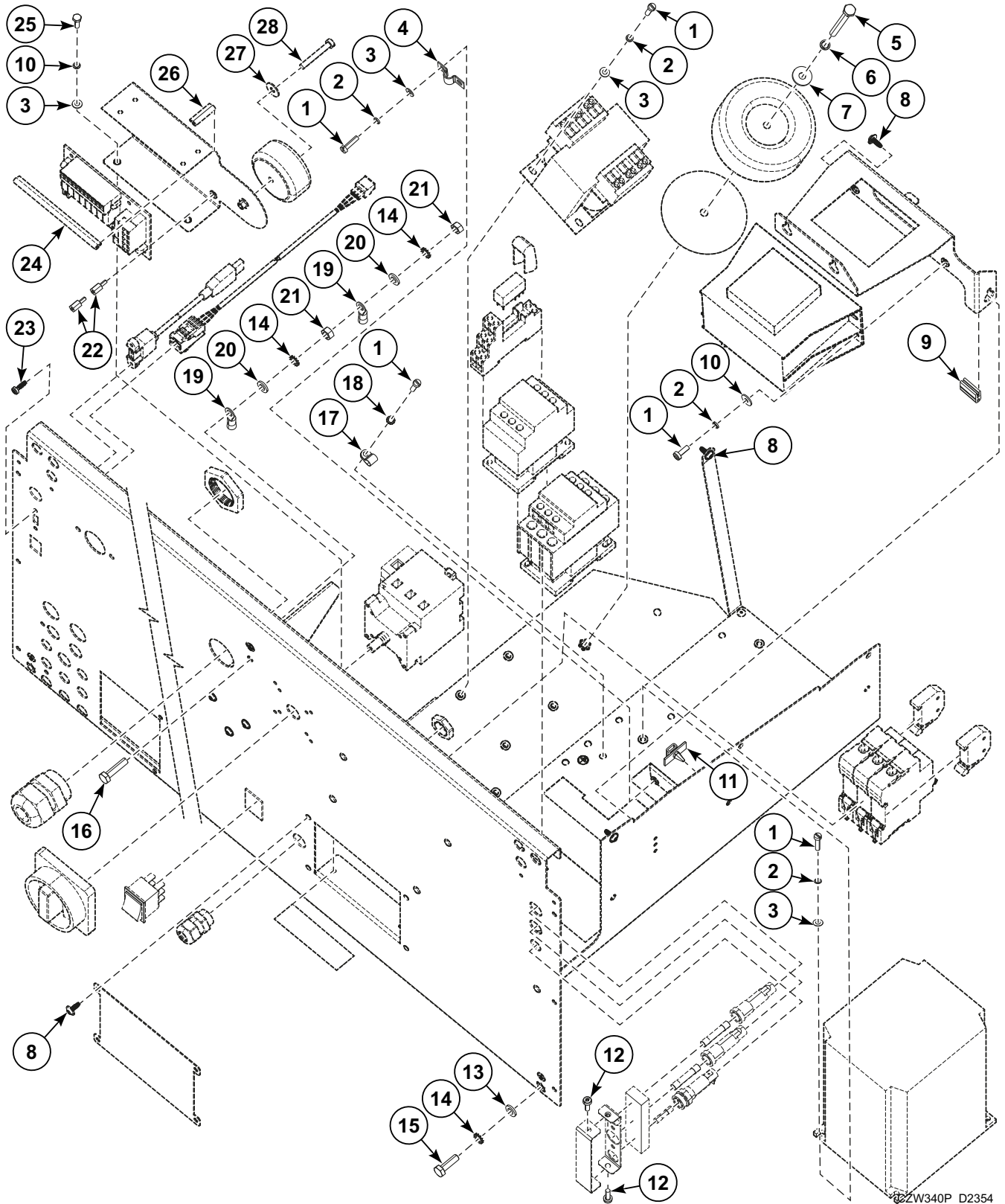
CZW339P_D2354

Rear Panel - 400V / 440V-480V CE Models (Drawing 1 of 2)

REF	PART NO.	DESCRIPTION	COMMENTS
	570317	Liquid Detergents	Assembly includes items from (Drawing 1 of 2) 21, 23, 28, 34-36, 569738 Pump Relay Board Flat Cable and items from (Drawing 2 of 2) 3, 10, 22 and 24-28
1	SP516648	Transformer	
2	571457	DC Choke	8.8mH; Supply 400V / 440V
3	571458	Insulation Washer	
4	574850	Filter Holder	Used with SP313251002104 Nut
5	SP557932	Frequency Inverter Filter	3x400V
6	SP514135	Relay Clamp	2 poles
7	SP514134	Relay	2 poles
8	SP506586	Relay Case	2 poles
9	SP514038	Contactors	LC1-D09M7
10	SP514038	Contactors	LC1-D09M7; Electric heating; 12kW 400V/440V
	SP514042	Contactors	LC1D18M7; Electric heating; 18kW 400V/440V
	SPPRI345002019	Contactors	LC1D3201; Electric heating; 21.9kW 230V
11	SP346000209101	End Stop	
12	571464	Circuit Breaker	10A
13	SP571475	Frequency Inverter	440V; FR-D740-080-SC-E8
	557961	Ferrite Core	Used with frequency inverter
14	SP345805163032	Fuse	6.3x32mm, T1A/500V; 2 pieces
15	570387	Self-Adhesive Profile	
16	SPPRI401003020	Fuse Housing	2 pieces
17	SPPRI401001020	Fuse Holder	
18	SP345805005020	Fuse	0.5A/250V
19	SP554310	Fuse Holder	
20	SP554311	Fuse Cover	
21	570371	Label	Models with Transformer
	579019	Label	Models without Transformer
22	566549	Cover	
23	SP101406	Bushing	M16
24	SP100388	Switch	
25	SPPRI404000095	Main Switch Knob	
26	SP101409	Bushing	M32x1.5
27	SPPRI404000097	Main Switch	25A; Used with SP506407 Main Switch; Fourth pole 25A
	SPPRI404000098	Main Switch	32A; Used with SPPRI404001098 Main Switch; Fourth pole 32A
	SPPRI404000099	Main Switch	63A; Used with SPPRI404001099 Main Switch; Fourth pole 63A
28	SP101416	Nut	M16
29	NA	Main Switch	Fourth Pole; 25A
	NA	Main Switch	Fourth Pole; 32A
	NA	Main Switch	Fourth Pole; 63A
30	SP101419	Nut	M32
31	574202	Rear Panel	
32	SP547006	USB Cable	Rear panel connection; Optional
33	SP545234	Cable	RS485; With connectors
34	553187	Soap Relay Board	Used with 569738 Pump Relay Board Flat Cable
35	570382	Holder	
36	564561	Transformer	With transformer
	579014	Transformer Kit	Models without transformer

N/A = Part no longer available

Rear Panel - 400V / 440V-480V - FX and PY Models with V in 7th Position (Drawing 2 of 2)

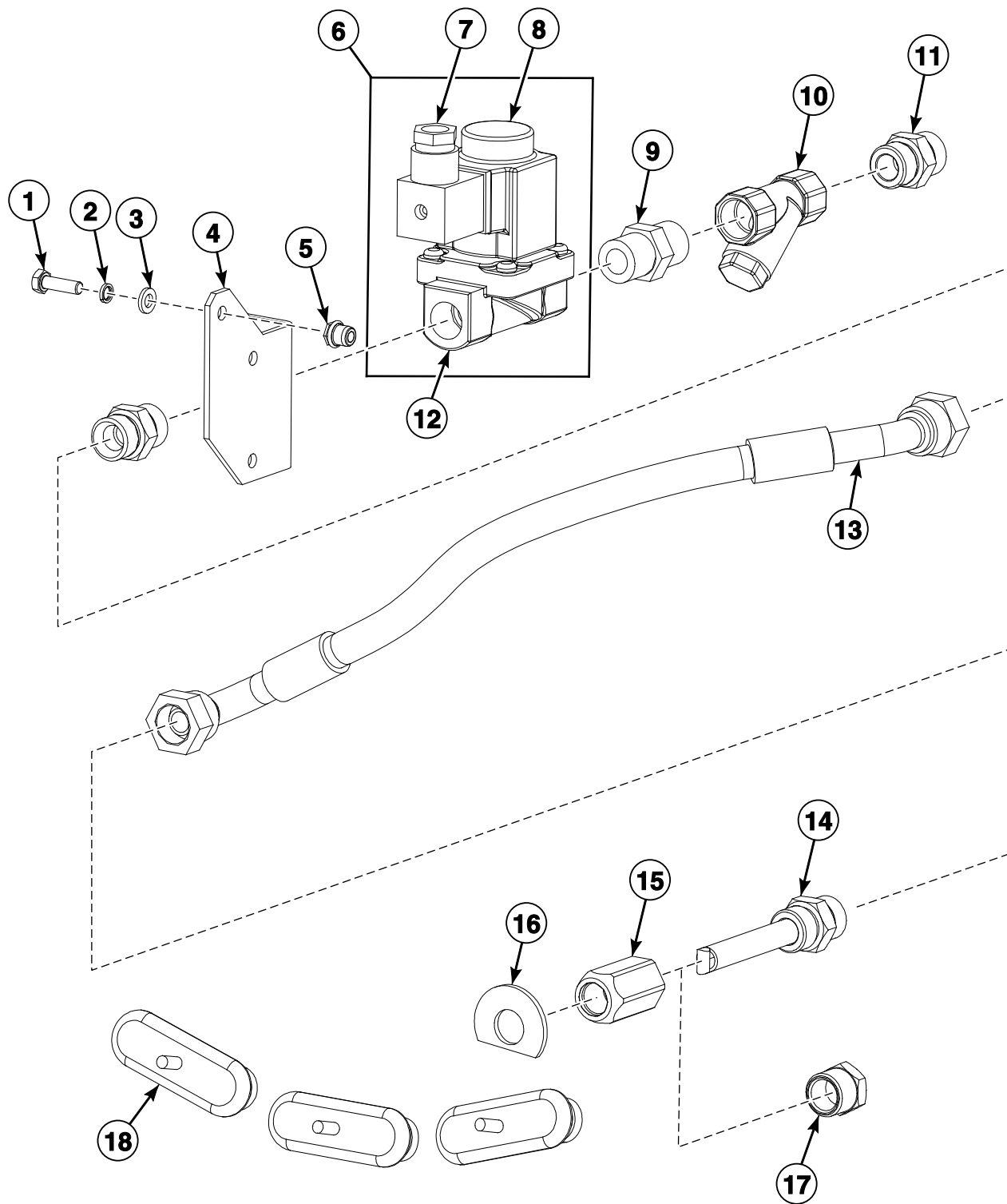


©ZW340P_D2354

Rear Panel - 400V / 440V-480V - FX and PY Models with V in 7th Position (Drawing 2 of 2)

REF	PART NO.	DESCRIPTION	COMMENTS
1	SP309084000416	Bolt	M4x16
2	SP311127000004	Washer	4
3	SP311125000004	Washer	4.3
4	SPPRI407000091	Cable Sleeve	
5	SP309933000660	Bolt	M6x60
6	SP311127000006	Washer	6
7	SP311902100006	Washer	6
8	SP529206	Screw	4x11
9	SP529068	Edge Protection	0.014m
10	SP311902100004	Washer	4
11	SP528313	Cable Holder	
12	SP555504	Bolt	M4x12
13	SP311125240006	Washer	6
14	SP311679824006	Washer	6
15	SP309933000620	Bolt	M6x20
16	SP309933100625	Bolt	M6x25
17	SP502214	Clip	
18	SP311679800004	Washer	M4
19	SP345000165034	Cable Eye	
20	SP311125100006	Washer	6
21	SP310934100006	Nut	M6
22	570381	Hex Pillar	M3
23	SP526497	Screw	4x12
24	SPPRI505000058	Profiled Sealing	0.105m
25	SP309933240412	Bolt	M4x12
26	SPPRI505000058	Profiled Sealing	0.025m
27	SP505430	Washer	5
28	SP309084000535	Bolt	M5x35

Steam Heating - All Models Except Models with V in 7th Position

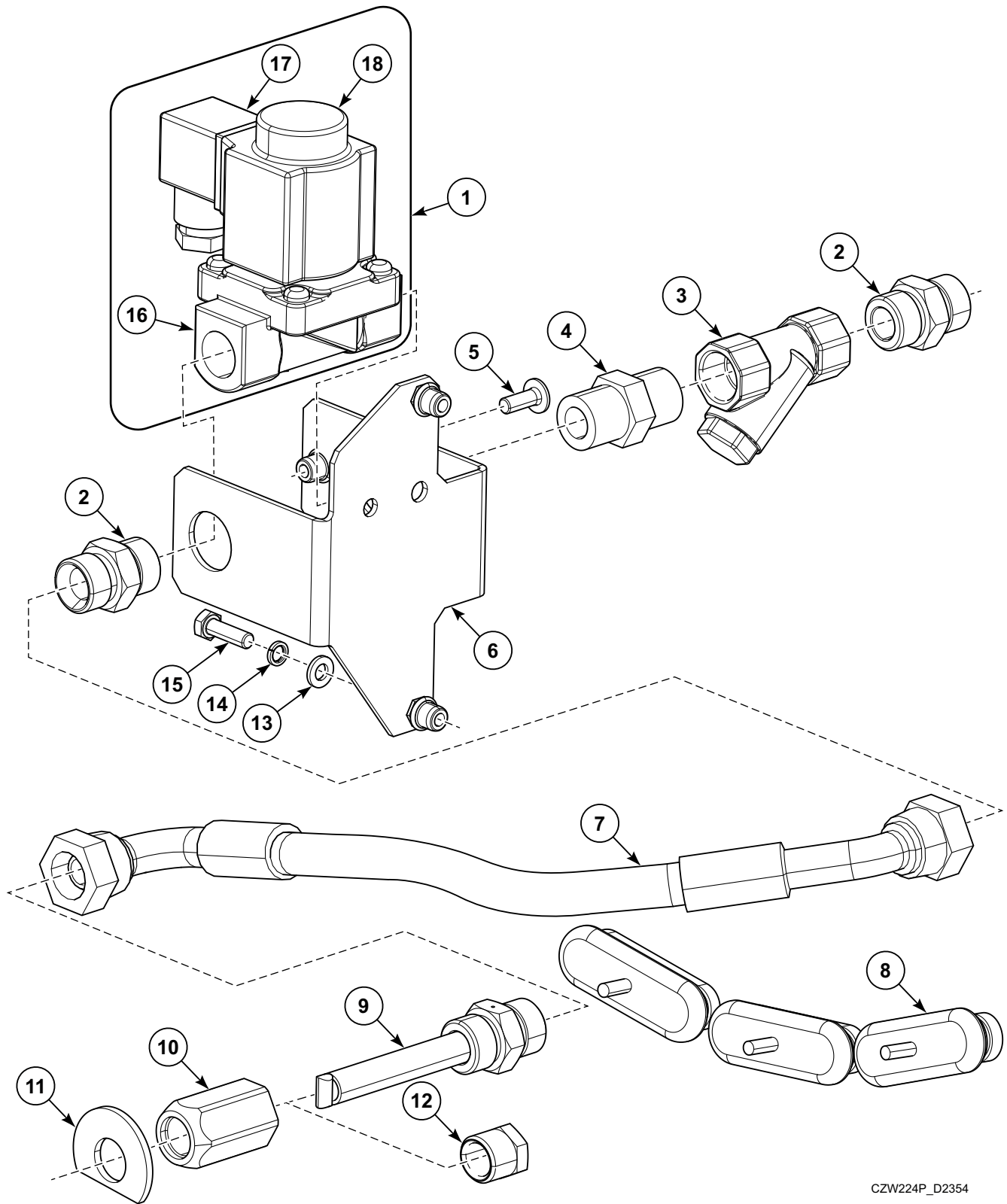


CFD2852P_D2354

Steam Heating - All Models Except Models with V in 7th Position

REF	PART NO.	DESCRIPTION	COMMENTS
	SP526564	Seal	
	SP101403	Adhesive	Loctite 5366
	SP245704000603	Adhesive	Loctite 603
	SP554340	Steam Kit	
1	SP309933000620	Bolt	M6x20
2	SP311127000006	Washer	6
3	SP311125000006	Washer	6.4
4	SP547873	Steam Valve Support	
5	SP313251000006	Nut	M6
6	SP514164	Steam Valve	1/2 inch
7	SP554156	Connector	
8	SP554110	Coil	50/60Hz
9	SP319428324012	Adapter	1/2 inch
10	SP405054120215	Steam Filter	1/2 inch
11	SPR22112000114	Pipe Nipple	1/2 inch
12	SP514165	Steam Valve Body	
13	SP526528	Steam Hose	1/2 inch 1/2 inch, l=520mm
14	SP526525	Steam Injector	
15	SP547968	Adapter	G3/8 inch / G1/2 inch
16	SP547981	Washer	
17	SPPRI426001268	Plug	1/2 inch; Prep for electric and steam heat
18	SPPRI342001016	Heating Element Hole Plug	

Steam Heating - Models with V in 7th Position

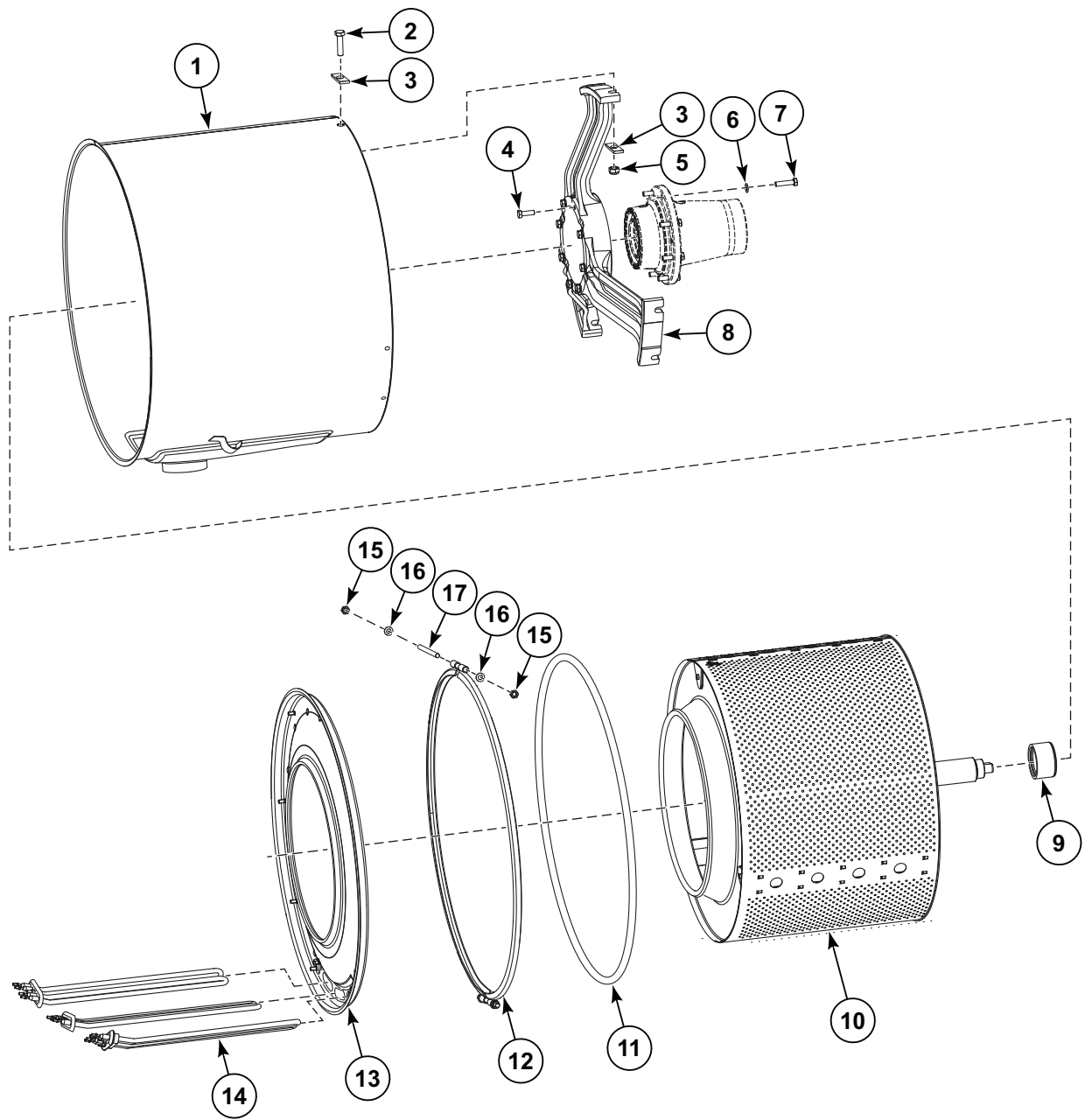


CZW224P_D2354

Steam Heating - Models with V in 7th Position

REF	PART NO.	DESCRIPTION	COMMENTS
	555355	Steam Kit	
	SP526564	Seal	
	SP101403	Adhesive	Loctite 5366
	SP245704000603	Adhesive	Loctite 603
1	SP514164	Steam Valve	1/2 inch
2	SPR22112000114	Pipe Nipple	1/2 inch
3	SP405054120215	Steam Filter	1/2 inch
4	SP319428324012	Adapter	1/2 inch
5	SP555658	Bolt	M6x16
6	SP547873	Steam Valve Support	Used with SP313251000006 Nut
7	SP526528	Steam Hose	1/2 inch, l=520mm
8	SPPRI342001016	Heating Element Hole Plug	
9	SP526525	Steam Injector	
10	SP547968	Adapter	G3/8 inch / G1/2 inch
11	SP547981	Washer	
12	SPPRI426001268	Plug	1/2 inch; Prep for electric and steam heat
13	SP311125000006	Washer	6
14	SP311127000006	Washer	6
15	SP309933000620	Bolt	M6x20
16	SP514165	Steam Valve Body	
17	SP554156	Connector	
18	SP554110	Coil	50/60Hz

Washing Drum and Tub - All Models Except Models with V in 7th Position

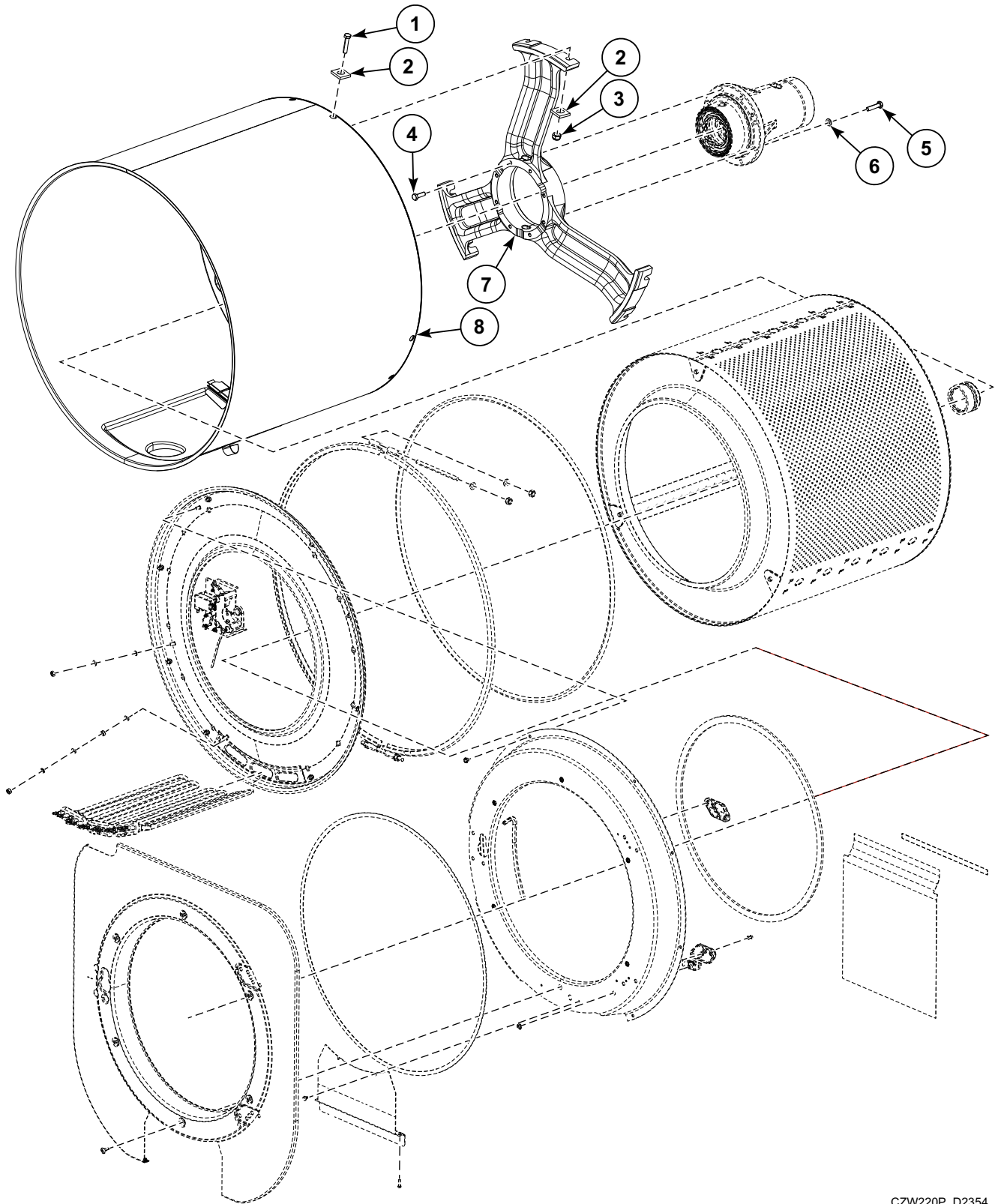


CZW585P_D1714

Washing Drum and Tub - All Models Except Models with V in 7th Position

REF	PART NO.	DESCRIPTION	COMMENTS
	SP245704003021	Adhesive	Loctite 243; Used with bolt
	SP245704000050	Adhesive	
	SPPRI704000053	Sealant	
	SP510889	Anticorrosive Agent	
1	SP552966	External Tub	Steam heating
	SP552967	External Tub	Electric heating
	567161	External Tub	Steam heating; SoftWash with built-in recirculation pump
	570310	External Tub	Electric heating; SoftWash with built-in recirculation pump
	SP554329	External Tub	Used with two drain valve and steam heating
	554330	External Tub	Used with two drain valve and electric heating
2	SP309933001250	Bolt	M12x50
3	SP537898	Washer	
4	SP309933241035	Bolt	M10x35
5	SP310985000012	Nut	M12
6	SP311125000013	Washer	M12
7	SP309933001235	Bolt	M12x35
8	SP537824	Cross Piece	
9	SP552982	Shaft Ring	
10	552969P	Washing Drum	Includes item 9; Cascade
	563269P	Washing Drum	AF, IY and NY models with "G", "H", "J" or "K" in 13th Position; Includes item 9; Flat
11	SP537821	Seal	d10-2550mm
12	SP537822	Clamp	
13	SP537819	External Tub Front Plate	
14	SP554152	Heating Element	2 x 3650W, l=570mm
15	SP310934240008	Nut	M8
16	SP311125240008	Washer	M8
17	SPF02119000415	Bolt	M8

Washing Drum and Tub - Models with V in 7th Position (Drawing 1 of 2)

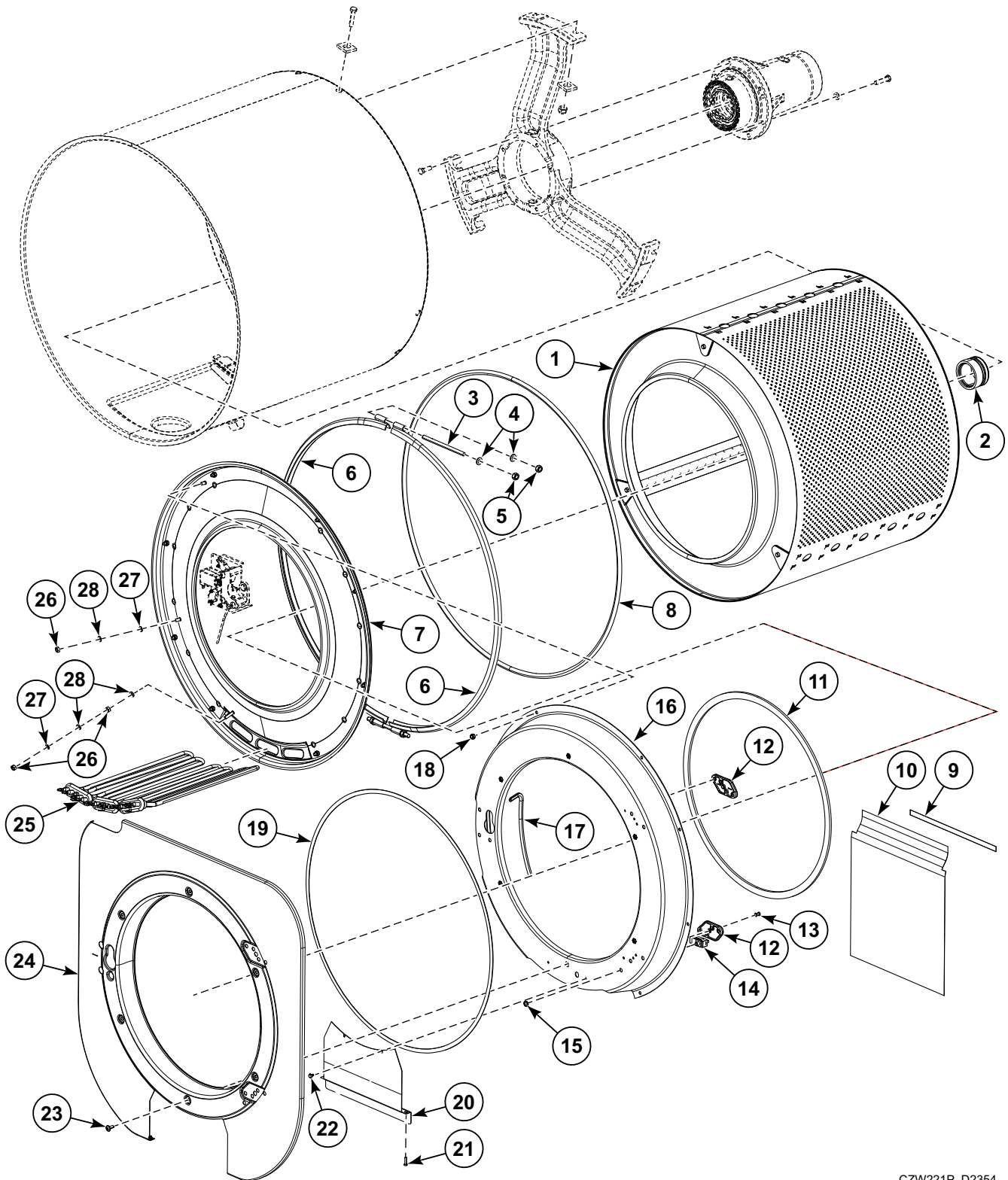


CZW220P_D2354

Washing Drum and Tub - Models with V in 7th Position (Drawing 1 of 2)

REF	PART NO.	DESCRIPTION	COMMENTS
1	SP309933001250	Bolt	M12x50
2	SP537898	Washer	
3	SP310985000012	Nut	M12
4	SP309933241035	Bolt	M10x35
5	SP309933001235	Bolt	M12x35
6	SP311125000013	Washer	12
7	SP537824	Cross Piece	
8	SP552966	External Tub	Steam heating
	SP552967	External Tub	Electric heating
	567161	External Tub	Steam heating; SoftWash with built-in recirculation pump
	570310	External Tub	Electric heating; SoftWash with built-in recirculation pump
	SP554329	External Tub	Use with two drain valve and steam heating
	554330	External Tub	Use with two drain valve and electric heating

Washing Drum and Tub - Models with V in 7th Position (Drawing 2 of 2)

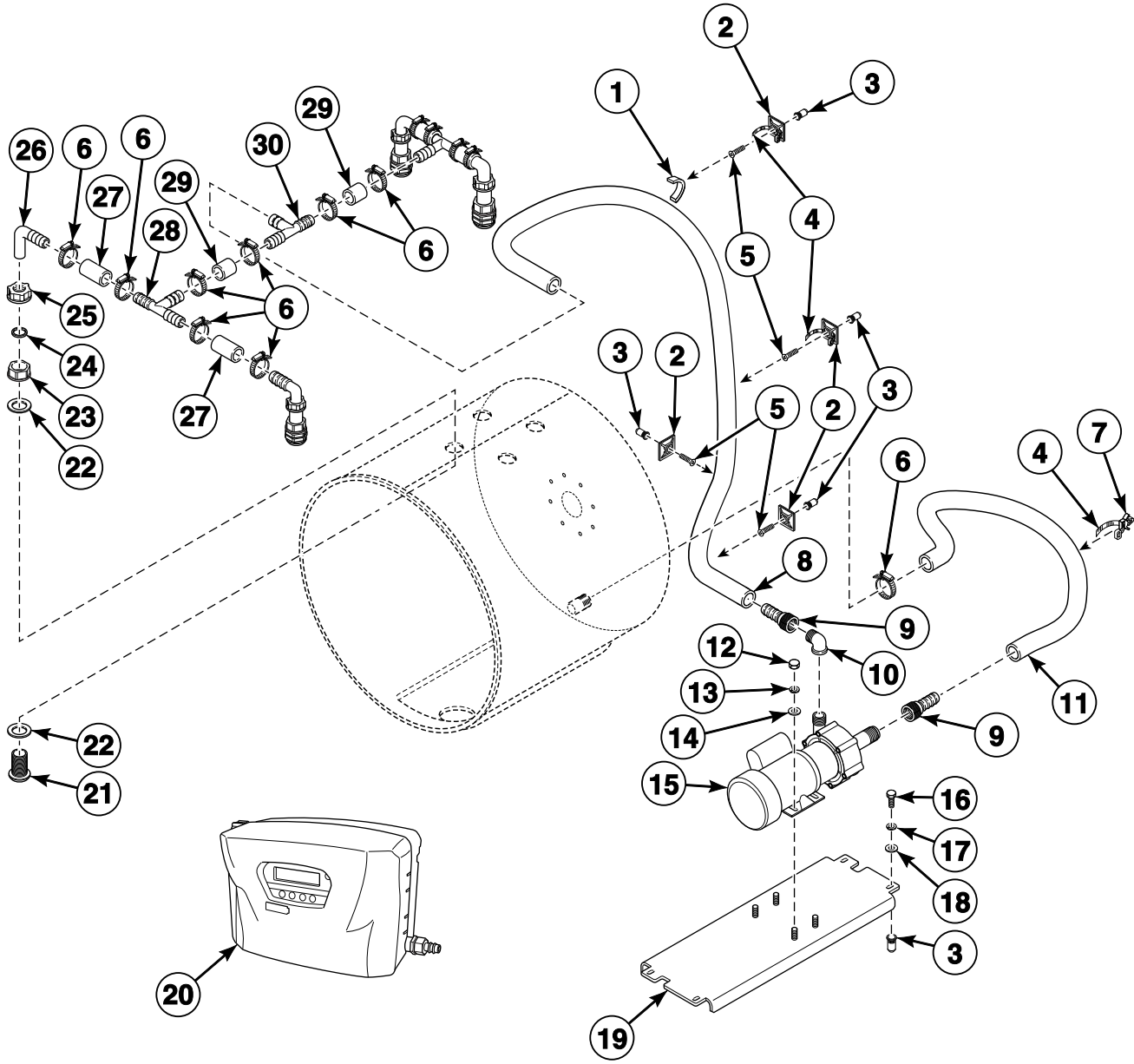


CZW221P_D2354

Washing Drum and Tub - Models with V in 7th Position (Drawing 2 of 2)

REF	PART NO.	DESCRIPTION	COMMENTS
1	563269P	Washing Drum	Includes item 2; Flat
	552969P	Washing Drum	Includes item 2; Cascade
2	SP552982	Shaft Ring	
3	SPF02119000415	Bolt	M8
4	SP311125240008	Washer	M8
5	SP310934240008	Nut	M8
6	SP537822	Clamp	
7	575987	External Tub Front Plate	Models starting 1 March 2021
	571608	External Tub Front Plate	Models through 28 February 2021
8	SP537821	Seal	d10-2550mm
9	SP537896	Adhesive	
10	568937	Heating Element Cover	
11	SP510986	Seal	l=1.5m
12	SP537849	Hinge Spacer	
13	SP547779	Rivet	4x16.7
14	571634	Microswitch	
15	571635	Nut	M10
16	568931	Door and Lock Holder	Models through 28 February 2021
	SP537883	Door and Lock Holder	Models starting 1 March 2021
17	SPPRI505000058	Profiled Sealing	
18	SP310985000006	Nut	M8
19	SP284000012003	Tape	
20	568987	Heating Element Front Cover	Stainless
	SP563275	Heating Element Front Cover	Black
21	SP309084000416	Bolt	M4x16
22	SP537856	Connector	
23	SP537854	Bolt	M6x14
24	571726	Front Panel	Stainless; Models starting 1 March 2021
	571723	Front Panel	Black; Models starting 1 March 2021
	569000	Front Panel	Stainless; Models through 28 February 2021
	568977	Front Panel	Black; Models through 28 February 2021
25	SP554152	Heating Element	2x3650W, l=570mm
26	SP310934240006	Nut	M6
27	SP311679800006	Washer	6
28	SP311125240006	Washer	6

SoftWash - With Built-In Recirculation Pump

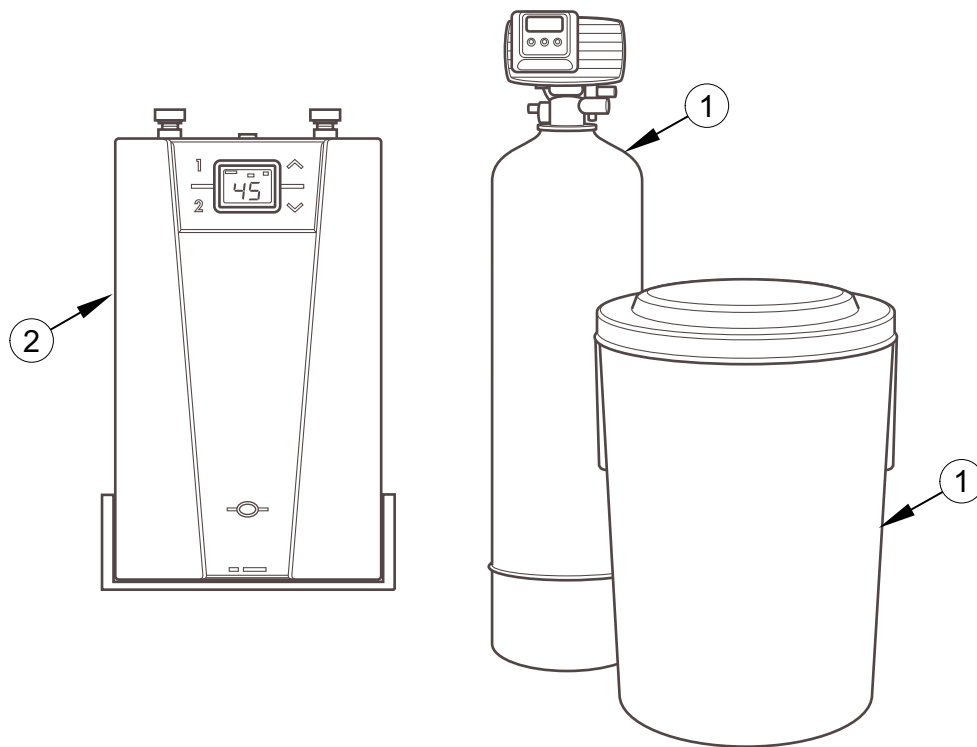


CZW72P_D2354

SoftWash - With Built-In Recirculation Pump

REF	PART NO.	DESCRIPTION	COMMENTS
	SP562749	Water Heater	6kW; 50/60Hz; 230V; Optional
	SP562736	Water Heater	8.8kW; 50/60Hz; 230V; Optional
	SP562737	Water Softener	AMVE 305; Optional
	SP562750	Water Softener	AMVE 505; Optional
	SP510971	Adhesive	Loctite 55
	SP245704005331	Adhesive	Loctite 5331
1	564202	Seal	6x15mm
2	SPPRI350003050	Adhesive Fixing Index Plate	Models through 11 March 2021
3	SP510929	Nut	M4; Models through 11 March 2021
4	SP503817	Binding Strip	178 x 4.8
5	SP309965240408	Bolt	M4x8; Models through 11 March 2021
6	SPPRI240000003	Hose Clamp	20-32
7	SP528313	Cable Holder	
8	567180	Hose Pharmasteel	25/33; l=2.03m
9	567152	Thorn	25-IG10; Includes sleeve nut
10	567181	Elbow	Inner / external thread G1 inch; 90 degree
11	567180	Hose Pharmasteel	25/33; 0.9m
12	SP310934000006	Nut	M6
13	SP311127000006	Washer	6
14	SP311902100006	Washer	6
15	567076	Pump	NH 200 PS
16	SP309933000416	Bolt	M4x16
17	SP311127000004	Washer	4
18	SP311902100004	Washer	4
19	567131	Pump Board	
20	SP567105	Soap Pump Kit	Four pumps; Includes suction hoses and tubes
	SP567106	Soap Pump Kit	Six pumps; Includes suction hoses and tubes
21	567167	Drain Jet	3/4 inch
22	567168	O-Ring	Flat; 40x27x 2.5
23	567166	Nut	Flat; 3/4 inch; Sleeve
24	567169	O-Ring	Flat; 17x24x2.5
25	567170	Nut	3/4 inch; Sleeve
26	567171	Hose End	90 degree
27	SPPRI540001019	Hose	19/27; l=0.09m
28	567172	T-Part	20; PE coupling
29	SPPRI540001019	Hose	19/27; l=0.09m
30	567173	Hose Coupling	T3/4 x 1 inch

SoftWash - Without Built-In Recirculation Pump

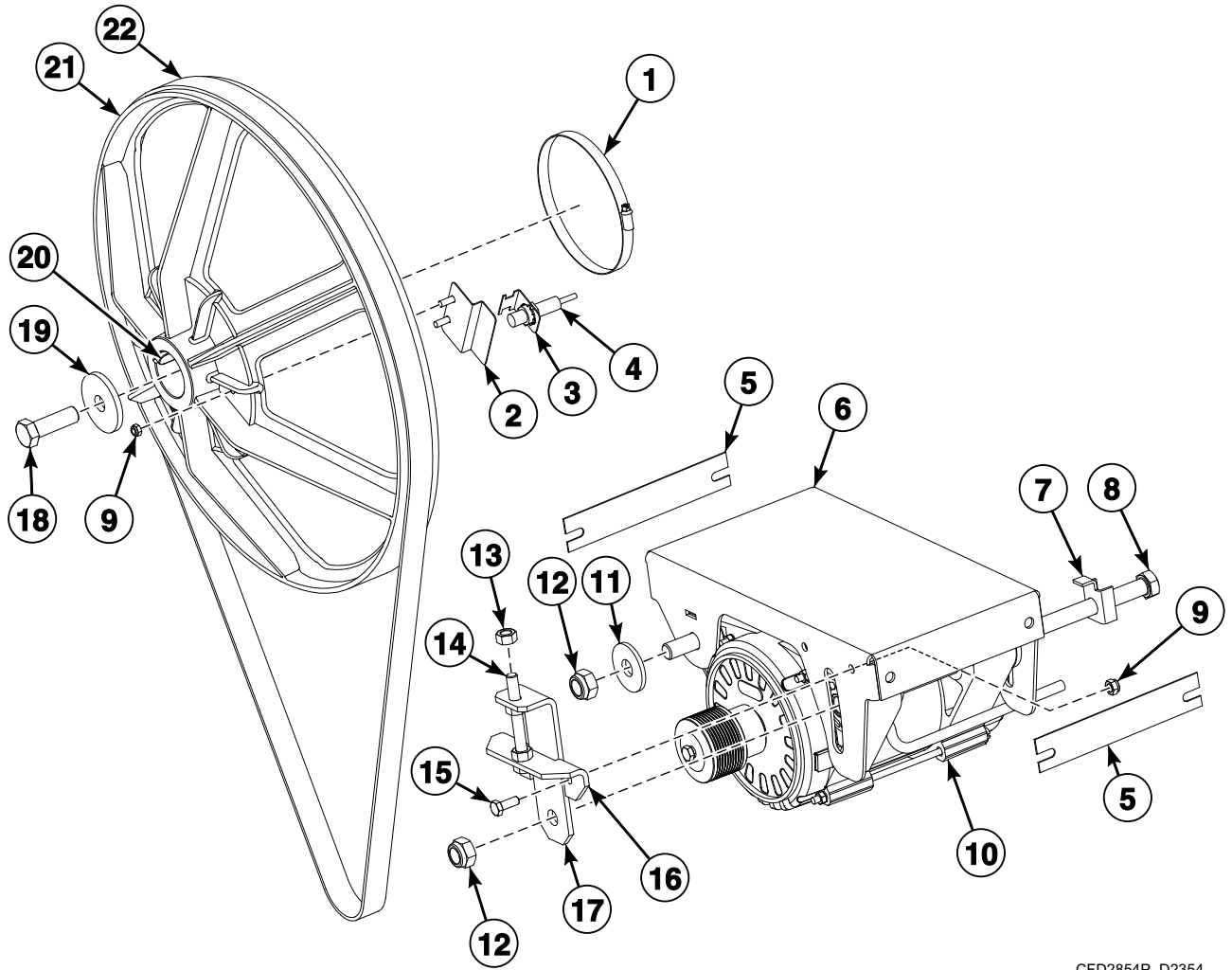


C-CZW57P_D2354

SoftWash - Without Built-In Recirculation Pump

REF	PART NO.	DESCRIPTION	COMMENTS
	SP567105	Soap Pump Kit	Four pumps; Includes suction hoses and tubes; CE and Watermark
	SP567106	Soap Pump Kit	Six pumps; Includes suction hoses and tubes; CE and Watermark
	F8654201	SoftWash Kit	PYN models; North America
1	SP562737	Water Softener	AMVE 305; Optional; CE and Watermark
	SP562750	Water Softener	AMVE 505; Optional; CE and Watermark
2	SP562749	Water Heater	6kW; 50/60Hz; 230V; Optional; CE and Watermark
	SP562736	Water Heater	8.8kW; 50/60Hz; 230V; Optional; CE and Watermark

Drive

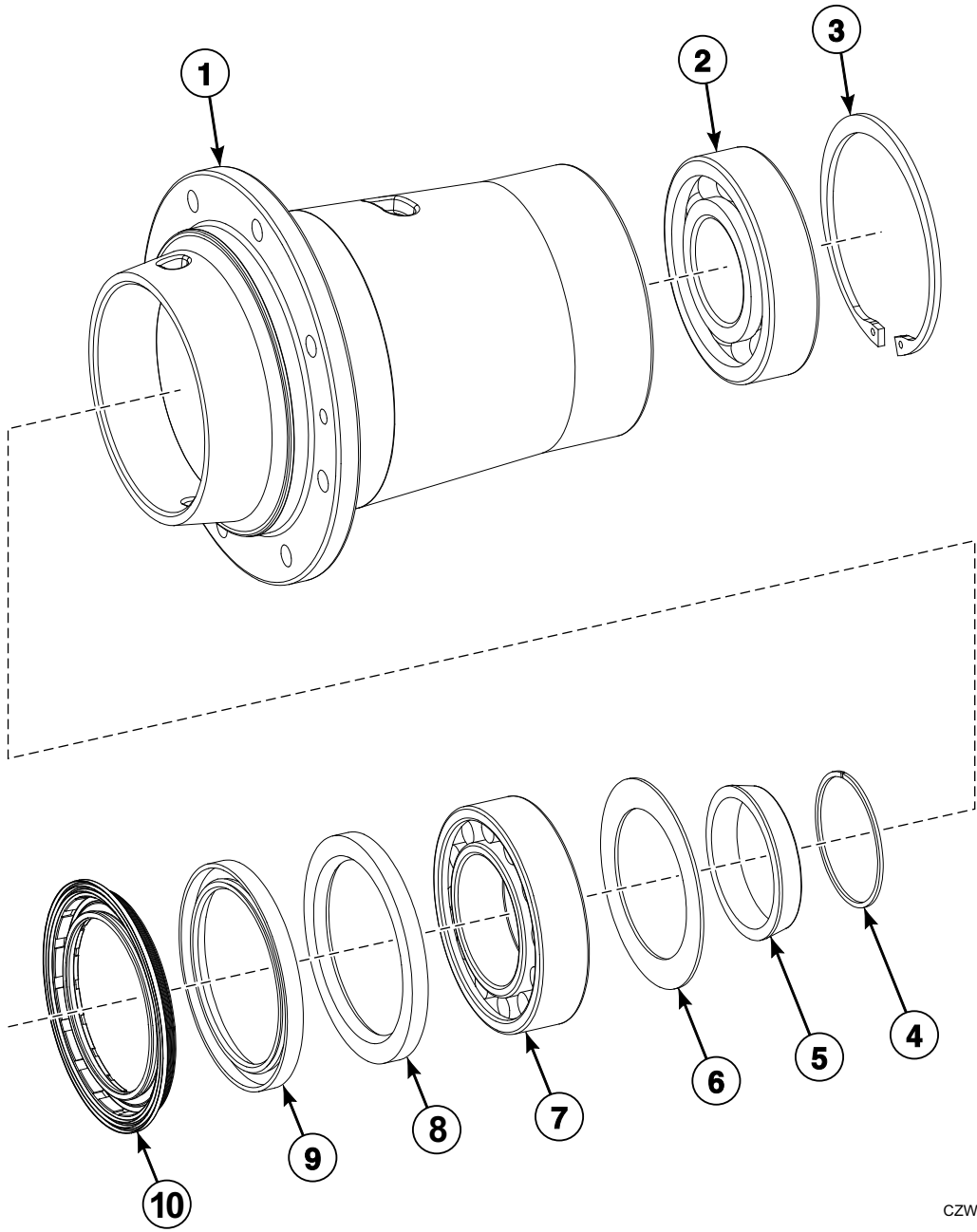


CFD2854P_D2354

Drive

REF	PART NO.	DESCRIPTION	COMMENTS
1	SP529013	Clamp	
2	SP555542	Speed Sensor Plate	
3	SP555547	Speed Sensor Holder	
4	SP557701	Speed Sensor	
5	SP550033	Shim	
6	SP533811	Motor Holder	
7	SP533742	Cage	1
8	SP547780	Bolt	M12x240
9	SP310985000006	Nut	M6
10	SP555590	Motor and Pulley	3kW, 230V/75Hz; CE; Includes 528425 Motor; Applicable for power supply 200V-240V, 50/60Hz, 1/3ph and 380-415V+N, 50/60Hz, 3ph
	SP555591	Motor and Pulley	3kW, 400V/76Hz; CE; Includes SP552415 Motor; Applicable for power supply 400V, 50/60Hz, 3ph without Neutral and 440-480V, 50/60Hz, 3ph
	SP557459	Motor and Pulley	3kW, 230V/75Hz; North America; Includes 528425 Motor; Applicable for power supply 200V-240V, 50/60Hz, 1/3ph and 380-415V+N, 50/60Hz, 3ph
	SP557460	Motor and Pulley	3kW, 400V/76Hz; North America; Includes SP552415 Motor; Applicable for power supply 400V, 50/60Hz, 3ph without Neutral and 440-480V, 50/60Hz, 3ph
	573907	Motor and Pulley	Models with V in 7th Position; 3kW, 230V/75Hz; Includes 568375 Motor; Applicable for power supply 200V-240V, 50/60Hz, 1/3ph and 380-415V+N, 50/60Hz, 3ph
	573908	Motor and Pulley	Models with V in 7th Position; 3kW, 400V/76Hz; Includes 568385 Motor; Applicable for power supply 400V, 50/60Hz, 3ph without Neutral and 440-480V, 50/60Hz, 3ph
11	SP311902100012	Washer	12
12	SP310985000012	Nut	M12
13	SP310934000008	Nut	M8
14	SP309933000880	Bolt	M8x80
15	SP309933000616	Bolt	M6x16
16	SP533326	Tensioning Angle Piece	Fixed
17	SP547705	Tensioning Angle Piece	Movable
18	SP309933001630	Bolt	M16x30
19	SP511924	Washer	
20	SP308726014050	Feather	
21	SP547706	V-Pulley Drum	
	PRI702000010	Lubrication Grease	Used with SP547706 V-Pulley Drum
22	SP547781	Belt	

Bearing Housing



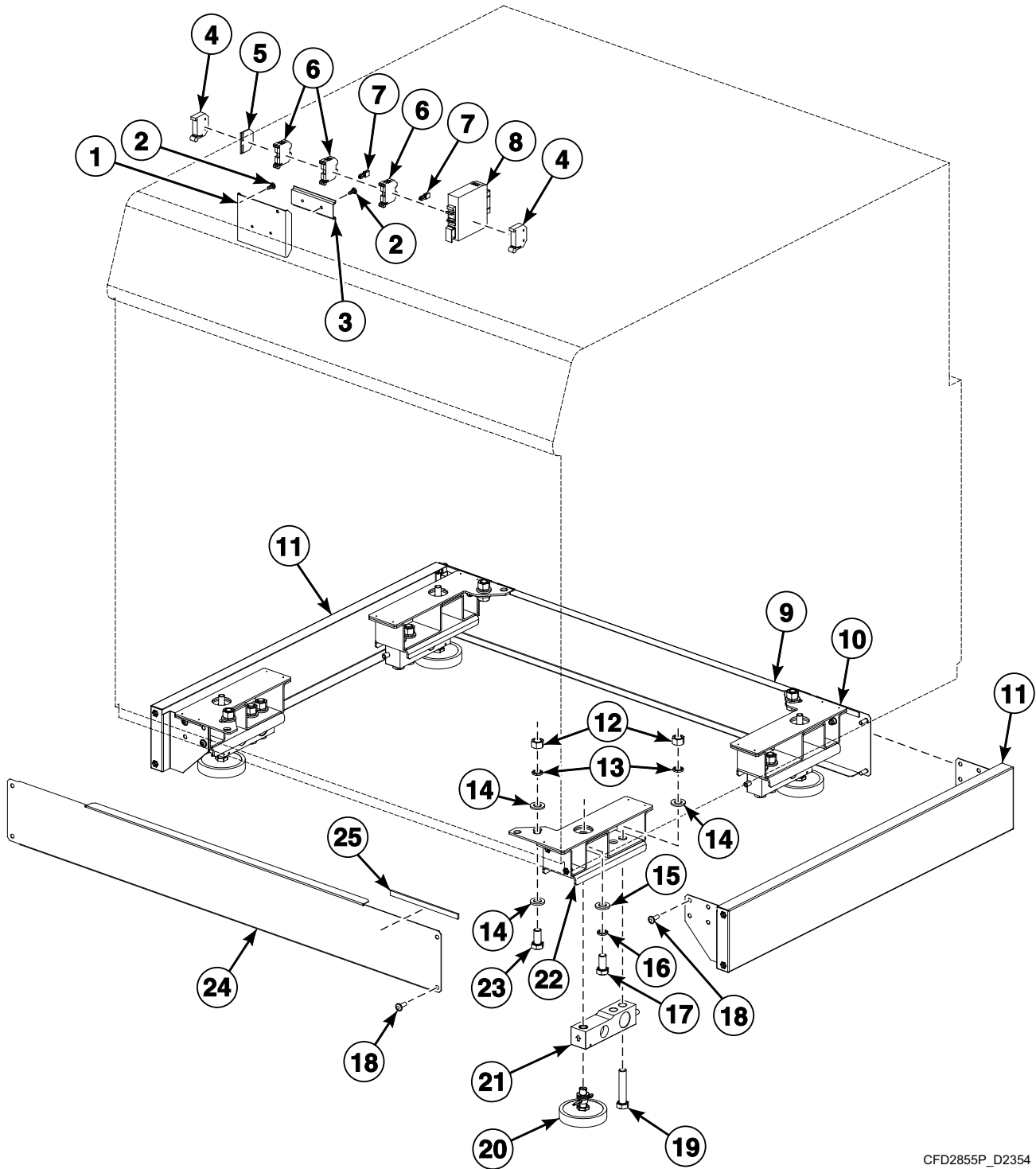
CZW575P_D1714

Bearing Housing

REF	PART NO.	DESCRIPTION	COMMENTS
	SP245704000603	Adhesive	Loctite 603
	SP111313000002	Lubrication Grease	
	SP537868	Bearing Housing Assembly	Includes items 1-10, SP245704000603 Adhesive and SP111313000002 Lubrication Grease
	SP538787	Bearing Replacement Tool Kit	
1	SP537867	Bearing Housing	
2	582253	Bearing	6312-2RS1 / C3wt
3	SP307732031130	Retaining Ring	130
4	SPPRI242000014	Retaining Ring	
5	SP556115	Mounting Cone	
6	SP552973	Grease Holder	
7	SPPRI608000079	Bearing	NU 2215 EC
8	582326	Sealing Ring	100x130x10; without spring
9	SP506475	Sealing Ring	100x130x10; with spring
10	SP537879	Sealing Ring	100x130/144x9/12

Weighing System

Models with D, F, I, R or T in 7th Position of the model number

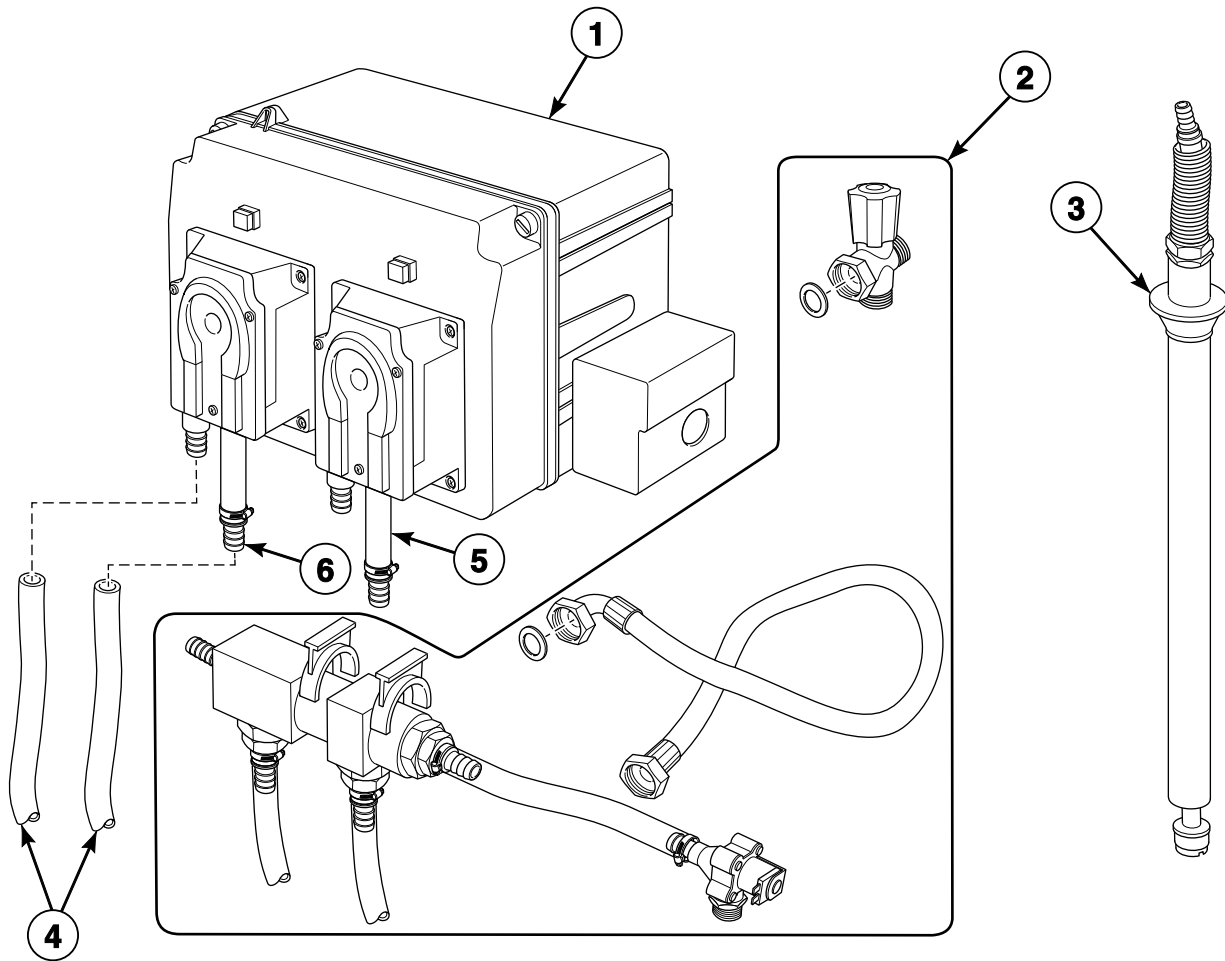


CFD2855P_D2354

Weighing System

REF	PART NO.	DESCRIPTION	COMMENTS
	554222	Weighing System Kit	Includes items 1-25
1	SP549791	Amplifier Unit Holder	
2	SP529206	Screw	4x11
3	SP541442	Support Rail	
4	SP346000209101	End Stop	
5	SP346000280301	Cover	
6	SP346000280101	Clamp	280-101; Gray
7	SP346000280402	Interconnection	280-402
8	SP516968	Amplifier	
9	SP554242	Rear Cover	
10	SP554235	Load Sensor Holder	Right
11	SP554226	Side Cover	
12	SP310934000012	Nut	M12
13	SP311127000012	Washer	12
14	SP311125000013	Washer	13
15	SP311902100010	Washer	10
16	SP311127000010	Washer	10
17	SP309933001025	Bolt	M10x25
18	SP537864	Bolt	M6x16
19	SP309933001260	Bolt	M12x60
20	SP516956	Adjustable Foot	
21	SP529101	Load Sensor	
22	SP554232	Load Sensor Holder	Left
23	SP309933001225	Bolt	M12x25
24	SP554220	Front Cover	
25	SP284000012003	Tape	

Liquid Soap Supply System - Pumps

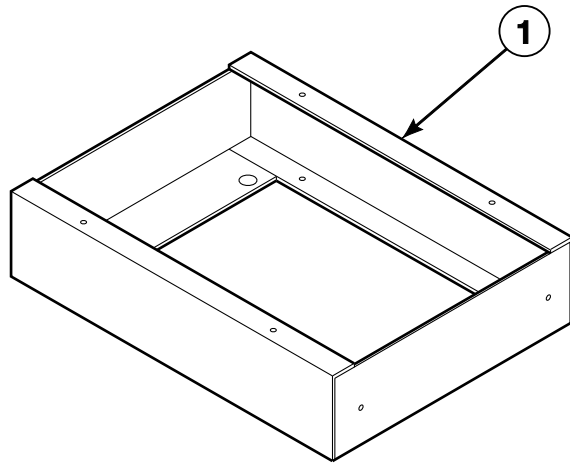


CZW45P_D2354

Liquid Soap Supply System - Pumps

REF	PART NO.	DESCRIPTION	COMMENTS
	MB90-Z40	Supply Pump Kit	For two pumps
	MB90-Z41	Supply Pump Kit	For three pumps
	MB90-Z42	Supply Pump Kit	For four pumps
	MB90-Z43	Supply Pump Kit	For five pumps
	MB90-Z44	Supply Pump Kit	For six pumps
1	529742	Pump	Two
	529743	Pump	Three
	529744	Pump	Four
	529745	Pump	Five
	529746	Pump	Six
2	529789	Manifold Flush Kit	For two pumps
	529797	Manifold Flush Kit	For three pumps
	529798	Manifold Flush Kit	For four pumps
	529799	Manifold Flush Kit	For five pumps
	529800	Manifold Flush Kit	For six pumps
3	529787	Suction Tube	
4	SPPRI540020005	Hose	d10/14
5	529747	Hose	Spare hose for pump
6	547808	Connection	

Elevated Base Frame



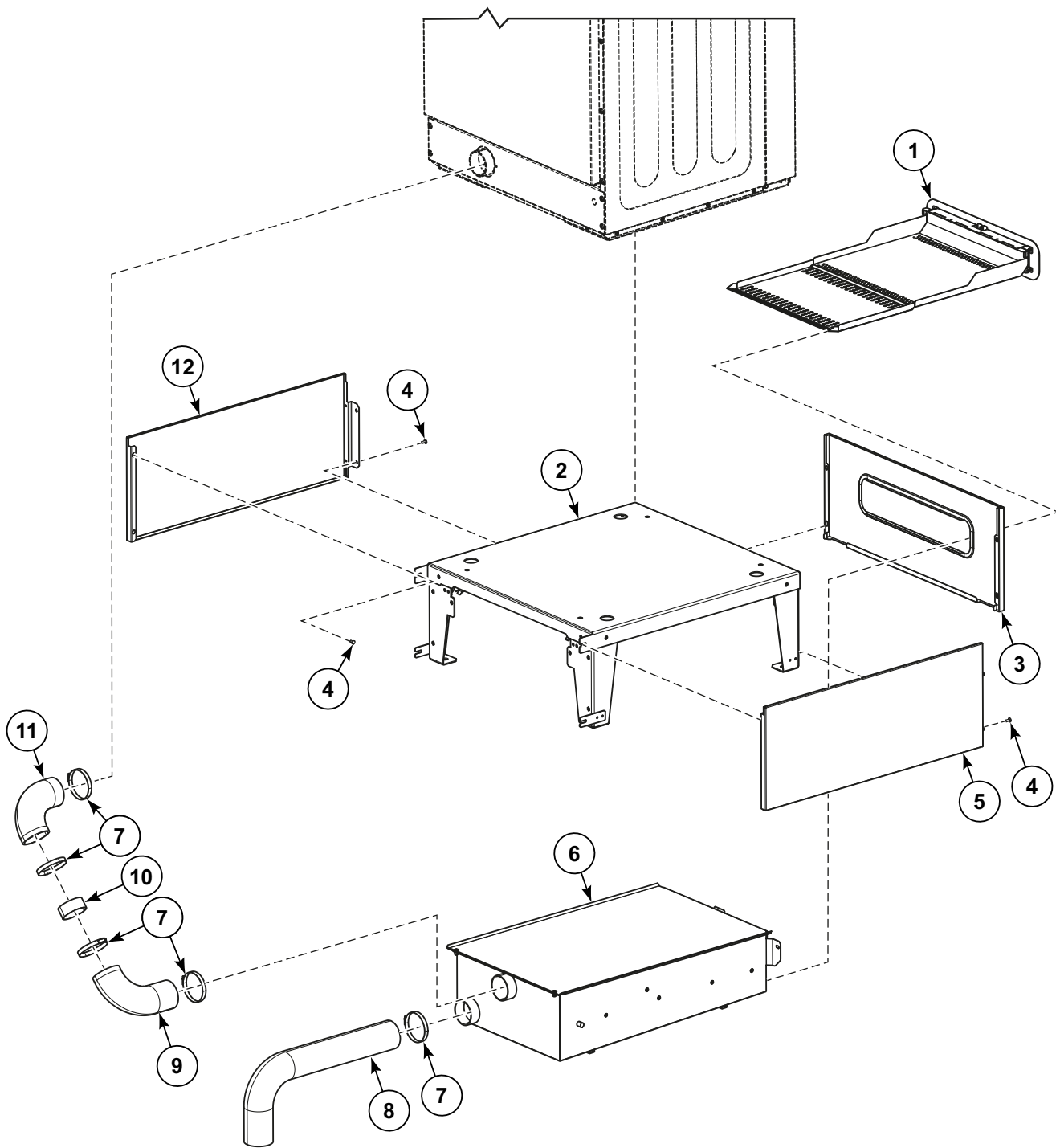
CFD3235P_D2354

Elevated Base Frame

REF	PART NO.	DESCRIPTION	COMMENTS
1	553563	Elevated Base Frame	For mounting one machine; 135 mm tall; Refer to NOTE*
	553569	Elevated Base Frame	For mounting one machine; 200 mm tall; Refer to NOTE*
	553564	Elevated Base Frame	For mounting two machines; 135 mm tall; Refer to NOTE*
	553570	Elevated Base Frame	For mounting two machines; 200 mm tall; Refer to NOTE*
	553562	Elevated Base Frame	For mounting three machines; 135 tall; Refer to NOTE*
	553568	Elevated Base Frame	For mounting three machines; 200mm tall; Refer to NOTE*
	553565	Elevated Base Frame	For mounting four machines; 135 mm tall; Refer to NOTE*
	553571	Elevated Base Frame	For mounting four machines; 200 mm tall; Refer to NOTE*
	553566	Elevated Base Frame	For mounting five machines; 135 mm tall; Refer to NOTE*
	553572	Elevated Base Frame	For mounting five machines; 200 mm tall; Refer to NOTE*

* NOTE: Part can only be ordered through the Equipment Order Desk.

Base Frame with Built-In Filter

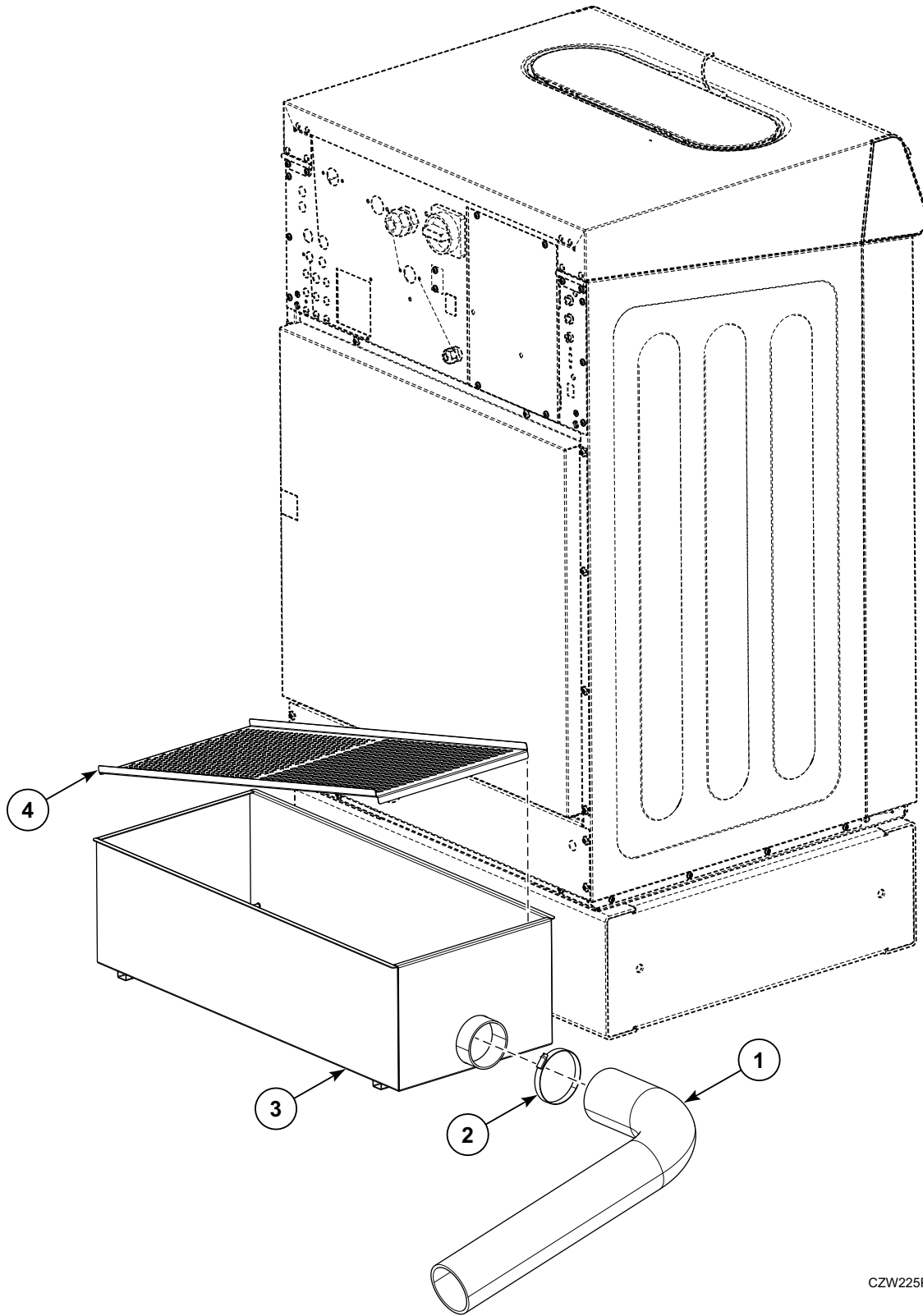


CZW320P_D2354

Base Frame with Built-In Filter

REF	PART NO.	DESCRIPTION	COMMENTS
1	574722	Filter	Assembly
2	573821	Base Frame	
3	574769	Front Panel	
4	SP537854	Bolt	M6x14
5	574787	Left Cover	Assembly
6	574703	Box	Assembly
7	SPPRI240000007	Hose Clamp	
8	SP519463	Drain Elbow	
9	574842	Elbow	
10	570807	Pipe	
11	574846	Elbow	
12	574793	Right Cover	Assembly

Filter Tank



CZW225P_D2354

Filter Tank

REF	PART NO.	DESCRIPTION	COMMENTS
	570847	Filter Tank	
1	SP519463	Drain Elbow	
2	SPPRI240000007	Hose Clamp	
3	570841	Collector Weldment	
4	570838	Filter	

Wire Harnesses

PART NO.	DESCRIPTION	COMMENTS
557734	Interconnection	PYN models; CFI - FI; North America
552495	Transformer Connection	PYN models; North America
528064	Steam Heat Wiring	PYN models; Steam heat; v
SPPRI351000161	Steam Valve Cable	Steam heat; CE and Watermark
552477	Inlet Valve Extension Wiring	High volume water inlets
552466	Wireless Reader Wiring	PYN models; Vended; North America
557735	Interconnection	PYN models; Vended; North America
SP528270	Door Lock Wiring	MC6; CE and Watermark
SPPRI351107209	Heating Contactor Wiring	For 6kW/230V, 9kW/400V; CE and Watermark; 2.5mm ² ; l=540mm
SPPRI351108209	Heating Contactor Wiring	For 9kW/230V, 12kW/400V: CE and Watermark; 4mm ² ; l=540mm
SPPRI351105209	Heating Contactor Wiring	For 12kW/230V, 18kW/400V; CE and Watermark; 6mm ² ; l=540mm
100223	Heating Contactor Wiring	l=700mm; For 12kW/230V, 18kW/400V; CE and Watermark; 6mm ²
SPPRI351106209	Heating Contactor Wiring	l=700mm; For 18kW/230V, 24kW/400V; CE and Watermark
SP528439	Heating Wiring	CE and Watermark; 2.5mm ² ; l=2.3m; 12kW / 230V; 18kW / 400V / 440V
SP552333	Heating Wiring	CE and Watermark; 4mm ² ; l=2.85m; 21.9kW; 22kW / 400 / 440V
SP528335	Heating GND Wiring	CE and Watermark
SP528205	Frame GND Interconnection	
528350	Transformer Connection	400-480V, 3AC -N; CE and Watermark
SP547075	RS485 External Interconnection	For RS485 external interconnection to PC
528393	Wiring Steam - Electrical Heating	Steam - electrical heating modification
SP545235	Door Timer Wiring	Automatic door open execution; MC6; CE and Watermark
SP552455	Automatic Door Opening Module Wiring	Automatic door open execution; MC7
568394	Main Wiring	Models with V in 7th Position
569749	Door Lock Wiring	l=1.7m; Models with V in 7th Position
569751	Door Lock Cable	l=0.24m; Models with V in 7th Position
SP528324	Communication Cable	
568398	Motor Temperatuer Protect Cable	Models with V in 7th Position
528080	Frame GND Interconnection	Models with V in 7th Position
SP557947	External Block Signal Cable	Length = 110.24 inches (2.8 m)
SP557948	External Block Signal Cable	Length = 169.29 inches (4.3m)
569701	Cable	CPU - I/O board interconnection
574406	Transformer Supply Wiring	
SP528440	Heating Wiring	6mm ² ; l=2.3m; 18kW / 230V
520174	Frame GND Interconnection	Models with V in 7th Position
SP528438	Heating Wiring	12kW / 400V / 440V
100222	Heating Contactor Wiring	4mm ² ; For 12kW/400V/440V; Length 27.56inches (700m)

Parts Index

A

Adapter	
SP319428324012	185, 187
SP547968	185, 187
Adhesive	
SP101403	185, 187
SP245704000050	189
SP245704000603	113, 185, 187, 201
SP245704003021	23, 27, 31, 113, 189
SP245704005331	195
SP510971	195
SP537896	35, 113, 193
Adhesive Fixing Index Plate	
SPPRI350003050	195
Adjustable Foot	
SPPRI504000001	13
SP516956	203
Air Trap Reduction	
SPPRI503000027	145, 147, 149, 151
Amplifier	
SP516968	203
Amplifier Unit Holder	
SP549791	203
Anticorrosive Agent	
SP510889	189
Antivibration Foil	
550112	37, 41
Automatic Door Opening Module Wiring	
SP552455	23, 27, 31, 212
Automatic Unlocking Module Assembly	
SP545238	23, 27, 31
SP552489	23, 27, 31, 35

B

Base Frame	
573821	209
Bearing	
SPPRI608000079	201
582253	201
Bearing Housing	
SP537867	201
Bearing Housing Assembly	
SP537868	201
Bearing Replacement Tool Kit	
SP538787	201
Belt	
SP547781	199
Binding Strip	
SP345000626088	145, 147, 149, 151, 157
SP503817	157, 195
Board Interconnection Cable	
SP537995	61
SP547005	45, 53, 61
Bolt	
F8270701	125
SPF02119000415	189, 193
SP309084000308	99

SP309084000320	85, 91, 97
SP309084000408	25, 27, 31, 43, 85, 87, 89, 91, 93, 95, 97, 99, 101
SP309084000416	11, 13, 115, 129, 137, 139, 155, 159, 163, 167, 171, 175, 179, 183, 193
SP309084000535	171, 175, 179, 183
SP309084240325	13
SP309798500306	35, 43, 45, 53, 61, 73, 75, 77
SP309931001050	13
SP30993300041685, 91, 97, 103, 105, 155, 163, 167, 195	
SP309933000616	23, 27, 199
SP309933000620	157, 163, 167, 171, 175, 179, 183, 185, 187
SP309933000660	171, 175, 179, 183
SP309933000820	11, 13, 145, 147, 149, 151
SP309933000845	11
SP309933000880	199
SP309933001025	203
SP309933001225	203
SP309933001235	189, 191
SP309933001250	189, 191
SP309933001260	203
SP309933001630	199
SP309933100625	155, 159, 163, 167, 171, 175, 179, 183
SP309933240408	159, 163, 167
SP309933240412	87, 89, 93, 95, 99, 101, 171, 175, 179, 183
SP309933241035	189, 191
SP309965240408	79, 81, 83, 195
SP506013	43
SP506431	31, 43
SP506432	13
SP527093	11
SP527420	13
SP533717	11
SP533726	13
SP535479	117, 121, 123
SP537854	115, 193, 209
SP537864	117, 121, 123, 203
SP547780	199
SP550482	33, 43
SP555504	35, 45, 53, 61, 79, 81, 83, 171, 175, 179, 183
SP555658	23, 25, 27, 29, 31, 33, 35, 43, 187
SP556137	115
309500240408	79, 81, 83
568968	125
569655	79, 81, 83
577761	61
577762	61
577763	61
582307	89, 95, 101
582341	119

Box	
574703	209

Bushing	
SP101406	159, 161, 165, 169, 173, 177, 181
SP101409	159, 161, 165, 169, 173, 177, 181

N/A items do not appear in index.

C

Cable			
SP545234	103, 159, 161, 165, 169, 173, 177, 181		
557982	157		
569701	212		
Cable Bushing			
SPPRI501000071	155		
Cable Bushing Insert			
SP557952	159		
Cable Clamp			
SPPRI407000091	183		
SP528392	159, 163, 167		
Cable Eye			
SP345000165034	163, 167, 171, 175, 179, 183		
345000034150	157		
Cable Holder			
SP528313	35, 45, 53, 157, 163, 167, 171, 175, 179, 183,		
183,	195		
Cable Passage			
SP273121005052	23, 27, 31, 43		
SP273121015002	155		
Cable Sleeve			
SPPRI407000091	171, 175, 179		
Cage			
SP533742	199		
Casing			
SP529739	117, 121, 123		
Circuit Breaker			
571463	169, 177		
571464	173, 181		
Clamp			
SP346000280101	203		
SP529013	199		
SP537822	189, 193		
Clip			
SP502214	163, 167, 171, 175, 179, 183		
Coil			
SP554110	185, 187		
568942	125		
Coin Meter			
SP537996	49, 67		
SP547600	47, 65		
SP547601	47, 65		
SP547602	47, 65		
SP547603	47, 65		
SP547604	47, 65		
SP547605	47, 65		
SP547606	47, 65		
SP547607	47, 65		
SP547608	47, 65		
SP547609	47, 65		
SP547610	47, 65		
SP547611	47, 65		
SP547612	47, 65		
SP547613	47, 65		
SP547614	47, 65		
SP547615	47, 65		
SP547616	47, 65		
SP547617	47, 65		
SP547618	47, 65		
SP547619	47, 65		
SP547620	47, 65		
SP547621	47, 65		
SP547622	47, 65		
SP547623	47, 65		
SP547624	47, 65		
SP547625	47, 65		
SP547626	47, 65		
SP547627	47, 65		
SP547628	47, 65		
SP547629	47, 65		
SP547630	47, 65		
SP547631	47, 65		
SP547634	47, 65		
SP547635	47, 65		
SP547636	47, 65		
SP547637	47, 65		
SP547638	47, 65		
SP547639	47, 65		
SP547640	47, 65		
SP547641	49, 67		
SP547642	49, 67		
SP547643	49, 67		
SP547644	49, 67		
SP547645	49, 67		
SP547646	49, 67		
SP547647	47, 65		
SP547648	47, 65		
SP547649	49, 67		
SP547651	49, 67		
SP547652	47, 65		
SP547653	49, 67		
SP547654	49, 67		
SP547656	47, 65		
SP547657	49, 67		
SP547658	49, 67		
SP547659	49, 67		
SP547660	49, 67		
SP547661	49, 67		
SP547662	49, 67		
SP547663	49, 67		
SP547664	49, 67		
SP547665	47, 65		
SP547666	47, 65		
SP547667	49, 67		
SP547668	49, 67		
SP547669	49, 67		
SP547670	49, 67		
SP547671	49, 67		
SP547672	49, 67		
SP547673	49, 67		
SP547674	49, 67		
SP547675	49, 67		
SP555502	49, 67		
SP555543	49, 67		
SP555546	49, 67		
SP555549	49, 67		
SP555550	49, 67		
SP555558	49, 67		
SP555559	49, 67		
SP555578	49, 67		
SP555579	49, 67		
SP555666	49, 67		
SP558958	55		
SP558959	55		
SP559933	55		
SP559934	55		
SP559938	55		
SP559949	55		
SP559969	55		
SP560071	57		
SP560075	57		
SP560082	49, 67		

N/A items do not appear in index.

SP560083	51, 69	564484	51, 69
SP560084	51, 69	564485	57
SP560085	51, 69	564486	51, 69
SP560086	51, 69	564487	57
SP560087	57	564489	51, 69
SP560089	49, 67	568002	109
SP560090	55	569901	51, 69
SP560091	55	569905	57
SP560092	57	569911	57
SP560093	57	569912	51, 69
SP560094	57	569918	51, 69
SP560100	57	569919	57
SP560309	55	569921	47, 65
SP560310	55	569922	55
SP560311	55	569924	51, 69
SP560312	55	569925	57
SP560405	55	569927	51, 69
SP560406	55	569928	57
SP560407	55	569930	51, 69
SP560408	55	569931	57
SP560409	55	569933	49, 67
SP560410	55	569934	55
SP560411	55	569936	51, 69
SP560412	55	569937	57
SP560413	55	569939	49, 67
SP560414	55	569940	55
SP560415	55	569942	51, 69
SP560416	55	569943	57
SP560417	55	569945	51, 69
SP560418	55	569946	57
SP560419	55	569948	49, 67
SP560420	55	569949	57
SP560421	55	569951	49, 67
SP560422	55	569952	57
SP560423	55	569954	51, 69
SP560424	55	569955	57
SP560425	55	569961	51, 69
SP560426	55	569962	57
SP560427	55	569964	49, 67
SP560428	55	569965	55
SP560429	55	569967	51, 69
SP560432	55	569968	57
SP560744	49, 67	569970	51, 69
SP560745	55	569971	57
SP560751	55	569973	51, 69
SP568002	107	569974	57
SP568003	107	569979	51, 69
SP568004	107	569980	57
SP568005	107	569987	51, 69
SP568006	107	569988	59
SP568007	107	569993	57
SP568008	107	569995	57
SP568009	107	569998	51, 69
SP568010	107	569999	57
SP568011	107	570000	57
SP568012	107	572301	51, 69
SP568013	107	572302	57
SP568014	107	572304	51, 69
SP568015	107	572305	57
SP568016	107	572307	51, 69
SP568017	107	572308	57
553150	51, 69	572310	51, 69
553151	51, 69	572311	57
553156	57	572313	51, 69
560073	51, 69	572314	57
561378	51, 69	572317	51, 69
561496	51, 69	572318	57
561497	57	572320	51, 71
563405	57	572321	57

N/A items do not appear in index.

572323	51, 71	575257	109
572324	59	575258	109
572326	51, 69	575259	109
572339	51, 71	575260	109
572342	51, 69	575261	109
572343	59	575262	109
572355	59	575263	109
572359	59	575264	109
572383	69	575265	109
572384	59	575266	109
572386	109	575267	109
572389	59	575268	109
572391	51, 69	575269	109
575201	111	575270	109
575202	111	575271	109
575203	111	575272	109
575204	111	575273	109
575205	111	575275	109
575206	111	575276	59
575207	111	575277	59
575208	111	575278	109
575209	111	575279	109
575210	111	579808	51, 69
575211	111	579809	59
575212	111	579811	111
575213	111	579812	51, 71
575214	111	579813	59
575215	111	579815	109
575216	111		
575217	111	Coin Meter Box	
575218	107	100498	103
575219	107	568036	105
575220	107	Coin Meter Case	
575221	107	571055	103
575222	107	573009	105
575223	107	Coin Meter Cover	
575224	107	567924	73, 79
575225	107	Coin Meter Cover Plate	
575226	107	SP558929	45, 53
575227	107	Coin Meter Covering Plate	
575228	107	SP547565	61
575229	107	Coin Vault Plate	
575230	107	SP533103	25, 27, 31
575231	107	566737	25, 27, 31, 41
575232	107	Collector Weldment	
575233	107	570841	211
575234	107	Communication Cable	
575235	107	SP528324	155, 212
575236	107	Compression Spring	
575237	107	SP535406	119
575238	107	Conductor	
575239	107	SP505446	157
575240	107	505448	157
575241	107	Connection	
575242	107	547808	205
575243	107	Connector	
575244	107	SP537856	115, 193
575245	107	SP554156	185, 187
575246	107	Contactactor	
575247	107	SPPRI345002019	155, 161, 165, 169, 173, 177, 181
575248	107	SP514038	155, 161, 165, 169, 173, 177, 181
575249	109	SP514042	155, 161, 165, 169, 173, 177, 181
575250	109	SP514043	155, 169, 173, 177
575251	109	Control	
575252	109	572505	79, 81, 83, 85, 91, 97
575253	109	575632	79, 81, 83, 85, 87, 91, 93, 97, 99
575254	109	582285	89, 95, 101
575255	109		
575256	109		

N/A items do not appear in index.

Control Board			
SP547001	61	SP553527	117, 123
SP553405	35	568838	117, 121
SP553411	45, 53, 61	Door and Lock Holder	
SP553412	45	SP537883	115, 193
SP553419	53, 73, 75, 77	568931	193
553411	73, 75, 77	Door Assembly	
Control Board I/O		SP556272	113
575630	35, 41	SP559369	113
Control Board Power		537930	113
SP547002	61	537932	113
Control Board Power I/O		556254	113
SP553405	45, 53, 61	562706	113
Control Holder		563372	113
571041	79, 81, 83	571765	123
Control Panel		571768	121
SP557585	45	573186	113
SP558907	53	574099	113
573028	37, 79, 81, 83	582301	113
573063	75	Door Frame Sheet	
573077	73	571636	121, 123
573079	77	Door Glass	
573121	81	SP535439	115, 123
573123	79	SP556228	115, 121
573125	83	SP562703	115
Cover		573192	115
SPPRI543000004	45, 53, 61	Door Level	
SP346000280301	203	573009	121, 123
566549	161, 165, 169, 173, 177, 181	Door Lock Assembly	
569656	35	576085	125
Cover Plate		Door Lock Cable	
SP550149	61	569751	212
Cover Strip Pin		Door Lock Catch	
SP533738	11	576084	125
CPS Cover Plate		Door Lock Holder	
SP558930	45, 53	568931	115
Cross Piece		Door Lock Plate	
SP537824	189, 191	568971	125
Cylinder Cap		Door Lock Wiring	
SP526568	151	SP528270	212
		SP552453	113
		SP552454	113
		569723	113
		569749	212
		Door Timer Wiring	
		SP545235	212
		Double Check Valve	
		F8301201	129, 133
		Double Reverse Valve	
		B12543901	129
		RSPB12543901	133
		Drain Elbow	
		SP235100018724	145
		SP519463	145, 209, 211
		SP526499	147
		SP554117	145, 151
		SP554325	151
		554117	149
		Drain Hose Pipe	
		SP526492	145, 147, 149, 151
		Drain Jet	
		567167	195
		Drain Valve	
		SPPRI340055051	151
		SP526460	145, 147, 149

D

Damper			
SP533716	13		
DC Choke			
571456	169, 177		
571457	173, 181		
Dispenser Lid			
SP526461	131, 135, 137, 139, 141, 143		
SP551695	131, 135		
Dispenser Pipe			
SP554128	131, 133, 137, 139, 141, 143		
Dispenser Seal			
SP540158	131, 135, 137, 139, 141, 143		
Distance Case			
SP515274	11		
Distinguishing Ring			
SP535437	119		
571733	121		
582329	119, 123		
Door			
SP535443	117		
SP535445	117		

N/A items do not appear in index.

Drain Valve Chamber	
553195	145
567183	151
Drain Valve Holder	
SP526513	145, 147, 149
SP554324	151
Drain Valve Motor	
SPPRI340002051	145, 147, 149, 151
Drain Valve Seal	
554276	145, 147, 149, 151

E

Edge Protection	
SP529068	25, 29, 33, 35, 41, 175, 183
Elbow	
SPPRI426002072	133, 141, 143
567181	195
574842	209
574846	209
Elevated Base Frame	
553562	207
553563	207
553564	207
553565	207
553566	207
553568	207
553569	207
553570	207
553571	207
553572	207
Emergency Stop Connector	
SP528311	45, 53, 61, 73, 79, 85, 87, 89
Emergency Stop Interconnection	
SP520033	45, 53, 61, 91, 93
571485	97, 99
Emergency Stop Knob	
SP528310	45, 53, 61, 73, 79, 85, 87, 89
Emergency Stop Label	
SPPRI551005248	73, 79
Emergency Stop Wiring	
SP520032	45, 53, 61
End Cover	
552483	157
End Stop	
SP346000209101	169, 173, 177, 181, 203
Extension	
SPPRI426003217	133, 141, 143
Extension Tube	
SP319413102015	153
External Block Signal Cable	
SP557947	159, 161, 165, 212
SP557948	159, 212
External Tub	
SP552966	189, 191
SP552967	189, 191
SP554329	189, 191
554330	189, 191
567161	189, 191
570310	189, 191
External Tub Front Plate	
SP537819	189
571608	193
575987	193

F

Fastener	
SP550115	23, 27, 31, 35, 43, 73, 75, 77, 79, 81, 83
Feather	
SP308726014050	199
Ferrite Core	
557961	161, 165, 169, 173, 177, 181
Filling Elbow Pipe	
SP526506	129, 133, 137, 139, 141, 143
Filling Hose Pipe	
RSPF200166	129, 133
SPPRI505000054	129, 137, 139, 141, 143
SP101621	129, 133, 137, 139, 141, 143
SP533036	133
SP547980	129, 137, 139, 141, 143
Filter	
SPPRI340004030	129, 133, 137, 139, 141, 143
SP525935	155
SP552251	155, 161
525935	165
568380	171, 177
570838	211
574722	209
Filter Holder	
572126	173
574850	181
Filter Tank	
570847	211
Fixed Hinge	
568982	117, 121, 123
568984	117
Fixed Upper Hinge	
568979	117, 121, 123
568981	117
Flap	
SP540113	131, 135, 137, 139, 141, 143
Foam Roller	
SP100188	145, 147, 149, 151
Frame GND Interconnection	
SP528205	212
520174	212
528080	212
Frequency Inverter	
SP571473	169, 177
SP571474	161
SP571475	165, 169, 173, 177, 181
571473	155, 161
571475	155
Frequency Inverter Filter	
SP557932	173, 181
Front Cover	
SP554220	203
SP564375	37
Front Panel	
SP533211	33
SP533213	33
SP533278	25, 33
SP533280	25, 33
SP557058	29
SP557059	29
SP562726	29
SP562727	29
563462	25, 33
563464	25, 33

N/A items do not appear in index.

568049	33
568051	25, 33
568061	29
568065	29
568977	115, 193
569000	115, 193
571101	37
571723	115, 193
571726	115, 193
572541	41
572542	41
572543	41
572544	41
573016	37
574092	37
574769	209
579115	115
Fuse	
SP345805005020	159, 165, 169, 173, 177, 181
SP345805163032	159, 161, 165, 169, 173, 177, 181
Fuse Cover	
SP554311	169, 173, 177, 181
Fuse Glass	
569725	157
Fuse Holder	
SPPRI401001020	159, 169, 173, 177, 181
SPPR401001020	165
SP554310	169, 173, 177, 181
Fuse Housing	
SPPRI401003020	159, 161, 165, 169, 173, 177, 181
552482	157

G

Grease Holder	
SP552973	201

H

Handle	
SP552908	119
SP552909	119
SP556297	119
562898	119
569335	119
571780	123
571781	121
571788	119
582330	119
Handle Ball	
SP535407	119
Handle Lower Part	
SP535429	119
571779	121, 123
Handle Torsion Spring	
SP535402	117, 121, 123
Heating Contactor Wiring	
SPPRI351105209	212
SPPRI351106209	212
SPPRI351107209	212
SPPRI351108209	212
100222	212
100223	212

Heating Element	
SP554152	189, 193
Heating Element Cover	
SP552972	115
568937	115, 193
Heating Element Front Cover	
SP563275	115, 193
568987	115, 193
579089	115
Heating Element Hole Plug	
SPPRI342001016	185, 187
Heating GND Wiring	
SP528335	212
Heating Wiring	
SP528438	212
SP528439	212
SP528440	212
SP552333	212
Hex Pillar	
570381	171, 175, 179, 183
Hinge	
SP516832	23, 27, 31, 43
Hinge Spacer	
SP535421	117, 121, 123
SP537849	115, 193
Hinges	
570553	117
570554	117
Holder	
SPPRI326002004	23, 27, 31, 35
540123	161, 165
570382	169, 173, 177, 181
582260	89, 95, 101
Holder Cover	
SP535430	119, 123
SP535438	119, 121
SP556278	119
569331	119
Holder Partition	
SP526593	155
Hook	
SPPRI551016250	23, 27, 31, 43
Hook Lock	
SPPRI610002007	23, 27, 35, 61, 91, 93, 95
Hose	
SPPRI503002049	145, 147, 149, 151
SPPRI540000014	131, 133, 137, 139, 141, 143
SPPRI540001019	133, 141, 143, 153, 195
SPPRI540020005	205
529747	205
Hose Clamp	
SPPRI240000002	131, 133, 137, 139, 141, 143
SPPRI240000003	129, 133, 137, 139, 141, 143, 145, 147, 149, 151, 153, 195
SPPRI240000007	129, 133, 137, 139, 141, 143, 145, 147, 149, 151, 209, 211
SPPRI240000008	151
SPPRI240000017	129, 133, 147, 149
SPPRI240000021	131, 135, 137, 139, 141, 143
SPPRI241000017	145, 147, 149, 151
SP526491	129, 133, 137, 139, 141, 143
SP526532	145, 147, 149, 151
576096	145, 147, 149, 151
Hose Coupling	
567173	195

N/A items do not appear in index.

Hose End	
567171	195
Hose Pharmasteel	
567180	195
Hose Pipe	
SP101745	131, 137, 139, 141, 143

I

Inlet Valve Extension Wiring	
552477	212
Insulation Washer	
571458	169, 173, 177, 181
Interconnection	
SP533742	203
SP545220	157
528169	157
557734	212
557735	212
564682	157
Internal Vessel	
SP540116	131, 135, 137, 139, 141, 143
Isolation	
557936	157
Isolation Cavity	
345000966067	157
Isolation Paper	
SPPRI350012007	103, 105

K

Key	
SP550616	23, 27, 61, 91, 93, 95
Keyboard	
SP547007	63
SP547015	63
SP547016	63
SP547017	63
SP547018	63
SP547027	45, 63
SP547028	45, 63
SP547029	45, 63
SP547030	45, 63
SP547039	63
SP547040	63
SP547041	63
SP547042	63
SP552912	63
SP556256	63
SP557566	73, 75, 77
SP557571	53
SP557572	53
SP557577	45
SP557578	45
SP557581	45
SP557584	45
SP559377	53
SP560747	73, 75, 77
SP560748	73
SP560757	63
SP560763	53
SP560764	53
547087	73
547088	73, 75, 77

Kit of Hinges	
570553	121, 123

L

Label	
SP547050	63
SP562738	63
SP563293	63
SP564831	117
524740	161, 165
557981	157
560786	31
564844	25
567186	53
570371	169, 173, 177, 181
572486	9
572487	9
576337	9
579019	169, 173, 177, 181
Label Covering	
567925	79
Lath	
SP547574	61
Leading Pin	
SP550113	45, 53, 79, 81, 83
Left Cover	
574787	209
Liquid Detergent	
570317	177, 181
Liquid Detergent Box	
SP540123	159
Liquid Soap Supply Connection Kit	
SP528443	155
Load Sensor	
SP529101	203
Load Sensor Holder	
SP554232	203
SP554235	203
Locating Segment	
SP529710	119
571773	121, 123
Lock	
SP537760	117, 127
SP547527	23, 27, 35, 61, 91, 93, 95
Lock Pin	
SP537933	117
Logo	
567887	89, 95, 101
Logo Label	
SP556102	61
Lower Frame	
SP533951	13
Lower Hinge	
575963	117, 121, 123
575965	117
Lower Rear Cover	
SP533384	25, 29, 33, 37, 41
SP554326	25, 29, 37, 41
Lower Weight	
SP533784	11
SP533814	11
Lubrication Grease	
PRI702000010	199

N/A items do not appear in index.

SP11131300002..... 201

M

Main Switch
 SPPRI404000097 . 155, 161, 165, 169, 173, 177, 181
 SPPRI404000098 . 155, 161, 165, 169, 173, 177, 181
 SPPRI404000099 . 155, 161, 165, 169, 173, 177, 181
 SPPRI404000199 165
 SPPRI404001098 155, 161, 165, 169, 173, 177
 SPPRI404001099 155, 161, 169, 173, 177
 SP506407 155, 161, 165, 169, 173, 177

Main Switch Knob
 SPPRI404000095 . 159, 161, 165, 169, 173, 177, 181

Main Vessel
 SP540115..... 131, 135, 137, 139, 141, 143

Main Wiring
 SP528429 155
 SP552476 155
 SP557769 155
 568394 212

Manifold Flush Kit
 529789 205
 529797 205
 529798 205
 529799 205
 529800 205

Microswitch
 SP528309 13
 568978 125
 571634 193

Mixer
 SP526558 129, 133, 137, 139, 141, 143

Mixer Body
 SP526565 129, 133, 137, 139, 141, 143

Mixer Lid
 SP526557 129, 133, 137, 139, 141, 143

Module
 553189 41

Motor and Pulley
 SP555590 199
 SP555591 199
 SP557459 199
 SP557460 199
 573907 199
 573908 199

Motor Holder
 SP533811..... 199

Motor Temperatuer Protect Cable
 568398 212

Mounting Cone
 SP556115..... 201

N

Nose Assembly
 572584 85
 573955 97
 574129 91
 574236 85
 574239 91
 574242 97
 576035 87

576038 93
 576041 99
 576044 87
 576047 93
 576050 99
 579197 89
 581634 95
 581640 101

Nut

F430225 125
 F430232 125
 SP101416..... 155, 161, 165, 169, 173, 177, 181
 SP101419..... 155, 161, 165, 169, 173, 177, 181
 SP309084000308..... 85, 87, 91, 93, 97
 SP310934000003..... 13
 SP310934000004... 45, 53, 61, 73, 75, 77, 79, 81, 83,
 85, 87, 89, 91, 93, 95, 97, 99, 101, 103, 105, 155,
 159, 163, 167
 SP310934000006..... 195
 SP310934000008..... 199
 SP310934000010..... 13
 SP310934000012..... 203
 SP310934000020..... 13
 SP310934100006.. 155, 163, 167, 171, 175, 179, 183
 SP310934240004..... 125
 SP310934240006..... 193
 SP310934240008..... 189, 193
 SP310985000006..... 31, 43, 115, 119, 121, 123, 193,
 199
 SP310985000008..... 11, 13
 SP310985000010..... 13
 SP310985000012..... 189, 191, 199
 SP313251000006..... 23, 27, 31, 35, 43, 185
 SP313251002104..... 115
 SP510923..... 13
 SP510929..... 195
 SP514193..... 29, 35
 567166 195
 567170 195
 571635 193

O

O-Ring
 567168 195
 567169 195

Oscillation Limiter
 SP533388..... 11

Overflow Tube
 SP547897..... 147, 149
 SP554148..... 129, 133

Overlay
 573928 85, 87
 573937 91, 93
 573952 97, 99
 574218 85, 87
 574221 91, 93
 574224 97, 99

P

Padlock
 SP523167..... 153

Panel Holder
 SP533296..... 31

N/A items do not appear in index.

SP557623	23
SP560303	27
567975	35
573939	41
Pin	
SP540117.....	131, 135, 137, 139, 141, 143
Pin Insertion	
SP520408	13, 23, 25, 27, 31, 35, 43, 45, 53
Pipe	
570807	209
Pipe Nipple	
SPPRI426001217	133, 141, 143
SPR22112000114	185, 187
SP510120	133, 141, 143
Plastic Window	
582274	89, 95, 101
Plasticine	
563260	117
Plate of Closing	
568941	125
Plexiglass Assembly	
582320	113
Plug	
SPPRI426001268	185, 187
Profiled Sealing	
SPPRI505000058	27, 35, 145, 163, 167, 171, 175, 179, 183, 193
Programmer Holder	
SP547571	61
SP550005	61
SP557618	45
SP558896	53
569578	35
573934	41
Programming Cable	
F8600501	45, 53, 61
Pump	
529742	205
529743	205
529744	205
529745	205
529746	205
567076	195
Pump Board	
567131	195
Pump Relay Board to LED Terminal Cable	
SP528150	159

R

Rear Cover	
SP547882	25, 27, 31
SP554242	203
570469	37, 41
Rear Panel	
SP554115.....	157
SP554384	157
574202	177, 181
Rear Panel Assembly	
567982	169, 173
577195	161, 165
Rear Panel Lid	
SP526567	159

Rear Spring Holder	
SP555495.....	15, 17, 19, 21
Recycle Drain Valve	
SPPRI340072051	151
Reduction	
567174	129, 133
Reinforcement	
SP558881.....	23
SP558945.....	27
Reinforcement Tube	
SP500125.....	145, 147, 149, 151
Relay	
SP514057.....	157
SP514134.....	169, 173, 177, 181
Relay Case	
SP506586.....	157, 169, 173, 177, 181
Relay Clamp	
SP514135.....	157, 169, 173, 177, 181
Retaining Ring	
SPPRI242000014	201
SP307732031130	201
Reverse Function Drain Valve	
SP547821.....	145, 147, 149
Right Cover	
574793	209
Rim	
SP562547.....	117, 121
573189	117
582298	117
Rivet	
SP313250004007.....	155
SP313250048008.....	23, 27, 31
SP313250048103.....	43
SP547779 13, 23, 25, 27, 31, 35, 43, 45, 53, 115, 193	
505479	15, 17
558054	147, 149
Roller	
SP533727.....	13
RS485 External Interconnection	
SP547075.....	212

S

Screw	
F430977	125
SP309798124313.....	131, 135, 137, 139, 141, 143
SP520407	87, 89, 93, 95, 99, 101
SP526497.....	129, 133, 137, 139, 141, 143, 145, 151, 163, 167, 171, 175, 179, 183
SP529206.....	19, 21, 31, 33, 35, 43, 89, 95, 101, 103, 105, 131, 135, 137, 139, 141, 143, 145, 147, 149, 151, 155, 159, 163, 167, 171, 175, 179, 183, 203
SP536630.....	153
582361	89, 95, 101
Seal	
SPPRI520001009.....	129, 133
SP510986.....	193
SP517232.....	11, 23, 27, 33, 43
SP526564.....	185, 187
SP537821.....	189, 193
564202	35, 195
Sealant	
SPPRI704000053.....	129, 189

N/A items do not appear in index.

Sealing Ring			
SP506475	201		
SP537879	201		
582326	201		
Self-Adhesive Pad			
SPMEC001410	45, 53		
Self-Adhesive Profile			
570387	169, 173, 177, 181		
Service Door Kit			
568989	113, 117, 121, 123		
Shaft Ring			
SP552982	189, 193		
Shim			
SP550033	199		
568804	117, 121, 123		
Side Board			
570391	61		
570392	61		
Side Cover			
SP554226	203		
Side Panel			
SP533691	33		
SP533694	31		
SP550356	33		
SP555475	31		
SP555477	33		
SP558875	23, 27		
SP558877	25, 29		
SP558992	27		
SP558994	29		
563492	33		
563494	31		
563516	23		
563518	25		
572012	39		
572013	39		
573058	39		
573060	39		
574069	39		
574070	39		
Side Panel Assembly			
574171	41		
574172	41		
574175	41		
574176	41		
Side Sheet Metal			
SP547506	61		
SP547507	61		
Sidewall			
572571	85, 91, 97		
572572	85, 91, 97		
572586	85, 91, 97		
572588	85, 91, 97		
573929	85, 87, 91, 93, 97, 99		
576069	87, 89, 93, 95, 99, 101		
576070	87, 89, 93, 95, 99, 101		
Soap Hopper			
SP540164	131, 135, 141, 143		
SP554214	131, 135		
Soap Hopper Assembly			
SP540164	137, 139		
Soap Hopper Plug			
SP526468	131, 135, 137, 139, 141, 143		
Soap Hopper Upper Cover			
SP540112	131, 135, 137, 139, 141, 143		
Soap Link Kit			
SP557944	159, 161, 165		
Soap Pump Kit			
SP567105	195, 197		
SP567106	195, 197		
Soap Relay Board			
SP524714	159		
524714	161, 165		
553187	169, 173, 177, 181		
SoftWash Kit			
F8654201	197		
Spacer			
F431901	125		
Speed Sensor			
SP557701	199		
Speed Sensor Holder			
SP555547	199		
Speed Sensor Plate			
SP555542	199		
Spiral			
SP283449080200	145, 147, 149, 151		
Spring			
SP505372	15, 17, 19, 21		
SP533870	13		
SP533871	13		
Spring Clamp			
SP540183	145, 147, 149, 151		
Spring Holder			
SP533872	13		
SP533873	13		
Steam Filter			
SP405054120215	185, 187		
Steam Heat Wiring			
528064	212		
Steam Hose			
SP526528	185, 187		
Steam Injector			
SP526525	185, 187		
Steam Kit			
SP554340	185		
555355	187		
Steam Valve			
SP514164	185, 187		
Steam Valve Body			
SP514165	185, 187		
Steam Valve Cable			
SPPRI351000161	212		
Steam Valve Support			
SP547873	185, 187		
Sticker			
568308	157		
Suction Tube			
529787	205		
Supply Pump Kit			
MB90-Z40	205		
MB90-Z41	205		
MB90-Z42	205		
MB90-Z43	205		
MB90-Z44	205		
Support Rail			
SP541442	203		
Switch			
SP100388	159, 161, 165, 169, 173, 177, 181		

N/A items do not appear in index.

Switching Unit
 SP528312 45, 53, 61, 73, 79, 85, 87, 89

T

Tape
 SP284000012003 .. 31, 45, 53, 61, 73, 75, 77, 79, 81, 83, 89, 95, 101, 193, 203
 SP510846 45, 53, 61

Tee
 SPPRI426001107 133, 141, 143
 SP526454 145, 147, 149, 151

Temperature Sensor
 503839 129, 133, 137, 139, 141, 143

Temperature Sensor Seal
 SP526439 129, 133, 137, 139, 141, 143

Tensioning Angle Piece
 SP533326 199
 SP547705 199

Terminal Board
 SPPRI350000007 103, 105
 SP506575 157

Thorn
 567152 195

Threaded Joint
 SP531226 153

Top Cover
 SP533635 31
 SP555672 31
 SP557643 23
 SP558964 27
 567881 23
 574210 41
 574256 41

Top Cover Assembly
 569653 39
 571013 39

Top Cover Reinforcement
 SP555407 31
 SP557041 23, 27
 557041 41
 567827 35

Torsion/Door Lock Spring
 571612 125

T-Part
 567172 195

Transformer
 SP516648 155, 169, 173, 177, 181
 564561 169, 173, 177, 181

Transformer Connection
 528350 212
 552495 212

Transformer Kit
 579014 169, 173, 177, 181

Transformer Supply Wiring
 574406 212

Transformet
 SP516648 165

Tub to Drain Valve Hose
 SP273124080161 151

U

U Shape
 SP556999 29
 SP557000 29
 568063 29

Upper Frame
 SP533954 11

Upper Hinge
 575960 117, 121, 123
 575962 117

Upper Lid Prop
 SP533341 23, 27, 31, 41

USB Cable
 SP547006 159, 161, 165, 169, 173, 177, 181
 569668 103

USB Connection
 SP557744 53

V

Valve
 SP523728 153

Valve, 1-Way
 SP554211 133, 143
 SP567064 133, 141, 143

Valve, 2-Way
 SP547958 129, 139

Valve, 3-Way
 SP547959 129, 133, 137, 139, 141, 143

Valve, 4-Way
 SP548933 129, 137, 141

Vent Hose
 SP526510 129, 133, 137, 139, 141, 143

Vibration Switch Assembly
 SP547758 13

Vibration Switch Holder
 SP547759 13

V-Pulley Drum
 SP547706 199

W

Washer
 F8193101 125
 SPPRI231000062 133, 141, 143
 SPPRI522000012 23, 27
 SPPRI523000007 163, 167
 SP311125000003 ... 13, 85, 87, 89, 91, 93, 95, 97, 99, 101
 SP311125000004 . 61, 79, 81, 83, 155, 159, 163, 167, 171, 175, 179, 183
 SP311125000006 23, 27, 185, 187
 SP311125000013 189, 191, 203
 SP311125000020 153
 SP311125100006 .. 155, 163, 167, 171, 175, 179, 183
 SP311125240004 125
 SP311125240006 . 157, 163, 167, 171, 175, 179, 183, 193
 SP311125240008 189, 193
 SP311127000003 85, 87, 91, 93, 97, 99
 SP311127000004 . 35, 79, 81, 83, 155, 159, 163, 167,

N/A items do not appear in index.

171,	175, 179, 183, 195
SP311127000006.....	23, 27, 171, 175, 179, 183, 185, 187,
	195
SP311127000010.....	203
SP311127000012.....	203
SP311679800003....	13, 35, 43, 45, 53, 61, 73, 75, 77
SP311679800004... ..	11, 13, 33, 43, 45, 53, 61, 73, 75, 77,
	79, 81, 83, 85, 87, 89, 91, 93, 95, 97, 99, 101, 163,
	167, 171, 175, 179, 183
SP311679800006.....	193
SP311679824004.....	125
SP311679824006.	155, 157, 163, 167, 171, 175, 179, 183
SP311902100004... ..	13, 29, 35, 45, 53, 61, 73, 79, 81, 83, 85, 87, 89, 91, 93, 95, 97, 99, 101, 175, 183, 195
SP311902100006.....	31, 43, 119, 121, 123, 171, 175, 179,
	183, 195
SP311902100008.....	145, 147, 149, 151
SP311902100010.....	13, 203
SP311902100012.....	199
SP505430	171, 175, 179, 183
SP511924	199
SP525284	11
SP537898	189, 191
SP547981	185, 187
550446	25, 29
563361	155
571642	117, 121, 123
576338	43
582327	125
Washing Drum	
552969P	189, 193
563269P	189, 193
Water Heater	
SP562736	195, 197
SP562749	195, 197
Water Hose	
F200164	129, 133
Water Level Switch	
562708	149
570315	147, 149
Water Level Switch Holder	
570373	147
573199	149
Water Level Switch Hose	
SPPRI540001003	145, 147, 149, 151
Water Softener	
SP562737	195, 197
SP562750	195, 197
Water Level Sensor	
SP562708	145
Weighing System Kit	
554222	203
Wireless Reader Wiring	
552466	212
Wiring Steam - Electrical Heating	
528393	212

Y

Y-Piece	
SPPRI503000028	145, 147, 149
