

Washer-Extractor

9, 16, 20, 80 and W2108VRVS Models

Refer to Page 5 for Model Numbers



Table of Contents

Title	Page
Parts Ordering Information	4
Serial Plate Location	4
Model Identification	5
Logo Label - Non-Brand Models	6
Upper Frame	8
Lower Frame	10
Stabilizing Spring - AF Non-Brand, H, HY, IY, J, LP, NY, SY and UY Models	12
Stabilizing Spring - AF, FX, HX, LY, MWF, PY, QW, SW and W Models	14
Stabilizing Spring - AF, IY, J and NY Models	16
Stabilizing Spring - FX and PY Models	18
Cabinet - AF Non-Brand, HY, LP, NY, SY and UY Models (Drawing 1 of 2)	20
Cabinet - AF Non-Brand, HY, LP, NY, SY and UY Models (Drawing 2 of 2)	22
Cabinet - H, IY and J Models (Drawing 1 of 2)	24
Cabinet - H, IY and J Models (Drawing 2 of 2)	26
Cabinet - AF, FX, HX, LY, MWF, PY, QW, SW and W Models (Drawing 1 of 2)	28
Cabinet - AF, FX, HX, LY, MWF, PY, QW, SW and W Models (Drawing 2 of 2)	30
Cabinet - AF, IY, J and NY Models (Drawing 1 of 3)	32
Cabinet - AF, IY, J and NY Models (Drawing 2 of 3)	34
Cabinet - AF, IY, J and NY Models (Drawing 3 of 3)	36
Cabinet - FX and PY Models (Drawing 1 of 2)	38
Cabinet - FX and PY Models (Drawing 2 of 2)	40
Control Panel - AF Non-Brand, HY, LP, NY, SY and UY Models (Drawing 1 of 5)	42
Control Panel - AF Non-Brand, HY, LP, NY, SY and UY Models (Drawing 2 of 5)	44
Control Panel - AF Non-Brand, HY, LP, NY, SY and UY Models (Drawing 3 of 5)	46
Control Panel - AF Non-Brand, HY, LP, NY, SY and UY Models (Drawing 4 of 5)	48
Control Panel - AF Non-Brand, HY, LP, NY, SY and UY Models (Drawing 5 of 5)	50
Control Panel - H, IY and J Models (Drawing 1 of 4)	52
Control Panel - H, IY and J Models (Drawing 2 of 4)	54
Control Panel - H, IY and J Models (Drawing 3 of 4)	56
Control Panel - H, IY and J Models (Drawing 4 of 4)	58
Control Panel - AF, FX, HX, LY, MWF, PY, QW, SW and W Models (Drawing 1 of 2)	60
Control Panel - AF, FX, HX, LY, MWF, PY, QW, SW and W Models (Drawing 2 of 2)	62
Control Panel - AF, FX, HX, LY, MWF, PY and W Models (Drawing 1 of 4)	64
Control Panel - AF, FX, HX, LY, MWF, PY and W Models (Drawing 2 of 4)	66
Control Panel - AF, FX, HX, LY, MWF, PY and W Models (Drawing 3 of 4)	68
Control Panel - AF, FX, HX, LY, MWF, PY and W Models (Drawing 4 of 4)	70
Control Panel OPL - AF, IY and NY Models	72
Control Panel Vended - AF, IY and NY Models	74
Control Panel for Central Payment System - AF, IY and NY Models	76
Control Panel OPL - AF, IY, J and NY Models with V in 7th Position	78
Control Panel Vended - AF, IY and NY Models with V in 7th Position	80

© Copyright 2021, Alliance Laundry Systems LLC

All rights reserved. No part of the contents of this book may be reproduced or transmitted in any form or by any means without the expressed written consent of the publisher.

Control Panel for Central Payment System - AF, IY and NY Models with V in 7th Position.....	82
Control Panel OPL - FX and PY Models.....	84
Control Panel OPL - FX and PY Models.....	86
Control Panel Vended - FX and PY Models	88
Control Panel Vended - FX and PY Models	90
Control Panel for Central Payment System - FX and PY Models.....	92
Control Panel for Central Payment System - FX and PY Models.....	94
Coin Meter Box - All Models Except AF, IY and NY Models with G, H, J or K in 13th Position.....	96
Coin Meter Box - AF, IY and NY Models with V in 7th Position or with G, H, J or K in 13th Position.....	98
Coin Meter - AF, IY and NY Models (Drawing 1 of 4).....	100
Coin Meter - AF, IY and NY Models (Drawing 2 of 4).....	102
Coin Meter - AF, IY and NY Models (Drawing 3 of 4).....	104
Coin Meter - AF, IY and NY Models (Drawing 3 of 4).....	106
Coin Meter - FX and PY Models (Drawing 1 of 3)	108
Coin Meter - FX and PY Models (Drawing 2 of 3)	110
Coin Meter - FX and PY Models (Drawing 3 of 3)	112
Door- All Models Except Models with V in 7th Position (Drawing 1 of 3).....	114
Door - All Models Except Models with V in 7th Position (Drawing 2 of 3).....	116
Door - All Models Except Models with V in 7th Position (Drawing 3 of 3).....	118
Door - AF, IY, J and NY Models	120
Door - FX and PY Models.....	122
Door Lock - Models with V in 7th Position Through Serial No. 80FX020277SF	124
Door Lock - Models with V in 7th Position Starting Serial No. 80FX020278SF	126
Water Inlet System	128
Two Water Inlet System.....	130
Three Water Inlet System	132
Two Water Inlet System without Soap Hopper.....	134
Three Water Inlet System without Soap Hopper	136
Drain System - All Models Except Models with V in 7th Position	138
Drain System - Models with V in 7th Position	140
Drain System - J Models.....	142
Drain System - Drain Pump Option Through Serial No. 80FX017005QF	144
Drain System - Drain Pump Option Starting Serial No. 80FX017006QF.....	146
Drain System - Drain Pump Option	148
Rear Panel (Drawing 1 of 3)	150
Rear Panel (Drawing 2 of 3)	152
Rear Panel (Drawing 3 of 3)	154
Rear Panel - 230-400V with Neutral (Drawing 1 of 2)	156
Rear Panel - 230-400V with Neutral (Drawing 2 of 2)	158
Rear Panel - 400-440V (Drawing 1 of 2)	160
Rear Panel - 400-440V (Drawing 2 of 2)	162
Rear Panel - 230-400V CE Models with Neutral (Drawing 1 of 2).....	164
Rear Panel - 230-400V CE Models with Neutral (Drawing 2 of 2).....	166
Rear Panel - 400-440V CE Models with Neutral (Drawing 1 of 2).....	168
Rear Panel - 400-440V CE Models with Neutral (Drawing 2 of 2).....	170
Rear Panel - 230V / 400V with Neutral (Drawing 1 of 2)	172
Rear Panel - 230V / 400V with Neutral (Drawing 2 of 2)	174
Rear Panel - 400V / 440V-480V (Drawing 1 of 2).....	176
Rear Panel - 400V / 440V-480V (Drawing 2 of 2).....	178
Steam Heating (Drawing 1 of 2)	180

Steam Heating (Drawing 2 of 2)	182
Washing Drum and Tub - All Models Except Models with V in 7th Position	184
Washing Drum and Tub (Drawing 1 of 2)	186
Washing Drum and Tub (Drawing 2 of 2)	188
Drive	190
Bearing Housing	192
Elevated Base Frame	194
Base Frame with Built-In Filter.....	196
Soft Wash - Without Built-In Recirculation Pump	198
Liquid Soap Supply System - Pumps	200
Filter Tank.....	202
Wire Harnesses	204

Parts Ordering Information

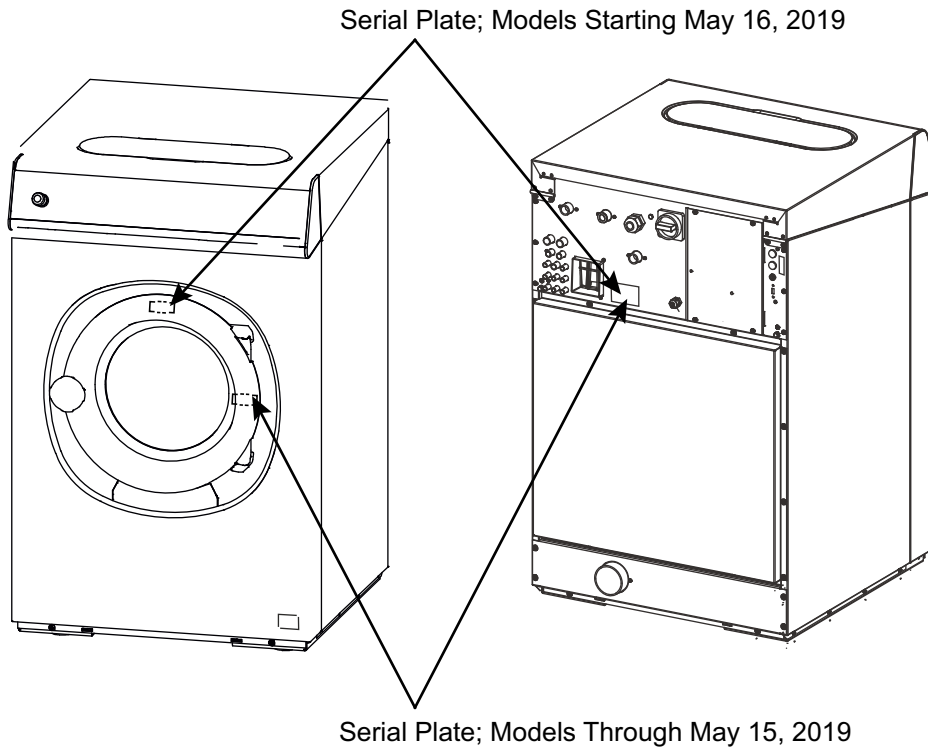
If literature or replacement parts are required, contact the source from whom the machine was purchased or contact Alliance Laundry Systems at (920) 748-3950 for the name and address of the nearest authorized parts distributor.

For technical assistance, call the number listed below:

(920) 748-3121 Ripon, Wisconsin

Serial Plate Location

When calling or writing about your product, be sure to mention model and serial numbers. Model and serial numbers are located on serial plate(s).



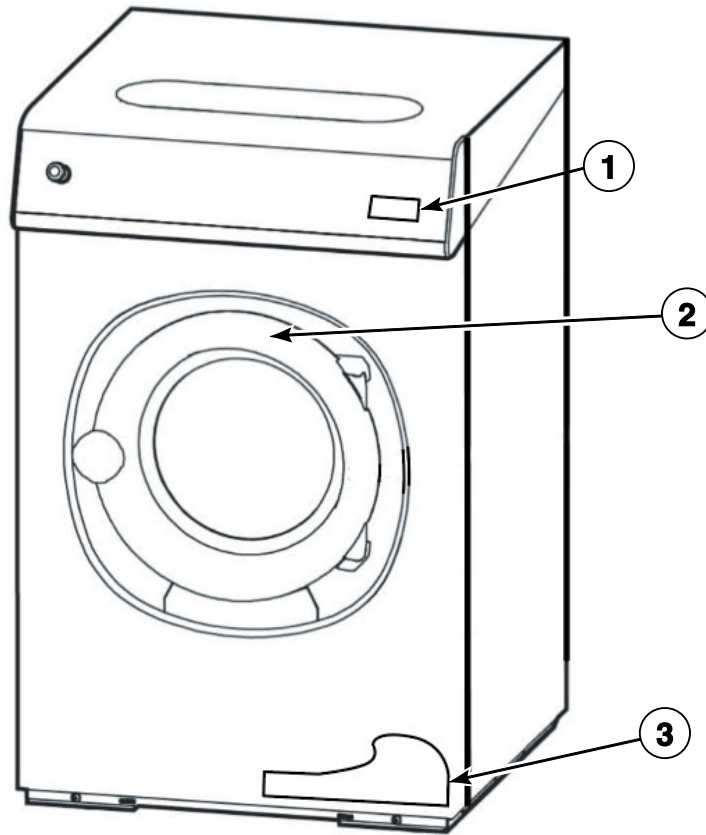
CFS1954P_D2408

Model Identification

Information in this manual is applicable to these washer-extractor models:

AF80_BASIC	H80	LYC080T	PYR080T
AF80_PROFESSIONAL	HYC080F	LYC080X	PYR080V
AF80_X_CONTROL	HYE080F	LYE080T	PYR080X
AF80_X_CONTROL_PLUS	HYG080F	LYE080X	PYU080T
AF80_X_CONTROL_STARTING_80FX000043TG	HYH080F	LYH080T	PYU080V
AF80_X_CONTROL_STARTING_80FX0001654BH_MC7	HYM080F	LYH080X	PYU080X
AF80_X_CONTROL_STARTING_80FX000185VA	HYN020F	LYU080T	PYX080T
AF80_X_CONTROL_STARTING_80FX000604VR	HYQ080F	LYU080X	PYX080V
AF80_X_CONTROL_STARTING_80FX001654BH_MC6	HYP080F	LYX080T	PYX080X
FX80_X_CONTROL	HYP080F	LYX080X	PYY080T
FX80_X_CONTROL_PLUS	HYW080F	LYY080T	PYY080X
FX80_BUPA_X_XONTROL	HYX080F	LYY080X	SYC080A
FX80_BUPA_X_XONTROL_PLUS	IYA080V	NYA080V	SYC080D
HX80_X_CONTROL	IYC080J	NYC080T	SYE080A
HX80_X_CONTROL_PLUS	IYC080R	NYC080V	SYE080D
HY20_HC-200	IYC080V	NYC080X	SYG080A
HY80_HC-200	IYE080J	NYE080T	SYG080D
IY20_ARIES	IYE080R	NYE080V	SYH080A
IY20_ARIES-ELITE	IYE080V	NYE080X	SYH080D
IY80_ARIES	IYG080J	NYH080T	SYM080A
IY80_ARIES-ELITE	IYG080R	NYH080X	SYM080D
IY80_EVOLIS	IYH080J	NYM080T	SYN020D
IY80_EVOLIS_ELITE	IYH080R	NYR080T	SYQ080A
JLA16_ARIES	IYM080J	NYR080V	SYQ080D
JLA16_ARIES-ELITE	IYM080R	NYR080X	SYR080A
JLA16C_ARIES	IYN020R	NYU080T	SYR080D
JLA16C_ARIES-ELITE	IYQ080J	NYU080V	SYU080A
LPRFRAF80E	IYQ080R	NYU080X	SYU080D
MWFX20_X_CONTROL	IYR080J	NYX080T	SYW080A
MWFX20_X_CONTROL_PLUS	IYR080R	NYX080X	SYW080D
NY80_GRAPHITRONIC_TOUCH	IYR080V	NYX080X	SYX080A
PY20_X_CONTROL	IYU080J	NYX080X	SYX080D
PY20_X_CONTROL_PLUS	IYU080R	PYA080V	SYX080D
PY80_X_CONTROL_FLEX	IYU080V	PYA080V	SYX080D
PY80_X_CONTROL_FLEX_PLUS	IYW080J	PYC080T	SYX080D
QW9_X_CONTROL_PLUS	IYW080R	PYC080V	UYC080I
SW9_X_CONTROL	IYX080R	PYC080X	UYE080I
SY20_QED-SELECT	IYX080J	PYE080T	UYG080I
SY80_KIS_PHOTO-ME	IYX080R	PYE080V	UYH080I
SY80_QED	IYX080V	PYE080X	UYH080I
SY80_QED-SELECT	IYY080J	PYE080X	UYM080I
UY20_PROFORM	IYY080R	PYH080T	UYN020I
UY80_PROFORM	IYY080V	PYH080X	UYQ080I
W2108VRVS	JYC080J	PYM080T	UYR080I
	JYC080R	PYM080X	UYU080I
	JYE080J	PYN020T	UYW080I
	JYE080R	PYN020X	UYX080I
	JYE080V		UYX080I
			UYZ080I

Logo Label - Non-Brand Models

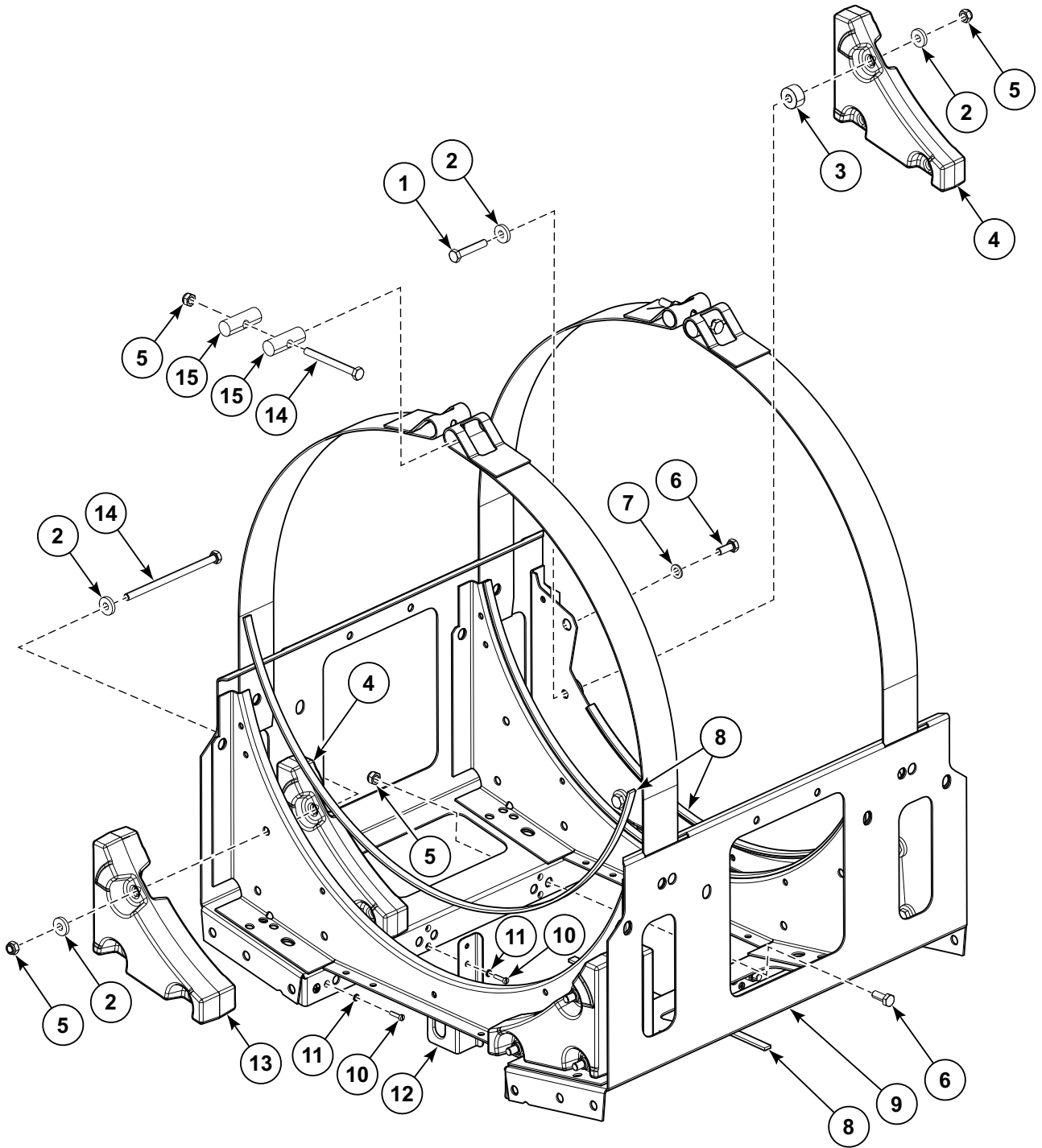


CFD3558P_D2408

Logo Label - Non-Brand Models

REF	PART NO.	DESCRIPTION	COMMENTS
1	572486	Label	Lion Logo
2	576337	Label	Located on top inside door
3	572487	Label	Softwash

Upper Frame

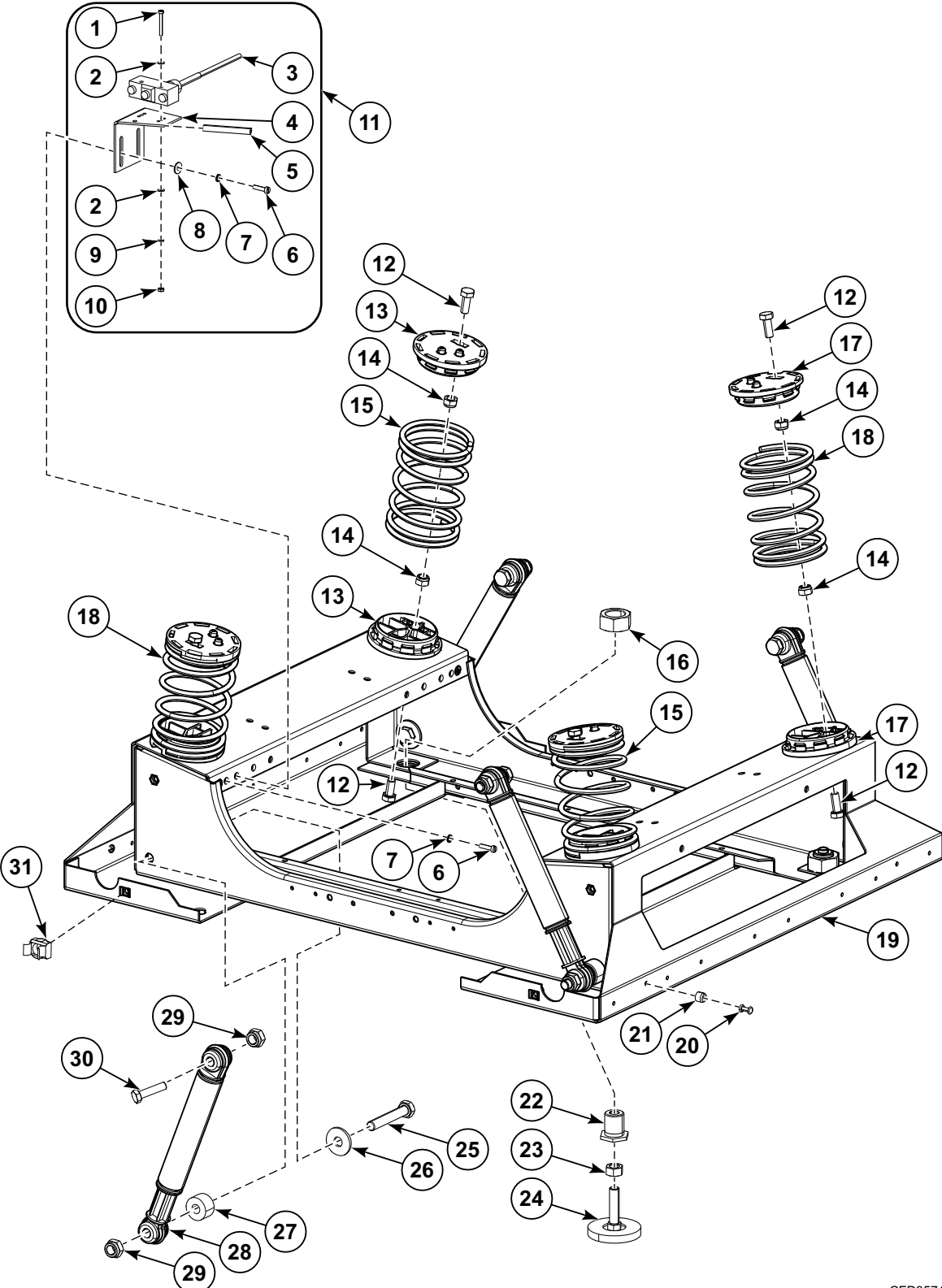


CZW114P_D2408

Upper Frame

REF	PART NO.	DESCRIPTION	COMMENTS
	SP245704003021	Adhesive	Used with external tub for fastening into frame
1	SP309933000845	Bolt	M8x45
2	SP525284	Washer	M8
3	SP515274	Distance Case	
4	SP533737	Lower Weight	
5	SP310985000008	Nut	M8
6	SP309933000820	Bolt	M8x20
7	SP311125000008	Washer	8.4
8	SP517232	Seal	
9	SP533731	Upper Frame	
10	SP309084000416	Bolt	M4x16
11	SP311679800004	Washer	M4
12	SP533388	Oscillation Limiter	
13	SP533753	Lower Weight	
14	SP309933000880	Bolt	M8x80
15	SP533738	Cover Strip Pin	

Lower Frame



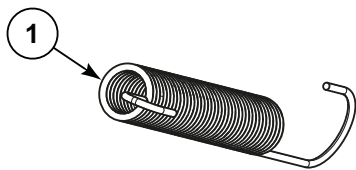
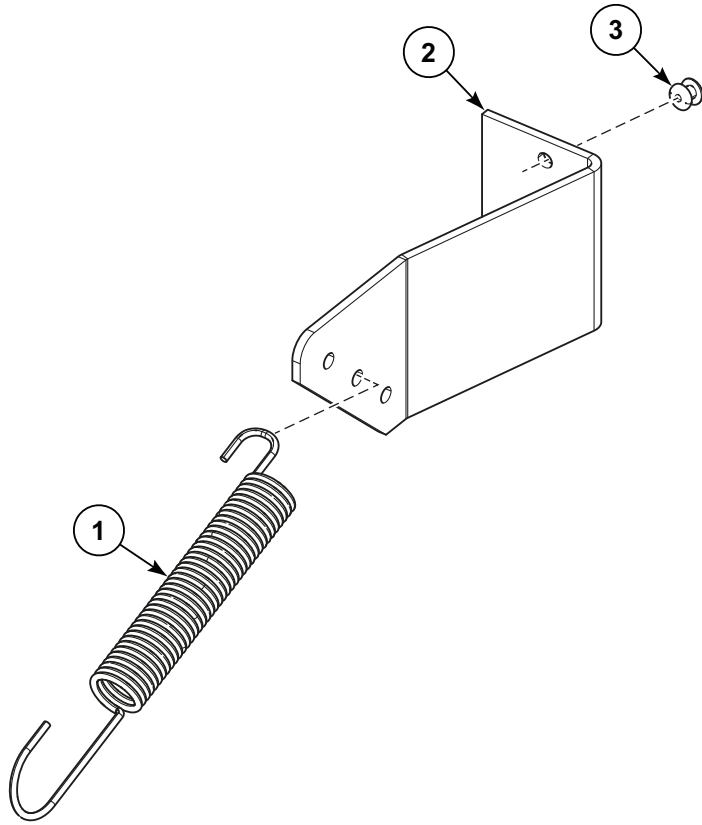
CFD3574P_D2408

Lower Frame

REF	PART NO.	DESCRIPTION	COMMENTS
1	SP309084240325	Bolt	M3x25
2	SP311125000003	Washer	3.2
3	SP528309	Microswitch	Includes spring
4	SP533387	Vibration Switch Holder	
5	SPPRI505000058	Profiled Sealing	Through September 21, 2021
6	SP309084000416	Bolt	M4x16
7	SP311679800004	Washer	M4
8	SP311902100004	Washer	M4 - 4.3/12/1
9	SP311679800003	Washer	M3
10	SP310934000003	Nut	M3
11	SP533391	Vibration Switch Assembly	Includes items 1-10
12	SP309933000820	Bolt	M8x20
13	SP534978	Spring Holder	Left
14	SP310985000008	Nut	M8
15	SP533767	Spring	Left
16	SP310934000020	Nut	M20
17	SP534977	Spring Holder	Right
18	SP533766	Spring	Right
19	SP533723	Lower Frame	
20	SP547779	Rivet	4x16.7
21	SP520408	Pin Insertion	
22	SP533726	Bolt	
23	SP310934000010	Nut	M10
24	SPPRI504000001	Adjustable Foot	
25	SP506432	Bolt	M10x60
26	SP311902100010	Washer	10
27	SP533727	Roller	
28	SP533715	Damper	4 required
29	SP310985000010	Nut	M10
30	SP527420	Bolt	M10x40
31	SP510923	Nut	M6

Stabilizing Spring - AF Non-Brand, H, HY, IY, J, LP, NY, SY and UY Models

All Modes Except Models with G, H, J or K in 13th Position



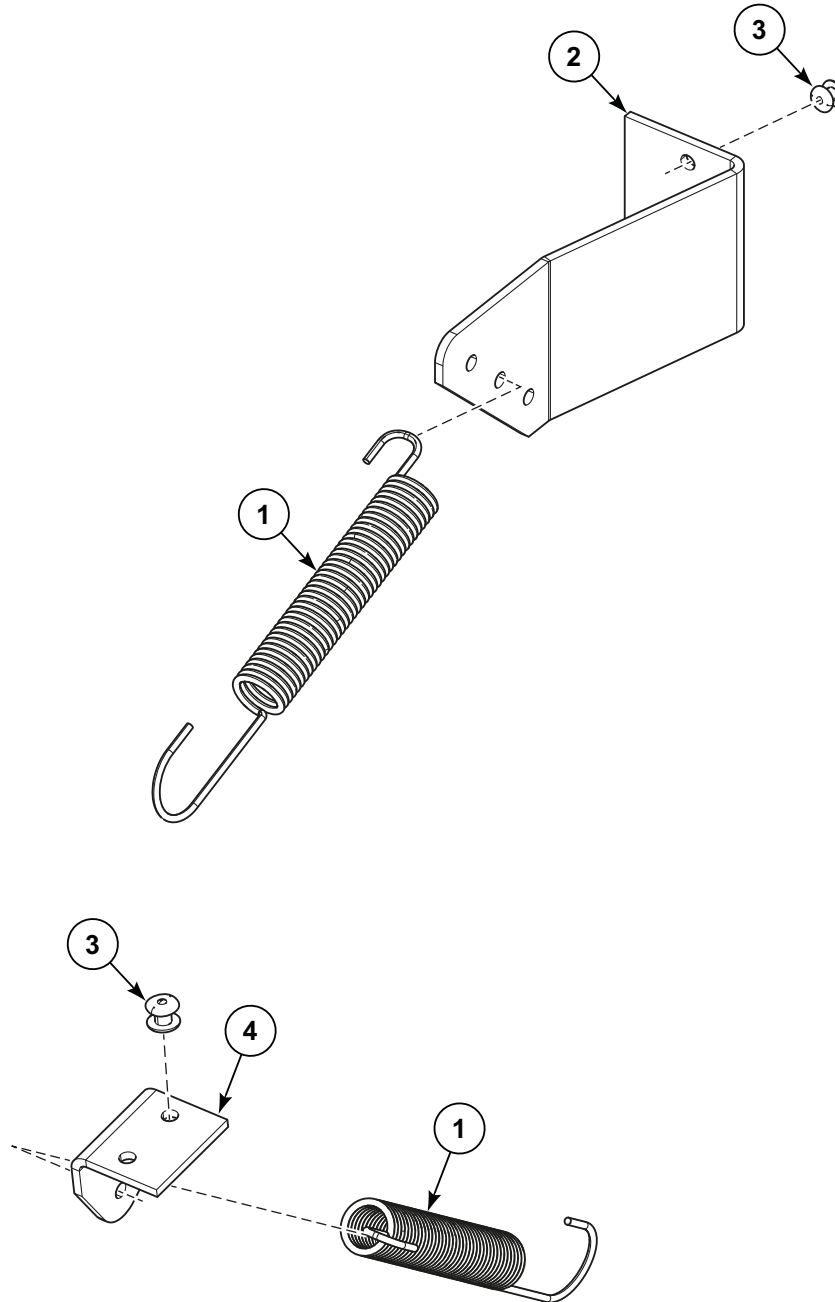
CZW417P_D2408

Stabilizing Spring - AF Non-Brand, H, HY, IY, J, LP, NY, SY and UY Models

REF	PART NO.	DESCRIPTION	COMMENTS
1	SP505372	Spring	
2	SP555517	Rear Spring Holder	
3	505479	Rivet	4x8

Stabilizing Spring - AF, FX, HX, LY, MWF, PY, QW, SW and W Models

All Models Except Models with H or K in 13th Position



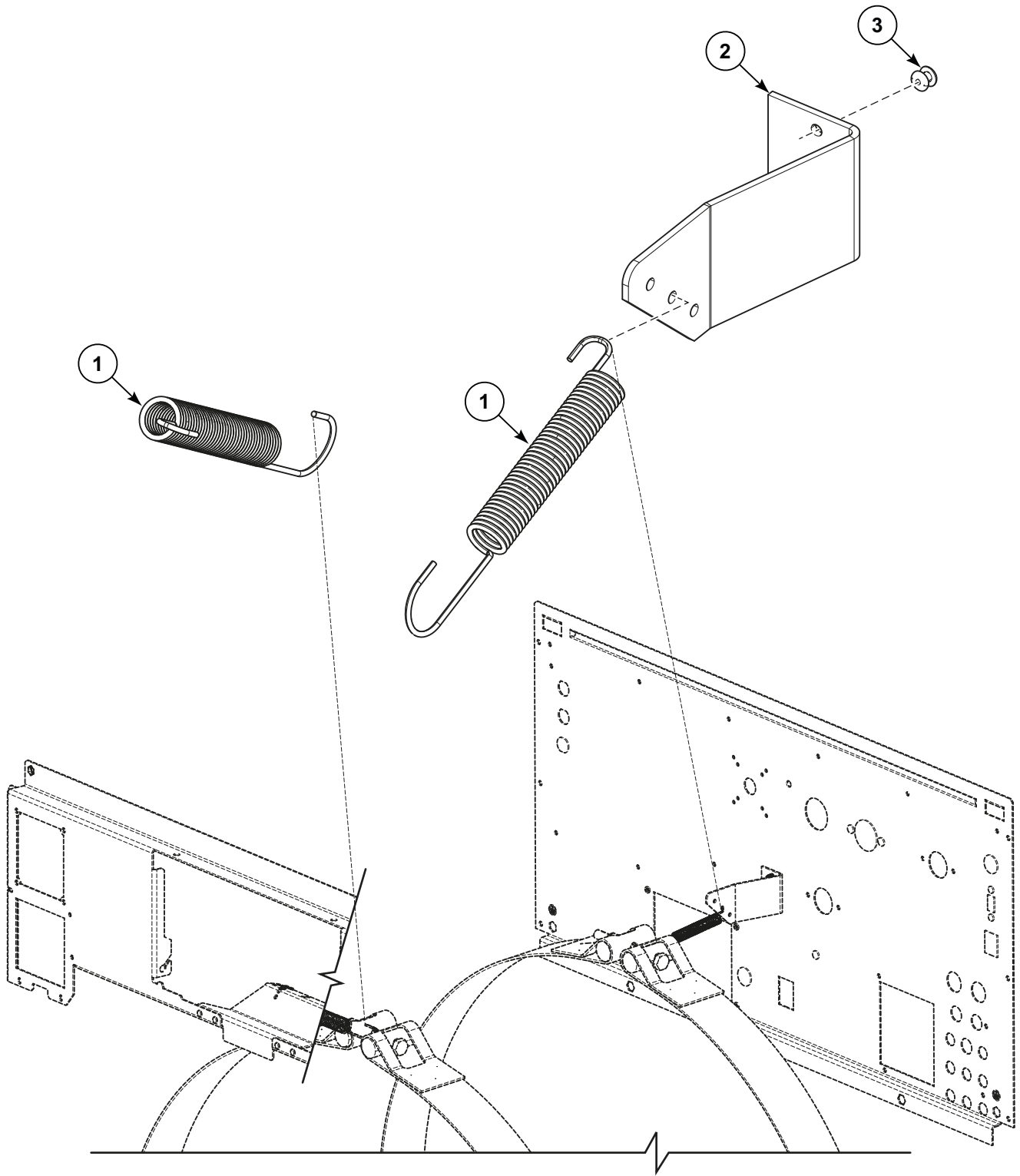
CZW418P_D2408

Stabilizing Spring - AF, FX, HX, LY, MWF, PY, QW, SW and W Models

REF	PART NO.	DESCRIPTION	COMMENTS
1	SP505372	Spring	
2	SP555517	Rear Spring Holder	
3	505479	Rivet	4x8
4	SP555516	Front Spring Holder	

Stabilizing Spring - AF, IY, J and NY Models

Models with G, H, J or K in 13th Position



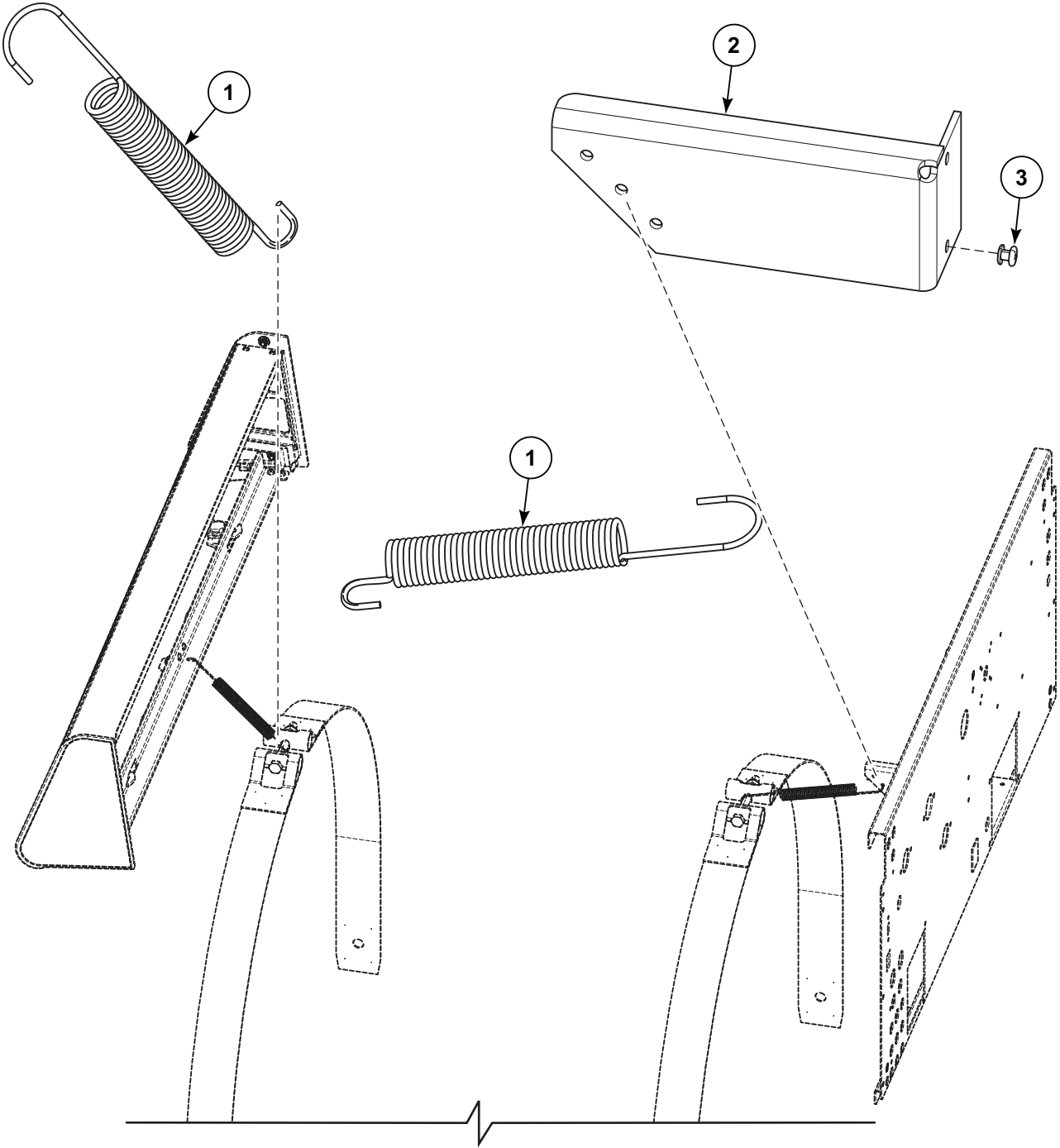
CZW419P_D2408

Stabilizing Spring - AF, IY, J and NY Models

REF	PART NO.	DESCRIPTION	COMMENTS
1	SP505372	Spring	
2	SP555517	Rear Spring Holder	
3	505479	Rivet	4x8

Stabilizing Spring - FX and PY Models

Models with H or K in 13th Position



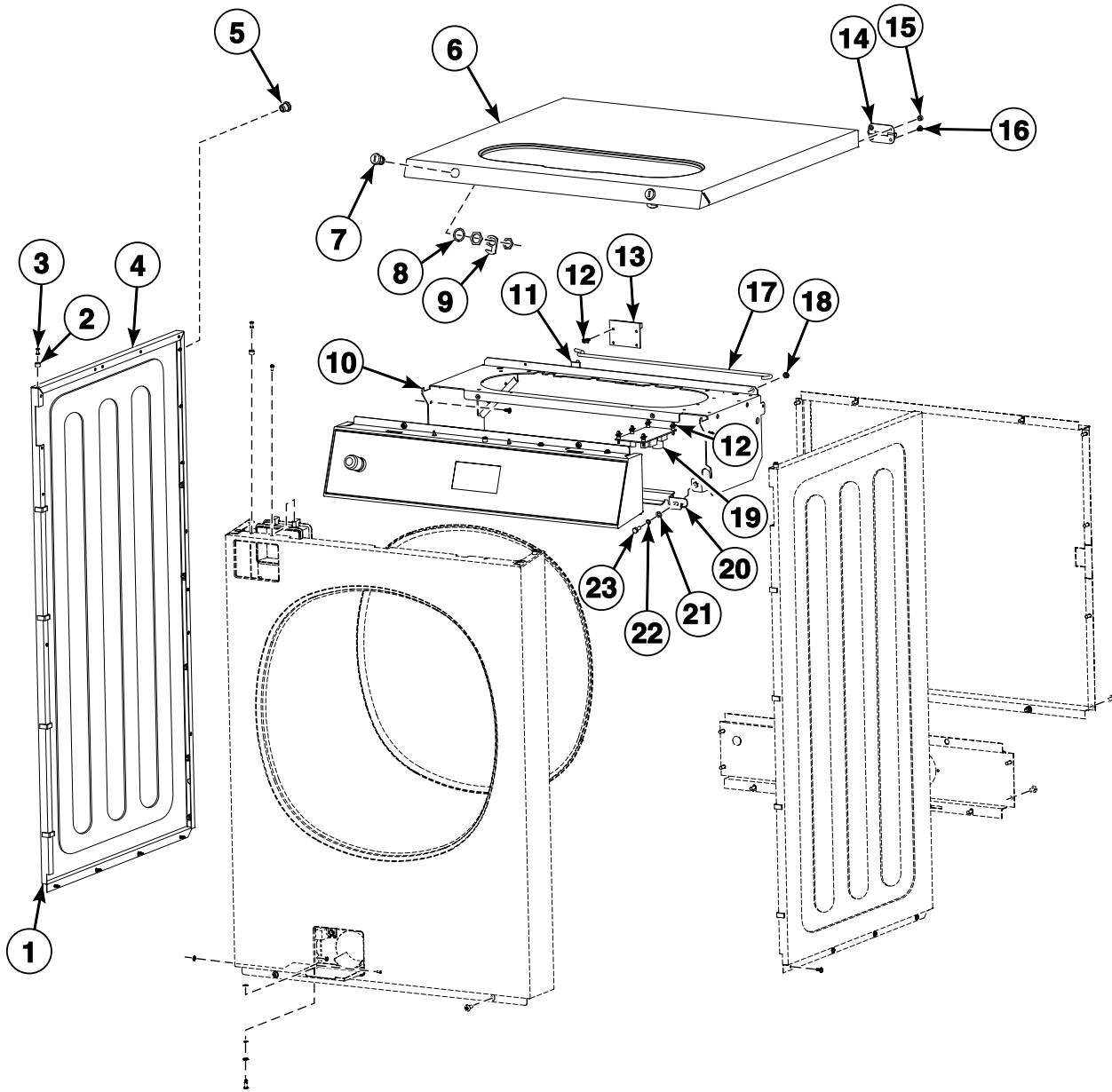
CZW420P_D2408

Stabilizing Spring - FX and PY Models

REF	PART NO.	DESCRIPTION	COMMENTS
1	SP505372	Spring	
2	SP555517	Rear Spring Holder	
3	505479	Rivet	4x8

Cabinet - AF Non-Brand, HY, LP, NY, SY and UY Models (Drawing 1 of 2)

All Models Except Models with G, H, J or K in 13th Position



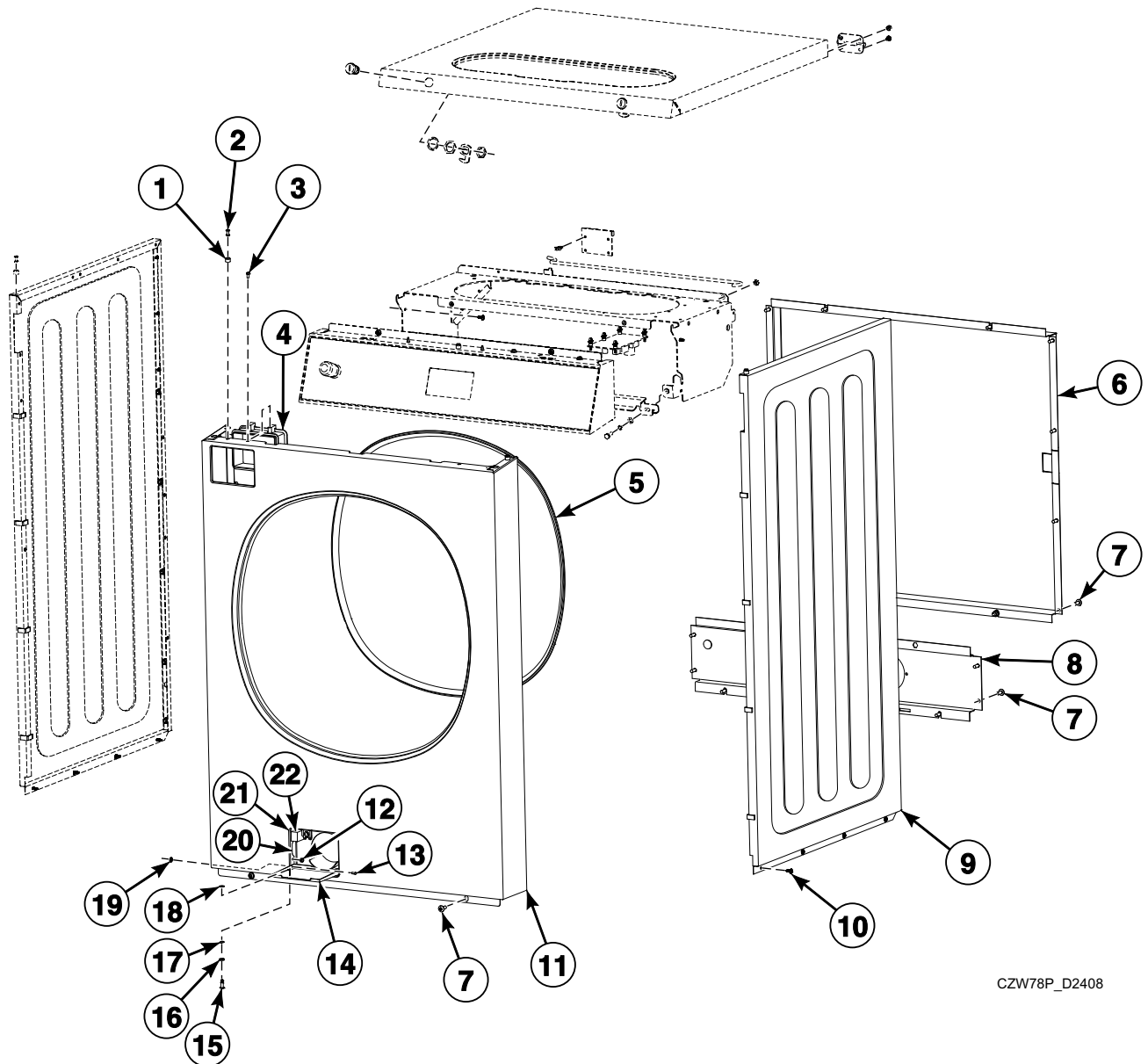
CFS1955P_D2408

Cabinet - AF Non-Brand, HY, LP, NY, SY and UY Models (Drawing 1 of 2)

REF	PART NO.	DESCRIPTION	COMMENTS
1	SP517232	Seal	
2	SP520408	Pin Insertion	
3	SP547779	Rivet	4x16.7
4	SP557625	Side Panel	Left; Stainless
	563496	Side Panel	Left; Painted; AF Non-Brand, LP and NY models
5	SP313251000006	Nut	M6
6	SP557601	Top Cover	
	567871	Top Cover	Without soap hopper opening
	SP559366	Top Cover	Model SY80_KIS_PHOTO-ME
	573312	Top Cover	Model SY80_KIS_PHOTO-ME; Without soap hopper opening
7	SP559362	Lock	Model SY80_KIS_PHOTO-ME
	SP547527	Lock	All other models
	SP550616	Key	Used with SP547527 Lock
8	SPPRI522000012	Washer	21x27x1
9	SPPRI610002007	Hook Lock	Small
10	SP557603	Panel Holder	
11	SPPRI551016250	Hook	Stick-on
12	SPPRI326002004	Holder	
13	SP545238	Automatic Unlocking Module Assembly	MC6; Includes item 11, SP547004 Automatic Door Opening Module, SP345000160971 Binding Strip and SP545235 Door Timer Wiring
14	SP516832	Hinge	
15	SP313250048008	Rivet	4.8x8
16	SP529206	Screw	4x11
17	SP533341	Upper Lid Prop	
18	SP273121005052	Cable Passage	5x2
19	SP552489	Automatic Unlocking Module Assembly	MC7; Includes item 11, SP553406 Automatic Door Opening Module, SP345000160971 Binding Strip, SP552455 Automatic Door Opening Module Wiring and SP552381 Power Terminal Protection
20	SP558879	Reinforcement	
21	SP311125000006	Washer	6.4
22	SP311127000006	Washer	6
23	SP309933000616	Bolt	M6x16

Cabinet - AF Non-Brand, HY, LP, NY, SY and UY Models (Drawing 2 of 2)

All Models Except Models with G, H, J or K in 13th Position



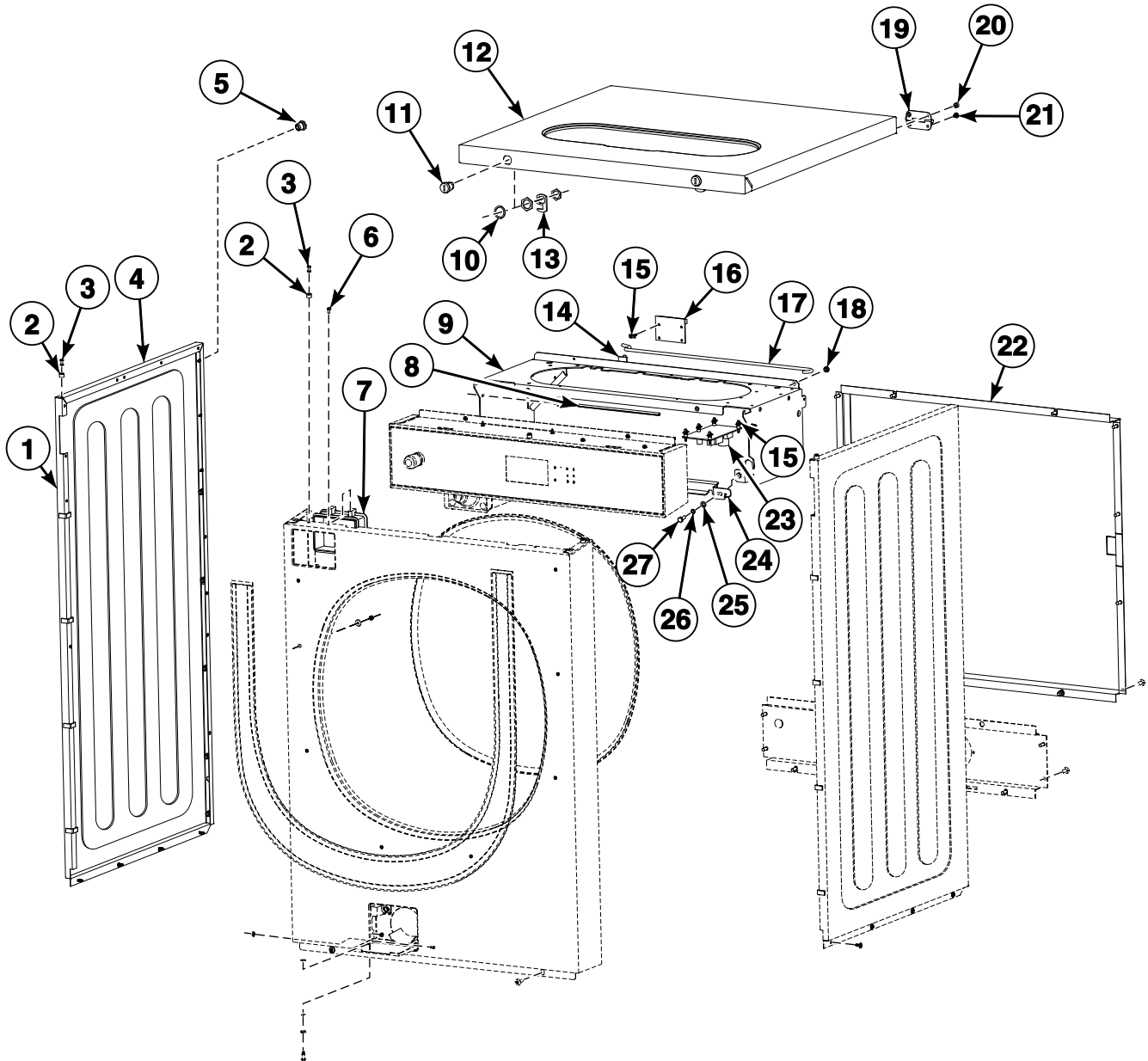
CZW78P_D2408

Cabinet - AF Non-Brand, HY, LP, NY, SY and UY Models (Drawing 2 of 2)

REF	PART NO.	DESCRIPTION	COMMENTS
1	SP520408	Pin Insertion	
2	SP547779	Rivet	4x16.7
3	SP309084000408	Bolt	M4x8
4	SP533103	Coin Vault Plate	
5	SP529068	Edge Protection	
6	SP533111	Rear Cover	
7	SP555658	Bolt	M6x16
8	SP533381	Lower Rear Cover	
9	SP557627	Side Panel	Right; Stainless
	563498	Side Panel	Right; Painted; AF Non-Brand, LP and NY models
10	SP529206	Screw	4x11
11	SP547748	Front Panel	OPL; Stainless
	SP547750	Front Panel	Vended; Stainless
	SP554243	Front Panel	OPL with drain pump; Stainless
	SP554245	Front Panel	Vended with drain pump; Stainless
	SP559107	Front Panel	Stainless; Model SY80_KIS_PHOTO-ME
	563450	Front Panel	OPL; Painted; AF Non-Brand, LP and NY models
	563452	Front Panel	Vended; Painted; AF Non-Brand, LP and NY models
	563454	Front Panel	OPL with drain pump; Painted; AF Non-Brand, LP and NY models
	563456	Front Panel	Vended with drain pump; Painted; AF Non-Brand, LP and NY models
	550446	Washer	Used to prevent sliding
12	SP313250004063	Rivet	4x6.3
13	SP521706	Rivet	3x8
14	SP521511	Drain Pump Cover	Used with SP527021 Washer
15	SP527084	Bolt	
16	SP527087	Washer	
17	SP527086	Spring	
18	SP527085	Ring	
19	SPPRI247000013	Washer	
20	SP521553	Drain Cover	
21	SP527088	Profile	
22	SP527083	Latch	

Cabinet - H, IY and J Models (Drawing 1 of 2)

All Models Except Models with G, H, J or K in 13th Position



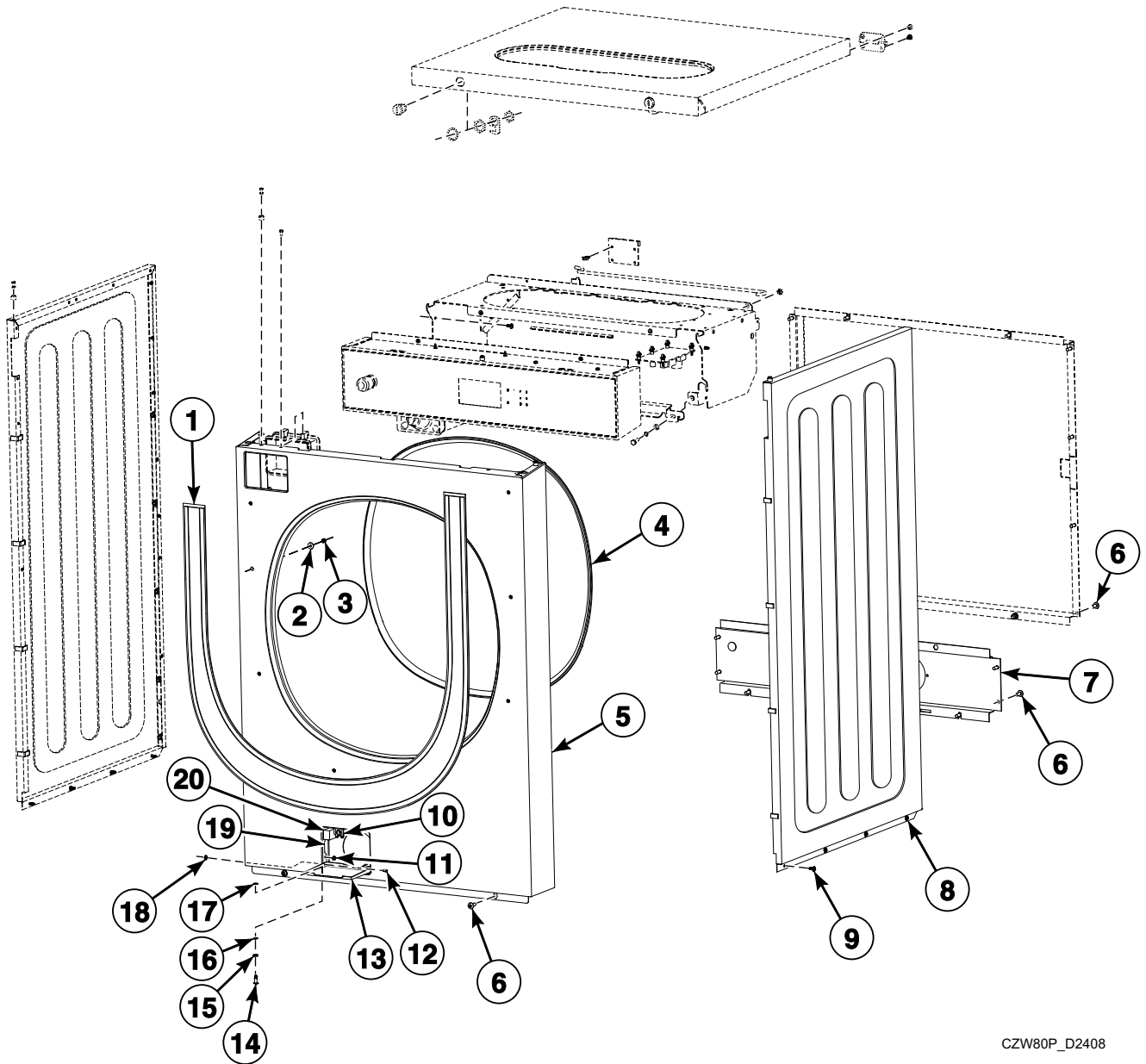
CFS1956P_D2408

Cabinet - H, IY and J Models (Drawing 1 of 2)

REF	PART NO.	DESCRIPTION	COMMENTS
1	SP517232	Seal	
2	SP520408	Pin Insertion	
3	SP547779	Rivet	4x16.7
4	SP557625	Side Panel	Stainless; Left
	SP558972	Side Panel	Black; Left
5	SP313251000006	Nut	M6
6	SP309084000408	Bolt	M4x8
7	SP533103	Coin Vault Plate	
8	SPPRI505000058	Profiled Sealing	Through Serial No. 80FX013061KZ
9	SP560301	Panel Holder	
10	SPPRI522000012	Washer	21x27x1
11	SP547527	Lock	
	SP550616	Key	Used with SP547527 Lock
12	SP558889	Top Cover	
13	SPPRI610002007	Hook Lock	Small
14	SPPRI551016250	Hook	Stick-on
15	SPPRI326002004	Holder	
16	SP545238	Automatic Unlocking Module Assembly	MC6; Includes item 14, SP547004 Automatic Door Opening Module, SP345000160971 Binding Strip and SP545235 Door Timer Wiring
17	SP533341	Upper Lid Prop	
18	SP273121005052	Cable Passage	5x2
19	SP516832	Hinge	
20	SP313250048008	Rivet	4.8x8
21	SP529206	Screw	
22	SP533111	Rear Cover	
23	SP552489	Automatic Unlocking Module Assembly	MC7; Includes item 14, SP553406 Automatic Door Opening Module, SP345000160971 Binding Strip, SP552455 Automatic Door Opening Module Wiring and SP552381 Power Terminal Protection
24	SP558943	Reinforcement	
25	SP311125000006	Washer	6.4
26	SP311127000006	Washer	6
27	SP309933000616	Bolt	M6x16

Cabinet - H, IY and J Models (Drawing 2 of 2)

All Models Except Models with G, H, J or K in 13th Position



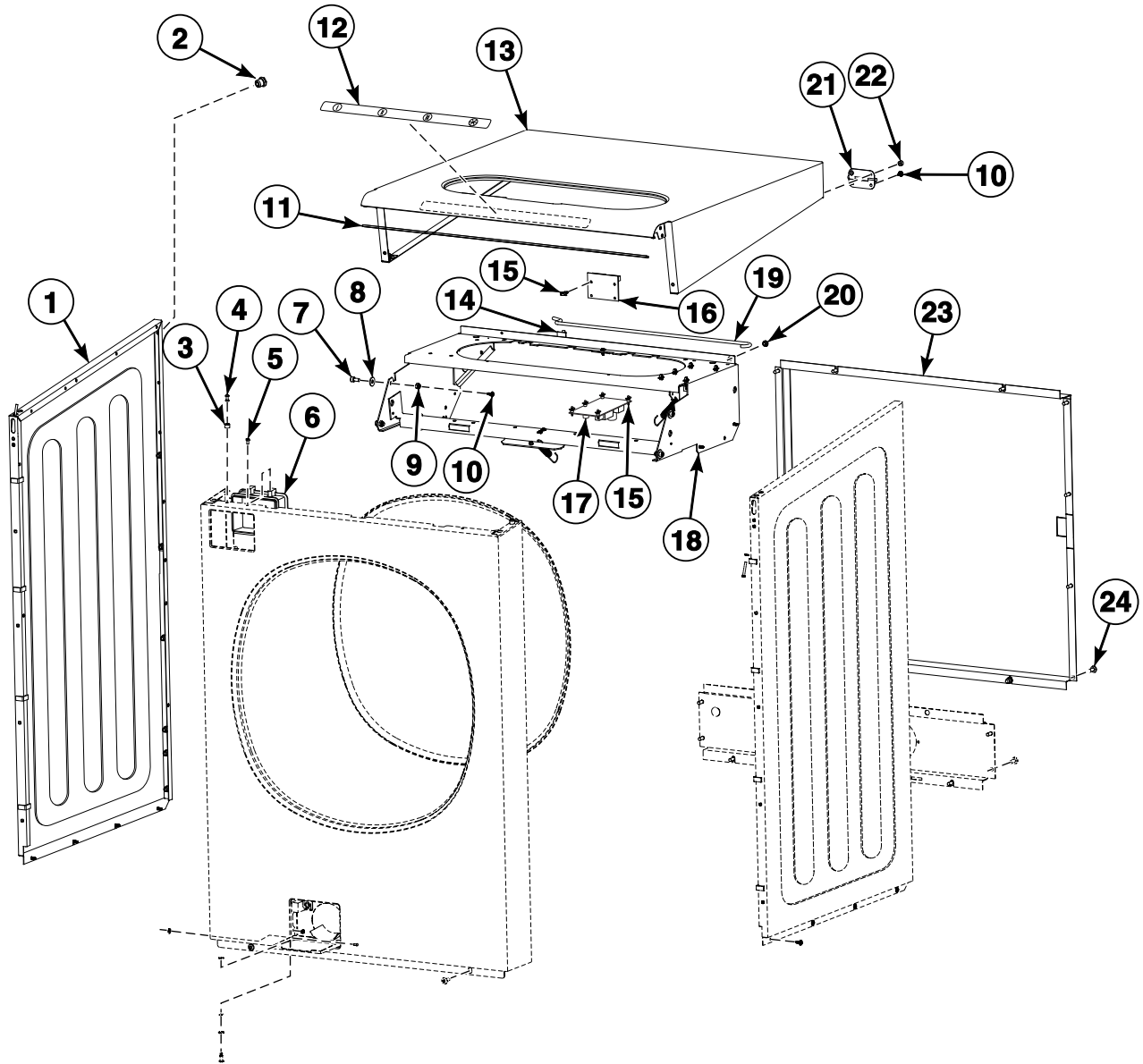
CZW80P_D2408

Cabinet - H, IY and J Models (Drawing 2 of 2)

REF	PART NO.	DESCRIPTION	COMMENTS
1	SP556991	U Shape	OPL
	SP556992	U Shape	Vended
2	SP311902100004	Washer	M4
3	SP514193	Nut	M4
4	SP529068	Edge Protection	
5	SP557052	Front Panel	OPL; Stainless
	SP557053	Front Panel	Vended; Stainless
	SP557054	Front Panel	OPL with drain pump; Stainless
	SP557055	Front Panel	Vended with drain pump; Stainless
	SP562722	Front Panel	J models; OPL
	SP562723	Front Panel	J models; Vended
	550446	Washer	Used to prevent sliding
6	SP555658	Bolt	M6x16
7	SP533381	Lower Rear Cover	
8	SP557627	Side Panel	Stainless; Right
	SP558974	Side Panel	Black; Right
9	SP529206	Screw	
10	SP527083	Latch	
11	SP313250004063	Rivet	4x6.3
12	SP521706	Rivet	3x8
13	SP521511	Drain Pump Cover	Used with SP527021 Washer
14	SP527084	Bolt	
15	SP527087	Washer	
16	SP527086	Spring	
17	SP527085	Ring	
18	SPPRI247000013	Washer	
19	SP521553	Drain Cover	
20	SP527088	Profile	15x30

Cabinet - AF, FX, HX, LY, MWF, PY, QW, SW and W Models (Drawing 1 of 2)

All Models Except Models with G, H, J or K in 13th Position



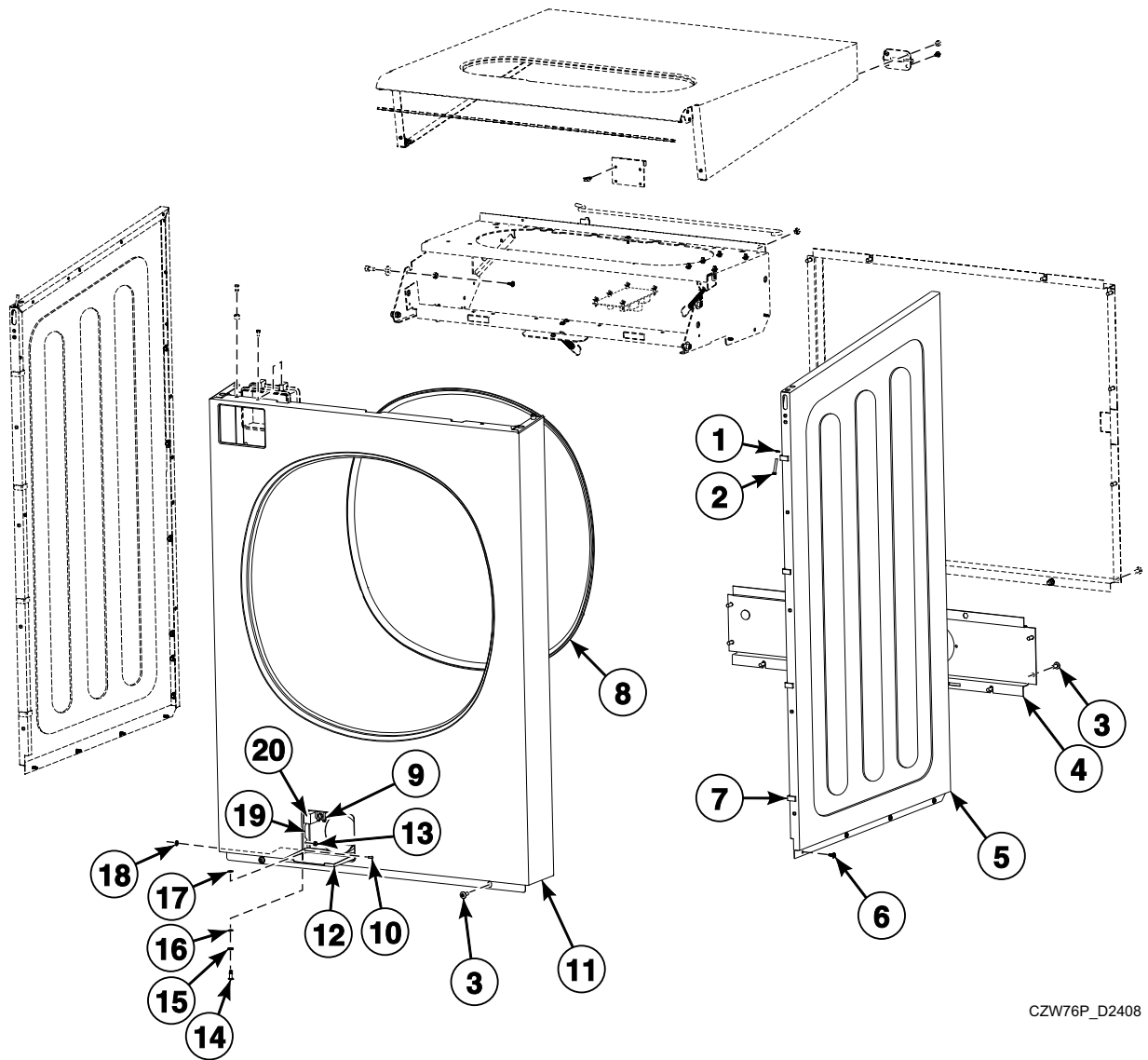
CFS1960P_D2408

Cabinet - AF, FX, HX, LY, MWF, PY, QW, SW and W Models (Drawing 1 of 2)

REF	PART NO.	DESCRIPTION	COMMENTS
1	SP550313	Side Panel	Painted; Left; Models through Serial No. 80FX004590FD
	563468	Side Panel	Painted; Left; Models starting Serial No. 80FX004591FD
	SP550338	Side Panel	Stainless; Left
2	SP313251000006	Nut	M6
3	SP520408	Pin Insertion	
4	SP547779	Rivet	4x16.7
5	SP309084000408	Bolt	M4x8
6	SP533103	Coin Vault Plate	
7	SP506431	Bolt	M6x12
8	SP311902100006	Washer	6
9	SP310985000006	Nut	M6
10	SP529206	Screw	4x11
11	SP284000012003	Tape	
12	SP560786	Label	Soap Hopper; CSA
13	SP551996	Top Cover	Without soap hopper opening
	SP550300	Top Cover	
14	SPPRI551016250	Hook	Stick-on
15	SPPRI326002004	Holder	
16	SP545238	Automatic Unlocking Module Assembly	MC6; Includes item 14, SP547004 Automatic Door Opening Module, SP345000160971 Binding Strip and SP545235 Door Timer Wiring
17	SP552489	Automatic Unlocking Module Assembly	MC7; Includes item 14, SP553406 Automatic Door Opening Module, SP345000160971 Binding Strip, SP552455 Automatic Door Opening Module Wiring and SP552381 Power Terminal Protection
18	SP533257	Panel Holder	
19	SP533341	Upper Lid Prop	
20	SP273121005052	Cable Passage	5x2
21	SP516832	Hinge	
22	SP555658	Bolt	M6x16
23	SP533111	Rear Cover	
24	SP313250048008	Rivet	4.8x8

Cabinet - AF, FX, HX, LY, MWF, PY, QW, SW and W Models (Drawing 2 of 2)

All Models Except Models with H or K in 13th Position



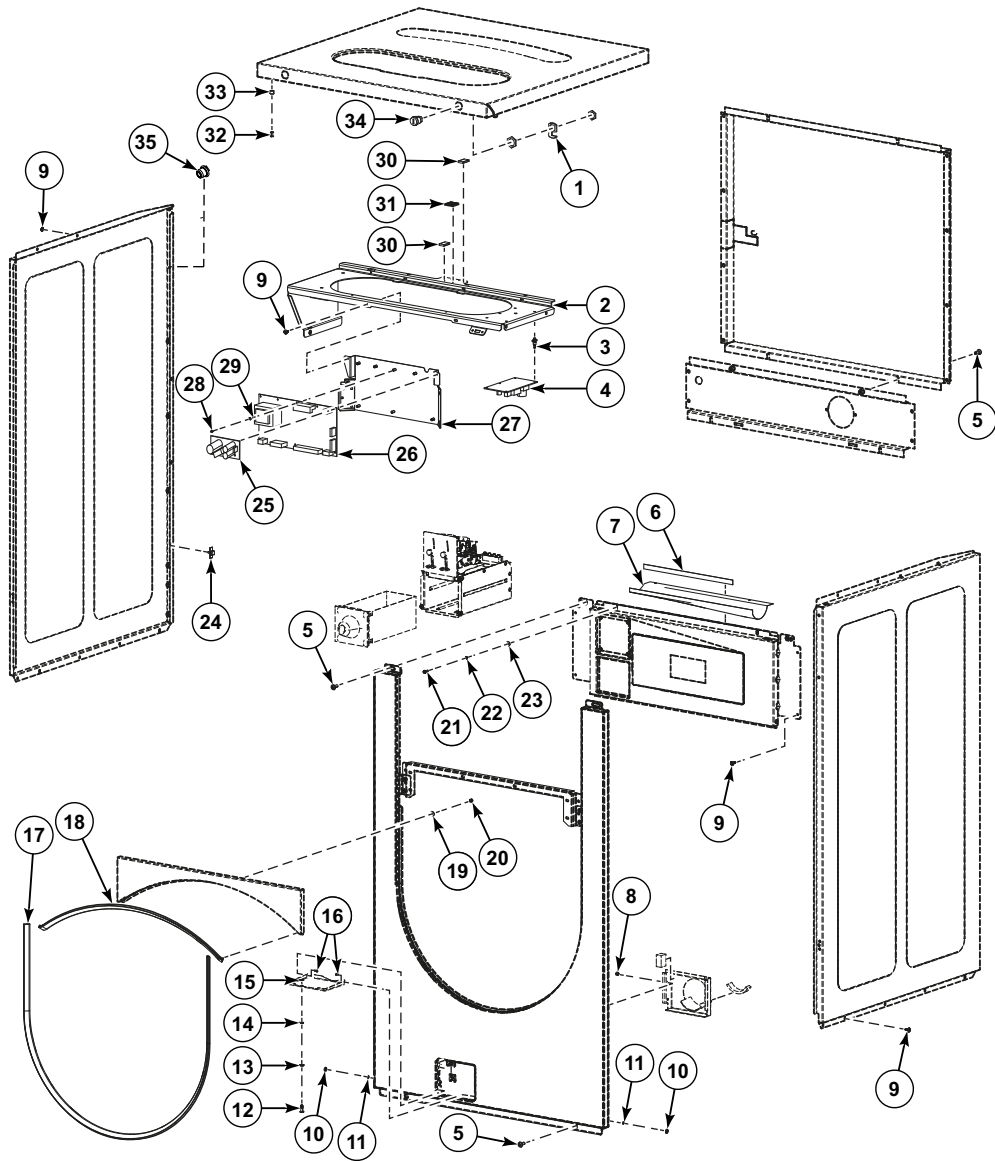
CZW76P_D2408

Cabinet - AF, FX, HX, LY, MWF, PY, QW, SW and W Models (Drawing 2 of 2)

REF	PART NO.	DESCRIPTION	COMMENTS
	SP552455	Automatic Door Opening Module Wiring	
1	SP311679800004	Washer	M4
2	SP550482	Bolt	M4x25
3	SP555658	Bolt	M6x16
4	SP533381	Lower Rear Cover	
5	SP550316	Side Panel	Painted; Right; Models through Serial No. 80FX004590FD
	563470	Side Panel	Painted; Right; Models starting Serial No. 80FX004591FD
	SP550340	Side Panel	Stainless; Right
6	SP529206	Screw	4x11
7	SP517232	Seal	
8	SP529068	Edge Protection	
9	SP527083	Latch	
10	SP521706	Rivet	3x8
11	SP547740	Front Panel	OPL; Painted; Models through Serial No. 80FX004590FD
	SP547742	Front Panel	Vended; Painted; Models through Serial No. 80FX004590FD
	SP547748	Front Panel	OPL; Stainless
	SP547750	Front Panel	Vended; Stainless
	SP554256	Front Panel	OPL; With drain pump; Painted; Models through Serial No. 80FX004590FD
	SP554258	Front Panel	Vended; With drain pump; Painted; Models through Serial No. 80FX004590FD
	SP554243	Front Panel	OPL; With drain pump; Stainless
	SP554245	Front Panel	Vended; With drain pump; Stainless
	563450	Front Panel	OPL; Painted; Models starting Serial No. 80FX004591FD
	563452	Front Panel	Vended; Painted; Models starting Serial No. 80FX004591FD
	563454	Front Panel	OPL; With drain pump; Painted; Models starting Serial No. 80FX004591FD
	563456	Front Panel	Vended; With drain pump; Painted; Models starting Serial No. 80FX004591FD
	550446	Washer	Used to prevent sliding
12	SP521511	Drain Pump Cover	Used with SP527021 Washer
13	SP313250004063	Rivet	4x6.3
14	SP527084	Bolt	
15	SP527087	Washer	
16	SP527086	Spring	
17	SP527085	Ring	
18	SPPRI247000013	Washer	
19	SP521553	Drain Cover	
20	SP527088	Profile	15x30

Cabinet - AF, IY, J and NY Models (Drawing 1 of 3)

Models with V in 7th Position or Models with G, H, J or K in 13th Position



CFD3569P_D2408

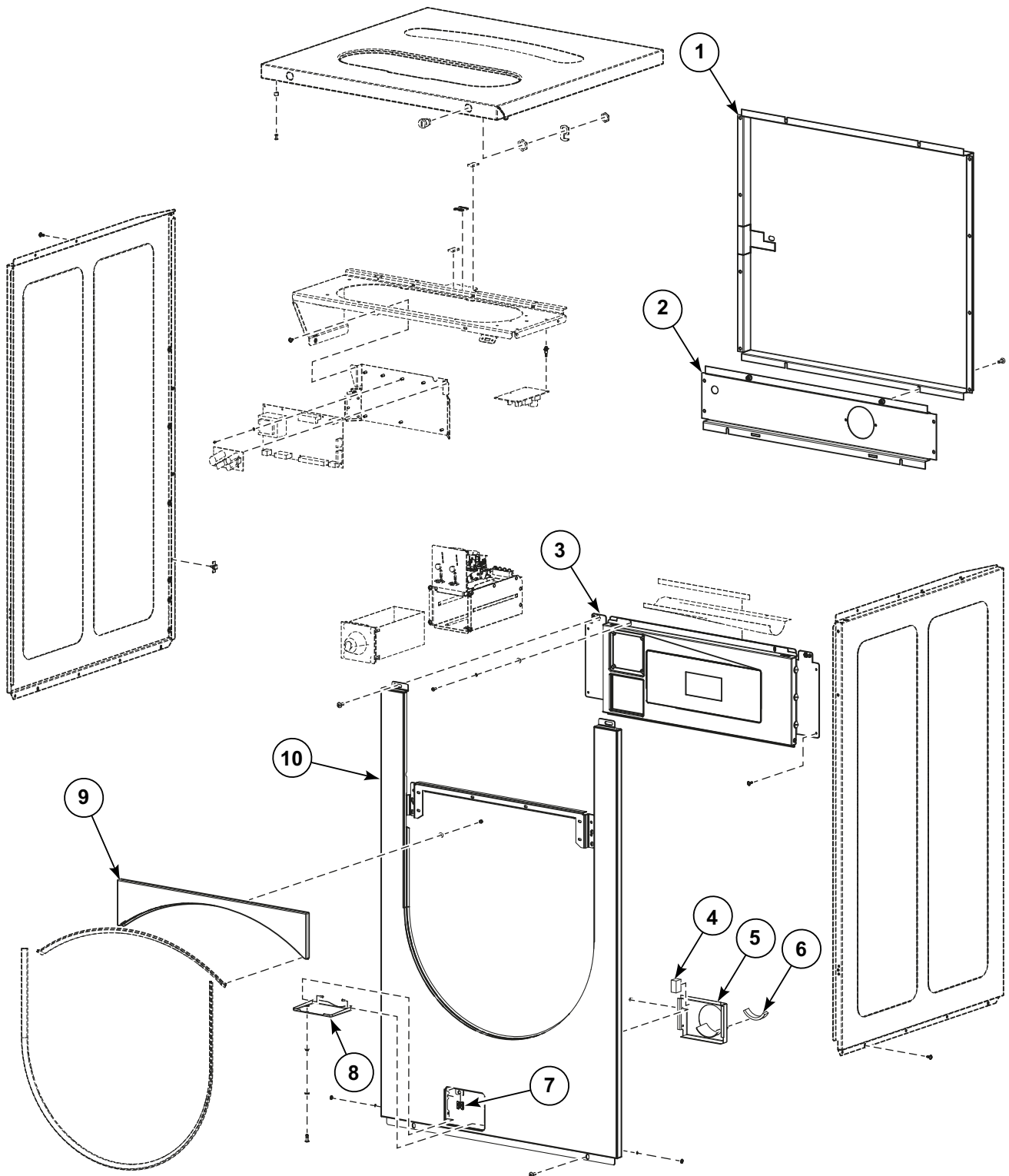
Cabinet - AF, IY, J and NY Models (Drawing 1 of 3)

REF	PART NO.	DESCRIPTION	COMMENTS
1	SPPRI610002007	Hook Lock	
2	567960	Panel Holder	
3	SPPRI326002004	Holder	
4	SP552489	Automatic Unlocking Module Assembly	MC7; Includes item 3, SP553406 Automatic Door Opening Module, SP345000160971 Binding Strip, SP552455 Automatic Door Opening Module Wiring and SP552381 Power Terminal Protection
5	SP555658	Bolt	M6x16
6	SP537896	Adhesive	Reversible
7	569656	Cover	
8	SP313250004063	Rivet	4x6.3
9	SP529206	Screw	4x11
10	PRI247000013	Washer	
11	SP527021	Washer	
12	SP527084	Bolt	
13	SP527087	Washer	
14	SP527086	Spring	
15	SP527085	Ring	
16	SP521706	Rivet	3x8
17	SP529068	Edge Protection	1.31m
18	SP529068	Edge Protection	0.59m
19	SP311902100004	Washer	4
20	SP514193	Nut	M4
21	SP555504	Bolt	M4x12
22	SP311127000004	Washer	4
23	SP311902100004	Washer	M4
24	SP528313	Cable Holder	
25	N/A	Module	Door Lock
26	SP553405	Control Board I/O	MC7
	575630	Control Board I/O	MC10; Power; Used with 569701 Interconnection Flat Cable
27	569578	Programmer Holder	Includes SPPRI212000055 Nut
28	SP309798500306	Bolt	M3x6
29	SP311679800003	Washer	M3
30	564202	Seal	0.05m
31	SP550115	Fastener	
32	SP547779	Rivet	
33	SP520408	Pin Insertion	
34	SP547527	Lock	includes Nuts - 2pieces
35	SP313251000006	Nut	M6

N/A = Part no longer available

Cabinet - AF, IY, J and NY Models (Drawing 2 of 3)

Models with V in 7th Position or Models with G, H, J or K in 13th Position



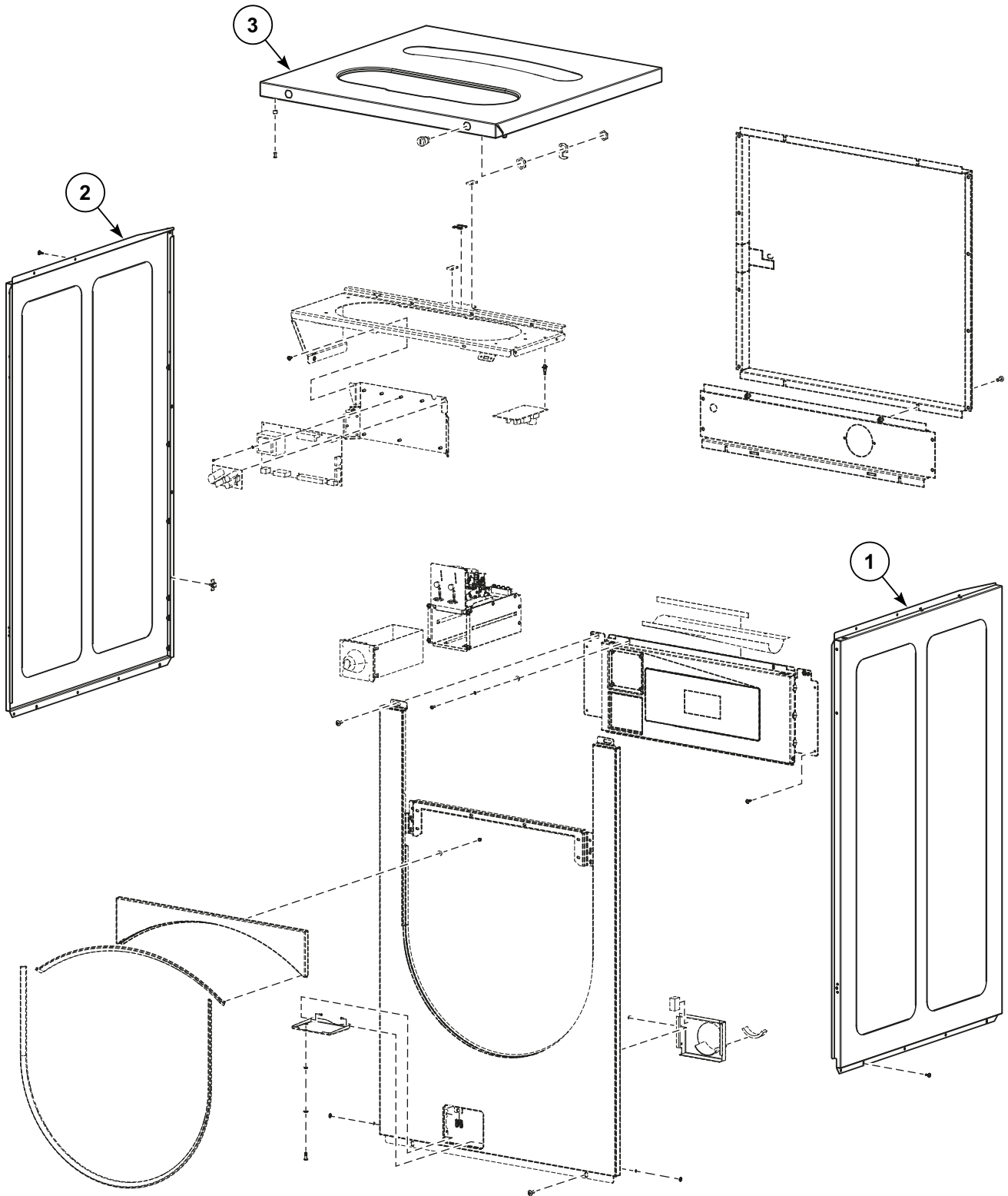
CZW280P_D2408

Cabinet - AF, IY, J and NY Models (Drawing 2 of 3)

REF	PART NO.	DESCRIPTION	COMMENTS
1	570467	Rear Cover	
2	SP533381	Lower Rear Cover	
3	573004	Control Panel Frame	
4	SP527088	Profile	15x30
5	SP551553	Drain Cover	
6	522450	Profile	15x6
7	SP527083	Latch	
8	SP521511	Drain Pump Cover	
9	573012	Front Cover	Stainless steel
	SP564362	Front Cover	Black
10	571025	Front Panel	IY and J models; Stainless steel; With opening for drain pump
	571028	Front Panel	IY and J models; Stainless
	574090	Front Panel	AF and NY models; Gray
	574089	Front Panel	AF and NY models; Gray; With opening for drain pump
	550446	Washer	Not sliding accessories

Cabinet - AF, IY, J and NY Models (Drawing 3 of 3)

Models with V in 7th Position or Models with G, H, J or K in 13th Position



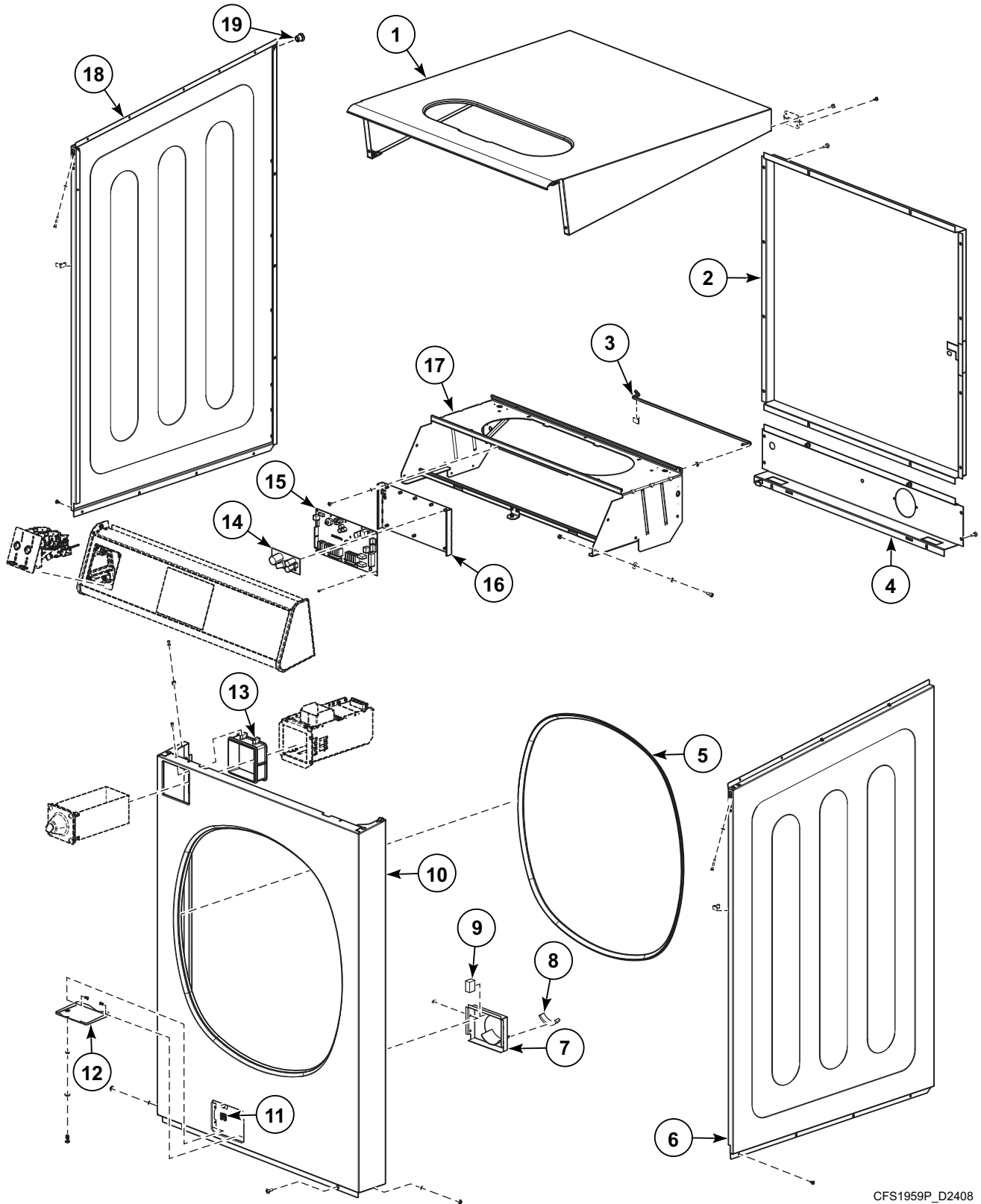
CZW303P_D2408

Cabinet - AF, IY, J and NY Models (Drawing 3 of 3)

REF	PART NO.	DESCRIPTION	COMMENTS
1	574060	Side Panel	AF and NY models; Gray; Right; Includes SP313251000006 Nut
2	574063	Side Panel	AF and NY models; Gray; Left; Includes SP313251000006 Nut
3	569643	Top Cover	Without soap hopper opening, Includes SP547527 Lock, SP550616 Key, SPPRI610002007 Hook Lock, SP520408 Pin Insertion, SP547779 Rivet and SP550115 Fastener

Cabinet - FX and PY Models (Drawing 1 of 2)

Models with V in 7th Position



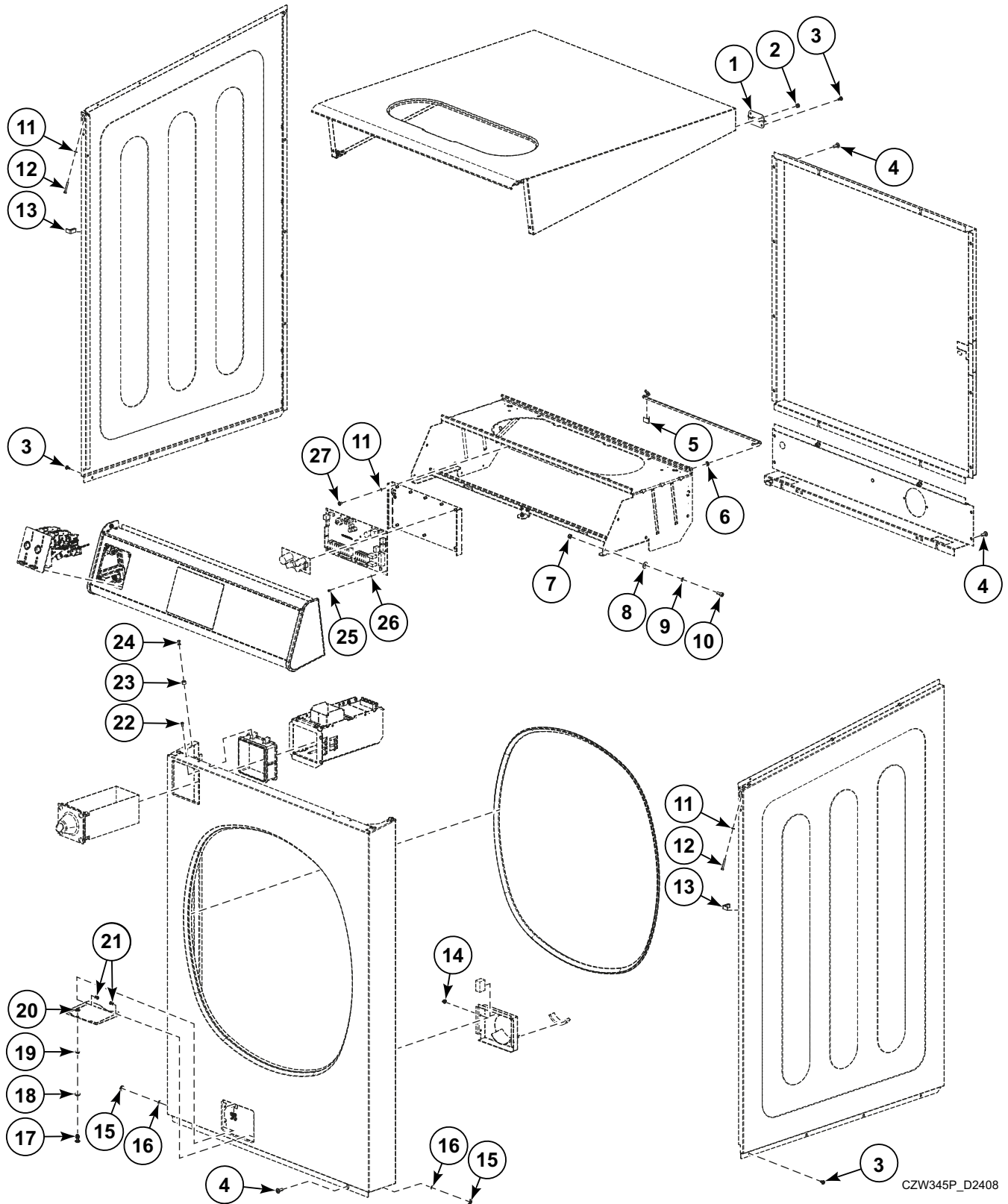
CFS1959P_D2408

Cabinet - FX and PY Models (Drawing 1 of 2)

REF	PART NO.	DESCRIPTION	COMMENTS
1	572573	Top Cover	
	574250	Top Cover	Without soap hopper opening
2	570467	Rear Cover	
3	SP550133	Upper Lid Prop	
4	SP533381	Lower Rear Cover	
5	SP529068	Edge Protection	1.795m
6	572591	Side Panel Assembly	Painted; Right
	572590	Side Panel Assembly	Stainless; Right
7	SP521553	Drain Cover	
8	SP522450	Profile	
9	SP527088	Profile	15x30
10	572531	Front Panel	OPL; Painted
	572525	Front Panel	Vended; Painted
	572532	Front Panel	OPL; Painted; With opening for drain pump
	572533	Front Panel	Vended; Painted; With opening for drain pump
	572526	Front Panel	OPL; Stainless
	572527	Front Panel	Vended; Stainless
	572529	Front Panel	OPL; Stainless; With opening for drain pump
	572528	Front Panel	Vended; Stainless; With opening for drain pump
	550446	Washer	Not sliding accessories
11	SP527083	Latch	
12	SP521511	Drain Pump Cover	
13	566737	Coin Vault Plate	
14	553189	Module	Door Lock
15	575630	Control Board I/O	MC10; Power; Used with 569701 Interconnection Flat Cable
16	573934	Programmer Holder	Includes 527279 Nut
17	572566	Panel Holder	
18	572595	Side Panel Assembly	Painted; Left
	572594	Side Panel Assembly	Stainless; Left
19	SP313251000006	Nut	M6

Cabinet - FX and PY Models (Drawing 2 of 2)

Models with V in 7th Position



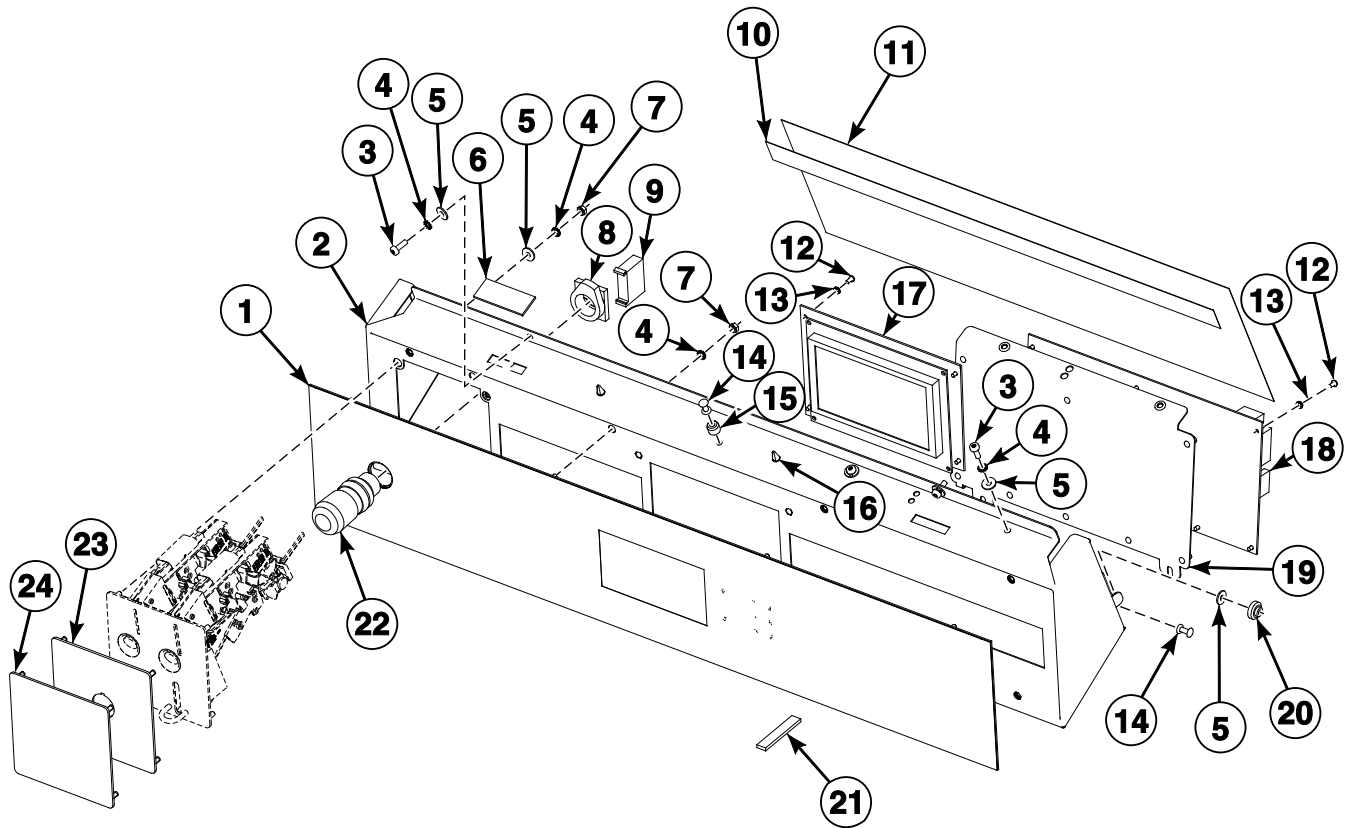
CZW345P_D2408

Cabinet - FX and PY Models (Drawing 2 of 2)

REF	PART NO.	DESCRIPTION	COMMENTS
1	SP516832	Hinge	
2	SP313250048103	Rivet	
3	SP529206	Screw	4x11
4	SP555658	Bolt	M6x16
5	SPPRI551016250	Hook	Stick-on
6	SP273121005052	Cable Passage	5.5x2
7	SP310985000006	Nut	M6
8	SP311902100006	Washer	6
9	576338	Washer	
10	SP506431	Bolt	M6x12
11	SP311679800004	Washer	M4
12	SP550482	Bolt	M4x25
13	SP517232	Seal	
14	SP313250004063	Rivet	4x6.3
15	SPPRI247000013	Washer	
16	SP527021	Washer	
17	SP527084	Bolt	
18	SP527087	Washer	
19	SP527086	Spring	
20	SP527085	Ring	
21	SP521706	Rivet	3x8
22	SP309084000408	Bolt	M4x8
23	SP520408	Pin Insertion	
24	SP547779	Rivet	4x16.7
25	SP309798500306	Bolt	M3x6
26	SP311679800003	Washer	M3
27	SP506013	Bolt	M4x8

Control Panel - AF Non-Brand, HY, LP, NY, SY and UY Models (Drawing 1 of 5)

All Models Except Models with G, H, J or K in 13th Position



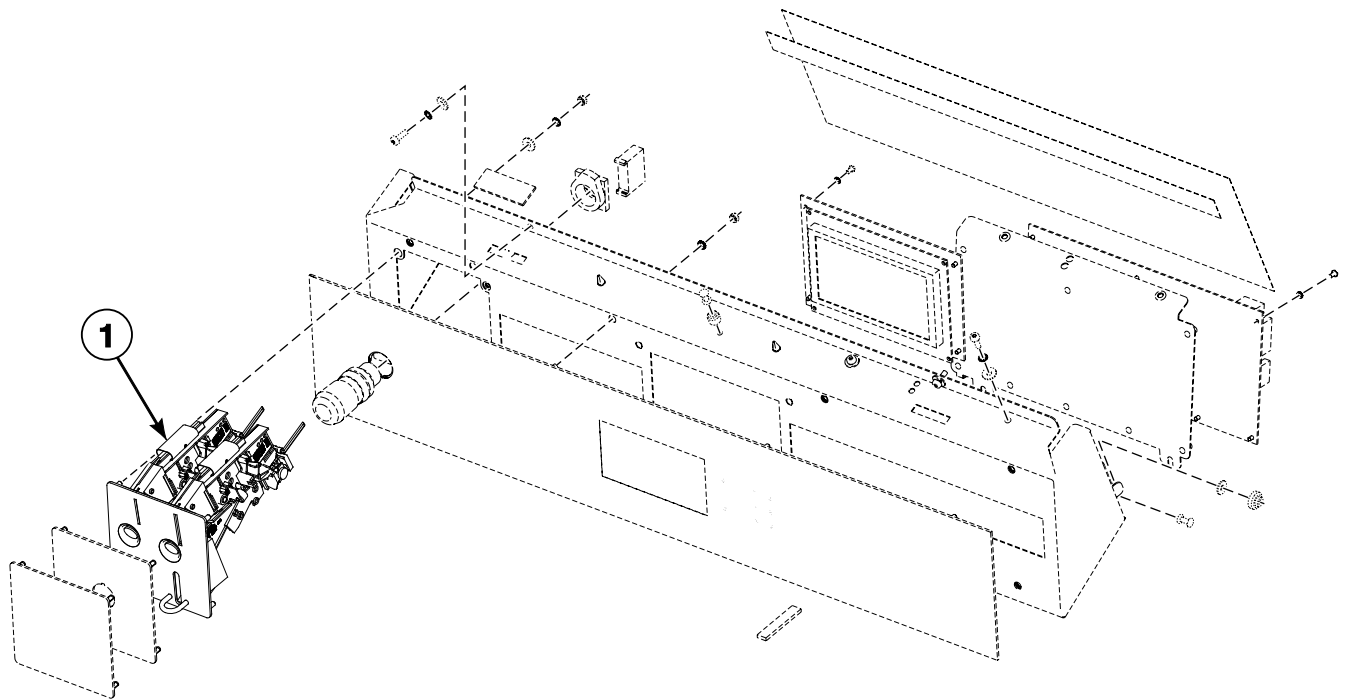
CFD2893P_D2408

Control Panel - AF Non-Brand, HY, LP, NY, SY and UY Models (Drawing 1 of 5)

REF	PART NO.	DESCRIPTION	COMMENTS
	569593	Network Installation Kit	Includes 569595 Holder, 203532 Wireless Network Control Assembly, 568363 Power Supply, 568362 Cable, 568378 Wiring, 568379 Wiring Diagram, SP345000626088 Binding Strip and connection accessories
	F8600501	Programming Cable	
	SP547088	Keyboard	Model SY80_KIS_PHOTO-ME; OPL; Accessories; Used with 547061 Board Interconnection Cable
1	SP557579	Keyboard	UY models; OPL
	SP557573	Keyboard	SY models; OPL
	SP557574	Keyboard	SY models; Vended
	SP557582	Keyboard	HY models; OPL
	SP547022	Keyboard	AF Non-Brand, LY and NY models; OPL; Professional; Black
	SP547021	Keyboard	AF Non-Brand, LY and NY models; OPL; Basic; Black
	SP547019	Keyboard	AF Non-Brand, LY and NY models; Vended; Basic; Black
	SP547020	Keyboard	Model SY80_KIS_PHOTO-ME, AF Non-Brand, LY and NY models and; CPS; Basic; Black
2	SP557599	Control Panel	
3	SP555504	Bolt	M4x12
4	SP311679800004	Washer	M4
5	SP311902100004	Washer	M4
6	SPMEC001410	Self-Adhesive Pad	
7	SP310934000004	Nut	M4
8	SP528311	Emergency Stop Connector	OPL
9	SP528312	Switching Unit	
10	SP510846	Tape	
11	SPPRI543000004	Cover	
12	SP309798500306	Bolt	M3x6
13	SP311679800003	Washer	M3
14	SP547779	Rivet	4x16.7
15	SP520408	Pin Insertion	
16	SP528313	Cable Holder	
17	SP553412	Control Board	MC7; Model SY80_KIS_PHOTO-ME, HY, SY and UY models
	SP553411	Control Board	MC7; AF Non-Brand, LY and NY models
18	SP553405	Control Board I/O	MC7
	SP547005	Board Interconnection Cable	
19	SP557616	Programmer Holder	
20	SP550113	Leading Pin	
21	SP284000012003	Tape	
22	SP528310	Emergency Stop Knob	OPL
	SP520032	Emergency Stop Wiring	OPL
	SP520033	Emergency Stop Interconnection	Vended
23	SP558929	Coin Meter Cover Plate	SY models; Black
24	SP558930	CPS Cover Plate	SY models; Black

Control Panel - AF Non-Brand, HY, LP, NY, SY and UY Models (Drawing 2 of 5)

All Models Except Models with G, H, J or K in 13th Position



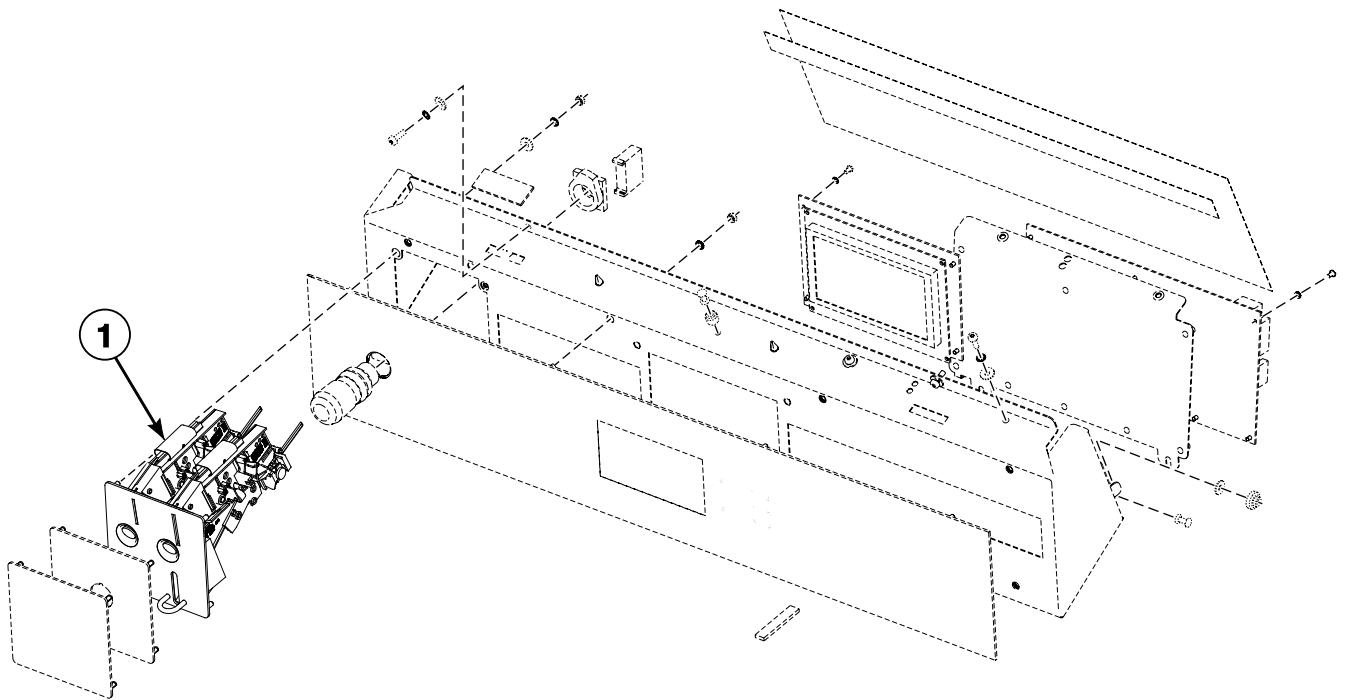
CFD2894P_D2408

Control Panel - AF Non-Brand, HY, LP, NY, SY and UY Models (Drawing 2 of 5)

REF	PART NO.	DESCRIPTION	COMMENTS
1	SP547601	Coin Meter	5K Primus jeton
	SP547602	Coin Meter	7K Primus jeton
	SP547603	Coin Meter	10K Primus jeton
	SP547604	Coin Meter	12K Primus jeton
	SP547605	Coin Meter	15K Primus jeton
	SP547606	Coin Meter	D jeton
	SP547648	Coin Meter	0.05EUR
	SP547638	Coin Meter	0.2EUR
	SP547616	Coin Meter	0.5EUR
	SP547614	Coin Meter	1EUR
	SP547647	Coin Meter	2EUR
	SP547622	Coin Meter	0.2EUR + 0.5EUR
	SP547639	Coin Meter	0.2EUR + 1EUR
	SP547617	Coin Meter	0.5EUR + 1EUR
	SP547656	Coin Meter	0.5EUR + 2EUR
	SP547631	Coin Meter	1EUR + 2EUR
	SP547652	Coin Meter	7K + D jeton
	SP547666	Coin Meter	7K jeton and 2EUR
	SP547665	Coin Meter	D jeton and 2EUR
	SP547600	Coin Meter	1AUD + 20C
	SP547607	Coin Meter	1POND + 20PC
	SP547608	Coin Meter	1POND + 50PC
	SP547609	Coin Meter	100YEN
	SP547610	Coin Meter	500JPY + 100JPY
	SP547611	Coin Meter	5DKK
	SP547612	Coin Meter	20DKK
	SP547613	Coin Meter	5ILS + 1ILS
	SP547615	Coin Meter	1MYR
	SP547618	Coin Meter	1DKK + 5DKK
	SP547619	Coin Meter	10NOK + 20NOK
	SP547620	Coin Meter	2DKK + 5DKK
	SP547621	Coin Meter	5NOK
	SP547623	Coin Meter	1NZD + 2NZD
	SP547624	Coin Meter	10 NOK
	SP547625	Coin Meter	10NT + 50NT
	SP547626	Coin Meter	2DKK
	SP547627	Coin Meter	Lucky Winner jeton
	SP547628	Coin Meter	10TWD
	SP547629	Coin Meter	10CZK + 20CZK
	SP547630	Coin Meter	7K Equipos Par Lavar jeton
	569921	Coin Meter	0.2GBP, 0.5GBP, 1GBP, 2GBP, 0.1EUR, 0.2EUR, 0.5EUR, 1EUR, 2EUR; Electronic EMPv7
	SP547634	Coin Meter	500WON
SP547635	Coin Meter	0.25USD	
SP547636	Coin Meter	1AUD + 2AUD	
SP547637	Coin Meter	5DK + 10DK	
SP547640	Coin Meter	Sun Wash jeton	

Control Panel - AF Non-Brand, HY, LP, NY, SY and UY Models (Drawing 3 of 5)

All Models Except Models with G, H, J or K in 13th Position



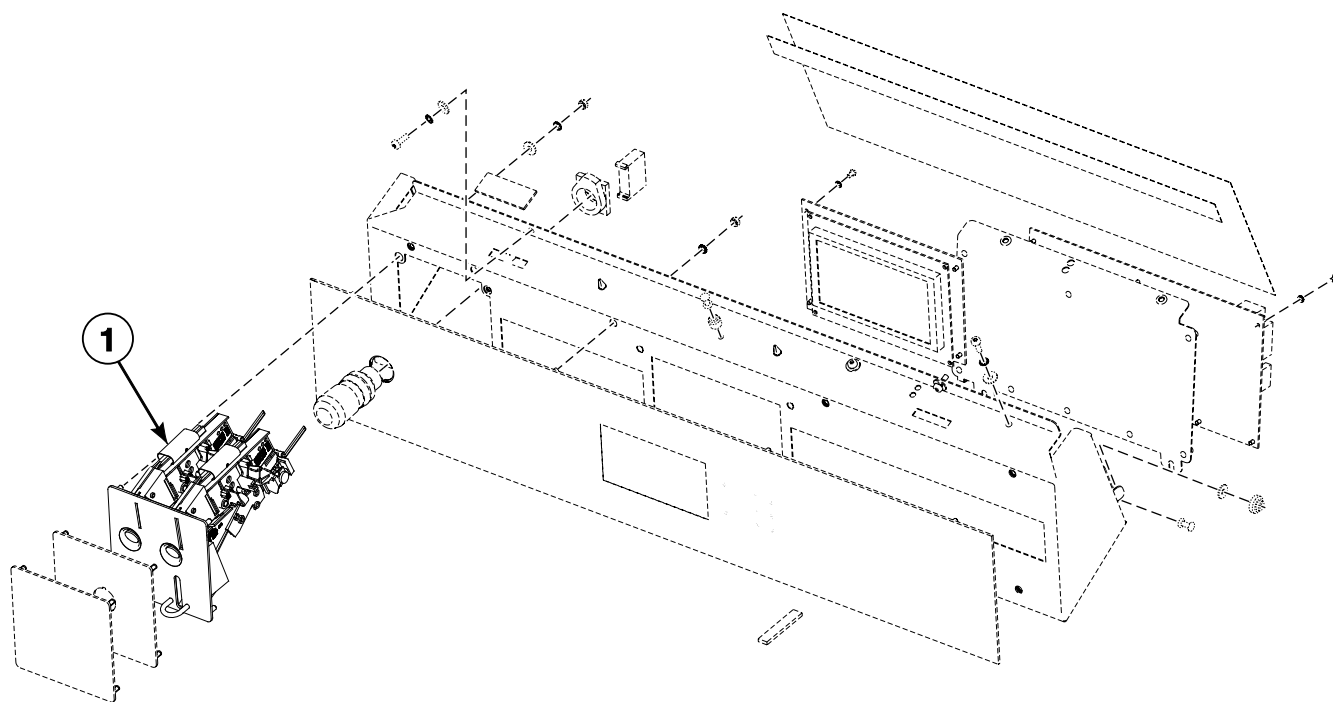
CFD2894P_D2408

Control Panel - AF Non-Brand, HY, LP, NY, SY and UY Models (Drawing 3 of 5)

REF	PART NO.	DESCRIPTION	COMMENTS
1	SP547641	Coin Meter	2DK + 10DK
	SP547642	Coin Meter	1AUD
	SP547643	Coin Meter	1CHF
	SP547644	Coin Meter	5NOK + 10NOK
	SP547645	Coin Meter	1 TopMos jeton + 1LEV jeton
	SP547646	Coin Meter	1 Vendo jeton
	SP547649	Coin Meter	1 jeton
	569951	Coin Meter	0.5MAD, 1MAD, 2MAD, 5MAD, 10MAD; Electronic EMPv7
	SP547651	Coin Meter	20 penny
	SP547653	Coin Meter	1 Wascator jeton, jeton diamater 22.2 mm
	SP547654	Coin Meter	1 Unibel jeton, jeton diamater 18.55 mm
	SP547657	Coin Meter	50HUF + 100HUF
	SP547658	Coin Meter	1 jeton without coining, jeton diamater 20 mm
	SP547659	Coin Meter	1 Volund jeton, jeton diamater 22.5 mm
	SP547660	Coin Meter	1 Wascator jeton, jeton diamater 19 mm
	SP547661	Coin Meter	1 Miele jeton
	SP547662	Coin Meter	1 jeton without coining, jeton diamater 26 mm
	SP547663	Coin Meter	Three-groove jeton; jeton diamater 27 mm
	SP547664	Coin Meter	Three-groove jeton; jeton diamater 24.9 mm
	SP537996	Coin Meter	Top-Mosr jeton
	SP547667	Coin Meter	Milano Italy jeton
	SP547668	Coin Meter	5PLN + 1PLN
	SP547669	Coin Meter	Two-grooves jeton; jeton diamater 27 mm
	SP547670	Coin Meter	A.S.A.R.D. jeton, jeton diamater 25.8 mm
	SP547671	Coin Meter	20CZK
	SP547672	Coin Meter	Jeton ASARD, jeton diamater 22.3 mm
	SP547673	Coin Meter	Jeton Laundromatic Belgium, jeton diamater 22.3 mm
	SP547674	Coin Meter	1SGD
	SP547675	Coin Meter	Jeton Asard Wascator, jeton diamater 19.9 mm
	SP555502	Coin Meter	Easy Games jeton
	SP555543	Coin Meter	Brev.C jeton
	SP555546	Coin Meter	50 Malaysian cent
	SP555549	Coin Meter	Flat Polis jeton
	SP555550	Coin Meter	Butzi Wash jeton
	SP555578	Coin Meter	1 New Singapore Dollar
	SP555558	Coin Meter	Copper without grooves jeton
	569939	Coin Meter	0.1SGD, 0.2SGD, 0.5SGD, 1SGD; Electronic EMPv7
	SP555666	Coin Meter	2x50 Malaysian cent
	569933	Coin Meter	0.1EUR, 0.2EUR, 0.5EUR, 1EUR, 2EUR; Electronic EMPv7
	SP555559	Coin Meter	Speedy Matic jeton
	SP555579	Coin Meter	Was-Salon Lavoir jeton
	569948	Coin Meter	5CZK, 10CZK, 20CZK, 50CZK; Electronic EMPv7
	SP560744	Coin Meter	Electronic for Dobi Ekspres jeton
	569964	Coin Meter	0.2GBP, 0.5GBP, 1GBP, 2GBP, 0.1EUR, 0.2EUR, 0.5EUR, 1EUR, 2EUR, jeton "KWL Aqua", jeton "Gettone"; Electronic EMPv7
	SP560089	Coin Meter	STD 118-1 jeton

Control Panel - AF Non-Brand, HY, LP, NY, SY and UY Models (Drawing 4 of 5)

All Models Except Models with G, H, J or K in 13th Position



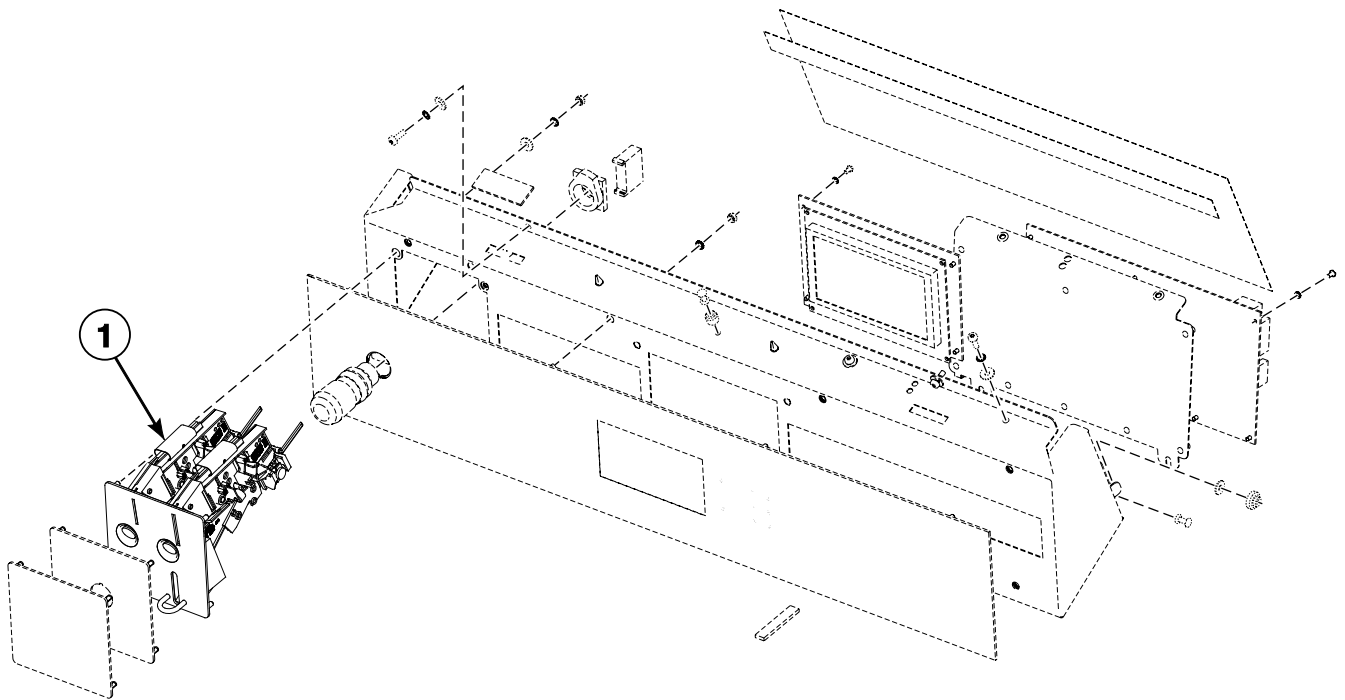
CFD2894P_D2408

Control Panel - AF Non-Brand, HY, LP, NY, SY and UY Models (Drawing 4 of 5)

REF	PART NO.	DESCRIPTION	COMMENTS
1	SP560082	Coin Meter	5k IPSO jeton
	SP560083	Coin Meter	7k IPSO jeton
	SP560084	Coin Meter	10k IPSO jeton
	SP560085	Coin Meter	12k IPSO jeton
	SP560086	Coin Meter	15k IPSO jeton
	561378	Coin Meter	10 Moroccan Dirham
	SP560072	Coin Meter	0.25USD, 1USD, 0.25CAD, 1CAD, 2CAD; Electronic EMPv7
	560073	Coin Meter	0.25 USD/1 USD
	569930	Coin Meter	1CNY, 0.1MYR, 0.2MYR, 0.5MYR; Electronic EMPv7
	569927	Coin Meter	0.2AUD, 1AUD, 2AUD, 0.2NZD, 1NZD, 2NZD, 5HKD, 10HKD, 500KRW; Electronic EMPv7
	561496	Coin Meter	Jeton Grupo Azkoyen CDS Automaten
	569936	Coin Meter	1PHP, 5PHP, 10PHP; Electronic EMPv7
	569942	Coin Meter	0.1MYR, 0.2MYR, 0.5MYR, 0.5SGD, 1SGD; Electronic EMPv7
	569945	Coin Meter	1HRK, 2HRK, 5HRK; Electronic EMPv7
	569924	Coin Meter	1DKK, 2DKK, 5DKK, 10DKK, 20DKK, 1NOK, 5NOK, 10NOK, 20NOK, 0.2EUR, 0.5EUR, 1EUR, 2EUR; Electronic EMPv7
	SP564484	Coin Meter	Jeton 118-5
	SP564486	Coin Meter	Jeton Barisart (LDL)
	569961	Coin Meter	0.1EUR, 0.2EUR, 0.5EUR, 1EUR, 2EUR, jeton IPSO 5K; Electronic EMPv7
	564489	Coin Meter	Jeton Sporrong
	569970	Coin Meter	0.5MYR, jeton "DOBI PAPA"; Electronic EMPv7
	553150	Coin Meter	Jeton with hole
	553151	Coin Meter	Jeton Deton Wash
	569901	Coin Meter	Brass jeton
	569912	Coin Meter	Jeton Wassalon lavoir
	569954	Coin Meter	1PLN, 2PLN, 5PLN, 0.1EUR, 0.2EUR, 0.5EUR, 1EUR, 2EUR, 10ISK, 50ISK, 100ISK; Electronic EMPv7
	569967	Coin Meter	0.1EUR, 0.2EUR, 0.5EUR, 1EUR, 2EUR, jeton G-FIS "LAVOIR BIANCA"; Electronic EMPv7
	569973	Coin Meter	1AUD, 2AUD, jeton "No Cash Value"; Electronic EMPv7
	569979	Coin Meter	0.5MYR, jeton "BUBBLELAB"; Electronic EMPv7
	569987	Coin Meter	Jeton HAUCK 2018

Control Panel - AF Non-Brand, HY, LP, NY, SY and UY Models (Drawing 5 of 5)

All Models Except Models with G, H, J or K in 13th Position



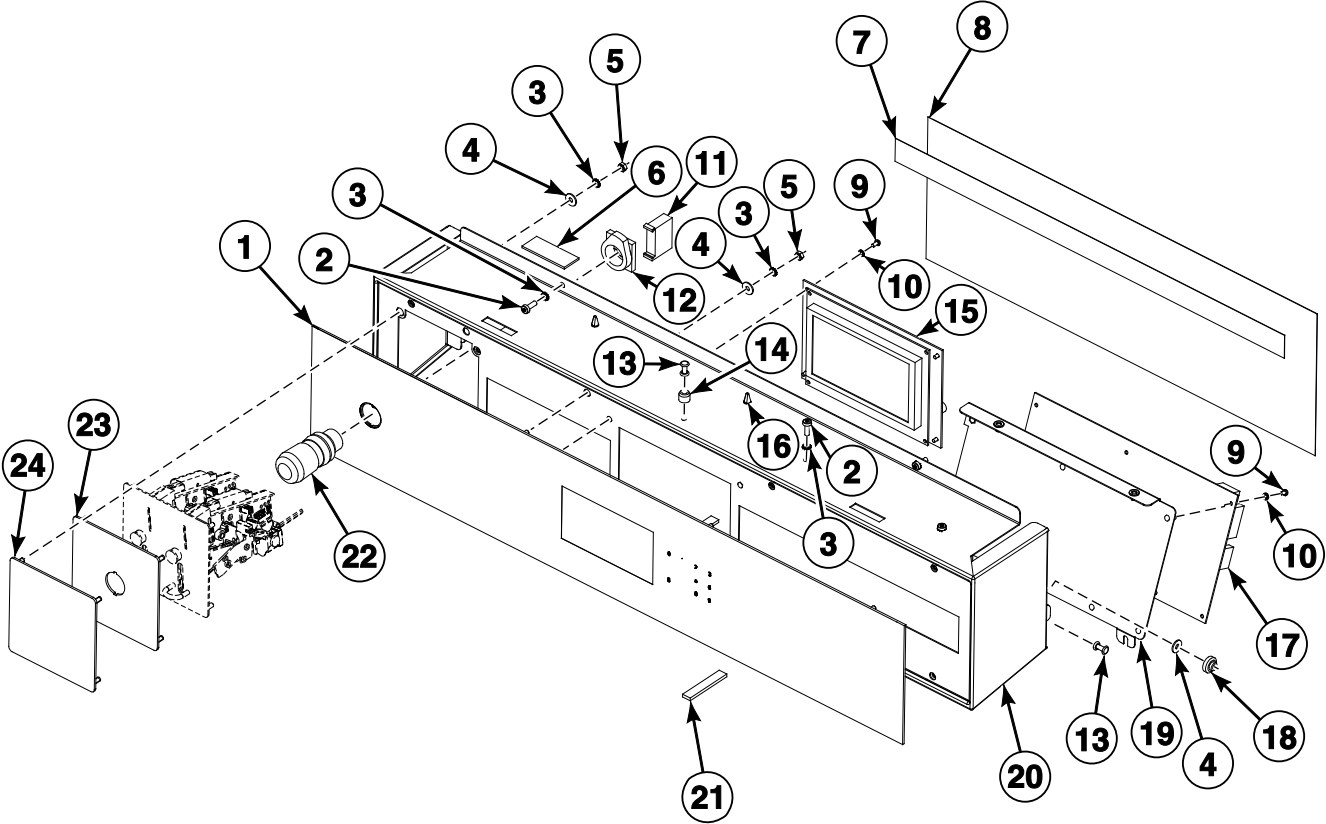
CFD2894P_D2408

Control Panel - AF Non-Brand, HY, LP, NY, SY and UY Models (Drawing 5 of 5)

REF	PART NO.	DESCRIPTION	COMMENTS
1	569998	Coin Meter	100+500 ISK
	572301	Coin Meter	Token 118-16
	572304	Coin Meter	1ILS, 2ILS, 5ILS, 10ILS; Electronic EMPv7
	572307	Coin Meter	1ZAR, 2ZAR, 5ZAR; Electronic EMPv7
	572310	Coin Meter	5RUB, 10RUB; Electronic EMPv7
	572313	Coin Meter	50CLP, 100CLP, 500CLP; Electronic EMPv7
	572317	Coin Meter	100JPY, 500JPY, 10TWD, 50TWD; Electronic EMPv7
	572320	Coin Meter	0.5GEL, 1GEL, 2GEL; Electronic EMPv7
	572323	Coin Meter	0.2 EUR, 0.5EUR, 1EUR, 2EUR, Jeton 7K; Electronic EMPv7
	572326	Coin Meter	20HUF, 50HUF, 100HUF, 200HUF; Electronic EMPv7
	572342	Coin Meter	Token WH121
	572339	Coin Meter	Getton Jeton (26mm diameter x 1.7mm)
	579808	Coin Meter	1EAD; 1TK, 2TK Jeton; Electronic EMPv7

Control Panel - H, IY and J Models (Drawing 1 of 4)

All Models Except Models with G, H, J or K in 13th Position



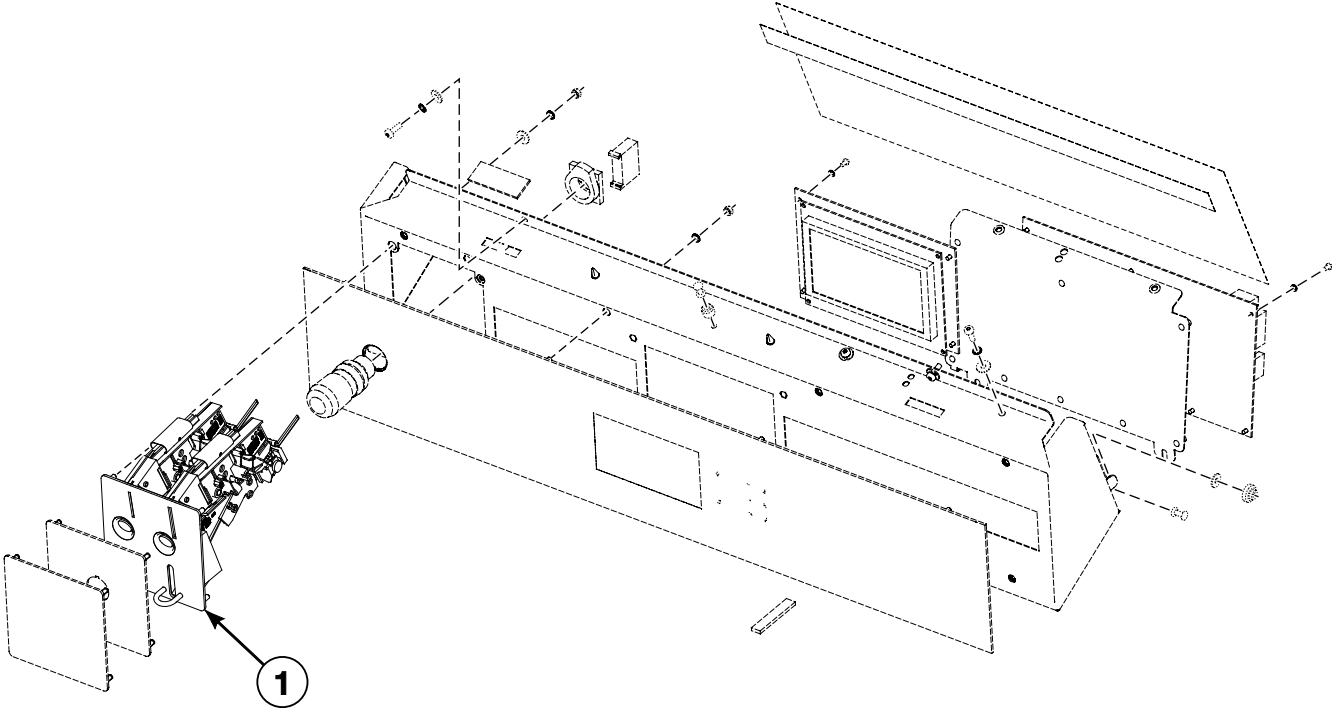
CFD2895P_D2408

Control Panel - H, IY and J Models (Drawing 1 of 4)

REF	PART NO.	DESCRIPTION	COMMENTS
	SP557744	USB Connection	J models
	569593	Network Installation Kit	Includes 569595 Holder, 203532 Wireless Network Control Assembly, 568363 Power Supply, 568362 Cable, 568378 Wiring, 568379 Wiring Diagram, SP345000626088 Binding Strip and connection accessories
	F8600501	Programming Cable	
1	SP557567	Keyboard	Aries-Elite
	SP557568	Keyboard	Aries
	SP560759	Keyboard	Without logo; With numeric keypad
	SP560760	Keyboard	Without logo; Without numeric keypad
	SP559391	Keyboard	J models; OPL
	SP559394	Keyboard	J models; Vended
2	SP555504	Bolt	M4x12
3	SP311679800004	Washer	M4
4	SP311902100004	Washer	M4
5	SP310934000004	Nut	M4
6	SPMEC001410	Self-Adhesive Pad	
7	SP510846	Tape	
8	SPPRI543000004	Cover	
9	SP309798500306	Bolt	M3x6
10	SP311679800003	Washer	M3
11	SP528312	Switching Unit	
12	SP528311	Emergency Stop Connector	
13	SP547779	Rivet	4x16.7
14	SP520408	Pin Insertion	
15	SP553419	Control Board	MC7
	SP553411	Control Board	MC7; J models
16	SP528313	Cable Holder	
17	SP553405	Control Board I/O	MC7
	SP547005	Board Interconnection Cable	
18	SP550113	Leading Pin	
19	SP558887	Programmer Holder	
20	SP558885	Control Panel	
21	SP284000012003	Tape	
22	SP528310	Emergency Stop Knob	OPL
	SP520032	Emergency Stop Wiring	OPL
	SP520033	Emergency Stop Interconnection	Vended
23	SP558929	Coin Meter Cover Plate	
24	SP558930	CPS Cover Plate	

Control Panel - H, IY and J Models (Drawing 2 of 4)

All Models Except Models with G, H, J or K in 13th Position



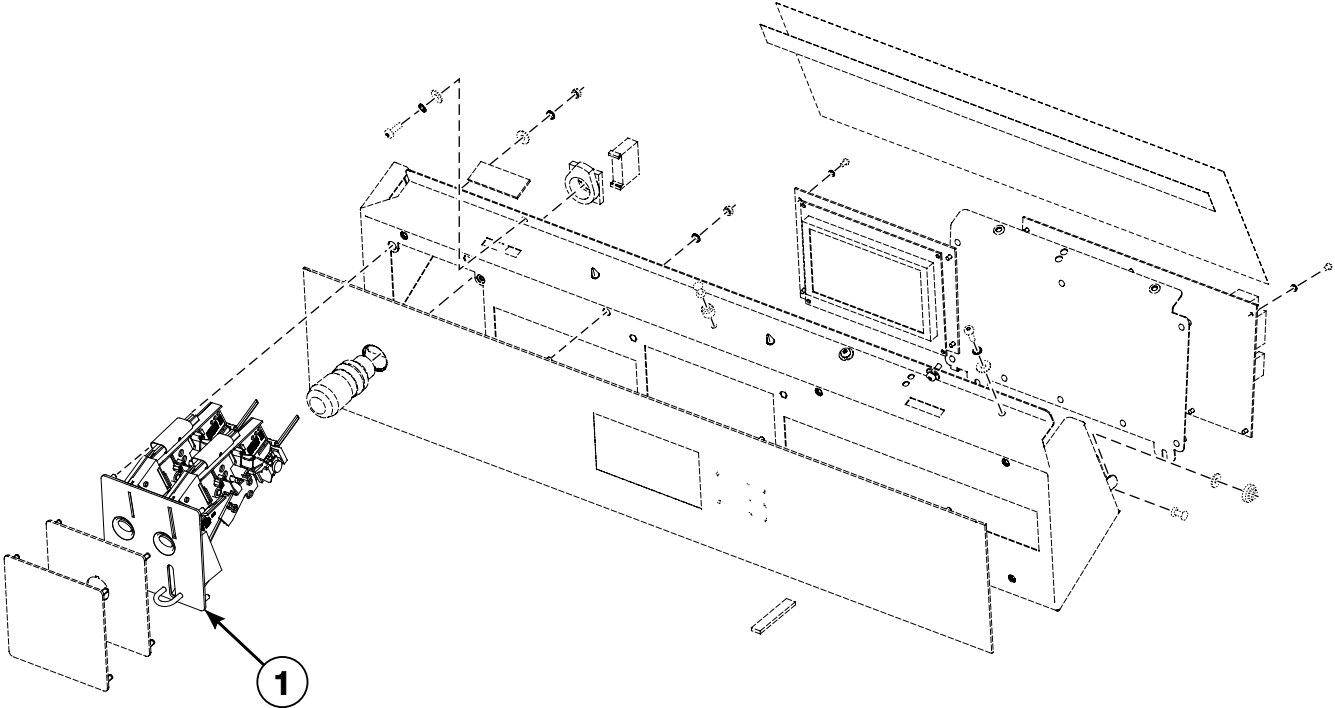
CFD2896P_D2408

Control Panel - H, IY and J Models (Drawing 2 of 4)

REF	PART NO.	DESCRIPTION	COMMENTS
1	569922	Coin Meter	0.2GBP, 0.5GBP, 1GBP, 2GBP, 0.1EUR, 0.2EUR, 0.5EUR, 1EUR, 2EUR; Electronic EMPv7
	SP558958	Coin Meter	0.25USD
	SP558959	Coin Meter	0.5EUR and 1EUR
	SP560310	Coin Meter	1EUR
	SP560311	Coin Meter	0.5EUR
	SP560312	Coin Meter	1EUR and 2EUR
	SP559933	Coin Meter	5K Primus jeton
	SP559934	Coin Meter	10K Primus jeton
	569965	Coin Meter	0.2GBP, 0.5GBP, 1GBP, 2GBP, 0.1EUR, 0.2EUR, 0.5EUR, 1EUR, 2EUR, jeton "KWL Aqua", jeton "Gettone"; Electronic EMPv7
	SP559938	Coin Meter	STD 118-1 jeton
	SP560309	Coin Meter	7K Primus jeton
	SP560405	Coin Meter	12K Primus jeton
	SP560406	Coin Meter	15K Primus jeton
	SP560407	Coin Meter	2EUR
	SP560408	Coin Meter	0.2EUR and 0.5EUR
	SP560409	Coin Meter	0.2EUR
	SP560410	Coin Meter	1EUR and 0.2EUR
	SP560411	Coin Meter	2EUR and 0.5EUR
	SP560412	Coin Meter	1AUD and 0.2AUD
	SP560413	Coin Meter	1GBP and 20PC
	SP560414	Coin Meter	1GBP and 50PC
	SP560415	Coin Meter	100JPY
	SP560416	Coin Meter	500JPY and 100 JPY
	SP560417	Coin Meter	1AUD and 2AUD
	SP560418	Coin Meter	1AUD
	SP560419	Coin Meter	20PC
	SP560420	Coin Meter	50 Malaysian cent
	SP560421	Coin Meter	1SGD; New Singaporean dollar
	SP560422	Coin Meter	2MYR and 0.5MYR
	SP560423	Coin Meter	1SGD
	SP560424	Coin Meter	1NZD and 2NZD
	SP560425	Coin Meter	Easy games jeton
	SP560426	Coin Meter	Flat polis jeton
	SP560427	Coin Meter	Butzi wash jeton
	SP560428	Coin Meter	Speedy matic jeton
	SP560429	Coin Meter	Laundromatic Belgium jeton; Diameter 22.3mm
	569940	Coin Meter	0.1SGD, 0.2SGD, 0.5SGD, 1SGD; Electronic EMPv7
	569934	Coin Meter	0.1EUR, 0.2EUR, 0.5EUR, 1EUR, 2EUR; Electronic EMPv7
	SP560432	Coin Meter	500WON
	SP560745	Coin Meter	Dobi ekspress jeton
	SP560751	Coin Meter	Lucky winner jeton
	SP559969	Coin Meter	Gettone jeton
	SP559949	Coin Meter	10 Taiwan dollar
	SP560090	Coin Meter	5K IPSO jeton
	SP560091	Coin Meter	7K IPSO jeton
	SP560092	Coin Meter	10K IPSO jeton
	SP560093	Coin Meter	12K IPSO jeton
	SP560094	Coin Meter	15K IPSO jeton
	SP560100	Coin Meter	Electrolux Asard jeton
	SP560087	Coin Meter	Gettone jeton

Control Panel - H, IY and J Models (Drawing 3 of 4)

All Models Except Models with G, H, J or K in 13th Position



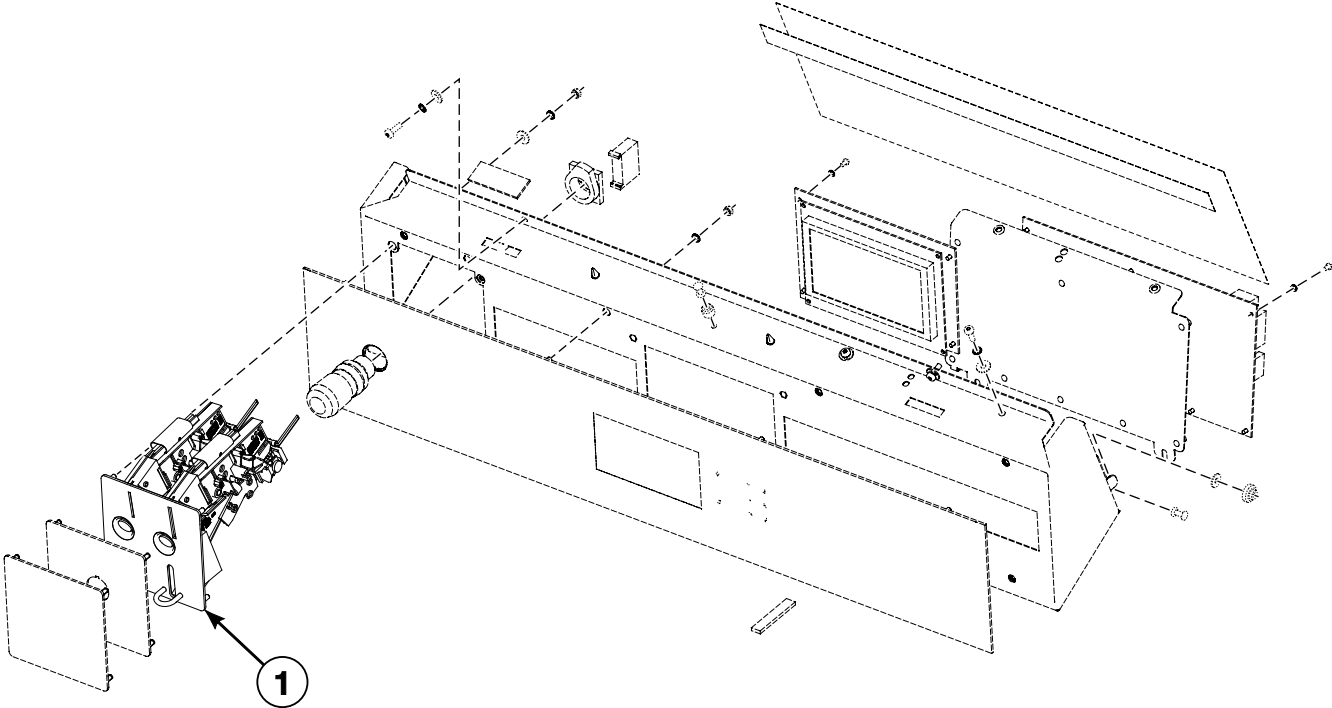
CFD2896P_D2408

Control Panel - H, IY and J Models (Drawing 3 of 4)

REF	PART NO.	DESCRIPTION	COMMENTS
1	SP560075	Coin Meter	5+1 Shekel
	SP560071	Coin Meter	1HKD
	569968	Coin Meter	0.1EUR, 0.2EUR, 0.5EUR, 1EUR, 2EUR, jeton G-FIS "LAVOIR BIANCA"; Electronic EMPv7
	569946	Coin Meter	1HRK, 2HRK, 5HRK; Electronic EMPv7
	569974	Coin Meter	1AUD, 2AUD, jeton "No Cash Value"; Electronic EMPv7
	561497	Coin Meter	Jeton Prinz Firbitex
	563405	Coin Meter	Token Ldl Chamberland Washing Machine
	569943	Coin Meter	0.1MYR, 0.2MYR, 0.5MYR, 0.5SGD, 1SGD; Electronic EMPv7
	569925	Coin Meter	1DKK, 2DKK, 5DKK, 10DKK, 20DKK, 1NOK, 5NOK, 10NOK, 20NOK, 0.2EUR, 0.5EUR, 1EUR, 2EUR; Electronic EMPv7
	564485	Coin Meter	Token 118-5
	564487	Coin Meter	Token Barisart (Ldl)
	569971	Coin Meter	0.5MYR, jeton "DOBI PAPA"; Electronic EMPv7
	553156	Coin Meter	Token Rotondi
	569905	Coin Meter	Brass jeton
	569911	Coin Meter	0.5CHF, 2CHF
	569919	Coin Meter	0.25USD, 1USD, 0.25CAD, 1CAD, 2CAD; Electronic EMPv7
	569928	Coin Meter	0.2AUD, 1AUD, 2AUD, 0.2NZD, 1NZD, 2NZD, 5HKD, 10HKD, 500KRW; Electronic EMPv7
	569931	Coin Meter	1CNY, 0.1MYR, 0.2MYR, 0.5MYR; Electronic EMPv7
	569937	Coin Meter	1PHP, 5PHP, 10PHP; Electronic EMPv7
	569949	Coin Meter	5CZK, 10CZK, 20CZK, 50CZK; Electronic EMPv7
	569952	Coin Meter	0.5MAD, 1MAD, 2MAD, 5MAD, 10MAD; Electronic EMPv7
	569955	Coin Meter	1PLN, 2PLN, 5PLN, 0.1EUR, 0.2EUR, 0.5EUR, 1EUR, 2EUR, 10ISK, 50ISK, 100ISK; Electronic EMPv7
	569962	Coin Meter	0.1EUR, 0.2EUR, 0.5EUR, 1EUR, 2EUR, jeton IPRSO 5K; Electronic EMPv7
	569980	Coin Meter	0.5MYR, jeton "BUBBLELAB"; Electronic EMPv7
	569988	Coin Meter	Jeton HAUCK 2018
	569993	Coin Meter	Jeton 08 MS
	569995	Coin Meter	Jeton D

Control Panel - H, IY and J Models (Drawing 4 of 4)

All Models Except Models with G, H, J or K in 13th Position



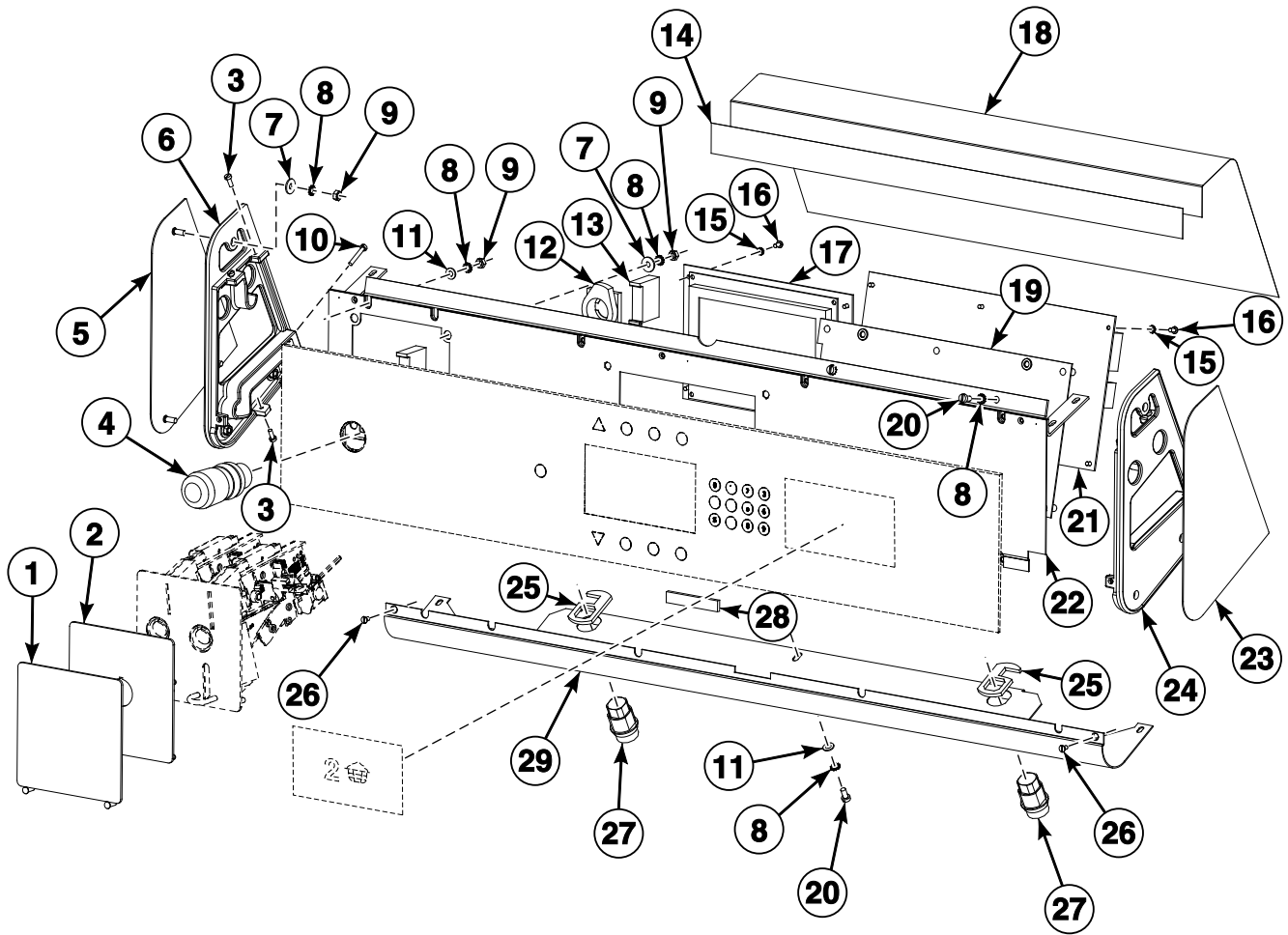
CFD2896P_D2408

Control Panel - H, IY and J Models (Drawing 4 of 4)

REF	PART NO.	DESCRIPTION	COMMENTS
1	569999	Coin Meter	10+50 TWD
	570000	Coin Meter	100+500 ISK
	572302	Coin Meter	Token 118-16
	572305	Coin Meter	1ILS, 2ILS, 5ILS, 10ILS; Electronic EMPv7
	572308	Coin Meter	1ZAR, 2ZAR, 5ZAR; Electronic EMPv7
	572311	Coin Meter	5RUB, 10RUB; Electronic EMPv7
	572314	Coin Meter	50CLP, 100CLP, 500CLP; Electronic EMPv7
	572318	Coin Meter	100JPY, 500JPY, 10TWD, 50TWD; Electronic EMPv7
	572321	Coin Meter	0.5GEL, 1GEL, 2GEL; Electronic EMPv7
	572324	Coin Meter	0.2 EUR, 0.5EUR, 1EUR, 2EUR, Jeton 7K; Electronic EMPv7
	572327	Coin Meter	20HUF, 50HUF, 100HUF, 200HUF; Electronic EMPv7
	572343	Coin Meter	Token WH121
	569988	Coin Meter	Jeton HAUCK 2018
	572355	Coin Meter	Token Nr. 1699360
	572359	Coin Meter	1THB, 2THB, 5THB, 10THB/TK1+2; ElectronicEMPv7
	572389	Coin Meter	0.25CAD
	575276	Coin Meter	0.25USD + 1USD
	575277	Coin Meter	0.25CAD + 1CAD
	572384	Coin Meter	
	579809	Coin Meter	1EAD; 1TK, 2TK Jeton; Electronic EMPv7

Control Panel - AF, FX, HX, LY, MWF, PY, QW, SW and W Models (Drawing 1 of 2)

All Models Except Models with H or K in 13th Position



CZW209P_D2408

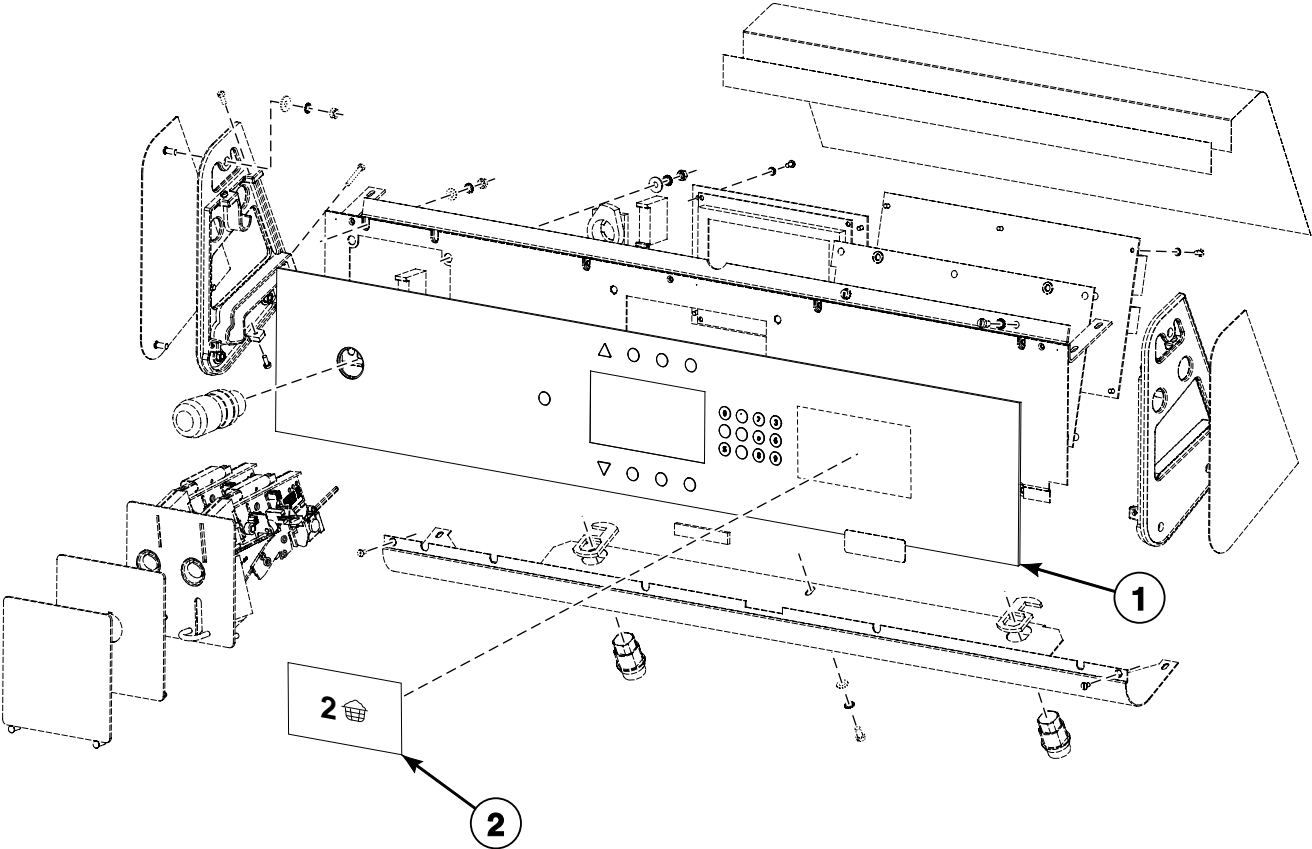
Control Panel - AF, FX, HX, LY, MWF, PY, QW, SW and W Models (Drawing 1 of 2)

REF	PART NO.	DESCRIPTION	COMMENTS
	F8600501	Programming Cable	
	569593	Network Installation Kit	Includes 569595 Holder, 203532 Wireless Network Control Assembly, 568363 Power Supply, 568362 Cable, 568378 Wiring, 568379 Wiring Diagram, SP345000626088 Binding Strip and connection accessories
1	SP550149	Cover Plate	PY models; CSA
2	SP547565	Coin Meter Cover	
3	577761	Bolt	3x8
4	SP528310	Emergency Stop Knob	OPL
	SP520032	Emergency Stop Wiring	OPL
	SP520033	Emergency Stop Interconnection	Vended
5	SP547507	Side Sheet Metal	Left
6	570391	Side Board	Left
7	SP311902100004	Washer	M4
8	SP311679800004	Washer	M4
9	SP310934000004	Nut	M4
10	577763	Bolt	3x20
11	SP311125000004	Washer	M4
12	SP528311	Emergency Stop Connector	
13	SP528312	Switching Unit	
14	SP510846	Tape	
15	SP311679800003	Washer	M3
16	SP309798500306	Bolt	M3x6
17	SP547001	Control Board	MC6 (green color); Models through Serial No. 80FX002275BZ; Refer to NOTE*
	SP553411	Control Board	MC7 (blue color); Models starting Serial No. 80FX002277BZ; Refer to NOTE*
18	SPPRI543000004	Cover	
19	SP547504	Programmer Holder	
20	SP555504	Bolt	M4x12
21	SP547002	Control Board Power	MC6
	SP553405	Control Board I/O	MC7
	SP537995	Board Interconnection Cable	QW models
	SP547005	Board Interconnection Cable	All other models
22	SP547501	Programmer Holder	
23	SP547506	Side Sheet Metal	Right
24	570392	Side Board	Right
25	SPPRI610002007	Hook Lock	Small; MC7; OPL
26	577762	Bolt	3x8
27	SP547527	Lock	
	SP550616	Key	Used with SP547527 Lock
28	SP284000012003	Tape	
29	SP547508	Lath	

* NOTE: For machines within Serial No. range 80FX002278BZ - 80FX002626DF, contact the After Sales department.

Control Panel - AF, FX, HX, LY, MWF, PY, QW, SW and W Models (Drawing 2 of 2)

All Models Except Models with H or K in 13th Position



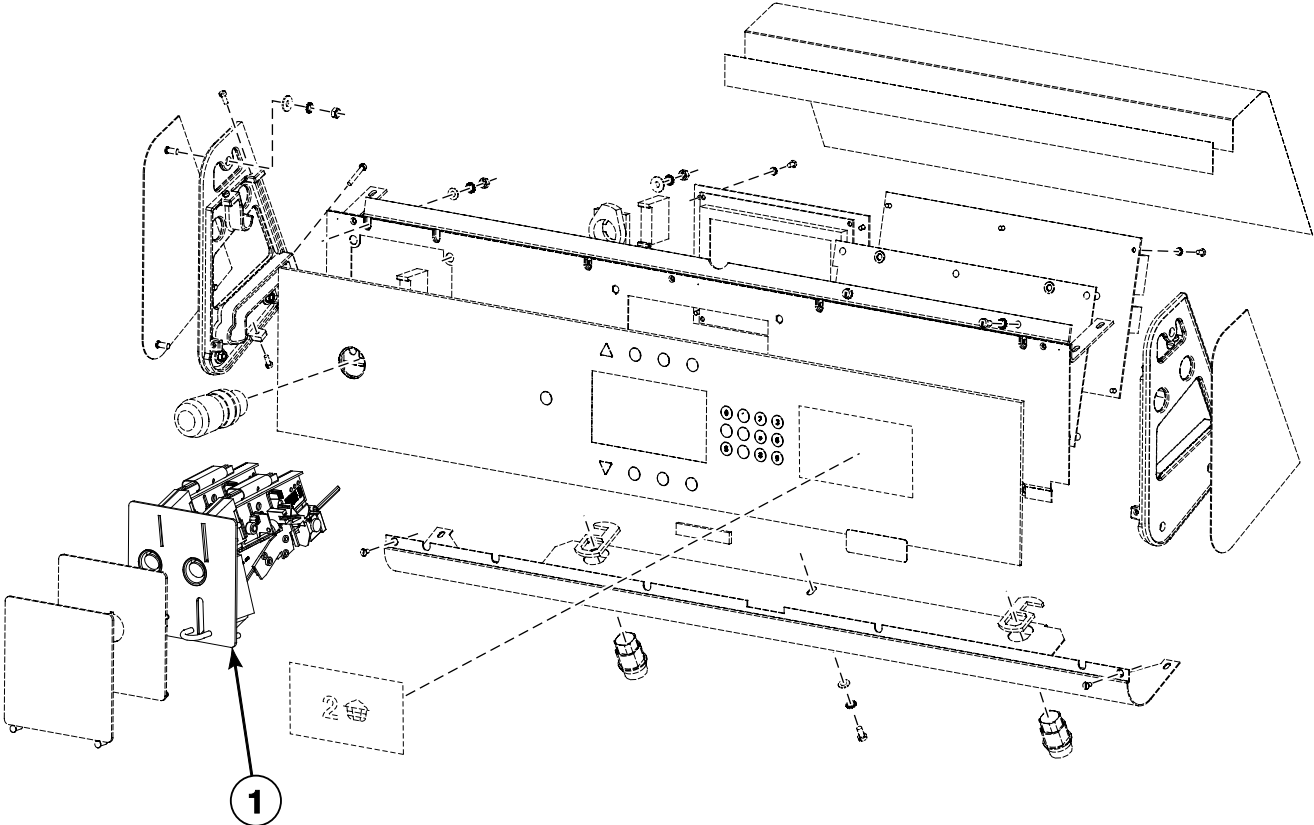
CZW125P_D2408

Control Panel - AF, FX, HX, LY, MWF, PY, QW, SW and W Models (Drawing 2 of 2)

REF	PART NO.	DESCRIPTION	COMMENTS
1	SP560753	Keyboard	X Control; CSA
	SP547010	Keyboard	FX, MWF, PY and W models; OPL; X Control Plus; Gray-black; CE
	SP547009	Keyboard	FX, MWF, PY and W models; OPL; X Control; Gray-black; CE
	SP547007	Keyboard	FX, MWF, PY and W models; Vended; X Control; Gray-black; CE
	SP547008	Keyboard	FX, MWF, PY and W models; CPS; X Control; Gray-black; CE
	SP547022	Keyboard	AF and LY models; OPL; X Control Plus; Black; CE
	SP547021	Keyboard	AF and LY models; OPL; X Control; Black; CE
	SP547019	Keyboard	AF and LY models; Vended; X Control; Black; CE
	SP547020	Keyboard	AF and LY models; CPS; X Control; Black; CE
	SP547034	Keyboard	FX, MWF, PY and W models; OPL; X Control Plus; Gray; CE
	SP547033	Keyboard	FX, MWF, PY and W models; OPL; X Control; Gray; CE
	SP547031	Keyboard	FX, MWF, PY and W models; Vended; X Control; Gray; CE
	SP547032	Keyboard	FX, MWF, PY and W models; CPS; X Control; Gray; CE
	SP537991	Keyboard	QW models; CE
	SP556107	Keyboard	SW models; CE
	SP537990	Keyboard	HX models; X Control; CE
	SP547034	Keyboard	PYN models starting 2/22/2019; X Control; CE
2	SP563307	Label	Basket Capacity; 2; Vended; CSA
	SP547050	Label	PYN models starting 2/22/2019

Control Panel - AF, FX, HX, LY, MWF, PY and W Models (Drawing 1 of 4)

All Models Except Models with H or K in 13th Position



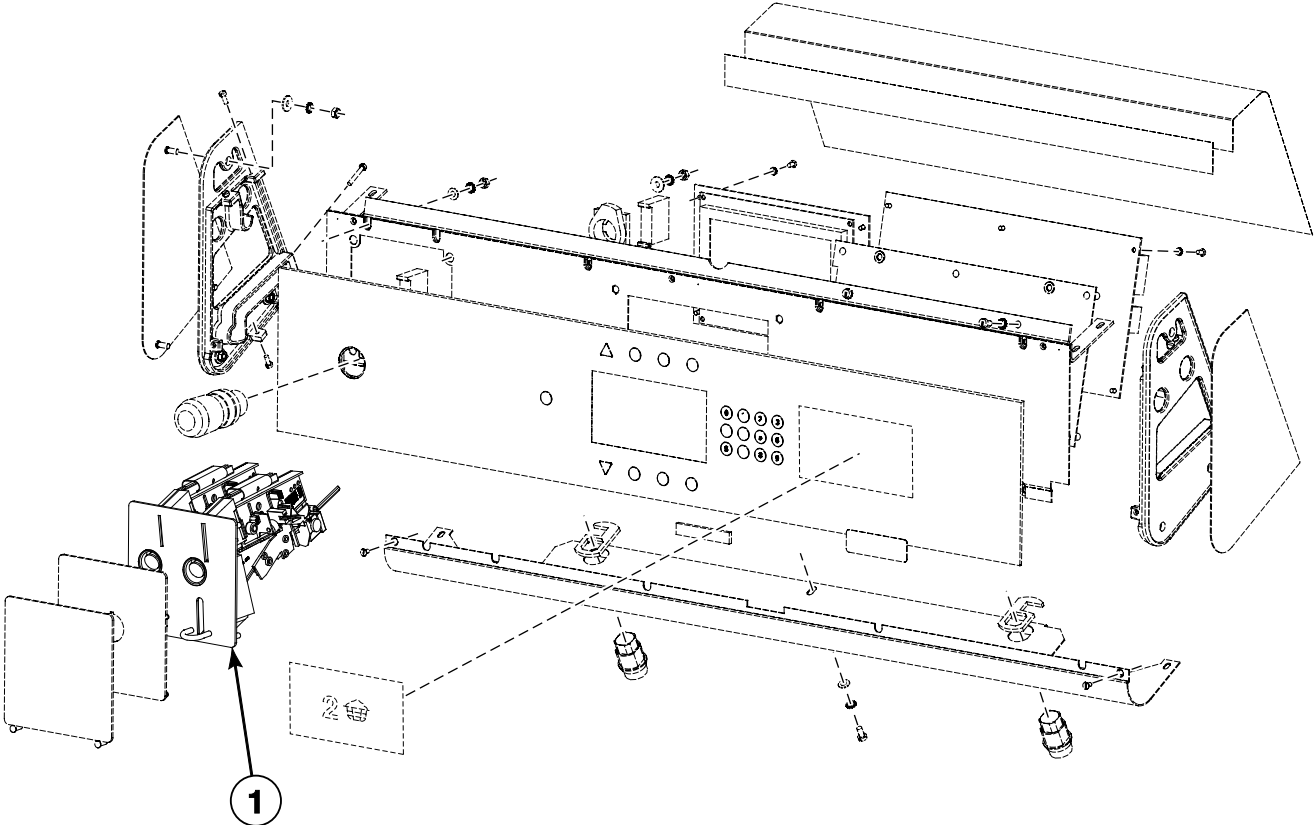
CZW126P_D2408

Control Panel - AF, FX, HX, LY, MWF, PY and W Models (Drawing 1 of 4)

REF	PART NO.	DESCRIPTION	COMMENTS
1	SP547601	Coin Meter	5K Primus jeton
	SP547602	Coin Meter	7K Primus jeton
	SP547603	Coin Meter	10K Primus jeton
	SP547604	Coin Meter	12K Primus jeton
	SP547605	Coin Meter	15K Primus jeton
	SP547606	Coin Meter	D jeton
	SP547648	Coin Meter	0.05EUR
	SP547638	Coin Meter	0.2EUR
	SP547616	Coin Meter	0.5EUR
	SP547614	Coin Meter	1EUR
	SP547647	Coin Meter	2EUR
	SP547622	Coin Meter	0.2EUR + 0.5EUR
	SP547639	Coin Meter	0.2EUR + 1EUR
	SP547617	Coin Meter	0.5EUR + 1EUR
	SP547656	Coin Meter	0.5EUR + 2EUR
	SP547631	Coin Meter	1EUR + 2EUR
	SP547652	Coin Meter	7K + D jeton
	SP547666	Coin Meter	7K jeton and 2EUR
	SP547665	Coin Meter	D jeton and 2EUR
	SP547600	Coin Meter	1AUD + 20C
	SP547607	Coin Meter	1POND + 20PC
	SP547608	Coin Meter	1POND + 50PC
	SP547609	Coin Meter	100YEN
	SP547610	Coin Meter	500JPY + 100JPY
	SP547611	Coin Meter	5DKK
	SP547612	Coin Meter	20DKK
	SP547613	Coin Meter	5ILS + 1ILS
	SP547615	Coin Meter	1MYR
	SP547618	Coin Meter	1DKK + 5DKK
	SP547619	Coin Meter	10NOK + 20NOK
	SP547620	Coin Meter	2DKK + 5DKK
	SP547621	Coin Meter	5NOK
	SP547623	Coin Meter	1NZD + 2NZD
	SP547624	Coin Meter	10 NOK
	SP547625	Coin Meter	10NT + 50NT
	SP547626	Coin Meter	2DKK
	SP547627	Coin Meter	Lucky Winner jeton
	SP547628	Coin Meter	10TWD
	SP547629	Coin Meter	10CZK + 20CZK
	SP547630	Coin Meter	7K Equipos Par Lavar jeton
	569921	Coin Meter	0.2GBP, 0.5GBP, 1GBP, 2GBP, 0.1EUR, 0.2EUR, 0.5EUR, 1EUR, 2EUR; Electronic EMPv7
	SP547634	Coin Meter	500WON
	SP547635	Coin Meter	0.25USD
	SP547636	Coin Meter	1AUD + 2AUD
	SP547637	Coin Meter	5DK + 10DK
	SP547640	Coin Meter	Sun Wash jeton

Control Panel - AF, FX, HX, LY, MWF, PY and W Models (Drawing 2 of 4)

All Models Except Models with H or K in 13th Position



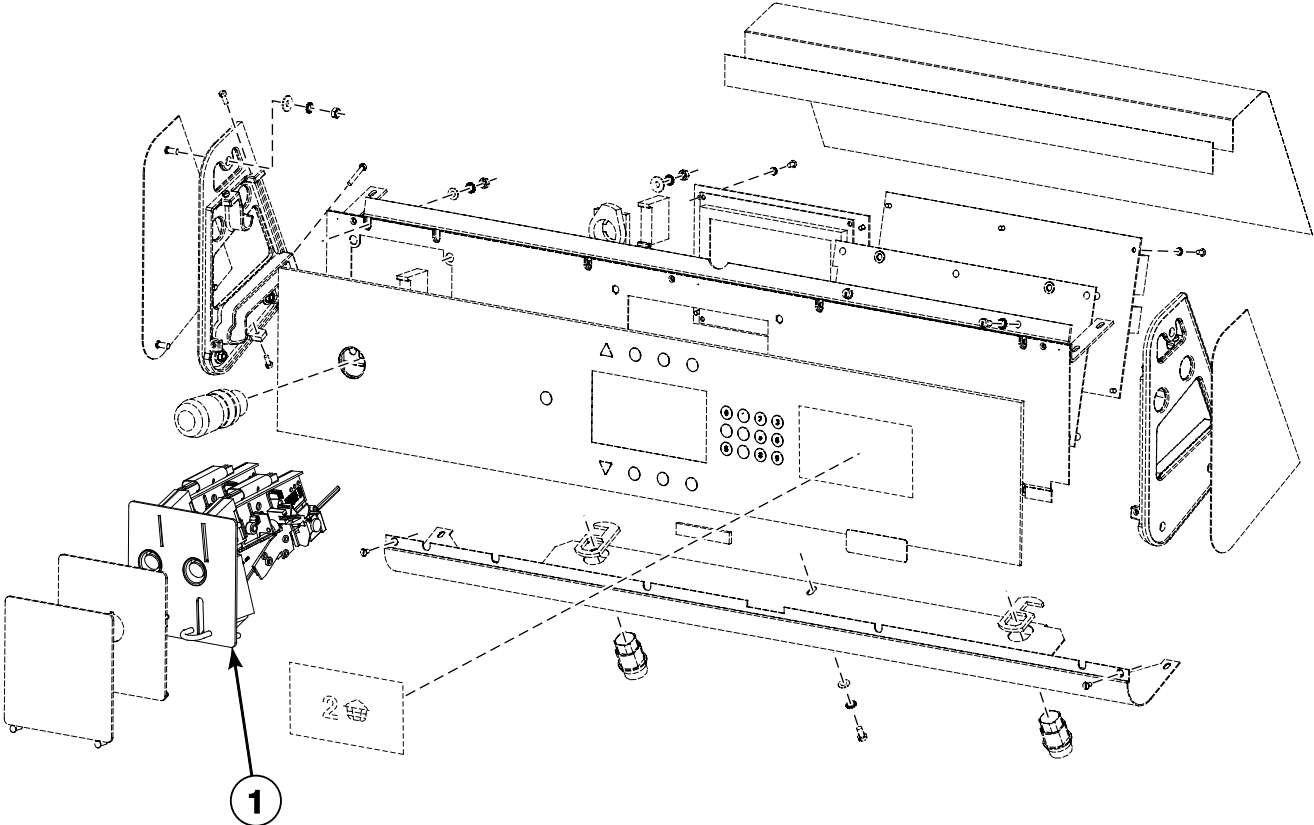
CZW126P_D2408

Control Panel - AF, FX, HX, LY, MWF, PY and W Models (Drawing 2 of 4)

REF	PART NO.	DESCRIPTION	COMMENTS
1	SP547641	Coin Meter	2DK + 10DK
	SP547642	Coin Meter	1AUD
	SP547643	Coin Meter	1CHF
	SP547644	Coin Meter	5NOK + 10NOK
	SP547645	Coin Meter	1 TopMos jeton + 1LEV jeton
	SP547646	Coin Meter	1 Vendo jeton
	SP547649	Coin Meter	1 jeton
	569951	Coin Meter	0.5MAD, 1MAD, 2MAD, 5MAD, 10MAD; Electronic EMPv7
	SP547651	Coin Meter	20 penny
	SP547653	Coin Meter	1 Wascator jeton, jeton diamater 22.2 mm
	SP547654	Coin Meter	1 Unibel jeton, jeton diamater 18.55 mm
	SP547657	Coin Meter	50HUF + 100HUF
	SP547658	Coin Meter	1 jeton without coining, jeton diamater 20 mm
	SP547659	Coin Meter	1 Volund jeton, jeton diamater 22.5 mm
	SP547660	Coin Meter	1 Wascator jeton, jeton diamater 19 mm
	SP547661	Coin Meter	1 Miele jeton
	SP547662	Coin Meter	1 jeton without coining, jeton diamater 26 mm
	SP547663	Coin Meter	Three-groove jeton; jeton diamater 27 mm
	SP547664	Coin Meter	Three-groove jeton; jeton diamater 24.9 mm
	SP537996	Coin Meter	Top-Mosr jeton
	SP547667	Coin Meter	Milano Italy jeton
	SP547668	Coin Meter	5PLN + 1PLN
	SP547669	Coin Meter	Two-grooves jeton; jeton diamater 27 mm
	SP547670	Coin Meter	A.S.A.R.D. jeton, jeton diamater 25.8 mm
	SP547671	Coin Meter	20CZK
	SP547672	Coin Meter	Jeton ASARD, jeton diamater 22.3 mm
	SP547673	Coin Meter	Jeton Laundromatic Belgium, jeton diamater 22.3 mm
	SP547674	Coin Meter	1SGD
	SP547675	Coin Meter	Jeton Asard Wascator, jeton diamater 19.9 mm
	SP555502	Coin Meter	Easy Games jeton
	SP555543	Coin Meter	Brev.C jeton
	SP555546	Coin Meter	50 Malaysian cent
	SP555549	Coin Meter	Flat Polis jeton
	SP555550	Coin Meter	Butzi Wash jeton
	SP555578	Coin Meter	1 New Singapore Dollar
	SP555558	Coin Meter	Copper without grooves jeton
	569939	Coin Meter	0.1SGD, 0.2SGD, 0.5SGD, 1SGD; Electronic EMPv7
	SP555666	Coin Meter	2x50 Malaysian cent
	569933	Coin Meter	0.1EUR, 0.2EUR, 0.5EUR, 1EUR, 2EUR; Electronic EMPv7
	SP555559	Coin Meter	Speedy Matic jeton
	SP555579	Coin Meter	Was-Salon Lavoir jeton.
	569948	Coin Meter	5CZK, 10CZK, 20CZK, 50CZK; Electronic EMPv7
	SP560744	Coin Meter	Electronic for Dobi Ekspres jeton
	569964	Coin Meter	0.2GBP, 0.5GBP, 1GBP, 2GBP, 0.1EUR, 0.2EUR, 0.5EUR, 1EUR, 2EUR, jeton "KWL Aqua", jeton "Gettone"; Electronic EMPv7
	SP560089	Coin Meter	STD 118-1 jeton

Control Panel - AF, FX, HX, LY, MWF, PY and W Models (Drawing 3 of 4)

All Models Except Models with H or K in 13th Position



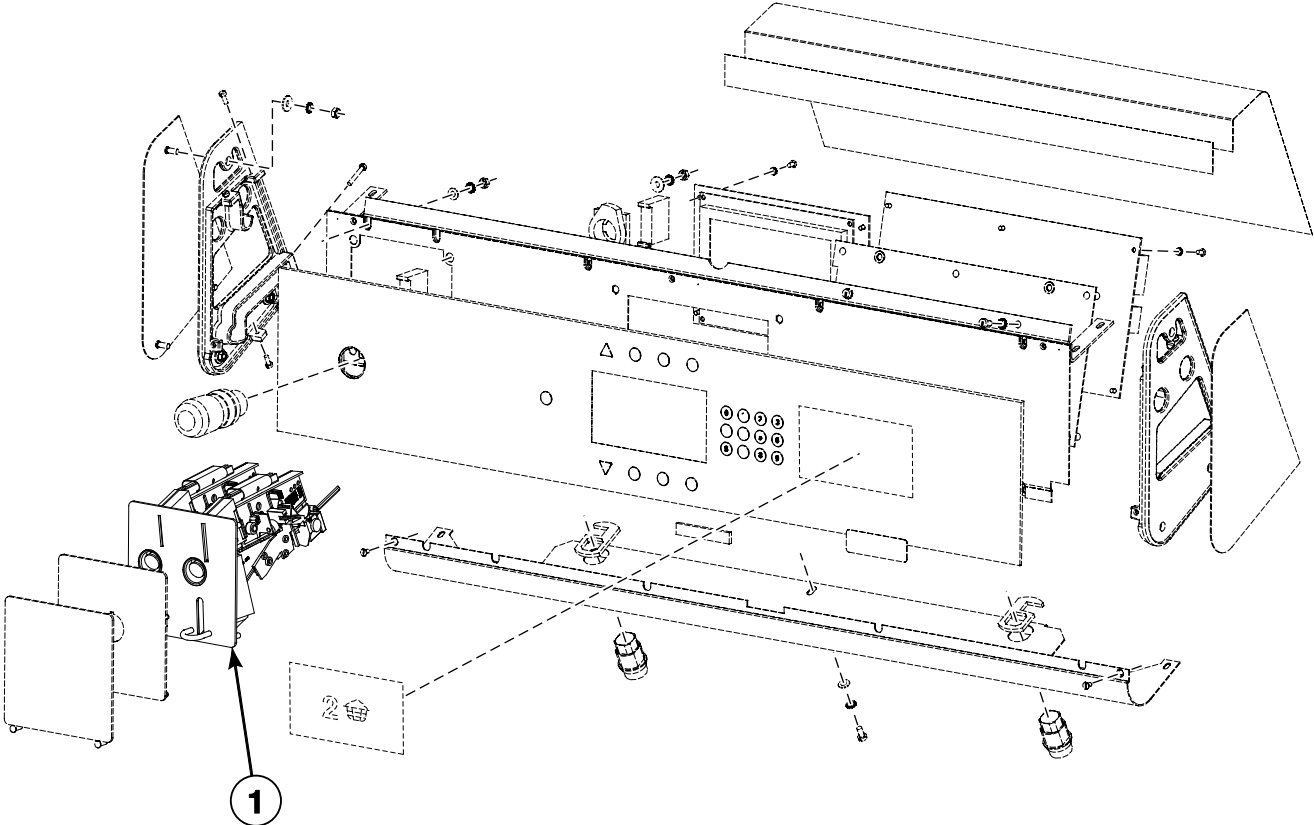
CZW126P_D2408

Control Panel - AF, FX, HX, LY, MWF, PY and W Models (Drawing 3 of 4)

REF	PART NO.	DESCRIPTION	COMMENTS
1	SP560082	Coin Meter	5k IPSO jeton
	SP560083	Coin Meter	7k IPSO jeton
	SP560084	Coin Meter	10k IPSO jeton
	SP560085	Coin Meter	12k IPSO jeton
	SP560086	Coin Meter	15k IPSO jeton
	561378	Coin Meter	10 Moroccan Dirham
	SP560072	Coin Meter	0.25USD, 1USD, 0.25CAD, 1CAD, 2CAD; Electronic EMPv7
	560073	Coin Meter	0.25 USD/1 USD
	569930	Coin Meter	1CNY, 0.1MYR, 0.2MYR, 0.5MYR; Electronic EMPv7
	569927	Coin Meter	0.2AUD, 1AUD, 2AUD, 0.2NZD, 1NZD, 2NZD, 5HKD, 10HKD, 500KRW; Electronic EMPv7
	561496	Coin Meter	Jeton Grupo Azkoyen CDS Automaten
	569936	Coin Meter	1PHP, 5PHP, 10PHP; Electronic EMPv7
	569942	Coin Meter	0.1MYR, 0.2MYR, 0.5MYR, 0.5SGD, 1SGD; Electronic EMPv7
	569945	Coin Meter	1HRK, 2HRK, 5HRK; Electronic EMPv7
	569924	Coin Meter	1DKK, 2DKK, 5DKK, 10DKK, 20DKK, 1NOK, 5NOK, 10NOK, 20NOK, 0.2EUR, 0.5EUR, 1EUR, 2EUR; Electronic EMPv7
	SP564484	Coin Meter	Jeton 118-5
	SP564486	Coin Meter	Jeton Barisart (LDL)
	569961	Coin Meter	0.1EUR, 0.2EUR, 0.5EUR, 1EUR, 2EUR, jeton IPSO 5K; Electronic EMPv7
	564489	Coin Meter	Jeton Sporrong
	569970	Coin Meter	0.5MYR, jeton "DOBI PAPA"; Electronic EMPv7
	553150	Coin Meter	Jeton with hole
	553151	Coin Meter	Jeton Deton Wash
	569901	Coin Meter	Brass jeton
	569912	Coin Meter	Jeton Wassalon lavoir
	569954	Coin Meter	1PLN, 2PLN, 5PLN, 0.1EUR, 0.2EUR, 0.5EUR, 1EUR, 2EUR, 10ISK, 50ISK, 100ISK; Electronic EMPv7
	569967	Coin Meter	0.1EUR, 0.2EUR, 0.5EUR, 1EUR, 2EUR, jeton G-FIS "LAVOIR BIANCA"; Electronic EMPv7
	569973	Coin Meter	1AUD, 2AUD, jeton "No Cash Value"; Electronic EMPv7
	569979	Coin Meter	0.5MYR, jeton "BUBBLELAB"; Electronic EMPv7
	569987	Coin Meter	Jeton HAUCK 2018

Control Panel - AF, FX, HX, LY, MWF, PY and W Models (Drawing 4 of 4)

All Models Except Models with H or K in 13th Position



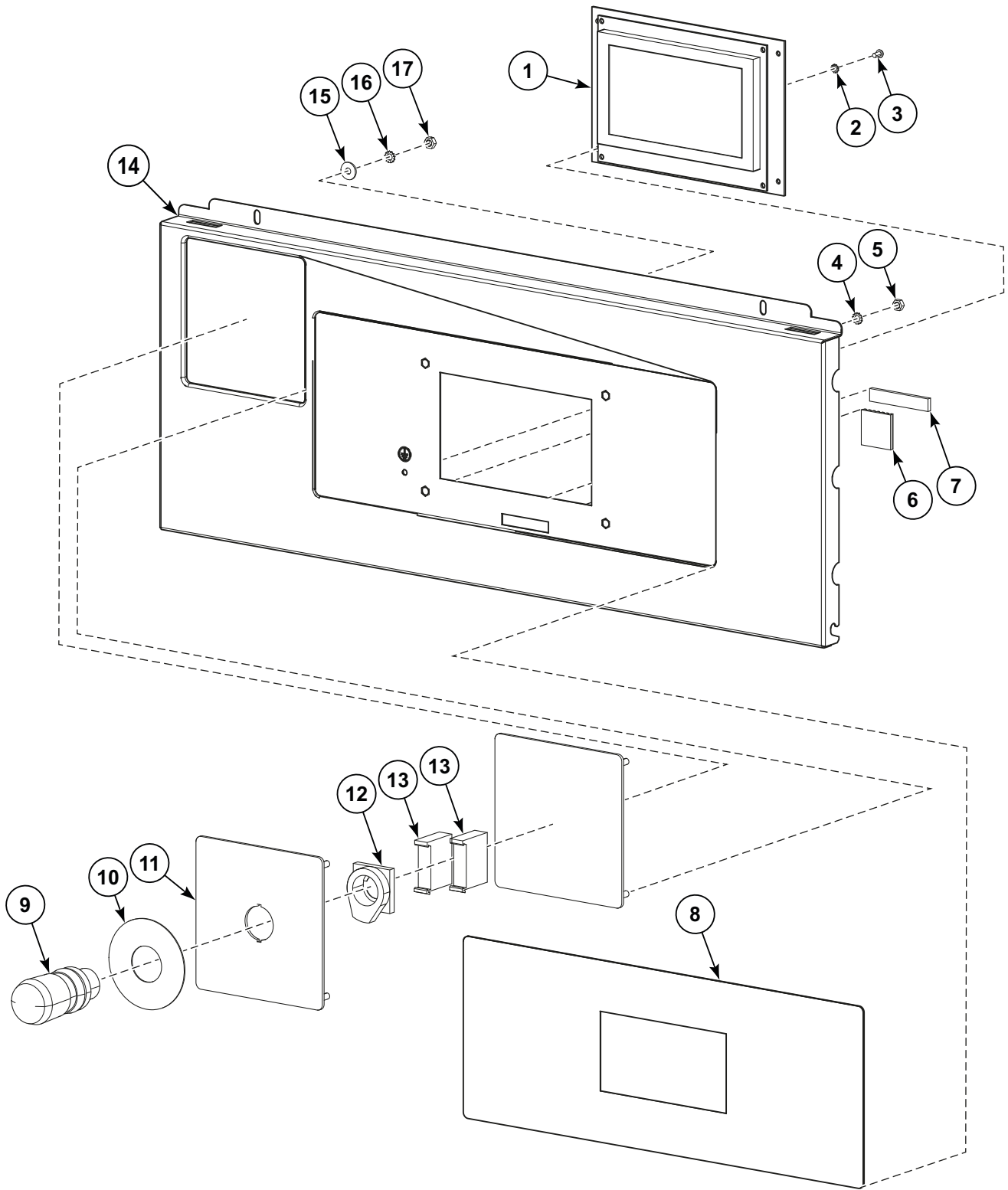
CZW126P_D2408

Control Panel - AF, FX, HX, LY, MWF, PY and W Models (Drawing 4 of 4)

REF	PART NO.	DESCRIPTION	COMMENTS
1	569998	Coin Meter	100+500 ISK
	572301	Coin Meter	Token 118-16
	572304	Coin Meter	1ILS, 2ILS, 5ILS, 10ILS; Electronic EMPv7
	572307	Coin Meter	1ZAR, 2ZAR, 5ZAR; Electronic EMPv7
	572310	Coin Meter	5RUB, 10RUB; Electronic EMPv7
	572313	Coin Meter	50CLP, 100CLP, 500CLP; Electronic EMPv7
	572317	Coin Meter	100JPY, 500JPY, 10TWD, 50TWD; Electronic EMPv7
	572320	Coin Meter	0.5GEL, 1GEL, 2GEL; Electronic EMPv7
	572323	Coin Meter	0.2 EUR, 0.5EUR, 1EUR, 2EUR, Jeton 7K; Electronic EMPv7
	572326	Coin Meter	20HUF, 50HUF, 100HUF, 200HUF; Electronic EMPv7
	572339	Coin Meter	Getton Jeton (26mm diameter x 1.7mm)
	579808	Coin Meter	1EAD; 1TK, 2TK Jeton; Electronic EMPv7

Control Panel OPL - AF, IY and NY Models

Models with G, H, J or K in 13th Position except Models with V in 7th Position



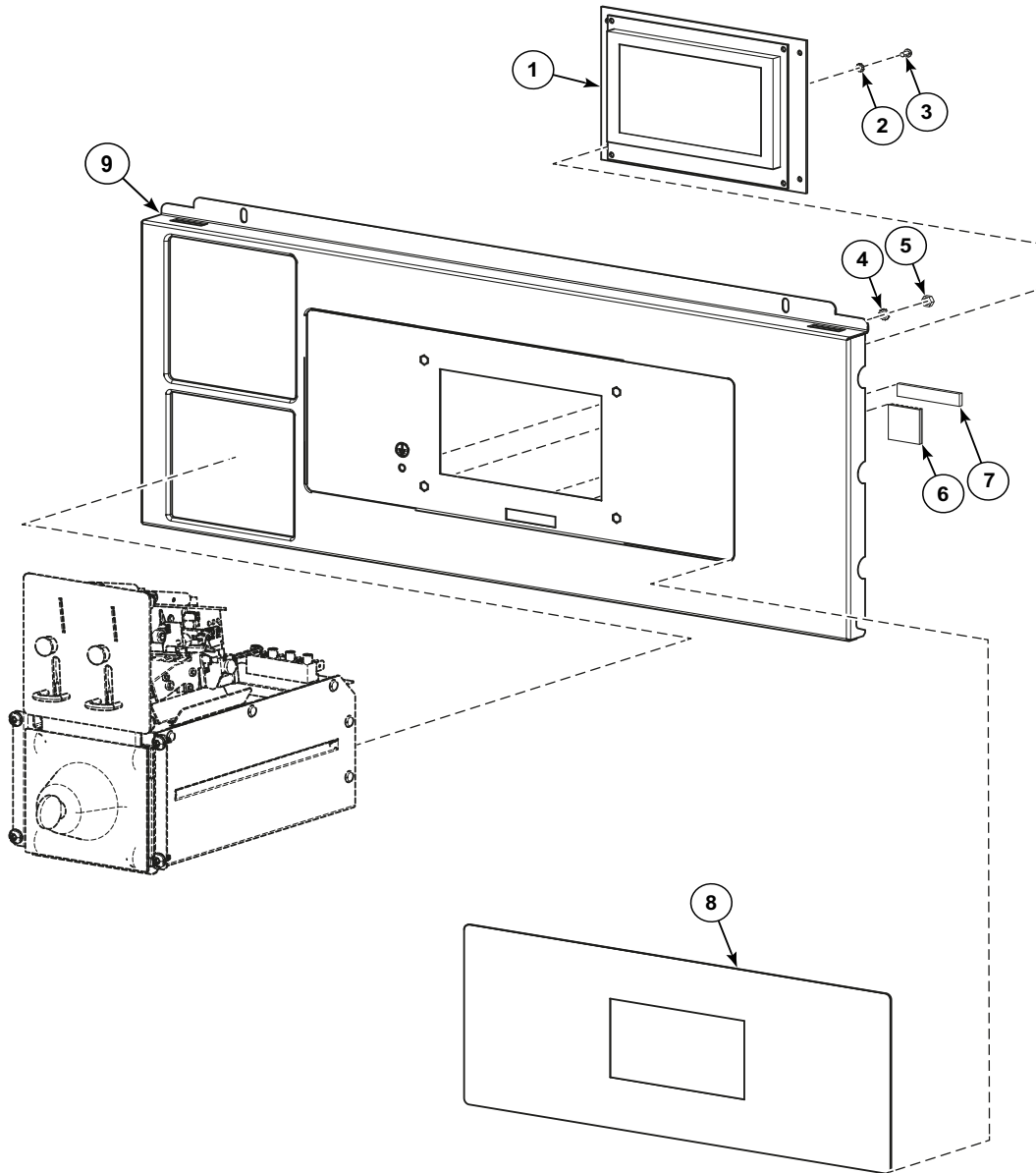
CZW284P_D2408

Control Panel OPL - AF, IY and NY Models

REF	PART NO.	DESCRIPTION	COMMENTS
1	SP553419	Control Board	IY models; MC7
	553411	Control Board	AF and NY models; MC7
2	SP311679800003	Washer	M3
3	SP309798500306	Bolt	M3x6
4	SP311679800004	Washer	M4
5	SP310934000004	Nut	M4
6	SP550115	Fastener	
7	SP284000012003	Tape	
8	SP557565	Keyboard	IY models; Aries Elite
	SP557566	Keyboard	IY models; Aries
	547087	Keyboard	AF and NY models; Professional; Black
	547088	Keyboard	AF and NY models; Basic; Black
9	SP528310	Emergency Stop Knob	Used with SP520032 Emergency Stop Wiring
10	SPPRI551005248	Emergency Stop Label	
11	567924	Coin Meter Cover	
12	SP528311	Emergency Stop Connector	
13	SP528312	Switching Unit	
14	573065	Control Panel	
15	SP311902100004	Washer	M4
16	SP311679800004	Washer	M4
17	SP310934000004	Nut	M4

Control Panel Vended - AF, IY and NY Models

Models with G, H, J or K in 13th Position except Models with V in 7th Position



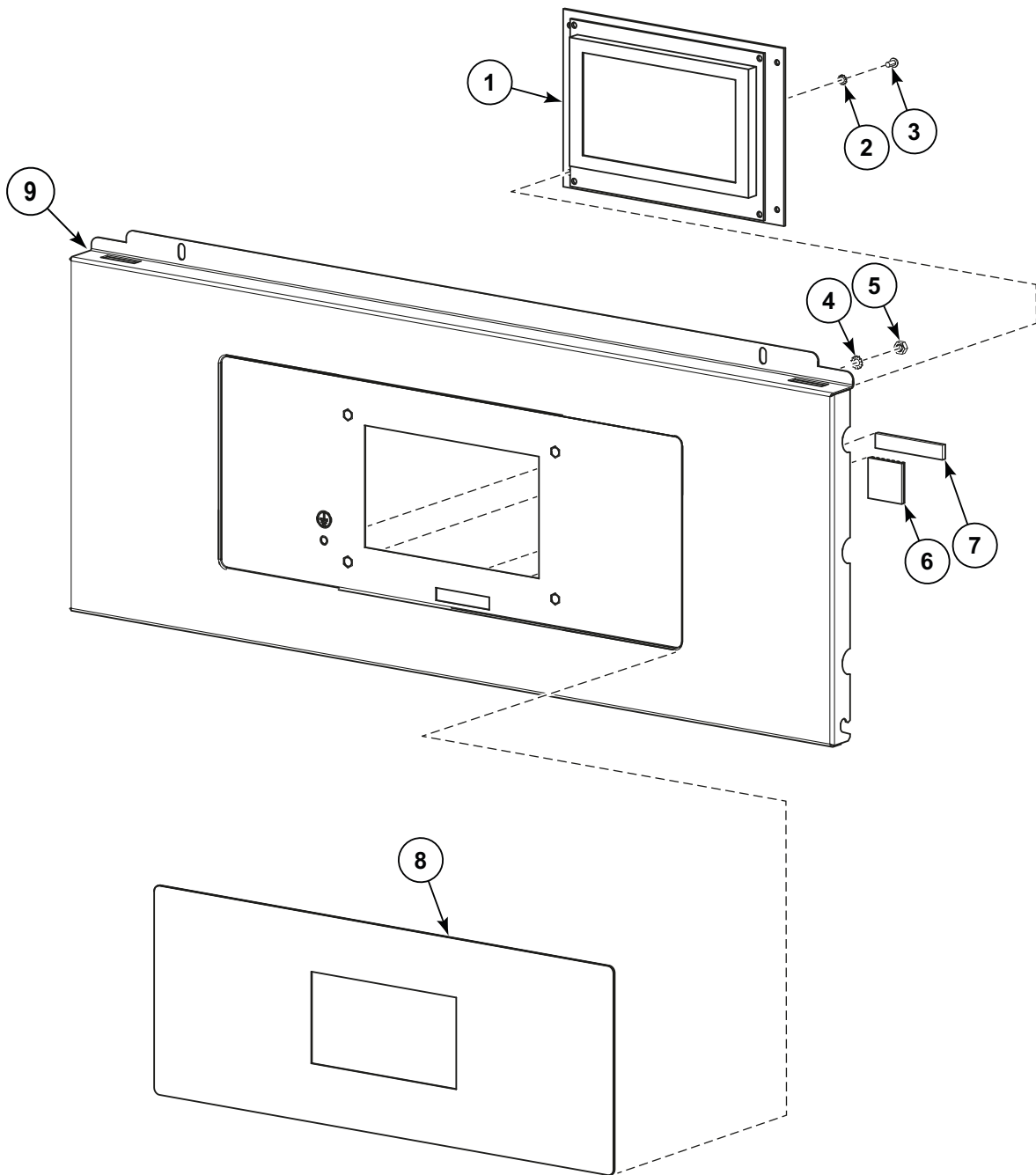
CZW285P_D2408

Control Panel Vended - AF, IY and NY Models

REF	PART NO.	DESCRIPTION	COMMENTS
1	SP553419	Control Board	IY models; MC7
	553411	Control Board	AF and NY models; MC7
2	SP311679800003	Washer	M3
3	SP309798500306	Bolt	M3x6
4	SP311679800004	Washer	M4
5	SP310934000004	Nut	M4
6	SP550115	Fastener	
7	SP284000012003	Tape	
8	SP557566	Keyboard	IY models; Aries
	547088	Keyboard	AF and NY models; Basic; Black
9	573006	Control Panel	

Control Panel for Central Payment System - AF, IY and NY Models

Models with G, H, J or K in 13th Position except Models with V in 7th Position

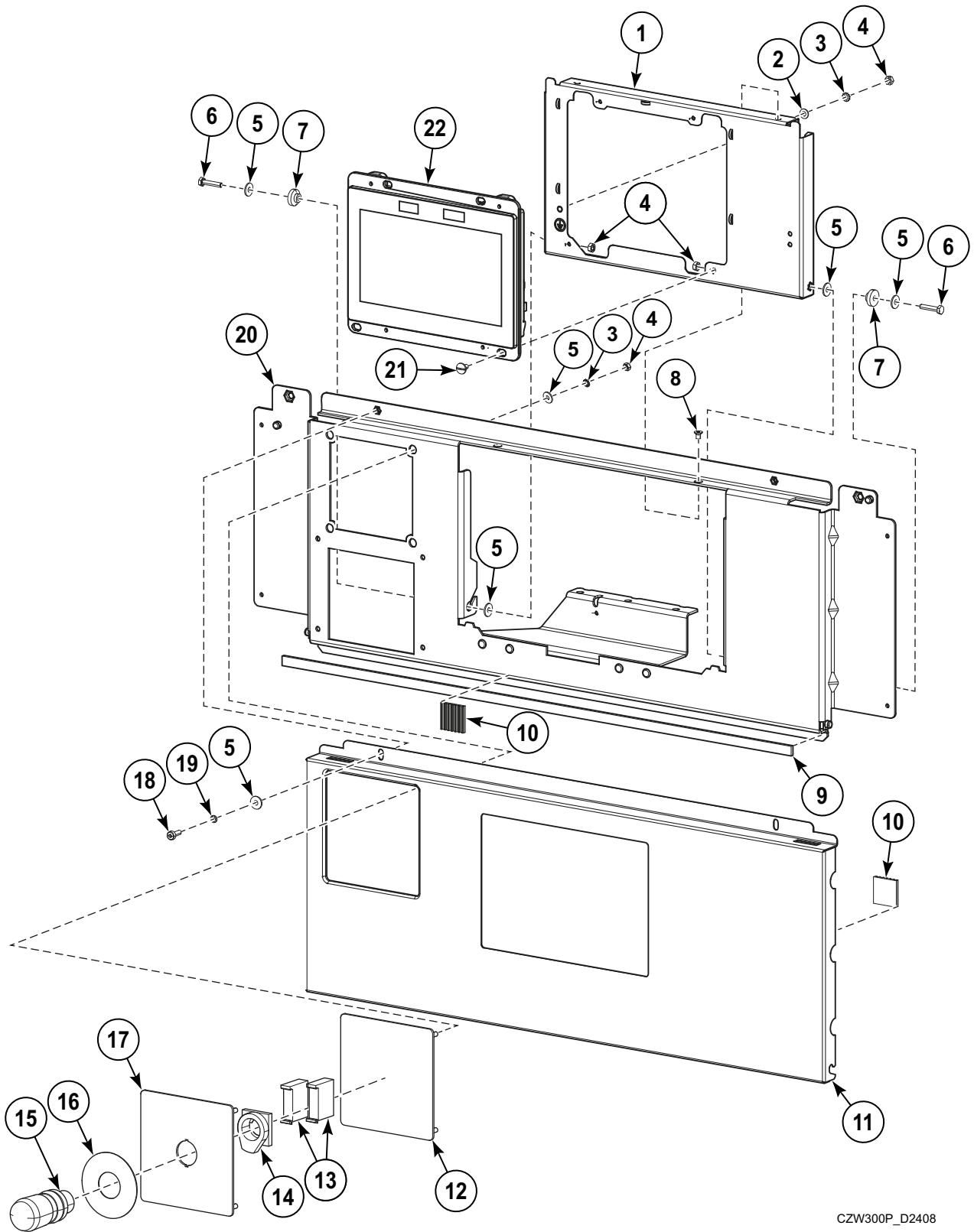


CZW286P_D2408

Control Panel for Central Payment System - AF, IY and NY Models

REF	PART NO.	DESCRIPTION	COMMENTS
1	SP553419	Control Board	IY models; MC7
	553411	Control Board	AF and NY models; MC7
2	SP311679800003	Washer	M3
3	SP309798500306	Bolt	M3x6
4	SP311679800004	Washer	M4
5	SP310934000004	Nut	M4
6	SP550115	Fastener	
7	SP284000012003	Tape	
8	SP557566	Keyboard	IY models; Aries
	547088	Keyboard	AF and NY models; Basic; Black
9	573068	Control Panel	

Control Panel OPL - AF, IY, J and NY Models with V in 7th Position

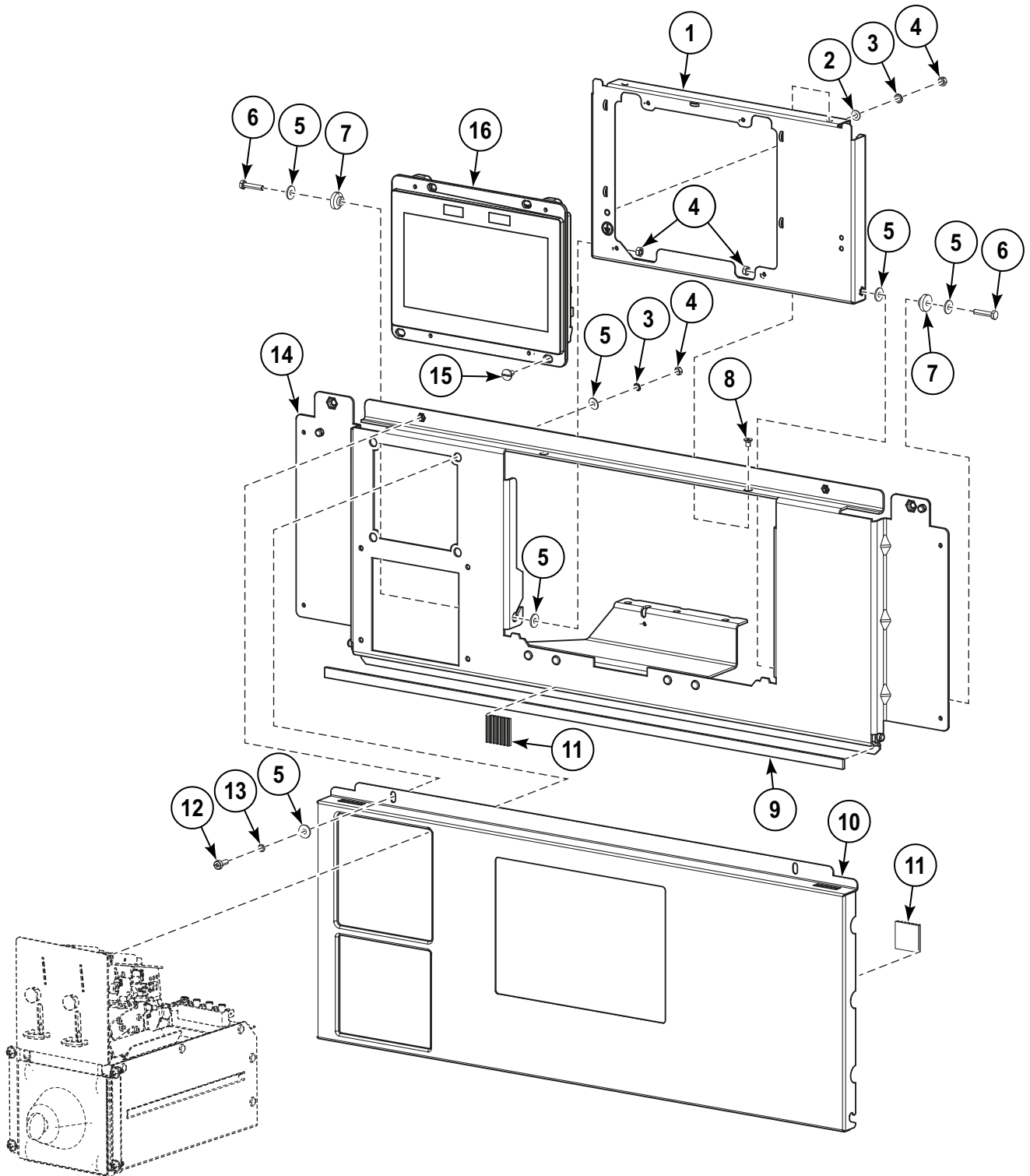


CZW300P_D2408

Control Panel OPL - AF, IY, J and NY Models with V in 7th Position

REF	PART NO.	DESCRIPTION	COMMENTS
1	571041	Control Holder	
2	SP311125000004	Washer	M4
3	SP311679800004	Washer	M4
4	SP310934000004	Nut	M4
5	SP311902100004	Washer	M4
6	569655	Bolt	M4x25
7	SP550113	Leading Pin	
8	SP309965240408	Bolt	M4x8
9	SP284000012003	Tape	0.558m
10	SP550115	Fastener	
11	573111	Control Panel	
12	567925	Label Covering	
13	SP528312	Switching Unit	
14	SP528311	Emergency Stop Connector	
15	SP528310	Emergency Stop Knob	Used with SP520032 Emergency Stop Wiring
16	SPPRI551005248	Emergency Stop Label	
17	567924	Coin Meter Cover	
18	SP555504	Bolt	M4x12
19	SP311127000004	Washer	4
20	573004	Control Panel Frame	
21	309500240408	Bolt	M4x8
22	575632	Control	

Control Panel Vended - AF, IY and NY Models with V in 7th Position

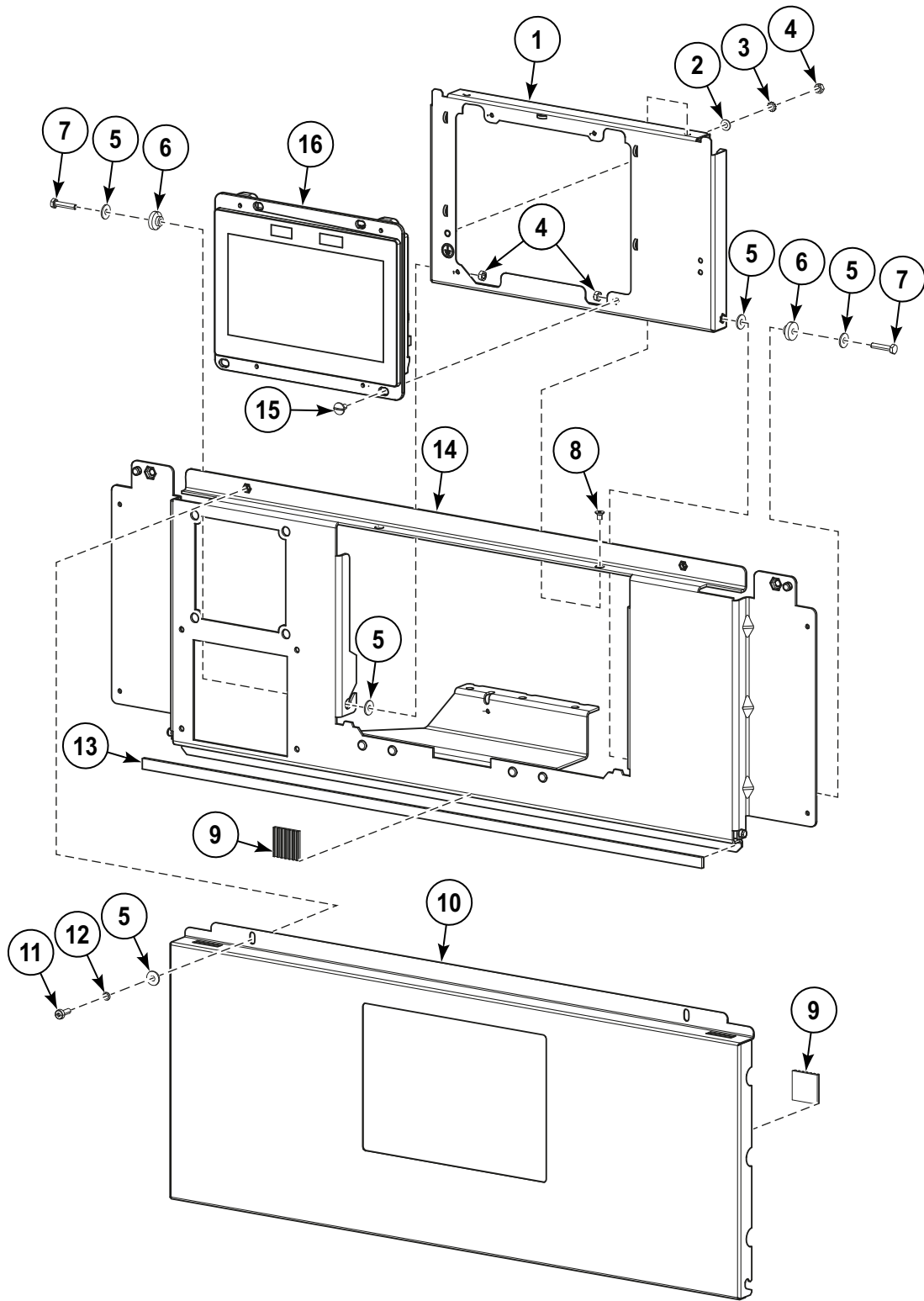


CZW301P_D2408

Control Panel Vended - AF, IY and NY Models with V in 7th Position

REF	PART NO.	DESCRIPTION	COMMENTS
1	571041	Control Holder	
2	SP311125000004	Washer	M4
3	SP311679800004	Washer	M4
4	SP310934000004	Nut	M4
5	SP311902100004	Washer	M4
6	569655	Bolt	M4x25
7	SP550113	Leading Pin	
8	SP309965240408	Bolt	M4x8
9	SP284000012003	Tape	0.558m
10	573109	Control Panel	
11	SP550115	Fastener	
12	SP555504	Bolt	M4x12
13	SP311127000004	Washer	4
14	573004	Control Panel Frame	
15	309500240408	Bolt	M4x8
16	575632	Control	

Control Panel for Central Payment System - AF, IY and NY Models with V in 7th Position



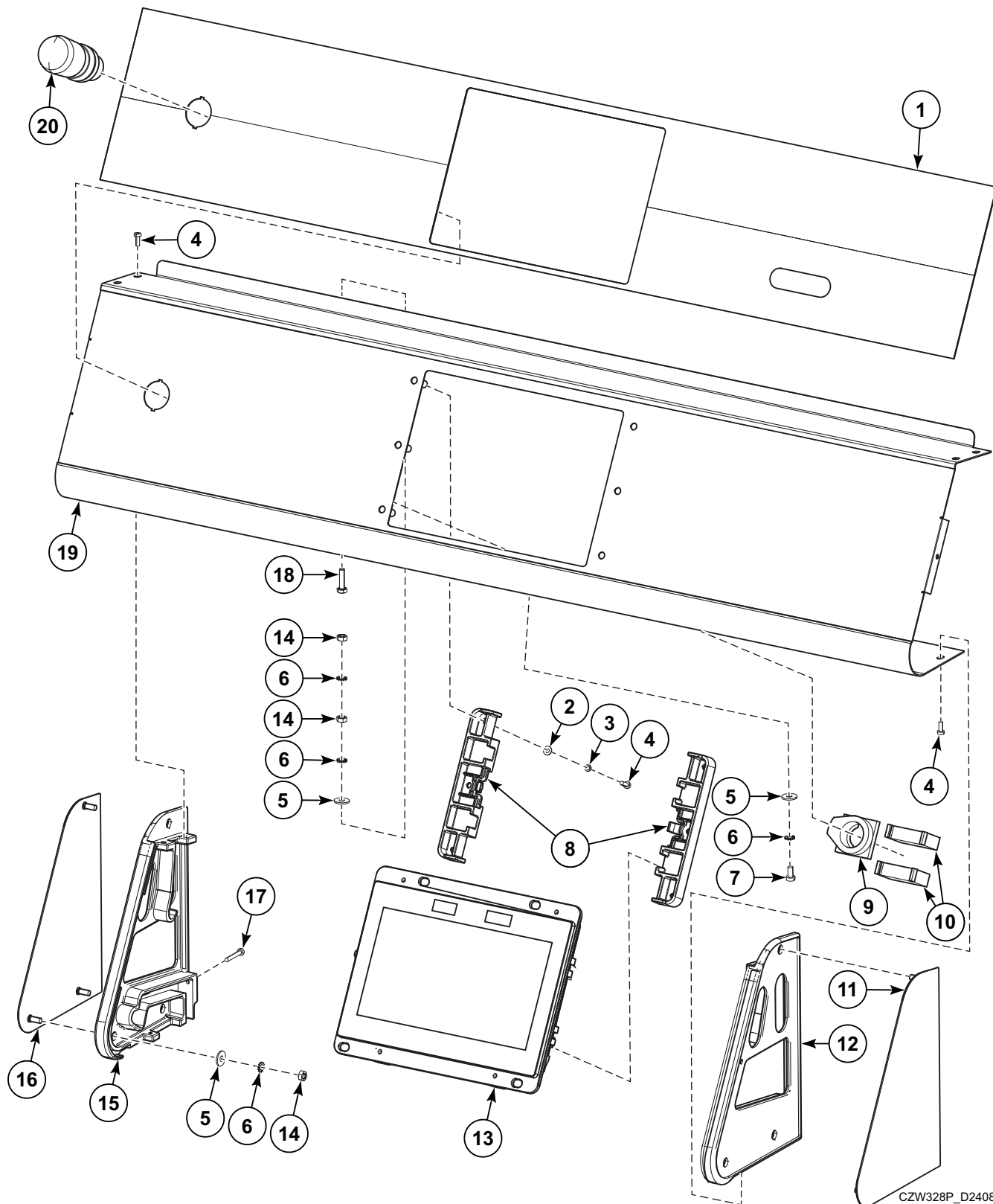
CZW302P_D2408

Control Panel for Central Payment System - AF, IY and NY Models with V in 7th Position

REF	PART NO.	DESCRIPTION	COMMENTS
1	571041	Control Holder	
2	SP311125000004	Washer	M4
3	SP311679800004	Washer	M4
4	SP310934000004	Nut	M4
5	SP311902100004	Washer	M4
6	SP550113	Leading Pin	
7	569655	Bolt	M4x25
8	SP309965240408	Bolt	M4x8
9	SP550115	Fastener	
10	573113	Control Panel	
11	SP555504	Bolt	M4x12
12	SP311127000004	Washer	4
13	SP284000012003	Tape	0.558m
14	573004	Control Panel Frame	
15	309500240408	Bolt	M4x8
16	575632	Control	

Control Panel OPL - FX and PY Models

Models with V in 7th Position Through Serial No. 80FX020136SF



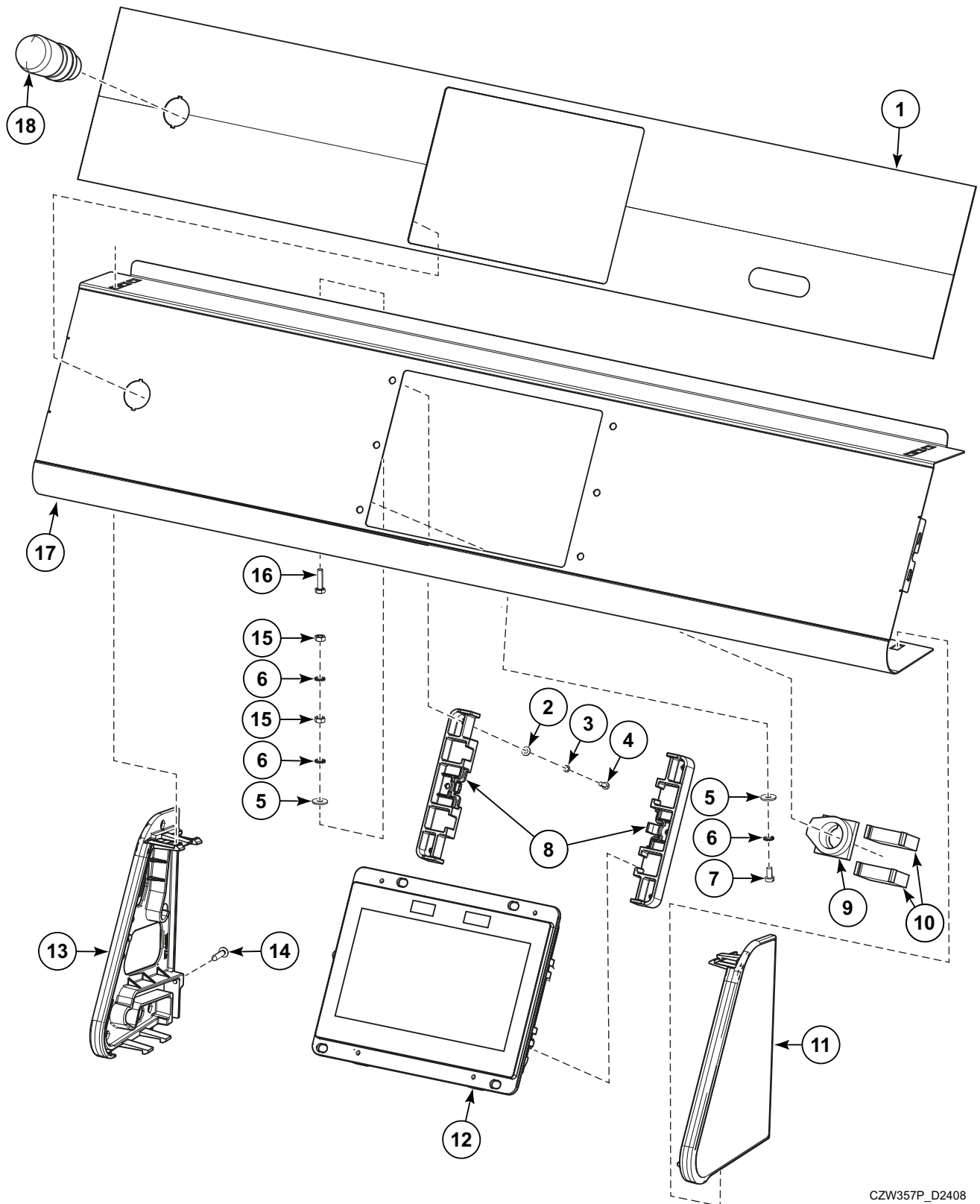
CZW328P_D2408

Control Panel OPL - FX and PY Models

REF	PART NO.	DESCRIPTION	COMMENTS
1	573926	Overlay	
	574216	Overlay	OEM
2	SP311125000003	Washer	M3
3	SP311127000003	Washer	3
4	SP309084000308	Bolt	M3x8
5	SP311902100004	Washer	M4
6	SP311679800004	Washer	M4
7	SP309084000408	Bolt	M4x8
8	573929	Sidewall	
9	SP528311	Emergency Stop Connector	
10	SP528312	Switching Unit	
11	572586	Sidewall	Right
12	572572	Sidewall	Right
13	572505	Control	7", MC10
14	SP310934000004	Nut	M4
15	572571	Sidewall	Left
16	572588	Sidewall	Left
17	SP309084000320	Bolt	M3x20
18	SP309933000416	Bolt	M4x16
19	572580	Nose Assembly	Includes item 1 and 573930 Nut
	574234	Nose Assembly	OEM; Includes item 1 and 573930 Nut
20	SP528310	Emergency Stop Knob	Used with SP520032 Emergency Stop Wiring

Control Panel OPL - FX and PY Models

Models with V in 7th Position Starting Serial No. 80FX020137SF



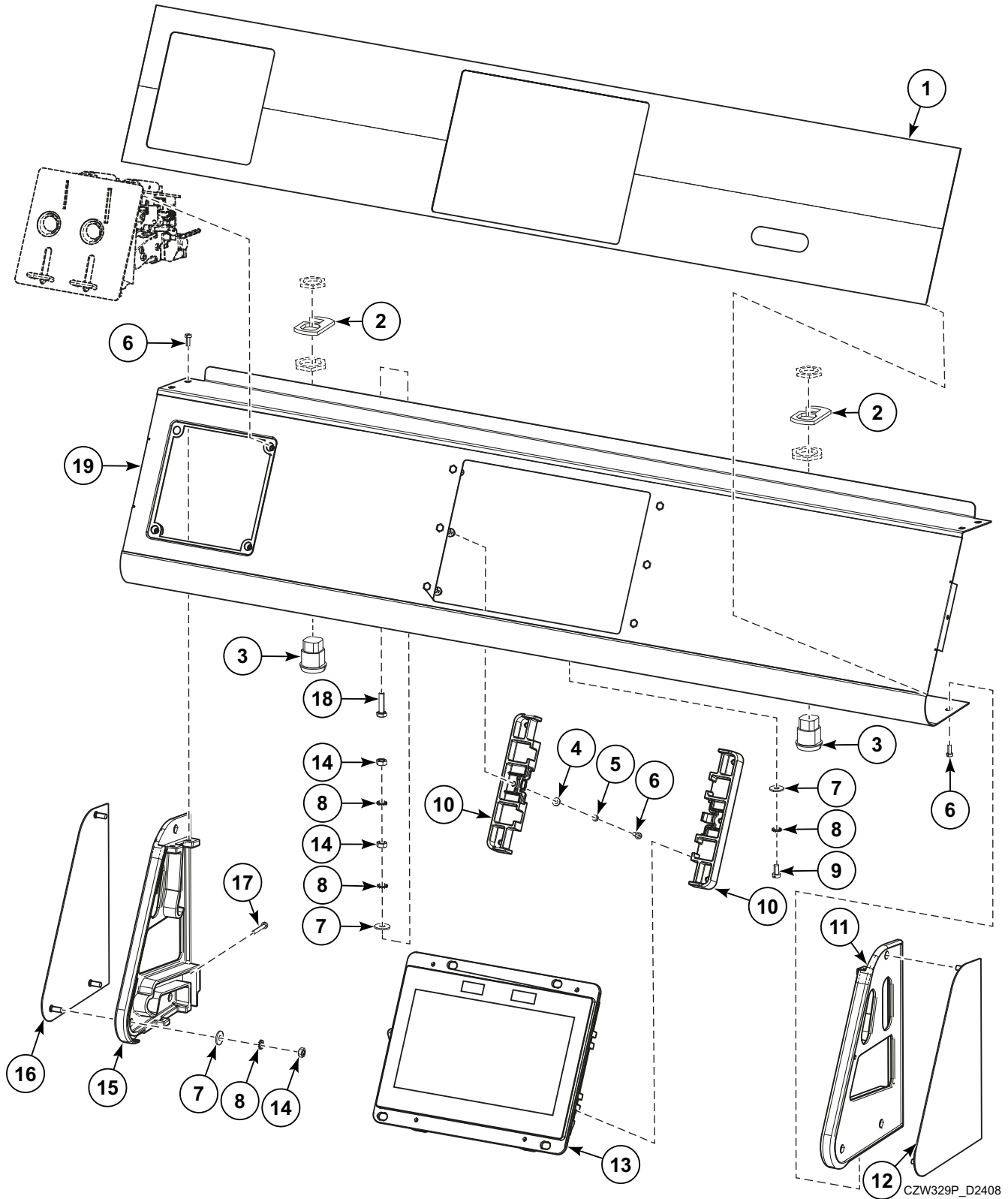
CZW357P_D2408

Control Panel OPL - FX and PY Models

REF	PART NO.	DESCRIPTION	COMMENTS
1	573926	Overlay	
	574216	Overlay	OEM
2	SP311125000003	Washer	M3
3	SP311127000003	Washer	3
4	SP309084000308	Bolt	M3x8
5	SP311902100004	Washer	M4
6	SP311679800004	Washer	M4
7	SP309084000408	Bolt	M4x8
8	573929	Sidewall	
9	SP528311	Emergency Stop Connector	
10	SP528312	Switching Unit	
11	576070	Sidewall	Right
12	575632	Control	
13	576069	Sidewall	Left
14	SP520407	Screw	
15	SP310934000004	Nut	M4
16	SP309933240412	Bolt	M4x12
17	576033	Nose Assembly	Includes item 1 and 573930 Nut
	576042	Nose Assembly	OEM; Includes item 1 and 573930 Nut
18	SP528310	Emergency Stop Knob	Used with SP520032 Emergency Stop Wiring

Control Panel Vended - FX and PY Models

Models with V in 7th Position Through Serial No. 80FX020136SF

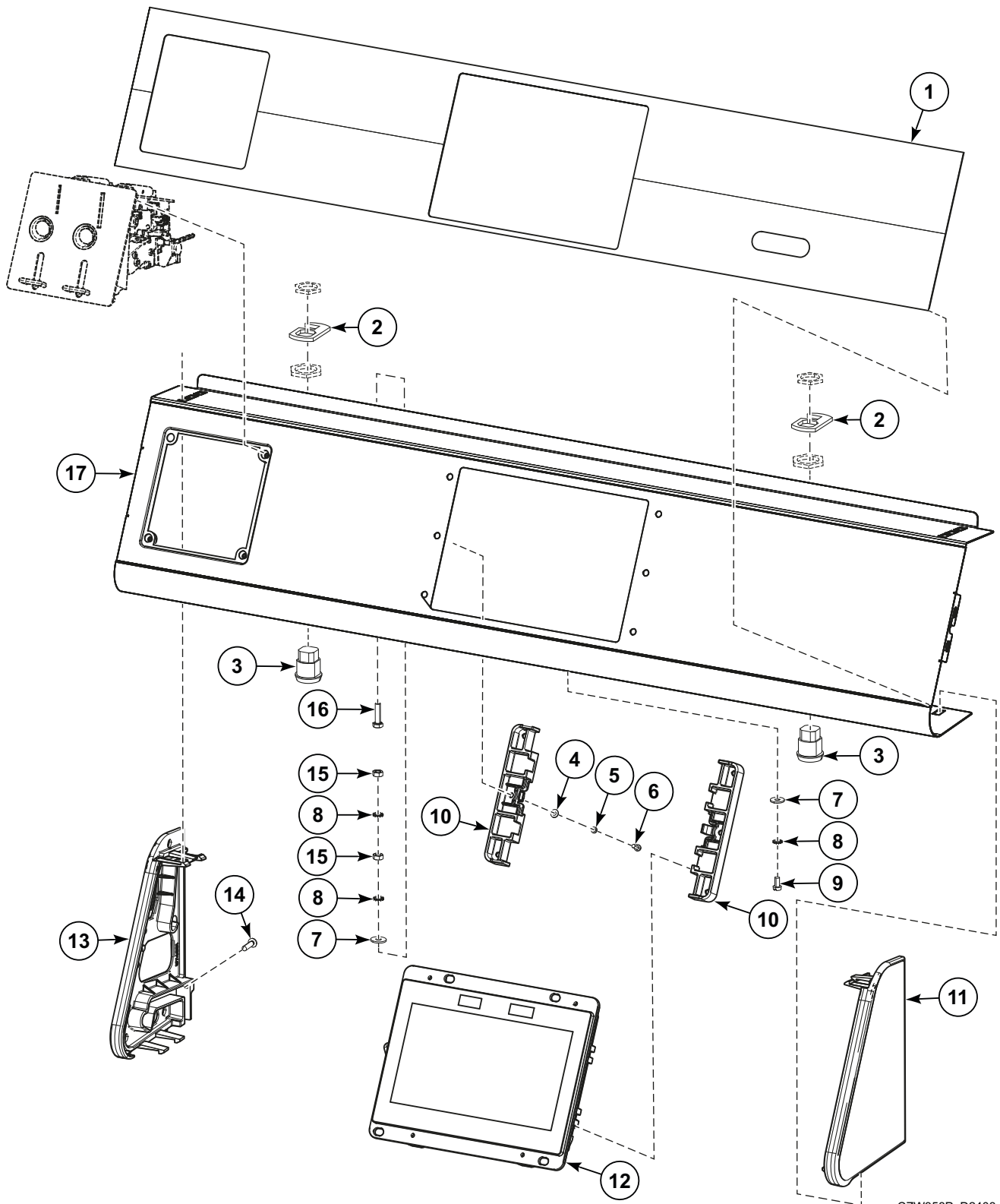


Control Panel Vended - FX and PY Models

REF	PART NO.	DESCRIPTION	COMMENTS
	SP520033	Emergency Stop Interconnection	
1	573935	Overlay	
	574219	Overlay	OEM
2	SPPRI610002007	Hook Lock	
3	SP547527	Lock	Includes Nuts – 2 pieces
	SP550616	Key	Used with SP547527 Lock
4	SP311125000003	Washer	M3
5	SP311127000003	Washer	3
6	SP309084000308	Bolt	M3x8
7	SP311902100004	Washer	M4
8	SP311679800004	Washer	M4
9	SP309084000408	Bolt	M4x8
10	573929	Sidewall	
11	572572	Sidewall	Right
12	572586	Sidewall	Right
13	572505	Control	7", MC10
14	SP310934000004	Nut	M4
15	572571	Sidewall	Left
16	572588	Sidewall	Left
17	SP309084000320	Bolt	M3x20
18	SP309933000416	Bolt	M4x16
19	574121	Nose Assembly	Includes item 1 and 573930 Nut
	574237	Nose Assembly	OEM; Includes item 1 and 573930 Nut

Control Panel Vended - FX and PY Models

Models with V in 7th Position Starting Serial No. 80FX020137SF



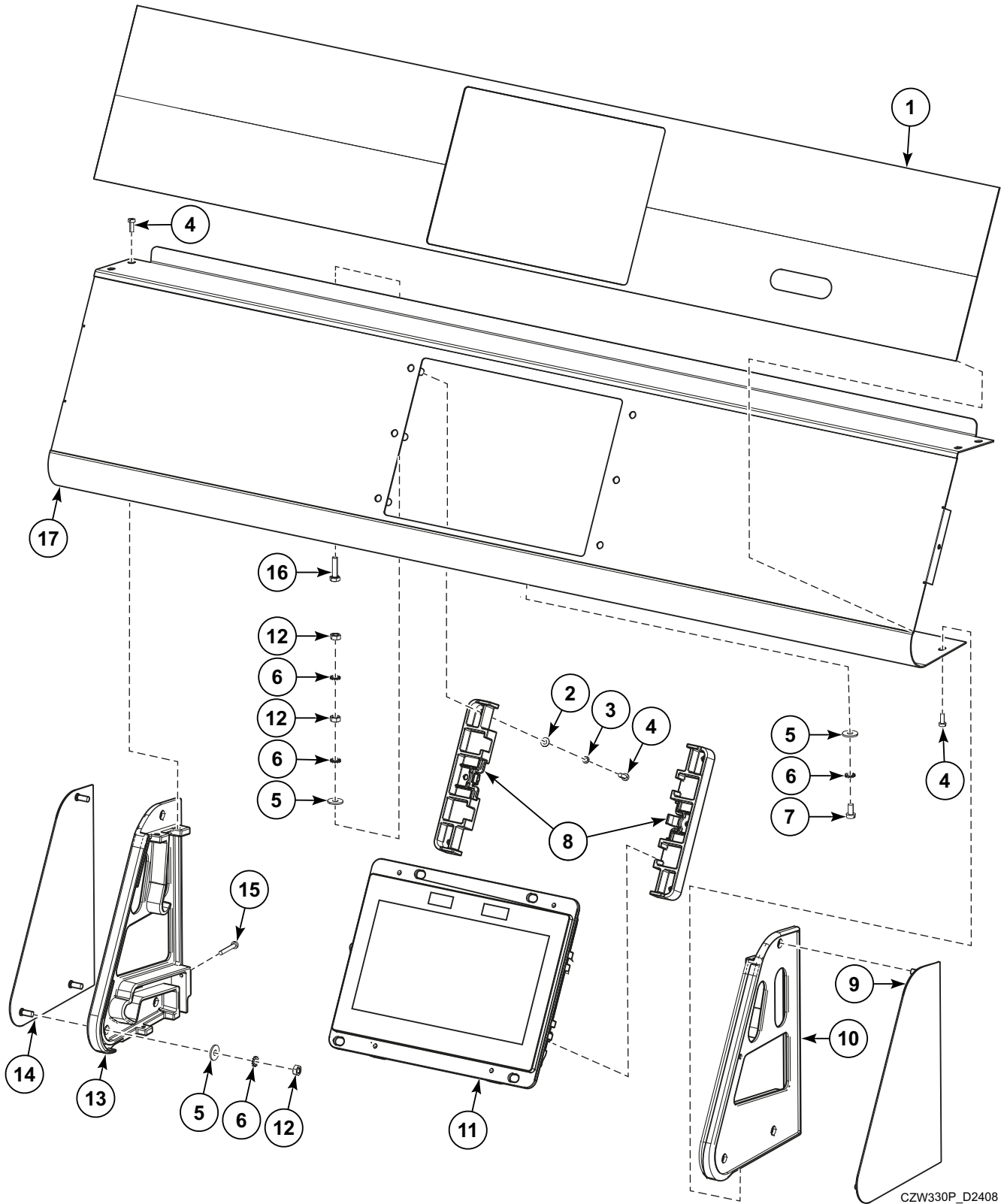
CZW358P_D2408

Control Panel Vended - FX and PY Models

REF	PART NO.	DESCRIPTION	COMMENTS
	SP520033	Emergency Stop Interconnection	
1	573935	Overlay	
	574219	Overlay	OEM
2	SPPRI610002007	Hook Lock	
3	SP547527	Lock	Includes Nuts – 2 pieces
	SP550616	Key	Used with SP547527 Lock
4	SP311125000003	Washer	M3
5	SP311127000003	Washer	3
6	SP309084000308	Bolt	M3x8
7	SP311902100004	Washer	M4
8	SP311679800004	Washer	M4
9	SP309084000408	Bolt	M4x8
10	573929	Sidewall	
11	576070	Sidewall	Right
12	575632	Control	
13	576069	Sidewall	Left
14	SP520407	Screw	
15	SP310934000004	Nut	M4
16	SP309933240412	Bolt	M4x12
17	576036	Nose Assembly	Includes item 1 and 573930 Nut
	576045	Nose Assembly	OEM; Includes item 1 and 573930 Nut

Control Panel for Central Payment System - FX and PY Models

Models with V in 7th Position Through Serial No. 80FX020136SF



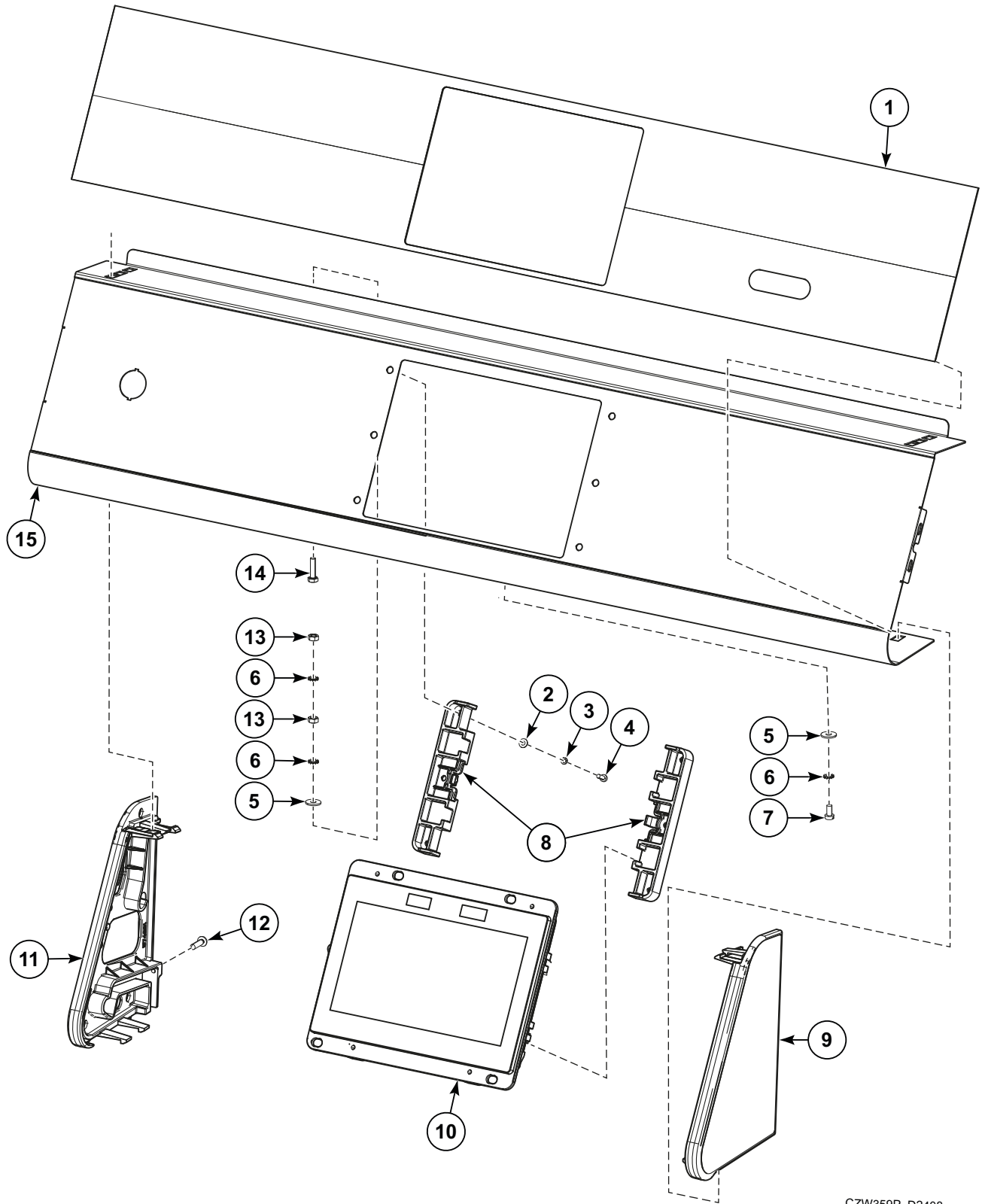
CZW330P_D2408

Control Panel for Central Payment System - FX and PY Models

REF	PART NO.	DESCRIPTION	COMMENTS
	571485	Emergency Stop Interconnection	
1	573950	Overlay	
	574222	Overlay	OEM
2	SP311125000003	Washer	M3
3	SP311127000003	Washer	3
4	SP309084000308	Bolt	M3x8
5	SP311902100004	Washer	M4
6	SP311679800004	Washer	M4
7	SP309084000408	Bolt	M4x8
8	573929	Sidewall	
9	572586	Sidewall	Right
10	572572	Sidewall	Right
11	572505	Control	7", MC10
12	SP310934000004	Nut	M4
13	572571	Sidewall	Left
14	572588	Sidewall	Left
15	SP309084000320	Bolt	M3x20
16	SP309933000416	Bolt	M4x16
17	573953	Nose Assembly	Includes item 1 and 573930 Nut
	574240	Nose Assembly	OEM; Includes item 1 and 573930 Nut

Control Panel for Central Payment System - FX and PY Models

Models with V in 7th Position Starting Serial No. 80FX020137SF

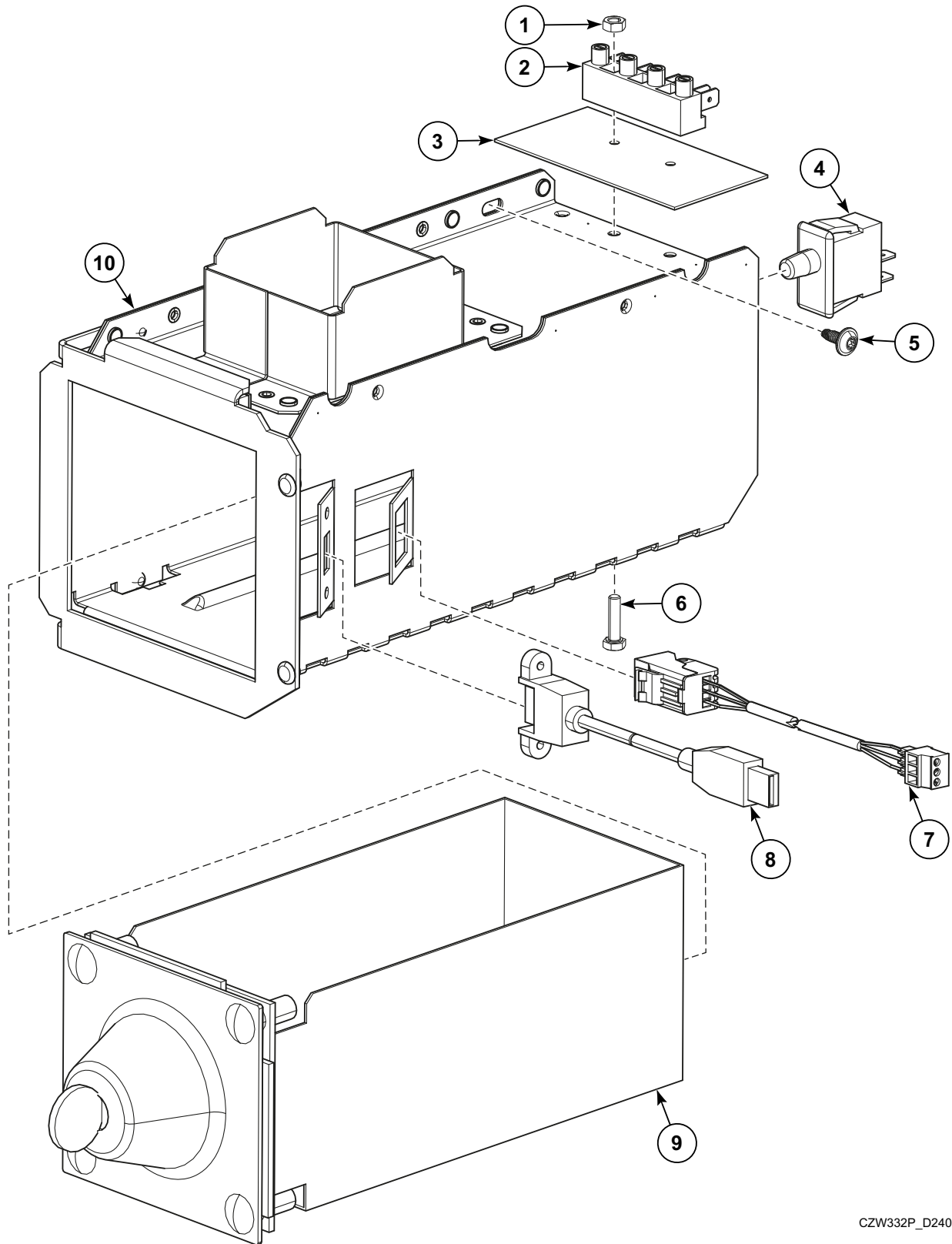


CZW359P_D2408

Control Panel for Central Payment System - FX and PY Models

REF	PART NO.	DESCRIPTION	COMMENTS
	571485	Emergency Stop Interconnection	
1	573950	Overlay	
	574222	Overlay	OEM
2	SP311125000003	Washer	M3
3	SP311127000003	Washer	3
4	SP309084000308	Bolt	M3x8
5	SP311902100004	Washer	M4
6	SP311679800004	Washer	M4
7	SP309084000408	Bolt	M4x8
8	573929	Sidewall	
9	576070	Sidewall	Right
10	575632	Control	
11	576069	Sidewall	Left
12	SP520407	Screw	
13	SP310934000004	Nut	M4
14	SP309933240412	Bolt	M4x12
15	576039	Nose Assembly	Includes item 1 and 573930 Nut
	576048	Nose Assembly	OEM; Includes item 1 and 573930 Nut

Coin Meter Box - All Models Except AF, IY and NY Models with G, H, J or K in 13th Position



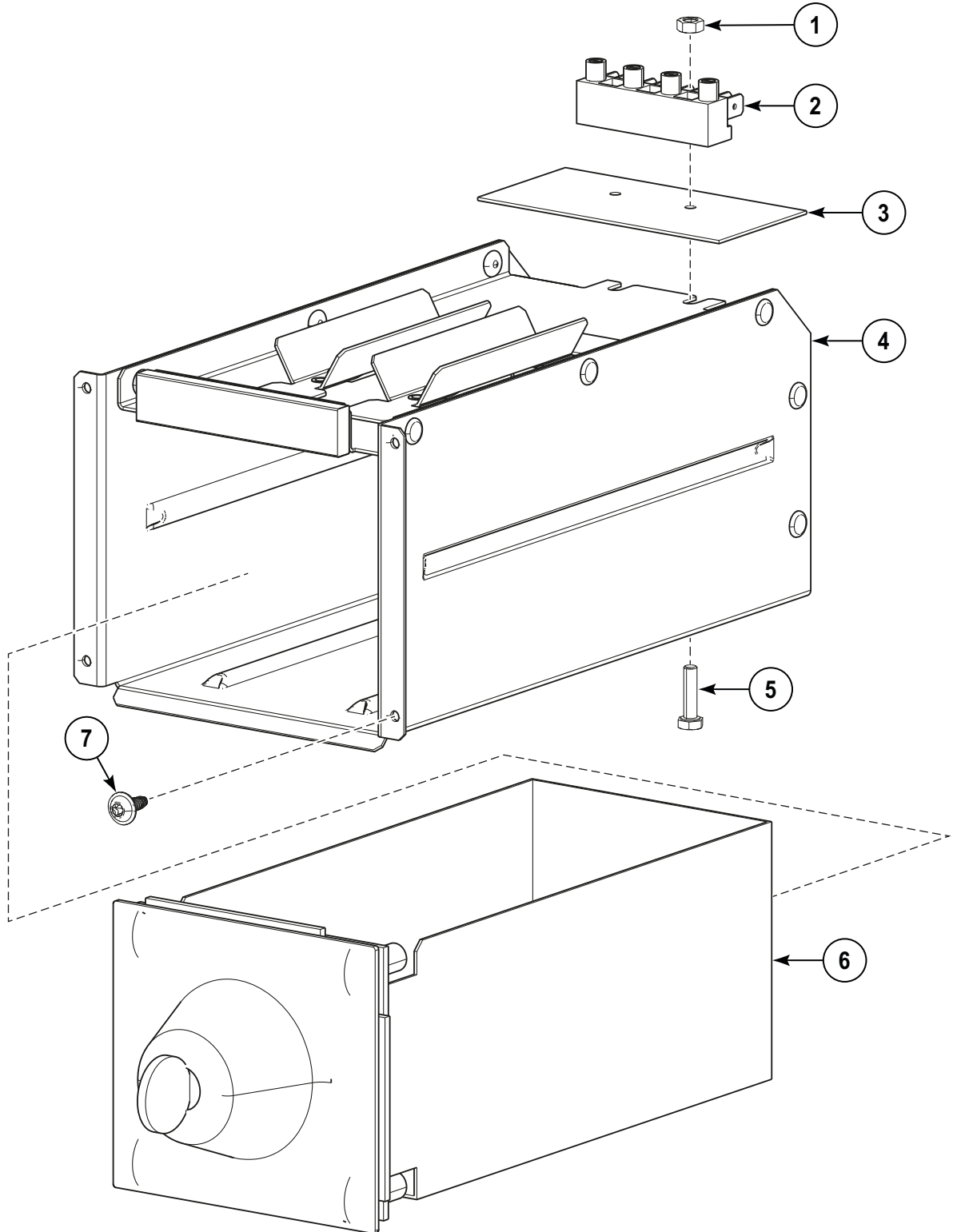
CZW332P_D2408

Coin Meter Box - All Models Except AF, IY and NY Models with G, H, J or K in 13th Position

REF	PART NO.	DESCRIPTION	COMMENTS
1	SP310934000004	Nut	M4
2	SPPRI350000007	Terminal Board	
3	SPPRI350012007	Isolation Paper	
4	N/A	Microswitch	
5	SP529206	Screw	4x11
6	SP309933000416	Bolt	M4x16
7	SP545234	Cable	With connectors; RS485
8	569668	USB Cable	
9	SP102532	Coin Meter Box	
	100498	Coin Meter Box	Large; FX and PY models with H or K in 13th Position
10	571049	Coin Meter Case	
	571055	Coin Meter Case	Large; FX and PY models with H or K in 13th Position

N/A = Part no longer available

Coin Meter Box - AF, IY and NY Models with V in 7th Position or with G, H, J or K in 13th Position



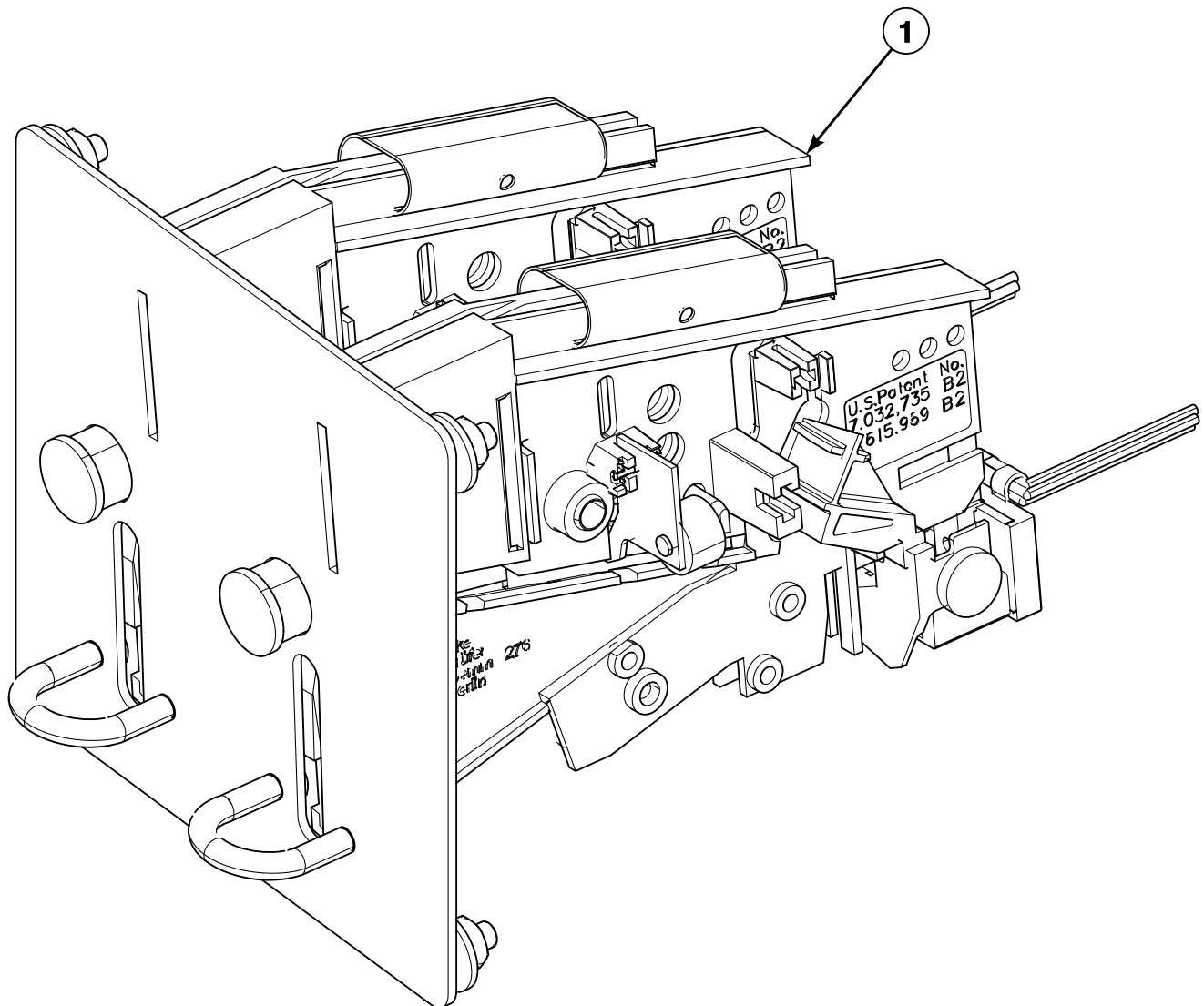
CZW287P_D2408

Coin Meter Box - AF, IY and NY Models with V in 7th Position or with G, H, J or K in 13th Position

REF	PART NO.	DESCRIPTION	COMMENTS
1	SP310934000004	Nut	M4
2	SPPRI350000007	Terminal Board	
3	SPPRI350012007	Isolation Paper	
4	573009	Coin Meter Case	
5	SP309933000416	Bolt	M4x16
6	568036	Coin Meter Box	
7	SP529206	Screw	4x11

Coin Meter - AF, IY and NY Models (Drawing 1 of 4)

Models with V in 7th Position or with G, H J, or K in 13 Position



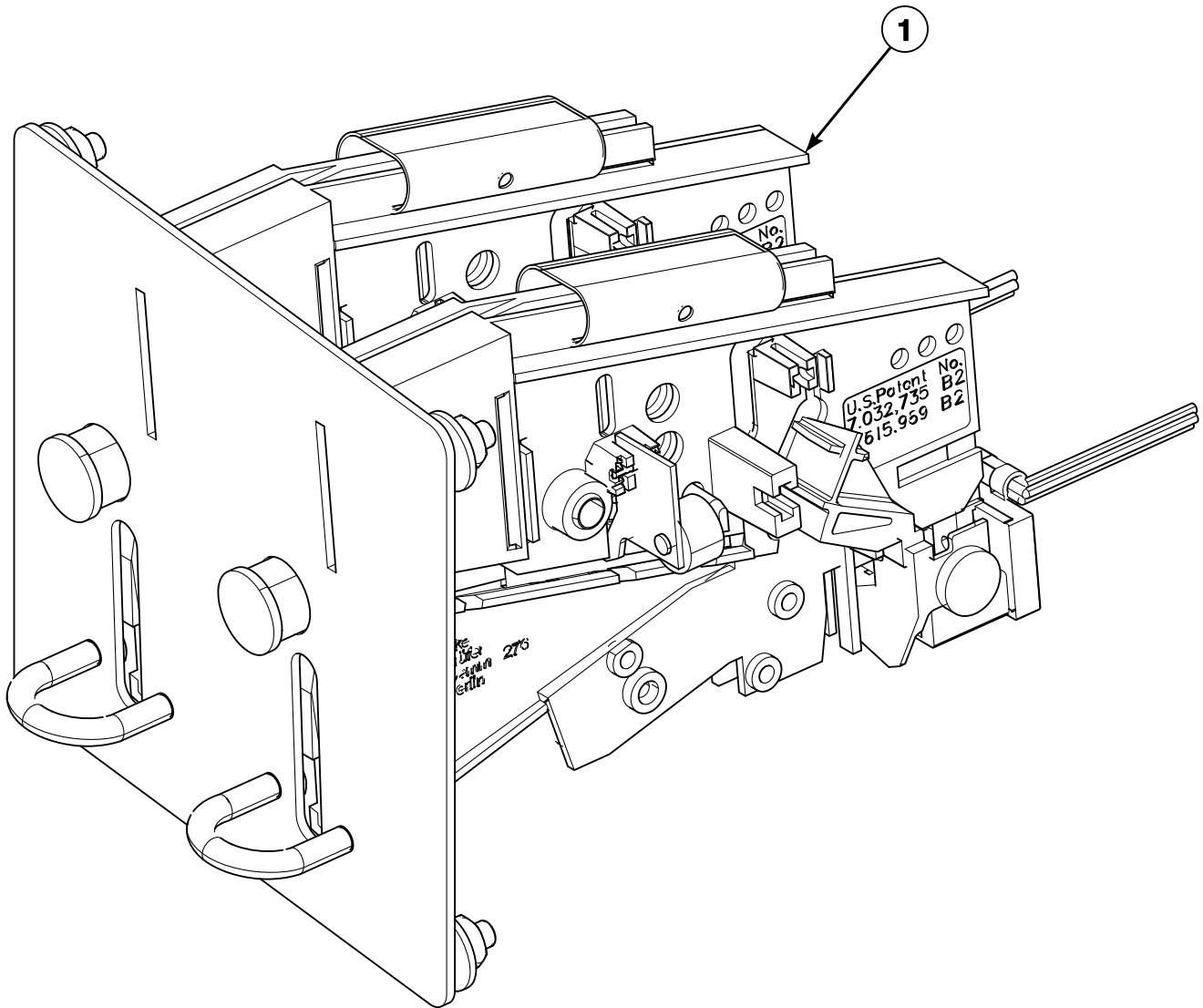
CZW233P_D2408

Coin Meter - AF, IY and NY Models (Drawing 1 of 4)

REF	PART NO.	DESCRIPTION	COMMENTS
1	SP568002	Coin Meter	GBP / EUR; Electronic EMPv7
	SP568003	Coin Meter	5K jeton
	SP568004	Coin Meter	7K jeton
	SP568005	Coin Meter	10K jeton
	SP568006	Coin Meter	12K jeton
	SP568007	Coin Meter	15K jeton
	SP568008	Coin Meter	0.5EUR + 1EUR
	SP568009	Coin Meter	1EUR
	SP568010	Coin Meter	0.5EUR
	SP568011	Coin Meter	1EUR + 2EUR
	SP568012	Coin Meter	2EUR
	SP568013	Coin Meter	0.2EUR + 0.5EUR
	SP568014	Coin Meter	0.2EUR
	SP568015	Coin Meter	1EUR + 0.2EUR
	SP568016	Coin Meter	2EUR + 0.5EUR
	SP568017	Coin Meter	0.25EUR
	575201	Coin Meter	5K PRIMUS jeton
	575202	Coin Meter	10K PRIMUS jeton
	575203	Coin Meter	STD 118-1 jeton
	575204	Coin Meter	7K PRIMUS jeton
	575205	Coin Meter	12K PRIMUS jeton
	575206	Coin Meter	15K PRIMUS jeton
	575207	Coin Meter	1AUD + 0.2AUD
	575208	Coin Meter	1POND + 20PC
	575209	Coin Meter	1POND + 50PC
	575210	Coin Meter	100YEN
	575211	Coin Meter	100YEN + 500YEN
	575212	Coin Meter	1AUD + 2AUD
	575213	Coin Meter	1AUD
	575214	Coin Meter	20 penny
	575215	Coin Meter	50 New Malaysian cent

Coin Meter - AF, IY and NY Models (Drawing 2 of 4)

Models with V in 7th Position or with G, H J, or K in 13 Position



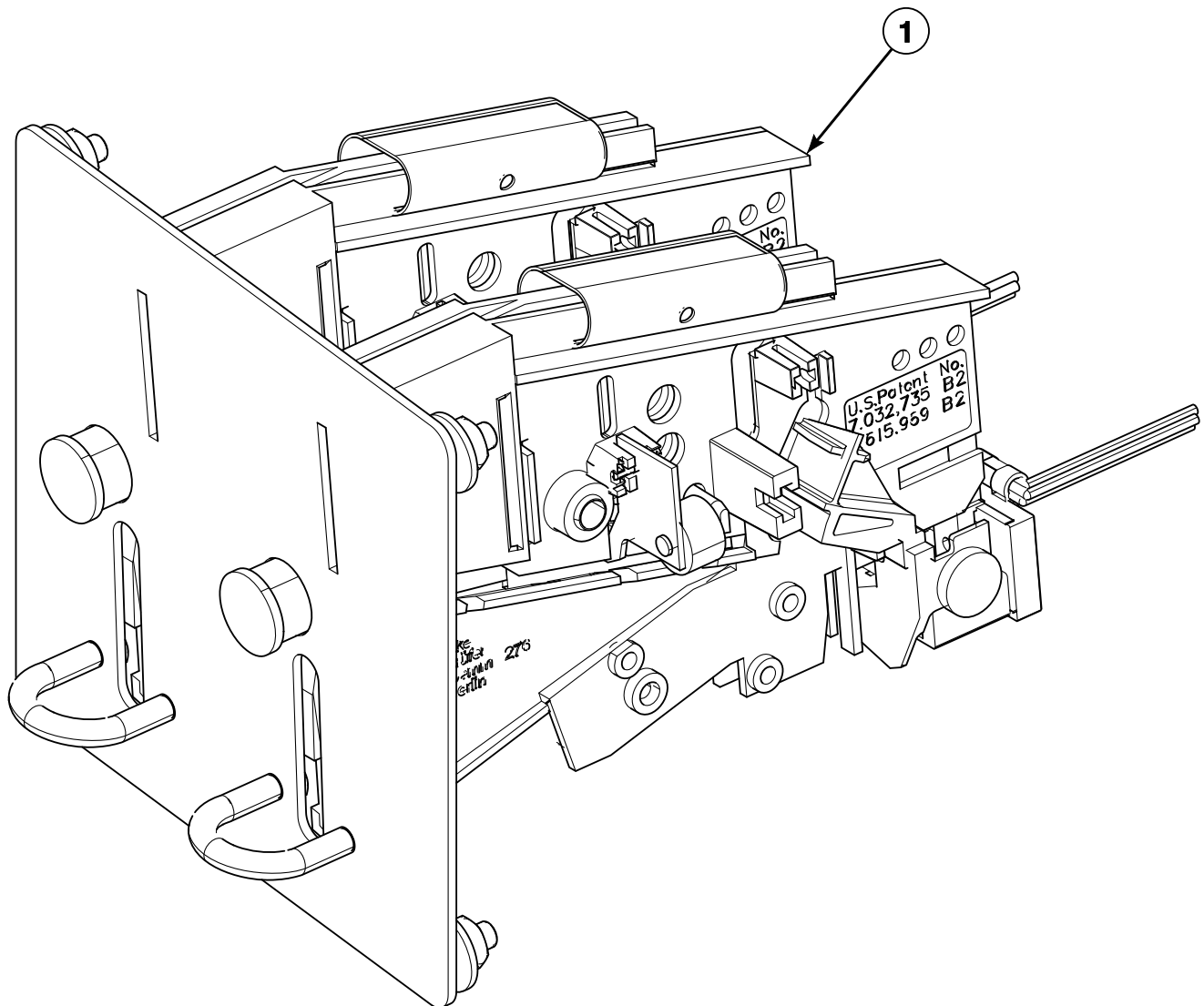
CZW233P_D2408

Coin Meter - AF, IY and NY Models (Drawing 2 of 4)

REF	PART NO.	DESCRIPTION	COMMENTS
1	575216	Coin Meter	1 New Singapore dollar
	575217	Coin Meter	2x50 Malaysian cent
	575218	Coin Meter	1 Singapore dollar
	575219	Coin Meter	1NZD and 2NZD
	575220	Coin Meter	Easy games jeton
	575221	Coin Meter	Flat polis jeton
	575222	Coin Meter	Butzi wash jeton
	575223	Coin Meter	Speedy matic jeton
	575224	Coin Meter	Laundromatic Belgium jeton; Diameter 22.3mm
	575225	Coin Meter	500WON
	575226	Coin Meter	Dobi ekspress jeton
	575227	Coin Meter	Lucky winner jeton
	575228	Coin Meter	Gettone jeton
	575229	Coin Meter	10 Taiwan dollar
	575230	Coin Meter	Electrolux Asard jeton
	575231	Coin Meter	Gettone jeton
	575232	Coin Meter	5+1 Shekel
	575233	Coin Meter	1HKD
	575234	Coin Meter	Jeton Prinz Firbitex
	575235	Coin Meter	Token Ldl Chamberland Washing Machine
	575236	Coin Meter	Token 118-5
	575237	Coin Meter	Token Barisart (Ldl)
	575238	Coin Meter	Token Rotondi
	575239	Coin Meter	Brass jeton
	575240	Coin Meter	0.5CHF + 2CHF
	575241	Coin Meter	Jeton HAUCK 2018
	575242	Coin Meter	Jeton 08 MS, diameter 24.9mm
	575243	Coin Meter	Jeton D
	575244	Coin Meter	10+50 TWD
	575245	Coin Meter	100+500 ISK
	575246	Coin Meter	Token 118-16
	575247	Coin Meter	Token WH121
	575248	Coin Meter	Token Nr. 1699360

Coin Meter - AF, IY and NY Models (Drawing 3 of 4)

Models with V in 7th Position or with G, H J, or K in 13 Position



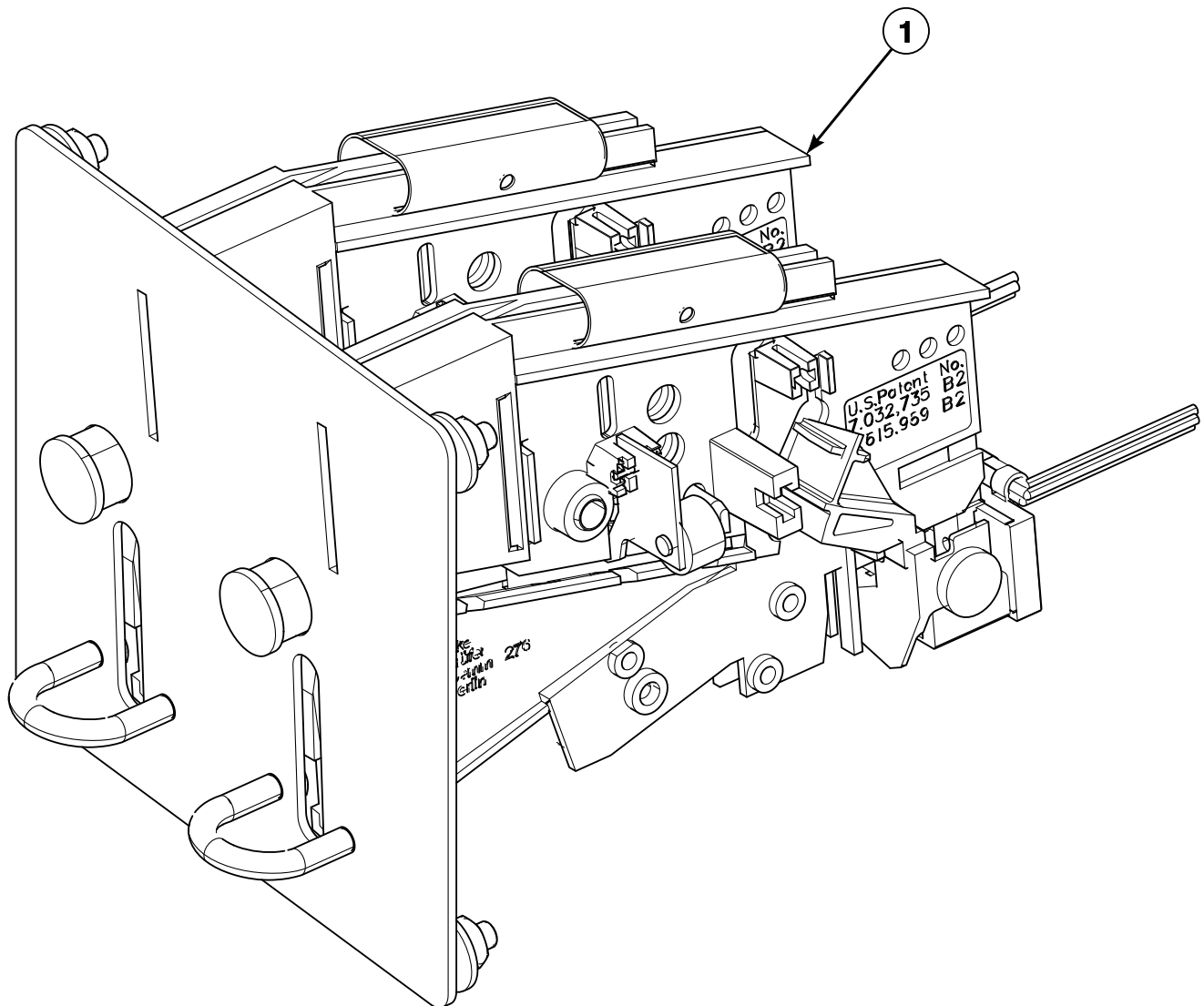
CZW233P_D2408

Coin Meter - AF, IY and NY Models (Drawing 3 of 4)

REF	PART NO.	DESCRIPTION	COMMENTS
1	575278	Coin Meter	0.25USD + 1USD
	575279	Coin Meter	0.25CAD + 1CAD
	575249	Coin Meter	0.25USD + 1USD; 0.25CAD + 1CAD + 2CAD; TK1 + TK2; Electronic EMPv7
	568002	Coin Meter	0.2GBP + 0.5GBP + 1GBP + 2GBP; 0.1EUR + 0.2EUR + 0.5EUR + 1EUR + 2EUR; TK1 + TK2; Electronic EMPv7
	575250	Coin Meter	1DKK + 2DKK + 5DKK + 10DKK + 20DKK; 1NOK + 5NOK + 10NOK + 20NOK; 0.2EUR + 0.5EUR + 1EUR + 2EUR; TK1 + TK2; Electronic EMPv7
	575251	Coin Meter	0.2AUD + 1AUD + 2AUD; 0.2NZD + 1NZD + 2NZD; 5HKD + 10HKD; 500KRW; TK1 + TK2; Electronic EMPv7
	575252	Coin Meter	1CNY; 0.1MYR + 0.2MYR + 0.5MYR; TK1 + TK2; Electronic EMPv7
	575253	Coin Meter	0.1EUR + 0.2EUR + 0.5EUR + 1EUR + 2EUR; TK1 + TK2; Electronic EMPv7
	575254	Coin Meter	1PHP + 5PHP + 10PHP; TK1 + TK2; Electronic EMPv7
	575255	Coin Meter	0.1SGD + 0.2SGD + 0.5SGD + 1SGD; TK1 + TK2; Electronic EMPv7
	575256	Coin Meter	0.1MYR + 0.2MYR + 0.5MYR (old/new); 0.5SGD + 1SGD (old/new); TK1 + TK2; Electronic EMPv7
	575257	Coin Meter	1HRK + 2HRK + 5HRK; TK1 + TK2; Electronic EMPv7
	575258	Coin Meter	5CZK + 10CZK + 20CZK + 50CZK; Token Primus 7K; TK1 + TK2; Electronic EMPv7
	575259	Coin Meter	0.5MAD + 1MAD + 2MAD + 5MAD + 10MAD; TK1 + TK2; Electronic EMPv7
	575260	Coin Meter	1PLN + 2PLN + 5PLN; 0.1EUR + 0.2EUR + 0.5EUR + 1EUR + 2EUR; 10ISK + 50ISK + 100ISK; TK1 + TK2; Electronic EMPv7
	575261	Coin Meter	0.1EUR + 0.2EUR + 0.5EUR + 1EUR + 2EUR; jeton IPSO 5K; TK1 + TK2; Electronic EMPv7
	575262	Coin Meter	0.2GBP + 0.5GBP + 1GBP + 2GBP; 0.1EUR + 0.2EUR + 0.5EUR + 1EUR + 2EUR; TK1: jeton Gettone; TK2: jeton "KLW Aqua"; Electronic EMPv7
	575263	Coin Meter	0.1EUR + 0.2EUR + 0.5EUR + 1EUR + 2EUR, jeton G-FIS "LAVOIR BIANCA" (20x1.8); TK1 + TK2; Electronic EMPv7
	575264	Coin Meter	0.5MYR; jeton "DOBI PAPA" (22.5x2); TK1 + TK2; Electronic EMPv7
	575265	Coin Meter	1AUD + 2AUD, jeton "No Cash Value" (28.6x1.58); TK1 + TK2; Electronic EMPv7
	575266	Coin Meter	0.5MYR; jeton "BUBBLELAB"; TK1 + TK2; Electronic EMPv7
	575267	Coin Meter	1ILS + 2ILS + 5ILS + 10ILS; TK1 + TK2; Electronic EMPv7
	575268	Coin Meter	1ZAR + 2ZAR + 5ZAR; TK1 + TK2; Electronic EMPv7
	575269	Coin Meter	5RUB + 10RUB; TK1 + TK2; Electronic EMPv7
	575270	Coin Meter	50CLP + 100CLP + 500CLP; TK1 + TK2; Electronic EMPv7
	575271	Coin Meter	100JPY + 500JPY; 10TWD + 50TWD; TK1 + TK2; Electronic EMPv7
	575272	Coin Meter	0.5GEL + 1GEL + 2GEL; TK1 + TK2; Electronic EMPv7

Coin Meter - AF, IY and NY Models (Drawing 4 of 4)

Models with V in 7th Position or with G, H J, or K in 13 Position



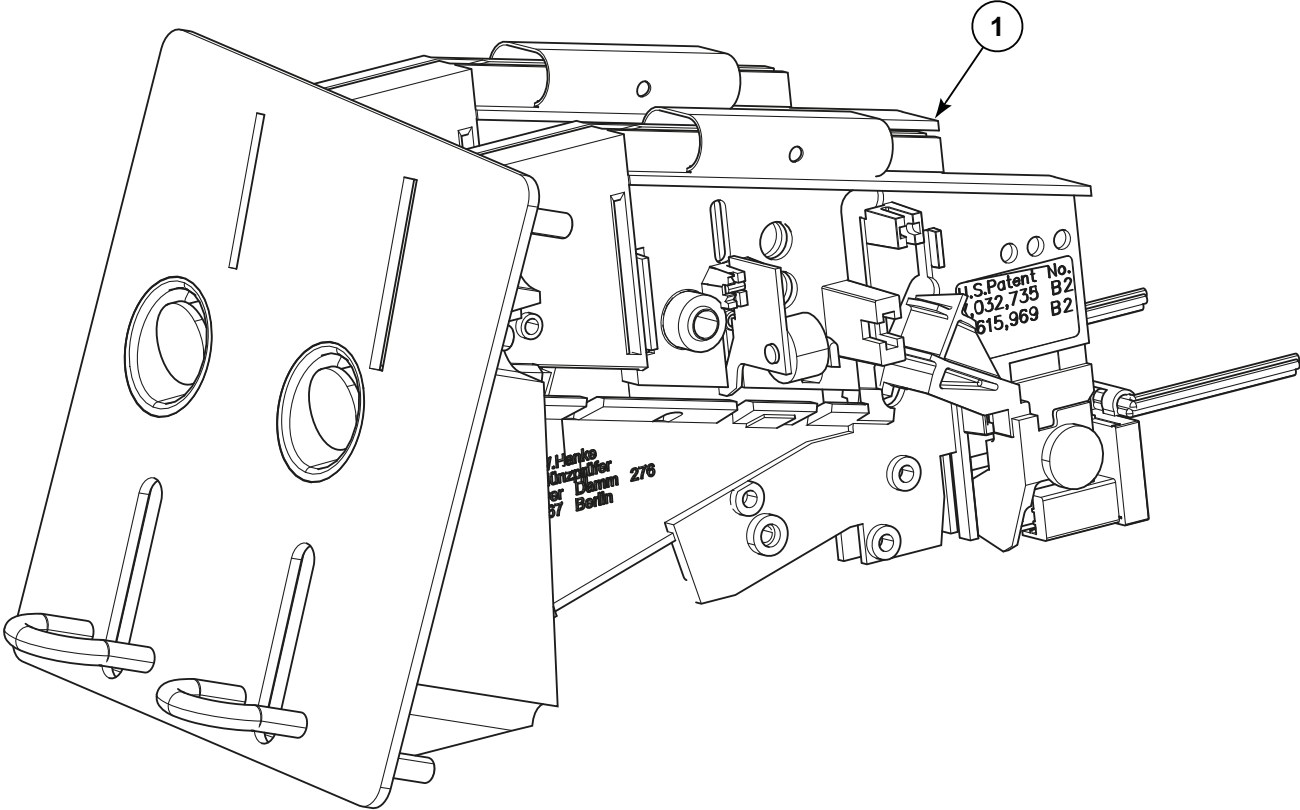
CZW233P_D2408

Coin Meter - AF, IY and NY Models (Drawing 4 of 4)

REF	PART NO.	DESCRIPTION	COMMENTS
1	575273	Coin Meter	0.1EUR + 0.2 EUR + 0.5EUR + 1EUR + 2EUR; Jeton 7K; TK1 + TK2; Electronic EMPv7
	575274	Coin Meter	20HUF + 50HUF + 100HUF + 200HUF; TK1 + TK2; Electronic EMPv7
	575275	Coin Meter	1THB + 2THB + 5THB + 10THB; TK1 + TK2; Electronic EMPv7
	572386	Coin Meter	0.2CHF + 0.5CHF + 1CHF + 2CHF; TK1 + TK2; Electronic EMPv7
	579811	Coin Meter	1EAD; 1TK, 2TK Jeton; Electronic EMPv7

Coin Meter - FX and PY Models (Drawing 1 of 3)

Models with H or K in 13th Position



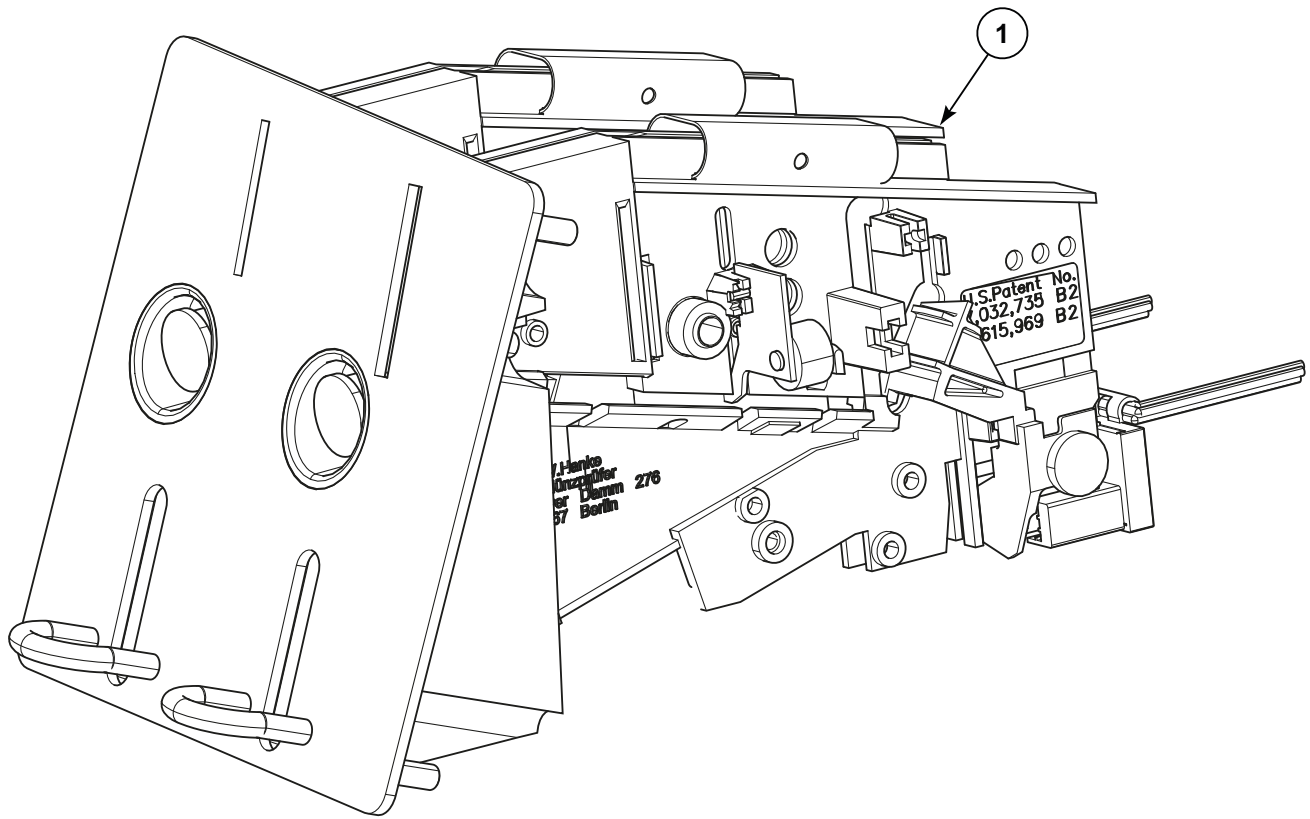
CZT185P_D2408

Coin Meter - FX and PY Models (Drawing 1 of 3)

REF	PART NO.	DESCRIPTION	COMMENTS
1	SP547601	Coin Meter	5K Primus jeton
	SP547602	Coin Meter	7K Primus jeton
	SP547603	Coin Meter	10K Primus jeton
	SP547604	Coin Meter	12K Primus jeton
	SP547605	Coin Meter	15K Primus jeton
	SP547606	Coin Meter	D jeton
	SP547648	Coin Meter	0.05EUR
	SP547638	Coin Meter	0.2EUR
	SP547616	Coin Meter	0.5EUR
	SP547614	Coin Meter	1EUR
	SP547647	Coin Meter	2EUR
	SP547622	Coin Meter	0.2EUR + 0.5EUR
	SP547639	Coin Meter	0.2EUR + 1EUR
	SP547617	Coin Meter	0.5EUR + 1EUR
	SP547656	Coin Meter	0.5EUR + 2EUR
	SP547631	Coin Meter	1EUR + 2EUR
	SP547652	Coin Meter	7K + D jeton
	SP547666	Coin Meter	7K jeton and 2EUR
	SP547665	Coin Meter	D jeton and 2EUR
	SP547600	Coin Meter	1AUD + 20C
	SP547607	Coin Meter	1POND + 20PC
	SP547608	Coin Meter	1POND + 50PC
	SP547609	Coin Meter	100YEN
	SP547610	Coin Meter	500JPY + 100JPY
	SP547611	Coin Meter	5DKK
	SP547612	Coin Meter	20DKK
	SP547613	Coin Meter	5ILS + 1ILS
	SP547615	Coin Meter	1MYR
	SP547618	Coin Meter	1DKK + 5DKK
	SP547619	Coin Meter	10NOK + 20NOK
	SP547620	Coin Meter	2DKK + 5DKK
	SP547621	Coin Meter	5NOK
	SP547623	Coin Meter	1NZD + 2NZD
	SP547624	Coin Meter	10 NOK
	SP547625	Coin Meter	10NT + 50NT
	SP547626	Coin Meter	2DKK
	SP547627	Coin Meter	Lucky Winner jeton
	SP547628	Coin Meter	10TWD
	SP547629	Coin Meter	10CZK + 20CZK
	SP547630	Coin Meter	7K Equipos Par Lavar jeton
	569921	Coin Meter	0.2GBP, 0.5GBP, 1GBP, 2GBP, 0.1EUR, 0.2EUR, 0.5EUR, 1EUR, 2EUR; Electronic EMPv7
	SP547634	Coin Meter	500WON
	SP547635	Coin Meter	0.25USD
	SP547636	Coin Meter	1AUD + 2AUD
	SP547637	Coin Meter	5DK + 10DK
	SP547640	Coin Meter	Sun Wash jeton

Coin Meter - FX and PY Models (Drawing 2 of 3)

Models with H or K in 13th Position



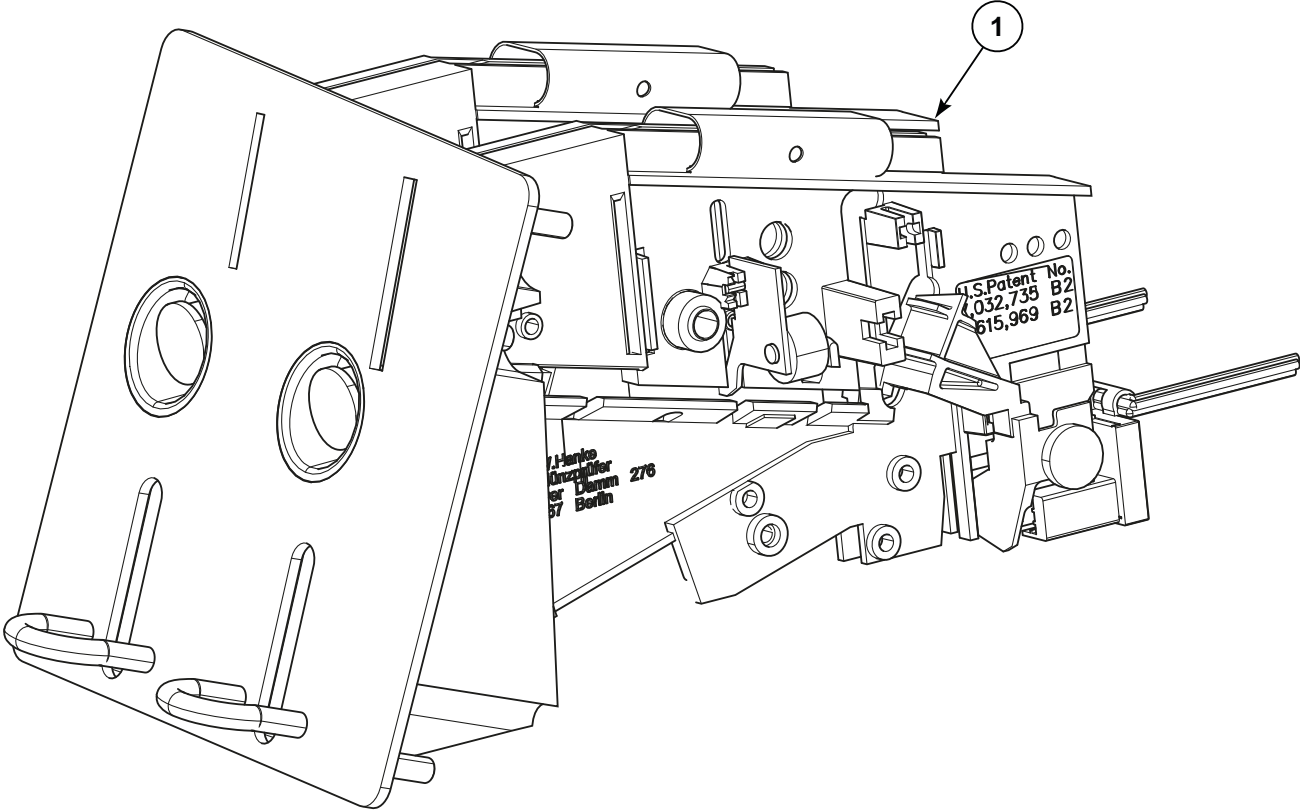
CZT185P_D2408

Coin Meter - FX and PY Models (Drawing 2 of 3)

REF	PART NO.	DESCRIPTION	COMMENTS
1	SP547641	Coin Meter	2DK + 10DK
	SP547642	Coin Meter	1AUD
	SP547643	Coin Meter	1CHF
	SP547644	Coin Meter	5NOK + 10NOK
	SP547645	Coin Meter	1 TopMos jeton + 1LEV jeton
	SP547646	Coin Meter	1 Vendo jeton
	SP547649	Coin Meter	1 jeton
	569951	Coin Meter	0.5MAD, 1MAD, 2MAD, 5MAD, 10MAD; Electronic EMPv7
	SP547651	Coin Meter	20 penny
	SP547653	Coin Meter	1 Wascator jeton, jeton diamater 22.2 mm
	SP547654	Coin Meter	1 Unibel jeton, jeton diamater 18.55 mm
	SP547657	Coin Meter	50HUF + 100HUF
	SP547658	Coin Meter	1 jeton without coining, jeton diamater 20 mm
	SP547659	Coin Meter	1 Volund jeton, jeton diamater 22.5 mm
	SP547660	Coin Meter	1 Wascator jeton, jeton diamater 19 mm
	SP547661	Coin Meter	1 Miele jeton
	SP547662	Coin Meter	1 jeton without coining, jeton diamater 26 mm
	SP547663	Coin Meter	Three-groove jeton; jeton diamater 27 mm
	SP547664	Coin Meter	Three-groove jeton; jeton diamater 24.9 mm
	SP537996	Coin Meter	Top-Mosr jeton
	SP547667	Coin Meter	Milano Italy jeton
	SP547668	Coin Meter	5PLN + 1PLN
	SP547669	Coin Meter	Two-grooves jeton; jeton diamater 27 mm
	SP547670	Coin Meter	A.S.A.R.D. jeton, jeton diamater 25.8 mm
	SP547671	Coin Meter	20CZK
	SP547672	Coin Meter	Jeton ASARD, jeton diamater 22.3 mm
	SP547673	Coin Meter	Jeton Laundromatic Belgium, jeton diamater 22.3 mm
	SP547674	Coin Meter	1SGD
	SP547675	Coin Meter	Jeton Asard Wascator, jeton diamater 19.9 mm
	SP555502	Coin Meter	Easy Games jeton
	SP555543	Coin Meter	Brev.C jeton
	SP555546	Coin Meter	50 Malaysian cent
	SP555549	Coin Meter	Flat Polis jeton
	SP555550	Coin Meter	Butzi Wash jeton
	SP555578	Coin Meter	1 New Singapore Dollar
	SP555558	Coin Meter	Copper without grooves jeton
	569939	Coin Meter	0.1SGD, 0.2SGD, 0.5SGD, 1SGD; Electronic EMPv7
	SP555666	Coin Meter	2x50 Malaysian cent
	569933	Coin Meter	0.1EUR, 0.2EUR, 0.5EUR, 1EUR, 2EUR; Electronic EMPv7
	SP555559	Coin Meter	Speedy Matic jeton
	SP555579	Coin Meter	Was-Salon Lavoir jeton
569948	Coin Meter	5CZK, 10CZK, 20CZK, 50CZK; Electronic EMPv7	
SP560744	Coin Meter	Electronic for Dobi Ekspress jeton	
569964	Coin Meter	0.2GBP, 0.5GBP, 1GBP, 2GBP, 0.1EUR, 0.2EUR, 0.5EUR, 1EUR, 2EUR, jeton "KWL Aqua", jeton "Gettone"; Electronic EMPv7	
SP560089	Coin Meter	STD 118-1 jeton	

Coin Meter - FX and PY Models (Drawing 3 of 3)

Models with H or K in 13th Position

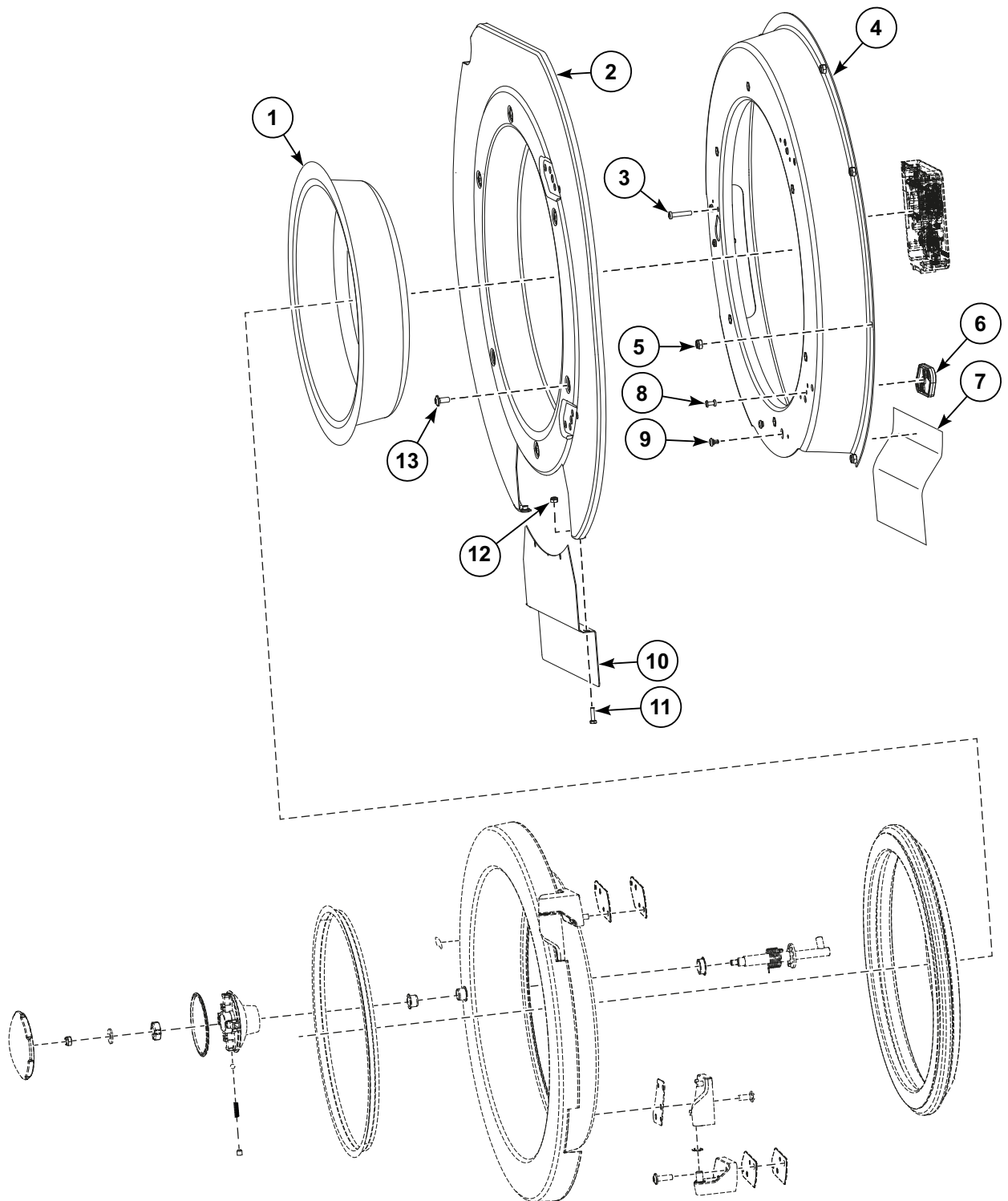


CZT185P_D2408

Coin Meter - FX and PY Models (Drawing 3 of 3)

REF	PART NO.	DESCRIPTION	COMMENTS
1	SP560082	Coin Meter	5k IPSO jeton
	SP560083	Coin Meter	7k IPSO jeton
	SP560084	Coin Meter	10k IPSO jeton
	SP560085	Coin Meter	12k IPSO jeton
	SP560086	Coin Meter	15k IPSO jeton
	561378	Coin Meter	10 Moroccan Dirham
	SP569918	Coin Meter	0.25USD, 1USD, 0.25CAD, 1CAD, 2CAD; Electronic EMPv7
	560073	Coin Meter	0.25 USD/1 USD
	569930	Coin Meter	1CNY, 0.1MYR, 0.2MYR, 0.5MYR; Electronic EMPv7
	569927	Coin Meter	0.2AUD, 1AUD, 2AUD, 0.2NZD, 1NZD, 2NZD, 5HKD, 10HKD, 500KRW; Electronic EMPv7
	561496	Coin Meter	Jeton Grupo Azkoyen CDS Automaten
	569936	Coin Meter	1PHP, 5PHP, 10PHP; Electronic EMPv7
	569942	Coin Meter	0.1MYR, 0.2MYR, 0.5MYR, 0.5SGD, 1SGD; Electronic EMPv7
	569945	Coin Meter	1HRK, 2HRK, 5HRK; Electronic EMPv7
	569924	Coin Meter	1DKK, 2DKK, 5DKK, 10DKK, 20DKK, 1NOK, 5NOK, 10NOK, 20NOK, 0.2EUR, 0.5EUR, 1EUR, 2EUR; Electronic EMPv7
	SP564484	Coin Meter	Jeton 118-5
	SP564486	Coin Meter	Jeton Barisart (LDL)
	569961	Coin Meter	0.1EUR, 0.2EUR, 0.5EUR, 1EUR, 2EUR, jeton IPSO 5K; Electronic EMPv7
	564489	Coin Meter	Jeton Sporrong
	569970	Coin Meter	0.5MYR, jeton "DOBI PAPA"; Electronic EMPv7
	553150	Coin Meter	Jeton with hole
	553151	Coin Meter	Jeton Deton Wash
	569901	Coin Meter	Brass jeton
	569912	Coin Meter	Jeton Wassalon lavoir
	569954	Coin Meter	1PLN, 2PLN, 5PLN, 0.1EUR, 0.2EUR, 0.5EUR, 1EUR, 2EUR, 10ISK, 50ISK, 100ISK; Electronic EMPv7
	569967	Coin Meter	0.1EUR, 0.2EUR, 0.5EUR, 1EUR, 2EUR, jeton G-FIS "LAVOIR BIANCA"; Electronic EMPv7
	569973	Coin Meter	1AUD, 2AUD, jeton "No Cash Value"; Electronic EMPv7
	569979	Coin Meter	0.5MYR, jeton "BUBBLELAB"; Electronic EMPv7
	569987	Coin Meter	Jeton HAUCK 2018
	572358	Coin Meter	1THB, 2THB, 5THB, 10THB; 1TK, 2TK Jeton; Electronic EMPv7
	569998	Coin Meter	100+500 ISK
	572301	Coin Meter	Token 118-16
	572339	Coin Meter	Getton Jeton (26 x 1.7mm)
	572342	Coin Meter	Token WH121
	572304	Coin Meter	1ILS, 2ILS, 5ILS, 10ILS; 1TK, 2TK Jeton; Electronic EMPv7
	572307	Coin Meter	1ZAR, 2ZAR, 5ZAR; 1TK, 2TK Jeton; Electronic EMPv7
	572310	Coin Meter	5RUB, 10RUB; 1TK, 2TK Jeton; Electronic EMPv7
	572313	Coin Meter	550CLP, 100CLP, 500CLP; 1TK, 2TK Jeton; Electronic EMPv7
	572317	Coin Meter	100JPY, 500JPY; 10TWD, 50TWD; 1TK, 2TK Jeton; Electronic EMPv7
	572320	Coin Meter	0.5GEL, 1GEL, 2GEL; 1TK, 2TK Jeton; Electronic EMPv7
	572323	Coin Meter	0.2 EUR, 0.5EUR, 1EUR, 2EUR, Jeton 7K; Electronic EMPv7
572326	Coin Meter	20HUF, 50HUF, 100HUF, 200HUF; 1TK, 2TK Jeton; Electronic EMPv7	
572383	Coin Meter	0.2CHF, 0.5CHF, 1CHF, 2CHF; 1TK, 2TK Jeton; Electronic EMPv7	
572391	Coin Meter	0.25CAD	
579808	Coin Meter	1EAD; 1TK, 2TK Jeton; Electronic EMPv7	

Door- All Models Except Models with V in 7th Position (Drawing 1 of 3)

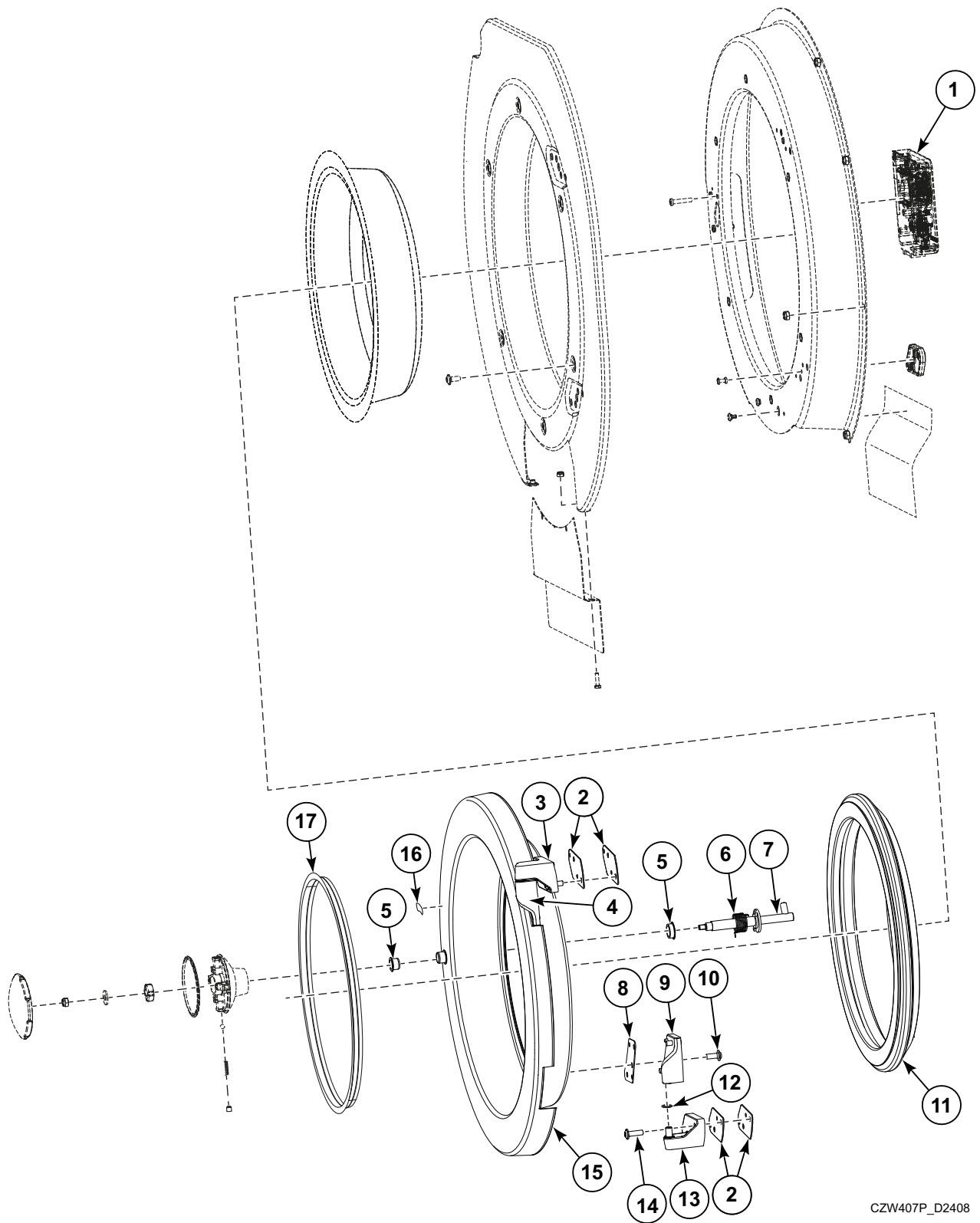


CZW370P_D2408

Door- All Models Except Models with V in 7th Position (Drawing 1 of 3)

REF	PART NO.	DESCRIPTION	COMMENTS
	SP528270	Door Lock Wiring	MC6 control board; CE
	SP245704003021	Adhesive	Loctite 243
	SP552454	Door Lock Wiring	MC7; CSA
	SP552453	Door Lock Wiring	MC7; CE
	SP537896	Adhesive	Reversible
	SP245704000603	Adhesive	Loctite 603; Used with SP537854 Bolt
	568990	Service Door Kit	Includes 562528 Door Seal, 568804 Shim, 560069 Shim, PRI722000004 Plastic Protection, PRI722000001 Plastic Protection and SP345000160971 Binding Strip
1	SP556226	Door Glass	IY models; With logo
	SP559399	Door Glass	J models
	SP535413	Door Glass	All other models; Without logo
2	579113	Front Panel	Model SY80_KIS_PHOTO-ME; Stainless 316L
	571721	Front Panel	AF, NY and PY models; Black
	571724	Front Panel	H, HY, IY, J, SY and UY models; Stainless
3	SP556137	Bolt	M5x25
4	SP537852	Door and Lock Holder	
5	SP310985000006	Nut	M6
6	SP537849	Hinge Spacer	
7	SP552972	Cover	
8	SP547779	Rivet	4x16.7
9	SP537856	Connector	
10	579087	Heating Element Front Cover	Model SY80_KIS_PHOTO-ME; Stainless 316L
	SP563273	Heating Element Front Cover	AF, NY and PY models; Black
	568985	Heating Element Front Cover	H, HY, IY, J, SY and UY models; Stainless
11	SP309084000416	Bolt	M4x16
12	SP313251002104	Nut	M4
13	SP537854	Bolt	M6x14

Door - All Models Except Models with V in 7th Position (Drawing 2 of 3)



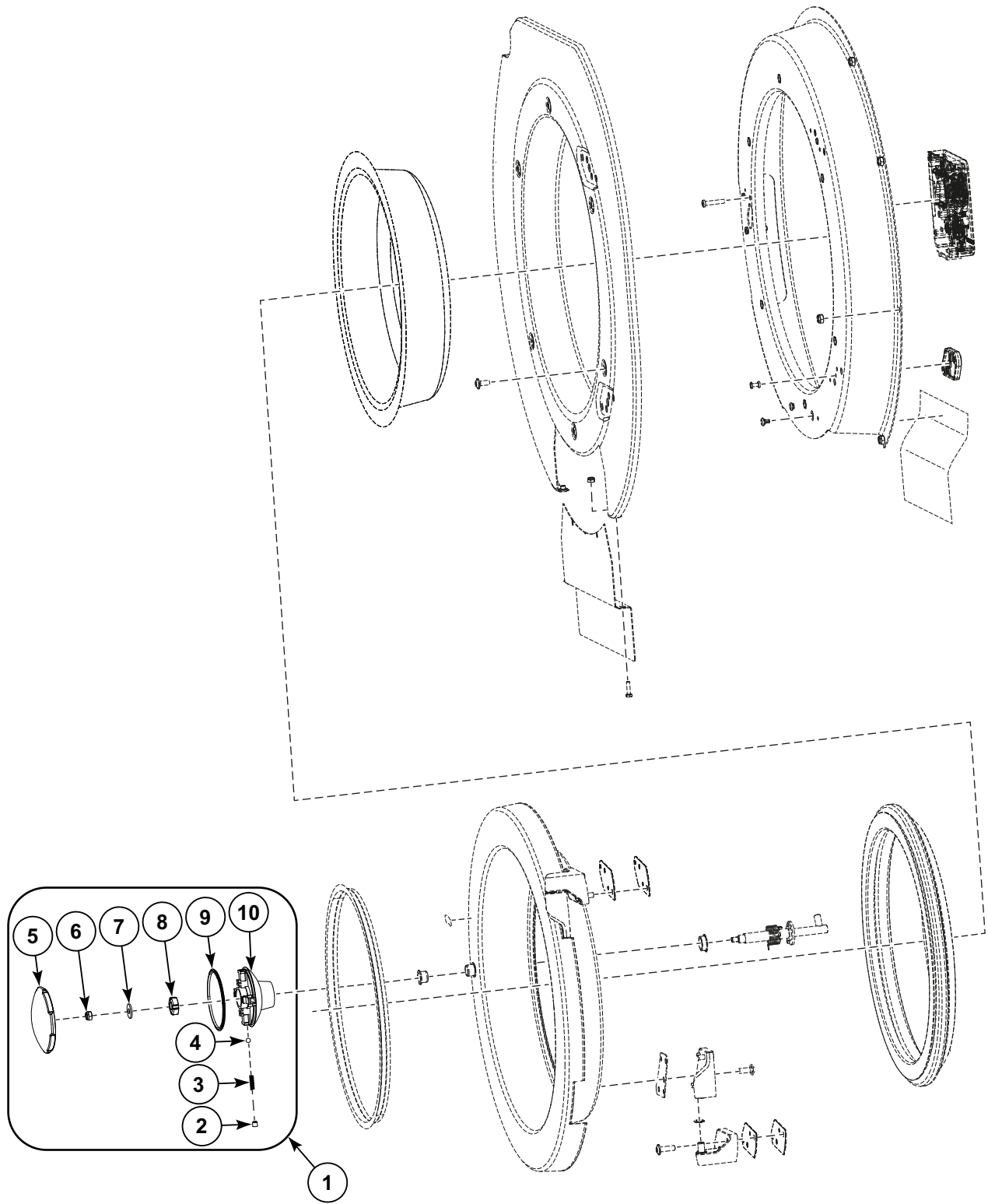
CZW407P_D2408

Door - All Models Except Models with V in 7th Position (Drawing 2 of 3)

REF	PART NO.	DESCRIPTION	COMMENTS
	F8301201	Double Check Valve	J models; CE; Used with SPPRI426001217 Pipe Nipple
	570554	Kit of Hinges	HY, SY and UY models; includes 568981, 568984, 575962, 575965 and 571642
	570553	Kit of Hinges	All other models; includes 568979, 568982, 575960, 575963 and 571642
1	SP537760	Lock	
2	N/A	Washer	
3	568981	Fixed Upper Hinge	HY, SY and UY models
	568979	Fixed Upper Hinge	All other models
4	575962	Upper Hinge	HY, SY and UY models
	575960	Upper Hinge	All other models
5	SP529739	Casing	
6	SP535402	Handle Torsion Spring	
7	SP537933	Lock Pin	
8	SP535421	Hinge Spacer	
9	575965	Lower Hinge	HY, SY and UY models
	575963	Lower Hinge	All other models
10	SP537864	Bolt	M6x16
11	568990	Service Door Kit	
12	571642	Washer	
13	568984	Fixed Lower Hinge	HY, SY and UY models
	568982	Fixed Hinge	All other models; Lower
14	SP535479	Bolt	M6x25
15	SP535423	Door	HY, SY, UY and SY80_KIS_PHOTO-ME models; FX, HX, MWF, PY, QW and SW models through Serial No. 80FX013245MB; Chrome
	SP553525	Door	FX, HX, MWF, PY, QW and SW models starting Serial No. 80FX013246MB; Gray
	SP535425	Door	AF, AF Non-Brand, H, IY, J, LP, LY and NY Models models; Black
	568836	Door	AF, IY, NY models with "G", "H", "J" or "K" in 13th Position; Black
16	SP564831	Label	Door Lock; CSA, Vended
17	SP562545	Rim	IY models with "G", "H", "J" or "K" in 13th Position

N/A = Part no longer available

Door - All Models Except Models with V in 7th Position (Drawing 3 of 3)



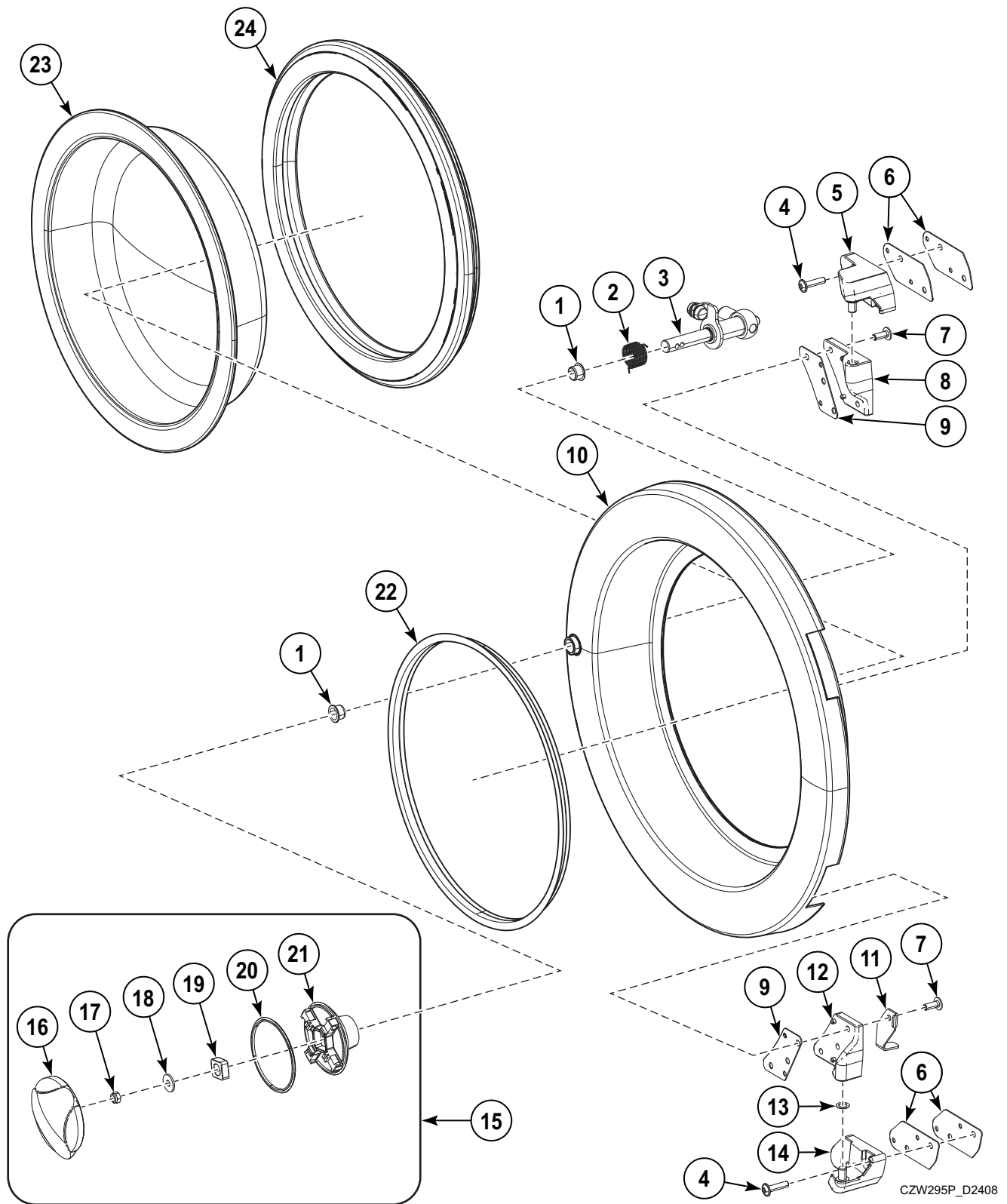
CZW372P_D2408

Door - All Models Except Models with V in 7th Position (Drawing 3 of 3)

REF	PART NO.	DESCRIPTION	COMMENTS
	F8301201	Double Check Valve	J models; CE; Used with SPPRI426001217 Pipe Nipple
1	569335	Handle	Model SY80_KIS_PHOTO-ME
	SP556297	Handle	HY, SY and UY models
	SP552909	Handle	AF, AF Non-Brand, H, IY, LP, LY and NY Models models
	SP552908	Handle	FX, HX, MWF, PY, QW, SW and W models
	SP562898	Handle	J models
	571788	Handle	AF, IY and NY models with "G", "H", "J" or "K" in 13th Position
2	SP553524	Bolt	M6x6
3	SP535406	Compression Spring	
4	SP535407	Handle Ball	
5	SP556278	Holder Cover	HY, SY and UY models
6	SP310985000006	Nut	M6
7	SP311902100006	Washer	M6
8	SP529710	Locating Segment	
9	SP535411	Distinguishing Ring	FX, HX, HY, MWF, PY, QW, SW, SY and UY models; Blue
	571733	Distinguishing Ring	AF, IY and NY models with "G", "H", "J" or "K" in 13th Position; Red
10	SP535429	Handle Lower Part	

Door - AF, IY, J and NY Models

Models with V in 7th Position



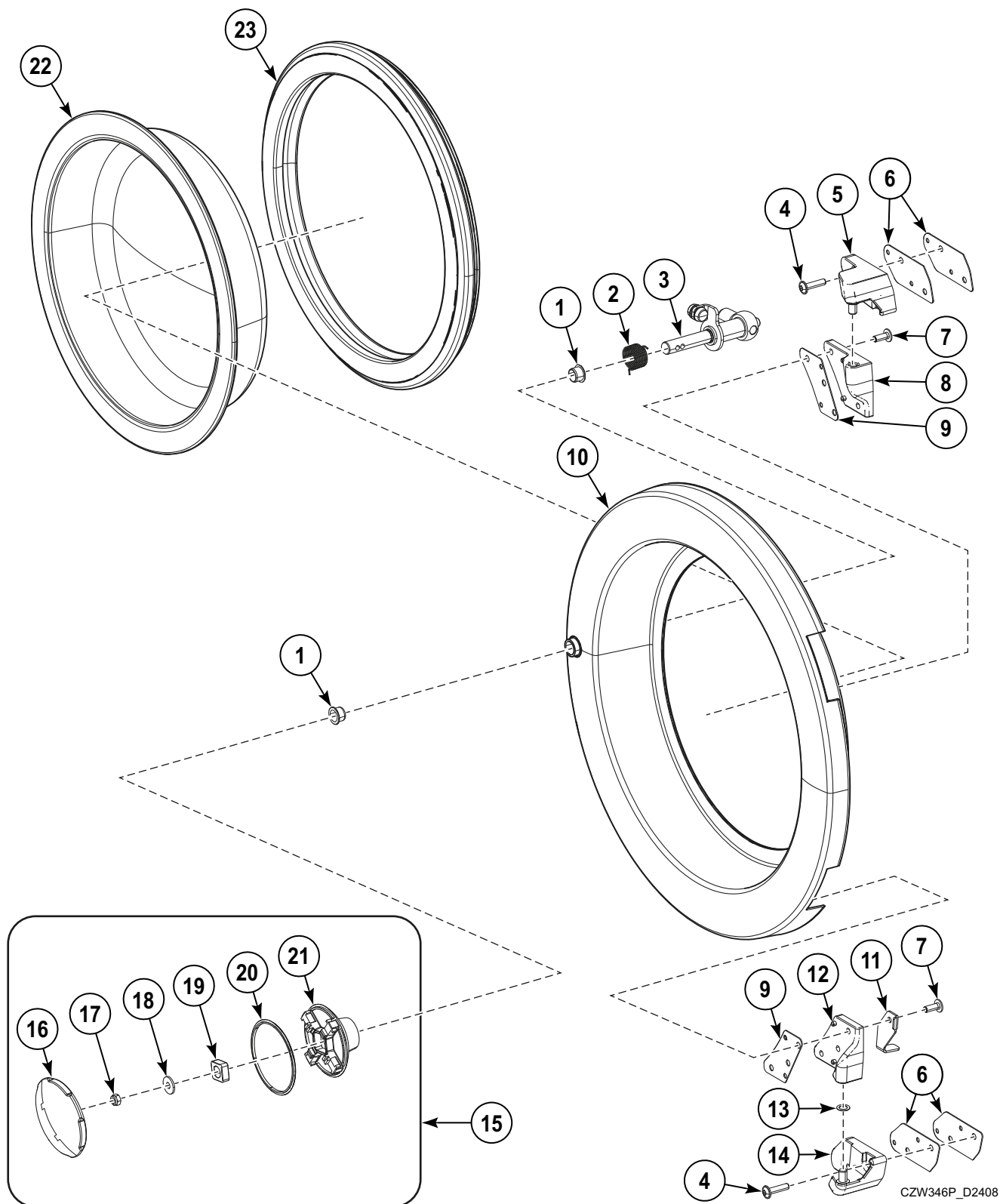
Door - AF, IY, J and NY Models

REF	PART NO.	DESCRIPTION	COMMENTS
	571766	Door Assembly	Black; Includes items 1-24
	570553	Kit of Hinges	Includes items 568979, 568982, 575960, 575963 and 571642
	569723	Door Lock Wiring	
1	SP529739	Casing	
2	SP535402	Handle Torsion Spring	
3	571762	Door Level	
4	SP535479	Bolt	M6x25
5	568979	Fixed Upper Hinge	
6	N/A	Shim	
7	SP537864	Bolt	M6x16
8	575960	Upper Hinge	with Case
9	SP535421	Hinge Spacer	
10	568836	Door	Black
11	571632	Door Frame Sheet	
12	575963	Lower Hinge	with Case
13	571642	Washer	
14	568982	Fixed Hinge	Lower
15	571788	Handle	
16	SP535438	Holder Cover	
17	SP310985000006	Nut	M6
18	SP311902100006	Washer	M6
19	571773	Locating Segment	
20	571733	Distinguishing Ring	
21	571779	Handle Lower Part	
22	SP562545	Rim	
	573187	Rim	J models
23	SP556226	Door Glass	With logo
	573190	Door Glass	J models
	535413	Door Glass	AF and NY models
24	568990	Service Door Kit	

N/A = Part no longer available

Door - FX and PY Models

Models with V in 7th Position

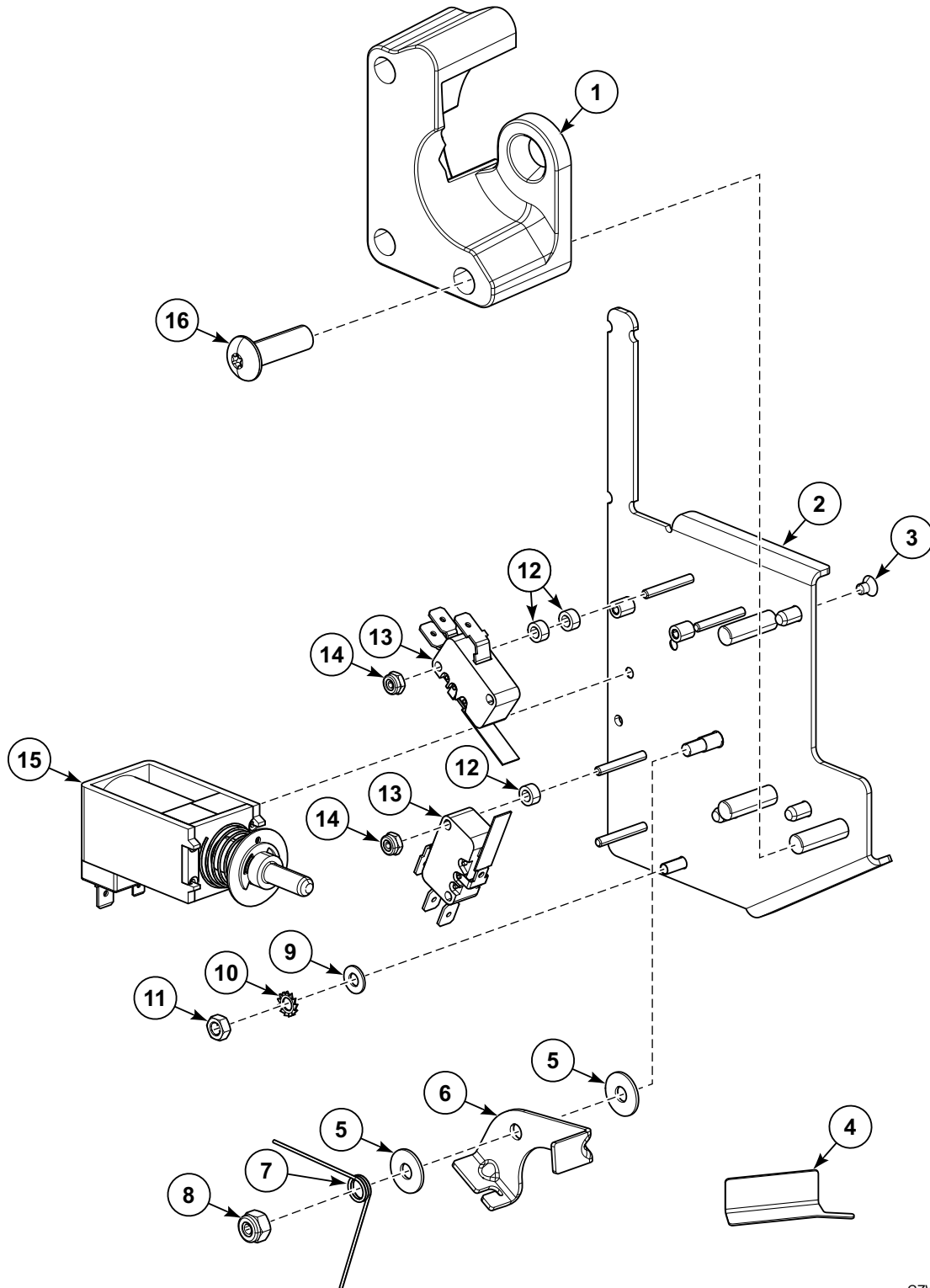


Door - FX and PY Models

REF	PART NO.	DESCRIPTION	COMMENTS
	571763	Door Assembly	Gray; Includes items 1-23
	570553	Kit of Hinges	includes 568979, 568982, 575960, 575963 and 571642
	569723	Door Lock wiring	
1	SP529739	Casing	
2	SP535402	Handle Torsion Spring	
3	571762	Door Level	
4	SP535479	Bolt	M6x25
5	568979	Fixed Upper Hinge	
6	N/A	Shim	
7	SP537864	Bolt	M6x16
8	575960	Upper Hinge	with Case
9	SP535421	Hinge Spacer	
10	SP553525	Door	Gray
11	571632	Door Frame Sheet	
12	575963	Lower Hinge	with Case
13	571642	Washer	
14	568982	Fixed Hinge	Lower
15	SP552908	Handle	
16	SP535430	Holder Cover	
17	SP310985000006	Nut	M6
18	SP311902100006	Washer	M6
19	571773	Locating Segment	
20	SP535411	Distinguishing Ring	
21	571779	Handle Lower Part	
22	SP535413	Door Glass	
23	568990	Service Door Kit	

N/A = Part no longer available

Door Lock - Models with V in 7th Position Models Through Serial No. 80FX020277SF

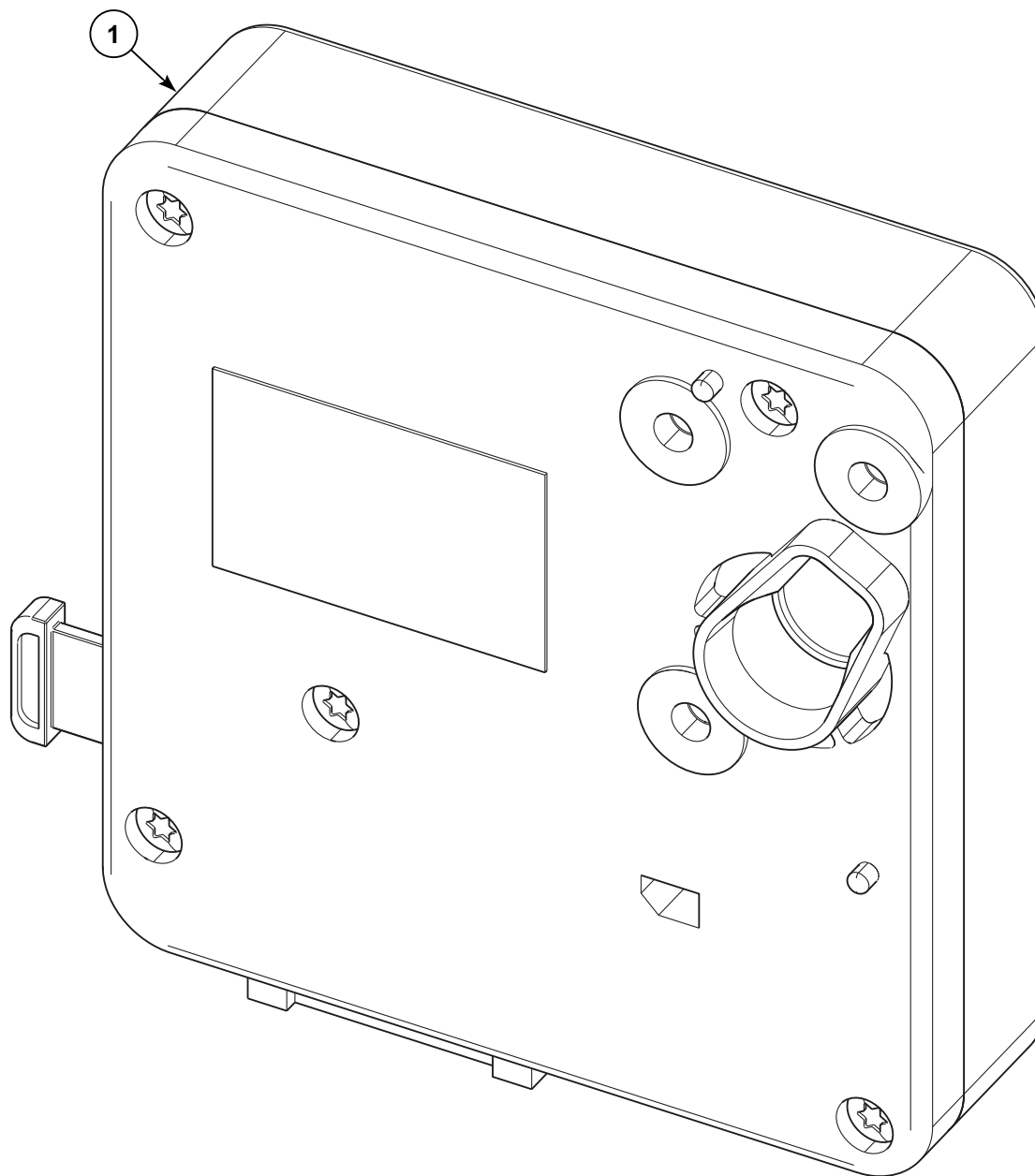


CZW347P_D2408

Door Lock - Models with V in 7th Position Models Through Serial No. 80FX020277SF

REF	PART NO.	DESCRIPTION	COMMENTS
	576085	Door Lock Assembly	Includes item 1-16, 569751 Door Lock Cable, SP345000160996BindingStrip,571466DoorLock Switch Cable
1	576084	Door Lock Catch	
2	568971	Door Lock Plate	
3	F430977	Screw	
4	571615	Emergency Opener	For door lock
5	F8193101	Washer	
6	568941	Closing Plate	
7	571612	Torsion/Door Lock Spring	
8	F430232	Nut	
9	SP311125240004	Washer	4
10	SP311679824004	Washer	4
11	SP310934240004	Nut	M4
12	F431901	Spacer	
13	568978	Microswitch	
14	F430225	Nut	
15	568942	Coil	
16	F8270701	Bolt	Stainless
	568968	Bolt	Black

Door Lock - Models with V in 7th Position Models Starting Serial No. 80FX020278SF



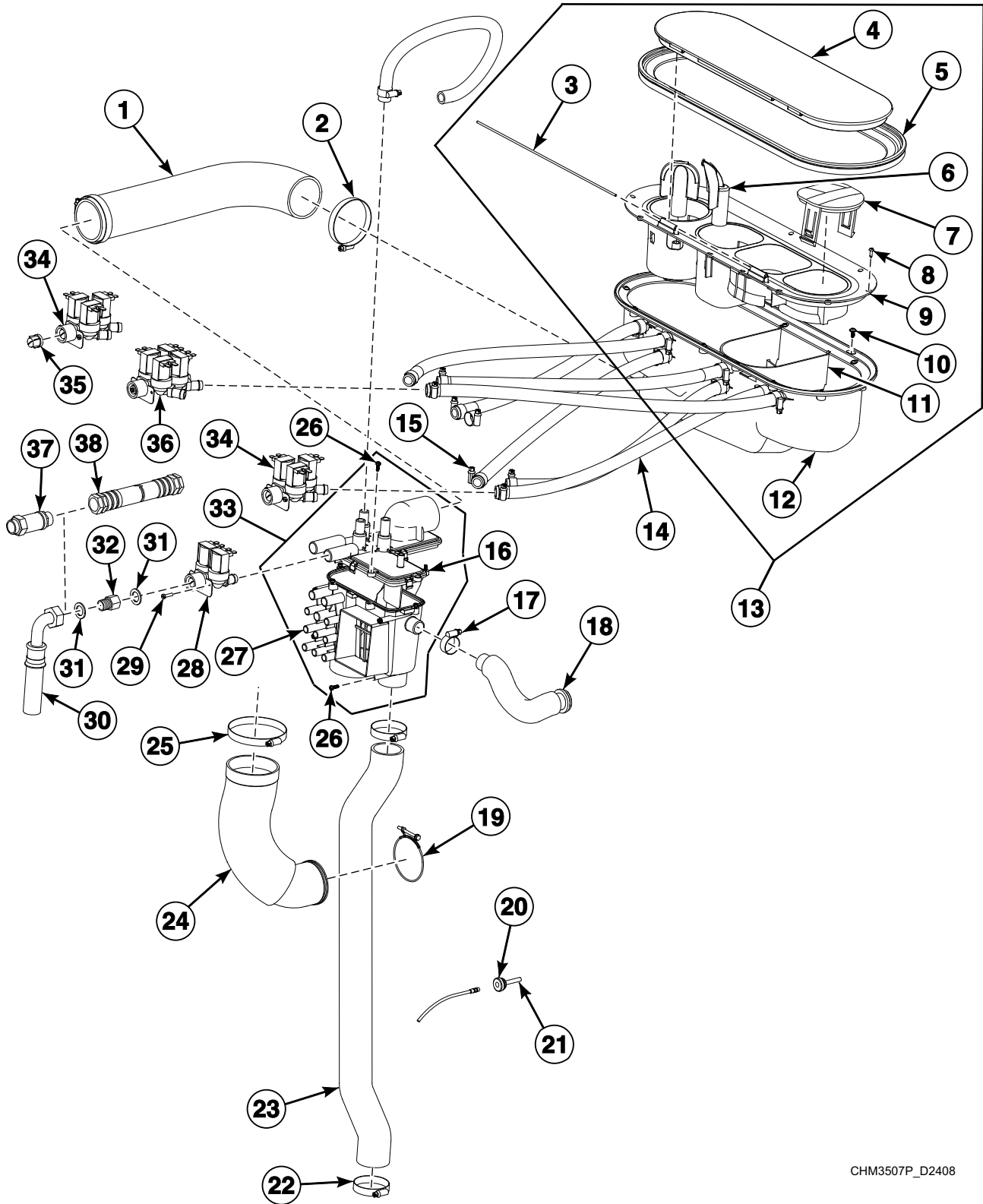
CZW360P_D2408

**Door Lock - Models with V in 7th Position Models Starting Serial
No. 80FX020278SF**

REF	PART NO.	DESCRIPTION	COMMENTS
1	SP537760	Lock	

Water Inlet System

All Models Except Model with V in 7th Position



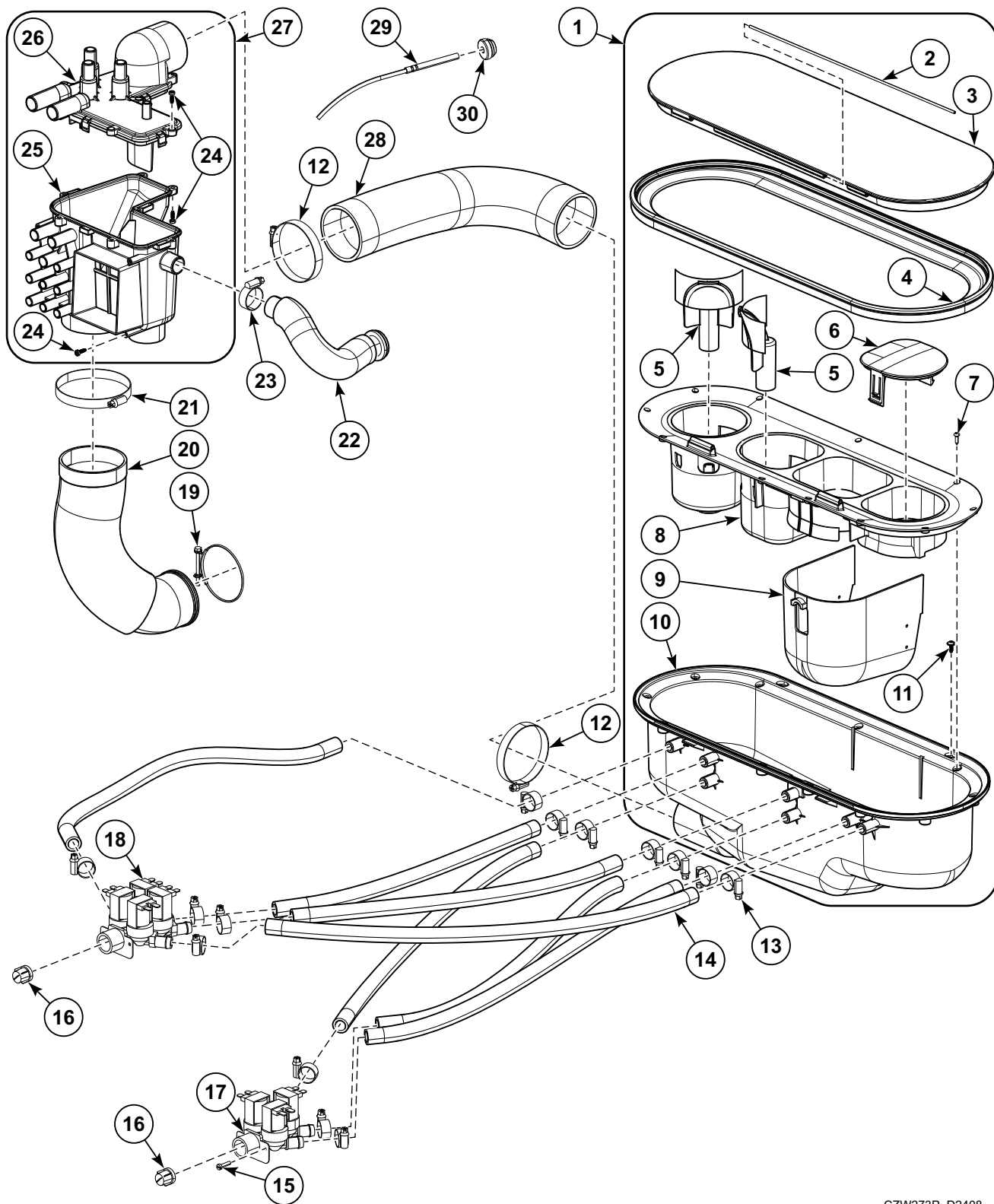
CHM3507P_D2408

Water Inlet System

REF	PART NO.	DESCRIPTION	COMMENTS
	F8301201	Double Check Valve	J models; Used with SPPRI462001217 Pipe Nipple 3/4 inch; CE
	573621	1-Way Valve	Model SY80_KIS_PHOTO-ME; 3/4"; without Flow Regulator
1	SP526486	Dispenser Pipe	
2	SPPRI240000021	Hose Clamp	60-80
3	SP540117	Pin	
4	SP551695	Dispenser Lid	HY, SY, and UY models
	SP526461	Dispenser Lid	All other models
5	SP540158	Dispenser Seal	
6	SP540113	Flap	
7	SP526468	Soap Hopper Plug	
8	SP309798124313	Screw	ST3.5x13
9	SP540112	Soap Hopper Upper Cover	
10	SP529206	Screw	4x11
11	SP540122	Internal Vessel	
12	SP540115	Main Vessel	Requires SPPRI704000053 Silicon Sealant
13	SP554213	Soap Hopper	HY, SY, and UY models
	SP540111	Soap Hopper	All other models
14	SPPRI540000014	Hose	13/19
	SP101745	Hose Pipe	Valid for water approval
15	SPPRI240000002	Hose Clamp	12-22
16	SP526557	Mixer Lid	
17	SPPRI240000003	Hose Clamp	20-32
18	SP526509	Vent Hose	
19	SP526491	Hose Clamp	62-70
20	SP526439	Temperature Sensor Seal	
21	503839	Temperature Sensor	
22	SPPRI240000017	Hose Clamp	40-60
23	SP526481	Overflow Tube	
24	SP526456	Filling Elbow Pipe	
25	SPPRI240000007	Hose Clamp	70-90
26	SP526497	Screw	4x12
27	SP526565	Mixer Body	
28	SP547958	2-Way Valve	3/4"
29	SP309084000416	Bolt	4x16
30	SPPRI505000054	Filling Hose Pipe	Used with cold water
	SP547980	Filling Hose Pipe	Used with hot water
	SP101621	Filling Hose Pipe	Valid for water approval
	RSPF200166	Filling Hose Pipe	IY, LY, NY, PY, SY and UY models
	F200164	Water Hose	CSA
31	SPPRI520001009	Seal	
32	567174	Reduction	3/4 inch; BSP/GHT; CSA
33	SP526558	Mixer	
34	SP547959	3-Way Valve	3/4 inch
35	SPPRI340004030	Filter	
36	SP548933	4-Way Valve	3/4 inch
37	RSPF200166	Filling Hose Pipe	IYY, LYY, NYY, PYY, SY and UYY models
38	203386	Check Valve Kit	IYY, LYY, NYY, PYY, SY and UYY models

Two Water Inlet System

Model with V in 7th Position



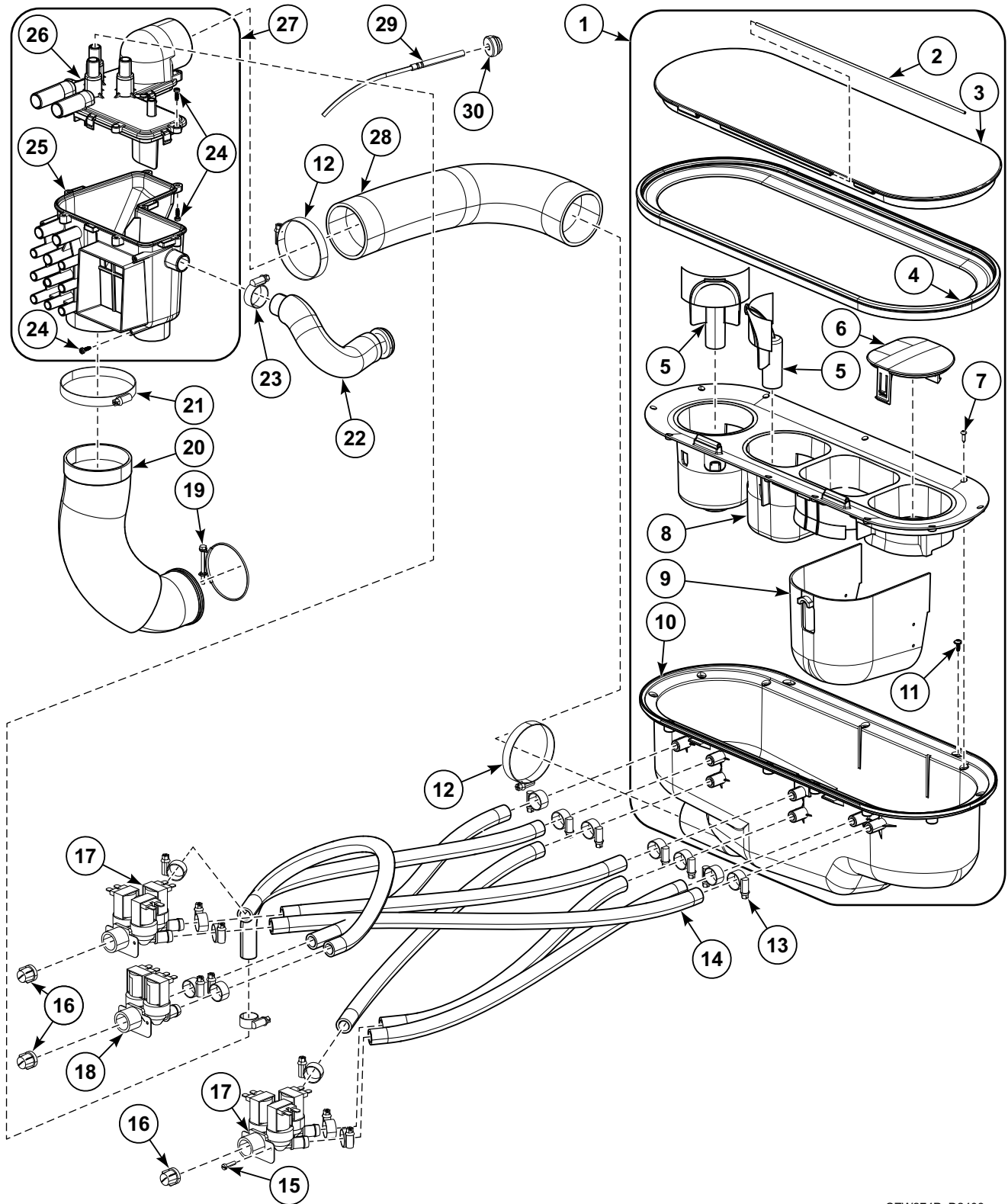
CZW273P_D2408

Two Water Inlet System

REF	PART NO.	DESCRIPTION	COMMENTS
	SPPRI505000054	Filling Hose Pipe	Used with cold water and with SPPRI520001009 Seal
	SP547980	Filling Hose Pipe	Used with hot water and with SPPRI520001009 Seal
	SP101621	Filling Hose Pipe	Valid for water approval WRAS; Used with SPPRI520001009 Seal
	F200164	Water Hose	CSA; Used with SPPRI520001009 Seal and 567174 Reduction
1	SP540111	Soap Hopper	
2	SP540117	Pin	
3	SP526461	Dispenser Lid	
	573922	Dispenser Lid	CSA
4	SP540158	Dispenser Seal	
5	SP540113	Flap	
6	SP526468	Soap Hopper Plug	
7	SP309798124313	Screw	ST3.5x13
8	SP540112	Soap Hopper Upper Cover	
9	SP540122	Internal Vessel	
10	SP540115	Main Vessel	
11	SP529206	Screw	
12	SPPRI240000021	Hose Clamp	60-80
13	SPPRI240000002	Hose Clamp	12-22
14	SPPRI540000014	Hose	13-19
	SP101745	Hose Pipe	Used with Water Approval WRAS
15	SP309084000416	Bolt	M4x16
16	SPPRI340004030	Filter	
17	SP547959	3-Way Valve	3/4 inch
18	SP548933	4-Way Valve	3/4 inch
19	SP526491	Hose Clamp	62-70
20	SP526456	Filling Elbow Pipe	
21	SPPRI240000007	Hose Clamp	70-90
22	SP526509	Vent Hose	
23	SPPRI240000003	Hose Clamp	
24	SP526497	Screw	4x12
25	SP526565	Mixer Body	
26	SP526557	Mixer Lid	
27	SP526558	Mixer	
28	SP526486	Dispenser Pipe	
29	503839	Temperature Sensor	
30	SP526439	Temperature Sensor Seal	

Three Water Inlet System

Model with V in 7th Position



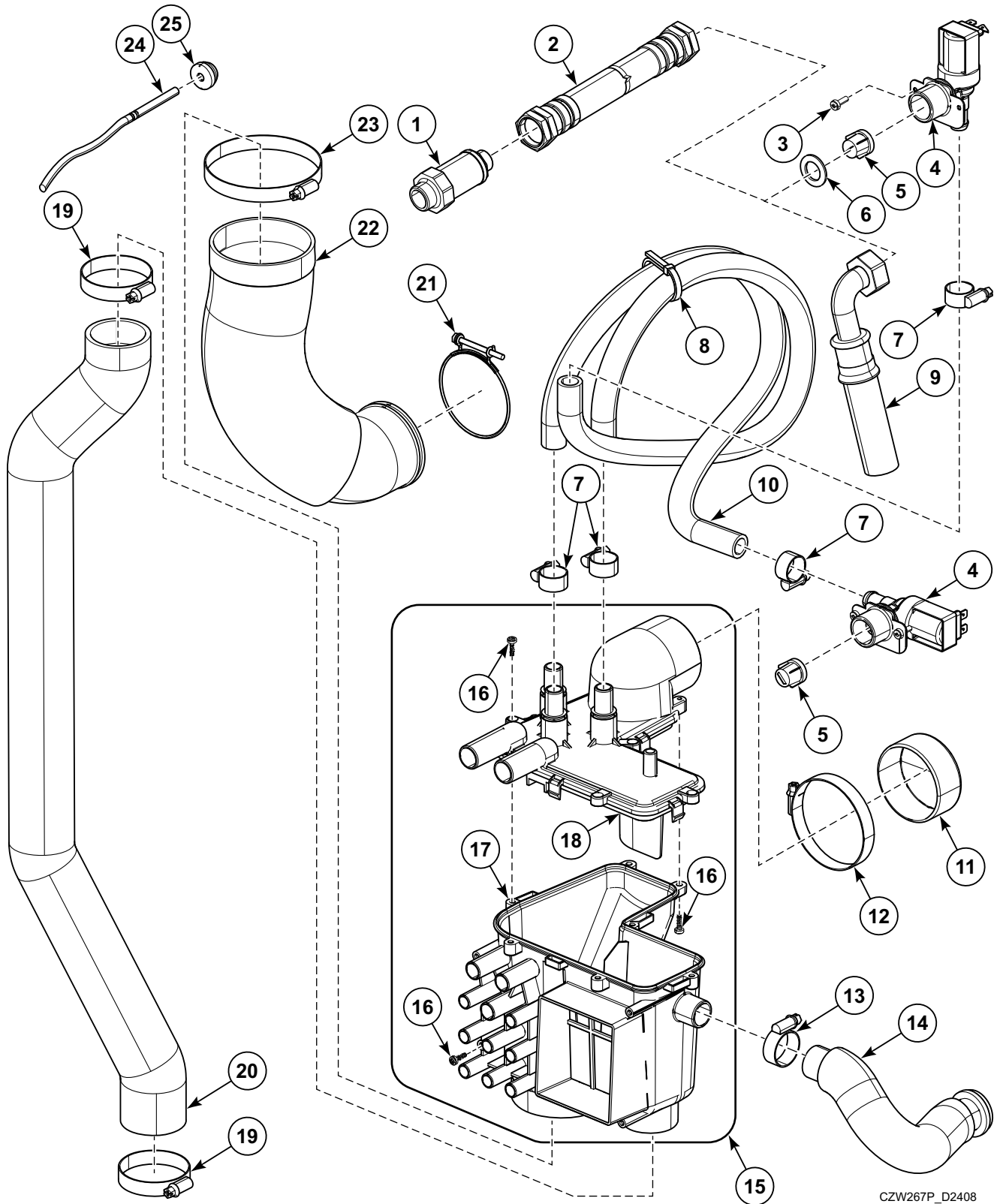
CZW274P_D2408

Three Water Inlet System

REF	PART NO.	DESCRIPTION	COMMENTS
	SPPRI505000054	Filling Hose Pipe	Used with cold water and with SPPRI520001009 Seal
	SP547980	Filling Hose Pipe	Used with hot water and with SPPRI520001009 Seal
	SP101621	Filling Hose Pipe	Valid for water approval WRAS; Used with SPPRI520001009 Seal
	F200164	Water Hose	CSA; Used with SPPRI520001009 Seal and 567174 Reduction
1	SP540111	Soap Hopper	
2	SP540117	Pin	
3	SP526461	Dispenser Lid	
	573922	Dispenser Lid	CSA
4	SP540158	Dispenser Seal	
5	SP540113	Flap	
6	SP526468	Soap Hopper Plug	
7	SP309798124313	Screw	ST3.5x13
8	SP540112	Soap Hopper Upper Cover	
9	SP540122	Internal Vessel	
10	SP540115	Main Vessel	
11	SP529206	Screw	
12	SPPRI240000021	Hose Clamp	60-80
13	SPPRI240000002	Hose Clamp	12-22
14	SPPRI540000014	Hose	13-19
	SP101745	Hose Pipe	Used with Water Approval WRAS
15	SP309084000416	Bolt	M4x16
16	SPPRI340004030	Filter	
17	SP547959	3-Way Valve	3/4 inch
18	SP548933	4-Way Valve	3/4 inch
19	SP526491	Hose Clamp	62-70
20	SP526456	Filling Elbow Pipe	
21	SPPRI240000007	Hose Clamp	70-90
22	SP526509	Vent Hose	
23	SPPRI240000003	Hose Clamp	
24	SP526497	Screw	4x12
25	SP526565	Mixer Body	
26	SP526557	Mixer Lid	
27	SP526558	Mixer	
28	SP526488	Dispenser Pipe	
29	503839	Temperature Sensor	
30	SP526439	Temperature Sensor Seal	

Two Water Inlet System without Soap Hopper

All Models Except Model with V in 7th Position



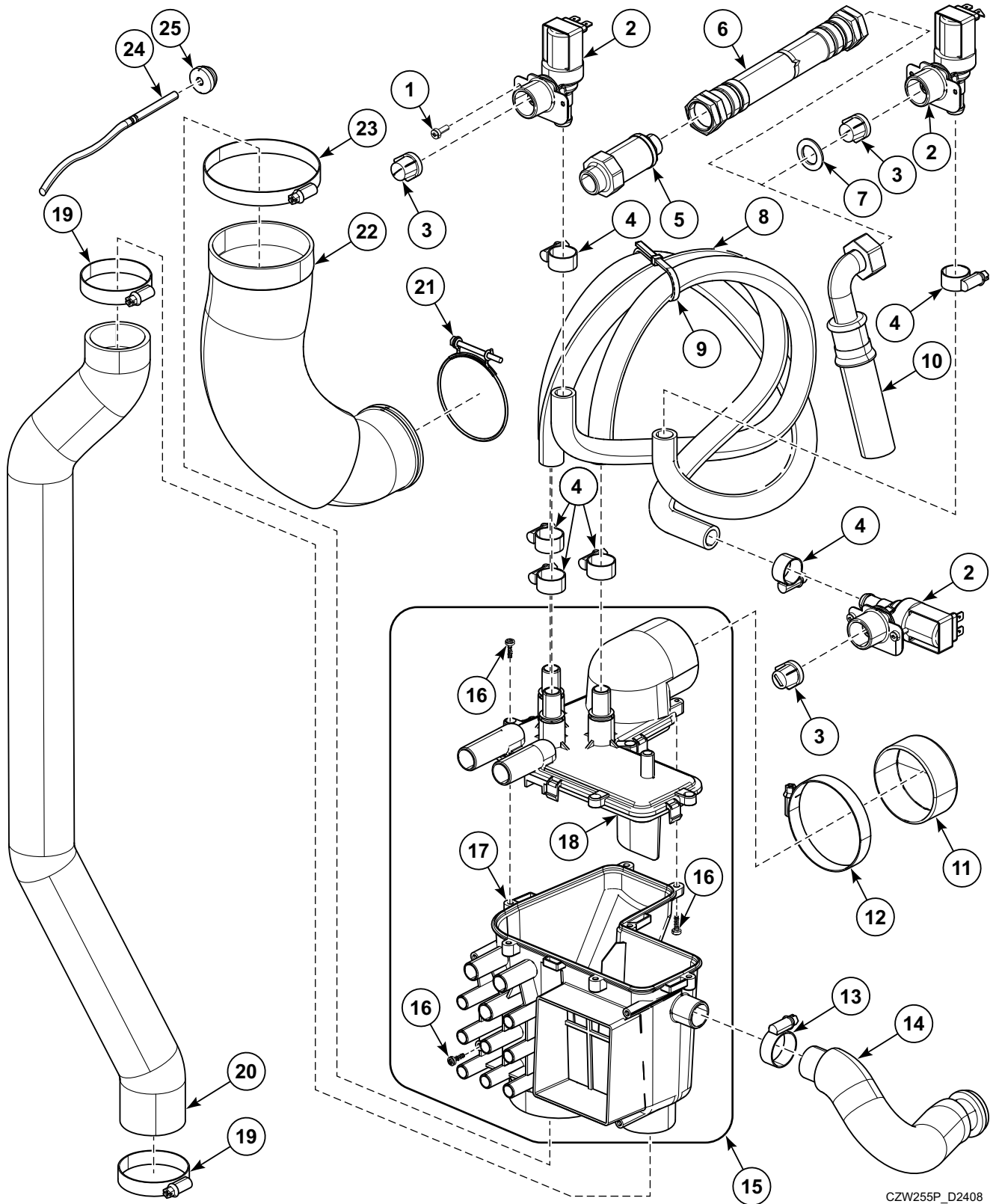
CZW267P_D2408

Two Water Inlet System without Soap Hopper

REF	PART NO.	DESCRIPTION	COMMENTS
1	203386	Check Valve Kit	IYY, LYY, NYY, PYY, SY Y and UYY models
2	RSPF200166	Filling Hose Pipe	IYY, LYY, NYY, PYY, SY Y and UYY models
3	SP555504	Bolt	M4x12
4	570195	1-Way Valve	3/4 inch
5	SPPRI340004030	Filter	
6	SPPRI520001009	Seal	
7	SPPRI240000002	Hose Clamp	
8	SP503817	Binding Strip	
9	SPPRI505000054	Filling Hose Pipe	Used with cold water
	SP547980	Filling Hose Pipe	Used with hot water
	SP101621	Filling Hose Pipe	Valid for water approval WRAS
10	SPPRI540000014	Hose	
11	567053	Plug	
12	SPPRI240000021	Hose Clamp	60-80
13	SPPRI240000003	Hose Clamp	20-32
14	SP526509	Vent Hose	
15	SP526558	Mixer	
16	SP526497	Screw	4x12
17	SP526565	Mixer Body	
18	SP526557	Mixer Lid	
19	SPPRI240000017	Hose Clamp	40-60
20	SP526481	Overflow Tube	
21	SP526491	Hose Clamp	62-70
22	SP526456	Filling Elbow Pipe	
23	SPPRI240000007	Hose Clamp	70-90
24	503839	Temperature Sensor	
25	SP526439	Temperature Sensor Seal	

Three Water Inlet System without Soap Hopper

All Models Except Model with V in 7th Position

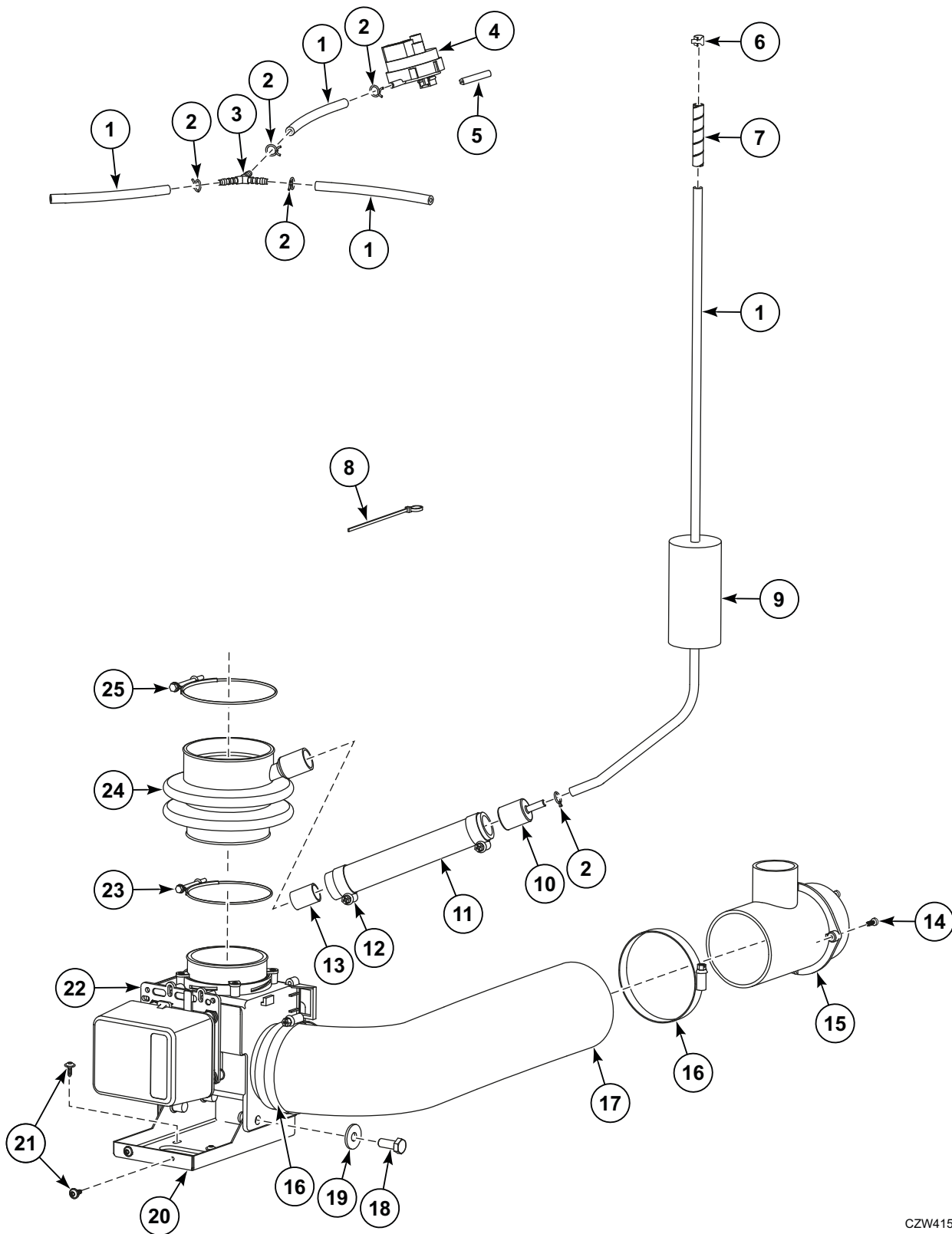


CZW255P_D2408

Three Water Inlet System without Soap Hopper

REF	PART NO.	DESCRIPTION	COMMENTS
1	SP555504	Bolt	M4x12
2	570195	1-Way Valve	3/4 inch
3	SPPRI340004030	Filter	
4	SPPRI240000002	Hose Clamp	
5	203386	Check Valve Kit	IYY, LYY, NYY, PYY, SYU and UYY models
6	RSPF200166	Filling Hose Pipe	IYY, LYY, NYY, PYY, SYU and UYY models
7	SPPRI520001009	Seal	
8	SPPRI540000014	Hose	
9	SP503817	Binding Strip	
10	SPPRI505000054	Filling Hose Pipe	Used with cold water
	SP547980	Filling Hose Pipe	Used with hot water
	SP101621	Filling Hose Pipe	Valid for water approval WRAS
11	567053	Plug	
12	SPPRI240000021	Hose Clamp	60-80
13	SPPRI240000003	Hose Clamp	20-32
14	SP526509	Vent Hose	
15	SP526558	Mixer	
16	SP526497	Screw	4x12
17	SP526565	Mixer Body	
18	SP526557	Mixer Lid	
19	SPPRI240000017	Hose Clamp	40-60
20	SP526481	Overflow Tube	
21	SP526491	Hose Clamp	62-70
22	SP526456	Filling Elbow Pipe	
23	SPPRI240000007	Hose Clamp	70-90
24	503839	Temperature Sensor	
25	SP526439	Temperature Sensor Seal	

Drain System - All Models Except Models with V in 7th Position

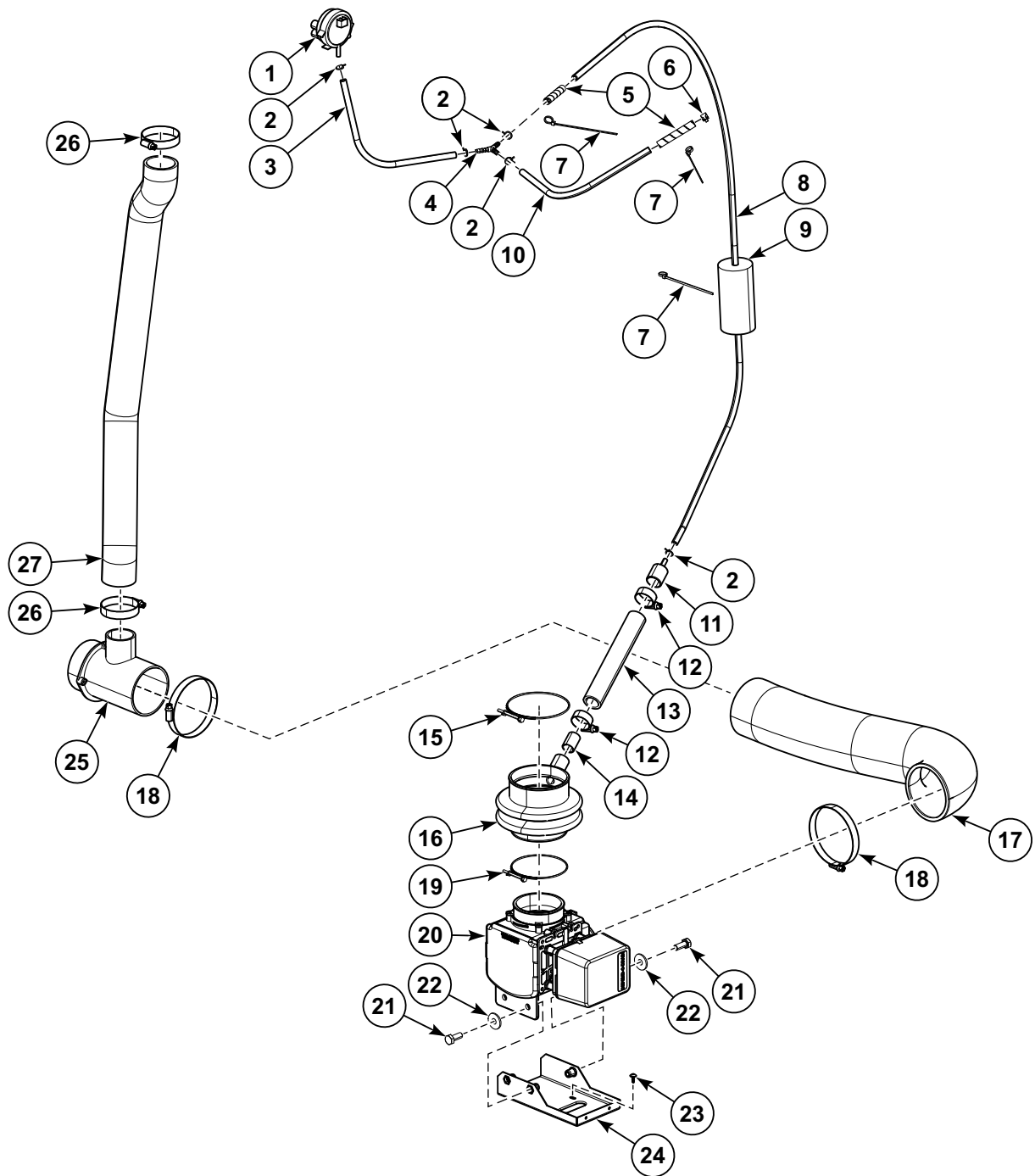


CZW415P_D2408

Drain System - All Models Except Models with V in 7th Position

REF	PART NO.	DESCRIPTION	COMMENTS
	567128	Reduction	FX80_BUPA_X_CONTROL, FX80_BUPA_X_CONTROL_PLUS and J models; CE from 3 inches to 2 inches
	SPPRI505000087	Drain Hose Pipe	Model SY80_KIS_PHOTO-ME; I=230mm; Used with SPPRI240000007 Hose Claamp
1	SPPRI540001003	Water Level Switch Hose	
2	SPPRI241000017	Hose Clamp	A5.5
3	SPPRI503000028	Y-Piece	J models
4	SP562709	Waters Level Sensor	J models
5	SPPRI505000058	Profiled Sealing	J models
6	SP540183	Spring Clamp	
7	SP283449080200	Spiral	
8	SP345000626088	Binding Strip	
9	SP100188	Foam Roller	
10	SPPRI503000027	Air Trap Reduction	
11	SPPRI503002049	Hose	Air trap
12	SPPRI240000003	Hose Clamp	20-32
13	SP500125	Reinforcement Tube	
14	SP526497	Screw	4x12
15	SP526454	Tee	
16	SPPRI240000007	Hose Clamp	70-90
17	SP526457	Drain Elbow	
18	SP309933000820	Bolt	M8x20
19	SP311902100008	Washer	8
20	SP526511	Drain Valve Holder	
21	SP529206	Screw	4x11
22	SP526460	Drain Valve	Black; Includes 553195 Drain Valve Chamber, SPPRI340002051 Drain Valve Motor and 554276 Drain Valve Seal
	SP553195	Drain Valve Chamber	Black
	SPPRI340002051	Drain Valve Motor	Includes gear box
	SP547821	Reverse Function Drain Valve	CE and Watermark; Black; Includes 553195 Drain Valve Chamber, SPPRI340002051 Drain Valve Motor and 554276 Drain Valve Seal
	554276	Drain Valve Seal	
23	576096	Hose Clamp	78-85
24	SP526492	Drain Hose Pipe	
25	SP526532	Hose Clamp	82-90

Drain System - Models with V in 7th Position



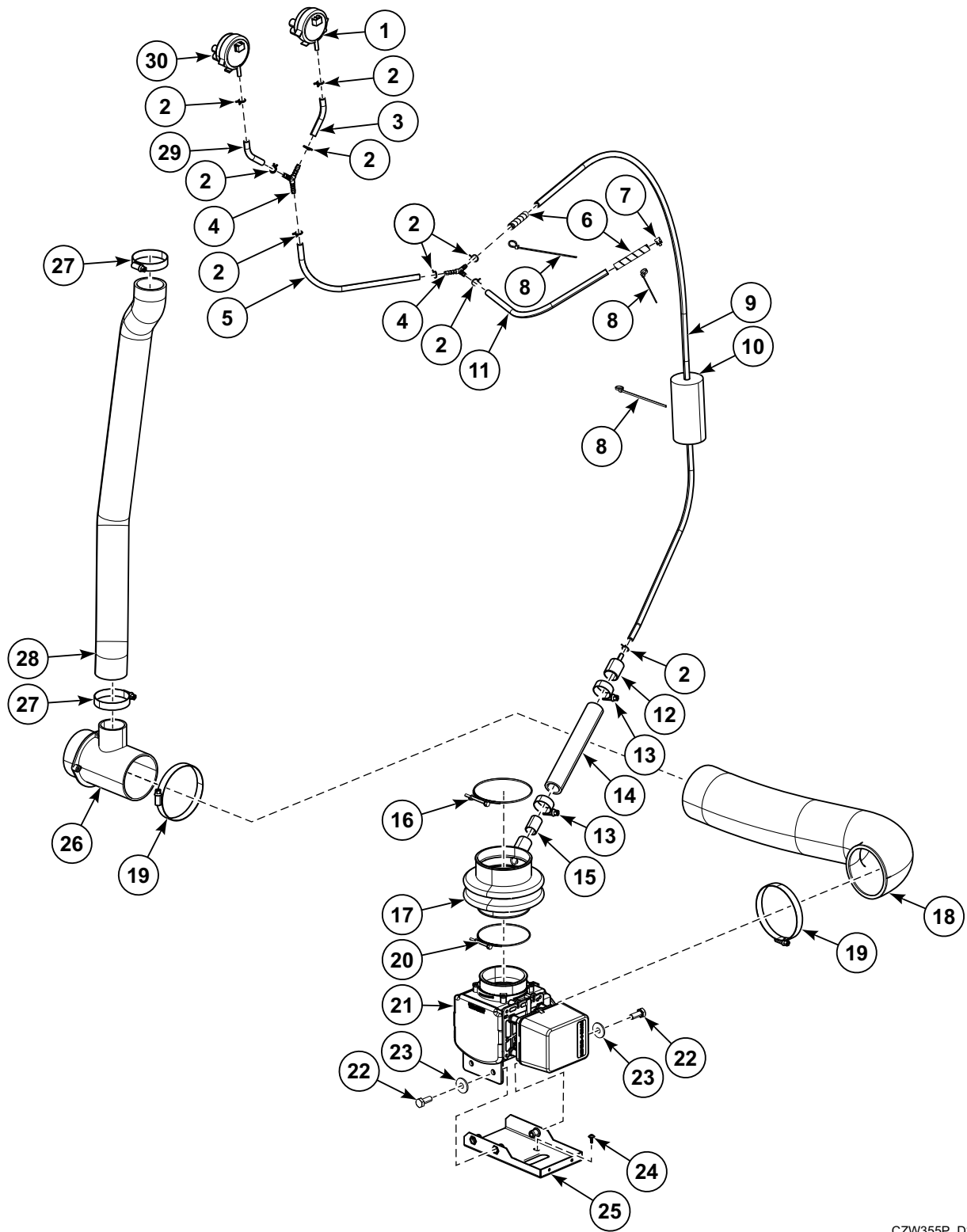
CZW416P_D2408

Drain System - Models with V in 7th Position

REF	PART NO.	DESCRIPTION	COMMENTS
1	570315	Water Level Switch	
2	SPPRI241000017	Hose Clamp	A5.5
3	SPPRI540001003	Water Level Switch Hose	12.2 inch (0.31 m)
4	SPPRI503000028	Y-Piece	
5	SP283449080200	Spiral	
6	SP540183	Spring Clamp	
7	SP345000626088	Binding Strip	
8	SPPRI540001003	Water Level Switch Hose	31.5 inch (0.8 m)
9	SP100188	Foam Roller	
10	SPPRI540001003	Water Level Switch Hose	11.42 inch (0.29 m)
11	SPPRI503000027	Air Trap Reduction	
12	SPPRI240000003	Hose Clamp	20-32
13	SPPRI503002049	Hose	Air trap
14	SP500125	Reinforcement Tube	
15	SP526532	Hose Clamp	82-90
16	SP526492	Drain Hose Pipe	
17	SP526457	Drain Elbow	
18	SPPRI240000007	Hose Clamp	70-90
19	576096	Hose Clamp	78-85
20	SP526460	Drain Valve	Black; Includes SPPRI340002051 Drain Valve Motor and 554276 Drain Valve Seal
	SP547821	Reverse Function Drain Valve	Black; Includes SPPRI340002051 Drain Valve Motor and 554276 Drain Valve Seal
	SPPRI340002051	Drain Valve Motor	Includes gear box
	554276	Drain Valve Seal	
21	SP309933000820	Bolt	M8x20
22	SP311902100008	Washer	8
23	SP529206	Screw	4x11
24	SP526511	Drain Valve Holder	
25	SP526454	Tee	
26	SPPRI240000017	Hose Clamp	40-60
27	SP526481	Overflow Tube	

Drain System - J Models

Models with V in 7th Position



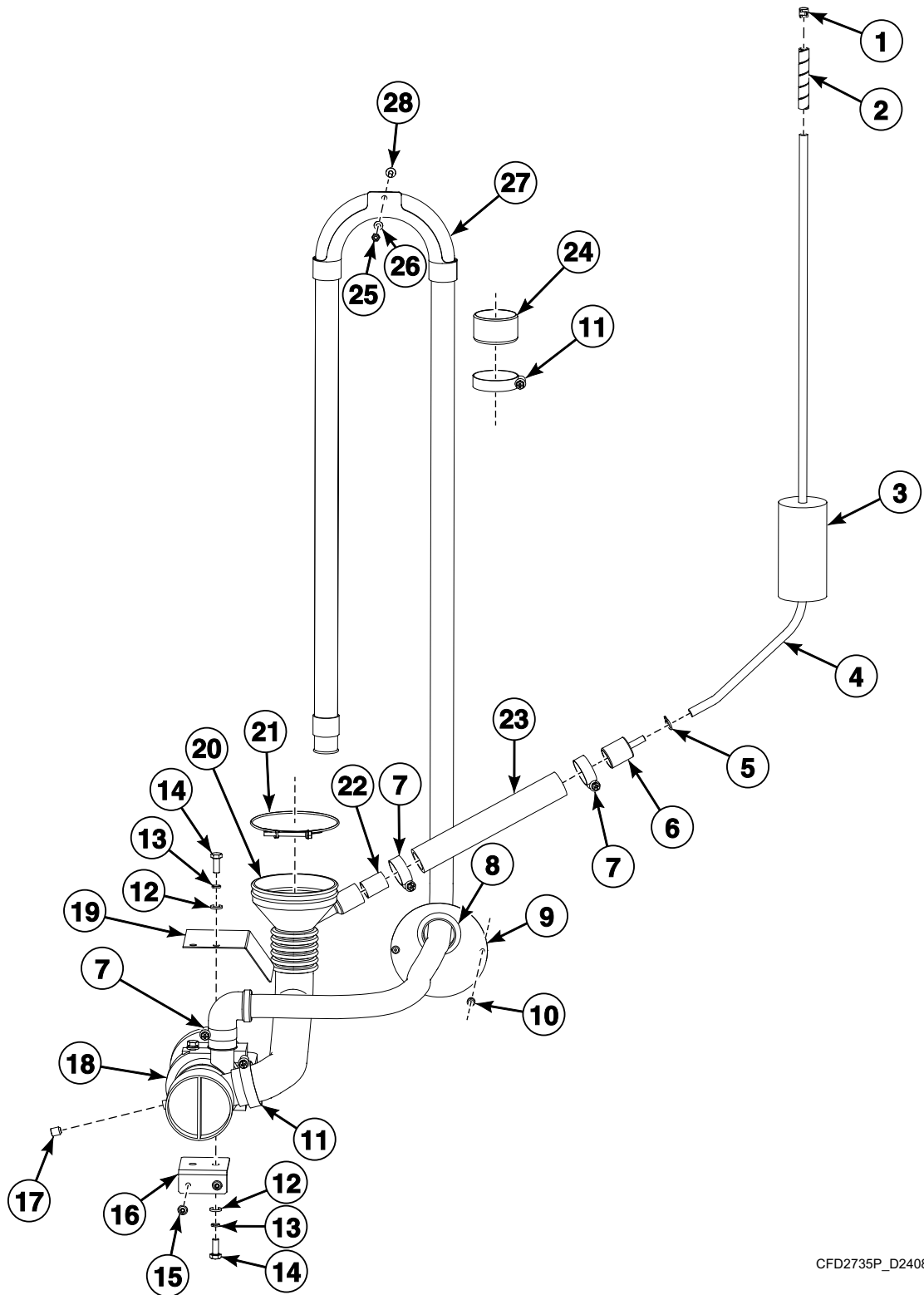
CZW355P_D2408

Drain System - J Models

REF	PART NO.	DESCRIPTION	COMMENTS
1	570315	Water Level Switch	
2	SPPRI241000017	Hose Clamp	A5.5
3	SPPRI540001003	Water Level Switch Hose	2.76 inch (0.07 m)
4	SPPRI503000028	Y-Piece	
5	SPPRI540001003	Water Level Switch Hose	5.12 inch (0.13 m)
6	SP283449080200	Spiral	
7	SP540183	Spring Clamp	
8	SP345000626088	Binding Strip	
9	SPPRI540001003	Water Level Switch Hose	31.5 inch (0.8 m)
10	SP100188	Foam Roller	
11	SPPRI540001003	Water Level Switch Hose	12.20 inch (0.31 m)
12	SPPRI503000027	Air Trap Reduction	
13	SPPRI240000003	Hose Clamp	20-32
14	SPPRI503002049	Hose	Air trap
15	SP500125	Reinforcement Tube	
16	SP526532	Hose Clamp	82-90
17	SP526492	Drain Hose Pipe	
18	SP526457	Drain Elbow	
19	SPPRI240000007	Hose Clamp	70-90
20	576096	Hose Clamp	78-85
21	SP526460	Drain Valve	Black; Includes SPPRI340002051 Drain Valve Motor and 554276 Drain Valve Seal
	SP547821	Reverse Function Drain Valve	Black; Includes SPPRI340002051 Drain Valve Motor and 554276 Drain Valve Seal
	SPPRI340002051	Drain Valve Motor	Includes gear box
	554276	Drain Valve Seal	
22	SP309933000820	Bolt	M8x20
23	SP311902100008	Washer	8
24	SP529206	Screw	4x11
25	SP526511	Drain Valve Holder	
26	SP526454	Tee	
27	SPPRI240000017	Hose Clamp	40-60
28	SP526481	Overflow Tube	
29	SPPRI540001003	Water Level Switch Hose	5.51 inch (0.14 m)
30	562729	Water Level Switch	

Drain System - Drain Pump Option Through Serial No. 80FX017005QF

All Models Except Models with V in 7th Position



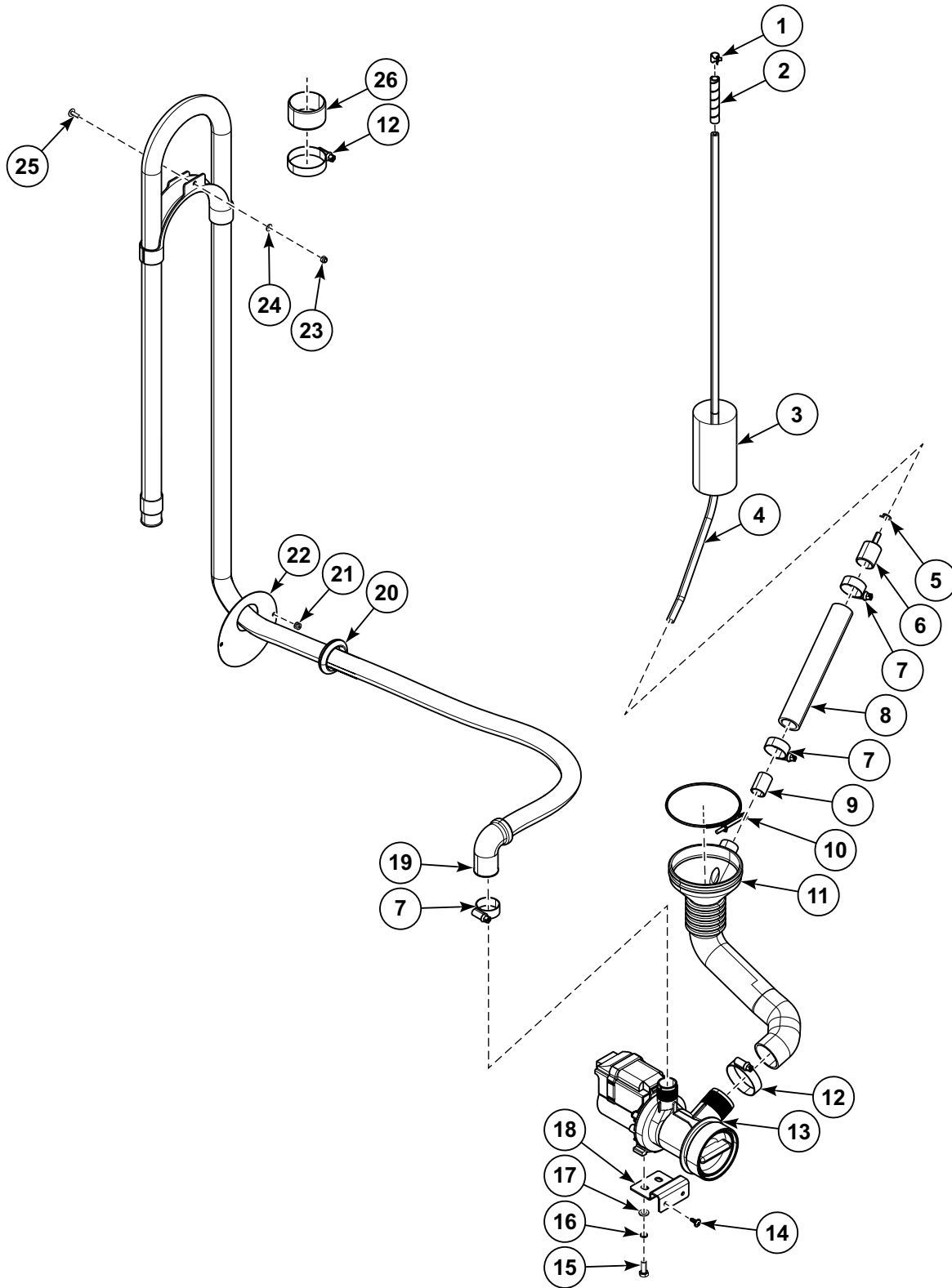
CFD2735P_D2408

Drain System - Drain Pump Option Through Serial No. 80FX017005QF

REF	PART NO.	DESCRIPTION	COMMENTS
	SPPRI704000053	Sealant	
1	SP540183	Spring Clamp	
2	SP283449080200	Spiral	
3	SP100188	Foam Roller	
4	SPPRI540001003	Water Level Switch Hose	
5	SPPRI241000017	Hose Clamp	A5.5
6	SPPRI503000027	Air Trap Reduction	
7	SPPRI240000003	Hose Clamp	20-32
8	SPPRI501001078	Cable Bushing	
9	SP547807	Drain Pump Hose Bushing	
10	SP313250004063	Rivet	4x6.3
11	SPPRI240000008	Hose Clamp	32-50
12	SP311125000006	Washer	6.4
13	SP311127000006	Washer	6
14	SP309933000616	Bolt	M6x16
15	SP529206	Screw	4x11
16	SP547804	Pump Holder	
17	SP309916000810	Bolt	M8x10
18	567937	Drain Pump Kit	50 Hz; Includes 570314 Drain Pump, 567127 Holder, SP529206 Screw, SP309933000616 Bolt M6x16, SP311125000006 Washer M6 and SP311127000006 Washer M6
19	SP500140	Pump Cover	
20	SP547803	Drain Elbow	
21	SP526532	Hose Clamp	82-90
22	SP500125	Reinforcement Tube	
23	SPPRI503002049	Hose	Air trap
24	SP526568	Cylinder Cap	
25	SP514193	Nut	M4
26	SP311125000004	Washer	4.3
27	SP521558	Drain Hose Pipe	
28	SP521957	Bolt	M4x12

Drain System - Drain Pump Option Starting Serial No. 80FX017006QF

All Models Except Models with V in 7th Position



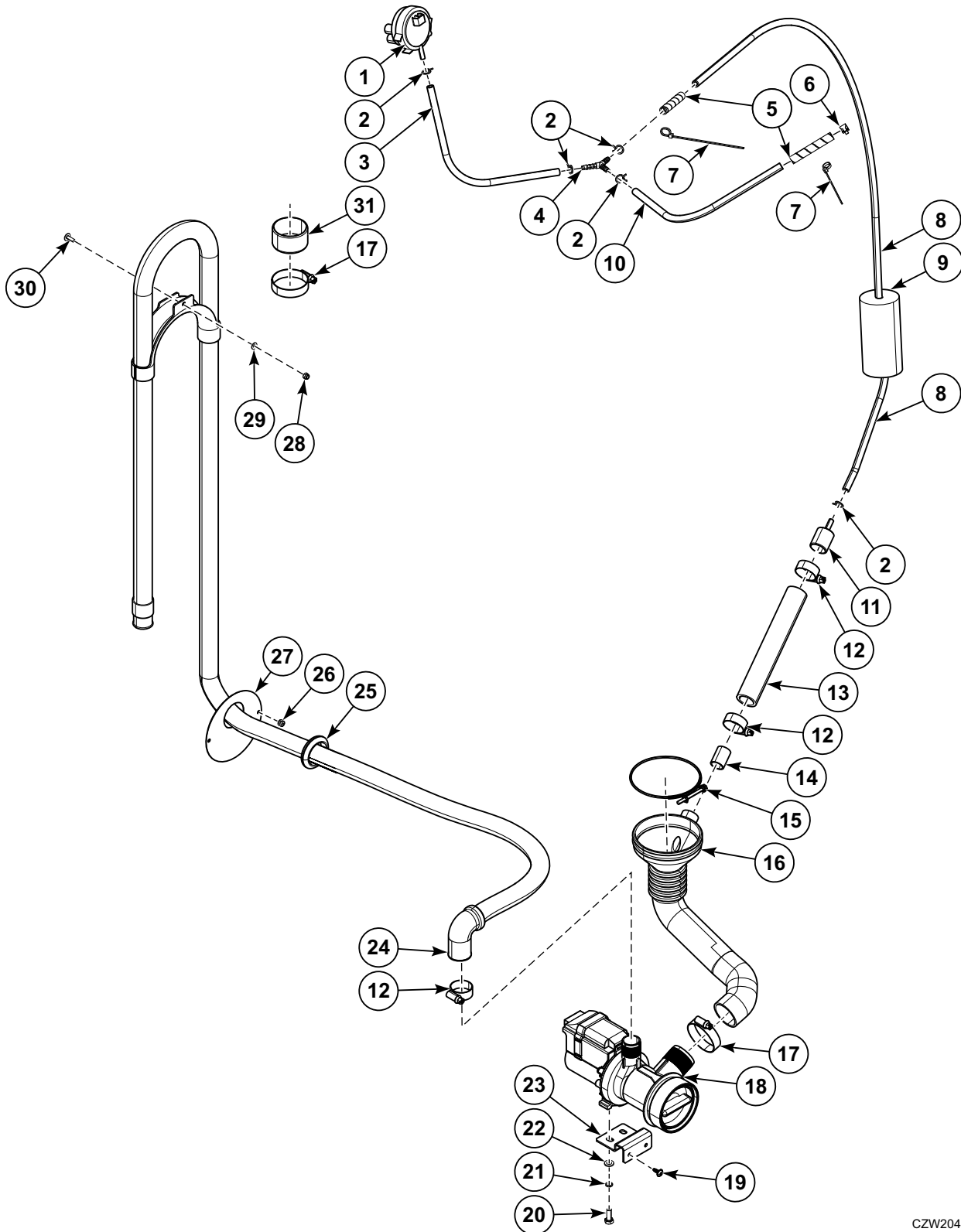
CZW323P_D2408

Drain System - Drain Pump Option Starting Serial No. 80FX017006QF

REF	PART NO.	DESCRIPTION	COMMENTS
1	SP540183	Spring Clamp	
2	SP283449080200	Spiral	
3	SP100188	Foam Roller	
4	SPPRI540001003	Water Level Switch Hose	
5	SPPRI241000017	Hose Clamp	A5.5
6	SPPRI503000027	Air Trap Reduction	
7	SPPRI240000003	Hose Clamp	20-32
8	SPPRI503002049	Hose	Air trap
9	SP500125	Reinforcement Tube	
10	SP526532	Hose Clamp	82-90
11	SP547803	Drain Elbow	
12	SPPRI240000008	Hose Clamp	32-50
13	570314	Drain Pump	50Hz
	567142	Drain Pump	60Hz
14	SP529206	Screw	4x11
15	SP309933000616	Bolt	M6x16
16	SP311127000006	Washer	6
17	SP311125000006	Washer	6.4
18	567127	Pump Holder	
19	SP521558	Drain Hose Pipe	
20	SPPRI501001078	Cable Bushing	
21	SP313250004063	Rivet	4x6.3
22	SP547807	Drain Pump Hose Bushing	
23	SP514193	Nut	M4
24	SP311125000004	Washer	4.3
25	SP521957	Bolt	M4x12
26	SP526568	Cylinder Cap	

Drain System - Drain Pump Option

All Models with V in 7th Position



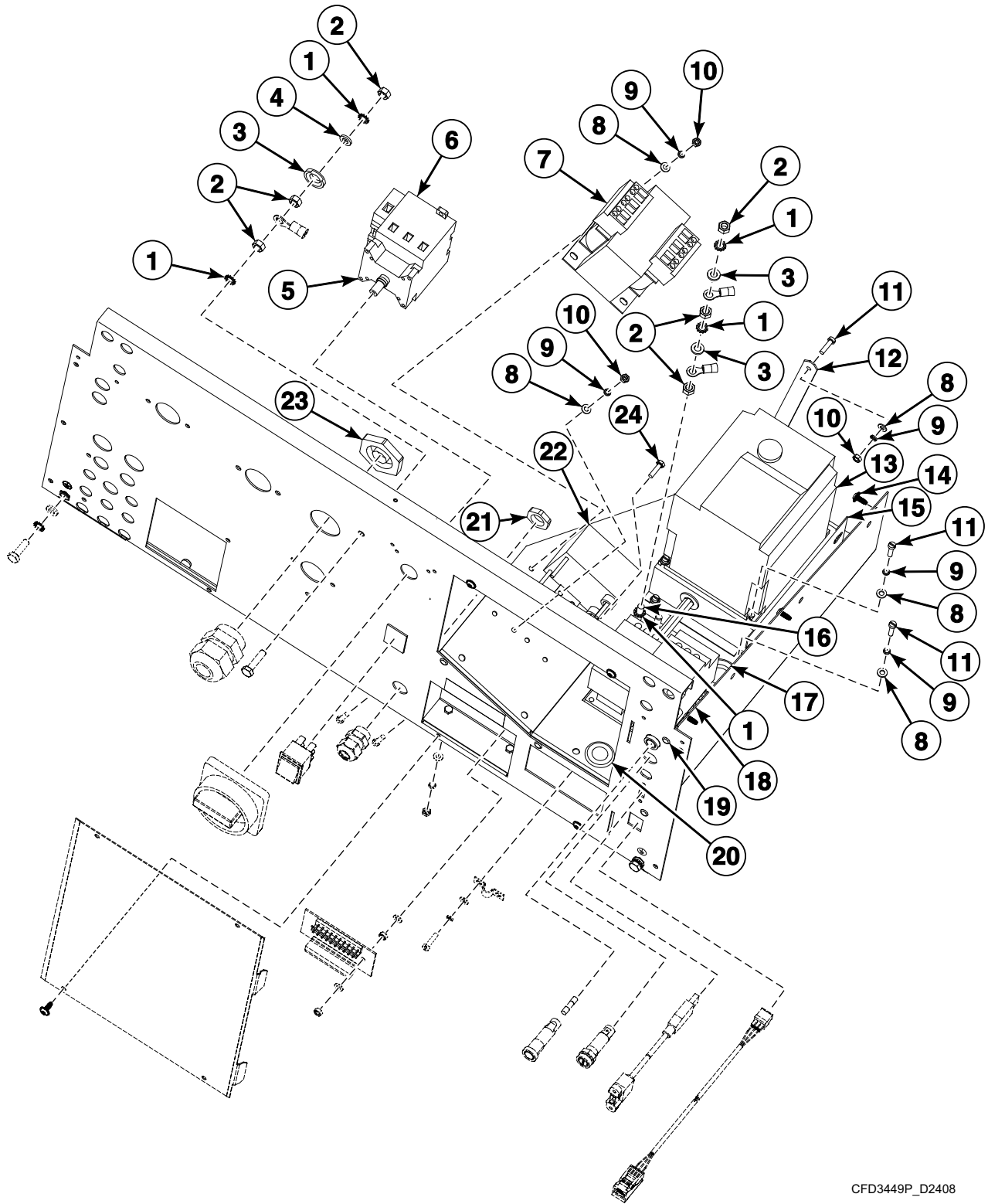
CZW204P_D2408

Drain System - Drain Pump Option

REF	PART NO.	DESCRIPTION	COMMENTS
	SPPRI704000053	Sealant	
1	570315	Water Level Switch	
2	SPPRI241000017	Hose Clamp	A5.5
3	SPPRI540001003	Water Level Switch Hose	0.31m
4	SPPRI503000028	Y-Piece	
5	SP283449080200	Spiral	
6	SP540183	Spring Clamp	
7	SP345000626088	Binding Strip	
8	SPPRI540001003	Water Level Switch Hose	0.8m
9	SP100188	Foam Roller	
10	SPPRI540001003	Water Level Switch Hose	0.29m
11	SPPRI503000027	Air Trap Reduction	
12	SPPRI240000003	Hose Clamp	20-32
13	SPPRI503002049	Hose	Air trap
14	SP500125	Reinforcement Tube	
15	SP526532	Hose Clamp	82-90
16	SP547803	Drain Elbow	
17	SPPRI240000008	Hose Clamp	32-50
18	570314	Drain Pump	50Hz
	567142	Drain Pump	60Hz
19	SP529206	Screw	4x11
20	SP309933000616	Bolt	M6x16
21	SP311127000006	Washer	6
22	SP311125000006	Washer	6.4
23	567127	Pump Holder	
24	SP521558	Drain Hose Pipe	
25	SPPRI501001078	Cable Bushing	
26	SP313250004063	Rivet	4x6.3
27	SP547807	Drain Pump Hose Bushing	
28	SP514193	Nut	M4
29	SP311125000004	Washer	4.3
30	SP521957	Bolt	M4x12
31	SP526568	Cylinder Cap	

Rear Panel (Drawing 1 of 3)

All Models Except Models with V in 7th Position or Models with G, H, J or K in 13th Position



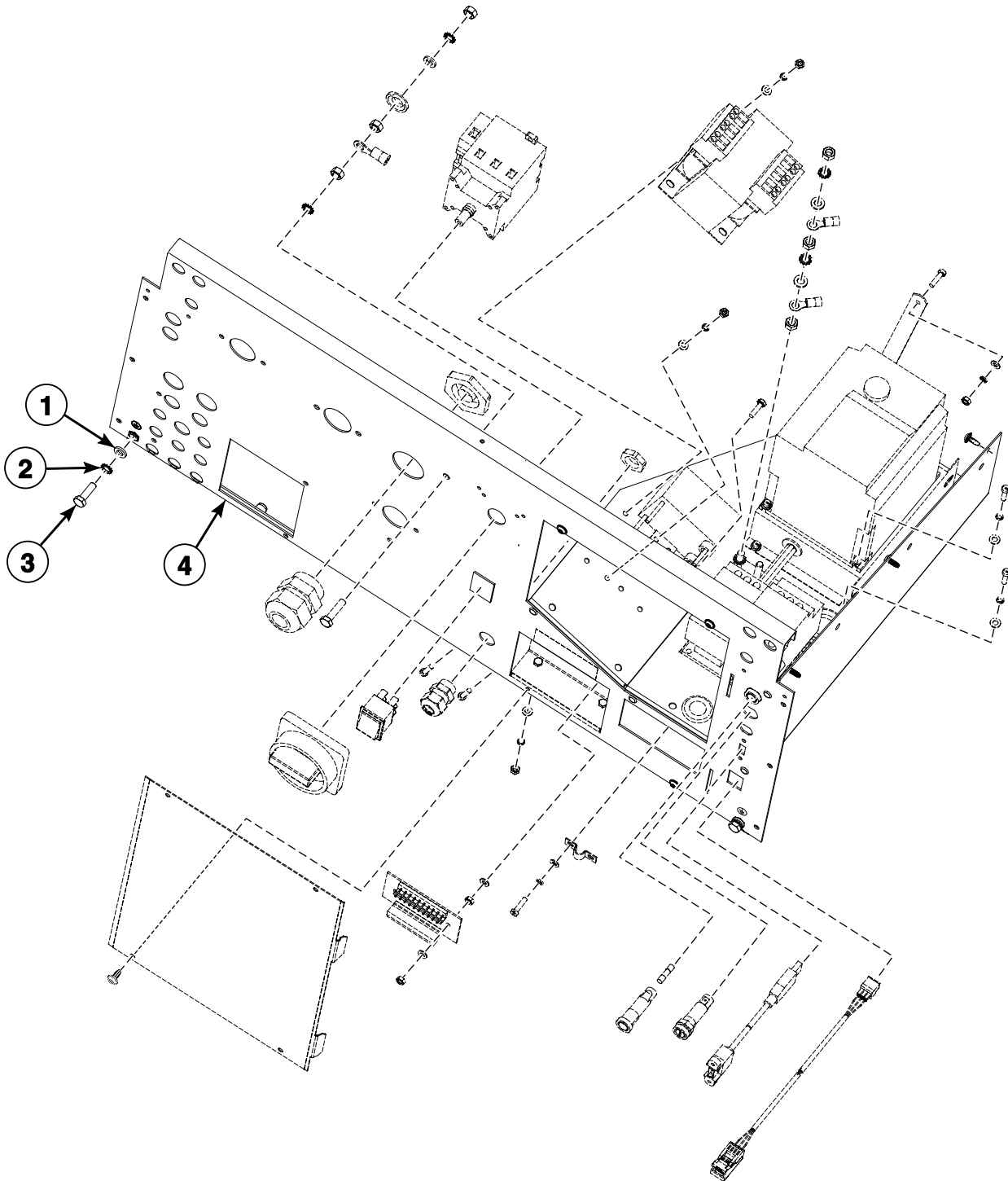
CFD3449P_D2408

Rear Panel (Drawing 1 of 3)

REF	PART NO.	DESCRIPTION	COMMENTS
	SP557768	Main Wiring	
	SP552475	Main Wiring	
	SP540180	Liquid Soap Supply Connection Kit	
	SPPRI350012007	Isolation Paper	
1	SP311679824006	Washer	M6
2	SP310934100006	Nut	M6
3	563361	Washer	CSA
4	SP311125100006	Washer	6.4
5	SP506407	Main Switch	25A; Fourth Pole
	SPPRI404001098	Main Switch	32A; Fourth Pole
	SPPRI404001099	Main Switch	63A; Fourth Pole
6	SPPRI404000098	Main Switch	32A
	SPPRI404000097	Main Switch	25A
	SPPRI404000099	Main Switch	63A
7	SP516648	Transformer	
8	SP311125000004	Washer	4.3
9	SP311127000004	Washer	4
10	SP310934000004	Nut	M4
11	SP309084000416	Bolt	M4x16
12	SP526474	Holder Partition	
13	571471	Frequency Inverter	FR-D720S-042-SC-E8
	571474	Frequency Inverter	FR-D740-036-SC-E8
	SP528323	Communication Cable	
	SP528325	Communication Cable	Model SY80_KIS_PHOTO-ME
14	SP529206	Screw	4x11
15	SP525935	Filter	FR-D740-xxx
16	SP309933100625	Bolt	M6x25
17	SP273121022002	Cable Passage	22x2; AF, FX, HX, LY, MWF, PY, QW, SW and W models through Serial No. 80FX013363MB; AF Non-Brand, H, HY, IY, J, LP, NY, SY and UY models through Serial No. 80FX013221MB
18	SPPRI345002019	Contactator	LC1D32M7
	SP514043	Contactator	LC1D50M7
	SP514038	Contactator	LC1-D09M7
	SP514042	Contactator	LC1D18M7
19	SP313250004007	Rivet	4x7
20	SP273121015002	Cable Passage	15x2; AF, FX, HX, LY, MWF, PY, QW, SW and W models through Serial No. 80FX013363MB; AF Non-Brand, H, HY, IY, J, LP, NY, SY and UY models through Serial No. 80FX013221MB
21	SP101416	Nut	M16
22	SP516012	Filter	FR-D720S-xxx
23	SP101419	Nut	M32
24	SP309933000416	Bolt	M4x16

Rear Panel (Drawing 2 of 3)

All Models Except Models with V in 7th Position or Models with G, H, J or K in 13th Position



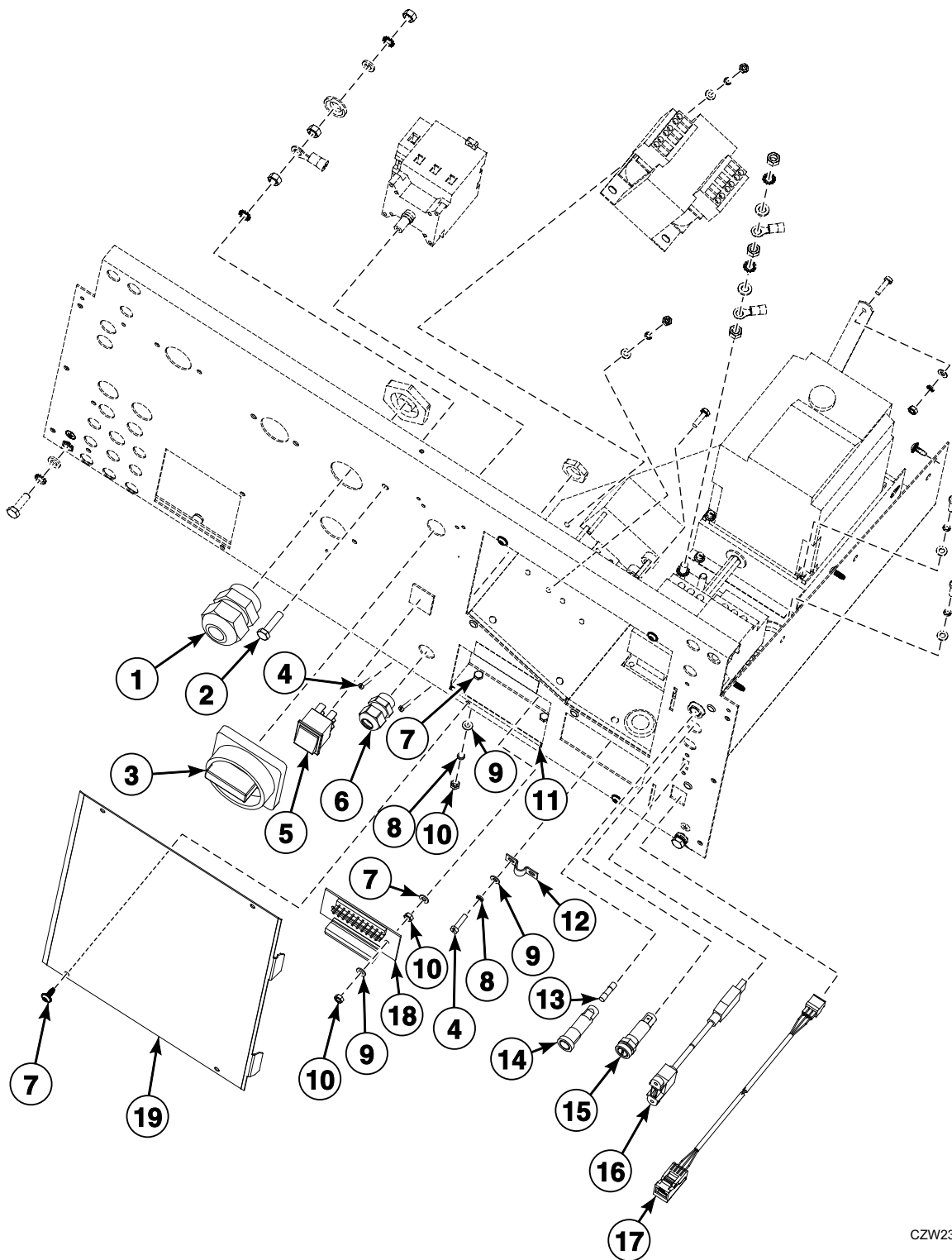
CFD3450P_D2408

Rear Panel (Drawing 2 of 3)

REF	PART NO.	DESCRIPTION	COMMENTS
	557982	Cable	Extra price option
	SP506575	Terminal Board	Extra price option
	557981	Label	Extra price option
1	SP311125240006	Washer	6.4
2	SP311679824006	Washer	M6
3	SP309933000620	Bolt	M6x20
4	SP554375	Rear Panel	AF Non-Brand, H, HY, IY, J, LP, NY, SY and UY models
	SP540118	Rear Panel	AF, FX, HX, LY, MWF, PY, QW, SW and W models

Rear Panel (Drawing 3 of 3)

All Models Except Models with V in 7th Position or Models with G, H, J or K in 13th Position



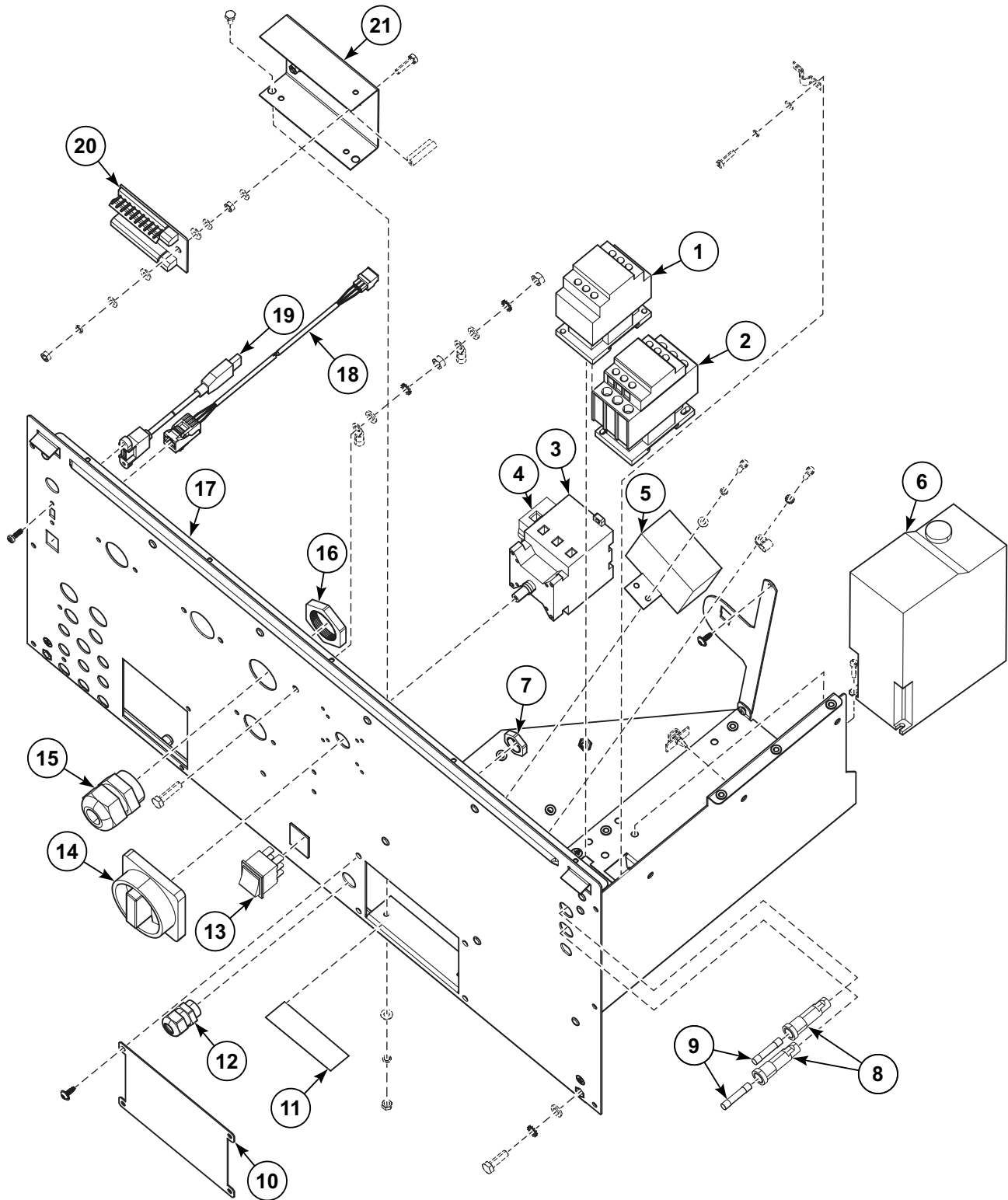
CZW23P_D2408

Rear Panel (Drawing 3 of 3)

REF	PART NO.	DESCRIPTION	COMMENTS
1	SP101409	Bushing	M32x1.5
	SP557952	Cable Bushing Insert	M32
2	SP309933100625	Bolt	M6x25
3	SPPRI404000095	Main Switch Knob	
4	SP309084000416	Bolt	M4x16
5	SP100388	Switch	
6	SP101406	Bushing	M16
7	SP529206	Screw	4x11
	SP309933240408	Bolt	M4x8
8	SP311127000004	Washer	4
9	SP311125000004	Washer	4.3
10	SP310934000004	Nut	M4
11	SP540123	Liquid Detergent Box	
12	SP528392	Cable Clamp	
13	SP345805005020	Fuse	5x20mm, T0.5A/250V
	SP345805163032	Fuse	6.3x32mm, T1A/500V
14	SPPRI401003020	Fuse Housing	6.3x32
15	SPPRI401001020	Fuse Holder	
16	SP547006	USB Cable	Rear panel connection
17	SP545234	Cable	RS485; With connectors
18	SP524714	Soap Relay Board	
	SP528149	Pump Relay Board to LED Terminal Cable	
	SP557944	Soap Link Kit	
	SP557947	External Block Signal Cable	2.8m
19	SP540121	Rear Panel Lid	

Rear Panel - 230-400V with Neutral (Drawing 1 of 2)

AF, IY and NY Models with G, H, J or K in 13th Position except Models with V in 7th Position



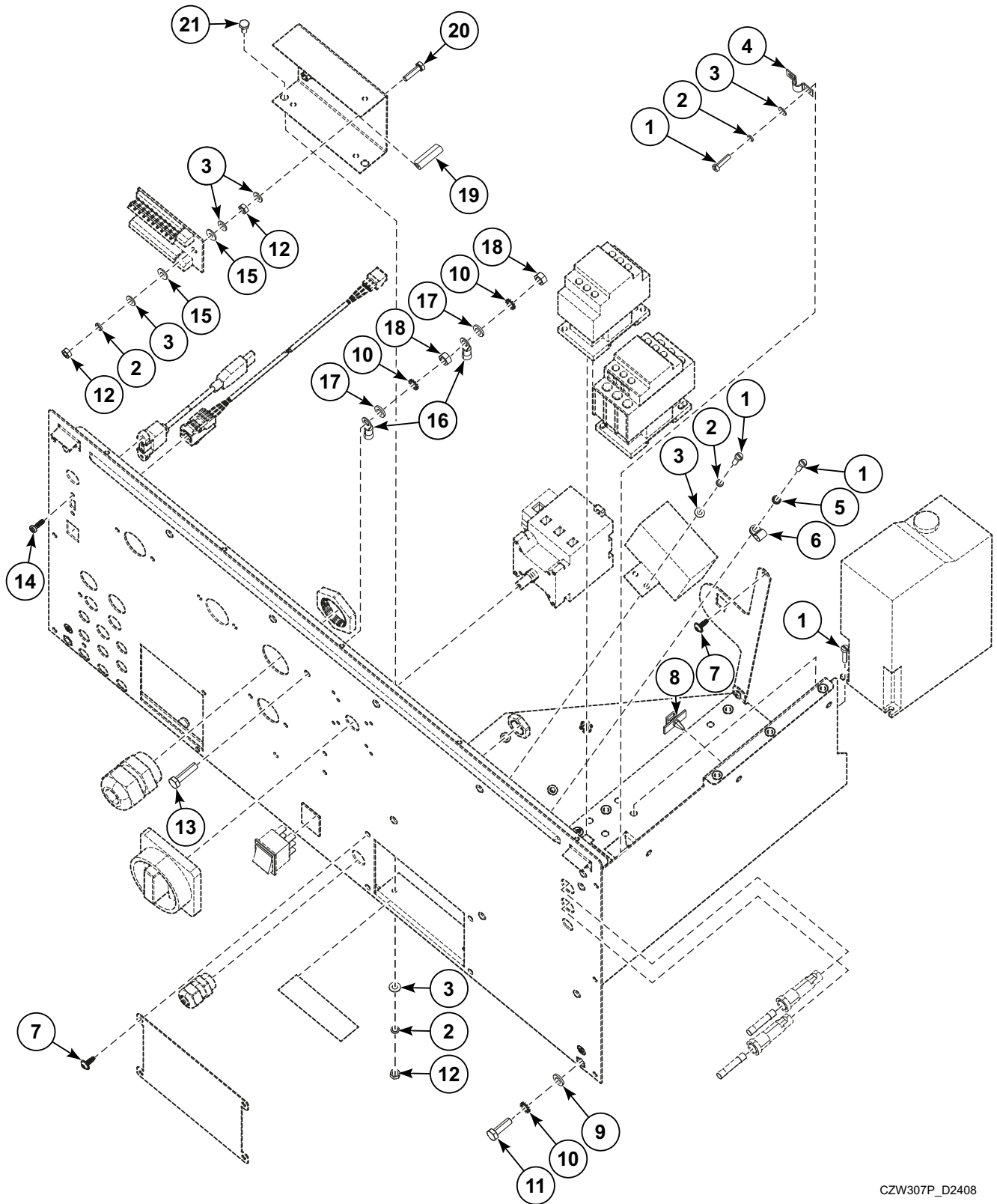
CZW306P_D2408

Rear Panel - 230-400V with Neutral (Drawing 1 of 2)

REF	PART NO.	DESCRIPTION	COMMENTS
1	SP514038	Contactors	LC1-D09M7; Used with frequency inverter
2	SP514038	Contactors	LC1-D09M7; Electric heating; 6kW, 9kW, 12kW 400V / 440V
	SP514042	Contactors	LC1D18M7; Electric heating 9kW 230V
	SPPRI345002019	Contactors	LC1D3201; Electric heating 12kW, 13.8kW, 230V
3	SPPRI404000097	Main Switch	25A; used with SP506407 Main Switch Fourth Pole 25A
	SPPRI404000098	Main Switch	32A; used with SPPRI404001098 Main Switch Fourth Pole 32A
	SPPRI404000099	Main Switch	63A; used with SPPRI404001099 Main Switch Fourth Pole 63A
4	SP506407	Main Switch	25A; Fourth pole
	SPPRI404001098	Main Switch	32A; Fourth pole
	SPPRI404001099	Main Switch	63A; Fourth pole
5	SP516012	Filter	16A / 250V
6	571471	Frequency Inverter	FR-D720S-042-SC-E8; 0.75kW; 230V / 400V+N
	571474	Frequency Inverter	1.5kW; 400V / 440V; FR-D740-036-SC-E8
	557961	Ferrite Core	Used with frequency inverter
7	SP101416	Nut	M16
8	SPPRI401003020	Fuse Housing	2 pieces
9	SP345805163032	Fuse	6.3x32mm, T1A/500V; 2 pieces
10	566549	Cover	
11	524740	Label	
12	SP101406	Bushing	M16
13	SP100388	Switch	
14	SPPRI404000095	Main Switch Knob	
15	SP101409	Bushing	M32x1.5
16	SP101419	Nut	M32
17	577192	Rear Panel	Assembly
18	SP545234	Cable	RS485; With connectors
19	SP547006	USB Cable	Rear panel connection; Optional
20	524714	Soap Relay Board	Used with SP528419 Pump Relay Board Flat Cable, 1=1.8m long
	SP557944	Soap Link Kit	
	SP557947	External Block Signal Cable	2.8m
21	540123	Holder	

Rear Panel - 230-400V with Neutral (Drawing 2 of 2)

AF, IY and NY Models with G, H, J or K in 13th Position except Models with V in 7th Position



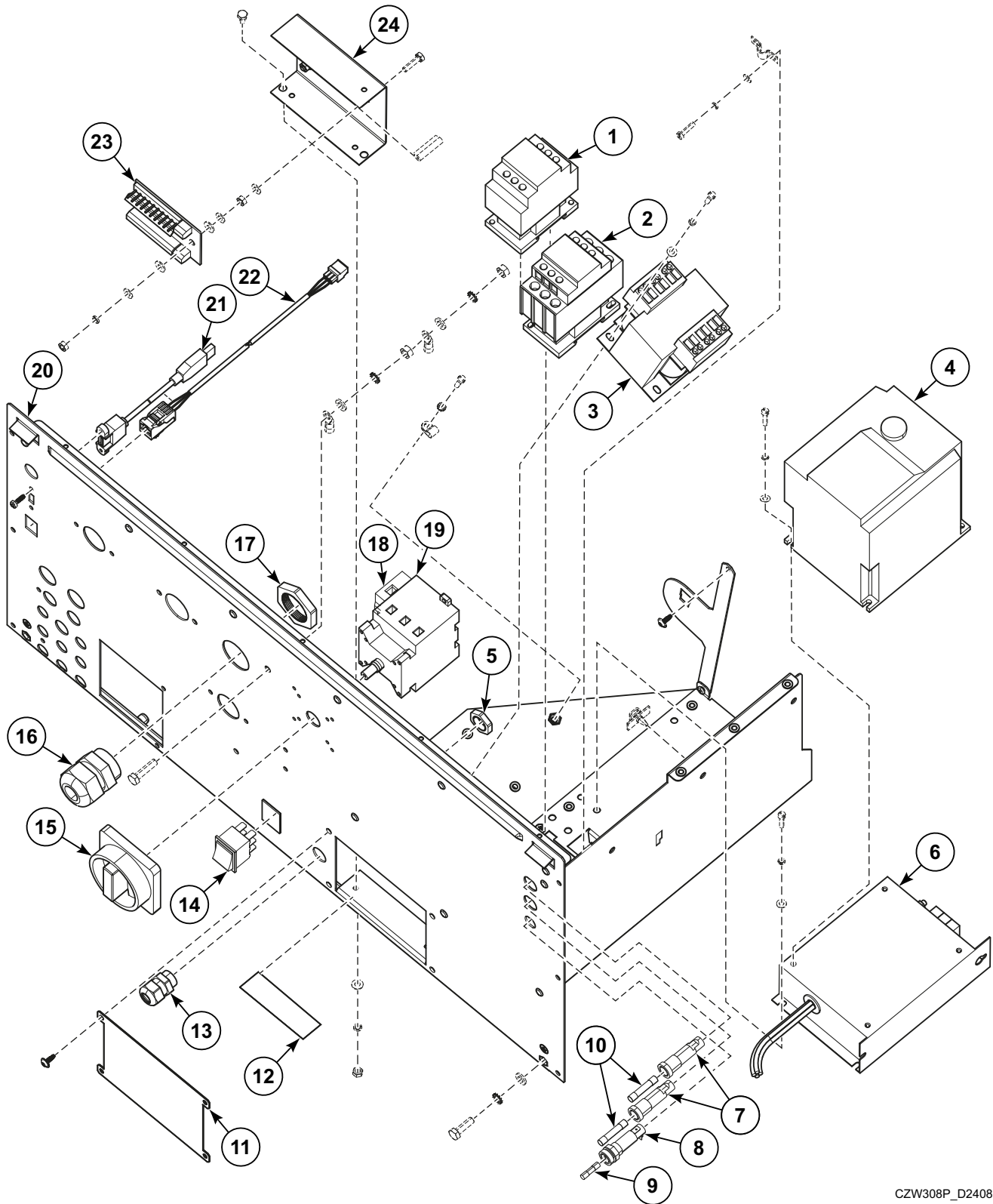
CZW307P_D2408

Rear Panel - 230-400V with Neutral (Drawing 2 of 2)

REF	PART NO.	DESCRIPTION	COMMENTS
1	SP309084000416	Bolt	M4x16
2	SP311127000004	Washer	4
3	SP311125000004	Washer	4.3
4	SP528392	Cable Clamp	
5	SP311679800004	Washer	M4
6	SP502214	Clip	
7	SP529206	Screw	4x11
8	SP528313	Cable Holder	
9	SP311125240006	Washer	6
10	SP311679824006	Washer	6
11	SP309933000620	Bolt	M6x20
12	SP310934000004	Nut	M4
13	SP309933100625	Bolt	M6x25
14	SP526497	Screw	4x12
15	SPPRI523000007	Washer	M4
16	SP345000165034	Cable Eye	
17	SP311125100006	Washer	
18	SP310934100006	Nut	M6
19	SPPRI505000058	Profiled Sealing	
20	SP309933000416	Bolt	M4x16
21	SP309933240408	Bolt	M4x8

Rear Panel - 400-440V (Drawing 1 of 2)

AF, IY and NY Models with G, H, J or K in 13th Position except Models with V in 7th Position



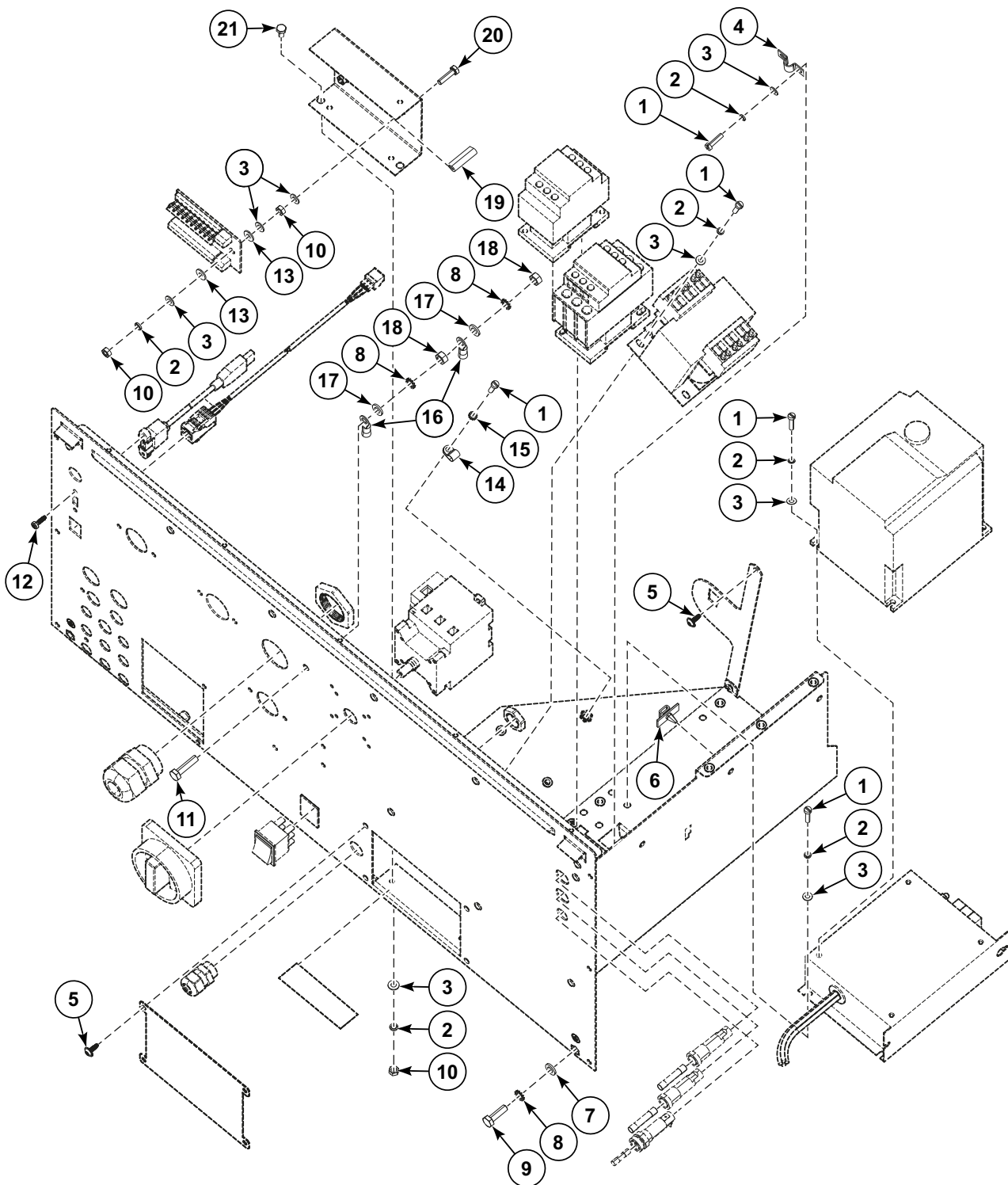
CZW308P_D2408

Rear Panel - 400-440V (Drawing 1 of 2)

REF	PART NO.	DESCRIPTION	COMMENTS
1	SP514038	Contactator	LC1-D09M7; Used with frequency inverter
2	SP514038	Contactator	LC1-D09M7; Electric heating; 6kW, 9kW, 12kW 400V / 440V
	SP514042	Contactator	LC1D18M7; Electric heating 9kW 230V
	SPPRI345002019	Contactator	LC1D3201; Electric heating 12kW, 13.8kW, 230V
3	SP516648	Transformer	
4	571474	Frequency Inverter	1.5kW; 400V / 440V; FR-D740-036-SC-E8
	557961	Ferrite Core	Used with frequency inverter
5	SP101416	Nut	M16
6	525935	Filter	16A
7	SPPRI401003020	Fuse Housing	2 pieces
8	SPPR401001020	Fuse Holder	
9	SP345805005020	Fuse	5x20mm, T0.5A/250V; 1 piece
10	SP345805163032	Fuse	6.3x32mm, T1A/500V; 2 pieces
11	566549	Cover	
12	524740	Label	
13	SP101406	Bushing	M16
14	SP100388	Switch	
15	SPPRI404000095	Main Switch Knob	
16	SP101409	Bushing	M32x1.5
17	SP101419	Nut	M32
18	SP506407	Main Switch	25A; Fourth pole
	SPPRI404001098	Main Switch	32A; Fourth pole
	SPPRI404000199	Main Switch	63A; Fourth pole
19	SPPRI404000097	Main Switch	25A; used with SP506407 Main Switch Fourth Pole 25A
	SPPRI404000098	Main Switch	32A; used with SPPRI404001098 Main Switch Fourth Pole 32A
	SPPRI404000099	Main Switch	63A; used with SPPRI404001099 Main Switch Fourth Pole 63A
20	571016	Rear Panel	Assembly
21	SP547006	USB Cable	Rear panel connection; Optional
22	SP545234	Cable	RS485; With connectors
23	524714	Soap Relay Board	Used with SP528419 Pump Relay Board Flat Cable, l=1.8m long
	SP557944	Soap Link Kit	
	SP557947	External Block Signal Cable	2.8m
24	540123	Holder	

Rear Panel - 400-440V (Drawing 2 of 2)

AF, IY and NY Models with G, H, J or K in 13th Position except Models with V in 7th Position



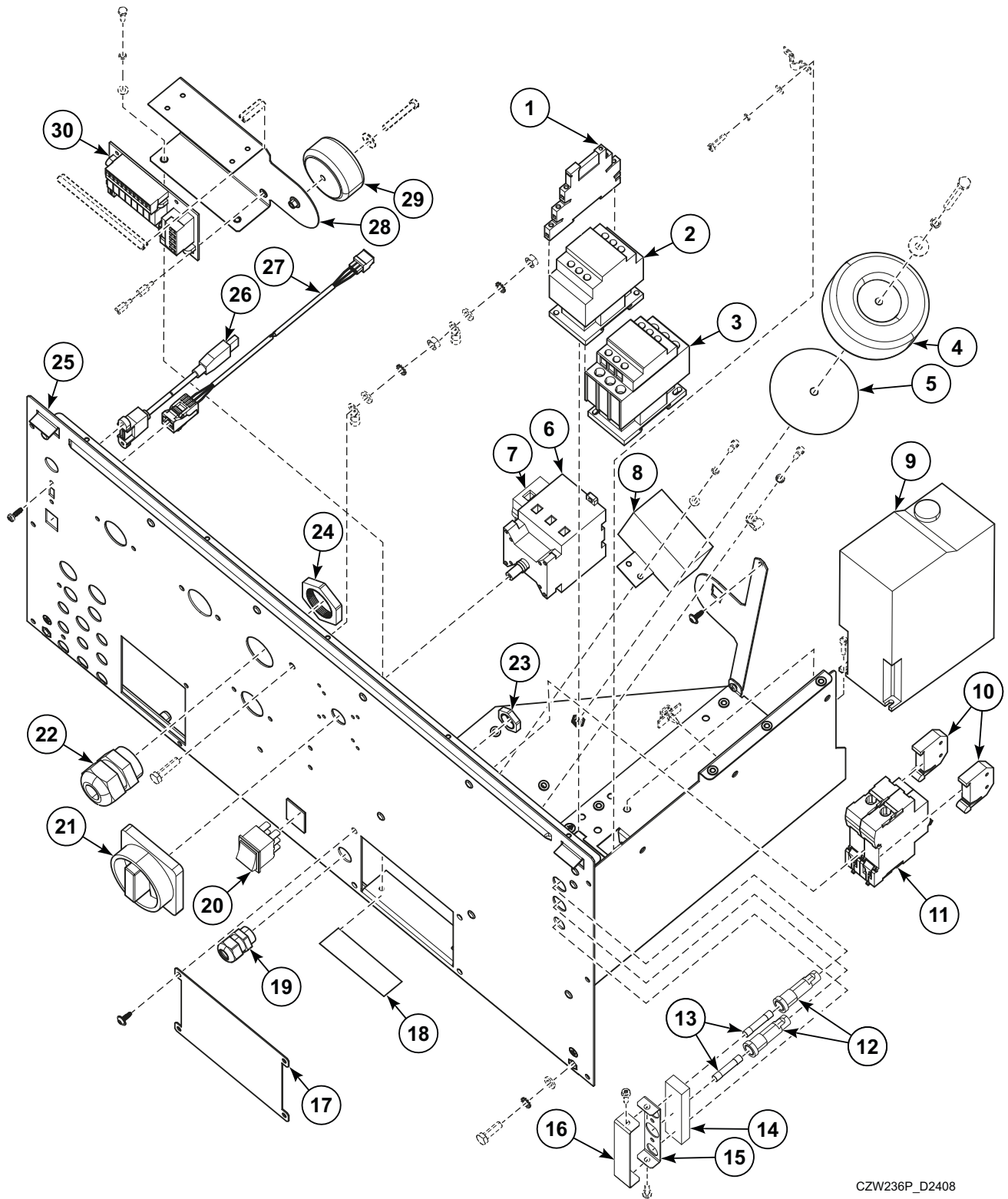
CZW309P_D2408

Rear Panel - 400-440V (Drawing 2 of 2)

REF	PART NO.	DESCRIPTION	COMMENTS
1	SP309084000416	Bolt	M4x16
2	SP311127000004	Washer	4
3	SP311125000004	Washer	4.3
4	SP528392	Cable Clamp	
5	SP529206	Screw	4x11
6	SP528313	Cable Holder	
7	SP311125240006	Washer	6
8	SP311679824006	Washer	6
9	SP309933000620	Bolt	M6x20
10	SP310934000004	Nut	M4
11	SP309933100625	Bolt	M6x25
12	SP526497	Screw	4x12
13	SPPRI523000007	Washer	M4
14	SP502214	Clip	
15	SP311679800004	Washer	M4
16	SP345000165034	Cable Eye	
17	SP311125100006	Washer	
18	SP310934100006	Nut	M6
19	SPPRI505000058	Profiled Sealing	
20	SP309933000416	Bolt	M4x16
21	SP309933240408	Bolt	M4x8

Rear Panel - 230-400V CE Models with Neutral (Drawing 1 of 2)

AF, IY, J and NY Models with V in 7th Position



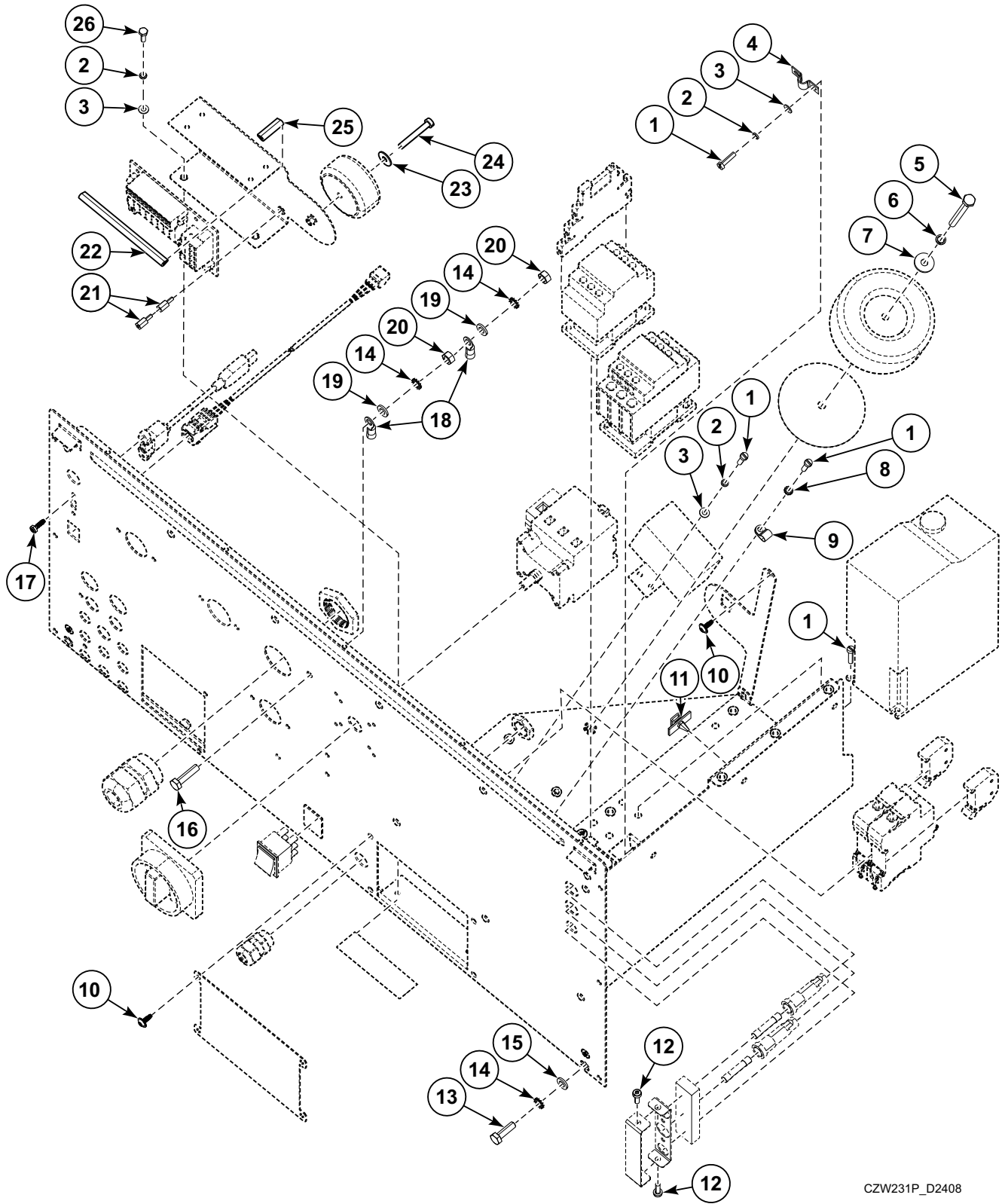
CZW236P_D2408

Rear Panel - 230-400V CE Models with Neutral (Drawing 1 of 2)

REF	PART NO.	DESCRIPTION	COMMENTS
	570316	Liquid detergents	Assembly, includes items: (drawing 1 of 2): 18, 19, 23, 28-30 and 569737 Pump Relay Board Flat Cable and items from (drawing 2 of 2): 2, 3 and 21-26
1	SP552468	Relay	2 poles; Used with drain pump
2	SP514038	Contactactor	LC1-D09M7; Used with frequency inverter
3	SP514038	Contactactor	LC1-D09M7; Electric heating; 6kW, 9kW, 12kW 400V / 440V
	SP514042	Contactactor	LC1D18M7; Electric heating 9kW 230V
	SPPRI345002019	Contactactor	LC1D3201; Electric heating 12kW, 13.8kW, 230V
4	571454	DC Choke	9.7mH; Supply 230V, 380-415V+N
5	571458	Insulation Washer	
6	SPPRI404000097	Main Switch	25A; used with SP506407 Main Switch Fourth Pole 25A
	SPPRI404000098	Main Switch	32A; used with SPPRI404001098 Main Switch Fourth Pole 32A
	SPPRI404000099	Main Switch	63A; used with SPPRI404001099 Main Switch Fourth Pole 63A
7	SP506407	Main Switch	25A; Fourth pole
	SPPRI404001098	Main Switch	32A; Fourth pole
	SPPRI404001099	Main Switch	63A; Fourth pole
8	568380	Filter	20A / 250V
9	571471	Frequency Inverter	FR-D720S-042-SC-E8; 0.75kW; 230V / 400V+N
	571474	Frequency Inverter	1.5kW; 400V / 440V; FR-D740-036-SC-E8
	557961	Ferrite Core	Used with frequency inverter
10	SP346000209101	End Stop	
11	571462	Circuit Breaker	
12	SPPRI401003020	Fuse Housing	2 pieces
13	SP345805163032	Fuse	6.3x32mm, T1A/500V; 2 pieces
14	570387	Self-Adhesive Profile	
15	SP554310	Fuse Holder	
16	SP554311	Fuse Cover	
17	566549	Cover	
18	570371	Label	Models with Transformer
	579019	Label	Models without Transformer
19	SP101406	Bushing	M16
20	SP100388	Switch	
21	SPPRI404000095	Main Switch Knob	
22	SP101409	Bushing	M32x1.5
23	SP101416	Nut	M16
24	SP101419	Nut	M32
25	569591	Rear Panel	
26	SP547006	USB Cable	Rear panel connection; Optional
27	SP545234	Cable	RS485; With connectors
28	570382	Holder	
29	564561	Transformer	
	579014	Transformer Kit	Models without Transformer
30	553187	Soap Relay Board	Used with 569737 Pump Relay Board Flat Cable, 2m long

Rear Panel - 230-400V CE Models with Neutral (Drawing 2 of 2)

AF, IY, J and NY Models with V in 7th Position



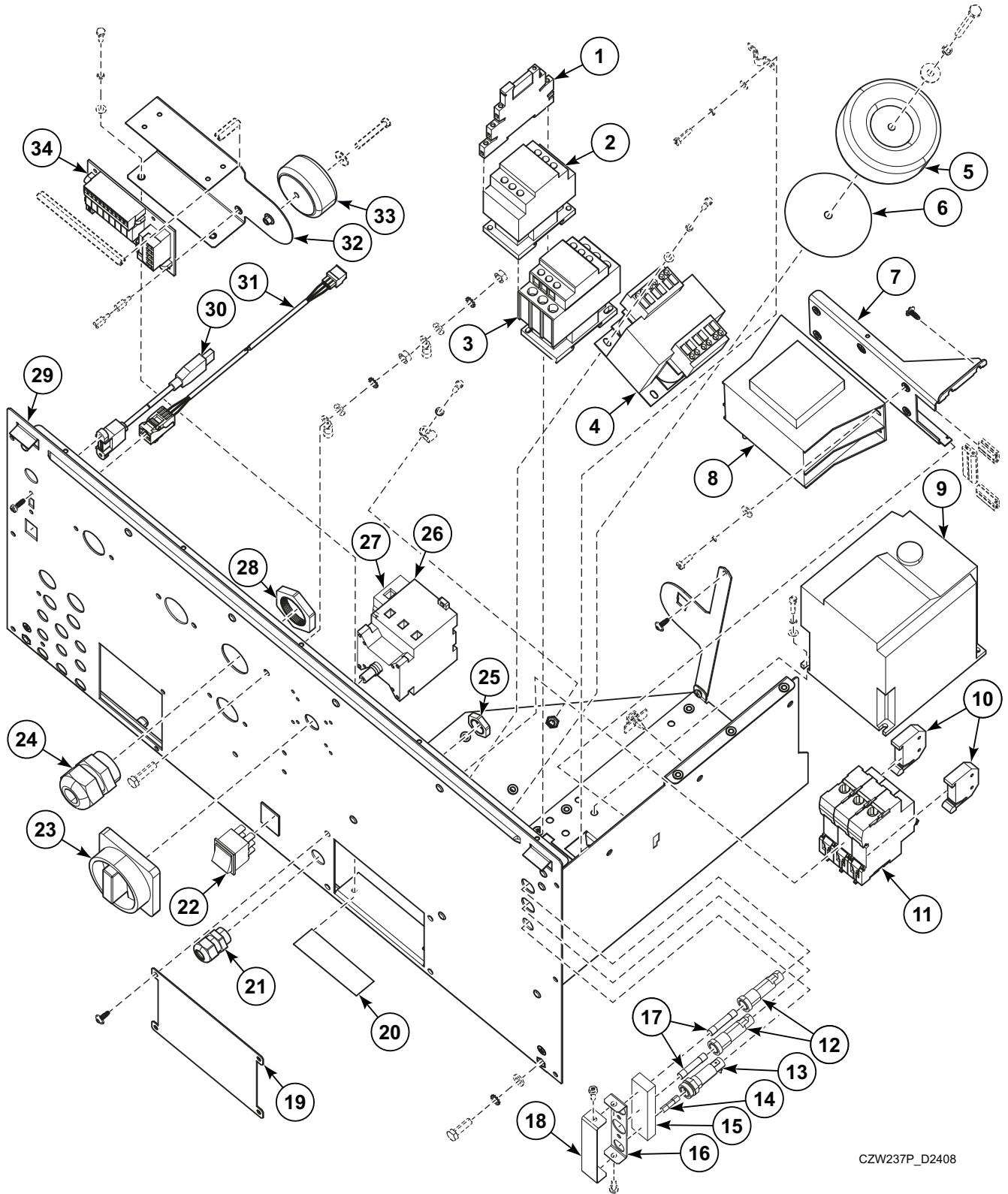
CZW231P_D2408

Rear Panel - 230-400V CE Models with Neutral (Drawing 2 of 2)

REF	PART NO.	DESCRIPTION	COMMENTS
1	SP309084000416	Bolt	M4x16
2	SP311127000004	Washer	4
3	SP311125000004	Washer	4.3
4	SP528392	Cable Clamp	
5	SP309933000660	Bolt	M6x60
6	SP311127000006	Washer	6
7	SP311902100006	Washer	6
8	SP311679800004	Washer	M4
9	SP502214	Clip	
10	SP529206	Screw	4x11
11	SP528313	Cable Holder	
12	SP555504	Bolt	
13	SP309933000620	Bolt	M6x20
14	SP311679824006	Washer	6
15	SP311125240006	Washer	6
16	SP309933100625	Bolt	M6x25
17	SP526497	Screw	4x12
18	SP345000165034	Cable Eye	
19	SP311125100006	Washer	6
20	SP310934100006	Nut	M6
21	570381	Hex Pillar	M3; Through 1 September 2021
22	SPPRI505000058	Profiled Sealing	0.105m
23	SP505430	Washer	5
24	SP309084000535	Bolt	M5x35
25	SPPRI505000058	Profiled Sealing	0.025m
26	SP309933240412	Bolt	M4x12

Rear Panel - 400-440V CE Models with Neutral (Drawing 1 of 2)

AF, IY, J and NY Models with V in 7th Position



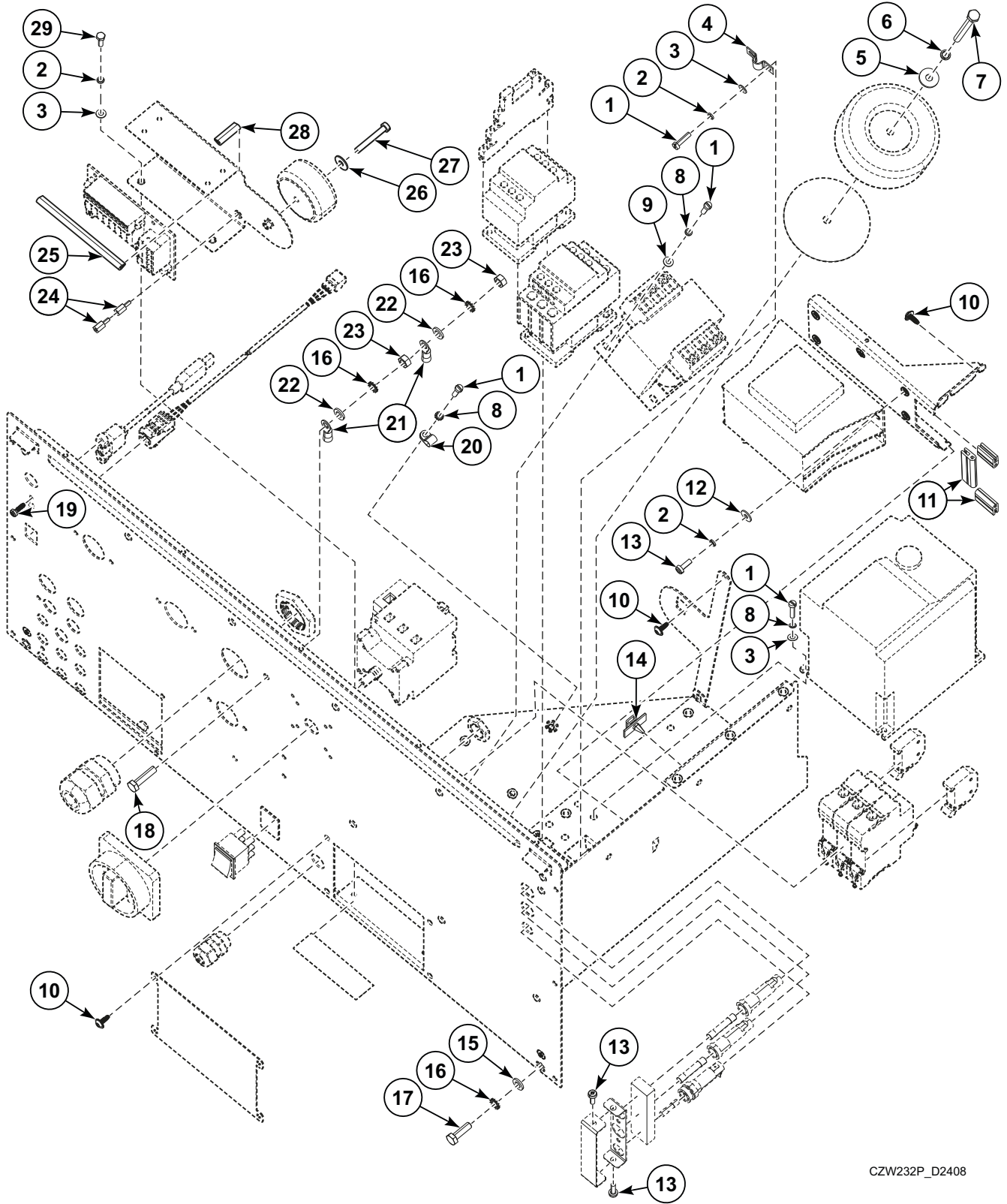
CZW237P_D2408

Rear Panel - 400-440V CE Models with Neutral (Drawing 1 of 2)

REF	PART NO.	DESCRIPTION	COMMENTS
	570316	Liquid detergents	Assembly, includes items: (drawing 1 of 2): 20, 21, 25, 32-34, 569737 Pump Relay Board Flat Cable and items from (drawing 2 of 2): 2, 3 and 24-29
1	SP552468	Relay	2 poles; Used with drain pump
2	SP514038	Contactator	LC1-D09M7; Used with frequency inverter
3	SP514038	Contactator	LC1-D09M7; Electric heating; 6kW, 9kW, 12kW 400V / 440V
	SP514042	Contactator	LC1D18M7; Electric heating 9kW 230V
	SPPRI345002019	Contactator	LC1D3201; Electric heating 12kW, 13.8kW, 230V
4	SP516648	Transformer	
5	571454	DC Choke	9.7mH; Supply 230V / 400V / 440V / 400V+N
6	571458	Insulation Washer	
7	572126	Filter Holder	Used with SP313251002104 Nut
8	SP557932	Frequency Inverter Filter	3x400V
9	571474	Frequency Inverter	1.5kW; 400V / 440V; FR-D740-036-SC-E8
	557961	Ferrite Core	Used with frequency inverter
10	SP346000209101	End Stop	
11	571462	Circuit Breaker	
12	SPPRI401003020	Fuse Housing	2 pieces
13	SPPRI401001020	Fuse Holder	
14	SP345805005020	Fuse	Without Neutral
15	570387	Self-Adhesive Profile	
16	SP554310	Fuse Holder	
17	SP345805163032	Fuse	6.3x32mm, T1A/500V; 2 pieces
18	SP554311	Fuse Cover	
19	566549	Cover	
20	570371	Label	Models with Transformer
	579019	Label	Models without Transformer
21	SP101406	Bushing	M16
22	SP100388	Switch	
23	SPPRI404000095	Main Switch Knob	
24	SP101409	Bushing	M32x1.5
25	SP101416	Nut	M16
26	SPPRI404000097	Main Switch	25A
	SPPRI404000098	Main Switch	32A
	SPPRI404000099	Main Switch	63A
27	SP506407	Main Switch	25A; Fourth pole
	SPPRI404001098	Main Switch	32A; Fourth pole
	SPPRI404001099	Main Switch	63A; Fourth pole
28	SP101419	Nut	M32
29	569591	Rear Panel	
30	SP547006	USB Cable	Rear panel connection; Optional
31	SP545234	Cable	RS485; With connectors
32	570382	Holder	
33	564561	Transformer	
	579014	Transformer Kit	Models without Transformer
34	553187	Soap Relay Board	Used with 569737 Pump Relay Board Flat Cable

Rear Panel - 400-440V CE Models with Neutral (Drawing 2 of 2)

AF, IY, J and NY Models with V in 7th Position



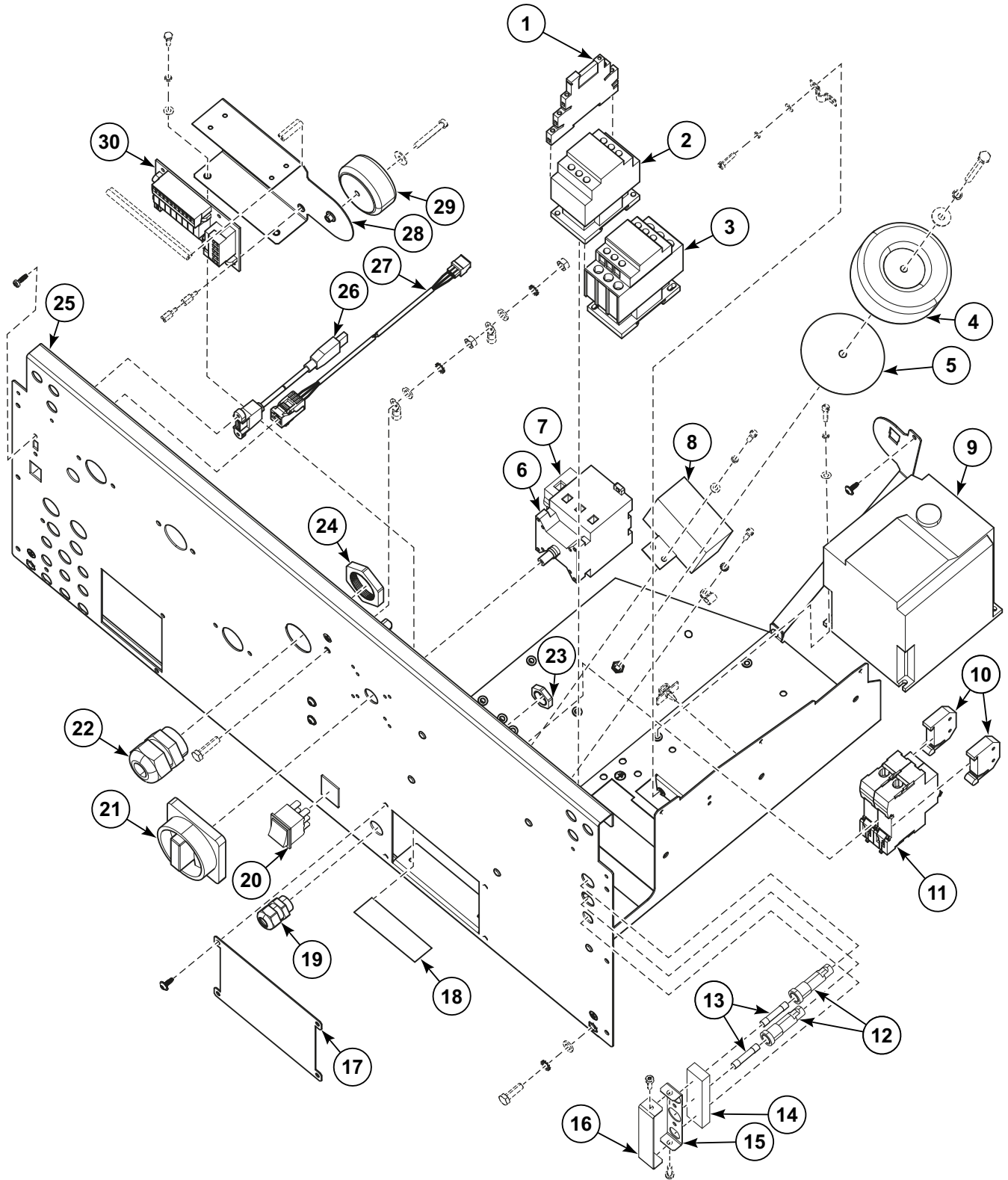
CZW232P_D2408

Rear Panel - 400-440V CE Models with Neutral (Drawing 2 of 2)

REF	PART NO.	DESCRIPTION	COMMENTS
1	SP309084000416	Bolt	M4x16
2	SP311127000004	Washer	4
3	SP311125000004	Washer	4.3
4	SP528392	Cable Clamp	
5	SP311902100006	Washer	6
6	SP311127000006	Washer	6
7	SP309933000660	Bolt	M6x60
8	SP311679800004	Washer	M4
9	SP311125000004	Washer	4.3
10	SP529206	Screw	4x11
11	SP529068	Edge Protection	
12	SP311902100004	Washer	4
13	SP555504	Bolt	M4x12
14	SP528313	Cable Holder	
15	SP311125240006	Washer	6
16	SP311679824006	Washer	6
17	SP309933000620	Bolt	M6x20
18	SP309933100625	Bolt	M6x25
19	SP526497	Screw	4x12
20	SP502214	Clip	
21	SP345000165034	Cable Eye	
22	SP311125100006	Washer	6
23	SP310934100006	Nut	M6
24	570381	Hex Pillar	M3; Through 1 September 2021
25	SPPRI505000058	Profiled Sealing	0.105m
26	SP505430	Washer	5
27	SP309084000535	Bolt	M5x35
28	SPPRI505000058	Profiled Sealing	0.025m
29	SP309933240412	Bolt	M4x12

Rear Panel - 230V / 400V with Neutral (Drawing 1 of 2)

FX and PY Models with V in 7th Position



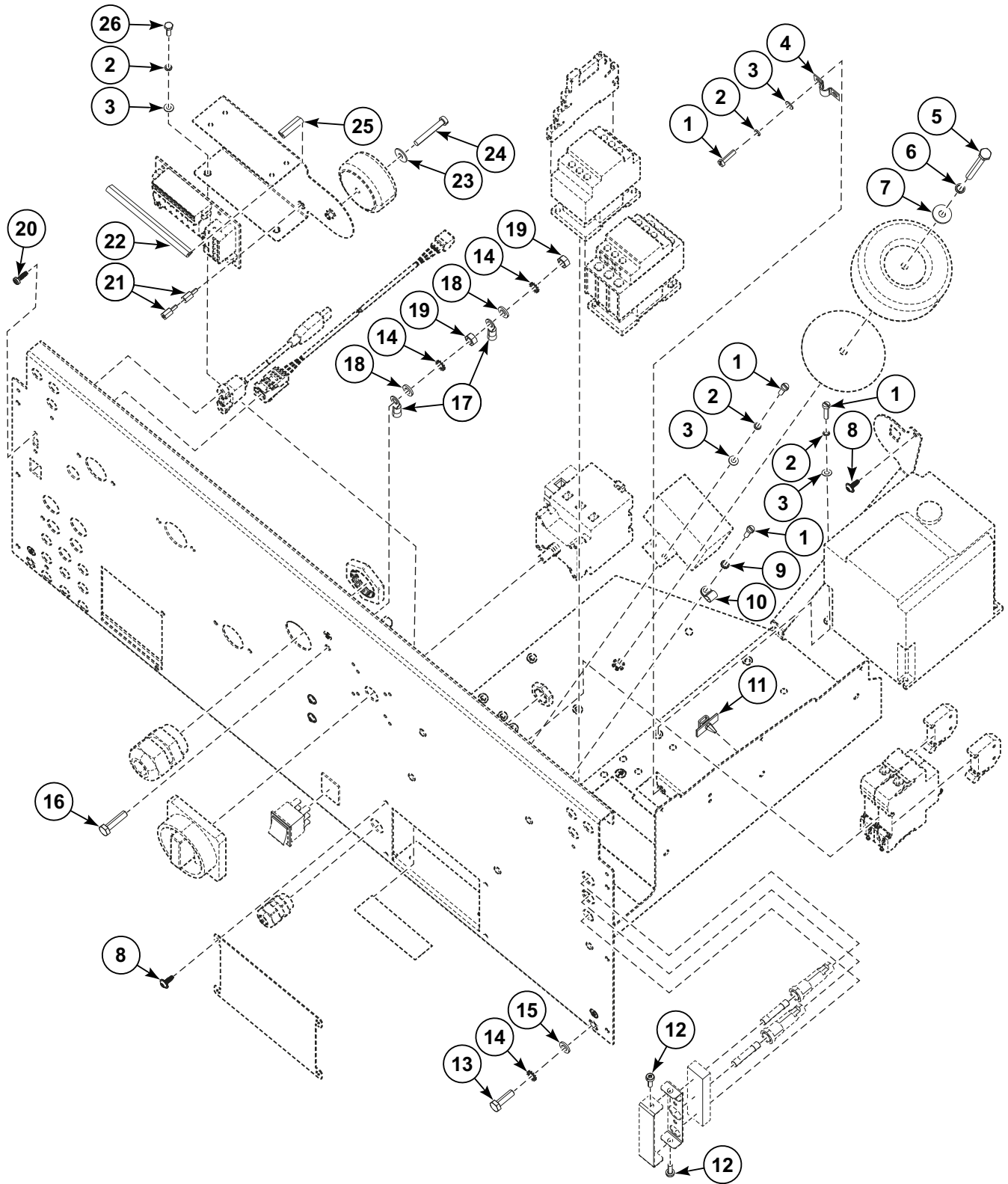
CZW333P_D2408

Rear Panel - 230V / 400V with Neutral (Drawing 1 of 2)

REF	PART NO.	DESCRIPTION	COMMENTS
	570316	Liquid detergents	Assembly, includes items: (drawing 1 of 2): 18, 19, 23, 28-30, 569737 Pump Relay Board Flat Cable and items from (drawing 2 of 2): 2, 3 and 21-26
1	SP552468	Relay	2 poles; Used with drain pump
2	SP514038	Contactator	LC1-D09M7; Used with frequency inverter
3	SP514038	Contactator	LC1-D09M7; Electric heating; 6kW, 9kW, 12kW 400V / 440V
	SP514042	Contactator	LC1D18M7; Electric heating 9kW 230V
4	571454	DC Choke	9.7mH; Supply 230V, 400V / 400V+N / 440V
5	571458	Insulation Washer	
6	SPPRI404000097	Main Switch	25A; Used with SP506407 Main Switch Fourth Pole 25A
	SPPRI404000098	Main Switch	32A; Used with SPPRI404001098 Main Switch Fourth Pole 32A
	SPPRI404000099	Main Switch	63A; Used with SPPRI404001099 Main Switch Fourth Pole 63A
7	SP506407	Main Switch	25A; Fourth pole; Applicable for 400V+N
	SPPRI404001098	Main Switch	32A; Fourth pole; Applicable for 400V+N
	SPPRI404001099	Main Switch	63A; Fourth pole; Applicable for 400V+N
8	568380	Filter	20A / 250V
9	571471	Frequency Inverter	FR-D720S-042-SC-E8; 0.75kW; 230V / 400V+N
	557961	Ferrite Core	Used with frequency inverter
10	SP346000209101	End Stop	
11	571462	Circuit Breaker	
12	SPPRI401003020	Fuse Housing	2 pieces
13	SP345805163032	Fuse	6.3x32mm, T1A/500V; 2 pieces
14	570387	Self-Adhesive Profile	
15	SP554310	Fuse Holder	
16	SP554311	Fuse Cover	
17	566549	Cover	
18	570371	Label	Models with Transformer
	579019	Label	Models without Transformer
19	SP101406	Bushing	M16
20	SP100388	Switch	
21	SPPRI404000095	Main Switch Knob	
22	SP101409	Bushing	M32x1.5
23	SP101416	Nut	M16
24	SP101419	Nut	M32
25	572521	Rear Panel	
26	SP547006	USB Cable	Rear panel connection; Optional
27	SP545234	Cable	RS485; With connectors
28	570382	Holder	
29	564561	Transformer	
	579014	Transformer Kit	Models without Transformer
30	553187	Soap Relay Board	Used with 569737 Pump Relay Board Flat Cable, 2m long

Rear Panel - 230V / 400V with Neutral (Drawing 2 of 2)

FX and PY Models with V in 7th Position



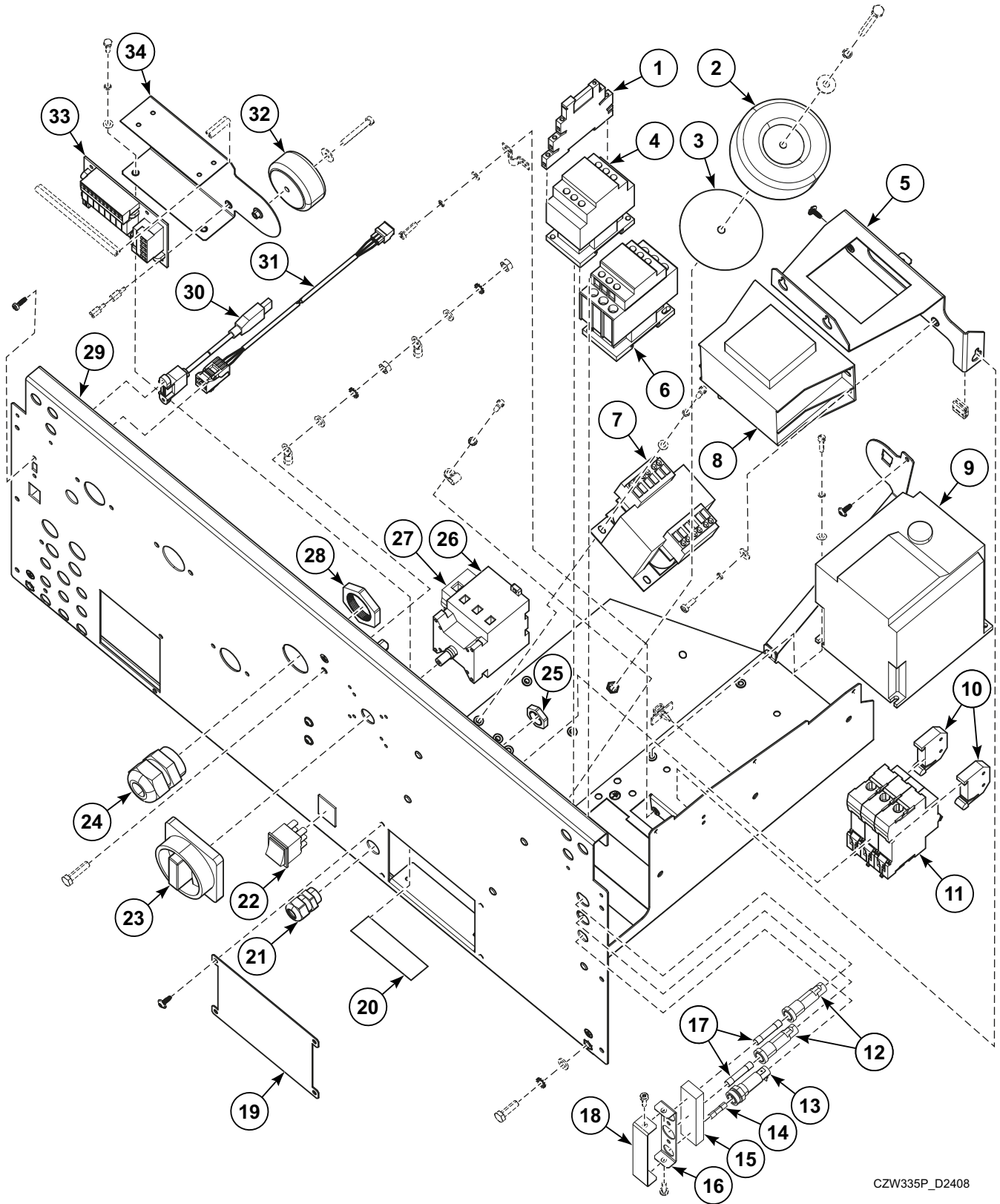
CZW334P_D2408

Rear Panel - 230V / 400V with Neutral (Drawing 2 of 2)

REF	PART NO.	DESCRIPTION	COMMENTS
1	SP309084000416	Bolt	M4x16
2	SP311127000004	Washer	4
3	SP311125000004	Washer	4.3
4	SP528392	Cable Clamp	
5	SP309933000660	Bolt	M6x60
6	SP311127000006	Washer	6
7	SP311902100006	Washer	6
8	SP529206	Screw	4x11
9	SP311679800004	Washer	M4
10	SP502214	Clip	
11	SP528313	Cable Holder	
12	SP555504	Bolt	
13	SP309933000620	Bolt	M6x20
14	SP311679824006	Washer	6
15	SP311125240006	Washer	6
16	SP309933100625	Bolt	M6x25
17	SP345000165034	Cable Eye	
18	SP311125100006	Washer	6
19	SP310934100006	Nut	M6
20	SP526497	Screw	4x12
21	570381	Hex Pillar	M3; Through 1 September 2021
22	SPPRI505000058	Profiled Sealing	0.105m
23	SP505430	Washer	5
24	SP309084000535	Bolt	M5x35
25	SPPRI505000058	Profiled Sealing	0.025m
26	SP309933240412	Bolt	M4x12

Rear Panel - 400V / 440V-480V (Drawing 1 of 2)

FX and PY Models with V in 7th Position



CZW335P_D2408

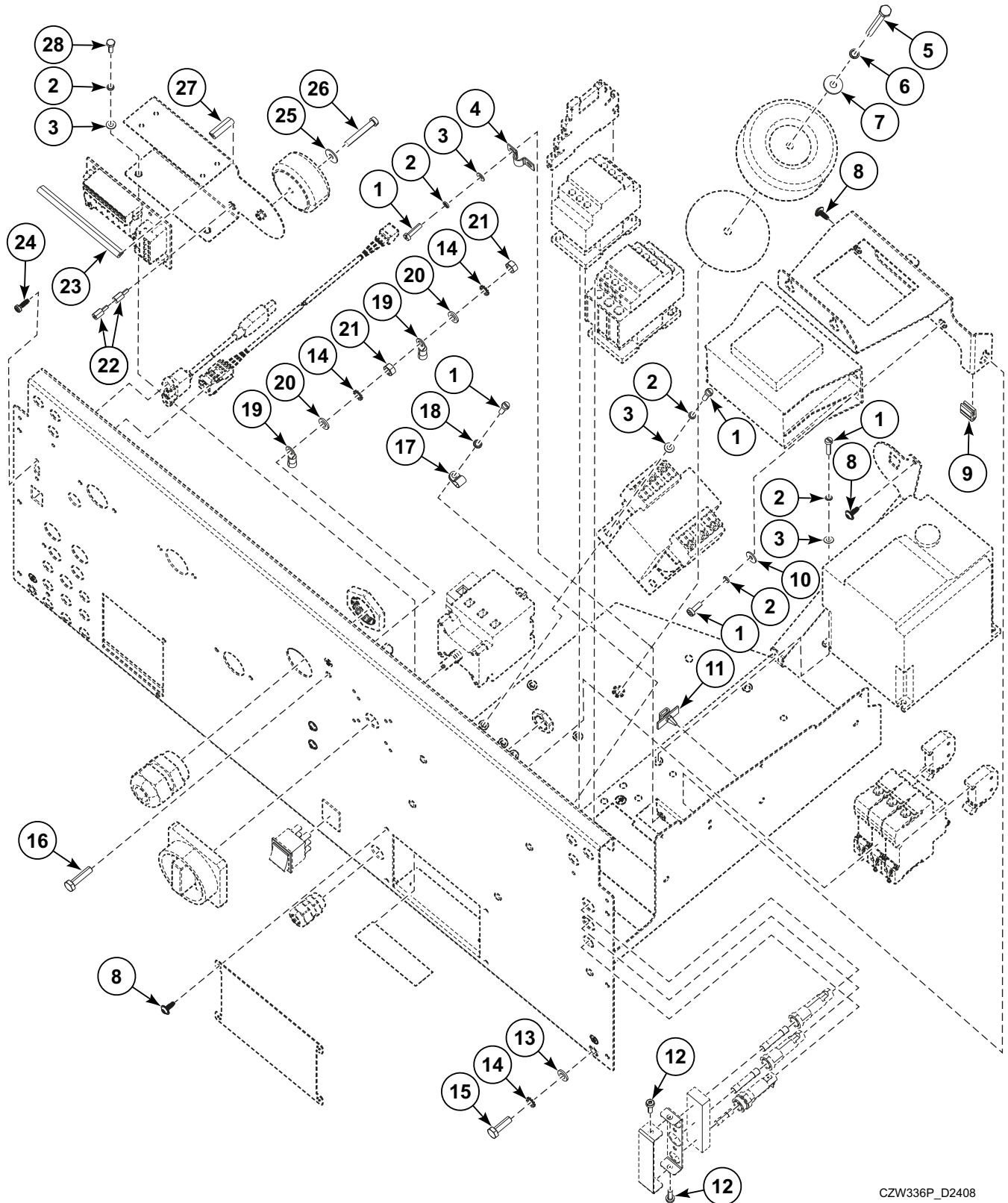
Rear Panel - 400V / 440V-480V (Drawing 1 of 2)

REF	PART NO.	DESCRIPTION	COMMENTS
	570316	Liquid detergents	Assembly, includes items: (drawing 1 of 2): 20, 21, 25, 32-34, 569737 Pump Relay Board Flat Cable and items from (drawing 2 of 2): 2, 3, 22, 23 and 25-28
1	SP552468	Relay	2 poles; Used with drain pump
2	571454	DC Choke	9.7mH; Supply 400V / 440V
3	571458	Insulation Washer	
4	SP514038	Contactactor	LC1-D09M7; Used with frequency inverter
5	574850	Filter Holder	Used with SP313251002104 Nut
6	SP514038	Contactactor	LC1-D09M7; Electric heating; 6kW, 9kW, 12kW 400V / 440V
	SP514042	Contactactor	LC1D18M7; Electric heating 9kW 230V
7	SP516648	Transformer	
8	SP557932	Frequency Inverter Filter	3x400V
9	571474	Frequency Inverter	1.5kW; 400V / 440V; FR-D740-036-SC-E8
	557961	Ferrite Core	Used with frequency inverter
10	SP346000209101	End Stop	
11	571464	Circuit Breaker	
12	SPPRI401003020	Fuse Housing	2 pieces
13	SPPRI1401001020	Fuse Holder	
14	SP345805005020	Fuse	Without Neutral
15	570387	Self-Adhesive Profile	
16	SP554310	Fuse Holder	
17	SP345805163032	Fuse	6.3x32mm, T1A/500V; 2 pieces
18	SP554311	Fuse Cover	
19	566549	Cover	
20	570371	Label	Models with Transformer
	579019	Label	Models without Transformer
21	SP101406	Bushing	M16
22	SP100388	Switch	
23	SPPRI404000095	Main Switch Knob	
24	SP101409	Bushing	M32x1.5
25	SP101416	Nut	M16
26	SPPRI404000097	Main Switch	25A
	SPPRI404000098	Main Switch	32A
	SPPRI404000099	Main Switch	63A
27	N/A	Main Switch	25A; Fourth pole
	N/A	Main Switch	32A; Fourth pole
	N/A	Main Switch	63A; Fourth pole
28	SP101419	Nut	M32
29	572521	Rear Panel	
30	SP547006	USB Cable	Rear panel connection; Optional
31	SP545234	Cable	RS485; With connectors
32	564561	Transformer	
	579014	Transformer Kit	Models without Transformer
33	553187	Soap Relay Board	Used with 569737 Pump Relay Board Flat Cable
34	570382	Holder	

N/A = Part no longer available

Rear Panel - 400V / 440V-480V (Drawing 2 of 2)

FX and PY Models with V in 7th Position



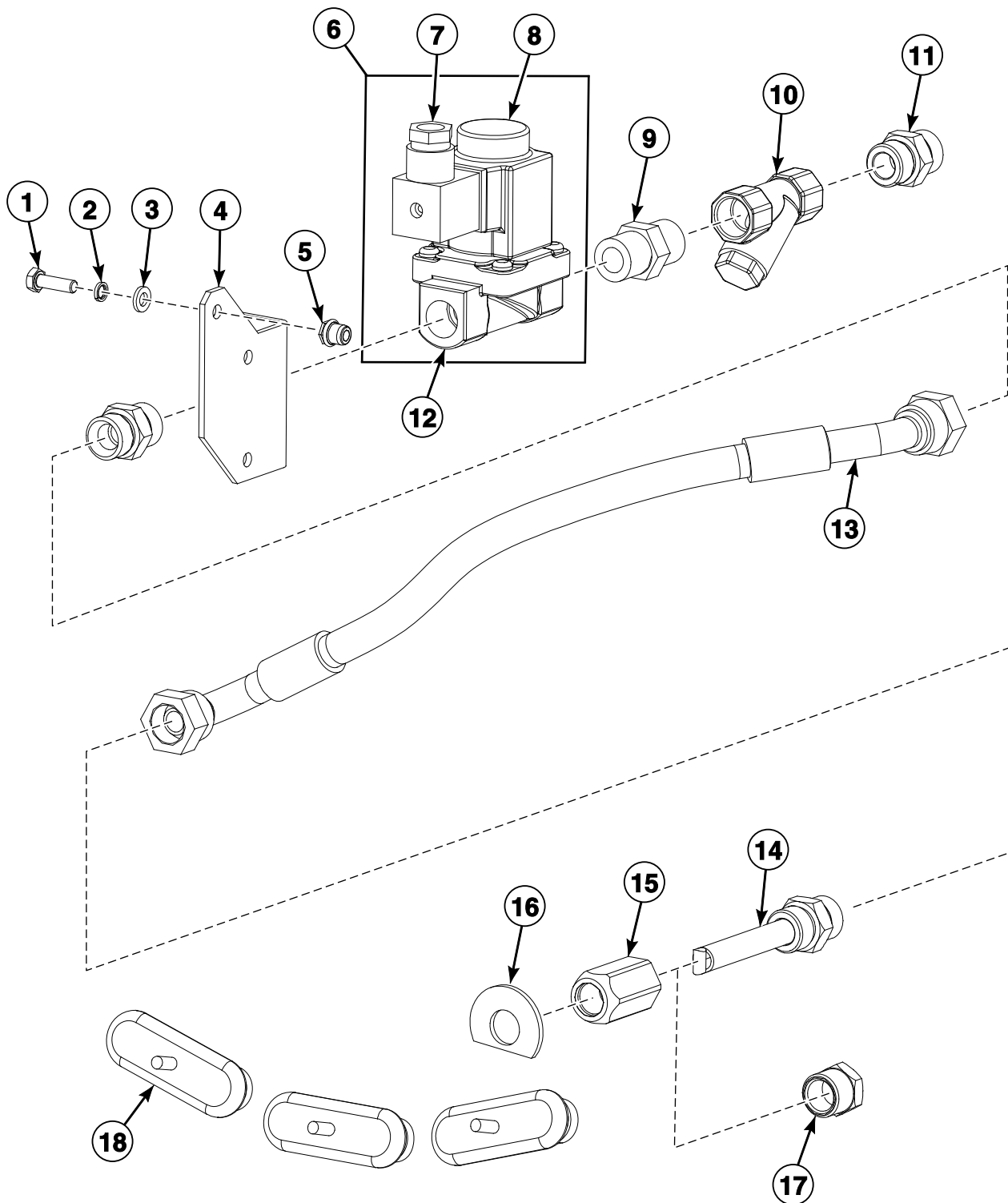
CZW336P_D2408

Rear Panel - 400V / 440V-480V (Drawing 2 of 2)

REF	PART NO.	DESCRIPTION	COMMENTS
1	SP309084000416	Bolt	M4x16
2	SP311127000004	Washer	4
3	SP311125000004	Washer	4.3
4	SP528392	Cable Clamp	
5	SP309933000660	Bolt	M6x60
6	SP311127000006	Washer	6
7	SP311902100006	Washer	6
8	SP529206	Screw	4x11
9	SP529068	Edge Protection	0.014m
10	SP311902100004	Washer	4
11	SP528313	Cable Holder	
12	SP555504	Bolt	M4x12
13	SP311125240006	Washer	6
14	SP311679824006	Washer	6
15	SP309933000620	Bolt	M6x20
16	SP309933100625	Bolt	M6x25
17	SP502214	Clip	
18	SP311679800004	Washer	M4
19	SP345000165034	Cable Eye	
20	SP311125100006	Washer	6
21	SP310934100006	Nut	M6
22	570381	Hex Pillar	M3; Through 1 September 2021
23	SPPRI505000058	Profiled Sealing	0.105m
24	SP526497	Screw	4x12
25	SP505430	Washer	5
26	SP309084000535	Bolt	M5x35
27	SPPRI505000058	Profiled Sealing	0.025m
28	SP309933240412	Bolt	M4x12

Steam Heating (Drawing 1 of 2)

All Models Except Models with V in 7th Position or Models with G, H, J or K in 13th Position



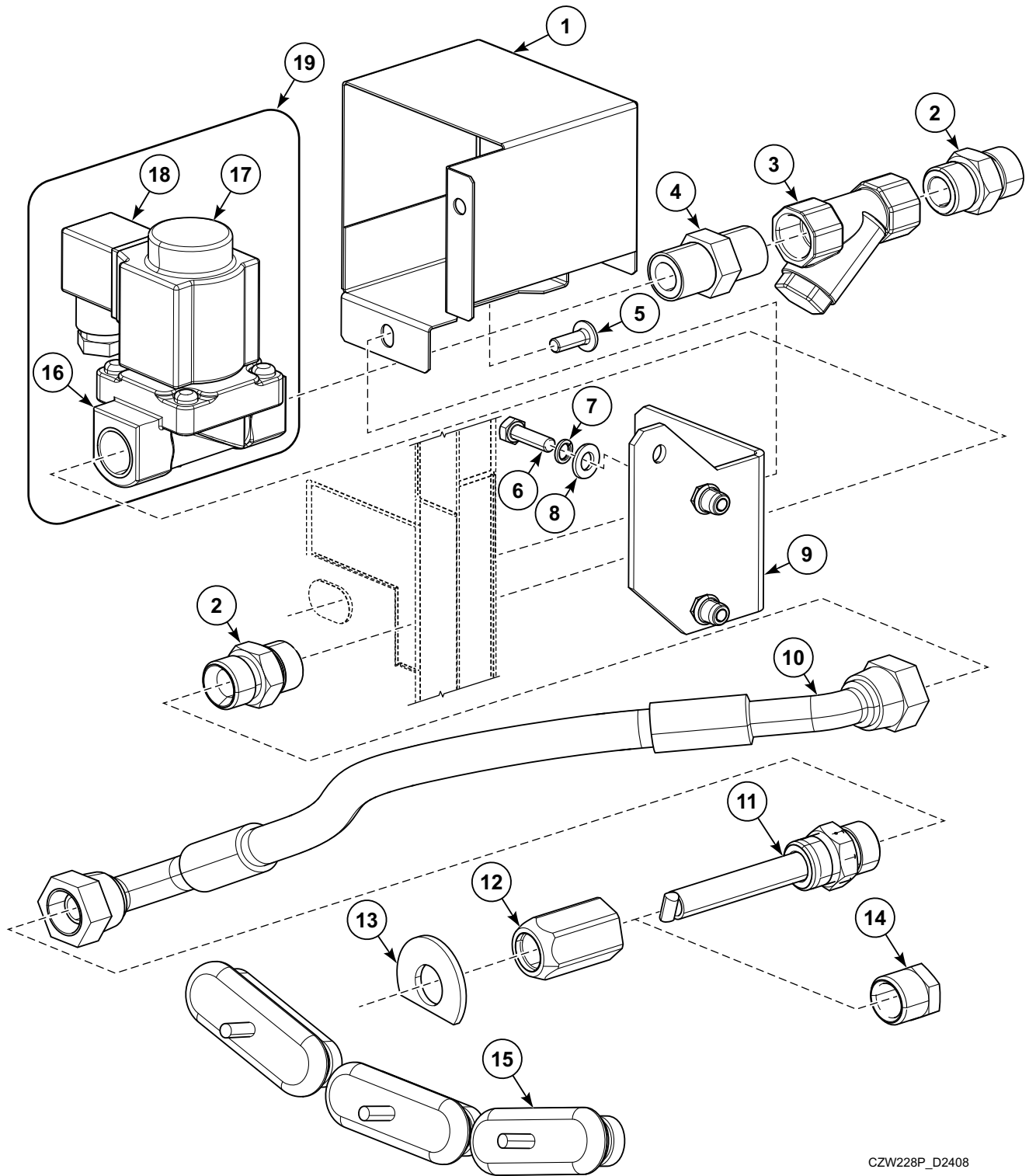
CFD2852P_D2408

Steam Heating (Drawing 1 of 2)

REF	PART NO.	DESCRIPTION	COMMENTS
	SP526564	Seal	
	SP101403	Adhesive	Loctite 5366
	SP245704000603	Adhesive	Loctite 603
	SP559312	Steam Kit	
1	SP309933000620	Bolt	M6x20
2	SP311127000006	Washer	6
3	SP311125000006	Washer	6.4
4	SP526521	Steam Valve Support	
5	SP313251000006	Nut	M6
6	SP514164	Steam Valve	1/2 inch
7	SP554156	Connector	
8	SP554110	Coil	50/60Hz
9	SP319428324012	Adapter	1/2 inch
10	SP405054120215	Steam Filter	1/2 inch
11	SPR22112000114	Pipe Nipple	1/2 inch
12	SP514165	Steam Valve Body	
13	SP526522	Steam Hose	1/2 inch l=465mm
14	SP526525	Steam Injector	
15	SP547968	Adapter	G3/8 inch / G1/2 inch
16	SP547981	Washer	
17	SPPRI426001268	Plug	1/2 inch; Prep for electric and steam heat
18	SPPRI342001016	Heating Element Hole Plug	

Steam Heating (Drawing 2 of 2)

Models with V in 7th Position or Models with G, H, J or K in 13th Position

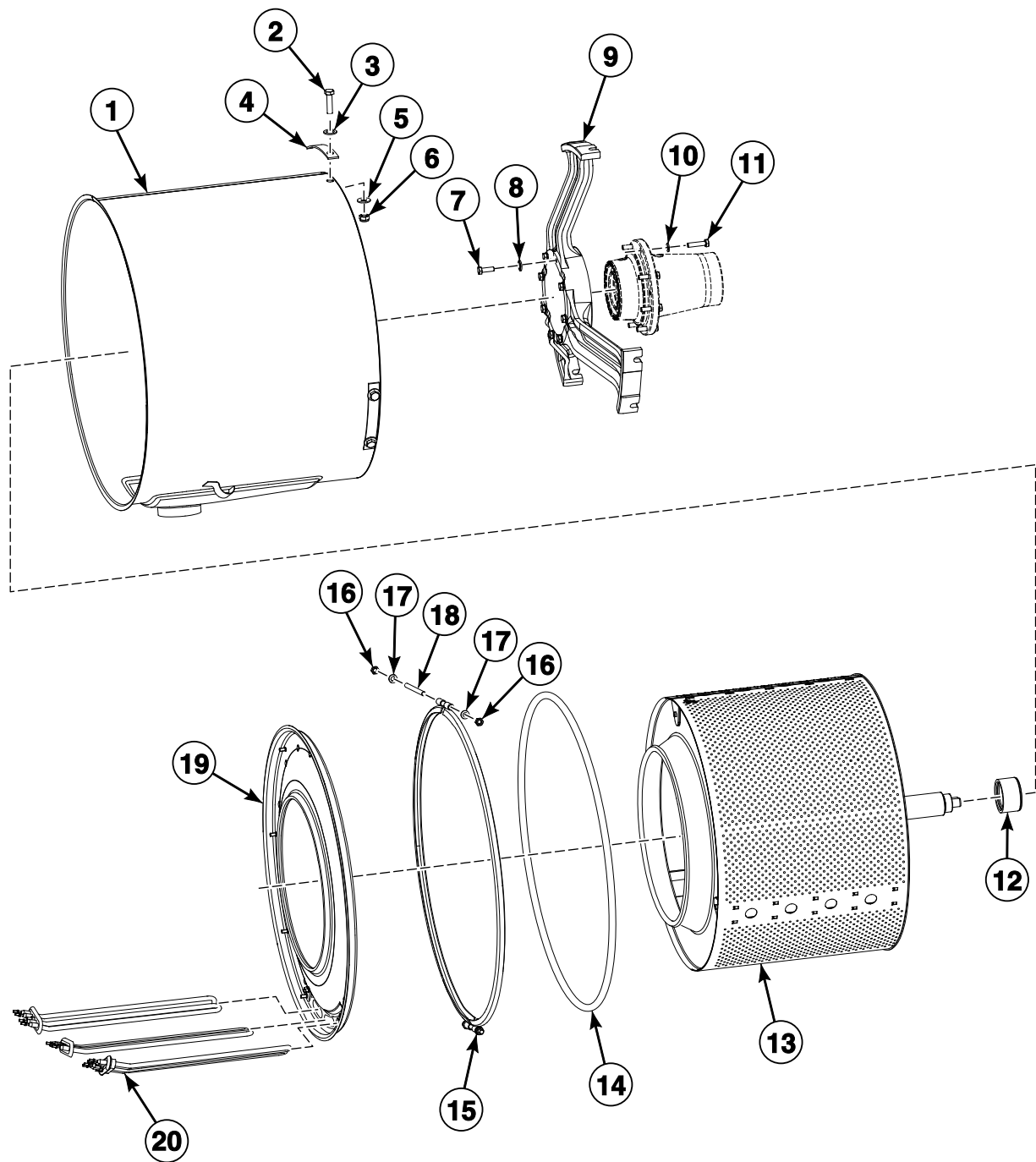


CZW228P_D2408

Steam Heating (Drawing 2 of 2)

REF	PART NO.	DESCRIPTION	COMMENTS
	555351	Steam Kit	
	SP101403	Adhesive	Loctite 5366
	SP245704000603	Adhesive	Loctite 603
1	570435	Steam Valve Cover	
2	SPR22112000114	Pipe Nipple	1/2 inch
3	SP405054120215	Steam Filter	1/2 inch
4	SP319428324012	Adapter	1/2 inch
5	SP555658	Bolt	M6x16
6	SP309933000620	Bolt	M6x20
7	SP311127000006	Washer	6
8	SP311125000006	Washer	6
9	SP526521	Steam Valve Support	
10	SP526522	Steam Hose	1/2 inch, l=465mm
11	SP526525	Steam Injector	
12	SP547968	Adapter	G3/8 inch / G1/2 inch
13	SP547981	Washer	
14	SPPRI426001268	Plug	1/2 inch; Prep for electric and steam heat
15	SPPRI342001016	Heating Element Hole Plug	
16	SP514165	Steam Valve Body	
17	SP554110	Coil	50/60Hz
18	SP554156	Connector	
19	SP514164	Steam Valve	1/2 inch

Washing Drum and Tub - All Models Except Models with V in 7th Position



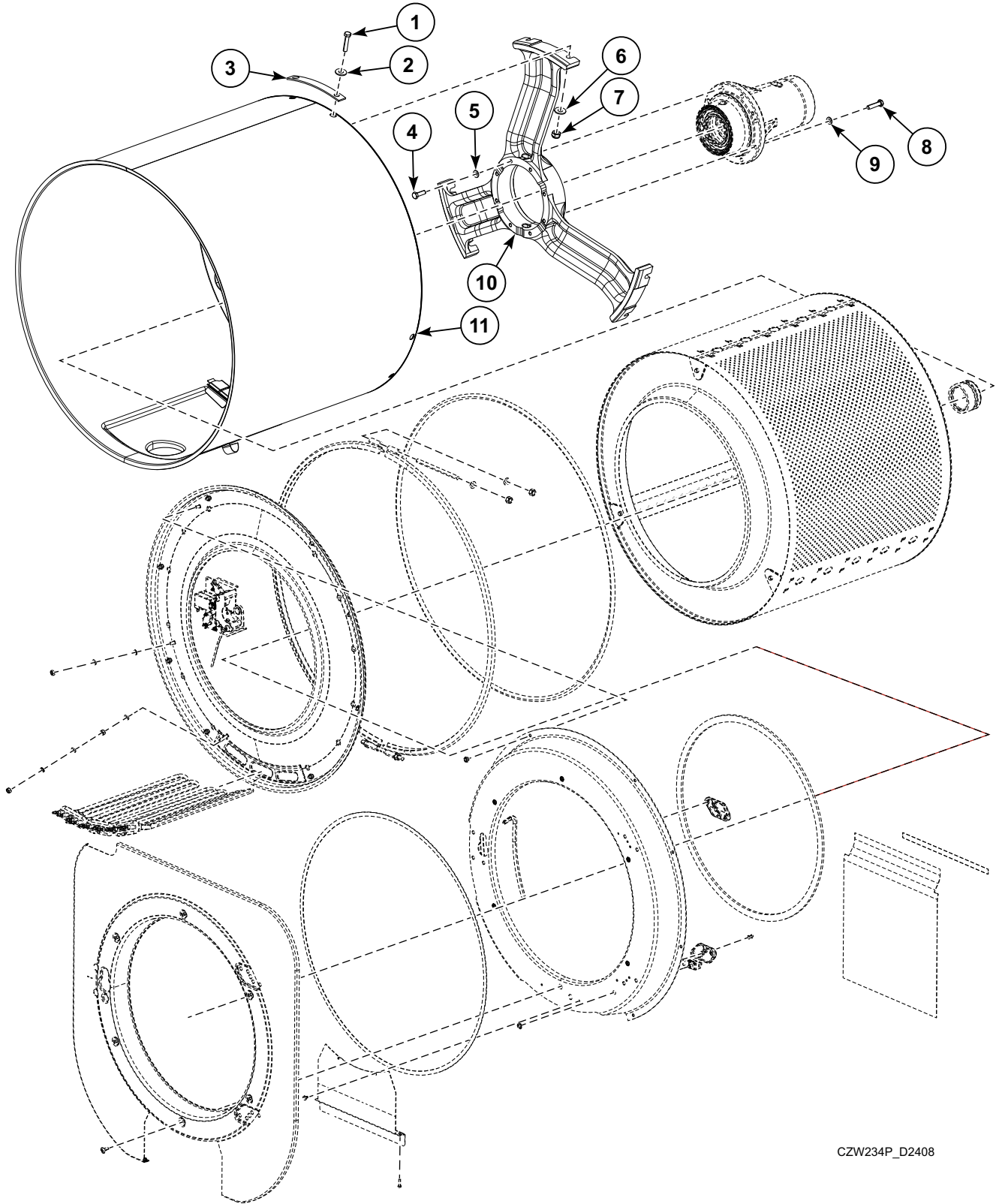
CFD2742P_D2408

Washing Drum and Tub - All Models Except Models with V in 7th Position

REF	PART NO.	DESCRIPTION	COMMENTS
	SP245704003021	Adhesive	Loctite 243; Used with bolt
	SPPRI704000053	Sealant	
	SP245704000050	Adhesive	
	SP510889	Anticorrosive Agent	
1	SP537714	External Tub	Steam heating
	SP537916	External Tub	Electric heating
2	SP527420	Bolt	M10x40
3	SP311737000010	Washer	M10
4	SP537897	Washer	
5	SP311737000010	Washer	M10
6	SP310985000010	Nut	M10
7	SP309933240825	Bolt	M8x25
8	SP311125240008	Washer	M8
9	SP537861	Cross Piece	
10	SP311125000008	Washer	M8
11	SP309933000835	Bolt	M8x35
12	SP537843	Shaft Ring	
13	563244	Washing Drum	Normal spin; 7mm perforation; Includes item 12
	SP537705	Washing Drum	Includes item 12; Cascade
	563264	Washing Drum	AF, IY and NY models with G, H, J or K in 13th Position; Includes item 12; Flat
14	SP537719	Seal	d10-1800mm
15	SP537717	Clamp	
16	SP310934240008	Nut	M8
17	SP311125240008	Washer	M8
18	SPF02119000415	Bolt	M8
19	SP537722	External Tub Front Plate	
20	SP540143	Heating Element	2000W, l=325mm
	SP540144	Heating Element	3000W, l=325mm
	SP540145	Heating Element	2x1500kW, l=325mm
	SP540142	Heating Element	2x2300W, l=325mm

Washing Drum and Tub (Drawing 1 of 2)

Models with V in 7th Position



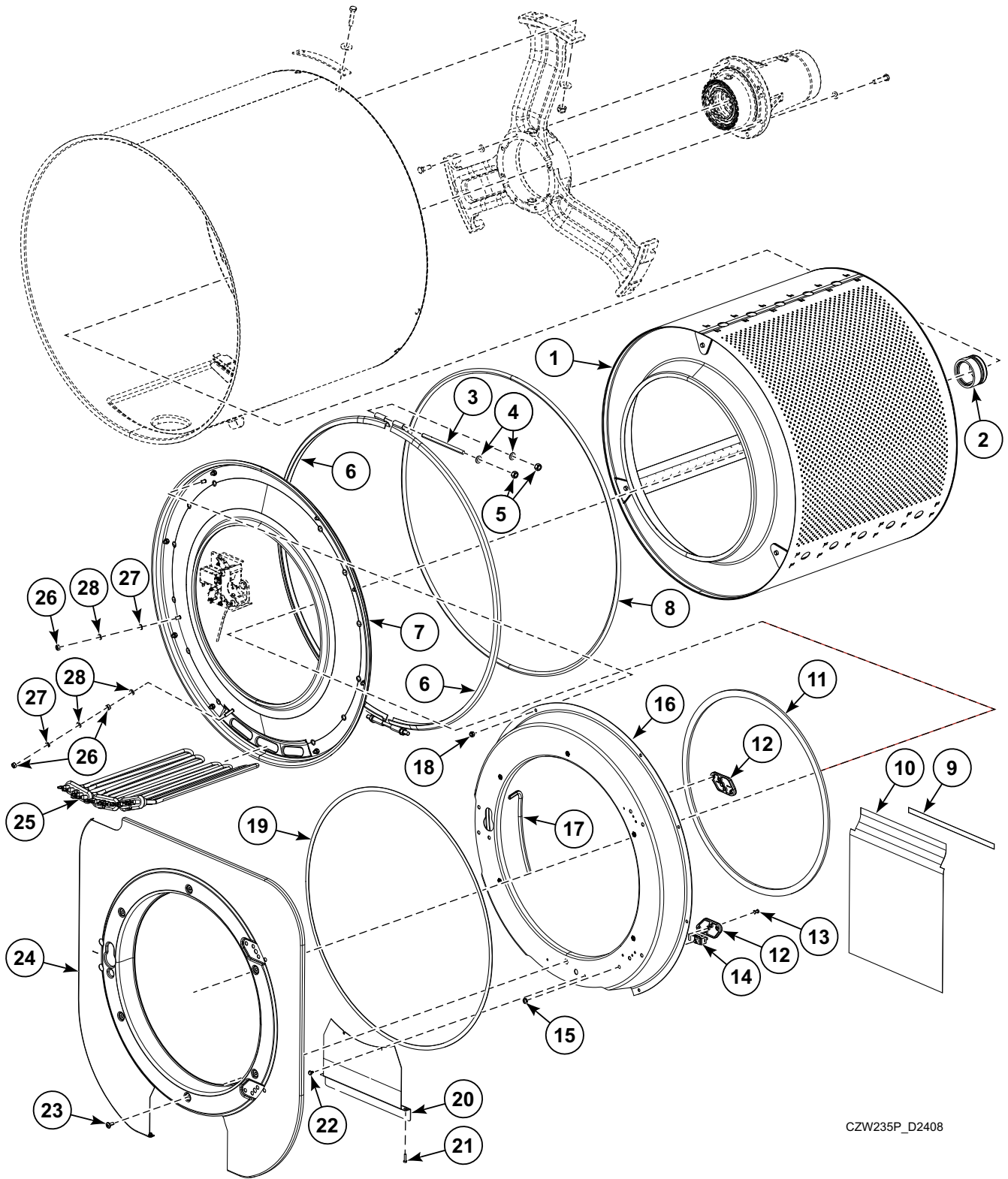
CZW234P_D2408

Washing Drum and Tub (Drawing 1 of 2)

REF	PART NO.	DESCRIPTION	COMMENTS
1	SP527420	Bolt	M10x40
2	SP311125000010	Washer	M10
3	SP537897	Washer	
4	SP309933240825	Bolt	M8x25
5	SP311125240008	Washer	8
6	SP311737000010	Washer	M10
7	SP310985000010	Nut	M10
8	SP309933000835	Bolt	M8x35
9	SP311125000008	Washer	8
10	SP537861	Cross Piece	
11	SP537714	External Tub	Steam heating
	SP537916	External Tub	Electric heating

Washing Drum and Tub (Drawing 2 of 2)

Models with V in 7th Position

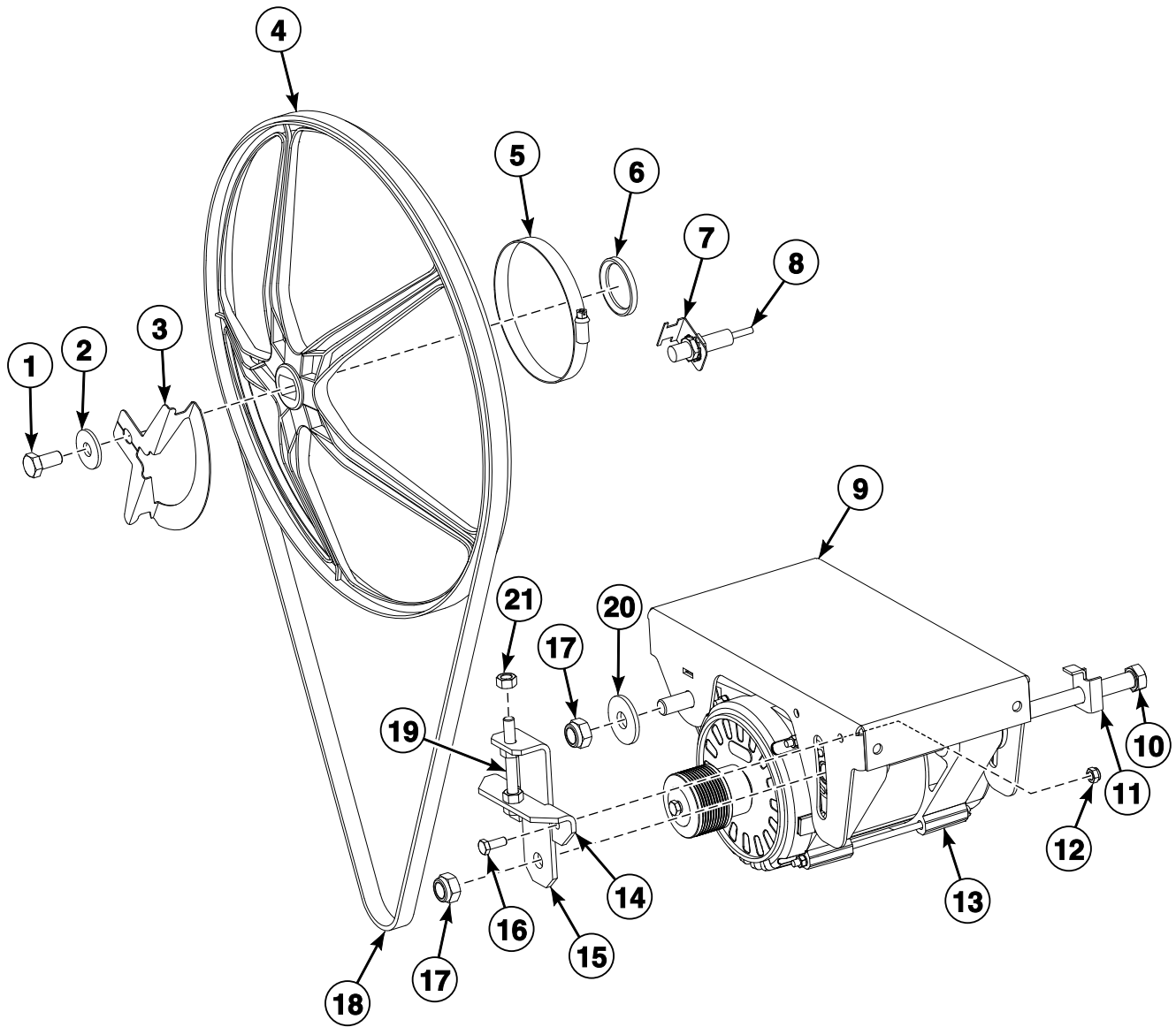


CZW235P_D2408

Washing Drum and Tub (Drawing 2 of 2)

REF	PART NO.	DESCRIPTION	COMMENTS
1	SP537705	Washing Drum	Includes item 2; Cascade
	SP563264	Washing Drum	Includes item 2; Flat
	563244	Washing Drum	Normal spin; Includes item 2
2	SP537843	Shaft Ring	
3	SPF02119000415	Bolt	M8
4	SP311125240008	Washer	M8
5	SP310934240008	Nut	M8
6	SP537717	Clamp	
7	SP571606	External Tub Front Plate	
8	SP537719	Seal	d10-1800mm
9	SP537896	Adhesive	
10	568929	Heating Element Cover	
11	SP522450	Profile	l=1.2m
12	SP537849	Hinge Spacer	
13	SP547779	Rivet	4x16.7
14	571634	Microswitch	
15	571635	Nut	M10
16	568887	Door Lock Holder	
17	SPPRI505000058	Profiled Sealing	
18	SP310985000006	Nut	M8
19	SP284000012003	Tape	
20	568985	Heating Element Front Cover	Stainless
	SP563273	Heating Element Front Cover	Black
21	SP309084000416	Bolt	M4x16
22	SP537856	Connector	
23	SP537854	Bolt	M6x14
24	568998	Front Panel	Stainless; Models through Serial No. 80FX020277SF
	571724	Front Panel	Stainless; Models starting Serial No. 80FX020278SF
	568975	Front Panel	Black; Models through Serial No. 80FX020277SF
	571721	Front Panel	Black; Models starting Serial No. 80FX020278SF
25	SP540144	Heating Element	3000W, l=325mm
	SP540143	Heating Element	2000W, l=325mm
	SP540145	Heating Element	2x1500W, l=325mm
	SP540142	Heating Element	2x2300kW, l=325mm
26	SP310934240006	Nut	M6
27	SP311679800006	Washer	6
28	SP311125240006	Washer	6

Drive



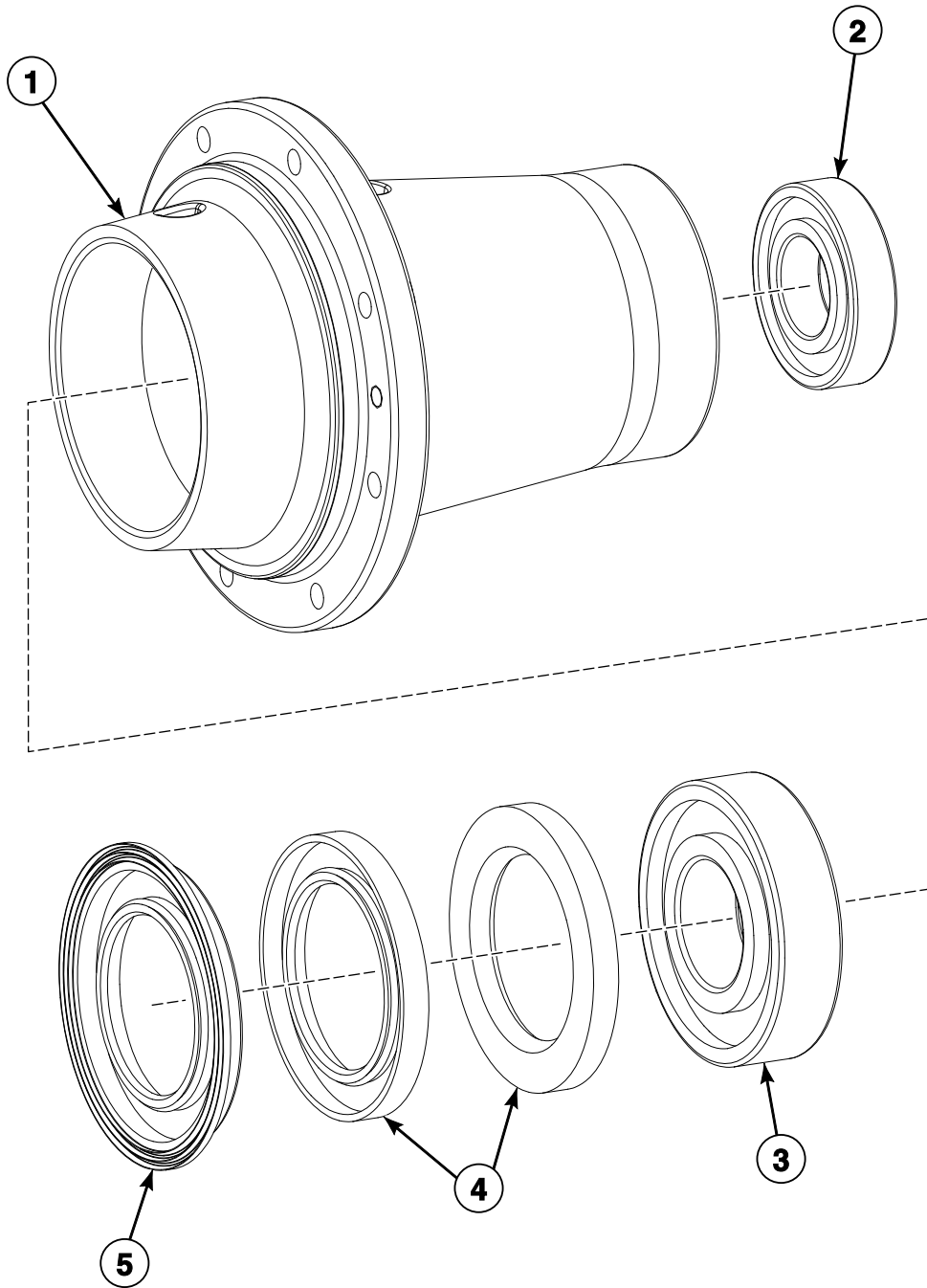
CFD2853P_D2408

Drive

REF	PART NO.	DESCRIPTION	COMMENTS
1	SP309933001020	Bolt	M10x20
2	SP311902100010	Washer	
3	SP555545	Speed Sensor Plate	
4	SP556166	Drum V-Pulley	
5	SPPRI240000005	Hose Clamp	
6	N/A	Pulley Ring	
7	SP555547	Speed Sensor Holder	
8	SP557701	Speed Sensor	
9	SP533741	Motor Holder	
10	SP533392	Bolt	M12x180
11	SP533742	Cage	1
12	SP310985000006	Nut	M6
13	SP555580	Motor and Pulley	0.75kW, 230V/75Hz; CE; Includes SP528421 Motor; Applicable for power supply 200V-240V, 50/60Hz, 1/3ph and 380-415V+N, 50/60Hz, 3ph
	SP555583	Motor and Pulley	0.75kW, 400V/76Hz; CE; Includes SP552411 Motor; Applicable for power supply 400V, 50/60Hz, 3ph without Neutral and 440-480V, 50/60Hz, 3ph
	SP557449	Motor and Pulley	0.75kW, 230V/75Hz; CSA; Includes SP528421 Motor; Applicable for power supply 200V-240V, 50/60Hz, 1/3ph and 380-415V+N, 50/60Hz, 3ph
	SP557452	Motor and Pulley	0.75kW, 400V/76Hz; CSA; Includes SP552411 Motor; Applicable for power supply 400V, 50/60Hz, 3ph without Neutral and 440-480V, 50/60Hz, 3ph
	571443	Motor and Pulley	Models with V in 7th Position; 0.75kW, 230V/75Hz; Includes 568371 Motor; Applicable for power supply 200V-240V, 50/60Hz, 1/3ph and 380-415V+N, 50/60Hz, 3ph
	571444	Motor and Pulley	Models with V in 7th Position; 0.75kW, 400V/76Hz; CE; Includes 568381 Motor; Applicable for power supply 400V, 50/60Hz, 3ph without Neutral and 440-480V, 50/60Hz, 3ph
14	SP533326	Tensioning Angle Piece	Fixed
15	SP533327	Tensioning Angle Piece	Movable
16	SP309933000616	Bolt	M6x16
17	SP310985000012	Nut	M12
18	SP528925	Belt	
19	SP309933000870	Bolt	M8x70
20	SP311902100012	Washer	12
21	SP310934000008	Nut	M8

N/A = Part no longer available

Bearing Housing

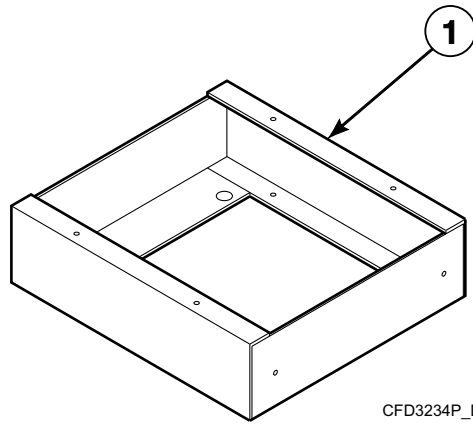


CFD2747P_D2408

Bearing Housing

REF	PART NO.	DESCRIPTION	COMMENTS
	SP245704000603	Adhesive	Loctite 603
	SP111313000002	Lubrication Grease	
	SP537862	Bearing Housing	
	SP538787	Bearing Replacement Tool Kit	
1	SP537860	Bearing Housing	
2	SPPRI608000002	Bearing	6207
3	SPPRI608000048	Bearing	6309
4	SP525813	Sealing Ring	65x100x10; Includes 1 seal; 2 seals required
5	SP537848	Sealing Ring	65x100/114x9/12

Elevated Base Frame



CFD3234P_D2408

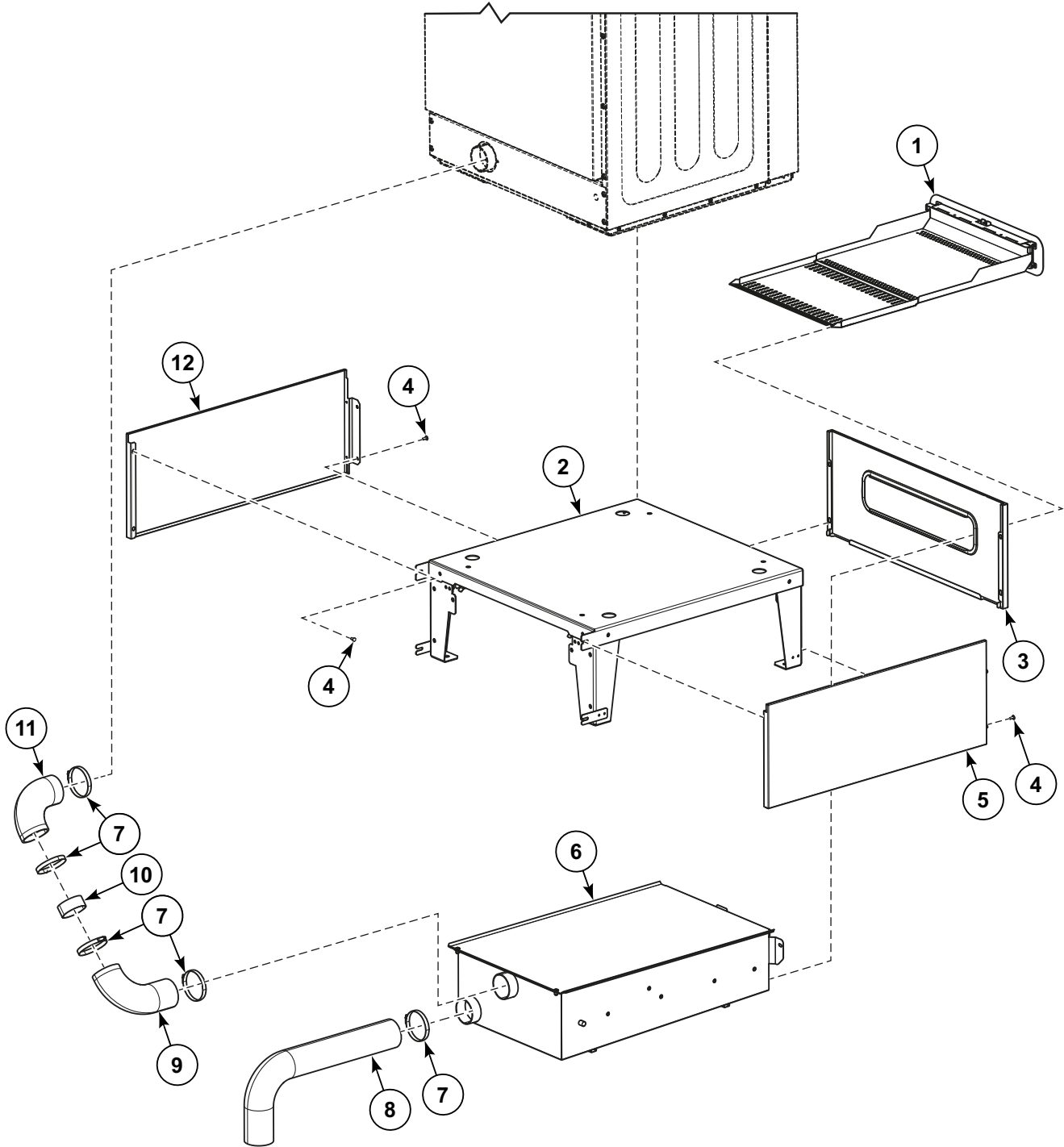
Elevated Base Frame

REF	PART NO.	DESCRIPTION	COMMENTS
1	SP547716	Elevated Base Frame	For mounting one machine; 200mm; Refer to NOTE*
	SP547714	Elevated Base Frame	For mounting two machines; 200mm; Refer to NOTE*
	SP547711	Elevated Base Frame	For mounting three machines; 200mm; Refer to NOTE*
	SP547718	Elevated Base Frame	For mounting four machines; 200mm; Refer to NOTE*
	SP547719	Elevated Base Frame	For mounting five machines; 200mm; Refer to NOTE*
	SP547690	Elevated Base Frame	For mounting one machine; 135mm; Refer to NOTE*
	SP547688	Elevated Base Frame	For mounting two machines; 135mm; Refer to NOTE*
	SP547685	Elevated Base Frame	For mounting three machines; 135mm; Refer to NOTE*
	SP547692	Elevated Base Frame	For mounting four machines; 135mm; Refer to NOTE*
	SP547693	Elevated Base Frame	For mounting five machines; 135mm; Refer to NOTE*

* NOTE: Part can only be ordered through the Equipment Order Desk.

Base Frame with Built-In Filter

All Models Except Models with V in 7th Position; Models Starting January 1, 2020

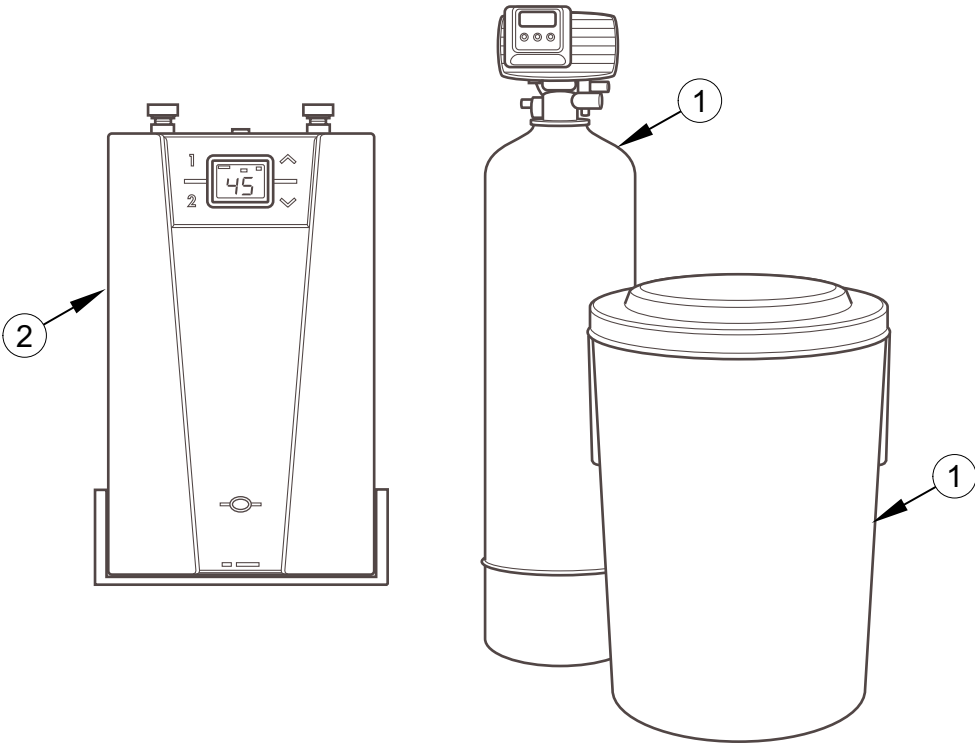


CZW320P_D2408

Base Frame with Built-In Filter

REF	PART NO.	DESCRIPTION	COMMENTS
1	574720	Filter	Assembly
2	573816	Base Frame	
3	574767	Front Panel	
4	SP537854	Bolt	M6x14
5	574783	Left Cover	Assembly
6	574701	Box	Assembly
7	SPPRI240000007	Hose Clamp	
8	SP519463	Drain Elbow	
9	574840	Elbow	
10	570807	Pipe	
11	574844	Elbow	
12	574789	Right Cover	Assembly

Soft Wash - Without Built-In Recirculation Pump

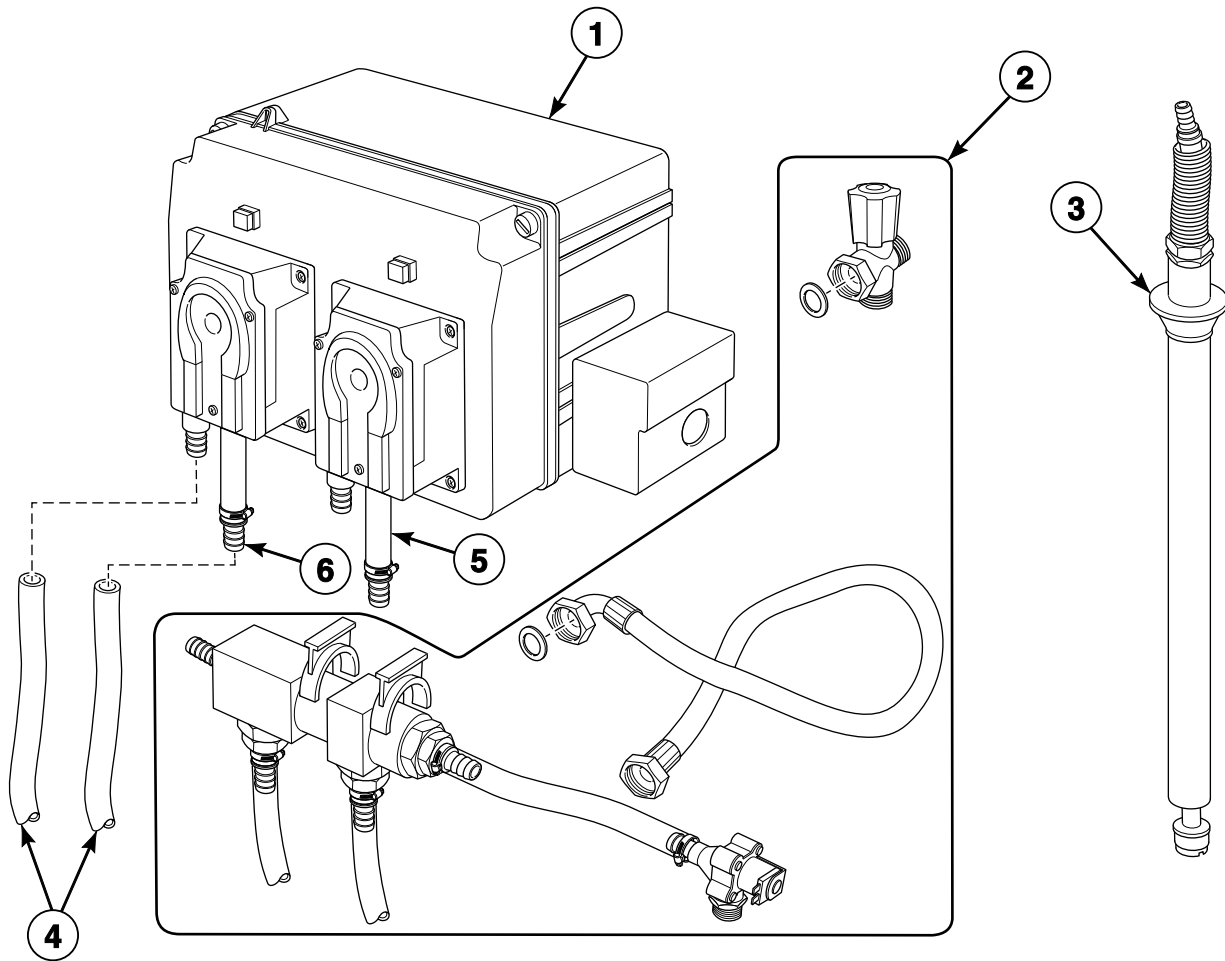


C-CZW57P_D2408

Soft Wash - Without Built-In Recirculation Pump

REF	PART NO.	DESCRIPTION	COMMENTS
	SP567105	Soap Pump Kit	Four pumps; Includes suction hoses and tubes; CE and Watermark
	SP567106	Soap Pump Kit	Six pumps; Includes suction hoses and tubes; CE and Watermark
1	SP562737	Water Softener	AMVE 305; Optional; CE and Watermark
	SP562750	Water Softener	AMVE 505; Optional; CE and Watermark
2	SP562749	Water Heater	6kW; 50/60Hz; 230V; Optional; CE and Watermark
	SP562736	Water Heater	8.8kW; 50/60Hz; 230V; Optional; CE and Watermark

Liquid Soap Supply System - Pumps

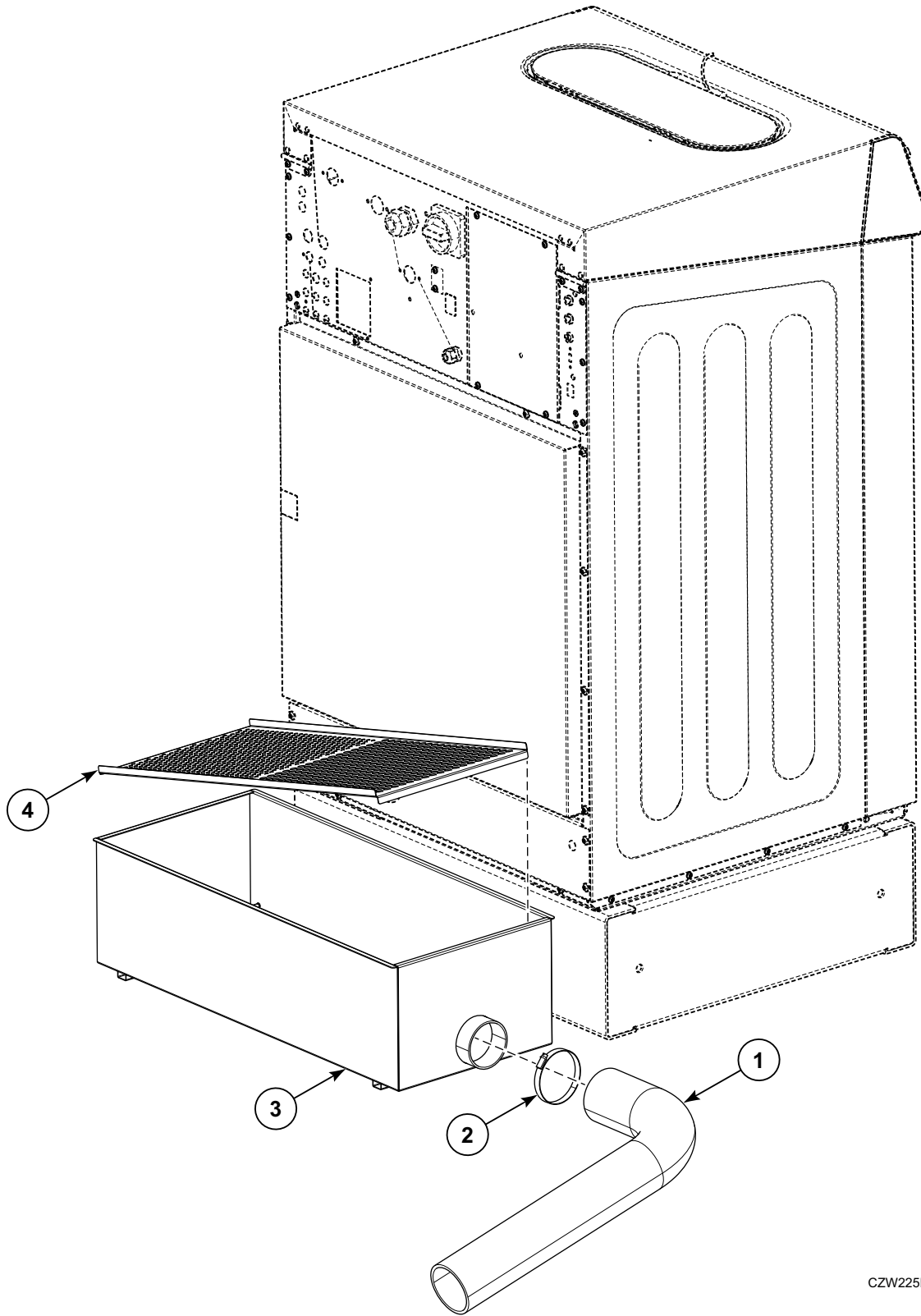


CZW45P_D2408

Liquid Soap Supply System - Pumps

REF	PART NO.	DESCRIPTION	COMMENTS
	MB90-Z40	Supply Pump Kit	For two pumps
	MB90-Z41	Supply Pump Kit	For three pumps
	MB90-Z42	Supply Pump Kit	For four pumps
	MB90-Z43	Supply Pump Kit	For five pumps
	MB90-Z44	Supply Pump Kit	For six pumps
1	529742	Pump	Two
	529743	Pump	Three
	529744	Pump	Four
	529745	Pump	Five
	529746	Pump	Six
2	529789	Manifold Flush Kit	For two pumps
	529797	Manifold Flush Kit	For three pumps
	529798	Manifold Flush Kit	For four pumps
	529799	Manifold Flush Kit	For five pumps
	529800	Manifold Flush Kit	For six pumps
3	529787	Suction Tube	
4	SPPRI540020005	Hose	d10/14
5	529747	Hose	Spare hose for pump
6	547808	Connection	

Filter Tank



CZW225P_D2408

Filter Tank

REF	PART NO.	DESCRIPTION	COMMENTS
	570845	Filter Tank	Used with elevated base frame 200mm tall
1	SP519463	Drain Elbow	
2	SPPRI240000007	Hose Clamp	
3	570839	Collector Weldment	
4	561294	Filter	

Wire Harnesses

PART NO.	DESCRIPTION	COMMENTS
552495	Transformer Connection	CSA models
528064	Steam Heat Wiring	CSA models
SPPRI351000161	Steam Valve Cable	CE and Watermark
552466	Wireless Reader Wiring	Vended; CSA
SPPRI351107209	Heating Contactor Wiring	CE and Watermark; 2.5mm ² ; For 4.6kW, 6kW, 9kW; l=540mm
SPPRI351108209	Heating Contactor Wiring	CE and Watermark; 4mm ² ; For 9kW; CE; l=540mm
SP547075	RS485 External Interconnection	For RS485 external interconnection to PC
528393	Wiring Steam - Electrical Heating	Steam heating - electrical heating modification
528328	Heating Wiring	CE and Watermark; 2.5mm ²
SP528335	Heating GND Wiring	CE and Watermark
SP528205	Frame GND Interconnection	
528350	Transformer Connection	400-480V, 3AC -N; CE and Watermark
568391	Main Wiring	Models with V in 7th Position
569751	Door Lock Cable	l=0.24m; Models with V in 7th Position
SP528323	Communication Cable	
568396	Motor Temperatuer Protect Cable	Models with V in 7th Position
SP528328	Heating Wiring	6kW / 230V / 400V and 9kW / 440V
528329	Heating Wiring	9kW / 230V / 400V
SP528335	Heating GND Wiring	Models with V in 7th Position
528080	Frame GND Interconnection	Models with V in 7th Position
552477	Inlet Valve Extension Wiring	
SP528064	Steam Heat Wiring	Steamboat
SP557947	External Block Signal Cable	Length = 110.24 inches (2.8 m)
SP557948	External Block Signal Cable	Length = 169.29 inches (4.3m)
569701	Cable	CPU - I/O board interconnection

Parts Index

A

Adapter	
SP319428324012	169, 171
SP547968	169, 171
Adhesive	
SP101403	169, 171
SP245704000050	173
SP2457040000603	107, 169, 171, 181
SP245704003021	9, 107, 173
SP537896	33, 107, 177
Adjustable Foot	
SPPRI504000001	11
Air Trap Reduction	
SPPRI503000027	131, 133, 135, 137
Anticorrosive Agent	
SP510889	173
Automatic Door Opening Module Wiring	
SP552455	31
Automatic Unlocking Module Assembly	
SP545238	21, 25, 29
SP552489	21, 25, 29, 33

B

Base Frame	
573816	185
Bearing	
SPPRI608000002	181
SPPRI608000048	181
Bearing Housing	
SP537860	181
SP537862	181
Bearing Replacement Tool Kit	
SP538787	181
Belt	
SP528925	179
Binding Strip	
SP345000626088	131, 133
SP503817	127, 129
Board Interconnection Cable	
SP537995	61
SP547005	43, 53, 61
Bolt	
F8270701	117
SPF02119000415	173, 177
SP309084000308	61
SP309084000320	61, 85, 87, 89
SP309084000408	23, 25, 29, 41, 85, 87, 89
SP3090840004169, 11, 107, 121, 123, 125, 139, 143, 147,	151, 155, 159, 163, 167, 177
SP309084000535	155, 159, 163, 167
SP309084240325	11
SP309798500306	33, 41, 43, 53, 61, 73, 75, 77
SP309916000810	135
SP309933000416 85, 87, 89, 91, 93, 139, 147, 151	
SP309933000616	21, 25, 135, 137, 179
SP309933000620141, 147, 151, 155, 159, 163, 167, 169,	171
SP309933000660	155, 159, 163, 167

SP309933000820	9, 11, 131, 133
SP309933000835	173, 175
SP309933000845	9
SP309933000870	179
SP309933000880	9
SP309933001020	179
SP309933100625139, 143, 147, 151, 155, 159, 163, 167	
SP309933240408	143, 147, 151
SP309933240412	155, 159, 163, 167
SP309933240825	173, 175
SP309963000312	61
SP309965240408	79, 81, 83
SP506013	41
SP506431	29, 41
SP506432	11
SP521957	135, 137
SP527084	23, 27, 31, 33, 41
SP527420	11, 173, 175
SP533392	179
SP533726	11
SP535479	109, 113, 115
SP537854	107, 177, 185
SP537864	109, 113, 115
SP550482	31, 41
SP553524	111
SP55550433, 43, 53, 61, 79, 81, 83, 127, 129, 155, 159,	163, 167
SP555658	23, 27, 29, 31, 33, 41, 171
SP556137	107
309500240408	79, 81, 83
568968	117
569655	79, 81, 83

Box	
574701	185
Bushing	
SP101406	143, 145, 149, 153, 157, 161, 165
SP101409	143, 145, 149, 153, 157, 161, 165

C

Cable	
SP545234	91, 143, 145, 149, 153, 157, 161, 165
557982	141
569701	192
Cable Bushing	
SPPRI501001078	135, 137
Cable Bushing Insert	
SP557952	143
Cable Clamp	
SP528392	143, 147, 151, 155, 159, 163, 167
Cable Eye	
SP345000165034	147, 151, 155, 159, 163, 167
Cable Holder	
SP528313 33, 43, 53, 147, 151, 155, 159, 163, 167	
Cable Passage	
SP273121005052	21, 25, 29, 41
SP273121015002	139
SP273121022002	139
Cage	
SP533742	179

N/A items do not appear in index.

Casing					
SP529739	109, 113, 115			SP547656	45, 65, 101
Check Valve Kit				SP547657	47, 67, 103
203386	121, 127, 129			SP547658	47, 67, 103
Circuit Breaker				SP547659	47, 67, 103
571462	153, 157, 161			SP547660	47, 67, 103
571464	165			SP547661	47, 67, 103
Clamp				SP547662	47, 67, 103
SP537717	173, 177			SP547663	47, 67, 103
Clip				SP547664	47, 67, 103
SP502214	147, 151, 155, 159, 163, 167			SP547665	45, 65, 101
Coil				SP547666	45, 65, 101
SP554110	169, 171			SP547667	47, 67, 103
568942	117			SP547668	47, 67, 103
Coin Meter				SP547669	47, 67, 103
SP537996	47, 67, 103			SP547670	47, 67, 103
SP547600	45, 65, 101			SP547671	47, 67, 103
SP547601	45, 65, 101			SP547672	47, 67, 103
SP547602	45, 65, 101			SP547673	47, 67, 103
SP547603	45, 65, 101			SP547674	47, 67, 103
SP547604	45, 65, 101			SP547675	47, 67, 103
SP547605	45, 65, 101			SP555502	47, 67, 103
SP547606	45, 65, 101			SP555543	47, 67, 103
SP547607	45, 65, 101			SP555546	47, 67, 103
SP547608	45, 65, 101			SP555549	47, 67, 103
SP547609	45, 65, 101			SP555550	47, 67, 103
SP547610	45, 65, 101			SP555558	47, 67, 103
SP547611	45, 65, 101			SP555559	47, 67, 103
SP547612	45, 65, 101			SP555578	47, 67, 103
SP547613	45, 65, 101			SP555579	47, 67, 103
SP547614	45, 65, 101			SP555666	47, 67, 103
SP547615	45, 65, 101			SP558958	55
SP547616	45, 65, 101			SP558959	55
SP547617	45, 65, 101			SP559933	55
SP547618	45, 65, 101			SP559934	55
SP547619	45, 65, 101			SP559938	55
SP547620	45, 65, 101			SP559949	55
SP547621	45, 65, 101			SP559969	55
SP547622	45, 65, 101			SP560071	57
SP547623	45, 65, 101			SP560072	49, 69
SP547624	45, 65, 101			SP560075	57
SP547625	45, 65, 101			SP560082	49, 69, 105
SP547626	45, 65, 101			SP560083	49, 69, 105
SP547627	45, 65, 101			SP560084	49, 69, 105
SP547628	45, 65, 101			SP560085	49, 69, 105
SP547629	45, 65, 101			SP560086	49, 69, 105
SP547630	45, 65, 101			SP560087	55
SP547631	45, 65, 101			SP560089	47, 67, 103
SP547634	45, 65, 101			SP560090	55
SP547635	45, 65, 101			SP560091	55
SP547636	45, 65, 101			SP560092	55
SP547637	45, 65, 101			SP560093	55
SP547638	45, 65, 101			SP560094	55
SP547639	45, 65, 101			SP560100	55
SP547640	45, 65, 101			SP560309	55
SP547641	47, 67, 103			SP560310	55
SP547642	47, 67, 103			SP560311	55
SP547643	47, 67, 103			SP560312	55
SP547644	47, 67, 103			SP560405	55
SP547645	47, 67, 103			SP560406	55
SP547646	47, 67, 103			SP560407	55
SP547647	45, 65, 101			SP560408	55
SP547648	45, 65, 101			SP560409	55
SP547649	47, 67, 103			SP560410	55
SP547651	47, 67, 103			SP560411	55
SP547652	45, 65, 101			SP560412	55
SP547653	47, 67, 103			SP560413	55
SP547654	47, 67, 103			SP560414	55
				SP560415	55
				SP560416	55

N/A items do not appear in index.

SP560417	55	569945	49, 69, 105
SP560418	55	569946	57
SP560419	55	569948	47, 67, 103
SP560420	55	569949	57
SP560421	55	569951	47, 67, 103
SP560422	55	569952	57
SP560423	55	569954	49, 69, 105
SP560424	55	569955	57
SP560425	55	569961	49, 69, 105
SP560426	55	569962	57
SP560427	55	569964	47, 67, 103
SP560428	55	569965	55
SP560429	55	569967	49, 69, 105
SP560432	55	569968	57
SP560744	47, 67, 103	569970	49, 69, 105
SP560745	55	569971	57
SP560751	55	569973	49, 69, 105
SP564484	49, 69, 105	569974	57
SP564486	49, 69, 105	569979	49, 69, 105
SP568002	95	569980	57
SP568003	95	569987	49, 69, 105
SP568004	95	569988	57, 59
SP568005	95	569993	57
SP568006	95	569995	57
SP568007	95	569998	51, 71, 105
SP568008	95	569999	59
SP568009	95	570000	59
SP568010	95	572301	51, 71, 105
SP568011	95	572302	59
SP568012	95	572304	51, 71, 105
SP568013	95	572305	59
SP568014	95	572307	51, 71, 105
SP568015	95	572308	59
SP568016	95	572310	51, 71, 105
SP568017	95	572311	59
SP569918	105	572313	51, 71, 105
553150	49, 69, 105	572314	59
553151	49, 69, 105	572317	51, 71, 105
553156	57	572318	59
560073	49, 69, 105	572320	51, 71, 105
561378	49, 69, 105	572321	59
561496	49, 69, 105	572323	51, 71, 105
561497	57	572324	59
563405	57	572326	51, 71, 105
564485	57	572327	59
564487	57	572339	51, 71, 105
564489	49, 69, 105	572342	51, 105
568002	99	572343	59
569901	49, 69, 105	572355	59
569905	57	572358	105
569911	57	572359	59
569912	49, 69, 105	572383	105
569919	57	572384	59
569921	45, 65, 101	572386	99
569922	55	572389	59
569924	49, 69, 105	572391	105
569925	57	575201	95
569927	49, 69, 105	575202	95
569928	57	575203	95
569930	49, 69, 105	575204	95
569931	57	575205	95
569933	47, 67, 103	575206	95
569934	55	575207	95
569936	49, 69, 105	575208	95
569937	57	575209	95
569939	47, 67, 103	575210	95
569940	55	575211	95
569942	49, 69, 105	575212	95
569943	57	575213	95

N/A items do not appear in index.

575214	95	568036	93
575215	95	Coin Meter Case	
575216	97	571049	91
575217	97	571055	91
575218	97	573009	93
575219	97	Coin Meter Cover	
575220	97	567924	73, 79
575221	97	Coin Meter Cover Plate	
575222	97	SP558929	43, 53
575223	97	Coin Meter Covering Plate	
575224	97	SP547565	61
575225	97	Coin Vault Plate	
575226	97	SP533103	23, 25, 29
575227	97	566737	39
575228	97	Collector Weldment	
575229	97	570839	191
575230	97	Communication Cable	
575231	97	SP528323	139, 192
575232	97	SP528325	139
575233	97	Compression Spring	
575234	97	SP535406	111
575235	97	Connection	
575236	97	547808	189
575237	97	Connector	
575238	97	SP537856	107, 177
575239	97	SP554156	169, 171
575240	97	Contactora	
575241	97	SPPRI345002019	139, 145, 149, 153, 157
575242	97	SP514038	139, 145, 149, 153, 157, 161, 165
575243	97	SP514042	139, 145, 149, 153, 157, 161, 165
575244	97	SP514043	139
575245	97	Control	
575246	97	572505	85, 87, 89
575247	97	575632	79, 81, 83
575248	97	Control Board	
575249	99	SP547001	61
575250	99	SP553411	43, 53, 61
575251	99	SP553412	43
575252	99	SP553419	53, 73, 75, 77
575253	99	553184	33, 39
575254	99	553411	73, 75, 77
575255	99	575630	33
575256	99	Control Board Power	
575257	99	SP547002	61
575258	99	SP553405	33, 43, 53, 61
575259	99	Control Holder	
575260	99	571041	79, 81, 83
575261	99	Control Panel	
575262	99	SP557599	43
575263	99	SP558885	53
575264	99	573006	75
575265	99	573065	73
575266	99	573068	77
575267	99	573109	81
575268	99	573111	79
575269	99	573113	83
575270	99	Control Panel Frame	
575271	99	573004	35, 79, 81, 83
575272	99	Cover	
575273	99	SPPRI543000004	43, 53, 61
575274	99	SP552972	107
575275	99	566549	145, 149, 153, 157, 161, 165
575276	59	569656	33
575277	59	Cover Plate	
575278	99	SP550149	61
575279	99		
Coin Meter Box			
SP102532	91		
100498	91		

N/A items do not appear in index.

Cover Strip Pin SP533738	9
CPS Cover Plate SP558930	43, 53
Cross Piece SP537861	173, 175
Cylinder Cap SP526568	135, 137

D

Damper SP533715	11
DC Choke 571454	153, 157, 161, 165
Dispenser Lid SP526461	121, 123, 125
SP551695	121
573922	123, 125
Dispenser Pipe SP526486	121, 123
SP526488	125
Dispenser Seal SP540158	121, 123, 125
Distance Case SP515274	9
Distinguishing Ring SP535411	111, 115
571733	111, 113
Door SP535423	109
SP535425	109
SP553525	109, 115
568836	109, 113
Door and Lock Holder SP537852	107
Door Assembly 571763	115
571766	113
Door Frame Sheet 571632	113, 115
Door Glass SP535413	107, 115
SP556226	107, 113
SP559399	107
535413	113
573190	113
Door Level 573009	113, 115
Door Lock Assembly 576085	117
Door Lock Cable 569751	192
Door Lock Catch 576084	117
Door Lock Holder 568887	177
Door Lock Plate 568971	117
Door Lock Wiring SP528270	107
SP552453	107
SP552454	107

569749	192
Double Check Valve F8301201	109, 111, 121
Drain Cover SP521553	23, 27, 31, 39
SP551553	35
Drain Elbow SP519463	185, 191
SP526457	131, 133
SP547803	135, 137
Drain Hose Pipe SPPRI505000087	131
SP521558	135, 137
SP526492	131, 133
Drain Pump 567142	137
570314	137
Drain Pump Cover SP521511	23, 27, 31, 35, 39
Drain Pump Hose Bushing SP547807	135, 137
Drain Pump Kit 567937	135
Drain Valve SP526460	131, 133
Drain Valve Chamber SP553195	131
Drain Valve Holder SP526511	131, 133
Drain Valve Motor SPPRI340002051	131, 133
Drain Valve Seal 554276	131, 133
Drum V-Pulley SP556166	179

E

Edge Protection SP529068	23, 27, 31, 33, 39, 159, 167
Elbow 574840	185
574844	185
Elevated Base Frame SP547685	183
SP547688	183
SP547690	183
SP547692	183
SP547693	183
SP551935	183
SP551936	183
SP551937	183
SP551938	183
SP551939	183
Emergency Stop Connector SP528311	43, 53, 61, 73, 79, 85
Emergency Stop Interconnection SP520033	43, 53, 61, 87
571485	89
Emergency Stop Knob SP528310	43, 53, 61, 73, 79, 85
Emergency Stop Label SPPRI551005248	73, 79

N/A items do not appear in index.

Emergency Stop Wiring	
SP520032	43, 53, 61
End Stop	
SP346000209101	153, 157, 161, 165
External Block Signal Cable	
SP557947	143, 145, 149, 192
SP557948	192
External Tub	
SP537714	173, 175
SP537916	173, 175
External Tub Front Plate	
SP537722	173
SP571606	177

F

Fastener	
SP550115	33, 73, 75, 77, 79, 81, 83
Ferrite Core	
557961	145, 149, 153, 157, 161, 165
Filling Elbow Pipe	
SP526456	121, 123, 125, 127, 129
Filling Hose Pipe	
RSPF200166	121
SPPRI505000054	121, 123, 125, 127, 129
SP101621	121, 123, 125, 127, 129
SP547980	121, 123, 125, 127, 129
Filter	
SPPRI340004030	121, 123, 125, 127, 129
SP516012	139, 145
SP525935	139
525935	149
561294	191
568380	153, 161
574720	185
Filter Holder	
572126	157
574850	165
Filter Tank	
570845	191
Fixed Hinge	
568982	113, 115
Fixed Lower Hinge	
568982	109
568984	109
Fixed Upper Hinge	
568979	109, 113, 115
568981	109
Flap	
SP540113	121, 123, 125
Foam Roller	
SP100188	131, 133, 135, 137
Frame GND Interconnection	
SP528205	192
528080	192
Frequency Inverter	
571471	139, 145, 153, 161
571474	139, 145, 149, 153, 157, 165
Frequency Inverter Filter	
SP557932	157, 165
Front Cover	
SP564362	35
573012	35

Front Panel	
SP547740	31
SP547742	31
SP547748	23, 31
SP547750	23, 31
SP554243	23, 31
SP554245	23, 31
SP554256	31
SP554258	31
SP556127	107
SP556230	107
SP557052	27
SP557053	27
SP557054	27
SP557055	27
SP559107	23
SP562722	27
SP562723	27
562837	107
563450	23, 31
563452	23, 31
563454	23, 31
563456	23, 31
568975	177
568998	177
571025	35
571028	35
571721	107
571724	107
572525	39
572526	39
572527	39
572528	39
572529	39
572531	39
572532	39
572533	39
574089	35
574090	35
574767	185

Front Spring Holder	
SP555516	15
Fuse	
SP345805005020	143, 149, 157, 165
SP345805163032143, 145, 149, 153, 157, 161, 165	
Fuse Cover	
SP554311	153, 157, 161, 165
Fuse Holder	
SPPRI1401001020	157, 165
SPPRI401001020	143
SPPR401001020	149
SP554310	153, 157, 161, 165
Fuse Housing	
SPPRI401003020143, 145, 149, 153, 157, 161, 165	

H

Handle	
SP552908	111
SP552909	111
SP556297	111
SP562898	111
569335	111
571780	115
571781	113
571788	111

N/A items do not appear in index.

Handle Ball SP535407	111
Handle Lower Part SP535429	111
571779	113, 115
Handle Torsion Spring SP535402	109, 113, 115
Heating Contactor Wiring SPPRI351107209	192
SPPRI351108209	192
Heating Element SP540142	173, 177
SP540143	173, 177
SP540144	173, 177
SP540145	173, 177
Heating Element Cover 568929	177
Heating Element Front Cover SP537729	107
SP556235	107
SP563273	107, 177
562839	107
568985	107, 177
Heating Element Hole Plug SPPRI342001016	169, 171
Heating GND Wiring SP528335	192
Heating Wiring SP528328	192
528328	192
528329	192
Hex Pillar 570381	155, 159, 163, 167
Hinge SP516832	21, 25, 29, 41
Hinge Spacer SP535421	109, 113, 115
SP537849	107, 177
Hinges 570553	109
570554	109
Holder SPPRI326002004	21, 25, 29, 33
540123	145, 149
570382	153, 157, 161, 165
Holder Cover SP535430	115
SP535438	113
SP556278	111
Holder Partition SP526474	139
Hook SPPRI551016250	21, 25, 29, 41
Hook Lock SPPRI610002007	21, 25, 33, 61, 87
Hose SPPRI503002049	131, 133, 135, 137
SPPRI540000014	121, 123, 125, 127, 129
SPPRI540020005	189
529747	189
Hose Clamp SPPRI240000002	121, 123, 125, 127, 129
SPPRI240000003121, 123, 125, 127, 129, 131, 133, 135,	137
SPPRI240000005	179

SPPRI240000007121, 123, 125, 127, 129, 131, 133, 185,	191
SPPRI240000008	135, 137
SPPRI240000017	121, 127, 129
SPPRI240000021121, 123, 125, 127, 129, 131, 133 SPPRI241000017	131, 133, 135, 137
SPPRI54100001	133
SP526491	121, 123, 125, 127, 129
SP526532	131, 133, 135, 137
Hose Pipe SP101745	121, 123, 125

I

Inlet Valve Extension Wiring 552477	192
Insulation Washer 571458	153, 157, 161, 165
Internal Vessel SP540122	121, 123, 125
Isolation Paper SPPRI350012007	91, 93, 139

K

Key SP550616	21, 25, 61, 87
Keyboard SP537990	63
SP537991	63
SP547007	63
SP547008	63
SP547009	63
SP547010	63
SP547019	43, 63
SP547020	43, 63
SP547021	43, 63
SP547022	43, 63
SP547031	63
SP547032	63
SP547033	63
SP547034	63
SP547088	43
SP556107	63
SP557566	73, 75, 77
SP557567	53
SP557568	53
SP557573	43
SP557574	43
SP557579	43
SP557582	43
SP559391	53
SP559394	53
SP560753	63
SP560759	53
SP560760	53
547087	73
547088	73, 75, 77
Kit of Hinges 570553	113

N/A items do not appear in index.

L

Label	576337	7
Label	SP547050	63
	SP560786	29
	SP563307	63
	SP564831	109
	524740	145, 149
	557981	141
	570371	157
	570731	153, 161, 165
	572486	7
	572487	7
Label Covering	567925	79
Latch	SP527083	23, 27, 31, 35, 39
Lath	SP547508	61
Leading Pin	SP550113	43, 53, 79, 81, 83
Left Cover	574783	185
Liquid Detergent Box	SP540123	143
Liquid detergents	570316	153, 157, 161, 165
Liquid Soap Supply Connection Kit	SP540180	139
Locating Segment	SP529710	111
	571773	113, 115
Lock	SP537760	119
	SP547527	21, 25, 33, 61, 87
	SP559362	21
Lock Pin	SP537933	109
Lower Frame	SP533723	11
Lower Hinge	SP556276	109
	571651	109, 113, 115
Lower Rear Cover	SP533381	23, 27, 31, 35, 39
Lower Weight	SP533737	9
	SP533753	9
Lubrication Grease	SP11131300002	181

M

Main Switch	SPPRI404000097139, 145, 149, 153, 157, 161, 165	
	SPPRI404000098139, 145, 149, 153, 157, 161, 165	
	SPPRI404000099139, 145, 149, 153, 157, 161, 165	
	SPPRI404000199	149
	SPPRI404001098	139, 145, 149, 153, 157, 161
	SPPRI404001099	139, 145, 153, 157, 161
	SP506407	139, 145, 149, 153, 157, 161

N/A items do not appear in index.

Main Switch Knob	SPPRI404000095143, 145, 149, 153, 157, 161, 165	
Main Vessel	SP540115	121, 123, 125
Main Wiring	SP552475	139
	SP557768	139
	568391	192
Manifold Flush Kit	529789	189
	529797	189
	529798	189
	529799	189
	529800	189
Microswitch	SP528309	11
	568978	117
	571634	177
Mixer	SP526558	121, 123, 125, 127, 129
Mixer Body	SP526565	121, 123, 125, 127, 129
Mixer Lid	SP526557	121, 123, 125, 127, 129
Module	553189	39
Motor and Pulley	SP555580	179
	SP555583	179
	SP557449	179
	SP557452	179
	571443	179
	571444	179
Motor Holder	SP533741	179
Motor Temperature Protect Cable	568396	192

N

Network Installation Kit	569593	43, 53, 61
Nose Assembly	572580	85
	573953	89
	574121	87
	574234	85
	574237	87
	574240	89
Nut	F430225	117
	F430232	117
	SP101416	139, 145, 149, 153, 157, 161, 165
	SP101419	139, 145, 149, 153, 157, 161, 165
	SP309084000308	85, 87, 89
	SP310934000003	11
	SP31093400000443, 53, 61, 73, 75, 77, 79, 81, 83, 85,	87, 89, 91, 93, 139, 143, 147, 151
	SP310934000008	179
	SP310934000010	11
	SP310934000020	11
	SP310934100006139, 147, 151, 155, 159, 163, 167	
	SP310934240004	117
	SP310934240006	177
	SP310934240008	173, 177

SP310985000006	.29, 41, 107, 111, 113, 115, 177, 179
SP3109850000089, 11
SP31098500001011, 173, 175
SP310985000012179
SP31325100000621, 25, 29, 33, 39, 169
SP313251002104107
SP51092311
SP51419327, 33, 135, 137
571635177

O

Oscillation Limiter	
SP5333889
Overflow Tube	
SP526481121, 127, 129, 133
Overlay	
57392685
57393587
57395089
57421685
57421987
57422289

P

Panel Holder	
SP53325729
SP55760321
SP56030125
56796033
57256639
Pin	
SP540117121, 123, 125
Pin Insertion	
SP52040811, 21, 23, 25, 29, 33, 41, 43, 53
Pipe	
570807185
Pipe Nipple	
SPR22112000114169, 171
Plate of Closing	
568941117
Plug	
SPPRI426001268169, 171
567053127, 129
Profile	
SP52245039, 177
SP52708823, 27, 31, 35, 39
52245035
Profiled Sealing	
SPPRI50500005811, 25, 131, 147, 151, 155, 159, 163,167, 177
Programmer Holder	
SP54750161
SP54750461
SP55761643
SP55888753
56957833
57393439
Programming Cable	
F860050143, 53, 61

Pump	
529742189
529743189
529744189
529745189
529746189
Pump Cover	
SP500140135
Pump Holder	
SP547804135
567127137
Pump Relay Board to LED Terminal Cable	
SP528149143

R

Rear Cover	
SP53311123, 25, 29
57046739
57046835
Rear Panel	
SP540118141
SP554375141
569591153, 157
571016145, 149
572521161, 165
Rear Panel Lid	
SP540121143
Rear Spring Holder	
SP55551713, 15, 17, 19
Reduction	
567128131
567174121
Reinforcement	
SP55887921
SP55894325
Reinforcement Tube	
SP500125131, 133, 135, 137
Relay	
SP552468153, 157, 161, 165
Reverse Function Drain Valve	
SP547821131, 133
Right Cover	
574789185
Rim	
SP562545109, 113
573187113
Ring	
SP52708523, 27, 31, 33, 41
Rivet	
SP313250004007139
SP31325000406323, 27, 31, 33, 41, 135, 137
SP31325004800821, 25, 29
SP31325004810341
SP52170623, 27, 31, 33, 41
SP5477791121, 23, 25, 29, 33, 41, 43, 53, 107, 177
Roller	
SP53372711
RS485 External Interconnection	
SP547075192

N/A items do not appear in index.

S

Screw

F430977	117	
SP309798124313	121, 123, 125	
SP526497	121, 123, 125, 127, 129, 131, 147, 151, 155,	159, 163, 167
SP52920613, 15, 17, 19, 21, 23, 25, 27, 29, 31, 33, 41, 91, 93, 121, 123, 125, 131, 133, 135, 137, 139, 143,	147, 151, 155, 159, 163, 167	

Seal

SPPRI520001009	121, 127, 129
SP517232	9, 21, 25, 31, 41
SP526564	169
SP537719	173, 177
564202	33

Sealant

SPPRI704000053	135, 173
----------------------	----------

Sealing Ring

SP525813	181
SP537848	181

Self-Adhesive Pad

SPMEC001410	43, 53
-------------------	--------

Self-Adhesive Profile

570387	153, 157, 161, 165
--------------	--------------------

Service Door Kit

568990	107, 109, 113, 115
--------------	--------------------

Shaft Ring

SP537843	173, 177
----------------	----------

Side Board

SP533338	61
SP533339	61

Side Panel

SP550313	29
SP550316	31
SP550338	29
SP550340	31
SP557625	21, 25
SP557627	23, 27
SP558972	25
SP558974	27
563468	29
563470	31
563496	21
563498	23
574060	37
574063	37

Side Panel Assembly

572590	39
572591	39
572594	39
572595	39

Side Sheet Metal

SP547506	61
SP547507	61

Sidewall

572571	85, 87, 89
572572	85, 87, 89
572586	85, 87, 89
572588	85, 87, 89
573929	85, 87, 89

Soap Hopper

SP540111	121, 123, 125
SP554213	121

Soap Hopper Plug

SP526468	121, 123, 125
----------------	---------------

Soap Hopper Upper Cover

SP540112	121, 123, 125
----------------	---------------

Soap Link Kit

SP557944	143, 145, 149
----------------	---------------

Soap Pump Kit

SP567105	187
SP567106	187

Soap Relay Board

SP524714	143
524714	145, 149
553187	153, 157, 161, 165

Spacer

F431901	117
---------------	-----

Speed Sensor

SP557701	179
----------------	-----

Speed Sensor Holder

SP555547	179
----------------	-----

Speed Sensor Plate

SP555545	179
----------------	-----

Spiral

SP283449080200	131, 133, 135, 137
----------------------	--------------------

Spring

SP505372	13, 15, 17, 19
SP527086	23, 27, 31, 33, 41
SP533766	11
SP533767	11

Spring Clamp

SP540183	131, 133, 135, 137
----------------	--------------------

Spring Holder

SP534977	11
SP534978	11

Steam Filter

SP405054120215	169, 171
----------------------	----------

Steam Heat Wiring

SP528064	192
528064	192

Steam Hose

SP526522	169, 171
----------------	----------

Steam Injector

SP526525	169, 171
----------------	----------

Steam Kit

SP559312	169
555351	171

Steam Valve

SP514164	169, 171
----------------	----------

Steam Valve Body

SP514165	169, 171
----------------	----------

Steam Valve Cable

SPPRI351000161	192
----------------------	-----

Steam Valve Cover

570435	171
--------------	-----

Steam Valve Support

SP526521	169, 171
----------------	----------

Suction Tube

529787	189
--------------	-----

Supply Pump Kit

MB90-Z40	189
MB90-Z41	189
MB90-Z42	189
MB90-Z43	189
MB90-Z44	189

N/A items do not appear in index.

Switch	
SP100388	143, 145, 149, 153, 157, 161, 165
Switching Unit	
SP528312	43, 53, 61, 73, 79, 85

T

Tape	
SP28400001200329, 43, 53, 61, 73, 75, 77, 79, 81, 83,	177
SP510846	43, 53, 61
Tee	
SP526454	131, 133
Temperature Sensor	
503839	121, 123, 125, 127, 129
Temperature Sensor Seal	
SP526439	121, 123, 125, 127, 129
Tensioning Angle Piece	
SP533326	179
SP533327	179
Terminal Board	
SPPRI35000007	91, 93
SP506575	141
Top Cover	
SP550300	29
SP551996	29
SP557601	21
SP558889	25
SP559366	21
567871	21
569643	37
572573	39
574250	39
Torsion/Door Lock Spring	
571612	117
Transformer	
SP516648	139
Transformer Connection	
528350	192
552495	192
Transformet	
SP516648	149, 157, 165
564561	153, 157, 161, 165

U

U Shape	
SP556991	27
SP556992	27
Upper Frame	
SP533731	9
Upper Hinge	
SP556275	109
571650	109, 113, 115
Upper Lid Prop	
SP533341	21, 25, 29
SP550133	39
USB Cable	
SP547006	143, 145, 149, 153, 157, 161, 165
569668	91
USB Connection	
SP557744	53

V

Valve, 2-Way	
SP547958	121
Valve, 3-Way	
SP547959	121, 123, 125
570195	127, 129
Valve, 4-Way	
SP548933	121, 123, 125
Vent Hose	
SP526509	121, 123, 125, 127, 129
Vibration Switch Assembly	
SP533391	11
Vibration Switch Holder	
SP533387	11

W

Washer	
F8193101	117
PRI247000013	33
SPPRI247000013	23, 27, 31, 41
SPPRI522000012	21, 25
SPPRI523000007	147, 151
SP311125000003	11, 85, 87, 89
SP31112500000461, 79, 81, 83, 135, 137, 139, 143, 147,	151, 155, 159, 163, 167
SP311125000006	21, 135, 137, 169, 171
SP311125000008	9, 173, 175
SP311125000010	175
SP311125100006139, 147, 151, 155, 159, 163, 167	
SP311125240004	117
SP311125240006141, 147, 151, 155, 159, 163, 167, 177	
SP311125240008	173, 175, 177
SP311127000003	85, 87, 89
SP31112700000433, 79, 81, 83, 139, 143, 147, 151, 155,	159, 163, 167
SP311127000006 . 21, 25, 135, 137, 155, 159, 163, 167,	169, 171
SP311679800003 11, 33, 41, 43, 53, 61, 73, 75, 77	
SP3116798000049, 11, 31, 41, 43, 53, 61, 73, 75, 77, 79, 81, 83, 85, 87, 89, 147, 151, 155, 159, 163, 167	
SP311679800006	177
SP311679824004	117
SP311679824006139, 141, 147, 151, 155, 159, 163, 167	
SP311737000010	173, 175
SP311902100004 11, 27, 33, 43, 53, 61, 73, 79, 81, 83,	85, 87, 89, 159, 167
SP311902100006 . 29, 41, 111, 113, 115, 155, 159, 163,	167
SP311902100008	131, 133
SP311902100010	11, 179
SP311902100012	179
SP505430	155, 159, 163, 167
SP525284	9
SP527021	33, 41
SP527087	23, 27, 31, 33, 41
SP537897	173, 175
SP547981	169, 171
550446	23, 27, 31, 35, 39
563361	139
571642	109, 113, 115
576338	41

N/A items do not appear in index.

Washing Drum	
SP537705	173, 177
SP563264	177
563244	173, 177
563264	173
Water Heater	
SP562736	187
SP562749	187
Water Hose	
F200164	121, 123, 125
Water Level Switch	
570315	133
Water Level Switch Hose	
SPPRI540001003	131, 133, 135, 137
Water Softener	
SP562737	187
SP562750	187
Water Level Sensor	
SP562709	131
Wireless Reader Wiring	
552466	192
Wiring Steam - Electrical Heating	
528393	192

Y

Y-Piece	
SPPRI503000028	131, 133

Numerics

1	105
---	-----
