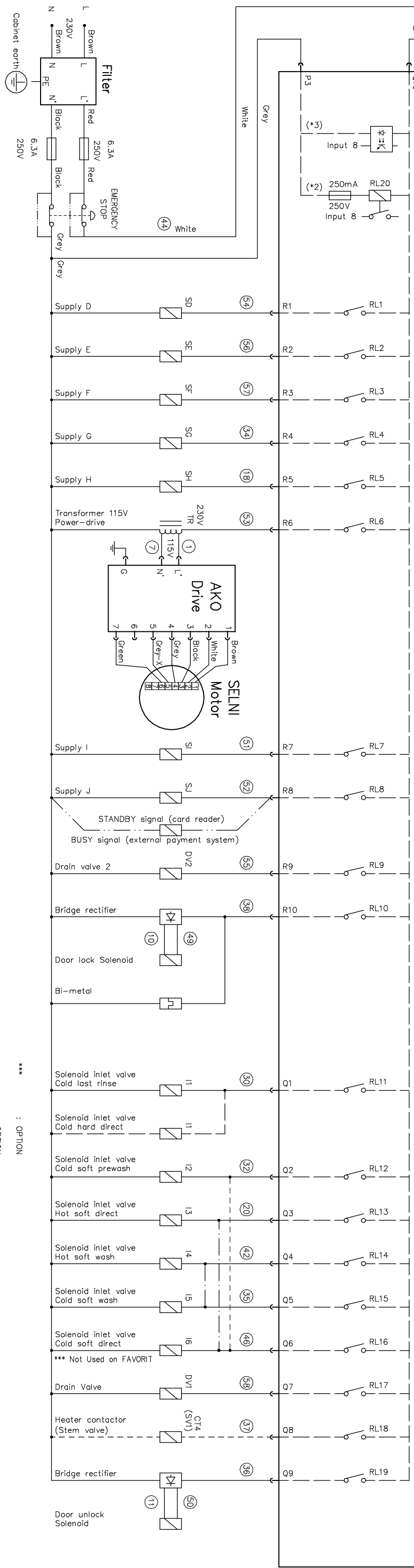


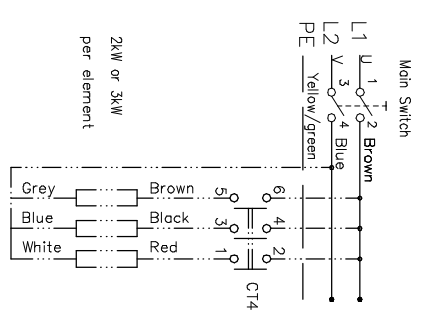
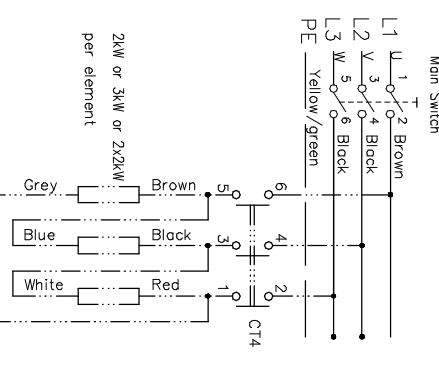
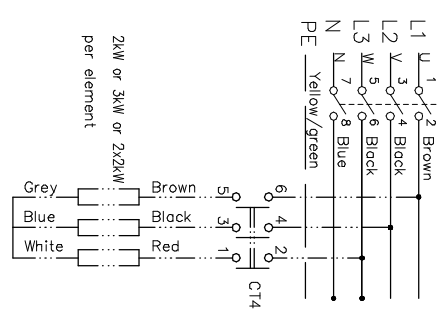
1st-2nd gen: MCB LC+PWR
 3rd gen: MCB EC



Connection 380-415V 3AC+N 50/60Hz

Connection 220-240V 3AC 50/60Hz

Connection 220-240V 1AC 50/60Hz

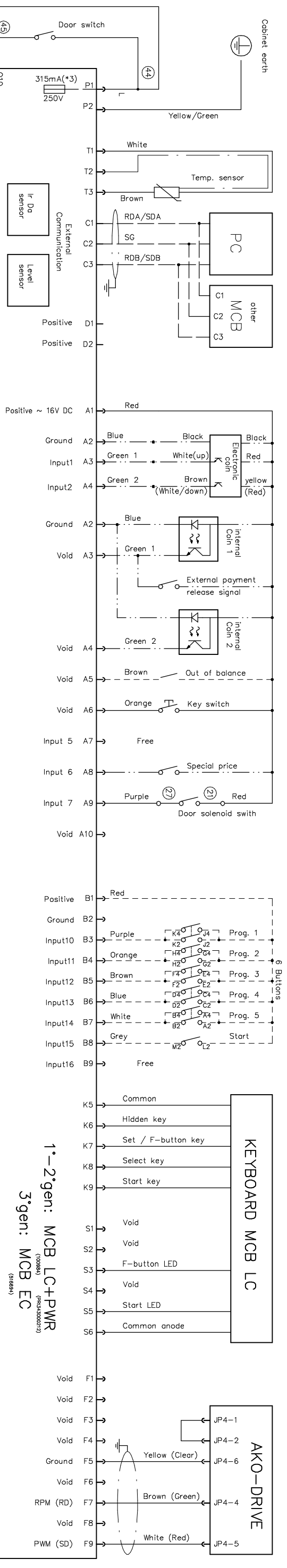


- *** : OPTION
- : COIN MACHINES
- : EXTERNAL PAYMENT SYSTEM
- : FAVORIT EXECUTION
- : CS/MS/CH (HARD WATER)
- : CS/CH (NO HOT WATER)
- : ELECTRICAL HEATING
- o : CONNECTION POINT

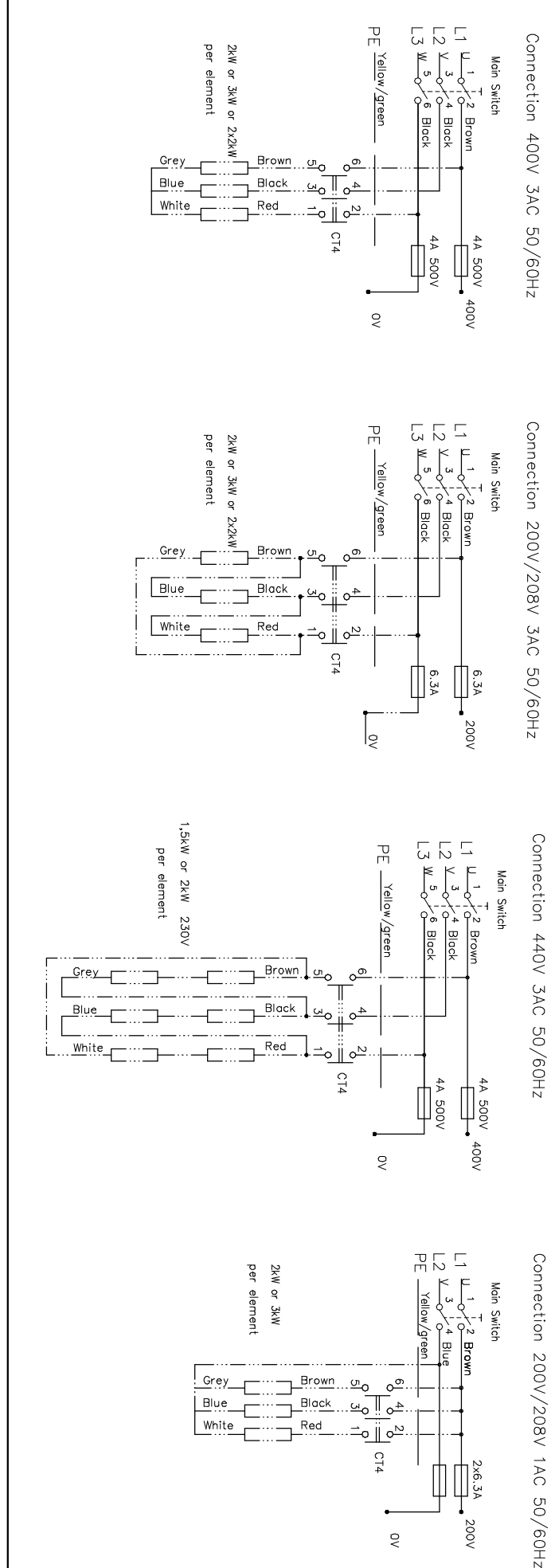
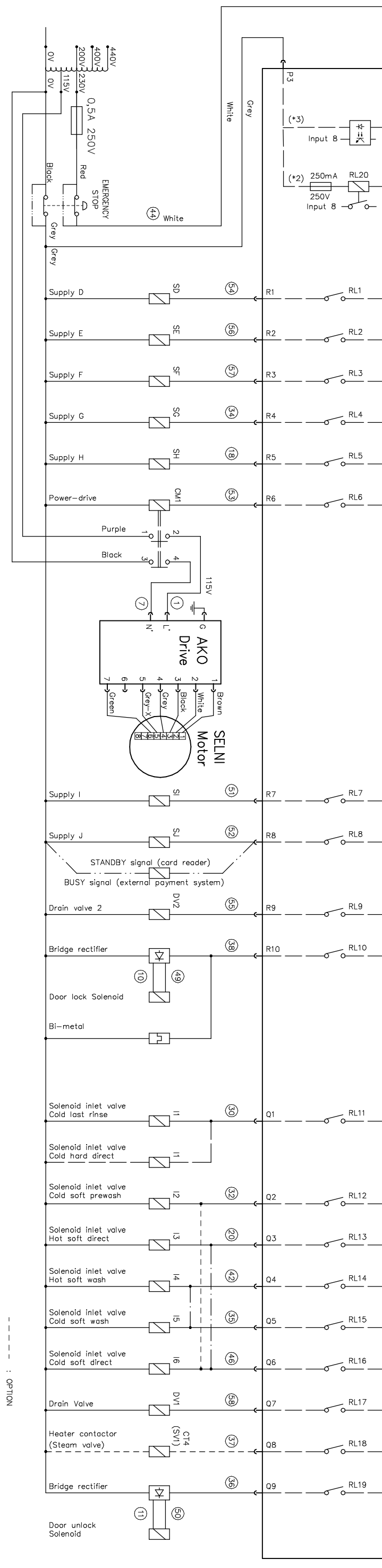
*2 : valid for MCB LC (input 8 by relay RL20)

*3 : valid for MCB EC (input 8 by optocoupler)

Machine types where used		Tolerance	Ra	Scale:	Weight:
Freq. Inverter rigid 6-10kg				Material:	
220-240V / 380-415V + N				Rough dimensions:	
				Standard for rough material:	
G	add standby sign RL8 5Mg/08 D.I.T.	Author	Date	SCHEMATIC DIAGRAM	
G	colors al coin input2 5Mg/08 D.I.T.	Approv.		MCB-LC -- EC / AKO drive	
G	add input8 *3 5Mg/08 D.I.T.	Releas.			
F	Electronic coin 20.04.09 PST				
E	Add Favorit execution 04.11.04 PST 0010				
D	Add option 6 buttons 06.05.04 N.L. 0010				
Std	Modification	Date	Nomel/Proi.	960	508 464
				Replaces:	Replaced by:



1*2*gen: MCB LC+PWR
 3*gen: MCB EC

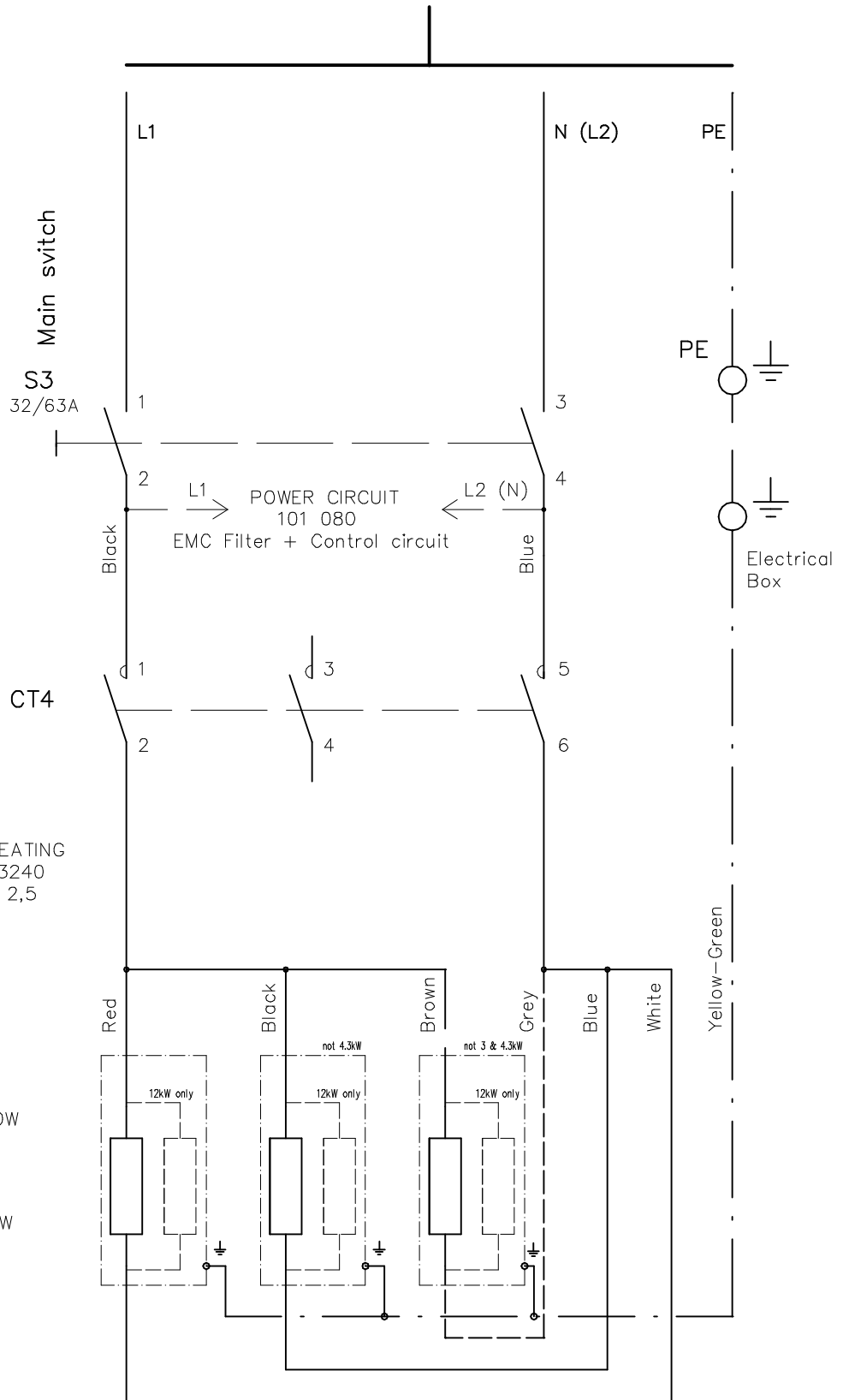


Machine types where used	Tolerance	Ra	Scale:	Weight:
Rigid: 6 - 10kg	200V/208/440V	400V without N	Material: Rough dimensions: Standard for rough material:	
F add standby sign	RL8 5Mx08 D.T.			
F colors el coin input2	5Mx08 D.T.			
F add input8 *3	5Mx08 D.T.	Author	21.11.02	P.S.
E Electronic coin	20.04.09 PST	Approv		
D Add option 6 buttons	07.07.04 PST	Relas		
C LC keyboard	16.12.03 PST			
B 208V added	10.10.03 PST			
A AKO grounded	18.8.03 PST			
Std Modification	Date	Nome/Proi.		

Schematic Diagram
 MCB-LC -- EC / AKO drive
 960 508 466
 Replaces: Replaced by:

--- : COIN MACHINES
 --- : EXTERNAL PAYMENT SYSTEM
 --- : CS/MS/CH (HARD WATER)
 --- : CS/CH (NO HOT WATER)
 --- : Electrical heating
 o : CONNECTION POINT
 *2 : valid for MCBLC (Input 8 by relay RL20)
 *3 : valid for MCBEC (Input 8 by optocoupler)

- 3kW
Power supply cable 3 x 4mm²
FUZE – 25A
- 4,6kW
Power supply cable 3 x 6mm²
FUZE – 32A
- 6kW
Power supply cable 3 x 6mm²
FUZE – 40A
- 9kW
Power supply cable 3 x 10mm²
FUZE – 50A
- 12kW
Power supply cable 3 x 16mm²
FUZE – 63A



Machine types where used R/F – 1 x 230V				Toleration	Roughness	Scale:	Weight:
				Material: Rough dimensions: Standard for rough material:			
				Date 25.5.04	Name PaSt	Connection diagram EI heating 3/4,3/6/9/12kW – 1ph.	
				Author			
				Check			
				Releas.			
				Primus		960	516 098
B	3 & 4,6kW add	25.05.06	PSt	–			Page: 1
A	N – to CT4	25.05.06	PSt	–			Pages: 1
Stat	Modification	Date	Name	Proj.	Replaces:		Replaced by: