

LEGEND:

- (X) : Wire number
- : Water recuperation
- : CONNECTION POINT
- **** : OPTION
- : OPTION
- : OPTION Tilting chassis
- : OPTION Electrical heating not for CSA/VL
- : Tilting terminal XT (35-60kg)
- : Tilting terminal XT - 80-120kg
- : Remote controller terminal X8

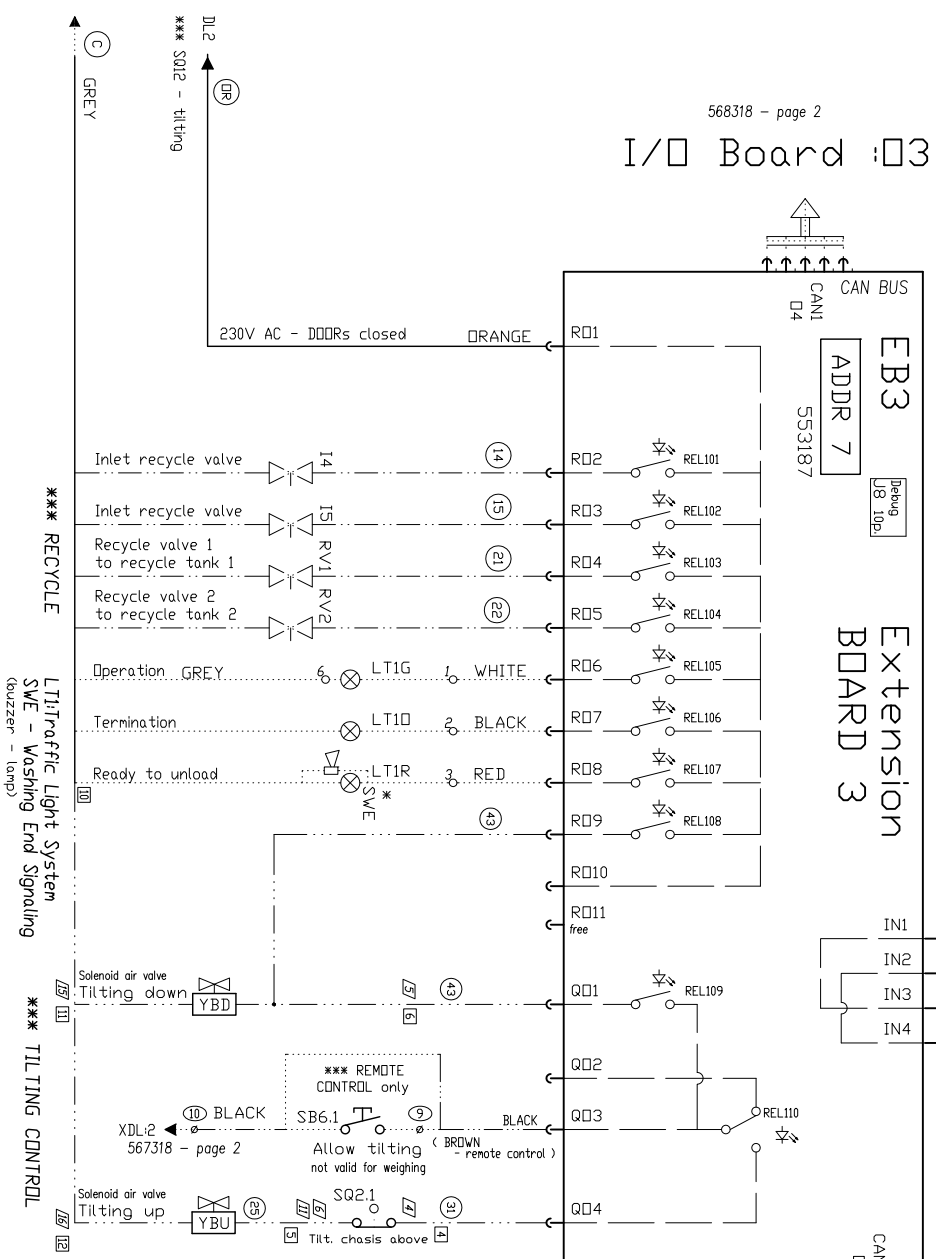
Machine types where used		Tolerance		Scale:	
Free-standing				Material:	
35-120kg / 80-275kg				Rough dimensions:	
				Standard for rough material:	
				Article description	
				SCHEMATIC DIAGRAM washing machine	
				- MC10 controller	
Stat		Date		Replaces:	
add SQ12		20120222PSt		Main group	
Modification		Name		Article number	
		Made 10may18		568 318	
		Check		Page: 2	
		Stand		Pages: 3	

Extension Board 1:CAN1

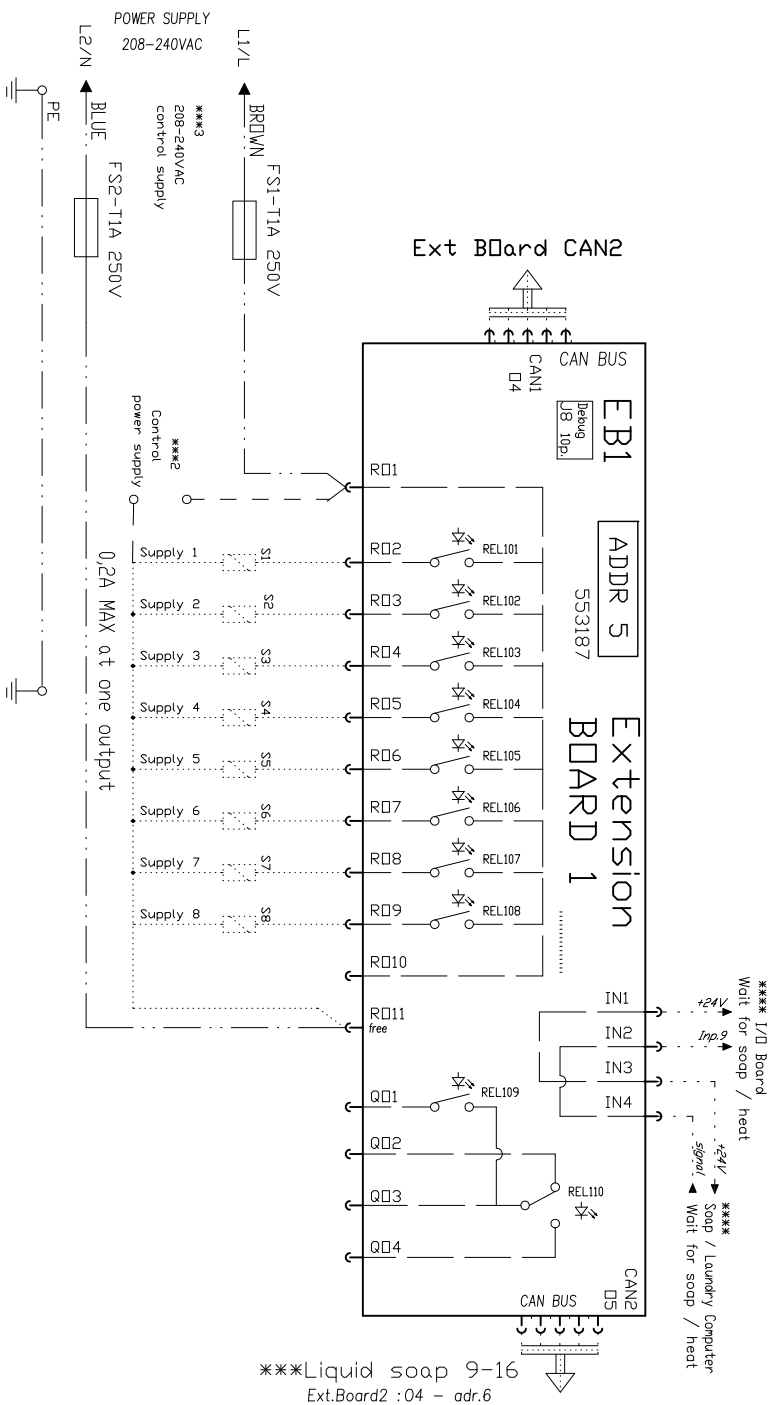
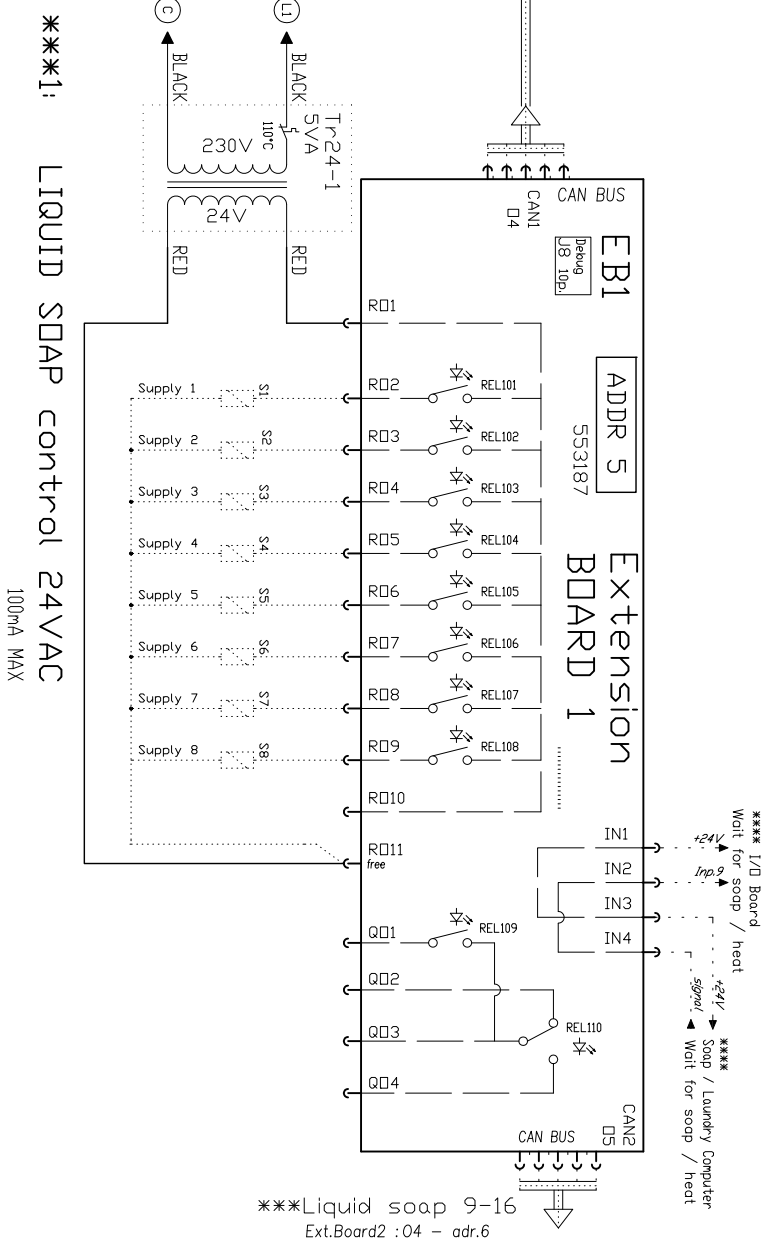
*** CONNECTORS B E2 not used for MC10 basic

I/O board circuits

I/O Board :03



I/O board circuits



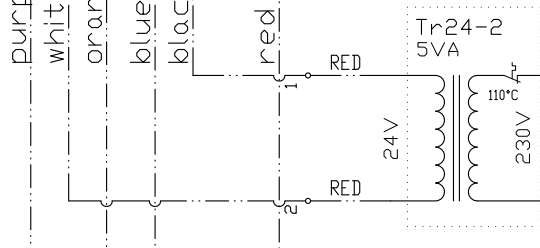
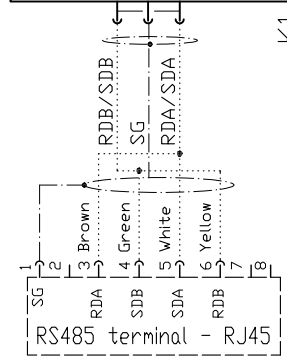
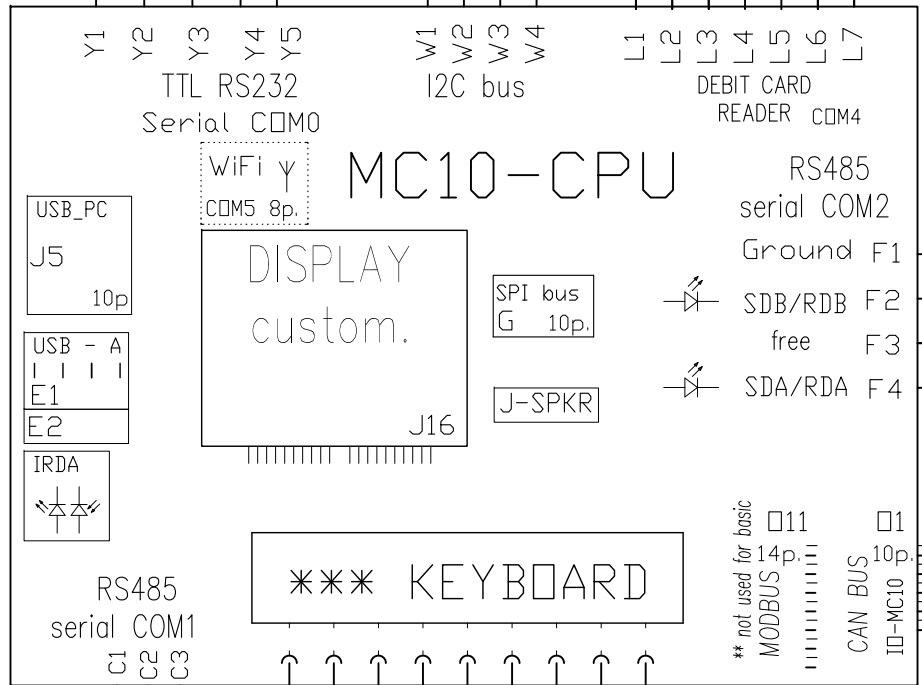
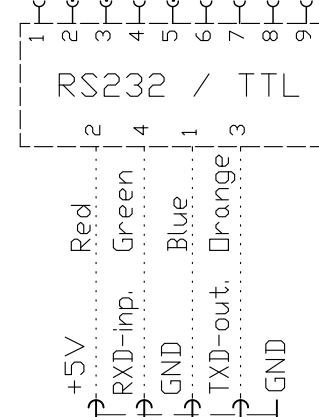
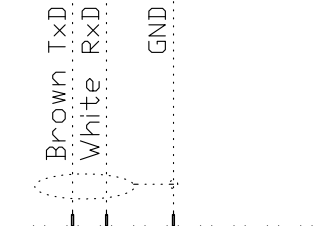
- LEGEND:**
- (X) : Wire number
 - : Water recuperation
 - : CONNECTION POINT
 - ***** : OPTION
 - : OPTION
 - - - - : OPTION Tilting chassis
 - - - - : OPTION Electrical heating not for CSA/VL
 - [X] : Tilting terminal XT (35-60kg)
 - [X] : Tilting terminal XT - 80-120kg
 - (X) : Remote controller terminal X8

Machine types where used		Tolerance		Roughness		Scale:	
Free-standing						Material:	
35-120kg / 80-275lb						Rough dimensions: Standard for rough material:	
		Date		Name		Article description	
		10may18		PSt		SCHEMATIC DIAGRAM washing machine	
		Made		Check		- MC10 controller	
		Stand					
Stat		Modification		Date		Name	
A		add S012		2012022PSt			
						Main group	
						960	
						Article number	
						568 318	
						Replaces:	
						Replaced by:	
						Page: 3	
						Pages: 3	

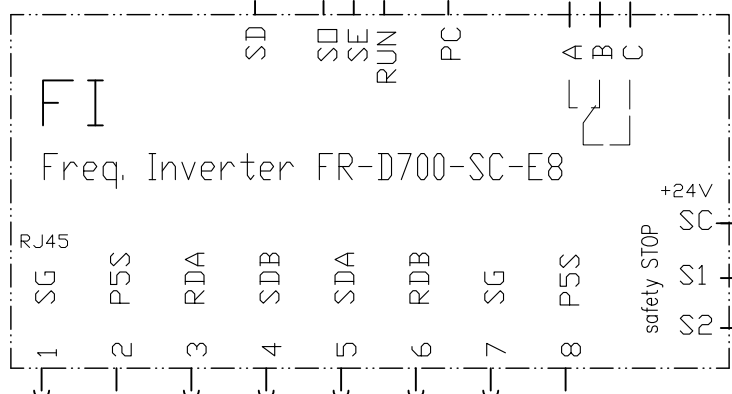
 Weighing system
 circuit according
 to execution
 528024 - connection



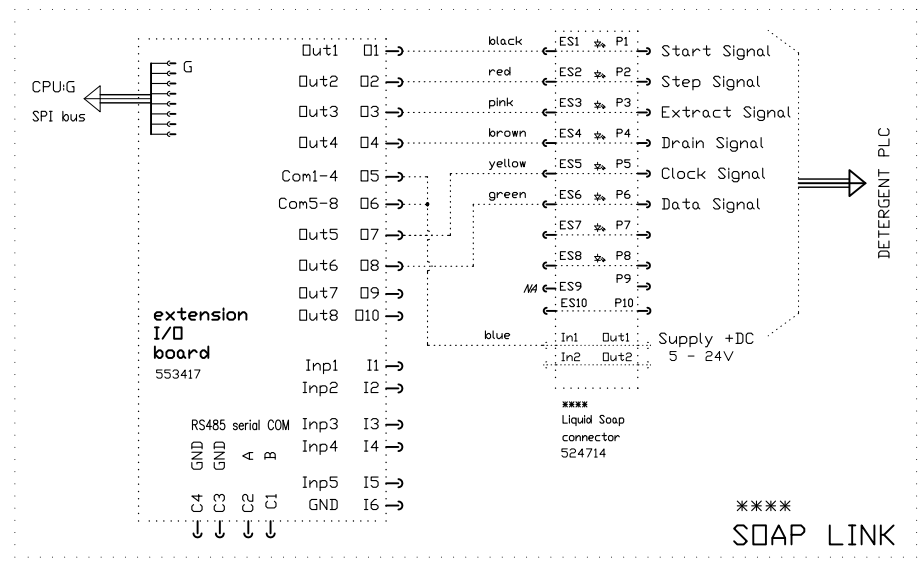
I/O Board:1
 574404 - page 2



I/O board circuits
 574404 - page 2

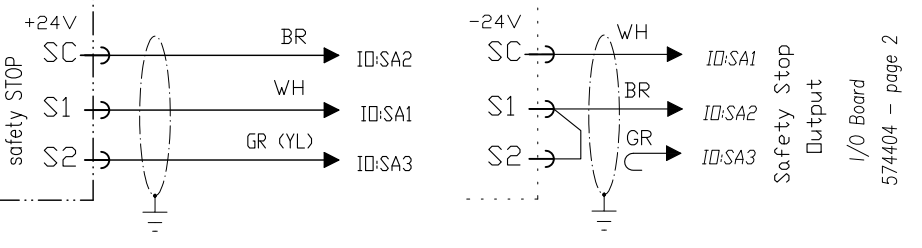


I/O Board:2
 574404 - page 2



 SOAP LINK

 till 2018 vers.
 (FR-D700_E8)

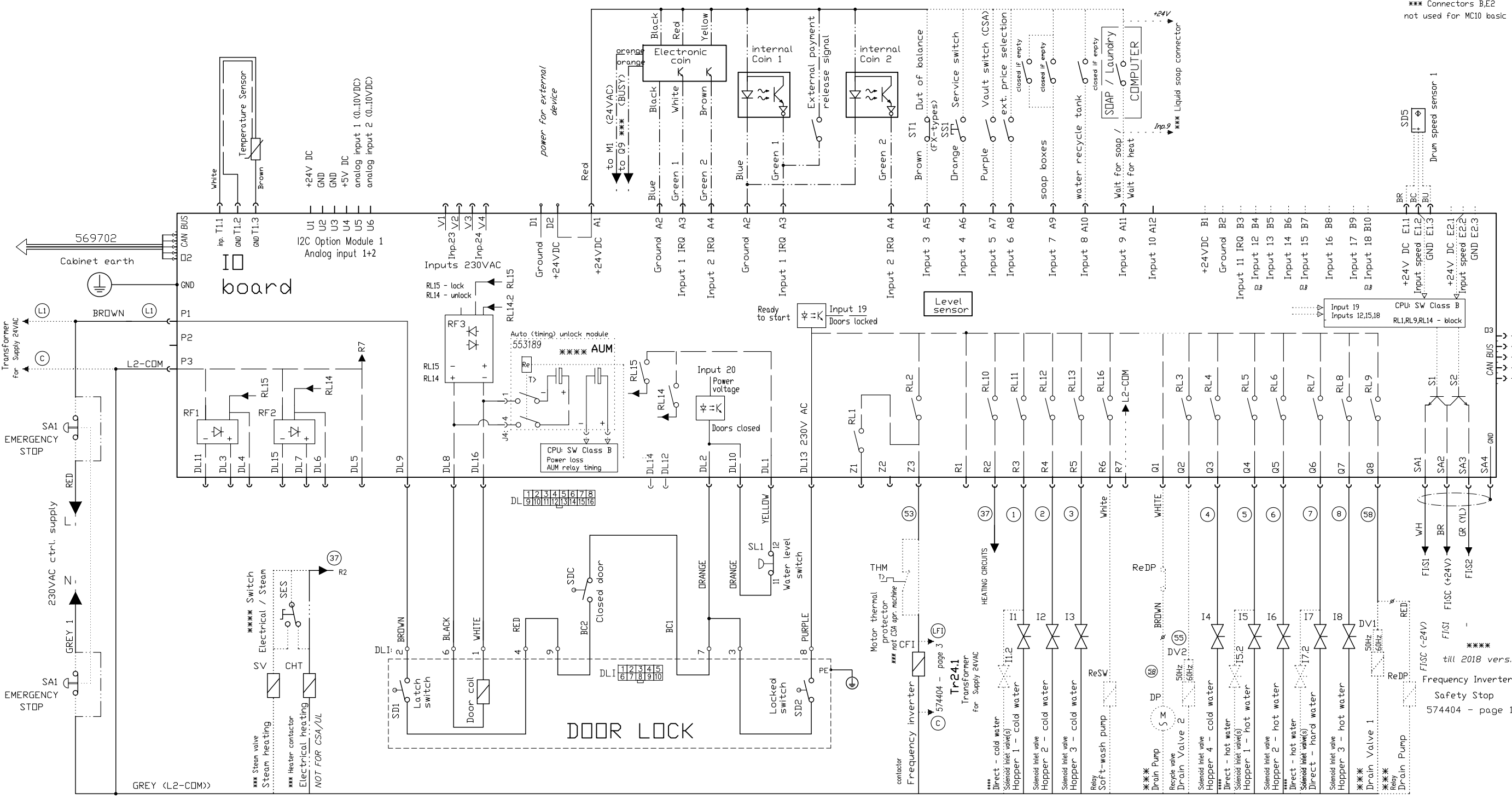


Legend:

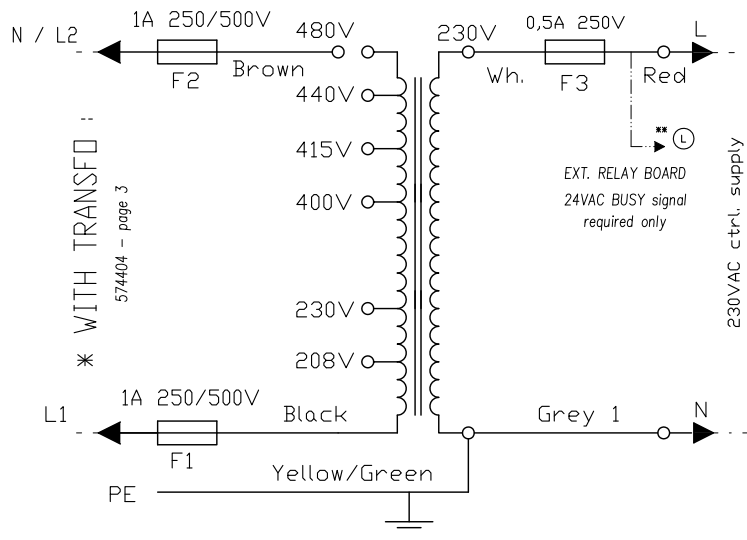
- ***** : Option
- : Option
- - - - - : COIN MACHINES or EXTERNAL PAYMENT
- : ELECTRICAL HEATING
 Not for CSA/UL machines
- Main Supply Single Phase INVERTER
- Main Supply 3 Phase INVERTER

ŘÍZENÁ KOPIE

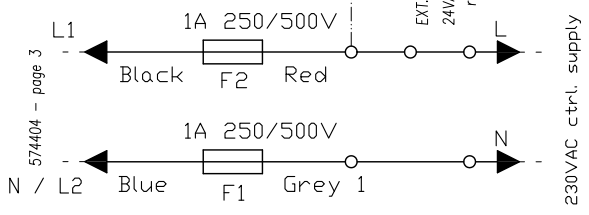
Machine types where used Free standing 6,5-28kg Rigid mounted 18-28kg	Tolerance	Roughness	Scale:	Weight:
	Date	Name	Material: Rough dimensions: Standard for rough material:	
	Made	23apr18	Article description	
	Check		SCHEMATIC DIAGRAM washing machine - MC10 controller	
	Stand		Main group	Article number
B Basic ex. add	22.2.2021	PS	960	574 404
A 6 kW 230V 1AC	4.10.2020	PS		
Stat	Modification	Date	Replaces:	Replaced by:



*** Connectors B,E2 not used for MC10 basic



* WITHOUT TRANSFO :
208-240/380-415V+N
- 6-16kg / 18-35lb



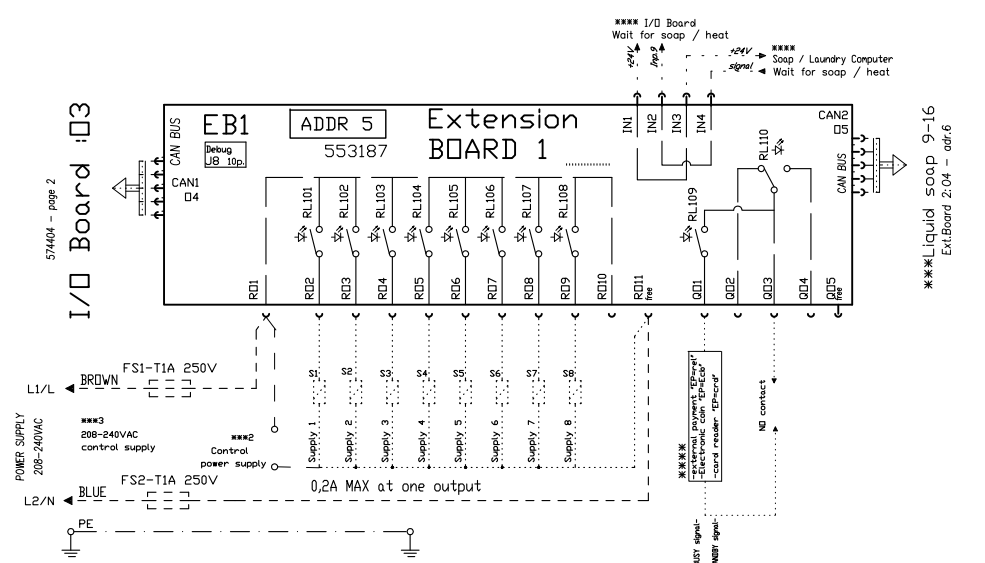
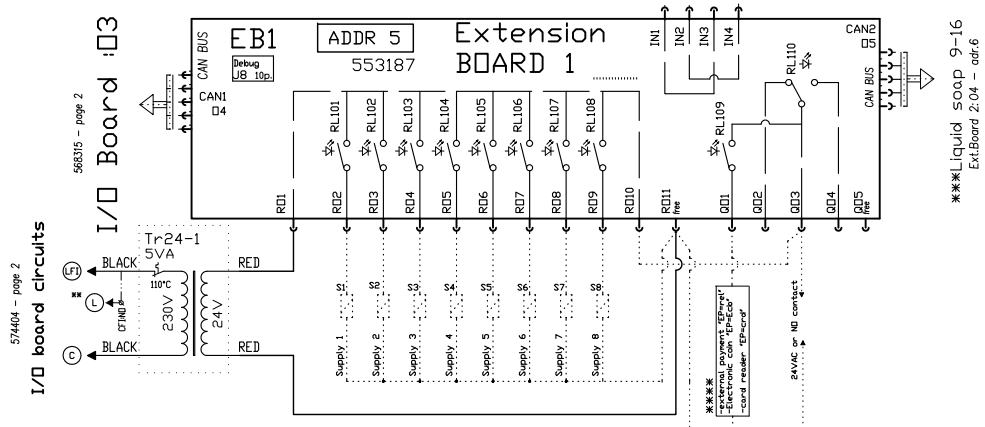
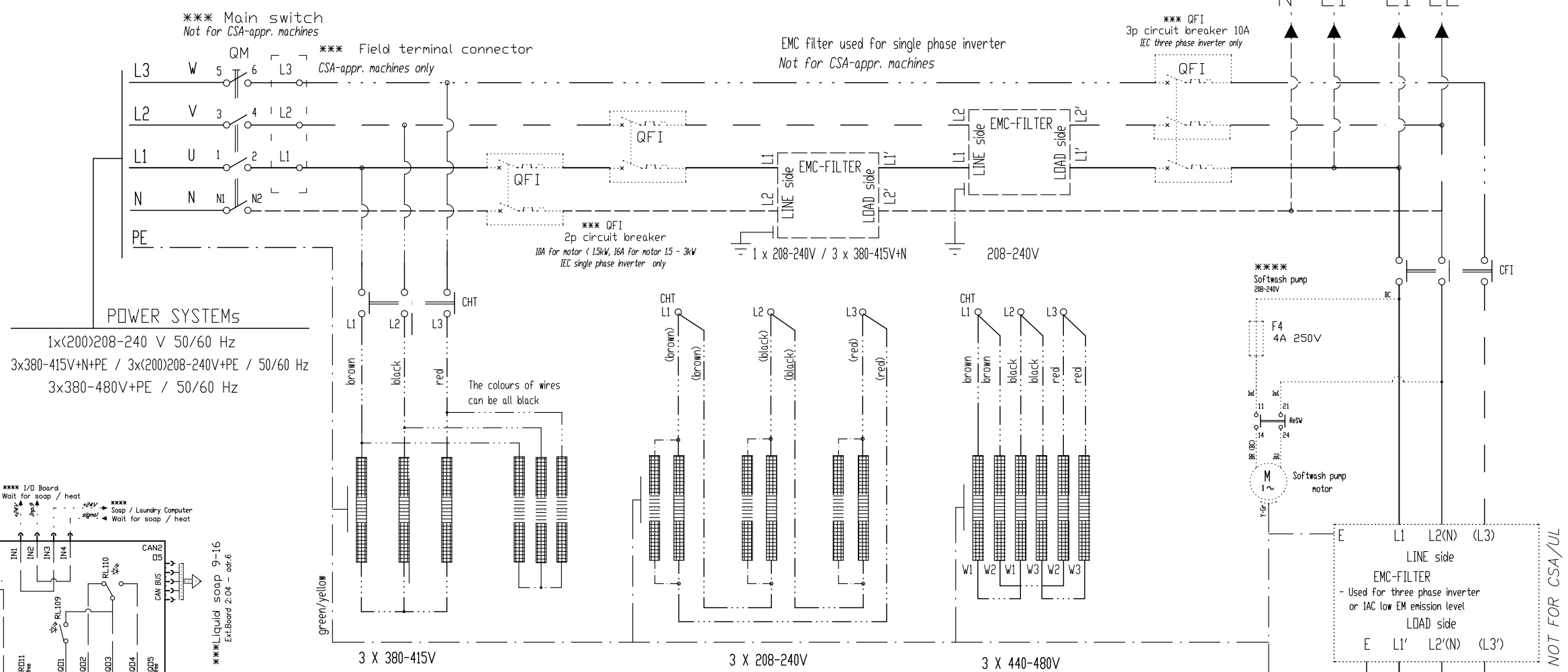
Legend:
 **** : Option
 : Option
 - - - - - : COIN MACHINES or EXTERNAL PAYMENT
 - - - - - : ELECTRICAL HEATING
 Not for CSA/UL machines

ŘÍZENÁ KOPIE

*** 11.2, 12.2 standard for 280kg machines , option for 180-240kg
 13.2 standard for 280kg machines , option for 180-240kg - 3water inlets system

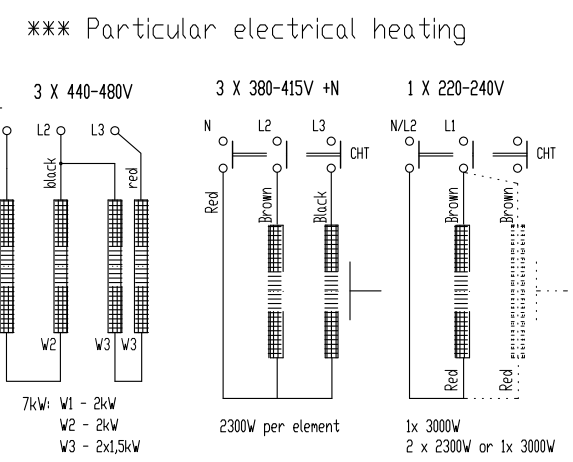
Machine types where used Free standing 6,5-28kg Rigid mounted 18-28kg	Tolerance	Roughness	Scale:	Weight:
			Material: Rough dimensions: Standard for rough material:	
	Date 23apr18	Name PSt	Article description	
	Made		SCHEMATIC DIAGRAM washing machine - MC10 controller	
	Check		Main group 960	Article number 574 404
	Stand		Replaces:	Replaced by:
B Basic ex. add 22.2.2021 PSt				Page: 2
A 6 kW 230V 1AC 4.10.2020 PSt				Pages: 3
Stat Modification	Date	Name		

- Legend:**
- **** : Option
 - : Option
 - - - - - : COIN MACHINES or EXTERNAL PAYMENT
 - : ELECTRICAL HEATING
Not for CSA/UL machines
 - : Main Supply Single Phase INVERTER
 - : Main Supply 3 Phase INVERTER

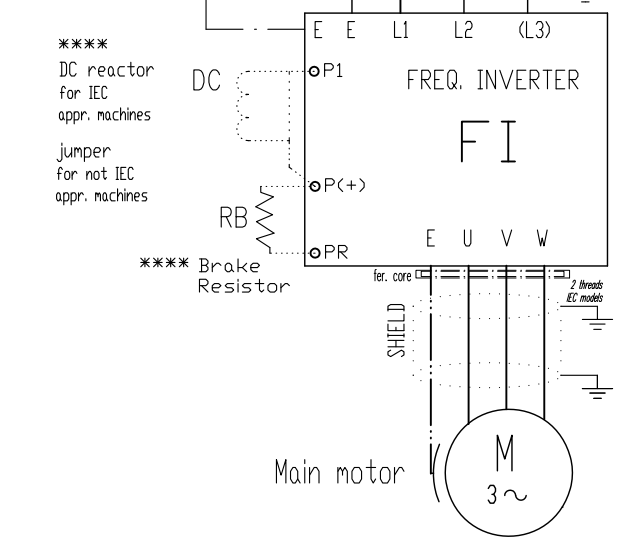


Option: ELECTRICAL HEATING
1500 v 2000 v 2x1500 v 2x2000 v 2x3000 v 2x3650W
per element

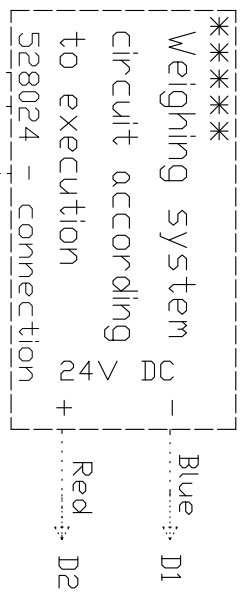
Configuration of heating elements depend on
machine size and heating power & power supply voltage



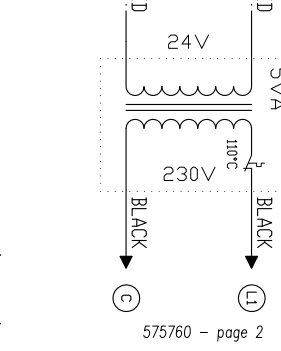
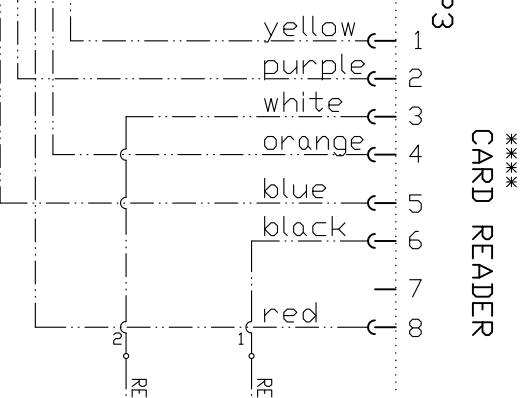
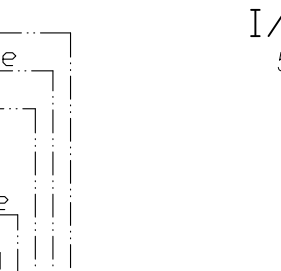
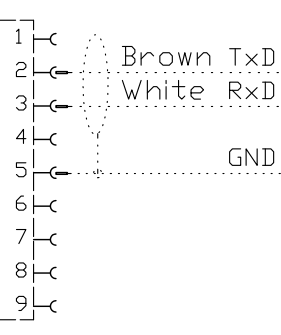
ŘÍZENÁ KOPIE



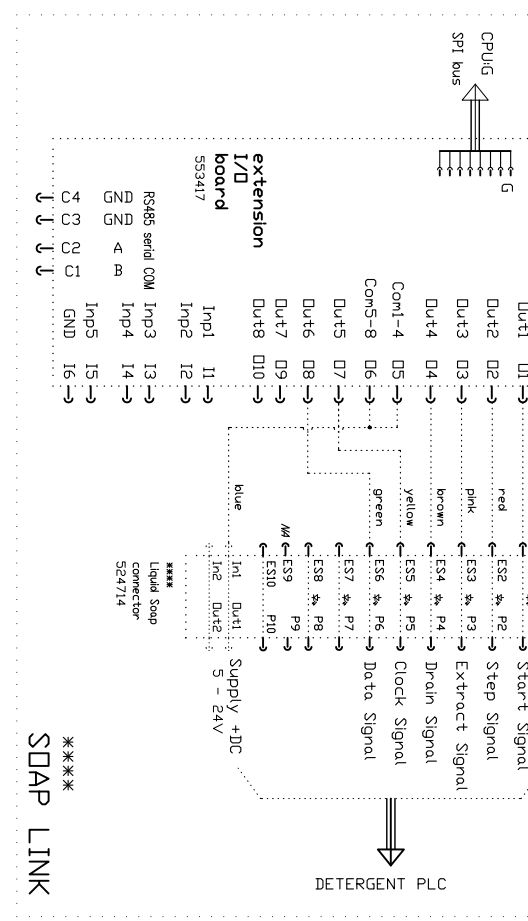
Machine types where used Free standing 6,5-28kg Rigid mounted 18-28kg	Tolerance	Roughness	Scale:	Weight:
			Material: Rough dimensions: Standard for rough material:	
	Date 23apr18	Name PSt	Article description	
	Check		SCHEMATIC DIAGRAM washing machine - MC10 controller	
	Stand			
B Basic ex. add 22.2.2021PSt			Main group 960	Article number 574 404
A 6 kW 230V 1AC 4.10.2020PSt				Page: 3 Pages:3
Stat Modification Date Name			Replaces:	Replaced by:



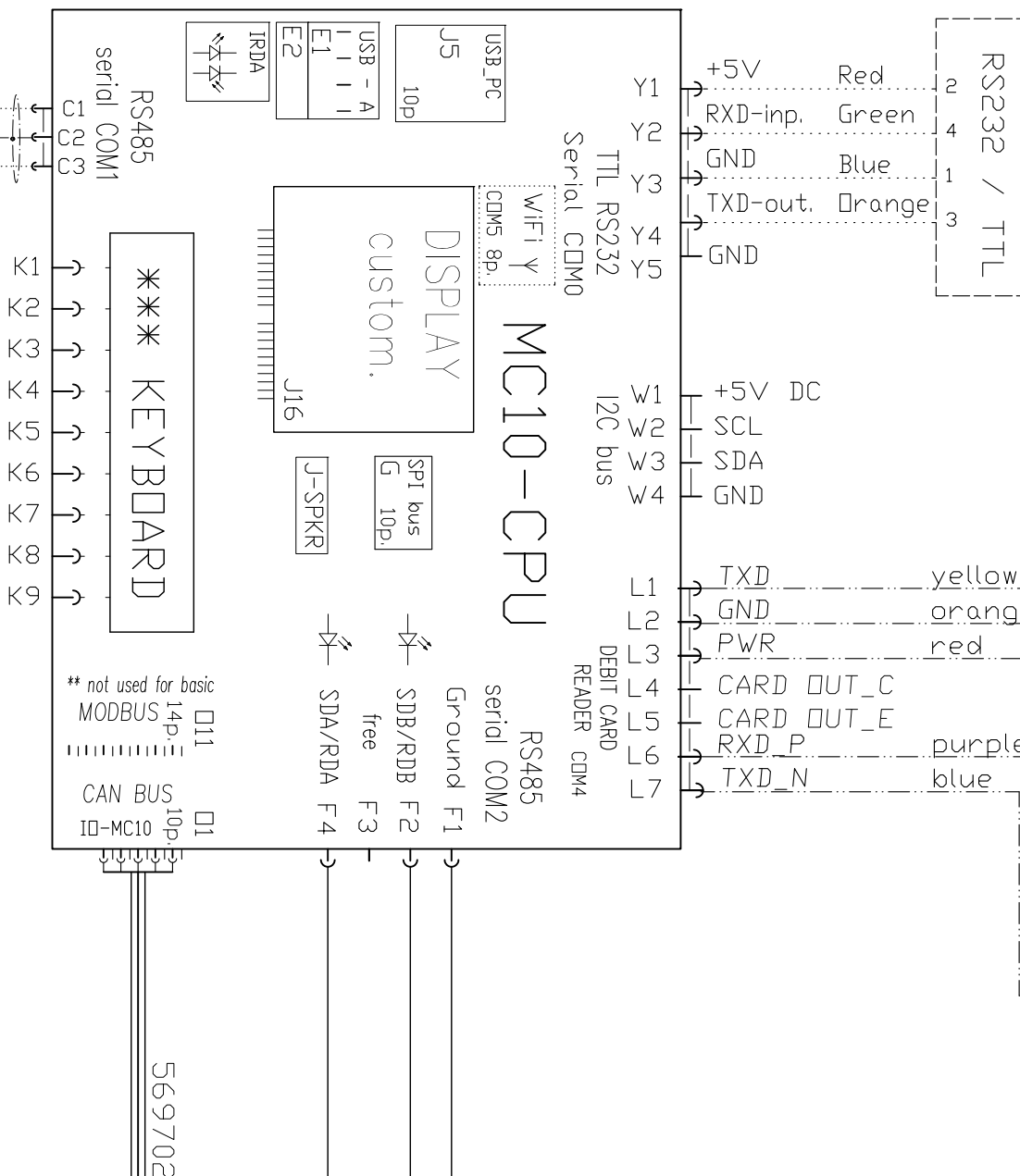
I/O Board: D
575760 - page 2



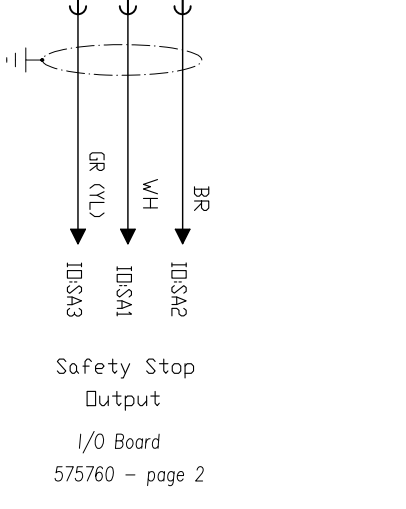
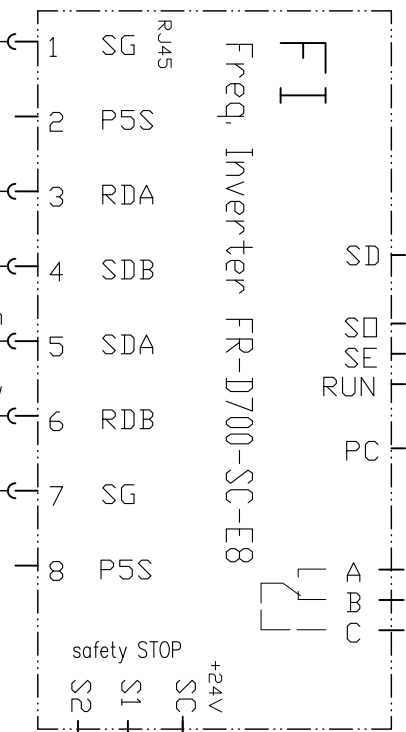
I/O board circuits
575760 - page 2



SOAP LINK



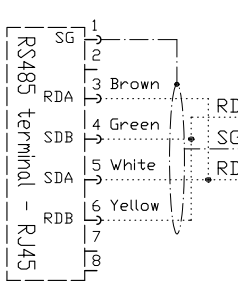
I/O Board: O2
575760 - page 2



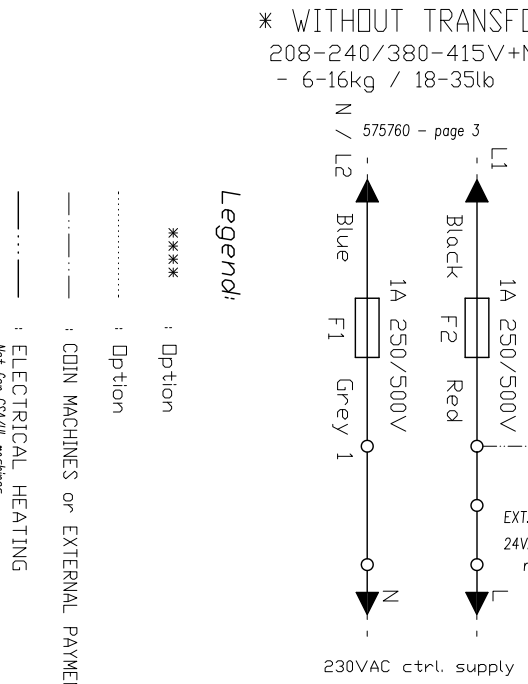
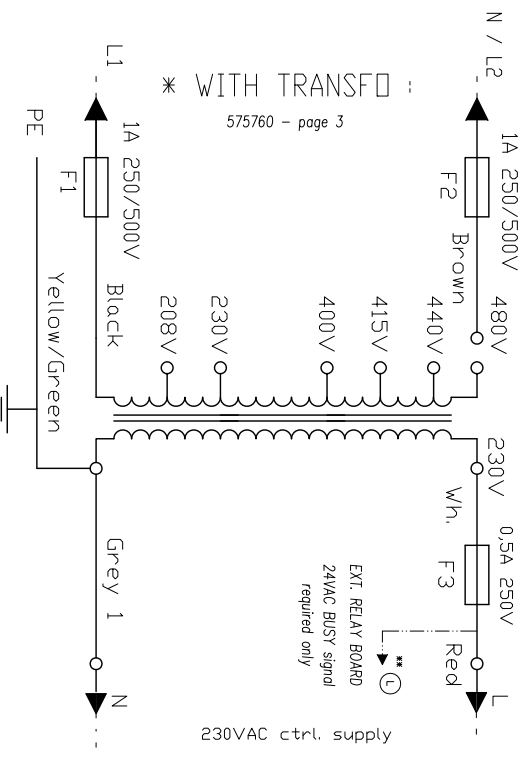
Safety Stop
Output
I/O Board
575760 - page 2

Legend:

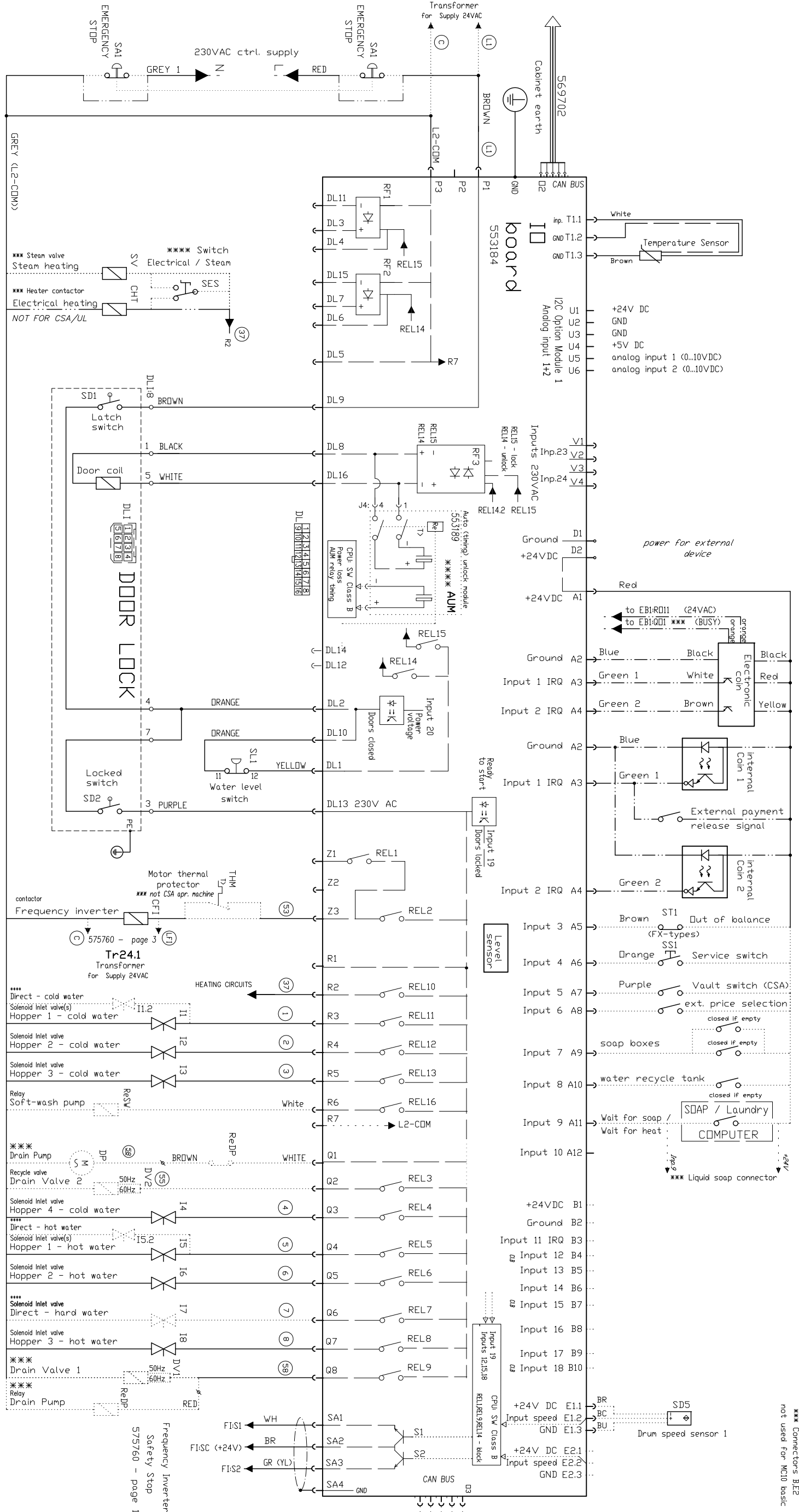
- *** : Option
- : Option
- : COIN MACHINES or EXTERNAL PAYMENT
- : ELECTRICAL HEATING
Not for CSA/UL machines
- : Main Supply Single Phase INVERTER
- : Main Supply 3 Phase INVERTER



Machine types where used Free standing 6,5-28kg Rigid mounted 18-28kg Kendrick doorlock		Tolerance	Roughness	Scale:	Weight:
Date		Name	Name	Material:	Article description
16sep2020		PSt	PSt	Rough dimensions: Standard for rough material:	SCHEMATIC DIAGRAM washing machine - MC10 controller
Date		Name	Name	Main group	Article number
4.10.2020PSt				960	575 760
Date		Name	Name	Replaces:	Replaced by:
Stat		Modification	Date	Page: 1	Pages: 3



Legend:
***** : Option
----- : Option
----- : COIN MACHINES or EXTERNAL PAYMENT
----- : ELECTRICAL HEATING
----- : Not for CSA/UL machines



Extension Board 1:CAN1

Stat	Modification	Date	Name
A	Heat 6kW 1AC	4.10.2020	PSt
B	Basic ex. odd	3.3.2021	PSt

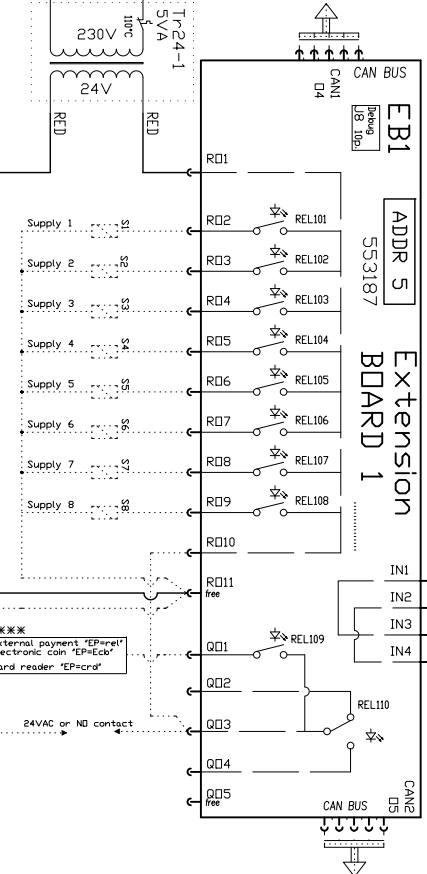
Machine types where used	Free standing 6,5-28kg	Rigid mounted 18-28kg	Kendrick doorlock
Tolerance	Date	Name	Roughness
	Made 16sep2020	PSt	
Scale:	Material:	Rough dimensions:	Weight:
	Standard for rough material:		

SCHEMATIC DIAGRAM washing machine
- MC10 controller

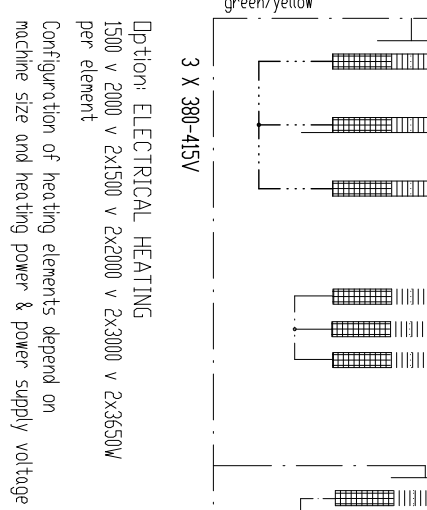
Main group	Article number	Page: 2
960	575 760	
Replaces:	Replaced by:	Pages: 3

*** Connectors BEE not used for MC10 basic

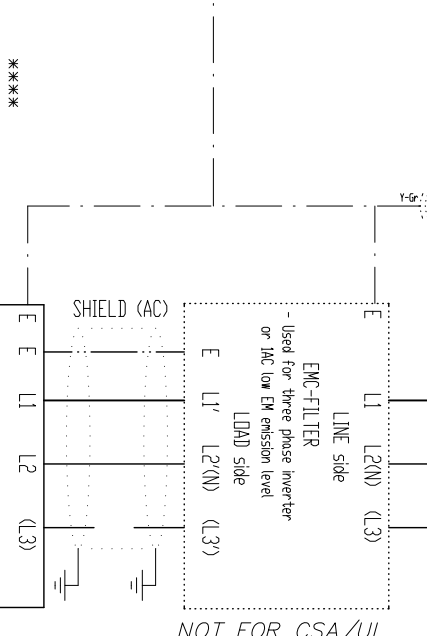
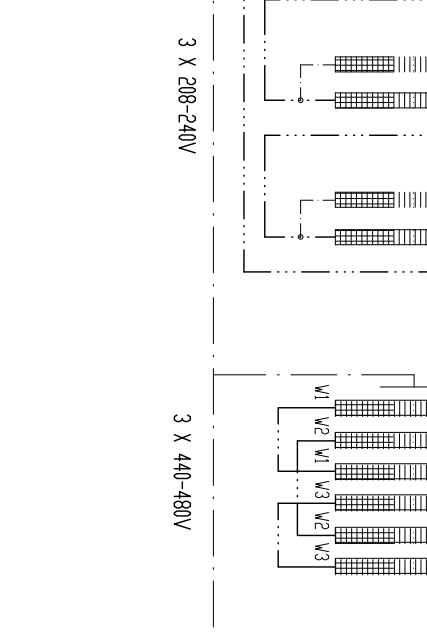
I/O Board :03



***Liquid soap 9-16
Ext.Board 2:04 - adr.6

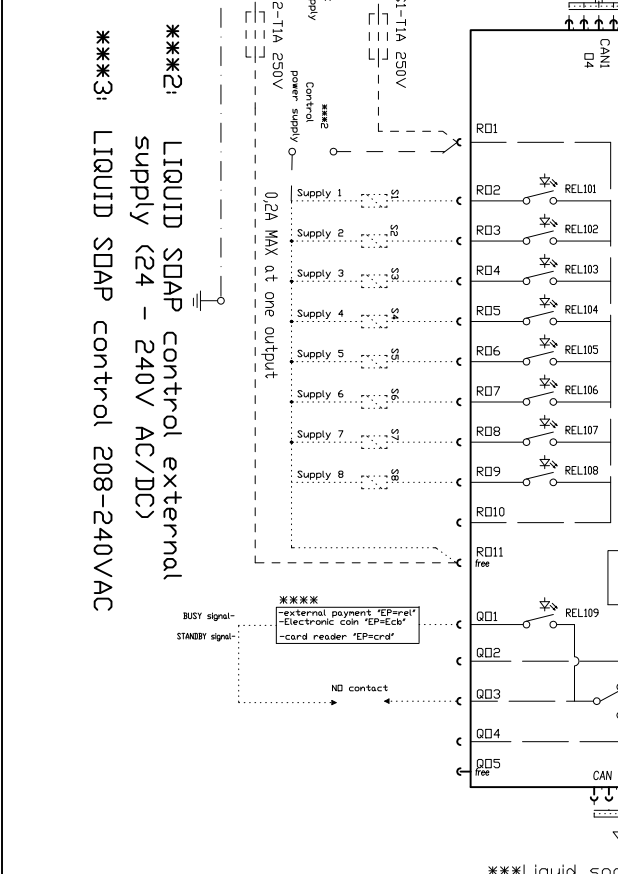


*** Particular electrical heating
Option: ELECTRICAL HEATING
1500 v 2000 v 2x1500 v 2x2000 v 2x3000 v 2x3650W
Configuration of heating elements depend on
machine size and heating power & power supply voltage

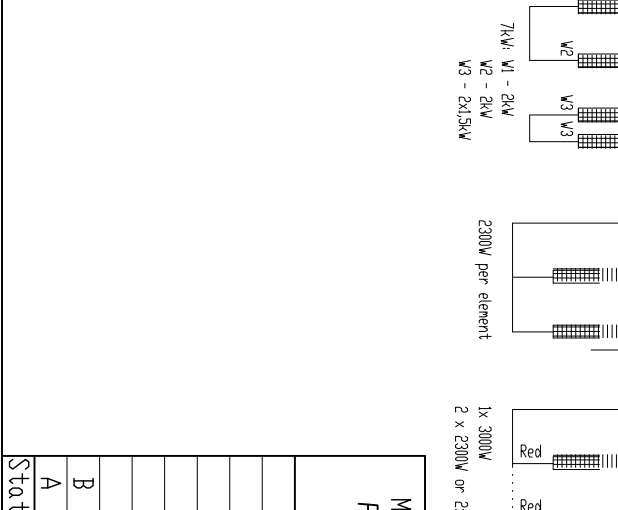


NOT FOR CSA/UL

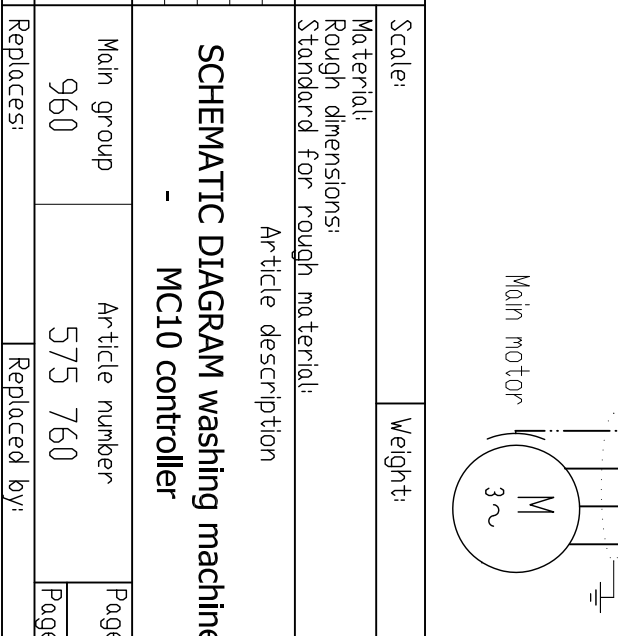
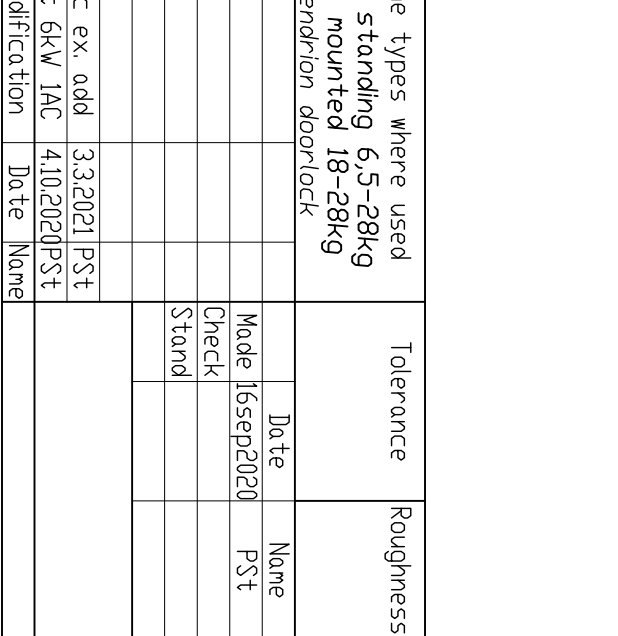
I/O Board :03



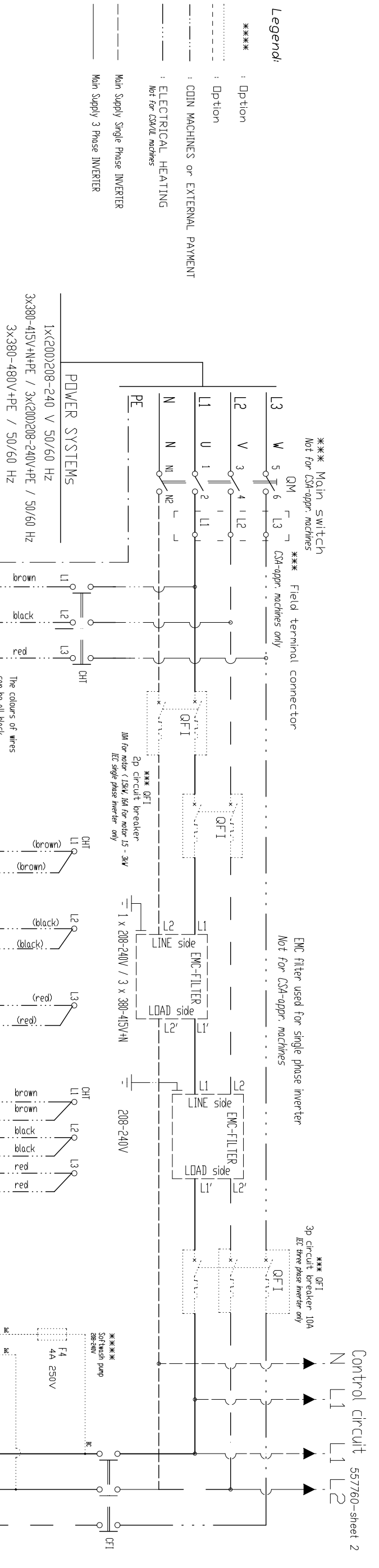
***Liquid soap 9-16
Ext.Board 2:04 - adr.6



*** Particular electrical heating
Option: ELECTRICAL HEATING
1500 v 2000 v 2x1500 v 2x2000 v 2x3000 v 2x3650W
Configuration of heating elements depend on
machine size and heating power & power supply voltage



NOT FOR CSA/UL



Machine types where used Free standing 6,5-28kg Rigid mounted 18-28kg Kendrick doorlock		Tolerance		Roughness		Scale:	
		Date		Name		Material:	
		Made 16sep2020		PSt		Rough dimensions: Standard for rough material:	
		Check		Stand		Article description	
						SCHEMATIC DIAGRAM washing machine	
						- MC10 controller	
Main group		Article number		Page: 3			
Replaces:		575 760		Pages: 3			
		Replaced by:					

CABINET OF COVER

AIR EXHAUSTION

OVERFLOW

HOSE

STEAM FILTER

INPUT STEAM

MANUALY CLOSED VALVE
(supplied by customer)

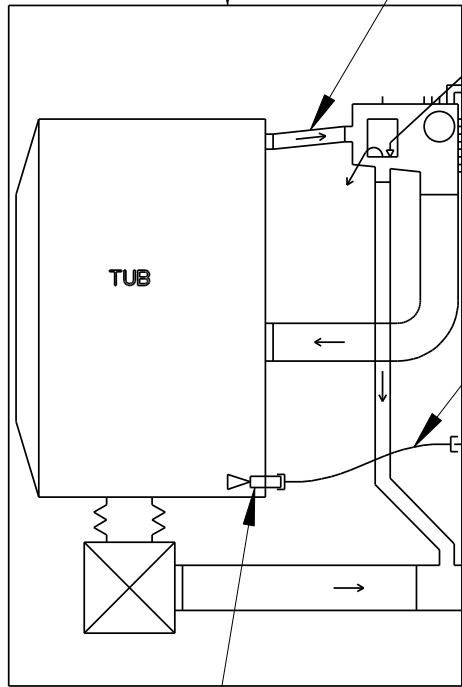
CONNECTION PART
(supplied by customer)

STEAM VALVE (solenoid)

TUB

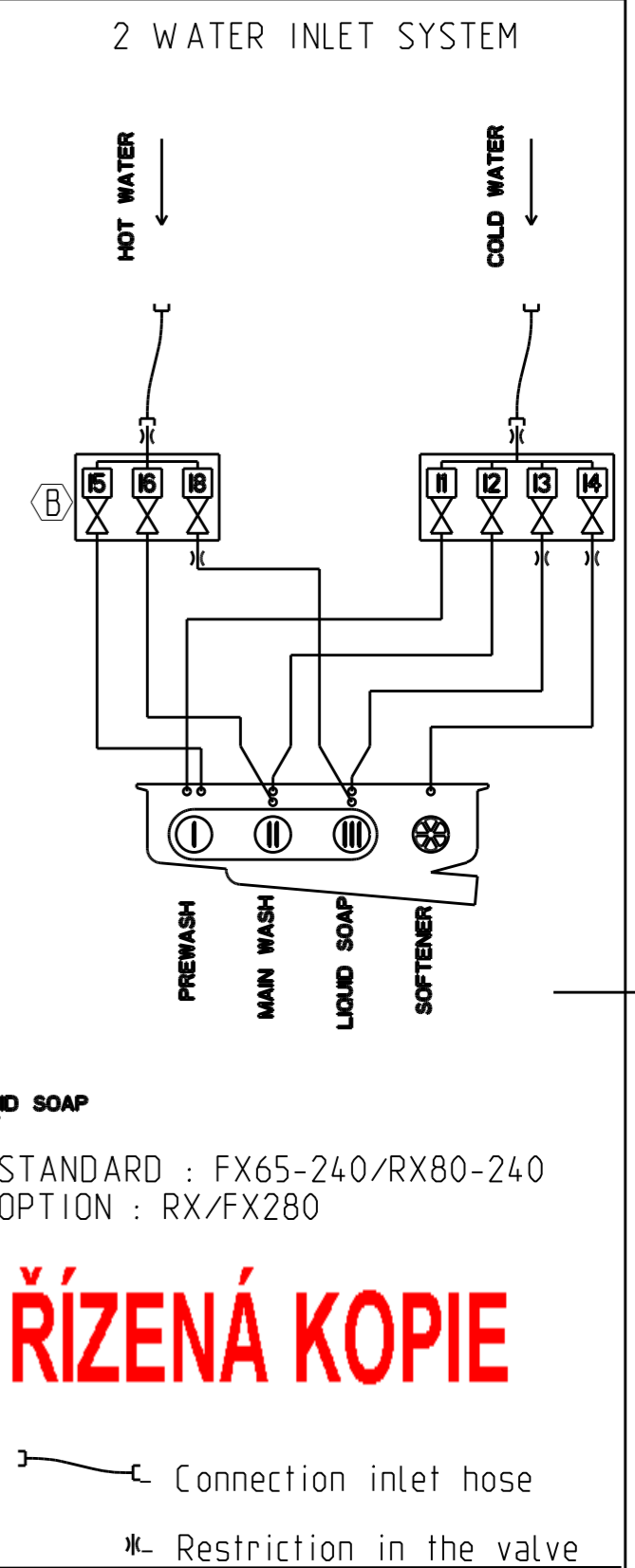
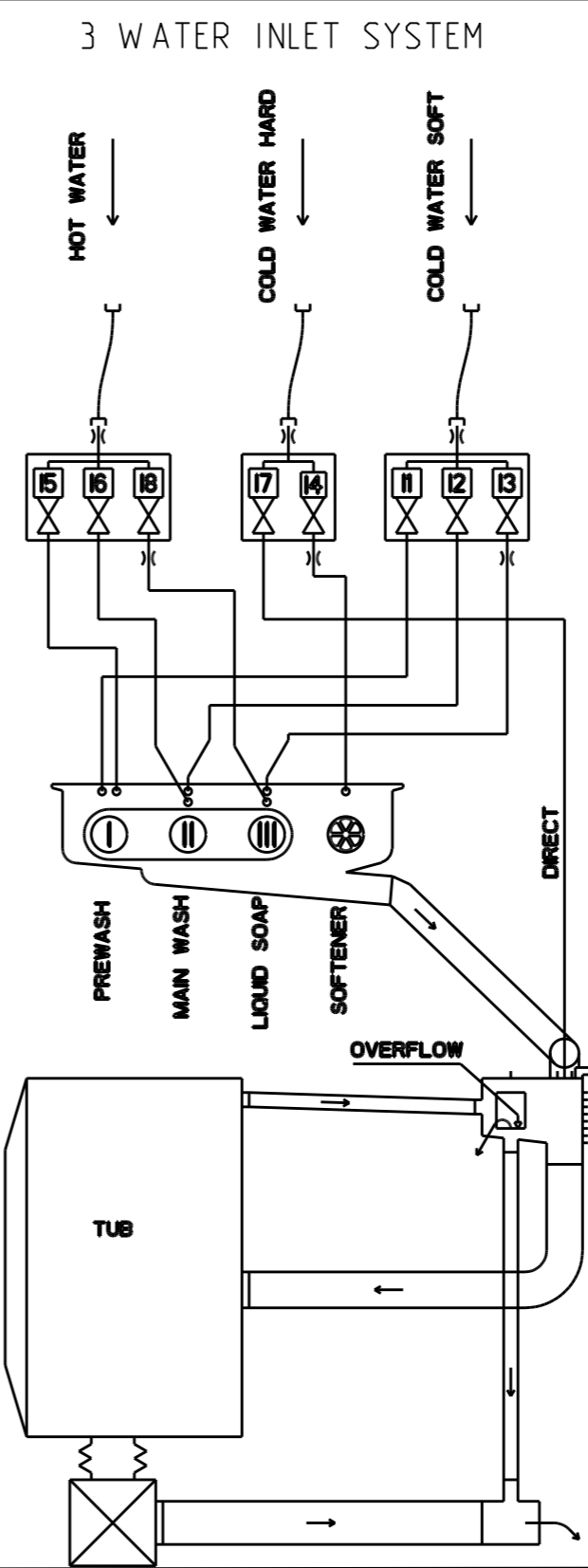
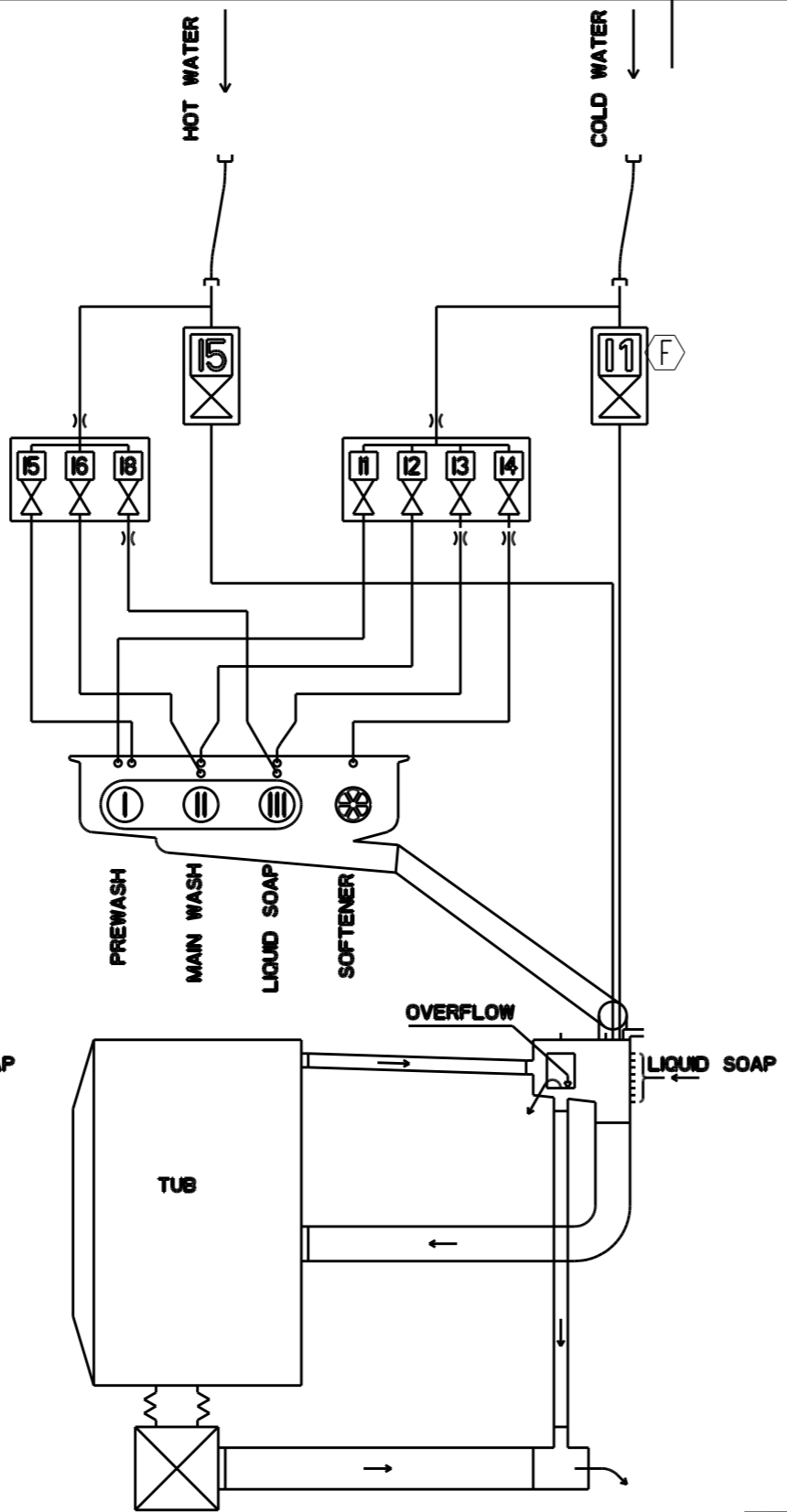
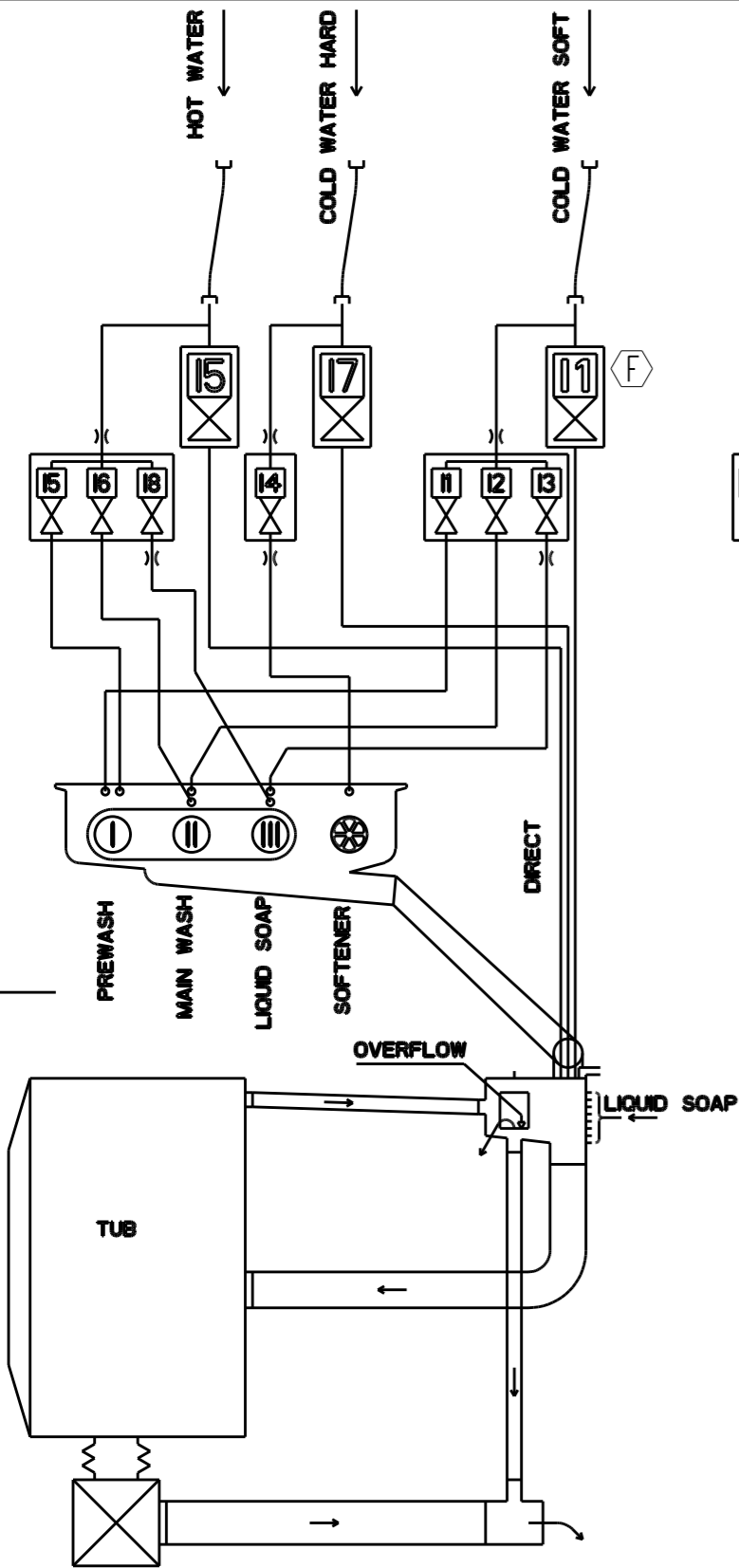
SV

STEAM INJECTOR



Pouzito ve strojich		Certifikat	Tolerance	Ra	Meritko: 1:1	Hmotnost: 0.000
FX		.	-		Material: -	
					Rozmer: -	
					Norma: -	
			Datum	Jmeno	PARNI SCHEMA	
			Autor 7.6.2011	A.B.		
			Kontr.			
			Uvolnil			
		primus				Str.: 1
		Reprodukce a distribuce pouze se souhlasem Primusu Duverne			526559	Stran: 1
Index	Zmena	Datum	Pod.	N°	Nahrazuje:	Nahrazeno kym:

ŘÍZENÁ KOPIE



3 WATER INLET SYSTEM WITH BIG VALVES (D)

2 WATER INLET SYSTEM WITH BIG VALVES (D)

(F) STANDARD : FX/RX280 ; RX350
OPTION : RX/FX180-240

(F) STANDARD : FX65-240/RX80-240
OPTION : RX/FX280

ŘÍZENÁ KOPIE

┌ Connection inlet hose
⌘ Restriction in the valve

Revision Revize	F	16.5.2017	Drawn by Kreslil	M.H.	Approved by Schválil	1	Description Popis změny	I2->I1; Adding info I2->I1; Doplněno info	ECN 4295		
Tolerances and dimensions unless noted according to Tolerance a rozměry nespecifikované jinak podle							Name WATER PATHWAY:rigid-mount 80-350 l, soft-mount 65-280 l				
ISO2768-mK							Name VODNI CESTA:neodpružené 80-350 l, odpružené 65-280 l				
Material Materiál	-						Drawing Nr. Číslo výkresu	526483		Revision Revize	
Semi product Polotovary	-								F		
Standard Norma	-						Lifecycle state Stav životního cyklu	Design			
Weight Hmotnost	0.000	Approved by Schválil	Drawn by Kreslil	A.B.	16.12.2010	ECNYY/xxx	Unit Jednotky	mm	Size Format A3	Scale Měřitko 1:1	Sheet Strana 1 of z 1