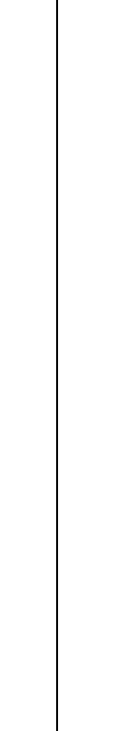
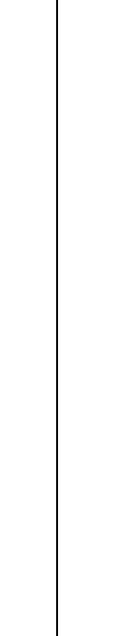
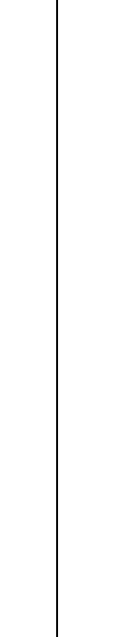
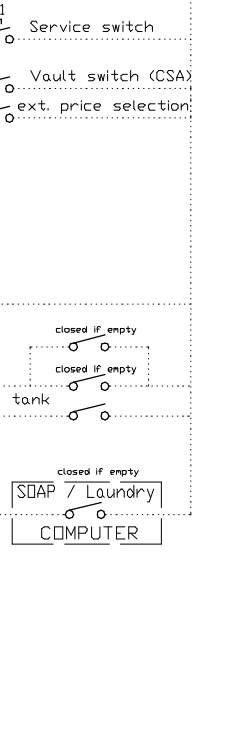
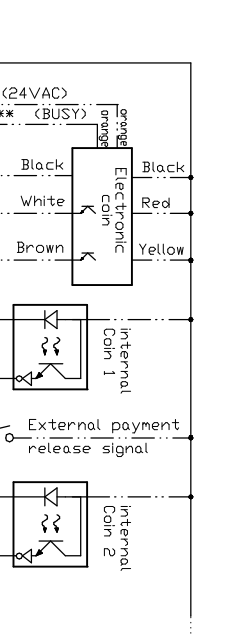
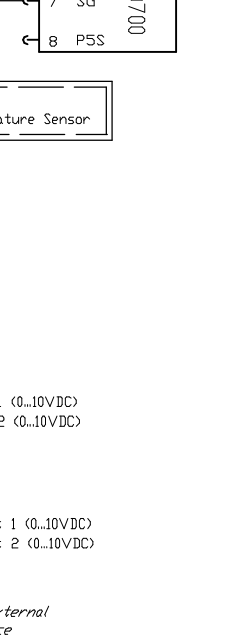
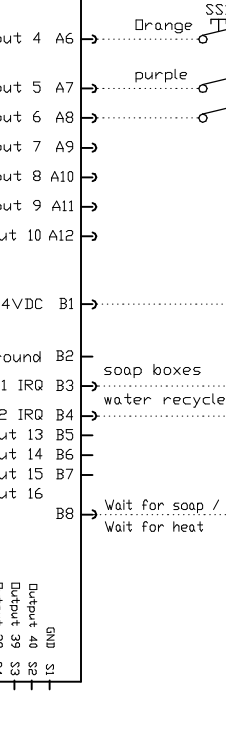
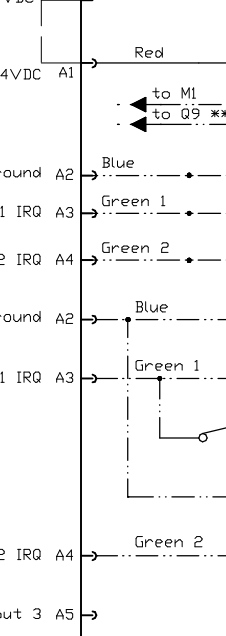
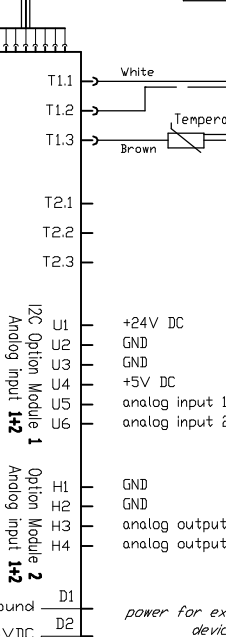
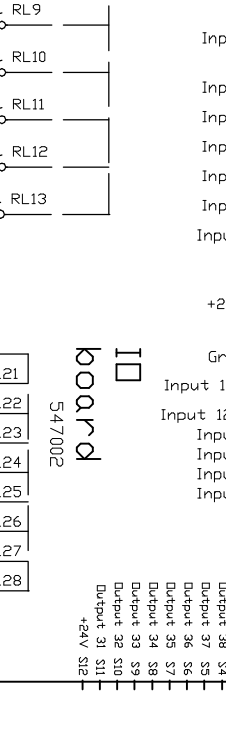
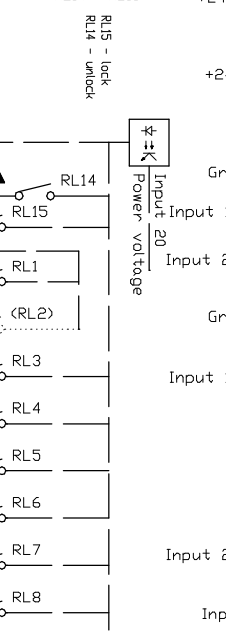
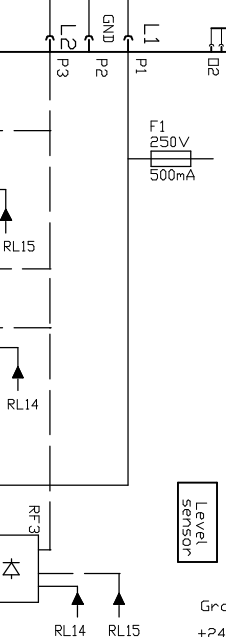
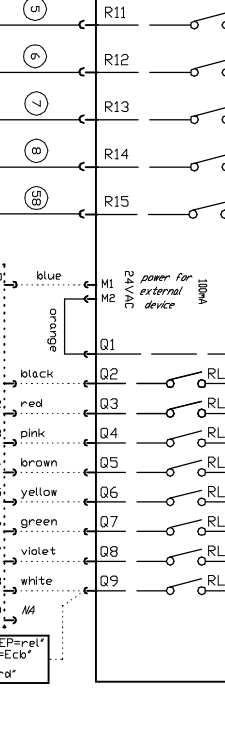
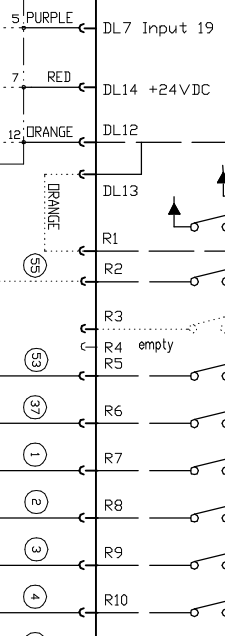
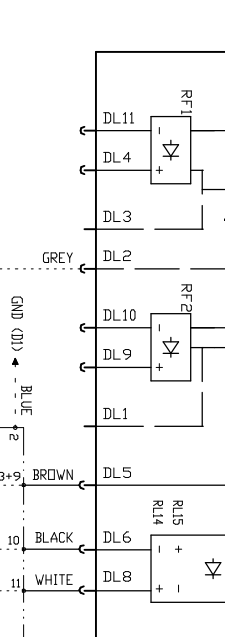
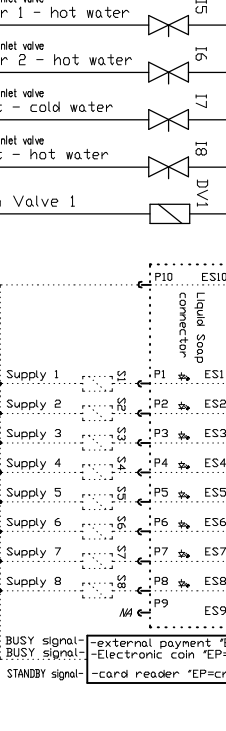
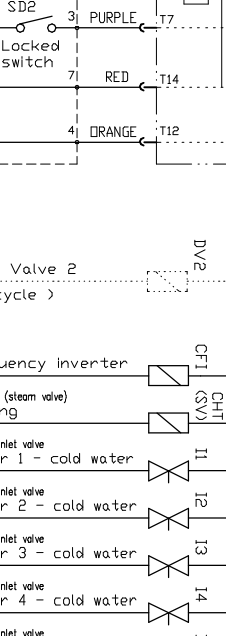
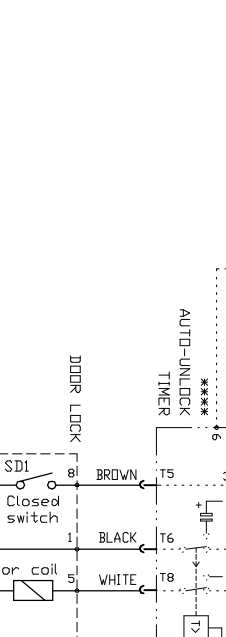
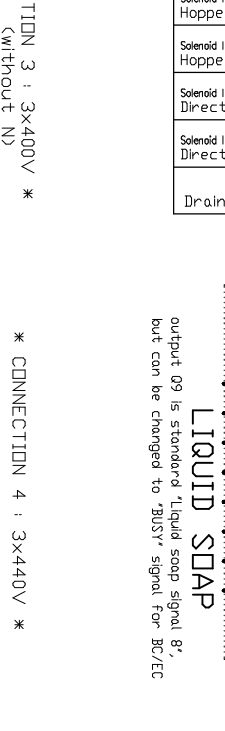
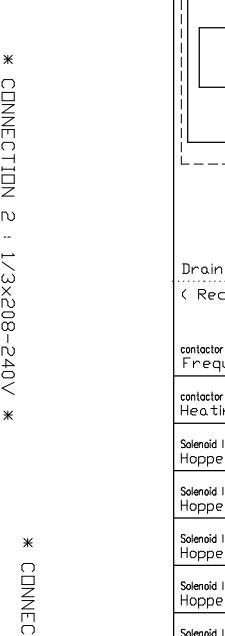
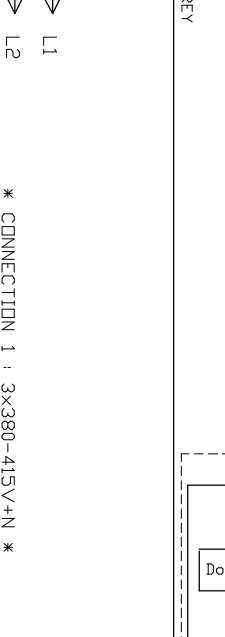
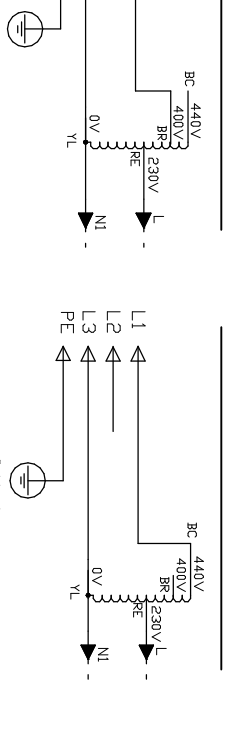
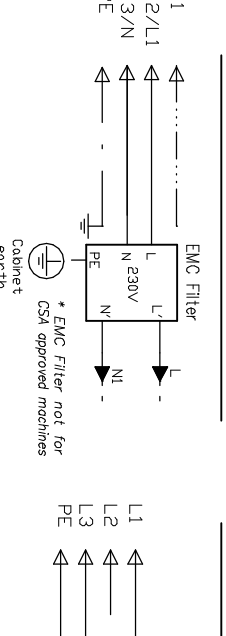
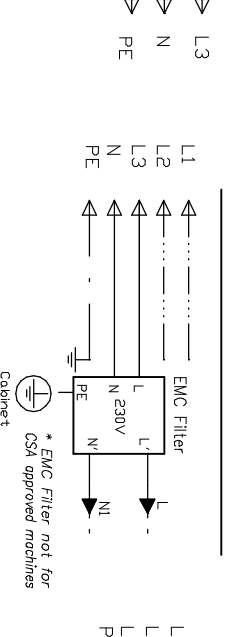
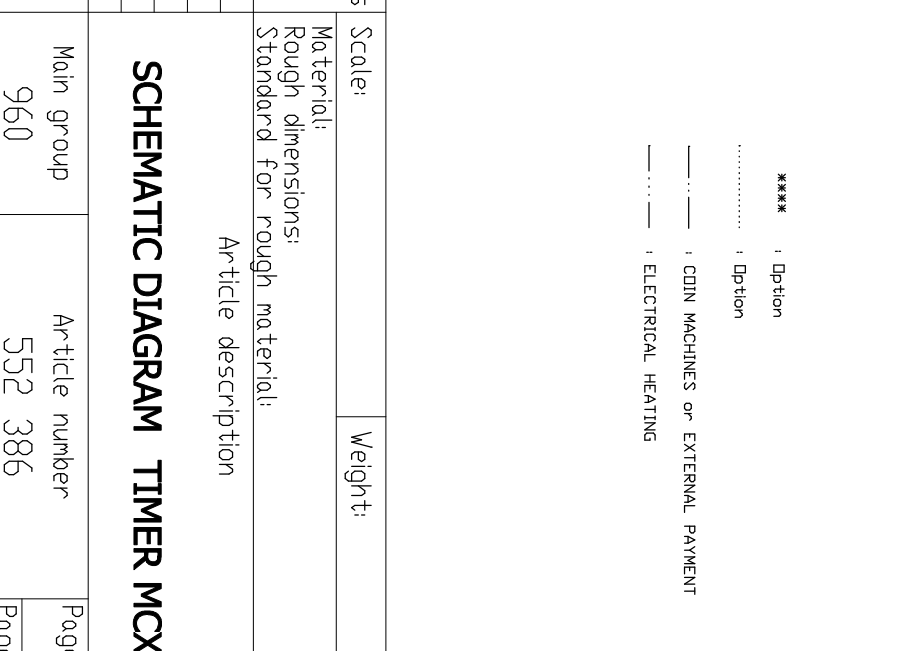
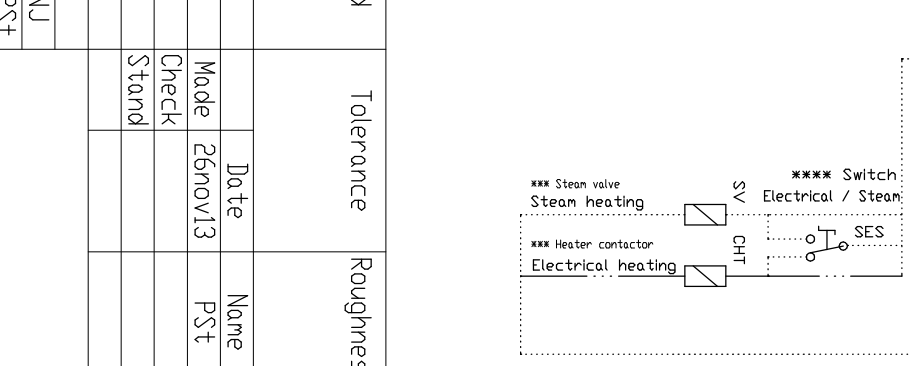
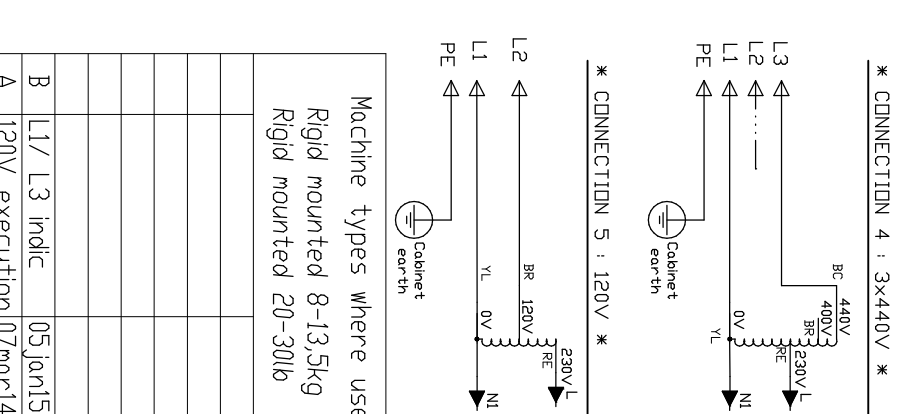
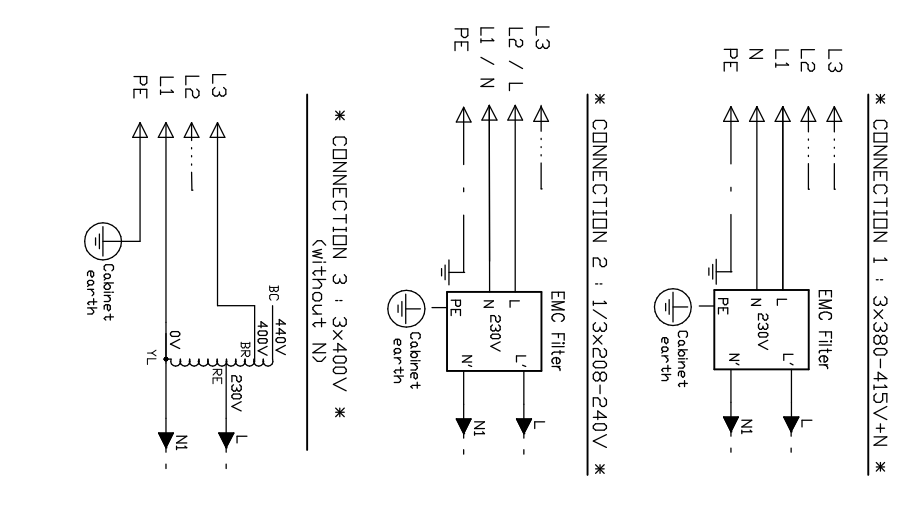
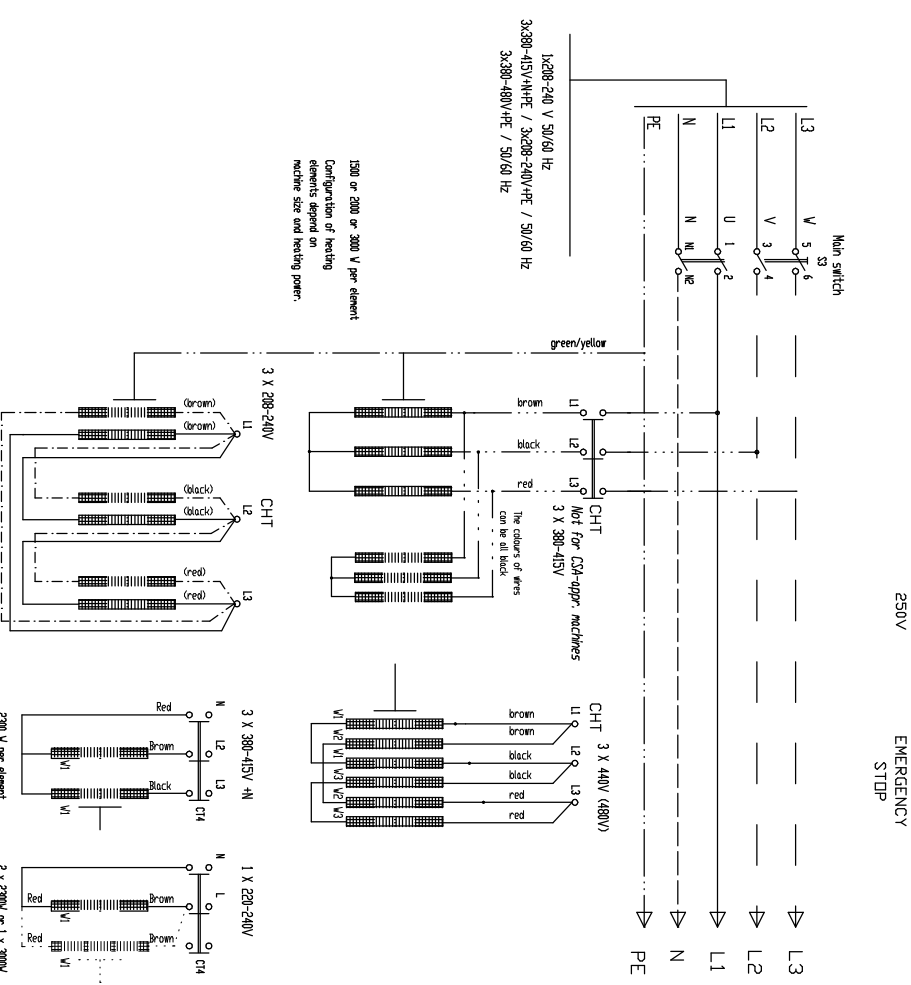
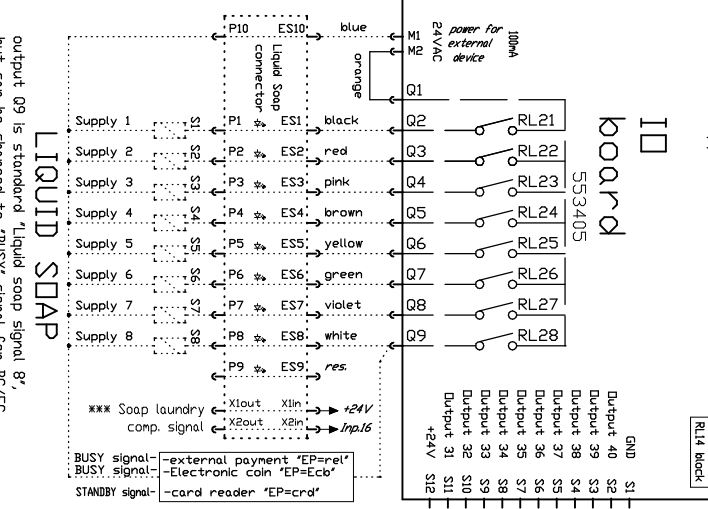
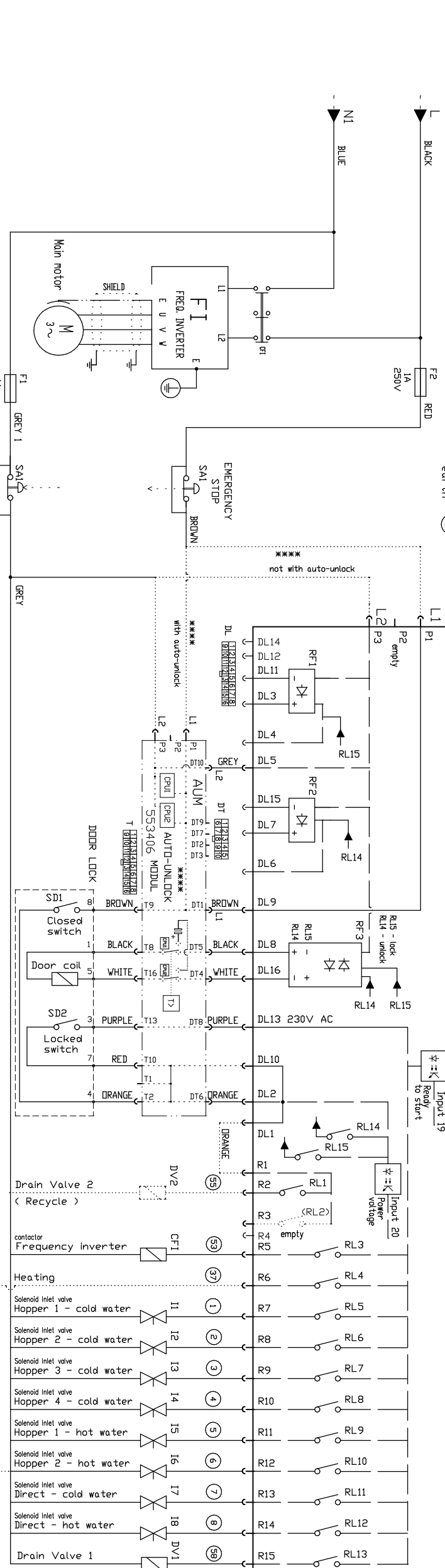
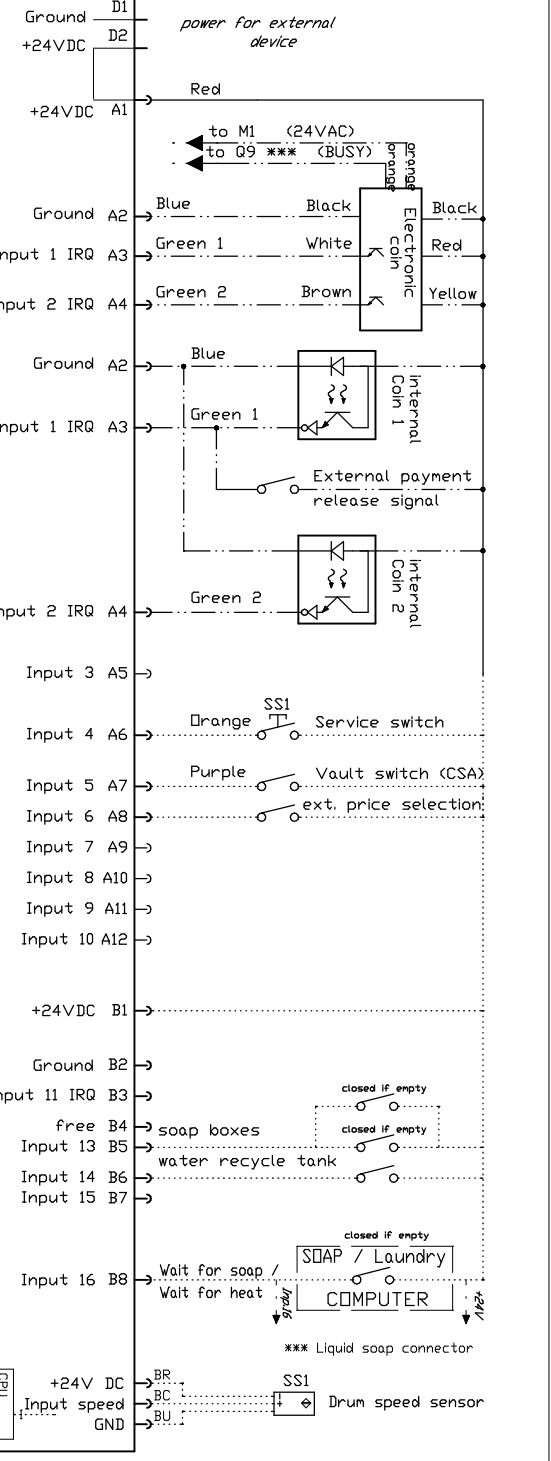
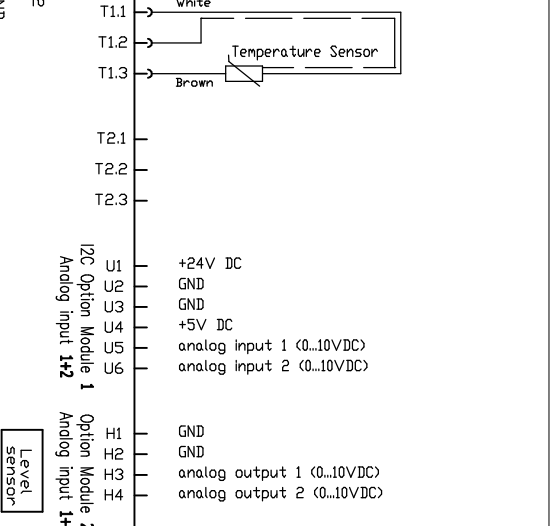
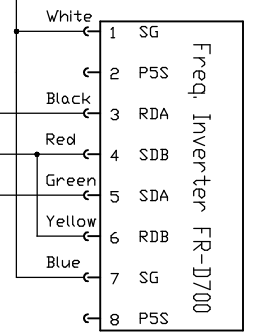
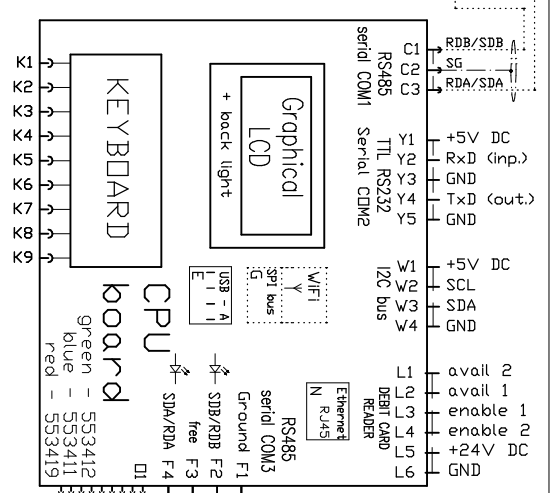
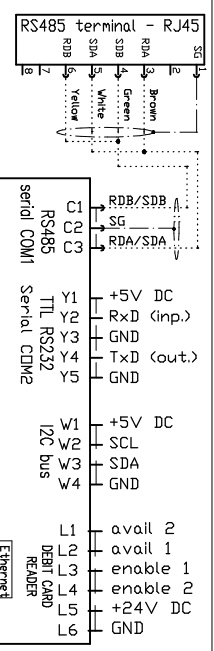


Machine types where used	Tolerance	Roughness	Scale:	Weight:
- rigid mounted 8-13,5kg			Material: Rough dimensions: Standard for rough material:	
	Date	Name	Article description	
	16mar12	PSt	<b>SCHEMATIC DIAGRAM TIMER MCX</b>	
			Main group	Article number
			960	528 495
			Replaces:	Replaced by:
				Page: 1
				Pages: 1





\*\*\* CONNECTION 1 : 3x380-415V+N \*\*\*

\*\*\* CONNECTION 2 : 1/3x208-240V \*\*\*

\*\*\* CONNECTION 3 : 3x400V \*\*\* (without N)

\*\*\* CONNECTION 4 : 3x440V \*\*\*

\*\*\* CONNECTION 5 : 120V \*\*\*

Machine types where used  
Rigid mounted 8-13.5kg  
Rigid mounted 20-30lb

Tolerance  
Roughness

Scale:  
Material:  
Rough dimensions:  
Standard for rough material:

Article description

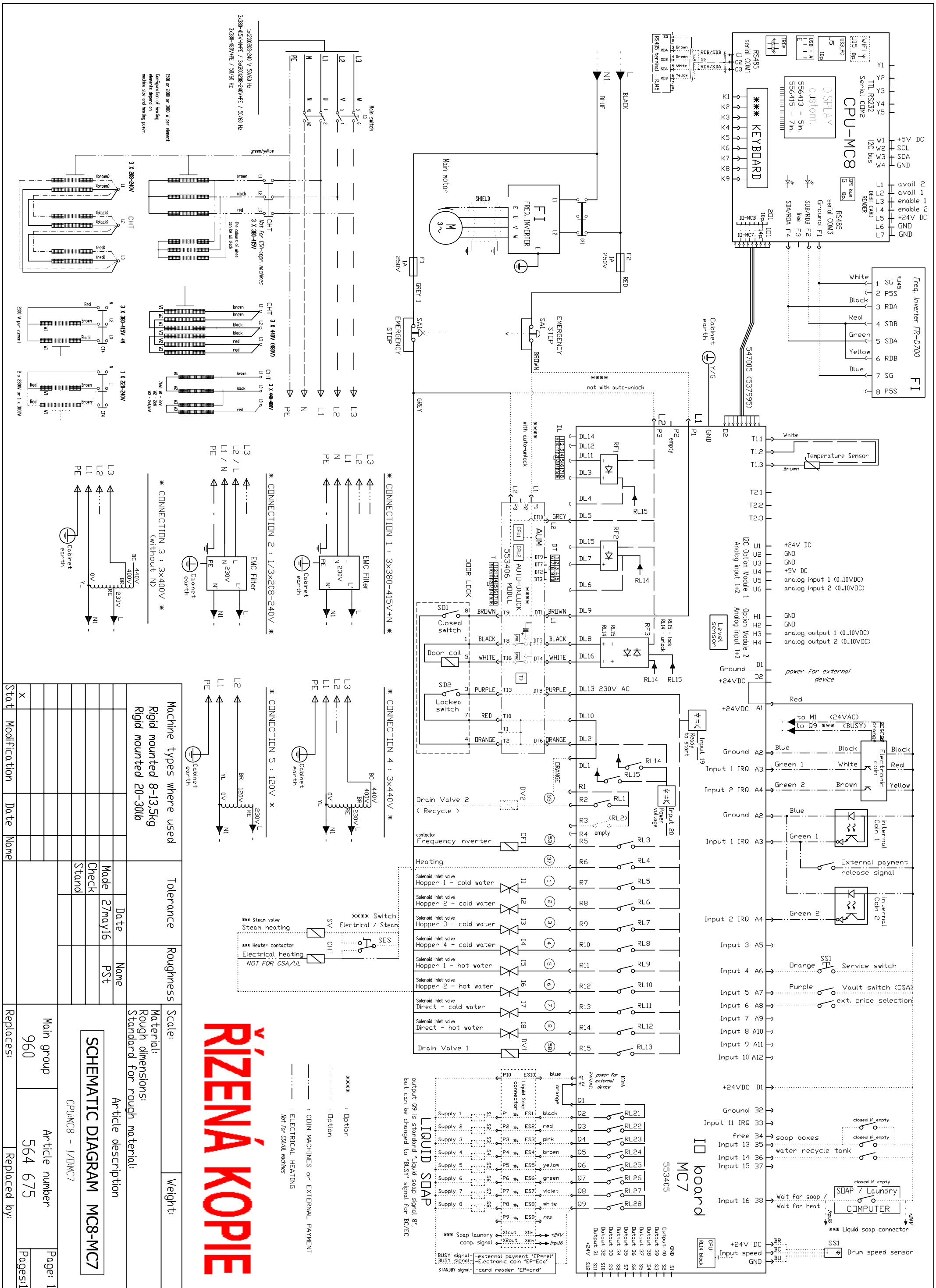
Weight:

Stat	Modification	Date	Name
A	120V execution	07mar14	PSt
B	L1/ L3 indic	05jan15	NJ

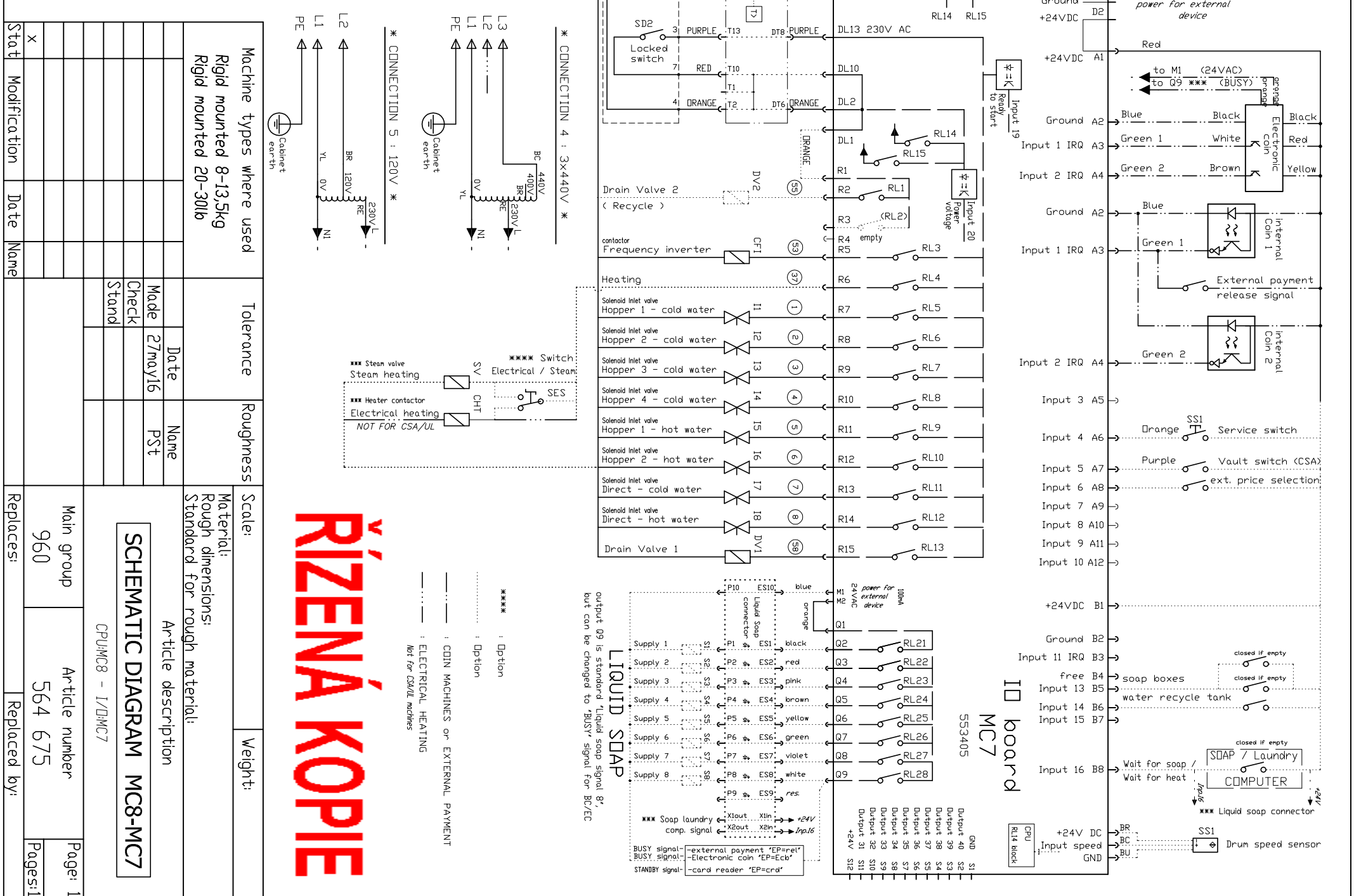
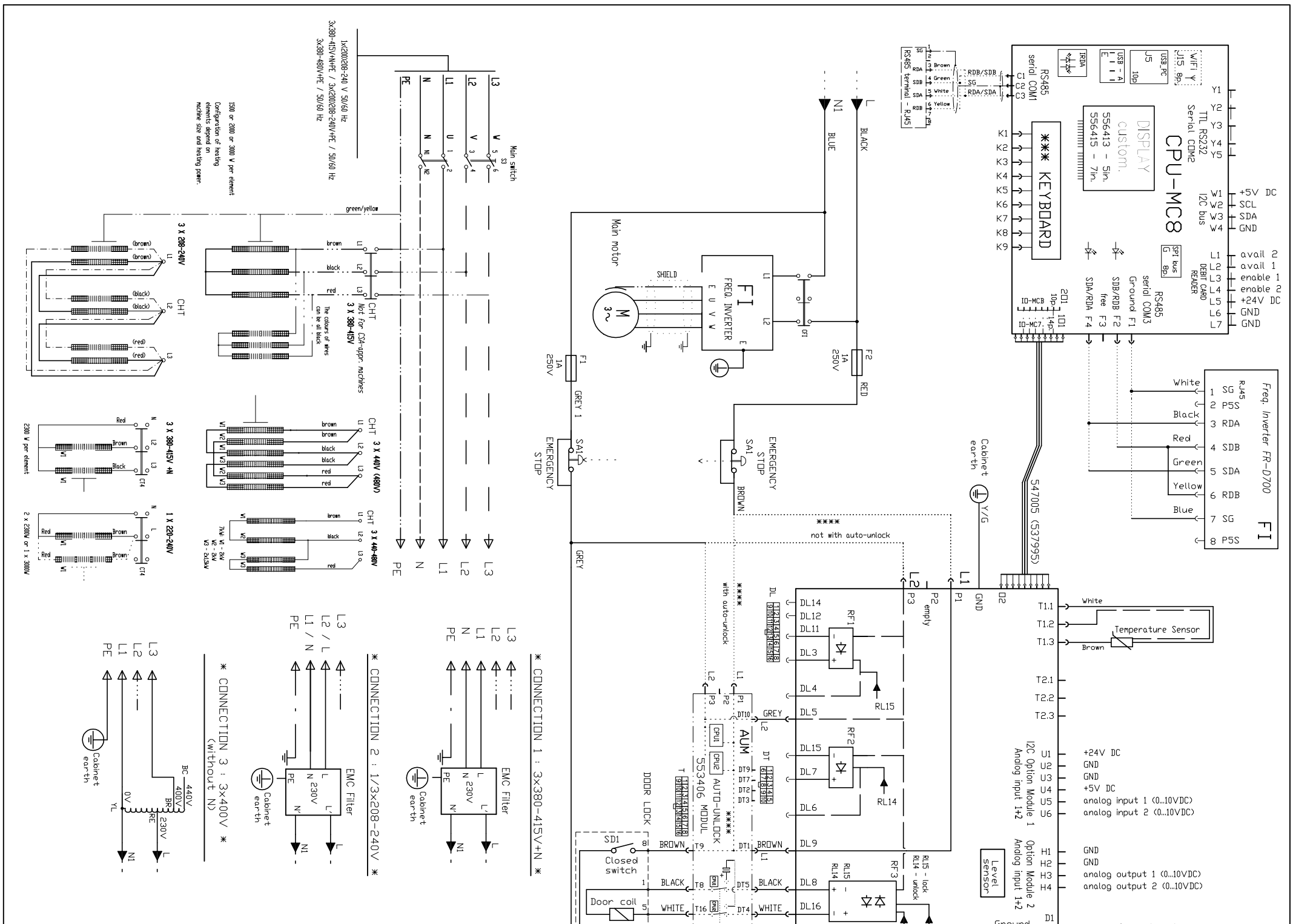
Replaces:	Main group	Article number	Page: 1
	960	552 386	Pages: 1

# SCHEMATIC DIAGRAM TIMER MCX



**ŘÍZENÁ KOPIE**

Stat	Modification	Date	Name
X			



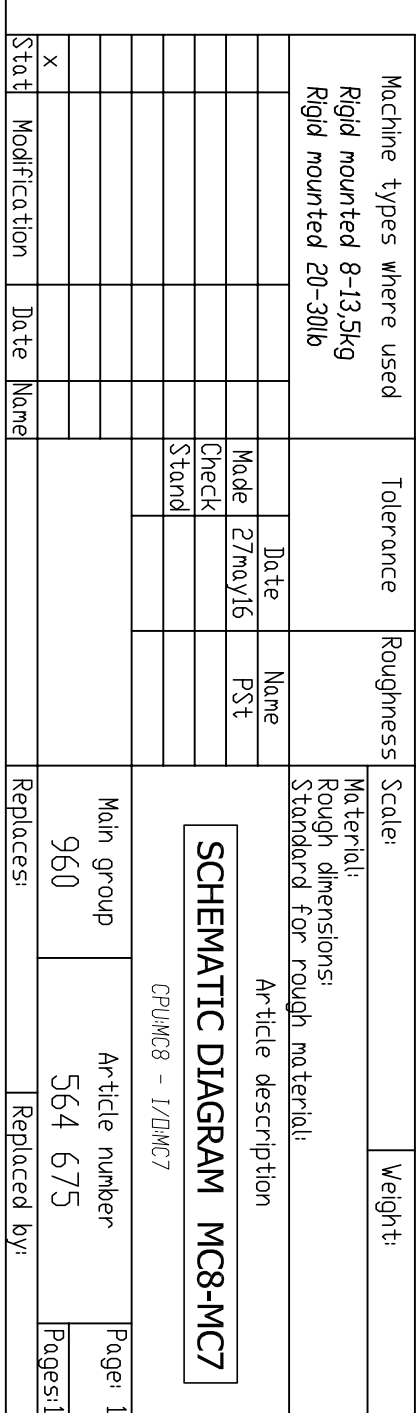
**CONNECTION 1: 3X380-415V+N \***

**CONNECTION 2: 1/3X208-240V \***

**CONNECTION 3: 3X400V (without N) \***

**CONNECTION 4: 3X440V \***

**CONNECTION 5: 120V \***



**Machine types where used**  
 Rigid mounted 8-13,5kg  
 Rigid mounted 20-30lb

**Tolerance**  
 Date: 27May16  
 Name: PSt

**Roughness**  
 Material: Standard for rough material  
 Article description: CPU/MC8 - 1/D/MC7

**Scale:** \_\_\_\_\_  
**Weight:** \_\_\_\_\_

**Material:** \_\_\_\_\_  
**Standard for rough material:** \_\_\_\_\_

**Article description:** \_\_\_\_\_

**Schematic Diagram MC8-MC7**  
 CPU/MC8 - 1/D/MC7

**Main group:** 960  
**Article number:** 564 675  
**Replaces:** \_\_\_\_\_  
**Replaced by:** \_\_\_\_\_

**Page:** 1  
**Pages:** 1

CABINET OF COVER

AIR EXHAUSTION

OVERFLOW

HOSE

STEAM FILTER

INPUT STEAM

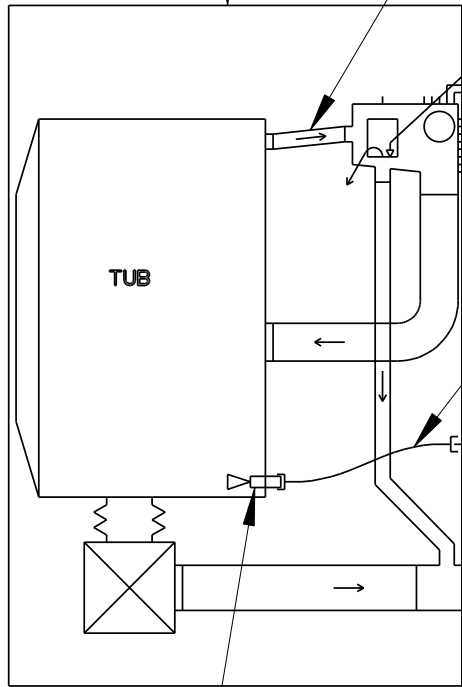
MANUALY CLOSED VALVE  
(supplied by customer)

CONNECTION PART  
(supplied by customer)

STEAM VALVE (solenoid)

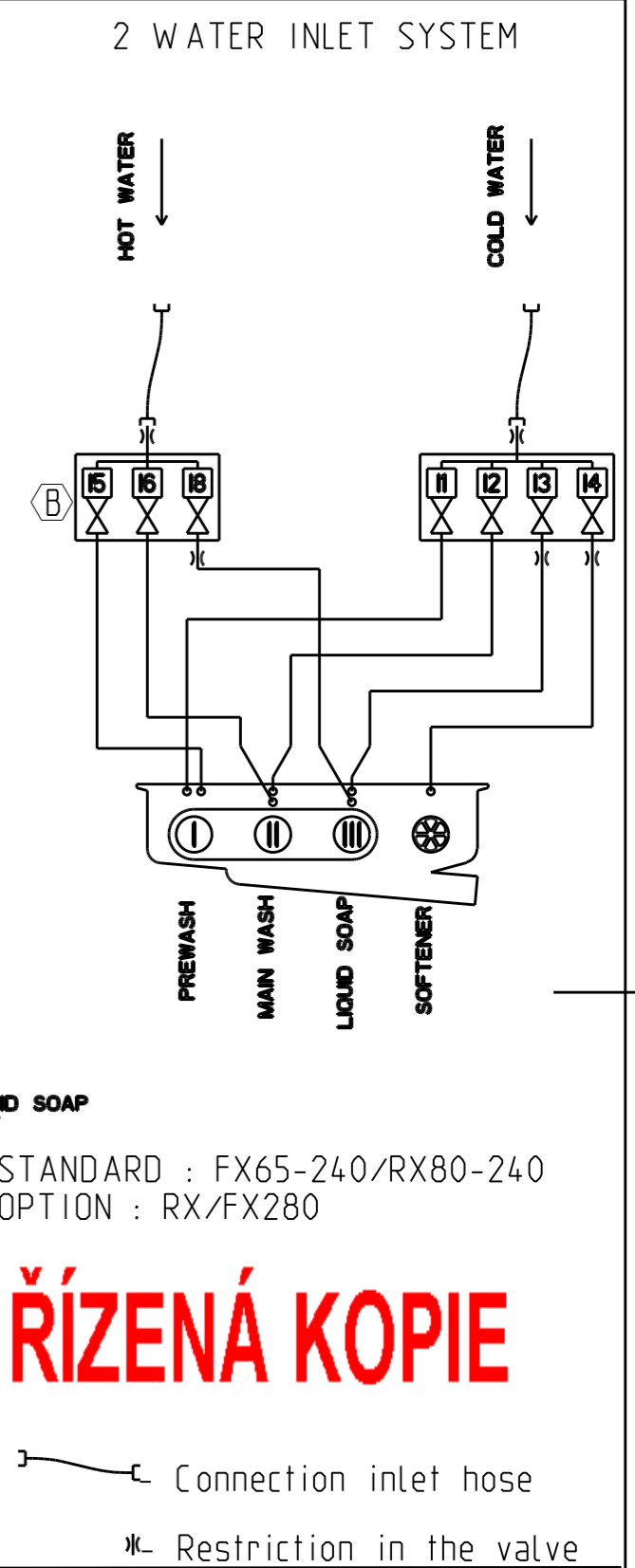
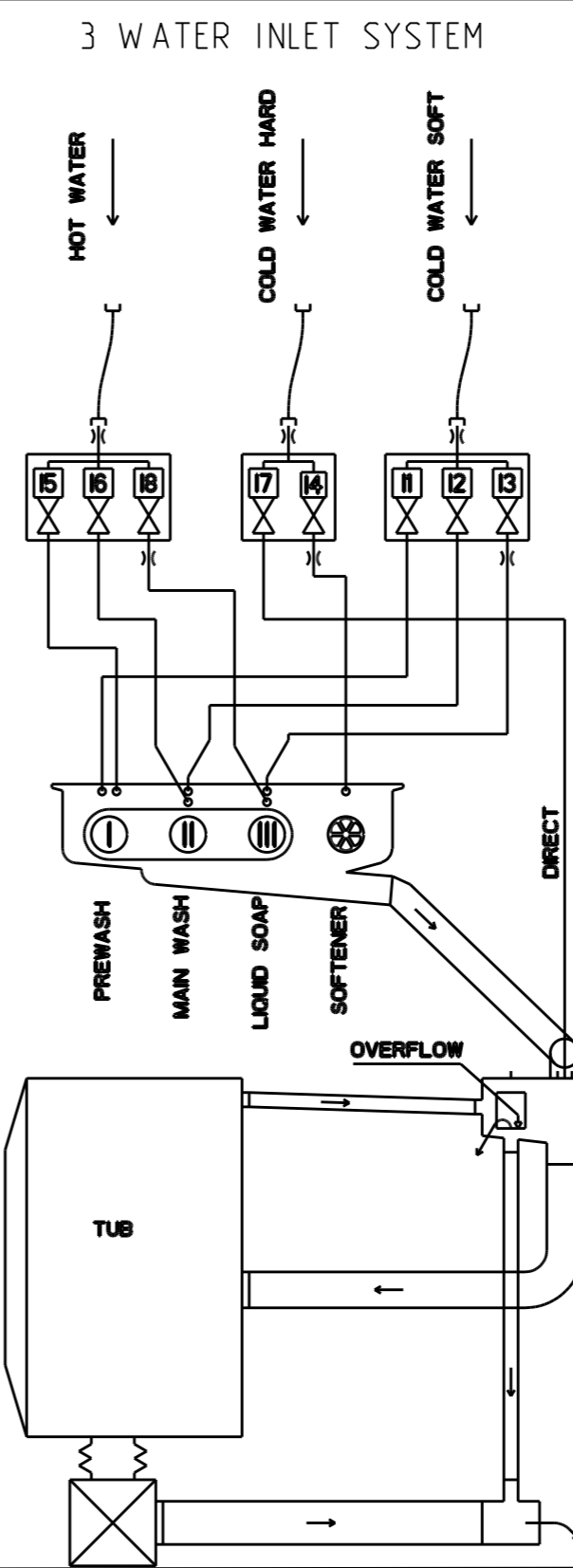
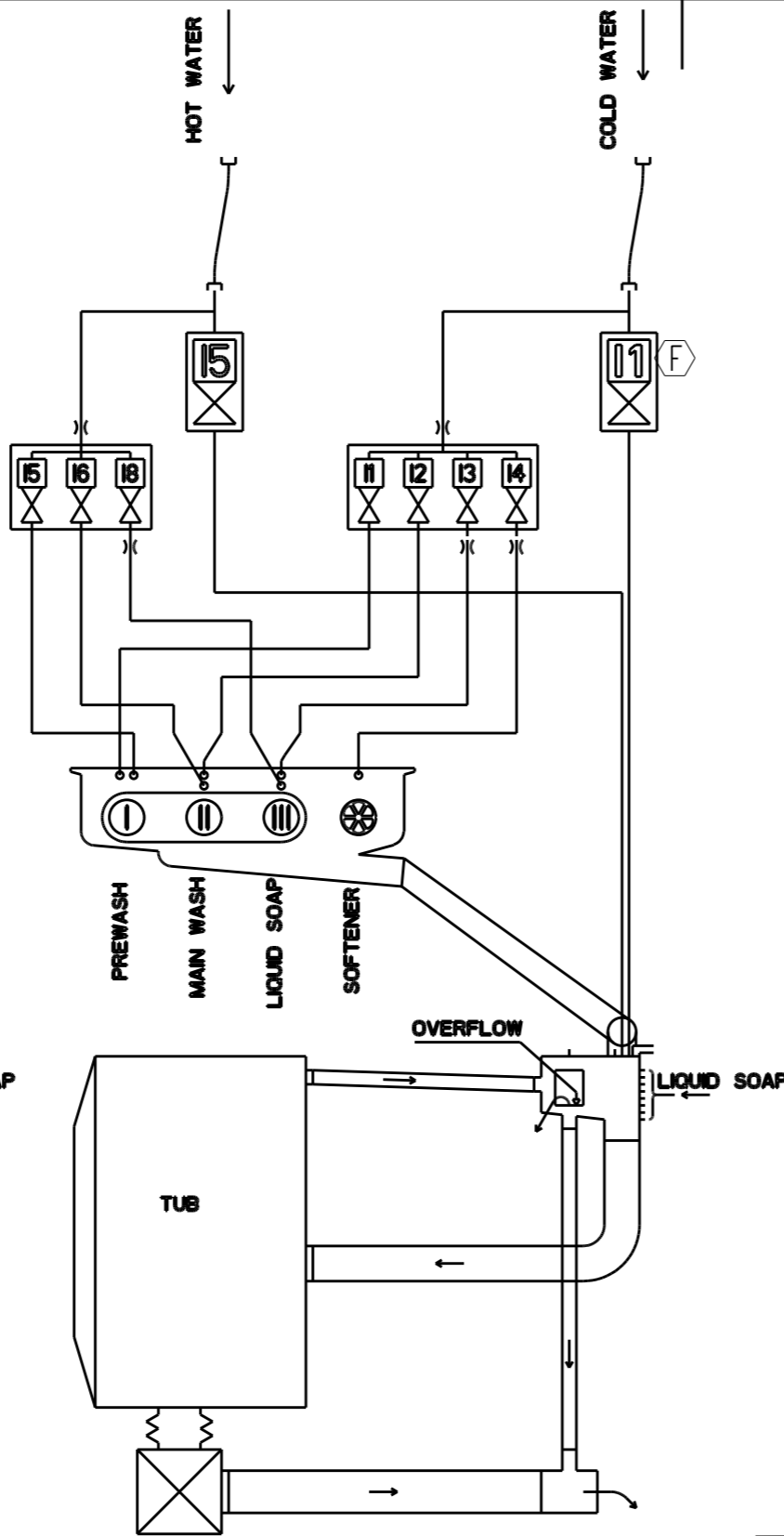
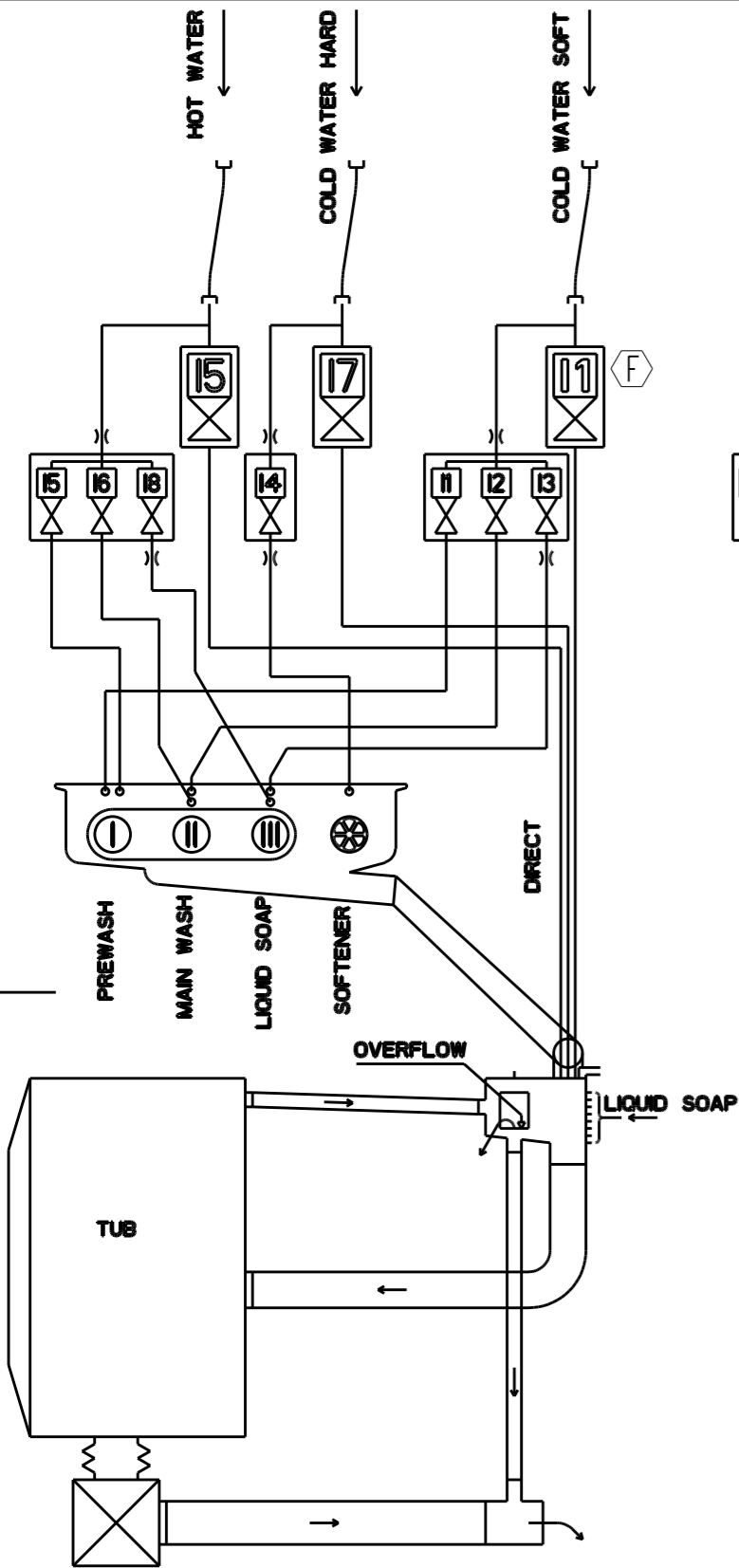
TUB

STEAM INJECTOR



Pouzito ve strojich		Certifikat	Tolerance	Ra	Meritko: 1:1	Hmotnost: 0.000
<b>FX</b>		.	-		Material: -	
					Rozmer: -	
					Norma: -	
			Datum	Jmeno	<b>PARNI SCHEMA</b>	
			Autor 7.6.2011	A.B.		
			Kontr.			
			Uvolnil			
		<b>primus</b>				Str.: 1
		Reprodukce a distribuce pouze se souhlasem Primusu Duverne			<b>526559</b>	Stran: 1
Index	Zmena	Datum	Pod.	N°	Nahrazuje:	Nahrazeno kym:

**ŘÍZENÁ KOPIE**



3 WATER INLET SYSTEM WITH BIG VALVES (D)

2 WATER INLET SYSTEM WITH BIG VALVES (D)

(F) STANDARD : FX/RX280 ; RX350  
OPTION : RX/FX180-240

(F) STANDARD : FX65-240/RX80-240  
OPTION : RX/FX280

**ŘÍZENÁ KOPIE**

┌ Connection inlet hose  
⌘ Restriction in the valve

Revision Revize	F	16.5.2017	Drawn by Kreslil	M.H.	Approved by Schválil	1	Description Popis změny	I2->I1; Adding info I2->I1; Doplněno info	ECN 4295	
Tolerances and dimensions unless noted according to Tolerance a rozměry nespecifikované jinak podle							Name WATER PATHWAY:rigid-mount 80-350 l, soft-mount 65-280 l			
ISO2768-mK							Name VODNI CESTA:neodpružené 80-350 l, odpružené 65-280 l			
Material Materiál	-						Drawing Nr. Číslo výkresu		Revision Revize	
Semi product Polotovár	-						526483		F	
Standard Norma	-						Lifecycle state Stav životního cyklu		Design	
Weight Hmotnost	0.000		Approved by Schválil		Drawn by Kreslil		Unit Jednotky		mm	
			A.B.		16.12.2010		Size Formát		A3	
			ECNYY/xxx				Scale Měřítka		1:1	
							Sheet Strana		1 of 1	