

Washer-Extractor

Cabinet Hardmount

12, 25, 103, 105 and 123 Models

Refer to Page 5 for Model Numbers



Table of Contents

Title	Page
Parts Ordering Information.....	3
Serial Plate Location	3
Model Identification	5
Serial Label	6
Frame.....	8
Cabinet - A, IA and WMA Models (Drawing 1 of 3).....	10
Cabinet - A, IA and WMA Models (Drawing 2 of 3).....	12
Cabinet - A, IA and WMA Models (Drawing 3 of 3).....	14
Cabinet - AR Non-Brand, NA and SA Models (Drawing 1 of 3).....	16
Cabinet - AR Non-Brand, NA and SA Models (Drawing 2 of 3).....	18
Cabinet - AR Non-Brand, NA and SA Models (Drawing 3 of 3).....	20
Cabinet (Drawing 1 of 3).....	22
Cabinet (Drawing 2 of 3).....	24
Cabinet (Drawing 3 of 3).....	26
Cabinet (Drawing 1 of 3).....	28
Cabinet (Drawing 2 of 3).....	30
Cabinet (Drawing 3 of 3).....	32
Control Panel - A, IA and WMA Models.....	34
Coin Meter - A, IA and WMA Models (Drawing 1 of 3).....	36
Coin Meter - A, IA and WMA Models (Drawing 2 of 3).....	38
Coin Meter - A, IA and WMA Models (Drawing 3 of 3).....	40
Control Panel - AR Non-Brand, NA and SA Models	42
Coin Meter - AR Non-Brand, NA and SA Models (Drawing 1 of 3).....	44
Coin Meter - AR Non-Brand, NA and SA Models (Drawing 2 of 3).....	46
Coin Meter - AR Non-Brand, NA and SA Models (Drawing 3 of 3).....	48
Control Panel (Drawing 1 of 2).....	50
Control Panel (Drawing 2 of 2).....	52
Control Panel OPL.....	54
Control Panel Vended.....	56
Control Panel for Central Payment System	58
Coin Meter Case.....	60
Coin Meter Box	62
Coin Meter - AR, LA, LW, MWC, NX, PA and RX Models (Drawing 1 of 4).....	64
Coin Meter - AR, LA, LW, MWC, NX, PA and RX Models (Drawing 2 of 4).....	66
Coin Meter - AR, LA, LW, MWC, NX, PA and RX Models (Drawing 3 of 4).....	68
Coin Meter - AR, LA, LW, MWC, NX, PA and RX Models (Drawing 4 of 4).....	70
Door (Drawing 1 of 3).....	72
Door (Drawing 2 of 3).....	74
Door (Drawing 3 of 3).....	76
Water Inlet System (Drawing 1 of 2).....	78
Water Inlet System (Drawing 2 of 2).....	80

© Copyright 2023, Alliance Laundry Systems LLC

All rights reserved. No part of the contents of this book may be reproduced or transmitted in any form or by any means without the expressed written consent of the publisher.

Drain System	82
Drain System	84
Rear Panel (Drawing 1 of 2)	86
Rear Panel (Drawing 2 of 2)	88
Rear Panel - 230V 1/3AC, 400V with Neutral, CE (Drawing 1 of 2).....	90
Rear Panel - 230V 1/3AC, 400V with Neutral, CE (Drawing 2 of 2).....	92
Rear Panel - 400V 440-480V, CE (Drawing 1 of 2)	94
Rear Panel - 400V 440-480V, CE (Drawing 2 of 2)	96
Transformer - 120 Volt Models with B in the 11th Position	98
Steam Heating	100
Steam Heating	102
Washing Drum	104
Exterior Tub	106
Bearing Housing	108
Drive.....	110
Elevated Base Frame	112
Liquid Soap Supply System - Pumps.....	114
Wire Harnesses	116
Parts Index.....	117

Parts Ordering Information

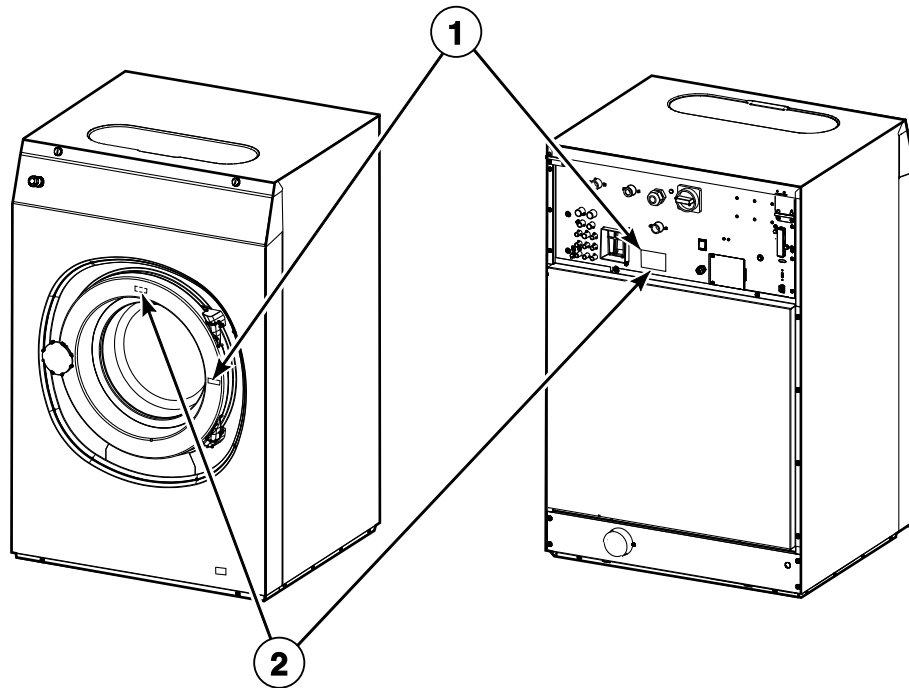
If literature or replacement parts are required, contact the source from whom the machine was purchased or contact Alliance Laundry Systems at (920) 748-3950 for the name and address of the nearest authorized parts distributor.

For technical assistance, call the number listed below:

(920) 748-3121 Ripon, Wisconsin

Serial Plate Location

When calling or writing about your product, be sure to mention model and serial numbers. Model and serial numbers are located on serial plate(s).



1 - Serial Plate Location: Models Through May 15, 2019

2 - Serial Plate Location: Models Starting May 16, 2019

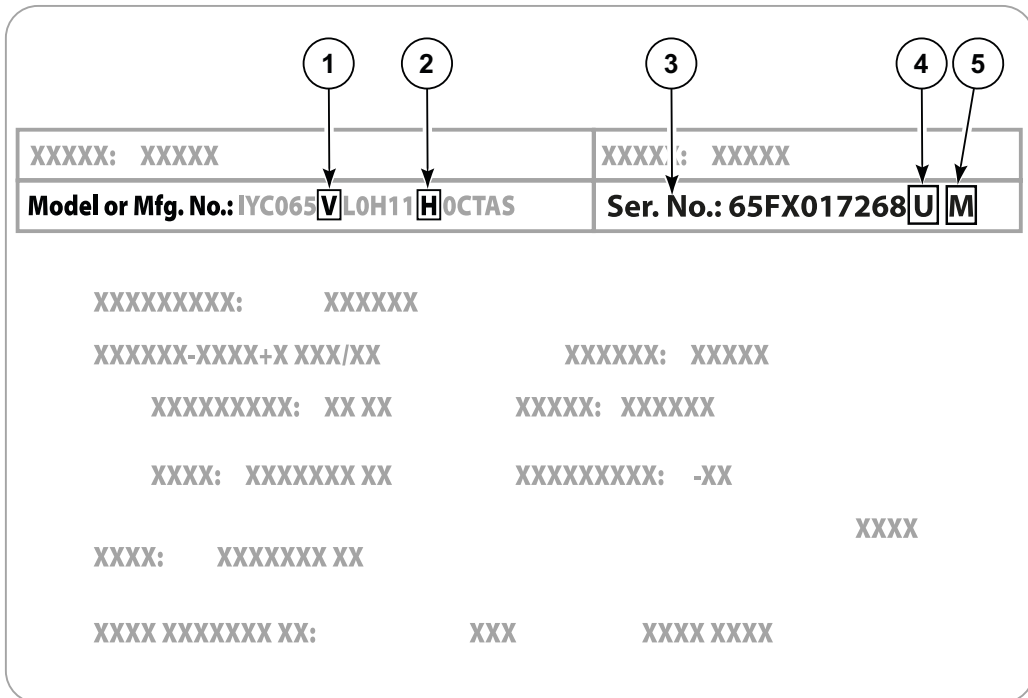
CFD3575P_D2400

Model Identification

Information in this manual is applicable to these washer-extractor models:

A105_ARIES	IAW105J	PAC105G
AR105M_BASIC	IAW105R	PAC105T
AR105M_PROFESSIONAL	IAX105J	PAC105X
AR105M_X_CONTROL	IAX105R	PAE105T
AR105M_X_CONTROL_PLUS	IAY105J	PAE105X
AR105N_BASIC	IAY105R	PAH105T
AR105N_PROFESSIONAL	LAC105T	PAH105X
AR105N_X_CONTROL	LAC105X	PAM105G
AR105N_X_CONTROL_PLUS	LAE105T	PAM105T
IA105_ARIES	LAE105X	PAM105X
IA105_ARIES-ELITE	LAH105T	PAN025T
IA105_JLA_ARIES	LAH105X	PAN025X
IA105_JLA_ARIES-ELITE	LAU105T	PAR105T
LW12_X_CONTROL	LAU105X	PAR105X
MWCX25_X_CONTROL	LAX105T	PAU105G
MWCX25_X_CONTROL_PLUS	LAX105X	PAU105T
NX105_X_CONTROL	LAY105T	PAU105X
NX105M_X_CONTROL	LAY105X	PAX105T
NX105M_X_CONTROL_PLUS	NAC105G	PAX105X
PA25_X_CONTROL	NAC105T	PAY105T
PA25_X_CONTROL_PLUS	NAC105X	PAY105X
RX105_BUPA_X_CONTROL	NAE105T	SAC105A
RX105_BUPA_X_CONTROL_PLUS	NAE105X	SAC105D
RX105M_X_CONTROL	NAH105T	SAC105G
RX105M_X_CONTROL_PLUS	NAH105X	SAE105D
RX105N_X_CONTROL	NAM105G	SAH105A
RX105N_X_CONTROL_PLUS	NAM105T	SAH105D
WMA103E	NAM105X	SAM105A
WMA103E_ARIES	NAR105T	SAM105D
WMA123E	NAR105X	SAM105G
WMA123E_ARIES	NAU105G	SAR105D
IAC105G	NAU105T	SAU105A
IAC105J	NAU105X	SAU105D
IAC105R	NAX105T	SAU105G
IAE105J	NAX105X	SAX105A
IAE105R	NAY105T	SAX105D
IAG105J	NAY105X	SAY105A
IAG105R		SAY105D
IAH105J		UAC105G
IAH105R		UAC105I
IAM105G		UAH105I
IAM105J		UAM105G
IAM105R		UAM105I
IAR105J		UAR105I
IAR105R		UAU105G
IAU105G		UAU105I
IAU105J		UAX105I
IAU105R		

Serial Label

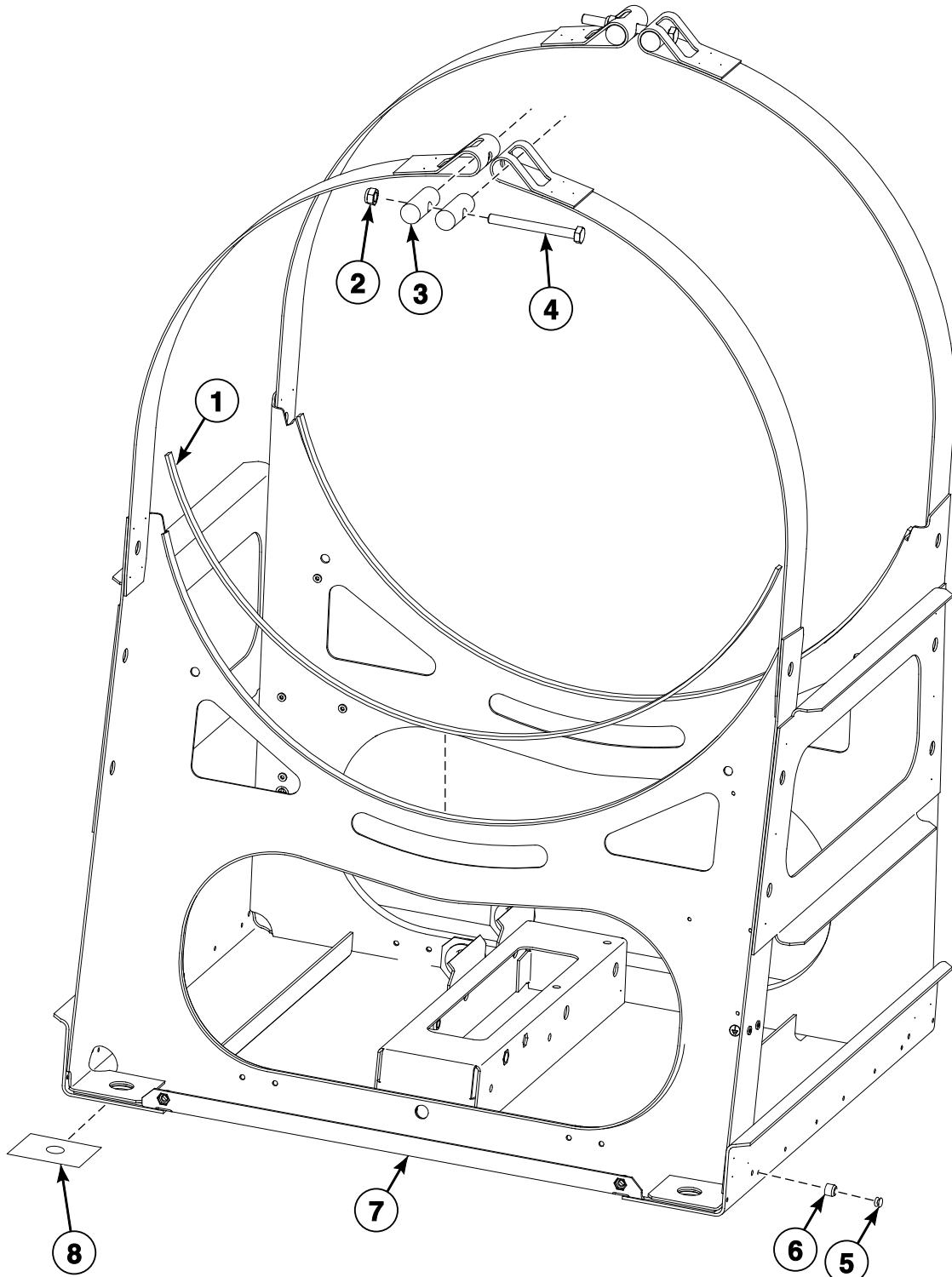


CZW489P

Serial Label

REF	PART NO.	DESCRIPTION	COMMENTS
1	-	Control	A, D, G, I, J, R, T or X letter in 7th position of the model number
2	-	Design	1, 2, 3, 4, 5, 6, 7, 8, A, B, C, D, L, M, N or P digits or characters in 13th Position
3	-	Serial Number	
4	-	Manufacturing Date - Year	2009: P 2010: R 2011: T 2012: V 2013: X 2014: B 2015: D 2016: F 2017: H 2018: K 2019: M 2020: Q 2021: S 2022: U 2023: W 2024: Y 2025: Z
5	-	Manufacturing Date - Month	January: A or B February: C or D March: E or F April: G or H May: J or K June: L or M July: N or Q August: P or S September: R or U October: T or W November: V or Y December: X or Z

Frame



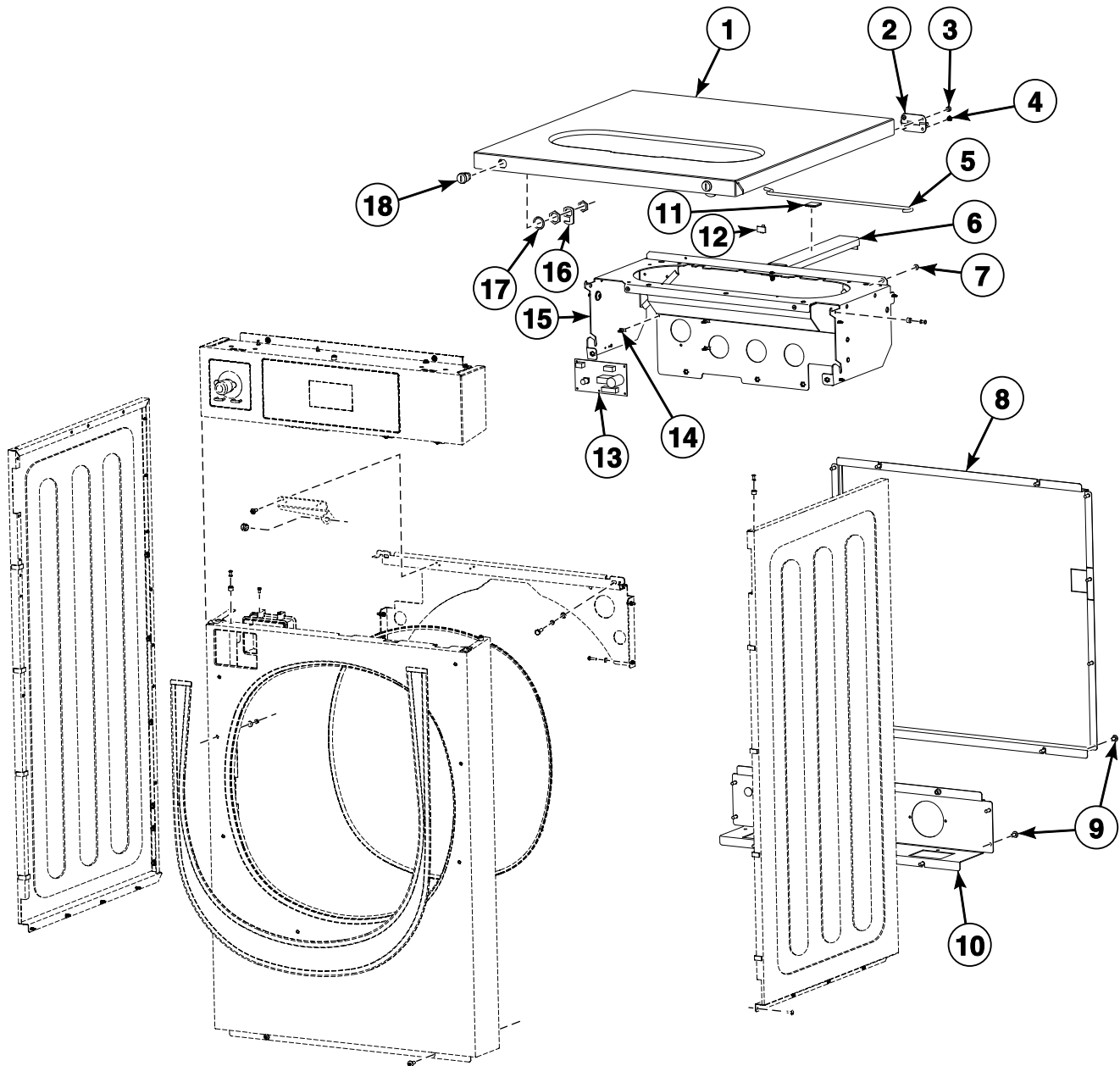
CFD3579P_D2400

Frame

REF	PART NO.	DESCRIPTION	COMMENTS
	560077	Mounting Bolt Hole Template	
1	SP517232	Seal	Self-adhesive foam
2	SP310985000008	Nut	M8
3	SP533738	Cover Strip Pin	
4	SP309933000880	Bolt	M8x80
5	SP547779	Rivet	4x16.7 with a crank
6	SP520408	Pin Insertion	
7	SP533910	Frame	
8	570551	Spacing Washer Set	Includes 10 pieces; Optional, as needed

Cabinet - A, IA and WMA Models (Drawing 1 of 3)

Models Through Serial No. 105RX004092SD



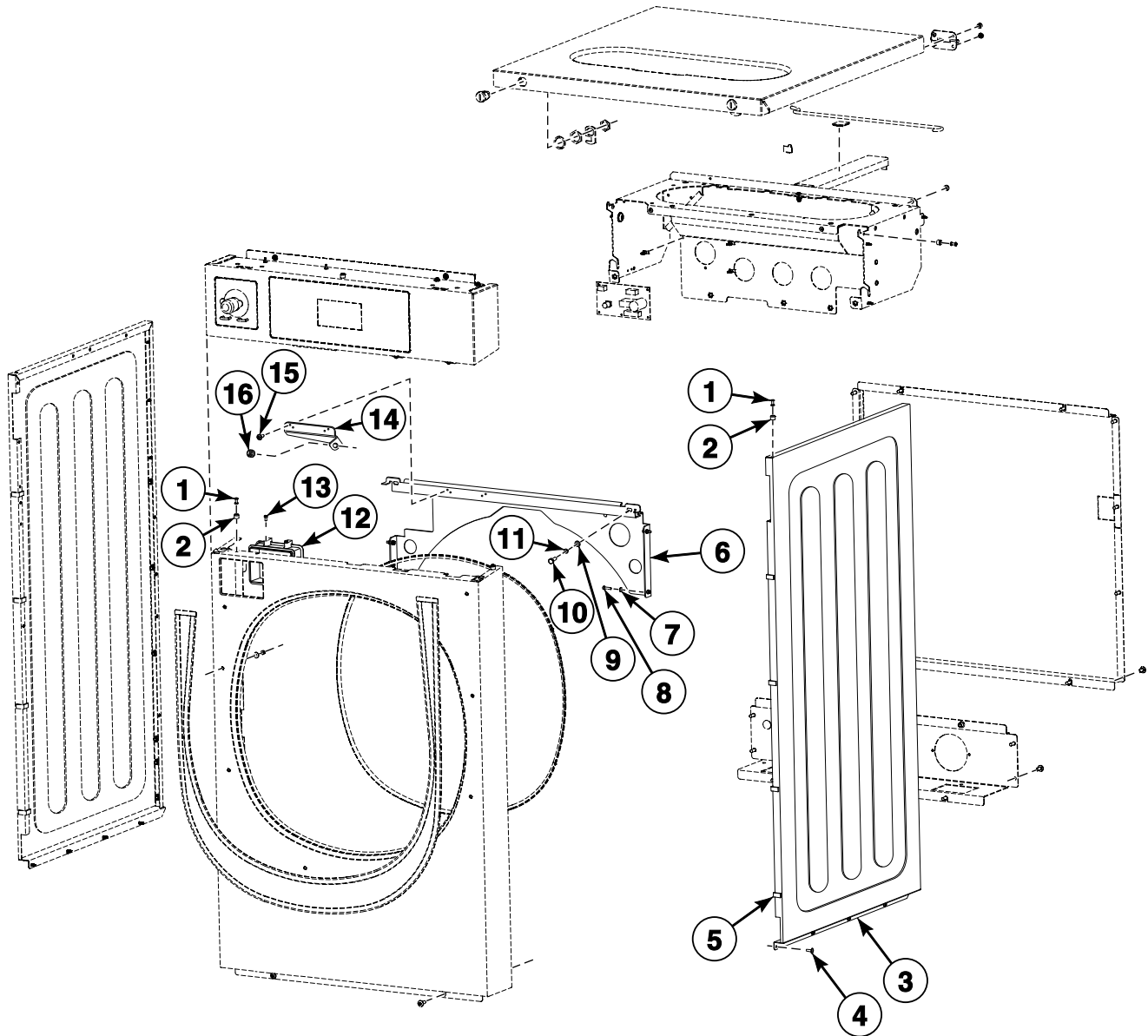
CZW104P_D2400

Cabinet - A, IA and WMA Models (Drawing 1 of 3)

REF	PART NO.	DESCRIPTION	COMMENTS
1	SP558835	Top Cover	
2	SP516832	Hinge	
3	SP313250048103	Rivet	4.8x10.3 with a crank
4	SP529206	Screw	M4x11
5	SP550133	Upper Lid Prop	
6	SP547739	Top Cover Reinforcement	
7	SP273121005052	Cable Passage	5.5x2
8	SP550185	Rear Cover	
9	SP555658	Bolt	M6x16
10	SP550179	Lower Rear Cover	
11	SP550115	Fastener	Velcro (hook and loop)
12	SPPRI551016250	Hook	Stick-on
13	SP552489	Automatic Unlocking Module Assembly	MC7; Includes SP553406 Automatic Door Opening Module, SP345000160971 Binding Strip, SP552455 Automatic Door Opening Module Wiring, SPPRI326002004 Holder and SP552381 Power Terminal Protection
14	SPPRI326002004	Holder	
15	SP558833	Panel Holder	
16	SPPRI610002007	Hook Lock	Small
17	SPPRI522000012	Washer	21x27x1
18	SP547527	Lock	

Cabinet - A, IA and WMA Models (Drawing 2 of 3)

Models Through Serial No. 105RX004092SD



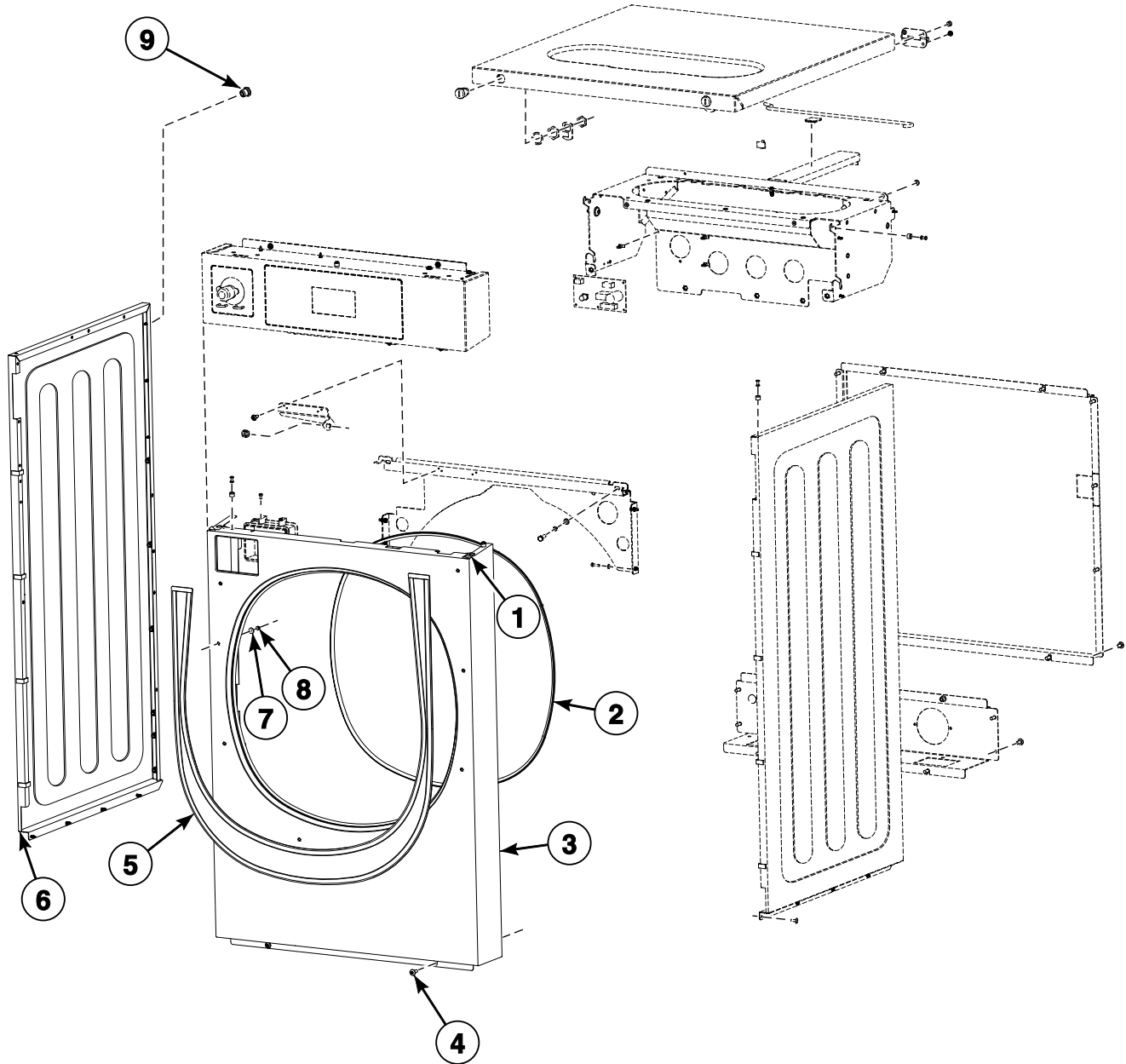
CZW105P_D2400

Cabinet - A, IA and WMA Models (Drawing 2 of 3)

REF	PART NO.	DESCRIPTION	COMMENTS
	SP245704003021	Adhesive	Loctite 243; Used with side panel bolts
1	SP547779	Rivet	4x16.7 with a crank
2	SP520408	Pin Insertion	
3	SP557097	Side Panel	Right; Black
	SP557095	Side Panel	Right; Stainless steel
4	SP529206	Screw	4x11; Loctite 243 required for installation
5	SP517232	Seal	Self-adhesive foam
6	SP550498	Cabinet Reinforcement	
7	SP311679800004	Washer	M4
8	SP309084000416	Bolt	M4x16
9	SP311125000006	Washer	6.4
10	SP309933000616	Bolt	M6x16
11	SP311127000006	Washer	6
12	SP533103	Coin Vault Plate	
13	SP309084000408	Bolt	M4x8
14	567933	Cabinet Holder	
15	SP529206	Screw	M4x11
16	SP310934000008	Nut	M8

Cabinet - A, IA and WMA Models (Drawing 3 of 3)

Models Through Serial No. 105RX004092SD



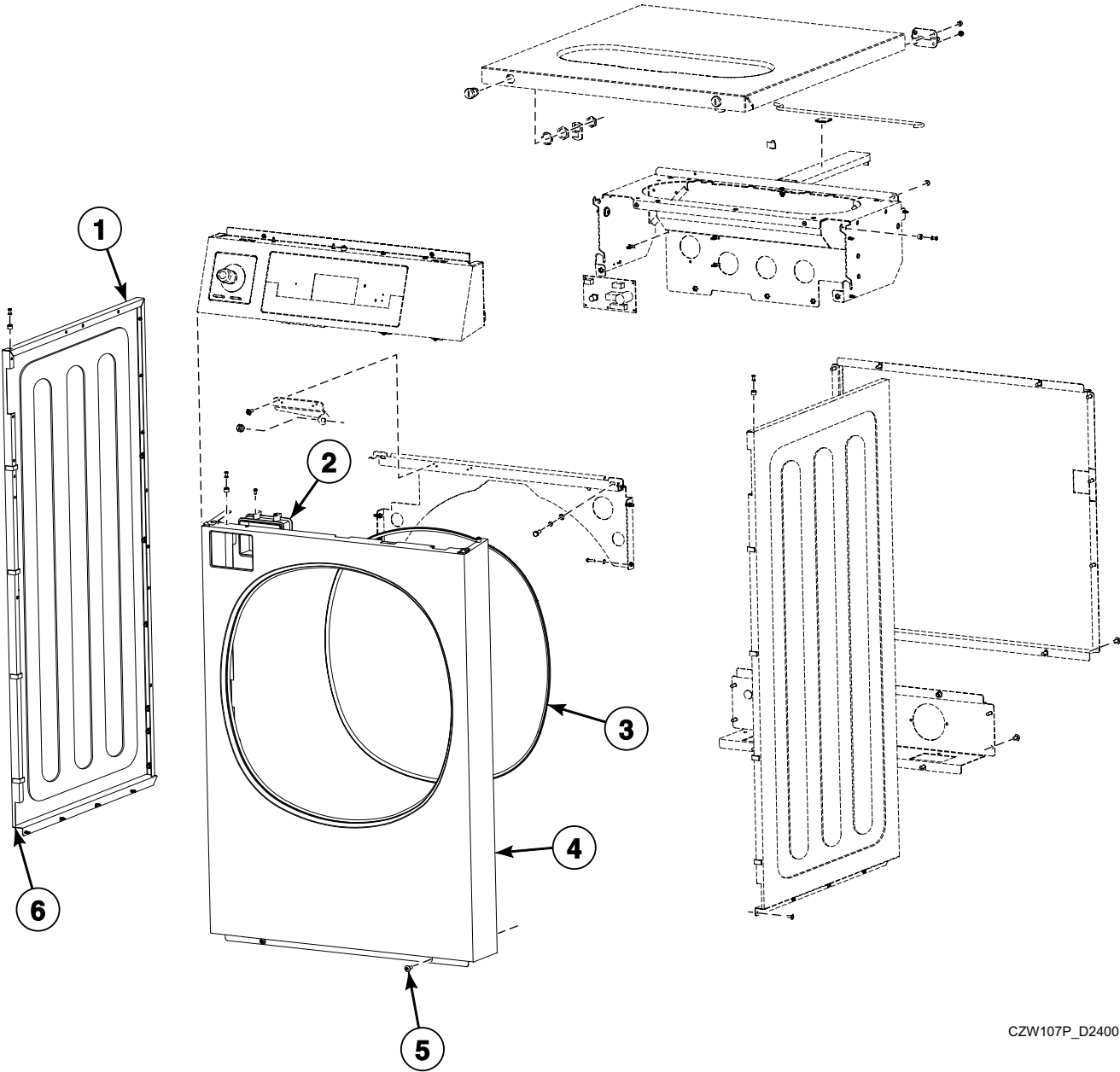
CFD3581P_D2400

Cabinet - A, IA and WMA Models (Drawing 3 of 3)

REF	PART NO.	DESCRIPTION	COMMENTS
	SP245704003021	Adhesive	Loctite 243; Used with side panel bolts
1	SP555405	End Stop	
2	SPPRI505000058	Profiled Sealing	
3	SP557064	Front Panel	OPL
	SP557065	Front Panel	Vended
4	SP555658	Bolt	M6x16
5	SP556979	U Shape	OPL
	SP556980	U Shape	Vended
6	SP557096	Side Panel	Left; Black
	SP557094	Side Panel	Left; Stainless steel
7	SP311902100004	Washer	4
8	SP514193	Nut	M4
9	SP313251000006	Nut	M6

Cabinet - AR Non-Brand, NA and SA Models (Drawing 1 of 3)

Models Through Serial No. 105RX004092SD



CZW107P_D2400

Cabinet - AR Non-Brand, NA and SA Models (Drawing 1 of 3)

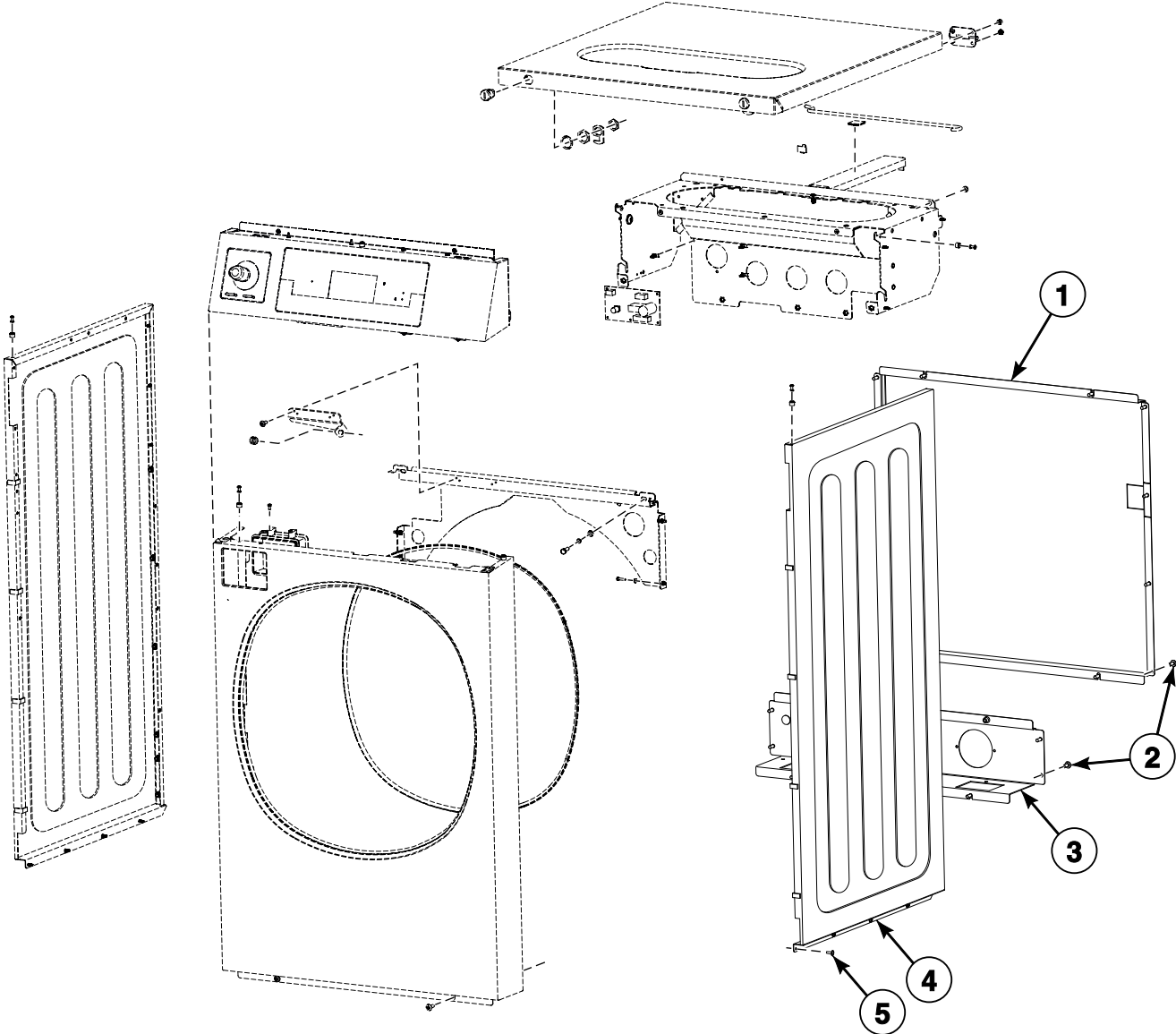
REF	PART NO.	DESCRIPTION	COMMENTS
	SP245704003021	Adhesive	Loctite 243; Used with side panel bolts
1	SP557094	Side Panel	Left; Stainless steel
	SP558822	Side Panel	Left; Painted; Through Serial No. 105RX001644FD
	563568	Side Panel	Left; Painted; Starting Serial No. 105RX001645FD
2	SP533103	Coin Vault Plate	
3	SPPRI505000058	Profiled Sealing	
4	SP550165	Front Panel	OPL; Stainless steel
	SP550161	Front Panel	OPL; Painted; Through Serial No. 105RX001644FD
	563532	Front Panel	OPL; Painted; Starting Serial No. 105RX001645FD
	SP550167	Front Panel	Vended; Stainless steel
	SP550163	Front Panel	Vended; Painted; Through Serial No. 105RX001644FD
	563534	Front Panel	Vended; Painted; Starting Serial No. 105RX001645FD
5	SP555658	Bolt	M6x16
6	SP517232	Seal	Self-adhesive foam

Cabinet - AR Non-Brand, NA and SA Models (Drawing 2 of 3)

REF	PART NO.	DESCRIPTION	COMMENTS
1	SP520408	Pin Insertion	
2	SP547779	Rivet	4x16.7 with a crank
3	SP309084000408	Bolt	M4x8
4	SP310934000008	Nut	M8
5	SP529206	Screw	4x11
6	567933	Cabinet Holder	
7	SP552489	Automatic Unlocking Module Assembly	MC7; Includes SP553406 Automatic Door Opening Module, SP345000160971 Binding Strip, SP552455 Automatic Door Opening Module Wiring, SPPRI326002004 Holder and SP552381 Power Terminal Protection
8	SPPRI326002004	Holder	
9	SP560460	Panel Holder	
10	SPPRI522000012	Washer	21x27x1
11	SPPRI610002007	Hook Lock	Small
12	SP547527	Lock	
13	SP560454	Top Cover	
14	SPPRI551016250	Hook	Stick-on
15	SP313250048103	Rivet	4.8x10.3 with a crank
16	SP516832	Hinge	
17	SP533341	Upper Lid Prop	
18	SP550115	Fastener	Velcro (hook and loop)
19	SP547739	Top Cover Reinforcement	
20	SP273121005052	Cable Passage	5x2
21	SP550498	Cabinet Reinforcement	
22	SP311679800004	Washer	M4
23	SP309084000416	Bolt	M4x16
24	SP311125000006	Washer	6.4
25	SP311127000006	Washer	6
26	SP309933000616	Bolt	M6x16

Cabinet - AR Non-Brand, NA and SA Models (Drawing 3 of 3)

Models Through Serial No. 105RX004092SD



CZW109P_D2400

Cabinet - AR Non-Brand, NA and SA Models (Drawing 3 of 3)

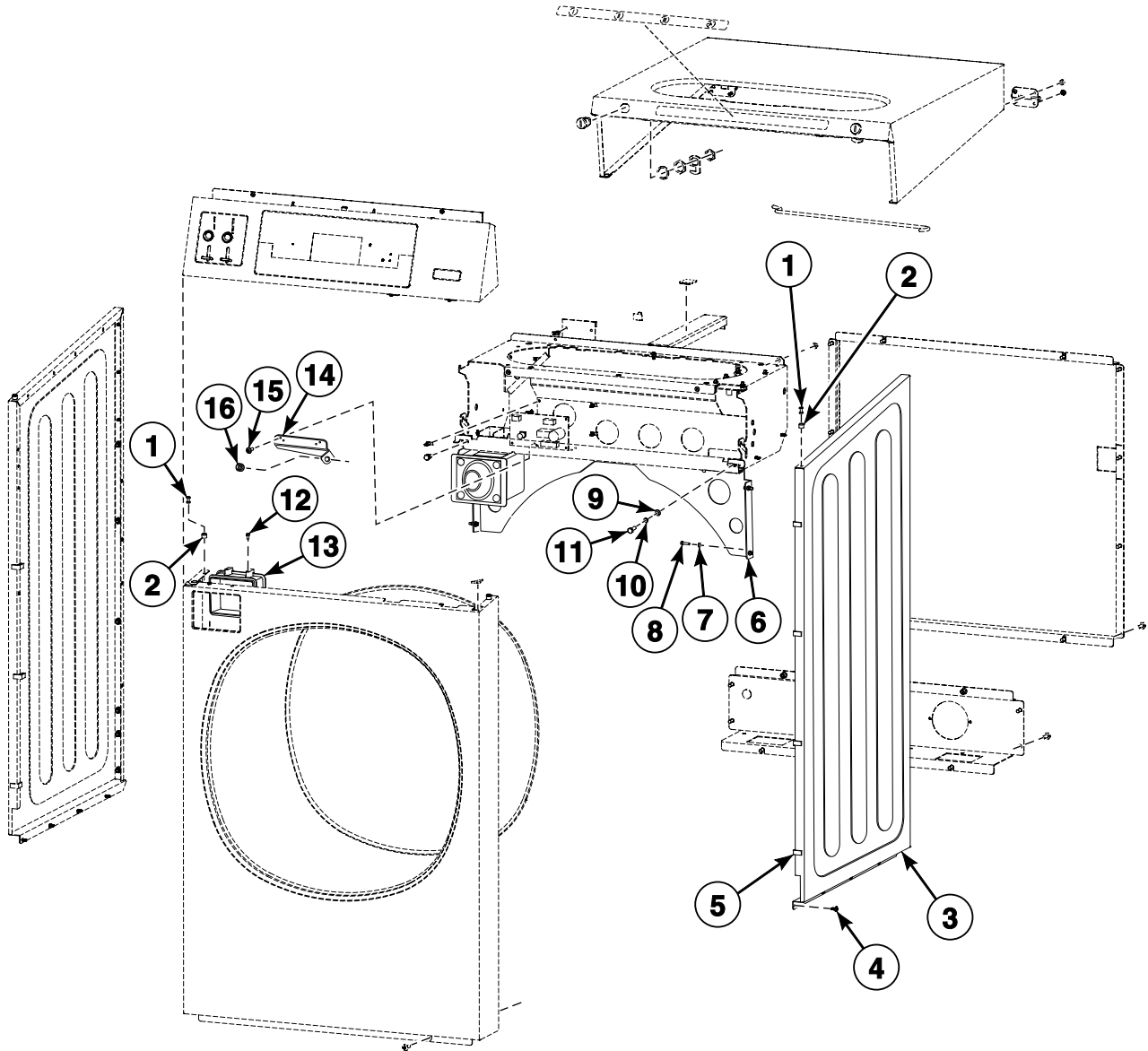
REF	PART NO.	DESCRIPTION	COMMENTS
	SP245704003021	Adhesive	Loctite 243; Used with side panel bolts
1	SP550185	Rear Cover	
2	SP555658	Bolt	M6x16
3	SP550179	Lower Rear Cover	
4	SP557095	Side Panel	Right; Stainless steel
	SP558824	Side Panel	Right; Painted; Through Serial No. 105RX001644FD
	563570	Side Panel	Right; Painted; Starting Serial No. 105RX001645FD
5	SP529206	Screw	4x11; Loctite 243 required for installation

Cabinet (Drawing 1 of 3)

REF	PART NO.	DESCRIPTION	COMMENTS
1	SPPRI326002004	Holder	
2	SP552489	Automatic Unlocking Module Assembly	MC7; Includes SP553406 Automatic Door Opening Module; SP345000160971 Binding Strip, SP552455 Automatic Door Opening Module Wiring, SPPRI326002004 Holder and SP552381 Power Terminal Protection
3	SP550181	Panel Holder	
4	SP545238	Automatic Unlocking Module Assembly	MC6; Includes SP547004 Automatic Door Opening Module, SP345000160971 Binding Strip, SP545235 Door Timer Wiring and SPPRI326002004 Holder
5	SPPRI551016250	Hook	Stick-on
6	SPPRI522000012	Washer	21x27x1
7	SPPRI610002007	Hook Lock	Small
8	569579	Hook Lock	Left; Models PAN025T and PAN025X; Vended; Starting September 1, 2017
9	569580	Hook Lock	Right; Models PAN025T and PAN025X; Vended; Starting September 1, 2017
10	SP547527	Lock	Requires SP550616 Key
11	SP550183	Top Cover	
	SP555676	Top Cover	Without soap hopper opening
12	560786	Label	Soap Hopper; Vended; CSA
13	SP516832	Hinge	
14	SP313250048103	Rivet	4.8x10.3 with a crank
15	SP529206	Screw	4x11
16	SP550133	Upper Lid Prop	
17	SP550115	Fastener	Velcro (hook and loop)
18	SP547739	Top Cover Reinforcement	
19	SP273121005052	Cable Passage	5.5x2
20	SP550185	Rear Cover	
21	SP555658	Bolt	M6x10
22	SP550179	Lower Rear Cover	

Cabinet (Drawing 2 of 3)

AR, LA, LW, MWC, NX, PA and RX Models with T or X in 7th Position;
IA, NA, SA and UA Models Starting Serial No. 105RX004093SD with A, D, I, J, R, T or X in 7th Position



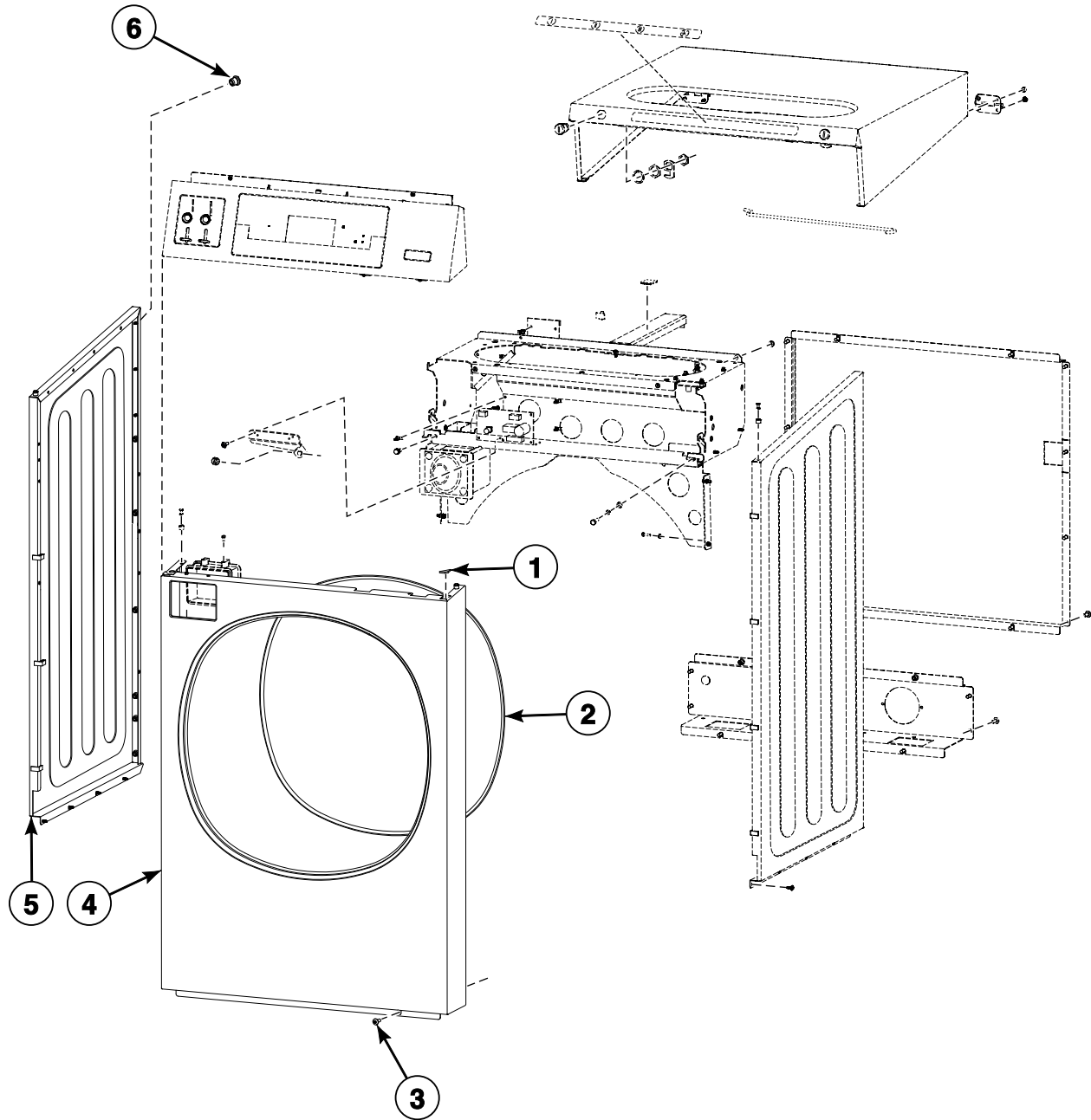
CZW111P_D2400

Cabinet (Drawing 2 of 3)

REF	PART NO.	DESCRIPTION	COMMENTS
1	SP547779	Rivet	4x16.7 with a crank
2	SP520408	Pin Insertion	
3	SP550152	Side Panel	Right; Painted; Through Serial No. 105RX001644FD
	563546	Side Panel	Right; Painted; LW, NX, PA and RX models starting Serial No. 105RX001645FD; AR and NA models starting Serial No. 105RX004093SD
	577107	Side Panel	Right; Black; IA and SA models starting Serial No. 105RX004093SD
	SP550157	Side Panel	Right; Stainless steel
4	SP529206	Screw	4x1; Loctite 240 required for installation
5	SP517232	Seal	Self-adhesive foam
6	SP550498	Cabinet Reinforcement	
7	SP311679800004	Washer	M4
8	SP309084000416	Bolt	M4x16
9	SP311125000006	Washer	6.4
10	SP311127000006	Washer	6
11	SP309933000616	Bolt	M6x16
12	SP309084000408	Bolt	M4x8
13	SP533103	Coin Vault Plate	
14	567933	Cabinet Holder	
15	SP529206	Screw	M4x11
16	SP310934000008	Nut	M8

Cabinet (Drawing 3 of 3)

AR, LA, LW, MWC, NX, PA and RX Models with T or X in 7th Position;
IA, NA, SA and UA Models Starting Serial No. 105RX004093SD with A, D, I, J, R, T or X in 7th Position



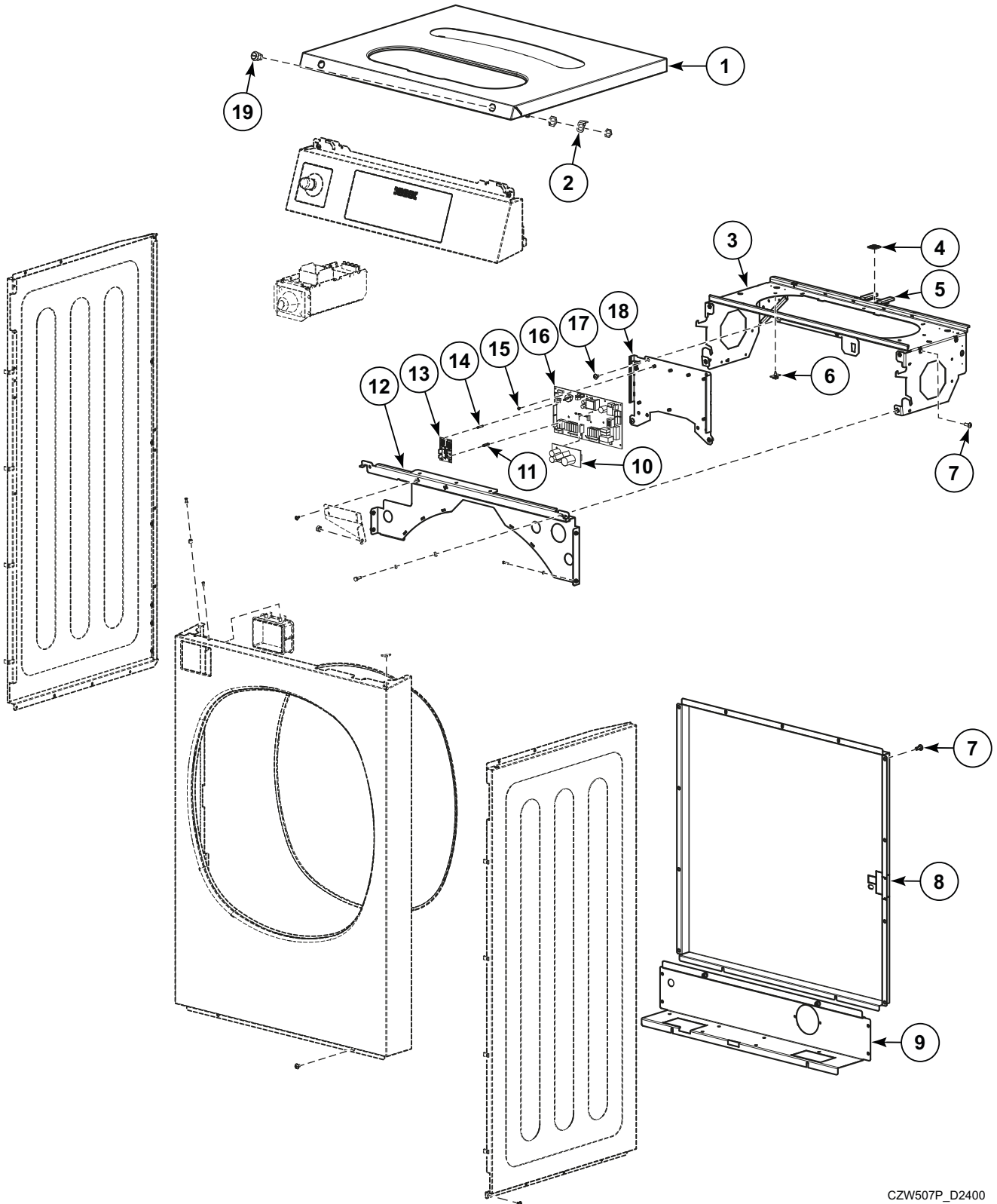
CFD3582P_D2400

Cabinet (Drawing 3 of 3)

REF	PART NO.	DESCRIPTION	COMMENTS
1	SP555405	End Stop	
2	SPPRI505000058	Profiled Sealing	
3	SP555658	Bolt	M6x10
4	SP550161	Front Panel	OPL; Painted; Through Serial No. 105RX001644FD
	563532	Front Panel	OPL; Painted; Saring Serial No. 105RX001645FD
	SP550163	Front Panel	Vended; Painted; Through Serial No. 105RX001644FD
	563534	Front Panel	Vended; Painted; Saring Serial No. 105RX001645FD
	SP550165	Front Panel	OPL; Stainless steel
	SP550167	Front Panel	Vended; Stainless steel
	5	SP550155	Side Panel
563554		Side Panel	LW, NX, PA and RX models; Left; Painted; Starting Serial No. 105RX001645FD; AR and NA models; Left; Painted; Starting Serial No. 105RX004093SD
577105		Side Panel	IA and SA models; Left; Black; Starting Serial No. 105RX004093SD
SP550159		Side Panel	Left; Stainless steel
6		SP313251000006	Nut

Cabinet (Drawing 1 of 3)

Models with G in 7th Position



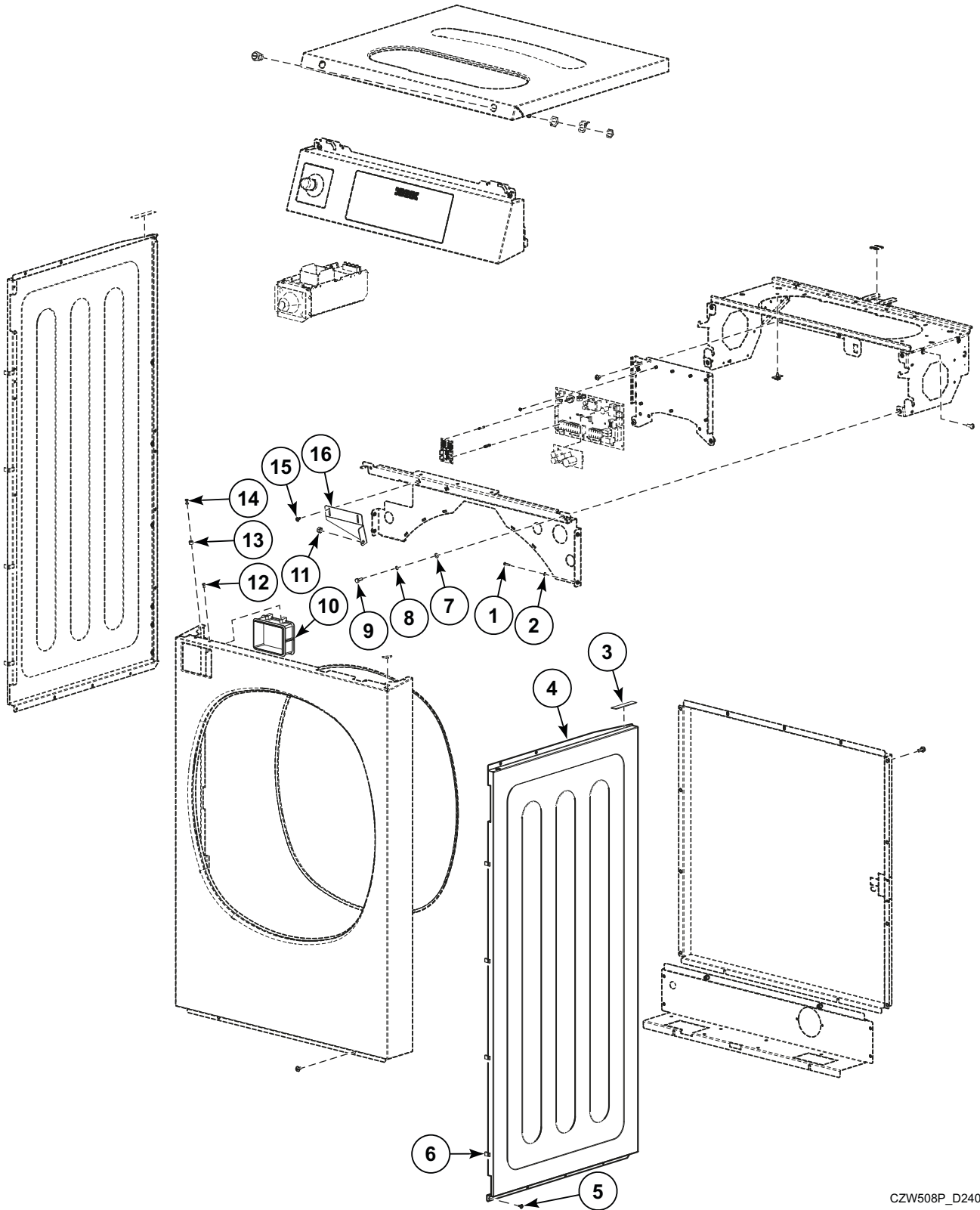
CZW507P_D2400

Cabinet (Drawing 1 of 3)

REF	PART NO.	DESCRIPTION	COMMENTS
1	577697	Top Cover	
	577500	Top Cover	Without soap hopper opening
2	581001	Lock Hook	
3	577660	Panel Holder	
4	SP550115	Fastener	Velcro (hook and loop)
5	564202	Seal	0.1m
6	SP528313	Cable Holder	
7	555658	Bolt	M6x16
8	581014	Rear Cover	
9	550179	Rear Cover	Lower
10	553189	Module	Door Lock
11	577693	Plastic Post	
12	SP550498	Cabinet Reinforcement	
13	553439	Conversion Board	
14	577689	Plastic Post	
15	563123	Bolt	M3x6
16	553444	Control Board I/O	MC10; Power; Used with 569702 Interconnection Flat Cable
17	SP506012	Bolt	M6x10
18	577668	Control Board Holder	
19	SP547527	Lock	Requires SP550616 Key

Cabinet (Drawing 2 of 3)

Models with G in 7th Position



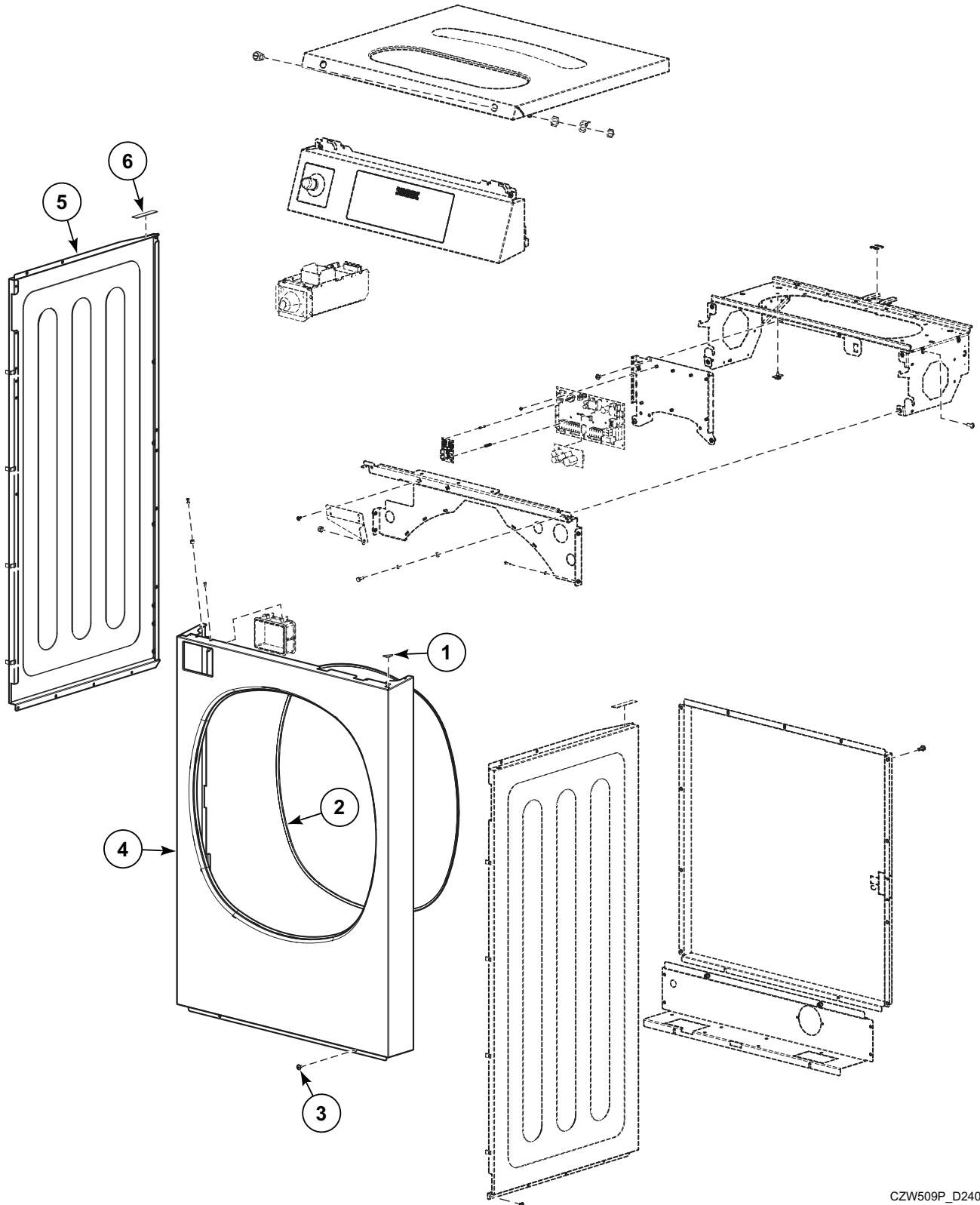
CZW508P_D2400

Cabinet (Drawing 2 of 3)

REF	PART NO.	DESCRIPTION	COMMENTS
1	SP555504	Bolt	M4x12
2	SP311679800004	Washer	M4
3	577479	Panel Protection	
4	570418	Side Panel	Right; Stainless steel
	577450	Side Panel	IA models; Right; Black
	570422	Side Panel	AR, NA, PA and RX models; Right; Painted
5	555658	Bolt	M6x16
6	SP517232	Seal	Self-adhesive foam
7	SP311125000006	Washer	6.4
8	SP311127000006	Washer	6
9	SP309933000616	Bolt	M6x16
10	SP533103	Coin Vault Plate	
11	SP310934000008	Nut	M8
12	SP309084000408	Bolt	M4x8
13	SP520408	Pin Insertion	
14	SP547779	Rivet	4x16.7 with a crank
15	SP529206	Screw	4x11
16	567933	Cabinet Holder	

Cabinet (Drawing 3 of 3)

Models with G in 7th Position



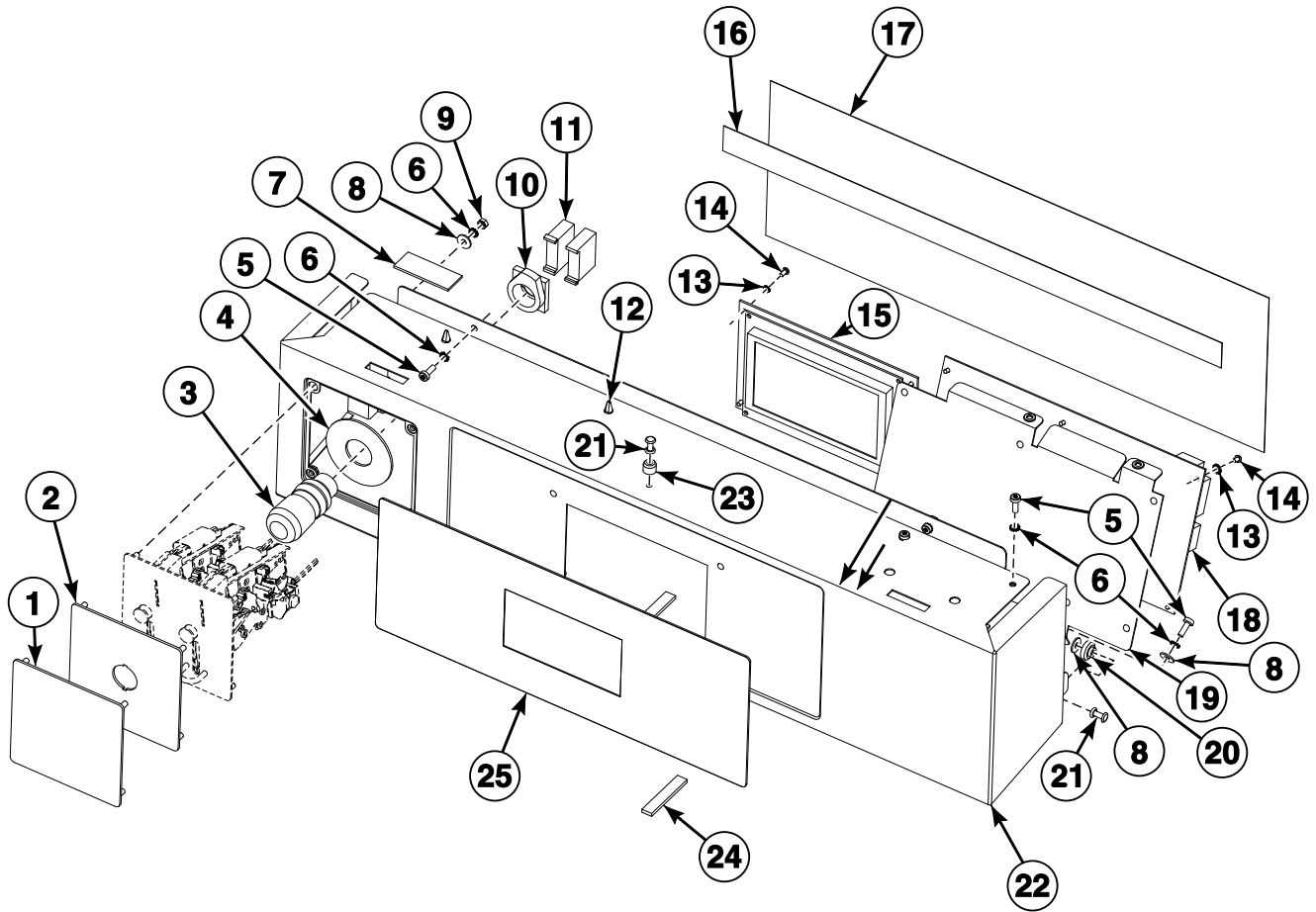
CZW509P_D2400

Cabinet (Drawing 3 of 3)

REF	PART NO.	DESCRIPTION	COMMENTS
1	SP555405	End Stop	
2	SPPRI505000058	Profiled Sealing	
3	555658	Bolt	M6x16
4	SP550165	Front Panel	OPL; Stainless steel
	SP550167	Front Panel	Vend; Stainless steel
	563532	Front Panel	OPL; Painted
	563534	Front Panel	Vended; Painted
5	570416	Side Panel	Left; Stainless steel
	577449	Side Panel	IA models; Left; Black
	570420	Side Panel	AR, NA, PA and RX models; Left; Painted
6	577479	Panel Protection	

Control Panel - A, IA and WMA Models

Models Through Serial No. 105RX004092SD



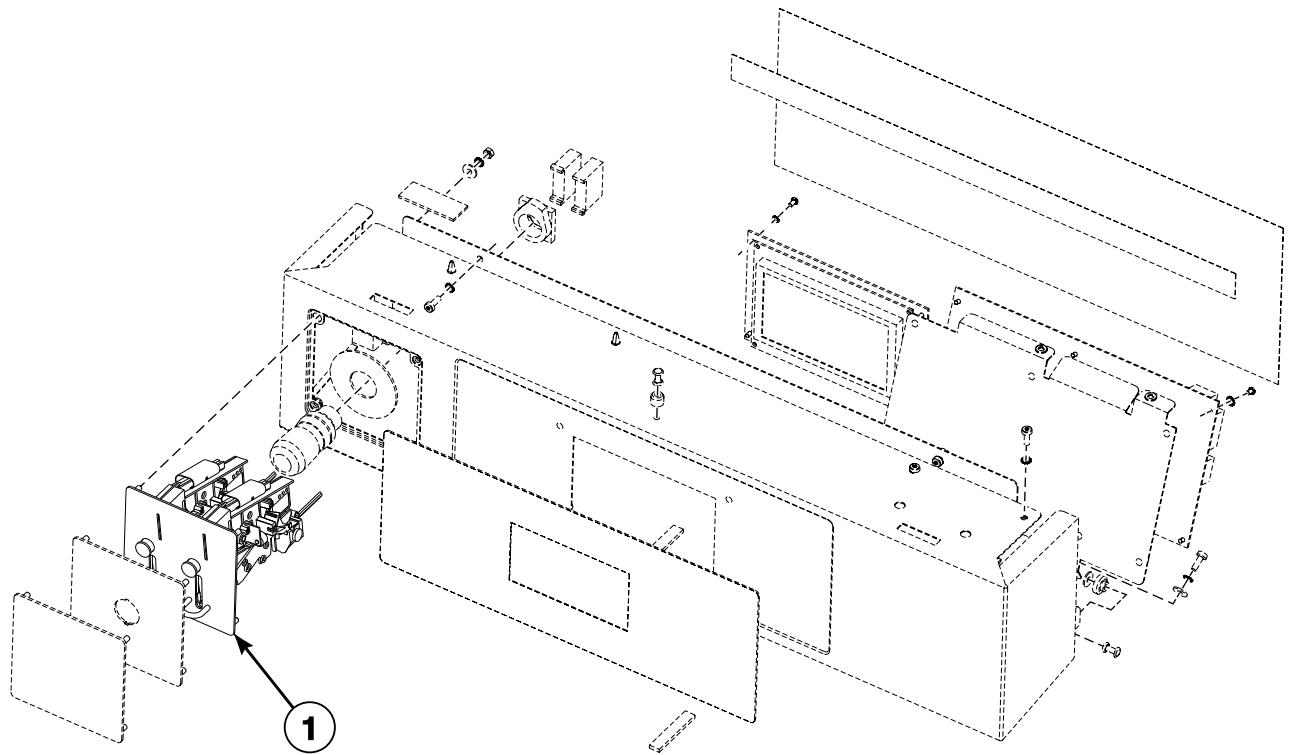
CFD2939P_D2400

Control Panel - A, IA and WMA Models

REF	PART NO.	DESCRIPTION	COMMENTS
	SP520033	Emergency Stop Interconnection	Vended
	F8600501	Programming Cable	
	569593	Network Installation Kit	Includes 569595 Holder, 203532 Wireless Network Control Assembly, 568363 Power Supply, 568362 Cable, 568378 Wiring, 568379 Wiring Diagram, SP345000626088 Binding Strip and connection accessories
1	SP550149	Cover Plate	Central payment system
2	SP547565	Coin Meter Cover	
3	SP528310	Emergency Stop Knob	
	SP520032	Emergency Stop Wiring	OPL
4	SPPRI551005248	Emergency Stop Label	Yellow
5	SP555504	Bolt	M4x12
6	SP311679800004	Washer	M4
7	SPMEC001410	Self-Adhesive Pad	
8	SP311902100004	Washer	M4
9	SP310934000004	Nut	M4
10	SP528311	Emergency Stop Connector	
11	SP528312	Switching Unit	
12	SP528313	Cable Holder	
13	SP311679800003	Washer	M3
14	SP309798500306	Bolt	M3x6
15	SP553419	Control Board	MC7
16	SP510846	Tape	Self-adhesive
17	SPPRI543000004	Cover	
18	SP553405	Control Board Power	MC7
	SP547005	Board Interconnection Cable	
19	SP558813	Programmer Holder	
20	SP550113	Leading Pin	
21	SP547779	Rivet	4x16.7 with a crank
22	SP558831	Control Panel	
23	SP520408	Pin Insertion	
24	SP284000012003	Tape	Self-adhesive
25	SP557565	Keyboard	IA models; Aries Elite
	SP557566	Keyboard	IA models; Aries
	SP560747	Keyboard	Without logo and without numeric keypad
	SP560748	Keyboard	Without logo and with numeric keypad

Coin Meter - A, IA and WMA Models (Drawing 1 of 3)

Models Through Serial No. 105RX004092SD



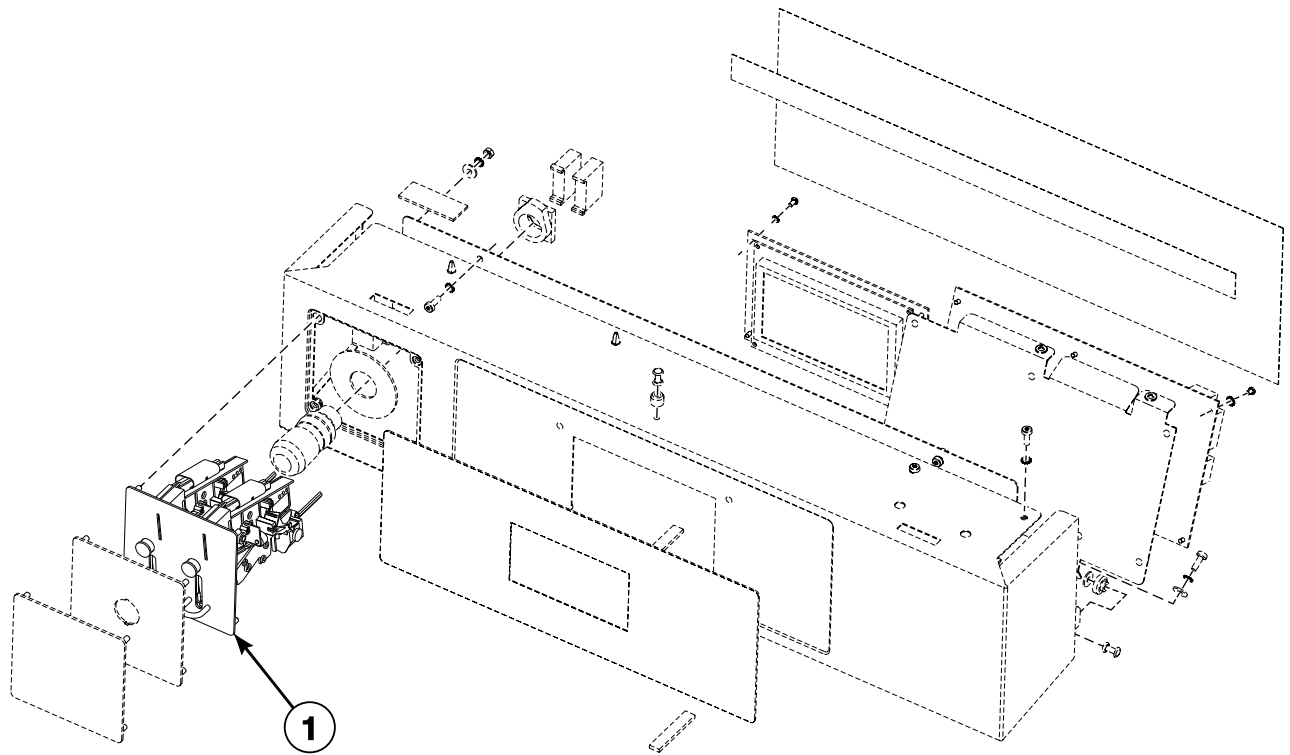
CFD2940P_D2400

Coin Meter - A, IA and WMA Models (Drawing 1 of 3)

REF	PART NO.	DESCRIPTION	COMMENTS
1	569922	Coin Meter	0.2GBP, 0.5GBP, 1GBP, 2GBP, 0.1EUR, 0.2EUR, 0.5EUR, 1EUR, 2EUR; Electronic EMPv7
	SP558958	Coin Meter	0.25USD
	SP558959	Coin Meter	0.5EUR and 1EUR
	SP560310	Coin Meter	1EUR
	SP560311	Coin Meter	0.5EUR
	SP560312	Coin Meter	1EUR and 2EUR
	SP559933	Coin Meter	5K Primus jeton
	SP559934	Coin Meter	10K Primus jeton
	569965	Coin Meter	0.2GBP, 0.5GBP, 1GBP, 2GBP, 0.1EUR, 0.2EUR, 0.5EUR, 1EUR, 2EUR, jeton "KWL Aqua", jeton "Gettone"; Electronic EMPv7
	SP559938	Coin Meter	STD 118-1 jeton
	SP560309	Coin Meter	7K Primus jeton
	SP560405	Coin Meter	12K Primus jeton
	SP560406	Coin Meter	15K Primus jeton
	SP560407	Coin Meter	2EUR
	SP560408	Coin Meter	0.2EUR and 0.5EUR
	SP560409	Coin Meter	0.2EUR
	SP560410	Coin Meter	1EUR and 0.2EUR
	SP560411	Coin Meter	2EUR and 0.5EUR
	SP560412	Coin Meter	1AUD and 0.2AUD
	SP560413	Coin Meter	1GBP and 20PC
	SP560414	Coin Meter	1GBP and 50PC
	SP560415	Coin Meter	100JPY
	SP560416	Coin Meter	500JPY and 100 JPY
	SP560417	Coin Meter	1AUD and 2AUD
	SP560418	Coin Meter	1AUD
	SP560419	Coin Meter	20PC
	SP560420	Coin Meter	50 Malaysian cent
	SP560421	Coin Meter	1SGD; New Singaporean dollar
	SP560422	Coin Meter	2MYR and 0.5MYR
	SP560423	Coin Meter	1SGD
	SP560424	Coin Meter	1NZD and 2NZD
	SP560425	Coin Meter	Easy games jeton
	SP560426	Coin Meter	Flat polis jeton
	SP560427	Coin Meter	Butzi wash jeton
	SP560428	Coin Meter	Speedy matic jeton
	SP560429	Coin Meter	Laundromatic Belgium jeton; Diameter 22.3mm
	569940	Coin Meter	0.1SGD, 0.2SGD, 0.5SGD, 1SGD; Electronic EMPv7
	569934	Coin Meter	0.1EUR, 0.2EUR, 0.5EUR, 1EUR, 2EUR; Electronic EMPv7
	SP560432	Coin Meter	500WON
	SP560745	Coin Meter	Dobi ekspres jeton
	SP560751	Coin Meter	Lucky winner jeton
	SP559969	Coin Meter	Gettone jeton
	SP559949	Coin Meter	10 Taiwan dollar
	SP560090	Coin Meter	5K IPSO jeton
	SP560091	Coin Meter	7K IPSO jeton
	SP560092	Coin Meter	10K IPSO jeton
	SP560093	Coin Meter	12K IPSO jeton
	SP560094	Coin Meter	15K IPSO jeton
	SP560100	Coin Meter	Electrolux Asard jeton
	SP560087	Coin Meter	Gettone jeton

Coin Meter - A, IA and WMA Models (Drawing 2 of 3)

Models Through Serial No. 105RX004092SD



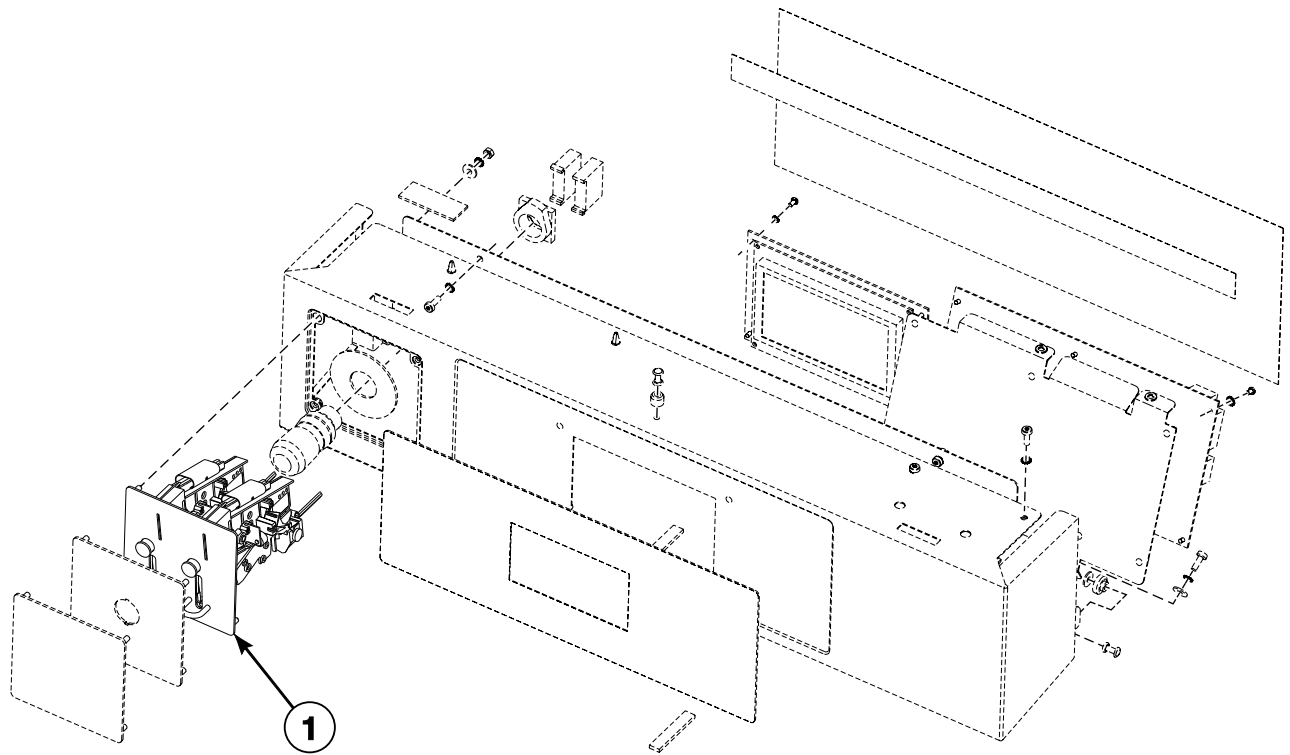
CFD2940P_D2400

Coin Meter - A, IA and WMA Models (Drawing 2 of 3)

REF	PART NO.	DESCRIPTION	COMMENTS
1	SP560075	Coin Meter	5+1 Shekel
	SP560071	Coin Meter	1HKD
	569968	Coin Meter	0.1EUR, 0.2EUR, 0.5EUR, 1EUR, 2EUR, jeton G-FIS "LAVOIR BIANCA"; Electronic EMPv7
	569946	Coin Meter	1HRK, 2HRK, 5HRK; Electronic EMPv7
	569974	Coin Meter	1AUD, 2AUD, jeton "No Cash Value"; Electronic EMPv7
	561497	Coin Meter	Jeton Prinz Firbitex
	563405	Coin Meter	Token Ldl Chamberland Washing Machine
	569943	Coin Meter	0.1MYR, 0.2MYR, 0.5MYR, 0.5SGD, 1SGD; Electronic EMPv7
	569925	Coin Meter	1DKK, 2DKK, 5DKK, 10DKK, 20DKK, 1NOK, 5NOK, 10NOK, 20NOK, 0.2EUR, 0.5EUR, 1EUR, 2EUR; Electronic EMPv7
	564485	Coin Meter	Token 118-5
	564487	Coin Meter	Token Barisart (Ldl)
	569971	Coin Meter	0.5MYR, jeton "DOBI PAPA"; Electronic EMPv7
	553156	Coin Meter	Token Rotondi
	569905	Coin Meter	Brass jeton
	569911	Coin Meter	0.5CHF, 2CHF
	569919	Coin Meter	0.25USD, 1USD, 0.25CAD, 1CAD, 2CAD; Electronic EMPv7
	569928	Coin Meter	0.2AUD, 1AUD, 2AUD, 0.2NZD, 1NZD, 2NZD, 5HKD, 10HKD, 500KRW; Electronic EMPv7
	569931	Coin Meter	1CNY, 0.1MYR, 0.2MYR, 0.5MYR; Electronic EMPv7
	569937	Coin Meter	1PHP, 5PHP, 10PHP; Electronic EMPv7
	569949	Coin Meter	5CZK, 10CZK, 20CZK, 50CZK; Electronic EMPv7
	569952	Coin Meter	0.5MAD, 1MAD, 2MAD, 5MAD, 10MAD; Electronic EMPv7
	569955	Coin Meter	1PLN, 2PLN, 5PLN, 0.1EUR, 0.2EUR, 0.5EUR, 1EUR, 2EUR, 10ISK, 50ISK, 100ISK; Electronic EMPv7
	569962	Coin Meter	0.1EUR, 0.2EUR, 0.5EUR, 1EUR, 2EUR, jeton IPRSO 5K; Electronic EMPv7
	569980	Coin Meter	0.5MYR, jeton "BUBBLELAB"; Electronic EMPv7
	569988	Coin Meter	Jeton HAUCK 2018
	569993	Coin Meter	Jeton 08 MS
	569995	Coin Meter	Jeton D

Coin Meter - A, IA and WMA Models (Drawing 3 of 3)

Models Through Serial No. 105RX004092SD



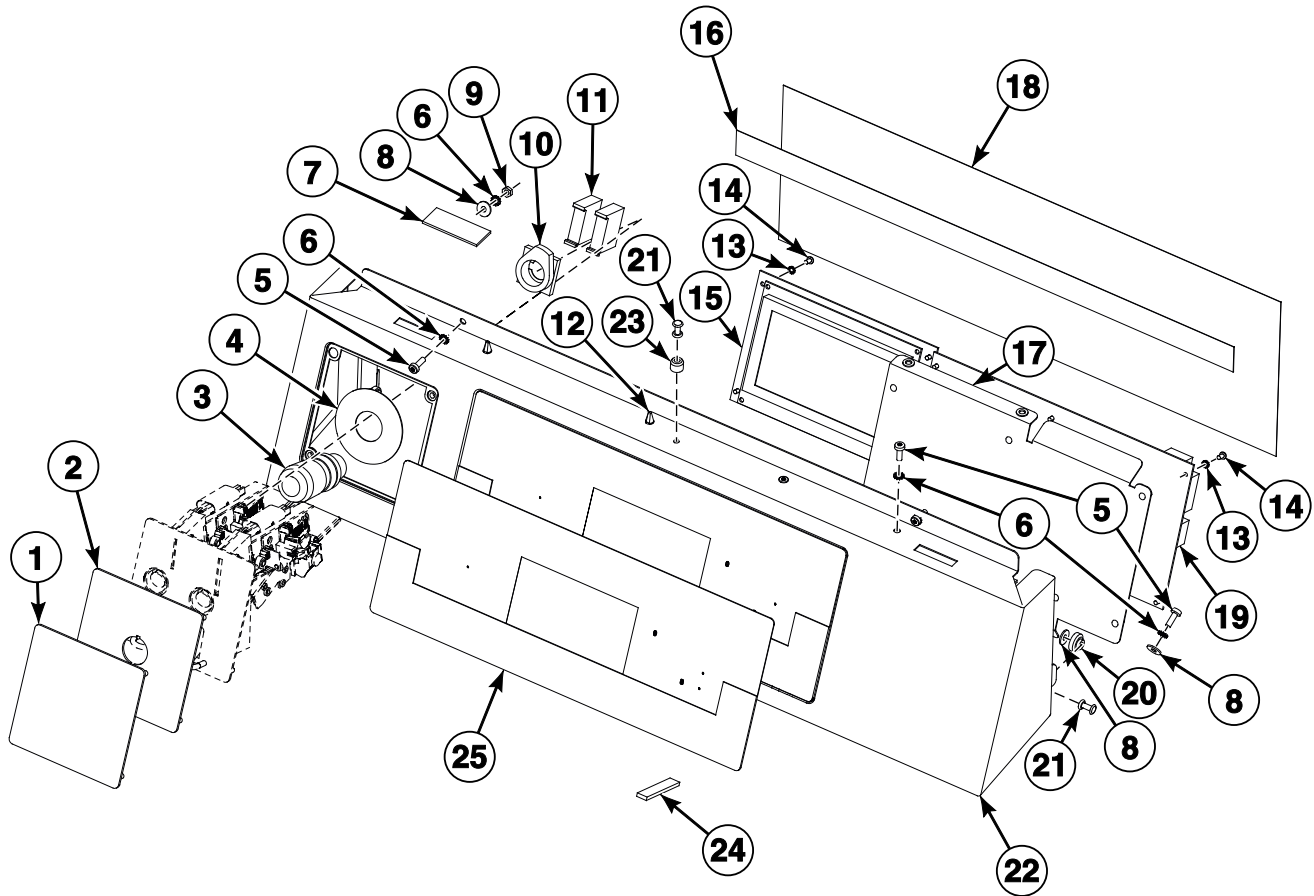
CFD2940P_D2400

Coin Meter - A, IA and WMA Models (Drawing 3 of 3)

REF	PART NO.	DESCRIPTION	COMMENTS
1	569999	Coin Meter	10+50 TWD
	570000	Coin Meter	100+500 ISK
	572302	Coin Meter	Token 118-16
	572305	Coin Meter	1ILS, 2ILS, 5ILS, 10ILS; Electronic EMPv7
	572308	Coin Meter	1ZAR, 2ZAR, 5ZAR; Electronic EMPv7
	572311	Coin Meter	5RUB, 10RUB; Electronic EMPv7
	572314	Coin Meter	50CLP, 100CLP, 500CLP; Electronic EMPv7
	572318	Coin Meter	100JPY, 500JPY, 10TWD, 50TWD; Electronic EMPv7
	572321	Coin Meter	0.5GEL, 1GEL, 2GEL; Electronic EMPv7
	572324	Coin Meter	0.2EUR, 0.5EUR, 1EUR, 2EUR, Jeton 7K; Electronic EMPv7
	572327	Coin Meter	20HUF, 50HUF, 100HUF, 200HUF; Electronic EMPv7
	572343	Coin Meter	Token WH121
	572355	Coin Meter	Token Nr. 1699360
	572359	Coin Meter	1THB, 2THB, 5THB, 10THB/TK1+2; Electronic EMPv7
	572384	Coin Meter	0.2CHF, 0.5CHF, 1CHF, 2CHF; TK1, TK2; Electronic EMPv7
	572389	Coin Meter	0.25CAD
	575276	Coin Meter	0.25USD + 1USD
	575277	Coin Meter	0.25CAD + 1CAD

Control Panel - AR Non-Brand, NA and SA Models

Models Through Serial No. 105RX004092SD



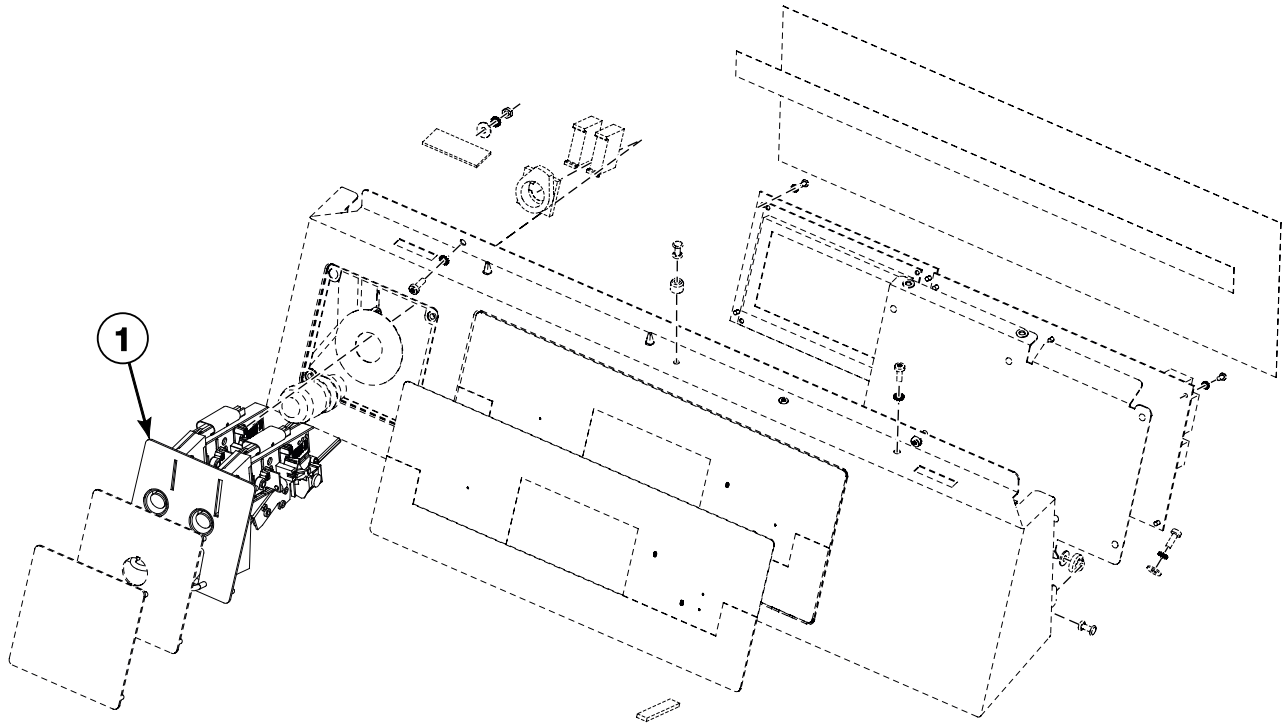
CFD2946P_D2400

Control Panel - AR Non-Brand, NA and SA Models

REF	PART NO.	DESCRIPTION	COMMENTS
	SP520033	Emergency Stop Interconnection	Vended
	F8600501	Programming Cable	
	569593	Network Installation Kit	Includes 569595 Holder, 203532 Wireless Network Control Assembly, 568363 Power Supply, 568362 Cable, 568378 Wiring, 568379 Wiring Diagram, SP345000626088 Binding Strip and connection accessories
1	SP550149	Cover Plate	Central payment system
2	SP547565	Coin Meter Cover	AR Non-Brand and NA models
3	SP528310	Emergency Stop Knob	
	SP520032	Emergency Stop Wiring	OPL
4	SPPRI551005248	Emergency Stop Label	Yellow
5	SP555504	Bolt	M4x12
6	SP311679800004	Washer	M4
7	SPMEC001410	Self-Adhesive Pad	
8	SP311902100004	Washer	4
9	SP310934000004	Nut	M4
10	SP528311	Emergency Stop Connector	
11	SP528312	Switching Unit	
12	SP528313	Cable Holder	
13	SP311679800003	Washer	M3
14	SP309798500306	Bolt	M3x6
15	SP553411	Control Board	AR Non-Brand and NA models; Blue display; MC7
	SP553412	Control Board	SA models; Green display; MC7
16	SP510846	Tape	Self-adhesive
17	SP560448	Programmer Holder	
18	SPPRI543000004	Cover	
19	SP553405	Control Board Power	MC7
	SP547005	Board Interconnection Cable	
20	SP550113	Leading Pin	
21	SP547779	Rivet	4x16.7 with a crank
22	SP560458	Control Panel	
23	SP520408	Pin Insertion	
24	SP284000	Seal	
25	SP547087	Keyboard	AR Non-Brand and NA models; Professional; OPL; Black
	SP547088	Keyboard	AR Non-Brand models; Basic; OPL; Black
	SP557130	Keyboard	SA models; OPL

Coin Meter - AR Non-Brand, NA and SA Models (Drawing 1 of 3)

Models Through Serial No. 105RX004092SD



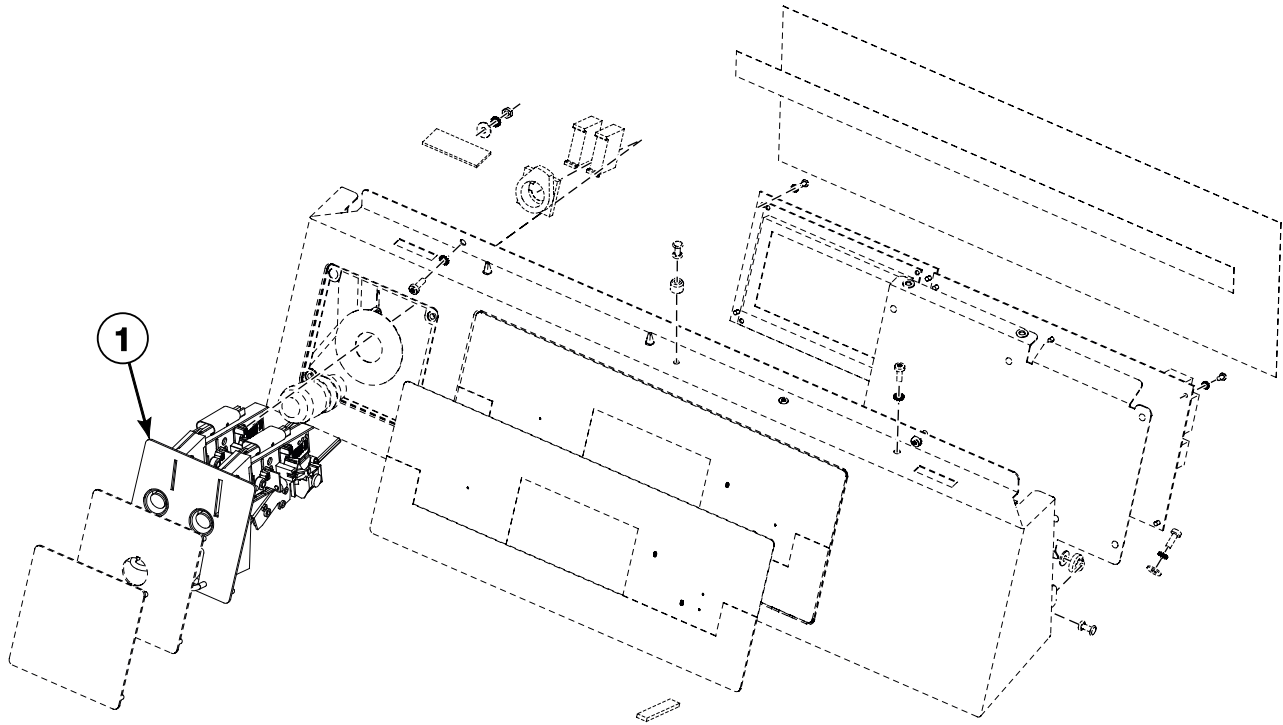
CFD3482P_D2400

Coin Meter - AR Non-Brand, NA and SA Models (Drawing 1 of 3)

REF	PART NO.	DESCRIPTION	COMMENTS
1	SP547601	Coin Meter	5K Primus jeton
	SP547602	Coin Meter	7K Primus jeton
	SP547603	Coin Meter	10K Primus jeton
	SP547604	Coin Meter	12K Primus jeton
	SP547605	Coin Meter	15K Primus jeton
	SP547606	Coin Meter	D jeton
	SP547648	Coin Meter	0.05EUR
	SP547638	Coin Meter	0.2EUR
	SP547616	Coin Meter	0.5EUR
	SP547614	Coin Meter	1EUR
	SP547647	Coin Meter	2EUR
	SP547622	Coin Meter	0.2EUR + 0.5EUR
	SP547639	Coin Meter	0.2EUR + 1EUR
	SP547617	Coin Meter	0.5EUR + 1EUR
	SP547656	Coin Meter	0.5EUR + 2EUR
	SP547631	Coin Meter	1EUR + 2EUR
	SP547652	Coin Meter	7K + D jeton
	SP547666	Coin Meter	7K jeton and 2EUR
	SP547665	Coin Meter	D jeton and 2EUR
	SP547600	Coin Meter	1AUD + 20C
	SP547607	Coin Meter	1POND + 20PC
	SP547608	Coin Meter	1POND + 50PC
	SP547609	Coin Meter	100YEN
	SP547610	Coin Meter	500JPY + 100JPY
	SP547611	Coin Meter	5DKK
	SP547612	Coin Meter	20DKK
	SP547613	Coin Meter	5ILS + 1ILS
	SP547615	Coin Meter	1MYR
	SP547618	Coin Meter	1DKK + 5DKK
	SP547619	Coin Meter	10NOK + 20NOK
	SP547620	Coin Meter	2DKK + 5DKK
	SP547621	Coin Meter	5NOK
	SP547623	Coin Meter	1NZD + 2NZD
	SP547624	Coin Meter	10 NOK
	SP547625	Coin Meter	10NT + 50NT
	SP547626	Coin Meter	2DKK
	SP547627	Coin Meter	Lucky Winner jeton
	SP547628	Coin Meter	10TWD
	SP547629	Coin Meter	10CZK + 20CZK
	SP547630	Coin Meter	7K Equipos Par Lavar jeton
	569921	Coin Meter	0.2GBP, 0.5GBP, 1GBP, 2GBP, 0.1EUR, 0.2EUR, 0.5EUR, 1EUR, 2EUR; Electronic EMPv7
	SP547634	Coin Meter	500WON
	SP547635	Coin Meter	0.25USD
	SP547636	Coin Meter	1AUD + 2AUD
	SP547637	Coin Meter	5DK + 10DK
	SP547640	Coin Meter	Sun Wash jeton

Coin Meter - AR Non-Brand, NA and SA Models (Drawing 2 of 3)

Models Through Serial No. 105RX004092SD



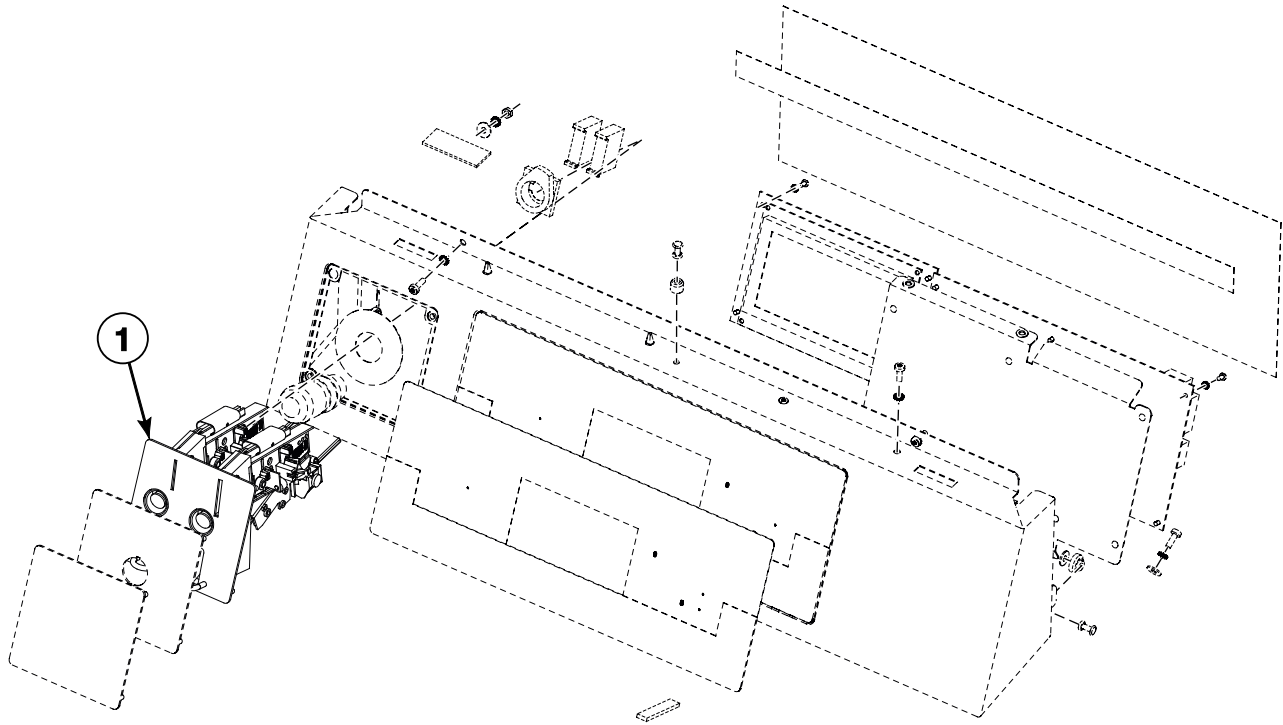
CFD3482P_D2400

Coin Meter - AR Non-Brand, NA and SA Models (Drawing 2 of 3)

REF	PART NO.	DESCRIPTION	COMMENTS
1	SP547641	Coin Meter	2DK + 10DK
	SP547642	Coin Meter	1AUD
	SP547643	Coin Meter	1CHF
	SP547644	Coin Meter	5NOK + 10NOK
	SP547645	Coin Meter	1 TopMos jeton + 1LEV jeton
	SP547646	Coin Meter	1 Vendo jeton
	SP547649	Coin Meter	1 jeton
	569951	Coin Meter	0.5MAD, 1MAD, 2MAD, 5MAD, 10MAD; Electronic EMPv7
	SP547651	Coin Meter	20 penny
	SP547653	Coin Meter	1 Wascator jeton, jeton diamater 22.2 mm
	SP547654	Coin Meter	1 Unibel jeton, jeton diamater 18.55 mm
	SP547657	Coin Meter	50HUF + 100HUF
	SP547658	Coin Meter	1 jeton without coining, jeton diamater 20 mm
	SP547659	Coin Meter	1 Volund jeton, jeton diamater 22.5 mm
	SP547660	Coin Meter	1 Wascator jeton, jeton diamater 19 mm
	SP547661	Coin Meter	1 Miele jeton
	SP547662	Coin Meter	1 jeton without coining, jeton diamater 26 mm
	SP547663	Coin Meter	Three-groove jeton; jeton diamater 27 mm
	SP547664	Coin Meter	Three-groove jeton; jeton diamater 24.9 mm
	SP537996	Coin Meter	Top-Mosr jeton
	SP547667	Coin Meter	Milano Italy jeton
	SP547668	Coin Meter	5PLN + 1PLN
	SP547669	Coin Meter	Two-grooves jeton; jeton diamater 27 mm
	SP547670	Coin Meter	A.S.A.R.D. jeton, jeton diamater 25.8 mm
	SP547671	Coin Meter	20CZK
	SP547672	Coin Meter	Jeton ASARD, jeton diamater 22.3 mm
	SP547673	Coin Meter	Jeton Laundromatic Belgium, jeton diamater 22.3 mm
	SP547674	Coin Meter	1SGD
	SP547675	Coin Meter	Jeton Asard Wascator, jeton diamater 19.9 mm
	SP555502	Coin Meter	Easy Games jeton
	SP555543	Coin Meter	Brev.C jeton
	SP555546	Coin Meter	50 Malaysian cent
	SP555549	Coin Meter	Flat Polis jeton
	SP555550	Coin Meter	Butzi Wash jeton
	SP555578	Coin Meter	1 New Singapore Dollar
	SP555558	Coin Meter	Copper without grooves jeton
	569939	Coin Meter	0.1SGD, 0.2SGD, 0.5SGD, 1SGD; Electronic EMPv7
	SP555666	Coin Meter	2x50 Malaysian cent
	569933	Coin Meter	0.1EUR, 0.2EUR, 0.5EUR, 1EUR, 2EUR; Electronic EMPv7
	SP555559	Coin Meter	Speedy Matic jeton
	SP555579	Coin Meter	Was-Salon Lavoir jeton
	569948	Coin Meter	5CZK, 10CZK, 20CZK, 50CZK; Electronic EMPv7
	SP560744	Coin Meter	Electronic for Dobi Ekspress jeton
	569964	Coin Meter	0.2GBP, 0.5GBP, 1GBP, 2GBP, 0.1EUR, 0.2EUR, 0.5EUR, 1EUR, 2EUR, jeton "KWL Aqua", jeton "Gettone"; Electronic EMPv7
	SP560089	Coin Meter	STD 118-1 jeton

Coin Meter - AR Non-Brand, NA and SA Models (Drawing 3 of 3)

Models Through Serial No. 105RX004092SD



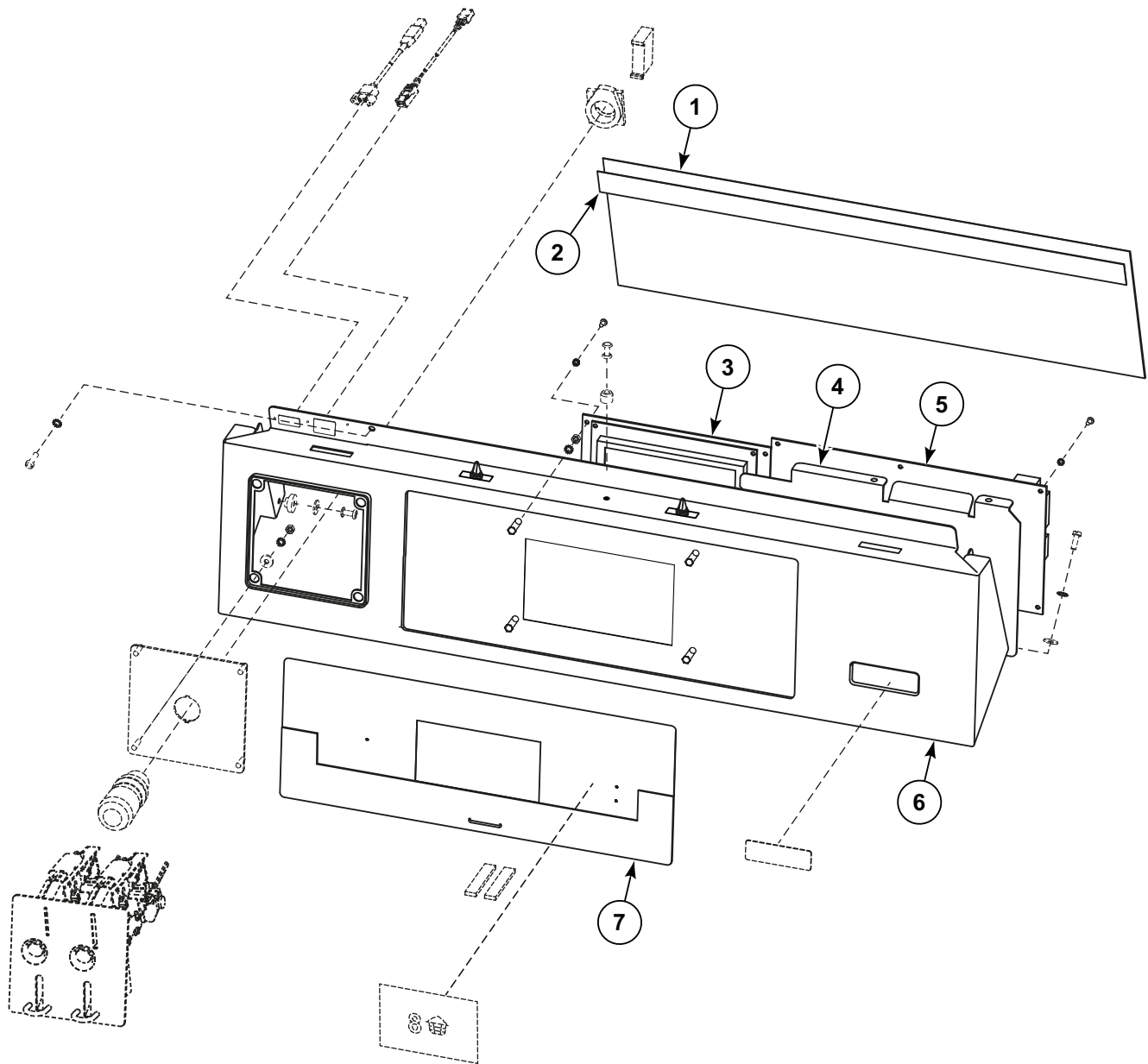
CFD3482P_D2400

Coin Meter - AR Non-Brand, NA and SA Models (Drawing 3 of 3)

REF	PART NO.	DESCRIPTION	COMMENTS
1	SP560082	Coin Meter	5k IPSO jeton
	SP560083	Coin Meter	7k IPSO jeton
	SP560084	Coin Meter	10k IPSO jeton
	SP560085	Coin Meter	12k IPSO jeton
	SP560086	Coin Meter	15k IPSO jeton
	561378	Coin Meter	10 Moroccan Dirham
	569918	Coin Meter	0.25USD, 1USD, 0.25CAD, 1CAD, 2CAD; Electronic EMPv7
	560073	Coin Meter	0.25 USD/1 USD
	569930	Coin Meter	1CNY, 0.1MYR, 0.2MYR, 0.5MYR; Electronic EMPv7
	569927	Coin Meter	0.2AUD, 1AUD, 2AUD, 0.2NZD, 1NZD, 2NZD, 5HKD, 10HKD, 500KRW; Electronic EMPv7
	561496	Coin Meter	Jeton Grupo Azkoyen CDS Automaten
	569936	Coin Meter	1PHP, 5PHP, 10PHP; Electronic EMPv7
	569942	Coin Meter	0.1MYR, 0.2MYR, 0.5MYR, 0.5SGD, 1SGD; Electronic EMPv7
	569945	Coin Meter	1HRK, 2HRK, 5HRK; Electronic EMPv7
	569924	Coin Meter	1DKK, 2DKK, 5DKK, 10DKK, 20DKK, 1NOK, 5NOK, 10NOK, 20NOK, 0.2EUR, 0.5EUR, 1EUR, 2EUR; Electronic EMPv7
	564484	Coin Meter	Jeton 118-5
	SP564486	Coin Meter	Jeton Barisart (LDL)
	569961	Coin Meter	0.1EUR, 0.2EUR, 0.5EUR, 1EUR, 2EUR, jeton IPSO 5K; Electronic EMPv7
	564489	Coin Meter	Jeton Sporrong
	569970	Coin Meter	0.5MYR, jeton "DOBI PAPA"; Electronic EMPv7
	553150	Coin Meter	Jeton with hole
	553151	Coin Meter	Jeton Deton Wash
	569901	Coin Meter	Brass jeton
	569912	Coin Meter	Jeton Wassalon lavoir
	569954	Coin Meter	1PLN, 2PLN, 5PLN, 0.1EUR, 0.2EUR, 0.5EUR, 1EUR, 2EUR, 10ISK, 50ISK, 100ISK; Electronic EMPv7
	569967	Coin Meter	0.1EUR, 0.2EUR, 0.5EUR, 1EUR, 2EUR, jeton G-FIS "LAVOIR BIANCA"; Electronic EMPv7
	569973	Coin Meter	1AUD, 2AUD, jeton "No Cash Value"; Electronic EMPv7
	569979	Coin Meter	0.5MYR, jeton "BUBBLELAB"; Electronic EMPv7
	569987	Coin Meter	Jeton HAUCK 2018
	569998	Coin Meter	100+500 ISK
	572301	Coin Meter	Token 118-16
	572304	Coin Meter	1ILS, 2ILS, 5ILS, 10ILS; Electronic EMPv7
	572307	Coin Meter	1ZAR, 2ZAR, 5ZAR; Electronic EMPv7
	572310	Coin Meter	5RUB, 10RUB; Electronic EMPv7
	572313	Coin Meter	50CLP, 100CLP, 500CLP; Electronic EMPv7
	572317	Coin Meter	100JPY, 500JPY, 10TWD, 50TWD; Electronic EMPv7
	572320	Coin Meter	0.5GEL, 1GEL, 2GEL; Electronic EMPv7
	572323	Coin Meter	0.2EUR, 0.5EUR, 1EUR, 2EUR, Jeton 7K; Electronic EMPv7
	572326	Coin Meter	20HUF, 50HUF, 100HUF, 200HUF; Electronic EMPv7
	572339	Coin Meter	Gettone Jeton (26mm diameter x 1.7mm)
572342	Coin Meter	Token WH121	
572358	Coin Meter	1THB, 2THB, 5THB, 10THB/TK1+2; Electronic EMPv7	
572383	Coin Meter	0.2CHF, 0.5CHF, 1CHF, 2CHF; TK1, TK2; Electronic EMPv7	

Control Panel (Drawing 1 of 2)

AR, LA, LW, MWC, NX, PA and RX Models with T or X in 7th Position;
AR, IA, NA, SA and UA Models Starting Serial No. 105RX004093SD with A, D, I, J, R, T or X in 7th Position



CZW388P_D2400

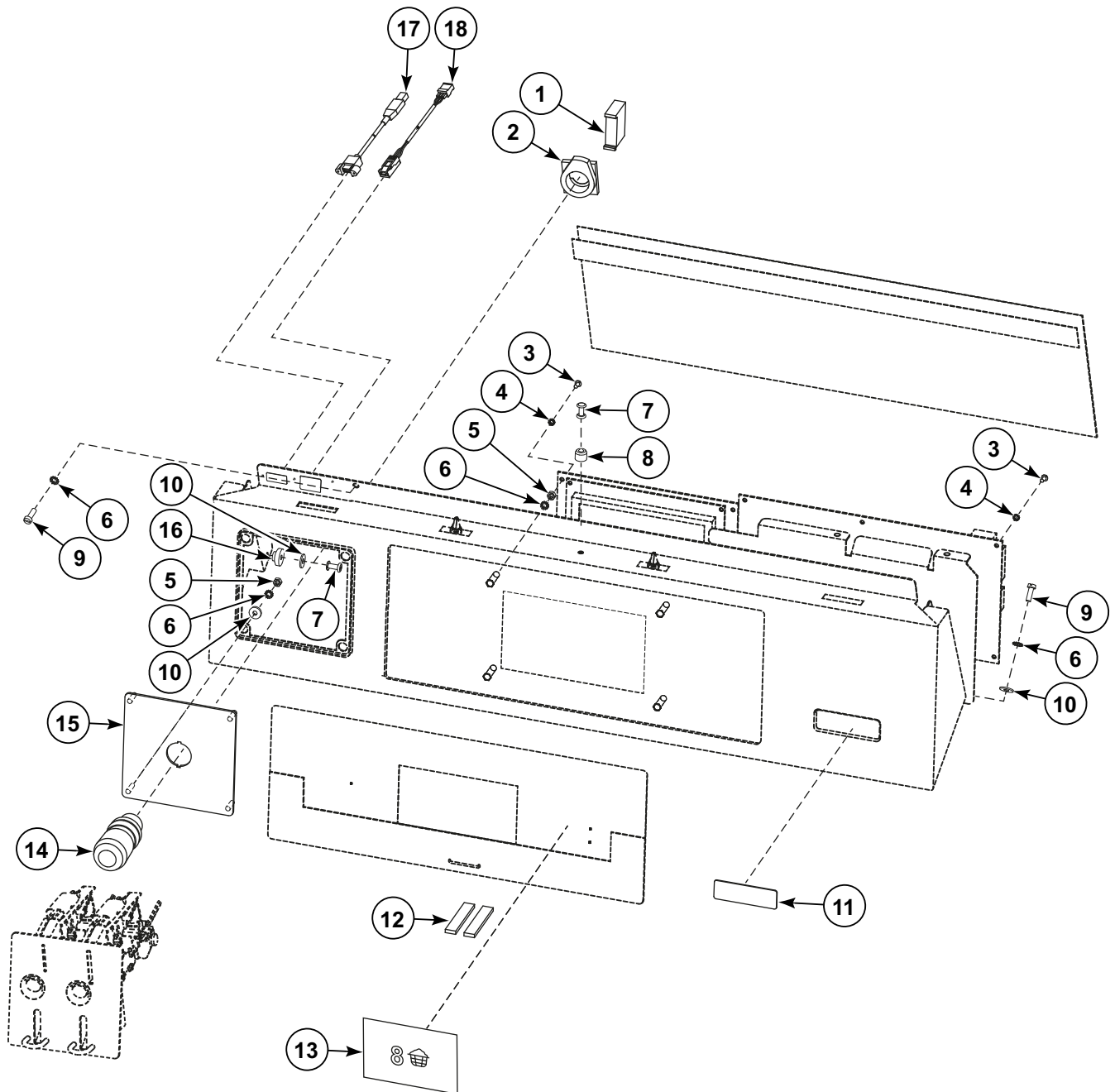
Control Panel (Drawing 1 of 2)

REF	PART NO.	DESCRIPTION	COMMENTS
1	SPPRI543000004	Cover	
2	SP510846	Tape	Self-adhesive
3	SP547001	Control Board	MC6; Green; Through Serial No. 105RX000764DB; Refer to NOTE*
	SP553411	Control Board	MC7; Blue; Starting Serial No. 105RX000958DF, Refer to NOTE*; AR, LA, LW, MWC, NA, NX, PA and RX models
	SP553419	Control Board	IA models; MC7; Red
	SP553412	Control Board	SA and UA models; MC7; Green
4	SP550117	Control Board Holder	
5	SP553405	Control Board Power	MC7
	SP547002	Control Board Power	MC6
	SP547005	Board Interconnection Cable	
6	SP550178	Control Panel	LA, LW, MWC, NX, PA and RX models
	575943	Control Panel	AR, IA, NA, SA and UA models; Starting Serial No. 105RX004093SD
7	SP547085	Keyboard	MWC, PA and RX models; (PAN Models Starting Serial No. 105RX003549MK); X_Control Plus; Gray-black; OPL
	SP547086	Keyboard	MWC, PA and RX models; X_Control; Gray-black
	SP547087	Keyboard	AR, LA and NA models; X_Control Plus; Black; OPL
	SP547088	Keyboard	AR, LA and NA models; X_Control; Black
	559862	Keyboard	UA models; PROform; OPL
	557130	Keyboard	SA models; QED Select; OPL
	SP553423	Keyboard	PAN models; X_Control; CSA; Through Serial No. 105RX003548MK
	SP557565	Keyboard	IA models; Aries Elite
	SP557566	Keyboard	IA models; Aries
	SP560747	Keyboard	IA models; Without logo; Without numeric keypad
	SP560748	Keyboard	IA models; Without logo; With numeric keypad
	SP561588	Keyboard	LW models
	SP552992	Keyboard	NX models

* NOTE: For machines within the Serial No. range 105RX000765DB - 105RX000957DF, contact the After Sales Department.

Control Panel (Drawing 2 of 2)

AR, LA, LW, MWC, NX, PA and RX Models with T or X in 7th Position;
AR, IA, NA, SA and UA Models Starting Serial No. 105RX004093SD with A, D, I, J, R, T or X in 7th Position



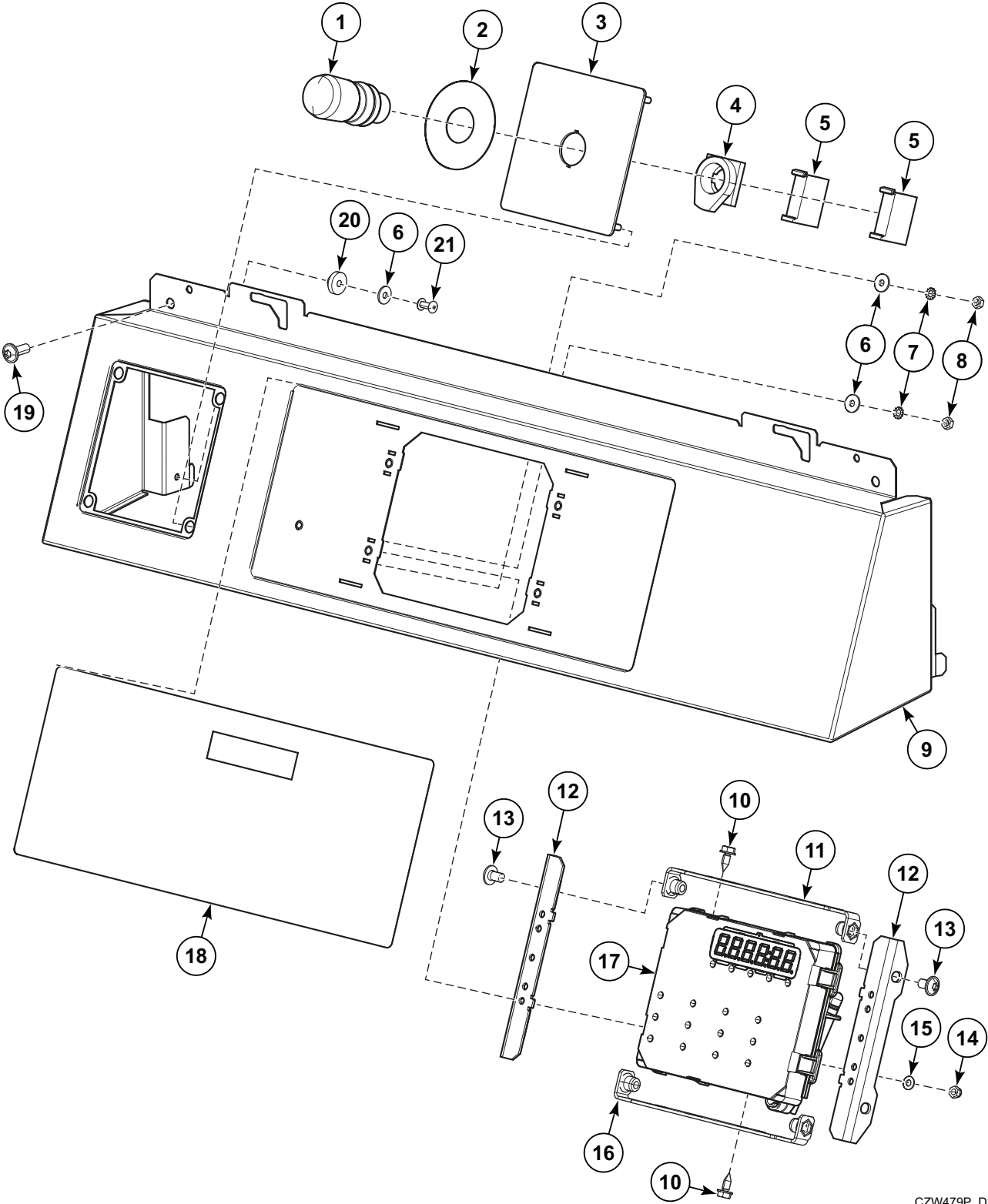
CZW389P_D2400

Control Panel (Drawing 2 of 2)

REF	PART NO.	DESCRIPTION	COMMENTS
	SP520033	Emergency Stop Interconnection	Vended
	F8600501	Programming Cable	
1	SP528312	Switching Unit	
2	SP528311	Emergency Stop Connector	
3	SP309798500306	Bolt	M3x6
4	SP311679800003	Washer	M3
5	SP310934000004	Nut	M4
6	SP311679800004	Washer	M4
7	SP547779	Rivet	4x16.7 with a crank
8	SP520408	Pin Insertion	
9	SP555504	Bolt	M4x12
10	SP311902100004	Washer	M4
11	SP552990	Logo Label	Models NX105_X_CONTROL and NX105M_X_CONTROL
	SP547046	Logo Label	LW models
	567887	Logo Label	PA and RX models
	SP552928	Logo Label	NX models
	547055	Logo Label	MWC models
12	SP284000012003	Tape	Self-adhesive
13	SP563290	Label	Basket Capacity; 2.5; Models PAN025T and PAN025X; Vended
14	SP528310	Emergency Stop Knob	
	SP520032	Emergency Stop Wiring	OPL
15	SP547565	Coin Meter Cover	
	SP550149	Cover Plate	Central payment system
16	SP550113	Leading Pin	
17	569668	USB Cable	0.61mm; PA models; Vended; Starting 9/1/2017
18	SP545234	Cable	RS485; With connectors; PAN models; CSA; Starting 9/1/2017

Control Panel OPL

Models with G in 7th Position



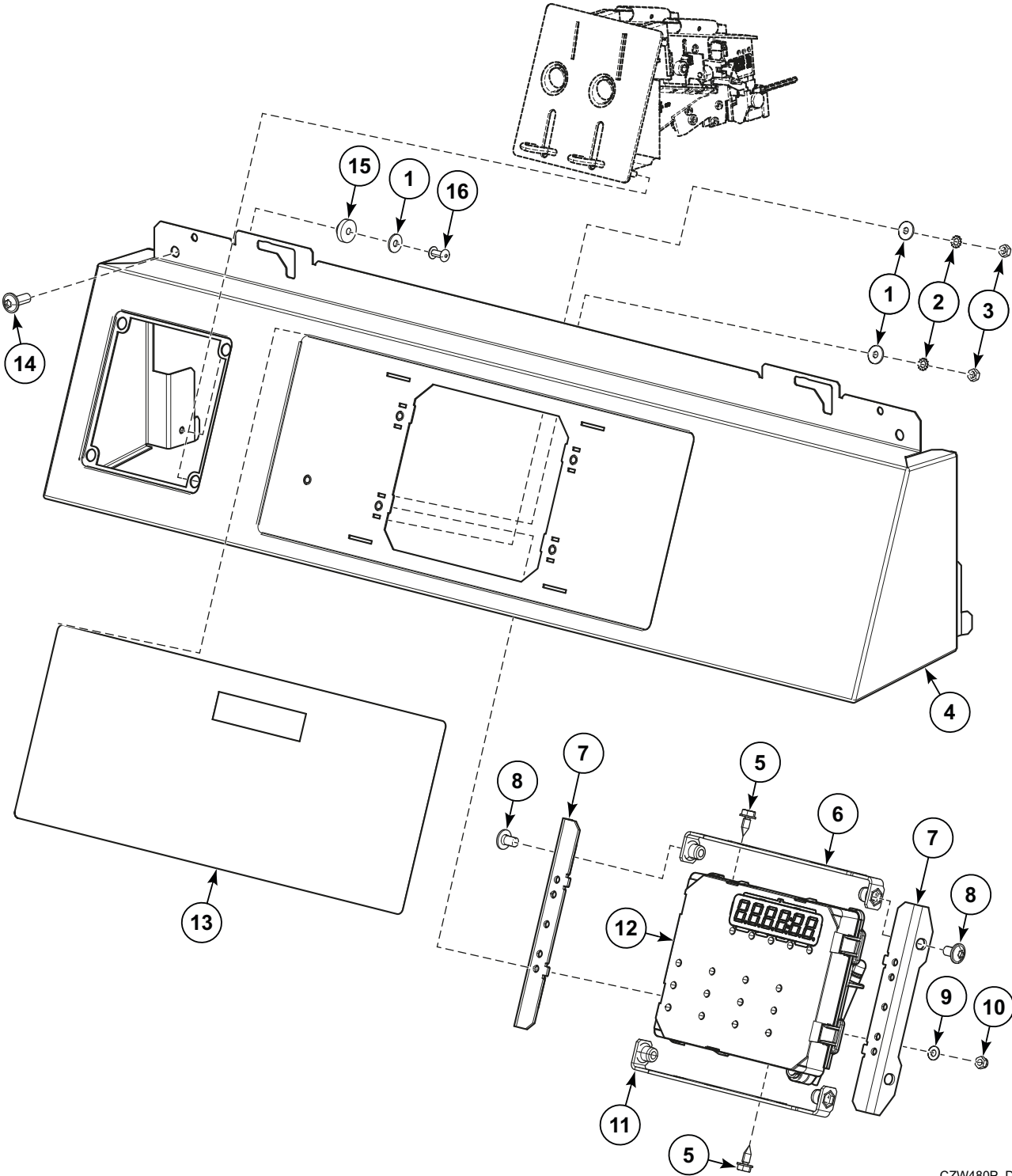
CZW479P_D2064

Control Panel OPL

REF	PART NO.	DESCRIPTION	COMMENTS
1	SP528310	Emergency Stop Knob	Used with SP520032 Emergency Stop Wiring
2	SPPRI551005248	Emergency Stop Label	Yellow
3	SP547565	Coin Meter Cover	
4	SP528311	Emergency Stop Connector	
5	SP528312	Switching Unit	
6	SP311902100004	Washer	M4
7	SP311679800004	Washer	M4
8	SP310934000004	Nut	M4
9	580851	Control Panel	
10	SP100218	Screw	
11	581020	Control Holder	upper
12	581009	Control Support	
13	SP506012	Bolt	M6x10
14	SP514193	Nut	M4
15	SP311125000004	Washer	4x3
16	581021	Control Holder	lower
17	204890	Control Board	
	575865	Board Interconnection Cable	15.75 inch (0.4 m)
18	577656	Keyboard	
19	555658	Bolt	M6x16
20	SP550113	Leading Pin	
21	SP313250004125	Rivet	4x12.5

Control Panel Vended

Models with G in 7th Position



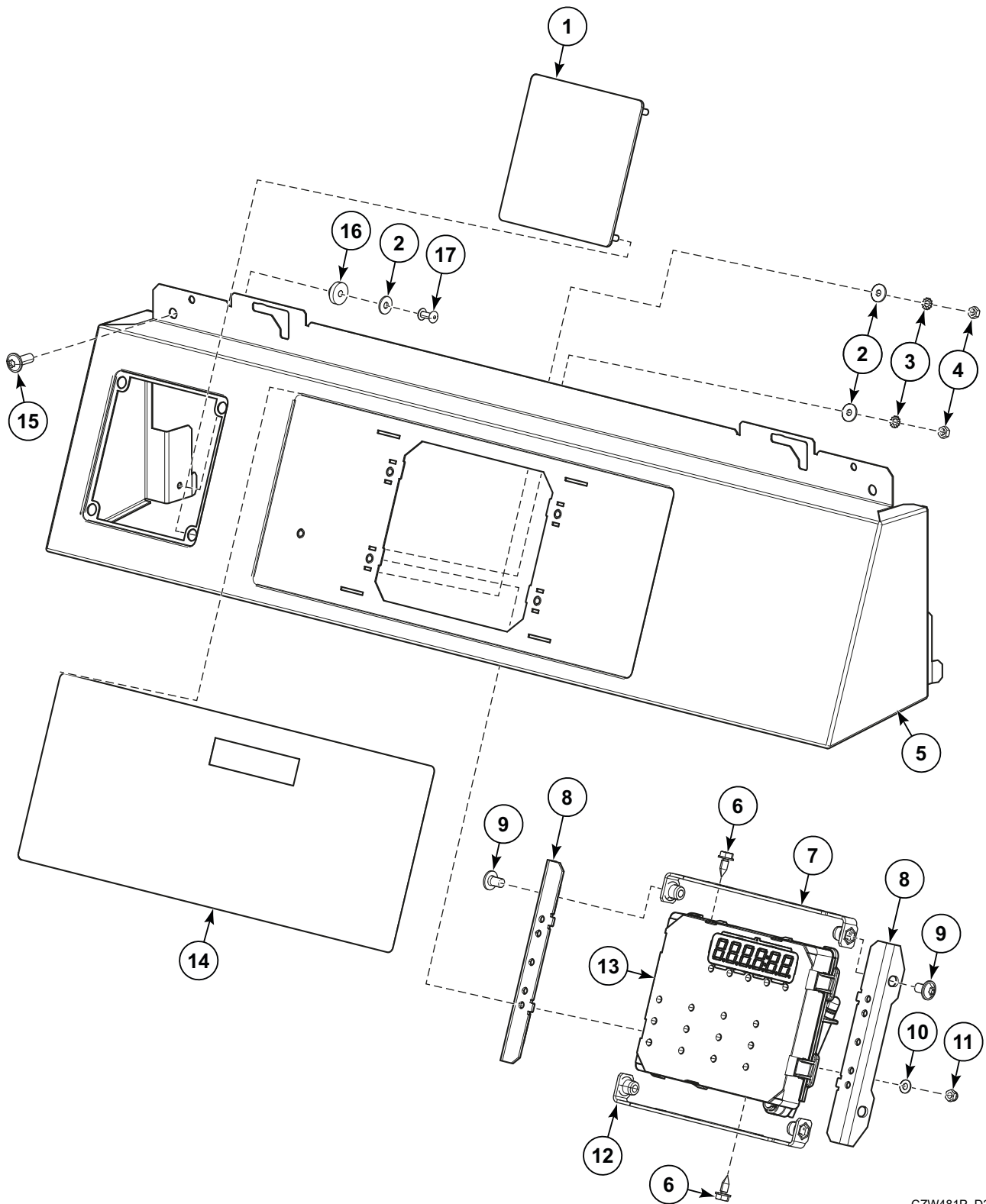
CZW480P_D2064

Control Panel Vended

REF	PART NO.	DESCRIPTION	COMMENTS
	SP520033	Emergency Stop Interconnection	Vend
1	SP311902100004	Washer	M4
2	SP311679800004	Washer	M4
3	SP310934000004	Nut	M4
4	580851	Control Panel	
5	SP100218	Screw	
6	581020	Control Holder	upper
7	581009	Control Support	
8	SP506012	Bolt	M6x10
9	SP311125000004	Washer	4x3
10	SP514193	Nut	M4
11	581021	Control Holder	lower
12	204890	Control Board	
	575865	Board Interconnection Cable	15.75 inch (0.4 m)
13	577656	Keyboard	
14	555658	Bolt	M6x16
15	SP550113	Leading Pin	
16	SP313250004125	Rivet	4x12.5

Control Panel for Central Payment System

Models with G in 7th Position



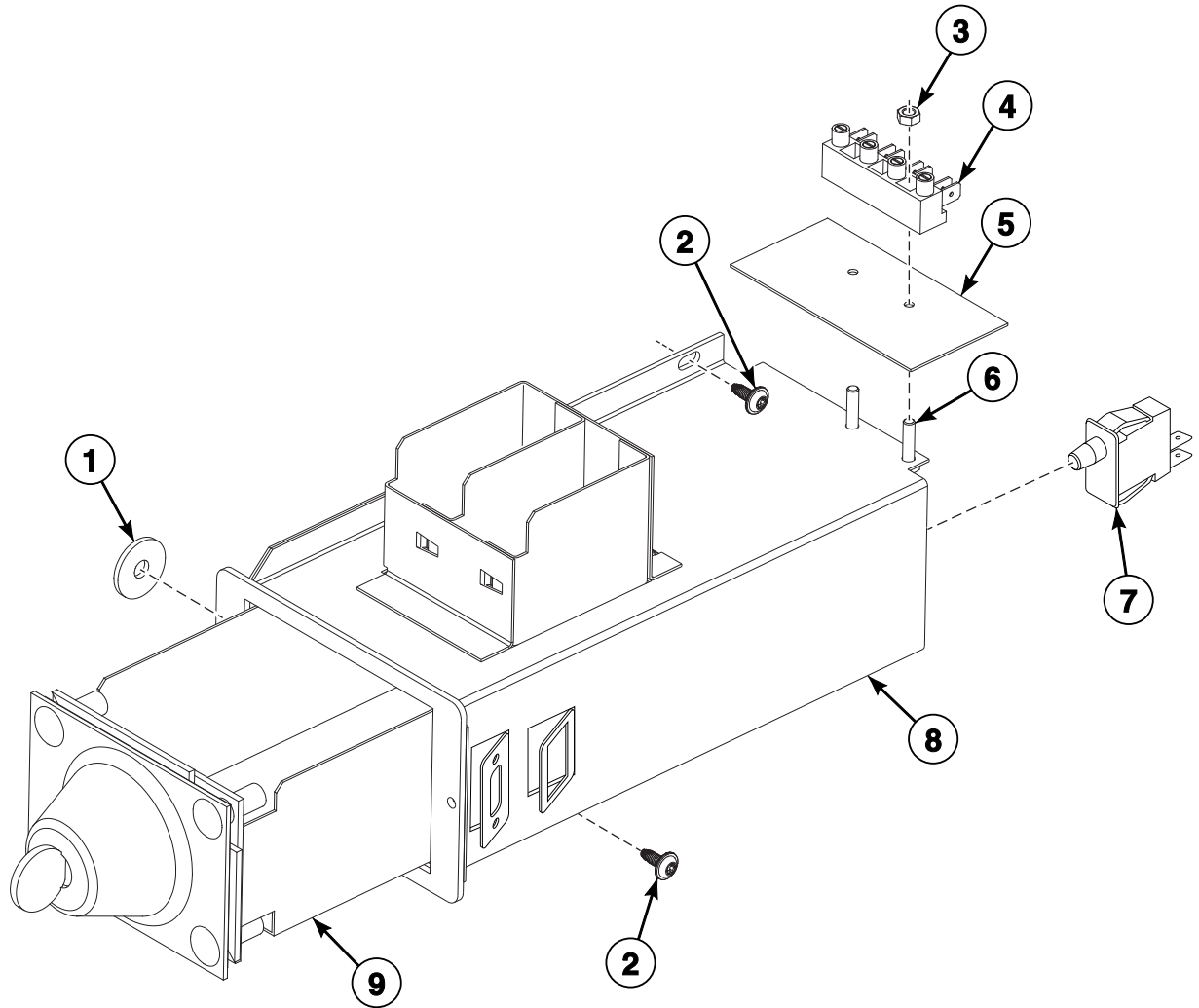
CZW481P_D2064

Control Panel for Central Payment System

REF	PART NO.	DESCRIPTION	COMMENTS
	571485	Emergency Stop Interconnection	Central Payment System
1	SP550149	Cover Plate	Central Payment System
2	SP311902100004	Washer	M4
3	SP311679800004	Washer	M4
4	SP310934000004	Nut	M4
5	580851	Control Panel	
6	SP100218	Screw	
7	581020	Control Holder	upper
8	581009	Control Support	
9	SP506012	Bolt	M6x10
10	SP311125000004	Washer	4x3
11	SP514193	Nut	M4
12	581021	Control Holder	lower
13	204890	Control Board	
	575865	Board Interconnection Cable	15.75 inch (0.4 m)
14	577656	Keyboard	
15	555658	Bolt	M6x16
16	SP550113	Leading Pin	
17	SP313250004125	Rivet	4x12.5

Coin Meter Case

Models Through Serial No. 105RX003528MH



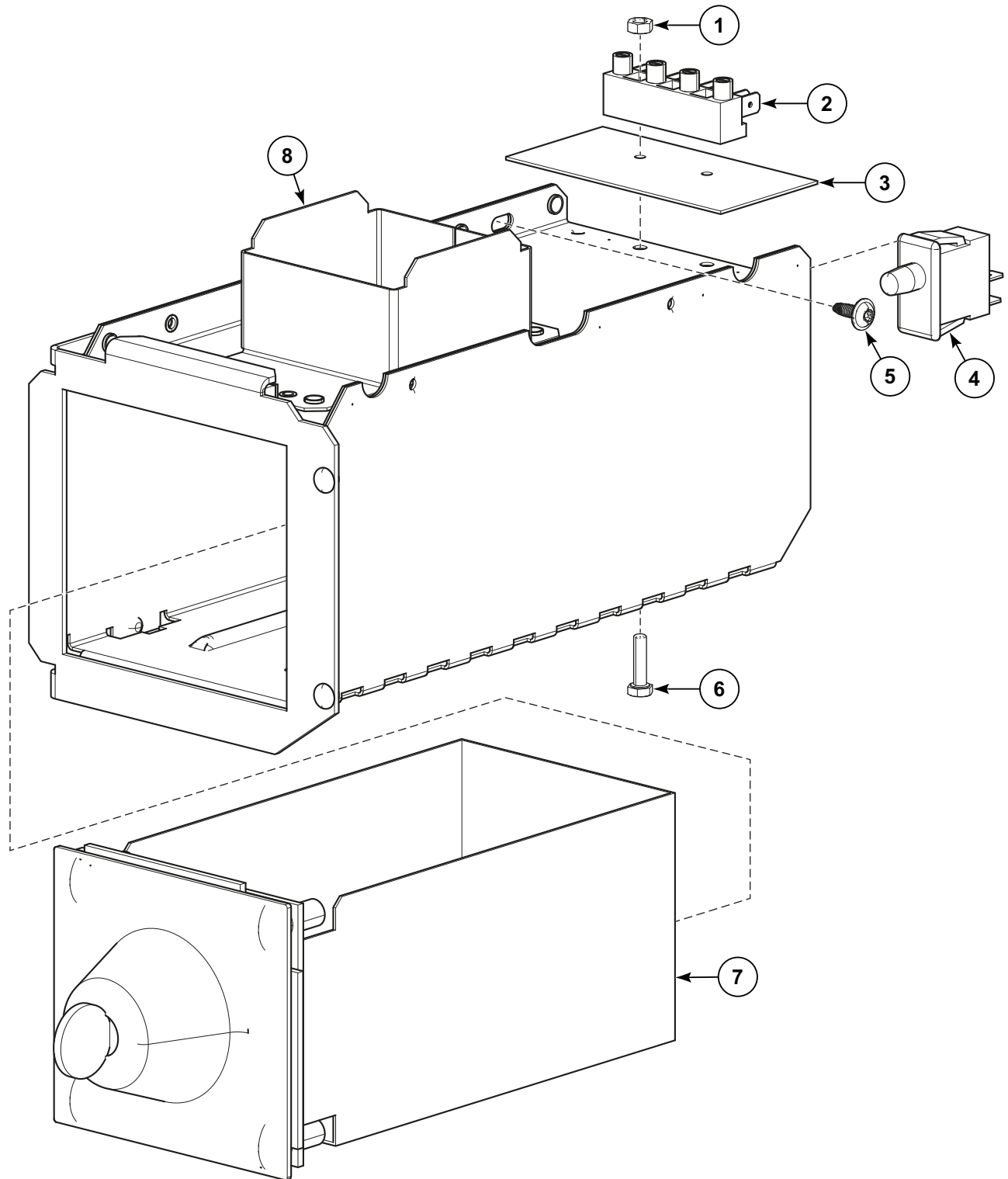
CHM3504P_D2400

Coin Meter Case

REF	PART NO.	DESCRIPTION	COMMENTS
1	SP568037	Washer	
2	SP529206	Screw	4x11
3	SP310934000004	Nut	M4
4	SPPRI350000007	Terminal Board	
5	SPPRI350012007	Isolation Paper	
6	SP309933000416	Bolt	M4x16
7	SP506045	Microswitch	PAN models; CSA; Vended
8	SP550436	Coin Meter Case	AR, AR Non-Brand, LA, LW, MWC, NA, NX, PA, RX and SA models; Without cuts for cables
	SP547548	Coin Meter Case	A, IA and WMA models
9	SP102532	Coin Meter Box	

Coin Meter Box

Models Starting Serial No. 105RX003529MH



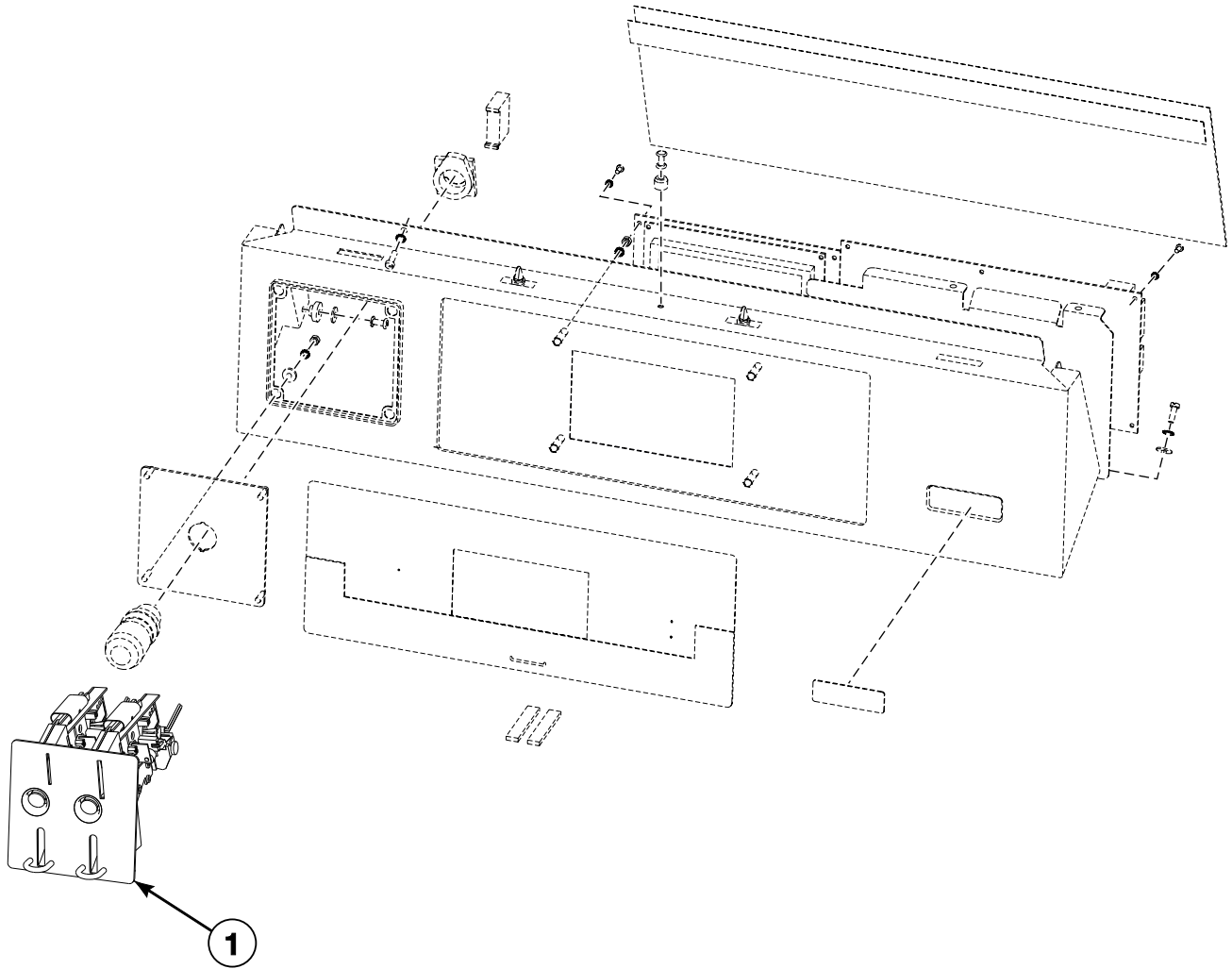
CZW499P_D2064

Coin Meter Box

REF	PART NO.	DESCRIPTION	COMMENTS
1	SP310934000004	Nut	M4
2	SPPRI350000007	Terminal Board	
3	SPPRI350012007	Isolation Paper	
4	NA	Microswitch	
5	SP529206	Screw	4x11
6	SP309933000416	Bolt	M4x16
7	SP102532	Coin Meter Box	
8	572117	Coin Meter Case	

N/A = Part no longer available

Coin Meter - AR, LA, LW, MWC, NX, PA and RX Models (Drawing 1 of 4)

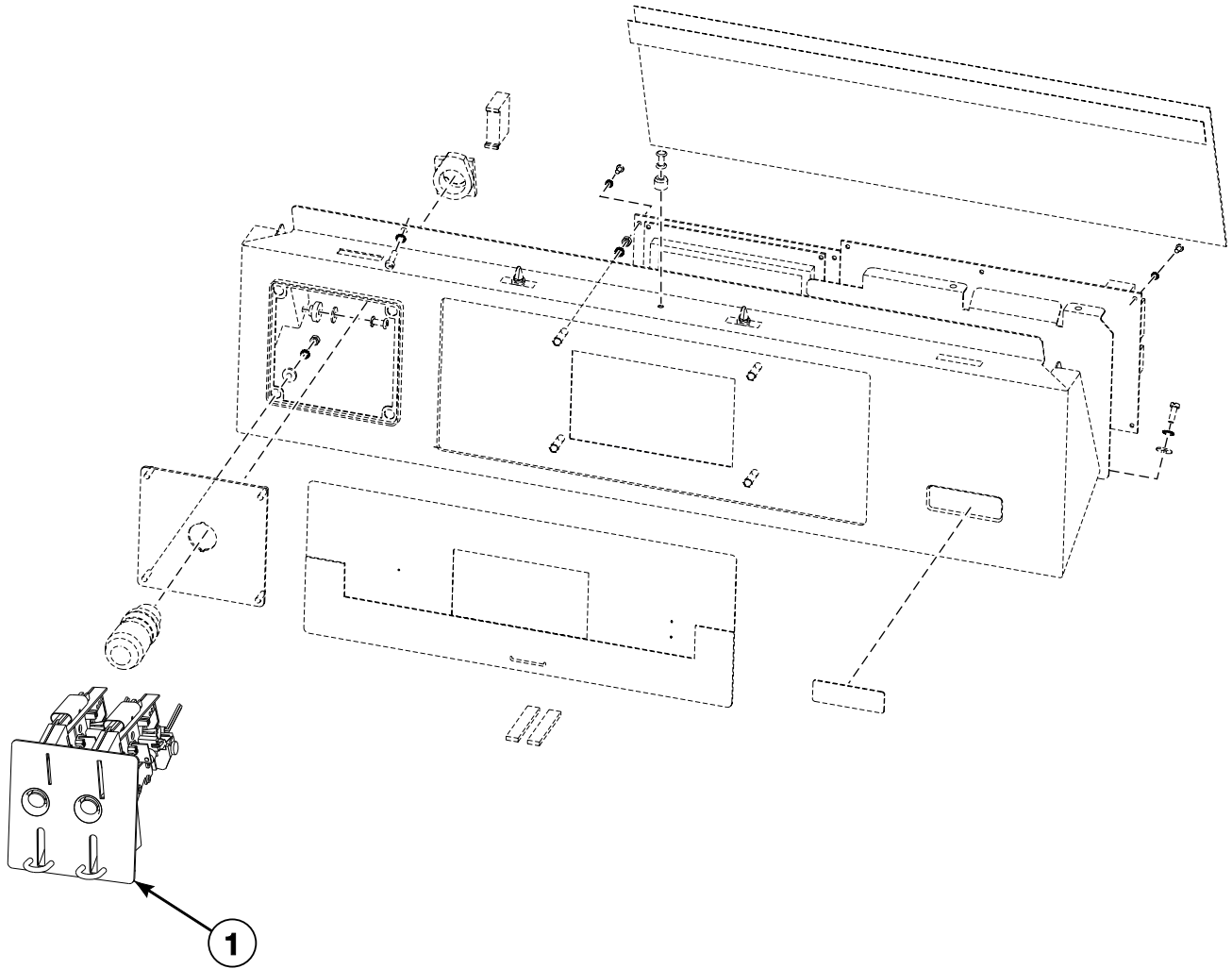


CFD2911P_D2400

Coin Meter - AR, LA, LW, MWC, NX, PA and RX Models (Drawing 1 of 4)

REF	PART NO.	DESCRIPTION	COMMENTS
1	SP547601	Coin Meter	5K Primus jeton
	SP547602	Coin Meter	7K Primus jeton
	SP547603	Coin Meter	10K Primus jeton
	SP547604	Coin Meter	12K Primus jeton
	SP547605	Coin Meter	15K Primus jeton
	SP547606	Coin Meter	D jeton
	SP547648	Coin Meter	0.05EUR
	SP547638	Coin Meter	0.2EUR
	SP547616	Coin Meter	0.5EUR
	SP547614	Coin Meter	1EUR
	SP547647	Coin Meter	2EUR
	SP547622	Coin Meter	0.2EUR + 0.5EUR
	SP547639	Coin Meter	0.2EUR + 1EUR
	SP547617	Coin Meter	0.5EUR + 1EUR
	SP547656	Coin Meter	0.5EUR + 2EUR
	SP547631	Coin Meter	1EUR + 2EUR
	SP547652	Coin Meter	7K + D jeton
	SP547666	Coin Meter	7K jeton and 2EUR
	SP547665	Coin Meter	D jeton and 2EUR
	SP547600	Coin Meter	1AUD + 20C
	SP547607	Coin Meter	1POND + 20PC
	SP547608	Coin Meter	1POND + 50PC
	SP547609	Coin Meter	100YEN
	SP547610	Coin Meter	500JPY + 100JPY
	SP547611	Coin Meter	5DKK
	SP547612	Coin Meter	20DKK
	SP547613	Coin Meter	5ILS + 1ILS
	SP547615	Coin Meter	1MYR
	SP547618	Coin Meter	1DKK + 5DKK
	SP547619	Coin Meter	10NOK + 20NOK
	SP547620	Coin Meter	2DKK + 5DKK
	SP547621	Coin Meter	5NOK
	SP547623	Coin Meter	1NZD + 2NZD
	SP547624	Coin Meter	10 NOK
	SP547625	Coin Meter	10NT + 50NT
	SP547626	Coin Meter	2DKK
	SP547627	Coin Meter	Lucky Winner jeton
	SP547628	Coin Meter	10TWD
	SP547629	Coin Meter	10CZK + 20CZK
	SP547630	Coin Meter	7K Equipos Par Lavar jeton
	569921	Coin Meter	0.2GBP, 0.5GBP, 1GBP, 2GBP, 0.1EUR, 0.2EUR, 0.5EUR, 1EUR, 2EUR; Electronic EMPv7
	SP547634	Coin Meter	500WON
	SP547635	Coin Meter	0.25USD
	SP547636	Coin Meter	1AUD + 2AUD
	SP547637	Coin Meter	5DK + 10DK

Coin Meter - AR, LA, LW, MWC, NX, PA and RX Models (Drawing 2 of 4)

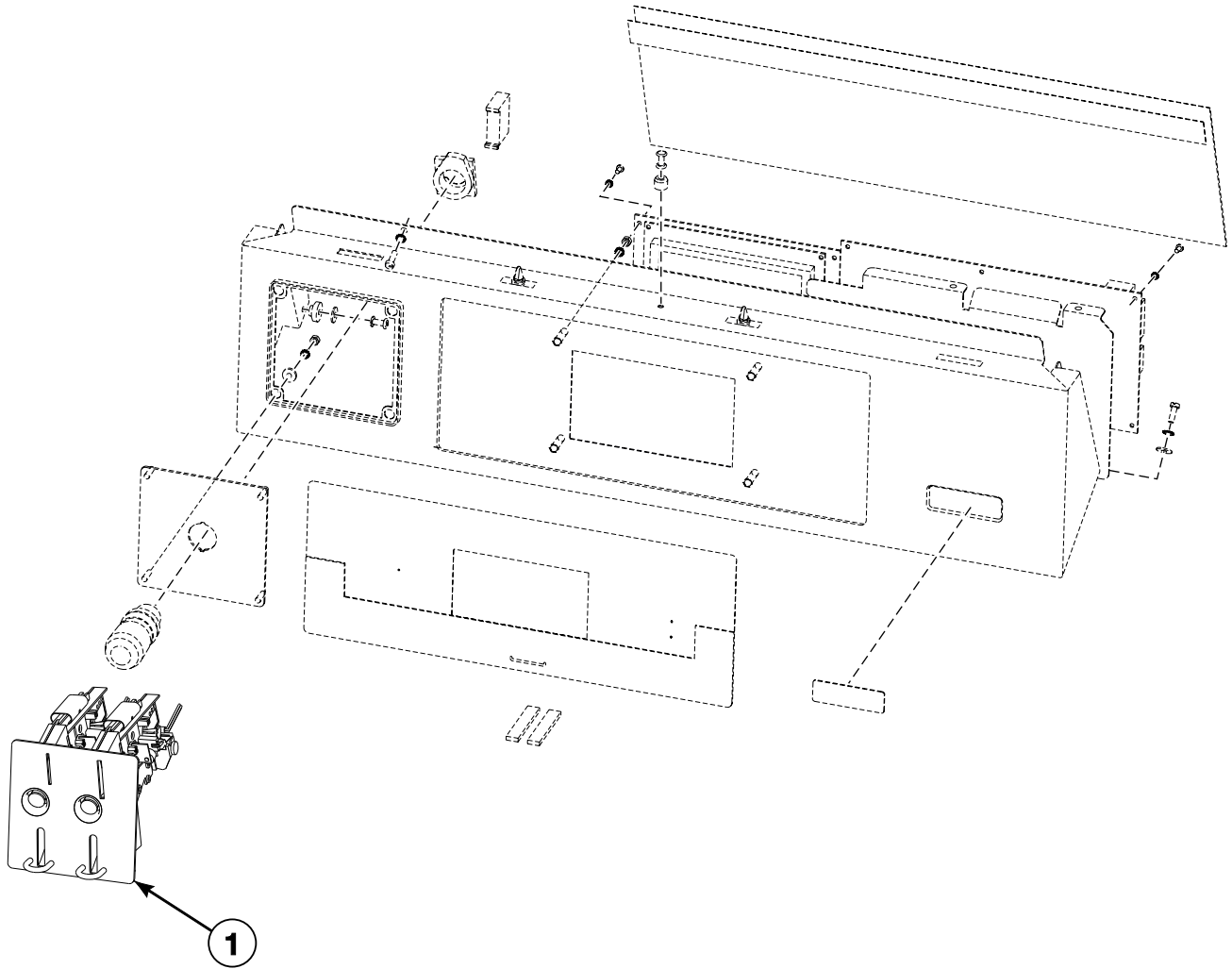


CFD2911P_D2400

Coin Meter - AR, LA, LW, MWC, NX, PA and RX Models (Drawing 2 of 4)

REF	PART NO.	DESCRIPTION	COMMENTS
1	SP547641	Coin Meter	2DK + 10DK
	SP547642	Coin Meter	1AUD
	SP547643	Coin Meter	1CHF
	SP547644	Coin Meter	5NOK + 10NOK
	SP547645	Coin Meter	1 TopMos jeton + 1LEV jeton
	SP547646	Coin Meter	1 Vendo jeton
	SP547649	Coin Meter	1 jeton
	569951	Coin Meter	0.5MAD, 1MAD, 2MAD, 5MAD, 10MAD; Electronic EMPv7
	SP547651	Coin Meter	20 penny
	SP547653	Coin Meter	1 Wascator jeton, jeton diamater 22.2 mm
	SP547654	Coin Meter	1 Unibel jeton, jeton diamater 18.55 mm
	SP547657	Coin Meter	50HUF + 100HUF
	SP547658	Coin Meter	1 jeton without coining, jeton diamater 20 mm
	SP547659	Coin Meter	1 Volund jeton, jeton diamater 22.5 mm
	SP547660	Coin Meter	1 Wascator jeton, jeton diamater 19 mm
	SP547661	Coin Meter	1 Miele jeton
	SP547662	Coin Meter	1 jeton without coining, jeton diamater 26 mm
	SP547663	Coin Meter	Three-groove jeton; jeton diamater 27 mm
	SP547664	Coin Meter	Three-groove jeton; jeton diamater 25 mm
	SP537996	Coin Meter	Top-Mosr jeton
	SP547667	Coin Meter	Milano Italy jeton
	SP547668	Coin Meter	5PLN + 1PLN
	SP547669	Coin Meter	Two-grooves jeton; jeton diamater 27 mm
	SP547670	Coin Meter	A.S.A.R.D. jeton, jeton diamater 25.8 mm
	SP547671	Coin Meter	20CZK
	SP547672	Coin Meter	Jeton ASARD, jeton diamater 22.3 mm
	SP547673	Coin Meter	Jeton Laundromatic Belgium, jeton diamater 22.3 mm
	SP547674	Coin Meter	1SGD
	SP547675	Coin Meter	Jeton Asard Wascator, jeton diamater 19.9 mm
	SP555502	Coin Meter	Easy Games jeton
	SP555543	Coin Meter	Brev.C jeton
	SP555546	Coin Meter	50 Malaysian cent
	SP555549	Coin Meter	Flat Polis jeton
	SP555550	Coin Meter	Butzi Wash jeton
	SP555578	Coin Meter	1 New Singapore Dollar
	SP555558	Coin Meter	Copper without grooves jeton
	569939	Coin Meter	0.1SGD, 0.2SGD, 0.5SGD, 1SGD; Electronic EMPv7
	SP555666	Coin Meter	2x50 Malaysian cent
	569933	Coin Meter	0.1EUR, 0.2EUR, 0.5EUR, 1EUR, 2EUR; Electronic EMPv7
	SP555559	Coin Meter	Speedy Matic jeton
	SP555579	Coin Meter	Electronic EMP500.12v5 Was-Salon Lavoir jeton
	569948	Coin Meter	5CZK, 10CZK, 20CZK, 50CZK; Electronic EMPv7
	SP560744	Coin Meter	Electronic for Dobi Ekspress jeton
	569964	Coin Meter	0.2GBP, 0.5GBP, 1GBP, 2GBP, 0.1EUR, 0.2EUR, 0.5EUR, 1EUR, 2EUR, jeton "KWL Aqua", jeton "Gettone"; Electronic EMPv7
	SP560089	Coin Meter	STD 118-1 jeton

Coin Meter - AR, LA, LW, MWC, NX, PA and RX Models (Drawing 3 of 4)

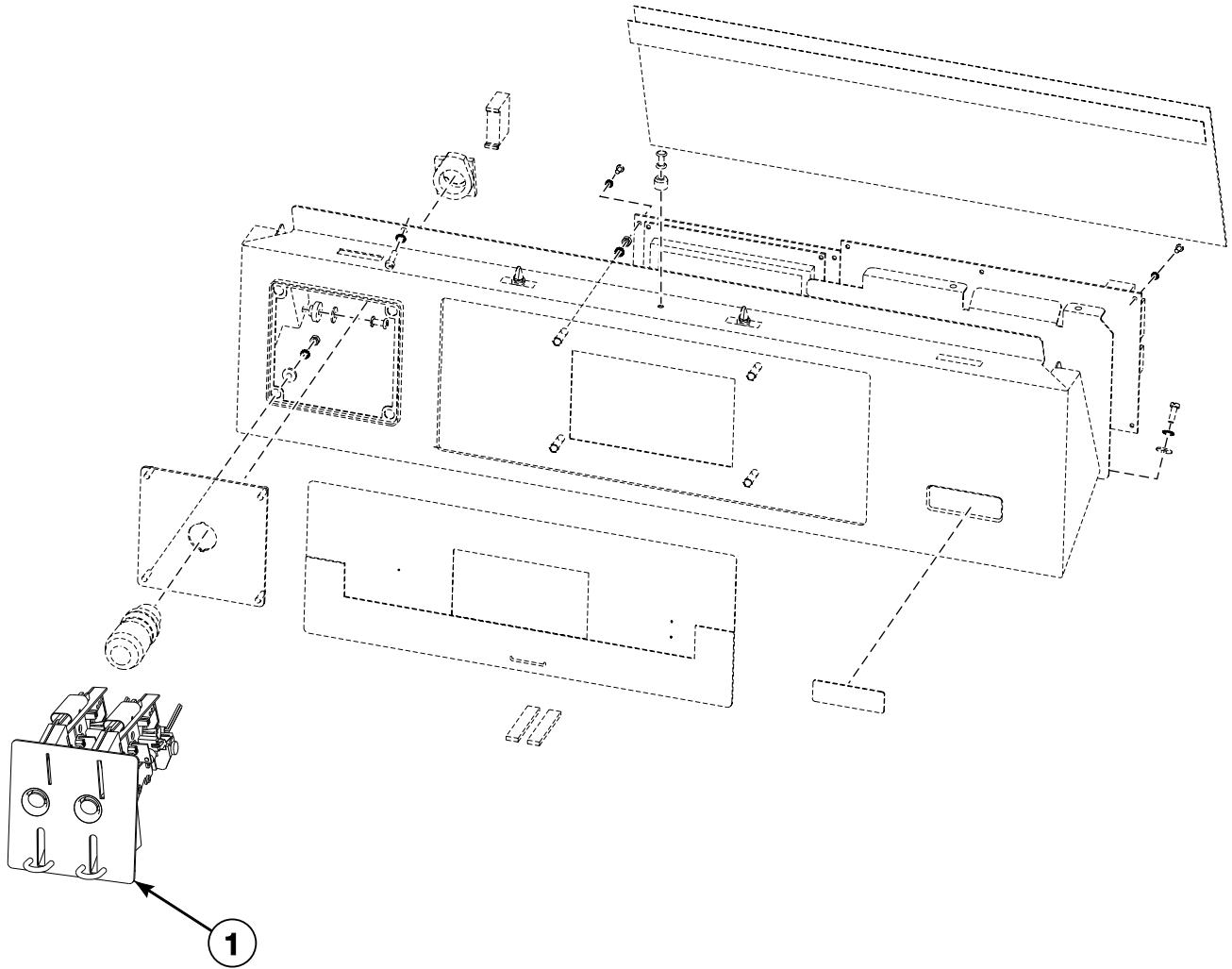


CFD2911P_D2400

Coin Meter - AR, LA, LW, MWC, NX, PA and RX Models (Drawing 3 of 4)

REF	PART NO.	DESCRIPTION	COMMENTS
1	SP560082	Coin Meter	5k IPSO jeton
	SP560083	Coin Meter	7k IPSO jeton
	SP560084	Coin Meter	10k IPSO jeton
	SP560085	Coin Meter	12k IPSO jeton
	SP560086	Coin Meter	15k IPSO jeton
	561378	Coin Meter	10 Moroccan Dirham
	569918	Coin Meter	0.25USD, 1USD, 0.25CAD, 1CAD, 2CAD; Electronic EMPv7
	560073	Coin Meter	0.25 USD/1 USD
	569930	Coin Meter	1CNY, 0.1MYR, 0.2MYR, 0.5MYR; Electronic EMPv7
	569927	Coin Meter	0.2AUD, 1AUD, 2AUD, 0.2NZD, 1NZD, 2NZD, 5HKD, 10HKD, 500KRW; Electronic EMPv7
	561496	Coin Meter	Jeton Grupo Azkoyen CDS Automaten
	569936	Coin Meter	1PHP, 5PHP, 10PHP; Electronic EMPv7
	569942	Coin Meter	0.1MYR, 0.2MYR, 0.5MYR, 0.5SGD, 1SGD; Electronic EMPv7
	569945	Coin Meter	1HRK, 2HRK, 5HRK; Electronic EMPv7
	569924	Coin Meter	1DKK, 2DKK, 5DKK, 10DKK, 20DKK, 1NOK, 5NOK, 10NOK, 20NOK, 0.2EUR, 0.5EUR, 1EUR, 2EUR; Electronic EMPv7
	564484	Coin Meter	Jeton 118-5
	SP564486	Coin Meter	Jeton Barisart (LDL)
	569961	Coin Meter	0.1EUR, 0.2EUR, 0.5EUR, 1EUR, 2EUR, jeton IPSO 5K; Electronic EMPv7
	564489	Coin Meter	Jeton Sporrong
	569970	Coin Meter	0.5MYR, jeton "DOBI PAPA"; Electronic EMPv7
	553150	Coin Meter	Jeton with hole
	553151	Coin Meter	Jeton Deton Wash
	569901	Coin Meter	Brass jeton
	569912	Coin Meter	Jeton Wassalon lavoir
	569954	Coin Meter	1PLN, 2PLN, 5PLN, 0.1EUR, 0.2EUR, 0.5EUR, 1EUR, 2EUR, 10ISK, 50ISK, 100ISK; Electronic EMPv7
	569967	Coin Meter	0.1EUR, 0.2EUR, 0.5EUR, 1EUR, 2EUR, jeton G-FIS "LAVOIR BIANCA"; Electronic EMPv7
	569973	Coin Meter	1AUD, 2AUD, jeton "No Cash Value"; Electronic EMPv7
	569979	Coin Meter	0.5MYR, jeton "BUBBLELAB"; Electronic EMPv7
	569987	Coin Meter	Jeton HAUCK 2018
	572342	Coin Meter	Token WH121
	572358	Coin Meter	1THB, 2THB, 5THB, 10THB/TK1+2; Electronic EMPv7
	572391	Coin Meter	0.25CAD
	SP547640	Coin Meter	Sun Wash jeton
	569998	Coin Meter	100+500 ISK
	572301	Coin Meter	Token 118-16
	572304	Coin Meter	1ILS, 2ILS, 5ILS, 10ILS; Electronic EMPv7
	572307	Coin Meter	1ZAR, 2ZAR, 5ZAR; Electronic EMPv7
	572310	Coin Meter	5RUB, 10RUB; Electronic EMPv7
	572313	Coin Meter	50CLP, 100CLP, 500CLP; Electronic EMPv7
	572317	Coin Meter	100JPY, 500JPY, 10TWD, 50TWD; Electronic EMPv7
	572320	Coin Meter	0.5GEL, 1GEL, 2GEL; Electronic EMPv7

Coin Meter - AR, LA, LW, MWC, NX, PA and RX Models (Drawing 4 of 4)

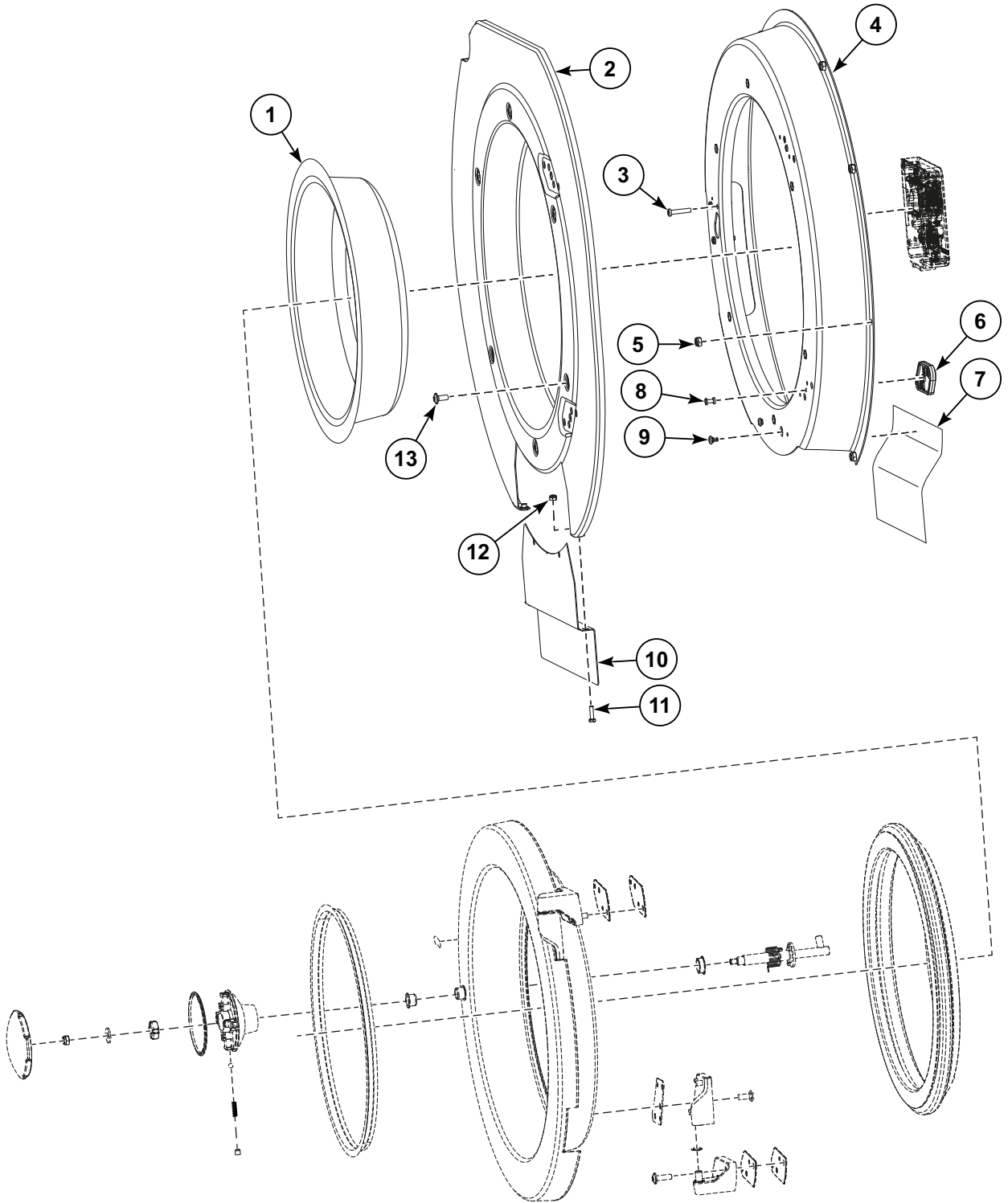


CFD2911P_D2400

Coin Meter - AR, LA, LW, MWC, NX, PA and RX Models (Drawing 4 of 4)

REF	PART NO.	DESCRIPTION	COMMENTS
1	572323	Coin Meter	0.2EUR, 0.5EUR, 1EUR, 2EUR, Jeton 7K; Electronic EMPv7
	572339	Coin Meter	Gettone Jeton (26mm diameter x 1.7mm)
	572383	Coin Meter	0.2CHF, 0.5CHF, 1CHF, 2CHF; TK1, TK2; Electronic EMPv7
	579808	Coin Meter	1EAD, 1TK, 2TK; Electronic EMPv7
	579812	Coin Meter	20HUF, 50HUF, 100HUF, 200HUF; TK1, TK2; Electronic EMPv7

Door (Drawing 1 of 3)

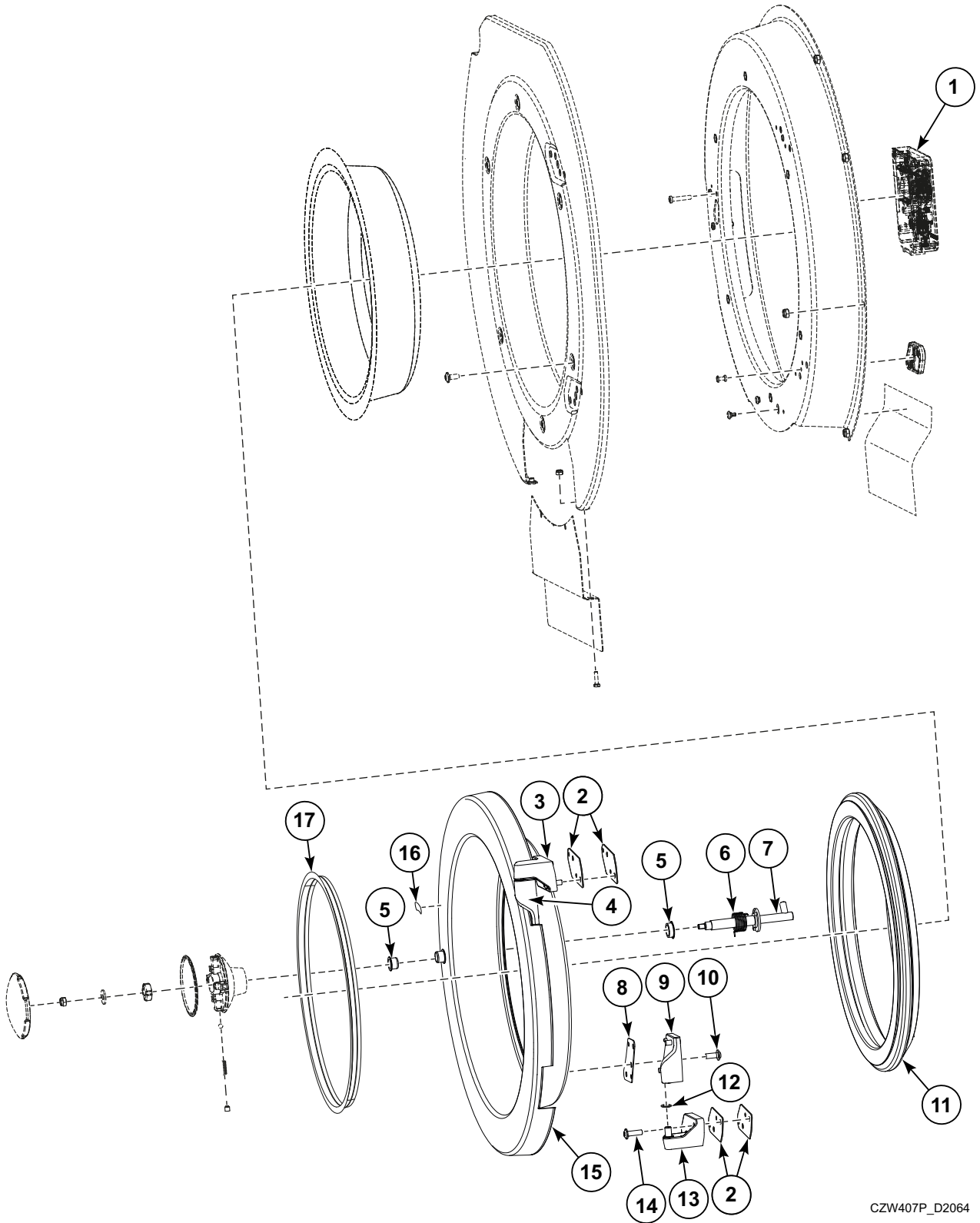


CZW370P_D2064

Door (Drawing 1 of 3)

REF	PART NO.	DESCRIPTION	COMMENTS
	582319	Plexiglass Assembly	Models with G in 7th position of the model number; Door-glass Insulation
	553531	Door Assembly	LW, MWC, NX, PA, RX and WMA models; Includes items 1-13 in (Drawing 1 of 3), 2-17 in (Drawing 2 of 3) and 1-10 in (Drawing 3 of 3)
	576072	Door Assembly	IA Models with J or R in 7th position of the model number; Includes items 1-13 in (Drawing 1 of 3), 2-17 in (Drawing 2 of 3) and 1-10 in (Drawing 3 of 3)
	576075	Door Assembly	AR, NA, SA and UA Models; IA Models with G in 7th position of the model number; Includes items 1-13 in (Drawing 1 of 3), 2-17 in (Drawing 2 of 3) and 1-10 in (Drawing 3 of 3)
	SP552454	Door Lock Wiring	PAN models with T or X in 7th position of the model number; CSA; MC7 control board
	SP552453	Door Lock Wiring	Models with A, D, I, J, R, T or X in 7th position of the model number except PAN models; CE; MC7 control board
	SP528270	Door Lock Wiring	Models with A, D, I, J, R, T or X in 7th position of the model number except PAN models; CE; MC6 control board
	569723	Door Lock Wiring	Models with G in 7th position of the model number
	SP245704003021	Adhesive	Loctite 243
	SP537896	Adhesive	Reversible tape
	SP245704000603	Adhesive	Loctite 603; Use with SP537854 Bolt
	SP284000012003	Tape	Self-adhesive
	568991	Service Door Kit	Includes 569353 Door Seal, 568804 Shim, 560069 Shim, PRI722000004 Plastic Protection, PRI722000001 Plastic Protection and SP345000160971 Binding Strip
1	SP556227	Door Glass	IA models with J or R in 7th position of the model number; With logo
	SP535417	Door Glass	A, AR, AR Non-Brand, LA, LW, MWC, NA, NX, PA, RX, SA, UA and WMA models; IA Models with G in 7th position of the model number; Without logo
2	571722	Front Panel	SP563274 must also be ordered; Black
	571725	Front Panel	568986 must also be ordered; Stainless steel
3	SP556137	Bolt	M5x25
4	SP537853	Door and Lock Holder	
5	SP310985000006	Nut	M6
6	SP537849	Hinge Spacer	
7	SPPRI543000004	Cover	
8	SP547779	Rivet	4x16.7 with a crank
9	SP537856	Connector	
10	SP537866	Heating Element Front Cover	Through Serial No. 105RX004092SD; Black
	SP556236	Heating Element Front Cover	Through Serial No. 105RX004092SD; Stainless steel
	SP563274	Heating Element Front Cover	Starting Serial No. 105RX004093SD; Black
	568986	Heating Element Front Cover	Starting Serial No. 105RX004093SD; Stainless steel
11	SP309084000416	Bolt	M4x16
12	SP313251002104	Nut	M4; Riveting
13	SP537854	Bolt	M6x14

Door (Drawing 2 of 3)



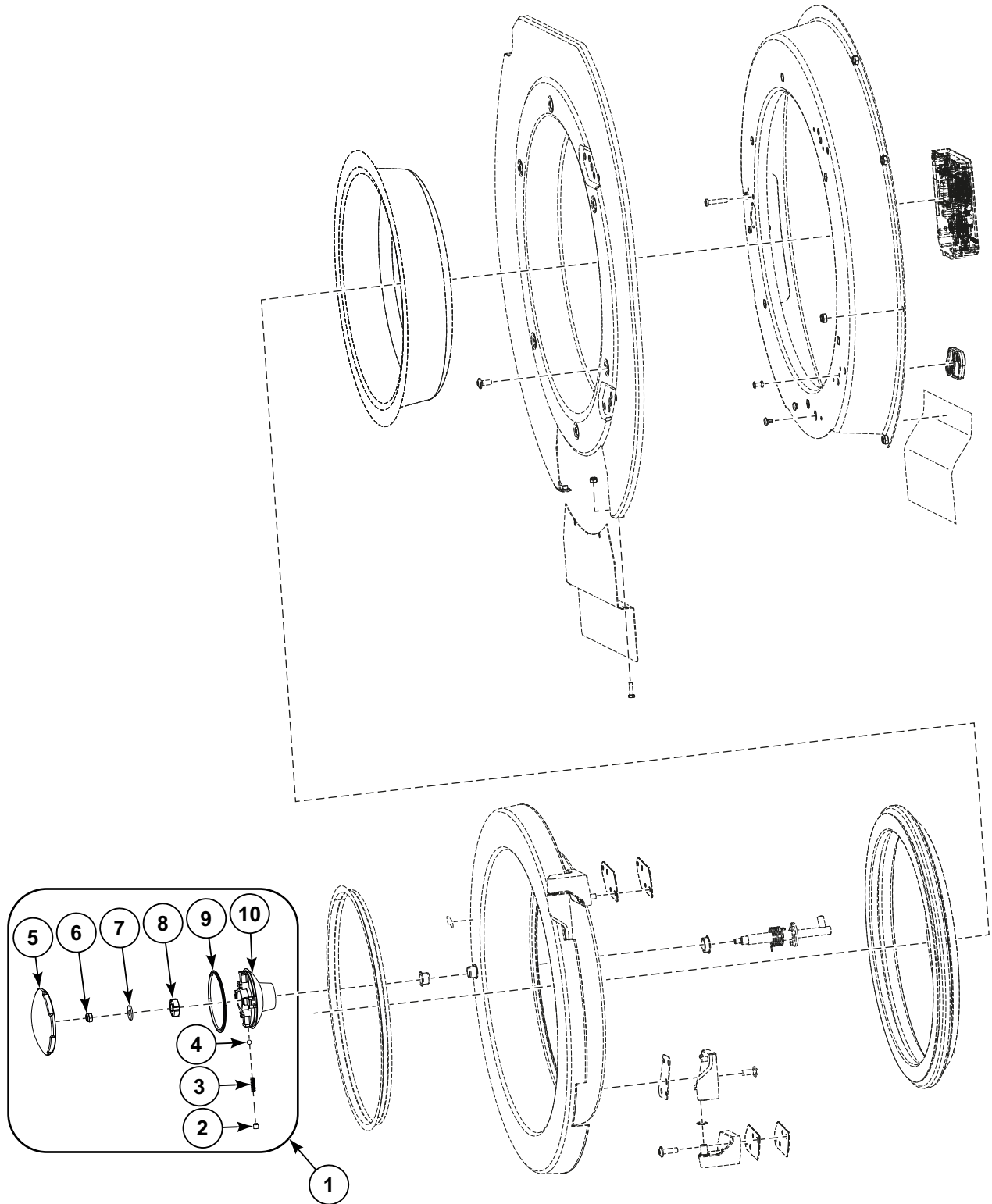
CZW407P_D2064

Door (Drawing 2 of 3)

REF	PART NO.	DESCRIPTION	COMMENTS
1	SP537760	Lock	Used with 560069 Shim, not included
2	N/A	Shim	
3	568981	Fixed Upper Hinge	Chrome
	568979	Fixed Upper Hinge	Black
4	575962	Upper Hinge	Chrome; with case
	575960	Upper Hinge	Black; with case
5	SP529739	Casing	
6	SP535402	Handle Torsion Spring	
7	SP537933	Lock Pin	
8	SP535421	Hinge Spacer	
9	575965	Lower Hinge	Chrome; with case
	575963	Lower Hinge	Black; with case
10	SP537864	Bolt	M6x16
11	568991	Service Door Kit	
12	571642	Washer	
13	568984	Fixed Lower Hinge	Chrome
	568982	Fixed Lower Hinge	Black
14	SP535479	Bolt	M6x25
15	SP535428	Door	A, AR, AR Non-Brand, IA, LA, NA and WMA models; Black; Through Serial No. 105RX004092SD
	568837	Door	AR, IA, NA and WMA models Starting Serial No. 105RX004093SD; SA and UA models Starting Serial No. 105RX004687WF; Black
	SP535426	Door	SA and UA models Through Serial No. 105RX004686WF; Chrome
	SP553526	Door	LW, MWC, NX, PA and RX models; Gray
16	SP564831	Label	PAN models; North USA; Door Lock; CSA; Vended
17	SP562546	Rim	IA models with J or R in 7th position of the model number; Starting Serial No. 105RX004093SD

N/A = Part no longer available

Door (Drawing 3 of 3)

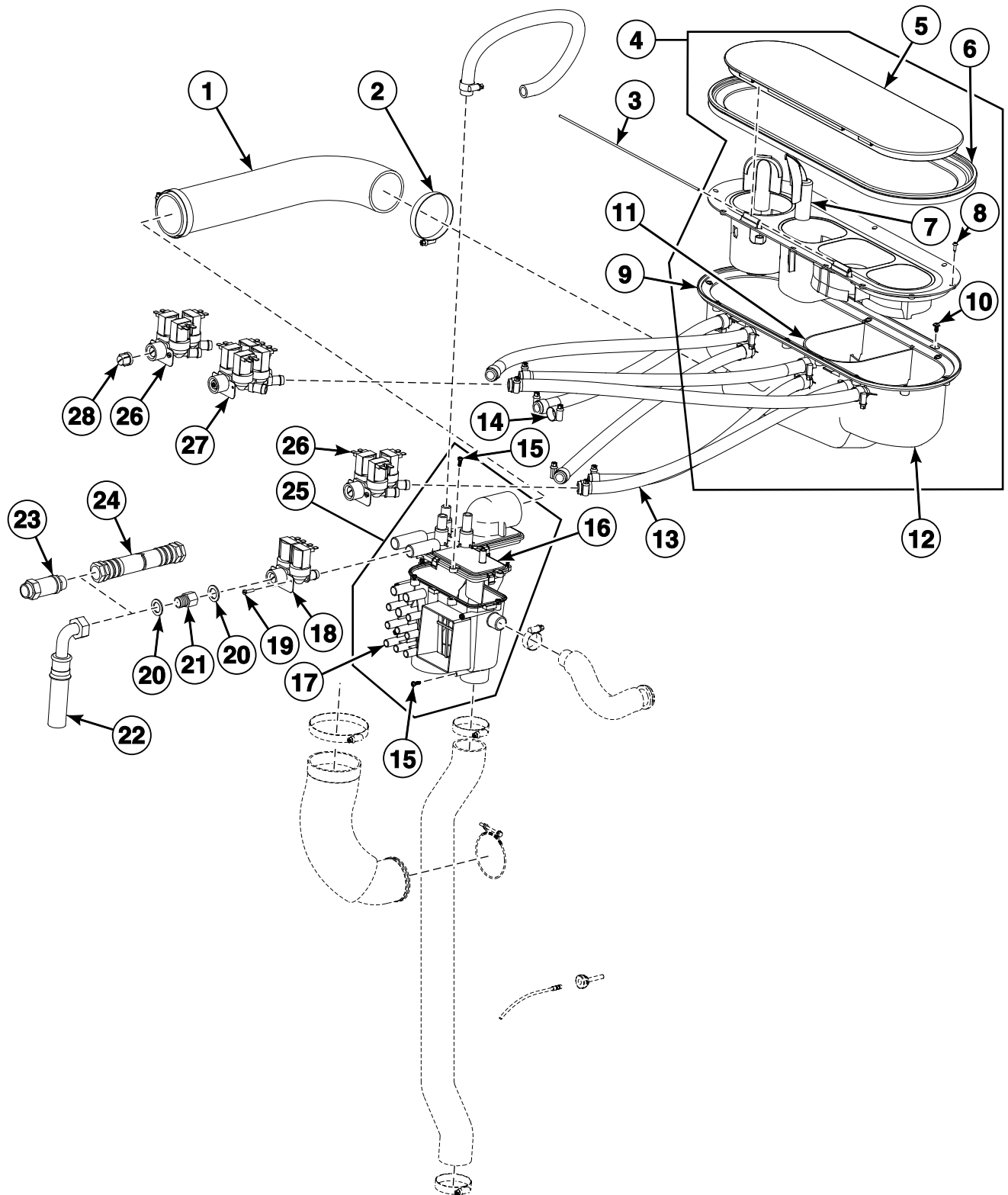


CZW372P_D2064

Door (Drawing 3 of 3)

REF	PART NO.	DESCRIPTION	COMMENTS
1	SP552917	Handle	A, AR, AR Non-Brand, IA, LA, NA and WMA models; Through Serial No. 105RX004092SD
	576081	Handle	AR, IA, NA and WMA models Starting Serial No. 105RX004093SD; SA and UA models
	SP552916	Handle	LW, MWC, NX, PA and RX models
2	582341	Bolt	M6x8
3	SP535406	Compression Spring	
4	SP535407	Handle Ball	
5	SP535436	Holder Cover	A, AR, AR Non-Brand, IA, LA, NA, SA, UA and WMA models
	SP535412	Holder Cover	LW, MWC, NX, PA and RX models
6	SP310985000006	Nut	M6
7	SP311902100006	Washer	M6
8	SP529710	Locating Segment	
9	SP535437	Distinguishing Ring	A, AR, AR Non-Brand, IA, LA, NA and WMA models; Through Serial No. 105RX004092SD; Red
	571733	Distinguishing Ring	AR, IA, NA and WMA models Starting Serial No. 105RX004093SD; SA and UA models; Red
	SP535411	Distinguishing Ring	LW, MWC, NX, PA and RX models; Blue
10	SP535429	Handle Lower Part	

Water Inlet System (Drawing 1 of 2)

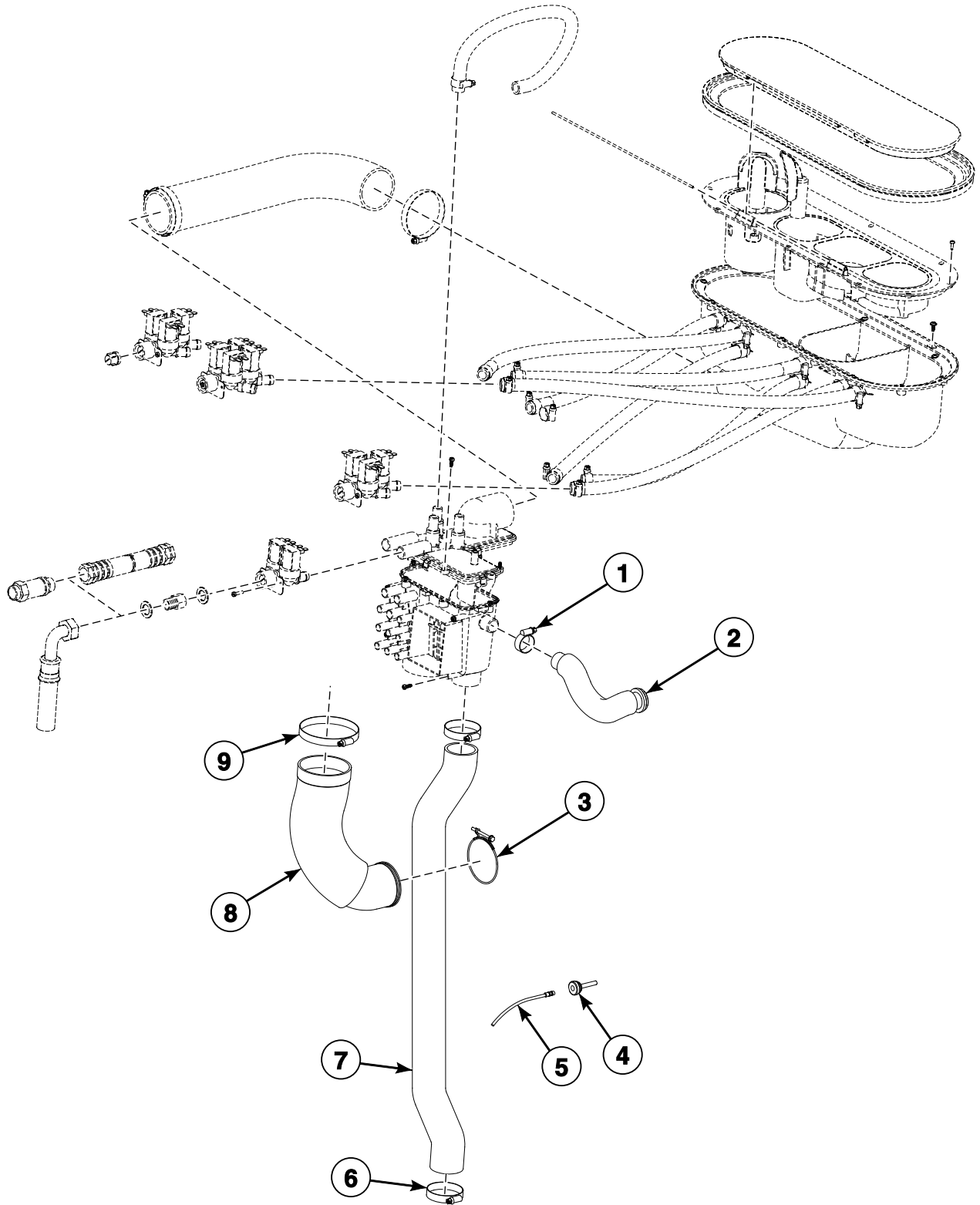


CZW70P_D2400

Water Inlet System (Drawing 1 of 2)

REF	PART NO.	DESCRIPTION	COMMENTS
	SP526468	Soap Hopper Plug	Optional
	F8301201	Double Check Valve	Models IA105_JLA_ARIES and IA105_JLA_ARIES-ELITE; Used with SPPRI426001217 Pipe Nipple; CE
	567128	Reduction	Models IA105_JLA_ARIES, IA105_JLA_ARIES-ELITE, RX105_BUPA_X_CONTROL and RX105_BUPA_X_CONTROL_PLUS; Used with SPPRI426001217 Pipe Nipple; CE from 3 inches to 2 inches
1	SP547905	Dispenser Elbow Pipe	
2	SPPRI240000021	Hose Clamp	60-80
3	SP540117	Pin	
4	SP540111	Soap Hopper	
5	SP551695	Dispenser Lid	Gray
	SP526461	Dispenser Lid	Black
6	SP540158	Dispenser Seal	
7	SP540113	Flap	
8	SP309798124313	Screw	ST3.5x13
9	SP540112	Soap Hopper Upper Cover	
10	SP529206	Screw	4x11
11	SP540122	Internal Vessel	Small
12	SP540115	Main Vessel	
13	SPPRI540000014	Hose	13/19
	SP101745	Hose Pipe	For water approval
14	SPPRI240000002	Hose Clamp	12-22
15	SP526497	Screw	4x12
16	SP526557	Mixer Lid	
17	SP526565	Mixer Body	
18	SP547958	2-Way Valve	3/4 inch
19	SP309084000416	Bolt	4x16
20	SPPRI520001009	Seal	
21	567174	Reduction	PAN models; CSA; 3/4 inch; BSP/GHT
22	SPPRI505000054	Filling Hose Pipe	Cold water
	SP547980	Filling Hose Pipe	Hot water
	SP101621	Filling Hose Pipe	For water approval
	F200164	Water Hose	PAN models; CSA
23	B12543901	Double Reverse Valve	IAY, LAY, NAY, PAY and SAY models
24	RSPF200166	Filling Hose Pipe	IAY, LAY, NAY, PAY and SAY models
25	SP526558	Mixer	
26	SP547959	3-Way Valve	3/4 inch
27	SP548933	4-Way Valve	3/4 inch
28	SPPRI340004030	Filter	

Water Inlet System (Drawing 2 of 2)



CZW71P_D2400

Water Inlet System (Drawing 2 of 2)

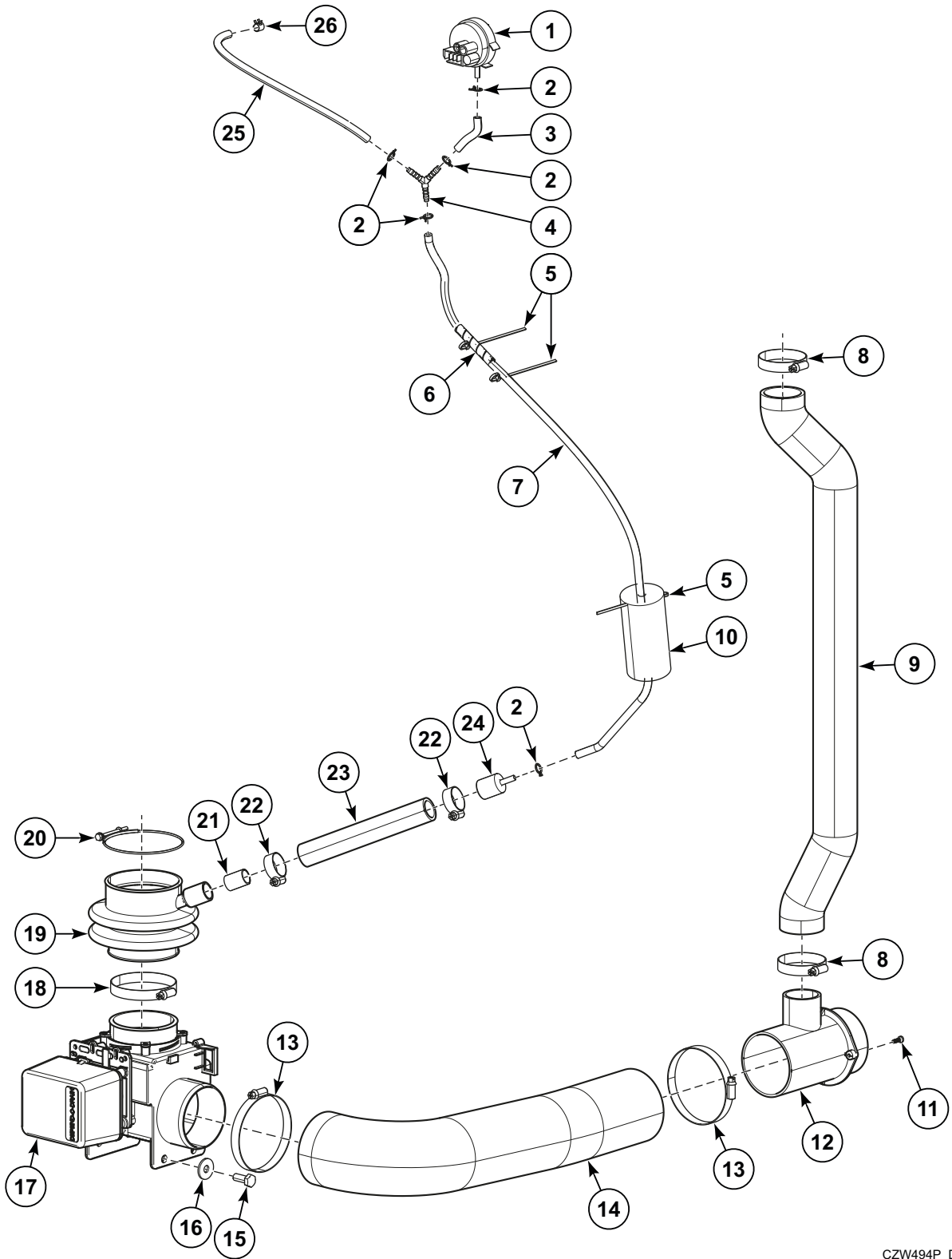
REF	PART NO.	DESCRIPTION	COMMENTS
1	SPPRI240000003	Hose Clamp	20-32
2	SP526509	Vent Hose	
3	SP526491	Hose Clamp	62-70
4	SP526439	Temperature Sensor Seal	
5	503839	Temperature Sensor	
6	SPPRI240000017	Hose Clamp	40-60
7	SP547941	Overflow Tube	
8	SP526484	Filling Elbow Pipe	
9	SPPRI240000007	Hose Clamp	70-90

Drain System

REF	PART NO.	DESCRIPTION	COMMENTS
1	SP540183	Spring Clamp	
2	SP283449080200	Spiral	
3	SP345000626088	Binding Strip	
4	SPPRI540001003	Water Level Switch Hose	
5	SP100188	Foam Roller	
6	SP526497	Screw	4x12
7	SP526454	Tee	
8	SPPRI240000007	Hose Clamp	70-90
9	SP526457	Drain Elbow	
10	SP309933000820	Bolt	M8x20
11	SP311902100008	Washer	8
12	SP526460	Drain Valve	Black; Includes 553195 Drain Valve Chamber, SPPRI340002051 Drain Valve Motor and 554276 Drain Valve Seal
	553195	Drain Valve Chamber	Black
	SPPRI340002051	Drain Valve Motor	Includes gearbox
	SP547821	Reverse Function Drain Valve	CE and Watermark; Black; Includes 553195 Drain Valve Chamber, SPPRI340002051 Drain Valve Motor and 554276 Drain Valve Seal
	554276	Drain Valve Seal	
13	SP526492	Drain Hose Pipe	
14	SP526532	Hose Clamp	82-90
15	SP500125	Reinforcement Tube	
16	SPPRI240000003	Hose Clamp	20-32
17	SPPRI503002049	Hose	Air trap
18	SPPRI503000027	Air Trap Reduction	
19	SPPRI241000017	Hose Clamp	A5.5

Drain System

Models with G in 7th Position



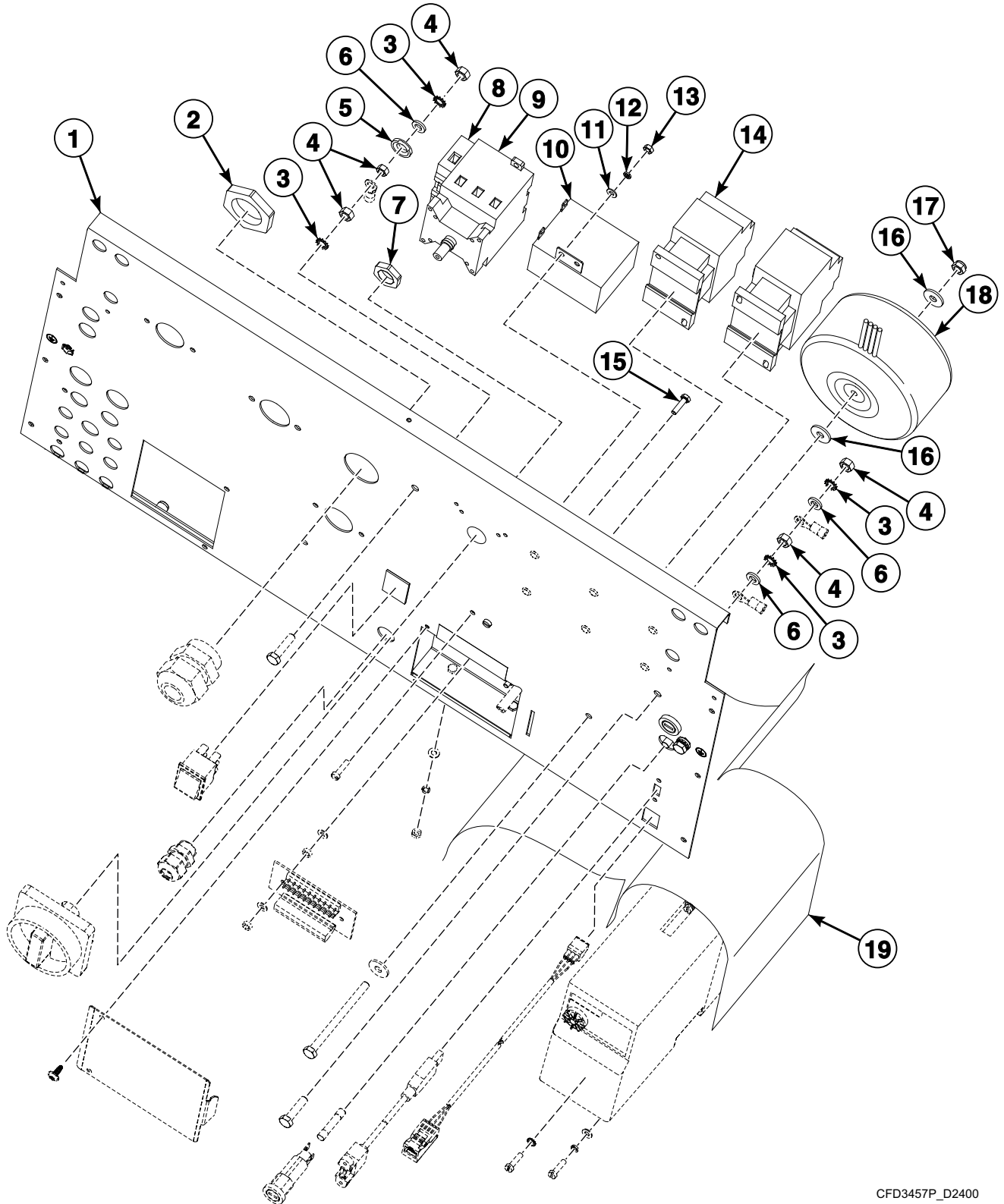
CZW494P_D2064

Drain System

REF	PART NO.	DESCRIPTION	COMMENTS
1	570315	Water Level Switch	
2	SPPRI241000017	Hose Clamp	A5.5
3	SPPRI540001003	Water Level Switch Hose	1.77 inch (0.045 m)
4	SPPRI503000028	Y-Piece	
5	SP345000626088	Binding Strip	
6	SP283449080200	Spiral	
7	SPPRI540001003	Water Level Switch Hose	35.43 inch (0.9 m)
8	SPPRI240000017	Hose Clamp	70-90
9	SP547940	Overflow Tube	
10	SP100188	Foam Roller	
11	SP526497	Screw	4x12
12	SP526454	Tee	
13	SPPRI240000007	Hose Clamp	70-90
14	SP526457	Drain Elbow	
15	SP309933000820	Bolt	M8x20
16	SP311902100008	Washer	8
17	SP526460	Drain Valve	Black; Includes SPPRI340002051 Drain Valve Motor and 554276 Drain Valve Seal
	SP547821	Reverse Function Drain Valve	Black; Includes SPPRI340002051 Drain Valve Motor and 554276 Drain Valve Seal
	SPPRI340002051	Drain Valve Motor	Includes gearbox
	554276	Drain Valve Seal	
18	SPPRI240000021	Hose Clamp	60-80
19	SP526492	Drain Hose Pipe	
20	SP526532	Hose Clamp	82-90
21	SP500125	Reinforcement Tube	
22	SPPRI240000003	Hose Clamp	20-32
23	SPPRI503002049	Hose	Air trap
24	SPPRI503000027	Air Trap Reduction	
25	SPPRI540001003	Water Level Switch Hose	10.63 inch (0.27 m)
26	SP540183	Spring Clamp	

Rear Panel (Drawing 1 of 2)

Models with A, D, I, J, R, T or X in 7th Position



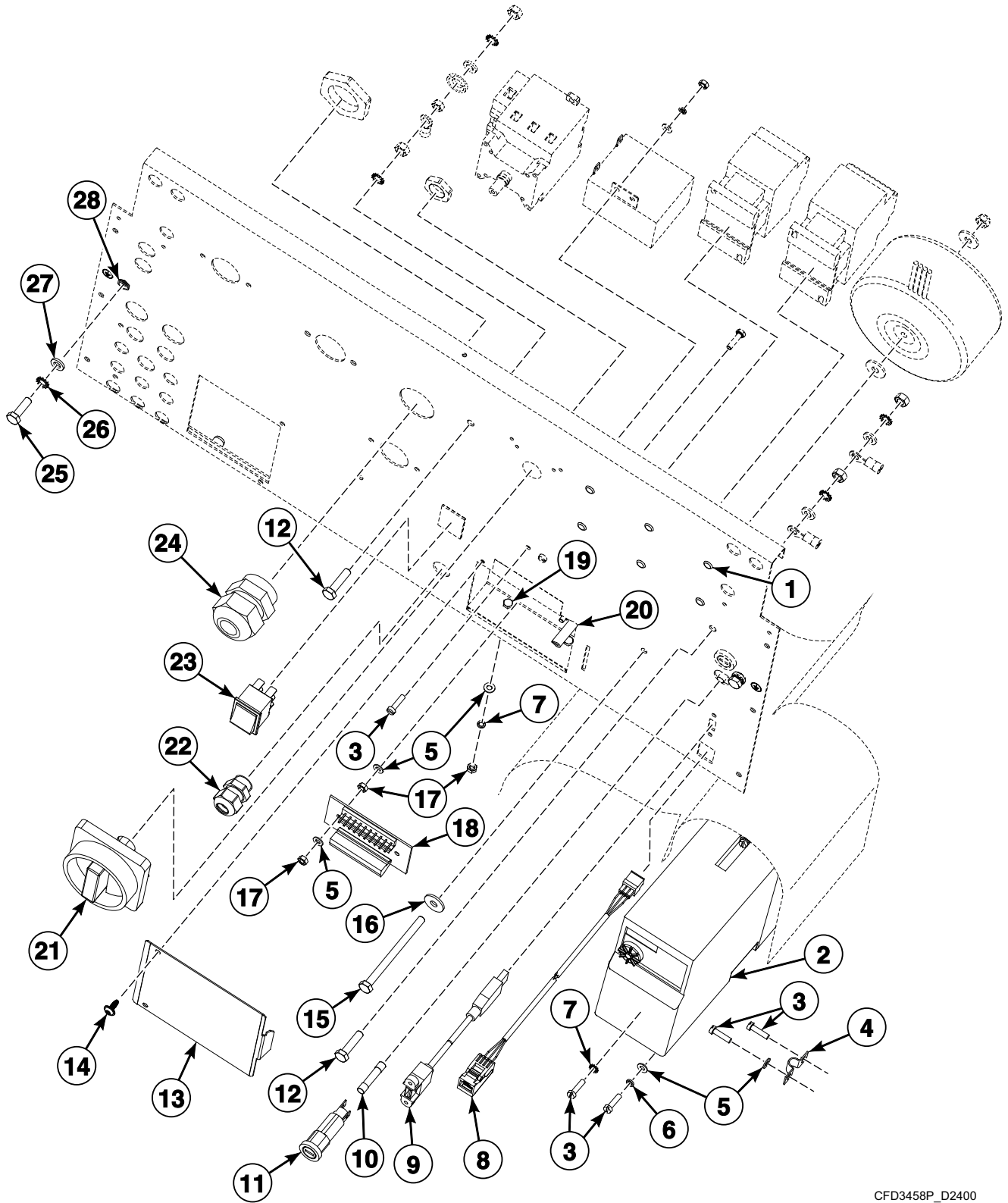
CFD3457P_D2400

Rear Panel (Drawing 1 of 2)

REF	PART NO.	DESCRIPTION	COMMENTS
1	SP559233	Rear Panel	A, AR Non-Brand, IA, NA, SA and WMA models; Through Serial No. 105RX004092SD
	SP547895	Rear Panel	
2	SP101419	Nut	Cable bushing; M32x1.5
3	SP311679824006	Washer	M6
4	SP310934100006	Nut	M6
5	563361	Washer	CSA
6	SP311125100006	Washer	6.4
7	SP101416	Nut	Cable bushing; M16
8	SP506407	Main Switch	25A; Fourth pole
	SPPRI404001098	Main Switch	32A; Fourth pole
	SPPRI404001099	Main Switch	63A; Fourth pole
9	SPPRI404000097	Main Switch	25A
	SPPRI404000098	Main Switch	32A
	SPPRI404000099	Main Switch	63A
10	SP514071	Filter	12MSW2T2
11	SP311125000004	Washer	4.3
12	SP311127000004	Washer	4
13	SP310934000004	Nut	M4
14	SP514038	Contactactor	LC1-D09M7
	SP514042	Contactactor	LC1-D18M7
	SPPRI345002019	Contactactor	LC1-D32M7
	SP514043	Contactactor	LC1-D50M7
15	SP309933000416	Bolt	M4x16
16	SP311902100006	Washer	M6
17	SP310985000006	Nut	M6
18	SP552201	Autotransformer	
19	SP547902	Motor and Frequency Inverter Cover	
	SP562875	Motor and Frequency Inverter Cover	Models PAN025T and PAN025X; Starting Serial No. 105RX001990FU

Rear Panel (Drawing 2 of 2)

Models with A, D, I, J, R, T or X in 7th Position



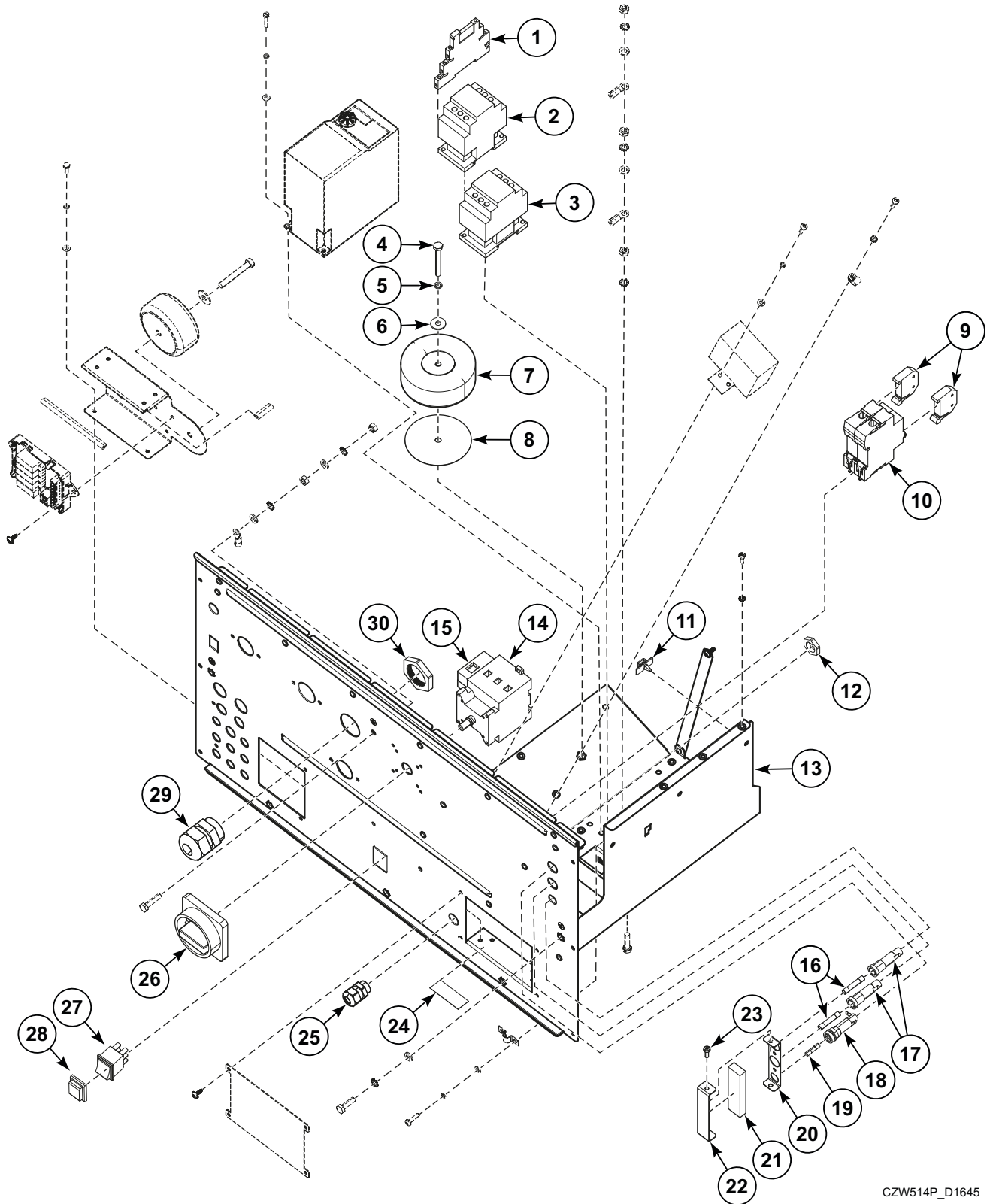
CFD3458P_D2400

Rear Panel (Drawing 2 of 2)

REF	PART NO.	DESCRIPTION	COMMENTS
	557982	Cable	Extra price option
	SP506575	Terminal Board	Extra price option
	557981	Label	Extra price option
	SP552473	MC7 Control Board Main Wiring	CSA
	SP553124	MC7 Control Board Main Wiring	120 Volt; CSA
	SP557766	MC7 Control Board Main Wiring	CE
	528499	MC6 Control Board Main Wiring	CE
	SP540180	Liquid Soap Supply Connection Kit	
1	SP313250004007	Rivet	4x7 with a crank
2	571471	Frequency Inverter	FR-D720S-042-SC-E8
	SP528325	Communication Cable	
3	SP309084000416	Bolt	M4x16
4	SP528392	Cable Clamp	
5	SP311125000004	Washer	4.3
6	SP311127000004	Washer	4
7	SP311679800004	Washer	M4
8	SP545234	Cable	RS485; With connectors
9	SP547006	USB Cable	Rear panel
10	SP345805163032	Fuse	6.3x32mm; T1A/500V; 120 Volt; CSA
11	SPPRI401003020	Fuse Housing	6.3x32mm
12	SP309933100625	Bolt	M6x25
13	SP547886	Rear Panel Lid	
14	SP529206	Screw	4x11
15	SP547925	Bolt	M6x80
16	SP311902100006	Washer	M6
17	SP310934000004	Nut	M4
18	SP524714	Soap Relay Board	
	SP528149	Pump Relay Board to LED Terminal Cable	
	SP557944	Soap Link Kit	SP557947 External Block Signal Cable; 2.8m
19	SP309933240408	Bolt	M4x8
20	SPPRI505000058	Profiled Sealing	
21	SPPRI404000095	Main Switch Knob	
22	SP101406	Bushing	M16
23	SP100388	Switch	
24	SP101409	Bushing	M32x1.5
	SP557952	Cable Bushing Insert	M32; Use with small diameter cables
25	SP309933000620	Bolt	M6x20
26	SP311679824006	Washer	M6
27	SP311125240006	Washer	6.4
28	SP313251000006	Nut	M6

Rear Panel - 230V 1/3AC, 400V with Neutral, CE (Drawing 1 of 2)

Models with G in 7th Position



CZW514P_D1645

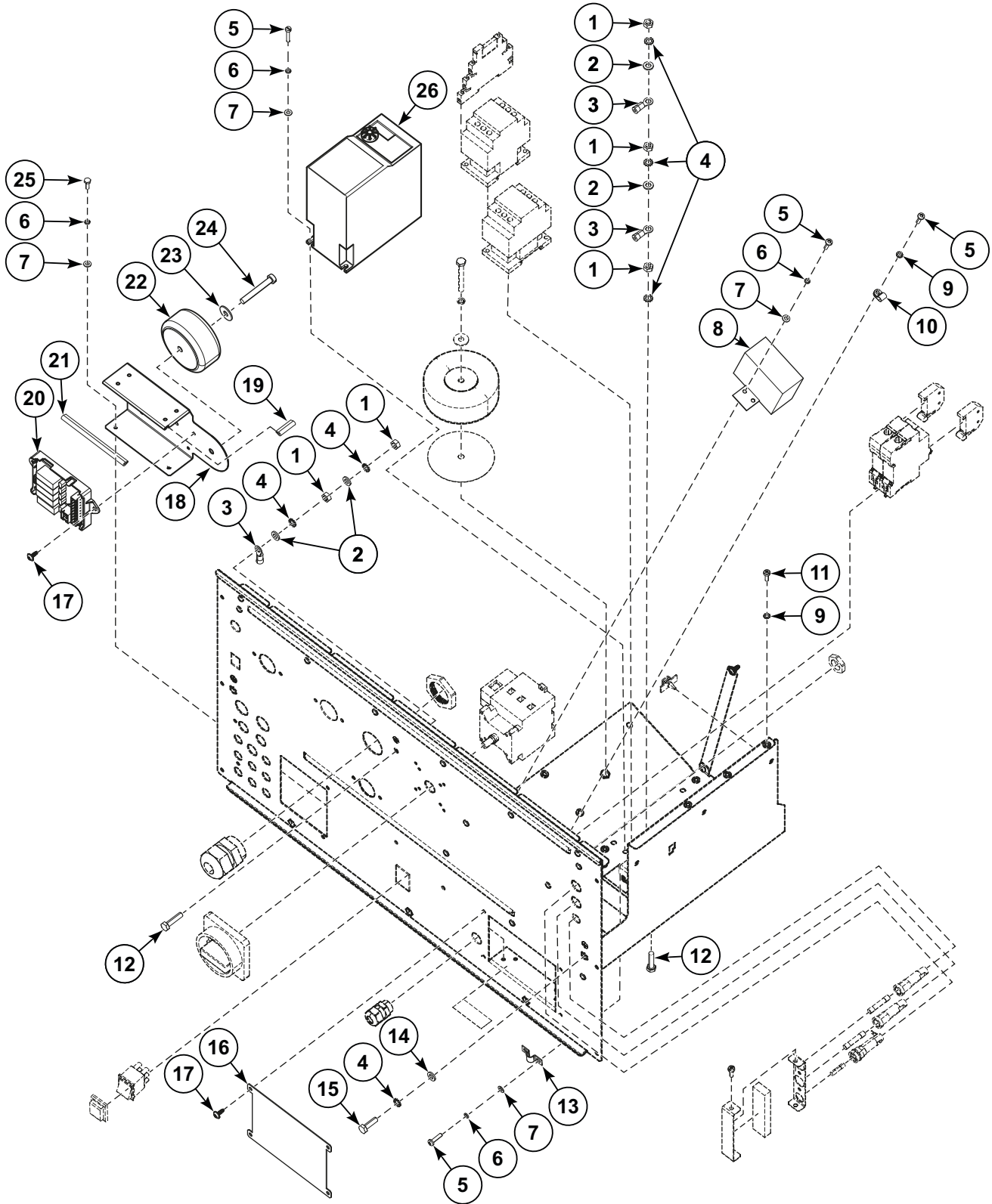
Rear Panel - 230V 1/3AC, 400V with Neutral, CE (Drawing 1 of 2)

REF	PART NO.	DESCRIPTION	COMMENTS
	568392	Main Wiring	
1	SP552468	Relay	Used with Central Payment System
2	SP514038	Contactora	LC1D09M7; Used with frequency inverter
3	SP514038	Contactora	LC1D09M7; Electric heating
	SP514042	Contactora	LC1-D18M7; Electric heating
4	SP309933000660	Bolt	M6x60
5	SP311127000006	Washer	6
6	SP311902100006	Washer	6
7	571454	DC Choke	
8	571458	Insulation Washer	
9	SP346000209101	End Stop	
10	571462	Circuit Breaker	10A - 2 poles
11	SP528313	Cable Holder	
12	SP101416	Nut	M16
13	577416	Rear Panel	
14	SPPRI404000097	Main Switch	25A
	SPPRI404000098	Main Switch	32A
	SPPRI404000099	Main Switch	63A
15	SP506407	Main Switch	25A; Fourth Pole
	SPPRI404001098	Main Switch	32A; Fourth Pole
	SPPRI404001099	Main Switch	63A; Fourth Pole
16	SP345805163032	Fuse	6.3x32mm, T1A/500V; 2 pieces
17	SPPRI401003020	Fuse Housing	2 pieces
18	N/A	Fuse Holder	
19	N/A	Fuse	
20	SP554310	Fuse Holder	
21	570387	Self-Adhesive Profile	
22	SP554311	Fuse Cover	
23	SP555504	Bolt	
24	577441	Label	Models with Transformer
	577440	Label	Models without Transformer
25	SP101406	Bushing	M16
26	SPPRI404000095	Main Switch Knob	
27	SP100388	Switch	
28	SPPRI543000003	Push Buttom Cover	
29	SP101409	Bushing	M35x1.5
30	SP101419	Nut	M32

N/A = Part no longer available

Rear Panel - 230V 1/3AC, 400V with Neutral, CE (Drawing 2 of 2)

Models with G in 7th Position



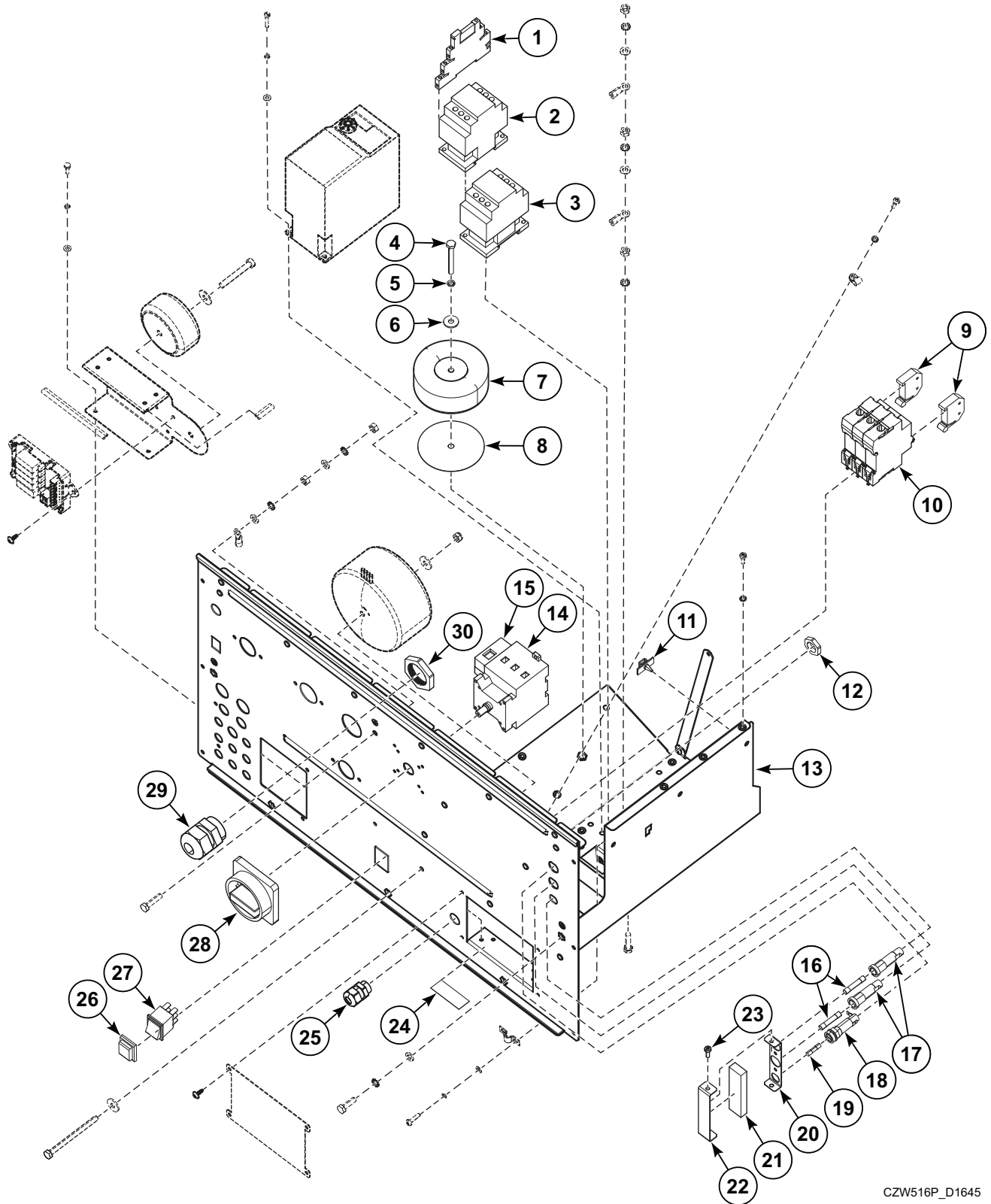
CZW515P_D1645

Rear Panel - 230V 1/3AC, 400V with Neutral, CE (Drawing 2 of 2)

REF	PART NO.	DESCRIPTION	COMMENTS
1	SP310934100006	Nut	M6
2	SP311125100006	Washer	6
3	SP345000165034	Cable Eye	
4	SP311679824006	Washer	6
5	SP309084000416	Bolt	M4x16
6	SP311127000004	Washer	4
7	SP311125000004	Washer	4.3
8	568380	Filter	20A 250V
9	SP311679800004	Washer	M4
10	SP502214	Clip	
11	SP555504	Bolt	M4x12
12	SP309933100625	Bolt	M6x25
13	SP528392	Cable Clamp	
14	SP311125240006	Washer	6
15	SP309933000620	Bolt	M6x20
16	566549	Cover	
17	SP529206	Screw	4x11
18	570318	Holder	
19	SPPRI505000058	Profiled Sealing	1 inch (0.025 m)
20	804528	Soap Relay Board	
21	SPPRI505000058	Profiled Sealing	4.1 inch (0.105 m)
22	564561	Transformer	24V
23	SP505430	Washer	5
24	SP309084000535	Bolt	M5x35
25	SP309933240412	Bolt	M4x12
26	571471	Frequency Inverter	FR-D720S-042-SC-E8
	SP528323	Communication Cable	
	557961	Ferrite Core	Used with frequency inverter

Rear Panel - 400V 440-480V, CE (Drawing 1 of 2)

Models with G in 7th Position



CZW516P_D1645

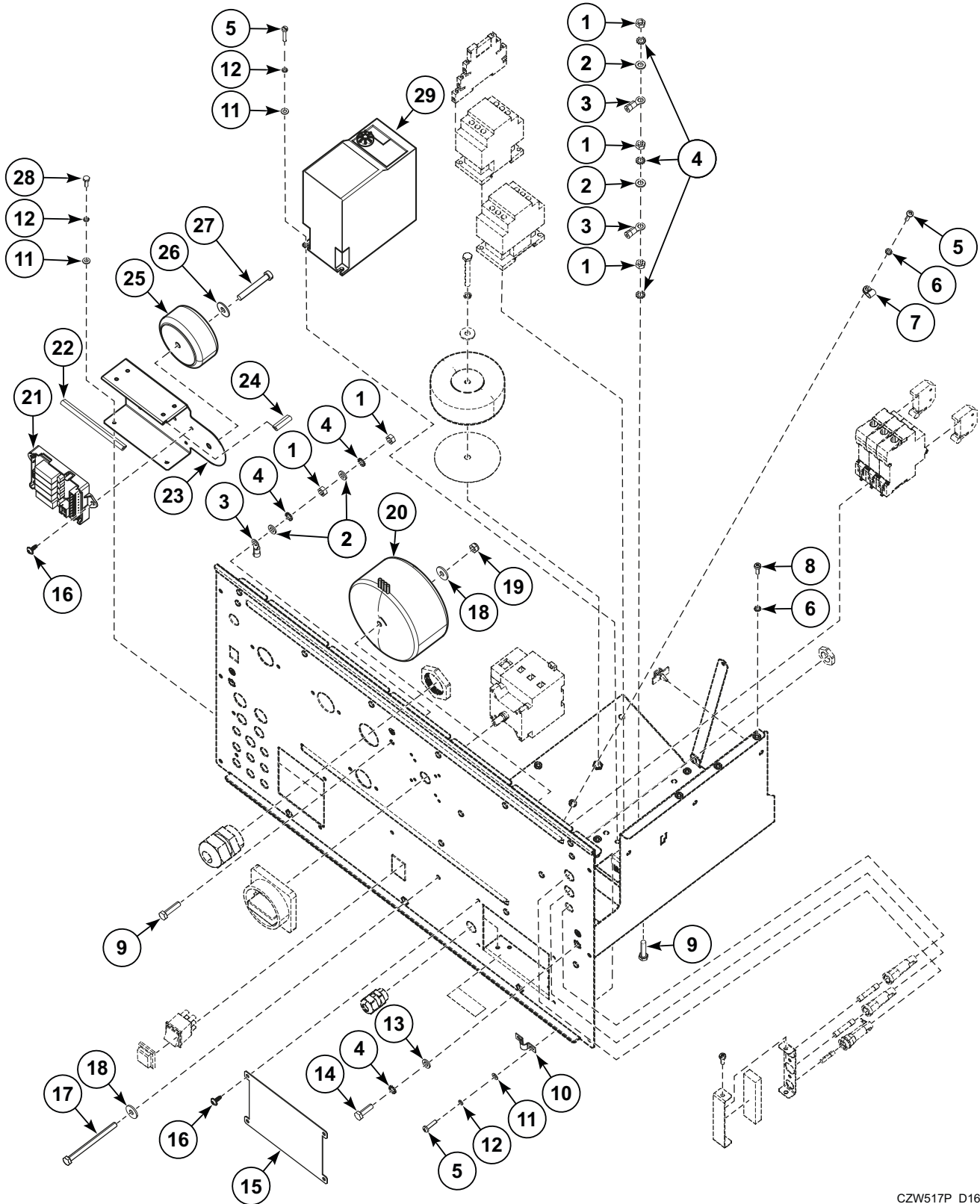
Rear Panel - 400V 440-480V, CE (Drawing 1 of 2)

REF	PART NO.	DESCRIPTION	COMMENTS
	568392	Main Wiring	
1	SP552468	Relay	Used with Central Payment System
2	SP514038	Contactors	LC1D09M7; Used with frequency inverter
3	SP514038	Contactors	LC1D09M7; Electric heating
4	SP309933000660	Bolt	M6x60
5	SP311127000006	Washer	6
6	SP311902100006	Washer	6
7	571454	DC Choke	
8	571458	Insulation Washer	
9	SP346000209101	End Stop	
10	571462	Circuit Breaker	10A - 2 poles
11	SP528313	Cable Holder	
12	SP101416	Nut	M16
13	577416	Rear Panel	
14	SPPRI404000097	Main Switch	25A
	SPPRI404000098	Main Switch	32A
	SPPRI404000099	Main Switch	63A
15	N/A	Main Switch	Fourth Pole
16	SP345805163032	Fuse	6.3x32mm, T1A/500V; 2 pieces
17	SPPRI401003020	Fuse Housing	2 pieces
18	N/A	Fuse Holder	
19	N/A	Fuse	
20	SP554310	Fuse Holder	
21	570387	Self-Adhesive Profile	
22	SP554311	Fuse Cover	
23	SP555504	Bolt	
24	577441	Label	Models with Transformer
	577440	Label	Models without Transformer
25	SP101406	Bushing	M16
26	SPPRI543000003	Push Buttom Cover	
27	SP100388	Switch	
28	SPPRI404000095	Main Switch Knob	
29	SP101409	Bushing	M35x1.5
30	SP101419	Nut	M32

N/A = Part no longer available

Rear Panel - 400V 440-480V, CE (Drawing 2 of 2)

Models with G in 7th Position

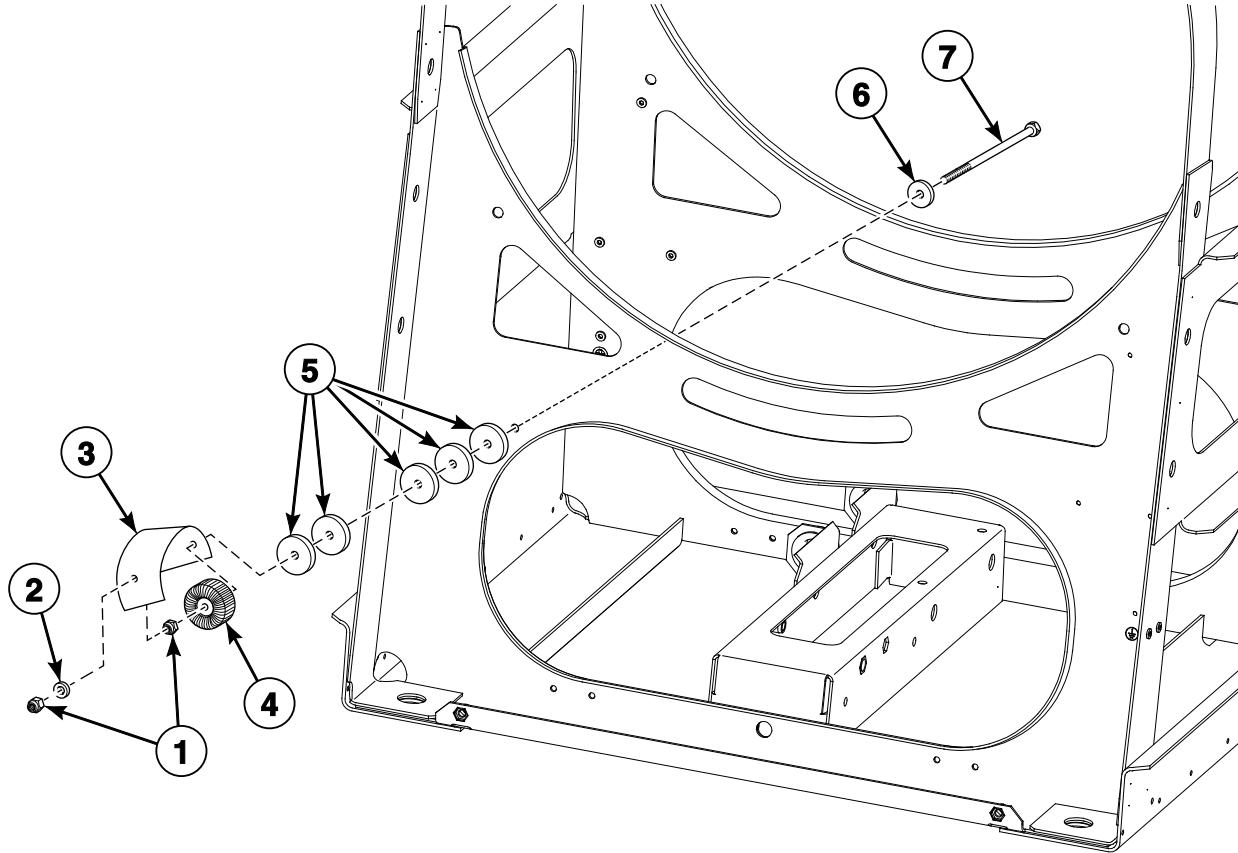


CZW517P_D1645

Rear Panel - 400V 440-480V, CE (Drawing 2 of 2)

REF	PART NO.	DESCRIPTION	COMMENTS
1	SP310934100006	Nut	M6
2	SP311125100006	Washer	6
3	SP345000165034	Cable Eye	
4	SP311679824006	Washer	6
5	SP309084000416	Bolt	M4x16
6	SP311679800004	Washer	M4
7	SP502214	Clip	
8	SP555504	Bolt	M4x12
9	SP309933100625	Bolt	M6x25
10	SP528392	Cable Clamp	
11	SP311125000004	Washer	4.3
12	SP311127000004	Washer	4
13	SP311125240006	Washer	6
14	SP309933000620	Bolt	M6x20
15	566549	Cover	
16	SP529206	Screw	4x11
17	SP547925	Bolt	M6x80
18	SP311902100006	Washer	M6
19	SP310985000006	Nut	M6
20	SP552201	Autotransformer	
21	804528	Soap Relay Board	
22	SPPRI505000058	Profiled Sealing	4.1 inch (0.105 m)
23	570318	Holder	
24	SPPRI505000058	Profiled Sealing	1 inch (0.025 m)
25	564561	Transformer	24V
26	SP505430	Washer	5
27	SP309084000535	Bolt	M5x35
28	SP309933240412	Bolt	M4x12
29	571471	Frequency Inverter	FR-D720S-042-SC-E8
	SP528323	Communication Cable	
	557961	Ferrite Core	Used with frequency inverter

Transformer - 120 Volt Models with B in the 11th Position



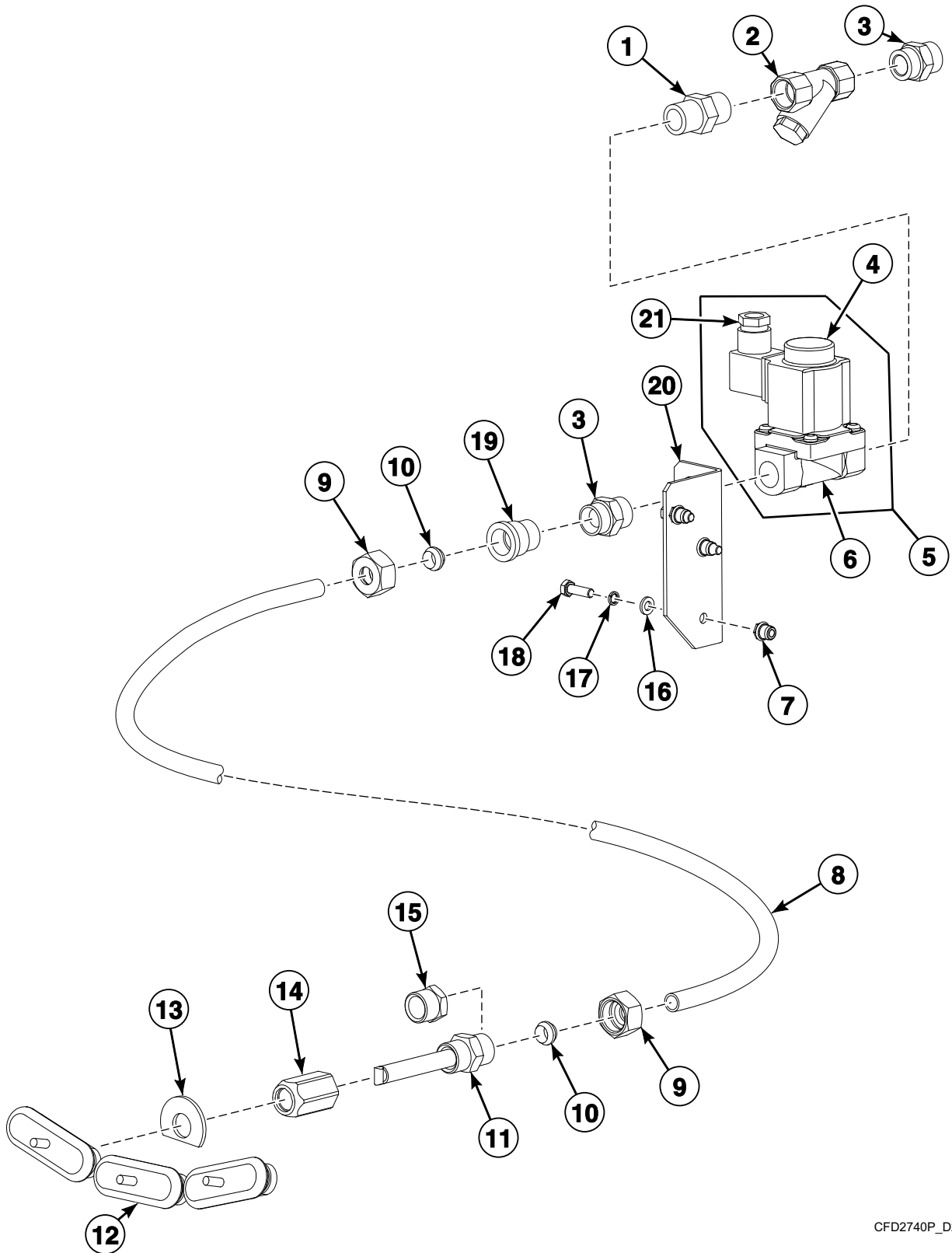
CFD3223P_D2400

Transformer - 120 Volt Models with B in the 11th Position

REF	PART NO.	DESCRIPTION	COMMENTS
1	SP310985000008	Nut	
2	SP311125000008	Washer	
3	SP554362	Transformer Cover	
4	SP557743	Transformer	
5	SP517528	Ring	
6	SP311902100009	Washer	
7	SP550140	Bolt	

Steam Heating

Models with A, D, I, J, R, T or X in 7th Position of the model number



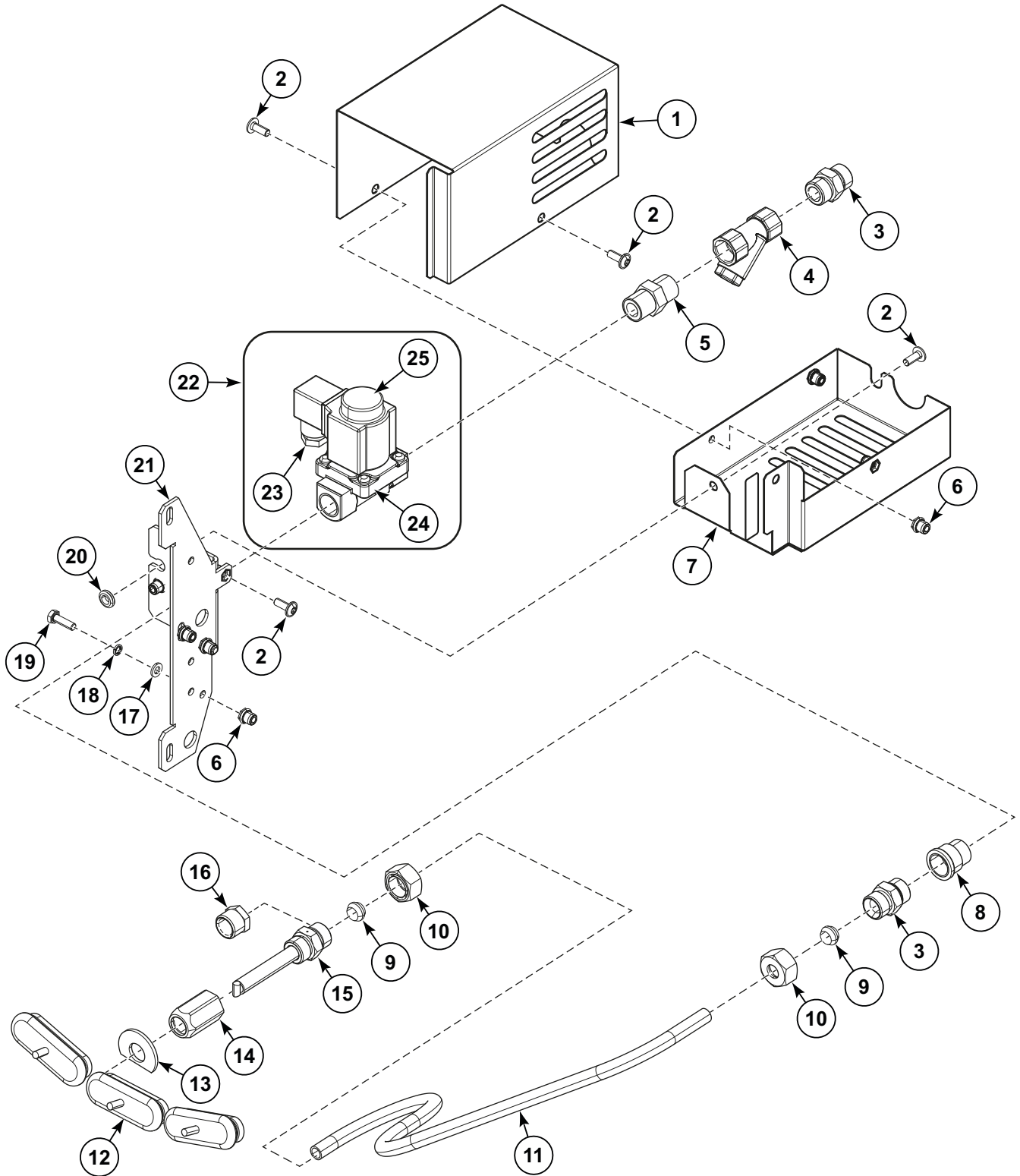
CFD2740P_D2400

Steam Heating

REF	PART NO.	DESCRIPTION	COMMENTS
	SP559317	Steam Kit	
	528064	Steam Heat Wiring	Starting Serial No. 105RX001721FH
	SP526564	Seal	
	SP101403	Adhesive	Loctite 5366
	SP245704000603	Adhesive	Loctite 603
1	SP319428324012	Adapter	1/2 inch
2	SP405054120215	Steam Filter	
3	SPR22112000114	Pipe Nipple	1/2 inch
4	SP554110	Coil	50/60 Hertz
5	SP514164	Steam Valve	1/2 inch
6	SP514165	Steam Valve Body	
7	SP313251000006	Nut	M6
8	SP547949	Steam Tube	
9	SP547952	Nut	1/2 inch
10	SP230100007014	Fastening Cone	
11	SP526525	Steam Injector	
12	SPPRI342001016	Heating Element Hole Plug	
13	SP547981	Washer	
14	SP547968	Adapter	G3/8 inch / G1/2 inch
15	SPPRI426001268	Plug	1/2 inch; Electric and steam heat
16	SP311125000006	Washer	6.4
17	SP311127000006	Washer	6
18	SP309933000620	Bolt	M6x20
19	SP515348	Extension Tube	1/2 inch
20	SP547950	Steam Valve Support	
21	SP554156	Connector	

Steam Heating

Models with G in 7th Position

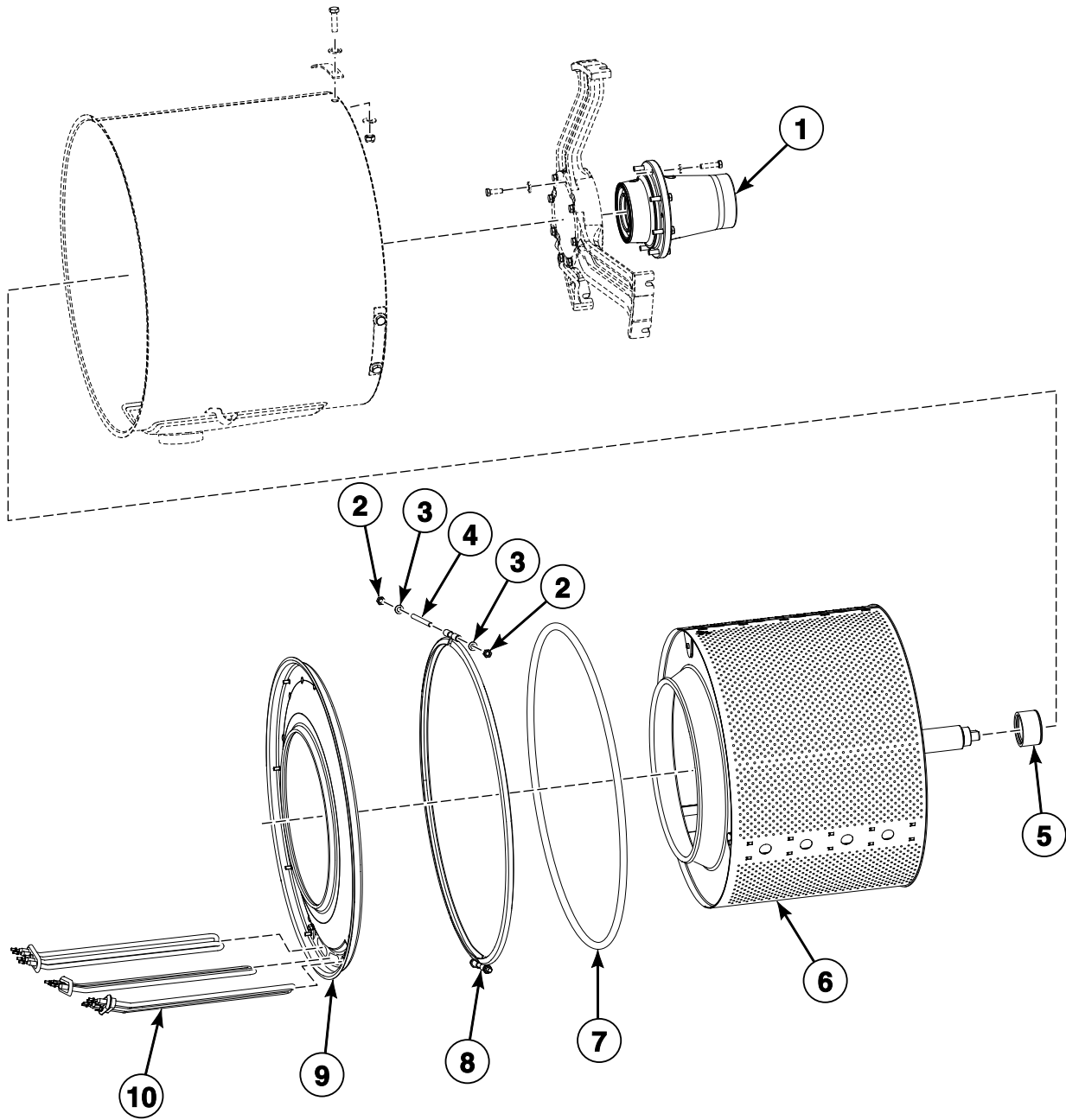


CZW543P_D1645

Steam Heating

REF	PART NO.	DESCRIPTION	COMMENTS
	577549	Steam Kit	
	SP526564	Seal	
	SP101403	Adhesive	Loctite 5366
	SP245704000603	Adhesive	Loctite 603
1	581042	Steam Valve Cover	
2	SP555658	Bolt	M6x16
3	SPR22112000114	Pipe Nipple	1/2 inch
4	SP405054120215	Steam Filter	
5	SP319428324012	Adapter	1/2 inch
6	SP313251000006	Nut	M6
7	581043	Steam Cover Base	
8	SP319413102015	Extension Tube	1/2 inch x 15
9	SP230100007014	Fastening Cone	
10	SP547952	Nut	1/2 inch
11	SP547949	Steam Tube	
12	SPPRI342001016	Heating Element Hole Plug	
13	SP547981	Washer	
14	SP547968	Adapter	G3/8 inch / G1/2 inch
15	SP526525	Steam Injector	
16	SPPRI426001268	Plug	1/2 inch; Electric heat
17	SP311125000006	Washer	6.4
18	SP311127000006	Washer	6
19	SP309933000620	Bolt	M6x20
20	SP273121008002	Cable Bushing	
21	581035	Steam Valve Holder	
22	SP514164	Steam Valve	1/2 inch
23	SP554156	Connector	
24	SP514165	Steam Valve Body	
25	SP554110	Coil	50/60 Hertz

Washing Drum

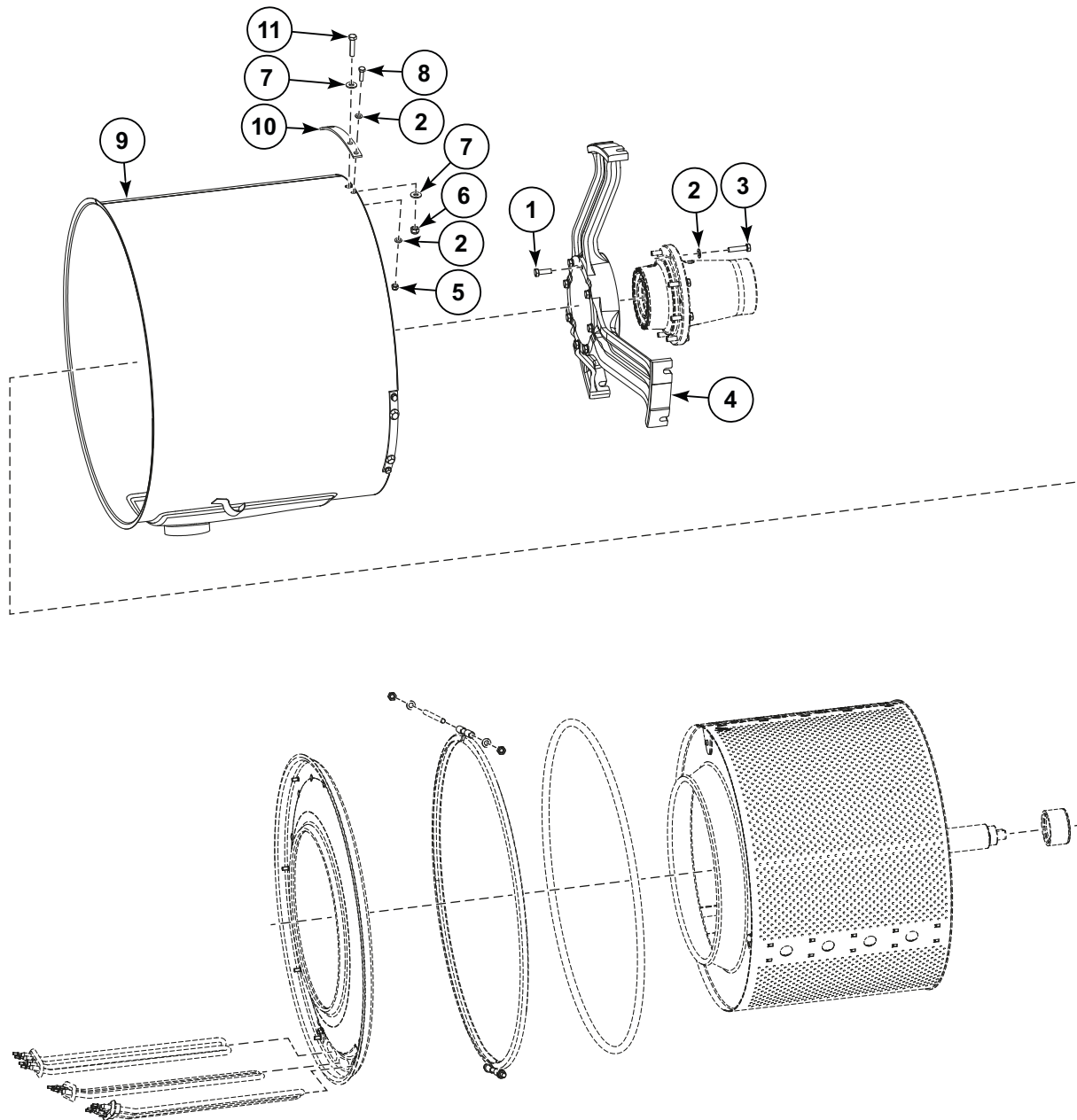


CFD2926P_D2400

Washing Drum

REF	PART NO.	DESCRIPTION	COMMENTS
1	556221	Bearing Housing Assembly	
2	SP310934240008	Nut	
3	SP311125240008	Washer	
4	SPF02119000415	Bolt	
5	SP537843	Shaft Ring	
6	537977P	Washing Drum	Cascade; Includes SP537843
	563278P	Washing Drum	Models with G in 7th position of the model number; Flat; Includes SP537843
	559906P	Washing Drum	Normal spin; 7mm perforation; Includes SP537843
7	SP537739	Seal	D10-2100mm
8	SP537737	Clamp	
9	571607	External Tub Front Plate	
10	SP540144	Heating Element	3000W; 325mm
	SP540145	Heating Element	2x1500kW; 325mm
	SP540146	Heating Element	2x2000W; 325mm

Exterior Tub

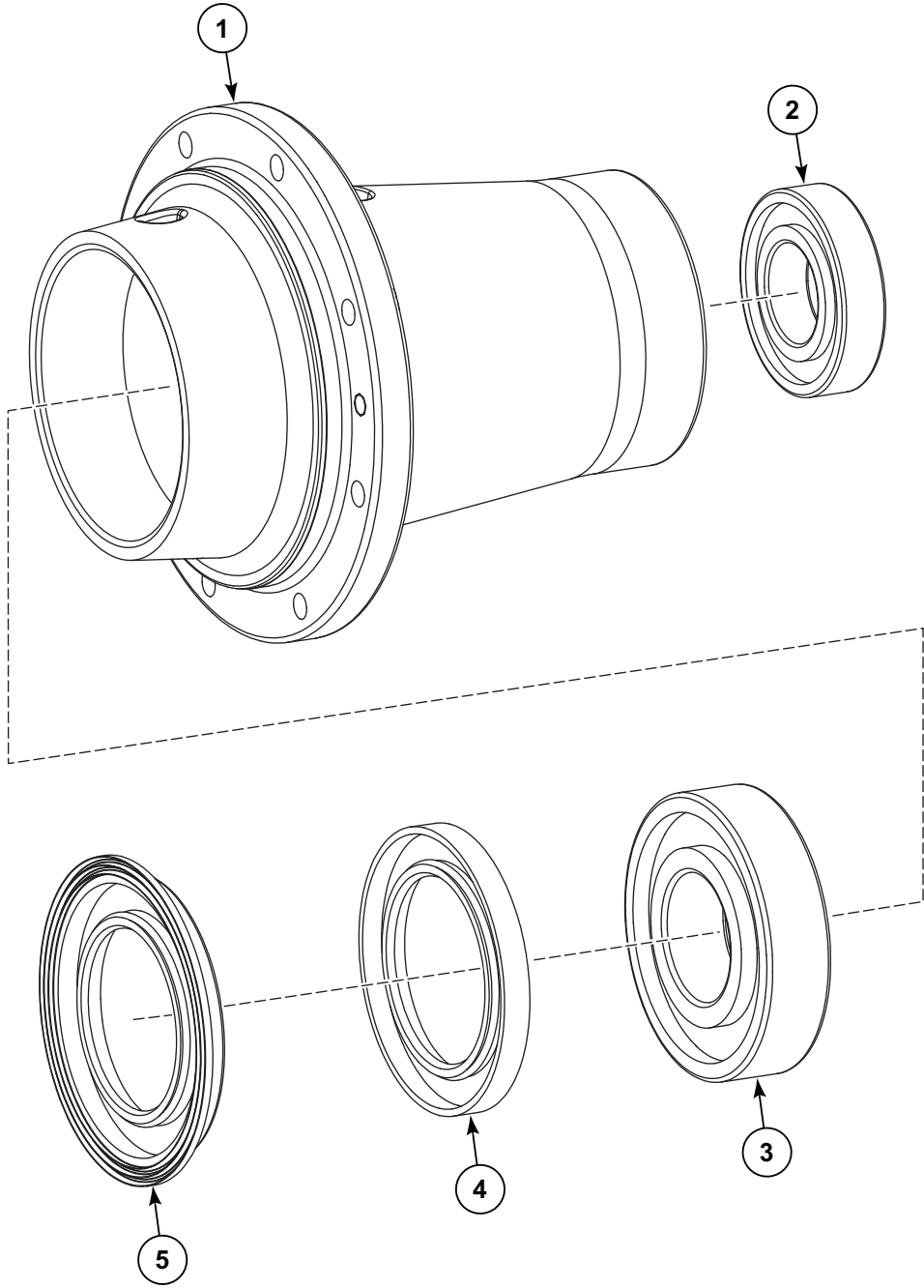


CZW553P_D2400

Exterior Tub

REF	PART NO.	DESCRIPTION	COMMENTS
	SP245704003021	Adhesive	Use with bolt
	SPPRI704000053	Sealant	Silicone
	SP245704000050	Adhesive	
	SP510889	Anticorrosive Agent	
1	SP309933240825	Bolt	M8x25
2	SP311125000008	Washer	M8
3	SP309933000835	Bolt	M8x35
4	SP537730	Cross Piece	
5	SP310985000008	Nut	M8
6	SP310985000010	Nut	M10
7	SP311737000010	Washer	M10
8	SP309933000825	Bolt	M8x25
9	582308	External Tub	Steam heat
	582309	External Tub	Electric heat
10	582275	Washer	
11	SP527420	Bolt	M10x40

Bearing Housing

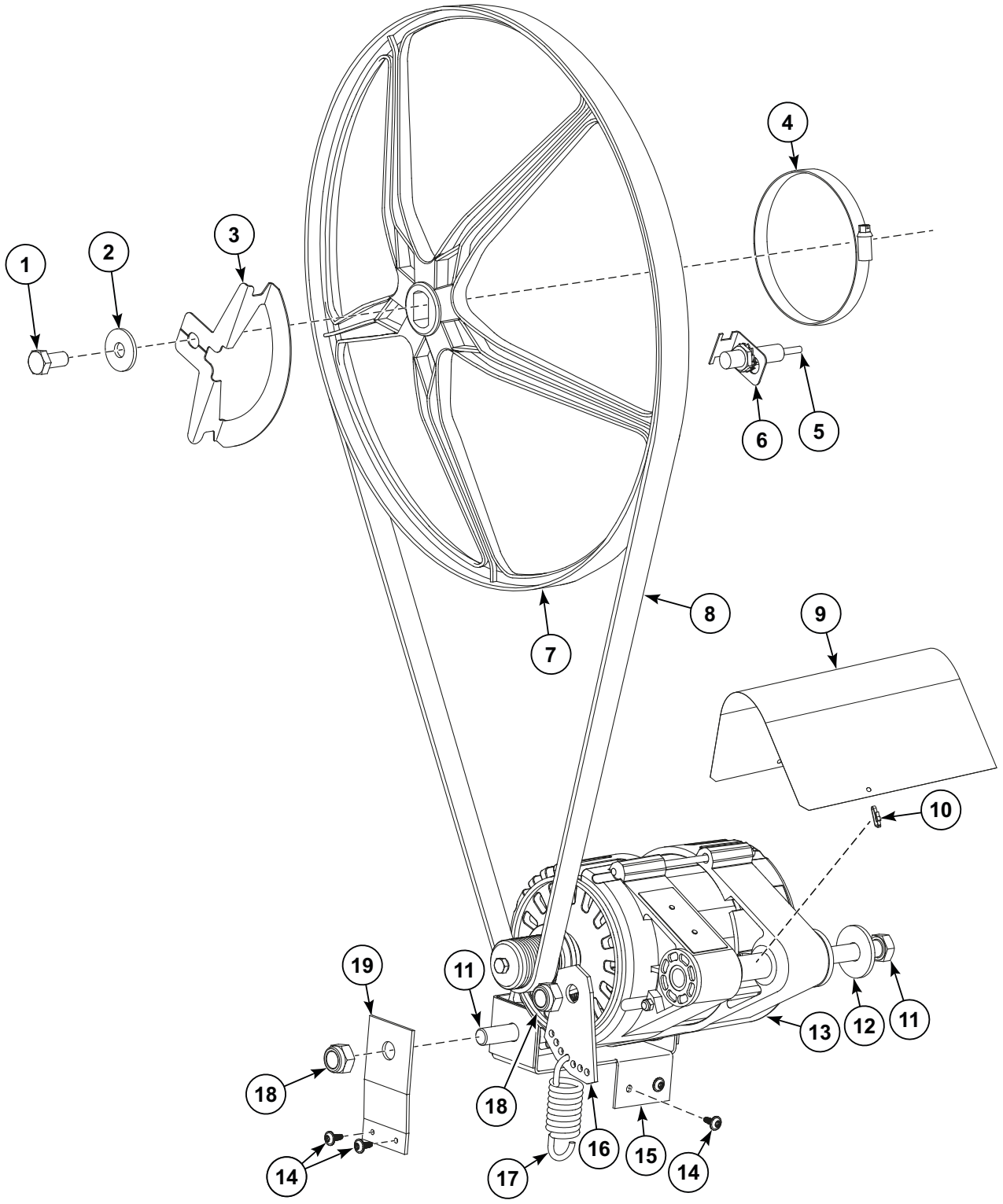


CZW488P_D2064

Bearing Housing

REF	PART NO.	DESCRIPTION	COMMENTS
	SP245704000603	Adhesive	Loctite 603
	SP111313000002	Lubrication Grease	
	SP538787	Bearing Replacement Tool Kit	
1	SP537860	Bearing Housing	
2	SPPRI608000002	Bearing	6207
3	SPPRI608000048	Bearing	6309
4	SP525813	Sealing Ring	Normal spin; 65x100x10
5	SP537848	Sealing Ring	Normal spin; 65x100/144x9/12

Drive

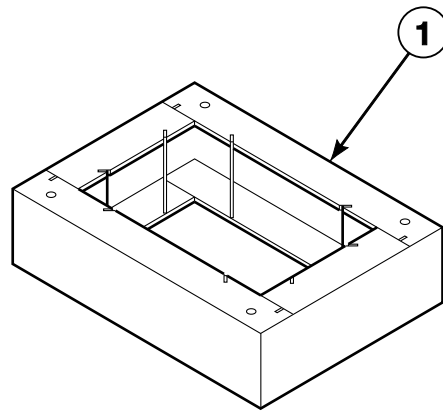


CZW547P_D1645

Drive

REF	PART NO.	DESCRIPTION	COMMENTS
1	SP309933001020	Bolt	M10x20
2	SP311902100010	Washer	10
3	SP555545	Speed Sensor Plate	
4	SPPRI240000015	Hose Clamp	110-120
5	SP557701	Speed Sensor	
6	SP555547	Speed Sensor Holder	
7	SP556166	Drum V-Pulley	
8	SP533157	Belt	
9	577444	Cover Motor	Models with G in 7th position of the model number
10	SP345000626088	Binding Strip	Models with G in 7th position of the model number
11	SP533898	Bolt	M12x160
12	SP311902100012	Washer	12
13	SP555592	Motor with Pulley	Models with A, D, I, J, R, T or X in 7th position of the model number; 0.55kW; 230V/75 Hertz; Includes SP528420 Motor; Applicable for power supply 200V-240V, 50/60Hz, 1/3ph; 380-415V+N, 50/60Hz, 3ph; 400V/440-480V, 50/60Hz, 3ph
	577505	Motor with Pulley	Models with G in 7th position of the model number; 0.55kW; 230V/75 Hertz; Includes 568370 Motor; Applicable for power supply 200V-240V, 50/60Hz, 1/3ph; 380-415V+N, 50/60Hz, 3ph; 400V/440-480V, 50/60Hz, 3ph
14	SP529206	Screw	4x11
15	SP533909	Motor Holder	
16	SP533926	Spring Holder	
17	SP517509	Spring	
18	SP310985000012	Nut	M12
19	SP533928	Holder	

Elevated Base Frame



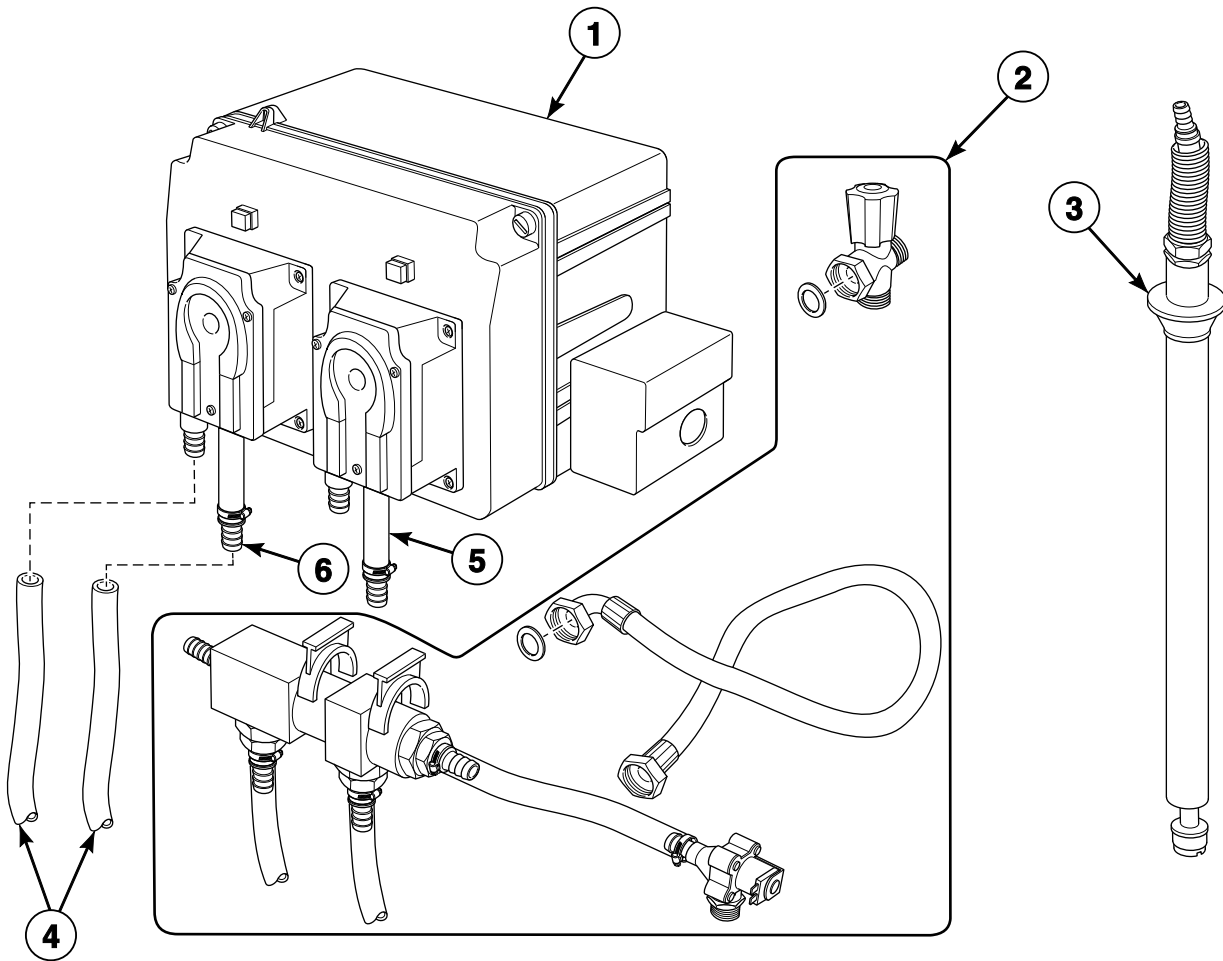
CFD3236P_D2400

Elevated Base Frame

REF	PART NO.	DESCRIPTION	COMMENTS
1	SP554172	Elevated Base Frame	135mm tall; NOTE*
	SP554173	Elevated Base Frame	200mm tall; NOTE*

* NOTE: Part can only be ordered through the Equipment Order Desk.

Liquid Soap Supply System - Pumps



CZW45P_D2400

Liquid Soap Supply System - Pumps

REF	PART NO.	DESCRIPTION	COMMENTS
	MB90-Z40	Supply Pump Kit	For two pumps
	MB90-Z41	Supply Pump Kit	For three pumps
	MB90-Z42	Supply Pump Kit	For four pumps
	MB90-Z43	Supply Pump Kit	For five pumps
	MB90-Z44	Supply Pump Kit	For six pumps
1	529742	Pump	Two
	529743	Pump	Three
	529744	Pump	Four
	529745	Pump	Five
	529746	Pump	Six
2	529789	Manifold Flush Kit	For two pumps
	529797	Manifold Flush Kit	For three pumps
	529798	Manifold Flush Kit	For four pumps
	529799	Manifold Flush Kit	For five pumps
	529800	Manifold Flush Kit	For six pumps
3	529787	Suction Tube	
4	SPPRI540020005	Hose	d10/14
5	529747	Hose	Spare hose for pump
6	547808	Connection	

Wire Harnesses

PART NO.	DESCRIPTION	COMMENTS
552495	Transformer Connection	CSA
528064	Steam Heat Wiring	PAN models; Steam heat
552466	Wireless Reader Wiring	PAN models; Vended
SP528335	Heating GND Wiring	CE and Watermark models
SPPRI351000161	Steam Valve Cable	CE models; Steam heat
SPPRI351107209	Heating Contactor Wiring	2.5mm ² ; I=540mm; for 4.6kW, 6kW, 9kW for 400-440V; CE
SPPRI351108209	Heating Contactor Wiring	4mm ² ; I=540mm; 9kW, 230V; CE
SPPRI351105209	Heating Contactor Wiring	6mm ² ; I=540mm; 12kW, 230V; CE
552265	Heating Wiring	1.5mm ²
552266	Heating Wiring	2.5mm ²
SP547075	RS485 External Interconnection	For RS485 external interconnection to PC
528393	Wiring Steam - Electrical Heating	Steam - electrical heating modification
F8715501	Extension Board Connection Cable	Models with G in 7th position of the model number; Extension Cable for Pumps; 81.89 inch (2.08 m).
568396	Motor Temperature Protector Cable	Models with G in 7th position of the model number

Parts Index

A

Adapter	
SP319428324012	101, 103
SP547968	101, 103
Adhesive	
SP101403	101, 103
SP245704000050	107
SP245704000603	73, 101, 103, 109
SP245704003021	13, 15, 17, 21, 73, 107
SP537896	73
Air Trap Reduction	
SPPRI503000027	83, 85
Anticorrosive Agent	
SP510889	107
Automatic Unlocking Module Assembly	
SP545238	23
SP552489	11, 19, 23
Autotransformer	
SP552201	87, 97

B

Bearing	
SPPRI608000002	109
SPPRI608000048	109
Bearing Housing	
SP537860	109
Bearing Housing Assembly	
556221	105
Bearing Replacement Tool Kit	
SP538787	109
Belt	
SP533157	111
Binding Strip	
SP345000626088	83, 85, 111
Board Interconnection Cable	
SP547005	35, 43, 51
575865	55, 57, 59
Bolt	
SPF02119000415	105
SP309084000408	13, 19, 25, 31
SP309084000416	13, 19, 25, 73, 79, 89, 93, 97
SP309084000535	93, 97
SP309798500306	35, 43, 53
SP309933000416	61, 63, 87
SP309933000616	13, 19, 25, 31
SP309933000620	89, 93, 97, 101, 103
SP309933000660	91, 95
SP309933000820	83, 85
SP309933000835	107
SP309933000880	9
SP309933001020	111
SP309933100625	89, 93, 97
SP309933240408	89
SP309933240412	93, 97
SP309933240825	107
SP506012	29, 55, 57, 59
SP527420	107
SP533898	111
SP535479	75

SP537854	73
SP537864	75
SP547925	89, 97
SP550140	99
SP555504	31, 35, 43, 53, 91, 93, 95, 97
SP555658	11, 15, 17, 21, 23, 27, 103
SP556137	73
555658	29, 31, 33, 55, 57, 59
563123	29
582341	77

Bushing

SP101406	89, 91, 95
SP101409	89, 91, 95

C

Cabinet Holder	
567933	13, 19, 25, 31
Cabinet Reinforcement	
SP550498	13, 19, 25, 29
Cable	
F8715501	116
SP545234	53, 89
557982	89
Cable Bushing	
SP273121008002	103
Cable Bushing Insert	
SP557952	89
Cable Clamp	
SP528392	89, 93, 97
Cable Eye	
SP345000165034	93, 97
Cable Holder	
SP528313	29, 35, 43, 91, 95
Cable Passage	
SP273121005052	11, 19, 23
Casing	
SP529739	75
Circuit Breaker	
571462	91, 95
Clamp	
SP537737	105
Clip	
SP502214	93, 97
Coil	
SP554110	101, 103
Coin Meter	
SP537996	47, 67
SP547600	45, 65
SP547601	45, 65
SP547602	45, 65
SP547603	45, 65
SP547604	45, 65
SP547605	45, 65
SP547606	45, 65
SP547607	45, 65
SP547608	45, 65
SP547609	45, 65
SP547610	45, 65
SP547611	45, 65
SP547612	45, 65

N/A items do not appear in index.

SP547613	45, 65	SP558958	37
SP547614	45, 65	SP558959	37
SP547615	45, 65	SP559933	37
SP547616	45, 65	SP559934	37
SP547617	45, 65	SP559938	37
SP547618	45, 65	SP559949	37
SP547619	45, 65	SP559969	37
SP547620	45, 65	SP560071	39
SP547621	45, 65	SP560075	39
SP547622	45, 65	SP560082	49, 69
SP547623	45, 65	SP560083	49, 69
SP547624	45, 65	SP560084	49, 69
SP547625	45, 65	SP560085	49, 69
SP547626	45, 65	SP560086	49, 69
SP547627	45, 65	SP560087	37
SP547628	45, 65	SP560089	47, 67
SP547629	45, 65	SP560090	37
SP547630	45, 65	SP560091	37
SP547631	45, 65	SP560092	37
SP547634	45, 65	SP560093	37
SP547635	45, 65	SP560094	37
SP547636	45, 65	SP560100	37
SP547637	45, 65	SP560309	37
SP547638	45, 65	SP560310	37
SP547639	45, 65	SP560311	37
SP547640	45, 69	SP560312	37
SP547641	47, 67	SP560405	37
SP547642	47, 67	SP560406	37
SP547643	47, 67	SP560407	37
SP547644	47, 67	SP560408	37
SP547645	47, 67	SP560409	37
SP547646	47, 67	SP560410	37
SP547647	45, 65	SP560411	37
SP547648	45, 65	SP560412	37
SP547649	47, 67	SP560413	37
SP547651	47, 67	SP560414	37
SP547652	45, 65	SP560415	37
SP547653	47, 67	SP560416	37
SP547654	47, 67	SP560417	37
SP547656	45, 65	SP560418	37
SP547657	47, 67	SP560419	37
SP547658	47, 67	SP560420	37
SP547659	47, 67	SP560421	37
SP547660	47, 67	SP560422	37
SP547661	47, 67	SP560423	37
SP547662	47, 67	SP560424	37
SP547663	47, 67	SP560425	37
SP547664	47, 67	SP560426	37
SP547665	45, 65	SP560427	37
SP547666	45, 65	SP560428	37
SP547667	47, 67	SP560429	37
SP547668	47, 67	SP560432	37
SP547669	47, 67	SP560744	47, 67
SP547670	47, 67	SP560745	37
SP547671	47, 67	SP560751	37
SP547672	47, 67	SP564486	49, 69
SP547673	47, 67	553150	49, 69
SP547674	47, 67	553151	49, 69
SP547675	47, 67	553156	39
SP555502	47, 67	560073	49, 69
SP555543	47, 67	561378	49, 69
SP555546	47, 67	561496	49, 69
SP555549	47, 67	561497	39
SP555550	47, 67	563405	39
SP555558	47, 67	564484	49, 69
SP555559	47, 67	564485	39
SP555578	47, 67	564487	39
SP555579	47, 67	564489	49, 69
SP555666	47, 67	569901	49, 69

N/A items do not appear in index.

569905	39	572355	41
569911	39	572358	49, 69
569912	49, 69	572359	41
569918	49, 69	572383	49, 71
569919	39	572384	41
569921	45, 65	572389	41
569922	37	572391	69
569924	49, 69	575276	41
569925	39	575277	41
569927	49, 69	579808	71
569928	39	579812	71
569930	49, 69	Coin Meter Box	
569931	39	SP102532	61, 63
569933	47, 67	Coin Meter Case	
569934	37	SP547548	61
569936	49, 69	SP550436	61
569937	39	572117	63
569939	47, 67	Coin Meter Cover	
569940	37	SP547565	35, 43, 53, 55
569942	49, 69	Coin Vault Plate	
569943	39	SP533103	13, 17, 25, 31
569945	49, 69	Communication Cable	
569946	39	SP528323	93, 97
569948	47, 67	SP528325	89
569949	39	Compression Spring	
569951	47, 67	SP535406	77
569952	39	Connection	
569954	49, 69	547808	115
569955	39	Connector	
569961	49, 69	SP537856	73
569962	39	SP554156	101, 103
569964	47, 67	Contactora	
569965	37	SPPRI345002019	87
569967	49, 69	SP514038	87, 91, 95
569968	39	SP514042	87, 91
569970	49, 69	SP514043	87
569971	39	Control Board	
569973	49, 69	SP547001	51
569974	39	SP553411	43, 51
569979	49, 69	SP553412	43, 51
569980	39	SP553419	35, 51
569987	49, 69	204890	55, 57, 59
569988	39	Control Board Holder	
569993	39	SP550117	51
569995	39	577668	29
569998	49, 69	Control Board I/O	
569999	41	553444	29
570000	41	Control Board Power	
572301	49, 69	SP547002	51
572302	41	SP553405	35, 43, 51
572304	49, 69	Control Holder	
572305	41	581020	55, 57, 59
572307	49, 69	581021	55, 57, 59
572308	41	Control Panel	
572310	49, 69	SP550178	51
572311	41	SP558831	35
572313	49, 69	SP560458	43
572314	41	575943	51
572317	49, 69	580851	55, 57, 59
572318	41	Control Support	
572320	49, 69	581009	55, 57, 59
572321	41	Conversion Board	
572323	49, 71	553439	29
572324	41	Cover	
572326	49	SPPRI543000004	35, 43, 51, 73
572327	41	566549	93, 97
572339	49, 71		
572342	49, 69		
572343	41		

N/A items do not appear in index.

Cover Motor 577444	111
Cover Plate SP550149	35, 43, 53, 59
Cover Strip Pin SP533738	9
Cross Piece SP537730	107

D

DC Choke 571454	91, 95
Dispenser Elbow Pipe SP547905	79
Dispenser Lid SP526461	79
SP551695	79
Dispenser Seal SP540158	79
Distinguishing Ring SP535411	77
SP535437	77
571733	77
Door SP535426	75
SP535428	75
SP553526	75
568837	75
Door and Lock Holder SP537853	73
Door Assembly 553531	73
576072	73
576075	73
Door Glass SP535417	73
SP556227	73
Door Lock Wiring SP528270	73
SP552453	73
SP552454	73
569723	73
Double Check Valve F8301201	79
Double Reverse Valve B12543901	79
Drain Elbow SP526457	83, 85
Drain Hose Pipe SP526492	83, 85
Drain Valve SP526460	83, 85
Drain Valve Chamber 553195	83
Drain Valve Motor SPPRI340002051	83, 85
Drain Valve Seal 554276	83, 85
Drum V-Pulley SP556166	111

E

Elevated Base Frame SP554172	113
SP554173	113
Emergency Stop Connector SP528311	35, 43, 53, 55
Emergency Stop Interconnection SP520033	35, 43, 53, 57
571485	59
Emergency Stop Knob SP528310	35, 43, 53, 55
Emergency Stop Label SPPRI551005248	35, 43, 55
Emergency Stop Wiring SP520032	35, 43, 53
End Stop SP346000209101	91, 95
SP555405	15, 27, 33
Extension Tube SP319413102015	103
SP515348	101
External Tub 582308	107
582309	107
External Tub Front Plate 571607	105

F

Fastening Cone SP230100007014	101, 103
Ferrite Core 557961	93, 97
Filling Elbow Pipe SP526484	81
Filling Hose Pipe RSPF200166	79
SPPRI505000054	79
SP101621	79
SP547980	79
Filter SPPRI340004030	79
SP514071	87
568380	93
Fixed Lower Hinge 568982	75
568984	75
Fixed Upper Hinge 568979	75
568981	75
Flap SP540113	79
Foam Roller SP100188	83, 85
Frame SP533910	9
Frastener SP550115	11, 19, 23, 29
Frequency Inverter 571471	89, 93, 97

N/A items do not appear in index.

Front Panel	
SP550161	17, 27
SP550163	17, 27
SP550165	17, 27, 33
SP550167	17, 27, 33
SP557064	15
SP557065	15
563532	17, 27, 33
563534	17, 27, 33
571722	73
571725	73
Fuse	
SP345805163032	89, 91, 95
Fuse Cover	
SP554311	91, 95
Fuse Holder	
SP554310	91, 95
Fuse Housing	
SPPRI401003020	89, 91, 95

H

Handle	
SP552916	77
SP552917	77
576081	77
Handle Ball	
SP535407	77
Handle Lower Part	
SP535429	77
Handle Torsion Spring	
SP535402	75
Heating Contactor Wiring	
SPPRI351105209	116
SPPRI351107209	116
SPPRI351108209	116
Heating Element	
SP540144	105
SP540145	105
SP540146	105
Heating Element Front Cover	
SP537866	73
SP556236	73
SP563274	73
568986	73
Heating Element Hole Plug	
SPPRI342001016	101, 103
Heating GND Wiring	
SP528335	116
Heating Wiring	
552265	116
552266	116
Hinge	
SP516832	11, 19, 23
Hinge Spacer	
SP535421	75
SP537849	73
Holder	
SPPRI326002004	11, 19, 23
SP533928	111
570318	93, 97
Holder Cover	
SP535412	77
SP535436	77

Hook	
SPPRI551016250	11, 19, 23
Hook Lock	
SPPRI610002007	11, 19, 23
569579	23
569580	23
Hose	
SPPRI503002049	83, 85
SPPRI540000014	79
SPPRI540020005	115
529747	115
Hose Clamp	
SPPRI240000002	79
SPPRI240000003	81, 83, 85
SPPRI240000007	81, 83, 85
SPPRI240000015	111
SPPRI240000017	81, 85
SPPRI240000021	79, 85
SPPRI241000017	83, 85
SP526491	81
SP526532	83, 85
Hose Pipe	
SP101745	79

I

Insulation Washer	
571458	91, 95
Internal Vessel	
SP540122	79
Isolation Paper	
SPPRI350012007	61, 63

K

Keyboard	
SP547085	51
SP547086	51
SP547087	43, 51
SP547088	43, 51
SP552992	51
SP553423	51
SP557130	43
SP557565	35, 51
SP557566	35, 51
SP560747	35, 51
SP560748	35, 51
SP561588	51
557130	51
559862	51
577656	55, 57, 59

L

Label	
SP563290	53
SP564831	75
557981	89
560786	23
577440	91, 95
577441	91, 95
Leading Pin	
SP550113	35, 43, 53, 55, 57, 59

N/A items do not appear in index.

Liquid Soap Supply Connection Kit	
SP540180	89
Locating Segment	
SP529710	77
Lock	
SP537760	75
SP547527	11, 19, 23, 29
Lock Hook	
581001	29
Lock Pin	
SP537933	75
Logo Label	
SP547046	53
SP552928	53
SP552990	53
547055	53
567887	53
Lower Hinge	
575963	75
575965	75
Lower Rear Cover	
SP550179	11, 21, 23
Lubrication Grease	
SP111313000002	109

M

Main Switch	
SPPRI404000097	87, 91, 95
SPPRI404000098	87, 91, 95
SPPRI404000099	87, 91, 95
SPPRI404001098	87, 91
SPPRI404001099	87, 91
SP506407	87, 91
Main Switch Knob	
SPPRI404000095	89, 91, 95
Main Vessel	
SP540115	79
Main Wiring	
568392	91, 95
Manifold Flush Kit	
529789	115
529797	115
529798	115
529799	115
529800	115
MC6 Control Board Main Wiring	
528499	89
MC7 Control Board Main Wiring	
SP552473	89
SP553124	89
SP557766	89
Microswitch	
SP506045	61
Mixer	
SP526558	79
Mixer Body	
SP526565	79
Mixer Lid	
SP526557	79
Module	
553189	29
Motor and Frequency Inverter Cover	
SP547902	87

N/A items do not appear in index.

SP562875	87
Motor Holder	
SP533909	111
Motor Temperature Protector Cable	
568396	116
Motor with Pulley	
SP555592	111
577505	111
Mounting Bolt Hole Template	
560077	9

N

Network Installation Kit	
569593	35, 43
Nut	
SP101416	87, 91, 95
SP101419	87, 91, 95
SP310934000004	35, 43, 53, 55, 57, 59, 61, 63, 87, 89
SP310934000008	13, 19, 25, 31
SP310934100006	87, 93, 97
SP310934240008	105
SP310985000006	73, 77, 87, 97
SP310985000008	9, 99
SP310985000010	107
SP310985000012	111
SP313251000006	15, 27, 89, 101, 103
SP313251002104	73
SP514193	15, 55, 57, 59
SP547952	101, 103

O

Overflow Tube	
SP547941	81
547940	85

P

Panel Holder	
SP550181	23
SP558833	11
SP560460	19
577660	29
Panel Protection	
577479	31, 33
Pin	
SP540117	79
Pin Insertion	
SP520408	9, 13, 19, 25, 31, 35, 43, 53
Pipe Nipple	
SPR22112000114	101, 103
Plastic Post	
577689	29
577693	29
Plexiglass Assembly	
582319	73
Plug	
SPPRI426001268	101, 103
Profiled Sealing	
SPPRI505000058	15, 17, 27, 33, 89, 93, 97

Programmer Holder	
SP558813	35
SP560448	43
Programming Cable	
F8600501	35, 43, 53
Pump	
529742	115
529743	115
529744	115
529745	115
529746	115
Pump Relay Board to LED Terminal Cable	
SP528149	89
Push Button Cover	
SPPRI543000003	91, 95

R

Rear Cover	
SP550185	11, 21, 23
550179	29
581014	29
Rear Panel	
SP547895	87
SP559233	87
577416	91, 95
Rear Panel Lid	
SP547886	89
Reduction	
567128	79
567174	79
Reinforcement Tube	
SP500125	83, 85
Relay	
SP552468	91, 95
Reverse Function Drain Valve	
SP547821	83, 85
Rim	
SP562546	75
Ring	
SP517528	99
Rivet	
SP313250004007	89
SP313250004125	55, 57, 59
SP313250048103	11, 19, 23
SP547779	9, 13, 19, 25, 31, 35, 43, 53, 73
RS485 External Interconnection	
SP547075	116

S

Screw	
SP100218	55, 57, 59
SP309798124313	79
SP526497	79, 83, 85
SP529206	11, 13, 19, 21, 23, 25, 31, 61, 63, 79, 89, 93, 97, 111
Seal	
SPPRI520001009	79
SP284000	43
SP517232	9, 13, 17, 25, 31
SP526564	101, 103
SP537739	105

564202	29
Sealant	
SPPRI704000053	107
Sealing Ring	
SP525813	109
SP537848	109
Self-Adhesive Pad	
SPMEC001410	35, 43
Self-Adhesive Profile	
570387	91, 95
Service Door Kit	
568991	73, 75
Shaft Ring	
SP537843	105
Side Panel	
SP550152	25
SP550155	27
SP550157	25
SP550159	27
SP557094	15, 17
SP557095	13, 21
SP557096	15
SP557097	13
SP558822	17
SP558824	21
563546	25
563554	27
563568	17
563570	21
570416	33
570418	31
570420	33
570422	31
577105	27
577107	25
577449	33
577450	31
Soap Hopper	
SP540111	79
Soap Hopper Plug	
SP526468	79
Soap Hopper Upper Cover	
SP540112	79
Soap Link Kit	
SP557944	89
Soap Relay Board	
SP524714	89
804528	93, 97
Spacing Washer Set	
570551	9
Speed Sensor	
SP557701	111
Speed Sensor Holder	
SP555547	111
Speed Sensor Plate	
SP555545	111
Spiral	
SP283449080200	83, 85
Spring	
SP517509	111
Spring Clamp	
SP540183	83, 85
Spring Holder	
SP533926	111

N/A items do not appear in index.

Steam Cover Base 581043	103
Steam Filter SP405054120215	101, 103
Steam Heat Wiring 528064	101, 116
Steam Injector SP526525	101, 103
Steam Kit SP559317	101
577549	103
Steam Tube SP547949	101, 103
Steam Valve SP514164	101, 103
Steam Valve Body SP514165	101, 103
Steam Valve Cable SPPRI351000161	116
Steam Valve Cover 581042	103
Steam Valve Holder 581035	103
Steam Valve Support SP547950	101
Suction Tube 529787	115
Supply Pump Kit MB90-Z40	115
MB90-Z41	115
MB90-Z42	115
MB90-Z43	115
MB90-Z44	115
Switch SP100388	89, 91, 95
Switching Unit SP528312	35, 43, 53, 55

T

Tape SP284000012003	35, 53, 73
SP510846	35, 43, 51
Tee SP526454	83, 85
Temperature Sensor 503839	81
Temperature Sensor Seal SP526439	81
Terminal Board SPPRI350000007	61, 63
SP506575	89
Top Cover SP550183	23
SP555676	23
SP558835	11
SP560454	19
577500	29
577697	29
Top Cover Reinforcement SP547739	11, 19, 23
Transformer SP557743	99

564561	93, 97
Transformer Connection 552495	116
Transformer Cover SP554362	99

U

U Shape SP556979	15
SP556980	15
Upper Hinge 575960	75
575962	75
Upper Lid Prop SP533341	19
SP550133	11, 23
USB Cable SP547006	89
569668	53

V

Vent Hose SP526509	81
-----------------------------	----

W

Washer SPPRI522000012	11, 19, 23
SP311125000004	55, 57, 59, 87, 89, 93, 97
SP311125000006	13, 19, 25, 31, 101, 103
SP311125000008	99, 107
SP311125100006	87, 93, 97
SP311125240006	89, 93, 97
SP311125240008	105
SP311127000004	87, 89, 93, 97
SP311127000006	13, 19, 25, 31, 91, 95, 101, 103
SP311679800003	35, 43, 53
SP311679800004	13, 19, 25, 31, 35, 43, 53, 55, 57, 59, 89, 93, 97
SP311679824006	87, 89, 93, 97
SP311737000010	107
SP311902100004	15, 35, 43, 53, 55, 57, 59
SP311902100006	77, 87, 89, 91, 95, 97
SP311902100008	83, 85
SP311902100009	99
SP311902100010	111
SP311902100012	111
SP505430	93, 97
SP547981	101, 103
SP568037	61
563361	87
571642	75
582275	107
Washing Drum 537977P	105
559906P	105
563278P	105
Water Hose F200164	79
Water Level Switch 570315	85

N/A items do not appear in index.

Water Level Switch Hose SPPRI540001003	83, 85
Wireless Reader Wiring 552466	116
Wiring Steam - Electrical Heating 528393	116

Y

Y-Piece SPPRI503000028	85
---------------------------------	----

Numerics

2-Way Valve SP547958	79
-------------------------------	----

Numerics

3-Way Valve SP547959	79
-------------------------------	----

Numerics

4-Way Valve SP548933	79
-------------------------------	----
