

# Tumble Dryer

250 Liters (11 Kilograms) Capacity  
With Full/Flex Control

Refer to Page 3 for Model Numbers

Parts



# Table of Contents

Title	Page
Parts Ordering Information .....	2
Serial Plate Location .....	2
Model Identification .....	3
Front Panel Assembly .....	4
Filter Panel Assembly .....	6
Flex/Full Control Components .....	8
Cabinet - Heat Pump Models .....	10
Cabinet - Gas, Steam and Electric Models (Drawing 1 of 2) .....	12
Cabinet - Gas, Steam and Electric Models (Drawing 2 of 2) .....	14
Drum Assembly .....	16
Door Assembly .....	18
Door Assembly - Double Layer Door .....	20
Electric Heat Components .....	22
Gas Heat Components - Models Through Serial No. 11T006658QB .....	24
Gas Heat Components - Models Starting Serial No. 11T006659QB (Drawing 1 of 2) .....	26
Gas Heat Components - Models Starting Serial No. 11T006659QB (Drawing 2 of 2) .....	28
Steam Heat Components .....	30
Heat Pump (Drawing 1 of 2) .....	32
Heat Pump (Drawing 2 of 2) .....	34
Frequency Inverter Panel .....	36
Heat Pump Rinsing System .....	38
Exhaust .....	40
Drive System .....	42
Fan Housing Assembly .....	44
Electric Box Components - Heat Pump Models .....	46
Electric Box Components - Electric Models .....	48
Electric Box Components - Gas and Steam Models .....	50
Under Pressure Clutch .....	52
Heat Pump Booster .....	54
Humidity Sensor .....	56
WiFi Connection .....	58
Ventilator - Heat Pump Models .....	60
Parts Index .....	63

© Copyright 2023, Alliance Laundry Systems LLC

All rights reserved. No part of the contents of this book may be reproduced or transmitted in any form or by any means without the expressed written consent of the publisher.

# Parts Ordering Information

If literature or replacement parts are required, contact the source from whom the machine was purchased or contact Alliance Laundry Systems at (920) 748-3950 for the name and address of the nearest authorized parts distributor.

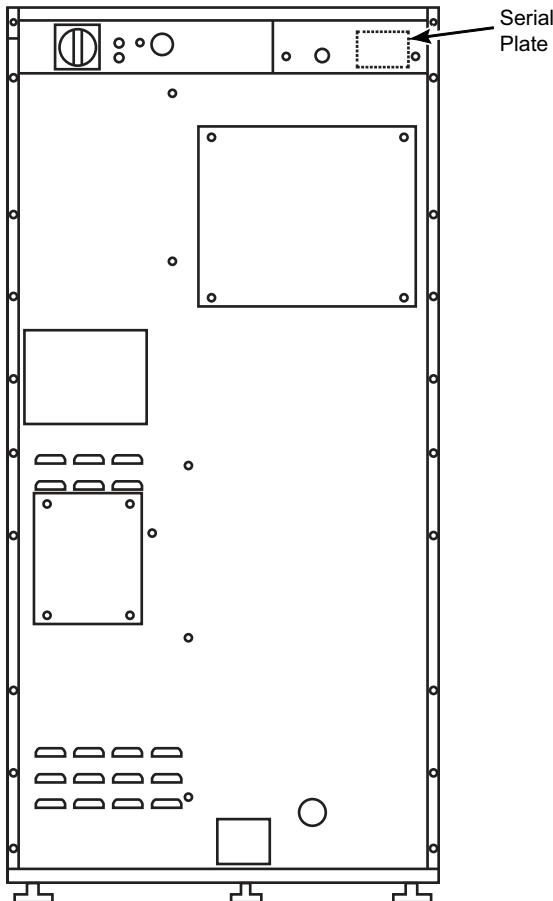
For technical assistance, call the number listed below:

(920) 748-3121 Ripon, Wisconsin

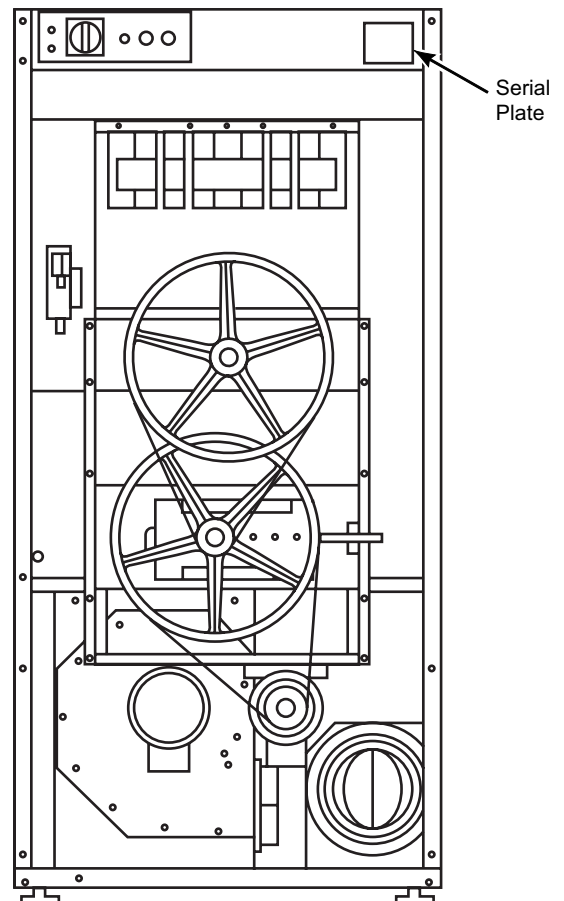
# Serial Plate Location

When calling or writing about your product, be sure to mention model and serial numbers. Model and serial numbers are located on serial plate(s).

**HEAT PUMP**



**GAS, STEAM AND ELECTRIC**



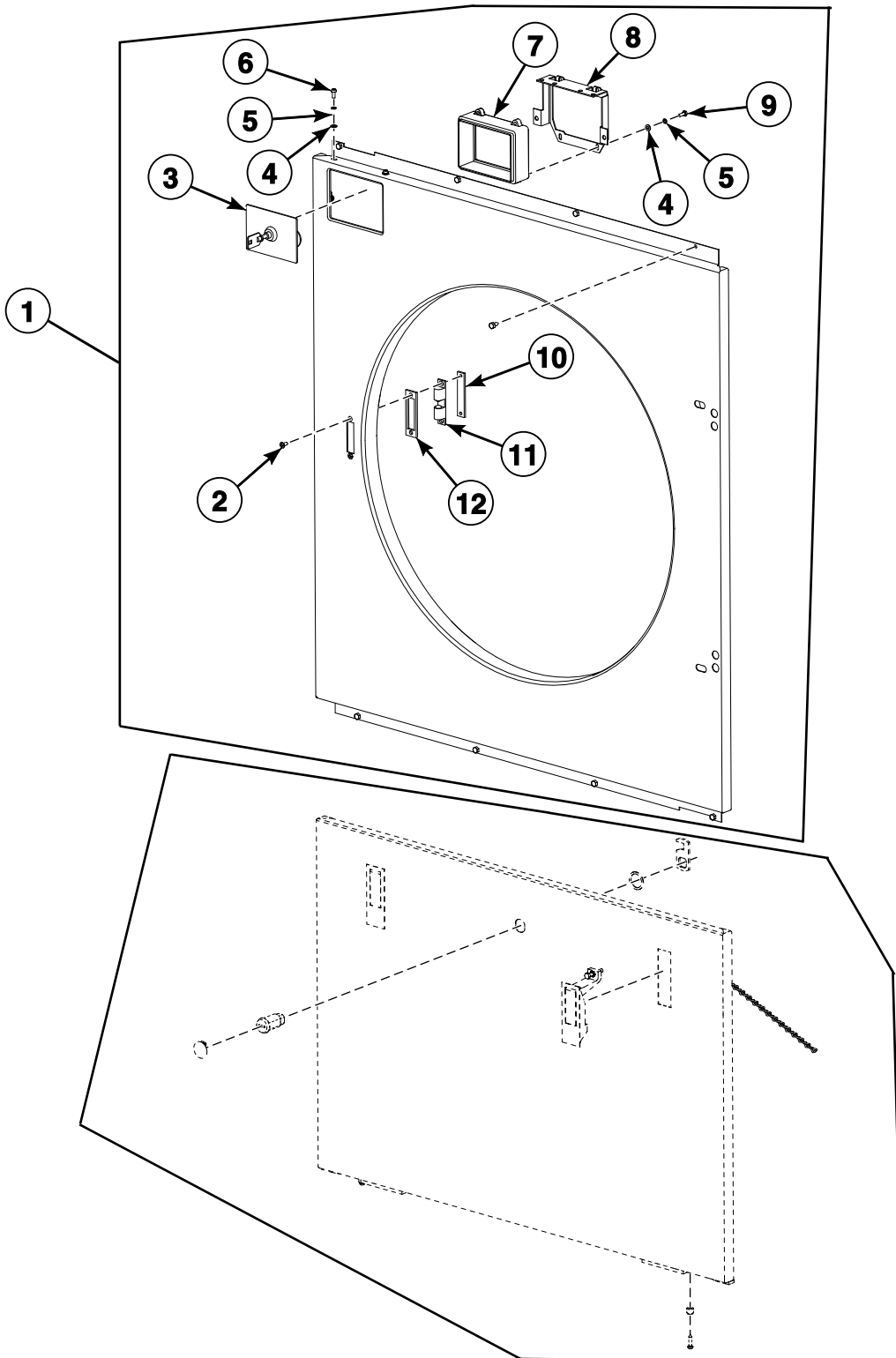
TMB3403P\_D2442

## Model Identification

Information in this manual is applicable to these tumbler models:

IDR250	IX250LF	NC250ZF	PE250LF	SE250SF	UH250FF
IHP250_FLEX	IX250MF	NE250EF	PE250MF	SE250TF	UH250HF
LS250_FULL	IX250NF	NE250FF	PE250NF	SE250WF	UH250LF
LS250HP_PROFESSIONAL	IX250SF	NE250LF	PE250SF	SH250EF	UH250MF
SDR250	IX250TF	NE250MF	PE250TF	SH250FF	UH250NF
SHP250_FLEX	IX250WF	NE250NF	PE250WF	SH250HF	UH250SF
T11_FULL	IX250ZF	NE250SF	PH250EF	SH250LF	UH250TF
T11HP_FULL	LC250EF	NE250TF	PH250FF	SH250MF	UH250WF
UDR250	LC250FF	NE250WF	PH250HF	SH250NF	UH250ZF
UHP250_FLEX	LC250HF	NH250EF	PH250LF	SH250SF	UU250EF
IC250EF	LC250LF	NH250FF	PH250MF	SH250TF	UU250FF
IC250FF	LC250MF	NH250HF	PH250NF	SH250WF	UU250HF
IC250HF	LC250NF	NH250LF	PH250SF	SH250ZF	UU250MF
IC250LF	LC250SF	NH250MF	PH250TF	SU250EF	UU250SF
IC250MF	LC250TF	NH250NF	PH250WF	SU250FF	UU250WF
IC250NF	LC250WF	NH250SF	PH250ZF	SU250HF	UU250ZF
IC250SF	LH250EF	NH250TF	PU250EF	SU250MF	UX250EF
IC250TF	LH250FF	NH250WF	PU250FF	SU250SF	UX250FF
IC250WF	LH250HF	NH250ZF	PU250HF	SU250WF	UX250HF
IC250ZF	LH250LF	NU250EF	PU250MF	SU250ZF	UX250LF
IE250EF	LH250MF	NU250FF	PU250SF	SX250EF	UX250MF
IE250FF	LH250NF	NU250HF	PU250WF	SX250FF	UX250NF
IE250HF	LH250SF	NU250MF	PU250ZF	SX250HF	UX250SF
IE250LF	LH250TF	NU250SF	PX250EF	SX250LF	UX250TF
IE250MF	LH250WF	NU250WF	PX250FF	SX250MF	UX250WF
IE250NF	LU250EF	NU250ZF	PX250HF	SX250NF	UX250ZF
IE250SF	LU250FF	NX250EF	PX250LF	SX250SF	
IE250TF	LU250HF	NX250FF	PX250MF	SX250TF	
IE250WF	LU250MF	NX250HF	PX250NF	SX250WF	
IH250EF	LU250SF	NX250LF	PX250SF	UC250EF	
IH250FF	LU250WF	NX250MF	PX250TF	UC250FF	
IH250HF	LX250EF	NX250NF	PX250WF	UC250HF	
IH250LF	LX250FF	NX250SF	PX250ZF	UC250LF	
IH250MF	LX250HF	NX250TF	SC250EF	UC250MF	
IH250NF	LX250LF	NX250WF	SC250FF	UC250NF	
IH250SF	LX250MF	NX250ZF	SC250HF	UC250SF	
IH250TF	LX250NF	PC250EF	SC250LF	UC250TF	
IH250WF	LX250SF	PC250FF	SC250MF	UC250WF	
IH250ZF	LX250TF	PC250HF	SC250NF	UC250ZF	
IU250EF	LX250WF	PC250LF	SC250SF	UE250EF	
IU250FF	NC250EF	PC250MF	SC250TF	UE250FF	
IU250HF	NC250FF	PC250NF	SC250WF	UE250HF	
IU250MF	NC250HF	PC250SF	SC250ZF	UE250LF	
IU250SF	NC250LF	PC250TF	SE250EF	UE250MF	
IU250WF	NC250MF	PC250WF	SE250FF	UE250NF	
IU250ZF	NC250NF	PC250ZF	SE250HF	UE250SF	
IX250EF	NC250SF	PE250EF	SE250LF	UE250TF	
IX250FF	NC250TF	PE250FF	SE250MF	UE250WF	
IX250HF	NC250WF	PE250HF	SE250NF	UH250EF	

# Front Panel Assembly

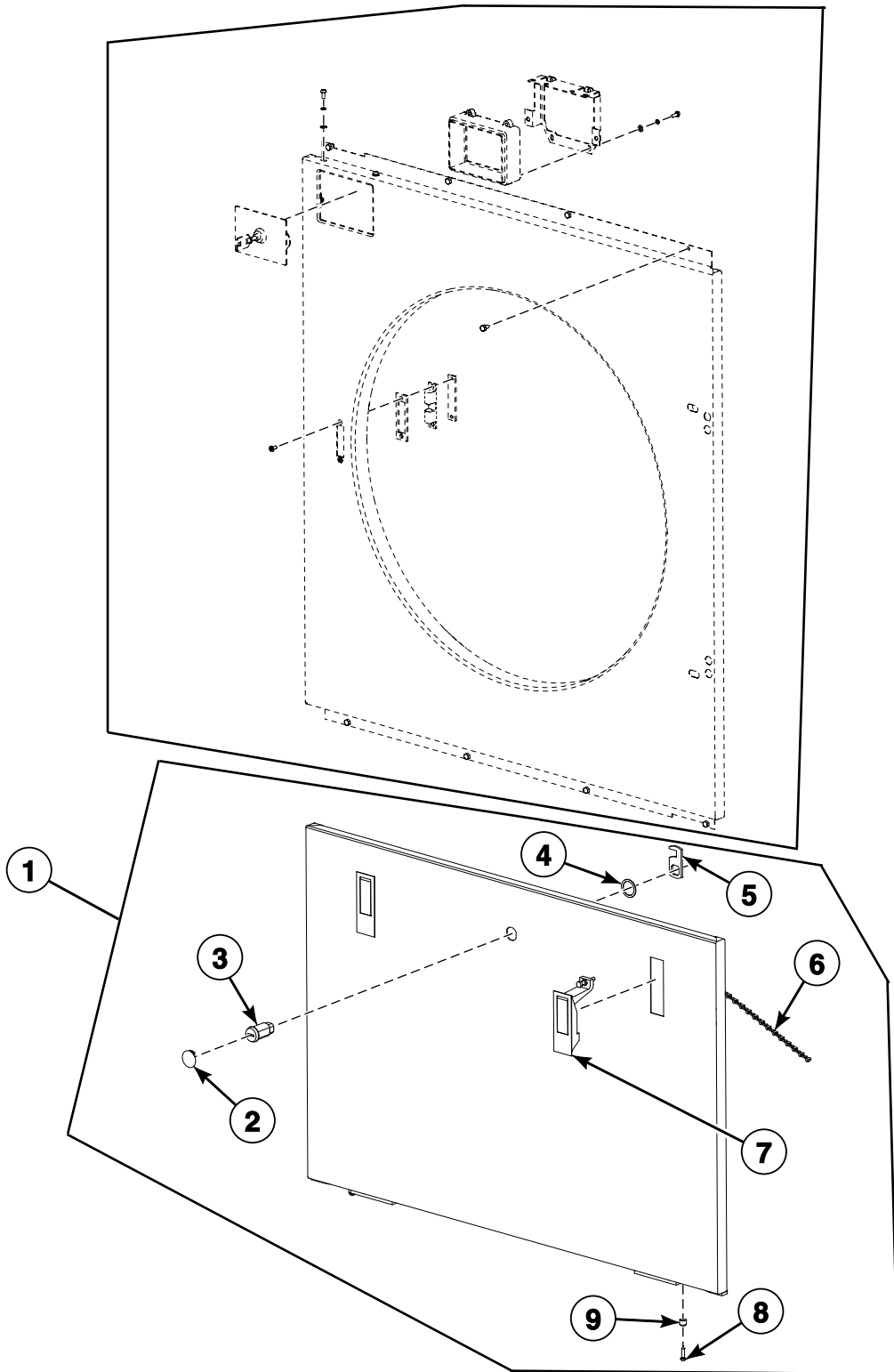


TMB3337P\_D2442

# Front Panel Assembly

REF	PART NO.	DESCRIPTION	COMMENTS
1	SP530621	Front Panel Assembly	U models; I models starting Serial No.11T006637MZ; S models starting 1/1/2021; Includes items 2-12; Imitation stainless steel
	SP559831	Front Panel Assembly	S models through 12/31/2020; I models and model LS250HP_PROFESSIONAL through Serial No. 11T006636MZ; Includes items 2-12; White
	SP555996	Front Panel Assembly	L, N, P and T models; Includes items 2-12; Gray
	SP530620	Front Panel Assembly	Includes items 2-12; Stainless steel
	SP530623	Front Panel Assembly	U models; S models starting 1/1/2021; I models starting Serial No.11T006637MZ; Includes items 2-12; Coin; Right door; Imitation stainless steel
	SP559832	Front Panel Assembly	S models through 12/31/2020; I models and model LS250HP_PROFESSIONAL through Serial No. 11T006636MZ; Includes items 2-12; Coin; Right door; White
	SP555997	Front Panel Assembly	L, N, P and T models; Includes items 2-12; Coin; Right door; Gray
	SP530622	Front Panel Assembly	Includes items 2-12; Coin; Right door; Stainless steel
	SP545543	Front Panel Assembly	U models; S models starting 1/1/2021; I models starting Serial No.11T00663MZ; Includes items 2-12; Coin; Left door; Imitation stainless steel
	SP559833	Front Panel Assembly	S models through 12/31/2020; I models and model LS250HP_PROFESSIONAL through Serial No. 11T006636MZ; Includes items 2-12; Coin; Left door; White
	SP555998	Front Panel Assembly	L, N, P and T models; Includes items 2-12; Coin; Left door; Gray
	SP545542	Front Panel Assembly	Includes items 2-12; Coin; Left door; Stainless steel
2	SP309966240410	Bolt	
3	SP515291	Coin Vault Cover	Coin
4	SP311125000004	Washer	
5	SP311127000004	Washer	
6	SP515075	Bolt	
7	SP501514	Coin Vault Frame	Coin
8	SP524394	Coin Vault Frame Bracket	Coin
9	SP309933240412	Bolt	
10	SP514906	Washer	
11	SP514530	Latch	
12	SP524366	Washer	

# Filter Panel Assembly



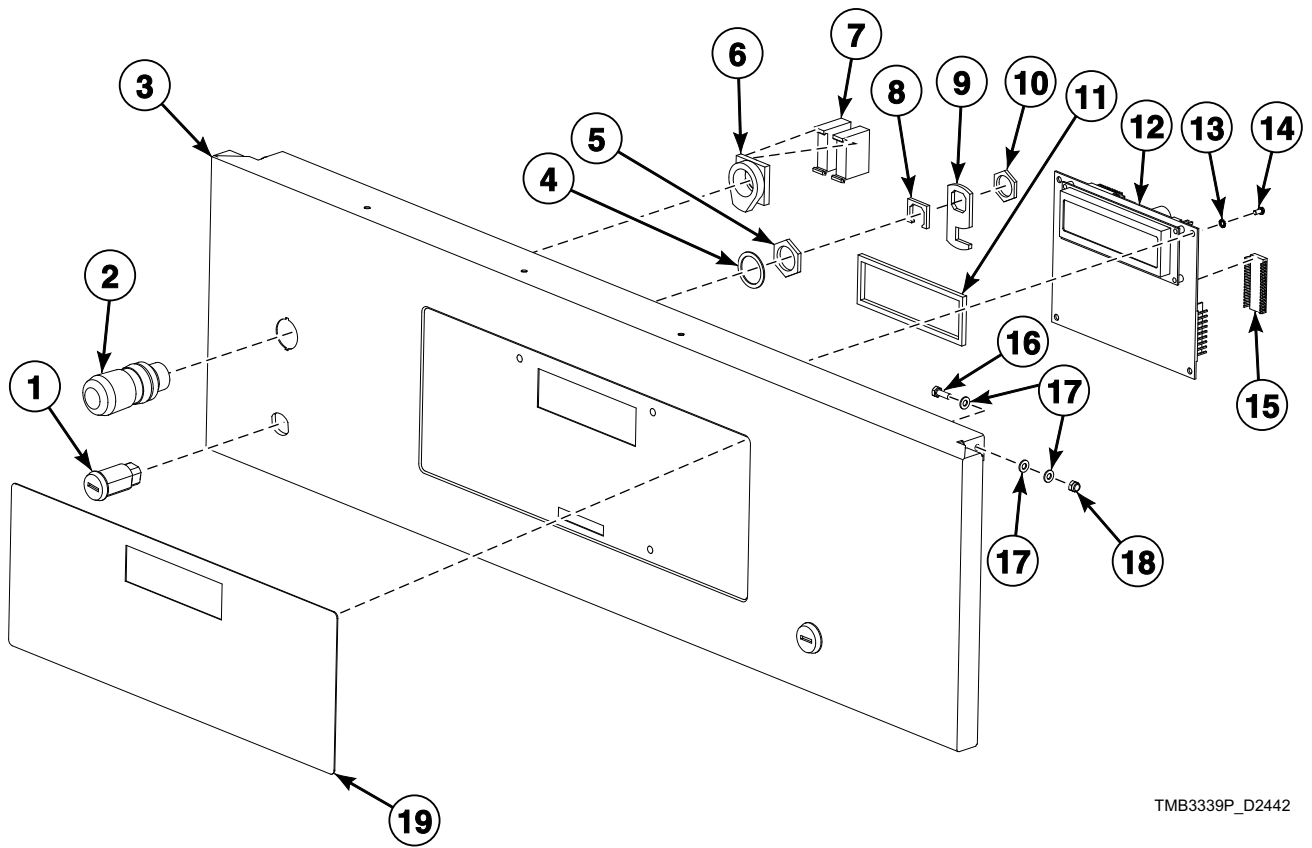
TMB3337PA\_D2442



# Filter Panel Assembly

REF	PART NO.	DESCRIPTION	COMMENTS
1	SP530631	Filter Panel Assembly	U models; Includes items 2-9; Imitation stainless steel; I models starting Serial No.11T006637MZ; S models starting 1/1/2021
	SP559827	Filter Panel Assembly	S models through 12/31/2020; I models and model LS250HP_PROFESSIONAL through Serial No. 11T006636MZ; Includes items 2-9; White
	SP555961	Filter Panel Assembly	L, N, P and T models; Includes items 2-9; Gray
	SP530630	Filter Panel Assembly	Includes items 2-9; Stainless steel
	SP530634	Filter Panel Assembly	U models; I models starting Serial No. 11T006637MZ; S models starting 1/1/2021; Includes items 2-9; With lock; Imitation stainless steel
	SP559828	Filter Panel Assembly	S models through 12/31/2020; I models and model LS250HP_PROFESSIONAL through Serial No. 11T006636MZ; Includes items 2-12; With lock; White
	SP555962	Filter Panel Assembly	L, N, P and T models; Includes items 2-9; With lock; Gray
	SP530633	Filter Panel Assembly	Includes items 2-9; With lock; Stainless steel
2	SP345900025012	Plug	Not applicable for coin
3	SPPRI610000007	Lock	
4	SPPRI522000012	Washer	
5	SPPRI610001007	Lock Hook	
6	SP521266	Chain	
7	SP521221	Lock	
8	SP520407	Screw	
9	SP520408	Pin Insertion	

# Flex/Full Control Components

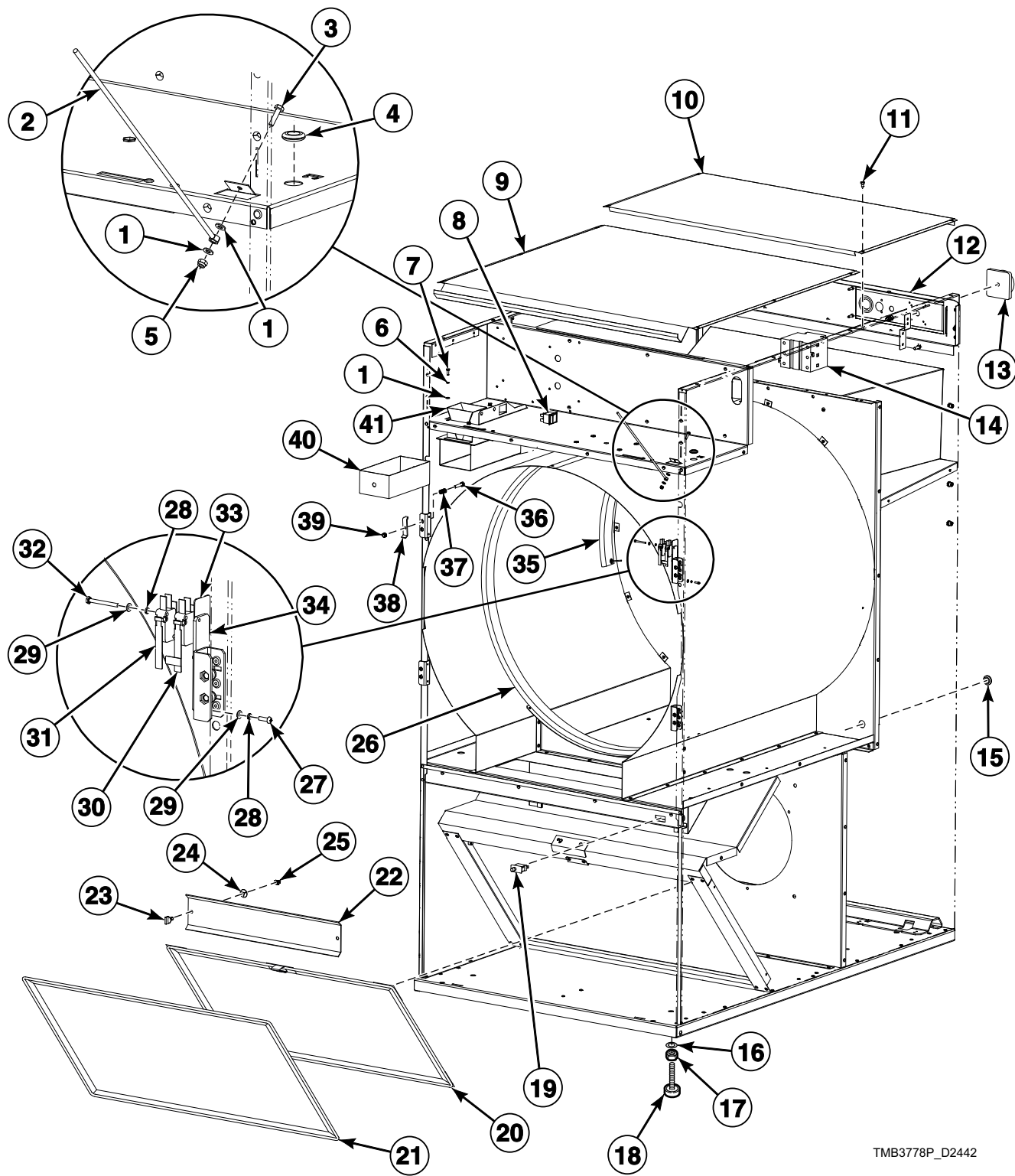


TMB3339P\_D2442

## Flex/Full Control Components

REF	PART NO.	DESCRIPTION	COMMENTS
	SP560115	Control Panel Assembly	U models; Includes items 1-19; Imitation stainless steel
	SP559884	Control Panel Assembly	U models; Includes items 1-19; Stainless steel
	SP560117	Control Panel Assembly	I models and models LS250HP_PROFESSIONAL through Serial No.11T006636MZ; Includes items 1-19; White
	574514	Control Panel Assembly	I models; Imitation stainless steel; Starting Serial No. 11T006637MZ
	SP559885	Control Panel Assembly	I, L and N models; Includes items 1-19; Stainless steel
	571930	Control Panel Assembly	L and N models; Gray; Starting 6/14/19
	SP559883	Control Panel Assembly	S models through 12/31/2020; Includes items 1-19; White
	SP559886	Control Panel Assembly	S models; Includes items 1-19; Stainless steel
	575431	Control Panel Assembly	S models starting 1/1/2021; Includes items 1-19; Imitation stainless steel
	SP560101	Control Panel Assembly	P and T models; Includes items 1-19; Gray; L and N models through Serial No. 11T006636MZ
	SP560116	Control Panel Assembly	P and T models; Includes items 1-19; Stainless steel; L and N models through Serial No. 11T006636MZ
	SP560118	Control Panel Assembly	P and T models; Includes items 1-19; Black; Through Serial No. 11T006636MZ
<b>1</b>	SPPRI610000007	Lock	
<b>2</b>	SP528310	Emergency Stop Knob	
<b>3</b>	SP560111	Control Panel	U models; Imitation stainless steel; I models starting Serial No. 11T006637MZ; S models starting 1/1/2021
	SP560113	Control Panel	I, LS250HP_PROFESSIONAL and S models; White; Through 12/31/2020
	SP560106	Control Panel	L, N, P and T models; Gray
	SP560114	Control Panel	P and T models; Black
	SP560112	Control Panel	Stainless steel
<b>4</b>	SPPRI522000012	Washer	
<b>5</b>	SPPRI610005007	Nut	
<b>6</b>	SP528311	Emergency Stop Connector	
<b>7</b>	SP528312	Switching Unit	
<b>8</b>	SP529082	Shim	
<b>9</b>	SPPRI610001007	Lock Hook	
<b>10</b>	SPPRI610006007	Nut	
<b>11</b>	SP101275	Gasket	
<b>12</b>	SP556608	Control Board	I, L, N, P and T models; Gray
	SP102457	Control Board	S and U models; Green
<b>13</b>	SP311679800003	Washer	
<b>14</b>	SP309798500306	Bolt	
<b>15</b>	SP526001	Memory	Empty without software version
	102471	Memory	Models without heat pump; Includes SP526001 Memory and EN, CZ, DE, FR, NL, ES, IT, DK, NO software language version
	102472	Memory	Models without heat pump; Includes SP526001 Memory and EN, CZ, RU, SL, HR, HU, PL, BG, RO, TR language version
	545269	Memory	Models with heat pump; Includes SP526001 Memory and EN, CZ, DE, FR, NL, ES, IT, DK, NO software language version
	572334	Memory	Models with heat pump; Includes SP526001 Memory and EN, CZ, DE, FR, NL, ES, IT, DK, NO software language version
	545270	Memory	Models with heat pump; Includes SP526001 Memory and EN, CZ, RU, SL, HR, HU, PL, BG, RO, TR software language version
	572335	Memory	Models with heat pump and frequency inverter; Includes SP526001 Memory and EN, CZ, RU, SL, HR, HU, PL, BG, RO, TR software language version
<b>16</b>	SP309933240412	Bolt	
<b>17</b>	SP311125000004	Washer	
<b>18</b>	SP514193	Nut	
<b>19</b>	SP559863	Overlay	U models
	SP559864	Overlay	I, N and S models
	SP556100	Overlay	L, P and T models

# Cabinet - Heat Pump Models

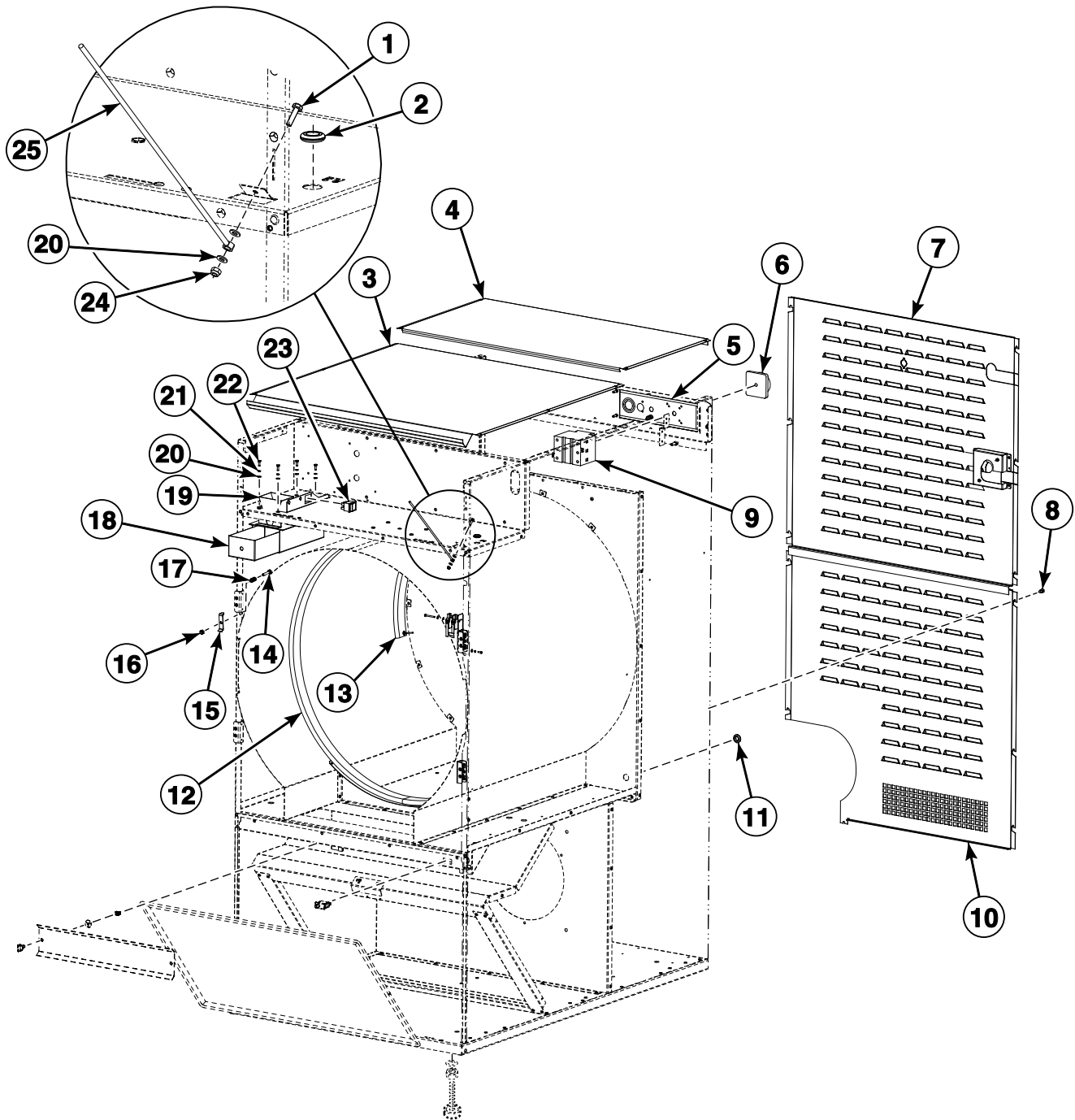


TMB3778P\_D2442

## Cabinet - Heat Pump Models

REF	PART NO.	DESCRIPTION	COMMENTS
	SP560162	Filter Assembly	Includes items 20 and 21
	SP520404	Door Switch Assembly	Includes items 27-34
	573370	Coin Vault Assembly	Includes items 1, 6, 7, 40 and 41
1	SP311125000004	Washer	
2	SP517486	Rod	
3	SP309933000416	Bolt	
4	SP273121011001	Bushing	
5	SP514193	Nut	
6	SP311127000004	Washer	
7	SP309933240412	Bolt	
8	SP100388	Switch	
9	SP534602	Upper Cover	
	SP557135	Upper Cover	Single phase
10	SP530796	Access Cover	
	SP557136	Access Cover	Single phase
11	SP100218	Screw	
12	SP520891	Switch Panel	
13	SPPRI404000095	Main Switch Knob	
14	SPPRI404000097	Main Switch	
15	SP273121013002	Bushing	
16	SP311125000010	Washer	
17	SP310934000010	Nut	
18	SPPRI504000001	Adjustable Foot	
19	SP506045	Microswitch	
20	SP560160	Fine Filter	
21	SP512324	Filter	
22	SP545533	Exhaust Cover	
23	SP545529	Bolt	
24	SP545531	Washer	
25	SP545530	Nut	
26	SP518505	Front Seal	
27	SP518719	Bolt	
28	SP311127000003	Washer	
29	SP311125000003	Washer	
30	SP517484	Microswitch	
31	SPPRI610011077	Microswitch	
32	SP516693	Bolt	
33	SP101154	Isolation Plate	
34	SP520403	Door Switch Holder	
35	SP527801	Back Seal	Models through Serial No.11T007431UM
	579537	Back Seal	Models starting Serial No.11T007432UM
36	SP309933000630	Bolt	
37	SPPRI611000009	Spring	
38	SP534645	Lock Hook	
39	SP310985000006	Nut	
40	SP321848140028	Coin Vault	
41	573350	Coin Vault	

# Cabinet - Gas, Steam and Electric Models (Drawing 1 of 2)

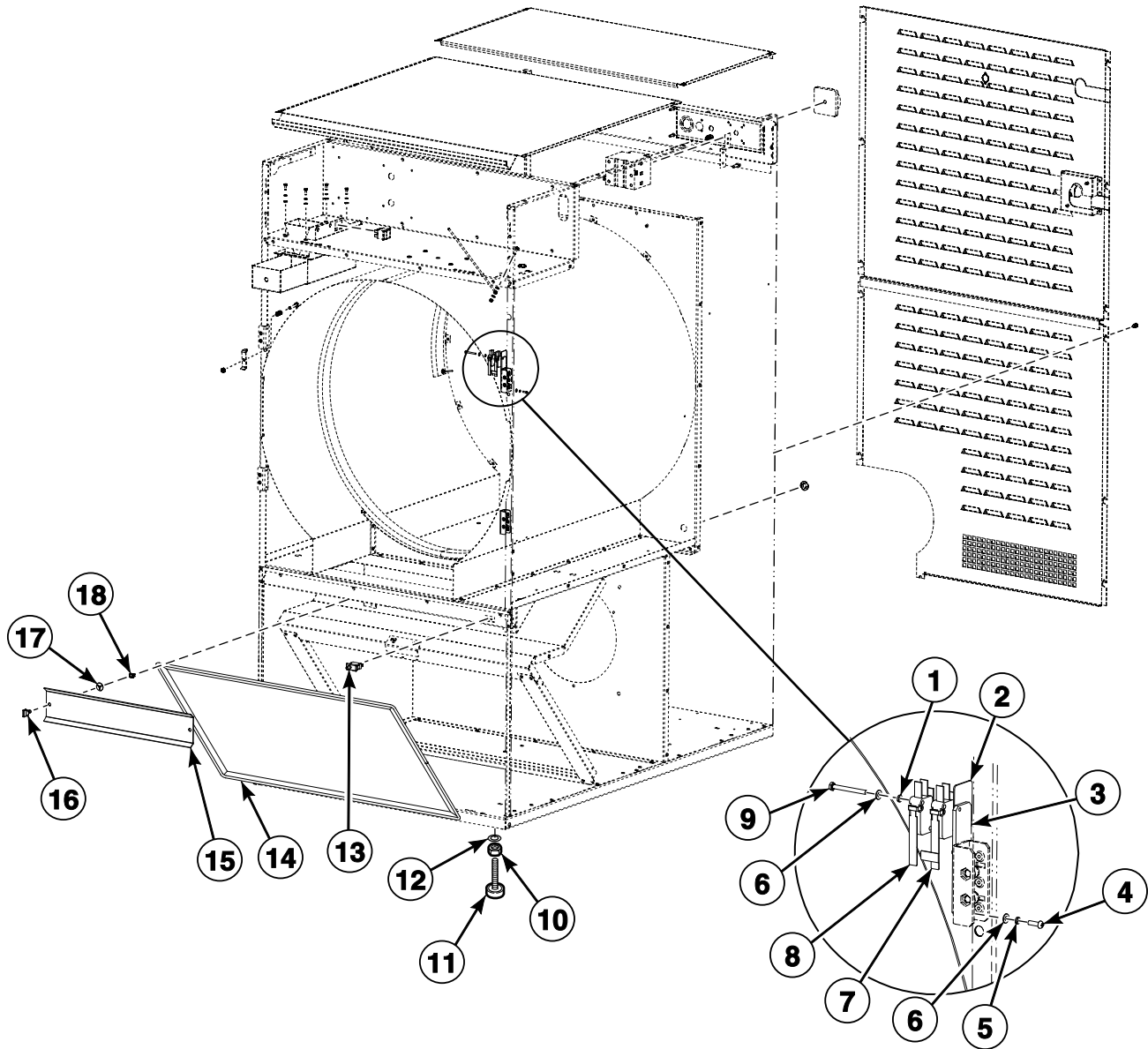


TMB3780P\_D2442

## Cabinet - Gas, Steam and Electric Models (Drawing 1 of 2)

REF	PART NO.	DESCRIPTION	COMMENTS
	573370	Coin Vault Assembly	Includes items 18 and 19
1	SP309933000416	Bolt	
2	SP273121011001	Bushing	
3	SP534602	Upper Cover	
4	SP530796	Access Cover	
5	SP520890	Switch Panel	
6	SPPRI404000095	Main Switch Knob	
7	SP530798	Upper Rear Cover	Electric models
	569441	Upper Rear Cover	Gas models; Also use 569448 Cover
8	SP100218	Screw	
9	SPPRI404000097	Main Switch	Gas and steam models; Electric models 400 or 440V 9kW; 400V 13.5kW; 440V 13kW
	SPPRI404000099	Main Switch	Electric models; 208-240V 13.5kW
10	SP530799	Lower Rear Cover	
11	SP273121013002	Bushing	
12	SP518505	Front Seal	
13	SP527801	Back Seal	Models through Serial No.11T007431UM
	579537	Back Seal	Models starting Serial No.11T007432UM
14	SP309933000630	Bolt	
15	SP534645	Lock Hook	
16	SP310985000006	Nut	
17	SPPRI611000009	Spring	
18	SP321848140028	Coin Vault	
19	573350	Coin Vault	
20	SP311125000004	Washer	
21	SP311127000004	Washer	
22	SP309933240412	Bolt	
23	SP100388	Switch	
24	SP514193	Nut	
25	SP517486	Rod	

# Cabinet - Gas, Steam and Electric Models (Drawing 2 of 2)



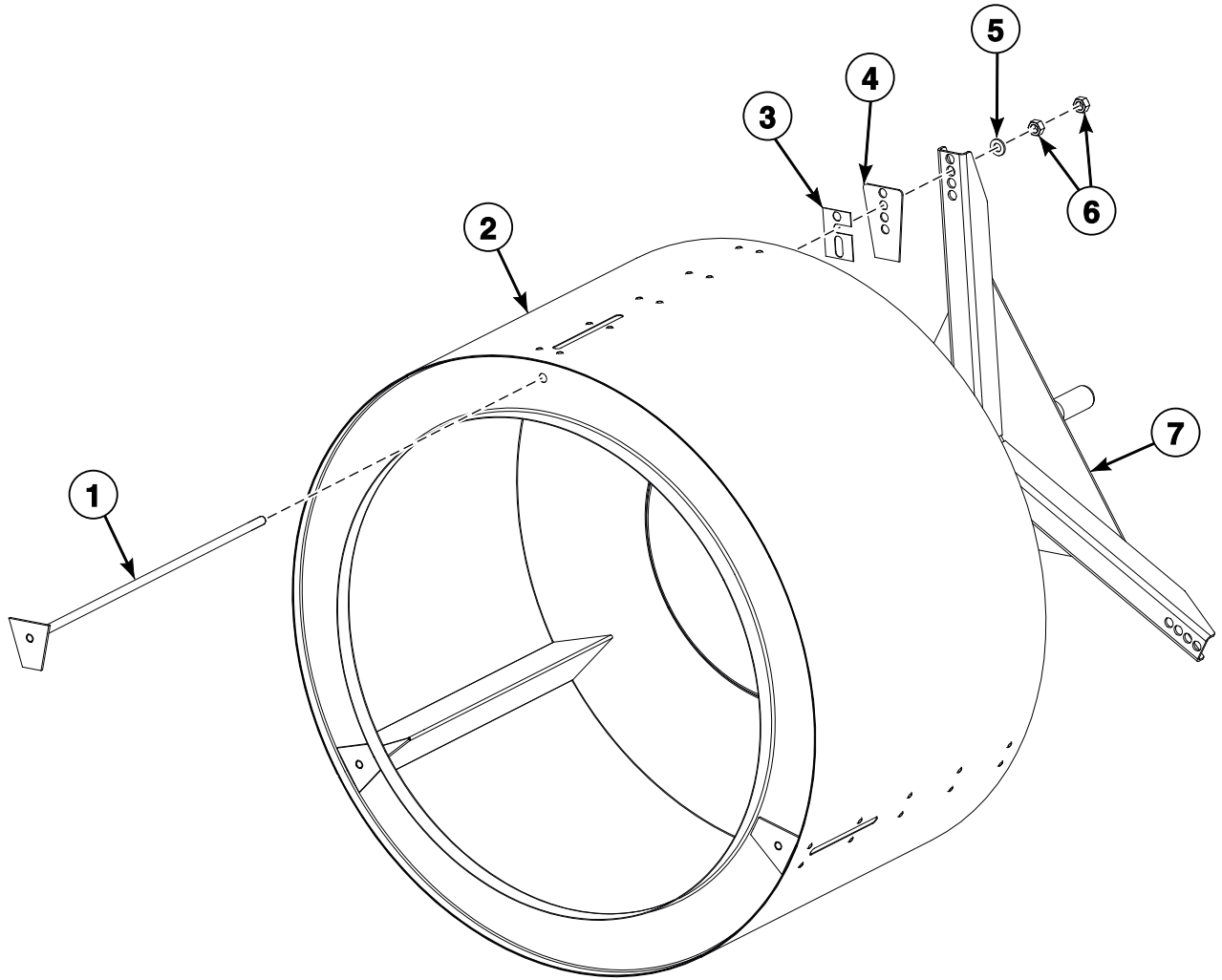
TMB3779P\_D2442



## Cabinet - Gas, Steam and Electric Models (Drawing 2 of 2)

REF	PART NO.	DESCRIPTION	COMMENTS
	SP520404	Door Switch Assembly	Includes items 1-9
1	SP311127000003	Washer	
2	SP101154	Isolation Plate	
3	SP520403	Door Switch Holder	
4	SP518719	Bolt	
5	SP311127000003	Washer	
6	SP311125000003	Washer	
7	SP517484	Microswitch	
8	SPPRI610011077	Microswitch	
9	SP516693	Bolt	
10	SP310934000010	Nut	
11	SPPRI504000001	Adjustable Foot	
12	SP311125000010	Washer	
13	SP506045	Microswitch	
14	SP512324	Filter	
15	SP545533	Exhaust Cover	
16	SP545529	Bolt	
17	SP545531	Washer	
18	SP545530	Nut	

# Drum Assembly

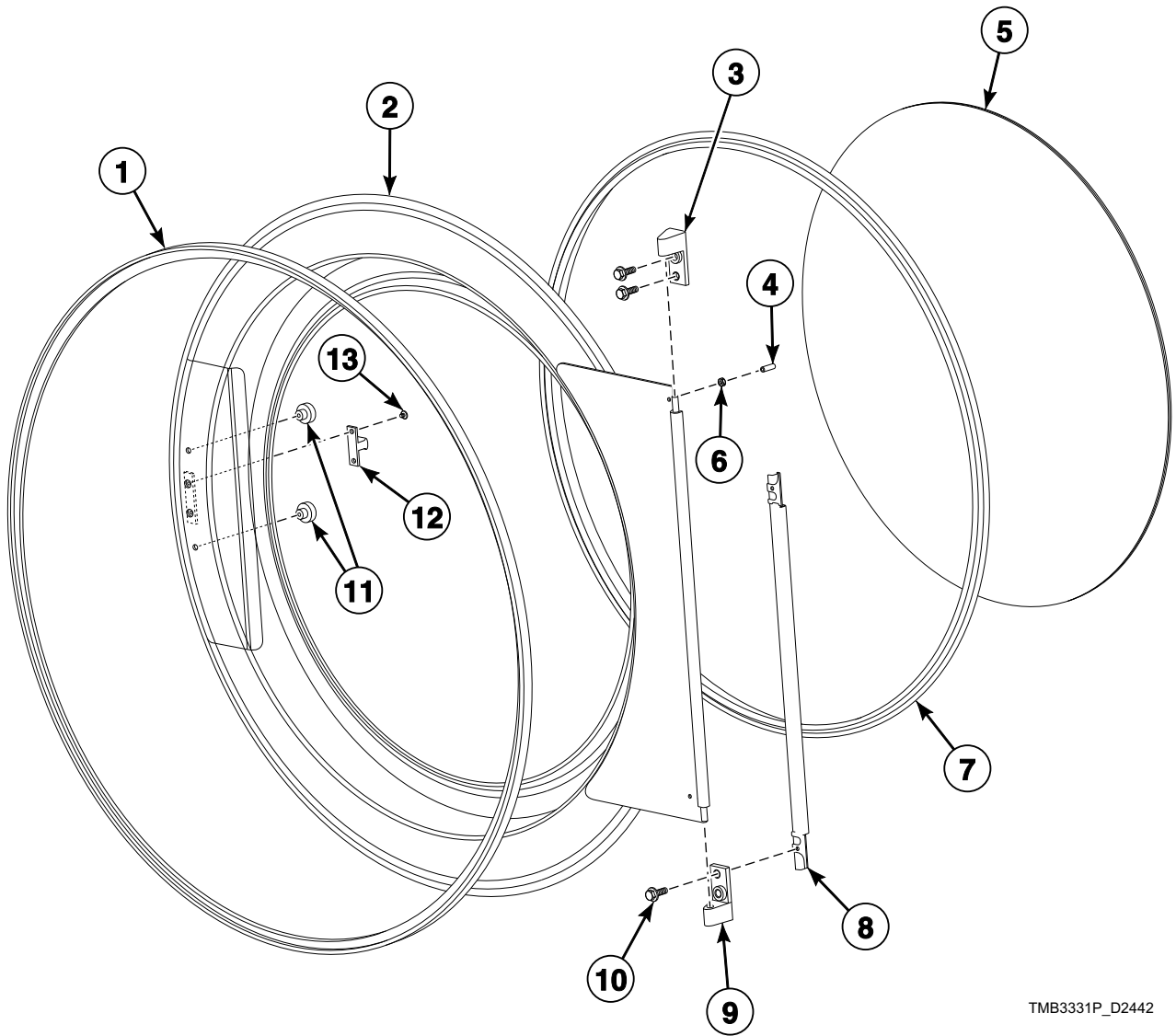


TMB3330P\_D2442

# Drum Assembly

REF	PART NO.	DESCRIPTION	COMMENTS
	577702	Drum Assembly	Galvanized; Includes items 1-7; 3000 RPM
	577724	Drum Assembly	Stainless Steel; Includes items 1-7; 3000 RPM
1	SP525028	Bolt	
2	577764	Drum	Galvanized
	577767	Drum	Stainless Steel
3	SP512233	Washer	1mm
	517426	Washer	0.5mm
4	SP510697	Washer	
5	SP311125000010	Washer	
6	SP310934000010	Nut	
7	SP514957	Drum Cross	3000 RPM

# Door Assembly

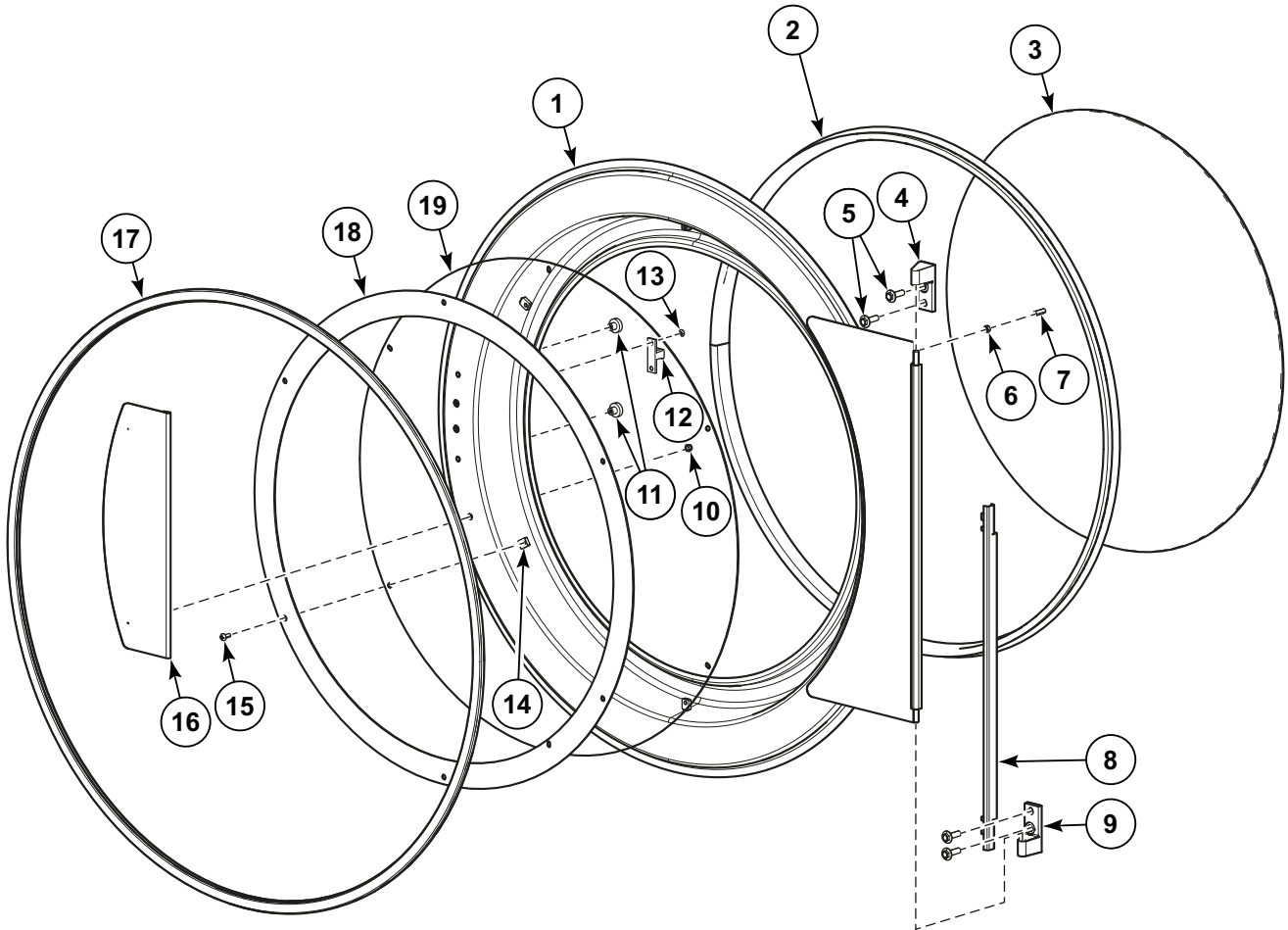


TMB3331P\_D2442

# Door Assembly

REF	PART NO.	DESCRIPTION	COMMENTS
	SP534969	Glue	Use with item 5
	SP245704003021	Adhesive	Use with item 4
	SP559703	Door Assembly	P and T models; S and U models through Serial No.11T007307UD; Heat pump; Includes items 1-13; Metallic gray
	SP556559	Door Assembly	I, L and N models; S and U models starting Serial No.11T007308UD; Heat pump; Includes items 1-13; Black
	SP524359	Door Assembly	L and N models; I models starting Serial No. 11T006637MZ; S and U models starting Serial No.11T007308UD; Gas, steam and electric; Includes items 1-13; Black
	SP556561	Door Assembly	P and T models through Serial No.11T006636MZ; Heat pump; Includes items 1-13; Silver
	SP556558	Door Assembly	P and T models through Serial No.11T006539MQ; Gas, steam and electric; Includes items 1-13; Silver
	559702	Door Assembly	P and T models starting Serial No.11T006540MQ; S and U models through Serial No.11T007307UD; Gas, steam and electric; Includes items 1-13; Metallic gray
<b>1</b>	SP534873	Door Ring	
<b>2</b>	SP559701	Door	P, S, T and U models; Metallic gray
	SP524364	Door	I, L, N, S and U models; Black
	SP556552	Door	P and T models; Silver
<b>3</b>	SP559705	Upper Door Hinge	P, S, T and U models; Metallic gray
	SP525105	Upper Door Hinge	I, L, N, S and U models; Black
	SP556555	Upper Door Hinge	P and T models; Silver
<b>4</b>	SP520201	Stop Pin	
<b>5</b>	SP512053	Door Glass	
<b>6</b>	SP310934240004	Nut	
<b>7</b>	SP519933	Outer Door Gasket	
<b>8</b>	SP559706	Lath	P, S, T and U models; Metallic gray
	SP524582	Lath	I, L, N, S and U models; Black
	SP556553	Lath	P and T models; Silver
<b>9</b>	SP559704	Lower Door Hinge	P, S, T and U models; Metallic gray
	SP525104	Lower Door Hinge	I, L, N, S and U models; Black
	SP556554	Lower Door Hinge	P and T models; Silver
<b>10</b>	SP525101	Bolt	
<b>11</b>	564203	Magnet	
<b>12</b>	SP514530	Latch	
<b>13</b>	SP524367	Bolt	

# Door Assembly - Double Layer Door



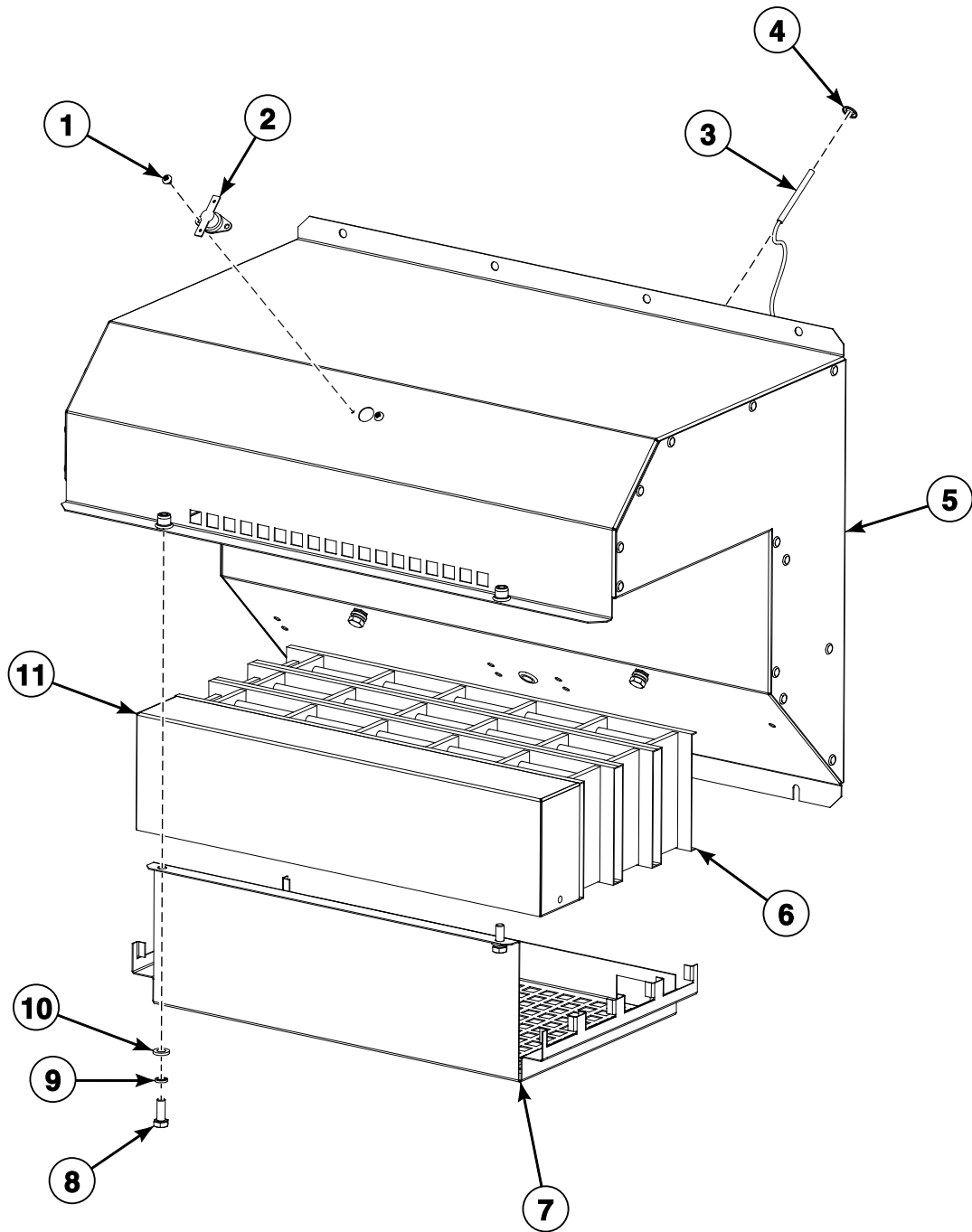
CZT451P\_D2442

## Door Assembly - Double Layer Door

REF	PART NO.	DESCRIPTION	COMMENTS
	SP534969	Glue	Use with item 3
	SP245704003021	Adhesive	Use with item 7
	579505	Door Assembly	Gas, steam and electric models; Includes items 1-19; Black
	579506	Door Assembly	Gas, steam and electric models; Includes items 1-19; Metallic gray
	579507	Door Assembly	Heat pump models; Includes items 1-19; Black
	579508	Door Assembly	Heat pump models; Includes items 1-19; Metallic gray
<b>1</b>	579509	Door	Black
	579510	Door	Metallic gray
<b>2</b>	SP519933	Outer Door Gasket	
<b>3</b>	SP512053	Door Glass	
<b>4</b>	SP525105	Upper Door Hinge	Black
	SP559705	Upper Door Hinge	Metallic gray
<b>5</b>	SP525101	Bolt	
<b>6</b>	SP310934240004	Nut	
<b>7</b>	SP520201	Stop Pin	
<b>8</b>	SP524582	Lath	Black
	SP559706	Lath	Metallic gray
<b>9</b>	SP525104	Lower Door Hinge	Black
	SP559704	Lower Door Hinge	Metallic gray
<b>10</b>	SP514193	Nut	
<b>11</b>	564203	Magnet	Heat pump models
<b>12</b>	SP514530	Latch	
<b>13</b>	SP524367	Bolt	
<b>14</b>	580337	Plastic Layer Holder	
<b>15</b>	SP515075	Bolt	
<b>16</b>	579513	Handle	Black
	579514	Handle	Metallic gray
<b>17</b>	SP534873	Door Ring	
<b>18</b>	580339	Fixation Ring	Black
	579515	Fixation Ring	Metallic gray
<b>19</b>	580338	Door Plastic Layer	

# Electric Heat Components

Electric Models



TMB3386P\_D2442

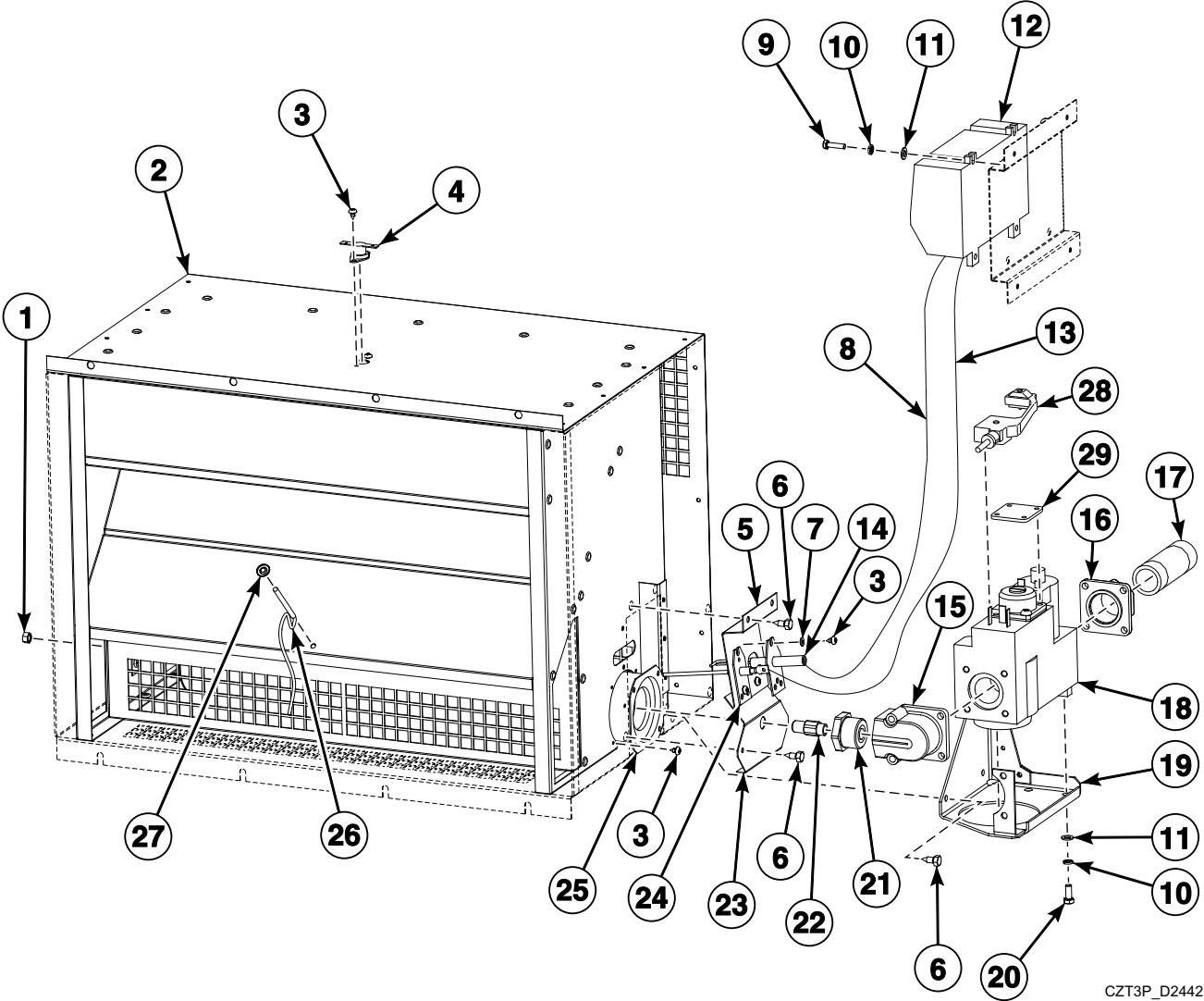


## Electric Heat Components

REF	PART NO.	DESCRIPTION	COMMENTS
1	SP309798100313	Screw	
2	SP514127	Safety Thermostat	
3	SP516092	Temperature Sensor	
4	SP516669	Washer	
5	SP528941	Heater Box	
6	SP510984	Heating Element	6 kW
	SP510985	Heating Element	4.5 kW
	SP557786	Fuse	
7	SP527900	Heating Element Bracket	
8	SP309933000616	Bolt	
9	SP311127000006	Washer	
10	SP311125000006	Washer	
11	SP520297	Plug	

# Gas Heat Components - Models Through Serial No. 11T006658QB

Gas Models



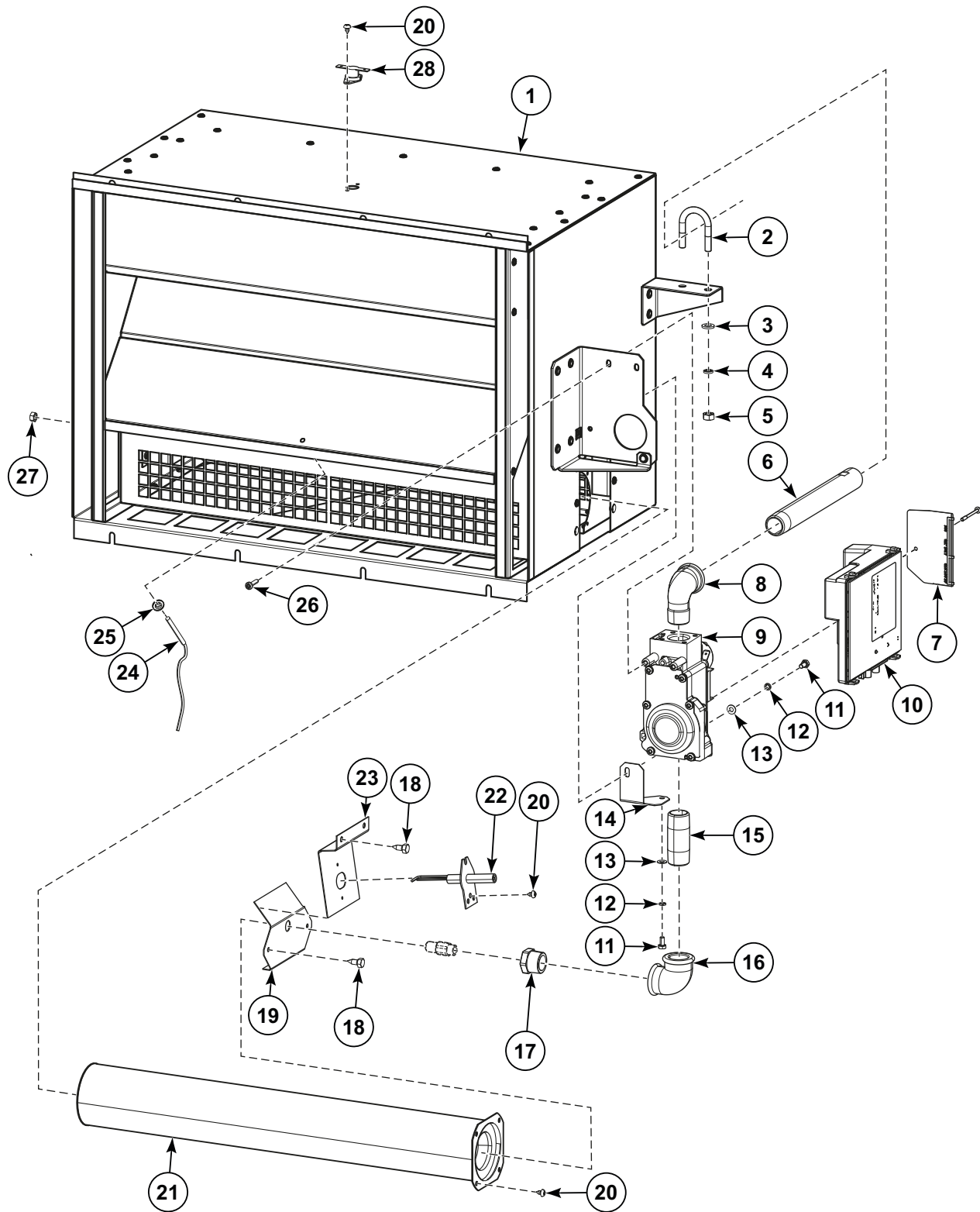
CZT3P\_D2442

# Gas Heat Components - Models Through Serial No. 11T006658QB

REF	PART NO.	DESCRIPTION	COMMENTS
	SP273454410020	Hose	
	520098	Gas Valve Wiring	60 Hertz; Use with item 18
1	SP310934240005	Nut	
2	SP512130	Gas Heater Box	
3	SP517238	Screw	
4	SP514127	Safety Thermostat	
5	SP512141	Electrode Bracket	
6	SP100218	Screw	
7	SP311125000003	Washer	
8	SP516060	Ignition Cable	
9	SP309933000516	Bolt	
10	SP311127000005	Washer	
11	SP311125000005	Washer	
12	SP357456010080	Ignition Unit	
13	SP516057	Flame Detection Cable	
14	575643	Ignition Electrode	
15	SP102018	Flange	
16	SP514062	Flange	
17	SP512142	Tube	
18	SP102000	Gas Valve	50 Hertz
	SP520281	Gas Valve	60 Hertz
19	SP512144	Valve Bracket	
20	SPPRI202001001	Bolt	
21	SP512067	Nozzle	
22	525466	Orifice	130
	525465	Orifice	165
	517241	Orifice	170
	517327	Orifice	175
	517328	Orifice	185
	517243	Orifice	190
	517222	Orifice	200
	520399	Orifice	210
	517223	Orifice	215
	517329	Orifice	220
	517224	Orifice	235
	517245	Orifice	245
	530819	Orifice	250
	517246	Orifice	260
	517250	Orifice	290
	517251	Orifice	300
	517252	Orifice	310
	517253	Orifice	325
	517225	Orifice	350
	517257	Orifice	360
	517258	Orifice	365
	517226	Orifice	380
	530820	Orifice	385
	517227	Orifice	420
	517330	Orifice	435
	517331	Orifice	445
	517337	Orifice	530
	520237	Orifice	650
	520236	Orifice	700
23	SP512139	Cover	
24	SP102002	Detection Electrode	
25	SP552515	Burner Tube	
26	SP516092	Temperature Sensor	
27	SP516669	Washer	
28	345000180901	Connector	50 Hertz; Use with item 18
	345000160645	Contact	50 Hertz; Use with item 18
	SP357500459412	Gas Valve Cable	50 Hertz; Use with item 18
29	SP102019	Blank Plate Kit	Without regulator

# Gas Heat Components - Models Starting Serial No. 11T006659QB (Drawing 1 of 2)

Gas Models



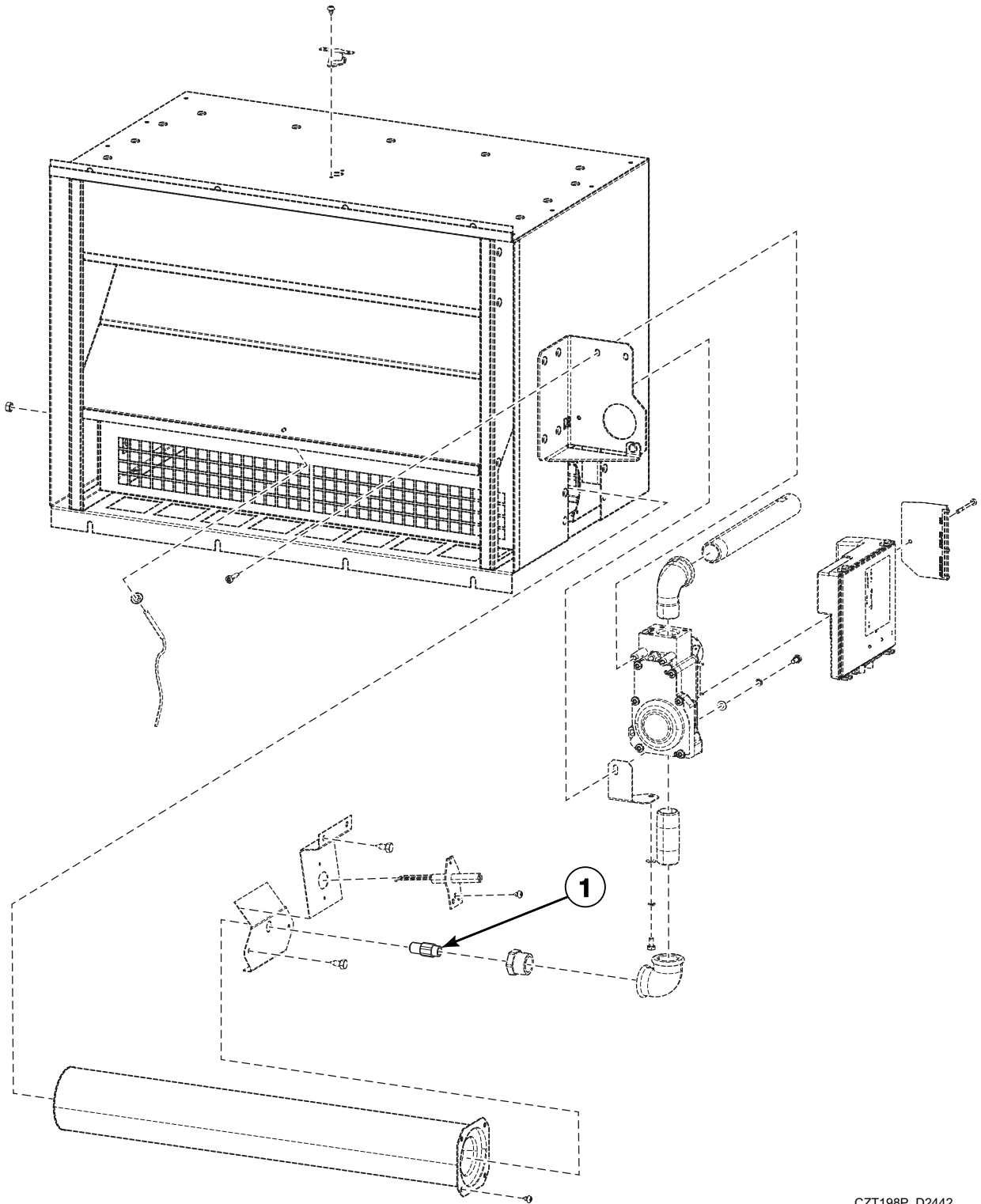
CZT467P\_D2442

## Gas Heat Components - Models Starting Serial No. 11T006659QB (Drawing 1 of 2)

REF	PART NO.	DESCRIPTION	COMMENTS
	571487	Ignition Cable	Use with item 22
1	569440	Gas Heater Box	
2	577644	Stirrup	M6 D1/2 inch
3	SP311125000006	Washer	M6
4	SP311127000006	Washer	M6
5	SP310934000006	Nut	M6
6	569444	Tube	1/2 inch
7	537625	Cover	
8	572352	Elbow	1/2 inch
9	572351	Gas Valve	
10	571938	Control Unit	
11	SP309798524408	Bolt	M4x8
12	SP311127000004	Washer	M4
13	SP311125000004	Washer	4.3
14	569446	Holder	
15	571881	Tube	1/2 inch
16	572350	Elbow	1/2 inch
17	571884	Holder	
18	SP100218	Screw	ST4.8x13
19	SP512139	Cover	
20	SP517238	Screw	ST 3.6x6.5
21	SP552515	Burner Tube	
22	575643	Ignition Electrode	
23	571880	Holder	
24	SP516092	Temperature Sensor	
25	SP516669	Washer	2 pcs
26	572361	Screw	ST3.9x13
27	SP310934240005	Nut	M5
28	SP514127	Safety Thermostat	

# Gas Heat Components - Models Starting Serial No. 11T006659QB (Drawing 2 of 2)

Gas Models



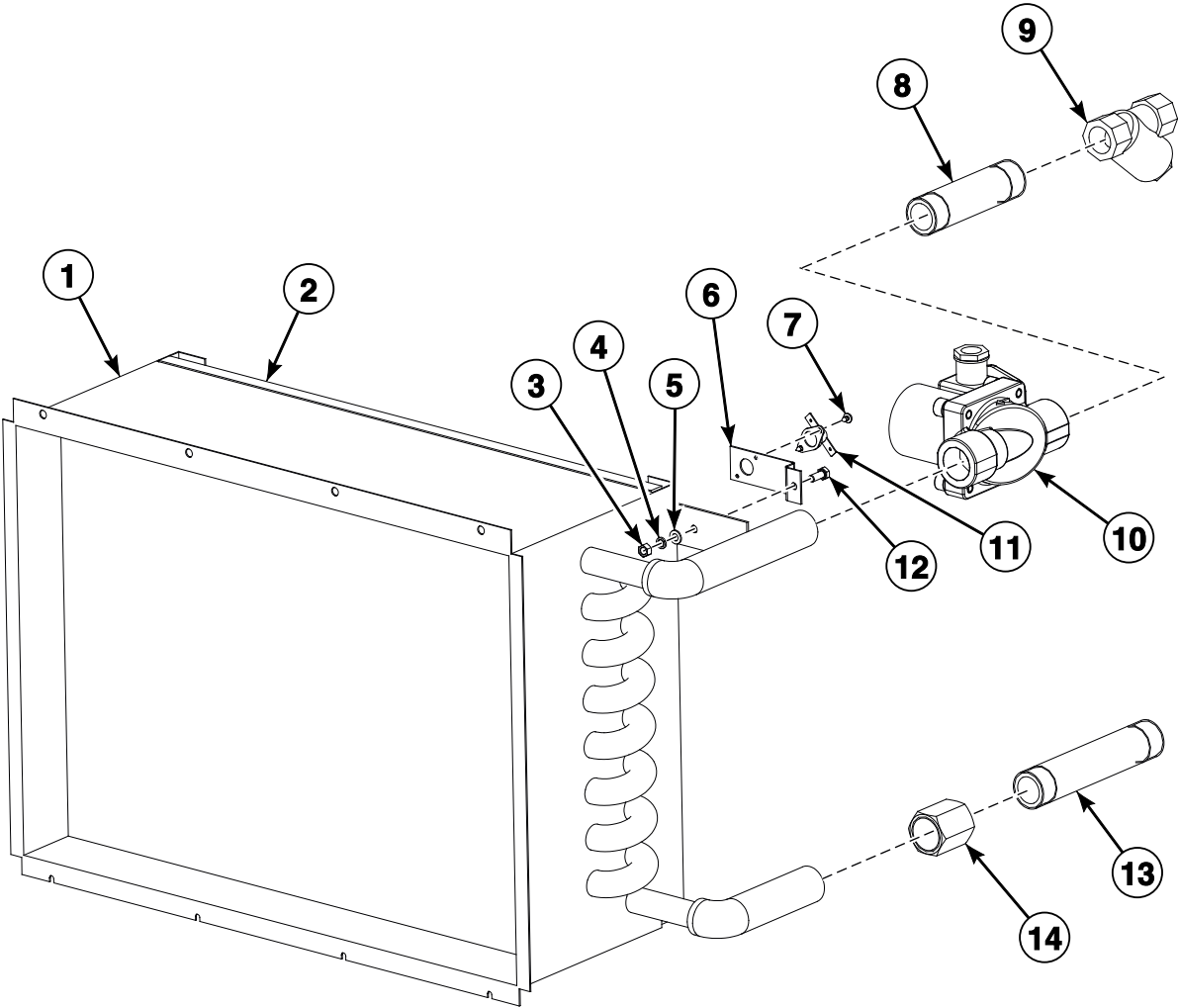
CZT198P\_D2442

## Gas Heat Components - Models Starting Serial No. 11T006659QB (Drawing 2 of 2)

REF	PART NO.	DESCRIPTION	COMMENTS
1	525466	Orifice	130
	525465	Orifice	165
	517241	Orifice	170
	517327	Orifice	175
	517328	Orifice	185
	517243	Orifice	190
	517222	Orifice	200
	520399	Orifice	210
	517223	Orifice	215
	517329	Orifice	220
	517224	Orifice	235
	517245	Orifice	245
	530819	Orifice	250
	517246	Orifice	260
	517250	Orifice	290
	517251	Orifice	300
	517252	Orifice	310
	517253	Orifice	325
	575530	Orifice	330
	517225	Orifice	350
	517257	Orifice	360
	517258	Orifice	365
	517226	Orifice	380
	530820	Orifice	385
	517227	Orifice	420
	517330	Orifice	435
	517331	Orifice	445
	517337	Orifice	530
	520237	Orifice	650
	520236	Orifice	700

# Steam Heat Components

Steam Models



TMB3388P\_D2442

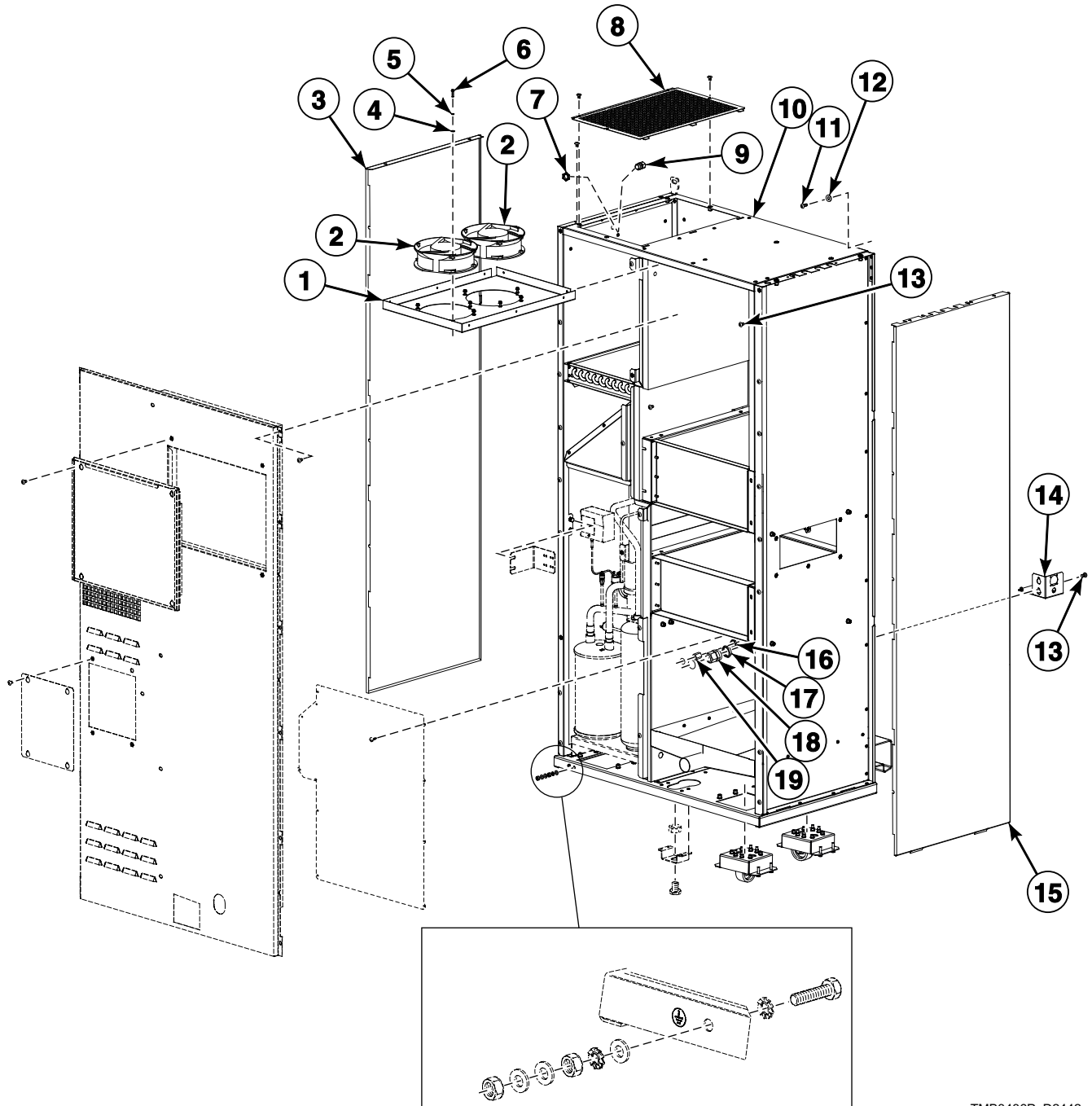


## Steam Heat Components

REF	PART NO.	DESCRIPTION	COMMENTS
1	SP530409	Steam Exchanger	Double row
2	SP519027	Filter	
3	SP310934240005	Nut	
4	SP311127000005	Washer	
5	SP311125000005	Washer	
6	SP520227	Thermostat Bracket	
7	SP517238	Screw	
8	SP517236	Tube	
9	SP405054057006	Steam Filter	3/4 inch
10	SP516718	Steam Valve	50 Hertz; With coil
	SP514166	Steam Valve Body	60 Hertz; Without coil
	SP516717	Coil	60 Hertz
11	SP514127	Safety Thermostat	
12	SPPRI202001001	Bolt	
13	SP314G00017524	Tube	
14	SPX01140400514	Tube Insert	

# Heat Pump (Drawing 1 of 2)

Heat Pump Models



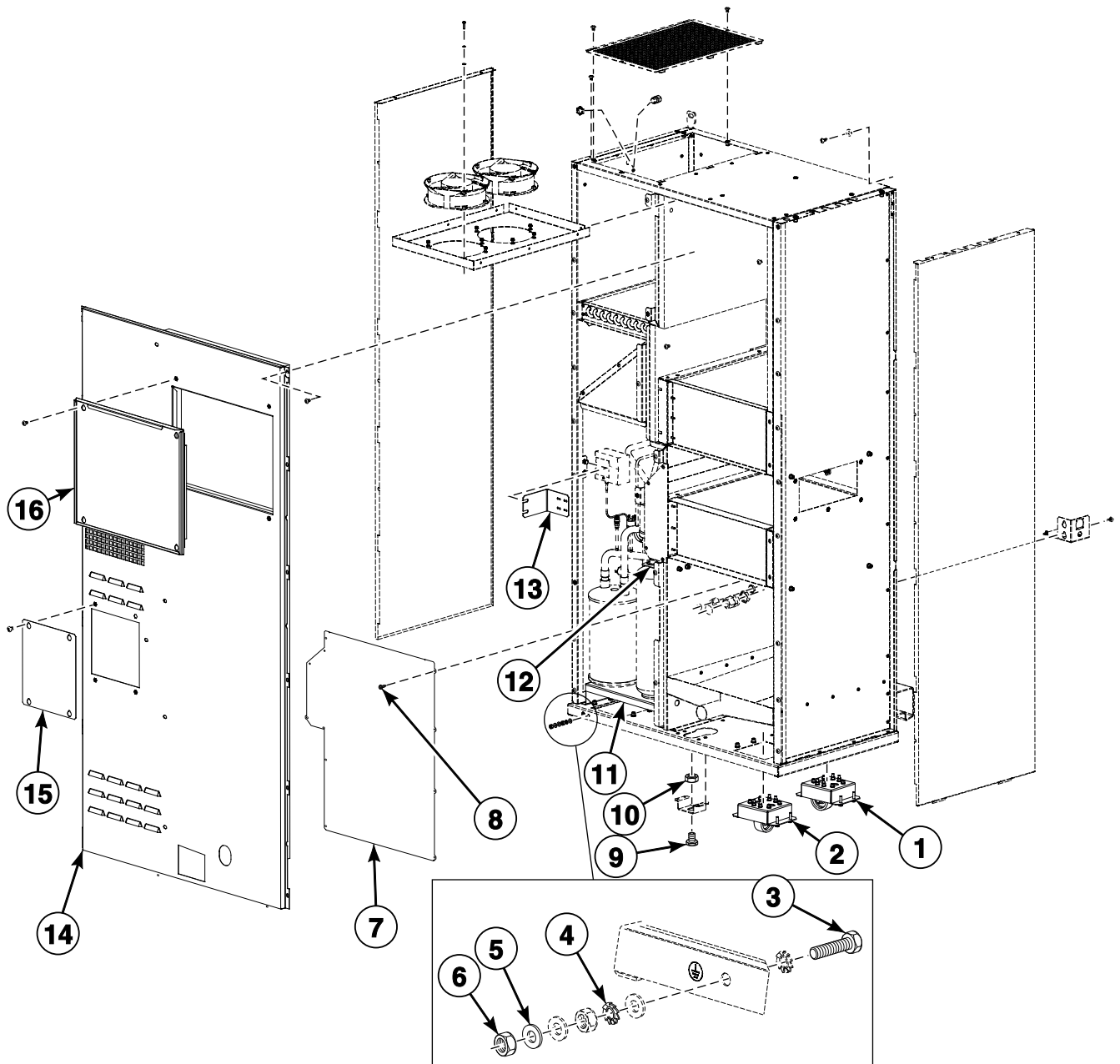
TMB3436P\_D2442

## Heat Pump (Drawing 1 of 2)

REF	PART NO.	DESCRIPTION	COMMENTS
	SP556082	Heat Pump	U models; I models starting Serial No. 11T006637MZ; S models starting Serial No.11T007308UD; With rinsing system; 380-415V 3AC+N 50Hz or 440V 3AC 60Hz; Imitation stainless steel
	SP556084	Heat Pump	U models; I models starting Serial No. 11T006637MZ; S models starting S.N.11T007308UD; With rinsing system; 230V 3AC 50Hz; Imitation stainless steel
	SP556090	Heat Pump	U models; I models starting Serial No. 11T006637MZ; S models starting Serial No.11T007308UD; Without rinsing system; 380-415V 3AC+N 50Hz or 440V 3AC 60Hz; Imitation stainless steel
	SP556092	Heat Pump	U models; I models starting Serial No. 11T006637MZ; S models starting S.N.11T007308UD; Without rinsing system; 230V 3AC 50Hz; Imitation stainless steel
	SP556659	Heat Pump	I and LS250HP_PROFESSIONAL models through S.N.11T006636MZ; S models through S.N.11T007307UD; Without rinsing system; 230V 3AC 50Hz; White
	SP556660	Heat Pump	I and LS250HP_PROFESSIONAL models through S.N.11T006636MZ; S models through S.N.11T007307UD; Without rinsing system; 380-415V 3AC+N 50Hz or 440V 3AC 60Hz; White
	SP556663	Heat Pump	I and LS250HP_PROFESSIONAL models through S.N.11T006636MZ; S models through S.N.11T007307UD; With rinsing system; 230V 3AC 50Hz; White
	SP556664	Heat Pump	I and LS250HP_PROFESSIONAL models through S.N.11T006636MZ; S models through S.N.11T007307UD; With rinsing system; 380-415V 3AC+N 50Hz or 440V 3AC 60Hz; White
	SP556083	Heat Pump	L, N, P and T models; With rinsing system; 380-415V 3AC+N 50Hz or 440V 3AC 60Hz; Gray
	SP556085	Heat Pump	L, N, P and T models; With rinsing system; 230V 3AC 50 Hz; Gray
	SP556091	Heat Pump	L, N, P and T models; Without rinsing system; 380-415V 3AC+N 50Hz or 440V 3AC 60Hz; Gray
	SP556093	Heat Pump	L, N, P and T models; Without rinsing system; 230V 3AC 50 Hz; Gray
	SP541496	Fan Assembly	Includes items 1, 2 and 4-6
<b>1</b>	SP541495	Fan Holder	
<b>2</b>	SP528481	Fan	
<b>3</b>	SP541424	Side Panel	U models; I models starting Serial No. 11T006637MZ; S models starting S.N.11T007308UD; Left; Imitation stainless steel
	SP556649	Side Panel	I and LS250HP_PROFESSIONAL models through S.N.11T006636MZ; S models through S.N.11T007307UD; Left; White
	SP556005	Side Panel	L, N, P and T models; Left; Gray
<b>4</b>	SP311125000004	Washer	
<b>5</b>	SP311127000004	Washer	
<b>6</b>	SP309084000416	Bolt	
<b>7</b>	SP101415	Nut	
<b>8</b>	SP541484	Fan Cover	
<b>9</b>	SP101405	Bushing	
<b>10</b>	SP552660	Cabinet	
<b>11</b>	SP537864	Bolt	
<b>12</b>	SP311902100006	Washer	
<b>13</b>	SP506012	Bolt	
<b>14</b>	SP551869	Humidity Sensor Cover	
<b>15</b>	SP541425	Side Panel	U models; I models starting S.N. 11T006637MZ; S models starting S.N.11T007308UD; Right; Imitation stainless steel
	SP556650	Side Panel	I and LS250HP_PROFESSIONAL through S.N.11T006636MZ; S models through S.N.11T007307UD; Right; White
	SP556007	Side Panel	L, N, P and T models; Right; Gray
<b>16</b>	SP101416	Nut	
<b>17</b>	SP101418	Nut	
<b>18</b>	SP101408	Bushing	
<b>19</b>	SP101406	Bushing	

# Heat Pump (Drawing 2 of 2)

Heat Pump Models

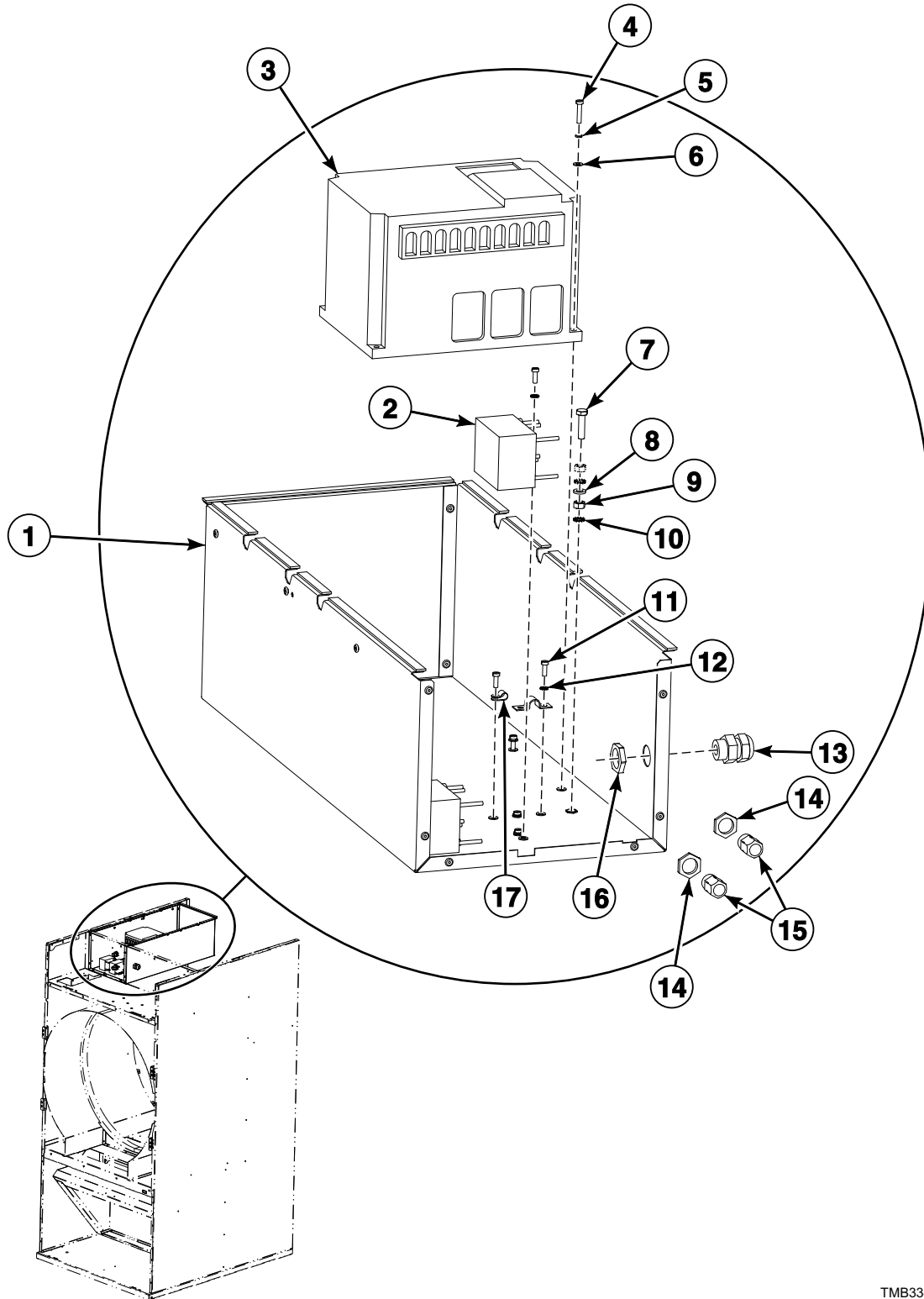


TMB3437P\_D2442

## Heat Pump (Drawing 2 of 2)

REF	PART NO.	DESCRIPTION	COMMENTS
1	SP541494	Swivel Wheel Assembly	
2	SP551864	Swivel Wheel Assembly	
3	SP309933000625	Bolt	
4	SP311679824006	Washer	
5	SP311125000006	Washer	
6	SP310934000006	Nut	
7	SP566259	Cover	New style
8	SP529206	Screw	M4x11
9	SP533726	Bolt	
10	SP310934000020	Nut	
11	SP541489	Base	
12	SP541436	Bracket	
13	SP541457	Thermostat Bracket	
14	SP541435	Cover	Through Serial No.11T005334FU
	SP566301	Cover	Starting Serial No. 11T005335FU
15	SP551860	Cover	
16	SP541434	Cover	

# Frequency Inverter Panel



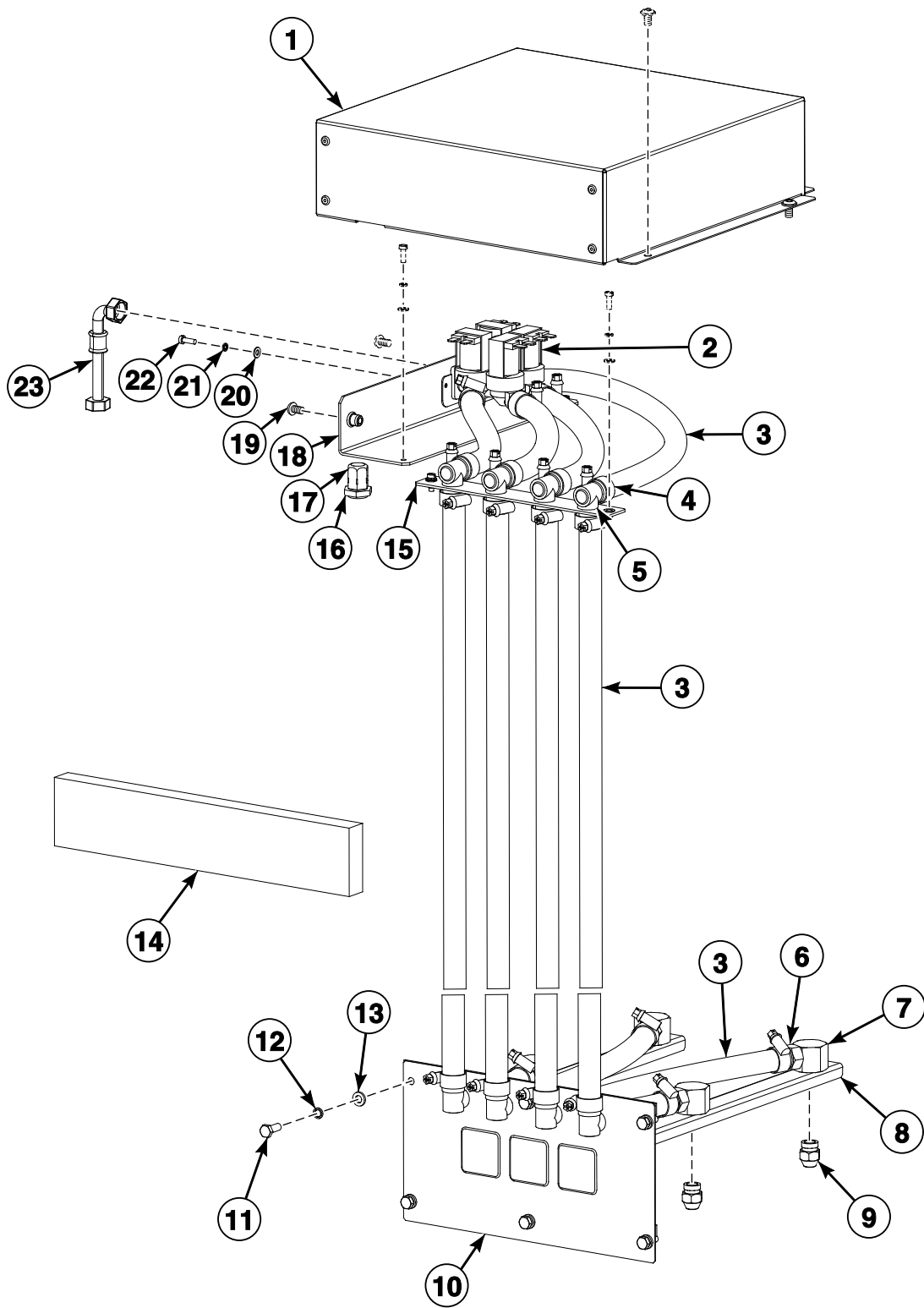
TMB3344P\_D2442

# Frequency Inverter Panel

REF	PART NO.	DESCRIPTION	COMMENTS
	SP556043	Box Assembly	Includes items 1-17
1	SP556044	Box	
2	SP552251	Filter	
3	571478	Frequency Inverter	
4	SP309084000420	Bolt	
5	SP311127000004	Washer	
6	SP311125000004	Washer	
7	SP309933100625	Bolt	
8	SP311125100006	Washer	
9	SP310934100006	Nut	
10	SP311679824006	Washer	
11	SP309084000412	Bolt	
12	SP311679800004	Washer	
13	SP101408	Bushing	
14	SP101416	Nut	
15	SP101406	Bushing	
16	SP101418	Nut	
17	SP502214	Clip	

# Heat Pump Rinsing System

Heat Pump Models



CZT1P\_D2442

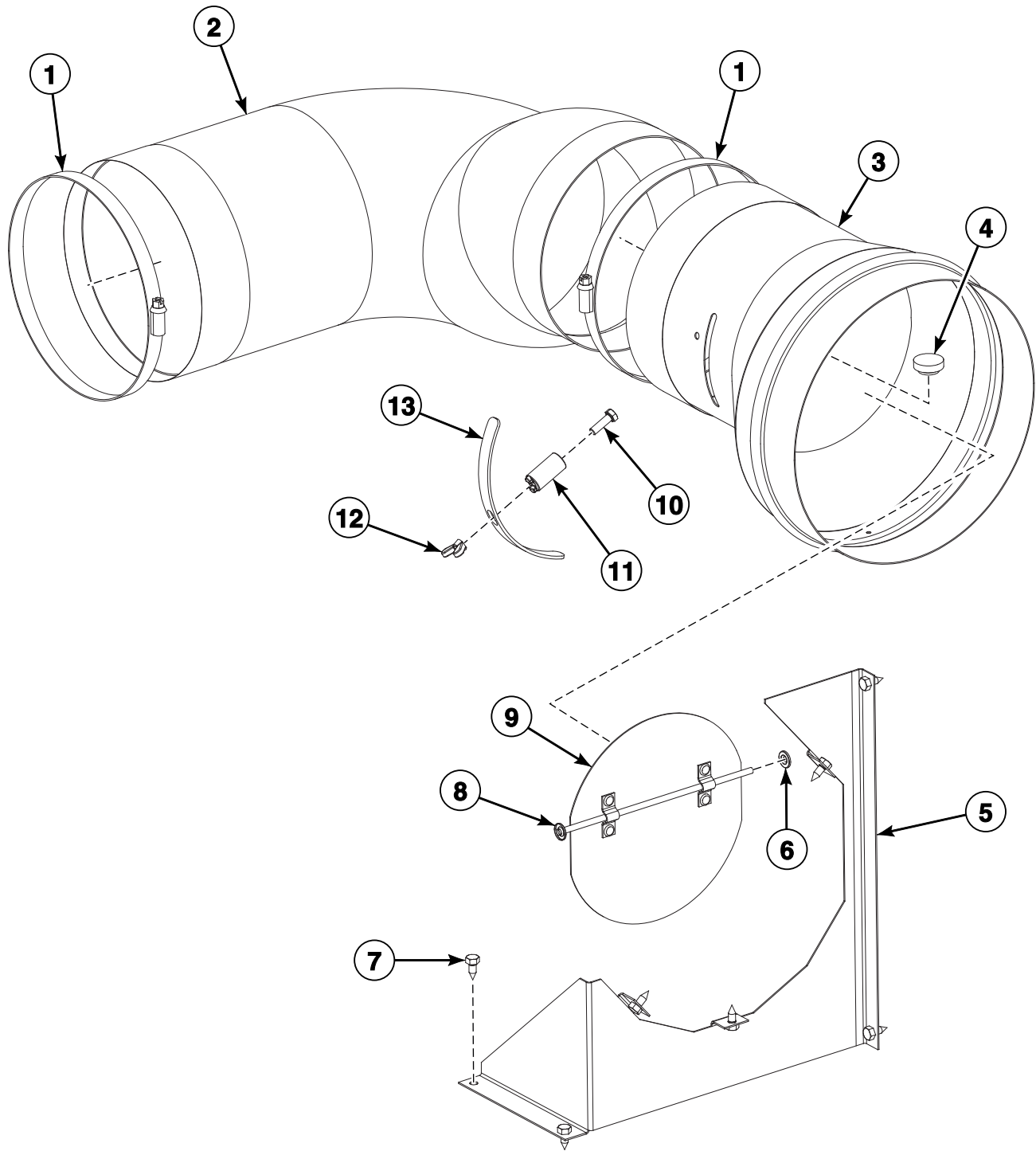


# Heat Pump Rinsing System

REF	PART NO.	DESCRIPTION	COMMENTS
	SP556920	Nozzle Holder Assembly	Includes items 6, 7, 8 and 9
	581723	Time Relay	For models with HP Booster
1	SP556947	Valve Cover Assembly	
2	SP556959	Valve	4-way
3	SPPRI540000014	Hose	
	SP101745	Hose Pipe	For water approval
4	SPPRI240000002	Hose Clamp	
5	SP527236	Elbow	
6	SP556916	Nozzle Adapter	
7	SP556915	Nozzle Fitting Adapter	
8	SP556919	Nozzle Bracket Assembly	
9	SP556922	Nozzle	
10	SP556954	Rinsing System Bracket	
11	SP309933000616	Bolt	
12	SP311125000006	Washer	
13	SP311127000006	Washer	
14	SP552666	Insulation	
15	SP556943	Elbow Bracket Assembly	
16	SP101416	Nut	
17	SP101406	Bushing	
18	SP556946	Valve Bracket Assembly	
19	SP506012	Bolt	
20	SP311127000004	Washer	
21	SP311125000004	Washer	
22	SP309084000412	Bolt	
23	SPPRI505000054	Filling Hose Pipe	
	SP101621	Filling Hose Pipe	For water approval

# Exhaust

Gas, Steam and Electric Models

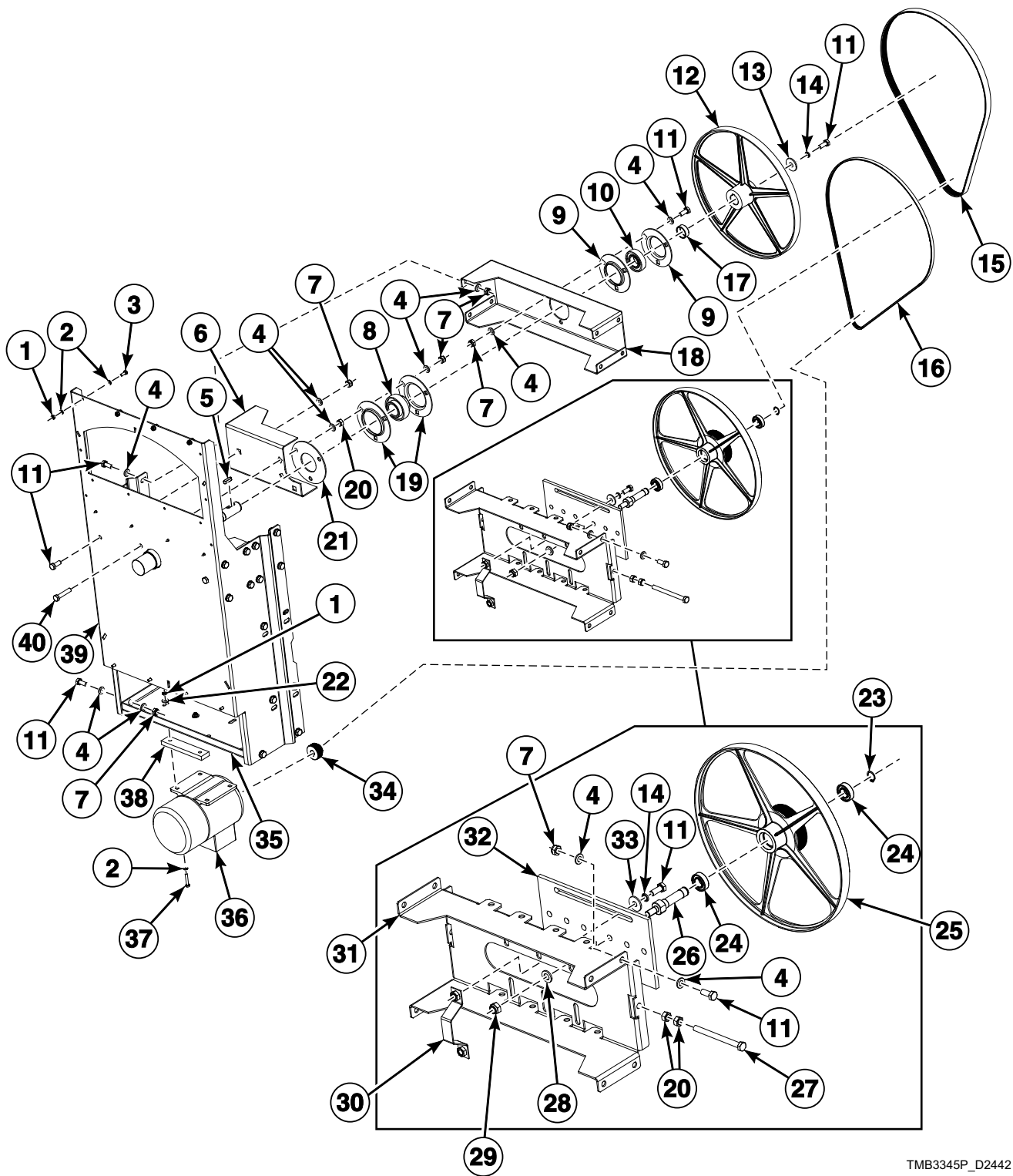


TMB3389P\_D2442

# Exhaust

REF	PART NO.	DESCRIPTION	COMMENTS
	SP534910	Exhaust Assembly	Includes items 1-13
1	SP529013	Clamp	
2	SP144151508341	Tube	
3	SP534914	Tube	
4	SP273127001798	Plug	
5	SP530689	Exhaust Bracket	
6	SP516669	Washer	
7	SP100218	Screw	
8	SP534908	Bar	
9	SP534902	Flap Assembly	
10	SP309933000516	Bolt	
11	SP534900	Flap Stop	
12	SP534929	Nut	
13	SP534904	Plug	

# Drive System



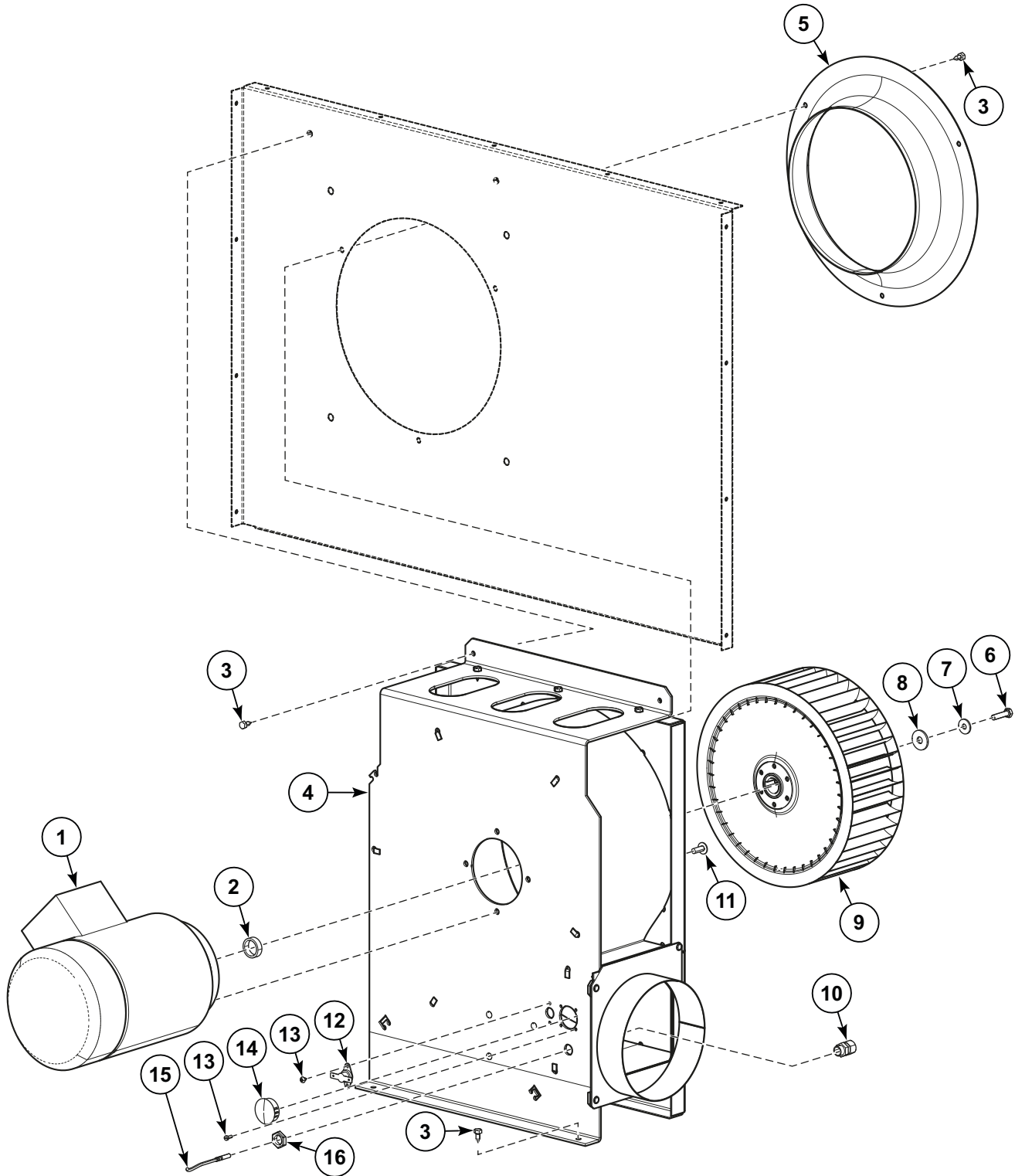
TMB3345P\_D2442

# Drive System

REF	PART NO.	DESCRIPTION	COMMENTS
	SP528928	Tension Assembly	Includes items 4, 7, 11, 14, 20 and 23-33
1	SP310985000006	Nut	
2	SP311125000006	Washer	
3	SP309933000616	Bolt	
4	SP311125000010	Washer	
5	SP505449	Key	
6	SP512365	Reinforcement Bracket	
7	SP310985000010	Nut	
8	SP514005	Bearing	
9	SP514012	Flange Bearing Body	
10	SP514007	Bearing	
11	SP309933001025	Bolt	
12	SP518646	Double Drum Pulley	
13	SP311902100012	Washer	
14	SP311127000010	Washer	
15	SP518647	Belt	
16	SP515257	Belt	
17	SP518649	Distance Ring	
18	SP512366	Bearing Bracket	
19	SP514011	Flange Bearing Body	
20	SP310934000010	Nut	
21	SP514483	Bearing Flange	
22	SP311902100006	Washer	
23	SP515517	Retaining Ring	
24	SP326000600300	Bearing	
25	SP534703	Double Pulley	
26	SP534704	Tension Rod	
27	SP309933001120	Bolt	
28	SP311125000013	Washer	
29	SP310985000012	Nut	
30	SP515514	Support Plate	
31	SP514479	Tension Assembly	
32	SP514480	Sliding Board	
33	SP311902100010	Washer	
34	SP530720	Motor Pulley	50 Hertz; Reversing
	SP530721	Motor Pulley	60 Hertz; Reversing
	SP527723	Motor Pulley	50 Hertz; Nonreversing
	SP528922	Motor Pulley	60 Hertz; Nonreversing
35	SP515418	Motor Bracket	3 Phase; Reversing
	SP518517	Motor Bracket	1 Phase; Reversing
36	SP523724	Motor	208-240 Volt; 1 Phase; Reversing
	SP523725	Motor	3 Phase; Reversing
37	SP518556	Bolt	
38	SP515521	Spacer	
39	SP512363	Drive Bracket	
40	SP309933001050	Bolt	

# Fan Housing Assembly

Gas, Steam and Electric Models

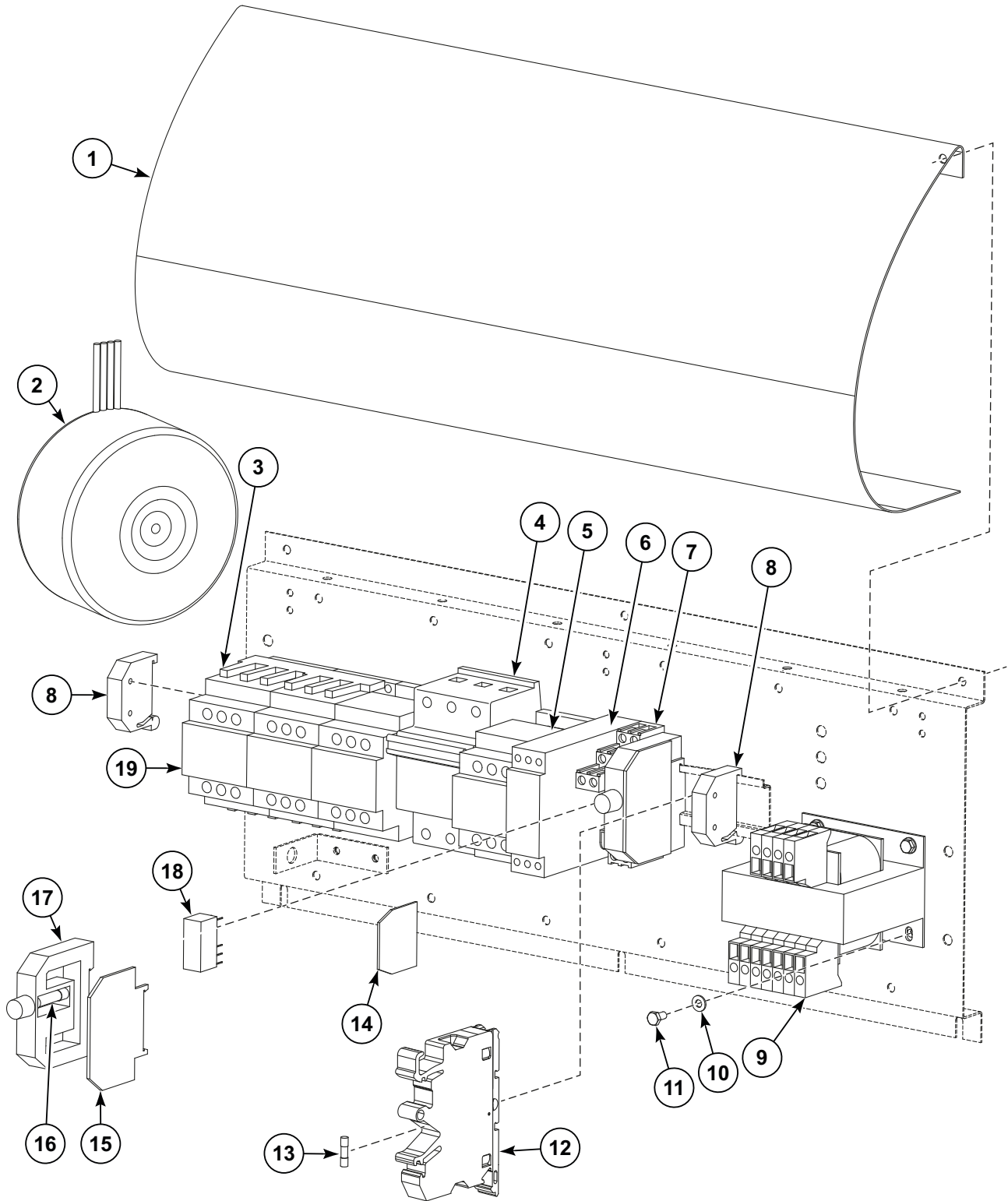


CZT449P\_D2442

# Fan Housing Assembly

REF	PART NO.	DESCRIPTION	COMMENTS
1	SP523622	Fan Motor	3 phase; Nonreversing
	SP523625	Fan Motor	1 phase; Nonreversing
2	SP520940	Spacer	
3	SP100218	Screw	
4	575503	Fan Housing Weldment	
5	SP520950	Inlet Nozzle	
6	SP309933000625	Bolt	
7	SP311902100006	Washer	
8	SP311902100008	Washer	
9	SP520945	Ventilator	
10	SP101405	Bushing	
11	SP510954	Bolt	
12	SP514016	Safety Thermostat	
13	SP309798500306	Screw	
14	SPPRI505000064	Plug	
15	SP534930	Temperature Sensor	
16	SP101415	Nut	

# Electric Box Components - Heat Pump Models



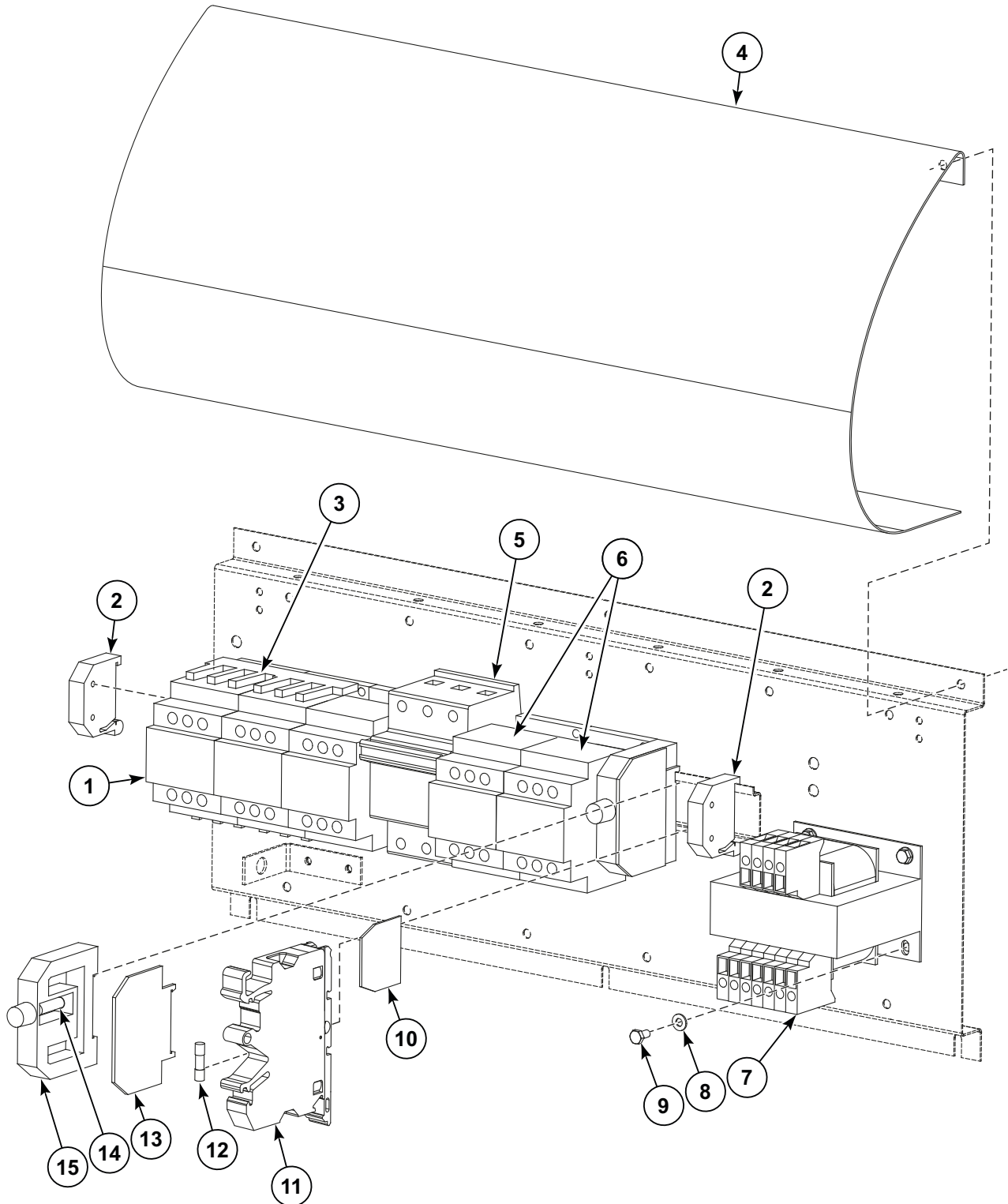
CZT468P\_D2442



## Electric Box Components - Heat Pump Models

REF	PART NO.	DESCRIPTION	COMMENTS
	SP552248	Autotransformer	440-480 Volt/50 or 60 Hertz/3 Phase
1	530518	Electric Box Cover	
2	SP552201	Autotransformer	
3	569858	Mechanical Interlock Unit	Need to use with 569859 Set for Reversing Contactors
4	SP358251506220	Fuse	
	SP358251601312	Fuse Isolator	
5	569857	Contactor	208-240V 1AC
	569856	Contactor	208-240V 3AC; 380-415V 3AC
6	SP552311	Control Relay	
7	SP506586	Relay Case	Including Relay Clamp
8	SP346000209101	End Stop	
9	SP514021	Transformer	208-440 Volt
10	SP311125000004	Washer	
11	SP309084000410	Bolt	
12	552482	Fuse Housing	
13	SP345805005020	Fuse	250 Volt; T500mA
	SPPRI401001021	Fuse	250 Volt; F4A
14	552483	End Cover	
15	SP346000014010	Cover	
16	SP514133	Fuse	500 Volt, F500mA; 440 Volt; 380-415 Volt
17	SP346000004010	Fuse Case	
18	SP514057	Relay	
19	569856	Contactor	

# Electric Box Components - Electric Models

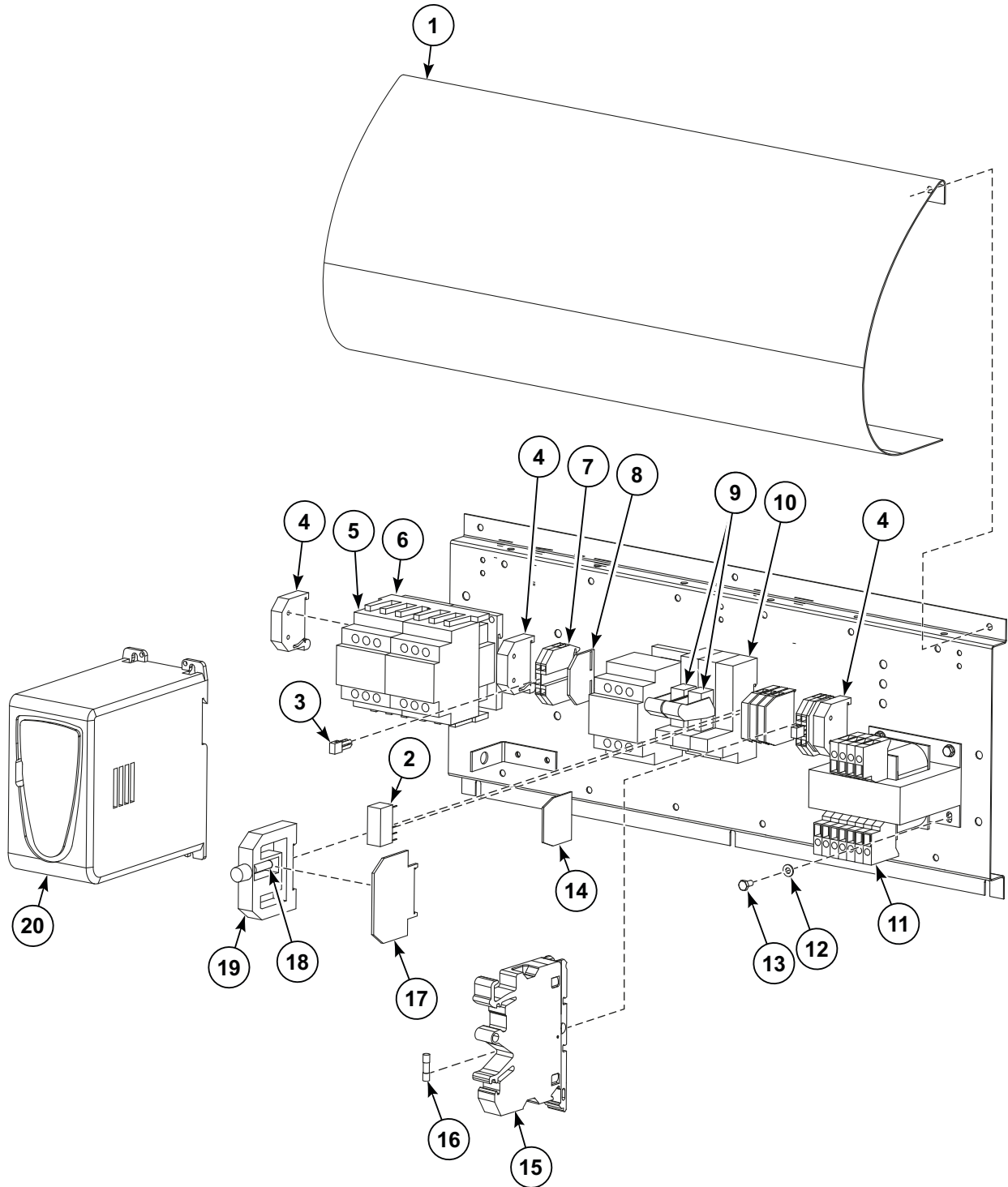


CZT456P\_D2442

## Electric Box Components - Electric Models

REF	PART NO.	DESCRIPTION	COMMENTS
	SP552248	Autotransformer	440-480 Volt/50 or 60 Hertz/3 Phase
1	569856	Contactactor	
2	SP346000209101	End Stop	
3	569858	Mechanical Interlock Unit	Need to use with 569859 Set for Reversing Contactactors
4	530518	Electric Box Cover	
5	SP358251506220	Fuse	6A
	SP358251601312	Fuse Isolator	
6	569856	Contactactor	400V 9kW; 400V 13.5kW; 440V 13kW
	569857	Contactactor	230V 13.5kW need to use with 569856
7	SP514021	Transformer	208-440 Volt
8	SP311125000004	Washer	
9	SP309084000410	Bolt	
10	552483	End Cover	
11	552482	Fuse Housing	
12	SP345805005020	Fuse	250 Volt; T500mA
	SPPRI401001021	Fuse	250 Volt; F4A
13	SP346000014010	Cover	
14	SP514133	Fuse	500 Volt, F500mA; 440 Volt; 380-415 Volt
15	SP346000004010	Fuse Case	

# Electric Box Components - Gas and Steam Models



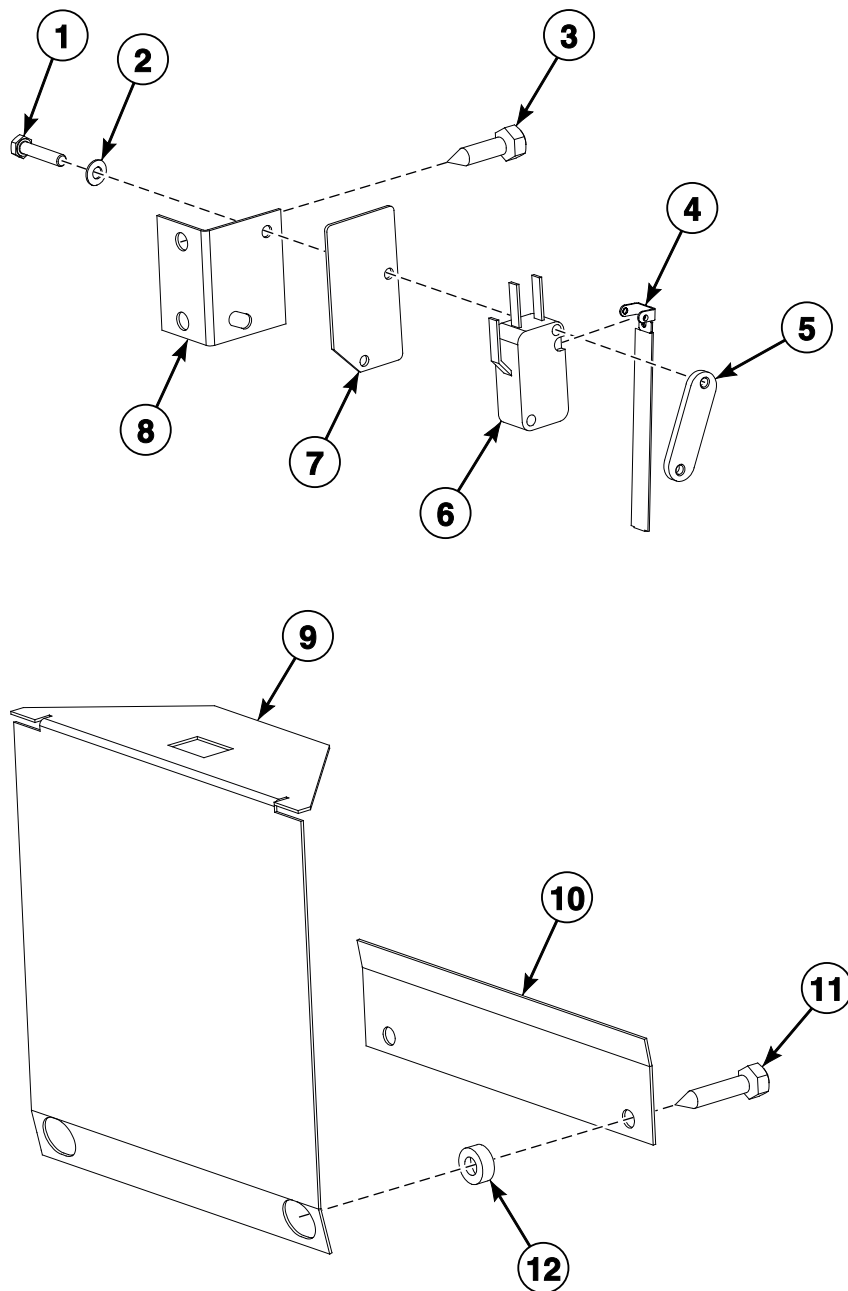
CZT469P\_D2442

## Electric Box Components - Gas and Steam Models

REF	PART NO.	DESCRIPTION	COMMENTS
	SP552248	Autotransformer	440-480 Volt/50 or 60 Hertz/3 Phase
1	530518	Electric Box Cover	
2	SP514134	Relay	Gas models; 220VAC
3	SP346000280402	Interconnection	
4	SP346000209101	End Stop	
5	569856	Contactator	
	SP520195	Resistance Bleeder	Reversing
6	569858	Mechanical Interlock Unit	Need to use with 569859 Set for Reversing Contactors
7	SP346000280101	Clamp	
8	SP346000280301	Cover	
9	SP514057	Relay	Gas models; 24VAC
10	SP506586	Relay Case	Gas models; Including Relay Clamp
11	SP514021	Transformer	14.2V plus 24V; 208-440 Volt
	SP516648	Transformer	380-415 Volt without N
12	SP311125000004	Washer	
13	SP309084000410	Bolt	
14	552483	End Cover	
15	552482	Fuse Housing	
16	SPPRI401001021	Fuse	250 Volt F4A
	SP345805005020	Fuse	250 Volt T500mA
	SPPRI401020021	Fuse	1.6A
17	SP346000014010	Cover	
18	SP514133	Fuse	500 Volt, F500mA; 440 Volt; 380-415 Volt
	SP345805163032	Fuse	1A
19	SP346000004010	Fuse Case	
20	SP557962	Frequency Inverter	

# Under Pressure Clutch

Gas, Steam and Electric Models



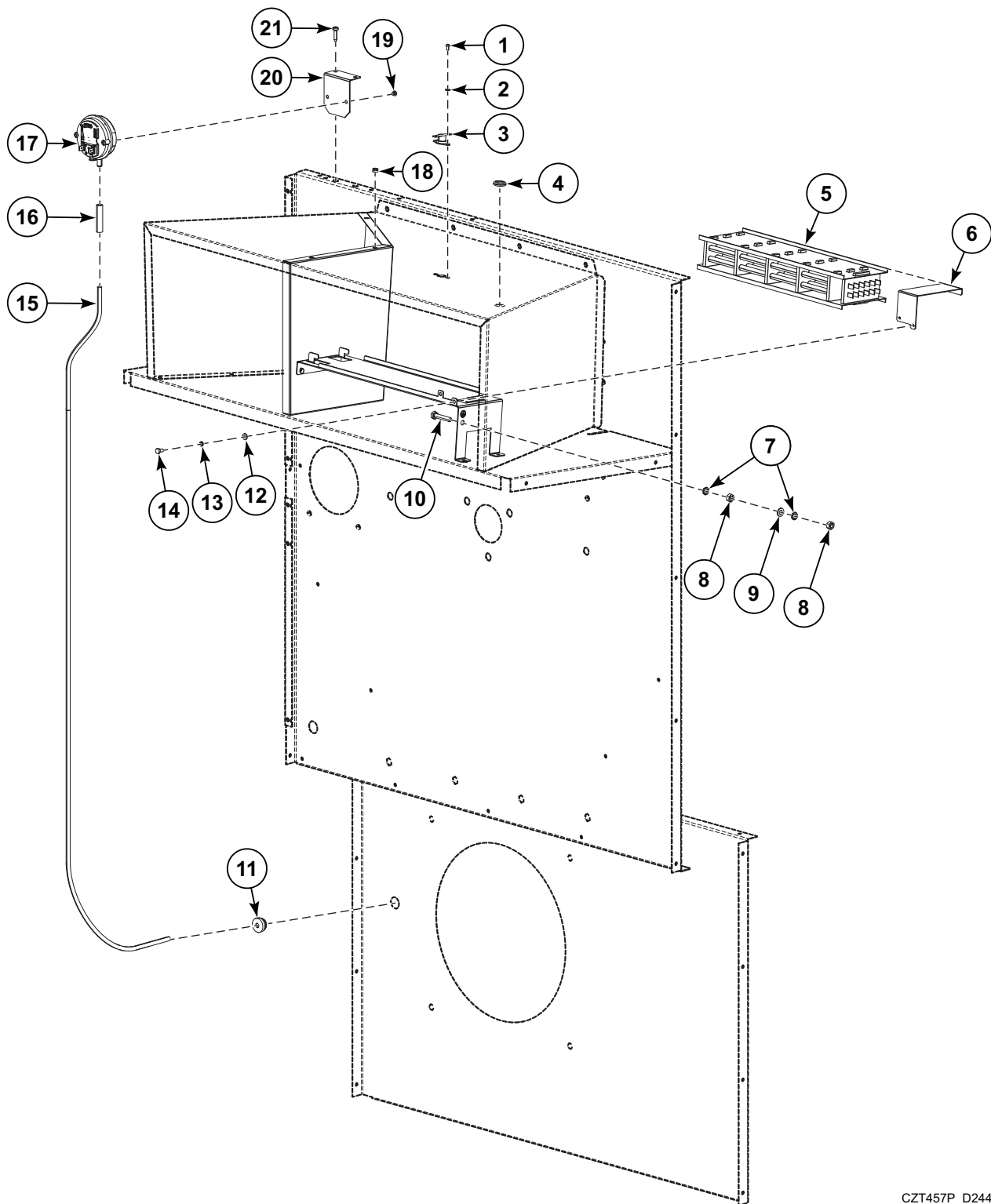
TMB3370P\_D2442

## Under Pressure Clutch

REF	PART NO.	DESCRIPTION	COMMENTS
	SP520870	Underpressure Clutch Assembly	Includes items 1-12
1	SP516623	Bolt	
2	SP311125000003	Washer	
3	SP518623	Bolt	
4	SP517441	Microswitch Lever Assembly	
5	SP235119001815	Nut	
6	SPPRI610028017	Microswitch	
7	SP101154	Isolation Plate	
8	SP520803	Microswitch Bracket	
9	SP520805	Clutch	
10	SP520808	Stop End	
11	SP520871	Screw	
12	SP520804	Distance Ring	

# Heat Pump Booster

Heat Pump Booster Models



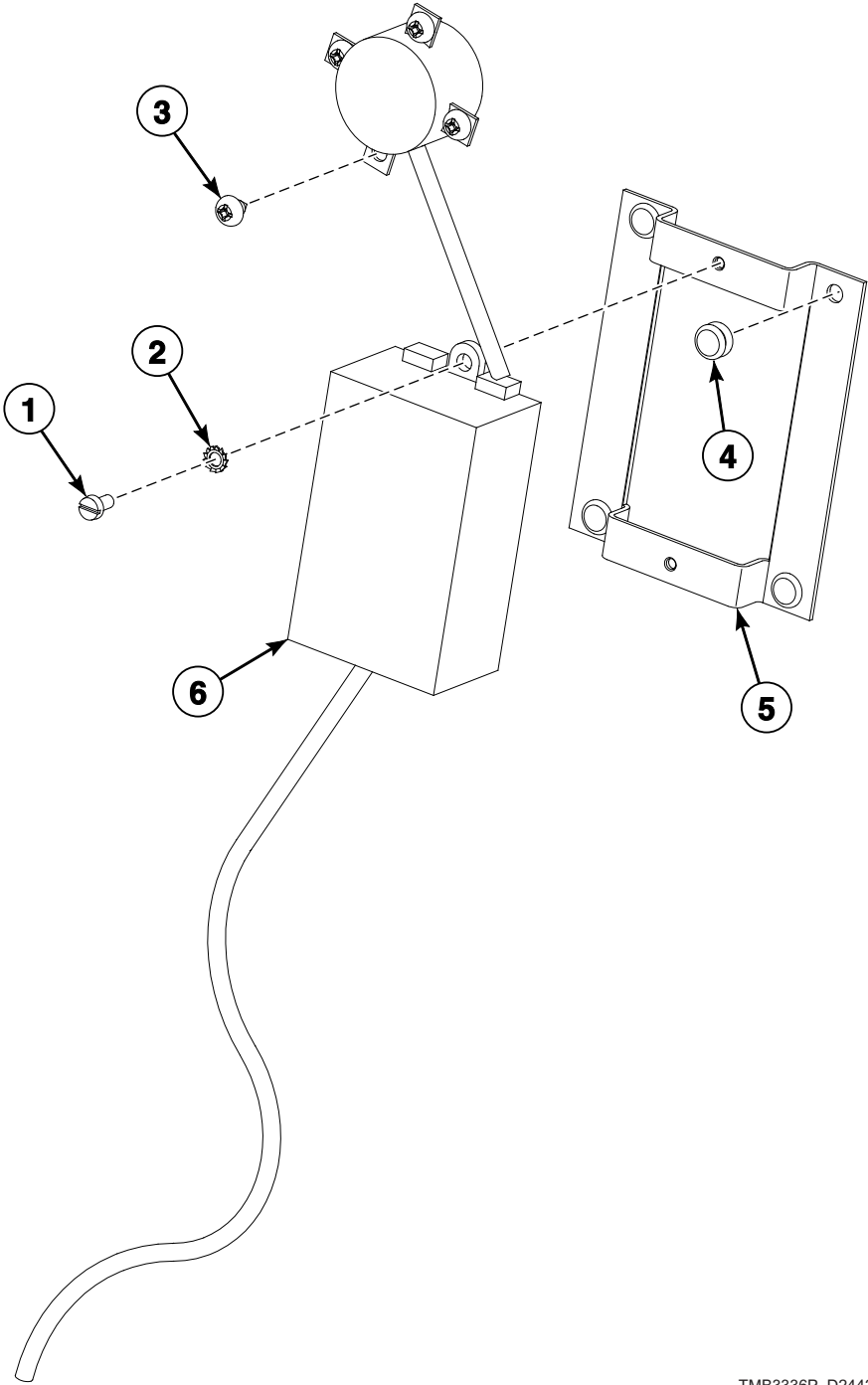
CZT457P\_D2442



# Heat Pump Booster

REF	PART NO.	DESCRIPTION	COMMENTS
1	SP309798500306	Bolt	M3x6
2	SP311125000003	Washer	M3
3	SP527728	Safety Thermostat	
4	PRI501000069	Cable Grommet	
5	581425	Heater	3kW/230V
6	581434	Heater Cover	
7	SP311679824006	Washer	M6
8	SP310934100006	Nut	M6
9	SP311125240006	Washer	M6
10	SP309933100625	Bolt	M6x25
11	SP526439	Temperature Sensor Seal	
12	SP311125240004	Washer	M4
13	SP311127240004	Washer	M4
14	SP309798524408	Bolt	M4x8
15	SP319300006001	Hose	51.18 inch (1.3m)
16	SP273030000502	Hose	5x2
17	575487	Differential Pressure Switch	
18	SP313250004063	Rivet	
19	SP517238	Screw	ST3.5x6.5
20	575488	Switch Holder	
21	SP518623	Bolt	ST4.2x9.5

# Humidity Sensor

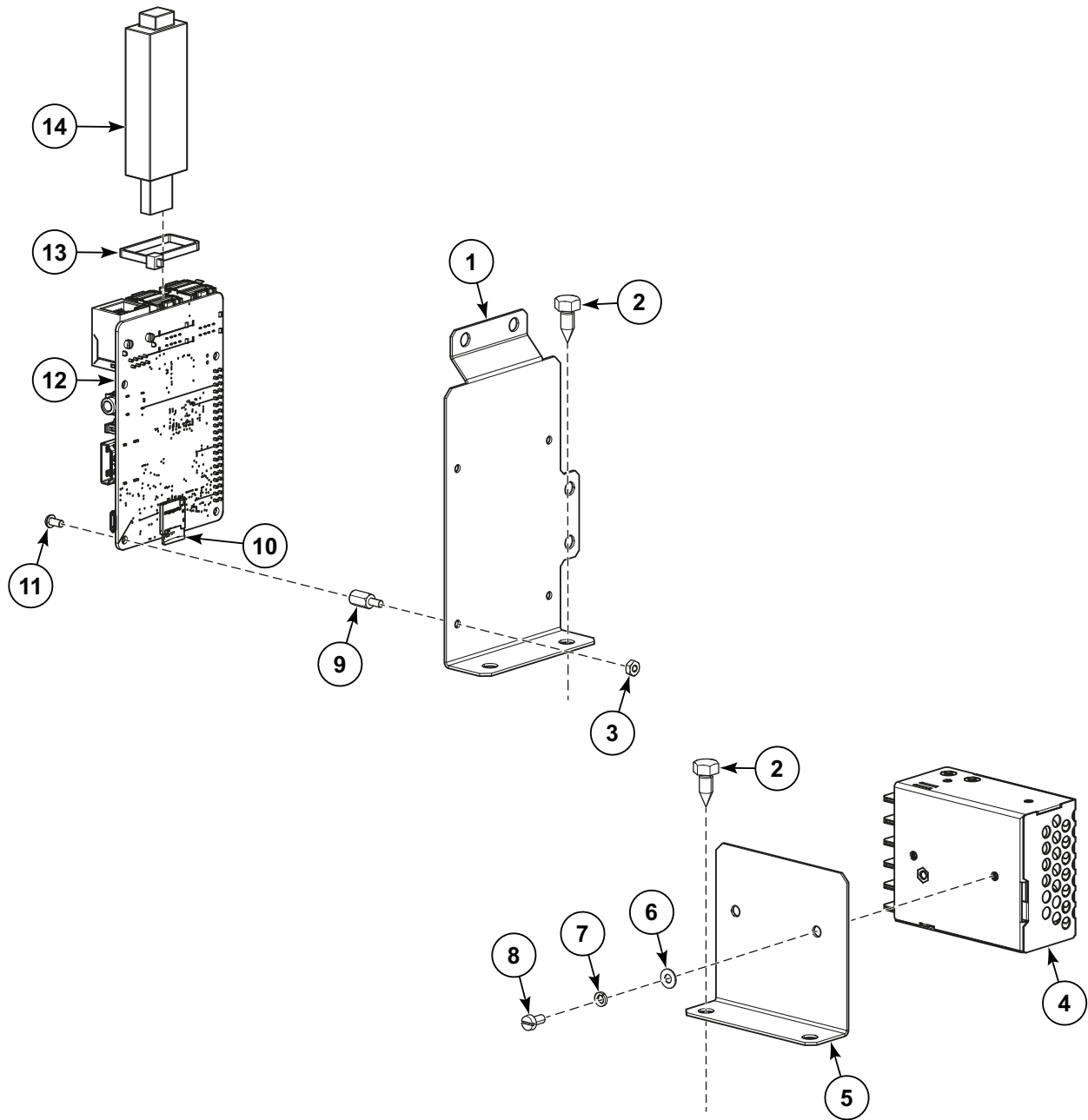


TMB3336P\_D2442

# Humidity Sensor

REF	PART NO.	DESCRIPTION	COMMENTS
	SP532002	Dust Cap Humidity Sensor	
	SP518562	Humidity Sensor Assembly	Includes items 1-6
1	SP309084000306	Bolt	
2	SP311679800003	Washer	
3	SP309798500306	Screw	
4	SP313250004075	Rivet	
5	SP518563	Sensor Holder	
6	SP102456	Humidity Sensor	

# WiFi Connection

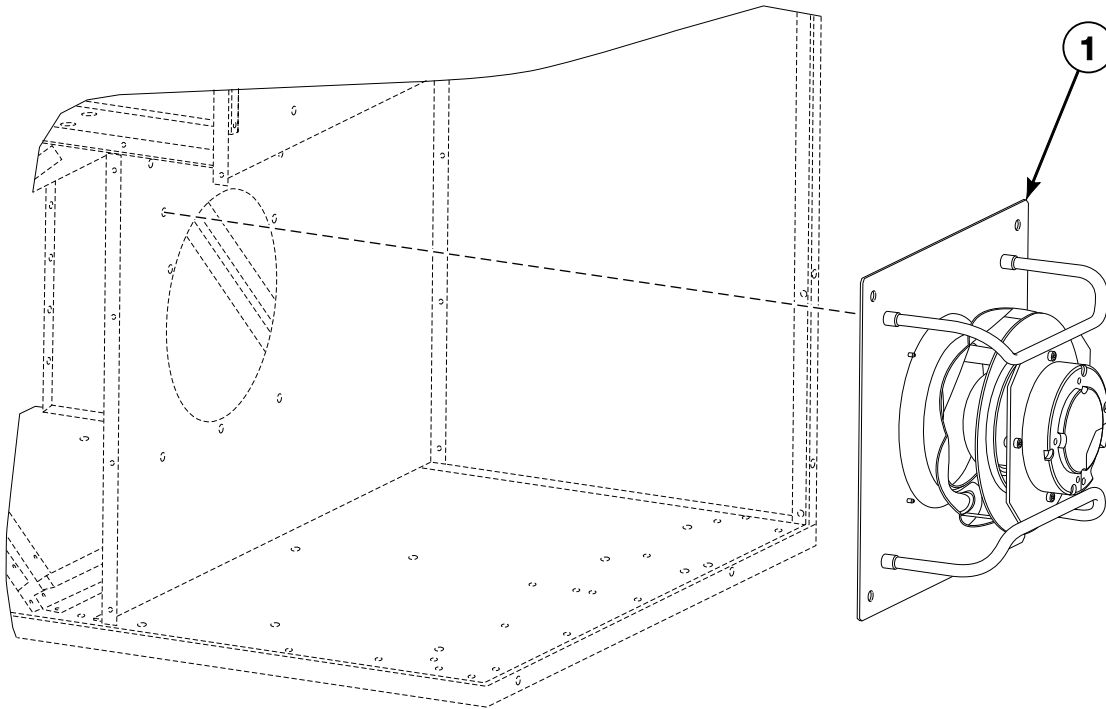


CZT446P\_D2442

## WiFi Connection

REF	PART NO.	DESCRIPTION	COMMENTS
	573395	WiFi Service kit	Includes items 1-14, items 575872, 575873, 575866 and Flash Memory with Firmware
	575872	Power Supply Cable	
	575873	WiFi Cable	
	575866	Power Supply Harness	Micro USB-B
<b>1</b>	573393	Control Board Holder	
<b>2</b>	SP100218	Screw	ST4.8x13
<b>3</b>	573392	Nut	M2.5
<b>4</b>	575864	Power Supply	
<b>5</b>	573394	Power Supply Holder	
<b>6</b>	SP311125000003	Washer	M3
<b>7</b>	SP311127000003	Washer	M3
<b>8</b>	SP309084000306	Bolt	M3x6
<b>9</b>	573390	Spacer	M2.5x8
<b>10</b>	553442	MicroSD Card	16GB
<b>11</b>	573391	Bolt	M2.5x5
<b>12</b>	553440	Control Board	
<b>13</b>	SP345000626088	Binding Strip	
<b>14</b>	529102	Converter	USB RS485 - Nano

# Ventilator - Heat Pump Models



TMB3354P\_D2442

## Ventilator - Heat Pump Models

REF	PART NO.	DESCRIPTION	COMMENTS
	SP534930	Temperature Sensor	
1	SP552675	Ventilator	





# Parts Index

## A

Access Cover	
SP530796 .....	11, 13
SP557136 .....	11
Adhesive	
SP245704003021 .....	19, 21
Adjustable Foot	
SPPRI504000001 .....	11, 15
Autotransformer	
SP552201 .....	47
SP552248 .....	47, 49, 51

## B

Back Seal	
SP527801 .....	11, 13
579537 .....	11, 13
Base	
SP541489 .....	35
Bearing	
SP326000600300 .....	43
SP514005 .....	43
SP514007 .....	43
Bearing Bracket	
SP512366 .....	43
Bearing Flange	
SP514483 .....	43
Belt	
SP515257 .....	43
SP518647 .....	43
Binding Strip	
SP345000626088 .....	59
Blank Plate Kit	
SP102019 .....	25
Bolt	
SPPRI202001001 .....	25, 31
SP309084000306 .....	57, 59
SP309084000410 .....	47, 49, 51
SP309084000412 .....	37, 39
SP309084000416 .....	33
SP309084000420 .....	37
SP309798500306 .....	9, 55
SP309798524408 .....	27, 55
SP309933000416 .....	11, 13
SP309933000516 .....	25, 41
SP309933000616 .....	23, 39, 43
SP309933000625 .....	35, 45
SP309933000630 .....	11, 13
SP309933001025 .....	43
SP309933001050 .....	43
SP309933001120 .....	43
SP309933100625 .....	37, 55
SP309933240412 .....	5, 9, 11, 13
SP309966240410 .....	5
SP506012 .....	33, 39
SP510954 .....	45
SP515075 .....	5, 21
SP516623 .....	53
SP516693 .....	11, 15
SP518556 .....	43

SP518623 .....	53, 55
SP518719 .....	11, 15
SP524367 .....	19, 21
SP525028 .....	17
SP525101 .....	19, 21
SP533726 .....	35
SP534908 .....	41
SP537864 .....	33
SP545529 .....	11, 15
573391 .....	59

Box	
SP556044 .....	37
Box Assembly	
SP556043 .....	37
Bracket	
SP541436 .....	35
Burner Tube	
SP552515 .....	25, 27
Bushing	
SP101405 .....	33, 45
SP101406 .....	33, 37, 39
SP101408 .....	33, 37
SP273121011001 .....	11, 13
SP273121013002 .....	11, 13

## C

Cabinet	
SP552660 .....	33
Cable Grommet	
PRI501000069 .....	55
Chain	
SP521266 .....	7
Clamp	
SP346000280101 .....	51
SP529013 .....	41
Clip	
SP502214 .....	37
Clutch	
SP520805 .....	53
Coil	
SP516717 .....	31
Coin Vault	
SP321848140028 .....	11, 13
573350 .....	11, 13
Coin Vault Assembly	
573370 .....	11, 13
Coin Vault Cover	
SP515291 .....	5
Coin Vault Frame	
SP501514 .....	5
Coin Vault Frame Bracket	
SP524394 .....	5
Connector	
345000180901 .....	25
Contact	
345000160645 .....	25
Contact	
569856 .....	47, 49, 51
569857 .....	47, 49

N/A items do not appear in index.



Fan Assembly	
SP541496 .....	33
Fan Cover	
SP541484 .....	33
Fan Holder	
SP541495 .....	33
Fan Housing Weldment	
575503 .....	45
Fan Motor	
SP523622 .....	45
SP523625 .....	45
Filling Hose Pipe	
SPPRI505000054 .....	39
SP101621 .....	39
Filter	
SP512324 .....	11, 15
SP519027 .....	31
SP552251 .....	37
Filter Assembly	
SP560162 .....	11
Filter Panel Assembly	
SP530630 .....	7
SP530631 .....	7
SP530633 .....	7
SP530634 .....	7
SP555961 .....	7
SP555962 .....	7
SP559827 .....	7
SP559828 .....	7
Fine Filter	
SP560160 .....	11
Fixation Ring	
579515 .....	21
580339 .....	21
Flame Detection Cable	
SP516057 .....	25
Flange	
SP102018 .....	25
SP514062 .....	25
Flange Bearing Body	
SP514011 .....	43
SP514012 .....	43
Flap Assembly	
SP534902 .....	41
Flap Stop	
SP534900 .....	41
Frequency Inverter	
SP557962 .....	51
571478 .....	37
Front Panel Assembly	
SP530620 .....	5
SP530621 .....	5
SP530622 .....	5
SP530623 .....	5
SP545542 .....	5
SP545543 .....	5
SP555996 .....	5
SP555997 .....	5
SP555998 .....	5
SP559831 .....	5
SP559832 .....	5
SP559833 .....	5
Front Seal	
SP518505 .....	11, 13

Fuse	
SPPRI401001021 .....	47, 49, 51
SPPRI401020021 .....	51
SP345805005020 .....	47, 49, 51
SP345805163032 .....	51
SP358251506220 .....	47, 49
SP514133 .....	47, 49, 51
SP557786 .....	23
Fuse Case	
SP346000004010 .....	47, 49, 51
Fuse Housing	
552482 .....	47, 49, 51
Fuse Isolator	
SP358251601312 .....	47, 49

---

## G

Gas Heater Box	
SP512130 .....	25
569440 .....	27
Gas Valve	
SP102000 .....	25
SP520281 .....	25
572351 .....	27
Gas Valve Cable	
SP357500459412 .....	25
Gas Valve Wiring	
520098 .....	25
Gasket	
SP101275 .....	9
Glue	
SP534969 .....	19, 21

---

## H

Handle	
579513 .....	21
579514 .....	21
Heat Pump	
SP556082 .....	33
SP556083 .....	33
SP556084 .....	33
SP556085 .....	33
SP556090 .....	33
SP556091 .....	33
SP556092 .....	33
SP556093 .....	33
SP556659 .....	33
SP556660 .....	33
SP556663 .....	33
SP556664 .....	33
Heater	
581425 .....	55
Heater Box	
SP528941 .....	23
Heater Cover	
581434 .....	55
Heating Element	
SP510984 .....	23
SP510985 .....	23
Heating Element Bracket	
SP527900 .....	23

N/A items do not appear in index.

Holder	
569446 .....	27
571880 .....	27
571884 .....	27
Hose	
SPPRI540000014 .....	39
SP273030000502 .....	55
SP273454410020 .....	25
SP319300006001 .....	55
Hose Clamp	
SPPRI240000002 .....	39
Hose Pipe	
SP101745 .....	39
Humidity Sensor	
SP102456 .....	57
Humidity Sensor Assembly	
SP518562 .....	57
Humidity Sensor Cover	
SP551869 .....	33

## I

Ignition Cable	
SP516060 .....	25
571487 .....	27
Ignition Electrode	
575643 .....	25, 27
Ignition Unit	
SP357456010080 .....	25
Inlet Nozzle	
SP520950 .....	45
Insulation	
SP552666 .....	39
Interconnection	
SP346000280402 .....	51
Isolation Plate	
SP101154 .....	11, 15, 53

## K

Key	
SP505449 .....	43

## L

Latch	
SP514530 .....	5, 19, 21
Lath	
SP524582 .....	19, 21
SP556553 .....	19
SP559706 .....	19, 21
Lock	
SPPRI610000007 .....	7, 9
SP521221 .....	7
Lock Hook	
SPPRI610001007 .....	7, 9
SP534645 .....	11, 13
Lower Door Hinge	
SP525104 .....	19, 21
SP556554 .....	19
SP559704 .....	19, 21

N/A items do not appear in index.

Lower Rear Cover	
SP530799 .....	13

## M

Magnet	
564203 .....	19, 21
Main Switch	
SPPRI404000097 .....	11, 13
SPPRI404000099 .....	13
Main Switch Knob	
SPPRI404000095 .....	11, 13
Mechanical Interlock Unit	
569858 .....	47, 51
Mechanical interlock Unit	
569858 .....	49
Memory	
SP526001 .....	9
102471 .....	9
102472 .....	9
545269 .....	9
545270 .....	9
572334 .....	9
572335 .....	9
MicroSD Card	
553442 .....	59
Microswitch	
SPPRI610011077 .....	11, 15
SPPRI610028017 .....	53
SP506045 .....	11, 15
SP517484 .....	11, 15
Microswitch Bracket	
SP520803 .....	53
Microswitch Lever Assembly	
SP517441 .....	53
Motor	
SP523724 .....	43
SP523725 .....	43
Motor Bracket	
SP515418 .....	43
SP518517 .....	43
Motor Pulley	
SP527723 .....	43
SP528922 .....	43
SP530720 .....	43
SP530721 .....	43

## N

Nozzle	
SP512067 .....	25
SP556922 .....	39
Nozzle Adapter	
SP556916 .....	39
Nozzle Bracket Assembly	
SP556919 .....	39
Nozzle Fitting Adapter	
SP556915 .....	39
Nozzle Holder Assembly	
SP556920 .....	39
Nut	
SPPRI610005007 .....	9
SPPRI610006007 .....	9

SP101415 .....	33, 45
SP101416 .....	33, 37, 39
SP101418 .....	33, 37
SP235119001815 .....	53
SP310934000006 .....	27, 35
SP310934000010 .....	11, 15, 17, 43
SP310934000020 .....	35
SP310934100006 .....	37, 55
SP310934240004 .....	19, 21
SP310934240005 .....	25, 27, 31
SP310985000006 .....	11, 13, 43
SP310985000010 .....	43
SP310985000012 .....	43
SP514193 .....	9, 11, 13, 21
SP534929 .....	41
SP545530 .....	11, 15
573392 .....	59

## O

### Orifice

517222 .....	25, 29
517223 .....	25, 29
517224 .....	29
517225 .....	25, 29
517226 .....	25, 29
517227 .....	25, 29
517241 .....	25, 29
517243 .....	25, 29
517245 .....	25, 29
517246 .....	25, 29
517250 .....	25, 29
517251 .....	25, 29
517252 .....	25, 29
517253 .....	25, 29
517257 .....	25, 29
517258 .....	25, 29
517327 .....	25, 29
517328 .....	25, 29
517329 .....	25, 29
517330 .....	25, 29
517331 .....	25, 29
517337 .....	25, 29
520236 .....	25, 29
520237 .....	25, 29
520399 .....	25, 29
525465 .....	29
525466 .....	25, 29
530819 .....	25, 29
530820 .....	25, 29
575530 .....	29

### Outer Door Gasket

SP519933 .....	19, 21
----------------	--------

### Overlay

SP556100 .....	9
SP559863 .....	9
SP559864 .....	9

## P

### Pin Insertion

SP520408 .....	7
----------------	---

### Plastic Layer Holder

580337 .....	21
--------------	----

## Plug

SPPRI505000064 .....	45
SP273127001798 .....	41
SP345900025012 .....	7
SP520297 .....	23
SP534904 .....	41

## Power Supply

575864 .....	59
--------------	----

## Power Supply Cable

575872 .....	59
--------------	----

## Power Supply Harness

575866 .....	59
--------------	----

## Power Supply Holder

573394 .....	59
--------------	----

## R

### Reinforcement Bracket

SP512365 .....	43
----------------	----

### Relay

SP514057 .....	47, 51
SP514134 .....	51

### Relay Case

SP506586 .....	47, 51
----------------	--------

### Resistance Bleeder

SP520195 .....	51
----------------	----

### Retaining Ring

SP515517 .....	43
----------------	----

### Rinsing System Bracket

SP556954 .....	39
----------------	----

### Rivet

SP313250004063 .....	55
SP313250004075 .....	57

### Rod

SP517486 .....	11, 13
----------------	--------

## S

### Safety Thermostat

SP514016 .....	45
SP514127 .....	23, 25, 27, 31
SP527728 .....	55

### Screw

SP100218 .....	11, 13, 25, 27, 41, 45, 59
SP309798100313 .....	23
SP309798500306 .....	45, 57
SP517238 .....	25, 27, 31, 55
SP520407 .....	7
SP520871 .....	53
SP529206 .....	35
572361 .....	27

### Sensor Holder

SP518563 .....	57
----------------	----

### Shim

SP529082 .....	9
----------------	---

### Side Panel

SP541424 .....	33
SP541425 .....	33
SP556005 .....	33
SP556007 .....	33
SP556649 .....	33
SP556650 .....	33

N/A items do not appear in index.

Sliding Board	
SP514480 .....	43
Spacer	
SP515521 .....	43
SP520940 .....	45
573390 .....	59
Spring	
SPPRI611000009.....	11, 13
Steam Exchanger	
SP530409 .....	31
Steam Filter	
SP405054057006 .....	31
Steam Valve	
SP516718 .....	31
Steam Valve Body	
SP514166 .....	31
Stirrup	
577644 .....	27
Stop End	
SP520808 .....	53
Stop Pin	
SP520201 .....	19, 21
Support Plate	
SP515514 .....	43
Switch	
SP100388 .....	11, 13
Switch Holder	
575488 .....	55
Switch Panel	
SP520890 .....	13
SP520891 .....	11
Switching Unit	
SP528312 .....	9
Swivel Wheel Assembly	
SP541494 .....	35
SP551864 .....	35

## T

Temperature Sensor	
SP516092 .....	23, 25, 27
SP534930 .....	45, 61
Temperature Sensor Seal	
SP526439 .....	55
Tension Assembly	
SP514479 .....	43
SP528928 .....	43
Tension Rod	
SP534704 .....	43
Thermostat Bracket	
SP520227 .....	31
SP541457 .....	35
Time Relay	
581723 .....	39
Transformer	
SP514021 .....	47, 49, 51
SP516648 .....	51
Tube	
SP144151508341 .....	41
SP314G00017524 .....	31
SP512142 .....	25
SP517236 .....	31
SP534914 .....	41

N/A items do not appear in index.

571881 .....	27
571928 .....	27

Tube Insert	
SPX01140400514.....	31

## U

Underpressure Clutch Assembly	
SP520870.....	53
Upper Cover	
SP534602.....	11, 13
SP557135.....	11
Upper Door Hinge	
SP525105.....	19, 21
SP556555.....	19
SP559705.....	19, 21
Upper Rear Cover	
SP530798.....	13
569441 .....	13

## V

Valve	
SP556959.....	39
Valve Bracket	
SP512144.....	25
Valve Bracket Assembly	
SP556946.....	39
Valve Cover Assembly	
SP556947.....	39
Ventilator	
SP520945.....	45
SP552675.....	61

## W

Washer	
SPPRI522000012.....	7, 9
SP311125000003 .....	11, 15, 25, 53, 55, 59
SP311125000004 .....	5, 9, 11, 13, 27, 33, 37, 39, 47, 49, 51
SP311125000005 .....	25, 31
SP311125000006 .....	23, 27, 35, 39, 43
SP311125000010 .....	11, 15, 17, 43
SP311125000013 .....	43
SP311125100006 .....	37
SP311125240004 .....	55
SP311125240006 .....	55
SP311127000003 .....	11, 15, 59
SP311127000004 .....	5, 11, 13, 27, 33, 37, 39
SP311127000005 .....	25, 31
SP311127000006 .....	23, 27, 39
SP311127000010 .....	43
SP311127240004 .....	55
SP311679800003 .....	9, 57
SP311679800004 .....	37
SP311679824006 .....	35, 37
SP311902100006 .....	33, 43, 45, 55
SP311902100008 .....	45
SP311902100010 .....	43
SP311902100012 .....	43
SP510697.....	17
SP512233.....	17

SP514906 .....	5
SP516669 .....	23, 25, 27, 41
SP524366 .....	5
SP545531 .....	11, 15
WiFi Cable	
575873 .....	59
WiFi Service kit	
573395 .....	59

---

